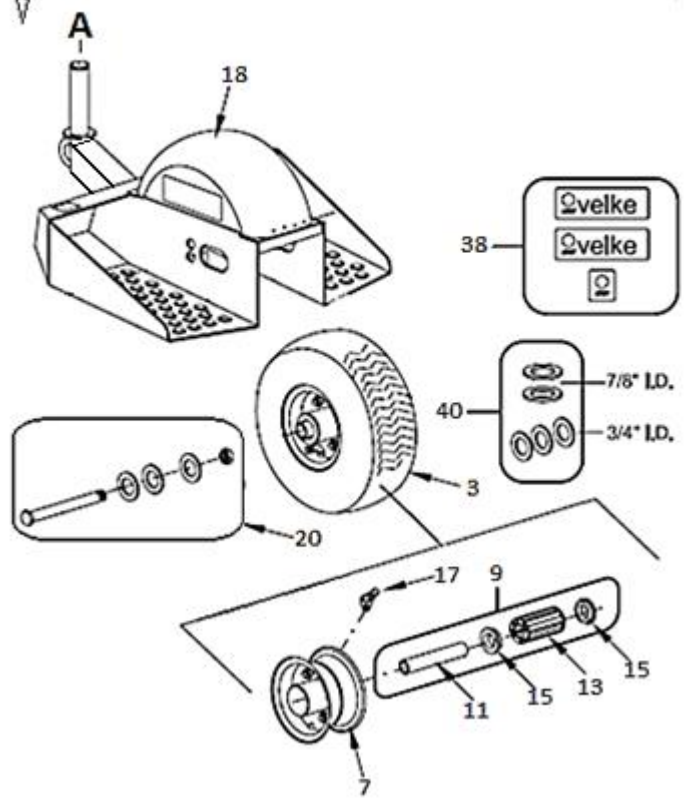


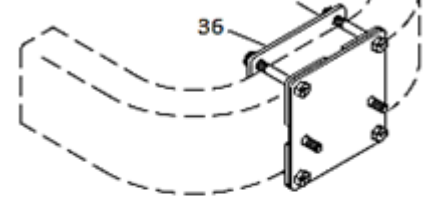
# VELKE™ PRO1 & X2 PARTS DIAGRAM

## 1-PRO 1



## ADAPTERS

### JOHN DEERE HYDRO HITCH MOUNT KIT

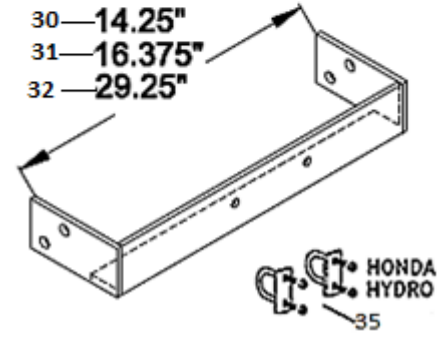


### SNAPPER

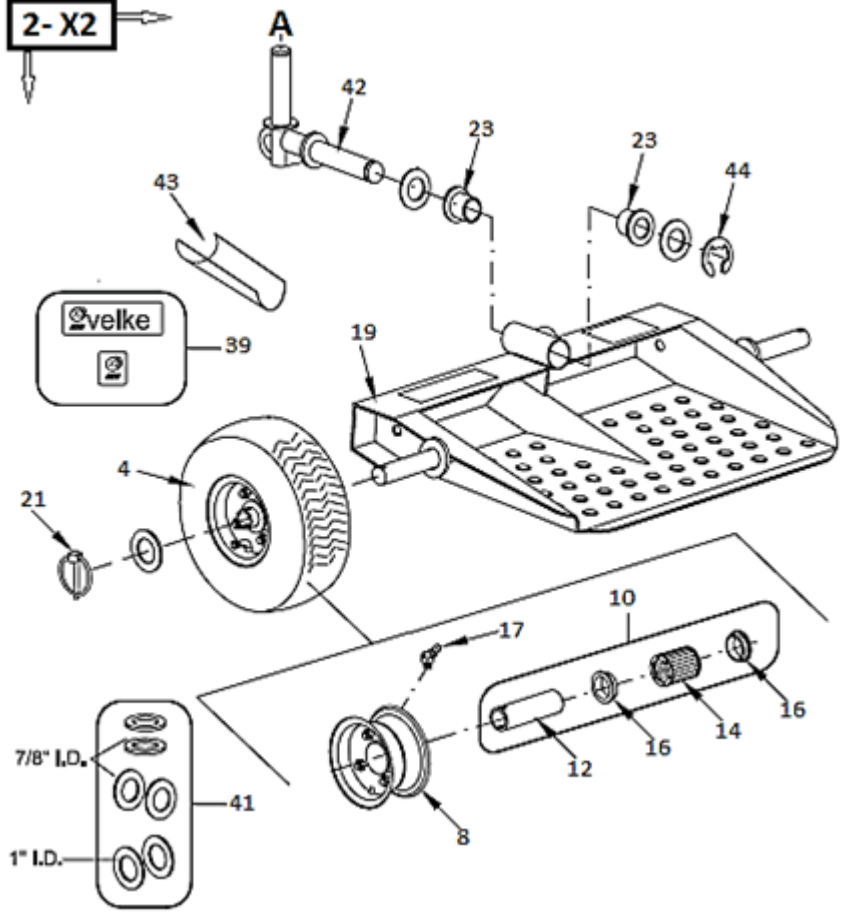
- 33 — 20.25"
- 34 — 27.25"

### FERRIS

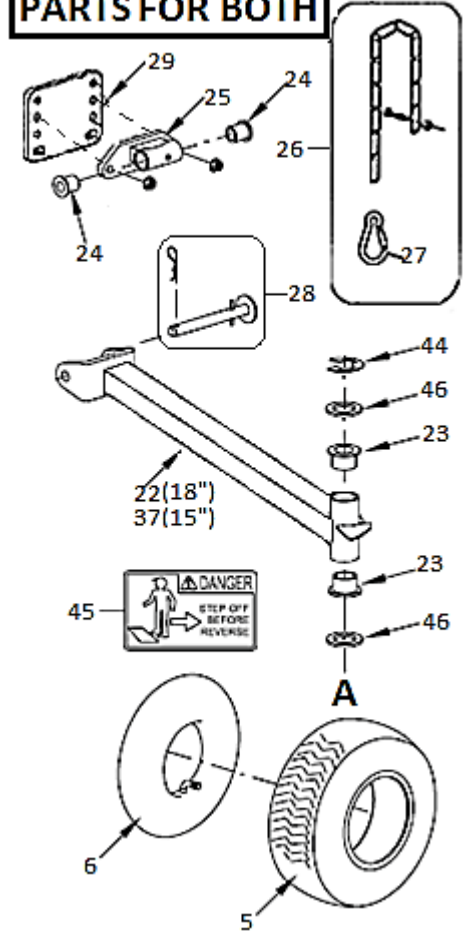
- 30 — 14.25"
- 31 — 16.375"
- 32 — 29.25"



## 2-X2



## PARTS FOR BOTH



# Velke™ Sulky: PRO1 & X2 Parts List

Pro1	X2	PART#	Color Code: R=red, SC=orange, B=black DESCRIPTION
1		VK200-2(R,SC,B)	VELKE SULKY, PRO 1 w/18" square tube arm [specify R,SC,B]
1		VK200-2(R,B)-15	VELKE SULKY, PRO 1 w/15" square tube arm [specify R,B]
1		VK200-2WV	VELKE SULKY, PRO 1 for Wright Velke Mower [adapt. & chain kit n/inc.]
	2	VKX2-3(R,SC,B)	VELKE SULKY, X2 w/18" square tube arm [specify R,SC,B]
	2	VKX2-3(R,B)-15	VELKE SULKY, X2 w/15" square tube arm [specify R,B]
	2	VKX2-3WV	VELKE SULKY, X2 for Wright Velke Mower [adapt. & chain kit n/inc.]
3		VKWHEEL	Wheel Assy., w/ centered hub & spanner 9x3.50-4
	4	VKXWHEEL	Wheel Assy., w/ offset hub & spanner 9x3.50-4
	4	72310001(VKXWHEEL 11")	Wheel Assy., w/ offset hub & spanner 4.10x3.50-4 (X2 only)
5		VKTIRE	9x3.50-4 Ply Turf Tread Tire
	5	72320001(VKXTIRE 11")	4.10x3.50-4 Ply Turf Tread Tire (X2 only)
6	6	VKTUBE	9x3.50 Tube for VKTIRE
	6	72320002 (VKXTUBE 11")	4.10x3.50 Tube for 11" VKXTIRE (X2 only)
7		VKRIM/HUB	4" x 2.25" 3 Piece Rim/Centered Hub Assy. (w/o bearings)
	8	VKXRIM/HUB	4" x 2.25" 3 Piece Rim/Offset Hub Assy. (w/o bearings) 9"&11"tire
9		VKBRGKIT	Bearing Kit PRO 1 (w/Roller Bearing, Retainers & Spanner)
	10	VKXBRGKIT	Bearing Kit X2 (w/Roller Bearing, Retainers & Spanner)
11		VKSPNNR	Spanner, 3/4" O.D.
	12	VKXSPNNR	Spanner, 1" O.D.
13		VKRLBRG	Roller Bearing, 3/4" I.D.
	14	VKXRLBRG	Roller Bearing, 1" I.D.
15		VKBRGRTNR	Bearing Retainer, 3/4" I.D. (2 required)
	16	VKXBRGRTNR	Bearing Retainer, 1" I.D. (2 required)
17	17	VKWHLZERK	Grease Fitting For VKWHEEL & VKXWHEEL
18		VKPLAT2-2(R,SC,B,WV)	Foot Platform PRO 1 (w/decals) [specify R,SC,B,WV]
	19	VKXPLAT2-2(R,SC,B,WV)	Foot Platform X2 (w/decals, bushings, zerk) [specify R,SC,B,WV]
20		VKAXLE2-2	Axle Bolt (w/spacers and self-locking nut)
	21	15990029	Linch Pin for X2 axle
22	22	VKARM2-2(R,SC,B)	Arm, 18" square tube (w/ bushings & grease fitting) [specify R,SC,B]
	22	VKARM2-2WV	Arm, 18" square tube (w/ bushings & grease fitting) for Wright Velke Mower with deployment latch
23	23	14990001	Bronze Bushing pivot(s) (PRO1 req. 2; X2 req. 4)
24	24	14990002	Bronze Bushing for hitch (2 required)
25	25	VKHITCH2-2-BLK	Hitch (w/ bushings & grease fitting) [Black]
26	26	VELKIT2-2	Snap & Chain Kit (includes chain, snap, nut, bolt)
27	27	VSNAP	Spring Snap for chain
28	28	VKPIN2-2	Clevis pin for hitch, w/ hair pin & roll pin
29	29	81290001	Adapter plate for hitch height adjustment
30	30	VK-ADPT-FE	14.25" Adapter to mount VELKE to Ferris Hydro Walk (NOT for FW models)
31	31	VK-ADPT-FE16	16.375" Adapter to mount VELKE to Ferris Walk behinds (NOT for FW models)
32	32	VK-ADPT-FE29	29.25" Adapter to mount VELKE to Ferris Walk behinds (NOT for FW models)
33	33	VK-ADPT-SN-20	20.25" Adapter to mount VELKE to Snapper SW20
34	34	VK-ADPT-SN-27	27.25" Adapter to mount VELKE to Snapper SW30
35	35	VK-ADPT-HN	U-Bolt kit for attaching VELKE to Honda Hydro- <b>NO LONGER AVAILABLE</b>
36	36	VK-ADPT-JD	For John Deere Hydro Walk behinds w/hydro tank in frame (must use 15" arm)
37	37	VKARM-SHORT(R,B)	Optional SHORT 15" square tube arm (w/bushings) [specify R,B]
38		VKLABEL	Decal set for VELKE PRO 1 Sulky (incl. all three)
	39	X2-VKLABEL	Decal set for VELKE X2 Sulky (incl. 2 labels)
40		VKSPCKIT	Spacer kit (includes both sizes needed, 4 total)
	41	VKXSPCKIT	Spacer kit (includes both sizes needed, 6 total)
	42	VKXPIVPIV-BLK	Intermediate Pivot (Black Only)
	43	VKXPROTEC	Protective cover (for fold-up feature)
44	44	15990010	E Clip 7/8": (PRO 1 req. 1; X2 req. 2) (Supersedes Cotter Pin)
45	45	76490060	Decal, Sulky Reverse Warning
x	x	CB4BEST	4-Color Sales Flyer, "Four best workers..."
x	x		COMMON: Other common hardware should be purchased locally. All bolts must be grade 5.

Wright Manufacturing Inc. 4600X Wedgewood Blvd., Frederick, Maryland, 21703 U.S.A. – phone 301-360-9810 - fax 301-360-9820

© 1991-2013 Wright Manufacturing, Inc. All Rights Reserved Velke, Velke Pro1, Velke X2 are trademarks of Wright Manufacturing Inc.