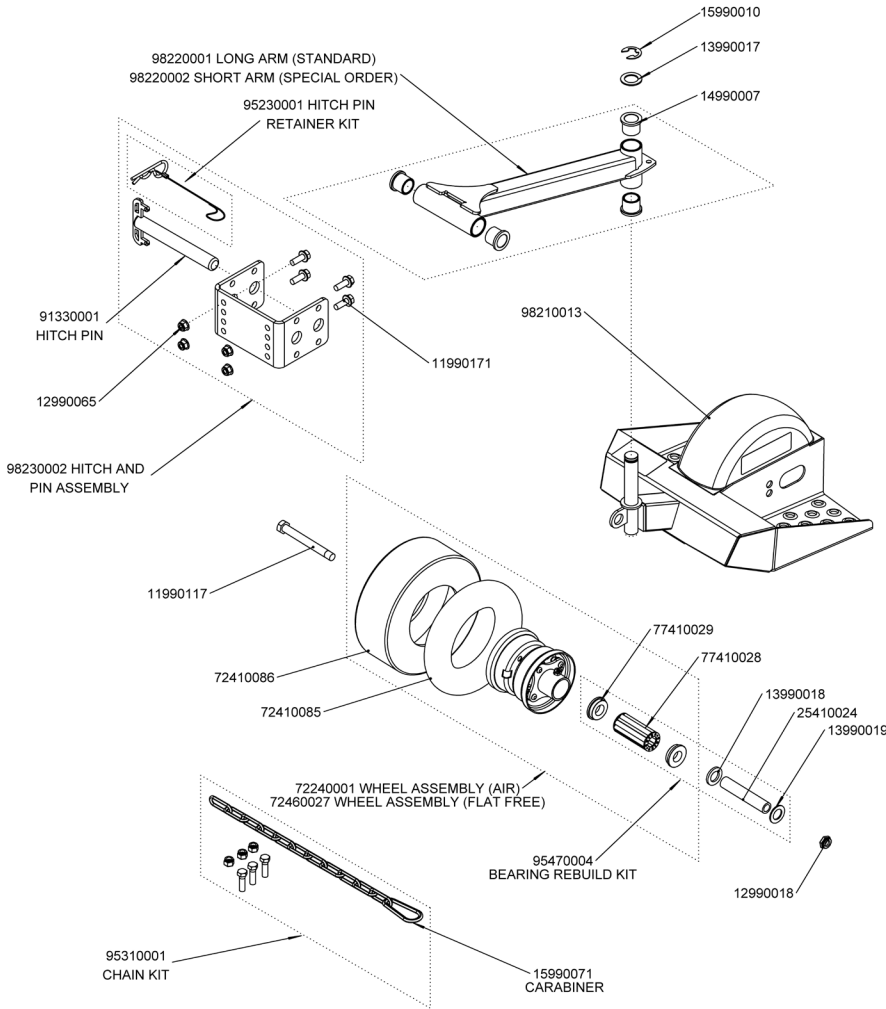


Thank you for purchasing a Wright Velke

Please write or call us if you would like to receive product update information or if you have any questions about its use or installation. We're here to give you 100% satisfaction. Our local Velke dealers are authorized to service and sell our product in your area. Please give them your support.



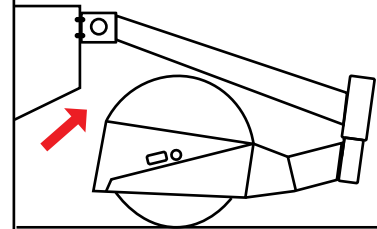
Before Fitment

Grease wheel bearings. Immediate bearing failure will occur without doing so.

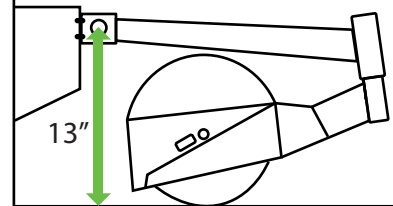
Fitment:

Hitch Too High

The Velke may be run over by the mower when backing up on uneven ground.

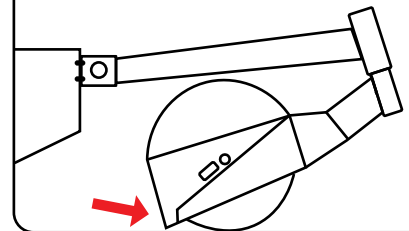


Hitch Height 13" From Pin



Hitch Too Low

The rear of the platform could contact the ground possibly causing turf damage.



Safety - Read Before Use

1. Do not use the Velke Sulky until you are completely familiar with the operation of the particular mower that it is attached to.
2. Make sure all safety equipment provided with the mower is in operating order. Inspect worksite for hazards before using.
3. Wear thick-soled, high-top work boots.
4. Do not attempt to operate the mower in reverse gear while standing on the Velke sulky.
5. Operate the mower at slower speeds until you become familiar with how the Velke sulky handles.
6. Do not operate the mower faster than you could walk comfortably.
7. Never use any mower near people in case you lose control or objects are thrown from the mower.
8. Do not allow inexperienced people to use the Velke until they have read and understand this sheet, and have significant experience walking behind a commercial mower.
9. Do not use the Velke sulky if any parts become loose. Inspect each time you use it. Look for loose or missing bolts, cotter or hair pins and replace immediately.
10. Inspect worksite for hazardous objects that could be ejected from the mower deck.

