

SCAG[®]

POWER EQUIPMENT

OPERATOR'S MANUAL

SW Walk-Behind

Model: SW32-15KAI
SW36A-15KH
SW36A-16KAI
SW36A-17KAI
SW48V-15KH
SW48V-16KAI
SW52V-17KAI



Congratulations on owning a Scag mower! This manual contains the operating instructions and safety information for your Scag mower. Reading this manual can provide you with assistance in maintenance and adjustment procedures to keep your mower performing to maximum efficiency. The specific models that this book covers are listed on the inside cover. Before operating your machine, please read all the information enclosed.



WARNING

FAILURE TO FOLLOW SAFE OPERATING PRACTICES MAY RESULT IN SERIOUS INJURY OR DEATH.

- Read this manual completely as well as other manuals that came with your mower.
- ALWAYS FOLLOW OSHA APPROVED OPERATION.
- DO NOT operate on steep slopes.
- Always travel across slopes.
- DO NOT mow on wet grass. Wet grass reduces traction and steering control.
- Keep all shields in place, especially the grass discharge chute.
- Before performing any maintenance or service, stop the machine and remove the spark plug wire and ignition key.
- If a mechanism becomes clogged, stop the engine before cleaning.
- Keep hands, feet and clothing away from power-driven parts.
- Keep others off the mower (only one person at a time)

REMEMBER - YOUR MOWER IS ONLY AS SAFE AS THE OPERATOR!

HAZARD CONTROL AND ACCIDENT PREVENTION ARE DEPENDENT UPON THE AWARENESS, CONCERN, PRUDENCE, AND PROPER TRAINING OF THE PERSONNEL INVOLVED IN THE OPERATION, TRANSPORT, MAINTENANCE, AND STORAGE OF THE EQUIPMENT.

This manual covers the operating instructions and illustrated parts list for:

SW32-15KAI	with a serial number of	D5700001 to D5799999
SW36A-15KH	with a serial number of	D5800001 to D5899999
SW36A-16KAI	with a serial number of	D5900001 to D5999999
SW36A-17KAI	with a serial number of	E5900001 to E5999999
SW48V-15KH	with a serial number of	D6000001 to D6099999
SW48V-16KAI	with a serial number of	D6100001 to D6199999
SW52V-17KAI	with a serial number of	D6200001 to D6299999

Always use the entire serial number listed on the serial number tag when referring to this product.

Table of Contents

SECTION 1 - GENERAL INFORMATION	1
1.1 INTRODUCTION.....	1
1.2 DIRECTION REFERENCE	1
1.3 SERVICING THE ENGINE AND DRIVE TRAIN COMPONENTS.....	1
1.4 SYMBOLS	2
SECTION 2 - SAFETY INFORMATION	3
2.1 INTRODUCTION.....	3
2.2 SIGNAL WORDS	3
2.3 BEFORE OPERATION CONSIDERATIONS.....	3
2.4 OPERATION CONSIDERATIONS.....	4
2.5 MAINTENANCE CONSIDERATIONS & STORAGE	5
2.6 USING A SPARK ARRESTOR.....	6
2.7 SAFETY AND INSTRUCTIONAL DECALS.....	7
SECTION 3 - SPECIFICATIONS	8
3.1 ENGINE	8
3.2 ELECTRICAL	8
3.3 ENGINE DECK	8
3.4 CUTTER DECK	8
3.5 WEIGHTS AND DIMENSIONS.....	9
3.6 PRODUCTIVITY	9
SECTION 4 - OPERATING INSTRUCTIONS	10
4.1 CONTROLS AND INSTRUMENT IDENTIFICATION	10
4.2 SAFETY INTERLOCK SYSTEM.....	11
4.3 INITIAL RUN-IN PROCEDURES.....	11
4.4 STARTING THE ENGINE	11
4.5 GROUND TRAVEL AND STEERING	11
4.6 ENGAGING THE DECK DRIVE (CUTTER BLADES).....	12
4.7 HILLSIDE OPERATION.....	13
4.8 PARKING THE MOWER	13
4.9 AFTER OPERATION	13
4.10 REMOVING CLOGGED MATERIAL	14
4.11 MOVING MOWER WITH ENGINE STOPPED.....	14
4.12 RECOMMENDATIONS FOR MOWING.....	14
SECTION 5 - TROUBLESHOOTING CUTTING CONDITIONS	15

SECTION 6 - ADJUSTMENTS	18
6.1 DRIVE CONTROL ADJUSTMENTS	18
6.2 THROTTLE CONTROL AND CHOKE ADJUSTMENTS	18
6.3 CUTTER DECK BELT ADJUSTMENTS	18
6.4 BELT ALIGNMENT	19
6.5 ADJUSTING CUTTING HEIGHT	19
6.6 ELECTRIC CLUTCH ADJUSTMENT	22
SECTION 7 - MAINTENANCE	23
7.1 MAINTENANCE CHART - RECOMMENDED SERVICE INTERVALS	23
7.2 LUBRICATION	24
7.3 ENGINE OIL	26
7.4 ENGINE FUEL SYSTEM	26
7.5 ENGINE AIR CLEANER	27
7.6 CUTTER BLADES	27
7.7 TIRES	28
SECTION 8 - ILLUSTRATED PARTS LIST	29
8.1 SCAG APPROVED ATTACHMENTS AND ACCESSORIES	29
32" & 36A CUTTER DECKS	30
48V & 52V CUTTER DECKS	32
NOTES	34
CASTER ASSEMBLY	35
ENGINE DECK	36
HANDLE ASSEMBLY	38
INSTRUMENT PANEL	40
PEERLESS TRANSMISSION 700-070	41
WIRE HARNESSSES	42
REPLACEMENT DECALS AND INFORMATION PLATES	44
LIMITED WARRANTY - COMMERCIAL EQUIPMENT	Following Section 8

GENERAL INFORMATION

1.1 INTRODUCTION

Your mower was built to the highest standards in the industry. However, the prolonged life and maximum efficiency of your mower depends on you following the operating, maintenance and adjustment instructions in this manual.

If additional information or service is needed, contact your Scag Power Equipment Dealer.

We encourage you to contact your dealer for repairs. All Scag dealers are informed of the latest methods to service this equipment and provide prompt and efficient service in the field or at their service shop. They carry a full line of Scag service parts.

- IMPORTANT -

The replacement of any part on this product by other than the manufacturer's authorized replacement part may adversely affect the performance, durability or safety of this product.

Use of other than original Scag replacement parts will void the warranty.

When ordering parts, always give the model and serial number of your mower. The serial number plate is located on the frame of the machine between the engine and transmission were shown in Figure 1-1.

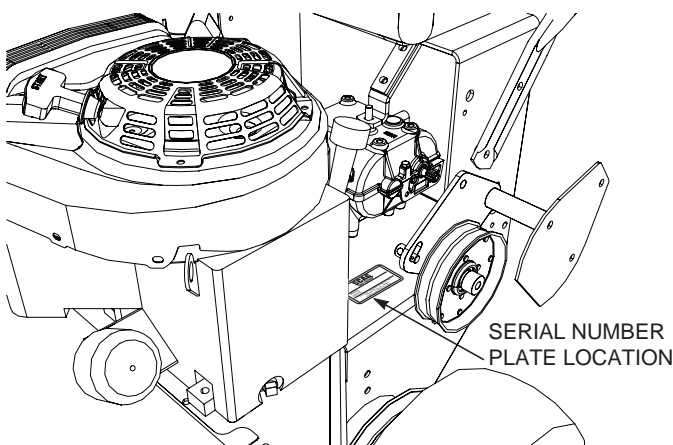


Figure 1-1. Mower Serial Number Plate Location

USE ONLY SCAG APPROVED ATTACHMENTS AND ACCESSORIES.

Attachments and accessories manufactured by companies other than Scag Power Equipment are not approved for use on this machine. See Section 8-1.

WARNING

For pictorial clarity, some illustrations and figures in this manual may show shields, guards or plates open or removed. Under no circumstances should your mower be operated without these devices in place.

All information is based upon product information available at the time of approval for printing. Scag Power Equipment reserves the right to make changes at any time without notice and without incurring any obligation.












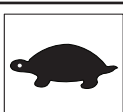




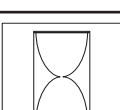

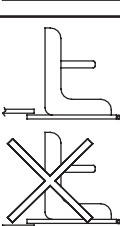



1.2 DIRECTION REFERENCE

The "Right" and "Left", "Front" and "Rear" of the machine are referenced from the operator's right and left when seated in the normal operating position and facing the forward travel direction.

1.3 SERVICING THE ENGINE AND DRIVE TRAIN COMPONENTS

The detail servicing and repair of the engine and transmission are not covered in this manual; only routine maintenance and general service instructions are provided. For service of these components during the limited warranty period, it is important to contact your Scag dealer or find a local authorized servicing agent of the component manufacturer. Any unauthorized work done on these components during the warranty period may void your warranty.

1.4 SYMBOLS

SYMBOL	DESCRIPTION	SYMBOL	DESCRIPTION
	Choke		Transmission
	Parking Brake		Spinning Blade
	On/Start		Spring Tension on Idler
	Off/Stop		Oil
	Falling Hazard		Thrown Object Hazard
	Fast		Slow
	Continuously Variable - Linear		Cutting Element - Basic Symbol
	Pinch Point		Cutting Element - Engage
	Hour meter/Elapsed Operating Hours		Cutting Element - Disengage
	STT MODELS Seat must be installed under the seat hold down bracket during installation. Failure to secure the seat under the hold down bracket could result in serious injury or death in a roll over.		CE Mark
	Thrown Object Hazard Keep Bystanders Away		Read Operator's Manual

SAFETY INFORMATION

2.1 INTRODUCTION

Your mower is only as safe as the operator. Carelessness or operator error may result in serious bodily injury or death. Hazard control and accident prevention are dependent upon the awareness, concern, prudence, and proper training of the personnel involved in the operation, transport, maintenance and storage of the equipment. Make sure every operator is properly trained and thoroughly familiar with all of the controls before operating the mower. The owner/user can prevent and is responsible for accidents or injuries occurring to themselves, other people or property.

READ THIS OPERATOR'S MANUAL BEFORE ATTEMPTING TO START YOUR MOWER.

A replacement manual is available from your authorized Scag Service Dealer or by contacting Scag Power Equipment, Service Department at P.O. Box 152, Mayville, WI 53050 or contact us via the Internet at www.scag.com. The manual for this machine can be downloaded by using the model and serial number or use the contact form to make your request. Please indicate the complete model and serial number of your Scag product when requesting replacement manuals.

2.2 SIGNAL WORDS



This symbol means **“Attention! Become Alert! Your Safety is Involved!”** The symbol is used with the following signal words to attract your attention to safety messages found on the decals on the machine and throughout this manual. The message that follows the symbol contains important information about safety. To avoid injury and possible death, carefully read the message! Be sure to fully understand the causes of possible injury or death.

SIGNAL WORD:

It is a distinctive word found on the safety decals on the machine and throughout this manual that alerts the viewer to the existence and relative degree of the hazard.

DANGER

The signal word “DANGER” denotes that an extremely hazardous situation exists on or near the machine that could result in high probability of death or irreparable injury if proper precautions are not taken.

WARNING

The signal word “WARNING” denotes that a hazard exists on or near the machine that can result in injury or death if proper precautions are not taken.

CAUTION

The signal word “CAUTION” is a reminder of safety practices on or near the machine that could result in personal injury if proper precautions are not taken.

Your safety and the safety of others depends significantly upon your knowledge and understanding of all correct operating practices and procedures of this machine.

2.3 BEFORE OPERATION CONSIDERATIONS

1. NEVER allow children to operate this mower. Do not allow adults to operate this machine without proper instructions.
2. Do not mow when children and/or others are present. Keep children out of the mowing area and in the watchful care of a responsible adult other than the operator. Be alert and turn machine off if a child enters the area.
3. DO NOT allow children to ride or play on the machine, it is not a toy.
4. Clear the area to be mowed of objects that could be picked up and thrown by the cutter blades.
5. DO NOT carry passengers.
6. DO NOT operate the machine under the influence of alcohol or drugs.

7. If the operator(s) or mechanic(s) cannot read English or Spanish, it is the owner's responsibility to explain this material to them.
8. DO NOT wear loose fitting clothing. Loose clothing, jewelry or long hair could get tangled in moving parts. Do not operate the machine wearing shorts; always wear adequate protective clothing including long pants. Wearing safety glasses, safety shoes and a helmet is advisable and is required by some local ordinances and insurance regulations.

WARNING

Always wear hearing protection. Operating this machine over prolonged periods of time can cause loss of hearing.

9. Keep the machine and attachments in good operating condition. Keep all shields and safety devices in place. If a shield, safety device or decal is defective or damaged, repair or replace it before operating the machine.

WARNING

This machine is equipped with an interlock system intended to protect the operator and others from injury. This is accomplished by preventing the engine from starting unless the deck drive is disengaged and the transmission is in neutral. The system shuts off the engine if the operator releases the operator presence levers with the deck drive engaged and/or the transmission is not in neutral. Never operate equipment with the interlock system disconnected or malfunctioning.

10. Be sure the interlock switches are functioning correctly.
11. Fuel is flammable; handle it with care. Fill the fuel tank outdoors. Never fill it indoors. Use a funnel or spout to prevent spillage. Clean up any spillage before starting the engine.
12. DO NOT add fuel to a running or hot engine. Allow the engine to cool for several minutes before adding fuel. Never fuel indoors or inside enclosed trailers.

13. Keep flammable objects (cigarettes, matches, etc.), open flames and sparks away from the fuel tank and fuel container. Use only approved containers.
14. Equipment must comply with the latest requirements per SAE J137 and/or ANSI/SAE S279 when driven on public roads.
15. Do not operate without the side discharge chute installed and in the down position or with an optional grass catcher or mulch plate completely installed.
16. Check the blade mounting bolts at frequent intervals for proper tightness.

2.4 OPERATION CONSIDERATIONS

1. Know the function of all controls and how to stop quickly.

WARNING

DO NOT operate on steep slopes. ALWAYS FOLLOW OSHA APPROVED OPERATION.

2. Reduce speed and exercise extreme caution on slopes and in sharp turns to prevent tipping or loss of control. Be especially cautious when changing directions on slopes.
3. To prevent tipping or loss of control, start and stop smoothly, avoid unnecessary turns and travel at reduced speed.
4. When using any attachment, never direct the discharge of material toward bystanders or allow anyone near the machine while in operation.
5. Start the engine when the neutral latches are in the neutral lock position, the cutter blades are disengaged, and the transmission is in neutral.
6. If the mower discharge ever plugs, shut off the engine, remove the ignition key, and wait for all movement to stop before removing the obstruction.

Section 2** WARNING**

DO NOT use your hand to dislodge the clogged discharge chute. Use a stick or other device to remove clogged material after the engine has stopped running and the blades have stopped turning.

7. Be alert for holes, rocks, roots and other hidden hazards in the terrain. Keep away from any drop-offs. Beware of overhead obstructions (low limbs, etc.), underground obstacles (sprinklers, pipes, tree roots, etc.). Cautiously enter a new area. Be alert for hidden hazards.
8. Disengage power to cutter deck before backing up. Do not mow in reverse unless absolutely necessary and then only after observation of the entire area behind the mower. If you must mow in reverse, maintain a constant lookout to the rear of the machine and mow slowly.
9. DO NOT turn sharply. Use care when backing up.
10. Disengage power to cutter deck before crossing roads, walks or gravel drives.
11. Mow only in daylight or good artificial light.
12. NEVER raise the deck with the blades engaged.
13. Take all possible precautions when leaving the machine unattended, such as disengaging the mower, stopping the engine, and removing the key.
14. Disengage power to the attachments when transporting or when not in use.
15. The machine and attachments should be stopped and inspected for damage after striking a foreign object, and damage should be repaired before restarting and operating the machine.

 CAUTION

Do not touch the engine or the muffler while the engine is running or immediately after stopping. These areas may be hot enough to cause a burn.

 DANGER

DO NOT run the engine inside a building or a confined area without proper ventilation. Exhaust fumes are hazardous and contain carbon monoxide which can cause brain injury and death.

16. Keep hands and feet away from cutter blades and moving parts. Contact can injure.
17. Transport the mower using a heavy duty trailer or truck. Insure the trailer or truck has all of the necessary lighting and markings as required by laws, codes, and ordinances. Secure a trailer with a safety chain.
18. Be cautious when loading and unloading onto trailers or trucks. Use only a full width ramp.
19. When transporting the mower, make sure the transmission is in neutral, the neutral latches are in the neutral lock position, the engine is off with the key removed, and the wheels have been blocked.
20. Tie the mower down securely using straps, chains, cable, or ropes. Both front and rear straps must be directed down and outward from machine.
21. Use care when approaching blind corners, shrubs, trees, or other objects that may obscure vision.
22. NEVER leave the machine running unattended.

2.5 MAINTENANCE CONSIDERATIONS & STORAGE

1. Never make adjustments to the machine with the engine running unless specifically instructed to do so. If the engine is running, keep hands, feet, and clothing away from moving parts.
2. Place the transmission in neutral, neutral latches in the neutral lock position, stop engine and remove key or disconnect spark plug wire to prevent accidental starting of the engine when servicing or adjusting the machine. Wait for all movement to stop before adjusting, cleaning or repairing.
3. Remove spark plug wire before making any repairs.

4. Keep all nuts, bolts and screws tight, to ensure the machine is in safe working condition. Check blade mounting bolts frequently to be sure they are tight.
5. Do not change the engine governor settings or overspeed the engine. See the engine operator's manual for information on engine settings.
6. To reduce fire hazard, keep the cutting units, drives, muffler and engine free of grass, leaves, excessive grease, oil and dirt.
7. Park the machine on level ground.
8. NEVER allow untrained personnel to service the machine.
9. Use care when checking blades. Use a Blade Buddy, wrap the blade(s) or wear gloves and USE CAUTION when servicing blades. Only replace blades. NEVER straighten or weld blades.
10. Keep all parts in good working condition. Replace all worn or damaged decals.
11. Use jack stands to support components when required.
12. Carefully release pressure from components with stored energy.
13. Let the engine cool before storing.
14. DO NOT store the machine near an open flame.
15. Shut off fuel while storing or transporting.
16. DO NOT store fuel near flames or drain indoors.

2.6 USING A SPARK ARRESTOR

The engine in this machine is not equipped with a spark arrestor muffler. It is in violation of California Public Resource Code Section 4442 to use or operate this engine on or near any forest covered, brush covered or grass covered land unless the exhaust system is equipped with a spark arrestor meeting any applicable local or state laws. Other states or federal areas may have similar laws. Check with your state or local authorities for regulations pertaining to these requirements.

Section 2

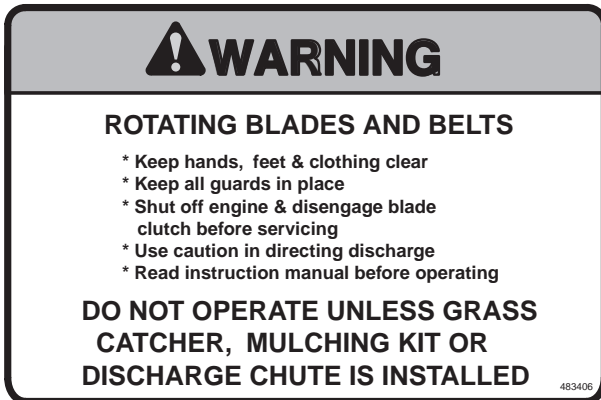
2.7 SAFETY AND INSTRUCTIONAL DECALS



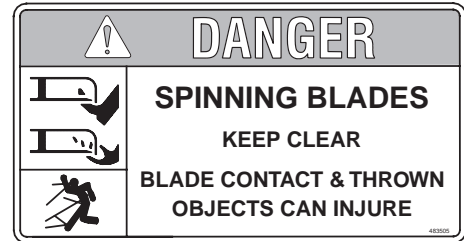
483405



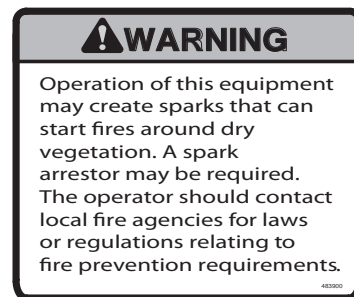
483402



483406



483505

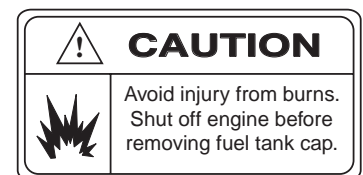


483900

(supplied with California models only)



483404



Molded in Fuel Tank

Section 3

Cutting Height Adjustment.....	Adjustment from, 1-3/4" to 4-1/4" in 1/4" increments
Cutter Blades.....	0.197 in. Thick, Milled Edge, Wear Resistant Marbain™
Blade Engagement.....	Electric Blade Engagement Clutch with Control Panel Switch Connected to the Cutter Deck through a Belt.
Discharge Opening.....	Extra Wide Discharge Opening with Spring-Loaded Discharge Chute
Discharge Chute.....	Black, Polypropylene (Plastic), Flexible
Spindles.....	Cast-Iron Housing, Tapered Roller Bearings with Top Access Grease Fitting and Grease Overfill Relief Poppet
Spindle Pulleys.....	Split Steel with Tapered Locking Hub
Cutter Deck Belts.....	B-section with Kevlar Cord. Self-Adjusting, Self-Tightening
Electric Clutch Type.....	Ogura Heavy Duty PTO Clutch Brake

3.5 WEIGHTS AND DIMENSIONS

	32 / 36A	48V	52V
Length.....	70" / 72"	76"	76"
Tracking Width.....	32" / 37"	37"	37"
Overall Width w/chute down.....	43" / 47"	60.5"	64.5"
Overall Width w/chute up.....	33" / 37"	49"	53"
Overall Height.....	40.5 / 40.5"	40.5"	40.5"
Operating Weight.....	450# / 470#	515#	535#

3.6 PRODUCTIVITY

	32 / 36	48	52
Cutting Width.....	32" / 36"	48"	52"
Acres Per Day.....	8.3 / 9.3	12.4	13.5

The preceding chart will aid you in determining how many acres your Scag mower will cut per day. The chart is an estimate based on 8 hours per day cutting time at 4 MPH with a 20% allowance for overlap and turns.

OPERATING INSTRUCTIONS

CAUTION

Do not attempt to operate this mower unless you have read this manual. Learn the location and purpose of all controls and instruments before you operate this mower.

4.1 CONTROLS AND INSTRUMENT IDENTIFICATION

Before operating the mower, familiarize yourself with all mower and engine controls. Knowing the location, function and operation of these controls is important for safe and efficient operation of the mower.

1. **Ignition Switch (Figure 4-1).** The ignition switch is used to start the engine. Turn the key to the on position before pulling the recoil starter.

2. **Mower Deck Switch (Figure 4-1).** Used to engage and disengage the mower drive system. Pulling up on the switch will engage the deck drive. Pushing down on the switch will disengage the deck drive.
3. **Engine Choke Control (Figure 4-1).** Used to start a cold engine.
4. **Engine Throttle Control (Figure 4-1).** Used to control the engine speed. Pushing the lever forward increases engine speed. Pulling the lever back decreases engine speed. Full back position is the IDLE position. Full forward is the cutting position.
5. **Left Steering / Brake Control (Figure 4-1).** Used to control the mower's left wheel when traveling forward or reverse. Pull upward to apply brake.
6. **Right Steering / Brake Control (Figure 4-1).** Used to control the mower's right wheel when traveling forward or reverse. Pull upward to apply brake.

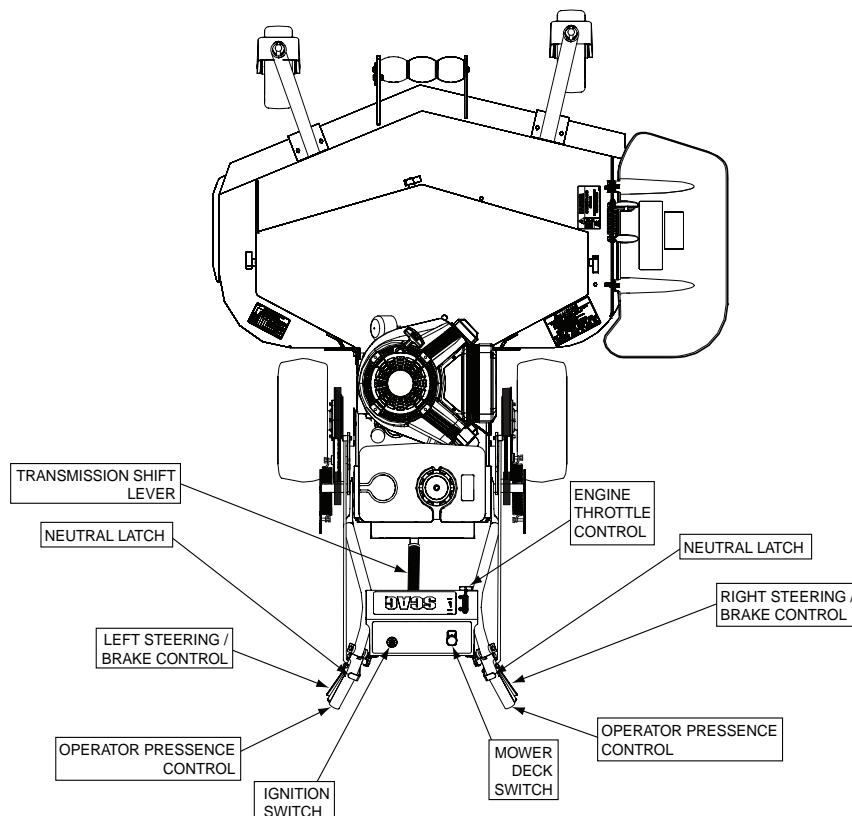


Figure 4-1. Controls and Instruments

Section 4

7. **Transmission Shift Lever (Figure 4-1).** Used to select the forward speed or selecting reverse. The machine must be at a complete stop before shifting between gears or shifting between forward and reverse.
8. **Neutral Latch (Figure 4-1).** Used to secure the belt drive system in neutral. Apply neutral latches when parking the machine.
9. **Operator Presence Control (Figure 4-1)**
The operator presence control levers must be depressed before the transmission is shifted out of neutral or engaging the mower deck.

4.2 SAFETY INTERLOCK SYSTEM

The mower is equipped with a safety interlock system that shuts off the engine if the operator releases the operator presence levers with the deck drive engaged and/or the transmission is not in neutral. Never operate equipment with the interlock system disconnected or malfunctioning..

WARNING

Never operate the mower with the interlock system disconnected or malfunctioning. Do not disengage or bypass any switch; injury to yourself and others or property damage could result.

4.3 INITIAL RUN-IN PROCEDURES

FIRST DAY OF USE OR APPROXIMATELY 20 HOURS

1. Check all belts for proper alignment and wear at 2, 4 and 8 hours.
2. Change the engine oil and oil filter after the first 20 hours of operation. (See Section 7.4.)
3. Check for loose hardware. Tighten as needed.
4. Check interlock system for proper operation. (See Section 4.2.)
5. Check tire pressure. Adjust pressure if necessary. (See Section 7.10.)

4.4 STARTING THE ENGINE

CAUTION

DO NOT USE STARTING FLUIDS. Use of starting fluids in the air intake system may be potentially explosive or cause a “runaway” engine condition that could result in engine damage and/or personal injury.

1. Be sure the fuel shutoff valve, located by the fuel tank, is completely open. (See Section 7.5.)
2. Apply the neutral latch levers
3. Shift the transmission into neutral.
4. Place the PTO switch in the disengaged position.
5. If the engine is cold, choke the engine as needed.
6. Move the engine throttle control to about half engine speed.
7. Turn the ignition key to the ON position.
8. Pull the recoil starter on the engine.
9. Allow engine to warm before operating the mower.

4.5 GROUND TRAVEL AND STEERING

- IMPORTANT -

If you are not familiar with the operation of a walk behind mower with a transmission, the steering and ground speed operations should be learned and practiced in an open area, away from buildings, fences, or obstructions.

Learn the operation on flat ground before operating on slopes.

Start practicing with a slow engine speed and slow forward travel.

Learn to feather the steering controls to obtain a smooth operating action.

Practice operating the mower until you are comfortable with the controls before proceeding to mow.

FORWARD TRAVEL

To travel forward with the mower, select the desired speed using the transmission shift lever, pull steering / brake control levers upward, release the neutral latch for both sides and slowly release both the left and right steering / brake control levers. The higher the gear selected using the transmission shift lever, the faster the machine will travel.

To stop the forward travel, pull upward on the steering / brake control levers, lock the neutral latches and shift the transmission into neutral.

To steer the mower left while traveling forward, pull upward on the left steering / brake control lever. The further the lever is pulled upward, the quicker the mower will turn left.

To steer the mower right while traveling forward, pull upward on the right steering / brake control lever. The further the lever is pulled upward, the quicker the mower will turn right.

WARNING

To avoid serious bodily injury and damage to the transmission, the machine must be at a full stop before shifting between gears or shifting between forward and reverse.

- NOTE -

Smooth operation of the steering / brake control levers will produce smooth mower operation. While learning the operation of the steering controls, keep the travel speed low.

REVERSE TRAVEL

CAUTION

Disengage power to the mower before backing up. Do not mow in reverse unless absolutely necessary and then only after observation of the entire area behind the mower.

CAUTION

Before backing up, observe the rear for persons and obstructions. Clear the area before backing up. Possible injury or property damage could occur.

To travel in reverse, select the reverse gear using the transmission shift lever, pull steering / brake control levers upward, release the neutral latch for both sides and slowly release both the left and right steering / brake control levers. Keep the travel speed low while traveling in reverse.

- NOTE -

The mower may not travel straight in reverse.

To steer left while traveling in reverse, pull upward on the left steering / brake control lever. The further the lever is pulled upward, the quicker the mower will turn left.

To steer right while traveling in reverse, pull upward on the right steering / brake control lever. The further the lever is pulled upward, the quicker the mower will turn right.

To stop the reverse travel, pull upward on the steering / brake control levers, lock the neutral latches and shift the transmission into neutral.

4.6 ENGAGING THE DECK DRIVE (CUTTER BLADES)

1. Set the throttle at about 3/4 speed. Do not attempt to engage the deck drive at high speed as this shortens the electric clutch life — use only moderate engine speed when engaging the deck drive.
2. Engage the deck drive by pulling out on the yellow switch, located on the instrument panel, to the engage position. See Figure 4-2.

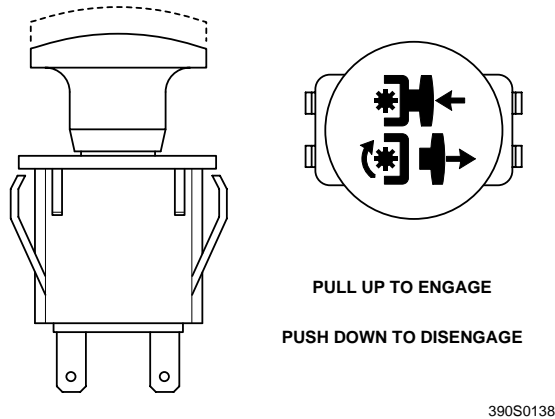


Figure 4-2. Cutter Engage Switch

- NOTE -

A squealing noise may be heard when engaging or disengaging the deck drive. It is caused by the electric clutch plates meshing as the mower comes up to speed. This is normal.

3. To disengage the deck drive, push the switch in to the disengage position.
4. Always operate the engine at full throttle to properly maintain cutting speed. If the engine starts to lug down, reduce the forward speed and allow the engine to operate at maximum RPM.

4.7 HILLSIDE OPERATION

WARNING

DO NOT operate on steep slopes. ALWAYS FOLLOW OSHA APPROVED OPERATION.

1. This mower has been designed for good traction and stability under normal mowing conditions. However, caution must be used when traveling on slopes, especially when the grass is wet. Wet grass reduces traction and steering control.
2. To prevent tipping or loss of control, do not start or stop suddenly, avoid unnecessary turns and travel at reduced speed. If tires lose traction, disengage blades and proceed slowly off the slope.
3. Avoid sudden starts when mowing on slopes.

4. Travel across the slope whenever possible. Never up and down the slope.
5. Keep tires properly inflated.

4.8 PARKING THE MOWER

1. Park the machine on a flat, level surface only. Do not park the machine on an incline.
2. Disengage the cutter blades.
3. Lock the neutral latches and shift the transmission into the neutral position.
4. Slow the engine to idle speed.
5. Turn the ignition key to the OFF position and remove the key.

4.9 AFTER OPERATION

1. Wash the entire mower after each use. Do not use high pressure spray or direct the spray onto electrical components.

- IMPORTANT -

Do not wash a hot or running engine. Cold water will damage the engine. Use compressed air to clean the engine if it is hot.

2. Keep the entire mower clean to inhibit serious heat damage to the engine or hydraulic oil circuit.
3. Check the drive belts for proper alignment and any signs of wear. Correct and adjust if necessary.

DANGER

To avoid injury from burns, allow the mower to cool before removing the fuel tank cap and refueling.

4. After the mower has cooled down, fill the fuel tank with fresh, clean fuel at the end of every day of operation. See Engine Owner's Manual for proper octane requirements.
5. Check the tire pressure. Adjust pressure if necessary.

4.10 REMOVING CLOGGED MATERIAL

DANGER

ROTATING BLADES

NEVER PUT YOUR HANDS INTO THE DISCHARGE CHUTE FOR ANY REASON!

Shut off the engine and remove the key and only then use a stick or similar object to remove material if clogging has occurred.

1. If the discharge chute becomes clogged, shut off the engine and remove the ignition key. Using a stick or similar item, dislodge the clogged material. Then resume normal mowing.

4.11 MOVING MOWER WITH ENGINE STOPPED

To “free-wheel” or move the mower around without the engine running, engage the neutral latches, shift the transmission to neutral and move the mower by hand.

4.12 RECOMMENDATIONS FOR MOWING

1. Do not mow with dull blades. A dull blade will tear grass, resulting in poor lawn appearance and reduced mowing power.

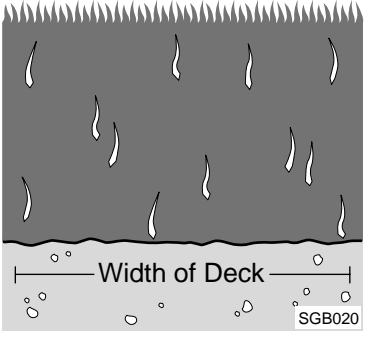
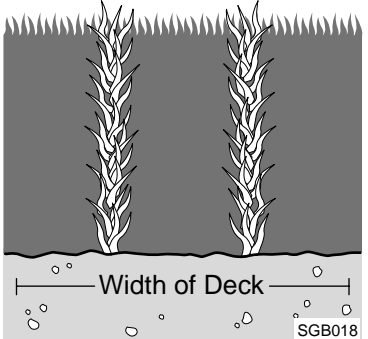
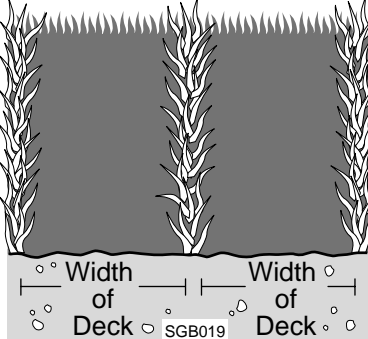
WARNING

DO NOT operate without Discharge Chute, Mulching Kit, or entire Grass Catcher properly installed.

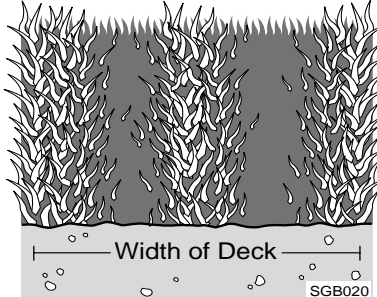
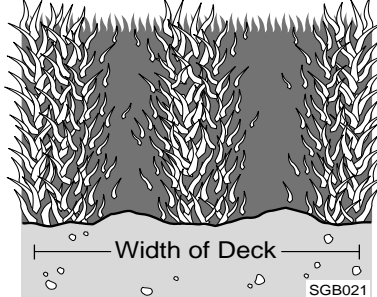
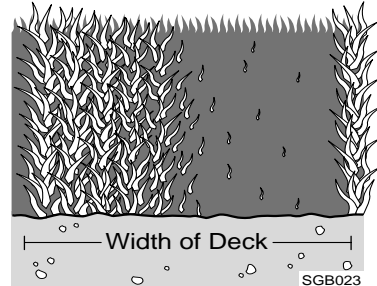
2. The discharge chute must not be removed and must be kept in the lowest position to deflect grass clippings and thrown objects downward. Direct the side discharge away from sidewalks or streets to minimize cleanup of clippings. When mowing close to obstacles, direct the discharge away from the obstacles to reduce the chance of property damage by thrown objects.

3. Cut grass when it is dry and not too tall. Do not cut grass too short (cut off 1/3 or less of existing grass for best appearance). Mow frequently.
4. Keep mower and discharge chute clean.
5. When mowing wet or tall grass, mow the grass twice. Raise the mower to the highest setting for the first pass and then make a second pass to the desired height.
6. Use a slow travel speed for trimming purposes.
7. Operate the engine at full throttle for best cutting. Mowing with a lower RPM causes the mower to tear the grass. The engine is designed to be operated at full speed.
8. Use the alternate stripe pattern for best lawn appearance. Vary the direction of the stripe each time the grass is mowed to avoid wear patterns in the grass.

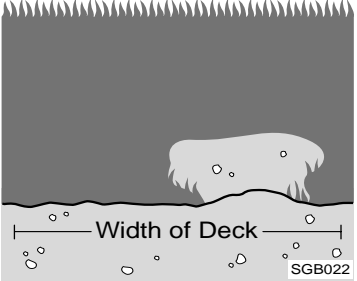
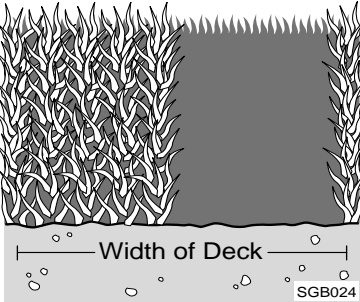
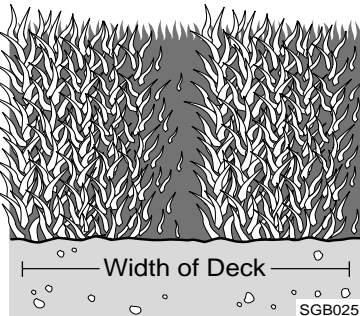
TROUBLESHOOTING CUTTING CONDITIONS

CONDITION	CAUSE	CURE
STRINGERS - OCCASIONAL BLADES OF UNCUT GRASS 	Low engine RPM	Run engine at full RPM
	Ground speed too fast	Slow speed to adjust for conditions
	Wet grass	Cut grass after it has dried out
	Dull blades, incorrect sharpening	Sharpen blades
	Deck plugged, grass accumulation	Clean underside of deck
	Belts slipping	Adjust belt tension
STREAKING - STRIPS OF UNCUT GRASS IN CUTTING PATH 	Dull, worn blades	Sharpen blades
	Incorrect blade sharpening	Sharpen blades
	Low engine RPM	Run engine at full RPM
	Belt slipping	Adjust belt tension
	Deck plugged, grass accumulation	Clean underside of deck
	Ground speed too fast	Slow speed to adjust for conditions
	Wet grass	Cut grass after it has dried out
	Bent blades	Replace blades
STREAKING - STRIPS OF UNCUT GRASS BETWEEN CUTTING PATHS 	Not enough overlapping between rows	Increase the overlap of each pass

TROUBLESHOOTING CUTTING CONDITIONS (CONT'D)

CONDITION	CAUSE	CURE
<p>UNEVEN CUT ON FLAT GROUND - WAVY HIGH-LOW APPEARANCE, SCALLOPED CUT, OR ROUGH CONTOUR</p>  <p style="text-align: right; font-size: small;">SGB020</p>	Lift worn from blade	Replace blade
	Blade upside down	Mount with cutting edge toward ground
	Deck plugged, grass accumulation	Clean underside of deck
	Too much blade angle (deck pitch)	Adjust pitch and level
	Deck mounted improperly	See your authorized SCAG dealer
	Bent spindle area	See your authorized SCAG dealer
	Dull blade	Sharpen blade
<p>UNEVEN CUT ON UNEVEN GROUND-WAVY APPEARANCE, HIGH-LOW SCALLOPED CUT, OR ROUGH CONTOUR</p>  <p style="text-align: right; font-size: small;">SGB021</p>	Uneven ground	May need to reduce ground speed, raise cutting height, and/or change direction of cut
<p>SLOPING RIDGE ACROSS WIDTH OF CUTTING PATH</p>  <p style="text-align: right; font-size: small;">SGB023</p>	Tire pressures not equal	Check and adjust tire pressure
	Wheels uneven	Check and adjust tire pressure
	Deck mounted incorrectly	See your authorized SCAG dealer
	Deck not level side-to-side	Check for level and correct

TROUBLESHOOTING CUTTING CONDITIONS (CONT'D)

CONDITION	CAUSE	CURE
<p>SCALPING - BLADES HITTING DIRT OR CUTTING VERY CLOSE TO THE GROUND</p> 	Low tire pressures	Check and adjust pressures
	Ground speed too fast	Slow speed to adjust for conditions
	Cutting too low	May need to reduce ground speed, raise cutting height, change direction of cut, and/or change pitch and level
	Rough terrain	May need to reduce ground speed, raise cutting height, and/or change direction of cut
	Ground speed too fast	Slow speed to adjust for conditions
	Wet grass	Cut grass after it has dried out
<p>STEP CUT - RIDGE IN CENTER OF CUTTING PATH</p> 	Blades not mounted evenly	Adjust pitch and level
	Bent blade	Replace blade
	Internal spindle failure	See your authorized SCAG dealer
	Mounting of spindle incorrect	See your authorized SCAG dealer
<p>SLOPE CUT - SLOPING RIDGES ACROSS WIDTH OF CUTTING PATH</p> 	Bent spindle mounting area	See your authorized SCAG dealer
	Internal spindle failure	See your authorized SCAG dealer
	Bent deck housing	See your authorized SCAG dealer

ADJUSTMENTS

6.1 DRIVE CONTROL ADJUSTMENTS

1. Adjust the steering control rods so that there is approximately 3/4" clearance from the bottom of the rod to the bottom of the neutral latch slot when in the drive position. See Figure 6-1.
2. Adjust the steering brake rods so that the brakes do not apply until the steering levers are pulled tight to the handles. When the steering levers are locked in the neutral position the machine should move freely.

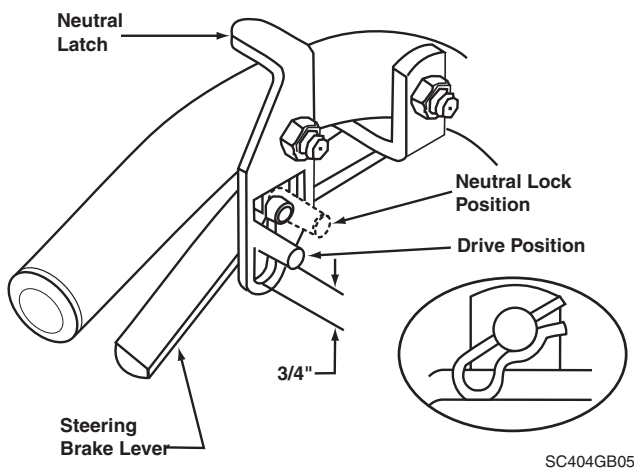


Figure 6-1. Steering Control Rod Adjustment

- NOTE -

Operator presence lever removed for clarity. Never operate equipment with the interlock system disconnected.

6.2 THROTTLE CONTROL AND CHOKE ADJUSTMENTS

These adjustments must be performed by your Scag dealer to ensure proper and efficient running of the engine. Should either need adjustment, contact your authorized Scag service center.

6.3 CUTTER DECK BELT ADJUSTMENTS

WARNING

Before removing any guards, shut the engine off and remove the ignition key. Wait for all moving parts to come to a complete stop before beginning work.

1. Remove the belt cover.
2. Adjust the cutter deck drive belt using a belt tension gauge. Adjust the belt so that the belt moves 1/2" with 10 pounds of pressure. Adjust the tension by tightening or loosening the J-bolt. See Figure 6-2.

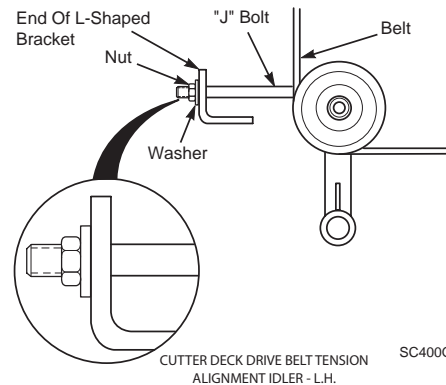


Figure 6-2. Deck Drive Belt Adjustment

-NOTE-

Due to initial belt stretch and to prevent the belt from slipping, check this adjustment after the first 2 hours, 4 hours and 8 hours of operation.

3. Adjust the RH blade drive belt using a belt tension gauge. Adjust the belt so that the belt moves 1/2" with 10 pounds of pressure. Adjust the tension by tightening or loosening the J-bolt. See Figure 6-3 and Figure 6-4.

Section 6

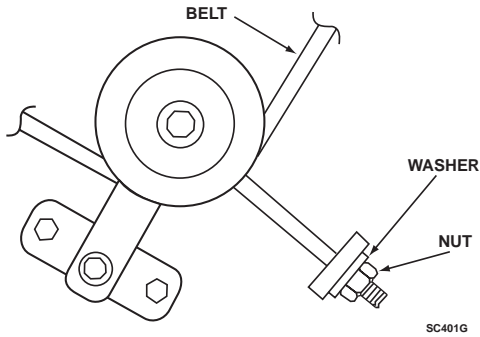


Figure 6-3. Cutter Deck Belt Adjustment R.H.

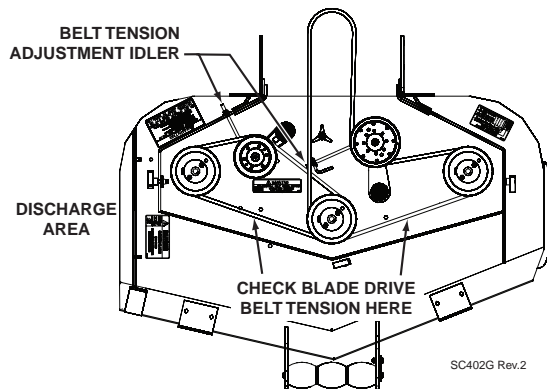


Figure 6-4. Cutter Deck Belt

6.4 BELT ALIGNMENT

Belt alignment is important for proper performance of your Scag mower. If you experience frequent belt wear or breakage, see your authorized Scag service center for belt adjustment.

6.5 ADJUSTING CUTTING HEIGHT

The mower deck can be adjusted from a height of 1-3/4 inches to 4-1/4 inches at 1/4-inch intervals.

Due to many cutting conditions that exist, it is difficult to suggest a cutter deck setting that will work for every lawn. There are two adjustments that can be made to the cutter deck, pitch and height.

PITCH is the angle of the blades (comparing front to rear).

HEIGHT is the nominal distance the blade is off of the ground. This measurement is made with the blades pointed side to side and distance is measured between the cutting tip and ground. (Also see Blade Height Adjustment).

Changes to the cutting height can be achieved by repositioning the cutter deck. (This adjustment will also effect the pitch of the deck). There are three available positions. See Figure 6-5.

Caster spacers also can be repositioned to change the cutting heights and to change the pitch of the cutter deck. See Figure 6-6.

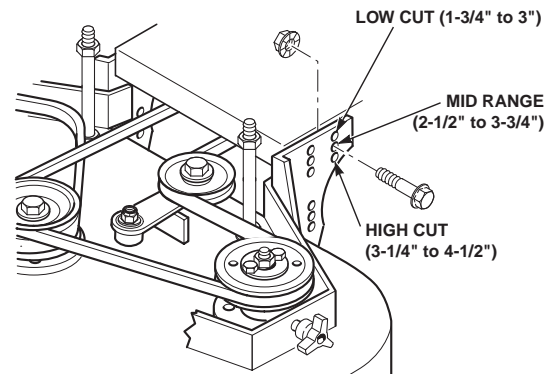


Figure 6-5. Adjusting Cutting Height

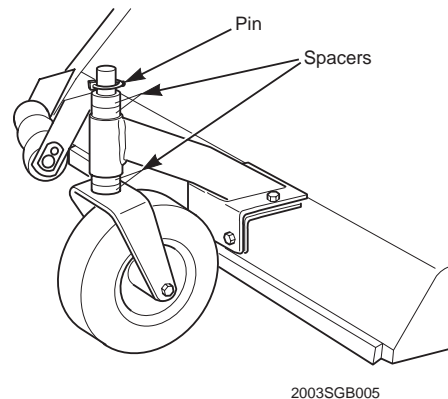


Figure 6-6. Cutting Height Decal

BLADE HEIGHT ADJUSTMENT

Adjusting the blade height can be done by moving any number of the five smaller 1/4" spacers on the blade mounting bolts to the top of the spindle shaft or below the spindle shaft.

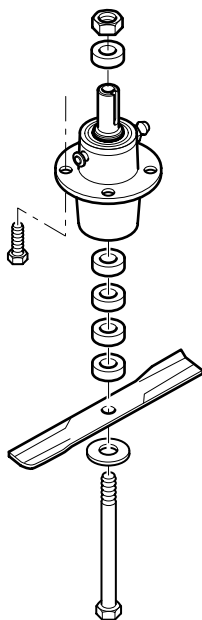
-NOTE-

All blades should be positioned equally.

WARNING

Blades have a sharp cutting edge. Wear proper eye protection and protective gloves or wrap the blades with protective material when removing, sharpening and installing blades.

For best cut and discharge, a minimum of three spacers should be installed between the blade and the spindle. See Figure 6-7.



2002 SC407G

Figure 6-7. Blade Spacers

CUSTOM-CUT BAFFLE ADJUSTMENT

The Custom-Cut Baffle is designed to deliver optimum airflow and superior cutting performance in any type of grass. The Custom-Cut Baffle can be raised or lowered to precisely tailor the deck's performance for the type of grass being cut. The baffle can be set in seven (7) different positions for optimum performance.

A. 3-1/2" or 3-3/4" Position - (See Figure 6-8). For very tall, wiry or tough-to-cut grass.

B. 4" (factory setting), 4-1/4" or 4-1/2" Position - (See Figure 6-8). For general purpose cutting. This gives the best mix of cutting performance in all types of grass.

C. 4-3/4" or 5-1/4" Position - (See Figure 6-8). Placing the baffle in either the 4-3/4" or 5-1/4" setting will enhance fall cutting (leaf pickup) and reduce cutter deck "blowout".

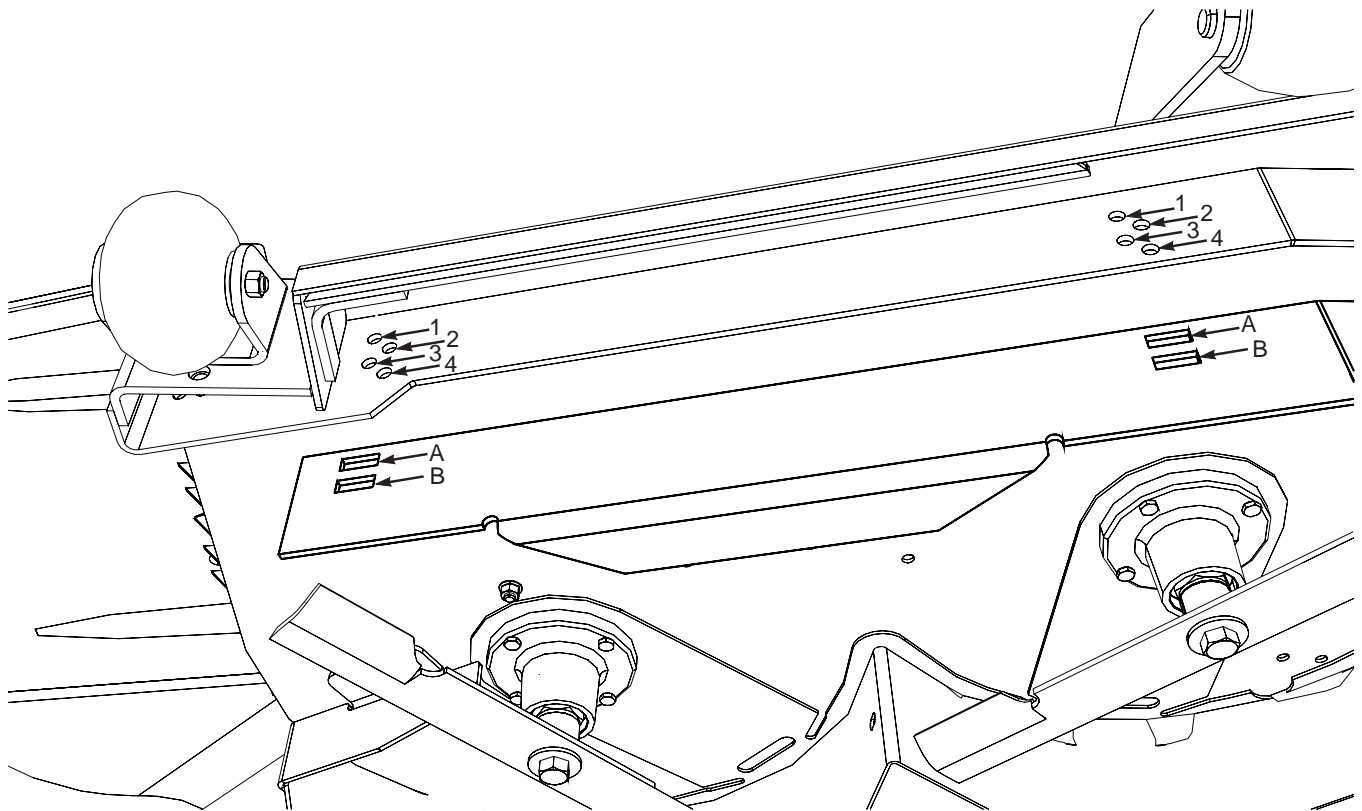
To adjust the Custom-Cut Baffle height:

1. Place the cutter deck in the transport position.
2. Remove the hardware securing the Custom-Cut Baffle to the cutter deck.

- NOTE -

Hardware location used in the illustrations are for reference only. Location of hardware may vary depending on cutter deck size.

3. Move the Custom-Cut Baffle to desired position. (See Figures 6-8).
4. Reinstall the mounting hardware. Torque hardware to 39 ft-lbs.



Custom-Cut Baffle Adjustment

Mounting Slot Selected	Mounting Hardware Location			
	Hole 1	Hole 2	Hole 3	Hole 4
Slot "A"				
Height (inches)	3-3/4"	4-1/4"	4-3/4"	5-1/4"
Slot "B"				
Height (inches)		3-1/2"	4"	4-1/2"

Figure 6-8. Custom-Cut Baffle Adjustment

6.6 ELECTRIC CLUTCH ADJUSTMENT

The electric clutch serves two functions in the operation of the mower. In addition to starting and stopping the power flow to the cutter blades, the clutch also acts as a brake to assist in stopping blade rotation when the PTO is switched off or the operator presence circuit is interrupted.

When the clutch is disengaged, the air gap between the armature and rotor must be adjusted to fifteen thousandths of an inch, 0.015, for proper operation. The airgap adjustment is made at three bolts on the clutch. There are three inspection windows, one next to each adjusting bolt. See Figure 6-3.

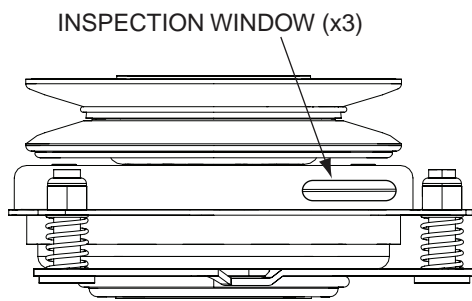


Figure 6-9. Clutch Air Gap Adjustment

1. Locate the inspection windows on the clutch.
2. Place a 0.015 feeler gauge in the slot between the rotor and the armature. See Figure 6-4.

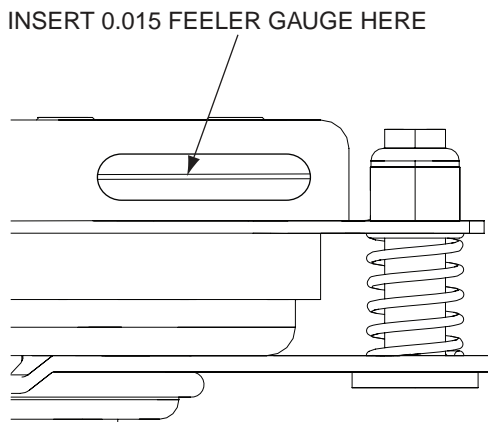


Figure 6-10. Clutch Air Gap Adjustment

3. Tighten or loosen the adjusting bolt as needed to achieve the 0.015 inch airgap. See Figure 6-5. Perform this operation at all three inspection windows.

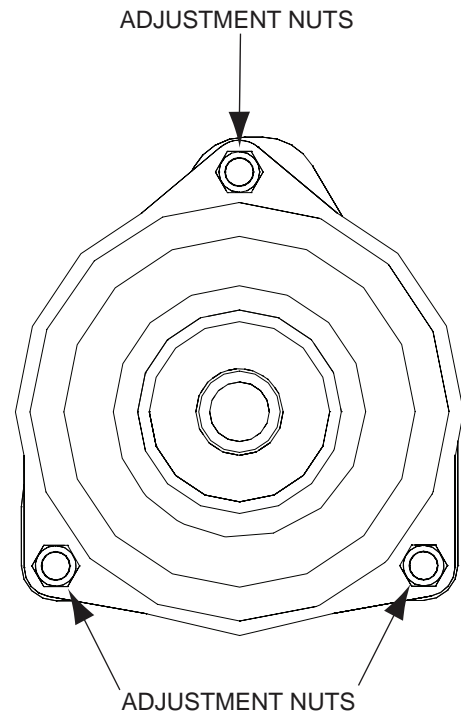


Figure 6-11. Clutch Air Gap Adjustment

This adjustment should be done every 500 hours of operation or annually, whichever comes first. In cases where the machine is heavily used, airgap settings should be checked more often.

If the air gap is too narrow, the clutch armature may drag when disengaged, resulting in premature failure.

If the air gap is too wide, the clutch may be slow to engage as the magnet must pull the armature in from a greater distance.

MAINTENANCE

7.1 MAINTENANCE CHART - RECOMMENDED SERVICE INTERVALS

BREAK-IN (FIRST 10)	HOURS						PROCEDURE	COMMENTS
	8	20	40	100	200	500		
X							Check all hardware for tightness	
X							Check all belts for proper alignment	See paragraph 7.6
	X						Check engine oil level	See paragraph 7.3
	X						*Clean mower	
	X						Check tire pressure	See paragraph 7.8
	X						*Clean air filter element	See paragraph 7.5
	X						Check condition of blades	See paragraph 7.7
	X						Sharpen cutter blades	See paragraph 7.7
	X						Check tire pressure	See paragraph 7.10
	X						Check belt tension	See paragraph 6.3
	X						Check the operator interlock system	See paragraph 4.2
		X					Change engine oil and filter	See paragraph 7.3
			X				Grease spindle bearings	
			X				Check belts for proper alignment	See paragraph 7.6
				X			Check all belts for proper alignment	
				X			*Replace engine air filter	See engine operator's manual
				X			Grease caster wheel bearings	See paragraph 7.2
				X			Grease transmission couplers	See paragraph 7.2
				X			Check all hardware for tightness	
				X			Change engine oil	See paragraph 7.3
				X			*Clean air cleaner element	See paragraph 7.5

* Perform these maintenance procedures more frequently under extreme dusty or dirty conditions

MAINTENANCE CHART - RECOMMENDED SERVICE INTERVALS (CONT'D)

BREAK-IN (FIRST 10)	HOURS					PROCEDURE	COMMENTS
	8	40	100	200	500		
				X		Check hardware for tightness	
				X		Change engine oil filter	See paragraph 7.3
					X	Replace engine fuel filter	See paragraph 7.3
					X	Grease caster wheel pivot shafts	See paragraph 7.2
					X	Adjust electric PTO clutch	See paragraph 6.6

7.2 LUBRICATION

GREASE FITTING LUBRICATION CHART

LOCATION	LUBRICATION INTERVAL	LUBRICANT	NO. OF PLACES
1 - Caster Wheel Pivot	100 Hours / Bi-Weekly	Chassis Grease	2
2 - Caster Wheel Bearings	100 Hours/Monthly	Chassis Grease	2
3 - Cutter Deck Spindles	40 Hours / Weekly	+ US Lithium MP White Grease	2 / 3
4 - Transmission Couplers	100 Hours / Monthly	Chassis Grease	2
5 - Wheel Bearings	100 Hours / Bi-Weekly	Chassis Grease	2
6 - Idler Arm Pivot	100 Hours / Bi-Weekly	Chassis Grease	2

GREASE FITTING LUBRICATION

LUBRICANT / INTERVAL

- LITHIUM MP WHITE GREASE 2125
(40 HOURS / WEEKLY)
- CHASSIS GREASE
(100 HOURS / BI-MONTHLY)
- ⬡ CHASSIS GREASE
(200 HOURS / MONTHLY)

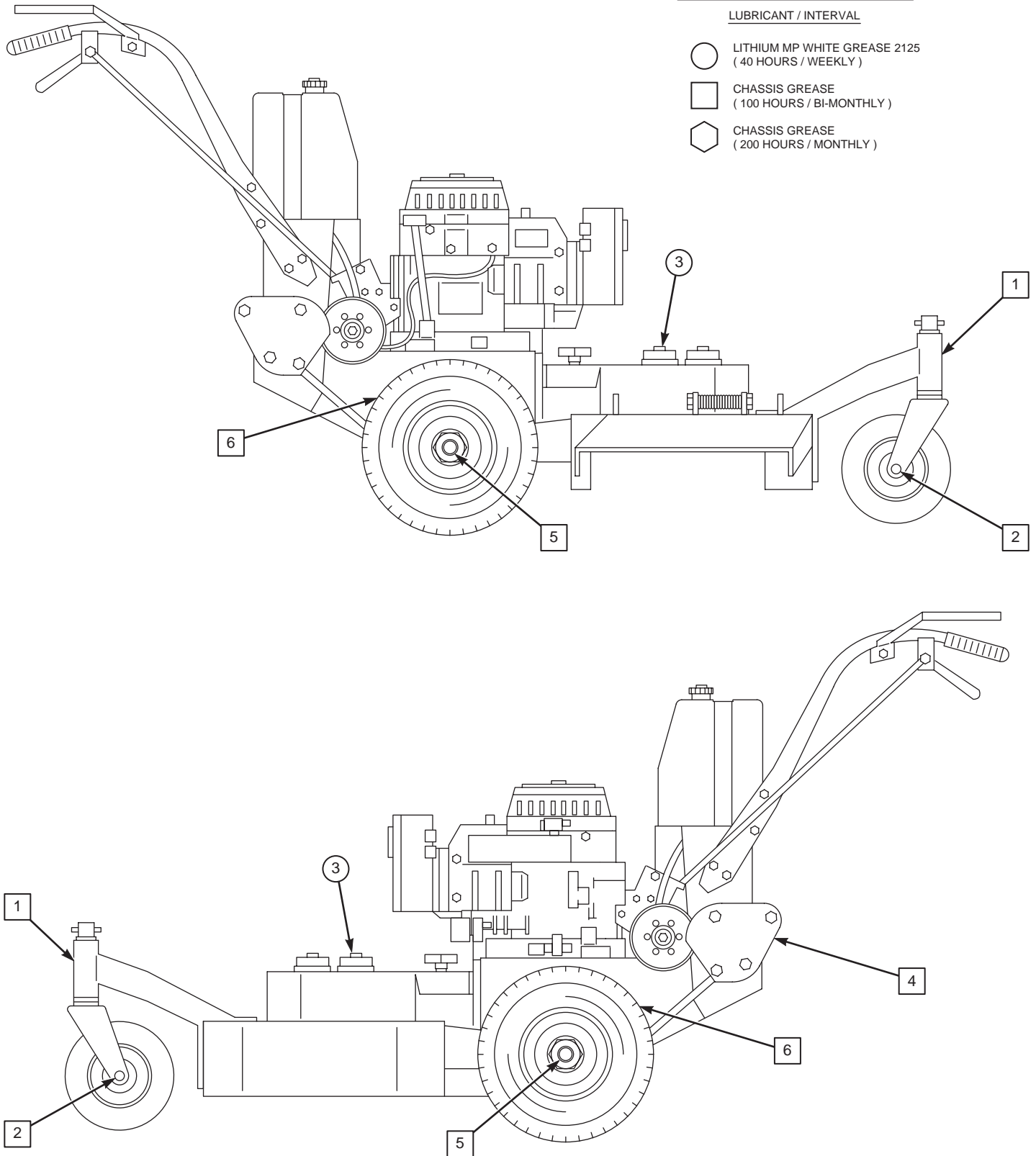


Figure 7-1. Lubrication Fitting Points

390S0178

7.3 ENGINE OIL

A. CHECKING ENGINE CRANKCASE OIL LEVEL

The engine oil level should be checked after every 8 hours of operation or daily as instructed in the Engine Operator's Manual furnished with this mower.

B. CHANGING ENGINE CRANKCASE OIL

After the first 20 hours of operation, change the engine crankcase oil and replace the oil filter. Thereafter, change the engine crankcase oil after every 100 hours of operation or bi-weekly, whichever occurs first. Refer to the Engine Operator's Manual furnished with this mower for instructions.

C. CHANGING ENGINE OIL FILTER

After the first 20 hours of operation, replace the engine oil filter. Thereafter, replace the oil filter after every 200 hours of operation or every month, whichever occurs first. Refer to Engine Operator's Manual for instructions.

7.4 ENGINE FUEL SYSTEM

DANGER

To avoid injury from burns, allow the mower to cool before removing the fuel tank cap and refueling.

A. FILLING THE FUEL TANK

Fill the fuel tank at the beginning of each operating day to within one (1) inch below the filler neck. Do not overfill. Use clean, fresh unleaded gasoline with a minimum octane rating of 87 and a maximum of 10% Ethanol.

DO NOT use E85 Fuel. Using E85 Fuel will cause severe damage to the engine.

To avoid personal injury or property damage, use extreme care in handling gasoline. Gasoline is extremely flammable and the vapors are explosive.

1. Extinguish all cigarettes, cigars, pipes and other sources of ignition.
2. Use only an approved gasoline container.
3. Never remove the gas cap or add fuel with the engine running. Allow the engine to completely cool before fueling.
4. Never fuel the machine indoors or in an enclosed trailer.
5. Never store the machine or fuel container where there is an open flame, spark or pilot light such as on a water heater or other appliances.
6. Never fill containers inside a vehicle or on a truck or trailer bed with a plastic liner. Always place containers on the ground away from your vehicle before filling.
7. Remove the machine from the truck or trailer and fuel on the ground. If this is not possible, then refuel the machine with a portable container, rather than from a gasoline dispenser nozzle.
8. Keep the nozzle in contact with the rim of fuel tank or container opening at all times until fueling is complete. Do not use a nozzle lock-open device.
9. If fuel is spilled on clothing, change clothing immediately and wash affected skin.
10. Replace gas cap and tighten securely.

B. REPLACING IN-LINE FUEL FILTER ELEMENTS

The engine fuel filter should be replaced after every 500 hours of operation or annually, whichever occurs first.

1. Close the shut-off valve.
2. Remove and replace the engine fuel filter. Open the fuel shut-off valve.

Section 7

7.5 ENGINE AIR CLEANER

A. CLEANING AND/OR REPLACING AIR CLEANER ELEMENT

For any air cleaner, the operating environment dictates the air cleaner service periods. Inspect and clean the air cleaner element after every 100 hours of operation or bi-weekly, whichever occurs first and replace the element if required.

- NOTE -

In extremely dusty conditions it may be necessary to check the element once or twice daily to prevent engine damage.

1. Remove the air cleaner cover. Set aside.
2. Remove the air cleaner and inspect.
3. Clean or replace the air cleaner and foam pre-cleaner as recommended by the engine manufacturer.
4. Replace the air cleaner cover and secure.

7.6 CUTTER BLADES

A. BLADE INSPECTION

1. Remove the ignition key before servicing the blades.
2. Raise the mower deck to the highest position. Place the lanyard pin in the highest cutting height position to prevent the cutter deck from falling.

 <h2 style="margin: 0;">WARNING</h2>
<p>Always wear proper hand and eye protection when working with cutter blades.</p>

3. Check the cutter blades for straightness. If the cutter blades appear bent, they will need to be replaced.

 <h2 style="margin: 0;">WARNING</h2>
<p>Do not attempt to straighten a bent blade, and never weld a broken or cracked blade. Always replace it with a new blade to assure safety.</p>

4. If a blade cutting edge is dull or nicked, it should be sharpened. Remove the blades for sharpening. See "Blade Replacement."

- NOTE -

Keep the blades sharp. Cutting with dull blades not only yields a poor mowing job, but slows the cutting speed of the mower and causes extra wear on the engine and the blade drive by pulling hard.

B. BLADE SHARPENING

- NOTE -

If possible, use a file to sharpen the blade. Using a wheel grinder may burn the blade.

- NOTE -

DO NOT sharpen the blades beyond 1/3 of the width of the blade. See Figure 7-2.

1. Sharpen the cutting edge at the same bevel as the original. See Figure 7-2. Sharpen only the top of the cutting edge to maintain sharpness.

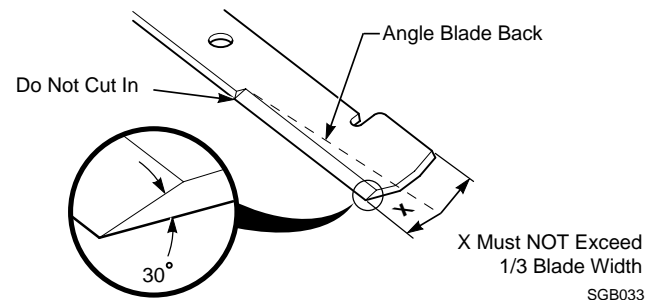


Figure 7-2. Blade Sharpening

2. Check the balance of the blade. If the blades are out of balance, vibration and premature wear can occur. See your authorized Scag dealer for blade balancing or special tools, if you choose to balance your own blades.

C. BLADE REPLACEMENT

7.7 TIRES

WARNING

Always wear proper hand and eye protection when working with cutter blades.

Check the tire pressures after every 8 hours of operation or daily.

Caster Wheels
Drive Wheels

Flat-Free
12 PSI

1. Remove the ignition key before replacing the blades.
2. Remove the belt cover.
3. Secure the cutter blades to prevent them from rotating, (use the optional Blade Buddy tool P/N 9212, to assist in securing the cutter blades), remove the blade attaching bolt. Remove the cutter blade, bolt, lockwasher and flatwasher from the spindle shaft. See Figure 7-3.

- NOTE -

Be sure that the blade is installed with the lift wing towards the top of the cutter deck.

4. Install the cutter blade on to the cutter spindle shaft. Secure the blades from rotating and torque to 75 ft/lbs. See Figure 7-3.
5. Install the belt cover.

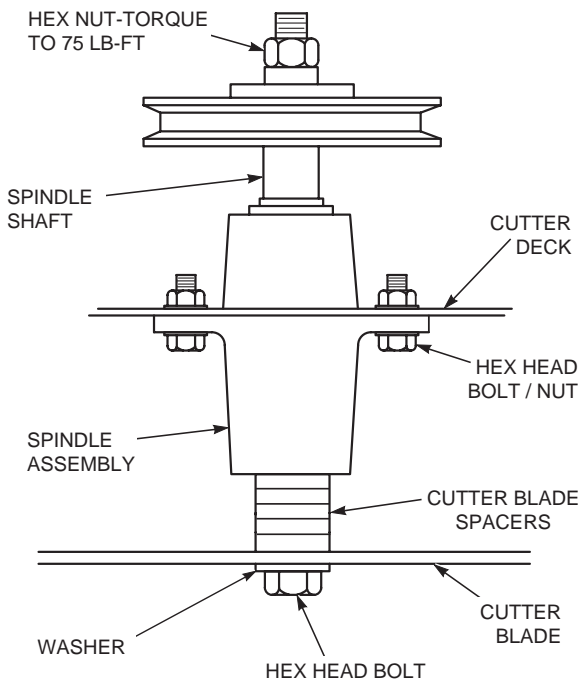


Figure 7-3. Blade Replacement

ILLUSTRATED PARTS LIST

8.1 SCAG APPROVED ATTACHMENTS AND ACCESSORIES.

Attachments and accessories manufactured by companies other than Scag Power Equipment are not approved for use on this machine.

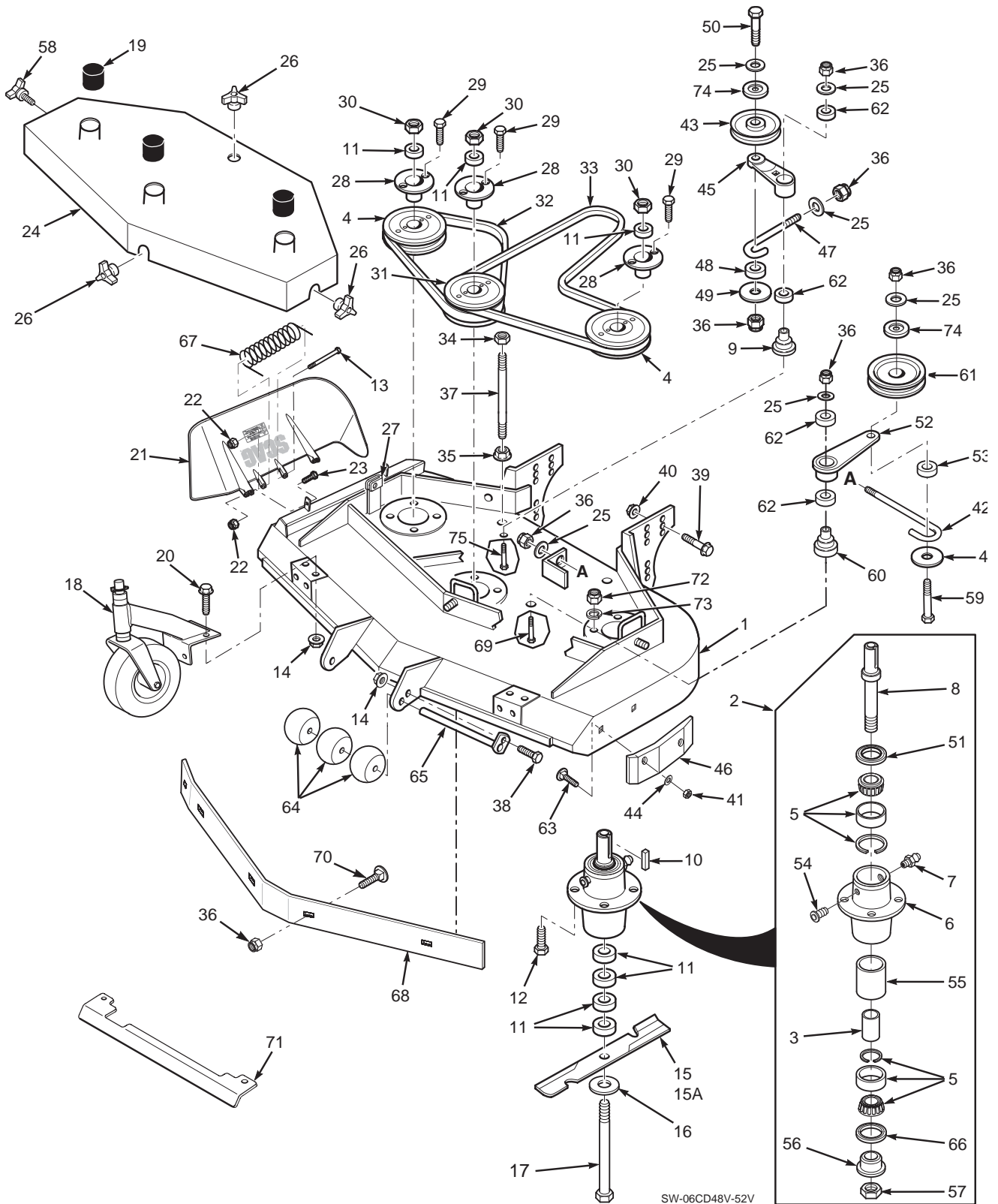
Scag approved attachments and accessories:

- Mulch Plate (p/n 9258, 9286, 9287)
- Hurricane Mulch (p/n 9263, 9283, 9284)
- GC-4D (p/n 9054)
- GC-F4 (p/n 9055)
- Blade Buddy (p/n 9212)
- Hour Meter (p/n 48023)
- Turbo Baffle (p/n 424208)

32" & 36A CUTTER DECKS

Ref. No.	Part No.	Description	32	36	Ref. No.	Part No.	Description	32	36
1	461847	Cutter Deck w/Decals	x		45	483215	Idler Pulley, Belt Clutch	x	x
1A	461848	Cutter Deck w/Decals		x	46	481024	Seal, Cutter Spindle	x	x
2	461663	Cutter Spindle Assembly	x	x	47	43297	Spindle Bushing	x	x
3	43312	Spacer, Outside	x	x	48	43296	Spacer, Inside	x	x
5	481022	Bearing, Tapered	x	x	49	481035	Nut, 1.06-18	x	x
6	43644	Spindle Housing	x	x	50	48677	Relief Fitting, Cutter Spindle	x	x
7	04001-154	Bolt, 5/16-18 x 4-3/4"	x	x	51	481025	Seal, Cutter Spindle	x	x
8	43589	Spindle Shaft	x	x	52	48098	Spindle Shield	x	x
9	04001-51	Bolt, 3/8-16 x 3-3/4" Hex Head	x	x	53	04029-04	Wing Nut, 3/8-16 (Small) RH side	x	x
10	04063-08	Key, 1/4 x 1/4 x 2"	x	x	54	48114-04	Grease Fitting	x	x
11	43592	Spacer, Cutter Blade - Small	x	x	55	04021-09	Nut, Hex Elastic Stop 3/8-16	x	x
12	04001-175	Bolt, 5/16-18 x 1-1/2" Hex Head Grade 8	x	x	56	04030-03	Lock Washer, 5/16"	x	x
13	482245	Spring, Chute Return	x	x	57	04003-23	Bolt, Carriage 3/8-16 x 1"	x	x
14	04019-03	Nut 5/16-18 Serrated Flange	x	x	58	423783	Baffle Weldment		x
15	481706	Cutter Blade, 16-1/2"	x		59	483174	Pad, Deck Wear	x	x
	481707	Cutter Blade, 18"		x	60	04003-12	Bolt, Carriage 5/16-18 x 3/4"	x	x
15A	481710	Cutter Blade 16-1/2 Hi-Lift	x		61	04040-04	Flatwasher, 5/16"	x	x
	481711	Cutter Blade, 18 Hi-Lift		x	62	04021-04	Hex Nut, 5/16-18 Center Locknut	x	x
16	04043-06	Flatwasher, 5/8 W	x	x	63	424367	Dust Shield	x	x
17	04001-41	Hex Hd. Bolt, 5/8-11 x 9-1/2"	x	x					
18	461023	Caster Assembly	x	x					
19	04017-16	Cpscrw, 5/16-18 x 3/4" Ser. Fig. Hex Head	x	x					
20	461291	Discharge Chute	x						
20A	461295	Discharge Chute		x					
21	04021-10	Hex Nut, 5/16-18 Elastic Stop	x	x					
22	04001-09	Hex Hd Bolt, 5/16-18 x 1"	x	x					
23	461709	Belt Cover Assy (Incl. Decal)	x						
23A	461413	Belt Cover Assy (Incl. Decal)		x					
24	04043-04	Flat Washer, 3/8" Special	x	x					
25	04029-03	Wing Nut, 3/8-16	x	x					
26	482744	Pulley	x	x					
27	48926	Tapered Hub	x	x					
28	04001-172	Hex Hd. Bolt, 1/4-20 x 1"	x	x					
29	04020-09	Hex Nut, 5/8-11	x	x					
30	48278	Belt, Blade Drive	x						
30A	48204	Belt, Blade Drive		x					
31	04021-22	Elastic Stop Nut, 5/16-18 Grade 8	x	x					
32	04021-05	Hex Nut, 3/8-16 Center Locknut	x	x					
33	04019-04	Nut, 3/8-16 Serrated Flange	x	x					
34	04004-02	Support, Belt Cover	x	x					
35	04017-36	Cpscrw, 1/2-13 x 1" Ser. Fig. HH	x	x					
36	04112-05	Nut, 1/2-13 Spiralock	x	x					
37	43277	Spacer, J-Hook	x	x					
38	04041-12	Flatwasher, 3/8 x 1-1/2 x 16 GA	x	x					
39	04021-09	Elastic Stop Nut, 3/8-16	x	x					
40	43681	Idler Pivot	x	x					
41	461841	Idler Arm Assy. (Inc. 42)	x	x					
42	48224	Bearing	x	x					
43	04001-62	Cpscrw, 3/8-16 x 3-1/4" Hex Head	x	x					
44	44078	J-Hook	x	x					

48V & 52V CUTTER DECKS

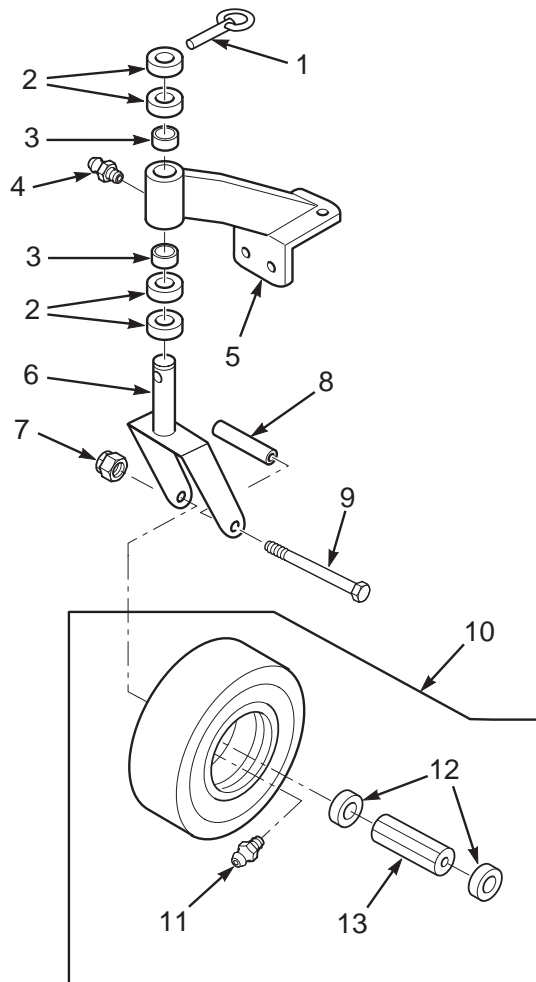


48V & 52V CUTTER DECKS

Ref. No.	Part No.	Description	48	52	Ref. No.	Part No.	Description	48	52
1	461852	Cutter Deck w/Decals	x		45	461091	Idler Arm Assy. (Incl. 62)	x	x
	461855	Cutter Deck w/Decals		x	46	483176	Pad, Deck Wear	x	x
2	461663	Spindle Assembly	x	x	47	43028	J-Rod, Idler Pulley	x	x
3	43296	Spacer, Inside	x	x	48	43077	Spacer, J-Rod	x	x
4	482744	Pulley	x	x	49	04041-12	Washer, 3/8 x 1-1/2 x 16 ga.	x	x
5	481022	Tapered Bearing	x	x	50	04001-31	Bolt, 3/8-16 x 2-1/2" Hex Head	x	x
6	43644	Spindle Housing	x	x	51	481024	Seal, Cutter Spindle	x	x
7	48114-04	Grease Fitting Str. 5/16"	x	x	52	461841	Idler Arm Assy (Includes 62)	x	x
8	43589	Spindle Shaft	x	x	53	43277	Spacer, J-Rod	x	x
9	43682	Idler Pivot	x	x	54	48677	Reief Fitting, Cutter Spindle	x	x
10	04063-08	Key, 1/4 x 1/4 x 2"	x	x	55	43312	Spacer, Outside, Cutter Spindle	x	x
11	43592	Spacer, Cutter Blade - Small	x	x	56	43297	Spindle Bushing	x	x
12	04001-175	Bolt, 5/16-18 x 1-1/2" Hex Head Gr. 8	x	x	57	481035	Nut, Cutter Spindle	x	x
13	04001-154	Bolt, 5/16-18 x 4-3/4" Hex Head	x	x	58	481625-01	Knob, w/stud	x	x
14	04019-03	Serr. Flange Nut, 5/16-18	x	x	59	04001-51	Bolt, 3/8-16 x 3-3/4" Hex Head	x	x
15	481706	Cutter Blade 16-1/2"	x		60	43681	Idler Pivot	x	x
	481707	Cutter Blade 18"		x	61	483215	Idler Pulley, Belt Clutch	x	x
15A	481710	Cutter Blade 16-1/2 Hi-Lift	x		62	48224	Bearing	x	x
	481711	Cutter Blade 18 Hi-Lift		x	63	04003-12	Bolt, Carriage 5/16-18 x 3/4"	x	x
16	04043-06	Flatwasher, 5/8" (.688 x 1.75 x .134)	x	x	64	482295	Guide Roller	x	x
17	04001-41	Hex Head Bolt, 5/8-11 x 9-1/2"	x	x	65	45944	Roller Shaft	x	x
18	461023	Caster Assembly	x	x	66	481025	Seal, Cutter Spindle	x	x
19	48098	Spindle Shield	x	x	67	483378	Spring, Chute Return	x	x
20	04017-16	Capscrew, 5/16-18 x 3/4"	x	x	68	424839	Baffle Weldment 48V	x	
21	461844	Discharge Chute 48V	x			424840	Baffle Weldment 52V		x
	461845	Discharge Chute 52V		x	69	04001-62	Bolt, 3/8-16 x 3-1/4" Hex Head	x	x
22	04021-10	Nut, 5/16-18 Elastic Elastic Stop	x	x	70	04003-23	Bolt, Carriage 3/8-16 x 1"	x	x
23	04001-11	Bolt, 5/16-18 x 1-1/2" Hex Head	x	x	71	423972	Heatshield	x	x
24	461866	Belt Cover (Incl. decals)	x		72	04021-22	Nut, Hex Lock 5/16-18	x	x
	461867	Belt Cover (Incl. decals)		x	73	04030-03	Lock Washer 5/16"	x	x
25	04043-04	Flat Washer, 3/8" Special	x	x	74	424367	Dust Shield	x	x
26	04029-03	Wing Nut, 3/8-16 (Large)	x	x	75	04001-22	Bolt, 3/8-16 x 2-3/4" Hex Head	x	x
27	04110-03	U-Nut, 3/8-16	x	x					
28	48926	Tapered Hub	x	x					
29	04001-172	Bolt, 1/4-20 x 1" Hex Head Grade 8	x	x					
30	04020-09	Nut, 5/8-11 Hex	x	x					
31	482748	Pulley, Double	x	x					
32	48087	Belt, RH Blade Drive	x						
	48285	Belt, RH Blade Drive		x					
33	48089	Belt, Blade Drive	x						
	483518	Belt, Blade Drive		x					
34	04021-05	Nut, 3/8-16, Nut Centerlock	x	x					
35	04019-04	Nut, 3/8-16, Serrated Flange	x	x					
36	04021-09	Nut, 3/8-16 Elastic Stop	x	x					
37	04004-02	Bolt, 5/16-18 x 1" Hex Head	x	x					
38	04001-09	Bolt, 5/16-18 x 1" Hex Head	x	x					
39	04017-36	Cpscrw, 1/2-13 x 1" Ser. Fig. HH	x	x					
40	04112-05	Nut, 1/2-13 Spiralock	x	x					
41	04021-04	Hex Nut, 5/16-18 Center Locknut	x	x					
42	44078	J-Hook, 48V	x						
	43028	J-Hook, 52V		x					
43	48181	Idler Pulley, "V" Groove	x	x					
44	04040-04	Flatwasher, 5/16"	x	x					

NOTES

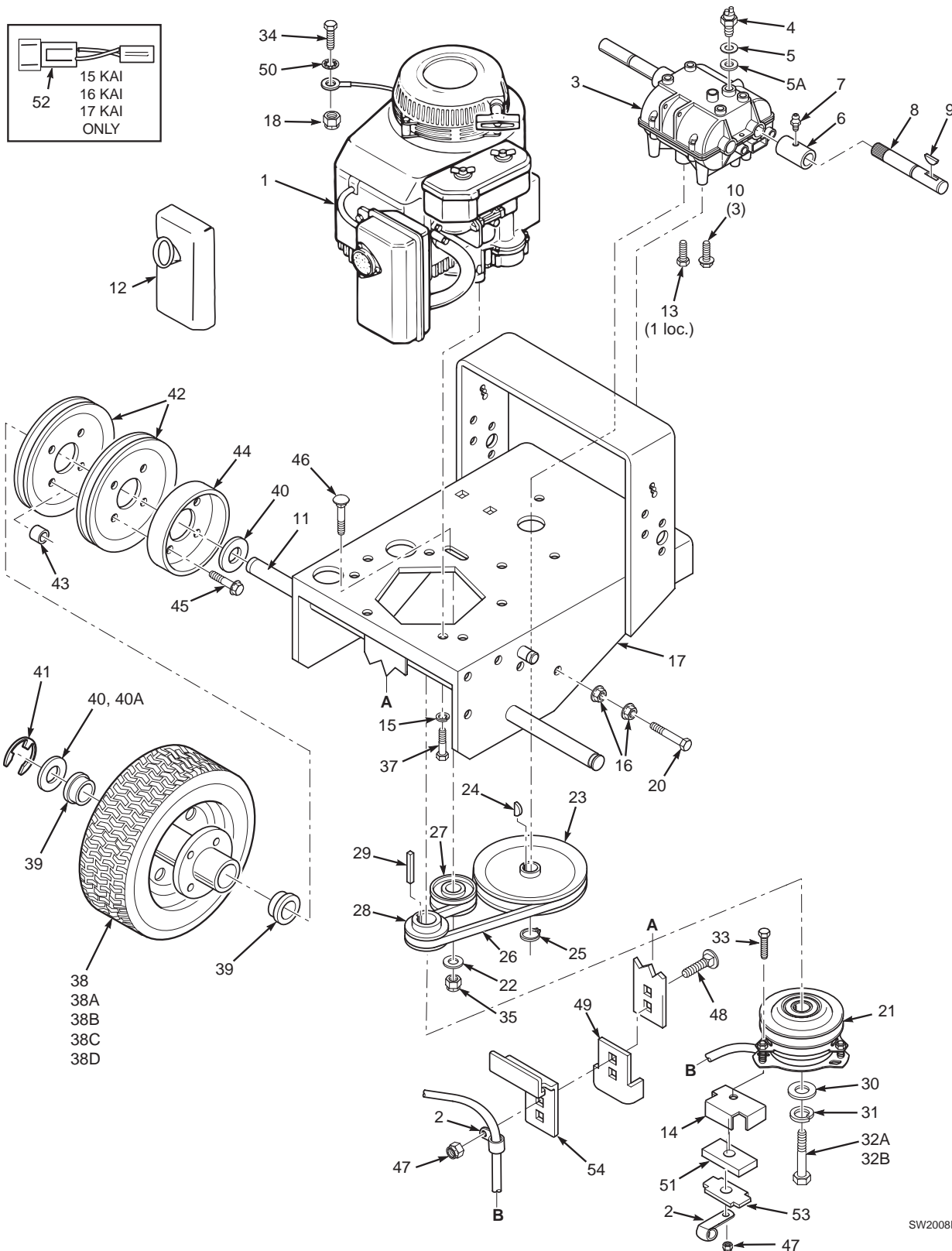
CASTER ASSEMBLY



SW-SWZ2006CSTR

Ref. No.	Part No.	Description
1	04066-01	Quick Pin
2	43037-01	Spacer, Spacer Yoke, 1/2" Long
3	48100-01	Bronze Bearing
4	48114-04	Greasing Fitting
5	46082	Support Assembly (Incl. #3 & #4)
6	45006	Caster Yoke
7	04021-07	Nut, Elastic Stop 1/2-13
8	43022	Sleeve, Caster Wheel Bearing
9	04001-37	Bolt, Hex Head 1/2-13 x 5-1/2"
10	9275	Flat-Free Tire Assy. (Incl. #11, #12, #13)
11	48114-03	Grease Fitting, 45 Degree 1/4-28
12	481770	Retainer, Caster Wheel Bearing
13	481769	Roller Bearing, Caster Wheel

ENGINE DECK



SW2008ED

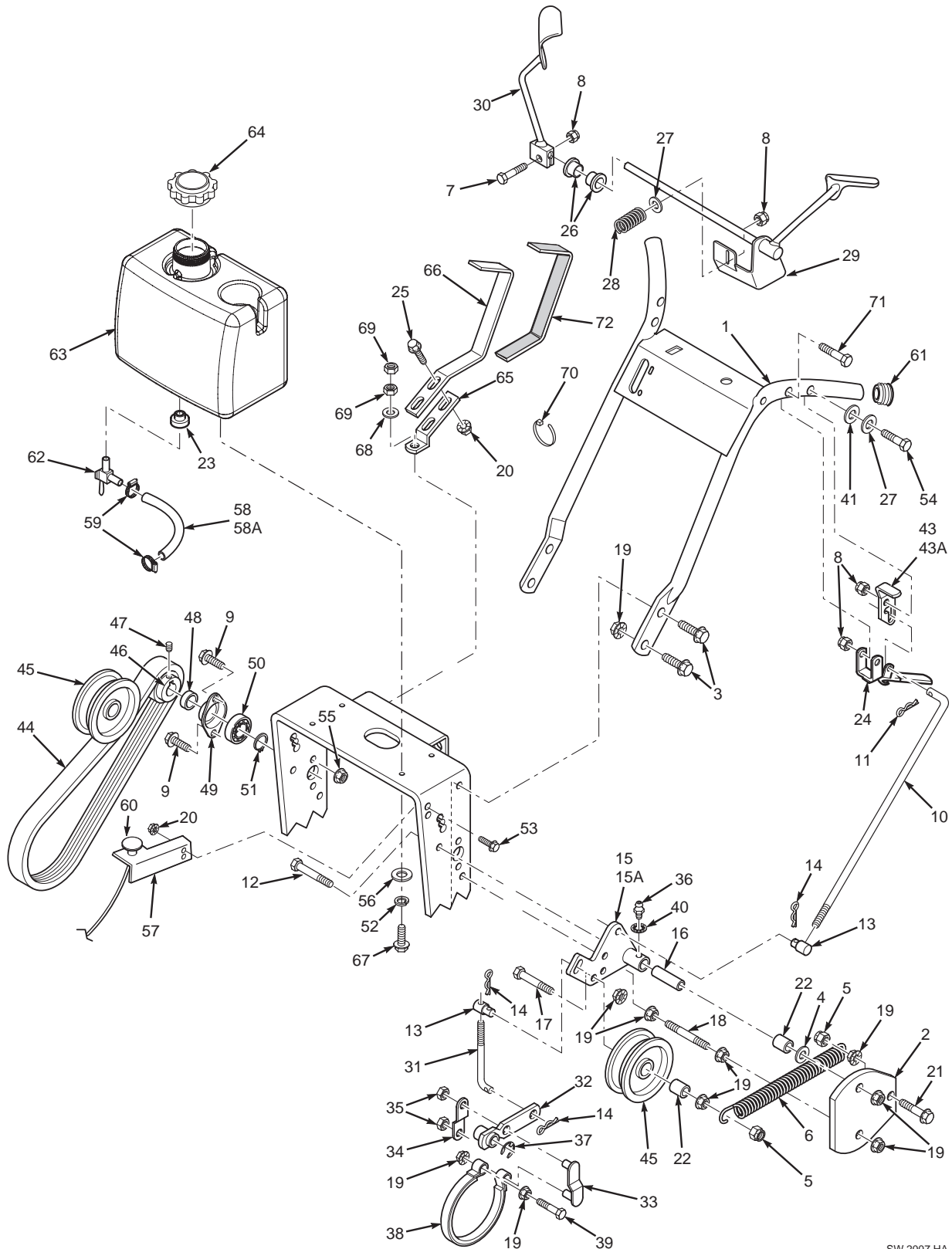
ENGINE DECK

Ref. No.	Part No.	Description	15KH	15KAI 16KAI 17KAI
1	482853	Engine, 15HP Kohler (CV 15T, Spec PS-41621)	x	
	482675	Engine, 15HP Kawasaki (Spec FH430V-BS33-R)		x
	483263	Engine, 16HP Kawasaki (Spec FH480V-BS24-R)		x
	482927	Engine, 17HP Kawasaki (Spec FH541V-BS38-R)		x
2	48030-09	Cable Clamp	x	x
3	481580	Transmission, 5-speed (Peerless 700-070, 9 tooth spline)	x	x
4	48231	Neutral Safety Switch	x	x
5	48122-01	Fibre Washer, thin	x	x
5A	48122-02	Fibre Washer, thick	x	x
6	481581	Coupler, Jackshaft	x	x
7	48114-05	Grease Fitting, straight 1/4-28	x	x
8	481582	Jackshaft (fits SW32, 36, 48 & 52)	x	x
9	04063-09	Key, Hi-Pro #9	x	x
10	04017-16	Bolt, 5/16-18 X 3/4" Hex Head	x	x
11	43085**	Wheel Axle (SW36, 48 & 52)	x	x
	43104**	Wheel Axle (SW 32)	x	x
12		Muffler (Contact Engine Mfg.)	x	x
13	04001-08	Bolt, 5/16-18 X 3/4" Hex Head	x	x
14	422533	Backing Plate	x	x
15	04030-03	Lock Wshr. 5/16"	x	x
16	04019-04	Nut, 3/8-16 Serrated Flange	x	x
17	461741	Engine Deck (fits SW32)	x	x
	461743	Engine Deck (fits SW36, 48 & 52)	x	x
18	04021-08	Nut, 1/4-20 Elastic Stop	x	x
19	04019-03	Nut, 5/16-18 Serrated Flange	x	x
20	04001-51	Bolt, 3/8-16 x 3-3/4" Hex Head	x	x
21	461397	Electric Clutch (Ogura)	x	x
22	04041-07	Washer, 3/8" (.391 x .938 x .105)	x	x
23	48197	Pulley, Transmission Input	x	x
24	04063-07	Key, Woodruff #9	x	x
25	04050-09	Retaining Ring, 5/8" Ext, Basic	x	x
26	48203	Belt, Transmission Drive	x	x
27	483208	Idler Pulley, Transmission	x	x
28	481666	Pulley, Traction Drive	x	x

Ref. No.	Part No.	Description	15KH	15KAI 16KAI 17KAI
29	04063-19	Key, 1/4 x 1/4 x 3/4"	x	x
30	04041-28	Flat Washer, 7/16" Special	x	x
31	04030-05	Lock Washer, 7/16"	x	x
32A	04102-04	Bolt, 7/16-20 x 2-1/2" Hex Head		x
32B	04103-03	Cpsrw, M10-1.5 x55 Metric Hex Hd	x	
33	04001-12	Bolt, 5/16-18 x 1-3/4" Hex Head	x	x
34	04002-07	Bolt, M8-1.25 x 1.0	x	
35	04021-09	Nut, 3/8-16 Elastic Stop	x	x
36	04040-15	Flat Washer, 5/16"	x	x
37	04018-01	Bolt, M8-1.25 x M25 Metric Hex Hd	x	
38	48192	Wheel Assembly (incl. 38A- 38B) (fits SW36, 48, 52)	x	x
	48253	Wheel Assembly (Incl. 38C - 38D) (SW32)		x
38A	481860	Tire, 13 x 6.50-6, 2-ply (fits SW36, 48, 52)	x	x
38B	481859	Rim & Bearing Assembly (incl. 39)	x	x
38C	481861	Tire, 13 x 5.00-6 2-ply (SW32 only)		x
38D	481862	Rim Assembly (incl. 39) (SW32 only)		x
39	481858	Wheel Bearing	x	x
40	04042-05	Washer, 1-1/16 x 1-3/4 x 12 ga	x	x
40A	04041-14	Washer, 1-1/16 x 1-1/2 x 18 ga	x	x
41	04050-08	Retaining Ring, 1" Ext. - "E"	x	x
42	48200	Pulley, Wheel Drive	x	x
43	43088	Spacer, Wheel Pulley	x	x
44	48209	Brake Drum	x	x
45	04017-19	Bolt, 5/16-18 x 1-1/2" Serrated Flange	x	x
46	04003-03	Bolt, 3/8-16 x 2" Carriage	x	x
47	04021-10	Nut, 5/16-18 Elastic Stop	x	x
48	04003-04	Bolt, 5/16-18 x 1" Carriage	x	x
49	421370	Anti Rotation Bracket	x	x
50	04031-09	Lock Washer Internal Tooth	x	x
51	481716	Rubber Pad, Clutch Stop	x	x
52	481717	Wire Harness Adapter (15KAI, 16KAI, 17KAI)		x
53	422534	Plate, Backing	x	x
54	424620	Plate, Clutch Bracket	x	x

** = Requires welding onto chassis.

HANDLE ASSEMBLY

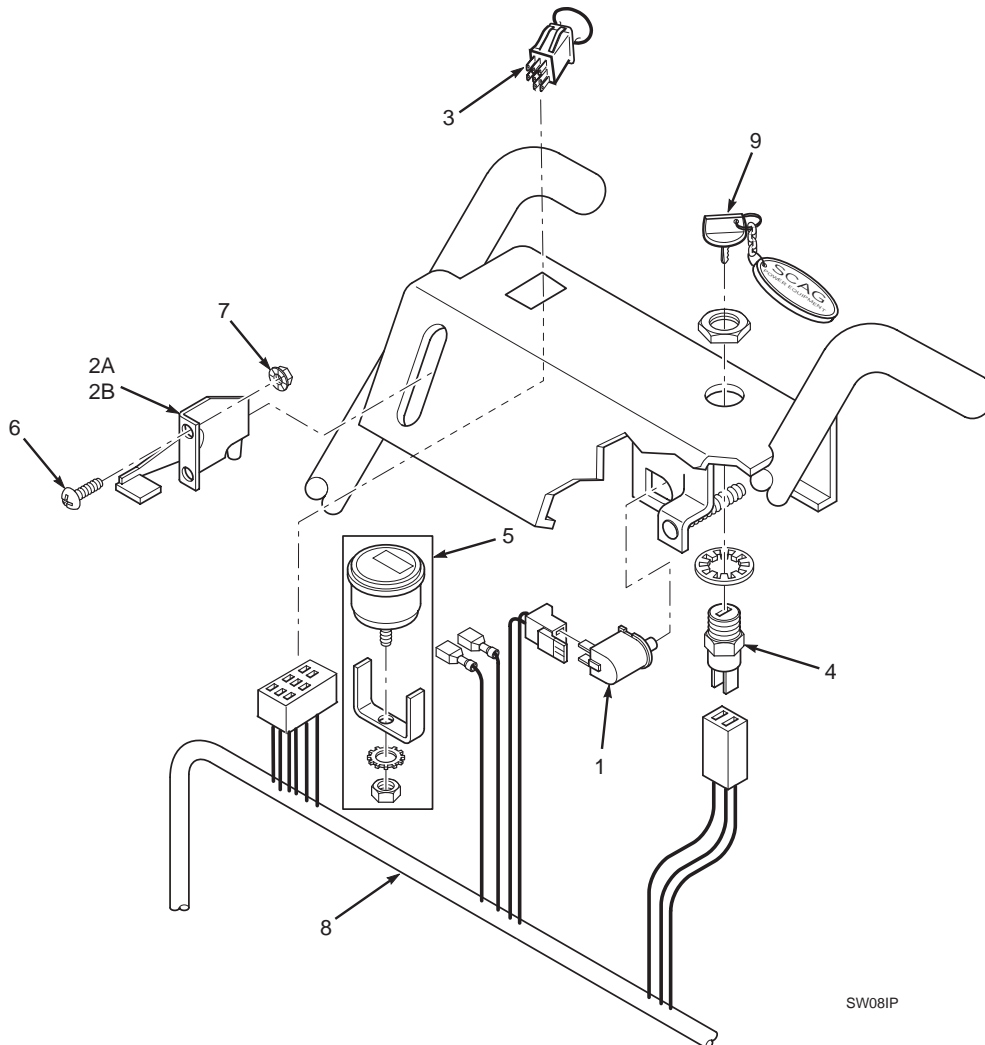


SW 2007 HA

HANDLE ASSEMBLY

Ref. No.	Part No.	Description	15KH	15KAI 16KAI 17KAI	Ref. No.	Part No.	Description	15KH	15KAI 16KAI 17KAI
1	461972	Handle Assembly	x	x	46	482645	Pulley, Jackshaft (Inc. 47)	x	x
2	421360	Belt Guard	x	x	47	04012-04	Setscrew, Hex Socket Knurl Cup Pt. 5/16-18	x	x
3	04017-27	Capscrew, 3/8-16 x 1" Serr. Flg.	x	x	48	43098	Spacer, Jackshaft Pulley	x	x
4	04041-07	Washer, 3/8" (.391 x .938 x .105)	x	x	49	48223	Flange, Jackshaft Bearing	x	x
5	04021-09	Nut, 3/8-16 Elastic Stop	x	x	50	48224	Bearing, Jackshaft	x	x
6	48755	Spring, Idler	x	x	51	04050-09	Retaining Ring, 5/8 Ext. Basic	x	x
7	04001-10	Bolt, 5/16-18 x 1-1/4" Hex Head	x	x	52	04030-03	Lock Washer 5/16"	x	x
8	04021-10	Nut, 5/16-18 Elastic Stop	x	x	53	04017-16	Capscrew, 5/16-18 x 3/4" Serr. Flg.	x	x
9	04017-05	Capscrew, 1/4-20 x 3/4" Hex Head	x	x	54	04001-17	Bolt, 5/16-18 x 2" Hex Head	x	x
10	44140	Control Rod, Steering	x	x	55	04019-02	Nut, 1/4-20 Serrated Flange	x	x
11	04062-02	Hair Pin, Small	x	x	56	04040-15	Flatwasher, 5/16 (.375 x .875 x .083)	x	x
12	04001-23	Bolt, 3/8-16 x 4-1/2" Hex Head	x	x	57	424113	Bracket, Choke Mounting		x
13	43032	Swivel Joint	x	x	58	483617	Fuel Hose, 1/4"ID, 10" (KH Only)	x	
14	04062-01	Hair Pin, Large .094 Dia.	x	x	58A	483617	Fuel Hose, 1/4"ID, 23" (KA Only)		x
15	45847	Idler Bracket, RH	x	x	59	48059-01	Clamp, Fuel Hose	x	x
15A	45846	Idler Bracket, LH	x	x	60	482314	Choke Control		x
16	43092	Idler Sleeve	x	x	61	483161	Plug, Handlebar	x	x
17	04001-62	Bolt, 3/8-16 x 3/4" Hex Head	x	x	62	48308	Valve, Fuel Shut Off	x	x
18	04004-17	Stud, 3/8-16 x 5"	x	x	63	461729	Fuel Tank Assy.(Incl. Bush. & Val.)	x	x
19	04019-04	Nut, 3/8-16 Serrated Flange	x	x	64	482547	Fuel Tank Cap	x	x
20	04019-03	Nut, 5/16-18 Serrated Flange	x	x	65	422279	Shift Lever	x	x
21	04017-28	Cpscrew, 3/16-18 x 1-1/4" Serr. Flg	x	x	66	461163	Shift Lever Extention (incl. 72)	x	x
22	43286	Spacer	x	x	67	04001-09	Capscrew, 5/16-18 x 1" Hex Head	x	x
23	48309	Bushing	x	x	68	04041-07	Washer, 3/8 (.391x .938 x .105)	x	x
24	483160	Steering Lever	x	x	69	04020-14	Nut, 3/8-24 UNF	x	x
25	04017-17	Capscrew, 5/16-18 x 1" Serr. Flg.	x	x	70	48028-05	Cable Tie	x	x
26	483142	Bushing	x	x	71	04001-53	Bolt, 5/16-18 x 2-1/2"	x	x
27	04040-15	Washer, 5/16 (.375 x .875 x .083)	x	x	72	481839	Grip, Shift Handle	x	x
28	483040	Spring, Operator Presence	x	x					
29	451915	Operator Presence Lever, LH	x	x					
30	451917	Operator Presence Lever, RH	x	x					
31	44005	Brake Rod	x	x					
32	45092	Brake Lever	x	x					
33	45093	Brake Link	x	x					
34	42254	Brake Link Plate	x	x					
35	04024-01	Nut, 3/8 Push-on	x	x					
36	48114-05	Grease Fitting, Straight 1/4-28	x	x					
37	04050-01	Retaining Ring, 5/8 Ext. "E"	x	x					
38	48210	Brake Band	x	x					
39	04001-45	Bolt, 3/8-16 x 2" Hex Head	x	x					
40	04031-08	1/4" Internal Tooth Lock- washer	x	x					
41	04032-01	Socket Head Capscrew #8-32 x 1/2"	x	x					
42	04015-13	Socket Head Capscrew #8- 32 x 1/2"	x	x					
43	461242	Neutral Latch, RH	x	x					
43A	461241	Neutral Latch, LH	x	x					
44	48202A	Belt, Wheel Drive	x	x					
45	483211	Idler Pulley, Wheel Drive	x	x					

INSTRUMENT PANEL

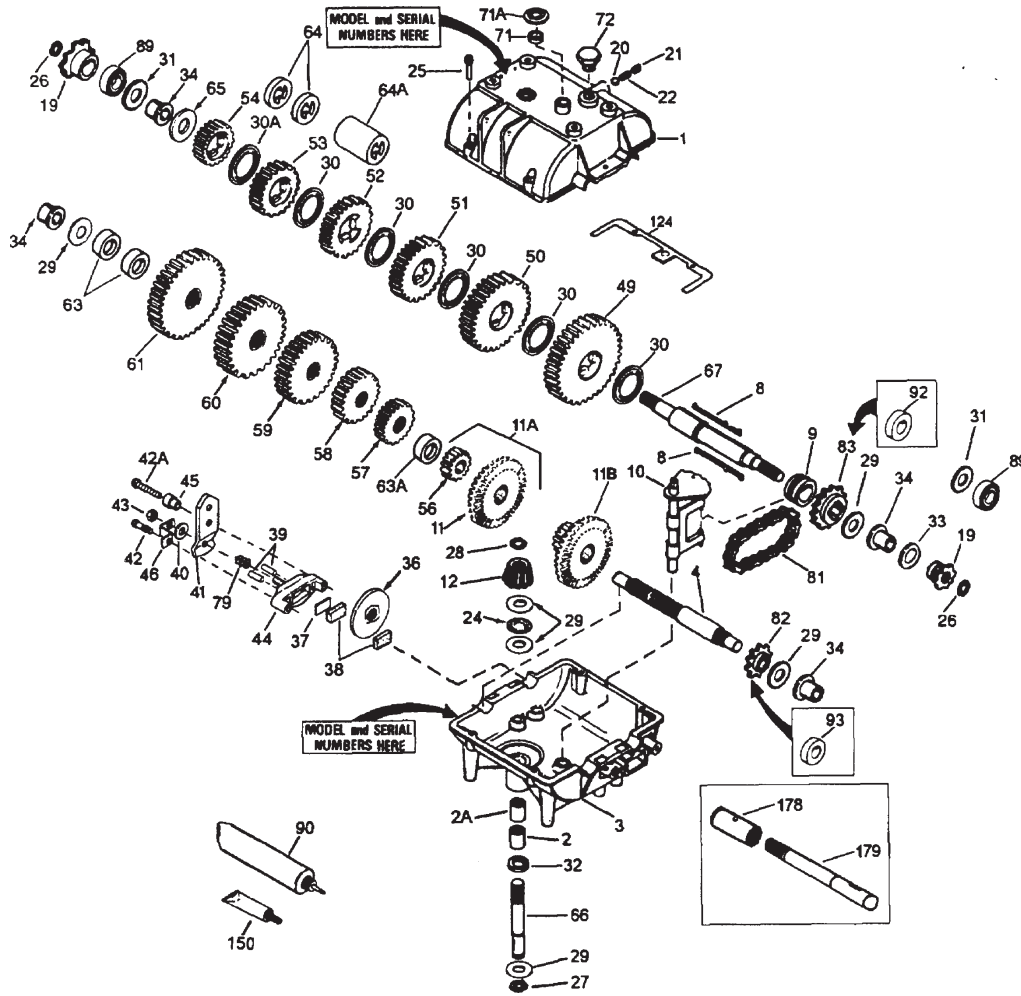


SW08IP

Ref. No.	Part No.	Description
1	48717	Switch, Neutral Lock
2A	482814	Throttle Contro - Kohler
2B	48946	Throttle Control - Kawasaki
3	483957	Engagement Switch, Electric Clutch
4	48609	Key Switch
5	48023	Hour Meter (dealer installed)
6	04010-26	Screw, #10-32 x 1/2"
7	04019-01	Nut, #10-32 Serrated Flange Hex Head
8	482711	Handle Wire Harness, Manual Start
9	462069	Key Chain w/Keys
	483609	Key w/Shroud
NS	48030-09	Clamp, Wire Harness

PEERLESS TRANSMISSION 700-070

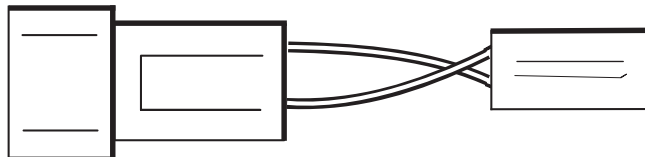
FOR REFERENCE ONLY - ORDER PARTS FROM PEERLESS / TECUMSEH



Ref. No.	Part No.	Description	REF. NO.	PART DESCRIPTION
1	772083A	Case, Transmisson	50	778125 Spur Rear (35 teeth)
2	780086A	Needle Bearing Grease Spec	51	778239A Spur Gear (32 teeth-steel)
2A	780142	Needle Bearing	52	778124A Spur Gear (30 teeth)
3	770061A	Case, Transmission	53	778123A Spur Gear (25 teeth)
8	792089A	Shift Key	56	778145 Spur Gear (12 teeth-steel)
9	784266	Shift Collar	57	778151 Spur Gear (15 teeth)
10	784376	Shift Rod & Fork	58	778240 Spur Gear (18 teeth-steel)
11	778154	Bevel Gear (42 teeth)	59	778126A Spur Gear (20 teeth)
12	778176	Bevel Pinion (14 teeth-steel)	60	778127A Spur Gear (25 teeth)
20	792077	Steel Ball, 5/16" dia.	65	780139 Washer
21	792078	Set Screw, 3/8-16 x 3/8"	66	776135 Input Shaft (3-11/16" long)
22	792079	Spring	67	776402 Shifter & Brake Shaft
24	780071	Thrust Bearing	71	788069 Square Cut Ring
25	792073	Screw, 1/4-20 x 1-1/4" (6)	72	792074 Threaded Plug (Shipping only, not used)
27	792035	Retaining Ring	81	786081 Roller Chain (No. 41 chain, 24 links)
28	788040	Retaining Ring	82	786082 Sprocket (9 teeth)
29	780072	Washer (6)	83	786083 Sprocket (18 teeth)
30	780108	Washer (5)	90	788067B Grease (32 oz. bottle Bentonite grease)
32	792001	"O" Ring	150	510334 Gasket Eliminator (Loctite #515)
34	780105A	Flanged Bushing	178	* Coupling (See page 26-27 for part number)
49	778146A	Spur Gear (37 teeth)	179	* Connector Shaft (See page 26-27 for part number)

WIRE HARNESSSES

**WIRE HARNESS ADAPTER
PART NO. 481717
KAWASAKI
(15 HP, 16 HP & 17 HP)**



SW2006WH481717

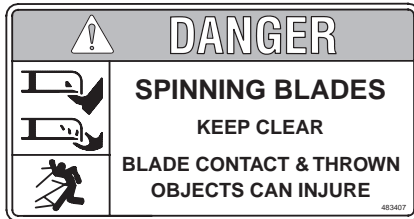
REPLACEMENT DECALS AND INFORMATION PLATES



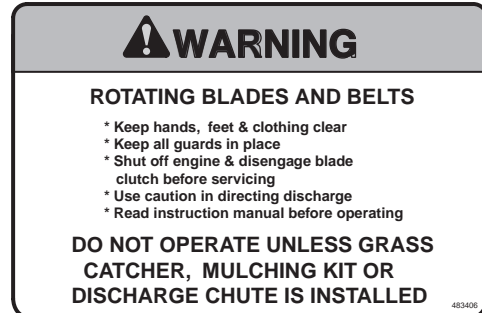
1



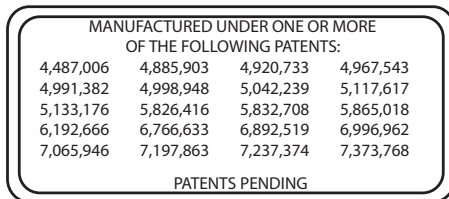
2



3



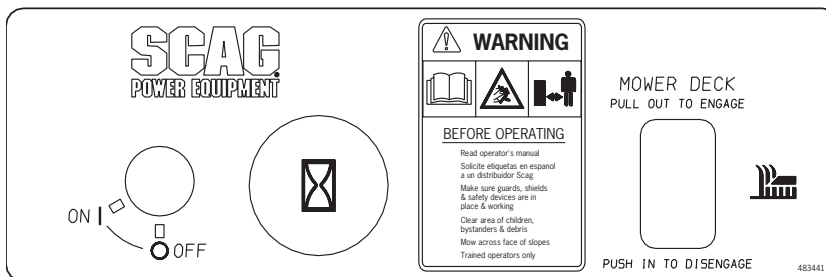
4



5



6



7



8



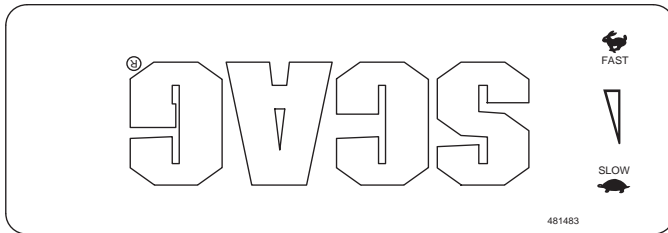
9



10

REPLACEMENT DECALS AND INFORMATION PLATES

Ref. No.	Part No.	Description
1	483405	Decal, Discharge Chute
2	48314	Decal, Scag Logo
3	483407	Decal, Danger-Spinning Blades
4	483406	Decal, Warning-Rotating Blades
5	483044	Decal, Patents
6	481122	Decal, Instrument Panel - Front (SW36A-15KH, SW48V-15KH, SW52V-18KH)
7	483441	Decal, Instrument Panel - Rear
8	48404	Decal, Metalcraft - Made in USA
9	483404	Decal, Sulky Attachment
10	483402	Decal, Belt Cover
11	481483	Decal, Instrument Panel - Front (SW32-15KAI, SW36A-16KAI, SW48V-16KAI, SW52V-17KAI)
12	482816	Decal, Height of Cut
13	48315	Decal, 32
	482297	Decal, 36 Advantage
14	483199	Decal, 48 Velocity Plus
	483200	Decal, 52 Velocity Plus
15	481971	Decal, Heavy Duty Commercial
16	48332	Decal, Shift Index
**	461986	Spanish Decal Kit, Walk-Behinds (Not Shown)



11

482816 **CUTTING HEIGHT ADJUSTMENT**

DECK MOUNTING HOLE POSITION
NUMBER OF CASTER SPACERS (BELOW SUPPORT)

	NUMBER OF SPACERS ABOVE CUTTER BLADES						
	0	1	2	3	4	5	
TOP	0	-	-	2-3/8	2-1/8	1-7/8	1-5/8
MIDDLE	0	-	-	2-5/8	2-3/8	2-1/8	1-7/8
MIDDLE	1	-	-	2-3/4	2-1/2	2-1/4	2
BOTTOM	2	-	-	-	-	2-7/8	2-5/8
BOTTOM	3	-	4	3-3/4	3-1/2	3-1/4	3
BOTTOM	4	4-3/8	4-1/8	3-7/8	3-5/8	3-3/8	3-1/8

12



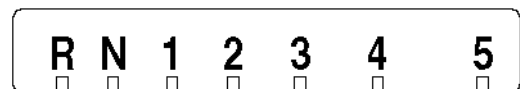
13



14



15



16

LIMITED WARRANTY - COMMERCIAL EQUIPMENT

Any part of the Scag commercial mower manufactured by Scag Power Equipment and found, in the reasonable judgment of Scag, to be defective in materials or workmanship, will be repaired or replaced by an Authorized Scag Service Dealer without charge for parts and labor during the periods specified below. This warranty is limited to the original purchaser and is not transferable. Proof of purchase will be required by the dealer to substantiate any warranty claims. All warranty work must be performed by an Authorized Scag Service Dealer.

This warranty is limited to the following specified periods from the date of the original retail purchase for defects in materials or workmanship:

- Wear items including drive belts, blades, hydraulic hoses and tires are warranted for ninety (90) days.
- Batteries are covered for ninety (90) days.
- Frame and structural components including oil reservoir and oil coolers are warranted for 2 years (Parts and labor).
- Cutter decks are warranted against cracking for a period of three (3) years. (Parts and labor 1st and 2nd year; Parts only 3rd year.) The repair or replacement of the cutter deck will be at the option of Scag Power Equipment. We reserve the right to request components for evaluation. This warranty does not cover any mower that has been subject to misuse, neglect, negligence, or accident, or that has been operated in any way contrary to the operating instructions as specified in the Operator's Manual.
- Engines and electric starters are covered by the engine manufacturer's warranty period.
- Major drive system components are warranted for two (2) years by Scag Power Equipment. (Parts and labor) (Two year warranty exclude fittings, hoses, drive belts). The repair or replacement of the hydraulic pump or hydraulic motor will be at the option of Scag Power Equipment. This warranty does not cover any mower that has been subject to misuse, neglect, negligence, or accident, or that has been operated in any way contrary to the operating instructions as specified in the Operator's Manual.
- Electric clutches have a Limited Warranty for 2 year (Parts and labor).
- Spindle assemblies have a Limited Warranty for three years (Parts and labor 1st year and 2nd; Parts only 3rd year).
- Any Scag product used for rental purposes is covered by a 90 day warranty.

The Scag mower, including any defective part must be returned to an Authorized Scag Service Dealer within the warranty period. The expense of delivering the mower to the dealer for warranty work and the expense of returning it to the owner after repair will be paid for by the owner. Scag's responsibility is limited to making the required repairs and no claim of breach of warranty shall be cause for cancellation or rescission of the contract of sale of any Scag mower.

This warranty does not cover any mower that has been subject to misuse, neglect, negligence, or accident, or that has been operated in any way contrary to the operating instructions as specified in the Operator's Manual.

The warranty does not apply to any damage to the mower that is the result of improper maintenance, or to any mower or parts that have not been assembled or installed as specified in the Operator's Manual and Assembly Manual. The warranty does not cover any mower that has been altered or modified, changing performance or durability. In addition, the warranty does not extend to repairs made necessary by normal wear, or by the use of parts or accessories which, in the reasonable judgment of Scag, are either incompatible with the Scag mower or adversely affect its operation, performance or durability.

Scag Power Equipment reserves the right to change or improve the design of any mower without assuming any obligation to modify any mower previously manufactured. All other implied warranties are limited in duration to the two (2) year warranty period or ninety (90) days for mowers used for rental purpose. Accordingly, any such implied warranties including merchantability, fitness for a particular purpose, or otherwise, are disclaimed in their entirety after the expiration of the appropriate two year or ninety day warranty period. Scag's obligation under this warranty is strictly and exclusively limited to the repair or replacement of defective parts and Scag does not assume or authorize anyone to assume for them any other obligation. Some states do not allow limitations on how long an implied warranty lasts, so the above limitation may not apply to you.

Scag assumes no responsibility for incidental, consequential or other damages including, but not limited to, expense for gasoline, expense of delivering the mower to an Authorized Scag Service Dealer and expense of returning it to the owner, mechanic's travel time, telephone or telegram charges, rental of a like product during the time warranty repairs are being performed, travel, loss or damage to personal property, loss of revenue, loss of use of the mower, loss of time or inconvenience. Some states do not allow the exclusion or limitation of incidental or consequential damages, so the above limitation or exclusion may not apply to you. This warranty gives you specific legal rights, and you may also have other rights which vary from state to state.

GARANTÍA LIMITADA - EQUIPO COMERCIAL

Toda pieza del cortacésped comercial Scag fabricada por Scag Power Equipment que, según criterio razonable de Scag, presente materiales o mano de obra defectuosos será reparada o reemplazada por un distribuidor autorizado Scag sin cargo por las piezas ni mano de obra durante los períodos especificados abajo. Esta garantía se limita al comprador original y no es transferible. Para acceder a cualquier reclamo de garantía, el distribuidor requerirá el comprobante de compra. Todo trabajo bajo garantía debe realizarlo un distribuidor autorizado Scag.

Con respecto a materiales o mano de obra defectuosos, esta garantía se limita a los siguientes períodos especificados a partir de la fecha de compra original:

- * Los artículos desgastables, incluyendo correas de transmisión, cuchillas, mangueras hidráulicas y llantas, están garantizados por noventa (90) días.
- * Las baterías están garantizadas por noventa (90) días.
- * El bastidor y los componentes estructurales, incluyendo el depósito de aceite y los enfriadores de aceite, tienen una garantía de 2 años (Piezas y mano de obra).
- * Las plataformas de corte están garantizadas contra grietas por un período de tres (3) años. (Piezas y mano de obra, primer y segundo año; piezas solamente, tercer año). La reparación o el reemplazo de la plataforma de corte estarán sujetos a discreción de Scag Power Equipment. Nos reservamos el derecho de solicitar componentes para su evaluación. Esta garantía no cubre ningún cortacésped que haya sido sometido a uso indebido, descuido, negligencia o accidente, o que se haya operado de manera distinta a la especificada en el manual del operador.
- * Los motores eléctricos y los arrancadores están cubiertos por el período de garantía del fabricante de motor.
- * Los componentes principales del sistema de transmisión están garantizados por Scag Power Equipment por dos (2) años. (Piezas y mano de obra) (La garantía de dos años no incluye las conexiones, mangueras, las correas de transmisión). La reparación o el reemplazo de la bomba hidráulica o el motor hidráulico estarán sujetos a discreción de Scag Power Equipment. Esta garantía no cubre ningún cortacésped que haya sido sometido a uso indebido, descuido, negligencia o accidente, o que se haya operado de manera distinta a la especificada en el manual del operador.
- * Los embragues eléctricos tienen una Garantía limitada de 2 años (Piezas y mano de obra).
- * Los ensambles del eje tienen una Garantía limitada de 3 años (Piezas y mano de obra, primer y segundo año; piezas solamente, tercer año).
- * Cualquier producto Scag que se utilice para alquiler está cubierto por una garantía de 90 días.

El cortacésped Scag, incluida cualquier pieza defectuosa, debe ser llevado a un distribuidor autorizado de Scag dentro del período de garantía. Los gastos incurridos en la entrega del cortacésped al distribuidor para que se realice el trabajo bajo garantía, así como los gastos de devolución del cortacésped al propietario después de la reparación, estarán a cargo del propietario. La responsabilidad de Scag se limita a la realización de las reparaciones requeridas y ninguna reclamación por incumplimiento de las obligaciones de garantía será causa de cancelación o revocación del contrato de venta del cortacésped Scag.

Esta garantía no cubre ningún cortacésped que haya sido sometido a uso indebido, descuido, negligencia o accidente, o que se haya operado de manera distinta a la especificada en el manual del operador. La garantía no será de aplicación en ningún caso de daño ocasionado al cortacésped como consecuencia de mantenimiento inadecuado o a cualquier cortacésped o piezas que no se hayan ensamblado o instalado de acuerdo con las especificaciones del manual del operador o el manual de montaje. La garantía no cubre ningún cortacésped que haya sufrido alteraciones o modificaciones que hayan afectado su funcionamiento o durabilidad. Asimismo, la garantía no se extiende a reparaciones necesarias por el desgaste normal o por el uso de piezas o accesorios que, según criterio razonable de Scag, sean incompatibles con el cortacésped Scag o afecten la operación, funcionamiento o durabilidad de éste.

Scag Power Equipment se reserva el derecho de modificar o mejorar el diseño de cualquier cortacésped sin tener por ello obligación alguna de modificar cualquier cortacésped fabricado con anterioridad. Cualquier otra garantía implícita se limita a un período de garantía de dos (2) años o noventa (90) días en el caso de cortacéspedes destinados a alquiler. Por consiguiente, se rechaza en su totalidad cualquier garantía implícita, incluidas las garantías de comerciabilidad, adecuación para un fin determinado, o de otro tipo, después de la finalización del correspondiente período de garantía de dos años o noventa días. La obligación de Scag en virtud de la presente garantía se limita estricta y exclusivamente a la reparación o el reemplazo de piezas defectuosas, y Scag no asume ni autoriza a ningún otro a asumir en su lugar ninguna otra obligación. La limitación antes mencionada no será de aplicación en aquellos estados en los que no esté permitida la limitación del período de validez de una garantía implícita.

Scag no asume responsabilidad alguna por daños incidentales, consecuentes ni de cualquier otro tipo, incluyendo, pero sin limitarse a, gasto de gasolina, gasto de entrega del cortacésped a un distribuidor autorizado Scag y gasto de su devolución al propietario, tiempo de viaje del mecánico, cargos por comunicaciones telefónicas o telegramas, alquiler de un producto similar durante el período en que se llevan a cabo las reparaciones bajo garantía, viajes, pérdida o daño de bienes personales, lucro cesante, daños ocasionados por la pérdida del uso del cortacésped, daños por la pérdida de tiempo o cualquier otro inconveniente. La limitación o exclusión antes mencionada no será de aplicación en aquellos estados en los que no esté permitida la exclusión o limitación de daños incidentales o consecuentes. La presente garantía le otorga derechos legales específicos, aparte de los derechos de los que usted goza, según el estado.

DIMENSIONES APROXIMADAS			
Longitud:	76.0"	76.0"	76.0"
Longitud con el recogedor de césped:	76.0"	72.0"	70.0"
Ancho de alineación:	37.0"	37.0"	32.0"
Ancho:	37.0"	47.0"	43.0"
Ancho (con la tolva de descarga arriba):	49.0"	37.0"	33.0"
Ancho con recogedor de césped:	68.0"	56.0"	51.0"
Altura:	40.5"	40.5"	40.5"
Altura con recogedor de césped:	40.5"	40.5"	40.5"
Peso	535 lbs.	470 lbs.	450 lbs.
Peso con recogedor de césped:	575 lbs.	510 lbs.	490 lbs.
Radio de giro:	Cero	Cero	Cero

SW-52V

SW-48V

SW-36A

SW-32

ESPECIFICACIONES TÉCNICAS (CONTINUACIÓN)

PLATAFORMAS DE CORTE

<p>WJM 32, WJM 36 Advantage, WJM 48 Velocity Plus, Velocity Plus WJM 52.</p> <p>Diseño delantero con rodillos amortiguadores del corte rasante WJM32, 36A y 48V: Acero calibre 7 con faldón de calibre 7 (3/16") WJM52V: Acero calibre 10 con faldón calibre 7 (3/16")</p> <p>32.0" (81.3 cm), 35.5" (90.2 cm), 48.0" (122.0 cm), 52.0" (132.0 cm)</p> <p>Ajustable desde 1-3/4" a 4-1/4" en incrementos de 1/4"</p> <p>Marbain, .197 de grosor</p> <p>SWM 36: Dos (2) 18"; SWM 48: Tres (3) 16.5"</p> <p>SWM 52: Tres (3) 18"</p> <p>Embrague eléctrico de freno de cuchilla con interruptor de panel de Abertura de descarga extra ancha con tolva de descarga cargada por resorte</p> <p>Lantas macizas de 9 x 3.5 con flotación de la banda de rodadura suave, rodamientos de rodillos y retiro rápido del pin</p> <p>Cuerpo fundido, rodamiento de rodillos cónicos, bajo mantenimiento con conexión de grasa en la parte superior y cabezal móvil de alivio de exceso de grasa</p> <p>Acero partido con cubos cónicos de fácil desmontaje</p> <p>Polea de 5" de diámetro, de fabricación soldada y remachada, Rodamientos OD de 1-3/8"</p> <p>Brazo de polea para servicio pesado de canal de acero de 1/4"</p> <p>Sección B, de Kevlar</p>	<p>Tipo: Construcción:</p> <p>Ancho de corte:</p> <p>Ajuste de altura de corte</p> <p>Cuchillas de corte:</p> <p>Accionamiento de las cuchillas:</p> <p>Abertura de descarga:</p> <p>Ruedas locas:</p> <p>Ejes:</p> <p>Poleas del eje:</p> <p>Polea guía:</p> <p>Correas de la plataforma de corte:</p>
---	---

ESPECIFICACIONES ADICIONALES

ARTÍCULOS/ACCESORIOS OPCIONALES

<p>Recogedor de césped de tela:</p> <p>Recogedor de césped de metal:</p> <p>Recogedor de césped GC-F4 con capacidad de 4 pies cúbicos.</p> <p>Recogedor de césped GC-4D con capacidad de 4 pies cúbicos y descarga por tirón de una cuerda o tipo recoger y descargar</p> <p>Deflector de descarga de alta velocidad. Mejora la calidad del corte y la distribución de la descarga.</p> <p>El exclusivo sistema mezclador de paja Hurricane emplea las placas tipo "ojo de la tormenta" (eye of the hurricane) combinado con deflectores en V empernados, directores de flujo, cuchillas eliminadoras y una placa de cierre de descarga lateral.</p> <p>Permite al operador llevar en forma segura y práctica una bebida.</p>	<p>Deflector turbo</p> <p>Equipo mezclador de paja Hurricane:</p> <p>Sujetavaso:</p>
---	--

ESPECIFICACIONES TÉCNICAS

MODELOS

SW32-15KAI, SW36A-15KH, SW36A-16KAI, SW48V-15KH, SW48V-16KAI, SW52V-17KAI

MOTOR

Tipo general:

Industrial de servicio pesado/Comercial

Marca / Modelo:

Kawasaki FH430V, FH480V & FH541V
Kohler CV15T

Potencia:

Kawasaki FH430V=15HP, FH480V=16HP, FH541V=17HP
Kohler CV15T=15HP

Tipo:

Kawasaki 15 HP, 16 HP y 17 HP motor de gasolina de 4 ciclos, entrinado por aire, dos cilindros en V, motor de eje vertical.
Kohler 15 HP, motor de gasolina de 4 ciclos, entrinado por aire, un solo cilindro, motor de eje vertical.

Desplazamiento:

Kawasaki FH430V = 431cc; FH480V = 472cc; FH541V = 585cc
Kohler CV15T=426cc

Controlador:

Controlador tipo mecánico con control de velocidad variable. Ajustes:

Kawasaki 15 HP = 3600 rpm (+/- 100 rpm), marcha en vacío puesta a 1550 rpm
Kawasaki 150 16HP = 3600 rpm (+/- 100 rpm), marcha en vacío puesta a 1550 rpm
Kawasaki 150 17HP = 3600 rpm (+/- 100 rpm), marcha en vacío puesta a 1550 rpm
(+/- 150 RPM)

Kohler 15 HP = 3600 rpm (+/- 50 rpm), marcha en vacío puesta a 1200 rpm (+/- 75 rpm)

Filtro de aire:

Elemento doble de gran capacidad con filtro de aire tipo ciclónico.
Silenciador de tubo de escape simple y doble.

Arrancador/Sistema eléctrico:

Encendido electrónico con arrancador de retroceso.

Conjunto de bomba

de combustible:

Variado - Consulte la especificación del fabricante.

Conjunto de bomba de aceite:

Variado - Consulte la especificación del fabricante.

Grupo de válvula:

Variado - Consulte la especificación del fabricante.

PLATAFORMA DEL MOTOR

Espesor:

Acero calibre 7.

Tanque de combustible:

Poliuretano sin costuras, 6 galones (19.0 litros) con sujetavaso.

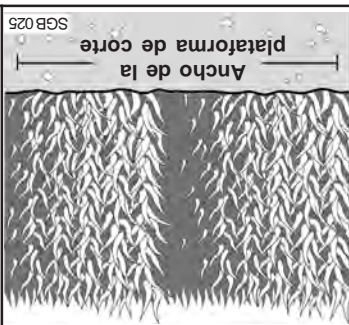
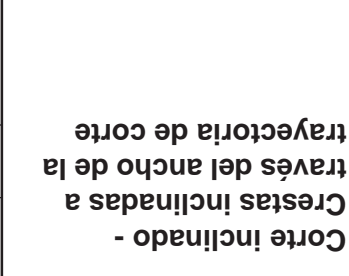
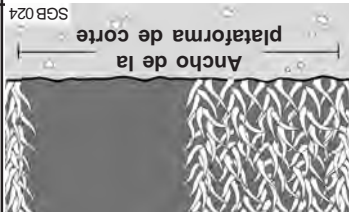
Ruedas motrices/Lantas:

13.0 x 6.50-6 sin cámara neumática, dos capas.

Barras del mango:

1-1/4" diámetro.

Identificación de fallas en las condiciones de corte

CONDICIÓN	CAUSA	SOLUCIÓN
<p>Raspadoras - Las cuchillas pegan en la tierra o están cortando muy cerca al terreno</p>  <p>Ancho de la plataforma de corte</p> <p>SGB022</p>	<p>Velocidad demasiado alta</p> <p>Terreno rugoso</p> <p>Corte demasiado bajo</p>	<p>Verifique y ajuste las presiones</p> <p>Disminuya la velocidad para ajustarse a las condiciones del terreno</p> <p>Se puede tener que reducir la velocidad en el terreno, aumentar la altura de la plataforma de corte, cambiar la dirección del corte y/o cambiar la inclinación y el nivel</p>
<p>Las cuchillas pegan en el centro de la trayectoria de corte</p>  <p>Ancho de la plataforma de corte</p> <p>SGB024</p>	<p>Cuchillas mal montadas, disparajas</p> <p>Cuchilla doblada</p> <p>Falla del eje interno</p>	<p>Ajuste la inclinación y el nivel</p> <p>Reemplace la cuchilla</p> <p>Consulte con su distribuidor SCAG</p>
<p>Corte inclinado - Crestas inclinadas a través del ancho de la trayectoria de corte</p>  <p>Ancho de la plataforma de corte</p> <p>SGB025</p>	<p>Area de montaje del eje doblada</p> <p>Falla del eje interno</p> <p>Alojamiento de la plataforma doblado</p>	<p>Consulte con su distribuidor SCAG</p> <p>Scag autorizado</p> <p>Consulte con su distribuidor SCAG</p>

Identificación de fallas en las condiciones de corte

SOLUCIÓN	CAUSA	CONDICIÓN
Reemplace la cuchilla	Levantador de la cuchilla desgastado	Corte disparejo en terreno plano - Apariencia baja y alta ondulada, corte volado o perfil irregular
Monte la cuchilla con el filo hacia el terreno	Cuchilla montada invertida	Corte disparejo en terreno plano - Apariencia baja y alta ondulada, corte volado o perfil irregular
Limpie la parte de abajo de la plataforma	Césped acumulado debajo de la plataforma de corte	Corte disparejo en terreno plano - Apariencia baja y alta ondulada, corte volado o perfil irregular
Ajuste la inclinación y el nivel	Demasiado ángulo en la cuchilla (inclinación de la plataforma de corte)	Corte disparejo en terreno plano - Apariencia baja y alta ondulada, corte volado o perfil irregular
Consulte con su distribuidor SCAG autorizado	Plataforma de corte montada incorrectamente	Corte disparejo en terreno plano - Apariencia baja y alta ondulada, corte volado o perfil irregular
Consulte con su distribuidor SCAG autorizado	Área del eje doblada	Corte disparejo en terreno plano - Apariencia baja y alta ondulada, corte volado o perfil irregular
Afile la cuchilla	Cuchilla desafilada	Corte disparejo en terreno plano - Apariencia baja y alta ondulada, corte volado o perfil irregular
Se puede tener que reducir la velocidad en el terreno, aumentar la altura de la plataforma de corte y/o cambiar la dirección del corte	Terreno disparejo	Corte disparejo en terreno disparejo - Apariencia baja y alta ondulada, corte volado o perfil irregular
Revise y ajuste la presión de las llantas	Revise y ajuste la presión de las llantas	Salientes inclinadas a lo ancho de la trayectoria de corte
Revise y ajuste la presión de las llantas	Ruedas disparejas	Salientes inclinadas a lo ancho de la trayectoria de corte
Consulte con su distribuidor SCAG autorizado	Plataforma de corte montada incorrectamente	Salientes inclinadas a lo ancho de la trayectoria de corte

Identificación de fallas en las condiciones de corte






SOLUCIÓN	CAUSA	CONDICIÓN
		<p>Largueros -Cuchillas ocasionales de césped sin cortar Grass</p>  <p>Ancho de la plataforma de corte</p> <p>SGB 020</p>
<p>Operar el motor a 3600 RPM</p> <p>Disminuya la velocidad para ajustarse a las condiciones del terreno</p> <p>Corte el césped una vez que se seque</p> <p>Afile las cuchillas</p> <p>Limpie la parte de abajo de la plataforma</p> <p>Correas patinando</p> <p>Ajuste la tensión de la correa</p>	<p>Bajas revoluciones (rpm) del motor</p> <p>Velocidad demasiado alta</p> <p>Césped mojado</p> <p>Cuchillas desafiladas, afilado incorrecto</p> <p>Césped acumulado debajo de la plataforma de corte</p> <p>Limpie la parte de abajo de la plataforma</p> <p>Correas patinando</p> <p>Ajuste la tensión de la correa</p>	<p>Vetas - Franjas de césped sin cortar en la rayectoria de corte</p>  <p>Ancho de la plataforma de corte</p> <p>SGB 018</p>
<p>Operar el motor a 3600 RPM</p> <p>Disminuya la velocidad para ajustarse a las condiciones del terreno</p> <p>Corte el césped una vez que se seque</p> <p>Afile las cuchillas</p> <p>Limpie la parte de abajo de la plataforma</p> <p>Correa patinando</p> <p>Ajuste la tensión de la correa</p>	<p>Bajas revoluciones (rpm) del motor</p> <p>Velocidad demasiado alta</p> <p>Césped mojado</p> <p>Afilado incorrecto de las cuchillas</p> <p>Césped acumulado debajo de la plataforma de corte</p> <p>Limpie la parte de abajo de la plataforma</p> <p>Correa patinando</p> <p>Ajuste la tensión de la correa</p>	<p>Vetas - Franjas de césped sin cortar entre trayectorias de corte</p>  <p>Ancho de la plataforma de corte</p> <p>SGB 019</p>
<p>Operar el motor a 3600 RPM</p> <p>Disminuya la velocidad para ajustarse a las condiciones del terreno</p> <p>Corte el césped una vez que se seque</p> <p>Afile las cuchillas</p> <p>Limpie la parte de abajo de la plataforma</p> <p>Correa patinando</p> <p>Ajuste la tensión de la correa</p>	<p>Bajas revoluciones (rpm) del motor</p> <p>Velocidad demasiado alta</p> <p>Césped mojado</p> <p>Afilado incorrecto de las cuchillas</p> <p>Césped acumulado debajo de la plataforma de corte</p> <p>Limpie la parte de abajo de la plataforma</p> <p>Correa patinando</p> <p>Ajuste la tensión de la correa</p>	<p>Vetas - Franjas de césped sin cortar entre trayectorias de corte</p>  <p>Ancho de la plataforma de corte</p> <p>SGB 018</p>
<p>Operar el motor a 3600 RPM</p> <p>Disminuya la velocidad para ajustarse a las condiciones del terreno</p> <p>Corte el césped una vez que se seque</p> <p>Afile las cuchillas</p> <p>Limpie la parte de abajo de la plataforma</p> <p>Correa patinando</p> <p>Ajuste la tensión de la correa</p>	<p>Bajas revoluciones (rpm) del motor</p> <p>Velocidad demasiado alta</p> <p>Césped mojado</p> <p>Afilado incorrecto de las cuchillas</p> <p>Césped acumulado debajo de la plataforma de corte</p> <p>Limpie la parte de abajo de la plataforma</p> <p>Correa patinando</p> <p>Ajuste la tensión de la correa</p>	<p>Vetas - Franjas de césped sin cortar entre trayectorias de corte</p>  <p>Ancho de la plataforma de corte</p> <p>SGB 019</p>

Figura 11. Posición del deflector de corte personalizado de 3-1/2"

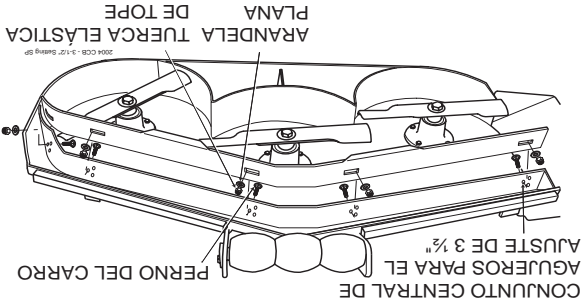
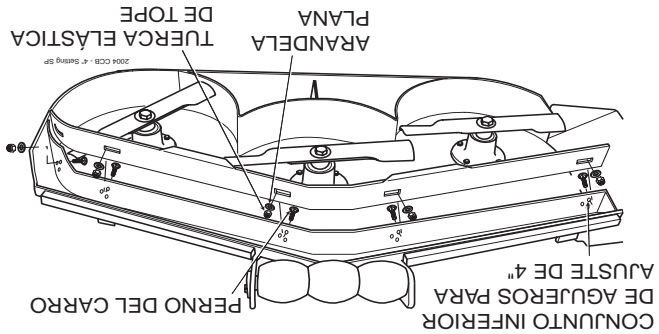


Figura 12. Posición del deflector de corte personalizado de 4"



Después de las 20 primeras horas de operación, cambie el aceite del cárter y reemplace el filtro de aceite. Luego, cambie el aceite después de cada 100 horas de operación o cada dos semanas, lo que ocurra primero. Consulte el manual del operador del motor proporcionado con este cortacésped para instrucciones.

CAMBIO DE ACEITE DEL CÁRTER

El nivel del aceite del motor se debe verificar después de cada 8 horas de operación o diariamente como se indica en el manual del operador del motor proporcionado con este cortacésped.

VERIFICACIÓN DEL NIVEL DE ACEITE DEL CÁRTER

CAMBIO DE FILTRO DE ACEITE DEL MOTOR

Después de las primeras 20 horas de operación, reemplace el filtro de aceite del motor. Luego, reemplace el filtro de aceite cada 100 horas de operación o cada dos semanas, lo que ocurra primero. Consulte el manual del operador del motor para instrucciones.

FILTRO DE AIRE DEL MOTOR

Para cualquier filtro de aire, el ambiente de operación determina los periodos de servicio del filtro de aire. Consulte el manual del operador del motor proporcionado con este cortacésped para instrucciones.

-NOTA-

En condiciones de mucho polvo, puede ser necesario dar servicio al filtro de aire diariamente para prevenir daños al motor.

LIMPIEZA DE LA MÁQUINA

1. Después que cada uso, lave el cortacésped y la plataforma de corte. Use agua fría y limpiadores automotrices. No use limpiadores a presión.
2. No rocíe los componentes eléctricos.
3. Repare las superficies de metal dañadas con la pintura de retoque Scag (N/P 48521) disponible en su distribuidor autorizado Scag. Encere el cortacésped con una cera automotriz para una máxima protección de la pintura.



PRECAUCIÓN:
No lave ninguna parte del equipo mientras está caliente. No lave el motor; use aire comprimido.

PARA AJUSTAR LA ALTURA DEL DEFLECTOR DE CORTE PERSONALIZADO

1. Retire los accesorios que aseguran el deflector de corte

-NOTA-

La ubicación de los accesorios usados en las ilustraciones es sólo para referencia. La ubicación de los accesorios puede variar de acuerdo con el tamaño de la plataforma de corte.

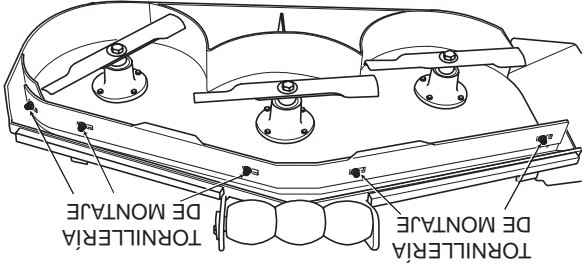
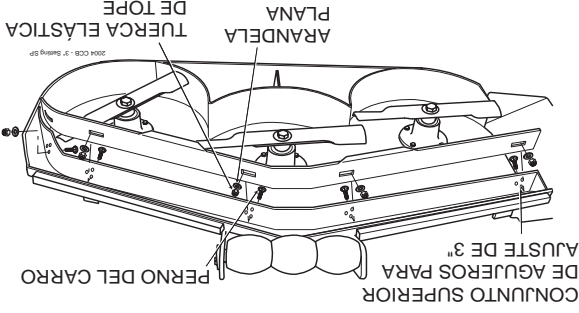


Figura 9. Deflector de corte personalizado

2. Mueva el deflector de corte personalizado a la posición deseada. (Vea las Figuras 10 hasta la 12 para la ubicación).

3. Vuelva a instalar los accesorios de montaje como se muestra. (Vea las Figuras 10 hasta la 12). Apriete los tornillos con un torque de 39 pies-lb.

Figura 10. Posición del deflector de corte personalizado de 3"



AJUSTE DEL DEFLECTOR DE CORTE PERSONALIZADO

El deflector de corte personalizado está diseñado para entregar un óptimo flujo de aire y un desempeño de corte superior en cualquier tipo de césped. El deflector personalizado puede levantarse o bajarse para personalizar en forma precisa el desempeño de la plataforma para el tipo de césped que se está cortando. El deflector se puede colocar en tres (3) posiciones diferentes para el desempeño óptimo.

- A. Posición 3" - el deflector se instala usando el conjunto superior de agujeros en el deflector frontal soldado dentro de la plataforma de corte. (Vea la Figura 10). Las plataformas de corte Velocity-Plus y Advantage entregarán la mejor calidad de corte en césped muy alto, tieso y difícil de cortar.

- B. Posición 3-1/2" (ajuste de fábrica para las plataformas de corte Advantage) - el deflector se instala usando el conjunto central de agujeros en el deflector frontal soldado dentro de la plataforma de corte. (Vea la Figura 11). Para cortes de propósito general, coloque el deflector de corte personalizado en la posición 3-1/2". Esto le da la mejor combinación de desempeño de corte en todos los tipos de césped.

- C. Posición 4" (ajuste de fábrica para las plataformas de corte Velocity-Plus) - el deflector se instala usando el conjunto inferior de agujeros en el deflector frontal soldado dentro de la plataforma de corte. (Vea la Figura 12) La colocación del deflector en el ajuste de 4" mejorará el corte en otoño (recogida de hojas) y reducirá los "soplos" en la plataforma de corte.

AJUSTES DE LA PLATAFORMA DE CORTE (CONTINUACIÓN)

Los espaciadores de la rueda libre también pueden ser reubicados para modificar las alturas de corte y la inclinación de la plataforma. (Vea la Figura 6).

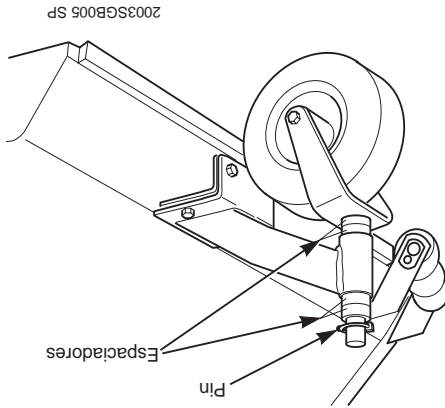


Figura 6. Espaciadores de la rueda loca

AJUSTE DE LA ALTURA DE CORTE

El ajuste de la altura de corte puede realizarse moviendo cualquiera de los cinco espaciadores más pequeños de 1/4" en los pernos de montaje de la cuchilla a la parte superior del eje o por debajo del eje.

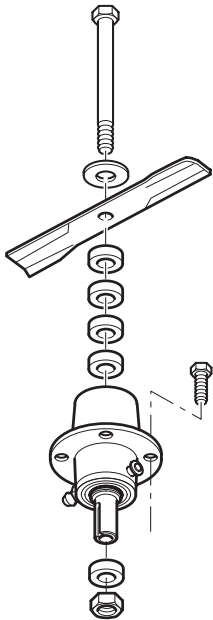
-NOTA-
Todas las cuchillas deben estar distribuidas por igual.

Para un mejor corte y una mejor descarga, deben instalarse por lo menos tres espaciadores entre la cuchilla y el eje (Vea la Figura 7).

ADVERTENCIA:
Las cuchillas tienen un borde de corte afilado. Use protección apropiada para los ojos y guantes protectores o forre las cuchillas con material de protección al retirar, afilar e instalar cuchillas.

Figura 7. Espaciadores de cuchilla

2002 SC407G SP



Cuchillas de corte

No afile las cuchillas más de 1/3 del ancho de la cuchilla. (Vea la Figura 8).

-NOTA-

Afile la cuchilla con una lima. Si usa una esmeriladora, puede quemar la cuchilla. Revise el balance de la cuchilla. Si las cuchillas están desbalanceadas, puede producirse vibración y desgaste prematuro del conjunto del eje. Consulte con su distribuidor autorizado Scag para balancear la cuchilla o por herramientas especiales si prefiere balancear sus cuchillas usted mismo.

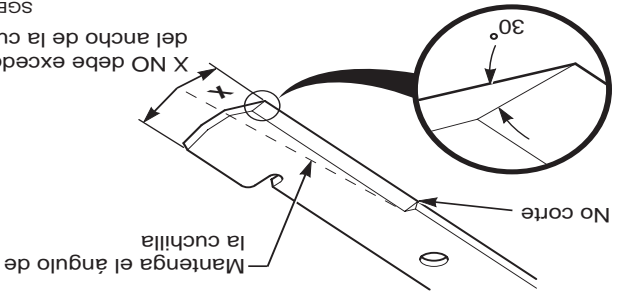


Figura 8. Afilado de las cuchillas

AJUSTES DE LA PLATAFORMA DE CORTE

Debido a las muchas condiciones de corte existentes, es difícil recomendar un ajuste de la plataforma de corte que funcione para todos los cortacéspedes. Hay dos ajustes que pueden realizarse en estas plataformas, inclinación y altura.

INCLINACIÓN es el ángulo de las cuchillas (comparando las frontales con las posteriores)

ALTURA es la distancia nominal de la cuchilla al

terreno. Esta medida se realiza con las cuchillas apuntando lado a lado y la distancia se mide entre la punta de corte y el terreno. (También consulte Ajuste de altura de corte, en la página siguiente).

Los cambios a la altura de corte pueden alcanzarse mediante la reubicación de la plataforma de corte. (Este ajuste también afectará la inclinación de la plataforma). Hay tres posiciones disponibles (vea la Figura 5).

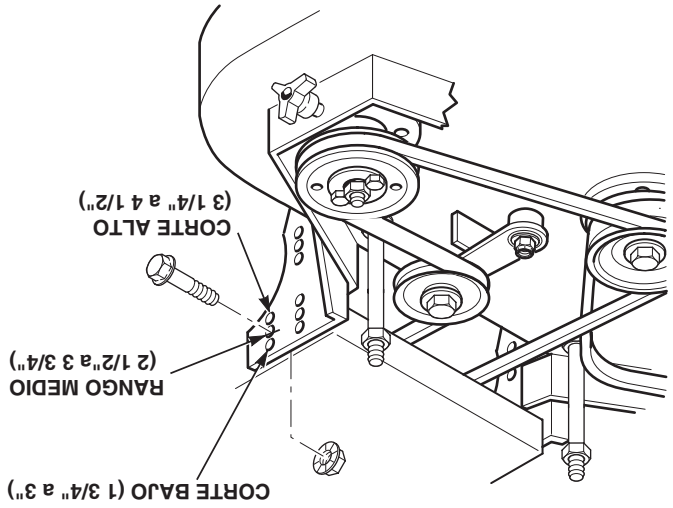


Figura 5. AJUSTE DE ALTURA DE CORTE

SC405G-06 SP AJUSTE DE ALTURA DE LA PLATAFORMA DE CORTE

Los espaciadores de la rueda libre también pueden ser reubicados para modificar las alturas de corte y la inclinación de la plataforma. (Vea la Figura 6).

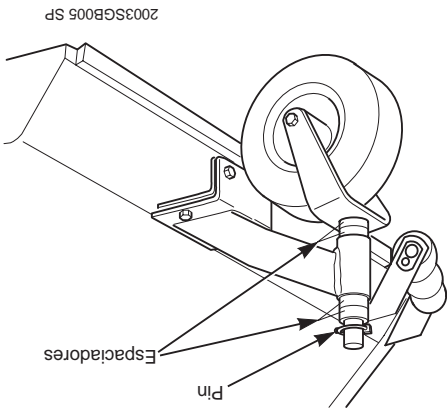


Figura 6. Espaciadores de la rueda loca

AJUSTE DE LA ALTURA DE CORTE

El ajuste de la altura de corte puede realizarse moviendo cualquiera de los cinco espaciadores más pequeños de 1/4" en los pernos de montaje de la cuchilla a la parte superior del eje o por debajo del eje.

-NOTA-

Todas las cuchillas deben estar distribuidas por igual.

Para un mejor corte y una mejor descarga, deben instalarse por lo menos tres espaciadores entre la cuchilla y el eje (Vea la Figura 7).

ADVERTENCIA:

Las cuchillas tienen un borde de corte afilado. Use protección apropiada para los ojos y guantes protectores o forre las cuchillas con material de protección al retirar, afilar e instalar cuchillas.

-NOTA-

Use gasolina con un octanaje no menor de 87 y un máximo de 10% de Etanol.

NO use combustible E85. El uso del combustible E85 dañará severamente el motor.

* La transmisión debe estar en NEUTRO.

* El interruptor de embrague de las cuchillas debe estar en la posición OFF.

* Las palancas de presencia del operador deben estar liberadas.

* Los seguros de neutral deben estar en la posición neutral de bloqueo.

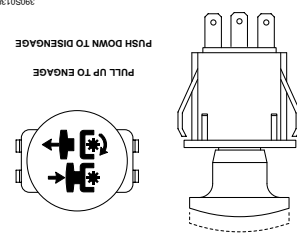
* El interruptor de encendido debe estar en ON.

3. Arranque el motor:

* Estrangule según sea necesario. Si el motor está frío, tire de la perilla de estrangulador. Cuando el motor arranque, lentamente empuje el estrangulador. Si el motor se ahoga, repita la operación de arriba. Cuando el motor está tibio, puede no ser necesario el uso del estrangulador.

4. Accione las cuchillas de corte presionando las palancas de operador y tirando el interruptor del embrague de la cuchilla hacia la posición ON.

Presione el interruptor a la posición OFF para desconectar las cuchillas de corte.



-NOTA-

Cuando el PTO está accionado o (posiblemente) desconectado, es normal escuchar un chirrido desde la parte inferior de la máquina. Es causado por el engrane de los platos del embrague eléctricos mientras el cortacésped adquiere velocidad. Para alcanzar una mayor vida del equipo, accione el embrague con el motor a 3/4 de aceleración, no bajo carga completa.

ADVERTENCIA:

Para evitar lesiones personales graves y daños a la transmisión, la máquina debe estar completamente detenida antes de realizar un cambio entre engranajes o de cambiar entre el movimiento hacia adelante y reversa.

5. Cambie la transmisión a la velocidad de corte deseada.

-NOTA-

!Solo se recomienda la velocidad máxima para transporte!

6. Mientras está apretando las palancas del freno de dirección con ambas manos, libere ambos seguros de la posición neutral.

7. Cuando las palancas del freno de dirección se liberan, la máquina se desplazará en línea recta. Para realizar un giro a la derecha, apriete la palanca derecha. Para girar a la izquierda, apriete la palanca izquierda.

8. PARA DETENERSE, apriete ambas palancas, bloquee los seguros de neutral y cambie la transmisión a neutral.

AJUSTES DE LA CORREA DE LA PLATAFORMA DE CORTE

PRECAUCIÓN:

Detenga el motor y quite la llave del encendido antes de realizar cualquier ajuste. Espere que todas las partes móviles se detengan antes de comenzar a trabajar.

1. Retire la cubierta de la correa.

2. Ajuste la correa de transmisión de la plataforma de corte con un calibrador de tensión. Ajuste la correa de modo que la misma se mueva 1/2" con 10 libras de presión. Ajuste la tensión apretando o aflojando la tuerca del perno tipo J. (Vea la Figura 1).

PROCEDIMIENTOS DE ARRANQUE INICIAL (PRIMER DÍA DE USO APROXIMADAMENTE 10 HORAS)

1. Verifique la correcta tensión de las correas a las 2, 4 y 8 horas. Ajuste como lo considere necesario.

2. Verifique el ajuste neutral de las varillas de control de dirección (Consulte la sección Ajustes, página 11).

3. Verifique la presión adecuada de las llantas.
Llantas macizas Ruedas locas
12 PSI Ruedas motrices

4. Revise que no haya tornillería floja. Apriete según sea necesario.

5. Verifique el ajuste adecuado de los interruptores de seguridad:

*El motor no arrancará si el interruptor PTO está en ON.

*El motor no arrancará si la máquina no está en NEUTRO.

*El motor deberá arrancar si la máquina está en neutral y el interruptor de accionamiento está en OFF.

6. Aplique lubricante a todas las conexiones.

El lubricante se aplicó en fábrica. Esto sólo es una revisión preventiva para asegurarse de que todas las conexiones hayan sido lubricadas.

OPERACIÓN DEL CORTACÉSPED

1. Lea y entienda las instrucciones de seguridad antes de tratar de operar esta máquina.

2. Antes de arrancar el motor:

* Llene el tanque de combustible con gasolina limpia y reciente con un octanaje mínimo de 87 y hasta un máximo de 10% de Etanol.

* Verifique el nivel de aceite en el tanque hidráulico.

* Abra la válvula de combustible que está al fondo del tanque.

4. Desconecte la transmisión, baje los implementos,

detenga el motor y quite la llave o desconecte los cables de bujía para evitar un arranque accidental del motor cuando esté dando servicio o ajuste a la máquina. Espere que todo movimiento cese antes de realizar cualquier ajuste, limpieza o reparación.

5. Si el cortacésped debe ser inclinado para practicarle mantenimiento o ajuste, retire la batería y drene la gasolina del tanque de combustible y el aceite del cárter.

6. Mantenga apretados todos los pernos, tuercas y tornillos, para asegurar que la máquina esté en condiciones seguras de trabajo. Verifique frecuentemente los pernos de montaje de la cuchilla para asegurarse que estén ajustados. Reemplace todas las calcomanías desgastadas o dañadas.

7. Retire la grasa y los desechos de las unidades de corte, de la transmisión, del silenciador y del motor para prevenir incendios. Limpie cualquier derrame de aceite o combustible.

8. El motor debe estar apagado antes de revisar el nivel de aceite o de agregarlo al cárter.

9. Permita que el motor se enfríe antes de almacenarlo.

10. **NO** almacene la máquina cerca de un fuego abierto.

11. Corte el combustible durante el almacenamiento o el transporte.

12. Siempre almacene la gasolina en un recipiente rojo, aprobado para seguridad.

13. Use soportes de gato para apoyar componentes cuando sea necesario.

14. Libere cuidadosamente la presión de los componentes que tengan energía almacenada.

15. Tenga cuidado al revisar las cuchillas. Forre las cuchillas o use guantes y tenga cuidado al dar servicio a las cuchillas. Sólo reemplace o afíle las cuchillas. **NUNCA** enderece ni suelde las cuchillas.

CONSIDERACIONES DE OPERACIÓN (CONTINUACIÓN)

7. Desconecte la potencia a la plataforma de corte antes de retroceder. No corte en reversa a menos que sea absolutamente necesario y sólo después de observar toda el área detrás del cortacésped. Si debe cortar en reversa, mantenga la vista constantemente hacia la parte posterior de la máquina y corte lentamente.
8. Desconecte la potencia a la plataforma de corte antes de cruzar carreteras, caminos o caminos de grava. Detenga las cuchillas si no está cortando el césped.
9. Apague el motor y espere hasta que las cuchillas se detengan completamente antes de retirar el recipiente del recogedor de césped.
10. Nunca levante la plataforma de corte mientras las cuchillas estén girando.

PELIGRO:



GUCHILLAS GIRATORIAS
NUNCA PONGA LAS MANOS EN LA TOLVA DE DESCARGA POR NINGÚN MOTIVO!

11. Mantenga las manos y pies lejos de las cuchillas de corte y las partes móviles. El contacto puede causar daños.
12. NO opere sin la tolva de descarga lateral instalada y en la posición baja.
13. NO dirija la descarga del material hacia otras personas, ni permita que haya nadie cerca a la máquina mientras está en funcionamiento.
14. Si las cuchillas de corte golpean un objeto sólido o si el equipo comienza a vibrar en forma anormal, detenga el motor, desconecte el cable de la bujía y busque inmediatamente la causa. Generalmente, la vibración es una advertencia de alguna falla. Busque si hay daños o piezas defectuosas en la máquina. Repare cualquier daño antes de arrancar el motor o de operar la plataforma de corte. Asegúrese de que las cuchillas estén en buen estado y que sus pernos estén ajustados.

15. Tome toda precaución posible cuando deje la máquina sin atención, como desconectar el cortacésped, detener el motor y quitar la llave.

PRECAUCIÓN:



No toque el motor ni el silenciador mientras el motor está funcionando, ni inmediatamente después de detenerlo. Estas zonas pueden estar lo suficientemente calientes como para causar una quemadura.

NO opere el motor dentro de un edificio ni en un área encerrada sin ventilación apropiada. Los gases de escape son peligrosos y contienen monóxido de carbono que pueden causar daño cerebral y la muerte.

PELIGRO:



16. NO opere el equipo bajo la influencia de alcohol o drogas.
17. Tenga cuidado al cargar o descargar la máquina en un remolque o un camión.
18. Tenga cuidado al aproximarse a esquinas ciegas, arbustos, árboles, u otros objetos que puedan disminuir la visibilidad.
19. No cambie los ajustes del controlador del motor ni opere a mayor velocidad de la nominal. Vea el manual del operador del motor para obtener información sobre los ajustes del motor.
20. NUNCA deje la máquina funcionando sin atención.

MANTENIMIENTO Y ALMACENAMIENTO

1. Sólo permita que personal entrenado de servicio a la máquina.
2. Estacione la máquina en terreno plano.
3. Nunca realice ajustes a la máquina con el motor en operación a menos que se le indique específicamente hacerlo así. Si el motor está funcionando, mantenga las manos, los pies y la ropa lejos de las piezas móviles.

CONSIDERACIONES PREVIAS A LA OPERACIÓN (CONTINUACIÓN)

9. Siempre debe estar instalada la tolva de descarga y en la posición baja en la plataforma de corte de descarga lateral, excepto cuando el recogedor de césped opcional o la placa de mezcla de paja Scag estén correctamente instalados.
10. Si la descarga del cortacésped se tapona, apague el motor, quite la llave de encendido y espere que cese todo movimiento antes de quitar la obstrucción.

ADVERTENCIA:

NO use la mano para desatascar la tolva de descarga. Use una varilla u otro dispositivo para retirar el material atascado después de apagar el motor y que las cuchillas paren de girar.

11. Verifique a intervalos frecuentes que los pernos de montaje de la cuchilla estén correctamente ajustados.

CONSIDERACIONES DE OPERACIÓN

1. Antes de operar el cortacésped, debe familiarizarse con todos los controles del cortacésped y el motor. Es importante conocer la ubicación, función y operación de estos controles para la operación segura y eficiente del cortacésped.
2. Arranque el motor cuando los seguros de neutral están en la posición neutral de bloqueo, las cuchillas de corte desconectadas y la transmisión en neutral.
3. Asegúrese que los conmutadores de bloqueo funcionen correctamente.
4. **NO CORTE** cuando niños y/o otras personas estén presentes. Mantenga a los niños fuera del área de corte y al cuidado atento de un adulto responsable máquina si un niño ingresa al área.

5. **NO LLEVE** pasajeros.

6. El uso de la máquina requiere atención. Para evitar la pérdida de control:

- A. Corte el césped sólo con luz de día o buena luz artificial.
- B. Preste atención a agujeros, piedras, raíces y otros peligros ocultos en el terreno. Manténgase alejado de toda pendiente vertical. Tenga cuidado con las obstrucciones presentes arriba de su cabeza (ramas bajas, etc.), obstáculos subterráneos (aspersores, tubos, raíces de árboles, etc.). Ingrese con precaución a un área nueva. Preste atención a posibles peligros ocultos.

ADVERTENCIA:

NO OPERE en pendientes empinadas. Para probar si puede trabajar en una cuesta, trate de retroceder (con la plataforma de corte baja). Si la máquina no puede retroceder en una pendiente sin que las ruedas resbalen, no la opere en dicha pendiente.

SIEMPRE desplácese a través de la pendiente cuando sea posible. Nunca suba y baje la pendiente. Reduzca la velocidad y tenga cuidado al girar o al operar en pendientes, o en superficies húmedas o resbaladizas. Permita una distancia adicional para detenerse.

Opere la máquina suavemente, sin giros repentinos, ni arranques o paradas en una pendiente. **SIEMPRE** mantenga el equilibrio. Mantenga firmemente las asas y camine----no corra. **NO** corte cerca de pendientes verticales, zanja ni terraplenes. La máquina podría volcarse repentinamente si una rueda pasa encima de un borde o si el borde se derrumba.

SIEMPRE CUMPLA CON LAS OPERACIONES APROBADAS POR OSHA

CONSIDERACIONES PREVIAS A LA OPERACIÓN (CONTINUACIÓN)

5. Siempre use ropa apropiada. La ropa holgada, el cabello largo o las joyas podrían enredarse en partes móviles. No opere la máquina llevando pantalones cortos; siempre lleve ropa de protección adecuada, incluyendo pantalones largos. Es recomendable llevar gafas de seguridad, zapatos de seguridad y un casco, pues es requerido por algunos reglamentos locales y normas del seguro.

Siempre use protectores auditivos. El operar esta máquina por períodos prolongados de tiempo puede causar pérdida de la audición.



6. Mantenga la máquina y los accesorios en buenas condiciones de operación. Mantenga todas las guardas y dispositivos de seguridad en su lugar. Si una guarda, un dispositivo de seguridad o una calcomanía están defectuosos o dañados, repárelos o reemplácelos antes de operar la máquina.

ADVERTENCIA: Esta máquina está equipada con un sistema de bloqueo diseñado para evitar lesiones personales al operador y a terceros. Esto se logra evitando que el motor arranque a menos que la transmisión de plataforma esté desconectada y la transmisión en neutral. El sistema apaga el motor si el operador libera las palancas de presencia del operador con la transmisión de plataforma accionada y/o cuando la transmisión no está en neutral. Nunca opere el equipo con el sistema de bloqueo desconectado ni funcionando defectuosamente.

7. Llene el tanque de combustible con gasolina limpia y reciente con un octanaje mínimo de 87, y hasta un máximo de 10% de Etanol. Para evitar lesiones personales o daños a la propiedad, tenga mucho cuidado al manipular gasolina. La gasolina es extremadamente inflamable y los vapores son explosivos.
- NO use combustible E85.** El uso del combustible E85 dañará severamente el motor.
- A. Mantenga los objetos inflamables (cigarrillos, fósforos o cerillos, etc.), las llamas abiertas y chispas, lejos del tanque y el recipiente de combustible.

- B. Use solamente un recipiente aprobado para gasolina. **NO agregue** combustible a un motor en operación ni a un motor caliente. Permita que el motor se enfríe por varios minutos antes de agregar el combustible.
 - D. Nunca abastezca de combustible al cortacésped bajo techo ni en un remolque cerrado.
 - E. Nunca almacene el cortacésped o el recipiente de combustible donde haya una llama abierta, chispa o luz piloto, como de un calentador de agua u otros aparatos.
 - F. Nunca llene recipientes dentro de un vehículo ni en un camión o remolque que tenga forro de material plástico. Siempre coloque los recipientes en el terreno lejos de su vehículo antes de abastecerlos de combustible.
 - G. Retire la máquina del camión o del remolque y abastézcala de combustible en el terreno. Si esto no es posible, añada el combustible con un recipiente portátil en lugar de usar una boquilla de un dispensador de gasolina.
 - H. Mantenga la boquilla en contacto con el borde del tanque de combustible o con la abertura del recipiente hasta terminar de llenar el combustible. No utilice un dispositivo que bloquee la boquilla en posición abierta.
 - I. Si derrama combustible en la ropa, cámbiesela inmediatamente.
 - J. Coloque nuevamente la tapa de gasolina y apriete firmemente.
8. Antes de tratar de arrancar el motor, cambie la transmisión a neutral, mueva el interruptor de accionamiento de la cuchilla a la posición OFF y mueva los seguros de neutral a neutral.



NO OPERE SIN EL EQUIPO MEZCLADOR DE PAJA DE LA TOLVA DE DESCARGA, O SIN EL RECOGEDOR DE CÉSPED INSTALADOS.

INFORMACIÓN DE SEGURIDAD

Palabra de señalización:

INFORMACIÓN GENERAL DE SEGURIDAD

La palabra de señalización es distintiva y se encuentra en las calcomanías de seguridad del equipo y a través de este manual para alertar sobre la existencia y el grado de una condición de peligro.



La palabra de señalización "DANGER" (PELIGRO) indica que existe una situación extremadamente peligrosa en o cerca de la máquina, que tiene altas probabilidades de ocasionar la muerte o una lesión irreparable si no se toman las precauciones apropiadas.



La palabra de señalización "WARNING" (ADVERTENCIA) indica que existe un riesgo en o la cerca de la máquina que puede ocasionar lesiones o la muerte si no se toman las precauciones debidas.



La palabra de señalización "CAUTION" (PRECAUCIÓN) es un recordatorio de que se deben seguir prácticas seguras en o cerca de la máquina y que de no seguirse, se pueden ocasionar lesiones personales. Su seguridad y la de los demás dependen en gran parte de que usted conozca y comprenda todos los procedimientos y las prácticas de operación correcta de esta máquina.

CONSIDERACIONES PREVIAS A LA OPERACIÓN

1. Familiarícese con la operación segura del equipo, los controles del operador y las señales de seguridad.
2. **NUNCA** permita que niños o personas no calificadas operen o den servicio a esta máquina.
3. **NO PERMITA** que los niños se suban o jueguen en la máquina, no es un juguete.
4. Retire del área que debe ser cortada todos los objetos que pudieran ser recogidos y arrojados por las cuchillas.

Su cortacésped es tan seguro como el operador. El error o descuido del operador puede ocasionar lesiones personales graves o la muerte. El control de riesgos y la prevención de accidentes dependen del conocimiento, el interés, la prudencia, y el entrenamiento apropiado del personal relacionado con la operación, el transporte, mantenimiento y almacenamiento del equipo. Cerciórese de que cada operador esté entrenado apropiadamente y completamente familiarizado con todos los controles antes de operar el cortacésped. El propietario/usuario puede evitar y es responsable de los accidentes o heridas que les ocurren a ellos mismos, a otras personas o a la propiedad.









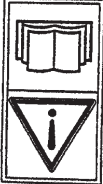

LEA ESTE MANUAL DEL OPERADOR ANTES DE TRATAR DE ARRANCAR SU CORTACÉSPED.

Si el operador o mecánico no puede leer inglés o español, es responsable del propietario explicarles este material. Hay disponible un manual de reemplazo en su distribuidor autorizado Scag o contactándose con Scag Power Equipment, Service Department en P.O. Box 152, Mayville, WI 53050, o visitando su sitio web en www.scag.com. Puede descargar el manual para su máquina utilizando el modelo y el número de serie o mediante el formulario de contacto para hacer su pedido. Indique el modelo y el número de serie completos de su producto de Scag cuando solicite manuales de reemplazo.











PALABRAS DE SEÑALIZACIÓN



Este símbolo significa "¡Atención! ¡Alerta! ¡Hay un riesgo para su seguridad!" El símbolo se usa con las siguientes palabras de señalización para llamar su atención sobre mensajes de seguridad localizados en las calcomanías del equipo y a través de este manual. El mensaje que sigue al símbolo contiene información importante sobre seguridad. ¡Para evitar posibles lesiones o la muerte, lea detalladamente el mensaje! Cerciórese de entender completamente las causas que pueden ocasionar lesiones o la muerte.

DESCRIPCIÓN	SÍMBOLO	DESCRIPCIÓN	SÍMBOLO
Lento		Rápido	
Elemento cortante - Símbolo básico		Continuamente variable - Lineal	
Elemento cortante - Conectar		Punto de contacto	
Elemento cortante - Desconectar		Horómetro/Horas de operación transcurridas	
Lea el manual del operador		Peligro de objetos lanzados Mantenga alejados a los curiosos	



DESCRIPCIÓN	SÍMBOLO	DESCRIPCIÓN	SÍMBOLO
Transmisión		Ahogador	
Cuchilla giratoria		Freno de estacionamiento	
Tensión del resorte en la polea		Encendido/Arranque	
Aceite		Apagado/Parada	
Objetos lanzados		Riesgo de caída	

INFORMACIÓN GENERAL

INTRODUCCIÓN

Su cortacésped se fabricó según las normas más exigentes de la industria. Sin embargo, la duración de la vida útil y el logro de la máxima eficiencia de su cortacésped dependen de que se sigan las instrucciones de operación, mantenimiento y ajuste indicadas en este manual.

Si requiere información o servicio adicionales, contacte con su distribuidor de Scag Power Equipment.

Le sugerimos que se ponga en contacto con su distribuidor cuando necesite reparaciones. Todos los distribuidores Scag están informados de los últimos métodos para dar servicio a este equipo y para proporcionar un servicio oportuno y eficiente en el sitio de trabajo o en el taller de servicio. Ellos cuentan con la línea completa de piezas de repuesto Scag.

EL REEMPLAZO DE CUALQUIER PARTE DE ESTE PRODUCTO POR OTRA PIEZA DE REPUESTO QUE NO ESTE AUTORIZADA POR EL FABRICANTE PUEDE PERJUDICAR EL RENDIMIENTO, DURABILIDAD O SEGURIDAD DE ESTE PRODUCTO.

EL USO DE PIEZAS DE REPUESTO QUE NO SEAN SCAG ORIGINALES ANULARÁ LA GARANTÍA.

Para una mejor visualización, algunas ilustraciones y las figuras en este manual pueden mostrar las protecciones, las guardas o los platos, abiertos o retirados. Bajo ninguna circunstancia su cortacésped debe operarse sin estos accesorios colocados en su lugar.

Toda la información esta basada sobre la información disponible del producto al momento de aprobarse la impresión. Scag Power Equipment se reserva el derecho de realizar cambios en cualquier momento sin previo aviso y sin contraer ninguna obligación.

ACCESORIOS Y ADITAMENTOS APROBADOS POR SCAG:

Los accesorios y aditamentos fabricados por compañías que no sean la propia Scag Power Equipment no están aprobados para usarlos en esta máquina. El uso de dispositivos no aprobados, (especialmente los dispositivos de conducción "verticales") puede ser peligroso.

SÓLO USE DISPOSITIVOS APROBADOS POR SCAG.



REFERENCIA DE INSTRUCCIONES

- GC-F4 (n/p 9055)
- GC-4D (n/p 9054)
- Placa desmenuzadora (n/p 9258, 9286, 9287)
- Sistema mezclador de paja Hurricane™ (n/p 9263, 9283, 9284)
- Sujetavaso (n/p 9240)
- Horómetro (n/p 48023)
- Deflector turbo (n/p 424208)
- Blade Buddy (n/p 9212)

SERVICIO AL MOTOR

Los lados "derecho" e "izquierdo", "frontal" y "posterior" de la máquina se refieren a la izquierda y derecha del operador cuando se encuentra en posición de operación normal y de cara a la dirección de desplazamiento hacia adelante.

Los detalles sobre servicio y reparación del motor no están cubiertos en este manual; sólo se proporcionan instrucciones de mantenimiento de rutina y de servicio general. Para dar servicio al motor durante el período de garantía limitada, es importante contactar con su distribuidor Scag o encontrar a un agente local de servicio autorizado del fabricante del motor. Cualquier trabajo no autorizado realizado en el motor durante el período de garantía puede anularla.

TABLA DE CONTENIDO
(CONTINUACIÓN)

TEMA	PÁGINA
Lista de partes ilustrada	
Plataforma de corte SWM-32", 36"	20-21
Plataforma de corte SWM-48", 52"	22-23
Notas	24
Conjunto de la rueda libre	25
Plataforma del motor	26-27
Conjunto del mango	28-29
Tablero de instrumentos	30
Transmision Peerless	31
Mazo de cables de la plataforma del motor	32
Mazo de cables del mango	32
Adaptador del mazo de cables-Kawasaki (15 HP, 16 HP y 17 HP)	33
Calcomanias de repuesto	34-35
Declaración de garantía	Dentro de la cubierta posterior



1	Introducción
1	Referencia de instrucciones
1	Servicio al motor
2-3	Símbolos
4	Instrucciones generales de seguridad
4	Palabras de señalización
4-6	Consideraciones previas a la operación
6-7	Consideraciones de operación
7-8	Mantenimiento y Almacenamiento
8	Procedimientos de arranque inicial
8-9	Operación del cortacésped
9	Ajustes de la correa de la plataforma de corte
10	Correa de la transmisión
10	Ajustes de control motriz
10-11	Ajustes de la plataforma de corte
11	Ajuste de la altura de corte
12	Cuchillas de corte
13	Ajuste del deflector de corte personalizado
14	Mantenimiento del aceite del motor
14	Mantenimiento del filtro de aire del motor
14	Limpieza de la máquina
15	Tabla de Lubricación y Mantenimiento
16-18	Identificación de fallas en las condiciones de corte
19-21	Especificaciones técnicas

PÁGINA

TEMA

SCAG®
POWER EQUIPMENT
TABLA DE CONTENIDO
MODELO SW

ADVERTENCIA:



EL INCUMPLIMIENTO DE LAS PRÁCTICAS SEGURAS DE OPERACIÓN PUEDE RESULTAR EN LESIONES GRAVES.

- * Mantenga todas las guardas en su posición, especialmente la de la tolva de descarga de césped.
- * Antes de realizar cualquier mantenimiento o servicio, detenga la máquina y quite el cable de la bujía y la llave de encendido.
- * Si un mecanismo se atasca, detenga el motor antes de limpiar.
- * Mantenga las manos, los pies y la ropa lejos de las partes móviles.
- * Lea este manual completamente así como cualquier otro manual proporcionado con su cortacésped.
- * Mantenga a otras personas alejadas del tractor (sólo una persona debe usarlo a la vez).
- * NO OPERE en pendientes empinadas. Para probar si puede trabajar en una cuesta, trate de retroceder (con la plataforma de corte baja). Si la máquina puede retroceder por la pendiente sin que las ruedas se resbalen, reduzca la velocidad y opere con extremo cuidado. SIEMPRE CUMPLA CON LAS OPERACIONES APROBADAS POR OSHA.
- * NO corte en césped mojado. El césped mojado reduce la tracción y el control de dirección.

RECUERDE - ¡SU CORTACÉSPED ES TAN SEGURO COMO EL OPERADOR! El control de riesgos y la prevención de accidentes dependen del conocimiento, el interés, la prudencia, y el entrenamiento apropiado del personal relacionado con la operación, el transporte, mantenimiento y almacenamiento del equipo.

Este manual cubre las instrucciones de operación y la lista de partes ilustradas para:

SW32-15KAI con número de serie de D5700001 a D5799999
SW36A-15KH con número de serie de D5800001 a D5899999
SW36A-16KAI con número de serie de D5900001 a D5999999
SW48V-15KH con número de serie de D6000001 a D6099999
SW48V-16KAI con número de serie de D6100001 a D6199999
SW52V-17KAI con número de serie de D6200001 a D6299999

Quando se refiera a este producto siempre use el número de serie completo que aparece en la etiqueta de número de serie.

MANUAL DEL OPERADOR

SCAG[®]
POWER EQUIPMENT

MODELO SW



ESTE MANUAL CONTIENE LAS INSTRUCCIONES DE OPERACION Y LA INFORMACION DE SEGURIDAD PARA SU CORTACEPESD SCAG LA LECTURA DE ESTE MANUAL LE PUEDE AYUDAR EN EL MANTENIMIENTO Y LOS PROCEDIMIENTOS DE AJUSTE A FIN DE MANTENER SU CORTACEPESD TRABAJANDO A LA MAXIMA EFICIENCIA. LOS MODELOS ESPECIFICOS CUBIERTOS POR ESTE MANUAL ESTAN INDICADOS EN LA CUBIERTA INTERIOR. ANTES DE OPERAR SU MAQUINA, LEA TODA LA INFORMACION INCLUIDA.

© 2007

SCAG POWER EQUIPMENT

DIVISION OF METALCRAFT OF MAYVILLE, INC.

PARTE N° 03224
IMPRESO EN ABRIL DE 2007
IMPRESO EN EE.UU.