

Yanmar

3TNV88-BKMS

4TNV88-BKMS

4TNV88-BDMS

Engines

**(P/N's 192473, 192474,
and 192494)**

Gehl 3640, 3840, 4240

**Mustang 2026, 2041, 2044
2054**

**Skid-Steer
Loaders**



Form No.
917329

Revision A
06/08

ENGINE PARTS MANUAL

Introduction

This manual covers the Yanmar 3TNV88-BKMS/4TNV88-BKMS and 4TNV88-BDMS engines (P/N 192473/192474, and 192494, respectively), used in Gehl 3640/3840/4240 and Mustang 2026/2041; and Mustang 2044/2054 skid-steer loaders, respectively.

When ordering service parts, specify the correct part number, full description, quantity required, and the engine model number and serial number.

Items shown that do not have a part number are shown for reference purposes only and are not available for purchase. Part numbers may change. Your Gehl or Mustang dealer will have the latest part number.

Gehl® Company and the Mustang® Manufacturing Co., Inc., reserve the right to make changes or improvements in the design or construction of any part of the unit without incurring the obligation to install such changes on any previously delivered units.

IMPORTANT

For maximum engine life, when shutting the engine down, allow the engine to idle, without load, for five minutes. This will allow engine components that operate at high temperatures to cool slightly before the engine itself is shut down.

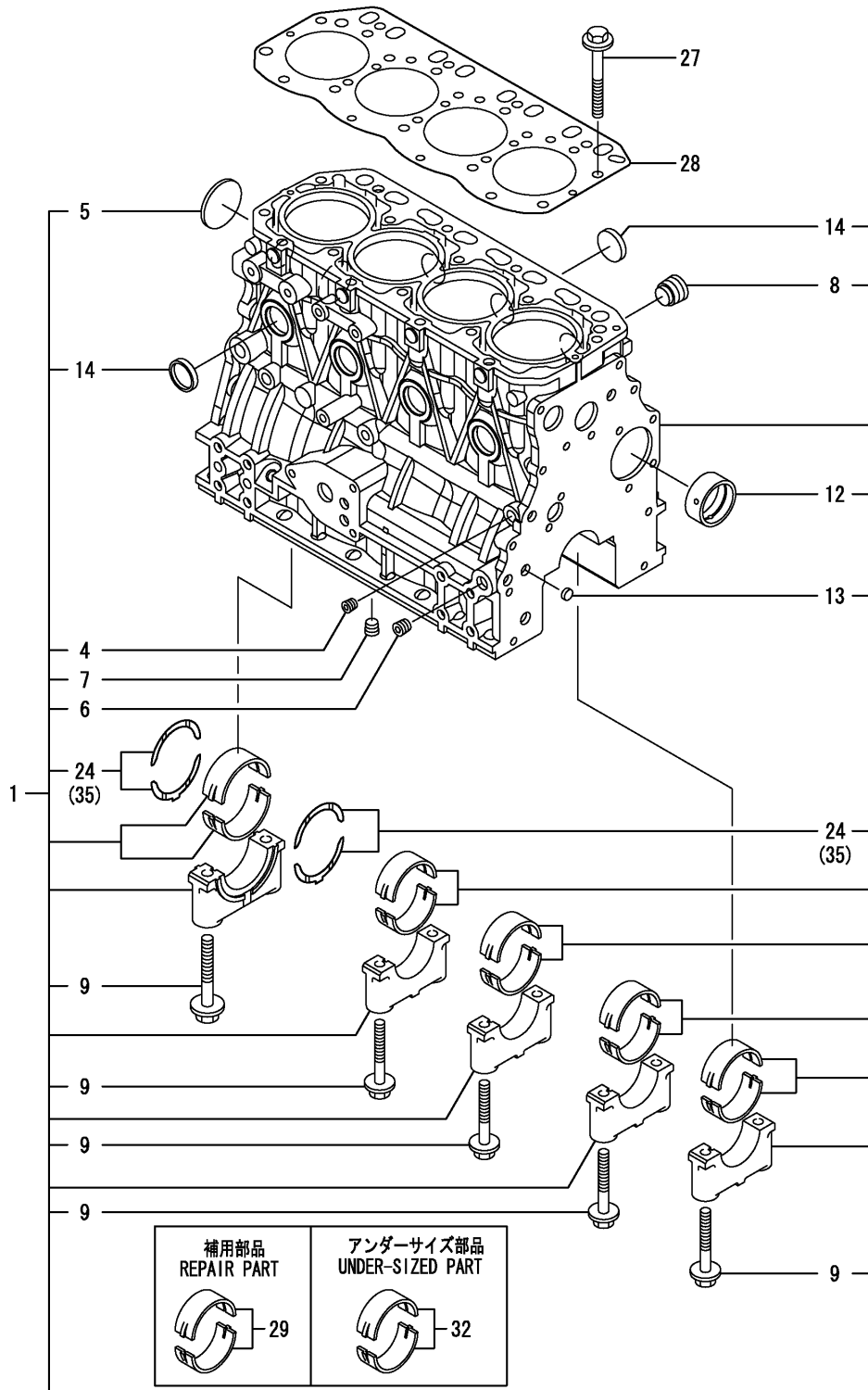
GEHL is a registered trademark of the Gehl Company.

MUSTANG is a registered trademark of the Mustang Manufacturing Co., Inc.

TABLE OF CONTENTS

DESCRIPTION	PAGE
<u>ENGINE SERVICE PARTS</u>	
Cylinder Block	1
Gear Housing	3
Flywheel Housing and Oil Sump	5
Cylinder Head and Bonnet	7
Suction Manifold	11
Exhaust Manifold	13
Camshaft and Driving Gear	15
Crankshaft and Piston.	17
Lubrication Oil System	19
Cooling Water System	21
Fuel Injection Pump	23
Governor.	25
Fuel Injection Valve	27
Fuel Line.	29
Starting Motor	31
Generator	33
Tool and Gasket Set	35
Numerical Index	38

CYLINDER BLOCK

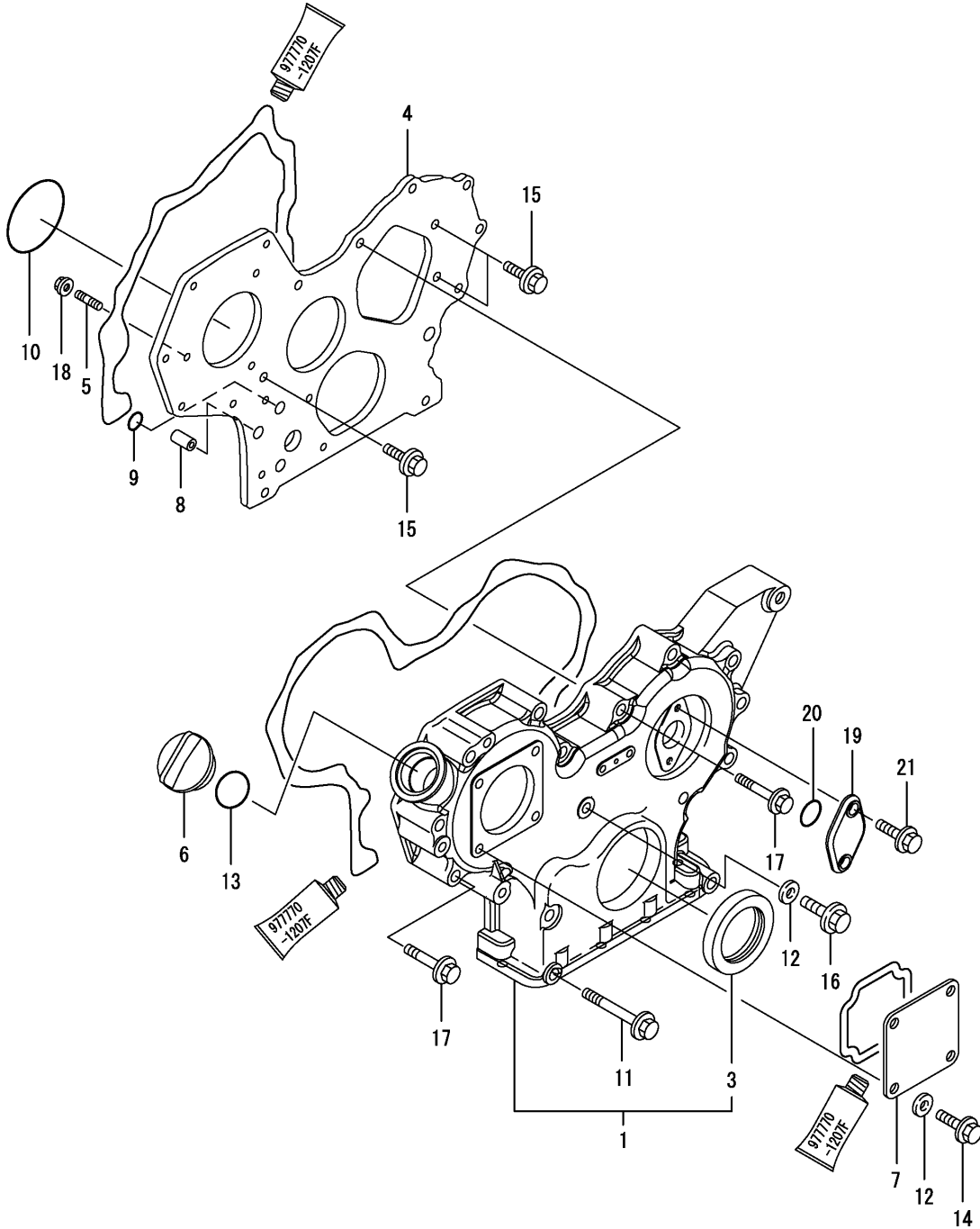


Y00W3330	1. CYLINDER BLOCK			
4TNV88-BKMS	1.08.03	2	3	PLUS

CYLINDER BLOCK

Ref. No.	Part No.	Description	Quantity 3TNV/4TNV88
1	188768	BLOCK ASSY, CYLINDER (4 CYLINDER)	1
	188762	BLOCK ASSY, CYLINDER (3 CYLINDER)	1
4	425-34723	PLUG PT1/8	1
5	425-36240	PLUG 50	1
6	425-34721	PLUG PT1/4	2
7	425-34721	PLUG PT1/4	1
8	425-34722	PLUG	1
9	425-34730	BOLT, METAL CAP (4 CYLINDER)	10
	425-34730	BOLT, METAL CAP (3 CYLINDER)	8
12	197589	BUSH, CAMSHAFT	1
13	425-34725	PLUG 12	2
14	188757	PLUG 30 (4 CYLINDER)	8
	188757	PLUG 30 (3 CYLINDER)	6
24	425-34731	METAL, THRUST	2
27	425-34638	STUD, CYL. HEAD (4 CYLINDER)	18
	425-34638	STUD, CYL. HEAD (3 CYLINDER)	14
28	425-36006	GASKET, CYL. HEAD (4 CYLINDER)	1
	425-36241	GASKET, (NON-ASB.) (3 CYLINDER)	1
29	270942	MAIN BEARING SET (4 CYLINDER)	5
	270942	MAIN BEARING SET (3 CYLINDER)	4
32	270943	MAIN METAL US=0.25 (4 CYLINDER)	5
	270943	MAIN METAL US=0.25 (3 CYLINDER)	4
35	270944	METAL, THRUST.25(4PIE	1

GEAR HOUSING

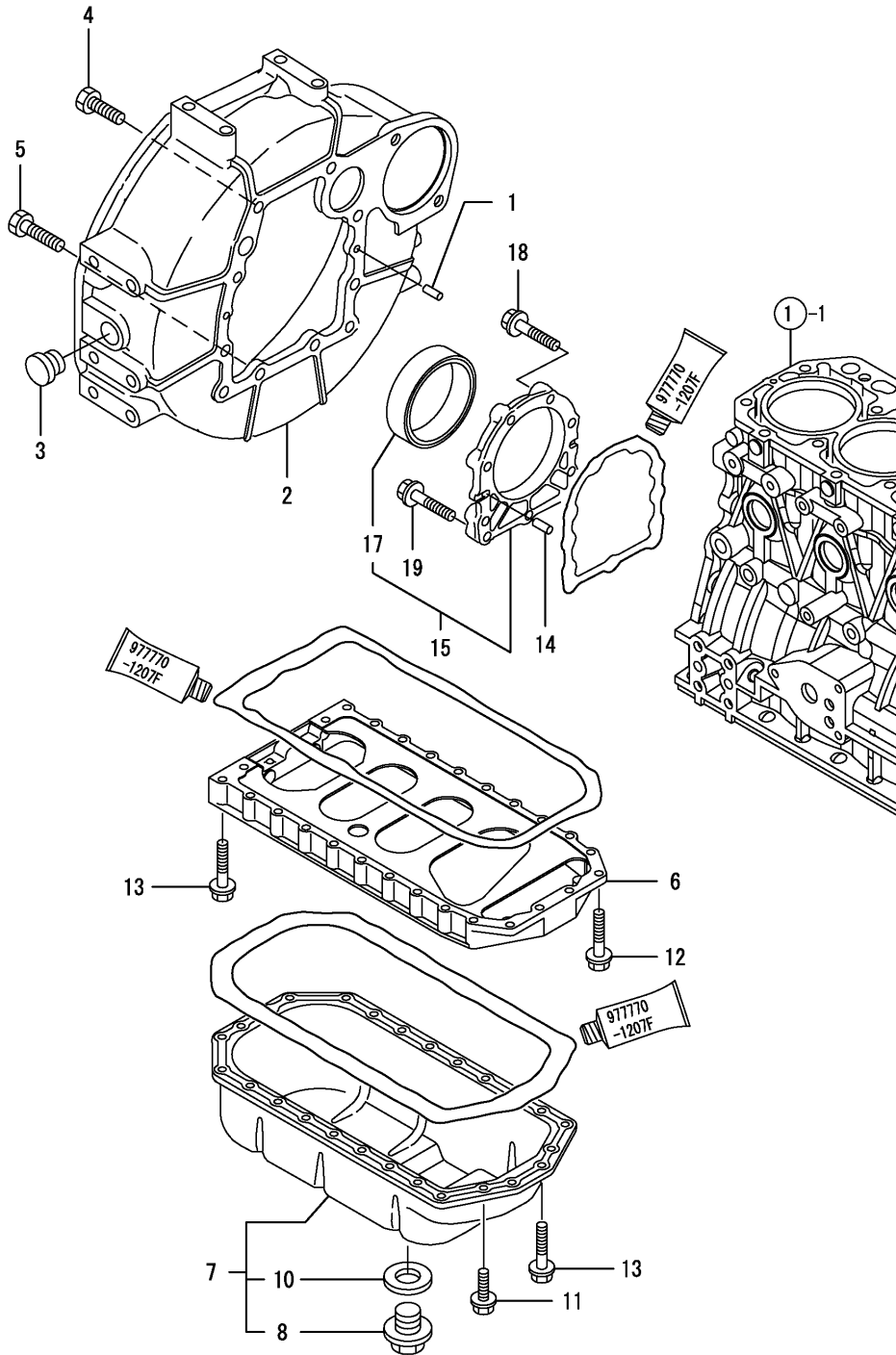


Y00W3330	2. GEAR HOUSING			
4TNV88-BKMS	1.08.03	2:	3:	PLUS

GEAR HOUSING

Ref. No.	Part No.	Description	Quantity 3TNV/4TNV88
1	197755	GEAR CASE ASSY	1
3	270946	SEAL, OIL	1
4	197771	FLANGE, GEAR CASE	1
5	270948	STUD, M8X25	3
6	425-34740	COVER,FILLER	1
7	425-34741	COVER, HO-P	1
8	425-34743	PIPE, KNOCK L=18	2
9	188452	O-RING P16	2
10	425-34681	O-RING, F.I.PUMP	1
11	188537	BOLT M 8X 85 PLATED	3
12	425-34750	8 SEAL WASHER 8S	5
13	425-34745	O-RING 1A P-32.0	1
14	425-34733	BOLT M 8X 16 PLATED	4
15	425-34733	BOLT M 8X 16 PLATED	3
16	425-34760	BOLT M 8X 30 PLATED	1
17	425-34748	BOLT M 8X 55 PLATED	12
18	138140	NUT	3
19	270949	COVER, BLIND	1
20	425-34763	O-RING 1A S-24.0	1
21	425-35164	BOLT M 6X 16 PLATED	2

FLYWHEEL HOUSING AND OIL SUMP

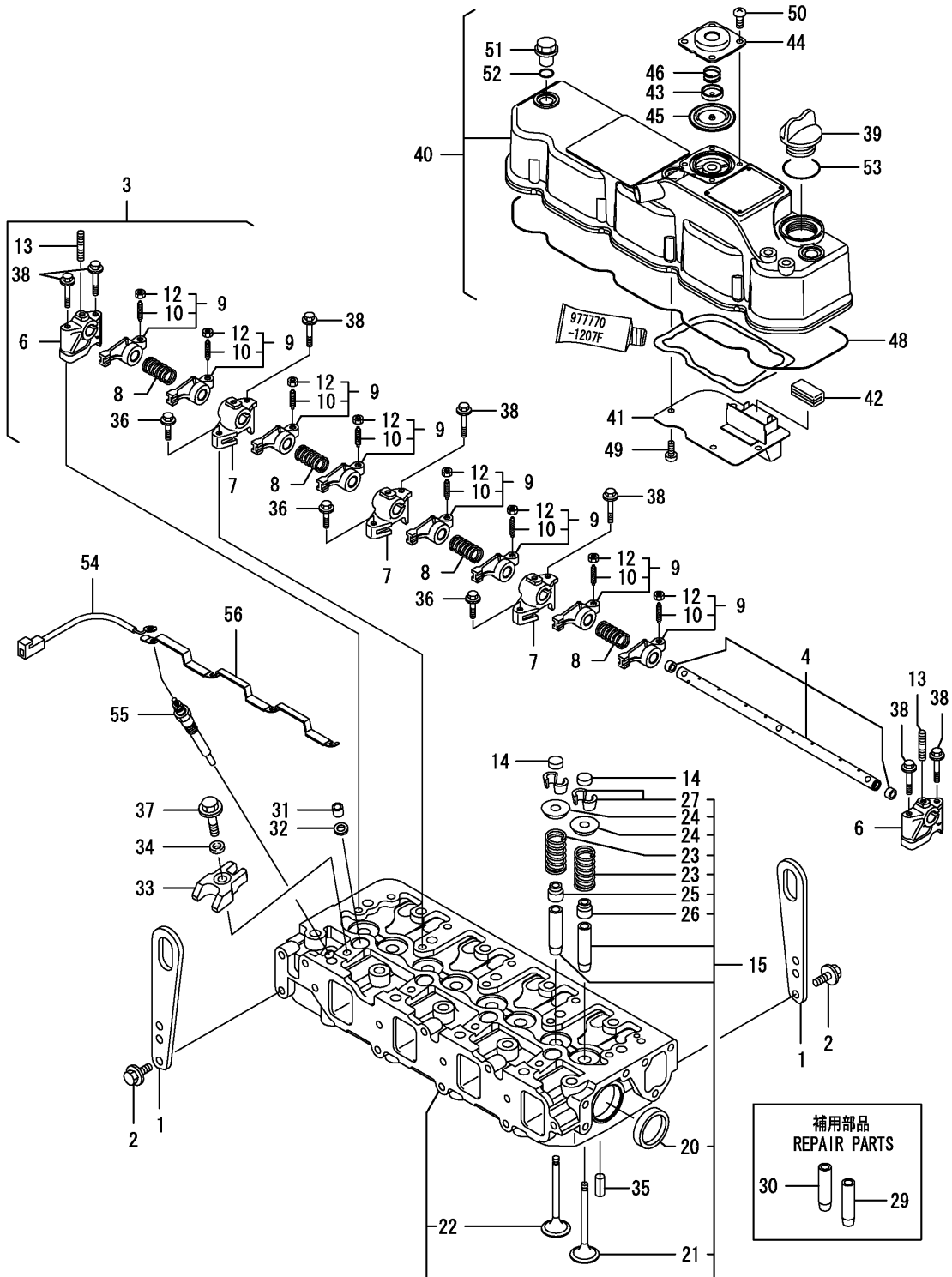


Y00W3330	3. FLYWHEEL HOUSING & OIL SUMP			
4TNV88-BKMS	1:08.03	2:	3:	PLUS

FLYWHEEL HOUSING AND OIL SUMP

Ref. No.	Part No.	Description	Quantity 3TNV/4TNV88
1	188573	PARALLEL PIN 8X16	2
2	425-34754	HOUSING,FLYWHEEL	1
3	425-34756	CAP, FLYWHEEL COVER	1
4	188749	BOLT M10X25	6
5	188750	BOLT M10X30	4
6	425-34764	SPACER, OIL SUMP (4 CYLINDER)	1
	425-35429	SPACER, OIL SUMP (3 CYLINDER)	1
7	192271	SUMP ASSY, LUB.OIL (3 CYLINDER -BKMS)	1
	192272	SUMP ASSY, OIL (4 CYLINDER -BKMS)	1
	425-35491	SUMP ASSY, LUB. OIL (4 CYLINDER - BDMS)	1
8	425-36121	DRAIN PLUG M22	1
	425-35495	PLUG M16 (4 CYLINDER -BDMS)	1
10	138113	22 SEAL WASHER 22S	1
	425-35949	16 SEAL WASHER 16S (4 CYLINDER -BDMS)	1
11	425-34733	BOLT M 8X 16 PLATED	4
12	425-34765	BOLT M 8X 25 PLATED	2
13	425-34747	BOLT M 8X 45 PLATED (4 CYLINDER)	24
	425-34747	BOLT M 8X 45 PLATED (3 CYLINDER)	20
14	188573	PARALLEL PIN 8X16	2
15	188574	CASE ASSY, OIL SEAL	1
17	425-34759	SEAL, OIL	1
18	188640	BOLT M8X30,COLLAR HD	6
19	425-34761	BOLT M 8X 35 PLATED	3

CYLINDER HEAD AND BONNET



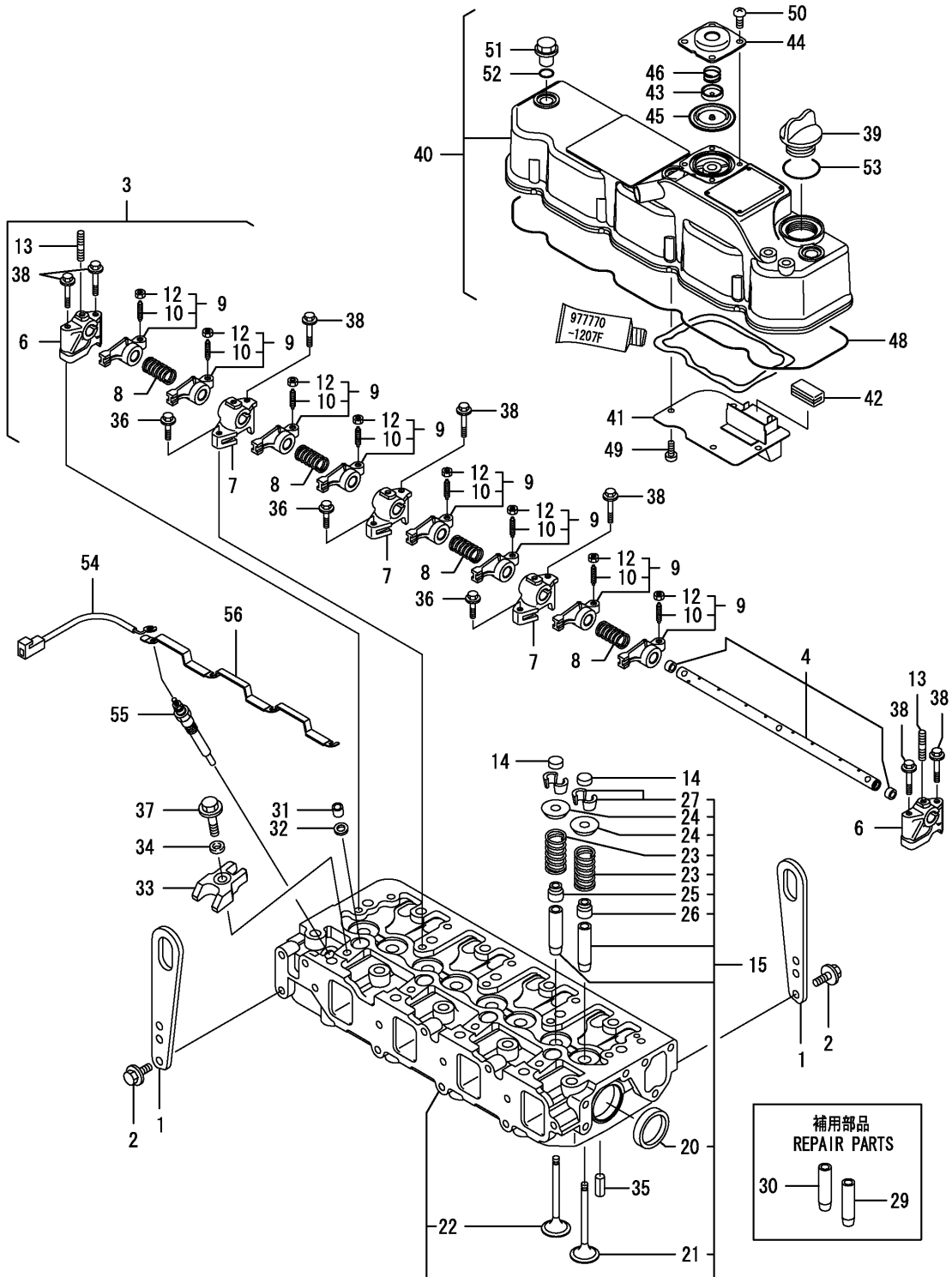
Y00W3330	4. CYLINDER HEAD & BONNET			
4TNV88-BKMS	1:08.03	2:	3:	PLUS

CYLINDER HEAD AND BONNET

Ref. No.	Part No.	Description	Quantity 3TNV/4TNV88
1	188679	LIFTER, ENGINE	2
2	425-34733	BOLT M 8X 16 PLATED	4
3	188655	SHAFT ASSY, ROCKER (4 CYLINDER)	1
	188540	SHAFT ASSY, ROCKER (3 CYLINDER)	1
4	188656	SHAFT (4 CYLINDER)	1
	188541	SHAFT, ROCKER ARM (3 CYLINDER)	1
6	188470	SUPPORT, ROCKER ARM	2
7	188471	SUPPORT, ROCKER ARM (4 CYLINDER)	3
	188471	SUPPORT, ROCKER ARM (3 CYLINDER)	2
8	188597	SPRING (4 CYLINDER)	4
	188597	SPRING (3 CYLINDER)	3
9	188544	ARM ASSY, ROCKER (4 CYLINDER)	8
	188544	ARM ASSY, ROCKER (3 CYLINDER)	6
10	188596	SCREW, VALVE (4 CYLINDER)	8
	188596	SCREW, VALVE (3 CYLINDER)	6
12	425-34791	NUT M8XP1.0 (4 CYLINDER)	8
	425-34791	NUT M8XP1.0 (3 CYLINDER)	6
13	425-34793	STUD M 8X 18 PLATED (4 CYLINDER)	3
	188472	STUD (3 CYLINDER)	3
14	425-34782	CAP, VALVE (4 CYLINDER)	8
	425-34782	CAP, VALVE (3 CYLINDER)	6
15	197811	HEAD ASSY, CYLINDER (4 CYLINDER - BKMS)	1
	197815	HEAD ASSY, CYLINDER (4 CYLINDER - BDMS)	1
	270950	HEAD ASSY, CYLINDER (3 CYLINDER)	1
20	425-34779	PLUG 40	2
21	188559	VALVE, INTAKE (4 CYLINDER)	4
	188559	VALVE, INTAKE (3 CYLINDER)	3
22	425-34639	VALVE, EXHAUST (4 CYLINDER)	4
	425-34639	VALVE, EXHAUST (3 CYLINDER)	3
23	425-34643	SPRING, VALVE (4 CYLINDER)	8
	425-34643	SPRING, VALVE (3 CYLINDER)	6
24	425-34644	RETAINER, SPRING (4 CYLINDER)	8
	425-34644	RETAINER, SPRING (3 CYLINDER)	6
25	188507	SEAL, VALVE STEM (4 CYLINDER)	4
	188507	SEAL, VALVE STEM (3 CYLINDER)	3

Parts Listing Continued On Next Page

CYLINDER HEAD AND BONNET



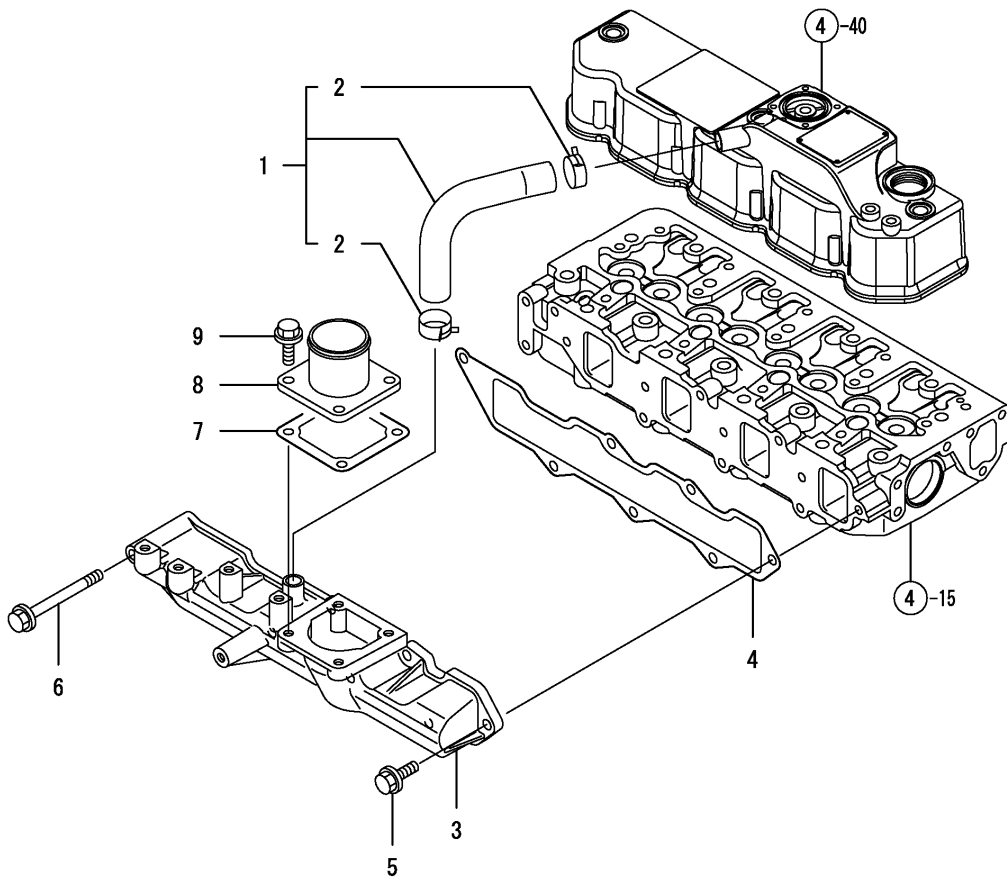
Y00W3330	4. CYLINDER HEAD & BONNET			
4TNV88-BKMS	1:08.03	2:	3:	PLUS

CYLINDER HEAD AND BONNET

continued from previous page

Ref. No.	Part No.	Description	Quantity 3TNV/4TNV88
26	425-34645	SEAL, VALVE STEM (4 CYLINDER)	4
	425-34645	SEAL, VALVE STEM (3 CYLINDER)	3
27	425-34646	T COTTER 8 (4 CYLINDER)	8
	425-34646	T COTTER 8 (3 CYLINDER)	6
29	425-34642	GUIDE, VALVE (4 CYLINDER)	4
	425-34642	GUIDE, VALVE (3 CYLINDER)	3
30	425-34641	GUIDE, VALVE (4 CYLINDER)	4
	425-34641	GUIDE, VALVE (3 CYLINDER)	3
31	186337	PROTECTOR, NOZZLE (4 CYLINDER)	4
	186337	PROTECTOR, NOZZLE (3 CYLINDER)	3
32	425-34796	SEAT, NOZZLE (4 CYLINDER)	4
	425-34796	SEAT, NOZZLE (3 CYLINDER)	3
33	188545	RETAINER, NOZZLE (4 CYLINDER)	4
	188545	RETAINER, NOZZLE (3 CYLINDER)	3
34	188502	WASHER (4 CYLINDER)	4
	188502	WASHER (3 CYLINDER)	3
35	425-34783	12 SPRING PIN 6X12	2
36	425-34765	BOLT M 8X 25 PLATED (4 CYLINDER)	3
	425-34765	BOLT M 8X 25 PLATED (3 CYLINDER)	2
37	425-34761	BOLT M 8X 35 PLATED (4 CYLINDER)	4
	425-34761	BOLT M 8X 35 PLATED (3 CYLINDER)	3
38	425-34766	BOLT M 8X 50 PLATED (4 CYLINDER)	7
	425-34766	BOLT M 8X 50 PLATED (3 CYLINDER)	6
39	425-34740	COVER,FILLER	1
40	188658	BONNET ASSY (4 CYLINDER)	1
	188543	BONNET ASSY, HEAD (3 CYLINDER)	1
41	188539	PLATE, BAFFLE	1
42	425-34769	BAFFLE, BREATHER	1
43	188465	PLATE, DIAPHRAGM	1
44	188466	COVER, DIAPHRAGM	1
45	188467	DIAPHRAGM	1
46	188469	SPRING, DIAPHRAGM	1
48	188657	GASKET,COVER (4 CYLINDER)	1
	188542	GASKET, BONNET (3 CYLINDER)	1
49	186598	SCREW 5X10,TAPPING	4
50	186598	SCREW 5X10,TAPPING	4
51	425-34775	KNOB	3
52	425-34776	PACKING, P 12.0	3
53	425-34745	O-RING 1A P-32.0	1
54	270953	HARNESS,GLOW PLUG	1
55	270951	PLUG, GLOW (4 CYLINDER)	4
	270951	PLUG, GLOW (3 CYLINDER)	3
56	197847	CONNECTOR, GLOW PLUG (4 CYLINDER)	1
	270952	CONNECTOR, GLOW PLUG (3 CYLINDER)	1

SUCTION MANIFOLD

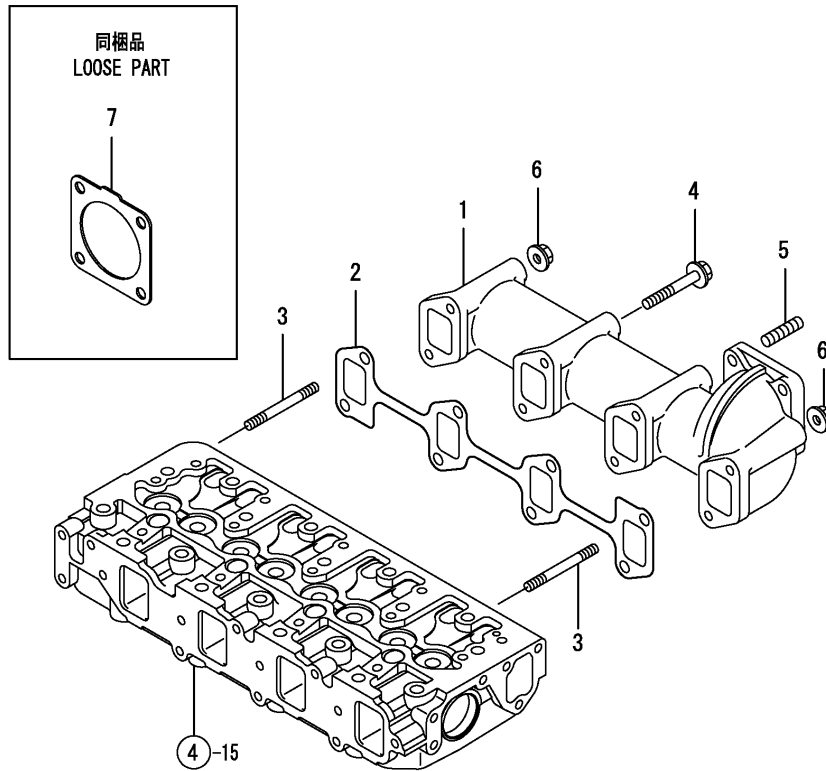


Y00W3330	5. SUCTION MANIFOLD			
4TNV88-BKMS	1:08.03	2:	3:	PLUS

SUCTION MANIFOLD

Ref. No.	Part No.	Description	Quantity 3TNV/4TNV88
1	188558	PIPE, BREATHER	1
7	425-34649	GASKET, (NON-ASB.)	1
4	425-35934	GASKET,INT.MANIFOLD (4 CYLINDER)	1
	188535	GASKET,INT. MANIFOLD (3 CYLINDER)	1
2	188632	CLAMP 22	2
8	197849	JOINT	1
	270954	BEND (4 CYLINDER -BDMS)	1
3	192303	MANIFOLD,INT (4 CYLINDER)	1
	188561	MANIFOLD, INTAKE (3 CYLINDER)	1
5	425-34746	BOLT M 8X 20 PLATED (4 CYLINDER)	6
	425-34746	BOLT M 8X 20 PLATED (3 CYLINDER)	4
6	425-34800	BOLT M 8X 80 PLATED	1
9	425-34746	BOLT M 8X 20 PLATED	4

EXHAUST MANIFOLD

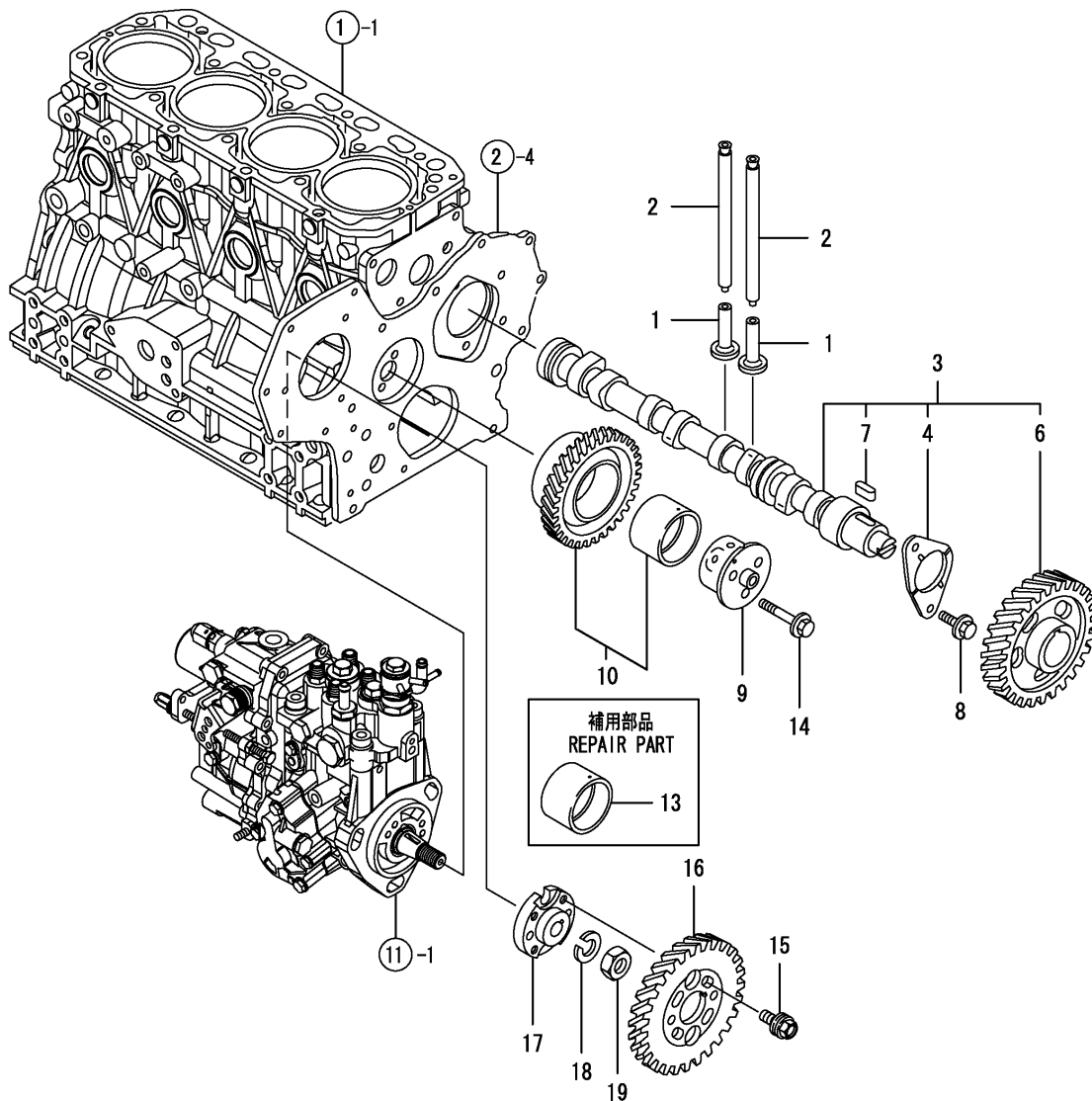


Y00W3330	6. EXHAUST MANIFOLD			
4TNV88-BKMS	1:08.03	2:	3:	PLUS

EXHAUST MANIFOLD

Ref. No.	Part No.	Description	Quantity 3TNV/4TNV88
1	425-34799	MANIFOLD, EXHAUST (4 CYLINDER)	1
	188706	MANIFOLD, EXHAUST (3 CYLINDER)	1
2	425-34653	GASKET, EXH.MANIFOLD (4 CYLINDER)	1
	425-35425	GASKET, EXH.MANIFOLD (3 CYLINDER)	1
3	138474	STUD BOLT M 8X 80	2
4	186375	BOLT 8X80 (4 CYLINDER)	6
	186375	BOLT 8X80 (3 CYLINDER)	4
5	425-36249	BOLT M 8X 22	4
6	138140	NUT	2
7	138104	GASKET, SILENCER (4 CYLINDER)	1
	188546	GASKET, SILENCER (3 CYLINDER)	1

CAMSHAFT AND DRIVING GEAR

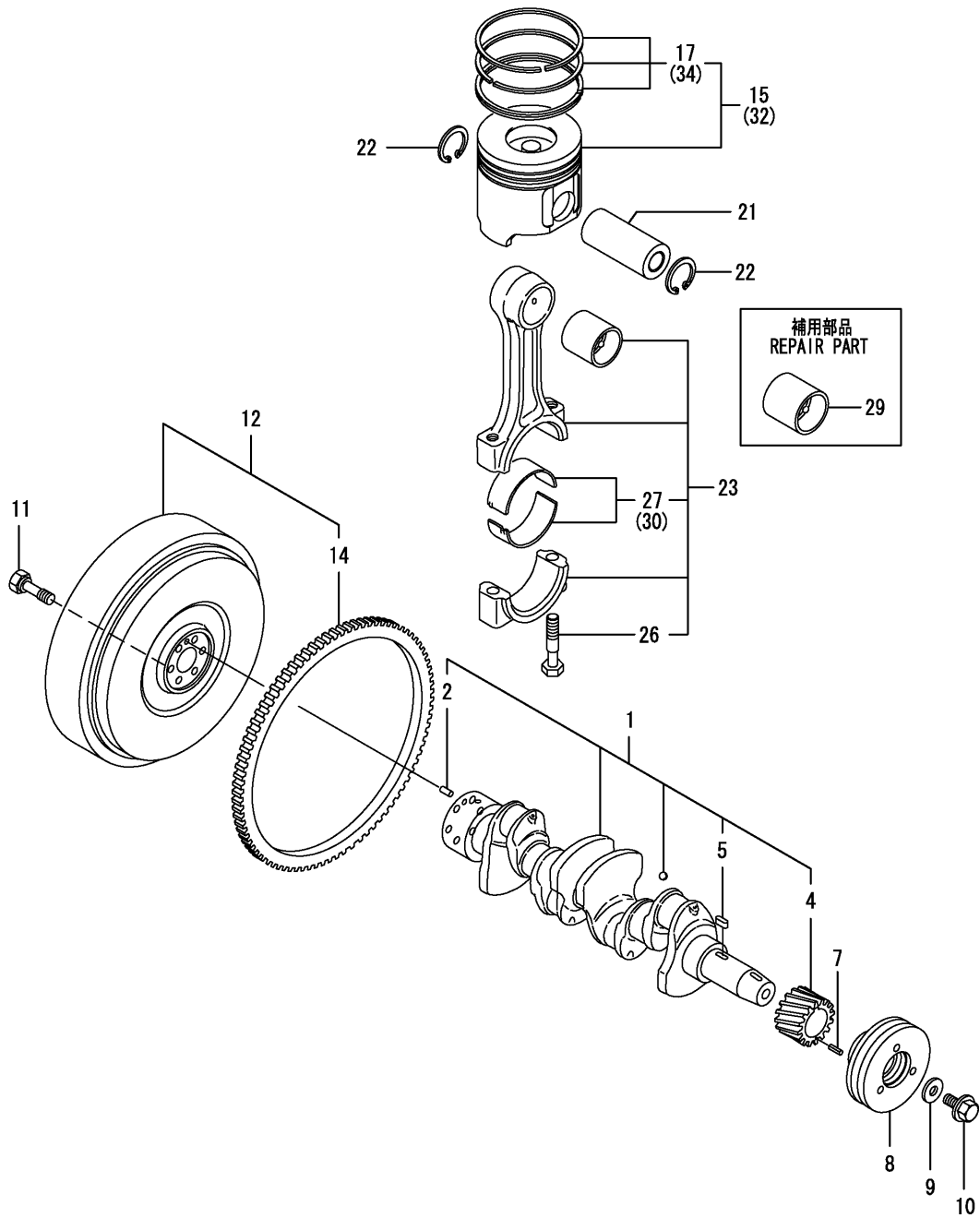


Y00W3330	7. CAMSHAFT & DRIVING GEAR			
4TNV88-BKMS	1.08.03	2:	3:	PLUS

CAMSHAFT AND DRIVING GEAR

Ref. No.	Part No.	Description	Quantity 3TNV/4TNV88
1	425-34808	TAPPET (4 CYLINDER)	8
	425-34808	TAPPET (3 CYLINDER)	6
2	188603	ROD, PUSH (4 CYLINDER)	8
	188603	ROD, PUSH (3 CYLINDER)	6
3	425-34806	CAMSHAFT ASSY (4 CYLINDER)	1
	425-36252	CAMSHAFT ASSY (3 CYLINDER)	1
4	425-34656	METAL,THRUST(CAM	1
6	425-34807	GEAR, CAMSHAFT	1
7	425-34810	KEY 7X 14	1
8	188736	BOLT 8X 14 PLATED	2
9	270956	SHAFT, IDLE GEAR	1
10	270957	GEAR ASSY, IDLE	1
13	270958	BUSH, IDLE GEAR	1
14	188742	BOLT M 8X 40 PLATED	3
15	425-36187	BOLT,FI-P	4
16	188479	GEAR, PUMP	1
17	188692	FLANGE	1
18	188712	SPRING WASHER 14	1
19	188755	LOCK NUT M14 PLATED	1

CRANKSHAFT AND PISTON



Y00W3330	8. CRANKSHAFT & PISTON			
4TNV88-BKMS	1: 08. 03 2:	3:	PLUS	

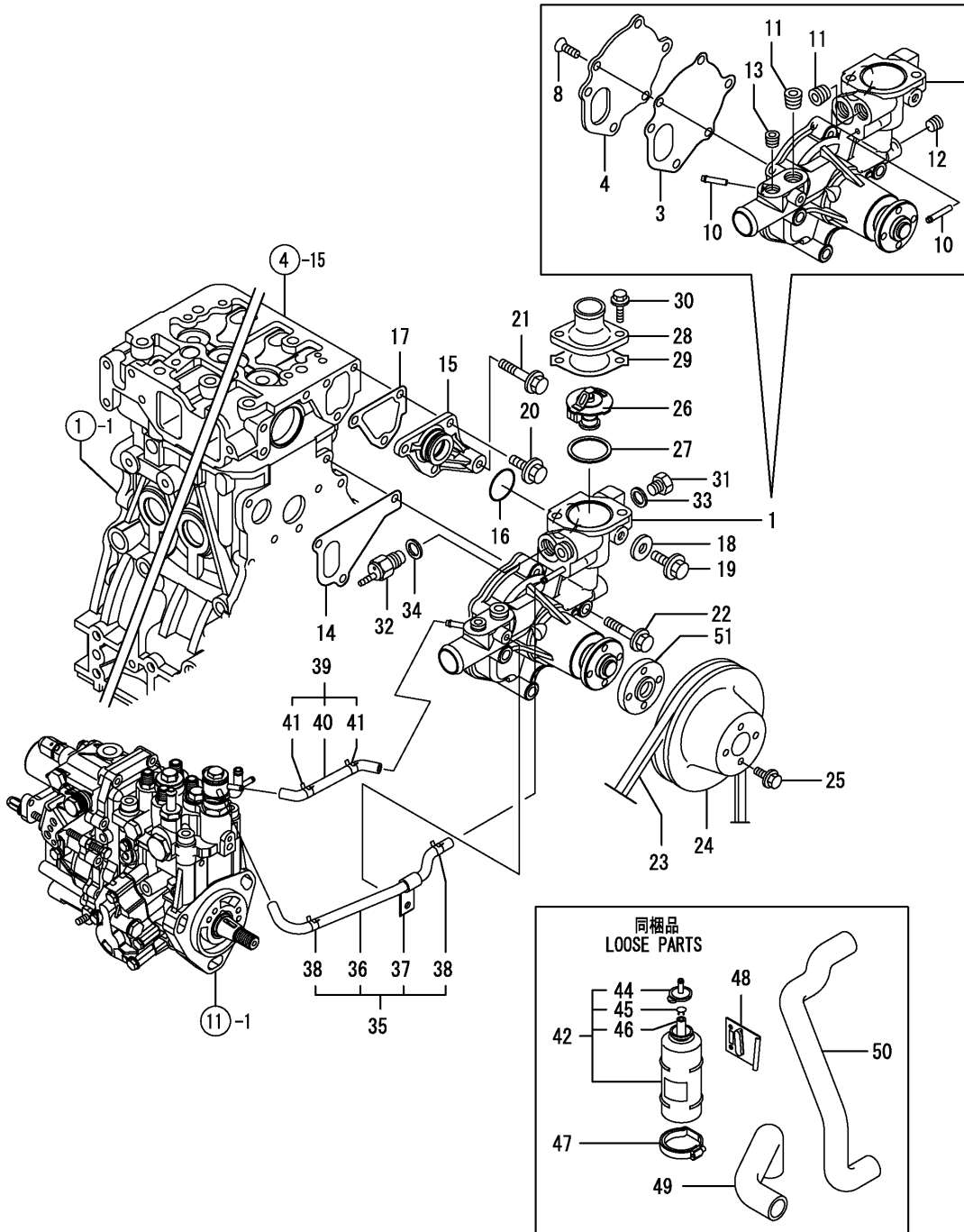
CRANKSHAFT AND PISTON

Ref. No.	Part No.	Description	Quantity 3TNV/4TNV88
1	197851	CRANKSHAFT ASSY (4 CYLINDER)	1
	270959	CRANKSHAFT ASSY (3 CYLINDER)	1
2	188573	PARALLEL PIN 8X16	1
4	270960	GEAR, CRANKSHAFT	1
5	425-34810	KEY 7X 14	1
7	138117	SPRING PIN 3X10	1
8	188475	V-PULLEY, CRANKSHAFT (4 CYLINDER)	1
	188548	V-PULLEY, CRANKSHAFT (3 CYLINDER)	1
9	425-34817	WASHER	1
10	425-34818	BOLT, V-PULLEY	1
11	425-34693	BOLT, FLYWHEEL	6
12	188707	FLYWHEEL ASSY (4 CYLINDER)	1
	425-35448	FLYWHEEL W/RING GEAR (3 CYLINDER)	1
14	425-34694	GEAR, RING	1
15	188562	PISTON ASSY (4 CYLINDER)	4
	188562	PISTON ASSY (3 CYLINDER)	3
17	188563	RING SET, PISTON (4 CYLINDER)	4
	188563	RING SET, PISTON (3 CYLINDER)	3
21	425-35936	PIN, PISTON(D26,L70) (4 CYLINDER)	4
	425-35936	PIN, PISTON(D26,L70) (3 CYLINDER)	3
22	425-35937	CIRCLIP 26 (4 CYLINDER)	8
	425-35937	CIRCLIP 26 (3 CYLINDER)	6
23	425-34698	ROD ASSY, CONNECTING (4 CYLINDER)	4
	425-34698	ROD ASSY, CONNECTING (3 CYLINDER)	3
26	425-34659	BOLT, CONNECTING ROD (4 CYLINDER)	8
	425-34659	BOLT, CONNECTING ROD (3 CYLINDER)	6
27	270961	METAL, CRANKPIN (4 CYLINDER)	4
	270961	METAL, CRANKPIN (3 CYLINDER)	3
29	425-34699	BUSH, PISTON PIN (4 CYLINDER)	4
	425-34699	BUSH, PISTON PIN (3 CYLINDER)	3
30	270962	25 METAL.PIN US=0.25 (4 CYLINDER)	4
	270962	25 METAL.PIN US=0.25 (3 CYLINDER)	3
32	188564	5 PISTON W/RING OS=.25 (4 CYLINDER)	4
	188564	5 PISTON W/RING OS=.25 (3 CYLINDER)	3
34	188565	.25RING SET O.S=0.25 (4 CYLINDER)	4
	188565	.25RING SET O.S=0.25 (3 CYLINDER)	3

LUBRICATION OIL SYSTEM

Ref. No.	Part No.	Description	Quantity 3TNV/4TNV88
1	425-34700	PUMP ASSY, LUB. OIL (4 CYLINDER)	1
	425-36257	PUMP ASSY, LUB. OIL (3 CYLINDER)	1
14	425-34701	GASKET, L.O. PUMP	1
15	425-34823	BOLT M 6X 25	4
16	192301	DIPSTICK, LUB.OIL	1
	188668	DIPSTICK, LUB.OIL (4 CYLINDER -BDMS)	1
17	425-34825	GUIDE, DIPSTICK	1
18	188485	GUIDE, DIPSTICK	1
19	425-34827	O-RING 1A P-10A	1
20	425-34733	BOLT M 8X 16 PLATED	1
21	425-34828	GASKET, (NON-ASB.)	1
22	192277	PIPE ASSY, LUB. OIL (4 CYLINDER -BKMS)	1
	425-34829	PIPE ASSY, OIL INLET (4 CYLINDER -BDMS)	1
	192276	PIPE ASSY, OIL INLET (3 CYLINDER)	1
23	425-34761	BOLT M 8X 35 PLATED	2
24	425-34684	SWITCH,(0.5KG)L.O.	1
25	425-34835	BOLT 10, PIPE JOINT	1
26	188487	PIPE ASSY, LUB. OIL	1
27	186468	BOLT ASSY, JOINT	1
28	425-34750	8 SEAL WASHER 8S	1
29	186600	JOINT BOLT 3	1
30	425-34750	8 SEAL WASHER 8S	1
31	425-35958	10 SEAL WASHER 10S	2
32	425-34781	NUT M 6	1
33	188649	COOLER ASSY, OIL	1
34	192279	O-RING	1
35	188633	NUT OIL COOLER	1
36	188566	BRACKET ASSY, FILTER	1
37	188486	BRACKET, FILTER	1
38	188634	STUD	1
39	425-34831	GASKET, (NON-ASB.)	1
40	194315	FILTER 80X80L	1
41	188567	JOINT	1
42	188650	PIPE,COOLER IN	1
43	188693	CLAMP 18.5	1
45	188717	CLAMP	1
46	188568	PIPE,COOLER OUT	1
48	188499	PROTECTOR, PIPE 19 (4 CYLINDER)	1
	192278	PROTECTOR, PIPE 19 (3 CYLINDER)	1
49	188717	CLAMP	1
50	188693	CLAMP 18.5	1
51	188584	ELBOW PT 1/4	1
52	425-34746	BOLT M 8X 20 PLATED	3
53	425-36264	COCK ASSY 1/4	1

COOLING WATER SYSTEM

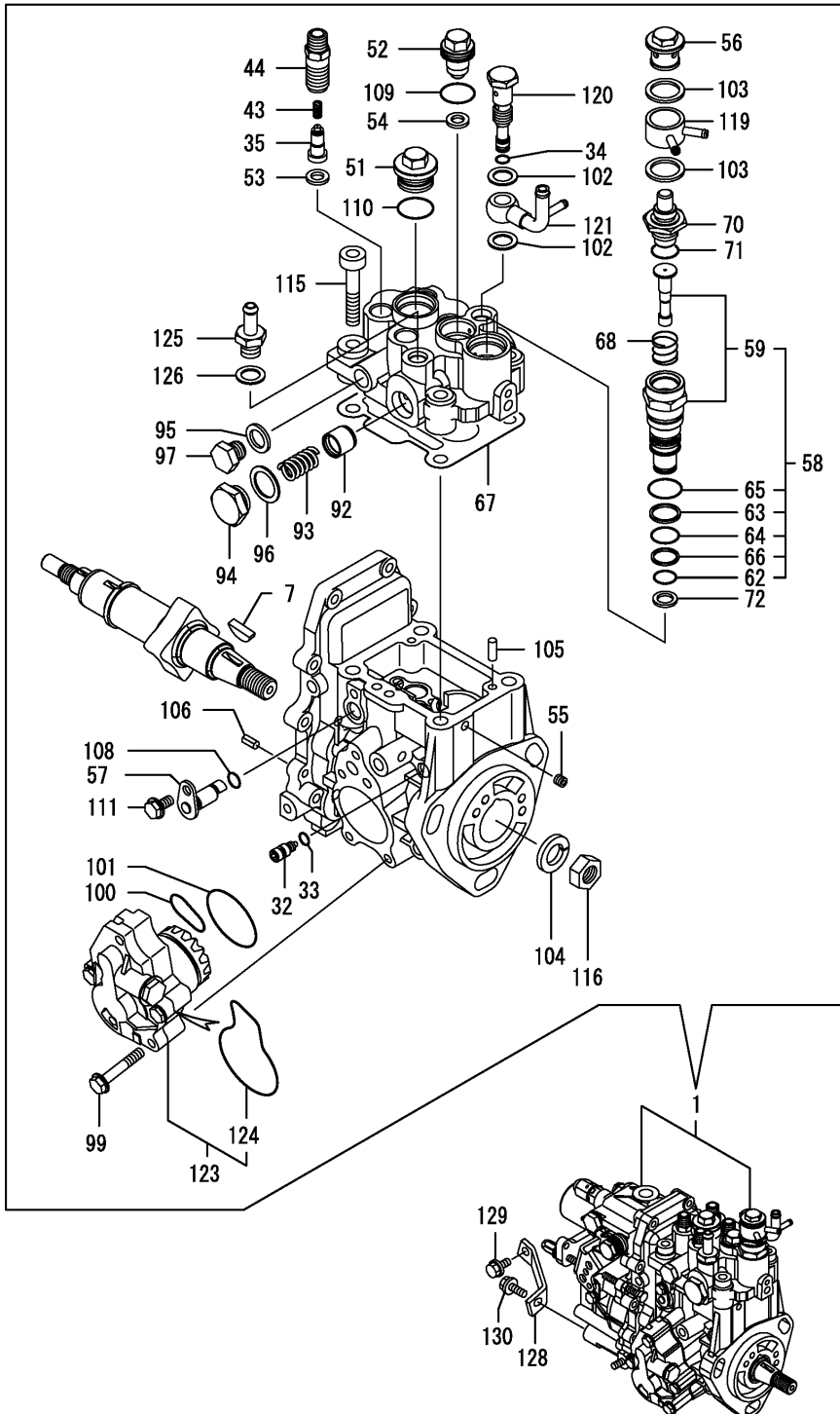


Y00W3340	10. COOLING WATER SYSTEM			
4TNV88-BDMS	1:08.03	2:	3:	PLUS

COOLING WATER SYSTEM

Ref. No.	Part No.	Description	Quantity 3TNV/4TNV88
1	188549	PUMP ASSY, WATER	1
3	188578	GASKET, (NON-ASB.)	1
4	188579	PLATE	1
8	188512	SCREW	3
10	188488	JOINT	2
11	188686	PLUG, DRAIN R03	2
12	425-36239	PLUG PT1/8,SCREW	1
13	186602	PLUG PT1/4,SCREW	1
14	425-36263	GASKET	1
15	188550	JOINT	1
16	425-36262	O-RING,CW-P	1
17	425-34849	GASKET, THERMO. CASE	1
18	425-34727	GASKET 8, ROUND	1
19	425-34729	BOLT M 8X 12 PLATED	1
20	425-34733	BOLT M 8X 16 PLATED	3
21	425-34747	BOLT M 8X 45 PLATED	1
22	425-34838	BOLT M 8X 60 PLATED	3
23	190852	V-BELT (A-39)	1
24	190814	V-PULLEY, F.W.PUMP	1
25	188732	BOLT M 6X 20 PLATED (4 CYLINDER -BDMS, 3 CYLINDER -BKMS)	4
	186615	BOLT M 6X 12 PLATED (4 CYLINDER -BKMS)	4
26	425-36018	THERMOSTAT,82	1
27	425-34704	GASKET, (NON-ASB.)	1
28	425-34843	12COVER, THERMOSTAT	1
29	425-34704	GASKET, (NON-ASB.)	1
30	138520	BOLT M 8X 22 PLATED	2
31	425-34851	PLUG M16 (4 CYLINDER -BDMS)	1
	138076	THERMOMETER (-BKMS ENGINES)	1
32	425-34683	SWITCH, THERMO(110	1
33	160427	GASKET 16 (-BDMS ENGINE)	1
	425-34707	GASKET 10 (-BKMS ENGINES)	1
34	160427	GASKET 16	1
35	188551	PIPE ASSY, A MP2	1
36	188553	PIPE ASSY, A MP2	1
37	186339	CLAMP,CW-T	1
38	186464	CLAMP 9	2
39	188552	PIPE ASSY, B MP2	1
40	188554	PIPE, WATER B MP2	1
41	186464	CLAMP 9	2
42	190845	SUB-TANK ASSY	1
44	188526	CAP	1
45	186461	CLAMP	1
46	188720	230PIPE 7X 230	1
47	425-36235	CLAMP, SUB-TANK	1
48	425-36152	BRACKET, SUB-TANK	1
49	425-35945	PIPE (A), C. WATER (4 CYLINDER - BDMS)	1
50	425-34686	PIPE (B), C. WATER (4 CYLINDER - BDMS)	1
51	425-34842	SPACER (4 CYLINDER -BDMS)	1
	425-34842	SPACER (3 CYLINDER)	1

FUEL INJECTION PUMP

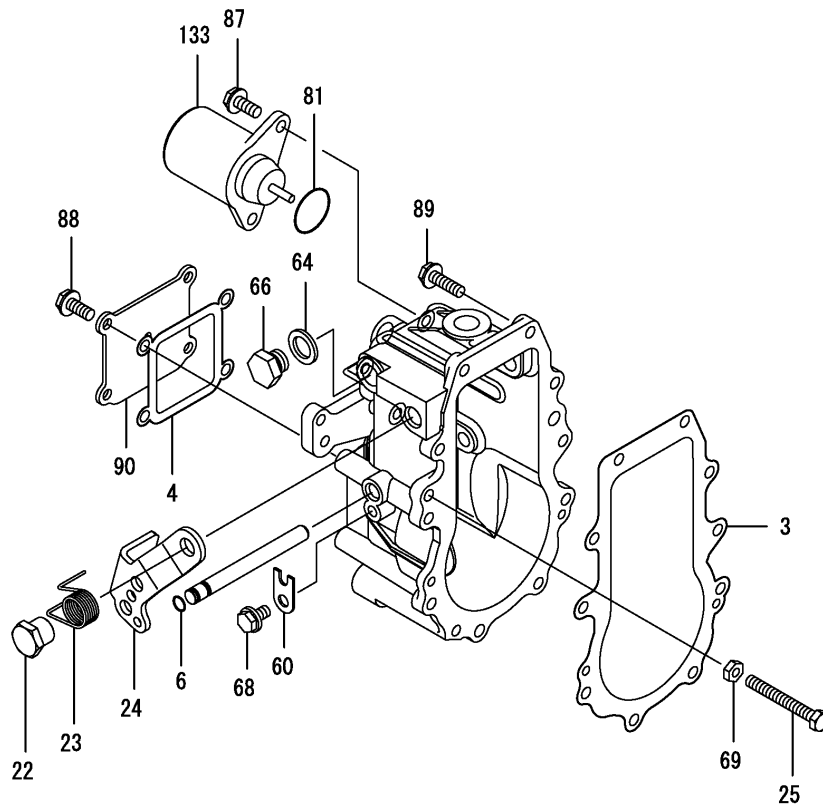


Y00W3330	11. FUEL INJECTION PUMP			
4TNV88-BKMS	1:08.03	2:	3:	PLUS

FUEL INJECTION PUMP

Ref. No.	Part No.	Description	Quantity 3TNV/4TNV88
1	197838	INJECTION PUMP ASSY (4 CYLINDER -BKMS)	1
	197839	INJECTION PUMP ASSY (4 CYLINDER -BDMS)	1
	197853	INJECTON PUMP ASSY (3 CYLINDER)	1
7	192293	KEY,WOODRUFF 4X16	1
32	197772	STOPPER	1
33	197770	O-RING	1
34	197770	O-RING	1
35	197486	VALVE ASSY, DELIVERY (4 CYLINDER)	4
	197486	VALVE ASSY, DELIVERY (3 CYLINDER)	3
43	186678	SPRING (4 CYLINDER)	4
	186678	SPRING (3 CYLINDER)	3
44	197487	HOLDER, DELIVERY (4 CYLINDER)	4
	197487	HOLDER, DELIVERY (3 CYLINDER)	3
51	197773	PLUG	1
52	197468	BARREL PLUG	1
53	186676	PK(BARREL PLUG	3
54	186676	PK(BARREL PLUG	1
55		PLUG	1
56	197854	PLUG,WATER PUMP	1
57		LIFTER	1
58		TIMER SET	1
59		TIMER CMP	1
62		O-RING, 1011	1
63		BACKUP RING	1
64		O RING	1
65		PACKING, 1020	1
66		RING, BACKUP T2 P 15	1
67	186675	PACKING, HEAD	1
68		SPRING,TIMER	1
70	197855	ELEMENT, THERMO	1
71	197856	O-RING,P14	1
72		PACKING,TIMER	1
92		PISTON	1
93		SPRING	1
94		PLUG	1
95	425-35959	SEAL WASHER 12	1
96	192294	SEAL WASHER 18	1
97	425-35174	PLUG M12,HEX.	1
99	197857	BOLT	4
100	192297	O-RING	1
101	192299	O-RING 4E S42	1
102	425-35959	SEAL WASHER 12	2
103	192294	SEAL WASHER 18	2
104	188712	SPRING WASHER 14	1
105		PARALLEL PIN 5X14	2
106	425-34892	10 SPRING PIN 5X10	2
108	186607	O-RING 1A P-7.0	1
109	197798	O-RING	1
110	197799	PACKING, 1020	1
111	425-35263	BOLT 6X 10 PLATED	1
115	197872	BOLT M 8X 45	4
116	188755	LOCK NUT M14 PLATED	1
119	192291	JOINT, COOLING WATER	1
120	192292	JOINT	1
121	192290	JOINT	1
123	192295	PUMP ASSY,FEED	1
124	192296	O-RING(FEED P INNER	1
125	192298	JOINT,PIPE	1
126	425-35959	SEAL WASHER 12	1
128	188661	SUPPORT,FIP (4 CYLINDER)	1
	188490	BRACKET, PUMP (3 CYLINDER)	1
129	425-34733	BOLT M 8X 16 PLATED	1
130	425-34746	BOLT M 8X 20 PLATED	1

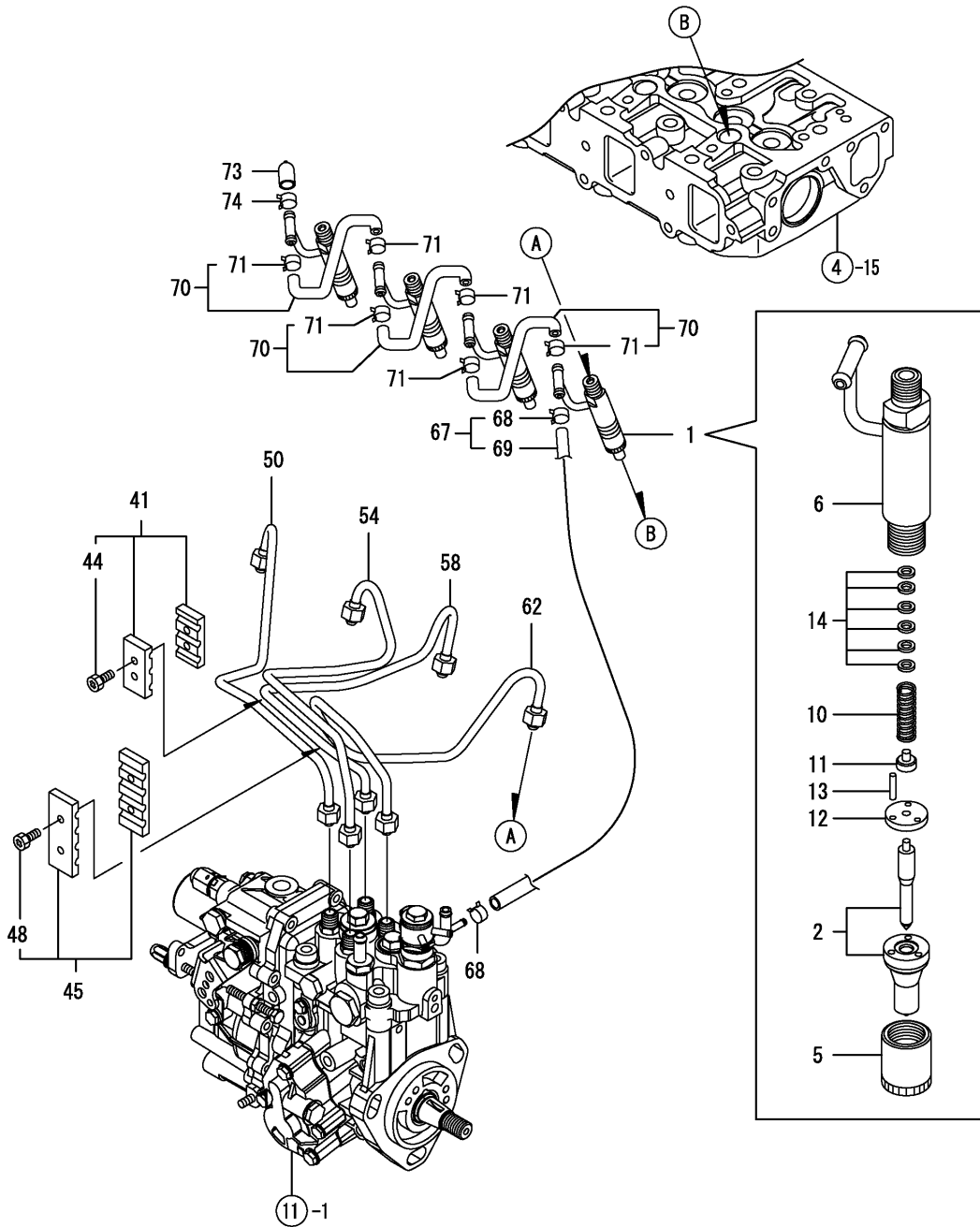
GOVERNOR



Y00W3330	12. GOVERNOR			
4TNV88-BKMS	1:08.03	2:	3:	PLUS

Ref. No.	Part No.	Description	Quantity 3TNV/4TNV88
3	192280	PACKING, CASE	1
4	192281	PACKING	1
6	425-34678	O-RING S6	1
22	192283	NUT	1
23	192284	SPRING	1
24	192285	LEVER, REGULATOR	1
25	425-34981	BOLT, IDLE LIMIT	1
60	425-35352	RETAINER, SHAFT	1
64	270972	SEAL WASHER 12(BOLT)	1
66	425-35174	PLUG M12,HEX.	1
68	425-35263	BOLT 6X 10 PLATED	1
69	425-34984	LOCK NUT 6	1
81	270973	O-RING	1
87	425-35962	BOLT M 6X 14 PLATED	2
88	425-35962	BOLT M 6X 14 PLATED	4
89	188732	BOLT M 6X 20 PLATED	10
90	192287	COVER, CASE	1
133	425-35925	SOLENOID, STOP	1

FUEL INJECTION VALVE

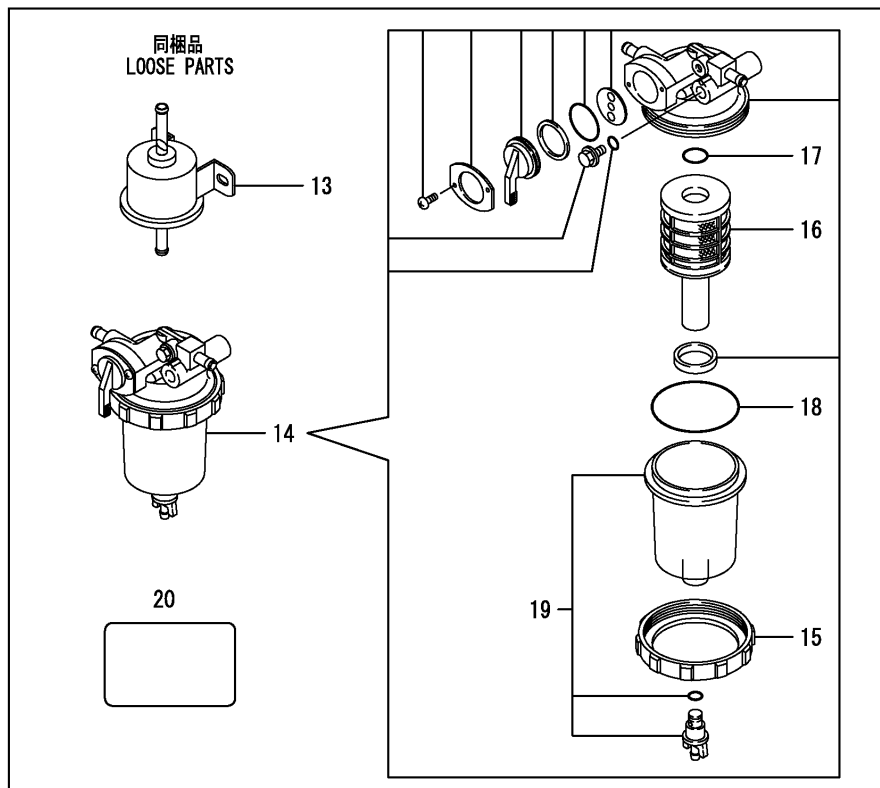
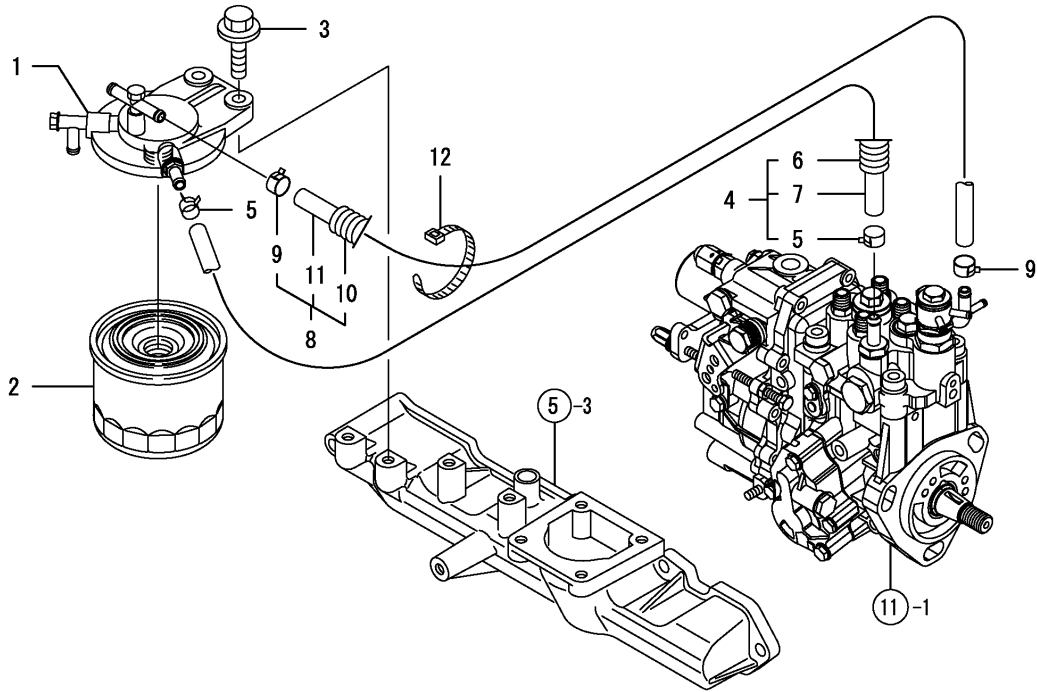


Y00W3330	13. FUEL INJECTION VALVE			
4TNV88-BKMS	1:08.03	2:	3:	PLUS

FUEL INJECTION VALVE

Ref. No.	Part No.	Description	Quantity 3TNV/4TNV88
1	270974	FUEL INJECTOR(RDK (4 CYLINDER)	4
	270974	FUEL INJECTOR(RDK (3 CYLINDER)	3
2	270975	NOZZLE ASSY (4 CYLINDER)	4
	270975	NOZZLE ASSY (3 CYLINDER)	3
5	425-34903	NUT, NOZZLE CASE (4 CYLINDER)	4
	425-34903	NUT, NOZZLE CASE (3 CYLINDER)	3
6	188491	HOLDER ASSY, NOZZLE (4 CYLINDER)	4
	188491	HOLDER ASSY, NOZZLE (3 CYLINDER)	3
10	425-34666	SPRING, NOZZLE (4 CYLINDER)	4
	425-34666	SPRING, NOZZLE (CYLINDER)	3
11	425-34905	SEAT, NOZZLE SPRING (4 CYLINDER)	4
	425-34905	SEAT, NOZZLE SPRING (3 CYLINDER)	3
12	425-34906	PLATE, STOP (4 CYLINDER)	4
	425-34906	PLATE, STOP (3 CYLINDER)	3
13	188447	PIN (4 CYLINDER)	8
	188447	PIN (3 CYLINDER)	6
14	270976	SHIM SET (4 CYLINDER)	4
	270976	SHIM SET (3 CYLINDER)	3
41	425-35452	RETAINER, INJ. PIPE (4 CYLINDER)	1
	425-35452	RETAINER, INJ. PIPE (3 CYLINDER)	2
44	186473	BOLT M4X14,HEX.SCKT. (4 CYLINDER)	2
	186473	BOLT M4X14,HEX.SCKT. (3 CYLINDER)	4
45	425-34908	RETAINER (4 CYLINDER ENGINES)	1
48	186473	BOLT M4X14,HEX.SCKT. (4 CYLINDER ENGINES)	2
50	188662	PIPE ASSY, INJECTION (4 CYLINDER)	1
	188555	PIPE ASSY, INJECTION (3 CYLINDER)	1
54	188663	PIPE ASSY, INJECTION (4 CYLINDER)	1
	188556	PIPE ASSY, INJECTION (3 CYLINDER)	1
58	188664	PIPE ASSY, INJECTION (4 CYLINDER)	1
	188557	PIPE ASSY, INJECTION (3 CYLINDER)	1
62	188665	PIPE ASSY, INJECTION (4 CYLINDER ENGINES)	1
67	188493	PIPE ASSY, RETURN	1
68	186464	CLAMP 9	2
69	188494	PIPE, FUEL RETURN	1
70	186481	PIPE, FUEL RETURN (4 CYLINDER)	3
	186481	PIPE, FUEL RETURN (3 CYLINDER)	2
71	186464	CLAMP 9 (4 CYLINDER)	6
	186464	CLAMP 9 (3 CYLINDER)	4
73	270977	CAP	1
74	188517	CLAMP 10	1

FUEL LINE

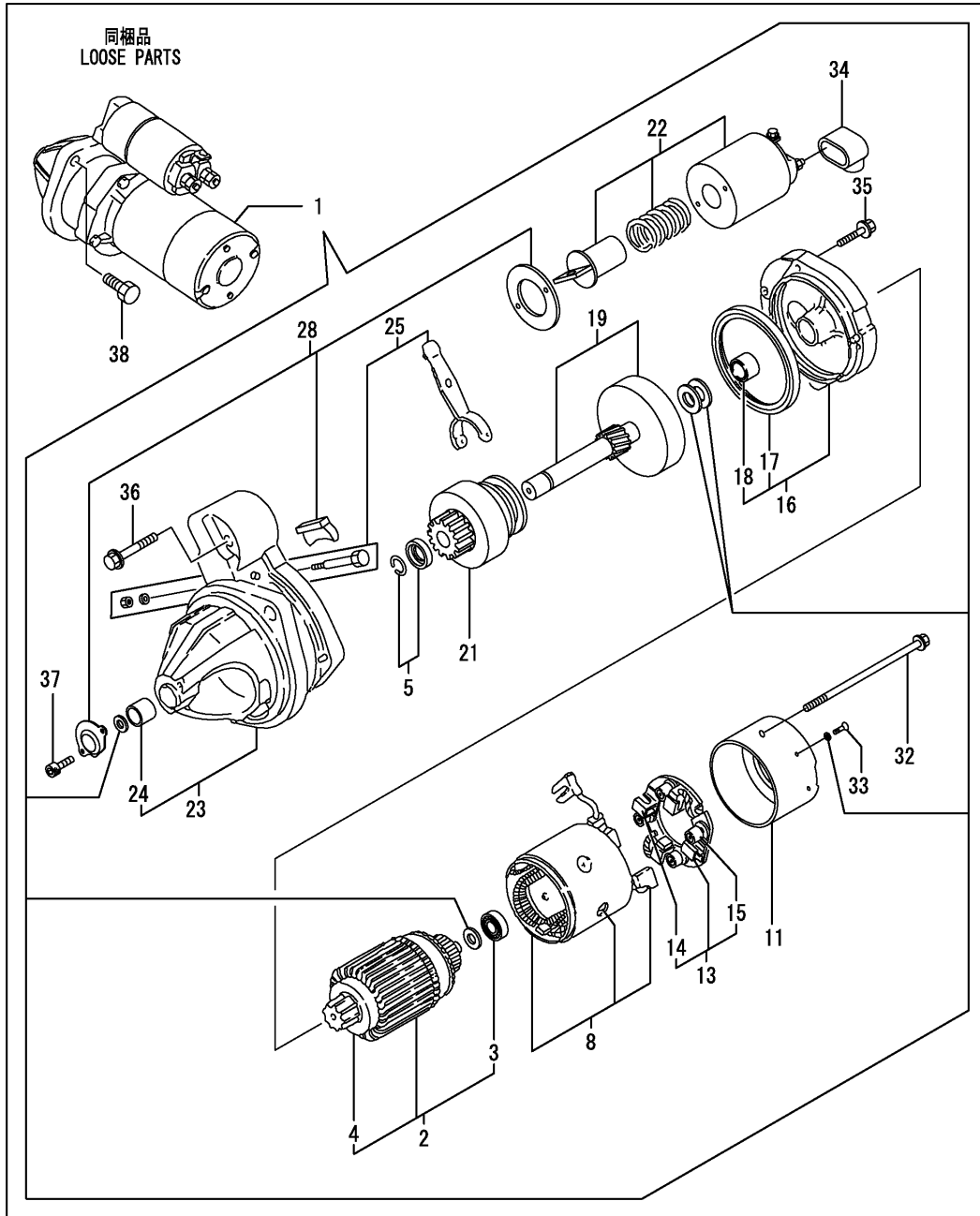


Y00W3330	14. FUEL LINE			
4TNV88-BKMS	1:08.03	2:	3:	PLUS

FUEL LINE

Ref. No.	Part No.	Description	Quantity 3TNV/4TNV88
1	186467	BRACKET,FUEL FILTER	1
2	182130	FILTER, FUEL	1
3	425-34760	BOLT M 8X 30 PLATED	2
4	188688	PIPE, FUEL	1
5	425-34916	CLAMP 12	2
6	188691	TUBE	1
7	188439	PIPE, FUEL OIL	1
8	188689	FO-T CMP (4 CYLINDER)	1
	188570	PIPE, FUEL (3 CYLINDER)	1
9	425-34916	CLAMP 12	2
10	188690	PROTECTOR, FUEL PIPE (4 CYLINDER)	1
	188571	PROTECTOR, PIPE 15 (3 CYLINDER)	1
11	188440	PIPE, FUEL OIL (4 CYLINDER)	1
	188572	PIPE, FUEL OIL (3 CYLINDER)	1
12	137953	CLAMP 140	1
13	186308	V PUMP ASSY, FUEL FEED	1
14	270980	SEPARATOR ASSY	1
15	425-34924	RING, RETAINING	1
16	186340	ELEMENT	1
17	425-34744	O-RING 1A P-16.0	1
18	425-34927	O-RING 1A G-65.0	1
19	270981	CUP ASSY(SERVICE PAR	1
20	197868	LABEL, FUEL OIL NOTI	1

STARTING MOTOR

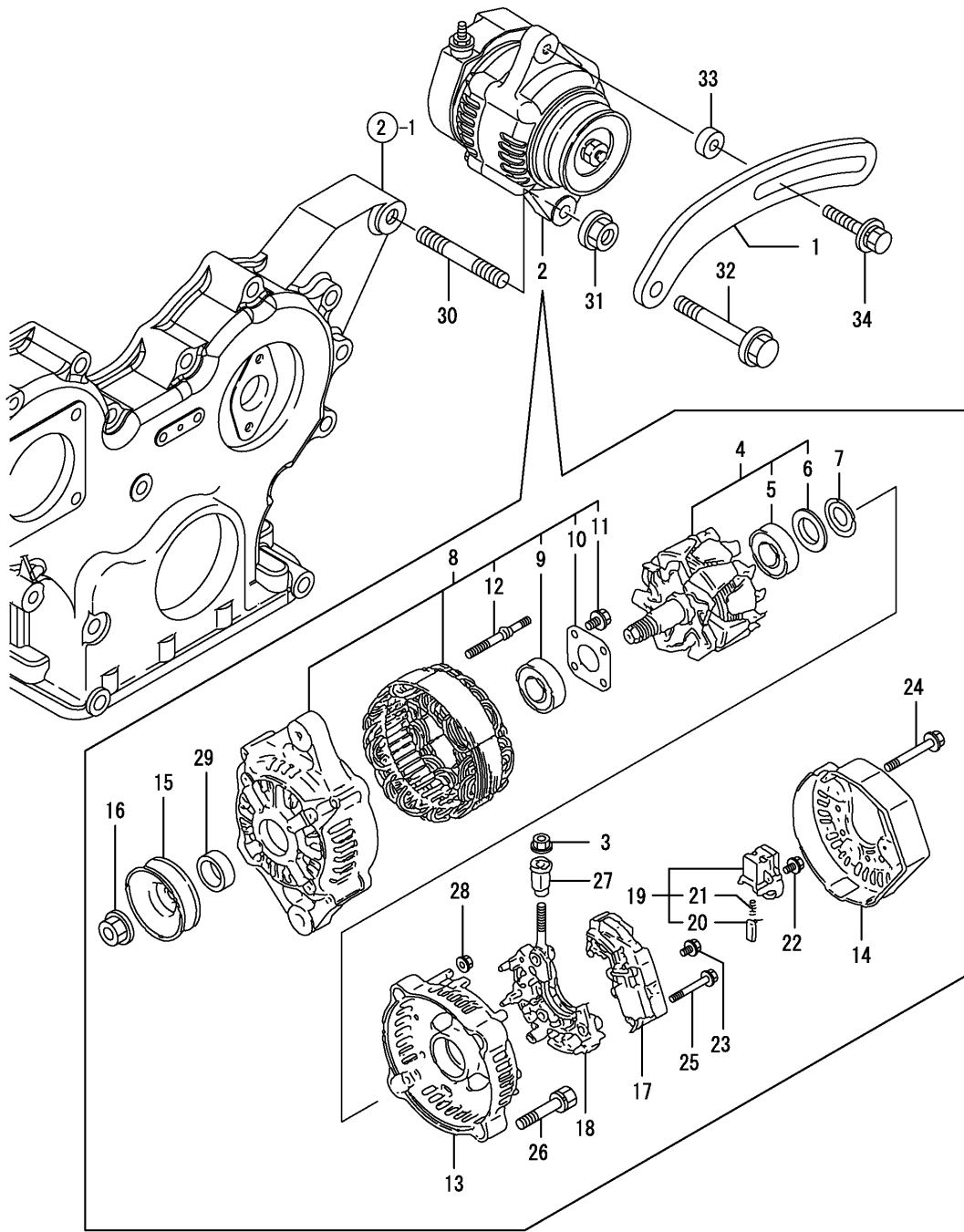


Y00W3330	15. STARTING MOTOR			
4TNV88-BKMS	1:08.03	2:	3:	PLUS

STARTING MOTOR

Ref. No.	Part No.	Description	Quantity 3TNV/4TNV88
1	425-35508	D)STARTING MOTOR(DC12V (4 CYLINDER)	1
	188586	STARTER (3 CYLINDER)	1
2	186348	ARMATURE ASSY (4 CYLINDER)	1
	188681	ARMATURE ASSY (3 CYLINDER)	1
3	197869	BALL BEARING (4 CYLINDER)	1
		BALL BEARING (3 CYLINDER)	1
4		BALL BEARING (4 CYLINDER)	1
		BALL BEARING (3 CYLINDER)	1
5	186350	STOPPER KIT, PINION (4 CYLINDER)	1
	425-34991	STOPPER SET, PINION (3 CYLINDER)	1
8		COIL ASSY, FIELD (4 CYLINDER)	1
	188498	COIL ASSY, FIELD (3 CYLINDER)	1
11	425-35899	COVER ASSY, REAR (4 CYLINDER)	1
	425-36296	COVER, REAR (3 CYLINDER)	1
13	425-35901	HOLDER (4 CYLINDER)	1
	188684	HOLDER ASSY, BRUSH (3 CYLINDER)	1
14	186353	BRUSH (4 CYLINDER)	2
	188682	BRUSH (+) (3 CYLINDER)	2
15	425-35903	SPRING, BRUSH (4 CYLINDER)	4
	188624	SPRING, BRUSH (3 CYLINDER)	4
16	425-35904	BEARING ASSY, CENTER (4 CYLINDER)	1
	188588	CENTER HOUSING (3 CYLINDER)	1
17	425-35905	SEAL, OIL (4 CYLINDER)	1
18	192289	BEARING, NEEDLE (4 CYLINDER)	1
19	425-35906	SHAFT ASSY, GEAR (4 CYLINDER)	1
21	425-35907	PINION ASSY (4 CYLINDER)	1
	425-35482	PINION ASSY (3 CYLINDER)	1
	425-34718	SHAFT, PINION (3 CYLINDER)	1
22	425-35908	SWITCH, MAGNETIC (4 CYLINDER)	1
	188587	SHAFT, PINION (3 CYLINDER)	1
23	425-35909	CASE ASSY, GEAR (4 CYLINDER)	1
	425-35477	HOUSING ASSY, GEAR (3 CYLINDER)	1
24	425-35910	METAL, GEAR CASE (4 CYLINDER)	1
25	425-35911	LEVER SET, SHIFT (4 CYLINDER)	1
	425-34993	LEVER SET, SHIFT (3 CYLINDER)	1
28	425-35912	DUST COVER SET (4 CYLINDER)	1
	188627	DUST COVER,(NON-ASB. (3 CYLINDER)	1
32	425-35913	BOLT, THROUGH (4 CYLINDER)	2
	425-36297	BOLT, THROUGH (3 CYLINDER)	2
33	425-35915	SCREW 4 (4 CYLINDER)	2
	425-35471	SCREW, POLE CORE SET (3 CYLINDER)	4
34	425-35916	TERMINAL COVER (4 CYLINDER)	1
	186591	COVER, M TERMINAL (3 CYLINDER)	1
35	425-35165	BOLT M 6X 30 PLATED (4 CYLINDER)	3
	425-34998	BOLT M 6X 40 PLATED (3 CYLINDER)	3
36	425-35176	BOLT M 6X 45 PLATED (4 CYLINDER)	2
	425-34997	BOLT M 6X 32 PLATED (3 CYLINDER)	2
37	425-35914	BOLT M 5X 12 (4 CYLINDER)	2
38	188748	BOLT M12X 25 PLATED	2

GENERATOR

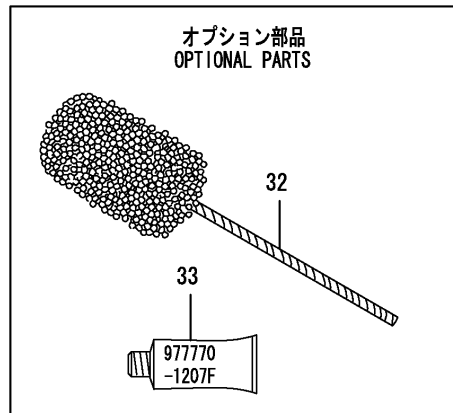
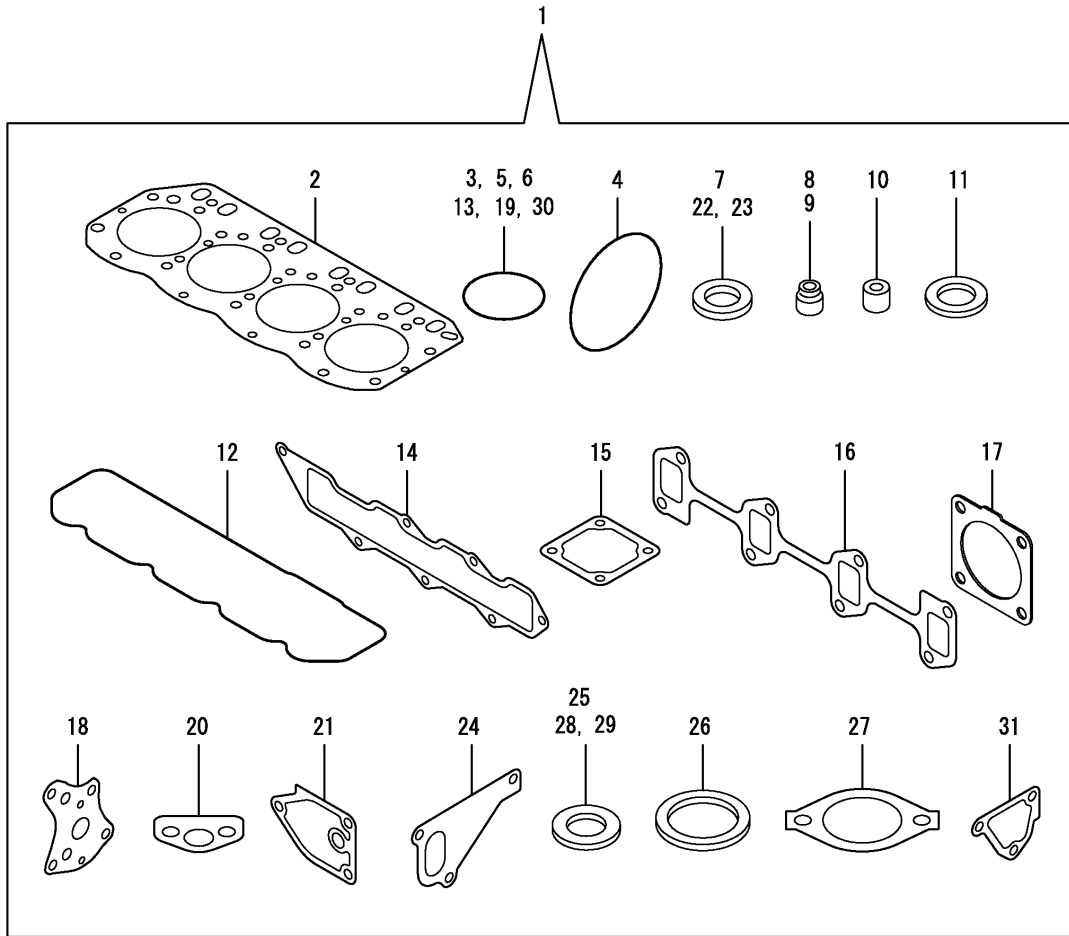


Y00W3330	16. GENERATOR			
4TNV88-BKMS	1:08.03	2:	3:	PLUS

GENERATOR

Ref. No.	Part No.	Description	Quantity 3TNV/4TNV88
1	188495	ADJUSTER, BELT	1
2	188636	GENERATOR	1
3		NUT	1
4	186315	ROTOR ASSY	1
5	188456	BALL BEARING	1
6	186325	COVER, BEARING	1
7	186334	THRUST WASHER	1
8	186316	FLAME ASSY, DRIVE	1
9	186321	BALL BEARING	1
10	186322	PLATE	1
11	186323	SCREW	4
12	186324	BOLT, STUD	2
13	186317	FLAME ASSY, REAR	1
14	188637	COVER	1
15	186318	PULLEY	1
16	186319	NUT	1
17	188638	REGULATOR ASSY	1
18	186326	HOLDER	1
19	188457	HOLDER, BRUSH	1
20	188455	BRUSH ASSY	2
21	188458	SPRING	2
22	186327	SCREW	1
23	186328	SCREW	1
24	186329	BOLT	3
25	186330	SCREW W/WASHER	2
26	186331	BOLT	2
27	186332	INSULATION BUSH	1
28	186333	NUT	2
29	186320	COLLAR	1
30	186484	STUD	1
31	186484	NUT	1
32	425-34747	BOLT M 8X 45 PLATED	1
33	188500	ADJUSTER, BELT	1
34	192273	BOLT, ADJUSTING	1

TOOL AND GASKET SET



Y00W3330	17. GASKET SET			
4TNV88-BKMS	1:08.03	2:	3:	PLUS

TOOL AND GASKET SET

Ref. No.	Part No.	Description	Quantity 3TNV/4TNV88
1	197840	GASKET SET(NON-ASB.) (4 CYLINDER -BKMS)	1
	197841	GASKET SET(NON-ASB.) (4 CYLINDER -BDMS)	1
	197842	GASKET SET(NON-ASB.) (3 CYLINDER)	1
2	425-36006	GASKET,CYL.HEAD (4 CYLINDER)	1
	425-36241	GASKET, (NON-ASB.) (3 CYLINDER)	1
3	188452	O-RING P16	2
4	425-34681	O-RING, F.I.PUMP	1
5	425-34745	O-RING 1A P-32.0	2
6	425-34763	O-RING 1A S-24.0	1
7	425-35949	6 SEAL WASHER 16S (4 CYLINDER -BDMS)	1
	138113	2 SEAL WASHER 22S (-BKMS ENGINES)	1
8	188507	SEAL, VALVE STEM (4 CYLINDER)	4
	188507	SEAL, VALVE STEM (3 CYLINDER)	3
9	425-34645	SEAL, VALVE STEM (4 CYLINDER)	4
	425-34645	SEAL, VALVE STEM (3 CYLINDER)	3
10	186337	PROTECTOR, NOZZLE (4 CYLINDER)	4
	186337	PROTECTOR, NOZZLE (3 CYLINDER)	3
11	425-34796	SEAT, NOZZLE (4 CYLINDER)	4
	425-34796	SEAT, NOZZLE (3 CYLINDER)	3
12	188657	GASKET,COVER (4 CYLINDER)	1
	188542	GASKET, BONNET (3 CYLINDER)	1
13	425-34776	PACKING, P 12.0	3
14	425-35934	GASKET,INT.MANIFOLD (4 CYLINDER)	1
	188535	GASKET,INT. MANIFOLD (3 CYLINDER)	1
15	425-34649	GASKET, (NON-ASB.)	1
16	425-34653	GASKET, EXH.MANIFOLD (4 CYLINDER)	1
	425-35425	GASKET, EXH.MANIFOLD (3 CYLINDER)	1
17	138104	GASKET, SILENCER (4 CYLINDER)	1
	188546	GASKET, SILENCER (3 CYLINDER)	1
18	425-34701	GASKET, L.O. PUMP	1
19	425-34827	O-RING 1A P-10A	1
20	425-34828	GASKET, (NON-ASB.)	1
21	425-34831	GASKET, (NON-ASB.)	1
22	425-34750	8 SEAL WASHER 8S (4 CYLINDER)	7
	425-34750	8 SEAL WASHER 8S (3 CYLINDER)	2
23	425-35958	10 SEAL WASHER 10S	2
24	425-36263	GASKET	1
25	425-34727	GASKET 8, ROUND	1
26	425-34704	GASKET, (NON-ASB.)	1
27	425-34704	GASKET, (NON-ASB.)	1
28	160427	GASKET 16 (4 CYLINDER -BDMS)	2
	160427	GASKET 16 (4 CYLINDER -BKMS)	1
	160427	GASKET 16 (3 CYLINDER)	1
29	425-34707	GASKET 10 (-BKMS ENGINES)	1
30	425-36262	O-RING,CW-P	1
31	425-34849	GASKET, THERMO. CASE	1
32	188628	HORN, FLEX	1
33	138154	GASKET.LIQUID	1

SECTION NOTES

Part No.	Page No.	Ref. No.	Part No.	Page No.	Ref. No.	Part No.	Page No.	Ref. No.	Part No.	Page No.	Ref. No.
137953	30	12	186473	28	44	188526	22	44	188603	16	2
138076	22	31	186473	28	44	188535	12	4	188603	16	2
138104	14	7	186473	28	48	188535	36	14	188624	32	15
138104	36	17	186481	28	70	188537	4	11	188627	32	28
138113	6	10	186481	28	70	188539	10	41	188628	36	32
138113	36	7	186484	34	30	188540	8	3	188632	12	2
138117	18	7	186484	34	31	188541	8	4	188633	20	35
138140	4	18	186591	32	34	188542	10	48	188634	20	38
138140	14	6	186598	10	49	188542	36	12	188636	34	2
138154	36	33	186598	10	50	188543	10	40	188637	34	14
138474	14	3	186600	20	29	188544	8	9	188638	34	17
138520	22	30	186602	22	13	188544	8	9	188640	6	18
160427	22	33	186615	22	25	188545	10	33	188649	20	33
160427	22	34	186675	24	67	188545	10	33	188650	20	42
160427	36	28	186676	24	53	188546	14	7	188655	8	3
160427	36	28	186676	24	54	188546	36	17	188656	8	4
160427	36	28	186678	24	43	188548	18	8	188657	10	48
182130	30	2	186678	24	43	188549	22	1	188657	36	12
186308	30	13	188439	30	7	188550	22	15	188658	10	40
186315	34	4	188440	30	11	188551	22	35	188662	28	50
186316	34	8	188447	28	13	188552	22	39	188663	28	54
186317	34	13	188447	28	13	188553	22	36	188664	28	58
186318	34	15	188452	4	9	188554	22	40	188665	28	62
186319	34	16	188452	36	3	188555	28	50	188668	20	16
186320	34	29	188455	34	20	188556	28	54	188679	8	1
186321	34	9	188456	34	5	188557	28	58	188681	32	2
186322	34	10	188457	34	19	188558	12	1	188682	32	14
186323	34	11	188458	34	21	188559	8	21	188684	32	13
186324	34	12	188465	10	43	188559	8	21	188686	22	11
186325	34	6	188466	10	44	188561	12	3	188688	30	4
186326	34	18	188467	10	45	188562	18	15	188689	30	8
186327	34	22	188469	10	46	188562	18	15	188690	30	10
186328	34	23	188470	8	6	188563	18	17	188691	30	6
186329	34	24	188471	8	7	188563	18	17	188692	16	17
186330	34	25	188471	8	7	188564	18	32	188693	20	43
186331	34	26	188472	8	13	188564	18	32	188693	20	50
186332	34	27	188475	18	8	188565	18	34	188706	14	1
186333	34	28	188479	16	16	188565	18	34	188707	18	12
186334	34	7	188485	20	18	188566	20	36	188712	16	18
186337	10	31	188486	20	37	188567	20	41	188717	20	45
186337	10	31	188487	20	26	188568	20	46	188717	20	49
186337	36	10	188488	22	10	188570	30	8	188720	22	46
186337	36	10	188491	28	6	188571	30	10	188732	22	25
186339	22	37	188491	28	6	188572	30	11	188732	26	89
186340	30	16	188493	28	67	188573	6	1	188736	16	8
186348	32	2	188494	28	69	188573	6	14	188742	16	14
186350	32	5	188495	34	1	188573	18	2	188748	32	38
186353	32	14	188498	32	8	188574	6	15	188749	6	4
186375	14	4	188499	20	48	188578	22	3	188750	6	5
186375	14	4	188500	34	33	188579	22	4	188755	16	19
186461	22	45	188502	10	34	188584	20	51	188757	2	14
186464	22	38	188502	10	34	188586	32	1	188757	2	14
186464	22	41	188507	8	25	188587	32	22	188762	2	1
186464	28	68	188507	8	25	188588	32	16	188768	2	1
186464	28	71	188507	36	8	188596	8	10	190814	22	24
186464	28	71	188507	36	8	188596	8	10	190845	22	42
186467	30	1	188512	22	8	188597	8	8	190852	22	23
186468	20	27	188517	28	74	188597	8	8	192271	6	7

NUMERICAL INDEX

Part No.	Page No.	Ref. No.	Part No.	Page No.	Ref. No.	Part No.	Page No.	Ref. No.	Part No.	Page No.	Ref. No.
192272	6	7	270957	16	10	425-34700	20	1	425-34763	4	20
192273	34	34	270958	16	13	425-34701	20	14	425-34763	36	6
192276	20	22	270959	18	1	425-34701	36	18	425-34764	6	6
192277	20	22	270960	18	4	425-34704	22	27	425-34765	6	12
192278	20	48	270961	18	27	425-34704	22	29	425-34765	10	36
192279	20	34	270961	18	27	425-34704	36	26	425-34765	10	36
192280	26	3	270962	18	30	425-34704	36	27	425-34766	10	38
192281	26	4	270962	18	30	425-34707	22	33	425-34766	10	38
192283	26	22	270972	26	64	425-34707	36	29	425-34769	10	42
192284	26	23	270973	26	81	425-34718	32	21	425-34775	10	51
192285	26	24	270974	28	1	425-34721	2	6	425-34776	10	52
192287	26	90	270974	28	1	425-34721	2	7	425-34776	36	13
192289	32	18	270975	28	2	425-34722	2	8	425-34779	8	20
192293	24	7	270975	28	2	425-34723	2	4	425-34781	20	32
192301	20	16	270976	28	14	425-34725	2	13	425-34782	8	14
192303	12	3	270976	28	14	425-34727	22	18	425-34782	8	14
194315	20	40	270977	28	73	425-34727	36	25	425-34783	10	35
197468	24	52	270980	30	14	425-34729	22	19	425-34791	8	12
197486	24	35	270981	30	19	425-34730	2	9	425-34791	8	12
197486	24	35	425-34638	2	27	425-34730	2	9	425-34793	8	13
197487	24	44	425-34638	2	27	425-34731	2	24	425-34796	10	32
197487	24	44	425-34639	8	22	425-34733	4	14	425-34796	10	32
197589	2	12	425-34639	8	22	425-34733	4	15	425-34796	36	11
197755	4	1	425-34641	10	30	425-34733	6	11	425-34796	36	11
197770	24	33	425-34641	10	30	425-34733	8	2	425-34799	14	1
197770	24	34	425-34642	10	29	425-34733	20	20	425-34800	12	6
197771	4	4	425-34642	10	29	425-34733	22	20	425-34806	16	3
197772	24	32	425-34643	8	23	425-34740	4	6	425-34807	16	6
197773	24	51	425-34643	8	23	425-34740	10	39	425-34808	16	1
197811	8	15	425-34644	8	24	425-34741	4	7	425-34808	16	1
197815	8	15	425-34644	8	24	425-34743	4	8	425-34810	16	7
197838	24	1	425-34645	10	26	425-34744	30	17	425-34810	18	5
197839	24	1	425-34645	10	26	425-34745	4	13	425-34817	18	9
197840	36	1	425-34645	36	9	425-34745	10	53	425-34818	18	10
197841	36	1	425-34645	36	9	425-34745	36	5	425-34823	20	15
197842	36	1	425-34646	10	27	425-34746	12	5	425-34825	20	17
197847	10	56	425-34646	10	27	425-34746	12	5	425-34827	20	19
197849	12	8	425-34649	12	7	425-34746	12	9	425-34827	36	19
197851	18	1	425-34649	36	15	425-34746	20	52	425-34828	20	21
197853	24	1	425-34653	14	2	425-34747	6	13	425-34828	36	20
197854	24	56	425-34653	36	16	425-34747	6	13	425-34829	20	22
197868	30	20	425-34656	16	4	425-34747	22	21	425-34831	20	39
197869	32	3	425-34659	18	26	425-34747	34	32	425-34831	36	21
270942	2	29	425-34659	18	26	425-34748	4	17	425-34835	20	25
270942	2	29	425-34666	28	10	425-34750	4	12	425-34838	22	22
270943	2	32	425-34666	28	10	425-34750	20	28	425-34842	22	51
270943	2	32	425-34678	26	6	425-34750	20	30	425-34842	22	51
270944	2	35	425-34681	4	10	425-34750	36	22	425-34843	22	28
270946	4	3	425-34681	36	4	425-34750	36	22	425-34849	22	17
270948	4	5	425-34683	22	32	425-34754	6	2	425-34849	36	31
270949	4	19	425-34684	20	24	425-34756	6	3	425-34851	22	31
270950	8	15	425-34686	22	50	425-34759	6	17	425-34903	28	5
270951	10	55	425-34693	18	11	425-34760	4	16	425-34903	28	5
270951	10	55	425-34694	18	14	425-34760	30	3	425-34905	28	11
270952	10	56	425-34698	18	23	425-34761	6	19	425-34905	28	11
270953	10	54	425-34698	18	23	425-34761	10	37	425-34906	28	12
270954	12	8	425-34699	18	29	425-34761	10	37	425-34906	28	12
270956	16	9	425-34699	18	29	425-34761	20	23	425-34908	28	45

Part No.	Page No.	Ref. No.	Part No.	Page No.	Ref. No.	Part No.	Page No.	Ref. No.	Part No.	Page No.	Ref. No.
425-34916	30	5	425-36006	2	28						
425-34916	30	9	425-36006	36	2						
425-34924	30	15	425-36018	22	26						
425-34927	30	18	425-36121	6	8						
425-34981	26	25	425-36152	22	48						
425-34984	26	69	425-36187	16	15						
425-34991	32	5	425-36235	22	47						
425-34993	32	25	425-36239	22	12						
425-34997	32	36	425-36240	2	5						
425-34998	32	35	425-36241	2	28						
425-35164	4	21	425-36241	36	2						
425-35165	32	35	425-36249	14	5						
425-35174	26	66	425-36252	16	3						
425-35176	32	36	425-36257	20	1						
425-35263	26	68	425-36262	22	16						
425-35452	28	41	425-36262	36	30						
425-35452	28	41	425-36263	22	14						
425-35352	26	60	425-36263	36	24						
425-35425	14	2	425-36264	20	53						
425-35425	36	16	425-36296	32	11						
425-35429	6	6	425-36297	32	32						
425-35448	18	12									
425-35471	32	33									
425-35477	32	23									
425-35482	32	21									
425-35491	6	7									
425-35495	6	8									
425-35508	32	1									
425-35899	32	11									
425-35901	32	13									
425-35903	32	15									
425-35904	32	16									
425-35905	32	17									
425-35906	32	19									
425-35907	32	21									
425-35908	32	22									
425-35909	32	23									
425-35910	32	24									
425-35911	32	25									
425-35912	32	28									
425-35913	32	32									
425-35914	32	37									
425-35915	32	33									
425-35916	32	34									
425-35925	26	133									
425-35934	12	4									
425-35934	36	14									
425-35936	18	21									
425-35936	18	21									
425-35937	18	22									
425-35937	18	22									
425-35945	22	49									
425-35949	6	10									
425-35949	36	7									
425-35958	20	31									
425-35958	36	23									
425-35962	26	87									
425-35962	26	88									

NUMERICAL INDEX

TORQUE SPECIFICATIONS

Use these torque values when tightening hardware (excluding locknuts, and self-tapping, thread-forming, and sheet metal screws) unless otherwise specified.

UNIFIED NATIONAL THREAD	GRADE 2		GRADE 5		GRADE 8	
	DRY	LUBED	DRY	LUBED	DRY	LUBED
8-32	19*	14*	30*	22*	41*	31*
8-36	20*	15*	31*	23*	43*	32*
10-24	27*	21*	43*	32*	60*	45*
10-32	31*	23*	49*	36*	68*	51*
1/4-20	66*	50*	9	75*	12	9
1/4-28	76*	56*	10	86*	14	10
5/16-18	11	9	17	13	25	18
5/16-24	12	9	19	14	25	20
3/8-16	20	15	30	23	45	35
3/8-24	23	17	35	25	50	35
7/16-14	32	24	50	35	70	55
7/16-20	36	27	55	40	80	60
1/2-13	50	35	75	55	110	80
1/2-20	55	40	90	65	120	90
9/16-12	70	55	110	80	150	110
9/16-18	80	60	120	90	170	130
5/8-11	100	75	150	110	220	170
5/8-18	110	85	180	130	240	180
3/4-10	175	130	260	200	380	280
3/4-16	200	150	300	220	420	320
7/8-9	170	125	430	320	600	460
7/8-14	180	140	470	360	660	500
1-8	250	190	640	480	900	680
1-12	270	210	710	530	1000	740
METRIC COARSE THREAD	GRADE 8.8		GRADE 10.9		GRADE 12.9	
	DRY	LUBED	DRY	LUBED	DRY	LUBED
M6-1	8	6	11	8	13.5	10
M8-1.25	19	14	27	20	32.5	24
M10-1.5	37.5	28	53	39	64	47
M12-1.75	65	48	91.5	67.5	111.5	82
M14-2	103.5	76.5	145.5	108	176.5	131
M16-2	158.5	117.5	223.5	165.5	271	200

*All torque values are in ft-lbs except those marked with an * which are in lbs.

For metric torque value (N-m) multiply ft-lbs value by 1.355 or the in-lbs value by 0.113.

GEHL®

Gehl Company 143 Water Street, P.O. Box 179, West Bend, WI 53095-0179 USA
www.gehl.com