

agria

Spare parts list

agria 9600-S Remote-controlled High Grass Rotary Mulcher


agria 9600



Tab. 2350GB Recommendations, Symbols, Notes

1 - 1

Recommendations: Maintenance and Repair

 Prior to any cleaning, maintenance, and repair work, shut down motor or engine and, depending on motor or engine type, withdraw spark plug connector, ignition key, or mains plug.

The trained mechanics of your agria workshop carry out expert maintenance and repair.

Major maintenance and repair actions may only be undertaken by trained personnel who are capable of carrying out professional repair and maintenance work.

Minor maintenance and repair work should only be undertaken by yourself if you possess the necessary tools and training for machines and combustion engines.

Carry out a functional and safety test after completing the work.

Information on Glues:

When using glue (screw securing agent LOCTITE), the bolt thread and the nut thread must be clean and free from grease before applying LOCTITE.

Areas treated with LOCTITE 242 can be loosened with a spanner.

Areas treated with LOCTITE 270 and 638 must be heated up to about 80°C for being loosened.

 Also observe the information included in the packing of the glue.

Recommendations: Lubricants and Anti-Corrosive Agents

• Use the specified lubricants for motor or engine and transmission (see "Specifications").

• We recommend using bio-lubricating oil or bio-lubricating grease for "open" lubricating points or nipples (as specified in the operating instructions).

• We recommend using bio anti-corrosive oil for preservation of machines and implements (do not apply on painted external covers). Oil can be brushed or sprayed on.

Anti-corrosive agents are kind to the environment and degrade fast. Using ecologically safe bio-lubricants and bio-anti-corrosives, you contribute to environmental protection and to the wellbeing of humans, animals and plants.

Suit values for fixing bolts without special indication in the parts catalog:

- M5 = 5 Nm
- M6 = 10 Nm
- M8 = 23 Nm
- M10 = 45 Nm
- M12 = 76 Nm
- M14 = 120 Nm
- M16 = 168 Nm

Claims of any kind cannot be derived from the pictures represented in the spare parts list.

Please complete:

Machine Type No.:

ID/Machine No.:

Motor/Engine Type:

Motor/Engine No.:

Date of Purchase:

Please state these data when ordering spare parts to avoid wrong deliveries.

Only use original Agria spare parts!

Symbols:












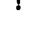
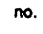
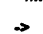


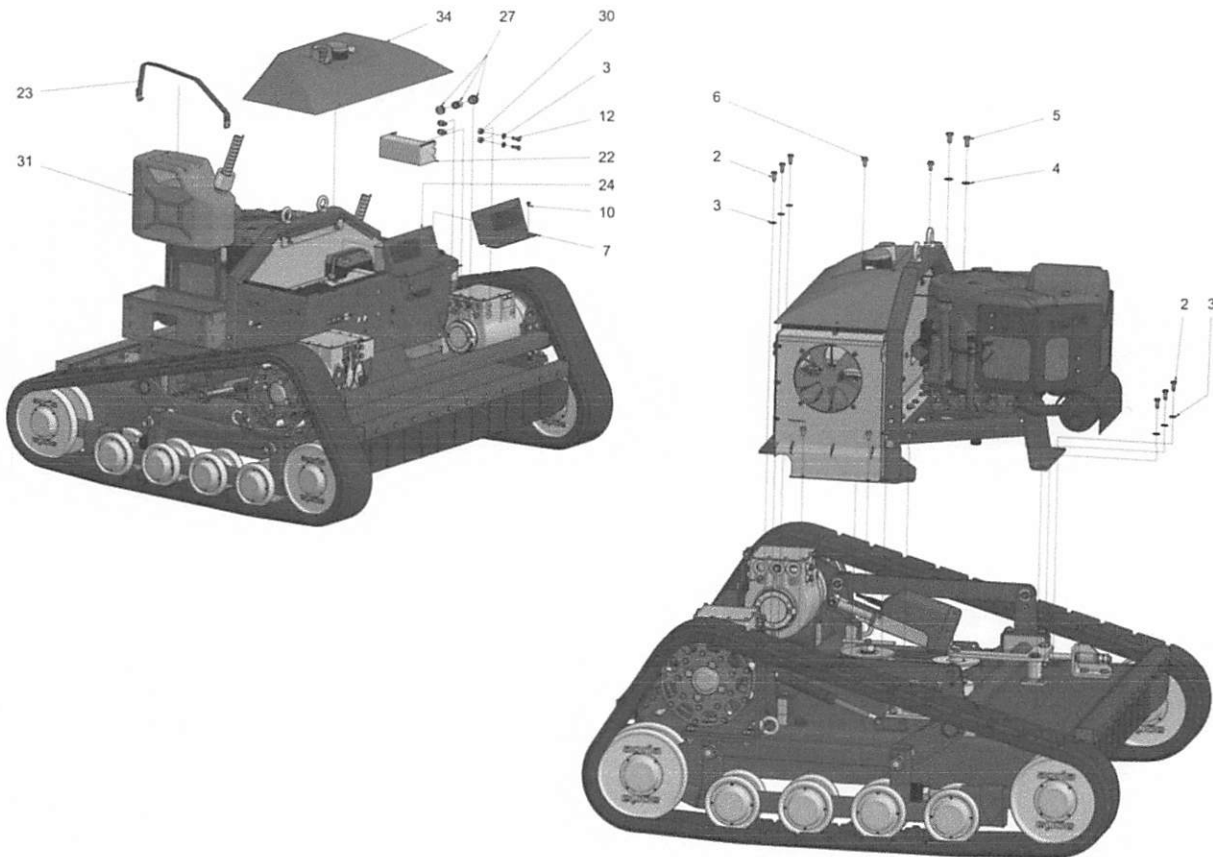
-  = Warning – Danger
-  = Important information
-  = Part to be installed or glued in with sealant or glue (see information)
-  = Prior to mounting, apply grease to the surface (see information)
-  = To facilitate the works, oil part
-  Nm = Tightening values for the fastening bolts
-  = Observe installation direction!
-  = Mounted with special tool
-  = Visual check, condition check; measures and setting values
-  = Prior to dismantling, the position of the parts towards each other must be marked. Upon assembly, observe the markings.
-  = Re-use part only after a check; if required, replace it
-  ! = Observe execution
-  <..... = up to ident.-no.; machine-no.; chassis-no.; motor/engine -no.
-  >..... = from ident.-no.; machine-no.; chassis-no.; motor/engine-no.
-  -> = for
-  » = see
- ENL = Single units cannot be supplied
- ED = Substituted by:
- EDT = Substituted by parts set:
- EV = Individual part of:
- ICL = including
- M = Yardware; instead of unit number Required quantity as per 'Remarks'
- X = Quantity as required

Table: 0354500 Basic machine

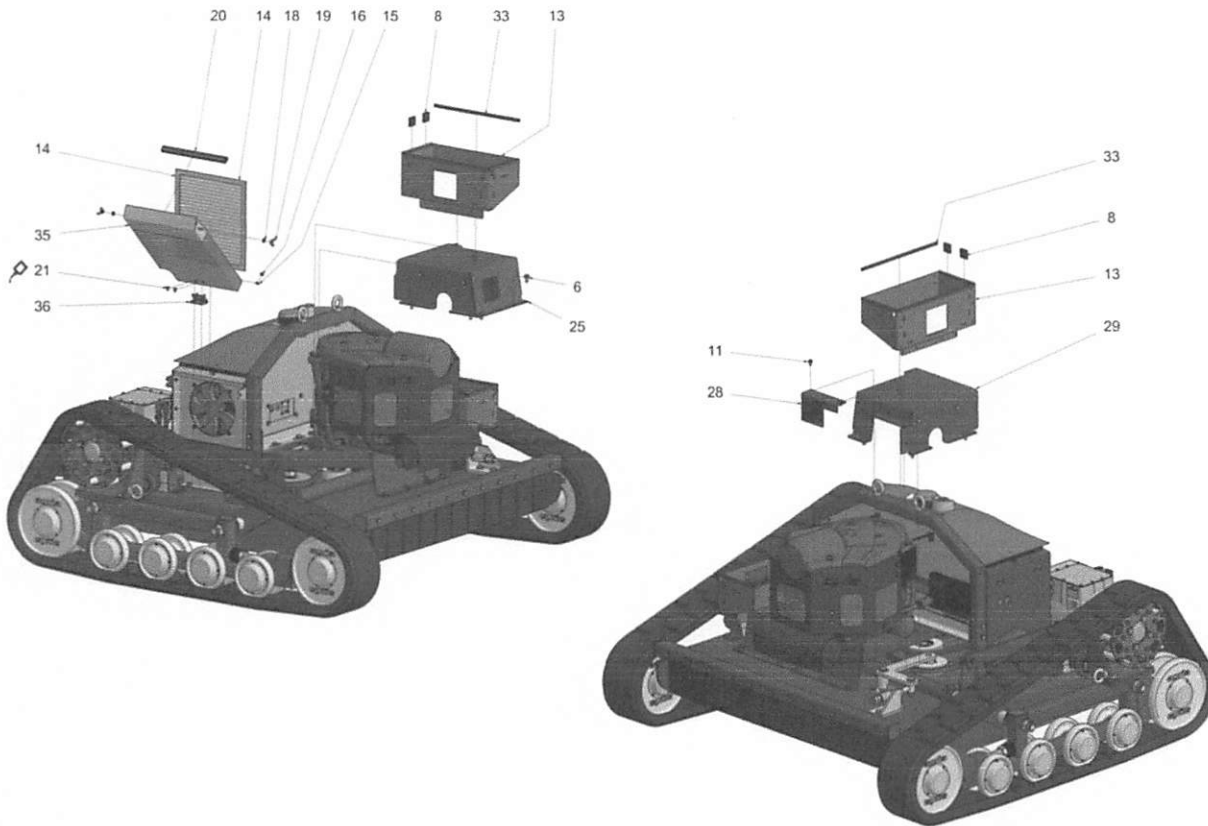
9600216



No.	Item	Item name	Dimension	Standard	Quantity	EH	Remarks
2	00109	Hex. screw	M8x20	DIN 933	6	Pc.	
3	77308	Washer	SKM 8		14	Pc.	
4	77310	Washer	SKM 10		4	Pc.	
5	00113	Hex. screw	M10x20	DIN 933	4	Pc.	
6	104086	Hex. screw head lock	M8x16	8.8	21	Pc.	
7	109158	Cover rh			1	Pc.	
10	101079	Oval head socket screw	M6x10	ISO 7380	6	Pc.	
12	00110	Hex. screw	M8x25	DIN 933	8	Pc.	
22	108440	Wire lead			2	Pc.	
23	105504	Canister safeguard			2	Pc.	
24	109157	Cover lh			1	Pc.	
27	109717	Kabelverschraubung			6	Pc.	
30	105307	Distance pipe	8,2x18x10		8	Pc.	
31	110200	Canister fitting module			2	Pc.	
34	110531	Kit hood			1	Pc.	

Table: 0354600 Basic machine

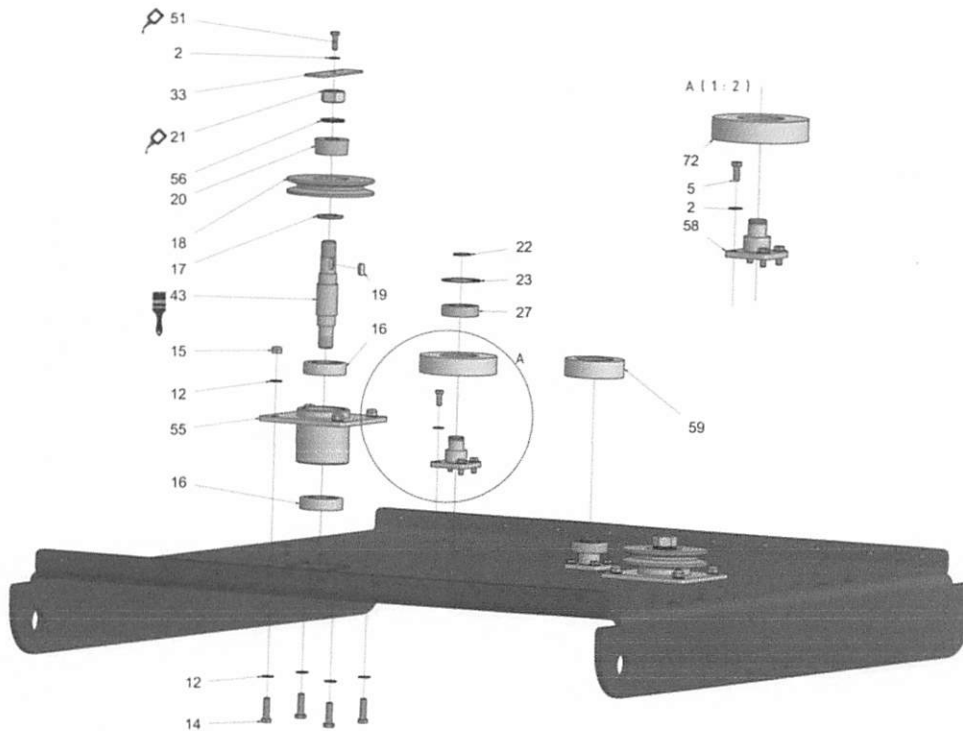
9600216



No.	Item	Item name	Dimension	Standard	Quantity	EH	Remarks
6	104086	Hex. screw head lock	M8x16	8.8	21	Pc.	
8	950663	Base cellular rubber	130x30x5		4	m	
11	106499	Round heat bolt	M6x12	DIN 6921	2	Pc.	
13	110320	Canister holder			2	Pc.	
14	110408	Filter			1	Pc.	
15	00780	Washer	6,4x12,5x1,6	DIN 125	2	Pc.	
16	12013	Locking nut	M6	DIN 985	2	Pc.	
18	77306	Washer	SKM 6		2	Pc.	
19	107857	Wing nut	M6 amerikaische F.	DIN 315	2	Pc.	
20	109227	Edge protection tightly profile			1	m	
21	77422	Hexagon socket screw	M6x12	DIN 7991	2	Pc.	Loctite 242
25	109624	Engine hood right			1	Pc.	
28	110173	Cover			1	Pc.	
29	110178	Engine hood left			1	Pc.	
33	950305	Edge protective strip	9,5x6,5x1-2	PVC	4	m	
35	110411	filter cover			1	Pc.	
36	109301	Hinge			1	Pc.	

Table: 0353500 Mower deck

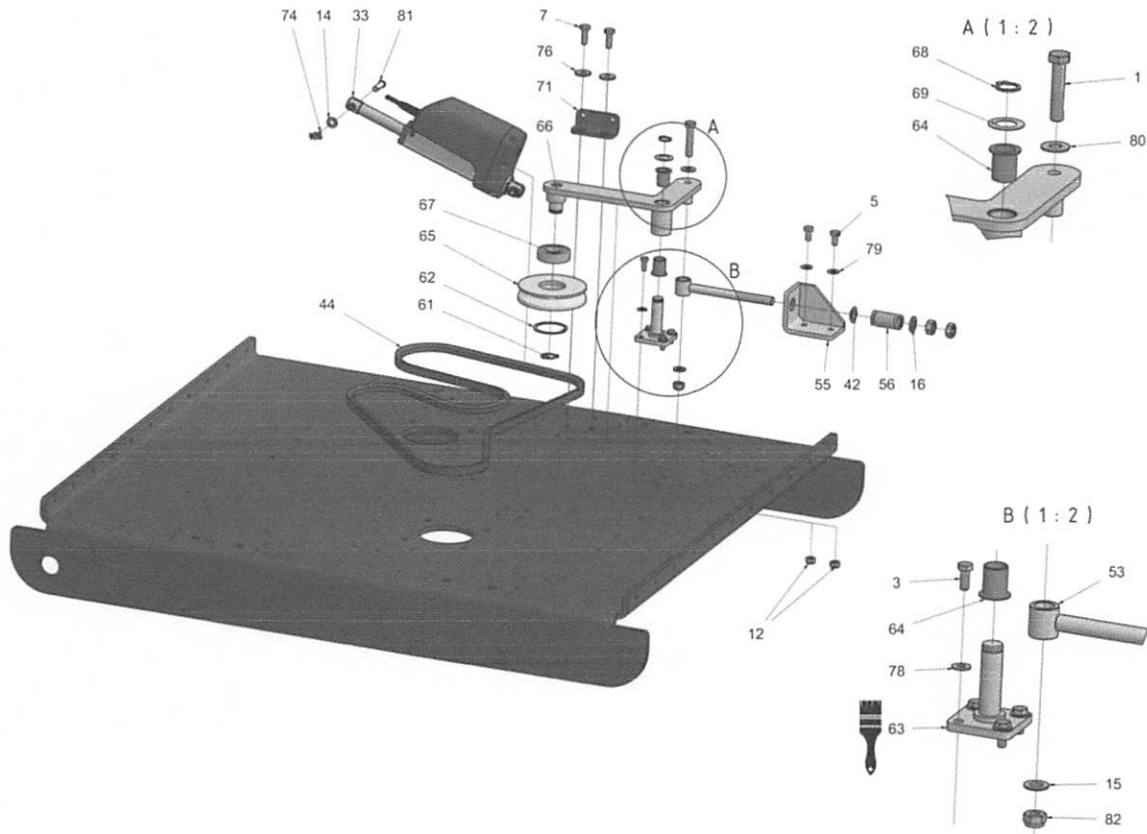
9600216



No.	Item	Item name	Dimension	Standard	Quantity	EH	Remarks
2	77308	Washer	SKM 8		41	Pc.	
5	00109	Hex. screw	M8x20	DIN 933	40	Pc.	
12	00784	Washer	10,5x20x2	DIN 125	20	Pc.	
14	00116	Hex. screw	M10x35	DIN 933	8	Pc.	
15	00666	Locking nut elastic stop	M10	DIN 985	10	Pc.	
16	68671	Ball bearing	30x72x19 6306.2RSDIN 625		4	Pc.	☒ mit Bio-Schmierfett einfetter
17	00790	Washer	25x44x4	DIN 125	4	Pc.	
18	108824	V-Belt Pulley	SPB 140mm 1-rillig		2	Pc.	
19	01846	Parallel key	A 8x7x20	DIN 6885	2	Pc.	
20	100522	Clamping bushing	Taper 1610-25		2	Pc.	
21	104073	Hexagon nut	M24x2	DIN 934	4	Pc.	☒ Loctite 242
22	01349	Snap ring	A25x2	DIN 471	2	Pc.	
23	01390	Snap ring	I62x2	DIN 472	2	Pc.	
27	16440	Ball bearing	25x62x17 6305.2RSDIN 625		2	Pc.	
33	109213	Punched disc			1	Pc.	
43	105451	Blade shaft	lang, 9600-80		2	Pc.	☒ mit Bio-Schmierfett einfetter
51	00110	Hex. screw	M8x25	DIN 933	1	Pc.	☒ Loctite 242
55	104996	Flanged housing			2	Pc.	
56	104062	Tapered washer	25,3x39,0x3,7		4	Pc.	
58	108876	stud			2	Pc.	☒ mit Bio-Schmierfett einfetter
59	108838	Idler pulley	100 mm		1	Pc.	
72	109979	Idler pulley	130 mm		1	Pc.	

Table: 0353600 Mower deck

9600216



No.	Item	Item name	Dimension	Standard	Quantity	EH	Remarks
1	00042	Hex. screw	M12x60	DIN 931	1	Pc.	
3	00109	Hex. screw	M8x20	DIN 933	40	Pc.	
5	00113	Hex. screw	M10x20	DIN 933	2	Pc.	
7	00127	Hex. screw	M10x30	DIN 933	2	Pc.	
12	00666	Locking nut elastic stop	M10	DIN 985	10	Pc.	
14	00784	Washer	10,5x20x2	DIN 125	20	Pc.	
15	00785	Washer	13x24x2,5	DIN 125	1	Pc.	
16	00787	Washer	17x30x3	DIN 125	1	Pc.	
33	106872	Linear actuator			1	Pc.	
42	107886	Bearing retainer	C17	DIN 6319	1	Pc.	
44	108820	V-belt	X17x2290 Ausf.6T6K		1	Pc.	
53	109268	Spring tensioner			1	Pc.	
55	109271	Abutment			1	Pc.	
56	109285	Pressure spring	0X-DF2791(LE=55_5)		1	Pc.	
61	01349	Snap ring	A25x2	DIN 471	1	Pc.	
62	01390	Snap ring	I62x2	DIN 472	1	Pc.	
63	108837	stud			1	Pc.	mit Bio-Schmierfett einfetten
64	108871	Bearing			2	Pc.	
65	109990	Idler pulley	130 mm		1	Pc.	
66	110162	Clamping arm			1	Pc.	
67	16440	Ball bearing	25x62x17	6305.2RSDIN 625	1	Pc.	
68	53227	Snap ring	A20x1,75	DIN 471	1	Pc.	
69	76003	Shim	20x34,5x0,8		1	Pc.	
71	110749	Strap			1	Pc.	
74	28210	Spring cotter pin	10x3,2		2	Pc.	
76	76648	Washer	10,5x30x4		2	Pc.	
78	77308	Washer	SKM 8		41	Pc.	
79	77310	Washer	SKM 10		2	Pc.	
80	77312	Washer	SKM 12		9	Pc.	

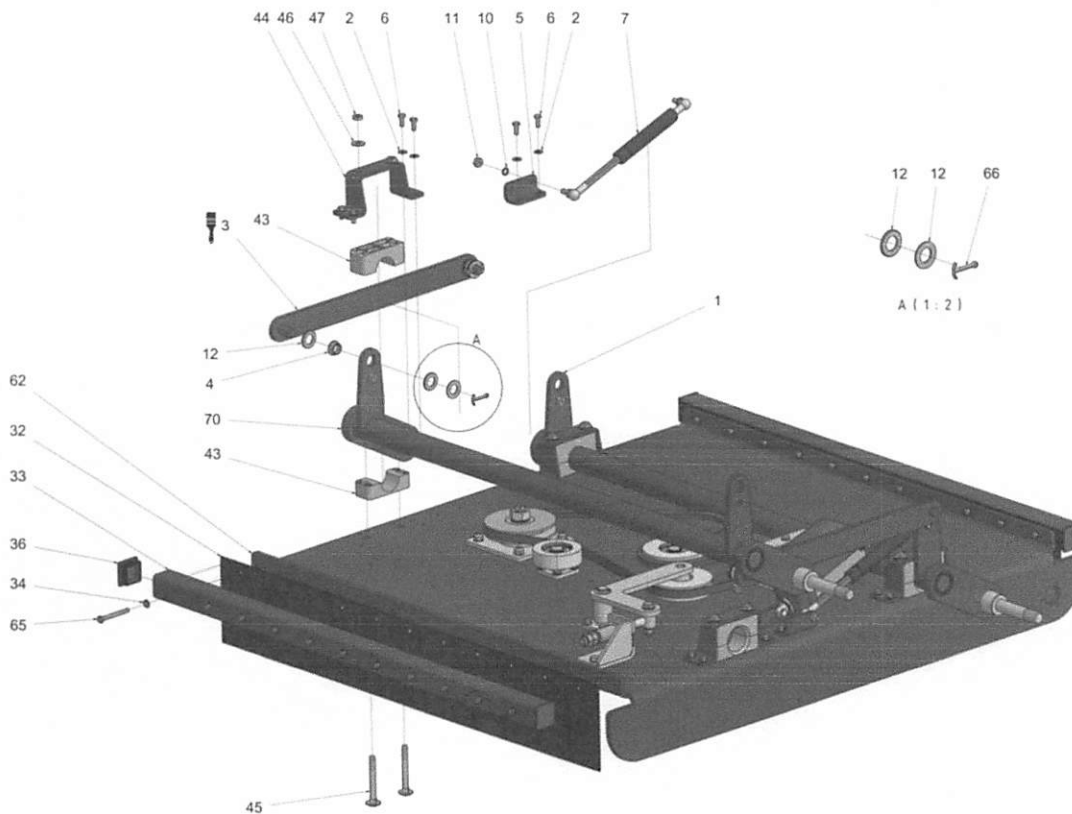
Table: 0353600 Mower deck

9600216

No.	Item	Item name	Dimension	Standard	Quantity	EH	Remarks
81	79325	Collar bolt	10x35/31	DIN 1434	2	Pc.	
82	79483	Locking nut	M12	DIN 985-10.9	1	Pc.	

Table: 0353700 Mower deck

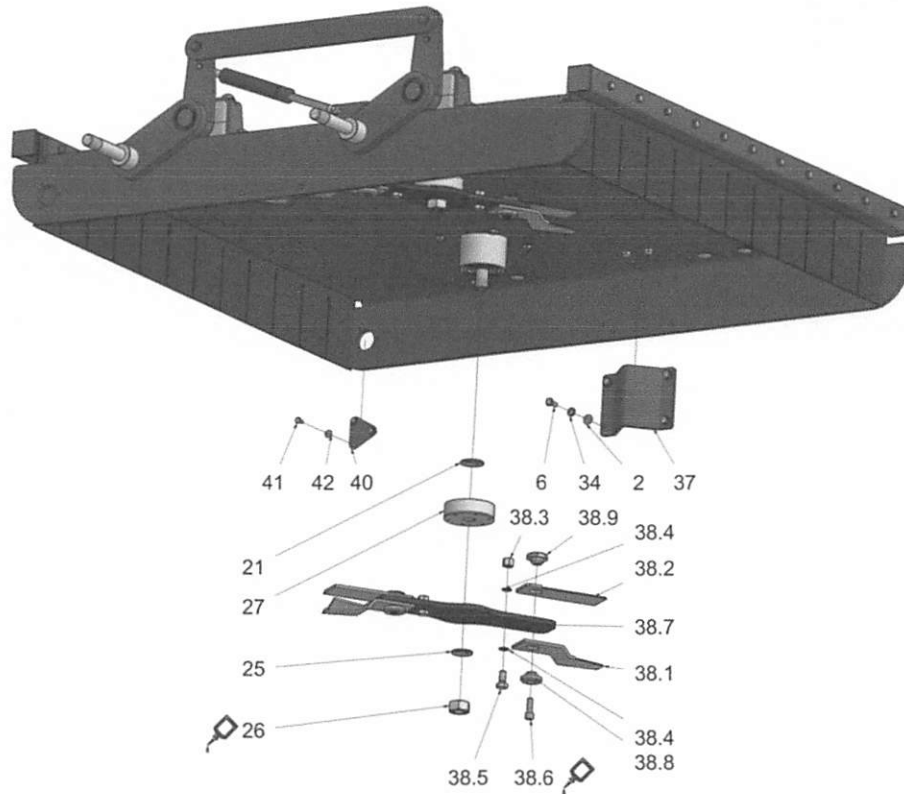
9600216



No.	Item	Item name	Dimension	Standard	Quantity	EH	Remarks
1	107109	Vertical adjustment rear			1	Pc.	
2	77308	Washer	SKM 8		43	Pc.	
3	107152	Strut			2	Pc.	mit Bio-Schmierfett einfetten
4	107170	Flanged bushing	GFM 2023-11		4	Pc.	
5	107165	Strap			3	Pc.	
6	00109	Hex. screw	M8x20	DIN 933	40	Pc.	
7	105414	Gas-filled support	1900 N		2	Pc.	
10	16471	Lock washer	VS 10		2	Pc.	
11	00597	Hexagon nut	M10	DIN 934-8	2	Pc.	
12	00789	Washer	21x37x3	DIN 125	12	Pc.	
32	107159	Projectiles protection			2	Pc.	
33	107158	Square tube			2	Pc.	
34	00782	Washer	8,4x17x1,6	DIN 125	52	Pc.	
36	105354	Hole plug	50x50x5		4	Pc.	
43	109040	Rohrschelle			4	Pc.	
44	109045	Bow			4	Pc.	
45	107852	Cup square bolt	M12x100	DIN 603 8.8	8	Pc.	
46	77312	Washer	SKM 12		9	Pc.	
47	00630	Hexagon nut	BM12	DIN 439	8	Pc.	
62	108829	Mower Deck			1	Pc.	
65	109892	Hex. screw	M8x75	ISO 4014	22	Pc.	
66	01465	Cotter pin	5x40	DIN 94	4	Pc.	
70	110319	height adjustment front			1	Pc.	

Table: 0353800 Mower deck

9600216



No.	Item	Item name	Dimension	Standard	Quantity	EH	Remarks
2	77308	Washer	SKM 8		43	Pc.	
6	00109	Hex. screw	M8x20	DIN 933	40	Pc.	
21	00790	Washer	25x44x4	DIN 125	4	Pc.	
25	104062	Tapered washer	25,3x39,0x3,7		4	Pc.	
26	104073	Hexagon nut	M24x2	DIN 934	4	Pc.	Loctite 242 Torque 711 Nm
27	104998	Cover			2	Pc.	
34	00782	Washer	8,4x17x1,6	DIN 125	52	Pc.	
37	106999	Guide angle			2	Pc.	
38.1	100166	Blade	60x5		2	Pc.	
38.2	100850	Blade			2	Pc.	
38.3	104053	Cap nut	M12	DIN 917	2	Pc.	
38.4	19512	Lock washer	VS 12		4	Pc.	
38.5	00115	Hex. screw	M12x25	DIN 933	2	Pc.	
38.6	00253	Hexagon socket screw	M10x30 -10.9	DIN 912	2	Pc.	Loctite 270
38.7	108599	Blade support	9600-112		1	Pc.	
38.8	108600	Distance ring			2	Pc.	
38.9	108594	Spacer nut			2	Pc.	
40	109059	Cover plate			2	Pc.	
41	00108	Hex. screw	M6x12	DIN 933	6	Pc.	
42	77306	Washer	SKM 6		6	Pc.	

Table: 0354700 Bearing cover

9600216

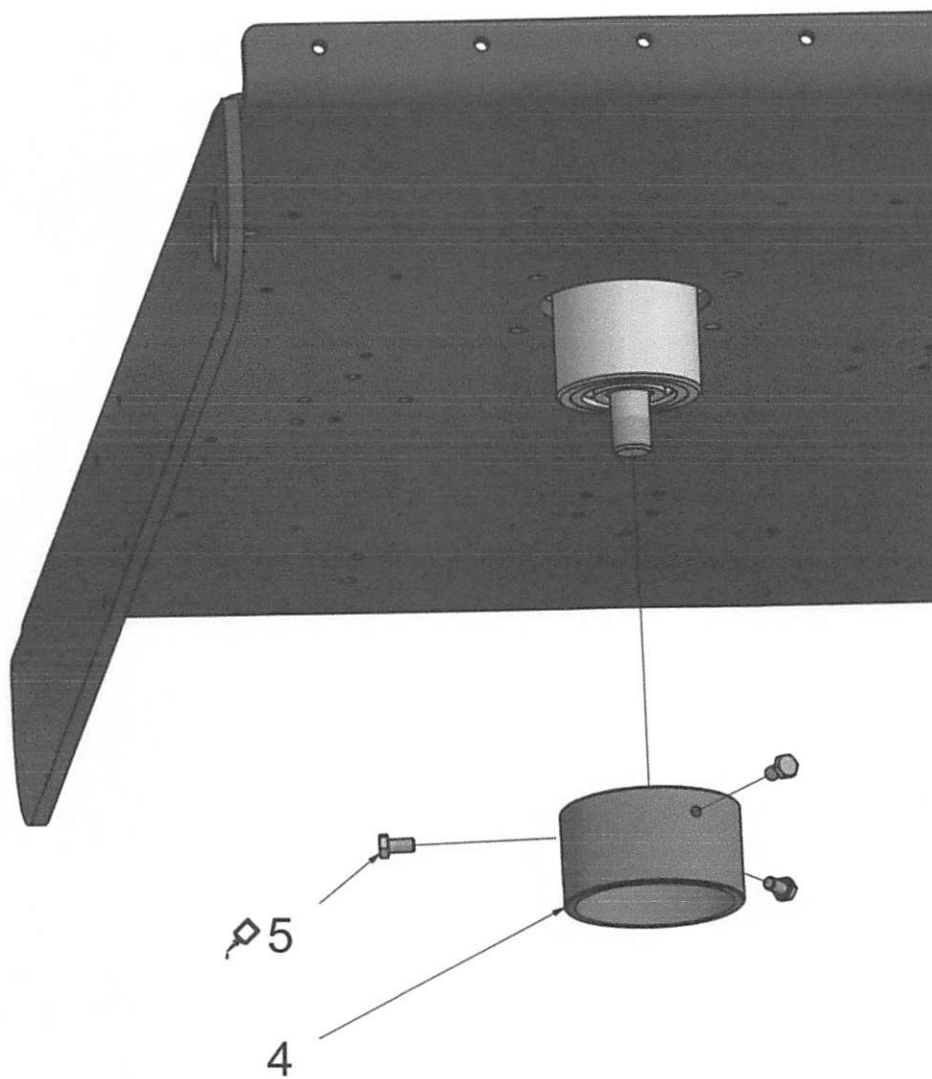


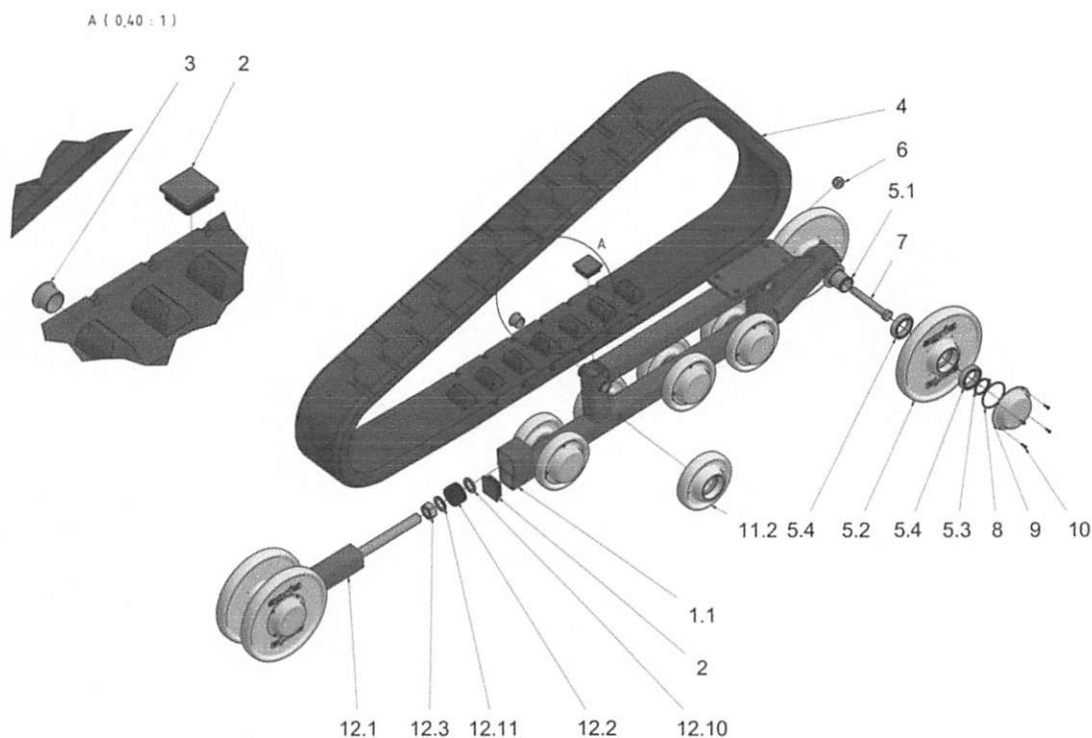
Table: 0354700 Bearing cover

9600216

No.	Item	Item name	Dimension	Standard	Quantity	EH	Remarks
4	106717	Bearing cover			1 Pc.	<input checked="" type="checkbox"/>	Loctite 242
5	00102	Hex. screw	M8x16	DIN 933	3 Pc.		

Table: 0353200 Chassis

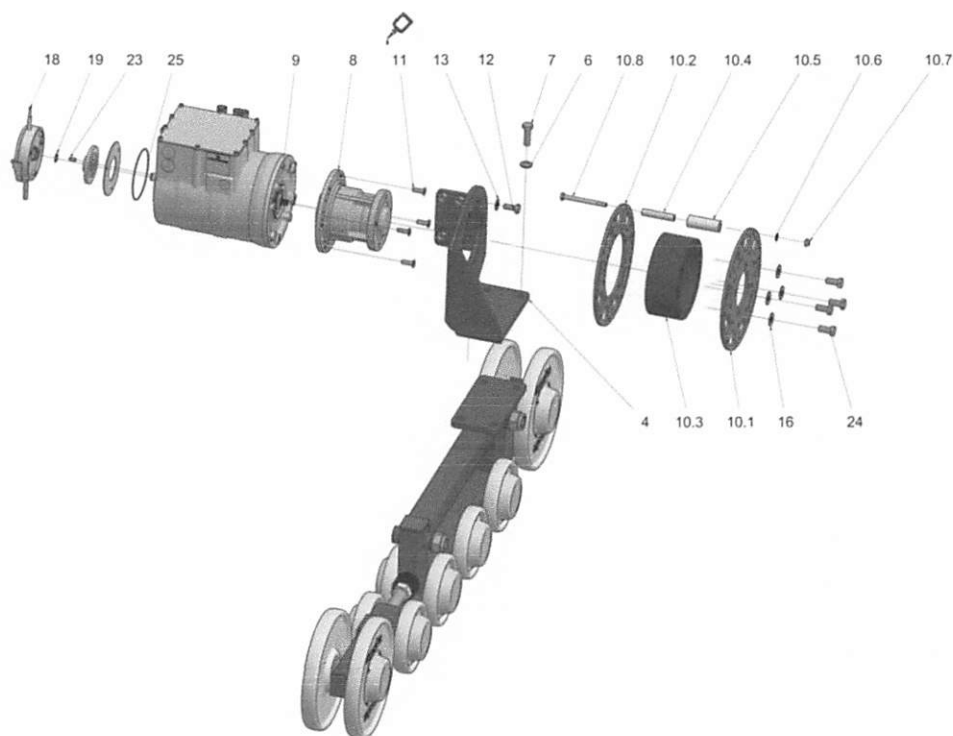
9600216



No.	Item	Item name	Dimension	Standard	Quantity	EH	Remarks
1.1	107145	Square tube	50x 50x 5	DIN EN 10219	1	Pc.	
2	105354	Hole plug	50x50x5		4	Pc.	
3	107161	Bearing bush			4	Pc.	
4	104961	Caterpillar tread	160x88x37		1	Pc.	
5.1	108404	Rollennabe			2	Pc.	
5.2	108403	Guide wheel			2	Pc.	
5.3	15954	Snap ring	A40x2,5	DIN 471	2	Pc.	
5.4	107832	Ball bearing	40x62x12	DIN 625	4	Pc.	
6	00669	Locking nut elastic stop	M16	DIN 980	5	Pc.	
7	104075	Hex. screw	M16x120	DIN 931	5	Pc.	
8	110213	Circular joint	65x3	DIN 3771	10	Pc.	
9	110160	Hub cap			10	Pc.	
10	110206	Flathead tapping screw		ISO 14585	40	Pc.	
11.2	108402	Roller	150 mm		1	Pc.	
12.1	108454	Chains tensioning adjuster			1	Pc.	
12.10	107860	Washer	25	DIN 433	1	Pc.	
12.11	104062	Tapered washer	25,3x39,0x3,7		1	Pc.	
12.2	105064	Cup spring	50x25,4x2,25		8	Pc.	
12.3	00604	Hexagon nut	M24	DIN 934	1	Pc.	

Table: 0353300 Module drive

9600216



No.	Item	Item name	Dimension	Standard	Quantity	EH	Remarks
4	107113	Transmission flange	li.		1	Pc.	
6	00785	Washer	13x24x2,5	DIN 125	9	Pc.	
7	00100	Hex. screw	M12x40	DIN 933	8	Pc.	
8	106895	planetary gear			2	Pc.	
9	106870	Electric motor			2	Pc.	
10.1	107103	Sprocket disc			1	Pc.	
10.2	107105	Sprocket disc			1	Pc.	
10.3	107104	Distance pipe			1	Pc.	
10.4	104969	Distance pipe			9	Pc.	
10.5	104972	Plastic roller			9	Pc.	
10.6	00782	Washer	8,4x17x1,6	DIN 125	18	Pc.	
10.7	00665	Locking nut elastic stop	M8	DIN 985	18	Pc.	
10.8	24613	Hex. screw	M8x90	DIN 931	18	Pc.	
11	79571	Countersunk screw	M8x25	DIN 7991	8	Pc.	Loctite 242 Torque 21 Nm
12	107842	Sechskantschraube	M10x 25 10.9	DIN 933	12	Pc.	
13	77310	Washer	SKM 10		12	Pc.	
16	77312	Washer	SKM 12		18	Pc.	
18	106871	Electro-magnetic brake			2	Pc.	
19	01325	Snap ring	A15x1	DIN 471	2	Pc.	
21	00736	Eye nut	M12	DIN 582	2	Pc.	
23	107885	Passfeder	A 5x5x14	DIN 6885	2	Pc.	
24	110000	Hex. screw	M12x1,5x25	DIN 961	8	Pc.	
25	110448	Circular joint	Ø102x2mm NBR70		2	Pc.	

Table: 0353400 Chassis

9600216

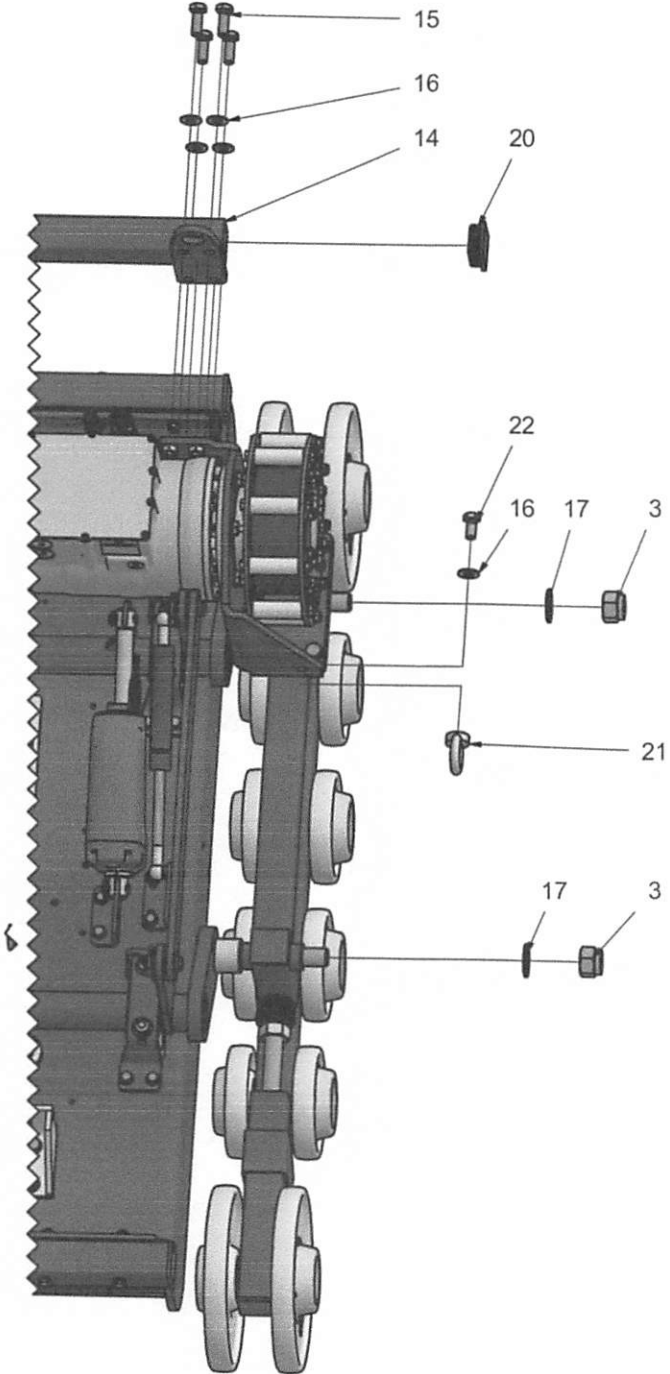


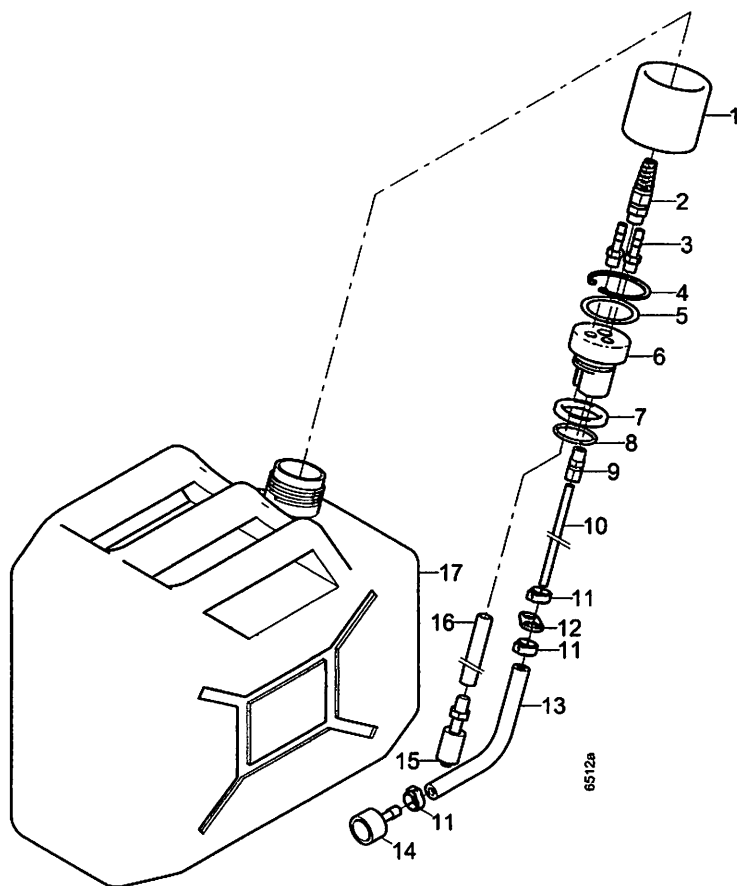
Table: 0353400 Chassis

9600216

No.	Item	Item name	Dimension	Standard	Quantity	EH	Remarks
3	106438	Hexagon nut	M24x 2	ISO 10512	4	Pc.	
14	107155	traverse			1	Pc.	
15	00146	Hex. screw	M12x35	DIN 933	8	Pc.	
16	77312	Washer	SKM 12		18	Pc.	
17	01079	Shim	40x51,5x0,3		4	Pc.	
20	105354	Hole plug	50x50x5		2	Pc.	
21	00736	Eye nut	M12	DIN 582	2	Pc.	
22	00115	Hex. screw	M12x25	DIN 933	2	Pc.	

Table: 0353000 Canister connect

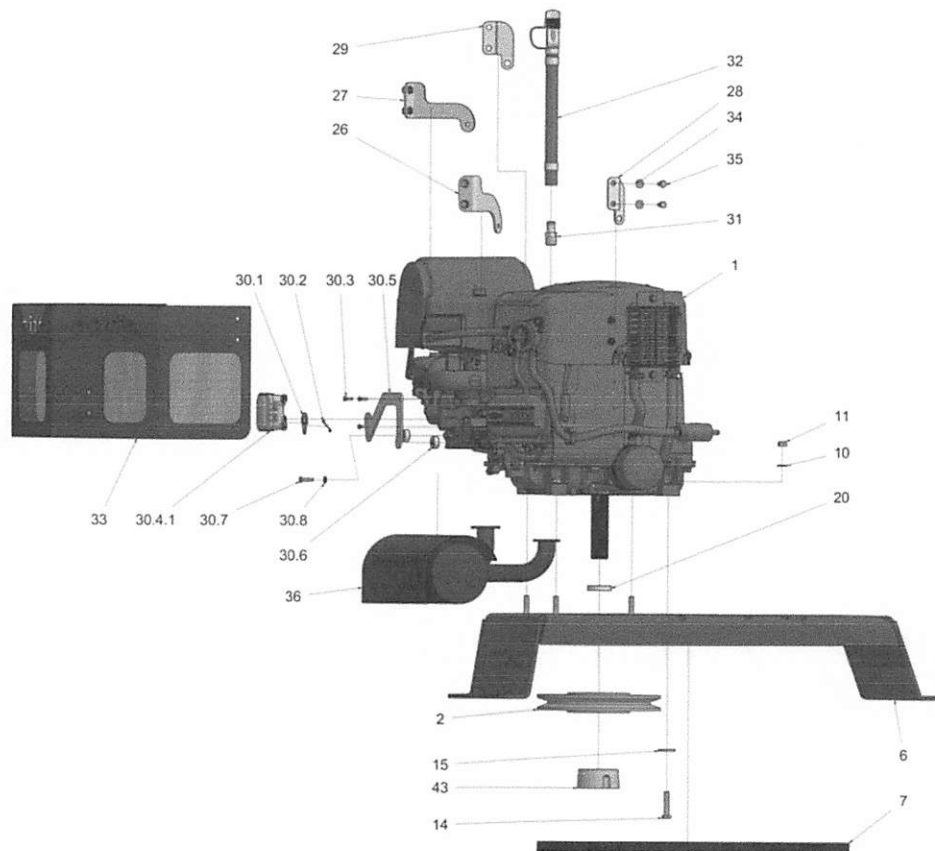
9600216



No.	Item	Item name	Dimension	Standard	Quantity	EH	Remarks
1	110129	Union nut	M45x3		2	Pc.	
2	110124	Cable gland	M12x1,5		2	Pc.	
3	110123	Pipe grommet	M8x075 6,35 mm		4	Pc.	
4	01383	Snap ring	I48x1,75	DIN 472	2	Pc.	
5	110127	Shim	37x47x0,5	WN 988	1	Pc.	
6	109592	Canister fitting			2	Pc.	
7	110141	X-Ring			2	Pc.	
8	110217	Circular joint	Ø28x2,5 NBR	DIN 3771	2	Pc.	
9	110125	Straight connector	6 mm 1/8" BSP		2	Pc.	
10	110126	Hydraulic pipe	6x1x160 mm		2	Pc.	
11	73692	Clamp	14,5/8,2		6	Pc.	
12	110128	Spacer			2	Pc.	
13	110216	Fuel hose			2	m	
14	109182	Bottom strainer with suction hose connection			2	Pc.	
15	110201	Level switch			2	Pc.	
16	110202	Hydraulikrohr	d12x130 mm	DIN 10305-4	2	Pc.	
17	109593	Fuel can	10 l		2	Pc.	

Table: 0353900 Engine carrier

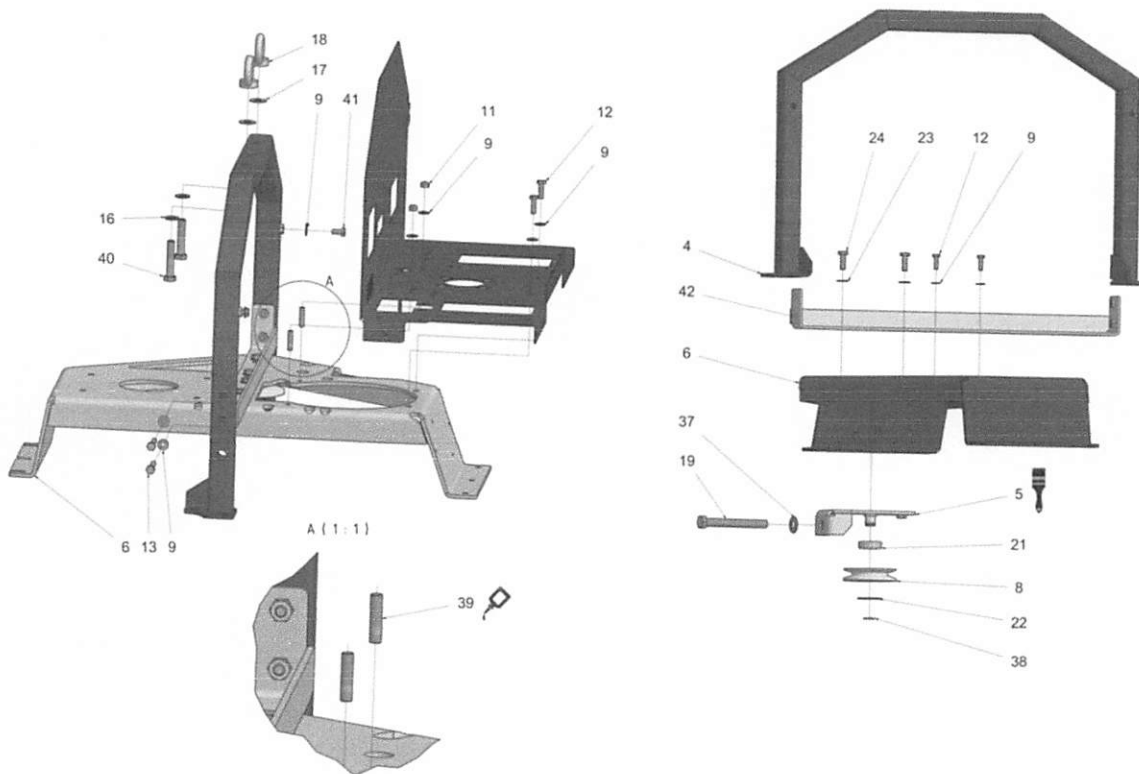
9600216



No.	Item	Item name	Dimension	Standard	Quantity	EH	Remarks
1	104962	Engine petrol 4-stroke	Series 8720 24 HP	B&S	1	Pc.	
2	108420	Pulley engine	TB SPB 200-1		1	Pc.	
6	110339	Engine carrier			1	Pc.	
7	109154	V-belt	XPB 1400		1	Pc.	
10	00782	Washer	8,4x17x1,6	DIN 125	4	Pc.	
11	00665	Locking nut elastic stop	M8	DIN 985	6	Pc.	
14	00006	Hex. screw	M8x40	DIN 931	4	Pc.	
15	73659	Washer	9x28x3	DIN 440	4	Pc.	
20	108857	Distance bush			1	Pc.	
26	105403	Mounting strut lh			1	Pc.	
27	105404	Mounting strut rh			1	Pc.	
28	105401	Strut			1	Pc.	
29	105402	Support strap rh			1	Pc.	
30.1	105708	Speed adjusting lever			1	Pc.	
30.2	105707	Adjustment rod	56		1	Pc.	
30.3	00165	Hex. screw	M4x10	DIN 933	3	Pc.	
30.4.1	105928	Adjusting drive			1	Pc.	
30.5	105709	Support actuator			1	Pc.	
30.6	106854	Sleeve			2	Pc.	
30.7	79331	Hex. screw	M5x20	DIN 933	1	Pc.	
30.8	77305	Washer	SKM 5		1	Pc.	
31	105028	Connection piece drain hose			1	Pc.	
32	105027	Drain hose			1	Pc.	
33	105380	Engine guard	Briggs & Stratton		1	Pc.	
34	77306	Washer	SKM 6		8	Pc.	
35	00108	Hex. screw	M6x12	DIN 933	8	Pc.	
36	104973	Exhaust	Briggs & Stratton		1	Pc.	
43	110545	Clamping bush	Taper 2012- 1 1/8"		1	Pc.	

Table: 0354000 Engine carrier

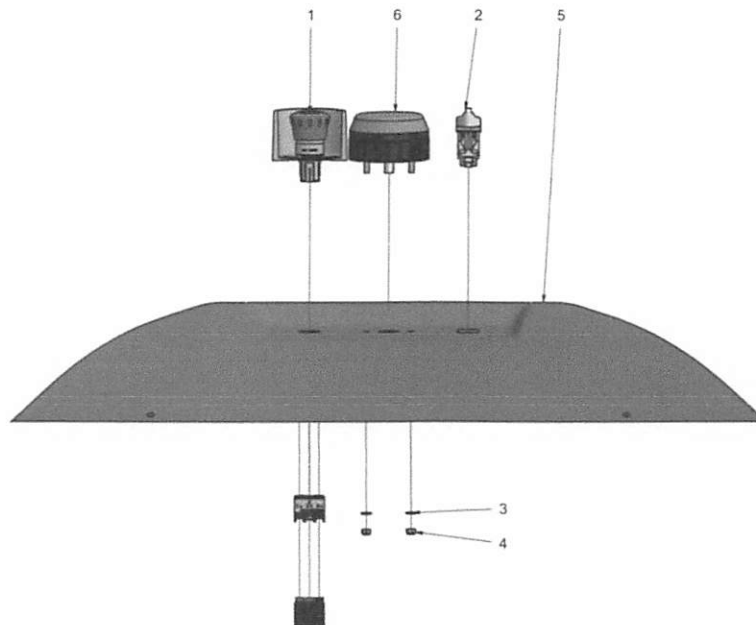
9600216



No.	Item	Item name	Dimension	Standard	Quantity	EH	Remarks
4	110337	Bow			1	Pc.	
5	109086	Belt tightener			1	Pc.	mit Bio-Schmierfett einfetten
6	110339	Engine carrier			1	Pc.	
8	109155	Idler pulley	100 mm		1	Pc.	
9	77308	Washer	SKM 8		12	Pc.	
11	00665	Locking nut elastic stop	M8	DIN 985	6	Pc.	
12	00110	Hex. screw	M8x25	DIN 933	4	Pc.	
13	13538	Hex. screw	M8x55	DIN 931	4	Pc.	
16	00785	Washer	13x24x2,5	DIN 125	2	Pc.	
17	77312	Washer	SKM 12		2	Pc.	
18	00736	Eye nut	M12	DIN 582	2	Pc.	
19	107856	Hex. screw	M16x140	ISO 4017	1	Pc.	
21	15773	Ball bearing	20x47x14	6204.2RS	1	Pc.	
22	01382	Snap ring	I47x1,75	DIN 472	1	Pc.	
23	77310	Washer	SKM 10		2	Pc.	
24	00127	Hex. screw	M10x30	DIN 933	2	Pc.	
37	77316	Washer	SKM 16		1	Pc.	
38	53227	Snap ring	A20x1,75	DIN 471	1	Pc.	
39	00499	Stud	M8x25	DIN 938	2	Pc.	Loctite 270
40	00042	Hex. screw	M12x60	DIN 931	2	Pc.	
41	00102	Hex. screw	M8x16	DIN 933	2	Pc.	
42	110349	Connection strut			1	Pc.	

Table: 0354400 Kit hood

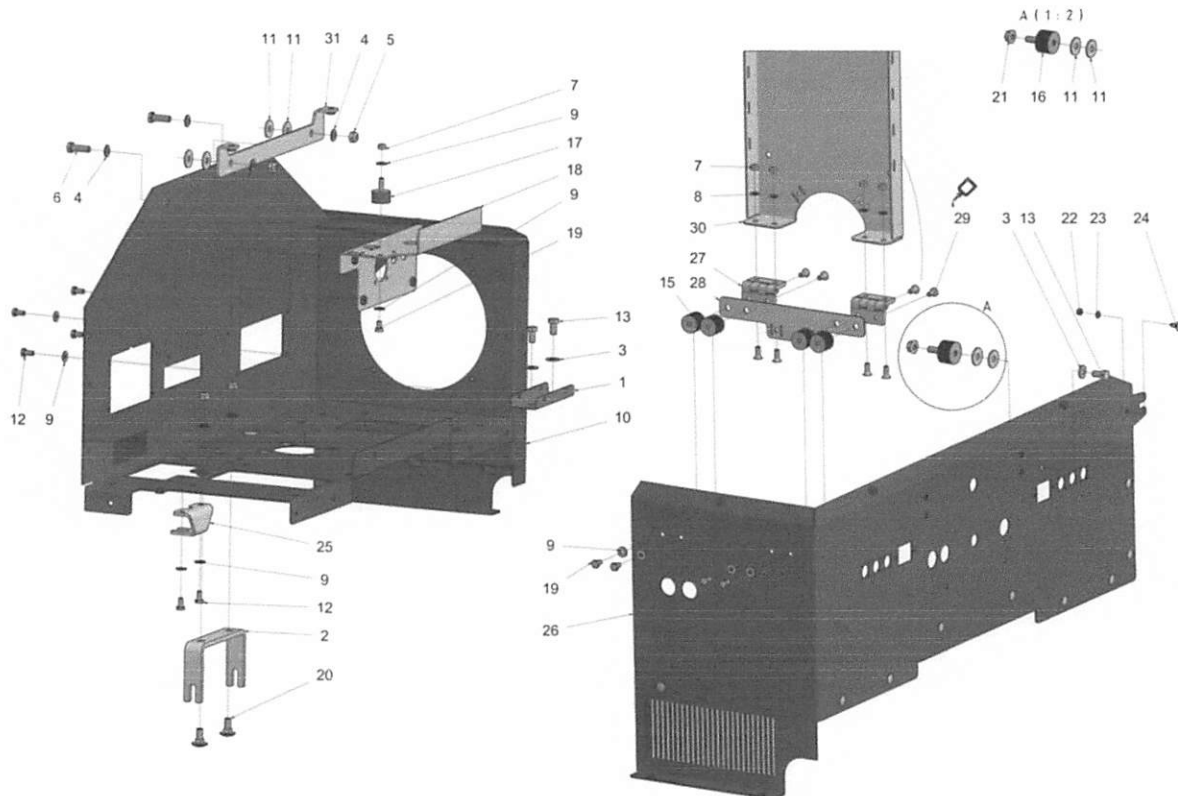
9600216



No.	Item	Item name	Dimension	Standard	Quantity	EH	Remarks
1	106887	Emergency stop switch cpl.			1	Pc.	
2	106882	Rotary switch			1	Pc.	
3	00779	Washer	5,3x10x1	DIN 125	2	Pc.	
4	28105	Locking nut	M5	DIN 985	2	Pc.	
5	110532	Hood			1	Pc.	
6	105406	Rotating beacon	LED		1	Pc.	

Table: 0354100 E-case housing

9600216



No.	Item	Item name	Dimension	Standard	Quantity	EH	Remarks
1	105729	Capacitor support			1	Pc.	
2	109147	Fork			1	Pc.	
3	77308	Washer	SKM 8		3	Pc.	
4	00782	Washer	8,4x17x1,6	DIN 125	6	Pc.	< 960021100125
5	00665	Locking nut elastic stop	M8	DIN 985	4	Pc.	< 960021100125
6	00110	Hex. screw	M8x25	DIN 933	2	Pc.	
7	12013	Locking nut	M6	DIN 985	5	Pc.	
8	00780	Washer	6,4x12,5x1,6	DIN 125	4	Pc.	
9	77306	Washer	SKM 6		12	Pc.	
10	110343	e-box base plate			1	Pc.	
11	66413	Washer	8,4x24x2	DIN 9021	6	Pc.	< 960021100125
12	00108	Hex. screw	M6x12	DIN 933	6	Pc.	
13	00102	Hex. screw	M8x16	DIN 933	3	Pc.	
15	109303	Rubber-metal buffer			4	Pc.	
16	109304	Rubber-metal buffer			1	Pc.	
17	109309	Rubber-metal buffer			1	Pc.	
18	109299	Battery support			1	Pc.	
19	00121	Hex. screw	M6x10	DIN 933	5	Pc.	
20	16521	Cup square bolt	M8x20	DIN 603 8.8	2	Pc.	
21	109877	Hexagon nut	M8	DIN EN 1661	1	Pc.	
22	28105	Locking nut	M5	DIN 985	12	Pc.	
23	00779	Washer	5,3x10x1	DIN 125	12	Pc.	
24	110012	Cup square bolt	M5x12	DIN 603 VA	12	Pc.	
25	109214	Sensor holder			1	Pc.	
26	110345	housing rear wall			1	Pc.	
27	109301	Hinge			2	Pc.	
28	109032	Coupling			1	Pc.	
29	107875	Countersunk screw	M6x14	DIN 7991	4	Pc.	Loctite 242
30	110419	electronics carrier			1	Pc.	

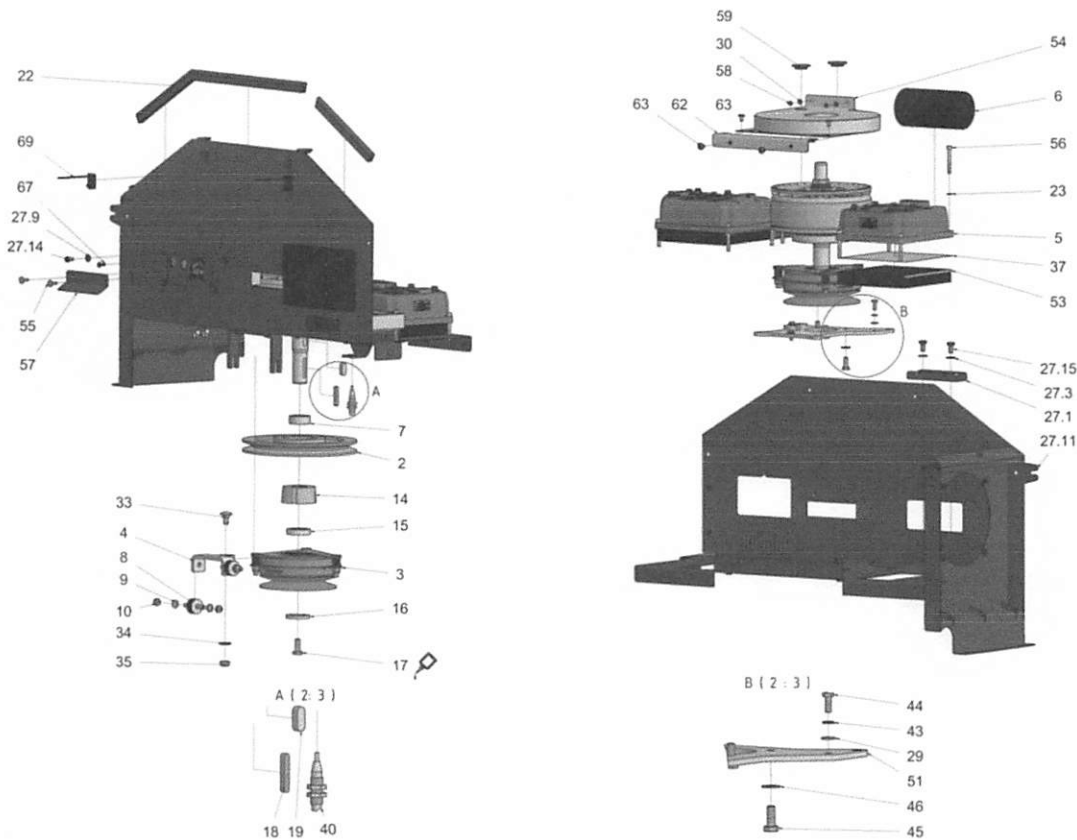
Table: 0354100 E-case housing

9600216

No.	Item	Item name	Dimension	Standard	Quantity	EH	Remarks
31	110529	Hood latch			1	Pc.	< 960021100125

Table: 0354200 E-box

9600216



No.	Item	Item name	Dimension	Standard	Quantity	EH	Remarks
2	108421	Pulley	TB SPB 224-1		1	Pc.	
3	104942	Electromagnetic clutch	GT2.5-FE02		1	Pc.	
4	109245	Clutch arrest			1	Pc.	
5	105737	Power electronics	Gen 4 Size 2		2	Pc.	
6	107386	Capacitor Al	80 V, 100000 µF		1	Pc.	
7	108850	Distance bush			1	Pc.	
8	106892	Rubber-metal buffer			2	Pc.	
9	00782	Washer	8,4x17x1,6	DIN 125	4	Pc.	
10	00665	Locking nut elastic stop	M8	DIN 985	4	Pc.	
14	108425	Clamping bush	Taper 2012 32mm		1	Pc.	
15	108870	Distanzbuchse			1	Pc.	
16	105024	Lock washer			1	Pc.	
17	00103	Hex. screw	M10x25	DIN 933	1	Pc.	Loctite 242
18	107847	Parallel key	A 1/4"x 1/4"x 40mm	DIN 6885	1	Pc.	
19	01851	Parallel key	A 10x8x25	DIN 6885	1	Pc.	
22	109227	Edge protection tightly profile			2	m	
23	34986	Lock washer	VS 6		16	Pc.	
27.1	105729	Capacitor support			1	Pc.	
27.11	110343	e-box base plate			1	Pc.	
27.14	00108	Hex. screw	M6x12	DIN 933	6	Pc.	
27.15	00102	Hex. screw	M8x16	DIN 933	3	Pc.	
27.3	77308	Washer	SKM 8		3	Pc.	
27.9	77306	Washer	SKM 6		12	Pc.	
29	77306	Washer	SKM 6		3	Pc.	
30	00779	Washer	5,3x10x1	DIN 125	6	Pc.	
33	107855	Flachrundschrabe	M10x20	DIN 603 8.8	1	Pc.	
34	00785	Washer	13x24x2,5	DIN 125	1	Pc.	
35	00666	Locking nut elastic stop	M10	DIN 985	1	Pc.	
37	109343	Thermal pad	165x165 mm	WKT 300	2	Pc.	

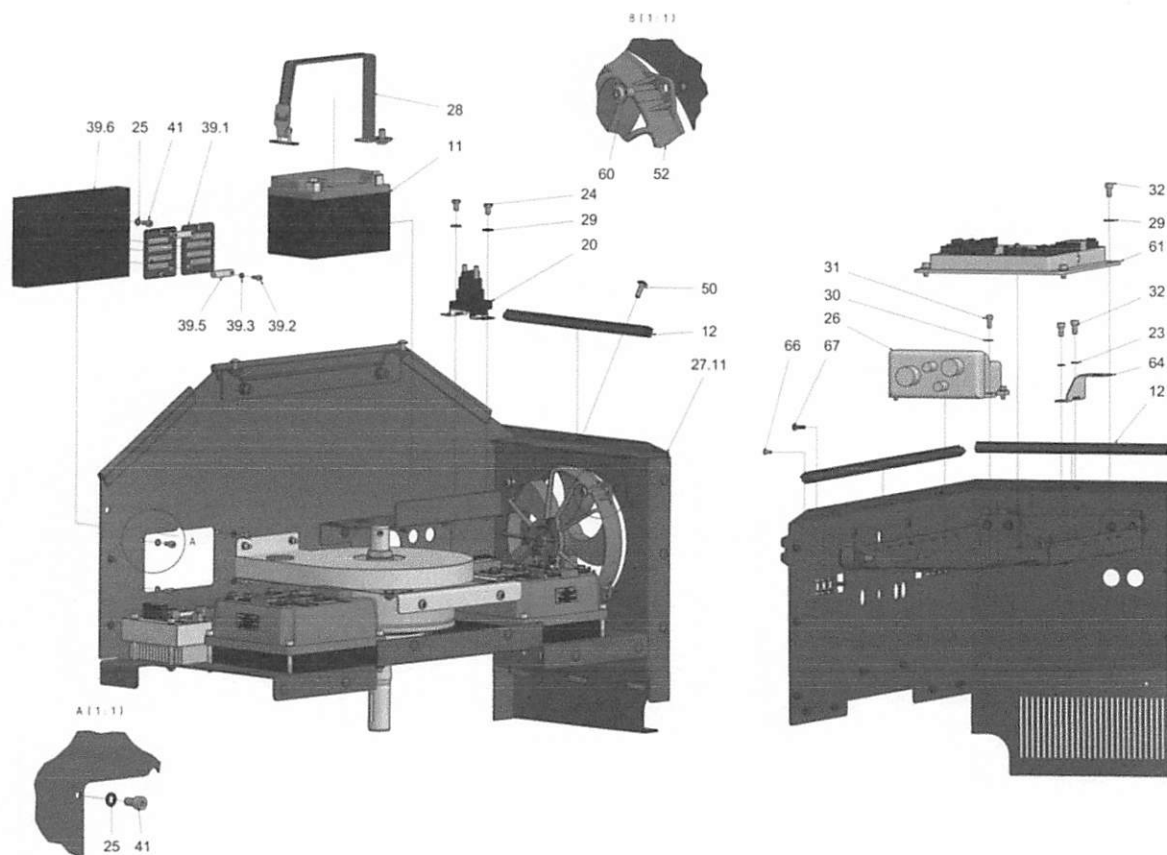
Table: 0354200 E-box

9600216

No.	Item	Item name	Dimension	Standard	Quantity	EH	Remarks
40	108912	Inductive sensor	M12		1	Pc.	
43	00780	Washer	6,4x12,5x1,6	DIN 125	3	Pc.	
44	00112	Hex. screw	M6x16	DIN 933	3	Pc.	
45	00109	Hex. screw	M8x20	DIN 933	4	Pc.	
46	77308	Washer	SKM 8		4	Pc.	
51	110401	Generator plate			1	Pc.	
53	110403	Dissipator			2	Pc.	
54	110285	Aif guidance			1	Pc.	
55	106417	Cup square bolt	M5x16	DIN 603 8.8	2	Pc.	
56	00221	Hexagon socket screw	M6x50	DIN 912	8	Pc.	
57	110402	Cover			1	Pc.	
58	28105	Locking nut	M5	DIN 985	2	Pc.	
59	110413	Cap	GPN 910 3040		2	Pc.	
62	110286	Strap			1	Pc.	
63	101079	Oval head socket screw	M6x10	ISO 7380	4	Pc.	
67	106401	Oval head screw	5x14		8	Pc.	
69	110553	Mounting base	WCT-85		2	Pc.	

Table: 0354300 E-box

9600216



No.	Item	Item name	Dimension	Standard	Quantity	EH	Remarks
11	105493	Battery	12 V 72 Wh		1	Pc.	
12	109220	Edge protection tightly profile	Form D 11,5		2	m	
20	77379	Relay Start			1	Pc.	
23	34986	Lock washer	VS 6		16	Pc.	
24	00121	Hex. screw	M6x10	DIN 933	2	Pc.	
25	31169	Lock washer	VS 5		5	Pc.	
26	109286	Radio control unit			1	Pc.	
27.11	110343	e-box base plate			1	Pc.	
28	105504	Canister safeguard			1	Pc.	
29	77306	Washer	SKM 6		9	Pc.	
30	00779	Washer	5,3x10x1	DIN 125	6	Pc.	
31	73676	Hexagon socket screw	M5x12	DIN 912	4	Pc.	
32	25324	Hexagon socket screw	M6x12	DIN 912	6	Pc.	
39.1	108595	Power Resistor			2	Pc.	
39.2	68404	Hexagon socket screw	M4x10	DIN 912	4	Pc.	
39.3	107835	Lock washer	4,3x7x1		4	Pc.	
39.5	109404	Support			2	Pc.	
39.6	109836	Kühlkörper			1	Pc.	
41	44799	Hexagon socket screw	M5x10	DIN 912	5	Pc.	
50	109951	Oval head socket screw	M6x20	ISO 7380	6	Pc.	
52	110304	Fan cooling			1	Pc.	
60	104043	Oval head socket screw	M6x12	ISO 7380 ähn	4	Pc.	
61	109317	Central control			1	Pc.	
64	110528	Holder antenna			1	Pc.	
66	107894	Linseninnensechskantschraube	M4x8	ISO 7380	24	Pc.	
67	106401	Oval head screw	5x14		8	Pc.	

Table: 0352800 Cabling

9600216

Keine Abbildung vorhanden
 Pas de figure disponible
 No illustration available

No.	Item	Item name	Dimension	Standard	Quantity	EH	Remarks
1	108904	Cable set			1	Pc.	Central control unit
2	108905	Wiring harness			1	Pc.	Hood
3	108906	Wiring harness			1	Pc.	Battery
4	108890	Kabelbaum			1	Pc.	Wire set
5	108912	Wiring harness			1	Pc.	Power electronics
6	108913	Wiring harness			1	Pc.	LA33
7	108923	Wiring harness			1	Pc.	Temperature sensor
8	108930	Wiring harness			1	Pc.	Briggs & Stratton
9	110538	Wiring harness			2	Pc.	Adapter

Table: 0255096 Decals

9600216


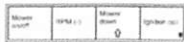

















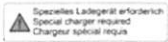









	1		40		60
	2		41		
	3		50		61
	4		51		62
	21		52		63
	22		53		64
	23		54		65
	24		55		66
	25		56		
	26		57		
	27				

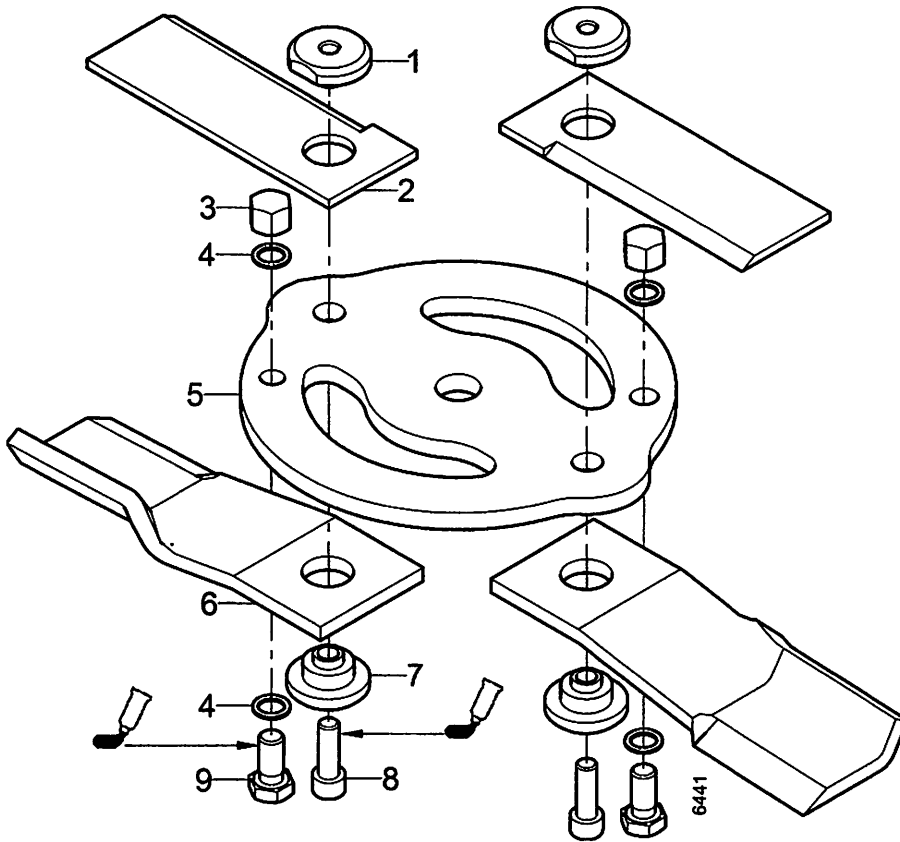
Table: 0255096 Decals

9600216

No.	Item	Item name	Dimension	Standard	Quantity	EH	Remarks
1	48176	Decal agria 216 mm white			3	Pc.	
2	105016	Decal 9600			1	Pc.	
3	105015	Decal agria special	2teilig		1	Pc.	
4	105703	Decal Briggs & Stratton			1	Pc.	
21	72984	Decal Four stroke engine			1	Pc.	
22	78764	Decal Attachment point			4	Pc.	
23	105826	Decal Center of gravity	ø50 mm		2	Pc.	
24	105511	Decal QR-Code 9600-80			1	Pc.	QR code german
24a	105874	Decal QR-Code	9600 111		1	Pc.	QR code german
24b	104231	Decal QR-Code	9600211, -221		1	Pc.	QR code german
24c	-				1		QR code other languages -> agria-Service
25	105704	Decal Center of gravity JP			1	Pc.	
26	105612	Decal Blade Clockwise Rotation			1	Pc.	
27	104216	Decal I O			1	Pc.	
40	104220	Decal relay assignment	9600-112		1	Pc.	
41	109392	Decal Master/Slave			1	Pc.	
50	79426	Decal WS Hot parts			1	Pc.	
51	105292	Decal Warning Sign-Set Remote Controlled Mulcher			2	Pc.	
52	105021	Decal Warning of hand injury			3	Pc.	
53	105958	Decal Do not spray with water			1	Pc.	
54	105959	Decal Special charger required			1	Pc.	
55	105702	Decal Warning Cutting Injury			3	Pc.	
56	105701	Decal Read operating instructions-keep away children			1	Pc.	
57	106855	Decal Special charger required JP			1	Pc.	
60	105957	Decal General Multi-Hazard AUS/NZ			1	Pc.	
61	105575	Decal Thrown Object Hazard			2	Pc.	
62	105576	Decal Pinch Point Hazard			4	Pc.	
63	105577	Decal Gasoline No Smoking			2	Pc.	
64	105579	Decal Do Not Pressure Wash			1	Pc.	
65	105580	Decal Belt Pinch Point Hazard			1	Pc.	
66	105581	Decal Fire Hazard			1	Pc.	

Table: 0346700 Blades for first cut of spring grass

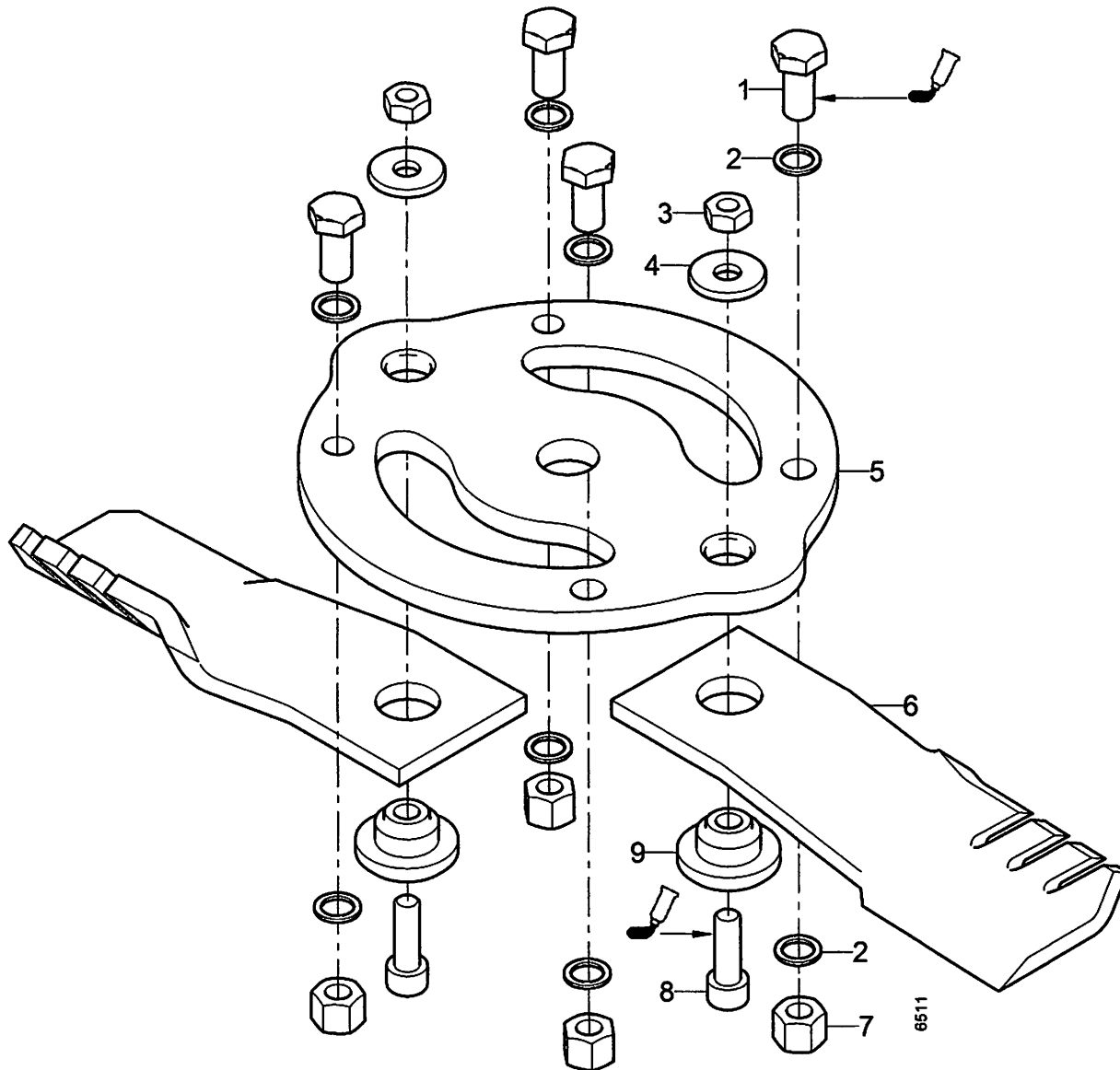
9600216



No.	Item	Item name	Dimension	Standard	Quantity	EH	Remarks
1	108594	Spacer nut			4	Pc.	
2	100850	Blade			4	Pc.	
3	104053	Cap nut	M12	DIN 917	4	Pc.	
4	19512	Lock washer	VS 12		8	Pc.	
5	106768	Blade support			2	Pc.	
6	105418	Blade	70x8		4	Pc.	
7	106769	Distance ring			4	Pc.	
8	00253	Hexagon socket screw	M10x30 -10.9	DIN 912	4	Pc.	Loctite 270
9	00115	Hex. screw	M12x25	DIN 933	4	Pc.	Loctite 242

Table: 0352900 Blades for fine mulching

9600216



No.	Item	Item name	Dimension	Standard	Quantity	EH	Remarks
1	00115	Hex. screw	M12x25	DIN 933	4 Pc.	☑	Loctite 242
2	19512	Lock washer	VS 12		8 Pc.		
3	107851	Hexagon nut	M10 -10	ISO 4032	2 Pc.		
4	76648	Washer	10,5x30x4		2 Pc.		
5	106768	Blade support			1 Pc.		
6	108863	Blade			2 Pc.		
7	104053	Cap nut	M12	DIN 917	4 Pc.		
8	00253	Hexagon socket screw	M10x30 -10.9	DIN 912	2 Pc.	☑	Loctite 270
9	106769	Distance ring			2 Pc.	☑	70 Nm

Table: 0339800 Remote Control, Accessories

9600216

Keine Abbildung vorhanden
 Pas de figure disponible
 No illustration available

No.	Item	Item name	Dimension	Standard	Quantity	EH	Remarks
1	105830	Waist carrying strap	TG0018		1	Pc.	
2	108646	Waist belt	L830		1	Pc.	
3	105831	Neck carrying strap	HTG0011		1	Pc.	
4	108655	Neck strap	C26PRO		1	Pc.	
5	105832	Antenna kit external			1	Pc.	
5a	110424	Antenna kit external	2.4GHz 1MT TNC		1	Pc.	-> 9600216
6	105469	Accumulator remote control	Autec LPM02		1	Pc.	
7	105833	Accumulator recharger 12-24 V DC	KFZ-Stecker		1	Pc.	Plug cigarette lighter
8	105834	Accumulator recharger VAC/VDC	Netzst.+Adapt.		1	Pc.	Power plug + adapter
9	104128	Spare key for remote control			1	Pc.	Consultation Agria
10	107532	Key housing			1	Pc.	
11	108794	Joystick for remote control			1	Pc.	
12	108910	Bellow set for joystick			1	Pc.	
13	109265	Push button	12 mm		1	Pc.	
14	108711	Vibration damper set	4x (15x15)		1	Pc.	
15	9679111	Battery charger for starter battery	12 V		1	Pc.	

Index

	Table	Page
Basic		
Basic machine	0354500	3
Basic machine	0354600	4
Cutter Drive		
Mower deck	0353500	5
Mower deck	0353600	6
Mower deck	0353700	8
Mower deck	0353800	9
Bearing cover	0354700	10
Drive div.		
Chassis	0353200	12
Module drive	0353300	13
Chassis	0353400	14
Engine accessories		
Canister connect	0353000	16
Engine carrier	0353900	17
Structure, Covering		
Engine carrier	0354000	18
Kit hood	0354400	19
E-case housing	0354100	20
Electric		
E-box	0354200	22
E-box	0354300	24
Cabling	0352800	25
Tools, Decals, Lubricants, Varnishes		
Decals	0255096	26
Accessories		
Blades for first cut of spring grass	0346700	28
Blades for fine mulching	0352900	29
Remote Control, Accessories	0339800	30

agri^a

Agria-Werke GmbH
Bittelbronner Straße 42
D-74219 Möckmühl
Phone: +49 6298 39-0
Fax: +49 6298 39-111
E-Mail: info@agri^a.de
Internet: www.agri^a.de

Your local agria specialist dealer: