

0CNP6-M00032EN

Corresponding table of the machine and engine

Machine	Engine
Model	Model
SA221	3TNM74F-NCUK
SA324	3TNV80F-NCUK
SA424	3TNV80F-NCUK

Contents

OCNP6-M00032

Fig. No.	Fig. Name
ENGINE CONTROL	
1.	ENGINE ACCESSORIES(1)
2.	ENGINE ACCESSORIES(1)
3.	ENGINE ACCESSORIES(2)
4.	ENGINE CONTROL
FRONT AXLE	
5.	FRAME
6.	FRAME
7.	ENGINE MOUNT
8.	ENGINE MOUNT
9.	FRONT SUPPORT
10.	FRONT SUPPORT
11.	TIE ROD
12.	DRIVE PINION
13.	DIFFERENTIAL GEAR
14.	PROPELLER SHAFT
15.	PROPELLER SHAFT
16.	FRONT SHAFT(1)
17.	FRONT AXLE CASE
18.	FRONT GEAR CASE
19.	FRONT SHAFT(2)
20.	FRONT SPINDLE
21.	SHAFT COVER
22.	FRONT WHEEL TIRE(R3)

Fig. No.	Fig. Name
157.	(22A)FRONT WHEEL TIRE(R3)
23.	FRONT WHEEL TIRE(R3)
24.	FRONT WHEEL TIRE(R3)
158.	(24A)FRONT WHEEL TIRE(R3)
25.	FRONT WHEEL TIRE(R4)
159.	(25A)FRONT WHEEL TIRE(R4)
26.	FRONT WHEEL TIRE(R4)
160.	(26A)FRONT WHEEL TIRE(R4)
27.	HUB BOLT
28.	COLUMN(1)
29.	COLUMN(2)
30.	STEERING WHEEL
31.	P.S.T. CYLINDER
32.	P.S.T. VALVE
33.	P.S.T. PIPE
TRANSMISSION	
34.	COOLING FAN
167.	H.S.T. FAN GUARD
35.	DRIVE SHAFT
36.	TRANSMISSION CASE
37.	REAR COVER
38.	CENTER PLATE
39.	MAIN VALVE
40.	COUNTER SHAFT

Contents

OCNP6-M00032

Fig. No. Fig. Name

- 41. COUNTER SHAFT
- 42. REDUCTION SHAFT
- 43. REDUCTION SHAFT
- 44. P.T.O. DRIVE GEAR
- 45. P.T.O. DRIVE SHAFT
- 46. P.T.O. CLUTCH SHAFT
- 47. P.T.O. SHAFT
- 48. PUMP SHAFT
- 49. MID P.T.O. SHAFT
- 50. SUB SHIFT
- 51. SUB SHIFT LEVER
- 52. P.T.O. SHIFT
- 53. P.T.O. SHIFT LEVER
- 54. FRONT DRIVE
- 55. FRONT SHIFT
- 56. 4WD LEVER
- 57. H.S.T.
- 58. H.S.T. ARM

REAR AXLE

- 59. DIFFERENTIAL GEAR
- 60. REAR AXLE HOUSING
- 61. REAR AXLE HOUSING
- 62. DIFFERENTIAL LOCK
- 168. (62A)DIFFERENTIAL LOCK

Fig. No. Fig. Name

- 63. FINAL PINION
- 64. FINAL GEAR
- 65. FINAL GEAR
- 66. REAR AXLE SHAFT
- 67. REAR AXLE SHAFT
- 68. REAR WHEEL TIRE(R3)
- 161. (68A)REAR WHEEL TIRE(R3)
- 69. REAR WHEEL TIRE(R3)
- 162. (69A)REAR WHEEL TIRE(R3)
- 70. REAR WHEEL TIRE(R3)
- 163. (70A)REAR WHEEL TIRE(R3)
- 71. REAR WHEEL TIRE(R4)
- 164. (71A)REAR WHEEL TIRE(R4)
- 72. REAR WHEEL TIRE(R4)
- 165. (72A)REAR WHEEL TIRE(R4)
- 73. REAR WHEEL TIRE(R4)
- 166. (73A)REAR WHEEL TIRE(R4)
- 74. HUB BOLT
- 75. HUB BOLT
- 76. PEDAL
- 77. BRAKE

HYDRAULIC CONTROL

- 78. HYDRAULIC PUMP
- 79. HYDRAULIC PUMP

Contents

OCNP6-M00032

Fig. No. Fig. Name

- 80. LIFTING CYLINDER
- 81. LIFTING CYLINDER
- 82. LIFT ARM
- 83. CONTROL VALVE
- 84. CONTROL VALVE
- 85. STOP VALVE
- 86. SAFETY VALVE
- 87. S.C.V.
- 88. BREATHER
- 89. S.C.V. LEVER
- 90. HYDRAULIC CONTROL
- 91. HYDRAULIC CONTROL
- 92. HYDRAULIC LEVER
- 93. HYDRAULIC PIPING(1)
- 94. HYDRAULIC PIPING(2)
- 95. S.C.V. PIPING(1)
- 96. S.C.V. PIPING(2)

ELECTRICAL PARTS

- 97. WIRE HARNESS
- 98. BATTERY
- 99. SWITCH
- 100. LAMP(1)
- 101. LAMP(2)
- 102. METER

Fig. No. Fig. Name

FITTINGS

- 103. BONNET
- 104. DASHBOARD
- 105. FENDER
- 106. FENDER
- 107. STEP STAY
- 108. STEP
- 169. (108A)STEP
- 170. (108B)STEP
- 109. SUB STEP
- 110. SEAT
- 111. SEAT ADJUSTER
- 112. SEAT SWITCH
- 113. SEAT STAY
- 114. SEAT BELT

LABEL

- 115. LABEL(1)
- 116. LABEL(1)
- 117. LABEL(2)
- 118. LABEL(MODEL)
- 171. (118A)LABEL(MODEL)
- 119. LABEL(MODEL)
- 172. (119A)LABEL(MODEL)

Contents

OCNP6-M00032

Fig. No. Fig. Name

120. LABEL(MODEL)

173. (120A)LABEL(MODEL)

121. LABEL(SAFETY)

HITCH

122. THREE POINT LINK

123. THREE POINT LINK

124. P.T.O. COVER

125. REAR HITCH(1)

126. REAR HITCH(2)

127. DRAWBAR(1)

128. DRAWBAR(2)

174. LINK(DIFF LOCK PEDAL)

SAFETY FRAME

129. ROPS

130. BRACKET(S.M.V.)

131. EMBLEM(S.M.V.)

ACCESSORIES

132. MANUAL

OPTIONAL

133. BLOCK HEATER

134. FRONT WEIGHT

Fig. No. Fig. Name

135. FRONT WEIGHT HITCH

136. CRUISE CONTROL

137. REAR HYDRAULIC

138. HEATER

139. DRY BATTERY

140. POWER SUPPLY SOCKET

141. FRONT HITCH

142. FRONT HITCH

143. ANGLE CYLINDER

144. SEAT STAY(SWIVEL)

145. FRAME(BACKHOE)

146. WORK LAMP

147. GRILLE GUARD

148. MANUAL(SPANISH)

149. TOOL BOX

150. WEIGHT(REAR WHEEL)

151. WORKLAMP(FRONT)

152. CANOPY

153. ROPS(4 POST)

154. BRACKET(4 POST)

155. MOUNT(FLASHER)

156. VALVE(REAR REMOTE)

175. FRONT WHEEL TIRE(R4-6)

176. LABEL(CANADA)

177. LINK(DIFF LOCK PEDAL)

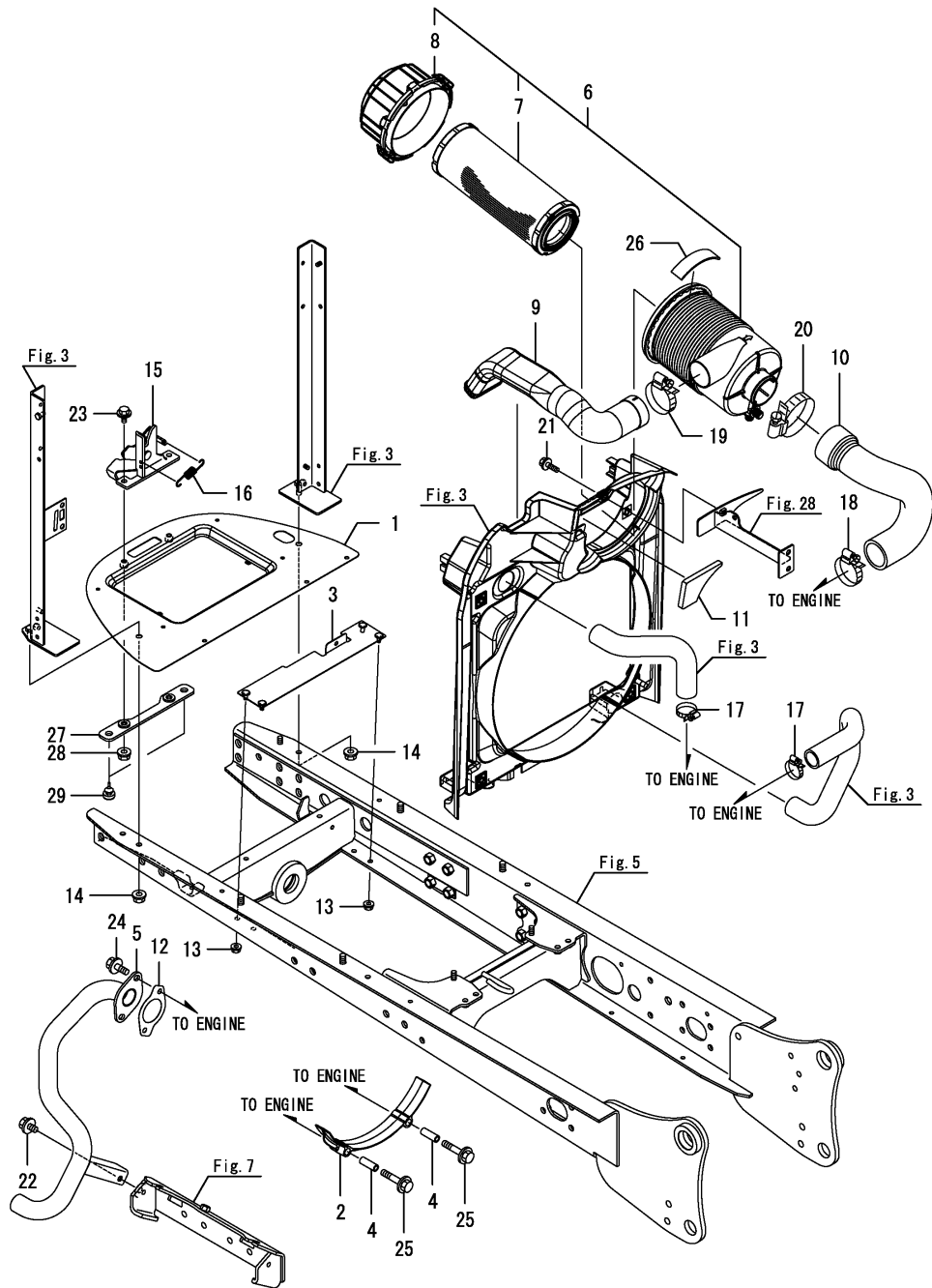
Contents

0CNP6-M00032

Fig. No.	Fig. Name
178.	WEIGHT(REAR WHEEL)(R3)
179.	MANUAL(FRENCH)
180.	H.S.T. FAN GUARD
181.	COVER(S.C.V.)

Fig. No.	Fig. Name
----------	-----------

Fig.1. ENGINE ACCESSORIES(1)

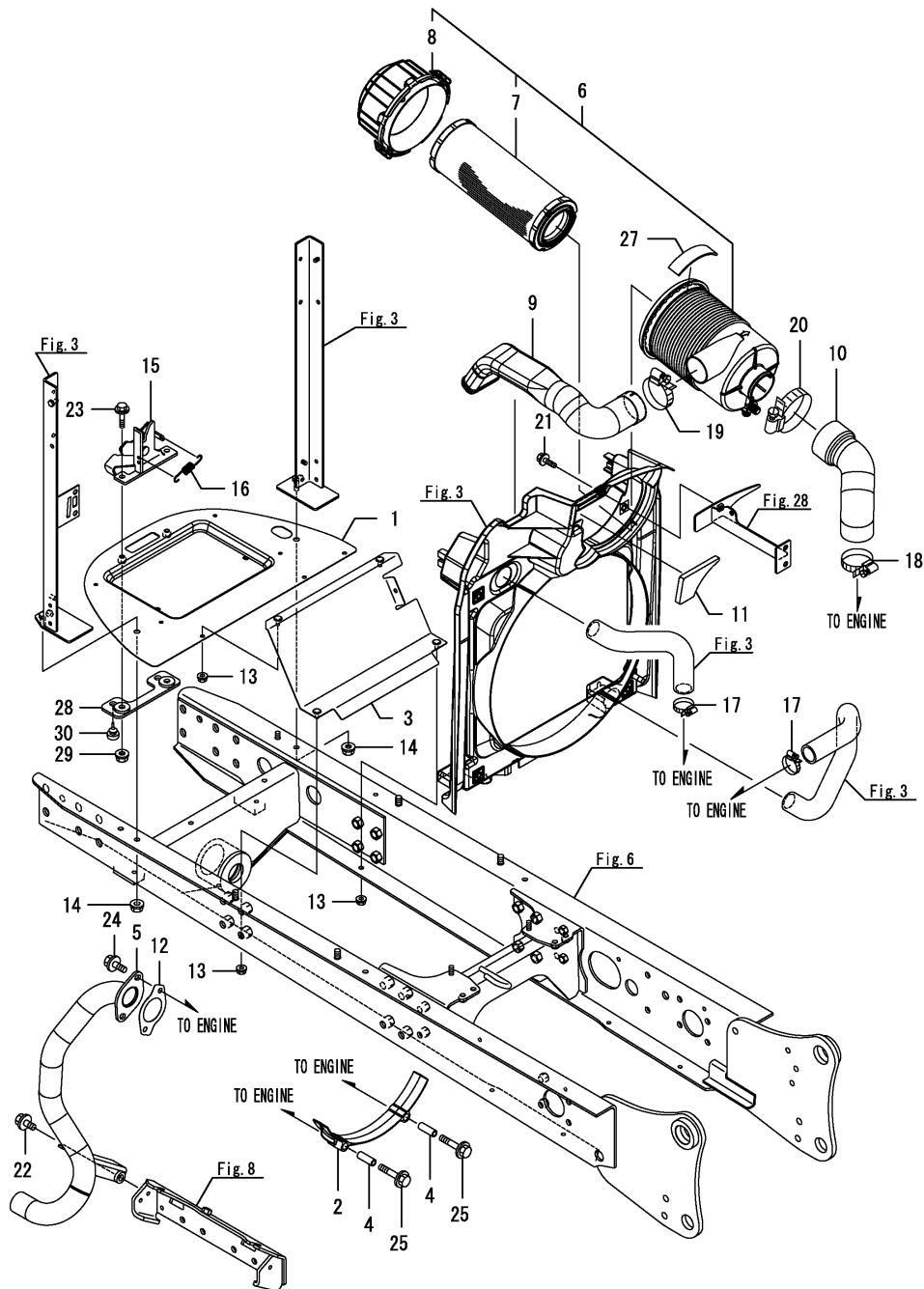


(A)=SA221
(B)=SA324
(C)=SA424

(D)=
(E)=
(F)=

No.	Lev.	Parts No.	Description	Q'ty						I	R
				(A)	(B)	(C)	(D)	(E)	(F)		
1	1	1A8330-01610	PLATE ASSY, BATTERY	1							
2	1	1A8330-01701	COVER, FLYWHEEL	1							
3	1	1A8330-01710	PLATE ASSY, GUIDE	1							
4	1	1A8330-01750	COLLAR, 12X8X2	2							
5	1	1A8330-03110	PIPE ASSY, EXHAUST	1							
6	1	1A8330-05100	CLEANER ASSY, AIR	1							
7	2	1A8330-05110	ELEMENT ASSY	1							
8	2	1A8330-05120	COVER ASSY, CLEANER	1							
9	1	1A8330-05201	HOSE, AIR INTAKE A	1							
10	1	1A8330-05250	HOSE, AIR INTAKE B	1							
11	1	1A8330-05300	URETHANE	1							
12	1	129052-13550	GASKET, EXHAUST PIPE	1							
13	1	194990-22130	NUT, M6	4							
14	1	194990-22140	NUT, M8	2							
15	1	1A8330-61800	CATCH ASSY, BONNET	1							
15-1	1	1A8330-61801	CATCH ASSY, HOOD	1							N
		(A=F400962)									
16	1	1C7170-91300	SPRING, 11X51	1							
17	1	23000-035000	CLAMP, 35	2							
18	1	23000-054000	CLAMP, 54	1							
19	1	23000-060000	CLAMP, 60	1							
20	1	23000-080000	CLAMP, 80	1							
21	1	26106-060202	BOLT, M6X 20 PLATED	1							
22	1	26106-080162	BOLT, M8X 16 PLATED	1							
23	1	26106-080162	BOLT, M8X 16 PLATED	2							
23-1	1	26106-080354	BOLT, M8X 35 PLATED	2							N
		(A=F101008)									
24	1	26106-080202	BOLT, M8X 20 PLATED	2							
25	1	26106-080402	BOLT, M8X 40 PLATED	2							
26	1	198165-04380	RUBBER, 100X25X3	1							
27	1	1A8330-01660	STAY ASSY,SUPPORT	1							W
		(A=F101008)									
28	1	194990-22140	NUT, M8	2							W
		(A=F101008)									
29	1	194330-62530	STOPPER, PEDAL	2							W
		(A=F101008)									

Fig.2. ENGINE ACCESSORIES(1)

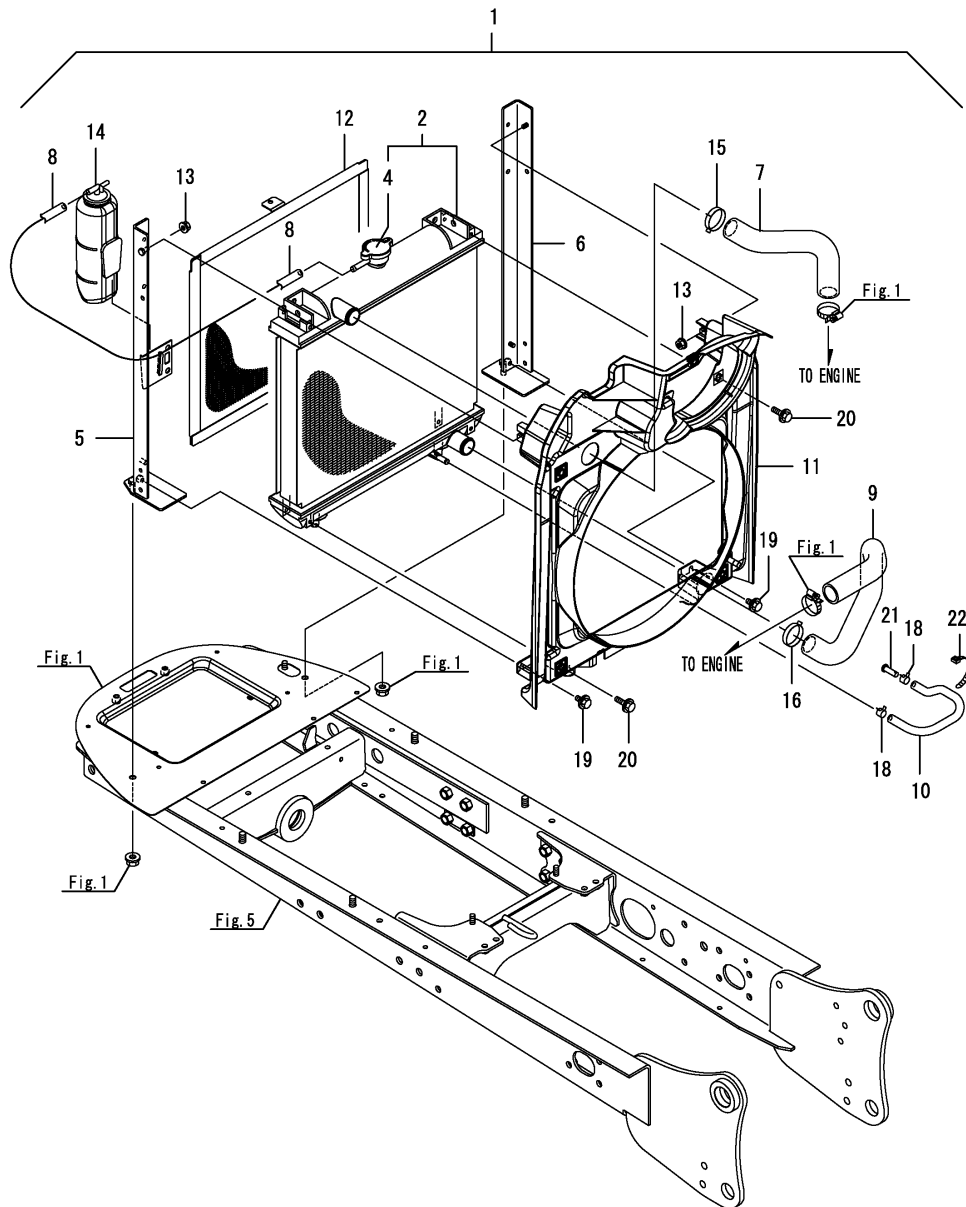


(A)=SA221
(B)=SA324
(C)=SA424

(D)=
(E)=
(F)=

No.	Lev.	Parts No.	Description	Qty						I	R
				(A)	(B)	(C)	(D)	(E)	(F)		
1	1	1A8330-01610	PLATE ASSY, BATTERY	1	1						
2	1	1A8330-01701	COVER, FLYWHEEL	1	1						
3	1	1A8320-01710	PLATE ASSY, GUIDE	1	1						
3-1	1	1A8320-01712 (B=F101120) (C=F101191)	PLATE ASSY, GUIDE	1	1						N
3-2	1	1A8320-01713 (B=F101966) (C=F102002)	PLATE ASSY, GUIDE	1	1						N
4	1	1A8330-01750	COLLAR, 12X8X2	2	2						
5	1	1A8320-03110	PIPE ASSY, EXHAUST	1	1						
6	1	1A8330-05100	CLEANER ASSY, AIR	1	1						
7	2	1A8330-05110	ELEMENT ASSY	1	1						
8	2	1A8330-05120	COVER ASSY, CLEANER	1	1						
9	1	1A8330-05201	HOSE, AIR INTAKE A	1	1						
10	1	1A8320-05250	HOSE, AIR INTAKE B	1	1						
11	1	1A8330-05300	URETHANE	1	1						
12	1	129052-13550	GASKET, EXHAUST PIPE	1	1						
13	1	194990-22130	NUT, M6	4	4						
14	1	194990-22140	NUT, M8	2	2						
15	1	1A8330-61800	CATCH ASSY, BONNET	1	1						
15-1	1	1A8330-61801 (B=F400931) (C=F400931)	CATCH ASSY, HOOD	1	1						N
16	1	1C7170-91300	SPRING, 11X51	1	1						
17	1	23000-035000	CLAMP, 35	2	2						
18	1	23000-054000	CLAMP, 54	1	1						
19	1	23000-060000	CLAMP, 60	1	1						
20	1	23000-080000	CLAMP, 80	1	1						
21	1	26106-060202	BOLT, M6X 20 PLATED	1	1						
22	1	26106-080162	BOLT, M8X 16 PLATED	1	1						
23	1	26106-080354	BOLT, M8X 35 PLATED	2	2						
24	1	26106-080202	BOLT, M8X 20 PLATED	2	2						
25	1	26106-080402	BOLT, M8X 40 PLATED	2	2						
27	1	198165-04380	RUBBER, 100X25X3	1	1						
28	1	1A8320-01650	STAY ASSY, SUPPORT	1	1						
29	1	194990-22140	NUT, M8	2	2						
30	1	194330-62530	STOPPER, PEDAL	2	2						

Fig.3. ENGINE ACCESSORIES(2)



(A)=SA221
(B)=SA324
(C)=SA424

(D)=
(E)=
(F)=

No.	Lev.	Parts No.	Description	Qty						I	R
				(A)	(B)	(C)	(D)	(E)	(F)		
1	1	1A8330-00510	RADIATOR, UNIT	1	1	1					
2	2	1A8330-00610	RADIATOR ASSY	1	1	1					
4	3	129107-44590	CAP, RADIATOR	1	1	1					
5	2	1A8330-01200	FRAME ASSY, L	1	1	1					
5-1	2	1A8330-01201	FRAME ASSY, L	1	1	1					N
		(A=F400453) (B=F400448) (C=F400448)									
5-2	2	1A8330-01202	FRAME ASSY, L	1	1	1					N
		(A=F400516) (B=F400511) (C=F400511)									
6	2	1A8330-01250	FRAME ASSY, R	1	1	1					
6-1	2	1A8330-01251	FRAME ASSY, R	1	1	1					N
		(A=F400453) (B=F400448) (C=F400448)									
7	2	1A8330-01410	HOSE, WATER A	1	1	1					
8	2	1A8330-01421	HOSE, 350	1	1	1					
9	2	1A8330-01460	HOSE, WATER B	1	1	1					
10	2	23980-730270	HOSE, 7.3X 270	1	1	1					
11	2	1A8330-01511	SHROUD	1	1	1					
12	2	1A8330-01560	SCREEN, RADIATOR	1	1	1					
13	2	194990-22130	NUT, M6	2	2	2					
14	2	129263-44510	TANK ASSY, SUB	1	1	1					
15	2	175022-49730	CLIP, HOSE 31.0	1	1	1					
16	2	175022-49730	CLIP, HOSE 31.0	1	1	1					
18	2	114270-59010	CLAMP, HOSE 12	2	2	2					
19	2	26106-060122	BOLT, M6X 12 PLATED	2	2	2					
20	2	26106-060202	BOLT, M6X 20 PLATED	4	4	4					
21	2	22487-080200	PIN, H 8X 20	1	1	1					
22	2	29622-250001	BAND, RF250	1	1	1					

Fig.5. FRAME

(A)=SA221
(B)=SA324
(C)=SA424

(D)=
(E)=
(F)=

No.	Lev.	Parts No.	Description	Q'ty						I	R
				(A)	(B)	(C)	(D)	(E)	(F)		
1	1	1A8330-10090	FRAME UNIT	1							
1-1	1	1A8330-10091 (A=*2014.06.)	FRAME UNIT	1							N
1-2	1	1A8330-10092 (A=F400962)	FRAME UNIT	1							N
2	2	24550-050250	BUSH, 50X25	1							
3	1	1A8330-10510	PIN, 35X46	2							
4	1	1A8330-10520	PIN ASSY	2							
5	1	24311-000410	O-RING, 1AP41.0	1							
6	1	24311-000480	O-RING, 1AP48.0	2							
7	1	26106-120252	BOLT, M12X 25 PLATED	4							
8	1	26106-120702	BOLT, M12X 70 PLATED	4							

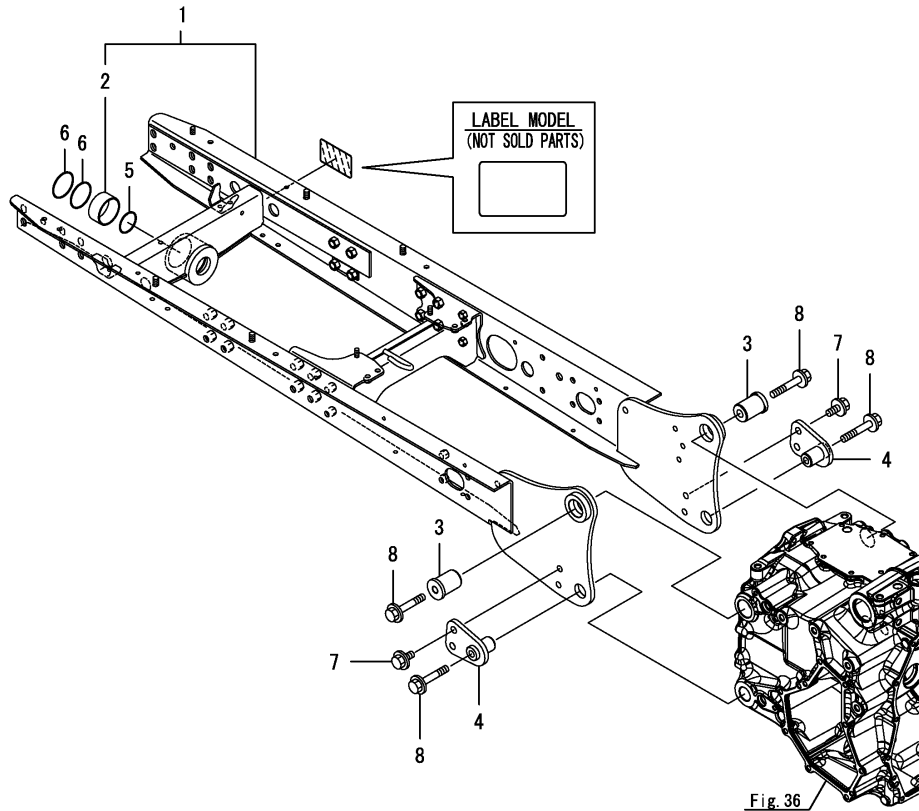


Fig.6. FRAME

(A)=SA221
(B)=SA324
(C)=SA424

(D)=
(E)=
(F)=

No.	Lev.	Parts No.	Description	Qty						I	R	
				(A)	(B)	(C)	(D)	(E)	(F)			
1	1	1A8320-10090	FRAME UNIT		1	1						
1-1	1	1A8320-10091 (B='2014.06.) (C='2014.06.)	FRAME UNIT		1	1						N
1-2	1	1A8320-10092 (B=F400562) (C=F400562)	FRAME UNIT		1	1						N
2	2	24550-050250	BUSH, 50X25		1	1						
3	1	1A8330-10510	PIN, 35X46		2	2						
4	1	1A8330-10520	PIN ASSY		2	2						
5	1	24311-000410	O-RING, 1AP41.0		1	1						
6	1	24311-000480	O-RING, 1AP48.0		2	2						
7	1	26106-120252	BOLT, M12X 25 PLATED		4	4						
8	1	26106-120702	BOLT, M12X 70 PLATED		4	4						

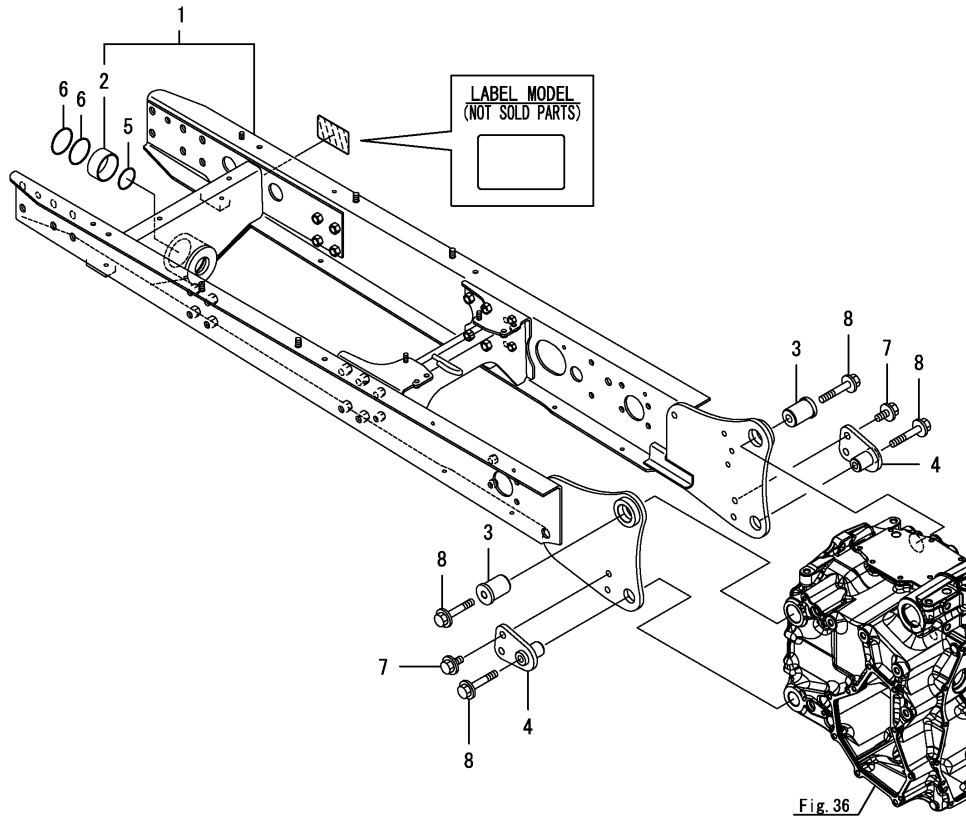
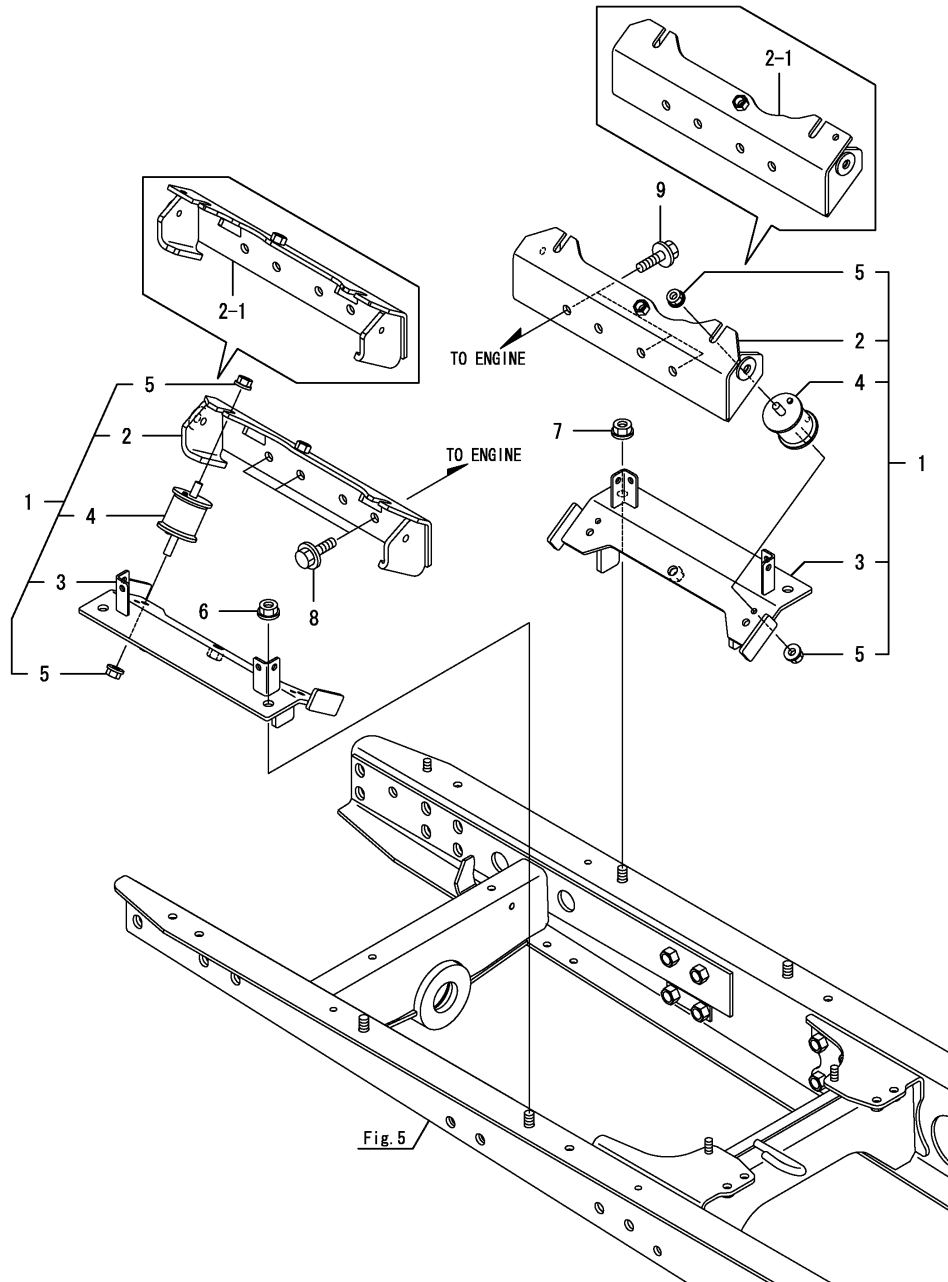


Fig.7. ENGINE MOUNT

(A)=SA221
(B)=SA324
(C)=SA424

(D)=
(E)=
(F)=



No.	Lev.	Parts No.	Description	Qty						I	R
				(A)	(B)	(C)	(D)	(E)	(F)		
1	1	1A8330-10700	STAY ASSY, MOUNT	2							
1-1	1	1A8330-10701 (A=F400453)	STAY ASSY, MOUNT	2							N
2	2	1A8330-10800	STAY ASSY, MOUNT A	2							
2-1	2	1A8330-10801 (A=F400453)	STAY ASSY, MOUNT A	2							S
3	2	1A8330-10850	STAY ASSY, MOUNT B	2							
3-1	2	1A8330-10851 (A=F000178)	STAY ASSY, MOUNT B	2							N
4	2	1A7130-11790	RUBBER, MOUNT	4							
5	2	194990-22140	NUT, M8	8							
6	1	194990-22150	NUT, M10	2							
7	1	194990-22150	NUT, M10	2							
8	1	26106-100202	BOLT, M10X 20 PLATED	3							
9	1	26106-100202	BOLT, M10X 20 PLATED	3							

Fig.8. ENGINE MOUNT

(A)=SA221
(B)=SA324
(C)=SA424

(D)=
(E)=
(F)=

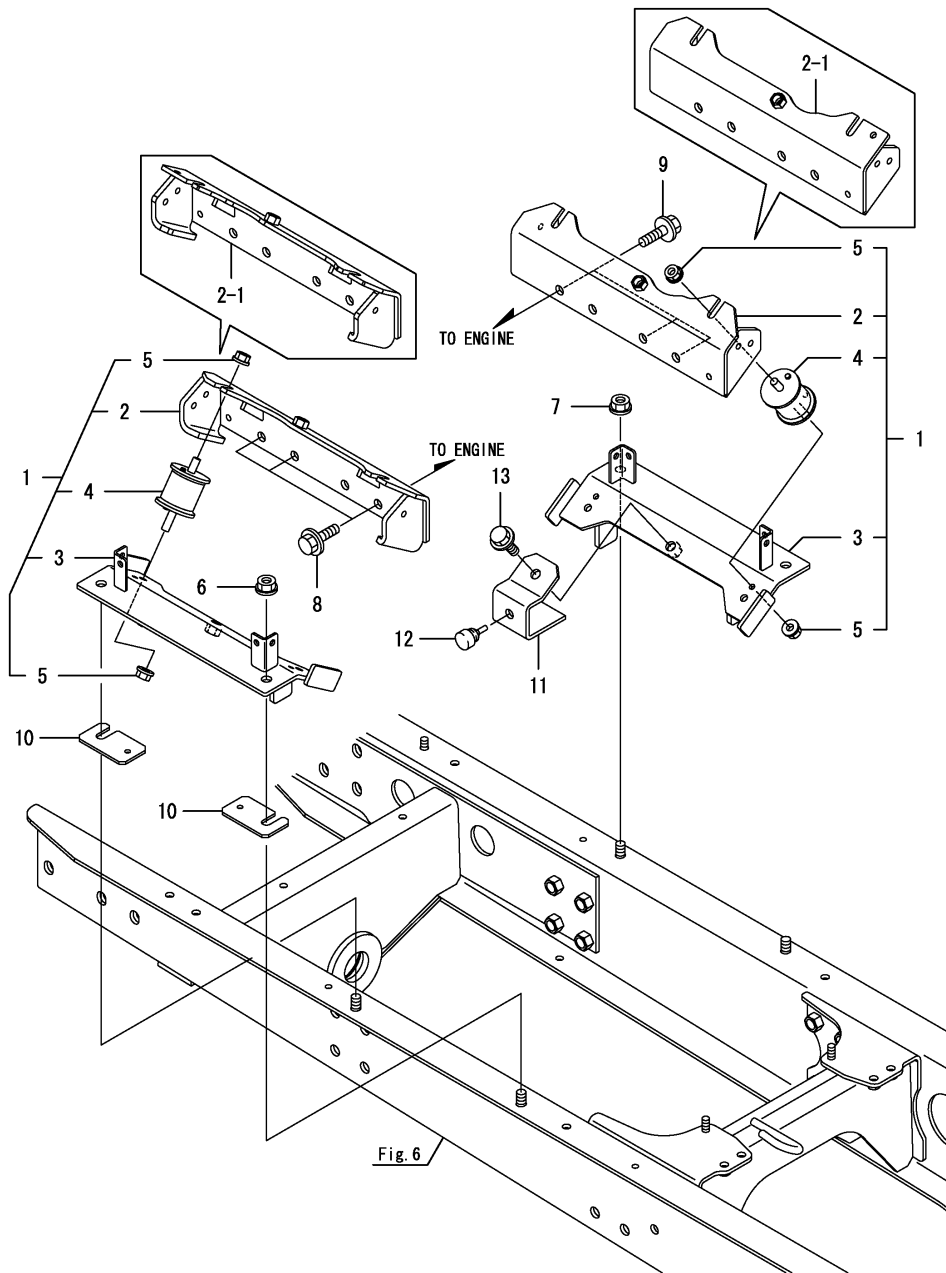


Fig. 6

No.	Lev.	Parts No.	Description	Qty						I	R
				(A)	(B)	(C)	(D)	(E)	(F)		
1	1	1A8320-10700	STAY ASSY, MOUNT		2	2					
1-1	1	1A8320-10701 (B=F400448) (C=F400448)	STAY ASSY, MOUNT		2	2					N
2	2	1A8320-10800	STAY ASSY, MOUNT A		2	2					
2-1	2	1A8320-10801 (B=F400448) (C=F400448)	STAY ASSY, MOUNT A		2	2					S
3	2	1A8330-10850	STAY ASSY, MOUNT B		2	2					
3-1	2	1A8330-10851 (B=F000145) (C=F000964)	STAY ASSY, MOUNT B		2	2					N
4	2	1A7130-11790	RUBBER, MOUNT		4	4					
5	2	194990-22140	NUT, M8		8	8					
6	1	194990-22150	NUT, M10		2	2					
7	1	194990-22150	NUT, M10		2	2					
8	1	26106-100202	BOLT, M10X 20 PLATED		3	3					
9	1	26106-100202	BOLT, M10X 20 PLATED		3	3					
10	1	1A8320-10850	SPACER		2	2					
11	1	1A8320-10910	STAY, STOPPER		1	1					
12	1	194330-62530	STOPPER, PEDAL		1	1					
13	1	26106-100202	BOLT, M10X 20 PLATED		1	1					

Fig.9. FRONT SUPPORT

(A)=SA221
(B)=SA324
(C)=SA424

(D)=
(E)=
(F)=

No.	Lev.	Parts No.	Description	Q'ty						I	R
				(A)	(B)	(C)	(D)	(E)	(F)		
1	1	1A8330-11590	SUPPORT UNIT, FRONT	1							
2	2	24550-050250	BUSH, 50X25	1							
3	1	198165-85970	BOLT, M12X35	12							
4	1	24311-000480	O-RING, 1AP48.0	2							
5	1	26116-160604	BOLT, M16X 60 PLATED	1							
6	1	26716-160002	NUT, M16	1							

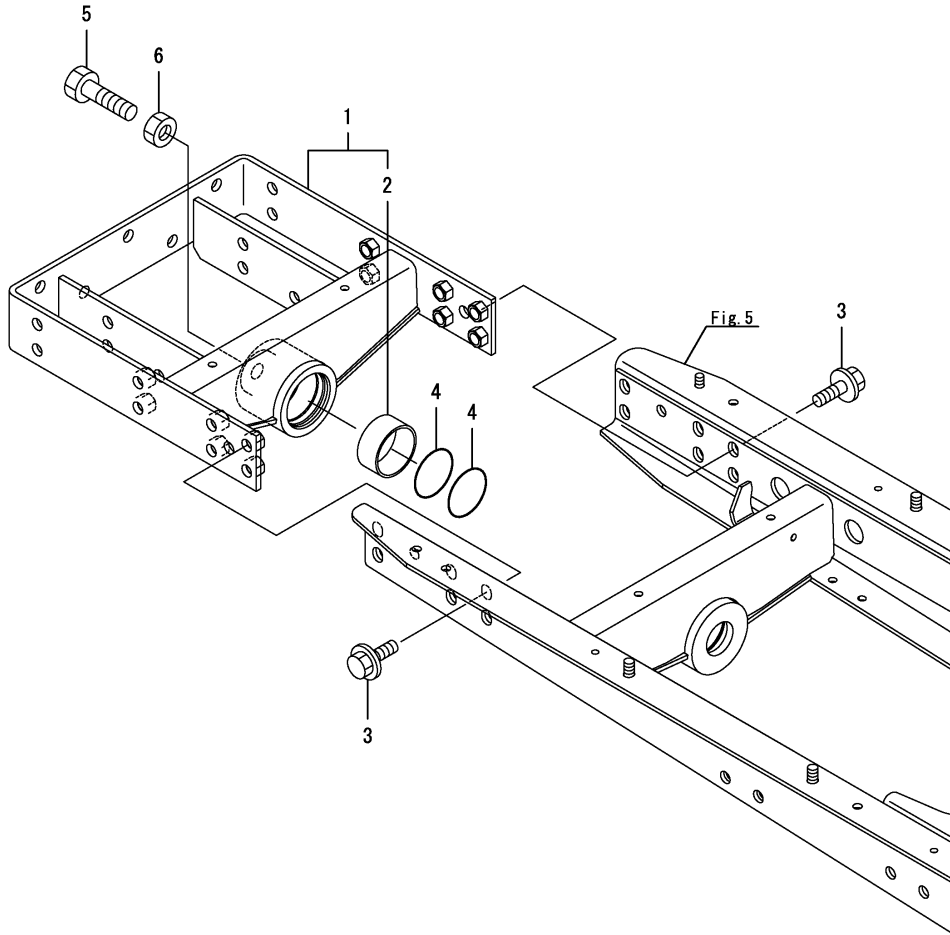
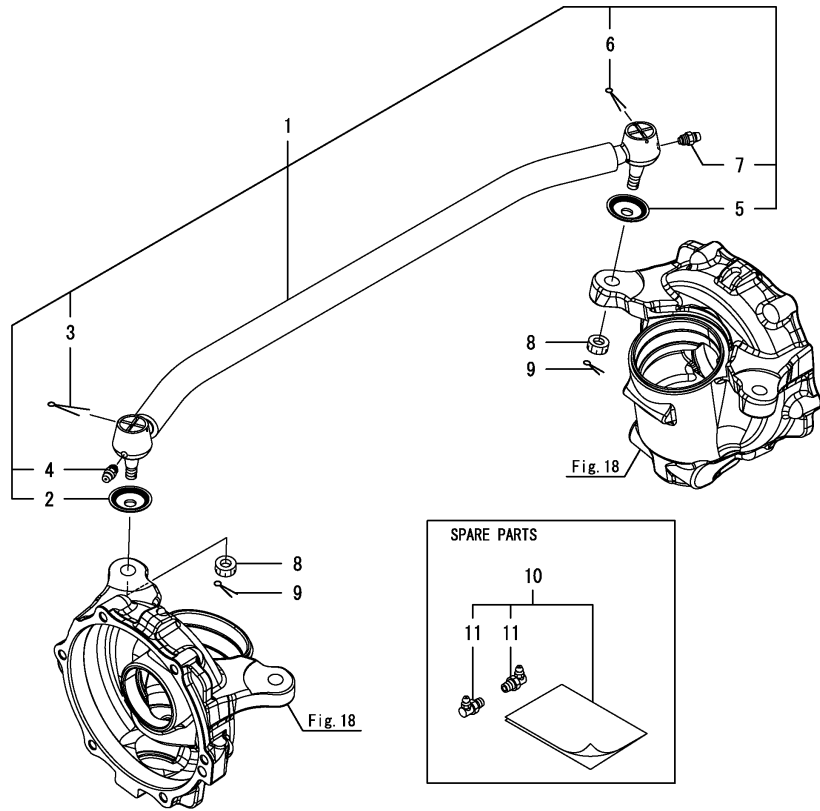


Fig.11. TIE ROD



(A)=SA221
(B)=SA324
(C)=SA424

(D)=
(E)=
(F)=

No.	Lev.	Parts No.	Description	Q'ty						I	R
				(A)	(B)	(C)	(D)	(E)	(F)		
1	1	1A8330-12310	TIE-ROD ASSY	1	1	1					
1-1	1	1A8330-12311	TIE-ROD ASSY	1	1	1					N
		(A=F102319)	(B=F102399)	(C=F102395)							
2	2	1A8330-12460	COVER, DUST	1	1	1					
3	2	22417-250400	PIN, COTTER 2.5X40	1	1	1					
4	2	24761-060000	NIPPLE, GREASE MT6X1	1	1	1					1
5	2	1A8330-12460	COVER, DUST	1	1	1					
6	2	22417-250400	PIN, COTTER 2.5X40	1	1	1					
7	2	24761-060000	NIPPLE, GREASE MT6X1	1	1	1					1
8	1	194215-12341	NUT, CASTLE M10	2	2	2					
9	1	22417-250250	PIN, COTTER 2.5X25	2	2	2					
10	1	1A8330-12350	PARTS KIT,NIPPLE	1	1	1					
11	2	1A8330-12360	NIPPLE, GREASE	2	2	2					

Remarks

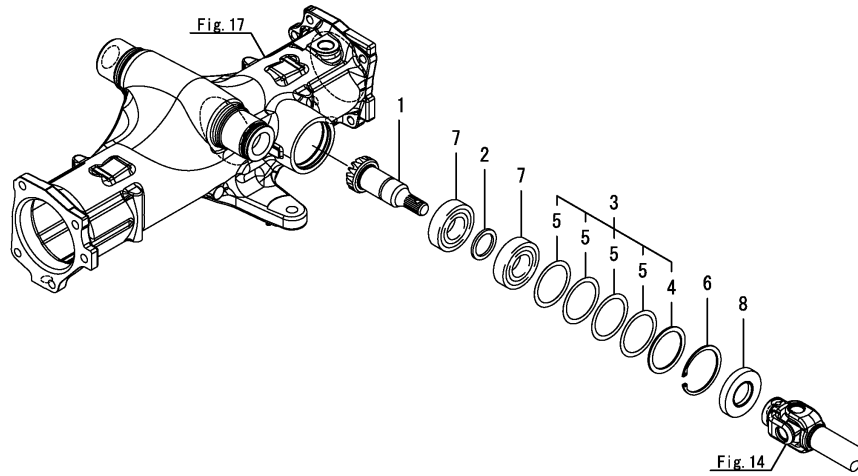
(1)Spare parts is No.10 & 11.

Fig.12. DRIVE PINION

(A)=SA221
(B)=SA324
(C)=SA424

(D)=
(E)=
(F)=

No.	Lev.	Parts No.	Description	Q'ty						I	R
				(A)	(B)	(C)	(D)	(E)	(F)		
1	1	1A8330-13930	SHAFT, INPUT	1	1	1					
1-1	1	1A8330-13170	SHAFT, INPUT	1	1	1					F 1
		(A=F000869) (B=F000865) (C=F000863)									
2	1	1A8330-13130	SPACER, 30X40X3	1	1	1					
3	1	1A8330-13300	SHIM ASSY, 6206	1	1	1					
4	2	1A8330-13310	SHIM, 2.0 6206	1	1	1					
5	2	1A8330-13320	SHIM, 0.2 6206	4	4	4					
6	1	22252-000620	RING, 62	1	1	1					
7	1	24101-062064	BEARING, BALL 6206	2	2	2					
8	1	24421-306210	SEAL, OIL TC306210	1	1	1					



Remarks

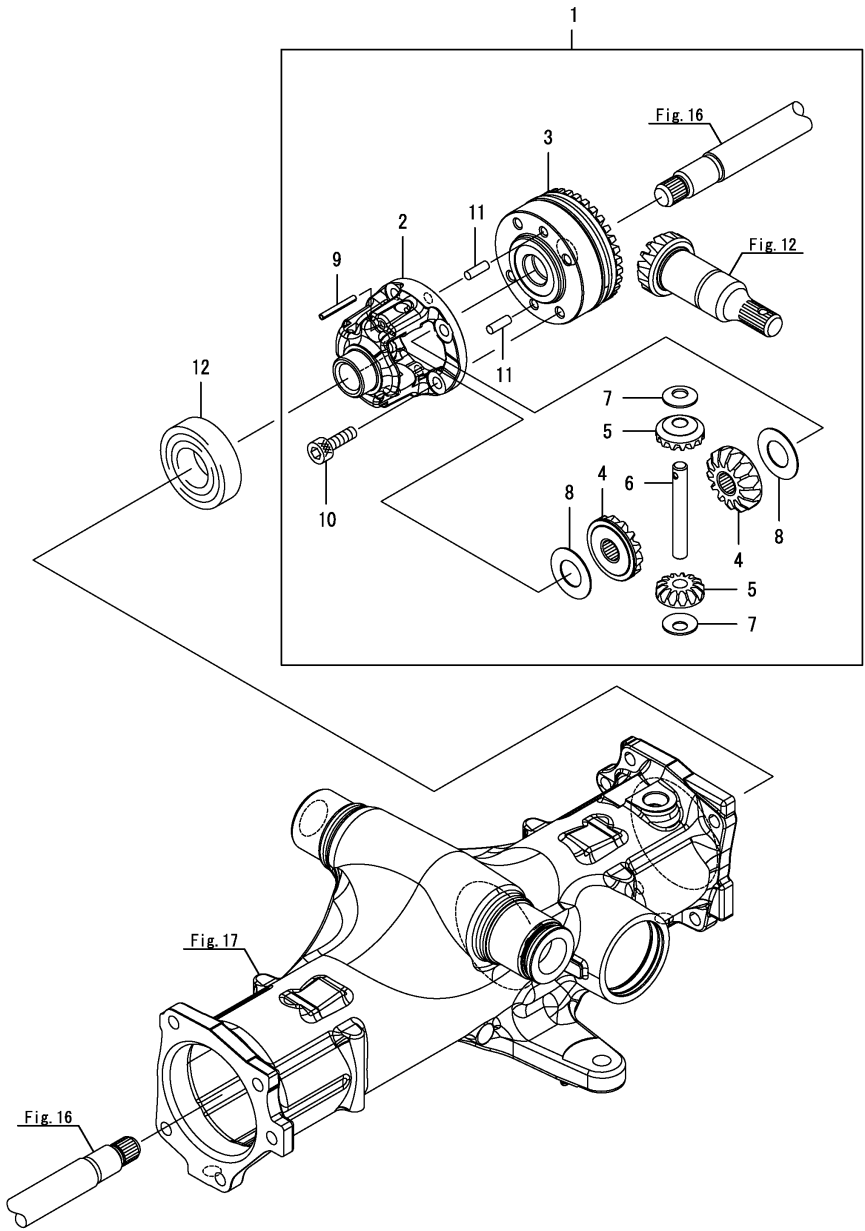
(1)Interchangeable by simultaneous replacement with No.1-1 & Fig.13 No.3-1.

Fig.13. DIFFERENTIAL GEAR

(A)=SA221
(B)=SA324
(C)=SA424

(D)=
(E)=
(F)=

No.	Lev.	Parts No.	Description	Q'ty						I	R
				(A)	(B)	(C)	(D)	(E)	(F)		
1	1	1A8330-13990	GEAR ASSY, DIFF.	1	1	1					
1-1	1	1A8330-13991	GEAR ASSY, DIFF.	1	1	1					S
		(A=F000869) (B=F000865) (C=F000863)									
2	2	1A8330-13200	CASE, DIFFERENTIAL	1	1	1					
3	2	1A8330-13940	GEAR, RING	1	1	1					
3-1	2	1A8330-13370	GEAR, RING	1	1	1					F 1
		(A=F000869) (B=F000865) (C=F000863)									
4	2	1A7130-13220	GEAR, DIFF.SIDE	2	2	2					
5	2	1A7130-13230	PINION, DIFFERENTIAL	2	2	2					
6	2	1A7130-13240	SHAFT, DIFF.PINION	1	1	1					
7	2	1A7130-13250	LINER, DIFF.PINION	2	2	2					
8	2	1A8330-13260	LINER, SIDE GEAR	2	2	2					
9	2	22351-040032	PIN, SPRING 4.0X32	1	1	1					
10	2	1A8330-13290	BOLT, 8X25	4	4	4					
11	2	22312-060160	PIN, PARALLEL M6X16	2	2	2					
12	1	24101-062064	BEARING, BALL 6206	1	1	1					



Remarks
(1)Interchangeable by simultaneous replacement with No.3-1 & Fig.12 No.1-1.

Fig.14. PROPELLER SHAFT

(A)=SA221
(B)=SA324
(C)=SA424

(D)=
(E)=
(F)=

No.	Lev.	Parts No.	Description	Q'ty						I	R
				(A)	(B)	(C)	(D)	(E)	(F)		
1	1	1A8330-13400	SHAFT ASSY,PROPELLER	1							
2	1	22242-000360	RING, 36	1							
3	1	22351-035032	PIN, SPRING 3.5X32	1							
4	1	22351-060032	PIN, SPRING 6.0X32	1							

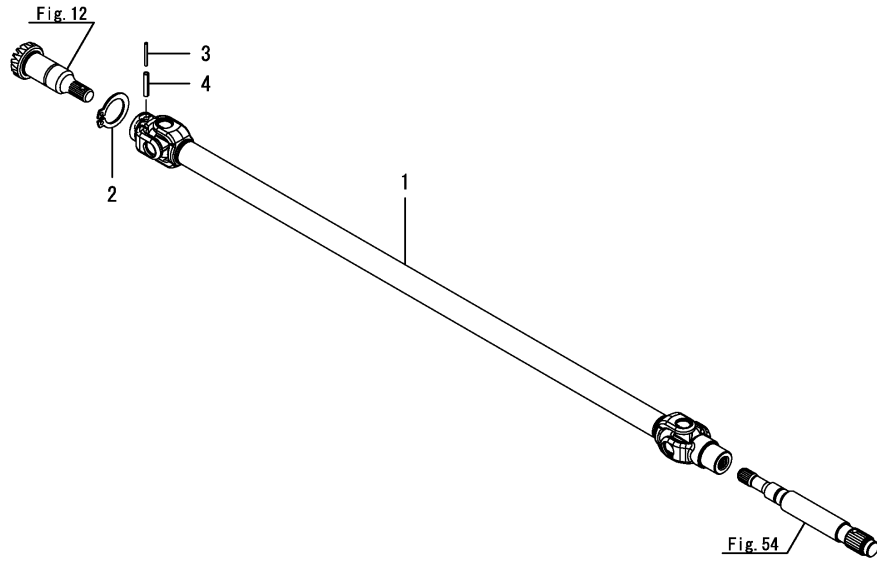


Fig.15. PROPELLER SHAFT

(A)=SA221
(B)=SA324
(C)=SA424

(D)=
(E)=
(F)=

No.	Lev.	Parts No.	Description	Q'ty						I	R
				(A)	(B)	(C)	(D)	(E)	(F)		
1	1	1A8320-13400	SHAFT ASSY,PROPELLER		1	1					
2	1	22242-000360	RING, 36		1	1					
3	1	22351-035032	PIN, SPRING 3.5X32		1	1					
4	1	22351-060032	PIN, SPRING 6.0X32		1	1					

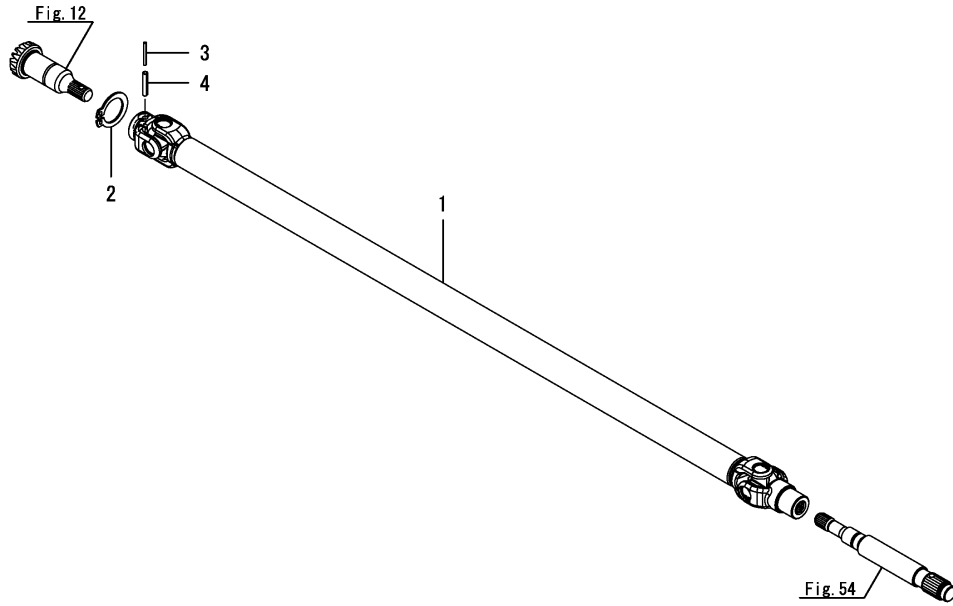
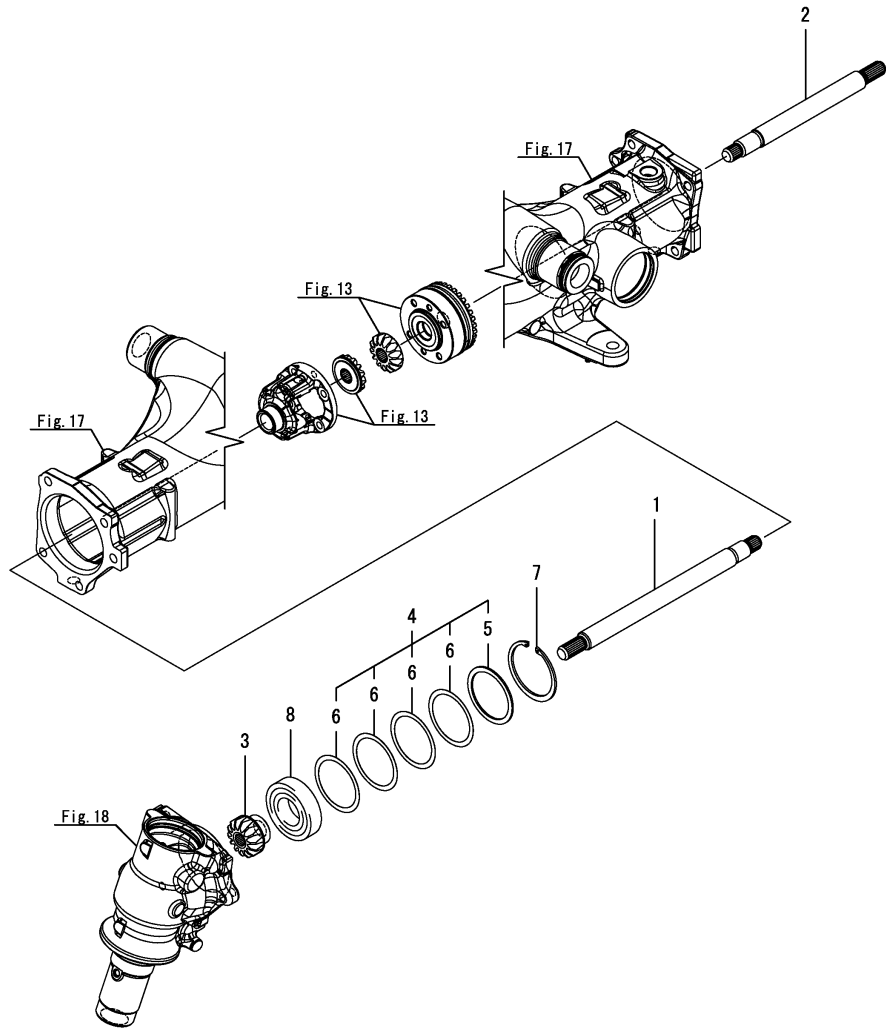


Fig.16. FRONT SHAFT(1)



(A)=SA221
(B)=SA324
(C)=SA424

(D)=
(E)=
(F)=

No.	Lev.	Parts No.	Description	Qty						I	R
				(A)	(B)	(C)	(D)	(E)	(F)		
1	1	1A8330-13510	SHAFT, FRONT 1ST L	1	1	1					
2	1	1A8330-13520	SHAFT, FRONT 1ST R	1	1	1					
3	1	1A8330-13950	GEAR, BEVEL 12T	2	2	2					
3-1	1	1A8330-13570 (A=F000879) (B=F000897) (C=F000888)	GEAR, BEVEL 12T	2	2	2					S 1
4	1	1A8330-13650	SHIM ASSY, 6207	2	2	2					
5	2	1A8330-13660	SHIM, 2.0 6207	2	2	2					
6	2	1A8330-13670	SHIM, 0.2 6207	8	8	8					
7	1	22252-000720	RING, 72	2	2	2					
8	1	24101-062074	BEARING, BALL 6207	2	2	2					

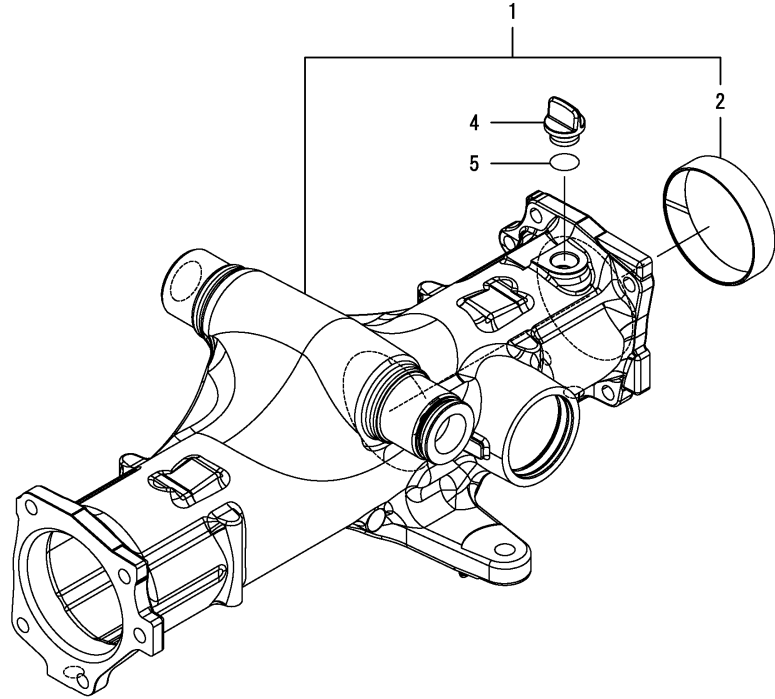
Remarks

(1)Interchangeable by simultaneous replacement with No.3-1 & Fig.19 No.1-1.

Fig.17. FRONT AXLE CASE

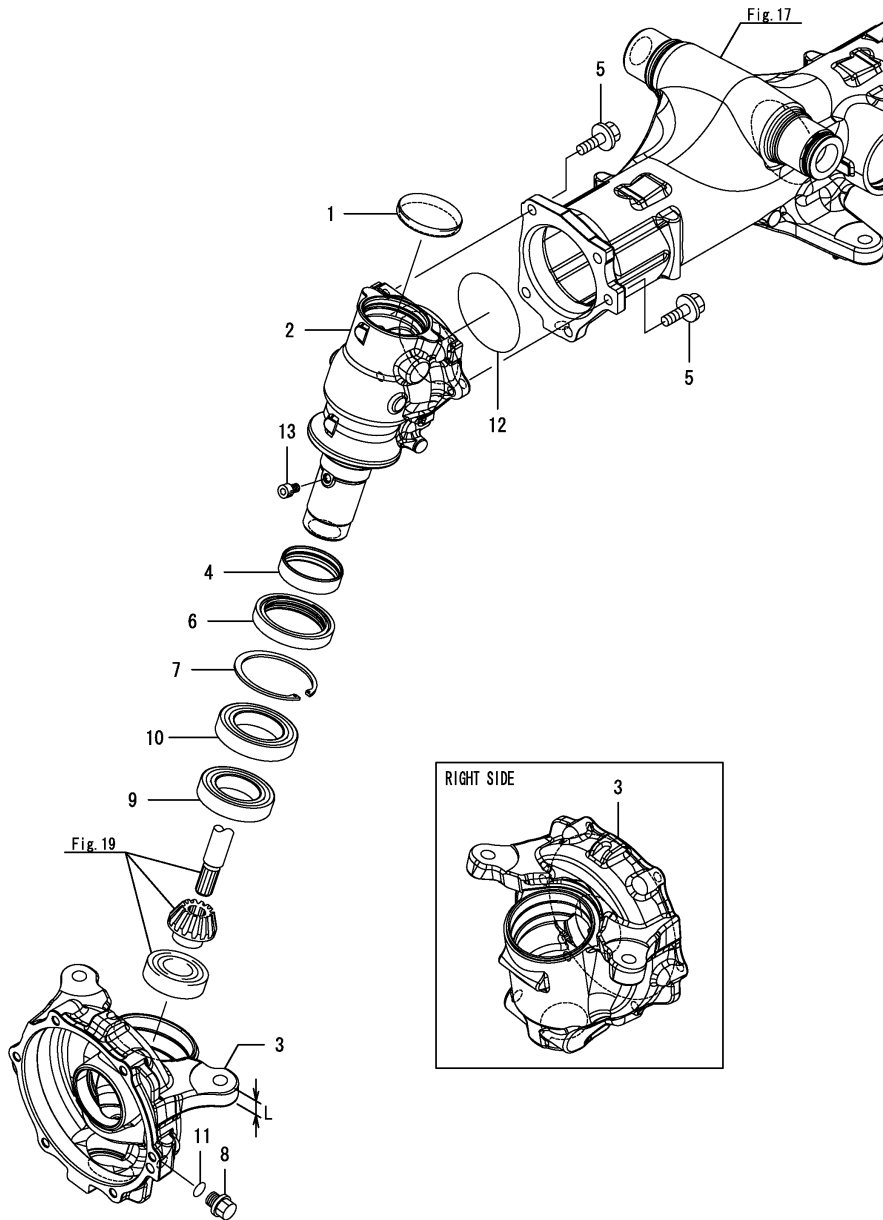
(A)=SA221
(B)=SA324
(C)=SA424

(D)=
(E)=
(F)=



No.	Lev.	Parts No.	Description	Q'ty						I	R
				(A)	(B)	(C)	(D)	(E)	(F)		
1	1	1A8330-13600	CASE, FRONT AXLE	1	1	1					
1-1	1	1A8330-13601	CASE, FRONT AXLE	1	1	1					N
		(A=F000104) (B=F000102) (C=F000103)									
1-2	1	1A8330-13602	CASE, FRONT AXLE	1	1	1					N
		(A=*2014.02.) (B=*2014.02.) (C=*2014.02.)									
1-3	1	1A8330-13603	CASE, FRONT AXLE	1	1	1					N
		(A=F000869) (B=F000868) (C=F000866)									
2	2	1A8330-13270	BUSH, 90X90X20	1	1	1					
4	1	1A8330-13690	CAP, OIL	1	1	1					
4-1	1	1A8330-13750	PLUG, OIL DIPSTICK	1	1	1					N
		(A=F000463) (B=F000711) (C=F000733)									
5	1	24311-000180	O-RING, 1AP18.0	1	1	1					

Fig.18. FRONT GEAR CASE



(A)=SA221
(B)=SA324
(C)=SA424

(D)=
(E)=
(F)=

No.	Lev.	Parts No.	Description	Qty						I	R
				(A)	(B)	(C)	(D)	(E)	(F)		
1	1	177432-03450	PLUG	2	2	2					
2	1	1A8330-13710	CASE, FRONT GEAR	2	2	2					
2-1	1	1A8330-13711	CASE, FRONT GEAR	2	2	2					N
3	1	1A8330-13730	CASE, FRONT GEAR BOX	2	2	2					
3-1	1	1A8330-13731	CASE, FRONT GEAR BOX	2	2	2					N
3-2	1	1A8330-13732	CASE, FRONT GEAR BOX	2	2	2					S 1
3-3	1	1A8330-13733	CASE, FRONT GEAR BOX	2	2	2					N
4	1	1A8330-13790	SLEEVE, SI 57X62X17	2	2	2					
5	1	1A8310-13910	BOLT, TENSION 10X30	10	10	10					
6	1	194312-32660	SEAL, OIL TC6Y628012	2	2	2					
7	1	22252-000800	RING, 80	2	2	2					
8	1	23491-140002	PLUG, 14	2	2	2					
9	1	24101-060094	BEARING, BALL 6009	2	2	2					
10	1	24101-060104	BEARING, BALL 6010	2	2	2					
11	1	24311-000160	O-RING, 1AP16.0	2	2	2					
12	1	24321-000850	O-RING, 1AG85.0	2	2	2					
13	1	26450-080122	BOLT, M8X 12	2	2	2					

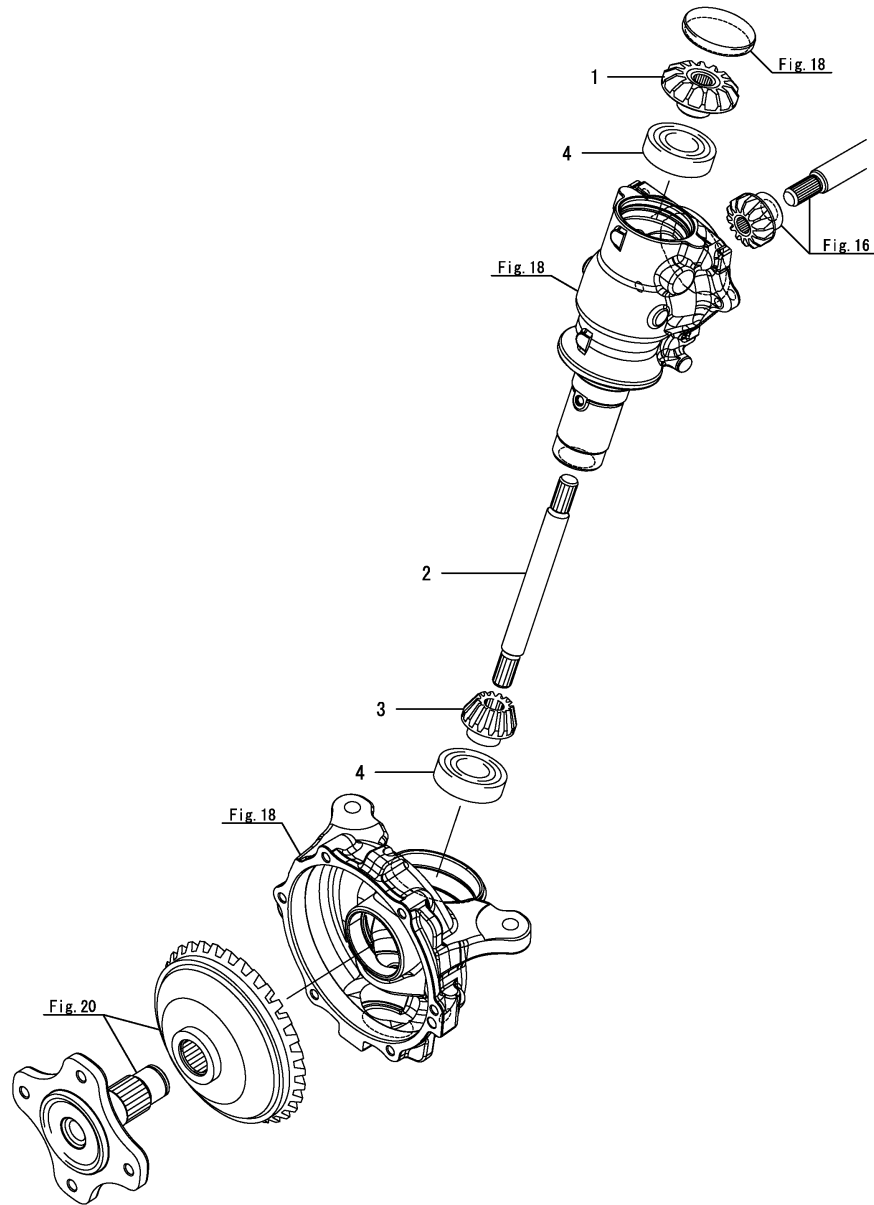
Remarks

(1)L=No.3 & 3-1 : 19mm, No.3-2 : 18.5mm.

Fig.19. FRONT SHAFT(2)

(A)=SA221
(B)=SA324
(C)=SA424

(D)=
(E)=
(F)=

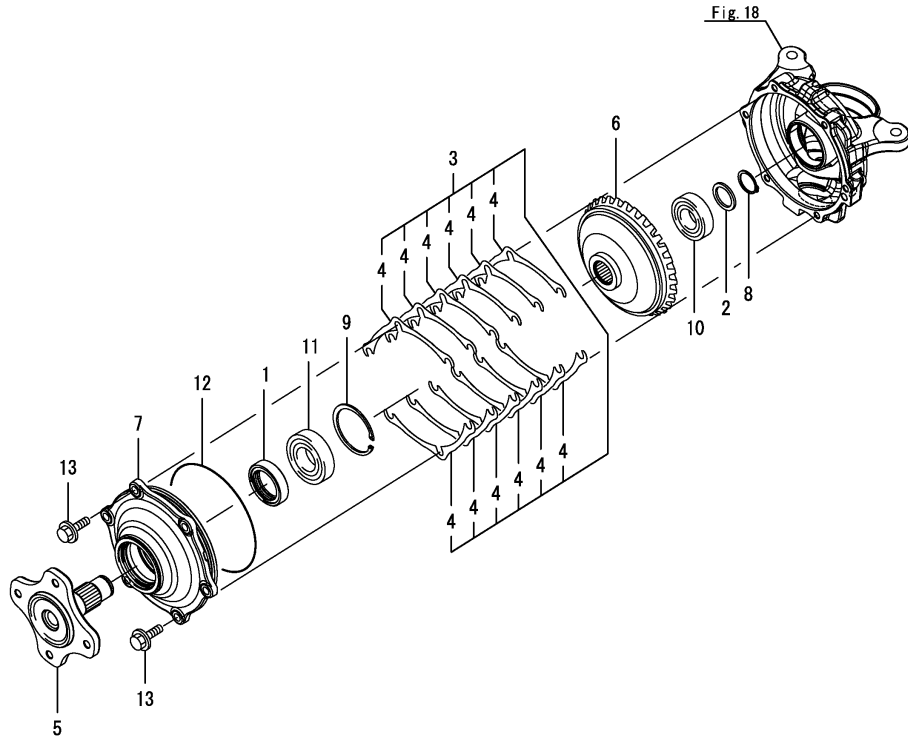


No.	Lev.	Parts No.	Description	Qty						I	R
				(A)	(B)	(C)	(D)	(E)	(F)		
1	1	1A8330-13960	GEAR, BEVEL 19T	2	2	2					
1-1	1	1A8330-13580	GEAR, BEVEL 19T	2	2	2				S	1
		(A=F000879) (B=F000897) (C=F000888)									
2	1	1A8330-13810	SHAFT, FRONT 2ND	2	2	2					
3	1	1A8330-13980	PINION, FRONT FINAL	2	2	2					
3-1	1	1A8330-13870	PINION, FRONT FINAL	2	2	2				S	2
		(A=F000879) (B=F000897) (C=F000888)									
4	1	24101-062064	BEARING, BALL 6206	4	4	4					

Remarks

- (1)Interchangeable by simultaneous replacement with No.1-1 & Fig.16 No.3-1.
- (2)Interchangeable by simultaneous replacement with No.3-1 & Fig.20 No.6-1.

Fig.20. FRONT SPINDLE



(A)=SA221
(B)=SA324
(C)=SA424

(D)=
(E)=
(F)=

No.	Lev.	Parts No.	Description	Qty						I	R
				(A)	(B)	(C)	(D)	(E)	(F)		
1	1	194314-12720	SEAL, OIL TC6Y456214	2	2	2					
2	1	1A8330-13130	SPACER, 30X40X3	2	2	2					
3	1	1A8330-13910	SHIM ASSY, CASE BEAR	2	2	2					
4	2	1A8330-13920	SHIM, 0.2 CASE BEAR	24	24	24					
5	1	1A8320-14110	SPINDLE, FRONT	2	2	2					
6	1	1A8330-14910	GEAR, FRONT FINAL	2	2	2					
6-1	1	1A8330-14170	GEAR, FRONT FINAL	2	2	2				S	1
		(A=F000879)	(B=F000897)	(C=F000888)							
6-2	1	1A8330-14171	GEAR, F FINAL	2	2	2					N
		(A=F400962)	(B=F400862)	(C=F400862)							
7	1	1A8330-14130	CASE, FRONT BEARING	2	2	2					
8	1	22242-000300	RING, 30	2	2	2					
9	1	22252-000720	RING, 72	2	2	2					
10	1	24101-062064	BEARING, BALL 6206	2	2	2					
11	1	24101-062074	BEARING, BALL 6207	2	2	2					
12	1	24321-001600	O-RING, 1AG160.0	2	2	2					
13	1	26106-100302	BOLT, M10X 30 PLATED	12	12	12					

Remarks

(1)Interchangeable by simultaneous replacement with No.6-1 & Fig.19 No.3-1.

Fig.21. SHAFT COVER

(A)=SA221
(B)=SA324
(C)=SA424

(D)=
(E)=
(F)=

No.	Lev.	Parts No.	Description	Qty						I	R
				(A)	(B)	(C)	(D)	(E)	(F)		
1	1	1A8330-14620	COVER, SHAFT	1	1	1					
2	1	23000-080000	CLAMP, 80	1	1	1					

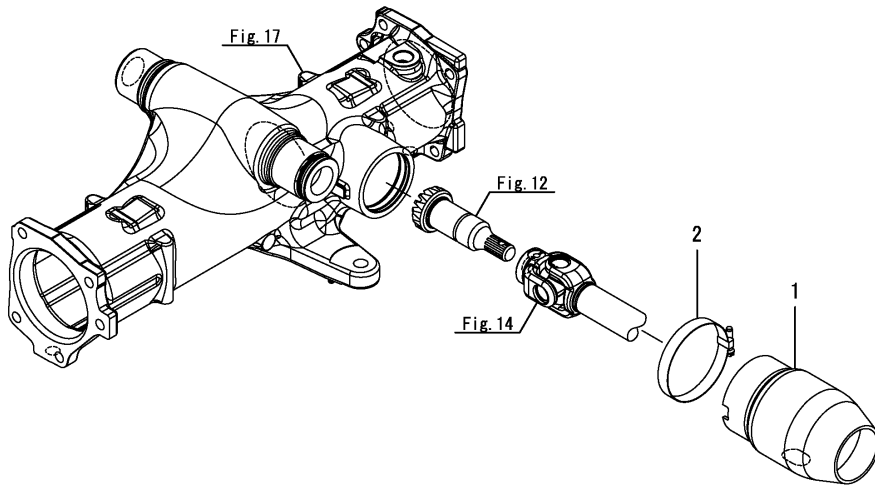
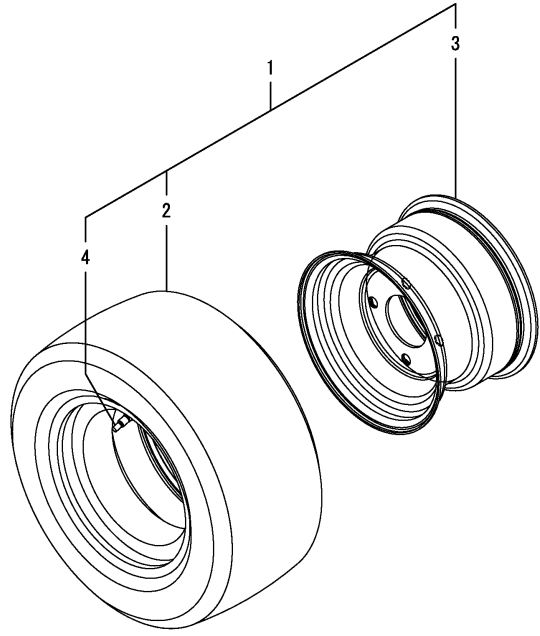


Fig.22. FRONT WHEEL TIRE(R3)

(A)=SA221
(B)=SA324
(C)=SA424

(D)=
(E)=
(F)=

No.	Lev.	Parts No.	Description	Q'ty						I	R
				(A)	(B)	(C)	(D)	(E)	(F)		
1	1	1A8330-14500	TIRE KIT, R3 FRONT	2							
2	2	1A8330-14510	TIRE, 18X8.5-10 R3	2							
3	2	1A8330-14720	WHEEL, 10X7.0	2							
4	2	1A8330-14750	VALVE	2							



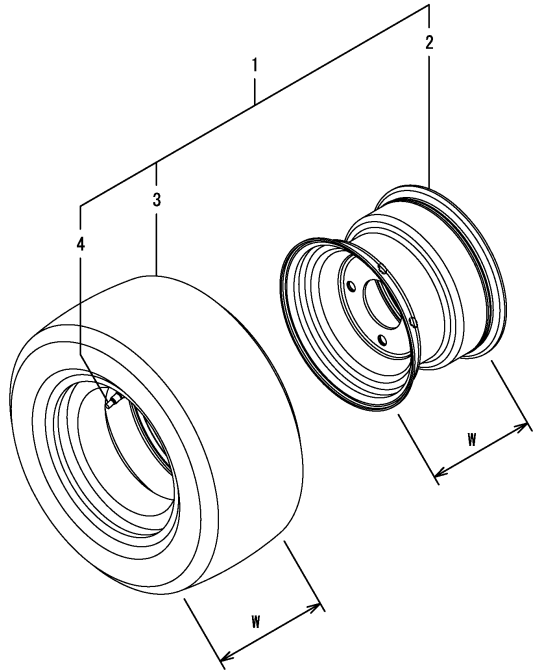
Remarks

* This figure is applicable to [(A)=F400000] or previous machines.
Please refer to Fig.157 since above-mentioned Engine Serial.

Fig.157. (22A)FRONT WHEEL TIRE(R3)

(A)=SA221
(B)=SA324
(C)=SA424

(D)=
(E)=
(F)=



No.	Lev.	Parts No.	Description	Q'ty						I	R
				(A)	(B)	(C)	(D)	(E)	(F)		
1	1	1A8330-14200	TIRE KIT, R3 FRONT	2							
1-1	1	1A8331-14500	TIRE KIT, R3 FRONT	2							F 1
			(A=*2017.12.)								
2	2	1A8330-14220	WHEEL, 10X7.0	2							
2-1	2	1A8331-14720	WHEEL, 10X7.0	2							S 2
			(A=*2017.12.)								
3	2	1A8330-14510	TIRE, 18X8.5-10 R3	2							
3-1	2	1A8331-14510	TIRE, 18X8.5-10 R3	2							S 3
			(A=*2017.12.)								
4	2	1A8330-14750	VALVE	2							

Remarks

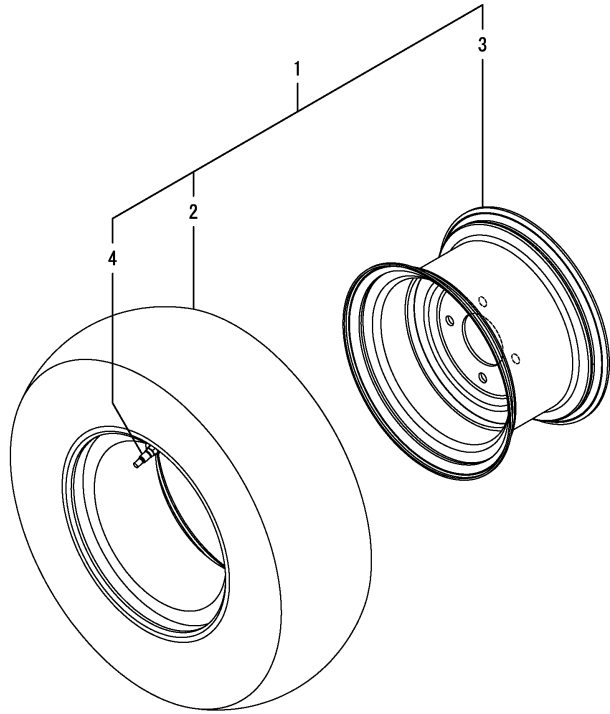
- * This figure is applicable to [(A)=F400001] or following machines. Please refer to Fig.22 before above-mentioned Engine Serial.
- (1)It is compatibility by exchange in two at the same time.
- (2)W=No.2 : 207.8mm, No.2-1 : 196mm.
- (3)W=No.3 : 210.8mm, No.3-1 : 200mm.

Fig.23. FRONT WHEEL TIRE(R3)

(A)=SA221
(B)=SA324
(C)=SA424

(D)=
(E)=
(F)=

No.	Lev.	Parts No.	Description	Q'ty						I	R
				(A)	(B)	(C)	(D)	(E)	(F)		
1	1	1A8320-14500	TIRE KIT, R3 FRONT		2						
2	2	1A8320-14510	TIRE, 23X8.5-12 R3		2						
3	2	1A8320-14520	WHEEL, 12X7.0		2						
4	2	1A8320-14550	VALVE		2						



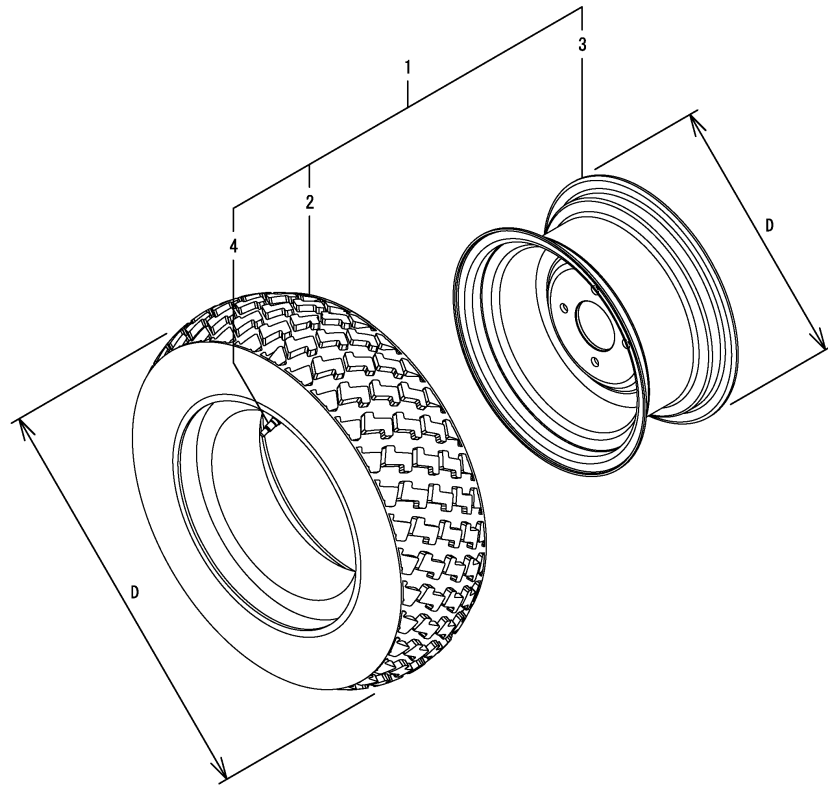
Remarks

* This figure is applicable to [(B)=F400002] or previous machines.
Please refer to Fig.158 since above-mentioned Engine Serial.

Fig.158. (24A)FRONT WHEEL TIRE(R3)

(A)=SA221
(B)=SA324
(C)=SA424

(D)=
(E)=
(F)=



No.	Lev.	Parts No.	Description	Q'ty						I	R	
				(A)	(B)	(C)	(D)	(E)	(F)			
1	1	1A8320-14600-1	TIRE KIT, R3 FRONT		2	2						
1-1	1	1A8321-14500 (B=F400257)	TIRE KIT, R3 FRONT (C=F400150)		2	2					F	1
2	2	1A8320-14610	TIRE, 24X8.5-14 R3		2	2						
2-1	2	1A8321-14510 (B=F400257)	TIRE, 23X8.5-12 R3 (C=F400150)		2	2					S	2
3	2	1A8320-14620-1	WHEEL, 14X7.0		2	2						
3-1	2	1A8321-14520 (B=F400257)	WHEEL, 12X7.0 (C=F400150)		2	2					S	3
4	2	1A8320-14750	VALVE		2	2						

Remarks

* This figure is applicable to [(B)=F400003][(C)=F400003] or following machines.

Please refer to Fig.23(or 24) before above-mentioned Engine Serial.

(1)It is compatibility by exchange in two at the same time.

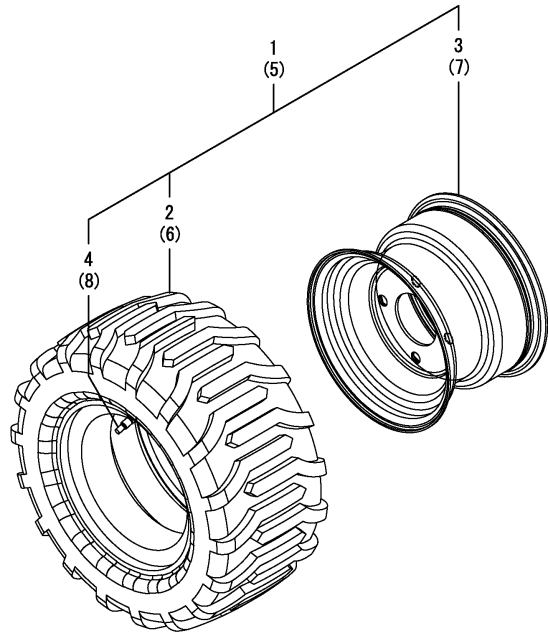
(2)D=No.2 : 615.3mm, No.2-1 : 575mm.

(3)D=No.3 : 402mm, No.3-1 : 331mm.

Fig.25. FRONT WHEEL TIRE(R4)

(A)=SA221
(B)=SA324
(C)=SA424

(D)=
(E)=
(F)=



No.	Lev.	Parts No.	Description	Q'ty						I	R
				(A)	(B)	(C)	(D)	(E)	(F)		
1	1	1A8330-14700	TIRE KIT, R4 FRONT L	1							
2	2	1A8330-14710	TIRE,18.5X5-10 R4	1							
3	2	1A8330-14720	WHEEL, 10X7.0	1							
4	2	1A8330-14750	VALVE	1							
5	1	1A8330-14800	TIRE KIT, R4 FRONT R	1							
6	2	1A8330-14710	TIRE,18.5X5-10 R4	1							
7	2	1A8330-14720	WHEEL, 10X7.0	1							
8	2	1A8330-14750	VALVE	1							

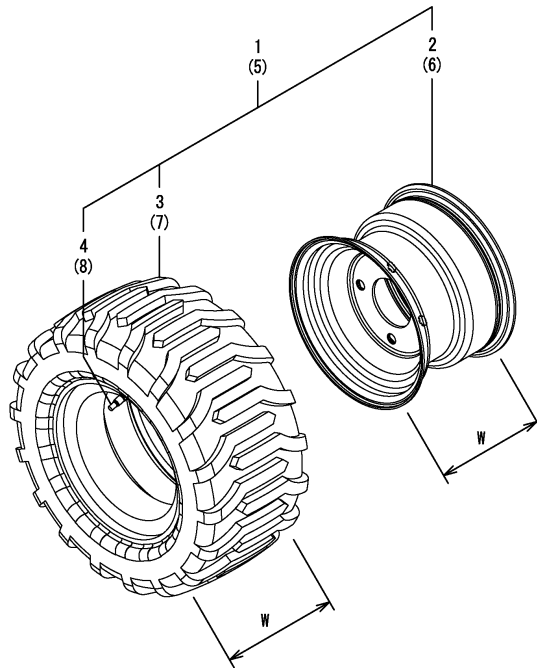
Remarks

* This figure is applicable to [(A)=F400000] or previous machines.
Please refer to Fig.159 since above-mentioned Engine Serial.

Fig.159. (25A)FRONT WHEEL TIRE(R4)

(A)=SA221
(B)=SA324
(C)=SA424

(D)=
(E)=
(F)=

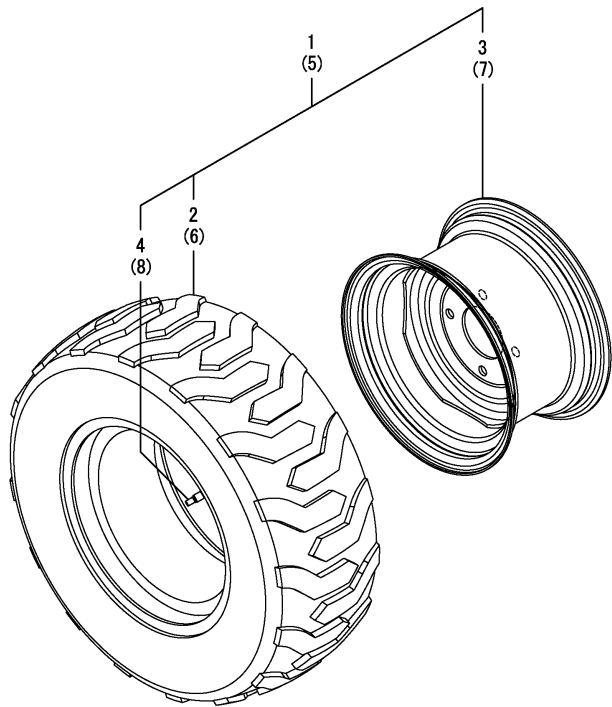


No.	Lev.	Parts No.	Description	Q'ty						I	R
				(A)	(B)	(C)	(D)	(E)	(F)		
1	1	1A8330-14300	TIRE KIT, R4 FRONT L	1							
1-1	1	1A8331-14700	TIRE KIT, R4 FRONT L	1						F	1
			(A=*2017.12.)								
2	2	1A8330-14220	WHEEL, 10X7.0	1							
2-1	2	1A8331-14720	WHEEL, 10X7.0	1						S	2
			(A=*2017.12.)								
3	2	1A8330-14710	TIRE,18.5X5-10 R4	1							
3-1	2	1A8331-14710	TIRE,18.5X5-10 R4	1						S	3
			(A=*2017.12.)								
4	2	1A8330-14750	VALVE	1							
5	1	1A8330-14400	TIRE KIT, R4 FRONT R	1							
5-1	1	1A8331-14800	TIRE KIT, R4 FRONT R	1						F	1
			(A=*2017.12.)								
6	2	1A8330-14220	WHEEL, 10X7.0	1							
6-1	2	1A8331-14720	WHEEL, 10X7.0	1						S	2
			(A=*2017.12.)								
7	2	1A8330-14710	TIRE,18.5X5-10 R4	1							
7-1	2	1A8331-14710	TIRE,18.5X5-10 R4	1						S	3
			(A=*2017.12.)								
8	2	1A8330-14750	VALVE	1							

Remarks

- * This figure is applicable to [(A)=F400001] or following machines. Please refer to Fig.25 before above-mentioned Engine Serial.
- (1)Interchangeable by simultaneous replacement with No.1-1 & 5-1.
- (2)W=No.2, 6 : 207.8mm, No.2-1, 6-1 : 196mm.
- (3)W=No.3, 7 : 198.1mm, No.3-1, 7-1 : 200mm.

Fig.26. FRONT WHEEL TIRE(R4)



(A)=SA221
(B)=SA324
(C)=SA424

(D)=
(E)=
(F)=

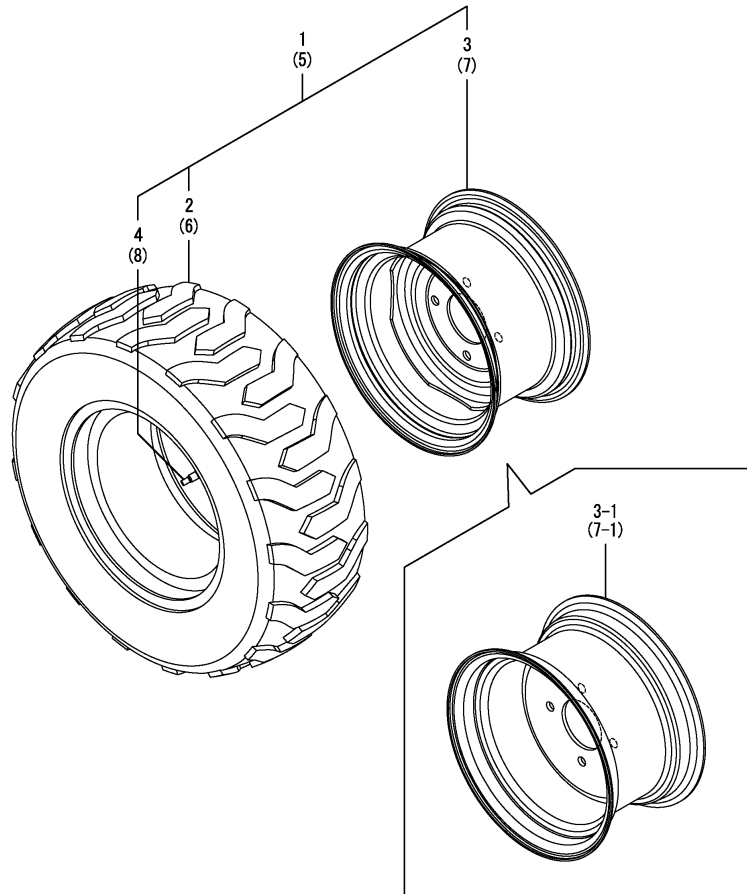
No.	Lev.	Parts No.	Description	Qty						I	R	
				(A)	(B)	(C)	(D)	(E)	(F)			
1	1	1A8320-14700	TIRE KIT, R4 FRONT L		1	1						
2	2	1A8320-14710	TIRE,23X8.5-12 R4		1	1						
3	2	1A8320-14720	WHEEL		1	1						
4	2	1A8320-14750	VALVE		1	1						
5	1	1A8320-14800	TIRE KIT, R4 FRONT R		1	1						
6	2	1A8320-14710	TIRE,23X8.5-12 R4		1	1						
7	2	1A8320-14720	WHEEL		1	1						
8	2	1A8320-14750	VALVE		1	1						

Remarks
* This figure is applicable to [(B)=F400002][[(C)=F400002] or previous machines.
Please refer to Fig.160 since above-mentioned Engine Serial.

Fig.160. (26A)FRONT WHEEL TIRE(R4)

(A)=SA221
(B)=SA324
(C)=SA424

(D)=
(E)=
(F)=



No.	Lev.	Parts No.	Description	Qty						I	R	
				(A)	(B)	(C)	(D)	(E)	(F)			
1	1	1A8320-14700-1	TIRE KIT, R4 FRONT L		1	1						
1-1	1	1A8321-14700 (B=F400257)	TIRE KIT, R4 FRONT L (C=F400150)		1	1					F	1
2	2	1A8320-14710	TIRE,23X8.5-12 R4		1	1						
2-1	2	1A8321-14710 (B=F400257)	TIRE,23X8.5-12 R4 (C=F400150)		1	1					S	2
3	2	1A8320-14720-1	WHEEL		1	1						
3-1	2	1A8321-14520 (B=F400257)	WHEEL, 12X7.0 (C=F400150)		1	1						S
4	2	1A8320-14750	VALVE		1	1						
5	1	1A8320-14800-1	TIRE KIT, R4 FRONT R		1	1						
5-1	1	1A8321-14800 (B=F400257)	TIRE KIT, R4 FRONT R (C=F400150)		1	1					F	1
6	2	1A8320-14710	TIRE,23X8.5-12 R4		1	1						
6-1	2	1A8321-14710 (B=F400257)	TIRE,23X8.5-12 R4 (C=F400150)		1	1					S	2
7	2	1A8320-14720-1	WHEEL		1	1						
7-1	2	1A8321-14520 (B=F400257)	WHEEL, 12X7.0 (C=F400150)		1	1						S
8	2	1A8320-14750	VALVE		1	1						

Remarks

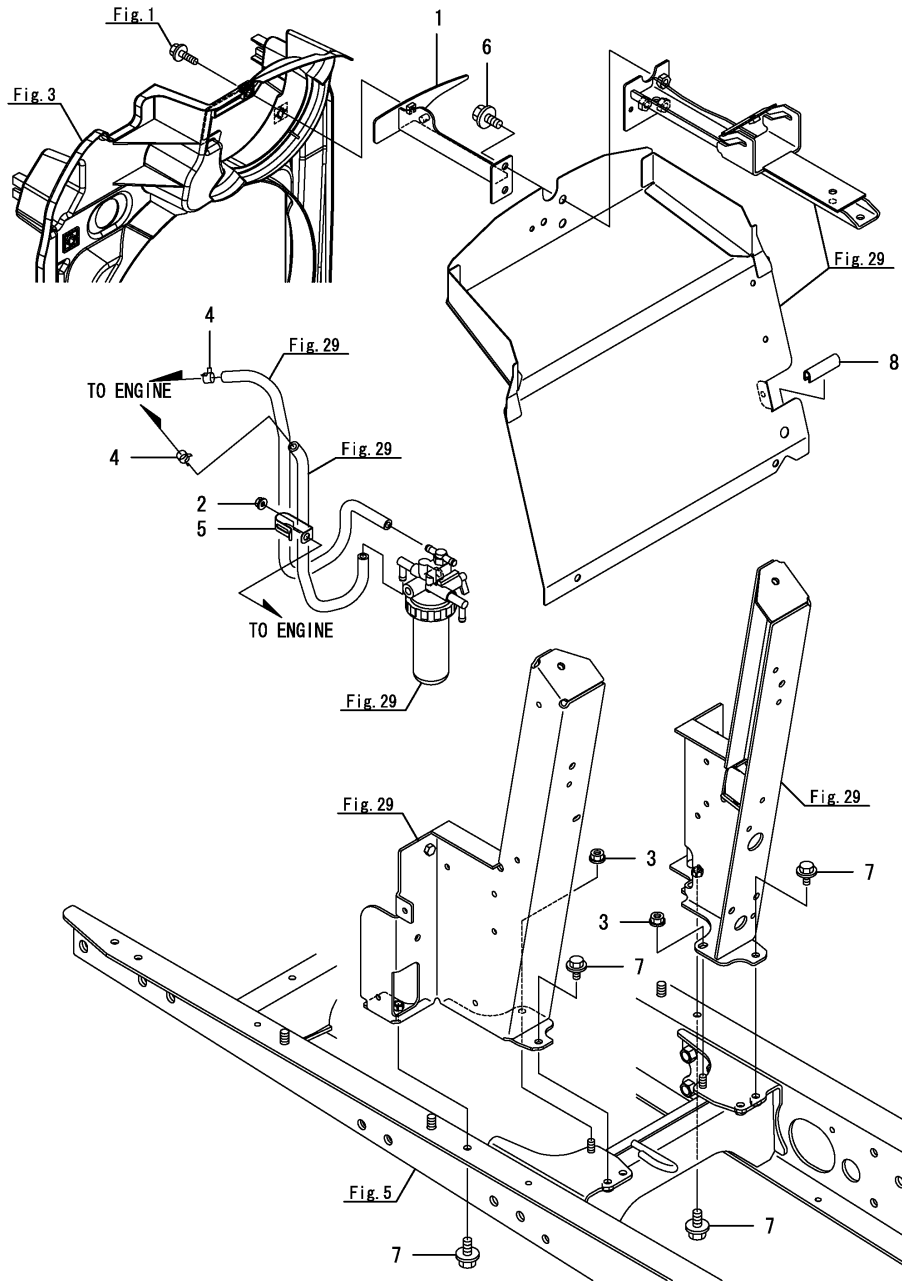
* This figure is applicable to [(B)=F400003][(C)=F400003] or following machines.

Please refer to Fig.26 before above-mentioned Engine Serial.

(1)Interchangeable by simultaneous replacement with No.1-1 & 5-1.

(2)No.2, 6 and the difference of 2-1, 6-1 refer to No.3, 3-1.

Fig.28. COLUMN(1)



(A)=SA221
(B)=SA324
(C)=SA424

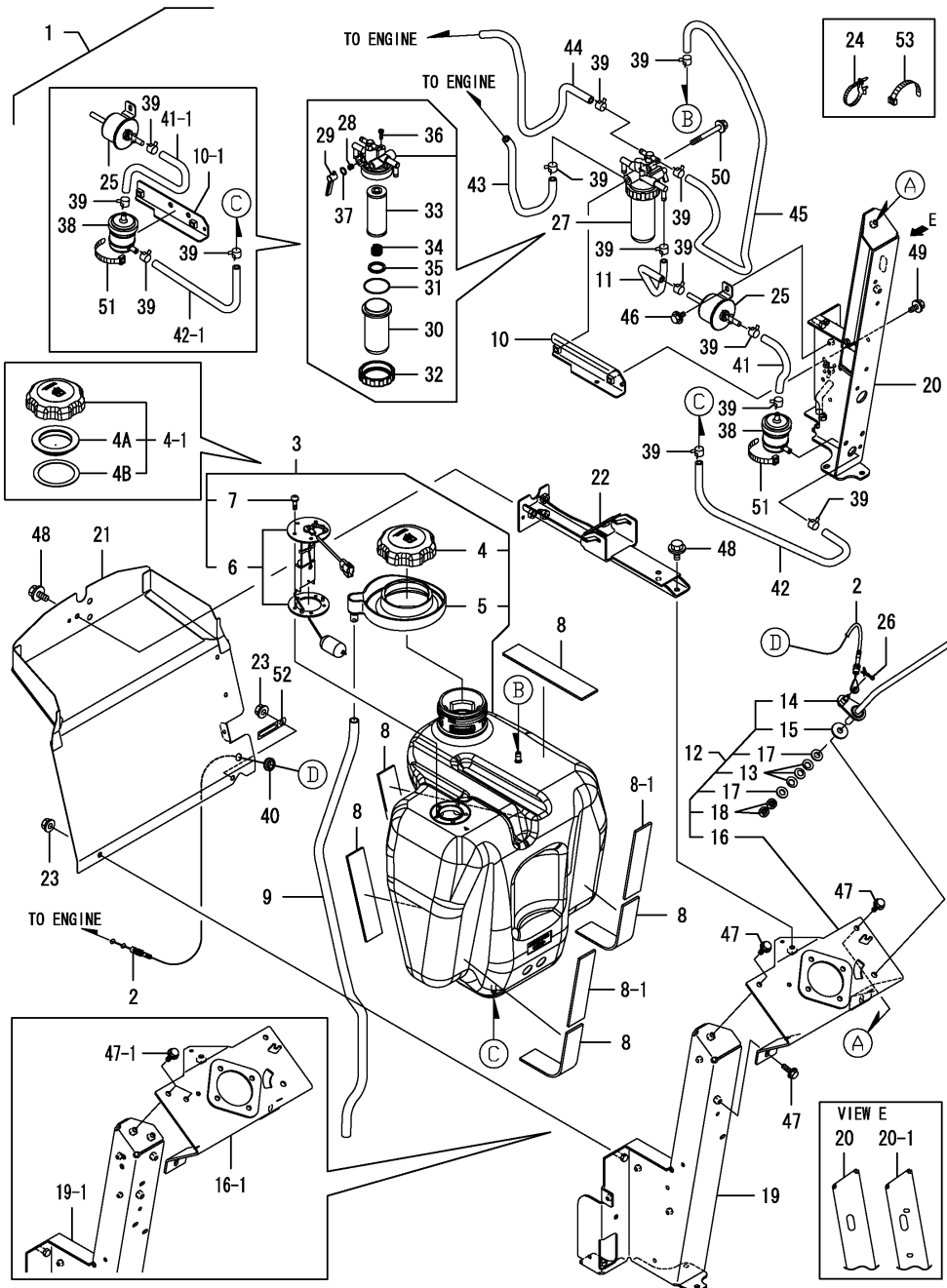
(D)=
(E)=
(F)=

No.	Lev.	Parts No.	Description	Q'ty						I	R
				(A)	(B)	(C)	(D)	(E)	(F)		
1	1	1A8330-01310	FRAME ASSY, CONECTING	1	1	1					
2	1	194990-22130	NUT, M6	1	1	1					
3	1	194990-22140	NUT, M8	2	2	2					
4	1	114270-59010	CLAMP, HOSE 12	2	2	2					
5	1	1E6102-83230	CLAMP, BATTERY CABLE	1	1	1					
6	1	26106-080162	BOLT, M8X 16 PLATED	2	2	2					
7	1	26106-080162	BOLT, M8X 16 PLATED	4	4	4					
8	1	195616-24930	TRIM	1	1	1					

Fig.29. COLUMN(2)

(A)=SA221
(B)=SA324
(C)=SA424

(D)=
(E)=
(F)=



No.	Lev.	Parts No.	Description	Q'ty						I	R
				(A)	(B)	(C)	(D)	(E)	(F)		
1	1	1A8330-15000	COLUMN UNIT	1	1	1					
1-1	1	1A8330-15001	COLUMN UNIT	1	1	1					N
		(A=F100660) (B=F100658) (C=F100659)									
1-2	1	1A8330-15002	COLUMN UNIT	1	1	1					N
		(A=F400438) (B=F400442) (C=F400442)									
1-3	1	1A8330-15003	COLUMN UNIT	1	1	1					N
		(A=F400568) (B=F400560) (C=F400560)									
2	2	1A8330-01150	CABLE ASSY, ACCEL	1	1	1					
3	2	1A8330-04001	TANK ASSY, W/GAUGE	1	1	1					
3-1	2	1A8330-04002	TANK ASSY,FO W/GAUGE	1	1	1					N
		(A=F100660) (B=F100658) (C=F100659)									
4	3	1A7870-04030	CAP ASSY, FILLER	1	1	1					
4-1	3	1A8400-04031	CAP ASSY,FILLER	1	1	1					N
		(A=F100692) (B=F100658) (C=F100659)									
4A	4	1C7200-02071	GASKET, FUEL CAP	1	1	1					W
		(A=F100692) (B=F100658) (C=F100659)									
4B	4	1C7200-02700	SPACER, 82X65X1	1	1	1					W
		(A=F100692) (B=F100658) (C=F100659)									
5	3	1A8330-04070	SUMP	1	1	1					
6	3	1A8330-56601	SENSOR ASSY, FUEL	1	1	1					
7	3	26022-050162	SCREW, M5X16	5	5	5					
8	2	1A8330-04050	RUBBER, CUSHION	5	5	5					
8-1	2	1A8330-04050	RUBBER, CUSHION	7	7	7					K
		(A=F000104) (B=F000134) (C=F000129)									
9	2	1A8330-04081	HOSE, DRAIN	1	1	1					
10	2	1A8330-04200	STAY ASSY, FUEL HOSE	1	1	1					
10-1	2	1A8330-04201	STAY ASSY, FUEL HOSE	1	1	1					N
		(A=F400568) (B=F400560) (C=F400560)									
11	2	1A8330-04610	HOSE, FUEL A	1	1	1					
12	2	1A8330-15101	BRACKET ASSY, COLUMN	1	1	1					
12-1	2	1A8330-15102	BRACKET ASSY, COLUMN	1	1	1					N
		(A=F400438) (B=F400442) (C=F400442)									
13	3	194740-00160	SPRING, 10	3	3	3					
14	3	1A8330-01110	LEVER ASSY, ACCEL	1	1	1					
15	3	198200-01260	PLATE, FRICTION	1	1	1					
16	3	1A8330-15111	BRACKET, COLUMN	1	1	1					
16-1	3	1A8330-15112	BRACKET, COLUMN	1	1	1					N
		(A=F400438) (B=F400442) (C=F400442)									
17	3	22137-100000	WASHER, 10	2	2	2					
18	3	26716-100002	NUT, M10	2	2	2					
19	2	1A8330-15190	COLUMN ASSY, M L	1	1	1					
19-1	2	1A8330-15191	M ASSY,COLUMN L	1	1	1					N
		(A=F400438) (B=F400442) (C=F400442)									
19-2	2	1A8330-15192	M ASSY,COLUMN L	1	1	1					N
		(A=F400962) (B=F400747) (C=F400747)									
20	2	1A8330-15251	FRAME ASSY, COLUMN R	1	1	1					
20-1	2	1A8330-15252	FRAME ASSY, COLUMN R	1	1	1					S
		(A=F100565) (B=F100235) (C=F100236)									
20-2	2	1A8330-15253	FRAME ASSY, COLUMN R	1	1	1					N
		(A=F100810) (B=F100812) (C=F100815)									
20-3	2	1A8330-15254	FRAME ASSY, COLUMN R	1	1	1					N

N:Old $\begin{matrix} \leftarrow \text{Yes} \\ \text{No} \end{matrix}$ New, Q:Old $\begin{matrix} \leftarrow \text{No} \\ \text{Yes} \end{matrix}$ New, R:Old $\begin{matrix} \leftarrow \text{Yes} \\ \text{No} \end{matrix}$ New, S:Old $\begin{matrix} \leftarrow \text{No} \\ \text{Yes} \end{matrix}$ New, W:Add, Z:Discontinued, F:Interchangeable by set, K:Q'ty Change
++ CONTINUE ++
Copyright (C) 2018 YANMAR GLOBAL CS CO., LTD. All Rights Reserved.

Fig.30. STEERING WHEEL

(A)=SA221
(B)=SA324
(C)=SA424

(D)=
(E)=
(F)=

No.	Lev.	Parts No.	Description	Q'ty						I	R
				(A)	(B)	(C)	(D)	(E)	(F)		
1	1	1A7880-15700	WHEEL, STEERING	1	1	1					
2	1	1A7880-15740	CAP, STEERING WHEEL	1	1	1					
3	1	22137-160000	WASHER, 16	1	1	1					

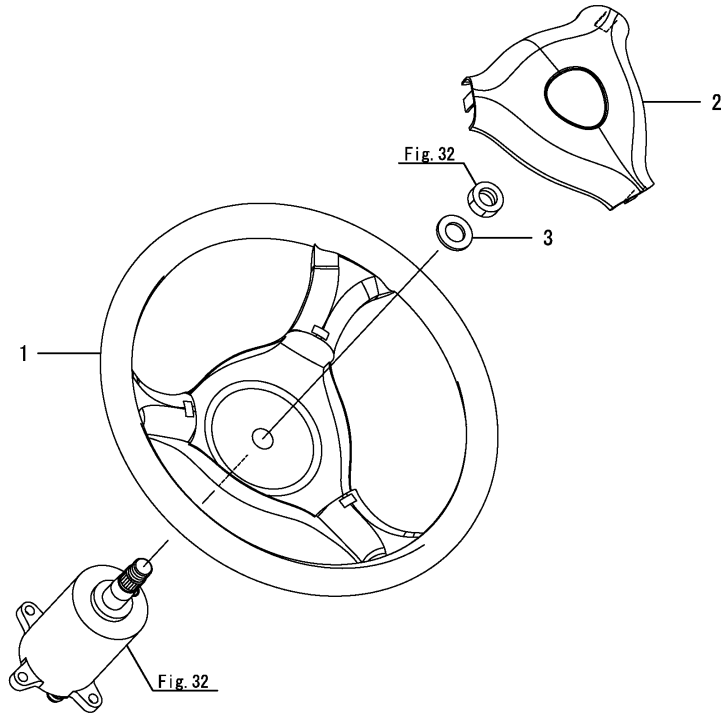
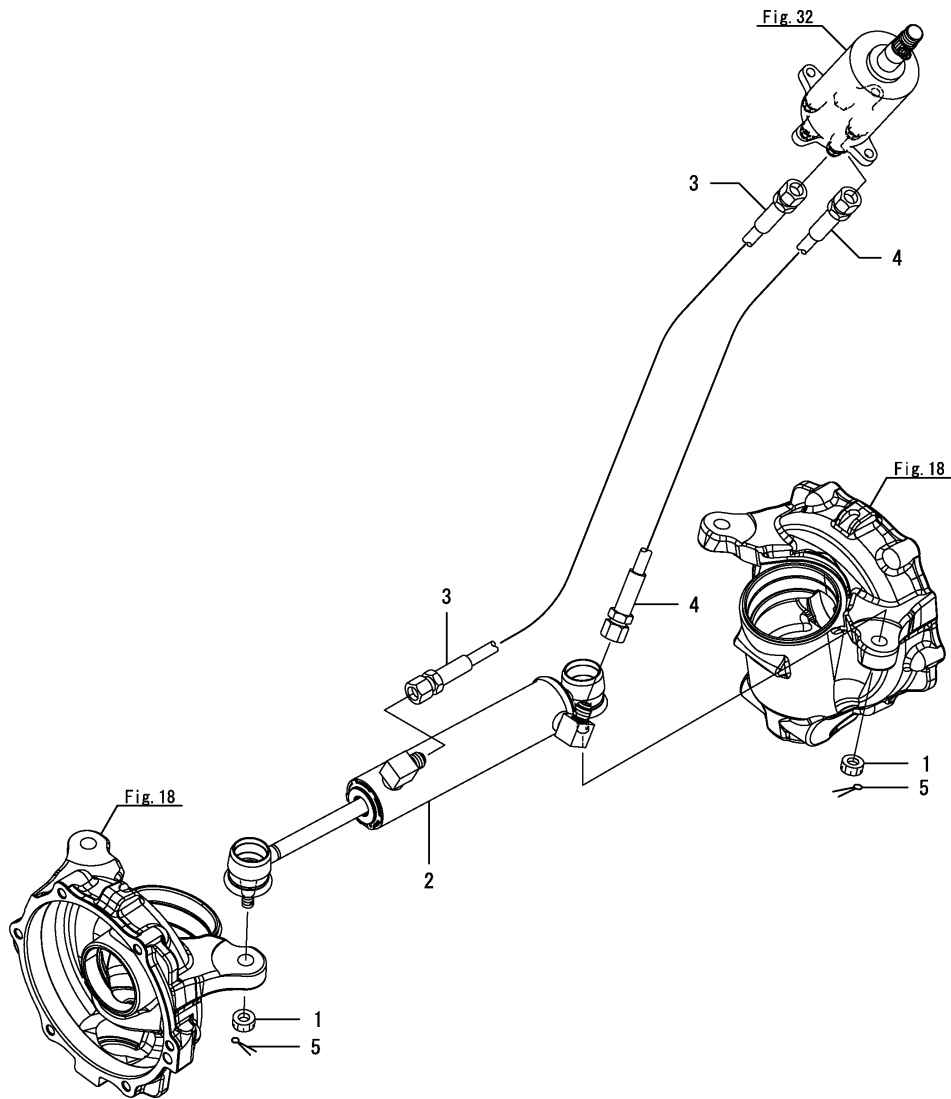


Fig.31. P.S.T. CYLINDER

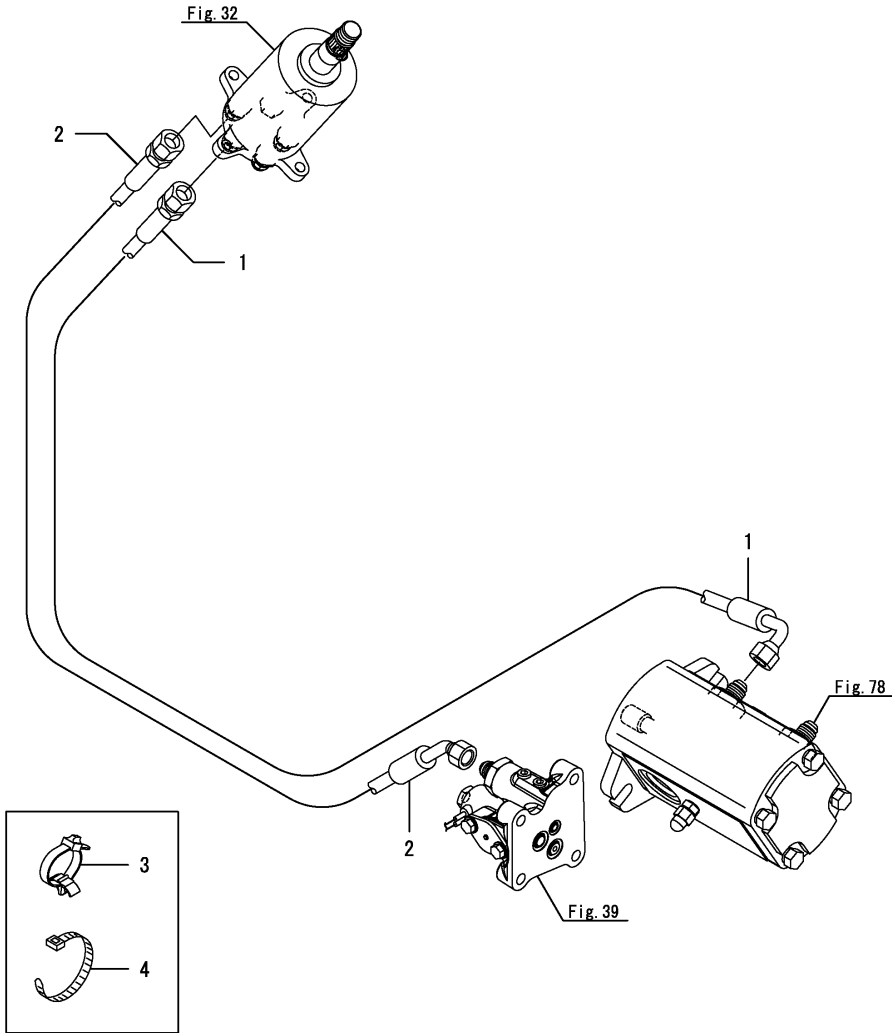
(A)=SA221
(B)=SA324
(C)=SA424

(D)=
(E)=
(F)=



No.	Lev.	Parts No.	Description	Qty						I	R
				(A)	(B)	(C)	(D)	(E)	(F)		
1	1	194215-12341	NUT, CASTLE M10	2	2	2					
2	1	1A8330-17570	CYLINDER, STEERING	1	1	1					
2-1	1	1A8330-17571	CYLINDER, STEERING	1	1	1					N
3	1	(A=F400142) 1A8330-17830	(B=F400137) (C=F400137) HOSE, STEERING L	1	1	1					
3-1	1	1A8330-17831	HOSE, PST L	1	1	1					N
4	1	(A=F400491) 1A8330-17840	(B=F400492) (C=F400492) HOSE, STEERING R	1	1	1					
4-1	1	1A8330-17841	HOSE, PST R	1	1	1					N
5	1	(A=F400491) 22417-250250	(B=F400492) (C=F400492) PIN, COTTER 2.5X25	2	2	2					

Fig.33. P.S.T. PIPE



(A)=SA221
(B)=SA324
(C)=SA424

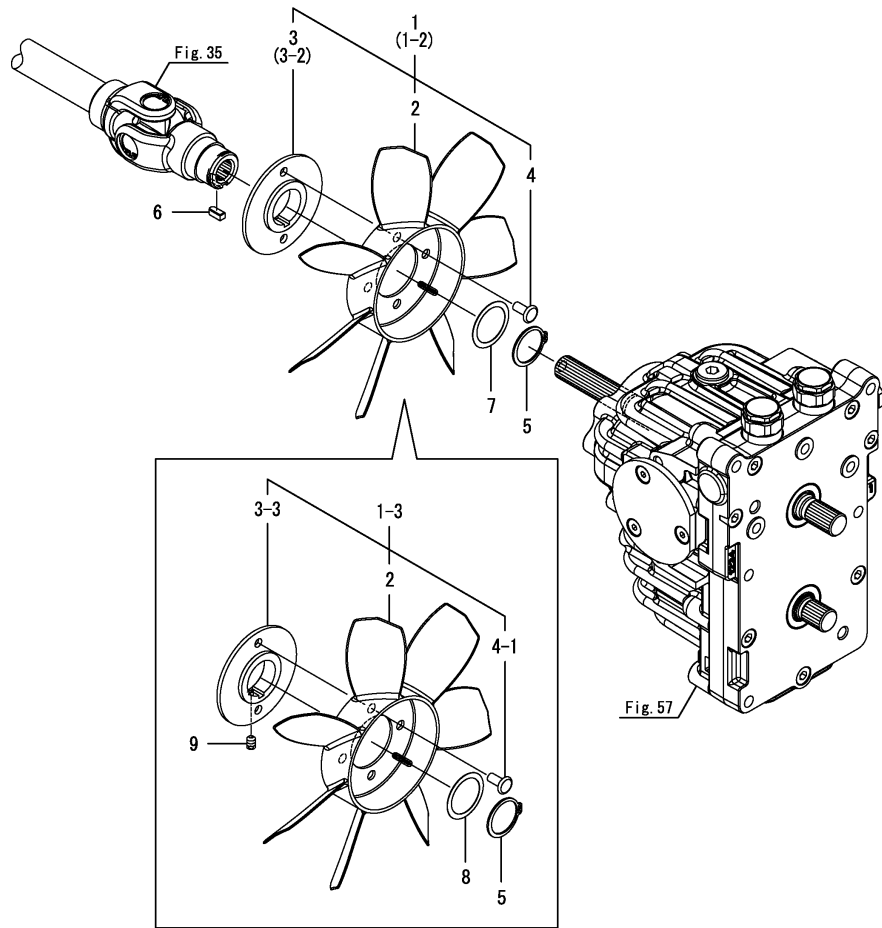
(D)=
(E)=
(F)=

No.	Lev.	Parts No.	Description	Qty						I	R
				(A)	(B)	(C)	(D)	(E)	(F)		
1	1	1A8330-17810	HOSE, STEERING P	1	1	1					
1-1	1	1A8330-17811	HOSE, PST P	1	1	1					N
		(A=F400453) (B=F400449) (C=F400449)									
2	1	1A8330-17820	HOSE, STEERING T	1	1	1					
2-1	1	1A8330-17821	HOSE, PST T	1	1	1					N
		(A=F400453) (B=F400449) (C=F400449)									
3	1	194680-51670	BAND, CLIP	7	7	7					
4	1	29622-250001	BAND, RF250	2	2	2					
4-1	1	29622-250001	BAND, RF250	3	3	3					K
		(A=F100568) (B=F100566) (C=F100573)									

Fig.34. COOLING FAN

(A)=SA221
(B)=SA324
(C)=SA424

(D)=
(E)=
(F)=



No.	Lev.	Parts No.	Description	Q'ty						I	R
				(A)	(B)	(C)	(D)	(E)	(F)		
1	1	1A8330-22100	FAN ASSY	1	1	1					
1-1	1	1A8330-22101	FAN ASSY	1	1	1					N
		(A=F400962) (B=F400863) (C=F400863)									
1-2	1	1A8330-22102	FAN ASSY	1	1	1					S 1
		(A=*2019.07) (B=*2019.07) (C=*2019.07)									
1-3	1	1A8330-22103	FAN ASSY	1	1	1					N
		(A=F402775) (B=F402778) (C=F403309)									
2	2	1A8330-22110	FAN	1	1	1					
3	2	1A8330-22120	BOSS ASSY	1	1	1					
3-1	2	1A8330-22121	BOSS ASSY	1	1	1					N
		(A=F400962) (B=F400863) (C=F400863)									
3-2	2	1A8330-22122	BOSS ASSY	1	1	1					S
		(A=*2019.07) (B=*2019.07) (C=*2019.07)									
3-3	2	1A8330-22123	BOSS ASSY	1	1	1					N
		(A=F402775) (B=F402778) (C=F403309)									
4	2	1A8330-22160	RIVET, FLAT	2	2	2					
4-1	2	22645-600120	RIVET, 6.0X12	2	2	2					R
		(A=F101740) (B=F102294) (C=F101672)									
5	1	22242-000260	RING, 26	1	1	1					
6	1	22550-050121	KEY, 5X 12	1	1	1					
7	1	1A8330-22180	SHIM, 27.2X35X0.3	1	1	1					W
		(A=F402151) (B=F402528) (C=F402512)									
7-1	1	1A8330-22180	SHIM, 27.2X35X0.3	1	1	1					Z 1
		(A=*2019.07) (B=*2019.07) (C=*2019.07)									
8	1	1A8330-22180	SHIM, 27.2X35X0.3	1	1	1					W
		(A=F402775) (B=F402778) (C=F403309)									
9	1	26979-040062	SCREW, M4X 6	1	1	1					W
		(A=F402775) (B=F402778) (C=F403309)									

Remarks

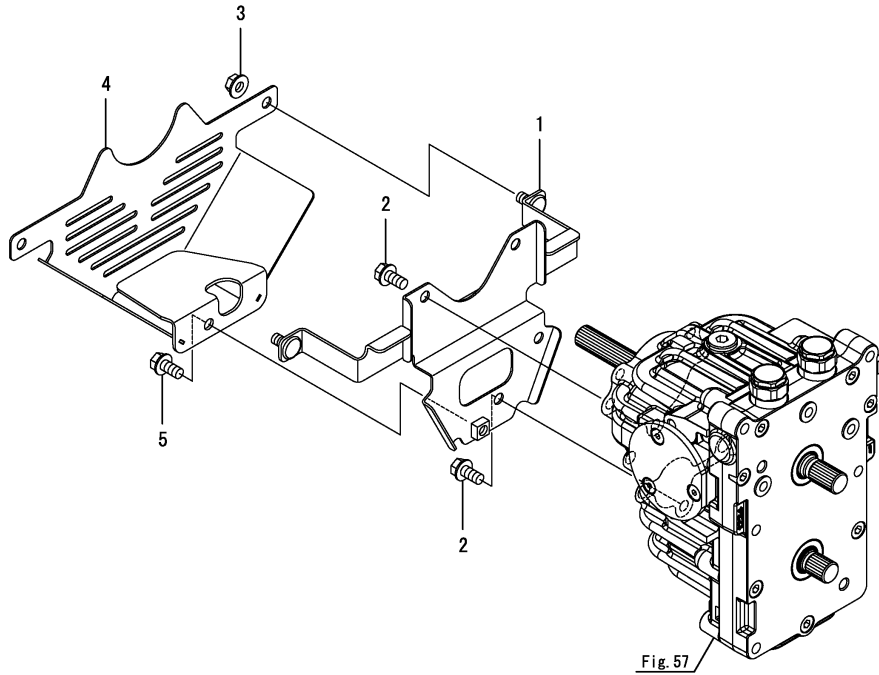
(1)It is compatibility by exchanging No.1-2 and removal of No.7-1 at the same time.

Fig.167. H.S.T. FAN GUARD

(A)=SA221
(B)=SA324
(C)=SA424

(D)=
(E)=
(F)=

No.	Lev.	Parts No.	Description	Qty						I	R
				(A)	(B)	(C)	(D)	(E)	(F)		
1	1	1A8330-22200	STAY ASSY, COVER	1	1	1					
2	1	26106-080162	BOLT, M8X 16 PLATED	3	3	3					
3	1	194990-22140	NUT, M8	2	2	2					
4	1	1A8330-22230	COVER ASSY, FAN	1	1	1					
5	1	26106-080162	BOLT, M8X 16 PLATED	1	1	1					



Remarks

* This figure is applicable to [(A)=F400001][(B)=F400003][(C)=F400003] or following machines.

Fig.35. DRIVE SHAFT

(A)=SA221
(B)=SA324
(C)=SA424

(D)=
(E)=
(F)=

No.	Lev.	Parts No.	Description	Qty						I	R
				(A)	(B)	(C)	(D)	(E)	(F)		
1	1	1A8330-21100	SHAFT ASSY, DRIVE	1	1	1					
1-1	1	1A8330-21101	SHAFT ASSY, DRIVE	1	1	1					N
		(A=F000512) (B=F000145) (C=F000964)									
2	1	26106-080252	BOLT, M8X 25 PLATED	3	3	3					

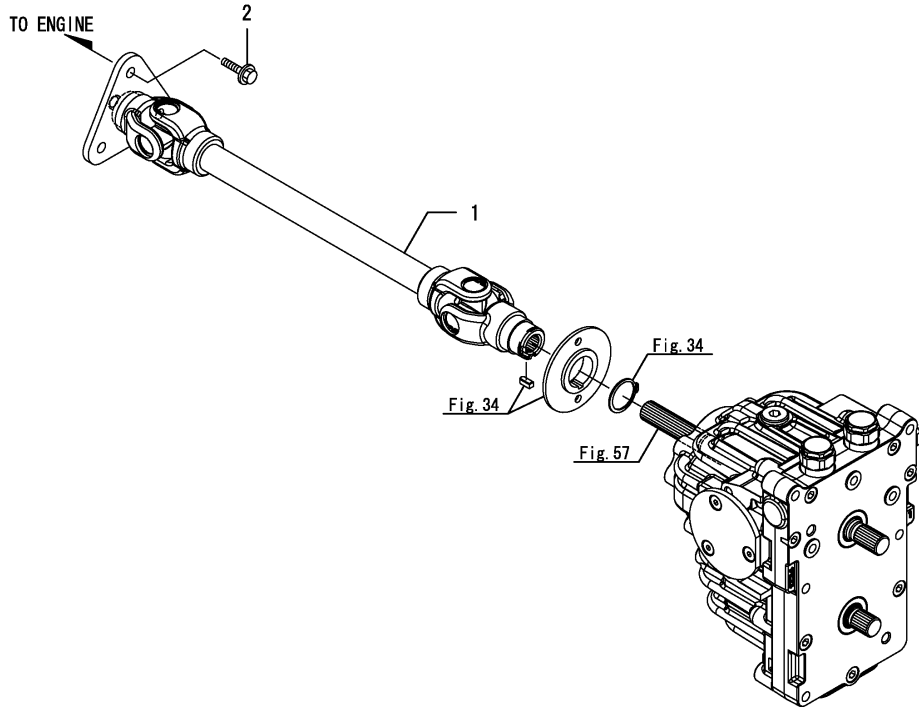
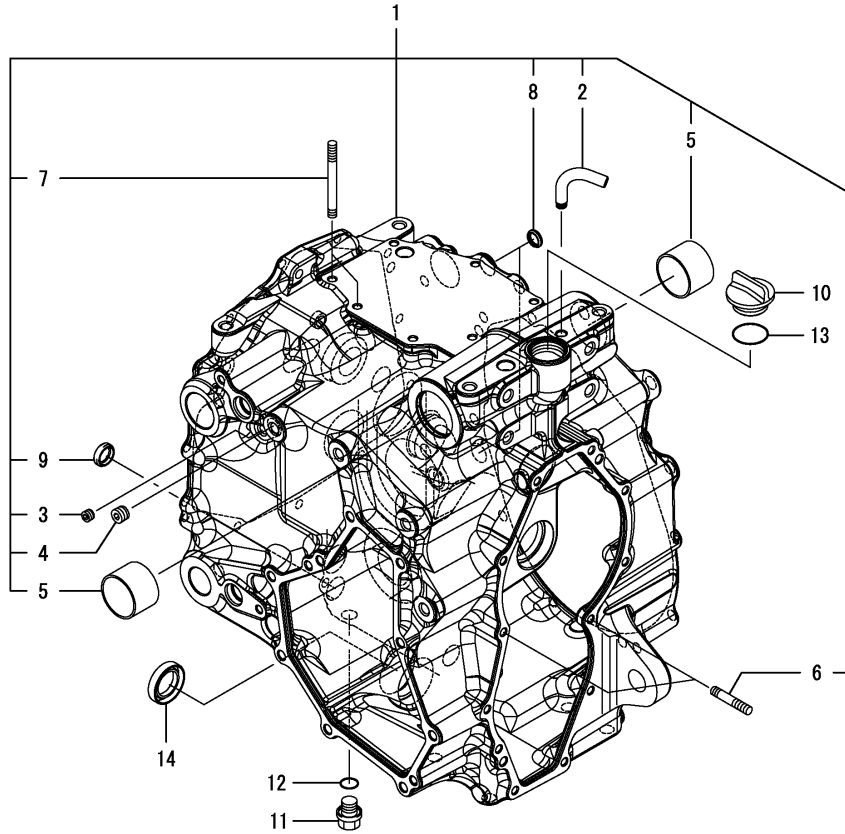


Fig.36. TRANSMISSION CASE



(A)=SA221
(B)=SA324
(C)=SA424

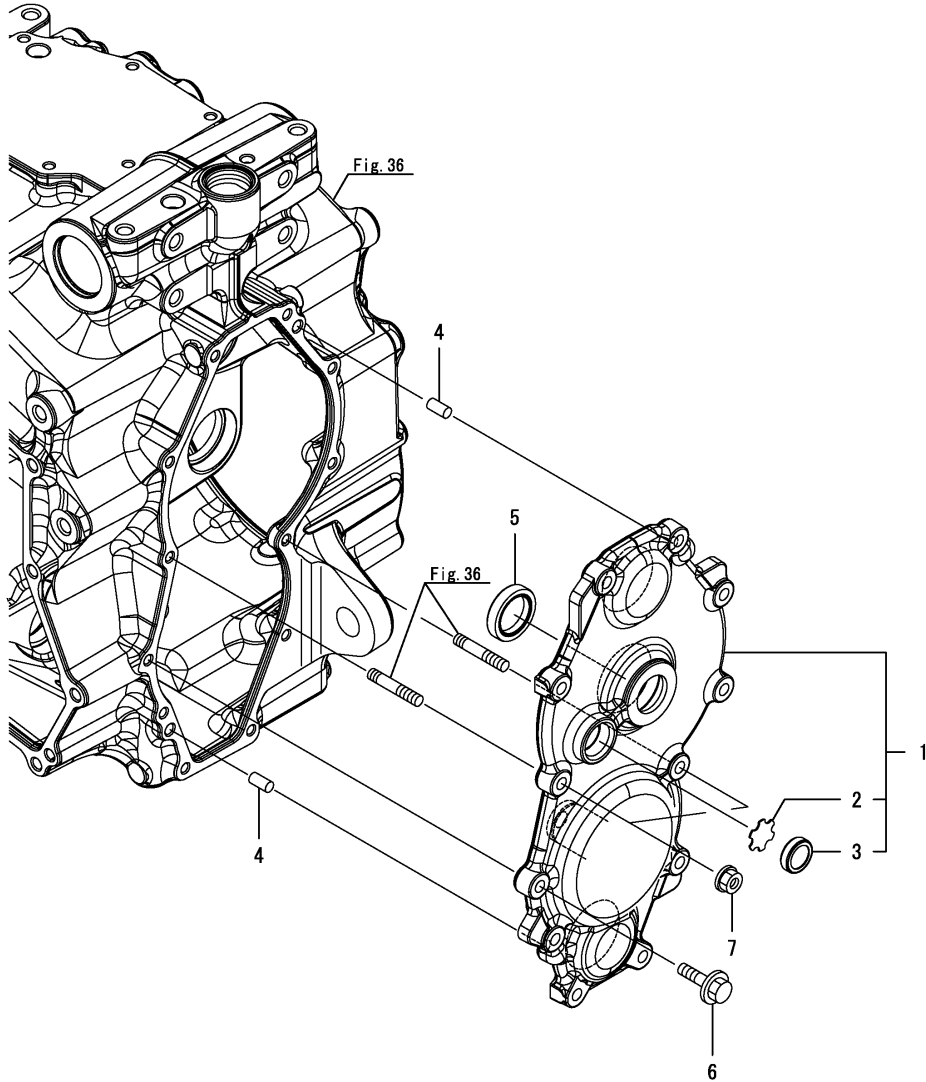
(D)=
(E)=
(F)=

No.	Lev.	Parts No.	Description	Q'ty						I	R
				(A)	(B)	(C)	(D)	(E)	(F)		
1	1	1A8330-24100	HOUSING ASSY,MISSION	1	1	1					
2	2	194205-42280	PIPE, AIR BREATHER	1	1	1					
3	2	23871-010000	PLUG, R01	1	1	1					
4	2	23871-020000	PLUG, R02	1	1	1					
5	2	24550-040300	BUSH, 40X30	2	2	2					
6	2	26216-080352	STUD, M8X 35	2	2	2					
7	2	26216-080702	STUD, M8X 70	2	2	2					
8	2	27260-170000	PLUG, 17	2	2	2					
9	2	27260-220000	PLUG, 22	1	1	1					
10	1	1A7870-24910	CAP, OIL	1	1	1					
11	1	23491-140002	PLUG, 14	1	1	1					
12	1	24311-000160	O-RING, 1AP16.0	1	1	1					
13	1	24351-240300	O-RING, 1A24030	1	1	1					
14	1	24421-254008	SEAL, OIL TC254008	1	1	1					

Fig.37. REAR COVER

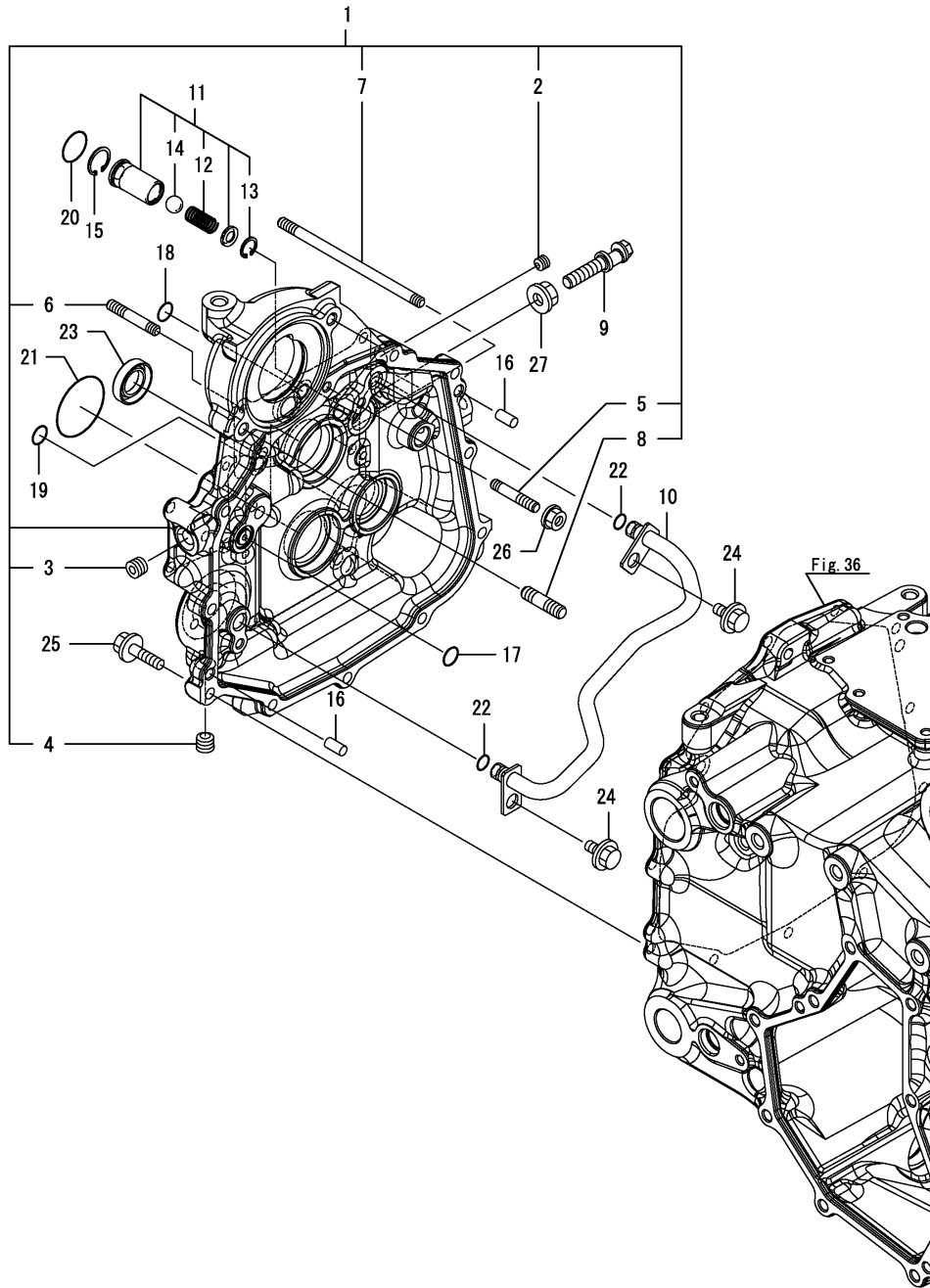
(A)=SA221
(B)=SA324
(C)=SA424

(D)=
(E)=
(F)=



No.	Lev.	Parts No.	Description	Q'ty						I	R
				(A)	(B)	(C)	(D)	(E)	(F)		
1	1	1A8330-24200	COVER ASSY, REAR	1	1	1					
2	2	198071-24350	PLATE, WINDOW	1	1	1					
3	2	1A1040-28470	WINDOW, OIL CHECK 25	1	1	1					
4	1	22312-080140	PIN, PARALLEL M8X14	2	2	2					
5	1	24421-284008	SEAL, OIL TC284008	1	1	1					
6	1	26106-080302	BOLT, M8X 30 PLATED	10	10	10					
7	1	26366-080002	NUT, M8	2	2	2					

Fig.38. CENTER PLATE



(A)=SA221
(B)=SA324
(C)=SA424

(D)=
(E)=
(F)=

No.	Lev.	Parts No.	Description	Qty						I	R
				(A)	(B)	(C)	(D)	(E)	(F)		
1	1	1A8330-24300	HOUSING ASSY, CENTER	1	1	1					
2	2	23871-010000	PLUG, R01	1	1	1					
3	2	23871-020000	PLUG, R02	1	1	1					
4	2	23871-020000	PLUG, R02	1	1	1					
5	2	26216-080352	STUD, M8X 35	1	1	1					
6	2	26216-080402	STUD, M8X 40	1	1	1					
7	2	26216-081402	STUD, M8X140	1	1	1					
8	2	26216-100252	STUD, M10X 25	2	2	2					
9	1	1A8330-24340	FULCRUM, 10	1	1	1					
10	1	1A8330-24350	PIPE ASSY, HST	1	1	1					
11	1	1A8330-24380	HOLDER ASSY, RELIEF	1	1	1					
12	2	1A8275-48050	SPRING, CHECK	1	1	1					
13	2	22252-000160	RING, 16	1	1	1					
14	2	24190-160001	BALL, STEEL 1/2	1	1	1					
15	1	22252-000220	RING, 22	1	1	1					
16	1	22312-080140	PIN, PARALLEL M8X14	2	2	2					
17	1	24311-000150	O-RING, 1AP15.0	1	1	1					
18	1	24311-000150	O-RING, 1AP15.0	1	1	1					
19	1	24311-000150	O-RING, 1AP15.0	1	1	1					
20	1	24321-000250	O-RING, 1AG25.0	1	1	1					
21	1	24321-000500	O-RING, 1AG50.0	2	2	2					
22	1	24341-000100	O-RING, 1AS10.0	2	2	2					
23	1	24421-203508	SEAL, OIL TC203508	1	1	1					
24	1	26106-080162	BOLT, M8X 16 PLATED	2	2	2					
25	1	26106-080302	BOLT, M8X 30 PLATED	11	11	11					
26	1	26366-080002	NUT, M8	1	1	1					
27	1	26366-100002	NUT, M10	1	1	1					

Fig.39. MAIN VALVE

(A)=SA221
(B)=SA324
(C)=SA424

(D)=
(E)=
(F)=

No.	Lev.	Parts No.	Description	Qty						I	R
				(A)	(B)	(C)	(D)	(E)	(F)		
1	1	1A8330-24400	VALVE KIT	1	1	1					
2	2	1A8330-24500	CASE ASSY, VALVE	1	1	1					
3	3	168HQ0-87730	FILTER, COIN	2	2	2					
4	3	23871-010000	PLUG, R01	2	2	2					
5	2	1A8330-24530	SPRING, RELIEF	1	1	1					
6	2	1A8330-24540	PLATE, RELIEF VALVE	1	1	1					
7	2	1A7882-47210	JOINT ASSY	1	1	1					
8	3	1A7882-47220	JOINT, 3/4UNF9/16UNF	1	1	1					
9	3	1A7882-47230	O-RING, 8-1	1	1	1					
10	2	24311-000160	O-RING, 1AP16.0	1	1	1					
11	2	26106-060122	BOLT, M6X 12 PLATED	2	2	2					
12	1	192157-26600	SHIM, WASHER	1	1	1					
13	1	1A6770-26600	SOLENOID ASSY	1	1	1					
14	1	192157-26641	SPRING, SOLENOID	1	1	1					
15	1	24311-000090	O-RING, 1AP9.0	1	1	1					
16	1	24311-000125	O-RING, 1AP12.5	2	2	2					
17	1	26106-080302	BOLT, M8X 30 PLATED	4	4	4					

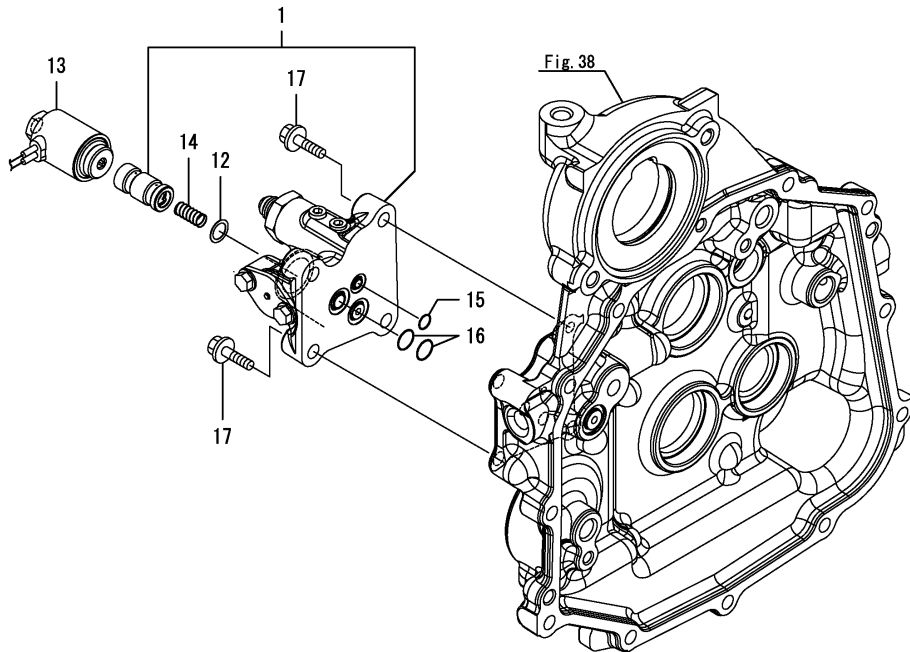
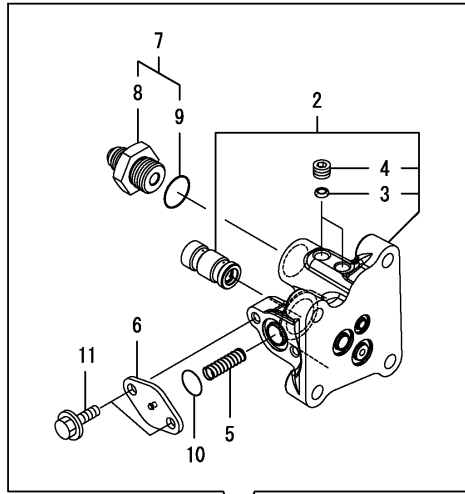
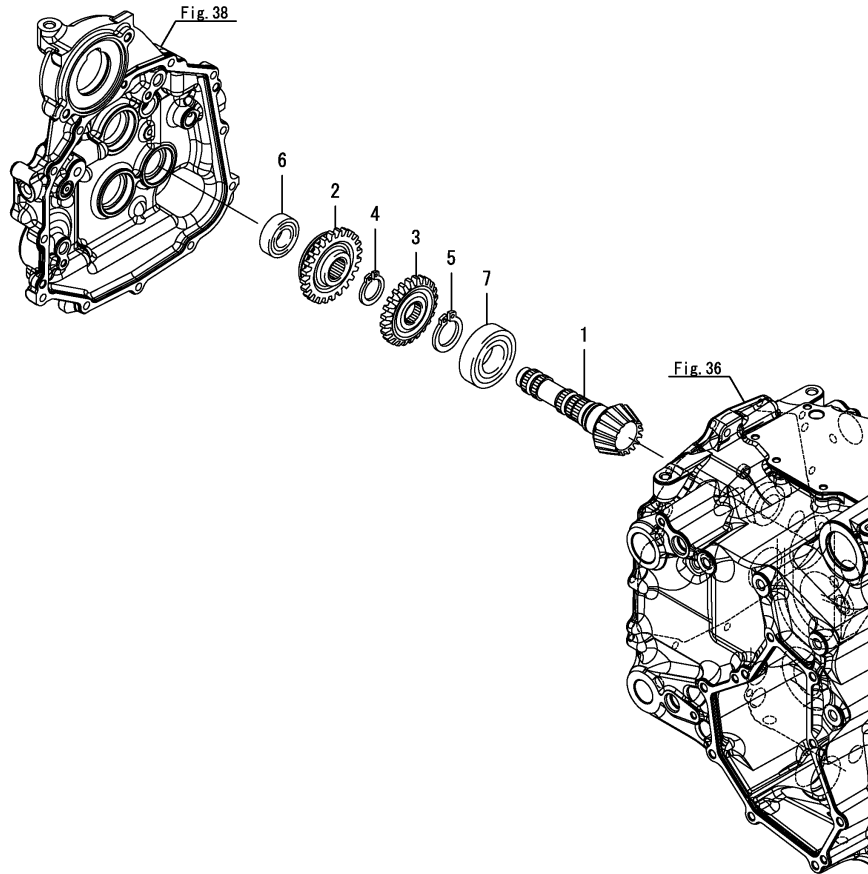


Fig.40. COUNTER SHAFT

(A)=SA221
(B)=SA324
(C)=SA424

(D)=
(E)=
(F)=

No.	Lev.	Parts No.	Description	Q'ty						I	R
				(A)	(B)	(C)	(D)	(E)	(F)		
1	1	1A8330-25910	SHAFT,COUNTER	1							
1-1	1	1A8330-25570 (A=F000892)	SHAFT,COUNTER	1						S	1
2	1	1A8330-25520	GEAR, COUNTER	1							
3	1	1A8330-25530	GEAR,DRIVE FRONT	1							
4	1	22242-000250	RING, 25	1							
5	1	22242-000300	RING, 30	1							
6	1	24101-060044	BEARING, BALL 6004	1							
7	1	24101-062064	BEARING, BALL 6206	1							



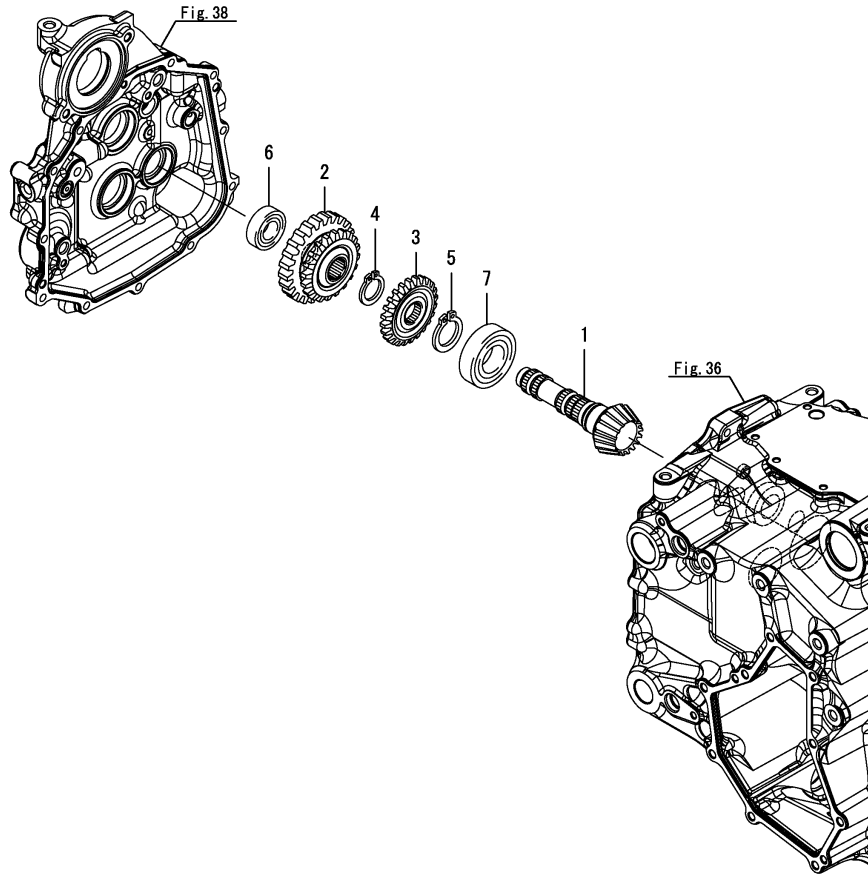
Remarks

(1)Interchangeable by simultaneous replacement with No.1-1 & Fig.63 No.1-1.

Fig.41. COUNTER SHAFT

(A)=SA221
(B)=SA324
(C)=SA424

(D)=
(E)=
(F)=



No.	Lev.	Parts No.	Description	Q'ty						I	R	
				(A)	(B)	(C)	(D)	(E)	(F)			
1	1	1A8330-25910	SHAFT,COUNTER		1	1						
1-1	1	1A8330-25570 (B=F000890) (C=F000881)	SHAFT,COUNTER		1	1					S	1
2	1	1A8320-25520	GEAR, SLIDE		1	1						
3	1	1A8330-25530	GEAR,DRIVE FRONT		1	1						
4	1	22242-000250	RING, 25		1	1						
5	1	22242-000300	RING, 30		1	1						
6	1	24101-060044	BEARING, BALL 6004		1	1						
7	1	24101-062064	BEARING, BALL 6206		1	1						

Remarks

(1)Interchangeable by simultaneous replacement with No.1-1 & Fig.63 No.1-1.

Fig.42. REDUCTION SHAFT

(A)=SA221
(B)=SA324
(C)=SA424

(D)=
(E)=
(F)=

No.	Lev.	Parts No.	Description	Q'ty						I	R
				(A)	(B)	(C)	(D)	(E)	(F)		
1	1	1A8330-25710	GEAR, DRIVE	1							
2	1	24101-060054	BEARING, BALL 6005	2							

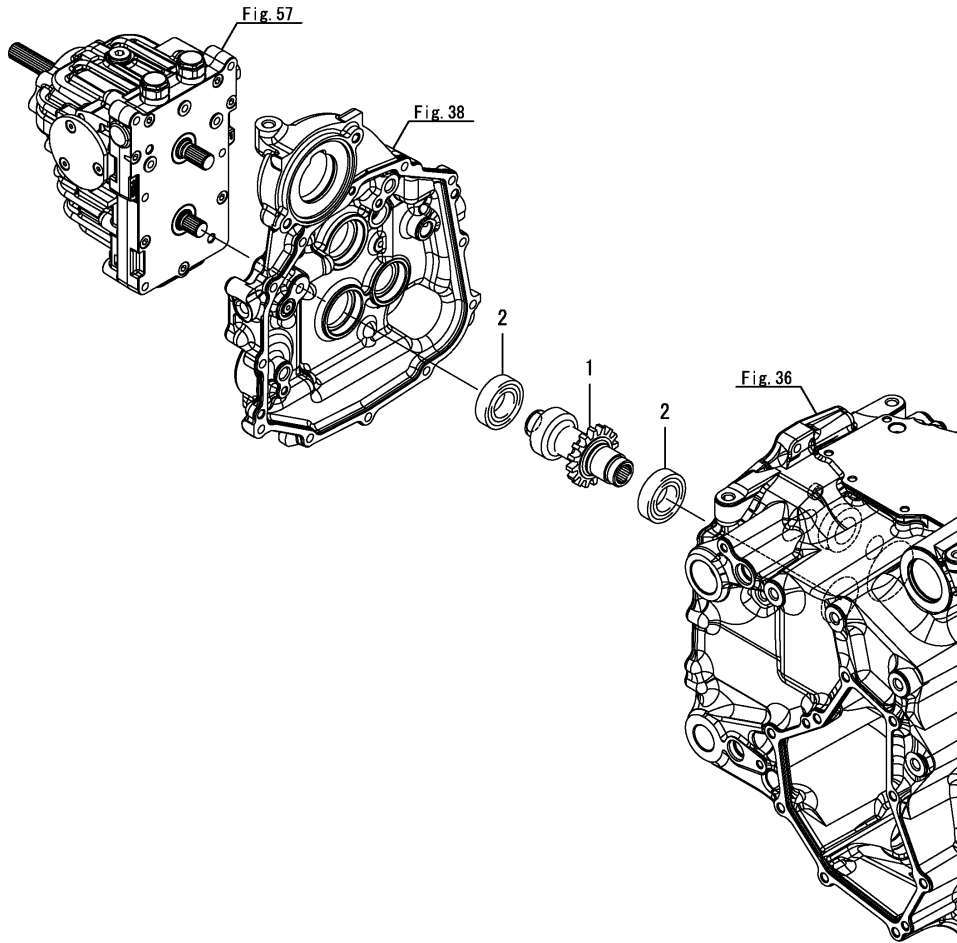


Fig.43. REDUCTION SHAFT

(A)=SA221
(B)=SA324
(C)=SA424

(D)=
(E)=
(F)=

No.	Lev.	Parts No.	Description	Qty						I	R	
				(A)	(B)	(C)	(D)	(E)	(F)			
1	1	1A8320-25710	GEAR, DRIVE		1	1						
2	1	24101-060054	BEARING, BALL 6005		2	2						

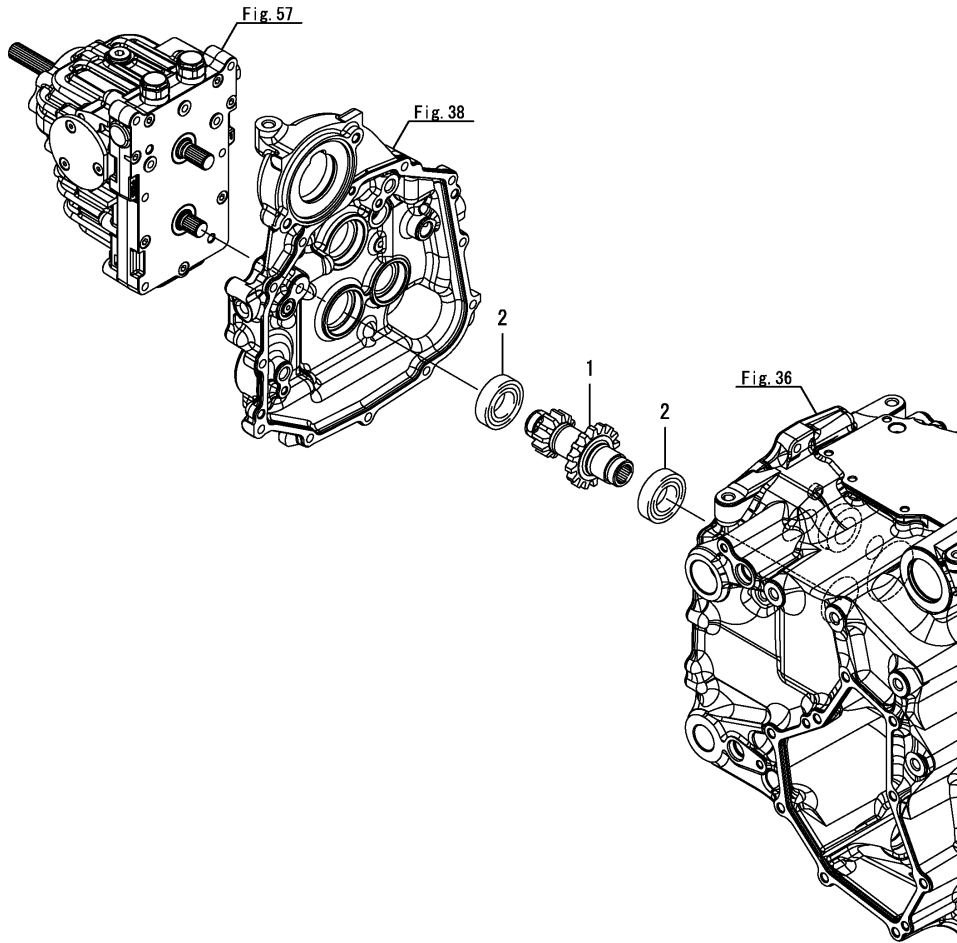


Fig.44. P.T.O. DRIVE GEAR

(A)=SA221
(B)=SA324
(C)=SA424

(D)=
(E)=
(F)=

No.	Lev.	Parts No.	Description	Q'ty						I	R
				(A)	(B)	(C)	(D)	(E)	(F)		
1	1	1A8330-26010	GEAR, DRIVE	1	1	1					
2	1	24101-060054	BEARING, BALL 6005	2	2	2					

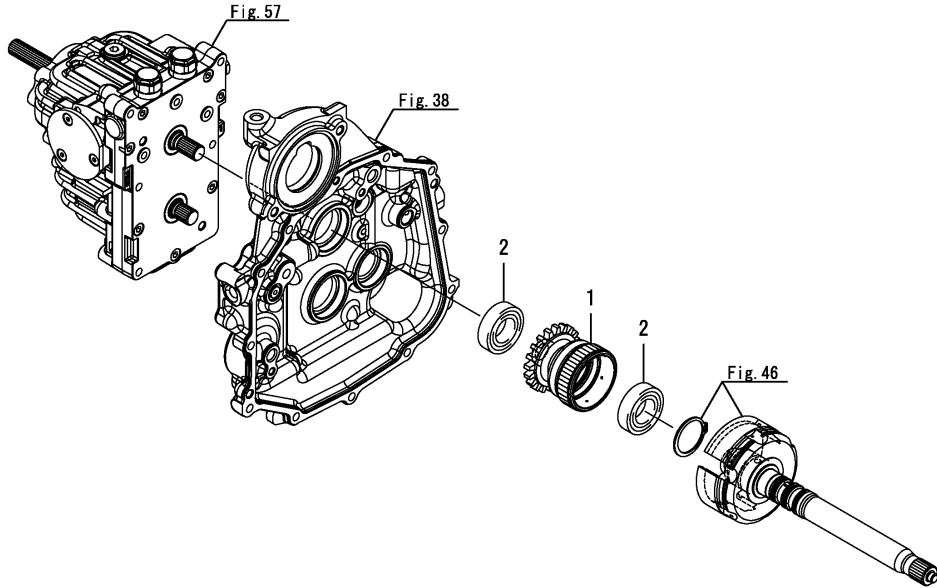


Fig.45. P.T.O. DRIVE SHAFT

(A)=SA221
(B)=SA324
(C)=SA424

(D)=
(E)=
(F)=

No.	Lev.	Parts No.	Description	Q'ty						I	R
				(A)	(B)	(C)	(D)	(E)	(F)		
1	1	1A8330-26110	GEAR, DRIVE PTO	1	1	1					
2	1	1A8330-26120	COUPLING	1	1	1					
3	1	22252-000180	RING, 18	1	1	1					
4	1	24101-062044	BEARING, BALL 6204	2	2	2					

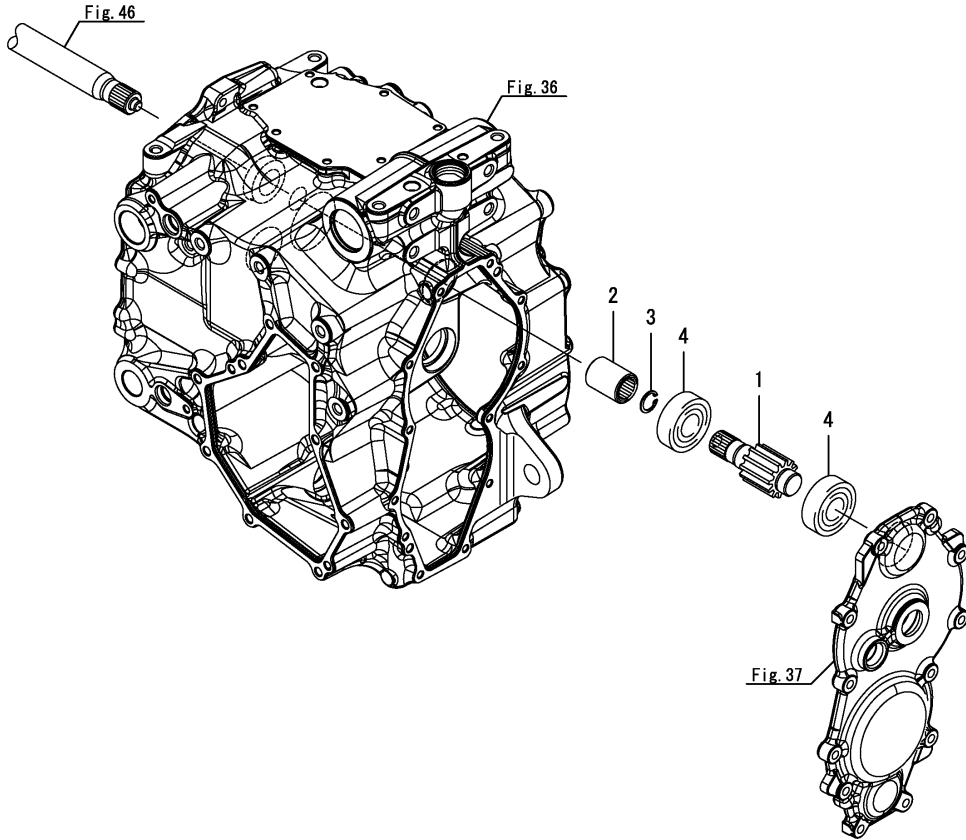
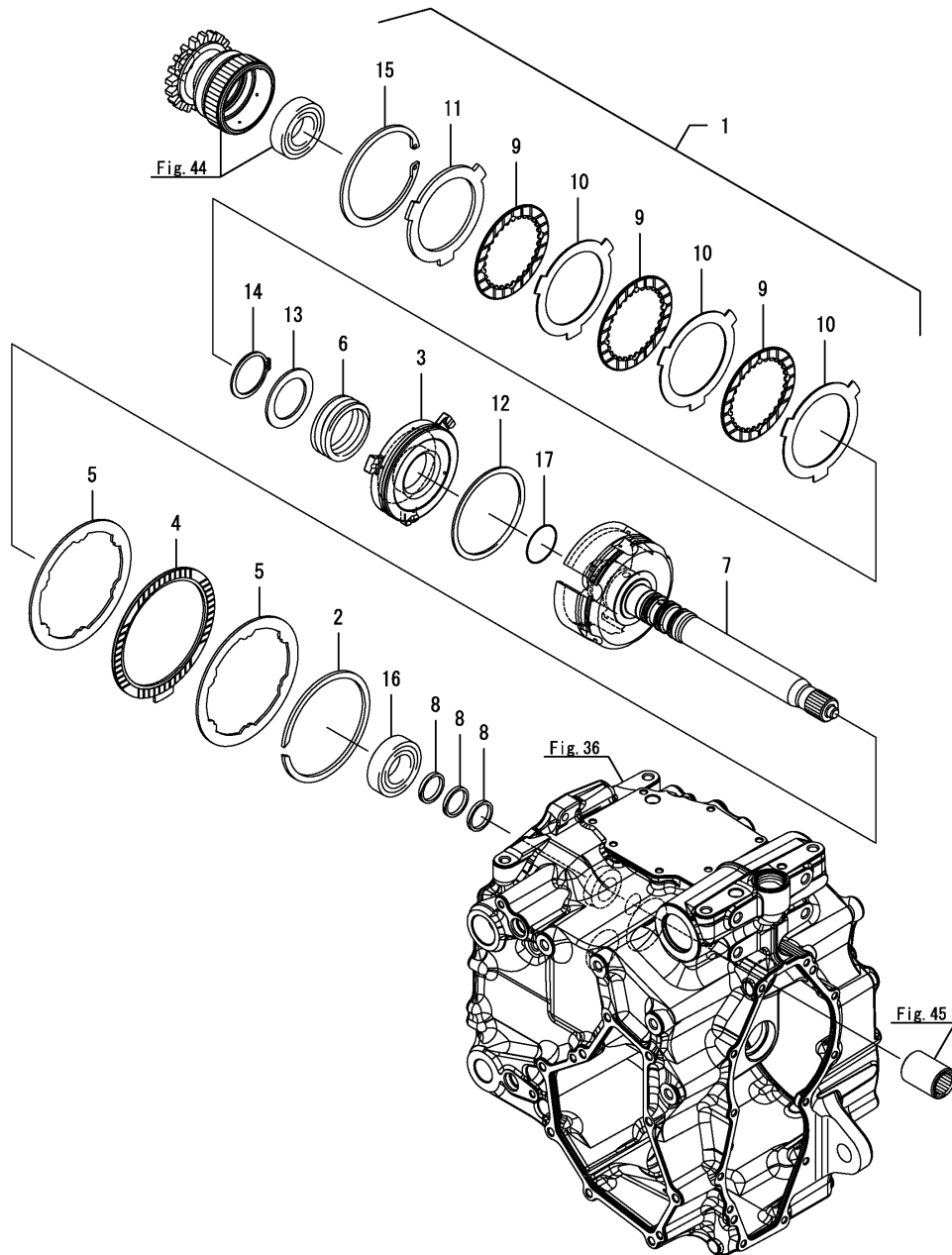


Fig.46. P.T.O. CLUTCH SHAFT



(A)=SA221
(B)=SA324
(C)=SA424

(D)=
(E)=
(F)=

No.	Lev.	Parts No.	Description	Qty						I	R
				(A)	(B)	(C)	(D)	(E)	(F)		
1	1	1A8330-26200	CLUTCH ASSY, PTO	1	1	1					
1-1	1	1A8330-26201	CLUTCH ASSY, PTO	1	1	1					R
		(A=F000947) (B=F000945) (C=F000944)									
2	2	1A8330-26190	RING, CLUTCH	1	1	1					
3	2	1A8330-26210	PISTON, CLUTCH	1	1	1					
3-1	2	1A8330-26211	PISTON, CLUTCH	1	1	1					S
		(A=F000947) (B=F000945) (C=F000944)									
4	2	1A8330-26220	BRAKE, DISK PTO	1	1	1					
5	2	1A8330-26230	PLATE, BRAKE	2	2	2					
6	2	1A8330-26240	SPRING, CLUTCH	1	1	1					
7	2	1A8330-26250	SHAFT KIT, CLUTCH	1	1	1					
7-1	2	1A8330-26251	SHAFT KIT, CLUTCH	1	1	1					S
		(A=F000947) (B=F000945) (C=F000944)									
8	2	1A8330-26290	RING, SEAL	3	3	3					
9	2	1A7540-26620	PLATE, FRICTION 80	3	3	3					
10	2	1A7540-26630	PLATE, STEEL 1.2	3	3	3					
11	2	1A7540-26640	PLATE, STEEL 3.18	1	1	1					
12	2	1A7540-26670	D-RING,69.5X4.5XT1.8	1	1	1					
13	2	1A8275-26790	COLLAR	1	1	1					
14	2	22242-100350	RING, 35	1	1	1					
15	2	22252-000820	RING, 82	1	1	1					
16	2	24101-060054	BEARING, BALL 6005	1	1	1					
17	2	24341-000320	O-RING, 1AS32.0	1	1	1					

Fig.47. P.T.O. SHAFT

(A)=SA221
(B)=SA324
(C)=SA424

(D)=
(E)=
(F)=

No.	Lev.	Parts No.	Description	Qty						I	R
				(A)	(B)	(C)	(D)	(E)	(F)		
1	1	1A8330-26310	SHAFT, R-PTO	1	1	1					
2	1	1A8330-26320	GEAR, DRIVEN R-PTO	1	1	1					
3	1	22242-000250	RING, 25	1	1	1					
4	1	24101-062044	BEARING, BALL 6204	1	1	1					
5	1	24101-062054	BEARING, BALL 6205	1	1	1					

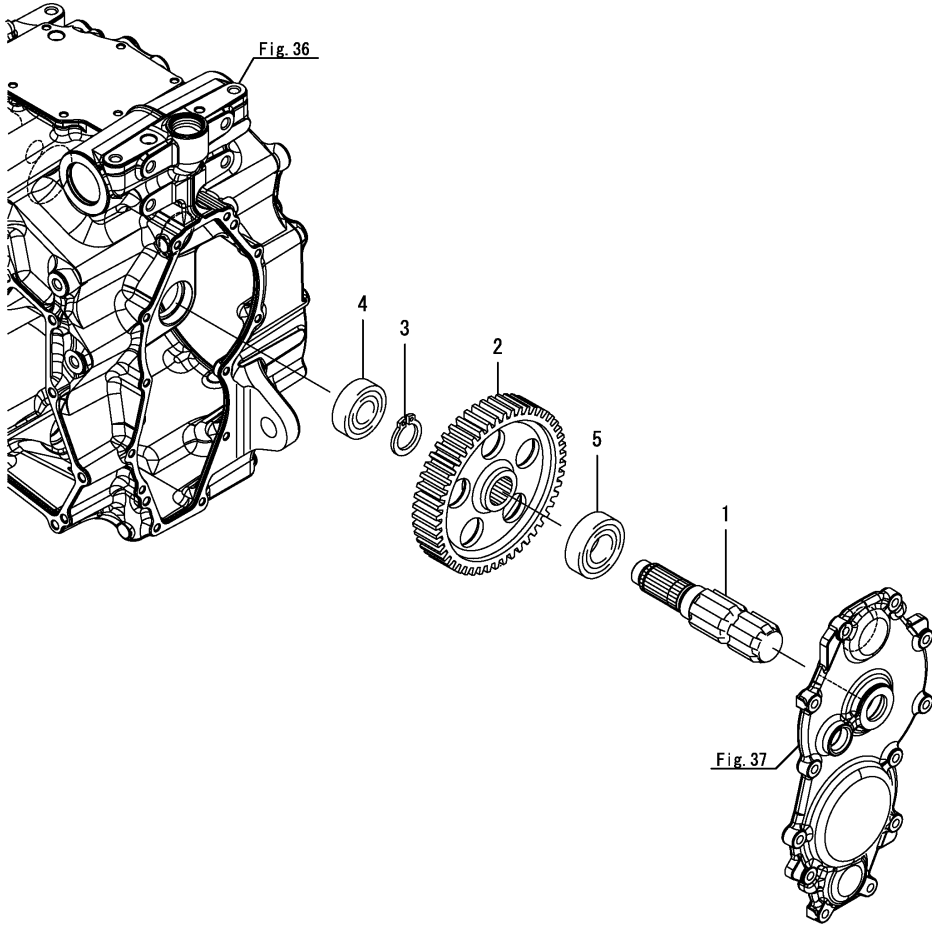


Fig.48. PUMP SHAFT

(A)=SA221
(B)=SA324
(C)=SA424

(D)=
(E)=
(F)=

No.	Lev.	Parts No.	Description	Qty						I	R
				(A)	(B)	(C)	(D)	(E)	(F)		
1	1	1A8330-26410	SHAFT, PUMP	1	1	1					
2	1	1A8330-26420	GEAR, DRIVEN PUMP	1	1	1					
3	1	1A8330-26430	GEAR, DRIVE PUMP	1	1	1					
4	1	1A8330-26440	SHAFT, IDLE	1	1	1					
5	1	194150-27870	WASHER, 16X26X2	1	1	1					
6	1	22252-000420	RING, 42	2	2	2					
7	1	22252-000520	RING, 52	1	1	1					
8	1	22312-080140	PIN, PARALLEL M8X14	1	1	1					
9	1	24101-060044	BEARING, BALL 6004	1	1	1					
10	1	24101-060054	BEARING, BALL 6005	1	1	1					
11	1	24101-062054	BEARING, BALL 6205	1	1	1					

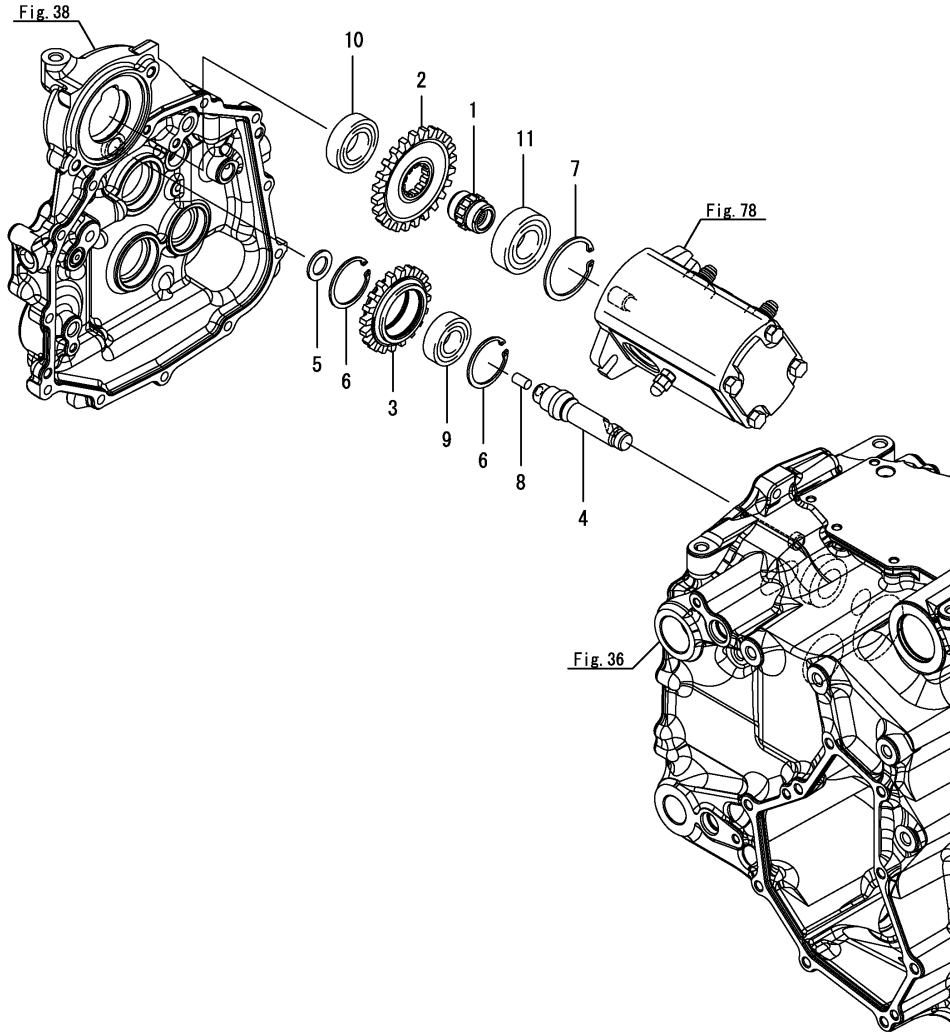
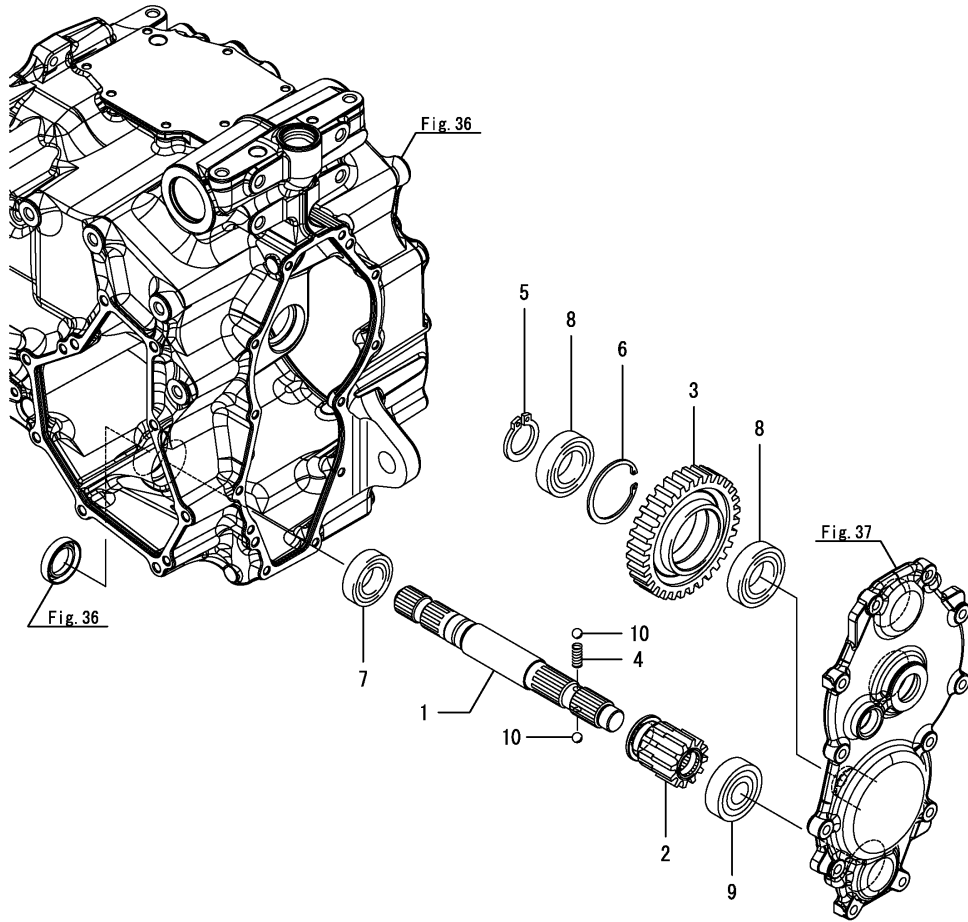


Fig.49. MID P.T.O. SHAFT

(A)=SA221
(B)=SA324
(C)=SA424

(D)=
(E)=
(F)=

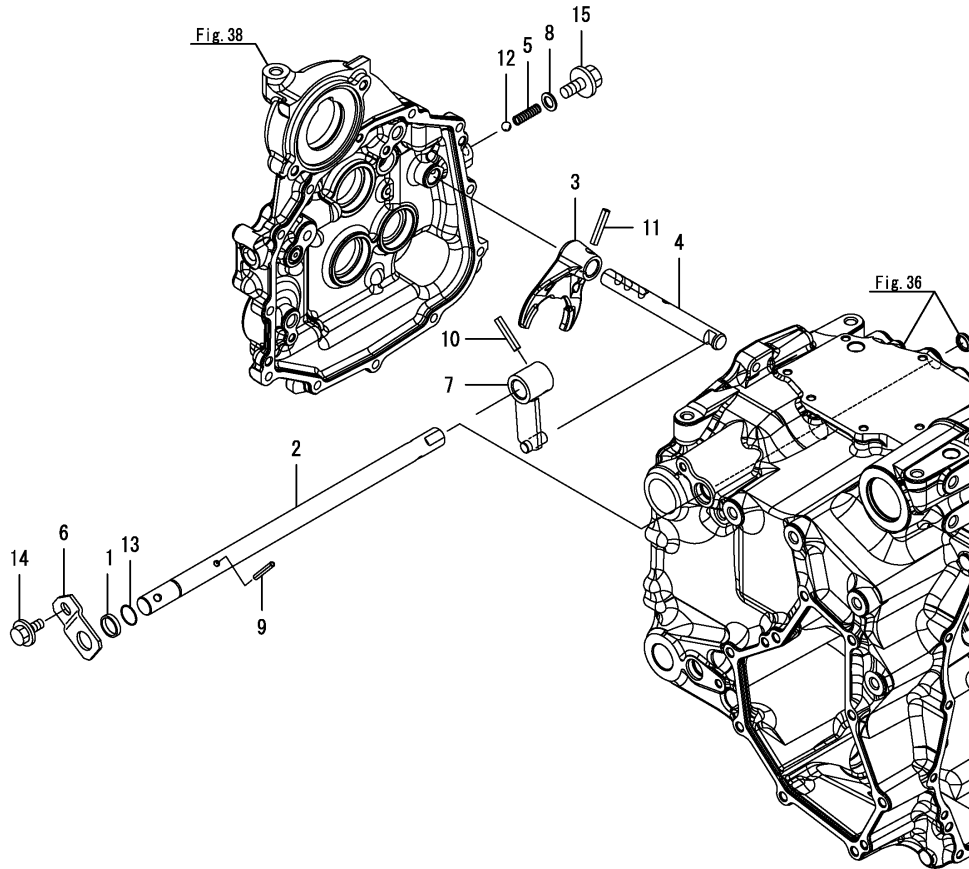


No.	Lev.	Parts No.	Description	Qty						I	R
				(A)	(B)	(C)	(D)	(E)	(F)		
1	1	1A8330-26510	SHAFT, M-PTO	1	1	1					
2	1	1A8330-26520	GEAR, SLIDE M-PTO	1	1	1					
3	1	1A8330-26530	GEAR, DRIVE M-PTO	1	1	1					
4	1	1A8330-26540	SPRING, DETENT	1	1	1					
5	1	22242-000300	RING, 30	1	1	1					
6	1	22252-000550	RING, 55	1	1	1					
7	1	24101-060054	BEARING, BALL 6005	1	1	1					
8	1	24101-060064	BEARING, BALL 6006	2	2	2					
9	1	24101-063044	BEARING, BALL 6304	1	1	1					
10	1	24190-080001	BALL, STEEL 1/4	2	2	2					

Fig.50. SUB SHIFT

(A)=SA221
(B)=SA324
(C)=SA424

(D)=
(E)=
(F)=

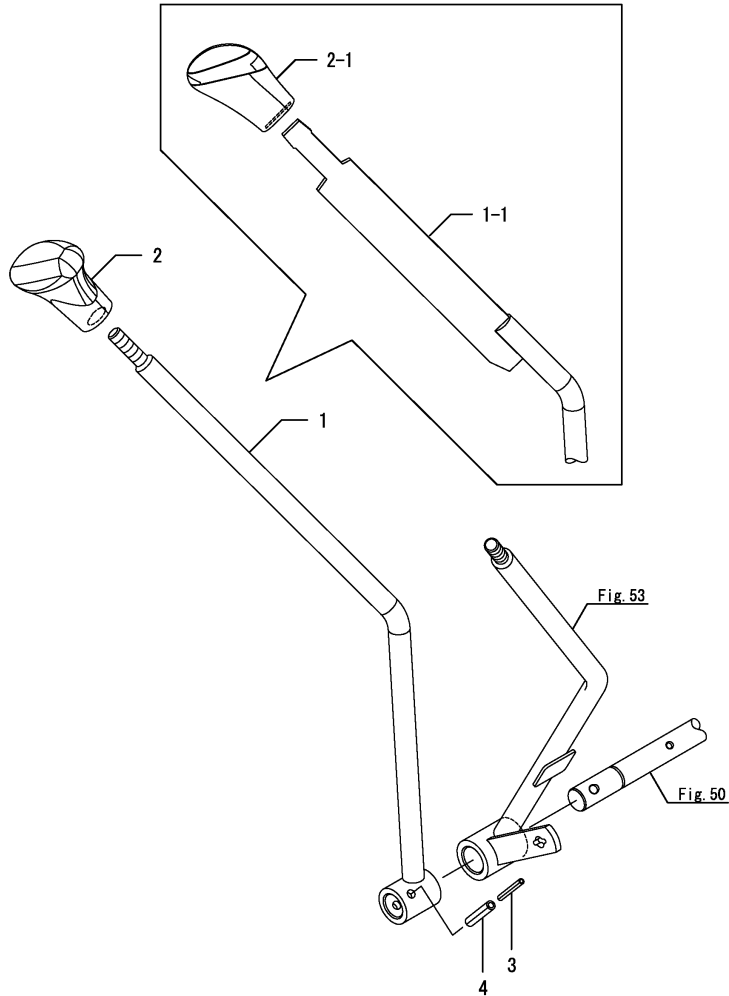


No.	Lev.	Parts No.	Description	Q'ty						I	R
				(A)	(B)	(C)	(D)	(E)	(F)		
1	1	198119-27150	COLLAR, SHIFT ARM A	1	1	1					
2	1	1A8320-27410	SHAFT, SHIFT	1	1	1					
3	1	1A8320-27420	FORK, SUB CHANGE	1	1	1					
4	1	1A8320-27430	SHAFT, FORK	1	1	1					
5	1	194145-27450	SPRING, FORK LOCK	1	1	1					
6	1	1A8330-27490	PLATE, KEEP	1	1	1					
7	1	1A8330-27750	ARM ASSY, SHIFTER	1	1	1					
8	1	22190-100000	WASHER, SEAL 10	1	1	1					
9	1	22351-040032	PIN, SPRING 4.0X32	1	1	1					
10	1	22351-060032	PIN, SPRING 6.0X32	1	1	1					
11	1	22351-060032	PIN, SPRING 6.0X32	1	1	1					
12	1	24190-100001	BALL, STEEL 5/16	1	1	1					
13	1	24311-000160	O-RING, 1AP16.0	1	1	1					
14	1	26106-080162	BOLT, M8X 16 PLATED	1	1	1					
15	1	26106-100162	BOLT, M10X 16 PLATED	1	1	1					

Fig.51. SUB SHIFT LEVER

(A)=SA221
(B)=SA324
(C)=SA424

(D)=
(E)=
(F)=



No.	Lev.	Parts No.	Description	Q'ty						I	R	
				(A)	(B)	(C)	(D)	(E)	(F)			
1	1	1A8330-27500	LEVER ASSY, CHANGE		1	1						
1-1	1	1A8330-27501 (B=F100002)	LEVER ASSY, RANGE (C=F100003)		1	1					S	1
2	1	1A8330-27910	KNOB, SHIFT		1	1						
2-1	1	1A8060-67780 (B=F100002)	KNOB, ORANGE (C=F100003)		1	1					S	1
3	1	22351-035032	PIN, SPRING 3.5X32		1	1						
4	1	22351-060032	PIN, SPRING 6.0X32		1	1						

Remarks

(1)Interchangeable by simultaneous replacement with No.1-1 & 2-1.

Fig.52. P.T.O. SHIFT

(A)=SA221
(B)=SA324
(C)=SA424

(D)=
(E)=
(F)=

No.	Lev.	Parts No.	Description	Q'ty						I	R
				(A)	(B)	(C)	(D)	(E)	(F)		
1	1	198119-27150	COLLAR, SHIFT ARM A	1	1	1					
2	1	1A8330-27490	PLATE, KEEP	1	1	1					
3	1	1A8330-27700	ARM ASSY, SHIFT PTO	1	1	1					
4	1	1A8330-27750	ARM ASSY, SHIFTER	1	1	1					
5	1	22351-040032	PIN, SPRING 4.0X32	1	1	1					
6	1	22351-060032	PIN, SPRING 6.0X32	1	1	1					
7	1	24311-000160	O-RING, 1AP16.0	1	1	1					
8	1	26106-080162	BOLT, M8X 16 PLATED	1	1	1					

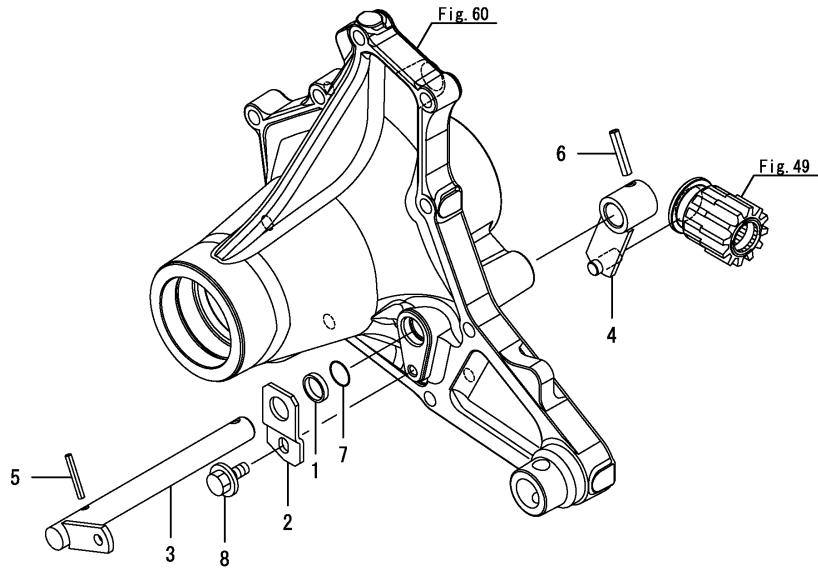


Fig.54. FRONT DRIVE

(A)=SA221
(B)=SA324
(C)=SA424

(D)=
(E)=
(F)=

No.	Lev.	Parts No.	Description	Qty						I	R
				(A)	(B)	(C)	(D)	(E)	(F)		
1	1	1A8330-26540	SPRING, DETENT	1	1	1					
2	1	1A8330-28110	SHAFT, FRONT	1	1	1					
3	1	1A8330-28120	GEAR, SLIDE FRONT	1	1	1					
4	1	24101-060044	BEARING, BALL 6004	2	2	2					
5	1	24190-080001	BALL, STEEL 1/4	2	2	2					

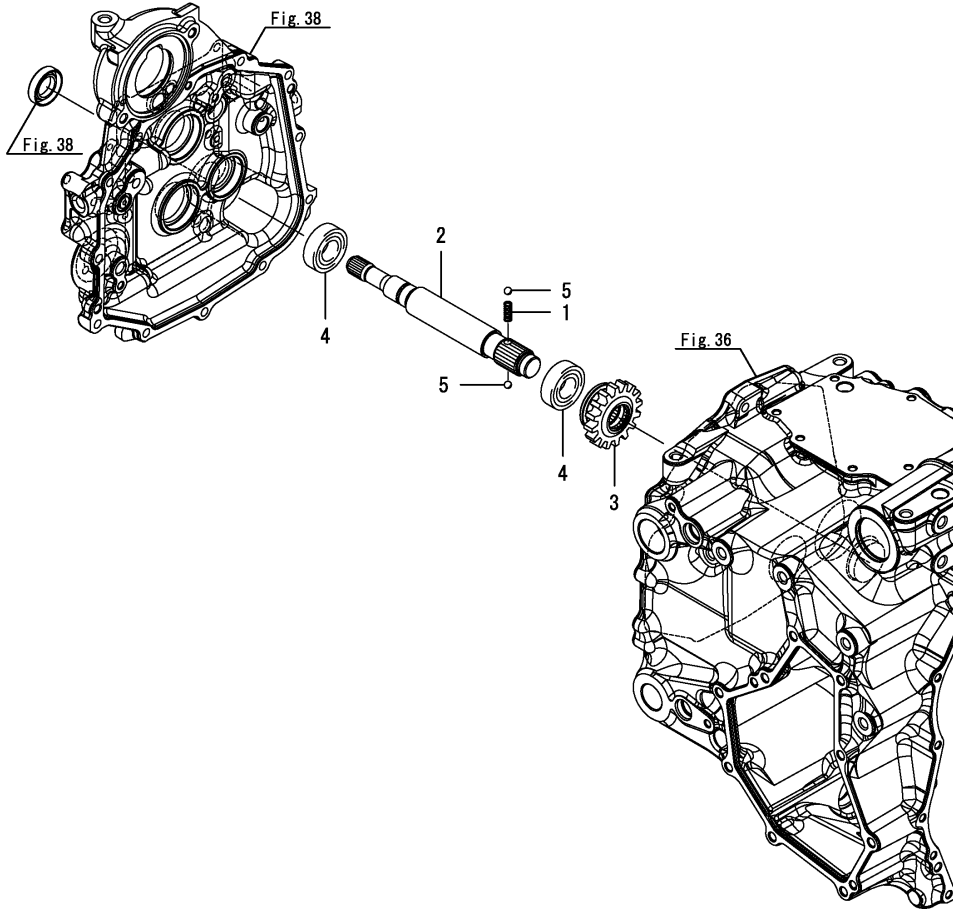


Fig.55. FRONT SHIFT

(A)=SA221
(B)=SA324
(C)=SA424

(D)=
(E)=
(F)=

No.	Lev.	Parts No.	Description	Q'ty						I	R
				(A)	(B)	(C)	(D)	(E)	(F)		
1	1	198119-27150	COLLAR, SHIFT ARM A	1	1	1					
2	1	1A8330-27490	PLATE, KEEP	1	1	1					
3	1	1A8330-27750	ARM ASSY, SHIFTER	1	1	1					
4	1	1A8330-28210	SHAFT, 4WD	1	1	1					
5	1	22351-040032	PIN, SPRING 4.0X32	1	1	1					
6	1	22351-060032	PIN, SPRING 6.0X32	1	1	1					
7	1	24311-000160	O-RING, 1AP16.0	1	1	1					
8	1	26106-080162	BOLT, M8X 16 PLATED	1	1	1					

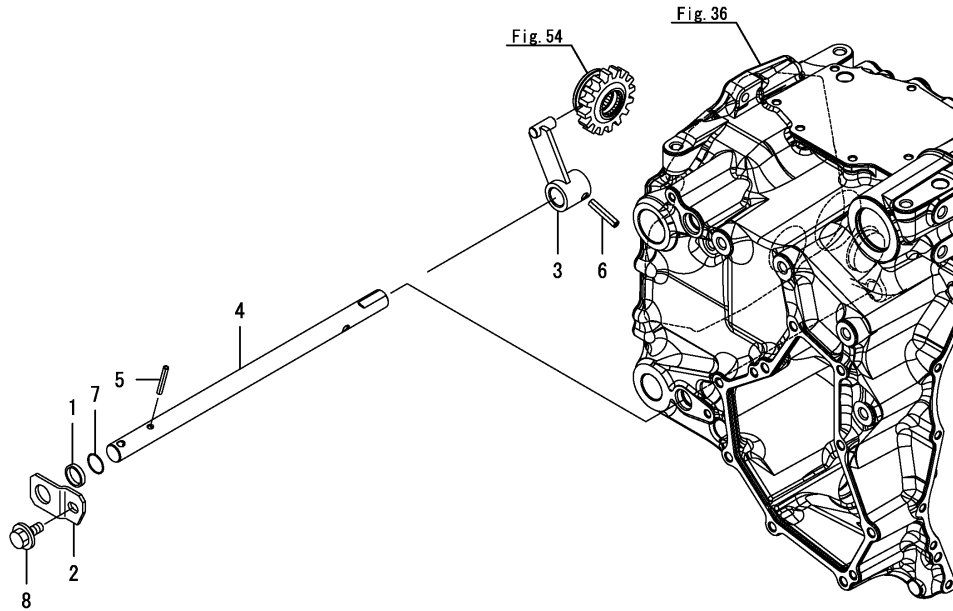
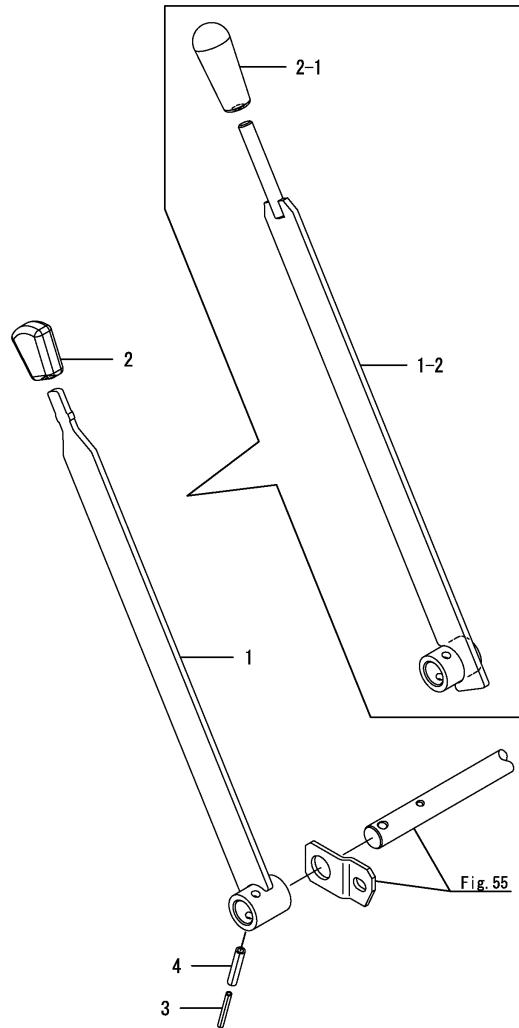


Fig.56. 4WD LEVER

(A)=SA221
(B)=SA324
(C)=SA424

(D)=
(E)=
(F)=



No.	Lev.	Parts No.	Description	Q'ty						I	R
				(A)	(B)	(C)	(D)	(E)	(F)		
1	1	1A8330-28300	LEVER ASSY, 4WD	1	1	1					
1-1	1	1A8330-28301	LEVER ASSY, 4WD	1	1	1					N
		(A=F000104)	(B=F000134)	(C=F000129)							
1-2	1	1A8330-28302	LEVER ASSY, 4WD	1	1	1					S 1
		(A=F100001)	(B=F100002)	(C=F100003)							
2	1	198273-28521	KNOB, BRAKE	1	1	1					
2-1	1	198253-01190	KNOB, ACCEL LEVER	1	1	1					S 1
		(A=F100001)	(B=F100002)	(C=F100003)							
3	1	22351-035032	PIN, SPRING 3.5X32	1	1	1					
4	1	22351-060032	PIN, SPRING 6.0X32	1	1	1					

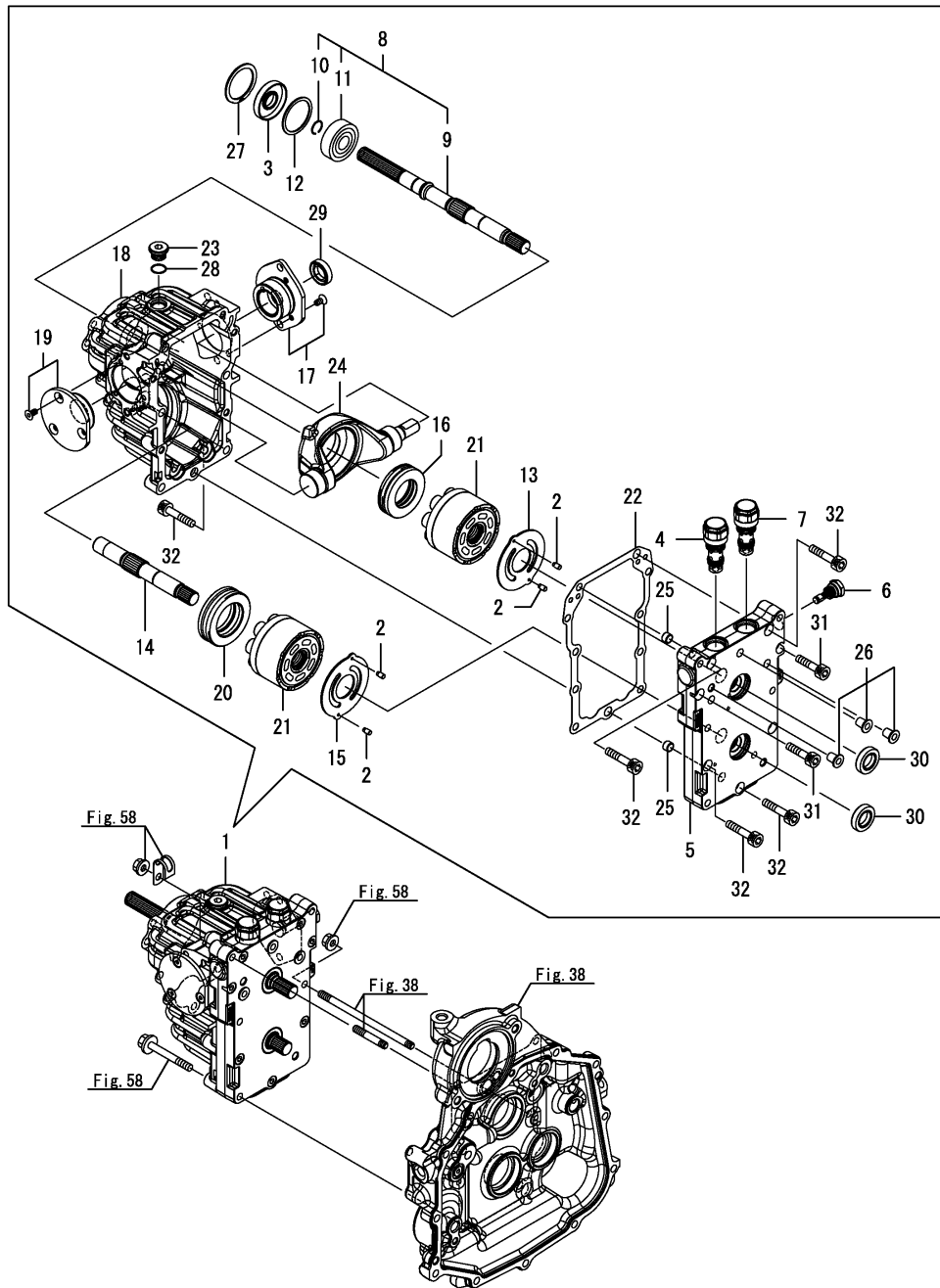
Remarks

(1)Interchangeable by simultaneous replacement with No.1-2 & 2-1.

Fig.57. H.S.T.

(A)=SA221
(B)=SA324
(C)=SA424

(D)=
(E)=
(F)=



No.	Lev.	Parts No.	Description	Q'ty						I	R
				(A)	(B)	(C)	(D)	(E)	(F)		
1	1	168H8S-29000	HST ASSY, KHS-23JTS	1	1	1					
1-1	1	168H8S-29010	HST ASSY, KHS-23JTSB	1	1	1					R
		(A=F000869) (B=F000862) (C=F000859)									
2	2	192163-24420	PIN, KNOCK 3.5	4	4	4					
3	2	192167-25260	SEAL, OIL 17X47X8	1	1	1					
4	2	168H81-29060	VALVE ASSY, CR R1.4	1	1	1					
5	2	168H8S-29100	CASE ASSY, CENTER	1	1	1					
6	2	168H8S-29120	RELIEF ASSY, CHARGE	1	1	1					
6-1	2	168H8S-29130	RELIEF ASSY, CHARGE	1	1	1					R
		(A=F000869) (B=F000862) (C=F000859)									
7	2	168H64-29150	VALVE ASSY, CR F	1	1	1					
8	2	168H8S-29200	SHAFT ASSY, PUMP	1	1	1					
9	3	168H8S-29210	SHAFT, PUMP	1	1	1					
10	3	1A6750-29220	CIRCLIP, 1.2	1	1	1					
11	3	24101-063034	BEARING, BALL 6303	1	1	1					
12	2	1A6750-29230	SPACER, 47	1	1	1					
13	2	168H61-29260	PLATE, VALVE P	1	1	1					
14	2	168H88-29310	SHAFT, MOTOR	1	1	1					
15	2	168H61-29360	PLATE, VALVE M	1	1	1					
16	2	168H86-29450	BEARING ASSY	1	1	1					
17	2	1A6750-29450	COVER ASSY, S/P A	1	1	1					
17-1	2	168H8S-29450	COVER ASSY, A	1	1	1					R
		(A=F000869) (B=F000862) (C=F000859)									
18	2	168H83-29500	HOUSING ASSY	1	1	1					
18-1	2	168H8S-29500	HOUSING ASSY	1	1	1					R
		(A=F000869) (B=F000862) (C=F000859)									
19	2	1A6750-29500	COVER ASSY, S/P B	1	1	1					
19-1	2	168H8S-29520	COVER ASSY, B	1	1	1					R
		(A=F000869) (B=F000862) (C=F000859)									
20	2	168H86-29530	THRUST B(M)	1	1	1					
21	2	168H81-29610	BLOCK ASSY, CYLINDER	2	2	2					
21-1	2	168H8S-29610	CYLINDER ASSY, BLOCK	2	2	2					R
		(A=F000869) (B=F000862) (C=F000859)									
22	2	1A6750-29830	GASKET, CASE	1	1	1					
22-1	2	168H8S-29830	GASKET, CASE	1	1	1					R
		(A=F000869) (B=F000862) (C=F000859)									
22-2	2	1A6750-29830	GASKET, CASE	1	1	1					N
		(A=F102394) (B=F102399) (C=F102395)									
23	2	1A6750-29850	PLUG, G3/8	1	1	1					
24	2	168H81-29950	PLATE ASSY, SWASH	1	1	1					
24-1	2	168H8S-29400	PLATE ASSY, SWASH	1	1	1					R
		(A=F000869) (B=F000862) (C=F000859)									
24-2	2	168H8N-29400	PLATE ASSY, SWASH	1	1	1					N
		(A=F102394) (B=F102399) (C=F102395)									
25	2	194521-41570	PIN, 11X7	2	2	2					
26	2	168H8S-99000	PLUG KIT, SHIPPING	1	1	1					
27	2	22262-000470	RING, R-47	1	1	1					
28	2	24311-000140	O-RING, 1AP14.0	1	1	1					
29	2	24421-173007	SEAL, OIL TC173007	1	1	1					
30	2	24421-183207	SEAL, OIL TC183207	2	2	2					
31	2	26450-080352	BOLT, M8X 35	2	2	2					

N:Old $\begin{matrix} \leftarrow \text{Yes} \\ \text{No} \end{matrix}$ New, Q:Old $\begin{matrix} \leftarrow \text{No} \\ \text{Yes} \end{matrix}$ New, R:Old $\begin{matrix} \leftarrow \text{Yes} \\ \text{No} \end{matrix}$ New, S:Old $\begin{matrix} \leftarrow \text{No} \\ \text{Yes} \end{matrix}$ New, W:Add, Z:Discontinued, F:Interchangeable by set, K:Q'ty Change
 ++ CONTINUE ++
 Copyright (C) 2018 YANMAR GLOBAL CS CO., LTD. All Rights Reserved.

Fig.58. H.S.T. ARM

(A)=SA221
(B)=SA324
(C)=SA424

(D)=
(E)=
(F)=

No.	Lev.	Parts No.	Description	Qty						I	R
				(A)	(B)	(C)	(D)	(E)	(F)		
1	1	192157-27510	SPRING, CENTERING	1	1	1					
2	1	1A8330-29550	ARM ASSY, HST	1	1	1					
3	1	194440-51620	CLAMP, B	1	1	1					
4	1	22242-000300	RING, 30	1	1	1					
5	1	22312-080140	PIN, PARALLEL M8X14	2	2	2					
6	1	26106-080452	BOLT, M8X 45 PLATED	1	1	1					
7	1	26106-080652	BOLT, M8X 65 PLATED	1	1	1					
8	1	26106-081452	BOLT, 8 X 145	1	1	1					
9	1	26106-100302	BOLT, M10X 30 PLATED	1	1	1					
10	1	26366-080002	NUT, M8	2	2	2					

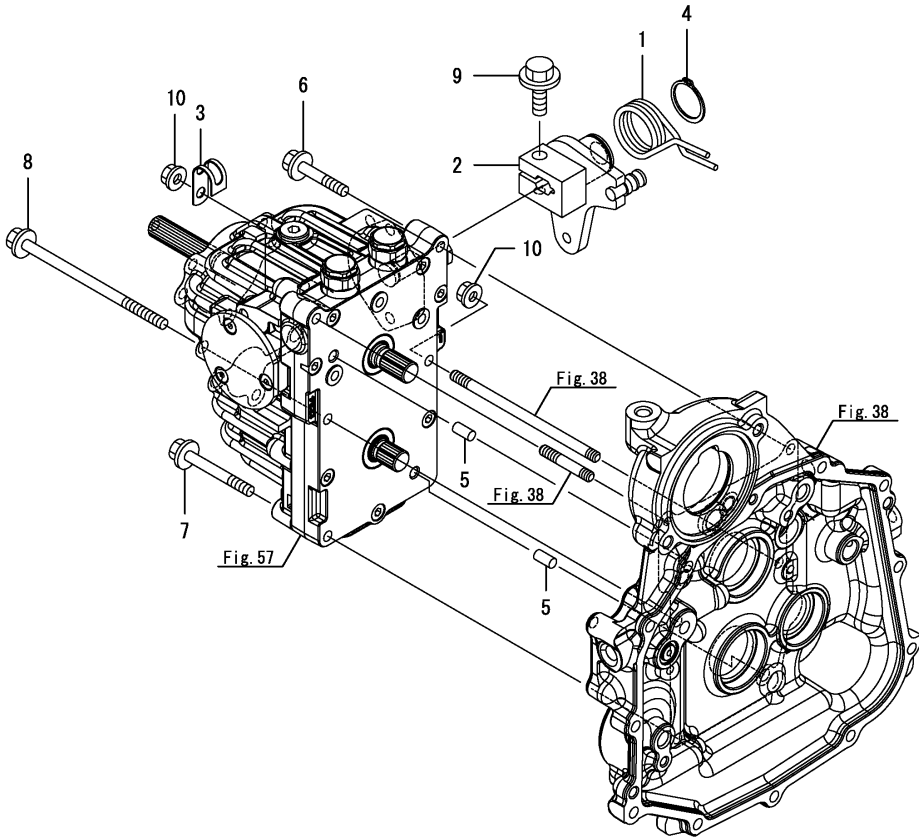


Fig.60. REAR AXLE HOUSING

(A)=SA221
(B)=SA324
(C)=SA424

(D)=
(E)=
(F)=

No.	Lev.	Parts No.	Description	Q'ty						I	R
				(A)	(B)	(C)	(D)	(E)	(F)		
1	1	1A8330-32610	HOUSING, REAR AXLE L	1							
2	1	1A8330-32660	HOUSING, REAR AXLE R	1							
3	1	22252-000680	RING, 68	2							
4	1	22312-080140	PIN, PARALLEL M8X14	4							
5	1	24421-456812	SEAL, OIL TC456812	2							
6	1	26106-100402	BOLT, M10X 40 PLATED	9							
7	1	26106-100402	BOLT, M10X 40 PLATED	10							

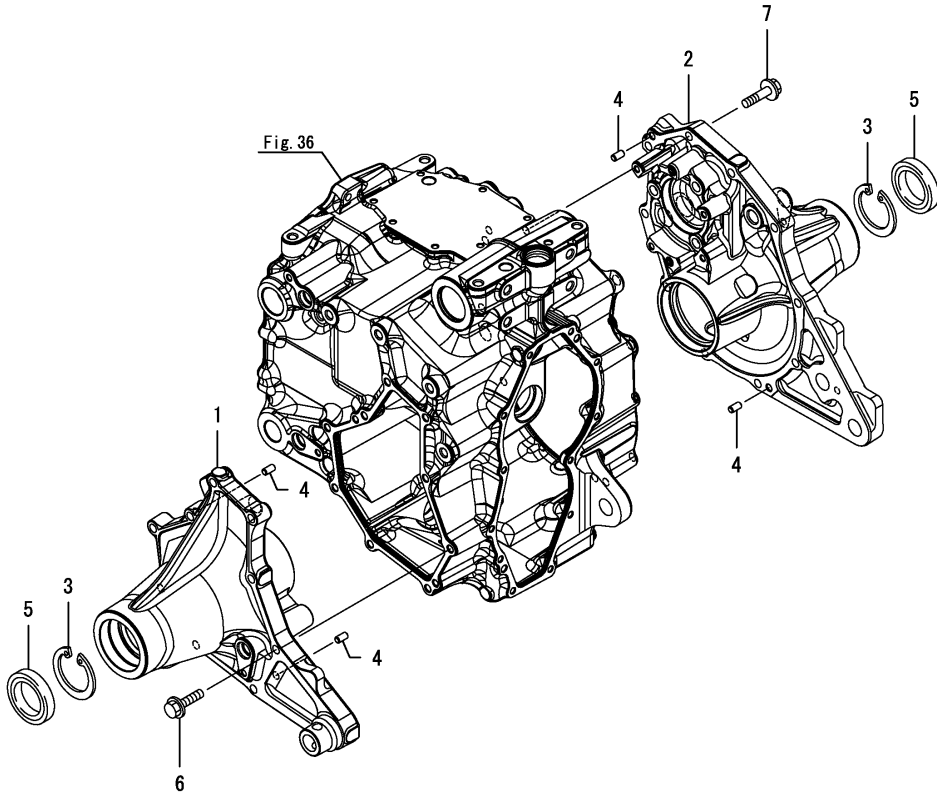


Fig.61. REAR AXLE HOUSING

(A)=SA221
(B)=SA324
(C)=SA424

(D)=
(E)=
(F)=

No.	Lev.	Parts No.	Description	Q'ty						I	R
				(A)	(B)	(C)	(D)	(E)	(F)		
1	1	1A8320-32610	HOUSING, REAR AXLE L		1	1					
2	1	1A8320-32660	HOUSING, REAR AXLE R		1	1					
3	1	22252-000750	RING, 75		2	2					
4	1	22312-080140	PIN, PARALLEL M8X14		4	4					
5	1	24421-527512	SEAL, TC527512		2	2					
6	1	26106-100402	BOLT, M10X 40 PLATED		9	9					
7	1	26106-100402	BOLT, M10X 40 PLATED		10	10					

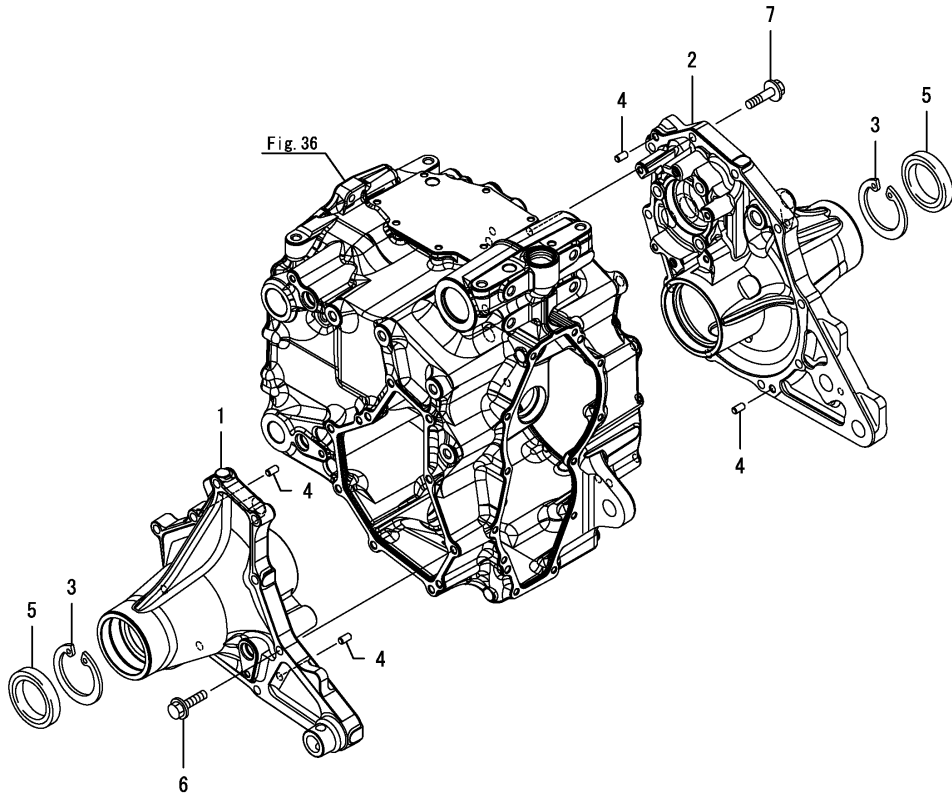
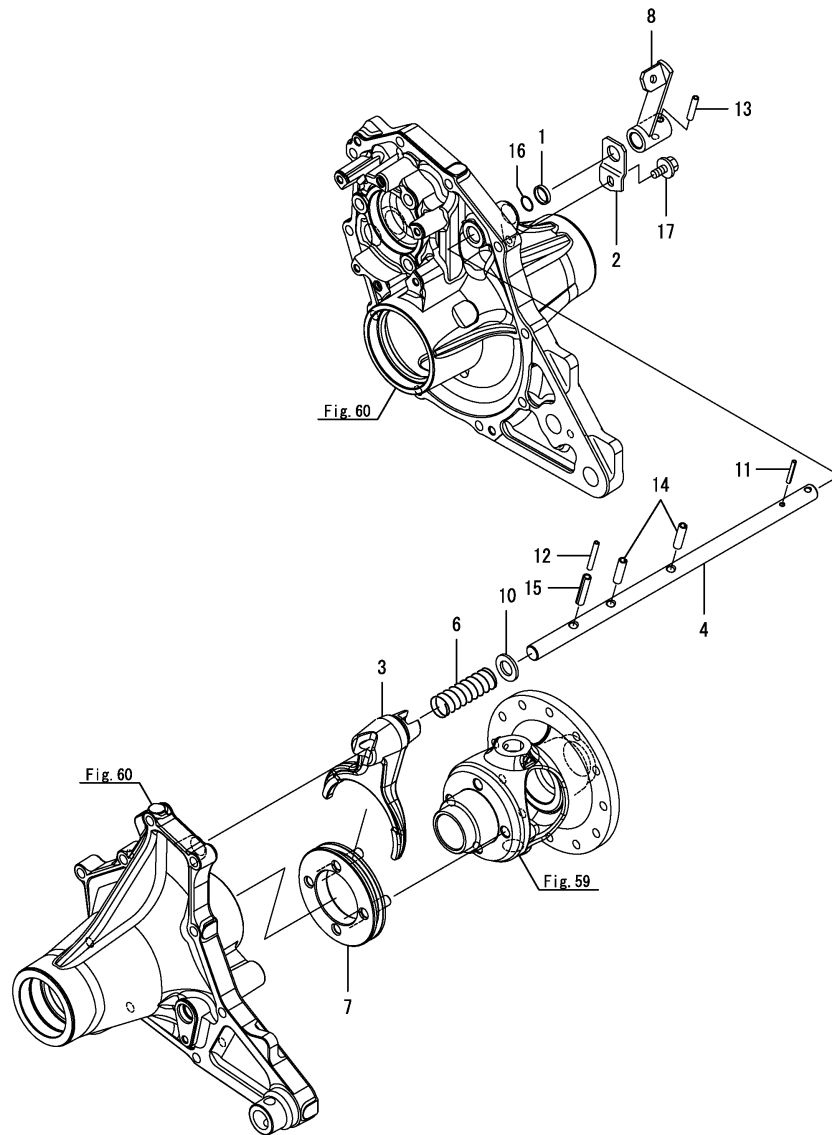


Fig.62. DIFFERENTIAL LOCK

(A)=SA221
(B)=SA324
(C)=SA424

(D)=
(E)=
(F)=



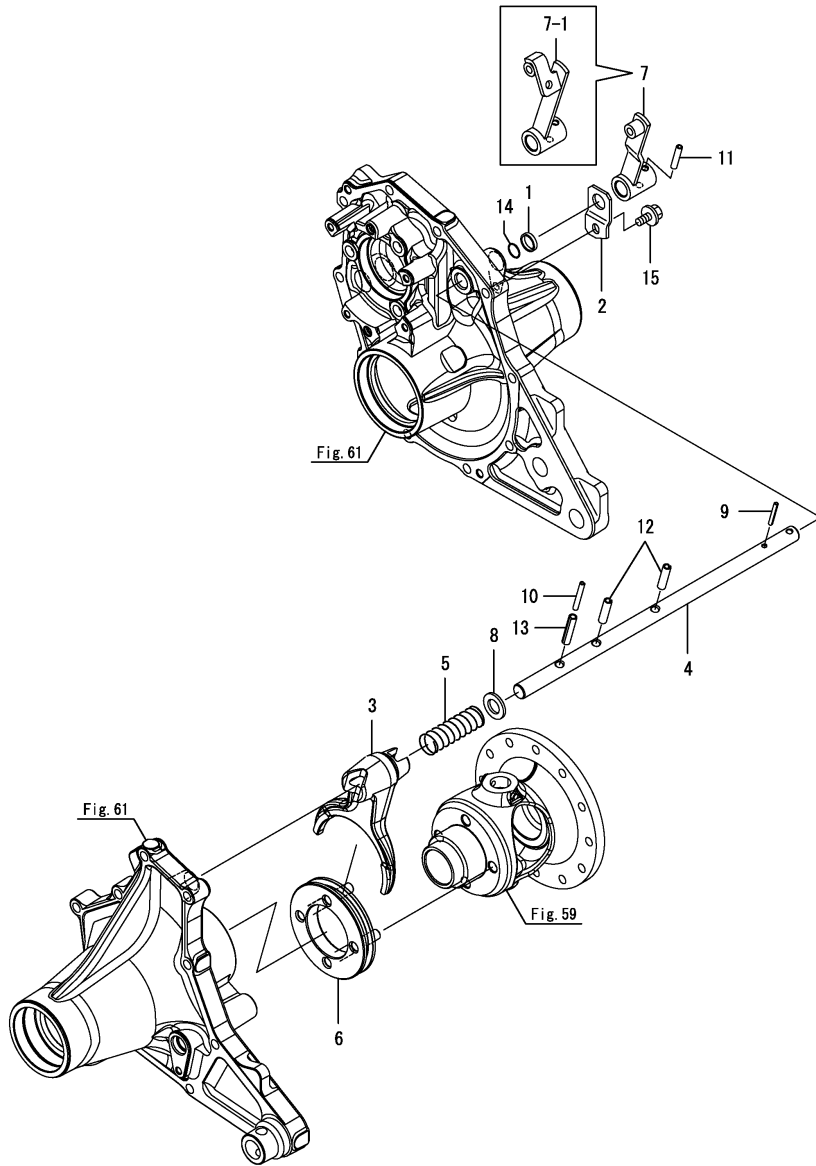
No.	Lev.	Parts No.	Description	Qty						I	R
				(A)	(B)	(C)	(D)	(E)	(F)		
1	1	198119-27150	COLLAR, SHIFT ARM A	1	1	1					
2	1	1A8330-27490	PLATE, KEEP	1	1	1					
3	1	1A8330-33110	FORK, DIFF.LOCK	1	1	1					
4	1	1A8330-33120	SHAFT, DIFF.LOCK	1	1	1					
6	1	1A8330-33140	SPRING, RETURN	1	1	1					
7	1	1A8330-33150	SLIDER, DIFF.LOCK	1	1	1					
8	1	1A8330-33200	ARM ASSY, DIFF.LOCK	1	1	1					
10	1	22137-160000	WASHER, 16	1	1	1					
11	1	22351-040032	PIN, SPRING 4.0X32	1	1	1					
12	1	22351-050040	PIN, SPRING 5.0X40	1	1	1					
13	1	22351-060032	PIN, SPRING 6.0X32	1	1	1					
14	1	22351-080032	PIN, SPRING 8.0X32	2	2	2					
15	1	22351-080040	PIN, SPRING 8.0X40	1	1	1					
16	1	24311-000160	O-RING, 1AP16.0	1	1	1					
17	1	26106-080162	BOLT, M8X 16 PLATED	1	1	1					

Remarks
* This figure is applicable to [(B)=F400002][(C)=F400002] or previous machines.
Please refer to Fig.168 since above-mentioned Engine Serial.

Fig.168. (62A)DIFFERENTIAL LOCK

(A)=SA221
(B)=SA324
(C)=SA424

(D)=
(E)=
(F)=



No.	Lev.	Parts No.	Description	Qty						I	R
				(A)	(B)	(C)	(D)	(E)	(F)		
1	1	198119-27150	COLLAR, SHIFT ARM A		1	1					
2	1	1A8330-27490	PLATE, KEEP		1	1					
3	1	1A8330-33110	FORK, DIFF.LOCK		1	1					
4	1	1A8330-33120	SHAFT, DIFF.LOCK		1	1					
5	1	1A8330-33140	SPRING, RETURN		1	1					
6	1	1A8330-33150	SLIDER, DIFF.LOCK		1	1					
7	1	1A8330-67310	ARM ASSY, DIFF. LOCK		1	1					
7-1	1	1A8330-67410 (B=F400027)	ARM ASSY, DIFF. LOCK (C=F400027)		1	1				F	1
8	1	22137-160000	WASHER, 16		1	1					
9	1	22351-040032	PIN, SPRING 4.0X32		1	1					
10	1	22351-050040	PIN, SPRING 5.0X40		1	1					
11	1	22351-060032	PIN, SPRING 6.0X32		1	1					
12	1	22351-080032	PIN, SPRING 8.0X32		2	2					
13	1	22351-080040	PIN, SPRING 8.0X40		1	1					
14	1	24311-000160	O-RING, 1AP16.0		1	1					
15	1	26106-080162	BOLT, M8X 16 PLATED		1	1					

Remarks

* This figure is applicable to [(B)=F400003][(C)=F400003] or following machines.
Please refer to Fig.62 before above-mentioned Engine Serial.

(1)Interchangeable by simultaneous replacement with No.7-1, Fig.76 No.70-1 & Fig.174 No.6-1.

Fig.64. FINAL GEAR

(A)=SA221
(B)=SA324
(C)=SA424

(D)=
(E)=
(F)=

No.	Lev.	Parts No.	Description	Q'ty						I	R
				(A)	(B)	(C)	(D)	(E)	(F)		
1	1	1A8330-33510	GEAR, FINAL	1							
2	1	198165-11350	BOLT, M10X25	12							

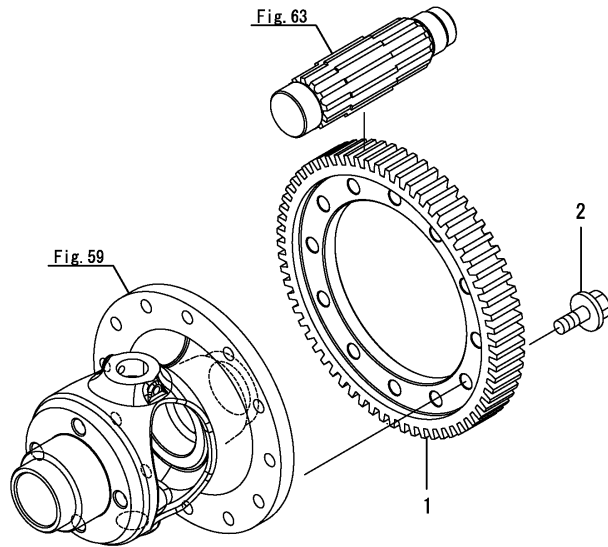


Fig.65. FINAL GEAR

(A)=SA221
(B)=SA324
(C)=SA424

(D)=
(E)=
(F)=

No.	Lev.	Parts No.	Description	Q'ty						I	R
				(A)	(B)	(C)	(D)	(E)	(F)		
1	1	1A8320-33510	GEAR, FINAL		1	1					
2	1	198165-11350	BOLT, M10X25		12	12					

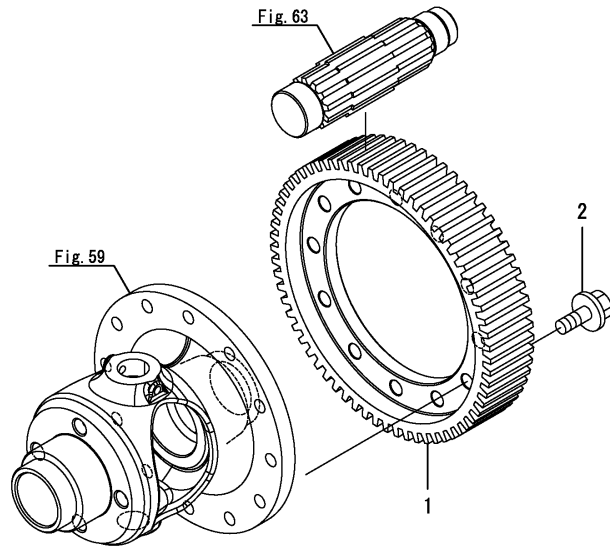
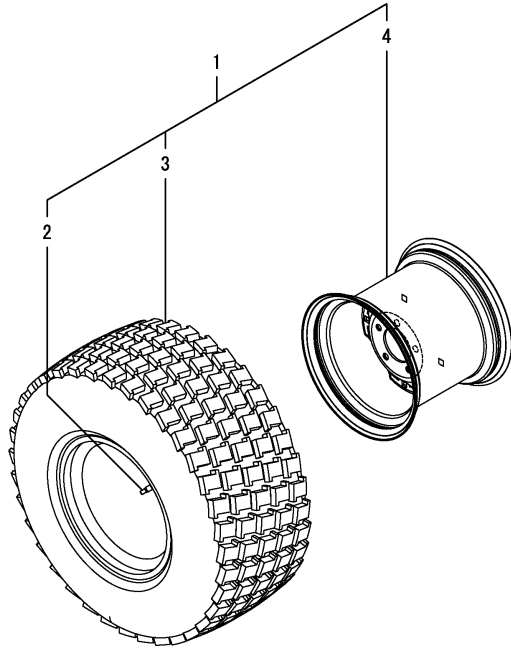


Fig.68. REAR WHEEL TIRE(R3)

(A)=SA221
(B)=SA324
(C)=SA424

(D)=
(E)=
(F)=

No.	Lev.	Parts No.	Description	Q'ty						I	R
				(A)	(B)	(C)	(D)	(E)	(F)		
1	1	1A8330-34500	TIRE KIT, R3 REAR	2							
2	2	1A8330-14750	VALVE	2							
3	2	1A8330-34510	TIRE, 26X12.00-12 R3	2							
4	2	1A8330-34720	WHEEL, 12X10.5	2							



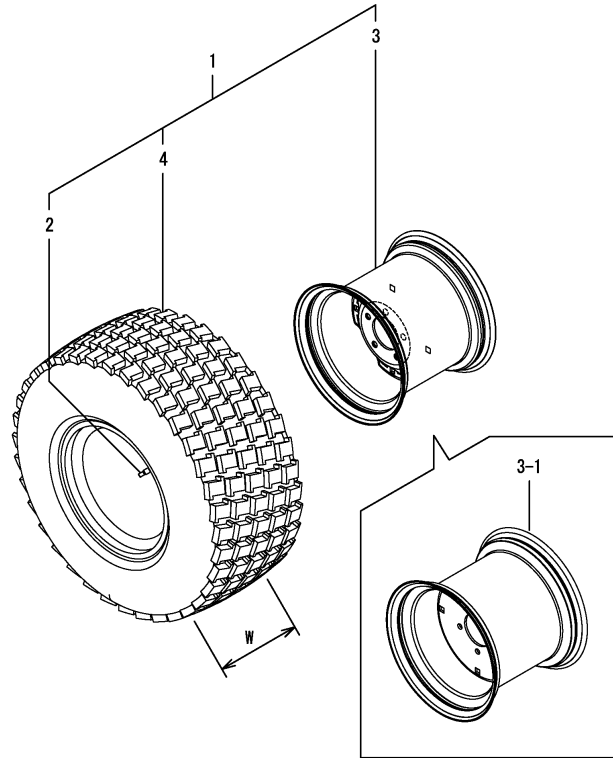
Remarks

* This figure is applicable to [(A)=F400000] or previous machines.
Please refer to Fig.161 since above-mentioned Engine Serial.

Fig.161. (68A)REAR WHEEL TIRE(R3)

(A)=SA221
(B)=SA324
(C)=SA424

(D)=
(E)=
(F)=



No.	Lev.	Parts No.	Description	Q'ty						I	R
				(A)	(B)	(C)	(D)	(E)	(F)		
1	1	1A8330-34200	TIRE KIT, R3 REAR	2							
1-1	1	1A8331-34500	TIRE KIT, R3 REAR	2							F 1
(A=*2017.12.)											
2	2	1A8330-14750	VALVE	2							
3	2	1A8330-34220	WHEEL, 12X10.5	2							
3-1	2	1A8331-34720	WHEEL, 12X10.5	2							S
(A=*2017.12.)											
4	2	1A8330-34510	TIRE, 26X12.00-12 R3	2							
4-1	2	1A8331-34510	TIRE, 26X12.00-12 R3	2							S 2
(A=*2017.12.)											

Remarks

* This figure is applicable to [(A)=F400001] or following machines.

Please refer to Fig.68 before above-mentioned Engine Serial.

(1)It is compatibility by exchange in two at the same time.

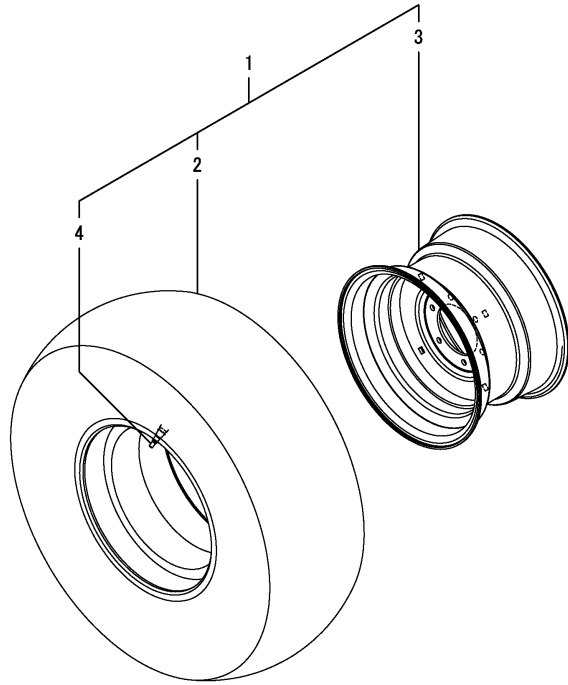
(2)W=No.4 : 297.2mm, No.4-1 : 302mm.

Fig.69. REAR WHEEL TIRE(R3)

(A)=SA221
(B)=SA324
(C)=SA424

(D)=
(E)=
(F)=

No.	Lev.	Parts No.	Description	Q'ty						I	R
				(A)	(B)	(C)	(D)	(E)	(F)		
1	1	1A8320-34500	TIRE KIT, R3 REAR		2						
2	2	1A8320-34510	TIRE, 33X12.5-16.5		2						
3	2	1A8320-34520	WHEEL, 16.5X9.75		2						
4	2	1A8320-34550	VALVE		2						



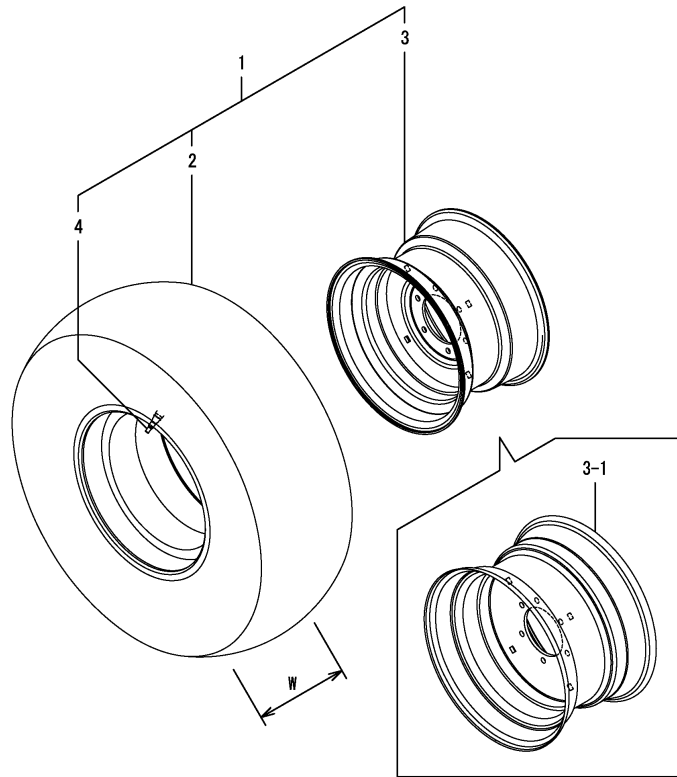
Remarks

* This figure is applicable to [(B)=F400002] or previous machines.
Please refer to Fig.162 since above-mentioned Engine Serial.

Fig.162. (69A)REAR WHEEL TIRE(R3)

(A)=SA221
(B)=SA324
(C)=SA424

(D)=
(E)=
(F)=



No.	Lev.	Parts No.	Description	Q'ty						I	R	
				(A)	(B)	(C)	(D)	(E)	(F)			
1	1	1A8320-34500-1	TIRE KIT, R3 REAR		2							
1-1	1	1A8321-34500 (B=F400257)	TIRE KIT, R3 REAR		2						F	1
2	2	1A8320-34510	TIRE, 33X12.5-16.5		2							
2-1	2	1A8321-34510 (B=F400257)	TIRE, 33X12.5-16.5		2						S	2
3	2	1A8320-34520-1	WHEEL, 16.5X9.75		2							
3-1	2	1A8321-34520 (B=F400257)	WHEEL, 16.5X9.75		2							S
4	2	1A8320-34550	VALVE		2							

Remarks

* This figure is applicable to [(B)=F400003] or following machines.

Please refer to Fig.69 before above-mentioned Engine Serial.

(1)It is compatibility by exchange in two at the same time.

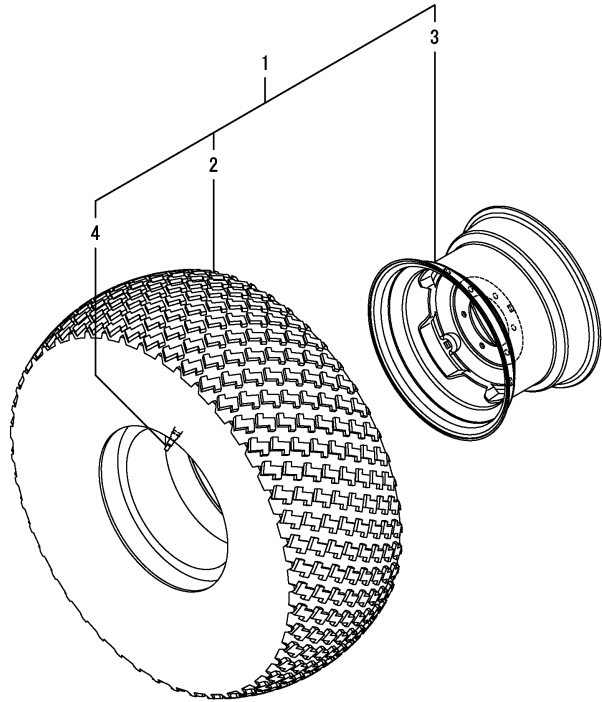
(2)W=No.2 : 317.9mm, No.2-1 : 320mm.

Fig.70. REAR WHEEL TIRE(R3)

(A)=SA221
(B)=SA324
(C)=SA424

(D)=
(E)=
(F)=

No.	Lev.	Parts No.	Description	Q'ty						I	R
				(A)	(B)	(C)	(D)	(E)	(F)		
1	1	1A8320-34600	TIRE KIT, R3 REAR			2					
2	2	1A8320-34610	TIRE, 36X14-15 R3			2					
3	2	1A8320-34620	WHEEL, 15X10			2					
4	2	1A8320-34650	VALVE			2					



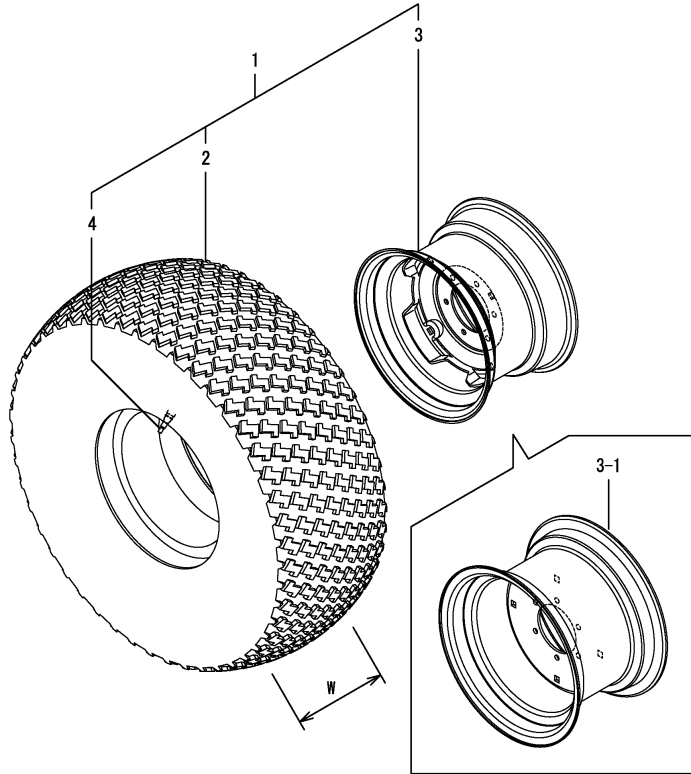
Remarks

* This figure is applicable to [(C)=F400002] or previous machines.
Please refer to Fig.163 since above-mentioned Engine Serial.

Fig.163. (70A)REAR WHEEL TIRE(R3)

(A)=SA221
(B)=SA324
(C)=SA424

(D)=
(E)=
(F)=



No.	Lev.	Parts No.	Description	Q'ty						I	R
				(A)	(B)	(C)	(D)	(E)	(F)		
1	1	1A8320-34600-1	TIRE KIT, R3 REAR			2					
1-1	1	1A8321-34600	TIRE KIT, R3 REAR (C=F400150)			2					F 1
2	2	1A8320-34610	TIRE, 36X14-15 R3			2					
2-1	2	1A8321-34610	TIRE, 36X13.50-15 R3 (C=F400150)			2					S 2
3	2	1A8320-34620-1	WHEEL, 15X10			2					
3-1	2	1A8321-34620	WHEEL, 15X10 (C=F400150)			2					S
4	2	1A8320-34650	VALVE			2					

Remarks

* This figure is applicable to [(C)=F400003] or following machines.

Please refer to Fig.70 before above-mentioned Engine Serial.

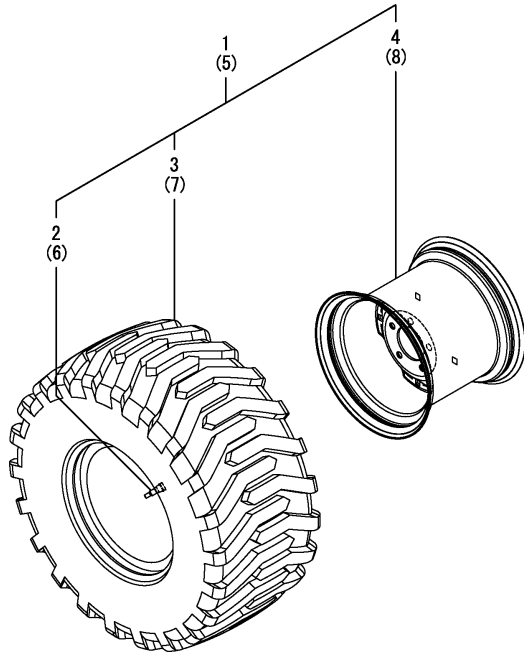
(1)It is compatibility by exchange in two at the same time.

(2)W=No.2 : 356mm, No.2-1 : 360mm.

Fig.71. REAR WHEEL TIRE(R4)

(A)=SA221
(B)=SA324
(C)=SA424

(D)=
(E)=
(F)=



No.	Lev.	Parts No.	Description	Q'ty						I	R
				(A)	(B)	(C)	(D)	(E)	(F)		
1	1	1A8330-34700	TIRE KIT, R4 REAR L	1							
2	2	1A8330-14750	VALVE	1							
3	2	1A8330-34710	TIRE,26X12-12 R4	1							
4	2	1A8330-34720	WHEEL, 12X10.5	1							
5	1	1A8330-34800	TIRE KIT, R4 REAR R	1							
6	2	1A8330-14750	VALVE	1							
7	2	1A8330-34710	TIRE,26X12-12 R4	1							
8	2	1A8330-34720	WHEEL, 12X10.5	1							

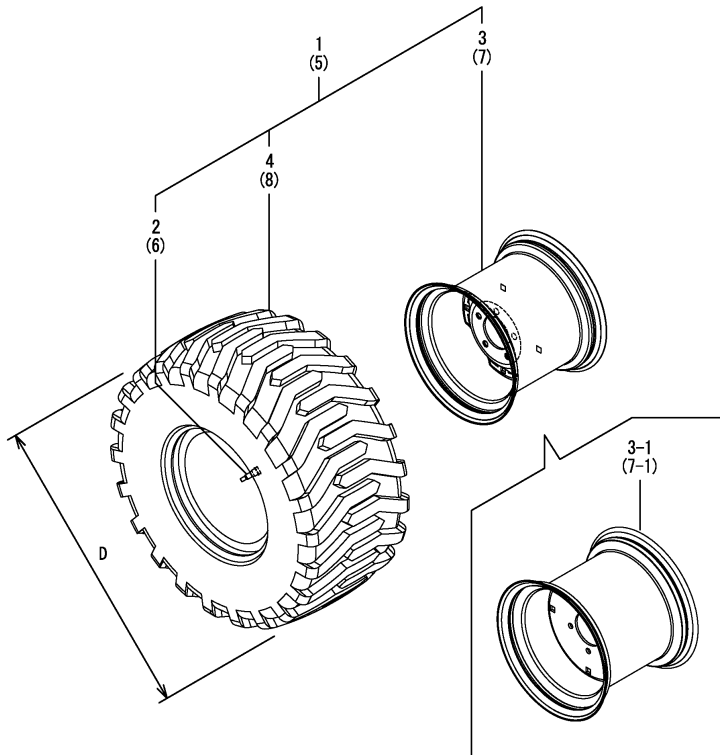
Remarks

* This figure is applicable to [(A)=F400000] or previous machines.
Please refer to Fig.164 since above-mentioned Engine Serial.

Fig.164. (71A)REAR WHEEL TIRE(R4)

(A)=SA221
(B)=SA324
(C)=SA424

(D)=
(E)=
(F)=



No.	Lev.	Parts No.	Description	Q'ty						I	R
				(A)	(B)	(C)	(D)	(E)	(F)		
1	1	1A8330-34300	TIRE KIT, R4 REAR L	1							
1-1	1	1A8331-34700	TIRE KIT, R4 REAR L	1							F 1
(A=*2017.12.)											
2	2	1A8330-14750	VALVE	1							
3	2	1A8330-34220	WHEEL, 12X10.5	1							
3-1	2	1A8331-34720	WHEEL, 12X10.5	1							S
(A=*2017.12.)											
4	2	1A8330-34710	TIRE,26X12-12 R4	1							
4-1	2	1A8331-34710	TIRE,26X12-12 R4	1							S 2
(A=*2017.12.)											
5	1	1A8330-34400	TIRE KIT, R4 REAR R	1							
5-1	1	1A8331-34800	TIRE KIT, R4 REAR R	1							F 1
(A=*2017.12.)											
6	2	1A8330-14750	VALVE	1							
7	2	1A8330-34220	WHEEL, 12X10.5	1							
7-1	2	1A8331-34720	WHEEL, 12X10.5	1							S
(A=*2017.12.)											
8	2	1A8330-34710	TIRE,26X12-12 R4	1							
8-1	2	1A8331-34710	TIRE,26X12-12 R4	1							S 2
(A=*2017.12.)											

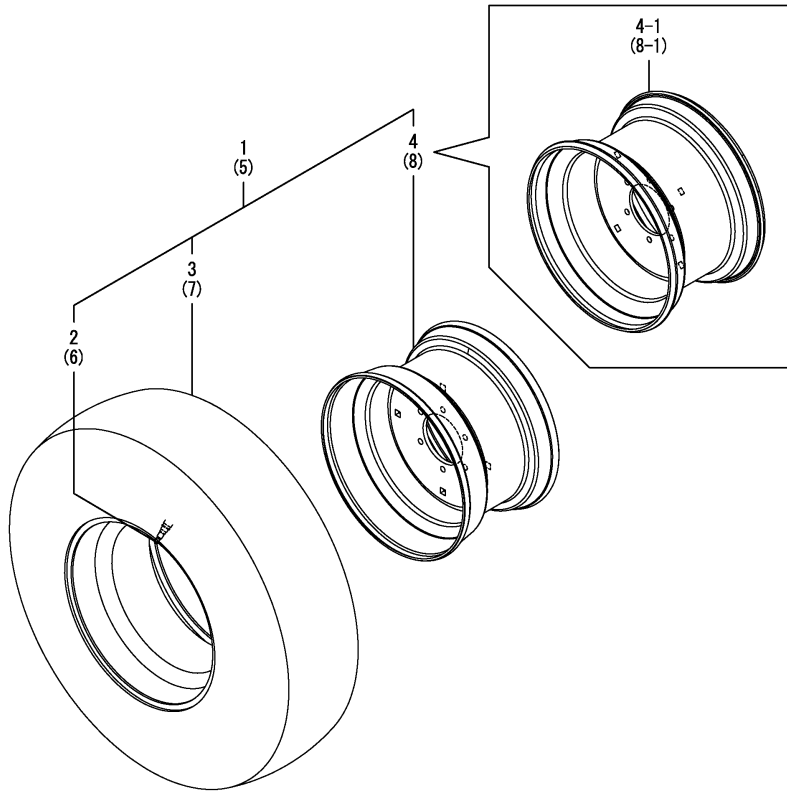
Remarks

* This figure is applicable to [(A)=F400001] or following machines.
Please refer to Fig.71 before above-mentioned Engine Serial.
(1)Interchangeable by simultaneous replacement with No.1-1 & 5-1.
(2)D=No.4, 8 : 660mm, No.4-1, 8-1 : 653mm.

Fig.72. REAR WHEEL TIRE(R4)

(A)=SA221
(B)=SA324
(C)=SA424

(D)=
(E)=
(F)=

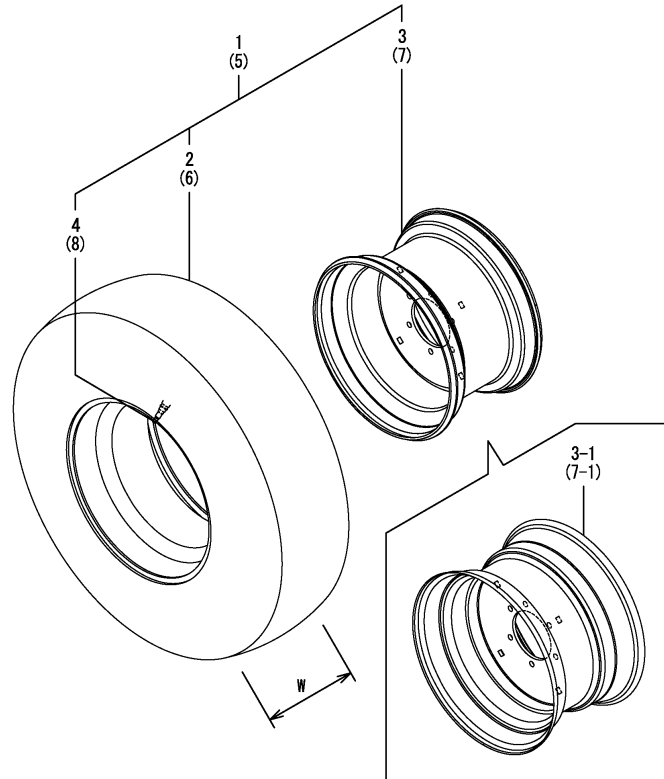


No.	Lev.	Parts No.	Description	Q'ty						I	R	
				(A)	(B)	(C)	(D)	(E)	(F)			
1	1	1A8320-34700	TIRE KIT, R4 REAR L		1							
1-1	1	1A8320-34701	TIRE KIT, R4 REAR L (B=F100014)		1							S
2	2	1A8320-14750	VALVE		1							
2-1	2	1A8320-34750	VALVE (B=F100014)		1							S
3	2	1A8320-34710	TIRE, 12-16.5		1							
3-1	2	1A8320-34711	TIRE, 12-16.5 (B=F100014)		1							S
4	2	1A8320-34720	WHEEL, 9.75-16.5		1							
4-1	2	1A8320-34721	WHEEL, 9.75-16.5 (B=F100014)		1							S
5	1	1A8320-34800	TIRE KIT, R4 REAR R		1							
5-1	1	1A8320-34801	TIRE KIT, R4 REAR R (B=F100014)		1							S
6	2	1A8320-14750	VALVE		1							
6-1	2	1A8320-34750	VALVE (B=F100014)		1							S
7	2	1A8320-34710	TIRE, 12-16.5		1							
7-1	2	1A8320-34711	TIRE, 12-16.5 (B=F100014)		1							S
8	2	1A8320-34720	WHEEL, 9.75-16.5		1							
8-1	2	1A8320-34721	WHEEL, 9.75-16.5 (B=F100014)		1							S

Remarks

* This figure is applicable to [(B)=F400002] or previous machines.
Please refer to Fig.165 since above-mentioned Engine Serial.

Fig.165. (72A)REAR WHEEL TIRE(R4)



(A)=SA221
(B)=SA324
(C)=SA424

(D)=
(E)=
(F)=

No.	Lev.	Parts No.	Description	Qty						I	R	
				(A)	(B)	(C)	(D)	(E)	(F)			
1	1	1A8320-34701-1	TIRE KIT, R4 REAR L		1							
1-1	1	1A8321-34700	TIRE KIT, R4 REAR L		1						F	1
(B=F400257)												
2	2	1A8320-34711	TIRE, 12-16.5		1							
2-1	2	1A8321-34710	TIRE, 12-16.5		1						S	2
(B=F400257)												
3	2	1A8320-34721-1	WHEEL, 9.75-16.5		1							
3-1	2	1A8321-34520	WHEEL, 16.5X9.75		1						S	
(B=F400257)												
4	2	1A8320-34750	VALVE		1							
5	1	1A8320-34801-1	TIRE KIT, R4 REAR R		1							
5-1	1	1A8321-34800	TIRE KIT, R4 REAR R		1						F	1
(B=F400257)												
6	2	1A8320-34711	TIRE, 12-16.5		1							
6-1	2	1A8321-34710	TIRE, 12-16.5		1						S	2
(B=F400257)												
7	2	1A8320-34721-1	WHEEL, 9.75-16.5		1							
7-1	2	1A8321-34520	WHEEL, 16.5X9.75		1						S	
(B=F400257)												
8	2	1A8320-34750	VALVE		1							

Remarks

* This figure is applicable to [(B)=F400003] or following machines.

Please refer to Fig.72 before above-mentioned Engine Serial.

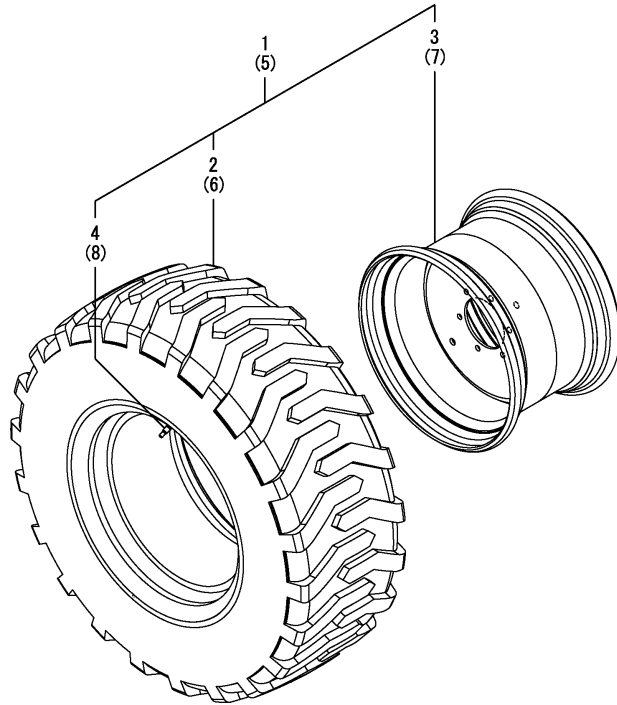
(1)Interchangeable by simultaneous replacement with No.1-1 & 5-1.

(2)W=No.2, 6 : 318mm, No.2-1, 6-1 : 310mm.

Fig.73. REAR WHEEL TIRE(R4)

(A)=SA221
(B)=SA324
(C)=SA424

(D)=
(E)=
(F)=



No.	Lev.	Parts No.	Description	Q'ty						I	R
				(A)	(B)	(C)	(D)	(E)	(F)		
1	1	1A8320-34900	TIRE KIT, R4 REAR L			1					
2	2	1A8320-34910	TIRE, 14X17.5 R4			1					
3	2	1A8320-34920	WHEEL			1					
4	2	1A8320-34950	VALVE			1					
5	1	1A8320-34960	TIRE KIT, R4 REAR R			1					
6	2	1A8320-34910	TIRE, 14X17.5 R4			1					
7	2	1A8320-34920	WHEEL			1					
8	2	1A8320-34950	VALVE			1					

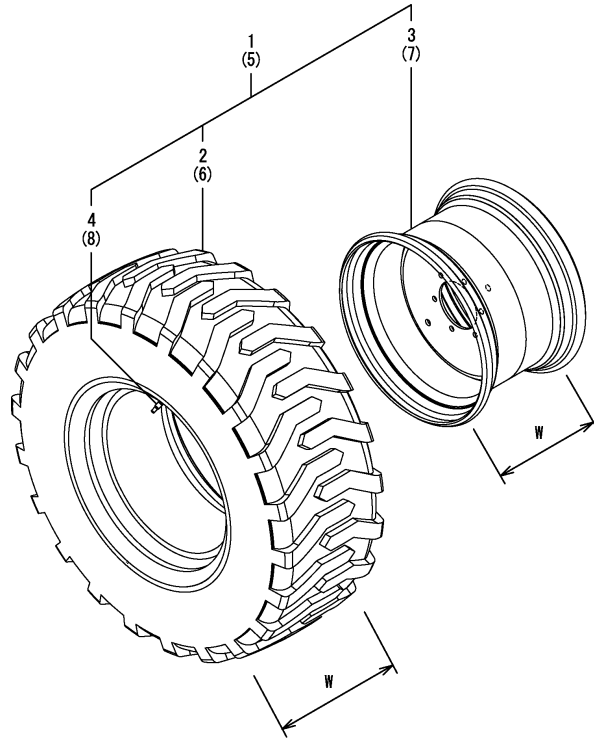
Remarks

* This figure is applicable to [(C)=F400002] or previous machines.
Please refer to Fig.166 since above-mentioned Engine Serial.

Fig.166. (73A)REAR WHEEL TIRE(R4)

(A)=SA221
(B)=SA324
(C)=SA424

(D)=
(E)=
(F)=

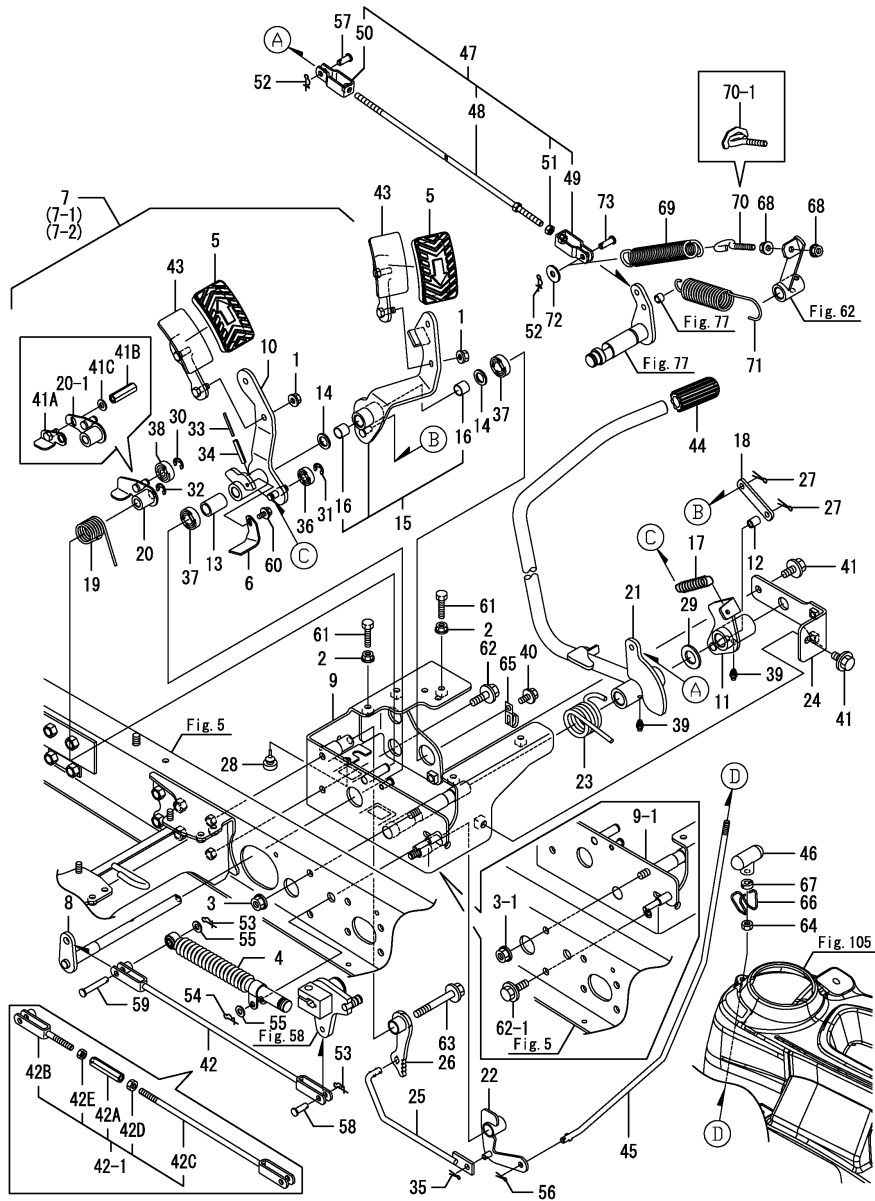


No.	Lev.	Parts No.	Description	Qty						I	R	
				(A)	(B)	(C)	(D)	(E)	(F)			
1	1	1A8320-34900-1	TIRE KIT, R4 REAR L			1						
1-1	1	1A8321-34900	TIRE KIT, R4 REAR L (C=F400150)			1					F	1
2	2	1A8320-34910	TIRE, 14X17.5 R4			1						
2-1	2	1A8321-34910	TIRE, 14X17.5 R4 (C=F400150)			1					S	2
3	2	1A8320-34920-1	WHEEL			1						
3-1	2	1A8321-34920	WHEEL, 17.5X10.5 (C=F400150)			1					S	3
4	2	1A8320-34950	VALVE			1						
5	1	1A8320-34960-1	TIRE KIT, R4 REAR R			1						
5-1	1	1A8321-34960	TIRE KIT, R4 REAR R (C=F400150)			1					F	1
6	2	1A8320-34910	TIRE, 14X17.5 R4			1						
6-1	2	1A8321-34910	TIRE, 14X17.5 R4 (C=F400150)			1					S	2
7	2	1A8320-34920-1	WHEEL			1						
7-1	2	1A8321-34920	WHEEL, 17.5X10.5 (C=F400150)			1					S	3
8	2	1A8320-34950	VALVE			1						

Remarks

- * This figure is applicable to [(C)=F400003] or following machines. Please refer to Fig.73 before above-mentioned Engine Serial.
- (1)Interchangeable by simultaneous replacement with No.1-1 & 5-1.
- (2)W=No.2, 6 : 346mm, No.2-1, 6-1 : 356mm.
- (3)W=No.3, 7 : 325mm, No.3-1, 7-1 : 300mm.

Fig.76. PEDAL



(A)=SA221
(B)=SA324
(C)=SA424

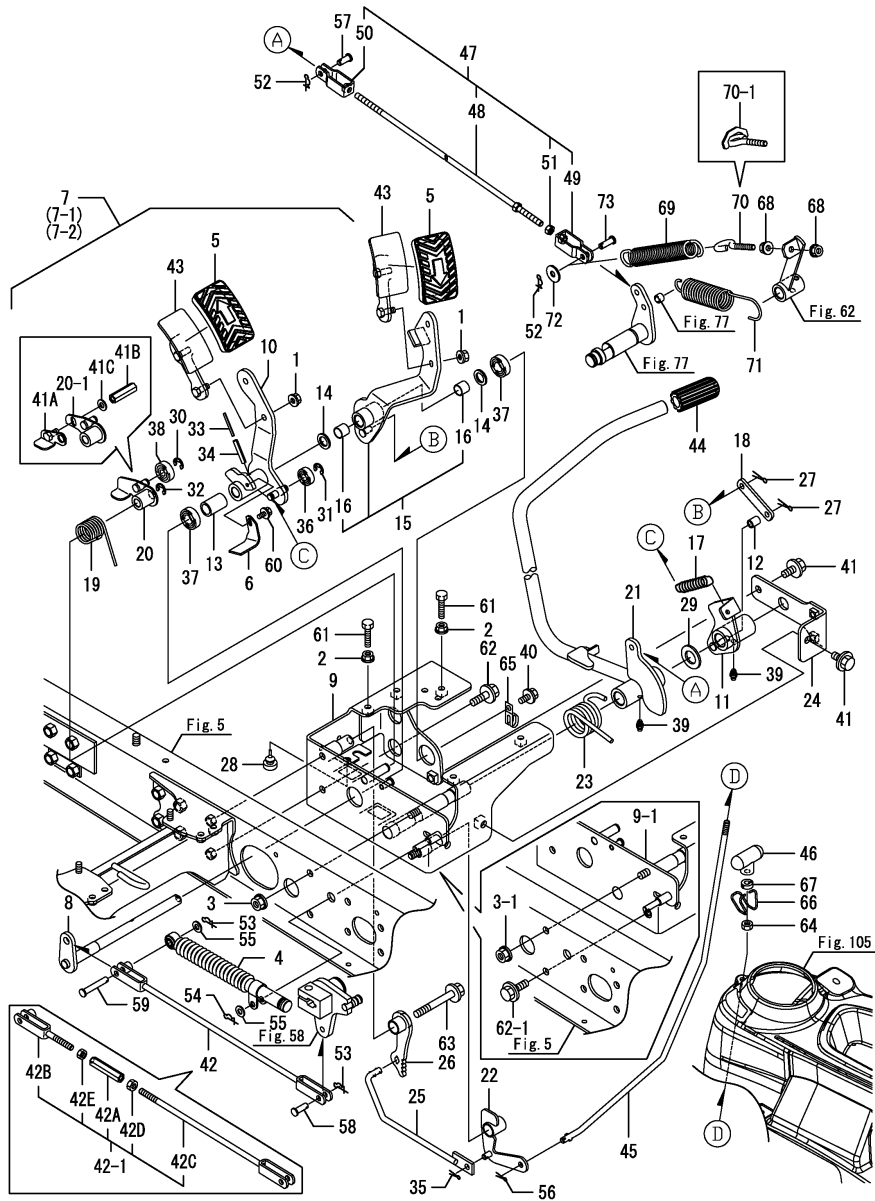
(D)=
(E)=
(F)=

No.	Lev.	Parts No.	Description	Q'ty						I	R
				(A)	(B)	(C)	(D)	(E)	(F)		
1	1	194990-22140	NUT, M8	4	4	4					
2	1	194990-22140	NUT, M8	2	2	2					
3	1	194990-22150	NUT, M10	2	2	2					
3-1	1	194990-22150	NUT, M10	1	1	1					K
		(A=*2020.05) (B=*2020.05) (C=*2020.05)									
4	1	192154-29610	ABSORBER, SHOCK	1	1	1					
4-1	1	192154-29611	ABSORBER, SHOCK	1	1	1					N
		(A=F400001) (B=F400003) (C=F400003)									
5	1	1A8160-35080	HEAD, PEDAL	2	2	2					
6	1	1A8330-35082	PLATE, PUSH	1	1	1					
7	1	1A8330-35102	PEDAL UNIT	1	1	1					
7-1	1	1A8330-35103	PEDAL UNIT	1	1	1					S 1
		(A=F000346) (B=F000295) (C=F000265)									
7-2	1	1A8330-35104	PEDAL UNIT	1	1	1					S
		(A=*2020.05) (B=*2020.05) (C=*2020.05)									
8	2	1A8330-35050	SHAFT ASSY, PEDAL	1	1	1					
9	2	1A8330-35111	STAY, HST PEDAL	1	1	1					
9-1	2	1A8330-35112	STAY, HST PEDAL	1	1	1					F 3
		(A=*2020.05) (B=*2020.05) (C=*2020.05)									
10	2	1A8330-35151	PEDAL, F	1	1	1					
11	2	1A8330-35250	LINK, FR	1	1	1					
12	2	1A8330-35280	COLLAR, ARM	1	1	1					
13	2	1A8330-35290	COLLAR, HST SHAFT	1	1	1					
14	2	1A8330-35330	WASHER, 15	2	2	2					
15	2	1A8330-35360	PEDAL, R	1	1	1					
16	3	24550-015150	BUSH, 15X15	2	2	2					
17	2	198167-35411	SPRING, PEDAL	1	1	1					
18	2	1A8330-35410	LINK, PEDAL	1	1	1					
19	2	1A8330-35620	SPRING, N SWITCH	1	1	1					
20	2	1A8330-35650	ARM ASSY, SWITCH	1	1	1					
20-1	2	1A8330-35651	ARM ASSY, SWITCH	1	1	1					S
		(A=F000346) (B=F000295) (C=F000265)									
21	2	1A8330-37401	PEDAL, BRAKE	1	1	1					
21-1	2	1A8330-37402	PEDAL, BRAKE	1	1	1					N
		(A=*2020.05) (B=*2020.05) (C=*2020.05)									
22	2	1A8330-37530	LINK ASSY, PARKING	1	1	1					
23	2	1A8330-37650	SPRING, BRAKE	1	1	1					
24	2	1A8330-37730	BRACKET ASSY	1	1	1					
25	2	1A8330-37772	ROD ASSY, PARKING	1	1	1					
26	2	1A8330-37870	LINK ASSY, BRAKE	1	1	1					
27	2	22417-200160	PIN, COTTER 2.0X16	2	2	2					
28	2	194330-62530	STOPPER, PEDAL	1	1	1					
29	2	22137-200000	WASHER, 20	1	1	1					
30	2	22272-000080	RING, E- 8	1	1	1					
31	2	22272-000080	RING, E- 8	1	1	1					
32	2	22272-000080	RING, E- 8	1	1	1					
33	2	22351-035036	PIN, SPRING 3.5X36	1	1	1					
34	2	22351-060036	PIN, SPRING 6.0X36	1	1	1					
35	2	22417-200160	PIN, COTTER 2.0X16	1	1	1					
36	2	24104-060000	BEARING, 6000UUC3	1	1	1					
37	2	24104-060024	BEARING, BALL 6002UU	2	2	2					

Remarks

- (1)Interchangeable by simultaneous replacement with No.7-1 & 42-1.
- (2)Interchangeable by simultaneous replacement with No.70-1, Fig.168 No.7-1 & Fig.174 No.6-1.
- (3)No.9-1, 62-1 are interchangeable by set.

Fig.76. PEDAL



(A)=SA221
(B)=SA324
(C)=SA424

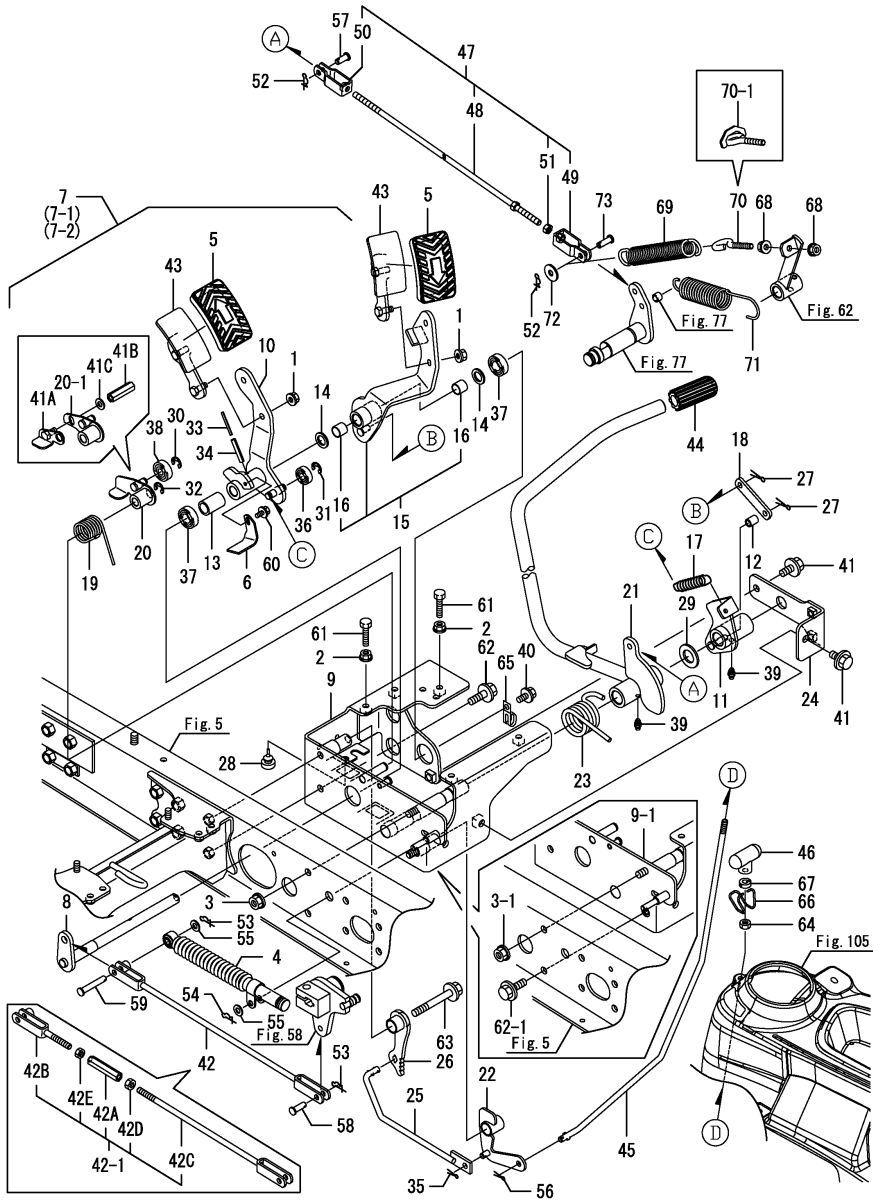
(D)=
(E)=
(F)=

No.	Lev.	Parts No.	Description	Q'ty						I	R
				(A)	(B)	(C)	(D)	(E)	(F)		
38	2	24104-062004	BEARING, BALL 6200UU	1	1	1					
39	2	24761-010000	NIPPLE, GREASE M6F	2	2	2					
40	2	26106-080162	BOLT, M8X 16 PLATED	1	1	1					
41	2	26106-100202	BOLT, M10X 20 PLATED	2	2	2					
41A	2	1A8330-35710	PLATE ASSY, N SWITCH	1	1	1					W
		(A=F000346) (B=F000295) (C=F000265)									
41B	2	1A8330-35740	NUT, HEXAGON	1	1	1					W
		(A=F000346) (B=F000295) (C=F000265)									
41C	2	22137-080000	WASHER, 8	1	1	1					W
		(A=F000346) (B=F000295) (C=F000265)									
42	1	1A8330-35512	ROD ASSY, HST	1	1	1					
42-1	1	1A8330-35513	ROD ASSY, HST	1	1	1					S 1
		(A=F000346) (B=F000295) (C=F000265)									
42A	2	1A7880-29430	TURNBUCKLE, M8X60	1	1	1					W
		(A=F000346) (B=F000295) (C=F000265)									
42B	2	1A8330-35540	ROD ASSY, R	1	1	1					W
		(A=F000346) (B=F000295) (C=F000265)									
42C	2	1A8330-35550	ROD ASSY, L	1	1	1					W
		(A=F000346) (B=F000295) (C=F000265)									
42D	2	1A8330-35580	NUT, M8 L	1	1	1					W
		(A=F000346) (B=F000295) (C=F000265)									
42E	2	26716-080002	NUT, M8	1	1	1					W
		(A=F000346) (B=F000295) (C=F000265)									
43	1	1A8330-35800	HEAD ASSY, PEDAL	2	2	2					
44	1	1A7880-37200	HEAD, BRAKE PEDAL	1	1	1					
45	1	1A8330-37571	ROD, PARKING	1	1	1					
46	1	1A8330-37580	KNOB, ORANGE	1	1	1					
46-1	1	1A8330-37581	KNOB, ORANGE	1	1	1					N
		(A=F100001) (B=F100002) (C=F100003)									
47	1	1A8330-37801	ROD KIT, BRAKE	1	1	1					
48	2	1A8330-37810	ROD ASSY, BRAKE	1	1	1					
49	2	1A8330-37830	JOINT ASSY, LINK	1	1	1					
50	2	1A8330-37850	JOINT ASSY, LINK LH	1	1	1					
51	2	26716-080002	NUT, M8	1	1	1					
52	1	1C6281-52320	PIN, SNAP 8	2	2	2					
53	1	1C6281-52320	PIN, SNAP 8	2	2	2					
54	1	1C6281-52320	PIN, SNAP 8	1	1	1					
55	1	22137-080000	WASHER, 8	2	2	2					
56	1	22417-200160	PIN, COTTER 2.0X16	1	1	1					
57	1	22487-080160	PIN, H 8X 16	1	1	1					
58	1	22487-080200	PIN, H 8X 20	1	1	1					
59	1	22487-080450	PIN 8X 45	1	1	1					
60	1	26106-060122	BOLT, M6X 12 PLATED	1	1	1					
61	1	26116-080354	BOLT, M8X 35 PLATED	2	2	2					
62	1	26106-100302	BOLT, M10X 30 PLATED	1	1	1					
62-1	1	26106-100302	BOLT, M10X 30 PLATED	2	2	2					K 3
		(A=*2020.05) (B=*2020.05) (C=*2020.05)									
63	1	26106-100752	BOLT, M10X 75 PLATED	1	1	1					
64	1	26716-080002	NUT, M8	1	1	1					
65	1	194180-51640	CLAMP, HARNESS D	1	1	1					
66	1	1A8330-37900	HOOK, PARKING LEVER	1	1	1					

Remarks

- (1) Interchangeable by simultaneous replacement with No.7-1 & 42-1.
- (2) Interchangeable by simultaneous replacement with No.70-1, Fig.168 No.7-1 & Fig.174 No.6-1.
- (3) No.9-1, 62-1 are interchangeable by set.

Fig.76. PEDAL



(A)=SA221
(B)=SA324
(C)=SA424

(D)=
(E)=
(F)=

No.	Lev.	Parts No.	Description	Q'ty						I	R
				(A)	(B)	(C)	(D)	(E)	(F)		
67	1	1A8330-37910	COLLAR, 8.2X17X6	1	1	1					
68	1	194990-22140	NUT, M8	2	2	2					
69	1	1A8330-33130	SPRING, DIFF.LOCK	1	1	1					
70	1	1A8330-33240	ADJUSTER, LINK	1	1	1					
70-1	1	1A8330-67450	ADJUSTER, LINK	1	1	1					F 2
		(A)=F400001) (B)=F400003) (C)=F400003)									
71	1	1A8330-37670	SPRING, RETURN	1	1	1					
72	1	22157-080000	WASHER, 8	1	1	1					
73	1	22487-080200	PIN, H 8X 20	1	1	1					

Remarks

- (1)Interchangeable by simultaneous replacement with No.7-1 & 42-1.
- (2)Interchangeable by simultaneous replacement with No.70-1, Fig.168 No.7-1 & Fig.174 No.6-1.
- (3)No.9-1, 62-1 are interchangeable by set.

Fig.78. HYDRAULIC PUMP

(A)=SA221
(B)=SA324
(C)=SA424

(D)=
(E)=
(F)=

No.	Lev.	Parts No.	Description	Q'ty						I	R
				(A)	(B)	(C)	(D)	(E)	(F)		
1	1	1A8330-41120	PUMP ASSY, HYDRAULIC	1							
2	1	1A7882-47210	JOINT ASSY	2							
5	1	24321-000800	O-RING, 1AG80.0	1							
6	1	26366-100002	NUT, M10	2							

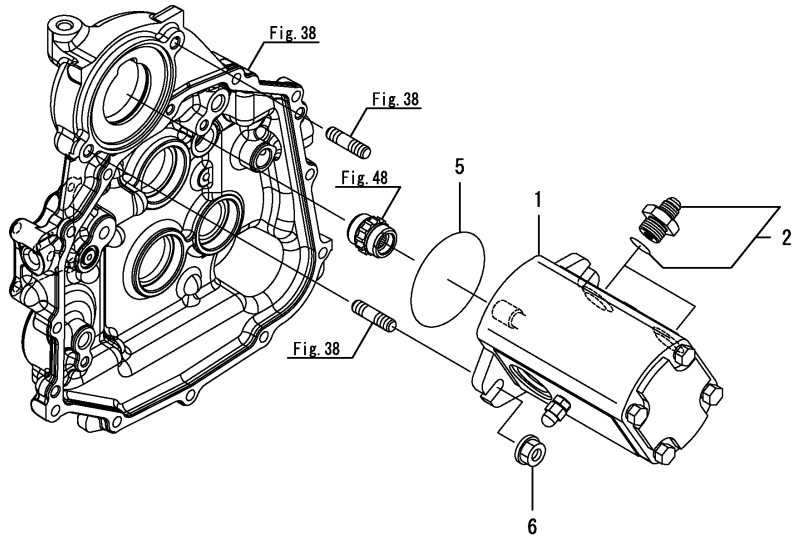


Fig.79. HYDRAULIC PUMP

(A)=SA221
(B)=SA324
(C)=SA424

(D)=
(E)=
(F)=

No.	Lev.	Parts No.	Description	Qty						I	R	
				(A)	(B)	(C)	(D)	(E)	(F)			
1	1	1A8320-41120	PUMP ASSY, HYDRAULIC		1	1						
2	1	1A7882-47210	JOINT ASSY		2	2						
5	1	24321-000800	O-RING, 1AG80.0		1	1						
6	1	26366-100002	NUT, M10		2	2						

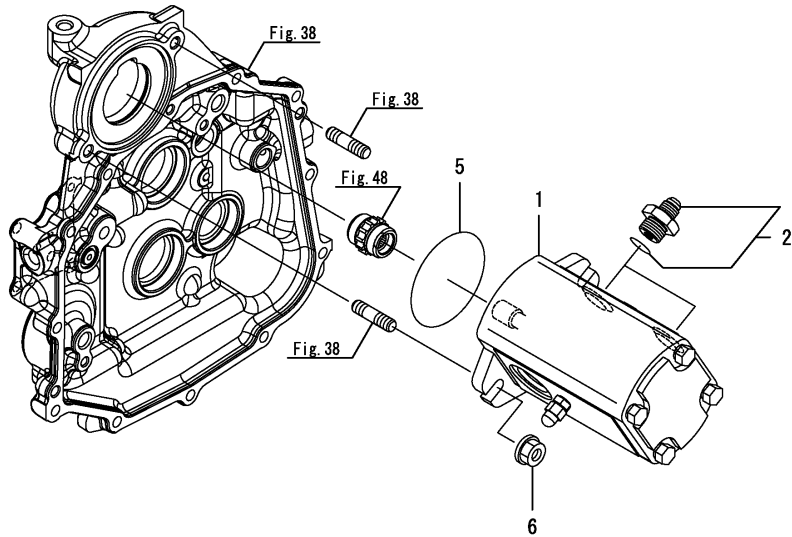
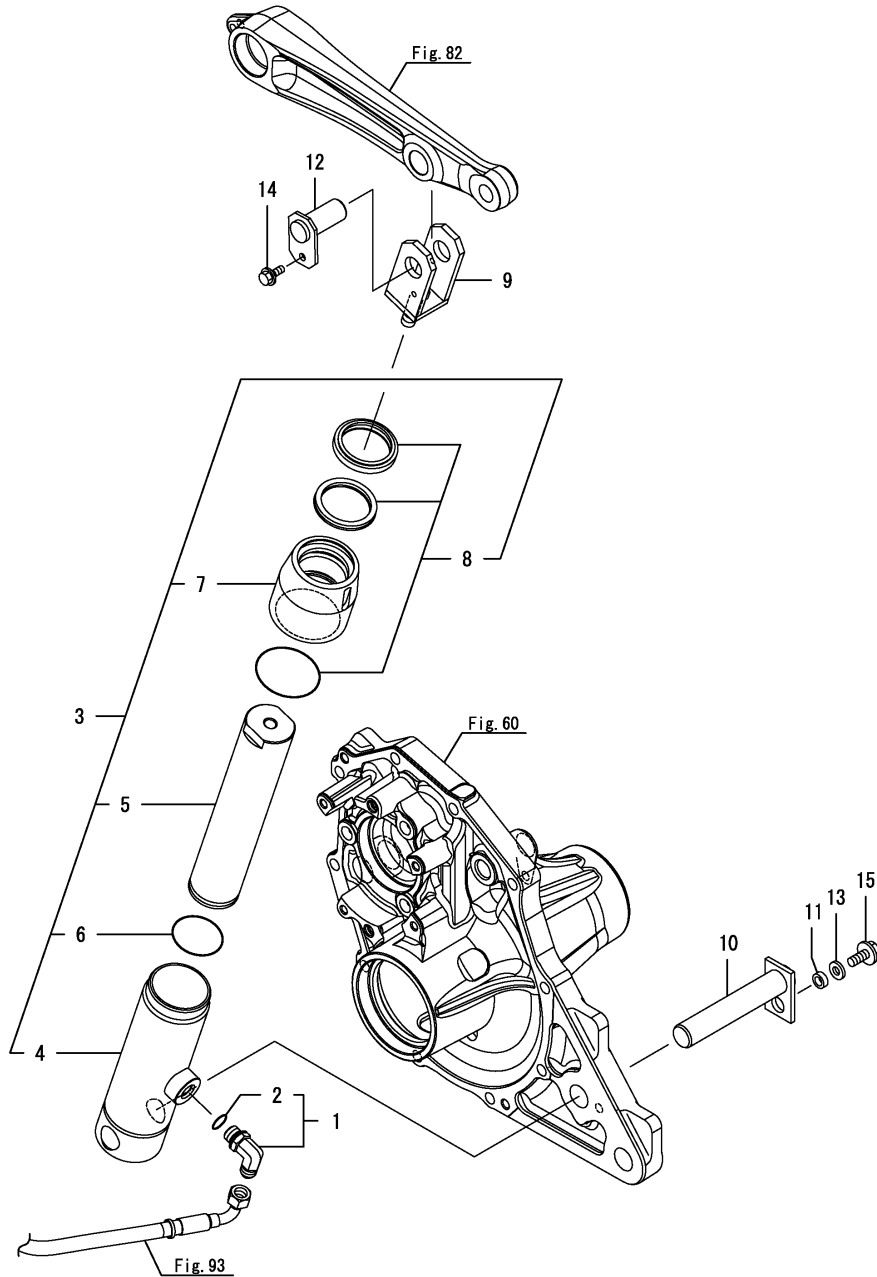


Fig.80. LIFTING CYLINDER

(A)=SA221
(B)=SA324
(C)=SA424

(D)=
(E)=
(F)=

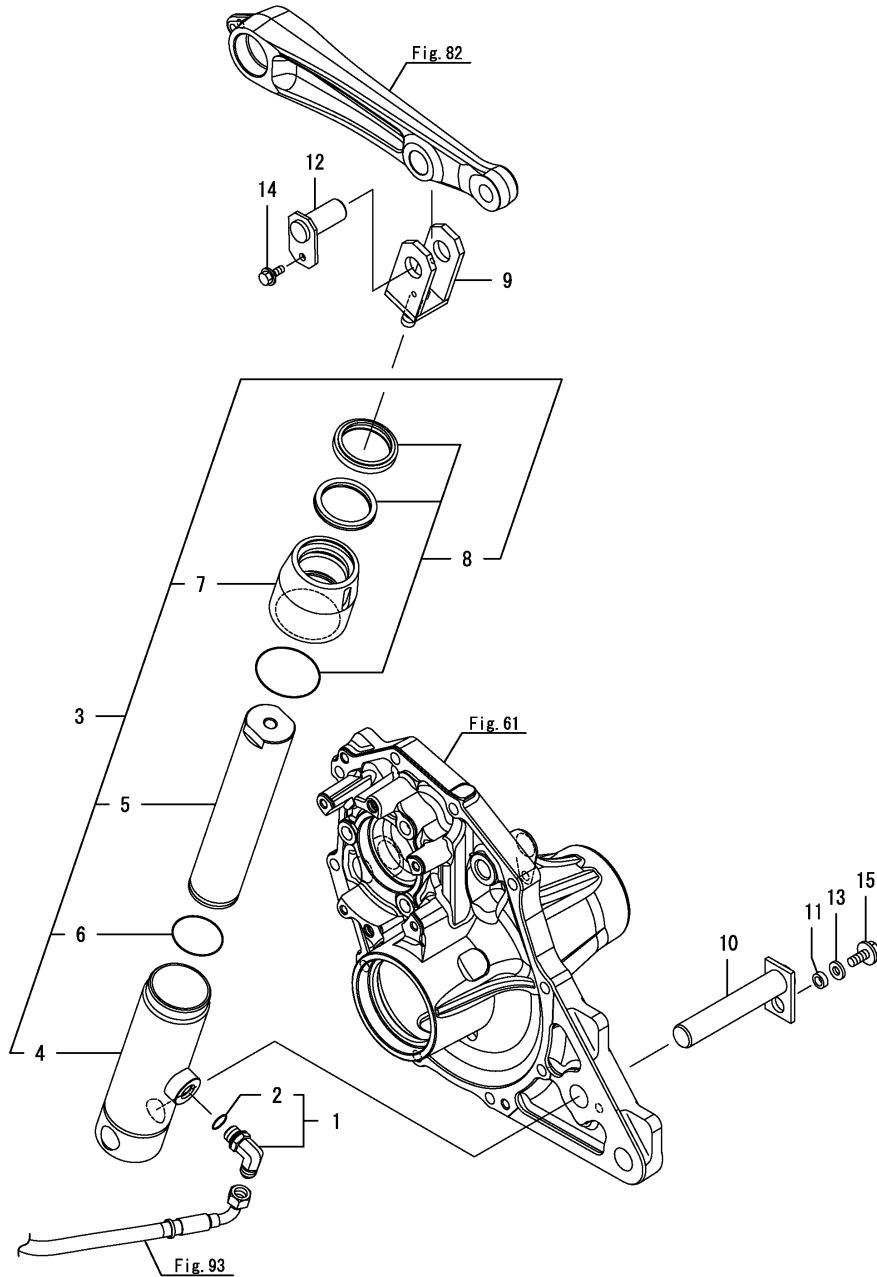


No.	Lev.	Parts No.	Description	Q'ty						I	R
				(A)	(B)	(C)	(D)	(E)	(F)		
1	1	1TN322-38910	JOINT,90SAE9/16-18	1							
2	2	1TN322-38930	PACKING, JOINT	1							
3	1	1A8330-43100	CYLINDER ASSY, LIFT	1							
4	2	1A8330-43250	CYLINDER	1							
5	2	1A8330-43260	ROD	1							
6	2	1A7880-43380	CIRCLIP	1							
7	2	1A7880-43410	BUSH, GUIDE	1							
8	2	1A7880-43500	SEAL KIT	1							
9	1	1A8330-43150	YOKE ASSY	1							
10	1	1A8330-43310	PIN ASSY	1							
11	1	1A8330-43360	COLLAR	1							
12	1	1A8330-43660	PIN ASSY	1							
13	1	22137-080000	WASHER, 8	1							
14	1	26106-060122	BOLT, M6X 12 PLATED	1							
15	1	26106-080162	BOLT, M8X 16 PLATED	1							

Fig.81. LIFTING CYLINDER

(A)=SA221
(B)=SA324
(C)=SA424

(D)=
(E)=
(F)=

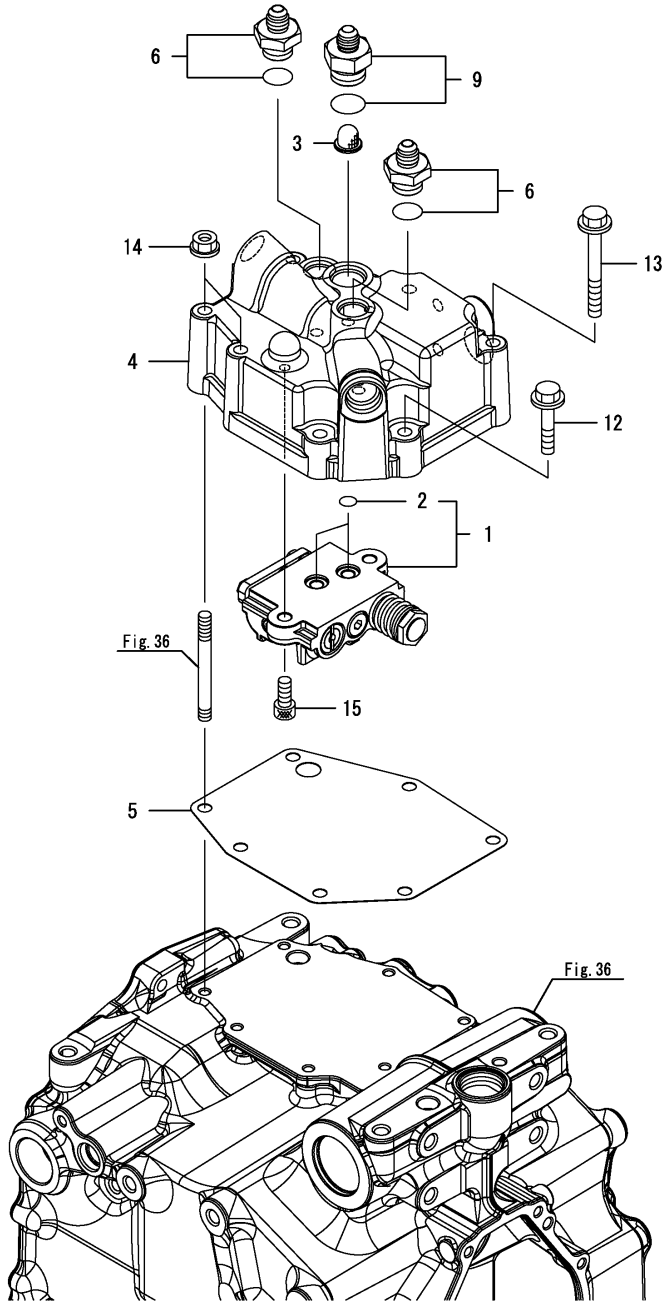


No.	Lev.	Parts No.	Description	Q'ty						I	R	
				(A)	(B)	(C)	(D)	(E)	(F)			
1	1	1TN322-38910	JOINT,90SAE9/16-18		1	1						
2	2	1TN322-38930	PACKING, JOINT		1	1						
3	1	1A8320-43100	CYLINDER ASSY, LIFT		1	1						
4	2	1A8320-43250	CYLINDER		1	1						
5	2	1A8330-43260	ROD		1	1						
6	2	1A7880-43380	CIRCLIP		1	1						
7	2	1A7880-43410	BUSH, GUIDE		1	1						
8	2	1A7880-43500	SEAL KIT		1	1						
9	1	1A8330-43150	YOKE ASSY		1	1						
10	1	1A8330-43310	PIN ASSY		1	1						
11	1	1A8330-43360	COLLAR		1	1						
12	1	1A8330-43660	PIN ASSY		1	1						
13	1	22137-080000	WASHER, 8		1	1						
14	1	26106-060122	BOLT, M6X 12 PLATED		1	1						
15	1	26106-080162	BOLT, M8X 16 PLATED		1	1						

Fig.84. CONTROL VALVE

(A)=SA221
(B)=SA324
(C)=SA424

(D)=
(E)=
(F)=



No.	Lev.	Parts No.	Description	Qty						I	R	
				(A)	(B)	(C)	(D)	(E)	(F)			
1	1	168234-00020	VALVE, CONTROL SCT2		1	1						
2	2	24315-000110	O-RING, 1BP11.0		2	2						
3	1	194556-42220	STRAINER, A		1	1						
4	1	1A8320-45210	CASE, CONTROL VALVE		1	1						
4-1	1	1A8320-45211 (B=F400829)	CASE, CONTROL VALVE (C=F400829)		1	1						N
5	1	1A8330-45260	GASKET,CONTROL VALVE		1	1						
6	1	1A7882-47210	JOINT ASSY		2	2						
9	1	1A8330-48110	JOINT ASSY		1	1						
12	1	26106-080402	BOLT, M8X 40 PLATED		2	2						
13	1	26106-080702	BOLT, M8X 70 PLATED		3	3						
14	1	26366-080002	NUT, M8		2	2						
15	1	26450-080202	BOLT, M8X 20		2	2						

Fig.85. STOP VALVE

(A)=SA221
(B)=SA324
(C)=SA424

(D)=
(E)=
(F)=

No.	Lev.	Parts No.	Description	Q'ty						I	R
				(A)	(B)	(C)	(D)	(E)	(F)		
1	1	194550-46300	VALVE, STOP	1	1	1					
2	1	1A8330-46620	BOLT, STOP	1	1	1					
3	1	194312-46630	HOLDER, VALVE	1	1	1					
4	1	22117-080000	WASHER, 8	1	1	1					
5	1	22351-040012	PIN, SPRING 4.0X12	1	1	1					
6	1	24311-000120	O-RING, 1AP12.0	1	1	1					
7	1	24315-000090	O-RING, 1BP9.0	1	1	1					

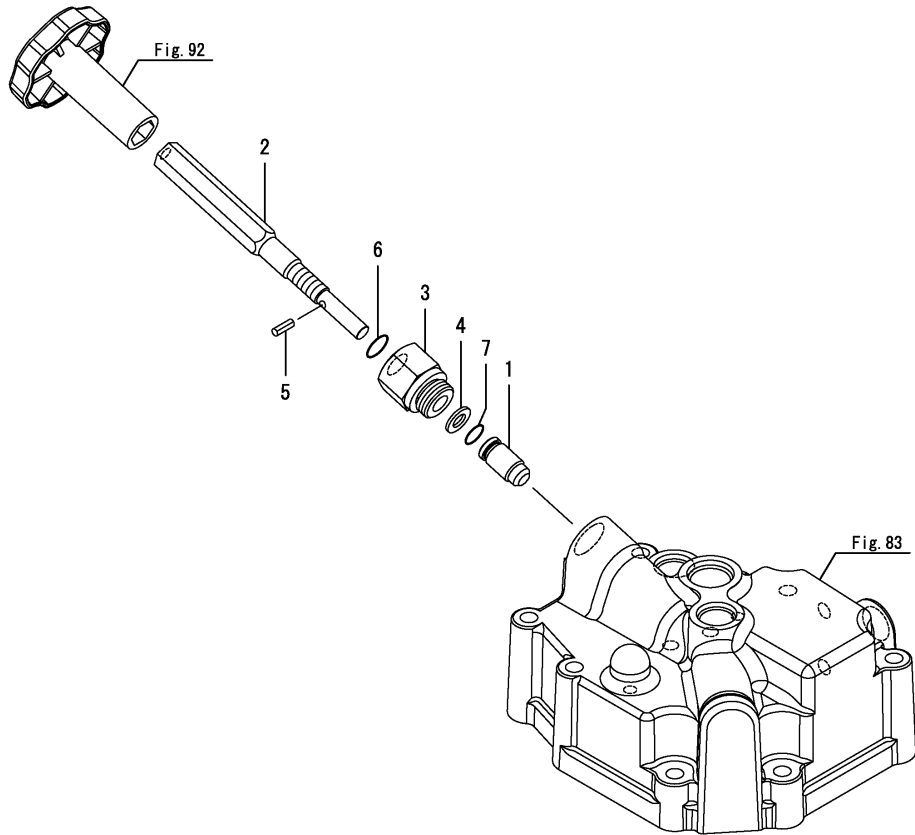
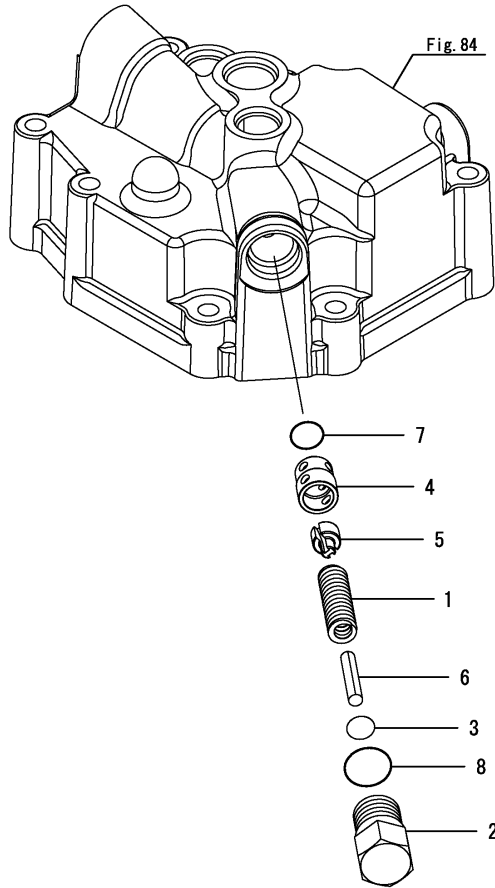


Fig.86. SAFETY VALVE

(A)=SA221
(B)=SA324
(C)=SA424

(D)=
(E)=
(F)=

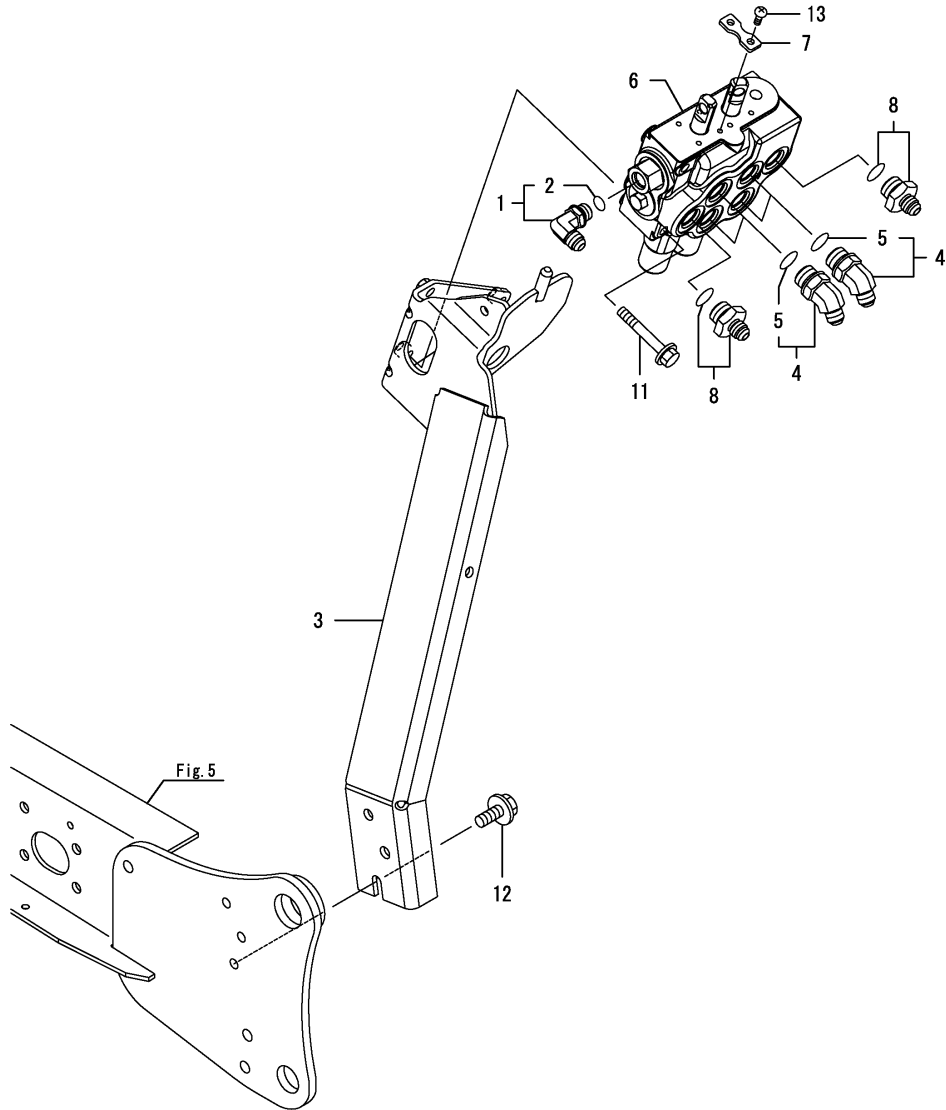


No.	Lev.	Parts No.	Description	Q'ty						I	R
				(A)	(B)	(C)	(D)	(E)	(F)		
1	1	1A7680-45320	SPRING, SAFETY VALVE		1	1					
2	1	1A7680-45370	PLUG, SAFETY VALVE		1	1					
3	1	198220-46400	SHIM SET, SAFETY		1	1					
4	1	1A7680-46410	SEAT, SAFETY VALVE		1	1					
5	1	194640-46420	VALVE, POPPET		1	1					
6	1	22351-060032	PIN, SPRING 6.0X32		1	1					
7	1	24315-000120	O-RING, 1BP12.0		1	1					
8	1	24315-000180	O-RING, 1BP18.0		1	1					

Fig.87. S.C.V.

(A)=SA221
(B)=SA324
(C)=SA424

(D)=
(E)=
(F)=



No.	Lev.	Parts No.	Description	Qty						I	R
				(A)	(B)	(C)	(D)	(E)	(F)		
1	1	1TN322-38910	JOINT,90SAE9/16-18	1	1	1					
2	2	1TN322-38930	PACKING, JOINT	1	1	1					
3	1	1A8330-46000	STAY ASSY, SCV VALVE	1	1	1					
4	1	1A8330-46070	JOINT,45 3/4-16	4	4	4					
5	2	24361-090800	PACKING, AS 908	4	4	4					
6	1	1A8330-46600	VALVE ASSY, LOADER	1	1	1					
7	1	1A8330-46610	PLATE	1	1	1					
8	1	1A7882-47210	JOINT ASSY	2	2	2					
11	1	26106-080602	BOLT, M8X 60 PLATED	3	3	3					
12	1	26106-100202	BOLT, M10X 20 PLATED	3	3	3					
13	1	26557-050122	SCREW, M5X12	2	2	2					

Fig.88. BREATHER

(A)=SA221
(B)=SA324
(C)=SA424

(D)=
(E)=
(F)=

No.	Lev.	Parts No.	Description	Qty						I	R
				(A)	(B)	(C)	(D)	(E)	(F)		
1	1	23065-090450	PIPE, 9X 450	1	1	1					
2	1	29622-250001	BAND, RF250	1	1	1					

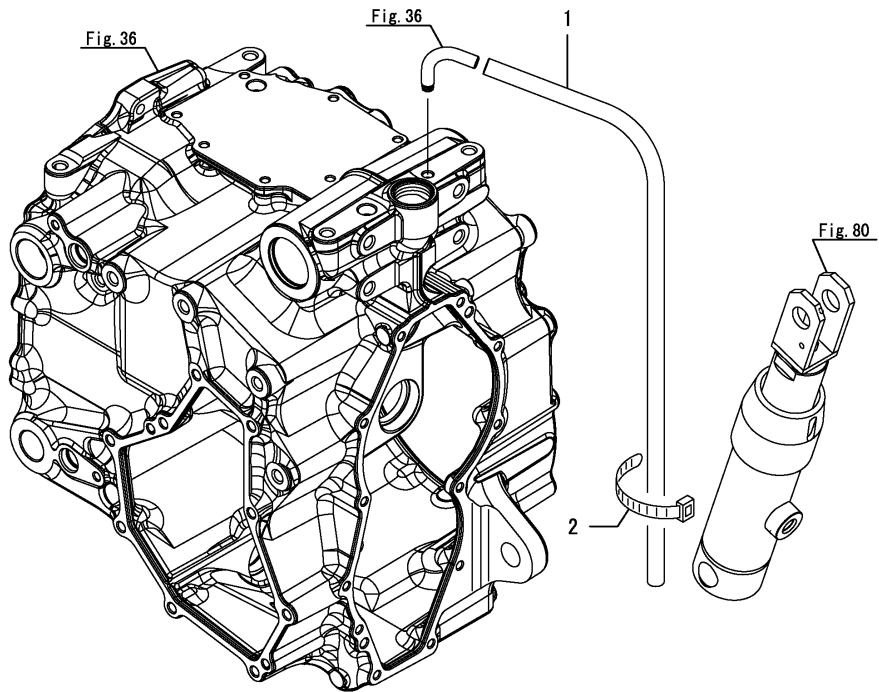
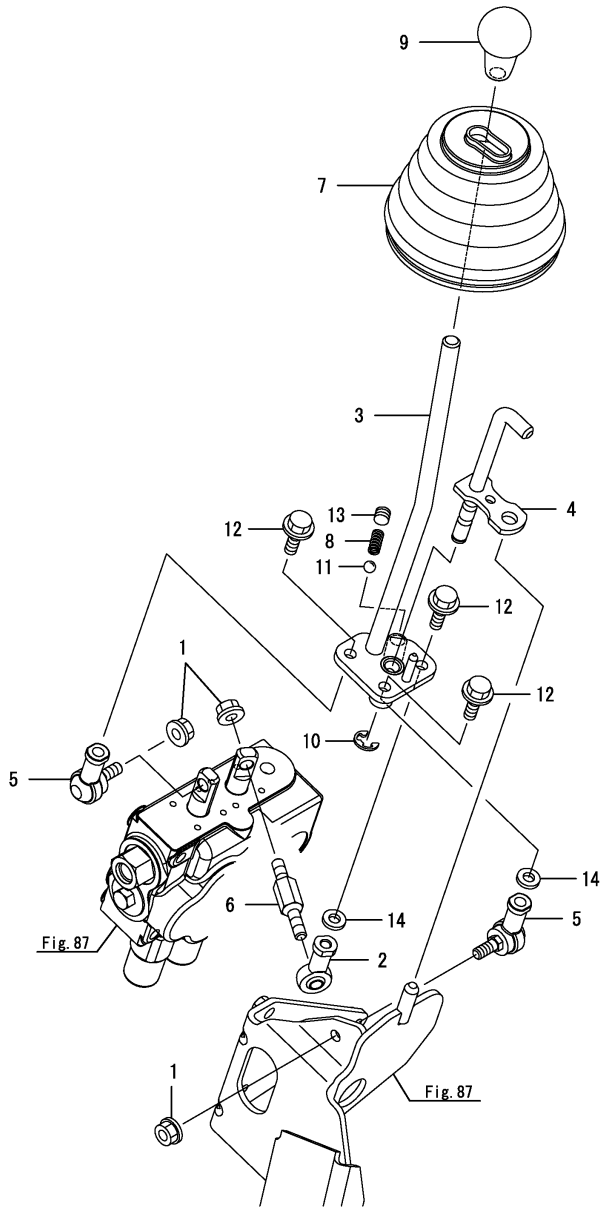


Fig.89. S.C.V. LEVER

(A)=SA221
(B)=SA324
(C)=SA424

(D)=
(E)=
(F)=



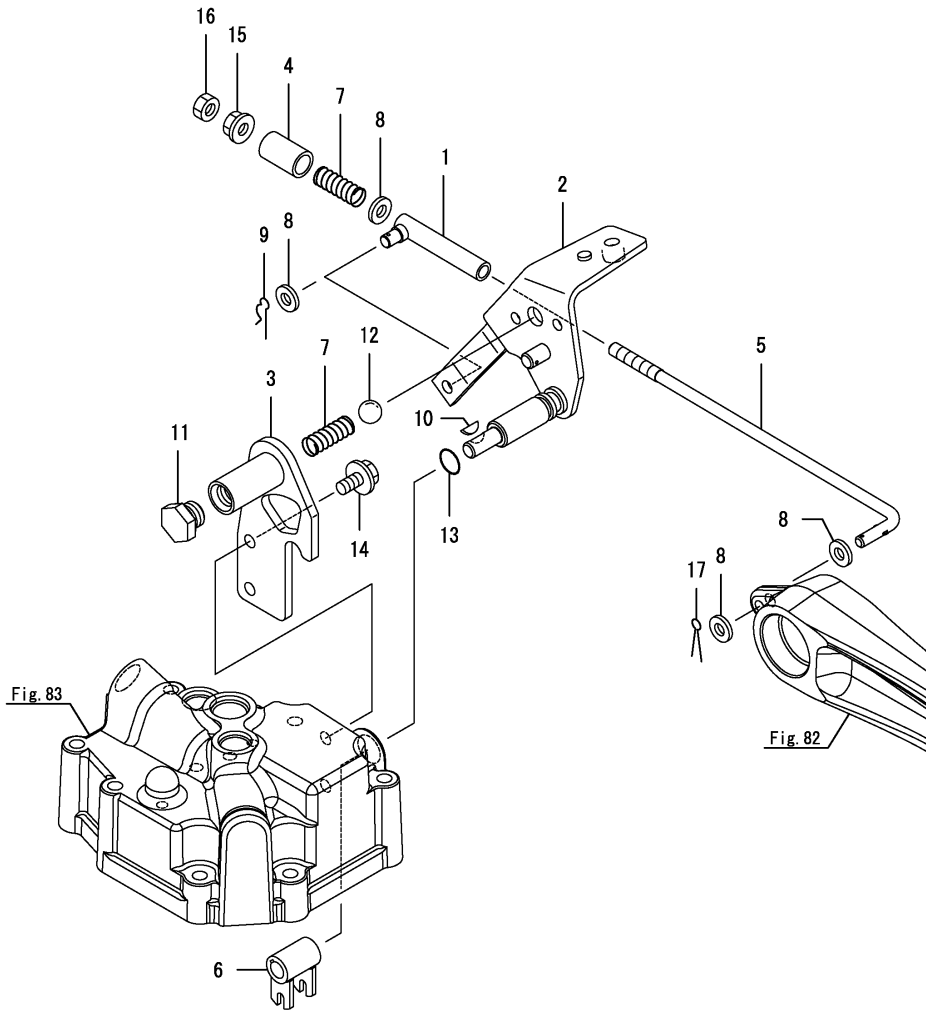
No.	Lev.	Parts No.	Description	Qty						I	R
				(A)	(B)	(C)	(D)	(E)	(F)		
1	1	194990-22140	NUT, M8	3	3	3					
2	1	198164-27970	END, ROD 8R	1	1	1					
3	1	1A8330-46450	LEVER ASSY, SCV	1	1	1					
3-1	1	1A8330-46451 (A=F000510) (B=*2014.05.) (C=*2014.05.)	LEVER ASSY, SCV	1	1	1					R
4	1	1A8330-46500	PIN ASSY, LOCK	1	1	1					
4-1	1	1A8330-46501 (A=F000510) (B=*2014.05.) (C=*2014.05.)	PIN ASSY, LOCK	1	1	1					N
5	1	172122-46590	ELBOW, 8	2	2	2					
6	1	1A7880-47750	BOLT, SCV LEVER	1	1	1					
7	1	1A7880-47950	BOOT, SCV LEVER	1	1	1					
8	1	1E6150-56040	SPRING, FORK	1	1	1					
9	1	194990-85561	KNOB, HIGH-LOW LEVER	1	1	1					
10	1	22272-000080	RING, E- 8	1	1	1					
11	1	24190-100003	BALL, STEEL 5/16	1	1	1					
12	1	26106-080162	BOLT, M8X 16 PLATED	3	3	3					
13	1	26911-100102	SCREW, M10X10	1	1	1					
14	1	22117-080000	WASHER, 8	2	2	2					Z 1
				(A=F000510)	(B=*2014.05.)	(C=*2014.05.)					

Remarks
(1)Appropriately

(A)=SA221
 (B)=SA324
 (C)=SA424

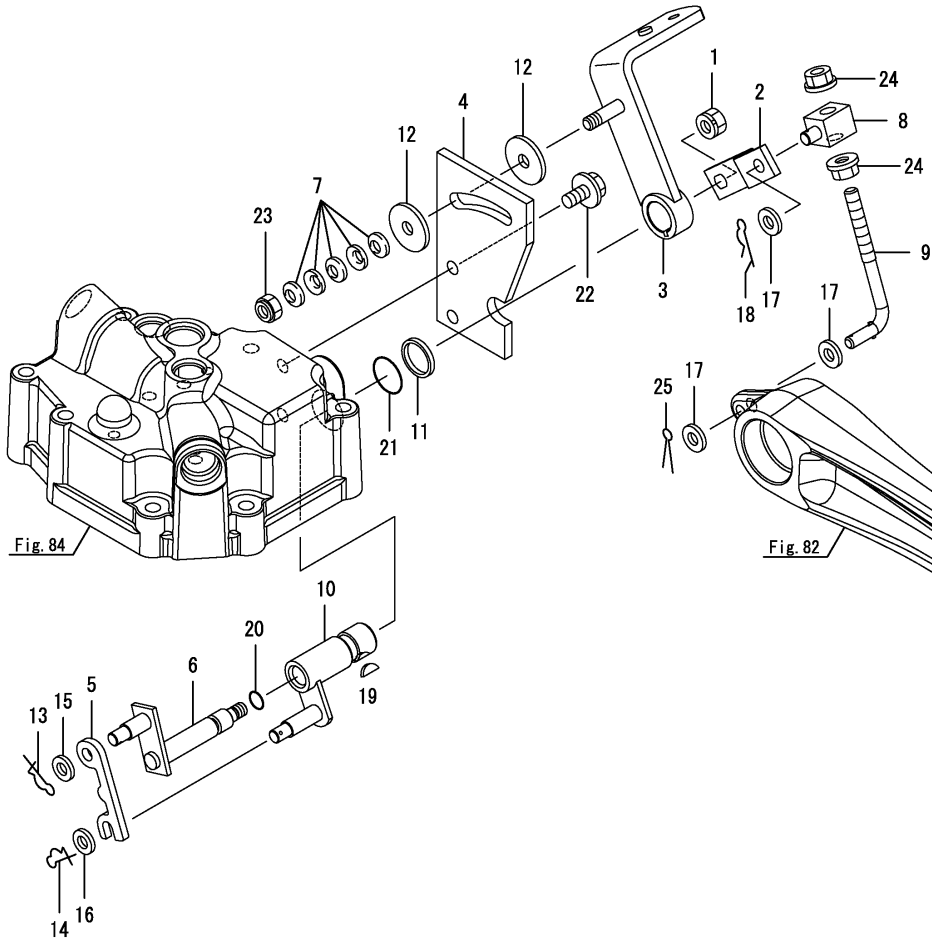
(D)=
 (E)=
 (F)=

No.	Lev.	Parts No.	Description	Q'ty						I	R
				(A)	(B)	(C)	(D)	(E)	(F)		
1	1	1A8330-47050	ADJUSTER ASSY	1							
2	1	1A8330-47250	SHAFT ASSY, LEVER	1							
2-1	1	1A8332-47250	SHAFT ASSY, S LEVER	1							R
(A=F400409)											
3	1	1A8330-47310	PLATE ASSY	1							
3-1	1	1A8330-47311	PLATE ASSY	1							N
(A=F400962)											
4	1	1A8330-47370	COLLAR	1							
5	1	1A8330-47540	ROD, FEEDBACK	1							
6	1	1A8330-47550	ARM, SELECT CONTROL	1							
7	1	1A8330-47610	SPRING	2							
8	1	22137-080000	WASHER, 8	4							
9	1	22372-080000	PIN, SNAP 8	1							
10	1	22522-030130	KEY, WOODRUFF 3X13	1							
11	1	23887-160002	PLUG, 16	1							
12	1	24190-170001	BALL, STEEL 17/32	1							
13	1	24311-000125	O-RING, 1AP12.5	1							
14	1	26106-080162	BOLT, M8X 16 PLATED	2							
15	1	26366-080002	NUT, M8	1							
16	1	26716-080002	NUT, M8	1							
17	1	22417-160160	PIN, COTTER 1.6X16	1							



(A)=SA221
 (B)=SA324
 (C)=SA424

(D)=
 (E)=
 (F)=



No.	Lev.	Parts No.	Description	Q'ty						I	R
				(A)	(B)	(C)	(D)	(E)	(F)		
1	1	194990-22050	NUT, M8		1	1					
2	1	1A8320-47210	ARM, FEEDBACK		1	1					
3	1	1A8320-47250	ARM ASSY, CONTROL		1	1					
3-1	1	1A8322-47250 (B=F400626)	ARM ASSY, P CONTROL (C=F400626)		1	1					R
4	1	1A8320-47310	PLATE, CONTROL		1	1					
5	1	1A8320-47420	PLATE, CONTROL		1	1					
6	1	1A8320-47450	SHAFT ASSY, FEEDBACK		1	1					
7	1	1A6640-47520	SPRING, 8		5	5					
8	1	194208-47530	ADJUSTER		1	1					
9	1	1A8320-47540	ROD, FEEDBACK		1	1					
10	1	1A8320-47550	SHAFT ASSY, LEVER		1	1					
11	1	1A8320-47610	COLLAR, LEVER		1	1					
12	1	1A8320-47780	PLATE, FRICTION		2	2					
13	1	1C6281-52320-1	PIN, SNAP 8		1	1					
14	1	1C6281-52320-1	PIN, SNAP 8		1	1					
15	1	22117-080000	WASHER, 8		1	1					
16	1	22117-080000	WASHER, 8		1	1					
17	1	22137-080000	WASHER, 8		3	3					
18	1	22372-080000	PIN, SNAP 8		1	1					
19	1	22522-030130	KEY, WOODRUFF 3X13		1	1					
20	1	24311-000090	O-RING, 1AP9.0		1	1					
21	1	24311-000200	O-RING, 1AP20.0		1	1					
22	1	26106-080162	BOLT, M8X 16 PLATED		2	2					
23	1	26346-080002	NUT, M8		1	1					
24	1	26366-080002	NUT, M8		2	2					
25	1	22417-160160	PIN, COTTER 1.6X16		1	1					

Fig.92. HYDRAULIC LEVER

(A)=SA221
(B)=SA324
(C)=SA424

(D)=
(E)=
(F)=

No.	Lev.	Parts No.	Description	Q'ty						I	R
				(A)	(B)	(C)	(D)	(E)	(F)		
1	1	1A8250-46640	KNOB, STOP VALVE	1	1	1					
2	1	1A8330-47350	LEVER, LIFT	1	1	1					
2-1	1	1A8332-47350	LEVER, LIFT	1	1	1					N
3	1	(A=F400438) 198200-47810	(B=F400442) KNOB, BLACK (C=F400442)	1	1	1					
4	1	26106-060402	BOLT, M6X 40 PLATED	1	1	1					
5	1	26106-080162	BOLT, M8X 16 PLATED	1	1	1					

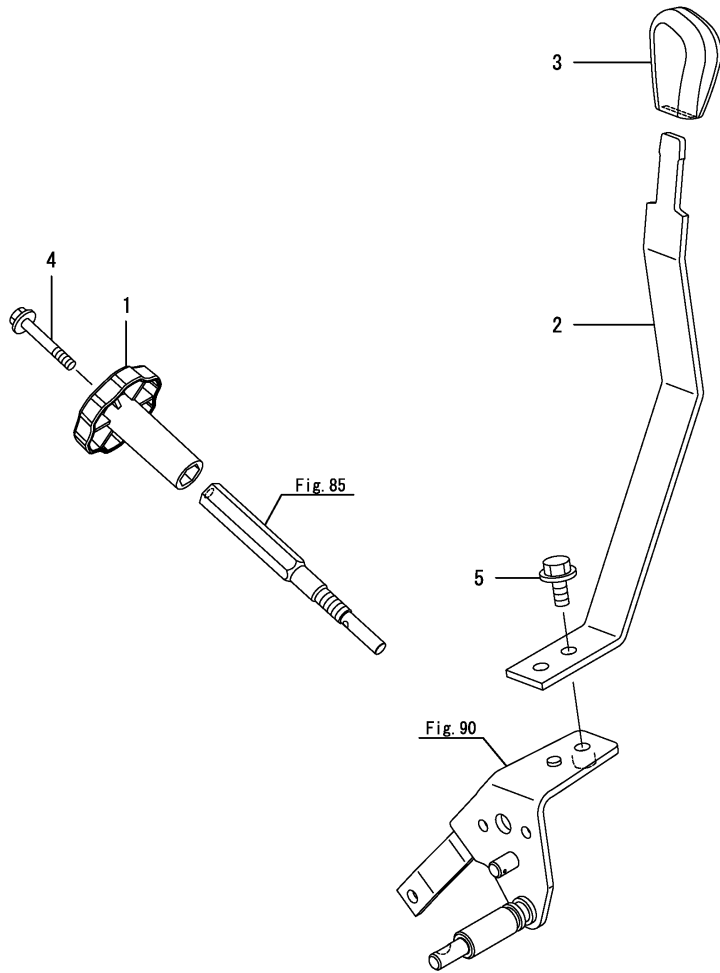
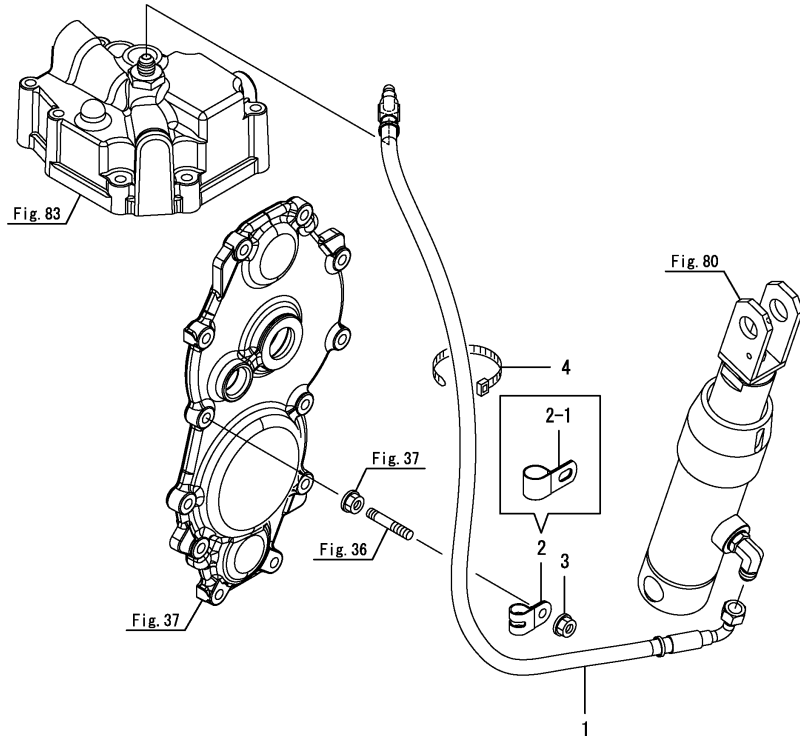


Fig.93. HYDRAULIC PIPING(1)

(A)=SA221
(B)=SA324
(C)=SA424

(D)=
(E)=
(F)=



No.	Lev.	Parts No.	Description	Q'ty						I	R
				(A)	(B)	(C)	(D)	(E)	(F)		
1	1	1A8330-48161	HOSE, HYD CYLINDER	1	1	1					
1-1	1	1A8330-48162	HOSE, HYD CYLINDER	1	1	1				F	1
		(A=F400453) (B=F400452) (C=F400452)									
2	1	1E8945-85480	CLAMP, 14	1	1	1					
2-1	1	1E6213-83410	CLIP, HARNESS 18	1	1	1				F	1
		(A=F400453) (B=F400452) (C=F400452)									
3	1	26366-080002	NUT, M8	1	1	1					
4	1	29622-250001	BAND, RF250	1	1	1					

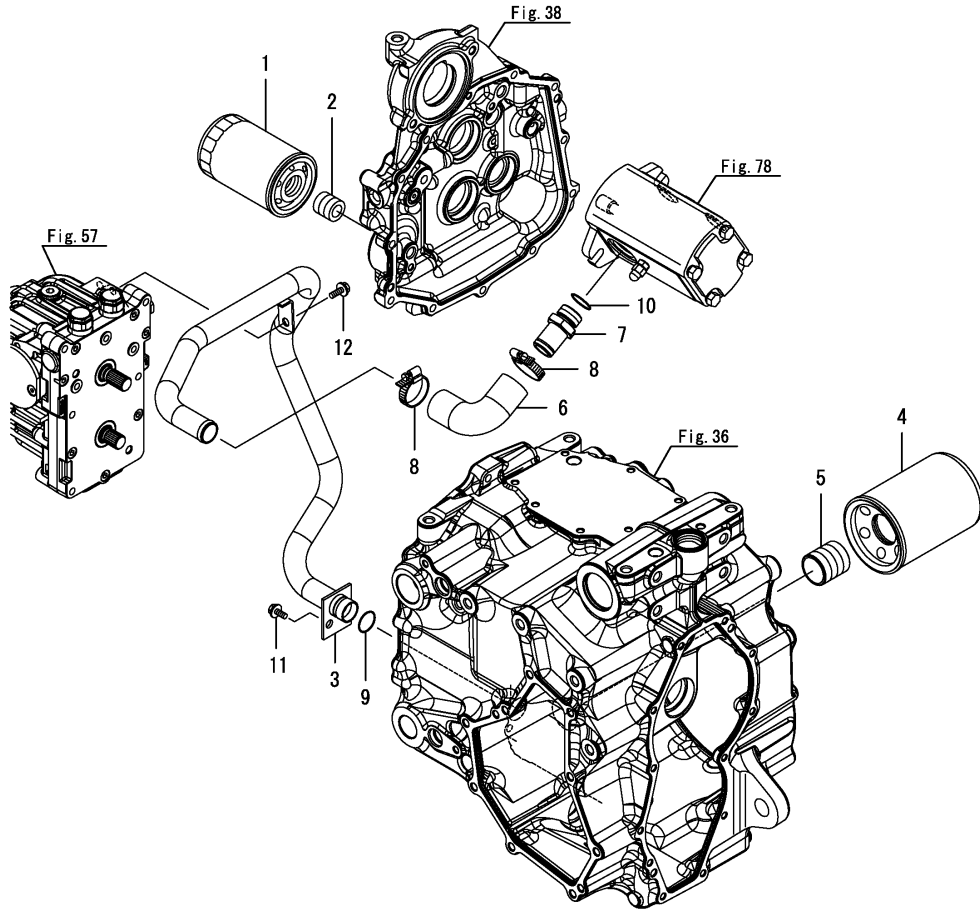
Remarks

(1)Interchangeable by simultaneous replacement with No.1-1 & 2-1.

Fig.94. HYDRAULIC PIPING(2)

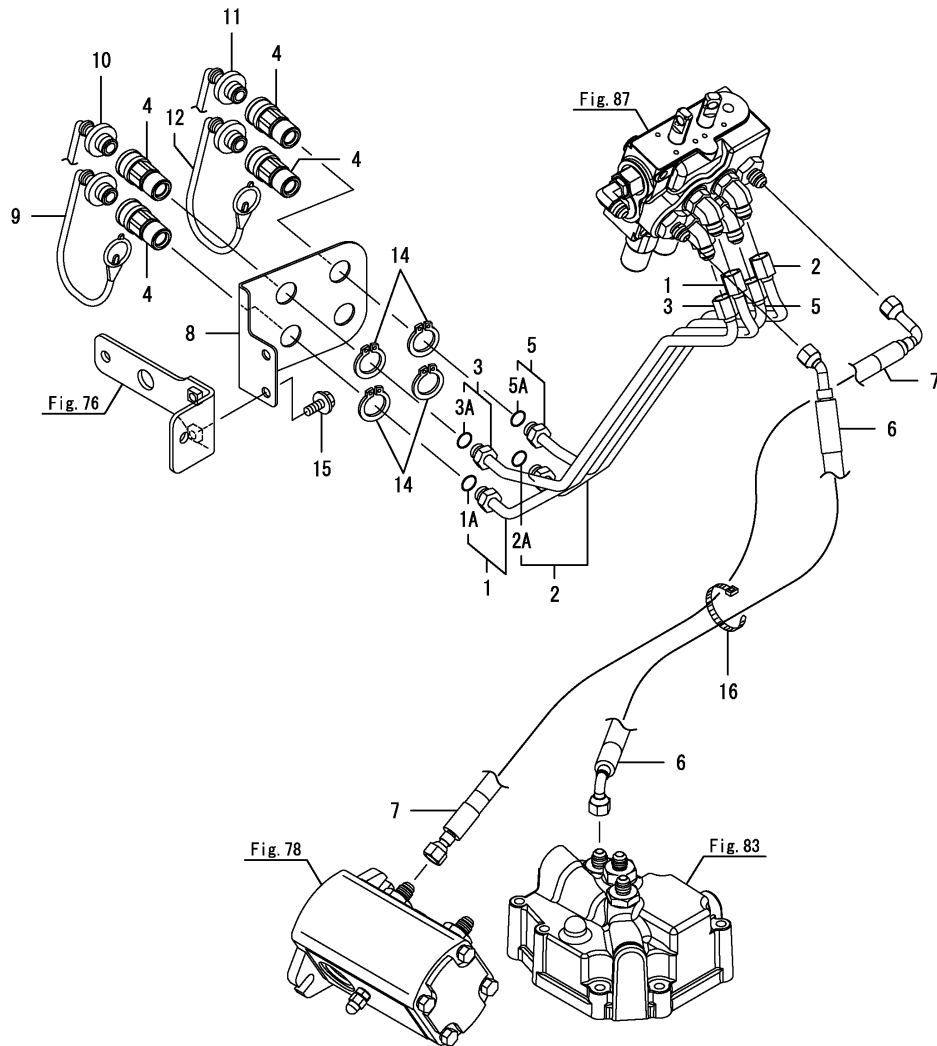
(A)=SA221
(B)=SA324
(C)=SA424

(D)=
(E)=
(F)=



No.	Lev.	Parts No.	Description	Qty						I	R
				(A)	(B)	(C)	(D)	(E)	(F)		
1	1	198167-24900	FILTER, OIL	1	1	1					
2	1	198167-24950	JOINT, STRAINER	1	1	1					
3	1	1A8330-48210	PIPE ASSY, PRESSURE	1	1	1					
4	1	198119-48310	FILTER	1	1	1					
5	1	1A8330-48330	JOINT, FILTER	1	1	1					
6	1	1A8330-48410	HOSE, RUBBER	1	1	1					
7	1	1A8330-48570	JOINT, SUCTION	1	1	1					
8	1	23000-035000	CLAMP, 35	2	2	2					
9	1	24311-000220	O-RING, 1AP22.0	1	1	1					
9-1	1	24315-000220	O-RING, 1BP22.0	1	1	1					N
		(A=F400519) (B=F101518) (C=F101323)									
10	1	24311-350220	O-RING, 1AP22A	1	1	1					
11	1	26106-080162	BOLT, M8X 16 PLATED	1	1	1					
12	1	26106-080202	BOLT, M8X 20 PLATED	1	1	1					

Fig.95. S.C.V. PIPING(1)

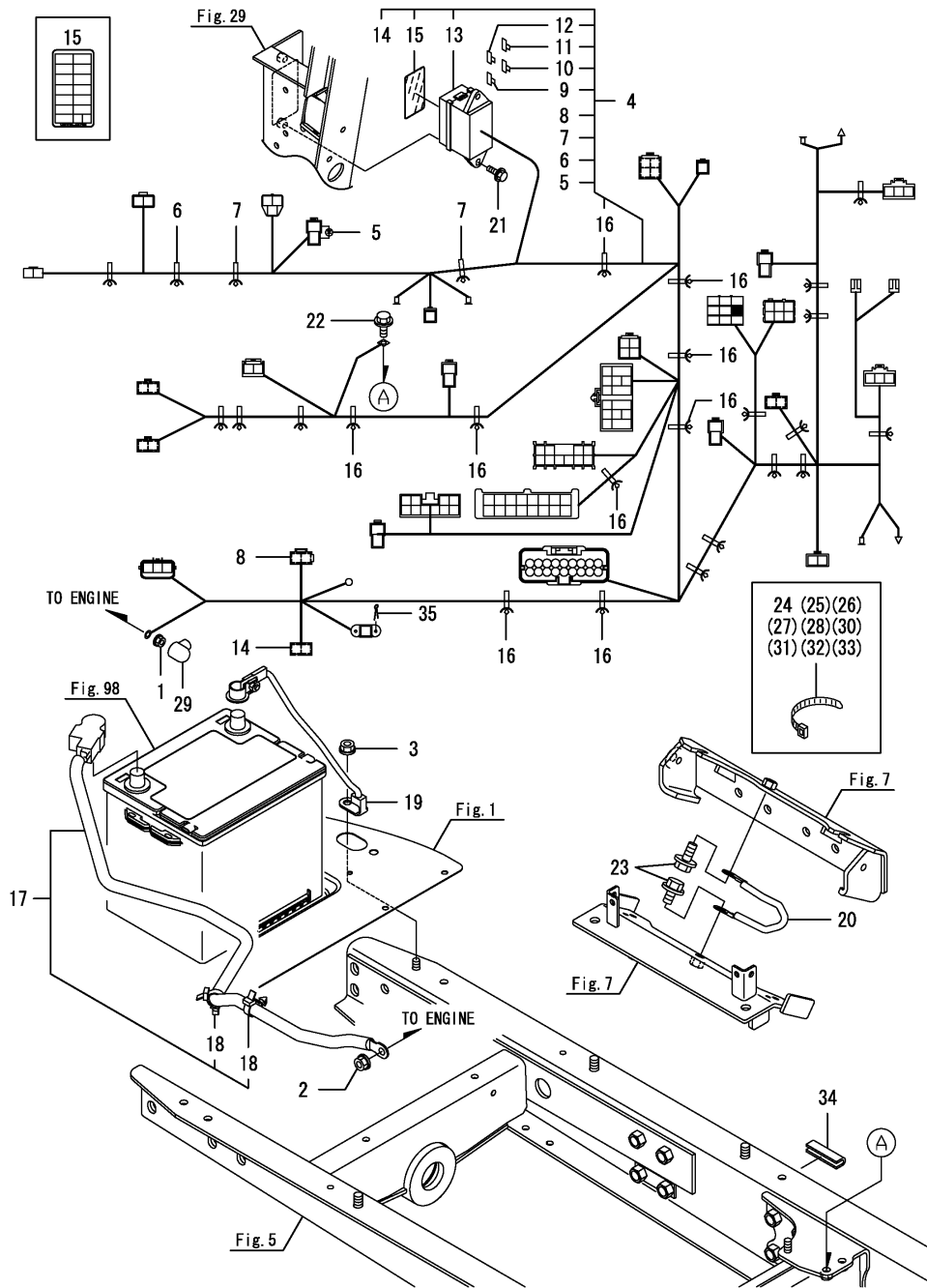


(A)=SA221
(B)=SA324
(C)=SA424

(D)=
(E)=
(F)=

No.	Lev.	Parts No.	Description	Q'ty						I	R
				(A)	(B)	(C)	(D)	(E)	(F)		
1	1	1A8330-46550	PIPE UNIT, HP SCV A1	1	1	1					
1A	2	194850-49290	PACKING, 6-1	1	1	1					
2	1	1A8330-46560	PIPE UNIT, HP SCV A2	1	1	1					
2A	2	194850-49290	PACKING, 6-1	1	1	1					
3	1	1A8330-46570	PIPE UNIT, HP SCV B1	1	1	1					
3A	2	194850-49290	PACKING, 6-1	1	1	1					
4	1	198223-46250	COUPLER, QUICK	4	4	4					
5	1	1A8330-46580	PIPE UNIT, HP SCV B2	1	1	1					
5A	2	194850-49290	PACKING, 6-1	1	1	1					
6	1	1A8330-46310	HOSE, LOW PRESSURE	1	1	1					
6-1	1	1A8330-46311	HOSE, LP SCV T	1	1	1					N
		(A=F400453) (B=F400449) (C=F400449)									
7	1	1A8330-46320	HOSE, HIGH PRESSURE	1	1	1					
7-1	1	1A8330-46321	HOSE, HP SCV P	1	1	1					N
		(A=F400453) (B=F400449) (C=F400449)									
8	1	1A8330-46350	STAY, QUICK COUPLER	1	1	1					
9	1	1A7880-47550	PLUG, DUST RED	1	1	1					
10	1	1A7880-47560	PLUG, DUST BLUE	1	1	1					
11	1	1A7880-47570	PLUG, DUST YELLOW	1	1	1					
12	1	1A7880-47580	PLUG, DUST GREEN	1	1	1					
14	1	22242-000220	RING, 22	4	4	4					
15	1	26106-080162	BOLT, M8X 16 PLATED	2	2	2					
16	1	29622-250001	BAND, RF250	1	1	1					

Fig.97. WIRE HARNESS

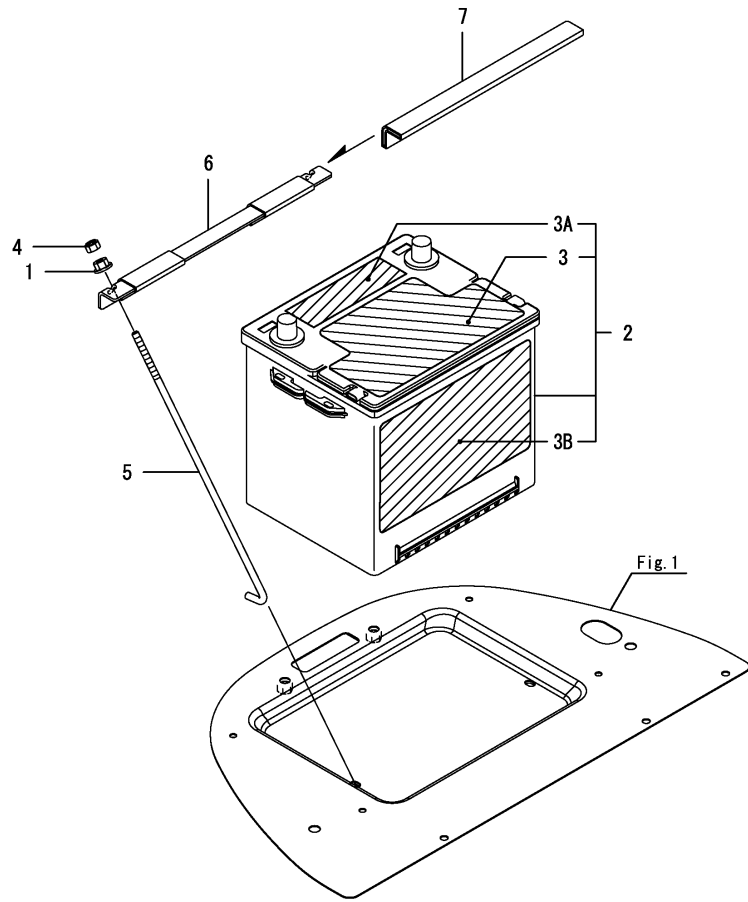


(A)=SA221
(B)=SA324
(C)=SA424

(D)=
(E)=
(F)=

No.	Lev.	Parts No.	Description	Qty						I	R
				(A)	(B)	(C)	(D)	(E)	(F)		
1	1	194990-22130	NUT, M6	1	1	1					
2	1	194990-22140	NUT, M8	1	1	1					
3	1	194990-22140	NUT, M8	1	1	1					
4	1	1A8330-51110	HARNESS ASSY, A	1	1	1					
4-1	1	1A8330-51111	HARNESS ASSY, A	1	1	1					N
		(A=F100001) (B=F100002) (C=F100003)									
5	2	1A7500-51130	DIODE, 3.0A	1	1	1					
6	2	1A7500-51160	CLIP, HARNESS	14	14	14					
7	2	1A7500-51170	CLIP, HARNESS	2	2	2					
8	2	198153-51700	FUSE, SLOW BLOW 80A	1	1	1					
9	2	198535-52110	FUSE, 5A	3	3	3					
10	2	198535-52120	FUSE, 10A	3	3	3					
11	2	198535-52130	FUSE, 15A	3	3	3					
12	2	1A7450-52180	FUSE, 25A	2	2	2					
13	2	1A7531-52420	COVER, FUSE BOX	1	1	1					
14	2	1A7000-52820	FUSE, SLOW BLOW 60A	1	1	1					
15	2	1A8330-65780	LABEL, FUSE	1	1	1					
16	2	1E8775-84120	CLAMP, BAND B	9	9	9					
17	1	1A8330-51410	CABLE ASSY, BATTERY+	1	1	1					
18	2	1A7500-51160	CLIP, HARNESS	2	2	2					
19	1	1A8330-51420	CABLE, BATTERY -	1	1	1					
20	1	1A8330-51800	WIRE, LEAD EARTH	1	1	1					
21	1	26106-06020	BOLT, M6X 20 PLATED	2	2	2					
22	1	26106-080162	BOLT, M8X 16 PLATED	1	1	1					
23	1	26106-100202	BOLT, M10X 20 PLATED	2	2	2					
24	1	29622-250001	BAND, RF250	1	1	1					
25	1	1A8300-51210	BAND, REPEAT	2	2	2					
26	1	1A8300-51210	BAND, REPEAT	2	2	2					
27	1	29622-250001	BAND, RF250	1	1	1					
28	1	194680-51670	BAND, CLIP	1	1	1					
29	1	124756-77040	COVER, TERMINAL A	1	1	1					
30	1	1A8300-51210	BAND, REPEAT	1	1	1					
31	1	29622-140001	BAND, RF140	1	1	1					
32	1	29622-250001	BAND, RF250	1	1	1					
33	1	1A8300-51210	BAND, REPEAT	2	2	2					
34	1	195616-24930	TRIM	1	1	1					W
		(A=F000104) (B=F000134) (C=F000129)									
35	1	22417-200200	PIN, COTTER 2.0X20	1	1	1					W
		(A=F400962) (B=F400680) (C=F400680)									

Fig.98. BATTERY



(A)=SA221
(B)=SA324
(C)=SA424

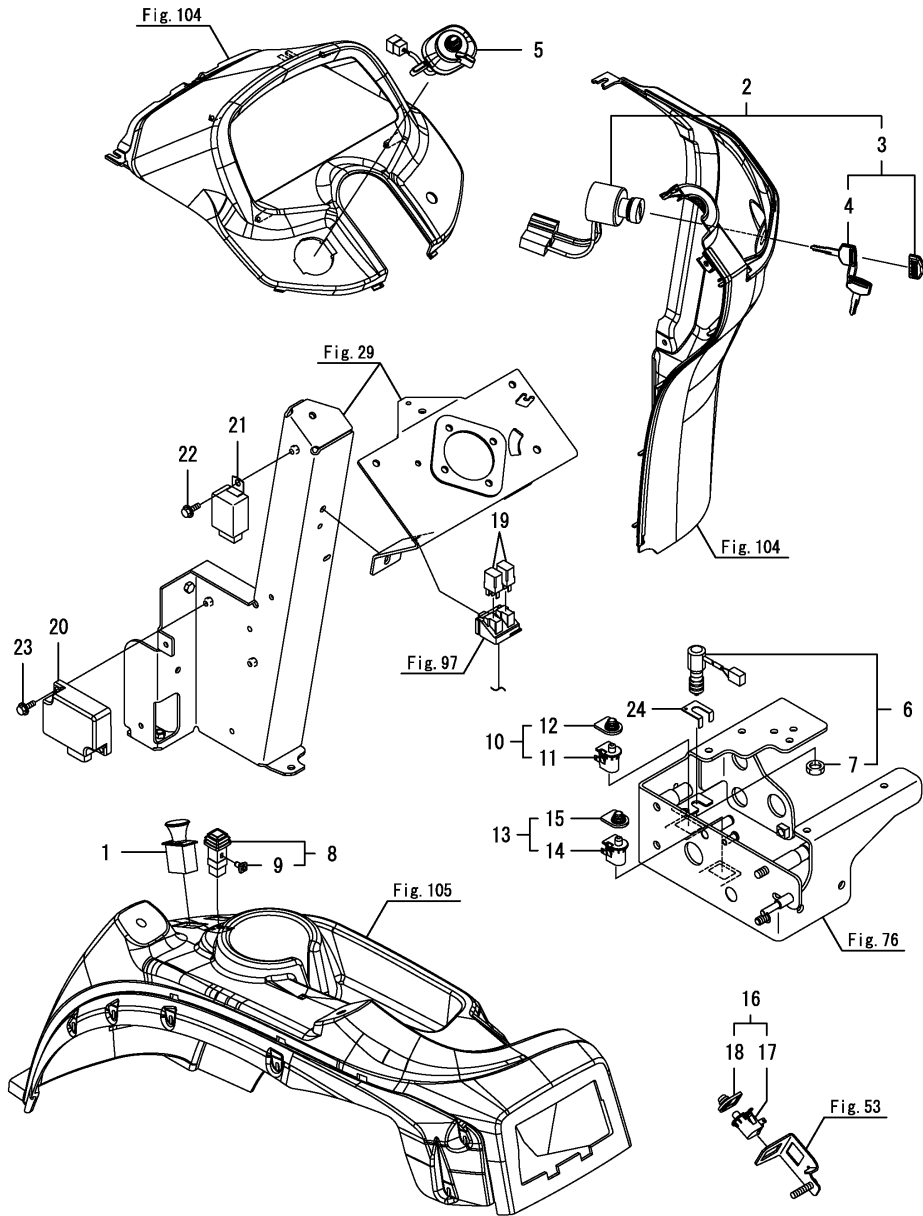
(D)=
(E)=
(F)=

No.	Lev.	Parts No.	Description	Q'ty						I	R
				(A)	(B)	(C)	(D)	(E)	(F)		
1	1	194990-22130	NUT, M6	2	2	2					
2	1	1A8160-51500	BATTERY ASSY, 526RMF	1	1	1					
3	2	1A8160-51522	LABEL, BATTERY	1	1	1					
3A	2	1A8160-51531	LABEL, BATTERY TOP	1	1	1					
3B	2	1A8275-51540	LABEL, BATTERY BACK	1	1	1					
4	1	26716-060002	NUT, M6	2	2	2					
5	1	1A8275-51610	ROD,BATTERY	2	2	2					
6	1	1A8160-51600	CLAMP, BATTERY 6-245	1	1	1					
7	1	1A8275-51620	COVER, PROTECTIVE	1	1	1					

Fig.99. SWITCH

(A)=SA221
(B)=SA324
(C)=SA424

(D)=
(E)=
(F)=



No.	Lev.	Parts No.	Description	Q'ty						I	R
				(A)	(B)	(C)	(D)	(E)	(F)		
1	1	172531-17300	SWITCH, PTO	1	1	1					
2	1	198226-52100	SWITCH ASSY, STARTER	1	1	1					
3	2	194155-52160	KEY ASSY	1	1	1					
4	3	194155-52190	KEY, START SWITCH	2	2	2					
5	1	1A8330-52140	SWITCH, COMBINATION	1	1	1					
6	1	198223-52150	SWITCH ASSY, LAMP	1	1	1					
6-1	1	198223-52151	SWITCH ASSY, LAMP	1	1	1					N
		(A=F100001) (B=F100002) (C=F100003)									
7	2	26776-120002	NUT, LOCK M12	1	1	1					
8	1	1A7880-52250	SWITCH, W/LAMP NL Y	1	1	1					
9	2	198133-78840	LAMP ASSY	1	1	1					
10	1	1A8160-52300	SWITCH ASSY, SEAT	1	1	1					
11	2	1A8160-52310	SWITCH, SEAT DELTA	1	1	1					
12	2	1A8160-52330	COVER, SWITCH GUARD	1	1	1					
13	1	1A8160-52300	SWITCH ASSY, SEAT	1	1	1					
14	2	1A8160-52310	SWITCH, SEAT DELTA	1	1	1					
15	2	1A8160-52330	COVER, SWITCH GUARD	1	1	1					
16	1	1A8160-52300	SWITCH ASSY, SEAT	1	1	1					
17	2	1A8160-52310	SWITCH, SEAT DELTA	1	1	1					
18	2	1A8160-52330	COVER, SWITCH GUARD	1	1	1					
19	1	1A7522-52950	RELAY, ACM13221M19	2	2	2					
20	1	1A8330-57100	RELAY UNIT	1	1	1					
21	1	1A6780-57200	FLASHER	1	1	1					
22	1	26106-060202	BOLT, M6X 20 PLATED	1	1	1					
23	1	26106-060202	BOLT, M6X 20 PLATED	2	2	2					
24	1	198280-52091	STAY, BRAKE SWITCH	1	1	1					W
		(A=F100842) (B=F100839) (C=F100835)									

Fig.100. LAMP(1)

(A)=SA221
(B)=SA324
(C)=SA424

(D)=
(E)=
(F)=

No.	Lev.	Parts No.	Description	Q'ty						I	R
				(A)	(B)	(C)	(D)	(E)	(F)		
1	1	1A7335-53600	LAMP, TAIL	2	2	2					
2	2	1A7335-53610	BULB, 12V-21/5W	2	2	2					
3	2	1A7335-53620	LENS ASSY	2	2	2					
4	2	1A7335-53630	HOUSING ASSY, SEMI	2	2	2					
5	2	1A7335-53640	GASKET	2	2	2					
6	2	1A7335-53650	SCREW, TAPPING M6X32	4	4	4					

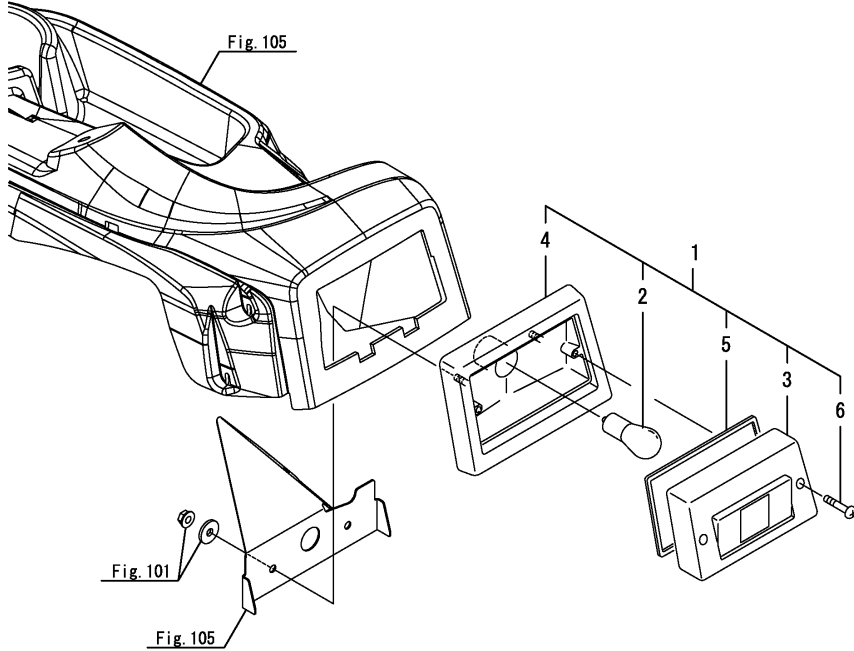


Fig.101. LAMP(2)

(A)=SA221
(B)=SA324
(C)=SA424

(D)=
(E)=
(F)=

No.	Lev.	Parts No.	Description	Q'ty						I	R
				(A)	(B)	(C)	(D)	(E)	(F)		
1	1	194990-22130	NUT, M6	4	4	4					
2	1	1A7880-53400	LAMP ASSY, FLASHER	2	2	2					
3	2	1A7880-53100	NUT	2	2	2					
4	2	1A7880-53410	HOUSING	2	2	2					
5	2	1A7880-53420	LENS	4	4	4					
6	2	1A7880-53430	BULB, 12.8V/27W	2	2	2					
7	2	22137-130000	WASHER, 13	2	2	2					
8	2	22217-130000	WASHER, SPRING 1/2	2	2	2					
9	1	22157-060000	WASHER, 6	4	4	4					

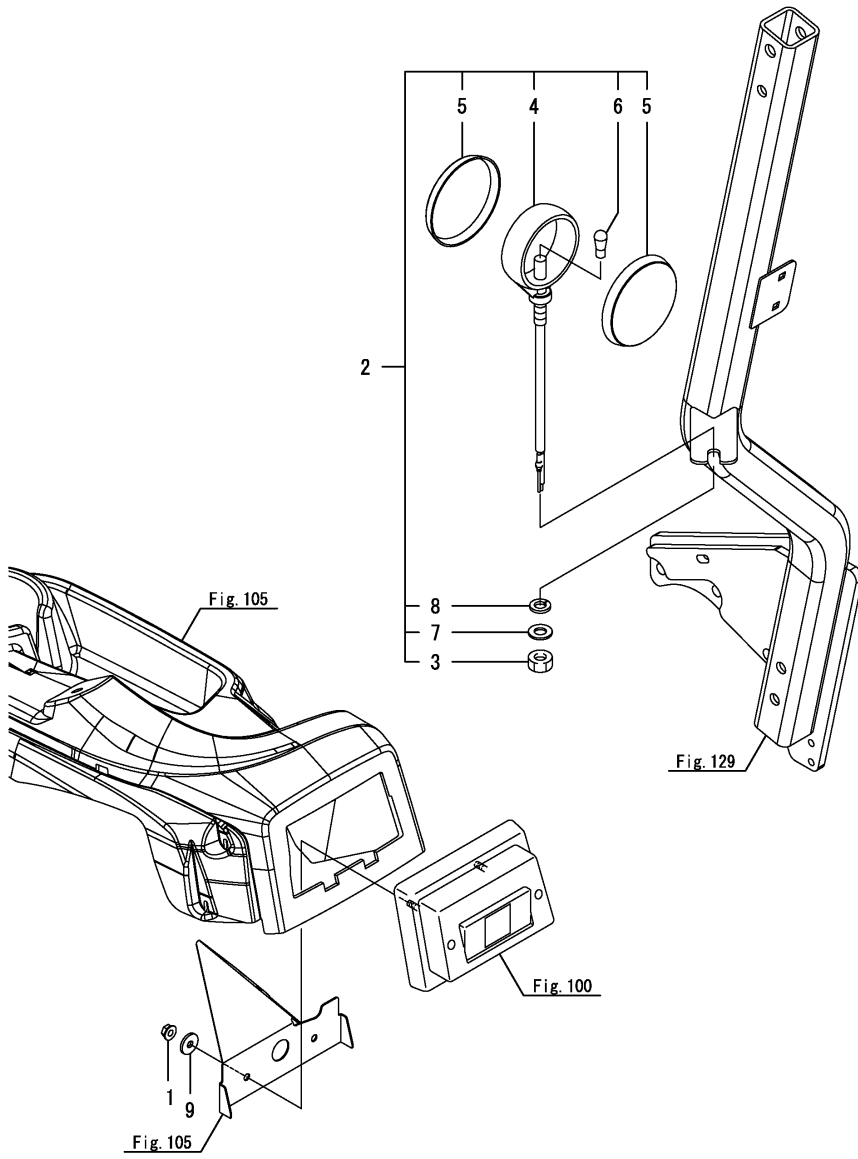


Fig.102. METER

(A)=SA221
(B)=SA324
(C)=SA424

(D)=
(E)=
(F)=

No.	Lev.	Parts No.	Description	Qty						I	R
				(A)	(B)	(C)	(D)	(E)	(F)		
1	1	1A8330-56010	METER ASSY	1	1	1					
2	2	1A8310-56020	GLASS	1	1	1					
3	1	194940-61790	SCREW, TAPPING M5X16	4	4	4					

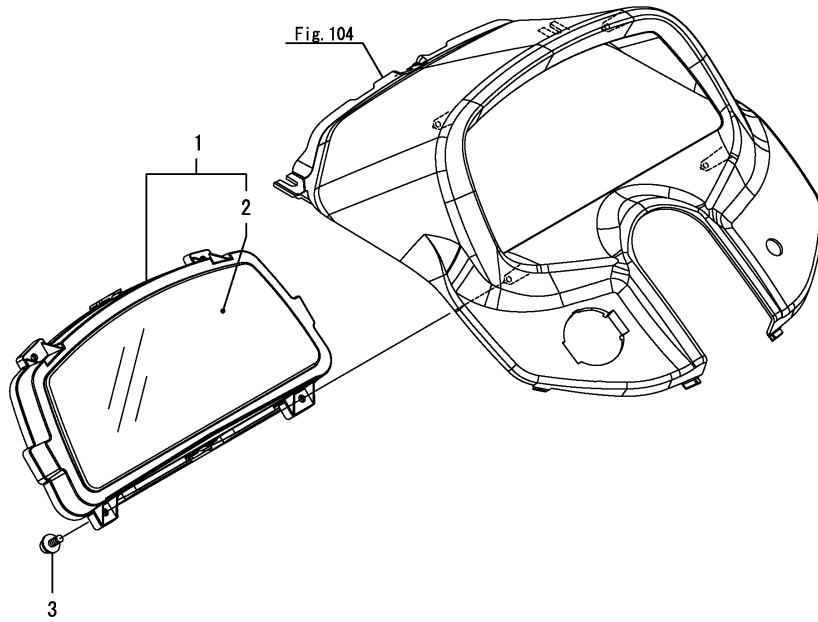
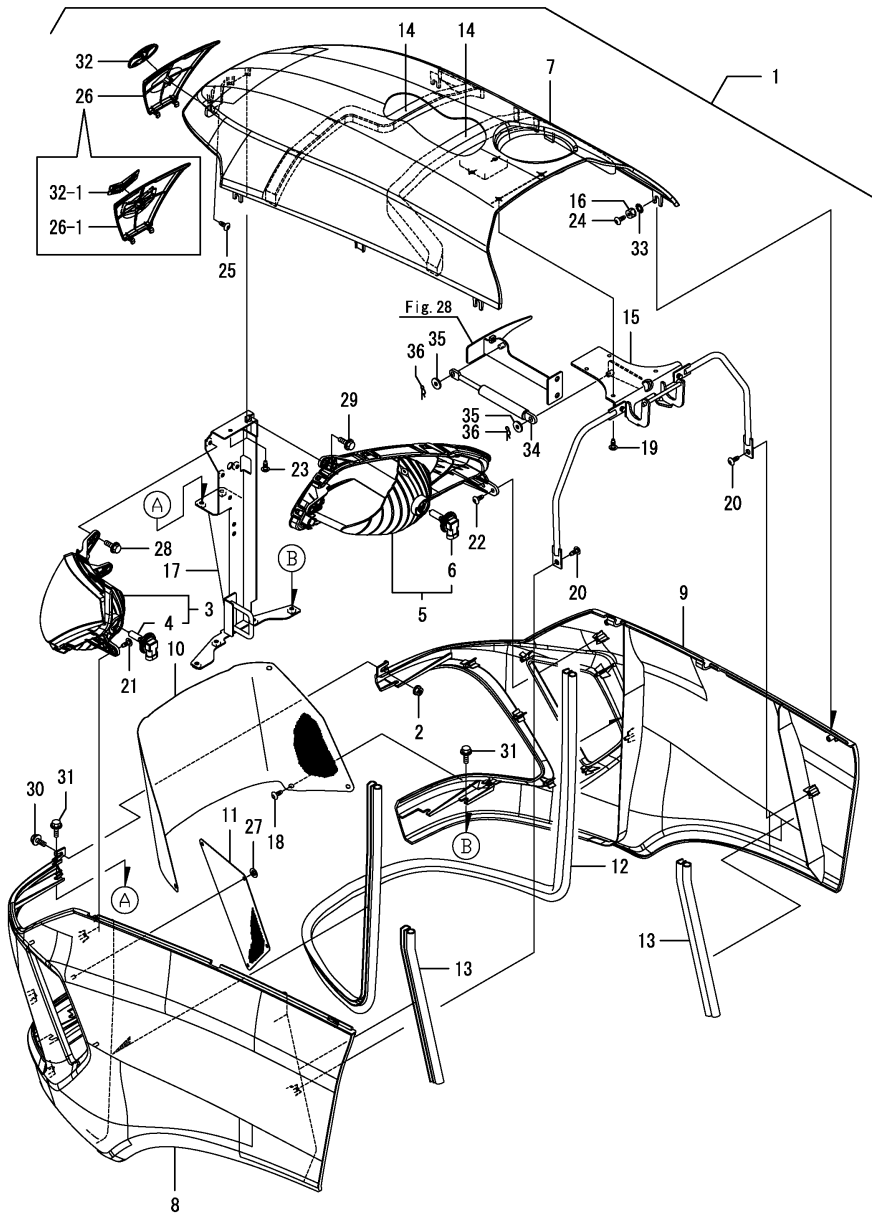


Fig.103. BONNET

(A)=SA221
(B)=SA324
(C)=SA424

(D)=
(E)=
(F)=



No.	Lev.	Parts No.	Description	Qty						I	R
				(A)	(B)	(C)	(D)	(E)	(F)		
1	1	1A8330-61100	BONNET ASSY	1	1	1					
1-1	1	1A8330-61101	HOOD ASSY	1	1	1					N
		(A=F101682) (B=F101682) (C=F101682)									
1-2	1	1A8330-61102	HOOD ASSY	1	1	1					S 2
		(A=F400001) (B=F400003) (C=F400003)									
2	2	194990-22130	NUT, M6	1	1	1					
3	2	1A8330-53110	LAMP UNIT, HEAD L	1	1	1					
4	3	1A8070-53140	BULB, 12V/35W	1	1	1					
5	2	1A8330-53120	LAMP UNIT, HEAD R	1	1	1					
6	3	1A8070-53140	BULB, 12V/35W	1	1	1					
7	2	1A8330-61050	BONNET ASSY, M	1	1	1					
7-1	2	1A8330-61051	M ASSY,HOOD	1	1	1					S 2
		(A=F400001) (B=F400003) (C=F400003)									
8	2	1A8330-61150	HOOD, SIDE L	1	1	1					
8-1	2	1A8330-61151	HOOD, SIDE L	1	1	1					S 2
		(A=F400001) (B=F400003) (C=F400003)									
9	2	1A8330-61160	HOOD, SIDE R	1	1	1					
9-1	2	1A8330-61161	HOOD, SIDE R	1	1	1					S 2
		(A=F400001) (B=F400003) (C=F400003)									
10	2	1A8330-61200	SCREEN, FRONT	1	1	1					
11	2	1A8330-61210	SCREEN, SIDE	2	2	2					
12	2	1A8330-61250	WEATHER-STRIP, 1760	1	1	1					
13	2	1A8330-61260	WEATHER-STRIP, 310	2	2	2					
14	2	1A8330-61280	URETHANE, 780	2	2	2					
15	2	1A8330-61290	HINGE ASSY, BONNET	1	1	1					
15-1	2	1A8330-61291	HINGE ASSY, HOOD	1	1	1					N
		(A=F000512) (B=F000145) (C=F000964)									
16	2	1A8070-61330	COLLAR, 10X15X10	4	4	4					
17	2	1A8330-61450	FRAME ASSY, BONNET	1	1	1					
17-1	2	1A8330-61451	FRAME ASSY, HOOD	1	1	1					R
		(A=F400962) (B=F400747) (C=F400747)									
18	2	1A7180-61780	SCREW, TAPPING M5X14	6	6	6					
19	2	1A7180-61780	SCREW, TAPPING M5X14	4	4	4					
20	2	1A7180-61780	SCREW, TAPPING M5X14	2	2	2					
21	2	1A7180-61780	SCREW, TAPPING M5X14	1	1	1					
22	2	1A7180-61780	SCREW, TAPPING M5X14	1	1	1					
23	2	1A7180-61780	SCREW, TAPPING M5X14	2	2	2					
24	2	1A7180-61780	SCREW, TAPPING M5X14	4	4	4					
25	2	1A7180-61780	SCREW, TAPPING M5X14	1	1	1					
26	2	1A8330-65030	COVER, CENTER	1	1	1					
26-1	2	1A8330-65031	COVER, CENTER	1	1	1					F 1
		(A=F101682) (B=F101682) (C=F101682)									
27	2	198071-65610	NUT, SPEED M5	8	8	8					
28	2	26106-060162	BOLT, M6X 16 PLATED	2	2	2					
29	2	26106-060162	BOLT, M6X 16 PLATED	2	2	2					
30	2	26106-060162	BOLT, M6X 16 PLATED	1	1	1					
31	2	26106-060162	BOLT, M6X 16 PLATED	6	6	6					
32	2	41800-110040	EMBLEM, S 04	1	1	1					
32-1	2	41801-110041	EMBLEM, FY S 04	1	1	1					F 1
		(A=F101682) (B=F101682) (C=F101682)									
33	2	22232-100000	WASHER, SPRING 10	4	4	4					

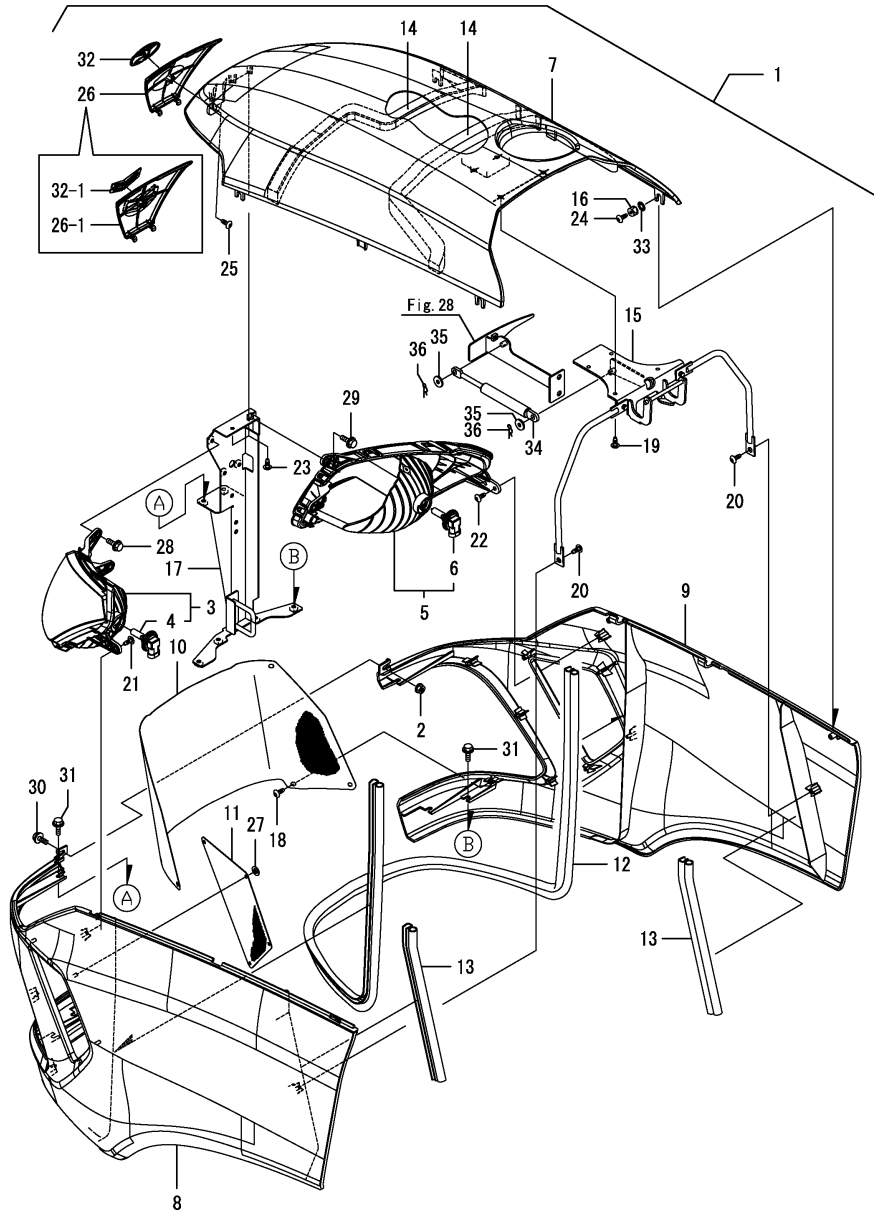
Remarks

- (1)Interchangeable by simultaneous replacement with No.26-1 & 32-1.
- (2)Color=No.1-1, 7, 8 & 9 : YANMAR RED 2, No.1-2, 7-1, 8-1 & 9-1 : YANMAR PREMIUM RED.

Fig.103. BONNET

(A)=SA221
(B)=SA324
(C)=SA424

(D)=
(E)=
(F)=



No.	Lev.	Parts No.	Description	Q'ty						I	R
				(A)	(B)	(C)	(D)	(E)	(F)		
34	1	1A8330-61400	SPRING, GUS	1	1	1					
35	1	22157-060000	WASHER, 6	2	2	2					
36	1	22372-060000	PIN, SNAP 6	2	2	2					

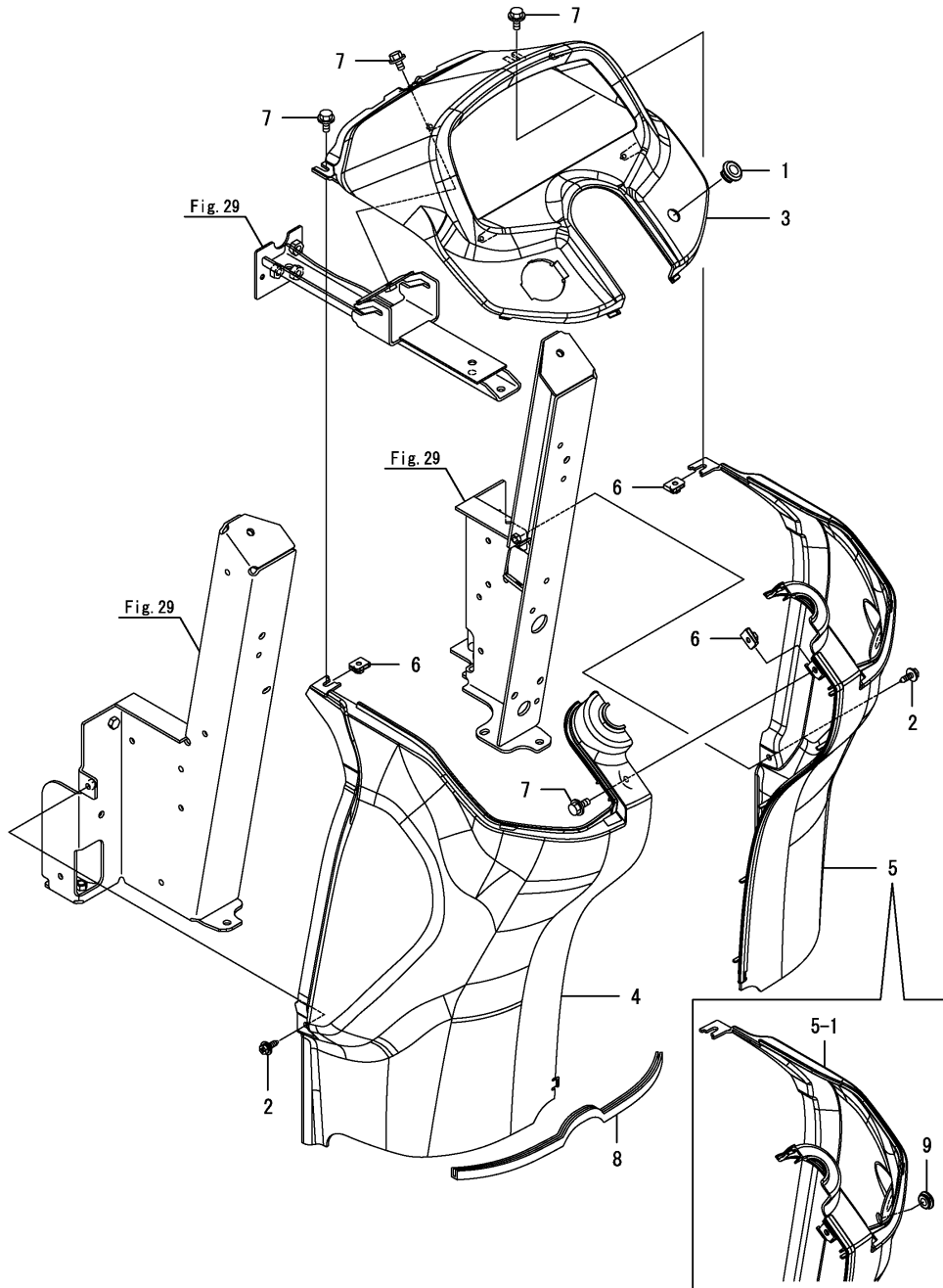
Remarks

- (1) Interchangeable by simultaneous replacement with No.26-1 & 32-1.
- (2) Color=No.1-1, 7, 8 & 9 : YANMAR RED 2, No.1-2, 7-1, 8-1 & 9-1 : YANMAR PREMIUM RED.

Fig.104. DASHBOARD

(A)=SA221
(B)=SA324
(C)=SA424

(D)=
(E)=
(F)=

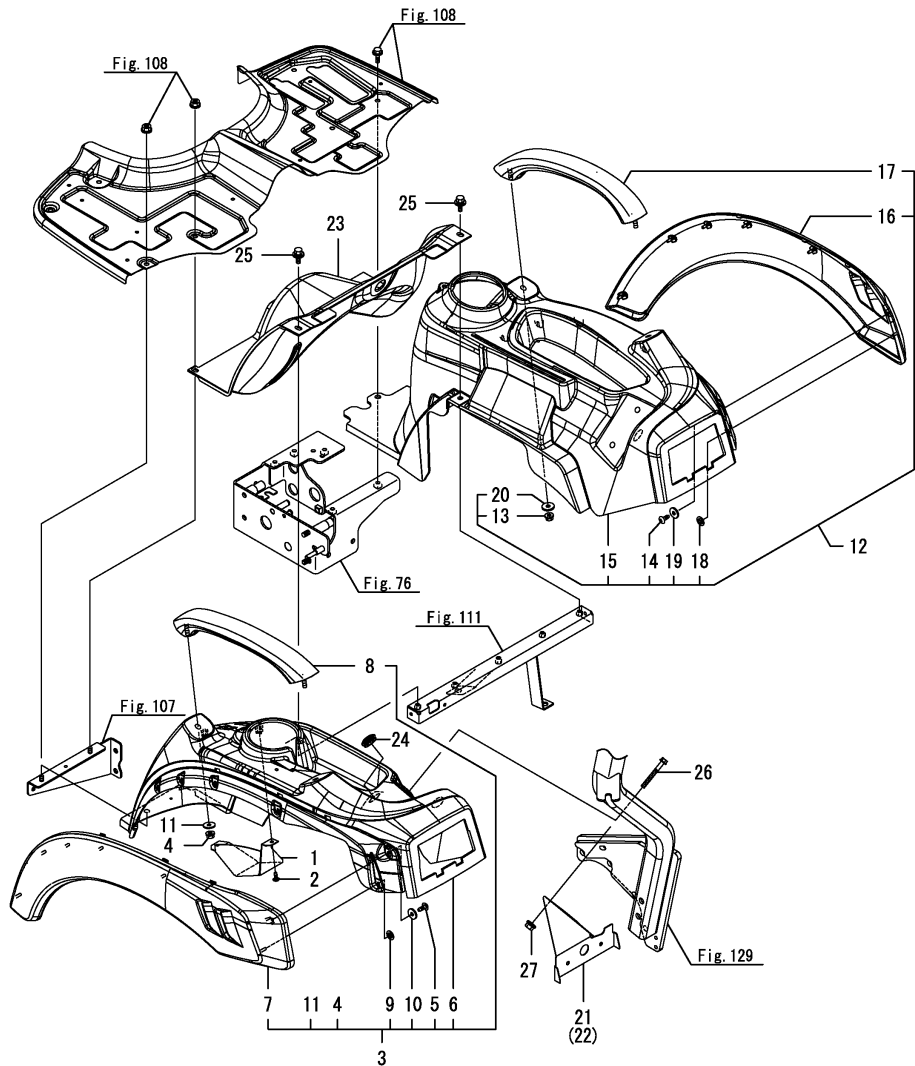


No.	Lev.	Parts No.	Description	Q'ty						I	R
				(A)	(B)	(C)	(D)	(E)	(F)		
1	1	198360-03260	GROMMET, 12	1	1	1					
2	1	198072-60590	BOLT, M6X20	2	2	2					
3	1	1A8330-61600	DASHBOARD, UPPER	1	1	1					
4	1	1A8330-61650	DASHBOARD, L	1	1	1					
5	1	1A8330-61690	DASHBOARD ASSY, M R	1	1	1					
5-1	1	1A8330-61691	M ASSY,DASHBOARD R	1	1	1					S
		(A=F400730)	(B=F400730)	(C=F400730)							
6	1	198071-61890	NUT, SPEED M6	3	3	3					
7	1	26106-060122	BOLT, M6X 12 PLATED	4	4	4					
8	1	1A8330-61260	WEATHER-STRIP, 310	1	1	1					
9	1	198511-62300	GROMMET, 15	1	1	1					W
		(A=F400730)	(B=F400730)	(C=F400730)							

Fig.105. FENDER

(A)=SA221
(B)=SA324
(C)=SA424

(D)=
(E)=
(F)=

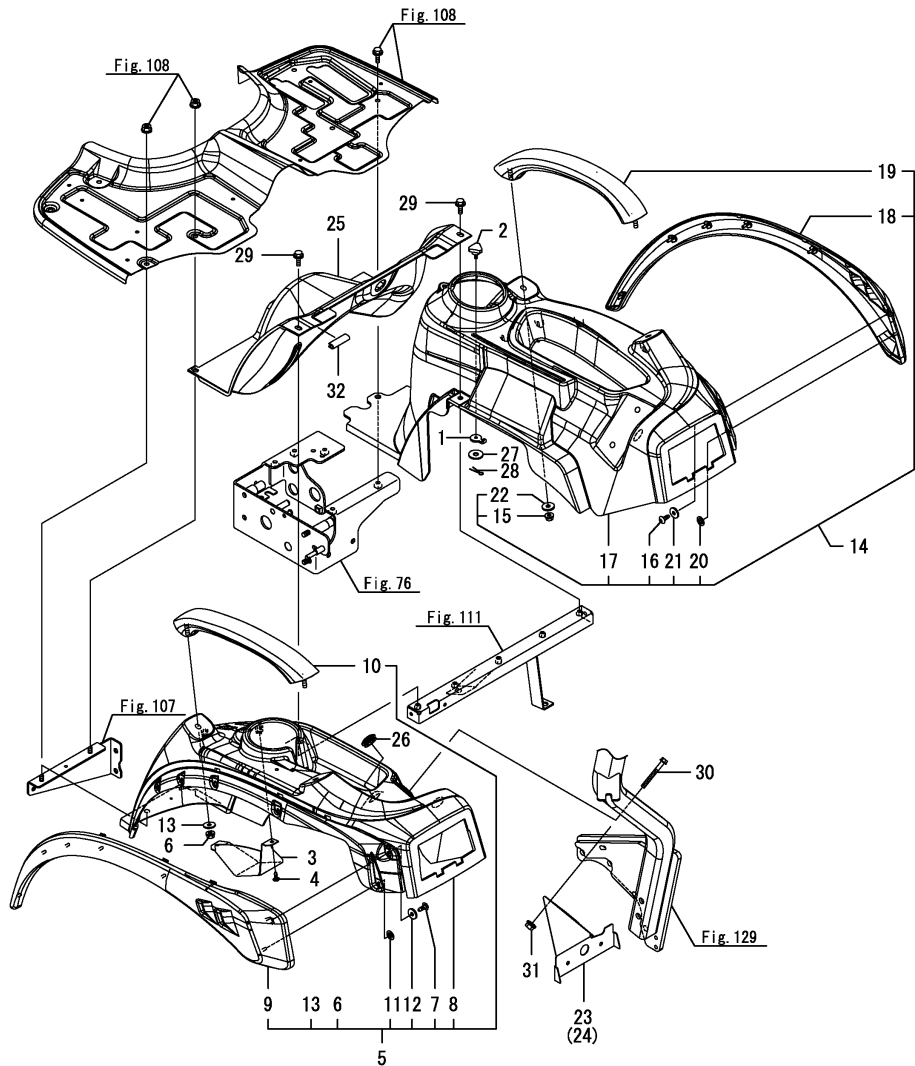


No.	Lev.	Parts No.	Description	Q'ty						I	R
				(A)	(B)	(C)	(D)	(E)	(F)		
1	1	1A8330-58010	GUARD, HARNESS	1							
2	1	1A7180-61780	SCREW, TAPPING M5X14	2							
3	1	1A8330-62050	FENDER ASSY, L	1							
3-1	1	1A8330-62051 (A=F400001)	FENDER ASSY, L	1						S	1
4	2	194990-22140	NUT, M8	2							
5	2	1A7180-61780	SCREW, TAPPING M5X14	1							
6	2	1A8330-62090	FENDER ASSY, M L	1							
7	2	1A8330-62200	OVER FENDER, L	1							
7-1	2	1A8330-62201 (A=F400001)	OVER FENDER, L	1						S	1
8	2	1A8330-62300	GRIP, ASSIST	1							
9	2	198071-65610	NUT, SPEED M5	6							
10	2	22157-060000	WASHER, 6	1							
11	2	22157-080000	WASHER, 8	2							
12	1	1A8330-62060	FENDER ASSY, R	1							
12-1	1	1A8330-62061 (A=F400001)	FENDER ASSY, R	1						S	1
13	2	194990-22140	NUT, M8	2							
14	2	1A7180-61780	SCREW, TAPPING M5X14	1							
15	2	1A8330-62120	FENDER, R	1							
16	2	1A8330-62210	OVER FENDER, R	1							
16-1	2	1A8330-62211 (A=F400001)	OVER FENDER, R	1						S	1
17	2	1A8330-62300	GRIP, ASSIST	1							
18	2	198071-65610	NUT, SPEED M5	6							
19	2	22157-060000	WASHER, 6	1							
20	2	22157-080000	WASHER, 8	2							
21	1	1A8330-62160	STAY, LAMP L	1							
22	1	1A8330-62170	STAY, LAMP R	1							
23	1	1A8330-62400	COVER, DUST	1							
23-1	1	1A8330-62401 (A=F400001)	COVER, DUST	1							N
23-2	1	1A8330-62490 (A=F401224)	M ASSY, COVER DUST	1							N
24	1	1A7410-86220	GROMMET 26	1							
25	1	1A6750-62610	BOLT, M8X20	2							
26	1	26106-080702	BOLT, M8X 70 PLATED	4							
27	1	194990-22140	NUT, M8	4							

Remarks

(1)Color=No.3, 7, 12 & 16 : YANMAR RED 2, No.3-1, 7-1, 12-1 & 16-1 : YANMAR PREMIUM RED.

Fig.106. FENDER



(A)=SA221
(B)=SA324
(C)=SA424

(D)=
(E)=
(F)=

No.	Lev.	Parts No.	Description	Q'ty						I	R
				(A)	(B)	(C)	(D)	(E)	(F)		
1	1	198121-47111	STOPPER, LEVER	1	1						
2	1	194130-47851	BOLT, KNOB M6X15	1	1						
3	1	1A8330-58010	GUARD, HARNESS	1	1						
4	1	1A7180-61780	SCREW, TAPPING M5X14	2	2						
5	1	1A8320-62050	FENDER ASSY, L	1	1						
5-1	1	1A8320-62051	FENDER ASSY, L	1	1					S	1
		(B=F400003) (C=F400003)									
6	2	194990-22140	NUT, M8	2	2						
7	2	1A7180-61780	SCREW, TAPPING M5X14	1	1						
8	2	1A8330-62090	FENDER ASSY, M L	1	1						
9	2	1A8320-62200	OVER FENDER, L	1	1						
9-1	2	1A8320-62201	OVER FENDER, L	1	1					S	1
		(B=F400003) (C=F400003)									
10	2	1A8330-62300	GRIP, ASSIST	1	1						
11	2	198071-65610	NUT, SPEED M5	6	6						
12	2	22157-060000	WASHER, 6	1	1						
13	2	22157-080000	WASHER, 8	2	2						
14	1	1A8320-62060	FENDER ASSY, R	1	1						
14-1	1	1A8320-62061	FENDER ASSY, R	1	1					S	1
		(B=F400003) (C=F400003)									
15	2	194990-22140	NUT, M8	2	2						
16	2	1A7180-61780	SCREW, TAPPING M5X14	1	1						
17	2	1A8330-62120	FENDER, R	1	1						
18	2	1A8320-62210	OVER FENDER, R	1	1						
18-1	2	1A8320-62211	OVER FENDER, R	1	1					S	1
		(B=F400003) (C=F400003)									
19	2	1A8330-62300	GRIP, ASSIST	1	1						
20	2	198071-65610	NUT, SPEED M5	6	6						
21	2	22157-060000	WASHER, 6	1	1						
22	2	22157-080000	WASHER, 8	2	2						
23	1	1A8330-62160	STAY, LAMP L	1	1						
24	1	1A8330-62170	STAY, LAMP R	1	1						
25	1	1A8330-62400	COVER, DUST	1	1						
25-1	1	1A8330-62401	COVER, DUST	1	1						N
		(B=F400003) (C=F400003)									
25-2	1	1A8330-62490	M ASSY, COVER DUST	1	1						N
		(B=F400861) (C=F500215)									
26	1	1A7410-86220	GROMMET 26	1	1						
27	1	22157-080000	WASHER, 8	1	1						
28	1	22417-200160	PIN, COTTER 2.0X16	1	1						
29	1	1A6750-62610	BOLT, M8X20	2	2						
30	1	26106-080702	BOLT, M8X 70 PLATED	4	4						
31	1	194990-22140	NUT, M8	4	4						
32	1	195616-24930	TRIM	1	1						

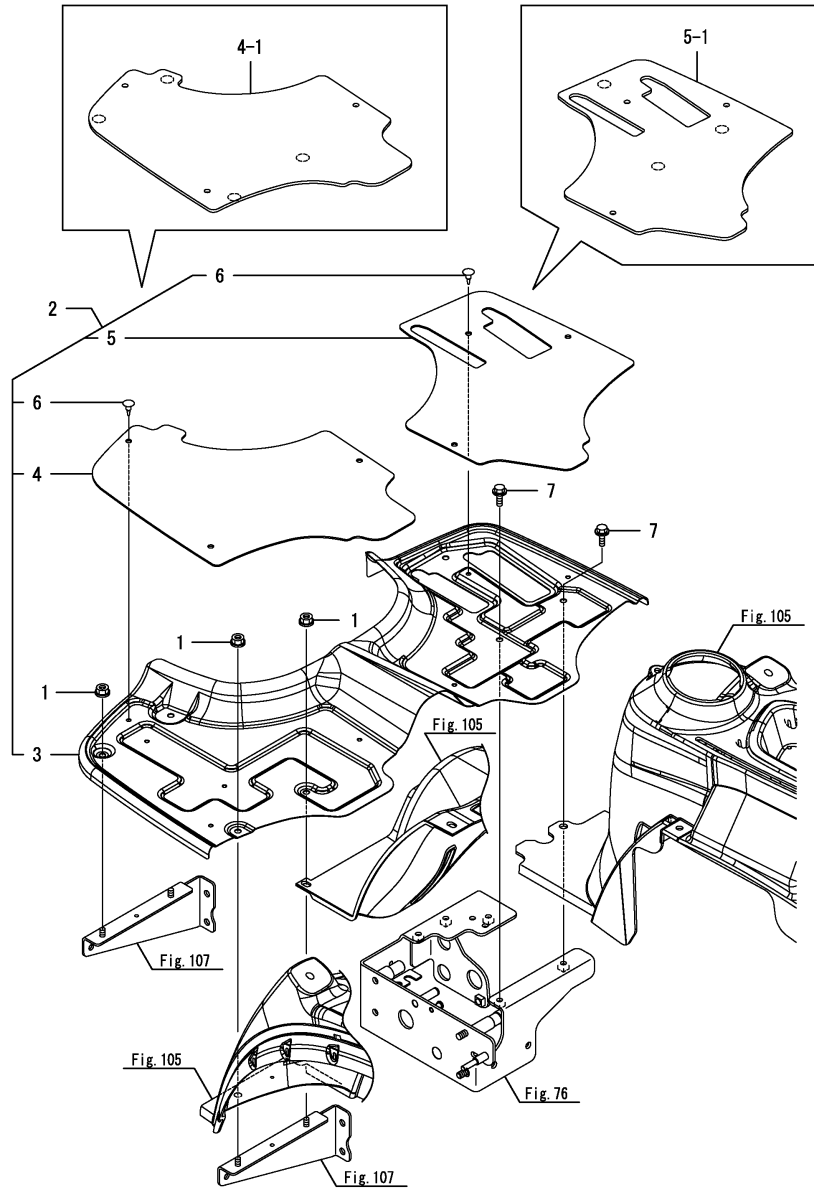
Remarks

(1)Color=No.5, 9, 14 & 18 : YANMAR RED 2, No.5-1, 9-1, 14-1 & 18-1 : YANMAR PREMIUM RED.

Fig.108. STEP

(A)=SA221
(B)=SA324
(C)=SA424

(D)=
(E)=
(F)=



No.	Lev.	Parts No.	Description	Qty						I	R
				(A)	(B)	(C)	(D)	(E)	(F)		
1	1	194990-22140	NUT, M8	4	4	4					
2	1	1A8330-62500	STEP ASSY	1	1	1					
3	2	1A8330-62510	STEP	1	1	1					
4	2	1A8330-62520	SHEET, STEP L	1	1	1					
4-1	2	1A8330-62521	SHEET, STEP L	1	1	1					S
		(A=F000510) (B=*2014.05.) (C=*2014.05.)									
5	2	1A8330-62530	SHEET, STEP R	1	1	1					
5-1	2	1A8330-62531	SHEET, STEP R	1	1	1					S
		(A=F000510) (B=*2014.05.) (C=*2014.05.)									
6	2	194697-62560	CLIP, HOLE CAP	6	6	6					
7	1	26106-080252	BOLT, M8X 25 PLATED	3	3	3					

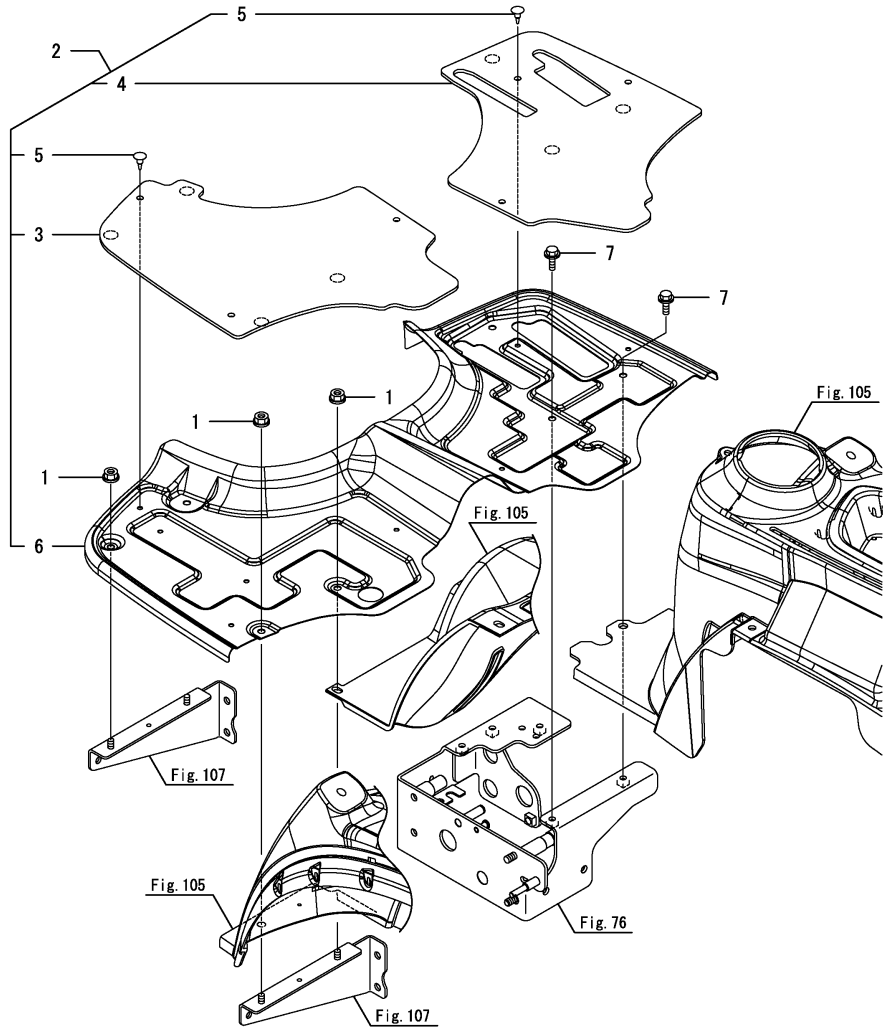
Remarks

* This figure is applicable to [(A)=F400000][(B)=F400002][(C)=F400002] or previous machines.
Please refer to Fig.169(or 170) since above-mentioned Engine Serial.

Fig.169. (108A)STEP

(A)=SA221
(B)=SA324
(C)=SA424

(D)=
(E)=
(F)=



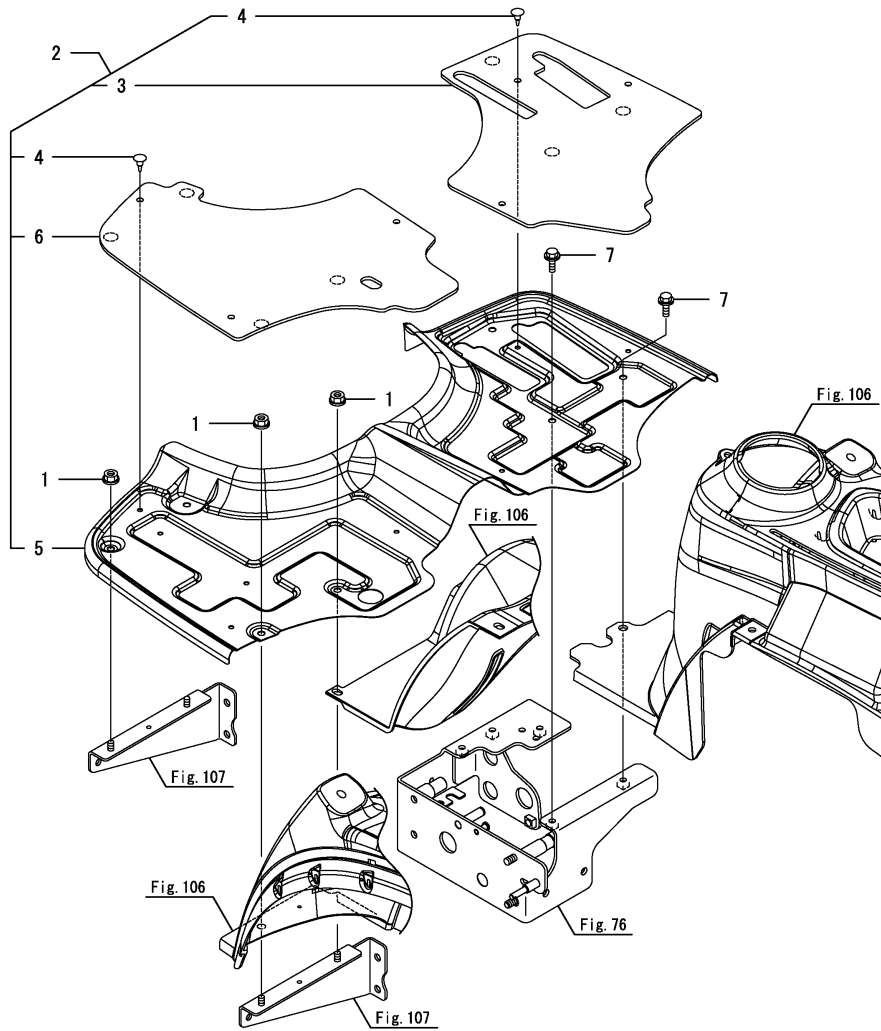
No.	Lev.	Parts No.	Description	Qty						I	R
				(A)	(B)	(C)	(D)	(E)	(F)		
1	1	194990-22140	NUT, M8	4							
2	1	1A8330-62650	STEP ASSY	1							
3	2	1A8330-62521	SHEET, STEP L	1							
4	2	1A8330-62531	SHEET, STEP R	1							
5	2	194697-62560	CLIP, HOLE CAP	6							
6	2	1A8330-62660	STEP	1							
7	1	26106-080252	BOLT, M8X 25 PLATED	3							

Remarks
* This figure is applicable to [(A)=F400001] or following machines.
Please refer to Fig.108 before above-mentioned Engine Serial.

Fig.170. (108B)STEP

(A)=SA221
(B)=SA324
(C)=SA424

(D)=
(E)=
(F)=



No.	Lev.	Parts No.	Description	Qty						I	R
				(A)	(B)	(C)	(D)	(E)	(F)		
1	1	194990-22140	NUT, M8		4	4					
2	1	1A8320-62500	STEP ASSY		1	1					
3	2	1A8330-62531	SHEET, STEP R		1	1					
4	2	194697-62560	CLIP, HOLE CAP		6	6					
5	2	1A8330-62660	STEP		1	1					
6	2	1A8330-67970	SHEET, STEP L		1	1					
7	1	26106-080252	BOLT, M8X 25 PLATED		3	3					

Remarks

* This figure is applicable to [(B)=F400003][(C)=F400003] or following machines.
Please refer to Fig.108 before above-mentioned Engine Serial.

Fig.109. SUB STEP

(A)=SA221
(B)=SA324
(C)=SA424

(D)=
(E)=
(F)=

No.	Lev.	Parts No.	Description	Q'ty						I	R
				(A)	(B)	(C)	(D)	(E)	(F)		
1	1	194990-22140	NUT, M8		4	4					
2	1	1A8240-62561	STEP ASSY, SUB		1	1					
3	1	26106-080162	BOLT, M8X 16 PLATED		4	4					

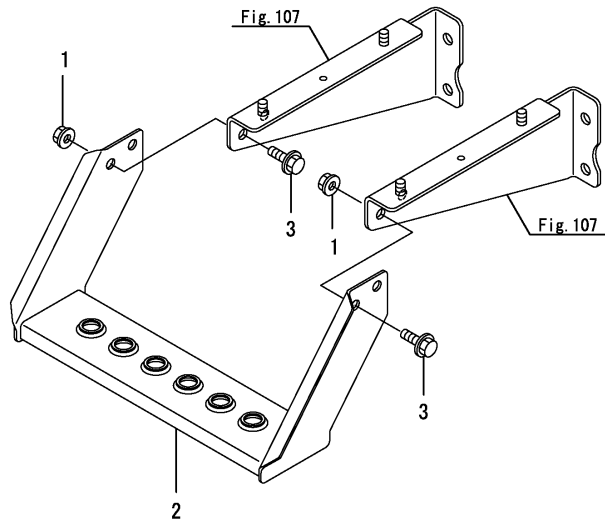
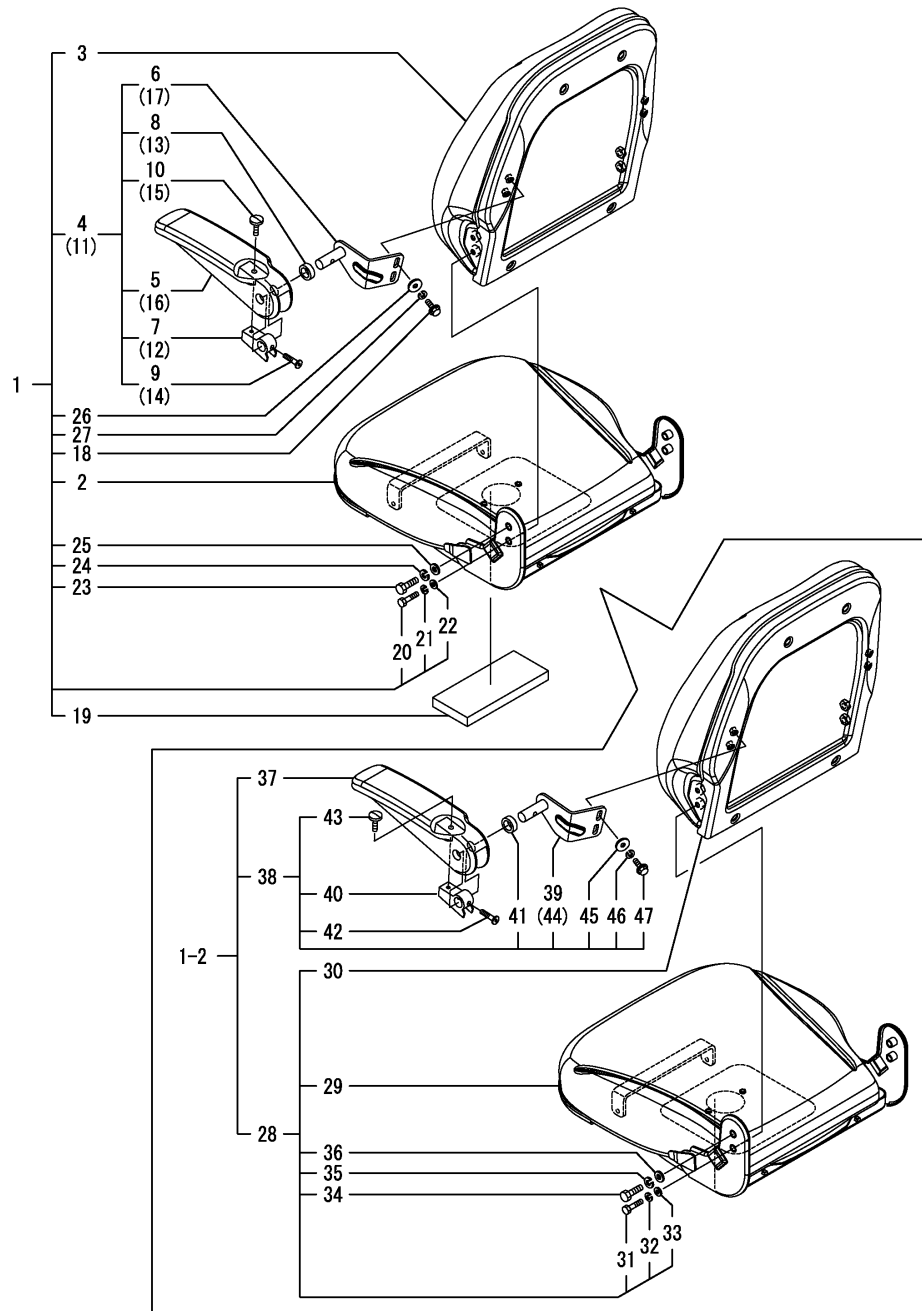


Fig.110. SEAT

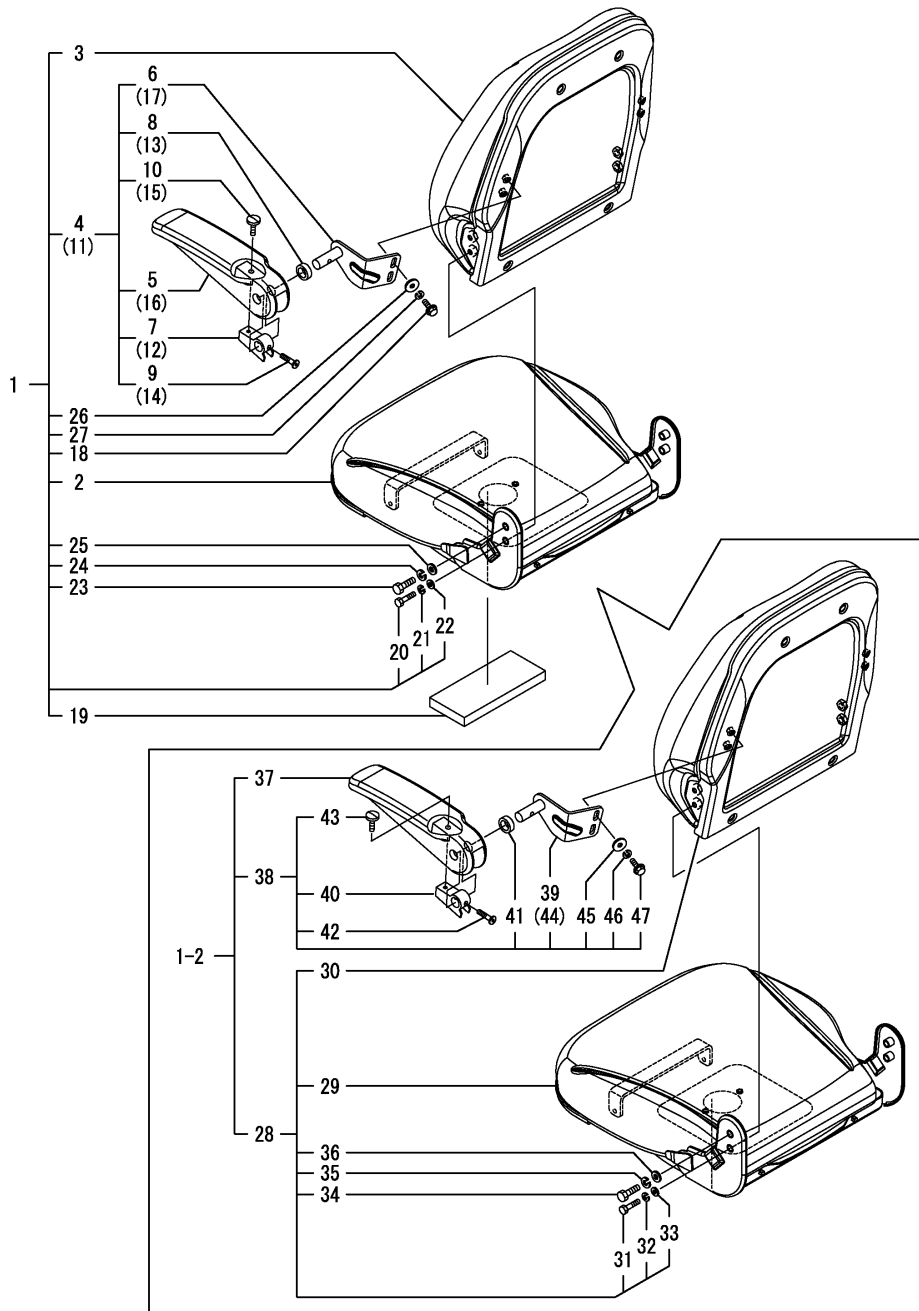
(A)=SA221
(B)=SA324
(C)=SA424

(D)=
(E)=
(F)=



No.	Lev.	Parts No.	Description	Qty						I	R
				(A)	(B)	(C)	(D)	(E)	(F)		
1	1	1A8330-63000	SEAT ASSY	1	1	1					
1-1	1	1A8330-63001	SEAT ASSY	1	1	1					N
		(A=F000454) (B=F000145) (C=F000964)									
1-2	1	1A8330-63280	SEAT KIT	1	1	1					N
		(A=F100001) (B=F100002) (C=F100003)									
2	2	1A8330-63010	SEAT ASSY, LOWER	1	1	1					Z
		(A=F100001) (B=F100002) (C=F100003)									
3	2	1A8330-63020	SEAT ASSY, REAR	1	1	1					Z
		(A=F100001) (B=F100002) (C=F100003)									
4	2	1A8330-63030	ARMREST ASSY, L	1	1	1					Z
		(A=F100001) (B=F100002) (C=F100003)									
5	3	1A8330-63040	ARMREST, L	1	1	1					Z
		(A=F100001) (B=F100002) (C=F100003)									
6	3	1A8330-63050	BRACKET, ARMREST L	1	1	1					Z
		(A=F100001) (B=F100002) (C=F100003)									
7	3	1A8330-63060	STAY, ARM REST	1	1	1					Z
		(A=F100001) (B=F100002) (C=F100003)									
8	3	1A8330-63070	COLLAR, ARMREST	1	1	1					Z
		(A=F100001) (B=F100002) (C=F100003)									
9	3	1A8330-63080	BOLT, M8X30	1	1	1					Z
		(A=F100001) (B=F100002) (C=F100003)									
10	3	1A8330-63090	BOLT, KNOB M8X30	1	1	1					Z
		(A=F100001) (B=F100002) (C=F100003)									
11	2	1A8330-63100	ARMREST ASSY, R	1	1	1					Z
		(A=F100001) (B=F100002) (C=F100003)									
12	3	1A8330-63060	STAY, ARM REST	1	1	1					Z
		(A=F100001) (B=F100002) (C=F100003)									
13	3	1A8330-63070	COLLAR, ARMREST	1	1	1					Z
		(A=F100001) (B=F100002) (C=F100003)									
14	3	1A8330-63080	BOLT, M8X30	1	1	1					Z
		(A=F100001) (B=F100002) (C=F100003)									
15	3	1A8330-63090	BOLT, KNOB M8X30	1	1	1					Z
		(A=F100001) (B=F100002) (C=F100003)									
16	3	1A8330-63040	ARMREST, L	1	1	1					Z
		(A=F100001) (B=F100002) (C=F100003)									
17	3	1A8330-63120	BRACKET, ARM REST R	1	1	1					Z
		(A=F100001) (B=F100002) (C=F100003)									
18	2	26106-080252	BOLT, M8X 25 PLATED	4	4	4					Z
		(A=F100001) (B=F100002) (C=F100003)									
19	2	1A8330-63910	RUBBER, CUSHION	1	1	1					W
		(A=F000164) (B=F000134) (C=F000129)									
19-1	2	1A8330-63910	RUBBER, CUSHION	1	1	1					Z
		(A=F000454) (B=F000145) (C=F000964)									
20	2	1A8330-63130	BOLT, M8X35	2	2	2					Z
		(A=F100001) (B=F100002) (C=F100003)									
21	2	1A8330-63140	WASHER, 8	2	2	2					Z
		(A=F100001) (B=F100002) (C=F100003)									
22	2	1A8330-63150	WASHER, 8	2	2	2					Z
		(A=F100001) (B=F100002) (C=F100003)									
23	2	1A8330-63160	BOLT, M10X35	2	2	2					Z
		(A=F100001) (B=F100002) (C=F100003)									

Fig.110. SEAT



(A)=SA221
(B)=SA324
(C)=SA424

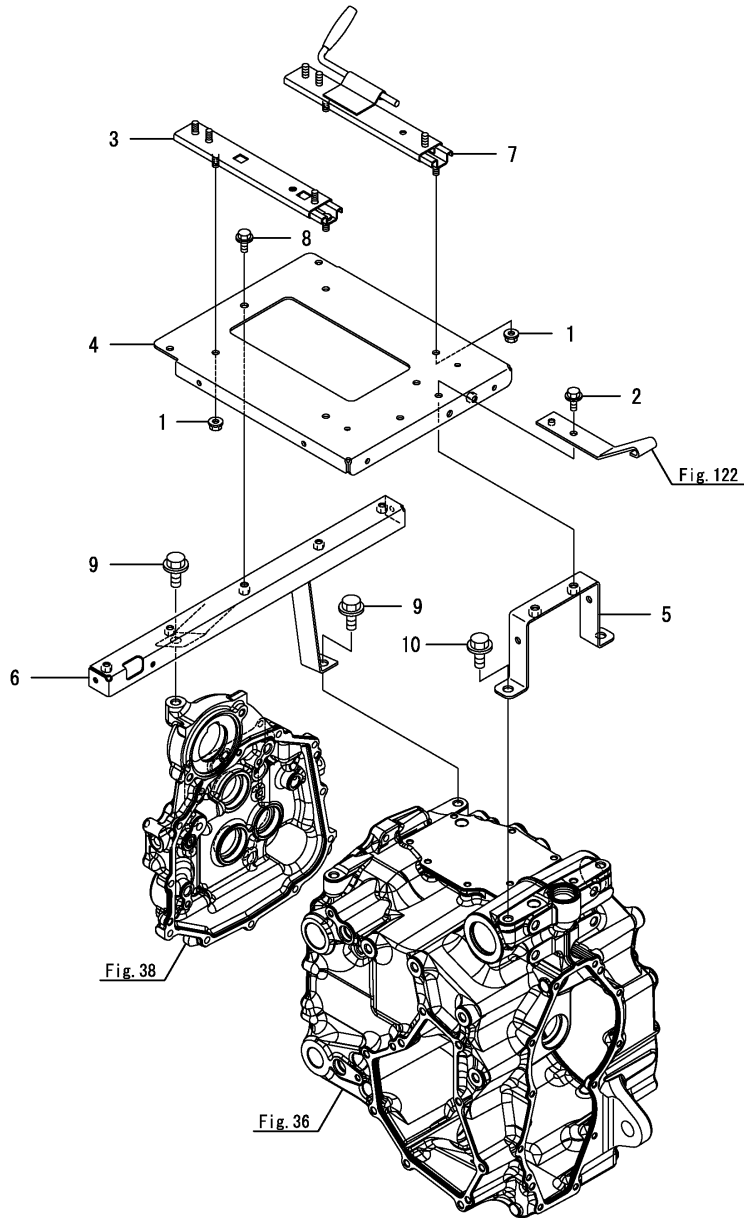
(D)=
(E)=
(F)=

No.	Lev.	Parts No.	Description	Q'ty						I	R
				(A)	(B)	(C)	(D)	(E)	(F)		
24	2	1A8330-63170 (A=F100001) (B=F100002) (C=F100003)	WASHER, 10	2	2	2				Z	
25	2	1A8330-63180 (A=F100001) (B=F100002) (C=F100003)	WASHER, 10	2	2	2				Z	
26	2	22157-080000 (A=F100001) (B=F100002) (C=F100003)	WASHER, 8	4	4	4				Z	
27	2	22217-080000 (A=F100001) (B=F100002) (C=F100003)	WASHER, SPRING 8	4	4	4				Z	
28	2	1A8330-63002 (A=F100001) (B=F100002) (C=F100003)	SEAT ASSY	1	1	1				W	
29	3	1A8330-63010 (A=F100001) (B=F100002) (C=F100003)	SEAT ASSY, LOWER	1	1	1				W	
30	3	1A8330-63020 (A=F100001) (B=F100002) (C=F100003)	SEAT ASSY, REAR	1	1	1				W	
31	3	1A8330-63130 (A=F100001) (B=F100002) (C=F100003)	BOLT, M8X35	2	2	2				W	
32	3	1A8330-63140 (A=F100001) (B=F100002) (C=F100003)	WASHER, 8	2	2	2				W	
33	3	1A8330-63150 (A=F100001) (B=F100002) (C=F100003)	WASHER, 8	2	2	2				W	
34	3	1A8330-63160 (A=F100001) (B=F100002) (C=F100003)	BOLT, M10X35	2	2	2				W	
35	3	1A8330-63170 (A=F100001) (B=F100002) (C=F100003)	WASHER, 10	2	2	2				W	
36	3	1A8330-63180 (A=F100001) (B=F100002) (C=F100003)	WASHER, 10	2	2	2				W	
37	2	1A8330-63041 (A=F100001) (B=F100002) (C=F100003)	ARMREST	2	2	2				W	
38	2	1A8330-63290 (A=F100001) (B=F100002) (C=F100003)	PARTS KIT	1	1	1				W	
39	3	1A8330-63050 (A=F100001) (B=F100002) (C=F100003)	BRACKET, ARMREST L	1	1	1				W	
40	3	1A8330-63060 (A=F100001) (B=F100002) (C=F100003)	STAY, ARM REST	2	2	2				W	
41	3	1A8330-63070 (A=F100001) (B=F100002) (C=F100003)	COLLAR, ARMREST	2	2	2				W	
42	3	1A8330-63080 (A=F100001) (B=F100002) (C=F100003)	BOLT, M8X30	2	2	2				W	
43	3	1A8330-63090 (A=F100001) (B=F100002) (C=F100003)	BOLT, KNOB M8X30	2	2	2				W	
44	3	1A8330-63120 (A=F100001) (B=F100002) (C=F100003)	BRACKET, ARM REST R	1	1	1				W	
45	3	22157-080000 (A=F100001) (B=F100002) (C=F100003)	WASHER, 8	4	4	4				W	
46	3	22217-080000 (A=F100001) (B=F100002) (C=F100003)	WASHER, SPRING 8	4	4	4				W	
47	3	26106-080252 (A=F100001) (B=F100002) (C=F100003)	BOLT, M8X 25 PLATED	4	4	4				W	

Fig.111. SEAT ADJUSTER

(A)=SA221
(B)=SA324
(C)=SA424

(D)=
(E)=
(F)=



No.	Lev.	Parts No.	Description	Q'ty						I	R
				(A)	(B)	(C)	(D)	(E)	(F)		
1	1	194990-22140	NUT, M8	4	4	4					
2	1	26106-080202	BOLT, M8X 20 PLATED	2	2	2					
3	1	198220-63150	ADJUSTER, SEAT L	1	1	1					
4	1	1A8330-63201	PLATE ASSY, RAIL	1	1	1					
5	1	1A8330-63301	STAY ASSY, RAIL REAR	1	1	1					
6	1	1A8330-63400	STAY ASSY, RAIL FRNT	1	1	1					
6-1	1	1A8330-63401	STAY ASSY, RAIL FRNT	1	1	1					N
		(A=F400438) (B=F400442) (C=F400442)									
7	1	198165-63960	ADJUSTER, SEAT R	1	1	1					
8	1	26106-080202	BOLT, M8X 20 PLATED	3	3	3					
9	1	26106-120252	BOLT, M12X 25 PLATED	2	2	2					
10	1	26106-120252	BOLT, M12X 25 PLATED	2	2	2					

Fig.112. SEAT SWITCH

(A)=SA221
(B)=SA324
(C)=SA424

(D)=
(E)=
(F)=

No.	Lev.	Parts No.	Description	Q'ty						I	R
				(A)	(B)	(C)	(D)	(E)	(F)		
1	1	198204-52410	SWITCH, SEAT	1	1	1					
2	1	22117-060000	WASHER, 6	2	2	2					
3	1	26557-060122	SCREW, M6X12	2	2	2					

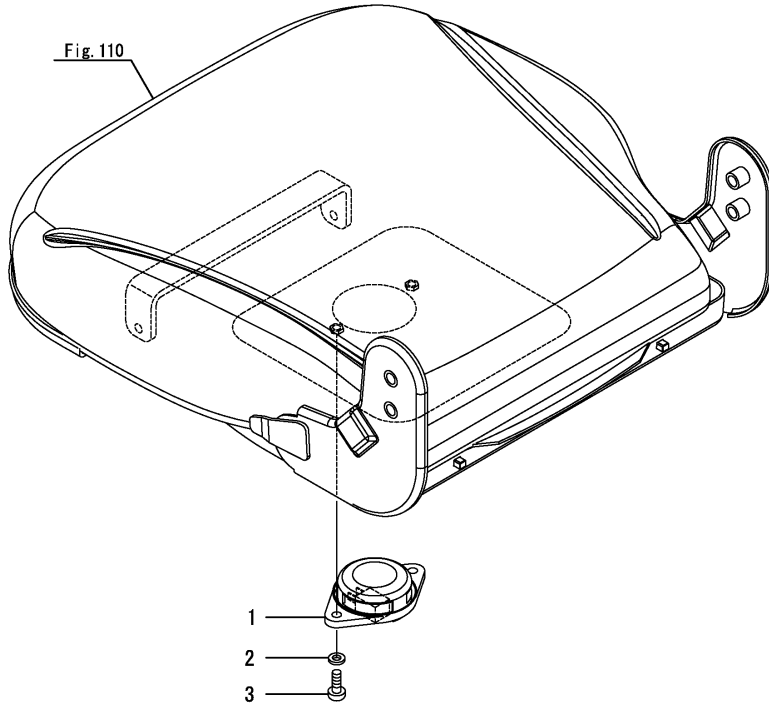
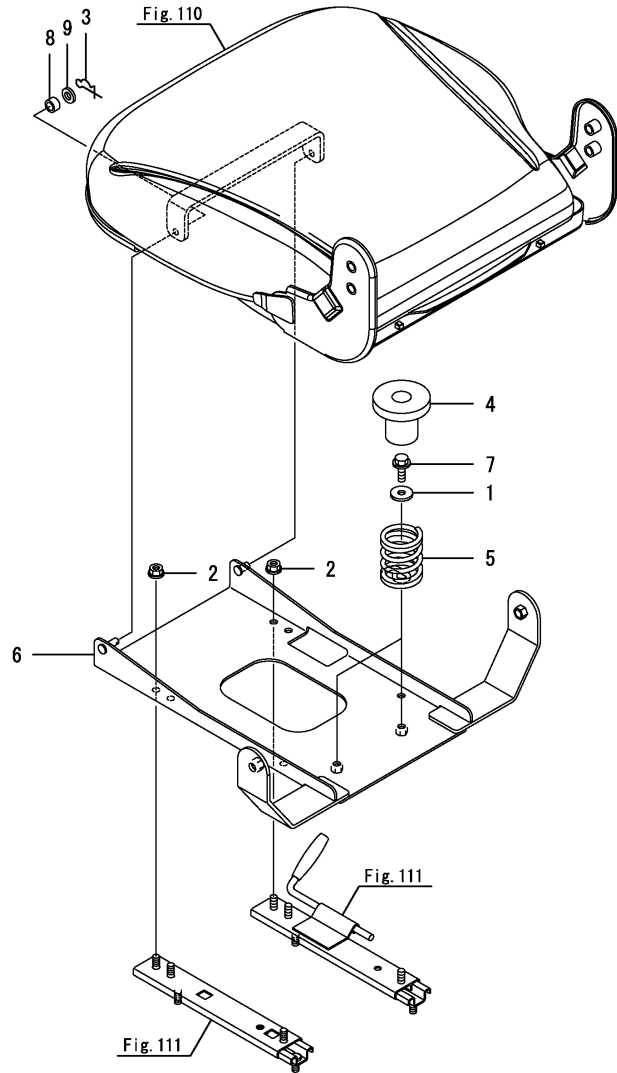


Fig.113. SEAT STAY

(A)=SA221
(B)=SA324
(C)=SA424

(D)=
(E)=
(F)=



No.	Lev.	Parts No.	Description	Qty						I	R
				(A)	(B)	(C)	(D)	(E)	(F)		
1	1	22157-080000	WASHER, 8	2	2	2					
2	1	194990-22140	NUT, M8	6	6	6					
3	1	1C6281-52320	PIN, SNAP 8	1	1	1					
4	1	1A8330-63220	STOPPER, SEAT	2	2	2					
5	1	1A8330-63230	SPRING, CUSHION	2	2	2					
6	1	1A8330-63500	STAY KIT, SWIVEL	1	1	1					
7	1	26106-080252	BOLT, M8X 25 PLATED	2	2	2					
8	1	1A8320-63881	SPACER	1	1	1					
9	1	22117-080000	WASHER, 8	1	1	1					
9-1	1	22137-080000	WASHER, 8	1	1	1					N
		(A=F102291) (B=F102322) (C=F102327)									

Fig.114. SEAT BELT

(A)=SA221
(B)=SA324
(C)=SA424

(D)=
(E)=
(F)=

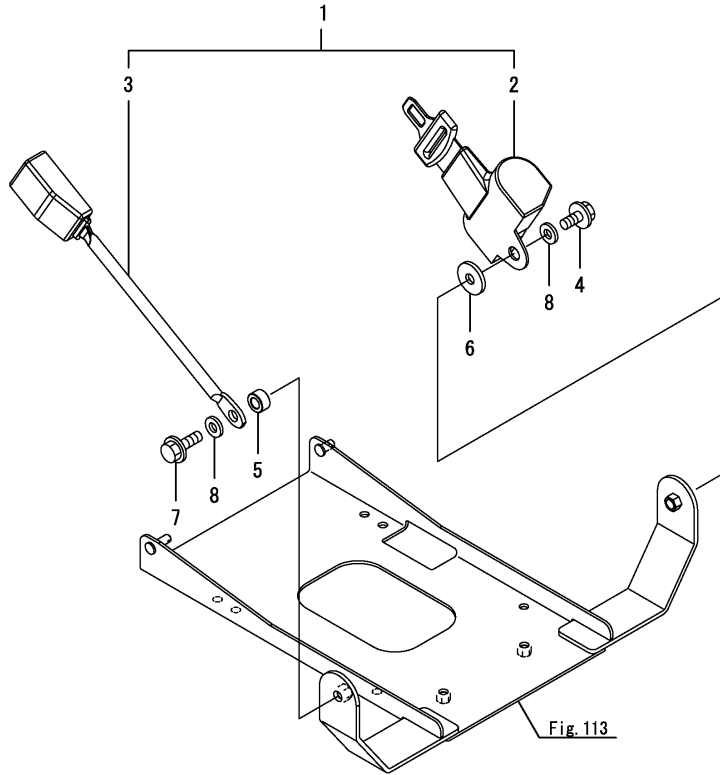


Fig. 113

No.	Lev.	Parts No.	Description	Qty						I	R
				(A)	(B)	(C)	(D)	(E)	(F)		
1	1	1A8160-63400	BELT ASSY, SEAT	1	1	1					
1-1	1	1A8160-63401	BELT ASSY, SEAT	1	1	1					N
		(A=F000506) (B=*2014.11.) (C=*2014.11.)									
2	2	1A8160-63410	BELT ASSY, SEAT L	1	1	1					Z
		(A=F000506) (B=*2014.11.) (C=*2014.11.)									
3	2	1A8160-63420	BELT ASSY, SEAT R	1	1	1					Z
		(A=F000506) (B=*2014.11.) (C=*2014.11.)									
4	1	26106-100202	BOLT, M10X 20 PLATED	1	1	1					
5	1	1A8160-63440	COLLAR, SEAT BELT	1	1	1					
6	1	22157-100000	WASHER, 10	1	1	1					
7	1	26106-100302	BOLT, M10X 30 PLATED	1	1	1					
8	1	22137-100000	WASHER, 10	2	2	2					

Fig.115. LABEL(1)

(A)=SA221
(B)=SA324
(C)=SA424

(D)=
(E)=
(F)=

No.	Lev.	Parts No.	Description	Q'ty						I	R
				(A)	(B)	(C)	(D)	(E)	(F)		
1	1	1A7340-65080	LABEL,DRAIN	1							
6	1	1A8330-65432	LABEL, SCV COUPLER	1							

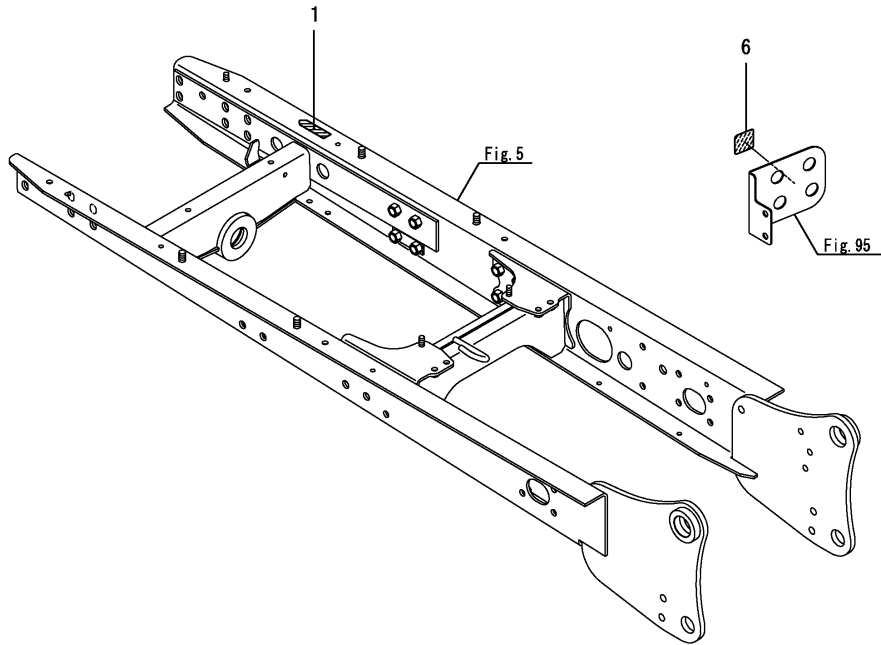
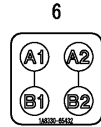
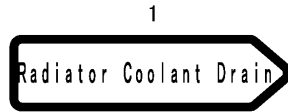


Fig.116. LABEL(1)

(A)=SA221
(B)=SA324
(C)=SA424

(D)=
(E)=
(F)=

No.	Lev.	Parts No.	Description	Qty						I	R	
				(A)	(B)	(C)	(D)	(E)	(F)			
1	1	1A7340-65080	LABEL,DRAIN		1	1						
6	1	1A8330-65432	LABEL, SCV COUPLER		1	1						

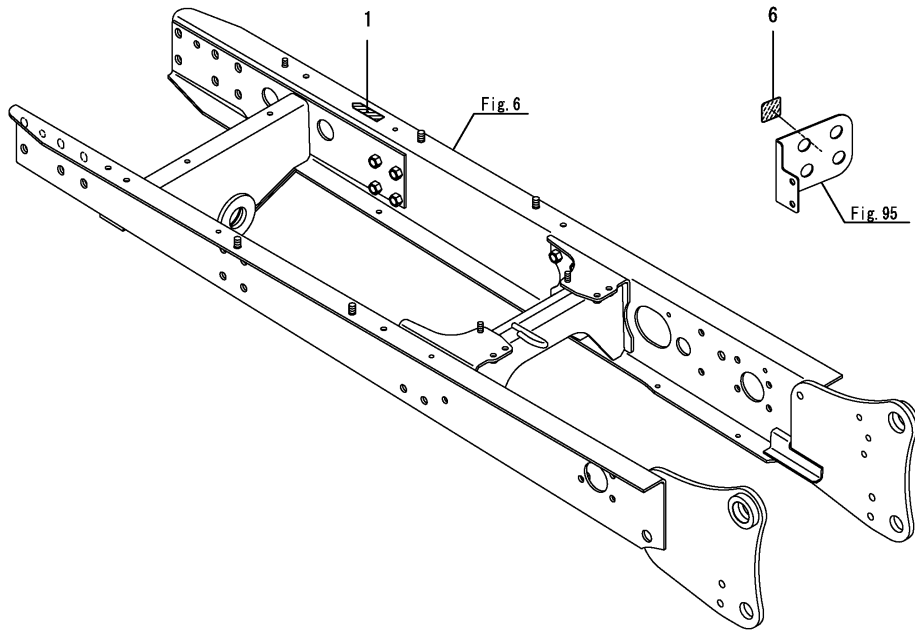


Fig.117. LABEL(2)

(A)=SA221
(B)=SA324
(C)=SA424

(D)=
(E)=
(F)=

No.	Lev.	Parts No.	Description	Qty						I	R
				(A)	(B)	(C)	(D)	(E)	(F)		
1	1	1A7880-15880	PLATE, HANDLE	1	1	1					
2	1	1A8330-65471	LABEL, PARK LOCK	1	1	1					
3	1	1A8330-65331	LABEL, SCV LEVER	1							
4	1	1A8330-65350	LABEL, PTO LEVER	1	1	1					
5	1	1A7880-65370	LABEL, LEVER 4WD	1	1	1					
6	1	1A8250-65390	LABEL, SPARK ARRESTOR	1	1	1					
7	1	1A8250-65580	LABEL, STOP VALVE	1	1	1					
8	1	1A8250-65650	LABEL, FUEL	1	1	1					
9	1	1A8250-65690	LABEL, ACCELERATOR	1	1	1					
10	1	1A7880-65722	LABLE, START SWITCH	1	1	1					
11	1	1A8160-65860	TAPE, 50X115	2	2	2					
12	1	1A8320-65460	LABEL, SUB CHANGE		1	1					
13	1	1A8320-65331	LABEL, SCV LEVER		1	1					

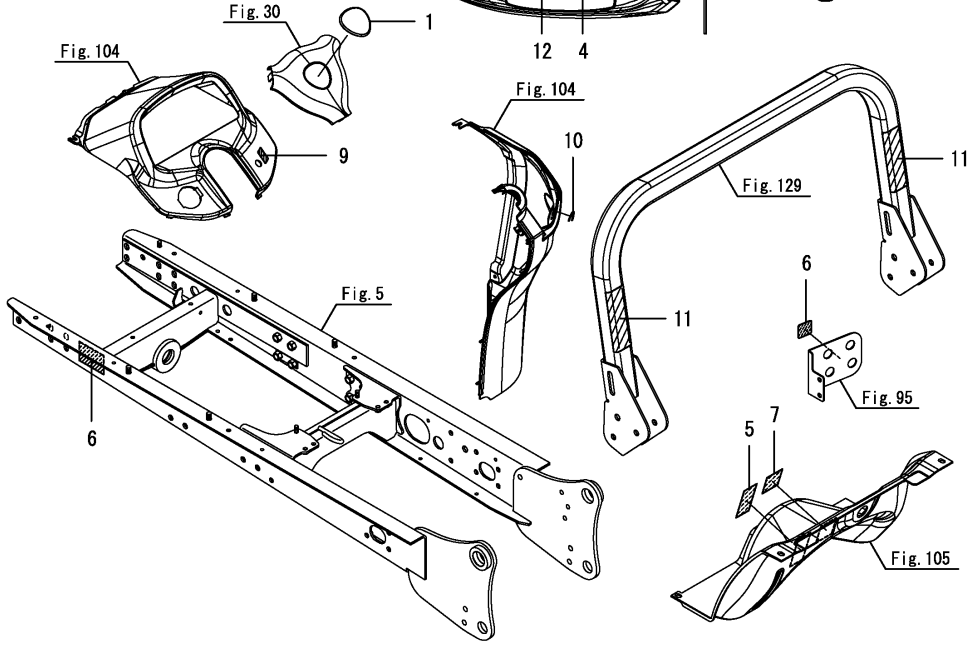
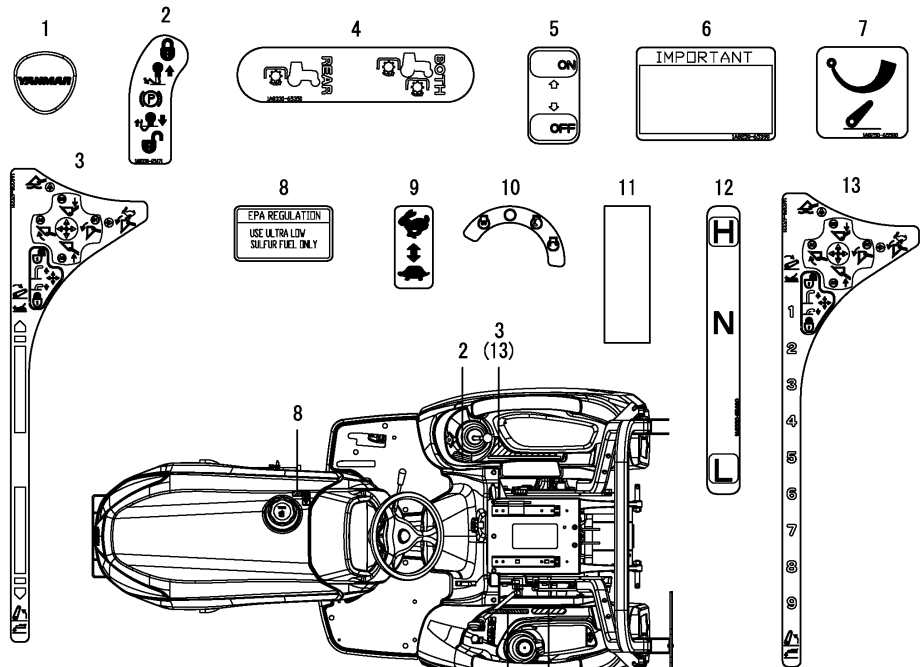
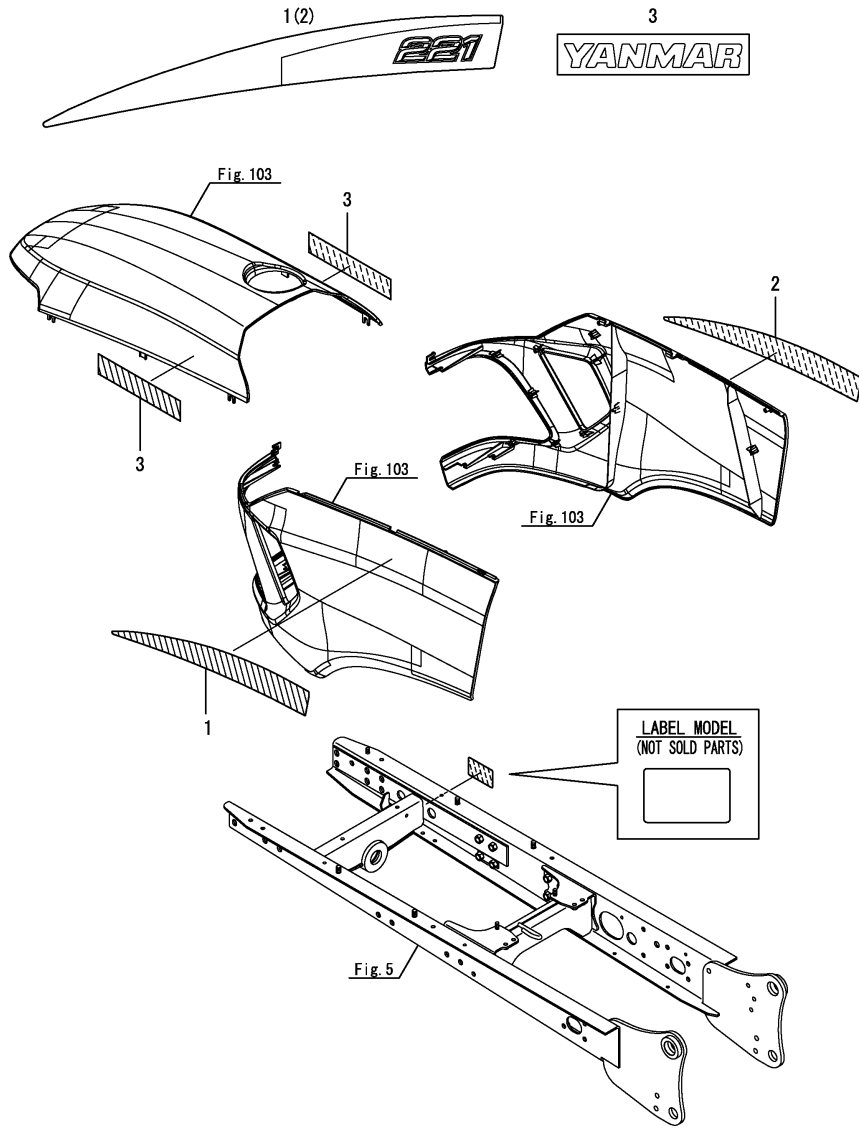


Fig.118. LABEL(MODEL)

(A)=SA221
(B)=SA324
(C)=SA424

(D)=
(E)=
(F)=



No.	Lev.	Parts No.	Description	Q'ty						I	R
				(A)	(B)	(C)	(D)	(E)	(F)		
1	1	1A8330-65510	LABEL, MODEL 221 L	1							
2	1	1A8330-65520	LABEL, MODEL 221 R	1							
3	1	1A8330-65560	LABEL, YANMAR	2							

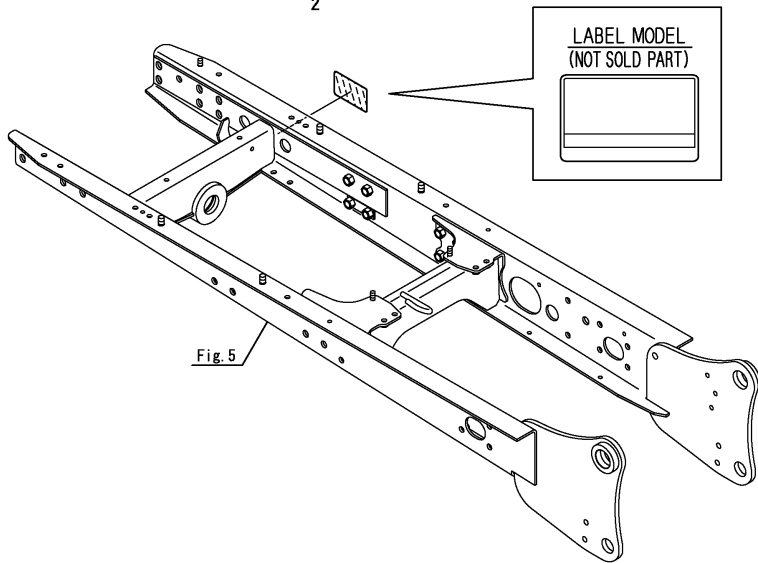
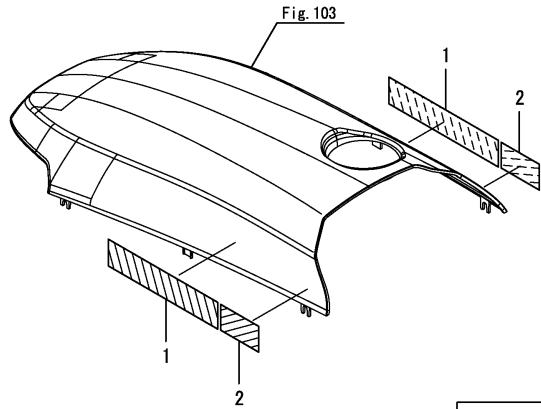
Remarks

* This figure is applicable to [(A)=F400000] or previous machines.
Please refer to Fig.171 since above-mentioned Engine Serial.

Fig.171. (118A)LABEL(MODEL)

(A)=SA221
(B)=SA324
(C)=SA424

(D)=
(E)=
(F)=



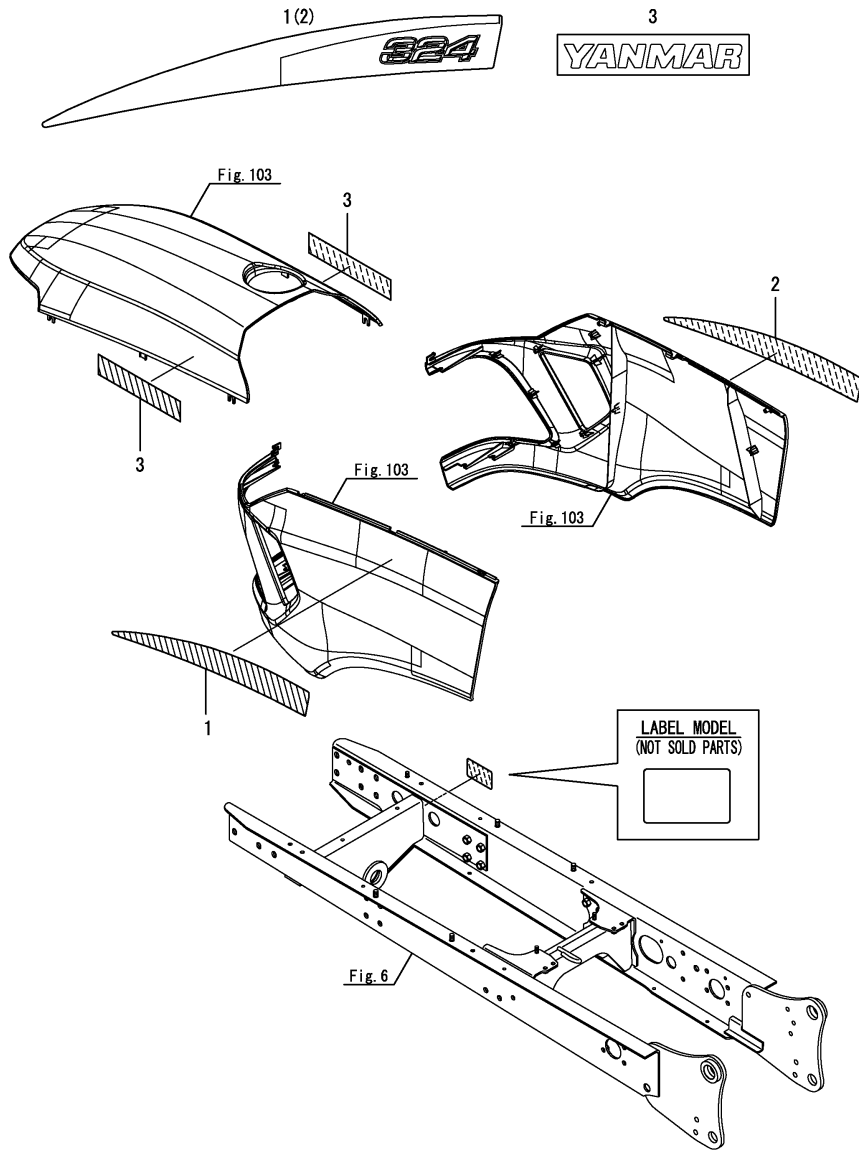
No.	Lev.	Parts No.	Description	Q'ty						I	R
				(A)	(B)	(C)	(D)	(E)	(F)		
1	1	1A8330-65560	LABEL, YANMAR	2							
2	1	1A8330-65610	LABEL, NAME 221	2							

Remarks
* This figure is applicable to [(A)=F400001] or following machines.
Please refer to Fig.118 before above-mentioned Engine Serial.

Fig.119. LABEL(MODEL)

(A)=SA221
(B)=SA324
(C)=SA424

(D)=
(E)=
(F)=



No.	Lev.	Parts No.	Description	Q'ty						I	R
				(A)	(B)	(C)	(D)	(E)	(F)		
1	1	1A8320-65510	LABEL, MODEL 324 L		1						
2	1	1A8320-65520	LABEL, MODEL 324 R		1						
3	1	1A8330-65560	LABEL, YANMAR		2						

Remarks
* This figure is applicable to [(B)=F400002] or previous machines.
Please refer to Fig.172 since above-mentioned Engine Serial.

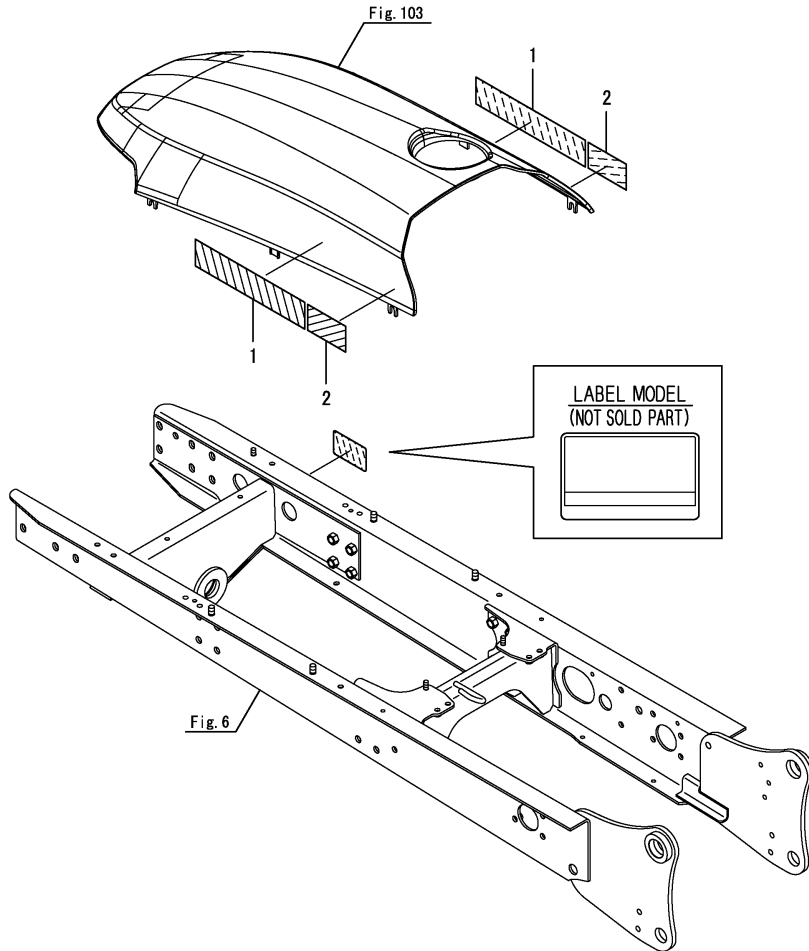
Fig.172. (119A)LABEL(MODEL)

(A)=SA221
(B)=SA324
(C)=SA424

(D)=
(E)=
(F)=



No.	Lev.	Parts No.	Description	Q'ty						I	R	
				(A)	(B)	(C)	(D)	(E)	(F)			
1	1	1A8330-65560	LABEL, YANMAR		2							
2	1	1A8320-65610	LABEL, NAME 324		2							



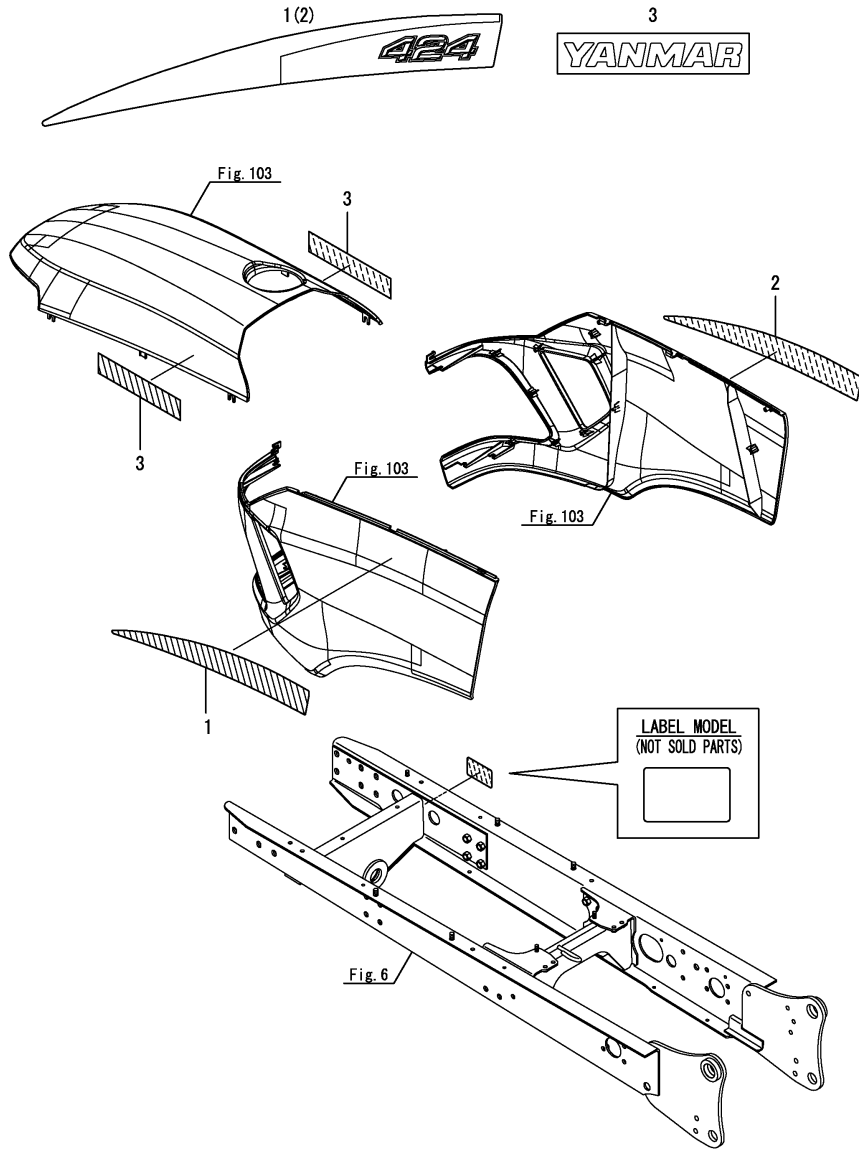
Remarks

* This figure is applicable to [(B)=F400003] or following machines.
Please refer to Fig.119 before above-mentioned Engine Serial.

Fig.120. LABEL(MODEL)

(A)=SA221
(B)=SA324
(C)=SA424

(D)=
(E)=
(F)=



No.	Lev.	Parts No.	Description	Q'ty						I	R
				(A)	(B)	(C)	(D)	(E)	(F)		
1	1	1A8320-65530	LABEL, MODEL 424 L			1					
2	1	1A8320-65540	LABEL, MODEL 424 R			1					
3	1	1A8330-65560	LABEL, YANMAR			2					

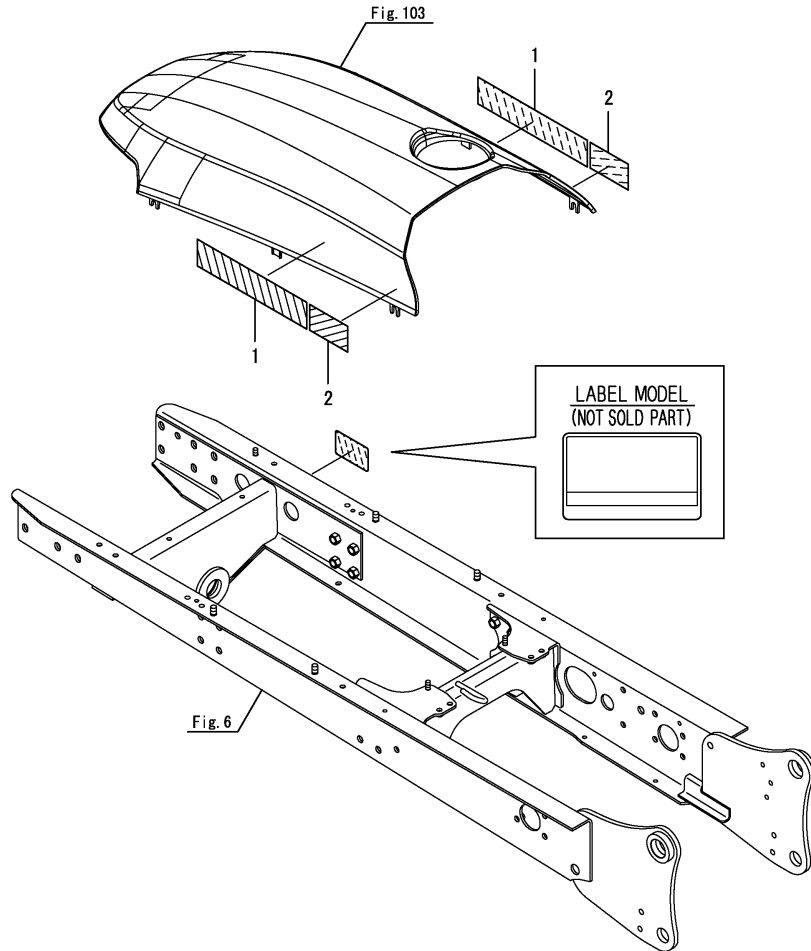
Remarks

* This figure is applicable to [(C)=F400002] or previous machines.
Please refer to Fig.173 since above-mentioned Engine Serial.

Fig.173. (120A)LABEL(MODEL)

(A)=SA221
(B)=SA324
(C)=SA424

(D)=
(E)=
(F)=

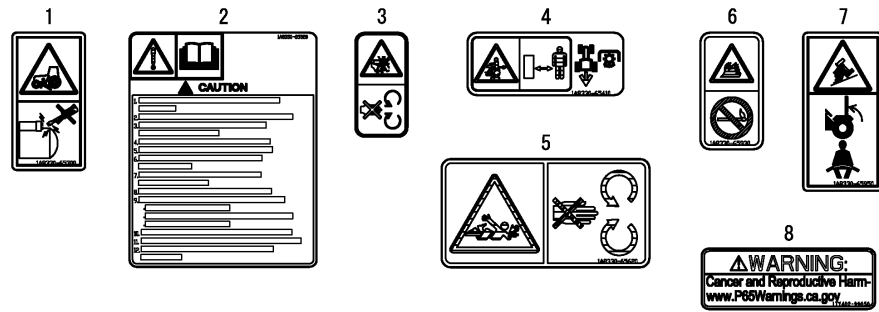


No.	Lev.	Parts No.	Description	Q'ty						I	R	
				(A)	(B)	(C)	(D)	(E)	(F)			
1	1	1A8330-65560	LABEL, YANMAR			2						
2	1	1A8320-65630	LABEL, NAME 424			2						

Remarks

* This figure is applicable to [(C)=F400003] or following machines.
Please refer to Fig.120 before above-mentioned Engine Serial.

Fig.121. LABEL(SAFETY)



(A)=SA221
(B)=SA324
(C)=SA424

(D)=
(E)=
(F)=

No.	Lev.	Parts No.	Description	Q'ty						I	R
				(A)	(B)	(C)	(D)	(E)	(F)		
1	1	1A8330-65300	LABEL, JUMP START	1	1	1					
2	1	1A8330-65320	LABEL, CAUTION	1	1	1					
3	1	1A7874-65400	LABEL, FAN WARNING	2	2	2					
4	1	1A8330-65410	LABEL, DANGER PTO	1	1	1					
5	1	1A8330-65620	LABEL, DANGER SHAFT	1	1	1					
6	1	1A8330-65930	LABEL, WARNING FIRE	1	1	1					
7	1	1A8330-65950	LABEL, SEATBELT	1	1	1					
8	1	1TY402-99050	LABEL, P65 C&R	1	1	1					W
		(A=F401224) (B=F400861) (C=F500215)									

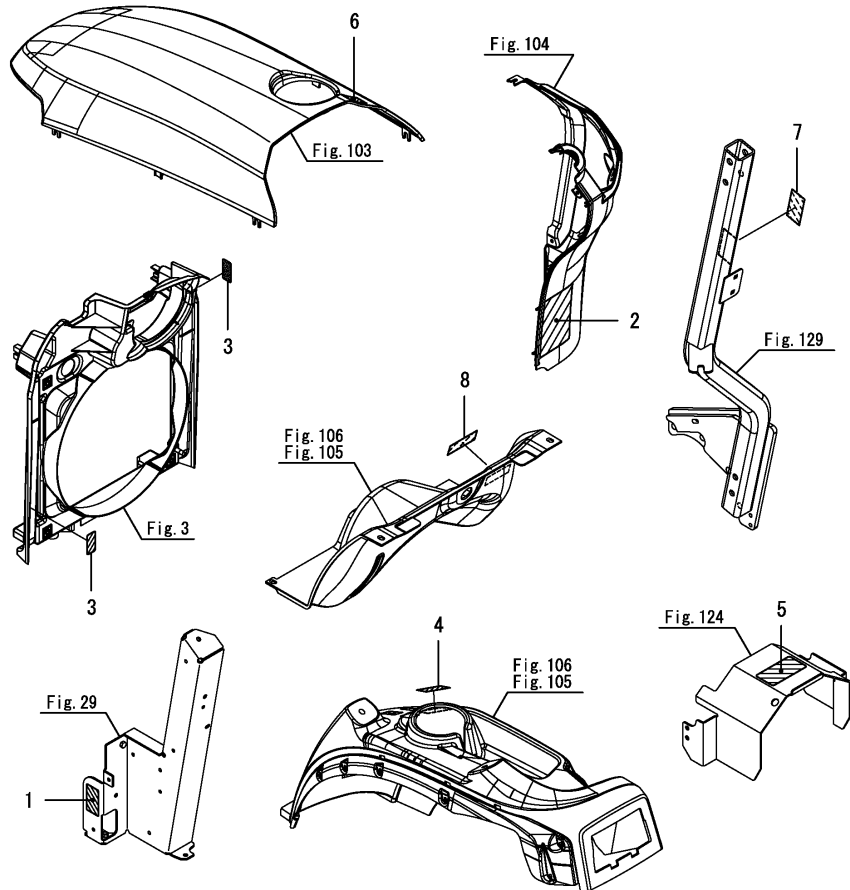
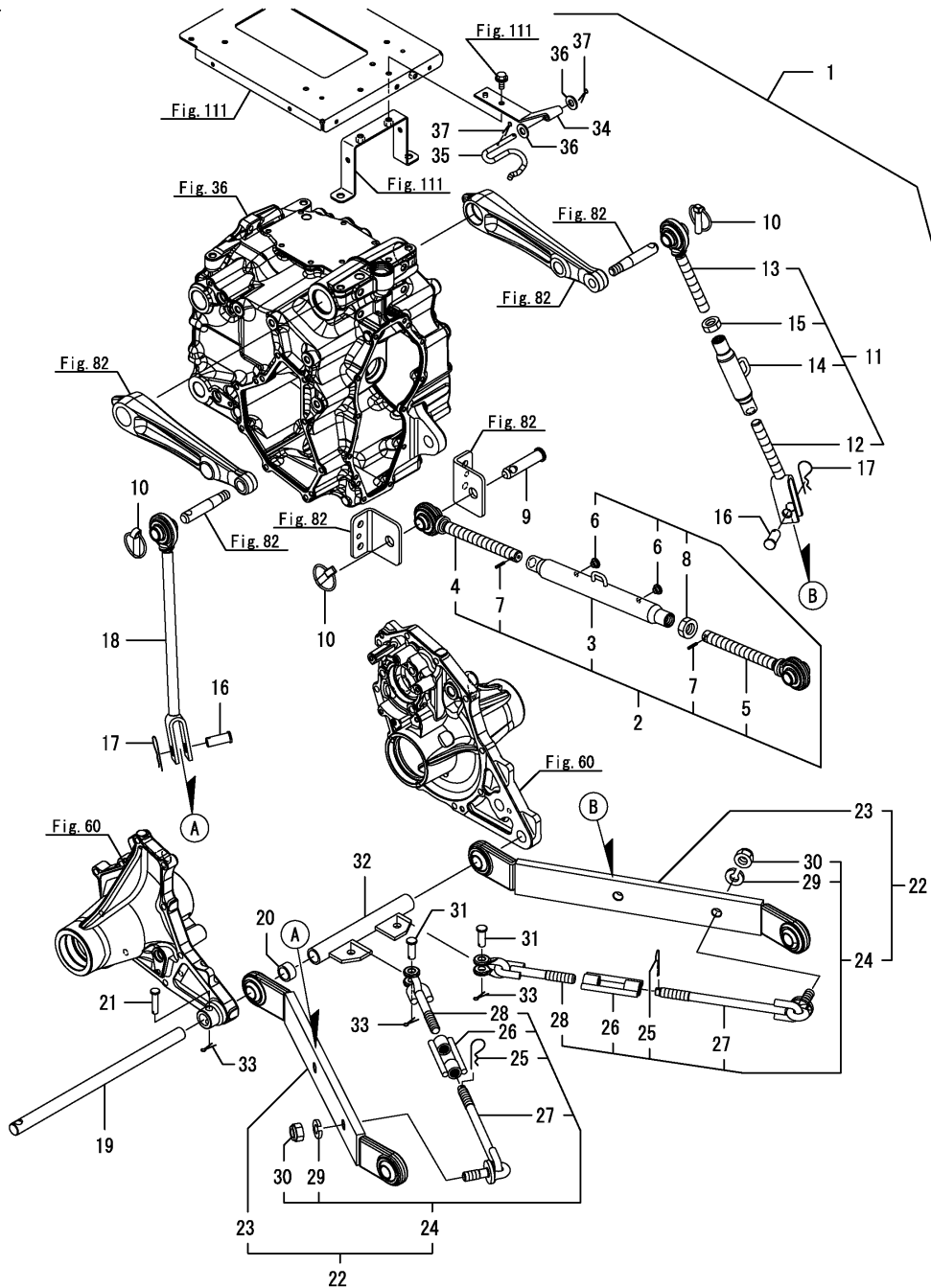


Fig.122. THREE POINT LINK

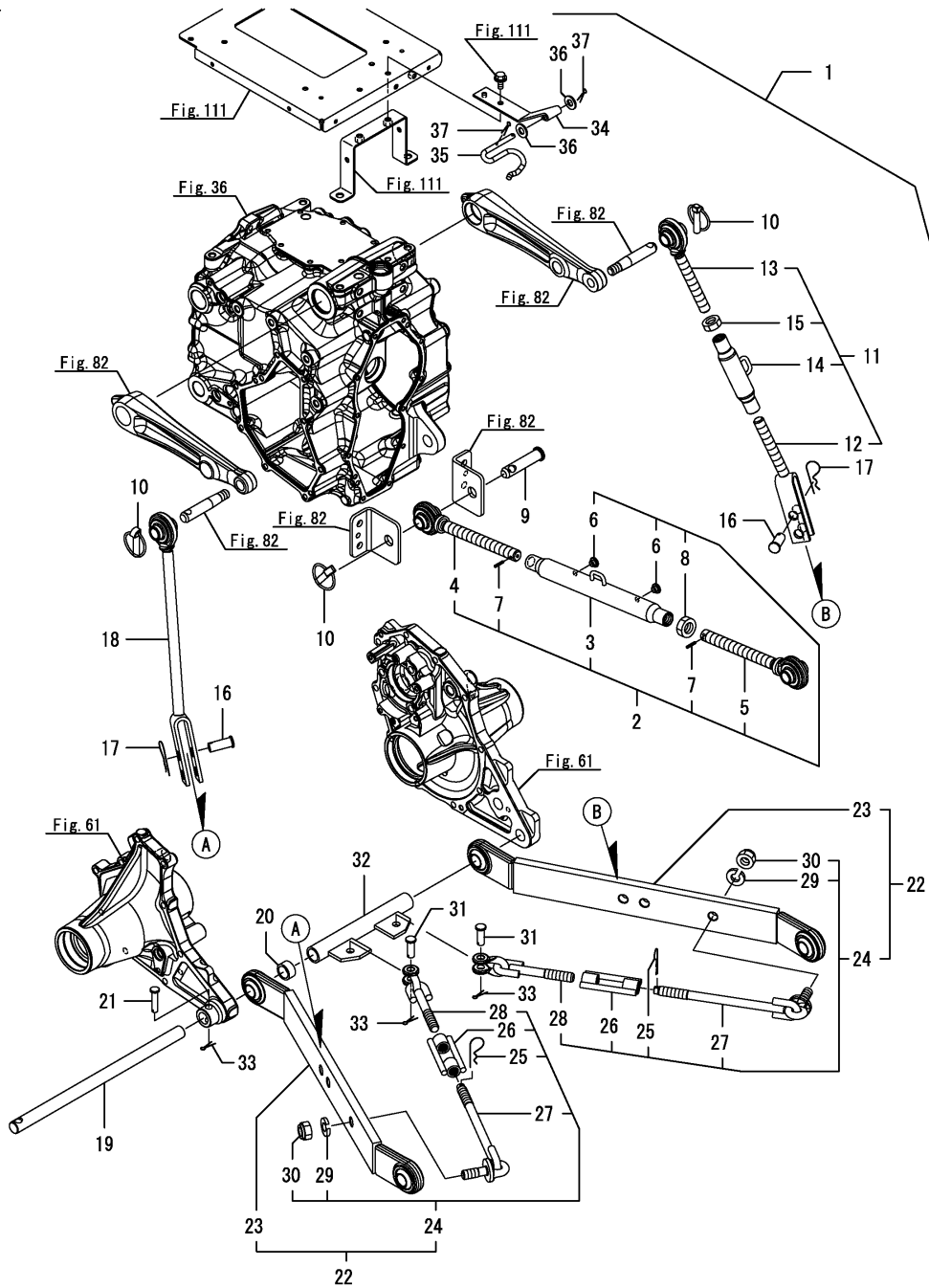


(A)=SA221
(B)=SA324
(C)=SA424

(D)=
(E)=
(F)=

No.	Lev.	Parts No.	Description	Q'ty						I	R
				(A)	(B)	(C)	(D)	(E)	(F)		
1	1	1A8330-71000	HITCH KIT, 3-POINT	1							
1-1	1	1A8330-71001	LINK KIT, THREE POINT	1							N
(A=F400051)											
2	2	1A8330-71110	LINK ASSY	1							
3	3	1A8330-71240	TURNBUCKLE ASSY	1							
4	3	1A8330-71270	EYE-BOLT ASSY, L	1							
5	3	1A8330-71290	EYE-BOLT ASSY, R	1							
6	3	1A8330-71780	CAP	2							
7	3	22351-040020	PIN, SPRING 4.0X20	2							
8	3	26756-200002	NUT, LOCK M20	1							
9	2	1A8330-71120	PIN	1							
10	2	1A8330-71130	PIN ASSY	3							
11	2	1A8330-72100	LINK ASSY, LIFT R	1							
11-1	2	1A8330-72101	LINK ASSY, LIFT R	1							N
(A=F400051)											
12	3	1A8330-72110	YOKE ASSY, LIFT	1							
12-1	3	1A8330-72111	YOKE ASSY, LIFT	1							N
(A=F400051)											
13	3	1A8330-72200	YOKE ASSY, LIFT	1							
14	3	1A8330-72250	TURNBUCKLE ASSY	1							
15	3	26777-180002	NUT, LOCK M18	1							
16	2	1A8330-72150	PIN	2							
17	2	1A8330-72170	PIN, 16	2							
18	2	1A8330-72300	LINK ASSY, LIFT L	1							
18-1	2	1A8330-72301	LINK ASSY, LIFT L	1							N
(A=F400051)											
19	2	1A8330-73110	PIN, HINGE	1							
20	2	1A8330-73120	SPACER	1							
21	2	1A8330-73130	PIN	1							
22	2	1A8330-73400	LINK KIT, LOWER	2							
23	3	1A8330-73500	LINK ASSY, LOWER	2							
24	3	1A8330-74100	CHAIN KIT, CHECK	2							
25	4	1A8330-72170	PIN, 16	2							
26	4	1A8330-74610	TURNBUCKLE ASSY	2							
27	4	1A8330-74650	CHAIN ASSY	2							
28	4	1A8330-74800	CHAIN ASSY	2							
29	4	22217-160000	WASHER, SPRING 16	2							
30	4	26356-160002	NUT, M16	2							
31	2	1A8330-74160	PIN	2							
32	2	1A8330-74550	CHAIN ASSY	1							
33	2	22417-200300	PIN, COTTER 2.0X30	3							
34	1	1A8330-71510	STAY, HOOK	1							
35	1	1A8330-71550	HOOK, TOP LINK	1							
36	1	22137-080000	WASHER, 8	2							
37	1	22417-250250	PIN, COTTER 2.5X25	2							

Fig.123. THREE POINT LINK



(A)=SA221
(B)=SA324
(C)=SA424

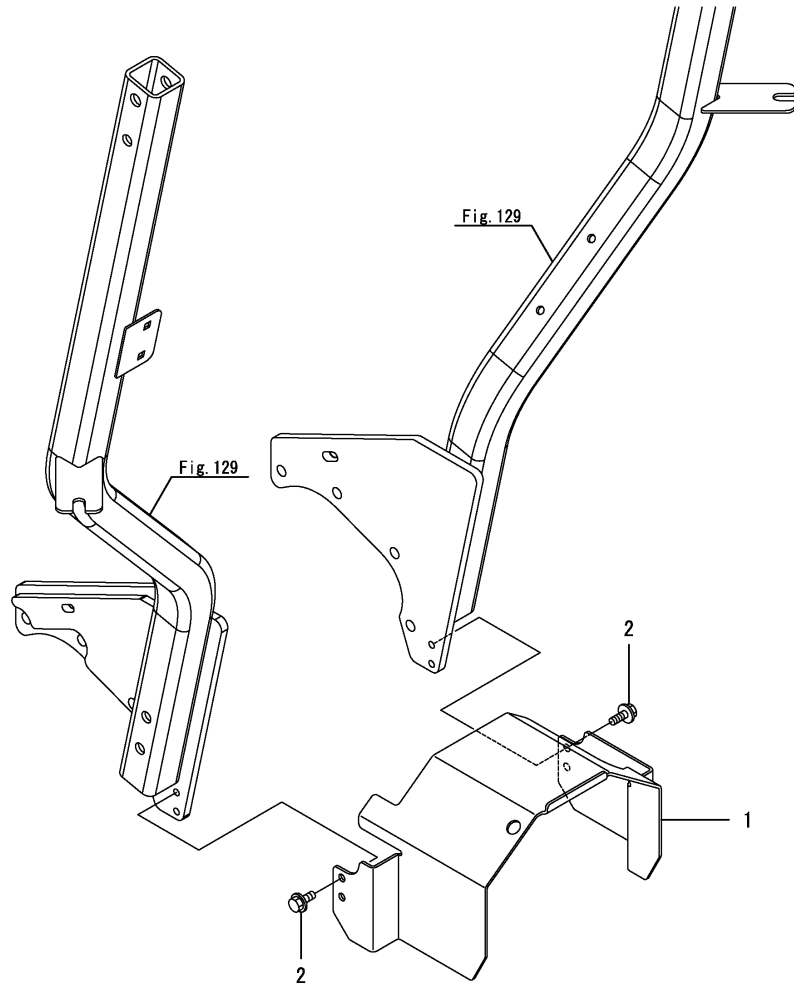
(D)=
(E)=
(F)=

No.	Lev.	Parts No.	Description	Qty						I	R
				(A)	(B)	(C)	(D)	(E)	(F)		
1	1	1A8320-71000	HITCH KIT, 3-POINT	1	1						
2	2	1A8330-71110	LINK ASSY	1	1						
3	3	1A8330-71240	TURNBUCKLE ASSY	1	1						
4	3	1A8330-71270	EYE-BOLT ASSY, L	1	1						
5	3	1A8330-71290	EYE-BOLT ASSY, R	1	1						
6	3	1A8330-71780	CAP	2	2						
7	3	22351-040020	PIN, SPRING 4.0X20	2	2						
8	3	26756-200002	NUT, LOCK M20	1	1						
9	2	1A8330-71120	PIN	1	1						
10	2	1A8330-71130	PIN ASSY	3	3						
11	2	1A8320-72100	LINK ASSY, LIFT R	1	1						
12	3	1A8320-72110	YOKE ASSY, LIFT	1	1						
13	3	1A8330-72200	YOKE ASSY, LIFT	1	1						
14	3	1A8330-72250	TURNBUCKLE ASSY	1	1						
15	3	26777-180002	NUT, LOCK M18	1	1						
16	2	1A8330-72150	PIN	2	2						
17	2	1A8330-72170	PIN, 16	2	2						
18	2	1A8320-72300	LINK ASSY, LIFT L	1	1						
19	2	1A8330-73110	PIN, HINGE	1	1						
20	2	1A8330-73120	SPACER	1	1						
21	2	1A8330-73130	PIN	1	1						
22	2	1A8320-73400	LINK KIT, LOWER	2	2						
23	3	1A8320-73500	LINK ASSY, LOWER	2	2						
24	3	1A8330-74100	CHAIN KIT, CHECK	2	2						
25	4	1A8330-72170	PIN, 16	2	2						
26	4	1A8330-74610	TURNBUCKLE ASSY	2	2						
27	4	1A8330-74650	CHAIN ASSY	2	2						
28	4	1A8330-74800	CHAIN ASSY	2	2						
29	4	22217-160000	WASHER, SPRING 16	2	2						
30	4	26356-160002	NUT, M16	2	2						
31	2	1A8330-74160	PIN	2	2						
32	2	1A8330-74550	CHAIN ASSY	1	1						
33	2	22417-200300	PIN, COTTER 2.0X30	3	3						
34	1	1A8330-71510	STAY,HOOK	1	1						
35	1	1A8330-71550	HOOK, TOP LINK	1	1						
36	1	22137-080000	WASHER, 8	2	2						
37	1	22417-250250	PIN, COTTER 2.5X25	2	2						

Fig.124. P.T.O. COVER

(A)=SA221
(B)=SA324
(C)=SA424

(D)=
(E)=
(F)=



No.	Lev.	Parts No.	Description	Q'ty						I	R
				(A)	(B)	(C)	(D)	(E)	(F)		
1	1	1A8330-71150	M ASSY, PTO COVER	1	1	1					
2	1	26106-080162	BOLT, M8X 16 PLATED	4	4	4					

Fig.125. REAR HITCH(1)

(A)=SA221
(B)=SA324
(C)=SA424

(D)=
(E)=
(F)=

No.	Lev.	Parts No.	Description	Q'ty						I	R
				(A)	(B)	(C)	(D)	(E)	(F)		
1	1	1A8330-75420	HITCH, REAR	1							
2	1	1A8330-75450	HITCH ASSY, REAR	1							

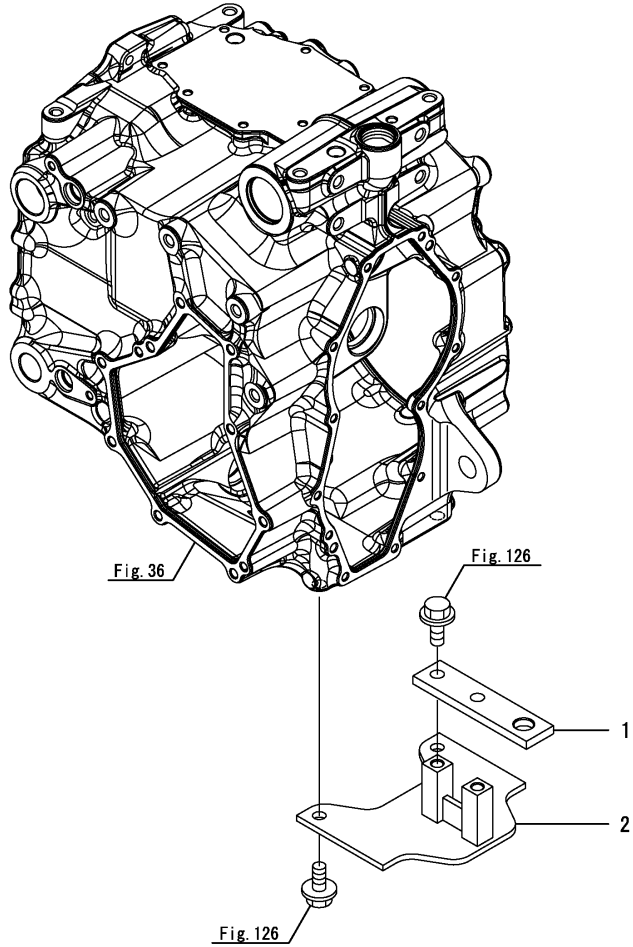
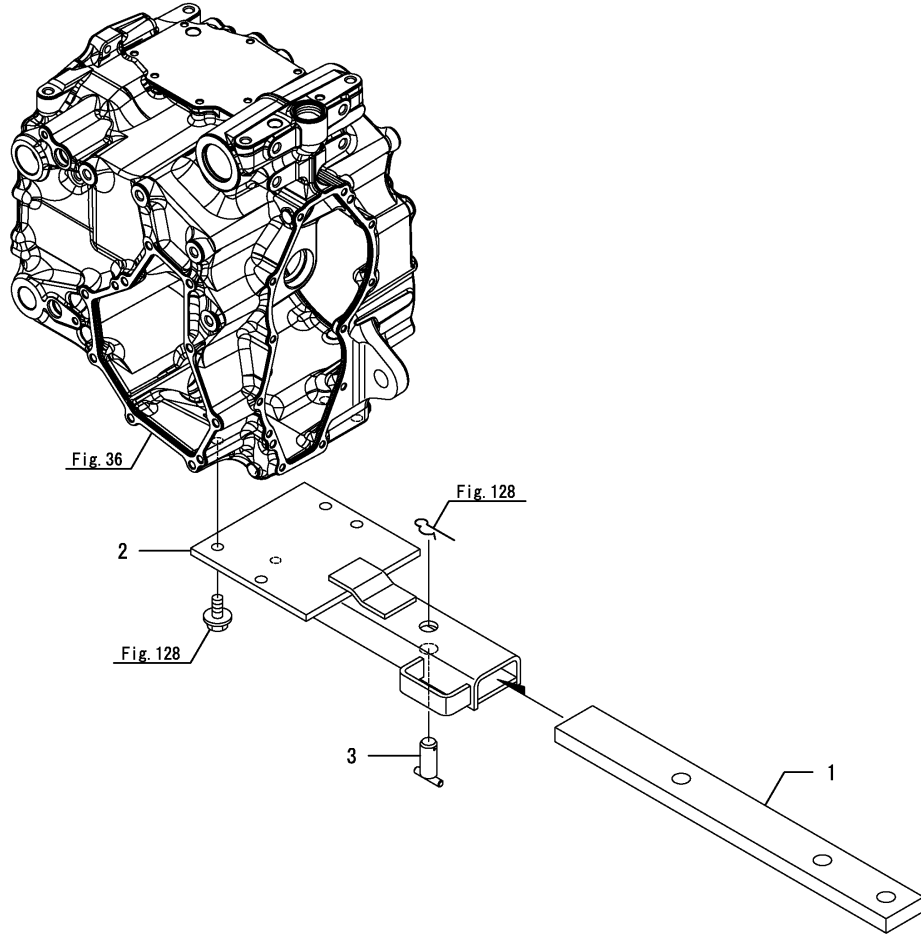


Fig.127. DRAWBAR(1)

(A)=SA221
(B)=SA324
(C)=SA424

(D)=
(E)=
(F)=

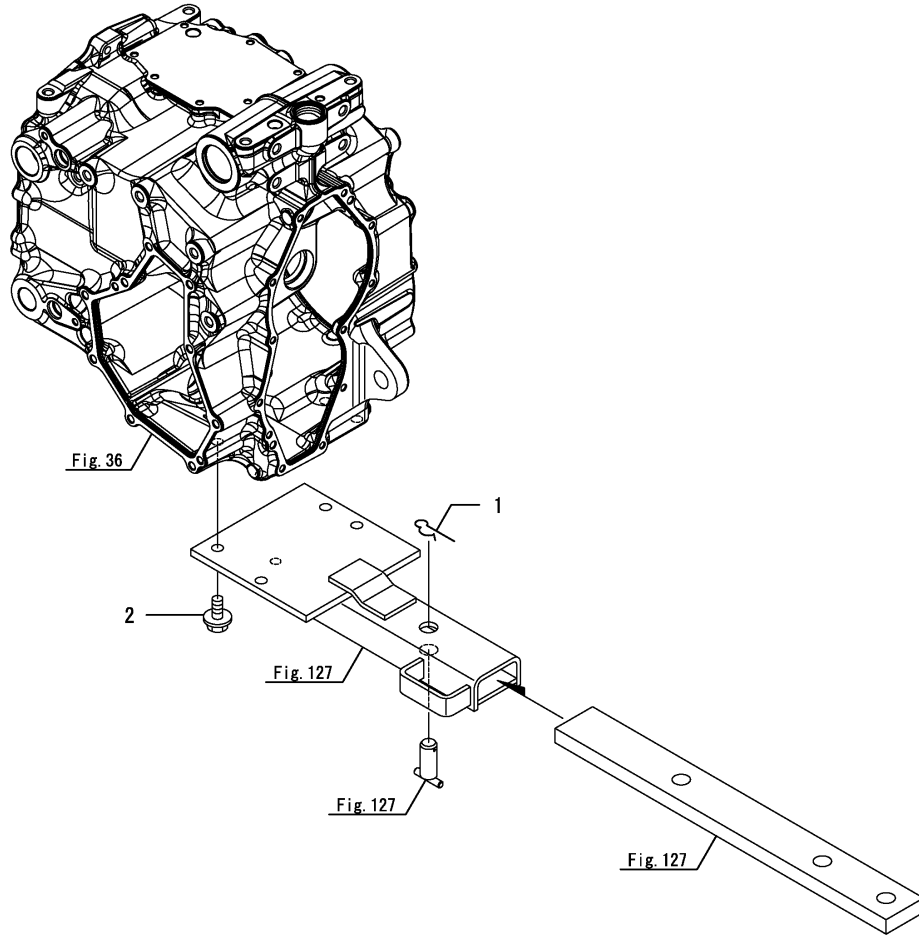


No.	Lev.	Parts No.	Description	Qty						I	R	
				(A)	(B)	(C)	(D)	(E)	(F)			
1	1	1A8320-75110	DRAWBAR		1	1						
2	1	1A8320-75410	BRACKET ASSY,DRAWBAR		1	1						
3	1	1A8320-75610	PIN, DRAWBAR		1	1						
3-1	1	1A8320-75611	PIN, DRAWBAR		1	1						N
		(B=F000145)	(C=F000964)									

Fig.128. DRAWBAR(2)

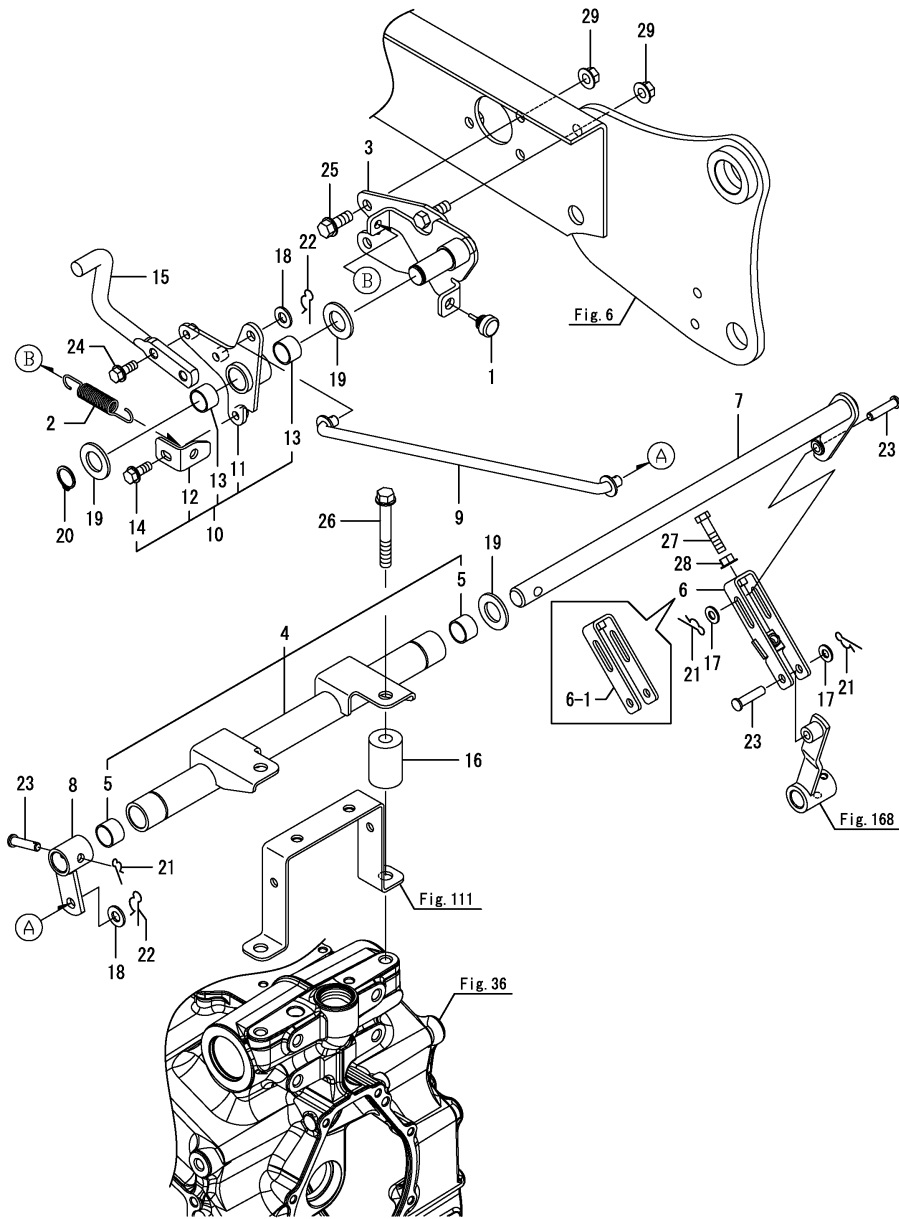
(A)=SA221
(B)=SA324
(C)=SA424

(D)=
(E)=
(F)=



No.	Lev.	Parts No.	Description	Q'ty						I	R
				(A)	(B)	(C)	(D)	(E)	(F)		
1	1	22360-200000	PIN, SNAP 20		1	1					
2	1	26108-120252	BOLT, M12X 25 PLATED		4	4					

Fig.174. LINK(DIFF LOCK PEDAL)



(A)=SA221
(B)=SA324
(C)=SA424

(D)=
(E)=
(F)=

No.	Lev.	Parts No.	Description	Qty						I	R
				(A)	(B)	(C)	(D)	(E)	(F)		
1	1	194330-62530	STOPPER, PEDAL		1	1					
2	1	1A8320-63440	SPRING, RETURN		1	1					
3	1	1A8330-67111	BRACKET ASSY, DIFF P		1	1					
4	1	1A8330-67210	BRACKET UNIT, SHAFT		1	1					
5	2	24550-020150	BUSH, 20X15		2	2					
6	1	1A8330-67370	ADJUSTER, LINK		1	1					
6-1	1	1A8330-67470	ADJUSTER, LINK (B=F400003) (C=F400003)		1	1				F	1
7	1	1A8330-67510	SHAFT ASSY, LINK		1	1					
8	1	1A8330-67610	ARM ASSY, SHAFT		1	1					
9	1	1A8330-67650	ROD ASSY, LINK		1	1					
10	1	1A8330-67710	LINK UNIT,DIFF PEDAL		1	1					
11	2	1A8330-67720	LINK ASSY,DIFF PEDAL		1	1					
12	2	1A8330-67750	STAY, STOPPER		1	1					
13	2	24550-020150	BUSH, 20X15		2	2					
14	2	26106-080202	BOLT, M8X 20 PLATED		1	1					
15	1	1A8330-67770	PEDAL, DIFF. LOCK		1	1					
16	1	1A8330-67870	COLLAR		2	2					
17	1	22137-080000	WASHER, 8		2	2					
18	1	22137-100000	WASHER, 10		2	2					
19	1	22137-200000	WASHER, 20		3	3					
20	1	22242-000200	RING, 20		1	1					
21	1	22372-080000	PIN, SNAP 8		3	3					
22	1	22372-100000	PIN, SNAP 10		2	2					
23	1	22487-080300	PIN, 8X 30		3	3					
24	1	26106-080202	BOLT, M8X 20 PLATED		2	2					
25	1	26106-100252	BOLT, M10X 25 PLATED		2	2					
26	1	26106-120752	BOLT, M12X 75 PLATED		2	2					
27	1	26116-080354	BOLT, M8X 35 PLATED		1	1					
28	1	26366-080002	NUT, M8		1	1					
29	1	26366-100002	NUT, M10		3	3					

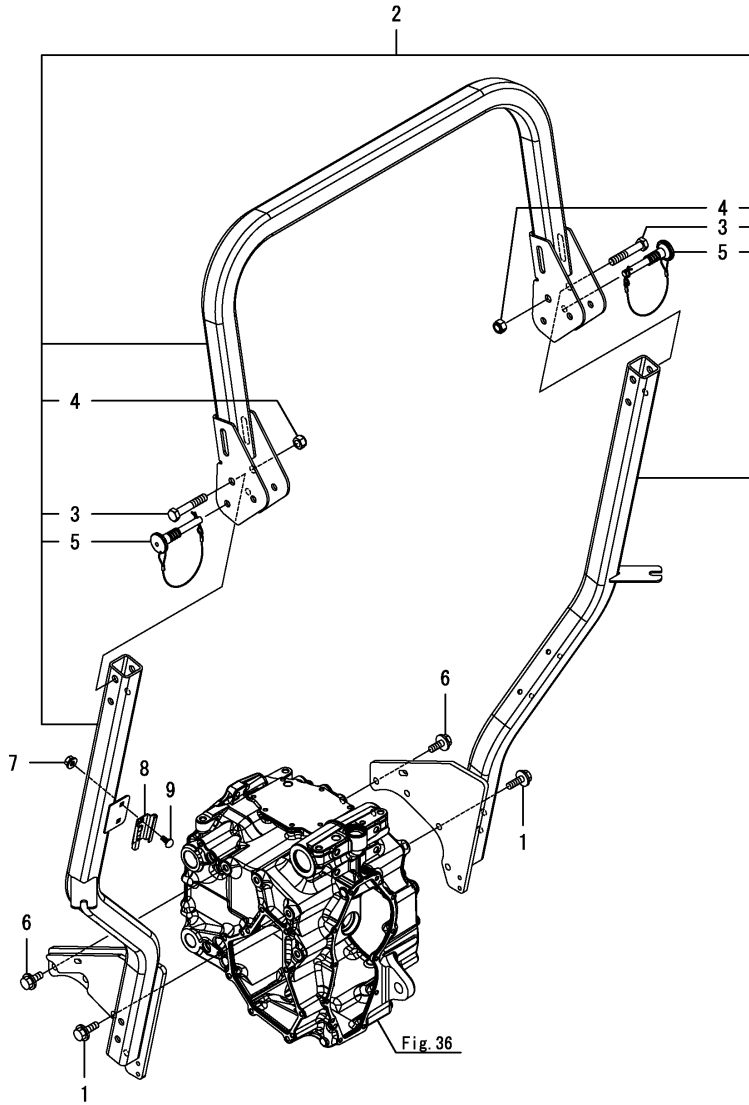
Remarks

* This figure is applicable to [(B)=F400003][(C)=F400003] or following machines.
(1) Interchangeable by simultaneous replacement with No.6-1, Fig.76 No.70-1 & Fig.168 No.7-1.

Fig.129. ROPS

(A)=SA221
(B)=SA324
(C)=SA424

(D)=
(E)=
(F)=



No.	Lev.	Parts No.	Description	Q'ty						I	R
				(A)	(B)	(C)	(D)	(E)	(F)		
1	1	1A7510-11860	BOLT, M12X38	2	2	2					
2	1	1A8330-85020	M ASSY, ROPS FRAME	1	1	1					
3	2	1A8330-85430	BOLT, M14X80 10.9	2	2	2					
4	2	1A8330-85440	NUT, 14 NYLOCK	2	2	2					
5	2	1A8330-85450	PIN ASSY, ROPS	2	2	2					
6	1	1A6770-85920	BOLT, M12X30	6	6	6					
7	1	194990-22140	NUT, M8	2	2	2					
8	1	1A7882-85630	HOLDER, SMV	1	1	1					
9	1	26487-080163	BOLT, M8X16	2	2	2					

Fig.132. MANUAL

(A)=SA221
(B)=SA324
(C)=SA424

(D)=
(E)=
(F)=

No.	Lev.	Parts No.	Description	Q'ty						I	R
				(A)	(B)	(C)	(D)	(E)	(F)		
1	1	0A041-U01700	OPERATION MANUAL	1	1	1					
1-1	1	0A041-EN0070	MANUAL, OPERATION	1	1	1					N
		(A=F000463)	(B=F000711)	(C=F000733)							
1-2	1	0A041-EN0071	OPERATION MANUAL	1	1	1					N
		(A=F102289)	(B=F101807)	(C=F400150)							
1-3	1	0A041-EN0072	OPERATION MANUAL	1	1	1					N
		(A=F500114)	(B=F401184)	(C=F500133)							

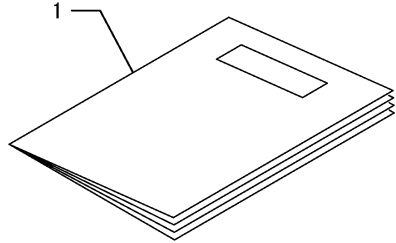


Fig.133. BLOCK HEATER

(A)=SA221
(B)=SA324
(C)=SA424

(D)=
(E)=
(F)=

No.	Lev.	Parts No.	Description	Q'ty						I	R
				(A)	(B)	(C)	(D)	(E)	(F)		
1	1	119E21-95010	OPTION KIT,HEATER		1	1					
2	2	1A8300-51210	BAND, REPEAT		1	1					
3	2	1A7880-57260	PROTECTOR		1	1					
4	2	719621-77051	BRACKET ASSY		1	1					
5	3	119621-11950	BRACKET, HEATER		1	1					
6	3	119621-11961	GASKET, HEATER		1	1					
7	3	26450-080182	BOLT, M8X 18		2	2					
8	2	171015-77900	BLOCK, HEATER		1	1					
9	2	171015-77910	CORD, HEATER		1	1					

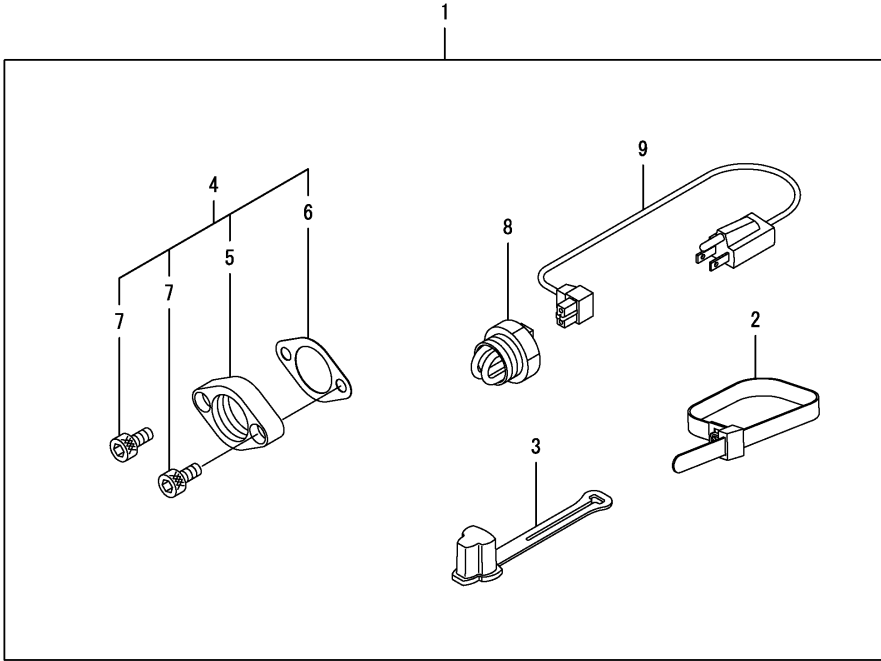
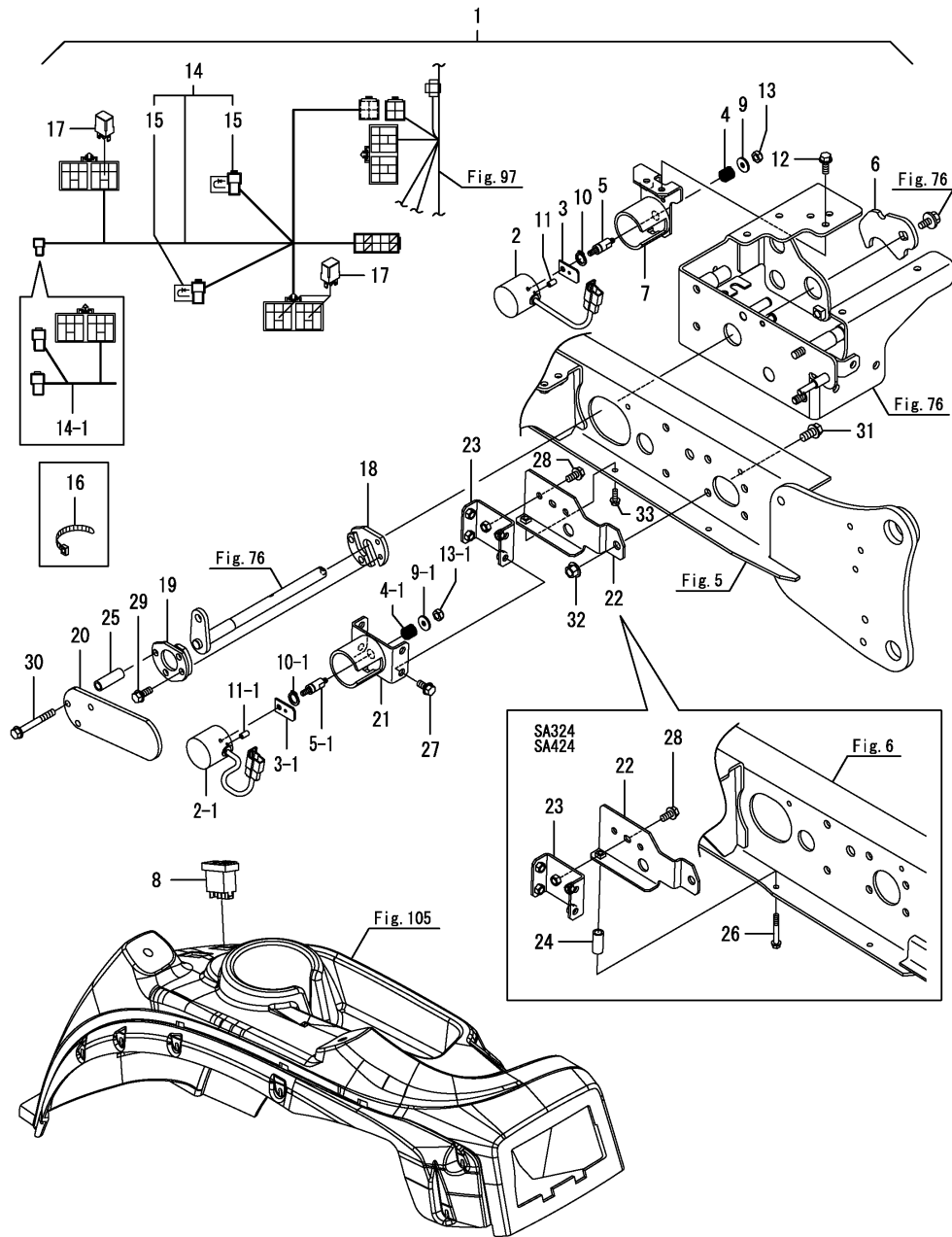


Fig.136. CRUISE CONTROL



(A)=SA221
(B)=SA324
(C)=SA424

(D)=
(E)=
(F)=

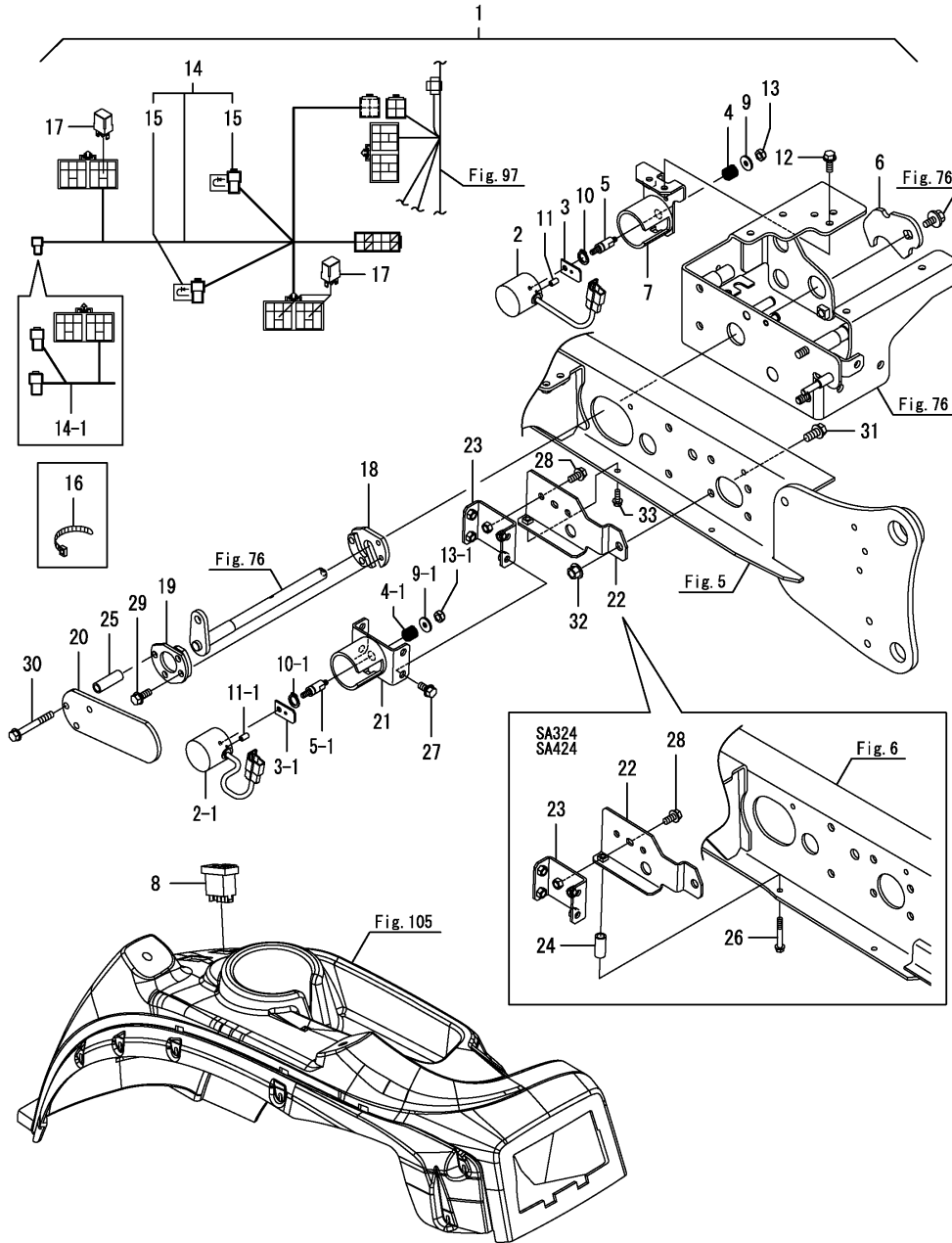
No.	Lev.	Parts No.	Description	Q'ty						I	R
				(A)	(B)	(C)	(D)	(E)	(F)		
1	1	1A8330-35900	CONTROL KIT, CRUISE	1	1	1					
1-1	1	1A8330-35901	CONTROL KIT, CRUISE	1	1	1					N
		(A=*2016.05.) (B=*2016.05.) (C=*2016.05.)									
2	2	1A8260-35100	MAGNET	1	1	1					
2-1	2	1A8260-35100	MAGNET	2	2	2					K
		(A=*2016.05.) (B=*2016.05.) (C=*2016.05.)									
3	2	1A8260-35111	PLATE, STOPPER	1	1	1					
3-1	2	1A8260-35111	PLATE, STOPPER	2	2	2					K
		(A=*2016.05.) (B=*2016.05.) (C=*2016.05.)									
4	2	1A8260-35120	SPRING, 1.0X16X19	1	1	1					
4-1	2	1A8260-35120	SPRING, 1.0X16X19	2	2	2					K
		(A=*2016.05.) (B=*2016.05.) (C=*2016.05.)									
5	2	1A8260-35131	BOLT, STEPPED 1/4-20	1	1	1					
5-1	2	1A8260-35131	BOLT, STEPPED 1/4-20	2	2	2					K
		(A=*2016.05.) (B=*2016.05.) (C=*2016.05.)									
6	2	1A8330-35910	ARM, CRUISE	1	1	1					
7	2	1A8330-35920	BRACKET, MAGNET	1	1	1					
8	2	1A8275-52200	SWITCH, CRUISE	1	1	1					
9	2	22157-060000	WASHER, 6	1	1	1					
9-1	2	22157-060000	WASHER, 6	2	2	2					K
		(A=*2016.05.) (B=*2016.05.) (C=*2016.05.)									
10	2	22242-000120	RING, 12	1	1	1					
10-1	2	22242-000120	RING, 12	2	2	2					K
		(A=*2016.05.) (B=*2016.05.) (C=*2016.05.)									
11	2	22351-040008	PIN, SPRING 4.0X 8	1	1	1					
11-1	2	22351-040008	PIN, SPRING 4.0X 8	2	2	2					K
		(A=*2016.05.) (B=*2016.05.) (C=*2016.05.)									
12	2	26106-080202	BOLT, M8X 20 PLATED	2	2	2					
13	2	26347-060002	NUT, M6	1	1	1					
13-1	2	26347-060002	NUT, M6	2	2	2					K
		(A=*2016.05.) (B=*2016.05.) (C=*2016.05.)									
14	2	1A8330-51200	HARNESS ASSY,CRUISE	1	1	1					
14-1	2	1A8330-51201	HARNESS ASSY,CRUISE	1	1	1					S
		(A=*2016.05.) (B=*2016.05.) (C=*2016.05.)									
15	3	1A7500-51130	DIODE, 3.0A	2	2	2					
16	2	1A8300-51210	BAND, REPEAT	10	10	10					
16-1	2	1A8300-51210	BAND, REPEAT	15	15	15					K
		(A=*2016.05.) (B=*2016.05.) (C=*2016.05.)									
17	2	1A7522-52950	RELAY, ACM13221M19	3	3	3					
18	2	1A8320-35610	PLATE ASSY,CRUISE OU	1	1	1					W
		(A=*2016.05.) (B=*2016.05.) (C=*2016.05.)									
19	2	1A8320-35650	PLATE ASSY,CRUISE IN	1	1	1					W
		(A=*2016.05.) (B=*2016.05.) (C=*2016.05.)									
20	2	1A8320-35680	PLATE, MAGNET	1	1	1					W
		(A=*2016.05.) (B=*2016.05.) (C=*2016.05.)									
21	2	1A8320-35710	GUIDE ASSY, MAGNET	1	1	1					W
		(A=*2016.05.) (B=*2016.05.) (C=*2016.05.)									
22	2	1A8320-35750	BRACKET ASSY, MAGNET	1	1	1					W
		(A=*2016.05.) (B=*2016.05.) (C=*2016.05.)									
23	2	1A8320-35770	PLATE ASSY, MAGNET	1	1	1					W
		(A=*2016.05.) (B=*2016.05.) (C=*2016.05.)									

N:Old $\begin{matrix} \leftarrow \text{Yes} \\ \text{No} \end{matrix}$ New, Q:Old $\begin{matrix} \leftarrow \text{No} \\ \text{Yes} \end{matrix}$ New, R:Old $\begin{matrix} \leftarrow \text{Yes} \\ \text{No} \end{matrix}$ New, S:Old $\begin{matrix} \leftarrow \text{No} \\ \text{Yes} \end{matrix}$ New, W:Add, Z:Discontinued, F:Interchangeable by set, K:Q'ty Change
++ CONTINUE ++
Copyright (C) 2018 YANMAR GLOBAL CS CO., LTD. All Rights Reserved.

Fig.136. CRUISE CONTROL

(A)=SA221
(B)=SA324
(C)=SA424

(D)=
(E)=
(F)=

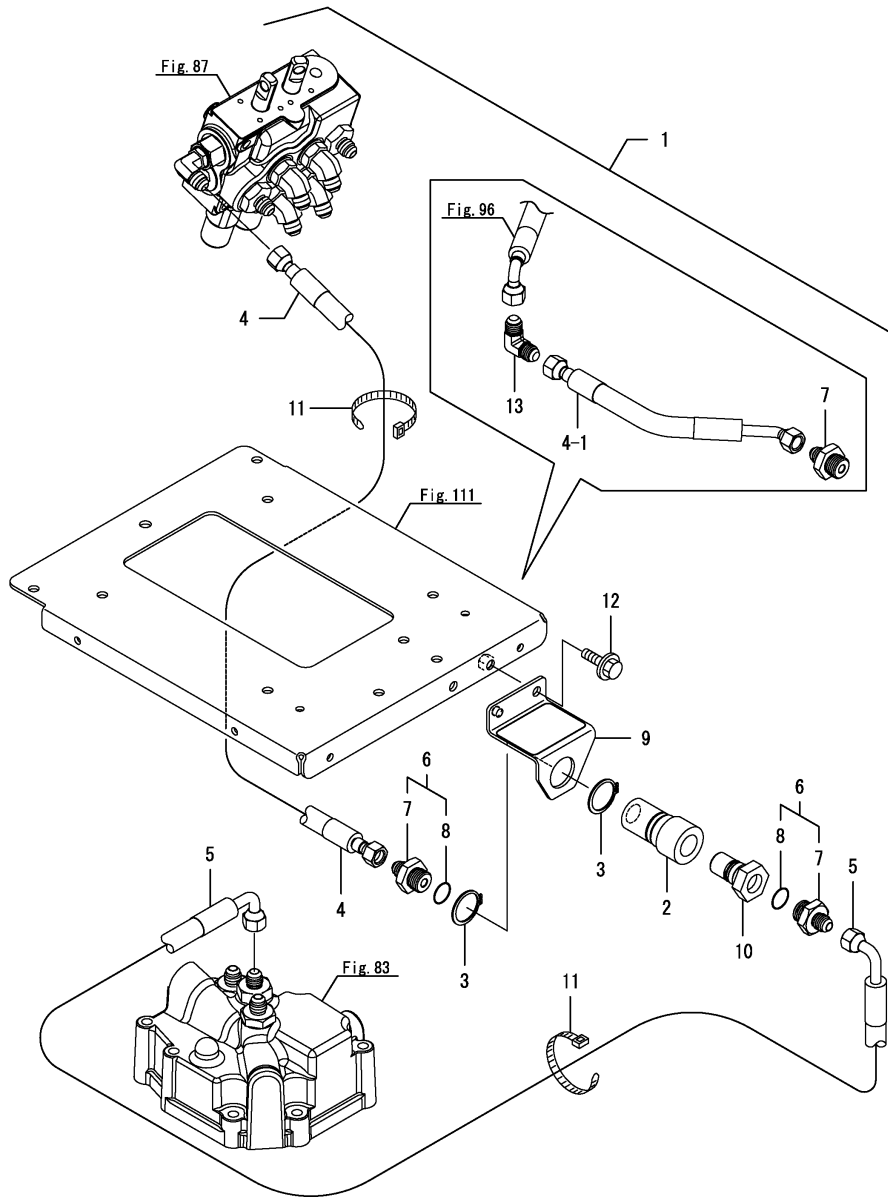


No.	Lev.	Parts No.	Description	Q'ty						I	R
				(A)	(B)	(C)	(D)	(E)	(F)		
24	2	1A8320-35790 (B=*2016.05.) (C=*2016.05.)	COLLAR,9.2X13.8X30.7		1	1					W
25	2	1A1580-61540	COLLAR, 9.2X13.8X42	3	3	3					W
26	2	26106-060452 (B=*2016.05.) (C=*2016.05.)	BOLT, M6X 45 PLATED		1	1					W
27	2	26106-080162 (A=*2016.05.) (B=*2016.05.) (C=*2016.05.)	BOLT, M8X 16 PLATED	4	4	4					W
28	2	26106-080162 (A=*2016.05.) (B=*2016.05.) (C=*2016.05.)	BOLT, M8X 16 PLATED	2	2	2					W
29	2	26106-080202 (A=*2016.05.) (B=*2016.05.) (C=*2016.05.)	BOLT, M8X 20 PLATED	1	1	1					W
30	2	26106-080652 (A=*2016.05.) (B=*2016.05.) (C=*2016.05.)	BOLT, M8X 65 PLATED	3	3	3					W
31	2	26106-100202 (A=*2016.05.) (B=*2016.05.) (C=*2016.05.)	BOLT, M10X 20 PLATED	1	1	1					W
32	2	26366-100002 (A=*2016.05.) (B=*2016.05.) (C=*2016.05.)	NUT, M10	1	1	1					W
33	2	26106-060162 (A=*2016.05.)	BOLT, M6X 16 PLATED	1							W

Fig.137. REAR HYDRAULIC

(A)=SA221
(B)=SA324
(C)=SA424

(D)=
(E)=
(F)=



No.	Lev.	Parts No.	Description	Qty						I	R
				(A)	(B)	(C)	(D)	(E)	(F)		
1	1	1A8330-48100	HYDRAULIC KIT,REAR	1	1	1					
2	2	1A8160-46250	COUPLER, QUICK 3/8	1	1	1					
3	2	198240-46260	CIRCLIP, COUPLER	2	2	2					
4	2	1A8330-47100	HOSE, OUT	1	1	1					
4-1	2	1A8330-47110	HOSE, OUT	1	1	1				R	1
(A=F000120) (B=F000163) (C=F000221)											
5	2	1A8330-47150	HOSE, IN	1	1	1					
6	2	1A7882-47210	JOINT ASSY	2	2	2					
7	3	1A7882-47220	JOINT, 3/4UNF9/16UNF	2	2	2					
8	3	1A7882-47230	O-RING, 8-1	2	2	2					
9	2	1A8330-48500	STAY ASSY, BH	1	1	1					
10	2	1A8160-48820	COUPLER, QUICK 3/8	1	1	1					
11	2	1A8300-51210	BAND, REPEAT	2	2	2					
12	2	26106-080202	BOLT, M8X 20 PLATED	1	1	1					
13	2	1A8330-47120	JOINT, 90 ELBOW	1	1	1				W	1
(A=F000120) (B=F000163) (C=F000221)											

Remarks

(1)No.4-1, 13 & Fig.96 No.1 interchangeable by set.

Fig.138. HEATER

(A)=SA221
(B)=SA324
(C)=SA424

(D)=
(E)=
(F)=

No.	Lev.	Parts No.	Description	Q'ty						I	R
				(A)	(B)	(C)	(D)	(E)	(F)		
1	1	1A8330-57210	HEATER KIT	1							
2	2	172010-07810	STICKER, WIRE	1							
3	2	1A8300-51210	BAND, REPEAT	1							
4	2	1A7880-57250	HEATER,RADIATOR HOSE	1							
5	3	1A7880-57260	PROTECTOR	1							

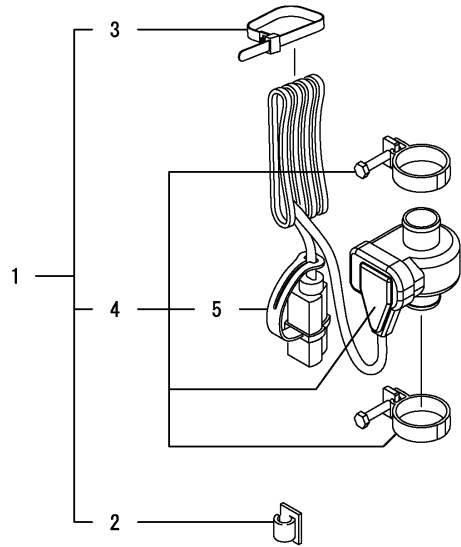
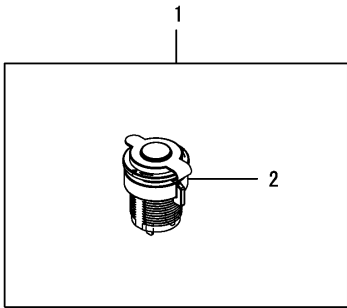


Fig.140. POWER SUPPLY SOCKET

(A)=SA221
(B)=SA324
(C)=SA424

(D)=
(E)=
(F)=

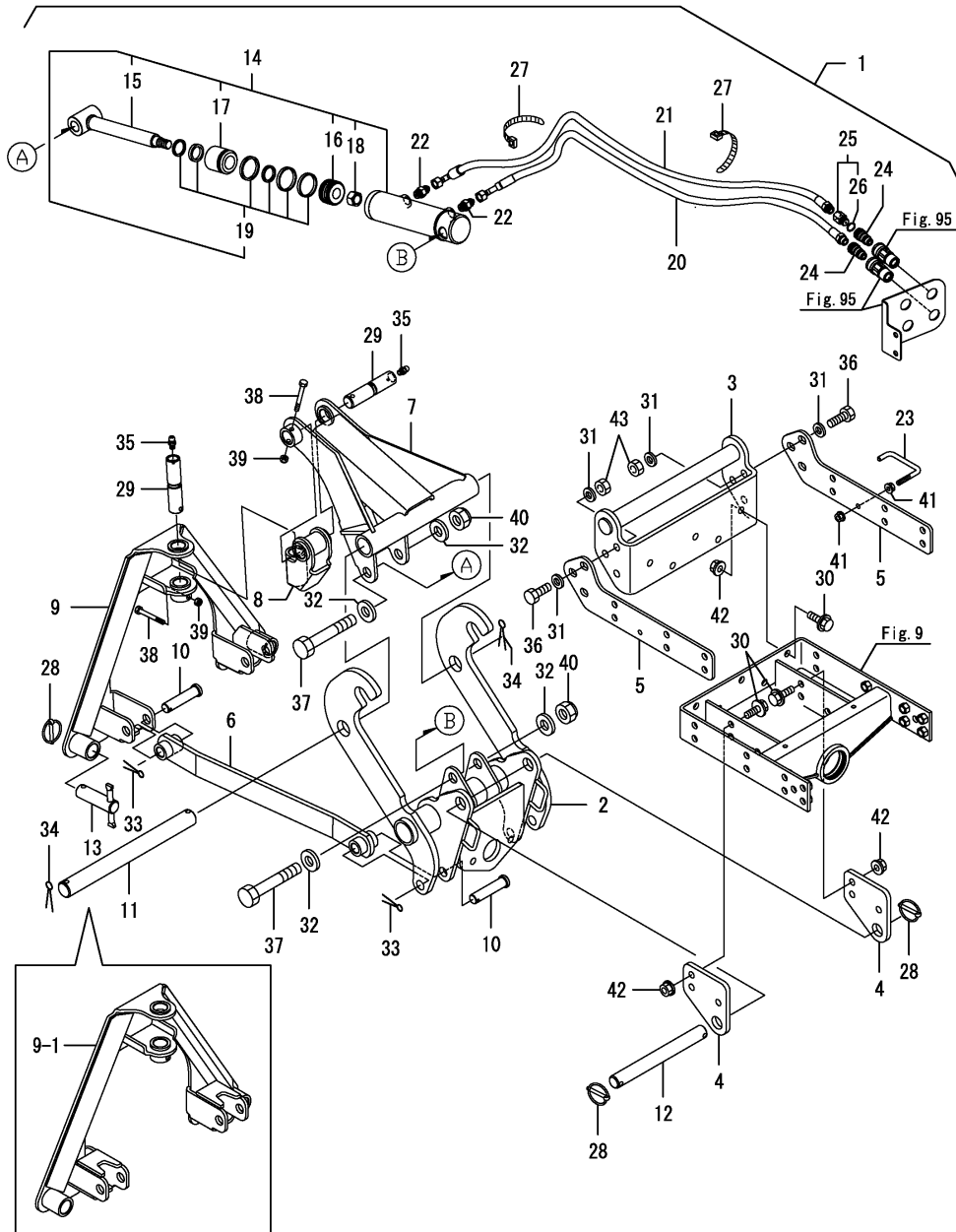


No.	Lev.	Parts No.	Description	Q'ty						I	R
				(A)	(B)	(C)	(D)	(E)	(F)		
1	1	1A8330-57990	OPTION KIT, DC12V	1	1	1					
2	2	1A7880-57100	SOCKET, POWER	1	1	1					

Fig.141. FRONT HITCH

(A)=SA221
(B)=SA324
(C)=SA424

(D)=
(E)=
(F)=



No.	Lev.	Parts No.	Description	Qty						I	R
				(A)	(B)	(C)	(D)	(E)	(F)		
1	1	1TQ501-25000	HITCH KIT, FRONT B	1							
2	2	1TQ501-25100	FRAME ASSY, HITCH	1							
3	2	1TQ501-25300	BRACKET ASSY, FRONT B	1							
4	2	1TQ501-25320	BRACKET, LOWER B	2							
5	2	1TQ501-25330	PLATE, SUPPORT B	2							
6	2	1TQ501-25400	LINK ASSY, LOWER	2							
7	2	1TQ501-25500	LINK ASSY, TOP	1							
8	2	1TQ501-25600	CONNECTOR ASSY	1							
9	2	1TQ501-25700	LINK ASSY, FRONT	1							
9-1	2	1TQ501-25701	LINK ASSY, FRONT	1							S
		(A=*2016.08.)									
10	2	1TQ501-25810	PIN, LINK LOWER	4							
11	2	1TQ501-25820	PIN, LINK TOP	1							
12	2	1TQ501-25830	PIN, FRAME	1							
13	2	1TQ501-25840	PIN, LINK FRONT	2							
14	2	1TQ501-38100	CYLINDER, LIFT	1							
15	3	1TQ501-38110	ROD ASSY	1							
16	3	1TQ501-38120	PISTON	1							
17	3	1TQ501-38130	HEAD	1							
18	3	1TQ501-38140	NUT, SELF LOCKING	1							
19	3	1TQ501-38150	SEAL KIT	1							
20	2	1TQ501-41010	HOSE ASSY, A	1							
21	2	1TQ501-41020	HOSE ASSY, B	1							
22	2	1TQ501-41130	UNION, 9/16-18	2							
23	2	1TN325-41730	CLAMP, HOSE	1							
24	2	1TN325-41910	COUPLER, QUICK 1/4M	2							
25	2	1TN325-41970	ORIFICE ASSY, 1/8	1							
26	3	194850-49290	PACKING, 6-1	1							
27	2	1A8300-51210	BAND, REPEAT	2							
28	2	194180-72950	PIN ASSY, LOCK	4							
28-1	2	1A8060-72590	PIN, LOCK	4							R
		(A=*2017.12.)									
29	2	1TN325-73110	1-115 PIN	2							
30	2	198165-85970	BOLT, M12X35	11							
31	2	22117-140000	WASHER, 14	12							
32	2	22137-200000	WASHER, 20	4							
33	2	22417-400350	PIN, COTTER 4.0X35	4							
34	2	22417-630500	PIN, 6.3 X 50	2							
35	2	24761-010000	NIPPLE, GREASE M6F	2							
36	2	26076-140402	BOLT, 10.914X 40	6							
37	2	26076-201202	BOLT, 20 X 120	2							
38	2	26116-060502	BOLT, M6X 50 PLATED	2							
39	2	26347-060002	NUT, M6	2							
40	2	26347-200002	NUT, M20	2							
41	2	26366-080002	NUT, M8	2							
42	2	26366-120002	NUT, M12	11							
43	2	26716-140002	NUT, M14	6							

Fig.142. FRONT HITCH

(A)=SA221

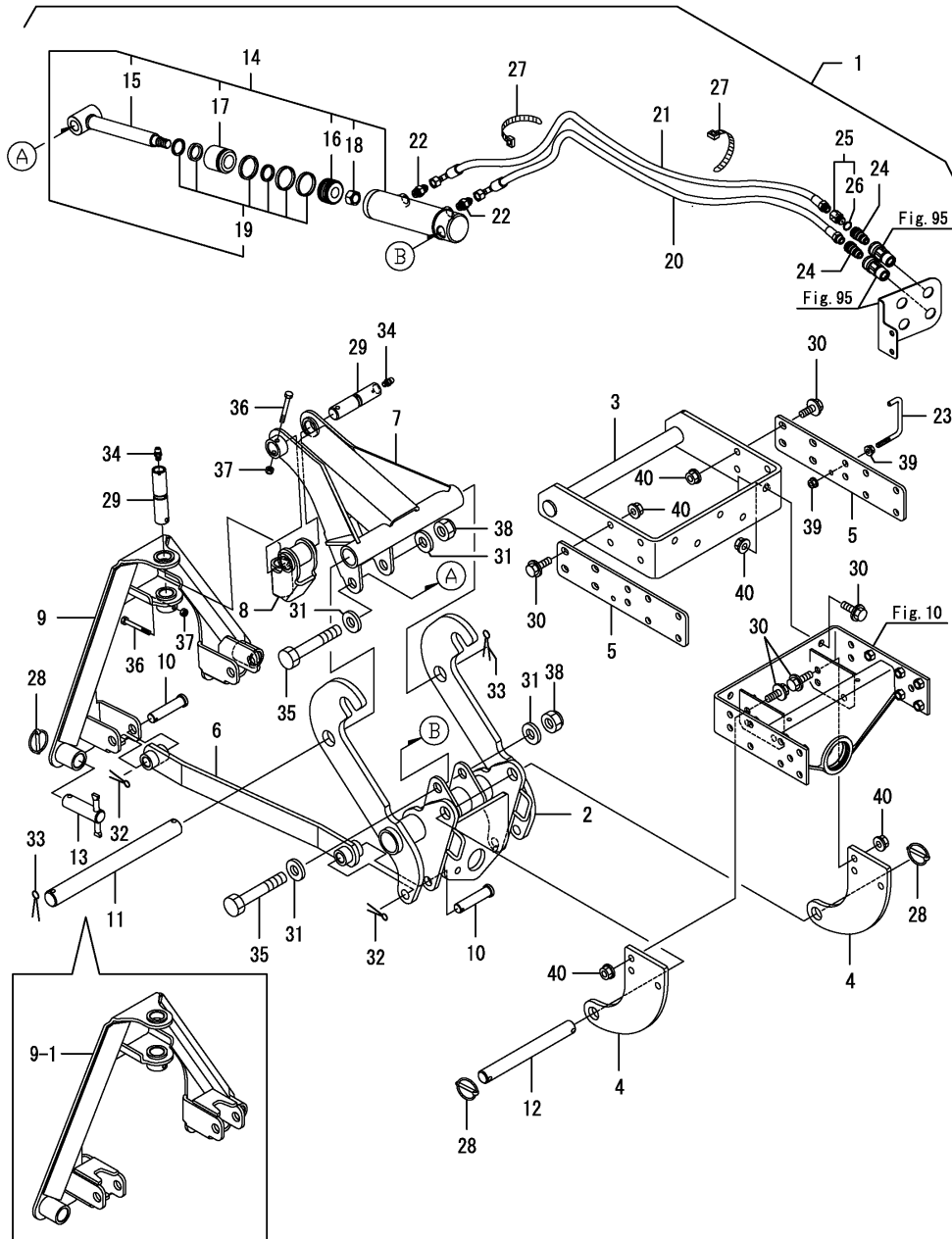
(B)=SA324

(C)=SA424

(D)=

(E)=

(F)=

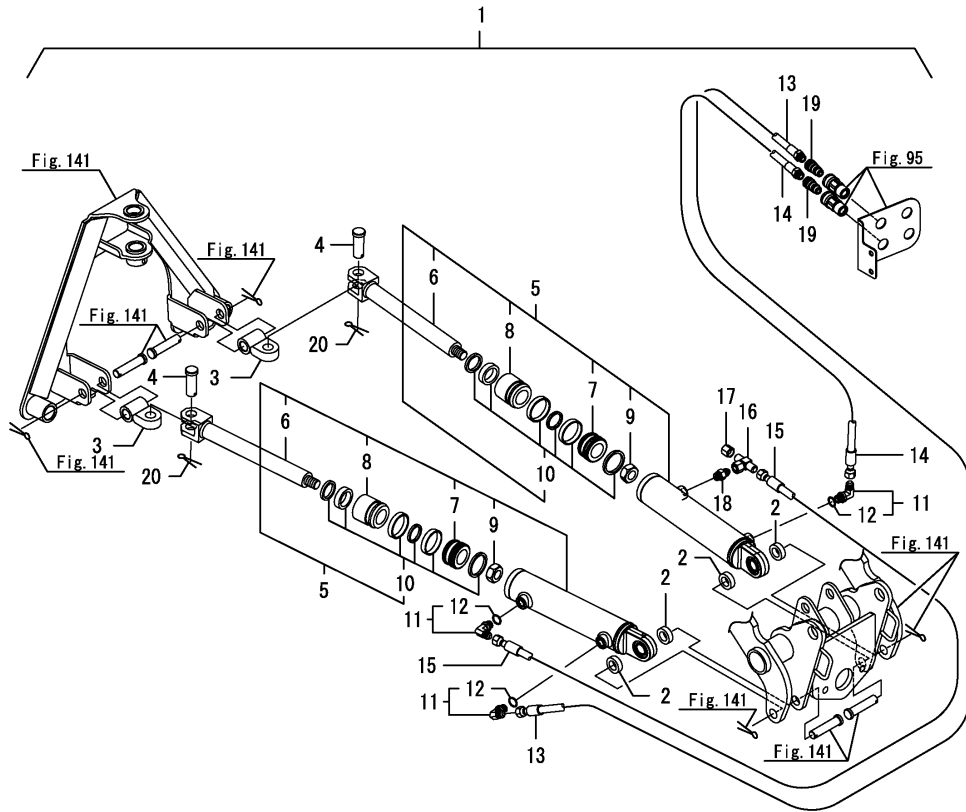


No.	Lev.	Parts No.	Description	Qty						I	R
				(A)	(B)	(C)	(D)	(E)	(F)		
1	1	1TQ501-25010	HITCH KIT, FRONT A	1	1						
2	2	1TQ501-25100	FRAME ASSY, HITCH	1	1						
3	2	1TQ501-25200	BRACKET ASSY,FRONT A	1	1						
4	2	1TQ501-25240	BRACKET, LOWER A	2	2						
5	2	1TQ501-25260	PLATE, SUPPORT A	2	2						
6	2	1TQ501-25400	LINK ASSY, LOWER	2	2						
7	2	1TQ501-25500	LINK ASSY, TOP	1	1						
8	2	1TQ501-25600	CONNECTOR ASSY	1	1						
9	2	1TQ501-25700	LINK ASSY, FRONT	1	1						
9-1	2	1TQ501-25701	LINK ASSY, FRONT (B=*2016.08.) (C=*2016.08.)	1	1						S
10	2	1TQ501-25810	PIN, LINK LOWER	4	4						
11	2	1TQ501-25820	PIN, LINK TOP	1	1						
12	2	1TQ501-25830	PIN, FRAME	1	1						
13	2	1TQ501-25840	PIN, LINK FRONT	2	2						
14	2	1TQ501-38100	CYLINDER, LIFT	1	1						
15	3	1TQ501-38110	ROD ASSY	1	1						
16	3	1TQ501-38120	PISTON	1	1						
17	3	1TQ501-38130	HEAD	1	1						
18	3	1TQ501-38140	NUT, SELF LOCKING	1	1						
19	3	1TQ501-38150	SEAL KIT	1	1						
20	2	1TQ501-41030	HOSE ASSY, C	1	1						
21	2	1TQ501-41040	HOSE ASSY, D	1	1						
22	2	1TQ501-41130	UNION, 9/16-18	2	2						
23	2	1TN325-41730	CLAMP, HOSE	1	1						
24	2	1TN325-41910	COUPLER,QUICK 1/4M	2	2						
25	2	1TN325-41970	ORIFICE ASSY, 1/8	1	1						
26	3	194850-49290	PACKING, 6-1	1	1						
27	2	1A8300-51210	BAND, REPEAT	2	2						
28	2	194180-72950	PIN ASSY, LOCK	4	4						
28-1	2	1A8060-72590	PIN, LOCK (B=*2017.12.) (C=*2017.12.)	4	4						R
29	2	1TN325-73110	1-115 PIN	2	2						
30	2	198165-85970	BOLT, M12X35	19	19						
31	2	22137-200000	WASHER, 20	4	4						
32	2	22417-400350	PIN, COTTER 4.0X35	4	4						
33	2	22417-630500	PIN, 6.3 X 50	2	2						
34	2	24761-010000	NIPPLE, GREASE M6F	2	2						
35	2	26076-201202	BOLT, 20 X 120	2	2						
36	2	26116-060502	BOLT, M6X 50 PLATED	2	2						
37	2	26347-060002	NUT, M6	2	2						
38	2	26347-200002	NUT, M20	2	2						
39	2	26366-080002	NUT, M8	2	2						
40	2	26366-120002	NUT, M12	19	19						

Fig.143. ANGLE CYLINDER

(A)=SA221
(B)=SA324
(C)=SA424

(D)=
(E)=
(F)=

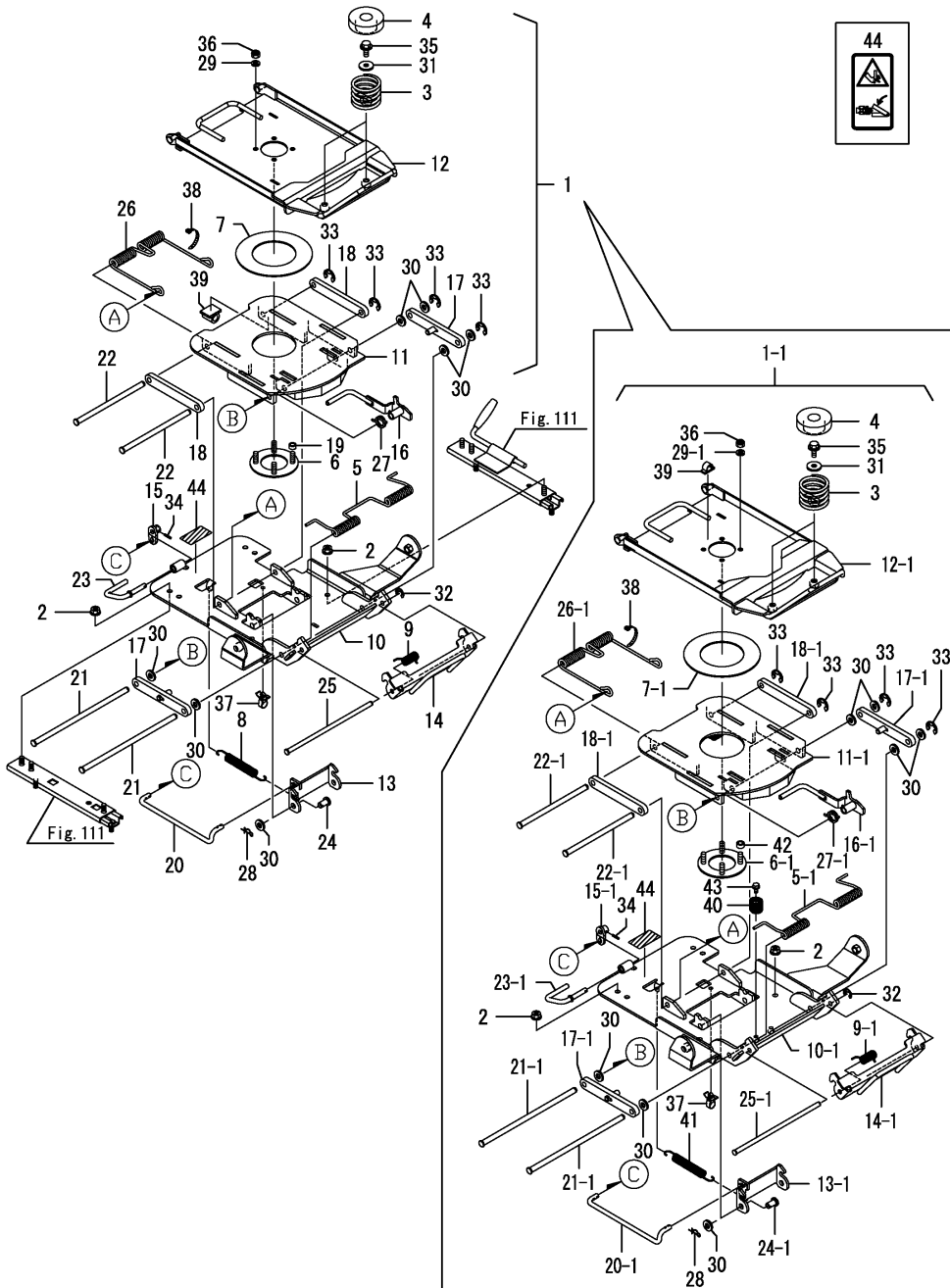


No.	Lev.	Parts No.	Description	Qty						I	R
				(A)	(B)	(C)	(D)	(E)	(F)		
1	1	1TQ501-25020	CYLINDER KIT,ANGLE	1	1	1					
2	2	1TQ501-25440	SPACER	4	4	4					
3	2	1TQ501-25450	CLEVIS ASSY, LINK	2	2	2					
4	2	1TQ501-25850	PIN, ANGLE CYLINDER	2	2	2					
5	2	1TQ501-38200	CYLINDER, ANGLE	2	2	2					
6	3	1TQ501-38210	ROD ASSY	2	2	2					
7	3	1TQ501-38220	PISTON	2	2	2					
8	3	1TQ501-38230	HEAD	2	2	2					
9	3	1TQ501-38240	NUT, SELF LOCKING	2	2	2					
10	3	1TQ501-38250	SEAL KIT	2	2	2					
11	2	1TN322-38910	JOINT,90SAE9/16-18	3	3	3					
12	3	1TN322-38930	PACKING, JOINT	3	3	3					
13	2	1TQ501-41050	HOSE ASSY, E	1	1	1					
14	2	1TQ501-41060	HOSE ASSY, F	1	1	1					
15	2	1TQ501-41070	HOSE ASSY, G	1	1	1					
16	2	1TQ501-41110	JOINT, TEE UNION 3/8	1	1	1					
17	2	1TQ501-41120	CAP, NUT	1	1	1					
18	2	1TQ501-41130	UNION, 9/16-18	1	1	1					
19	2	1TN325-41910	COUPLER,QUICK 1/4M	2	2	2					
20	2	22417-400350	PIN, COTTER 4.0X35	2	2	2					

Fig.144. SEAT STAY(SWIVEL)

(A)=SA221
(B)=SA324
(C)=SA424

(D)=
(E)=
(F)=

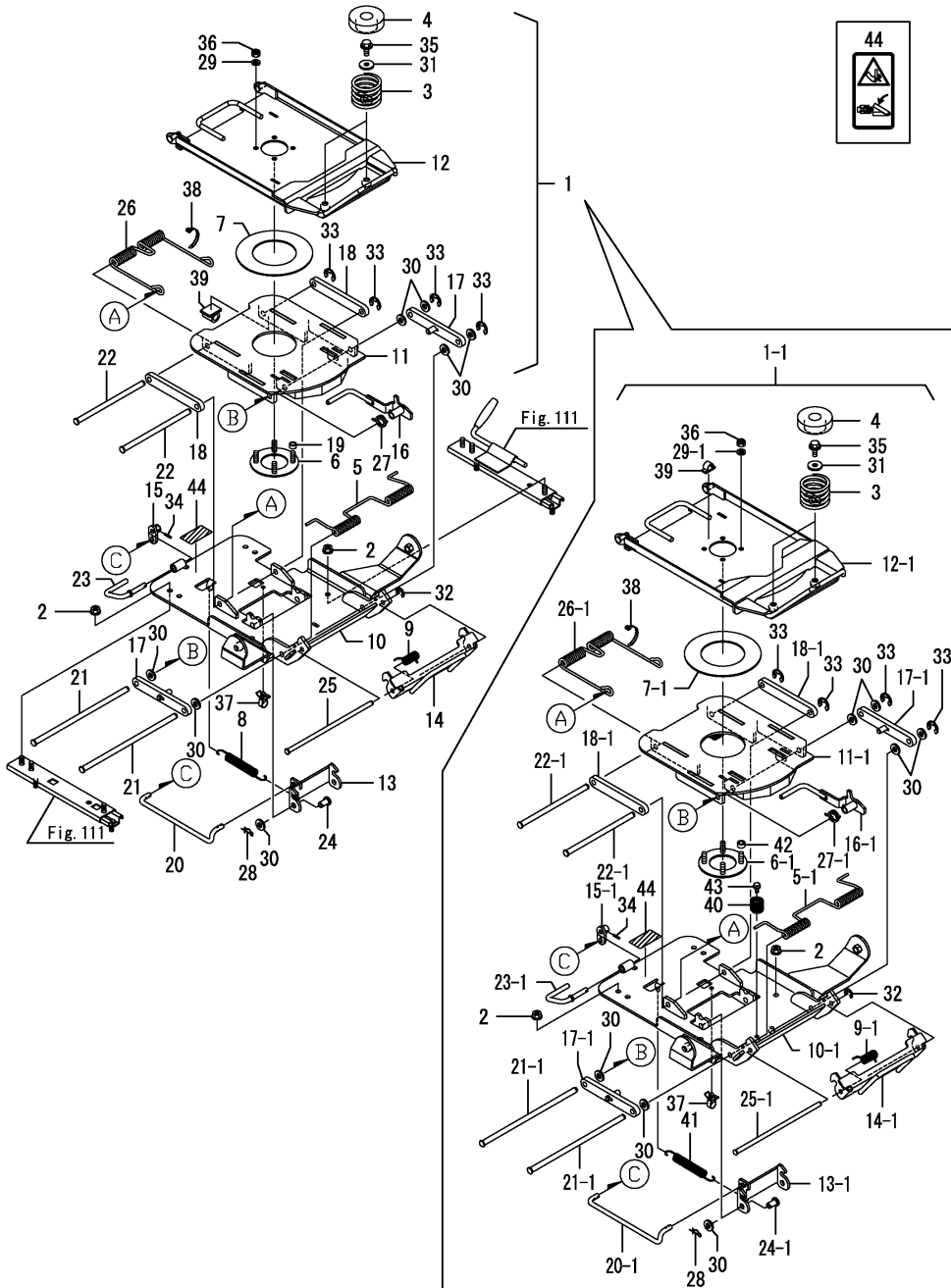


No.	Lev.	Parts No.	Description	Q'ty						I	R
				(A)	(B)	(C)	(D)	(E)	(F)		
1	1	1A8320-63501	STAY KIT, SWIVEL	1	1	1					
1-1	1	1A8320-63502	STAY KIT, SWIVEL	1	1	1					S
		(A=*2018.03.) (B=*2018.03.) (C=*2018.03.)									
2	2	194990-22140	NUT, M8	6	6	6					
3	2	1A8115-63260	SPRING, CUSHION	2	2	2					
4	2	198284-63270	STOPPER, SEAT	2	2	2					
5	2	1A8320-63370	SPRING, ASSIST B	1	1	1					
5-1	2	1A8320-63371	SPRING, ASSIST B	1	1	1					S
		(A=*2018.03.) (B=*2018.03.) (C=*2018.03.)									
6	2	1A8320-63450	PLATE ASSY, RETAINER	1	1	1					
6-1	2	1A8320-63451	PLATE ASSY, RETAINER	1	1	1					S
		(A=*2018.03.) (B=*2018.03.) (C=*2018.03.)									
7	2	1A8320-63470	PLATE, SWIVEL WEAR	1	1	1					
7-1	2	1A8320-63471	PLATE, SWIVEL WEAR	1	1	1					S
		(A=*2018.03.) (B=*2018.03.) (C=*2018.03.)									
8	2	1A8320-63480	SPRING, RETURN	1	1	1					Z
		(A=*2018.03.) (B=*2018.03.) (C=*2018.03.)									
9	2	1A8320-63490	SPRING, REAR LATCH	1	1	1					
9-1	2	1A8320-63491	SPRING, REAR LATCH	1	1	1					S
		(A=*2018.03.) (B=*2018.03.) (C=*2018.03.)									
10	2	1A8320-63620	M ASSY, BASE PLATE	1	1	1					
10-1	2	1A8320-63621	M ASSY, BASE PLATE	1	1	1					S
		(A=*2018.03.) (B=*2018.03.) (C=*2018.03.)									
11	2	1A8320-63640	PLATE ASSY, UPPER	1	1	1					
11-1	2	1A8320-63641	PLATE ASSY, UPPER	1	1	1					S
		(A=*2018.03.) (B=*2018.03.) (C=*2018.03.)									
12	2	1A8320-63682	PLATE ASSY, SEAT	1	1	1					
12-1	2	1A8320-63683	PLATE ASSY, SEAT	1	1	1					S
		(A=*2018.03.) (B=*2018.03.) (C=*2018.03.)									
13	2	1A8320-63710	PLATE ASSY, LATCH	1	1	1					
13-1	2	1A8320-63711	PLATE ASSY, LATCH	1	1	1					S
		(A=*2018.03.) (B=*2018.03.) (C=*2018.03.)									
14	2	1A8320-63740	PLATE ASSY, LATCH	1	1	1					
14-1	2	1A8320-63741	PLATE ASSY, LATCH	1	1	1					S
		(A=*2018.03.) (B=*2018.03.) (C=*2018.03.)									
15	2	1A8320-63770	ARM ASSY, LINKAGE	1	1	1					
15-1	2	1A8320-63771	ARM ASSY, LINKAGE	1	1	1					S
		(A=*2018.03.) (B=*2018.03.) (C=*2018.03.)									
16	2	1A8320-63800	LATCH ASSY, SWIVEL	1	1	1					
16-1	2	1A8320-63801	LATCH ASSY, SWIVEL	1	1	1					S
		(A=*2018.03.) (B=*2018.03.) (C=*2018.03.)									
17	2	1A8320-63840	LINK ASSY, REAR	2	2	2					
17-1	2	1A8320-63841	LINK ASSY, REAR	2	2	2					S
		(A=*2018.03.) (B=*2018.03.) (C=*2018.03.)									
18	2	1A8320-63870	LINK, FRONT L	2	2	2					
18-1	2	1A8320-63871	LINK, FRONT LIFT	2	2	2					S
		(A=*2018.03.) (B=*2018.03.) (C=*2018.03.)									
19	2	1A8320-63881	SPACER	4	4	4					Z
		(A=*2018.03.) (B=*2018.03.) (C=*2018.03.)									
20	2	1A8320-63890	LINK, PULL A	1	1	1					
20-1	2	1A8320-63891	LINK, PULL A	1	1	1					S

Fig.144. SEAT STAY(SWIVEL)

(A)=SA221
(B)=SA324
(C)=SA424

(D)=
(E)=
(F)=

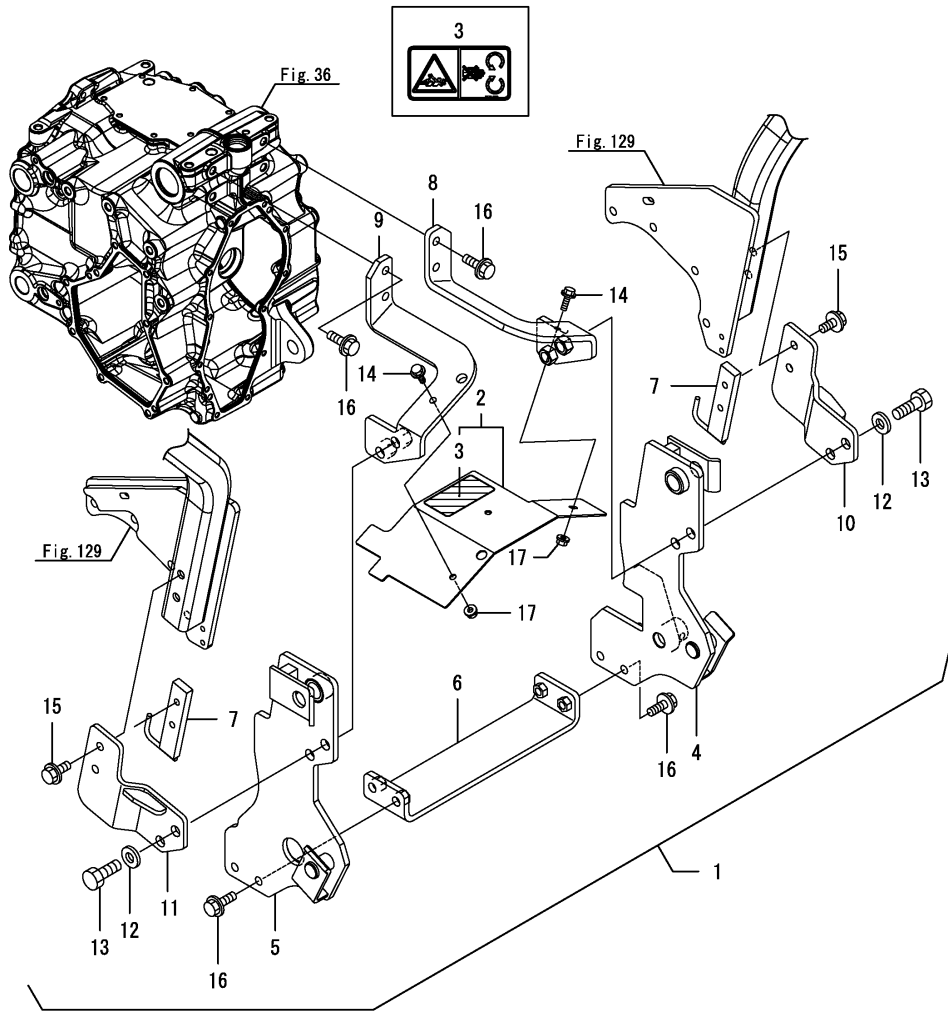


No.	Lev.	Parts No.	Description	Q'ty						I	R
				(A)	(B)	(C)	(D)	(E)	(F)		
		(A=*2018.03.) (B=*2018.03.) (C=*2018.03.)									
21	2	1A8320-63910	SHAFT, PIVOT A	2	2	2					
21-1	2	1A8320-63911	SHAFT, PIVOT A	2	2	2					S
		(A=*2018.03.) (B=*2018.03.) (C=*2018.03.)									
22	2	1A8320-63920	SHAFT, PIVOT B	2	2	2					
22-1	2	1A8320-63921	SHAFT, PIVOT B	2	2	2					S
		(A=*2018.03.) (B=*2018.03.) (C=*2018.03.)									
23	2	1A8320-63940	HANDLE, L	1	1	1					
23-1	2	1A8320-63941	HANDLE, LIFT	1	1	1					S
		(A=*2018.03.) (B=*2018.03.) (C=*2018.03.)									
24	2	1A8320-63950	PIN, LATCH PIVOT	2	2	2					
24-1	2	1A8320-63951	PIN, LATCH PIVOT	2	2	2					S
		(A=*2018.03.) (B=*2018.03.) (C=*2018.03.)									
25	2	1A8320-63960	SHAFT, REAR LATCH	1	1	1					
25-1	2	1A8320-63961	SHAFT, REAR LATCH	1	1	1					S
		(A=*2018.03.) (B=*2018.03.) (C=*2018.03.)									
26	2	1A8320-63980	SPRING, ASSIST A	1	1	1					
26-1	2	1A8320-63981	SPRING, ASSIST A	1	1	1					S
		(A=*2018.03.) (B=*2018.03.) (C=*2018.03.)									
27	2	1A8320-63990	SPRING, RETURN	1	1	1					
27-1	2	1A8320-63991	SPRING, RETURN	1	1	1					S
		(A=*2018.03.) (B=*2018.03.) (C=*2018.03.)									
28	2	1C6360-65700	PIN, SNAP 10	2	2	2					
29	2	22117-080000	WASHER, 8	4	4	4					
29-1	2	22137-080000	WASHER, 8	4	4	4					N
		(A=*2017.07.) (B=*2017.07.) (C=*2017.07.)									
30	2	22137-100000	WASHER, 10	8	8	8					
31	2	22157-080000	WASHER, 8	2	2	2					
32	2	22276-000060	RING, E- 6	1	1	1					
33	2	22276-000080	RING, E- 8	4	4	4					
34	2	22351-030016	PIN, SPRING 3.0X16	1	1	1					
35	2	26106-080202	BOLT, M8X 20 PLATED	2	2	2					
36	2	26346-080002	NUT, M8	4	4	4					
37	2	194680-51670	BAND, CLIP	1	1	1					
38	2	1A8300-51210	BAND, REPEAT	2	2	2					
39	2	172010-07810	STICKER, WIRE	1	1	1					
40	2	1A7500-61480	SPRING, BONNET	2	2	2					W
		(A=*2018.03.) (B=*2018.03.) (C=*2018.03.)									
41	2	1A8320-63510	SPRING, RETURN	1	1	1					W
		(A=*2018.03.) (B=*2018.03.) (C=*2018.03.)									
42	2	1A8320-63900	SPACER	4	4	4					W
		(A=*2018.03.) (B=*2018.03.) (C=*2018.03.)									
43	2	26106-060122	BOLT, M6X 12 PLATED	2	2	2					W
		(A=*2018.03.) (B=*2018.03.) (C=*2018.03.)									
44	1	1A8330-65970	LABEL, HAND CRUSH	1	1	1					

Fig.145. FRAME(BACKHOE)

(A)=SA221
(B)=SA324
(C)=SA424

(D)=
(E)=
(F)=

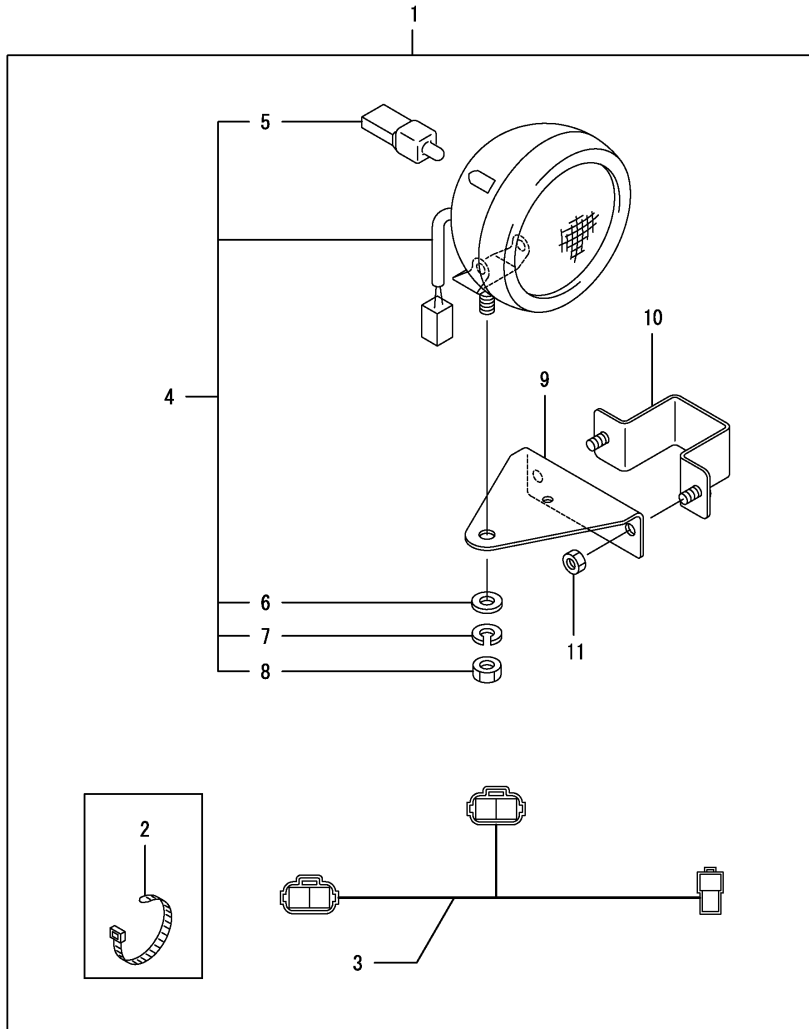


No.	Lev.	Parts No.	Description	Q'ty						I	R
				(A)	(B)	(C)	(D)	(E)	(F)		
1	1	1A8330-97000	MOUNT KIT, BACKHOE	1	1	1					
2	2	1A8330-97010	M ASSY, PTO COVER	1	1	1					
3	3	1A8330-65620	LABEL, DANGER SHAFT	1	1	1					
4	2	1A8330-97050	MOUNT ASSY, RH	1	1	1					
5	2	1A8330-97150	MOUNT ASSY, LH	1	1	1					
6	2	1A8330-97200	PLATE ASSY, CROSS	1	1	1					
7	2	1A8330-97230	PLATE ASSY, THREADED	2	2	2					
8	2	1A8330-97270	STAY ASSY, RH A	1	1	1					
9	2	1A8330-97290	STAY ASSY, LH A	1	1	1					
10	2	1A8330-97350	STAY ASSY, RH B	1	1	1					
11	2	1A8330-97360	STAY ASSY, LH B	1	1	1					
12	2	22137-160000	WASHER, 16	4	4	4					
13	2	26076-160452	BOLT, 10.916X 45	4	4	4					
14	2	26106-080252	BOLT, M8X 25 PLATED	2	2	2					
15	2	26106-120302	BOLT, M12X 30 PLATED	4	4	4					
16	2	26106-120352	BOLT, M12X 35 PLATED	8	8	8					
17	2	26366-080002	NUT, M8	2	2	2					

Fig.146. WORK LAMP

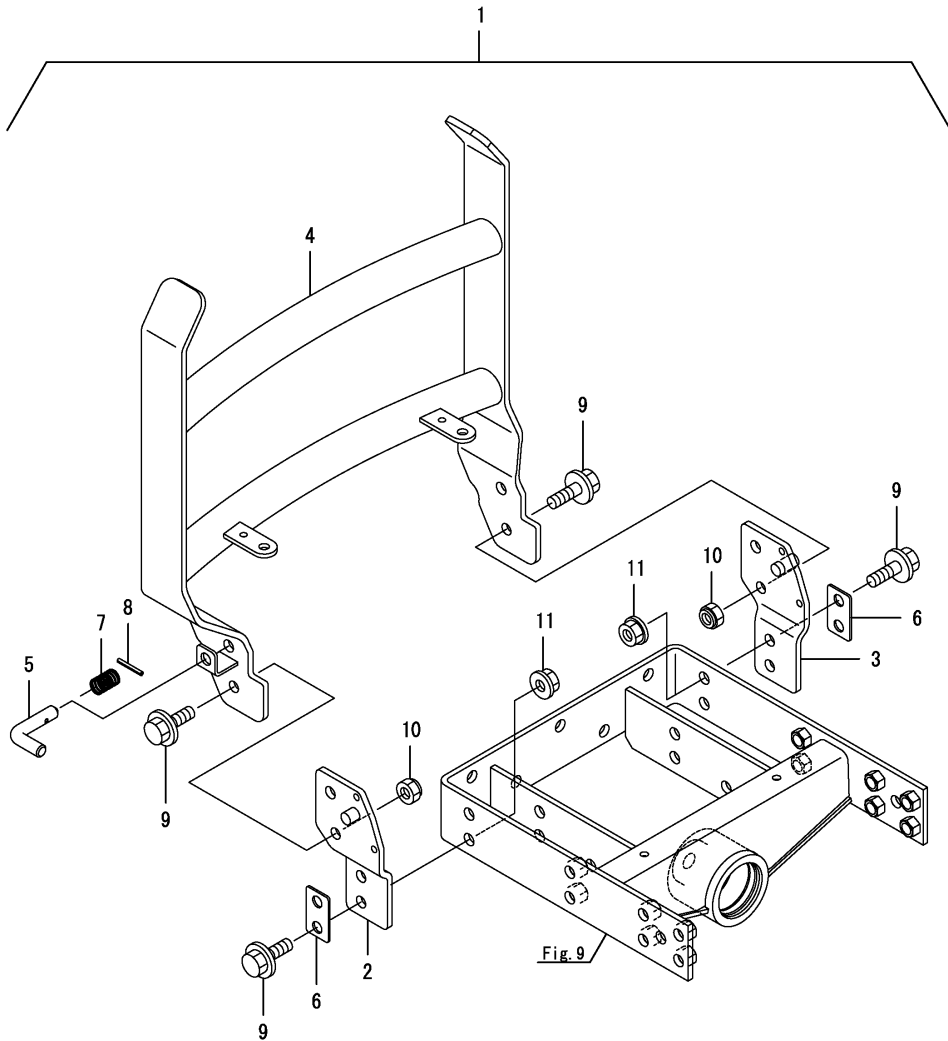
(A)=SA221
(B)=SA324
(C)=SA424

(D)=
(E)=
(F)=



No.	Lev.	Parts No.	Description	Q'ty						I	R
				(A)	(B)	(C)	(D)	(E)	(F)		
1	1	1A8330-55100	LAMP KIT, WORK	1	1	1					
2	2	1A8300-51210	BAND, REPEAT	4	4	4					
3	2	1A8275-51260	WIRE, WORK LAMP	1	1	1					
4	2	1A7340-54100	LAMP ASSY, WORK	2	2	2					
5	3	1A7470-86270	BULB, 12V-35W	2	2	2					
6	3	22137-100000	WASHER, 10	2	2	2					
7	3	22217-100000	WASHER, SPRING 10	2	2	2					
8	3	26736-100002	NUT, M10	2	2	2					
9	2	1A8330-55110	STAY, WORK LAMP	2	2	2					
10	2	1A8330-64130	BRACKET, ACC	2	2	2					
11	2	26716-080002	NUT, M8	4	4	4					

Fig.147. GRILLE GUARD



(A)=SA221
(B)=SA324
(C)=SA424

(D)=
(E)=
(F)=

No.	Lev.	Parts No.	Description	Qty						I	R
				(A)	(B)	(C)	(D)	(E)	(F)		
1	1	1TN328-52100	GUARD ASSY, DELUXE	1	1	1					
2	2	1TN328-52110	BASE ASSY, LH	1	1	1					
3	2	1TN328-52120	BASE ASSY, RH	1	1	1					
4	2	1TN328-52200	GUARD ASSY, GRILLE	1	1	1					
5	2	1TN328-52290	PIN, LOCK	1	1	1					
6	2	1TN328-52300	PLATE, SPACER	2	2	2					
7	2	1TN328-52400	SPRING, RETURN	1	1	1					
8	2	22351-035032	PIN, SPRING 3.5X32	1	1	1					
9	2	26106-120352	BOLT, M12X 35 PLATED	6	6	6					
10	2	26346-120002	NUT, M12	2	2	2					
11	2	26366-120002	NUT, M12	4	4	4					

Fig.148. MANUAL(SPANISH)

(A)=SA221
(B)=SA324
(C)=SA424

(D)=
(E)=
(F)=

No.	Lev.	Parts No.	Description	Q'ty						I	R
				(A)	(B)	(C)	(D)	(E)	(F)		
1	1	0A041-ES0071	OPERATION MANUAL	1	1	1					
1-1	1	0A041-ES0072	OPERATION MANUAL	1	1	1					N
		(A=F400001)	(B=F400003)	(C=F400003)							
1-2	1	0A041-ES0073	OPERATION MANUAL	1	1	1					N
		(A=F500114)	(B=F401184)	(C=F500133)							

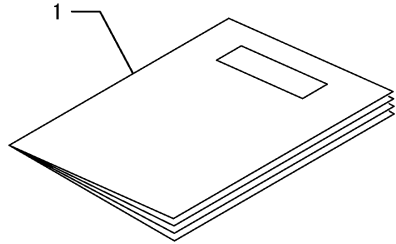


Fig.150. WEIGHT(REAR WHEEL)

(A)=SA221
(B)=SA324
(C)=SA424

(D)=
(E)=
(F)=

No.	Lev.	Parts No.	Description	Q'ty						I	R
				(A)	(B)	(C)	(D)	(E)	(F)		
1	1	1A8320-91300	WEIGHT KIT, WHEEL RE		1	1					
2	2	1A8320-91310	WEIGHT, WHEEL REAR		2	2					
3	2	1A8320-91320	BOLT, M14X100		8	8					
4	2	1A8320-91330	NUT, LOCK M14		8	8					
5	2	1A8320-91340	WASHER, 14		16	16					

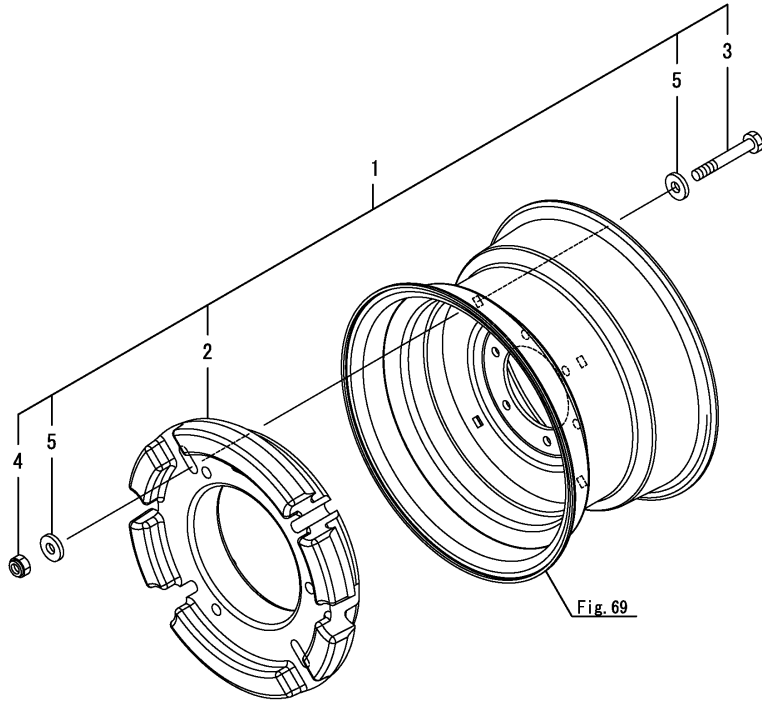
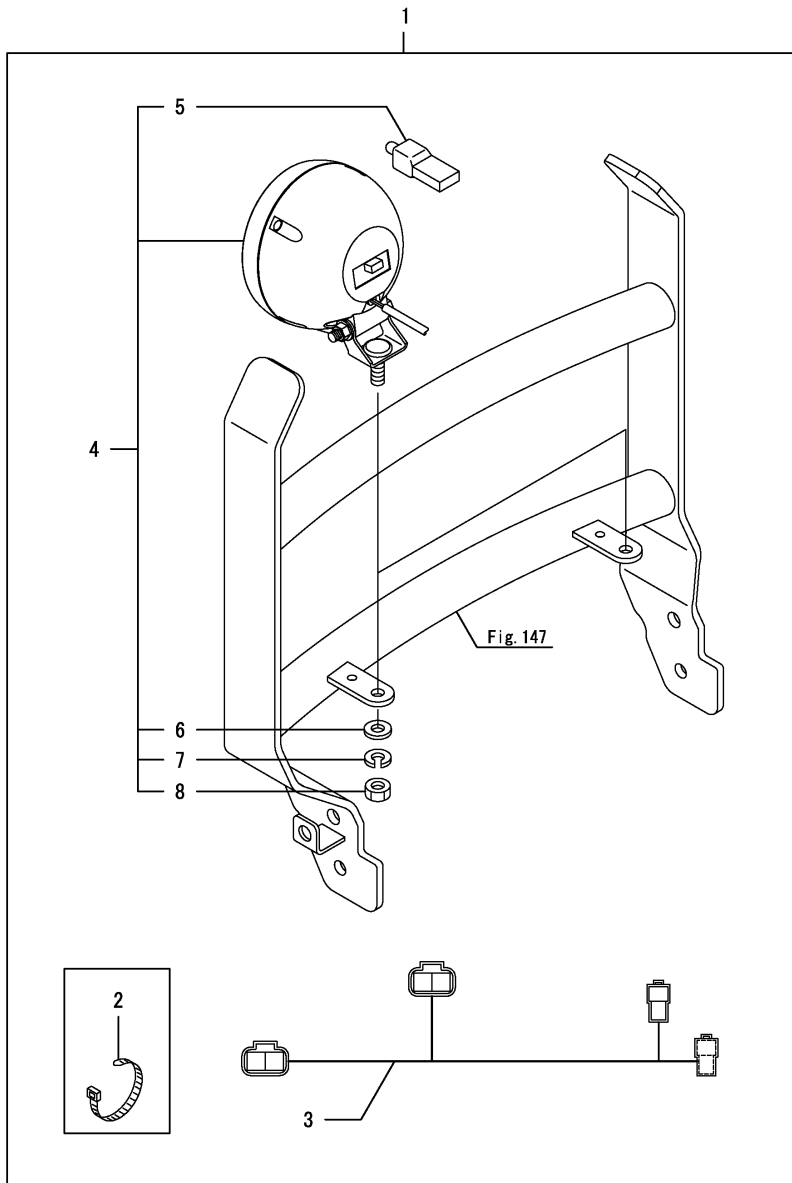


Fig.151. WORKLAMP(FRONT)

(A)=SA221
(B)=SA324
(C)=SA424

(D)=
(E)=
(F)=

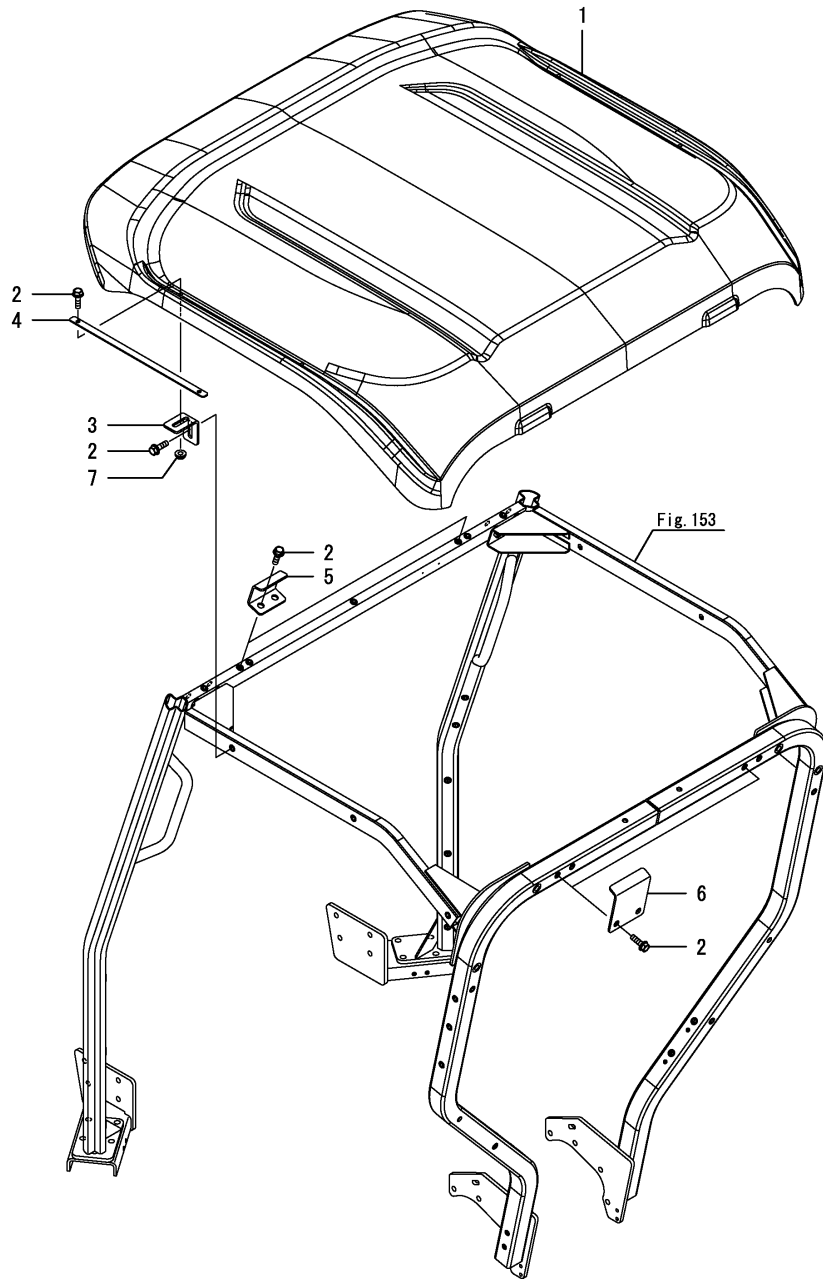


No.	Lev.	Parts No.	Description	Q'ty						I	R
				(A)	(B)	(C)	(D)	(E)	(F)		
1	1	1A8330-55200	LAMP KIT, WORK FRONT	1	1	1					
2	2	1A8300-51210	BAND, REPEAT	10	10	10					
3	2	1A8320-51260	LEAD WIRE, WORK LAMP	1	1	1					
4	2	1A7340-54100	LAMP ASSY, WORK	2	2	2					
5	3	1A7470-86270	BULB, 12V-35W	2	2	2					
6	3	22137-100000	WASHER, 10	2	2	2					
7	3	22217-100000	WASHER, SPRING 10	2	2	2					
8	3	26736-100002	NUT, M10	2	2	2					

Fig.152. CANOPY

(A)=SA221
(B)=SA324
(C)=SA424

(D)=
(E)=
(F)=

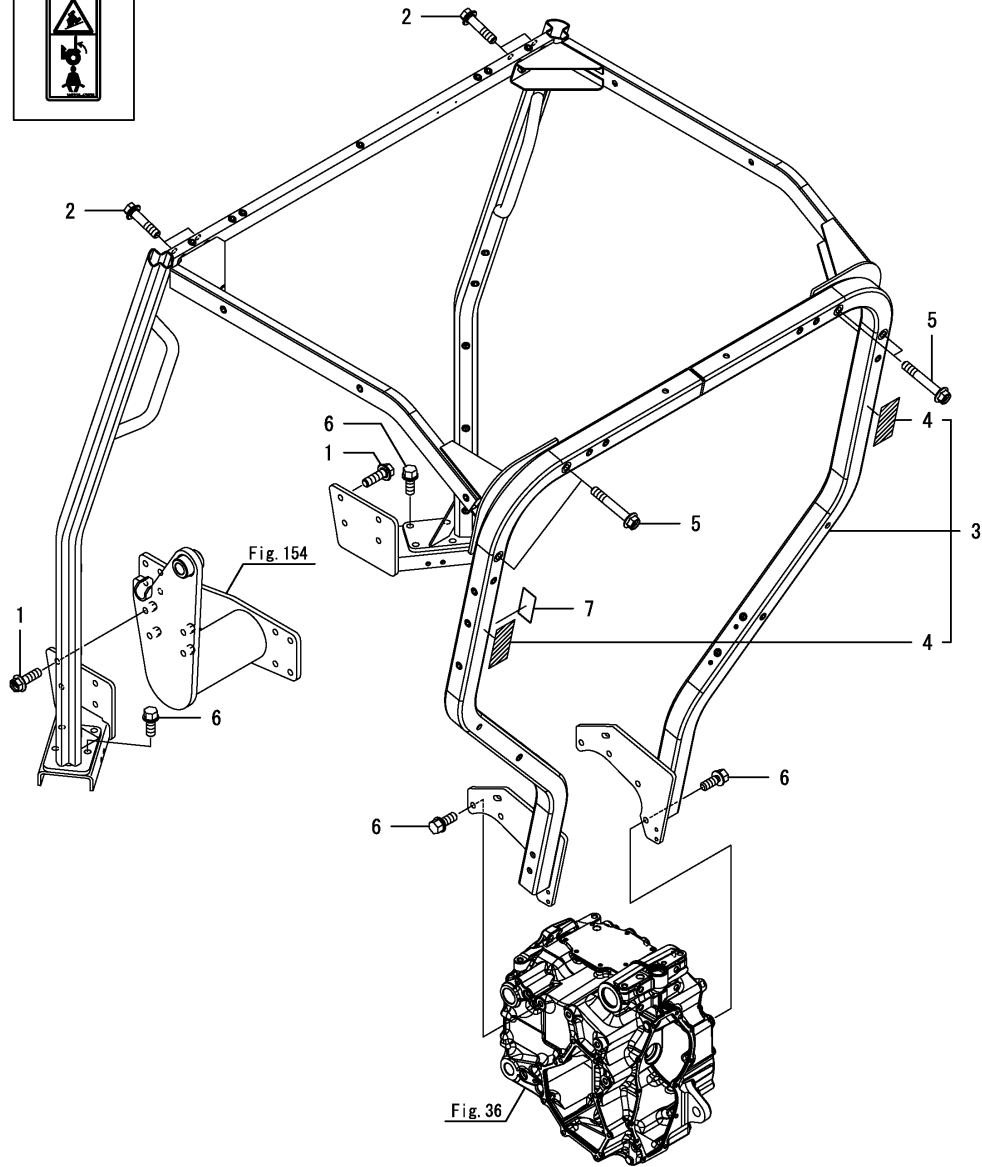
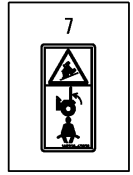


No.	Lev.	Parts No.	Description	Qty						I	R	
				(A)	(B)	(C)	(D)	(E)	(F)			
1	1	1A8320-80110	CANOPY		1	1						
2	1	1A8320-80120	BOLT, 5/16-18 X 1		16	16						
3	1	1A8320-80130	BRACKET,CANOPY MOUNT		4	4						
3-1	1	1A8320-80131	BRACKET,CANOPY MOUNT (B=*2015.01.) (C=*2015.01.)		4	4						N
4	1	1A8320-80140	PLATE, SPACER A		2	2						
5	1	1A8320-80160	BRACKET,CANOPY FRONT		2	2						
6	1	1A8320-80170	BRACKET,CANOPY REAR		2	2						
7	1	1A8320-80190	NUT, 5/16		4	4						

Fig.153. ROPS(4 POST)

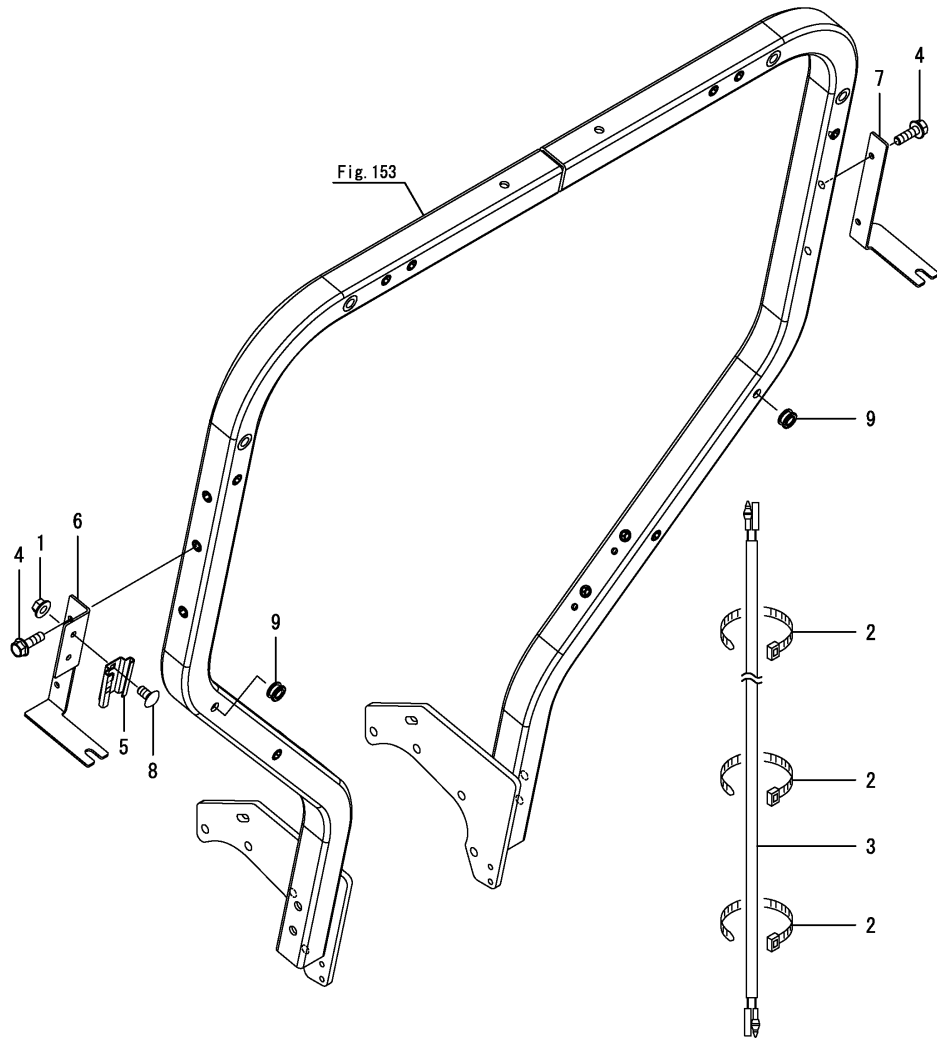
(A)=SA221
(B)=SA324
(C)=SA424

(D)=
(E)=
(F)=



No.	Lev.	Parts No.	Description	Qty						I	R	
				(A)	(B)	(C)	(D)	(E)	(F)			
1	1	1A7510-11860	BOLT, M12X38		8	8						
2	1	1TW110-17990	BOLT, M12X50		4	4						
3	1	1A8320-85020	M ASSY, ROPS 4-POST		1	1						
4	2	1A8160-65860	TAPE, 50X115		2	2						
5	1	1A8320-85550	BOLT, M12X75		4	4						
6	1	1A6770-85920	BOLT, M12X30		16	16						
7	1	1A8330-65950	LABEL, SEATBELT		1	1						

Fig.155. MOUNT(FLASHER)

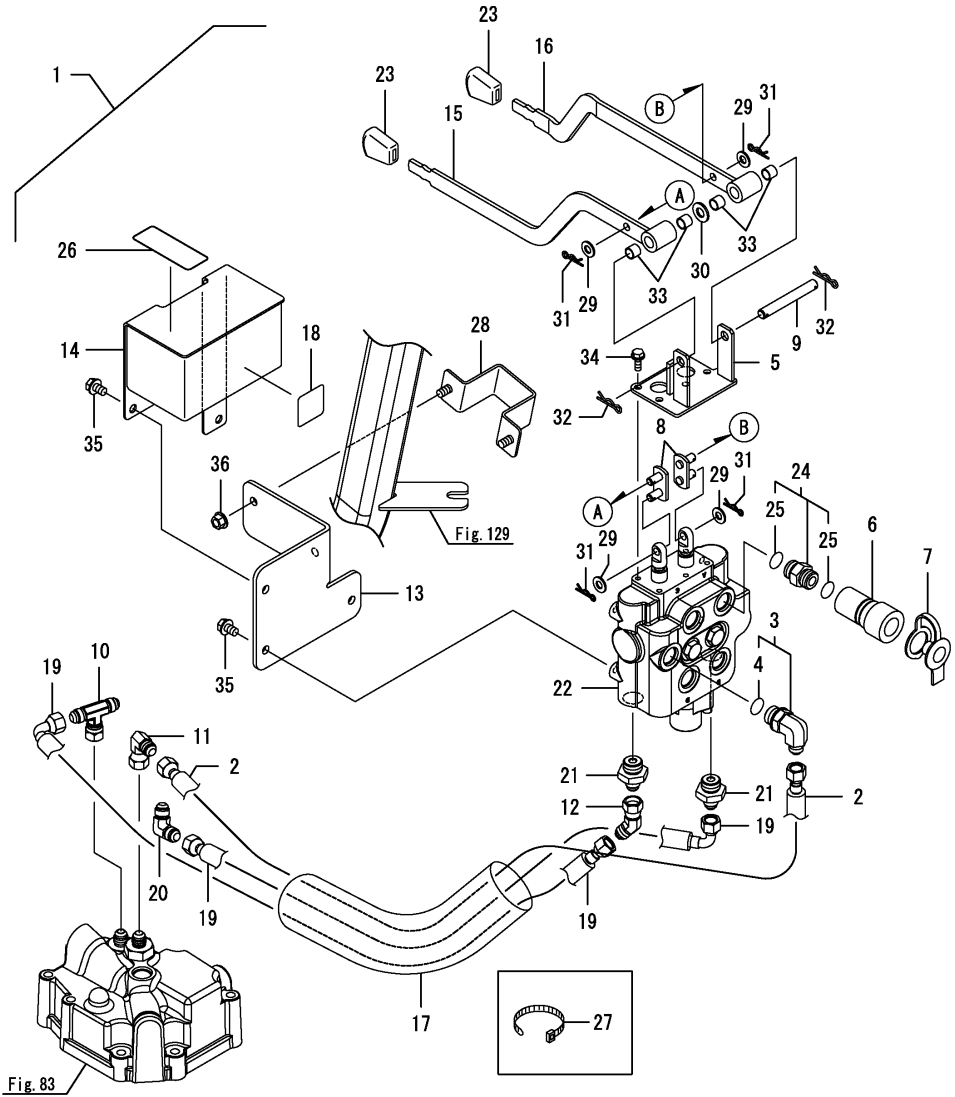


(A)=SA221
(B)=SA324
(C)=SA424

(D)=
(E)=
(F)=

No.	Lev.	Parts No.	Description	Qty						I	R	
				(A)	(B)	(C)	(D)	(E)	(F)			
1	1	194990-22140	NUT, M8		2	2						
2	1	1A8300-51210	BAND, REPEAT		6	6						
3	1	1A8320-51210	HARNESS, FLASHER EXT		2	2						
4	1	1A8320-80120	BOLT, 5/16-18 X 1		4	4						
5	1	1A7882-85630	HOLDER, SMV		1	1						
6	1	1A8320-86510	BRACKET, FLASHER LH		1	1						
6-1	1	1A8320-86511	BRACKET, FLASHER LH (B=*2014.02.) (C=*2014.02.)		1	1						N
7	1	1A8320-86520	BRACKET, FLASHER RH		1	1						
7-1	1	1A8320-86521	BRACKET, FLASHER RH (B=*2014.02.) (C=*2014.02.)		1	1						N
8	1	26487-080163	BOLT, M8X16		2	2						
9	1	29311-095000	GROMMET, 9		2	2						

Fig.156. VALVE(REAR REMOTE)



(A)=SA221
(B)=SA324
(C)=SA424

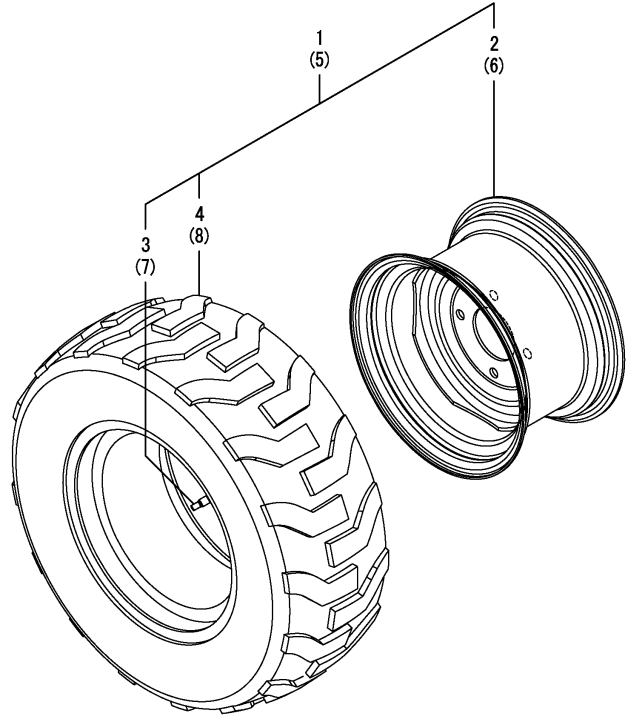
(D)=
(E)=
(F)=

No.	Lev.	Parts No.	Description	Q'ty						I	R
				(A)	(B)	(C)	(D)	(E)	(F)		
1	1	1A8330-99670	VALVE KIT, R-REMOTE	1	1	1					
2	2	1TN325-41450	HOSE,HIGH PRESSURE C	1	1	1					
3	2	1A8330-46050	JOINT,90 3/4-16	1	1	1					
4	3	24361-090800	PACKING, AS 908	1	1	1					
5	2	1A8265-46200	STAY ASSY, LEVER	1	1	1					
6	2	1A8160-46250	COUPLER, QUICK 3/8	4	4	4					
7	2	198240-46280	PLUG, DUST	4	4	4					
8	2	1A8265-46350	LINK ASSY	2	2	2					
9	2	1A8265-46390	PIN, LEVER	1	1	1					
10	2	1A8330-46810	TEE, SWIVEL 9/16UNF	1	1	1					
11	2	1A8330-46820	ELBOW, SWIVEL 9/16	1	1	1					
12	2	1A8330-46830	ELBOW, 45 SWIVEL9/16	1	1	1					
13	2	1A8330-46850	BRACKET, VALVE	1	1	1					
14	2	1A8330-46860	COVER	1	1	1					
15	2	1A8330-46910	LEVER ASSY, A	1	1	1					
16	2	1A8330-46920	LEVER ASSY, B	1	1	1					
17	2	1A8330-46960	COVER, HOSE REAR	1	1	1					
18	2	1A8330-46970	LABEL, SCV PORT	1	1	1					
19	2	1A7882-47100	HOSE, HIGH PRESSURE	2	2	2					
20	2	1A8330-47120	JOINT, 90 ELBOW	1	1	1					
21	2	1A7882-47210	JOINT ASSY	2	2	2					
22	2	1A8330-47700	SCV ASSY	1	1	1					
23	2	194273-47910	KNOB, CHANGE LEVER	2	2	2					
24	2	1A8250-48280	JOINT/HYD, 3/4-16UNF	4	4	4					
25	3	194464-45930	O-RING, 8-1	8	8	8					
26	2	1A8265-48970	LABEL,R REMOTE LEVER	1	1	1					
27	2	1A8300-51210	BAND, REPEAT	4	4	4					
28	2	1A8330-64130	BRACKET, ACC	1	1	1					
29	2	22137-080000	WASHER, 8	4	4	4					
30	2	22137-100000	WASHER, 10	1	1	1					
31	2	22372-080000	PIN, SNAP 8	4	4	4					
32	2	22372-100000	PIN, SNAP 10	2	2	2					
33	2	24550-010100	BUSH, 10X10	4	4	4					
34	2	26106-060162	BOLT, M6X 16 PLATED	4	4	4					
35	2	26106-080122	BOLT, M8X 12 PLATED	3	3	3					
36	2	26366-080002	NUT, M8	2	2	2					

Fig.175. FRONT WHEEL TIRE(R4-6)

(A)=SA221
(B)=SA324
(C)=SA424

(D)=
(E)=
(F)=



No.	Lev.	Parts No.	Description	Q'ty						I	R	
				(A)	(B)	(C)	(D)	(E)	(F)			
1	1	1A8320-14900	TIRE KIT,R4-6PLY F-L		1	1						
2	2	1A8320-14720	WHEEL		1	1						
2-1	2	1A8320-14720-1	WHEEL		1	1					S	1
			(B=F400003) (C=F400003)									
3	2	1A8320-14750	VALVE		1	1						
4	2	1A8320-14910	TIRE,23X8.5-12 R4 6P		1	1						
5	1	1A8320-14960	TIRE KIT,R4-6PLY F-R		1	1						
6	2	1A8320-14720	WHEEL		1	1						
6-1	2	1A8320-14720-1	WHEEL		1	1					S	1
			(B=F400003) (C=F400003)									
7	2	1A8320-14750	VALVE		1	1						
8	2	1A8320-14910	TIRE,23X8.5-12 R4 6P		1	1						

Remarks
(1)Painting color=No.2 & 6 : YANMAR WHITE, No.2-1 & 6-1 : YANMAR PREMIUM GOLD.

Fig.176. LABEL(CANADA)

(A)=SA221
(B)=SA324
(C)=SA424

(D)=
(E)=
(F)=

No.	Lev.	Parts No.	Description	Q'ty						I	R
				(A)	(B)	(C)	(D)	(E)	(F)		
1	1	172B03-03230	LABEL, EMC	1	1	1					

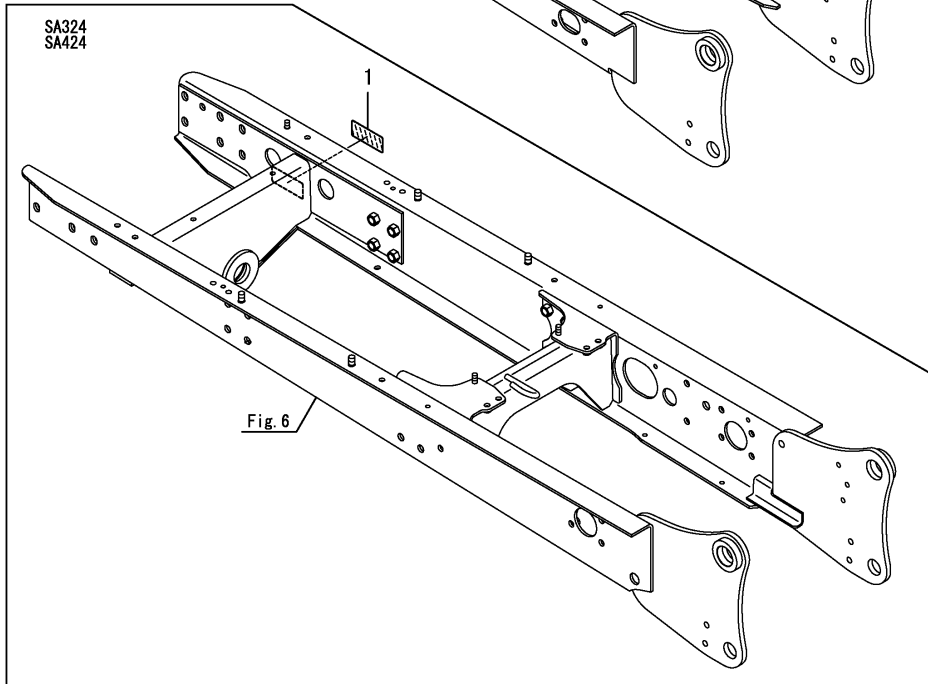
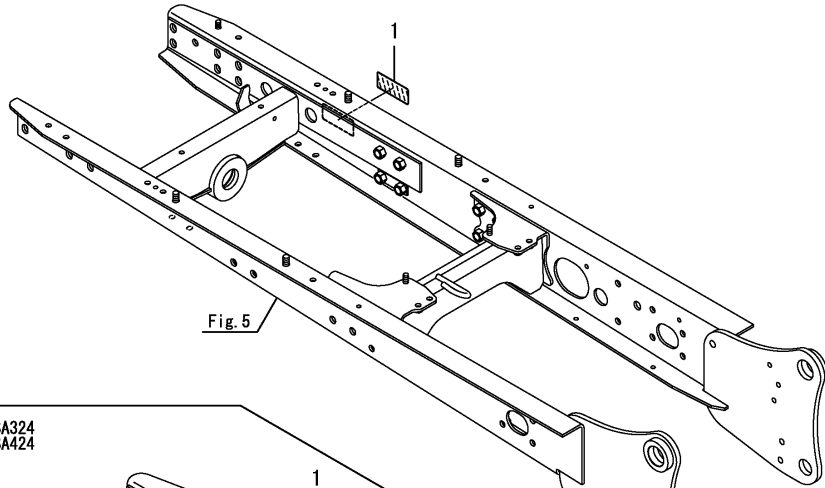
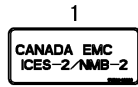
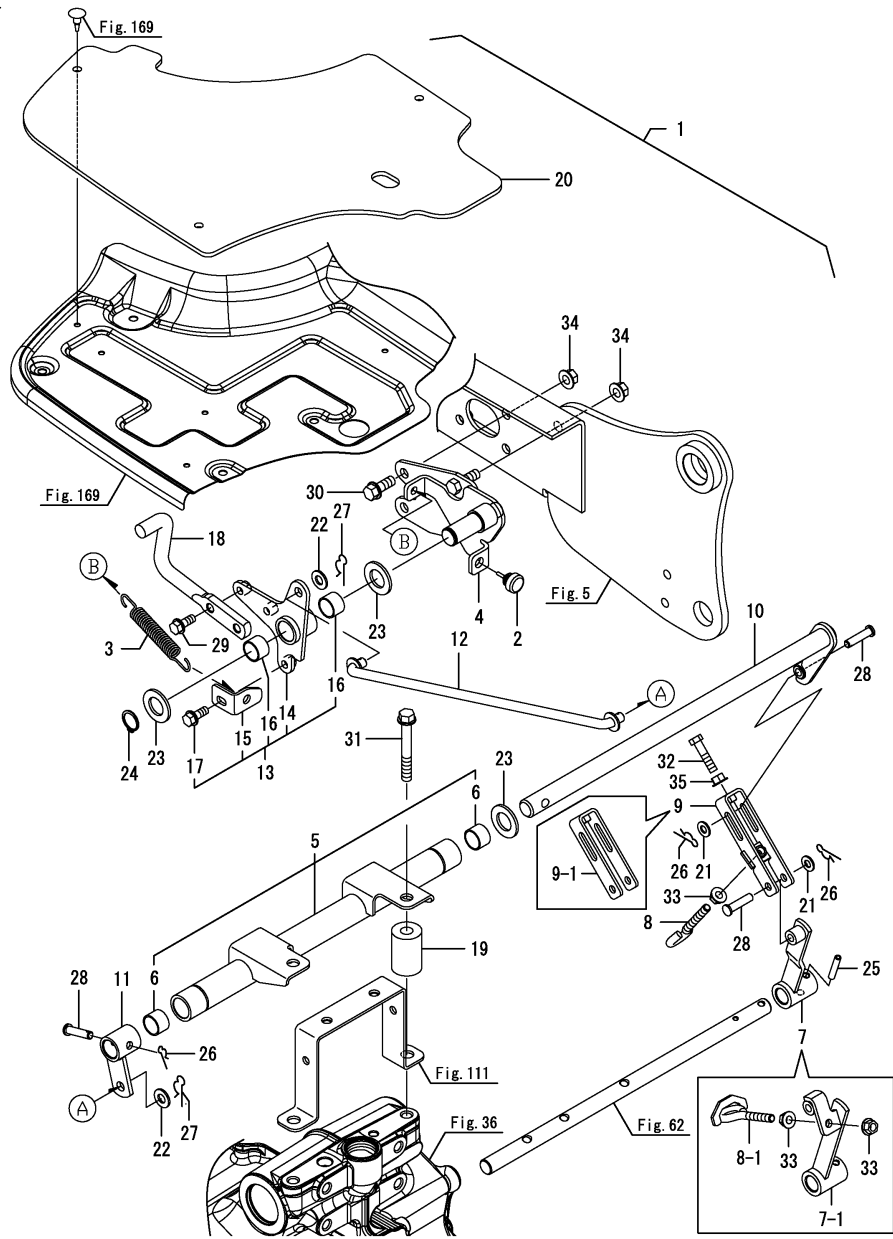


Fig.177. LINK(DIFF LOCK PEDAL)

(A)=SA221
(B)=SA324
(C)=SA424

(D)=
(E)=
(F)=



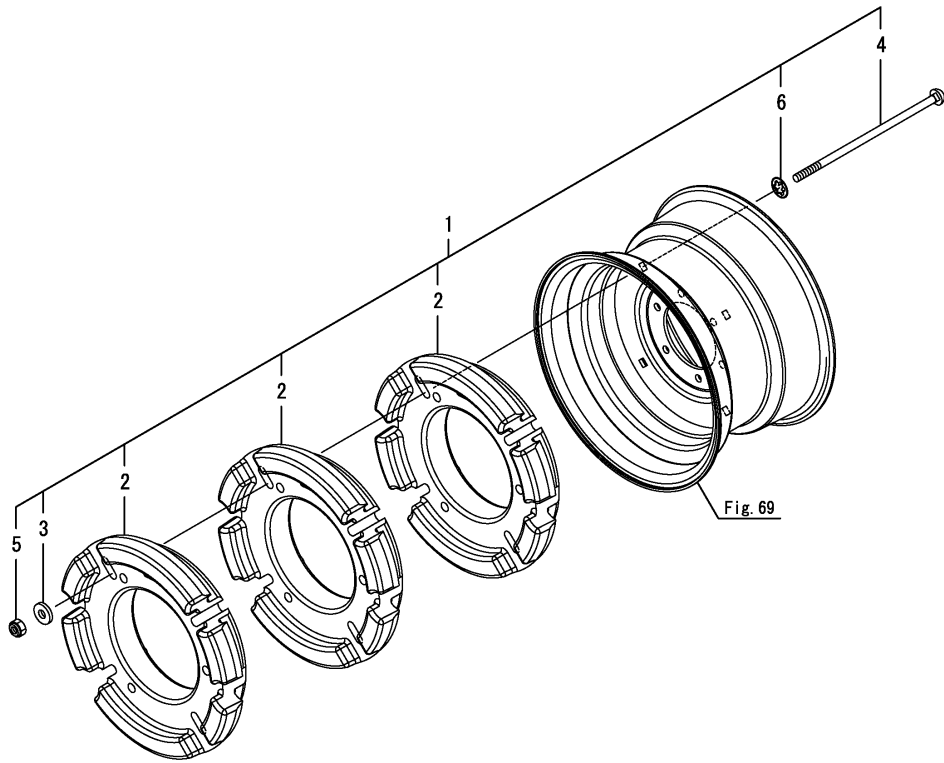
No.	Lev.	Parts No.	Description	Qty						I	R
				(A)	(B)	(C)	(D)	(E)	(F)		
1	1	1A8330-67001	LINK KIT, DIFF LOCK	1	1	1					
1-1	1	1A8330-67002	LINK KIT, DIFF LOCK	1	1	1					N
		(A=*2017.09.) (B=*2017.09.) (C=*2017.09.)									
2	2	194330-62530	STOPPER, PEDAL	1	1	1					
3	2	1A8320-63480	SPRING, RETURN	1	1	1					
4	2	1A8330-67111	BRACKET ASSY, DIFF P	1	1	1					
5	2	1A8330-67210	BRACKET UNIT, SHAFT	1	1	1					
6	3	24550-020150	BUSH, 20X15	2	2	2					
7	2	1A8330-67310	ARM ASSY, DIFF. LOCK	1	1	1					
7-1	2	1A8330-67410	ARM ASSY, DIFF. LOCK	1	1	1					F 1
7-2	2	1A8330-67400	ARM ASSY, DIF LOCK P	1	1	1					N
		(A=*2018.04.) (B=*2018.04.) (C=*2018.04.)									
8	2	1A8330-33240	ADJUSTER, LINK	1	1	1					
8-1	2	1A8330-67450	ADJUSTER, LINK	1	1	1					F 1
		(A=*2017.09.) (B=*2017.09.) (C=*2017.09.)									
9	2	1A8330-67370	ADJUSTER, LINK	1	1	1					
9-1	2	1A8330-67470	ADJUSTER, LINK	1	1	1					F 1
		(A=*2017.09.) (B=*2017.09.) (C=*2017.09.)									
10	2	1A8330-67510	SHAFT ASSY, LINK	1	1	1					
11	2	1A8330-67610	ARM ASSY, SHAFT	1	1	1					
12	2	1A8330-67650	ROD ASSY, LINK	1	1	1					
13	2	1A8330-67710	LINK UNIT,DIFF PEDAL	1	1	1					
14	3	1A8330-67720	LINK ASSY,DIFF PEDAL	1	1	1					
15	3	1A8330-67750	STAY, STOPPER	1	1	1					
16	3	24550-020150	BUSH, 20X15	2	2	2					
17	3	26106-080202	BOLT, M8X 20 PLATED	1	1	1					
18	2	1A8330-67770	PEDAL, DIFF. LOCK	1	1	1					
19	2	1A8330-67870	COLLAR	2	2	2					
20	2	1A8330-67970	SHEET, STEP L	1	1	1					
21	2	22137-080000	WASHER, 8	2	2	2					
22	2	22137-100000	WASHER, 10	2	2	2					
23	2	22137-200000	WASHER, 20	3	3	3					
24	2	22242-000200	RING, 20	1	1	1					
25	2	22351-060032	PIN, SPRING 6.0X32	1	1	1					
26	2	22372-080000	PIN, SNAP 8	3	3	3					
27	2	22372-100000	PIN, SNAP 10	2	2	2					
28	2	22487-080300	PIN, 8X 30	3	3	3					
29	2	26106-080202	BOLT, M8X 20 PLATED	2	2	2					
30	2	26106-100252	BOLT, M10X 25 PLATED	2	2	2					
31	2	26106-120752	BOLT, M12X 75 PLATED	2	2	2					
32	2	26116-080354	BOLT, M8X 35 PLATED	1	1	1					
33	2	26366-080002	NUT, M8	2	2	2					
34	2	26366-100002	NUT, M10	3	3	3					
35	2	26366-080002	NUT, M8	1	1	1					

Remarks
 * This figure is applicable to [(B)=F400002][(C)=F400002] or previous machines.
 (1) Interchangeable by simultaneous replacement with No.7-1, 8-1 & 9-1.

Fig.178. WEIGHT(REAR WHEEL)(R3)

(A)=SA221
(B)=SA324
(C)=SA424

(D)=
(E)=
(F)=



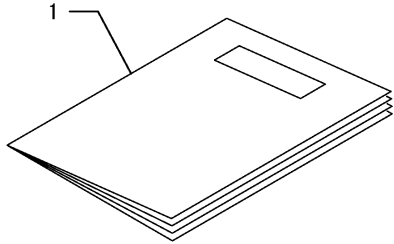
No.	Lev.	Parts No.	Description	Q'ty						
				(A)	(B)	(C)	(D)	(E)	(F)	
1	1	1A8320-91400	WEIGHT KIT, WHEEL R3		1	1				
2	2	1A8320-91310	WEIGHT, WHEEL REAR		6	6				
3	2	1A8320-91340	WASHER, 14		8	8				
4	2	1A8320-91420	BOLT, CARRIAGE 1/2		8	8				
5	2	1A8320-91430	NUT, LOCK 1/2-13		8	8				
6	2	1A8320-91440	NUT, PUSH 1/2		8	8				

Fig.179. MANUAL(FRENCH)

(A)=SA221
(B)=SA324
(C)=SA424

(D)=
(E)=
(F)=

No.	Lev.	Parts No.	Description	Q'ty						I	R
				(A)	(B)	(C)	(D)	(E)	(F)		
1	1	0A041-FR0070	OPERATION MANUAL	1	1	1					
1-1	1	0A041-FR0071	OPERATION MANUAL	1	1	1					N
		(A=F400001)	(B=F400003)	(C=F400003)							
1-2	1	0A041-FR0072	OPERATION MANUAL	1	1	1					N
		(A=F500114)	(B=F401184)	(C=F500133)							



Parts No. Index

Parts No.	Fig. No.	Ref. No.
0A041-EN0070	132	1 -1
0A041-EN0071	132	1 -2
0A041-EN0072	132	1 -3
0A041-ES0071	148	1
0A041-ES0072	148	1 -1
0A041-ES0073	148	1 -2
0A041-FR0070	179	1
0A041-FR0071	179	1 -1
0A041-FR0072	179	1 -2
0A041-U01700	132	1
102103-55520	29	31
104200-55330	29	28
104200-55750	29	36
110250-55610	29	32
114270-59010	3	18
	28	4
	29	39
119225-52102	29	25
119621-11950	133	5
119621-11961	133	6
119810-55340	29	29
119810-55650	29	33
119E21-95010	133	1
121257-55720	29	34
121257-55731	29	35
124756-77040	97	29
129052-13550	1	12
	2	12
129052-55630	29	38
129053-55621	29	27
129107-44590	3	4
129107-55510	29	30
129263-44510	3	14
168234-00010	83	1
168234-00020	84	1
168H61-29260	57	13
168H61-29360	57	15
168H64-29150	57	7
168H81-29060	57	4
168H81-29610	57	21
168H81-29950	57	24
168H83-29500	57	18
168H86-29450	57	16
168H86-29530	57	20
168H88-29310	57	14
168H8N-29400	57	24 -2
168H8S-29000	57	1
168H8S-29010	57	1 -1
168H8S-29100	57	5
168H8S-29120	57	6

Parts No.	Fig. No.	Ref. No.
168H8S-29130	57	6 -1
168H8S-29200	57	8
168H8S-29210	57	9
168H8S-29400	57	24 -1
168H8S-29450	57	17 -1
168H8S-29500	57	18 -1
168H8S-29520	57	19 -1
168H8S-29610	57	21 -1
168H8S-29830	57	22 -1
168H8S-99000	57	26
168HQ0-87730	39	3
171015-77900	133	8
171015-77910	133	9
172010-07810	138	2
	144	39
172122-46590	89	5
172531-17300	99	1
172B03-03230	176	1
175022-49730	3	15
		16
177432-03450	18	1
192154-29610	76	4
192154-29611	76	4 -1
192157-24200	77	1
192157-26600	39	12
192157-26641	39	14
192157-27510	58	1
192163-24420	57	2
192167-25260	57	3
192180-31510	59	3
192180-31850	59	7
194130-44480	82	8
194130-47851	106	2
194145-27450	50	5
194150-27870	48	5
194155-52160	99	3
194155-52190	99	4
194180-51640	76	65
194180-72950	141	28
	142	28
194197-11140	135	3
194205-42280	36	2
194208-47530	91	8
194215-12341	11	8
	31	1
194273-47910	156	23
194312-32660	18	6
194312-46630	85	3
194314-12720	20	1
194330-62530	1	29

Parts No.	Fig. No.	Ref. No.
194330-62530	2	30
	8	12
	76	28
	174	1
	177	2
194440-51620	29	52
	58	3
194464-45930	156	25
194521-41570	57	25
194550-46300	85	1
194556-42220	83	3
	84	3
194640-46420	86	5
194680-51670	29	24
		24 -1
	33	3
	97	28
	144	37
194697-62560	108	6
	169	5
	170	4
194740-00160	29	13
194850-49290	95	1 A
		2 A
		3 A
		5 A
	141	26
	142	26
194881-12650	27	1
194940-61790	102	3
194990-22050	91	1
194990-22130	1	13
	2	13
	3	13
	28	2
	97	1
	98	1
	101	1
	103	2
	131	1
194990-22140	1	14
		28
	2	14
		29
	7	5
	8	5
	28	3
	29	23
	53	9
	76	1

Parts No.	Fig. No.	Ref. No.
194990-22140	76	2
		68
	89	1
	97	2
		3
	105	4
		13
		27
	106	6
		15
		31
	108	1
	109	1
	111	1
	113	2
	129	7
	144	2
	155	1
	167	3
	169	1
	170	1
194990-22150	7	6
		7
	8	6
	76	3
		3 -1
194990-22160	135	4
194990-85561	89	9
195616-24930	28	8
	97	34
	106	32
198071-01160	4	1
198071-24350	37	2
198071-58810	29	40
198071-61890	104	6
198071-65610	103	27
	105	9
		18
	106	11
		20
198072-60590	104	2
198119-27150	50	1
	52	1
	55	1
	62	1
	168	1
198119-48310	94	4
198121-47111	106	1
198133-78840	99	9

Parts No. Index

Parts No.	Fig. No.	Ref. No.
198153-51700	97	8
198164-27970	89	2
198165-04380	1	26
	2	27
198165-11350	64	2
	65	2
198165-63960	111	7
198165-85970	9	3
	10	3
	141	30
	142	30
	154	3
198167-24900	94	1
198167-24950	94	2
198167-35411	76	17
198200-01260	29	15
198200-36390	77	6
198200-47810	92	3
198204-52410	112	1
198220-46400	86	3
198220-63150	111	3
198223-46250	95	4
198223-52150	99	6
198223-52151	99	6 -1
198226-52100	99	2
198240-46260	137	3
198240-46280	156	7
198253-01190	4	2
	56	2 -1
198273-28521	56	2
198280-52091	99	24
198284-63270	144	4
198360-03260	104	1
198360-03270	77	11
198511-62300	104	9
198535-52110	97	9
198535-52120	97	10
198535-52130	97	11
1A1040-28470	37	3
1A1580-61540	136	25
1A6640-47520	91	7
1A6750-29220	57	10
1A6750-29230	57	12
1A6750-29450	57	17
1A6750-29500	57	19
1A6750-29830	57	22
		22 -2
1A6750-29850	57	23
1A6750-62610	105	25
	106	29

Parts No.	Fig. No.	Ref. No.
1A6770-26600	39	13
1A6770-85920	129	6
	153	6
1A6780-57200	99	21
1A7000-52820	97	14
1A7090-31850	59	8
1A7130-11790	7	4
	8	4
1A7130-13220	13	4
1A7130-13230	13	5
1A7130-13240	13	6
1A7130-13250	13	7
1A7180-61780	103	18
		19
		20
		21
		22
		23
		24
		25
	105	2
		5
		14
	106	4
		7
		16
1A7335-53600	100	1
1A7335-53610	100	2
1A7335-53620	100	3
1A7335-53630	100	4
1A7335-53640	100	5
1A7335-53650	100	6
1A7340-54100	146	4
	151	4
1A7340-65080	115	1
	116	1
1A7410-86220	105	24
	106	26
1A7450-52180	97	12
1A7470-86270	146	5
	151	5
1A7500-51130	97	5
	136	15
1A7500-51160	97	6
		18
1A7500-51170	97	7
1A7500-61480	144	40
1A7510-11860	129	1
	153	1
1A7522-52950	99	19

Parts No.	Fig. No.	Ref. No.
1A7522-52950	136	17
1A7531-52420	97	13
1A7540-26620	46	9
1A7540-26630	46	10
1A7540-26640	46	11
1A7540-26670	46	12
1A7601-64810	149	4
1A7680-45320	86	1
1A7680-45370	86	2
1A7680-46410	86	4
1A7870-04030	29	4
1A7870-24910	36	10
1A7874-65400	121	3
1A7880-15700	30	1
1A7880-15740	30	2
1A7880-15880	117	1
1A7880-17320	32	2
1A7880-29430	76	42 A
1A7880-37200	76	44
1A7880-43380	80	6
	81	6
1A7880-43410	80	7
	81	7
1A7880-43500	80	8
	81	8
1A7880-47550	95	9
1A7880-47560	95	10
1A7880-47570	95	11
1A7880-47580	95	12
1A7880-47750	89	6
1A7880-47950	89	7
1A7880-52250	99	8
1A7880-53100	101	3
1A7880-53400	101	2
1A7880-53410	101	4
1A7880-53420	101	5
1A7880-53430	101	6
1A7880-57100	140	2
1A7880-57250	138	4
1A7880-57260	133	3
	138	5
1A7880-65370	117	5
1A7880-65722	117	10
1A7882-47100	156	19
1A7882-47210	39	7
	78	2
	79	2
	83	6
	84	6
	87	8

Parts No.	Fig. No.	Ref. No.
1A7882-47210	137	6
	156	21
1A7882-47220	39	8
	137	7
1A7882-47230	39	9
	137	8
1A7882-85630	129	8
	155	5
1A8060-67780	51	2 -1
1A8060-68310	53	5 -1
1A8060-72590	141	28 -1
	142	28 -1
1A8070-53140	103	4
		6
1A8070-61330	103	16
1A8115-63260	144	3
1A8160-11051	135	1
1A8160-11121	135	2
1A8160-35080	76	5
1A8160-46250	137	2
	156	6
1A8160-48820	137	10
1A8160-51500	98	2
1A8160-51522	98	3
1A8160-51531	98	3 A
1A8160-51550	139	1
1A8160-51570	139	2
1A8160-51580	139	3
1A8160-51600	98	6
1A8160-52300	99	10
		13
		16
1A8160-52310	99	11
		14
		17
1A8160-52330	99	12
		15
		18
1A8160-63400	114	1
1A8160-63401	114	1 -1
1A8160-63410	114	2
1A8160-63420	114	3
1A8160-63440	114	5
1A8160-65800	131	2
1A8160-65860	117	11
	153	4
1A8160-91000	134	1
1A8240-62561	109	2
1A8250-46640	92	1
1A8250-48280	156	24

Parts No. Index

Parts No.	Fig. No.	Ref. No.
1A8250-65390	117	6
1A8250-65580	117	7
1A8250-65650	117	8
1A8250-65690	117	9
1A8260-35100	136	2
		2 -1
1A8260-35111	136	3
		3 -1
1A8260-35120	136	4
		4 -1
1A8260-35131	136	5
		5 -1
1A8265-46200	156	5
1A8265-46350	156	8
1A8265-46390	156	9
1A8265-48970	156	26
1A8275-26790	46	13
1A8275-48050	38	12
1A8275-51260	146	3
1A8275-51540	98	3 B
1A8275-51610	98	5
1A8275-51620	98	7
1A8275-52200	136	8
1A8300-51210	97	25
		26
		30
		33
	133	2
	136	16
		16 -1
	137	11
	138	3
	141	27
	142	27
	144	38
	146	2
	151	2
	155	2
	156	27
1A8310-13910	18	5
1A8310-56020	102	2
1A8320-01650	2	28
1A8320-01710	2	3
1A8320-01712	2	3 -1
1A8320-01713	2	3 -2
1A8320-03110	2	5
1A8320-05250	2	10
1A8320-10090	6	1
1A8320-10091	6	1 -1
1A8320-10092	6	1 -2

Parts No.	Fig. No.	Ref. No.
1A8320-10700	8	1
1A8320-10701	8	1 -1
1A8320-10800	8	2
1A8320-10801	8	2 -1
1A8320-10850	8	10
1A8320-10910	8	11
1A8320-11590	10	1
1A8320-13400	15	1
1A8320-14110	20	5
1A8320-14500	23	1
1A8320-14510	23	2
1A8320-14520	23	3
1A8320-14550	23	4
1A8320-14600	24	1
1A8320-14600-1	158	1
1A8320-14610	24	2
	158	2
1A8320-14620	24	3
1A8320-14620-1	158	3
1A8320-14700	26	1
1A8320-14700-1	160	1
1A8320-14710	26	2
		6
	160	2
		6
1A8320-14720	26	3
		7
	175	2
		6
1A8320-14720-1	160	3
		7
		7 -1
	175	2
		6 -1
1A8320-14750	24	4
	26	4
		8
	72	2
		6
	158	4
	160	4
		8
1A8320-14800	26	5
1A8320-14800-1	160	5
1A8320-14900	175	1
1A8320-14910	175	4
		8
1A8320-14960	175	5
1A8320-25520	41	2

Parts No.	Fig. No.	Ref. No.
1A8320-25710	43	1
1A8320-27410	50	2
1A8320-27420	50	3
1A8320-27430	50	4
1A8320-32610	61	1
1A8320-32660	61	2
1A8320-33510	65	1
1A8320-34100	67	1
1A8320-34500	69	1
1A8320-34500-1	162	1
1A8320-34510	69	2
	162	2
1A8320-34520	69	3
1A8320-34520-1	162	3
1A8320-34550	69	4
	162	4
1A8320-34600	70	1
1A8320-34600-1	163	1
1A8320-34610	70	2
	163	2
1A8320-34620	70	3
1A8320-34620-1	163	3
1A8320-34650	70	4
	163	4
1A8320-34700	72	1
1A8320-34701	72	1 -1
1A8320-34701-1	165	1
1A8320-34710	72	3
		7
1A8320-34711	72	3 -1
		7 -1
	165	2
		6
1A8320-34720	72	4
		8
1A8320-34721	72	4 -1
		8 -1
1A8320-34721-1	165	3
		7
1A8320-34750	72	2 -1
		6 -1
	165	4
		8
1A8320-34800	72	5
1A8320-34801	72	5 -1
1A8320-34801-1	165	5
1A8320-34900	73	1
1A8320-34900-1	166	1
1A8320-34910	73	2
		6

Parts No.	Fig. No.	Ref. No.
1A8320-34910	166	2
		6
1A8320-34920	73	3
		7
1A8320-34920-1	166	3
		7
1A8320-34950	73	4
		8
	166	4
		8
1A8320-34960	73	5
1A8320-34960-1	166	5
1A8320-35610	136	18
1A8320-35650	136	19
1A8320-35680	136	20
1A8320-35710	136	21
1A8320-35750	136	22
1A8320-35770	136	23
1A8320-35790	136	24
1A8320-41120	79	1
1A8320-43100	81	3
1A8320-43250	81	4
1A8320-45210	84	4
1A8320-45211	84	4 -1
1A8320-47210	91	2
1A8320-47250	91	3
1A8320-47310	91	4
1A8320-47420	91	5
1A8320-47450	91	6
1A8320-47540	91	9
1A8320-47550	91	10
1A8320-47610	91	11
1A8320-47780	91	12
1A8320-51210	155	3
1A8320-51260	151	3
1A8320-62050	106	5
1A8320-62051	106	5 -1
1A8320-62060	106	14
1A8320-62061	106	14 -1
1A8320-62200	106	9
1A8320-62201	106	9 -1
1A8320-62210	106	18
1A8320-62211	106	18 -1
1A8320-62500	170	2
1A8320-63370	144	5
1A8320-63371	144	5 -1
1A8320-63440	174	2
1A8320-63450	144	6
1A8320-63451	144	6 -1
1A8320-63470	144	7

Parts No. Index

Parts No.	Fig. No.	Ref. No.
1A8320-63471	144	7 -1
1A8320-63480	144	8
	177	3
1A8320-63490	144	9
1A8320-63491	144	9 -1
1A8320-63501	144	1
1A8320-63502	144	1 -1
1A8320-63510	144	41
1A8320-63620	144	10
1A8320-63621	144	10 -1
1A8320-63640	144	11
1A8320-63641	144	11 -1
1A8320-63682	144	12
1A8320-63683	144	12 -1
1A8320-63710	144	13
1A8320-63711	144	13 -1
1A8320-63740	144	14
1A8320-63741	144	14 -1
1A8320-63770	144	15
1A8320-63771	144	15 -1
1A8320-63800	144	16
1A8320-63801	144	16 -1
1A8320-63840	144	17
1A8320-63841	144	17 -1
1A8320-63870	144	18
1A8320-63871	144	18 -1
1A8320-63881	113	8
	144	19
1A8320-63890	144	20
1A8320-63891	144	20 -1
1A8320-63900	144	42
1A8320-63910	144	21
1A8320-63911	144	21 -1
1A8320-63920	144	22
1A8320-63921	144	22 -1
1A8320-63940	144	23
1A8320-63941	144	23 -1
1A8320-63950	144	24
1A8320-63951	144	24 -1
1A8320-63960	144	25
1A8320-63961	144	25 -1
1A8320-63980	144	26
1A8320-63981	144	26 -1
1A8320-63990	144	27
1A8320-63991	144	27 -1
1A8320-65331	117	13
1A8320-65460	117	12
1A8320-65510	119	1
1A8320-65520	119	2
1A8320-65530	120	1

Parts No.	Fig. No.	Ref. No.
1A8320-65540	120	2
1A8320-65610	172	2
1A8320-65630	173	2
1A8320-71000	123	1
1A8320-72100	123	11
1A8320-72110	123	12
1A8320-72300	123	18
1A8320-73400	123	22
1A8320-73500	123	23
1A8320-75110	127	1
1A8320-75410	127	2
1A8320-75610	127	3
1A8320-75611	127	3 -1
1A8320-80110	152	1
1A8320-80120	152	2
	155	4
1A8320-80130	152	3
1A8320-80131	152	3 -1
1A8320-80140	152	4
1A8320-80160	152	5
1A8320-80170	152	6
1A8320-80190	152	7
1A8320-85020	153	3
1A8320-85550	153	5
1A8320-85910	154	1
1A8320-85920	154	2
1A8320-86510	155	6
1A8320-86511	155	6 -1
1A8320-86520	155	7
1A8320-86521	155	7 -1
1A8320-91300	150	1
1A8320-91310	150	2
	178	2
1A8320-91320	150	3
1A8320-91330	150	4
1A8320-91340	150	5
	178	3
1A8320-91400	178	1
1A8320-91420	178	4
1A8320-91430	178	5
1A8320-91440	178	6
1A8321-14500	158	1 -1
1A8321-14510	158	2 -1
1A8321-14520	158	3 -1
	160	3 -1
		7 -1
1A8321-14700	160	1 -1
1A8321-14710	160	2 -1
		6 -1
1A8321-14800	160	5 -1

Parts No.	Fig. No.	Ref. No.
1A8321-34500	162	1 -1
1A8321-34510	162	2 -1
1A8321-34520	162	3 -1
	165	3 -1
		7 -1
1A8321-34600	163	1 -1
1A8321-34610	163	2 -1
1A8321-34620	163	3 -1
1A8321-34700	165	1 -1
1A8321-34710	165	2 -1
		6 -1
1A8321-34800	165	5 -1
1A8321-34900	166	1 -1
1A8321-34910	166	2 -1
		6 -1
1A8321-34920	166	3 -1
		7 -1
1A8321-34960	166	5 -1
1A8322-47250	91	3 -1
1A8330-00510	3	1
1A8330-00610	3	2
1A8330-01110	29	14
1A8330-01150	29	2
1A8330-01200	3	5
1A8330-01201	3	5 -1
1A8330-01202	3	5 -2
1A8330-01250	3	6
1A8330-01251	3	6 -1
1A8330-01310	28	1
1A8330-01410	3	7
1A8330-01421	3	8
1A8330-01460	3	9
1A8330-01511	3	11
1A8330-01560	3	12
1A8330-01610	1	1
	2	1
1A8330-01660	1	27
1A8330-01701	1	2
	2	2
1A8330-01710	1	3
1A8330-01750	1	4
	2	4
1A8330-03110	1	5
1A8330-04001	29	3
1A8330-04002	29	3 -1
1A8330-04050	29	8
		8 -1
1A8330-04070	29	5
1A8330-04081	29	9
1A8330-04200	29	10

Parts No.	Fig. No.	Ref. No.
1A8330-04201	29	10 -1
1A8330-04610	29	11
1A8330-05100	1	6
	2	6
1A8330-05110	1	7
	2	7
1A8330-05120	1	8
	2	8
1A8330-05201	1	9
	2	9
1A8330-05250	1	10
1A8330-05300	1	11
	2	11
1A8330-10090	5	1
1A8330-10091	5	1 -1
1A8330-10092	5	1 -2
1A8330-10510	5	3
	6	3
1A8330-10520	5	4
	6	4
1A8330-10700	7	1
1A8330-10701	7	1 -1
1A8330-10800	7	2
1A8330-10801	7	2 -1
1A8330-10850	7	3
	8	3
1A8330-10851	7	3 -1
	8	3 -1
1A8330-11590	9	1
1A8330-12310	11	1
1A8330-12311	11	1 -1
1A8330-12350	11	10
1A8330-12360	11	11
1A8330-12460	11	2
		5
1A8330-13130	12	2
	20	2
1A8330-13170	12	1 -1
1A8330-13200	13	2
1A8330-13260	13	8
1A8330-13270	17	2
1A8330-13290	13	10
1A8330-13300	12	3
1A8330-13310	12	4
1A8330-13320	12	5
1A8330-13370	13	3 -1
1A8330-13400	14	1
1A8330-13510	16	1
1A8330-13520	16	2
1A8330-13570	16	3 -1

Parts No. Index

Parts No.	Fig. No.	Ref. No.
1A8330-13580	19	1 -1
1A8330-13600	17	1
1A8330-13601	17	1 -1
1A8330-13602	17	1 -2
1A8330-13603	17	1 -3
1A8330-13650	16	4
1A8330-13660	16	5
1A8330-13670	16	6
1A8330-13690	17	4
1A8330-13710	18	2
1A8330-13711	18	2 -1
1A8330-13730	18	3
1A8330-13731	18	3 -1
1A8330-13732	18	3 -2
1A8330-13733	18	3 -3
1A8330-13750	17	4 -1
1A8330-13790	18	4
1A8330-13810	19	2
1A8330-13870	19	3 -1
1A8330-13910	20	3
1A8330-13920	20	4
1A8330-13930	12	1
1A8330-13940	13	3
1A8330-13950	16	3
1A8330-13960	19	1
1A8330-13980	19	3
1A8330-13990	13	1
1A8330-13991	13	1 -1
1A8330-14130	20	7
1A8330-14170	20	6 -1
1A8330-14171	20	6 -2
1A8330-14200	157	1
1A8330-14220	157	2
	159	2
		6
1A8330-14300	159	1
1A8330-14400	159	5
1A8330-14500	22	1
1A8330-14510	22	2
	157	3
1A8330-14620	21	1
1A8330-14700	25	1
1A8330-14710	25	2
		6
	159	3
		7
1A8330-14720	22	3
	25	3
		7
1A8330-14750	22	4

Parts No.	Fig. No.	Ref. No.
1A8330-14750	25	4
		8
	68	2
	71	2
		6
	157	4
	159	4
		8
	161	2
	164	2
		6
1A8330-14800	25	5
1A8330-14910	20	6
1A8330-15000	29	1
1A8330-15001	29	1 -1
1A8330-15002	29	1 -2
1A8330-15003	29	1 -3
1A8330-15101	29	12
1A8330-15102	29	12 -1
1A8330-15111	29	16
1A8330-15112	29	16 -1
1A8330-15190	29	19
1A8330-15191	29	19 -1
1A8330-15192	29	19 -2
1A8330-15251	29	20
1A8330-15252	29	20 -1
1A8330-15253	29	20 -2
1A8330-15254	29	20 -3
1A8330-15301	29	21
1A8330-15402	29	22
1A8330-17501	32	1
1A8330-17570	31	2
1A8330-17571	31	2 -1
1A8330-17810	33	1
1A8330-17811	33	1 -1
1A8330-17820	33	2
1A8330-17821	33	2 -1
1A8330-17830	31	3
1A8330-17831	31	3 -1
1A8330-17840	31	4
1A8330-17841	31	4 -1
1A8330-21100	35	1
1A8330-21101	35	1 -1
1A8330-22100	34	1
1A8330-22101	34	1 -1
1A8330-22102	34	1 -2
1A8330-22103	34	1 -3
1A8330-22110	34	2
1A8330-22120	34	3
1A8330-22121	34	3 -1

Parts No.	Fig. No.	Ref. No.
1A8330-22122	34	3 -2
1A8330-22123	34	3 -3
1A8330-22160	34	4
1A8330-22180	34	7
		7 -1
		8
1A8330-22200	167	1
1A8330-22230	167	4
1A8330-24100	36	1
1A8330-24200	37	1
1A8330-24300	38	1
1A8330-24340	38	9
1A8330-24350	38	10
1A8330-24380	38	11
1A8330-24400	39	1
1A8330-24500	39	2
1A8330-24530	39	5
1A8330-24540	39	6
1A8330-25520	40	2
1A8330-25530	40	3
	41	3
1A8330-25570	40	1 -1
	41	1 -1
1A8330-25710	42	1
1A8330-25910	40	1
	41	1
1A8330-26010	44	1
1A8330-26110	45	1
1A8330-26120	45	2
1A8330-26190	46	2
1A8330-26200	46	1
1A8330-26201	46	1 -1
1A8330-26210	46	3
1A8330-26211	46	3 -1
1A8330-26220	46	4
1A8330-26230	46	5
1A8330-26240	46	6
1A8330-26250	46	7
1A8330-26251	46	7 -1
1A8330-26290	46	8
1A8330-26310	47	1
1A8330-26320	47	2
1A8330-26410	48	1
1A8330-26420	48	2
1A8330-26430	48	3
1A8330-26440	48	4
1A8330-26510	49	1
1A8330-26520	49	2
1A8330-26530	49	3
1A8330-26540	49	4

Parts No.	Fig. No.	Ref. No.
1A8330-26540	54	1
1A8330-27490	50	6
	52	2
	55	2
	62	2
	168	2
1A8330-27500	51	1
1A8330-27501	51	1 -1
1A8330-27700	52	3
1A8330-27750	50	7
	52	4
	55	3
1A8330-27790	53	1
1A8330-27791	53	1 -1
1A8330-27840	53	3
1A8330-27841	53	3 -1
1A8330-27881	53	4
1A8330-27900	53	5
1A8330-27910	51	2
1A8330-28110	54	2
1A8330-28120	54	3
1A8330-28210	55	4
1A8330-28300	56	1
1A8330-28301	56	1 -1
1A8330-28302	56	1 -2
1A8330-29550	58	2
1A8330-31470	63	1 -1
1A8330-31540	59	5
1A8330-31550	59	6
1A8330-31580	59	9
1A8330-31910	63	1
1A8330-31920	59	1
1A8330-32610	60	1
1A8330-32660	60	2
1A8330-33110	62	3
	168	3
1A8330-33120	62	4
	168	4
1A8330-33130	76	69
1A8330-33140	62	6
	168	5
1A8330-33150	62	7
	168	6
1A8330-33200	62	8
1A8330-33240	76	70
	177	8
1A8330-33410	63	2
1A8330-33510	64	1
1A8330-34100	66	1
1A8330-34200	161	1

Parts No. Index

Parts No.	Fig. No.	Ref. No.
1A8330-34220	161	3
	164	3
		7
1A8330-34300	164	1
1A8330-34400	164	5
1A8330-34500	68	1
1A8330-34510	68	3
	161	4
1A8330-34540	74	1
	75	1
1A8330-34700	71	1
1A8330-34710	71	3
		7
	164	4
		8
1A8330-34720	68	4
	71	4
		8
1A8330-34800	71	5
1A8330-35050	76	8
1A8330-35082	76	6
1A8330-35102	76	7
1A8330-35103	76	7 -1
1A8330-35104	76	7 -2
1A8330-35111	76	9
1A8330-35112	76	9 -1
1A8330-35151	76	10
1A8330-35250	76	11
1A8330-35280	76	12
1A8330-35290	76	13
1A8330-35330	76	14
1A8330-35360	76	15
1A8330-35410	76	18
1A8330-35512	76	42
1A8330-35513	76	42 -1
1A8330-35540	76	42 B
1A8330-35550	76	42 C
1A8330-35580	76	42 D
1A8330-35620	76	19
1A8330-35650	76	20
1A8330-35651	76	20 -1
1A8330-35710	76	41 A
1A8330-35740	76	41 B
1A8330-35800	76	43
1A8330-35900	136	1
1A8330-35901	136	1 -1
1A8330-35910	136	6
1A8330-35920	136	7
1A8330-36210	77	2
1A8330-36230	77	3

Parts No.	Fig. No.	Ref. No.
1A8330-36240	77	4
1A8330-36250	77	5
1A8330-37401	76	21
1A8330-37402	76	21 -1
1A8330-37530	76	22
1A8330-37571	76	45
1A8330-37580	76	46
1A8330-37581	76	46 -1
1A8330-37650	76	23
1A8330-37670	76	71
1A8330-37730	76	24
1A8330-37772	76	25
1A8330-37801	76	47
1A8330-37810	76	48
1A8330-37830	76	49
1A8330-37850	76	50
1A8330-37870	76	26
1A8330-37900	76	66
1A8330-37910	76	67
1A8330-41120	78	1
1A8330-42810	82	1
1A8330-43100	80	3
1A8330-43150	80	9
	81	9
1A8330-43250	80	4
1A8330-43260	80	5
	81	5
1A8330-43310	80	10
	81	10
1A8330-43360	80	11
	81	11
1A8330-43660	80	12
	81	12
1A8330-44210	82	2
1A8330-44260	82	3
1A8330-44410	82	4
1A8330-44440	82	5
1A8330-45210	83	4
1A8330-45211	83	4 -1
1A8330-45260	83	5
	84	5
1A8330-46000	87	3
1A8330-46050	156	3
1A8330-46070	87	4
1A8330-46300	96	1
1A8330-46310	95	6
1A8330-46311	95	6 -1
1A8330-46320	95	7
1A8330-46321	95	7 -1
1A8330-46350	95	8

Parts No.	Fig. No.	Ref. No.
1A8330-46450	89	3
1A8330-46451	89	3 -1
1A8330-46500	89	4
1A8330-46501	89	4 -1
1A8330-46550	95	1
1A8330-46560	95	2
1A8330-46570	95	3
1A8330-46580	95	5
1A8330-46600	87	6
1A8330-46610	87	7
1A8330-46620	85	2
1A8330-46810	156	10
1A8330-46820	156	11
1A8330-46830	156	12
1A8330-46850	156	13
1A8330-46860	156	14
1A8330-46910	156	15
1A8330-46920	156	16
1A8330-46960	156	17
1A8330-46970	156	18
1A8330-47050	90	1
1A8330-47100	137	4
1A8330-47110	137	4 -1
1A8330-47120	137	13
	156	20
1A8330-47150	137	5
1A8330-47250	90	2
1A8330-47310	90	3
1A8330-47311	90	3 -1
1A8330-47350	92	2
1A8330-47370	90	4
1A8330-47540	90	5
1A8330-47550	90	6
1A8330-47610	90	7
1A8330-47700	156	22
1A8330-48100	137	1
1A8330-48110	83	9
	84	9
1A8330-48161	93	1
1A8330-48162	93	1 -1
1A8330-48210	94	3
1A8330-48330	94	5
1A8330-48410	94	6
1A8330-48500	137	9
1A8330-48570	94	7
1A8330-51110	97	4
1A8330-51111	97	4 -1
1A8330-51200	136	14
1A8330-51201	136	14 -1
1A8330-51410	97	17

Parts No.	Fig. No.	Ref. No.
1A8330-51420	97	19
1A8330-51800	97	20
1A8330-52140	99	5
1A8330-53110	103	3
1A8330-53120	103	5
1A8330-55100	146	1
1A8330-55110	146	9
1A8330-55200	151	1
1A8330-56010	102	1
1A8330-56601	29	6
1A8330-57100	99	20
1A8330-57210	138	1
1A8330-57990	140	1
1A8330-58010	105	1
	106	3
1A8330-61050	103	7
1A8330-61051	103	7 -1
1A8330-61100	103	1
1A8330-61101	103	1 -1
1A8330-61102	103	1 -2
1A8330-61150	103	8
1A8330-61151	103	8 -1
1A8330-61160	103	9
1A8330-61161	103	9 -1
1A8330-61200	103	10
1A8330-61210	103	11
1A8330-61250	103	12
1A8330-61260	103	13
	104	8
1A8330-61280	103	14
1A8330-61290	103	15
1A8330-61291	103	15 -1
1A8330-61400	103	34
1A8330-61450	103	17
1A8330-61451	103	17 -1
1A8330-61600	104	3
1A8330-61650	104	4
1A8330-61690	104	5
1A8330-61691	104	5 -1
1A8330-61800	1	15
	2	15
1A8330-61801	1	15 -1
	2	15 -1
1A8330-62050	105	3
1A8330-62051	105	3 -1
1A8330-62060	105	12
1A8330-62061	105	12 -1
1A8330-62090	105	6
	106	8
1A8330-62120	105	15

Parts No. Index

Parts No.	Fig. No.	Ref. No.
1A8330-62120	106	17
1A8330-62160	105	21
	106	23
1A8330-62170	105	22
	106	24
1A8330-62200	105	7
1A8330-62201	105	7 -1
1A8330-62210	105	16
1A8330-62211	105	16 -1
1A8330-62300	105	8
		17
	106	10
		19
1A8330-62400	105	23
	106	25
1A8330-62401	105	23 -1
	106	25 -1
1A8330-62490	105	23 -2
	106	25 -2
1A8330-62500	108	2
1A8330-62510	108	3
1A8330-62520	108	4
1A8330-62521	108	4 -1
	169	3
1A8330-62530	108	5
1A8330-62531	108	5 -1
	169	4
	170	3
1A8330-62550	107	1
1A8330-62590	107	3
1A8330-62650	169	2
1A8330-62660	169	6
	170	5
1A8330-63000	110	1
1A8330-63001	110	1 -1
1A8330-63002	110	28
1A8330-63010	110	2
		29
1A8330-63020	110	3
		30
1A8330-63030	110	4
1A8330-63040	110	5
		16
1A8330-63041	110	37
1A8330-63050	110	6
		39
1A8330-63060	110	7
		12
		40
1A8330-63070	110	8

Parts No.	Fig. No.	Ref. No.
1A8330-63070	110	13
		41
1A8330-63080	110	9
		14
		42
1A8330-63090	110	10
		15
		43
1A8330-63100	110	11
1A8330-63120	110	17
		44
1A8330-63130	110	20
		31
1A8330-63140	110	21
		32
1A8330-63150	110	22
		33
1A8330-63160	110	23
		34
1A8330-63170	110	24
		35
1A8330-63180	110	25
		36
1A8330-63201	111	4
1A8330-63220	113	4
1A8330-63230	113	5
1A8330-63280	110	1 -2
1A8330-63290	110	38
1A8330-63301	111	5
1A8330-63400	111	6
1A8330-63401	111	6 -1
1A8330-63500	113	6
1A8330-63910	110	19
		19 -1
1A8330-64100	149	1
1A8330-64110	149	2
1A8330-64130	146	10
		149
		3
		156
1A8330-65030	103	26
1A8330-65031	103	26 -1
1A8330-65300	121	1
1A8330-65320	121	2
1A8330-65331	117	3
1A8330-65350	117	4
1A8330-65410	121	4
1A8330-65432	115	6
		116
		6
1A8330-65471	117	2
1A8330-65510	118	1

Parts No.	Fig. No.	Ref. No.
1A8330-65520	118	2
1A8330-65560	118	3
	119	3
	120	3
	171	1
	172	1
	173	1
1A8330-65610	171	2
1A8330-65620	121	5
	145	3
1A8330-65780	97	15
1A8330-65930	121	6
1A8330-65950	121	7
	153	7
1A8330-65970	144	44
1A8330-67001	177	1
1A8330-67002	177	1 -1
1A8330-67111	174	3
	177	4
1A8330-67210	174	4
	177	5
1A8330-67310	168	7
	177	7
1A8330-67370	174	6
	177	9
1A8330-67400	177	7 -2
1A8330-67410	168	7 -1
	177	7 -1
1A8330-67450	76	70 -1
	177	8 -1
1A8330-67470	174	6 -1
	177	9 -1
1A8330-67510	174	7
	177	10
1A8330-67610	174	8
	177	11
1A8330-67650	174	9
	177	12
1A8330-67710	174	10
	177	13
1A8330-67720	174	11
	177	14
1A8330-67750	174	12
	177	15
1A8330-67770	174	15
	177	18
1A8330-67870	174	16
	177	19
1A8330-67970	170	6
	177	20

Parts No.	Fig. No.	Ref. No.
1A8330-71000	122	1
1A8330-71001	122	1 -1
1A8330-71110	122	2
	123	2
1A8330-71120	122	9
	123	9
1A8330-71130	122	10
	123	10
1A8330-71150	124	1
1A8330-71240	122	3
	123	3
1A8330-71270	122	4
	123	4
1A8330-71290	122	5
	123	5
1A8330-71510	122	34
	123	34
1A8330-71550	122	35
	123	35
1A8330-71780	122	6
	123	6
1A8330-72100	122	11
1A8330-72101	122	11 -1
1A8330-72110	122	12
1A8330-72111	122	12 -1
1A8330-72150	122	16
	123	16
1A8330-72170	122	17
		25
	123	17
		25
1A8330-72200	122	13
	123	13
1A8330-72250	122	14
	123	14
1A8330-72300	122	18
1A8330-72301	122	18 -1
1A8330-73110	122	19
	123	19
1A8330-73120	122	20
	123	20
1A8330-73130	122	21
	123	21
1A8330-73400	122	22
1A8330-73500	122	23
1A8330-74100	122	24
	123	24
1A8330-74160	122	31
	123	31
1A8330-74550	122	32

Parts No. Index

Parts No.	Fig. No.	Ref. No.
1A8330-74550	123	32
1A8330-74610	122	26
	123	26
1A8330-74650	122	27
	123	27
1A8330-74800	122	28
	123	28
1A8330-75420	125	1
1A8330-75450	125	2
1A8330-85020	129	2
1A8330-85430	129	3
1A8330-85440	129	4
1A8330-85450	129	5
1A8330-85600	130	1
1A8330-97000	145	1
1A8330-97010	145	2
1A8330-97050	145	4
1A8330-97150	145	5
1A8330-97200	145	6
1A8330-97230	145	7
1A8330-97270	145	8
1A8330-97290	145	9
1A8330-97350	145	10
1A8330-97360	145	11
1A8330-98500	181	1
1A8330-98510	181	3
1A8330-98520	181	4
1A8330-98540	181	5
1A8330-98550	181	6
1A8330-98580	181	7
1A8330-98600	181	8
1A8330-98620	181	9
1A8330-98630	181	10
1A8330-98640	181	11
1A8330-99670	156	1
1A8330-99700	180	1
1A8330-99710	180	2
1A8330-99730	180	3
1A8330-99740	180	4
1A8331-14500	157	1 -1
1A8331-14510	157	3 -1
1A8331-14700	159	1 -1
1A8331-14710	159	3 -1
		7 -1
1A8331-14720	157	2 -1
	159	2 -1
		6 -1
1A8331-14800	159	5 -1
1A8331-34500	161	1 -1
1A8331-34510	161	4 -1

Parts No.	Fig. No.	Ref. No.
1A8331-34700	164	1 -1
1A8331-34710	164	4 -1
		8 -1
1A8331-34720	161	3 -1
	164	3 -1
		7 -1
1A8331-34800	164	5 -1
1A8332-47250	90	2 -1
1A8332-47350	92	2 -1
1A8400-04031	29	4 -1
1C6281-52310-1	29	26
1C6281-52320	76	52
		53
		54
	113	3
1C6281-52320-1	91	13
		14
1C6360-65700	144	28
1C7170-91300	1	16
	2	16
1C7200-02071	29	4 A
1C7200-02700	29	4 B
1E6102-83230	28	5
1E6150-56040	89	8
1E6150-83910	29	53
1E6213-83410	93	2 -1
1E8775-84120	97	16
1E8945-85480	93	2
1N3590-31510	59	2
1N3590-31570	59	4
1TN322-38910	80	1
	81	1
	87	1
	143	11
1TN322-38930	80	2
	81	2
	87	2
	143	12
1TN325-41450	156	2
1TN325-41730	141	23
	142	23
1TN325-41910	141	24
	142	24
	143	19
1TN325-41970	141	25
	142	25
1TN325-73110	141	29
	142	29
1TN328-52100	147	1
1TN328-52110	147	2

Parts No.	Fig. No.	Ref. No.
1TN328-52120	147	3
1TN328-52200	147	4
1TN328-52290	147	5
1TN328-52300	147	6
1TN328-52400	147	7
1TQ501-25000	141	1
1TQ501-25010	142	1
1TQ501-25020	143	1
1TQ501-25100	141	2
	142	2
1TQ501-25200	142	3
1TQ501-25240	142	4
1TQ501-25260	142	5
1TQ501-25300	141	3
1TQ501-25320	141	4
1TQ501-25330	141	5
1TQ501-25400	141	6
	142	6
1TQ501-25440	143	2
1TQ501-25450	143	3
1TQ501-25500	141	7
	142	7
1TQ501-25600	141	8
	142	8
1TQ501-25700	141	9
	142	9
1TQ501-25701	141	9 -1
	142	9 -1
1TQ501-25810	141	10
	142	10
1TQ501-25820	141	11
	142	11
1TQ501-25830	141	12
	142	12
1TQ501-25840	141	13
	142	13
1TQ501-25850	143	4
1TQ501-38100	141	14
	142	14
1TQ501-38110	141	15
	142	15
1TQ501-38120	141	16
	142	16
1TQ501-38130	141	17
	142	17
1TQ501-38140	141	18
	142	18
1TQ501-38150	141	19
	142	19
1TQ501-38200	143	5

Parts No.	Fig. No.	Ref. No.
1TQ501-38210	143	6
1TQ501-38220	143	7
1TQ501-38230	143	8
1TQ501-38240	143	9
1TQ501-38250	143	10
1TQ501-41010	141	20
1TQ501-41020	141	21
1TQ501-41030	142	20
1TQ501-41040	142	21
1TQ501-41050	143	13
1TQ501-41060	143	14
1TQ501-41070	143	15
1TQ501-41110	143	16
1TQ501-41120	143	17
1TQ501-41130	141	22
	142	22
	143	18
1TW110-17990	153	2
	181	2
1TY402-99050	121	8
22117-060000	112	2
22117-080000	85	4
	89	14
	91	15
		16
	113	9
	144	29
22117-140000	141	31
22137-080000	76	41 C
		55
	80	13
	81	13
	90	8
	91	17
	113	9 -1
	122	36
	123	36
	144	29 -1
	156	29
	174	17
	177	21
22137-100000	29	17
	114	8
	144	30
	146	6
	151	6
	156	30
	174	18
	177	22
22137-130000	101	7

Parts No. Index

Parts No.	Fig. No.	Ref. No.
22137-160000	30	3
	62	10
	145	12
	168	8
22137-180000	53	6
22137-200000	76	29
	141	32
	142	31
	174	19
	177	23
22157-060000	101	9
	103	35
	105	10
		19
	106	12
		21
	136	9
		9 -1
22157-080000	76	72
	105	11
		20
	106	13
		22
		27
	110	26
		45
	113	1
	144	31
22157-100000	114	6
22190-100000	50	8
22217-080000	110	27
		46
22217-100000	146	7
	151	7
22217-130000	101	8
22217-160000	82	9
	122	29
	123	29
22232-100000	103	33
22242-000120	136	10
		10 -1
22242-000200	77	7
	174	20
	177	24
22242-000220	95	14
22242-000250	40	4
	41	4
	47	3
22242-000260	34	5
22242-000300	20	8

Parts No.	Fig. No.	Ref. No.
22242-000300	40	5
	41	5
	49	5
	58	4
22242-000360	14	2
	15	2
22242-000400	66	2
	82	10
22242-000450	67	2
22242-100350	46	14
22252-000160	38	13
22252-000180	45	3
22252-000220	38	15
22252-000420	48	6
22252-000520	48	7
22252-000550	49	6
22252-000620	12	6
22252-000680	60	3
22252-000720	16	7
	20	9
22252-000750	61	3
22252-000800	18	7
22252-000820	46	15
22262-000470	57	27
22272-000080	76	30
		31
		32
		10
22272-000150	53	7
22276-000060	144	32
22276-000080	144	33
22312-060160	13	11
22312-080140	37	4
	38	16
	48	8
	58	5
	60	4
	61	4
22351-030016	144	34
22351-035032	14	3
	15	3
	51	3
	56	3
	147	8
22351-035036	76	33
22351-040008	136	11
		11 -1
22351-040012	85	5
22351-040020	122	7
	123	7

Parts No.	Fig. No.	Ref. No.
22351-040032	13	9
	50	9
	52	5
	55	5
	62	11
	168	9
22351-050040	62	12
	168	10
22351-060032	14	4
	15	4
	50	10
		11
	51	4
	52	6
	55	6
	56	4
	62	13
	86	6
	168	11
	177	25
22351-060036	76	34
22351-060056	59	10
22351-080032	62	14
	168	12
22351-080040	62	15
	168	13
22360-200000	128	1
22372-060000	103	36
22372-080000	53	8
	90	9
	91	18
	156	31
	174	21
	177	26
22372-100000	156	32
	174	22
	177	27
22372-160000	135	5
22417-160160	90	17
	91	25
22417-200160	76	27
		35
		56
		28
22417-200200	97	35
22417-200300	122	33
	123	33
22417-250250	11	9
	31	5
	122	37

Parts No.	Fig. No.	Ref. No.
22417-250250	123	37
22417-250400	11	3
		6
22417-400350	141	33
	142	32
	143	20
22417-630500	141	34
	142	33
22487-080160	76	57
22487-080200	3	21
	76	58
		73
22487-080300	174	23
	177	28
22487-080450	76	59
22522-030130	90	10
	91	19
22550-050121	34	6
22645-600120	34	4 -1
23000-035000	1	17
	2	17
	94	8
23000-054000	1	18
	2	18
23000-060000	1	19
	2	19
23000-080000	1	20
	2	20
	21	2
23065-090450	88	1
23491-140002	18	8
	36	11
23871-010000	36	3
	38	2
	39	4
23871-020000	36	4
	38	3
		4
23887-160002	90	11
23980-730150	29	41
23980-730270	3	10
23980-730300	29	42
		43
23980-730400	29	44
23980-730480	29	41 -1
		42 -1
23980-731000	29	45
24101-060044	40	6
	41	6
	48	9

Parts No. Index

Parts No.	Fig. No.	Ref. No.
24101-060044	54	4
24101-060054	42	2
	43	2
	44	2
	46	16
	48	10
	49	7
24101-060064	49	8
24101-060084	66	3
24101-060094	18	9
	67	3
24101-060104	18	10
	59	11
24101-060114	59	12
24101-062044	45	4
	47	4
24101-062054	47	5
	48	11
24101-062064	12	7
	13	12
	19	4
	20	10
	40	7
	41	7
24101-062074	16	8
	20	11
24101-063034	57	11
24101-063044	49	9
24101-063064	63	3
24101-063074	63	4
24104-060000	76	36
24104-060024	76	37
24104-062004	76	38
24190-080001	49	10
	54	5
24190-100001	50	12
24190-100003	89	11
24190-160001	38	14
	77	8
24190-170001	90	12
24311-000090	39	15
	91	20
24311-000120	85	6
24311-000125	39	16
	90	13
24311-000140	57	28
24311-000150	38	17
	18	
	19	
24311-000160	18	11

Parts No.	Fig. No.	Ref. No.
24311-000160	36	12
	39	10
	50	13
	52	7
	55	7
	62	16
	168	14
24311-000180	17	5
24311-000200	91	21
24311-000210	77	9
24311-000220	94	9
24311-000400	82	11
24311-000410	5	5
	6	5
24311-000480	5	6
	6	6
	9	4
	10	4
24311-240100	29	37
24311-350220	94	10
24315-000090	85	7
24315-000110	83	2
	84	2
24315-000120	86	7
24315-000180	86	8
24315-000220	94	9 -1
24321-000250	38	20
24321-000500	38	21
24321-000800	78	5
	79	5
24321-000850	18	12
24321-001600	20	12
24341-000100	38	22
24341-000320	46	17
24351-240300	36	13
24361-090800	87	5
	156	4
24421-173007	57	29
24421-183207	57	30
24421-203508	38	23
24421-254008	36	14
24421-284008	37	5
24421-306210	12	8
24421-456812	60	5
24421-527512	61	5
24550-010100	156	33
24550-015150	76	16
24550-017150	53	2
24550-020120	82	7
24550-020150	174	5

Parts No.	Fig. No.	Ref. No.
24550-020150	174	13
	177	6
		16
24550-040300	36	5
24550-050250	5	2
	6	2
	9	2
	10	2
24761-010000	76	39
	141	35
	142	34
24761-060000	11	4
		7
26022-050162	29	7
26076-140402	141	36
26076-160452	145	13
26076-201202	141	37
	142	35
26106-060122	3	19
	29	46
	39	11
	76	60
	80	14
	81	14
	104	7
	144	43
26106-060162	103	28
		29
		30
		31
	131	3
	136	33
	156	34
26106-060202	1	21
	2	21
	3	20
	97	21
	99	22
		23
26106-060402	92	4
26106-060452	136	26
26106-080122	156	35
26106-080162	1	22
		23
	2	22
	28	6
		7
	29	47
		47 -1
		48

Parts No.	Fig. No.	Ref. No.
26106-080162	29	49
	32	4
	38	24
	50	14
	52	8
	55	8
	62	17
	76	40
	80	15
	81	15
	89	12
	90	14
	91	22
	92	5
	94	11
	95	15
	97	22
	109	3
	124	2
	136	27
		28
	149	5
	167	2
		5
	168	15
	180	5
26106-080202	1	24
	2	24
	77	10
	94	12
	111	2
		8
	136	12
		29
	137	12
	144	35
	174	14
		24
	177	17
		29
26106-080252	35	2
	77	12
	108	7
	110	18
		47
	113	7
	145	14
	169	7
	170	7
26106-080302	37	6

Parts No. Index

Parts No.	Fig. No.	Ref. No.
26106-080302	38	25
	39	17
26106-080354	1	23 -1
	2	23
26106-080402	1	25
	2	25
	83	12
	84	12
	180	6
26106-080452	58	6
26106-080602	87	11
26106-080652	58	7
	136	30
26106-080702	29	50
	83	13
	84	13
	105	26
	106	30
26106-081452	58	8
26106-100162	50	15
26106-100202	7	8
		9
	8	8
		9
		13
	76	41
	87	12
	97	23
	107	2
	114	4
	136	31
	181	12
26106-100252	174	25
	177	30
26106-100302	20	13
	58	9
	76	62
		62 -1
	114	7
	181	13
26106-100402	60	6
		7
	61	6
		7
26106-100752	76	63
26106-120252	5	7
	6	7
	82	12
	111	9
		10

Parts No.	Fig. No.	Ref. No.
26106-120302	145	15
26106-120352	145	16
	147	9
26106-120702	5	8
	6	8
26106-120752	174	26
	177	31
26108-120252	126	1
	128	2
26108-120302	181	14
26116-060502	141	38
	142	36
26116-080354	76	61
	174	27
	177	32
26116-120352	135	6
26116-160604	9	5
	10	5
26216-080352	36	6
	38	5
26216-080402	38	6
26216-080702	36	7
26216-081402	38	7
26216-100252	38	8
26346-080002	91	23
	144	36
26346-120002	147	10
26347-060002	136	13
		13 -1
	141	39
	142	37
26347-200002	141	40
	142	38
26356-160002	122	30
	123	30
26366-080002	37	7
	38	26
	58	10
	77	13
	83	14
	84	14
	90	15
	91	24
	93	3
	141	41
	142	39
	145	17
	156	36
	174	28
	177	33

Parts No.	Fig. No.	Ref. No.
26366-080002	177	35
26366-100002	38	27
	78	6
	79	6
	136	32
	174	29
	177	34
26366-120002	141	42
	142	40
	147	11
26450-080122	18	13
26450-080182	133	7
26450-080202	83	15
	84	15
26450-080352	57	31
26450-080402	57	32
26487-080163	129	9
	155	8
26557-050122	87	13
26557-060122	112	3
26716-060002	98	4
26716-080002	76	42 E
		51
		64
	90	16
	146	11
	149	6
26716-100002	29	18
	181	15
26716-140002	141	43
26716-160002	9	6
	10	6
26736-100002	146	8
	151	8
26736-160002	82	13
26756-200002	122	8
	123	8
26776-120002	99	7
26777-180002	122	15
	123	15
26911-100102	89	13
26979-040062	34	9
27260-170000	36	8
27260-220000	36	9
29311-095000	155	9
29622-140001	97	31
29622-250001	3	22
	29	51
	33	4
		4 -1

Parts No.	Fig. No.	Ref. No.
29622-250001	88	2
	93	4
	95	16
	97	24
		27
		32
41800-110040	103	32
41801-110041	103	32 -1
719621-77051	133	4