

0CNP5-M50000EN

Directions for the Parts Catalog.

1. This Parts Catalog shows both standard and optional parts.
2. Parts may change without prior notice.
3. The following is an example of the Parts Catalog format.

REF.	LEV.	PARTS NO.	DESCRIPTION	Q'TY						I	R
				(A)	(B)	(C)	(D)	(E)	(F)		
1	1	729595-51390	FUEL INJECTION PUMP	1	1	1	1	1			1
1-1	1	729595-51391	FUEL INJECTION PUMP	1	1	1	1	1		N	1
		(A=E00185) (B=E00200)									
3	2	26022-060162	SCREW M 6X 16	9	9	9	9	9			
3-1	2	26022-060162	SCREW M 6X 16	4	4	4	4	4		K	
		(A=E00156) (B=E00156) (C=E00156) (D=E00156) (E=E00156)									
4	2	129470-51040	CAMSHAFT	1	1	1	1	1			
5	2	122710-51050	BEARING, ROLLER	2	2	2	2	2			
6	2	129470-51060	RETAINER	1	1	1	1	1			

Remarks
(1) BOOST COMPEMSATOR TYPE. OPTIONAL PART, TO E00155,(4JH-DT, 4JH-DTZ

① Ref. No.

The Ref. No. listed may not be in accordance with the illustration Ref. No.

(Ex.) Illustration No.

List Ref No.

1

1

(Before change)

1-1

(After change)

For interchangeable symbols N, R and K, illustrations for new parts may be abbreviated.

② Lev. (Level)

Level indication

The numbers below indicate the level of relativity towards the main part.

1 ----- Main parts (Assembly parts)

2 ----- Sub component included in " 1 ".

3 ----- Sub component included in " 2 ".

Note) Parts that are not for sale are partially illustrated but not listed.

③ Interchangeability Symbol

When a part change takes place, one of the following interchangeability symbols is indicated beside the part.

Symbol	Interchangeability	Contents note
N	Old $\begin{matrix} \leftarrow \text{Yes} \\ \text{No} \rightarrow \end{matrix}$ New	New Part is interchangeable for Old Part but Old Part is not interchangeable for New Part.
Q	Old $\begin{matrix} \leftarrow \text{No} \\ \text{Yes} \rightarrow \end{matrix}$ New	New Part is not interchangeable for Old Part but Old Part is interchangeable for New Part.
R	Old $\begin{matrix} \leftarrow \text{Yes} \\ \text{Yes} \rightarrow \end{matrix}$ New	New/ Old Parts are both interchangeable.
S	Old $\begin{matrix} \leftarrow \text{No} \\ \text{No} \rightarrow \end{matrix}$ New	New/ Old Parts are both not interchangeable.
W		Part newly added.
Z		Part discontinued.
F		Not interchangeable by a single part but interchangeable together with related parts.
K		Changes only for used parts quantities.

④ Effective Machine No.

When a part changes, the effective Machine No. will be indicated in the (A)-(F) column.

Product Symbol	Product No.	Product Symbol	Product No.
C	Clutch No. Compressor No.	F	Machine No. (Agricultural Equip.)
D	Drive No.	M	Machine No.
E	Engine No.		

Note 1) A date may follow the symbol. (Ex.) 1996.01

Note 2) "XXXXX" and "ZZZZZ" are for parts that could not be predicted or for engine models that could not be identified.

Note 3) (A=E00185) is the E (Engine Serial Number) for the column (A) model (in this case 4JH-DT) after the parts design change.

⑤ Remarks

Figures or alphabets (symbols) are entered in the remarks column.

The comments (remarks) on parts that are indicated at the bottom of the illustration are the same symbols as those stated above.

Instructions pour le catalogue de pièces.

1. Le catalogue contient des pièces standards et optionnelles.

2. Les pièces peuvent changer sans préavis.

3. Voici un exemple de format du catalogue de pièces.

REF.	LEV.	PARTS NO.	DESCRIPTION	Q'TY						I	R
				(A)	(B)	(C)	(D)	(E)	(F)		
1	1	729595-51390	FUEL INJECTION PUMP	1	1	1	1	1			1
1-1	1	729595-51391	FUEL INJECTION PUMP	1	1	1	1	1		N	1
		(A=E00185) (B=E00200)									
3	2	26022-060162	SCREW M 6X 16	9	9	9	9	9			
3-1	2	26022-060162	SCREW M 6X 16	4	4	4	4	4		K	
		(A=E00156) (B=E00156) (C=E00156) (D=E00156) (E=E00156)									
4	2	129470-51040	CAMSHAFT	1	1	1	1	1			
5	2	122710-51050	BEARING, ROLLER	2	2	2	2	2			
6	2	129470-51060	RETAINER	1	1	1	1	1			

Remarks
(1) BOOST COMPEMSATOR TYPE. OPTIONAL PART, TO E00155,(4JH-DT, 4JH-DTZ

① Réf.

Il se peut que la référence de la liste ne concorde pas avec la référence de l'illustration.

(Ex.) Réf. de l'illustration Réf. de la liste
1 1 (Avant le changement) → 1-1 (Après le changement)

Pour les symboles d'interchangeabilité N, R et K, les illustrations pour les nouvelles pièces peuvent être abrégées.

② Niv. (Niveau)

Indication du niveau

Les numéros ci-dessous indiquent le niveau par rapport à la pièce principale.

1 ----- Pièces principales (pièces d'assemblage)

2 ----- Sous-élément inclus dans « 1 ».

3 ----- Sous-élément inclus dans « 2 ».

Remarque : les pièces qui ne sont pas en vente sont partiellement illustrées, mais ne figurent pas dans la liste.

③ Symbole d'interchangeabilité

En cas de changement de pièce, l'un des symboles d'interchangeabilité suivants est indiqué à côté de la pièce.

Symbole	Interchangeabilité	Remarque sur le contenu
N	Ancienne $\xleftarrow{\text{Oui}}$ Nouvelle $\xrightarrow{\text{Non}}$	La nouvelle pièce peut être substituée à l'ancienne, mais l'ancienne pièce ne peut pas être substituée à la nouvelle.
Q	Ancienne $\xleftarrow{\text{Non}}$ Nouvelle $\xrightarrow{\text{Oui}}$	La nouvelle pièce ne peut pas être substituée à l'ancienne, mais l'ancienne pièce peut être substituée à la nouvelle.
R	Ancienne $\xleftarrow{\text{Oui}}$ Nouvelle $\xrightarrow{\text{Oui}}$	La nouvelle pièce et l'ancienne sont interchangeables.
S	Ancienne $\xleftarrow{\text{Non}}$ Nouvelle $\xrightarrow{\text{Non}}$	La nouvelle pièce et l'ancienne ne sont pas interchangeables.
W		Pièce nouvellement ajoutée.
Z		Pièce supprimée.
F		Non interchangeable avec une pièce unique, mais interchangeable avec des pièces connexes.
K		Changements uniquement aux quantités de pièces usagées.

④ N° de machine applicable

En cas de changement de pièce, le n° de machine applicable est indiqué dans la colonne (A)-(F).

Symbole de produit	N° de produit	Symbole de produit	N° de produit
C	N° d'embrayage, n° de compresseur	F	N° de machine (agroéquipement)
D	N° d'entraînement	M	N° de machine
E	N° de moteur		

Remarque 1 : une date peut suivre le symbole. (Ex.) 1996.01

Remarque 2 : « XXXXX » et « ZZZZZ » désignent des pièces impossibles à prédire ou des modèles de moteur non identifiables.

Remarque 3 : (A=E00185) est le E (numéro de série du moteur) pour le modèle de la colonne (A) (ici : 4JH-DT) après le changement à la conception des pièces.

⑤ Identification des remarques

Des chiffres ou des lettres (symboles) sont entrés dans la colonne des remarques.

Les commentaires (remarques) sur les pièces dans le bas de l'illustration sont les mêmes symboles que ceux mentionnés ci-dessus.

DEPLOYMENT ENGINE MODEL TABLE

TRACTOR			ENGINE			
MODEL	PC-No.	POSITION	MODEL	PC-No.	POSITION	REMARKS
LX4100	0CNP5-G50000	A	4TNV88-ULRG1	0CNP5-G38200	A	ROPS TYPE
LX4500		B	4TNV88-BLRG1		B	ROPS TYPE
LX4900		C	4TNV84T-BMRG1	0CNP5-G38300	A	ROPS TYPE

Contents

OCNP5-M50000

Fig. No.	Fig. Name
ENGINE CONTROL SECTION	
1.	ENGINE RELATED
2.	ENGINE RELATED
3.	ENGINE ACCESSORIES
4.	ENGINE ACCESSORIES
5.	GROMMET
6.	ACCEL LEVER
7.	AUTO THROTTLE
8.	EXHAUST
9.	FUEL TANK
10.	TANK PARTS
FRONT AXLE SECTION	
11.	FRONT AXLE BRACKET
12.	FRONT SUPPORT
13.	TIE ROD
14.	RING GEAR
15.	DIFFERENTIAL GEAR
16.	PROPELLER SHAFT
17.	FRONT SHAFT(1
18.	FRONT AXLE CASE
19.	FRONT GEAR CASE
20.	FRONT SHAFT(2
21.	FRONT SPINDLE
22.	FRONT WHEEL TIRE R1

Fig. No.	Fig. Name
23.	FRONT WHEEL TIRE R3
24.	FRONT WHEEL TIRE R3G
25.	FRONT WHEEL TIRE R4
26.	HUB BOLT
27.	HUB BOLT
28.	STEERING COLUMN
29.	STEERING WHEEL
30.	PST CYLINDER
31.	PST VALVE
32.	PST PIPING
33.	PST HOSE
TRANSMISSION SECTION	
34.	DOCKING BOLT
35.	CLUTCH HOUSING
36.	DAMPER DISC
37.	TRANSMISSION CASE
38.	P.T.O. VALVE
39.	PTO DRIVE SHAFT
40.	RANGE DRIVE SHAFT
41.	COUNTER SHAFT
42.	REDUCTION SHAFT
43.	PTO CLUTCH
44.	PTO DRIVE SHAFT
45.	PTO SHAFT

Contents

0CNP5-M50000

Fig. No. Fig. Name

46. RANGE SHIFT

47. SUB LEVER

48. FRONT DRIVE

49. CHANGE ARM

50. FRONT SHIFT

51. H.S.T.

52. HST PIPE

REAR AXLE SECTION

53. RING GEAR

54. DIFFERENTIAL GEAR

55. DIFFERENTIAL CARRIER

56. REAR HOUSING

57. DIFFERENTIAL LOCK

58. DIFFERENTIAL LOCK PEDAL

59. FINAL PINION

60. FINAL GEAR

61. REAR AXLE SHAFT

62. REAR WHEEL TIRE R1

63. REAR WHEEL TIRE R3

64. REAR WHEEL TIRE R3G

65. REAR WHEEL TIRE R4

66. HUB BOLT

67. HUB BOLT

68. HST PEDAL LINK

Fig. No. Fig. Name

69. BRAKE

70. PEDAL

71. BRAKE LINK

HYD. CONTROL SECTION

72. HYDRAULIC PUMP

73. HYD.CYLINDER HOUSING

74. HYD.LIFT DOCKING

75. PISTON

76. LIFT CRANK

77. CONTROL VALVE

78. RELIEF VALVE

79. STOP VALVE

80. SAFETY VALVE

81. LOADER VALVE

82. SUPPORT(VALVE

83. BREATHER

84. LEVER(SCV

85. HYDRAULIC OPERATION(1

86. HYDRAULIC CONTROL

87. HYDRAULIC OPERATION(2

88. LIFT LEVER

89. HYDRAULIC LINE

90. HYDRAULIC FILTER

91. HYD. LINE(LOADER

Contents

0CNP5-M50000

Fig. No. Fig. Name

92. HYD. LINE(LOADER(BACKHOE,REAR REMOTE

93. OIL COOLER

ELECTRICAL PARTS SECTION

95. HARNESS

96. HARNESS

97. HARNESS(HST

98. BATTERY

99. BATTERY

100. CLAMP(BATTERY

101. CLAMP(BATTERY

102. SWITCH

103. SWITCH

104. SWITCH

105. LAMP

106. FRONT LAMP

107. METER

108. RELAY

FITTINGS SECTION

109. FRONT FRAME

110. HOOD FRAME

111. HOOD

112. DASHBOARD

113. COLUMN COVER

Fig. No. Fig. Name

114. FENDER

115. FENDER(REAR REMOTE

116. FENDER PARTS

117. FLOOR

118. FLOOR STAY

119. INSULATOR

120. FLOOR ATTACHMENT

121. SEAT

122. LABEL

123. LABEL(LX4100)

124. LABEL(LX4500)

125. LABEL(LX4900)

126. LABEL(PL)

127. SMV

HITCH SECTION

128. 3P LINK KIT

129. TOP LINK

130. DRAWBAR HITCH

131. PTO GUARD

SAFETY FRAME SECTION

132. ROLL GUARD

Contents

0CNP5-M50000

Fig. No. Fig. Name

ACCESSORIES SECTION

133. MANUAL

OPTIONAL SECTION

134. FRONT HITCH

135. MID PTO

136. HEATER(BLOCK

137. FRONT WEIGHT

138. EXTRA HITCH

139. HEATER(T/M

140. CRUISE CONTROL

141. REAR REMOTE KIT

142. REAR COUPLER KIT

143. WORK LAMP

144. FUEL LINE(FAME

145. FUEL LINE(FAME

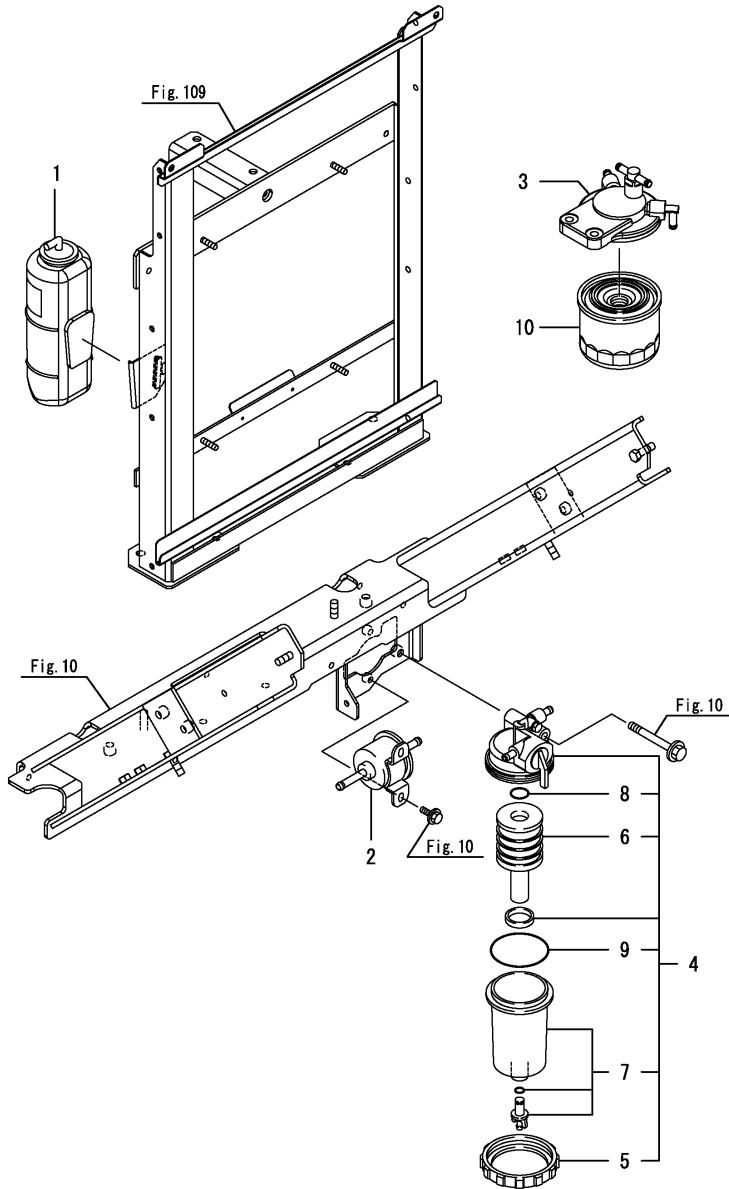
146. LABEL(FRENCH

Fig. No. Fig. Name

Fig.1. ENGINE RELATED

(A)=LX4100(YANMAR)
 (B)=LX4500(YANMAR)
 (C)=LX4900(YANMAR)

(D)=
 (E)=
 (F)=



No.	Lev.	Parts No.	Description	Qty						I	R
				(A)	(B)	(C)	(D)	(E)	(F)		
1	1	129263-44510	TANK ASSY, SUB	1	1						
2	1	119225-52102	PUMP ASSY, FUEL FEED	1	1						
3	1	129004-55612	BRACKET, FILTER	1	1						
4	1	119802-55700	SEPARATOR ASSY	1	1						
5	2	129100-55690	RING, RETAINING	1	1						
6	2	119802-55710	ELEMENT	1	1						
7	2	119802-55730	CUP ASSY	1	1						
8	2	24311-000160	O-RING, 1AP16.0	1	1						
9	2	24321-000650	O-RING, 1AG65.0	1	1						
10	1	119802-55810	FILTER,FO	1	1						

Fig.2. ENGINE RELATED

(A)=LX4100(YANMAR)
 (B)=LX4500(YANMAR)
 (C)=LX4900(YANMAR)

(D)=
 (E)=
 (F)=

No.	Lev.	Parts No.	Description	Qty						I	R
				(A)	(B)	(C)	(D)	(E)	(F)		
1	1	129509-03080	HOSE ASSY, BREATHER			1					
2	2	129509-03090	HOSE, BREATHER			1					
3	2	129410-03990	CLAMP 22			2					
4	1	129263-44510	TANK ASSY, SUB			1					
5	1	119225-52102	PUMP ASSY, FUEL FEED			1					
6	1	129004-55612	BRACKET, FILTER			1					
7	1	119802-55700	SEPARATOR ASSY			1					
8	2	129100-55690	RING, RETAINING			1					
9	2	119802-55710	ELEMENT			1					
10	2	119802-55730	CUP ASSY			1					
11	2	24311-000160	O-RING, 1AP16.0			1					
12	2	24321-000650	O-RING, 1AG65.0			1					
13	1	119802-55810	FILTER,FO			1					

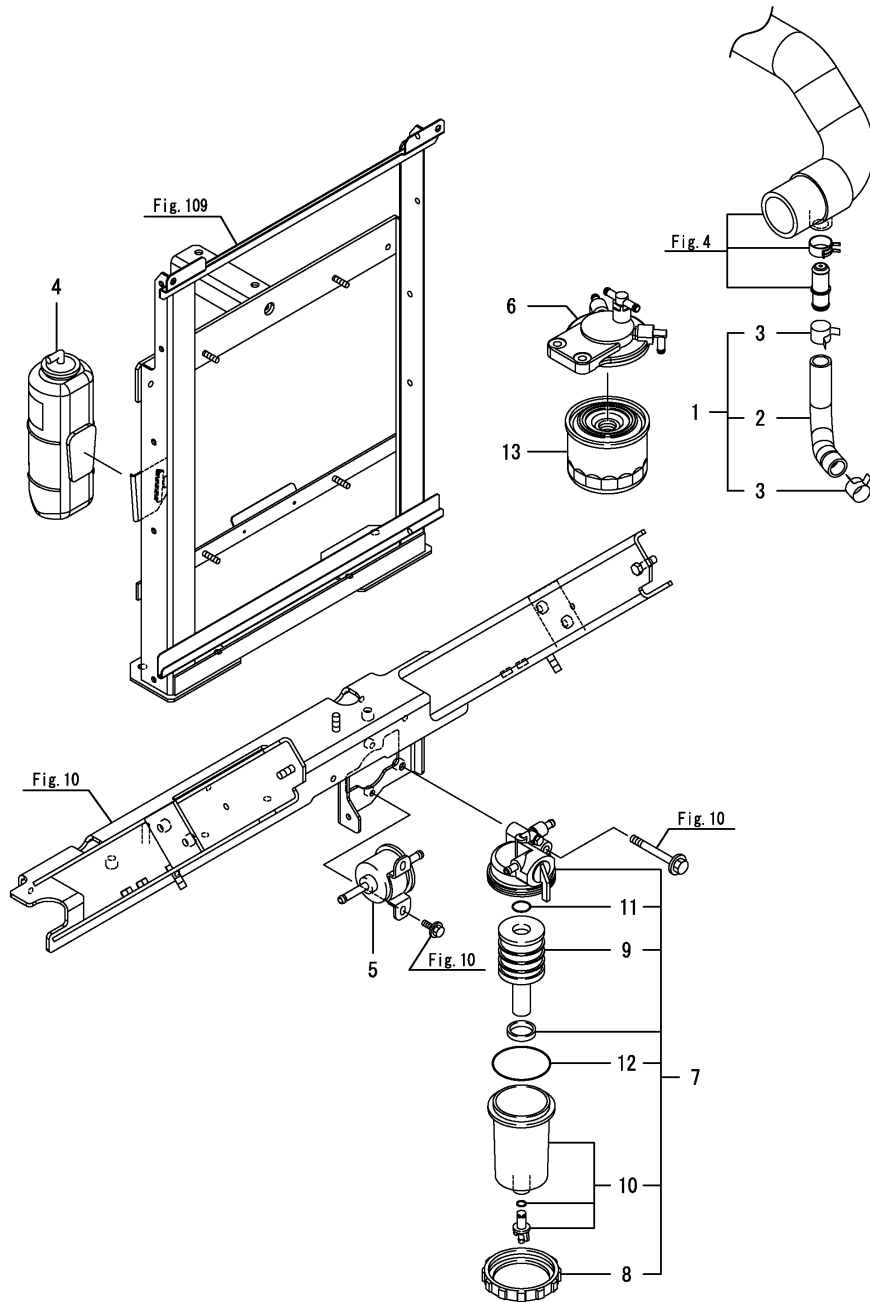
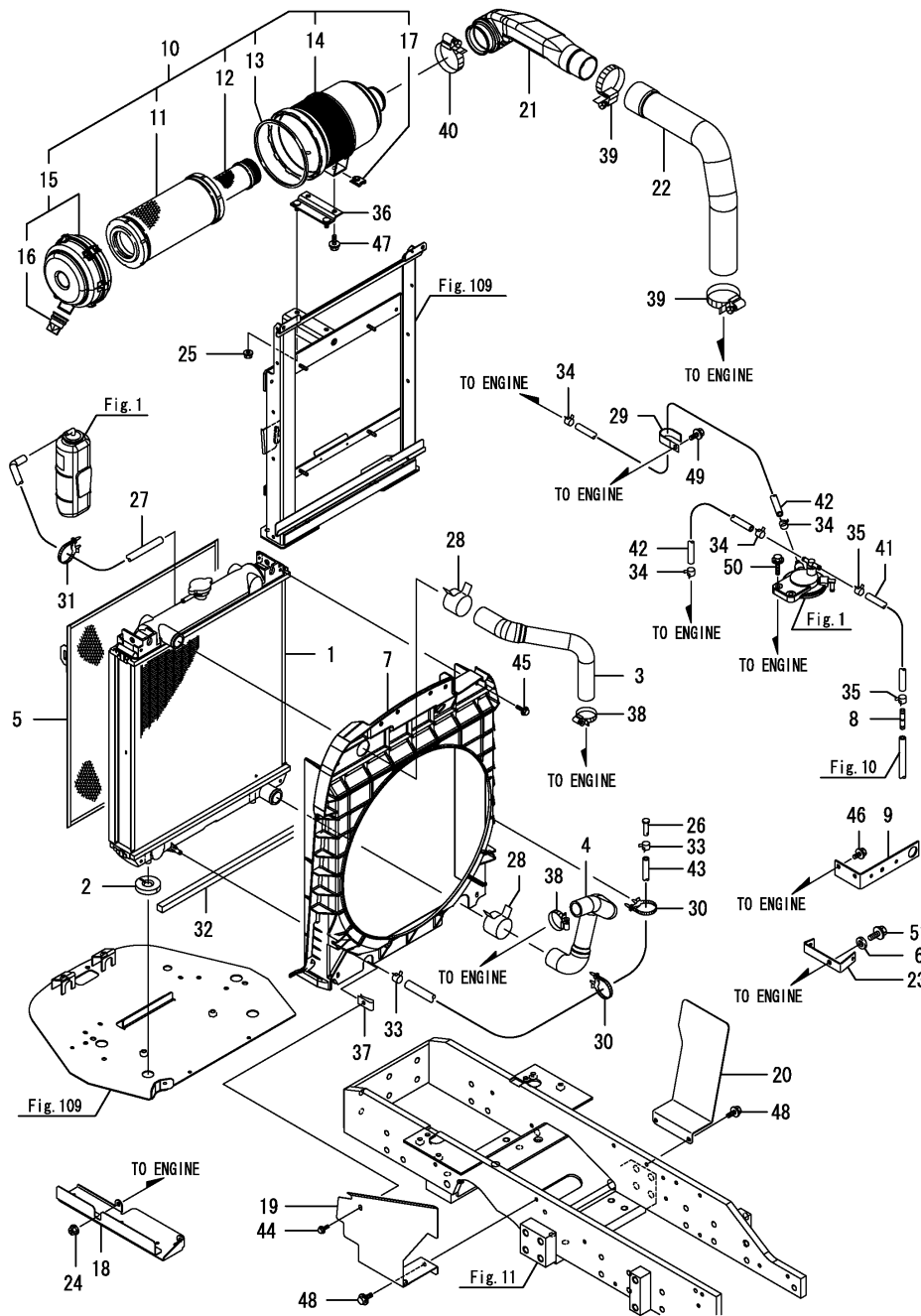


Fig.3. ENGINE ACCESSORIES



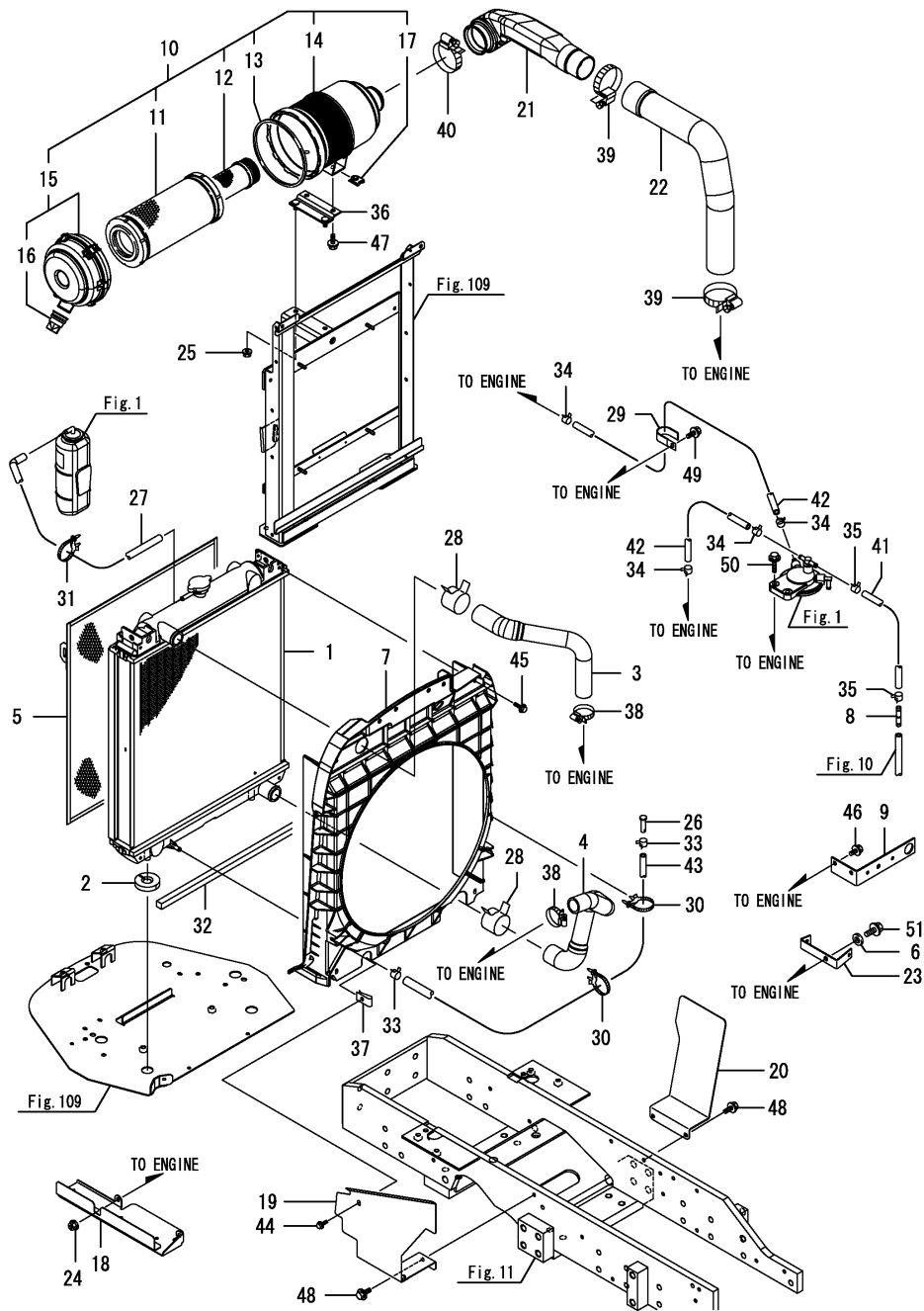
(A)=LX4100(YANMAR)
 (B)=LX4500(YANMAR)
 (C)=LX4900(YANMAR)

(D)=
 (E)=
 (F)=

No.	Lev.	Parts No.	Description	Q'ty						I	R
				(A)	(B)	(C)	(D)	(E)	(F)		
1	1	1A7140-00600	RADIATOR ASSY	1	1						
2	1	1A7180-01050	RUBBER, ABSORBER	2	2						
3	1	1A8250-01210	TUBE, COOLING WATER A	1	1						
4	1	1A7260-01220	PIPE, WATER B	1	1						
5	1	1A8250-01250	SCREEN, RADIATOR	1	1						
6	1	194150-01270	SPACER, 20	1	1						Z
				(A=FXXXXX)	(B=FXXXXX)						
7	1	1A8250-01500	SHROUD M ASSY, FAN	1	1						
8	1	198280-04470	JOINT, HOSE	1	1						
8-1	1	1A7180-04850	JOINT, FO HOSE	1	1						R
				(A=FXXXXX)	(B=FXXXXX)						
9	1	1A8240-04620	CLAMP, FUEL HOSE	1	1						
10	1	1A8240-05100	CLEANER ASSY, 5.5IN, D	1	1						
11	2	1A8240-05110	ELEMENT ASSY, OUTER	1	1						
12	2	1A8240-05120	ELEMENT ASSY, INNER	1	1						
13	2	1A8240-05130	GASKET, AIR CLEANER	1	1						
14	2	1A8240-05150	BODY,	1	1						
15	2	1A8240-05160	COVER ASSY	1	1						
16	3	1A8240-05170	VALVE, UNLOADER	1	1						
17	2	1A8240-05180	CLIP NUT, M8	2	2						
18	1	1A8275-05510	PLATE, SHUTTER, 88 ASS	1	1						
19	1	1A8240-05810	COVER, BELT L	1	1						
20	1	1A8240-05820	COVER, BELT R	1	1						
21	1	1A8240-06200	PIPE A, INTAKE	1	1						
22	1	1A8240-06220	HOSE B, INTAKE	1	1						
23	1	1A8240-15460	BRACKET, CLAMP	1	1						
24	1	194990-22140	NUT, M8	2	2						
25	1	194990-22140	NUT, M8	2	2						
26	1	198220-37900	PIN, 8X24	1	1						
27	1	121750-49150	PIPE, WATER DRAIN	1	1						
28	1	175022-49750	CLIP 37, HOSE	2	2						
29	1	194440-51620	CLAMP	1	1						
30	1	194680-51670	BAND, CLIP	2	2						
31	1	194680-51670	BAND, CLIP	1	1						
32	1	1A7601-53920	URETHANE, SIDE LAMP	1	1						
33	1	114270-59010	CLIP, HOSE 12	2	2						
34	1	114270-59010	CLIP, HOSE 12	4	4						
35	1	114270-59010	CLIP, HOSE 12	2	2						
36	1	1A8240-60220	SUPPORT, CLEANER	1	1						
37	1	198071-61890	NUT, SPEED M6	1	1						
38	1	23000-035000	CLAMP, 35	2	2						
39	1	23000-070000	CLAMP, 70	2	2						
40	1	23000-070000	CLAMP, 70	1	1						
41	1	23980-730200	HOSE, 7.3X 200	1	1						
42	1	23980-730400	HOSE, 7.3X 400	2	2						
43	1	23980-730600	HOSE, 7.3X 600	1	1						
44	1	26106-060122	BOLT, M6X 12 PLATED	1	1						
45	1	26106-060202	BOLT, M6X 20 PLATED	4	4						
46	1	26106-080122	BOLT, M8X 12 PLATED	2	2						
47	1	26106-080162	BOLT, M8X 16 PLATED	2	2						
48	1	26106-080162	BOLT, M8X 16 PLATED	3	3						

N:Old $\xrightarrow{\text{Yes}}$ New, Q:Old $\xrightarrow{\text{No}}$ New, R:Old $\xrightarrow{\text{Yes}}$ New, S:Old $\xrightarrow{\text{No}}$ New, W:Add, Z:Discontinued, F:Interchangeable by set, K:Q'ty Change
 ++ CONTINUE ++
 Copyright (C) YANMAR CO., LTD. All Rights Reserved.

Fig.3. ENGINE ACCESSORIES



(A)=LX4100(YANMAR)
 (B)=LX4500(YANMAR)
 (C)=LX4900(YANMAR)

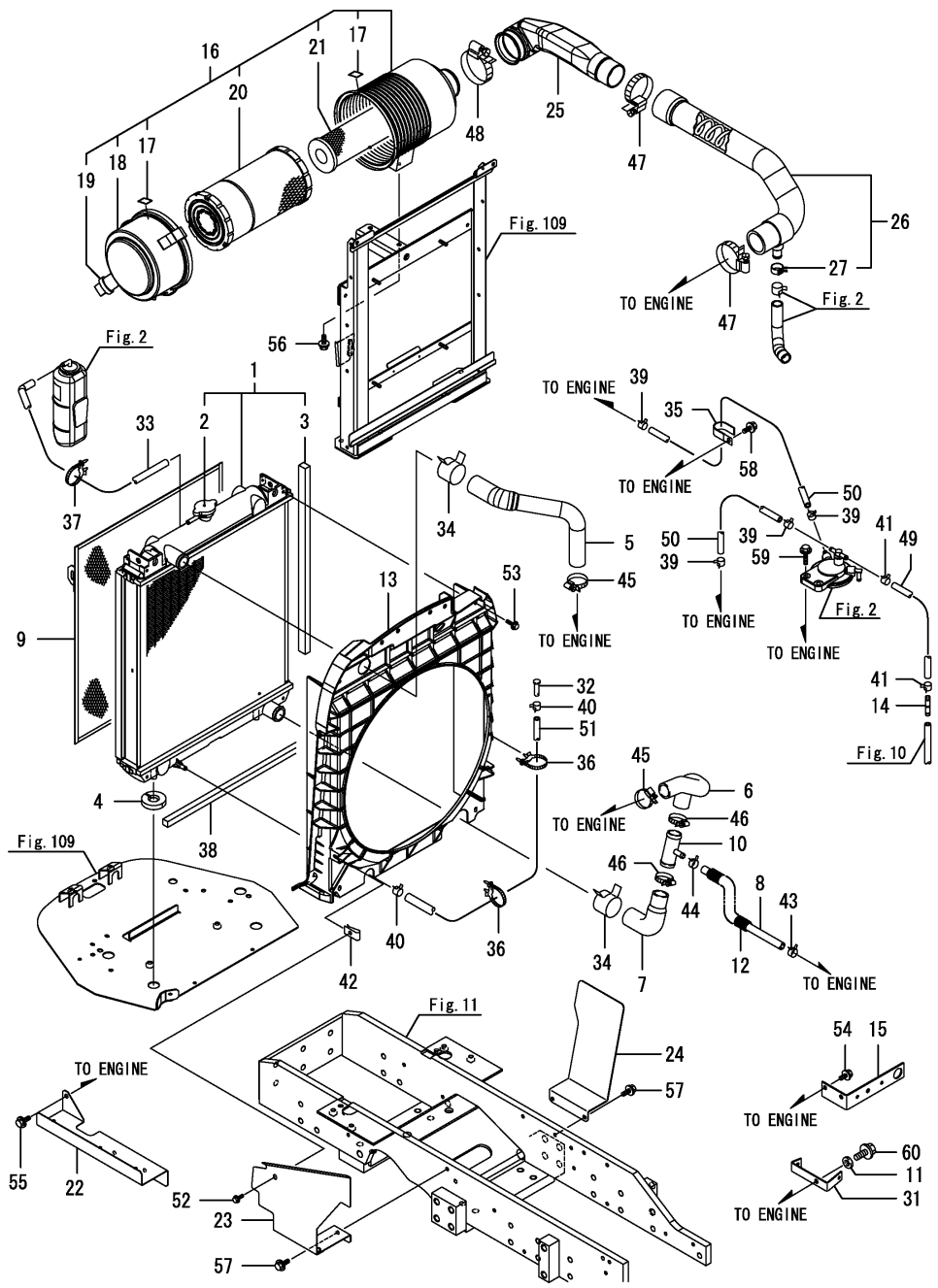
(D)=
 (E)=
 (F)=

No.	Lev.	Parts No.	Description	Q'ty						I	R
				(A)	(B)	(C)	(D)	(E)	(F)		
49	1	26106-080162	BOLT, M8X 16 PLATED	1	1						
50	1	26106-080302	BOLT, M8X 30 PLATED	2	2						
51	1	26106-100202	BOLT, M10X 20 PLATED	1	1						
51-1	1	26106-100162	BOLT, M10X 16 PLATED	1	1						N
		(A=FXXXXX) (B=FXXXXX)									

Fig.4. ENGINE ACCESSORIES

(A)=LX4100(YANMAR)
 (B)=LX4500(YANMAR)
 (C)=LX4900(YANMAR)

(D)=
 (E)=
 (F)=



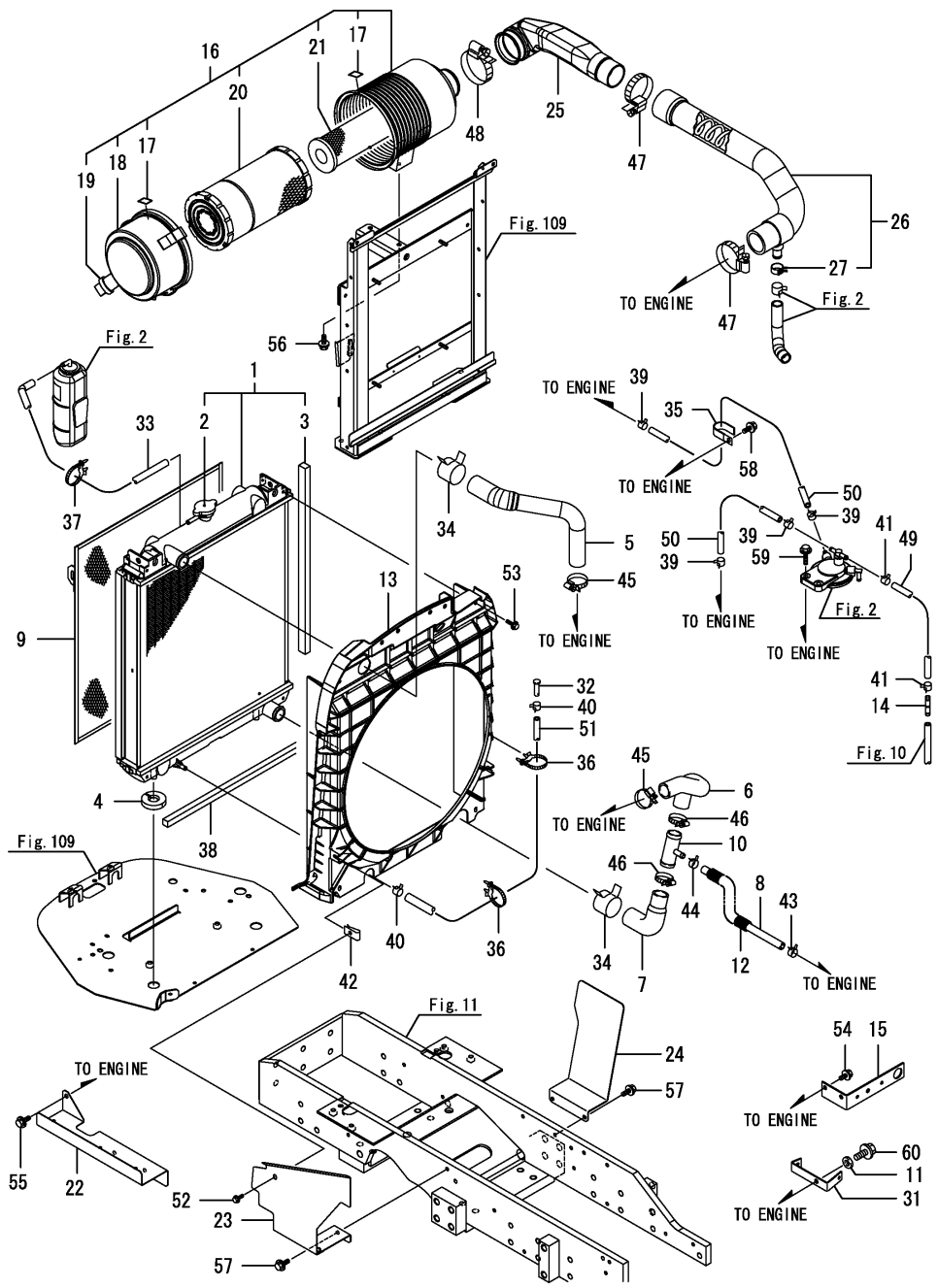
No.	Lev.	Parts No.	Description	Qty						I	R
				(A)	(B)	(C)	(D)	(E)	(F)		
1	1	1A8260-00600	RADIATOR ASSY,			1					
2	2	129107-44590	CAP, RADIATOR			1					
3	2	129467-44600	GASKET			2					
4	1	1A7180-01050	RUBBER, ABSORBER			2					
5	1	1A8250-01210	TUBE, COOLING WATER A			1					
6	1	1A7300-01220	PIPE, WATER B1			1					
7	1	1A7300-01230	PIPE, WATER B2			1					
8	1	1A8260-01241	CW-T, LO COOLER OUT			1					
9	1	1A8250-01250	SCREEN, RADIATOR			1					
10	1	1A8260-01260	JOINT, WATER COOLING			1					
11	1	194150-01270	SPACER, 20 (C=FXXXXX)			1					Z
12	1	1A8260-01270	TUBE, CORRUGATE 19			1					
13	1	1A8250-01500	SHROUD M ASSY, FAN			1					
14	1	198280-04470	JOINT, HOSE			1					
14-1	1	1A7180-04850	JOINT, FO HOSE (C=FXXXXX)			1					R
15	1	1A8240-04620	CLAMP, FUEL HOSE			1					
16	1	1A8260-05100	CLEANER ASSY, 6IN D			1					
17	2	129418-12530	LABEL, MARK			2					
18	2	129900-12530	COVER ASSY			1					
19	2	119808-12540	VALVE, UNLOADER			1					
20	2	129062-12560	ELEMENT			1					
21	2	119005-12571	ELEMENT			1					
22	1	1A8275-05530	PLATE, SHUTTER, 84T			1					
23	1	1A8240-05810	COVER, BELT L			1					
24	1	1A8240-05820	COVER, BELT R			1					
25	1	1A7180-06201	PIPE, AIR INTAKE A			1					
26	1	1A8260-06210	HOSE ASSY, INTAKE B			1					
27	2	129410-03990	CLAMP 22			1					
31	1	1A8240-15460	BRACKET, CLAMP			1					
32	1	198220-37900	PIN, 8X24			1					
33	1	121750-49150	PIPE, WATER DRAIN			1					
34	1	175022-49750	CLIP 37, HOSE			2					
35	1	194440-51620	CLAMP			1					
36	1	194680-51670	BAND, CLIP			2					
37	1	194680-51670	BAND, CLIP			1					
38	1	1A7601-53920	URETHANE, SIDE LAMP			1					
39	1	114270-59010	CLIP, HOSE 12			4					
40	1	114270-59010	CLIP, HOSE 12			2					
41	1	114270-59010	CLIP, HOSE 12			2					
42	1	198071-61890	NUT, SPEED M6			1					
43	1	23000-019000	CLAMP, 19			1					
44	1	23000-019000	CLAMP, 19			1					
45	1	23000-035000	CLAMP, 35			2					
46	1	23000-035000	CLAMP, 35			2					
47	1	23000-070000	CLAMP, 70			2					
48	1	23000-080000	CLAMP, 80			1					
49	1	23980-730200	HOSE, 7.3X 200			1					
50	1	23980-730400	HOSE, 7.3X 400			2					
51	1	23980-730600	HOSE, 7.3X 600			1					

N:Old $\xrightarrow{\text{Yes}}$ New, Q:Old $\xrightarrow{\text{No}}$ New, R:Old $\xrightarrow{\text{Yes}}$ New, S:Old $\xrightarrow{\text{No}}$ New, W:Add, Z:Discontinued, F:Interchangeable by set, K:Q'ty Change
 ++ CONTINUE ++
 Copyright (C) YANMAR CO., LTD. All Rights Reserved.

Fig.4. ENGINE ACCESSORIES

(A)=LX4100(YANMAR)
 (B)=LX4500(YANMAR)
 (C)=LX4900(YANMAR)

(D)=
 (E)=
 (F)=



No.	Lev.	Parts No.	Description	Qty						I	R
				(A)	(B)	(C)	(D)	(E)	(F)		
52	1	26106-060122	BOLT, M6X 12 PLATED			1					
53	1	26106-060202	BOLT, M6X 20 PLATED			4					
54	1	26106-080122	BOLT, M8X 12 PLATED			2					
55	1	26106-080122	BOLT, M8X 12 PLATED			3					
56	1	26106-080162	BOLT, M8X 16 PLATED			2					
57	1	26106-080162	BOLT, M8X 16 PLATED			3					
58	1	26106-080162	BOLT, M8X 16 PLATED			1					
59	1	26106-080302	BOLT, M8X 30 PLATED			2					
60	1	26106-100202	BOLT, M10X 20 PLATED			1					
60-1	1	26106-100162	BOLT, M10X 16 PLATED (C=FXXXXX)			1					N

Fig.5. GROMMET

(A)=LX4100(YANMAR)
 (B)=LX4500(YANMAR)
 (C)=LX4900(YANMAR)

(D)=
 (E)=
 (F)=

No.	Lev.	Parts No.	Description	Qty						I	R
				(A)	(B)	(C)	(D)	(E)	(F)		
1	1	194180-61980	GROMMET, 24	1	1	1					

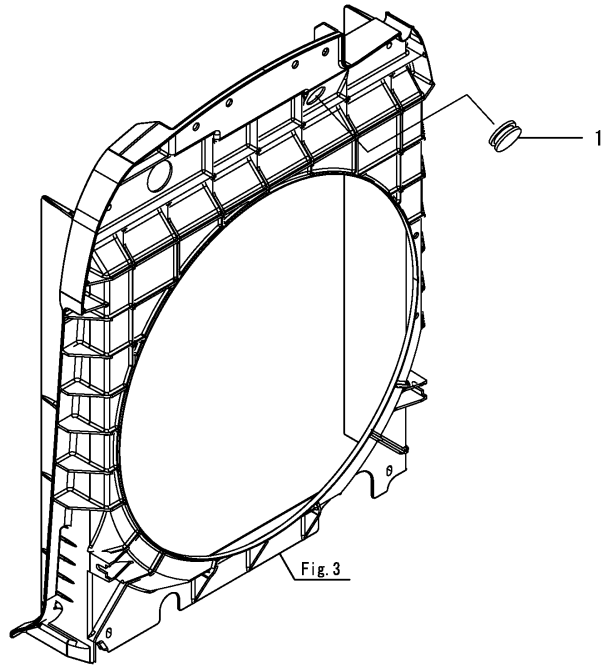


Fig.6. ACCEL LEVER

(A)=LX4100(YANMAR)
 (B)=LX4500(YANMAR)
 (C)=LX4900(YANMAR)

(D)=
 (E)=
 (F)=

No.	Lev.	Parts No.	Description	Qty						I	R
				(A)	(B)	(C)	(D)	(E)	(F)		
1	1	1A8250-01100	LEVER ASSY, ACCEL	1	1	1					
2	2	194740-00160	SPRING, 10	3	3	3					
3	2	1A8250-01110	LEVER, ACCEL	1	1	1					
4	2	198200-01260	PLATE, FRICTION	1	1	1					
5	2	1A8250-02150	SUPPORT ASSY, ACCEL	1	1	1					
6	2	22137-100000	WASHER, 10	1	1	1					
7	2	22157-100000	WASHER, 10	1	1	1					
8	2	26716-100002	NUT, M10	2	2	2					
9	1	1A8250-01150	CABLE ASSY, HAND	1	1	1					
10	1	198071-01160	RUBBER	1	1	1					
11	1	198253-01190	KNOB, LEVER	1	1	1					
12	1	194170-51210	GROMMET 25	1	1	1					
13	1	1C6281-52310	PIN, SNAP 6	1	1	1					
14	1	198071-58810	GROMMET, 8	1	1	1					
15	1	22137-060000	WASHER, 6	1	1	1					
16	1	26106-080162	BOLT, M8X 16 PLATED	2	2	2					

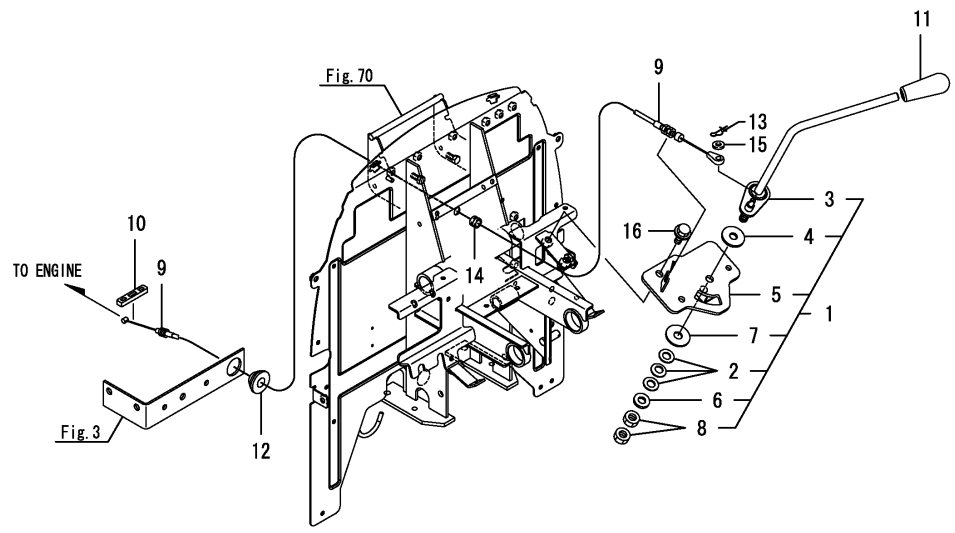
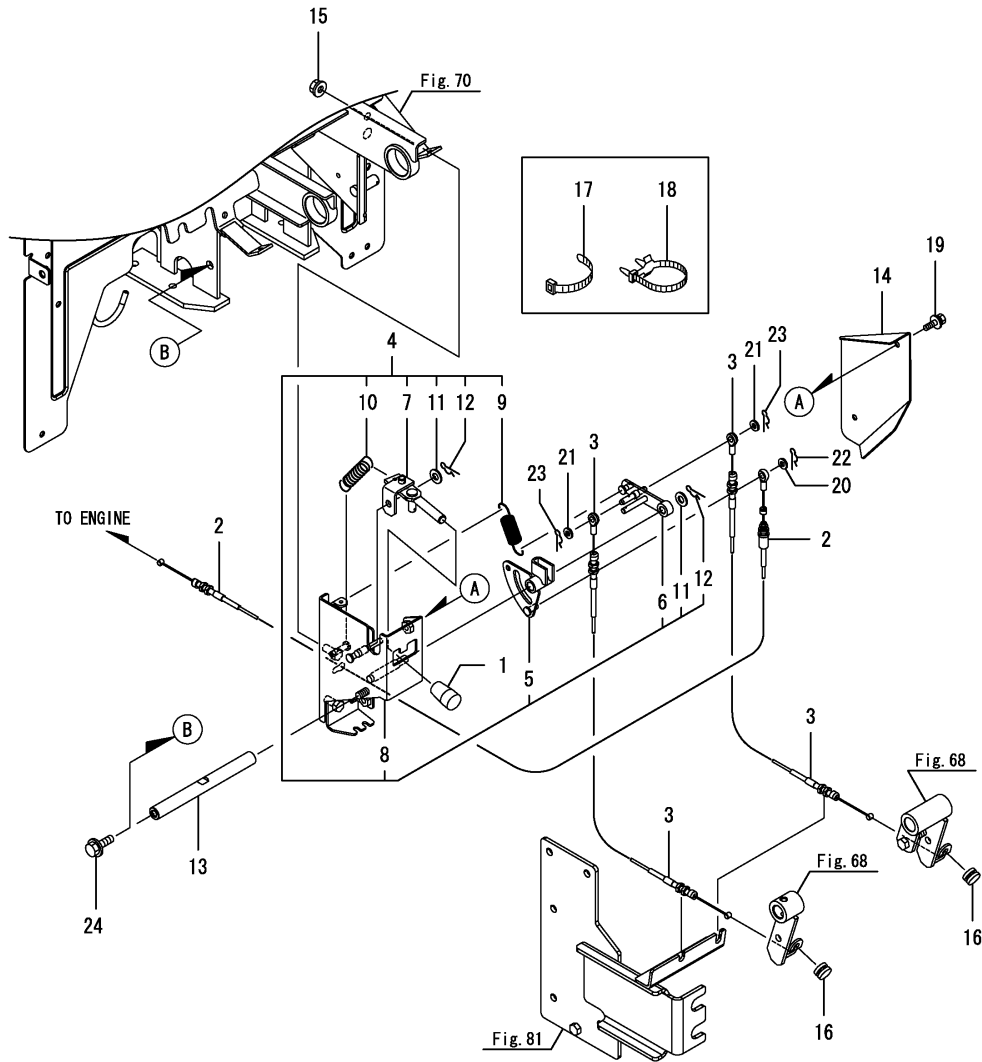


Fig.7. AUTO THROTTLE

(A)=LX4100(YANMAR)
 (B)=LX4500(YANMAR)
 (C)=LX4900(YANMAR)

(D)=
 (E)=
 (F)=



No.	Lev.	Parts No.	Description	Q'ty						I	R
				(A)	(B)	(C)	(D)	(E)	(F)		
1	1	194150-01190	KNOB, LEVER	1	1	1					
2	1	1A8260-01200	WIRE, TROTTL	1	1	1					
3	1	1A8260-01901	WIRE, INTERLOCK	2	2	2					
4	1	1A8260-02501	LEVER UNIT,INTERLOCK	1	1	1					
5	2	1A8260-02550	SHIFTER ASSY	1	1	1					
6	2	1A8260-02650	ARM ASSY	1	1	1					
7	2	1A8260-02750	LEVER ASSY	1	1	1					
8	2	1A8260-02851	BRACKET ASSY	1	1	1					
9	2	1C7121-56040	SPRING, RETURN	1	1	1					
10	2	1S6483-63610	SPRING, RETURN	1	1	1					
11	2	22137-080000	WASHER, 8	2	2	2					
12	2	22372-080000	PIN, SNAP 8	2	2	2					
13	1	1A8260-02910	NUT, 8X156	1	1	1					
14	1	1A8260-02951	COVER, INTERLOCK	1	1	1					
15	1	194990-22140	NUT, M8	2	2	2					
16	1	1C6053-26020	CAP, RUBBER 8X3	2	2	2					
17	1	1A8300-51210	BAND, REPEAT	2	2	2					
18	1	194680-51670	BAND, CLIP	1	1	1					
19	1	198072-60590	BOLT, M6X20	2	2	2					
20	1	22137-060000	WASHER, 6	1	1	1					
21	1	22137-060000	WASHER, 6	2	2	2					
22	1	22372-060000	PIN, SNAP 6	1	1	1					
23	1	22372-060000	PIN, SNAP 6	2	2	2					
24	1	26106-080162	BOLT, M8X 16 PLATED	1	1	1					

Fig.8. EXHAUST

(A)=LX4100(YANMAR)
 (B)=LX4500(YANMAR)
 (C)=LX4900(YANMAR)

(D)=
 (E)=
 (F)=

No.	Lev.	Parts No.	Description	Qty						I	R
				(A)	(B)	(C)	(D)	(E)	(F)		
1	1	1A8250-03100	MUFFLER PIPE	1	1	1					
2	1	129052-13550	GASKET	1	1	1					
3	1	26106-080202	BOLT, M8X 20 PLATED	3	3	3					

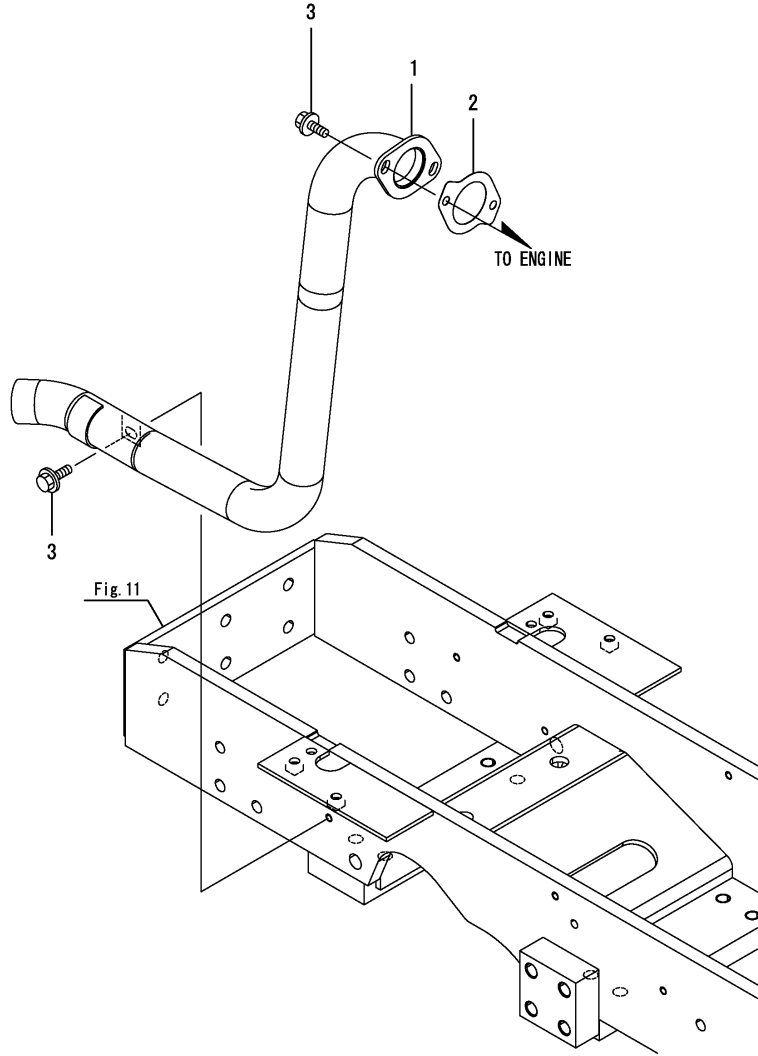
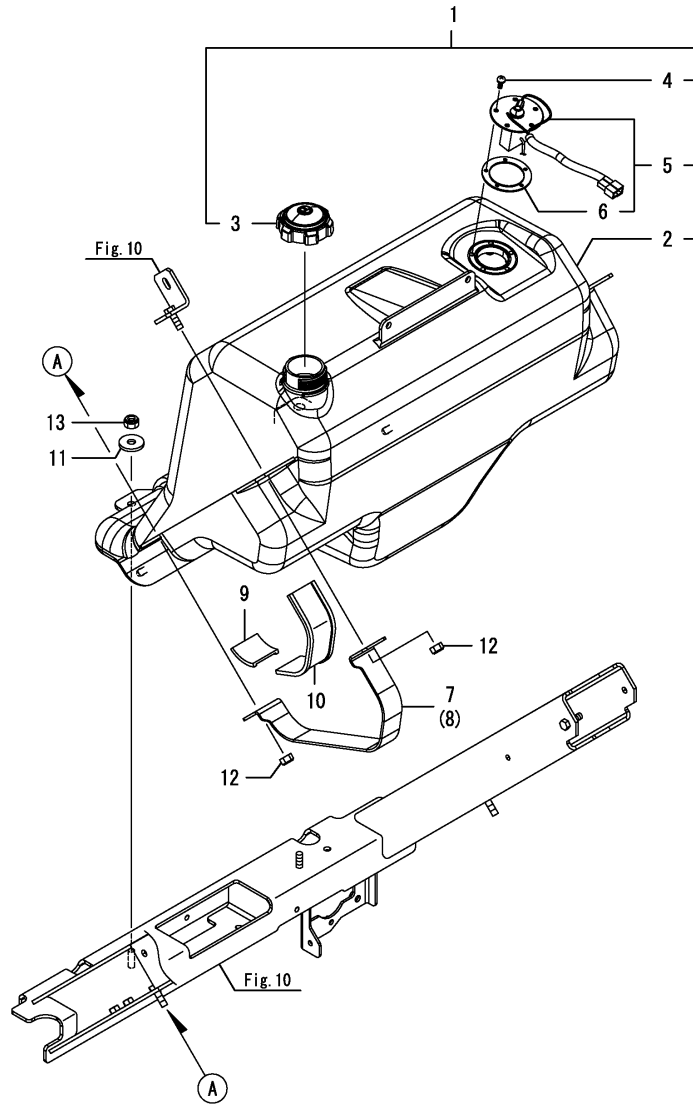


Fig.9. FUEL TANK

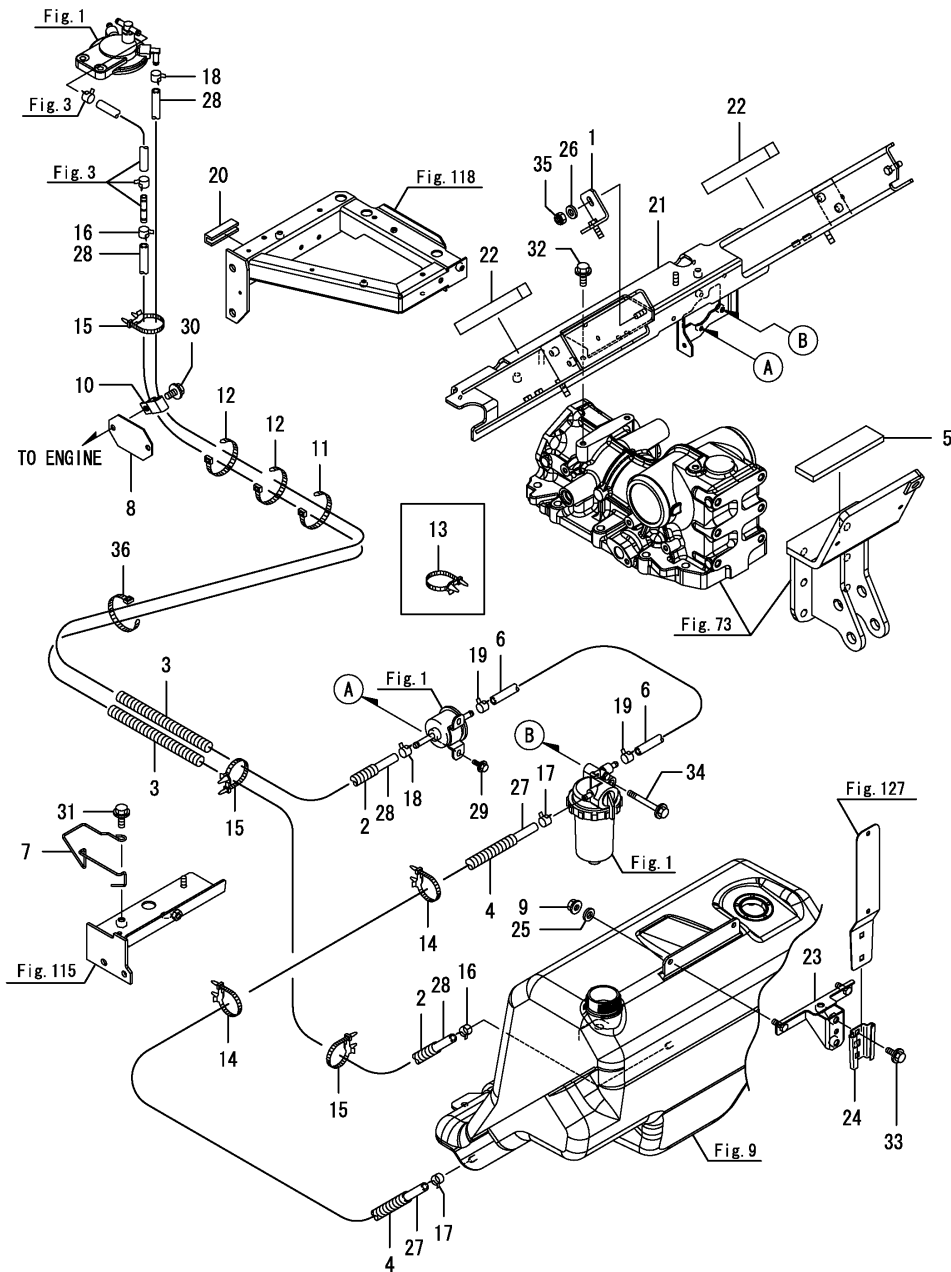
(A)=LX4100(YANMAR)
 (B)=LX4500(YANMAR)
 (C)=LX4900(YANMAR)

(D)=
 (E)=
 (F)=



No.	Lev.	Parts No.	Description	Qty						I	R
				(A)	(B)	(C)	(D)	(E)	(F)		
1	1	1A8250-04100	TANK, FUEL ASSY	1	1	1					
2	2	1A8250-04110	TANK, FUEL	1	1	1					
3	2	1A8160-04130	CAP, FUEL TANK	1	1	1					
4	2	1A7180-04180	SCREW, M5X14	5	5	5					
5	2	1A8275-56600	FUEL SENDER ASSY	1	1	1					
6	3	194420-56620	GASKET	1	1	1					
7	1	1A8250-04210	BAND, TANK REAR L	1	1	1					
8	1	1A8250-04220	BAND, TANK REAR R	1	1	1					
9	1	1A8250-04230	BUFFER, BAND	2	2	2					
10	1	1A8250-04240	BUFFER, BAND	2	2	2					
11	1	22157-080000	WASHER, 8	2	2	2					
12	1	26347-080002	NUT, M8	4	4	4					
13	1	26347-080002	NUT, M8	2	2	2					

Fig.10. TANK PARTS



(A)=LX4100(YANMAR)
 (B)=LX4500(YANMAR)
 (C)=LX4900(YANMAR)

(D)=
 (E)=
 (F)=

No.	Lev.	Parts No.	Description	Qty						I	R
				(A)	(B)	(C)	(D)	(E)	(F)		
1	1	1A8250-04250	ANGLE ASSY, TANK	2	2	2					
2	1	1A8250-04280	TUBE, CORRUGATE 13	2	2	2					
3	1	1A8250-04280	TUBE, CORRUGATE 13	2	2	2					
4	1	1A8250-04280	TUBE, CORRUGATE 13	1	1	1					
5	1	1A8250-04290	CUSHION, TANK	1	1	1					
6	1	1A8250-04430	HOSE, FUEL	1	1	1					
7	1	1A8250-04870	CLAMP, HOSE	1	1	1					
8	1	1A8250-21180	COVER, HOUSING	1	1	1					
9	1	194990-22140	NUT, M8	2	2	2					
10	1	1A7130-48110	CLAMP, PIPE	1	1	1					
11	1	1A8300-51210	BAND, REPEAT	1	1	1					
12	1	1A8300-51210	BAND, REPEAT	2	2	2					
13	1	194680-51670	BAND, CLIP	1	1	1					
14	1	1A8275-51670	CLIP, M8 HOLE	2	2	2					
15	1	1A8275-51670	CLIP, M8 HOLE	3	3	3					
16	1	114270-59010	CLIP, HOSE 12	2	2	2					
17	1	114270-59010	CLIP, HOSE 12	2	2	2					
18	1	114270-59010	CLIP, HOSE 12	2	2	2					
19	1	114270-59010	CLIP, HOSE 12	2	2	2					
20	1	1A8250-61560	TRIM,	1	1	1					
21	1	1A8250-63800	BRACKET ASSY, TANK	1	1	1					
22	1	1A8250-63890	SEAL, FENDER	2	2	2					
23	1	1A8250-65870	BRACKET, SMV ASSY	1	1	1					
24	1	1A7882-85630	HOLDER, SMV	1	1	1					
25	1	22157-080000	WASHER, 8	2	2	2					
26	1	22157-080000	WASHER, 8	2	2	2					
27	1	23980-730550	HOSE, 7.3X 550	1	1	1					
28	1	23980-731700	HOSE, 7.3X1700	2	2	2					
29	1	26106-060122	BOLT, M6X 12 PLATED	2	2	2					
30	1	26106-080162	BOLT, M8X 16 PLATED	2	2	2					
31	1	26106-080162	BOLT, M8X 16 PLATED	1	1	1					
32	1	26106-080202	BOLT, M8X 20 PLATED	2	2	2					
33	1	26106-080202	BOLT, M8X 20 PLATED	2	2	2					
34	1	26106-080702	BOLT, M8X 70 PLATED	1	1	1					
35	1	26347-080002	NUT, M8	2	2	2					
36	1	1A8300-51210	BAND, REPEAT	1	1	1					W

(A)=FXXXXX (B)=FXXXXX (C)=FXXXXX

Fig.11. FRONT AXLE BRACKET

(A)=LX4100(YANMAR)
 (B)=LX4500(YANMAR)
 (C)=LX4900(YANMAR)

(D)=
 (E)=
 (F)=

No.	Lev.	Parts No.	Description	Q'ty						I	R
				(A)	(B)	(C)	(D)	(E)	(F)		
1	1	1A8250-11100	BRACKET ASSY, F AXLE	1	1	1					
2	1	1A8160-11520	BOLT, M12X34	14	14	14					
3	1	1A8275-17450	GUARD, PST CYLINDER	1	1	1					
4	1	1A6680-85980	BOLT, M14X45	8	8	8					
5	1	26106-080162	BOLT, M8X 16 PLATED	1	1	1					
6	1	26116-160604	BOLT, M16X 60 PLATED	1	1	1					
7	1	26716-160002	NUT, M16	1	1	1					

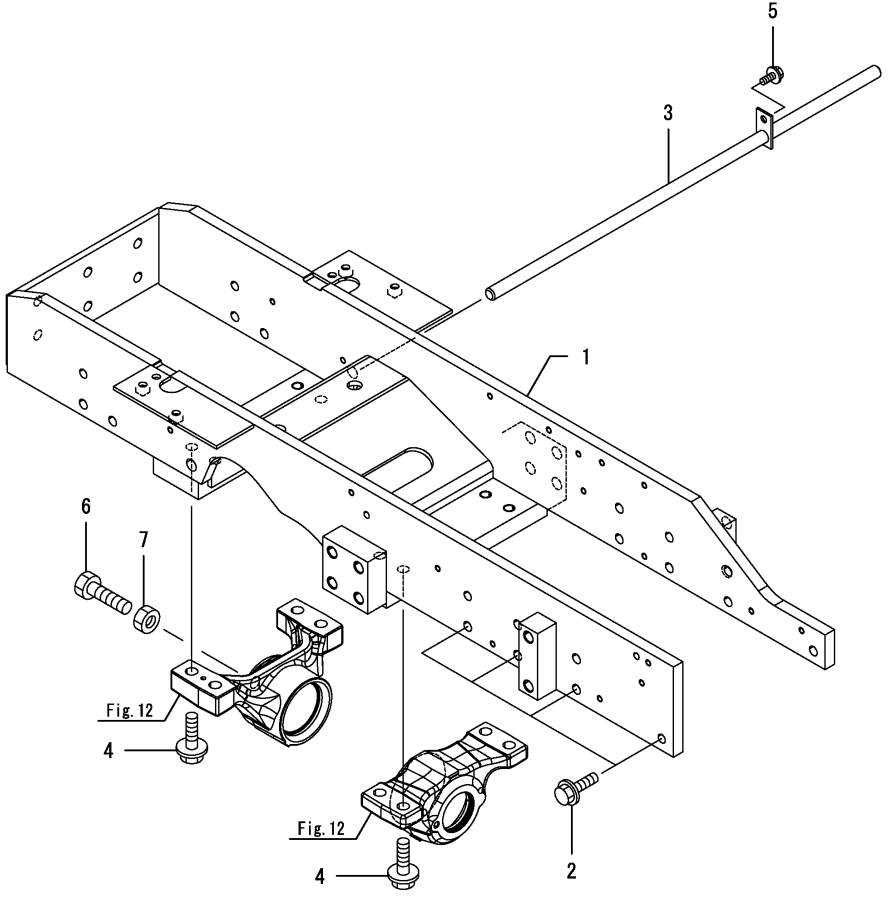


Fig.12. FRONT SUPPORT

(A)=LX4100(YANMAR)
 (B)=LX4500(YANMAR)
 (C)=LX4900(YANMAR)

(D)=
 (E)=
 (F)=

No.	Lev.	Parts No.	Description	Qty						I	R
				(A)	(B)	(C)	(D)	(E)	(F)		
1	1	1A8275-11600	SUPPORT ASSY,FRONT F	1	1	1					
2	2	1A7180-11620	BUSH, 60X65X40	1	1	1					
3	2	1A7180-11630	SEAL, VB607005	1	1	1					
4	2	24761-010000	NIPPLE, GREASE M6F	1	1	1					
5	1	1A7180-11650	WASHER, 60X4	1	1	1					
6	1	1A8275-11700	SUPPORT ASSY,FRONT R	1	1	1					
7	2	194181-11560	SEAL, OIL VB75856.5	1	1	1					
8	2	194641-11630	BUSH, 75X80X25	1	1	1					
9	2	24761-010000	NIPPLE, GREASE M6F	1	1	1					
10	1	198283-13480	WASHER, 62X75X3	1	1	1					

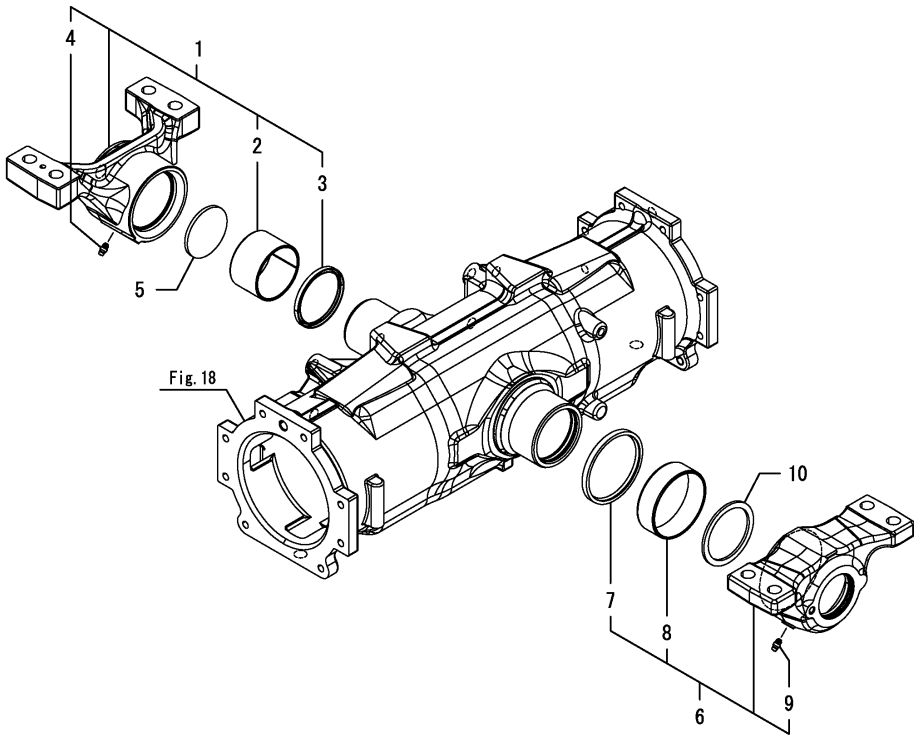
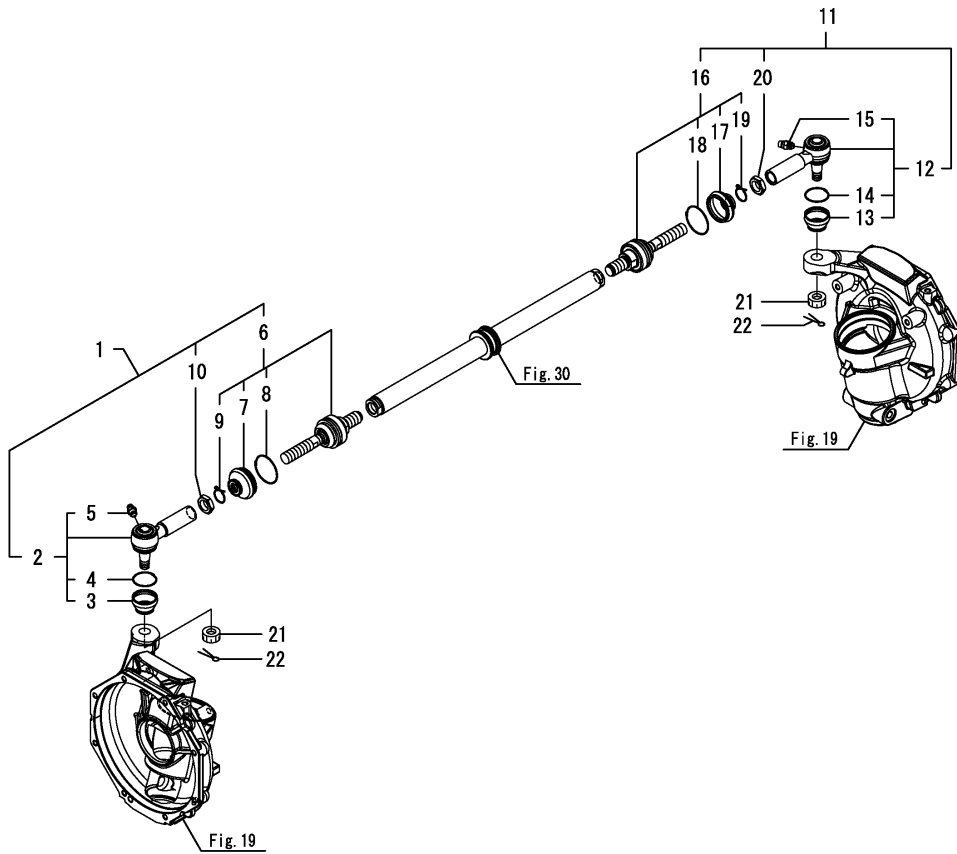


Fig.13. TIE ROD

(A)=LX4100(YANMAR)
 (B)=LX4500(YANMAR)
 (C)=LX4900(YANMAR)

(D)=
 (E)=
 (F)=



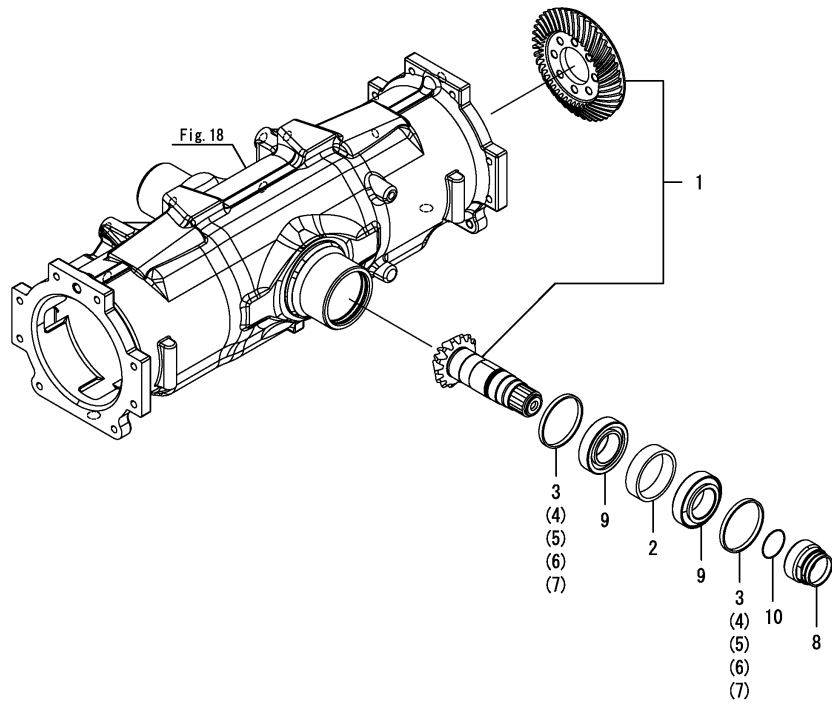
No.	Lev.	Parts No.	Description	Q'ty						I	R
				(A)	(B)	(C)	(D)	(E)	(F)		
1	1	1A8275-12310	TIE-ROD ASSY, L	1	1	1					
2	2	1A8275-12330	END ASSY, ROD L	1	1	1					
3	3	1A8275-12440	COVER, DUST	1	1	1					
4	3	1A8275-12450	RING, COVER	1	1	1					
5	3	1A8275-12460	GREASE NIPPLES	1	1	1					
6	2	1A8275-12510	END ASSY, RACK L	1	1	1					
7	3	1A8275-12580	COVER, DUST	1	1	1					
8	3	1A8275-12590	RING, COVER	1	1	1					
9	3	1A8275-12600	CLIP,	1	1	1					
10	2	1A8275-12610	NUT, M20	1	1	1					
11	1	1A8275-12320	TIE-ROD ASSY, R	1	1	1					
12	2	1A8275-12340	END ASSY, ROD R	1	1	1					
13	3	1A8275-12440	COVER, DUST	1	1	1					
14	3	1A8275-12450	RING, COVER	1	1	1					
15	3	1A8275-12460	GREASE NIPPLES	1	1	1					
16	2	1A8275-12520	END ASSY, RACK R	1	1	1					
17	3	1A8275-12580	COVER, DUST	1	1	1					
18	3	1A8275-12590	RING, COVER	1	1	1					
19	3	1A8275-12600	CLIP,	1	1	1					
20	2	1A8275-12610	NUT, M20	1	1	1					
21	1	1A8275-12470	NUT,CASTLE	2	2	2					
22	1	22417-400400	PIN, COTTER 4.0X40	2	2	2					

Fig.14. RING GEAR

(A)=LX4100(YANMAR)
 (B)=LX4500(YANMAR)
 (C)=LX4900(YANMAR)

(D)=
 (E)=
 (F)=

No.	Lev.	Parts No.	Description	Q'ty						I	R
				(A)	(B)	(C)	(D)	(E)	(F)		
1	1	1A8275-13100	GEAR ASSY, RING	1	1	1					
2	1	1A7180-13150	COLLAR, 52.5X60.5X16	1	1	1					
3	1	1A7180-13380	COLLAR, 58X62X4.8	1	1	1					1
4	1	1A7180-13390	COLLAR, 58X62X4.9	1	1	1					1
5	1	1A7180-13400	COLLAR, 58X62X5.0	2	2	2					1
6	1	1A7180-13410	COLLAR, 58X62X5.1	1	1	1					1
7	1	1A7180-13420	COLLAR, 58X62X5.2	1	1	1					1
8	1	198251-13670	COLLAR, SEAL	1	1	1					
9	1	24141-320070	BEARING, 32007	2	2	2					
10	1	24341-000315	O-RING, 1AS31.5	1	1	1					



Remarks
 (1) Select and use

Fig.15. DIFFERENTIAL GEAR

(A)=LX4100(YANMAR)
 (B)=LX4500(YANMAR)
 (C)=LX4900(YANMAR)

(D)=
 (E)=
 (F)=

No.	Lev.	Parts No.	Description	Q'ty						I	R
				(A)	(B)	(C)	(D)	(E)	(F)		
1	1	1A7180-13201	HOUSING ASSY	1	1	1					
2	2	1A7180-13211	CASE, DIFFERENTIAL	1	1	1					
3	2	194321-13230	PINION, DIFFERENTIAL	2	2	2					
4	2	194465-13240	LINER, DIFFERENTIAL	2	2	2					
5	2	194321-13250	GEAR, DIFFERENTIAL	2	2	2					
6	2	194465-13260	WASHER, DIFFERENTIAL	2	2	2					
7	2	194321-13270	SHAFT, DIFFERENTIAL	1	1	1					
8	2	22351-060040	PIN, SPRING 6.0X40	1	1	1					
9	1	1A7180-13250	COLLAR	1	1	1					
10	1	1A7180-13260	SHIM, DIFFERENTIAL A	2	2	2					
11	1	1A7180-13270	SHIM, DIFFERENTIAL B	3	3	3					
12	1	198165-21490	BOLT, M8X20	8	8	8					
13	1	24101-060174	BEARING, BALL 6017	2	2	2					

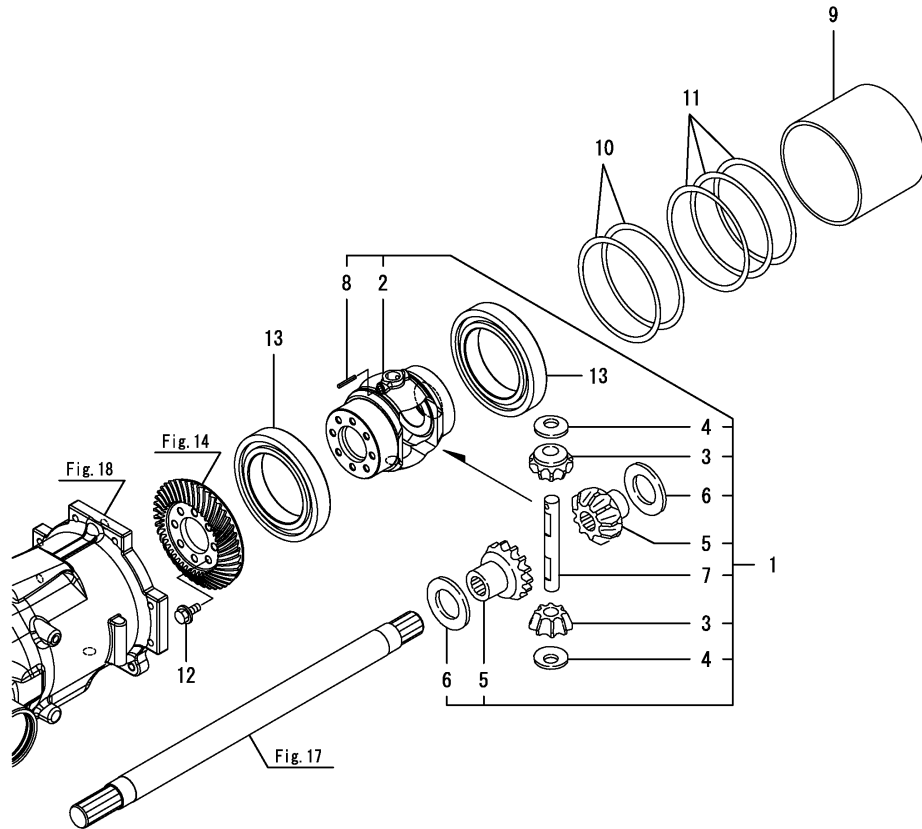
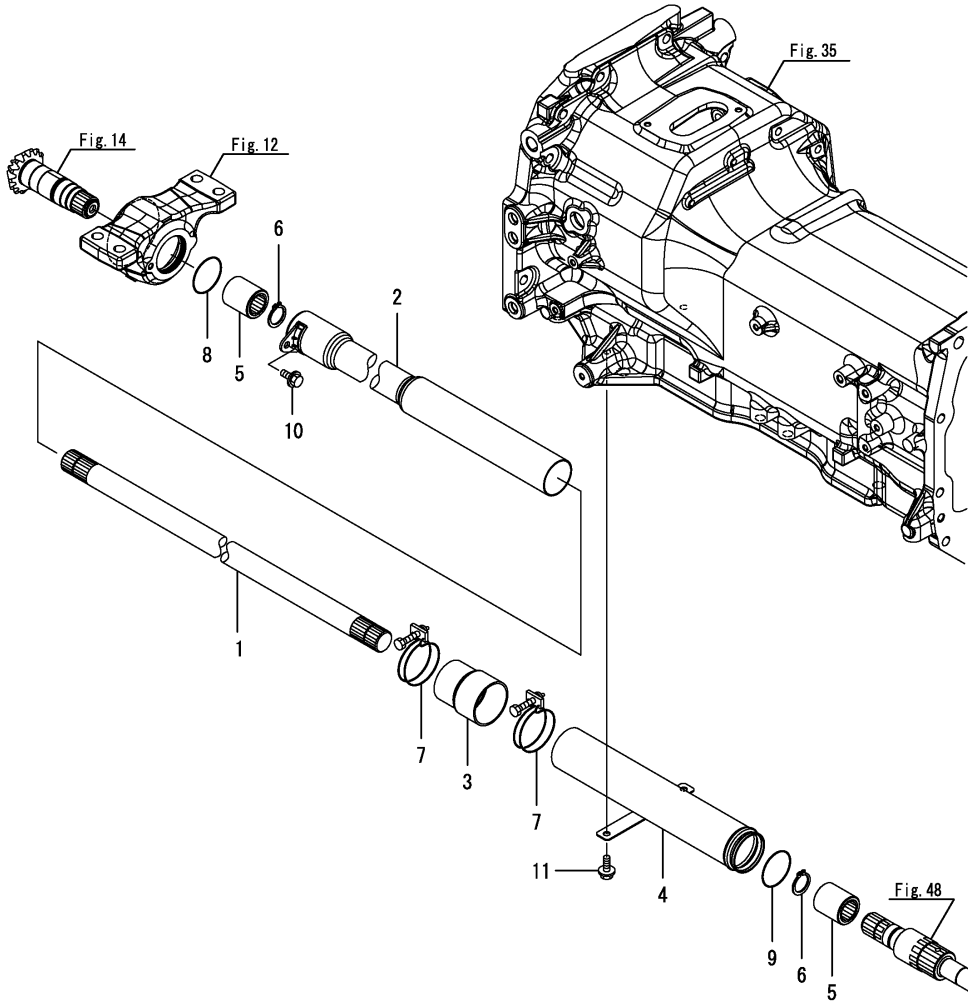


Fig.16. PROPELLER SHAFT

(A)=LX4100(YANMAR)
 (B)=LX4500(YANMAR)
 (C)=LX4900(YANMAR)

(D)=
 (E)=
 (F)=



No.	Lev.	Parts No.	Description	Qty						I	R
				(A)	(B)	(C)	(D)	(E)	(F)		
1	1	1A7140-13300	SHAFT, PROPELLER	1	1	1					
2	1	1A7140-14610	COVER, SHAFT FRONT	1	1	1					
3	1	198241-14650	BOOT, SHAFT COVER	1	1	1					
4	1	1A8275-14900	COVER, SHAFT	1	1	1					
5	1	194640-26130	COUPLING, PTO	2	2	2					
6	1	22242-000300	RING, 30	2	2	2					
7	1	23000-060000	CLAMP, 60	2	2	2					
8	1	24321-000500	O-RING, 1AG50.0	1	1	1					
9	1	24321-000500	O-RING, 1AG50.0	1	1	1					
10	1	26106-080122	BOLT, M8X 12 PLATED	1	1	1					
11	1	26106-080122	BOLT, M8X 12 PLATED	2	2	2					

Fig.17. FRONT SHAFT(1)

(A)=LX4100(YANMAR)
 (B)=LX4500(YANMAR)
 (C)=LX4900(YANMAR)

(D)=
 (E)=
 (F)=

No.	Lev.	Parts No.	Description	Qty						I	R
				(A)	(B)	(C)	(D)	(E)	(F)		
1	1	1A7180-13520	PINION, SHAFT Z=12	2	2	2					
2	1	1A7180-13560	SHAFT, FRONT 1ST L	1	1	1					
3	1	1A7180-13570	SHAFT, FRONT 1ST R	1	1	1					
4	1	1A7180-13580	BEARING, HR6209UR	4	4	4					

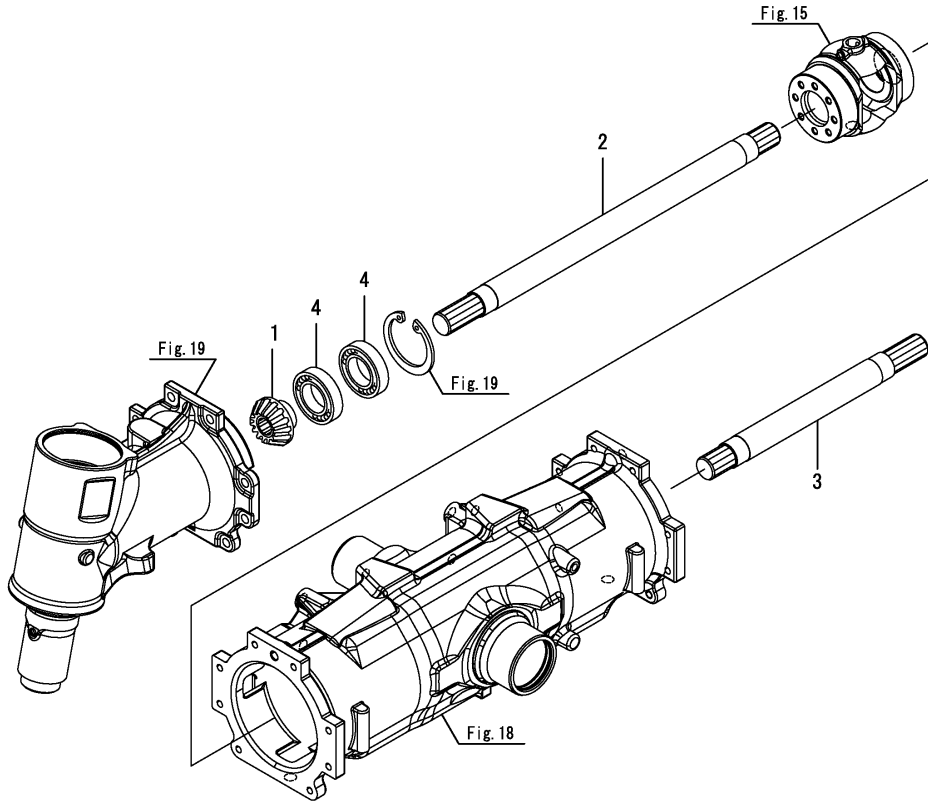
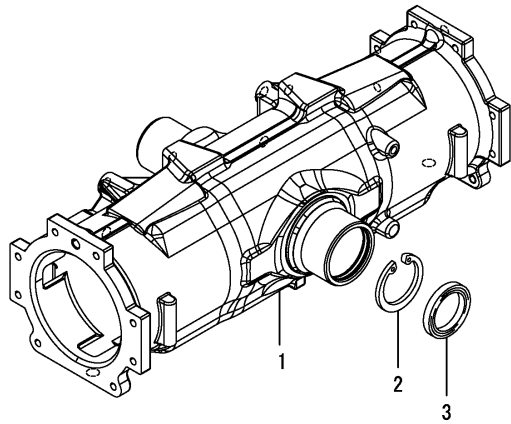


Fig.18. FRONT AXLE CASE

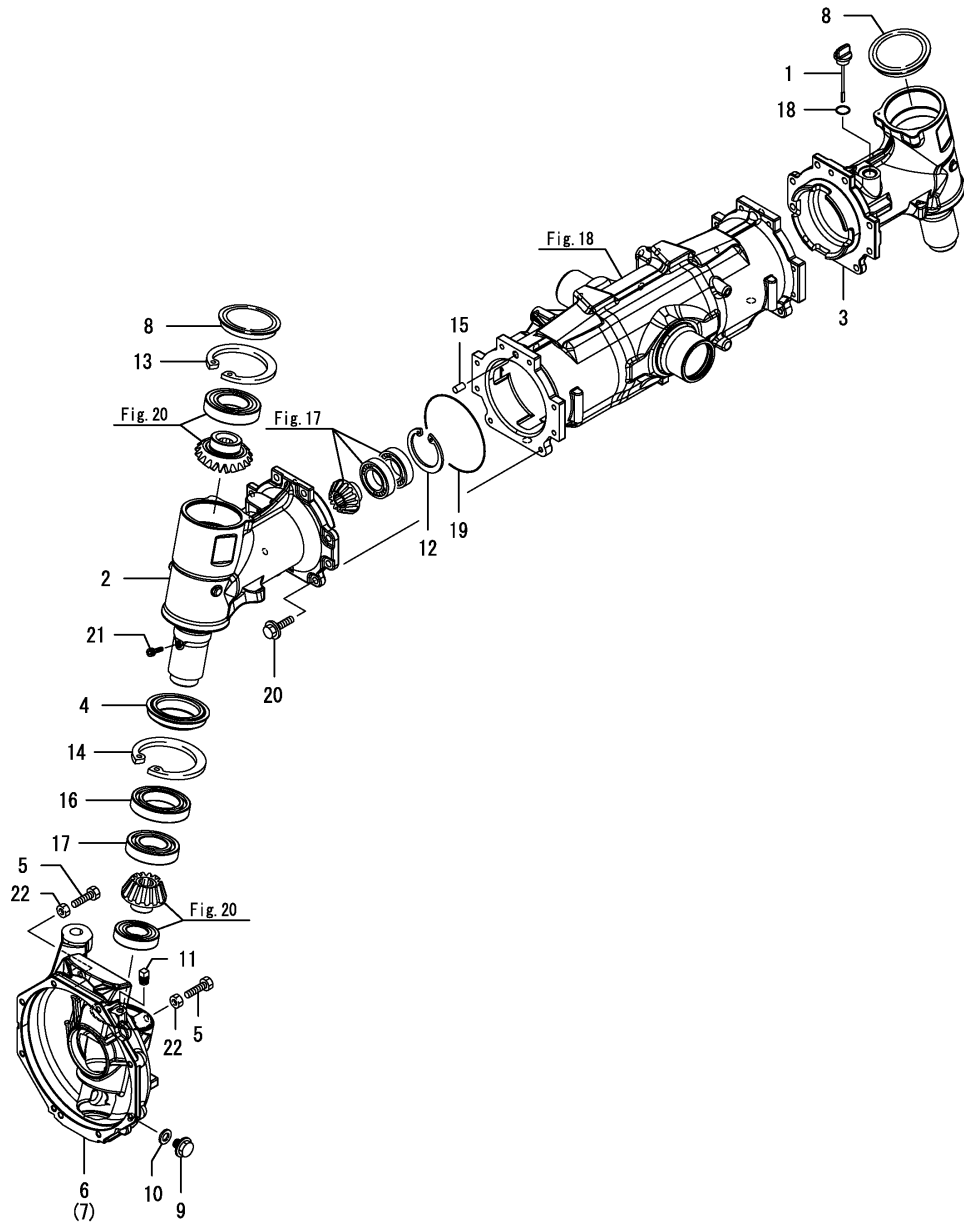
(A)=LX4100(YANMAR)
 (B)=LX4500(YANMAR)
 (C)=LX4900(YANMAR)

(D)=
 (E)=
 (F)=



No.	Lev.	Parts No.	Description	Qty						I	R
				(A)	(B)	(C)	(D)	(E)	(F)		
1	1	1A8275-13610	CASE , FRONT AXLE	1	1	1					
2	1	22252-000620	RING, 62	1	1	1					
3	1	24421-456209	SEAL, OIL TC456209	1	1	1					

Fig.19. FRONT GEAR CASE



(A)=LX4100(YANMAR)
 (B)=LX4500(YANMAR)
 (C)=LX4900(YANMAR)

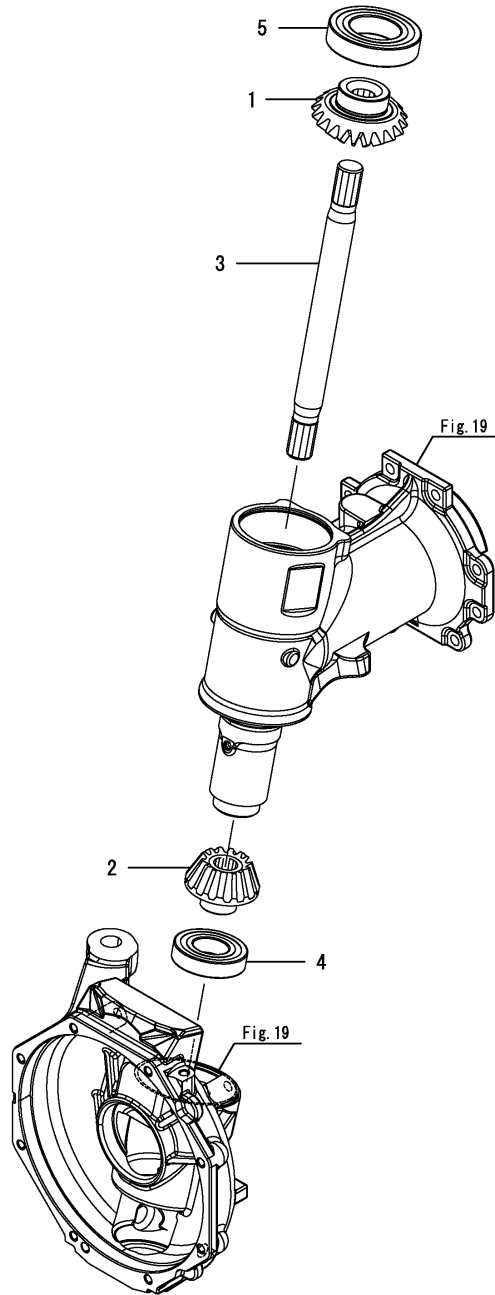
(D)=
 (E)=
 (F)=

No.	Lev.	Parts No.	Description	Qty						I	R
				(A)	(B)	(C)	(D)	(E)	(F)		
1	1	194066-13640	PLUG, 20	1	1	1					
2	1	1A7180-13710	HOUSING, FRONT GEAR	1	1	1					
3	1	1A8275-13720	HOUSING, FRONT GEAR	1	1	1					
4	1	198072-13760	SEAL, QLF709521.5	2	2	2					
5	1	1A8275-13760	BOLT, 10X28	4	4	4					
6	1	1A8275-13770	GEARBOX, FRONT L	1	1	1					
7	1	1A8275-13780	GEARBOX, FRONT R	1	1	1					
8	1	1C7100-15100	PLUG, BORE 90	2	2	2					
9	1	1C6900-23120	BOLT, DRAIN M14X10	2	2	2					
10	1	1C6900-23150	WASHER, PLUG	2	2	2					
11	1	194151-36670	PLUG, PF02	2	2	2					
12	1	22252-000850	RING, 85	2	2	2					
13	1	22252-000900	RING, 90	2	2	2					
14	1	22252-000950	RING, 95	2	2	2					
15	1	22312-100180	PIN, PARALLEL M10X18	2	2	2					
16	1	24101-060124	BEARING, BALL 6012	2	2	2					
17	1	24101-062094	BEARING, BALL 6209	2	2	2					
18	1	24311-000180	O-RING, 1AP18.0	1	1	1					
19	1	24321-001300	O-RING, 1AG130.0	2	2	2					
20	1	26106-100302	BOLT, M10X 30 PLATED	16	16	16					
21	1	26450-080122	BOLT, M8X 12	2	2	2					
22	1	26716-100002	NUT, M10	4	4	4					

Fig.20. FRONT SHAFT(2)

(A)=LX4100(YANMAR)
 (B)=LX4500(YANMAR)
 (C)=LX4900(YANMAR)

(D)=
 (E)=
 (F)=



No.	Lev.	Parts No.	Description	Q'ty						I	R
				(A)	(B)	(C)	(D)	(E)	(F)		
1	1	1A7180-13820	GEAR, FRONT SHAFT 15	2	2	2					
2	1	1A7180-13830	PINION, FINAL Z=11	2	2	2					
3	1	1A7180-13870	SHAFT, FRONT 2ND	2	2	2					
4	1	1A7180-13880	BEARING, TM207UR	2	2	2					
5	1	24104-062104	BEARING, BALL 6210UU	2	2	2					

Fig.21. FRONT SPINDLE

(A)=LX4100(YANMAR)
 (B)=LX4500(YANMAR)
 (C)=LX4900(YANMAR)

(D)=
 (E)=
 (F)=

No.	Lev.	Parts No.	Description	Q'ty						I	R
				(A)	(B)	(C)	(D)	(E)	(F)		
1	1	1A7180-13790	CASE, FRONT BEARING	2	2	2					
2	1	1A7180-13840	GEAR, FINAL 49	2	2	2					
3	1	1A7180-14110	SPINDLE, FRONT	2	2	2					
4	1	198200-14210	RING, HALF	4	4	4					
5	1	198475-32660	SEAL, QLNY527514.5	2	2	2					
6	1	24101-062084	BEARING, BALL 6208	2	2	2					
7	1	24101-062094	BEARING, BALL 6209	2	2	2					
8	1	24321-002300	O-RING, 1AG230.0	2	2	2					
9	1	26106-100302	BOLT, M10X 30 PLATED	16	16	16					

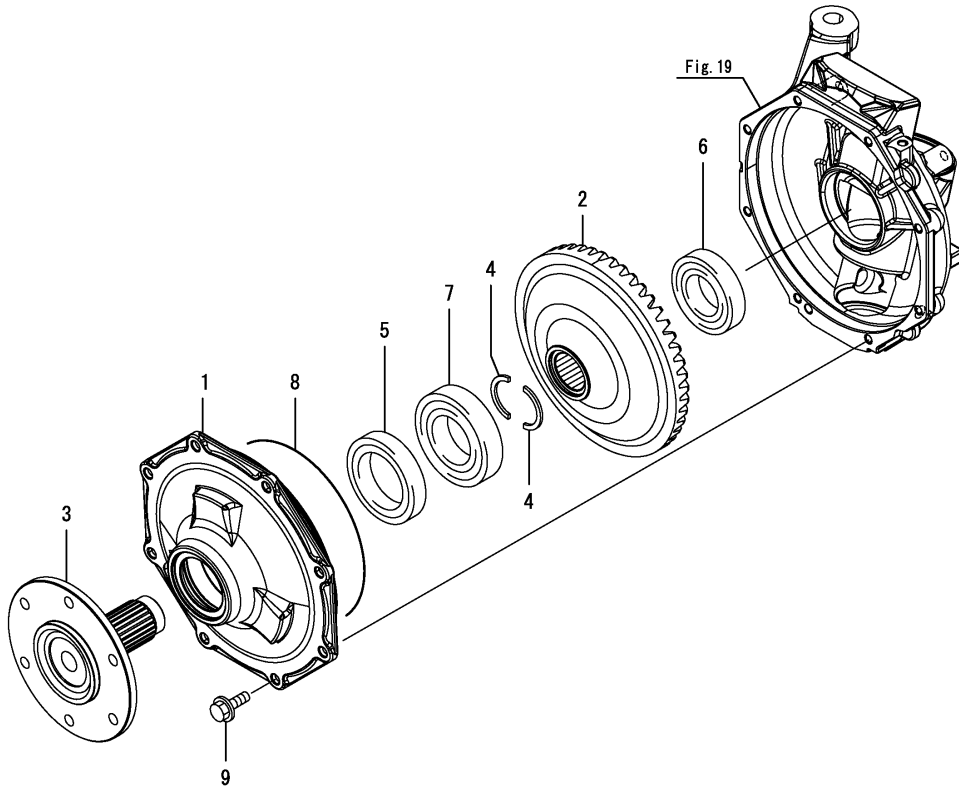


Fig.22. FRONT WHEEL TIRE R1

(A)=LX4100(YANMAR)
 (B)=LX4500(YANMAR)
 (C)=LX4900(YANMAR)

(D)=
 (E)=
 (F)=

No.	Lev.	Parts No.	Description	Q'ty						I	R
				(A)	(B)	(C)	(D)	(E)	(F)		
1	1	1A8170-14300	TIRE KIT, FRONT R1 L	1	1	1					
2	2	1A8170-14310	TIRE, FRONT R1 8X16	1	1	1					
3	2	1A8170-14330	WHEEL, R1 F	1	1	1					
4	2	1A8170-14350	VALVE, TIRE R1 F	1	1	1					
5	1	1A8170-14400	TIRE KIT, FRONT R1 R	1	1	1					
6	2	1A8170-14310	TIRE, FRONT R1 8X16	1	1	1					
7	2	1A8170-14330	WHEEL, R1 F	1	1	1					
8	2	1A8170-14350	VALVE, TIRE R1 F	1	1	1					

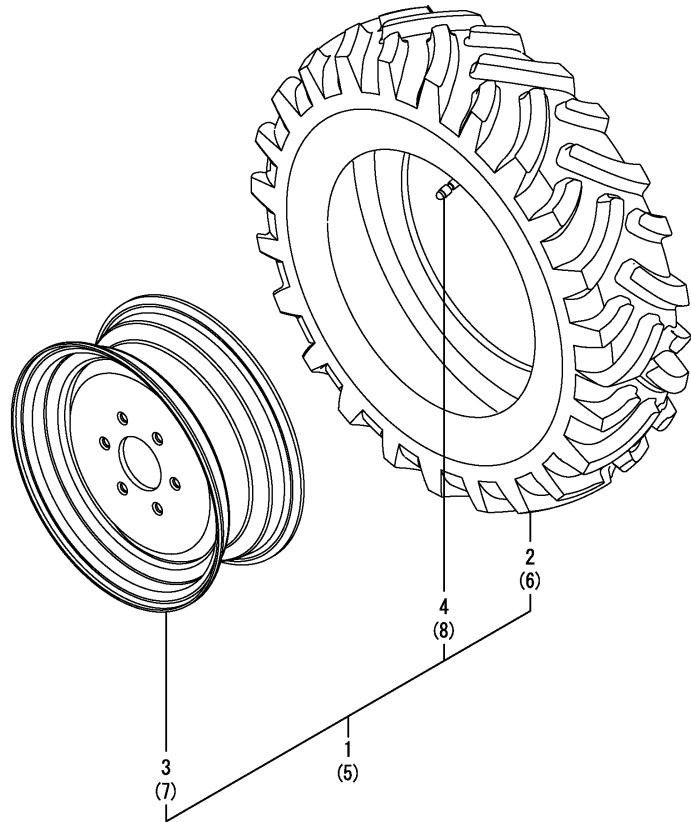


Fig.23. FRONT WHEEL TIRE R3

(A)=LX4100(YANMAR)
 (B)=LX4500(YANMAR)
 (C)=LX4900(YANMAR)

(D)=
 (E)=
 (F)=

No.	Lev.	Parts No.	Description	Qty						I	R
				(A)	(B)	(C)	(D)	(E)	(F)		
1	1	1A8170-14500	TIRE KIT, FRONT R3	2	2	2					
2	2	1A8170-14350	VALVE, TIRE R1 F	2	2	2					
3	2	1A8170-14510	TIRE, R3 27X10.5-15	2	2	2					
4	2	1A8170-14530	WHEEL, R3 F	2	2	2					

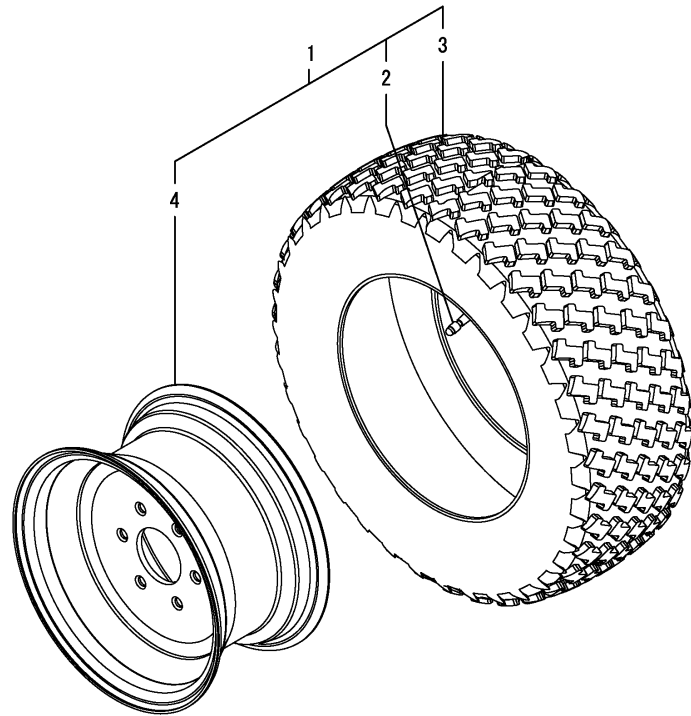
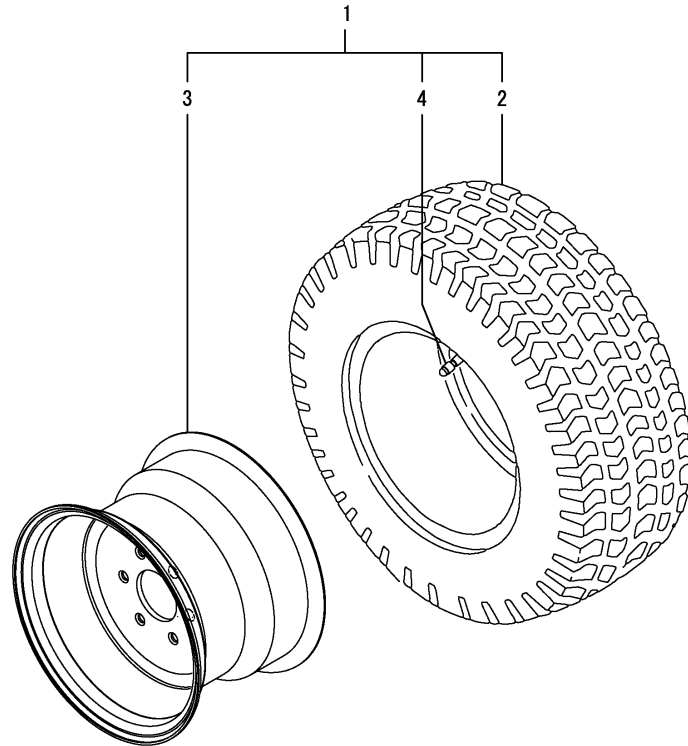


Fig.24. FRONT WHEEL TIRE R3G

(A)=LX4100(YANMAR)
(B)=LX4500(YANMAR)
(C)=LX4900(YANMAR)

(D)=
(E)=
(F)=

No.	Lev.	Parts No.	Description	Qty						I	R
				(A)	(B)	(C)	(D)	(E)	(F)		
1	1	1A8170-14600	TIRE KIT, FRONT R3G	2	2	2					
2	2	1A8170-14610	TIRE, R3G 27/12LL-15	2	2	2					
3	2	1A8170-14630	WHEEL, R3G F	2	2	2					
4	2	1A8170-14650	VALVE, R3G F	2	2	2					

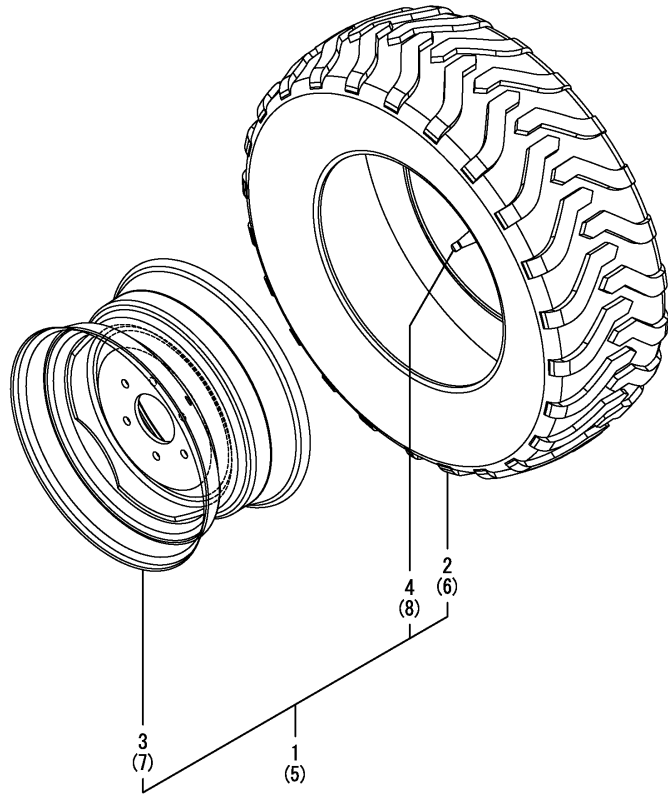


N:Old $\xleftrightarrow[No]{Yes}$ New, Q:Old $\xleftrightarrow[Yes]{No}$ New, R:Old $\xleftrightarrow[Yes]{No}$ New, S:Old $\xleftrightarrow[No]{Yes}$ New, W:Add, Z:Discontinued, F:Interchangeable by set, K:Qty Change
Copyright (C) YANMAR CO., LTD. All RightsReserved.

Fig.25. FRONT WHEEL TIRE R4

(A)=LX4100(YANMAR)
 (B)=LX4500(YANMAR)
 (C)=LX4900(YANMAR)

(D)=
 (E)=
 (F)=

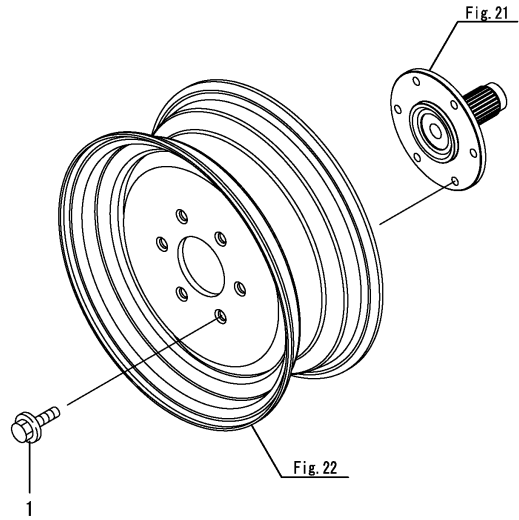


No.	Lev.	Parts No.	Description	Q'ty						I	R
				(A)	(B)	(C)	(D)	(E)	(F)		
1	1	1A8250-14700	TIRE KIT,L R4 FRONT	1	1	1					
2	2	1A8250-14710	TIRE,R4 10-16.5-6PR	1	1	1					
3	2	1A8250-14730	WHEEL,R4 16.5X8.25	1	1	1					
4	2	1A8250-14740	VALVE,TIRE R4 FRONT	1	1	1					
5	1	1A8250-14800	TIRE KIT,R R4 FRONT	1	1	1					
6	2	1A8250-14710	TIRE,R4 10-16.5-6PR	1	1	1					
7	2	1A8250-14730	WHEEL,R4 16.5X8.25	1	1	1					
8	2	1A8250-14740	VALVE,TIRE R4 FRONT	1	1	1					

Fig.26. HUB BOLT

(A)=LX4100(YANMAR)
(B)=LX4500(YANMAR)
(C)=LX4900(YANMAR)

(D)=
(E)=
(F)=



No.	Lev.	Parts No.	Description	Qty						I	R
				(A)	(B)	(C)	(D)	(E)	(F)		
1	1	1A8170-14210	BOLT, HUB M14	12	12	12					

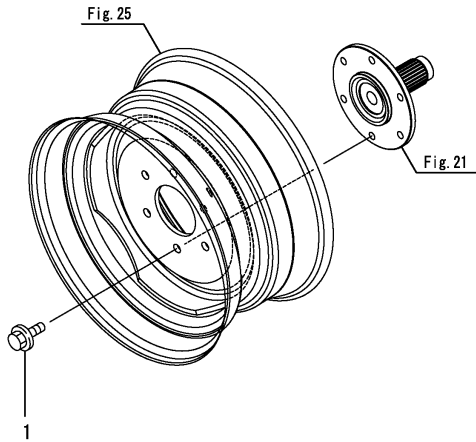
Remarks
* R1,R3 & R3G use.

Fig.27. HUB BOLT

(A)=LX4100(YANMAR)
 (B)=LX4500(YANMAR)
 (C)=LX4900(YANMAR)

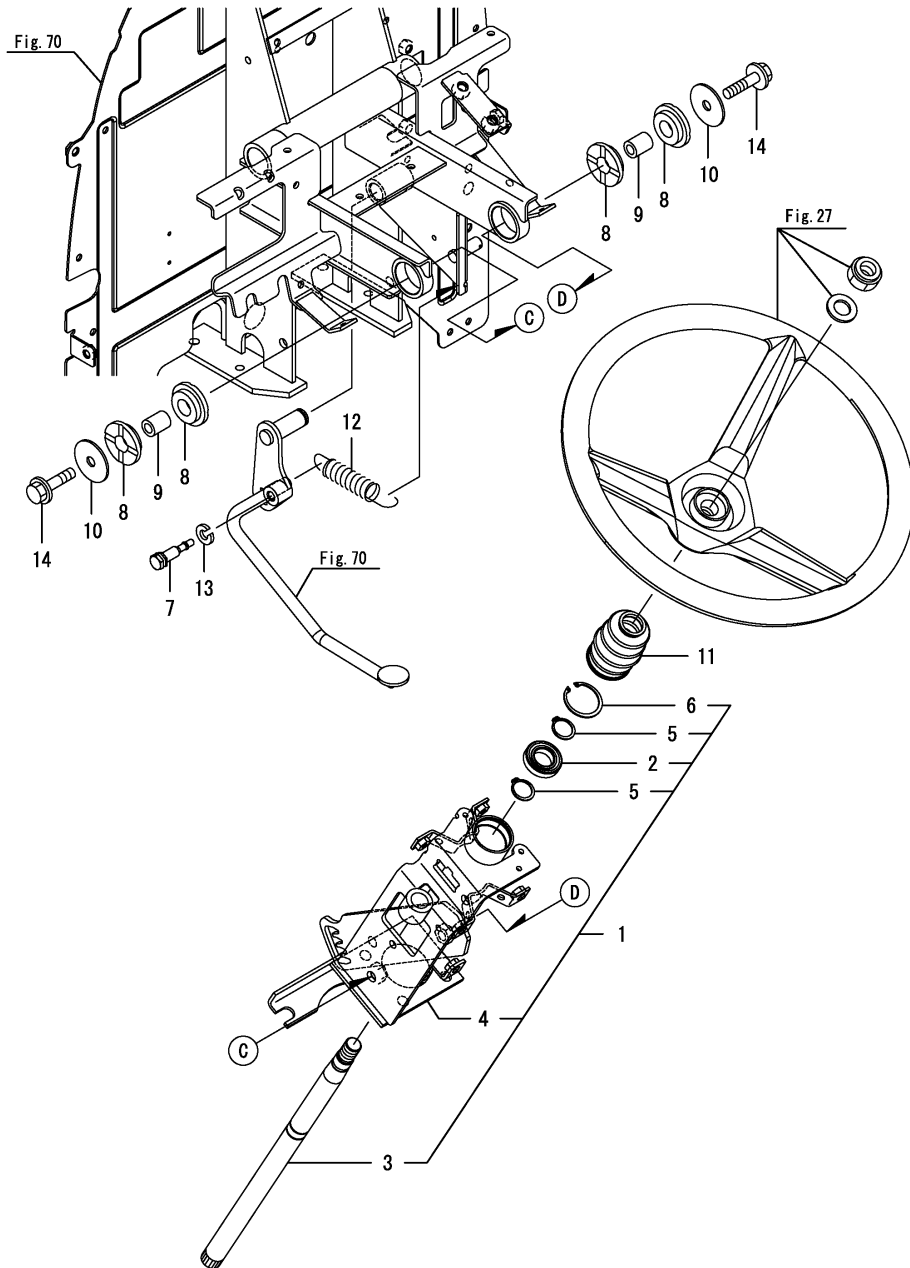
(D)=
 (E)=
 (F)=

No.	Lev.	Parts No.	Description	Qty						I	R
				(A)	(B)	(C)	(D)	(E)	(F)		
1	1	198133-34130	BOLT, M14X30	12	12	12					



Remarks
 * R4 use.

Fig.28. STEERING COLUMN



(A)=LX4100(YANMAR)
 (B)=LX4500(YANMAR)
 (C)=LX4900(YANMAR)

(D)=
 (E)=
 (F)=

No.	Lev.	Parts No.	Description	Qty						I	R
				(A)	(B)	(C)	(D)	(E)	(F)		
1	1	1A8260-15500	COLUMN UNIT,STEERING	1	1	1					
2	2	1A8240-15240	BEARING, 6904LLU	1	1	1					
3	2	1A8240-15320	SHAFT, STEERING	1	1	1					
4	2	1A8260-15610	COLUMN ASSY,STEERING	1	1	1					
5	2	22242-000200	RING, 20	2	2	2					
6	2	22252-000370	RING, 37	1	1	1					
7	1	1A7180-15710	PIN, TILT LOCK	1	1	1					
8	1	1A7640-15710	BUSH, STEERING	4	4	4					
9	1	1A8240-15720	COLLAR, 17.3X10X22	2	2	2					
10	1	1A8240-15730	WASHER, 10.5X44X2.3	2	2	2					
11	1	1A8250-17470	BOOT, STEERING	1	1	1					
12	1	198290-37510	SPRING, RETURN	1	1	1					
13	1	22217-100000	WASHER, SPRING 10	1	1	1					
14	1	26106-100402	BOLT, M10X 40 PLATED	2	2	2					

Fig.29. STEERING WHEEL

(A)=LX4100(YANMAR)
 (B)=LX4500(YANMAR)
 (C)=LX4900(YANMAR)

(D)=
 (E)=
 (F)=

No.	Lev.	Parts No.	Description	Qty						I	R
				(A)	(B)	(C)	(D)	(E)	(F)		
1	1	198133-15710	WHEEL, STEERING	1	1	1					
2	1	198133-15750	CAP, STEERING	1	1	1					
3	1	22137-160000	WASHER, 16	1	1	1					
4	1	26356-160002	NUT, M16	1	1	1					

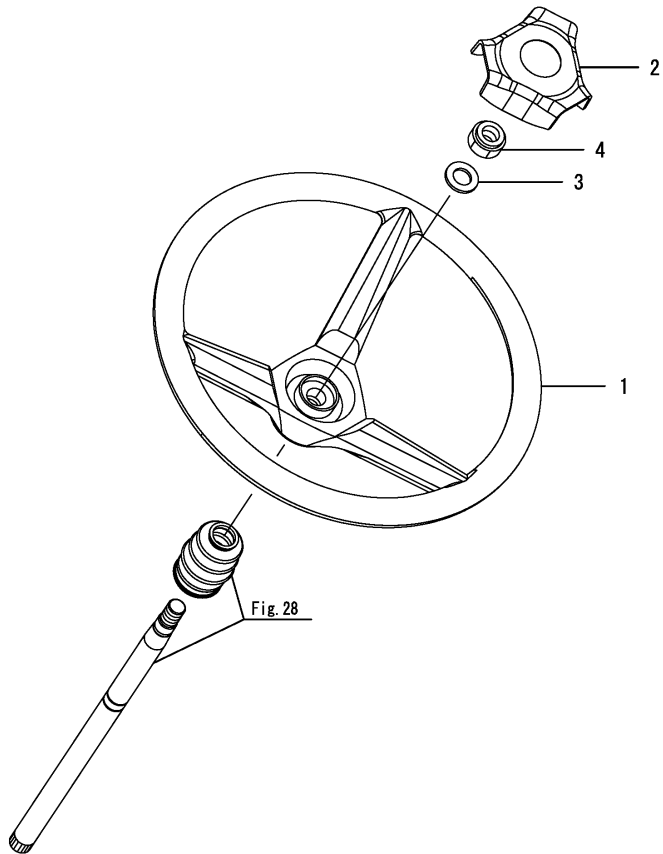
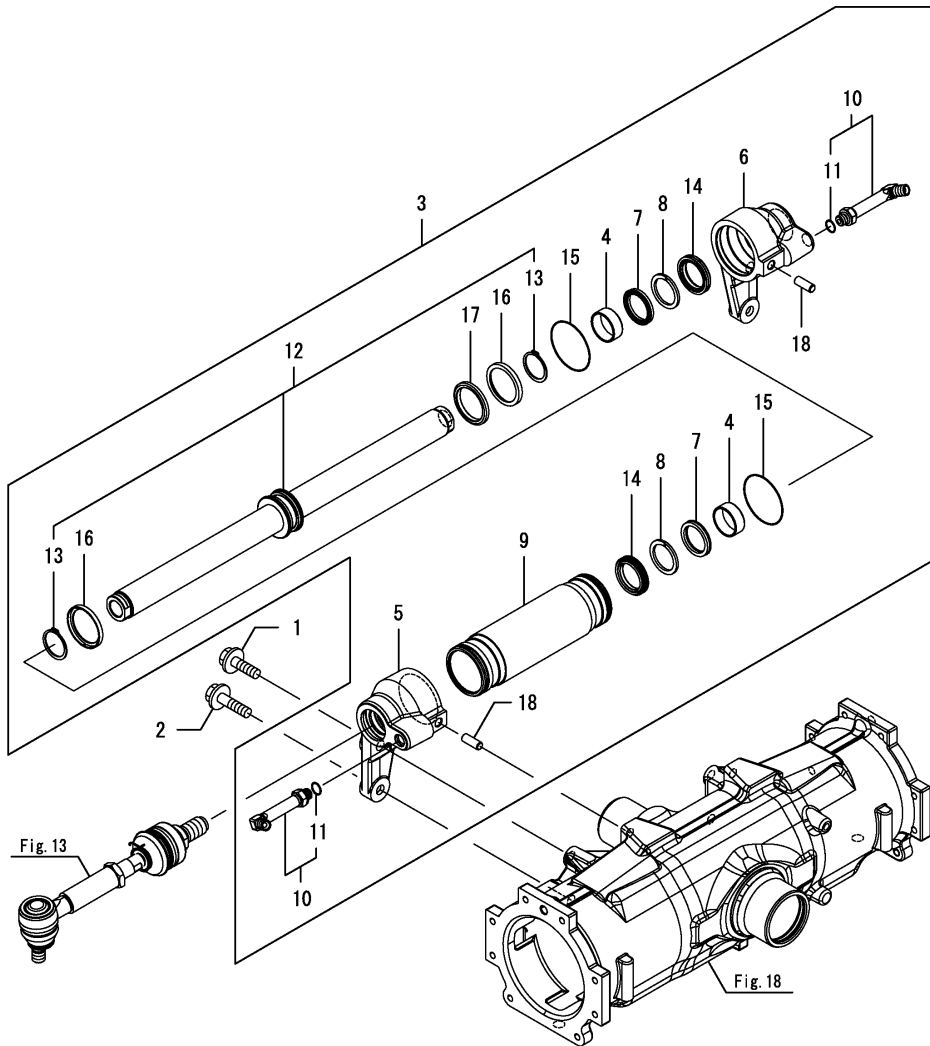


Fig.30. PST CYLINDER

(A)=LX4100(YANMAR)
 (B)=LX4500(YANMAR)
 (C)=LX4900(YANMAR)

(D)=
 (E)=
 (F)=



No.	Lev.	Parts No.	Description	Q'ty						I	R
				(A)	(B)	(C)	(D)	(E)	(F)		
1	1	198220-11520	BOLT, M12X38	2	2	2					
2	1	198240-11640	BOLT, M12X46	2	2	2					
3	1	1A8275-17100	CYLINDER ASSY, PST	1	1	1					
4	2	1A8275-17260	BEARING, 35 X 15	2	2	2					
5	2	1A8275-17310	CAP, CYLINDER L	1	1	1					
6	2	1A8275-17320	CAP, CYLINDER R	1	1	1					
7	2	1A8275-17330	PACKING, 35	2	2	2					
8	2	1A8275-17340	RING, BACKUP	2	2	2					
9	2	1A8275-17350	TUBE, CYLINDER	1	1	1					
10	2	1A8275-17360	ELBOW ASSY	2	2	2					
11	3	24315-000110	O-RING, 1BP11.0	2	2	2					
12	2	1A8275-17400	ROD ASSY, PST	1	1	1					
13	3	22242-000300	RING, 30	2	2	2					
14	2	1A8275-17430	SCRAPER,35	2	2	2					
15	2	1A8275-17440	PACKING, 60	2	2	2					
16	2	1A8275-17480	RING, BACKUP 55	2	2	2					
17	2	1A8275-17490	PACKING,RGU 55	1	1	1					
18	2	22312-100250	PIN, PARALLEL M10X25	2	2	2					

Fig.31. PST VALVE

(A)=LX4100(YANMAR)
 (B)=LX4500(YANMAR)
 (C)=LX4900(YANMAR)

(D)=
 (E)=
 (F)=

No.	Lev.	Parts No.	Description	Q'ty						I	R
				(A)	(B)	(C)	(D)	(E)	(F)		
1	1	1A8275-17500	VALVE, PST	1	1	1					
2	2	1A8275-17510	SEAL KIT	1	1	1					
3	2	1A8275-17520	NEEDLE BEARING KIT	1	1	1					
4	1	172730-75141	ADAPTER	1	1	1					
5	1	172124-76160	CONNECTOR	2	2	2					
6	1	172142-76181	JOINT ASSY	1	1	1					
7	2	24315-000140	O-RING, 1BP14.0	1	1	1					
8	1	24315-000140	O-RING, 1BP14.0	3	3	3					
9	1	26106-100202	BOLT, M10X 20 PLATED	3	3	3					

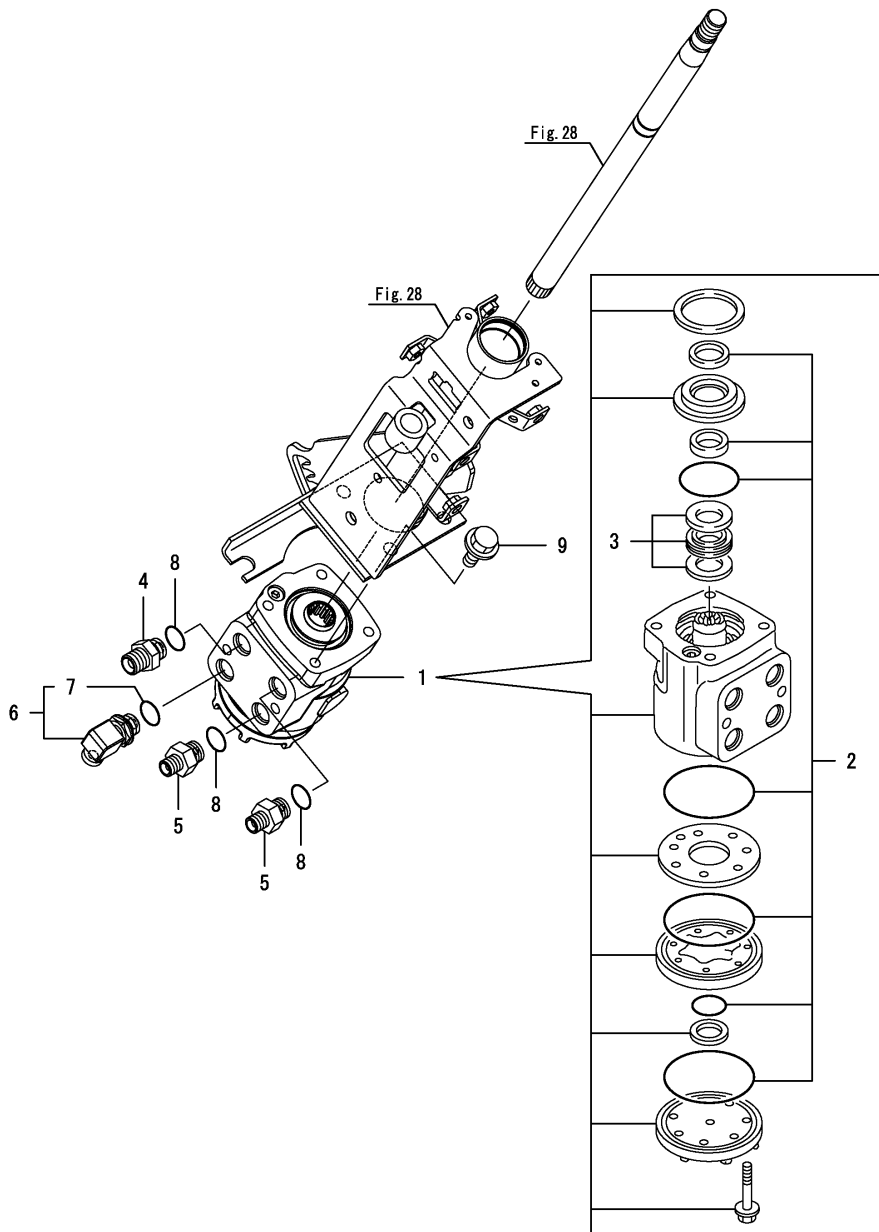


Fig.32. PST PIPING

(A)=LX4100(YANMAR)
 (B)=LX4500(YANMAR)
 (C)=LX4900(YANMAR)

(D)=
 (E)=
 (F)=

No.	Lev.	Parts No.	Description	Qty						I	R
				(A)	(B)	(C)	(D)	(E)	(F)		
1	1	1A8275-17640	HOSE, T	1	1	1					
2	1	1A8275-17820	HOSE,P	1	1	1					
3	1	1A8275-17890	CLAMP	1	1	1					
4	1	1A8275-49160	FLANGE ASSY	1	1	1					
5	1	1A8300-51210	BAND, REPEAT	1	1	1					
6	1	194680-51670	BAND, CLIP	3	3	3					
7	1	172730-75141	ADAPTER	1	1	1					
8	1	24311-000220	O-RING, 1AP22.0	1	1	1					
9	1	24315-000140	O-RING, 1BP14.0	1	1	1					
10	1	26106-060122	BOLT, M6X 12 PLATED	1	1	1					
11	1	26106-060402	BOLT, M6X 40 PLATED	3	3	3					

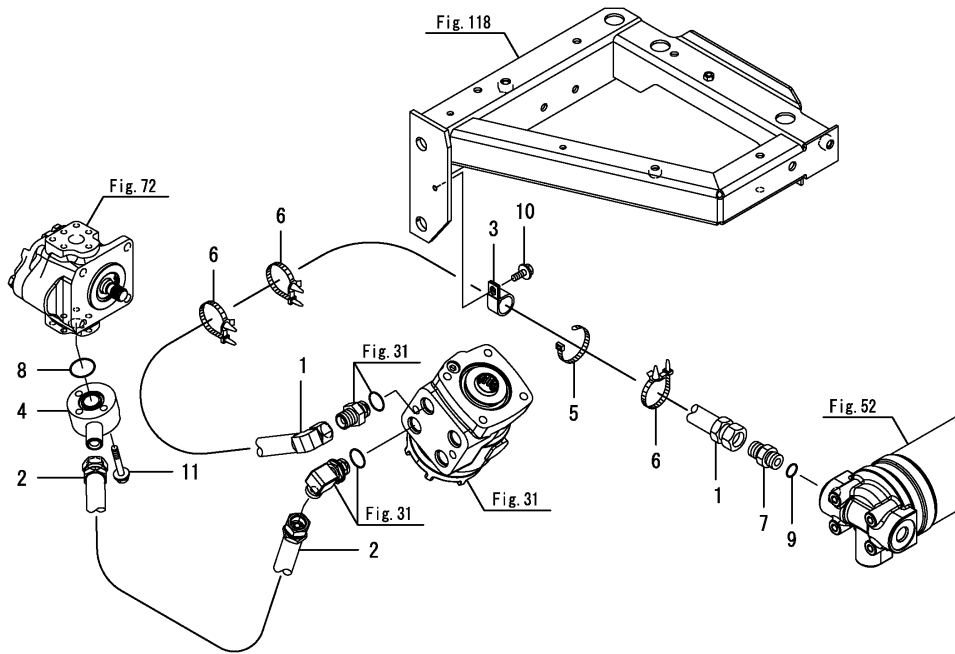
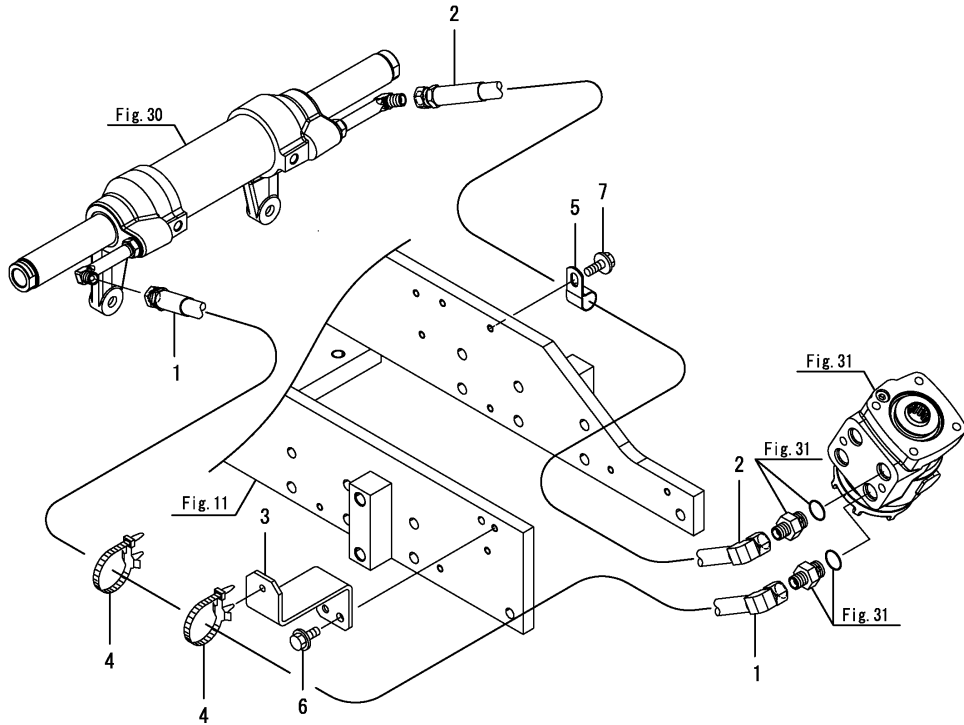


Fig.33. PST HOSE

(A)=LX4100(YANMAR)
 (B)=LX4500(YANMAR)
 (C)=LX4900(YANMAR)

(D)=
 (E)=
 (F)=



No.	Lev.	Parts No.	Description	Q'ty						I	R
				(A)	(B)	(C)	(D)	(E)	(F)		
1	1	1A8275-17870	HOSE,CYLINDER	1	1	1					
2	1	1A8275-17880	HOSE,CYLINDER	1	1	1					
3	1	1A8240-17950	SUPPORT, HOSE	1	1	1					
4	1	194680-51670	BAND, CLIP	2	2	2					
5	1	1E6213-83410	CLIP, HARNESS 18	1	1	1					
6	1	26106-080162	BOLT, M8X 16 PLATED	1	1	1					
7	1	26106-080162	BOLT, M8X 16 PLATED	1	1	1					

Fig.34. DOCKING BOLT

(A)=LX4100(YANMAR)
 (B)=LX4500(YANMAR)
 (C)=LX4900(YANMAR)

(D)=
 (E)=
 (F)=

No.	Lev.	Parts No.	Description	Qty						I	R
				(A)	(B)	(C)	(D)	(E)	(F)		
1	1	198448-21280	BOLT, M12X50	1	1	1					
2	1	198442-21310	BOLT, M12X190	4	4	4					
3	1	198448-21320	BOLT, M12X60	4	4	4					
4	1	22312-100180	PIN, PARALLEL M10X18	2	2	2					

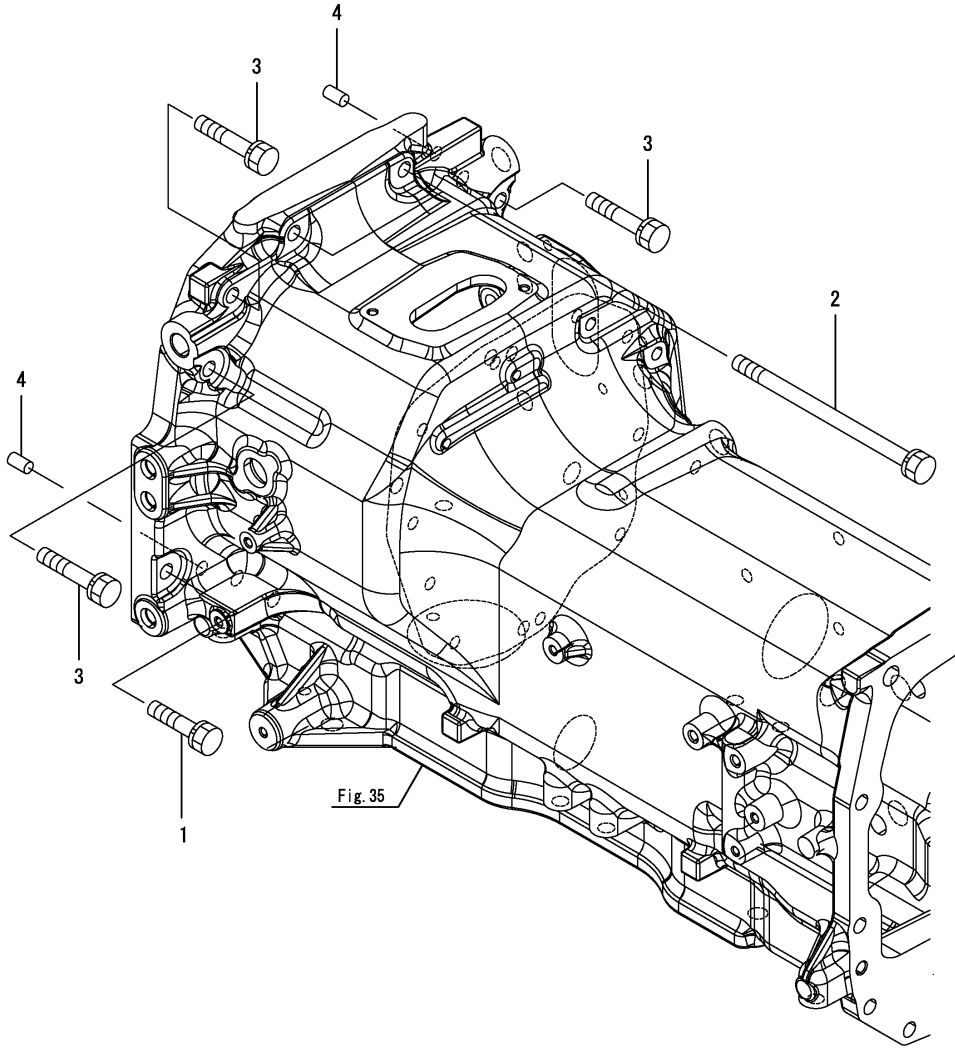
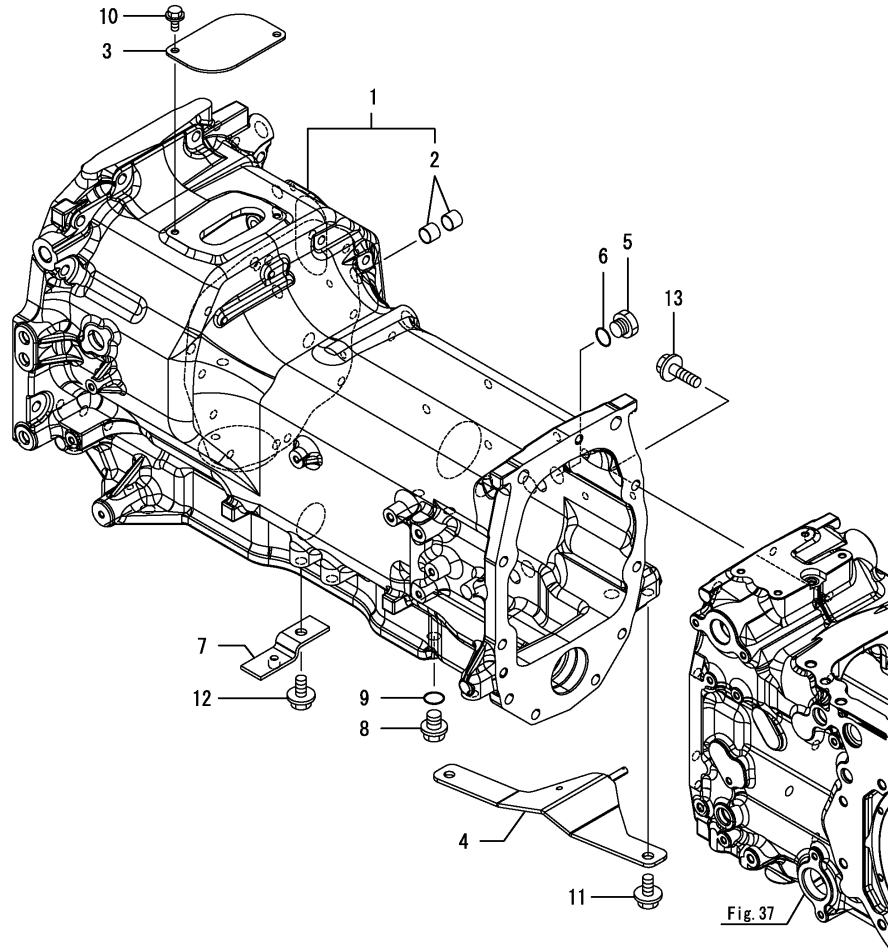


Fig.35. CLUTCH HOUSING

(A)=LX4100(YANMAR)
 (B)=LX4500(YANMAR)
 (C)=LX4900(YANMAR)

(D)=
 (E)=
 (F)=



No.	Lev.	Parts No.	Description	Qty						I	R
				(A)	(B)	(C)	(D)	(E)	(F)		
1	1	1A8275-21100	HOUSING ASSY, CLUTCH	1	1	1					
2	2	24550-017150	BUSH, 17X15	2	2	2					
3	1	1A8275-29150	PLATE, HST	1	1	1					
4	1	1A8260-36800	BRACKET ASSY, DAMPER	1	1	1					
5	1	194464-45920	PLUG, 3/4-16UNF	1	1	1					
6	1	194464-45930	O-RING, 8-1	1	1	1					
7	1	1A8260-48550	BRACKET ASSY, CLAMP	1	1	1					
8	1	23491-140002	PLUG, 14	1	1	1					
9	1	24311-000160	O-RING, 1AP16.0	1	1	1					
10	1	26106-080162	BOLT, M8X 16 PLATED	2	2	2					
11	1	26106-120252	BOLT, M12X 25 PLATED	2	2	2					
12	1	26106-120252	BOLT, M12X 25 PLATED	1	1	1					
13	1	26106-120402	BOLT, M12X 40 PLATED	6	6	6					

Fig.36. DAMPER DISC

(A)=LX4100(YANMAR)
 (B)=LX4500(YANMAR)
 (C)=LX4900(YANMAR)

(D)=
 (E)=
 (F)=

No.	Lev.	Parts No.	Description	Qty						I	R
				(A)	(B)	(C)	(D)	(E)	(F)		
1	1	198448-22190	PIN, PARALLEL 10X18	3	3	3					
2	1	1A8275-22810	DAMPER, DISK	1	1	1					
3	1	26106-080162	BOLT, M8X 16 PLATED	6	6	6					

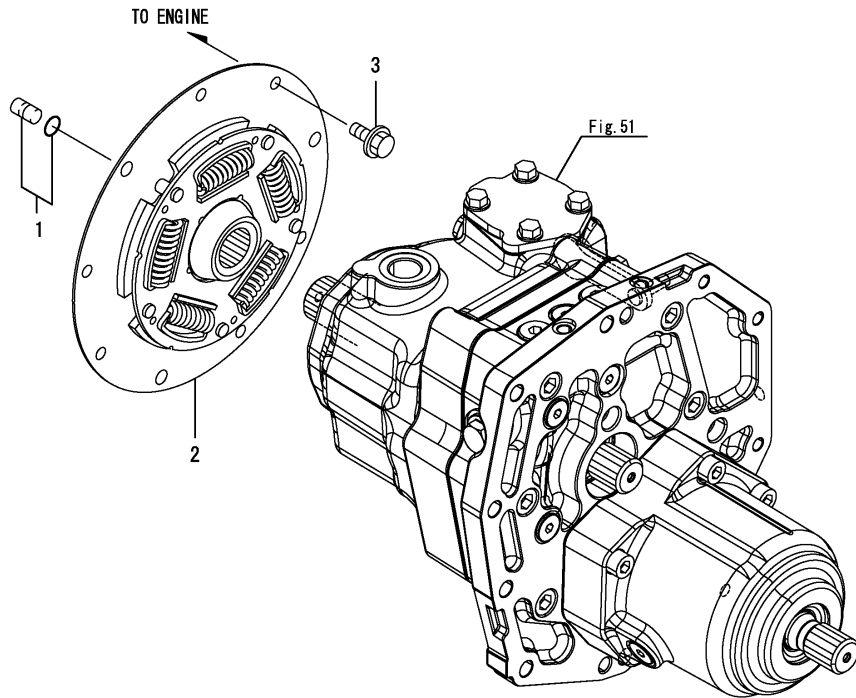
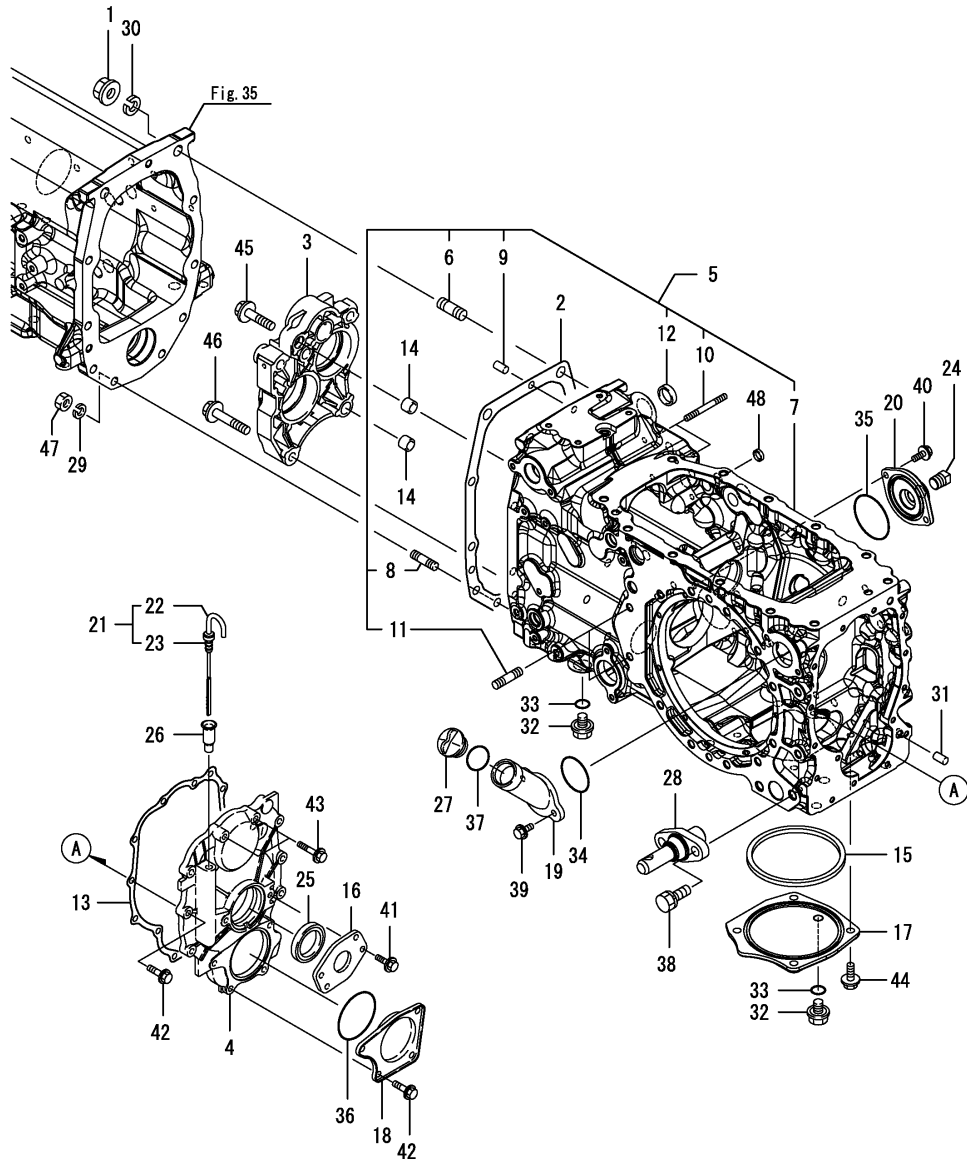


Fig.37. TRANSMISSION CASE

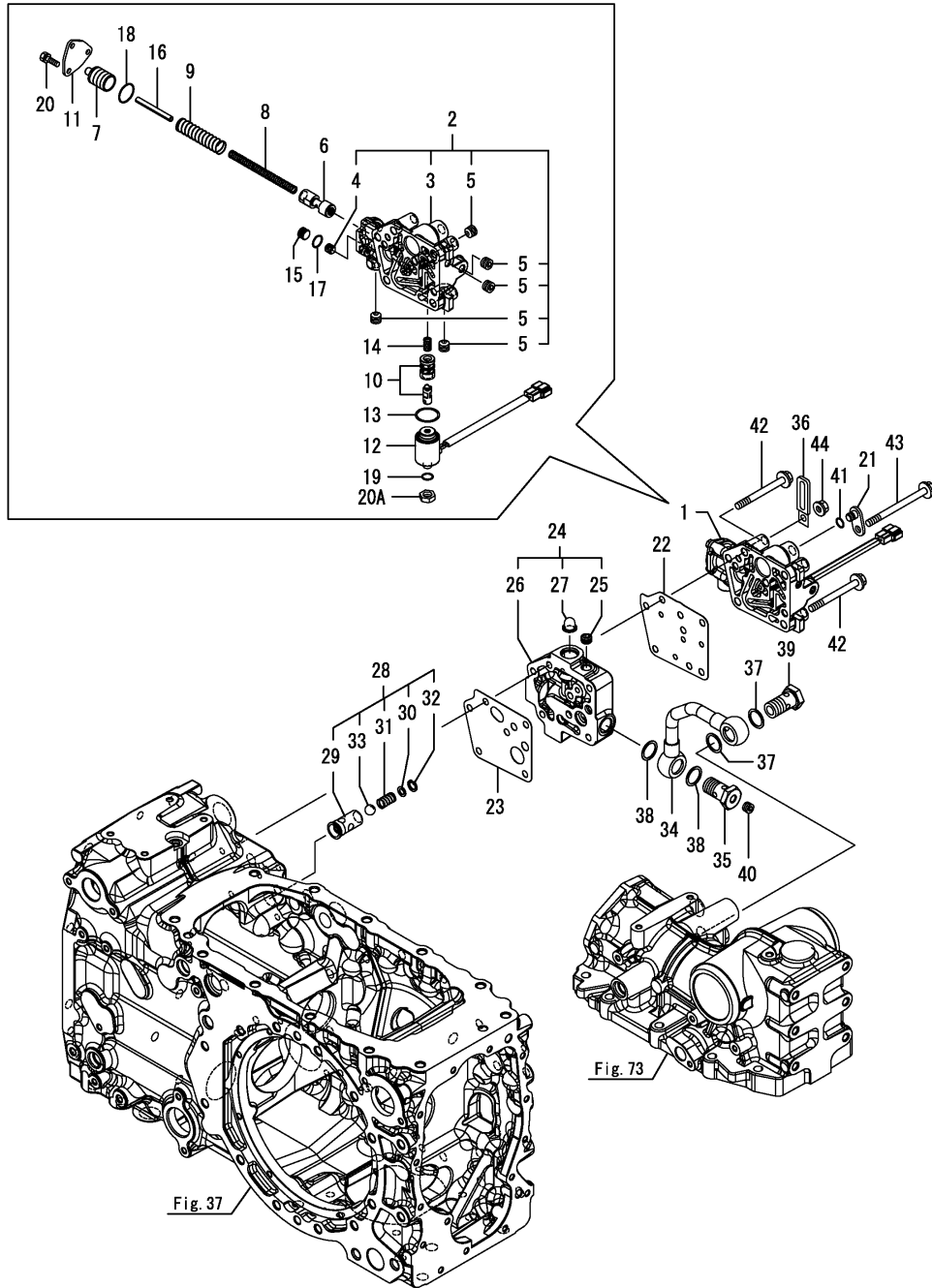


(A)=LX4100(YANMAR)
 (B)=LX4500(YANMAR)
 (C)=LX4900(YANMAR)

(D)=
 (E)=
 (F)=

No.	Lev.	Parts No.	Description	Q'ty						I	R
				(A)	(B)	(C)	(D)	(E)	(F)		
1	1	198535-24120	NUT, M16	2	2	2					
2	1	198212-24140	GASKET, MISSION CASE	1	1	1					
3	1	1A7350-24160	RETAINER, BEARING	1	1	1					
4	1	198218-24240	COVER, REAR	1	1	1					
5	1	1A8275-24240	HOUSING ASSY, TRANS.	1	1	1					
6	2	198240-24120	STUD, M16X45	2	2	2					
7	2	1A8275-24231	HOUSING,TRANSMISSION	1	1	1					
8	2	198240-24530	STUD, M12X45	2	2	2					
9	2	22312-100180	PIN, PARALLEL M10X18	2	2	2					
10	2	26216-080802	STUD, M8X 80	2	2	2					
11	2	26218-120502	STUD, M12X 50	2	2	2					
12	2	27260-300000	PLUG, 30	2	2	2					
13	1	198212-24320	GASKET, REAR COVER	1	1	1					
14	1	198071-24340	COLLAR, 13X17X14	2	2	2					
15	1	198133-24380	PACKING, 140X3	1	1	1					
16	1	198255-24460	PLATE, OIL SEAL	1	1	1					
17	1	198240-24480-1	COVER, PTO	1	1	1					
18	1	198212-24510	COVER, REAR COVER	1	1	1					
19	1	198240-24690-2	CAP ASSY	1	1	1					
20	1	198240-24900-1	COVER, STRAINER	1	1	1					
21	1	1A8275-24960	GAUGE ASSY, OIL	1	1	1					
22	2	1A8275-24980	GAUGE, OIL	1	1	1					
23	2	194850-24990	TUBE	1	1	1					
24	1	194322-24980	PLUG, 1-2NPT	1	1	1					
25	1	194130-26350	SEAL, OIL TC4 2609	1	1	1					
26	1	119860-34810	GUIDE, DIPSTICK	1	1	1					
27	1	194850-42500	CAP, OIL M33	1	1	1					
28	1	194640-73180	PIN, LOWER LINK	2	2	2					
29	1	22217-120000	WASHER, SPRING 12	2	2	2					
30	1	22217-160000	WASHER, SPRING 16	2	2	2					
31	1	22312-100180	PIN, PARALLEL M10X18	2	2	2					
32	1	23491-140002	PLUG, 14	2	2	2					
33	1	24311-000160	O-RING, 1AP16.0	2	2	2					
34	1	24311-000500	O-RING, 1AP50.0	1	1	1					
35	1	24321-000650	O-RING, 1AG65.0	1	1	1					
36	1	24321-000750	O-RING, 1AG75.0	1	1	1					
37	1	24351-020300	O-RING 1A 2030	1	1	1					
38	1	26013-140352	BOLT, M14X 35	4	4	4					
39	1	26106-080162	BOLT, M8X 16 PLATED	2	2	2					
40	1	26106-080202	BOLT, M8X 20 PLATED	2	2	2					
41	1	26106-080202	BOLT, M8X 20 PLATED	2	2	2					
42	1	26106-080302	BOLT, M8X 30 PLATED	10	10	10					
43	1	26106-080402	BOLT, M8X 40 PLATED	2	2	2					
44	1	26106-100252	BOLT, M10X 25 PLATED	4	4	4					
45	1	26106-120502	BOLT, M12X 50 PLATED	2	2	2					
46	1	26106-120652	BOLT, M12X 65 PLATED	2	2	2					
47	1	26716-120002	NUT, M12	2	2	2					
48	1	27260-170000	PLUG, 17	1	1	1					

Fig.38. P.T.O. VALVE



(A)=LX4100(YANMAR)
 (B)=LX4500(YANMAR)
 (C)=LX4900(YANMAR)

(D)=
 (E)=
 (F)=

No.	Lev.	Parts No.	Description	Q'ty						I	R
				(A)	(B)	(C)	(D)	(E)	(F)		
1	1	1682D2-00010	PTO VALVE CMP	1	1	1					
2	2	1682D2-01010	VALVEBODY(A CMP	1	1	1					
3	3	1682D2-01020	VALVEBODY(A	1	1	1					
4	3	1682D1-01100	ORIFICE	1	1	1					
5	3	23871-010000	PLUG, R01	5	5	5					
6	2	1682D1-01050	MODULATION VALVE	1	1	1					
7	2	1682D1-01060	PISTON(ACCUMULATOR	1	1	1					
8	2	1682D1-01070	SP(INNER	1	1	1					
9	2	1682D1-01080	SP(OUTER	1	1	1					
10	2	178076-02430	VALVE ASSY, SOLENOID	1	1	1					
11	2	198213-24750	COVER, DRV	1	1	1					
12	2	1A6770-26610	SOLENOID ASSY	1	1	1					
13	2	192159-27780	GASKET, SOLENOID	1	1	1					
14	2	192159-27830	SPRING,SOLENOID	1	1	1					
15	2	194170-45370	PLUG	1	1	1					
16	2	22351-060060	PIN, SPRING 6.0X60	1	1	1					
17	2	24311-000070	O-RING, 1AP7.0	1	1	1					
18	2	24311-000240	O-RING, 1AP24.0	1	1	1					
19	2	24341-000112	O-RING, 1AS11.2	1	1	1					
20	2	26016-060162	BOLT, M6X 16	3	3	3					
20A	2	192159-27790	PLASTIC NUT	1	1	1					
21	1	1A8275-24160	PLUG ASSY	1	1	1					
22	1	1A8275-24540	GASKET, PTO VALVE	1	1	1					
23	1	1A8275-24561	GASKET, VALVE PLATE	1	1	1					
24	1	1A8275-24580	PLATE ASSY, PTO	1	1	1					
25	2	1A8275-24610	PLUG, R1/4	1	1	1					
26	2	1A8275-24640	CASE, PLATE PTO	1	1	1					
27	2	1A7180-43730	STRAINER, A	1	1	1					
28	1	1A8275-24660	HOLDER ASSY, RELIEF	1	1	1					
29	2	1A8275-24670	HOLDER,RELIEF	1	1	1					
30	2	198200-27630	COLLAR	1	1	1					
31	2	1A8275-48050	SPRING,CHECK	1	1	1					
32	2	22252-000140	RING, 14	1	1	1					
33	2	24190-160001	BALL, STEEL 1/2	1	1	1					
34	1	1A8275-48690	PIPE, PTO LUB	1	1	1					
35	1	1A8275-48780	BOLT, JOINT M20	1	1	1					
36	1	194440-51620	CLAMP	1	1	1					
37	1	23414-200026	GASKET, 20X1.0	2	2	2					
38	1	23414-200026	GASKET, 20X1.0	2	2	2					
39	1	23857-150000	BOLT, JOINT 15	1	1	1					
40	1	23871-010000	PLUG, R01	1	1	1					
41	1	24311-000070	O-RING, 1AP7.0	1	1	1					
42	1	26106-080802	BOLT, M8X 80 PLATED	3	3	3					
43	1	26106-081002	BOLT, M8X100 PLATED	1	1	1					
44	1	26366-080002	NUT, M8	2	2	2					

Fig.39. PTO DRIVE SHAFT

(A)=LX4100(YANMAR)
 (B)=LX4500(YANMAR)
 (C)=LX4900(YANMAR)

(D)=
 (E)=
 (F)=

No.	Lev.	Parts No.	Description	Qty						I	R
				(A)	(B)	(C)	(D)	(E)	(F)		
1	1	1A8275-25120	SHAFT, PTO DRIVE	1	1	1					
2	1	1A7090-26050	COUPLING	1	1	1					
3	1	22242-000250	RING, 25	1	1	1					
4	1	24121-063054	BEARING, BALL 6305NR	1	1	1					

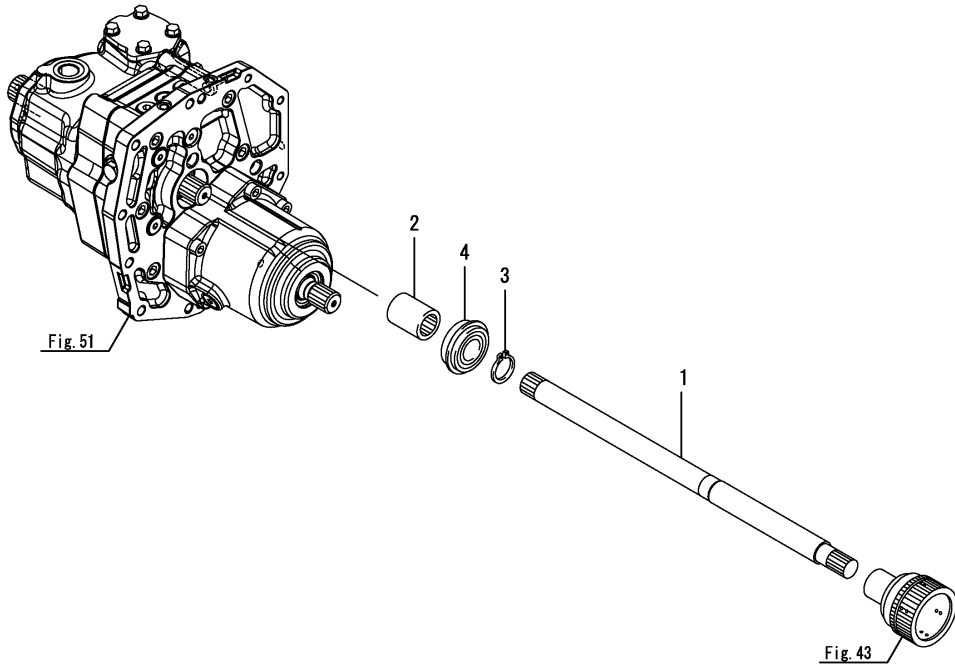


Fig.40. RANGE DRIVE SHAFT

(A)=LX4100(YANMAR)
 (B)=LX4500(YANMAR)
 (C)=LX4900(YANMAR)

(D)=
 (E)=
 (F)=

No.	Lev.	Parts No.	Description	Qty						I	R
				(A)	(B)	(C)	(D)	(E)	(F)		
1	1	1A8275-25110	SHAFT, RANGE DRIVE	1	1	1					
2	1	1A7090-26050	COUPLING	1	1	1					

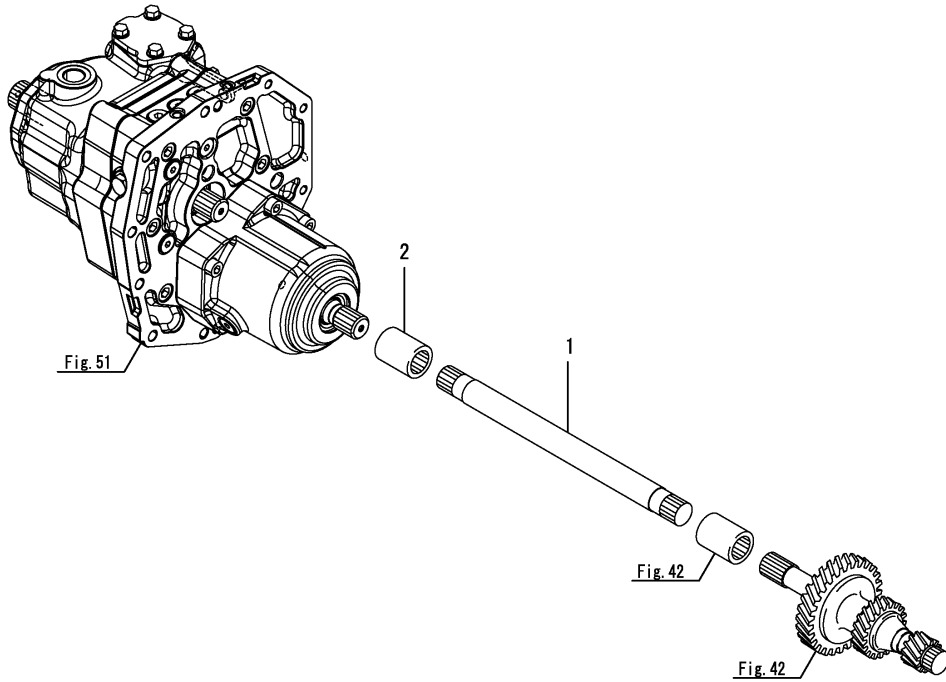
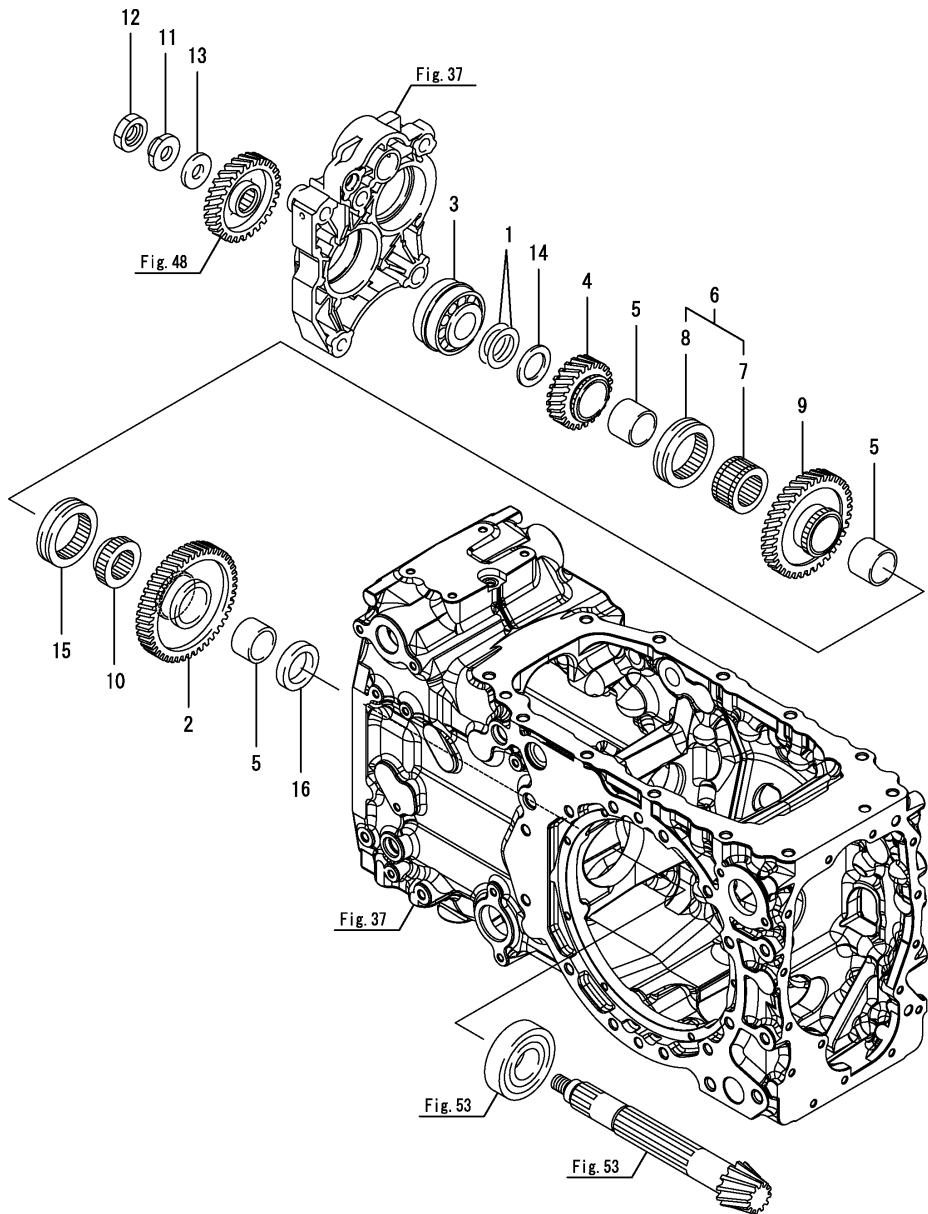


Fig.41. COUNTER SHAFT

(A)=LX4100(YANMAR)
 (B)=LX4500(YANMAR)
 (C)=LX4900(YANMAR)

(D)=
 (E)=
 (F)=



No.	Lev.	Parts No.	Description	Qty						I	R
				(A)	(B)	(C)	(D)	(E)	(F)		
1	1	194301-12730	SHIM, 30X45X0.1	2	2	2					
2	1	1A8275-25540	GEAR, COUNTER 40	1	1	1					
3	1	1A7350-25600	BEARING ASSY,4T30306	1	1	1					
4	1	1A7360-25640	GEAR, COUNTER 25L	1	1	1					
5	1	198217-25680	BUSH, 34X40X28	3	3	3					
6	1	198149-25700	COLLAR ASSY, SPLINE	1	1	1					
7	2	198149-25780	COLLAR, SPLINE A	1	1	1					
8	2	198149-25890	SHIFTER	1	1	1					
9	1	1A8275-25750	GEAR 41, COUNTER	1	1	1					
10	1	1A7601-25790	COLLAR, SPLINE B	1	1	1					
11	1	198220-25830	NUT, LOCK M16	1	1	1					
12	1	198220-25840	NUT, LOCK M16	1	1	1					
13	1	198415-25840	SPACER, 16X38X4.5	1	1	1					
14	1	194640-25860	WASHER, 30X45X3	1	1	1					
15	1	198149-25890	SHIFTER	1	1	1					
16	1	1A8275-25980	COLLAR, 35	1	1	1					

Fig.42. REDUCTION SHAFT

(A)=LX4100(YANMAR)
 (B)=LX4500(YANMAR)
 (C)=LX4900(YANMAR)

(D)=
 (E)=
 (F)=

No.	Lev.	Parts No.	Description	Q'ty						I	R
				(A)	(B)	(C)	(D)	(E)	(F)		
1	1	1A8275-25560	GEAR, REDUCTION	1	1	1					
2	1	1A7090-26050	COUPLING	1	1	1					
3	1	24101-063054	BEARING, BALL 6305	1	1	1					
4	1	24101-063064	BEARING, BALL 6306	1	1	1					

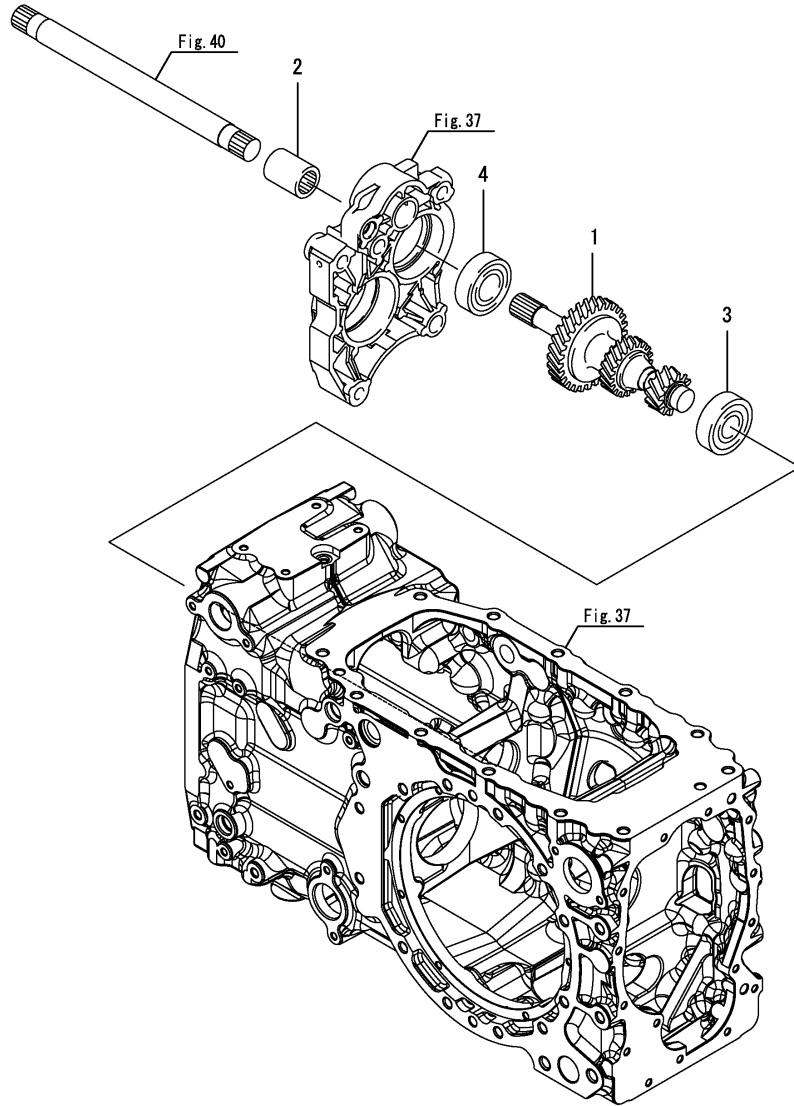
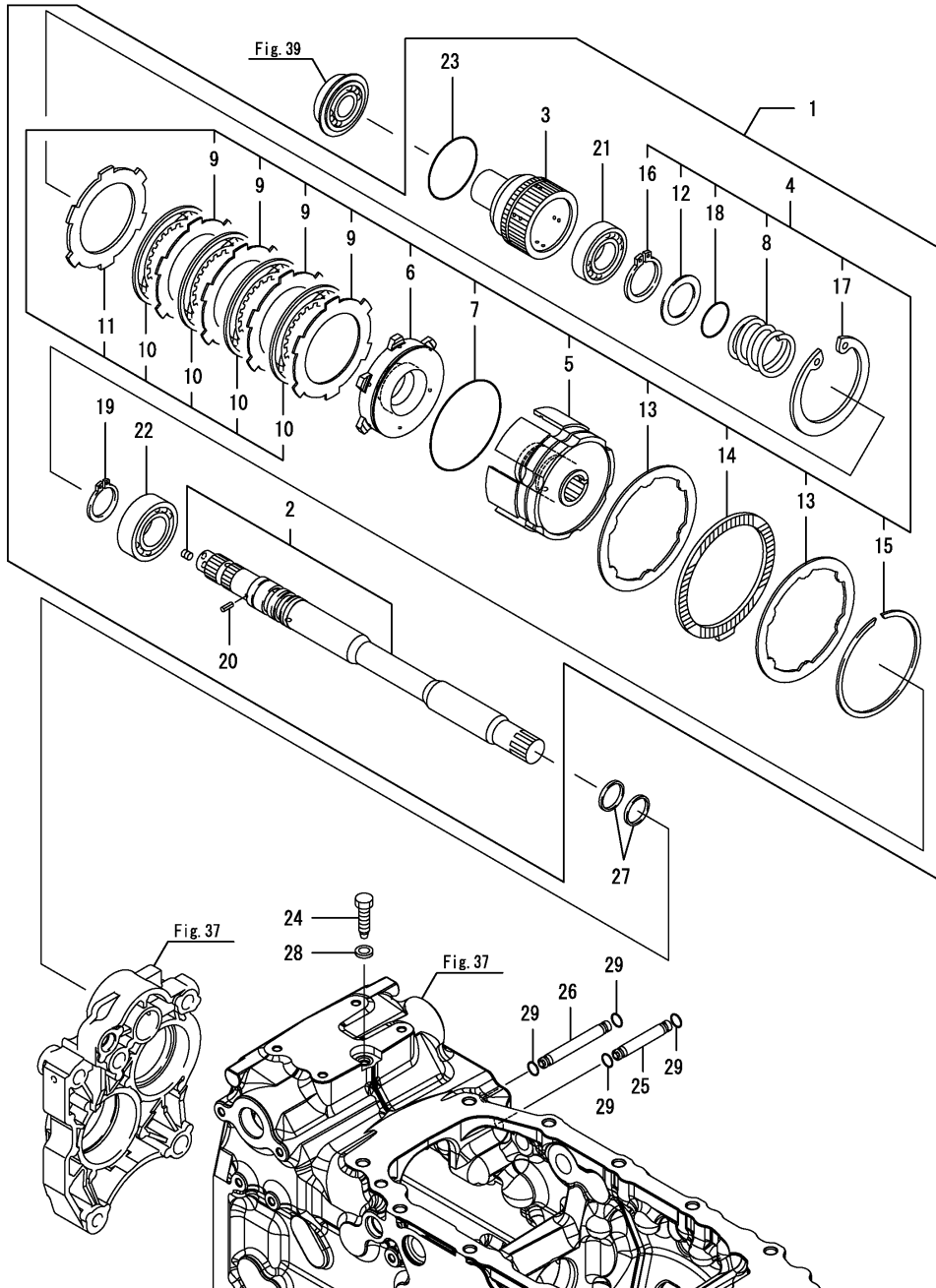


Fig.43. PTO CLUTCH

(A)=LX4100(YANMAR)
 (B)=LX4500(YANMAR)
 (C)=LX4900(YANMAR)

(D)=
 (E)=
 (F)=



No.	Lev.	Parts No.	Description	Qty						I	R
				(A)	(B)	(C)	(D)	(E)	(F)		
1	1	1A8275-26000	CLUTCH,PTO KIT	1	1	1					
2	2	1A8275-26200	SHAFT ASSY, CLUTCH	1	1	1					
3	2	1A8275-26220	HUB, SPLINE PTO	1	1	1					
4	2	1A8275-26700	CLUTCH CMP(PTO	1	1	1					
5	3	1A8275-26710	CASE,CLUTCH(PTO	1	1	1					
6	3	1A8275-26720	PISTON,HYDRAULIC	1	1	1					
7	3	1A8275-26730	D RING 92	1	1	1					
8	3	1A8275-26740	SPRING	1	1	1					
9	3	1A8275-26750	PLATE,SEPARATE	4	4	4					
10	3	1A8275-26760	DISC,CLUTCH 2.0	4	4	4					
11	3	1A8275-26770	PLATE,BACK 3.2	1	1	1					
12	3	1A8275-26790	COLLAR,	1	1	1					
13	3	1A8275-26800	DISC,BRAKE	2	2	2					
14	3	1A8275-26810	PLATE,BRAKE	1	1	1					
15	3	1A8275-26820	RING,105	1	1	1					
16	3	22242-100350	RING, 35	1	1	1					
17	3	22252-001000	RING, 100	1	1	1					
18	3	24341-000320	O-RING, 1AS32.0	1	1	1					
19	2	22242-100300	RING, 30	1	1	1					
20	2	22351-030008	PIN, SPRING 3.0X 8	1	1	1					
21	2	24101-062044	BEARING, BALL 6204	1	1	1					
22	2	24107-060064	BEARING, BALL 6006ZZ	1	1	1					
23	2	24321-000600	O-RING, 1AG60.0	1	1	1					
24	1	1A8275-26370	BOLT M10, STOPPER	1	1	1					
25	1	198212-26580	PIPE, OIL	1	1	1					
26	1	198212-26590	PIPE, OIL	1	1	1					
27	1	198451-28750	RING, 26.27X30.07X3	2	2	2					
28	1	23414-100000	GASKET, 10X1.0	1	1	1					
29	1	24341-000080	O-RING, 1AS8.0	4	4	4					

Fig.44. PTO DRIVE SHAFT

(A)=LX4100(YANMAR)
 (B)=LX4500(YANMAR)
 (C)=LX4900(YANMAR)

(D)=
 (E)=
 (F)=

No.	Lev.	Parts No.	Description	Qty						I	R
				(A)	(B)	(C)	(D)	(E)	(F)		
1	1	194197-25810	BEARING, BALL TMB306	1	1	1					
2	1	1A7090-26050	COUPLING	1	1	1					
3	1	198218-26110	SHAFT, PTO PINION	1	1	1					
4	1	24101-063054	BEARING, BALL 6305	1	1	1					

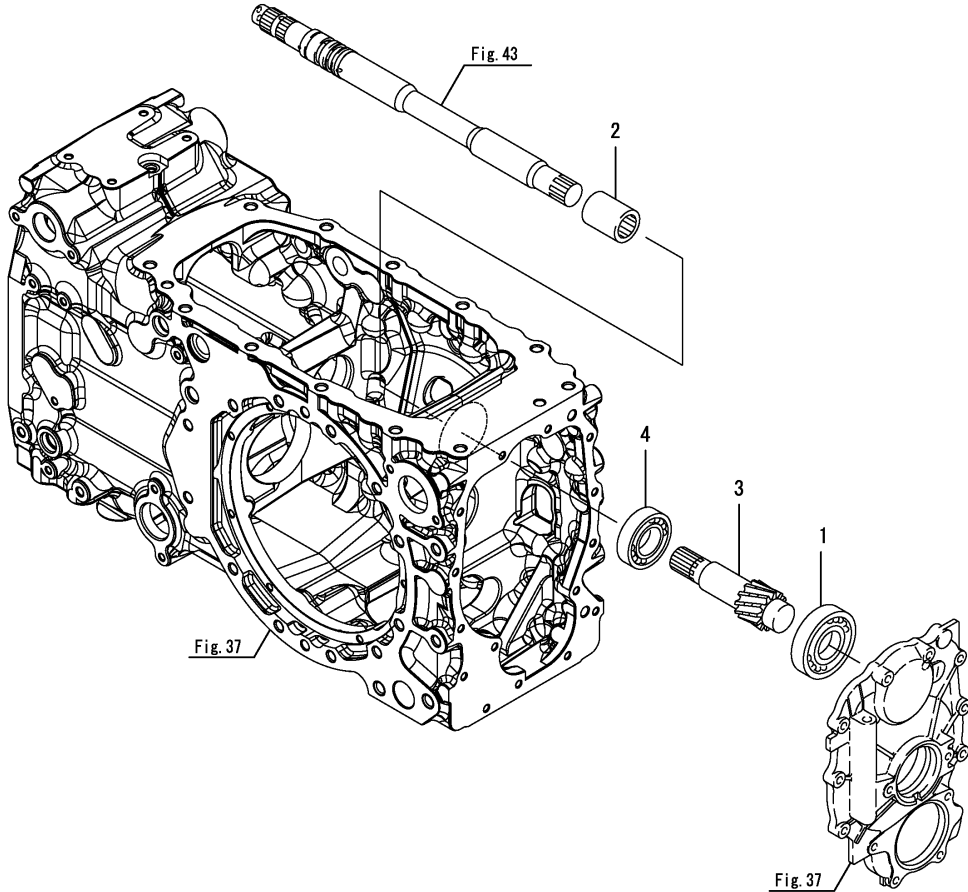


Fig.45. PTO SHAFT

(A)=LX4100(YANMAR)
 (B)=LX4500(YANMAR)
 (C)=LX4900(YANMAR)

(D)=
 (E)=
 (F)=

No.	Lev.	Parts No.	Description	Q'ty						I	R
				(A)	(B)	(C)	(D)	(E)	(F)		
1	1	194430-25810	BEARING, BALL TMB207	1	1	1					
2	1	1A7351-26310	SHAFT, PTO	1	1	1					
3	1	198218-26350	GEAR, PTO 72	1	1	1					
4	1	194130-33452	COLLAR, 35X42X13	1	1	1					
5	1	22242-000340	RING, 34	1	1	1					
6	1	24101-063054	BEARING, BALL 6305	1	1	1					

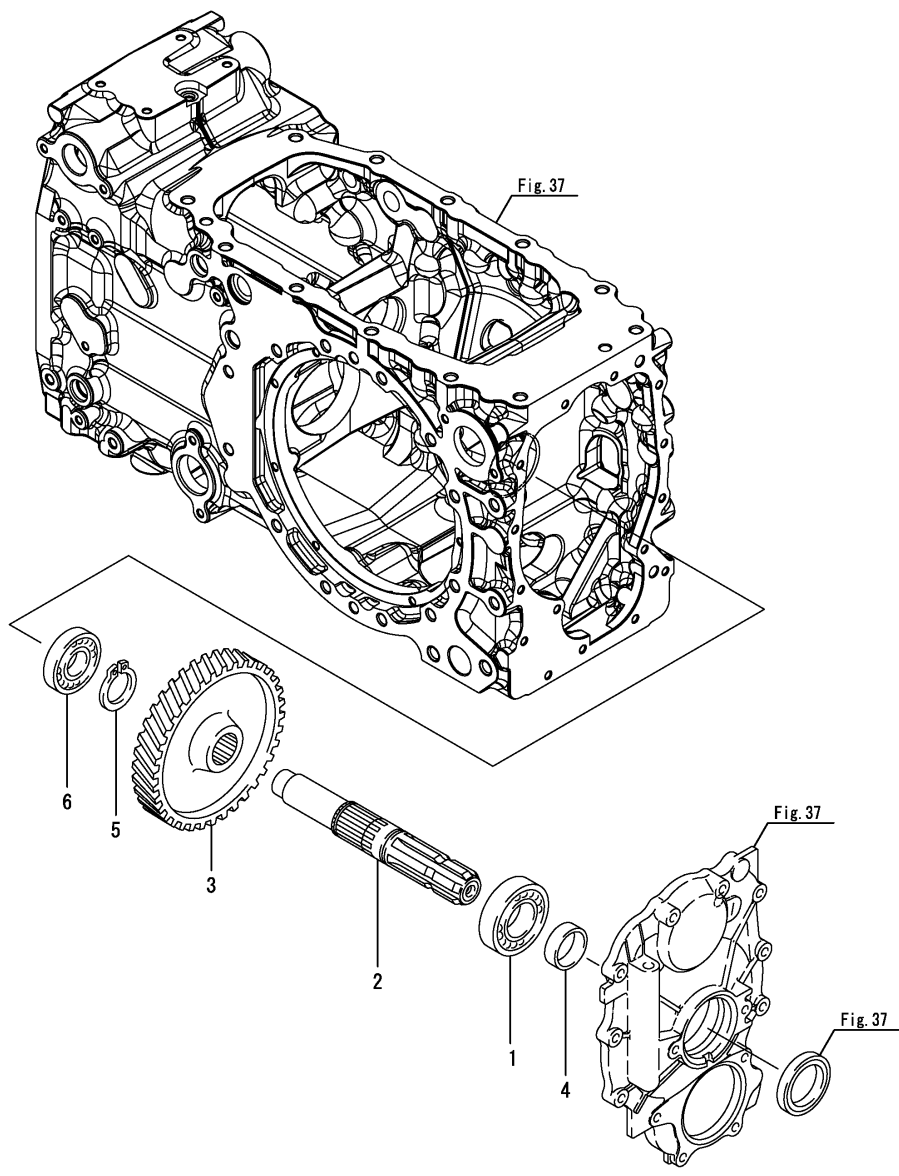


Fig.46. RANGE SHIFT

(A)=LX4100(YANMAR)
 (B)=LX4500(YANMAR)
 (C)=LX4900(YANMAR)

(D)=
 (E)=
 (F)=

No.	Lev.	Parts No.	Description	Qty						I	R
				(A)	(B)	(C)	(D)	(E)	(F)		
1	1	198119-27150	COLLAR, ARM	1	1	1					
2	1	1A8275-27480	SHAFT, RANGE SHIFT	1	1	1					
3	1	1A8275-27490	SHAFT, FORK	1	1	1					
4	1	198212-27521	ARM, SHIFT	1	1	1					
5	1	194680-27540	SPRING, FORK LOCK	1	1	1					
6	1	198217-27570	FORK, SHIFT A	1	1	1					
7	1	198217-27580	FORK, SHIFT B	1	1	1					
8	1	1A8275-27590	PIN, SWITCH RANGE	1	1	1					
9	1	1A8275-27610	HOLDER, SWITCH	1	1	1					
10	1	1A8275-27990	PLATE, KEEP	1	1	1					
11	1	22351-035036	PIN, SPRING 3.5X36	1	1	1					
12	1	22351-060032	PIN, SPRING 6.0X32	2	2	2					
13	1	22351-060036	PIN, SPRING 6.0X36	1	1	1					
14	1	24190-080001	BALL, STEEL 1/4	1	1	1					
15	1	24311-000140	O-RING, 1AP14.0	1	1	1					
16	1	24311-000160	O-RING, 1AP16.0	1	1	1					
17	1	26106-080162	BOLT, M8X 16 PLATED	1	1	1					

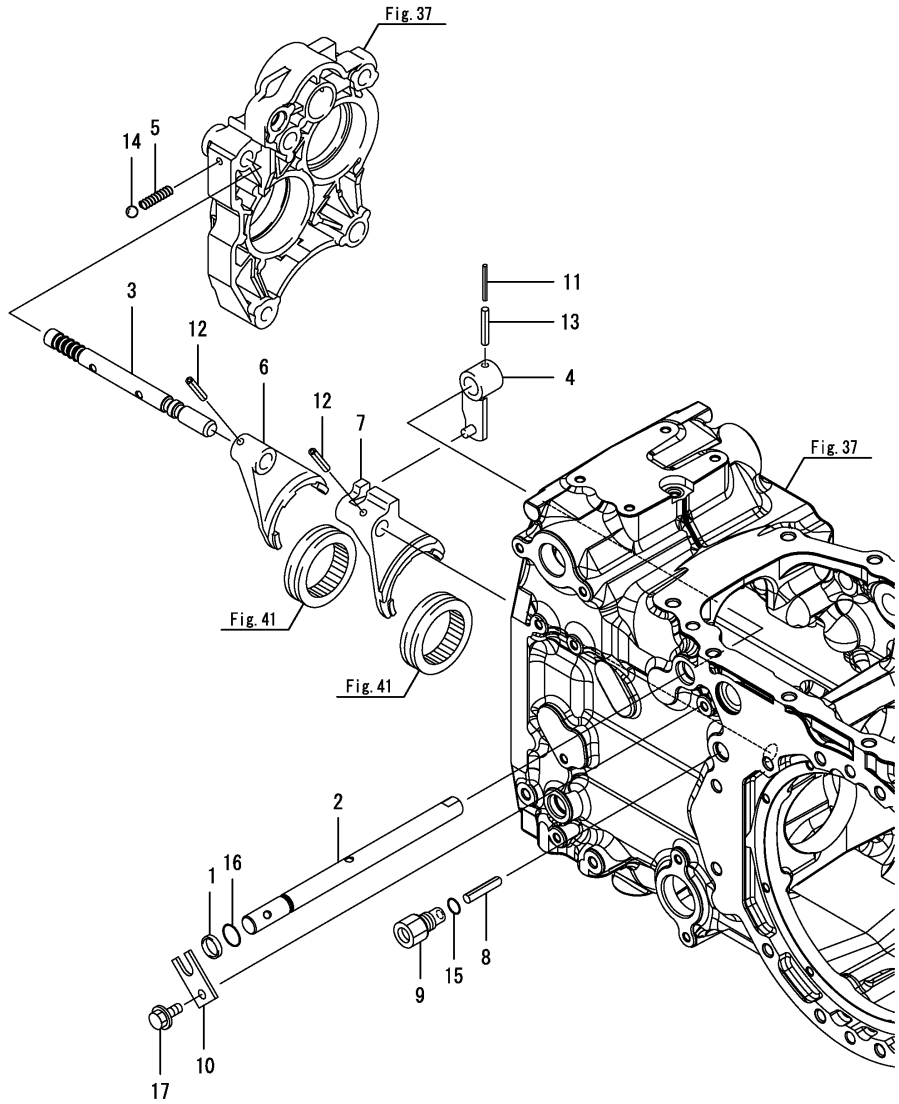


Fig.47. SUB LEVER

(A)=LX4100(YANMAR)
 (B)=LX4500(YANMAR)
 (C)=LX4900(YANMAR)

(D)=
 (E)=
 (F)=

No.	Lev.	Parts No.	Description	Qty						I	R
				(A)	(B)	(C)	(D)	(E)	(F)		
1	1	194990-22150	NUT, M10	1	1	1					
2	1	198253-27510	KNOB, LEVER	1	1	1					
3	1	1A8240-27600	LEVER ASSY, RANGE	1	1	1					
4	1	22351-035040	PIN, SPRING 3.5X40	1	1	1					
5	1	22351-060040	PIN, SPRING 6.0X40	1	1	1					

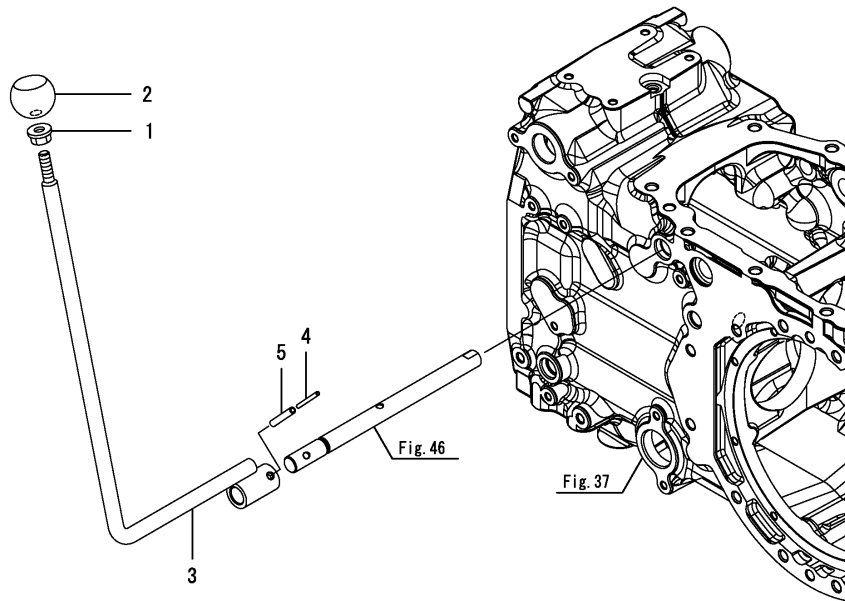
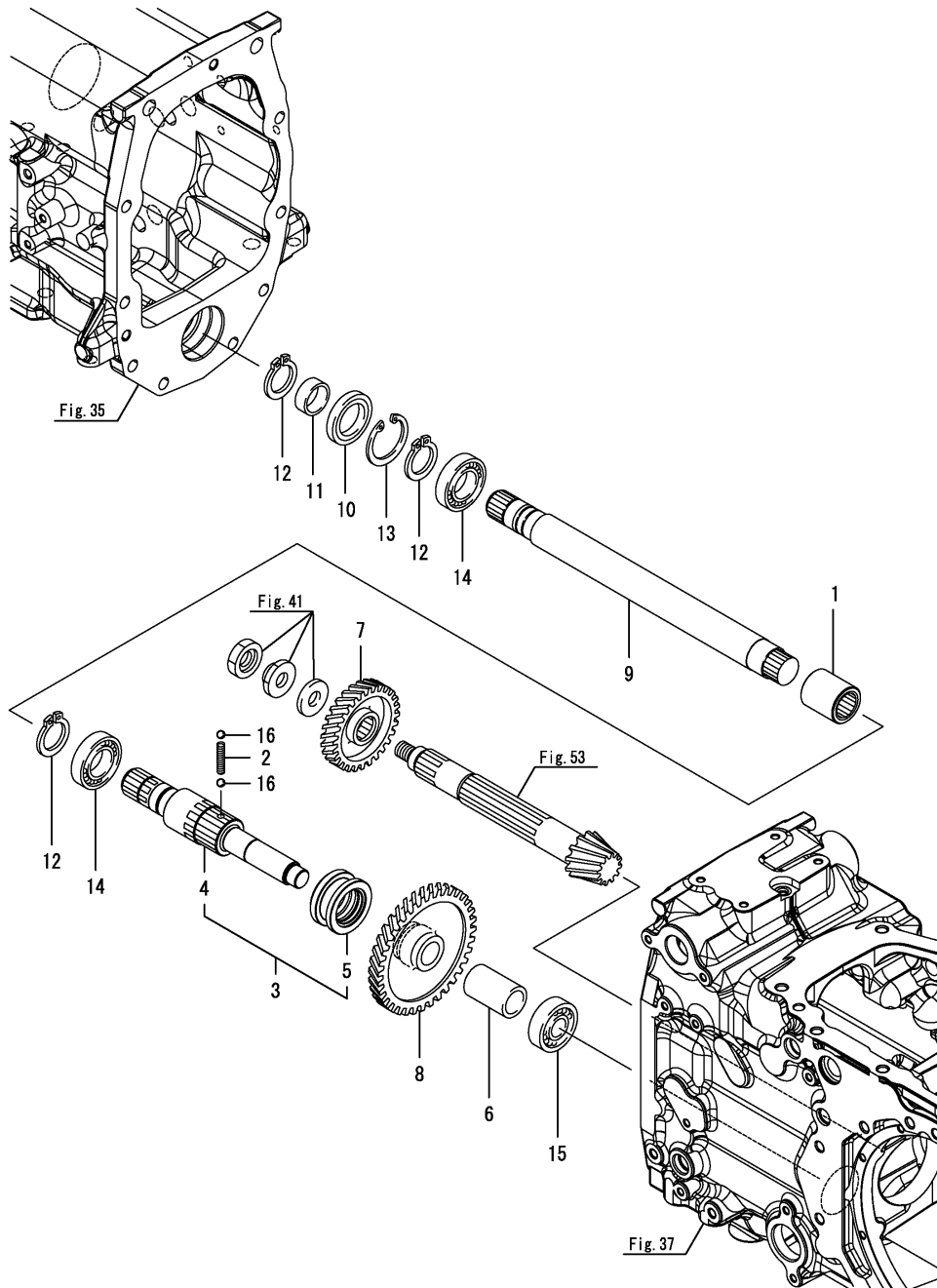


Fig.48. FRONT DRIVE



(A)=LX4100(YANMAR)
 (B)=LX4500(YANMAR)
 (C)=LX4900(YANMAR)

(D)=
 (E)=
 (F)=

No.	Lev.	Parts No.	Description	Qty						I	R
				(A)	(B)	(C)	(D)	(E)	(F)		
1	1	194640-26130	COUPLING, PTO	1	1	1					
2	1	198220-26910	SPRING, 30.2	1	1	1					
3	1	1A8275-28100	SHAFT ASSY, DRIVE	1	1	1					
4	2	1A8275-28110	SHAFT, FRONT DRIVE	1	1	1					
5	2	1A8275-28240	SLIDER,4WD	1	1	1					
6	1	1A8275-28120	COLLAR, 25	1	1	1					
7	1	1A8275-28220	PINION 33, DRIVE	1	1	1					
8	1	1A8275-28230	GEAR,FRONT DRIVE 48	1	1	1					
9	1	1A8275-28340	SHAFT, CONNECTING	1	1	1					
10	1	194420-39360	SEAL, OIL TC355508	1	1	1					
11	1	194420-39370	SLEEVE, SI 30X35X13A	1	1	1					
12	1	22242-000300	RING, 30	3	3	3					
13	1	22252-000550	RING, 55	1	1	1					
14	1	24101-060064	BEARING, BALL 6006	2	2	2					
15	1	24101-063044	BEARING, BALL 6304	1	1	1					
16	1	24190-080001	BALL, STEEL 1/4	2	2	2					

Fig.49. CHANGE ARM

(A)=LX4100(YANMAR)
 (B)=LX4500(YANMAR)
 (C)=LX4900(YANMAR)

(D)=
 (E)=
 (F)=

No.	Lev.	Parts No.	Description	Q'ty						I	R
				(A)	(B)	(C)	(D)	(E)	(F)		
1	1	194990-22150	NUT, M10	1	1	1					
2	1	198253-27510	KNOB, LEVER	1	1	1					
3	1	1A8240-28300	CHANGE ARM, FRONT	1	1	1					
4	1	22351-035040	PIN, SPRING 3.5X40	1	1	1					
5	1	22351-060040	PIN, SPRING 6.0X40	1	1	1					

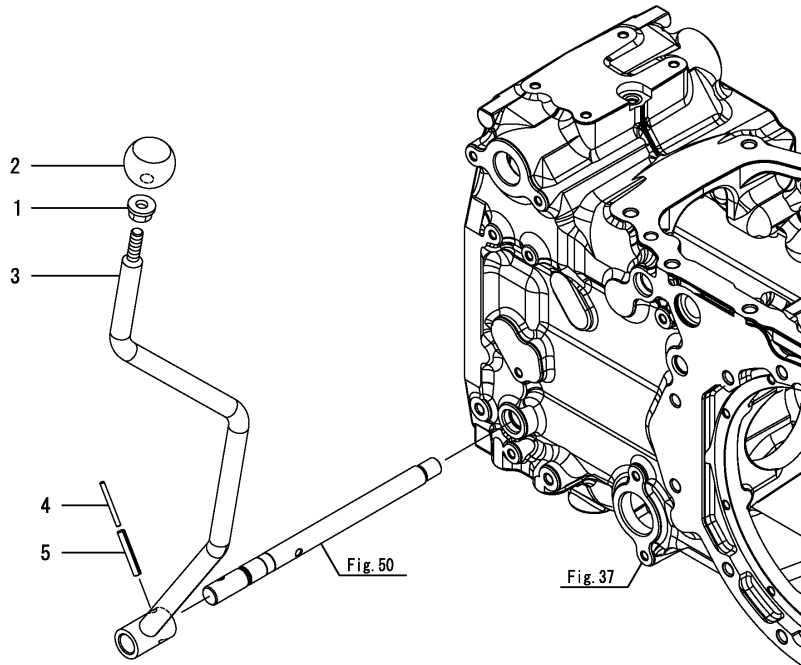


Fig.50. FRONT SHIFT

(A)=LX4100(YANMAR)
 (B)=LX4500(YANMAR)
 (C)=LX4900(YANMAR)

(D)=
 (E)=
 (F)=

No.	Lev.	Parts No.	Description	Qty						I	R
				(A)	(B)	(C)	(D)	(E)	(F)		
1	1	198119-27150	COLLAR, ARM	1	1	1					
2	1	1A8275-27990	PLATE, KEEP	1	1	1					
3	1	1A8275-28290	SHAFT,MFWD	1	1	1					
4	1	1A8275-28350	ARM,FRONT SHIFT	1	1	1					
5	1	22351-035036	PIN, SPRING 3.5X36	1	1	1					
6	1	22351-060036	PIN, SPRING 6.0X36	1	1	1					
7	1	24311-000160	O-RING, 1AP16.0	1	1	1					
8	1	26106-080162	BOLT, M8X 16 PLATED	1	1	1					

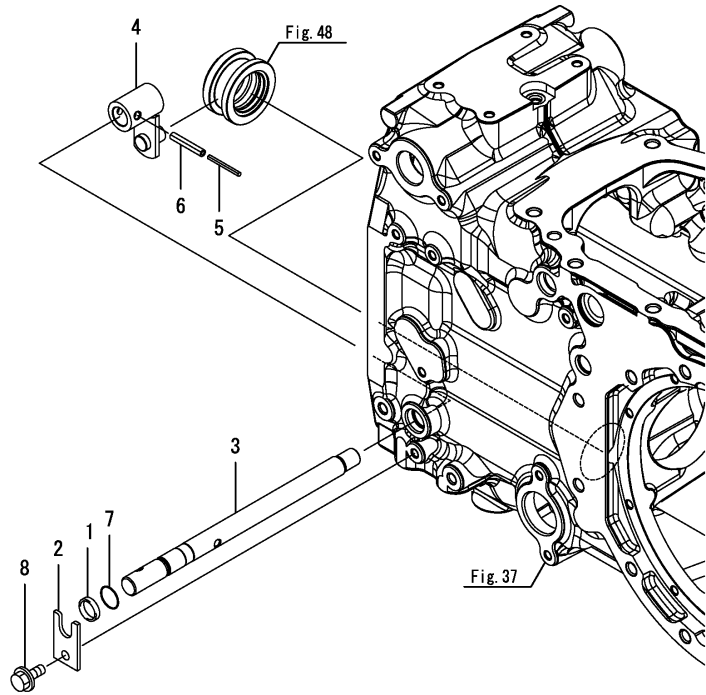
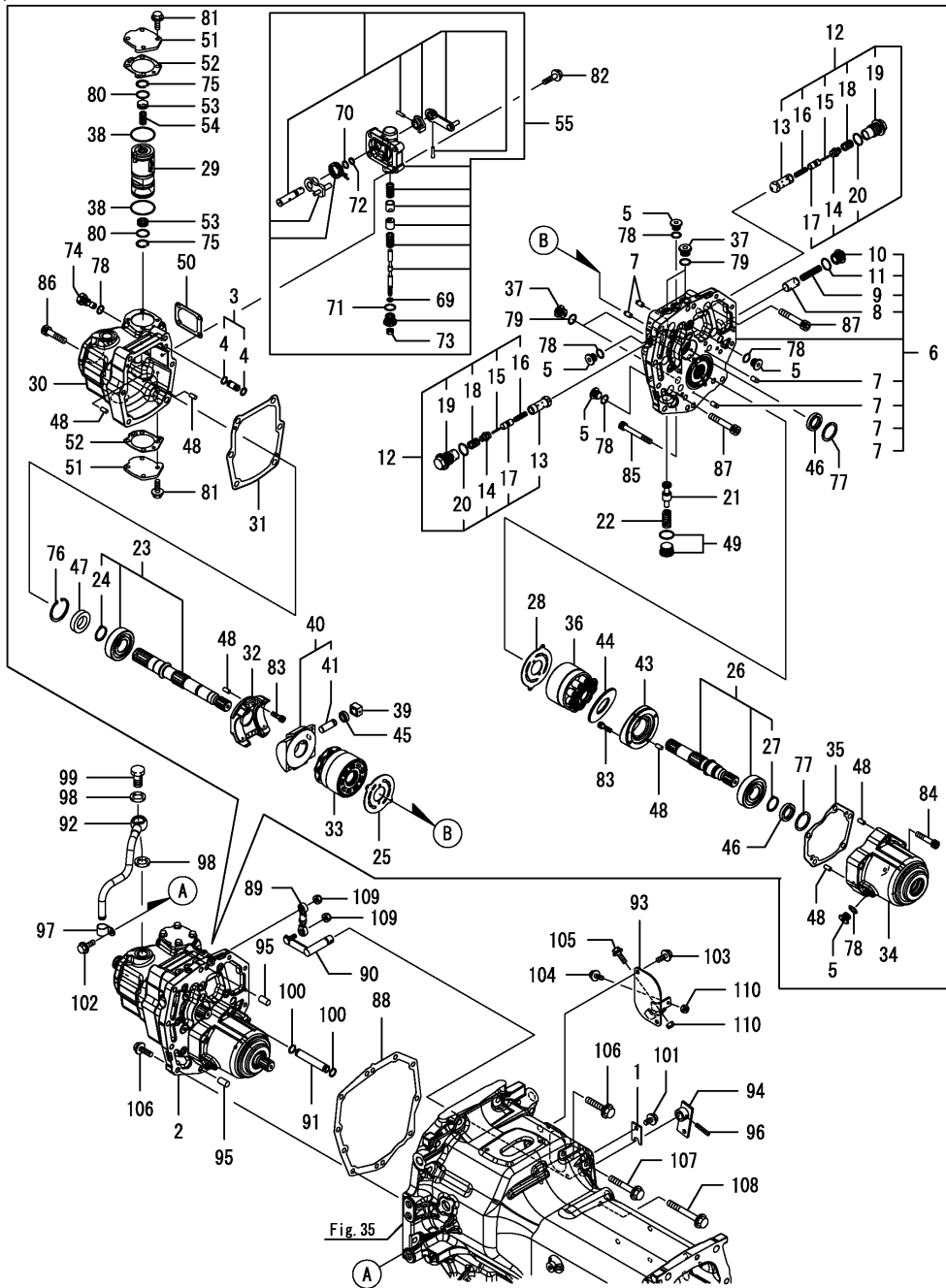


Fig.51. H.S.T.

(A)=LX4100(YANMAR)
 (B)=LX4500(YANMAR)
 (C)=LX4900(YANMAR)

(D)=
 (E)=
 (F)=



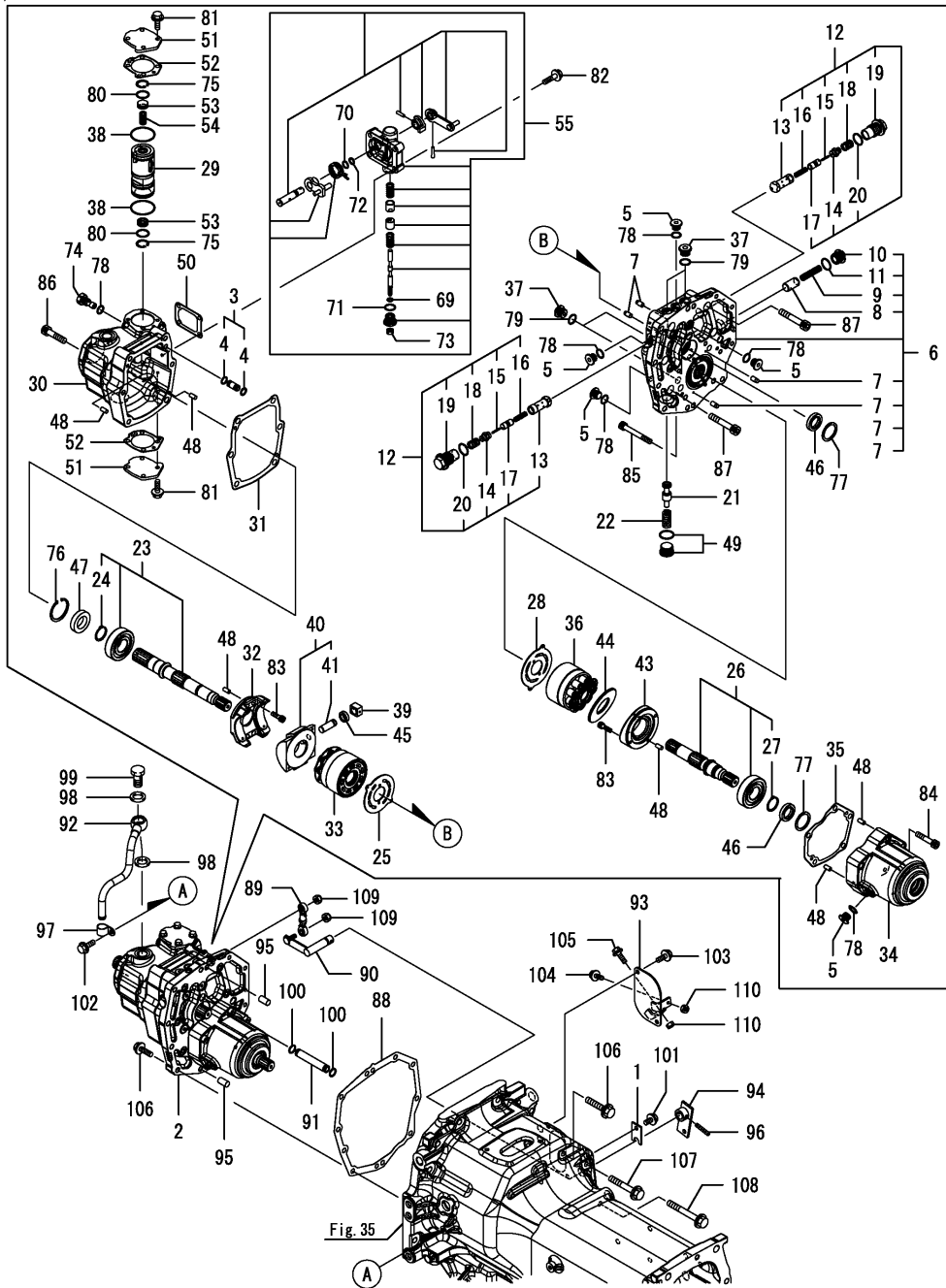
No.	Lev.	Parts No.	Description	Q'ty						I	R
				(A)	(B)	(C)	(D)	(E)	(F)		
1	1	1A8275-27990	PLATE, KEEP	1	1	1					
2	1	168HQ2-29000	KHS-42ZSA HST KIT	1	1	1					
3	2	168PGA-01380	PIPE(B CMP)	1	1	1					
4	3	24341-00080	O-RING, 1AS8.0	2	2	2					
5	2	178076-12400	PLUG, G1/4	7	7	7					
6	2	168HQ2-29100	CENTER CASE(A CMP)	1	1	1					
7	3	192163-24420	PIN, KNOCK 3.5	4	4	4					
8	3	192180-24860	VALVE, RELIEF	1	1	1					
9	3	192180-24880	SPRING,SECOND	1	1	1					
10	3	198121-77330	PLUG	1	1	1					
11	3	24315-000180	O-RING, 1BP18.0	1	1	1					
12	2	168HQ2-29120	NCR VALVE CMP	2	2	2					
13	3	168HJ1-85530	SLEEVE(+0.7	2	2	2					
14	3	168HP0-85550	PLUG(NCR	2	2	2					
15	3	168HP0-85570	NEEDLE ROLLER	2	2	2					
16	3	168HP0-85580	SPRING	2	2	2					
17	3	168HP0-85600	VALVE(NCR	2	2	2					
18	3	168HP1-85570	SPRING(CHECK VALVE	2	2	2					
19	3	168HJ1-85580	PLUG G1/2	2	2	2					
20	3	24315-000180	O-RING, 1BP18.0	2	2	2					
21	2	168HQ2-29140	RELIEF VALVE	1	1	1					
22	2	168HQ2-29150	SPRING(CHARGE RELIEF	1	1	1					
23	2	168HQ2-29200	PUMP SHAFT CMP	1	1	1					
24	3	22242-000300	RING, 30	1	1	1					
25	2	168HQ2-29250	VALVE PLATE(P	1	1	1					
26	2	168HQ2-29300	MOTOR SHAFT CMP	1	1	1					
27	3	22242-000300	RING, 30	1	1	1					
28	2	168HQ1-29350	VALVE PLATE(M	1	1	1					
29	2	168HQ1-29450	POWER PISTON CMP	1	1	1					
30	2	168HQ2-29500	PUMP CASE CMP	1	1	1					
31	2	168HQ2-29520	PACKING(PUMP CASE	1	1	1					
32	2	168HR0-29530	HOLDER(CRADLE CMP	1	1	1					
33	2	168HQ1-29610	CYLINDER BLOCK CMP	1	1	1					
34	2	168HQ2-29610	MOTOR CASE	1	1	1					
35	2	168HQ2-29620	PACKING(MOTOR CASE	1	1	1					
36	2	168HQ2-29650	PLUNGER BLOCK(37 CMP	1	1	1					
37	2	1A6750-29850	PLUG, G3/8	4	4	4					
38	2	146673-53900	O-RING(P42)	2	2	2					
39	2	119192-54650	RETAINER	1	1	1					
40	2	158835-85290	CRADLE ASSY	1	1	1					
41	3	119593-54570	PIN	1	1	1					
43	2	158830-85310	PLATE	1	1	1					
44	2	158830-85320	PLATE, THRUST	1	1	1					
45	2	158830-85370	SPACER	1	1	1					
46	2	158836-85420	SEAL, 25.4X40X8	2	2	2					
47	2	158835-85440	SEAL, 30X50X11	1	1	1					
48	2	158802-85880	PIN,PARALLEL(6X12	6	6	6					
49	2	158822-85960	PLUG UNF7/8	1	1	1					
50	2	158830-87020	PACKING	1	1	1					
51	2	158833-87050	COVER, PISTON	2	2	2					
52	2	158830-87061	PACKING	2	2	2					

N:Old $\begin{matrix} \leftarrow \text{Yes} \\ \text{No} \end{matrix}$ New, Q:Old $\begin{matrix} \leftarrow \text{No} \\ \text{Yes} \end{matrix}$ New, R:Old $\begin{matrix} \leftarrow \text{Yes} \\ \text{No} \end{matrix}$ New, S:Old $\begin{matrix} \leftarrow \text{No} \\ \text{Yes} \end{matrix}$ New, W:Add, Z:Discontinued, F:Interchangeable by set, K:Q'ty Change
 ++ CONTINUE ++
 Copyright (C) YANMAR CO., LTD. All Rights Reserved.

Fig.51. H.S.T.

(A)=LX4100(YANMAR)
 (B)=LX4500(YANMAR)
 (C)=LX4900(YANMAR)

(D)=
 (E)=
 (F)=

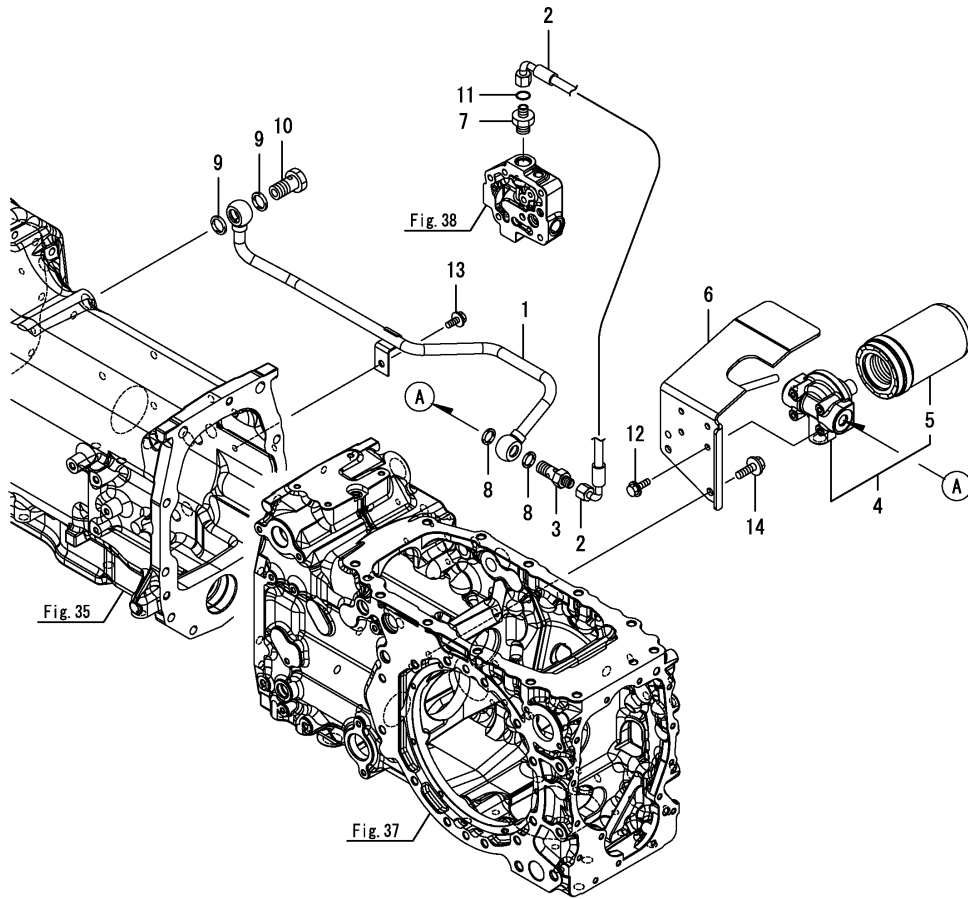


No.	Lev.	Parts No.	Description	Q'ty						I	R
				(A)	(B)	(C)	(D)	(E)	(F)		
53	2	158830-87160	PIECE	2	2	2					
54	2	158830-87170	SPRING	1	1	1					
55	2	158862-87400	LEVER ASSY	1	1	1					
69	3	24311-000040	O-RING, 1AP4.0	1	1	1					
70	3	24311-000090	O-RING, 1AP9.0	1	1	1					
71	3	24311-000140	O-RING, 1AP14.0	1	1	1					
72	3	24372-000090	RING, BACK UP T2P9	1	1	1					
73	3	26716-060002	NUT, M6	1	1	1					
74	2	158830-87450	BOLT	1	1	1					
75	2	22252-000200	RING, 20	2	2	2					
76	2	22252-000520	RING, 52	1	1	1					
77	2	22262-000420	RING, R-42	2	2	2					
78	2	24315-000110	O-RING, 1BP11.0	8	8	8					
79	2	24315-000140	O-RING, 1BP14.0	4	4	4					
80	2	24351-190150	O-RING 1A 19015	2	2	2					
81	2	26106-080202	BOLT, M8X 20 PLATED	8	8	8					
82	2	26106-080302	BOLT, M8X 30 PLATED	4	4	4					
83	2	26450-060202	BOLT, M6X 20	6	6	6					
84	2	26450-100552	BOLT, M10X 55	3	3	3					
85	2	26450-100802	BOLT, M10X 80	2	2	2					
86	2	26450-120552	BOLT, M12X 55	1	1	1					
87	2	26450-120702	BOLT, M12X 70	5	5	5					
88	1	1A8275-29090	GASKET, HST	1	1	1					
89	1	1A8275-29110	ROD ASSY, HST	1	1	1					
90	1	1A8275-29120	ARM ASSY,	1	1	1					
91	1	1A8275-29240	PIPE, 16X92	1	1	1					
92	1	1A8275-29270	PIPE,LP(HST-T	1	1	1					
93	1	1A8275-29381	STOPPER, HST SHIFT	1	1	1					
94	1	1A8275-29450	ARM, SHIFT	1	1	1					
95	1	22312-100180	PIN, PARALLEL M10X18	2	2	2					
96	1	22351-060032	PIN, SPRING 6.0X32	1	1	1					
97	1	23297-150081	CLAMP, A15X 8	1	1	1					
98	1	23414-220000	GASKET, 22X1.0	2	2	2					
99	1	23857-180000	BOLT, JOINT 18	1	1	1					
100	1	24311-000120	O-RING, 1AP12.0	2	2	2					
101	1	26106-080162	BOLT, M8X 16 PLATED	1	1	1					
102	1	26106-080162	BOLT, M8X 16 PLATED	1	1	1					
103	1	26106-080162	BOLT, M8X 16 PLATED	2	2	2					
104	1	26106-060254	BOLT, M6X 25 PLATED	1	1	1					
105	1	26106-060304	BOLT, M6X 30 PLATED	1	1	1					
106	1	26106-100352	BOLT, M10X 35 PLATED	8	8	8					
107	1	26106-100502	BOLT, M10X 50 PLATED	1	1	1					
108	1	26106-100802	BOLT, M10X 80 PLATED	1	1	1					
109	1	26346-080002	NUT, M8	2	2	2					
110	1	26716-060002	NUT, M6	2	2	2					

Fig.52. HST PIPE

(A)=LX4100(YANMAR)
 (B)=LX4500(YANMAR)
 (C)=LX4900(YANMAR)

(D)=
 (E)=
 (F)=



No.	Lev.	Parts No.	Description	Qty						I	R
				(A)	(B)	(C)	(D)	(E)	(F)		
1	1	1A8275-48060	PIPE, HST	1	1	1					
2	1	1A8275-48100	HOSE,	1	1	1					
3	1	1A8275-48150	BOLT, JOINT	1	1	1					
4	1	1A7180-48191	FILTER, LINE 10	1	1	1					
5	2	1A7180-48210	CARTRIDGE ASSY	1	1	1					
6	1	1A8275-48830	BRACKET, OIL FILTER	1	1	1					
7	1	172423-76120	CONNECTOR, PF1/2X1/4	1	1	1					
8	1	23414-170000	GASKET, 17X1.0	2	2	2					
9	1	23414-200000	GASKET, 20X1.0	2	2	2					
10	1	23857-150000	BOLT, JOINT 15	1	1	1					
11	1	24311-000180	O-RING, 1AP18.0	1	1	1					
12	1	26106-080162	BOLT, M8X 16 PLATED	4	4	4					
13	1	26106-080162	BOLT, M8X 16 PLATED	1	1	1					
14	1	26106-100202	BOLT, M10X 20 PLATED	2	2	2					

Fig.53. RING GEAR

(A)=LX4100(YANMAR)
 (B)=LX4500(YANMAR)
 (C)=LX4900(YANMAR)

(D)=
 (E)=
 (F)=

No.	Lev.	Parts No.	Description	Qty						I	R
				(A)	(B)	(C)	(D)	(E)	(F)		
1	1	1A8275-25840	BEARING, HR6307UR	1	1	1					
2	1	198217-31400	GEAR ASSY, RING	1	1	1					

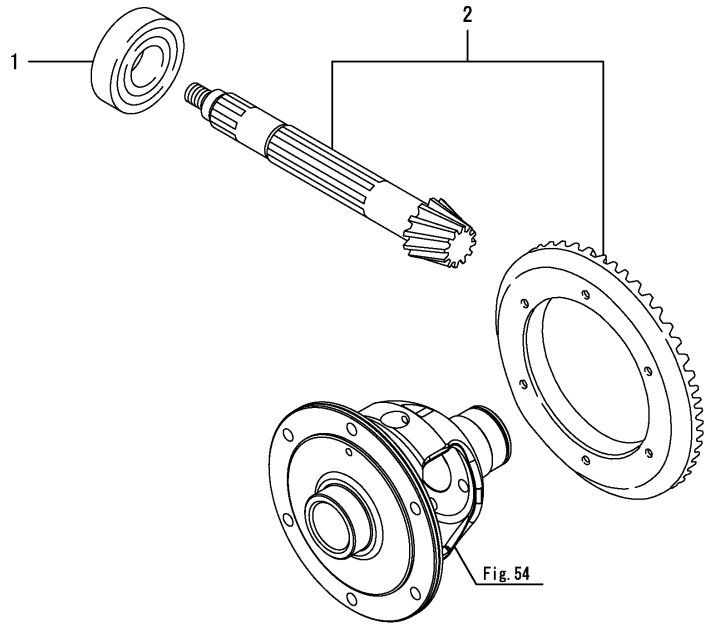


Fig.54. DIFFERENTIAL GEAR

(A)=LX4100(YANMAR)
 (B)=LX4500(YANMAR)
 (C)=LX4900(YANMAR)

(D)=
 (E)=
 (F)=

No.	Lev.	Parts No.	Description	Q'ty						I	R
				(A)	(B)	(C)	(D)	(E)	(F)		
1	1	198213-31450	BOLT, M10X22	6	6	6					
2	1	1A8275-31510	GEAR, DIFFERENTIAL	1	1	1					
3	1	1A8275-31520	GEAR, DIFFERENTIAL	1	1	1					
4	1	198360-31530	LINER, PINION	2	2	2					
5	1	1A8275-31820	SHAFT, DIFF. PINION	1	1	1					
6	1	192180-31850	WASHER,DIFF PINION	2	2	2					
7	1	1A7090-31850	PINION, DIFFERENTIAL	2	2	2					
8	1	1A8275-32110	HOUSING, DIFF.	1	1	1					
9	1	22217-100000	WASHER, SPRING 10	6	6	6					
10	1	22242-000500	RING, 50	1	1	1					
11	1	22351-060036	PIN, SPRING 6.0X36	1	1	1					
12	1	24101-060104	BEARING, BALL 6010	1	1	1					
13	1	24101-062114	BEARING, BALL 6211	1	1	1					

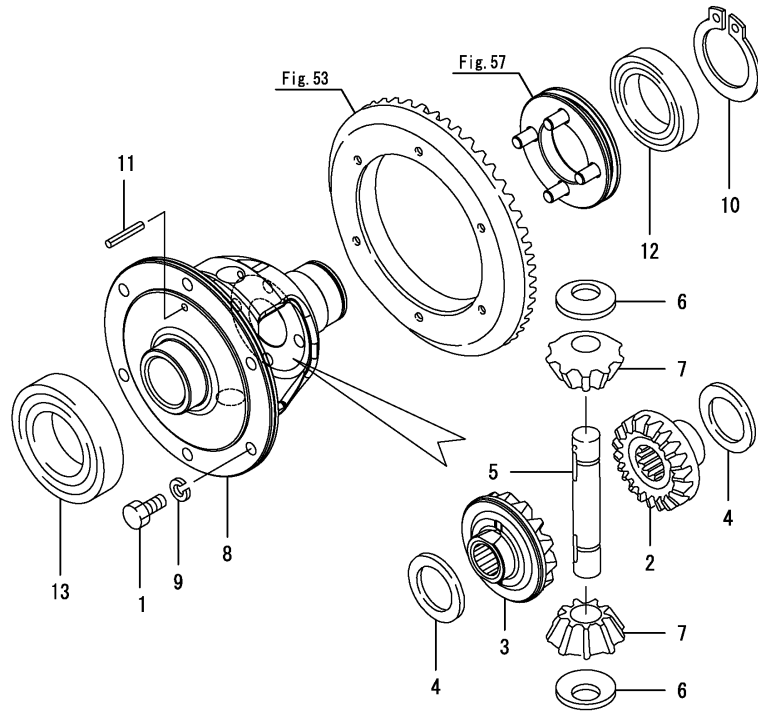


Fig.55. DIFFERENTIAL CARRIER

(A)=LX4100(YANMAR)
(B)=LX4500(YANMAR)
(C)=LX4900(YANMAR)

(D)=
(E)=
(F)=

No.	Lev.	Parts No.	Description	Q'ty						I	R
				(A)	(B)	(C)	(D)	(E)	(F)		
1	1	794251-13910	SHIM SET	1	1	1					
2	1	1A7352-32310	CARRIER	1	1	1					
3	1	26106-080252	BOLT, M8X 25 PLATED	7	7	7					

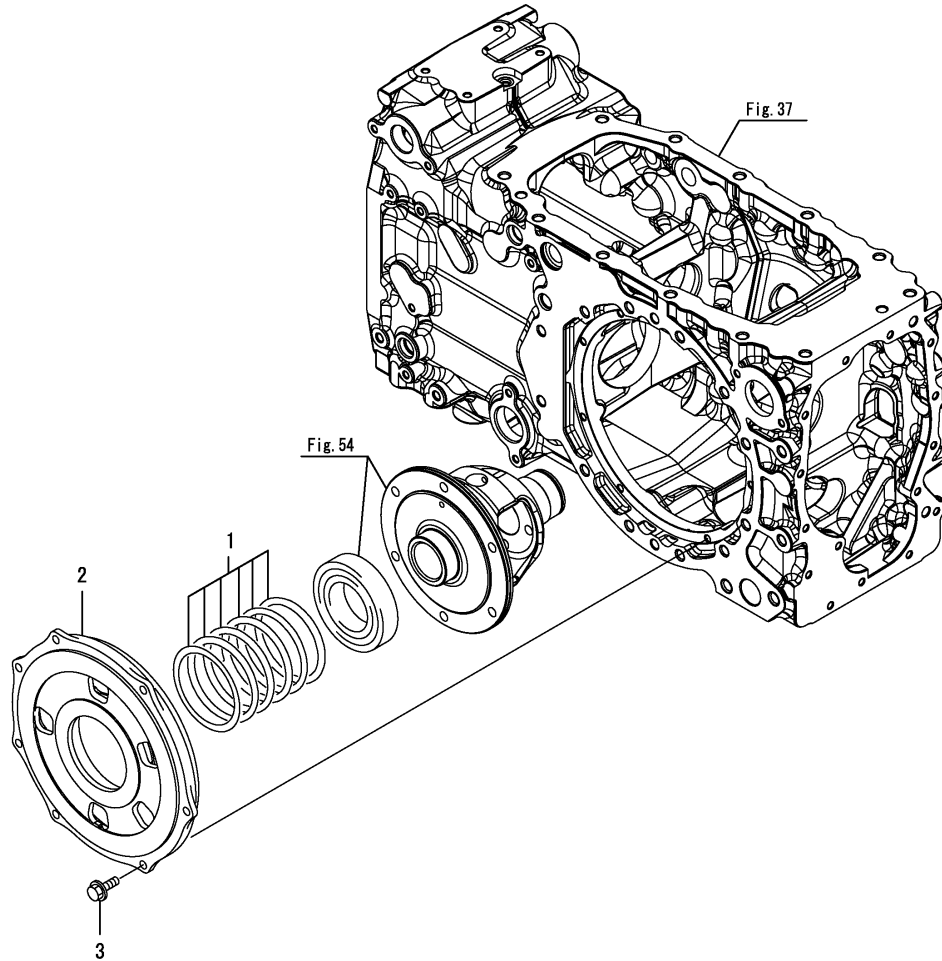


Fig.56. REAR HOUSING

(A)=LX4100(YANMAR)
 (B)=LX4500(YANMAR)
 (C)=LX4900(YANMAR)

(D)=
 (E)=
 (F)=

No.	Lev.	Parts No.	Description	Q'ty						I	R
				(A)	(B)	(C)	(D)	(E)	(F)		
1	1	1A8275-32610	HOUSING, REAR AXLE	2	2	2					
2	1	1A8275-32650	PLATE, SEAL	2	2	2					
3	1	1A8275-32670	SEAL, AXLE SHAFT	2	2	2					
4	1	22312-100180	PIN, PARALLEL M10X18	4	4	4					
5	1	26106-080162	BOLT, M8X 16 PLATED	6	6	6					
6	1	26106-080162	BOLT, M8X 16 PLATED	2	2	2					
7	1	26106-120502	BOLT, M12X 50 PLATED	22	22	22					
8	1	26366-120002	NUT, M12	2	2	2					

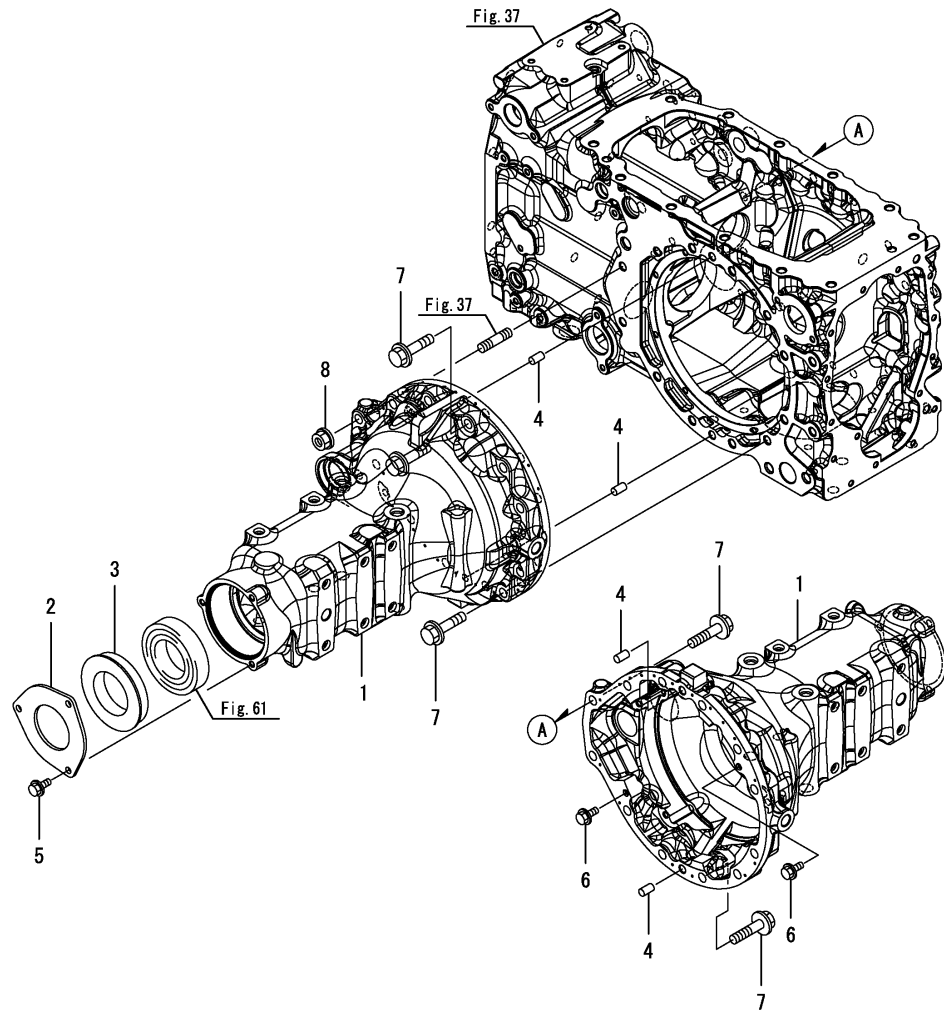


Fig.57. DIFFERENTIAL LOCK

(A)=LX4100(YANMAR)
 (B)=LX4500(YANMAR)
 (C)=LX4900(YANMAR)

(D)=
 (E)=
 (F)=

No.	Lev.	Parts No.	Description	Q'ty						I	R
				(A)	(B)	(C)	(D)	(E)	(F)		
1	1	1A8275-33100	SLIDER, DIFFERENTIAL	1	1	1					
2	1	1A7350-33140	FORK, SHIFT	1	1	1					
3	1	198212-33150	SPRING, RETURN	1	1	1					
4	1	1A8275-33160	SHAFT ASSY,DIFF.LOCK	1	1	1					
5	1	22137-200000	WASHER, 20	1	1	1					
6	1	22351-050040	PIN, SPRING 5.0X40	1	1	1					
7	1	22351-080032	PIN, SPRING 8.0X32	2	2	2					
8	1	22351-080040	PIN, SPRING 8.0X40	1	1	1					
9	1	24421-203007	SEAL, OIL TC203007	2	2	2					

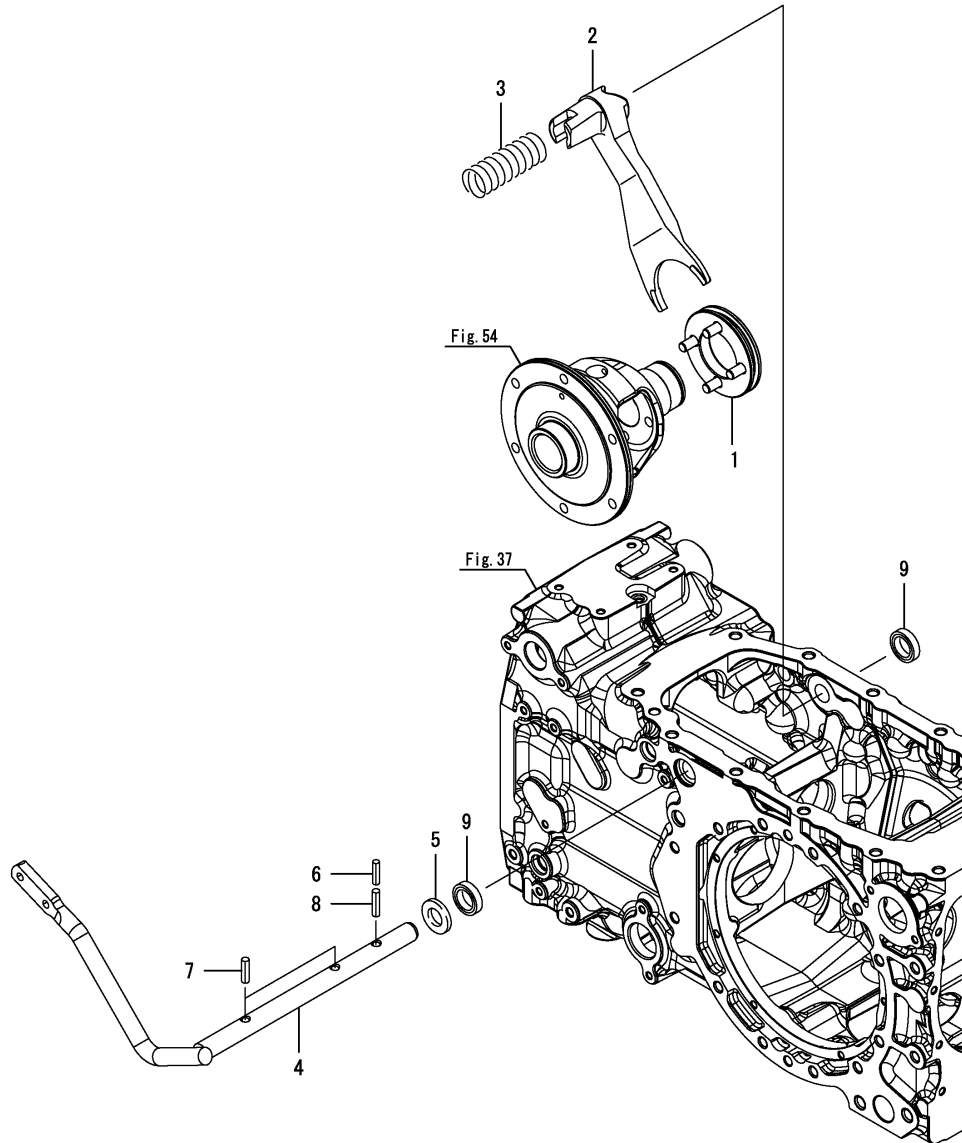


Fig.58. DIFFERENTIAL LOCK PEDAL

(A)=LX4100(YANMAR)
 (B)=LX4500(YANMAR)
 (C)=LX4900(YANMAR)

(D)=
 (E)=
 (F)=

No.	Lev.	Parts No.	Description	Qty						I	R	
				(A)	(B)	(C)	(D)	(E)	(F)			
1	1	1A8240-33150	PEDAL, DIFF. LOCK	1	1	1						
2	1	26106-080202	BOLT, M8X 20 PLATED	2	2	2						

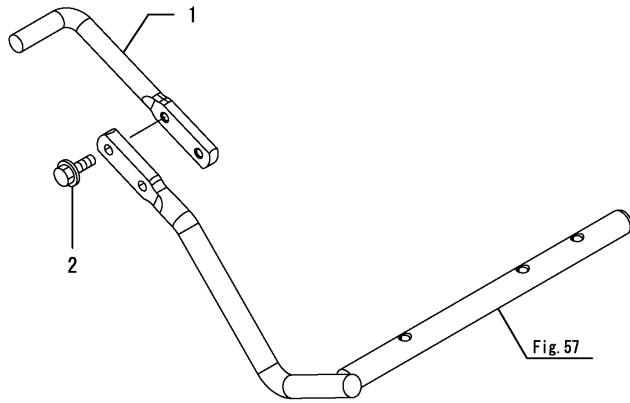
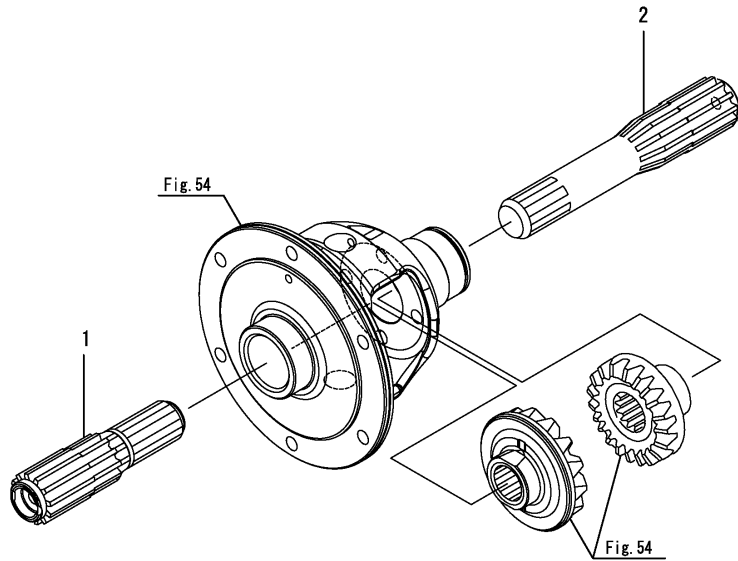


Fig.59. FINAL PINION

(A)=LX4100(YANMAR)
 (B)=LX4500(YANMAR)
 (C)=LX4900(YANMAR)

(D)=
 (E)=
 (F)=



No.	Lev.	Parts No.	Description	Qty						I	R
				(A)	(B)	(C)	(D)	(E)	(F)		
1	1	1A8275-33410	PINION, FINAL L.H.	1	1	1					
2	1	1A8275-33420	PINION, FINAL R.H.	1	1	1					

Fig.60. FINAL GEAR

(A)=LX4100(YANMAR)
 (B)=LX4500(YANMAR)
 (C)=LX4900(YANMAR)

(D)=
 (E)=
 (F)=

No.	Lev.	Parts No.	Description	Qty						I	R
				(A)	(B)	(C)	(D)	(E)	(F)		
1	1	1A8275-33450	CARRIER ASSY, PLANET	2	2	2					
2	2	1A8275-33540	PINION, PLANETARY	6	6	6					
3	2	1A8275-33550	SHAFT, PLANETARY	6	6	6					
4	2	198320-33560	NEEDLE, 4.5X31.8	126	126	126					
5	2	1A8275-33570	CARRIER, PLANETARY	2	2	2					
6	2	1A8275-33580	WASHER, 26X44X4	12	12	12					
7	2	194640-34130	WASHER, 13X64X9	2	2	2					
8	2	22351-080040	PIN, SPRING 8.0X40	6	6	6					
9	1	1A8275-33490	WASHER, 9	6	6	6					
10	1	1A8275-33610	GEAR, INTERNAL	2	2	2					
11	1	22312-120320	PIN, PARALLEL M12X32	6	6	6					
12	1	26106-080162	BOLT, M8X 16 PLATED	6	6	6					

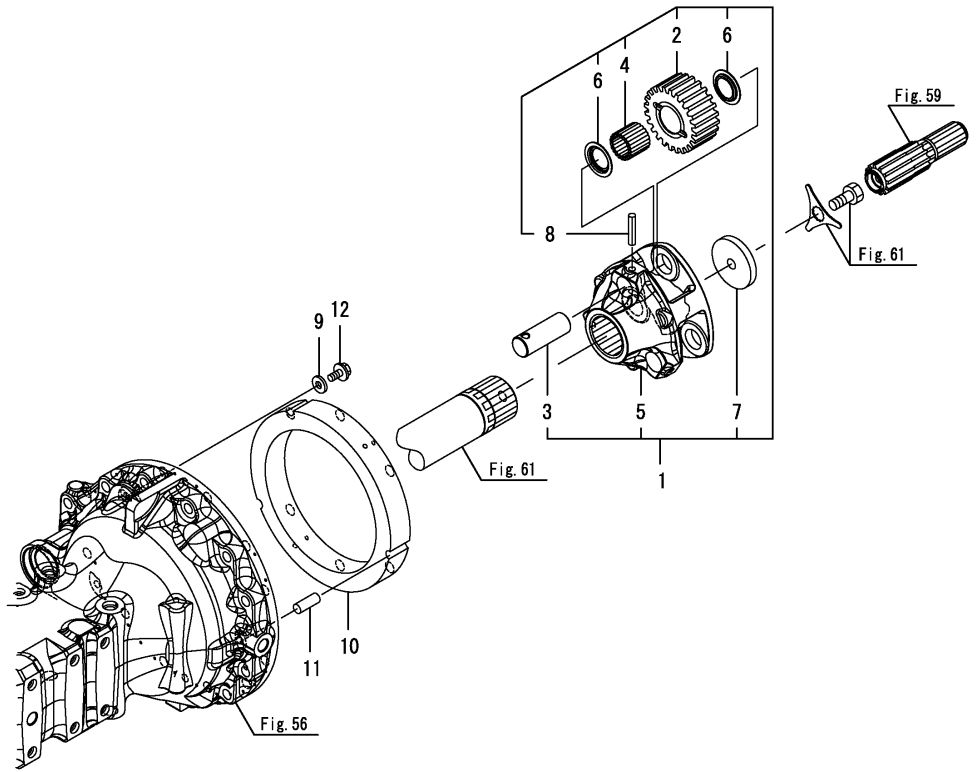


Fig.61. REAR AXLE SHAFT

(A)=LX4100(YANMAR)
 (B)=LX4500(YANMAR)
 (C)=LX4900(YANMAR)

(D)=
 (E)=
 (F)=

No.	Lev.	Parts No.	Description	Q'ty						I	R
				(A)	(B)	(C)	(D)	(E)	(F)		
1	1	1A8275-34110	SHAFT, REAR AXLE	2	2	2					
2	1	194640-34140	BOLT, M12X30	2	2	2					
3	1	198212-34150	WASHER, THRUST	2	2	2					
4	1	24101-060114	BEARING, BALL 6011	2	2	2					
5	1	24101-062114	BEARING, BALL 6211	2	2	2					

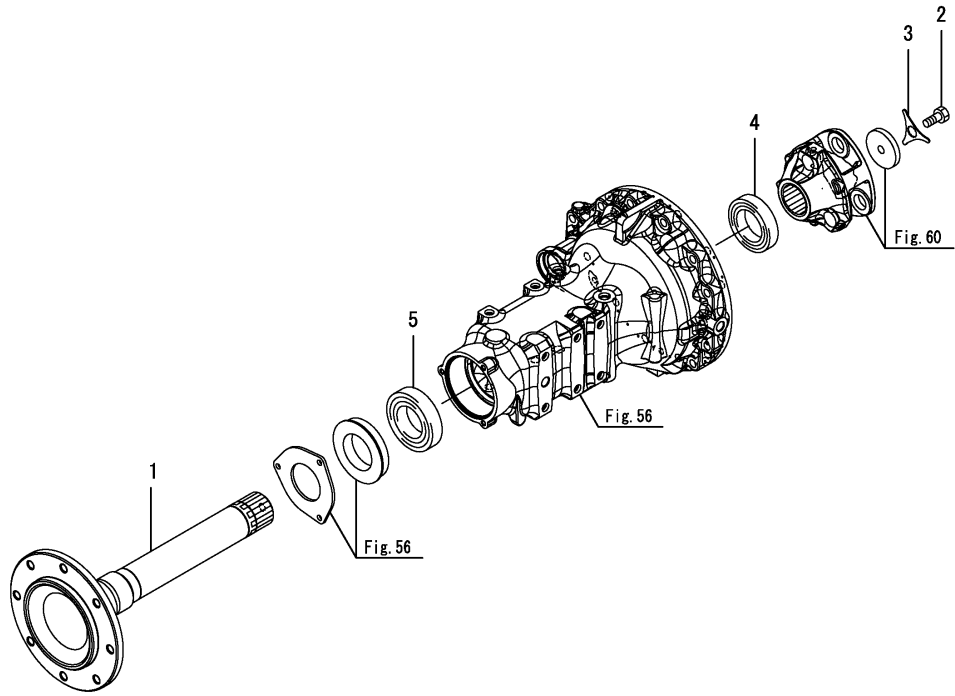
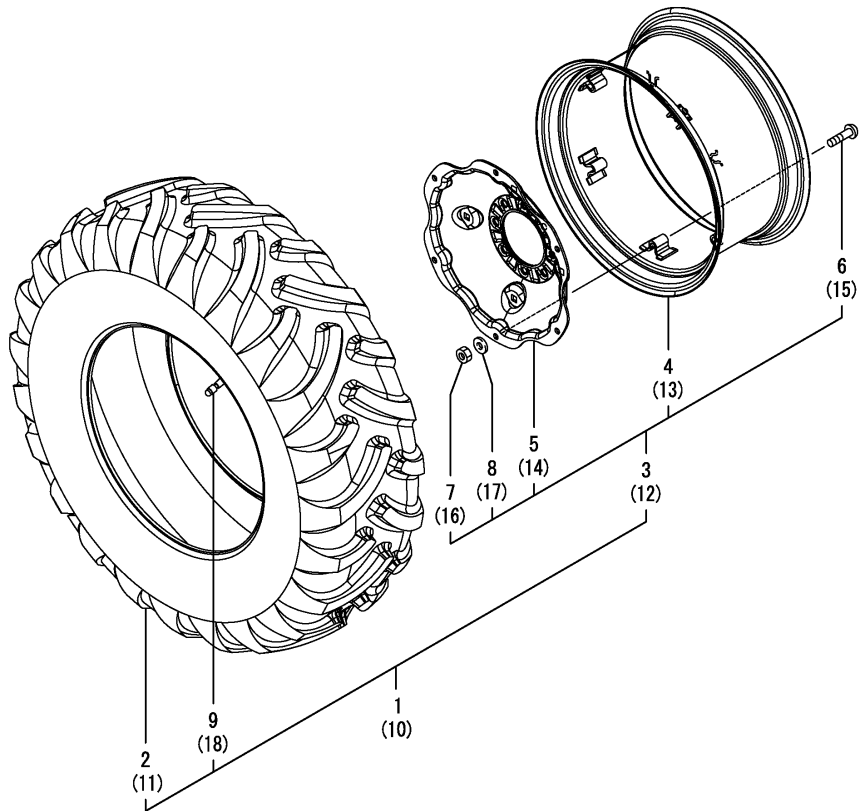


Fig.62. REAR WHEEL TIRE R1

(A)=LX4100(YANMAR)
 (B)=LX4500(YANMAR)
 (C)=LX4900(YANMAR)

(D)=
 (E)=
 (F)=



No.	Lev.	Parts No.	Description	Qty						I	R
				(A)	(B)	(C)	(D)	(E)	(F)		
1	1	1A8170-34300	TIRE KIT, REAR R1 L	1	1	1					
2	2	1A8170-34310	TIRE, R1 14.9X24	1	1	1					
3	2	1A8170-34330	WHEEL, R1 R	1	1	1					
4	3	1A8170-34340	RIM ASSY, R1	1	1	1					
5	3	1A8170-34360	DISK ASSY, R1	1	1	1					
6	3	1A8170-34370	BOLT, R1	6	6	6					
7	3	1A8170-34380	NUT, R1	6	6	6					
8	3	1A8170-34390	WASHER, R1	6	6	6					
9	2	1A8170-34350	VALVE, TIRE R1 R	1	1	1					
10	1	1A8170-34400	TIRE KIT, REAR R1 R	1	1	1					
11	2	1A8170-34310	TIRE, R1 14.9X24	1	1	1					
12	2	1A8170-34330	WHEEL, R1 R	1	1	1					
13	3	1A8170-34340	RIM ASSY, R1	1	1	1					
14	3	1A8170-34360	DISK ASSY, R1	1	1	1					
15	3	1A8170-34370	BOLT, R1	6	6	6					
16	3	1A8170-34380	NUT, R1	6	6	6					
17	3	1A8170-34390	WASHER, R1	6	6	6					
18	2	1A8170-34350	VALVE, TIRE R1 R	1	1	1					

Fig.63. REAR WHEEL TIRE R3

(A)=LX4100(YANMAR)
 (B)=LX4500(YANMAR)
 (C)=LX4900(YANMAR)

(D)=
 (E)=
 (F)=

No.	Lev.	Parts No.	Description	Qty						I	R
				(A)	(B)	(C)	(D)	(E)	(F)		
1	1	1A8170-34500	TIRE KIT, REAR R3	2	2	2					
2	2	1A8170-34350	VALVE, TIRE R1 R	2	2	2					
3	2	1A8170-34510	TIRE, R3 44X18.00-20	2	2	2					
4	2	1A8170-34530	WHEEL, R3 R	2	2	2					

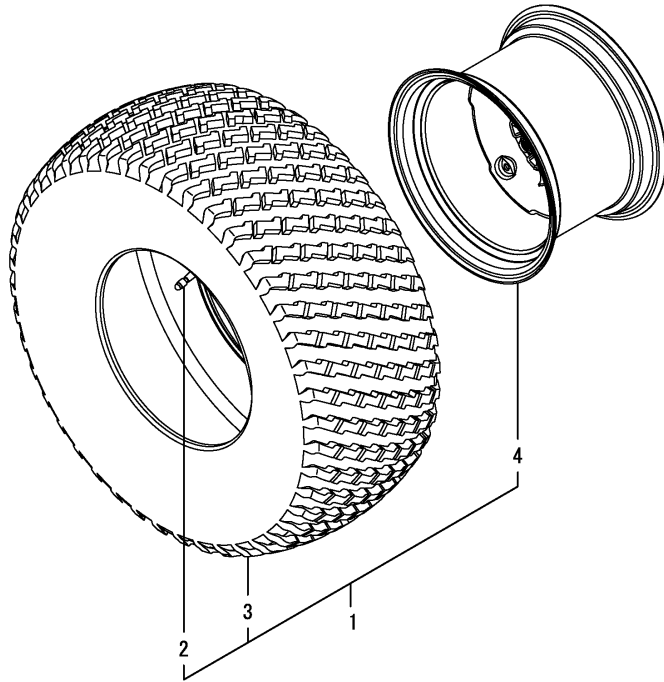


Fig.64. REAR WHEEL TIRE R3G

(A)=LX4100(YANMAR)
 (B)=LX4500(YANMAR)
 (C)=LX4900(YANMAR)

(D)=
 (E)=
 (F)=

No.	Lev.	Parts No.	Description	Qty						I	R
				(A)	(B)	(C)	(D)	(E)	(F)		
1	1	1A8170-34600	TIRE KIT, REAR R3G	2	2	2					
2	2	1A8170-34610	TIRE, R3G22.5LL-16.1	2	2	2					
3	2	1A8170-34630	WHEEL, R3G R	2	2	2					
4	2	1A8170-34650	VALVE, R3G R	2	2	2					

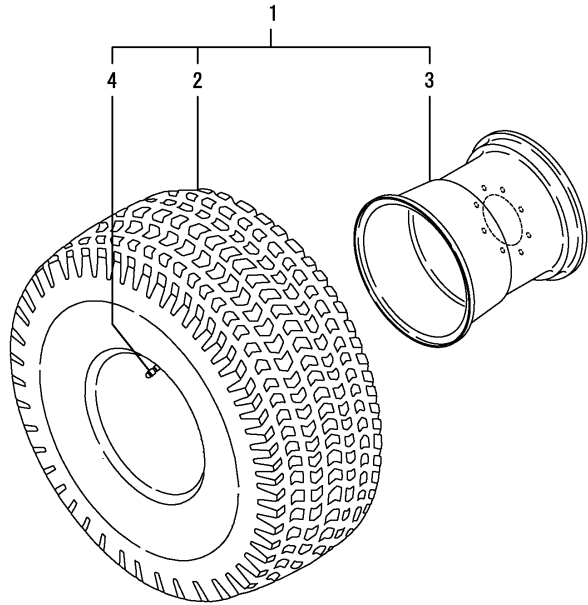
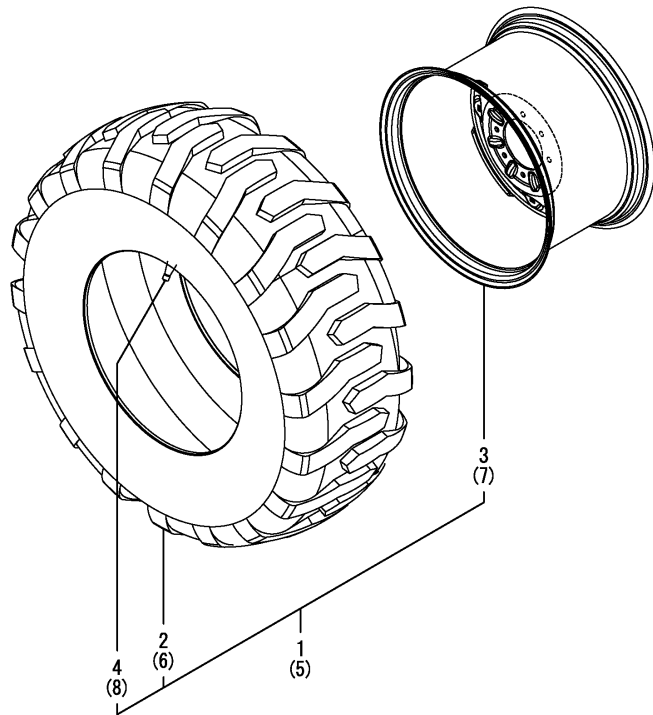


Fig.65. REAR WHEEL TIRE R4

(A)=LX4100(YANMAR)
 (B)=LX4500(YANMAR)
 (C)=LX4900(YANMAR)

(D)=
 (E)=
 (F)=



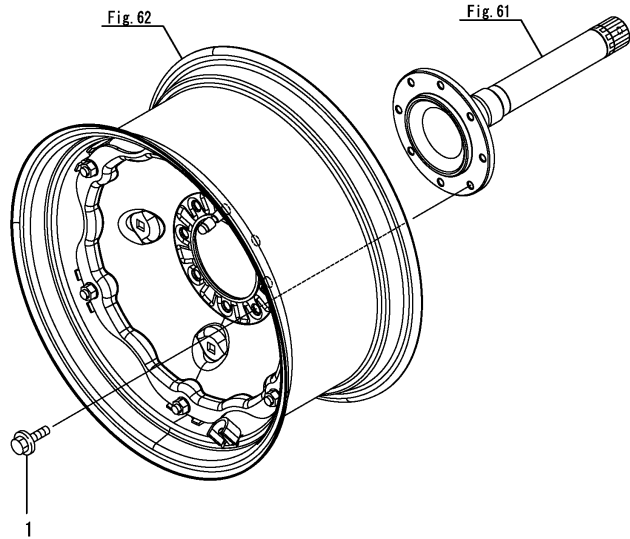
No.	Lev.	Parts No.	Description	Qty						I	R
				(A)	(B)	(C)	(D)	(E)	(F)		
1	1	1A8250-34700	TIRE KIT,L R4 REAR	1	1	1					
2	2	1A8250-34710	TIRE,R4 17.5L-24-6PR	1	1	1					
3	2	1A8250-34730	WHEEL,R4 24XW15L	1	1	1					
4	2	1A8250-34750	VALVE,TIRE R4 REAR	1	1	1					
5	1	1A8250-34800	TIRE KIT,R R4 REAR	1	1	1					
6	2	1A8250-34710	TIRE,R4 17.5L-24-6PR	1	1	1					
7	2	1A8250-34730	WHEEL,R4 24XW15L	1	1	1					
8	2	1A8250-34750	VALVE,TIRE R4 REAR	1	1	1					

Fig.66. HUB BOLT

(A)=LX4100(YANMAR)
 (B)=LX4500(YANMAR)
 (C)=LX4900(YANMAR)

(D)=
 (E)=
 (F)=

No.	Lev.	Parts No.	Description	Q'ty						I	R
				(A)	(B)	(C)	(D)	(E)	(F)		
1	1	1A8170-14210	BOLT, HUB M14	16	16	16					



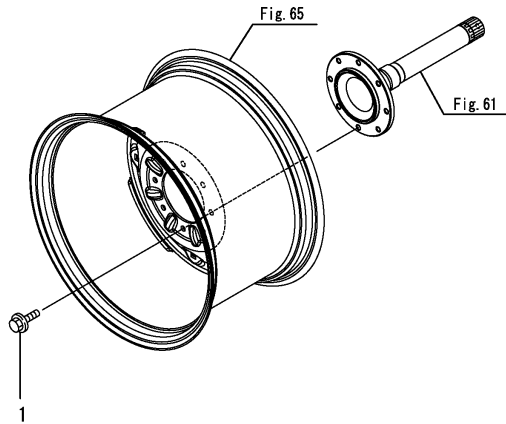
Remarks
 * R1,R3 & R3G use.

Fig.67. HUB BOLT

(A)=LX4100(YANMAR)
 (B)=LX4500(YANMAR)
 (C)=LX4900(YANMAR)

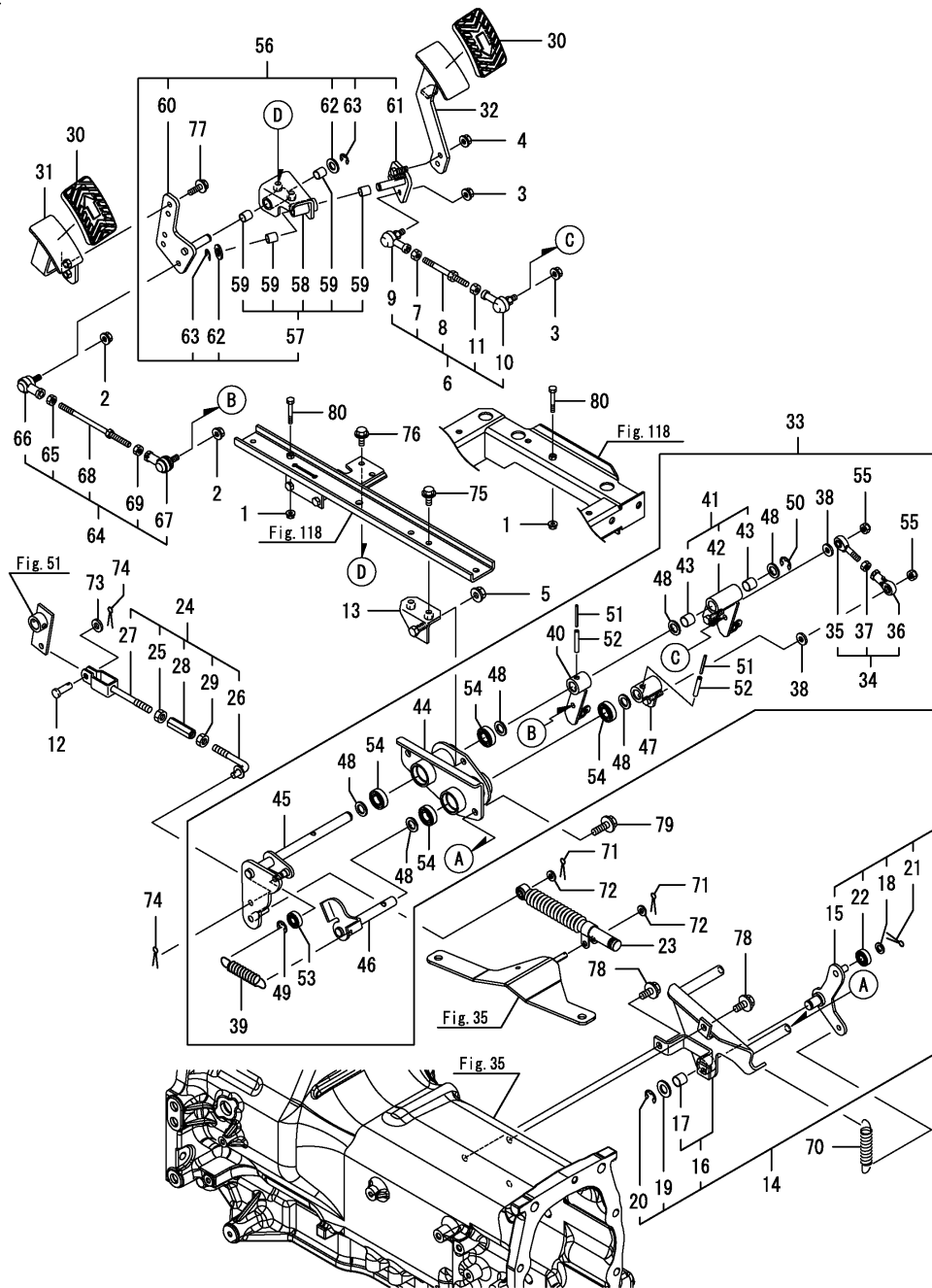
(D)=
 (E)=
 (F)=

No.	Lev.	Parts No.	Description	Qty						I	R
				(A)	(B)	(C)	(D)	(E)	(F)		
1	1	198133-34130	BOLT, M14X30	16	16	16					



Remarks
 * R4 use.

Fig.68. HST PEDAL LINK



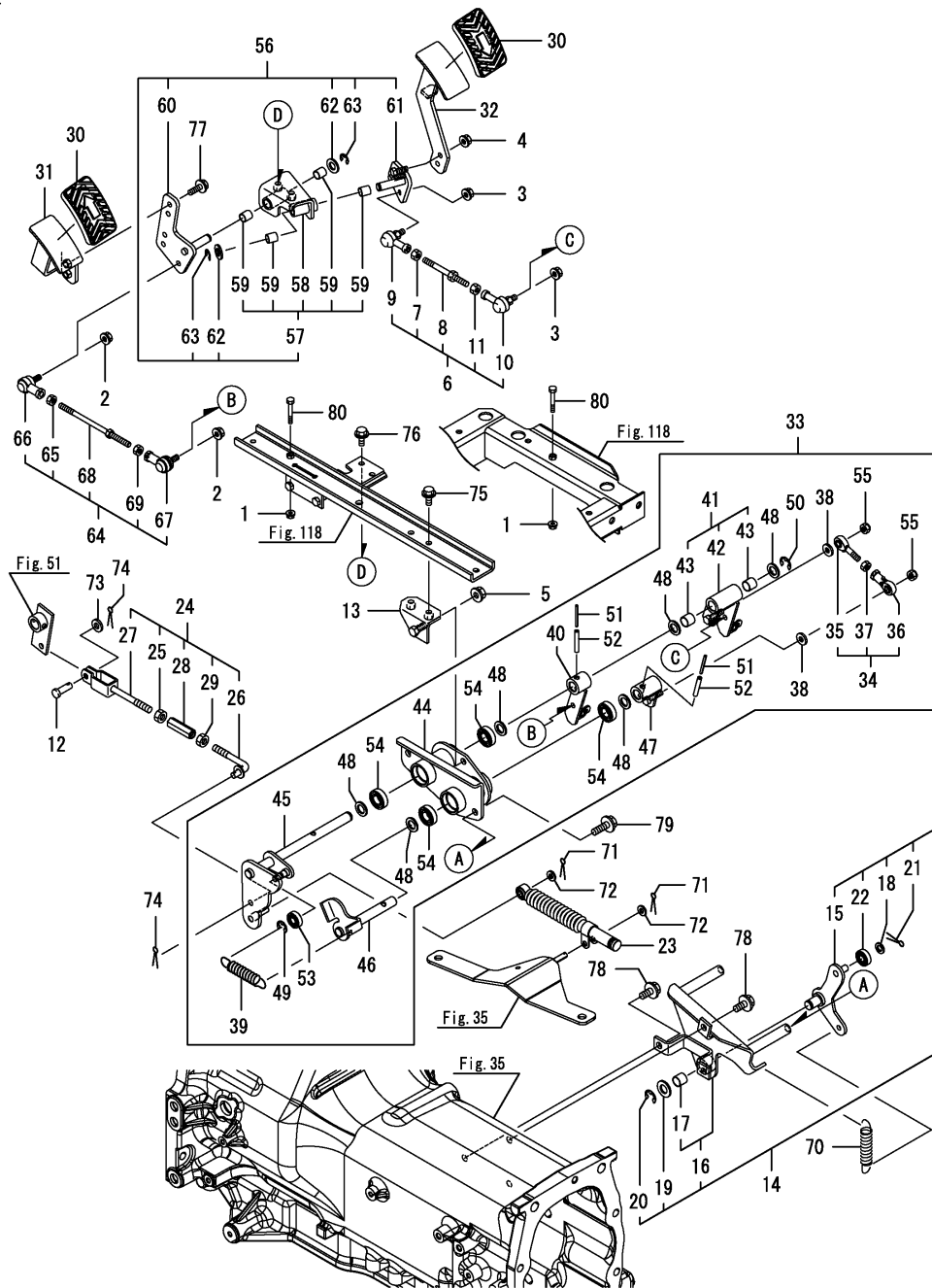
(A)=LX4100(YANMAR)
 (B)=LX4500(YANMAR)
 (C)=LX4900(YANMAR)

(D)=
 (E)=
 (F)=

No.	Lev.	Parts No.	Description	Q'ty						I	R
				(A)	(B)	(C)	(D)	(E)	(F)		
1	1	194990-22130	NUT, M6	2	2	2					
2	1	194990-22140	NUT, M8	2	2	2					
3	1	194990-22140	NUT, M8	2	2	2					
4	1	194990-22140	NUT, M8	2	2	2					
5	1	194990-22150	NUT, M10	1	1	1					
6	1	1A7450-27180	ROD ASSY	1	1	1					
7	2	194990-20170	NUT, M8	1	1	1					
8	2	1A7450-27250	ROD, SHIFT	1	1	1					
9	2	194820-27370	END, ROD L	1	1	1					
10	2	172112-41980	BEARING, ROD-END	1	1	1					
11	2	26716-080002	NUT, M8	1	1	1					
12	1	194312-27780	PIN, 8.9	1	1	1					
13	1	1A8260-29170	BRACKET ASSY,FULCRUM	1	1	1					
14	1	1A8260-29280	LINK ASSY, NEUTRAL	1	1	1					
15	2	1A8260-29410	ARM ASSY, RETURN	1	1	1					
16	2	1A8260-29490	BRACKET ASSY, LINK	1	1	1					
17	3	24550-015150	BUSH, 15X15	1	1	1					
18	2	22117-100000	WASHER, 10	1	1	1					
19	2	22137-140000	WASHER, 14	1	1	1					
20	2	22272-000120	RING, E-12	1	1	1					
21	2	22417-200160	PIN, COTTER 2.0X16	1	1	1					
22	2	24104-060000	BEARING, 6000UUC3	1	1	1					
23	1	1A8260-29610	ABSORBER, SHOCK	1	1	1					
24	1	1A8260-29700	ROD KIT, HST	1	1	1					
25	2	194150-22480	NUT, M10 L	1	1	1					
26	2	1A8260-29710	ROD ASSY, HST R	1	1	1					
27	2	1A8260-29750	ROD ASSY, HST L	1	1	1					
28	2	194250-47490	TURNBUCKLE 10X50	1	1	1					
29	2	26716-100002	NUT, M10	1	1	1					
30	1	1A8160-35080	HEAD, PEDAL	2	2	2					
31	1	1A8260-36000	HEAD ASSY, F PEDAL	1	1	1					
32	1	1A8260-36050	HEAD ASSY, R PEDAL	1	1	1					
33	1	1A8260-36100	LINK UNIT, HST PEDAL	1	1	1					
34	2	198173-27330	ROD ASSY, R	1	1	1					
35	3	198129-27290	END, ROD 8	1	1	1					
36	3	198220-46210	BALL, PILLOW	1	1	1					
37	3	26716-080002	NUT, M8	1	1	1					
38	2	1C6053-32020	WASHER, 8.5X20X3.2	2	2	2					
39	2	198167-35411	SPRING, PEDAL	1	1	1					
40	2	1A8260-36110	ARM ASSY, F PEDAL	1	1	1					
41	2	1A8260-36190	ARM ASSY, R PEDAL	1	1	1					
42	3	1A8260-36200	ARM ASSY, R PEDAL	1	1	1					
43	3	24550-015150	BUSH, 15X15	2	2	2					
44	2	1A8260-36240	BRACKET ASSY, LINK	1	1	1					
45	2	1A8260-36310	SHAFT ASSY, PEDAL	1	1	1					
46	2	1A8260-36360	SHAFT ASSY, LINK	1	1	1					
47	2	1A8260-36410	ARM ASSY, LINK SHAFT	1	1	1					
48	2	22117-140000	WASHER, 14	6	6	6					
49	2	22272-000080	RING, E- 8	1	1	1					
50	2	22272-000120	RING, E-12	1	1	1					
51	2	22351-035040	PIN, SPRING 3.5X40	2	2	2					

N:Old $\begin{matrix} \text{Yes} \\ \text{No} \end{matrix}$ New, Q:Old $\begin{matrix} \text{No} \\ \text{Yes} \end{matrix}$ New, R:Old $\begin{matrix} \text{Yes} \\ \text{No} \end{matrix}$ New, S:Old $\begin{matrix} \text{No} \\ \text{Yes} \end{matrix}$ New, W:Add, Z:Discontinued, F:Interchangeable by set, K:Q'ty Change
 ++ CONTINUE ++
 Copyright (C) YANMAR CO., LTD. All Rights Reserved.

Fig.68. HST PEDAL LINK



(A)=LX4100(YANMAR)
 (B)=LX4500(YANMAR)
 (C)=LX4900(YANMAR)

(D)=
 (E)=
 (F)=

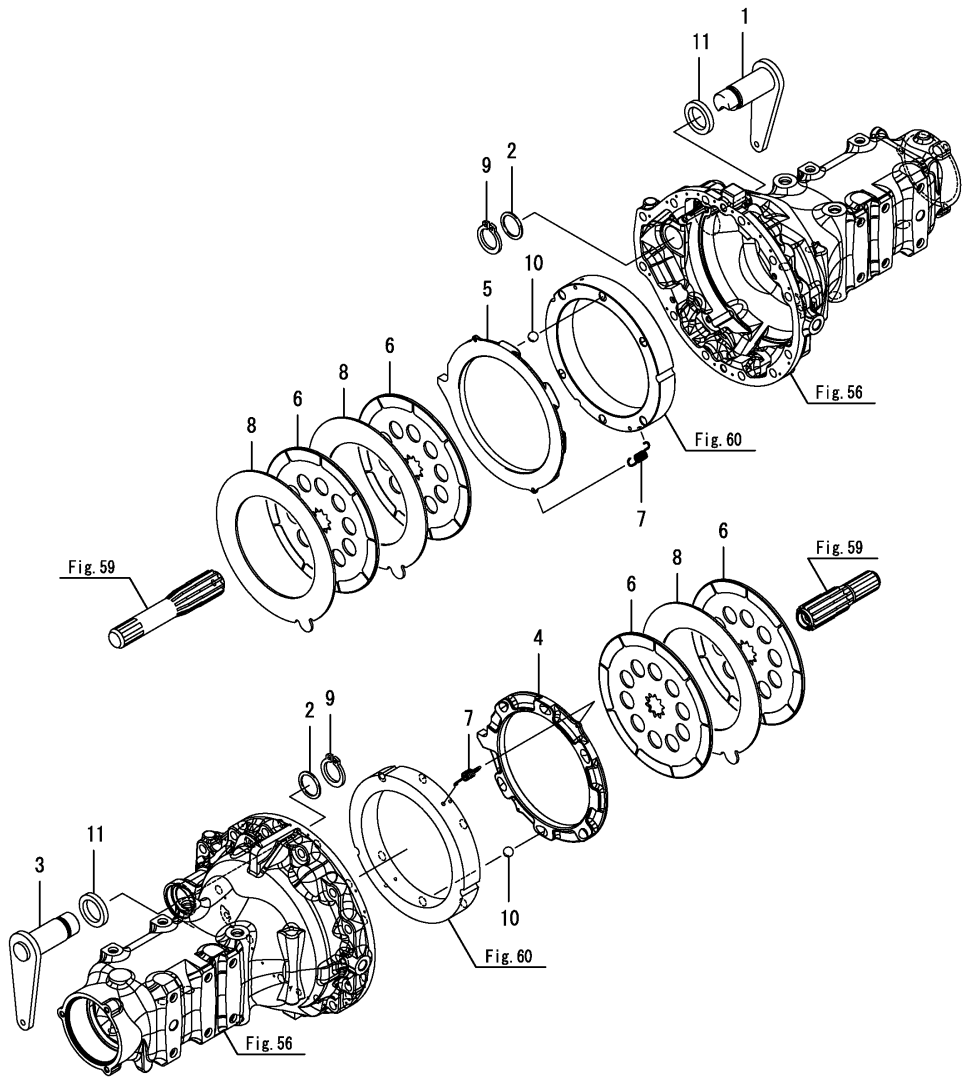
No.	Lev.	Parts No.	Description	Qty						I	R
				(A)	(B)	(C)	(D)	(E)	(F)		
52	2	22351-060040	PIN, SPRING 6.0X40	2	2	2					
53	2	24104-060000	BEARING, 6000UUC3	1	1	1					
54	2	24104-060024	BEARING, BALL 6002UU	4	4	4					
55	2	26346-080002	NUT, M8	2	2	2					
56	1	1A8260-36590	PEDAL ASSY, HST	1	1	1					
57	2	1A8260-36630	BRACKET ASSY, PEDAL	1	1	1					
58	3	1A8260-36600	BRACKET ASSY, PEDAL	1	1	1					
59	3	24550-012150	BUSH, 12X15	4	4	4					
60	2	1A8260-36640	PEDAL ASSY, FORWARD	1	1	1					
61	2	1A8260-36670	PEDAL ASSY, REARWARD	1	1	1					
62	2	22137-120000	WASHER, 12	2	2	2					
63	2	22272-000090	RING, E-9	2	2	2					
64	1	1A8260-36700	ROD ASSY, F PEDAL	1	1	1					
65	2	194990-20170	NUT, M8	1	1	1					
66	2	194820-27370	END, ROD L	1	1	1					
67	2	172112-41980	BEARING, ROD-END	1	1	1					
68	2	1C6557-52120	TURNBUCKLE, 8X155	1	1	1					
69	2	26716-080002	NUT, M8	1	1	1					
70	1	198290-37510	SPRING, RETURN	1	1	1					
71	1	1C6281-52320	PIN, SNAP 8	2	2	2					
72	1	22137-080000	WASHER, 8	2	2	2					
73	1	22137-100000	WASHER, 10	1	1	1					
74	1	22417-250300	PIN, COTTER 2.5X30	2	2	2					
75	1	26106-080162	BOLT, M8X 16 PLATED	2	2	2					
76	1	26106-080162	BOLT, M8X 16 PLATED	2	2	2					
77	1	26106-080202	BOLT, M8X 20 PLATED	2	2	2					
78	1	26106-100202	BOLT, M10X 20 PLATED	3	3	3					
79	1	26106-100302	BOLT, M10X 30 PLATED	2	2	2					
80	1	26116-060404	BOLT, M6X 40 PLATED	2	2	2					
80-1	1	26116-060504	BOLT, M6X 50 PLATED	2	2	2					N

(A)=FXXXXX (B)=FXXXXX (C)=FXXXXX

Fig.69. BRAKE

(A)=LX4100(YANMAR)
 (B)=LX4500(YANMAR)
 (C)=LX4900(YANMAR)

(D)=
 (E)=
 (F)=

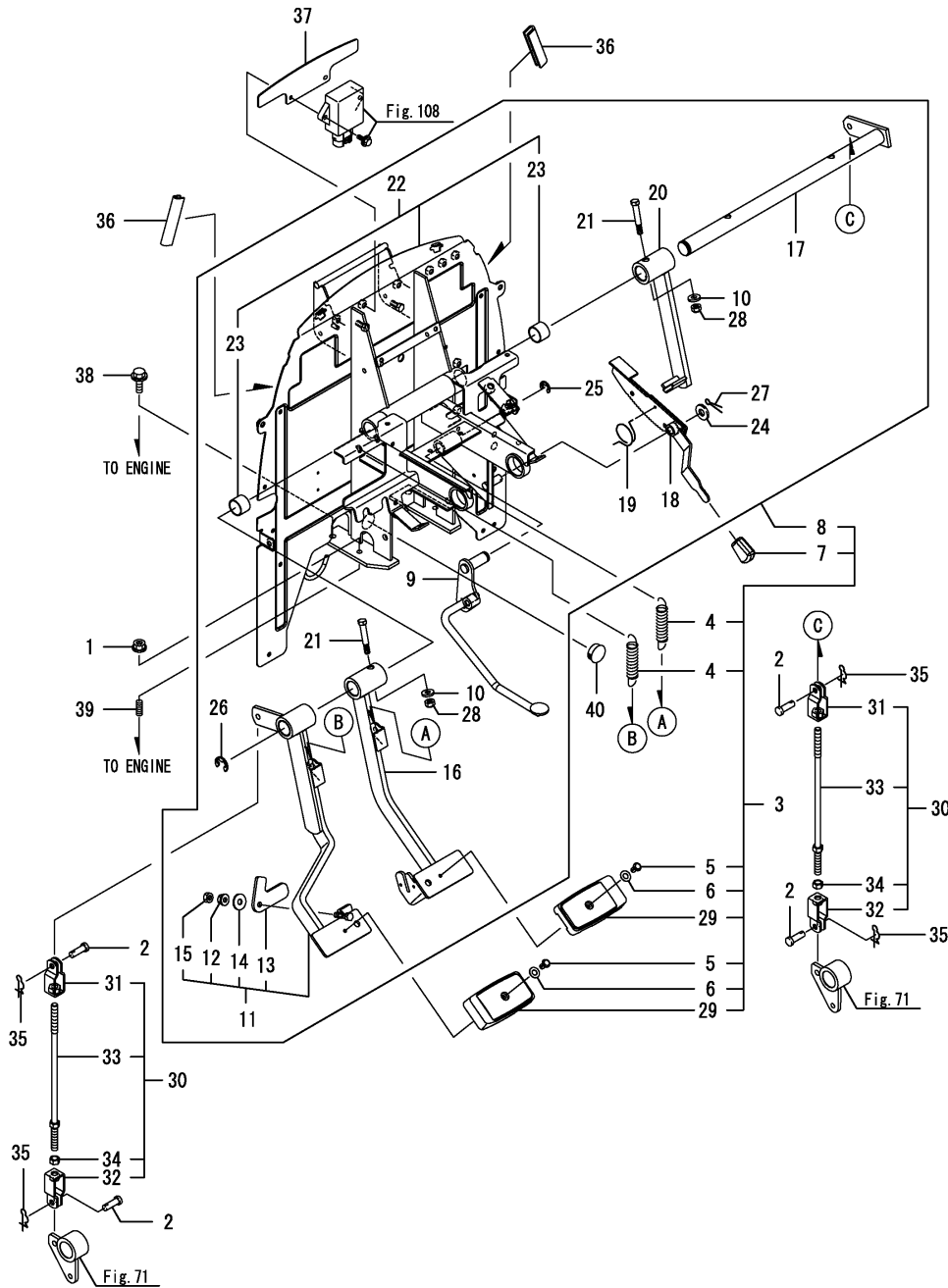


No.	Lev.	Parts No.	Description	Qty						I	R
				(A)	(B)	(C)	(D)	(E)	(F)		
1	1	1A8275-36210	CAM-LEVER, R ASSY	1	1	1					
2	1	1A7180-36240	WASHER, THRUST	2	2	2					
3	1	1A8275-36240	CAM-LEVER, L ASSY	1	1	1					
4	1	1A8275-36310	ACTUATOR, L.H.	1	1	1					
5	1	1A8275-36320	ACTUATOR, R.H.	1	1	1					
6	1	1A8275-36350	DISC, 226	4	4	4					
7	1	194850-36370	SPRING, RETURN	4	4	4					
8	1	1A8275-36520	PLATE, STEEL 3.2	3	3	3					
9	1	22242-000320	RING, 32	2	2	2					
10	1	24190-180001	BALL, STEEL 9/16	12	12	12					
11	1	24421-355008	SEAL, OIL TC355008	2	2	2					

Fig.70. PEDAL

(A)=LX4100(YANMAR)
 (B)=LX4500(YANMAR)
 (C)=LX4900(YANMAR)

(D)=
 (E)=
 (F)=



No.	Lev.	Parts No.	Description	Q'ty						I	R
				(A)	(B)	(C)	(D)	(E)	(F)		
1	1	194990-22140	NUT, M8	2	2	2					
2	1	194312-27780	PIN, 8.9	4	4	4					
3	1	1A8260-37200	PEDAL UNIT	1	1	1					
4	2	1A8240-22240	SPRING, CLUTCH	2	2	2					
5	2	198133-22510	RIVET, PEDAL HEAD	2	2	2					
6	2	198133-22530	WASHER, RIVET	2	2	2					
7	2	198273-28521	KNOB, PARKING BRAKE	1	1	1					
8	2	1A8260-37210	PEDAL SUB UNIT	1	1	1					
9	3	1A8260-15950	PEDAL ASSY, TILT	1	1	1					
10	3	1C6053-32020	WASHER, 8.5X20X3.2	2	2	2					
11	3	1A8260-37310	PEDAL KIT, BRAKE L	1	1	1					
12	4	194990-22140	NUT, M8	1	1	1					
13	4	1A8260-37520	CONNECTOR,	1	1	1					
14	4	22157-080000	WASHER, 8	1	1	1					
15	4	26716-080002	NUT, M8	1	1	1					
16	3	1A8260-37400	PEDAL ASSY, BRAKE R	1	1	1					
17	3	1A8260-37550	SHAFT, BRAKE	1	1	1					
18	3	1A8240-37650	LEVER, PARK LOCK	1	1	1					
19	3	198475-37690	SPRING, LOCK	1	1	1					
20	3	1A8260-37900	LOCK ASSY, PARKING	1	1	1					
21	3	1A7130-37990	BOLT, REAMER M8X55	2	2	2					
22	3	1A8260-61400	FRAME KIT, PEDAL	1	1	1					
23	4	24550-025200	BUSH, 25X20	2	2	2					
24	3	22137-120000	WASHER, 12	1	1	1					
25	3	22272-000150	RING, E-15	1	1	1					
26	3	22272-000190	RING, E-19	1	1	1					
27	3	22417-250300	PIN, COTTER 2.5X30	1	1	1					
28	3	26346-080002	NUT, M8	2	2	2					
29	2	198071-37510	COVER, HEAD	2	2	2					
30	1	1A8240-37600	ROD KIT, BRAKE F	2	2	2					
31	2	198310-27370	JOINT, 2-WAY	2	2	2					
32	2	194312-27770	JOINT, 2-WAY	2	2	2					
33	2	1A8240-37610	ROD ASSY, BRAKE	2	2	2					
34	2	26716-100002	NUT, M10	2	2	2					
35	1	1C6281-52320	PIN, SNAP 8	4	4	4					
36	1	1A8250-61560	TRIM,	2	2	2					
37	1	1A8240-61770	SUPPORT, DASHBOARD	1	1	1					
38	1	26106-080162	BOLT, M8X 16 PLATED	2	2	2					
39	1	26216-080162	STUD, M8X 16	2	2	2					
40	1	1A8240-61980	HOLE PLUG, 27.8	1	1	1					

Fig.71. BRAKE LINK

(A)=LX4100(YANMAR)
 (B)=LX4500(YANMAR)
 (C)=LX4900(YANMAR)

(D)=
 (E)=
 (F)=

No.	Lev.	Parts No.	Description	Q'ty						I	R
				(A)	(B)	(C)	(D)	(E)	(F)		
1	1	1A8250-35300	ARM, BRAKE	2	2	2					
2	1	1A8250-37370	ROD, BRAKE ASSY	2	2	2					
3	1	1A8250-37780	BOLT, M20X95 RH	1	1	1					
4	1	1A8250-37790	BOLT, M20X95 LH	1	1	1					
5	1	1A8250-37820	SPACER, 20X29X61	2	2	2					
6	1	198220-37900	PIN, 8X24	4	4	4					
7	1	22137-200000	WASHER, 20	2	2	2					
8	1	22417-250300	PIN, COTTER 2.5X30	4	4	4					

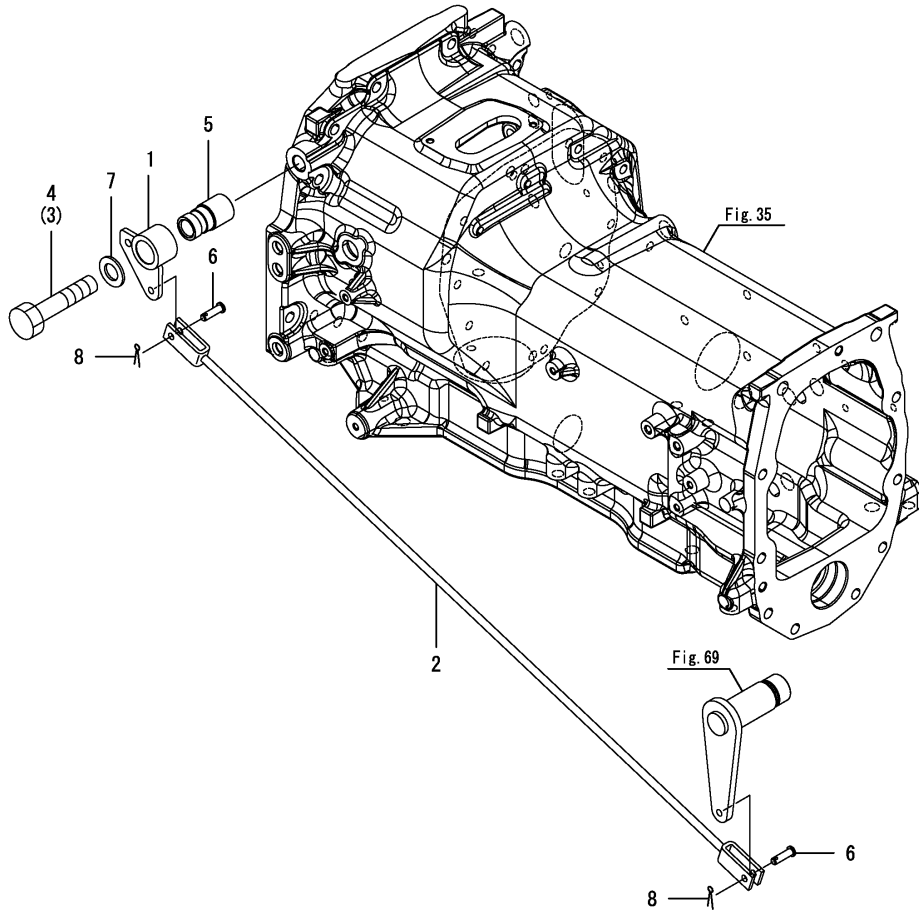
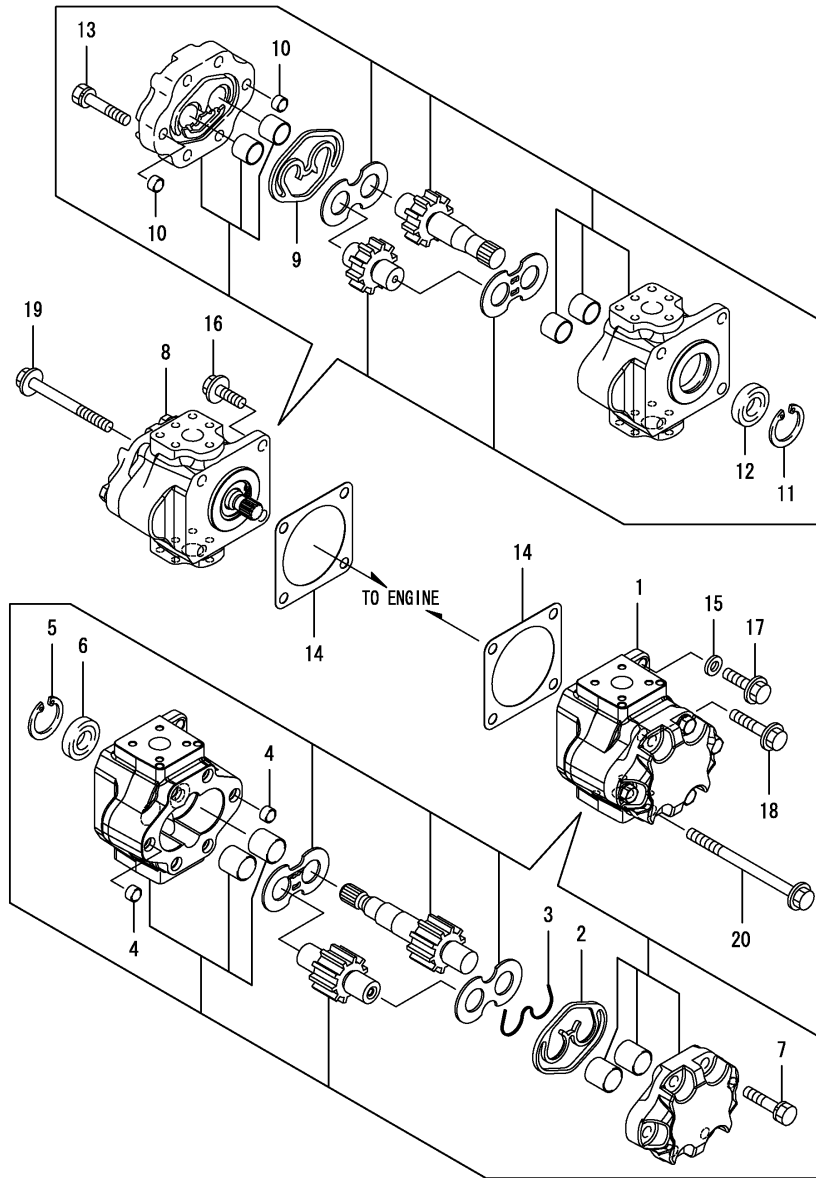


Fig.72. HYDRAULIC PUMP



(A)=LX4100(YANMAR)
 (B)=LX4500(YANMAR)
 (C)=LX4900(YANMAR)

(D)=
 (E)=
 (F)=

No.	Lev.	Parts No.	Description	Qty						I	R
				(A)	(B)	(C)	(D)	(E)	(F)		
1	1	1680DE-00011	HO-P(PW2-D-14A	1	1	1					
2	2	178077-15400	SEAL RING	1	1	1					
3	2	178077-15410	BACKUP RING	1	1	1					
4	2	194521-41570	PIN, 11X7	2	2	2					
5	2	22252-000320	RING, 32	1	1	1					
6	2	24421-153207	SEAL, OIL TC153207	1	1	1					
7	2	26016-080352	BOLT, M8X 35	4	4	4					
8	1	16800A-00020	HO-P(PW1-C-10C	1	1	1					
9	2	178070-10401	RING	1	1	1					
10	2	194521-41570	PIN, 11X7	2	2	2					
11	2	22252-000320	RING, 32	1	1	1					
12	2	24421-153207	SEAL, OIL TC153207	1	1	1					
13	2	26016-080352	BOLT, M8X 35	4	4	4					
14	1	124240-01883	GASKET	2	2	2					
15	1	22190-080002	WASHER, SEAL 6	1	1	1					
16	1	26106-080252	BOLT, M8X 25 PLATED	2	2	2					
17	1	26106-080302	BOLT, M8X 30 PLATED	1	1	1					
18	1	26106-080402	BOLT, M8X 40 PLATED	1	1	1					
19	1	26106-080802	BOLT, M8X 80 PLATED	2	2	2					
20	1	26106-081152	BOLT, M8X115 PLATED	2	2	2					

Fig.73. HYD.CYLINDER HOUSING

(A)=LX4100(YANMAR)
 (B)=LX4500(YANMAR)
 (C)=LX4900(YANMAR)

(D)=
 (E)=
 (F)=

No.	Lev.	Parts No.	Description	Q'ty						I	R
				(A)	(B)	(C)	(D)	(E)	(F)		
1	1	192167-24600	PLUG	1	1	1					
2	1	1A8275-42100	HOUSING ASSY,	1	1	1					
3	2	23871-010000	PLUG, R01	1	1	1					
4	2	23871-020000	PLUG, R02	1	1	1					
5	1	1A7180-42281	PIPE, BREATHER	1	1	1					
6	1	1A8275-42811	HINGE, P TOP LINK	1	1	1					
7	1	1A8275-43100	HEAD ASSY,CYLINDER	1	1	1					
8	2	23871-010000	PLUG, R01	4	4	4					
9	1	1A7640-43450	PLUG, CHECK VALVE	1	1	1					
10	1	194555-46380	SPRING	1	1	1					
11	1	24190-130003	BALL, STEEL 13/32	1	1	1					
12	1	24315-000140	O-RING, 1BP14.0	3	3	3					
13	1	24315-000140	O-RING, 1BP14.0	1	1	1					
14	1	24315-000180	O-RING, 1BP18.0	1	1	1					
15	1	24325-000800	O-RING, 1BG80.0	1	1	1					
16	1	26106-120302	BOLT, M12X 30 PLATED	5	5	5					
17	1	26106-120302	BOLT, M12X 30 PLATED	6	6	6					
18	1	26106-120502	BOLT, M12X 50 PLATED	1	1	1					

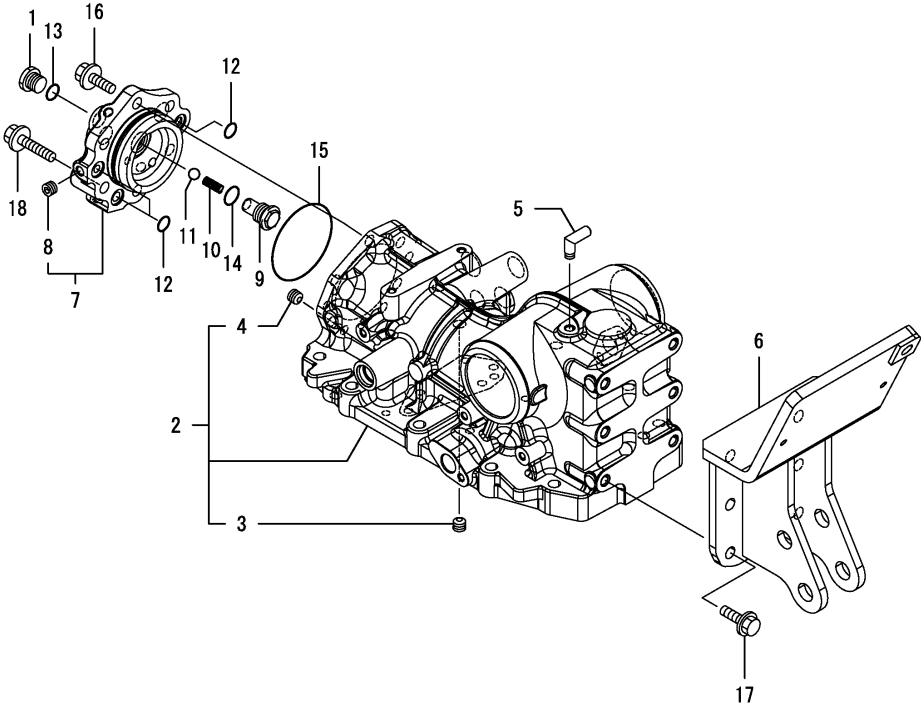
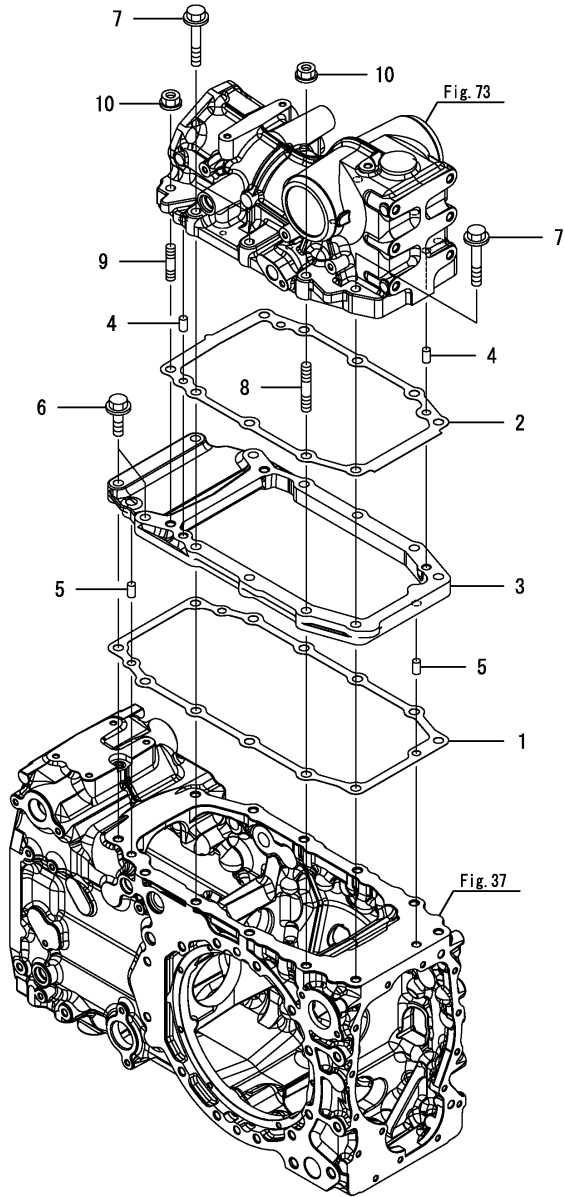


Fig.74. HYD.LIFT DOCKING



(A)=LX4100(YANMAR)
 (B)=LX4500(YANMAR)
 (C)=LX4900(YANMAR)

(D)=
 (E)=
 (F)=

No.	Lev.	Parts No.	Description	Qty						I	R
				(A)	(B)	(C)	(D)	(E)	(F)		
1	1	198240-42130	PACKING, HOUSING	1	1	1					
2	1	1A7180-42150	GASKET, HOUSING	1	1	1					
3	1	1A8275-42910	SPACER, LIFT	1	1	1					
4	1	22312-100180	PIN, PARALLEL M10X18	2	2	2					
5	1	22312-100180	PIN, PARALLEL M10X18	2	2	2					
6	1	26106-120402	BOLT, M12X 40 PLATED	4	4	4					
7	1	26106-120702	BOLT, M12X 70 PLATED	6	6	6					
8	1	26216-120702	STUD, M12X 70	2	2	2					
9	1	26218-120502	STUD, M12X 50	2	2	2					
10	1	26366-120002	NUT, M12	4	4	4					

Fig.75. PISTON

(A)=LX4100(YANMAR)
 (B)=LX4500(YANMAR)
 (C)=LX4900(YANMAR)

(D)=
 (E)=
 (F)=

No.	Lev.	Parts No.	Description	Qty						I	R
				(A)	(B)	(C)	(D)	(E)	(F)		
1	1	1A7180-43280	PISTON ASSY	1	1	1					
2	2	198448-43260	PACKING, 85	1	1	1					
3	2	198448-43270	RING, BACK UP 85	1	1	1					
4	2	1A7180-43290	PISTON, HYDRAULIC	1	1	1					
5	2	198390-43360	WEARING, 85	2	2	2					

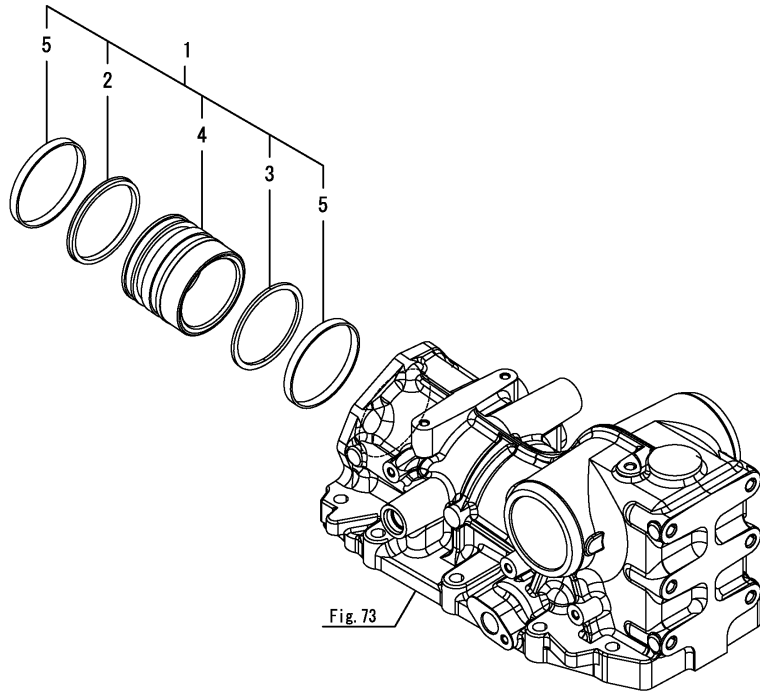
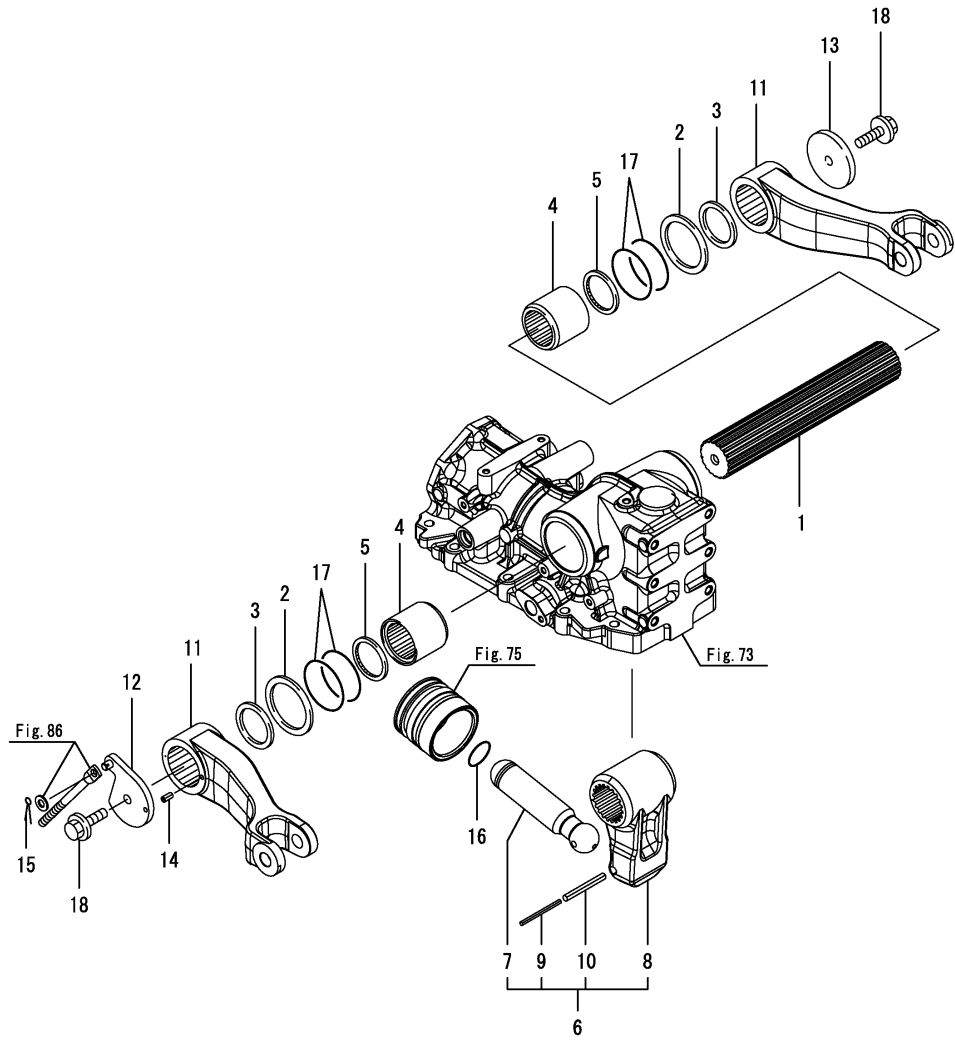


Fig.76. LIFT CRANK

(A)=LX4100(YANMAR)
 (B)=LX4500(YANMAR)
 (C)=LX4900(YANMAR)

(D)=
 (E)=
 (F)=

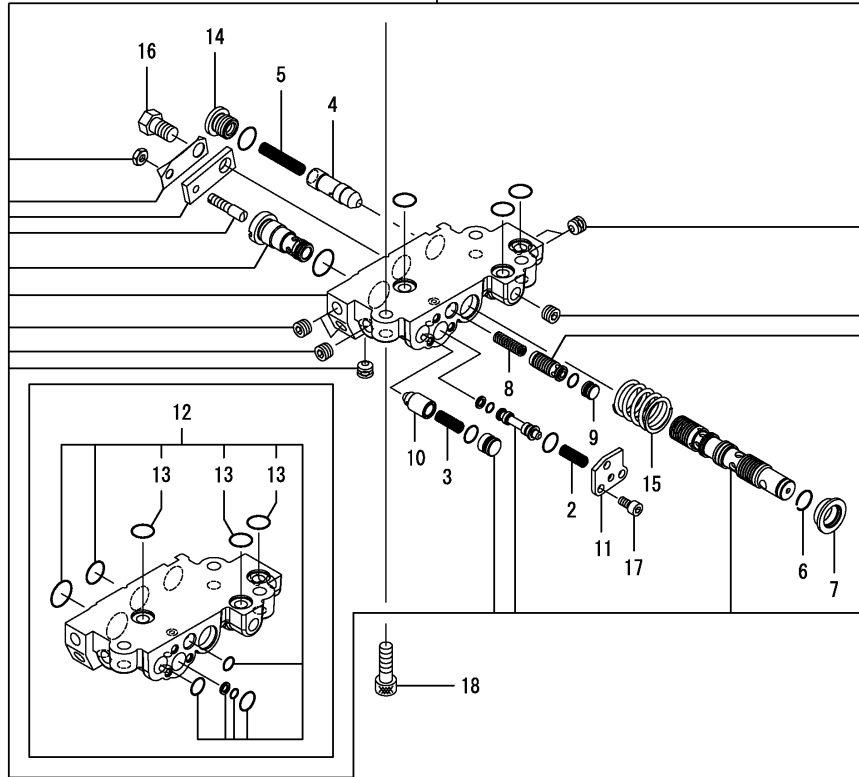
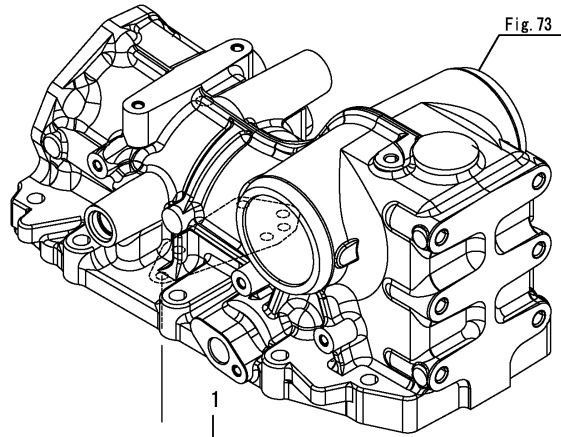


No.	Lev.	Parts No.	Description	Qty						I	R
				(A)	(B)	(C)	(D)	(E)	(F)		
1	1	1A7180-44210	SHAFT, LIFTING	1	1	1					
2	1	1A7640-44230	WASHER, 65X82X2	2	2	2					
3	1	1A7640-44240	PLATE, 50X64X2	2	2	2					
4	1	194640-44250	SLEEVE, LIFT SHAFT	2	2	2					
5	1	194640-44261	SEAL, SPLINE	2	2	2					
6	1	1A7180-44311	CRANK ASSY, LIFT	1	1	1					
7	2	1A7180-43410	ROD, PISTON	1	1	1					
8	2	1A7180-44110	CRANK, LIFT	1	1	1					
9	2	22351-050070	PIN, SPRING 5.0X70	1	1	1					
10	2	22351-080070	PIN, SPRING 8.0X70	1	1	1					
11	1	1A7180-44410	ARM, LIFT	2	2	2					
12	1	1A8275-44510	PLATE, P FEEDBACK	1	1	1					
13	1	194640-44540	RETAINER, SHAFT	1	1	1					
14	1	22351-060016	PIN, SPRING 6.0X16	1	1	1					
15	1	22417-200200	PIN, COTTER 2.0X20	1	1	1					
16	1	24311-000360	O-RING, 1AP36.0	1	1	1					
17	1	24321-000650	O-RING, 1AG65.0	4	4	4					
18	1	26106-120302	BOLT, M12X 30 PLATED	2	2	2					

Fig.77. CONTROL VALVE

(A)=LX4100(YANMAR)
 (B)=LX4500(YANMAR)
 (C)=LX4900(YANMAR)

(D)=
 (E)=
 (F)=



No.	Lev.	Parts No.	Description	Q'ty						I	R
				(A)	(B)	(C)	(D)	(E)	(F)		
1	1	1A8275-45200	VALVE ASSY, CONTROL	1	1	1					
2	2	1A8275-45230	SPRING	1	1	1					
3	2	1A8275-45240	SPRING	1	1	1					
4	2	1A8275-45310	POPPET, UNLOAD	1	1	1					
5	2	1A8275-45320	SPRING	1	1	1					
6	2	1A8275-45330	RING, WIRY SNAP	1	1	1					
7	2	1A8275-45340	SEAT, SPRING	1	1	1					
8	2	1A8275-45360	SPRING	1	1	1					
9	2	1A8275-45370	PLUG	1	1	1					
10	2	1A8275-45420	POPPET, CHECK	1	1	1					
11	2	1A8275-45440	PLATE	1	1	1					
12	2	1A8275-45500	SEAL KIT, VALVE	1	1	1					
13	3	41851-000110	O-RING	3	3	3					
14	2	1A7880-45640	PLUG, LIFT VALVE	1	1	1					
15	2	1A8275-45980	SPRING	1	1	1					
16	2	26116-100162	BOLT, M10X 16 PLATED	1	1	1					
17	2	26450-050102	BOLT, M5X 10	3	3	3					
18	1	26450-080252	BOLT, M8X 25	3	3	3					

Fig.78. RELIEF VALVE

(A)=LX4100(YANMAR)
 (B)=LX4500(YANMAR)
 (C)=LX4900(YANMAR)

(D)=
 (E)=
 (F)=

No.	Lev.	Parts No.	Description	Qty						I	R
				(A)	(B)	(C)	(D)	(E)	(F)		
1	1	1A7180-45700	VALVE, RELIEF	1	1	1					

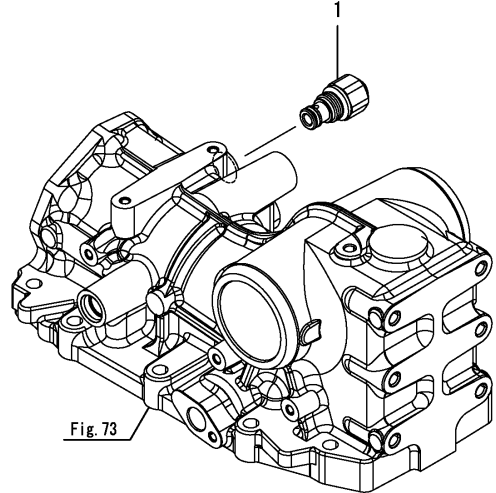


Fig. 73

Fig.79. STOP VALVE

(A)=LX4100(YANMAR)
 (B)=LX4500(YANMAR)
 (C)=LX4900(YANMAR)

(D)=
 (E)=
 (F)=

No.	Lev.	Parts No.	Description	Qty						I	R
				(A)	(B)	(C)	(D)	(E)	(F)		
1	1	194555-46300	VALVE, STOP	1	1	1					
2	1	1A8275-46620	BOLT,STOP	1	1	1					
3	1	194312-46630	HOLDER, VALVE	1	1	1					
4	1	22117-080000	WASHER, 8	1	1	1					
5	1	22351-040012	PIN, SPRING 4.0X12	1	1	1					
6	1	24311-000110	O-RING, 1AP11.0	2	2	2					
7	1	24311-000120	O-RING, 1AP12.0	1	1	1					

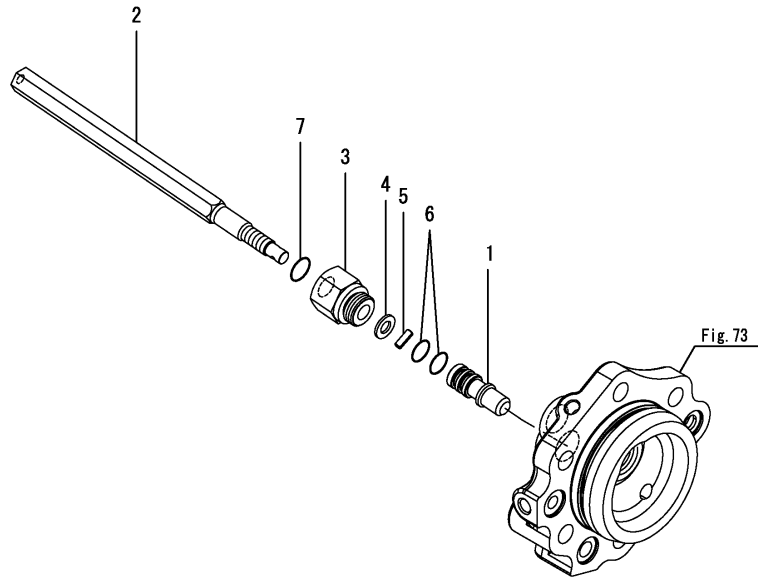


Fig.80. SAFETY VALVE

(A)=LX4100(YANMAR)
 (B)=LX4500(YANMAR)
 (C)=LX4900(YANMAR)

(D)=
 (E)=
 (F)=

No.	Lev.	Parts No.	Description	Qty						I	R
				(A)	(B)	(C)	(D)	(E)	(F)		
1	1	1A7680-45320	SPRING	1	1	1					
2	1	1A7680-45370	PLUG, SAFETY VALVE	1	1	1					
3	1	198220-46400	SHIM SET	1	1	1					
4	1	1A7680-46410	SEAT, SAFETY VALVE	1	1	1					
5	1	194640-46420	POPPET	1	1	1					
6	1	22351-060030	PIN, SPRING 6.0X30	1	1	1					
7	1	24315-000120	O-RING, 1BP12.0	1	1	1					
8	1	24315-000180	O-RING, 1BP18.0	1	1	1					

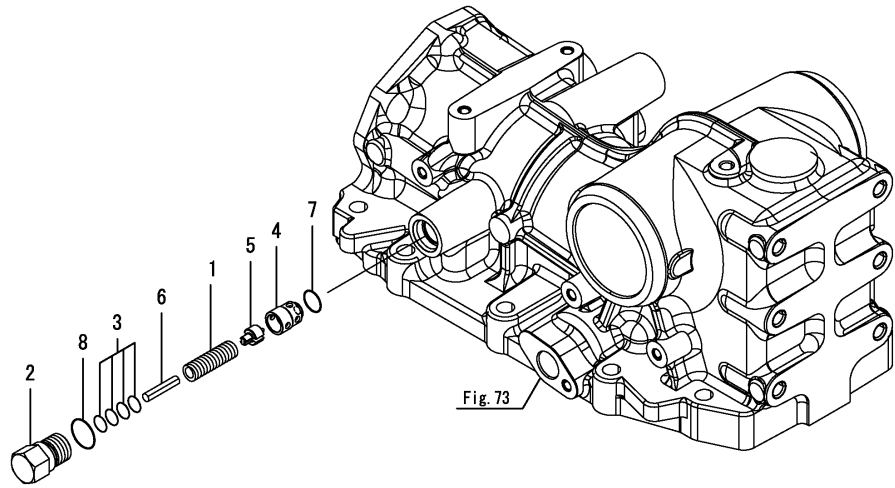


Fig.81. LOADER VALVE

(A)=LX4100(YANMAR)
 (B)=LX4500(YANMAR)
 (C)=LX4900(YANMAR)

(D)=
 (E)=
 (F)=

No.	Lev.	Parts No.	Description	Qty						I	R
				(A)	(B)	(C)	(D)	(E)	(F)		
1	1	194990-22140	NUT, M8	2	2	2					
2	1	194990-22140	NUT, M8	1	1	1					
3	1	1A8160-46250	COUPLER, QUICK 3/8	4	4	4					
4	1	1A8160-46280	PLUG, DUST RED	1	1	1					
5	1	1A8160-46290	PLUG, DUST BLUE	1	1	1					
6	1	1A8160-46300	PLUG, DUST YELLOW	1	1	1					
7	1	1A8160-46310	PLUG, DUST GREEN	1	1	1					
8	1	1A8250-46600	SCV ASSY,	1	1	1					
9	1	1A8250-46751	SUPPORT ASSY, VALVE	1	1	1					
10	1	1A8250-48200	ELBOW/HYD, 3/4UNF-L	2	2	2					
11	2	194464-45930	O-RING, 8-1	2	2	2					
12	1	1A8250-48210	ELBOW/HYD, 3/4UNF	2	2	2					
13	2	194464-45930	O-RING, 8-1	2	2	2					
14	1	1A8250-48220	JOINT/HYD,3/4UNF-3/8	4	4	4					
15	2	194464-45930	O-RING, 8-1	4	4	4					
16	1	1A8250-48350	FITTING/HYD, 3/4-7/8	1	1	1					
17	2	194464-45930	O-RING, 8-1	1	1	1					
18	1	26106-080122	BOLT, M8X 12 PLATED	3	3	3					

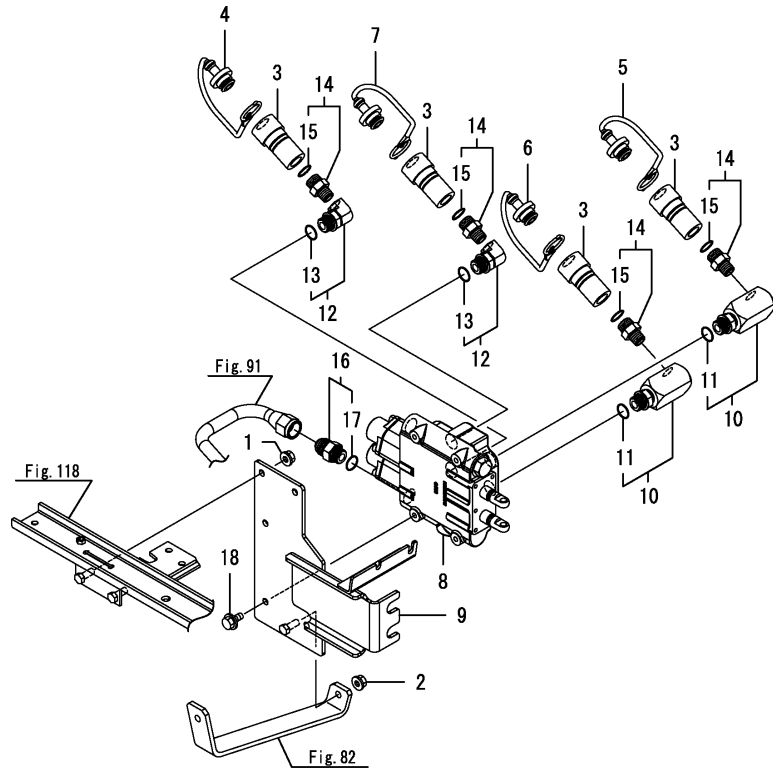


Fig.82. SUPPORT(VALVE

(A)=LX4100(YANMAR)
 (B)=LX4500(YANMAR)
 (C)=LX4900(YANMAR)

(D)=
 (E)=
 (F)=

No.	Lev.	Parts No.	Description	Qty						I	R
				(A)	(B)	(C)	(D)	(E)	(F)		
1	1	1A8250-46801	SUPPORT,	1	1	1					
2	1	26106-080202	BOLT, M8X 20 PLATED	1	1	1					

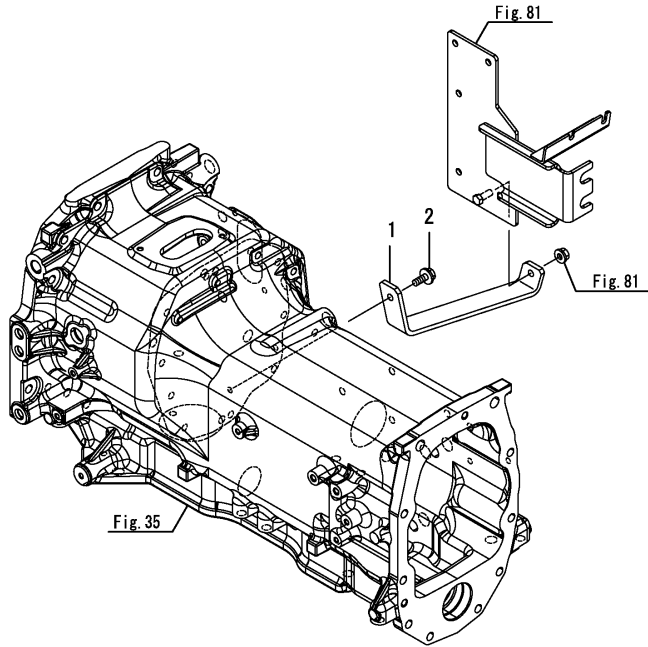
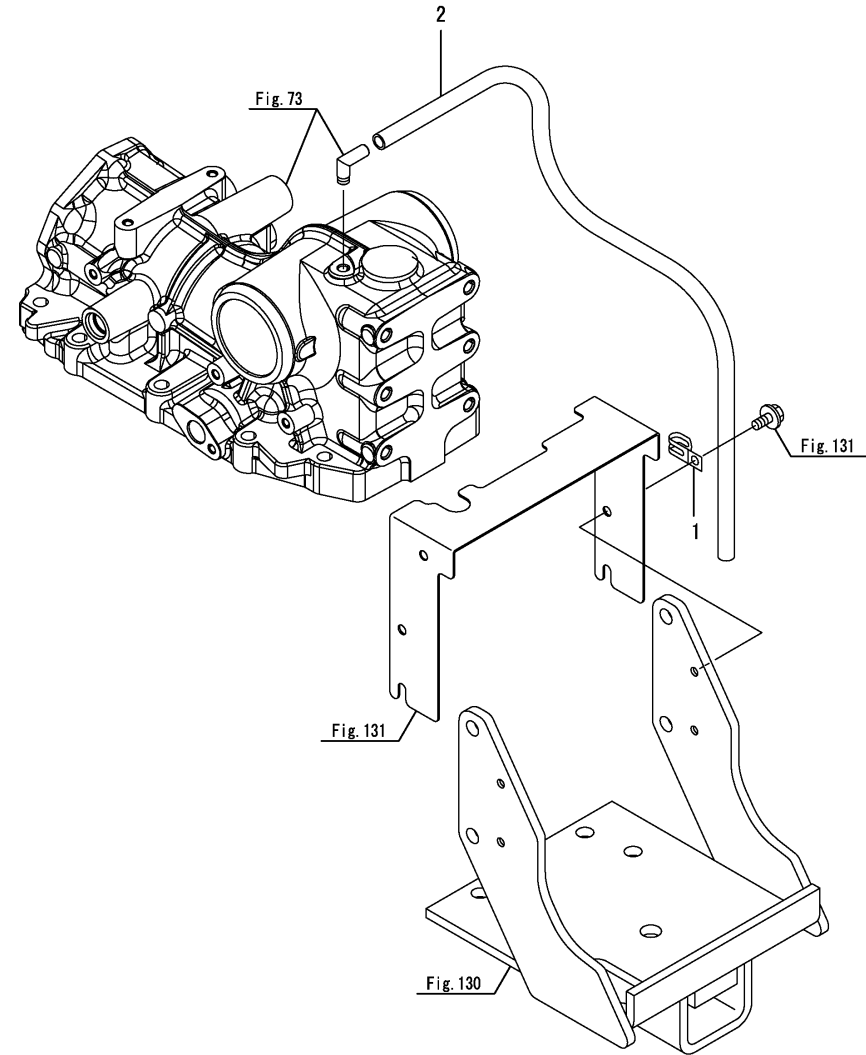


Fig.83. BREATHER

(A)=LX4100(YANMAR)
 (B)=LX4500(YANMAR)
 (C)=LX4900(YANMAR)

(D)=
 (E)=
 (F)=



No.	Lev.	Parts No.	Description	Qty						I	R
				(A)	(B)	(C)	(D)	(E)	(F)		
1	1	194440-51620	CLAMP	1	1	1					
2	1	194640-63560	PIPE, AIR BREATHER	1	1	1					

N:Old $\xrightarrow{\text{Yes}}$ New, Q:Old $\xrightarrow{\text{No}}$ New, R:Old $\xrightarrow{\text{Yes}}$ New, S:Old $\xrightarrow{\text{No}}$ New, W:Add, Z:Discontinued, F:Interchangeable by set, K:Qty Change
 Copyright (C) YANMAR CO., LTD. All Rights Reserved.

Fig.84. LEVER(SCV)

(A)=LX4100(YANMAR)
 (B)=LX4500(YANMAR)
 (C)=LX4900(YANMAR)

(D)=
 (E)=
 (F)=

No.	Lev.	Parts No.	Description	Qty						I	R
				(A)	(B)	(C)	(D)	(E)	(F)		
1	1	1A8250-46890	JOYSTICK UNIT,	1	1	1					
2	2	1A8250-46900	JOYSTICK ASSY,	1	1	1					
3	2	1A8250-46920	WIRE, JOYSTICK	2	2	2					
4	1	1A8250-48101	CONNECTOR,	2	2	2					
5	1	1C6281-52320	PIN, SNAP 8	2	2	2					
6	1	22487-080200	PIN, H 8X 20	2	2	2					
7	1	26106-080852	BOLT, M8X 85 PLATED	2	2	2					
8	1	26716-060002	NUT, M6	2	2	2					
9	1	26776-160002	NUT, LOCK M16	2	2	2					

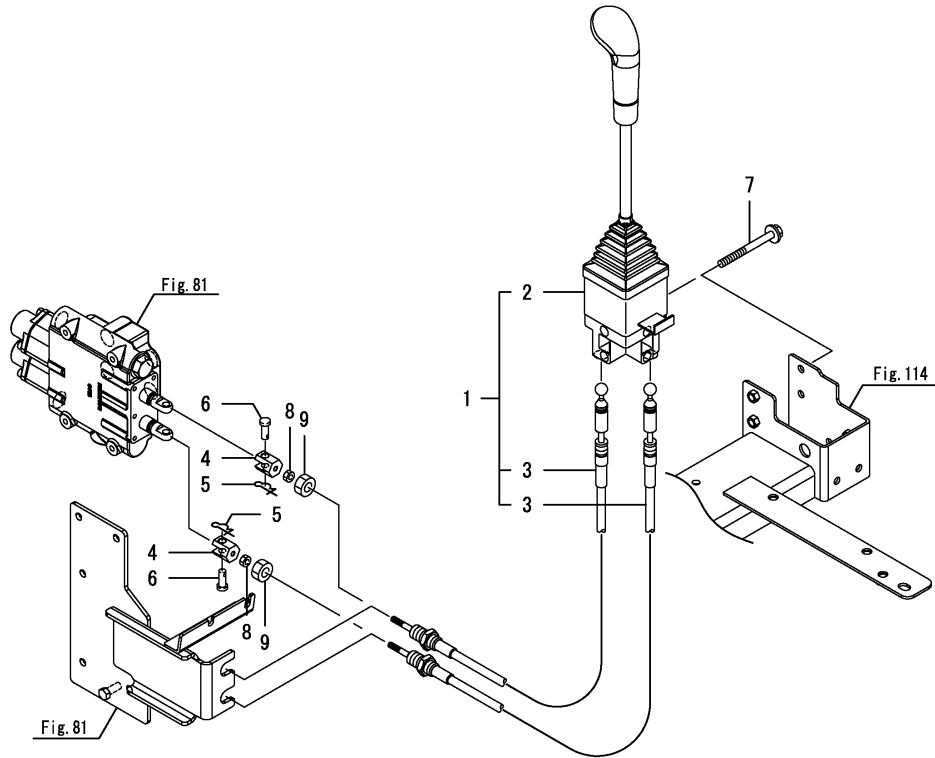


Fig.85. HYDRAULIC OPERATION(1)

(A)=LX4100(YANMAR)
 (B)=LX4500(YANMAR)
 (C)=LX4900(YANMAR)

(D)=
 (E)=
 (F)=

No.	Lev.	Parts No.	Description	Qty						I	R
				(A)	(B)	(C)	(D)	(E)	(F)		
1	1	194300-37570	SPRING	1	1	1					
2	1	198165-47750	KNOB, CONTROL	1	1	1					
3	1	1A7510-47760	STOPPER, CONTROL	1	1	1					
4	1	22157-080000	WASHER, 8	1	1	1					
5	1	22417-200160	PIN, COTTER 2.0X16	1	1	1					

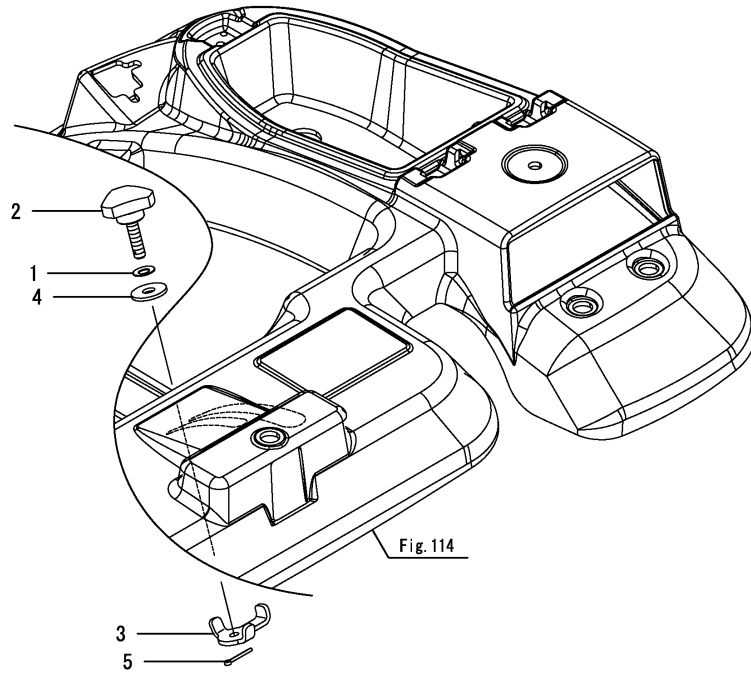
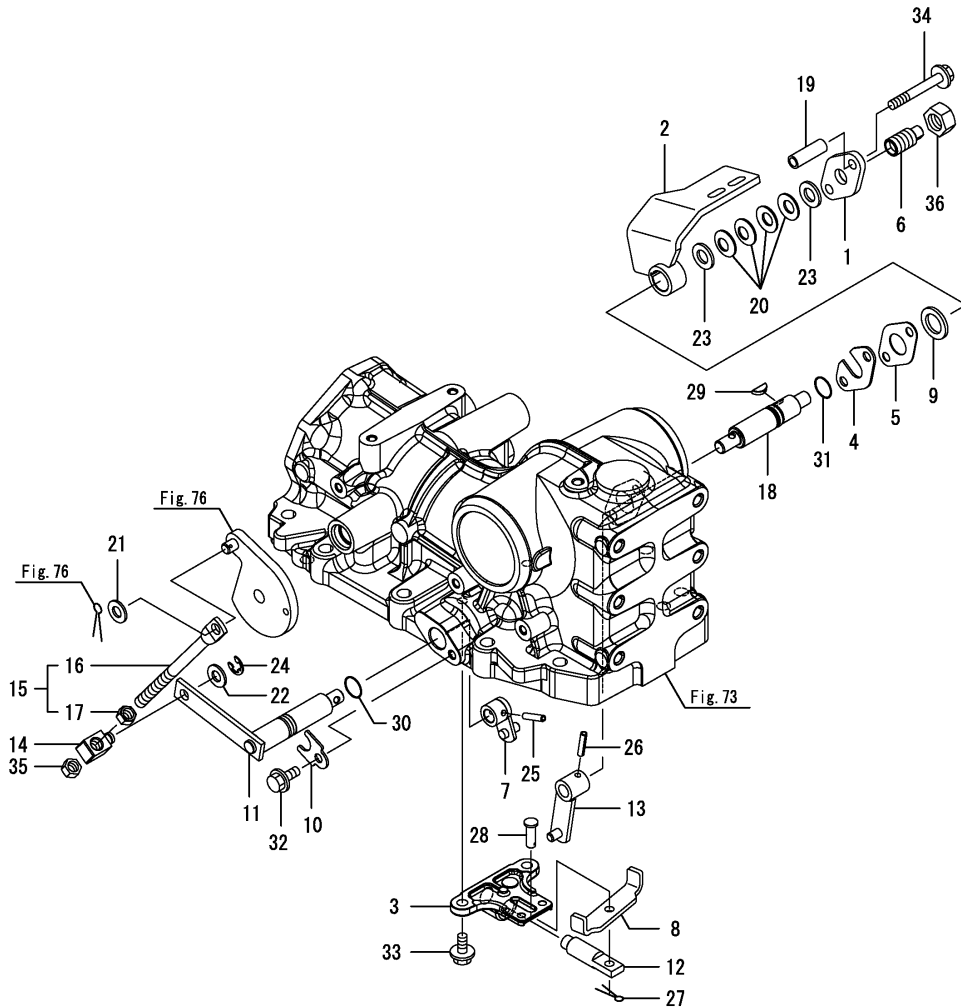


Fig.86. HYDRAULIC CONTROL



(A)=LX4100(YANMAR)
 (B)=LX4500(YANMAR)
 (C)=LX4900(YANMAR)

(D)=
 (E)=
 (F)=

No.	Lev.	Parts No.	Description	Q'ty						I	R
				(A)	(B)	(C)	(D)	(E)	(F)		
1	1	1A8275-47160	PLATE	1	1	1					
2	1	1A8275-47250	ARM, LEVER P	1	1	1					
3	1	1A8275-47330	CONTROL PLATE	1	1	1					
4	1	194555-47340	PLATE, A	1	1	1					
5	1	194555-47350	PLATE, B	1	1	1					
6	1	1A8275-47350	BOLT, FRICTION	1	1	1					
7	1	1A8275-47370	ARM,P CONTROL F.BACK	1	1	1					
8	1	1A8275-47420	BAR, P CONTROL	1	1	1					
9	1	194170-47440	PLATE, FRICTION	1	1	1					
10	1	1A8275-47440	PLATE	1	1	1					
11	1	1A8275-47450	ARM,	1	1	1					
12	1	198200-47460	ROD, CONTROL	1	1	1					
13	1	1A8275-47500	ARM,P CONTROL	1	1	1					
14	1	194550-47530	ADJUSTER	1	1	1					
15	1	194640-47550	ROD ASSY, FEEDBACK	1	1	1					
16	2	194640-47560	ROD, FEEDBACK	1	1	1					
17	2	26716-100002	NUT, M10	1	1	1					
18	1	1A8275-47550	SHAFT, P LEVER	1	1	1					
19	1	1A8275-47630	COLLAR, P LEVER	2	2	2					
20	1	194151-47760	WASHER, 12	4	4	4					
21	1	22137-100000	WASHER, 10	1	1	1					
22	1	22137-100000	WASHER, 10	1	1	1					
23	1	22137-120000	WASHER, 12	2	2	2					
24	1	22272-000070	RING, E- 7	1	1	1					
25	1	22351-050025	PIN, SPRING 5.0X25	1	1	1					
26	1	22351-050025	PIN, SPRING 5.0X25	1	1	1					
27	1	22417-200200	PIN, COTTER 2.0X20	1	1	1					
28	1	22487-080200	PIN, H 8X 20	1	1	1					
29	1	22522-030130	KEY, WOODRUFF 3X13	1	1	1					
30	1	24311-000150	O-RING, 1AP15.0	1	1	1					
31	1	24311-000150	O-RING, 1AP15.0	1	1	1					
32	1	26106-080162	BOLT, M8X 16 PLATED	1	1	1					
33	1	26106-080162	BOLT, M8X 16 PLATED	2	2	2					
34	1	26106-080602	BOLT, M8X 60 PLATED	2	2	2					
35	1	26716-100002	NUT, M10	1	1	1					
36	1	26736-160002	NUT, M16	1	1	1					

Fig.87. HYDRAULIC OPERATION(2)

(A)=LX4100(YANMAR)
 (B)=LX4500(YANMAR)
 (C)=LX4900(YANMAR)

(D)=
 (E)=
 (F)=

No.	Lev.	Parts No.	Description	Q'ty						I	R
				(A)	(B)	(C)	(D)	(E)	(F)		
1	1	1A8250-46640	KNOB, STOP VALVE	1	1	1					
2	1	26106-060402	BOLT, M6X 40 PLATED	1	1	1					

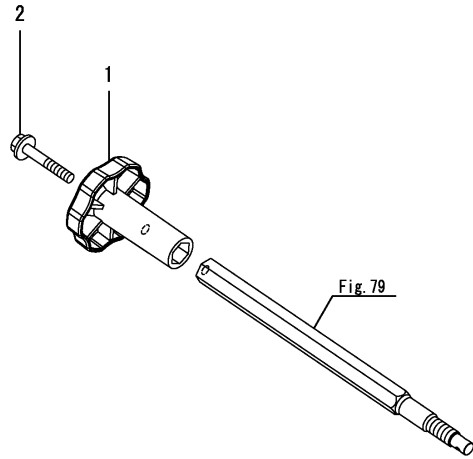


Fig.88. LIFT LEVER

(A)=LX4100(YANMAR)
 (B)=LX4500(YANMAR)
 (C)=LX4900(YANMAR)

(D)=
 (E)=
 (F)=

No.	Lev.	Parts No.	Description	Q'ty						I	R
				(A)	(B)	(C)	(D)	(E)	(F)		
1	1	194990-22140	NUT, M8	2	2	2					
2	1	1A8240-47332	LEVER ASSY, LIFT	1	1	1					
3	1	198010-47340	PIPE, PROTECTOR	1	1	1					
4	1	198200-47810	KNOB, BLACK	1	1	1					

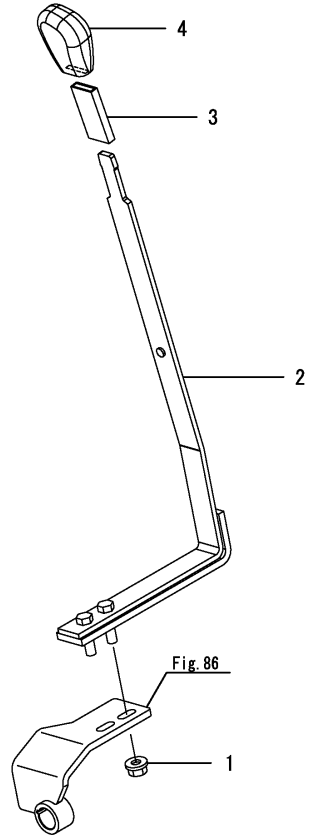
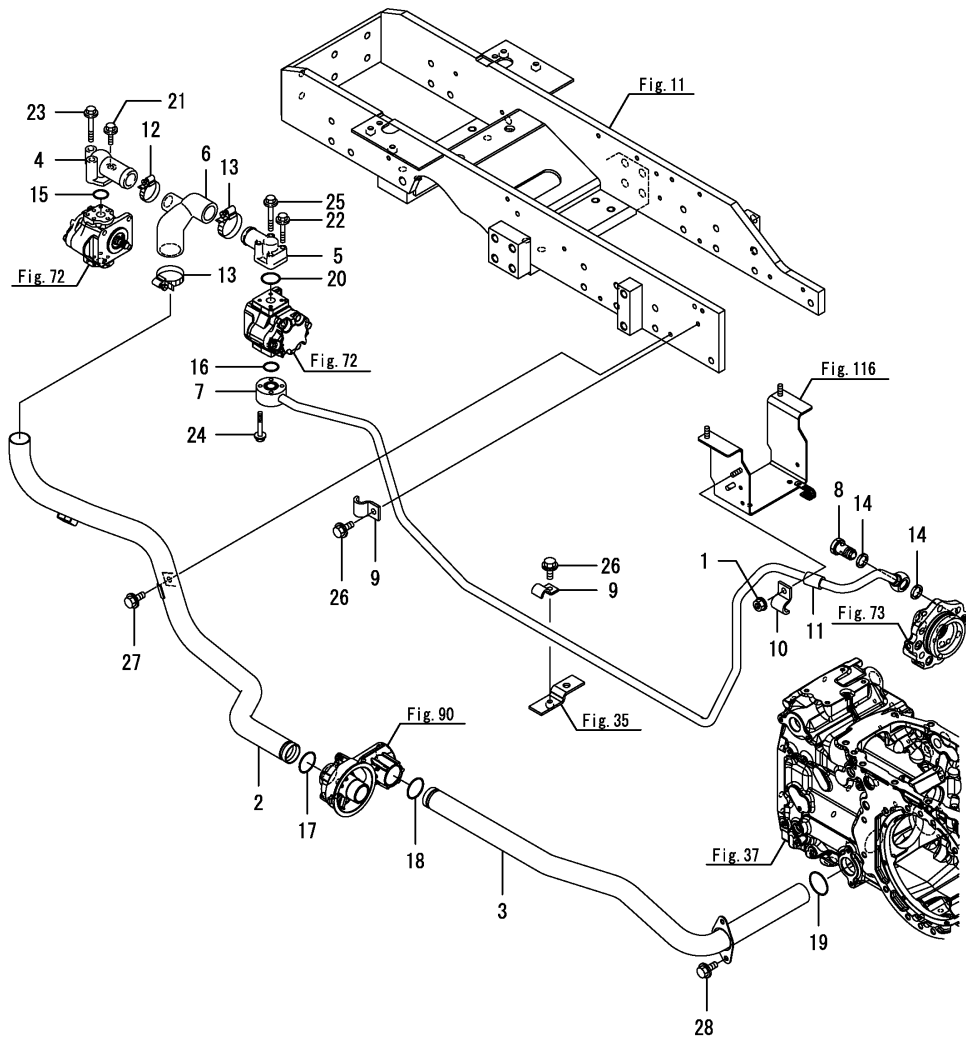


Fig.89. HYDRAULIC LINE

(A)=LX4100(YANMAR)
 (B)=LX4500(YANMAR)
 (C)=LX4900(YANMAR)

(D)=
 (E)=
 (F)=



No.	Lev.	Parts No.	Description	Qty						I	R
				(A)	(B)	(C)	(D)	(E)	(F)		
1	1	194990-22140	NUT, M8	1	1	1					
2	1	1A8250-48000	LP PIPE, FRONT	1	1	1					
3	1	1A8250-48050	LP PIPE, REAR	1	1	1					
4	1	198220-48140	FLANGE, PIPE P	1	1	1					
5	1	198240-48140	FLANGE, PIPE P	1	1	1					
6	1	1A8275-48340	HOSE, RUBBER LP P	1	1	1					
7	1	1A8250-48500	HP PIPE, LIFT	1	1	1					
8	1	198361-48750	BOLT ASSY, JOINT	1	1	1					
9	1	194450-48830	CLAMP	2	2	2					
10	1	198240-48830	CLAMP	1	1	1					
11	1	198240-48850	CLAMP, ABSORBER	1	1	1					
12	1	23000-035000	CLAMP, 35	1	1	1					
13	1	23000-048000	CLAMP, 48	2	2	2					
14	1	23414-200026	GASKET, 20X1.0	2	2	2					
15	1	24311-000200	O-RING, 1AP20.0	1	1	1					
16	1	24311-000220	O-RING, 1AP22.0	1	1	1					
17	1	24311-000320	O-RING, 1AP32.0	1	1	1					
18	1	24311-000320	O-RING, 1AP32.0	1	1	1					
19	1	24311-000360	O-RING, 1AP36.0	1	1	1					
20	1	24341-000250	O-RING, 1AS25.0	1	1	1					
21	1	26106-060202	BOLT, M6X 20 PLATED	1	1	1					
22	1	26106-060352	BOLT, M6X 35 PLATED	2	2	2					
23	1	26106-060402	BOLT, M6X 40 PLATED	2	2	2					
24	1	26106-060402	BOLT, M6X 40 PLATED	4	4	4					
25	1	26106-060452	BOLT, M6X 45 PLATED	2	2	2					
26	1	26106-080162	BOLT, M8X 16 PLATED	2	2	2					
27	1	26106-080162	BOLT, M8X 16 PLATED	1	1	1					
28	1	26106-080162	BOLT, M8X 16 PLATED	2	2	2					

Fig.90. HYDRAULIC FILTER

(A)=LX4100(YANMAR)
 (B)=LX4500(YANMAR)
 (C)=LX4900(YANMAR)

(D)=
 (E)=
 (F)=

No.	Lev.	Parts No.	Description	Q'ty						I	R
				(A)	(B)	(C)	(D)	(E)	(F)		
1	1	1A7640-48310	FILTER, HYDRAULIC	1	1	1					
2	1	1A8250-48430	COVER, FILTER	1	1	1					
3	1	26106-080162	BOLT, M8X 16 PLATED	2	2	2					
4	1	27260-470000	PLUG, 47	1	1	1					

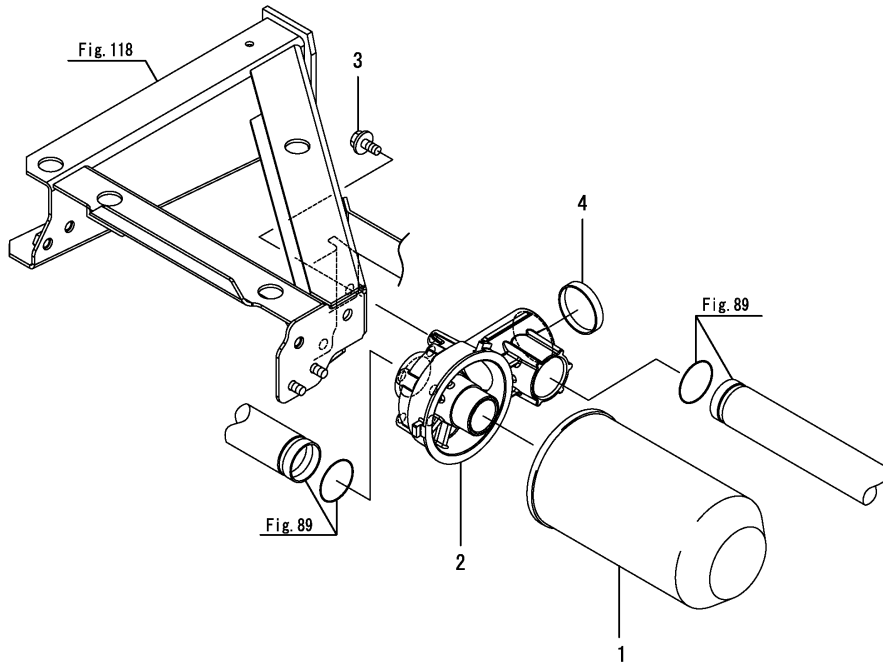
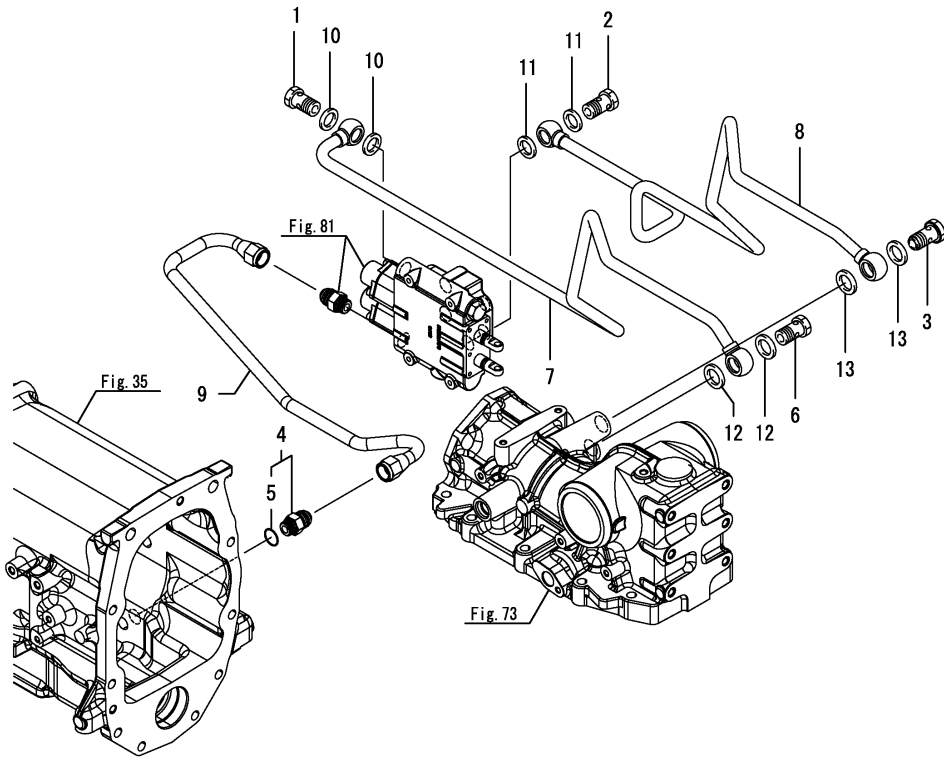


Fig.91. HYD. LINE(LOADER

(A)=LX4100(YANMAR)
 (B)=LX4500(YANMAR)
 (C)=LX4900(YANMAR)

(D)=
 (E)=
 (F)=



No.	Lev.	Parts No.	Description	Qty						I	R
				(A)	(B)	(C)	(D)	(E)	(F)		
1	1	198245-46680	BOLT, M3/4-16	1	1	1					
2	1	198245-46680	BOLT, M3/4-16	1	1	1					
3	1	1A8275-48030	BOLT,JOINT ASSY	1	1	1					
4	1	1A8250-48350	FITTING/HYD, 3/4-7/8	1	1	1					
5	2	194464-45930	O-RING, 8-1	1	1	1					
6	1	1A7610-48360	BOLT, JOINT G1/2	1	1	1					
7	1	1A8250-48600	HP PIPE, SCV-P	1	1	1					
8	1	1A8250-48650	HP PIPE, SCV-C	1	1	1					
9	1	1A8260-48700	HP PIPE, HST SCV-T	1	1	1					
10	1	23414-190000	GASKET, 19X1.0	2	2	2					
11	1	23414-190000	GASKET, 19X1.0	2	2	2					
12	1	23414-210027	GASKET, 21X1.0	2	2	2					
13	1	23414-210027	GASKET, 21X1.0	2	2	2					

Fig.92. HYD. LINE(LOADER(BACKHOE,REAR REMOTE

(A)=LX4100(YANMAR)
 (B)=LX4500(YANMAR)
 (C)=LX4900(YANMAR)

(D)=
 (E)=
 (F)=

No.	Lev.	Parts No.	Description	Q'ty						I	R
				(A)	(B)	(C)	(D)	(E)	(F)		
1	1	198245-46680	BOLT, M3/4-16	1	1	1					
2	1	1A8250-48350	FITTING/HYD, 3/4-7/8	1	1	1					
3	2	194464-45930	O-RING, 8-1	1	1	1					
4	1	1A7610-48360	BOLT, JOINT G1/2	1	1	1					
5	1	1A8250-48600	HP PIPE, SCV-P	1	1	1					
6	1	1A8260-48700	HP PIPE, HST SCV-T	1	1	1					
7	1	23414-190000	GASKET, 19X1.0	2	2	2					
8	1	23414-210027	GASKET, 21X1.0	2	2	2					

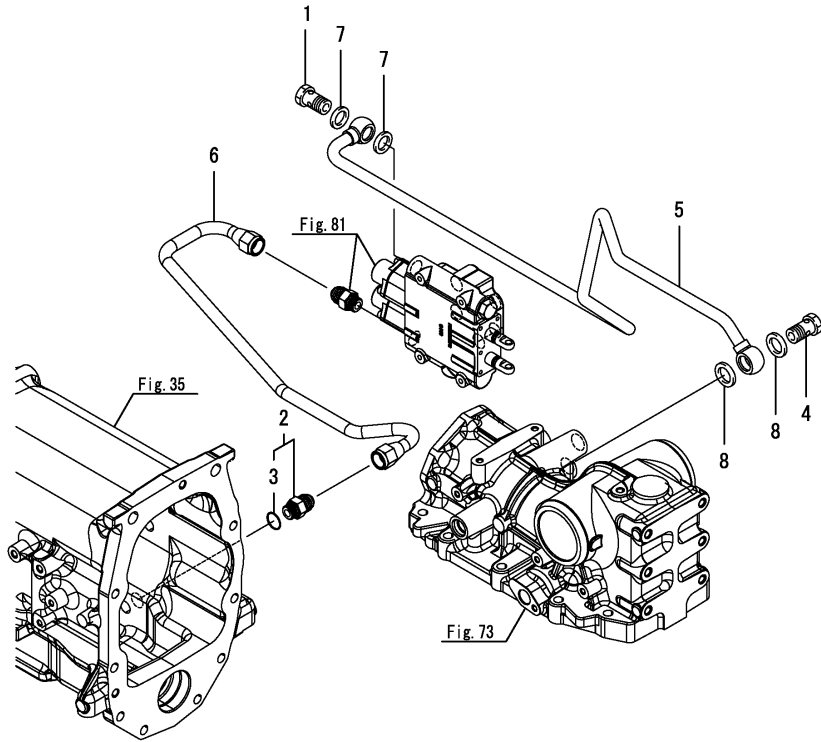
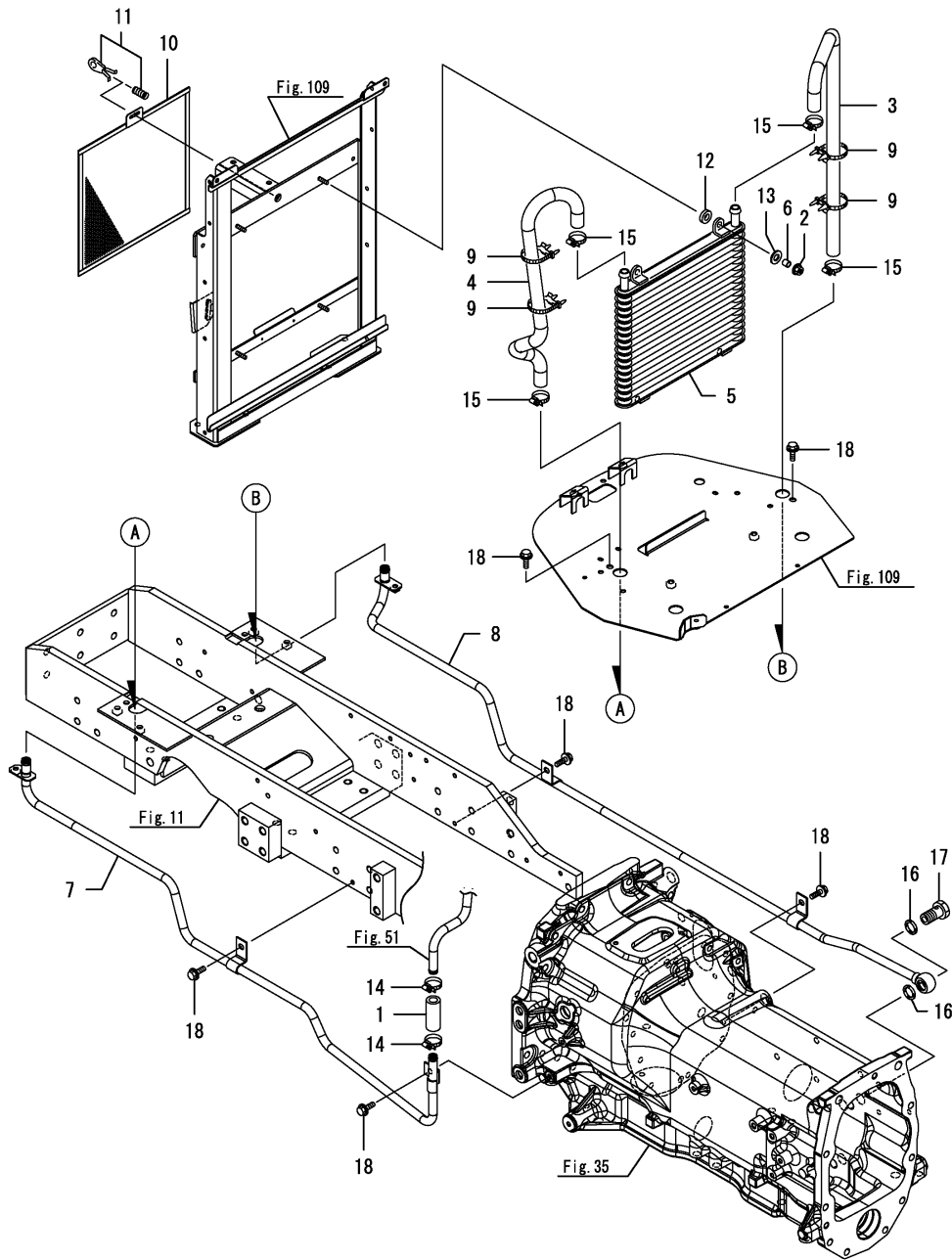


Fig.93. OIL COOLER

(A)=LX4100(YANMAR)
 (B)=LX4500(YANMAR)
 (C)=LX4900(YANMAR)

(D)=
 (E)=
 (F)=

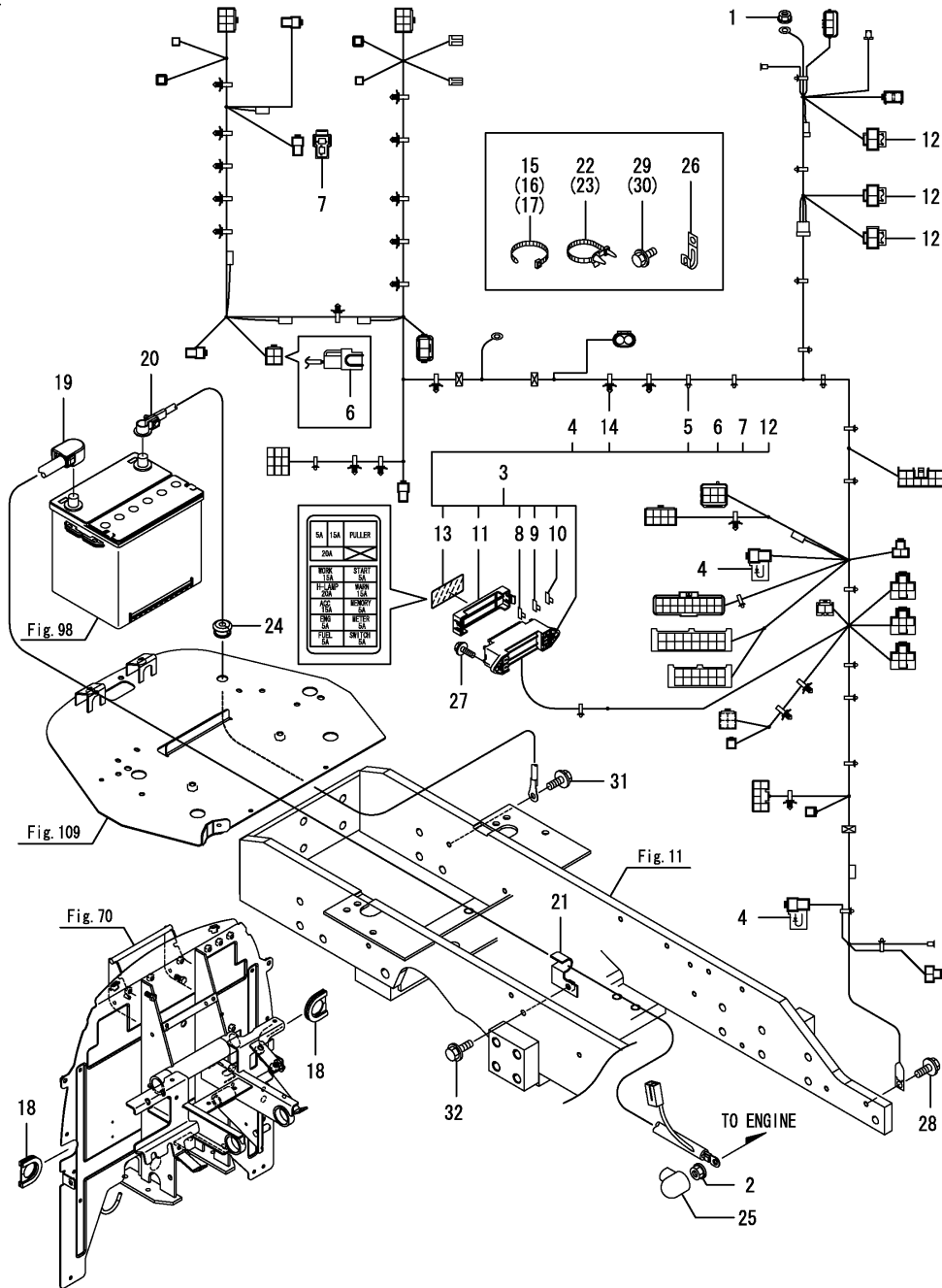


No.	Lev.	Parts No.	Description	Qty						I	R
				(A)	(B)	(C)	(D)	(E)	(F)		
1	1	194556-17660	RUBBER PIPE	1	1	1					
2	1	194990-22130	NUT, M6	4	4	4					
3	1	1A7180-48790	HOSE, OIL COOLER	1	1	1					
4	1	1A8275-48810	HOSE, OIL COOLER	1	1	1					
5	1	198138-49100	COOLER ASSY, OIL	1	1	1					
6	1	1A7180-49190	COLLAR, 9.0X7.0X9.0	4	4	4					
7	1	1A8275-49350	PIPE, COOLER INLET	1	1	1					
8	1	1A8275-49400	PIPE, COOLER OUTLET	1	1	1					
9	1	1A8275-51670	CLIP, M8 HOLE	4	4	4					
10	1	1A7180-60650	SCREEN, OIL COOLER	1	1	1					
11	1	198220-61351	LOCK ASSY, CAM	1	1	1					
12	1	194420-62260	RUBBER, CUSHION	4	4	4					
13	1	22137-100000	WASHER, 10	4	4	4					
14	1	23000-022000	CLAMP, 22	2	2	2					
15	1	23000-022000	CLAMP, 22	4	4	4					
16	1	23414-200000	GASKET, 20X1.0	2	2	2					
17	1	23857-150000	BOLT, JOINT 15	1	1	1					
18	1	26106-080162	BOLT, M8X 16 PLATED	6	6	6					

Fig.95. HARNESS

(A)=LX4100(YANMAR)
 (B)=LX4500(YANMAR)
 (C)=LX4900(YANMAR)

(D)=
 (E)=
 (F)=



No.	Lev.	Parts No.	Description	Qty						I	R
				(A)	(B)	(C)	(D)	(E)	(F)		
1	1	194990-22130	NUT, M6	1	1	1					
2	1	194990-22140	NUT, M8	1	1	1					
3	1	1A8275-51113	HARNESS ASSY, A	1	1	1					
4	2	1A7500-51130	DIODE, 3.0A	2	2	2					
5	2	1A7500-51170	CLIP, HARNESS	17	17	17					
6	2	1A8275-51190	LEAD, M-PTO	1	1	1					
7	2	1A8300-51230	COUPLER, PROTECT	1	1	1					
8	2	198535-52110	FUSE, 5A	7	7	7					
9	2	198535-52130	FUSE, 15A	4	4	4					
10	2	198535-52140	FUSE, 20A	2	2	2					
11	2	1A7531-52420	COVER, FUSE BOX	1	1	1					
12	2	1A7000-52820	FUSE, SLOW BLOW 60A	3	3	3					
13	2	1A8275-65440	LABEL, FUSE	1	1	1					
14	2	1E8775-84120	CLAMP, BAND	20	20	20					
15	1	1A8300-51210	BAND, REPEAT	1	1	1					
16	1	1A8300-51210	BAND, REPEAT	1	1	1					
17	1	1A8300-51210	BAND, REPEAT	1	1	1					
18	1	198155-51290	GROMMET, D25	2	2	2					
19	1	1A7180-51350	CABLE, BATTERY	1	1	1					
20	1	194250-51420	CABLE, BATTERY EARTH	1	1	1					
21	1	198121-51430	CLAMP, CABLE B	1	1	1					
22	1	194680-51670	BAND, CLIP	3	3	3					
23	1	194680-51670	BAND, CLIP	1	1	1					
24	1	198200-61490	GROMMET, 8	1	1	1					
25	1	124550-77030	COVER, TERMINAL	1	1	1					
26	1	1E6102-83230	CLAMP, CABLE	1	1	1					
27	1	26106-060202	BOLT, M6X 20 PLATED	2	2	2					
28	1	26106-080162	BOLT, M8X 16 PLATED	1	1	1					
29	1	26106-080162	BOLT, M8X 16 PLATED	1	1	1					
30	1	26106-080162	BOLT, M8X 16 PLATED	1	1	1					
31	1	26106-080162	BOLT, M8X 16 PLATED	1	1	1					
32	1	26106-080252	BOLT, M8X 25 PLATED	1	1	1					

Fig.96. HARNESS

(A)=LX4100(YANMAR)
 (B)=LX4500(YANMAR)
 (C)=LX4900(YANMAR)

(D)=
 (E)=
 (F)=

No.	Lev.	Parts No.	Description	Q'ty						I	R
				(A)	(B)	(C)	(D)	(E)	(F)		
1	1	1A8275-51250	LEAD,AIR HEATER			1					
2	1	124756-77040	COVER, TERMINAL			1					

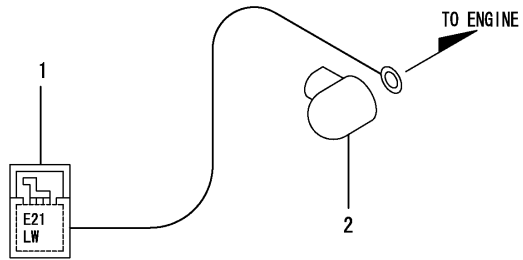


Fig.97. HARNESS(HST)

(A)=LX4100(YANMAR)
 (B)=LX4500(YANMAR)
 (C)=LX4900(YANMAR)

(D)=
 (E)=
 (F)=

No.	Lev.	Parts No.	Description	Qty						I	R
				(A)	(B)	(C)	(D)	(E)	(F)		
1	1	1A8300-51210	BAND, REPEAT	1	1	1					
2	1	1A8275-51270	LEAD, HST	1	1	1					
3	2	1A8275-59240	COVER, SWITCH	1	1	1					
4	1	194440-51620	CLAMP	1	1	1					
5	1	26106-080162	BOLT, M8X 16 PLATED	1	1	1					

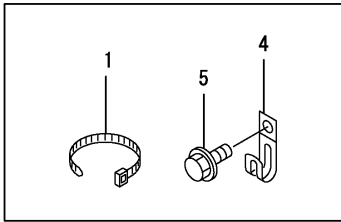
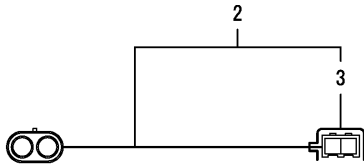
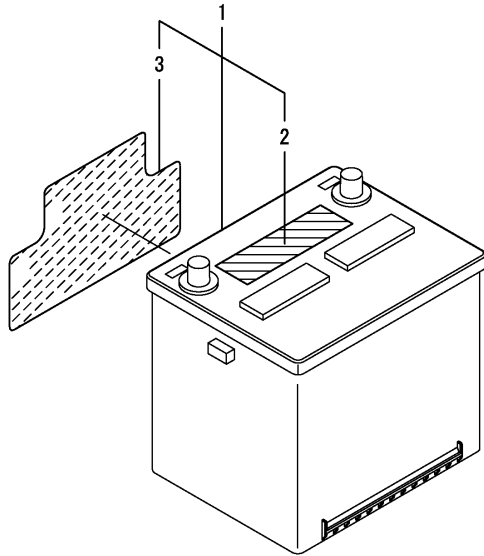


Fig.98. BATTERY

(A)=LX4100(YANMAR)
 (B)=LX4500(YANMAR)
 (C)=LX4900(YANMAR)

(D)=
 (E)=
 (F)=



No.	Lev.	Parts No.	Description	Q'ty						I	R
				(A)	(B)	(C)	(D)	(E)	(F)		
1	1	1A8160-51550	BATTERY ASSY,DRY526R	1	1						
2	2	1A8160-51570	LABEL, BATTERY	1	1						
3	2	1A8160-51580	LABEL, BATTERY	1	1						

Fig.99. BATTERY

(A)=LX4100(YANMAR)
 (B)=LX4500(YANMAR)
 (C)=LX4900(YANMAR)

(D)=
 (E)=
 (F)=

No.	Lev.	Parts No.	Description	Qty						I	R
				(A)	(B)	(C)	(D)	(E)	(F)		
1	1	1A8275-51550	BATTERY ASSY, DRY624			1					
2	2	1A8275-51570	LABEL, BATTERY			1					
3	2	1A8275-51580	LABEL, BATTERY			1					

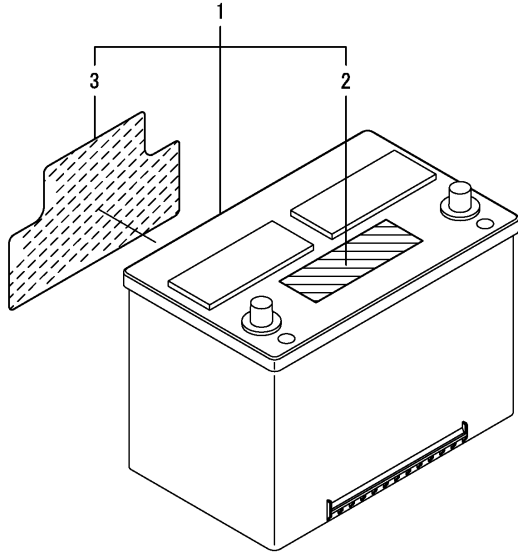


Fig.100. CLAMP(BATTERY)

(A)=LX4100(YANMAR)
 (B)=LX4500(YANMAR)
 (C)=LX4900(YANMAR)

(D)=
 (E)=
 (F)=

No.	Lev.	Parts No.	Description	Q'ty						I	R
				(A)	(B)	(C)	(D)	(E)	(F)		
1	1	194990-22130	NUT, M6	2	2						
2	1	1A8160-51600	CLAMP, BATTERY 6-245	1	1						
3	1	1A8275-51610	ROD,BATTERY	2	2						
4	1	1A8275-51620	COVER,PROTECT	1	1						
5	1	26716-060002	NUT, M6	2	2						

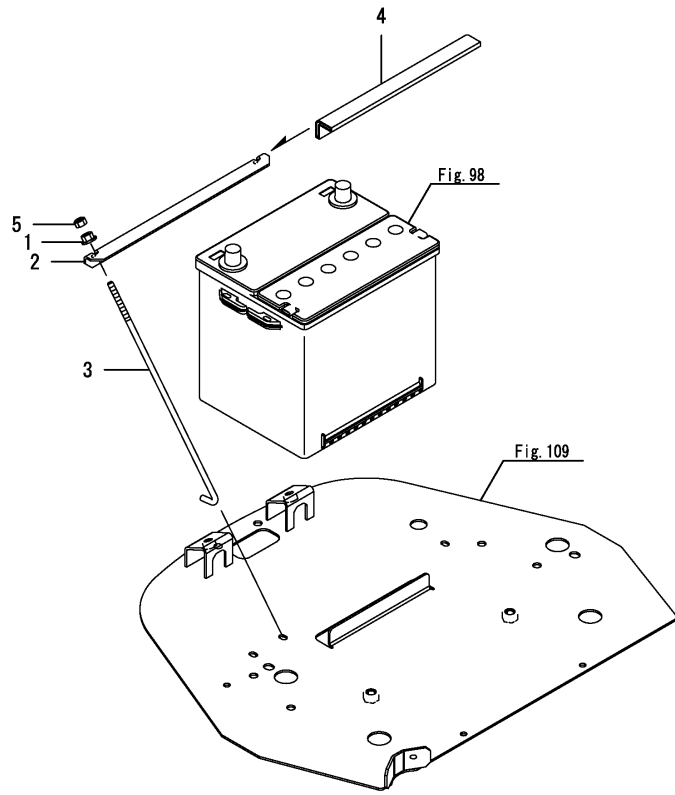


Fig.101. CLAMP(BATTERY)

(A)=LX4100(YANMAR)
 (B)=LX4500(YANMAR)
 (C)=LX4900(YANMAR)

(D)=
 (E)=
 (F)=

No.	Lev.	Parts No.	Description	Qty						I	R
				(A)	(B)	(C)	(D)	(E)	(F)		
1	1	194990-22130	NUT, M6			2					
2	1	1A8275-51600	CLAMP,BATTERY,6-290			1					
3	1	1A8275-51610	ROD,BATTERY			2					
4	1	26716-060002	NUT, M6			2					

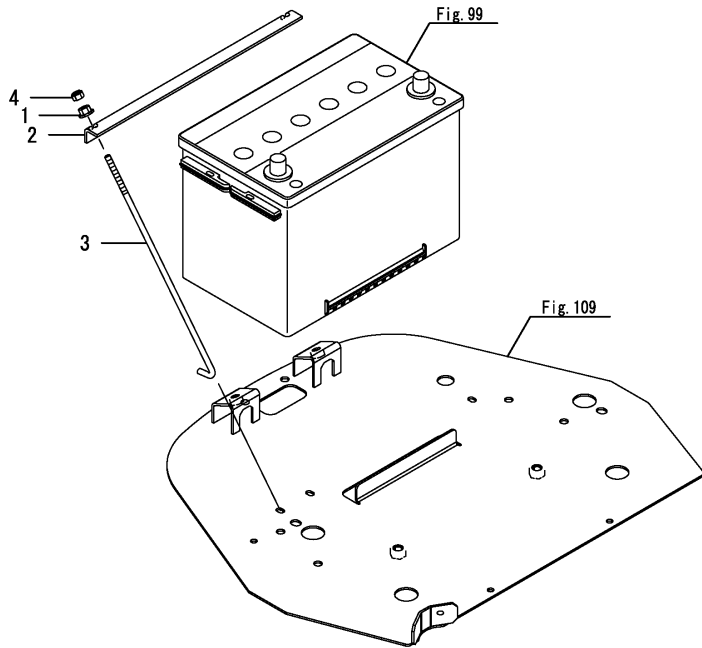
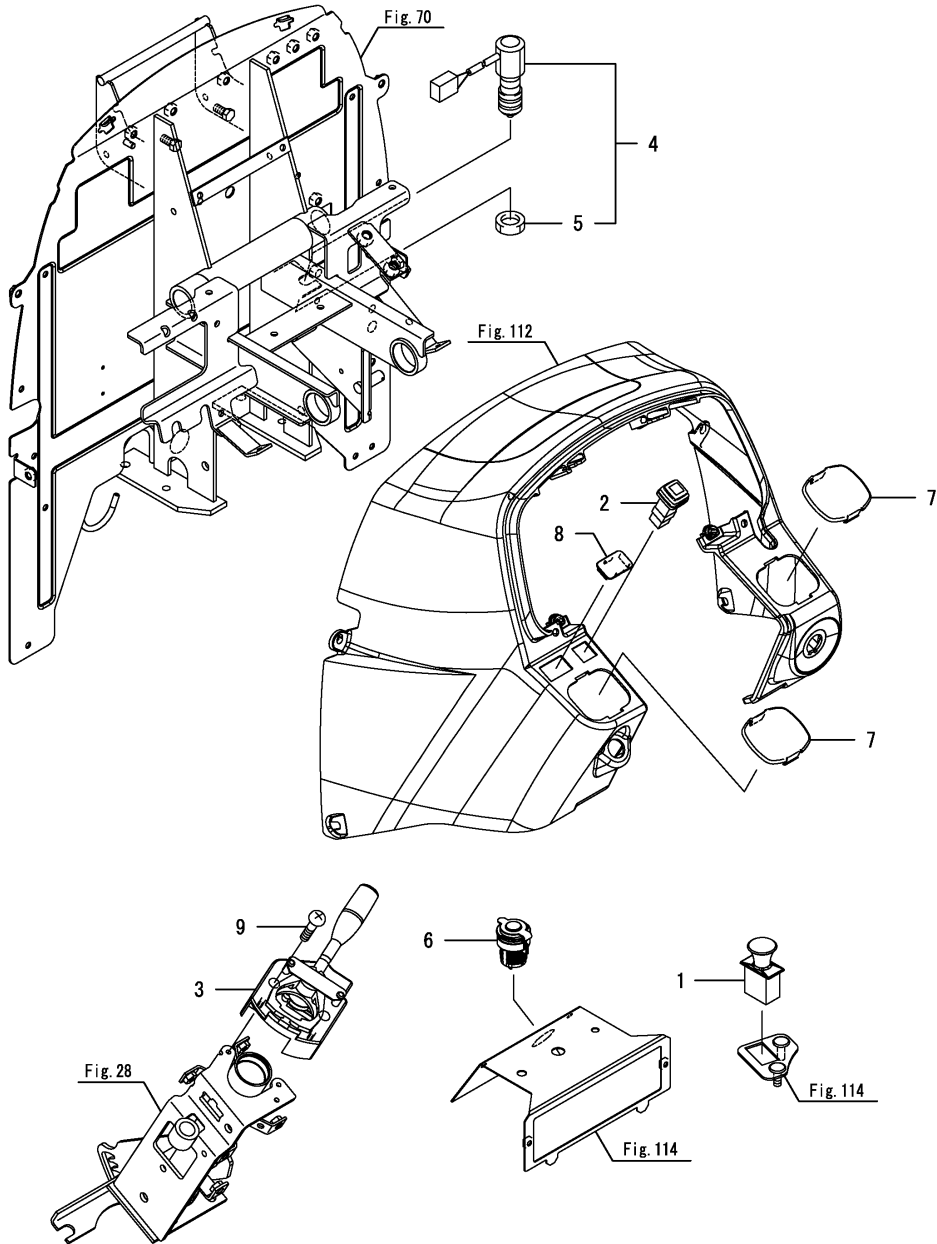


Fig.102. SWITCH

(A)=LX4100(YANMAR)
 (B)=LX4500(YANMAR)
 (C)=LX4900(YANMAR)

(D)=
 (E)=
 (F)=



No.	Lev.	Parts No.	Description	Q'ty						I	R
				(A)	(B)	(C)	(D)	(E)	(F)		
1	1	172531-17300	SWITCH, PTO	1	1	1					
2	1	1A7335-52120	SWITCH, HAZARD	1	1	1					
3	1	1A7180-52140	SWITCH, COMBINATION	1	1	1					
4	1	198223-52150	SWITCH, STOP LAMP	1	1	1					
5	2	26776-120002	NUT, LOCK M12	1	1	1					
6	1	1A7880-57100	SOCKET, POWER SOUCE	1	1	1					
7	1	1A8275-60400	COVER, SW-NONE	2	2	2					
8	1	1A8275-60430	COVER, HAZARD	1	1	1					
9	1	26557-060162	SCREW M 6X 16	2	2	2					

Fig.103. SWITCH

(A)=LX4100(YANMAR)
 (B)=LX4500(YANMAR)
 (C)=LX4900(YANMAR)

(D)=
 (E)=
 (F)=

No.	Lev.	Parts No.	Description	Qty						I	R
				(A)	(B)	(C)	(D)	(E)	(F)		
1	1	198162-52110	SWITCH, STARTING	1	1	1					
2	2	198360-52320	NUT, RING	1	1	1					
3	2	198360-52330	WASHER	1	1	1					
4	2	198162-52150	KEY ASSY	1	1	1					
5	1	194448-61620	GROMMET, 20.5	1	1	1					

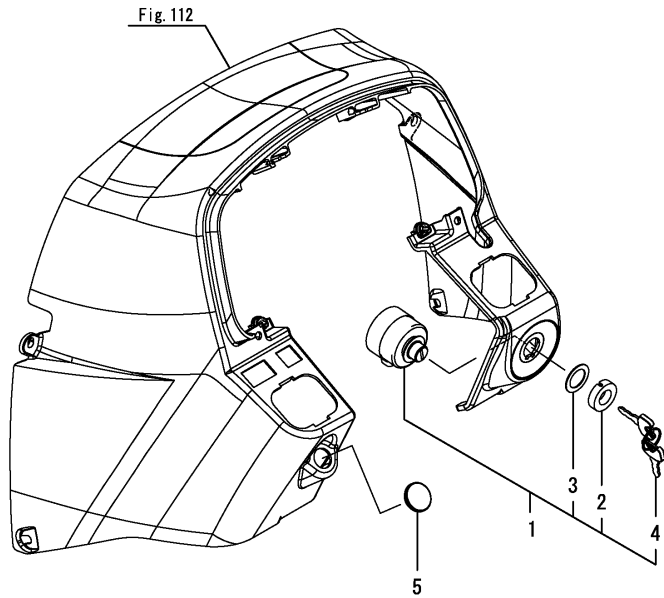


Fig.104. SWITCH

(A)=LX4100(YANMAR)
 (B)=LX4500(YANMAR)
 (C)=LX4900(YANMAR)

(D)=
 (E)=
 (F)=

No.	Lev.	Parts No.	Description	Q'ty						I	R
				(A)	(B)	(C)	(D)	(E)	(F)		
1	1	194850-49290	PACKING, 6-1	1	1	1					
2	1	198165-50110	SWITCH, NEUTRAL	1	1	1					

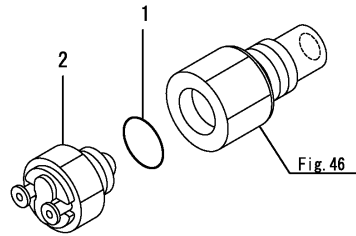
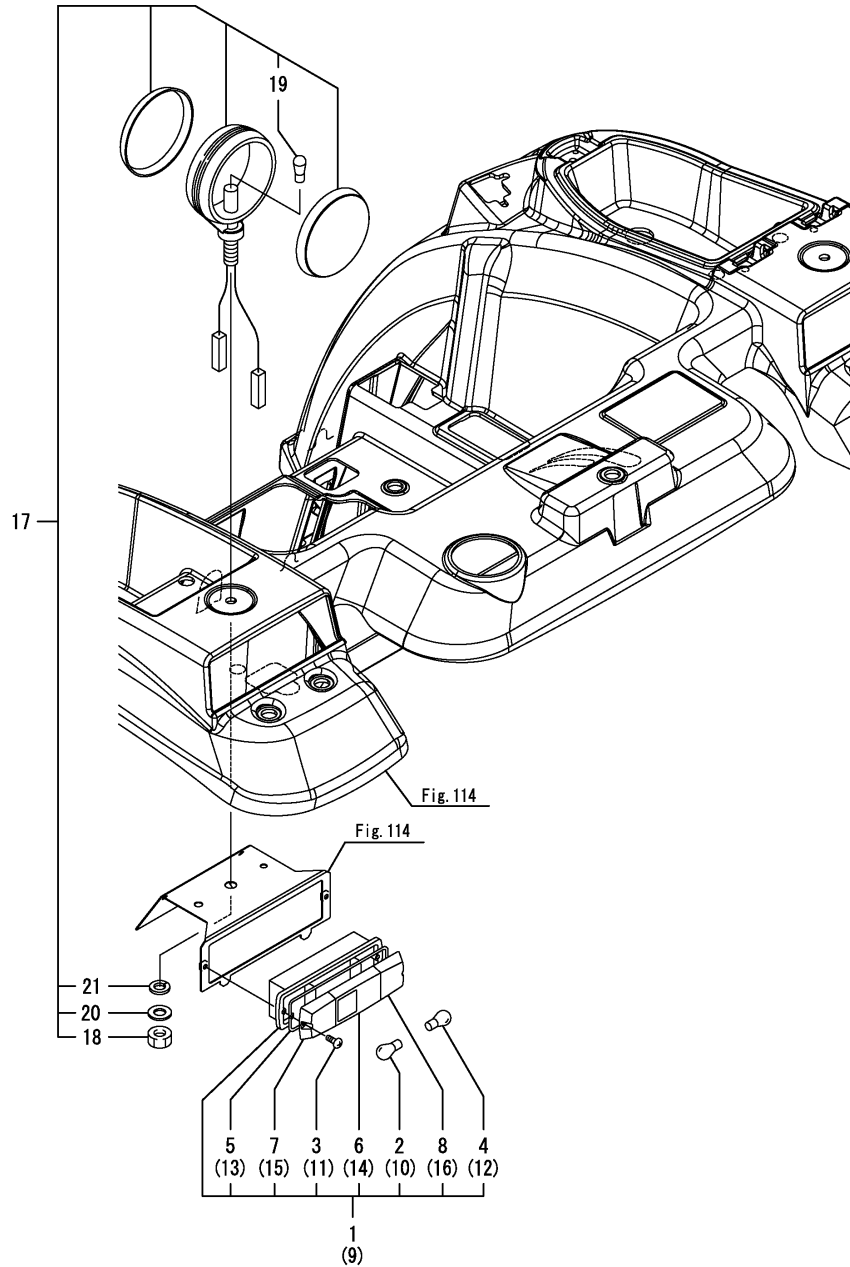


Fig.105. LAMP

(A)=LX4100(YANMAR)
 (B)=LX4500(YANMAR)
 (C)=LX4900(YANMAR)

(D)=
 (E)=
 (F)=

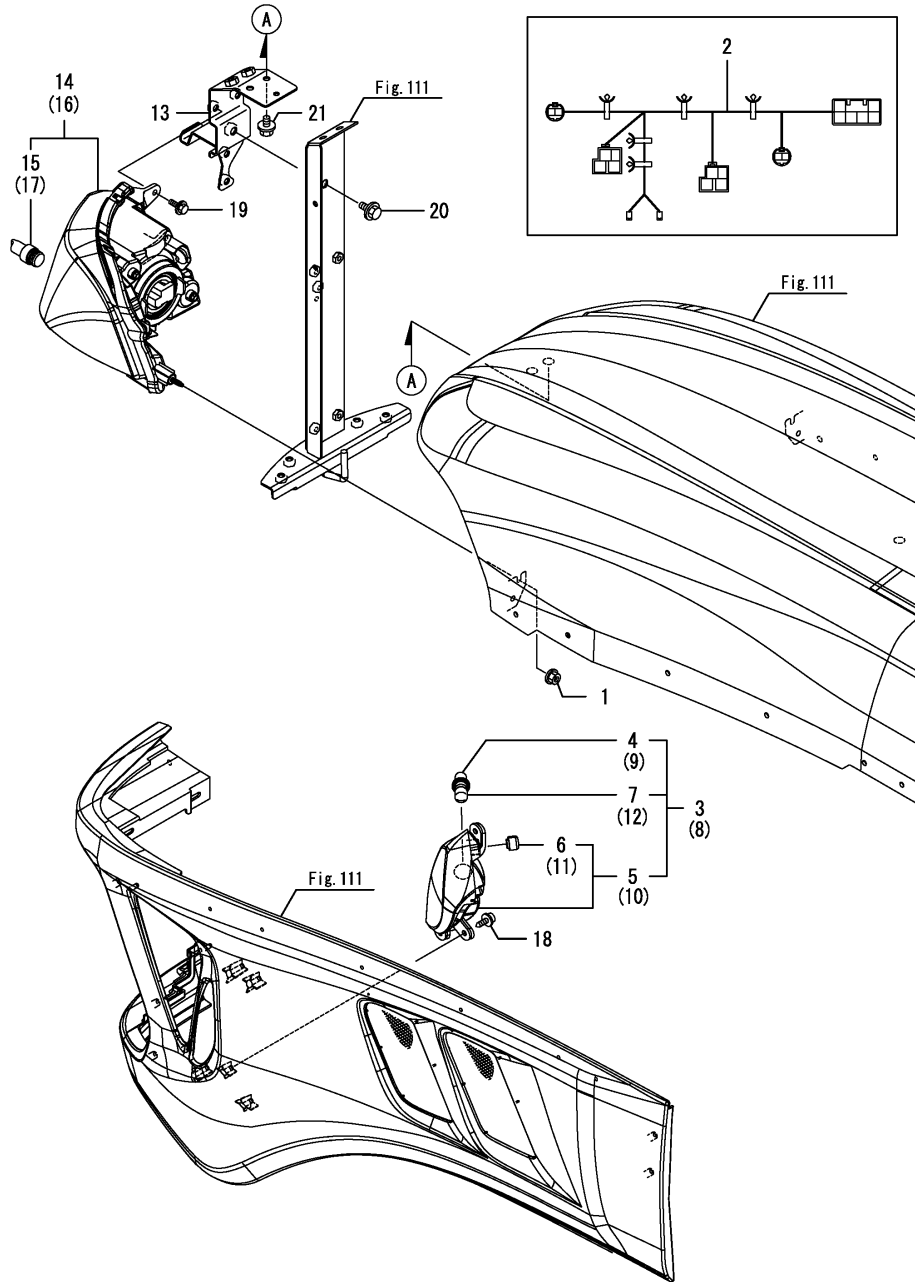


No.	Lev.	Parts No.	Description	Qty						I	R
				(A)	(B)	(C)	(D)	(E)	(F)		
1	1	1A7400-53110	LAMP ASSY, L	1	1	1					
2	2	1A7890-53420	BULB, 12V21W	1	1	1					
3	2	198268-53450	SCREW, 5X16	2	2	2					
4	2	1A7400-53530	VALVE, 12V21/5W	1	1	1					
5	2	1A7400-53560	GASKET	1	1	1					
6	2	1A7400-53570	LENS, L	1	1	1					
7	2	1A7400-53590	LENS, L	1	1	1					
8	2	1A7400-53610	LENS, L	1	1	1					
9	1	1A7400-53120	LAMP ASSY, R	1	1	1					
10	2	1A7890-53420	BULB, 12V21W	1	1	1					
11	2	198268-53450	SCREW, 5X16	2	2	2					
12	2	1A7400-53530	VALVE, 12V21/5W	1	1	1					
13	2	1A7400-53560	GASKET	1	1	1					
14	2	1A7400-53580	LENS, R	1	1	1					
15	2	1A7400-53600	LENS, R	1	1	1					
16	2	1A7400-53620	LENS, R	1	1	1					
17	1	1A8275-53400	LAMP ASSY,FLASHER	2	2	2					
18	2	1A7880-53100	NUT	2	2	2					
19	2	1A7880-53430	BULB, 12.8V/27W	2	2	2					
20	2	22137-130000	WASHER, 13	2	2	2					
21	2	22217-130000	WASHER, SPRING 1/2	2	2	2					

Fig.106. FRONT LAMP

(A)=LX4100(YANMAR)
 (B)=LX4500(YANMAR)
 (C)=LX4900(YANMAR)

(D)=
 (E)=
 (F)=



No.	Lev.	Parts No.	Description	Qty						I	R
				(A)	(B)	(C)	(D)	(E)	(F)		
1	1	194990-22130	NUT, M6	2	2	2					
2	1	1A7180-51310	HARNESS, WIRE	1	1	1					
3	1	1A8070-53010	LAMP ASSY, SIDE L	1	1	1					
4	2	1C6860-08160	SOCKET ASSY	1	1	1					
5	2	1A8070-53030	CASE ASSY, SIDE LAMP	1	1	1					
6	3	1A7260-53220	CAP	1	1	1					
7	2	198072-53450	BULB,12V/18W	1	1	1					
8	1	1A8070-53020	LAMP ASSY, SIDE R	1	1	1					
9	2	1C6860-08160	SOCKET ASSY	1	1	1					
10	2	1A8070-53040	CASE ASSY, SIDE LAMP	1	1	1					
11	3	1A7260-53220	CAP	1	1	1					
12	2	198072-53450	BULB,12V/18W	1	1	1					
13	1	1A8265-53050	STAY ASSY, HEADLAMP	1	1	1					
14	1	1A8280-53200	LAMP ASSY, HEAD L	1	1	1					
15	2	1A8280-53220	BULB, 55W/60W	1	1	1					
16	1	1A8280-53300	LAMP ASSY, HEAD R	1	1	1					
17	2	1A8280-53220	BULB, 55W/60W	1	1	1					
18	1	194940-61790	SCREW, TAPPING M5X16	6	6	6					
19	1	26106-060202	BOLT, M6X 20 PLATED	4	4	4					
20	1	26106-080122	BOLT, M8X 12 PLATED	1	1	1					
21	1	26106-080162	BOLT, M8X 16 PLATED	2	2	2					

Fig.107. METER

(A)=LX4100(YANMAR)
 (B)=LX4500(YANMAR)
 (C)=LX4900(YANMAR)

(D)=
 (E)=
 (F)=

No.	Lev.	Parts No.	Description	Q'ty						I	R
				(A)	(B)	(C)	(D)	(E)	(F)		
1	1	1A8275-56010	METER ASSY.	1	1	1					
2	3	1C6920-36260	LAMP ASSY, SOCKET	1	1	1					
3	3	198200-56050	BULB, 14V-1.7W	6	6	6					
4	3	198448-56150	BULB, 14V-1.4W	5	5	5					
5	2	198200-56080	SCREW, 3X16	6	6	6					
6	1	26557-050202	SCREW, M5X20	4	4	4					
7	1	26716-050002	NUT, M5	4	4	4					

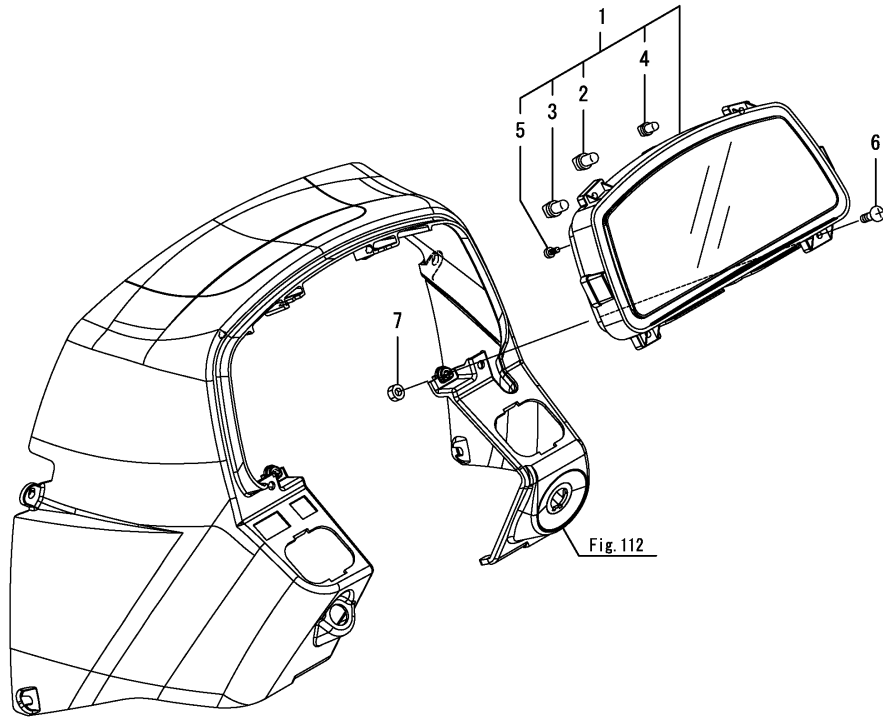


Fig.108. RELAY

(A)=LX4100(YANMAR)
 (B)=LX4500(YANMAR)
 (C)=LX4900(YANMAR)

(D)=
 (E)=
 (F)=

No.	Lev.	Parts No.	Description	Q'ty						I	R
				(A)	(B)	(C)	(D)	(E)	(F)		
1	1	1A7870-52950	RELAY, CB	1	1	1					
2	1	1A7870-52950	RELAY, CB	1	1	1					
3	1	1A7870-52950	RELAY, CB	1	1	1					
4	1	1A8275-57100	RELAY-UNIT	1	1	1					
5	1	1A6780-57200	FLASHER	1	1	1					
6	1	26106-060122	BOLT, M6X 12 PLATED	3	3	3					
7	1	26106-060122	BOLT, M6X 12 PLATED	1	1	1					
8	1	26106-060202	BOLT, M6X 20 PLATED	2	2	2					

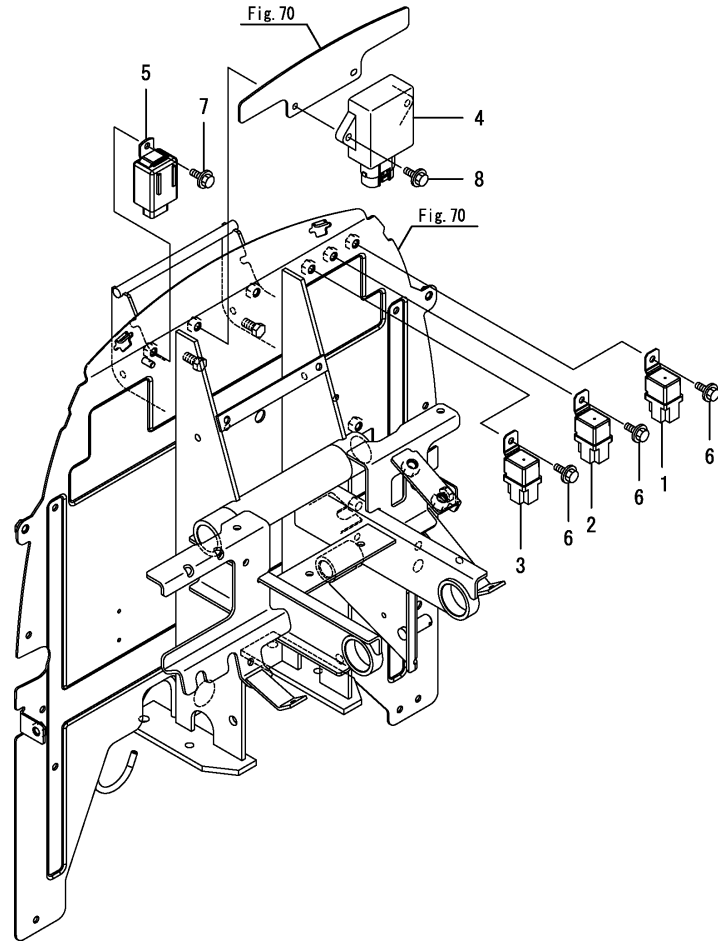
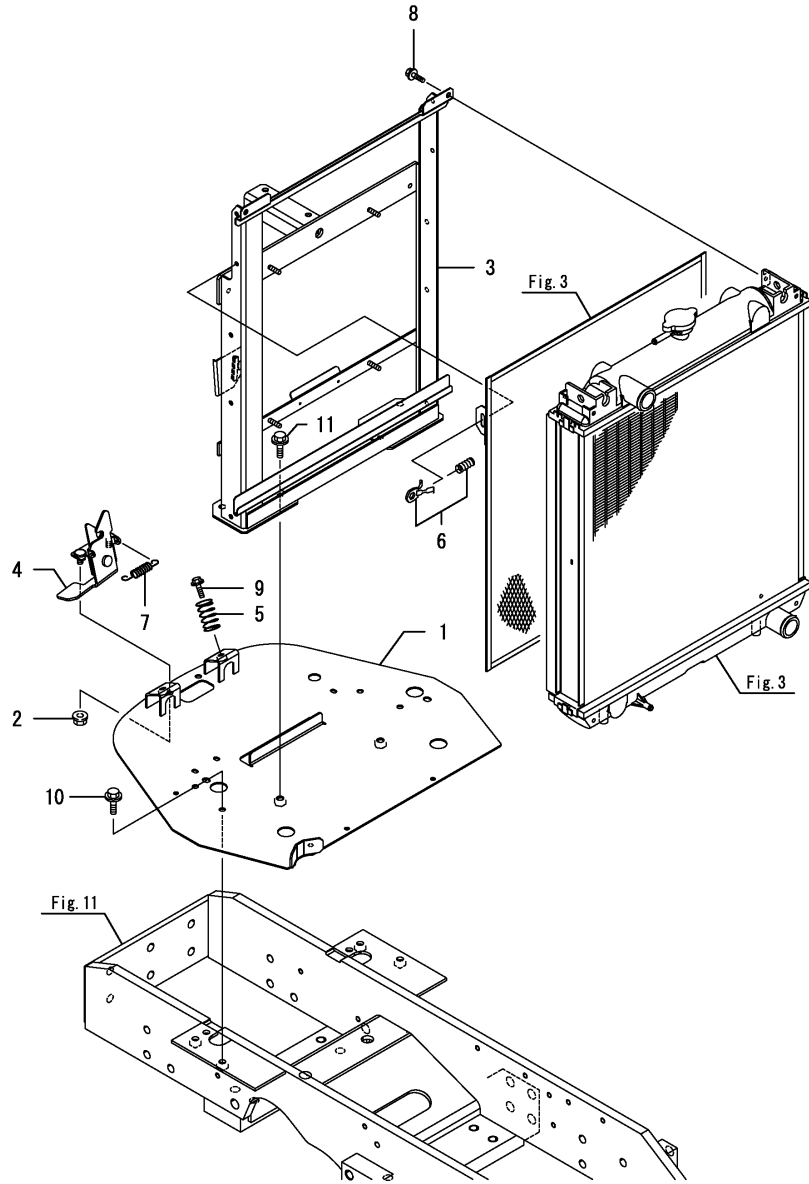


Fig.109. FRONT FRAME

(A)=LX4100(YANMAR)
 (B)=LX4500(YANMAR)
 (C)=LX4900(YANMAR)

(D)=
 (E)=
 (F)=



No.	Lev.	Parts No.	Description	Qty						I	R
				(A)	(B)	(C)	(D)	(E)	(F)		
1	1	1A8250-01601	BRACKET ASSY, RADI	1	1	1					
2	1	194990-22140	NUT, M8	2	2	2					
3	1	1A8240-60101	FRAME ASSY, FRONT	1	1	1					
4	1	1A7180-61250	LOCK ASSY, BONNET	1	1	1					
5	1	198220-61340	SPRING	2	2	2					
6	1	198220-61351	LOCK ASSY, CAM	1	1	1					
7	1	198230-61960	SPRING	1	1	1					
8	1	26106-060202	BOLT, M6X 20 PLATED	2	2	2					
9	1	26106-060202	BOLT, M6X 20 PLATED	2	2	2					
10	1	26106-080202	BOLT, M8X 20 PLATED	4	4	4					
11	1	26106-080202	BOLT, M8X 20 PLATED	2	2	2					

Fig.110. HOOD FRAME

(A)=LX4100(YANMAR)
 (B)=LX4500(YANMAR)
 (C)=LX4900(YANMAR)

(D)=
 (E)=
 (F)=

No.	Lev.	Parts No.	Description	Qty						I	R
				(A)	(B)	(C)	(D)	(E)	(F)		
1	1	194990-22140	NUT, M8	2	2	2					
2	1	1A8240-60400	FRAME ASSY, CONNECT	1	1	1					
3	1	22137-100000	WASHER, 10	1	1	1					
4	1	22372-100000	PIN, SNAP 10	1	1	1					
5	1	26106-080162	BOLT, M8X 16 PLATED	2	2	2					

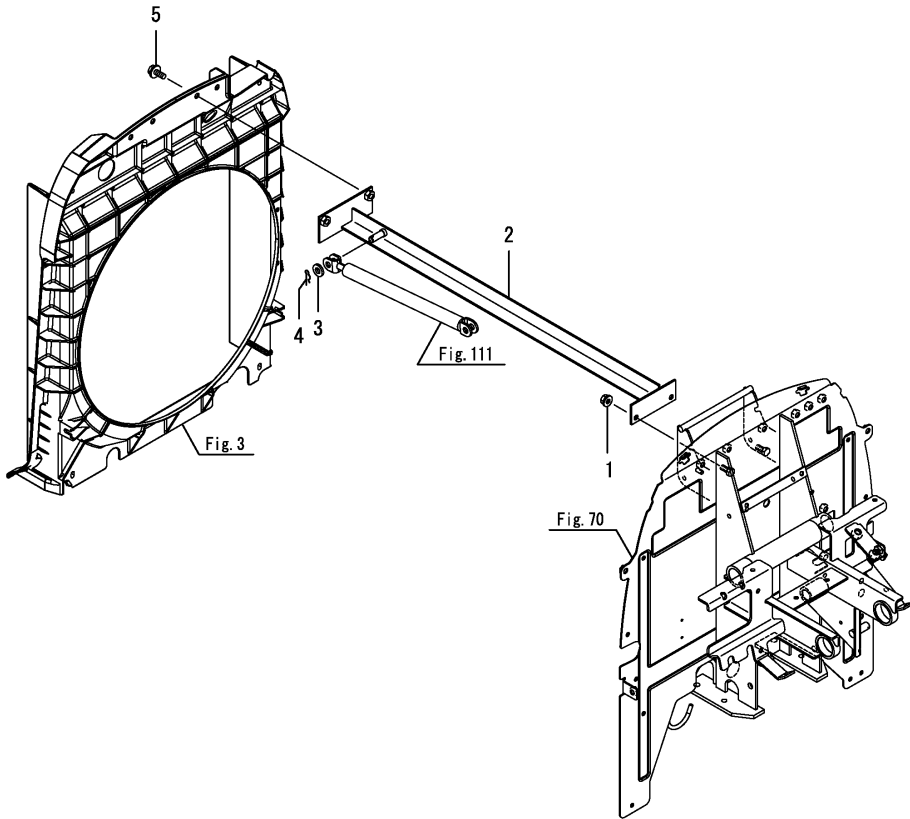
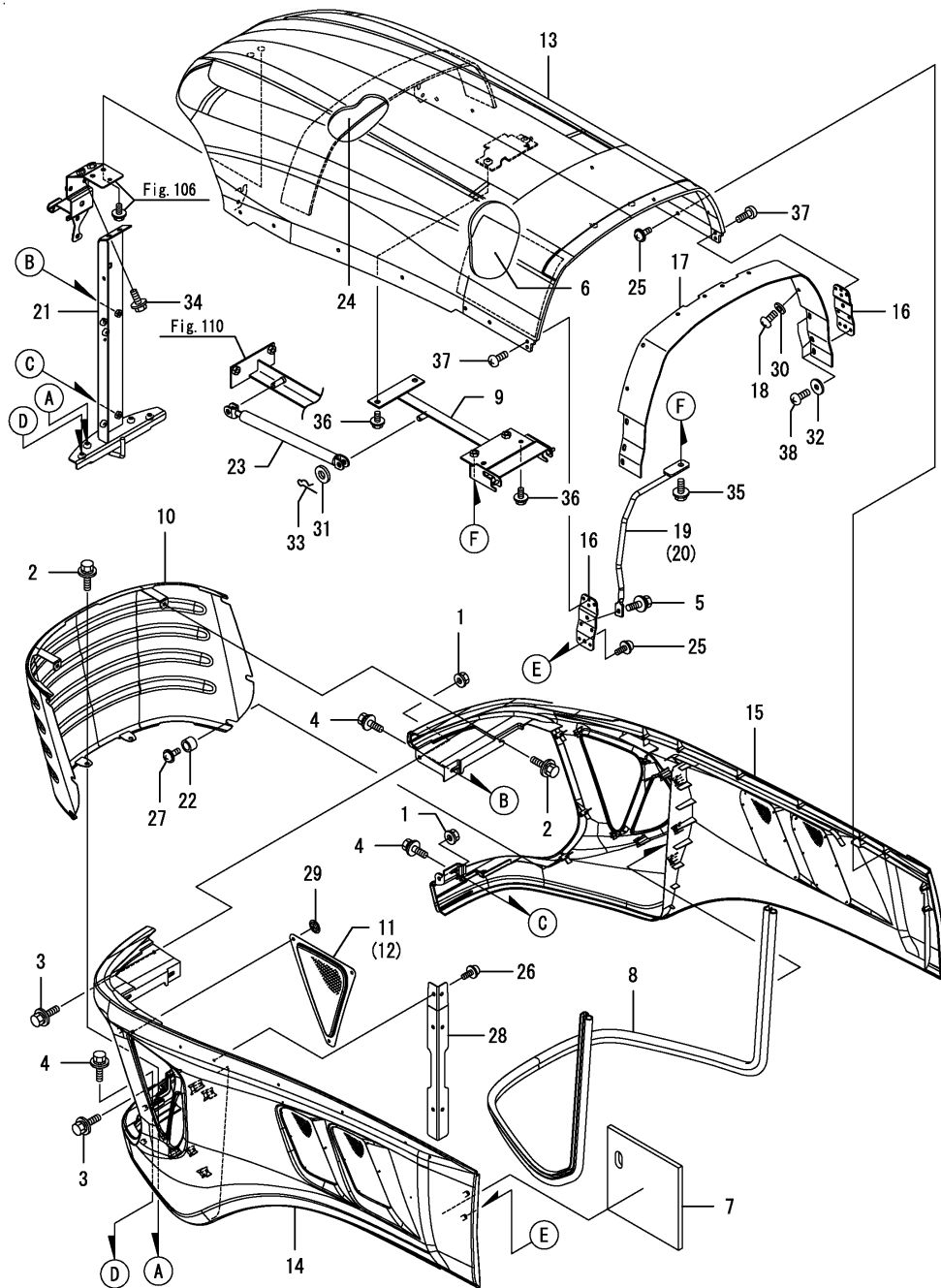


Fig.111. HOOD

(A)=LX4100(YANMAR)
 (B)=LX4500(YANMAR)
 (C)=LX4900(YANMAR)

(D)=
 (E)=
 (F)=



No.	Lev.	Parts No.	Description	Qty						I	R
				(A)	(B)	(C)	(D)	(E)	(F)		
1	1	194990-22130	NUT, M6	2	2	2					
2	1	198072-60590	BOLT, M6X20	4	4	4					
3	1	198072-60590	BOLT, M6X20	2	2	2					
4	1	198072-60590	BOLT, M6X20	6	6	6					
5	1	198072-60590	BOLT, M6X20	2	2	2					
6	1	1A8250-60610	INSULATOR, HOOD	1	1	1					
7	1	1A8250-60621	INSULATOR,HOOD LOWER	1	1	1					
8	1	1A7180-60750	WEATHER-STRIP	1	1	1					
9	1	1A8240-60900	HINGE ASSY, HOOD	1	1	1					
10	1	1A7180-61050	NET ASSY, BONNET	1	1	1					
11	1	1A7180-61070	NET, GRILLE L	1	1	1					
12	1	1A7180-61080	NET, GRILLE R	1	1	1					
13	1	1A8265-61101	HOOD ASSY, TOP	1	1	1					
14	1	1A8250-61130	HOOD ASSY, LOWER L	1	1	1					
15	1	1A8250-61140	HOOD ASSY, LOWER R	1	1	1					
16	1	1A8265-61180	BRACKET, HOOD LOWER	2	2	2					
17	1	1A8265-61190	RUBBER, HOOD	1	1	1					
18	1	1A8265-61240	SCREW, #10-32X3/8	8	8	8					
19	1	1A8265-61250	ROD CMP, HOOD LH	1	1	1					
20	1	1A8265-61280	ROD CMP, HOOD RH	1	1	1					
21	1	1A8265-61300	STAY ASSY, LOCK	1	1	1					
22	1	1A8070-61330	COLLAR, 10X15X10	6	6	6					
23	1	1A8250-61400	SPRING, GAS 700	1	1	1					
24	1	1A7180-61410	URETHANE, BONNET U	1	1	1					
25	1	194940-61790	SCREW, TAPPING M5X16	14	14	14					
26	1	194940-61790	SCREW, TAPPING M5X16	6	6	6					
27	1	194940-61790	SCREW, TAPPING M5X16	6	6	6					
28	1	1A7180-61810	STAY, BONNET SIDE	2	2	2					
29	1	198071-65610	NUT, SPEED M5	6	6	6					
30	1	22137-050000	WASHER, 5	8	8	8					
31	1	22137-100000	WASHER, 10	1	1	1					
32	1	22157-060000	WASHER, 6	6	6	6					
33	1	22372-100000	PIN, SNAP 10	1	1	1					
34	1	26106-080122	BOLT, M8X 12 PLATED	2	2	2					
35	1	26106-080162	BOLT, M8X 16 PLATED	2	2	2					
36	1	26106-080162	BOLT, M8X 16 PLATED	4	4	4					
37	1	26589-060102	SCREW, M6	4	4	4					
38	1	26589-060102	SCREW, M6	6	6	6					

Fig.112. DASHBOARD

(A)=LX4100(YANMAR)
 (B)=LX4500(YANMAR)
 (C)=LX4900(YANMAR)

(D)=
 (E)=
 (F)=

No.	Lev.	Parts No.	Description	Qty						I	R
				(A)	(B)	(C)	(D)	(E)	(F)		
1	1	198072-60590	BOLT, M6X20	6	6	6					
2	1	198072-60590	BOLT, M6X20	4	4	4					
3	1	1A7180-61500	COVER, DASHBOARD	1	1	1					
4	1	1A7180-61510	COVER, METER	1	1	1					
5	1	198071-61890	NUT, SPEED M6	4	4	4					

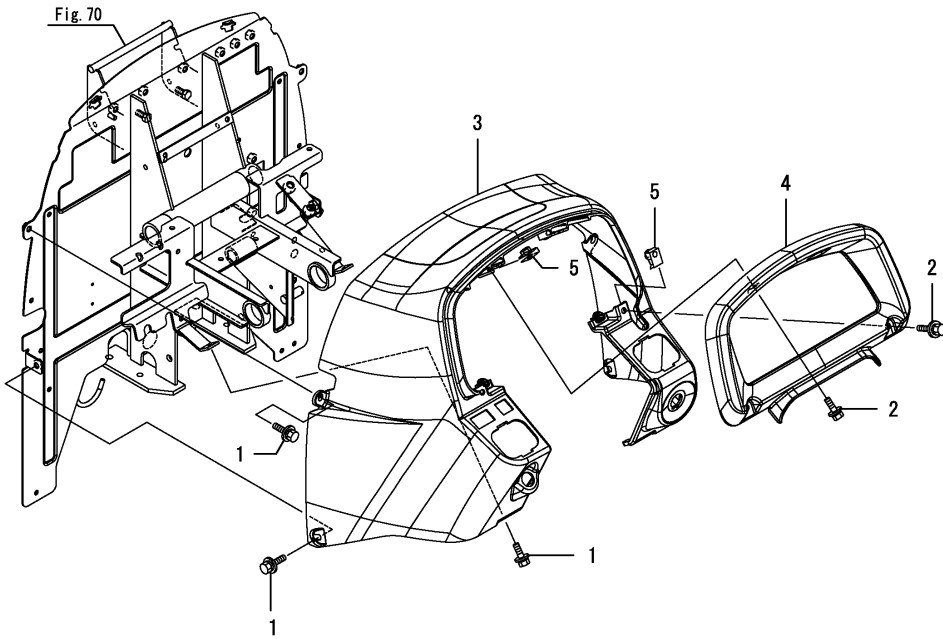


Fig.113. COLUMN COVER

(A)=LX4100(YANMAR)
 (B)=LX4500(YANMAR)
 (C)=LX4900(YANMAR)

(D)=
 (E)=
 (F)=

No.	Lev.	Parts No.	Description	Q'ty						I	R
				(A)	(B)	(C)	(D)	(E)	(F)		
1	1	198072-60590	BOLT, M6X20	2	2	2					
2	1	198072-60590	BOLT, M6X20	3	3	3					
3	1	1A7180-61530	COVER, COLUMN REAR	1	1	1					
4	1	1A7180-61540	COVER, COLUMN FRONT	1	1	1					
5	1	194940-61790	SCREW, TAPPING M5X16	2	2	2					

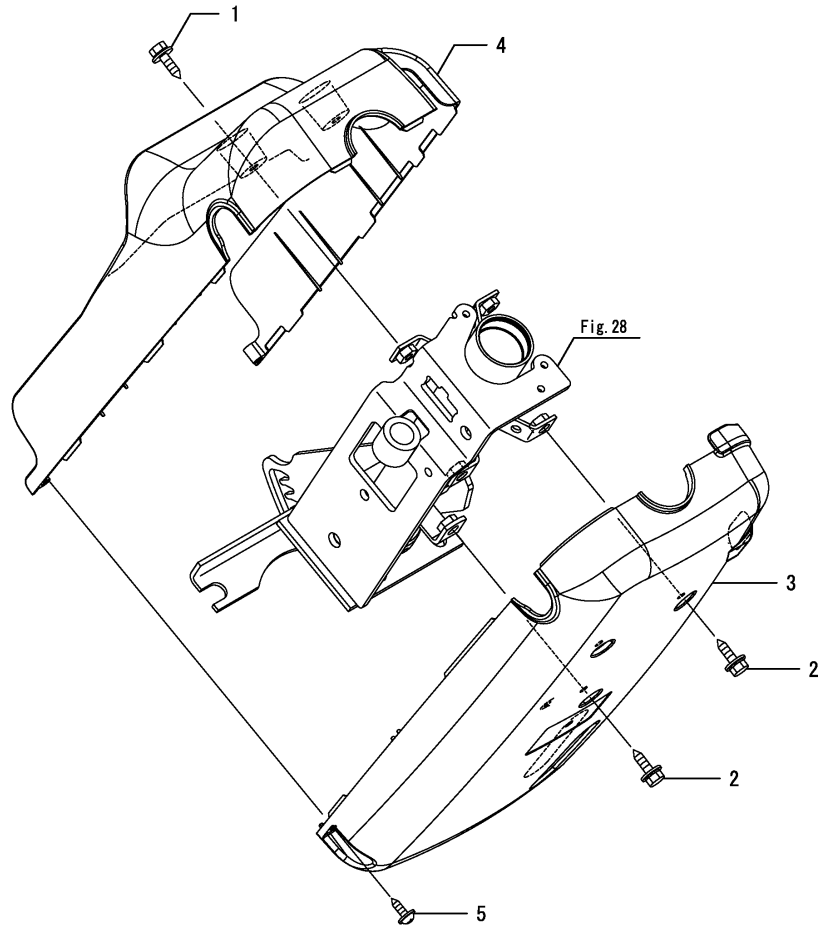
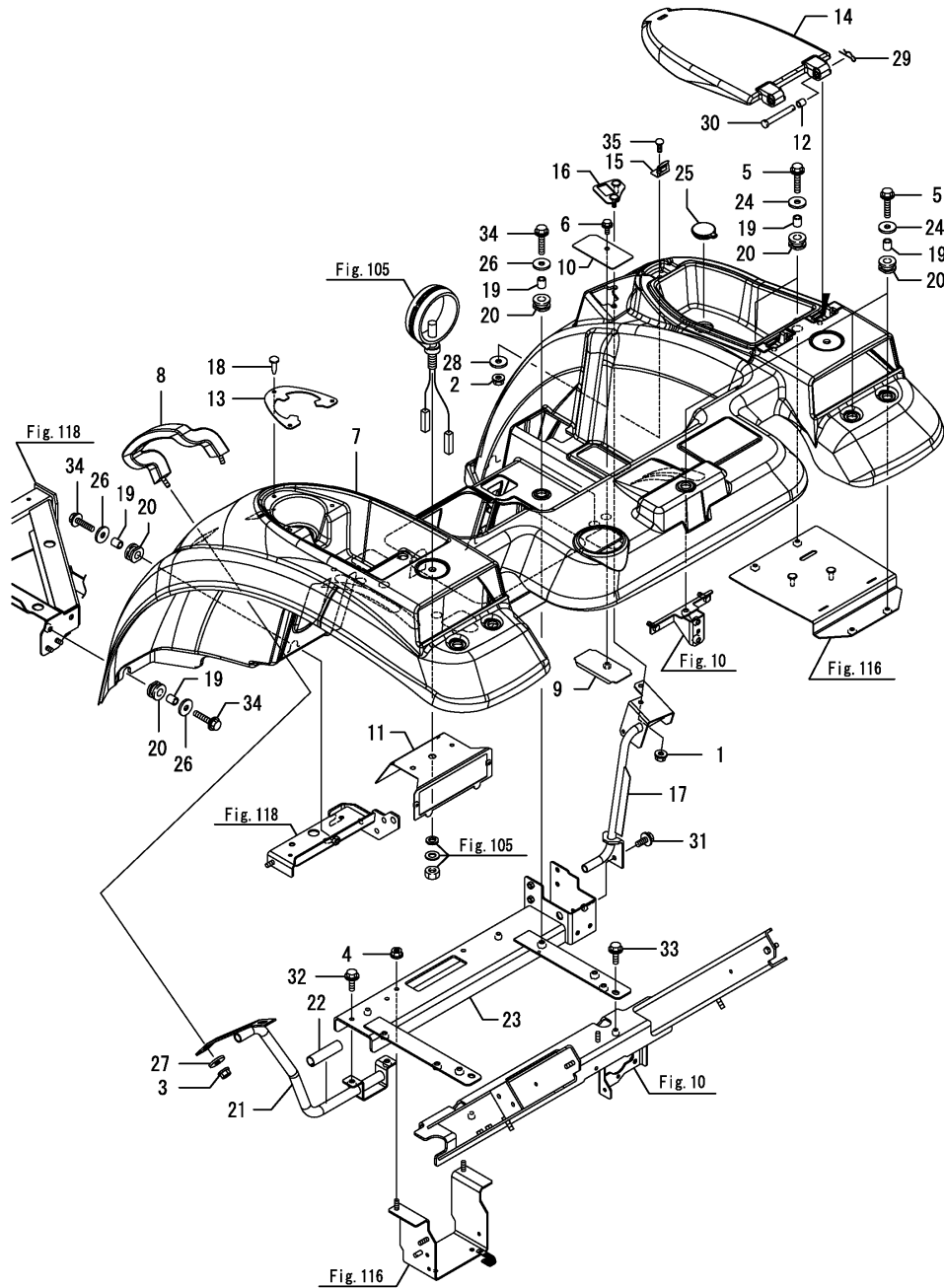


Fig.114. FENDER

(A)=LX4100(YANMAR)
 (B)=LX4500(YANMAR)
 (C)=LX4900(YANMAR)

(D)=
 (E)=
 (F)=

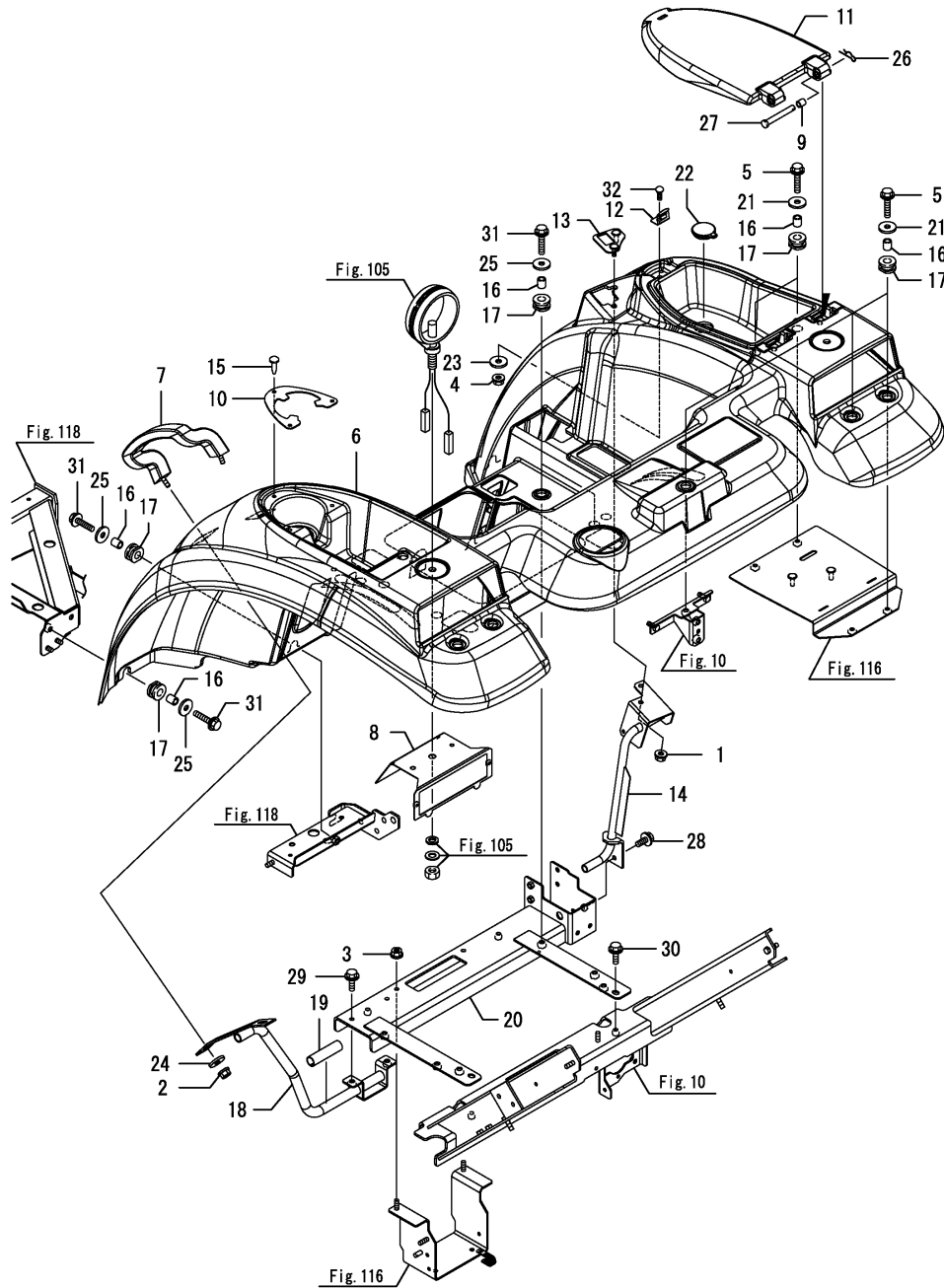


No.	Lev.	Parts No.	Description	Q'ty						I	R
				(A)	(B)	(C)	(D)	(E)	(F)		
1	1	194990-22140	NUT, M8	2	2	2					
2	1	194990-22140	NUT, M8	1	1	1					
3	1	194990-22140	NUT, M8	2	2	2					
4	1	194990-22140	NUT, M8	2	2	2					
5	1	194697-28270	BOLT, M8X35	9	9	9					
6	1	194697-28270	BOLT, M8X35	1	1	1					
7	1	1A8250-62090	FENDER MASSY,	1	1	1					
8	1	1A7510-62100	BAR, ASSIST	1	1	1					
9	1	1A8250-62120	SUPPORT ASSY, A	1	1	1					
10	1	1A8250-62150	SUPPORT B	1	1	1					
11	1	1A8250-62210	BRACKET ASSY, LAMP	2	2	2					
12	1	1A8250-62381	TUBE, 7X10X11	2	2	2					
13	1	1A8250-62390	COVER, CUP HOLDER	1	1	1					
14	1	1A8250-62410	CAP, TOOLBOX	1	1	1					
15	1	1A8250-62460	LOCK, TOOLBOX	1	1	1					
16	1	1A8250-62471	PLATE ASSY, PTO SW	1	1	1					
17	1	1A8250-62490	STAY ASSY, PTO SW	1	1	1					
18	1	194697-62560	CAP, HOLE	3	3	3					
19	1	198220-62920	COLLAR, ABSORBER	17	17	17					
20	1	1A8250-63470	GROMMET	17	17	17					
21	1	1A8250-63700	STAY ASSY, GRIP	1	1	1					
22	1	1A8250-63750	GUARD TUBE,	1	1	1					
23	1	1A8250-63920	BRACKET ASSY, FENDER	1	1	1					
24	1	198255-83550	WASHER, 8	9	9	9					
25	1	198094-85710	GROMMET, 38	1	1	1					
26	1	22157-080000	WASHER, 8	8	8	8					
27	1	22157-080000	WASHER, 8	2	2	2					
28	1	22157-080000	WASHER, 8	1	1	1					
29	1	22372-080000	PIN, SNAP 8	2	2	2					
30	1	22487-080600	PIN 8X 60	2	2	2					
31	1	26106-080202	BOLT, M8X 20 PLATED	1	1	1					
32	1	26106-080202	BOLT, M8X 20 PLATED	2	2	2					
33	1	26106-080202	BOLT, M8X 20 PLATED	2	2	2					
34	1	26106-080352	BOLT, M8X 35 PLATED	8	8	8					
35	1	26487-080203	BOLT, M8X20	1	1	1					

Fig.115. FENDER(REAR REMOTE

(A)=LX4100(YANMAR)
 (B)=LX4500(YANMAR)
 (C)=LX4900(YANMAR)

(D)=
 (E)=
 (F)=



No.	Lev.	Parts No.	Description	Q'ty						I	R
				(A)	(B)	(C)	(D)	(E)	(F)		
1	1	194990-22140	NUT, M8	2	2	2					
2	1	194990-22140	NUT, M8	2	2	2					
3	1	194990-22140	NUT, M8	2	2	2					
4	1	194990-22140	NUT, M8	1	1	1					
5	1	194697-28270	BOLT, M8X35	9	9	9					
6	1	1A8250-62090	FENDER MASSY,	1	1	1					
7	1	1A7510-62100	BAR, ASSIST	1	1	1					
8	1	1A8250-62210	BRACKET ASSY, LAMP	2	2	2					
9	1	1A8250-62381	TUBE, 7X10X11	2	2	2					
10	1	1A8250-62390	COVER,CUP HOLDER	1	1	1					
11	1	1A8250-62410	CAP, TOOLBOX	1	1	1					
12	1	1A8250-62460	LOCK, TOOLBOX	1	1	1					
13	1	1A8250-62471	PLATE ASSY, PTO SW	1	1	1					
14	1	1A8250-62490	STAY ASSY, PTO SW	1	1	1					
15	1	194697-62560	CAP, HOLE	3	3	3					
16	1	198220-62920	COLLAR, ABSORBER	17	17	17					
17	1	1A8250-63470	GROMMET	17	17	17					
18	1	1A8250-63700	STAY ASSY, GRIP	1	1	1					
19	1	1A8250-63750	GUARD TUBE,	1	1	1					
20	1	1A8250-63920	BRACKET ASSY, FENDER	1	1	1					
21	1	198255-83550	WASHER, 8	9	9	9					
22	1	198094-85710	GROMMET, 38	1	1	1					
23	1	22157-080000	WASHER, 8	1	1	1					
24	1	22157-080000	WASHER, 8	2	2	2					
25	1	22157-080000	WASHER, 8	8	8	8					
26	1	22372-080000	PIN, SNAP 8	2	2	2					
27	1	22487-080600	PIN 8X 60	2	2	2					
28	1	26106-080202	BOLT, M8X 20 PLATED	1	1	1					
29	1	26106-080202	BOLT, M8X 20 PLATED	2	2	2					
30	1	26106-080202	BOLT, M8X 20 PLATED	2	2	2					
31	1	26106-080352	BOLT, M8X 35 PLATED	8	8	8					
32	1	26487-080203	BOLT, M8X20	1	1	1					

Fig.116. FENDER PARTS

(A)=LX4100(YANMAR)
 (B)=LX4500(YANMAR)
 (C)=LX4900(YANMAR)

(D)=
 (E)=
 (F)=

No.	Lev.	Parts No.	Description	Q'ty						I	R
				(A)	(B)	(C)	(D)	(E)	(F)		
1	1	194990-22140	NUT, M8	4	4	4					
2	1	1A8250-62170	COVER, LAMP ASSY	2	2	2					
3	1	1A8250-62250	BRACKET ASSY, REAR	2	2	2					
4	1	1A8250-63050	BRACKET ASSY, F UNIT	1	1	1					
5	1	26106-080162	BOLT, M8X 16 PLATED	2	2	2					
6	1	26106-080202	BOLT, M8X 20 PLATED	4	4	4					

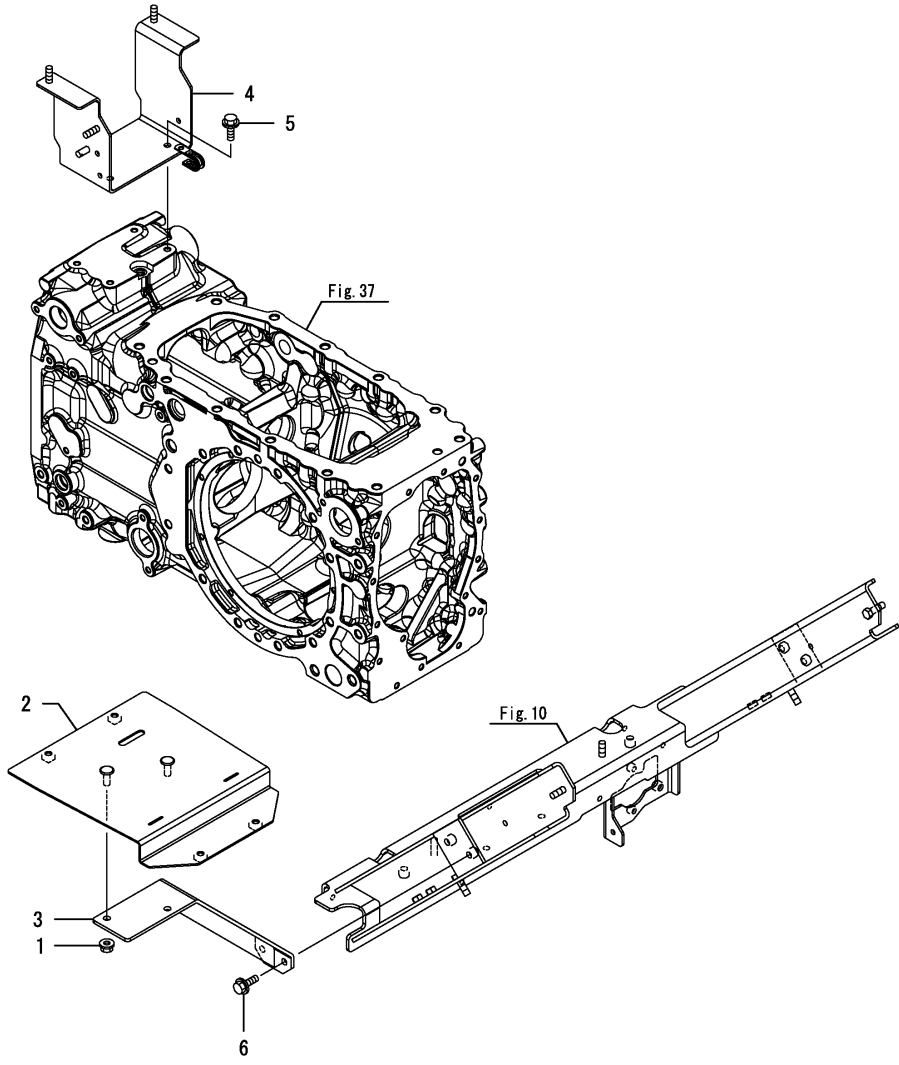


Fig.117. FLOOR

(A)=LX4100(YANMAR)
 (B)=LX4500(YANMAR)
 (C)=LX4900(YANMAR)

(D)=
 (E)=
 (F)=

No.	Lev.	Parts No.	Description	Qty						I	R
				(A)	(B)	(C)	(D)	(E)	(F)		
1	1	194190-61761	RUBBER, CUSHION	1	1	1					
2	1	1A8250-62570	PLATE, FLOOR C	1	1	1					
3	1	1A8250-62580	PLATE ASSY, FLOOR L	1	1	1					
4	1	1A8260-62590	PLATE ASSY, FLOOR R	1	1	1					
5	1	26106-080122	BOLT, M8X 12 PLATED	4	4	4					

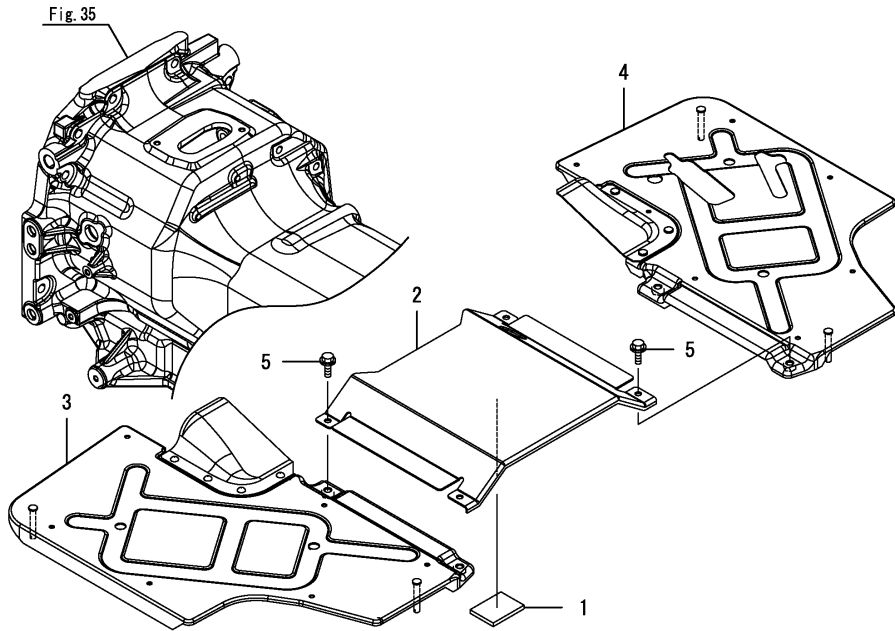
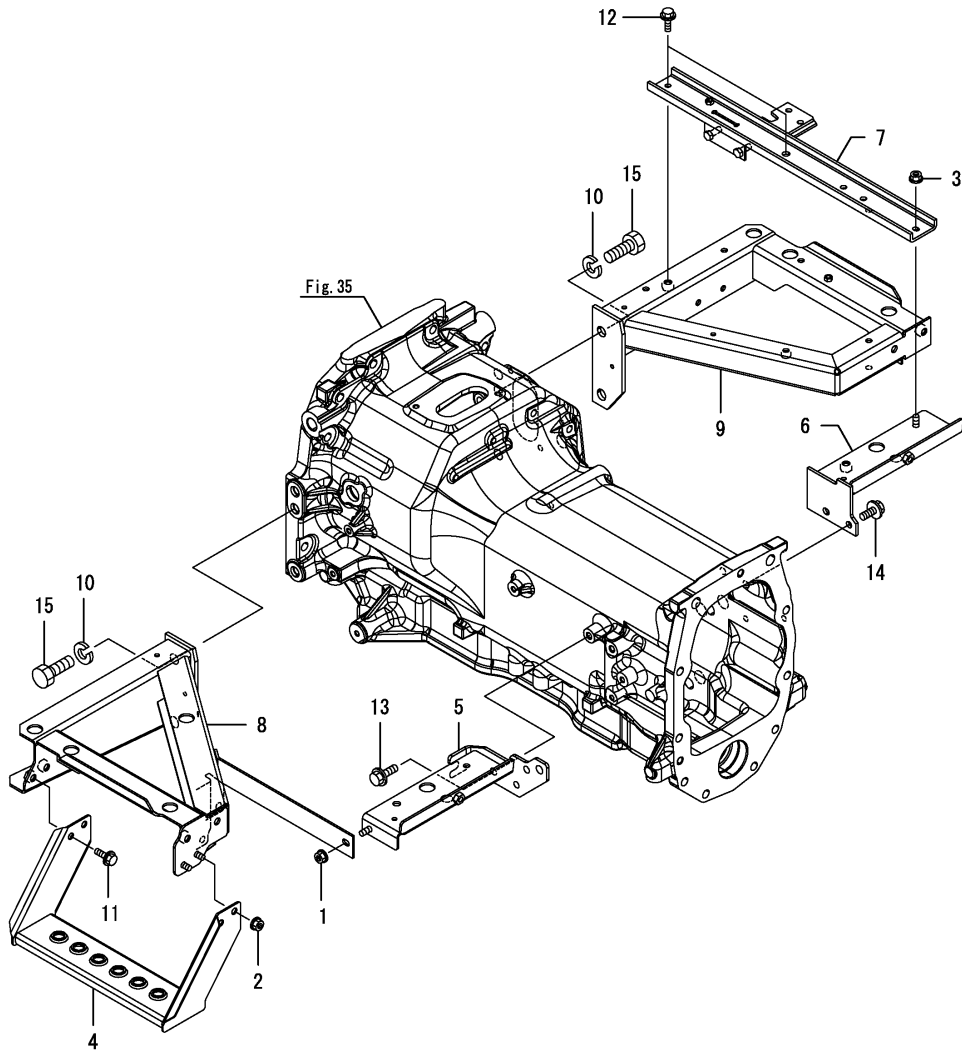


Fig.118. FLOOR STAY

(A)=LX4100(YANMAR)
 (B)=LX4500(YANMAR)
 (C)=LX4900(YANMAR)

(D)=
 (E)=
 (F)=



No.	Lev.	Parts No.	Description	Qty						I	R
				(A)	(B)	(C)	(D)	(E)	(F)		
1	1	194990-22140	NUT, M8	1	1	1					
2	1	194990-22140	NUT, M8	2	2	2					
3	1	194990-22140	NUT, M8	1	1	1					
4	1	1A8240-62561	SUB-STEP ASSY,	1	1	1					
5	1	1A8260-62650	SUPPORT ASSY, REAR L	1	1	1					
6	1	1A8240-62660	SUPPORT ASSY, REAR R	1	1	1					
7	1	1A8240-62800	SUPPORT ASSY,SCV HST	1	1	1					
8	1	1A8240-62850	SUPPORT,FRONT L ASSY	1	1	1					
9	1	1A8240-62861	SUPPORT,FRONT R ASSY	1	1	1					
10	1	22217-160000	WASHER, SPRING 16	4	4	4					
11	1	26106-080162	BOLT, M8X 16 PLATED	2	2	2					
12	1	26106-080162	BOLT, M8X 16 PLATED	2	2	2					
13	1	26106-100202	BOLT, M10X 20 PLATED	2	2	2					
14	1	26106-100202	BOLT, M10X 20 PLATED	2	2	2					
15	1	26116-160402	BOLT, M16X 40 PLATED	4	4	4					

Fig.119. INSULATOR

(A)=LX4100(YANMAR)
 (B)=LX4500(YANMAR)
 (C)=LX4900(YANMAR)

(D)=
 (E)=
 (F)=

No.	Lev.	Parts No.	Description	Qty						I	R
				(A)	(B)	(C)	(D)	(E)	(F)		
1	1	198220-62150	WASHER	4	4	4					
2	1	198240-62451	ABSORBER, STEP	7	7	7					
3	1	22372-080000	PIN, SNAP 8	4	4	4					

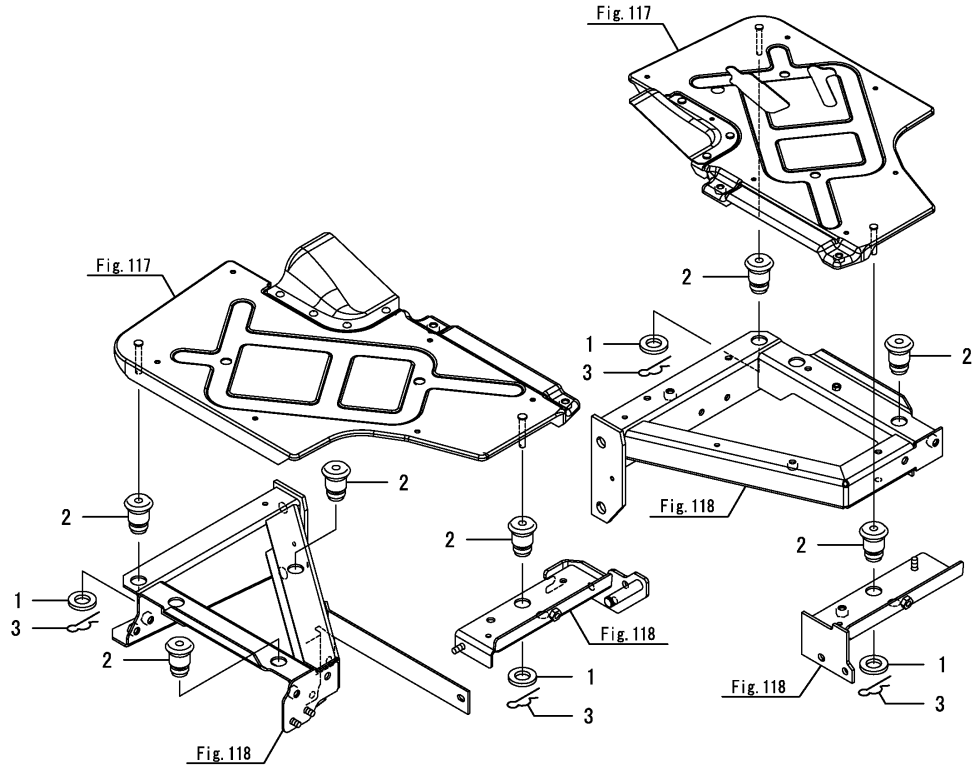


Fig.120. FLOOR ATTACHMENT

(A)=LX4100(YANMAR)
 (B)=LX4500(YANMAR)
 (C)=LX4900(YANMAR)

(D)=
 (E)=
 (F)=

No.	Lev.	Parts No.	Description	Q'ty						I	R
				(A)	(B)	(C)	(D)	(E)	(F)		
1	1	1A8260-62360	FLOOR MAT, ROPS HST	1	1	1					
2	1	194697-62560	CAP, HOLE	12	12	12					

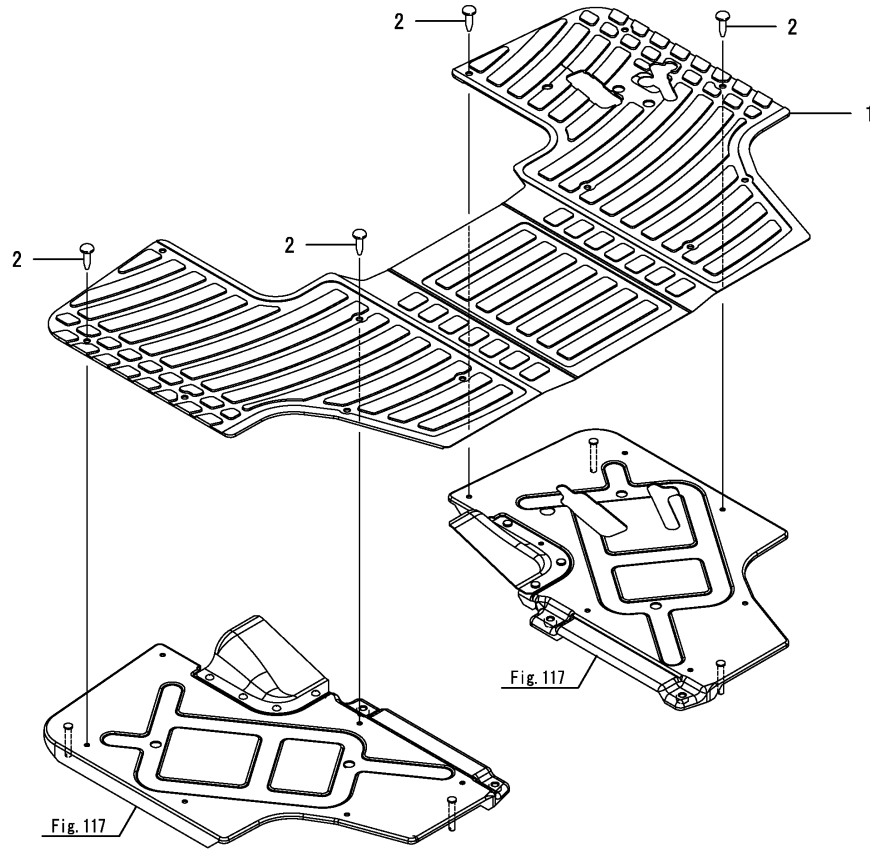


Fig.121. SEAT

(A)=LX4100(YANMAR)
 (B)=LX4500(YANMAR)
 (C)=LX4900(YANMAR)

(D)=
 (E)=
 (F)=

No.	Lev.	Parts No.	Description	Qty						I	R
				(A)	(B)	(C)	(D)	(E)	(F)		
1	1	194990-22140	NUT, M8	4	4	4					
2	1	1A8240-63111	SEAT ASSY,	1	1	1					
3	2	1A8275-51281	HARNES, SEAT	1	1	1					
4	2	1A8160-52310	SWITCH, SEAT DELTA	1	1	1					
5	2	1A8240-63120	SUSPENSION, SEAT	1	1	1					
6	2	1A8250-63240	SEAT RAIL L/R ASSY	1	1	1					
7	2	1A8250-63250	FRANGE BOLT	4	4	4					
8	2	1A8250-63300	ARM REST BODY ASSY L	1	1	1					
9	2	1A8250-63310	ARM REST BODY ASSY R	1	1	1					
10	2	1A8250-63320	PLANE WASHER	2	2	2					
11	2	1A8250-63330	HEXA HEAD CAP SCREWS	2	2	2					
12	2	1A8250-63340	SPRING WASHER	2	2	2					
13	2	1A8250-63520	SEATBELT ASSY, BELT	1	1	1					
14	2	1A8250-63530	HEX BOLT	2	2	2					
15	2	1A8250-63540	SPRING WASHER	3	3	3					
16	2	1A8250-63550	PLAIN WASHER	1	1	1					
17	2	1A8250-63560	BUSH	1	1	1					
17A	2	1A8240-63150	CUSHION, SEAT	1	1	1					
17B	2	1A8240-63160	CUSHION,B SEAT	1	1	1					
17C	2	1A8240-63170	KNOB, HIGHT ADJUST	1	1	1					
17D	2	1A8240-63180	KNOB, WEIGHT ADJUST	1	1	1					
18	1	1A8240-63200	BRACKET ASSY, SEAT	1	1	1					
19	1	26106-080202	BOLT, M8X 20 PLATED	4	4	4					

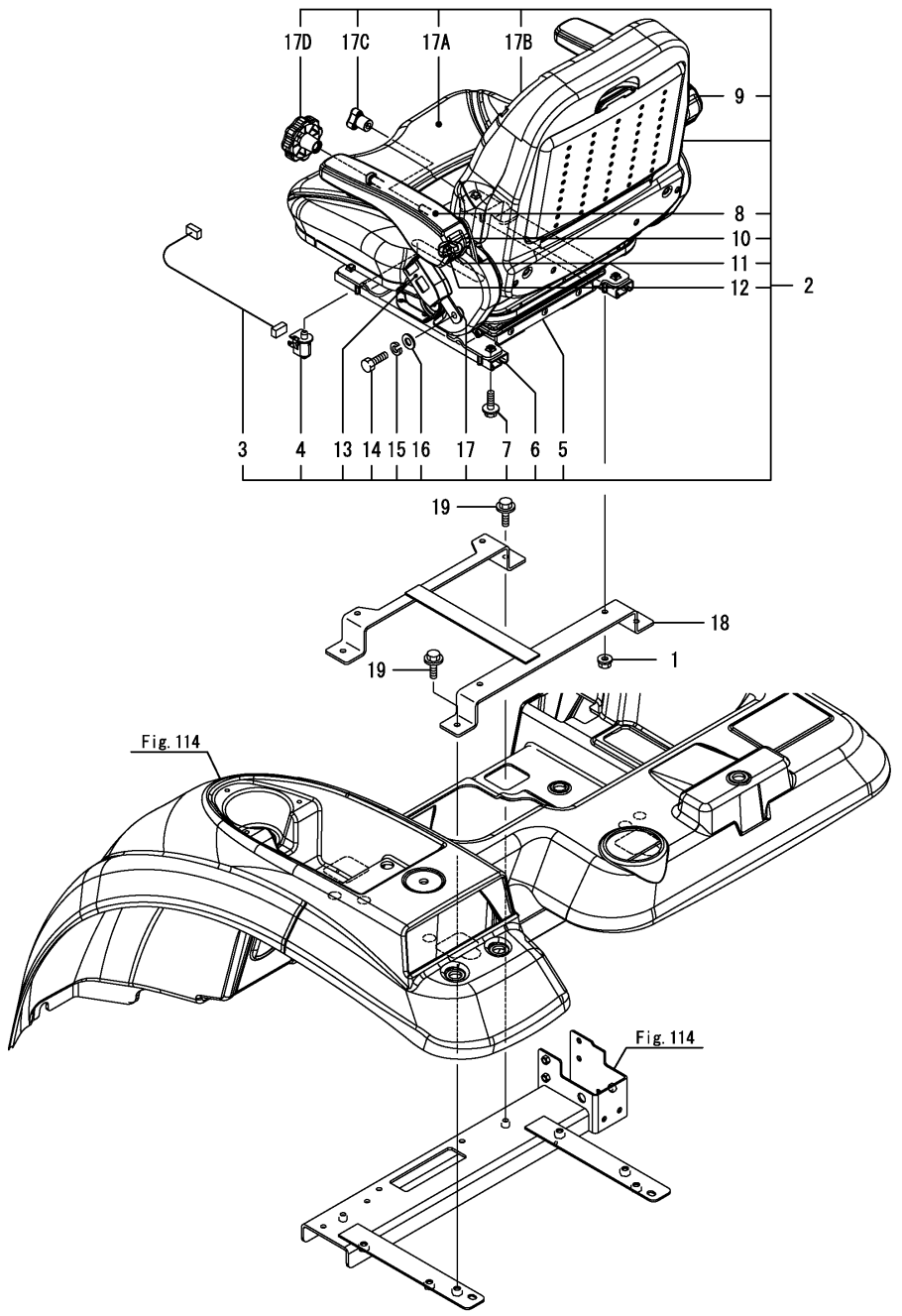


Fig.122. LABEL

(A)=LX4100(YANMAR)
 (B)=LX4500(YANMAR)
 (C)=LX4900(YANMAR)

(D)=
 (E)=
 (F)=

No.	Lev.	Parts No.	Description	Qty						I	R
				(A)	(B)	(C)	(D)	(E)	(F)		
1	1	1A8250-15790	LABEL, STEERING	1	1	1					
2	1	1A8250-65370	LABEL,IMPORTANT,DIFF	1	1	1					
3	1	1A8250-65410	LABEL, SCV LEVER	1	1	1					
4	1	1A8250-65420	LABEL, SCV LOCK	1	1	1					
5	1	1A8300-65421	LABEL, START SWITCH	1	1	1					
6	1	1A8250-65430	LABEL, SCV COUPLER	1	1	1					
7	1	1A8250-65450	LABEL, DIFF. LOCK	1	1	1					
8	1	1A8250-65460	LABEL, RANGE	1	1	1					
9	1	1A8250-65470	LABEL, LIFT LEVER	1	1	1					
10	1	1A8250-65580	LABEL, STOP VALVE	1	1	1					
11	1	1A8250-65610	LABEL, TILT-PARKING	1	1	1					
12	1	1A8250-65630	LABEL, SOCKET	1	1	1					
13	1	1A8250-65650	LABEL, FUEL OIL	1	1	1					
14	1	1A8250-65690	LABEL,ACCELERATOR	1	1	1					
15	1	1A8250-65750	LABEL, 4WD	1	1	1					
16	1	1A8250-65820	LABEL,ROPS STANDARD	1	1	1					
17	1	1A8160-65860	TAPE, 50X115	2	2	2					
18	1	1A8260-65200	LABEL, SYNC.THROTTLE	1	1	1					
19	1	1A8260-65210	LABEL, ON-OFF	1	1	1					

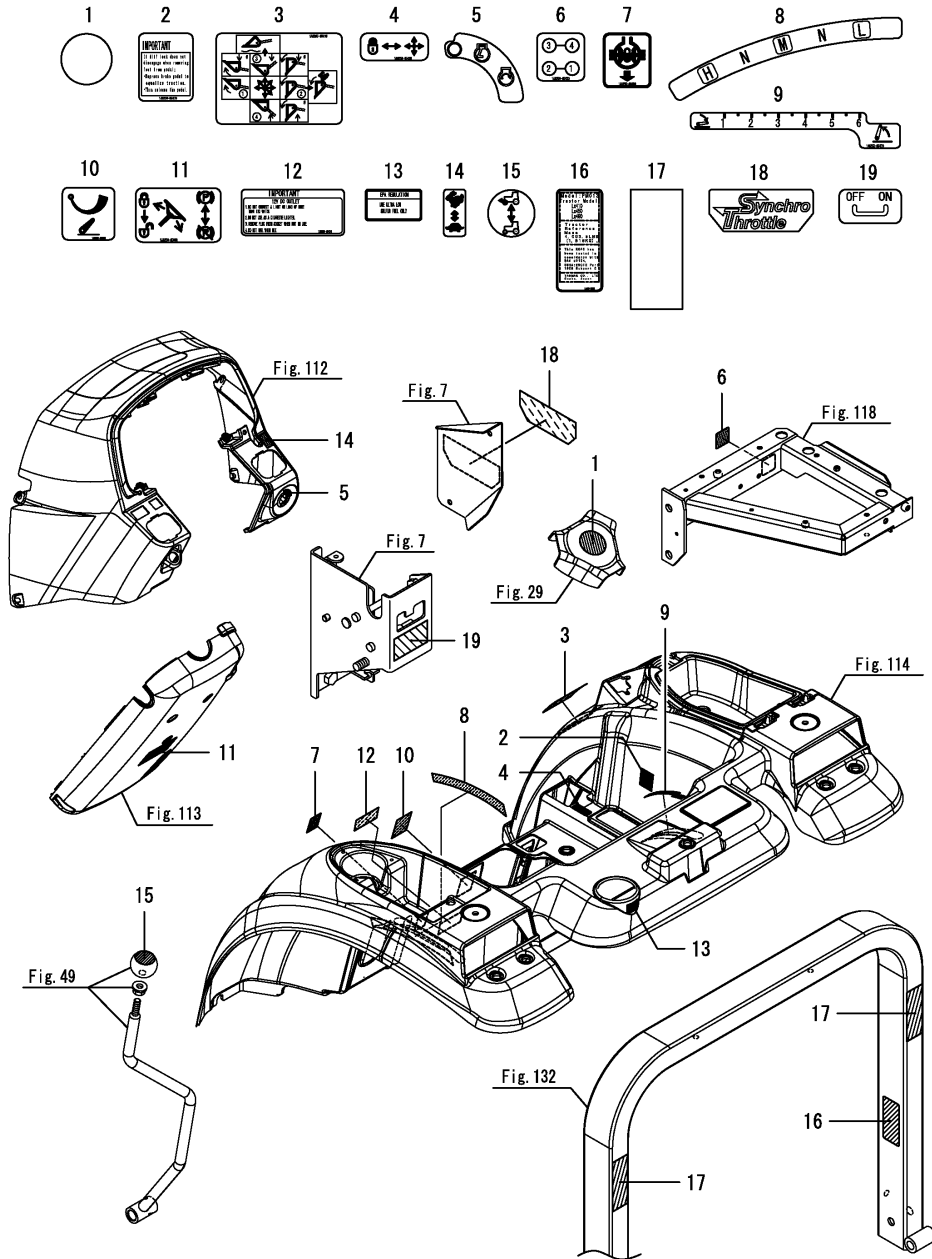


Fig.123. LABEL(LX4100)

(A)=LX4100(YANMAR)
 (B)=LX4500(YANMAR)
 (C)=LX4900(YANMAR)

(D)=
 (E)=
 (F)=

No.	Lev.	Parts No.	Description	Qty						I	R
				(A)	(B)	(C)	(D)	(E)	(F)		
1	1	1A8250-65390	LABEL, SPARK ARRESTOR	1							
2	1	1A8240-65720	LABEL, LOGO LX4100 L	1							
3	1	1A8240-65730	LABEL, LOGO LX4100 R	1							

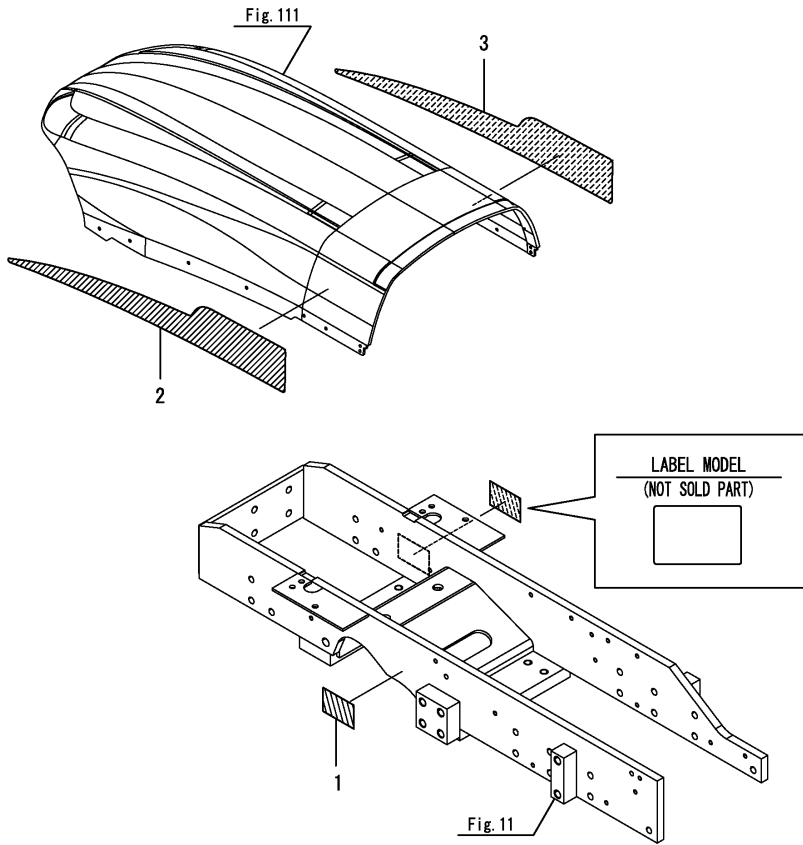
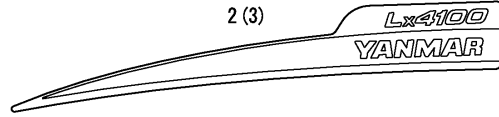
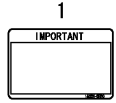


Fig.124. LABEL(LX4500)

(A)=LX4100(YANMAR)
 (B)=LX4500(YANMAR)
 (C)=LX4900(YANMAR)

(D)=
 (E)=
 (F)=

No.	Lev.	Parts No.	Description	Qty						I	R
				(A)	(B)	(C)	(D)	(E)	(F)		
1	1	1A8250-65390	LABEL, SPARK ARRESTOR		1						
2	1	1A8250-65720	LABEL, LOGO LX4500 L		1						
3	1	1A8250-65730	LABEL, LOGO LX4500 R		1						

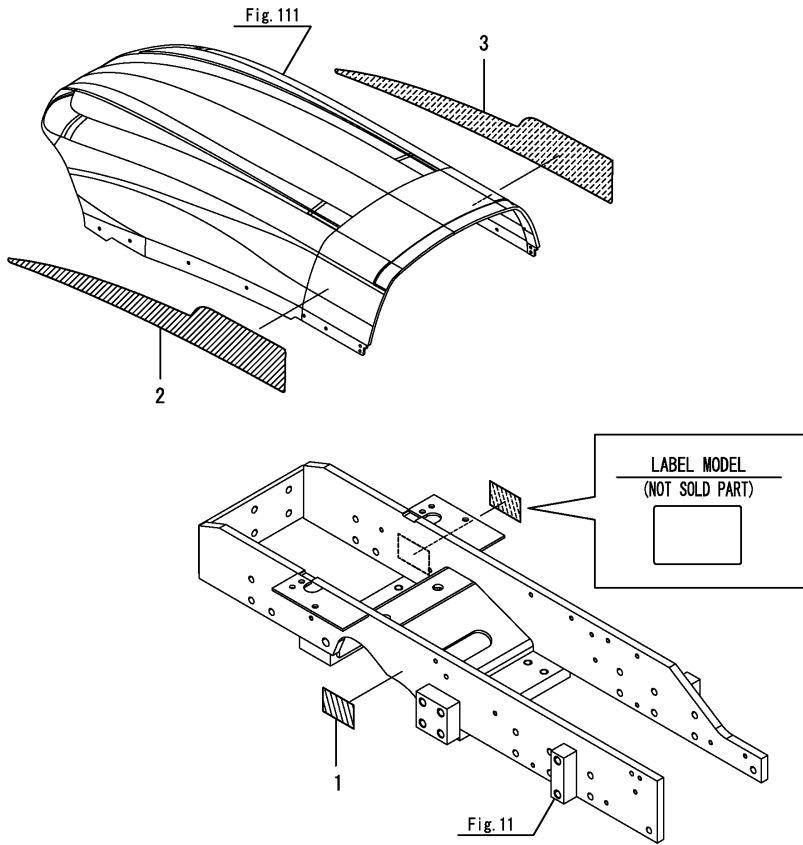
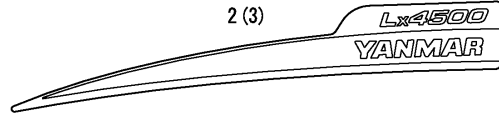
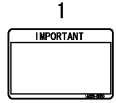
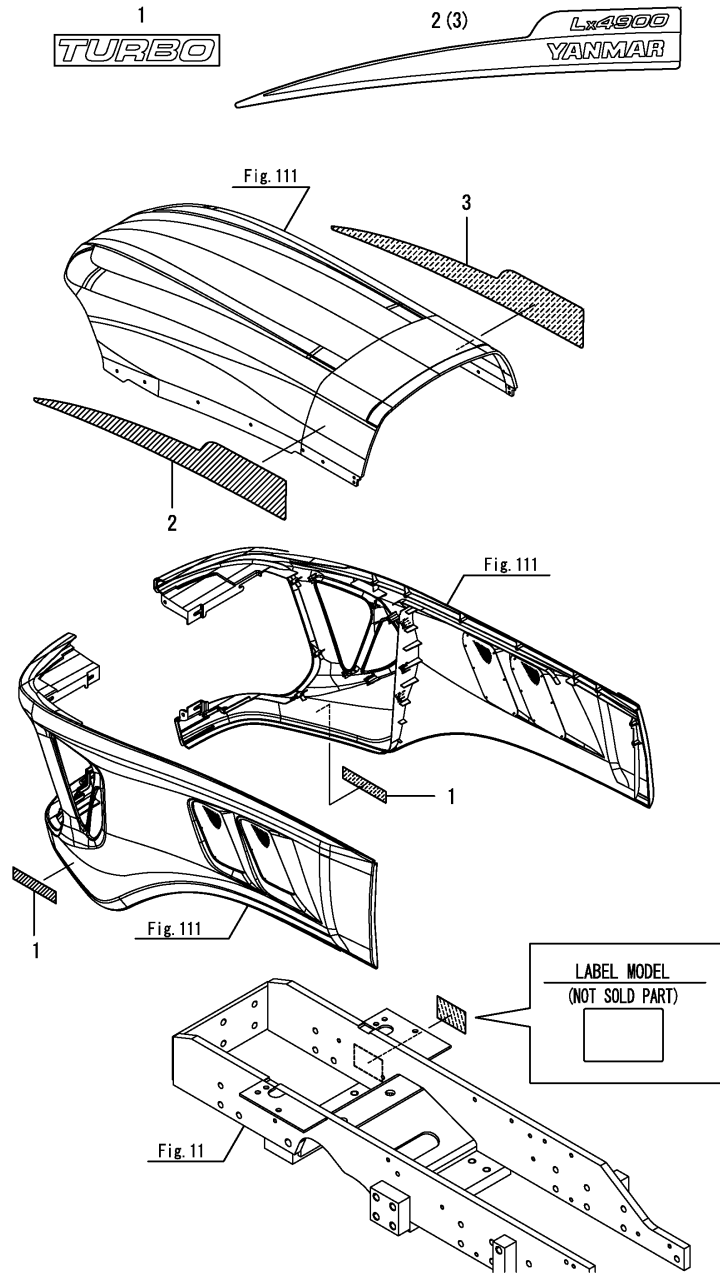


Fig.125. LABEL(LX4900)

(A)=LX4100(YANMAR)
 (B)=LX4500(YANMAR)
 (C)=LX4900(YANMAR)

(D)=
 (E)=
 (F)=



No.	Lev.	Parts No.	Description	Q'ty						I	R
				(A)	(B)	(C)	(D)	(E)	(F)		
1	1	1A8260-65910	LABEL, TURBO			2					
2	1	1A8260-65720	LABEL, LOGO LX4900 L			1					
3	1	1A8260-65730	LABEL, LOGO LX4900 R			1					

Fig.126. LABEL(PL)

(A)=LX4100(YANMAR)
 (B)=LX4500(YANMAR)
 (C)=LX4900(YANMAR)

(D)=
 (E)=
 (F)=

No.	Lev.	Parts No.	Description	Q'ty						I	R
				(A)	(B)	(C)	(D)	(E)	(F)		
1	1	1A8250-65300	LABEL, DANGER, START	1	1	1					
2	1	1A8250-65310	LABEL, WARNING, STOP	1	1	1					
3	1	1A8240-65320	LABEL, WARNING	1	1	1					
4	1	1A8250-65350	LABEL, WARNING, ROPS	1	1	1					
5	1	1A7880-65610	LABEL, WARNING, FAN	2	2	2					
6	1	198220-65621	LABEL, P.T.O.WARNING	1	1	1					
7	1	1A8250-65800	LABEL, WARNING ROPS	1	1	1					

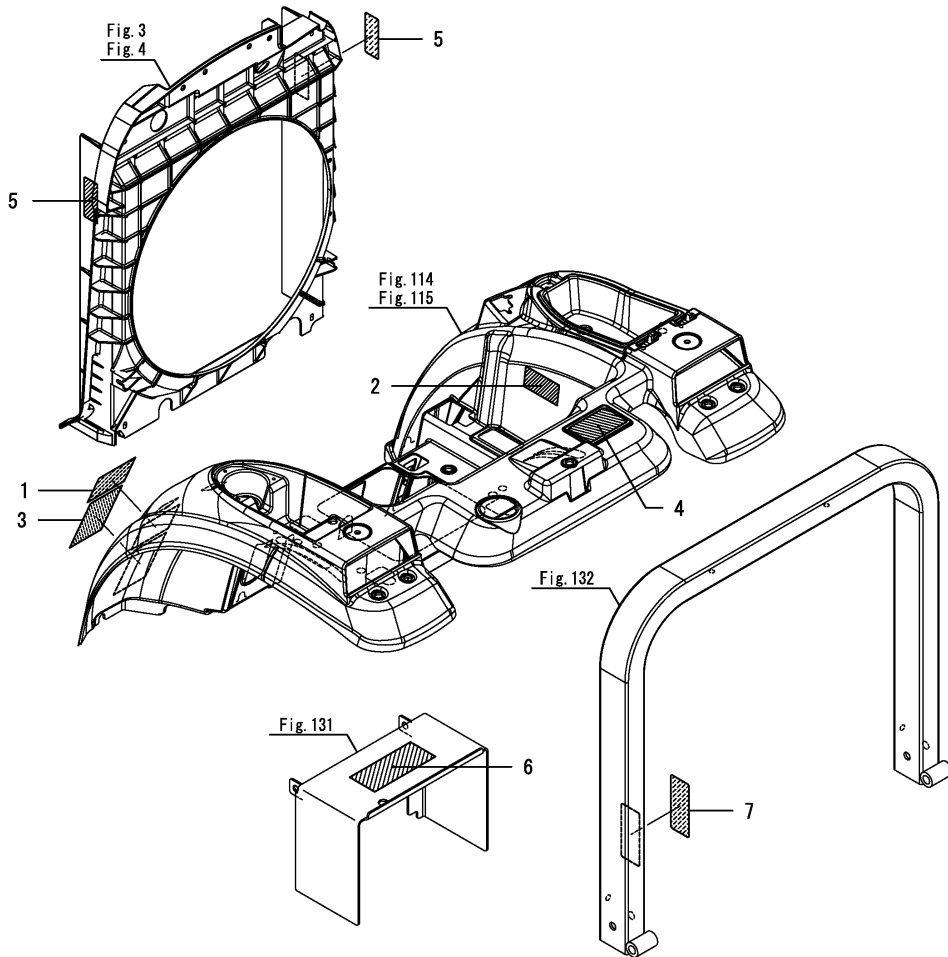
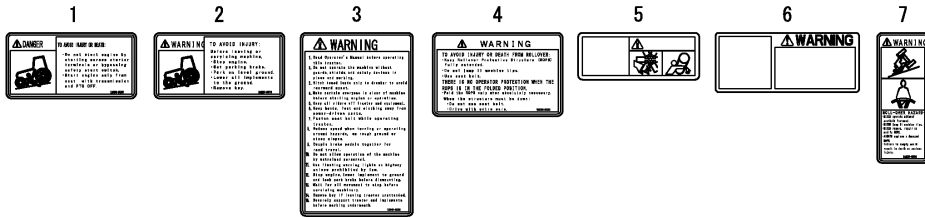


Fig.127. SMV

(A)=LX4100(YANMAR)
 (B)=LX4500(YANMAR)
 (C)=LX4900(YANMAR)

(D)=
 (E)=
 (F)=

No.	Lev.	Parts No.	Description	Qty						I	R
				(A)	(B)	(C)	(D)	(E)	(F)		
1	1	194990-22130	NUT, M6	2	2	2					
2	1	1A8160-65800	EMBLEM, SMV	1	1	1					
3	1	1A7882-85620	STAY, SMV	1	1	1					
4	1	26106-060162	BOLT, M6X 16 PLATED	2	2	2					

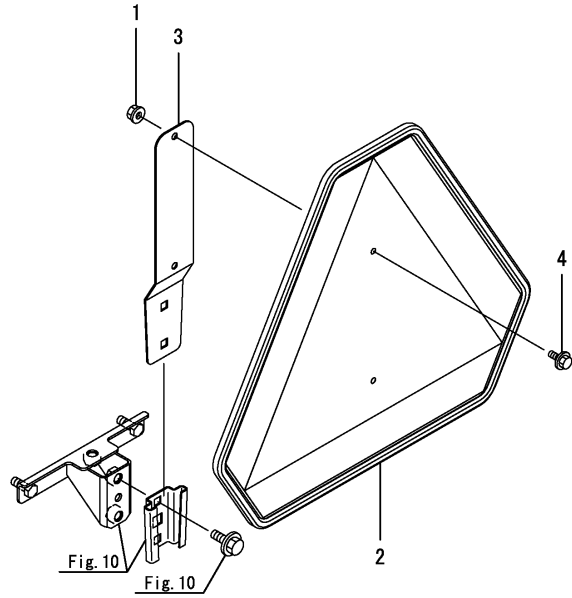
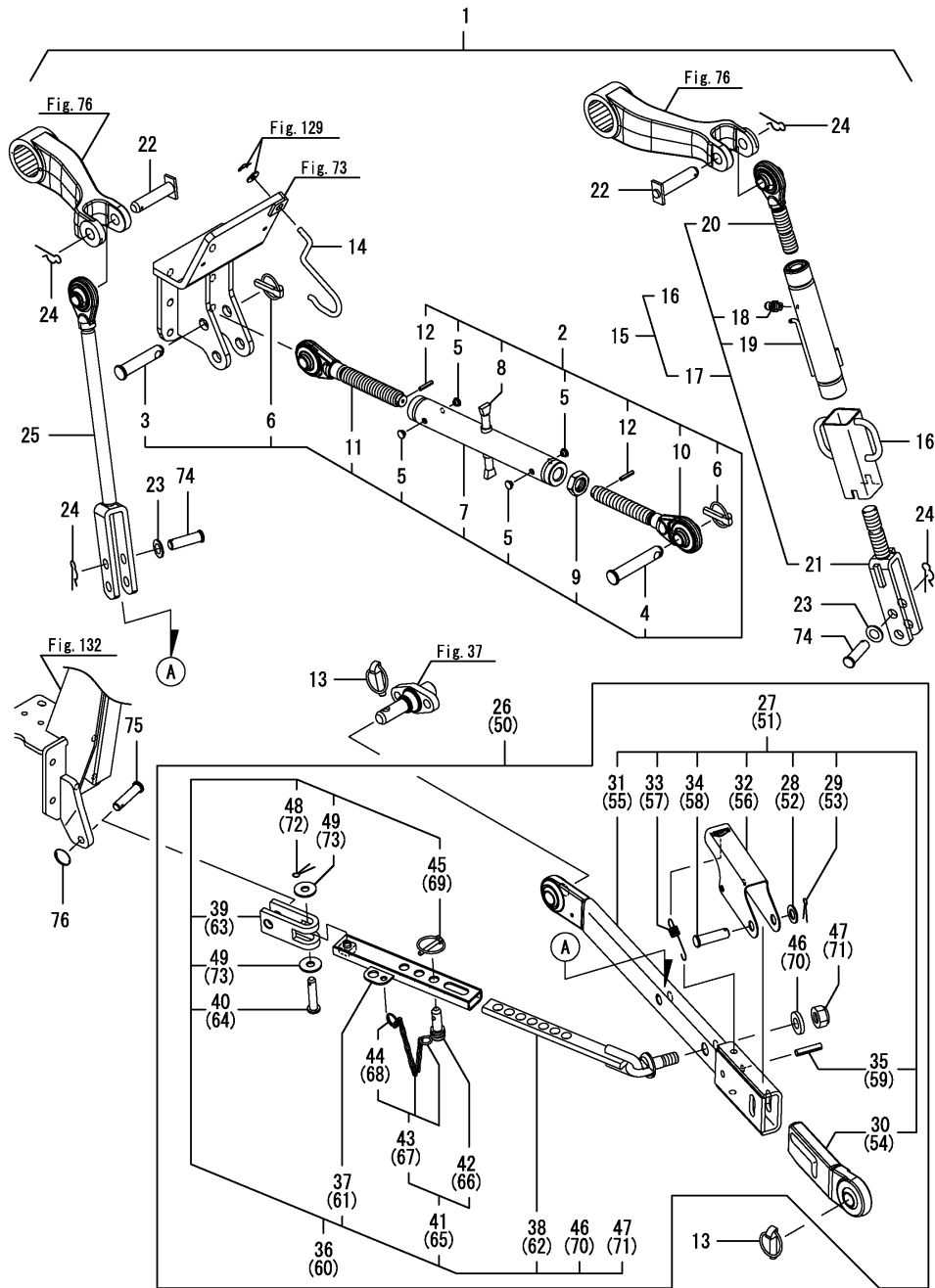


Fig.128. 3P LINK KIT

(A)=LX4100(YANMAR)
 (B)=LX4500(YANMAR)
 (C)=LX4900(YANMAR)

(D)=
 (E)=
 (F)=



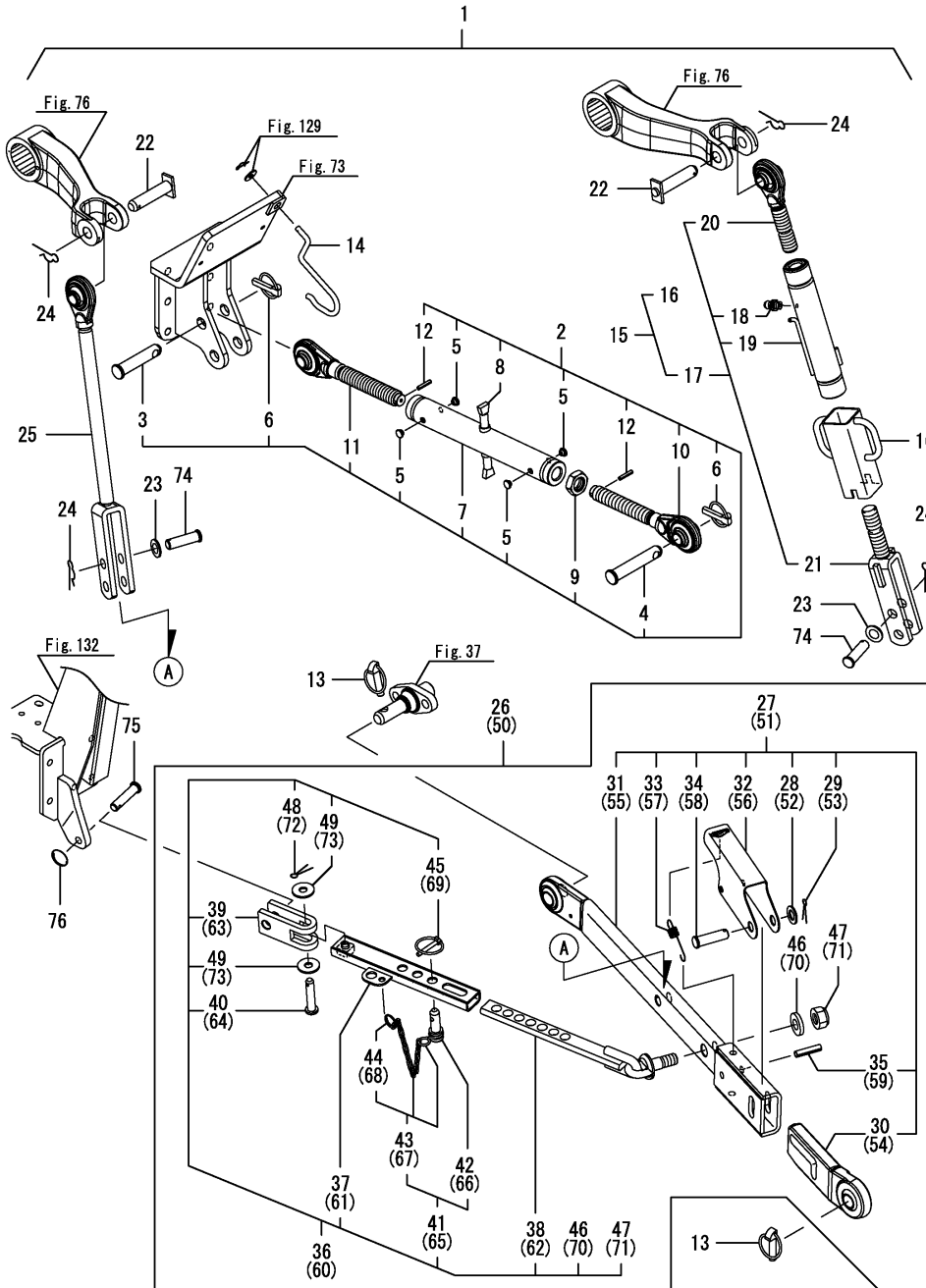
No.	Lev.	Parts No.	Description	Q'ty						I	R
				(A)	(B)	(C)	(D)	(E)	(F)		
1	1	1A8275-71000	3P LINK ASSY,	1	1	1					
2	2	1A8275-71100	LINK ASSY, TOP	1	1	1					
3	3	1A7335-71230	PIN, LINK	1	1	1					
4	3	1A7335-71240	PIN, HITCH	1	1	1					
5	3	1A7335-71250	CAP	4	4	4					
6	3	1A7335-71410	PIN ASSY, BALL	2	2	2					
7	3	1A8275-71500	TURNBACKLE ASSY,	1	1	1					
8	3	1A8275-71540	ROD,	1	1	1					
9	3	1A7880-71580	NUT, M24	1	1	1					
10	3	1A8275-71600	EYEBOLT ASSY, RH	1	1	1					
11	3	1A8275-71700	EYEBOLT ASSY, LH	1	1	1					
12	3	1A7335-71760	PIN, SPRING 5.0X25	2	2	2					
13	2	1A7335-71410	PIN ASSY, BALL	4	4	4					
14	2	1A8275-71550	SPRING,	1	1	1					
15	2	1A8275-72100	LINK ASSY, LIFT R.H.	1	1	1					
16	3	1A8275-72110	HANDLE CMP	1	1	1					
17	3	1A8275-72190	LINK ASY, LIFT R	1	1	1					
18	4	1A7450-43680	NIPPLE, GRESAE M6	1	1	1					
19	4	1A8275-72200	TURN BUCKLE CMP	1	1	1					
20	4	1A8275-72250	BOLT ASSY, EYE	1	1	1					
21	4	1A8275-72270	YOKE ASSY, LIFT R.H.	1	1	1					
22	2	1A8275-72150	PIN, LIFT ARM	2	2	2					
23	2	1A7500-72160	WASHER, 16	2	2	2					
24	2	1A8275-72180	SNAP PIN 13-19	4	4	4					
25	2	1A8275-72300	LIFT LINK L CMP	1	1	1					
26	2	1A8275-73030	LINK & CHAIN L ASY	1	1	1					
27	3	1A8275-73500	LINK ASSY, LOWER LH	1	1	1					
28	4	1A7500-72160	WASHER, 16	1	1	1					
29	4	1A7500-72180	PIN, 4.0X32	1	1	1					
30	4	1A8275-73510	LOWER MEMBER RL CMP	1	1	1					
31	4	1A8275-73600	LOWER MEMBER F ASSY	1	1	1					
32	4	1A8275-73700	LINK COVER	1	1	1					
33	4	1A8275-73710	SPRING	1	1	1					
34	4	1A8275-73720	PIN	1	1	1					
35	4	1A8275-73740	PIN 10X45	1	1	1					
36	3	1A8275-74200	STABILIZER ASSY	1	1	1					
37	4	1A8275-74260	TUBE CMP, OUTER	1	1	1					
38	4	1A8275-74340	PLATE CMP, INNER	1	1	1					
39	4	1A8275-74390	JOINT	1	1	1					
40	4	1A8275-74410	PIN 12.8X55	1	1	1					
41	4	1A8275-74430	PIN CMP	1	1	1					
42	5	1A8275-74440	PIN 15X27	1	1	1					
43	5	1A8275-74450	CHAIN ASSY	1	1	1					
44	6	1A8275-74470	RING	1	1	1					
45	4	1A8275-74490	LYNCH PIN ASSY	1	1	1					
46	4	1A8275-74520	WASHER 20	1	1	1					
47	4	1A8275-74530	NUT 18, NYLON LOCK	1	1	1					
48	4	1A8275-74540	PIN 4.0X32	1	1	1					
49	4	1A8275-74550	WASHER 13	2	2	2					
50	2	1A8275-73040	LINK & CHAIN R ASSY	1	1	1					
51	3	1A8275-73550	LINK ASSY, LOWER RH	1	1	1					

N:Old $\xrightarrow{\text{Yes}}$ New, Q:Old $\xrightarrow{\text{No}}$ New, R:Old $\xrightarrow{\text{Yes}}$ New, S:Old $\xrightarrow{\text{No}}$ New, W:Add, Z:Discontinued, F:Interchangeable by set, K:Q'ty Change
 ++ CONTINUE ++
 Copyright (C) YANMAR CO., LTD. All Rights Reserved.

Fig.128. 3P LINK KIT

(A)=LX4100(YANMAR)
 (B)=LX4500(YANMAR)
 (C)=LX4900(YANMAR)

(D)=
 (E)=
 (F)=



No.	Lev.	Parts No.	Description	Qty						I	R
				(A)	(B)	(C)	(D)	(E)	(F)		
52	4	1A7500-72160	WASHER, 16	1	1	1					
53	4	1A7500-72180	PIN, 4.0X32	1	1	1					
54	4	1A8275-73560	LOWER MEMBER RR CMP	1	1	1					
55	4	1A8275-73600	LOWER MEMBER F ASSY	1	1	1					
56	4	1A8275-73700	LINK COVER	1	1	1					
57	4	1A8275-73710	SPRING	1	1	1					
58	4	1A8275-73720	PIN	1	1	1					
59	4	1A8275-73740	PIN 10X45	1	1	1					
60	3	1A8275-74200	STABILIZER ASSY	1	1	1					
61	4	1A8275-74260	TUBE CMP, OUTER	1	1	1					
62	4	1A8275-74340	PLATE CMP, INNER	1	1	1					
63	4	1A8275-74390	JOINT	1	1	1					
64	4	1A8275-74410	PIN 12.8X55	1	1	1					
65	4	1A8275-74430	PIN CMP	1	1	1					
66	5	1A8275-74440	PIN 15X27	1	1	1					
67	5	1A8275-74450	CHAIN ASSY	1	1	1					
68	6	1A8275-74470	RING	1	1	1					
69	4	1A8275-74490	LYNCH PIN ASSY	1	1	1					
70	4	1A8275-74520	WASHER 20	1	1	1					
71	4	1A8275-74530	NUT 18, NYLON LOCK	1	1	1					
72	4	1A8275-74540	PIN 4.0X32	1	1	1					
73	4	1A8275-74550	WASHER 13	2	2	2					
74	2	1A8275-73720	PIN	2	2	2					
75	2	1A8275-74240	PIN 14X53	2	2	2					
76	2	1A7500-74661	RING, 32	2	2	2					

Fig.129. TOP LINK

(A)=LX4100(YANMAR)
 (B)=LX4500(YANMAR)
 (C)=LX4900(YANMAR)

(D)=
 (E)=
 (F)=

No.	Lev.	Parts No.	Description	Qty						I	R
				(A)	(B)	(C)	(D)	(E)	(F)		
1	1	1C6281-52320	PIN, SNAP 8	1	1	1					
2	1	22117-080000	WASHER, 8	1	1	1					

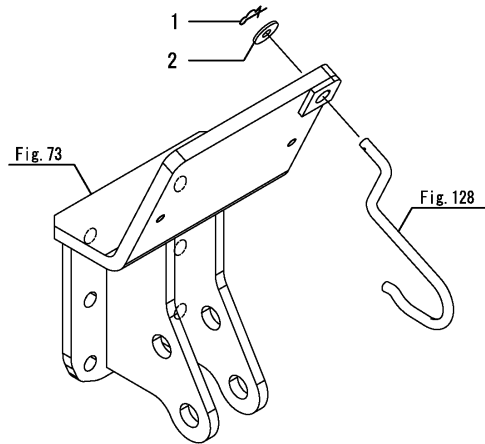


Fig.130. DRAWBAR HITCH

(A)=LX4100(YANMAR)
 (B)=LX4500(YANMAR)
 (C)=LX4900(YANMAR)

(D)=
 (E)=
 (F)=

No.	Lev.	Parts No.	Description	Q'ty						I	R
				(A)	(B)	(C)	(D)	(E)	(F)		
1	1	198240-12650	BOLT, M14X28	4	4	4					
2	1	195230-17260	PIN, SNAP 22S	1	1	1					
3	1	1A8275-75110	HITCH,DRAWBAR	1	1	1					
4	1	1A8275-75430	PIN,HITCH	1	1	1					
5	1	1A8275-75530	BRACKET,DRAWBAR	1	1	1					
6	1	26106-120252	BOLT, M12X 25 PLATED	4	4	4					

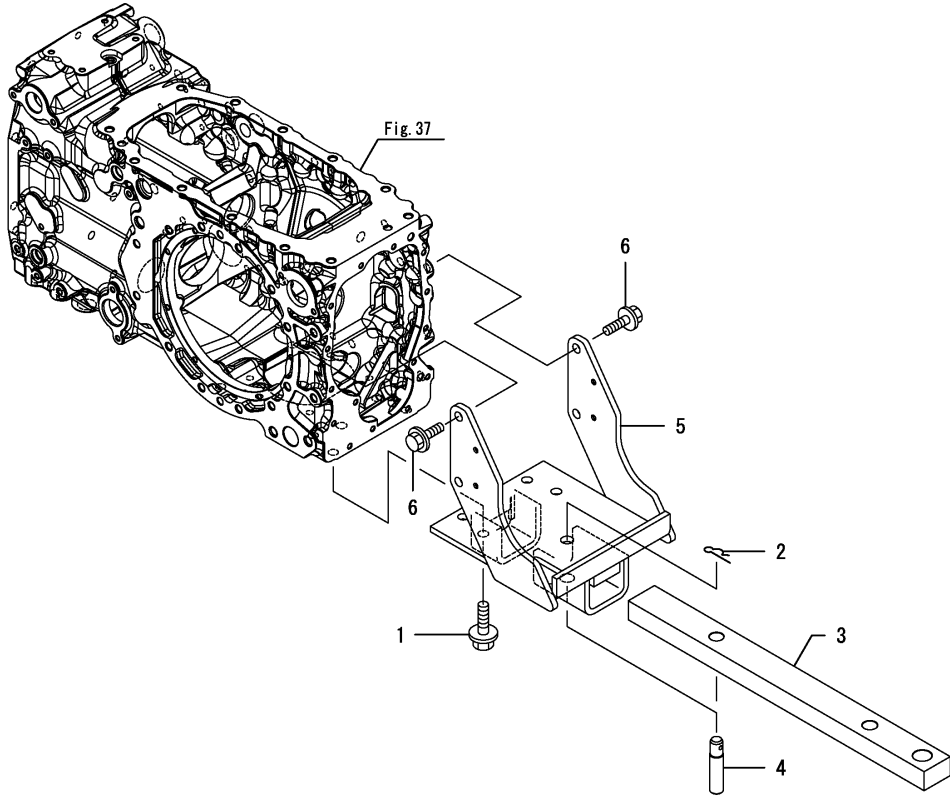


Fig.131. PTO GUARD

(A)=LX4100(YANMAR)
 (B)=LX4500(YANMAR)
 (C)=LX4900(YANMAR)

(D)=
 (E)=
 (F)=

No.	Lev.	Parts No.	Description	Qty						I	R
				(A)	(B)	(C)	(D)	(E)	(F)		
1	1	198072-18320	SPRING, 12	6	6	6					
2	1	1A8275-26930	SHIELD M ASSY, PTO	1	1	1					
3	1	1A8275-26950	COLLAR	2	2	2					
4	1	1A8275-26960	PLATE ASSY	1	1	1					
5	1	22137-120000	WASHER, 12	2	2	2					
6	1	26106-080162	BOLT, M8X 16 PLATED	4	4	4					
7	1	26106-080252	BOLT, M8X 25 PLATED	2	2	2					
8	1	26756-080002	NUT, LOCK M8	2	2	2					

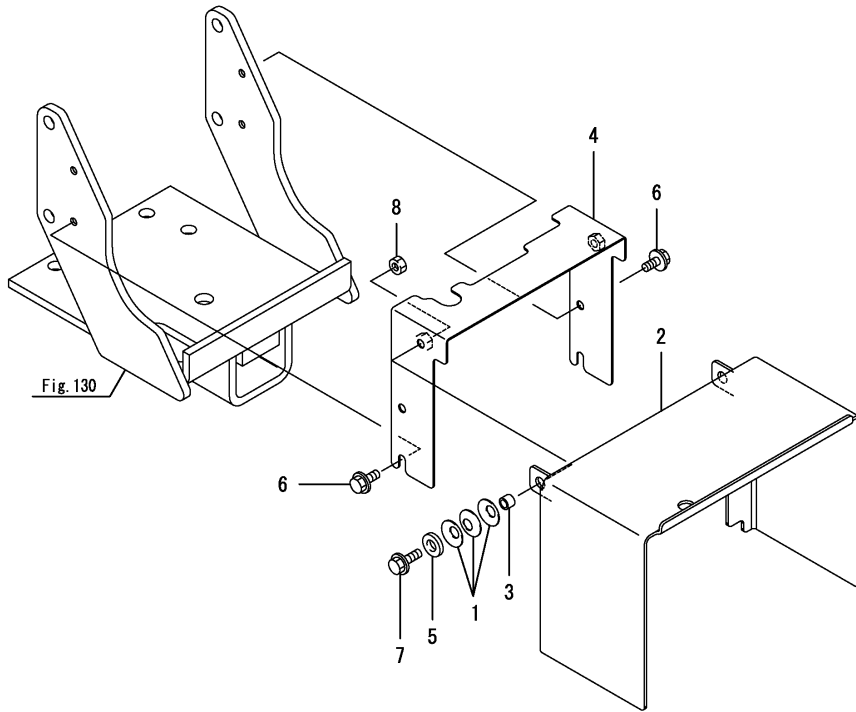
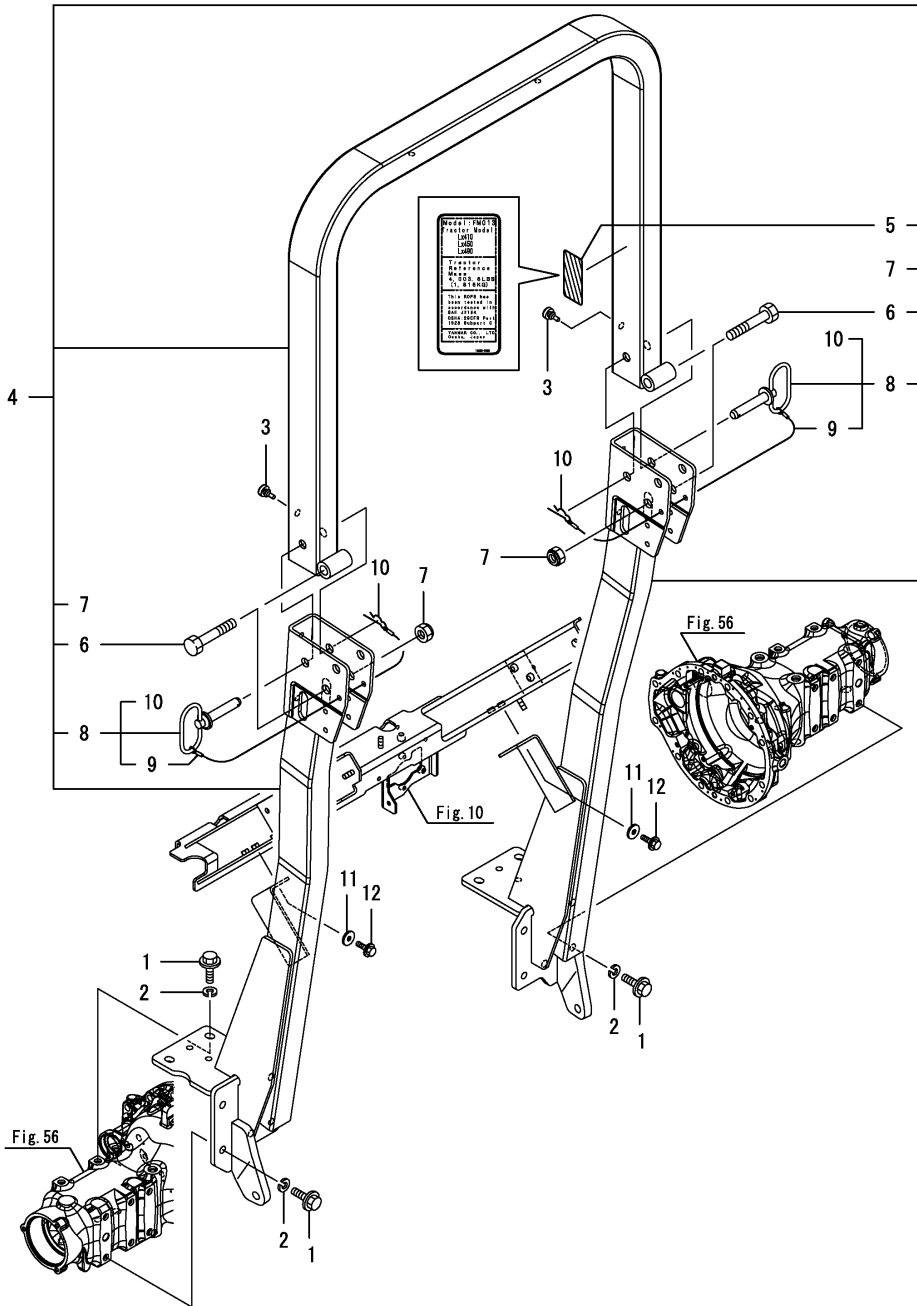


Fig.132. ROLL GUARD



(A)=LX4100(YANMAR)
 (B)=LX4500(YANMAR)
 (C)=LX4900(YANMAR)

(D)=
 (E)=
 (F)=

No.	Lev.	Parts No.	Description	Q'ty						I	R
				(A)	(B)	(C)	(D)	(E)	(F)		
1	1	198220-11520	BOLT, M12X38	14	14	14					
2	1	194274-13580	WASHER, SPRING 12	14	14	14					
3	1	194330-62530	STOPPER, PEDAL	2	2	2					
4	1	1A8250-85090	ROPS M ASSY,	1	1	1					
5	2	1A8250-65820	LABEL,ROPS STANDARD	1	1	1					
6	2	1A8300-85430	BOLT, M16X90	2	2	2					
7	2	1A8300-85440	NUT, M16 NYLOCK	2	2	2					
8	2	1A8300-85910	PIN ASSY, STOPPER	2	2	2					
9	3	1A8300-85920	STOPPER ASSY, PIN	2	2	2					
10	3	1A8300-85930	CLIP, HITCH PIN	2	2	2					
11	1	22157-080000	WASHER, 8	4	4	4					
12	1	26106-080202	BOLT, M8X 20 PLATED	4	4	4					

Fig.133. MANUAL

(A)=LX4100(YANMAR)
(B)=LX4500(YANMAR)
(C)=LX4900(YANMAR)

(D)=
(E)=
(F)=

No.	Lev.	Parts No.	Description	Q'ty						I	R
				(A)	(B)	(C)	(D)	(E)	(F)		
1	1	0A042-U00300	OPERATION MANUAL	1	1	1					

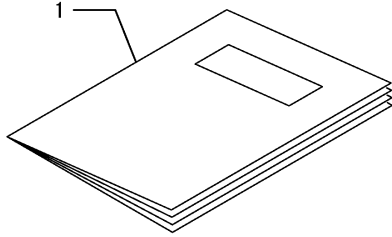


Fig.134. FRONT HITCH

(A)=LX4100(YANMAR)
 (B)=LX4500(YANMAR)
 (C)=LX4900(YANMAR)

(D)=
 (E)=
 (F)=

No.	Lev.	Parts No.	Description	Q'ty						I	R
				(A)	(B)	(C)	(D)	(E)	(F)		
1	1	1A8250-11120	HITCH, FRONT	1	1	1					
2	1	1A8250-11140	LOCK PIN, WEIGHT	1	1	1					
3	1	194990-22160	NUT, M12	6	6	6					
4	1	22372-160000	PIN, SNAP 16	2	2	2					
5	1	26116-120352	BOLT, M12X 35 PLATED	6	6	6					

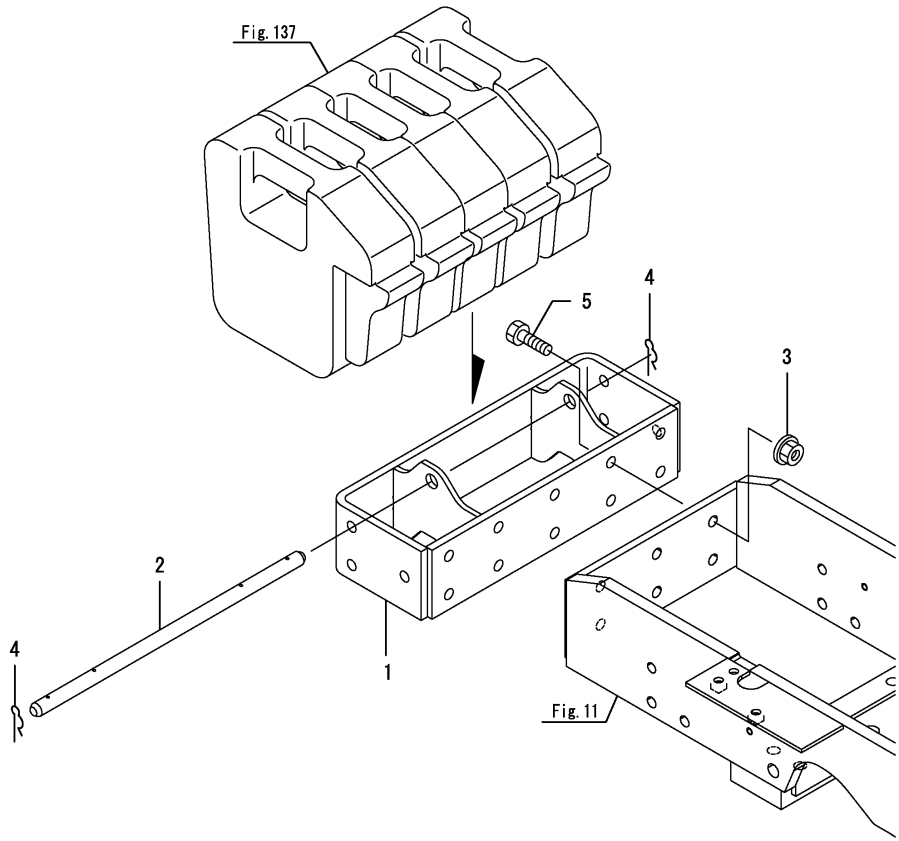
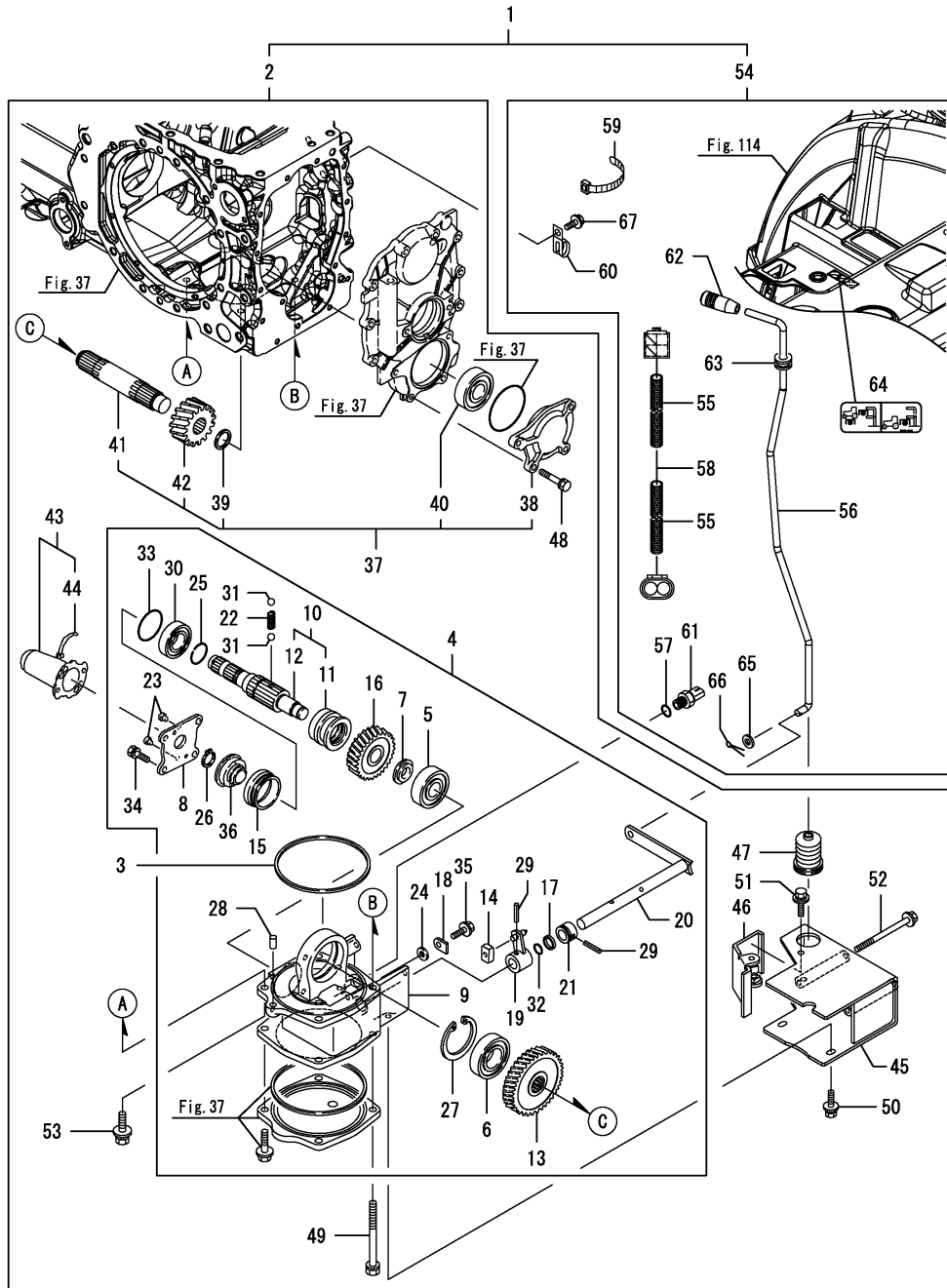


Fig.135. MID PTO

(A)=LX4100(YANMAR)
 (B)=LX4500(YANMAR)
 (C)=LX4900(YANMAR)

(D)=
 (E)=
 (F)=

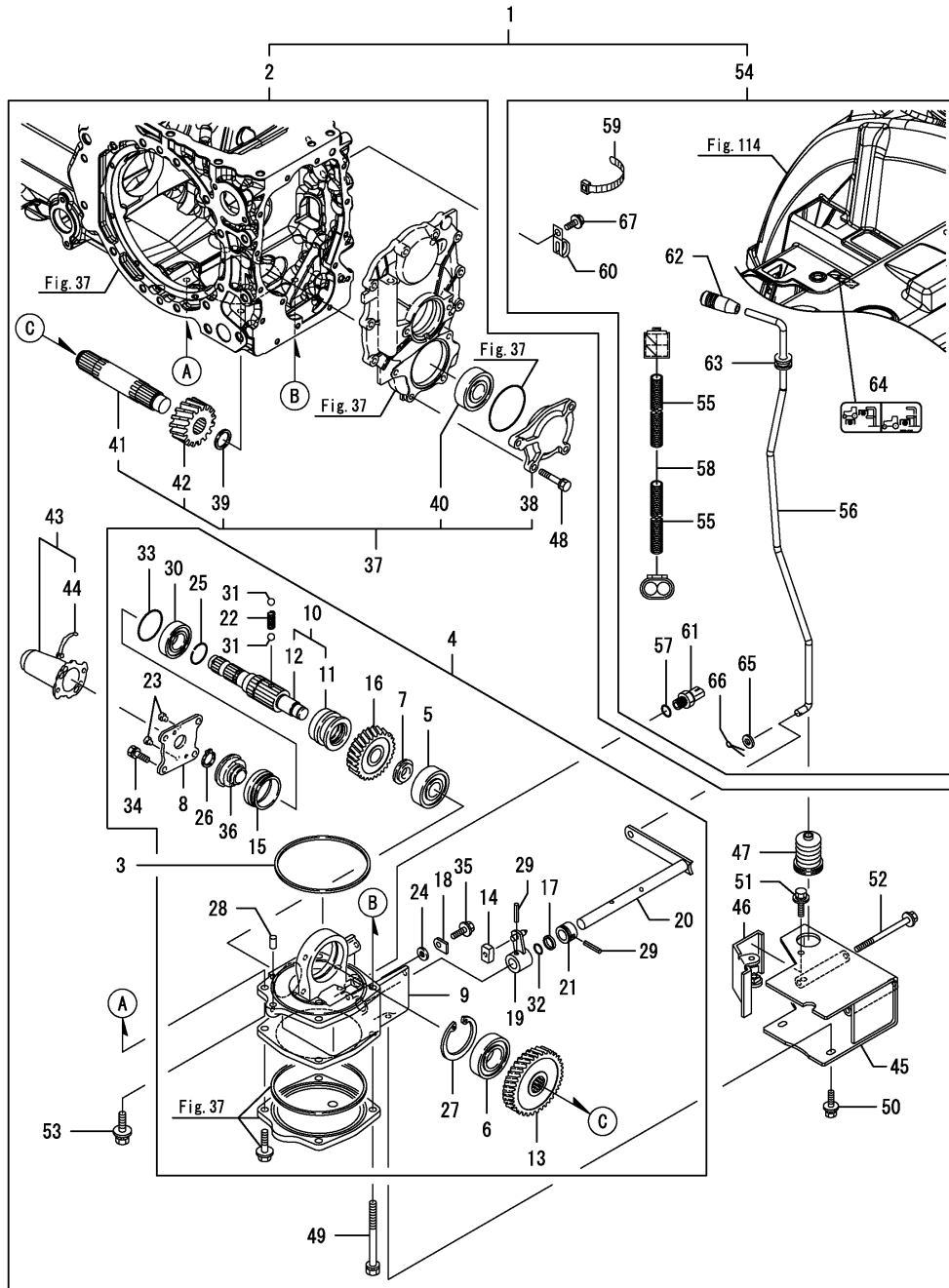


No.	Lev.	Parts No.	Description	Qty						I	R
				(A)	(B)	(C)	(D)	(E)	(F)		
1	1	1A8250-26600	MID PTO KIT	1	1	1					
2	2	1A8275-26030	PTO ASSY, MID	1	1	1					
3	3	198133-24380	PACKING, 140X3	1	1	1					
4	3	1A8275-26010	PTO ASSY, MID	1	1	1					
5	4	194447-13860	BEARING, TMB304CX1	1	1	1					
6	4	1A6650-25450	BEARING, 6008RSH2	1	1	1					
7	4	194515-25490	WASHER, 20X40X3	1	1	1					
8	4	198240-26510	COVER, SEAL CASE	1	1	1					
9	4	198212-26710	CASE, MID DRIVE	1	1	1					
10	4	198212-26750	SHAFT ASSY, DRIVE	1	1	1					
11	5	198212-26760	SLIDER, MID	1	1	1					
12	5	198212-26840	SHAFT, MID DRIVE	1	1	1					
13	4	1A8275-26780	GEAR, MID PTO	1	1	1					
14	4	198220-26790	BLOCK, SHIFT	1	1	1					
15	4	198212-26810	COLLAR, OIL SEAL	1	1	1					
16	4	1A8275-26830	GEAR, DRIVE MID PTO	1	1	1					
17	4	198119-27150	COLLAR, ARM	1	1	1					
18	4	194197-27681	PLATE, KEEP	1	1	1					
19	4	198212-27690	ARM, SHIFT	1	1	1					
20	4	198212-27850	ARM, CHANGE	1	1	1					
21	4	198212-27910	COLLAR, ARM	1	1	1					
22	4	194321-28230	SPRING, 26.2	1	1	1					
23	4	194250-32530	PIN, HOOK	2	2	2					
24	4	22157-080000	WASHER, 8	1	1	1					
25	4	22207-035230	RING, 35X2.3	1	1	1					
26	4	22242-000250	RING, 25	1	1	1					
27	4	22252-000680	RING, 68	1	1	1					
28	4	22312-100180	PIN, PARALLEL M10X18	2	2	2					
29	4	22351-060032	PIN, SPRING 6.0X32	2	2	2					
30	4	24101-060064	BEARING, BALL 6006	1	1	1					
31	4	24190-080001	BALL, STEEL 1/4	2	2	2					
32	4	24311-000160	O-RING, 1AP16.0	1	1	1					
33	4	24321-000500	O-RING, 1AG50.0	1	1	1					
34	4	26013-080202	BOLT, M8X 20	4	4	4					
35	4	26106-080202	BOLT, M8X 20 PLATED	1	1	1					
36	4	933147-10350	SEAL, QLF25471121	1	1	1					
37	3	1A8275-26020	SHAFT ASSY, IDLE	1	1	1					
38	4	198212-24290	COVER, PTO	1	1	1					
39	4	194361-25681	SPACER	1	1	1					
40	4	194555-25880	BEARING, BALL TMB305	1	1	1					
41	4	198212-26740	SHAFT, MID IDLE	1	1	1					
42	4	198218-26750	GEAR, MID PTO 27	1	1	1					
43	3	194850-26850	COVER ASSY, SHAFT	1	1	1					
44	4	194850-26870	SPRING, PLATE	2	2	2					
45	3	198212-28420	COVER, PTO	1	1	1					
46	3	198212-28440	COVER, PTO	1	1	1					
47	3	198448-37450	BOOT, ROD	1	1	1					
48	3	26013-080452	BOLT, M8X 45	4	4	4					
49	3	26013-101152	BOLT, M10X115	2	2	2					
50	3	26014-080202	BOLT, M8X 20	2	2	2					
51	3	26014-080202	BOLT, M8X 20	2	2	2					

Fig.135. MID PTO

(A)=LX4100(YANMAR)
 (B)=LX4500(YANMAR)
 (C)=LX4900(YANMAR)

(D)=
 (E)=
 (F)=



No.	Lev.	Parts No.	Description	Qty						I	R
				(A)	(B)	(C)	(D)	(E)	(F)		
52	3	26106-081102	BOLT, M8X110 PLATED	2	2	2					
53	3	26106-100252	BOLT, M10X 25 PLATED	2	2	2					
54	2	1A8250-26620	MID PTO,EXTERIOR KIT	1	1	1					
55	3	1A8250-04280	TUBE, CORRUGATE 13	2	2	2					
56	3	1A8240-28500	LEVER, MID PTO	1	1	1					
57	3	194850-49290	PACKING, 6-1	1	1	1					
58	3	1A8275-51200	HARNES ASSY, M-PTO	1	1	1					
59	3	1A8300-51210	BAND, REPEAT	1	1	1					
60	3	194440-51620	CLAMP	1	1	1					
61	3	1A8275-52190	SWITCH,SAFETY	1	1	1					
62	3	1A2220-55570	GRIP,YELLOW LEVER	1	1	1					
63	3	1A8250-63470	GROMMET	1	1	1					
64	3	1A8250-65440	LABEL, MID PTO	1	1	1					
65	3	22137-100000	WASHER, 10	1	1	1					
66	3	22417-250300	PIN, COTTER 2.5X30	1	1	1					
67	3	26106-080162	BOLT, M8X 16 PLATED	1	1	1					

Fig.136. HEATER(BLOCK

(A)=LX4100(YANMAR)
 (B)=LX4500(YANMAR)
 (C)=LX4900(YANMAR)

(D)=
 (E)=
 (F)=

No.	Lev.	Parts No.	Description	Qty						I	R
				(A)	(B)	(C)	(D)	(E)	(F)		
1	1	129652-95020	HEATER KIT, EX450	1	1	1					
2	2	1A7500-51170	CLIP, HARNESS	1	1	1					
3	2	1A7880-57260	PROTECTOR, PLUG	1	1	1					
4	2	129269-95010	HEATER ASSY	1	1	1					
5	3	171015-77900	HEATER	1	1	1					
6	3	171015-77910	CORD, HEATER	1	1	1					

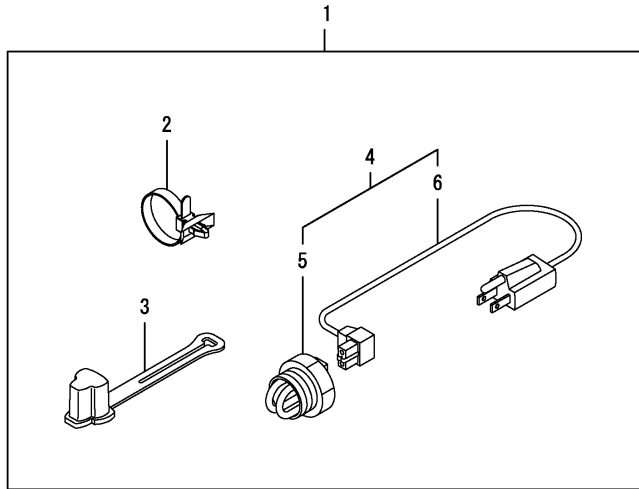


Fig.137. FRONT WEIGHT

(A)=LX4100(YANMAR)
 (B)=LX4500(YANMAR)
 (C)=LX4900(YANMAR)

(D)=
 (E)=
 (F)=

No.	Lev.	Parts No.	Description	Q'ty						I	R
				(A)	(B)	(C)	(D)	(E)	(F)		
1	1	1A8160-91000	WEIGHT, FRONT 20KG	1	1	1					

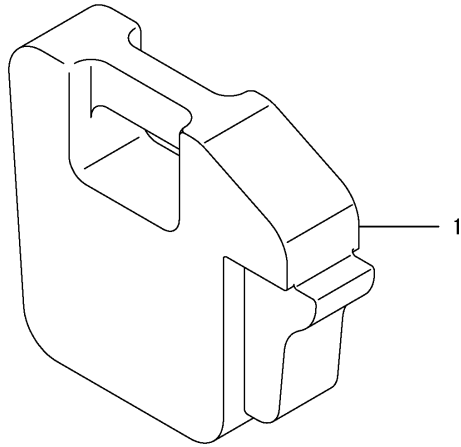
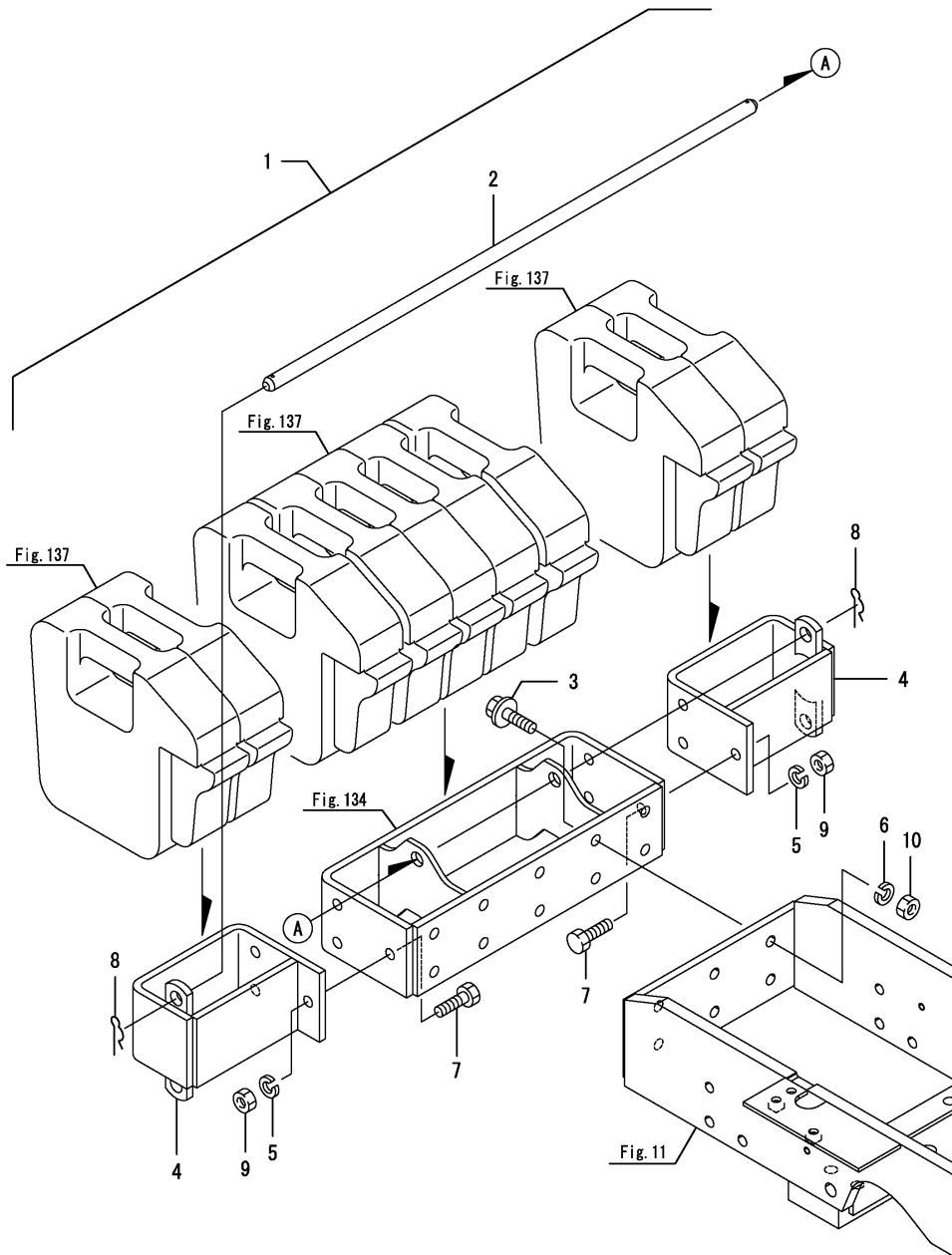


Fig.138. EXTRA HITCH

(A)=LX4100(YANMAR)
 (B)=LX4500(YANMAR)
 (C)=LX4900(YANMAR)

(D)=
 (E)=
 (F)=



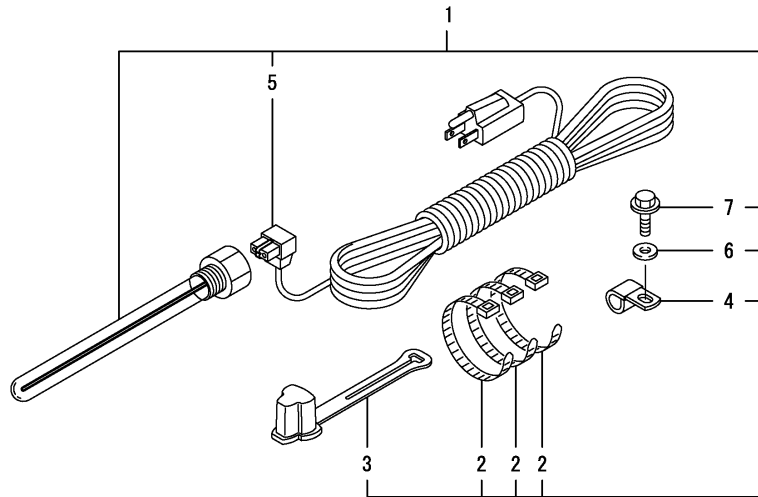
No.	Lev.	Parts No.	Description	Qty						I	R
				(A)	(B)	(C)	(D)	(E)	(F)		
1	1	1A8160-11920	HITCH KIT, FRONT	1	1	1					
2	2	198220-11350	PIN, WEIGHT LOCK	1	1	1					
3	2	198220-11520	BOLT, M12X38	6	6	6					
4	2	198220-11900	HITCH, EXTRA	2	2	2					
5	2	194274-13580	WASHER, SPRING 12	6	6	6					
6	2	194274-13580	WASHER, SPRING 12	6	6	6					
7	2	194465-13650	BOLT, M12X32	6	6	6					
8	2	22372-160000	PIN, SNAP 16	2	2	2					
9	2	26716-120002	NUT, M12	6	6	6					
10	2	26716-120002	NUT, M12	6	6	6					

Fig.139. HEATER(T/M

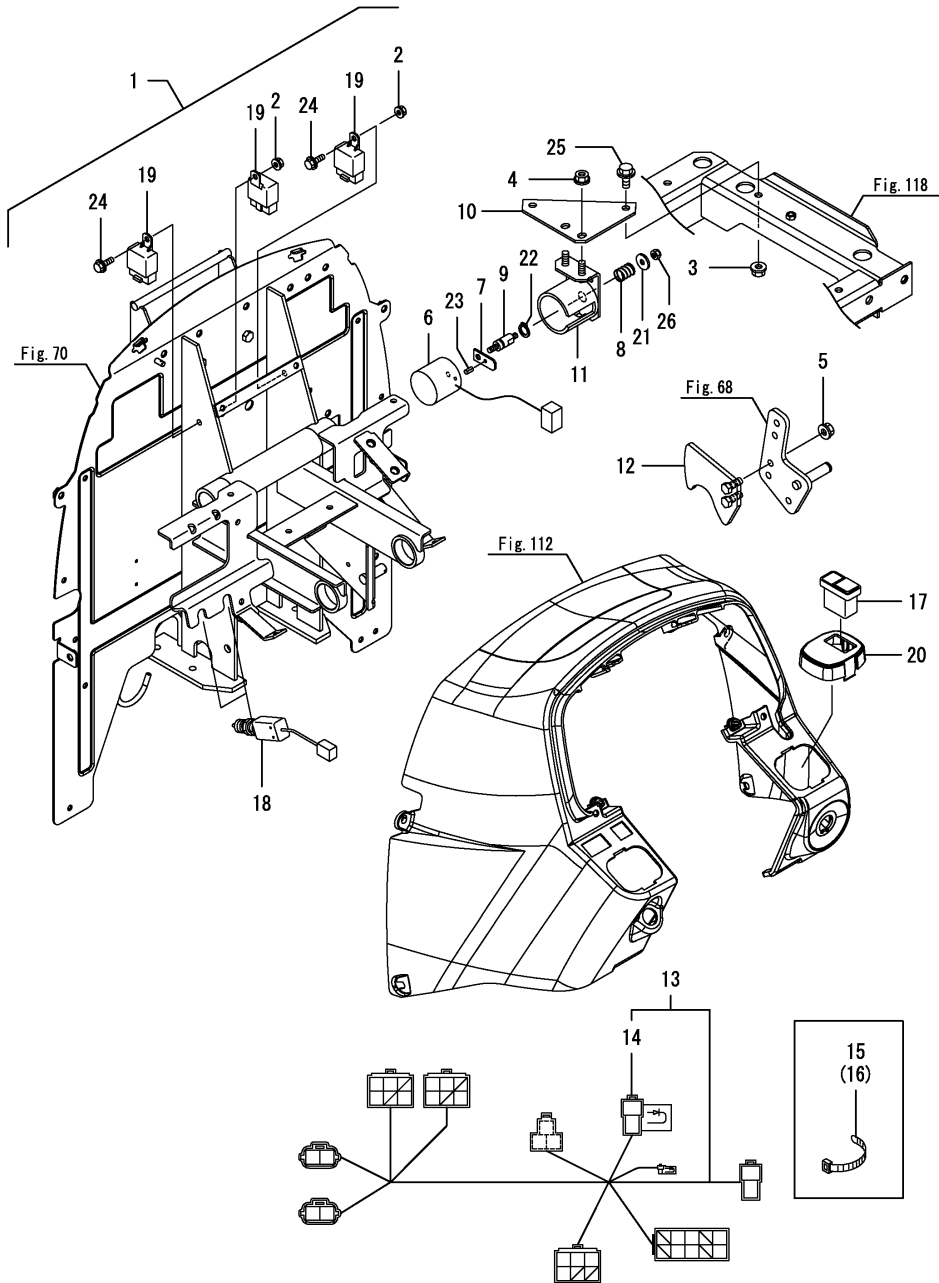
(A)=LX4100(YANMAR)
 (B)=LX4500(YANMAR)
 (C)=LX4900(YANMAR)

(D)=
 (E)=
 (F)=

No.	Lev.	Parts No.	Description	Q'ty						I	R
				(A)	(B)	(C)	(D)	(E)	(F)		
1	1	1A8170-99010	HEATER, TM KIT	1	1	1					
2	2	1A8300-51210	BAND, REPEAT	3	3	3					
3	2	1A7880-57260	PROTECTOR, PLUG	1	1	1					
4	2	1E6213-83410	CLIP, HARNESS 18	1	1	1					
5	2	1A8160-99020	CODE, POWER	1	1	1					
6	2	22157-060000	WASHER, 6	1	1	1					
7	2	26106-060202	BOLT, M6X 20 PLATED	1	1	1					



OCNP5-M50000 OPTIONAL SECTION
Fig.140. CRUISE CONTROL



(A)=LX4100(YANMAR)
 (B)=LX4500(YANMAR)
 (C)=LX4900(YANMAR)

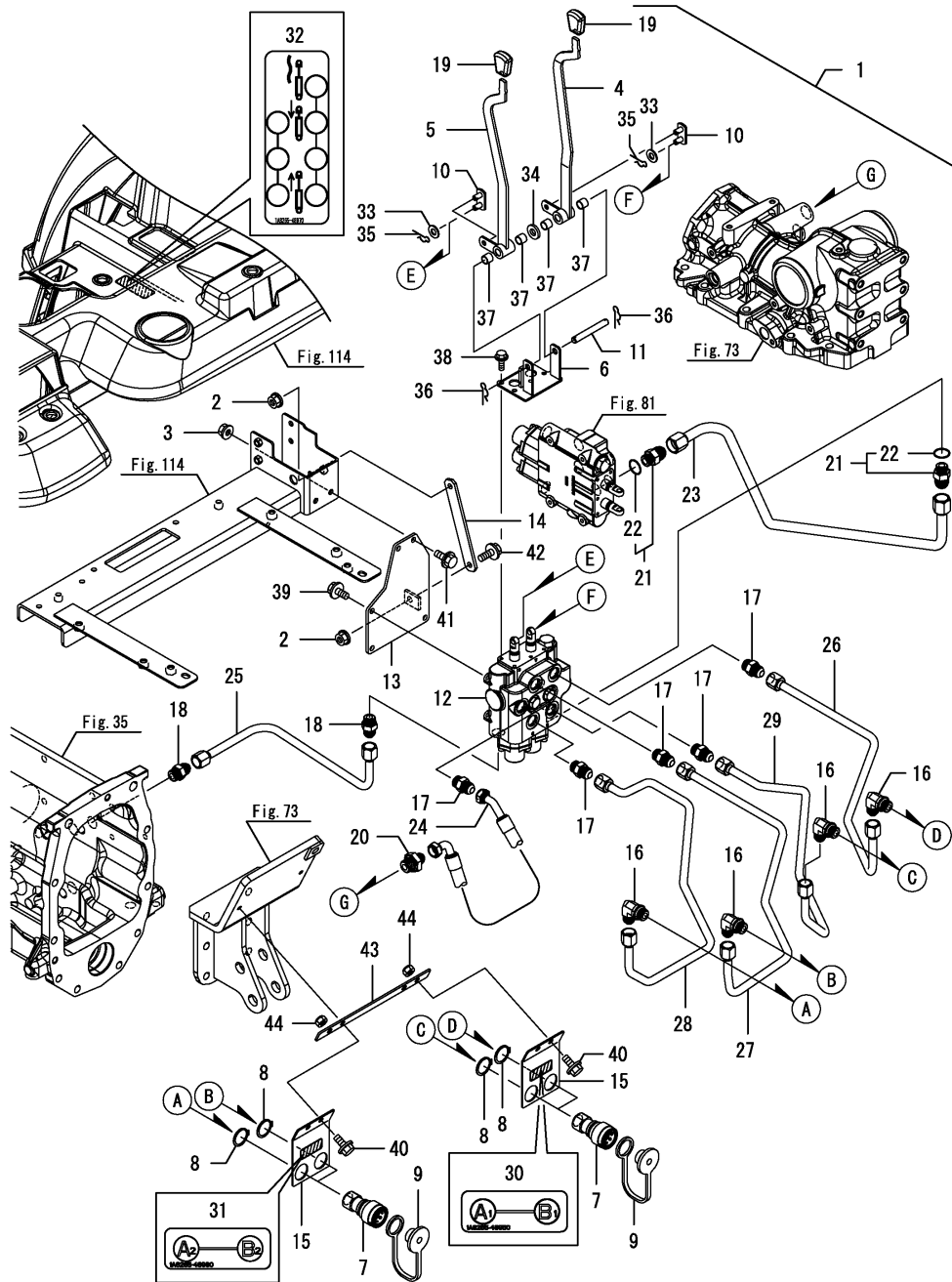
(D)=
 (E)=
 (F)=

No.	Lev.	Parts No.	Description	Q'ty						I	R
				(A)	(B)	(C)	(D)	(E)	(F)		
1	1	1A8260-35000	CONTROL KIT, CRUISE	1	1	1					
2	2	194990-22130	NUT, M6	2	2	2					
3	2	194990-22140	NUT, M8	2	2	2					
4	2	194990-22140	NUT, M8	2	2	2					
5	2	194990-22140	NUT, M8	2	2	2					
6	2	1A8260-35100	MAGNET	1	1	1					
7	2	1A8260-35110	PLATE, STOPPER	1	1	1					
8	2	1A8260-35120	SPRING, 1.0X16X19	1	1	1					
9	2	1A8260-35131	BOLT, STEPPED 1/4-20	1	1	1					
10	2	1A8260-35161	STAY, MAGNET	1	1	1					
11	2	1A8260-35171	BRACKET, MAGNET	1	1	1					
12	2	1A8260-35201	ARM ASSY, CRUISE	1	1	1					
13	2	1A8260-51200	HARNESS ASSY,CRUISE	1	1	1					
14	3	1A7500-51130	DIODE, 3.0A	2	2	2					
15	2	1A8300-51210	BAND, REPEAT	1	1	1					
16	2	1A8300-51210	BAND, REPEAT	8	8	8					
16-1	2	1A8300-51210	BAND, REPEAT	10	10	10					K
		(A=FXXXXX)	(B=FXXXXX)	(C=FXXXXX)							
17	2	1A8275-52200	SWITCH, CRUISE	1	1	1					
18	2	1A7600-52223	SWITCH, RANGE SHIFT	2	2	2					
19	2	198461-52950	RELAY, CA TYPE C	3	3	3					
20	2	1A8275-60420	COVER, SW	1	1	1					
21	2	22157-060000	WASHER, 6	1	1	1					
22	2	22242-000120	RING, 12	1	1	1					
23	2	22351-040008	PIN, SPRING 4.0X 8	1	1	1					
24	2	26106-060202	BOLT, M6X 20 PLATED	2	2	2					
25	2	26106-080162	BOLT, M8X 16 PLATED	2	2	2					
26	2	26347-060002	NUT, M6	1	1	1					

Fig.141. REAR REMOTE KIT

(A)=LX4100(YANMAR)
 (B)=LX4500(YANMAR)
 (C)=LX4900(YANMAR)

(D)=
 (E)=
 (F)=

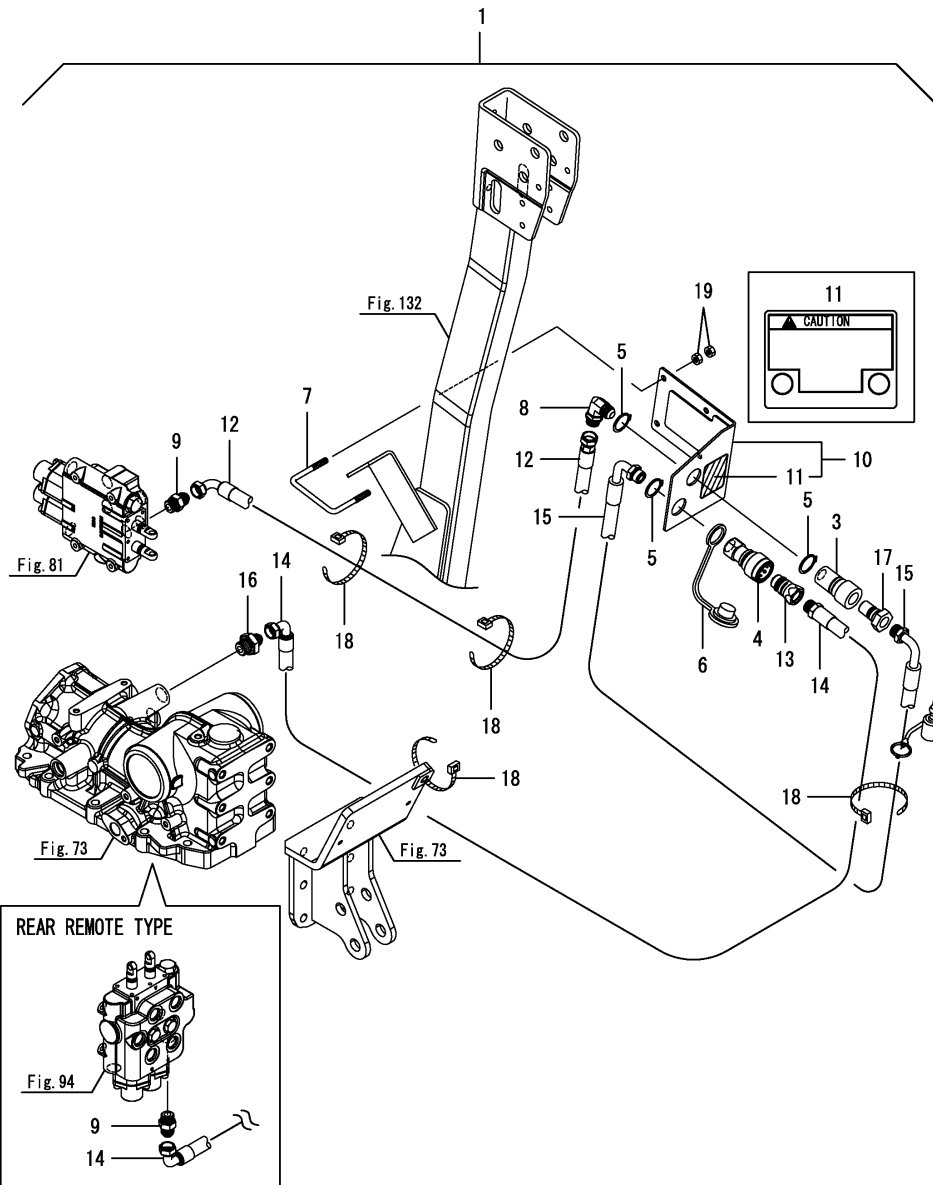


No.	Lev.	Parts No.	Description	Q'ty						I	R
				(A)	(B)	(C)	(D)	(E)	(F)		
1	1	1A8265-99120	REMOTE KIT, REAR	1	1	1					
2	2	194990-22140	NUT, M8	2	2	2					
3	2	194990-22140	NUT, M8	2	2	2					
4	2	1A8265-46110	LEVER ASSY 1	1	1	1					
5	2	1A8265-46160	LEVER ASSY 2	1	1	1					
6	2	1A8265-46200	STAY ASSY, LEVER	1	1	1					
7	2	1A8265-46250	COUPLER, QUICK 1/2F	4	4	4					
8	2	198240-46260	RING, SNAP	4	4	4					
9	2	1A8265-46270	DUST PLUG	4	4	4					
10	2	1A8265-46350	LINK ASSY	2	2	2					
11	2	1A8265-46390	PIN, LEVER	1	1	1					
12	2	1A8170-46600	CONTROL ASSY, SUB	1	1	1					
13	2	1A8265-46701	STAY ASSY, VALVE	1	1	1					
14	2	1A8265-46750	STAY A	1	1	1					
15	2	1A8265-46841	STAY, COUPLER	2	2	2					
16	2	1A8160-46910	ELBOW, 8-8	4	4	4					
17	2	1A8160-46960	CONNECTOR, 8-8	5	5	5					
18	2	1A8160-46960	CONNECTOR, 8-8	2	2	2					
19	2	194273-47910	KNOB, LEVER	2	2	2					
20	2	1A8265-48290	CONNECTOR UNF8-G1/2	1	1	1					
21	2	1A8250-48350	FITTING/HYD, 3/4-7/8	2	2	2					
22	3	194464-45930	O-RING, 8-1	2	2	2					
23	2	1A8265-48460	HP PIPE(SCV-P)	1	1	1					
24	2	1A8265-48480	HP HOSE(C)	1	1	1					
25	2	1A8265-48500	HP PIPE(SCV-T)	1	1	1					
26	2	1A8265-48770	PIPE(SCV B1)	1	1	1					
27	2	1A8265-48790	PIPE(SCV B2)	1	1	1					
28	2	1A8265-48810	PIPE(SCV A2)	1	1	1					
29	2	1A8265-48830	PIPE(SCV A1)	1	1	1					
30	2	1A8265-48950	LABEL, SCV PORT 1	1	1	1					
31	2	1A8265-48960	LABEL, SCV PORT 2	1	1	1					
32	2	1A8265-48970	LABEL,R REMOTE LEVE	1	1	1					
33	2	22137-080000	WASHER, 8	2	2	2					
34	2	22137-100000	WASHER, 10	1	1	1					
35	2	22372-080000	PIN, SNAP 8	2	2	2					
36	2	22372-100000	PIN, SNAP 10	2	2	2					
37	2	24550-010100	BUSH, 10X10	4	4	4					
38	2	26106-060162	BOLT, M6X 16 PLATED	4	4	4					
39	2	26106-080122	BOLT, M8X 12 PLATED	3	3	3					
40	2	26106-080162	BOLT, M8X 16 PLATED	4	4	4					
41	2	26106-080202	BOLT, M8X 20 PLATED	2	2	2					
42	2	26106-080202	BOLT, M8X 20 PLATED	2	2	2					
43	2	1A8265-46880	PLATE,	1	1	1					
44	2	26347-080002	NUT, M8	2	2	2					

Fig.142. REAR COUPLER KIT

(A)=LX4100(YANMAR)
 (B)=LX4500(YANMAR)
 (C)=LX4900(YANMAR)

(D)=
 (E)=
 (F)=



No.	Lev.	Parts No.	Description	Qty						I	R
				(A)	(B)	(C)	(D)	(E)	(F)		
1	1	1A8265-99210	AUX. KIT, REAR HYD.	1	1	1					
2	2	1TN322-41770	DUST PLUG,M YELLOW	1	1	1					
3	2	1A8160-46250	COUPLER, QUICK 3/8	1	1	1					
4	2	1A8265-46250	COUPLER,QUICK 1/2F	1	1	1					
5	2	198240-46260	RING, SNAP	3	3	3					
6	2	1A8265-46270	DUST PLUG	1	1	1					
7	2	1A8160-46560	BAND	2	2	2					
8	2	1A8160-46910	ELBOW, 8-8	1	1	1					
9	2	1A8160-46960	CONNECTOR, 8-8	2	2	2					
10	2	1A8265-48210	BRACKET ASSY,COUPLER	1	1	1					
11	3	1A8300-65400	LABEL, CAUTION	1	1	1					
12	2	1A8265-48240	HOSE A, PBK	1	1	1					
13	2	1A8265-48260	COUPLER, QUICK 1/2M	1	1	1					
14	2	1A8265-48270	HOSE B, PBK	1	1	1					
15	2	1A8265-48280	HOSE C, PBK	1	1	1					
16	2	1A8265-48290	CONNECTOR UNF8-G1/2	1	1	1					
17	2	1A8160-48820	COUPLER, QUICK 3/8	1	1	1					
18	2	1A8300-51210	BAND, REPEAT	4	4	4					
19	2	26716-080002	NUT, M8	8	8	8					

Fig.143. WORK LAMP

(A)=LX4100(YANMAR)
 (B)=LX4500(YANMAR)
 (C)=LX4900(YANMAR)

(D)=
 (E)=
 (F)=

No.	Lev.	Parts No.	Description	Qty						I	R
				(A)	(B)	(C)	(D)	(E)	(F)		
1	1	1A8170-53300	WORK LAMP KIT	1	1	1					
2	2	194990-22140	NUT, M8	4	4	4					
3	2	1A8300-51210	BAND, REPEAT	13	13	13					
4	2	1A8275-51260	LEAD, WORK LAMP	1	1	1					
5	2	1A7340-54100	LAMP ASSY, WORKING	2	2	2					
6	3	1A7470-86270	BULB, 12V-35W	2	2	2					
7	3	22137-100000	WASHER, 10	2	2	2					
8	3	22217-100000	WASHER, SPRING 10	2	2	2					
9	3	26736-100002	NUT, M10	2	2	2					
10	2	1A8250-99320	STAY, WORK LAMP	2	2	2					
11	2	26106-080202	BOLT, M8X 20 PLATED	4	4	4					

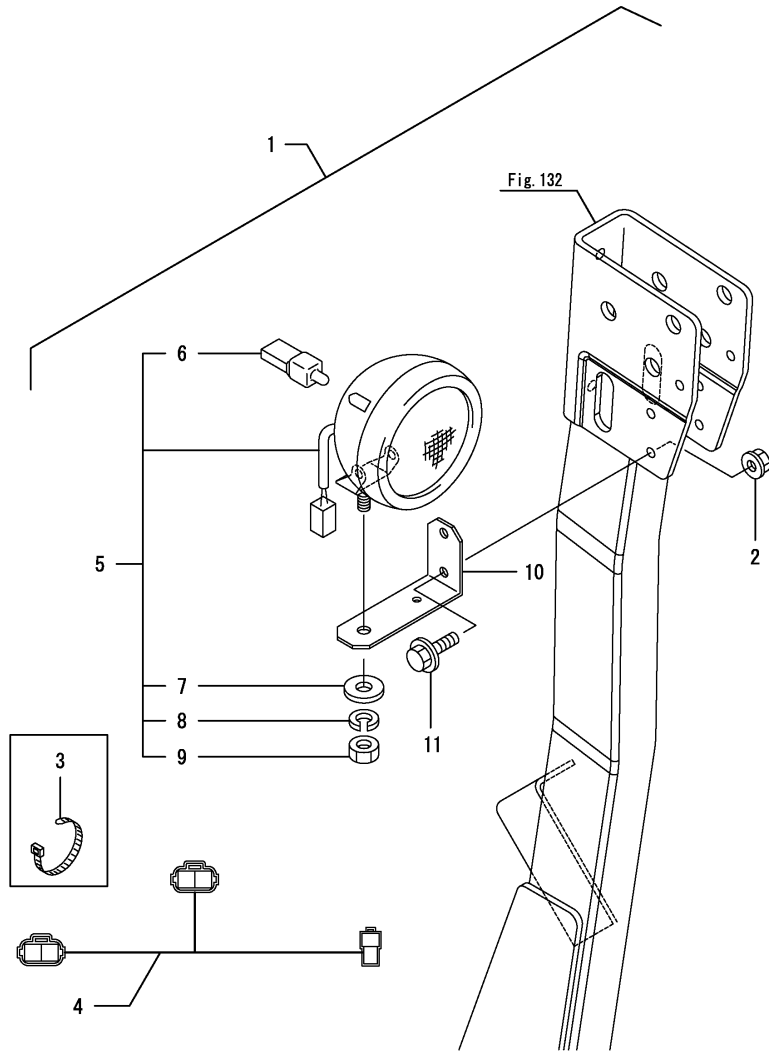
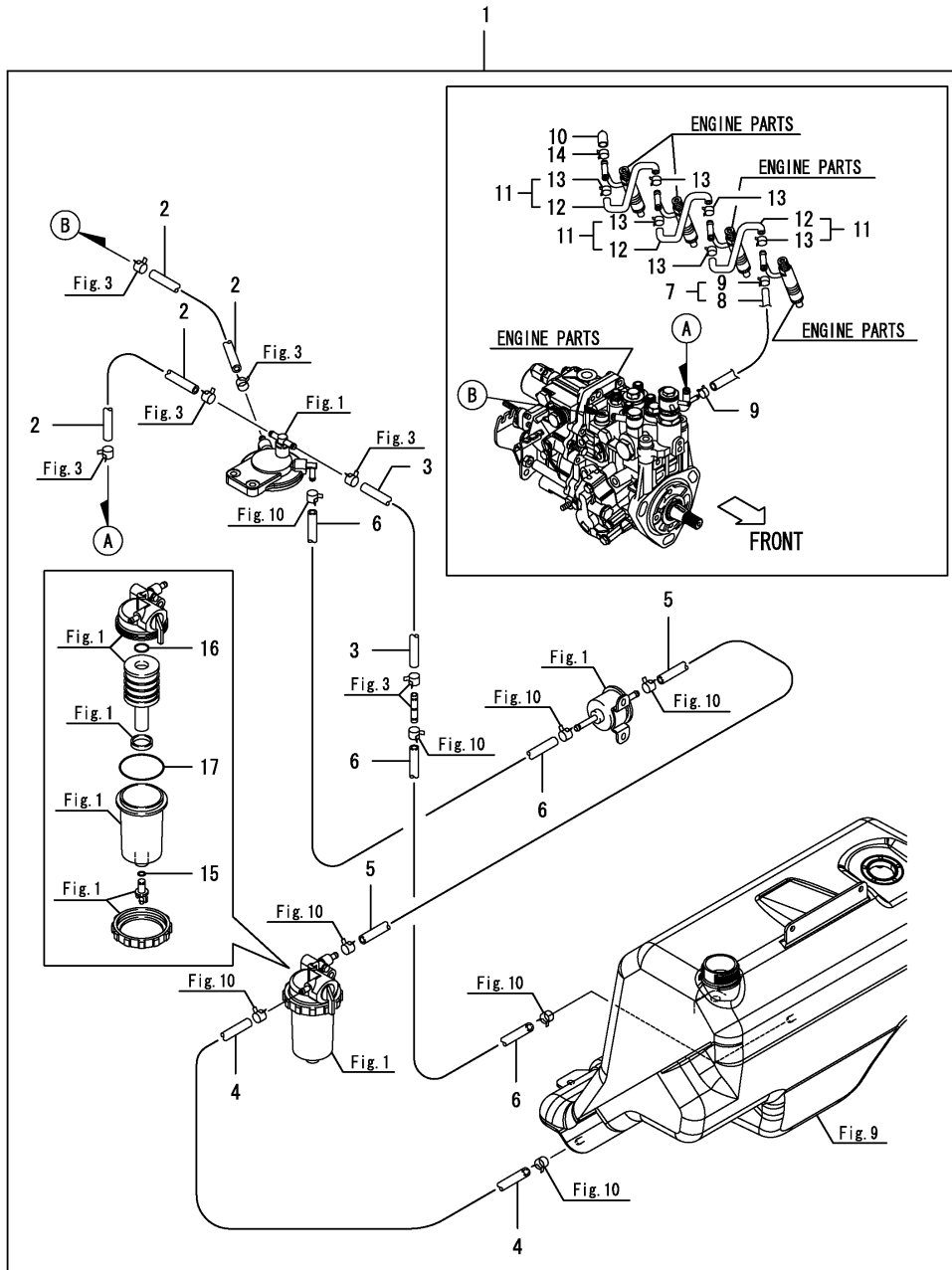


Fig.144. FUEL LINE(FAME)

(A)=LX4100(YANMAR)
 (B)=LX4500(YANMAR)
 (C)=LX4900(YANMAR)

(D)=
 (E)=
 (F)=

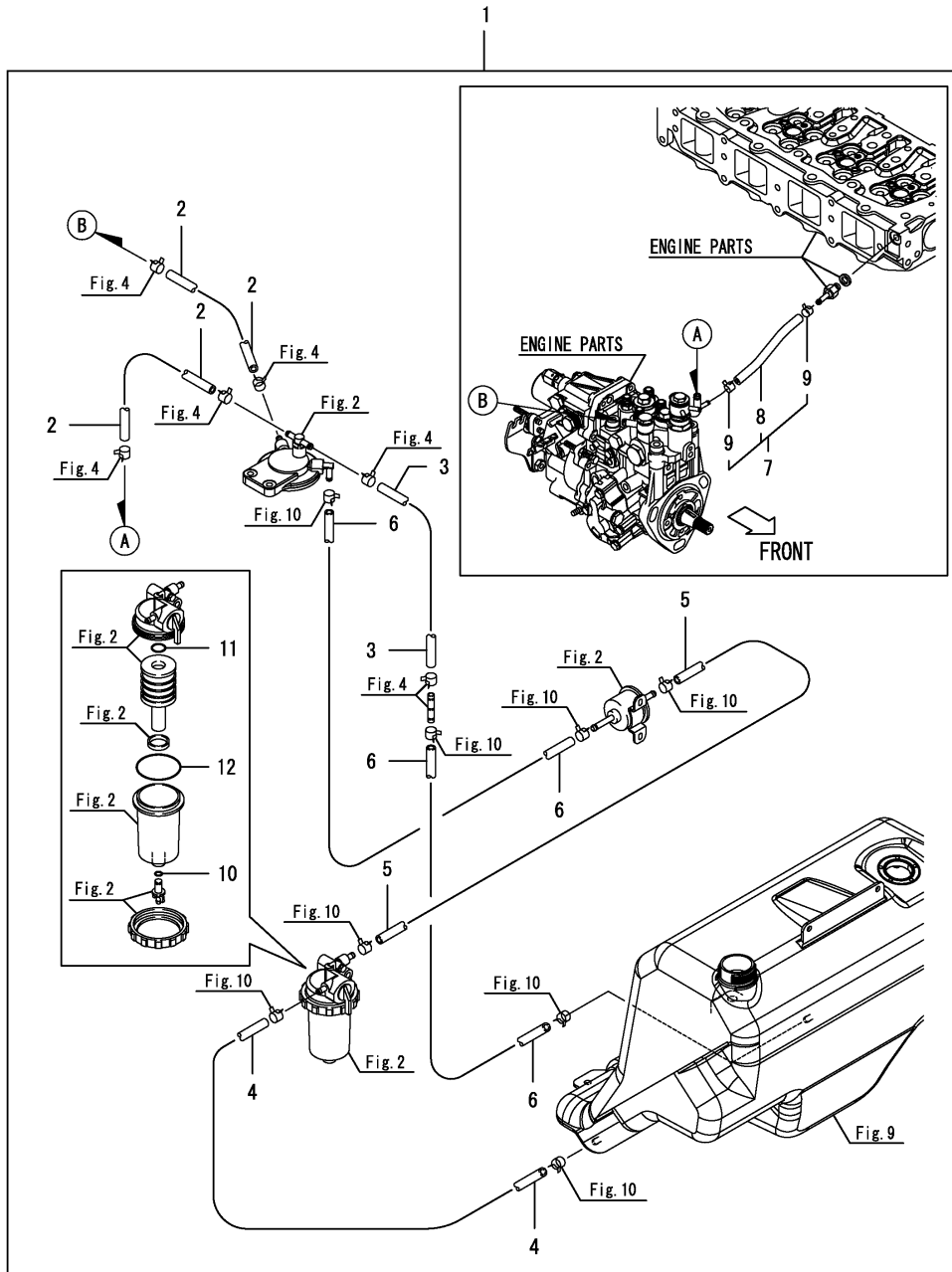


No.	Lev.	Parts No.	Description	Qty						I	R
				(A)	(B)	(C)	(D)	(E)	(F)		
1	1	1A8240-04500	HOSE KIT, FUEL	1	1						
2	2	198280-04290	HOSE, FUEL	2	2						
3	2	1A8250-04510	HOSE, FUEL 200	1	1						
4	2	1A8250-04520	HOSE, FUEL 550	1	1						
5	2	1A8250-04530	HOSE, FUEL	1	1						
6	2	1A8250-04540	HOSE, FUEL 1700	2	2						
7	2	129268-59551	PIPE ASSY, RETURN	1	1						
8	3	129237-59120	PROTECTOR, HOSE	1	1						
9	3	124060-77680	CLIP, HOSE 10	2	2						
10	2	119593-59581	CAP	1	1						
11	2	129486-59581	HOSE, FUEL	3	3						
12	3	129486-59521	PIPE, FUEL RETURN	3	3						
13	3	124060-77680	CLIP, HOSE 10	6	6						
14	2	124060-77680	CLIP, HOSE 10	1	1						
15	2	24316-000070	O-RING, 4DP7.0	1	1						
16	2	24316-000160	O-RING, 4DP16.0	1	1						
17	2	24326-000650	O-RING, 4DG65.0	1	1						

Fig.145. FUEL LINE(FAME)

(A)=LX4100(YANMAR)
 (B)=LX4500(YANMAR)
 (C)=LX4900(YANMAR)

(D)=
 (E)=
 (F)=

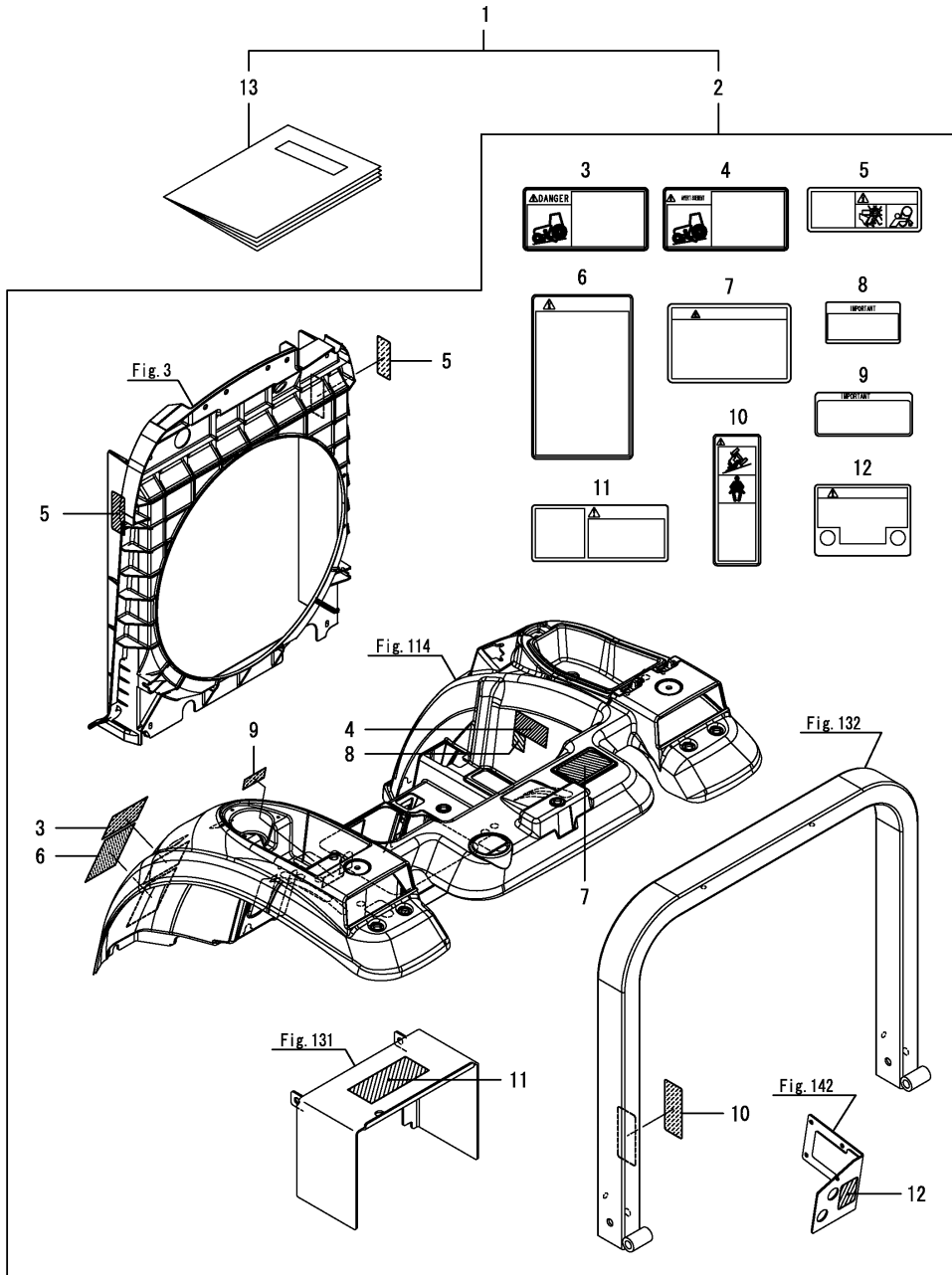


No.	Lev.	Parts No.	Description	Q'ty						I	R
				(A)	(B)	(C)	(D)	(E)	(F)		
1	1	1A8260-04500	HOSE KIT, FUEL			1					
2	2	198280-04290	HOSE, FUEL			2					
3	2	1A8250-04510	HOSE, FUEL 200			1					
4	2	1A8250-04520	HOSE, FUEL 550			1					
5	2	1A8250-04530	HOSE, FUEL			1					
6	2	1A8250-04540	HOSE, FUEL 1700			2					
7	2	119946-59100	PIPE ASSY, FUEL			1					
8	3	119946-59600	PIPE, FUEL			1					
9	3	124060-77680	CLIP, HOSE 10			2					
10	2	24316-000070	O-RING, 4DP7.0			1					
11	2	24316-000160	O-RING, 4DP16.0			1					
12	2	24326-000650	O-RING, 4DG65.0			1					

Fig.146. LABEL(FRENCH

(A)=LX4100(YANMAR)
 (B)=LX4500(YANMAR)
 (C)=LX4900(YANMAR)

(D)=
 (E)=
 (F)=



No.	Lev.	Parts No.	Description	Qty						I	R
				(A)	(B)	(C)	(D)	(E)	(F)		
1	1	1A8260-99300	OPTION KIT, FRENCH	1	1	1					
2	2	1A8250-65010	LABEL KIT, LX FR	1	1	1					
3	3	1A8250-65100	LABEL, DANGER START	1	1	1					
4	3	1A8250-65110	LABEL, WARNING STOP	1	1	1					
5	3	1A7880-65120	LABEL, WARNING FAN	2	2	2					
6	3	1A8250-65120	LABEL, WARNING	1	1	1					
7	3	1A8250-65130	LABEL, WARNING ROPS	1	1	1					
8	3	1A8250-65140	LABEL,IMPORTANT DIFF	1	1	1					
9	3	1A8250-65150	LABEL, SOCKET	1	1	1					
10	3	1A8250-65160	LABEL, WARNING ROPS	1	1	1					
11	3	1A8250-65180	LABEL, WARNING PTO	1	1	1					
12	3	1A8300-65410	LABEL, CAUTION	1	1	1					
13	2	0A042-F00300	OPERATION MANUAL	1	1	1					

Parts No. Index

Parts No.	Fig. No.	Ref. No.
0A042-F00300	146	13
0A042-U00300	133	1
114270-59010	3	33
		34
		35
	4	39
		40
		41
	10	16
		17
		18
		19
119005-12571	4	21
119192-54650	51	39
119225-52102	1	2
	2	5
119593-54570	51	41
119593-59581	144	10
119802-55700	1	4
	2	7
119802-55710	1	6
	2	9
119802-55730	1	7
	2	10
119802-55810	1	10
	2	13
119808-12540	4	19
119860-34810	37	26
119946-59100	145	7
119946-59600	145	8
121750-49150	3	27
	4	33
124060-77680	144	9
		13
		14
	145	9
124240-01883	72	14
124550-77030	95	25
124756-77040	96	2
129004-55612	1	3
	2	6
129052-13550	8	2
129062-12560	4	20
129100-55690	1	5
	2	8
129107-44590	4	2
129237-59120	144	8
129263-44510	1	1
	2	4
129268-59551	144	7

Parts No.	Fig. No.	Ref. No.
129269-95010	136	4
129410-03990	2	3
	4	27
129418-12530	4	17
129467-44600	4	3
129486-59521	144	12
129486-59581	144	11
129509-03080	2	1
129509-03090	2	2
129652-95020	136	1
129900-12530	4	18
146673-53900	51	38
158802-85880	51	48
158822-85960	51	49
158830-85310	51	43
158830-85320	51	44
158830-85370	51	45
158830-87020	51	50
158830-87061	51	52
158830-87160	51	53
158830-87170	51	54
158830-87450	51	74
158833-87050	51	51
158835-85290	51	40
158835-85440	51	47
158836-85420	51	46
158862-87400	51	55
16800A-00020	72	8
1680DE-00011	72	1
1682D1-01050	38	6
1682D1-01060	38	7
1682D1-01070	38	8
1682D1-01080	38	9
1682D1-01100	38	4
1682D2-00010	38	1
1682D2-01010	38	2
1682D2-01020	38	3
168HJ1-85530	51	13
168HJ1-85580	51	19
168HP0-85550	51	14
168HP0-85570	51	15
168HP0-85580	51	16
168HP0-85600	51	17
168HP1-85570	51	18
168HQ1-29350	51	28
168HQ1-29450	51	29
168HQ1-29610	51	33
168HQ2-29000	51	2
168HQ2-29100	51	6
168HQ2-29120	51	12

Parts No.	Fig. No.	Ref. No.
168HQ2-29140	51	21
168HQ2-29150	51	22
168HQ2-29200	51	23
168HQ2-29250	51	25
168HQ2-29300	51	26
168HQ2-29500	51	30
168HQ2-29520	51	31
168HQ2-29610	51	34
168HQ2-29620	51	35
168HQ2-29650	51	36
168HR0-29530	51	32
168PGA-01380	51	3
171015-77900	136	5
171015-77910	136	6
172112-41980	68	10
		67
172124-76160	31	5
172142-76181	31	6
172423-76120	52	7
172531-17300	102	1
172730-75141	31	4
	32	7
175022-49750	3	28
	4	34
178070-10401	72	9
178076-02430	38	10
178076-12400	51	5
178077-15400	72	2
178077-15410	72	3
192159-27780	38	13
192159-27790	38	20 A
192159-27830	38	14
192163-24420	51	7
192167-24600	73	1
192180-24860	51	8
192180-24880	51	9
192180-31850	54	6
194066-13640	19	1
194130-26350	37	25
194130-33452	45	4
194150-01190	7	1
194150-01270	3	6
	4	11
194150-22480	68	25
194151-36670	19	11
194151-47760	86	20
194170-45370	38	15
194170-47440	86	9
194170-51210	6	12
194180-61980	5	1

Parts No.	Fig. No.	Ref. No.
194181-11560	12	7
194190-61761	117	1
194197-25810	44	1
194197-27681	135	18
194250-32530	135	23
194250-47490	68	28
194250-51420	95	20
194273-47910	141	19
194274-13580	132	2
	138	5
		6
194300-37570	85	1
194301-12730	41	1
194312-27770	70	32
194312-27780	68	12
	70	2
194312-46630	79	3
194321-13230	15	3
194321-13250	15	5
194321-13270	15	7
194321-28230	135	22
194322-24980	37	24
194330-62530	132	3
194361-25681	135	39
194420-39360	48	10
194420-39370	48	11
194420-56620	9	6
194420-62260	93	12
194430-25810	45	1
194440-51620	3	29
	4	35
	38	36
	83	1
	97	4
	135	60
194447-13860	135	5
194448-61620	103	5
194450-48830	89	9
194464-45920	35	5
194464-45930	35	6
	81	11
		13
		15
		17
	91	5
	92	3
	141	22
194465-13240	15	4
194465-13260	15	6
194465-13650	138	7

Parts No. Index

Parts No.	Fig. No.	Ref. No.
194515-25490	135	7
194521-41570	72	4
		10
194550-47530	86	14
194555-25880	135	40
194555-46300	79	1
194555-46380	73	10
194555-47340	86	4
194555-47350	86	5
194556-17660	93	1
194640-25860	41	14
194640-26130	16	5
	48	1
194640-34130	60	7
194640-34140	61	2
194640-44250	76	4
194640-44261	76	5
194640-44540	76	13
194640-46420	80	5
194640-47550	86	15
194640-47560	86	16
194640-63560	83	2
194640-73180	37	28
194641-11630	12	8
194680-27540	46	5
194680-51670	3	30
		31
	4	36
		37
	7	18
	10	13
	32	6
	33	4
	95	22
		23
194697-28270	114	5
		6
	115	5
194697-62560	114	18
	115	15
	120	2
194740-00160	6	2
194820-27370	68	9
		66
194850-24990	37	23
194850-26850	135	43
194850-26870	135	44
194850-36370	69	7
194850-42500	37	27
194850-49290	104	1

Parts No.	Fig. No.	Ref. No.
194850-49290	135	57
194940-61790	106	18
	111	25
		26
		27
	113	5
194990-20170	68	7
		65
194990-22130	68	1
	93	2
	95	1
	100	1
	101	1
	106	1
	111	1
	127	1
	140	2
194990-22140	3	24
		25
	7	15
	10	9
	68	2
		3
		4
	70	1
		12
	81	1
		2
	88	1
	89	1
	95	2
	109	2
	110	1
	114	1
		2
		3
		4
	115	1
		2
		3
		4
	116	1
	118	1
		2
		3
	121	1
	140	3
		4
		5
		2
	141	2

Parts No.	Fig. No.	Ref. No.
194990-22140	141	3
	143	2
194990-22150	47	1
	49	1
	68	5
194990-22160	134	3
195230-17260	130	2
198010-47340	88	3
198071-01160	6	10
198071-24340	37	14
198071-37510	70	29
198071-58810	6	14
198071-61890	3	37
	4	42
	112	5
198071-65610	111	29
198072-13760	19	4
198072-18320	131	1
198072-53450	106	7
		12
198072-60590	7	19
	111	2
		3
		4
		5
	112	1
		2
	113	1
		2
198094-85710	114	25
	115	22
198119-27150	46	1
	50	1
	135	17
198121-51430	95	21
198121-77330	51	10
198129-27290	68	35
198133-15710	29	1
198133-15750	29	2
198133-22510	70	5
198133-22530	70	6
198133-24380	37	15
	135	3
198133-34130	27	1
	67	1
198138-49100	93	5
198149-25700	41	6
198149-25780	41	7
198149-25890	41	8
		15

Parts No.	Fig. No.	Ref. No.
198155-51290	95	18
198162-52110	103	1
198162-52150	103	4
198165-21490	15	12
198165-47750	85	2
198165-50110	104	2
198167-35411	68	39
198173-27330	68	34
198200-01260	6	4
198200-14210	21	4
198200-27630	38	30
198200-47460	86	12
198200-47810	88	4
198200-56050	107	3
198200-56080	107	5
198200-61490	95	24
198212-24140	37	2
198212-24290	135	38
198212-24320	37	13
198212-24510	37	18
198212-26580	43	25
198212-26590	43	26
198212-26710	135	9
198212-26740	135	41
198212-26750	135	10
198212-26760	135	11
198212-26810	135	15
198212-26840	135	12
198212-27521	46	4
198212-27690	135	19
198212-27850	135	20
198212-27910	135	21
198212-28420	135	45
198212-28440	135	46
198212-33150	57	3
198212-34150	61	3
198213-24750	38	11
198213-31450	54	1
198217-25680	41	5
198217-27570	46	6
198217-27580	46	7
198217-31400	53	2
198218-24240	37	4
198218-26110	44	3
198218-26350	45	3
198218-26750	135	42
198220-11350	138	2
198220-11520	30	1
	132	1
	138	3

Parts No. Index

Parts No.	Fig. No.	Ref. No.
198220-11900	138	4
198220-25830	41	11
198220-25840	41	12
198220-26790	135	14
198220-26910	48	2
198220-37900	3	26
	4	32
	71	6
198220-46210	68	36
198220-46400	80	3
198220-48140	89	4
198220-61340	109	5
198220-61351	93	11
	109	6
198220-62150	119	1
198220-62920	114	19
	115	16
198220-65621	126	6
198223-52150	102	4
198230-61960	109	7
198240-11640	30	2
198240-12650	130	1
198240-24120	37	6
198240-24480-1	37	17
198240-24530	37	8
198240-24690-2	37	19
198240-24900-1	37	20
198240-26510	135	8
198240-42130	74	1
198240-46260	141	8
	142	5
198240-48140	89	5
198240-48830	89	10
198240-48850	89	11
198240-62451	119	2
198241-14650	16	3
198245-46680	91	1
		2
	92	1
198251-13670	14	8
198253-01190	6	11
198253-27510	47	2
	49	2
198255-24460	37	16
198255-83550	114	24
	115	21
198268-53450	105	3
		11
198273-28521	70	7
198280-04290	144	2

Parts No.	Fig. No.	Ref. No.
198280-04290	145	2
198280-04470	3	8
	4	14
198283-13480	12	10
198290-37510	28	12
	68	70
198310-27370	70	31
198320-33560	60	4
198360-31530	54	4
198360-52320	103	2
198360-52330	103	3
198361-48750	89	8
198390-43360	75	5
198415-25840	41	13
198442-21310	34	2
198448-21280	34	1
198448-21320	34	3
198448-22190	36	1
198448-37450	135	47
198448-43260	75	2
198448-43270	75	3
198448-56150	107	4
198451-28750	43	27
198461-52950	140	19
198475-32660	21	5
198475-37690	70	19
198535-24120	37	1
198535-52110	95	8
198535-52130	95	9
198535-52140	95	10
1A2220-55570	135	62
1A6650-25450	135	6
1A6680-85980	11	4
1A6750-29850	51	37
1A6770-26610	38	12
1A6780-57200	108	5
1A7000-52820	95	12
1A7090-26050	39	2
	40	2
	42	2
	44	2
1A7090-31850	54	7
1A7130-37990	70	21
1A7130-48110	10	10
1A7140-00600	3	1
1A7140-13300	16	1
1A7140-14610	16	2
1A7180-01050	3	2
	4	4
1A7180-04180	9	4

Parts No.	Fig. No.	Ref. No.
1A7180-04850	3	8 -1
	4	14 -1
1A7180-06201	4	25
1A7180-11620	12	2
1A7180-11630	12	3
1A7180-11650	12	5
1A7180-13150	14	2
1A7180-13201	15	1
1A7180-13211	15	2
1A7180-13250	15	9
1A7180-13260	15	10
1A7180-13270	15	11
1A7180-13380	14	3
1A7180-13390	14	4
1A7180-13400	14	5
1A7180-13410	14	6
1A7180-13420	14	7
1A7180-13520	17	1
1A7180-13560	17	2
1A7180-13570	17	3
1A7180-13580	17	4
1A7180-13710	19	2
1A7180-13790	21	1
1A7180-13820	20	1
1A7180-13830	20	2
1A7180-13840	21	2
1A7180-13870	20	3
1A7180-13880	20	4
1A7180-14110	21	3
1A7180-15710	28	7
1A7180-36240	69	2
1A7180-42150	74	2
1A7180-42281	73	5
1A7180-43280	75	1
1A7180-43290	75	4
1A7180-43410	76	7
1A7180-43730	38	27
1A7180-44110	76	8
1A7180-44210	76	1
1A7180-44311	76	6
1A7180-44410	76	11
1A7180-45700	78	1
1A7180-48191	52	4
1A7180-48210	52	5
1A7180-48790	93	3
1A7180-49190	93	6
1A7180-51310	106	2
1A7180-51350	95	19
1A7180-52140	102	3
1A7180-60650	93	10

Parts No.	Fig. No.	Ref. No.
1A7180-60750	111	8
1A7180-61050	111	10
1A7180-61070	111	11
1A7180-61080	111	12
1A7180-61250	109	4
1A7180-61410	111	24
1A7180-61500	112	3
1A7180-61510	112	4
1A7180-61530	113	3
1A7180-61540	113	4
1A7180-61810	111	28
1A7260-01220	3	4
1A7260-53220	106	6
		11
1A7300-01220	4	6
1A7300-01230	4	7
1A7335-52120	102	2
1A7335-71230	128	3
1A7335-71240	128	4
1A7335-71250	128	5
1A7335-71410	128	6
		13
1A7335-71760	128	12
1A7340-54100	143	5
1A7350-24160	37	3
1A7350-25600	41	3
1A7350-33140	57	2
1A7351-26310	45	2
1A7352-32310	55	2
1A7360-25640	41	4
1A7400-53110	105	1
1A7400-53120	105	9
1A7400-53530	105	4
		12
1A7400-53560	105	5
		13
1A7400-53570	105	6
1A7400-53580	105	14
1A7400-53590	105	7
1A7400-53600	105	15
1A7400-53610	105	8
1A7400-53620	105	16
1A7450-27180	68	6
1A7450-27250	68	8
1A7450-43680	128	18
1A7470-86270	143	6
1A7500-51130	95	4
	140	14
1A7500-51170	95	5
	136	2

Parts No. Index

Parts No.	Fig. No.	Ref. No.
1A7500-72160	128	23
		28
		52
1A7500-72180	128	29
		53
1A7500-74661	128	76
1A7510-47760	85	3
1A7510-62100	114	8
	115	7
1A7531-52420	95	11
1A7600-52223	140	18
1A7601-25790	41	10
1A7601-53920	3	32
	4	38
1A7610-48360	91	6
	92	4
1A7640-15710	28	8
1A7640-43450	73	9
1A7640-44230	76	2
1A7640-44240	76	3
1A7640-48310	90	1
1A7680-45320	80	1
1A7680-45370	80	2
1A7680-46410	80	4
1A7870-52950	108	1
		2
		3
1A7880-45640	77	14
1A7880-53100	105	18
1A7880-53430	105	19
1A7880-57100	102	6
1A7880-57260	136	3
	139	3
1A7880-65120	146	5
1A7880-65610	126	5
1A7880-71580	128	9
1A7882-85620	127	3
1A7882-85630	10	24
1A7890-53420	105	2
		10
1A8070-53010	106	3
1A8070-53020	106	8
1A8070-53030	106	5
1A8070-53040	106	10
1A8070-61330	111	22
1A8160-04130	9	3
1A8160-11520	11	2
1A8160-11920	138	1
1A8160-35080	68	30
1A8160-46250	81	3

Parts No.	Fig. No.	Ref. No.
1A8160-46250	142	3
1A8160-46280	81	4
1A8160-46290	81	5
1A8160-46300	81	6
1A8160-46310	81	7
1A8160-46560	142	7
1A8160-46910	141	16
	142	8
1A8160-46960	141	17
		18
	142	9
1A8160-48820	142	17
1A8160-51550	98	1
1A8160-51570	98	2
1A8160-51580	98	3
1A8160-51600	100	2
1A8160-52310	121	4
1A8160-65800	127	2
1A8160-65860	122	17
1A8160-91000	137	1
1A8160-99020	139	5
1A8170-14210	26	1
	66	1
1A8170-14300	22	1
1A8170-14310	22	2
		6
1A8170-14330	22	3
		7
1A8170-14350	22	4
		8
	23	2
1A8170-14400	22	5
1A8170-14500	23	1
1A8170-14510	23	3
1A8170-14530	23	4
1A8170-14600	24	1
1A8170-14610	24	2
1A8170-14630	24	3
1A8170-14650	24	4
1A8170-34300	62	1
1A8170-34310	62	2
		11
1A8170-34330	62	3
		12
1A8170-34340	62	4
		13
1A8170-34350	62	9
		18
	63	2
1A8170-34360	62	5

Parts No.	Fig. No.	Ref. No.
1A8170-34360	62	14
1A8170-34370	62	6
		15
1A8170-34380	62	7
		16
1A8170-34390	62	8
		17
1A8170-34400	62	10
1A8170-34500	63	1
1A8170-34510	63	3
1A8170-34530	63	4
1A8170-34600	64	1
1A8170-34610	64	2
1A8170-34630	64	3
1A8170-34650	64	4
1A8170-46600	141	12
1A8170-53300	143	1
1A8170-99010	139	1
1A8240-04500	144	1
1A8240-04620	3	9
	4	15
1A8240-05100	3	10
1A8240-05110	3	11
1A8240-05120	3	12
1A8240-05130	3	13
1A8240-05150	3	14
1A8240-05160	3	15
1A8240-05170	3	16
1A8240-05180	3	17
1A8240-05810	3	19
	4	23
1A8240-05820	3	20
	4	24
1A8240-06200	3	21
1A8240-06220	3	22
1A8240-15240	28	2
1A8240-15320	28	3
1A8240-15460	3	23
	4	31
1A8240-15720	28	9
1A8240-15730	28	10
1A8240-17950	33	3
1A8240-22240	70	4
1A8240-27600	47	3
1A8240-28300	49	3
1A8240-28500	135	56
1A8240-33150	58	1
1A8240-37600	70	30
1A8240-37610	70	33
1A8240-37650	70	18

Parts No.	Fig. No.	Ref. No.
1A8240-47332	88	2
1A8240-60101	109	3
1A8240-60220	3	36
1A8240-60400	110	2
1A8240-60900	111	9
1A8240-61770	70	37
1A8240-61980	70	40
1A8240-62561	118	4
1A8240-62660	118	6
1A8240-62800	118	7
1A8240-62850	118	8
1A8240-62861	118	9
1A8240-63111	121	2
1A8240-63120	121	5
1A8240-63150	121	17 A
1A8240-63160	121	17 B
1A8240-63170	121	17 C
1A8240-63180	121	17 D
1A8240-63200	121	18
1A8240-65320	126	3
1A8240-65720	123	2
1A8240-65730	123	3
1A8250-01100	6	1
1A8250-01110	6	3
1A8250-01150	6	9
1A8250-01210	3	3
	4	5
1A8250-01250	3	5
	4	9
1A8250-01500	3	7
	4	13
1A8250-01601	109	1
1A8250-02150	6	5
1A8250-03100	8	1
1A8250-04100	9	1
1A8250-04110	9	2
1A8250-04210	9	7
1A8250-04220	9	8
1A8250-04230	9	9
1A8250-04240	9	10
1A8250-04250	10	1
1A8250-04280	10	2
		3
		4
	135	55
1A8250-04290	10	5
1A8250-04430	10	6
1A8250-04510	144	3
	145	3
1A8250-04520	144	4

Parts No. Index

Parts No.	Fig. No.	Ref. No.
1A8250-04520	145	4
1A8250-04530	144	5
	145	5
1A8250-04540	144	6
	145	6
1A8250-04870	10	7
1A8250-11100	11	1
1A8250-11120	134	1
1A8250-11140	134	2
1A8250-14700	25	1
1A8250-14710	25	2
		6
1A8250-14730	25	3
		7
1A8250-14740	25	4
		8
		5
1A8250-14800	25	5
1A8250-15790	122	1
1A8250-17470	28	11
1A8250-21180	10	8
1A8250-26600	135	1
1A8250-26620	135	54
1A8250-34700	65	1
1A8250-34710	65	2
		6
1A8250-34730	65	3
		7
1A8250-34750	65	4
		8
1A8250-34800	65	5
1A8250-35300	71	1
1A8250-37370	71	2
1A8250-37780	71	3
1A8250-37790	71	4
1A8250-37820	71	5
1A8250-46600	81	8
1A8250-46640	87	1
1A8250-46751	81	9
1A8250-46801	82	1
1A8250-46890	84	1
1A8250-46900	84	2
1A8250-46920	84	3
1A8250-48000	89	2
1A8250-48050	89	3
1A8250-48101	84	4
1A8250-48200	81	10
1A8250-48210	81	12
1A8250-48220	81	14
1A8250-48350	81	16
	91	4

Parts No.	Fig. No.	Ref. No.
1A8250-48350	92	2
	141	21
1A8250-48430	90	2
1A8250-48500	89	7
1A8250-48600	91	7
	92	5
	91	8
1A8250-48650	91	8
1A8250-60610	111	6
1A8250-60621	111	7
1A8250-61130	111	14
1A8250-61140	111	15
1A8250-61400	111	23
1A8250-61560	10	20
	70	36
1A8250-62090	114	7
	115	6
	114	9
1A8250-62120	114	9
1A8250-62150	114	10
1A8250-62170	116	2
1A8250-62210	114	11
	115	8
1A8250-62250	116	3
1A8250-62381	114	12
	115	9
1A8250-62390	114	13
	115	10
1A8250-62410	114	14
	115	11
1A8250-62460	114	15
	115	12
1A8250-62471	114	16
	115	13
1A8250-62490	114	17
	115	14
1A8250-62570	117	2
1A8250-62580	117	3
1A8250-63050	116	4
1A8250-63240	121	6
1A8250-63250	121	7
1A8250-63300	121	8
1A8250-63310	121	9
1A8250-63320	121	10
1A8250-63330	121	11
1A8250-63340	121	12
1A8250-63470	114	20
	115	17
	135	63
1A8250-63520	121	13
1A8250-63530	121	14
1A8250-63540	121	15

Parts No.	Fig. No.	Ref. No.
1A8250-63550	121	16
1A8250-63560	121	17
1A8250-63700	114	21
	115	18
1A8250-63750	114	22
	115	19
	10	21
1A8250-63800	10	22
1A8250-63890	10	22
1A8250-63920	114	23
	115	20
1A8250-65010	146	2
1A8250-65100	146	3
1A8250-65110	146	4
1A8250-65120	146	6
1A8250-65130	146	7
1A8250-65140	146	8
1A8250-65150	146	9
1A8250-65160	146	10
1A8250-65180	146	11
1A8250-65300	126	1
1A8250-65310	126	2
1A8250-65350	126	4
1A8250-65370	122	2
1A8250-65390	123	1
	124	1
1A8250-65410	122	3
1A8250-65420	122	4
1A8250-65430	122	6
1A8250-65440	135	64
1A8250-65450	122	7
1A8250-65460	122	8
1A8250-65470	122	9
1A8250-65580	122	10
1A8250-65610	122	11
1A8250-65630	122	12
1A8250-65650	122	13
1A8250-65690	122	14
1A8250-65720	124	2
1A8250-65730	124	3
1A8250-65750	122	15
1A8250-65800	126	7
1A8250-65820	122	16
	132	5
1A8250-65870	10	23
1A8250-85090	132	4
1A8250-99320	143	10
1A8260-00600	4	1
1A8260-01200	7	2
1A8260-01241	4	8
1A8260-01260	4	10

Parts No.	Fig. No.	Ref. No.
1A8260-01270	4	12
1A8260-01901	7	3
1A8260-02501	7	4
1A8260-02550	7	5
1A8260-02650	7	6
1A8260-02750	7	7
1A8260-02851	7	8
1A8260-02910	7	13
1A8260-02951	7	14
1A8260-04500	145	1
1A8260-05100	4	16
1A8260-06210	4	26
1A8260-15500	28	1
1A8260-15610	28	4
1A8260-15950	70	9
1A8260-29170	68	13
1A8260-29280	68	14
1A8260-29410	68	15
1A8260-29490	68	16
1A8260-29610	68	23
1A8260-29700	68	24
1A8260-29710	68	26
1A8260-29750	68	27
1A8260-35000	140	1
1A8260-35100	140	6
1A8260-35110	140	7
1A8260-35120	140	8
1A8260-35131	140	9
1A8260-35161	140	10
1A8260-35171	140	11
1A8260-35201	140	12
1A8260-36000	68	31
1A8260-36050	68	32
1A8260-36100	68	33
1A8260-36110	68	40
1A8260-36190	68	41
1A8260-36200	68	42
1A8260-36240	68	44
1A8260-36310	68	45
1A8260-36360	68	46
1A8260-36410	68	47
1A8260-36590	68	56
1A8260-36600	68	58
1A8260-36630	68	57
1A8260-36640	68	60
1A8260-36670	68	61
1A8260-36700	68	64
1A8260-36800	35	4
1A8260-37200	70	3
1A8260-37210	70	8

Parts No. Index

Parts No.	Fig. No.	Ref. No.
1A8260-37310	70	11
1A8260-37400	70	16
1A8260-37520	70	13
1A8260-37550	70	17
1A8260-37900	70	20
1A8260-48550	35	7
1A8260-48700	91	9
	92	6
1A8260-51200	140	13
1A8260-61400	70	22
1A8260-62360	120	1
1A8260-62590	117	4
1A8260-62650	118	5
1A8260-65200	122	18
1A8260-65210	122	19
1A8260-65720	125	2
1A8260-65730	125	3
1A8260-65910	125	1
1A8260-99300	146	1
1A8265-46110	141	4
1A8265-46160	141	5
1A8265-46200	141	6
1A8265-46250	141	7
	142	4
1A8265-46270	141	9
	142	6
1A8265-46350	141	10
1A8265-46390	141	11
1A8265-46701	141	13
1A8265-46750	141	14
1A8265-46841	141	15
1A8265-46880	141	43
1A8265-48210	142	10
1A8265-48240	142	12
1A8265-48260	142	13
1A8265-48270	142	14
1A8265-48280	142	15
1A8265-48290	141	20
	142	16
1A8265-48460	141	23
1A8265-48480	141	24
1A8265-48500	141	25
1A8265-48770	141	26
1A8265-48790	141	27
1A8265-48810	141	28
1A8265-48830	141	29
1A8265-48950	141	30
1A8265-48960	141	31
1A8265-48970	141	32
1A8265-53050	106	13

Parts No.	Fig. No.	Ref. No.
1A8265-61101	111	13
1A8265-61180	111	16
1A8265-61190	111	17
1A8265-61240	111	18
1A8265-61250	111	19
1A8265-61280	111	20
1A8265-61300	111	21
1A8265-99120	141	1
1A8265-99210	142	1
1A8275-05510	3	18
1A8275-05530	4	22
1A8275-11600	12	1
1A8275-11700	12	6
1A8275-12310	13	1
1A8275-12320	13	11
1A8275-12330	13	2
1A8275-12340	13	12
1A8275-12440	13	3
	13	13
1A8275-12450	13	4
	14	14
1A8275-12460	13	5
	15	15
1A8275-12470	13	21
1A8275-12510	13	6
1A8275-12520	13	16
1A8275-12580	13	7
	17	17
1A8275-12590	13	8
	18	18
1A8275-12600	13	9
	19	19
1A8275-12610	13	10
	20	20
1A8275-13100	14	1
1A8275-13610	18	1
1A8275-13720	19	3
1A8275-13760	19	5
1A8275-13770	19	6
1A8275-13780	19	7
1A8275-14900	16	4
1A8275-17100	30	3
1A8275-17260	30	4
1A8275-17310	30	5
1A8275-17320	30	6
1A8275-17330	30	7
1A8275-17340	30	8
1A8275-17350	30	9
1A8275-17360	30	10
1A8275-17400	30	12

Parts No.	Fig. No.	Ref. No.
1A8275-17430	30	14
1A8275-17440	30	15
1A8275-17450	11	3
1A8275-17480	30	16
1A8275-17490	30	17
1A8275-17500	31	1
1A8275-17510	31	2
1A8275-17520	31	3
1A8275-17640	32	1
1A8275-17820	32	2
1A8275-17870	33	1
1A8275-17880	33	2
1A8275-17890	32	3
1A8275-21100	35	1
1A8275-22810	36	2
1A8275-24160	38	21
1A8275-24231	37	7
1A8275-24240	37	5
1A8275-24540	38	22
1A8275-24561	38	23
1A8275-24580	38	24
1A8275-24610	38	25
1A8275-24640	38	26
1A8275-24660	38	28
1A8275-24670	38	29
1A8275-24960	37	21
1A8275-24980	37	22
1A8275-25110	40	1
1A8275-25120	39	1
1A8275-25540	41	2
1A8275-25560	42	1
1A8275-25750	41	9
1A8275-25840	53	1
1A8275-25980	41	16
1A8275-26000	43	1
1A8275-26010	135	4
1A8275-26020	135	37
1A8275-26030	135	2
1A8275-26200	43	2
1A8275-26220	43	3
1A8275-26370	43	24
1A8275-26700	43	4
1A8275-26710	43	5
1A8275-26720	43	6
1A8275-26730	43	7
1A8275-26740	43	8
1A8275-26750	43	9
1A8275-26760	43	10
1A8275-26770	43	11
1A8275-26780	135	13

Parts No.	Fig. No.	Ref. No.
1A8275-26790	43	12
1A8275-26800	43	13
1A8275-26810	43	14
1A8275-26820	43	15
1A8275-26830	135	16
1A8275-26930	131	2
1A8275-26950	131	3
1A8275-26960	131	4
1A8275-27480	46	2
1A8275-27490	46	3
1A8275-27590	46	8
1A8275-27610	46	9
1A8275-27990	46	10
	50	2
	51	1
1A8275-28100	48	3
1A8275-28110	48	4
1A8275-28120	48	6
1A8275-28220	48	7
1A8275-28230	48	8
1A8275-28240	48	5
1A8275-28290	50	3
1A8275-28340	48	9
1A8275-28350	50	4
1A8275-29090	51	88
1A8275-29110	51	89
1A8275-29120	51	90
1A8275-29150	35	3
1A8275-29240	51	91
1A8275-29270	51	92
1A8275-29381	51	93
1A8275-29450	51	94
1A8275-31510	54	2
1A8275-31520	54	3
1A8275-31820	54	5
1A8275-32110	54	8
1A8275-32610	56	1
1A8275-32650	56	2
1A8275-32670	56	3
1A8275-33100	57	1
1A8275-33160	57	4
1A8275-33410	59	1
1A8275-33420	59	2
1A8275-33450	60	1
1A8275-33490	60	9
1A8275-33540	60	2
1A8275-33550	60	3
1A8275-33570	60	5
1A8275-33580	60	6
1A8275-33610	60	10

Parts No. Index

Parts No.	Fig. No.	Ref. No.
1A8275-34110	61	1
1A8275-36210	69	1
1A8275-36240	69	3
1A8275-36310	69	4
1A8275-36320	69	5
1A8275-36350	69	6
1A8275-36520	69	8
1A8275-42100	73	2
1A8275-42811	73	6
1A8275-42910	74	3
1A8275-43100	73	7
1A8275-44510	76	12
1A8275-45200	77	1
1A8275-45230	77	2
1A8275-45240	77	3
1A8275-45310	77	4
1A8275-45320	77	5
1A8275-45330	77	6
1A8275-45340	77	7
1A8275-45360	77	8
1A8275-45370	77	9
1A8275-45420	77	10
1A8275-45440	77	11
1A8275-45500	77	12
1A8275-45980	77	15
1A8275-46620	79	2
1A8275-47160	86	1
1A8275-47250	86	2
1A8275-47330	86	3
1A8275-47350	86	6
1A8275-47370	86	7
1A8275-47420	86	8
1A8275-47440	86	10
1A8275-47450	86	11
1A8275-47500	86	13
1A8275-47550	86	18
1A8275-47630	86	19
1A8275-48030	91	3
1A8275-48050	38	31
1A8275-48060	52	1
1A8275-48100	52	2
1A8275-48150	52	3
1A8275-48340	89	6
1A8275-48690	38	34
1A8275-48780	38	35
1A8275-48810	93	4
1A8275-48830	52	6
1A8275-49160	32	4
1A8275-49350	93	7
1A8275-49400	93	8

Parts No.	Fig. No.	Ref. No.
1A8275-51113	95	3
1A8275-51190	95	6
1A8275-51200	135	58
1A8275-51250	96	1
1A8275-51260	143	4
1A8275-51270	97	2
1A8275-51281	121	3
1A8275-51550	99	1
1A8275-51570	99	2
1A8275-51580	99	3
1A8275-51600	101	2
1A8275-51610	100	3
	101	3
1A8275-51620	100	4
1A8275-51670	10	14
		15
	93	9
1A8275-52190	135	61
1A8275-52200	140	17
1A8275-53400	105	17
1A8275-56010	107	1
1A8275-56600	9	5
1A8275-57100	108	4
1A8275-59240	97	3
1A8275-60400	102	7
1A8275-60420	140	20
1A8275-60430	102	8
1A8275-65440	95	13
1A8275-71000	128	1
1A8275-71100	128	2
1A8275-71500	128	7
1A8275-71540	128	8
1A8275-71550	128	14
1A8275-71600	128	10
1A8275-71700	128	11
1A8275-72100	128	15
1A8275-72110	128	16
1A8275-72150	128	22
1A8275-72180	128	24
1A8275-72190	128	17
1A8275-72200	128	19
1A8275-72250	128	20
1A8275-72270	128	21
1A8275-72300	128	25
1A8275-73030	128	26
1A8275-73040	128	50
1A8275-73500	128	27
1A8275-73510	128	30
1A8275-73550	128	51
1A8275-73560	128	54

Parts No.	Fig. No.	Ref. No.
1A8275-73600	128	31
		55
1A8275-73700	128	32
		56
1A8275-73710	128	33
		57
1A8275-73720	128	34
		58
		74
1A8275-73740	128	35
		59
1A8275-74200	128	36
		60
1A8275-74240	128	75
1A8275-74260	128	37
		61
1A8275-74340	128	38
		62
1A8275-74390	128	39
		63
1A8275-74410	128	40
		64
1A8275-74430	128	41
		65
1A8275-74440	128	42
		66
1A8275-74450	128	43
		67
1A8275-74470	128	44
		68
1A8275-74490	128	45
		69
1A8275-74520	128	46
		70
1A8275-74530	128	47
		71
1A8275-74540	128	48
		72
1A8275-74550	128	49
		73
1A8275-75110	130	3
1A8275-75430	130	4
1A8275-75530	130	5
1A8280-53200	106	14
1A8280-53220	106	15
		17
1A8280-53300	106	16
1A8300-51210	7	17
	10	11
		12

Parts No.	Fig. No.	Ref. No.
1A8300-51210	10	36
	32	5
	95	15
		16
		17
	97	1
	135	59
	139	2
	140	15
		16
		16 -1
	142	18
	143	3
1A8300-51230	95	7
1A8300-65400	142	11
1A8300-65410	146	12
1A8300-65421	122	5
1A8300-85430	132	6
1A8300-85440	132	7
1A8300-85910	132	8
1A8300-85920	132	9
1A8300-85930	132	10
1C6053-26020	7	16
1C6053-32020	68	38
	70	10
1C6281-52310	6	13
1C6281-52320	68	71
	70	35
	84	5
	129	1
1C6557-52120	68	68
1C6860-08160	106	4
		9
1C6900-23120	19	9
1C6900-23150	19	10
1C6920-36260	107	2
1C7100-15100	19	8
1C7121-56040	7	9
1E6102-83230	95	26
1E6213-83410	33	5
	139	4
1E8775-84120	95	14
1S6483-63610	7	10
1TN322-41770	142	2
22117-080000	79	4
	129	2
22117-100000	68	18
22117-140000	68	48
22137-050000	111	30
22137-060000	6	15

Parts No. Index

Parts No.	Fig. No.	Ref. No.
22137-060000	7	20
		21
22137-080000	7	11
	68	72
	141	33
22137-100000	6	6
	68	73
	86	21
		22
	93	13
	110	3
	111	31
	135	65
	141	34
	143	7
22137-120000	68	62
	70	24
	86	23
	131	5
22137-130000	105	20
22137-140000	68	19
22137-160000	29	3
22137-200000	57	5
	71	7
22157-060000	111	32
	139	6
	140	21
22157-080000	9	11
	10	25
		26
	70	14
	85	4
	114	26
		27
		28
	115	23
		24
		25
	132	11
	135	24
22157-100000	6	7
22190-080002	72	15
22207-035230	135	25
22217-100000	28	13
	54	9
	143	8
22217-120000	37	29
22217-130000	105	21
22217-160000	37	30
	118	10

Parts No.	Fig. No.	Ref. No.
22242-000120	140	22
22242-000200	28	5
22242-000250	39	3
	135	26
22242-000300	16	6
	30	13
	48	12
	51	24
		27
22242-000320	69	9
22242-000340	45	5
22242-000500	54	10
22242-100300	43	19
22242-100350	43	16
22252-000140	38	32
22252-000200	51	75
22252-000320	72	5
		11
22252-000370	28	6
22252-000520	51	76
22252-000550	48	13
22252-000620	18	2
22252-000680	135	27
22252-000850	19	12
22252-000900	19	13
22252-000950	19	14
22252-001000	43	17
22262-000420	51	77
22272-000070	86	24
22272-000080	68	49
22272-000090	68	63
22272-000120	68	20
		50
22272-000150	70	25
22272-000190	70	26
22312-100180	19	15
	34	4
	37	9
		31
	51	95
	56	4
	74	4
		5
	135	28
22312-100250	30	18
22312-120320	60	11
22351-030008	43	20
22351-035036	46	11
	50	5
22351-035040	47	4

Parts No.	Fig. No.	Ref. No.
22351-035040	49	4
	68	51
22351-040008	140	23
22351-040012	79	5
22351-050025	86	25
		26
22351-050040	57	6
22351-050070	76	9
22351-060016	76	14
22351-060030	80	6
22351-060032	46	12
	51	96
	135	29
22351-060036	46	13
	50	6
	54	11
22351-060040	15	8
	47	5
	49	5
	68	52
22351-060060	38	16
22351-080032	57	7
22351-080040	57	8
	60	8
22351-080070	76	10
22372-060000	7	22
		23
22372-080000	7	12
	114	29
	115	26
	119	3
	141	35
22372-100000	110	4
	111	33
	141	36
22372-160000	134	4
	138	8
22417-200160	68	21
	85	5
22417-200200	76	15
	86	27
22417-250300	68	74
	70	27
	71	8
	135	66
22417-400400	13	22
22487-080200	84	6
	86	28
22487-080600	114	30
	115	27

Parts No.	Fig. No.	Ref. No.
22522-030130	86	29
23000-019000	4	43
		44
23000-022000	93	14
		15
23000-035000	3	38
	4	45
		46
	89	12
23000-048000	89	13
23000-060000	16	7
23000-070000	3	39
		40
	4	47
23000-080000	4	48
23297-150081	51	97
23414-100000	43	28
23414-170000	52	8
23414-190000	91	10
		11
	92	7
23414-200000	52	9
	93	16
23414-200026	38	37
		38
	89	14
23414-210027	91	12
		13
	92	8
23414-220000	51	98
23491-140002	35	8
	37	32
23857-150000	38	39
	52	10
	93	17
23857-180000	51	99
23871-010000	38	5
		40
	73	3
		8
23871-020000	73	4
23980-730200	3	41
	4	49
23980-730400	3	42
	4	50
23980-730550	10	27
23980-730600	3	43
	4	51
23980-731700	10	28
24101-060064	48	14

Parts No. Index

Parts No.	Fig. No.	Ref. No.
24101-060064	135	30
24101-060104	54	12
24101-060114	61	4
24101-060124	19	16
24101-060174	15	13
24101-062044	43	21
24101-062084	21	6
24101-062094	19	17
	21	7
24101-062114	54	13
	61	5
24101-063044	48	15
24101-063054	42	3
	44	4
	45	6
24101-063064	42	4
24104-060000	68	22
		53
24104-060024	68	54
24104-062104	20	5
24107-060064	43	22
24121-063054	39	4
24141-320070	14	9
24190-080001	46	14
	48	16
	135	31
24190-130003	73	11
24190-160001	38	33
24190-180001	69	10
24311-000040	51	69
24311-000070	38	17
		41
24311-000090	51	70
24311-000110	79	6
24311-000120	51	100
	79	7
24311-000140	46	15
	51	71
24311-000150	86	30
		31
24311-000160	1	8
	2	11
	35	9
	37	33
	46	16
	50	7
	135	32
24311-000180	19	18
	52	11
24311-000200	89	15

Parts No.	Fig. No.	Ref. No.
24311-000220	32	8
	89	16
24311-000240	38	18
24311-000320	89	17
		18
24311-000360	76	16
	89	19
24311-000500	37	34
24315-000110	30	11
	51	78
24315-000120	80	7
24315-000140	31	7
		8
	32	9
	51	79
	73	12
		13
24315-000180	51	11
		20
	73	14
	80	8
24316-000070	144	15
	145	10
24316-000160	144	16
	145	11
24321-000500	16	8
		9
	135	33
24321-000600	43	23
24321-000650	1	9
	2	12
	37	35
	76	17
24321-000750	37	36
24321-001300	19	19
24321-002300	21	8
24325-000800	73	15
24326-000650	144	17
	145	12
24341-000080	43	29
	51	4
24341-000112	38	19
24341-000250	89	20
24341-000315	14	10
24341-000320	43	18
24351-020300	37	37
24351-190150	51	80
24372-000090	51	72
24421-153207	72	6
		12

Parts No.	Fig. No.	Ref. No.
24421-203007	57	9
24421-355008	69	11
24421-456209	18	3
24550-010100	141	37
24550-012150	68	59
24550-015150	68	17
		43
24550-017150	35	2
24550-025200	70	23
24761-010000	12	4
		9
26013-080202	135	34
26013-080452	135	48
26013-101152	135	49
26013-140352	37	38
26014-080202	135	50
		51
26016-060162	38	20
26016-080352	72	7
		13
26106-060122	3	44
	4	52
	10	29
	32	10
	108	6
		7
26106-060162	127	4
	141	38
26106-060202	3	45
	4	53
	89	21
	95	27
	106	19
	108	8
	109	8
		9
	139	7
	140	24
26106-060254	51	104
26106-060304	51	105
26106-060352	89	22
26106-060402	32	11
	87	2
	89	23
		24
26106-060452	89	25
26106-080122	3	46
	4	54
		55
	16	10

Parts No.	Fig. No.	Ref. No.
26106-080122	16	11
	81	18
	106	20
	111	34
	117	5
	141	39
26106-080162	3	47
		48
		49
	4	56
		57
		58
	6	16
	7	24
	10	30
		31
	11	5
	33	6
		7
	35	10
	36	3
	37	39
	46	17
	50	8
	51	101
		102
		103
	52	12
		13
	56	5
		6
	60	12
	68	75
		76
	70	38
	86	32
		33
	89	26
		27
		28
	90	3
	93	18
	95	28
		29
		30
		31
	97	5
	106	21
	110	5
	111	35

Parts No. Index

Parts No.	Fig. No.	Ref. No.	
26106-080162	111	36	
	116	5	
	118	11	
		12	
	131	6	
	135	67	
	140	25	
	141	40	
	26106-080202	8	3
		10	32
			33
		37	40
			41
		51	81
58		2	
68		77	
82		2	
109		10	
		11	
114		31	
		32	
		33	
115	28		
	29		
	30		
	116	6	
	121	19	
	132	12	
	135	35	
	141	41	
		42	
26106-080252	143	11	
	55	3	
	72	16	
	95	32	
26106-080302	131	7	
	3	50	
	4	59	
	37	42	
	51	82	
	72	17	
26106-080352	114	34	
	115	31	
26106-080402	37	43	
	72	18	
26106-080602	86	34	
26106-080702	10	34	
26106-080802	38	42	
	72	19	
26106-080852	84	7	

Parts No.	Fig. No.	Ref. No.
26106-081002	38	43
26106-081102	135	52
26106-081152	72	20
26106-100162	3	51 -1
	4	60 -1
26106-100202	3	51
	4	60
	31	9
	52	14
	68	78
	118	13
		14
26106-100252	37	44
	135	53
26106-100302	19	20
	21	9
	68	79
26106-100352	51	106
26106-100402	28	14
26106-100502	51	107
26106-100802	51	108
26106-120252	35	11
		12
	130	6
26106-120302	73	16
		17
	76	18
26106-120402	35	13
	74	6
26106-120502	37	45
	56	7
	73	18
26106-120652	37	46
	74	7
26106-120702	68	80
26116-060404	68	80
26116-060504	68	80 -1
26116-100162	77	16
26116-120352	134	5
26116-160402	118	15
26116-160604	11	6
26216-080162	70	39
26216-080802	37	10
26216-120702	74	8
26218-120502	37	11
	74	9
26346-080002	51	109
	68	55
	70	28
26347-060002	140	26
26347-080002	9	12

Parts No.	Fig. No.	Ref. No.
26347-080002	9	13
		10
	141	44
26356-160002	29	4
26366-080002	38	44
26366-120002	56	8
	74	10
26450-050102	77	17
26450-060202	51	83
26450-080122	19	21
26450-080252	77	18
26450-100552	51	84
26450-100802	51	85
26450-120552	51	86
26450-120702	51	87
26487-080203	114	35
	115	32
26557-050202	107	6
26557-060162	102	9
26589-060102	111	37
		38
26716-050002	107	7
26716-060002	51	73
		110
	84	8
	100	5
	101	4
26716-080002	68	11
		37
		69
	70	15
	142	19
26716-100002	6	8
	19	22
	68	29
	70	34
	86	17
		35
26716-120002	37	47
	138	9
		10
26716-160002	11	7
26736-100002	143	9
26736-160002	86	36
26756-080002	131	8
26776-120002	102	5
26776-160002	84	9
27260-170000	37	48
27260-300000	37	12
27260-470000	90	4

Parts No.	Fig. No.	Ref. No.
41851-000110	77	13
794251-13910	55	1
933147-10350	135	36