

0CNP5-M53700EN

# Contents

0CNP5-M53700

Fig. No.	Fig. Name
ENGINE CONTROL SECTION	
1.	ENGINE ACCESSORIES
2.	ACCEL LEVER
3.	TANK,FUEL OIL
4.	FUEL PIPE
FRONT AXLE SECTION	
5.	FRONT BRACKET
6.	CENTER PIN
7.	TIE ROD
8.	DRIVE PINION
9.	DIFFERENTIAL GEAR
10.	PROPELLER SHAFT
11.	FRONT SHAFT(1)
12.	FRONT AXLE HOUSING
13.	FRONT GEAR CASE
14.	FRONT SHAFT(2)
15.	INPUT SHAFT
16.	FRONT SPINDLE
17.	SHAFT COVER
18.	FRONT TIRE R3
19.	FRONT TIRE R4
20.	HUB BOLT,FRONT
21.	STEERING WHEEL
22.	PST VALVE

Fig. No.	Fig. Name
23.	PST CYLINDER
24.	PST PIPING(A)
25.	PST PIPING(B)
TRANSMISSION SECTION	
26.	CLUTCH HOUSING
27.	DOCKING BOLT
28.	DAMPER DISC
29.	CLUTCH SHAFT
30.	TRANSMISSION CASE
31.	CENTER PLATE
32.	OIL CAP
33.	OIL STRAINER
34.	INPUT SHAFT
35.	MAIN SHAFT
36.	COUNTER SHAFT
37.	PTO DRIVE SHAFT
38.	PTO CLUTCH SHAFT
39.	PTO SHAFT
40.	MID PTO SHAFT
41.	INERTIA BRAKE
42.	RANGE SHIFT
43.	PTO CHANGE
44.	FRONT DRIVE
45.	FRONT SHIFT

# Contents

OCNP5-M53700

Fig. No. Fig. Name

46. H.S.T. CONTROL(1

47. H.S.T. CONTROL(2

48. H.S.T.

## REAR AXLE SECTION

54. RING GEAR

55. DIFFERENTIAL GEAR

56. DIFFERENTIAL CARRIER

57. REAR HOUSING

58. DIFFERENTIAL LOCK

59. FINAL PINION

60. FINAL GEAR

61. REAR AXLE SHAFT

62. TIRE REAR R3

63. TIRE REAR R4

64. HUB BOLT,REAR

65. HYDRAULIC PEDAL

66. CRUISE CONTROL

67. DISC BRAKE

68. BRAKE PEDAL

69. PARKING BRAKE

## HYDRAULIC CONTROL SECTION

70. HYDRAULIC PUMP

71. HYDRAULIC LIFT

Fig. No. Fig. Name

72. HYDRAULIC CONTROL

73. STOP VALVE

74. SUB CONTROL VALVE

75. VALVE ACCESSORIES

76. HYDRAULIC LINE

## ELECTRICAL PARTS SECTION

77. WIRE HARNESS

78. BATTERY

79. SWITCH(1

80. SWITCH(2

81. SWITCH(3

82. LAMP

83. METER

84. RELAY

## FITTINGS SECTION

85. HOOD

86. DASHBOARD

87. FENDER

88. FENDER(BOLT

89. STEP

90. SEAT BRACKET

91. DRIVER SEAT

92. LABEL(1

# Contents

0CNP5-M53700

Fig. No. Fig. Name

93. LABEL(2

94. LABEL(SAFETY)

## HITCH SECTION

95. PTO GUARD

96. PTO SHAFT COVER

97. OIL SEAL COVER

98. 3-POINT HITCH

99. REAR HITCH

100. DRAWBAR HITCH

## SAFETY FRAME SECTION

101. ROPS(1)

102. ROPS(2)

103. SMV

## ACCESSORIES SECTION

104. MANUAL

## OPTIONAL SECTION

105. HEATER(BLOCK

106. WEIGHT LOCK PIN

107. FUEL LINE(FAME

108. PTO CLUTCH KIT

109. HYDRAULIC,REAR

Fig. No. Fig. Name

110. LABEL(FRENCH

49. CENTER CASE

50. PUMP

51. MOTOR

52. POWER PUMP

53. MOTOR CASE

Fig.1. ENGINE ACCESSORIES

(A)=SX3100(YANMAR)

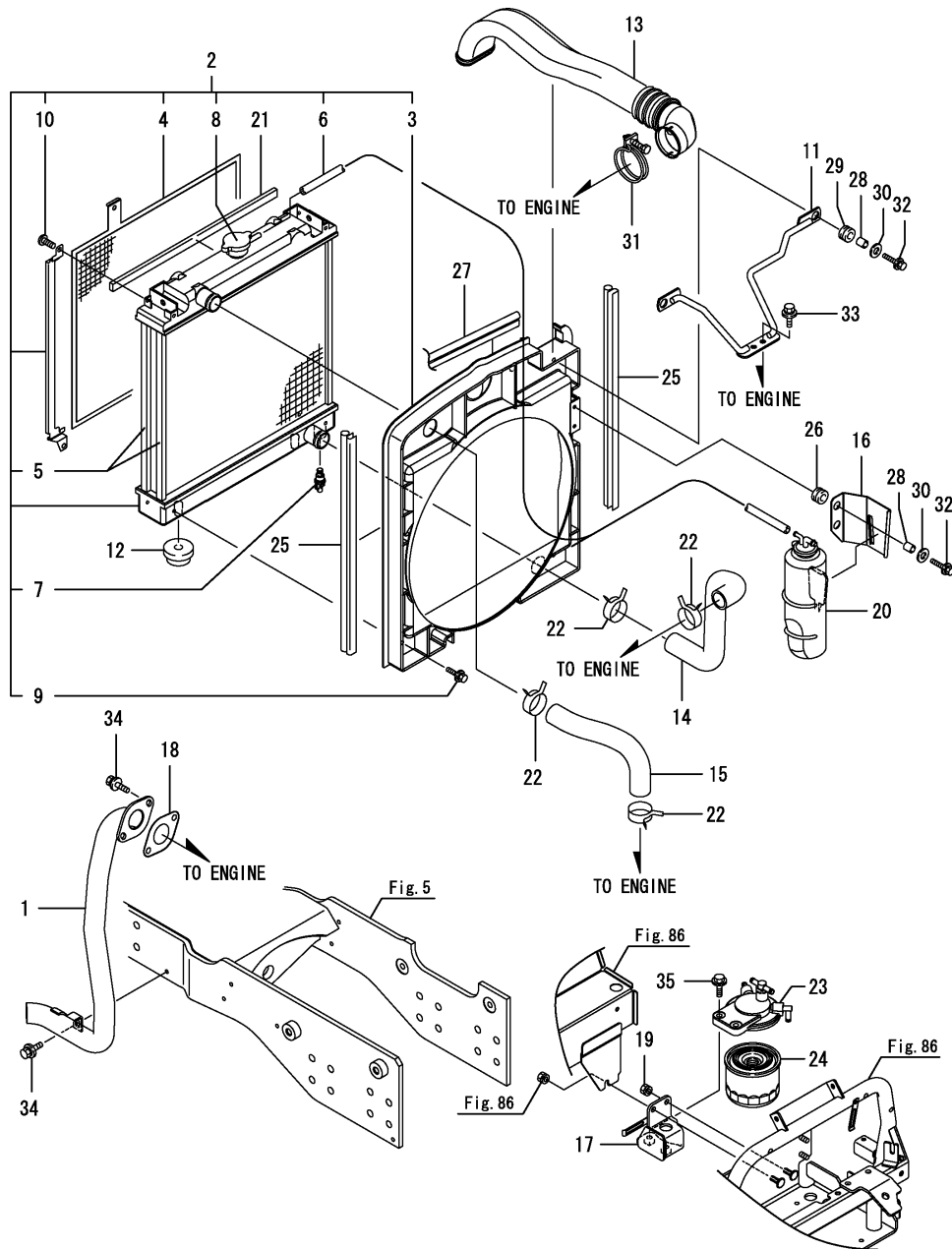
(B)=

(C)=

(D)=

(E)=

(F)=



No.	Lev.	Parts No.	Description	Qty						I	R
				(A)	(B)	(C)	(D)	(E)	(F)		
1	1	1A7540-00511	PIPE ASSY, EXHAUST	1							
2	1	1A8300-00600	RADIATOR ASSY, M	1							
3	2	1A8300-00610	SHROUD ASSY, M	1							
4	2	1A7530-00620	PROTECTOR	1							
5	2	1A7530-00690	PACKING	4							
6	2	121250-44570	PIPE, 7X300	1							
7	2	119924-44580	VALVE ASSY,DRAIN	1							
8	2	129107-44590	CAP, RADIATOR	1							
9	2	26014-060202	BOLT, M6X 20	4							
10	2	26557-060122	SCREW, M6X12	4							
11	1	1A7540-00630	ROD ASSY, SUPPORT	1							
12	1	198162-00640	SUPPORT, RADIATOR	2							
13	1	1A8300-00680	PIPE, EXTENSION	1							
14	1	1A7540-00720	PIPE, WATER L	1							
15	1	1A7540-00730	PIPE, WATER U	1							
16	1	1A7530-00750	STAY, SUB TANK	1							
17	1	1A7540-04150	BRACKET ASSY, FILTER	1							
18	1	129052-13550	GASKET	1							
19	1	194990-22050	NUT, M8	1							
20	1	129263-44510	TANK ASSY, SUB	1							
21	1	121454-44590	PAD, URETHANE	1							
22	1	175022-49730	CRIP 31, HOSE	4							
23	1	129004-55612	BRACKET, FILTER	1							
24	1	119802-55810	FILTER,FO	1							
25	1	198448-60780	WEATHER-STRIP, 470	2							
26	1	198220-62440	GROMMET	2							
27	1	172164-66620	RUBBER, SEAL 320	1							
28	1	198129-78710	SPACER, 6-10	4							
29	1	198129-78720	GROMMET, 10-16	2							
30	1	22157-060000	WASHER, 6	4							
31	1	23010-060000	CLAMP, 60	1							
32	1	26018-060302	BOLT, M6X 30	4							
33	1	26018-080202	BOLT, M8X 20	2							
34	1	26018-080252	BOLT, M8X 25	3							
35	1	26106-080302	BOLT, M8X 30 PLATED	2							

Fig.2. ACCEL LEVER

(A)=SX3100(YANMAR)  
 (B)=  
 (C)=

(D)=  
 (E)=  
 (F)=

No.	Lev.	Parts No.	Description	Q'ty						I	R
				(A)	(B)	(C)	(D)	(E)	(F)		
1	1	1A7510-01100	LEVER ASSY	1							
2	1	198165-01130	PLATE, FRICTION	1							
3	1	1A7510-01151	SHAFT ASSY	1							
4	1	198071-01160	RUBBER	1							
5	1	1A7510-01180	WIRE, ACCELERATOR	1							
6	1	198253-01190	KNOB, LEVER	1							
7	1	1A7510-01240	CAP, RUBBER	1							
8	1	198421-01250	BOLT, M6X40	1							
9	1	194151-47760	WASHER, 12	3							
10	1	1C6281-52310	PIN, SNAP 6	1							
11	1	22157-060000	WASHER, 6	1							
12	1	26716-120002	NUT, M12	2							

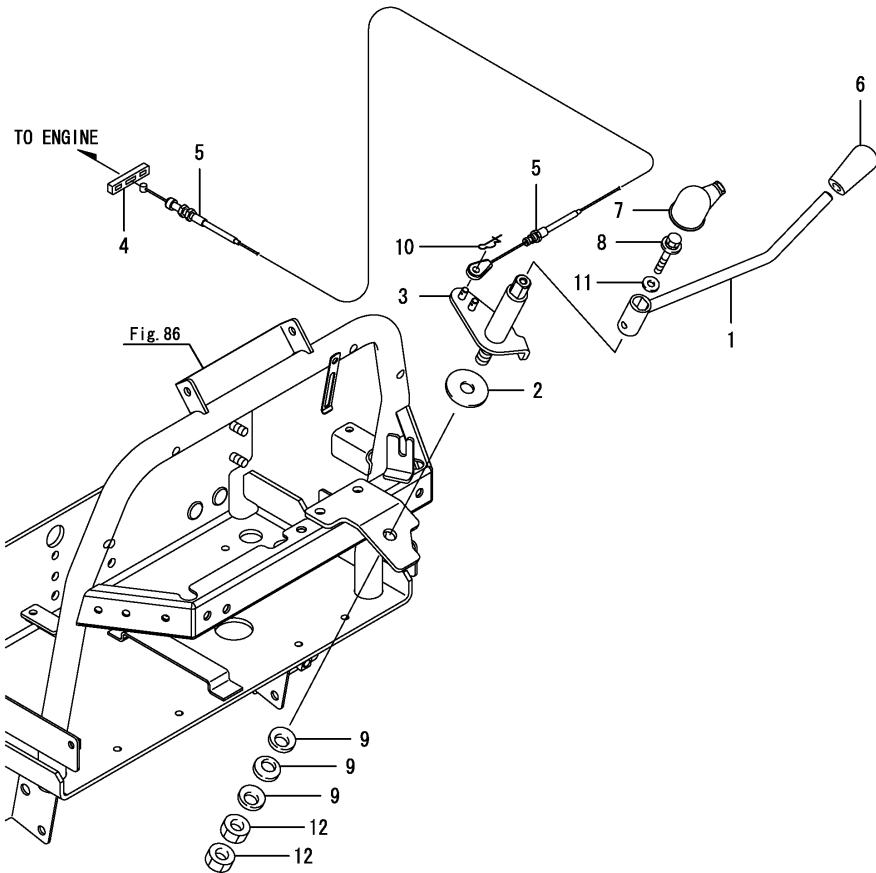
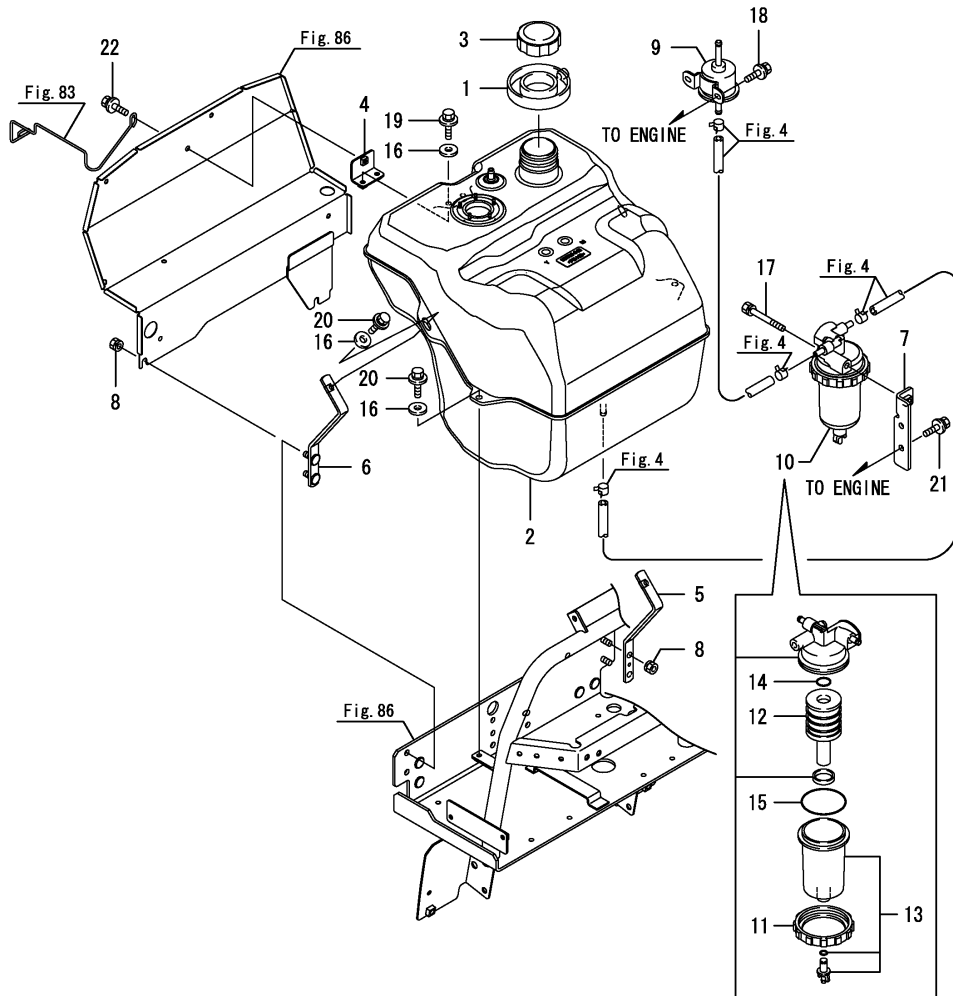


Fig.3. TANK,FUEL OIL

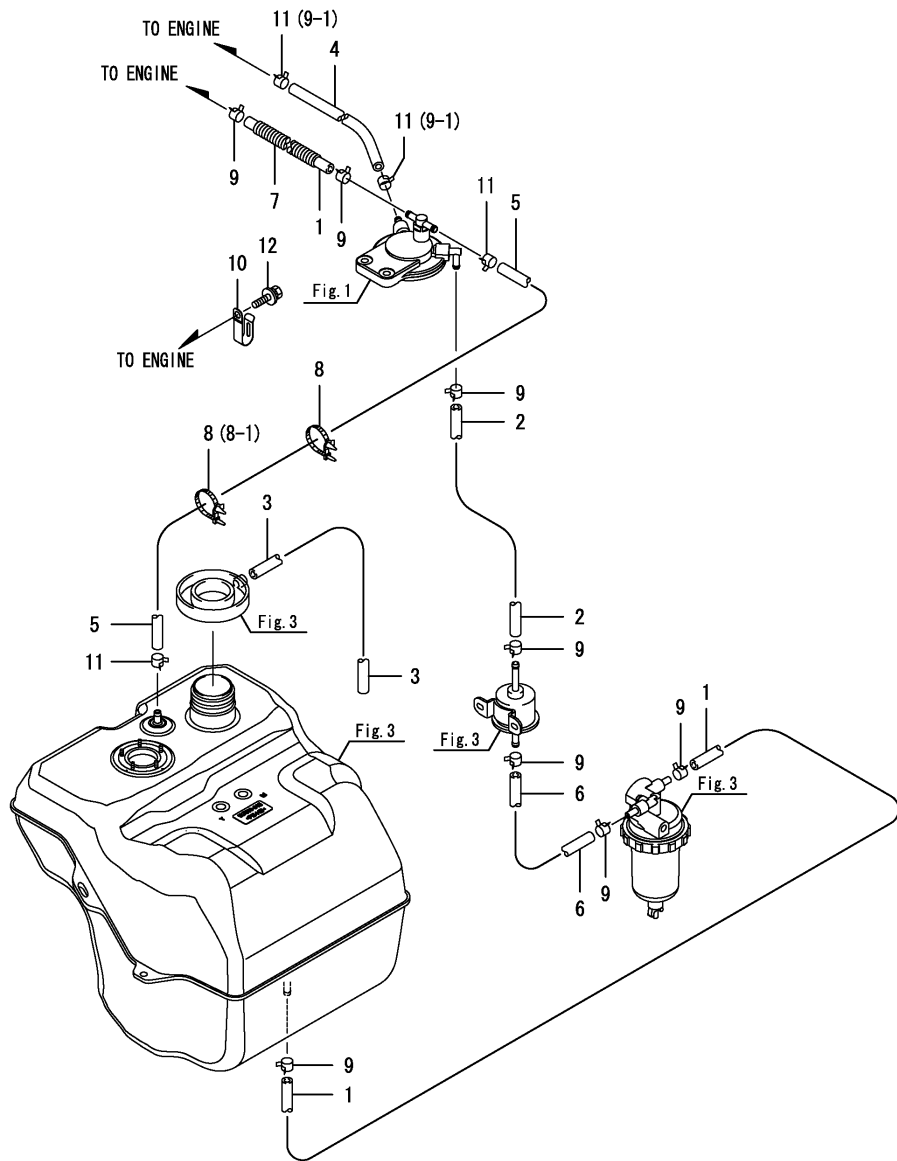
(A)=SX3100(YANMAR)  
(B)=  
(C)=

(D)=  
(E)=  
(F)=



No.	Lev.	Parts No.	Description	Qty						I	R
				(A)	(B)	(C)	(D)	(E)	(F)		
1	1	1C6860-02300	PAN,FUEL	1							
2	1	1A7530-04110	TANK, FUEL	1							
3	1	1A8160-04130	CAP, FUEL TANK	1							
4	1	1A7530-04310	STAY ASSY, TANK F	1							
5	1	1A7530-04330	STAY ASSY, TANK R	1							
6	1	1A7530-04340	STAY ASSY, TANK	1							
7	1	1A7531-04410	STAY ASSY, SEPARATER	1							
8	1	194990-22050	NUT, M8	4							
9	1	119225-52102	PUMP ASSY, FUEL FEED	1							
10	1	119802-55700	SEPARATOR ASSY	1							
11	2	129100-55690	RING, RETAINING	1							
12	2	119802-55710	ELEMENT	1							
13	2	119802-55730	CUP ASSY	1							
14	2	24311-000160	O-RING, 1AP16.0	1							
15	2	24321-000650	O-RING, 1AG65.0	1							
16	1	22157-060000	WASHER, 6	6							
17	1	26013-080702	BOLT, M8X 70	1							
18	1	26018-060162	BOLT, M6X 16	2							
19	1	26018-060202	BOLT, M6X 20	2							
20	1	26018-060252	BOLT, M6X 25	4							
21	1	26018-080162	BOLT, M8X 16	2							
22	1	26019-060162	BOLT, M6X 16	1							

Fig.4. FUEL PIPE



(A)=SX3100(YANMAR)  
(B)=  
(C)=

(D)=  
(E)=  
(F)=

No.	Lev.	Parts No.	Description	Q'ty						I	R
				(A)	(B)	(C)	(D)	(E)	(F)		
1	1	1A7530-04410	HOSE, FUEL	2							
2	1	1A7540-04410	HOSE, FUEL	1							
3	1	198421-04430	PIPE, FUEL SUMP	1							
4	1	1A7510-04430	HOSE, FUEL F-P	1							
5	1	1A7540-04430	HOSE, FUEL	1							
6	1	1A7540-04440	HOSE, FUEL	1							
7	1	198463-51170	TUBE, CORRUGATED 13	1							
8	1	194680-51670	BAND, CLIP	2							
8-1	1	194680-51670	BAND, CLIP	1							K
(A=FXXXXX)											
9	1	114270-59010	CLIP, HOSE 12	8							
9-1	1	114270-59010	CLIP, HOSE 12	10							K
(A=FXXXXX)											
10	1	1E6102-83230	CLAMP, CABLE	1							
11	1	23080-012000	CLAMP, 12	4							
11-1	1	23080-012000	CLAMP, 12	2							K
(A=FXXXXX)											
12	1	26018-080162	BOLT, M8X 16	1							



Fig.5. FRONT BRACKET

(A)=SX3100(YANMAR)  
 (B)=  
 (C)=

(D)=  
 (E)=  
 (F)=

No.	Lev.	Parts No.	Description	Q'ty						I	R
				(A)	(B)	(C)	(D)	(E)	(F)		
1	1	1A7540-11101	BRACKET ASSY, AXLE	1							
2	1	26108-120252	BOLT, M12X 25 PLATED	16							

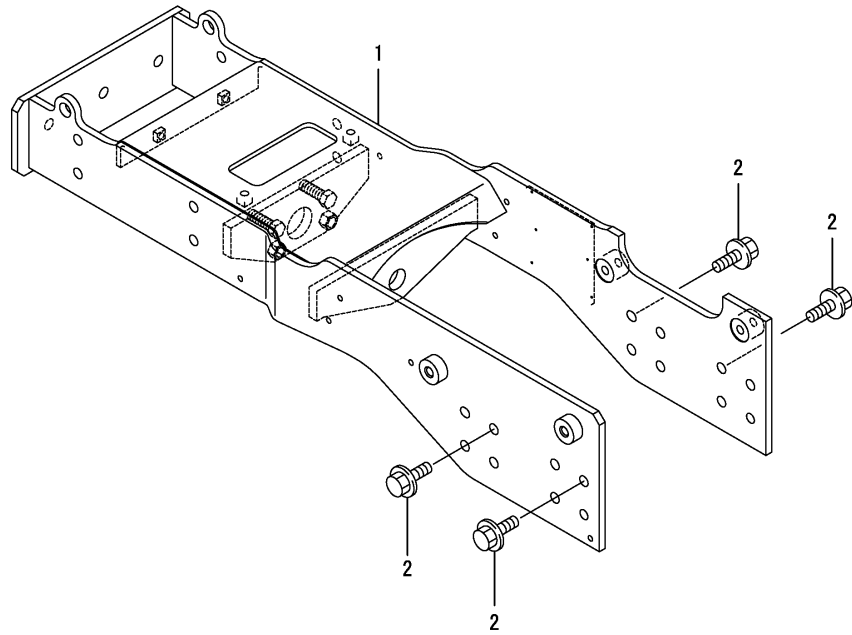


Fig.6. CENTER PIN

(A)=SX3100(YANMAR)  
 (B)=  
 (C)=

(D)=  
 (E)=  
 (F)=

No.	Lev.	Parts No.	Description	Q'ty						I	R
				(A)	(B)	(C)	(D)	(E)	(F)		
1	1	1A7531-11510	PIN, CENTER	1							
2	1	198165-11540	BUSH, PIN	1							
3	1	1A7531-11550	SHIM KIT, CENTER PIN	1							
4	2	1A7531-11560	SHIM, CENTER PIN 0.2	2							
5	2	1A7531-11570	SHIM, CENTER PIN 0.5	2							
6	2	1A7531-11580	SHIM, CENTER PIN 0.1	2							
7	1	198435-16230	NIPPLE, GRESAE 6	1							
8	1	26106-120302	BOLT, M12X 30 PLATED	2							
9	1	26366-120002	NUT, M12	2							

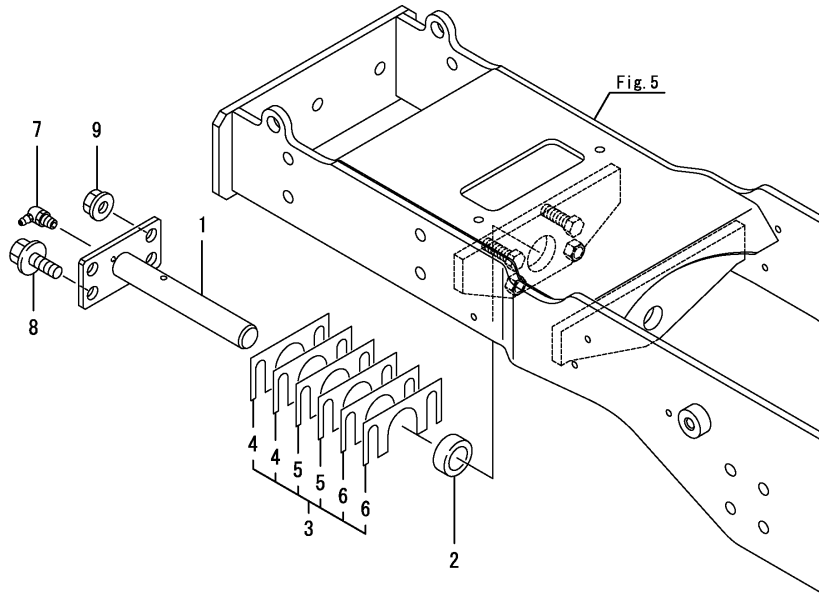
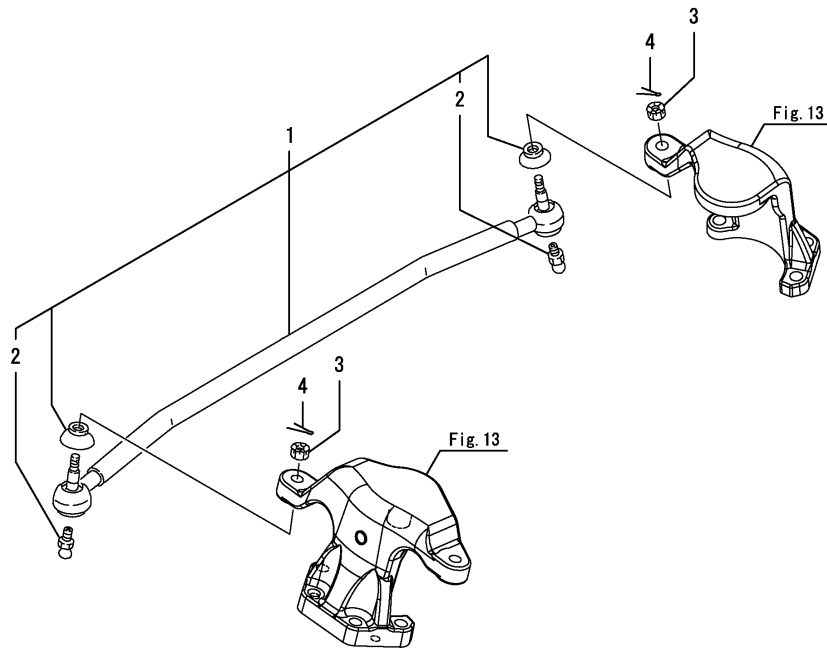


Fig.7. TIE ROD

(A)=SX3100(YANMAR)  
 (B)=  
 (C)=

(D)=  
 (E)=  
 (F)=

No.	Lev.	Parts No.	Description	Q'ty						I	R
				(A)	(B)	(C)	(D)	(E)	(F)		
1	1	198165-12310-1	TIE-ROD ASSY	1							
2	2	24761-060000	NIPPLE, GREASE MT6X1	2							
3	1	194215-12340	NUT, CASTLE M10	2							
4	1	22417-250250	PIN, COTTER 2.5X25	2							





0CNP5-M53700 FRONT AXLE SECTION  
**Fig.9. DIFFERENTIAL GEAR**

0CNP5-M53700 Fig.9

(A)=SX3100(YANMAR)  
 (B)=  
 (C)=

(D)=  
 (E)=  
 (F)=

No.	Lev.	Parts No.	Description	Q'ty						I	R
				(A)	(B)	(C)	(D)	(E)	(F)		
1	1	198165-13101	PINION KIT, DRIVE	1							
2	1	198421-13221	GEAR, DIFFERENTIAL	2							
3	1	1A7050-13230	PINION, DIFFERENTIAL	2							
4	1	198421-13240	SHAFT, DIFFERENTIAL	1							
5	1	24101-060054	BEARING, BALL 6005	1							
6	1	24101-060074	BEARING, BALL 6007	1							

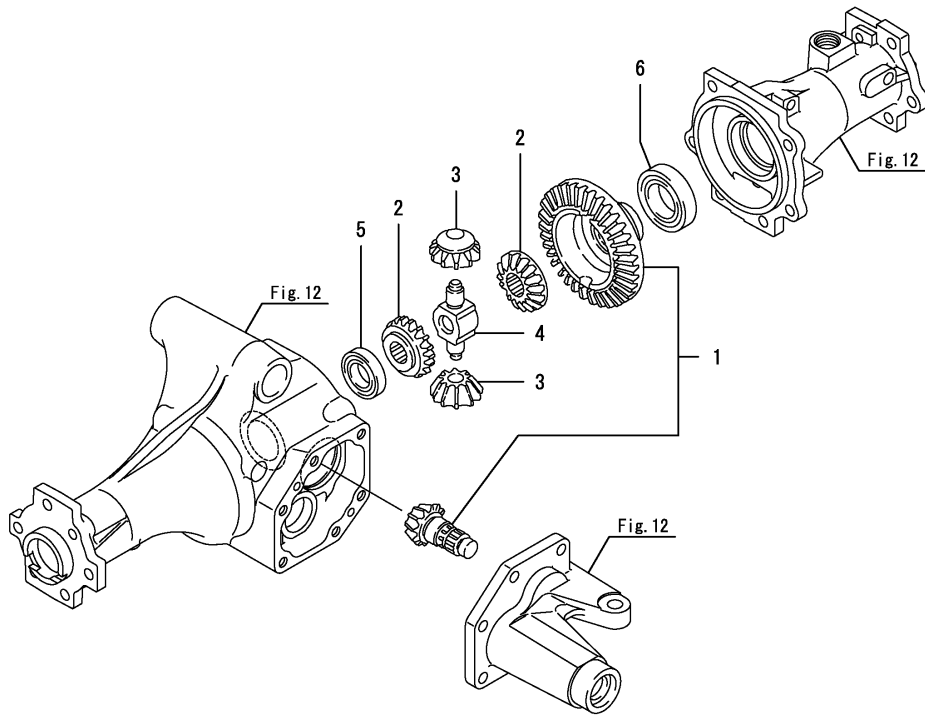


Fig.10. PROPELLER SHAFT

(A)=SX3100(YANMAR)  
 (B)=  
 (C)=

(D)=  
 (E)=  
 (F)=

No.	Lev.	Parts No.	Description	Q'ty						I	R
				(A)	(B)	(C)	(D)	(E)	(F)		
1	1	1A7540-13310	SHAFT ASSY,PROPELLER	1							
2	1	22242-000360	RING, 36	1							
3	1	22351-035032	PIN, SPRING 3.5X32	1							
4	1	22351-060032	PIN, SPRING 6.0X32	1							

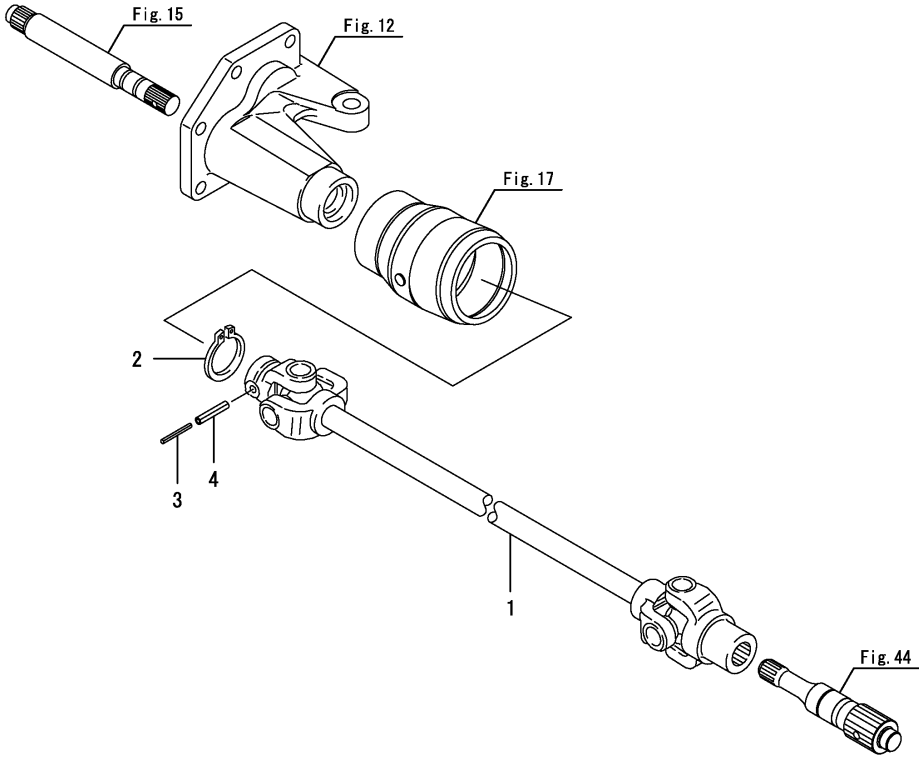
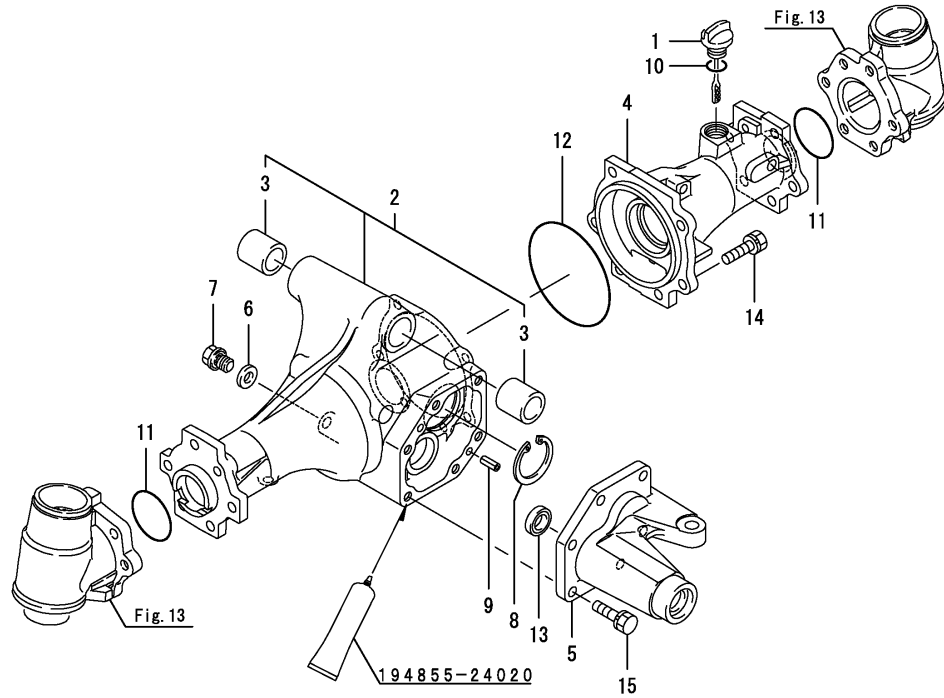




Fig.12. FRONT AXLE HOUSING

(A)=SX3100(YANMAR)  
 (B)=  
 (C)=

(D)=  
 (E)=  
 (F)=



No.	Lev.	Parts No.	Description	Q'ty						I	R
				(A)	(B)	(C)	(D)	(E)	(F)		
1	1	194447-13490	GAUGE, OIL LEVEL	1							
2	1	198165-13600	HOUSING ASSY, AXLE L	1							
3	2	194850-13660	BUSH, 25X32X35	2							
4	1	198165-13620-2	HOUSING, AXLE R	1							
5	1	198165-13631-1	COVER, AXLE CASE	1							
6	1	198165-24440	GASKET, 20X12X2	1							
7	1	198165-24490	BOLT, M12X12	1							
8	1	22252-000520	RING, 52	1							
9	1	22351-080020	PIN, SPRING 8.0X20	2							
10	1	24311-000180	O-RING, 1AP18.0	1							
11	1	24321-000500	O-RING, 1AG50.0	2							
12	1	24321-001150	O-RING, 1AG115.0	1							
13	1	24421-173007	SEAL, OIL TC173007	1							
14	1	26013-100302	BOLT, M10X 30	6							
15	1	26016-100302	BOLT, M10X 30	6							



Fig.13. FRONT GEAR CASE

(A)=SX3100(YANMAR)

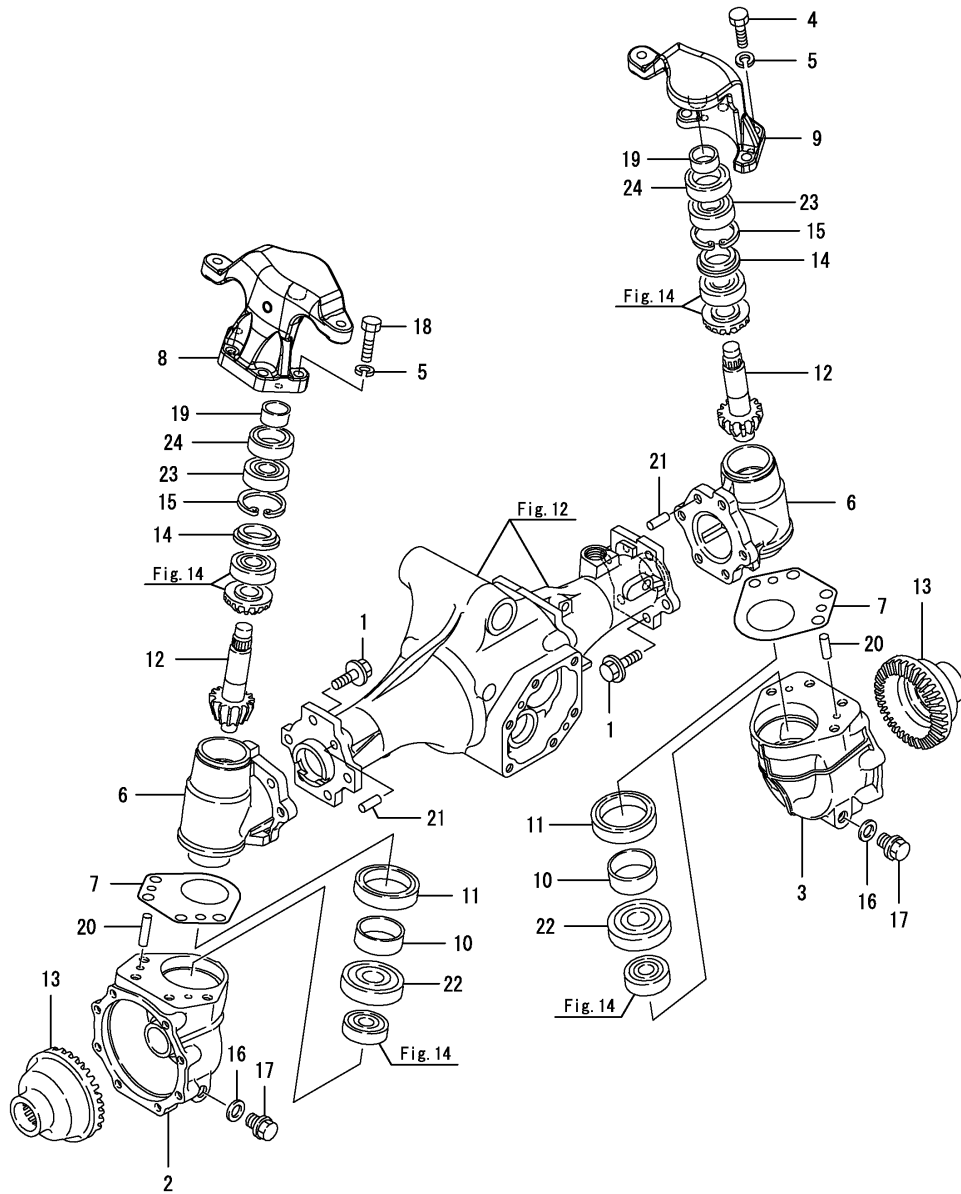
(B)=

(C)=

(D)=

(E)=

(F)=



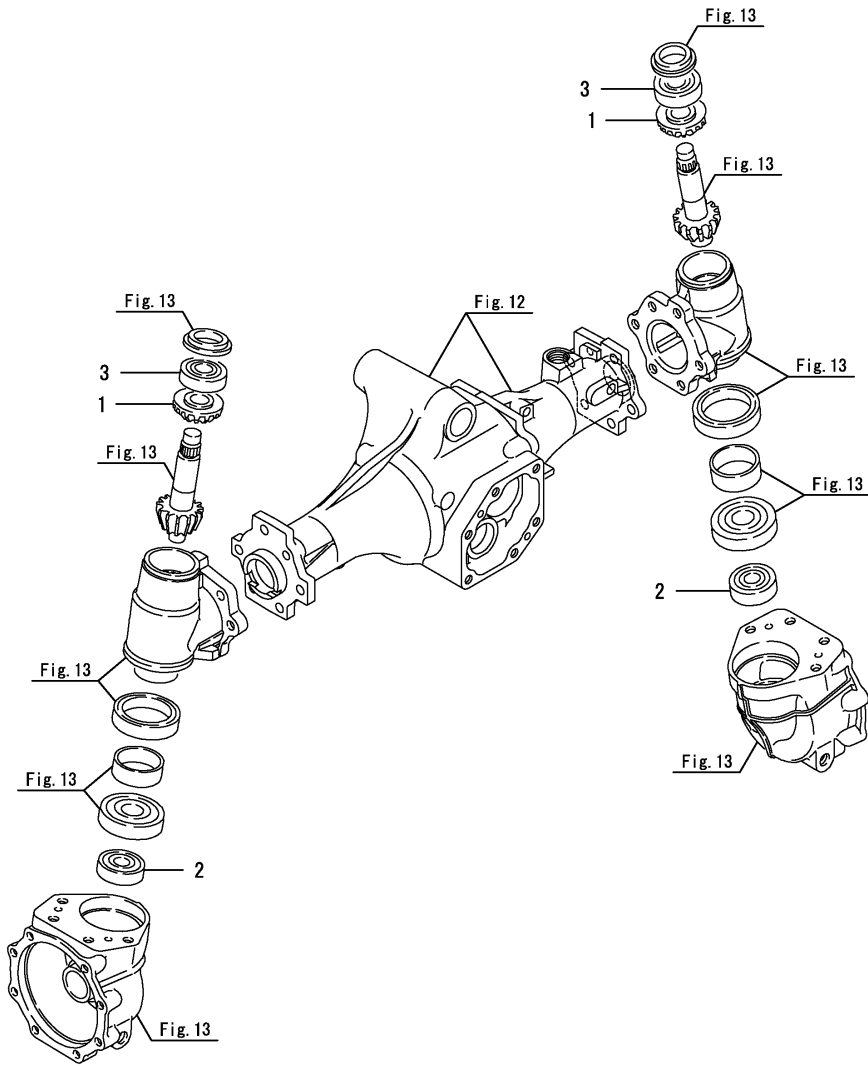
No.	Lev.	Parts No.	Description	Qty						I	R
				(A)	(B)	(C)	(D)	(E)	(F)		
1	1	1A7531-11350	BOLT, M10X25	10							
2	1	1A7531-13730	BOX, GEAR L	1							
3	1	1A7531-13740	BOX, GEAR R	1							
4	1	194274-13550	BOLT, M10X30	4							
5	1	194274-13570	WASHER, SPRING 10	8							
6	1	1A7531-13710	CASE, FRONT GEAR	2							
7	1	198165-13750	SHIM, T=0.1	2							
8	1	1A8300-13750	SUPPORT, KING PIN L	1							
9	1	1A8300-13760	SUPPORT, KING PIN R	1							
10	1	194516-13770	SLEEVE, SI 45X50X16	2							
11	1	194516-13780	SEAL TC6Y 506812.5	2							
12	1	1A7531-13810	PINION, FRONT FINAL	2							
13	1	198165-14120	GEAR, FRONT SHAFT	2							
14	1	1D4110-13870	WASHER	2							
15	1	1A6780-13890	RING, 47H	2							
16	1	198165-24440	GASKET, 20X12X2	2							
17	1	198165-24490	BOLT, M12X12	2							
18	1	194320-42150	BOLT, M10X35	4							
19	1	1E6190-54080	SLEEVE SI25X30X13	2							
20	1	22312-080200	PIN, PARALLEL M8X20	4							
21	1	22312-100200	PIN, PARALLEL M10X20	2							
22	1	24101-060084	BEARING, BALL 6008	2							
23	1	24104-062044	BEARING, BALL 6204UU	2							
24	1	24421-304708	SEAL, OIL TC304708	2							

Fig.14. FRONT SHAFT(2)

(A)=SX3100(YANMAR)  
 (B)=  
 (C)=

(D)=  
 (E)=  
 (F)=

No.	Lev.	Parts No.	Description	Q'ty						I	R
				(A)	(B)	(C)	(D)	(E)	(F)		
1	1	198165-13532	GEAR, FRONT SHAFT	2							
2	1	1A6780-13910	BEARING, 6303RSH2	2							
3	1	24104-063034	BEARING, BALL 6303UU	2							




---

---

---

---

---

---

---

---

---

---

---

---

---

---

---

---

---

---

---

---

---

---

---

---

Fig.15. INPUT SHAFT

(A)=SX3100(YANMAR)  
 (B)=  
 (C)=

(D)=  
 (E)=  
 (F)=

No.	Lev.	Parts No.	Description	Q'ty						I	R
				(A)	(B)	(C)	(D)	(E)	(F)		
1	1	198165-13910	SHAFT, INPUT F	1							
2	1	1A7540-13920	GEAR, FRONT 18T	1							
3	1	24101-060034	BEARING, BALL 6003	1							
4	1	24101-062024	BEARING, BALL 6202	1							

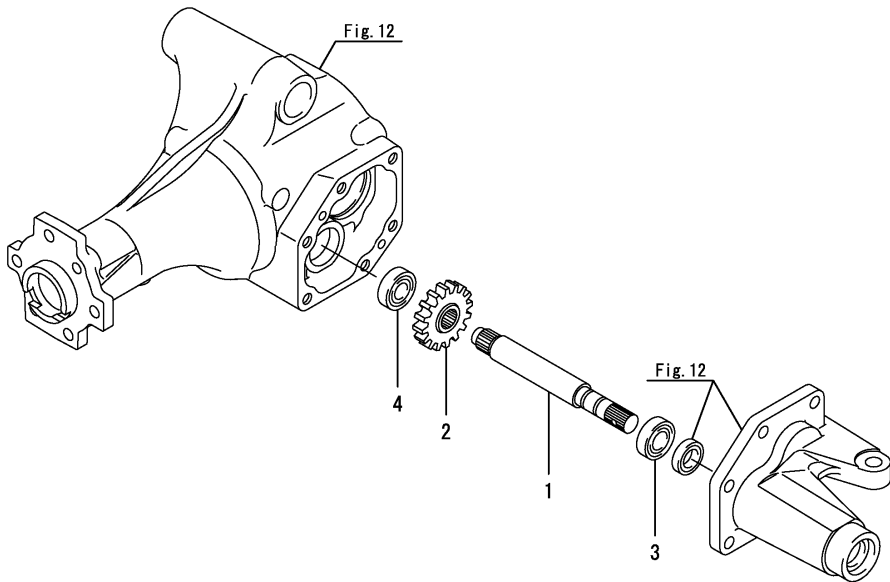


Fig.16. FRONT SPINDLE

(A)=SX3100(YANMAR)  
(B)=  
(C)=

(D)=  
(E)=  
(F)=

No.	Lev.	Parts No.	Description	Q'ty						I	R
				(A)	(B)	(C)	(D)	(E)	(F)		
1	1	1A6780-14110	SPINDLE, FRONT	2							
2	1	1A6780-14131	CASE, FRONT BEARING	2							
3	1	198165-14140	GASKET, BEARING CASE	2							
4	1	194151-36670	PLUG, PF02	2							
5	1	1E8420-55430	SEAL, QLFY40X62X14	2							
6	1	22242-000350	RING, 35	2							
7	1	24101-060084	BEARING, BALL 6008	2							
8	1	24101-062074	BEARING, BALL 6207	2							
9	1	26016-080252	BOLT, M8X 25	16							

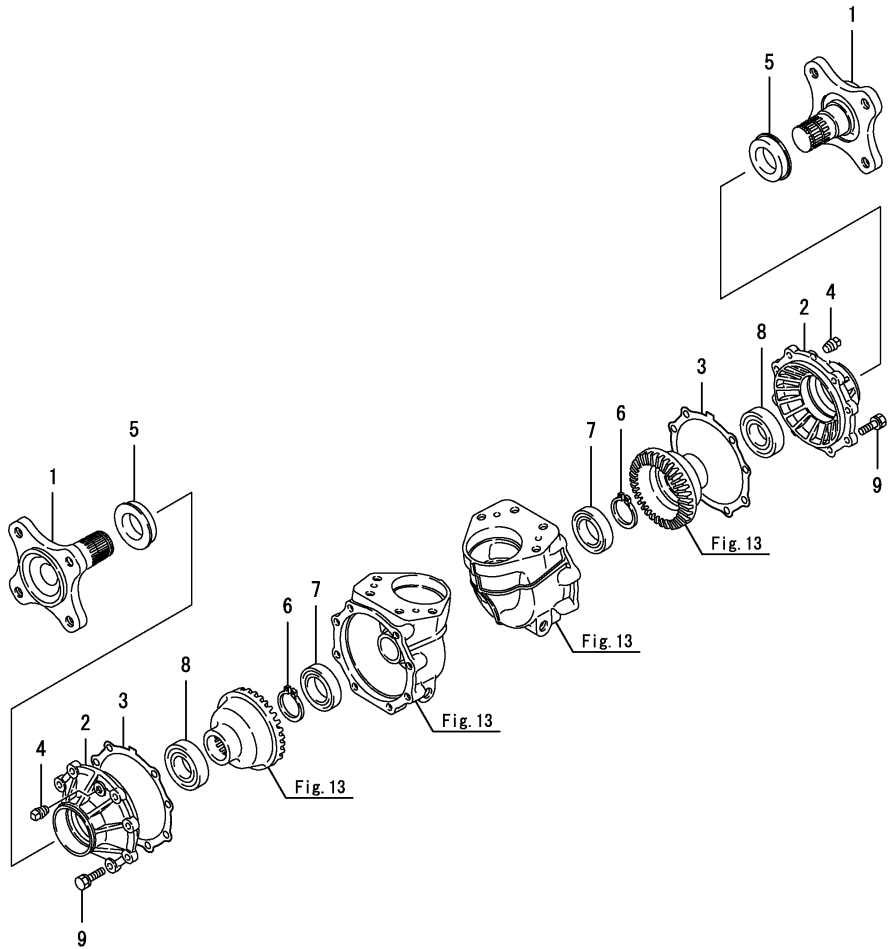


Fig.17. SHAFT COVER

(A)=SX3100(YANMAR)  
 (B)=  
 (C)=

(D)=  
 (E)=  
 (F)=

No.	Lev.	Parts No.	Description	Q'ty						I	R
				(A)	(B)	(C)	(D)	(E)	(F)		
1	1	1A7531-14620	BOOT, RUBBER	1							
2	1	198421-14630	COLLAR, BOOT	1							
3	1	23000-070000	CLAMP, 70	1							

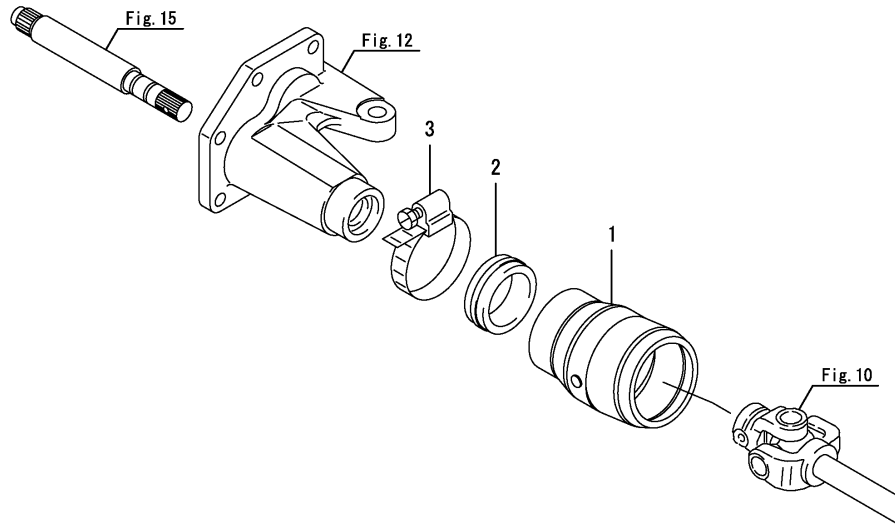




Fig.19. FRONT TIRE R4

(A)=SX3100(YANMAR)  
(B)=  
(C)=

(D)=  
(E)=  
(F)=

No.	Lev.	Parts No.	Description	Qty						I	R	
				(A)	(B)	(C)	(D)	(E)	(F)			
1	1	1A8300-14800	TIRE KIT, FRONT R4 L	1								
2	2	1A8300-14820	TIRE, 23X8.5-12 R4	1								
3	2	1A8300-14830	WHEEL, 12X7	1								
4	2	1A8300-14840	VALVE, TR412	1								
5	1	1A8300-14810	TIRE KIT, FRONT R4 R	1								
6	2	1A8300-14820	TIRE, 23X8.5-12 R4	1								
7	2	1A8300-14830	WHEEL, 12X7	1								
8	2	1A8300-14840	VALVE, TR412	1								

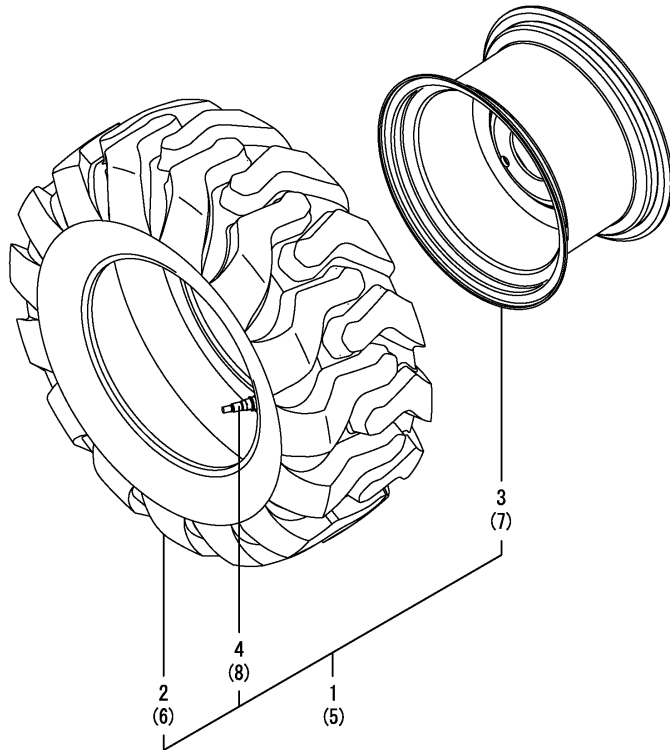




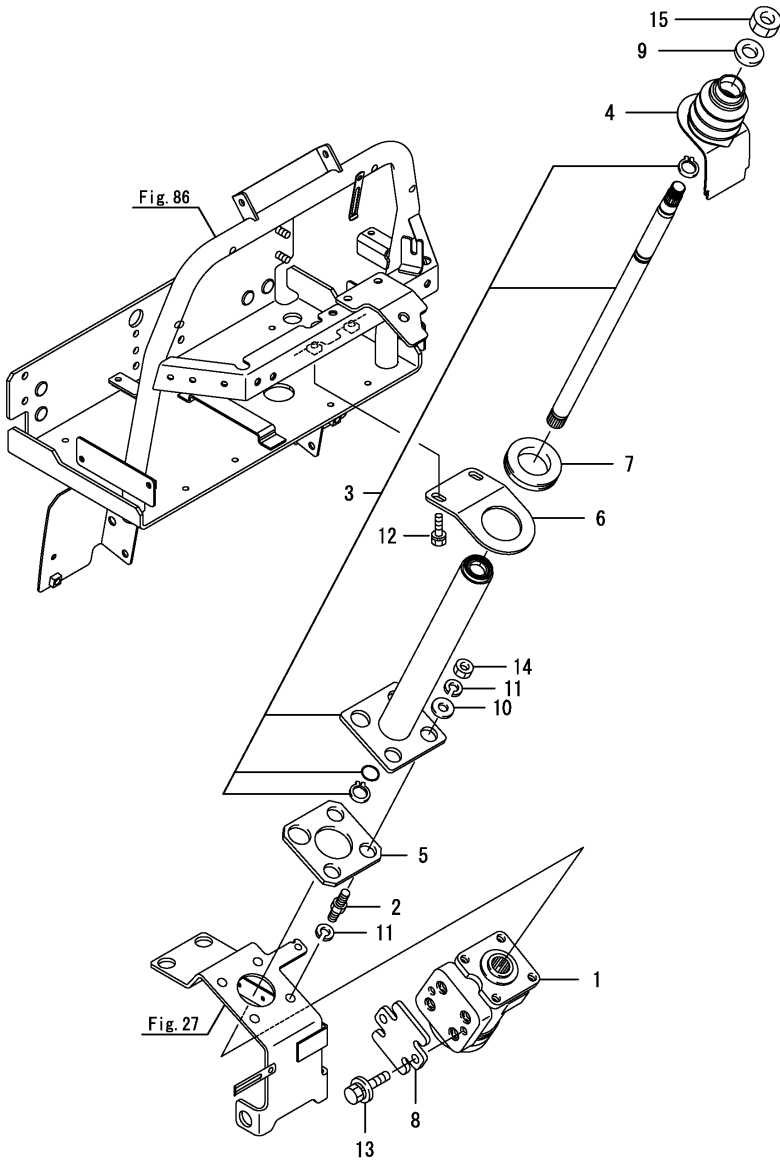




Fig.22. PST VALVE

(A)=SX3100(YANMAR)  
(B)=  
(C)=

(D)=  
(E)=  
(F)=

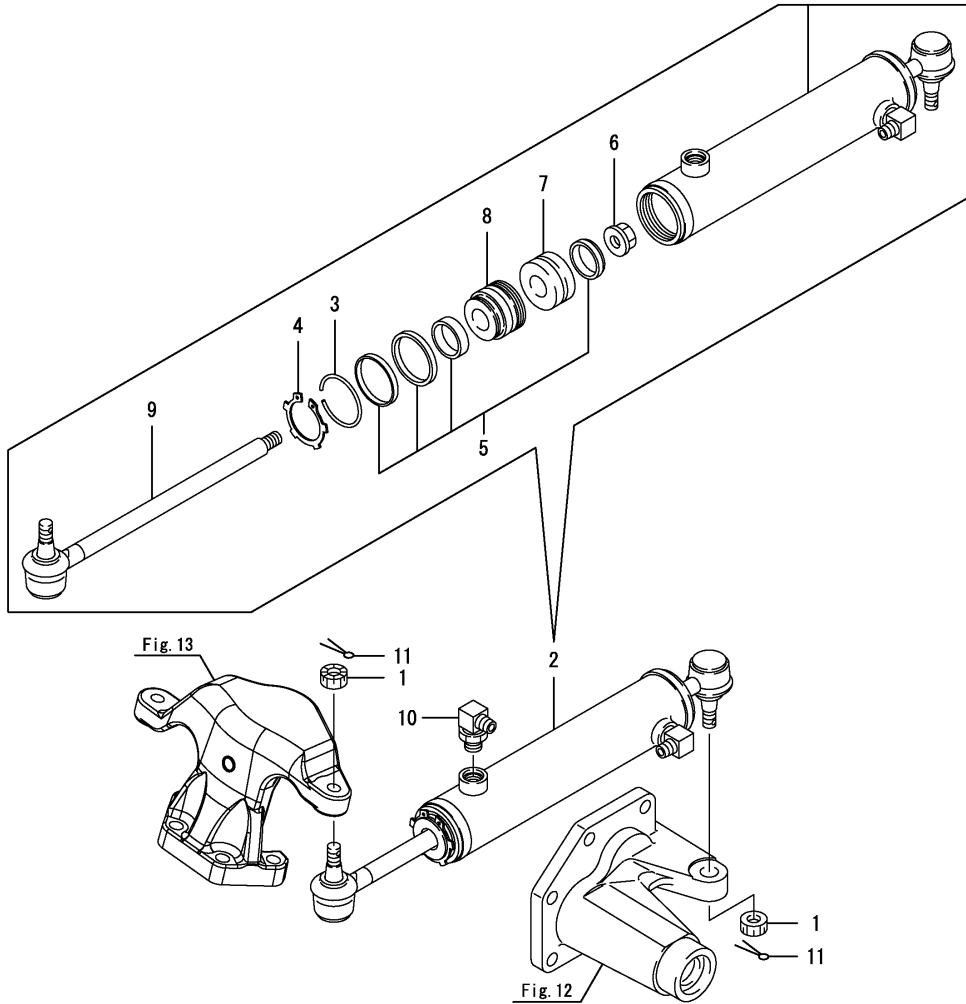


No.	Lev.	Parts No.	Description	Q'ty						I	R
				(A)	(B)	(C)	(D)	(E)	(F)		
1	1	1A7530-17300	VALVE ASSY, STEERING	1							
2	1	1A7510-17310	BOLT, M10	4							
3	1	1A7530-17410	COLUMN SET, STEERING	1							
4	1	1A7510-17470	BOOT, STEERING	1							
5	1	1A6770-17510	PLATE, COLUMN	1							
6	1	1A7530-17550	STAY, STEERING	1							
7	1	1A7530-17571	RUBBER, STS	1							
8	1	1A7500-17910	PLATE	1							
9	1	22137-160000	WASHER, 16	1							
10	1	22157-100000	WASHER, 10	4							
11	1	22217-100000	WASHER, SPRING 10	8							
12	1	26013-080202	BOLT, M8X 20	2							
13	1	26018-100202	BOLT, M10X 20	2							
14	1	26736-100002	NUT, M10	4							
15	1	26776-160002	NUT, LOCK M16	1							

Fig.23. PST CYLINDER

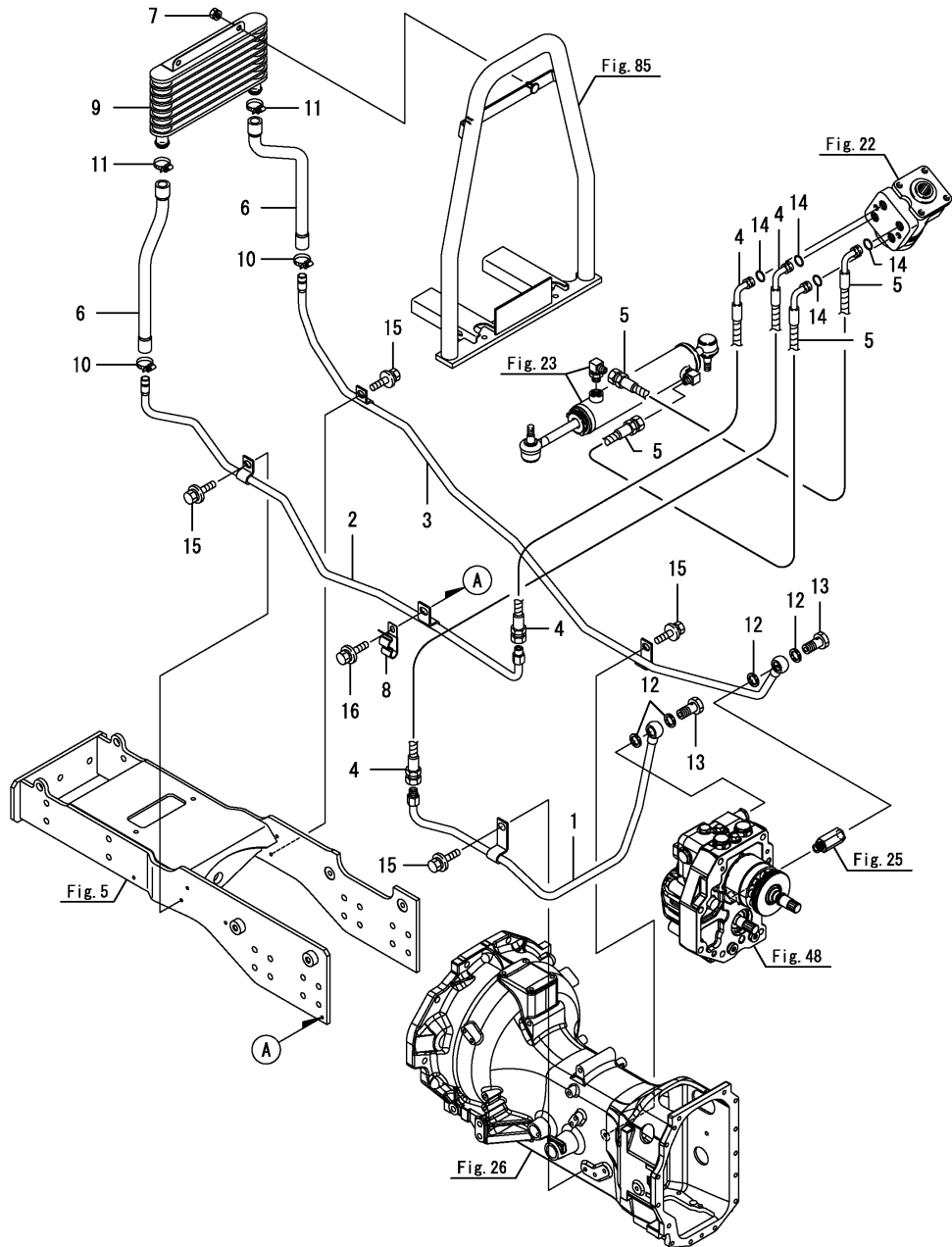
(A)=SX3100(YANMAR)  
(B)=  
(C)=

(D)=  
(E)=  
(F)=



No.	Lev.	Parts No.	Description	Q'ty						I	R
				(A)	(B)	(C)	(D)	(E)	(F)		
1	1	194215-12341	NUT, CASTLE M10	2							
2	1	1A7531-17541	CYLINDER ASSY	1							
3	2	1A7335-17520	CIRCLIP	1							
4	2	1A7335-17530	CIRCLIP	1							
5	2	1A7500-17551	SEAL KIT	1							
6	2	1A7500-17560	NUT, LOCK	1							
7	2	1A7500-17570	PISTON	1							
8	2	1A7500-17580	CAP, CYLINDER	1							
9	2	1A7510-17590	ROD ASSY, STEERING	1							
10	1	198165-17781	ELBOW, 1/4X1/4	1							
11	1	22417-250250	PIN, COTTER 2.5X25	2							

Fig.24. PST PIPING(A)



(A)=SX3100(YANMAR)  
 (B)=  
 (C)=

(D)=  
 (E)=  
 (F)=

No.	Lev.	Parts No.	Description	Q'ty						I	R
				(A)	(B)	(C)	(D)	(E)	(F)		
1	1	1A7530-17640	PIPE, PRESSURE PS	1							
2	1	1A7540-17670	PIPE, OUTLET PS	1							
3	1	1A7540-17710	PIPE, DRAIN	1							
4	1	1A7530-17821	HOSE, PRESSURE	2							
5	1	1A7530-17830	HOSE, PRESSURE	2							
6	1	1A8300-17940	HOSE, PRESSURE	2							
7	1	194990-22050	NUT, M8	2							
8	1	1A7130-48110	CLAMP, PIPE	1							
9	1	1E8600-66700	COOLER, OIL	1							
10	1	23000-019000	CLAMP, 19	2							
11	1	23000-022000	CLAMP, 22	2							
12	1	23414-160021	GASKET, 16X1.0	4							
13	1	23857-100000	BOLT, JOINT 10	2							
14	1	24311-000120	O-RING, 1AP12.0	4							
15	1	26018-080202	BOLT, M8X 20	4							
16	1	26018-080202	BOLT, M8X 20	1							

Fig.25. PST PIPING(B)

(A)=SX3100(YANMAR)  
 (B)=  
 (C)=

(D)=  
 (E)=  
 (F)=

No.	Lev.	Parts No.	Description	Q'ty						I	R
				(A)	(B)	(C)	(D)	(E)	(F)		
1	1	1A6680-48910	CONNECTOR	1							
2	1	24311-000140	O-RING, 1AP14.0	1							

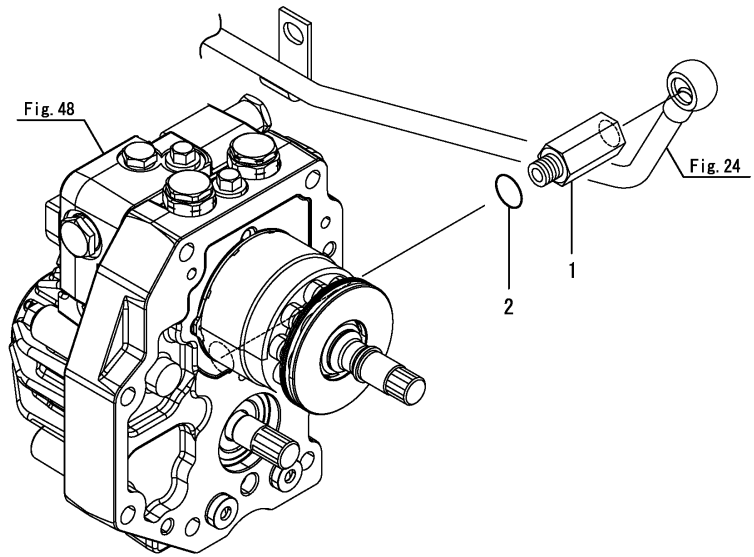


Fig.26. CLUTCH HOUSING

(A)=SX3100(YANMAR)  
 (B)=  
 (C)=

(D)=  
 (E)=  
 (F)=

No.	Lev.	Parts No.	Description	Q'ty						I	R
				(A)	(B)	(C)	(D)	(E)	(F)		
1	1	1A7540-21100	HOUSING ASSY, CLUTCH	1							
2	2	1A7540-21110	HOUSING, CLUTCH	1							
3	2	1A6680-21120	STAY ASSY, SWITCH	1							
4	2	1A6680-21200	STOPPER ASSY	1							
5	2	1A6680-21250	STAY, STEP L	2							
6	2	26016-080202	BOLT, M8X 20	8							
7	1	1A6680-21460	CAP, RUBBER 25	1							
8	1	194151-36670	PLUG, PF02	1							
9	1	1E6102-83230	CLAMP, CABLE	1							
10	1	26016-080352	BOLT, M8X 35	14							

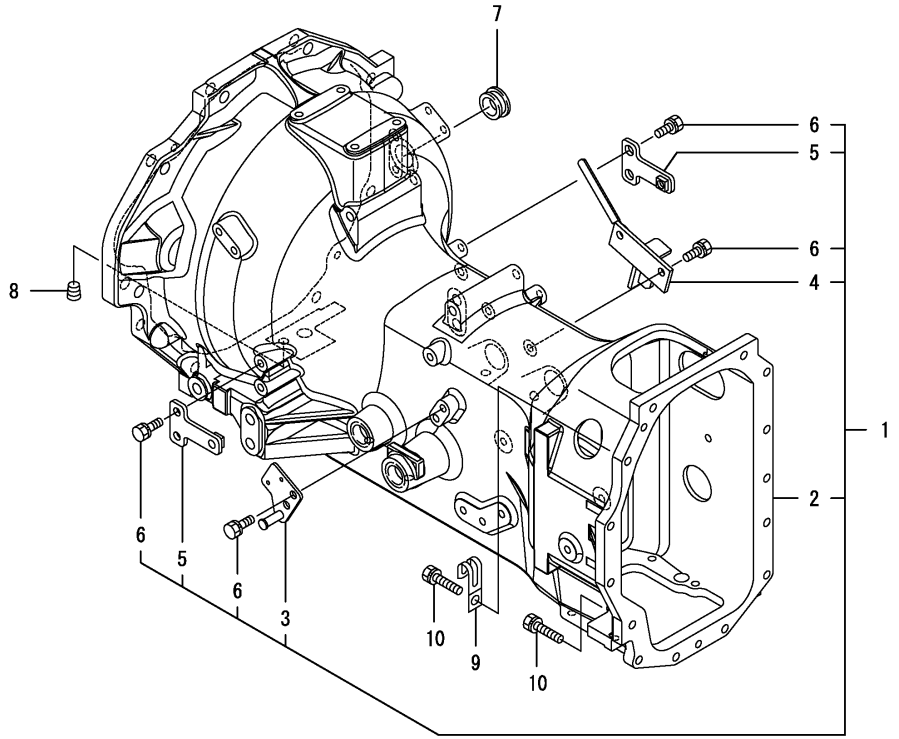
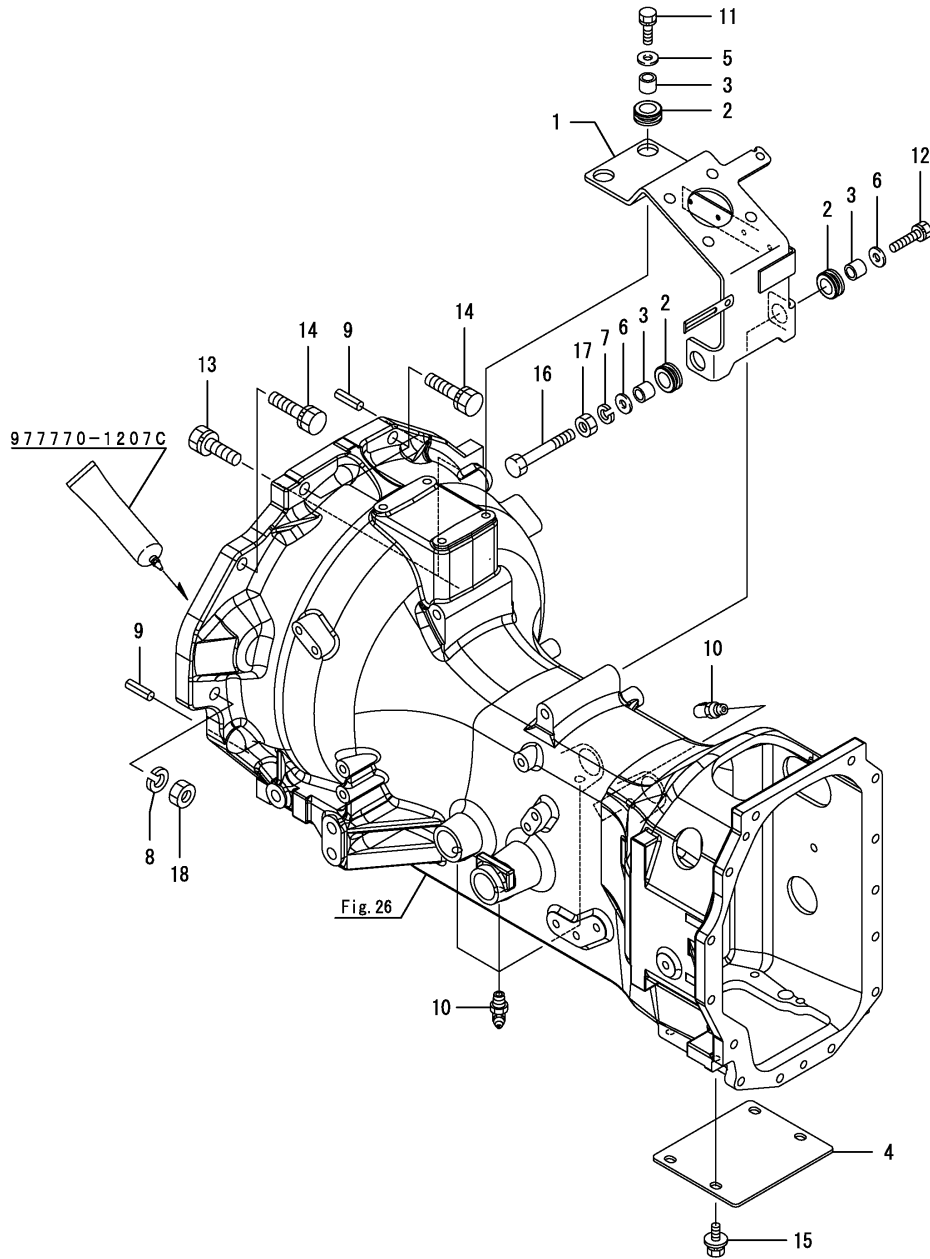


Fig.27. DOCKING BOLT

(A)=SX3100(YANMAR)  
 (B)=  
 (C)=

(D)=  
 (E)=  
 (F)=



No.	Lev.	Parts No.	Description	Q'ty						I	R
				(A)	(B)	(C)	(D)	(E)	(F)		
1	1	1A7530-21150	STAY ASSY, BOX	1							
2	1	1A7530-21210	RUBBER, ST	4							
3	1	1A7530-21220	COLLAR, HOUSING	4							
4	1	1A7530-21320	PLATE, C/H	1							
5	1	22157-080000	WASHER, 8	2							
6	1	22157-100000	WASHER, 10	2							
7	1	22217-100000	WASHER, SPRING 10	1							
8	1	22217-120000	WASHER, SPRING 12	1							
9	1	22351-080016	PIN, SPRING 8.0X16	2							
10	1	24761-040000	NIPPLE, GREASE B	4							
11	1	26013-080252	BOLT, M8X 25	2							
12	1	26013-100352	BOLT, M10X 35	1							
13	1	26013-120352	BOLT, M12X 35	3							
14	1	26013-120452	BOLT, M12X 45	5							
15	1	26018-080162	BOLT, M8X 16	4							
16	1	26116-100804	BOLT, M10X 80 PLATED	1							
17	1	26716-100002	NUT, M10	1							
18	1	26756-120002	NUT, LOCK M12	1							

Fig.28. DAMPER DISC

(A)=SX3100(YANMAR)  
 (B)=  
 (C)=

(D)=  
 (E)=  
 (F)=

No.	Lev.	Parts No.	Description	Qty						I	R
				(A)	(B)	(C)	(D)	(E)	(F)		
1	1	198167-21410	DISK, DAMPER	1							
2	1	22351-080016	PIN, SPRING 8.0X16	2							
3	1	26013-080162	BOLT, M8X 16	6							

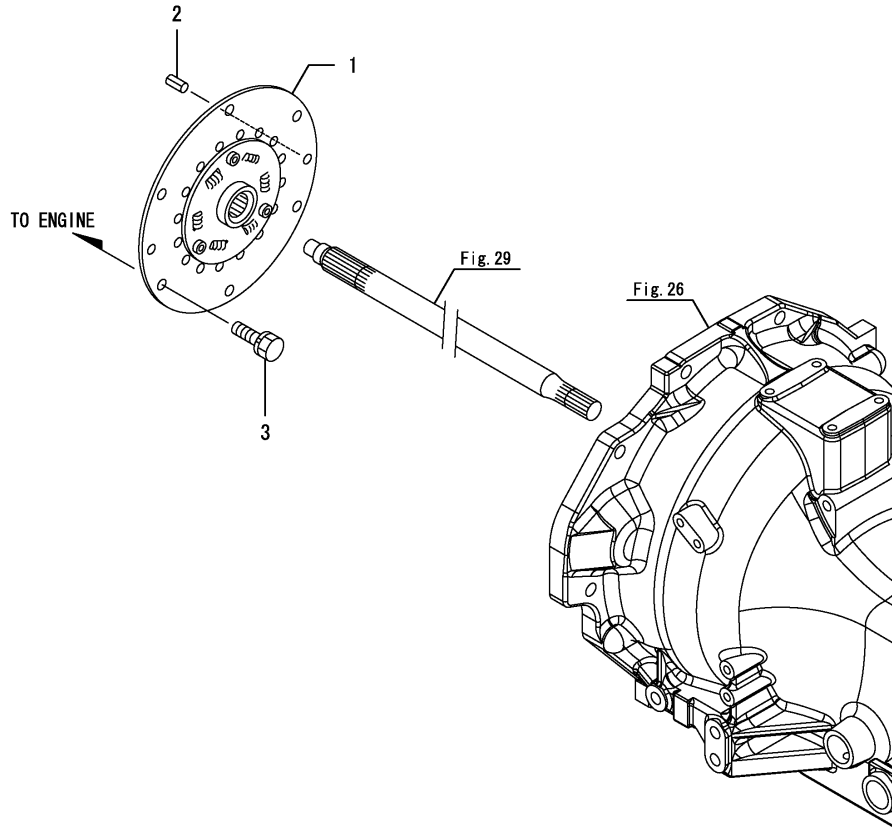




Fig.29. CLUTCH SHAFT

(A)=SX3100(YANMAR)  
 (B)=  
 (C)=

(D)=  
 (E)=  
 (F)=

No.	Lev.	Parts No.	Description	Q'ty						I	R
				(A)	(B)	(C)	(D)	(E)	(F)		
1	1	1A7530-22110	SHAFT, MAIN DRIVE	1							
2	1	194300-25100	COUPLING	1							
3	1	22252-000150	RING, 15	1							

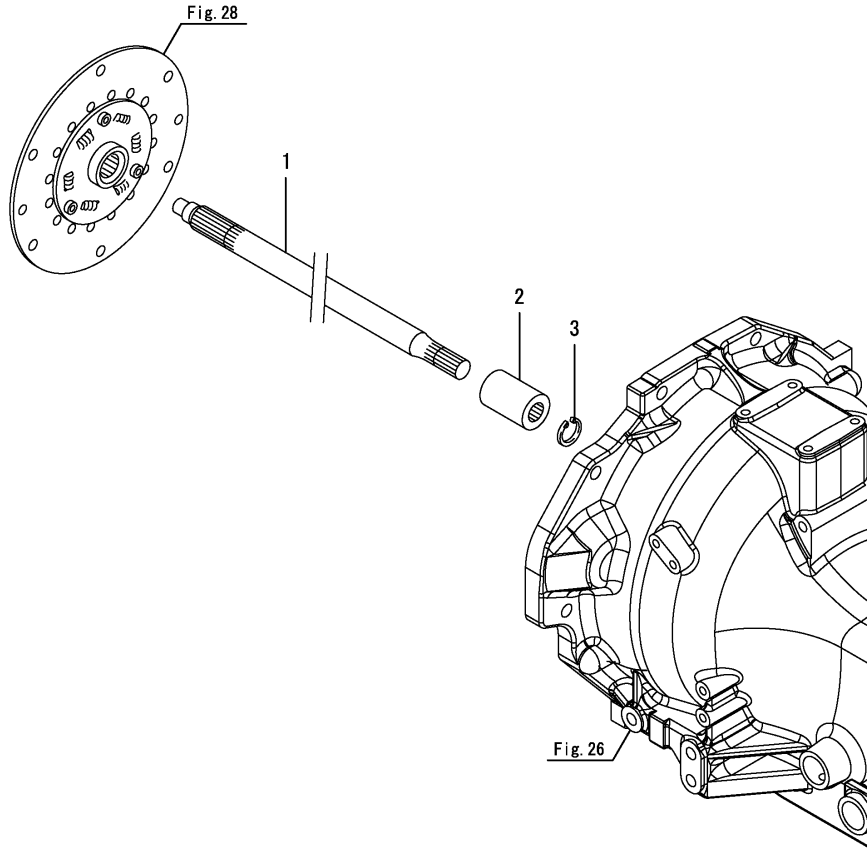
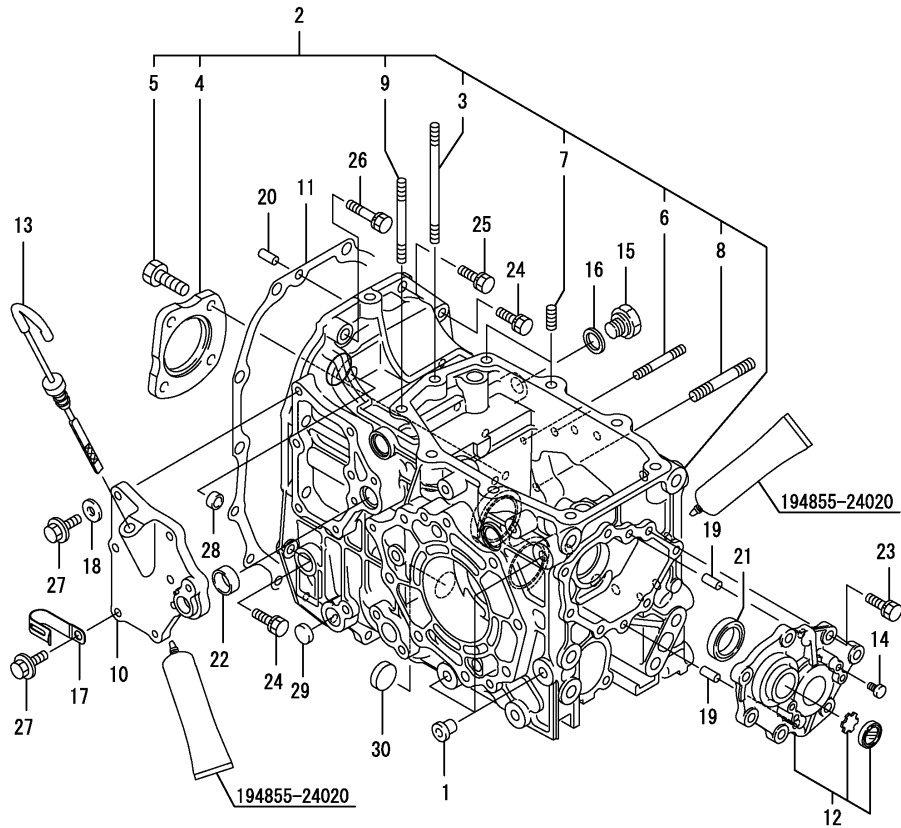


Fig.30. TRANSMISSION CASE

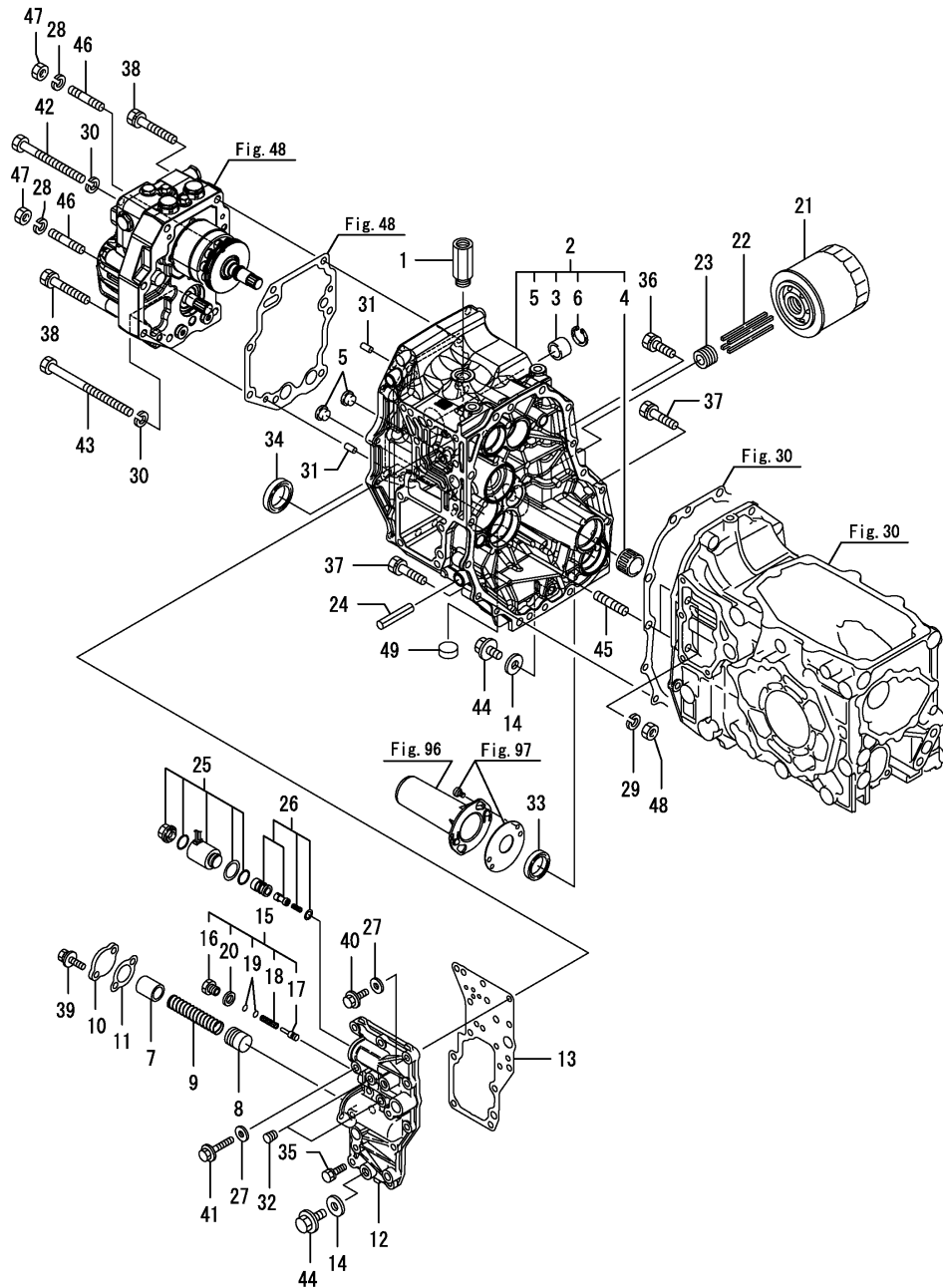


(A)=SX3100(YANMAR)  
(B)=  
(C)=

(D)=  
(E)=  
(F)=

No.	Lev.	Parts No.	Description	Q'ty						I	R
				(A)	(B)	(C)	(D)	(E)	(F)		
1	1	194201-11230	CAP. SCREW 12.0	6							
2	1	1A7530-24100	CASE ASSY, MISSION	1							
3	2	198165-24480	STUD, M10X130	1							
4	2	198165-25851	HOLDER, BEARING	1							
5	2	198165-25870	BOLT, M10X20	4							
6	2	26228-080602	STUD, M8X 60	1							
7	2	26228-100252	STUD, M10X 25	2							
8	2	26228-100752	STUD, M10X 75	1							
9	2	26228-100902	STUD, M10X 90	1							
10	1	198167-24150	PLATE, SIDE	1							
11	1	198165-24160	PACKING, MISSION	1							
12	1	1A7530-24500	COVER ASSY, CASE	1							
13	1	198167-24980	GAUGE, OIL LEVEL	1							
14	1	194250-32530	PIN, HOOK	2							
15	1	194312-46750	PLUG, PF3/8	1							
16	1	194555-77910	GASKET, 17	1							
17	1	1E6102-83230	CLAMP, CABLE	1							
18	1	22190-080000	WASHER, SEAL 8	5							
19	1	22312-080160	PIN, PARALLEL M8X16	2							
20	1	22312-080160	PIN, PARALLEL M8X16	2							
21	1	24421-284008	SEAL, OIL TC284008	1							
22	1	24550-020100	BUSH, 20X10	1							
23	1	26016-080252	BOLT, M8X 25	7							
24	1	26016-080302	BOLT, M8X 30	2							
25	1	26016-100302	BOLT, M10X 30	1							
26	1	26016-100452	BOLT, M10X 45	1							
27	1	26106-080252	BOLT, M8X 25 PLATED	6							
28	1	27260-150000	PLUG, 15	1							
29	1	27260-170000	PLUG, 17	1							
30	1	27260-260000	PLUG, 26	1							

Fig.31. CENTER PLATE



(A)=SX3100(YANMAR)

(B)=

(C)=

(D)=

(E)=

(F)=

No.	Lev.	Parts No.	Description	Qty						I	R
				(A)	(B)	(C)	(D)	(E)	(F)		
1	1	195450-13141	PIPE, OILING L	1							
2	1	1A7530-24300	HOUSING ASSY, CENTER	1							
3	2	1A7530-24330	BUSH, DRY 35X20	1							
4	2	198167-24390	BEARING, NEEDLE 2516	1							
5	2	192157-24801	STRAINER	2							
6	2	24165-000402	CIRCLIP, 40	1							
7	1	198167-24340	COLLAR, ACCUMULATOR	1							
8	1	198167-24350	PISTON, ACCUMULATOR	1							
9	1	198167-24360	SPRING, ACC	1							
10	1	198167-24370	COVER, ACC	1							
11	1	198167-24380	PACKING, COVER ACC	1							
12	1	198167-24400	COVER, SIDE L	1							
13	1	198167-24410	PACKING, COVER L	1							
14	1	198165-24440	GASKET, 20X12X2	2							
15	1	1A7530-24550	RELIEF KIT, PTO	1							
16	2	192157-24770	PLUG,PTO	1							
17	2	192157-24780	VALVE,RELIEF	1							
18	2	192162-25250	SPRING 29.5	1							
19	2	1E6217-56160	SHIM 0.5	2							
20	2	23414-120016	GASKET, 12X1.0	1							
21	1	198167-24900	FILTER, OIL	1							
22	1	198129-24930	MAGNET, FILTER	4							
23	1	198167-24950	JOINT, STRAINER	1							
24	1	1A6781-24990	PIN, SPRING 12X60	1							
25	1	1A6770-26600	SOLENOID ASSY	1							
26	1	192157-26611	VALVE SOLENOID CMP	1							
27	1	22190-080000	WASHER, SEAL 8	7							
28	1	22287-100000	WASHER, 10	2							
29	1	22287-100000	WASHER, 10	2							
30	1	22287-100000	WASHER, 10	3							
31	1	22312-080160	PIN, PARALLEL M8X16	4							
32	1	23871-010000	PLUG, R01	2							
33	1	24421-304208	SEAL, OIL TC304208	1							
34	1	24421-304708	SEAL, OIL TC304708	1							
35	1	26016-080302	BOLT, M8X 30	4							
36	1	26016-080302	BOLT, M8X 30	3							
37	1	26016-080402	BOLT, M8X 40	7							
38	1	26016-100602	BOLT, M10X 60	2							
39	1	26018-080202	BOLT, M8X 20	2							
40	1	26106-080302	BOLT, M8X 30 PLATED	6							
41	1	26106-080552	BOLT, M8X 55 PLATED	1							
42	1	26116-101102	BOLT, M10X110 PLATED	1							
43	1	26116-101352	BOLT, M10X135 PLATED	2							
44	1	26136-120202	BOLT, M12X 20 PLATED	2							
44-1	1	198165-24490	BOLT, M12X12	2							R
(A=FXXXXX)											
45	1	26226-100452	STUD, M10X 45	2							
46	1	26226-100552	STUD, M10X 55	2							
47	1	26716-100002	NUT, M10	2							
48	1	26716-100002	NUT, M10	2							
49	1	27260-260000	PLUG, 26	1							

N:Old  $\begin{matrix} \leftarrow \text{Yes} \\ \text{No} \end{matrix}$  New, Q:Old  $\begin{matrix} \leftarrow \text{No} \\ \text{Yes} \end{matrix}$  New, R:Old  $\begin{matrix} \leftarrow \text{Yes} \\ \text{Yes} \end{matrix}$  New, S:Old  $\begin{matrix} \leftarrow \text{No} \\ \text{No} \end{matrix}$  New, W:Add, Z:Discontinued, F:Interchangeable by set, K:Q'ty Change

Fig.32. OIL CAP

(A)=SX3100(YANMAR)  
 (B)=  
 (C)=

(D)=  
 (E)=  
 (F)=

No.	Lev.	Parts No.	Description	Q'ty						I	R
				(A)	(B)	(C)	(D)	(E)	(F)		
1	1	194855-24290	CAP, OIL M20	1							
2	1	24311-000180	O-RING, 1AP18.0	1							

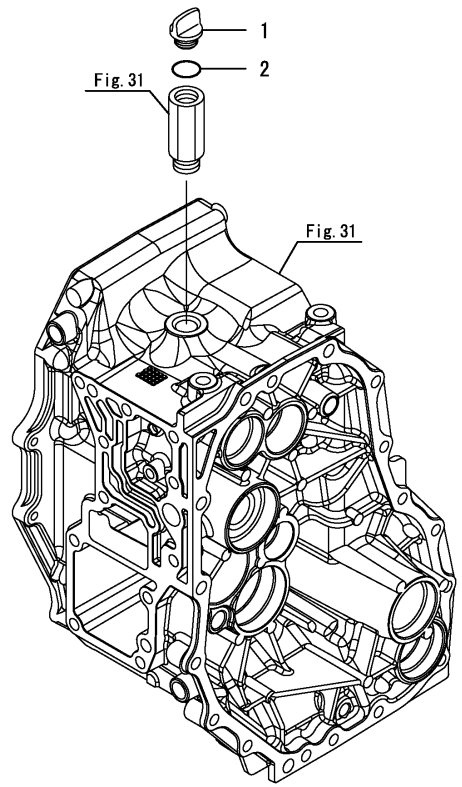


Fig.33. OIL STRAINER

(A)=SX3100(YANMAR)  
 (B)=  
 (C)=

(D)=  
 (E)=  
 (F)=

No.	Lev.	Parts No.	Description	Q'ty						I	R
				(A)	(B)	(C)	(D)	(E)	(F)		
1	1	198421-24910	STRAINER, OIL	1							
2	1	198129-24930	MAGNET, FILTER	4							
3	1	194305-24970	COVER, OIL STRAINER	1							
4	1	194322-24980	PLUG, 1-2NPT	1							
5	1	1A7870-24980	RING	1							
5-1	1	1A7542-24980	O-RING,SACTION	1							N
(A=*2013.06.)											
6	1	26013-080252	BOLT, SPRING M8X 25	2							

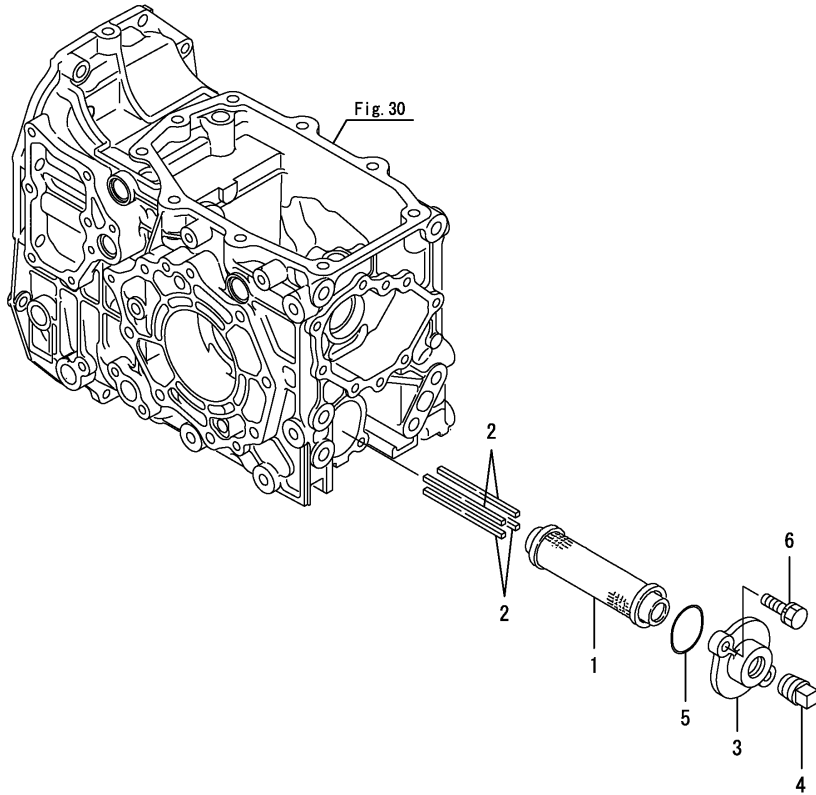


Fig.34. INPUT SHAFT

(A)=SX3100(YANMAR)  
 (B)=  
 (C)=

(D)=  
 (E)=  
 (F)=

No.	Lev.	Parts No.	Description	Q'ty						I	R
				(A)	(B)	(C)	(D)	(E)	(F)		
1	1	1A7530-25100	SHAFT ASSY, INPUT	1							
2	1	194305-25160	BEARING, BALL TMB203	1							
3	1	24101-060054	BEARING, BALL 6005	1							

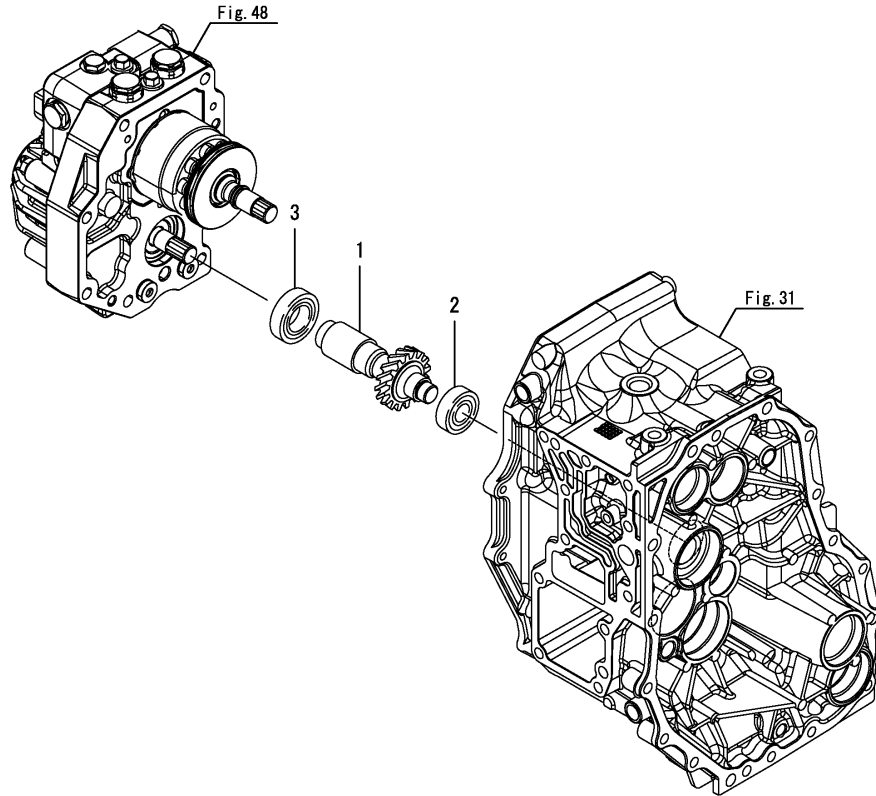


Fig.35. MAIN SHAFT

(A)=SX3100(YANMAR)  
 (B)=  
 (C)=

(D)=  
 (E)=  
 (F)=

No.	Lev.	Parts No.	Description	Q'ty						I	R
				(A)	(B)	(C)	(D)	(E)	(F)		
1	1	194305-25160	BEARING, BALL TMB203	1							
2	1	1A7540-25170	GEAR, DRIVEN 21	1							
3	1	1A7540-25191	SHAFT, MAIN	1							
4	1	1E6190-54430	THRUST WASHER (C)	1							
5	1	22242-000240	RING, 24	1							
6	1	24104-062054	BEARING, BALL 6205UU	2							

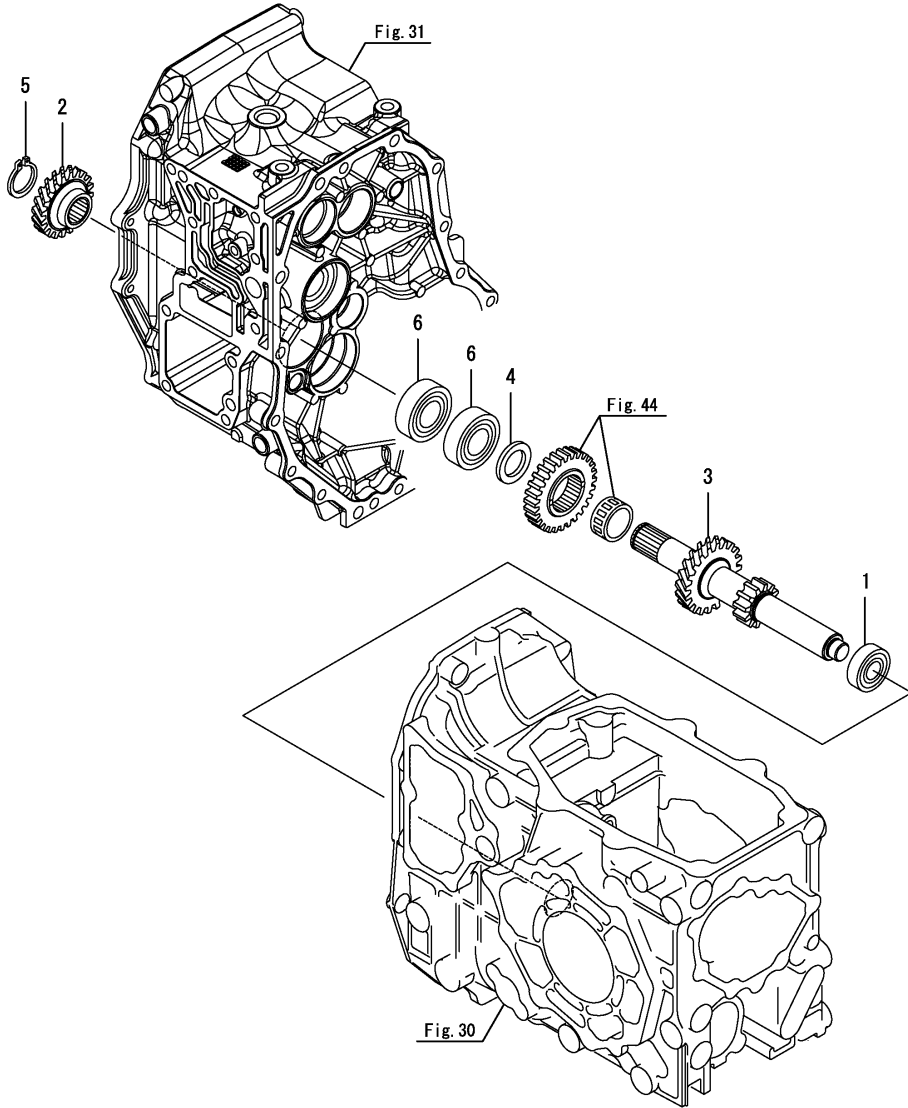
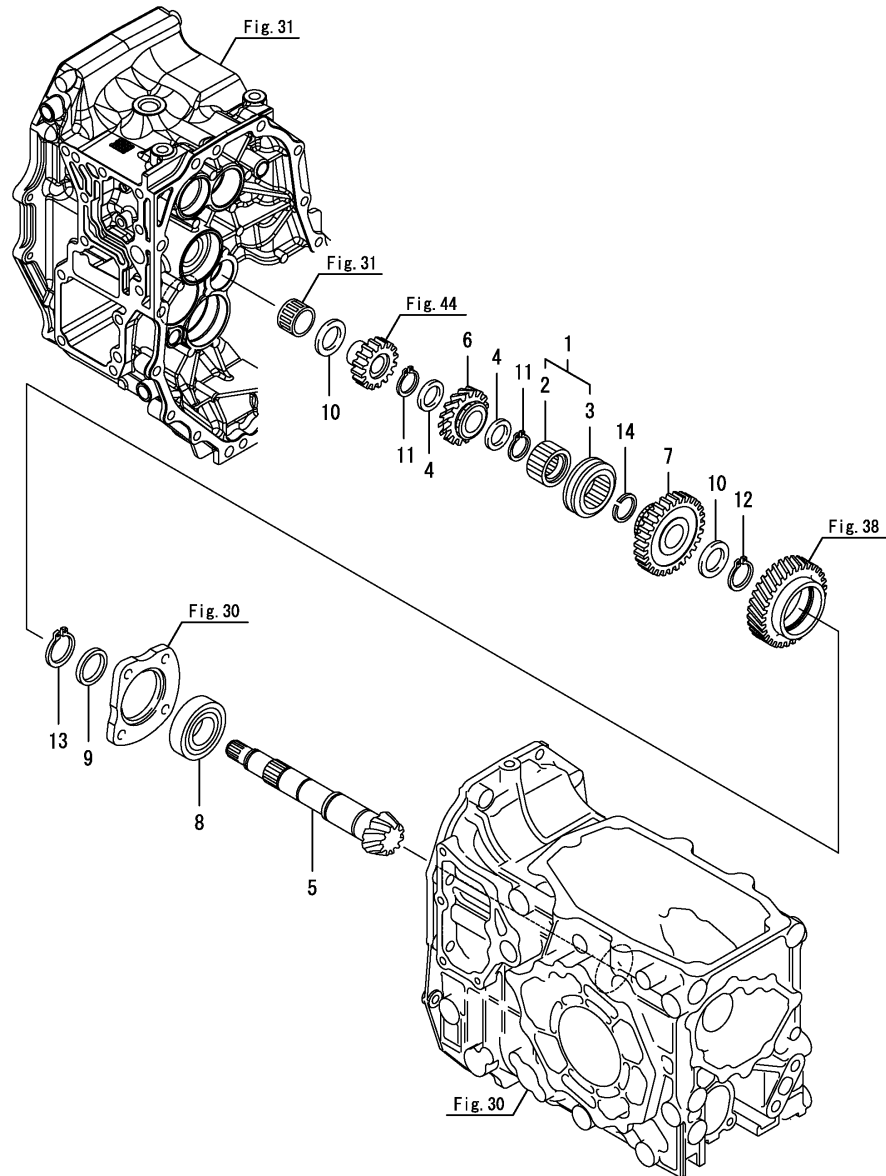


Fig.36. COUNTER SHAFT

(A)=SX3100(YANMAR)  
 (B)=  
 (C)=

(D)=  
 (E)=  
 (F)=



No.	Lev.	Parts No.	Description	Q'ty						I	R
				(A)	(B)	(C)	(D)	(E)	(F)		
1	1	198167-25080	COLLAR SET	1							
2	2	198167-25750	COLLAR, SPLINE	1							
3	2	198167-25770	COLLAR, SHIFT	1							
4	1	194856-25330	WASHER, 22X32X2.5	2							
5	1	1A7540-25710	SHAFT, COUNTER	1							
6	1	1A7540-25730	GEAR, COUNTER HIGH	1							
7	1	1A7540-25740	GEAR, COUNTER LOW	1							
8	1	198165-25810	BEARING, HTFHR6206	1							
9	1	198165-25840	COLLAR, 30X38X4.5	1							
10	1	1E6190-54430	THRUST WASHER (C)	2							
11	1	1E6820-54560	CIRCLIP 22	2							
12	1	22242-000250	RING, 25	1							
13	1	22242-000290	RING, 29	1							
14	1	22292-000240	RING, S-24	1							



Fig.37. PTO DRIVE SHAFT

(A)=SX3100(YANMAR)  
 (B)=  
 (C)=

(D)=  
 (E)=  
 (F)=

No.	Lev.	Parts No.	Description	Q'ty						I	R
				(A)	(B)	(C)	(D)	(E)	(F)		
1	1	198220-25130	SPACER, 25X33X2	1							
2	1	192167-25310	CIRCLIP,17	1							
3	1	194850-25760	BEARING, BALL 6203	2							
4	1	1A7450-25870	BEARING, TMB005UU	1							
5	1	1A7530-26050	SHAFT ASSY, INPUT	1							
6	1	1A6781-26090	BEARING, 6201SH2	1							
7	1	1A7530-26110	GEAR, PTO DRIVE 15	1							
8	1	1A7530-26130	GEAR, IDLE 18	1							
9	1	22242-000250	RING, 25	1							
10	1	22252-000400	RING, 40	1							
11	1	24101-062034	BEARING, BALL 6203	1							

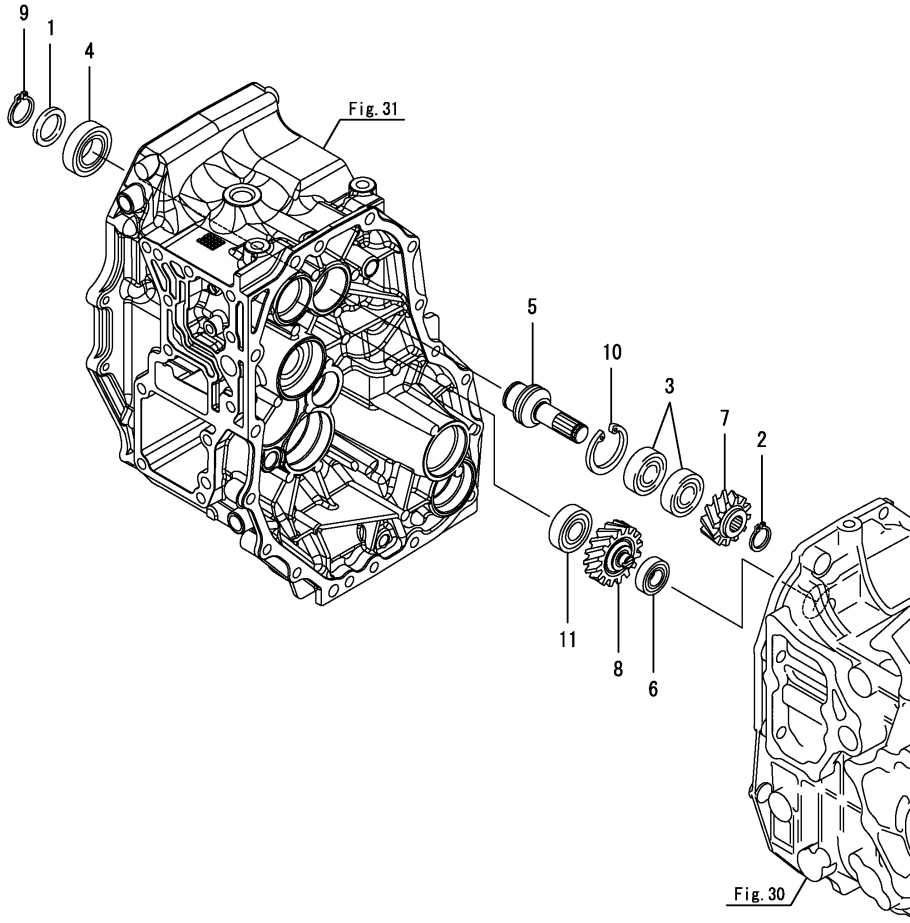
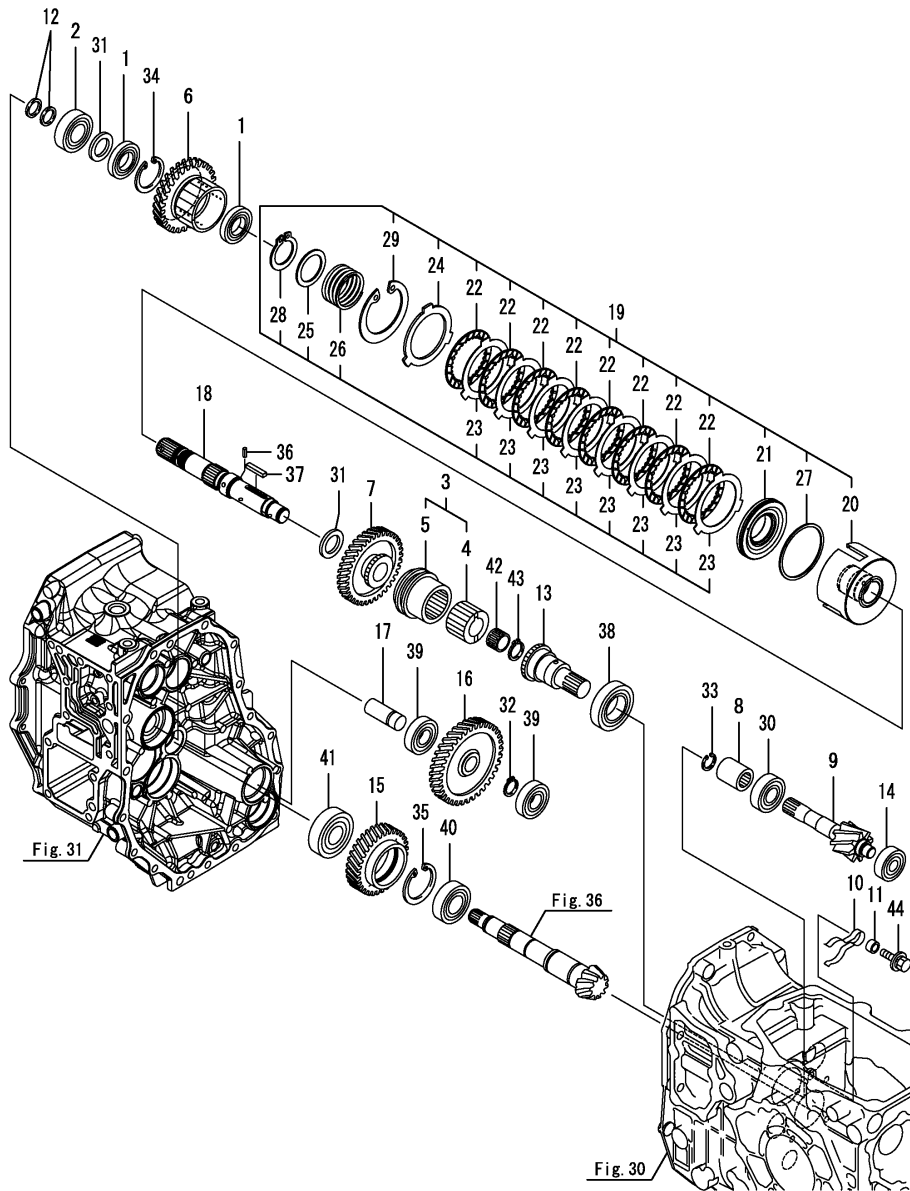


Fig.38. PTO CLUTCH SHAFT



(A)=SX3100(YANMAR)

(B)=

(C)=

(D)=

(E)=

(F)=

No.	Lev.	Parts No.	Description	Qty						I	R
				(A)	(B)	(C)	(D)	(E)	(F)		
1	1	1C6560-13170	BEARING, BALL 16005	2							
2	1	194640-25390	BEARING, BALL TMB205	1							
3	1	198167-26080	COLLAR SET	1							
4	2	198165-26150	COLLAR, PTO SPLINE	1							
5	2	198167-26220	COLLAR, SHIFT	1							
6	1	1A7540-26160	GEAR, PTO CLUTCH 33	1							
7	1	1A6680-26170	GEAR, PTO DRIVE 41	1							
8	1	198165-26180	JOINT	1							
9	1	1A7530-26190	GEAR, PTO 10T	1							
10	1	198165-26210	BRAKE, PREVENTION	1							
11	1	198165-26240	COLLAR, 15X3.5	1							
12	1	198167-26240	RING, SEAL 21X25X3	2							
13	1	198167-26250	SHAFT, PTO DRIVE	1							
14	1	198165-26270	BEARING, TMB302	1							
15	1	1A7540-26310	GEAR, IDLE 35	1							
16	1	1A7530-26330	GEAR, IDLE 45	1							
17	1	198167-26340	SHAFT, MID IDLE	1							
18	1	1A7540-26480	SHAFT ASSY, CLUTCH	1							
19	1	1A7540-26600	CLUTCH ASSY, PTO	1							
20	2	1A7540-26220	CYLINDER, CLUTCH PTO	1							
21	2	1A7540-26610	PISTON	1							
22	2	1A7540-26620	FRICITION PLATE 80	8							
23	2	1A7540-26630	PLATE, STEEL 1.2	8							
24	2	1A7540-26640	PLATE, STEEL 3.18	8							
25	2	1A7540-26650	THRUST WASHER	1							
26	2	1A7540-26660	SPRING, PTO	1							
27	2	1A7540-26670	D-RING	1							
28	2	22242-000360	RING, 36	1							
29	2	22252-000800	RING, 80	1							
30	1	192159-31410	BEARING,6204R SH2	1							
31	1	1E6190-54430	THRUST WASHER (C)	2							
32	1	22242-000200	RING, 20	1							
33	1	22252-000180	RING, 18	1							
34	1	22252-000470	RING, 47	1							
35	1	22252-000520	RING, 52	1							
36	1	22351-030008	PIN, SPRING 3.0X 8	1							
37	1	22551-050300	KEY, 5X 30	1							
38	1	24101-060074	BEARING, BALL 6007	1							
39	1	24101-062044	BEARING, BALL 6204	2							
40	1	24101-062054	BEARING, BALL 6205	1							
41	1	24101-063054	BEARING, BALL 6305	1							
42	1	24161-202417	BEARING, 202417	1							
43	1	24164-000202	CIRCLIP, 20	1							
44	1	26018-080352	BOLT, M8X 35	1							

Fig.39. PTO SHAFT

(A)=SX3100(YANMAR)  
 (B)=  
 (C)=

(D)=  
 (E)=  
 (F)=

No.	Lev.	Parts No.	Description	Q'ty						I	R
				(A)	(B)	(C)	(D)	(E)	(F)		
1	1	194306-13140	CIRCLIP, C24-S	1							
2	1	198220-25130	SPACER, 25X33X2	1							
3	1	1A7530-26220	SHAFT, PTO	1							
4	1	1A7530-26230	GEAR, REAR PTO 21T	1							
5	1	1C6220-32250	SPACER, 15.5X27X1	1							
6	1	24101-062054	BEARING, BALL 6205	1							
7	1	24101-063024	BEARING, BALL 6302	1							

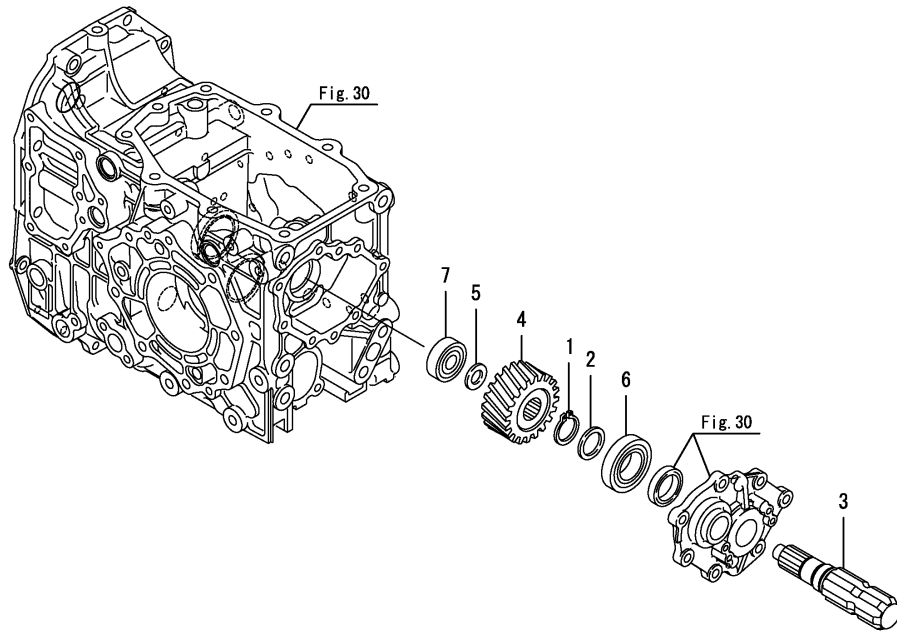


Fig.40. MID PTO SHAFT

(A)=SX3100(YANMAR)  
 (B)=  
 (C)=

(D)=  
 (E)=  
 (F)=

No.	Lev.	Parts No.	Description	Q'ty						I	R
				(A)	(B)	(C)	(D)	(E)	(F)		
1	1	1A7530-26400	SHAFT, MID PTO	1							
2	1	1E6190-54080	SLEEVE SI25X30X13	1							
3	1	24101-060054	BEARING, BALL 6005	2							

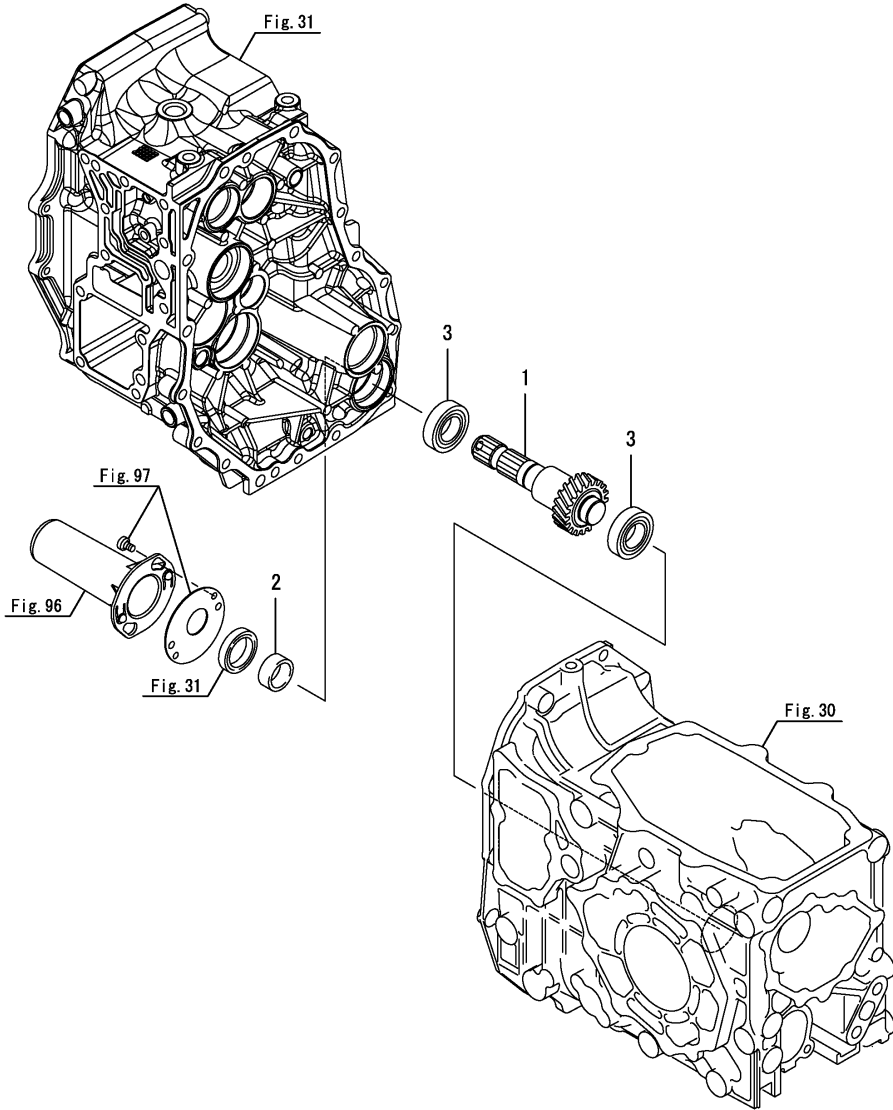


Fig.41. INERTIA BRAKE

(A)=SX3100(YANMAR)  
 (B)=  
 (C)=

(D)=  
 (E)=  
 (F)=

No.	Lev.	Parts No.	Description	Qty						I	R
				(A)	(B)	(C)	(D)	(E)	(F)		
1	1	198167-26500	CASE ASSY, SEAL	1							
2	2	198167-26510	CASE, SEAL	1							
3	2	198167-26520	CLIP, 45	1							
4	2	198167-26530	PISTON, INERTIA	1							
5	2	198167-26540	CASE, BRAKE	1							
6	2	198167-26550	PLATE	1							
7	2	198167-26580	SPRING, BRAKE	1							
8	2	1A7540-26710	FRICITION PLATE 40	5							
9	2	1A7540-26720	STEEL PLATE 1.2	6							
10	2	24321-000300	O-RING, 1AG30.0	1							
11	2	24321-000500	O-RING, 1AG50.0	1							
12	2	24341-000120	O-RING, 1AS12.0	1							
13	1	26016-080352	BOLT, M8X 35	3							
14	1	26016-100302	BOLT, M10X 30	1							

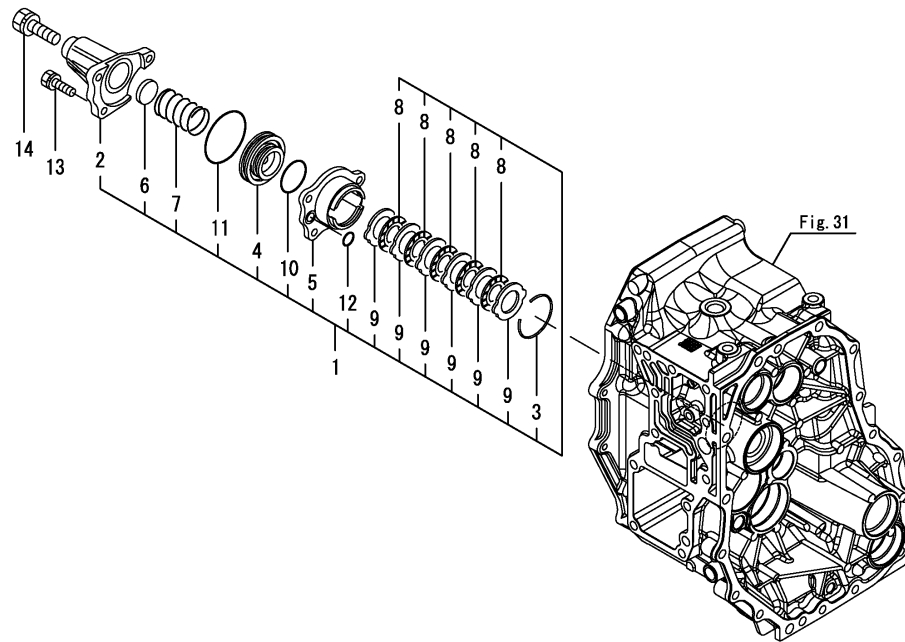
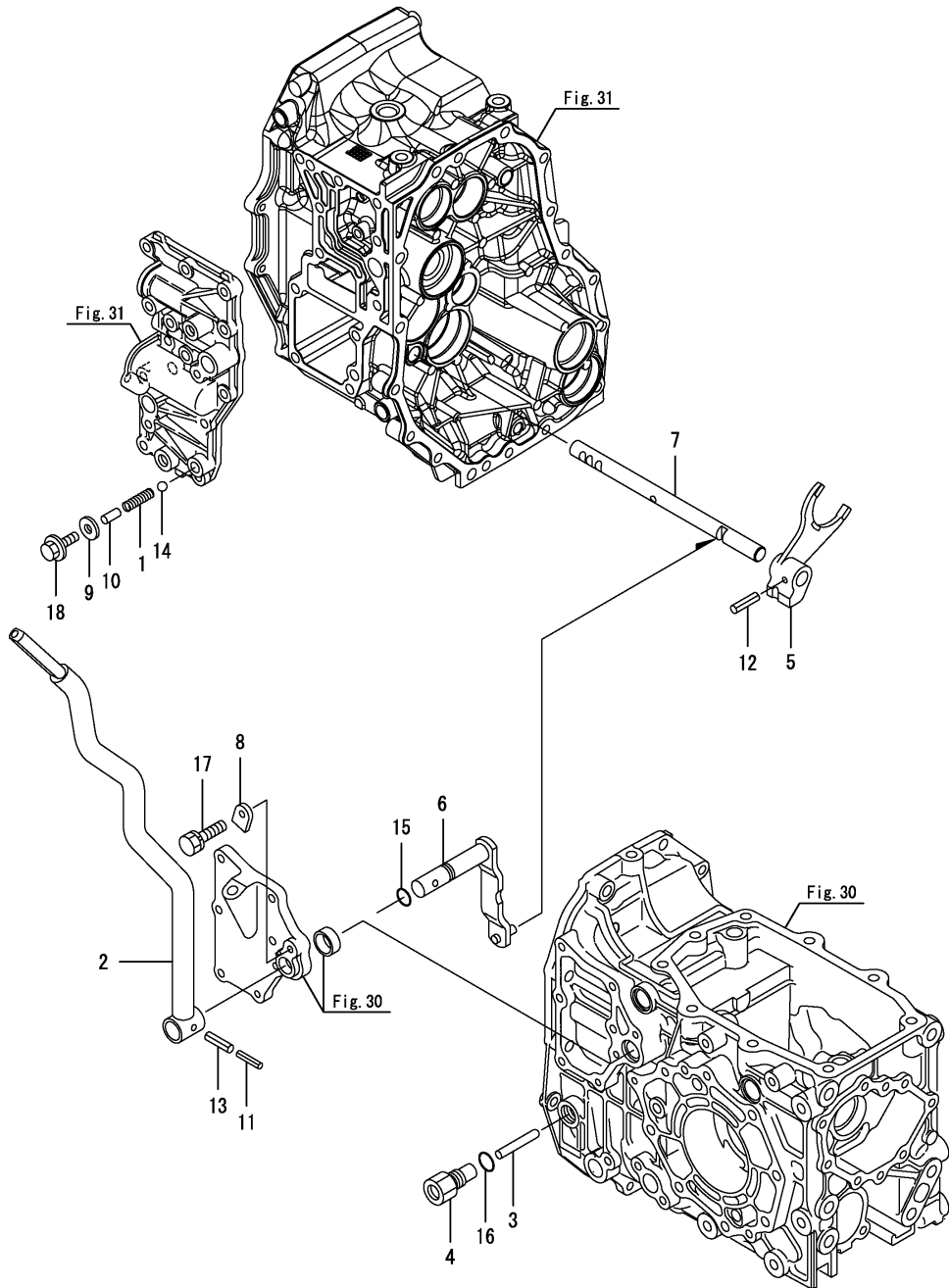


Fig.42. RANGE SHIFT

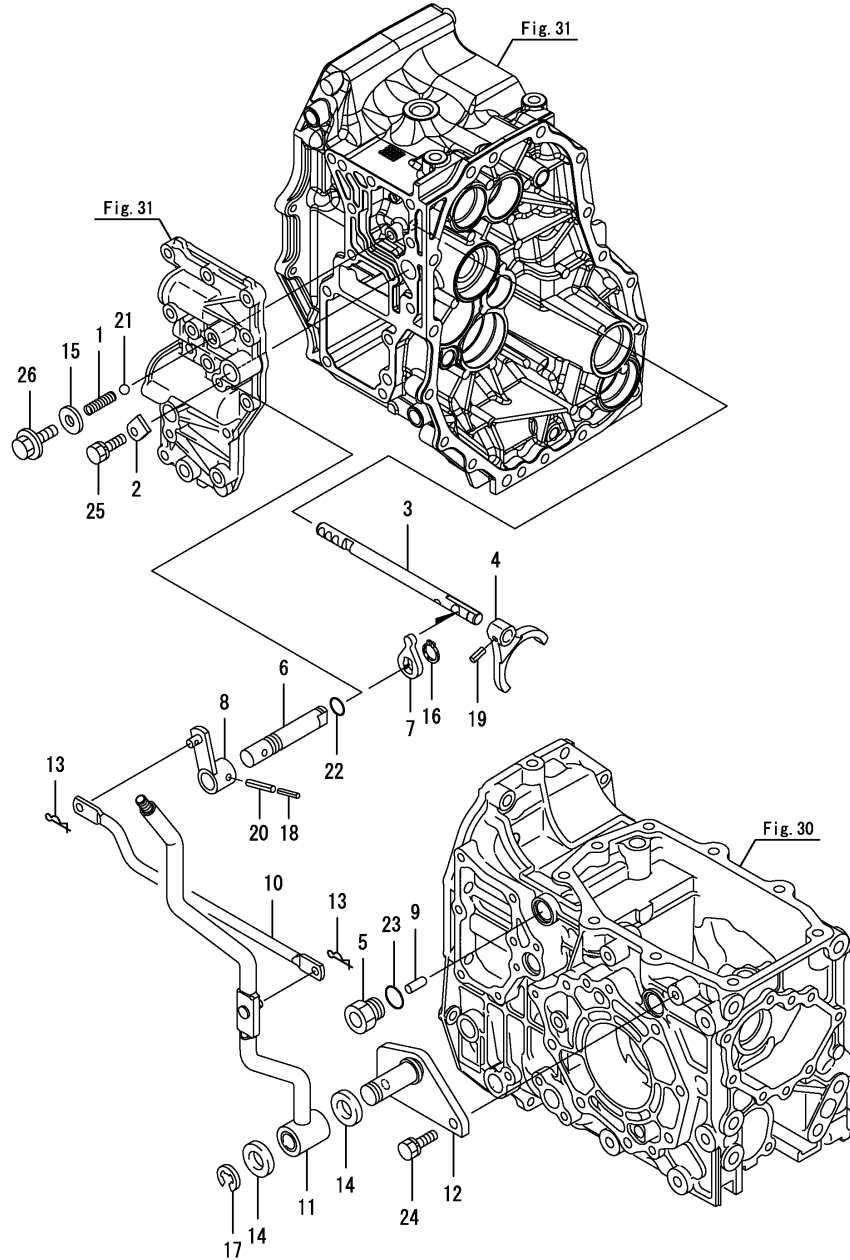


(A)=SX3100(YANMAR)  
(B)=  
(C)=

(D)=  
(E)=  
(F)=

No.	Lev.	Parts No.	Description	Q'ty						I	R
				(A)	(B)	(C)	(D)	(E)	(F)		
1	1	198421-27110	SPRING, 38.4	1							
2	1	1A7530-27410	LEVER ASSY, RANGE	1							
3	1	198167-27480	PIN, SWITCH	1							
4	1	198167-27490	HOLDER, SWITCH	1							
5	1	198167-27521	FORK, RANGE SHIFT	1							
6	1	198167-27530	ARM ASSY, SHIFT	1							
7	1	1A7530-27610	SHAFT, RANGE FORK	1							
8	1	194197-27681	PLATE, KEEP	1							
9	1	22190-100000	WASHER, SEAL 10	1							
10	1	22312-080180	PIN, PARALLEL M8X18	1							
11	1	22351-035032	PIN, SPRING 3.5X32	1							
12	1	22351-060025	PIN, SPRING 6.0X25	1							
13	1	22351-060032	PIN, SPRING 6.0X32	1							
14	1	24190-100001	BALL, STEEL 5/16	1							
15	1	24311-000125	O-RING, 1AP12.5	1							
16	1	24311-000140	O-RING, 1AP14.0	1							
17	1	26016-080352	BOLT, M8X 35	1							
18	1	26106-100252	BOLT, M10X 25 PLATED	1							

Fig.43. PTO CHANGE



(A)=SX3100(YANMAR)  
 (B)=  
 (C)=

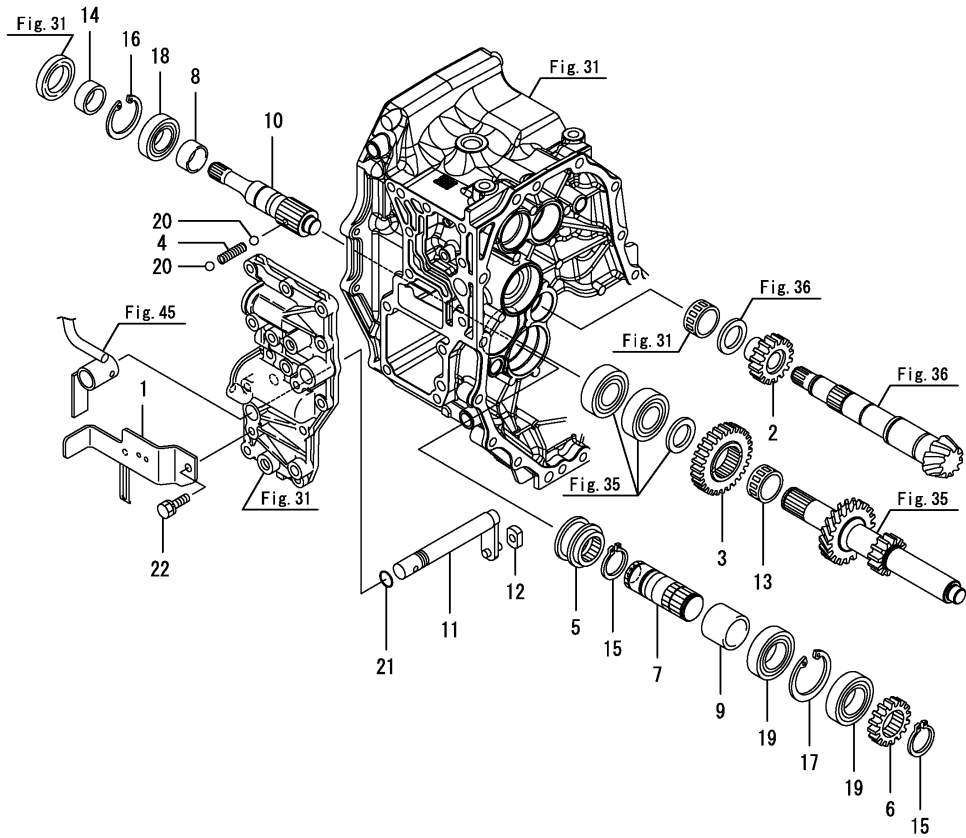
(D)=  
 (E)=  
 (F)=

No.	Lev.	Parts No.	Description	Q'ty						I	R
				(A)	(B)	(C)	(D)	(E)	(F)		
1	1	198421-27110	SPRING, 38.4	1							
2	1	194197-27681	PLATE, KEEP	1							
3	1	1A7530-27720	SHAFT, PTO FORK	1							
4	1	198167-27730	FORK, PTO SHIFT	1							
5	1	198165-27750	HOLDER, SWITCH M20	1							
6	1	198167-27770	SHAFT, PTO SHIFT	1							
7	1	198167-27780	ARM, SHIFT	1							
8	1	198167-27810	ARM ASSY, SHIFT	1							
9	1	198165-27820	PIN, SWITCH	1							
10	1	1A7530-27850	LINK, PTO SHIFT	1							
11	1	1A7530-27870	LEVER ASSY, PTO	1							
12	1	198167-27930	BRACKET, PTO LEVER	1							
13	1	1C6281-52320	PIN, SNAP 8	2							
14	1	22137-180000	WASHER, 18	2							
15	1	22190-100000	WASHER, SEAL 10	1							
16	1	22242-000170	RING, 17	1							
17	1	22272-000150	RING, E-15	1							
18	1	22351-035032	PIN, SPRING 3.5X32	1							
19	1	22351-060020	PIN, SPRING 6.0X20	1							
20	1	22351-060032	PIN, SPRING 6.0X32	1							
21	1	24190-100001	BALL, STEEL 5/16	1							
22	1	24311-000125	O-RING, 1AP12.5	1							
23	1	24311-000180	O-RING, 1AP18.0	1							
24	1	26013-080252	BOLT, M8X 25	2							
25	1	26016-080202	BOLT, M8X 20	1							
26	1	26106-100252	BOLT, M10X 25 PLATED	1							

Fig.44. FRONT DRIVE

(A)=SX3100(YANMAR)  
(B)=  
(C)=

(D)=  
(E)=  
(F)=



No.	Lev.	Parts No.	Description	Q'ty						I	R
				(A)	(B)	(C)	(D)	(E)	(F)		
1	1	1A7530-27650	STAY ASSY, SWITCH	1							
2	1	198167-28210	GEAR, MFWD DRIVE	1							
3	1	1A7540-28220	GEAR, MFWD IDLE	1							
4	1	194311-28230	SPRING, 21.2	1							
5	1	198165-28240	COLLAR, SHIFT	1							
6	1	198167-28240	GEAR, MFWD DRIVEN	1							
7	1	1A7530-28250	SHAFT, MFWD DRIVE	1							
8	1	1A7530-28270	COLLAR, 25.4X30X14.8	1							
9	1	1A7530-28280	COLLAR, 30X38X30.7	1							
10	1	1A7530-28290	SHAFT, FRONT DRIVE	1							
11	1	198167-28310	ARM ASSY, SHIFT	1							
12	1	198165-28330	BLOCK, SHIFT	1							
13	1	1A7540-28880	BEARING, 283516	1							
14	1	1E6190-54080	SLEEVE SI25X30X13	1							
15	1	22242-000290	RING, 29	2							
16	1	22252-000470	RING, 47	1							
17	1	22252-000550	RING, 55	1							
18	1	24101-060054	BEARING, BALL 6005	1							
19	1	24104-060064	BEARING, BALL 6006UU	2							
20	1	24190-080001	BALL, STEEL 1/4	2							
21	1	24311-000125	O-RING, 1AP12.5	1							
22	1	26016-080202	BOLT, M8X 20	1							



Fig.45. FRONT SHIFT

(A)=SX3100(YANMAR)  
 (B)=  
 (C)=

(D)=  
 (E)=  
 (F)=

No.	Lev.	Parts No.	Description	Q'ty						I	R
				(A)	(B)	(C)	(D)	(E)	(F)		
1	1	1A7530-28351	LEVER, 4WD	1							
2	1	22351-035032	PIN, SPRING 3.5X32	1							
3	1	22351-060032	PIN, SPRING 6.0X32	1							

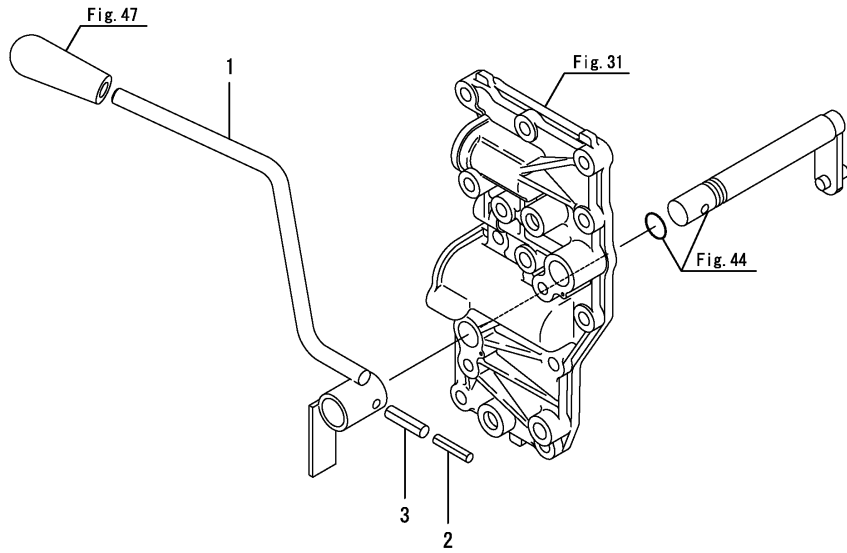
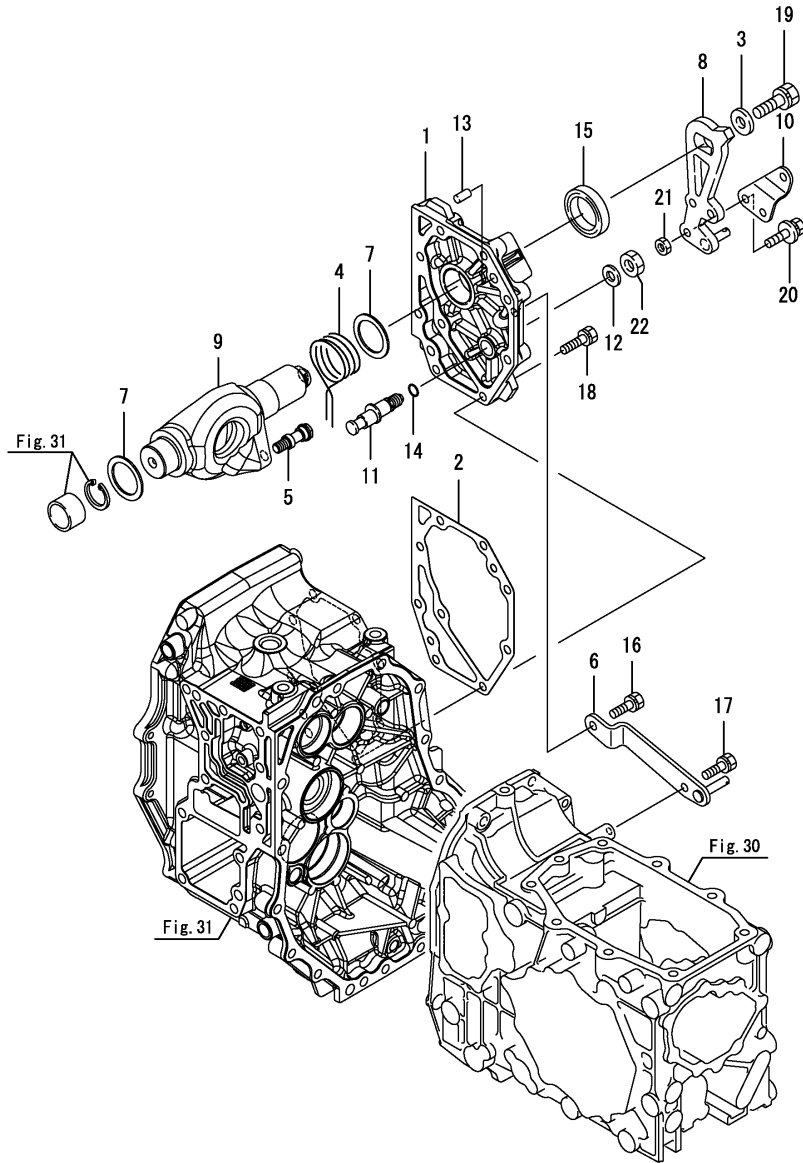


Fig.46. H.S.T. CONTROL(1)



(A)=SX3100(YANMAR)  
(B)=  
(C)=

(D)=  
(E)=  
(F)=

No.	Lev.	Parts No.	Description	Q'ty						I	R
				(A)	(B)	(C)	(D)	(E)	(F)		
1	1	1A7530-24450	COVER ASSY, SIDE R	1							
2	1	1A7530-24470	GASKET, COVER	1							
3	1	194180-25930	WASHER, 12X27X4.5	1							
4	1	1A7530-27510	SPRING, RETURN	1							
5	1	1A7530-27520	FULCRUM	1							
6	1	1A7530-27550	STAY ASSY, ABSORBER	1							
7	1	1A7530-27570	WASHER, 35X47X2	2							
8	1	192157-27600	CONTROL ARM COMP.	1							
9	1	1A7530-28800	PLATE, SWASH	1							
10	1	1A7530-28850	PLATE, CONTROL ARM	1							
11	1	1E1270-29701	SUPPORT	1							
12	1	22137-120000	WASHER, 12	1							
13	1	22312-080160	PIN, PARALLEL M8X16	2							
14	1	24311-240100	O-RING, 1AP10A	1							
15	1	24421-355008	SEAL, OIL TC355008	1							
16	1	26016-080162	BOLT, M8X 16	1							
17	1	26016-080202	BOLT, M8X 20	1							
18	1	26016-080402	BOLT, M8X 40	9							
19	1	26016-120302	BOLT, M12X 30	1							
20	1	26018-080252	BOLT, M8X 25	1							
21	1	26716-080002	NUT, M8	1							
22	1	26776-120002	NUT, LOCK M12	1							

Fig.47. H.S.T. CONTROL(2)

(A)=SX3100(YANMAR)  
 (B)=  
 (C)=

(D)=  
 (E)=  
 (F)=

No.	Lev.	Parts No.	Description	Q'ty						I	R
				(A)	(B)	(C)	(D)	(E)	(F)		
1	1	198253-01190	KNOB, LEVER	1							
2	1	192154-29610	SHOCK ABSORBER	1							
3	1	1C6281-52320	PIN, SNAP 8	2							
4	1	22137-080000	WASHER, 8	2							
5	1	22487-080350	PIN, H 8X 35	1							

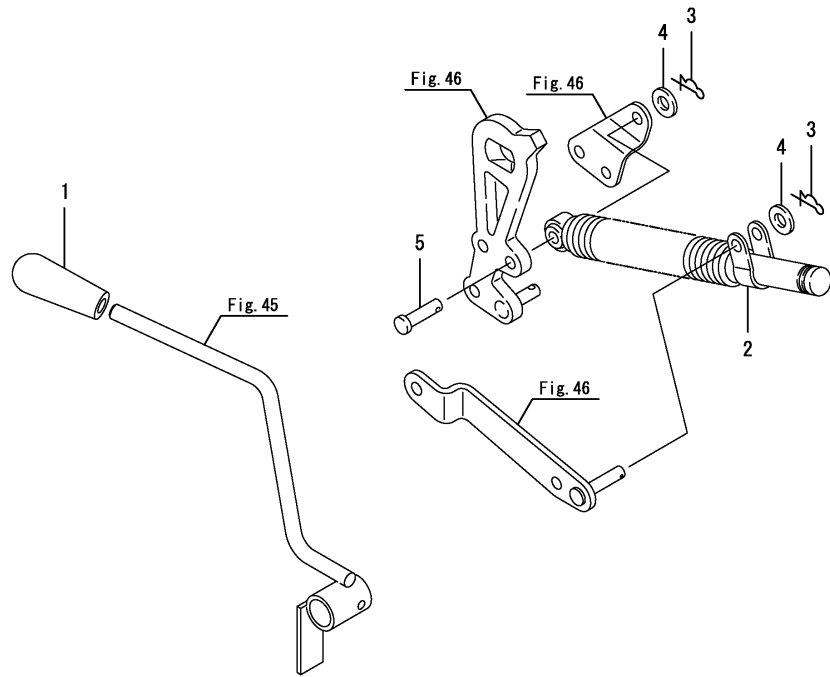


Fig.48. H.S.T.

(A)=SX3100(YANMAR)

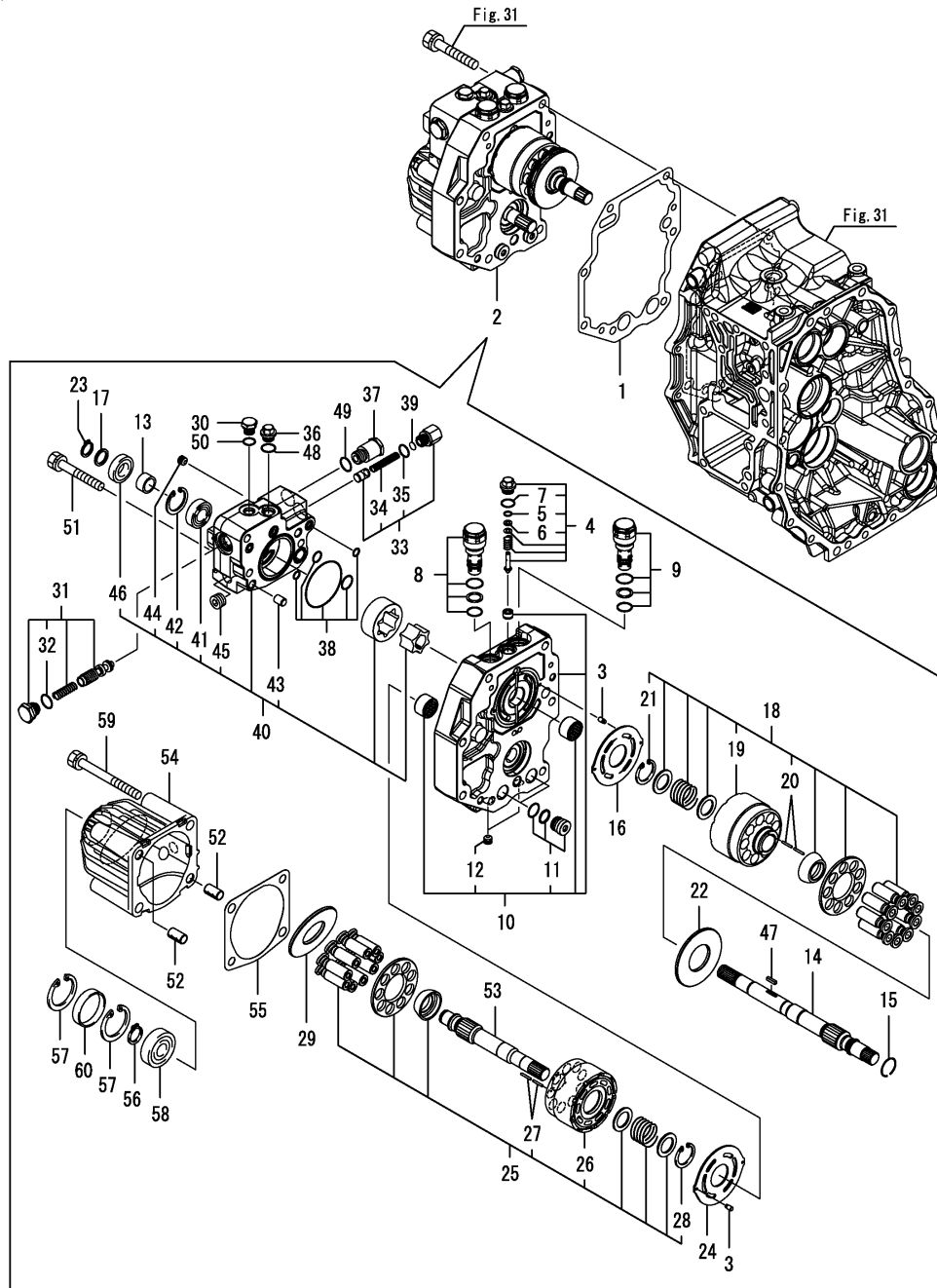
(B)=

(C)=

(D)=

(E)=

(F)=

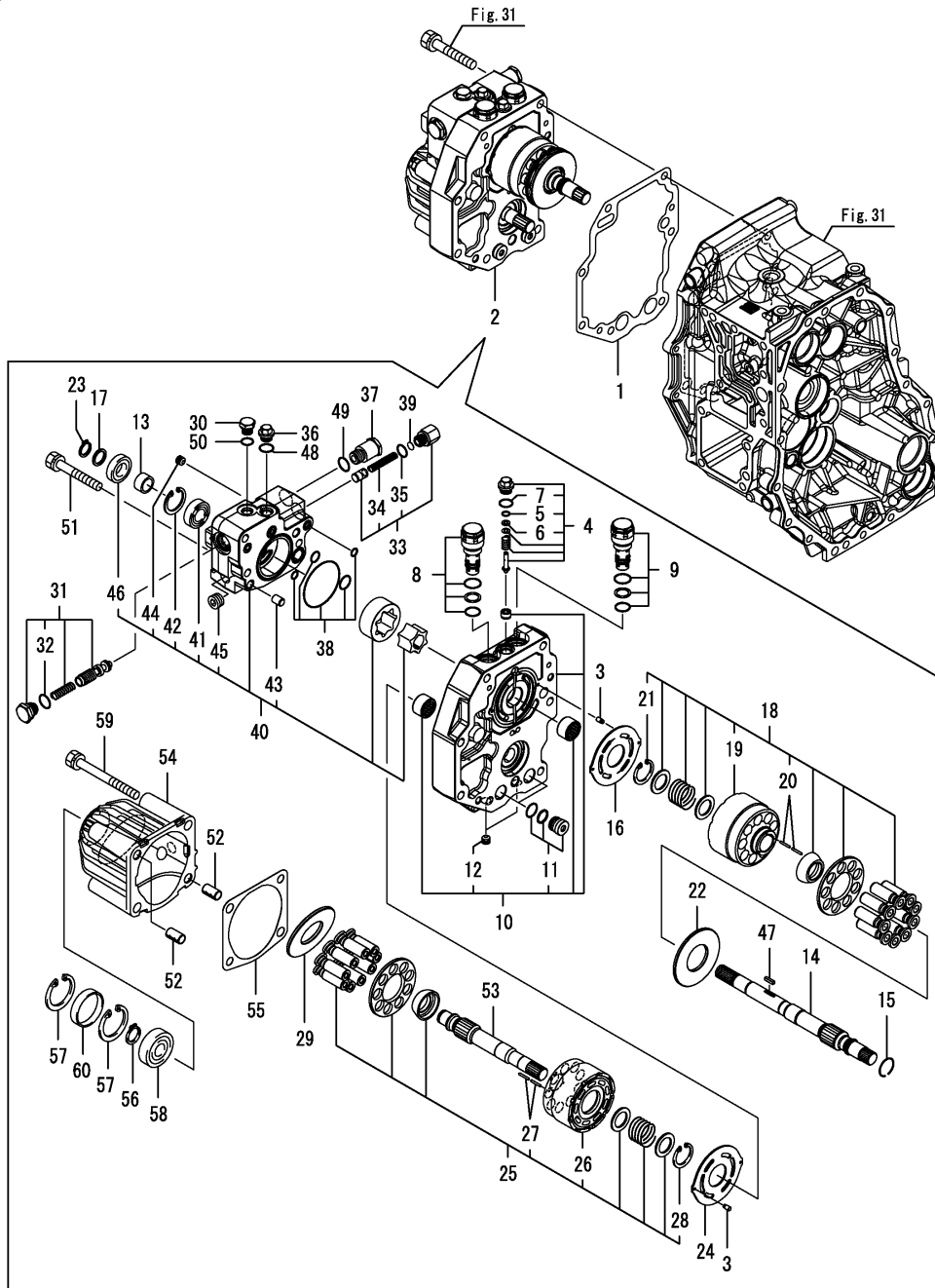


No.	Lev.	Parts No.	Description	Q'ty						I	R
				(A)	(B)	(C)	(D)	(E)	(F)		
1	1	198167-24330	PACKING, HOUSING	1							
2	1	1A7540-29100	HST ASSY	1							
3	2	192163-24420	PIN, KNOCK 3.5	4							
4	2	198167-24710	RELIEF ASSY	1							
5	3	192157-24750	PACKING P 5	1							
6	3	22137-050000	WASHER, 5	1							
7	3	24311-000120	O-RING, 1AP12.0	1							
8	2	168HK1-29040	VALVE ASSY	1							
9	2	168HK1-29050	VALVE ASSY	1							
10	2	168HK1-29110	CASE ASSY, CENTER	1							
11	3	1A6750-29510	BODY ASSY, SUCTION	2							
12	3	23871-010000	PLUG, R01	2							
13	2	194300-25180	SLEEVE, SI 17X22X12	1							
14	2	168HK1-29220	SHAFT, PUMP	1							
15	2	168HK0-29230	RING 23	1							
16	2	168HK0-29251	VALVE PLATE(P	1							
17	2	168HK1-29450	SPACER 17X22	1							
18	2	168HK0-29600	BLOCK ASSY, CYL	1							
19	3	168HK0-29610	BLOCK, CYLINDER	1							
20	3	168HK0-29690	PIN, F2X13.8	6							
21	3	22252-000320	RING, 32	1							
22	2	168HK0-29620	PLATE, THRUST	1							
23	2	22242-000170	RING, 17	1							
24	2	168HK0-29351	VALVE PLATE(M	1							
25	2	168HK0-29600	BLOCK ASSY, CYL	1							
26	3	168HK0-29610	BLOCK, CYLINDER	1							
27	3	168HK0-29690	PIN, F2X13.8	6							
28	3	22252-000320	RING, 32	1							
29	2	168HK0-29620	PLATE, THRUST	1							
30	2	192157-26460	PLUG 1/2-20 UNF	1							
31	2	192157-26470	VALVE ASSY, REDUCING	1							
32	3	24311-000140	O-RING, 1AP14.0	1							
33	2	192157-26520	VALVE ASSY	1							
34	3	192157-26740	SPRING	1							
35	3	24311-000120	O-RING, 1AP12.0	1							
36	2	198167-29250	PLUG	1							
37	2	198167-29330	ADAPTER	1							
38	2	198167-29340	PACKING KIT	1							
39	2	198167-29390	SHIM, T=0.3	1							
40	2	168HK1-29410	PUMP ASSY, HYDRAULIC	1							
41	3	192152-26160	BEARING	1							
42	3	22252-000350	RING, 35	1							
43	3	22312-100120	PIN, PARALLEL M10X12	2							
44	3	23871-010000	PLUG, R01	1							
45	3	23871-030000	PLUG, R03	1							
46	3	24421-223508	SEAL, OIL TC223508	1							
47	2	168HK0-29430	KEY 14.2	1							
48	2	24311-000120	O-RING, 1AP12.0	1							
49	2	24311-000140	O-RING, 1AP14.0	1							
50	2	24361-090500	O-RING, 1AAS905	1							
51	2	26016-100702	BOLT, M10X 70	2							

Fig.48. H.S.T.

(A)=SX3100(YANMAR)  
 (B)=  
 (C)=

(D)=  
 (E)=  
 (F)=



No.	Lev.	Parts No.	Description	Qty						I	R
				(A)	(B)	(C)	(D)	(E)	(F)		
52	2	192157-24850	PIN 12X22,KNOCK	2							
53	2	168HK0-29520	SHAFT, MOTOR	1							
54	2	168HK0-29530	CASE, MOTOR	1							
55	2	198167-29640	PACKING, CASE	1							
56	2	22242-000170	RING, 17	1							
57	2	22252-000470	RING, 47	2							
58	2	24101-063034	BEARING, BALL 6303	1							
59	2	26016-101002	BOLT, M10X100	2							
60	2	27260-470000	PLUG, 47	1							

Fig.54. RING GEAR

(A)=SX3100(YANMAR)  
 (B)=  
 (C)=

(D)=  
 (E)=  
 (F)=

No.	Lev.	Parts No.	Description	Q'ty						I	R
				(A)	(B)	(C)	(D)	(E)	(F)		
1	1	1A6780-31400	GEAR, RING	1							

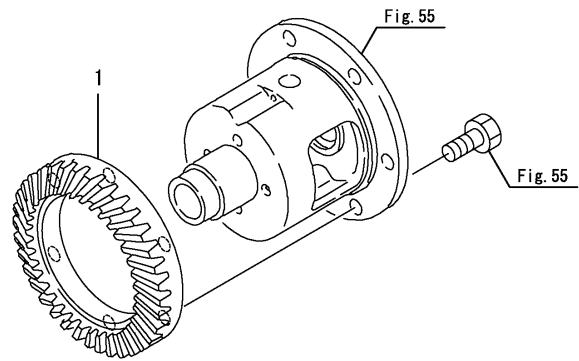
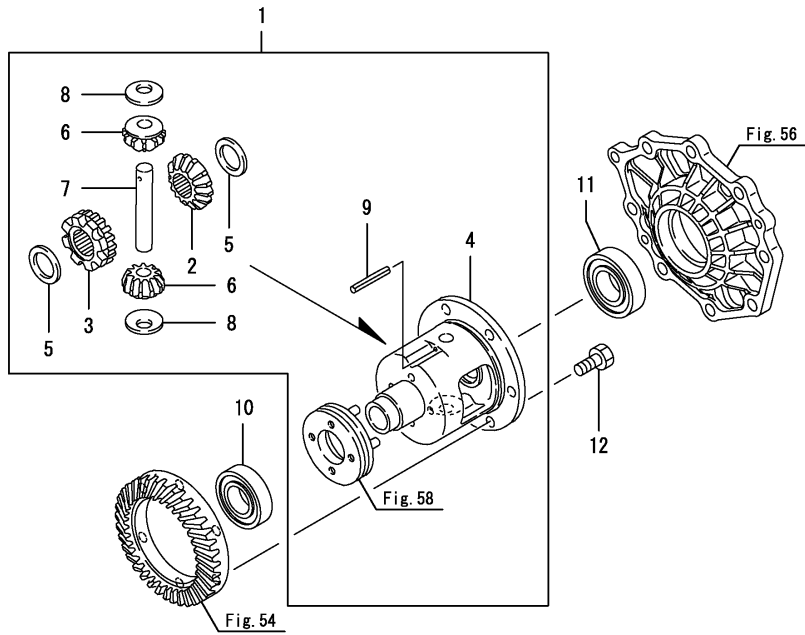


Fig.55. DIFFERENTIAL GEAR

(A)=SX3100(YANMAR)  
(B)=  
(C)=

(D)=  
(E)=  
(F)=



No.	Lev.	Parts No.	Description	Q'ty						I	R
				(A)	(B)	(C)	(D)	(E)	(F)		
1	1	1A6780-31500	HOUSING ASSY, B	1							
2	2	198421-31510	GEAR, DIFFERENTIAL	1							
3	2	1A6780-31520	GEAR, DIFFERENTIAL	1							
4	2	198421-31530	CASE, DIFFERENTIAL	1							
5	2	198421-31550	WASHER, DIFFERENTIAL	2							
6	2	194300-31560	GEAR, PINION	2							
7	2	194300-31570	SHAFT, DIFFERENTIAL	1							
8	2	194300-31620	WASHER, DIFFERENTIAL	2							
9	2	22351-040040	PIN, SPRING 4.0X40	1							
10	1	24101-060064	BEARING, BALL 6006	1							
11	1	24101-060074	BEARING, BALL 6007	1							
12	1	26156-100162	BOLT, M10X 16 PLATED	6							

Fig.56. DIFFERENTIAL CARRIER

(A)=SX3100(YANMAR)  
 (B)=  
 (C)=

(D)=  
 (E)=  
 (F)=

No.	Lev.	Parts No.	Description	Q'ty						I	R
				(A)	(B)	(C)	(D)	(E)	(F)		
1	1	198165-32311	CARRIER	1							
2	1	198165-32320	SHIM SET	1							

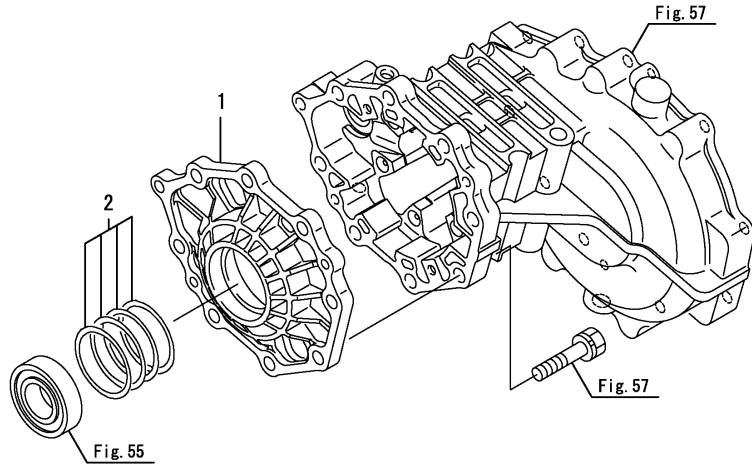




Fig.57. REAR HOUSING

(A)=SX3100(YANMAR)

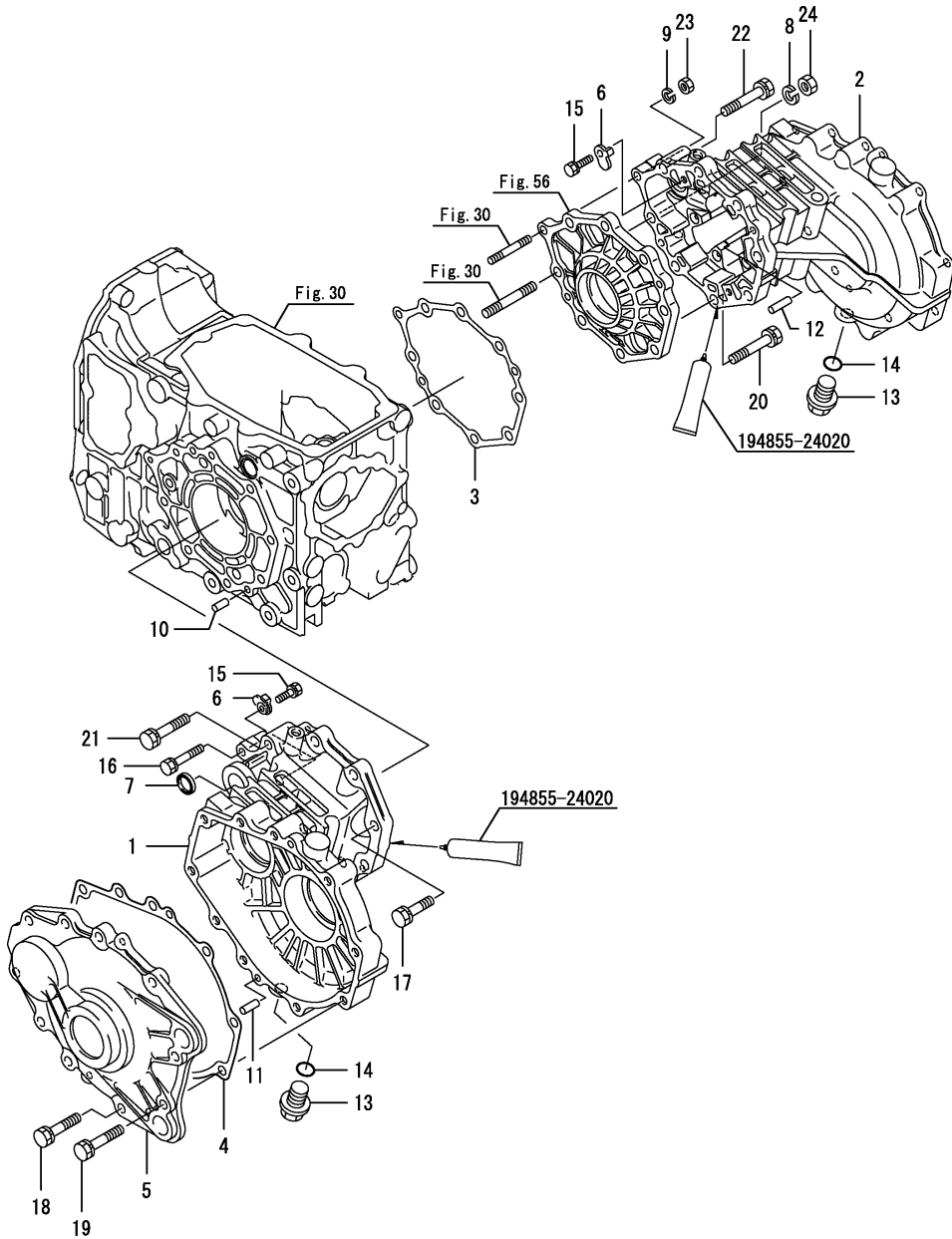
(B)=

(C)=

(D)=

(E)=

(F)=



No.	Lev.	Parts No.	Description	Q'ty						I	R
				(A)	(B)	(C)	(D)	(E)	(F)		
1	1	1A7540-32610	HOUSING, REAR AXLE L	1							
2	1	1A7540-32620	HOUSING, REAR AXLE R	1							
3	1	198165-32630	PACKING, HOUSING	1							
4	1	1A6680-32630	GASKET, REAR AXLE	2							
5	1	1A7540-32640	COVER, REAR AXLE	2							
6	1	198421-32660	STOPPER, PLATE	4							
7	1	198290-32750	SEAL, OIL TC253506	2							
8	1	22217-100000	WASHER, SPRING 10	1							
9	1	22287-080000	WASHER, 8	1							
10	1	22312-080180	PIN, PARALLEL M8X18	2							
11	1	22312-080200	PIN, PARALLEL M8X20	4							
12	1	22312-080320	PIN, PARALLEL M8X32	2							
13	1	23491-140002	PLUG, 14	2							
14	1	24311-000160	O-RING, 1AP16.0	2							
15	1	26013-080202	BOLT, M8X 20	4							
16	1	26013-080502	BOLT, M8X 50	1							
17	1	26013-100402	BOLT, M10X 40	6							
18	1	26013-100452	BOLT, M10X 45	16							
19	1	26013-100502	BOLT, M10X 50	4							
20	1	26013-100502	BOLT, M10X 50	6							
21	1	26013-100552	BOLT, M10X 55	2							
22	1	26013-100652	BOLT, M10X 65	1							
23	1	26716-080002	NUT, M8	1							
24	1	26716-100002	NUT, M10	1							

Fig.58. DIFFERENTIAL LOCK

(A)=SX3100(YANMAR)  
 (B)=  
 (C)=

(D)=  
 (E)=  
 (F)=

No.	Lev.	Parts No.	Description	Q'ty						I	R
				(A)	(B)	(C)	(D)	(E)	(F)		
1	1	1A7530-33100	LOCK KIT	1							
2	2	22351-080032	PIN, SPRING 8.0X32	1							
3	1	198421-33110	SLIDER, LOCK	1							
4	1	198421-33140	SPRING	1							
5	1	198421-33170	SPACER, 20X25X3.2	1							
6	1	22351-050040	PIN, SPRING 5.0X40	1							
7	1	22351-080032	PIN, SPRING 8.0X32	1							
8	1	22351-080040	PIN, SPRING 8.0X40	1							
9	1	24311-000160	O-RING, 1AP16.0	2							

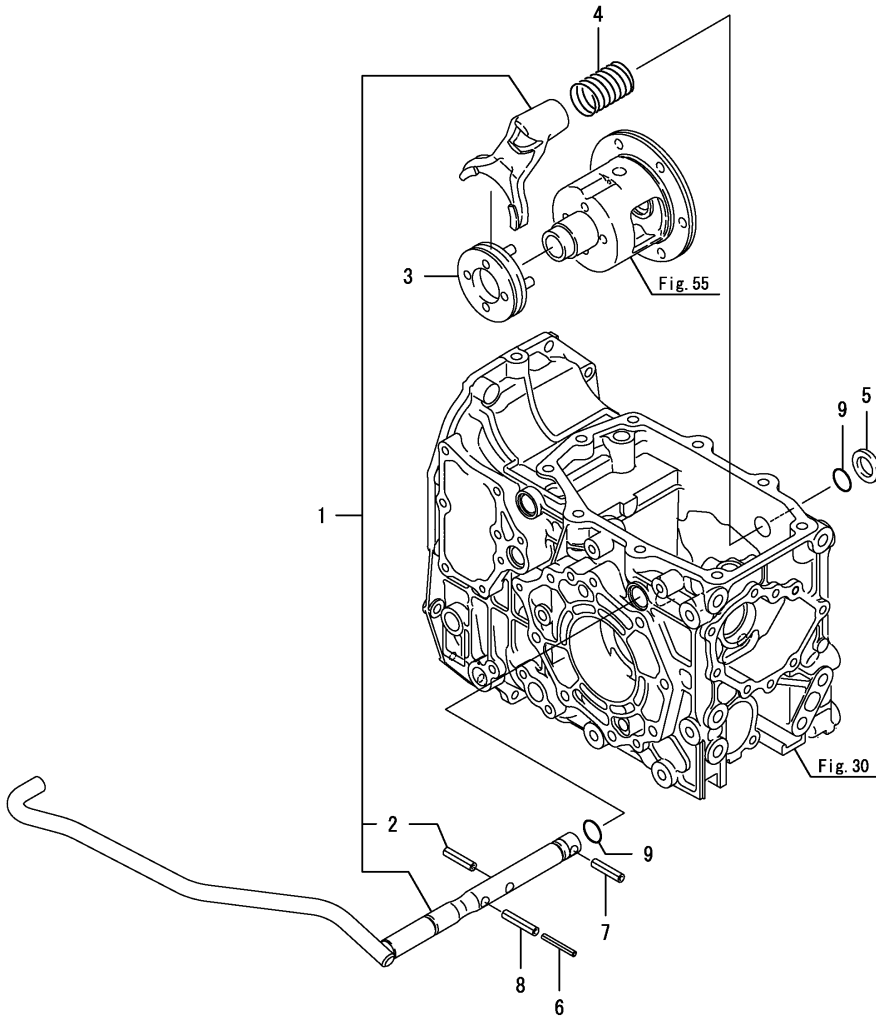




Fig.60. FINAL GEAR

(A)=SX3100(YANMAR)  
 (B)=  
 (C)=

(D)=  
 (E)=  
 (F)=

No.	Lev.	Parts No.	Description	Q'ty						I	R
				(A)	(B)	(C)	(D)	(E)	(F)		
1	1	1A7540-33510	GEAR, FINAL 48	2							

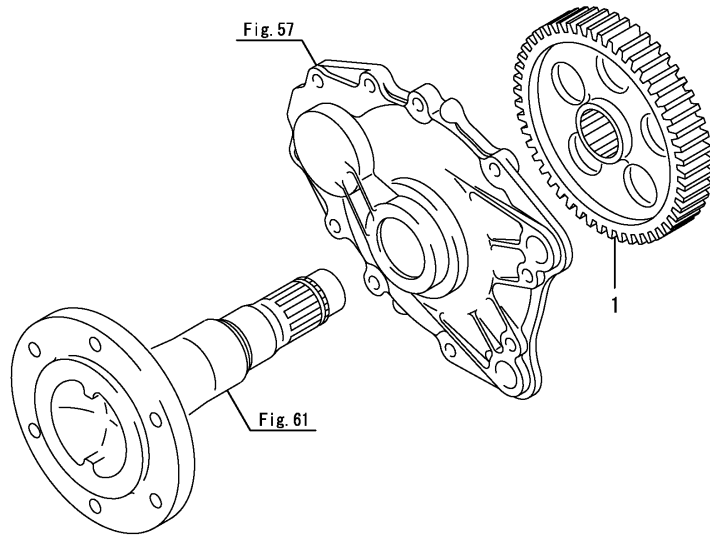


Fig.61. REAR AXLE SHAFT

(A)=SX3100(YANMAR)  
 (B)=  
 (C)=

(D)=  
 (E)=  
 (F)=

No.	Lev.	Parts No.	Description	Q'ty						I	R
				(A)	(B)	(C)	(D)	(E)	(F)		
1	1	194516-13770	SLEEVE, SI 45X50X16	2							
2	1	194516-13780	SEAL TC6Y 506812.5	2							
3	1	1A7540-34110	SHAFT, REAR AXLE	2							
4	1	198165-34140	COLLAR	2							
5	1	22242-000400	RING, 40	2							
6	1	24101-062090	BEARING, BALL 6209C3	2							
7	1	24101-063070	BEARING, BALL 6307C3	2							

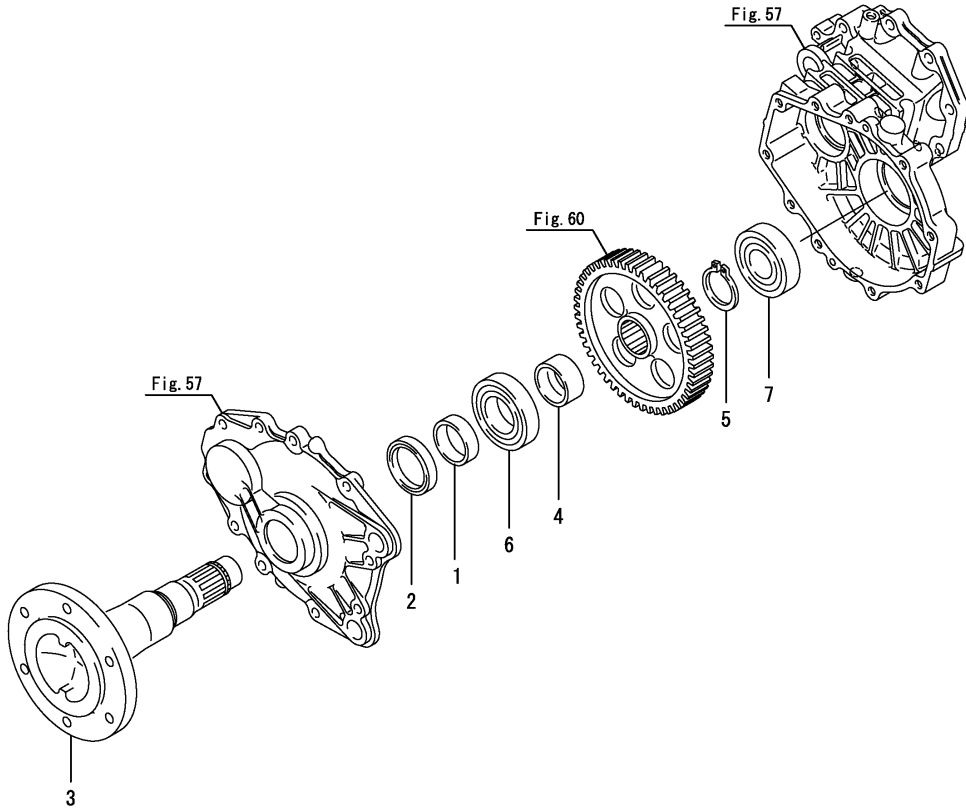


Fig.62. TIRE REAR R3

(A)=SX3100(YANMAR)  
 (B)=  
 (C)=

(D)=  
 (E)=  
 (F)=

No.	Lev.	Parts No.	Description	Q'ty						I	R
				(A)	(B)	(C)	(D)	(E)	(F)		
1	1	1A8300-34700	TIRE KIT, REAR R3	2							
2	2	1A8300-34710	TIRE, 36X13.50-15 R3	2							
3	2	1A8300-34730	WHEEL	2							
4	2	1A8300-34740	VALVE, TR415	2							

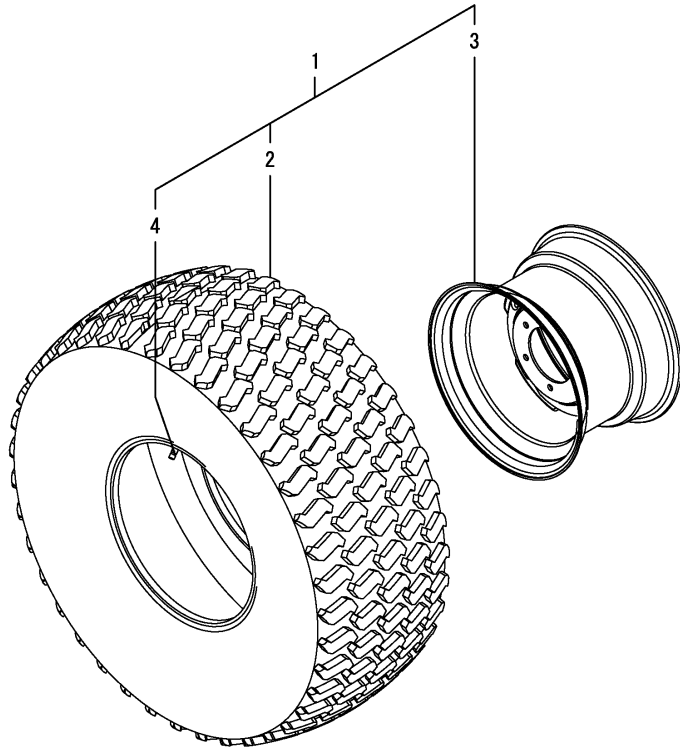
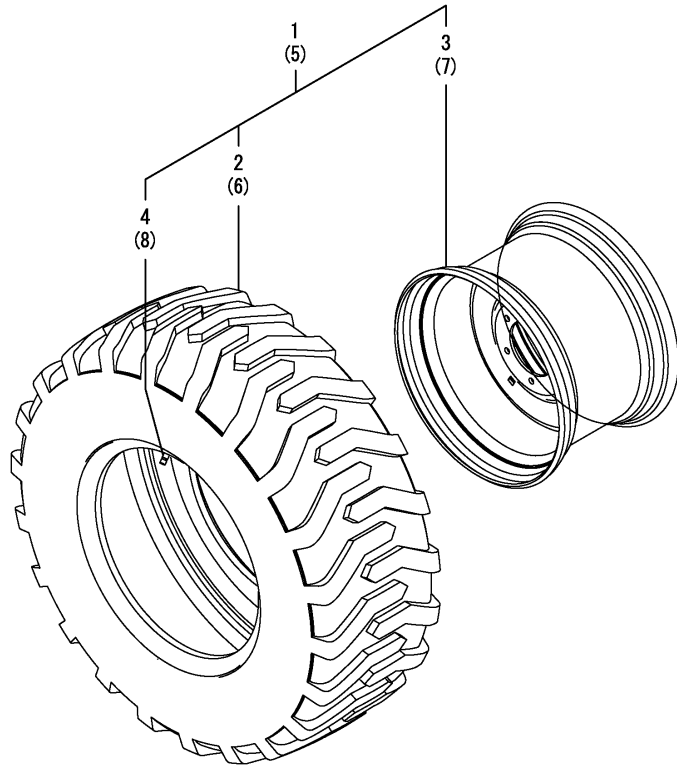


Fig.63. TIRE REAR R4

(A)=SX3100(YANMAR)  
 (B)=  
 (C)=

(D)=  
 (E)=  
 (F)=

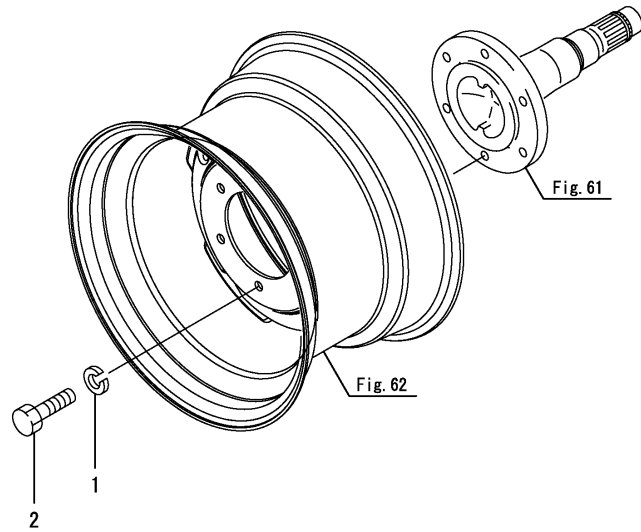


No.	Lev.	Parts No.	Description	Q'ty						I	R
				(A)	(B)	(C)	(D)	(E)	(F)		
1	1	1A8300-34800	TIRE KIT, REAR R4 L	1							
2	2	1A8300-34820	TIRE, 14X17.5 R4	1							
3	2	1A8300-34830	WHEEL, 17.5X10.5	1							
4	2	1A8300-34840	VALVE, TR618A	1							
5	1	1A8300-34810	TIRE KIT, REAR R4 R	1							
6	2	1A8300-34820	TIRE, 14X17.5 R4	1							
7	2	1A8300-34830	WHEEL, 17.5X10.5	1							
8	2	1A8300-34840	VALVE, TR618A	1							

Fig.64. HUB BOLT,REAR

(A)=SX3100(YANMAR)  
 (B)=  
 (C)=

(D)=  
 (E)=  
 (F)=



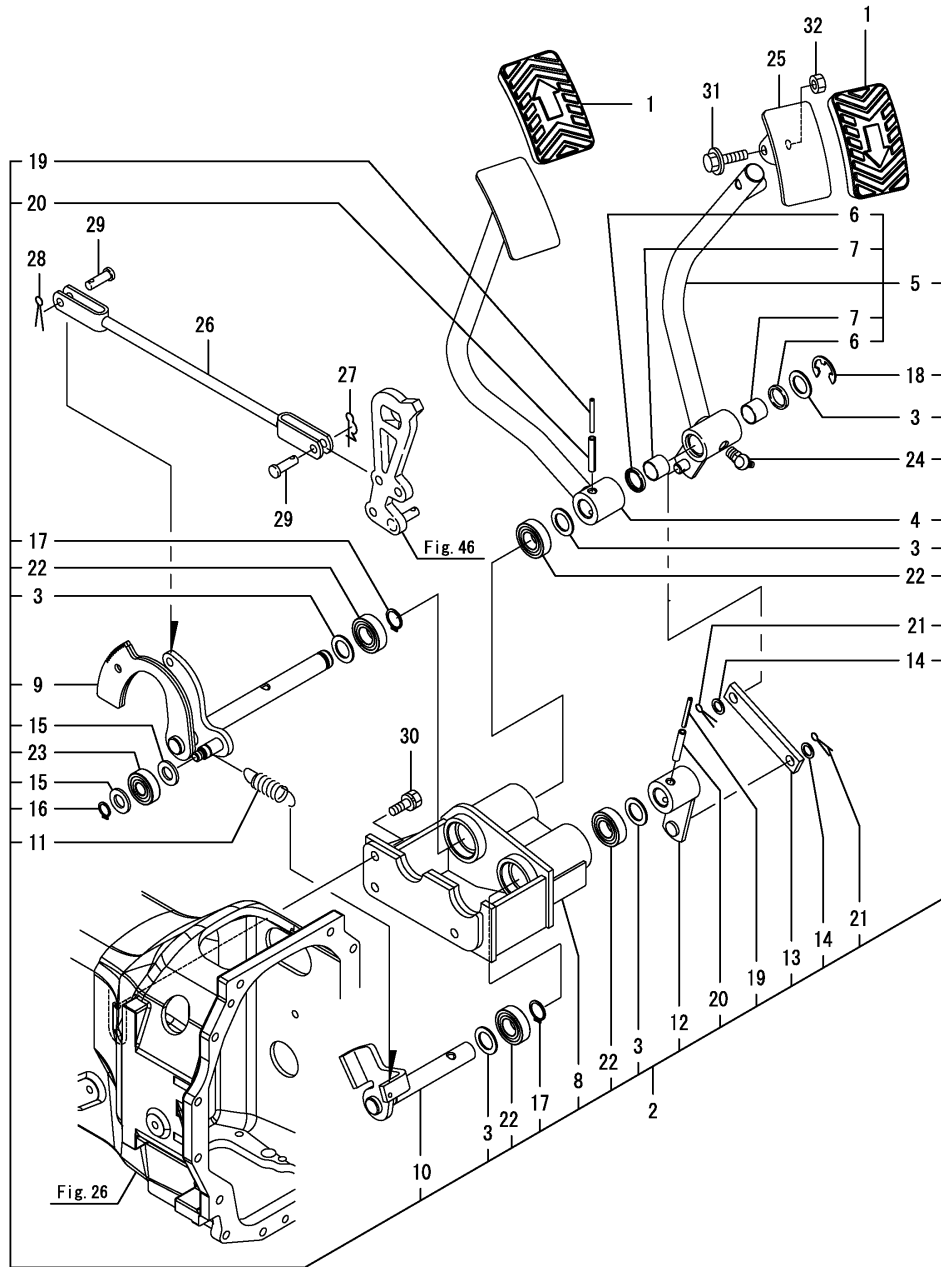
No.	Lev.	Parts No.	Description	Q'ty						I	R
				(A)	(B)	(C)	(D)	(E)	(F)		
1	1	22217-120000	WASHER, SPRING 12	12							
2	1	26086-120302	BOLT, 10.912X 30	12							



Fig.65. HYDRAULIC PEDAL

(A)=SX3100(YANMAR)  
(B)=  
(C)=

(D)=  
(E)=  
(F)=

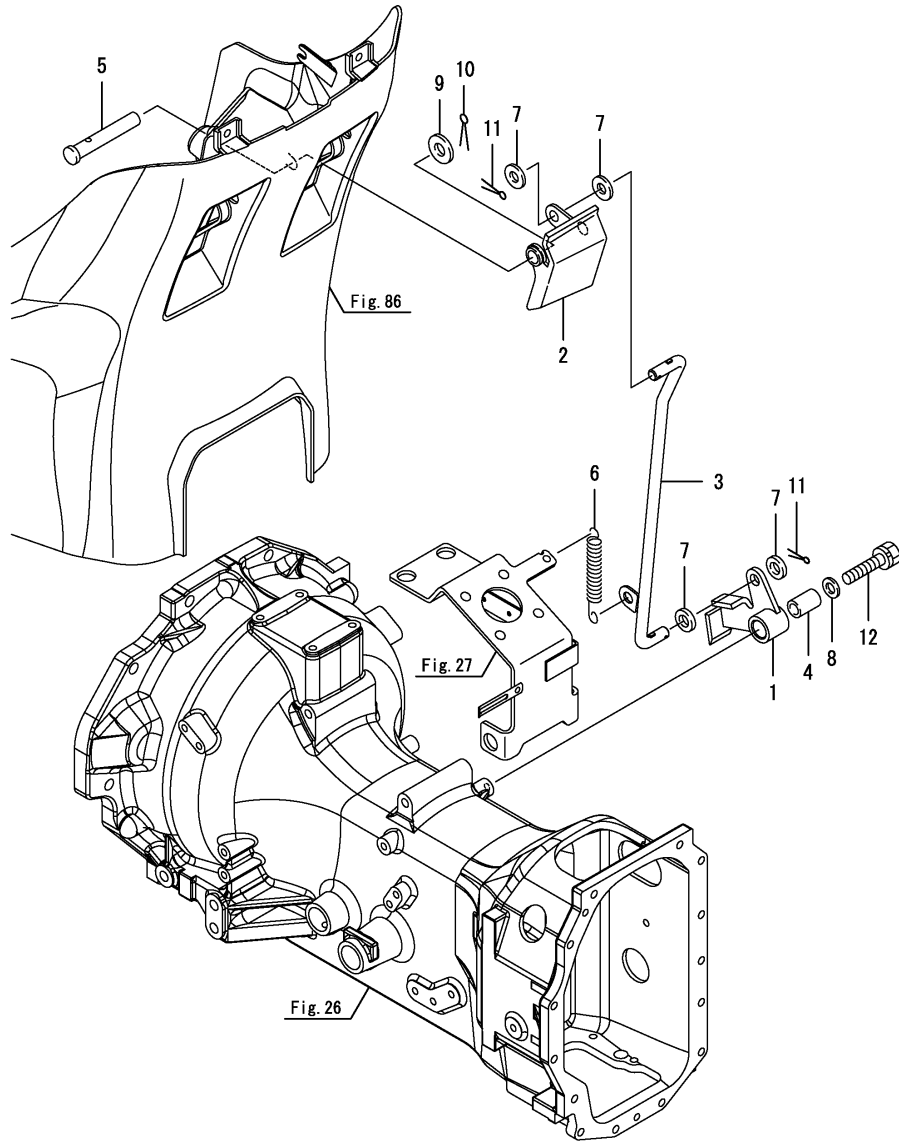


No.	Lev.	Parts No.	Description	Q'ty						I	R
				(A)	(B)	(C)	(D)	(E)	(F)		
1	1	1A8160-35080	HEAD, PEDAL	2							
2	1	1A8300-35100	PEDAL KIT, HST	1							
3	2	194630-27190	LINER, 17.5X27X1.6	5							
4	2	1A8300-35110	PEDAL ASSY	1							
5	2	1A8300-35200	PEDAL ASSY	1							
6	3	1A8300-35270	SEAL, OIL G172303	2							
7	3	24550-017150	BUSH, 17X15	2							
8	2	1A8300-35240	BRACKET, PEDAL	1							
9	2	1A8300-35320	SHAFT ASSY, PEDAL	1							
10	2	1A8300-35360	SHAFT ASSY, COUNTER	1							
11	2	198167-35411	SPRING, PEDAL	1							
12	2	1A8300-35410	ARM ASSY, SHAFT	1							
13	2	1A8300-35460	PLATE, LINK	1							
14	2	1C6900-63890	SPACER, 10X15X1	2							
15	2	22137-120000	WASHER, 12	2							
16	2	22242-000120	RING, 12	1							
17	2	22242-000170	RING, 17	2							
18	2	22272-000150	RING, E-15	1							
19	2	22351-035036	PIN, SPRING 3.5X36	2							
20	2	22351-060036	PIN, SPRING 6.0X36	2							
21	2	22417-160160	PIN, COTTER 1.6X16	2							
22	2	24104-060034	BEARING, BALL 6003UU	4							
23	2	24104-062014	BEARING, BALL 6201UU	1							
24	2	24761-040000	NIPPLE, GREASE B	1							
25	1	1A8300-35170	HEAD ASSY	1							
26	1	1A7530-35450	ROD, CONTROL	1							
27	1	1C6281-52320	PIN, SNAP 8	1							
28	1	22417-200200	PIN, COTTER 2.0X20	1							
29	1	22487-080180	PIN, H 8X 18	2							
30	1	26013-080252	BOLT, M8X 25	3							
31	1	26106-080352	BOLT, M8X 35 PLATED	1							
32	1	26716-080002	NUT, M8	1							

Fig.66. CRUISE CONTROL

(A)=SX3100(YANMAR)  
 (B)=  
 (C)=

(D)=  
 (E)=  
 (F)=



No.	Lev.	Parts No.	Description	Q'ty						I	R
				(A)	(B)	(C)	(D)	(E)	(F)		
1	1	1A7530-35500	RATCHET ASSY, CRUISE	1							
2	1	1A7510-35510	LEVER, CONTROL	1							
3	1	1A7530-35551	ROD ASSY, CRUISE	1							
4	1	1A6680-35580	COLLAR, RATCHET	1							
5	1	198162-61670	PIN, LEVER	1							
6	1	1C6720-73330	SPRING, FLOAT	1							
7	1	22137-100000	WASHER, 10	4							
8	1	22137-100000	WASHER, 10	1							
9	1	22137-120000	WASHER, 12	1							
10	1	22417-200320	PIN, COTTER 2.0X32	1							
11	1	22417-250250	PIN, COTTER 2.5X25	2							
12	1	26013-100452	BOLT, M10X 45	1							

Fig.67. DISC BRAKE

(A)=SX3100(YANMAR)  
(B)=  
(C)=

(D)=  
(E)=  
(F)=

No.	Lev.	Parts No.	Description	Q'ty						I	R
				(A)	(B)	(C)	(D)	(E)	(F)		
1	1	1A7531-36080	BRAKE SET, DISK	1							
2	2	1A7531-36310	ACTUATOR	1							
3	2	1A7531-36320	PLATE, STEEL	4							
4	2	198165-36330-2	SHAFT L,CAM LEVER	1							
5	2	1A7531-36380	PLATE, FRICTION 114	4							
6	2	1A7531-36410	ACTUATOR	1							
7	2	198165-36430-2	SHAFT R,CAM LEVER	1							
8	1	22242-000250	RING, 25	2							
9	1	24190-160001	BALL, STEEL 1/2	6							

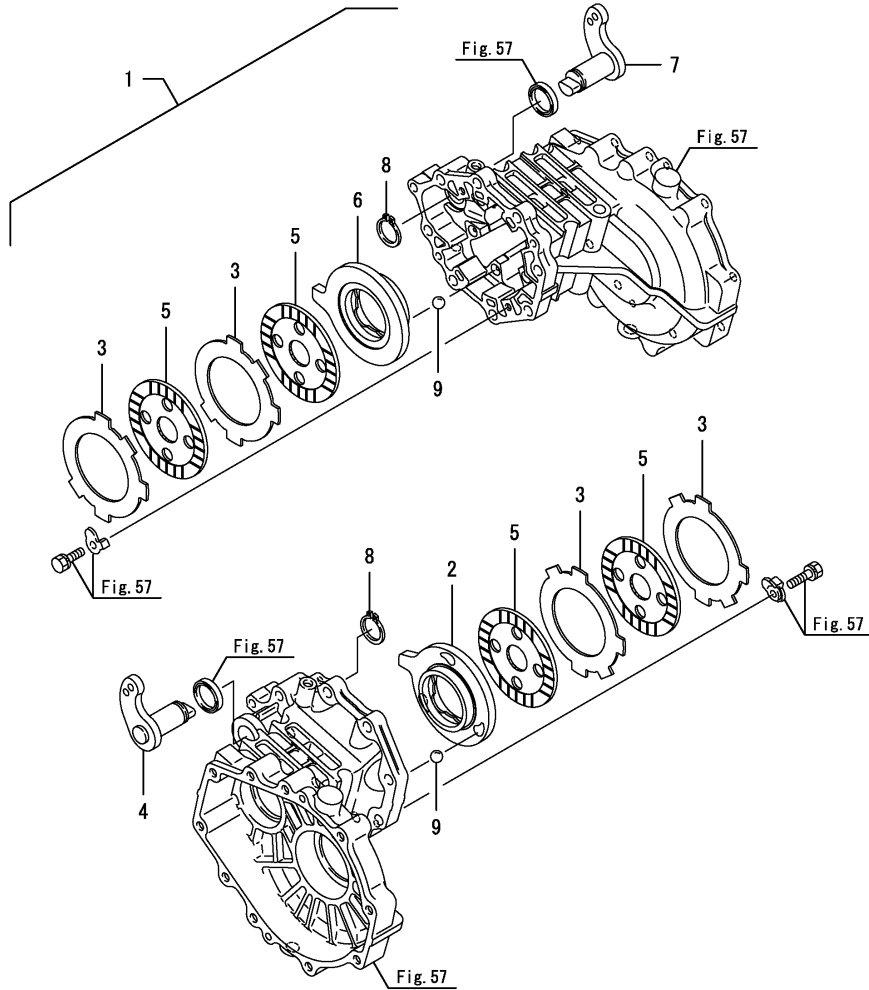


Fig.68. BRAKE PEDAL

(A)=SX3100(YANMAR)

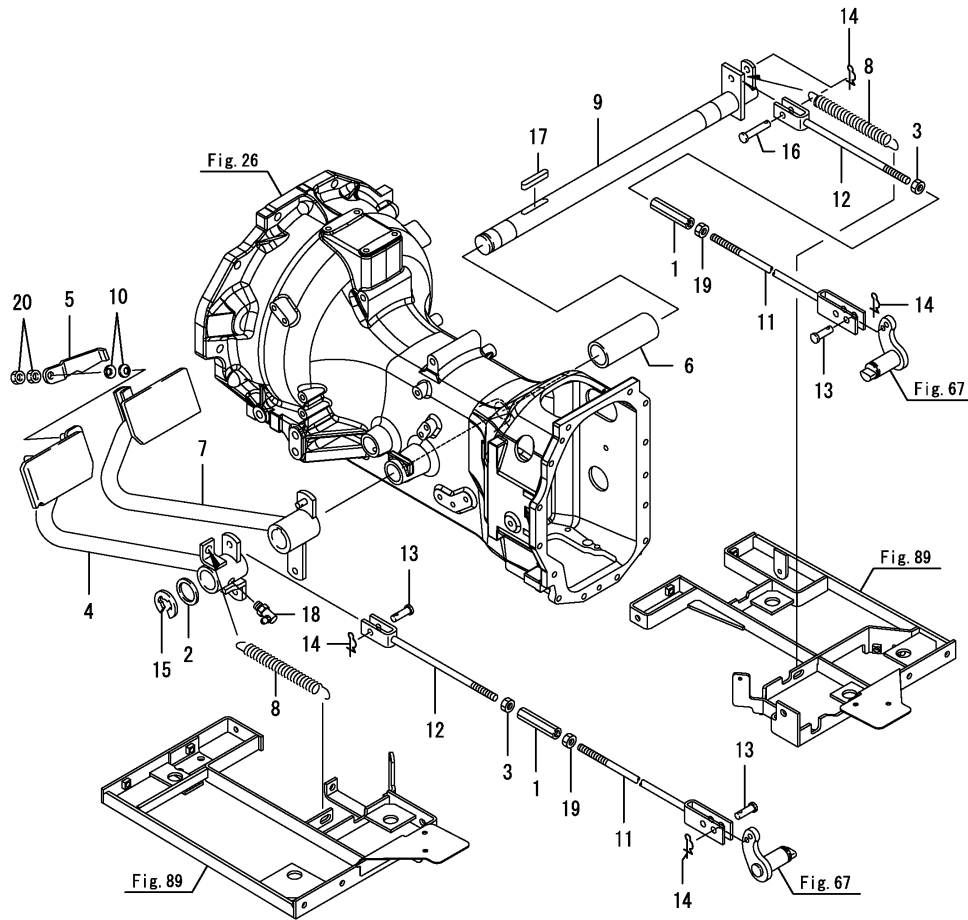
(B)=

(C)=

(D)=

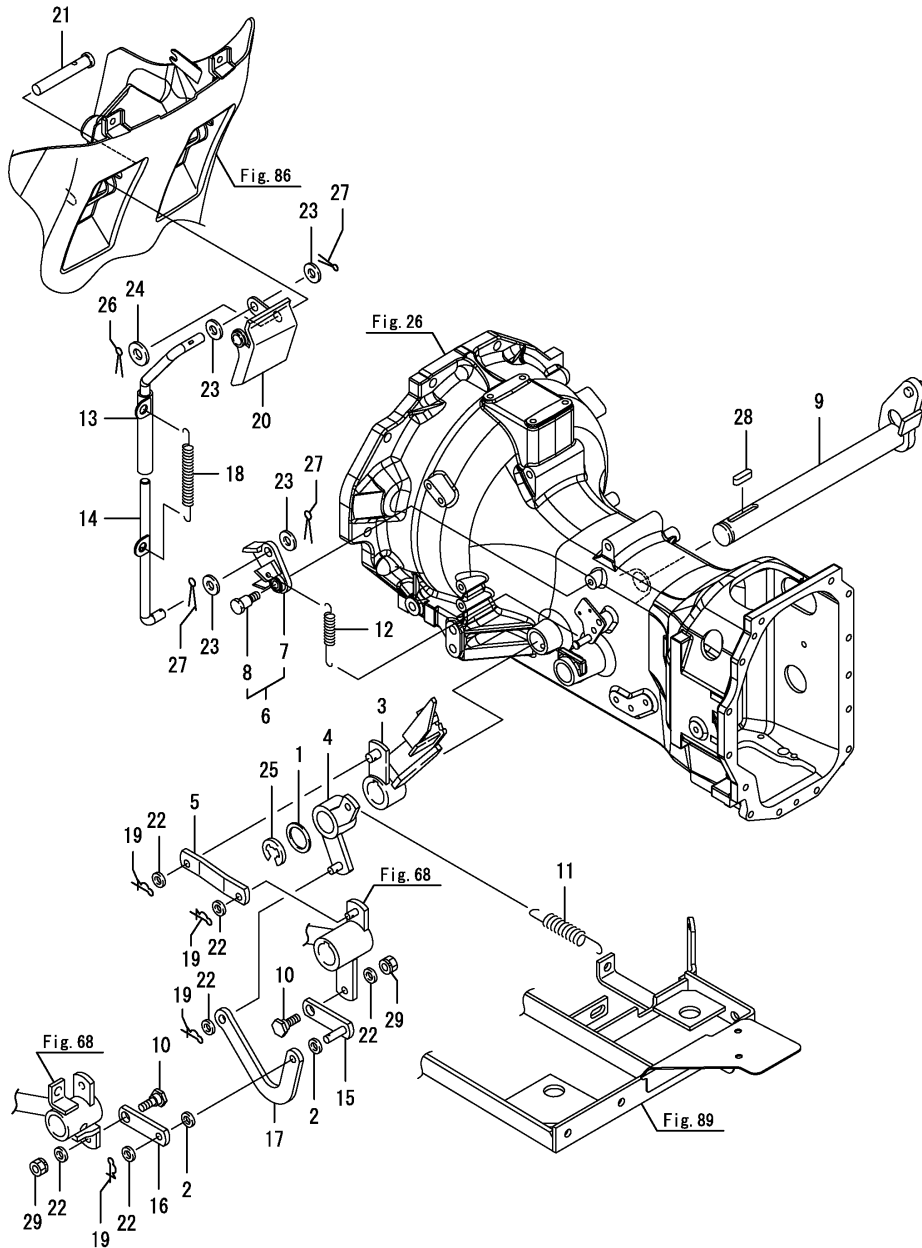
(E)=

(F)=



No.	Lev.	Parts No.	Description	Q'ty						I	R
				(A)	(B)	(C)	(D)	(E)	(F)		
1	1	194740-00322	ADJUSTER	2							
2	1	1C6140-14050	SPACER, 25.2X34X2	1							
3	1	194990-20170	NUT, M8	2							
4	1	1A6781-37300	PEDAL ASSY, BRAKE L	1							
5	1	198165-37340	CONNECTOR, BRAKE	1							
6	1	198167-37350	COLLAR, 34X85	1							
7	1	1A7530-37400	PEDAL ASSY, BRAKE R	1							
8	1	198421-37511	SPRING, RETURN	2							
9	1	1A7530-37550	SHAFT, BRAKE PEDAL	1							
10	1	194300-37570	SPRING	2							
11	1	198165-37760	ROD, BRAKE R	2							
12	1	198165-37770	ROD, BRAKE L	2							
13	1	194080-37781	PIN, 8X25	3							
14	1	1C6281-52320	PIN, SNAP 8	4							
15	1	22272-000190	RING, E-19	1							
16	1	22487-080400	PIN, H 8X 40	1							
17	1	22512-070400	KEY, 7X 40	1							
18	1	24761-040000	NIPPLE, GREASE B	1							
19	1	26716-080002	NUT, M8	2							
20	1	26716-080002	NUT, M8	2							

Fig.69. PARKING BRAKE



(A)=SX3100(YANMAR)  
 (B)=  
 (C)=

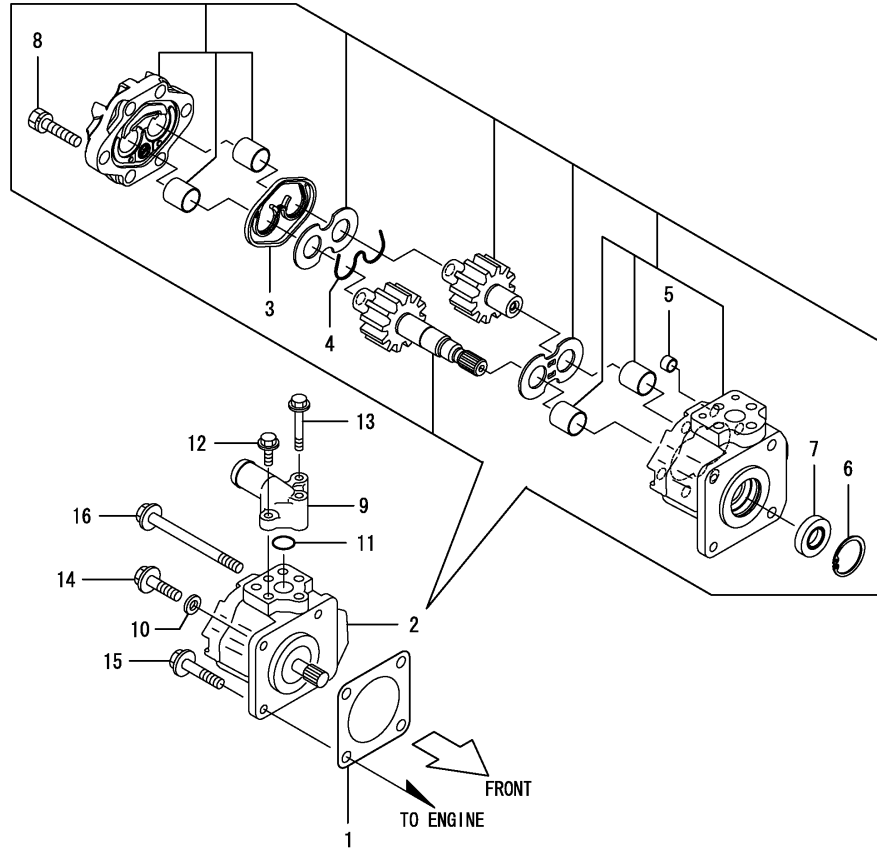
(D)=  
 (E)=  
 (F)=

No.	Lev.	Parts No.	Description	Q'ty						I	R
				(A)	(B)	(C)	(D)	(E)	(F)		
1	1	1C6140-14050	SPACER, 25.2X34X2	1							
2	1	1C6053-32020	WASHER, 8.5X20X3.2	2							
3	1	1A6781-37500	ARM ASSY, PARKING	1							
4	1	1A6781-37530	ARM ASSY, CRUISE	1							
5	1	1A6781-37590	ARM	1							
6	1	1A7530-37590	RATCHET KIT, LOCK	1							
7	2	1A7530-37600	RATCHET ASSY, LOCK	1							
8	2	1A7530-37710	BOLT, STEPPED M8	1							
9	1	1A6781-37600	SHAFT ASSY, CRUISE	1							
10	1	1A6640-37640	BOLT, STEPPED M8	2							
11	1	1A6781-37660	SPRING, RETURN	1							
12	1	1A6781-37710	SPRING, LOCK	1							
13	1	1A7530-37742	ROD ASSY, BRAKE	1							
14	1	1A7530-37781	ROD ASSY, BRAKE	1							
15	1	1A6781-37800	LINK ASSY, CRUISE	1							
16	1	1A6781-37810	LINK, CRUISE A	1							
17	1	1A7530-37830	LINK, CRUISE B	1							
18	1	198165-37840	SPRING, BRAKE	1							
19	1	1C6281-52320	PIN, SNAP 8	4							
20	1	198162-61661	LEVER, BRAKE	1							
21	1	198162-61670	PIN, LEVER	1							
22	1	22137-080000	WASHER, 8	6							
23	1	22137-100000	WASHER, 10	4							
24	1	22137-120000	WASHER, 12	1							
25	1	22272-000190	RING, E-19	1							
26	1	22417-200320	PIN, COTTER 2.0X32	1							
27	1	22417-250250	PIN, COTTER 2.5X25	3							
28	1	22512-070200	KEY, 7X 20	1							
29	1	26051-080002	NUT, M8	2							

Fig.70. HYDRAULIC PUMP

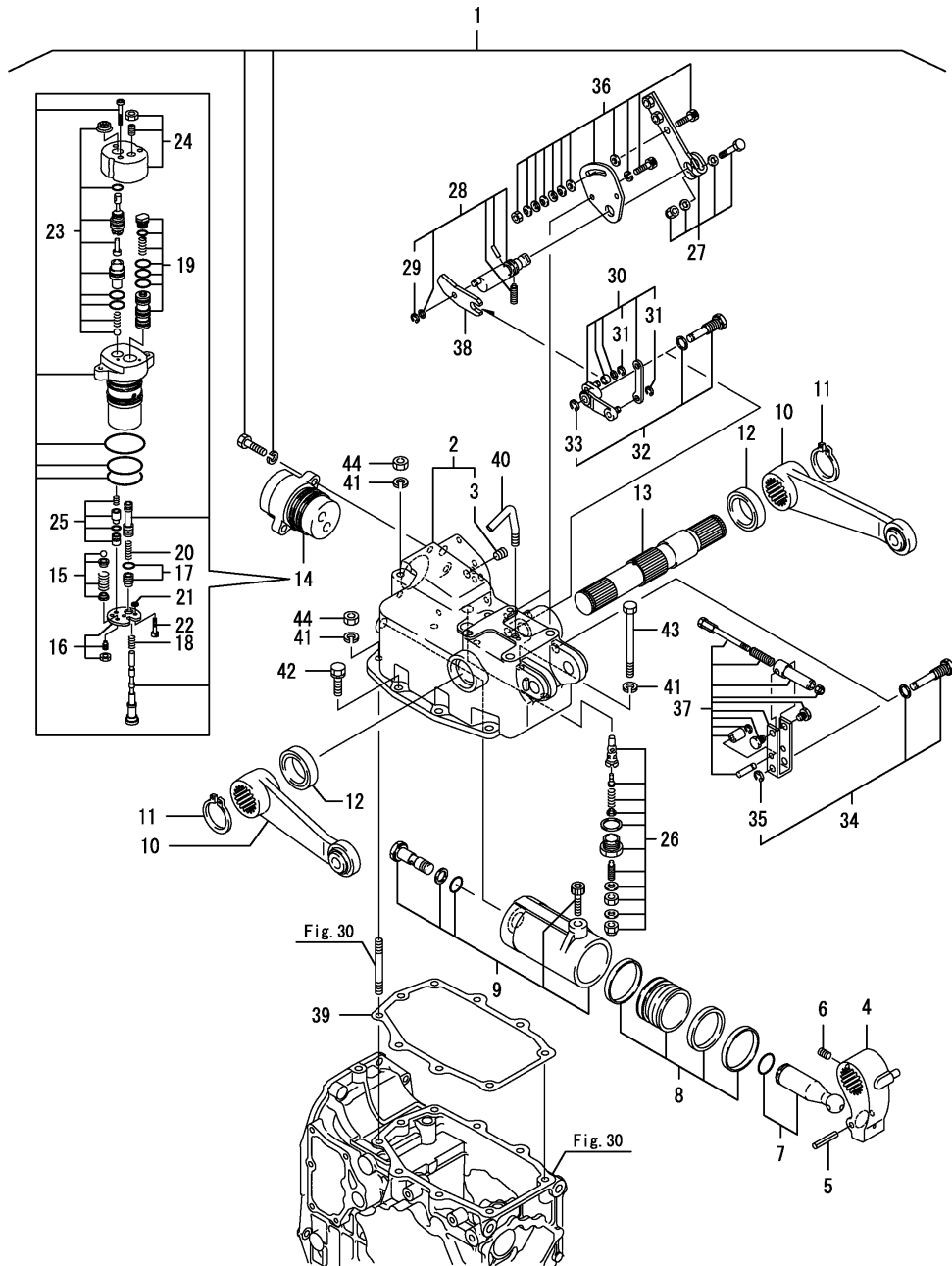
(A)=SX3100(YANMAR)  
(B)=  
(C)=

(D)=  
(E)=  
(F)=



No.	Lev.	Parts No.	Description	Q'ty						I	R
				(A)	(B)	(C)	(D)	(E)	(F)		
1	1	124240-01883	GASKET	1							
2	1	119923-26010	PUMP ASSY, HYDRAULIC	1							
3	2	178077-15400	SEAL RING	1							
4	2	178077-15410	BACKUP RING	1							
5	2	194521-41570	PIN, 11X7	2							
6	2	22252-000320	RING, 32	1							
7	2	24421-153207	SEAL, OIL TC153207	1							
8	2	26016-080352	BOLT, M8X 35	4							
9	1	198220-48140	FLANGE, PIPE P	1							
10	1	22190-080002	WASHER, SEAL 6	1							
11	1	24311-000200	O-RING, 1AP20.0	1							
12	1	26106-060202	BOLT, M6X 20 PLATED	1							
13	1	26106-060402	BOLT, M6X 40 PLATED	2							
14	1	26106-080302	BOLT, M8X 30 PLATED	1							
15	1	26106-080402	BOLT, M8X 40 PLATED	1							
16	1	26106-080952	BOLT, M8X 95 PLATED	2							

Fig.71. HYDRAULIC LIFT



(A)=SX3100(YANMAR)

(B)=

(C)=

(D)=

(E)=

(F)=

No.	Lev.	Parts No.	Description	Q'ty						I	R
				(A)	(B)	(C)	(D)	(E)	(F)		
1	1	1A6780-42010	LIFT ASSY, HYDRAULIC	1							
2	2	198165-42100	HOUSING ASSY	1							
3	3	198165-42400	PLUG, M10	1							
4	2	1A6780-44110	CRANK ASSY, LIFT	1							
5	2	198165-44140	PIN, 6X40	1							
6	2	198165-44170	SCREW, M8X16	1							
7	2	198165-44180	ROD ASSY, PISTON	1							
8	2	1A6780-44200	PISTON ASSY	1							
9	2	1A6780-44240	CYLINDER ASSY	1							
10	2	198165-44410	ARM ASSY, LIFT	2							
11	2	198165-44440	CIRCLIP	2							
12	2	198165-44450	SEAL,354507 OIL	2							
13	2	1A6780-44460	SHAFT, LIFT	1							
14	2	198165-45101	VALVE ASSY, CONTROL	1							
15	3	198165-45010	VALVE KIT, SAFETY	1							
16	3	198165-45020	PLATE KIT, CENTER	1							
17	3	198165-45030	PLUG KIT	1							
18	3	198165-45140	SPRING, PILOT	1							
19	3	198165-45191	VALVE ASSY	1							
20	3	198165-45270	SPRING	1							
21	3	198165-45290	SPACER	3							
22	3	198165-45370	BOLT, M6X18	3							
23	3	198165-45400	LEVER ASSY, RETURN	1							
24	3	198165-45500	COVER KIT	1							
25	3	198165-45600	VALVE KIT	1							
26	2	198165-45800	VALVE ASSY, RELIEF	1							
27	2	198165-47020	LEVER KIT	1							
28	2	198165-47030	CAMSHAFT KIT	1							
29	3	198165-47520	CIRCLIP, 6	1							
30	2	198165-47040	ARM KIT	1							
31	3	198165-47520	CIRCLIP, 6	2							
32	2	1A6780-47050	PIN KIT	1							
33	3	198165-47530	CIRCLIP, 7	1							
34	2	198165-47060	PIN KIT, B	1							
35	3	198165-47530	CIRCLIP, 7	1							
36	2	198165-47100	GUIDE KIT, LEVER	1							
37	2	198165-47300	LINK KIT, LEVER	1							
38	2	198165-47440	LEVER, B	1							
39	1	198165-42120	GASKET, HOUSING	1							
40	1	194205-42280	PIPE, AIR BREATHER	1							
41	1	22217-100000	WASHER, SPRING 10	5							
42	1	26013-100302	BOLT, M10X 30	4							
43	1	26116-101202	BOLT, M10X120 PLATED	1							
44	1	26716-100002	NUT, M10	4							

Fig.72. HYDRAULIC CONTROL

(A)=SX3100(YANMAR)  
 (B)=  
 (C)=

(D)=  
 (E)=  
 (F)=

No.	Lev.	Parts No.	Description	Q'ty						I	R
				(A)	(B)	(C)	(D)	(E)	(F)		
1	1	1A7530-47360	LEVER, CONTROL	1							
2	1	198220-47370	KNOB, LEVER	1							
3	1	26013-080202	BOLT, M8X 20	2							

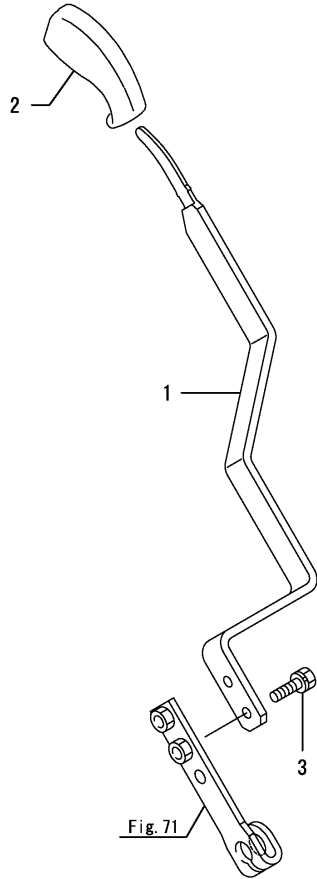




Fig.73. STOP VALVE

(A)=SX3100(YANMAR)  
 (B)=  
 (C)=

(D)=  
 (E)=  
 (F)=

No.	Lev.	Parts No.	Description	Q'ty						I	R
				(A)	(B)	(C)	(D)	(E)	(F)		
1	1	198165-42150	JOINT, HYDRAULIC	1							
2	1	1A7530-42170	STAY ASSY, BOLT	1							
3	1	1A6770-46620	BOLT, STOP	1							
4	1	1A8160-46670	KNOB, VALVE	1							
5	1	26018-080202	BOLT, M8X 20	1							
6	1	26716-100002	NUT, M10	1							

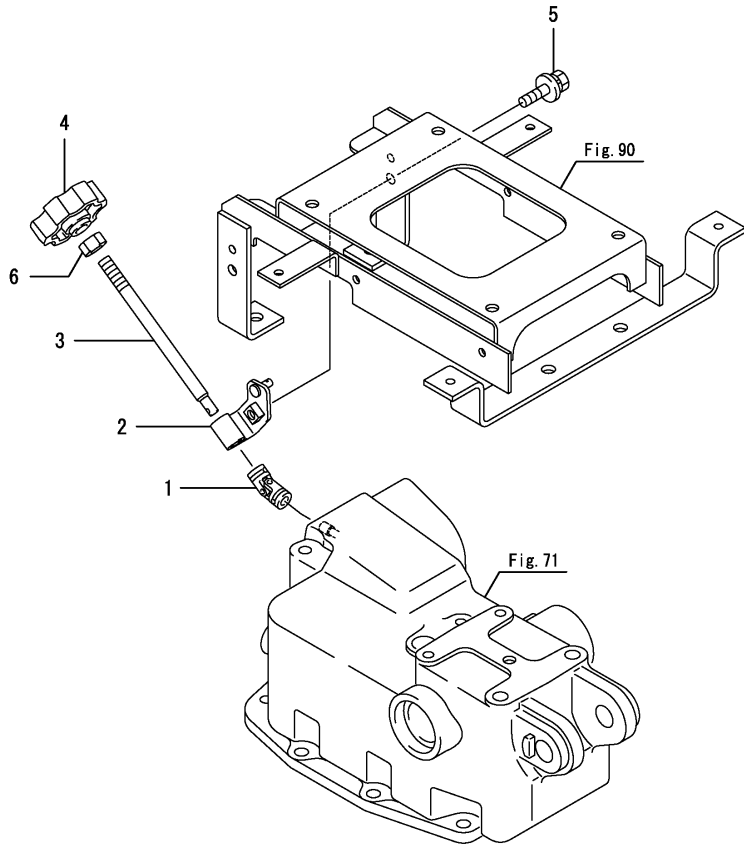
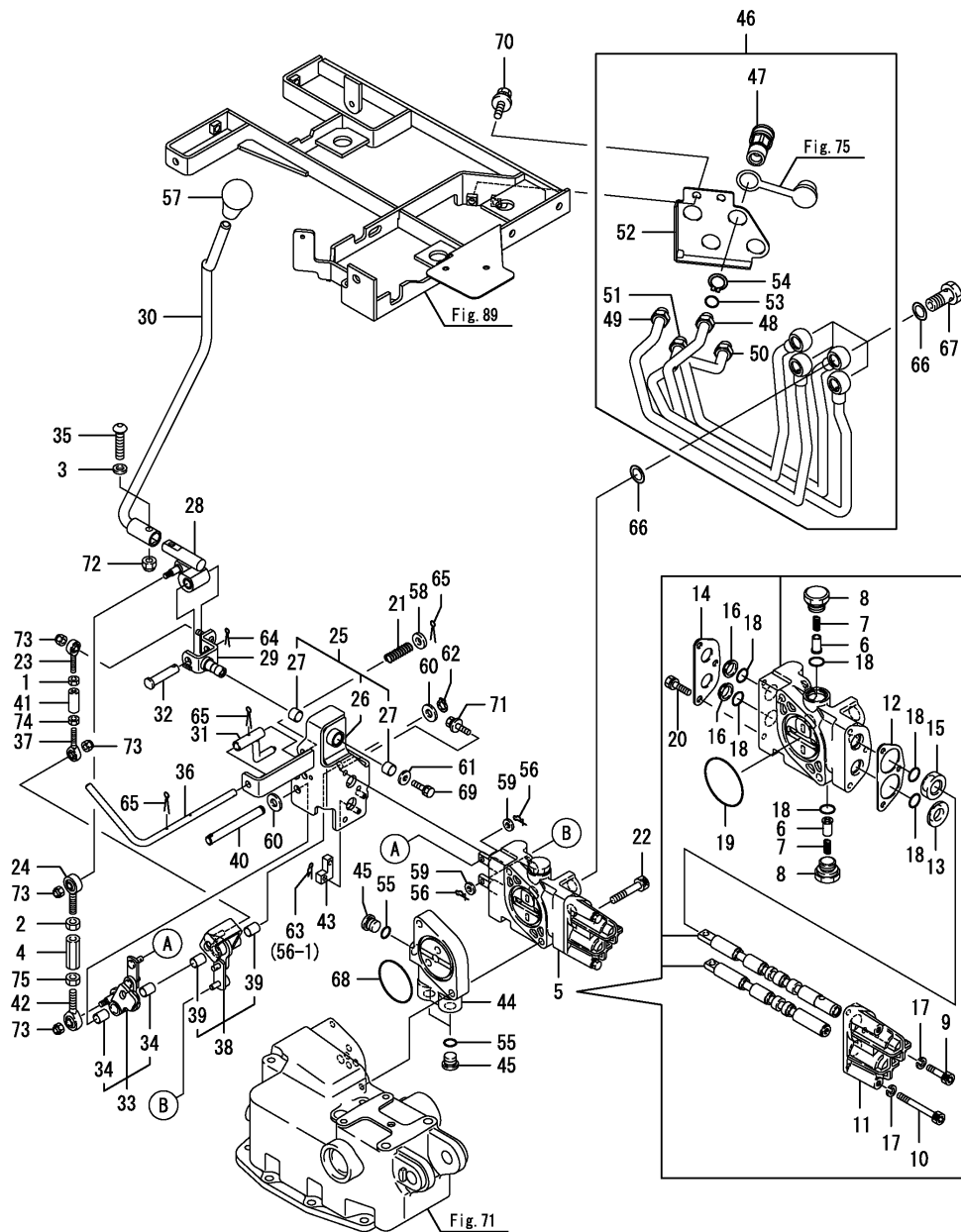


Fig.74. SUB CONTROL VALVE

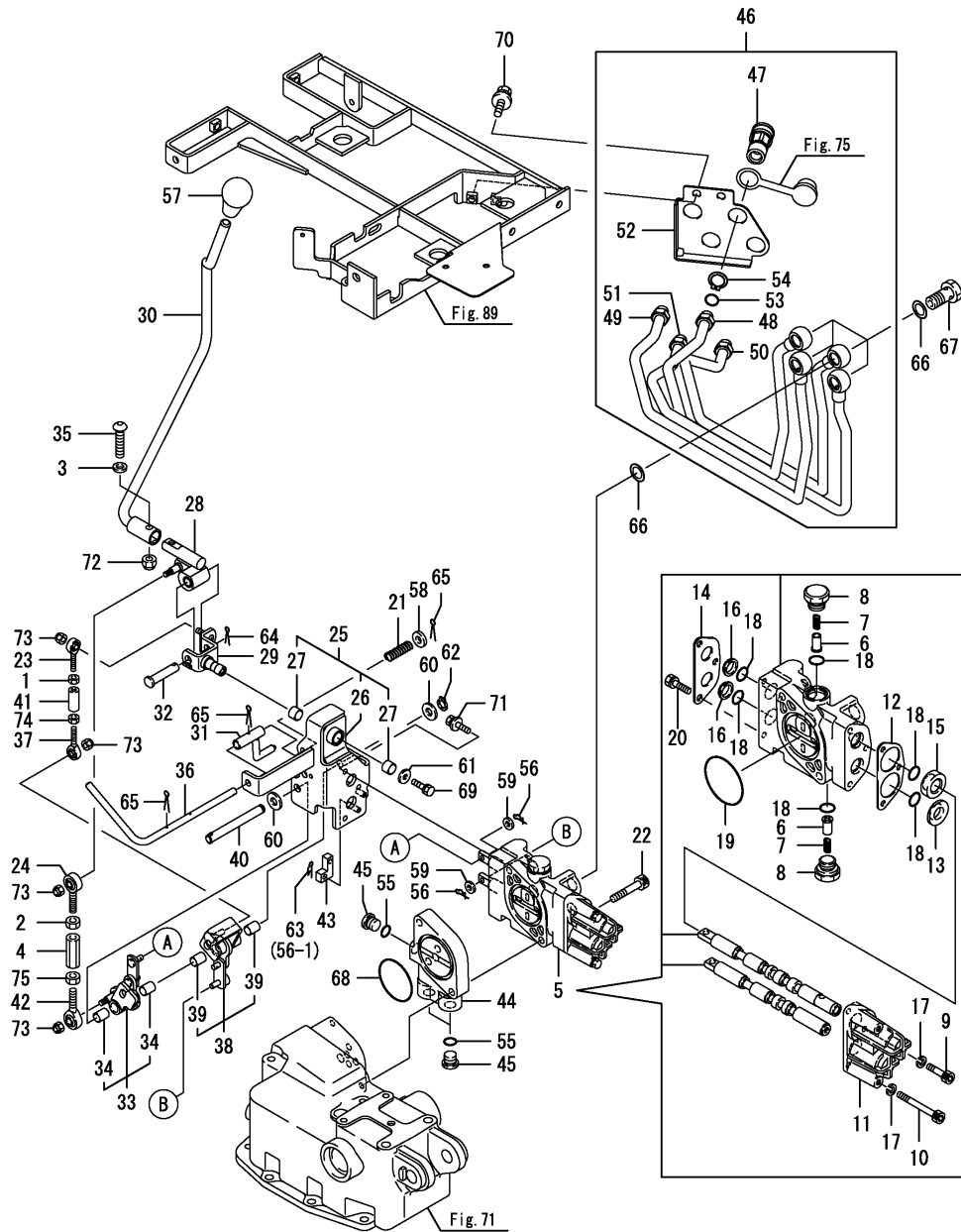


(A)=SX3100(YANMAR)  
(B)=  
(C)=

(D)=  
(E)=  
(F)=

No.	Lev.	Parts No.	Description	Q'ty						I	R
				(A)	(B)	(C)	(D)	(E)	(F)		
1	1	194130-01390	NUT, M6	1							
2	1	194990-20170	NUT, M8	1							
3	1	1C6053-32020	WASHER, 8.5X20X3.2	1							
4	1	192157-33780	NUT	1							
5	1	198165-46110	CONTROL ASSY, SUB	1							
6	2	198165-46130	VALVE, CHECK	2							
7	2	198165-46140	SPRING	2							
8	2	198165-46150	PLUG, CHECK	2							
9	2	1A6780-46160	BOLT, M6X25	1							
10	2	1A6780-46170	BOLT, M6X55	2							
11	2	198165-46200	COVER, SPOOL	1							
12	2	198165-46210	GASKET	1							
13	2	198165-46220	ADAPTER	1							
14	2	198165-46240	COVER, SEAL	1							
15	2	198165-46370	DETENT	1							
16	2	172510-74410	SEAL, DUST	2							
17	2	22287-060000	WASHER 6	3							
18	2	24311-000140	O-RING, 1AP14.0	6							
19	2	24321-000500	O-RING, 1AG50.0	1							
20	2	26016-060102	BOLT M6X 10	3							
21	1	198220-46200	SPRING	1							
22	1	1A6780-46260	BOLT, M8X65	2							
23	1	198165-46470	END, ROD 6	1							
24	1	198165-46480	END, ROD 8	1							
25	1	1A7500-46491	HOLDER ASSY, LEVER	1							
26	2	1A7500-46501	HOLDER ASSY, LEVER	1							
27	2	24550-012100	BUSH 12X10	2							
28	1	1A7530-46601	LEVER KIT, SCV	1							
29	1	1A6780-46650	LEVER ASSY, B	1							
30	1	1A7530-46651	LEVER ASSY, SCV	1							
31	1	1A7500-46750	PIN ASSY, STOPPER	1							
32	1	198165-46780	PIN, LEVER	1							
33	1	1A7500-46800	CAM ASSY, LINK L	1							
34	2	24550-010150	BUSH, 10X15	2							
35	1	1A7510-46850	BOLT,ROUND HEAD 8X35	1							
36	1	1A8300-46860	PIN,	1							
37	1	198165-46880	END, ROD 6	1							
38	1	1A7500-46900	CAM ASSY, LINK B	1							
39	2	24550-010150	BUSH, 10X15	2							
40	1	1A6780-46910	SHAFT, CAM	1							
41	1	198165-46961	ROD, LINK B	1							
42	1	198165-46980	END, ROD	1							
43	1	198165-46991	LINK, C	1							
44	1	198165-48550	PLATE, AUX	1							
45	1	198165-48560	PLUG, 9/16	3							
46	1	1A8300-48600	PIPE KIT, SCV	1							
47	2	198223-46250	COUPLER, QUICK	4							
48	2	1A7530-48610	PIPE, SCV 1	1							
49	2	1A7530-48620	PIPE, SCV 2	1							
50	2	1A7530-48630	PIPE, SCV 3	1							
51	2	1A7530-48640	PIPE, SCV 4	1							

Fig.74. SUB CONTROL VALVE



(A)=SX3100(YANMAR)  
 (B)=  
 (C)=

(D)=  
 (E)=  
 (F)=

No.	Lev.	Parts No.	Description	Q'ty						I	R
				(A)	(B)	(C)	(D)	(E)	(F)		
52	2	1A7530-48760	MOUNT, COUPLER	1							
53	2	194850-49290	PACKING, 6-1	4							
54	2	22242-000220	RING, 22	4							
55	1	194850-49290	PACKING, 6-1	3							
56	1	1C6281-52310	PIN, SNAP 6	2							
56-1	1	1C6281-52310	PIN, SNAP 6	3							K
(A=FXXXXX)											
57	1	194990-85561	KNOB, HIGH/LOW	1							
58	1	22117-080000	WASHER, 8	1							
59	1	22137-060000	WASHER, 6	2							
60	1	22137-100000	WASHER, 10	2							
61	1	22157-060000	WASHER, 6	1							
62	1	22242-000100	RING, 10	1							
63	1	22372-060000	PIN, SNAP 6	1							Z
(A=FXXXXX)											
64	1	22417-200160	PIN, COTTER 2.0X16	1							
65	1	22417-250250	PIN, COTTER 2.5X25	3							
66	1	23414-160021	GASKET, 16X1.0	8							
67	1	23857-100000	BOLT, JOINT 10	4							
68	1	24321-000550	O-RING, 1AG55.0	1							
69	1	26013-060162	BOLT, M6X 16	1							
70	1	26013-080202	BOLT, M8X 20	2							
71	1	26018-060162	BOLT, M6X 16	3							
72	1	26346-080002	NUT, M8	1							
73	1	26347-060002	NUT, M6	4							
74	1	26716-060002	NUT, M6	1							
75	1	26716-080002	NUT, M8	1							

Fig.75. VALVE ACCESSORIES

(A)=SX3100(YANMAR)  
 (B)=  
 (C)=

(D)=  
 (E)=  
 (F)=

No.	Lev.	Parts No.	Description	Q'ty						I	R
				(A)	(B)	(C)	(D)	(E)	(F)		
1	1	1A7880-47550	PLUG, DUST RED	1							
2	1	1A7880-47560	PLUG, DUST BLUE	1							
3	1	1A7880-47570	PLUG, DUST YELLOW	1							
4	1	1A7880-47580	PLUG, DUST GREEN	1							

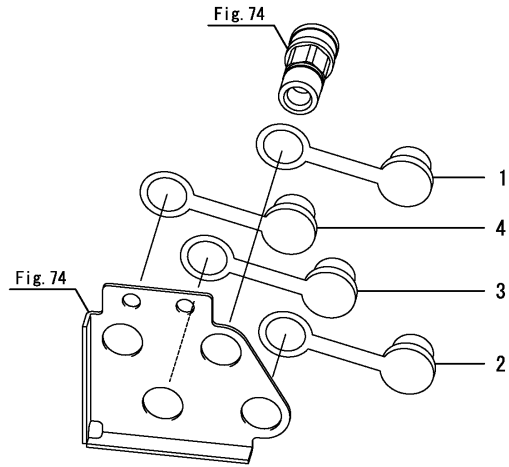
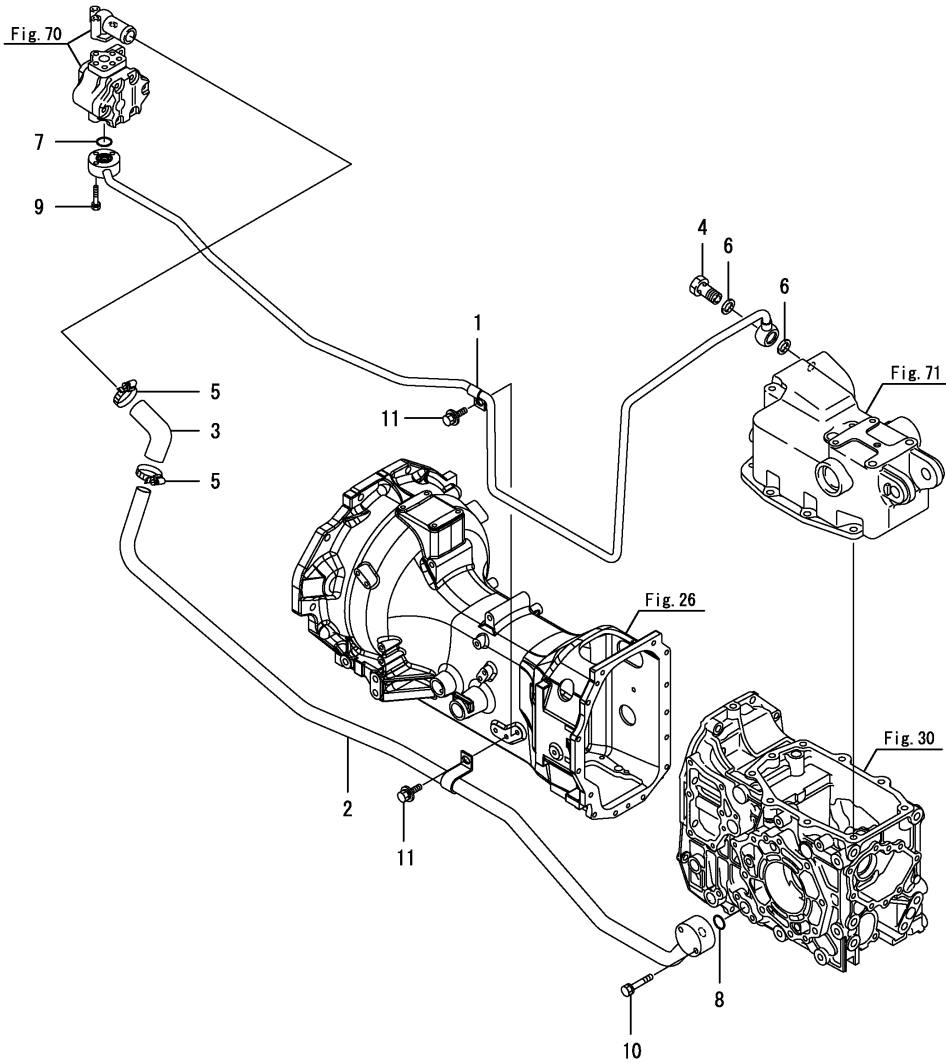


Fig.76. HYDRAULIC LINE

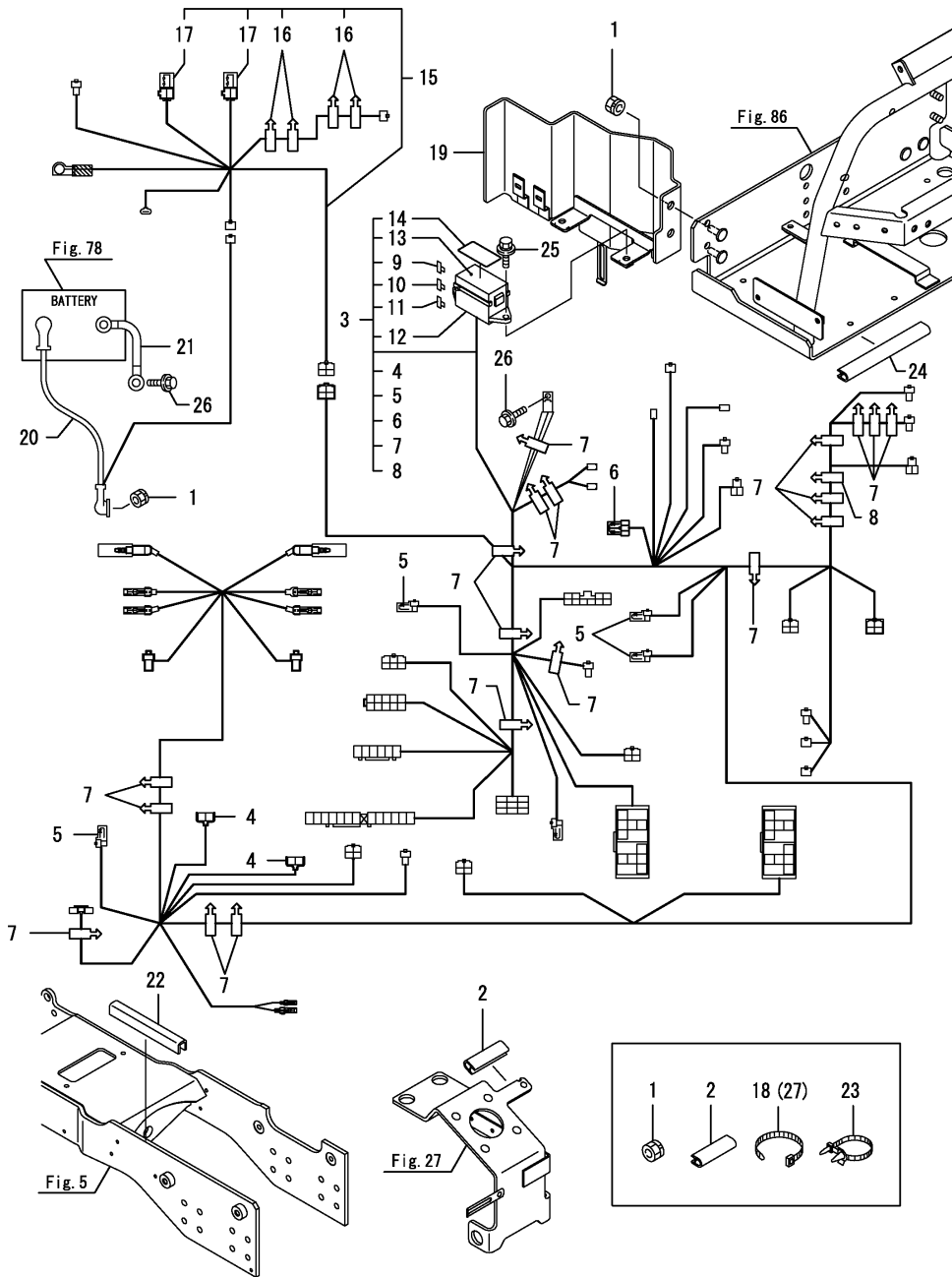
(A)=SX3100(YANMAR)  
 (B)=  
 (C)=

(D)=  
 (E)=  
 (F)=



No.	Lev.	Parts No.	Description	Qty						I	R
				(A)	(B)	(C)	(D)	(E)	(F)		
1	1	1A7540-48110	PIPE, PRESSURE	1							
2	1	1A7530-48320	PIPE, PRESSURE	1							
3	1	198167-48340	HOSE, PRESSURE	1							
4	1	198220-48750	BOLT ASSY, JOINT	1							
5	1	23000-035000	CLAMP, 35	2							
6	1	23414-180023	GASKET, 18X1.0	2							
7	1	24311-000200	O-RING, 1AP20.0	1							
8	1	24311-000220	O-RING, 1AP22.0	1							
9	1	26013-060322	BOLT, M6X 32	3							
10	1	26013-080452	BOLT, M8X 45	2							
11	1	26018-080202	BOLT, M8X 20	2							

Fig.77. WIRE HARNESS



(A)=SX3100(YANMAR)  
(B)=  
(C)=

(D)=  
(E)=  
(F)=

No.	Lev.	Parts No.	Description	Qty						I	R
				(A)	(B)	(C)	(D)	(E)	(F)		
1	1	194990-22050	NUT, M8	4							
2	1	195616-24930	TRIM	2							
3	1	1A8300-51111	HARNESS, WIRE A	1							
4	2	1A7510-01240	CAP, RUBBER	2							
5	2	1A7130-51130	DIODE, 1.5A	4							
6	2	1A7500-51180	DIODE, 1.5AX2 KOREA	1							
7	2	1A7500-51160	CLIP, HARNESS	18							
8	2	1A7500-51170	CLIP, HARNESS	1							
9	2	198535-52120	FUSE, 10A	4							
10	2	198535-52130	FUSE, 15A	3							
11	2	1A7450-52180	FUSE, 25A	2							
12	2	1A7531-52410	BOX, FUSE	1							
13	2	1A7531-52420	COVER, FUSE BOX	1							
14	2	1A7531-65780	LABEL,FUSE	1							
15	1	1A7531-51150	HARNESS, WIRE	1							
16	2	1A7500-51160	CLIP, HARNESS	4							
17	2	198153-51700	FUSE, SLOW BLOW 80A	2							
18	1	1A8300-51210	BAND, REPEAT	3							
19	1	1A7531-51400	STAY ASSY, FUSE BOX	1							
20	1	1A6780-51410	CABLE, BATTERY	1							
21	1	1A7500-51420	CABLE, BATTERY EARTH	1							
22	1	1A7500-51810	SEAL, HARNESS	1							
23	1	1A1380-55310	CLAMP, WIRE	1							
24	1	1A7000-61490	TRIM, 120	3							
25	1	26018-060202	BOLT, M6X 20	2							
26	1	26106-080122	BOLT, M8X 12 PLATED	2							
27	1	29622-140001	BAND, RF140	3							

Fig.78. BATTERY

(A)=SX3100(YANMAR)  
 (B)=  
 (C)=

(D)=  
 (E)=  
 (F)=

No.	Lev.	Parts No.	Description	Q'ty						I	R
				(A)	(B)	(C)	(D)	(E)	(F)		
1	1	194990-22130	NUT, M6	2							
2	1	1A8160-51550	BATTERY ASSY, DRY526R	1							
3	2	1A8160-51570	LABEL, BATTERY	1							
3A	2	1A8160-51580	LABEL, BATTERY	1							
4	1	1A8160-51600	CLAMP, BATTERY 6-245	1							
5	1	1A8160-51610	ROD, BATTERY CLAMP A	2							
6	1	26716-060002	NUT, M6	2							

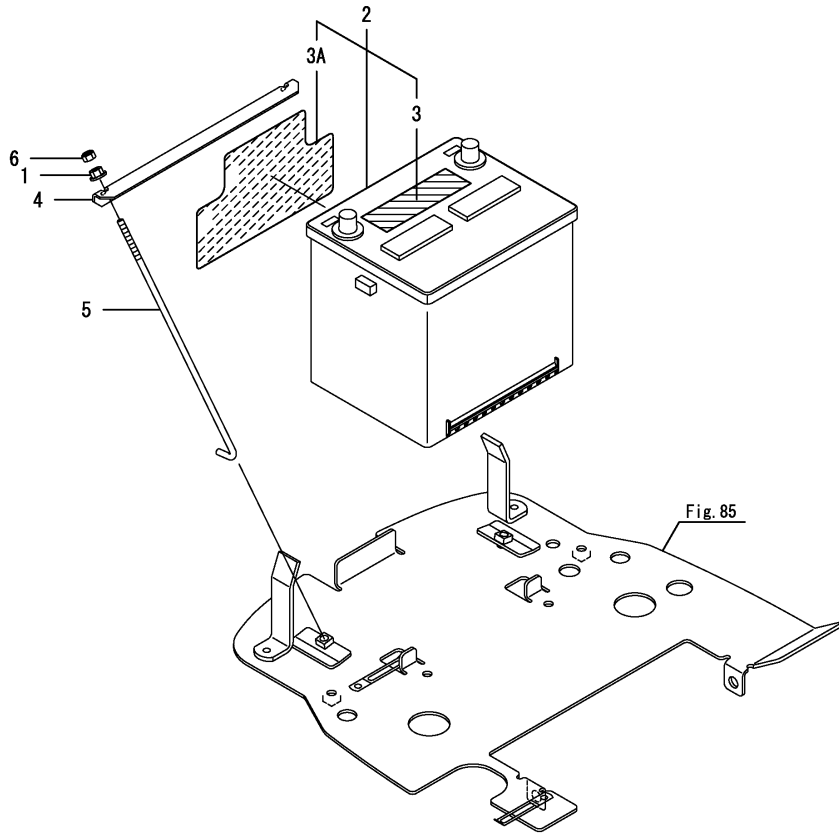
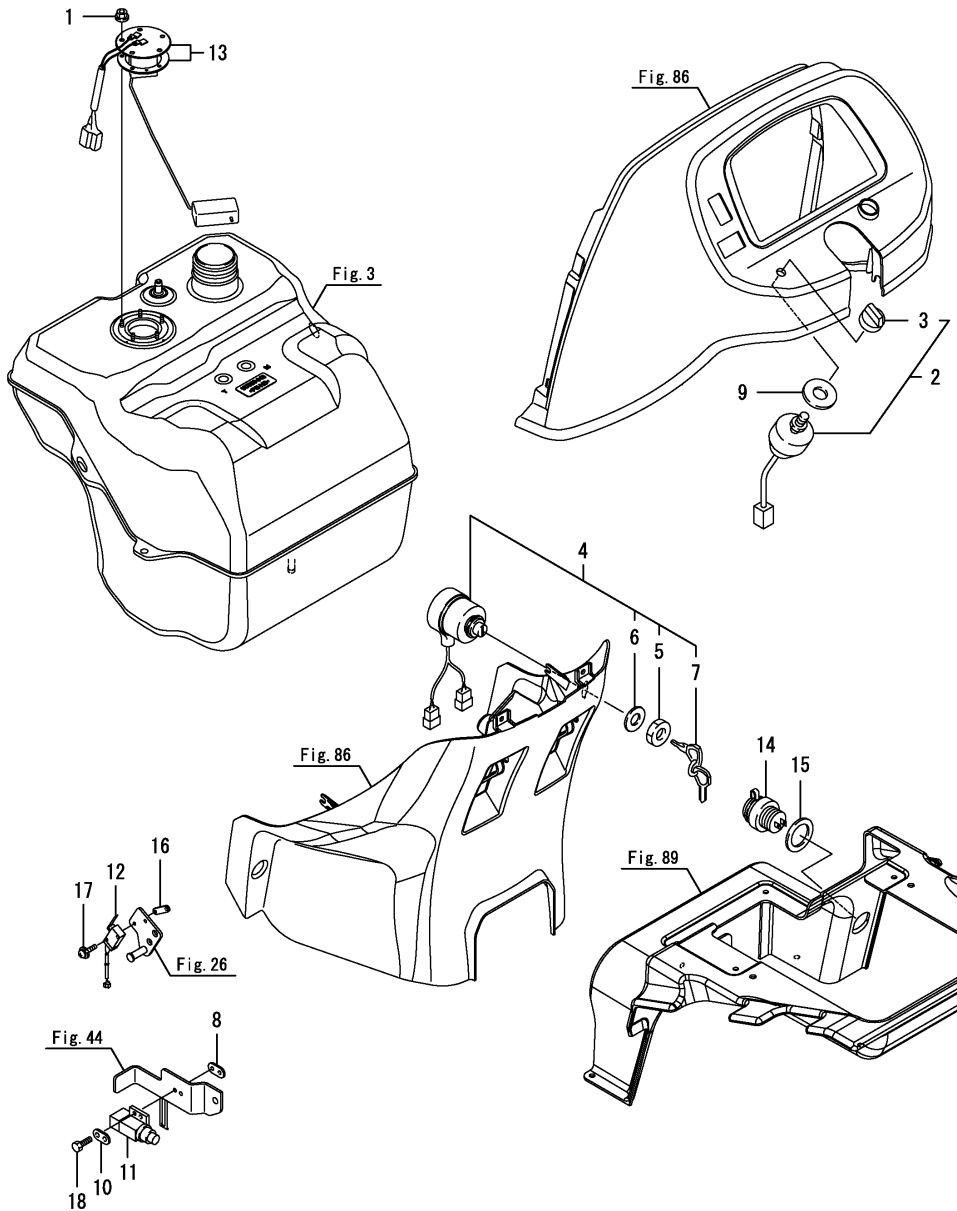


Fig.79. SWITCH(1)



(A)=SX3100(YANMAR)  
(B)=  
(C)=

(D)=  
(E)=  
(F)=

No.	Lev.	Parts No.	Description	Q'ty						I	R
				(A)	(B)	(C)	(D)	(E)	(F)		
1	1	194990-22110	NUT, M4	5							
2	1	198165-52100	SWITCH ASSY, LIGHT	1							
3	2	198165-52110	KNOB, SWITCH	1							
4	1	198162-52110	SWITCH, STARTING	1							
5	2	198360-52320	NUT, RING	1							
6	2	198360-52330	WASHER	1							
7	2	198162-52150	KEY ASSY	1							
8	1	1A7510-52110	NUT, 2-M4	1							
9	1	198165-52120	SEAL, SWITCH	1							
10	1	1A7510-52120	WASHER, SWITCH	1							
11	1	1A7335-52150	SWITCH, STOP LAMP	1							
12	1	198167-52180	SWITCH, BRAKE	1							
13	1	1A7500-56610	GAUGE, FUEL	1							
14	1	1A7880-57100	SOCKET, POWER SOURCE	1							
15	1	1A7500-79720	WASHER, 31X45X2	1							
16	1	1E6460-84220	NUT, SWITCH 2-M3	1							
17	1	26023-030202	SCREW, M3X20	2							
18	1	26117-040162	BOLT, M4X 16 PLATED	2							



Fig.80. SWITCH(2)

(A)=SX3100(YANMAR)  
 (B)=  
 (C)=

(D)=  
 (E)=  
 (F)=

No.	Lev.	Parts No.	Description	Q'ty						I	R
				(A)	(B)	(C)	(D)	(E)	(F)		
1	1	194850-49290	PACKING, 6-1	2							
2	1	198165-50110	SWITCH, NEUTRAL	2							

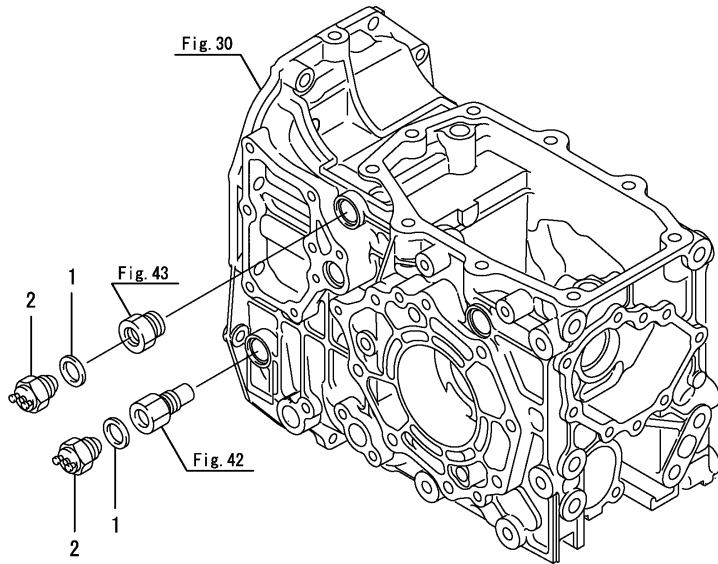


Fig.81. SWITCH(3)

(A)=SX3100(YANMAR)  
 (B)=  
 (C)=

(D)=  
 (E)=  
 (F)=

No.	Lev.	Parts No.	Description	Q'ty						I	R
				(A)	(B)	(C)	(D)	(E)	(F)		
1	1	172531-17300	SWITCH, PTO	1							
2	1	1A8300-51210	BAND, REPEAT	9							
3	1	1A8300-52150	SWITCH, TURN SIGNAL	1							
4	1	1A8160-52310	SWITCH, SEAT DELTA	1							

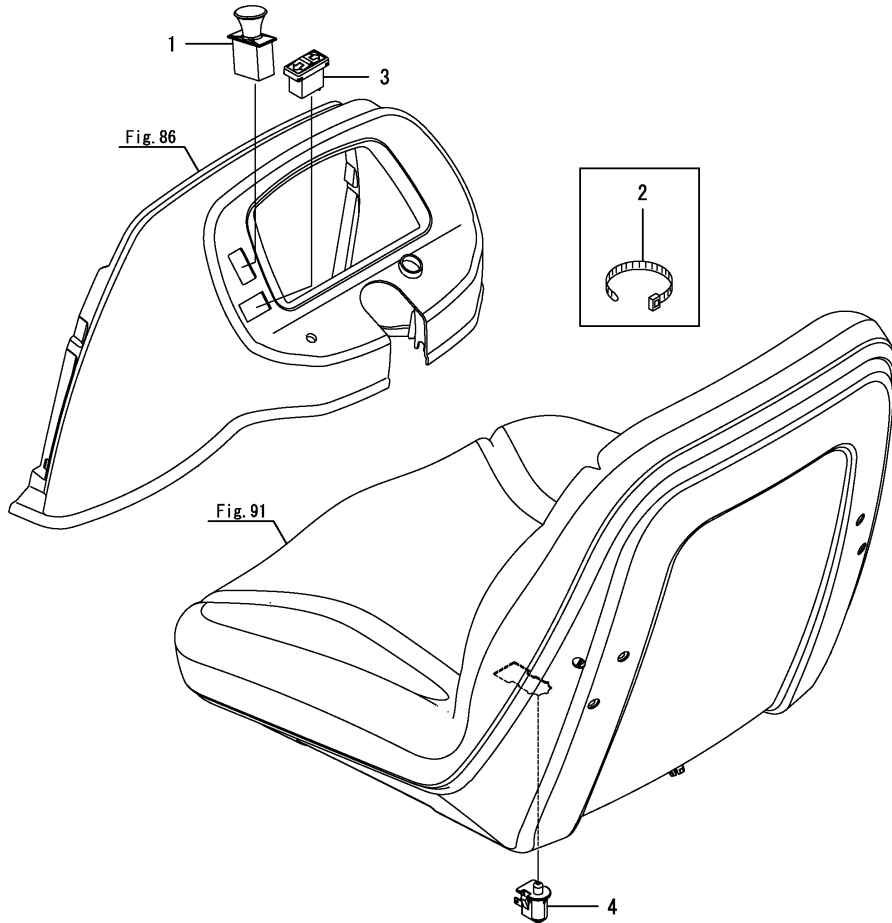


Fig.82. LAMP

(A)=SX3100(YANMAR)  
 (B)=  
 (C)=

(D)=  
 (E)=  
 (F)=

No.	Lev.	Parts No.	Description	Q'ty						I	R
				(A)	(B)	(C)	(D)	(E)	(F)		
1	1	1A8300-53210	LAMP, WARNING L	1							
2	2	1A8300-53250	BULB, 27W-12.8V	1							
3	2	1A8300-53260	BULB, 4.9W-12.8V	1							
4	1	1A8300-53220	LAMP, WARNING R	1							
5	2	1A8300-53250	BULB, 27W-12.8V	1							
6	2	1A8300-53260	BULB, 4.9W-12.8V	1							
7	1	26106-080702	BOLT, M8X 70 PLATED	4							

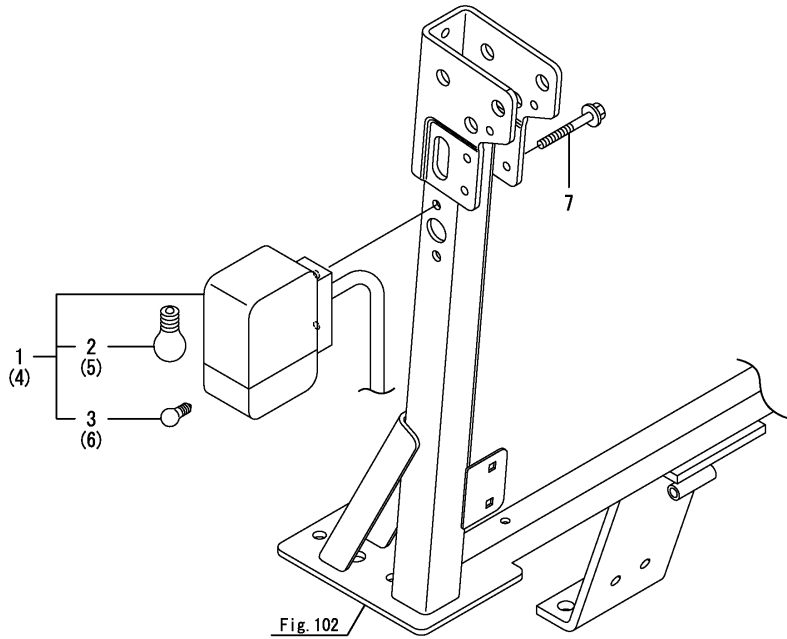




Fig.84. RELAY

(A)=SX3100(YANMAR)  
(B)=  
(C)=

(D)=  
(E)=  
(F)=

No.	Lev.	Parts No.	Description	Q'ty						I	R
				(A)	(B)	(C)	(D)	(E)	(F)		
1	1	1A7531-51460	STAY, RELAY	2							
2	1	198220-52180	RELAY, STARTER	1							
3	1	1A7510-57101	STAY ASSY, REGULATOR	1							
4	1	1A6780-57200	FLASHER	1							
5	1	119650-77911	RELAY ASSY, GLOW	1							
6	1	128300-77920	TIMER	1							
7	1	129211-77920	TIMER	1							
8	1	1K1140-82500	RELAY(ACM13211M01	4							
9	1	26018-060122	BOLT M 6X 12	2							
10	1	26018-060162	BOLT, M6X 16	6							
11	1	26018-080202	BOLT, M8X 20	2							

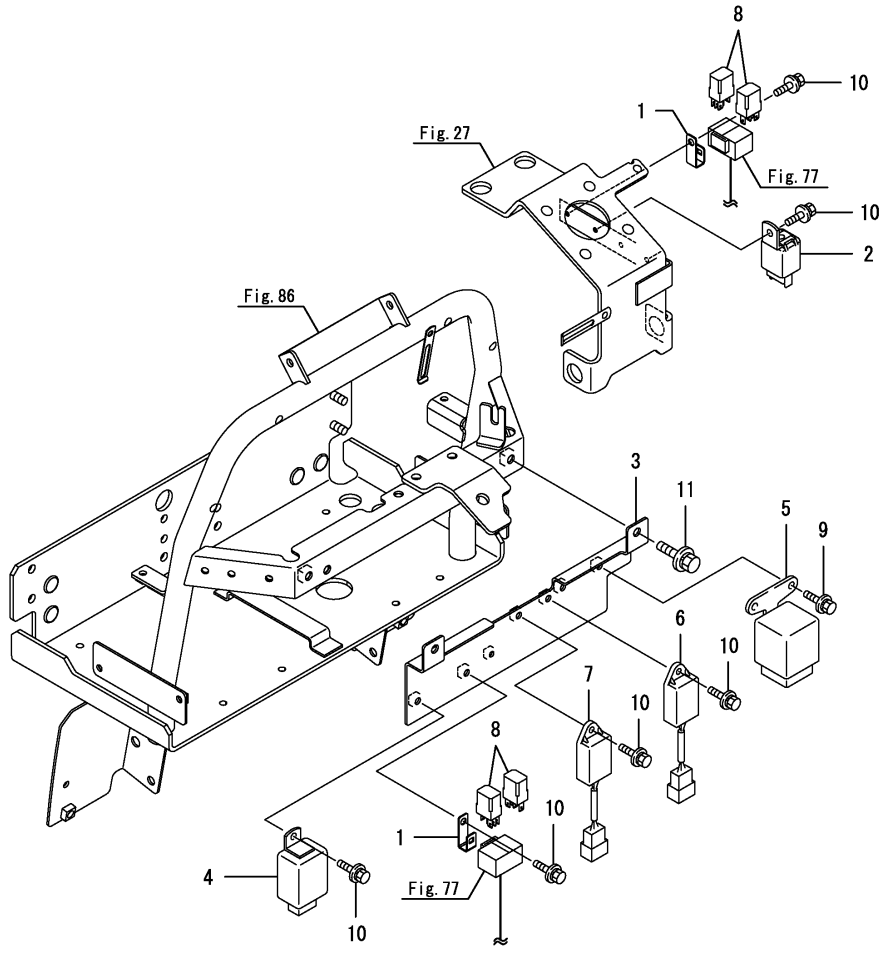
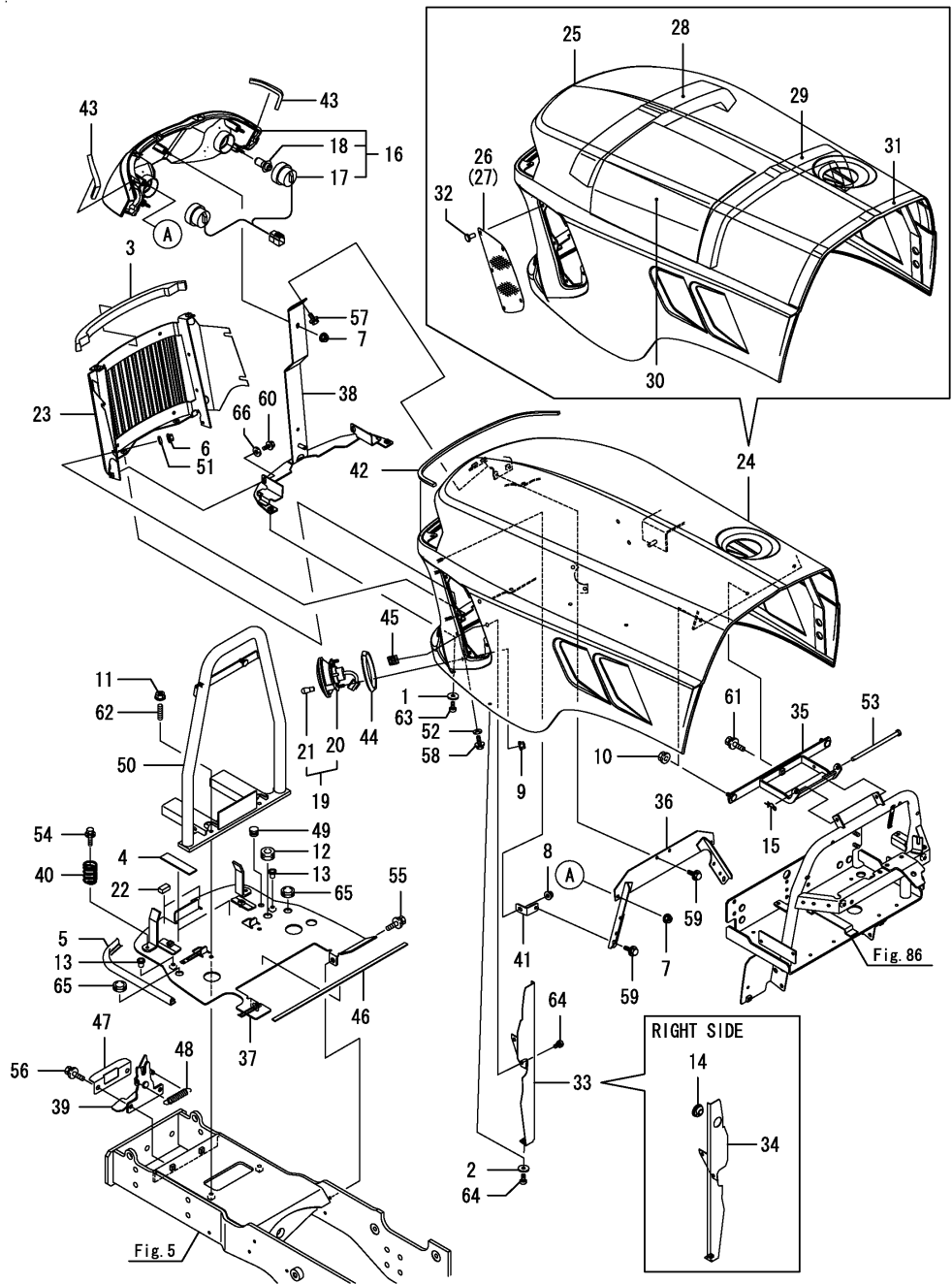


Fig.85. HOOD



(A)=SX3100(YANMAR)  
 (B)=  
 (C)=

(D)=  
 (E)=  
 (F)=

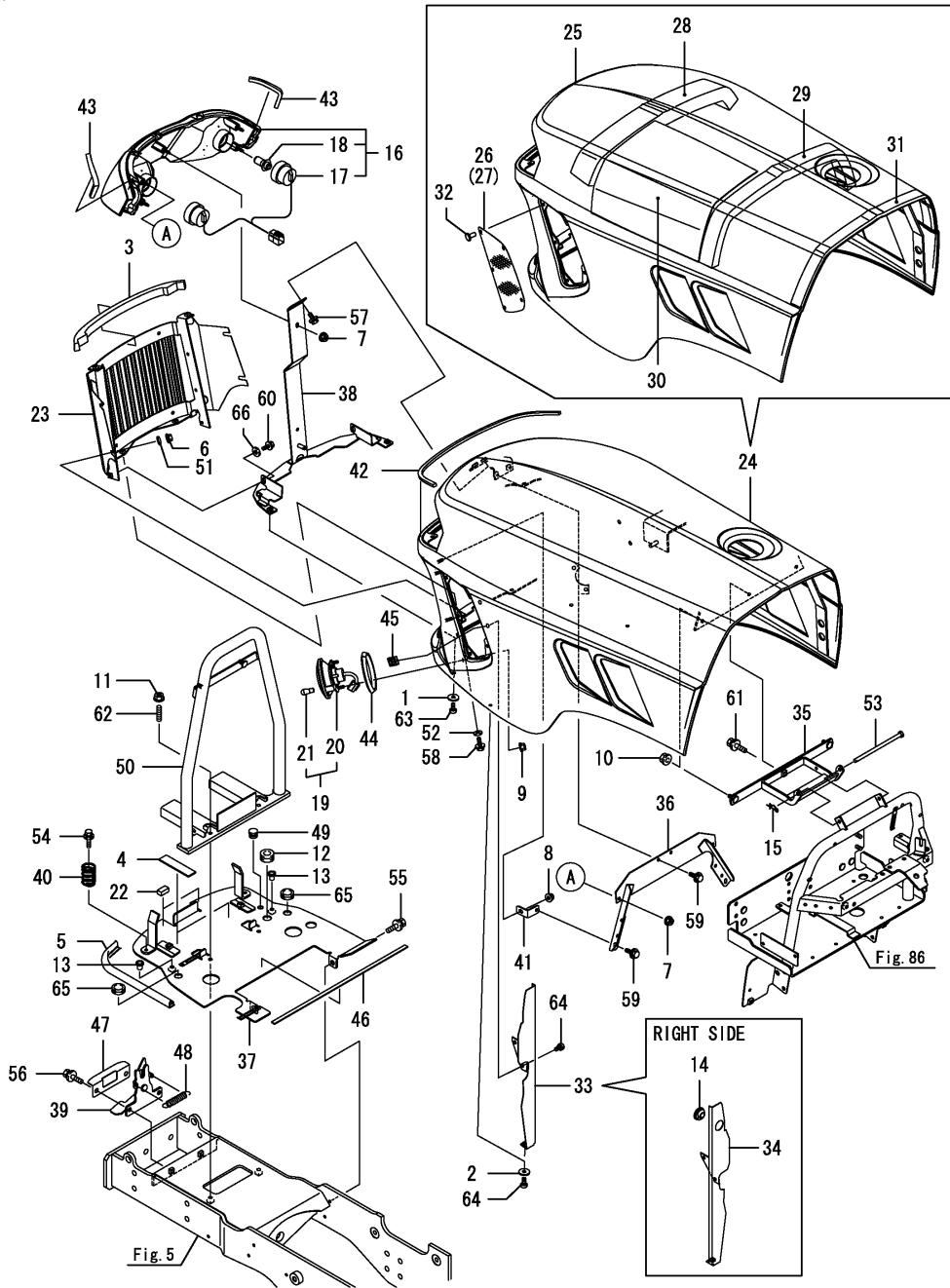
No.	Lev.	Parts No.	Description	(A)	(B)	(C)	Q'ty	(D)	(E)	(F)	I	R
1	1	194515-01190	WASHER, 6	2								
2	1	194515-01190	WASHER, 6	2								
3	1	1A7880-01440	SEAL, RADIATOR	1								
4	1	198165-04380	RUBBER, 100X25X3	2								
5	1	1A7510-10191	SEAL, F DECK C	1								
6	1	194990-22130	NUT, M6	4								
7	1	194990-22130	NUT, M6	5								
8	1	194990-22130	NUT, M6	2								
9	1	194990-22130	NUT, M6	4								
10	1	194990-22140	NUT, M8	2								
11	1	194990-22140	NUT, M8	2								
12	1	198448-22520	GROMMET, CABLE	1								
13	1	194275-27750	PLUG, 7.8	2								
14	1	194170-51210	GROMMET 25	1								
15	1	1C6281-52320	PIN, SNAP 8	1								
16	1	1A7880-53050	LAMP ASSY, HEAD	1								
17	2	1A7880-53070	WIRE, HEAD LAMP	1								
18	2	1A7880-53080	BULB, 12V30/30W	2								
19	1	1A8300-53290	LAMP ASSY, SIDE	2								
20	2	1A7880-53310	CASE ASSY, SIDE LAMP	2								
21	2	1A7880-53320	BULB, 12V/15W	2								
22	1	1A7510-60980	STOPPER	2								
23	1	1A8300-61010	GRILLE ASSY, FRONT	1								
24	1	1A8300-61130	BONNET KIT	1								
25	2	1A8300-61100	BONNET ASSY	1								
26	2	1A8300-61210	SCREEN, BONNET SIDE	1								
27	2	1A8300-61220	SCREEN, HOOD SIDE R	1								
28	2	1A8300-61810	SEAL, BONNET A	1								
29	2	1A8300-61860	SEAL, AIR SHIELD	1								
30	2	1A8300-61910	INSULATOR	1								
31	2	1A8300-61960	SEAL, BONNET B	1								
32	2	197810-84840	RIVET, NYLON	10								
33	1	1A8300-61250	PLATE ASSY, SEAL L	1								
34	1	1A8300-61260	PLATE ASSY, SEAL R	1								
35	1	1A7530-61300	HINGE ASSY, BONNET	1								
36	1	1A8300-61310	STAY ASSY, HEAD LAMP	1								
37	1	1A7540-61351	DECK ASSY, FRONT	1								
38	1	1A8300-61360	STAY ASSY	1								
39	1	1A7510-61450	LOCK ASSY, BONNET	1								
40	1	1A7500-61480	SPRING, BONNET	2								
41	1	1A8300-61590	STAY ASSY	2								
42	1	1A8300-61770	SEAL, HEAD LAMP A	1								
43	1	1A8300-61780	SEAL, HEAD LAMP B	2								
44	1	1A8300-61780	SEAL, HEAD LAMP B	2								
45	1	198071-61890	NUT, SPEED M6	4								
46	1	1A7530-61890	SEAL, SHROUD LOWER	1								
47	1	1A7510-61900	PLATE, SEAL	1								
48	1	198230-61960	SPRING	1								
49	1	194630-62360	GROMMET	1								
50	1	1A8300-85710	FRAME ASSY, FRONT	1								
51	1	22157-060000	WASHER, 6	8								

N:Old  $\begin{matrix} \text{Yes} \\ \text{No} \end{matrix}$  New, Q:Old  $\begin{matrix} \text{No} \\ \text{Yes} \end{matrix}$  New, R:Old  $\begin{matrix} \text{Yes} \\ \text{No} \end{matrix}$  New, S:Old  $\begin{matrix} \text{No} \\ \text{Yes} \end{matrix}$  New, W:Add, Z:Discontinued, F:Interchangeable by set, K:Q'ty Change  
 ++ CONTINUE ++  
 Copyright (C) 2015 YANMAR CO., LTD. All Rights Reserved.

Fig.85. HOOD

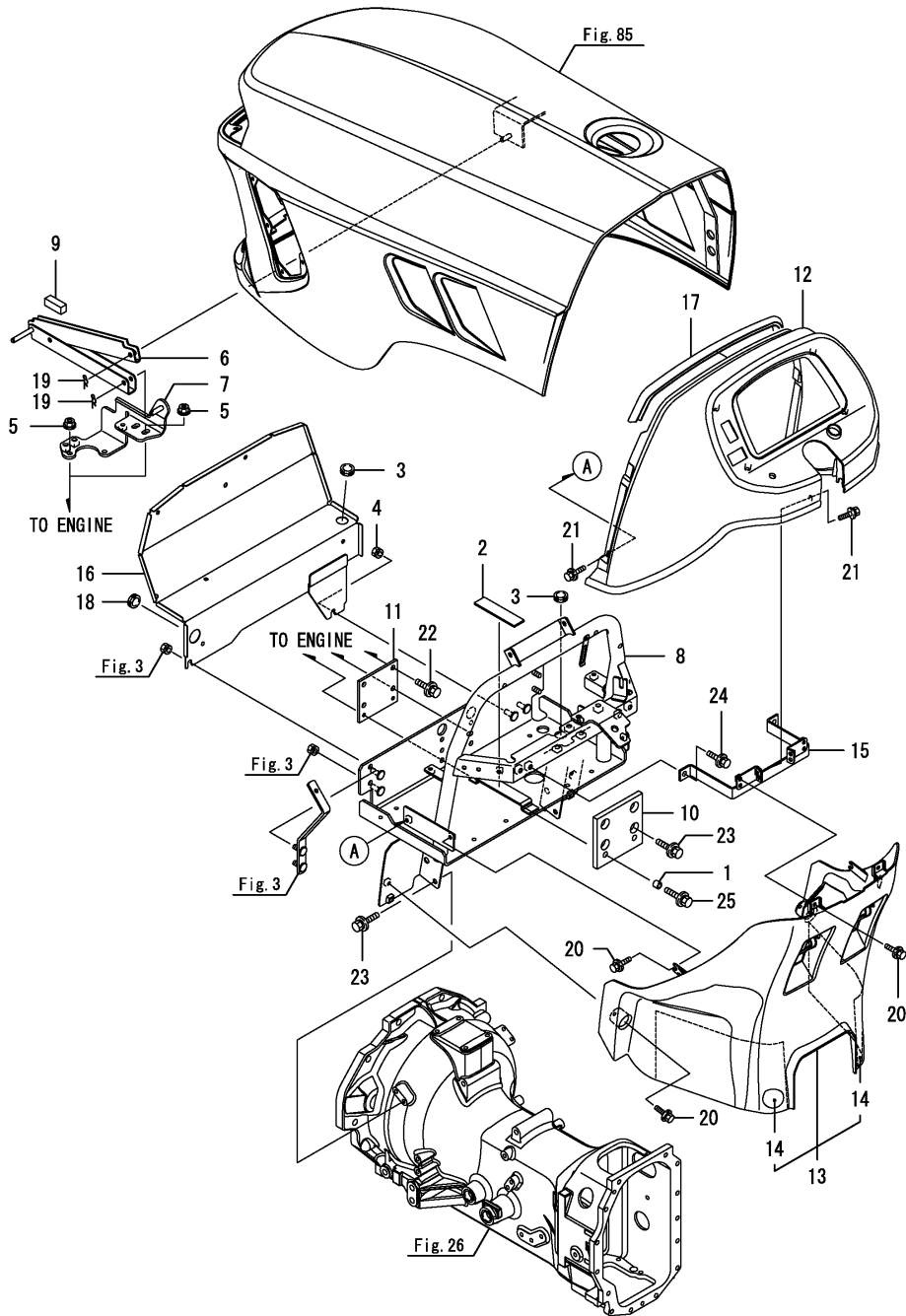
(A)=SX3100(YANMAR)  
 (B)=  
 (C)=

(D)=  
 (E)=  
 (F)=



No.	Lev.	Parts No.	Description	Q'ty						I	R
				(A)	(B)	(C)	(D)	(E)	(F)		
52	1	22157-060000	WASHER, 6	2							
53	1	22487-081500	PIN, H 8X150	1							
54	1	26018-060162	BOLT, M6X 16	2							
55	1	26018-080202	BOLT, M8X 20	2							
56	1	26018-080252	BOLT, M8X 25	2							
57	1	26106-060122	BOLT, M6X 12 PLATED	2							
58	1	26106-060162	BOLT, M6X 16 PLATED	4							
59	1	26106-060162	BOLT, M6X 16 PLATED	4							
60	1	26106-060162	BOLT, M6X 16 PLATED	2							
61	1	26106-080252	BOLT, M8X 25 PLATED	1							
62	1	26216-080302	STUD, M8X 30	2							
63	1	26589-060162	SCREW, M6	2							
64	1	26589-060162	SCREW, M6	6							
65	1	29331-124000	GROMET, 12.0X4	2							
66	1	22157-060000	WASHER, 6	2							

Fig.86. DASHBOARD



(A)=SX3100(YANMAR)

(B)=

(C)=

(D)=

(E)=

(F)=

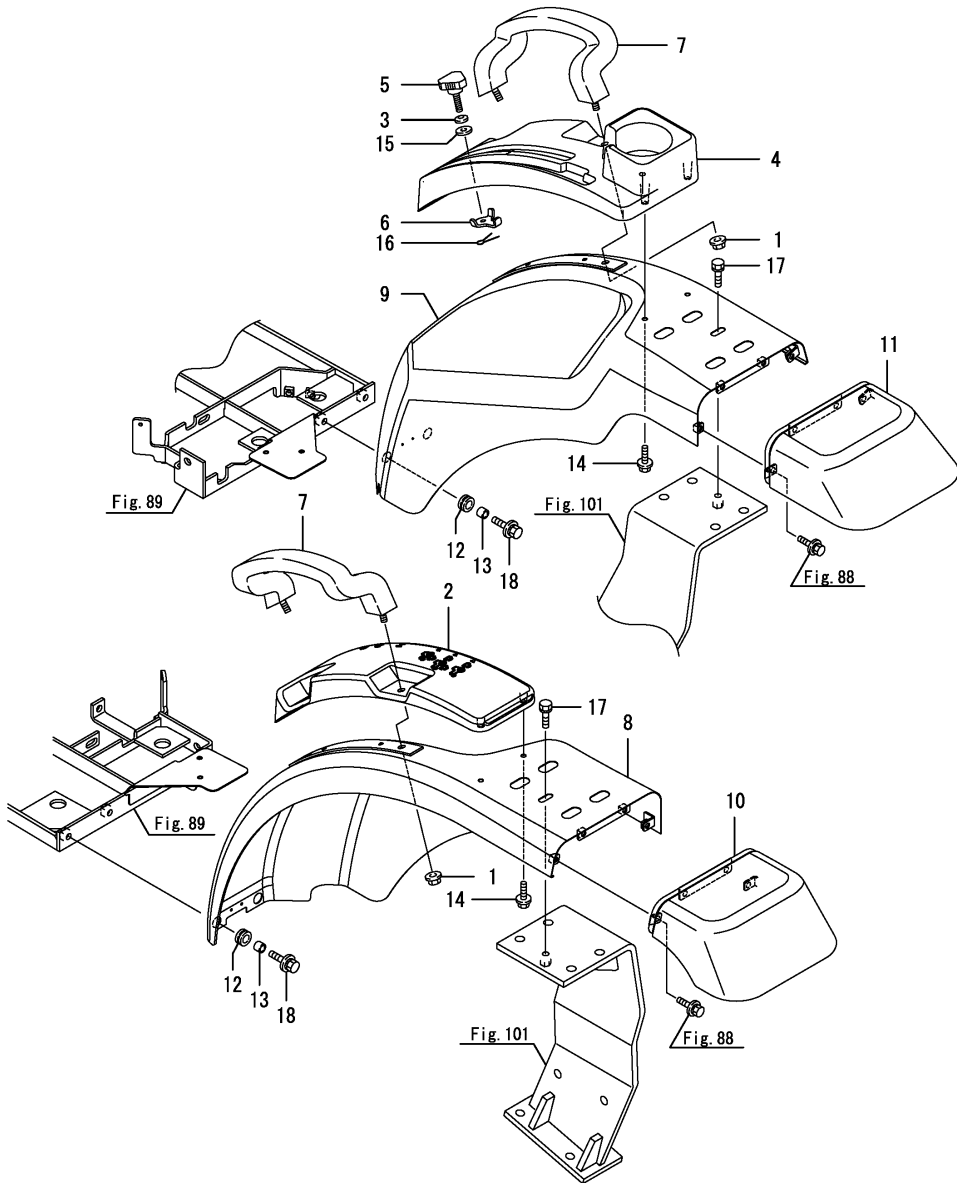
No.	Lev.	Parts No.	Description	Q'ty						I	R
				(A)	(B)	(C)	(D)	(E)	(F)		
1	1	194215-04220	SPACER, 8X10X10	2							
2	1	198165-04380	RUBBER, 100X25X3	1							
3	1	1A7530-21210	RUBBER, ST	2							
4	1	194990-22050	NUT, M8	1							
5	1	194990-22140	NUT, M8	4							
6	1	1A7530-61420	STAND ASSY, BONNET	1							
7	1	1A7540-61450	STAY ASSY, ROD	1							
8	1	1A7540-61500	STAY ASSY, DASHBOARD	1							
9	1	198200-61550	STOPPER, STAND	1							
10	1	1A7540-61580	SPACER	1							
11	1	1A7540-61590	PLATE, ENGINE	1							
12	1	1A7510-61610	DASHBOARD, UPPER	1							
13	1	1A8300-61650	DASHBOARD ASSY, M	1							
14	2	198165-64260	MATERIAL, DAMPING E	2							
15	1	1A7510-61670	STAY ASSY, LOWER	1							
16	1	1A7531-61801	PLATE ASSY, AIR CUT	1							
17	1	1A7510-61850	TRIM, DASHBOARD	1							
18	1	1E6910-83500	GROMMET, 30	1							
19	1	22372-080000	PIN, SNAP 8	2							
20	1	26018-060162	BOLT, M6X 16	6							
21	1	26018-060162	BOLT, M6X 16	4							
22	1	26018-080162	BOLT, M8X 16	2							
23	1	26018-080202	BOLT, M8X 20	4							
24	1	26018-080202	BOLT, M8X 20	2							
25	1	26018-080252	BOLT, M8X 25	2							



Fig.87. FENDER

(A)=SX3100(YANMAR)  
 (B)=  
 (C)=

(D)=  
 (E)=  
 (F)=



No.	Lev.	Parts No.	Description	Q'ty						I	R
				(A)	(B)	(C)	(D)	(E)	(F)		
1	1	194990-22140	NUT, M8	4							
2	1	1A7510-27450	GUIDE, CHANGE LEVER	1							
3	1	194300-37570	SPRING	1							
4	1	1A7510-47711	GUIDE, LEVER	1							
5	1	198165-47750	KNOB, CONTROL	1							
6	1	1A7510-47760	STOPPER, CONTROL	1							
7	1	1A7510-62100	BAR, ASSIST	2							
8	1	1A8300-62110	FENDER ASSY, L M	1							
9	1	1A8300-62120	FENDER ASSYL R M	1							
10	1	1A7510-62130-1	FENDER ASSY, L	1							
11	1	1A7510-62140-1	FENDER ASSY, R	1							
12	1	1A6640-62960	GROMMET	4							
13	1	1A6640-62970	COLLAR, 8.8X12X10	4							
14	1	198165-63130	SCREW, SMV	6							
15	1	22157-080000	WASHER, 8	1							
16	1	22417-200160	PIN, COTTER 2.0X16	1							
17	1	26013-080252	BOLT, M8X 25	2							
18	1	26018-080252	BOLT, M8X 25	4							

Fig.88. FENDER(BOLT)

(A)=SX3100(YANMAR)  
 (B)=  
 (C)=

(D)=  
 (E)=  
 (F)=

No.	Lev.	Parts No.	Description	Q'ty						I	R
				(A)	(B)	(C)	(D)	(E)	(F)		
1	1	26018-060162	BOLT, M6X 16	8							

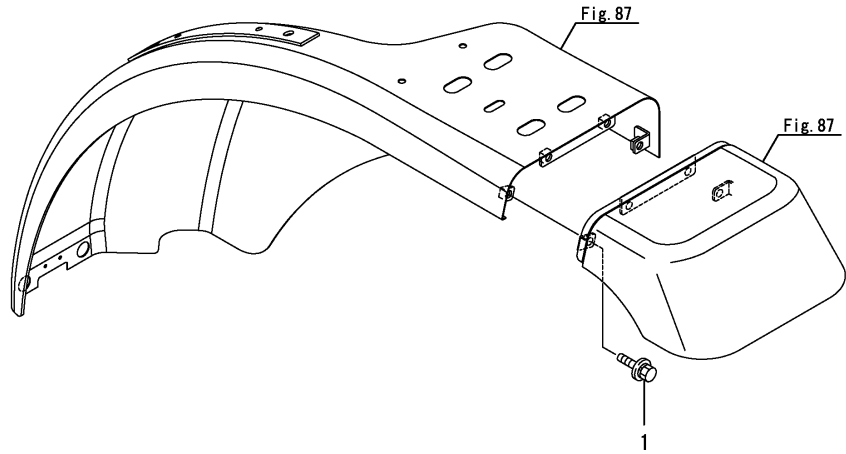


Fig.89. STEP

(A)=SX3100(YANMAR)

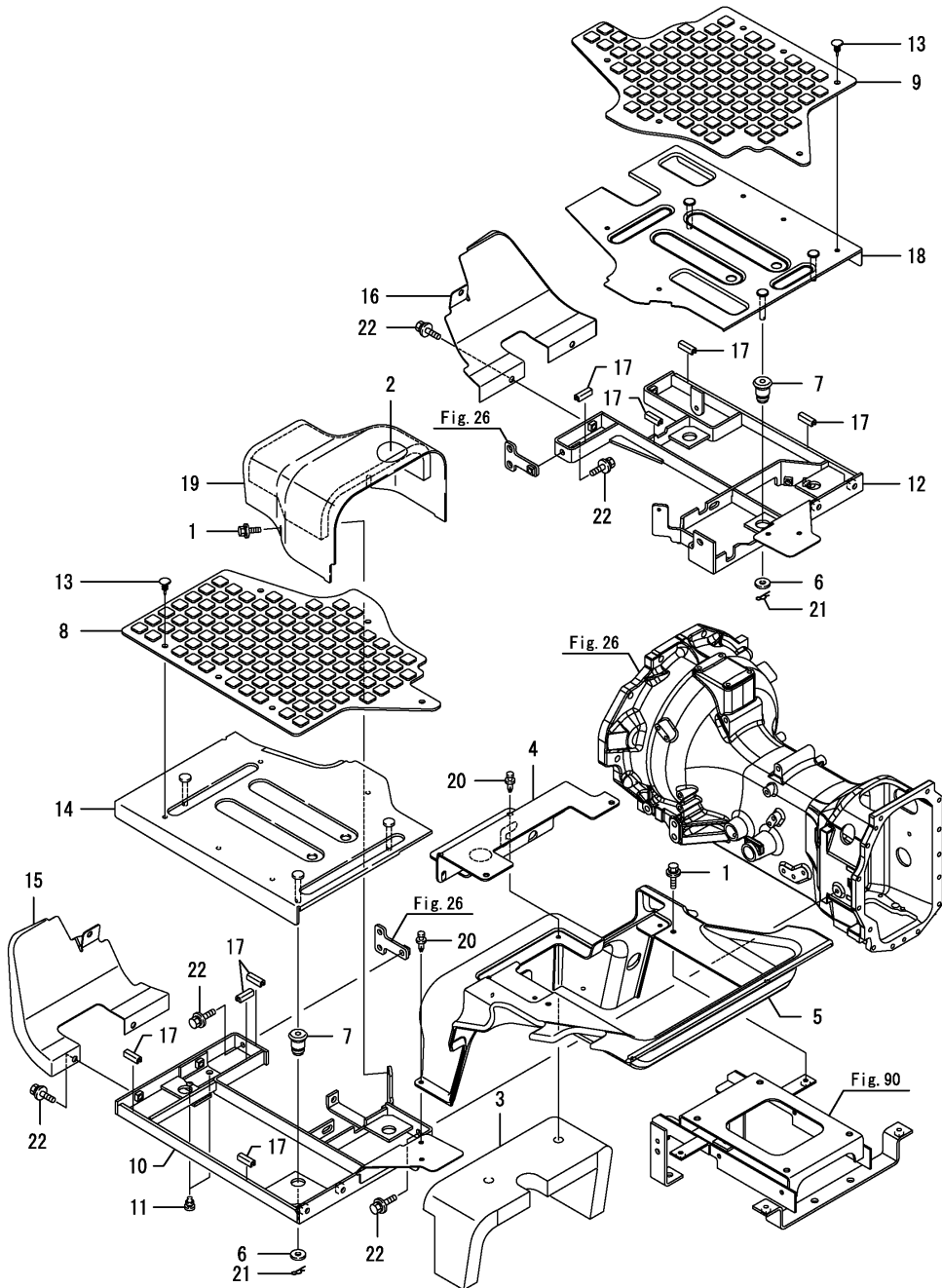
(B)=

(C)=

(D)=

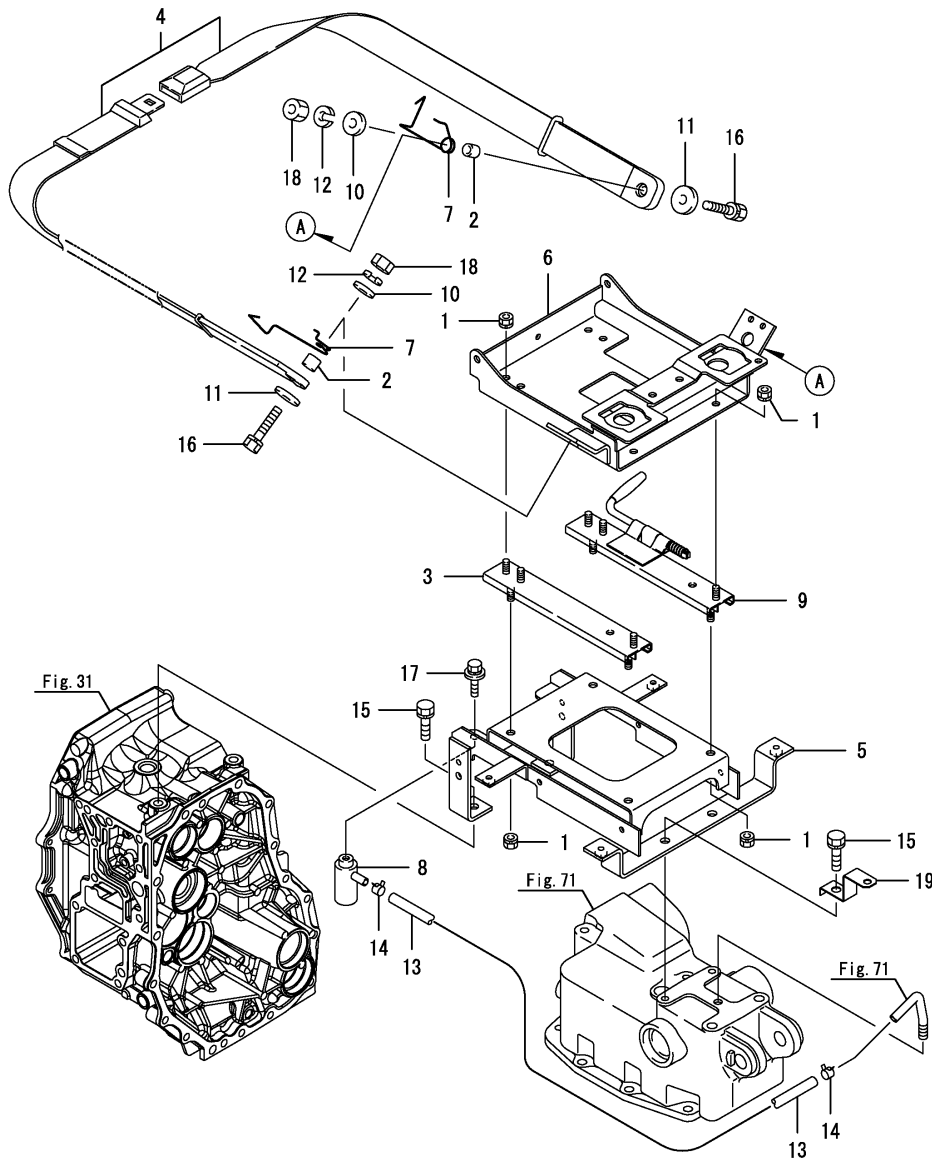
(E)=

(F)=



No.	Lev.	Parts No.	Description	Q'ty						I	R
				(A)	(B)	(C)	(D)	(E)	(F)		
1	1	198421-61620	BOLT, M6X20	6							
2	1	1A7530-61970	SEAL, FRONT COVER	1							
3	1	1A7530-61981	SEAL, COVER R	1							
4	1	1A7530-62060	COVER, SEAT	1							
5	1	1A7531-62070	CLOSE OUT, SEAT	1							
6	1	198220-62150	WASHER	6							
7	1	198240-62451	ABSORBER, STEP	6							
8	1	1A7530-62470	RUBBER, STEP L	1							
9	1	1A7530-62480	RUBBER, STEP R-H	1							
10	1	1A7530-62500	FRAME ASSY, STEP L	1							
11	1	194330-62530	STOPPER, PEDAL	2							
12	1	1A7530-62600	FRAME ASSY, STEP R	1							
13	1	198162-62630	FASNER	12							
14	1	198165-62661-1	STEP ASSY, L	1							
15	1	1A7530-62810-1	COVER ASSY, FOOT L	1							
16	1	1A7530-62820-1	COVER ASSY, FOOT R	1							
17	1	198220-62890	RUBBER, STOPPER	8							
18	1	1A7530-62930-1	STEP ASSY, R	1							
19	1	198165-62961	COVER, MISSION F	1							
20	1	197810-84840	RIVET, NYLON	7							
21	1	22372-080000	PIN, SNAP 8	6							
22	1	26018-080202	BOLT, M8X 20	10							

Fig.90. SEAT BRACKET



(A)=SX3100(YANMAR)  
(B)=  
(C)=

(D)=  
(E)=  
(F)=

No.	Lev.	Parts No.	Description	Q'ty						I	R
				(A)	(B)	(C)	(D)	(E)	(F)		
1	1	194990-22050	NUT, M8	10							
2	1	1C6720-47780	COLLAR, 10X16X15	2							
3	1	198220-63150	ADJUSTER, SEAT	1							
4	1	1A7500-63171	BELT, SEAT	1							
5	1	1A7530-63200	BRACKET ASSY, SEAT	1							
6	1	1A7530-63400	SLIDER ASSY, SEAT	1							
7	1	198220-63450	HOLDER, BELT	2							
8	1	194205-63550	BREATHER, AIR	1							
9	1	1A6770-63850	ADJUSTER, SEAT	1							
10	1	22137-100000	WASHER, 10	2							
11	1	22157-100000	WASHER, 10	2							
12	1	22217-100000	WASHER, SPRING 10	2							
13	1	23065-090450	PIPE, 9X 450	1							
14	1	23080-012000	CLAMP, 12	2							
15	1	26013-100202	BOLT, M10X 20	4							
16	1	26013-100352	BOLT, M10X 35	2							
17	1	26018-080162	BOLT, M8X 16	1							
18	1	26716-100002	NUT, M10	2							
19	1	1A8300-63990	CLAMP, HARNESS	1							W

(A=\*2014.01)

Fig.91. DRIVER SEAT

(A)=SX3100(YANMAR)  
(B)=  
(C)=

(D)=  
(E)=  
(F)=

No.	Lev.	Parts No.	Description	Qty						I	R
				(A)	(B)	(C)	(D)	(E)	(F)		
1	1	1A8300-27810	KNOB, SHIFT	1							
2	1	1A8300-27830	KNOB, PTO	1							
3	1	1C6281-52320	PIN, SNAP 8	2							
4	1	1A8300-63000	SEAT ASSY, OPERATOR	1							
5	2	1A8300-63010	SEAT ASSY, OPERATOR	1							
6	2	1A8300-63500	BRACKET ASSY	1							
7	2	1A8300-63550	BRACKET ASSY	1							
8	2	1A8300-63600	REPLACE KIT, ARMREST	1							
9	3	1A8300-63620	ARMREST	2							
10	3	1A8300-63660	SPACER	2							
11	3	1A8300-63670	SCREW, 5/16-18UNC	2							
12	3	1A8300-63680	STOP ASSY, ARMREST	2							
13	4	1A8300-63690	STOP, ARMREST	2							
14	4	1A8300-63700	KNOB, ADJUSTING	2							
15	4	1A8300-63710	RING, RETAINING	2							
16	3	1A8300-63720	SCREW, 5/16-18	6							
17	3	1A8300-63730	SPACER	4							
18	1	1A8300-63100	HINGE ASSY, SEAT	1							
19	1	1A8300-63140	RUBBER, CUSHION	2							
20	1	1A7130-63190	HOOK, R	1							
21	1	1A8300-63200	PIN, SEAT	1							
22	1	1A7130-63600	HOOK, L	1							
23	1	198200-78710	COLLAR, 6.5X21X2	1							
24	1	22137-080000	WASHER, 8	2							
25	1	24311-000110	O-RING, 1AP11.0	1							
26	1	26106-060352	BOLT, M6X 35 PLATED	1							
27	1	26106-080122	BOLT, M8X 12 PLATED	2							
28	1	26106-080162	BOLT, M8X 16 PLATED	2							

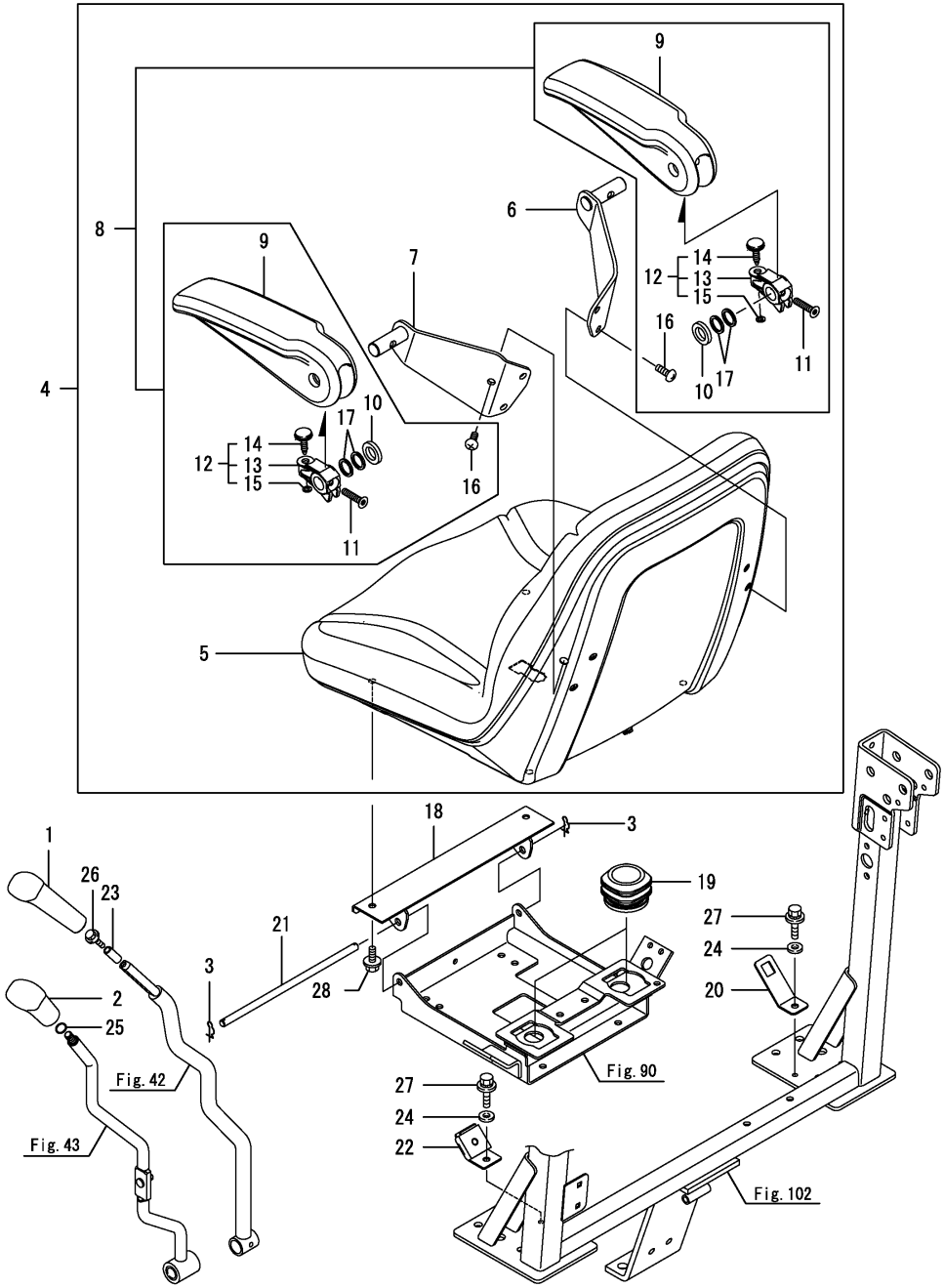


Fig.92. LABEL(1)

(A)=SX3100(YANMAR)  
 (B)=  
 (C)=

(D)=  
 (E)=  
 (F)=

No.	Lev.	Parts No.	Description	Qty						I	R
				(A)	(B)	(C)	(D)	(E)	(F)		
1	1	198220-65410	LABEL, SCV LEVER	1							
2	1	1A8300-65430	LABEL, SCV COUPLER	1							
3	1	1A7530-65471	LABEL, HYD.LEVER	1							
4	1	1A7520-65480	LABEL B, HYD.LEVER	1							
5	1	1A8250-65650	LABEL, FUEL OIL	1							
6	1	198165-65690	DECAL,	1							

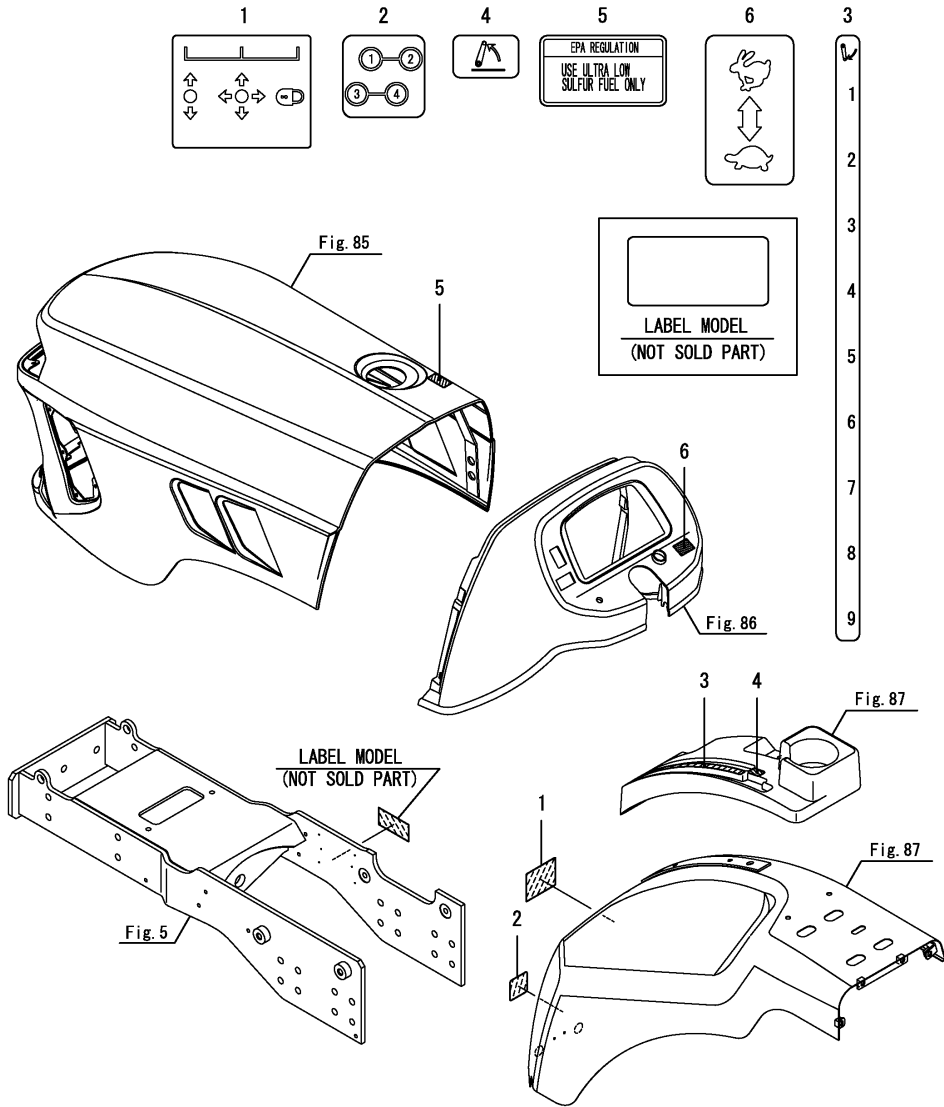
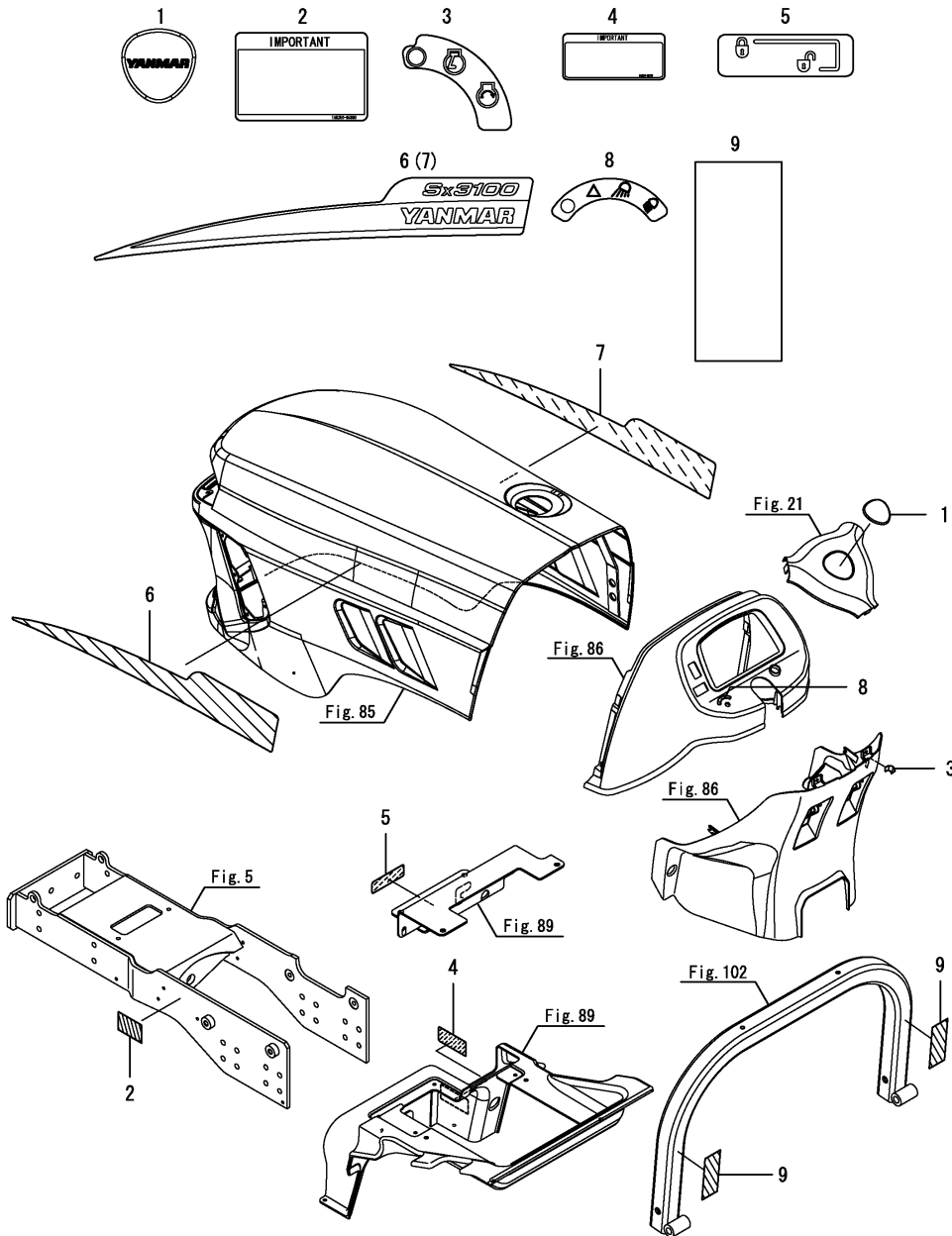


Fig.93. LABEL(2)

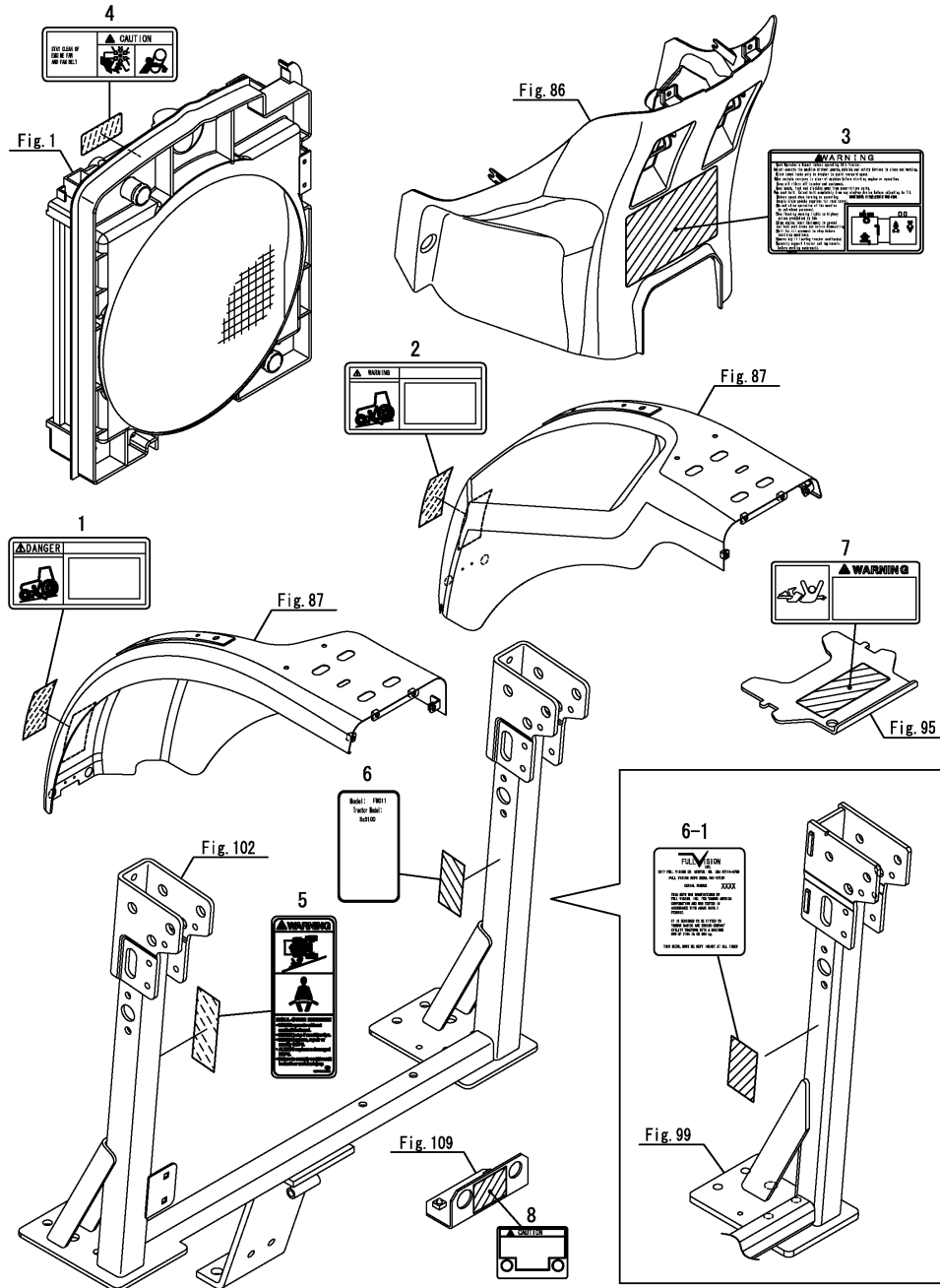
(A)=SX3100(YANMAR)  
 (B)=  
 (C)=

(D)=  
 (E)=  
 (F)=



No.	Lev.	Parts No.	Description	Q'ty						I	R
				(A)	(B)	(C)	(D)	(E)	(F)		
1	1	1A7880-15880	PLATE	1							
2	1	1A8250-65390	LABEL, SPARK ARRESTOR	1							
3	1	1A8300-65421	LABEL, START SWITCH	1							
4	1	1A8250-65630	LABEL, SOCKET	1							
5	1	1A8300-65630	DECAL, SCV LOCK	1							
6	1	1A8300-65680	LABEL, SIDE L	1							
7	1	1A8300-65690	LABEL, SIDE R	1							
8	1	1A8300-65730	DECAL, LIGHT	1							
9	1	1A8160-65860	TAPE, 50X115	2							

Fig.94. LABEL(SAFETY)



(A)=SX3100(YANMAR)  
 (B)=  
 (C)=

(D)=  
 (E)=  
 (F)=

No.	Lev.	Parts No.	Description	Q'ty						I	R
				(A)	(B)	(C)	(D)	(E)	(F)		
1	1	1A8160-65300	LABEL,DANGER,START	1							
2	1	1A8160-65310	LABEL,WARNIBG,STOP	1							
3	1	1A8300-65320	LABEL, WARINING	1							
4	1	1A7880-65610	LABEL,WARNING,FAN	1							
5	1	1A7340-65850	LABEL,ROPS WARNING	1							
6	1	1A8300-65980	LABEL, ROPS	1							
6-1	1	1A8300-65960 (A=*2013.07)	LABEL, ROPS STANDARD	1							S
7	1	198220-65621	LABEL, P.T.O.WARNING	1							
8	1	1A8300-65400	LABEL, CAUTION	1							



Fig.95. PTO GUARD

(A)=SX3100(YANMAR)  
 (B)=  
 (C)=

(D)=  
 (E)=  
 (F)=

No.	Lev.	Parts No.	Description	Q'ty						I	R
				(A)	(B)	(C)	(D)	(E)	(F)		
1	1	1A7530-26580	PLATE KIT, PTO GUARD	1							
2	1	198165-26600	COVER ASSY, PTO	1							
3	1	198165-26700	COVER ASSY, PTO	1							
4	1	26018-060162	BOLT, M6X 16	4							

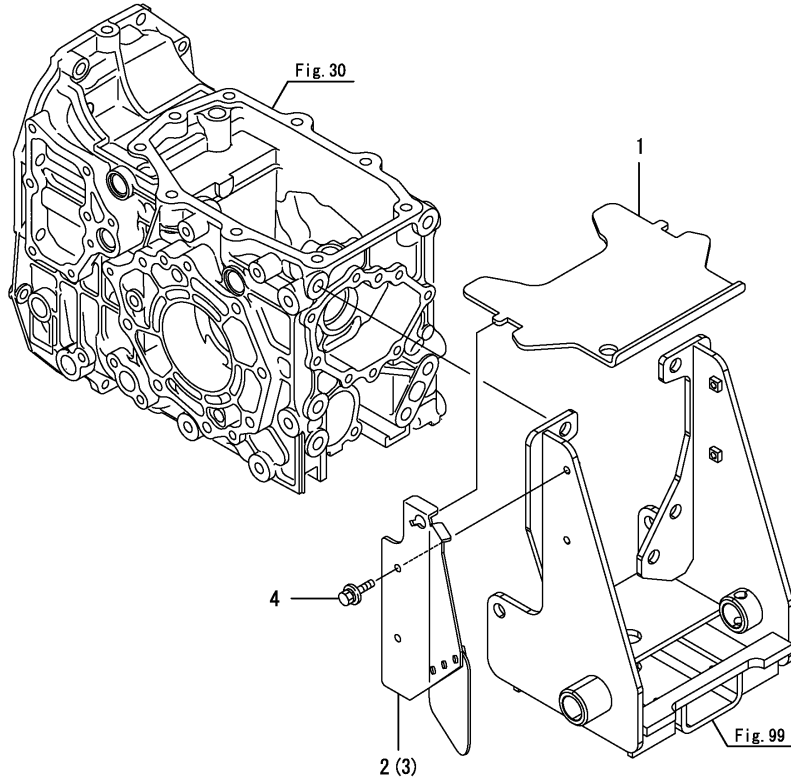




Fig.97. OIL SEAL COVER

(A)=SX3100(YANMAR)  
 (B)=  
 (C)=

(D)=  
 (E)=  
 (F)=

No.	Lev.	Parts No.	Description	Qty						I	R
				(A)	(B)	(C)	(D)	(E)	(F)		
1	1	1A7530-26490	COVER, OIL SEAL	1							
2	1	194250-32530	PIN, HOOK	2							

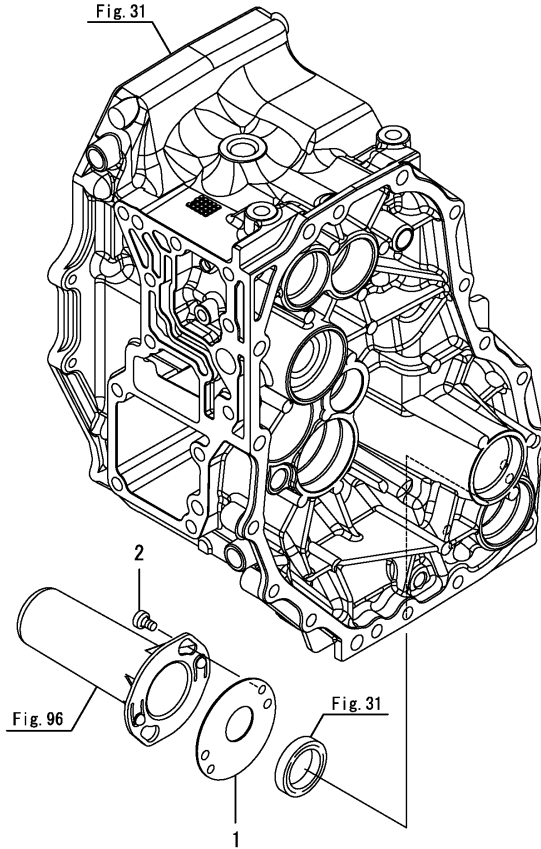
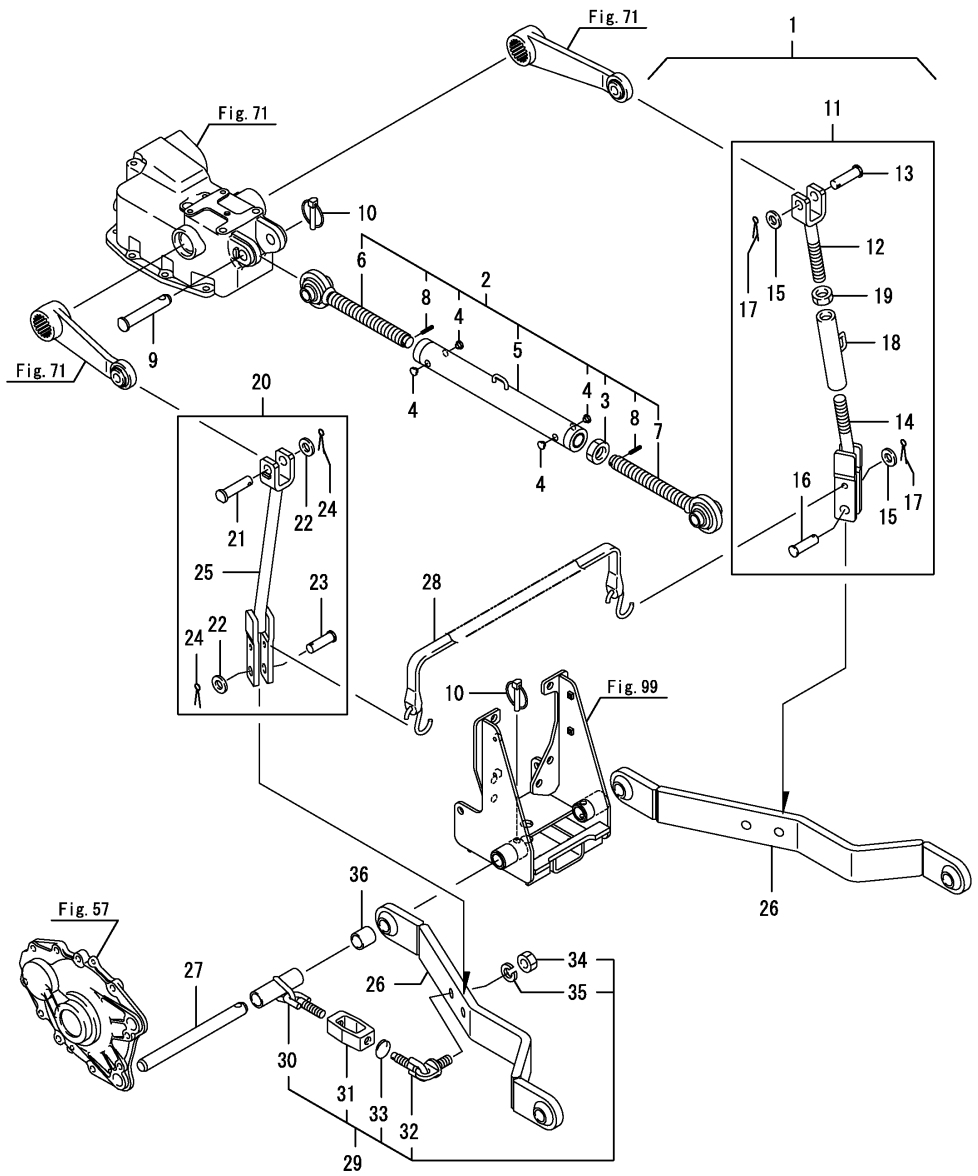


Fig.98. 3-POINT HITCH



(A)=SX3100(YANMAR)  
 (B)=  
 (C)=

(D)=  
 (E)=  
 (F)=

No.	Lev.	Parts No.	Description	Qty						I	R
				(A)	(B)	(C)	(D)	(E)	(F)		
1	1	1A7540-71100	HITCH ASSY, 3-POINT	1							
2	2	1A7500-71112	LINK ASSY, UPPER	1							
3	3	1A7500-71200	NUT, LOCK M24	1							
4	3	1A7335-71250	CAP	4							
5	3	1A7500-71251	TUBE ASSY	1							
6	3	1A7500-71271	BOLT, EYE	1							
7	3	1A7500-71291	BOLT ASSY, EYE	1							
8	3	22351-050025	PIN, SPRING 5.0X25	2							
9	2	1A7530-71120	PIN, LINK	1							
10	2	1A7500-71130	PIN ASSY, LINTCH	3							
11	2	1A7530-72110	LINK ASSY, LIFT R	1							
12	3	1A7530-72120	CLEVIS ASSY	1							
13	3	1A7500-72150	PIN	1							
14	3	1A7530-72150	END ASSY, LOWER	1							
15	3	1A7500-72160	WASHER, 16	2							
16	3	1A7500-72170	PIN	1							
17	3	1A7500-72180	PIN, 4.0X32	2							
18	3	1A7500-72350	TURNBUCKLE	1							
19	3	1A7500-72380	NUT, M20X2.5	1							
20	2	1A7530-72210	LINK ASSY, LIFT L	1							
21	3	1A7500-72150	PIN	1							
22	3	1A7500-72160	WASHER, 16	2							
23	3	1A7500-72170	PIN	1							
24	3	1A7500-72180	PIN, 4.0X32	2							
25	3	1A7530-72220	LINK ASSY, LIFT L	1							
26	2	1A7530-73111	LINK, LOWER	2							
27	2	1A7530-73120	PIN, HINGE	2							
28	2	1A7500-73310	STRAP, LINK	1							
29	2	1A7530-74610	CHAIN ASSY, SWAY	2							
30	3	1A7530-74630	CHAIN ASSY	2							
31	3	1A7500-74640	TURNBUCKLE	2							
32	3	1A7530-74650	CHAIN ASSY	2							
33	3	1A7500-74661	RING, 32	2							
34	3	1A7500-74670	NUT, M16	2							
35	3	1A7500-74680	WASHER, SPRING 16	2							
36	2	1A7530-74620	COLLAR, HINGE PIN	2							

Fig.99. REAR HITCH

(A)=SX3100(YANMAR)  
 (B)=  
 (C)=

(D)=  
 (E)=  
 (F)=

No.	Lev.	Parts No.	Description	Q'ty						I	R
				(A)	(B)	(C)	(D)	(E)	(F)		
1	1	1A7531-75400	HITCH ASSY, REAR	1							
2	1	26013-120302	BOLT, M12X 30	8							

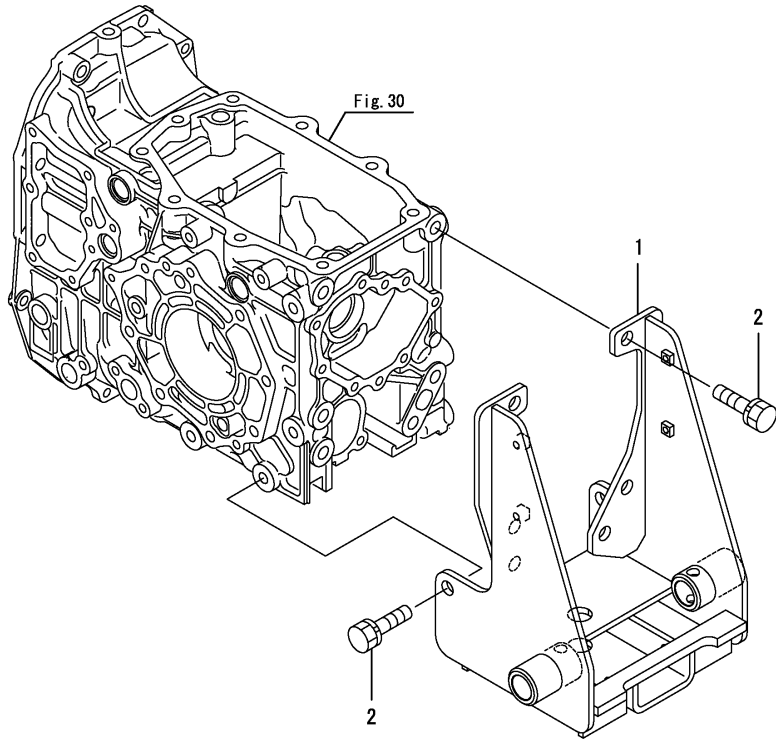


Fig.100. DRAWBAR HITCH

(A)=SX3100(YANMAR)  
 (B)=  
 (C)=

(D)=  
 (E)=  
 (F)=

No.	Lev.	Parts No.	Description	Q'ty						I	R
				(A)	(B)	(C)	(D)	(E)	(F)		
1	1	194145-75250	RING, STOPPER	1							
2	1	198165-75710	DRAWBAR	1							
3	1	198165-75720	PIN, DRAWBAR	1							

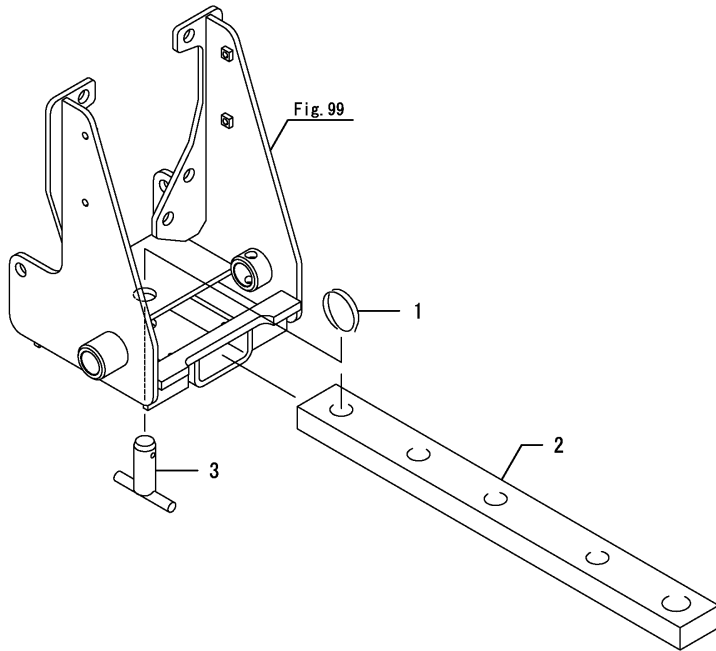


Fig.101. ROPS(1)

(A)=SX3100(YANMAR)  
 (B)=  
 (C)=

(D)=  
 (E)=  
 (F)=

No.	Lev.	Parts No.	Description	Q'ty						I	R
				(A)	(B)	(C)	(D)	(E)	(F)		
1	1	1A7530-85080	ROPS KIT, LOWER 2520	1							
2	2	1A7530-85200	FRAME ASSY, LOWER L	1							
3	2	1A7530-85250	FRAME ASSY, LOWER R	1							
4	1	1A7530-85301	PLATE ASSY, LOWER	2							
5	1	1A7530-85950	BOLT, M12X155	8							

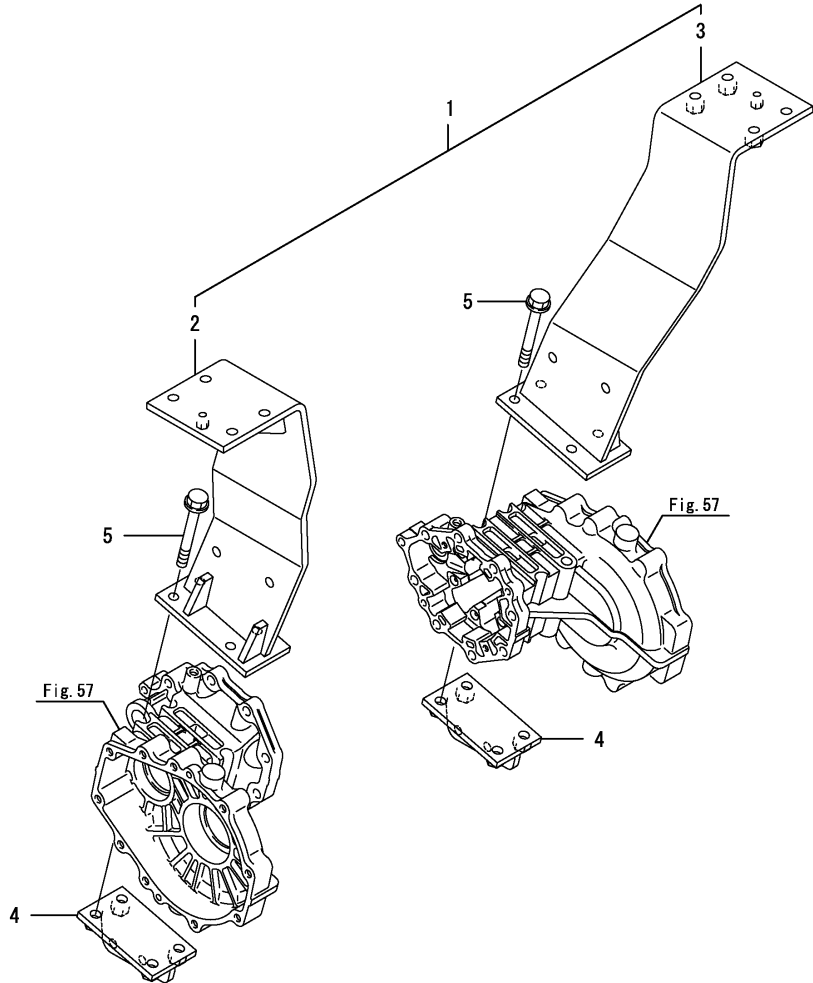


Fig.102. ROPS(2)

(A)=SX3100(YANMAR)

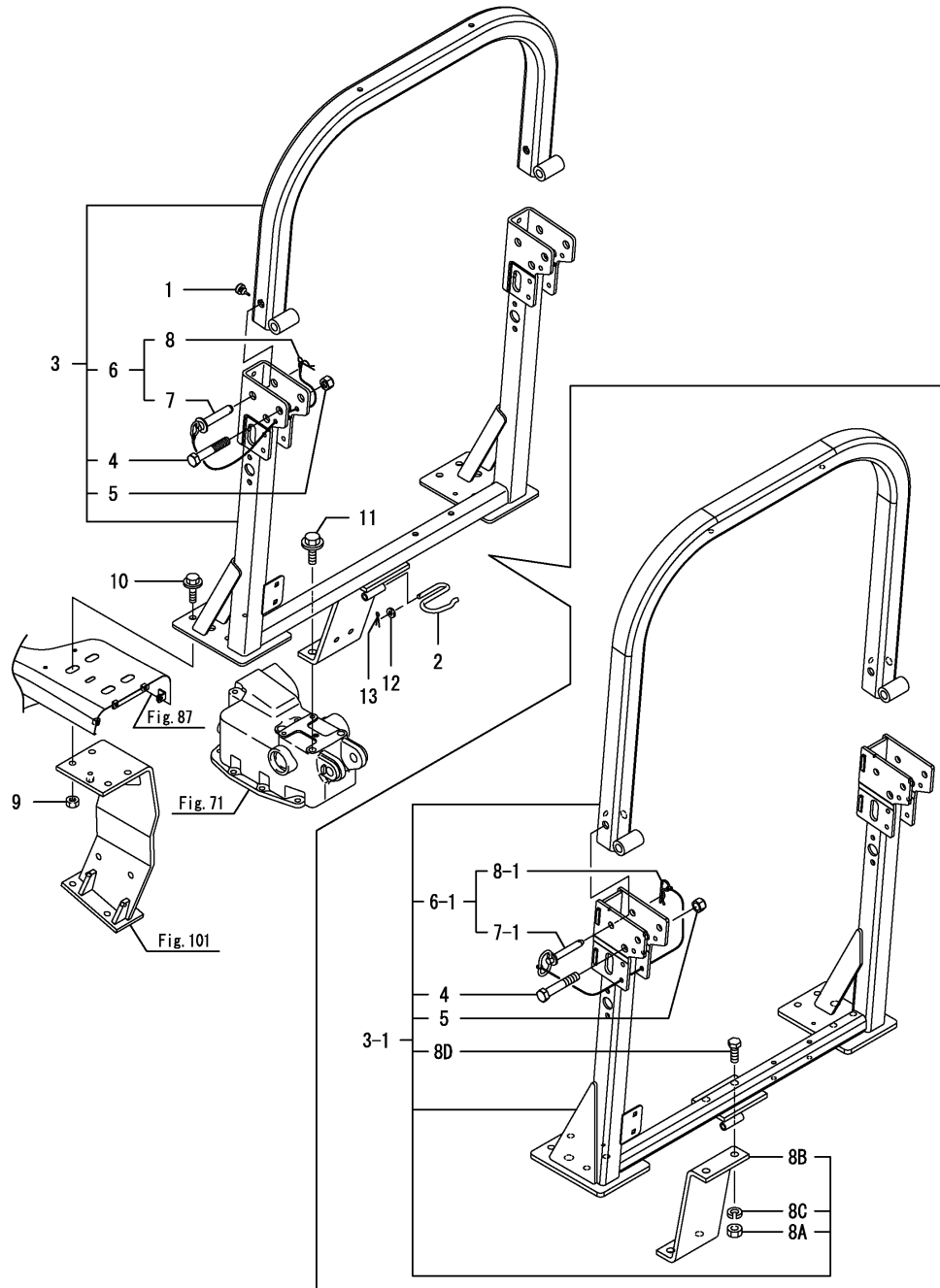
(B)=

(C)=

(D)=

(E)=

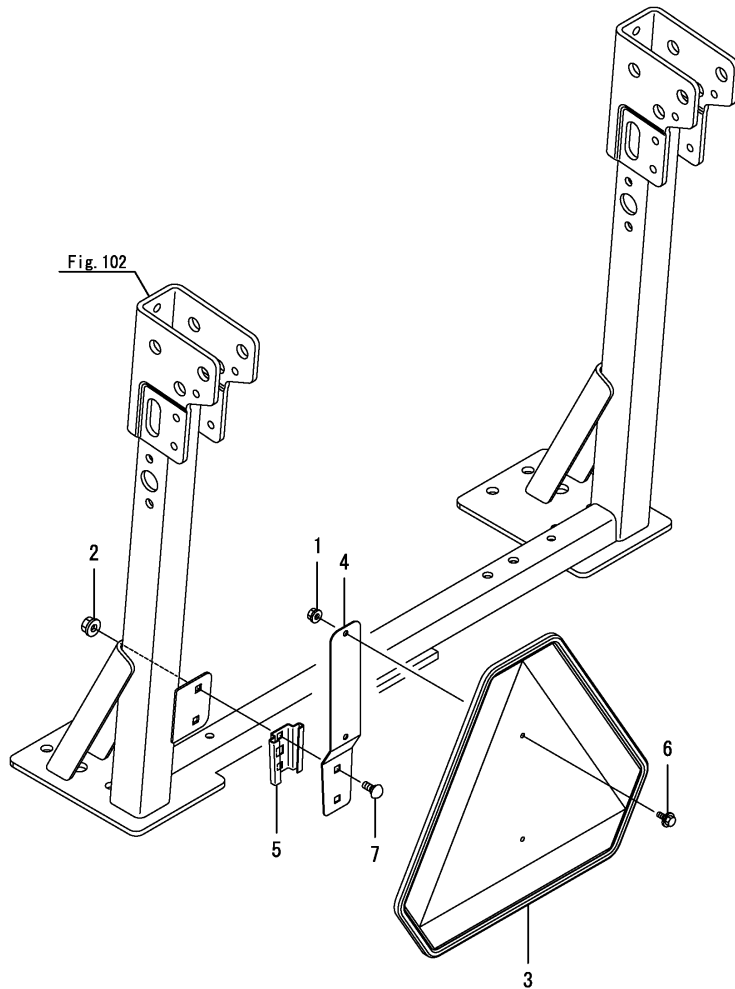
(F)=



No.	Lev.	Parts No.	Description	Q'ty						I	R
				(A)	(B)	(C)	(D)	(E)	(F)		
1	1	194330-62530	STOPPER, PEDAL	2							
2	1	1A7880-71550	SPRING, RETAINER	1							
3	1	1A8300-85180	FRAME ASSY, UPPER M	1							
3-1	1	1A8300-85410	MASSY, ROPS	1							S
		(A=*2013.07)									
4	2	1A8300-85430	BOLT, M16X90	2							
5	2	1A8300-85440	NUT, M16	2							
6	2	1A8300-85910	PIN ASSY, STOPPER	2							
6-1	2	1A8160-85311	PIN ASSY, HITCH	2							S
		(A=*2013.07)									
7	3	1A8300-85920	STOPPER ASSY, PIN	2							
7-1	3	1A8160-85320	PIN, HITCH	2							S
		(A=*2013.07)									
8	3	1A8300-85930	CLIP, PIN	2							
8-1	3	1TN322-71170	BETA PIN	2							S
		(A=*2013.07)									
8A	2	194450-21980	NUT, M14	2							W
		(A=*2013.07)									
8B	2	1A8300-85800	PLATE ASSY, CENTER	1							W
		(A=*2013.07)									
8C	2	22217-140000	WASHER, SPRING 14	2							W
		(A=*2013.07)									
8D	2	26086-140402	BOLT, 10.914X 40	2							W
		(A=*2013.07)									
9	1	198172-85440	NUT, M12	8							
10	1	198165-85970	BOLT, M12X35	8							
11	1	198165-85980	BOLT, M14X30	2							
12	1	22137-080000	WASHER, 8	1							
13	1	22417-300250	PIN, COTTER 3.0X25	1							



Fig.103. SMV



(A)=SX3100(YANMAR)  
(B)=  
(C)=

(D)=  
(E)=  
(F)=

No.	Lev.	Parts No.	Description	Q'ty						I	R
				(A)	(B)	(C)	(D)	(E)	(F)		
1	1	194990-22130	NUT, M6	2							
2	1	194990-22140	NUT, M8	2							
3	1	1A8160-65800	EMBLEM, SMV	1							
4	1	1A7882-85620	STAY, SMV	1							
5	1	1A7882-85630	HOLDER, SMV	1							
6	1	26106-060162	BOLT, M6X 16 PLATED	2							
7	1	26487-080163	BOLT, M8X16	2							

Fig.104. MANUAL

(A)=SX3100(YANMAR)  
 (B)=  
 (C)=

(D)=  
 (E)=  
 (F)=

No.	Lev.	Parts No.	Description	Q'ty						I	R
				(A)	(B)	(C)	(D)	(E)	(F)		
1	1	0A041-U00900	OPERATION MANUAL	1							

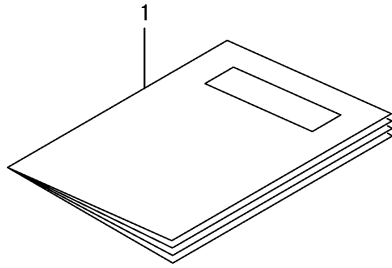
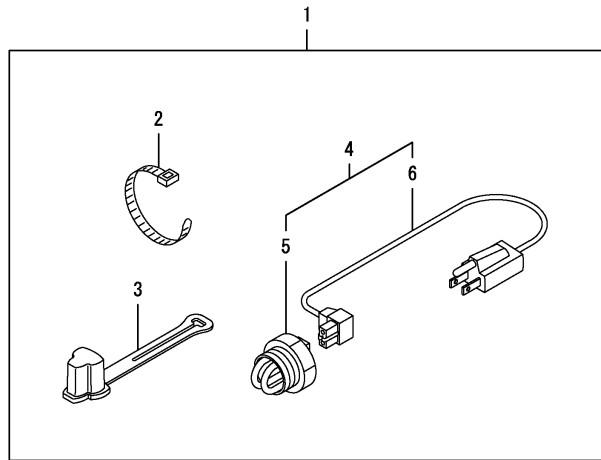


Fig.105. HEATER(BLOCK

(A)=SX3100(YANMAR)  
 (B)=  
 (C)=

(D)=  
 (E)=  
 (F)=

No.	Lev.	Parts No.	Description	Q'ty						I	R
				(A)	(B)	(C)	(D)	(E)	(F)		
1	1	129269-95050	HEATER ASSY,BLOCK	1							
2	2	1A8300-51210	BAND, REPEAT	1							
3	2	1A7880-57260	PROTECTOR, PLUG	1							
4	2	129269-95010	HEATER ASSY	1							
5	3	171015-77900	HEATER	1							
6	3	171015-77910	CORD, HEATER	1							



Remarks  
 \* Optional parts.

Fig.106. WEIGHT LOCK PIN

(A)=SX3100(YANMAR)  
 (B)=  
 (C)=

(D)=  
 (E)=  
 (F)=

No.	Lev.	Parts No.	Description	Q'ty						I	R
				(A)	(B)	(C)	(D)	(E)	(F)		
1	1	1A8300-10650	PIN ASSY,WEIGHT LOCK	1							
2	2	1A7880-10641	PIN	1							
3	2	22372-160000	PIN, SNAP 16	2							

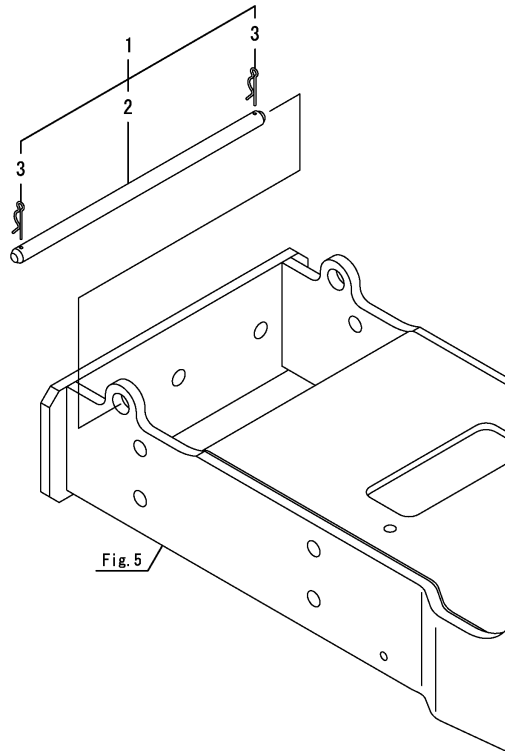


Fig. 5

Remarks  
 \* Optional parts.

Fig.107. FUEL LINE(FAME)

(A)=SX3100(YANMAR)

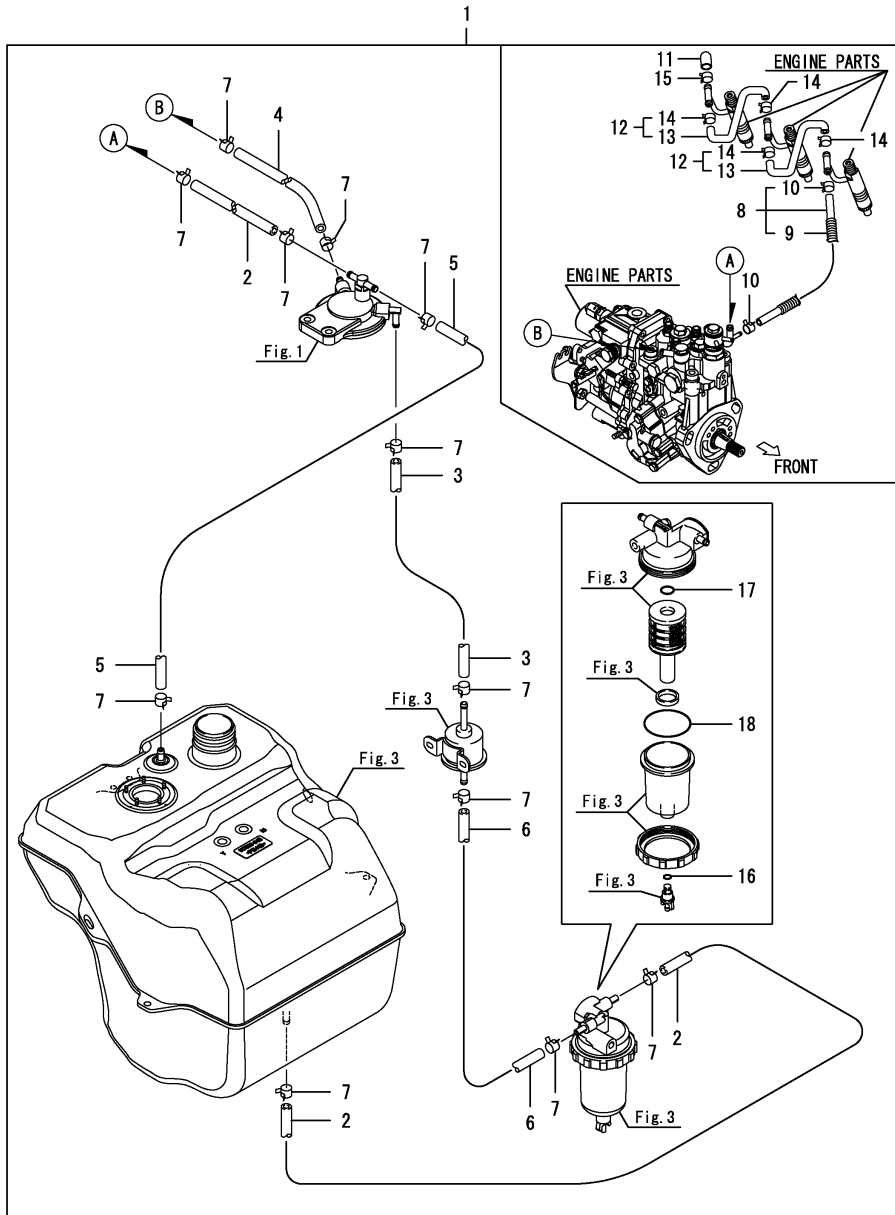
(B)=

(C)=

(D)=

(E)=

(F)=



No.	Lev.	Parts No.	Description	Q'ty						I	R
				(A)	(B)	(C)	(D)	(E)	(F)		
1	1	1A7540-04250	HOSE KIT , FUEL	1							
2	2	1A7530-04560	HOSE, FUEL 35X350X35	2							
3	2	1A7540-04570	HOSE, FUEL 70X45X270	1							
4	2	1A7510-04580	HOSE, FUEL 40X290	1							
5	2	1A7540-04580	HOSE, FUEL 33X650X33	1							
6	2	1A7540-04590	HOSE, FUEL 70X70	1							
7	2	114270-59010	CLIP, HOSE 12	12							
8	2	129268-59551	PIPE ASSY, RETURN	1							
9	3	129237-59120	PROTECTOR,HOSE	1							
10	3	124060-77680	CLIP, HOSE 10	2							
11	2	119593-59581	CAP	1							
12	2	129486-59581	HOSE, FUEL	2							
13	3	129486-59521	PIPE, FUEL RETURN	2							
14	3	124060-77680	CLIP, HOSE 10	4							
15	2	124060-77680	CLIP, HOSE 10	1							
16	2	24316-000070	O-RING, 4DP7.0	1							
17	2	24316-000160	O-RING, 4DP16.0	1							
18	2	24326-000650	O-RING, 4DG65.0	1							

Remarks

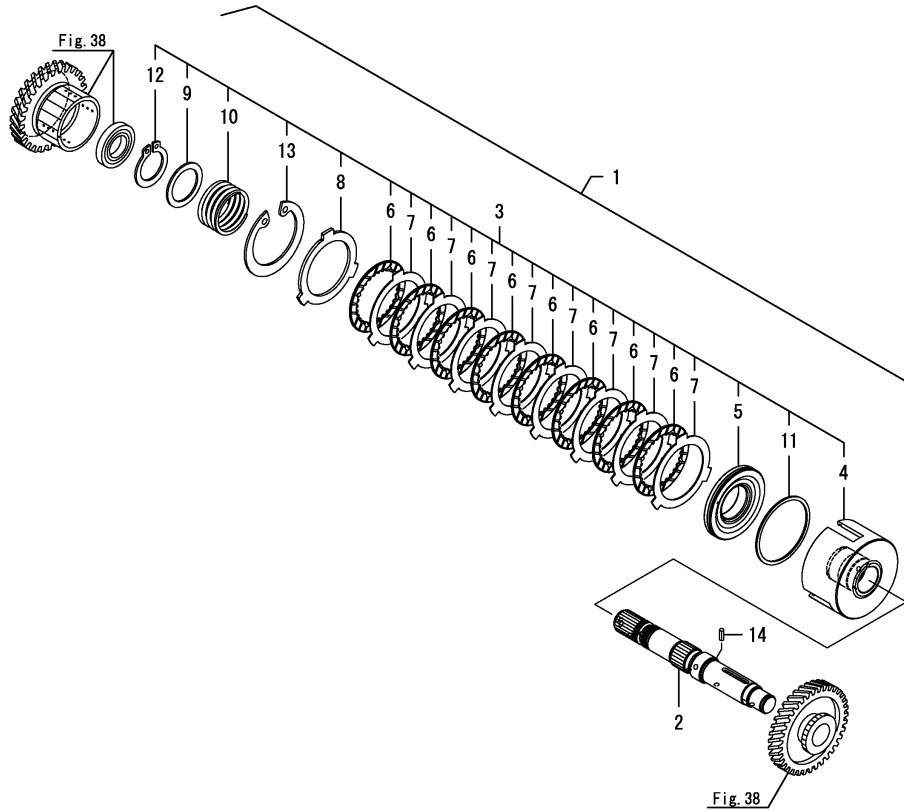
\* Optional parts.

N:Old  $\begin{matrix} \text{Yes} \\ \text{No} \end{matrix}$  New, Q:Old  $\begin{matrix} \text{No} \\ \text{Yes} \end{matrix}$  New, R:Old  $\begin{matrix} \text{Yes} \\ \text{No} \end{matrix}$  New, S:Old  $\begin{matrix} \text{No} \\ \text{Yes} \end{matrix}$  New, W:Add, Z:Discontinued, F:Interchangeable by set, K:Q'ty Change

(A)=SX3100(YANMAR)  
 (B)=  
 (C)=

(D)=  
 (E)=  
 (F)=

No.	Lev.	Parts No.	Description	Q'ty						I	R
				(A)	(B)	(C)	(D)	(E)	(F)		
1	1	1A7540-26400	KIT, PTO CLUTCH	1							
2	2	1A7540-26480	SHAFT ASSY, CLUTCH	1							
3	2	1A7540-26600	CLUTCH ASSY, PTO	1							
4	3	1A7540-26220	CYLYNDER, CLUTCH PTO	1							
5	3	1A7540-26610	PISTON	1							
6	3	1A7540-26620	FRICION PLATE 80	8							
7	3	1A7540-26630	PLATE, STEEL 1.2	8							
8	3	1A7540-26640	PLATE, STEEL 3.18	1							
9	3	1A7540-26650	THRUST WASHER	1							
10	3	1A7540-26660	SPRING, PTO	1							
11	3	1A7540-26670	D-RING	1							
12	3	22242-000360	RING, 36	1							
13	3	22252-000800	RING, 80	1							
14	2	22351-030008	PIN, SPRING 3.0X 8	1							

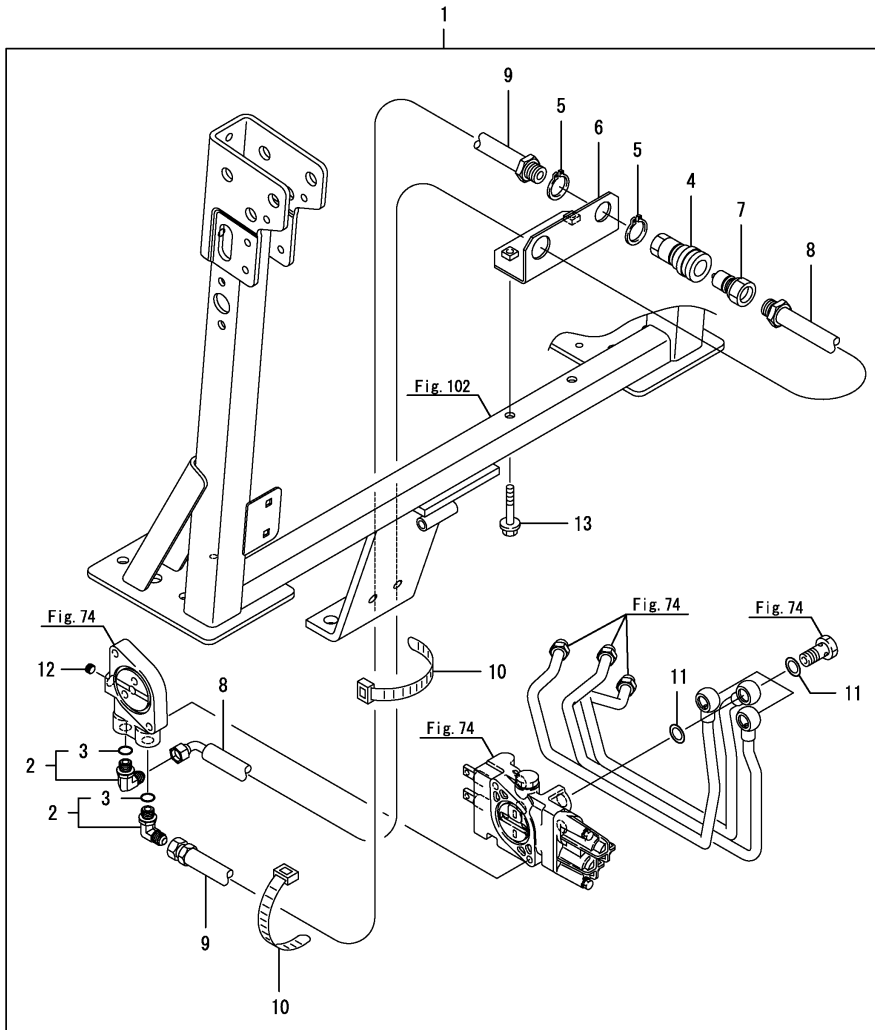


Remarks  
 \* Optional parts.

0CNP5-M53700 OPTIONAL SECTION  
**Fig.109. HYDRAULIC,REAR**

(A)=SX3100(YANMAR)  
 (B)=  
 (C)=

(D)=  
 (E)=  
 (F)=



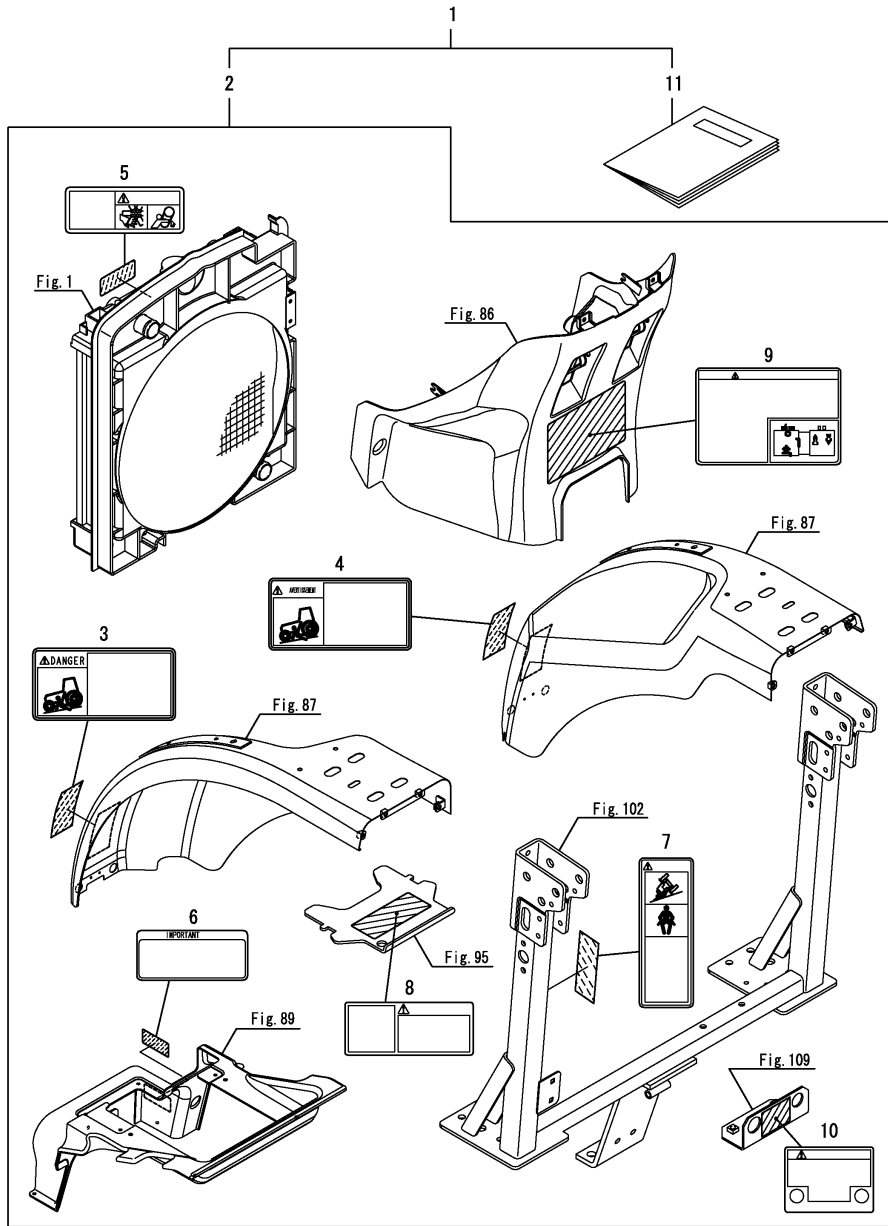
No.	Lev.	Parts No.	Description	Q'ty						I	R
				(A)	(B)	(C)	(D)	(E)	(F)		
1	1	1A8300-48810	HYDRAULIC KIT,REAR	1							
2	2	1TN322-38910	JOINT,90SAE9/16-18	2							
3	3	1TN322-38930	PACKING, JOINT	2							
4	2	1A8160-46250	COUPLER, QUICK 3/8	1							
5	2	198240-46260	RING, SNAP	2							
6	2	1A8300-47500	STAY M(CMP)	1							
7	2	1A8160-48820	COUPLER, QUICK 3/8	1							
8	2	1A8300-48820	HOSE, A	1							
9	2	1A8300-48830	HOSE, B	1							
10	2	1A8300-51210	BAND, REPEAT	2							
11	2	23414-160021	GASKET, 16X1.0	6							
12	2	23871-010000	PLUG, R01	1							
13	2	26106-080502	BOLT, M8X 50 PLATED	2							

Remarks  
 \* Optional parts.

Fig.110. LABEL(FRENCH)

(A)=SX3100(YANMAR)  
(B)=  
(C)=

(D)=  
(E)=  
(F)=



No.	Lev.	Parts No.	Description	Q'ty						I	R
				(A)	(B)	(C)	(D)	(E)	(F)		
1	1	1A8300-99300	OPTION KIT, FRENCH	1							
2	2	1A8300-65010	LABEL KIT, SX FR	1							
3	3	1A8250-65100	LABEL, DANGER START	1							
4	3	1A8250-65110	LABEL, WARNING STOP	1							
5	3	1A7880-65120	LABEL, WARNING FAN	1							
6	3	1A8250-65150	LABEL, SOCKET	1							
7	3	1A8250-65160	LABEL, WARNING ROPS	1							
8	3	1A8250-65180	LABEL, WARNING PTO	1							
9	3	1A8300-65330	LABEL, WARNING	1							
10	3	1A8300-65410	LABEL, CAUTION	1							
11	2	0A041-F00900	OPERATION MANUAL	1							

Remarks  
\* Optional parts.



Fig.49. CENTER CASE

(A)=SX3100(YANMAR)  
 (B)=  
 (C)=

(D)=  
 (E)=  
 (F)=

No.	Lev.	Parts No.	Description	Q'ty						I	R
				(A)	(B)	(C)	(D)	(E)	(F)		
1	1	1A8300-99300	OPTION KIT, FRENCH	1							
2	2	1A8300-65010	LABEL KIT, SX FR	1							
3	3	1A8250-65100	LABEL, DANGER START	1							
4	3	1A8250-65110	LABEL, WARNING STOP	1							
5	3	1A7880-65120	LABEL, WARNING FAN	1							
6	3	1A8250-65150	LABEL, SOCKET	1							
7	3	1A8250-65160	LABEL, WARNING ROPS	1							
8	3	1A8250-65180	LABEL, WARNING PTO	1							
9	3	1A8300-65330	LABEL, WARNING	1							
10	3	1A8300-65410	LABEL, CAUTION	1							
11	2	0A041-F00900	OPERATION MANUAL	1							

Remarks

\*This entry has been eliminated.

N:Old  $\xrightarrow{\text{Yes}}$  New, Q:Old  $\xrightarrow{\text{No}}$  New, R:Old  $\xrightarrow{\text{Yes}}$  New, S:Old  $\xrightarrow{\text{No}}$  New, W:Add, Z:Discontinued, F:Interchangeable by set, K:Q'ty Change

Fig.50. PUMP

(A)=SX3100(YANMAR)  
 (B)=  
 (C)=

(D)=  
 (E)=  
 (F)=

No.	Lev.	Parts No.	Description	Q'ty						I	R
				(A)	(B)	(C)	(D)	(E)	(F)		
1	1	1A8300-99300	OPTION KIT, FRENCH	1							
2	2	1A8300-65010	LABEL KIT, SX FR	1							
3	3	1A8250-65100	LABEL, DANGER START	1							
4	3	1A8250-65110	LABEL, WARNING STOP	1							
5	3	1A7880-65120	LABEL, WARNING FAN	1							
6	3	1A8250-65150	LABEL, SOCKET	1							
7	3	1A8250-65160	LABEL, WARNING ROPS	1							
8	3	1A8250-65180	LABEL, WARNING PTO	1							
9	3	1A8300-65330	LABEL, WARNING	1							
10	3	1A8300-65410	LABEL, CAUTION	1							
11	2	0A041-F00900	OPERATION MANUAL	1							

Remarks

\*This entry has been eliminated.

N:Old  $\xrightarrow{\text{Yes}}$  New, Q:Old  $\xrightarrow{\text{No}}$  New, R:Old  $\xrightarrow{\text{Yes}}$  New, S:Old  $\xrightarrow{\text{No}}$  New, W:Add, Z:Discontinued, F:Interchangeable by set, K:Q'ty Change

Fig.51. MOTOR

(A)=SX3100(YANMAR)  
 (B)=  
 (C)=

(D)=  
 (E)=  
 (F)=

No.	Lev.	Parts No.	Description	Q'ty						I	R
				(A)	(B)	(C)	(D)	(E)	(F)		
1	1	1A8300-99300	OPTION KIT, FRENCH	1							
2	2	1A8300-65010	LABEL KIT, SX FR	1							
3	3	1A8250-65100	LABEL, DANGER START	1							
4	3	1A8250-65110	LABEL, WARNING STOP	1							
5	3	1A7880-65120	LABEL, WARNING FAN	1							
6	3	1A8250-65150	LABEL, SOCKET	1							
7	3	1A8250-65160	LABEL, WARNING ROPS	1							
8	3	1A8250-65180	LABEL, WARNING PTO	1							
9	3	1A8300-65330	LABEL, WARNING	1							
10	3	1A8300-65410	LABEL, CAUTION	1							
11	2	0A041-F00900	OPERATION MANUAL	1							

Remarks

\*This entry has been eliminated.

N:Old  $\xleftrightarrow{\text{Yes/No}}$  New, Q:Old  $\xleftrightarrow{\text{No/Yes}}$  New, R:Old  $\xleftrightarrow{\text{Yes/Yes}}$  New, S:Old  $\xleftrightarrow{\text{No/No}}$  New, W:Add, Z:Discontinued, F:Interchangeable by set, K:Q'ty Change

Fig.52. POWER PUMP

(A)=SX3100(YANMAR)  
 (B)=  
 (C)=

(D)=  
 (E)=  
 (F)=

No.	Lev.	Parts No.	Description	Q'ty						I	R
				(A)	(B)	(C)	(D)	(E)	(F)		
1	1	1A8300-99300	OPTION KIT, FRENCH	1							
2	2	1A8300-65010	LABEL KIT, SX FR	1							
3	3	1A8250-65100	LABEL, DANGER START	1							
4	3	1A8250-65110	LABEL, WARNING STOP	1							
5	3	1A7880-65120	LABEL, WARNING FAN	1							
6	3	1A8250-65150	LABEL, SOCKET	1							
7	3	1A8250-65160	LABEL, WARNING ROPS	1							
8	3	1A8250-65180	LABEL, WARNING PTO	1							
9	3	1A8300-65330	LABEL, WARNING	1							
10	3	1A8300-65410	LABEL, CAUTION	1							
11	2	0A041-F00900	OPERATION MANUAL	1							

Remarks

\*This entry has been eliminated.

N:Old  $\xleftrightarrow[No]{Yes}$  New, Q:Old  $\xleftrightarrow[Yes]{No}$  New, R:Old  $\xleftrightarrow[Yes]{No}$  New, S:Old  $\xleftrightarrow[No]{Yes}$  New, W:Add, Z:Discontinued, F:Interchangeable by set, K:Q'ty Change

Fig.53. MOTOR CASE

(A)=SX3100(YANMAR)  
 (B)=  
 (C)=

(D)=  
 (E)=  
 (F)=

No.	Lev.	Parts No.	Description	Q'ty						I	R
				(A)	(B)	(C)	(D)	(E)	(F)		
1	1	1A8300-99300	OPTION KIT, FRENCH	1							
2	2	1A8300-65010	LABEL KIT, SX FR	1							
3	3	1A8250-65100	LABEL, DANGER START	1							
4	3	1A8250-65110	LABEL, WARNING STOP	1							
5	3	1A7880-65120	LABEL, WARNING FAN	1							
6	3	1A8250-65150	LABEL, SOCKET	1							
7	3	1A8250-65160	LABEL, WARNING ROPS	1							
8	3	1A8250-65180	LABEL, WARNING PTO	1							
9	3	1A8300-65330	LABEL, WARNING	1							
10	3	1A8300-65410	LABEL, CAUTION	1							
11	2	0A041-F00900	OPERATION MANUAL	1							

Remarks

\*This entry has been eliminated.

N:Old  $\xleftrightarrow{\text{Yes/No}}$  New, Q:Old  $\xleftrightarrow{\text{No/Yes}}$  New, R:Old  $\xleftrightarrow{\text{Yes/No}}$  New, S:Old  $\xleftrightarrow{\text{No/Yes}}$  New, W:Add, Z:Discontinued, F:Interchangeable by set, K:Q'ty Change

## Parts No. Index

Parts No.	Fig. No.	Ref. No.
0A041-F00900	110	11
0A041-U00900	104	1
114270-59010	4	9
		9 -1
	107	7
119225-52102	3	9
119593-59581	107	11
119650-77911	84	5
119802-55700	3	10
119802-55710	3	12
119802-55730	3	13
119802-55810	1	24
119923-26010	70	2
119924-44580	1	7
121250-44570	1	6
121454-44590	1	21
124060-77680	107	10
		14
		15
124240-01883	70	1
128300-77920	84	6
129004-55612	1	23
129052-13550	1	18
129100-55690	3	11
129107-44590	1	8
129211-77920	84	7
129237-59120	107	9
129263-44510	1	20
129268-59551	107	8
129269-95010	105	4
129269-95050	105	1
129486-59521	107	13
129486-59581	107	12
168HK0-29230	48	15
168HK0-29251	48	16
168HK0-29351	48	24
168HK0-29430	48	47
168HK0-29520	48	53
168HK0-29530	48	54
168HK0-29600	48	18
		25
168HK0-29610	48	19
		26
168HK0-29620	48	22
		29
168HK0-29690	48	20
		27
168HK1-29040	48	8
168HK1-29050	48	9
168HK1-29110	48	10

Parts No.	Fig. No.	Ref. No.
168HK1-29220	48	14
168HK1-29410	48	40
168HK1-29450	48	17
171015-77900	105	5
171015-77910	105	6
172164-66620	1	27
172510-74410	74	16
172531-17300	81	1
175022-49730	1	22
178077-15400	70	3
178077-15410	70	4
192152-26160	48	41
192154-29610	47	2
192157-24750	48	5
192157-24770	31	16
192157-24780	31	17
192157-24801	31	5
192157-24850	48	52
192157-26460	48	30
192157-26470	48	31
192157-26520	48	33
192157-26611	31	26
192157-26740	48	34
192157-27600	46	8
192157-33780	74	4
192159-31410	38	30
192162-25250	31	18
192163-24420	48	3
192167-25310	37	2
194080-37781	68	13
194105-25390	59	1
194130-01390	74	1
194145-75250	100	1
194151-36670	16	4
	26	8
194151-47760	2	9
194170-51210	85	14
194180-25930	46	3
194197-27681	42	8
	43	2
194201-11230	30	1
194205-42280	71	40
194205-63550	90	8
194215-04220	86	1
194215-12340	7	3
194215-12341	23	1
194250-32530	30	14
	97	2
194274-13550	13	4
194274-13570	13	5

Parts No.	Fig. No.	Ref. No.
194275-27750	85	13
194300-25100	29	2
194300-25180	48	13
194300-31560	55	6
194300-31570	55	7
194300-31620	55	8
194300-37570	68	10
	87	3
194305-24970	33	3
194305-25160	34	2
	35	1
194306-13140	39	1
194311-28230	44	4
194312-46750	30	15
194320-42150	13	18
194322-24980	33	4
194330-62530	89	11
	102	1
194447-13490	12	1
194447-13860	8	2
194450-21980	102	8 A
194515-01190	85	1
		2
194516-13770	13	10
	61	1
194516-13780	13	11
	61	2
194521-41570	70	5
194555-77910	30	16
194630-37190	65	3
194630-62360	85	49
194640-25390	38	2
194640-26470	59	2
194680-51670	4	8
		8 -1
	83	2
194740-00322	68	1
194850-13660	12	3
194850-25760	37	3
194850-49290	74	53
		55
	80	1
194855-24290	32	1
194856-25330	36	4
194881-12650	20	1
194990-20170	68	3
	74	2
194990-22050	1	19
	3	8
	24	7

Parts No.	Fig. No.	Ref. No.
194990-22050	77	1
	86	4
	90	1
194990-22110	79	1
194990-22130	78	1
	85	6
		7
		8
		9
	103	1
194990-22140	85	10
		11
	86	5
	87	1
	103	2
194990-85561	74	57
195450-13141	31	1
195616-24930	77	2
197810-84840	85	32
	89	20
198071-01160	2	4
198071-61890	85	45
198129-24930	31	22
	33	2
198129-78710	1	28
198129-78720	1	29
198153-51700	77	17
198162-00640	1	12
198162-52110	79	4
198162-52150	79	7
198162-61661	69	20
198162-61670	66	5
	69	21
198162-62630	89	13
198165-01130	2	2
198165-04380	85	4
	86	2
198165-11540	6	2
198165-12310-1	7	1
198165-13101	9	1
198165-13511	11	1
198165-13521	11	2
198165-13532	11	3
	14	1
198165-13600	12	2
198165-13620-2	12	4
198165-13631-1	12	5
198165-13750	13	7
198165-13910	15	1
198165-14120	13	13

## Parts No. Index

Parts No.	Fig. No.	Ref. No.
198165-14140	16	3
198165-17781	23	10
198165-24160	30	11
198165-24440	12	6
	13	16
	31	14
198165-24480	30	3
198165-24490	12	7
	13	17
	31	44 -1
198165-25810	36	8
198165-25840	36	9
198165-25851	30	4
198165-25870	30	5
198165-26150	38	4
198165-26180	38	8
198165-26210	38	10
198165-26240	38	11
198165-26270	38	14
198165-26600	95	2
198165-26700	95	3
198165-27750	43	5
198165-27820	43	9
198165-28240	44	5
198165-28330	44	12
198165-32311	56	1
198165-32320	56	2
198165-32630	57	3
198165-34140	61	4
198165-36330-2	67	4
198165-36430-2	67	7
198165-37340	68	5
198165-37760	68	11
198165-37770	68	12
198165-37840	69	18
198165-42100	71	2
198165-42120	71	39
198165-42150	73	1
198165-42400	71	3
198165-44140	71	5
198165-44170	71	6
198165-44180	71	7
198165-44410	71	10
198165-44440	71	11
198165-44450	71	12
198165-45010	71	15
198165-45020	71	16
198165-45030	71	17
198165-45101	71	14
198165-45140	71	18

Parts No.	Fig. No.	Ref. No.
198165-45191	71	19
198165-45270	71	20
198165-45290	71	21
198165-45370	71	22
198165-45400	71	23
198165-45500	71	24
198165-45600	71	25
198165-45800	71	26
198165-46110	74	5
198165-46130	74	6
198165-46140	74	7
198165-46150	74	8
198165-46200	74	11
198165-46210	74	12
198165-46220	74	13
198165-46240	74	14
198165-46370	74	15
198165-46470	74	23
198165-46480	74	24
198165-46780	74	32
198165-46880	74	37
198165-46961	74	41
198165-46980	74	42
198165-46991	74	43
198165-47020	71	27
198165-47030	71	28
198165-47040	71	30
198165-47060	71	34
198165-47100	71	36
198165-47300	71	37
198165-47440	71	38
198165-47520	71	29
		31
198165-47530	71	33
		35
198165-47750	87	5
198165-48550	74	44
198165-48560	74	45
198165-50110	80	2
198165-52100	79	2
198165-52110	79	3
198165-52120	79	9
198165-62661-1	89	14
198165-62961	89	19
198165-63130	87	14
198165-64260	86	14
198165-65690	92	6
198165-75710	100	2
198165-75720	100	3
198165-85970	102	10

Parts No.	Fig. No.	Ref. No.
198165-85980	102	11
198167-21410	28	1
198167-24150	30	10
198167-24330	48	1
198167-24340	31	7
198167-24350	31	8
198167-24360	31	9
198167-24370	31	10
198167-24380	31	11
198167-24390	31	4
198167-24400	31	12
198167-24410	31	13
198167-24710	48	4
198167-24900	31	21
198167-24950	31	23
198167-24980	30	13
198167-25080	36	1
198167-25750	36	2
198167-25770	36	3
198167-26080	38	3
198167-26220	38	5
198167-26240	38	12
198167-26250	38	13
198167-26340	38	17
198167-26500	41	1
198167-26510	41	2
198167-26520	41	3
198167-26530	41	4
198167-26540	41	5
198167-26550	41	6
198167-26580	41	7
198167-27480	42	3
198167-27490	42	4
198167-27521	42	5
198167-27530	42	6
198167-27730	43	4
198167-27770	43	6
198167-27780	43	7
198167-27810	43	8
198167-27930	43	12
198167-28210	44	2
198167-28240	44	6
198167-28310	44	11
198167-29250	48	36
198167-29330	48	37
198167-29340	48	38
198167-29390	48	39
198167-29640	48	55
198167-35411	65	11
198167-37350	68	6

Parts No.	Fig. No.	Ref. No.
198167-48340	76	3
198167-52180	79	12
198172-85440	102	9
198200-61550	86	9
198200-78710	91	23
198220-25130	37	1
	39	2
198220-46200	74	21
198220-47370	72	2
198220-48140	70	9
198220-48750	76	4
198220-52180	84	2
198220-62150	89	6
198220-62440	1	26
198220-62890	89	17
198220-63150	90	3
198220-63450	90	7
198220-65410	92	1
198220-65621	94	7
198223-46250	74	47
198230-61960	85	48
198240-46260	109	5
198240-62451	89	7
198253-01190	2	6
	47	1
198290-32750	57	7
198360-52320	79	5
198360-52330	79	6
198421-01250	2	8
198421-04430	4	3
198421-13221	9	2
198421-13240	9	4
198421-14630	17	2
198421-24910	33	1
198421-27110	42	1
	43	1
198421-31510	55	2
198421-31530	55	4
198421-31550	55	5
198421-32660	57	6
198421-33110	58	3
198421-33140	58	4
198421-33170	58	5
198421-37511	68	8
198421-61620	89	1
198435-16230	6	7
198448-22520	85	12
198448-56150	83	5
198448-60780	1	25
198463-51170	4	7

## Parts No. Index

Parts No.	Fig. No.	Ref. No.
198535-52120	77	9
198535-52130	77	10
1A1380-55310	77	23
1A6640-37640	69	10
1A6640-62960	87	12
1A6640-62970	87	13
1A6680-21120	26	3
1A6680-21200	26	4
1A6680-21250	26	5
1A6680-21460	26	7
1A6680-26170	38	7
1A6680-32630	57	4
1A6680-35580	66	4
1A6680-48910	25	1
1A6750-29510	48	11
1A6770-17510	22	5
1A6770-26600	31	25
1A6770-46620	73	3
1A6770-63850	90	9
1A6780-13890	13	15
1A6780-13910	14	2
1A6780-14110	16	1
1A6780-14131	16	2
1A6780-31400	54	1
1A6780-31500	55	1
1A6780-31520	55	3
1A6780-42010	71	1
1A6780-44110	71	4
1A6780-44200	71	8
1A6780-44240	71	9
1A6780-44460	71	13
1A6780-46160	74	9
1A6780-46170	74	10
1A6780-46260	74	22
1A6780-46650	74	29
1A6780-46910	74	40
1A6780-47050	71	32
1A6780-51410	77	20
1A6780-57200	84	4
1A6781-24990	31	24
1A6781-26090	37	6
1A6781-37300	68	4
1A6781-37500	69	3
1A6781-37530	69	4
1A6781-37590	69	5
1A6781-37600	69	9
1A6781-37660	69	11
1A6781-37710	69	12
1A6781-37800	69	15
1A6781-37810	69	16

Parts No.	Fig. No.	Ref. No.
1A7000-61490	77	24
1A7050-13230	9	3
1A7130-48110	24	8
1A7130-51130	77	5
1A7130-63190	91	20
1A7130-63600	91	22
1A7335-17520	23	3
1A7335-17530	23	4
1A7335-52150	79	11
1A7335-71250	98	4
1A7340-65850	94	5
1A7450-25870	37	4
1A7450-52180	77	11
1A7500-17551	23	5
1A7500-17560	23	6
1A7500-17570	23	7
1A7500-17580	23	8
1A7500-17910	22	8
1A7500-46491	74	25
1A7500-46501	74	26
1A7500-46750	74	31
1A7500-46800	74	33
1A7500-46900	74	38
1A7500-51160	77	7
		16
1A7500-51170	77	8
1A7500-51180	77	6
1A7500-51420	77	21
1A7500-51810	77	22
1A7500-56610	79	13
1A7500-56900	83	6
1A7500-61480	85	40
1A7500-63171	90	4
1A7500-71112	98	2
1A7500-71130	98	10
1A7500-71200	98	3
1A7500-71251	98	5
1A7500-71271	98	6
1A7500-71291	98	7
1A7500-72150	98	13
		21
1A7500-72160	98	15
		22
1A7500-72170	98	16
		23
1A7500-72180	98	17
		24
1A7500-72350	98	18
1A7500-72380	98	19
1A7500-73310	98	28

Parts No.	Fig. No.	Ref. No.
1A7500-74640	98	31
1A7500-74661	98	33
1A7500-74670	98	34
1A7500-74680	98	35
1A7500-79720	79	15
1A7510-01100	2	1
1A7510-01151	2	3
1A7510-01180	2	5
1A7510-01240	2	7
	77	4
1A7510-04430	4	4
1A7510-04580	107	4
1A7510-10191	85	5
1A7510-17310	22	2
1A7510-17470	22	4
1A7510-17590	23	9
1A7510-26850	96	1
1A7510-27450	87	2
1A7510-35510	66	2
1A7510-46850	74	35
1A7510-47711	87	4
1A7510-47760	87	6
1A7510-52110	79	8
1A7510-52120	79	10
1A7510-56110	83	4
1A7510-57101	84	3
1A7510-60980	85	22
1A7510-61450	85	39
1A7510-61610	86	12
1A7510-61670	86	15
1A7510-61850	86	17
1A7510-61900	85	47
1A7510-62100	87	7
1A7510-62130-1	87	10
1A7510-62140-1	87	11
1A7520-65480	92	4
1A7530-00620	1	4
1A7530-00690	1	5
1A7530-00750	1	16
1A7530-04110	3	2
1A7530-04310	3	4
1A7530-04330	3	5
1A7530-04340	3	6
1A7530-04410	4	1
1A7530-04560	107	2
1A7530-17300	22	1
1A7530-17410	22	3
1A7530-17550	22	6
1A7530-17571	22	7
1A7530-17640	24	1

Parts No.	Fig. No.	Ref. No.
1A7530-17821	24	4
1A7530-17830	24	5
1A7530-21150	27	1
1A7530-21210	27	2
	86	3
1A7530-21220	27	3
1A7530-21320	27	4
1A7530-22110	29	1
1A7530-24100	30	2
1A7530-24300	31	2
1A7530-24330	31	3
1A7530-24450	46	1
1A7530-24470	46	2
1A7530-24500	30	12
1A7530-24550	31	15
1A7530-25100	34	1
1A7530-26050	37	5
1A7530-26110	37	7
1A7530-26130	37	8
1A7530-26190	38	9
1A7530-26220	39	3
1A7530-26230	39	4
1A7530-26330	38	16
1A7530-26400	40	1
1A7530-26490	97	1
1A7530-26580	95	1
1A7530-27410	42	2
1A7530-27510	46	4
1A7530-27520	46	5
1A7530-27550	46	6
1A7530-27570	46	7
1A7530-27610	42	7
1A7530-27650	44	1
1A7530-27720	43	3
1A7530-27850	43	10
1A7530-27870	43	11
1A7530-28250	44	7
1A7530-28270	44	8
1A7530-28280	44	9
1A7530-28290	44	10
1A7530-28351	45	1
1A7530-28800	46	9
1A7530-28850	46	10
1A7530-33100	58	1
1A7530-35450	65	26
1A7530-35500	66	1
1A7530-35551	66	3
1A7530-37400	68	7
1A7530-37550	68	9
1A7530-37590	69	6



## Parts No. Index

Parts No.	Fig. No.	Ref. No.
1A7530-37600	69	7
1A7530-37710	69	8
1A7530-37742	69	13
1A7530-37781	69	14
1A7530-37830	69	17
1A7530-42170	73	2
1A7530-46601	74	28
1A7530-46651	74	30
1A7530-47360	72	1
1A7530-48320	76	2
1A7530-48610	74	48
1A7530-48620	74	49
1A7530-48630	74	50
1A7530-48640	74	51
1A7530-48760	74	52
1A7530-61300	85	35
1A7530-61420	86	6
1A7530-61890	85	46
1A7530-61970	89	2
1A7530-61981	89	3
1A7530-62060	89	4
1A7530-62470	89	8
1A7530-62480	89	9
1A7530-62500	89	10
1A7530-62600	89	12
1A7530-62810-1	89	15
1A7530-62820-1	89	16
1A7530-62930-1	89	18
1A7530-63200	90	5
1A7530-63400	90	6
1A7530-65471	92	3
1A7530-71120	98	9
1A7530-72110	98	11
1A7530-72120	98	12
1A7530-72150	98	14
1A7530-72210	98	20
1A7530-72220	98	25
1A7530-73111	98	26
1A7530-73120	98	27
1A7530-74610	98	29
1A7530-74620	98	36
1A7530-74630	98	30
1A7530-74650	98	32
1A7530-85080	101	1
1A7530-85200	101	2
1A7530-85250	101	3
1A7530-85301	101	4
1A7530-85950	101	5
1A7531-04410	3	7
1A7531-11350	13	1

Parts No.	Fig. No.	Ref. No.
1A7531-11510	6	1
1A7531-11550	6	3
1A7531-11560	6	4
1A7531-11570	6	5
1A7531-11580	6	6
1A7531-13710	13	6
1A7531-13730	13	2
1A7531-13740	13	3
1A7531-13810	13	12
1A7531-14620	17	1
1A7531-17541	23	2
1A7531-36080	67	1
1A7531-36310	67	2
1A7531-36320	67	3
1A7531-36380	67	5
1A7531-36410	67	6
1A7531-51150	77	15
1A7531-51400	77	19
1A7531-51460	84	1
1A7531-52410	77	12
1A7531-52420	77	13
1A7531-56100	83	3
1A7531-61801	86	16
1A7531-62070	89	5
1A7531-65780	77	14
1A7531-75400	99	1
1A7540-00511	1	1
1A7540-00630	1	11
1A7540-00720	1	14
1A7540-00730	1	15
1A7540-04150	1	17
1A7540-04250	107	1
1A7540-04410	4	2
1A7540-04430	4	5
1A7540-04440	4	6
1A7540-04570	107	3
1A7540-04580	107	5
1A7540-04590	107	6
1A7540-11101	5	1
1A7540-13120	8	1
1A7540-13310	10	1
1A7540-13920	15	2
1A7540-17670	24	2
1A7540-17710	24	3
1A7540-21100	26	1
1A7540-21110	26	2
1A7540-25170	35	2
1A7540-25191	35	3
1A7540-25710	36	5
1A7540-25730	36	6

Parts No.	Fig. No.	Ref. No.
1A7540-25740	36	7
1A7540-26160	38	6
1A7540-26220	38	20
	108	4
1A7540-26310	38	15
1A7540-26400	108	1
1A7540-26480	38	18
	108	2
1A7540-26600	38	19
	108	3
1A7540-26610	38	21
	108	5
1A7540-26620	38	22
	108	6
1A7540-26630	38	23
	108	7
1A7540-26640	38	24
	108	8
1A7540-26650	38	25
	108	9
1A7540-26660	38	26
	108	10
1A7540-26670	38	27
	108	11
1A7540-26710	41	8
1A7540-26720	41	9
1A7540-28220	44	3
1A7540-28880	44	13
1A7540-29100	48	2
1A7540-32610	57	1
1A7540-32620	57	2
1A7540-32640	57	5
1A7540-33410	59	3
1A7540-33420	59	4
1A7540-33510	60	1
1A7540-34110	61	3
1A7540-48110	76	1
1A7540-56960	83	7
1A7540-61351	85	37
1A7540-61450	86	7
1A7540-61500	86	8
1A7540-61580	86	10
1A7540-61590	86	11
1A7540-71100	98	1
1A7542-24980	33	5 -1
1A7870-24980	33	5
1A7880-01440	85	3
1A7880-10641	106	2
1A7880-15700	21	1
1A7880-15740	21	2

Parts No.	Fig. No.	Ref. No.
1A7880-15880	93	1
1A7880-47550	75	1
1A7880-47560	75	2
1A7880-47570	75	3
1A7880-47580	75	4
1A7880-53050	85	16
1A7880-53070	85	17
1A7880-53080	85	18
1A7880-53310	85	20
1A7880-53320	85	21
1A7880-57100	79	14
1A7880-57260	105	3
1A7880-65120	110	5
1A7880-65610	94	4
1A7880-71550	102	2
1A7882-85620	103	4
1A7882-85630	103	5
1A8160-04130	3	3
1A8160-35080	65	1
1A8160-46250	109	4
1A8160-46670	73	4
1A8160-48820	109	7
1A8160-51550	78	2
1A8160-51570	78	3
1A8160-51580	78	3 A
1A8160-51600	78	4
1A8160-51610	78	5
1A8160-52310	81	4
1A8160-65300	94	1
1A8160-65310	94	2
1A8160-65800	103	3
1A8160-65860	93	9
1A8160-85311	102	6 -1
1A8160-85320	102	7 -1
1A8250-65100	110	3
1A8250-65110	110	4
1A8250-65150	110	6
1A8250-65160	110	7
1A8250-65180	110	8
1A8250-65390	93	2
1A8250-65630	93	4
1A8250-65650	92	5
1A8300-00600	1	2
1A8300-00610	1	3
1A8300-00680	1	13
1A8300-10650	106	1
1A8300-13750	13	8
1A8300-13760	13	9
1A8300-14700	18	1
1A8300-14710	18	2

## Parts No. Index

Parts No.	Fig. No.	Ref. No.
1A8300-14730	18	3
1A8300-14740	18	4
1A8300-14800	19	1
1A8300-14810	19	5
1A8300-14820	19	2
		6
1A8300-14830	19	3
		7
1A8300-14840	19	4
		8
1A8300-17940	24	6
1A8300-27810	91	1
1A8300-27830	91	2
1A8300-34700	62	1
1A8300-34710	62	2
1A8300-34730	62	3
1A8300-34740	62	4
1A8300-34800	63	1
1A8300-34810	63	5
1A8300-34820	63	2
		6
1A8300-34830	63	3
		7
1A8300-34840	63	4
		8
1A8300-35100	65	2
1A8300-35110	65	4
1A8300-35170	65	25
1A8300-35200	65	5
1A8300-35240	65	8
1A8300-35270	65	6
1A8300-35320	65	9
1A8300-35360	65	10
1A8300-35410	65	12
1A8300-35460	65	13
1A8300-46860	74	36
1A8300-47500	109	6
1A8300-48600	74	46
1A8300-48810	109	1
1A8300-48820	109	8
1A8300-48830	109	9
1A8300-51111	77	3
1A8300-51210	77	18
		81
		2
		83
		1
		105
		2
		109
		10
1A8300-52150	81	3
1A8300-53210	82	1
1A8300-53220	82	4

Parts No.	Fig. No.	Ref. No.
1A8300-53250	82	2
		5
1A8300-53260	82	3
		6
1A8300-53290	85	19
1A8300-61010	85	23
1A8300-61100	85	25
1A8300-61130	85	24
1A8300-61210	85	26
1A8300-61220	85	27
1A8300-61250	85	33
1A8300-61260	85	34
1A8300-61310	85	36
1A8300-61360	85	38
1A8300-61590	85	41
1A8300-61650	86	13
1A8300-61770	85	42
1A8300-61780	85	43
		44
1A8300-61810	85	28
1A8300-61860	85	29
1A8300-61910	85	30
1A8300-61960	85	31
1A8300-62110	87	8
1A8300-62120	87	9
1A8300-63000	91	4
1A8300-63010	91	5
1A8300-63100	91	18
1A8300-63140	91	19
1A8300-63200	91	21
1A8300-63500	91	6
1A8300-63550	91	7
1A8300-63600	91	8
1A8300-63620	91	9
1A8300-63660	91	10
1A8300-63670	91	11
1A8300-63680	91	12
1A8300-63690	91	13
1A8300-63700	91	14
1A8300-63710	91	15
1A8300-63720	91	16
1A8300-63730	91	17
1A8300-63990	90	19
1A8300-65010	110	2
1A8300-65320	94	3
1A8300-65330	110	9
1A8300-65400	94	8
1A8300-65410	110	10
1A8300-65421	93	3
1A8300-65430	92	2

Parts No.	Fig. No.	Ref. No.
1A8300-65630	93	5
1A8300-65680	93	6
1A8300-65690	93	7
1A8300-65730	93	8
1A8300-65960	94	6 -1
1A8300-65980	94	6
1A8300-85180	102	3
1A8300-85410	102	3 -1
1A8300-85430	102	4
1A8300-85440	102	5
1A8300-85710	85	50
1A8300-85800	102	8 B
1A8300-85910	102	6
1A8300-85920	102	7
1A8300-85930	102	8
1A8300-99300	110	1
1C6053-32020	69	2
	74	3
1C6140-14050	68	2
	69	1
1C6220-32250	39	5
1C6281-52310	2	10
	74	56
		56 -1
1C6281-52320	43	13
	47	3
	65	27
	68	14
	69	19
	85	15
	91	3
1C6560-13170	38	1
1C6720-47780	90	2
1C6720-73330	66	6
1C6860-02300	3	1
1C6900-63890	65	14
1D4110-13870	13	14
1E1270-29701	46	11
1E6102-83230	4	10
	26	9
	30	17
1E6190-54080	13	19
	40	2
	44	14
1E6190-54430	35	4
	36	10
	38	31
1E6217-56160	31	19
1E6460-84220	79	16
1E6820-54560	36	11

Parts No.	Fig. No.	Ref. No.
1E6910-83500	86	18
1E8420-55430	16	5
1E8600-66700	24	9
1K1140-82500	84	8
1TN322-38910	109	2
1TN322-38930	109	3
1TN322-71170	102	8 -1
22117-080000	74	58
22137-050000	48	6
22137-060000	74	59
22137-080000	47	4
	69	22
	91	24
	102	12
22137-100000	66	7
		8
	69	23
	74	60
	90	10
22137-120000	46	12
	65	15
	66	9
	69	24
22137-160000	22	9
22137-180000	43	14
22157-060000	1	30
	2	11
	3	16
	74	61
	85	51
		52
		66
22157-080000	27	5
	87	15
22157-100000	22	10
	27	6
	90	11
22190-080000	30	18
	31	27
22190-080002	70	10
22190-100000	42	9
	43	15
22217-100000	22	11
	27	7
	57	8
	71	41
	90	12
22217-120000	27	8
	64	1
22217-140000	102	8 C

## Parts No. Index

Parts No.	Fig. No.	Ref. No.
22242-000100	74	62
22242-000120	65	16
22242-000170	43	16
	48	23
		56
	65	17
22242-000200	8	3
	38	32
22242-000220	74	54
22242-000240	35	5
22242-000250	36	12
	37	9
	67	8
22242-000290	36	13
	44	15
22242-000350	16	6
22242-000360	10	2
	38	28
	108	12
22242-000400	61	5
22252-000150	29	3
22252-000180	38	33
22252-000320	48	21
		28
	70	6
22252-000350	48	42
22252-000400	37	10
22252-000470	38	34
	44	16
	48	57
22252-000520	12	8
	38	35
22252-000550	44	17
22252-000800	38	29
	108	13
22272-000150	43	17
	65	18
22272-000190	68	15
	69	25
22287-060000	74	17
22287-080000	57	9
22287-100000	31	28
		29
		30
22292-000240	36	14
22312-080160	30	19
		20
	31	31
	46	13
22312-080180	42	10

Parts No.	Fig. No.	Ref. No.
22312-080180	57	10
22312-080200	13	20
	57	11
22312-080320	57	12
22312-100120	48	43
22312-100200	13	21
22351-030008	38	36
	108	14
22351-035032	10	3
	42	11
	43	18
	45	2
22351-035036	65	19
22351-040040	55	9
22351-050025	98	8
22351-050040	58	6
22351-060020	43	19
22351-060025	42	12
22351-060032	10	4
	42	13
	43	20
	45	3
22351-060036	65	20
22351-080016	27	9
	28	2
22351-080020	12	9
22351-080032	58	2
		7
22351-080040	58	8
22372-060000	74	63
22372-080000	86	19
	89	21
22372-160000	106	3
22417-160160	65	21
22417-200160	74	64
	87	16
22417-200200	65	28
22417-200320	66	10
	69	26
22417-250250	7	4
	23	11
	66	11
	69	27
	74	65
22417-300250	102	13
22487-080180	65	29
22487-080350	47	5
22487-080400	68	16
22487-081500	85	53
22512-070200	69	28

Parts No.	Fig. No.	Ref. No.
22512-070400	68	17
22551-050300	38	37
22857-600160	83	8
23000-019000	24	10
23000-022000	24	11
23000-035000	76	5
23000-070000	17	3
23010-060000	1	31
23065-090450	90	13
23080-012000	4	11
		11 -1
	90	14
23414-120016	31	20
23414-160021	24	12
	74	66
	109	11
23414-180023	76	6
23491-140002	57	13
23857-100000	24	13
	74	67
23871-010000	31	32
	48	12
		44
	109	12
23871-030000	48	45
24101-060034	15	3
24101-060054	9	5
	34	3
	40	3
	44	18
24101-060064	55	10
24101-060074	9	6
	38	38
	55	11
24101-060084	13	22
	16	7
24101-062024	8	4
	15	4
24101-062034	37	11
24101-062044	38	39
24101-062054	11	4
	38	40
	39	6
24101-062074	16	8
24101-062090	61	6
24101-063024	39	7
24101-063034	48	58
24101-063054	38	41
24101-063070	61	7
24104-060034	65	22

Parts No.	Fig. No.	Ref. No.
24104-060064	44	19
24104-062014	65	23
24104-062044	13	23
24104-062054	35	6
24104-063034	14	3
24161-202417	38	42
24164-000202	38	43
24165-000402	31	6
24190-080001	44	20
24190-100001	42	14
	43	21
24190-160001	67	9
24311-000110	91	25
24311-000120	24	14
	48	7
		35
		48
24311-000125	42	15
	43	22
	44	21
24311-000140	25	2
	42	16
	48	32
		49
	74	18
24311-000160	3	14
	57	14
	58	9
24311-000180	12	10
	32	2
	43	23
24311-000200	70	11
	76	7
24311-000220	76	8
24311-240100	46	14
24316-000070	107	16
24316-000160	107	17
24321-000300	41	10
24321-000500	12	11
	41	11
	74	19
24321-000550	74	68
24321-000650	3	15
24321-001150	12	12
24326-000650	107	18
24341-000120	41	12
24361-090500	48	50
24421-153207	70	7
24421-173007	12	13
24421-223508	48	46

## Parts No. Index

Parts No.	Fig. No.	Ref. No.
24421-284008	30	21
24421-304208	31	33
24421-304708	13	24
	31	34
24421-355008	46	15
24550-010150	74	34
		39
24550-012100	74	27
24550-017150	65	7
24550-020100	30	22
24761-040000	27	10
	65	24
	68	18
24761-060000	7	2
26013-060162	74	69
26013-060322	76	9
26013-080162	28	3
26013-080202	22	12
	57	15
	72	3
	74	70
26013-080252	27	11
	33	6
	43	24
	65	30
	87	17
26013-080452	76	10
26013-080502	57	16
26013-080702	3	17
26013-100202	90	15
26013-100302	12	14
	71	42
26013-100352	27	12
	90	16
26013-100402	57	17
26013-100452	57	18
	66	12
26013-100502	57	19
		20
26013-100552	57	21
26013-100652	57	22
26013-120302	99	2
26013-120352	27	13
26013-120452	27	14
26014-060202	1	9
26016-060102	74	20
26016-080162	46	16
26016-080202	26	6
	43	25
	44	22

Parts No.	Fig. No.	Ref. No.
26016-080202	46	17
26016-080252	16	9
	30	23
26016-080302	30	24
	31	35
		36
26016-080352	26	10
	41	13
	42	17
	70	8
26016-080402	31	37
	46	18
26016-100302	12	15
	30	25
	41	14
26016-100452	30	26
26016-100602	31	38
26016-100702	48	51
26016-101002	48	59
26016-120302	46	19
26018-060122	84	9
26018-060162	3	18
	74	71
	84	10
	85	54
	86	20
		21
	88	1
	95	4
26018-060202	3	19
	77	25
26018-060252	3	20
26018-060302	1	32
26018-080162	3	21
	4	12
	27	15
	86	22
	90	17
26018-080202	1	33
	24	15
		16
	31	39
	73	5
	76	11
	84	11
	85	55
	86	23
		24
	89	22
26018-080252	1	34

Parts No.	Fig. No.	Ref. No.
26018-080252	46	20
	85	56
	86	25
	87	18
26018-080352	38	44
26018-100202	22	13
26019-060162	3	22
	83	9
26023-030202	79	17
26051-080002	69	29
26086-120302	64	2
26086-140402	102	8 D
26106-060122	85	57
26106-060162	85	58
		59
		60
	103	6
26106-060202	70	12
26106-060352	91	26
26106-060402	70	13
26106-080122	77	26
	91	27
26106-080162	91	28
26106-080252	30	27
	85	61
26106-080302	1	35
	31	40
	70	14
26106-080352	65	31
26106-080402	70	15
26106-080502	109	13
26106-080552	31	41
26106-080702	82	7
26106-080952	70	16
26106-100252	42	18
	43	26
26106-120302	6	8
26108-120252	5	2
26116-100804	27	16
26116-101102	31	42
26116-101202	71	43
26116-101352	31	43
26117-040162	79	18
26136-120202	31	44
26156-100162	55	12
26216-080302	85	62
26226-100452	31	45
26226-100552	31	46
26228-080602	30	6
26228-100252	30	7

Parts No.	Fig. No.	Ref. No.
26228-100752	30	8
26228-100902	30	9
26346-080002	74	72
26347-060002	74	73
26366-120002	6	9
26487-080163	103	7
26557-060122	1	10
26589-060162	85	63
		64
26716-060002	74	74
	78	6
26716-080002	46	21
	57	23
	65	32
	68	19
		20
	74	75
26716-100002	27	17
	31	47
		48
	57	24
	71	44
	73	6
	90	18
26716-120002	2	12
26736-100002	22	14
26756-120002	27	18
26776-120002	46	22
26776-160002	22	15
27260-150000	30	28
27260-170000	30	29
27260-260000	30	30
	31	49
27260-470000	48	60
29331-124000	85	65
29622-140001	77	27