

0CNP5-M53300EN

Contents

Fig. No. Fig. Name

ENGINE CONTROL SECTION

1. ENGINE ACCESSORIES(1)
2. ENGINE ACCESSORIES(2)
3. ENGINE ACCESSORIES(3)
4. ACCEL LEVER
5. FUEL TANK
6. COVER, FO TANK
7. FUEL PIPE

FRONT AXLE SECTION

8. FRAME
9. ENGINE MOUNT
10. CENTER PIN
11. TIE ROD
12. DRIVE PINION
13. DIFFERENTIAL GEAR
14. PROPELLER SHAFT
15. FRONT SHAFT 1
16. FRONT AXLE CASE
17. FRONT GEAR CASE
18. FRONT SHAFT 2
19. FRONT SPINDLE
20. SHAFT COVER
21. FRONT TIRE R1
22. FRONT TIRE R3

Fig. No. Fig. Name

23. FRONT TIRE R4
24. HUB BOLT
25. STEERING WHEEL
26. COLUMN BRACKET
27. PST VALVE
28. PST CYLINDER
29. PST PIPING A
30. PST PIPING B

TRANSMISSION SECTION

31. DRIVE SHAFT
32. T/M ACCESSORIES
33. TRANSAXLE CASE
34. OIL GAUGE
35. CENTER CASE
36. MOTOR CASE
37. FILTER
38. PUMP
39. CLUTCH SHAFT
40. PTO BRAKE
41. PTO SHAFT
42. POWER PUMP
43. SOLENOID VALVE
44. R-PTO SHAFT
45. SHIFT

Contents

Fig. No. Fig. Name

- 46. RANGE SHIFT LEVER A
- 47. CONTROL
- 48. RANGE SHIFT LEVER B
- 49. PTO LEVER A
- 50. PTO LEVER B
- 51. DRIVE SHAFT
- 52. 2-4WD LEVER A
- 53. MFWD SHIFT
- 54. 2-4WD LEVER B
- 55. HST PEDAL
- 56. HST CRUISE LINK
- 57. CRUISE LEVER
- 58. GEAR PUMP
- 59. MOTOR

REAR AXLE SECTION

- 60. INPUT GEAR
- 61. DIFFERENTIAL GEAR
- 62. REAR HOUSING
- 63. DIFFERENTIAL LOCK
- 64. DIFFERENTIAL PEDAL
- 65. REAR AXLE SHAFT
- 66. TIRE REAR R1
- 67. TIRE REAR R3
- 68. TIRE REAR R4

Fig. No. Fig. Name

- 69. HUB BOLT
- 70. DISC BRAKE
- 71. BRAKE PEDAL
- 72. PARKING BRAKE

HYDRAULIC CONTROL SECTION

- 73. LIFT CYLINDER
- 74. LIFT ARM
- 75. CONTROL VALVE
- 76. STOP VALVE
- 77. HYDRAULIC CONTROL A
- 78. HYDRAULIC CONTROL B
- 79. HYDRAULIC PIPE
- 80. OIL COOLER

ELECTRICAL PARTS SECTION

- 81. WIRE HARNESS
- 82. BATTERY
- 83. SWITCH A
- 84. SWITCH B
- 85. LAMPS
- 86. SIDE LAMP
- 87. METER

Contents

Fig. No. Fig. Name

FITTINGS SECTION

- 88. BONNET
- 89. DASH BOARD ACCESSORIES
- 90. DASH BOARD
- 91. FENDER
- 92. LEVER GUIDE
- 93. FOOTREST STAY
- 94. STEP
- 95. DRIVER SEAT
- 96. SEAT STAY
- 97. LABEL(1)
- 98. LABEL(2)
- 99. LABEL(3)
- 100. LABEL(SAFETY(1
- 101. LABEL(SAFETY(2

HITCH SECTION

- 102. 3P KIT
- 103. SAFETY COVER(PTO
- 104. ROPS UPPER
- 105. LOWER FRAME
- 106. SMV

ACCESSORIES SECTION

- 107. DOCUMENT

Fig. No. Fig. Name

OPTIONAL SECTION

- 108. VALVE,SCV
- 109. LEVER,SCV
- 110. PIPING,SCV
- 111. LABEL(SCV
- 112. FRONT WEIGHT
- 113. FRONT HITCH
- 114. WORK LAMP
- 115. HEATER ,RADIATOR HOSE
- 116. FUEL LINE(FAME
- 117. SERVICE PARTS
- 118. LABEL(FRENCH

Fig.1. ENGINE ACCESSORIES(1)

(A)=SC2400(YANMAR)

(B)=

(C)=

(D)=

(E)=

(F)=

| No. | Lev. | Parts No. | Description | Q'ty | | | | | | I | R |
|-----|------|--------------|---------------------|------|-----|-----|-----|-----|-----|---|---|
| | | | | (A) | (B) | (C) | (D) | (E) | (F) | | |
| 1 | 1 | 1A7880-05110 | COVER, FLYWHEEL | 1 | | | | | | | |
| 2 | 1 | 26106-060122 | BOLT, M6X 12 PLATED | 4 | | | | | | | |

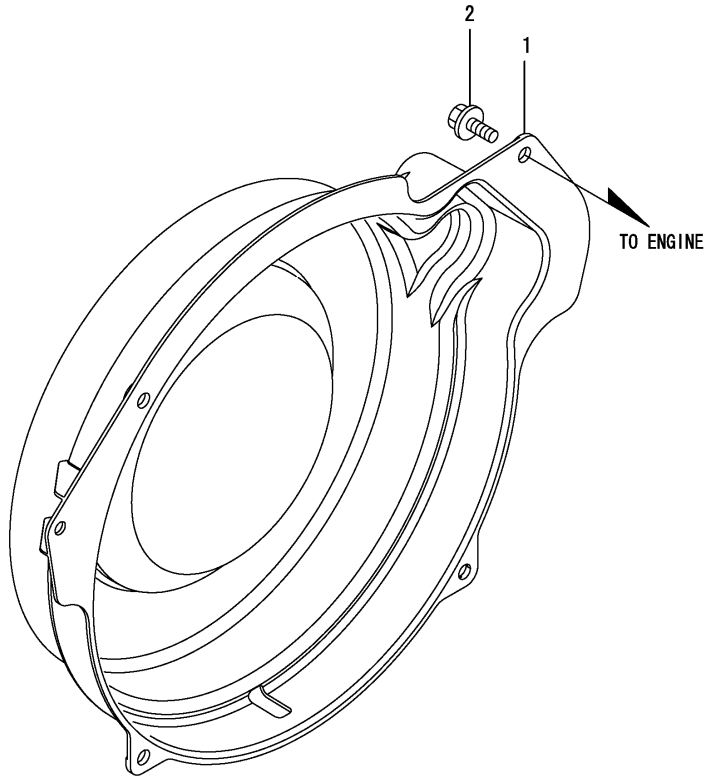


Fig.2. ENGINE ACCESSORIES(2)

(A)=SC2400(YANMAR)

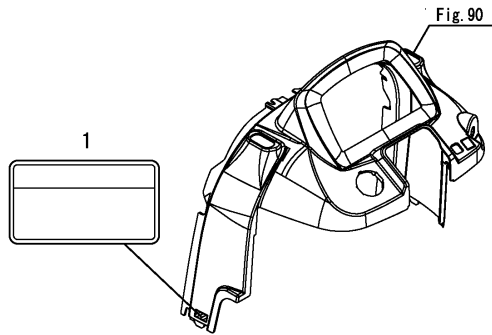
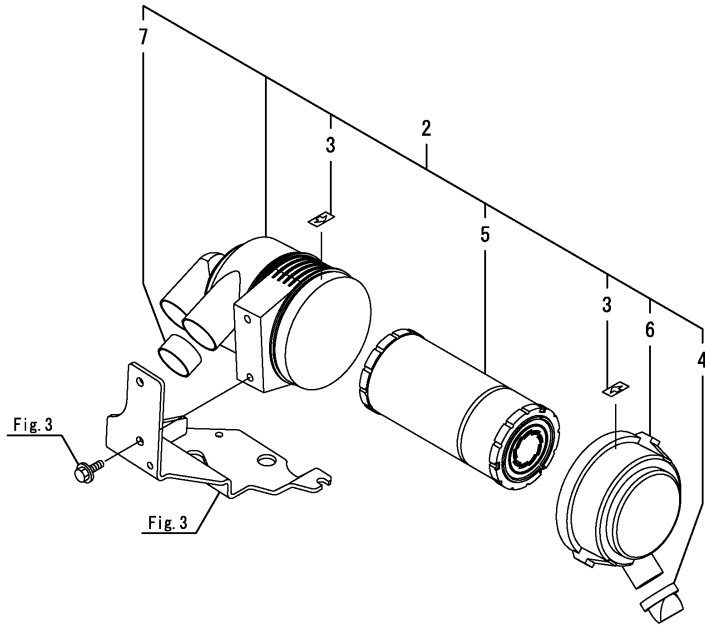
(B)=

(C)=

(D)=

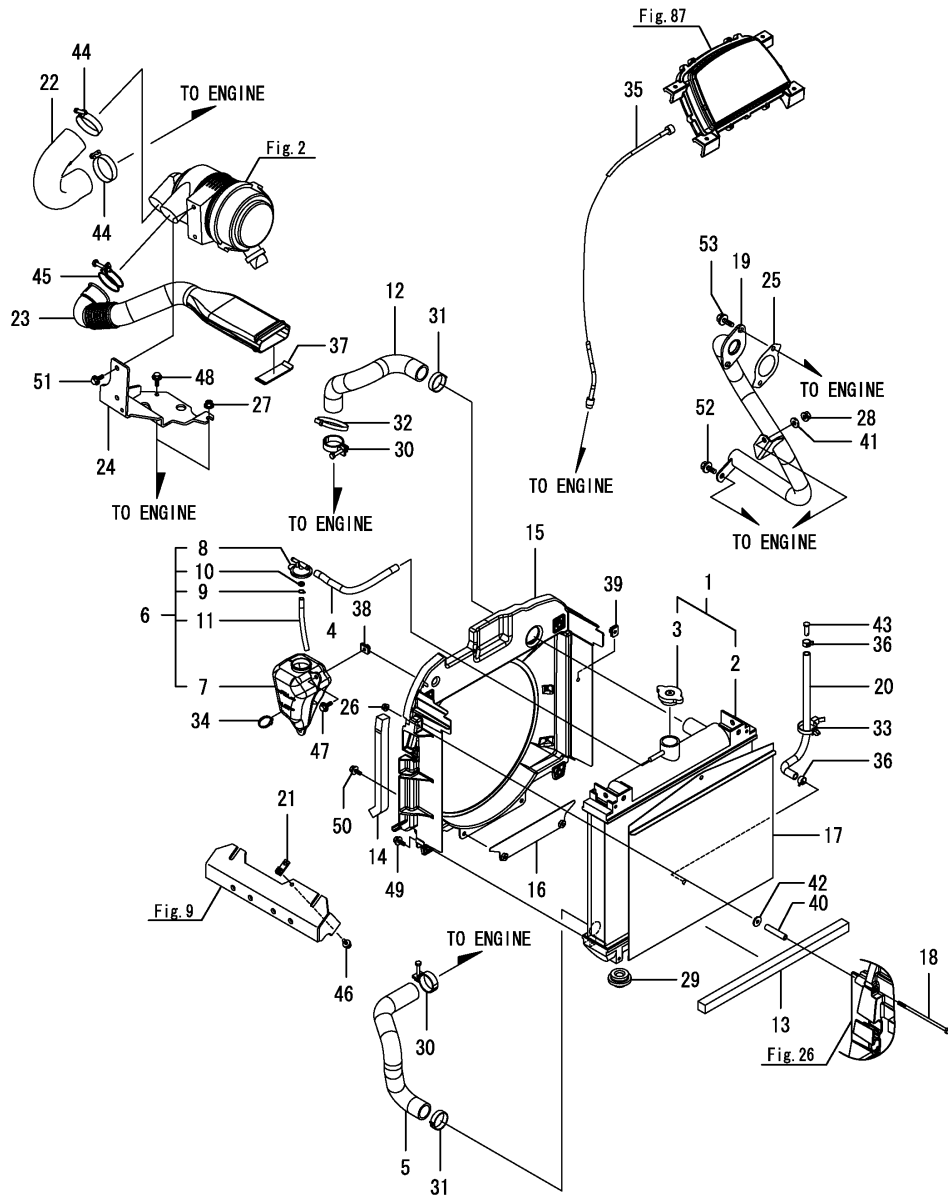
(E)=

(F)=



| No. | Lev. | Parts No. | Description | Q'ty | | | | | | I | R |
|-----|------|--------------|----------------------|------|-----|-----|-----|-----|-----|---|---|
| | | | | (A) | (B) | (C) | (D) | (E) | (F) | | |
| 1 | 1 | 114110-07761 | LABEL, FUEL OIL CAUT | 1 | | | | | | | |
| 2 | 1 | 119517-12510 | CLEANER ASSY, AIR | 1 | | | | | | | |
| 3 | 2 | 129418-12530 | LABEL, MARK | 2 | | | | | | | |
| 4 | 2 | 119808-12540 | VALVE, UNLOADER | 1 | | | | | | | |
| 5 | 2 | 119655-12560 | ELEMENT | 1 | | | | | | | |
| 6 | 2 | 119686-12570 | COVER ASSY | 1 | | | | | | | |
| 7 | 2 | 105027-12580 | RING | 1 | | | | | | | |

Fig.3. ENGINE ACCESSORIES(3)



(A)=SC2400(YANMAR)

(B)=

(C)=

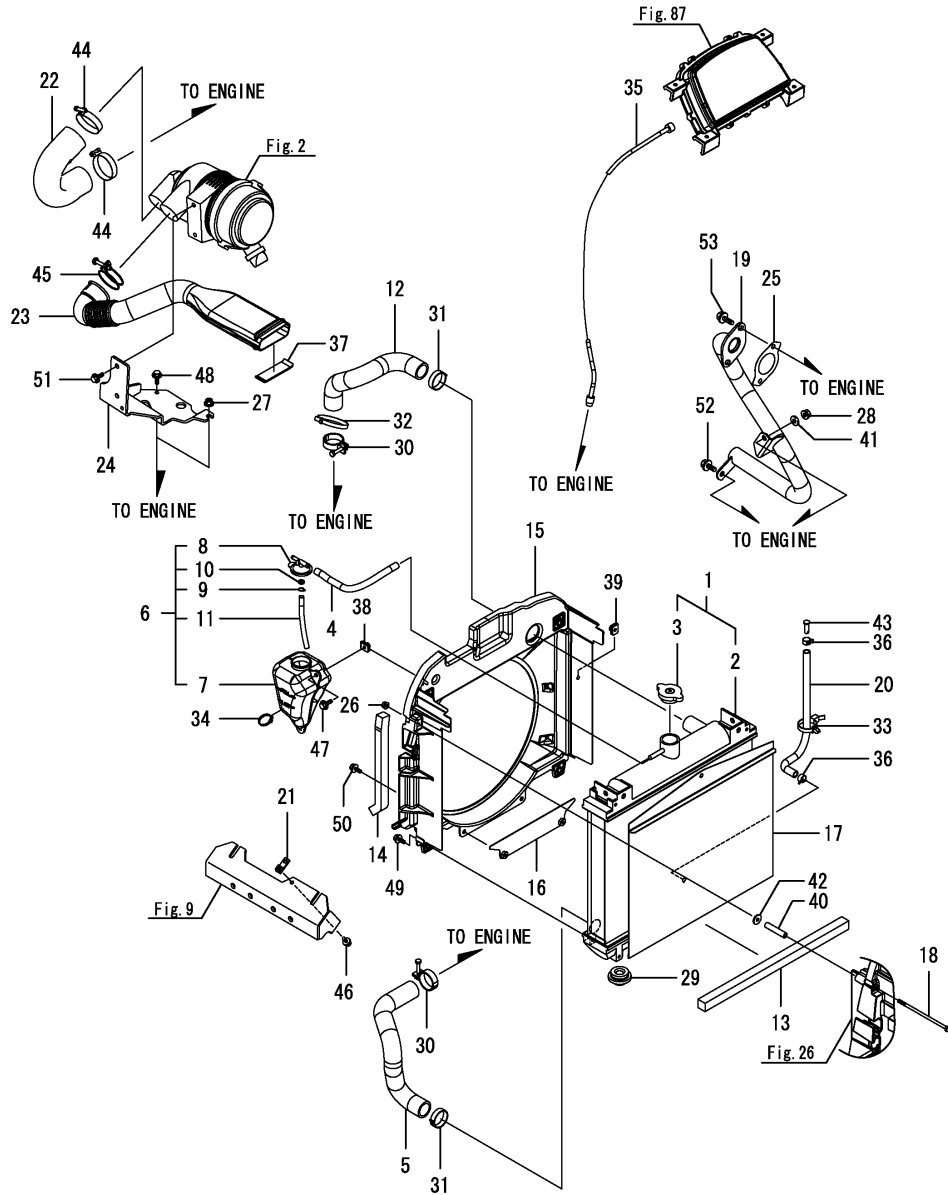
(D)=

(E)=

(F)=

| No. | Lev. | Parts No. | Description | Q'ty | | | | | | I | R |
|-----|------|--------------|---------------------|------|-----|-----|-----|-----|-----|---|---|
| | | | | (A) | (B) | (C) | (D) | (E) | (F) | | |
| 1 | 1 | 1A7880-00601 | RADIATOR ASSY | 1 | | | | | | | |
| 2 | 2 | 1A7880-00610 | RADIATOR | 1 | | | | | | | |
| 3 | 2 | 129107-44590 | CAP, RADIATOR | 1 | | | | | | | |
| 4 | 1 | 1A7880-00640 | HOSE, SUB TANK | 1 | | | | | | | |
| 5 | 1 | 198162-00720 | PIPE, WATER L 66 | 1 | | | | | | | |
| 6 | 1 | 1A7880-01350 | TANK ASSY, COOLANT | 1 | | | | | | | |
| 7 | 2 | 1A7880-01360 | TANK, COOLANT | 1 | | | | | | | |
| 8 | 2 | 121450-44531 | CAP | 1 | | | | | | | |
| 9 | 2 | 124450-44560 | RETAINER | 1 | | | | | | | |
| 10 | 2 | 121470-44581 | GASKET | 1 | | | | | | | |
| 11 | 2 | 23065-070130 | PIPE, 7X 130 | 1 | | | | | | | |
| 12 | 1 | 1A7880-01410 | HOSE, WATER A | 1 | | | | | | | |
| 13 | 1 | 1A7880-01440 | SEAL, RADIATOR | 1 | | | | | | | |
| 14 | 1 | 1A7880-01460 | SEAL, SHROUD LOWER | 2 | | | | | | | |
| 15 | 1 | 1A7880-01500 | SHROUD ASSY, FAN M | 1 | | | | | | | |
| 16 | 1 | 1A7880-01520 | PLATE ASSY, SHROUD | 1 | | | | | | | |
| 17 | 1 | 1A7880-01560 | SCREEN, RADIATOR | 1 | | | | | | | |
| 18 | 1 | 1A7880-01650 | BOLT, M6X135 | 2 | | | | | | | |
| 19 | 1 | 1A7880-03111 | PIPE, EXHAUST | 1 | | | | | | | |
| 20 | 1 | 1A7510-04430 | HOSE, FUEL F-P | 1 | | | | | | | |
| 21 | 1 | 1A7882-05410 | PLATE ASSY, MOUNT | 1 | | | | | | | |
| 22 | 1 | 1A7882-06010 | HOSE, AIR INTAKE | 1 | | | | | | | |
| 23 | 1 | 1A7880-06150 | PIPE, AIR INTAKE | 1 | | | | | | | |
| 24 | 1 | 1A7880-06201 | BRACKET ASSY | 1 | | | | | | | |
| 25 | 1 | 129052-13550 | GASKET | 1 | | | | | | | |
| 26 | 1 | 194990-22130 | NUT, M6 | 2 | | | | | | | |
| 27 | 1 | 194990-22140 | NUT, M8 | 1 | | | | | | | |
| 28 | 1 | 194990-22140 | NUT, M8 | 1 | | | | | | | |
| 29 | 1 | 119255-44660 | ABSORBER | 2 | | | | | | | |
| 30 | 1 | 121267-49500 | BAND, 38 | 2 | | | | | | | |
| 31 | 1 | 175022-49730 | CRIP 31, HOSE | 2 | | | | | | | |
| 32 | 1 | 1A8300-51210 | BAND, REPEAT | 1 | | | | | | | |
| 33 | 1 | 194680-51670 | BAND, CLIP | 2 | | | | | | | |
| 34 | 1 | 1A1380-55310 | CLAMP, WIRE | 1 | | | | | | | |
| 35 | 1 | 1A6680-56920 | CABLE, HOUR METER | 1 | | | | | | | |
| 36 | 1 | 114270-59010 | CLIP, HOSE 12 | 2 | | | | | | | |
| 37 | 1 | 198162-61370 | SEAL, RADIATOR E | 1 | | | | | | | |
| 38 | 1 | 198071-61890 | NUT, SPEED M6 | 2 | | | | | | | |
| 39 | 1 | 198071-61890 | NUT, SPEED M6 | 1 | | | | | | | |
| 40 | 1 | 198461-87590 | COLLAR, 6.5X10X52 | 2 | | | | | | | |
| 41 | 1 | 22137-080000 | WASHER, 8 | 1 | | | | | | | |
| 42 | 1 | 22157-060000 | WASHER, 6 | 2 | | | | | | | |
| 43 | 1 | 22487-080200 | PIN, H 8X 20 | 1 | | | | | | | |
| 44 | 1 | 23000-054000 | CLAMP, 54 | 2 | | | | | | | |
| 45 | 1 | 23010-050000 | CLAMP, 50 | 1 | | | | | | | |
| 46 | 1 | 26106-060122 | BOLT, M6X 12 PLATED | 1 | | | | | | | |
| 47 | 1 | 26106-060162 | BOLT, M6X 16 PLATED | 2 | | | | | | | |
| 48 | 1 | 26106-060162 | BOLT, M6X 16 PLATED | 2 | | | | | | | |
| 49 | 1 | 26106-060162 | BOLT, M6X 16 PLATED | 4 | | | | | | | |
| 50 | 1 | 26106-060162 | BOLT, M6X 16 PLATED | 2 | | | | | | | |
| 51 | 1 | 26106-080162 | BOLT, M8X 16 PLATED | 2 | | | | | | | |

Fig.3. ENGINE ACCESSORIES(3)



(A)=SC2400(YANMAR)

(B)=

(C)=

(D)=

(E)=

(F)=

| No. | Lev. | Parts No. | Description | Qty | | | | | | I | R |
|-----|------|--------------|---------------------|-----|-----|-----|-----|-----|-----|---|---|
| | | | | (A) | (B) | (C) | (D) | (E) | (F) | | |
| 52 | 1 | 26106-080162 | BOLT, M8X 16 PLATED | 1 | | | | | | | |
| 53 | 1 | 26106-080252 | BOLT, M8X 25 PLATED | 2 | | | | | | | |

Fig.4. ACCEL LEVER

(A)=SC2400(YANMAR)

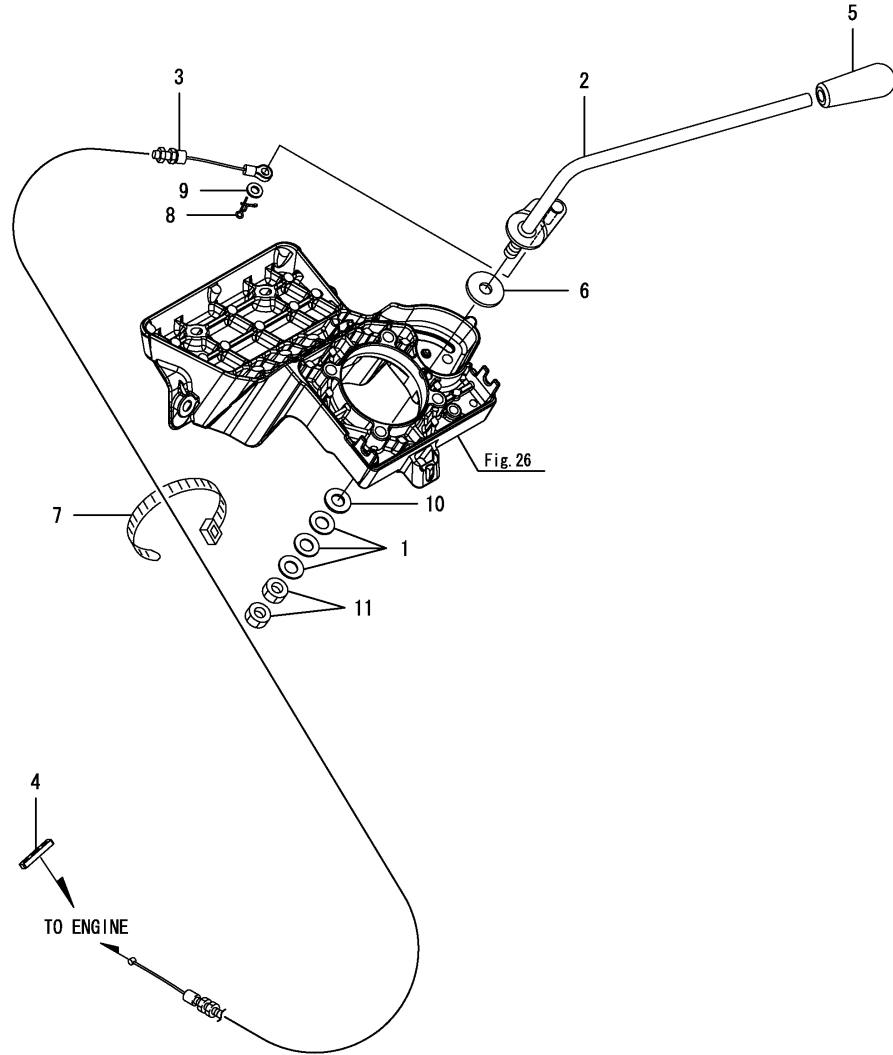
(B)=

(C)=

(D)=

(E)=

(F)=



| No. | Lev. | Parts No. | Description | Q'ty | | | | | | I | R |
|-----|------|--------------|---------------------|------|-----|-----|-----|-----|-----|---|---|
| | | | | (A) | (B) | (C) | (D) | (E) | (F) | | |
| 1 | 1 | 194740-00160 | SPRING, 10 | 3 | | | | | | | |
| 2 | 1 | 1A7880-01010 | LEVER ASSY, CONTROL | 1 | | | | | | | |
| 3 | 1 | 1A7882-01150 | WIRE ASSY, CONTROL | 1 | | | | | | | |
| 4 | 1 | 198071-01160 | RUBBER | 1 | | | | | | | |
| 5 | 1 | 198253-01190 | KNOB, LEVER | 1 | | | | | | | |
| 6 | 1 | 198200-01260 | PLATE, FRICTION | 1 | | | | | | | |
| 7 | 1 | 1A8300-51210 | BAND, REPEAT | 1 | | | | | | | |
| 8 | 1 | 1C6281-52310 | PIN, SNAP 6 | 1 | | | | | | | |
| 9 | 1 | 22137-060000 | WASHER, 6 | 1 | | | | | | | |
| 10 | 1 | 22137-100000 | WASHER, 10 | 1 | | | | | | | |
| 11 | 1 | 26716-100002 | NUT, M10 | 2 | | | | | | | |

Fig.5. FUEL TANK

(A)=SC2400(YANMAR)

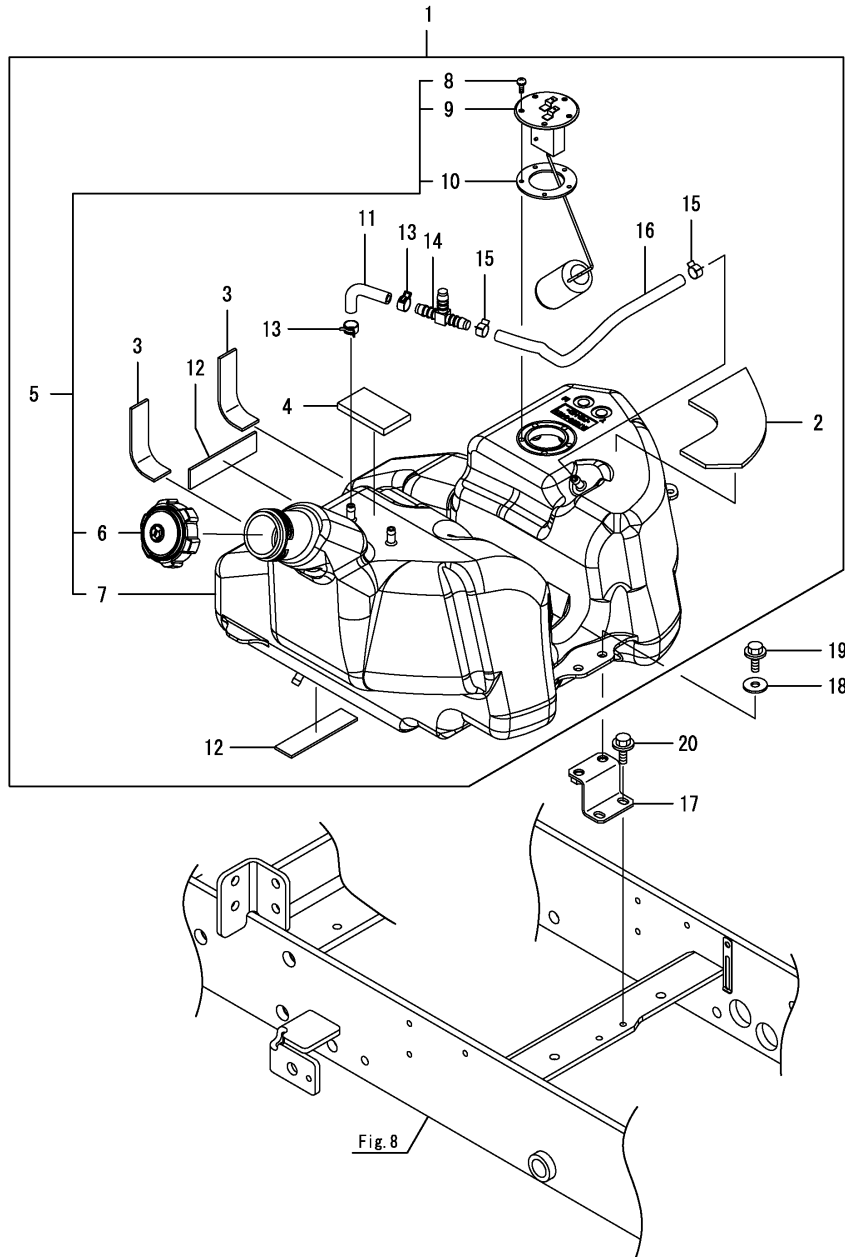
(B)=

(C)=

(D)=

(E)=

(F)=



| No. | Lev. | Parts No. | Description | Q'ty | | | | | | I | R |
|------|------|--------------|---------------------|------|-----|-----|-----|-----|-----|---|---|
| | | | | (A) | (B) | (C) | (D) | (E) | (F) | | |
| 1 | 1 | 1A7880-04101 | TANK ASSY, FUEL | 1 | | | | | | | |
| 2 | 2 | 1A7880-04040 | CUSHION, TANK R | 1 | | | | | | | |
| 3 | 2 | 1A7880-04050 | CUSHION, TANK SIDE | 2 | | | | | | | |
| 4 | 2 | 1A7880-04080 | CUSHION, TANK UPPER | 1 | | | | | | | |
| 5 | 2 | 1A7880-04130 | TANK, FUEL KIT | 1 | | | | | | | |
| 6 | 3 | 1A7880-04091 | CAP, FUEL TANK | 1 | | | | | | | |
| 7 | 3 | 1A7880-04111 | TANK, FUEL | 1 | | | | | | | |
| 8 | 3 | 1A7180-04180 | SCREW, M5X14 | 5 | | | | | | | |
| 9 | 3 | 1A7880-56601 | GAUGE ASSY, FUEL | 1 | | | | | | | |
| 10 | 3 | 198200-56630 | GASKET, GAUGE | 1 | | | | | | | |
| 11 | 2 | 198448-04270 | HOSE, RETURN | 1 | | | | | | | |
| 12 | 2 | 198165-04380 | RUBBER, 100X25X3 | 2 | | | | | | | |
| 13 | 2 | 114270-59010 | CLIP, HOSE 12 | 2 | | | | | | | |
| 14 | 2 | 119629-59910 | JOINT, 3-WAY | 1 | | | | | | | |
| 15 | 2 | 23080-012000 | CLAMP, 12 | 2 | | | | | | | |
| 15-1 | 2 | 114270-59010 | CLIP, HOSE 12 | 2 | | | | | | | R |
| | | (A=FXXXXX) | | | | | | | | | |
| 16 | 2 | 23980-730260 | HOSE, 7.3X 260 | 1 | | | | | | | |
| 17 | 1 | 1A7880-04210 | STAY, FUEL TANK | 1 | | | | | | | |
| 18 | 1 | 22157-080000 | WASHER, 8 | 2 | | | | | | | |
| 19 | 1 | 26106-080162 | BOLT, M8X 16 PLATED | 2 | | | | | | | |
| 20 | 1 | 26106-080162 | BOLT, M8X 16 PLATED | 2 | | | | | | | |

Fig.6. COVER, FO TANK

(A)=SC2400(YANMAR)

(B)=

(C)=

(D)=

(E)=

(F)=

| No. | Lev. | Parts No. | Description | Q'ty | | | | | | I | R |
|-----|------|--------------|---------------------|------|-----|-----|-----|-----|-----|---|---|
| | | | | (A) | (B) | (C) | (D) | (E) | (F) | | |
| 1 | 1 | 1A7880-04301 | COVER, FUEL TANK | 1 | | | | | | | |
| 2 | 1 | 194990-22140 | NUT, M8 | 3 | | | | | | | |
| 3 | 1 | 26106-080202 | BOLT, M8X 20 PLATED | 2 | | | | | | | |

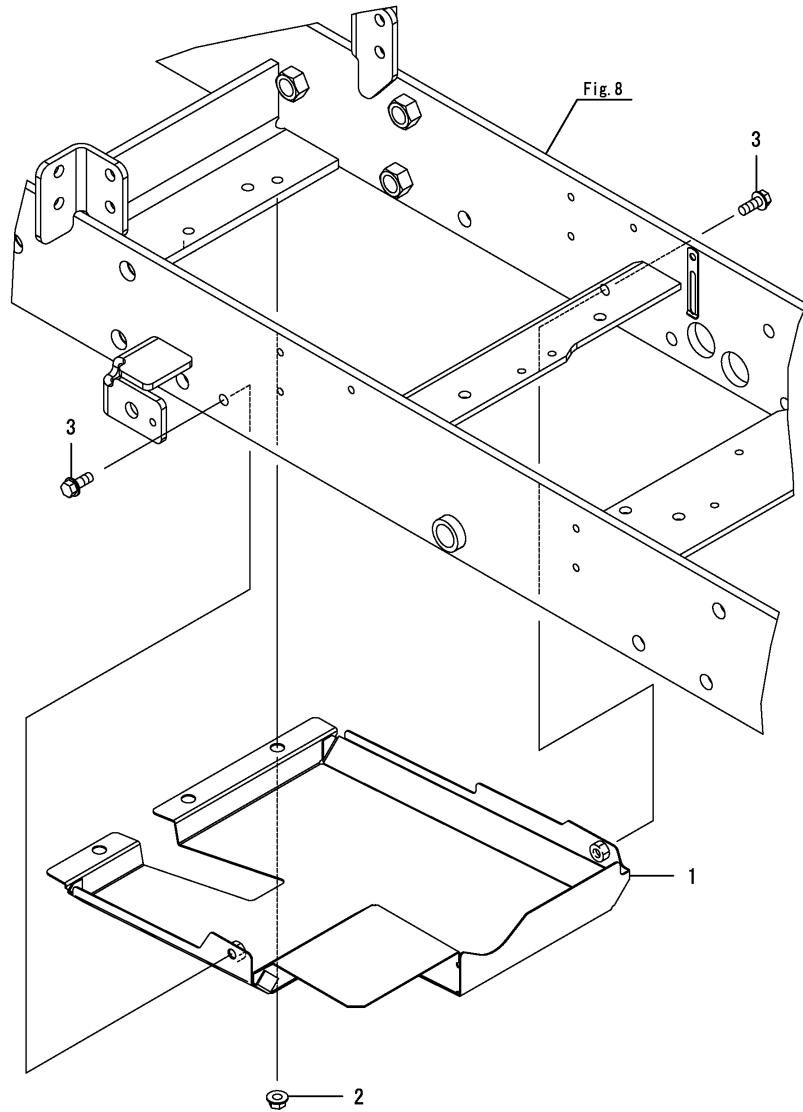
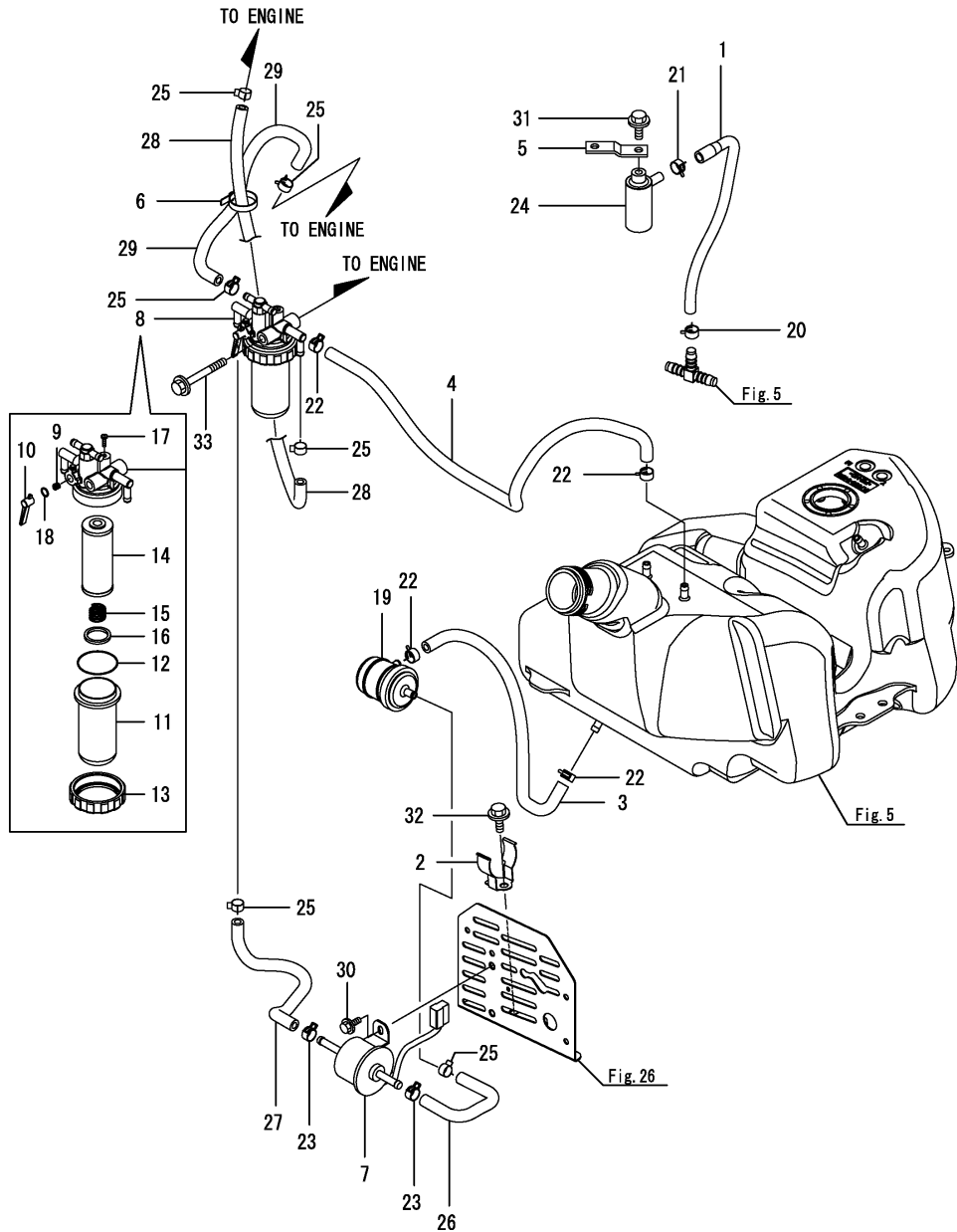


Fig.7. FUEL PIPE



(A)=SC2400(YANMAR)

(B)=

(C)=

(D)=

(E)=

(F)=

| No. | Lev. | Parts No. | Description | Q'ty | | | | | | I | R |
|------------|------|--------------|----------------------|------|-----|-----|-----|-----|-----|---|---|
| | | | | (A) | (B) | (C) | (D) | (E) | (F) | | |
| 1 | 1 | 1A7880-04270 | HOSE, AIR VENT | 1 | | | | | | | |
| 2 | 1 | 198072-04320 | CLAMP, FILTER | 1 | | | | | | | |
| 3 | 1 | 1A7510-04430 | HOSE, FUEL F-P | 1 | | | | | | | |
| 4 | 1 | 1A7880-04430 | HOSE, FUEL F-T | 1 | | | | | | | |
| 5 | 1 | 194312-39480 | SUPPORT, BREATHER | 1 | | | | | | | |
| 6 | 1 | 1A8300-51210 | BAND, REPEAT | 1 | | | | | | | |
| 7 | 1 | 119225-52102 | PUMP ASSY, FUEL FEED | 1 | | | | | | | |
| 8 | 1 | 129053-55620 | FILTER ASSY, FUEL | 1 | | | | | | | |
| 9 | 2 | 104200-55330 | SPRING, VALVE | 1 | | | | | | | |
| 10 | 2 | 119810-55340 | LEVER | 1 | | | | | | | |
| 11 | 2 | 129107-55510 | CUP, STRAINER | 1 | | | | | | | |
| 12 | 2 | 102103-55520 | O-RING | 1 | | | | | | | |
| 13 | 2 | 110250-55610 | RING, RETAINING | 1 | | | | | | | |
| 14 | 2 | 119810-55650 | ELEMENT | 1 | | | | | | | |
| 15 | 2 | 121257-55720 | SPRING | 1 | | | | | | | |
| 16 | 2 | 121257-55731 | FLOAT | 1 | | | | | | | |
| 17 | 2 | 104200-55750 | SCREW, M4 | 1 | | | | | | | |
| 18 | 2 | 24311-240100 | O-RING, 1AP10A | 1 | | | | | | | |
| 19 | 1 | 129052-55630 | FILTER, FUEL | 1 | | | | | | | |
| 20 | 1 | 114270-59010 | CLIP, HOSE 12 | 1 | | | | | | | |
| 21 | 1 | 114270-59010 | CLIP, HOSE 12 | 1 | | | | | | | |
| 22 | 1 | 114270-59010 | CLIP, HOSE 12 | 4 | | | | | | | |
| 23 | 1 | 114270-59010 | CLIP, HOSE 12 | 2 | | | | | | | |
| 24 | 1 | 194205-63550 | BREATHER, AIR | 1 | | | | | | | |
| 25 | 1 | 23080-012000 | CLAMP, 12 | 6 | | | | | | | |
| 25-1 | 1 | 114270-59010 | CLIP, HOSE 12 | 6 | | | | | | | R |
| (A=FXXXXX) | | | | | | | | | | | |
| 26 | 1 | 23980-730150 | HOSE, 7.3X 150 | 1 | | | | | | | |
| 27 | 1 | 23980-730180 | HOSE, 7.3X 180 | 1 | | | | | | | |
| 28 | 1 | 23980-730350 | HOSE, 7.3X 350 | 1 | | | | | | | |
| 29 | 1 | 23980-730400 | HOSE, 7.3X 400 | 1 | | | | | | | |
| 30 | 1 | 26106-060162 | BOLT, M6X 16 PLATED | 2 | | | | | | | |
| 31 | 1 | 26106-080122 | BOLT, M8X 12 PLATED | 1 | | | | | | | |
| 32 | 1 | 26106-080122 | BOLT, M8X 12 PLATED | 1 | | | | | | | |
| 33 | 1 | 26106-080652 | BOLT, M8X 65 PLATED | 1 | | | | | | | |

Fig.8. FRAME

(A)=SC2400(YANMAR)

(B)=

(C)=

(D)=

(E)=

(F)=

| No. | Lev. | Parts No. | Description | Q'ty | | | | | | I | R |
|-----|------|--------------|---------------------|------|-----|-----|-----|-----|-----|---|---|
| | | | | (A) | (B) | (C) | (D) | (E) | (F) | | |
| 1 | 1 | 1A7880-10430 | PLATE, BOLT | 1 | | | | | | | |
| 2 | 1 | 1A7880-10500 | FRAME ASSY, LINK | 1 | | | | | | | |
| 3 | 1 | 1A7880-11090 | FRAME ASSY, SCT M | 1 | | | | | | | |
| 4 | 1 | 1A6770-85920 | BOLT, M12X30 | 8 | | | | | | | |
| 5 | 1 | 22217-120000 | WASHER, SPRING 12 | 4 | | | | | | | |
| 6 | 1 | 22351-100020 | PIN, SPRING 10.0X20 | 2 | | | | | | | |
| 7 | 1 | 26106-121002 | BOLT M12X100 | 4 | | | | | | | |
| 8 | 1 | 26716-120002 | NUT, M12 | 4 | | | | | | | |

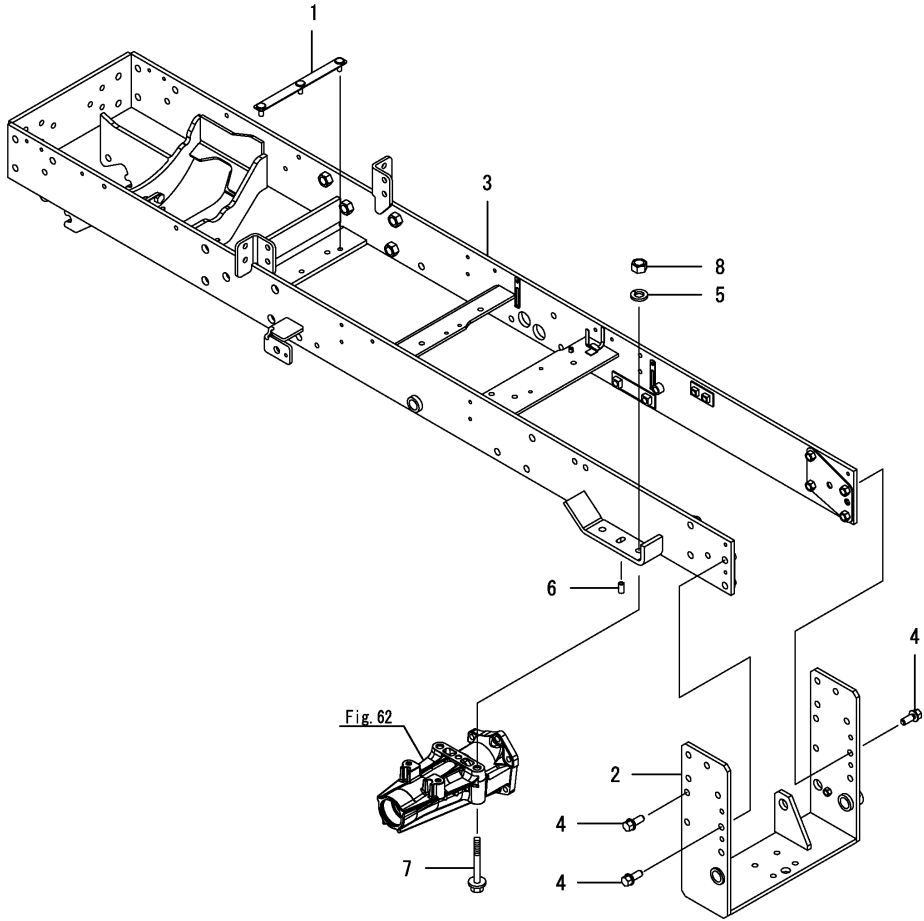


Fig.9. ENGINE MOUNT

(A)=SC2400(YANMAR)

(B)=

(C)=

(D)=

(E)=

(F)=

| No. | Lev. | Parts No. | Description | Q'ty | | | | | | I | R |
|-----|------|--------------|----------------------|------|-----|-----|-----|-----|-----|---|---|
| | | | | (A) | (B) | (C) | (D) | (E) | (F) | | |
| 1 | 1 | 1A7882-10800 | STAY ASSY, MOUNT E | 2 | | | | | | | |
| 2 | 1 | 1A7882-10900 | STAY, MOUNT FRAME | 2 | | | | | | | |
| 3 | 1 | 1A7130-11790 | RUBBER, MOUNT | 4 | | | | | | | |
| 4 | 1 | 194990-22140 | NUT, M8 | 8 | | | | | | | |
| 5 | 1 | 26106-100202 | BOLT, M10X 20 PLATED | 10 | | | | | | | |

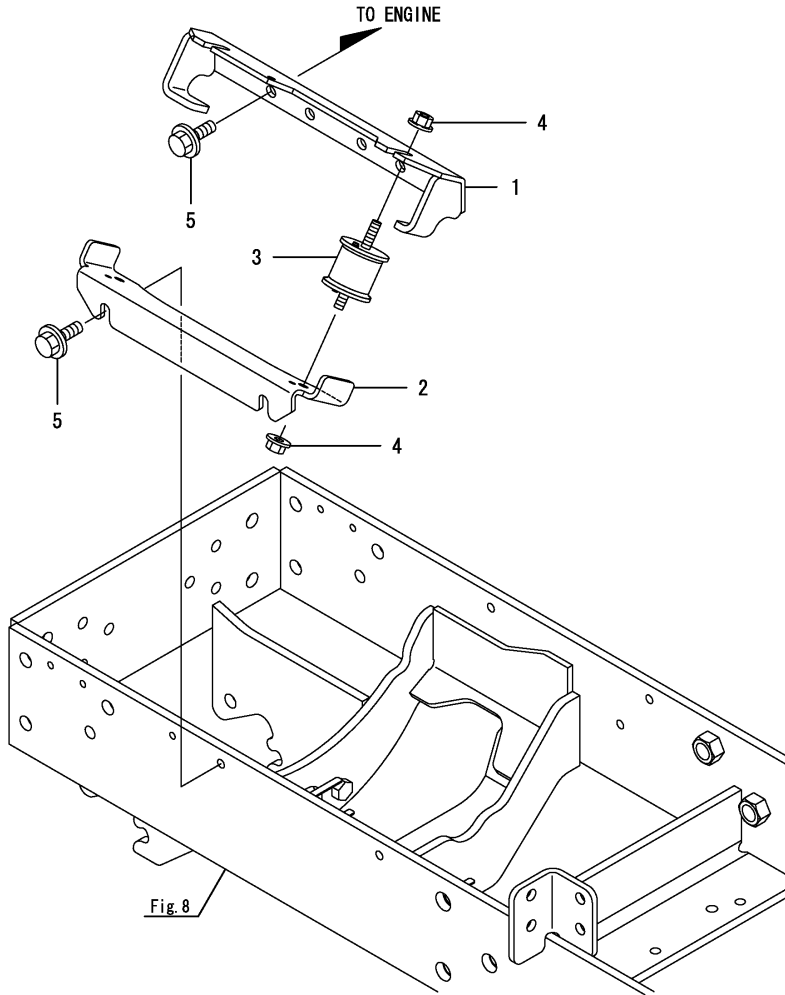
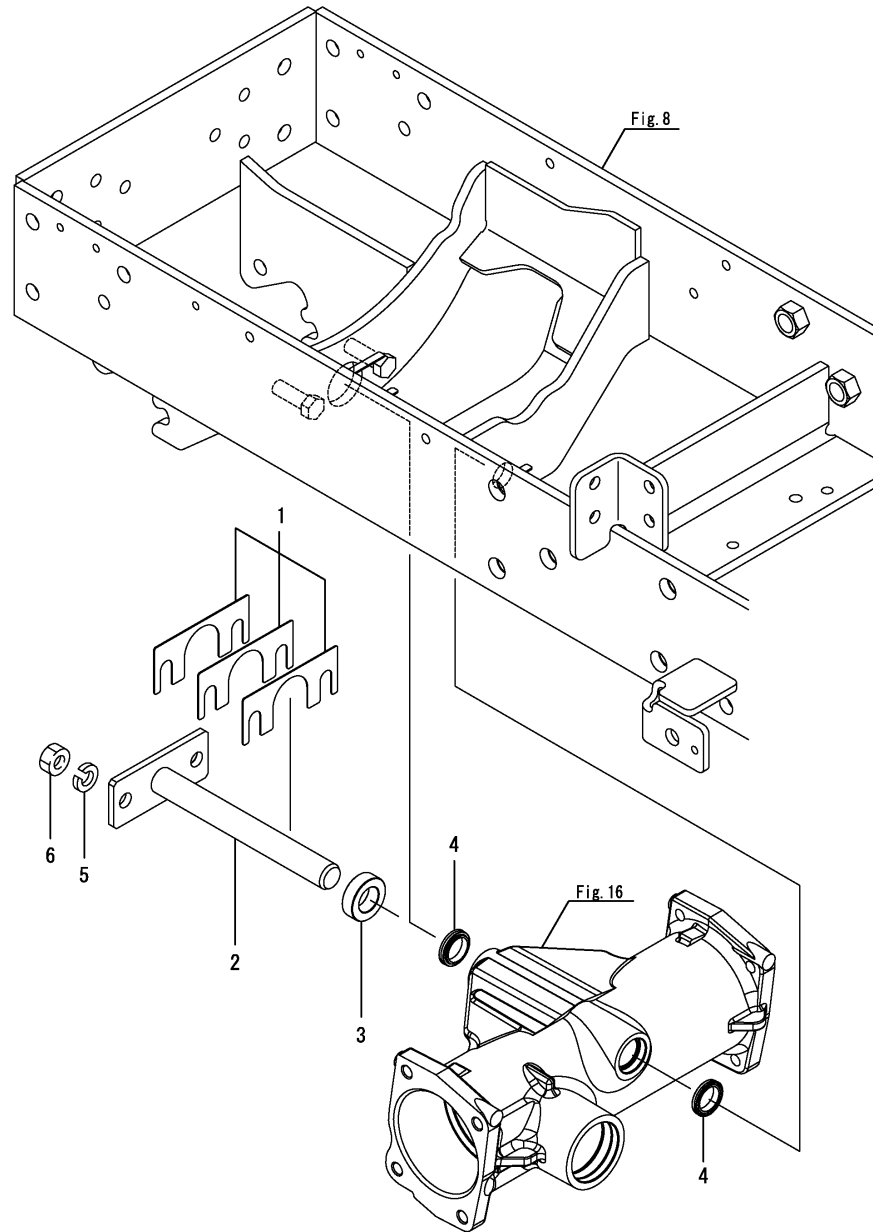


Fig.10. CENTER PIN



(A)=SC2400(YANMAR)

(B)=

(C)=

(D)=

(E)=

(F)=

| No. | Lev. | Parts No. | Description | Q'ty | | | | | | I | R |
|-----|------|--------------|----------------------|------|-----|-----|-----|-----|-----|---|---|
| | | | | (A) | (B) | (C) | (D) | (E) | (F) | | |
| 1 | 1 | 198165-11500 | SHIM SET, CENTER PIN | 1 | | | | | | | |
| 2 | 1 | 1A7880-11510 | PIN ASSY, CENTER | 1 | | | | | | | |
| 3 | 1 | 1A7880-11551 | COLLAR, 22X38X12.5 | 1 | | | | | | | |
| 4 | 1 | 1A7880-11560 | SEAL, DUST 22X30X6 | 2 | | | | | | | |
| 5 | 1 | 22217-120000 | WASHER, SPRING 12 | 2 | | | | | | | |
| 6 | 1 | 26716-120002 | NUT, M12 | 2 | | | | | | | |

Fig.12. DRIVE PINION

(A)=SC2400(YANMAR)

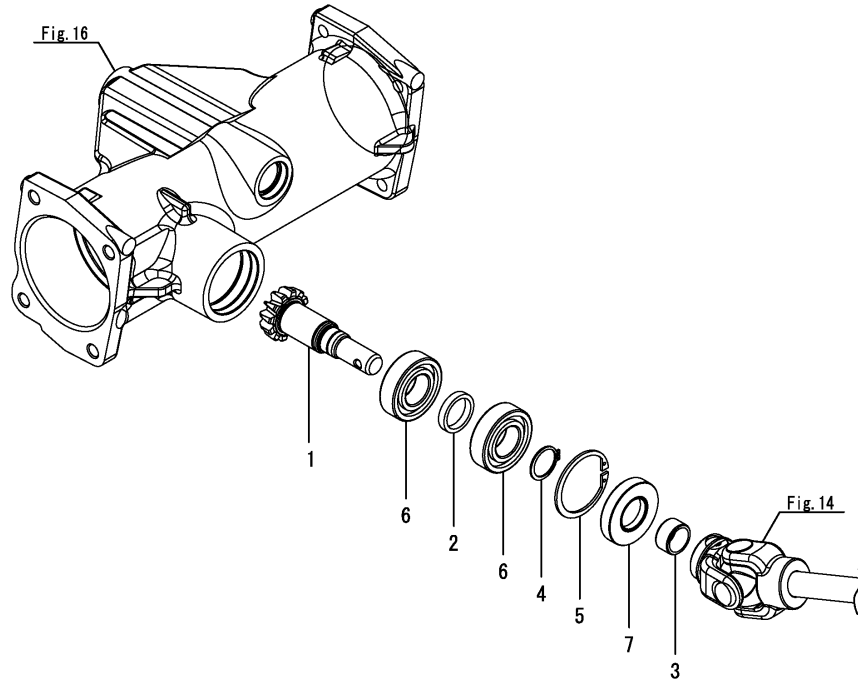
(B)=

(C)=

(D)=

(E)=

(F)=



| No. | Lev. | Parts No. | Description | Q'ty | | | | | | I | R |
|-----|------|--------------|--------------------|------|-----|-----|-----|-----|-----|---|---|
| | | | | (A) | (B) | (C) | (D) | (E) | (F) | | |
| 1 | 1 | 1A7130-13120 | SHAFT, INPUT | 1 | | | | | | | |
| 2 | 1 | 1A7130-13130 | COLLAR, 30X25X5.7 | 1 | | | | | | | |
| 3 | 1 | 1E4760-73240 | SLEEVE 202513 | 1 | | | | | | | |
| 4 | 1 | 22242-000240 | RING, 24 | 1 | | | | | | | |
| 5 | 1 | 22252-000520 | RING, 52 | 1 | | | | | | | |
| 6 | 1 | 24101-062054 | BEARING, BALL 6205 | 2 | | | | | | | |
| 7 | 1 | 24421-255210 | SEAL, OIL TC255210 | 1 | | | | | | | |

Fig.13. DIFFERENTIAL GEAR

(A)=SC2400(YANMAR)

(B)=

(C)=

(D)=

(E)=

(F)=

| No. | Lev. | Parts No. | Description | Q'ty | | | | | | I | R |
|-----|------|--------------|--------------------|------|-----|-----|-----|-----|-----|---|---|
| | | | | (A) | (B) | (C) | (D) | (E) | (F) | | |
| 1 | 1 | 1A7880-13150 | GEAR ASSY | 1 | | | | | | | |
| 2 | 1 | 22252-000550 | RING, 55 | 1 | | | | | | | |
| 3 | 1 | 24101-060064 | BEARING, BALL 6006 | 1 | | | | | | | |

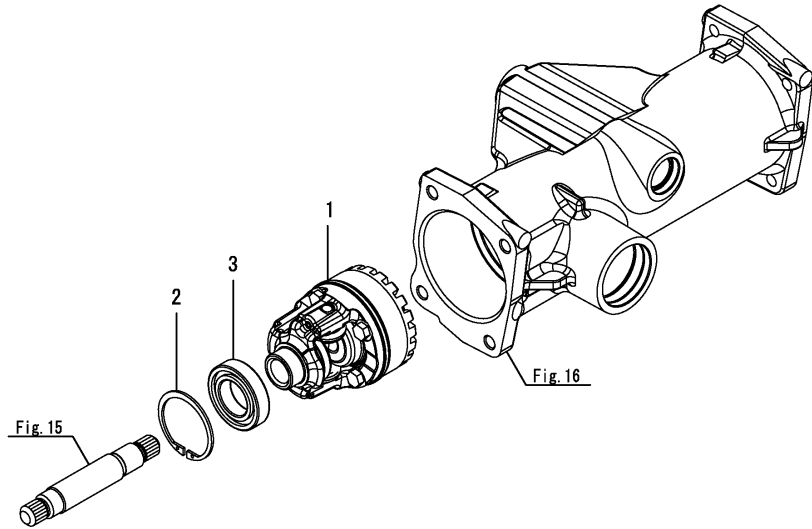
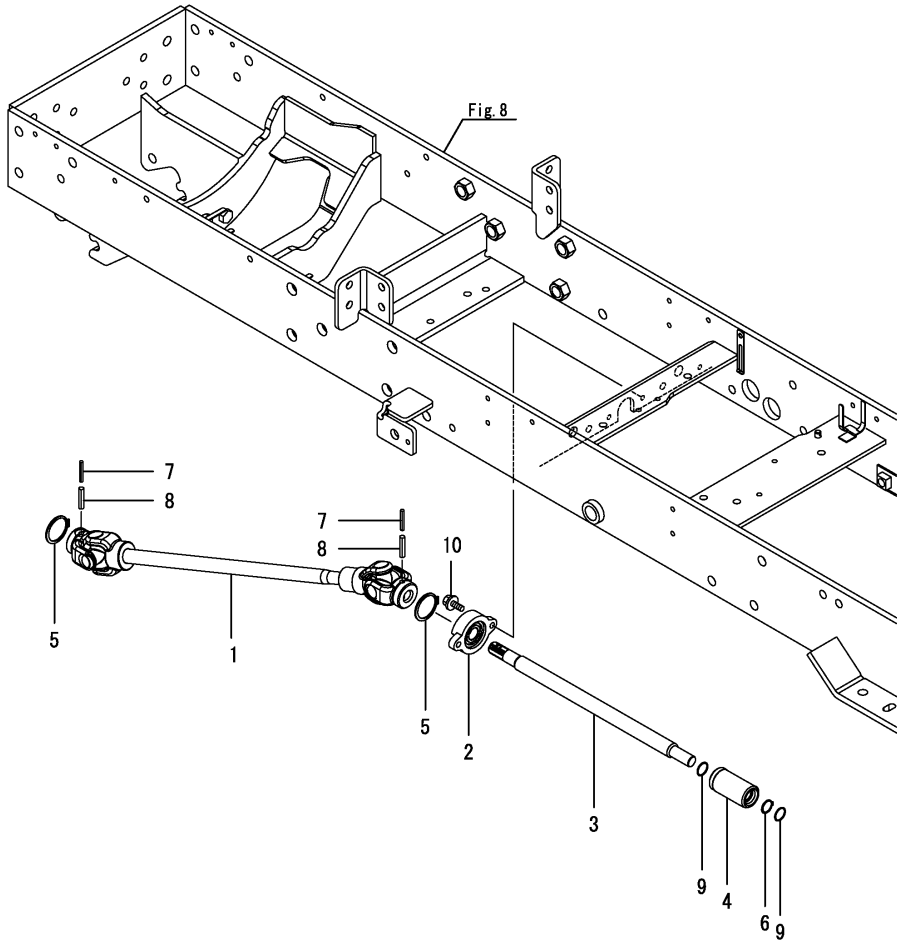


Fig.14. PROPELLER SHAFT



(A)=SC2400(YANMAR)

(B)=

(C)=

(D)=

(E)=

(F)=

| No. | Lev. | Parts No. | Description | Q'ty | | | | | | I | R |
|-----|------|--------------|--------------------|------|-----|-----|-----|-----|-----|---|---|
| | | | | (A) | (B) | (C) | (D) | (E) | (F) | | |
| 1 | 1 | 1A7880-13310 | SHAFT ASSY, F | 1 | | | | | | | |
| 2 | 1 | 1A7500-13360 | BEARING, MIDDLE | 1 | | | | | | | |
| 3 | 1 | 1A7880-13470 | SHAFT, PROPELLER R | 1 | | | | | | | |
| 4 | 1 | 1A7880-13480 | COLLAR, SPLINE | 1 | | | | | | | |
| 5 | 1 | 22242-000360 | RING, 36 | 2 | | | | | | | |
| 6 | 1 | 22252-000150 | RING, 15 | 1 | | | | | | | |
| 7 | 1 | 22351-035032 | PIN, SPRING 3.5X32 | 2 | | | | | | | |
| 8 | 1 | 22351-060032 | PIN, SPRING 6.0X32 | 2 | | | | | | | |
| 9 | 1 | 24311-000160 | O-RING, 1AP16.0 | 2 | | | | | | | |
| 10 | 1 | 26013-080202 | BOLT, M8X 20 | 2 | | | | | | | |

Fig.15. FRONT SHAFT 1

(A)=SC2400(YANMAR)

(B)=

(C)=

(D)=

(E)=

(F)=

| No. | Lev. | Parts No. | Description | Q'ty | | | | | | I | R |
|-----|------|--------------|--------------------|------|-----|-----|-----|-----|-----|---|---|
| | | | | (A) | (B) | (C) | (D) | (E) | (F) | | |
| 1 | 1 | 1A7880-13510 | SHAFT, FRONT 1ST L | 1 | | | | | | | |
| 2 | 1 | 1A7880-13520 | SHAFT, FRONT 1ST R | 1 | | | | | | | |
| 3 | 1 | 1A7880-13530 | GEAR, BEVEL 9 | 2 | | | | | | | |
| 4 | 1 | 22252-000550 | RING, 55 | 2 | | | | | | | |
| 5 | 1 | 24101-060064 | BEARING, BALL 6006 | 2 | | | | | | | |

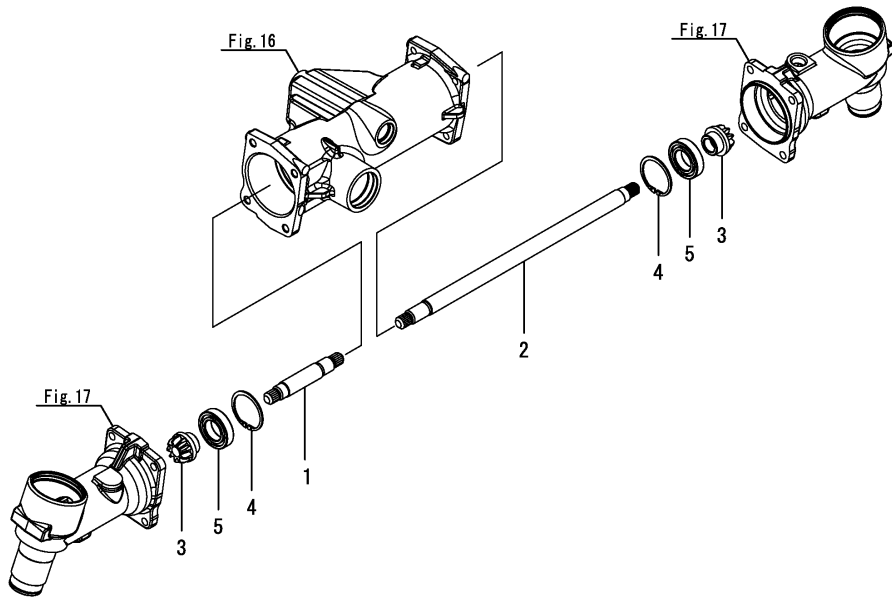


Fig.16. FRONT AXLE CASE

(A)=SC2400(YANMAR)

(B)=

(C)=

(D)=

(E)=

(F)=

| No. | Lev. | Parts No. | Description | Q'ty | | | | | | I | R |
|-----|------|--------------|---------------------|------|-----|-----|-----|-----|-----|---|---|
| | | | | (A) | (B) | (C) | (D) | (E) | (F) | | |
| 1 | 1 | 1A7880-13600 | HOUSING, FRONT AXLE | 1 | | | | | | | |
| 2 | 2 | 1A7880-11540 | BUSH, 22X25X30 | 2 | | | | | | | |
| 3 | 2 | 1A7130-13270 | BUSH, 85X90X20 | 1 | | | | | | | |

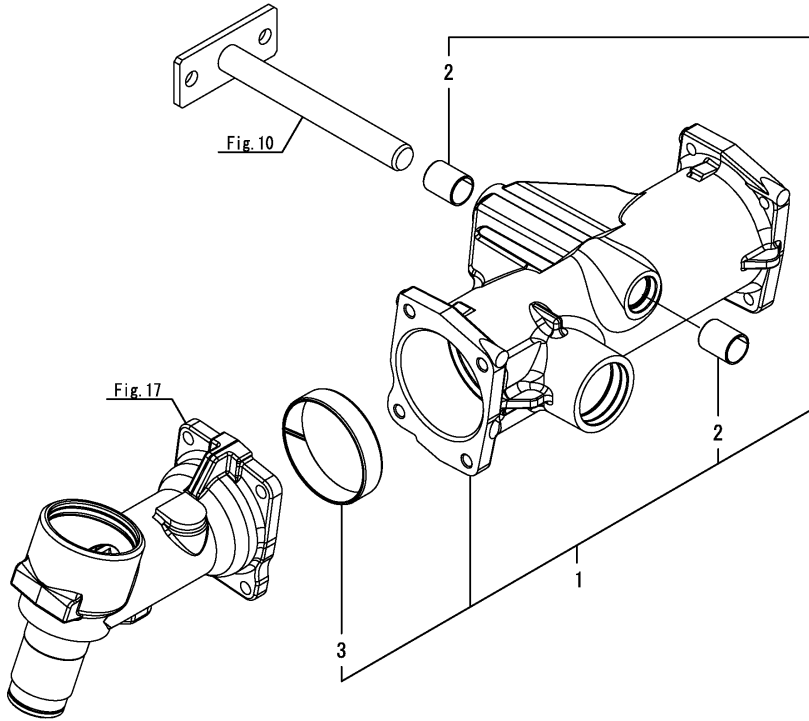
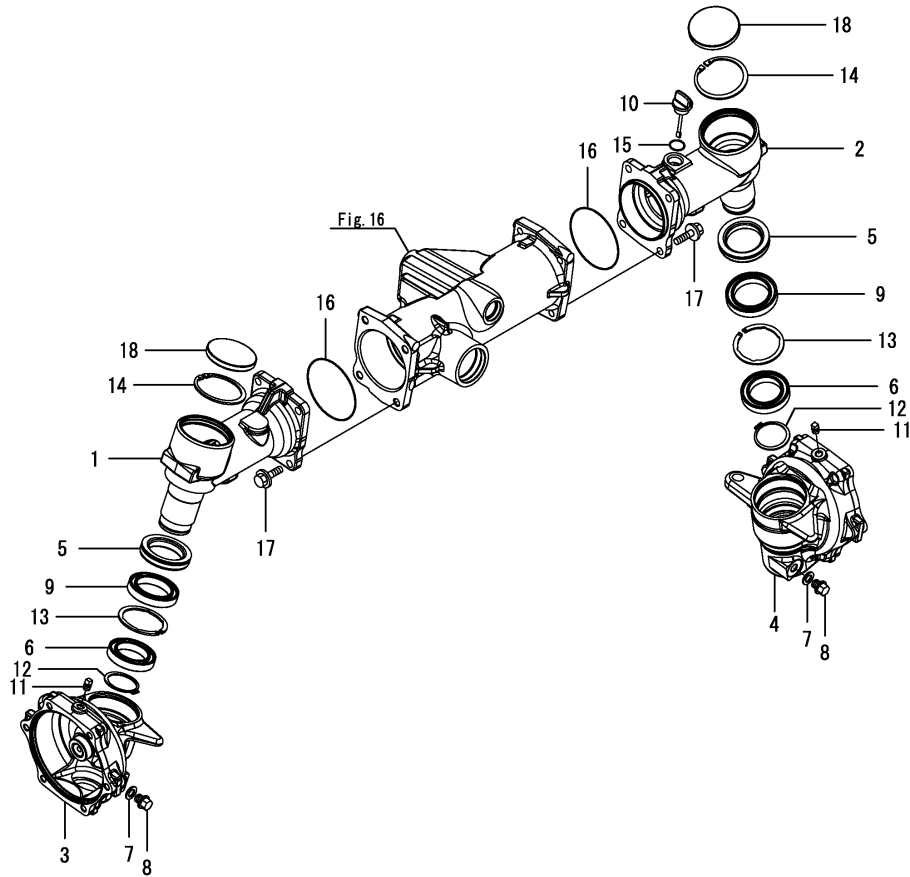


Fig.17. FRONT GEAR CASE



(A)=SC2400(YANMAR)

(B)=

(C)=

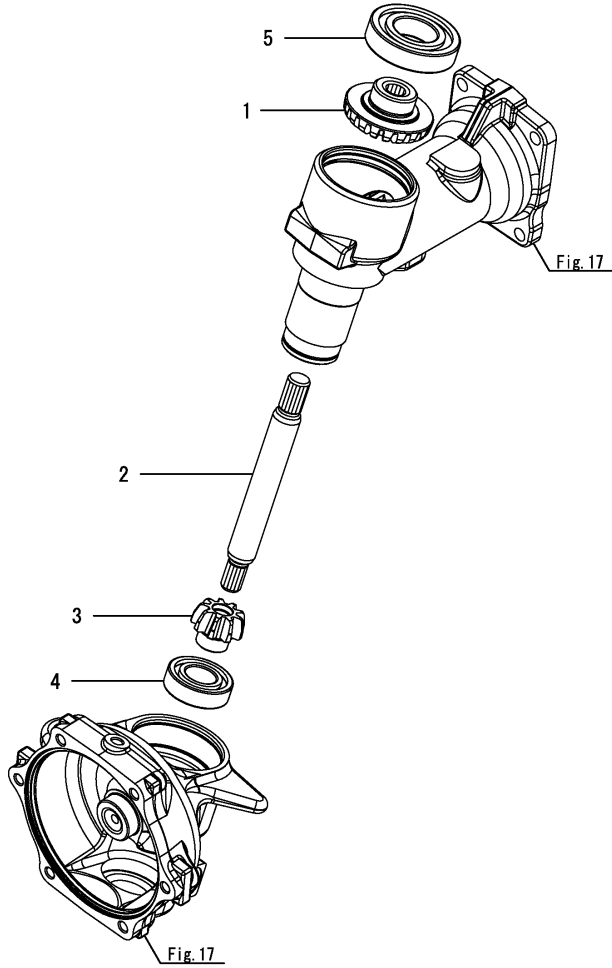
(D)=

(E)=

(F)=

| No. | Lev. | Parts No. | Description | Q'ty | | | | | | I | R |
|-----|------|--------------|----------------------|------|-----|-----|-----|-----|-----|---|---|
| | | | | (A) | (B) | (C) | (D) | (E) | (F) | | |
| 1 | 1 | 1A7880-13710 | CASE, FRONT GEAR L | 1 | | | | | | | |
| 2 | 1 | 1A7880-13721 | CASE, FRONT GEAR R | 1 | | | | | | | |
| 3 | 1 | 1A7880-13730 | BOX, GEAR L | 1 | | | | | | | |
| 4 | 1 | 1A7880-13740 | BOX, GEAR R | 1 | | | | | | | |
| 5 | 1 | 1A7880-13780 | SEAL, QLN50721013 | 2 | | | | | | | |
| 6 | 1 | 194951-14440 | BEARING, 6909 | 2 | | | | | | | |
| 7 | 1 | 198165-24440 | GASKET, 20X12X2 | 2 | | | | | | | |
| 8 | 1 | 198165-24490 | BOLT, M12X12 | 2 | | | | | | | |
| 9 | 1 | 194105-26430 | BEARING, BALL 6910 | 2 | | | | | | | |
| 10 | 1 | 1C6050-31250 | GAUGE, OIL LEVEL | 1 | | | | | | | |
| 11 | 1 | 194151-36670 | PLUG, PF02 | 2 | | | | | | | |
| 12 | 1 | 22242-000450 | RING, 45 | 2 | | | | | | | |
| 13 | 1 | 22252-000681 | RING, 68 | 2 | | | | | | | |
| 14 | 1 | 22252-000720 | RING, 72 | 2 | | | | | | | |
| 15 | 1 | 24311-000180 | O-RING, 1AP18.0 | 1 | | | | | | | |
| 16 | 1 | 24341-000850 | O-RING, 1AS85.0 | 2 | | | | | | | |
| 17 | 1 | 26106-100302 | BOLT, M10X 30 PLATED | 8 | | | | | | | |
| 18 | 1 | 27260-720000 | PLUG, 72 | 2 | | | | | | | |

Fig.18. FRONT SHAFT 2



(A)=SC2400(YANMAR)

(B)=

(C)=

(D)=

(E)=

(F)=

| No. | Lev. | Parts No. | Description | Q'ty | | | | | | I | R |
|-----|------|--------------|--------------------|------|-----|-----|-----|-----|-----|---|---|
| | | | | (A) | (B) | (C) | (D) | (E) | (F) | | |
| 1 | 1 | 1A7880-13540 | GEAR, BEVEL 20T | 2 | | | | | | | |
| 2 | 1 | 1A7880-13810 | SHAFT, FRONT 2ND | 2 | | | | | | | |
| 3 | 1 | 1A7880-13820 | PINION, FINAL | 2 | | | | | | | |
| 4 | 1 | 24101-062054 | BEARING, BALL 6205 | 2 | | | | | | | |
| 5 | 1 | 24101-062074 | BEARING, BALL 6207 | 2 | | | | | | | |

Fig.19. FRONT SPINDLE

(A)=SC2400(YANMAR)

(B)=

(C)=

(D)=

(E)=

(F)=

| No. | Lev. | Parts No. | Description | Q'ty | | | | | | I | R |
|-----|------|--------------|----------------------|------|-----|-----|-----|-----|-----|---|---|
| | | | | (A) | (B) | (C) | (D) | (E) | (F) | | |
| 1 | 1 | 1A7880-14110 | SPINDLE, FRONT | 2 | | | | | | | |
| 2 | 1 | 1A7880-14120 | GEAR, FINAL F | 2 | | | | | | | |
| 3 | 1 | 1A7880-14130 | CASE, FRONT BEARING | 2 | | | | | | | |
| 4 | 1 | 1E8420-55430 | SEAL, QLFY40X62X14 | 2 | | | | | | | |
| 5 | 1 | 22242-000340 | RING, 34 | 2 | | | | | | | |
| 6 | 1 | 24101-060074 | BEARING, BALL 6007 | 2 | | | | | | | |
| 7 | 1 | 24101-060094 | BEARING, BALL 6009 | 2 | | | | | | | |
| 8 | 1 | 24321-001300 | O-RING, 1AG130.0 | 2 | | | | | | | |
| 9 | 1 | 26106-100302 | BOLT, M10X 30 PLATED | 12 | | | | | | | |

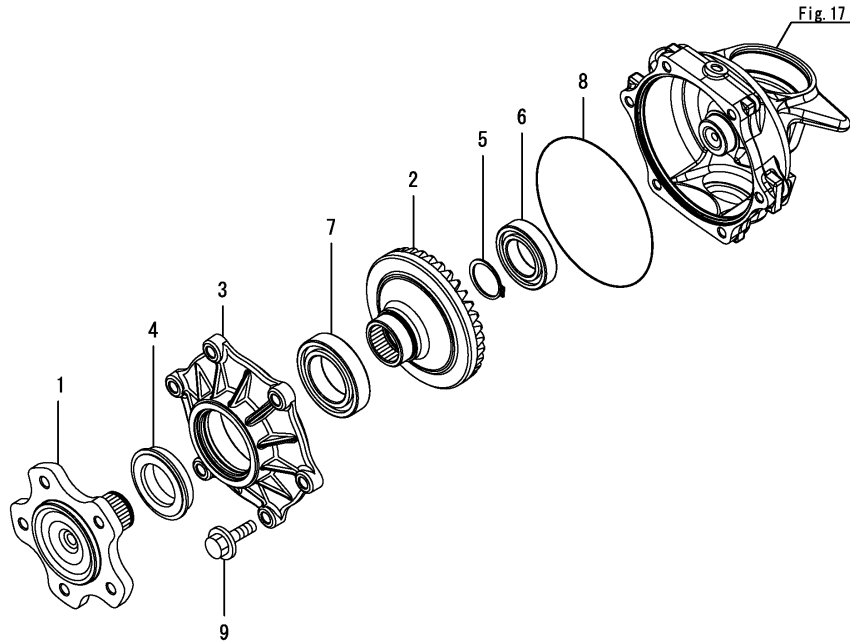


Fig.20. SHAFT COVER

(A)=SC2400(YANMAR)

(B)=

(C)=

(D)=

(E)=

(F)=

| No. | Lev. | Parts No. | Description | Q'ty | | | | | | I | R |
|-----|------|--------------|--------------|------|-----|-----|-----|-----|-----|---|---|
| | | | | (A) | (B) | (C) | (D) | (E) | (F) | | |
| 1 | 1 | 1A7880-14620 | COVER, SHAFT | 1 | | | | | | | |
| 2 | 1 | 23000-075000 | CLAMP, 75 | 1 | | | | | | | |

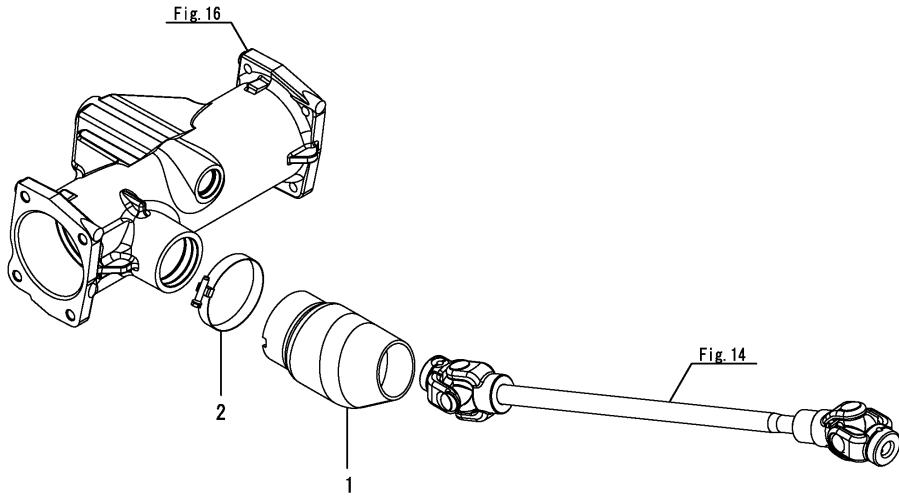


Fig.21. FRONT TIRE R1

(A)=SC2400(YANMAR)

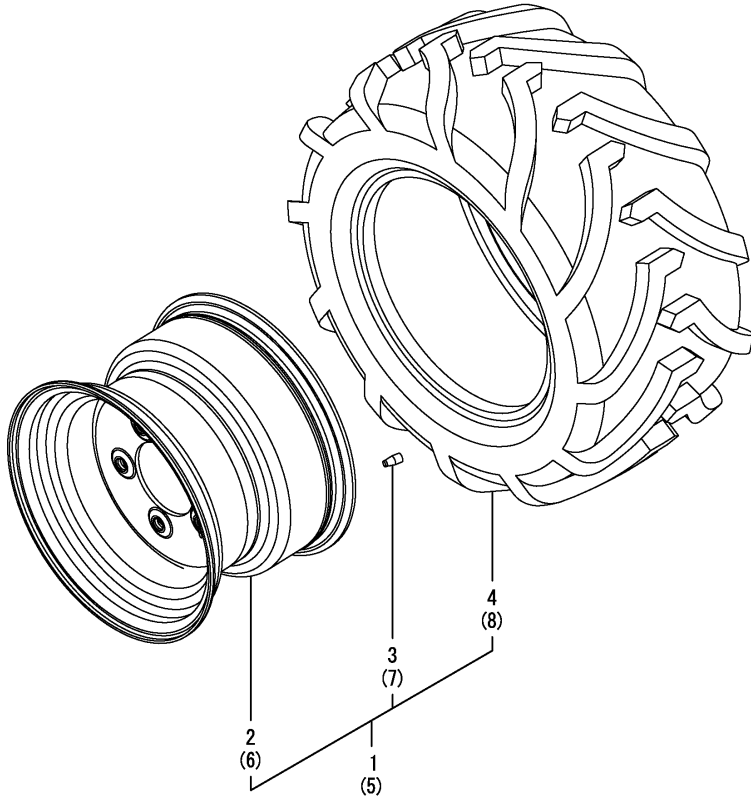
(B)=

(C)=

(D)=

(E)=

(F)=



| No. | Lev. | Parts No. | Description | Q'ty | | | | | | I | R |
|-----|------|--------------|----------------------|------|-----|-----|-----|-----|-----|---|---|
| | | | | (A) | (B) | (C) | (D) | (E) | (F) | | |
| 1 | 1 | 1A7880-14900 | TIRE KIT, FRONT R1 L | 1 | | | | | | | |
| 2 | 2 | 1A7880-14830 | WHEEL, 10X7.0 | 1 | | | | | | | |
| 3 | 2 | 1A7880-14840 | VALVE | 1 | | | | | | | |
| 4 | 2 | 1A7880-14920 | TIRE, 18X8.5-10 R1 | 1 | | | | | | | |
| 5 | 1 | 1A7880-14910 | TIRE KIT, FRONT R1 R | 1 | | | | | | | |
| 6 | 2 | 1A7880-14830 | WHEEL, 10X7.0 | 1 | | | | | | | |
| 7 | 2 | 1A7880-14840 | VALVE | 1 | | | | | | | |
| 8 | 2 | 1A7880-14920 | TIRE, 18X8.5-10 R1 | 1 | | | | | | | |

Fig.22. FRONT TIRE R3

(A)=SC2400(YANMAR)

(B)=

(C)=

(D)=

(E)=

(F)=

| No. | Lev. | Parts No. | Description | Q'ty | | | | | | I | R |
|-----|------|--------------|--------------------|------|-----|-----|-----|-----|-----|---|---|
| | | | | (A) | (B) | (C) | (D) | (E) | (F) | | |
| 1 | 1 | 1A7880-14700 | TIRE KIT, FRONT R3 | 2 | | | | | | | |
| 2 | 2 | 1A7880-14710 | TIRE, 18X8.5-10 R3 | 2 | | | | | | | |
| 3 | 2 | 1A7880-14830 | WHEEL, 10X7.0 | 2 | | | | | | | |
| 4 | 2 | 1A7880-14840 | VALVE | 2 | | | | | | | |

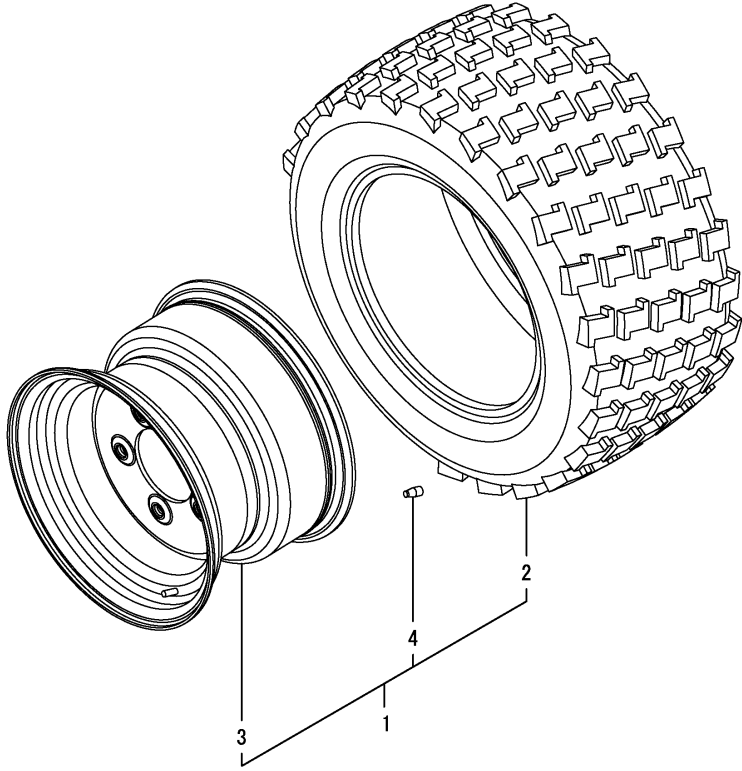
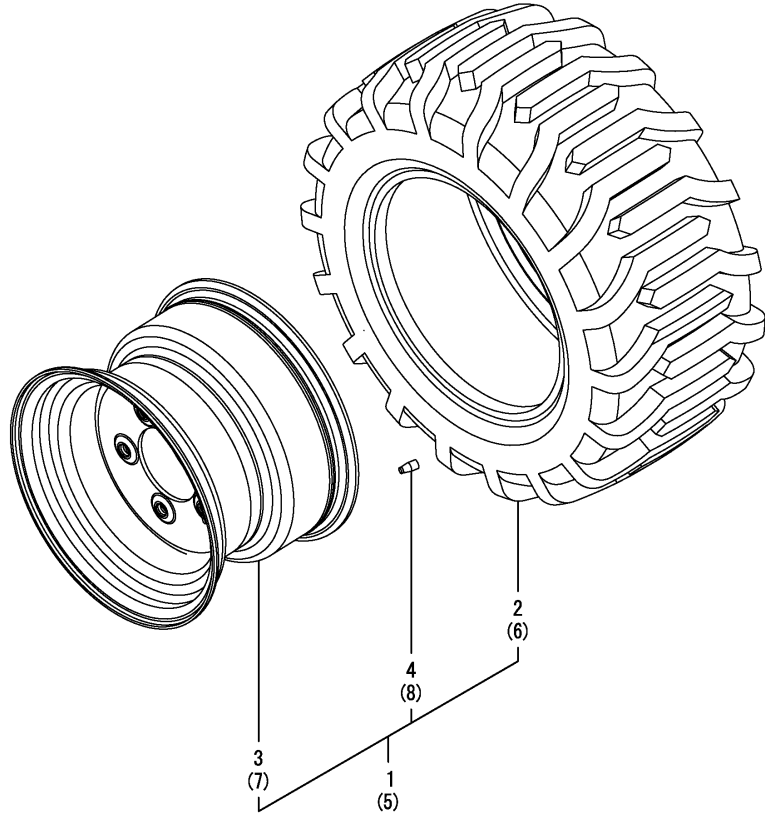


Fig.23. FRONT TIRE R4



(A)=SC2400(YANMAR)

(B)=

(C)=

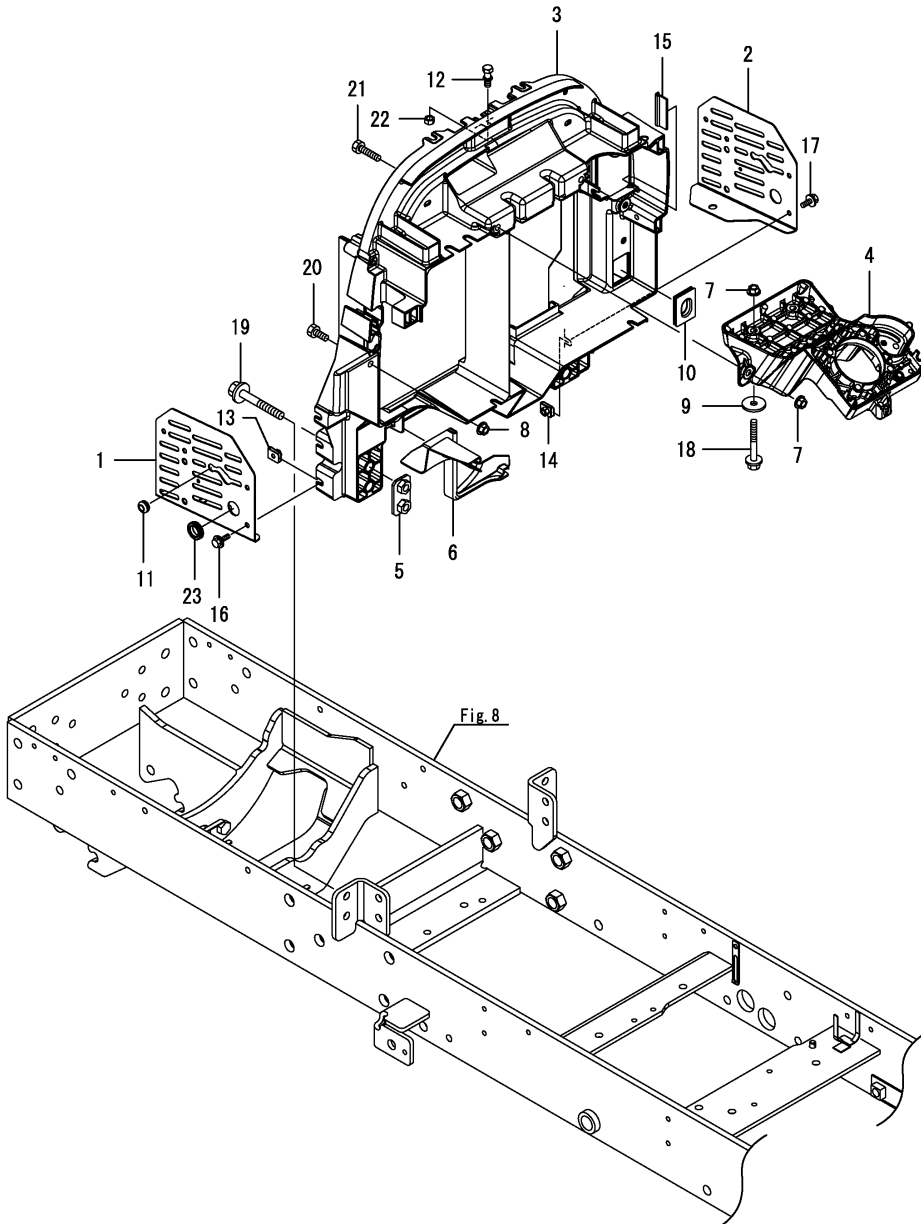
(D)=

(E)=

(F)=

| No. | Lev. | Parts No. | Description | Q'ty | | | | | | I | R |
|-----|------|--------------|----------------------|------|-----|-----|-----|-----|-----|---|---|
| | | | | (A) | (B) | (C) | (D) | (E) | (F) | | |
| 1 | 1 | 1A7880-14800 | TIRE KIT, FRONT R4 L | 1 | | | | | | | |
| 2 | 2 | 1A7880-14820 | TIRE, 18X8.5-10 R4 | 1 | | | | | | | |
| 3 | 2 | 1A7880-14830 | WHEEL, 10X7.0 | 1 | | | | | | | |
| 4 | 2 | 1A7880-14840 | VALVE | 1 | | | | | | | |
| 5 | 1 | 1A7880-14810 | TIRE KIT, FRONT R4 R | 1 | | | | | | | |
| 6 | 2 | 1A7880-14820 | TIRE, 18X8.5-10 R4 | 1 | | | | | | | |
| 7 | 2 | 1A7880-14830 | WHEEL, 10X7.0 | 1 | | | | | | | |
| 8 | 2 | 1A7880-14840 | VALVE | 1 | | | | | | | |

Fig.26. COLUMN BRACKET



(A)=SC2400(YANMAR)

(B)=

(C)=

(D)=

(E)=

(F)=

| No. | Lev. | Parts No. | Description | Qty | | | | | | I | R |
|-----|------|--------------|----------------------|-----|-----|-----|-----|-----|-----|---|---|
| | | | | (A) | (B) | (C) | (D) | (E) | (F) | | |
| 1 | 1 | 1A7882-05150 | COVER ASSY, BELT L | 1 | | | | | | | |
| 2 | 1 | 1A7880-05190 | COVER, BELT R | 1 | | | | | | | |
| 3 | 1 | 1A7880-15100 | BRACKET, COLUMN | 1 | | | | | | | |
| 4 | 1 | 1A7880-15120 | BRACKET, STEERING | 1 | | | | | | | |
| 5 | 1 | 1A7880-15130 | STAY, COLUMN | 2 | | | | | | | |
| 6 | 1 | 1A7880-15160 | BOOT | 1 | | | | | | | |
| 7 | 1 | 194990-22140 | NUT, M8 | 4 | | | | | | | |
| 8 | 1 | 194990-22140 | NUT, M8 | 2 | | | | | | | |
| 9 | 1 | 1C6140-47210 | WASHER, 9X32X3.2 | 2 | | | | | | | |
| 10 | 1 | 1A7880-51710 | GROMMET, HARNESS | 1 | | | | | | | |
| 11 | 1 | 198071-58810 | GROMMET, 8 | 1 | | | | | | | |
| 12 | 1 | 1A7880-61810 | BOLT, STEPPED M8 | 1 | | | | | | | |
| 13 | 1 | 198071-61890 | NUT, SPEED M6 | 2 | | | | | | | |
| 14 | 1 | 198071-61890 | NUT, SPEED M6 | 2 | | | | | | | |
| 15 | 1 | 198093-84810 | SEAL, FENDER | 1 | | | | | | | |
| 16 | 1 | 26106-060162 | BOLT, M6X 16 PLATED | 2 | | | | | | | |
| 17 | 1 | 26106-060162 | BOLT, M6X 16 PLATED | 2 | | | | | | | |
| 18 | 1 | 26106-080652 | BOLT, M8X 65 PLATED | 2 | | | | | | | |
| 19 | 1 | 26106-100752 | BOLT, M10X 75 PLATED | 4 | | | | | | | |
| 20 | 1 | 26116-080202 | BOLT, M8X 20 PLATED | 2 | | | | | | | |
| 21 | 1 | 26116-080402 | BOLT, M8X 40 PLATED | 2 | | | | | | | |
| 22 | 1 | 26716-080002 | NUT, M8 | 1 | | | | | | | |
| 23 | 1 | 29311-162000 | GROMMET, 16.0X2 | 1 | | | | | | | |

Fig.28. PST CYLINDER

(A)=SC2400(YANMAR)

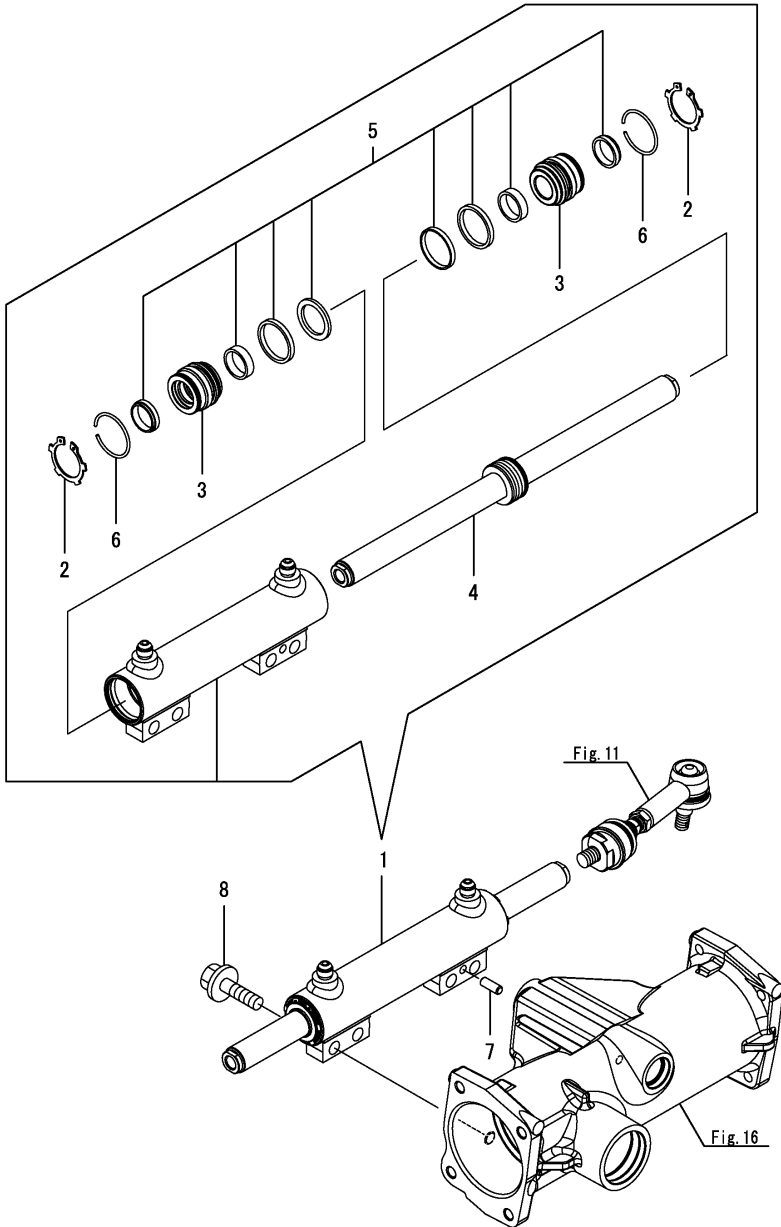
(B)=

(C)=

(D)=

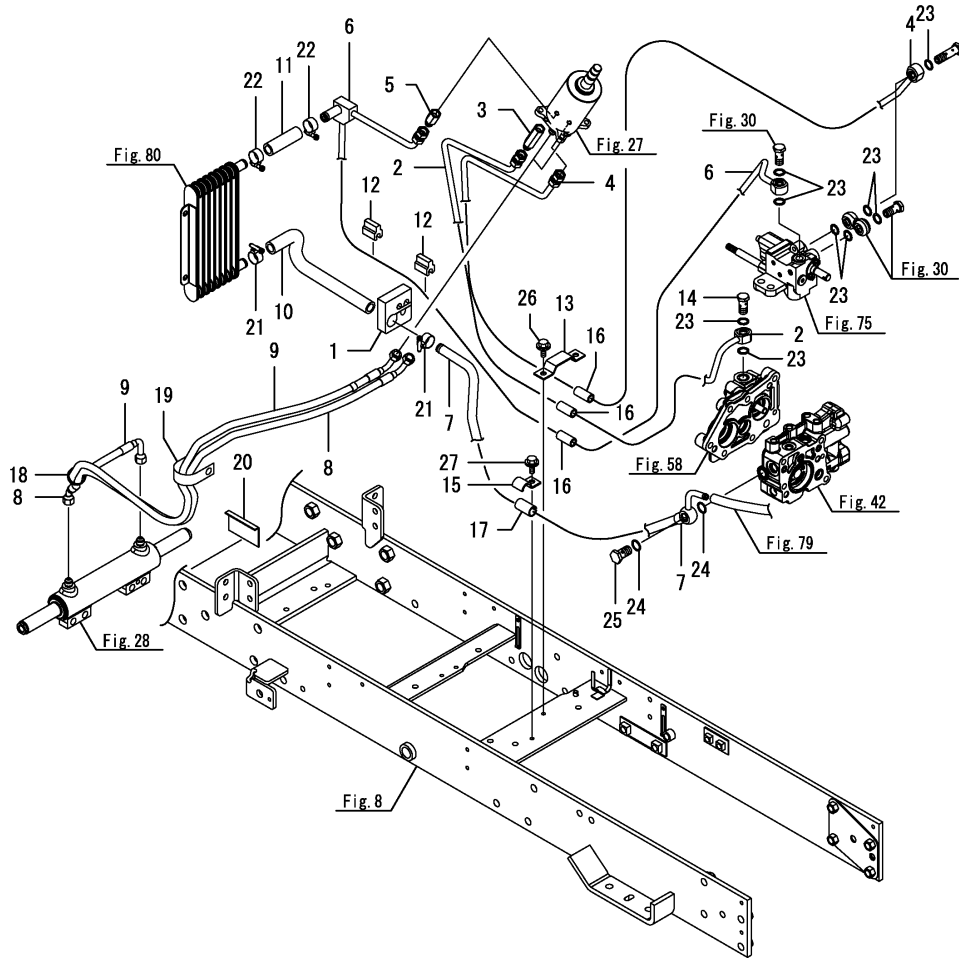
(E)=

(F)=



| No. | Lev. | Parts No. | Description | Q'ty | | | | | | I | R |
|-----|------|--------------|----------------------|------|-----|-----|-----|-----|-----|---|---|
| | | | | (A) | (B) | (C) | (D) | (E) | (F) | | |
| 1 | 1 | 1A7880-17011 | CYLINDER ASSY | 1 | | | | | | | |
| 2 | 2 | 1A7880-17050 | RING | 2 | | | | | | | |
| 3 | 2 | 1A7880-17070 | HEAD | 2 | | | | | | | |
| 4 | 2 | 1A7880-17080 | ROD ASSY, PISTON | 1 | | | | | | | |
| 5 | 2 | 1A7880-17101 | SEAL KIT | 1 | | | | | | | |
| 6 | 2 | 1A7335-17520 | CIRCLIP | 2 | | | | | | | |
| 7 | 1 | 22312-080200 | PIN, PARALLEL M8X20 | 1 | | | | | | | |
| 8 | 1 | 26106-120452 | BOLT, M12X 45 PLATED | 4 | | | | | | | |

Fig.29. PST PIPING A



(A)=SC2400(YANMAR)

(B)=

(C)=

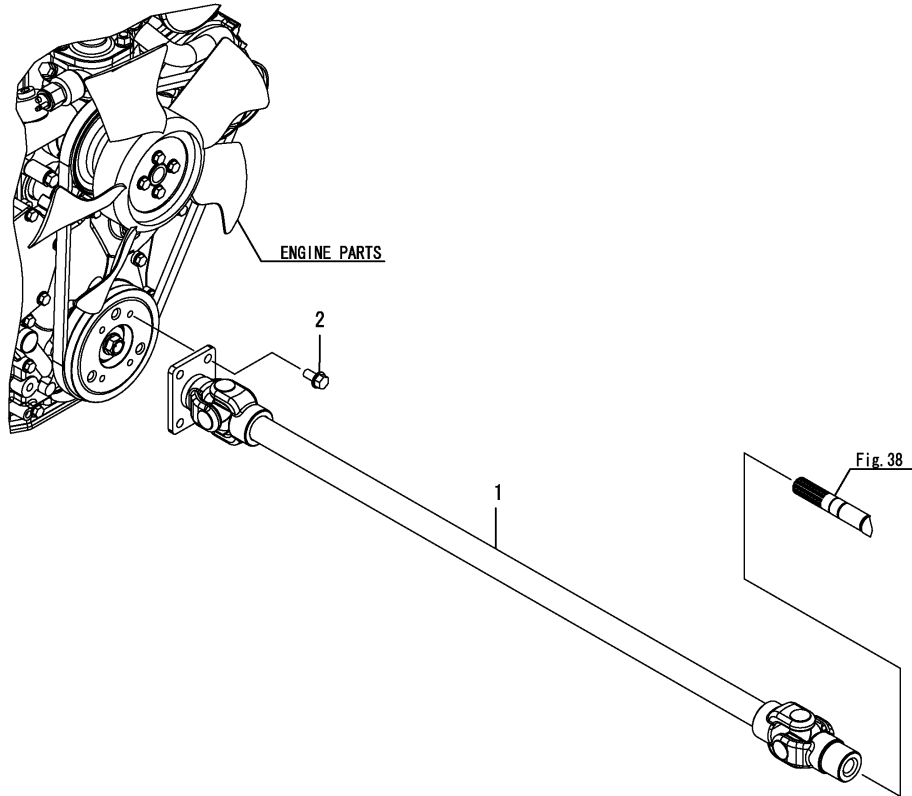
(D)=

(E)=

(F)=

| No. | Lev. | Parts No. | Description | Q'ty | | | | | | I | R |
|-----|------|--------------|---------------------|------|-----|-----|-----|-----|-----|---|---|
| | | | | (A) | (B) | (C) | (D) | (E) | (F) | | |
| 1 | 1 | 1A7880-15060 | SEAL, PIPE | 1 | | | | | | | |
| 2 | 1 | 1A7880-17601 | PIPE ASSY, PRESSURE | 1 | | | | | | | |
| 3 | 1 | 1A7880-17630 | JOINT, 9/16UNF-70 | 1 | | | | | | | |
| 4 | 1 | 1A7880-17651 | PIPE ASSY, PRESSURE | 1 | | | | | | | |
| 5 | 1 | 1A7880-17680 | JOINT, 9/16UNF-40 | 1 | | | | | | | |
| 6 | 1 | 1A7880-17701 | PIPE ASSY, PRESSURE | 1 | | | | | | | |
| 7 | 1 | 1A7880-17751 | PIPE ASSY, PRESSURE | 1 | | | | | | | |
| 8 | 1 | 1A7880-17810 | HOSE, PRESSURE L | 1 | | | | | | | |
| 9 | 1 | 1A7880-17830 | HOSE, PRESSURE R | 1 | | | | | | | |
| 10 | 1 | 1A7880-17930 | HOSE, PRESSURE A | 1 | | | | | | | |
| 11 | 1 | 1A7880-17940 | HOSE, PRESSURE B | 1 | | | | | | | |
| 12 | 1 | 1A7880-17970 | CLAMP, PIPE | 2 | | | | | | | |
| 13 | 1 | 1A7880-17980 | CLAMP, PIPE | 1 | | | | | | | |
| 14 | 1 | 1A7880-47510 | BOLT, JOINT 9/16UNF | 1 | | | | | | | |
| 15 | 1 | 198240-48830 | CLAMP | 1 | | | | | | | |
| 16 | 1 | 194464-48850 | RUBBER, ABSORBER | 3 | | | | | | | |
| 17 | 1 | 198240-48850 | CLAMP, ABSORBER | 1 | | | | | | | |
| 18 | 1 | 1A8300-51210 | BAND, REPEAT | 1 | | | | | | | |
| 19 | 1 | 194440-51630 | CLAMP, HARNESS | 1 | | | | | | | |
| 20 | 1 | 1A7500-51810 | SEAL, HARNESS | 1 | | | | | | | |
| 21 | 1 | 23000-022000 | CLAMP, 22 | 2 | | | | | | | |
| 22 | 1 | 23000-022000 | CLAMP, 22 | 2 | | | | | | | |
| 23 | 1 | 23414-140000 | GASKET, 14X1.0 | 9 | | | | | | | |
| 24 | 1 | 23414-160021 | GASKET, 16X1.0 | 2 | | | | | | | |
| 25 | 1 | 23857-100000 | BOLT, JOINT 10 | 1 | | | | | | | |
| 26 | 1 | 26106-080162 | BOLT, M8X 16 PLATED | 1 | | | | | | | |
| 27 | 1 | 26106-080162 | BOLT, M8X 16 PLATED | 1 | | | | | | | |

Fig.31. DRIVE SHAFT



(A)=SC2400(YANMAR)
 (B)=
 (C)=

(D)=
 (E)=
 (F)=

| No. | Lev. | Parts No. | Description | Q'ty | | | | | | I | R |
|-----|------|--------------|---------------------|------|-----|-----|-----|-----|-----|---|---|
| | | | | (A) | (B) | (C) | (D) | (E) | (F) | | |
| 1 | 1 | 1A7880-21100 | SHAFT ASSY, DRIVE | 1 | | | | | | | |
| 2 | 1 | 26106-080162 | BOLT, M8X 16 PLATED | 4 | | | | | | | |

Fig.32. T/M ACCESSORIES

(A)=SC2400(YANMAR)

(B)=

(C)=

(D)=

(E)=

(F)=

| No. | Lev. | Parts No. | Description | Q'ty | | | | | | I | R |
|-----|------|--------------|----------------------|------|-----|-----|-----|-----|-----|---|---|
| | | | | (A) | (B) | (C) | (D) | (E) | (F) | | |
| 1 | 1 | 192157-24170 | FILLER | 1 | | | | | | | |
| 2 | 1 | 24311-000320 | O-RING, 1AP32.0 | 1 | | | | | | | |
| 3 | 1 | 26476-080202 | SCREW, TAPPING M8X20 | 2 | | | | | | | |

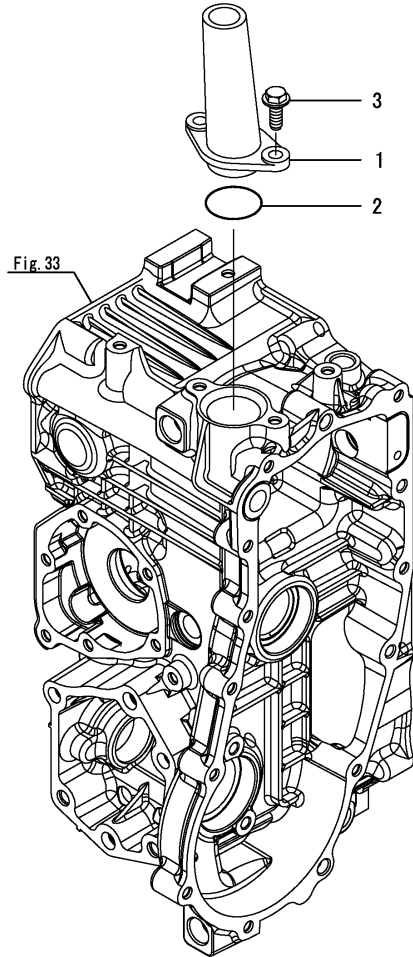
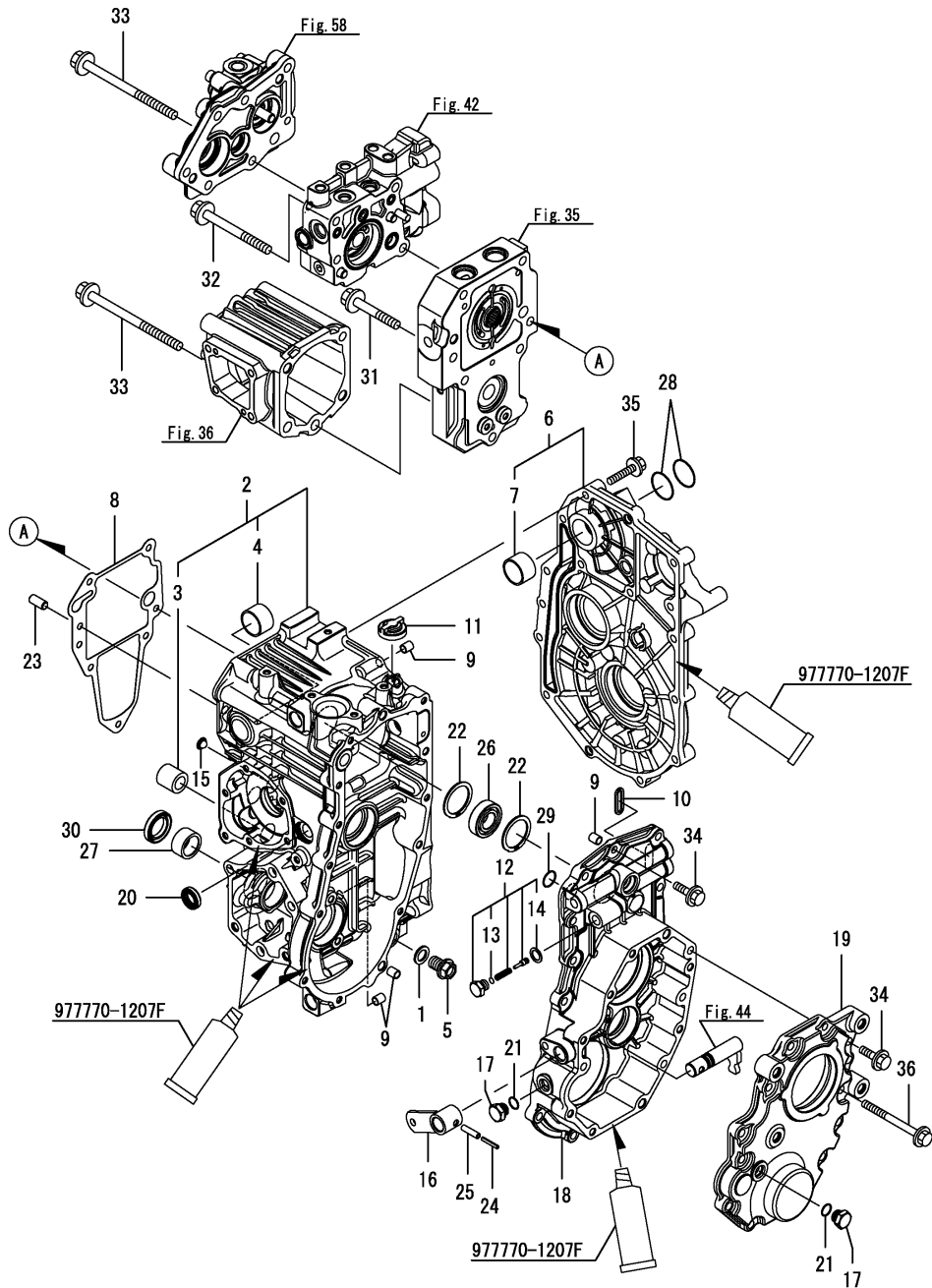


Fig.33. TRANSAXLE CASE



(A)=SC2400(YANMAR)

(B)=

(C)=

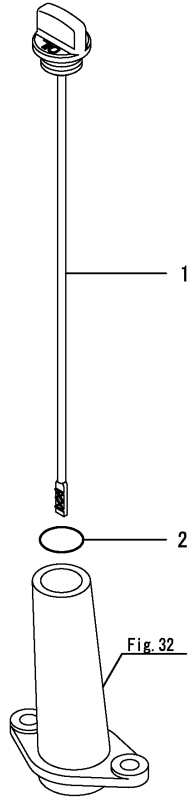
(D)=

(E)=

(F)=

| No. | Lev. | Parts No. | Description | Q'ty | | | | | | I | R |
|-----|------|--------------|----------------------|------|-----|-----|-----|-----|-----|---|---|
| | | | | (A) | (B) | (C) | (D) | (E) | (F) | | |
| 1 | 1 | 1C6900-23150 | WASHER, PLUG | 1 | | | | | | | |
| 2 | 1 | 1A7050-24101 | HOUSING KIT, MISSION | 1 | | | | | | | |
| 3 | 2 | 198167-24950 | JOINT, STRAINER | 1 | | | | | | | |
| 4 | 2 | 24550-028200 | BUSH, 28X20 | 1 | | | | | | | |
| 5 | 1 | 1A7050-24130 | BOLT, DRAIN M14X20 | 1 | | | | | | | |
| 6 | 1 | 1A7050-24150 | COVER KIT, CASE | 1 | | | | | | | |
| 7 | 2 | 24550-028200 | BUSH, 28X20 | 1 | | | | | | | |
| 8 | 1 | 192157-24192 | PACKING, CASE | 1 | | | | | | | |
| 9 | 1 | 192157-24200 | COLLAR 8*10*11.5 | 4 | | | | | | | |
| 10 | 1 | 192157-24220 | D-RING | 1 | | | | | | | |
| 11 | 1 | 194859-24252 | VALVE, VENT 15 | 1 | | | | | | | |
| 12 | 1 | 192157-24450 | RELIEF KIT, PTO | 1 | | | | | | | |
| 13 | 2 | 192157-27090 | SHIM, 7X0.2 | 1 | | | | | | | |
| 14 | 2 | 23414-120000 | GASKET, 12X1.0 | 1 | | | | | | | |
| 15 | 1 | 192157-24801 | STRAINER | 2 | | | | | | | |
| 16 | 1 | 187K06-26710 | PTO ARM CMP | 1 | | | | | | | |
| 17 | 1 | 187K06-26740 | PLUG 9/16-18UNF | 2 | | | | | | | |
| 18 | 1 | 192157-26810 | CASE, REAR PTO | 1 | | | | | | | |
| 19 | 1 | 192157-26821 | COVER, REAR PTO CASE | 1 | | | | | | | |
| 20 | 1 | 194065-27270 | SEAL, OIL TC16266 | 1 | | | | | | | |
| 21 | 1 | 194850-49290 | PACKING, 6-1 | 2 | | | | | | | |
| 22 | 1 | 22262-000420 | RING, R-42 | 2 | | | | | | | |
| 23 | 1 | 22312-100200 | PIN, PARALLEL M10X20 | 1 | | | | | | | |
| 24 | 1 | 22351-035025 | PIN, SPRING 3.5X25 | 1 | | | | | | | |
| 25 | 1 | 22351-060025 | PIN, SPRING 6.0X25 | 1 | | | | | | | |
| 26 | 1 | 24101-060044 | BEARING, BALL 6004 | 1 | | | | | | | |
| 27 | 1 | 24162-253216 | BEARING, 253216 | 1 | | | | | | | |
| 28 | 1 | 24311-000260 | O-RING, 1AP26.0 | 2 | | | | | | | |
| 29 | 1 | 24351-190170 | O-RING, 1A19017 | 1 | | | | | | | |
| 30 | 1 | 24421-253807 | SEAL, OIL TC253807 | 1 | | | | | | | |
| 31 | 1 | 26016-100652 | BOLT, M10X 65 | 1 | | | | | | | |
| 32 | 1 | 26016-101052 | BOLT, M10X105 | 1 | | | | | | | |
| 33 | 1 | 26016-101452 | BOLT, M10X145 | 3 | | | | | | | |
| 34 | 1 | 26106-080302 | BOLT, M8X 30 PLATED | 19 | | | | | | | |
| 35 | 1 | 26106-080402 | BOLT, M8X 40 PLATED | 16 | | | | | | | |
| 36 | 1 | 26106-080902 | BOLT, M8X 90 PLATED | 4 | | | | | | | |

Fig.34. OIL GAUGE



(A)=SC2400(YANMAR)

(B)=

(C)=

(D)=

(E)=

(F)=

| No. | Lev. | Parts No. | Description | Q'ty | | | | | | I | R |
|-----|------|--------------|-----------------|------|-----|-----|-----|-----|-----|---|---|
| | | | | (A) | (B) | (C) | (D) | (E) | (F) | | |
| 1 | 1 | 1A7880-21500 | PLUG, 20X271 | 1 | | | | | | | |
| 2 | 1 | 24311-000180 | O-RING, 1AP18.0 | 1 | | | | | | | |

Fig.35. CENTER CASE

(A)=SC2400(YANMAR)

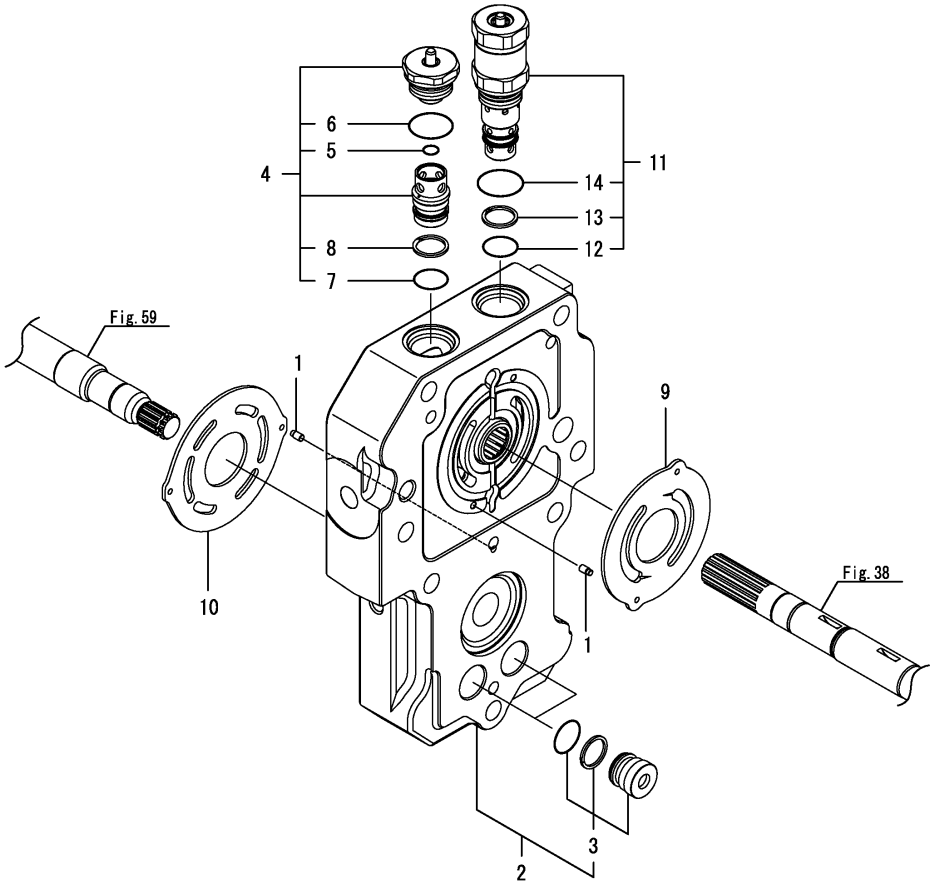
(B)=

(C)=

(D)=

(E)=

(F)=



| No. | Lev. | Parts No. | Description | Q'ty | | | | | | I | R |
|-----|------|--------------|---------------------|------|-----|-----|-----|-----|-----|---|---|
| | | | | (A) | (B) | (C) | (D) | (E) | (F) | | |
| 1 | 1 | 192163-24420 | PIN, KNOCK 3.5 | 4 | | | | | | | |
| 2 | 1 | 187K06-24500 | CENTER CASE K93 CMP | 1 | | | | | | | |
| 3 | 2 | 1A6750-29510 | BODY ASSY, SUCTION | 2 | | | | | | | |
| 4 | 1 | 1A7050-24990 | VALVE ASSY, CHECK R | 1 | | | | | | | |
| 5 | 2 | 24311-000050 | O-RING, 1AP5.0 | 1 | | | | | | | |
| 6 | 2 | 24311-000200 | O-RING, 1AP20.0 | 1 | | | | | | | |
| 7 | 2 | 192154-24670 | PACKING 1015 | 1 | | | | | | | |
| 8 | 2 | 192157-40180 | RING, BACK UP 18 | 1 | | | | | | | |
| 9 | 1 | 168H61-29260 | VALVE PLATE(P) | 1 | | | | | | | |
| 10 | 1 | 168HK0-29351 | VALVE PLATE(M) | 1 | | | | | | | |
| 11 | 1 | 187K06-40010 | RELEAF ASSY,TOW 25 | 1 | | | | | | | |
| 12 | 2 | 192154-24670 | PACKING 1015 | 1 | | | | | | | |
| 13 | 2 | 192157-40180 | RING, BACK UP 18 | 1 | | | | | | | |
| 14 | 2 | 24311-000200 | O-RING, 1AP20.0 | 1 | | | | | | | |

Fig.36. MOTOR CASE

(A)=SC2400(YANMAR)

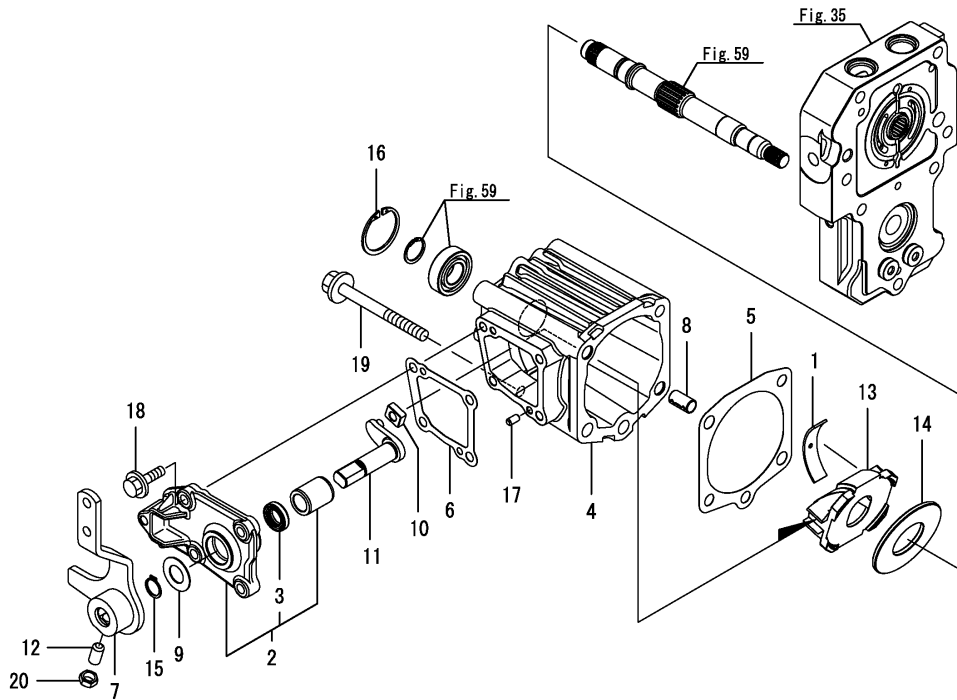
(B)=

(C)=

(D)=

(E)=

(F)=



| No. | Lev. | Parts No. | Description | Q'ty | | | | | | I | R |
|-----|------|--------------|----------------------|------|-----|-----|-----|-----|-----|---|---|
| | | | | (A) | (B) | (C) | (D) | (E) | (F) | | |
| 1 | 1 | 178080-06200 | THRUST METAL(DDR16 | 2 | | | | | | | |
| 2 | 1 | 187K06-24540 | SIDE COVER CMP | 1 | | | | | | | |
| 3 | 2 | 194065-27270 | SEAL, OIL TC16266 | 1 | | | | | | | |
| 4 | 1 | 187K06-24550 | MOTOR CASE K93 | 1 | | | | | | | |
| 5 | 1 | 192157-24560 | PACKING, MOTOR CASE | 1 | | | | | | | |
| 6 | 1 | 187K06-24570 | PAKING (SIDE COVER | 1 | | | | | | | |
| 7 | 1 | 187K06-24600 | SECOND LEVER CMP | 1 | | | | | | | |
| 8 | 1 | 192157-24850 | PIN 12X22,KNOCK | 2 | | | | | | | |
| 9 | 1 | 168H60-29390 | WASHER 17X32X1 | 1 | | | | | | | |
| 10 | 1 | 168H60-29400 | SHIFT BLOCK | 1 | | | | | | | |
| 11 | 1 | 168H60-29411 | CONTROL ARM | 1 | | | | | | | |
| 12 | 1 | 1A7130-29420 | SCREW, M10X20 | 1 | | | | | | | |
| 13 | 1 | 187K06-29460 | SWASH PLATE | 1 | | | | | | | |
| 14 | 1 | 168HK0-29620 | PLATE, THRUST | 1 | | | | | | | |
| 15 | 1 | 22242-000160 | RING, 16 | 1 | | | | | | | |
| 16 | 1 | 22252-000420 | RING, 42 | 1 | | | | | | | |
| 17 | 1 | 22312-060100 | PIN, PARALLEL M6X10 | 2 | | | | | | | |
| 18 | 1 | 26106-080302 | BOLT, M8X 30 PLATED | 4 | | | | | | | |
| 19 | 1 | 26106-101052 | BOLT, M10X105 PLATED | 1 | | | | | | | |
| 20 | 1 | 26776-100002 | NUT, LOCK M10 | 1 | | | | | | | |

Fig.38. PUMP

(A)=SC2400(YANMAR)

(B)=

(C)=

(D)=

(E)=

(F)=

| No. | Lev. | Parts No. | Description | Q'ty | | | | | | I | R |
|-----|------|--------------|----------------------|------|-----|-----|-----|-----|-----|---|---|
| | | | | (A) | (B) | (C) | (D) | (E) | (F) | | |
| 1 | 1 | 187K06-25170 | PUMP SHAFT K93 | 1 | | | | | | | |
| 2 | 1 | 1A7050-25181 | BLOCK ASSY, CYLINDER | 1 | | | | | | | |
| 3 | 2 | 22262-000240 | RING, R-24 | 1 | | | | | | | |
| 4 | 1 | 22242-000200 | RING, 20 | 1 | | | | | | | |

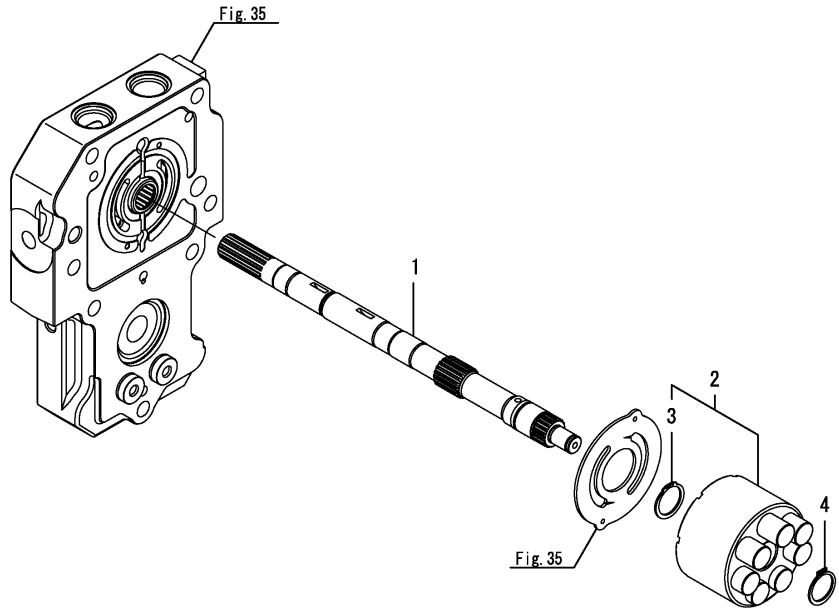
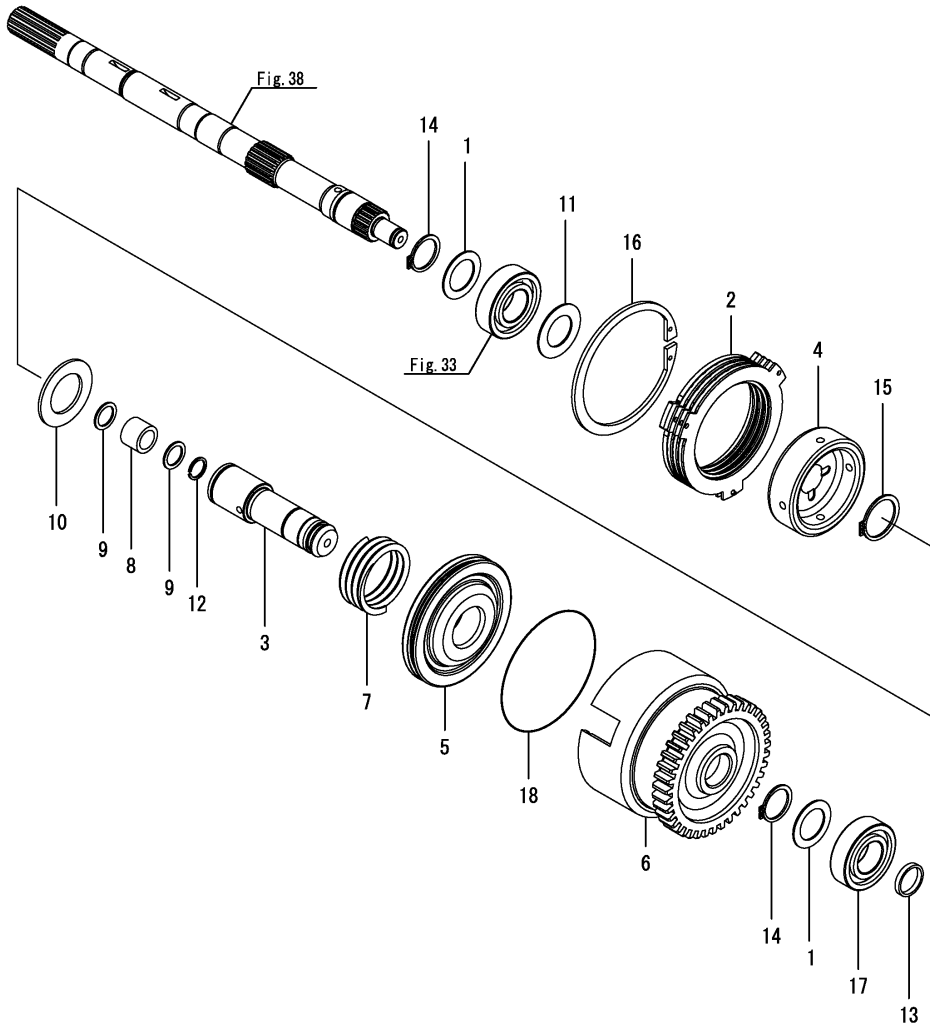


Fig.39. CLUTCH SHAFT



(A)=SC2400(YANMAR)

(B)=

(C)=

(D)=

(E)=

(F)=

| No. | Lev. | Parts No. | Description | Q'ty | | | | | | I | R |
|-----|------|--------------|--------------------|------|-----|-----|-----|-----|-----|---|---|
| | | | | (A) | (B) | (C) | (D) | (E) | (F) | | |
| 1 | 1 | 194200-25270 | SPACER, SHAFT | 2 | | | | | | | |
| 2 | 1 | 192157-26100 | DISC KIT, FRICTION | 1 | | | | | | | |
| 3 | 1 | 192157-26111 | SHAFT, CLUTCH | 1 | | | | | | | |
| 4 | 1 | 192157-26120 | COLLAR, SPLINE | 1 | | | | | | | |
| 5 | 1 | 192157-26130 | PISTON | 1 | | | | | | | |
| 6 | 1 | 187K08-26140 | GEAR, CLUTCH 39T | 1 | | | | | | | |
| 7 | 1 | 192157-26150 | SPRING, PTO RETURN | 1 | | | | | | | |
| 8 | 1 | 192157-26160 | NEEDLE, 121718 | 1 | | | | | | | |
| 9 | 1 | 192157-26170 | WASHER, 13X17X1 | 2 | | | | | | | |
| 10 | 1 | 192157-26270 | WASHER 25X42X2 | 1 | | | | | | | |
| 11 | 1 | 192157-26300 | WASHER, 20X34X1 | 1 | | | | | | | |
| 12 | 1 | 192157-26330 | RING 12 | 1 | | | | | | | |
| 13 | 1 | 192157-26350 | RING, SEAL | 1 | | | | | | | |
| 14 | 1 | 22242-000200 | RING, 20 | 2 | | | | | | | |
| 15 | 1 | 22242-000250 | RING, 25 | 1 | | | | | | | |
| 16 | 1 | 22252-000800 | RING, 80 | 1 | | | | | | | |
| 17 | 1 | 24101-060044 | BEARING, BALL 6004 | 1 | | | | | | | |
| 18 | 1 | 24321-000750 | O-RING, 1AG75.0 | 1 | | | | | | | |

Fig.40. PTO BRAKE

(A)=SC2400(YANMAR)

(B)=

(C)=

(D)=

(E)=

(F)=

| No. | Lev. | Parts No. | Description | Q'ty | | | | | | I | R |
|-----|------|--------------|---------------------|------|-----|-----|-----|-----|-----|---|---|
| | | | | (A) | (B) | (C) | (D) | (E) | (F) | | |
| 1 | 1 | 1A7050-26080 | BRAKE KIT, PTO | 1 | | | | | | | |
| 2 | 1 | 192157-26180 | COLLAR, BRAKE PIN | 1 | | | | | | | |
| 3 | 1 | 1A7050-26210 | COVER, PTO BRAKE | 1 | | | | | | | |
| 4 | 1 | 192157-26220 | SHOE, BRAKE | 1 | | | | | | | |
| 5 | 1 | 24311-000100 | O-RING, 1AP10.0 | 1 | | | | | | | |
| 6 | 1 | 24351-240450 | O-RING, 1A24045 | 1 | | | | | | | |
| 7 | 1 | 26106-080252 | BOLT, M8X 25 PLATED | 3 | | | | | | | |

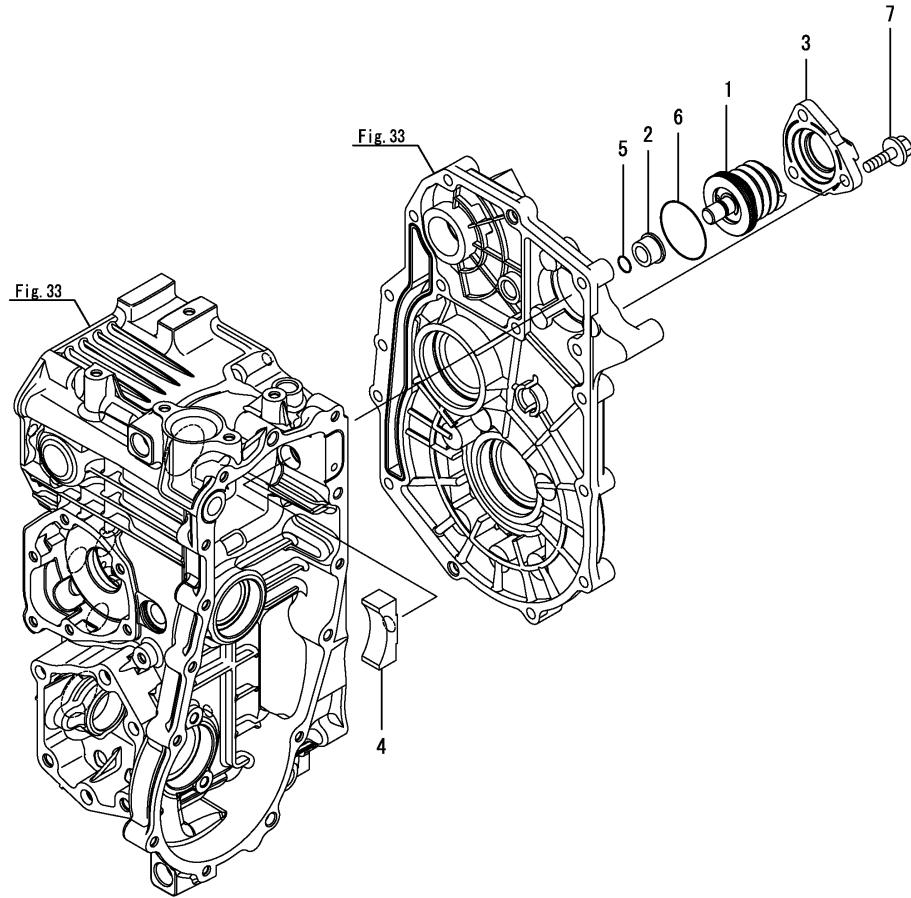


Fig.41. PTO SHAFT

(A)=SC2400(YANMAR)

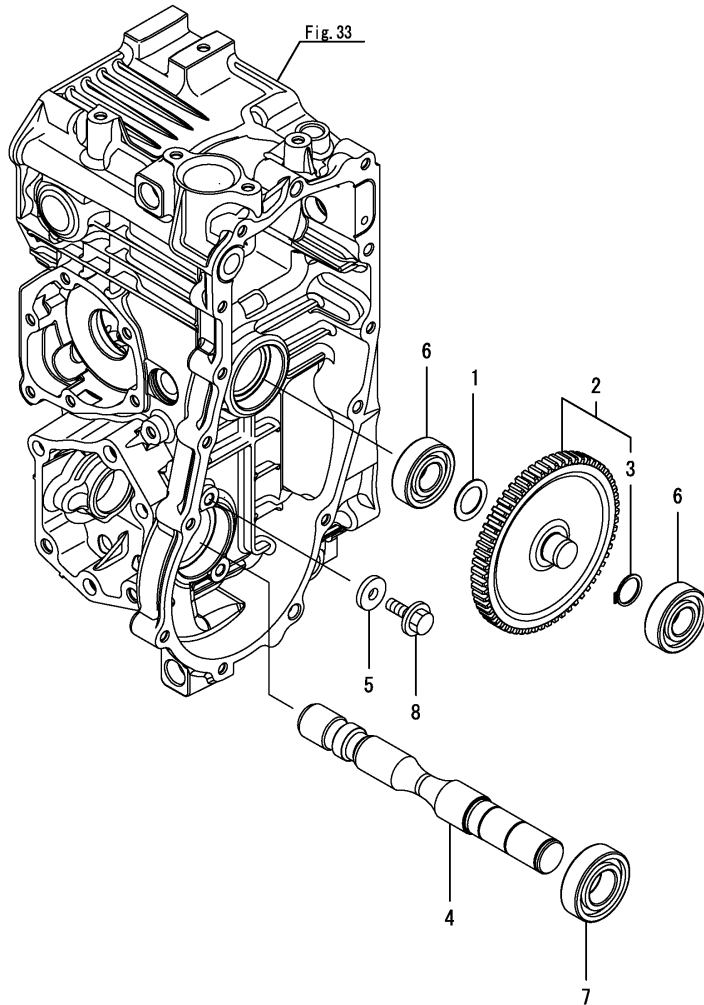
(B)=

(C)=

(D)=

(E)=

(F)=



| No. | Lev. | Parts No. | Description | Q'ty | | | | | | I | R |
|-----|------|--------------|--------------------|------|-----|-----|-----|-----|-----|---|---|
| | | | | (A) | (B) | (C) | (D) | (E) | (F) | | |
| 1 | 1 | 194200-25270 | SPACER, SHAFT | 1 | | | | | | | |
| 2 | 1 | 187K08-26340 | IDLE ASSY, PTO | 1 | | | | | | | |
| 3 | 2 | 22242-000200 | RING, 20 | 1 | | | | | | | |
| 4 | 1 | 1A7050-26360 | SHAFT, MID PTO | 1 | | | | | | | |
| 5 | 1 | 192157-26380 | WASHER, 8.5X24X4 | 2 | | | | | | | |
| 6 | 1 | 24101-062044 | BEARING, BALL 6204 | 2 | | | | | | | |
| 7 | 1 | 24101-062054 | BEARING, BALL 6205 | 1 | | | | | | | |
| 8 | 1 | 26016-080202 | BOLT, M8X 20 | 2 | | | | | | | |

Fig.42. POWER PUMP

(A)=SC2400(YANMAR)

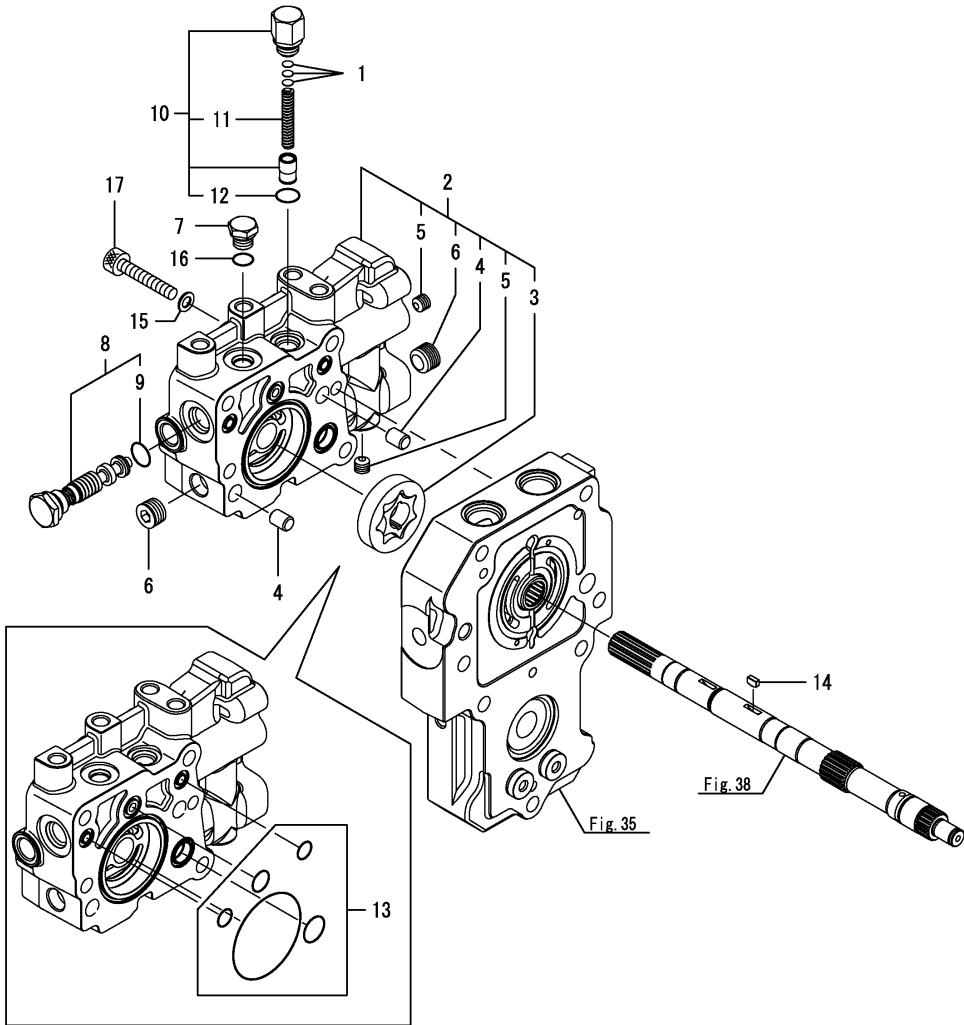
(B)=

(C)=

(D)=

(E)=

(F)=



| No. | Lev. | Parts No. | Description | Q'ty | | | | | | I | R |
|-----|------|--------------|----------------------|------|-----|-----|-----|-----|-----|---|---|
| | | | | (A) | (B) | (C) | (D) | (E) | (F) | | |
| 1 | 1 | 1684Q3-01430 | SHIM 7X0.5 | 3 | | | | | | | |
| 2 | 1 | 187K06-26400 | PUMP BODY K93 CMP | 1 | | | | | | | |
| 3 | 2 | 1A6370-31000 | ROTOR SET | 1 | | | | | | | |
| 4 | 2 | 22312-100120 | PIN, PARALLEL M10X12 | 2 | | | | | | | |
| 5 | 2 | 23871-010000 | PLUG, R01 | 2 | | | | | | | |
| 6 | 2 | 23871-030000 | PLUG, R03 | 2 | | | | | | | |
| 7 | 1 | 192157-26460 | PLUG 1/2-20 UNF | 1 | | | | | | | |
| 8 | 1 | 192157-26470 | REDUCING VALVE COMP. | 1 | | | | | | | |
| 9 | 2 | 24311-000140 | O-RING, 1AP14.0 | 1 | | | | | | | |
| 10 | 1 | 192157-26520 | PRESSURE VALVE COMP. | 1 | | | | | | | |
| 11 | 2 | 192157-26740 | SPRING | 1 | | | | | | | |
| 12 | 2 | 24311-000120 | O-RING, 1AP12.0 | 1 | | | | | | | |
| 13 | 1 | 187K06-29390 | GASKET SET | 1 | | | | | | | |
| 14 | 1 | 187K06-29890 | KEY, 8X3.2 | 1 | | | | | | | |
| 15 | 1 | 22190-080002 | WASHER, SEAL 6 | 1 | | | | | | | |
| 16 | 1 | 24361-090500 | O-RING, 1AAS905 | 1 | | | | | | | |
| 17 | 1 | 26450-080502 | BOLT, M8X 50 | 1 | | | | | | | |

Fig.43. SOLENOID VALVE

(A)=SC2400(YANMAR)

(B)=

(C)=

(D)=

(E)=

(F)=

| No. | Lev. | Parts No. | Description | Q'ty | | | | | | I | R |
|-----|------|--------------|----------------------|------|-----|-----|-----|-----|-----|---|---|
| | | | | (A) | (B) | (C) | (D) | (E) | (F) | | |
| 1 | 1 | 192157-26611 | VALVE SOLENOID CMP | 1 | | | | | | | |
| 2 | 1 | 187K08-27700 | SOLENOID ASSY | 1 | | | | | | | |
| 3 | 2 | 168320-04150 | DISTINCTIONBINDER(BK | 1 | | | | | | | |
| 4 | 2 | 192159-27790 | PLASTIC NUT | 1 | | | | | | | |
| 5 | 2 | 24311-000180 | O-RING, 1AP18.0 | 1 | | | | | | | |
| 6 | 2 | 192159-27780 | GASKET, SOLENOID | 1 | | | | | | | |
| 7 | 2 | 24341-000112 | O-RING, 1AS11.2 | 1 | | | | | | | |

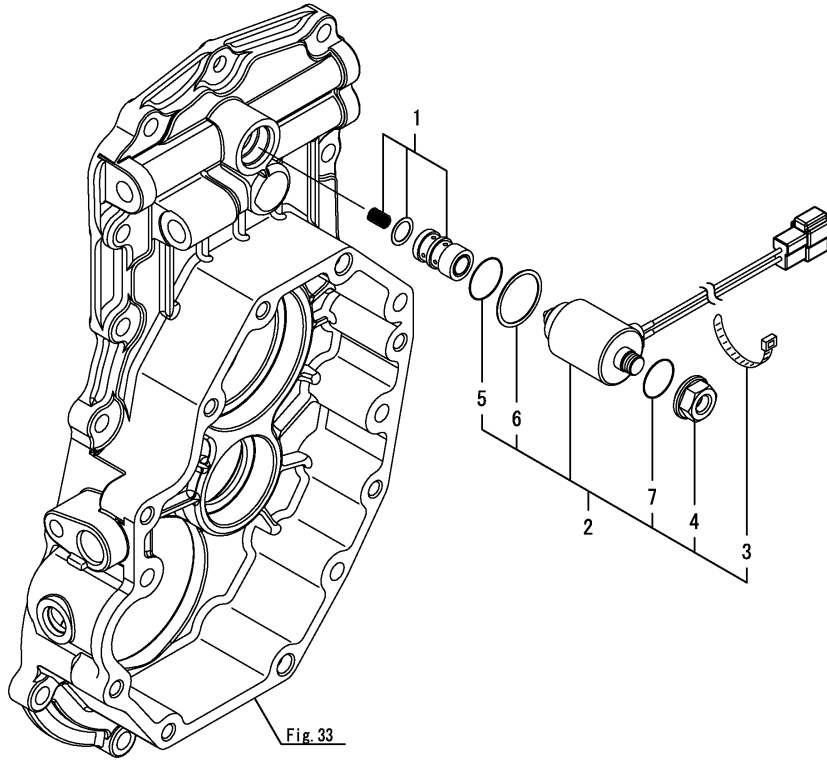
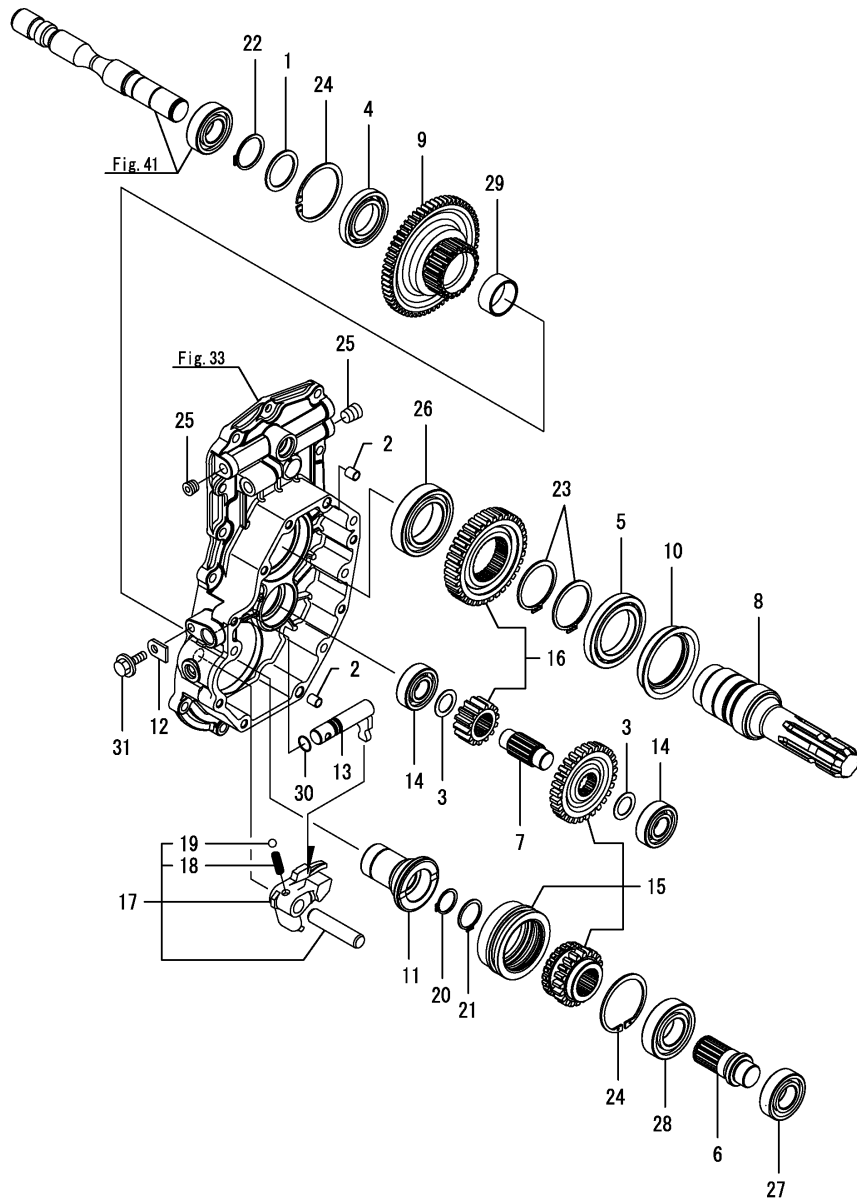


Fig.44. R-PTO SHAFT



(A)=SC2400(YANMAR)

(B)=

(C)=

(D)=

(E)=

(F)=

| No. | Lev. | Parts No. | Description | Q'ty | | | | | | I | R |
|-----|------|--------------|----------------------|------|-----|-----|-----|-----|-----|---|---|
| | | | | (A) | (B) | (C) | (D) | (E) | (F) | | |
| 1 | 1 | 194464-22160 | SPACER, 35.5X45X2 | 1 | | | | | | | |
| 2 | 1 | 192157-24200 | COLLAR 8*10*11.5 | 2 | | | | | | | |
| 3 | 1 | 194200-25270 | SPACER, SHAFT | 2 | | | | | | | |
| 4 | 1 | 194454-25770 | BEARING, BALL 16007 | 1 | | | | | | | |
| 5 | 1 | 194454-25870 | BEARING, BALL 16010 | 1 | | | | | | | |
| 6 | 1 | 192157-26840 | SHAFT, REAR PTO | 1 | | | | | | | |
| 7 | 1 | 192157-26860 | SHAFT, REAR PTO IDLE | 1 | | | | | | | |
| 8 | 1 | 1A7052-26890 | SHAFT, REAR PTO | 1 | | | | | | | |
| 9 | 1 | 187K08-26970 | B-PTO GEAR 62T | 1 | | | | | | | |
| 10 | 1 | 192157-26980 | SEAL, TCFY557214 | 1 | | | | | | | |
| 11 | 1 | 192157-26991 | COLLAR, SPLINE | 1 | | | | | | | |
| 12 | 1 | 194197-27681 | PLATE, KEEP | 1 | | | | | | | |
| 13 | 1 | 192157-27740 | SHAFT, MBR CHANGE | 1 | | | | | | | |
| 14 | 1 | 192159-31410 | BEARING,6204R SH2 | 2 | | | | | | | |
| 15 | 1 | 192157-99010 | GEAR KIT, 20-29 | 1 | | | | | | | |
| 16 | 1 | 192157-99020 | GEAR KIT, 14-35 | 1 | | | | | | | |
| 17 | 1 | 192157-99040 | HORK KIT, MBR | 1 | | | | | | | |
| 18 | 2 | 194145-27450 | SPRING | 1 | | | | | | | |
| 19 | 2 | 24190-100001 | BALL, STEEL 5/16 | 1 | | | | | | | |
| 20 | 1 | 22242-000240 | RING, 24 | 1 | | | | | | | |
| 21 | 1 | 22242-000290 | RING, 29 | 1 | | | | | | | |
| 22 | 1 | 22242-000350 | RING, 35 | 1 | | | | | | | |
| 23 | 1 | 22242-000500 | RING, 50 | 2 | | | | | | | |
| 24 | 1 | 22252-000620 | RING, 62 | 2 | | | | | | | |
| 25 | 1 | 23871-020000 | PLUG, R02 | 3 | | | | | | | |
| 26 | 1 | 24101-060094 | BEARING, BALL 6009 | 1 | | | | | | | |
| 27 | 1 | 24101-062054 | BEARING, BALL 6205 | 1 | | | | | | | |
| 28 | 1 | 24101-062064 | BEARING, BALL 6206 | 1 | | | | | | | |
| 29 | 1 | 24161-354017 | BEARING, 354017 | 1 | | | | | | | |
| 30 | 1 | 24311-000125 | O-RING, 1AP12.5 | 1 | | | | | | | |
| 31 | 1 | 26016-080202 | BOLT, M8X 20 | 1 | | | | | | | |

Fig.45. SHIFT

(A)=SC2400(YANMAR)

(B)=

(C)=

(D)=

(E)=

(F)=

| No. | Lev. | Parts No. | Description | Q'ty | | | | | | I | R |
|-----|------|--------------|-----------------|------|-----|-----|-----|-----|-----|---|---|
| | | | | (A) | (B) | (C) | (D) | (E) | (F) | | |
| 1 | 1 | 1A7050-24610 | BEARING, THRUST | 1 | | | | | | | |
| 2 | 1 | 192157-24620 | PLATE, THRUST A | 1 | | | | | | | |

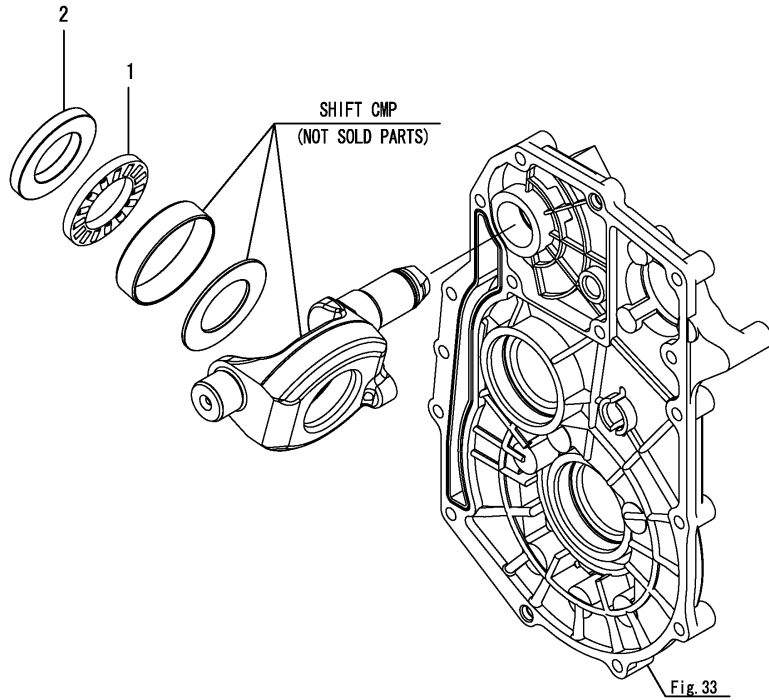


Fig. 33

Fig.46. RANGE SHIFT LEVER A

(A)=SC2400(YANMAR)

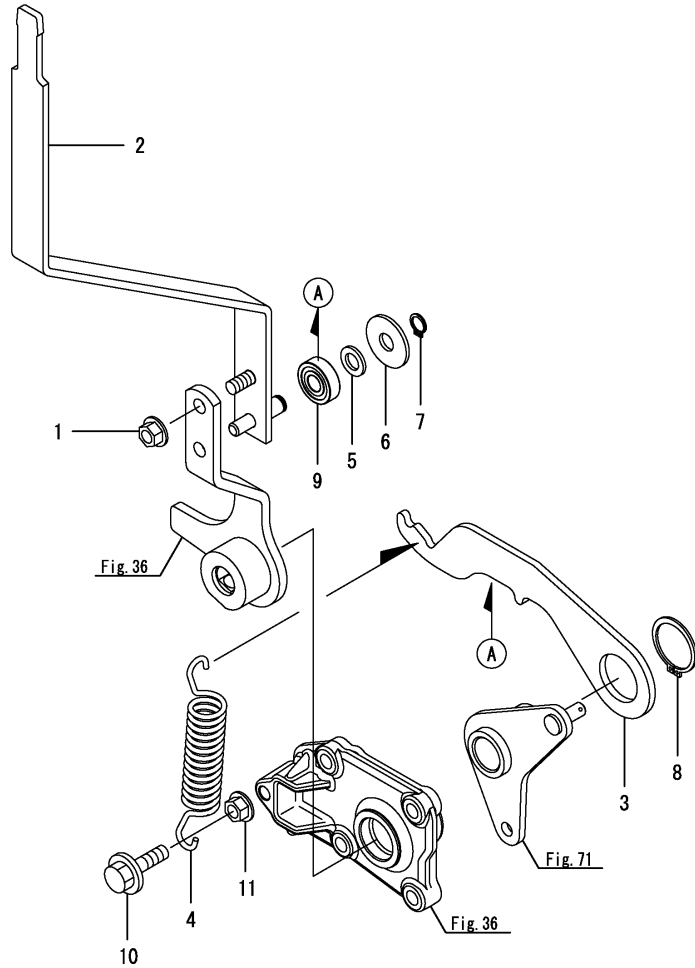
(B)=

(C)=

(D)=

(E)=

(F)=



| No. | Lev. | Parts No. | Description | Q'ty | | | | | | I | R |
|-----|------|--------------|----------------------|------|-----|-----|-----|-----|-----|---|---|
| | | | | (A) | (B) | (C) | (D) | (E) | (F) | | |
| 1 | 1 | 194990-22140 | NUT, M8 | 2 | | | | | | | |
| 2 | 1 | 1A7880-27500 | LEVER ASSY, RANGE | 1 | | | | | | | |
| 3 | 1 | 1A7880-27561 | ARM, RANGE | 1 | | | | | | | |
| 4 | 1 | 1A7880-27580 | SPRING | 1 | | | | | | | |
| 5 | 1 | 22117-100000 | WASHER, 10 | 1 | | | | | | | |
| 6 | 1 | 22157-100000 | WASHER, 10 | 1 | | | | | | | |
| 7 | 1 | 22242-000100 | RING, 10 | 1 | | | | | | | |
| 8 | 1 | 22242-000300 | RING, 30 | 1 | | | | | | | |
| 9 | 1 | 24104-060004 | BEARING, BALL 6000UU | 1 | | | | | | | |
| 10 | 1 | 26106-080252 | BOLT, M8X 25 PLATED | 1 | | | | | | | |
| 11 | 1 | 26716-080002 | NUT, M8 | 1 | | | | | | | |

Fig.47. CONTROL

(A)=SC2400(YANMAR)

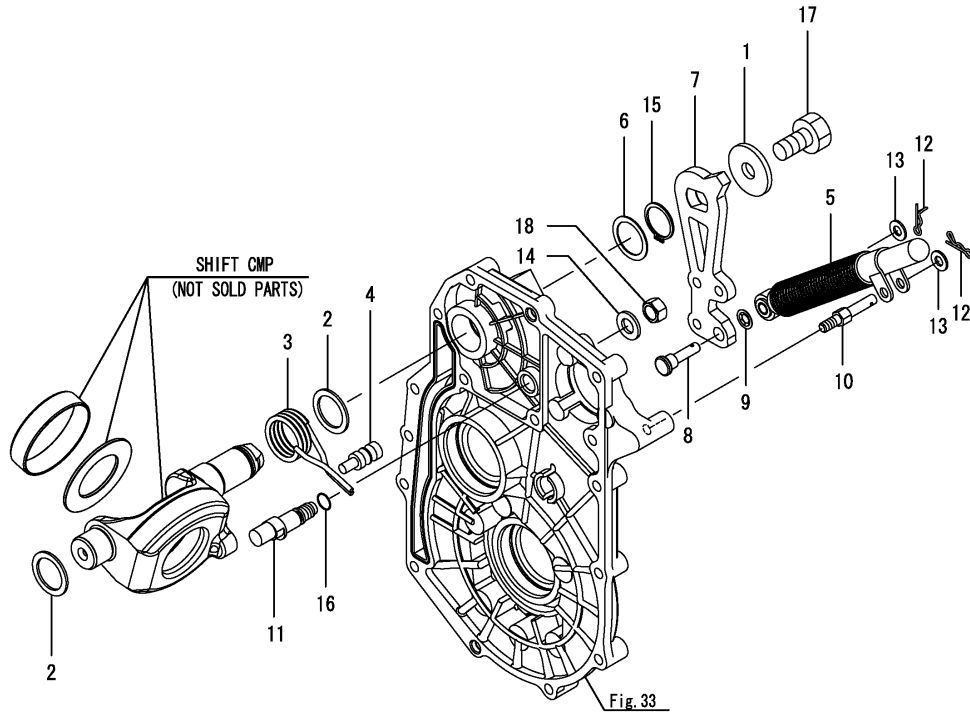
(B)=

(C)=

(D)=

(E)=

(F)=



| No. | Lev. | Parts No. | Description | Q'ty | | | | | | I | R |
|-----|------|--------------|----------------------|------|-----|-----|-----|-----|-----|---|---|
| | | | | (A) | (B) | (C) | (D) | (E) | (F) | | |
| 1 | 1 | 172524-06850 | WASHER 44X14X4.5 | 1 | | | | | | | |
| 2 | 1 | 198167-24530 | WASHER, 28X38X2 | 2 | | | | | | | |
| 3 | 1 | 192157-27510 | SPRING,N/C | 1 | | | | | | | |
| 4 | 1 | 192157-27520 | PIN, N/C | 1 | | | | | | | |
| 5 | 1 | 1A7050-27530 | ABSORBER, SHOCK | 1 | | | | | | | |
| 6 | 1 | 192157-27550 | WASHER 29*35*1 | 1 | | | | | | | |
| 7 | 1 | 1A7050-27600 | ARM, CONTROL | 1 | | | | | | | |
| 8 | 1 | 1A7050-27610 | PIN, ARM | 1 | | | | | | | |
| 9 | 1 | 1A7050-27620 | NUT, PUSH 7.8 | 1 | | | | | | | |
| 10 | 1 | 192154-29640 | STUD | 1 | | | | | | | |
| 11 | 1 | 192154-29700 | FULCRUM | 1 | | | | | | | |
| 12 | 1 | 1C6281-52320 | PIN, SNAP 8 | 2 | | | | | | | |
| 13 | 1 | 22137-080000 | WASHER, 8 | 2 | | | | | | | |
| 14 | 1 | 22137-120000 | WASHER, 12 | 1 | | | | | | | |
| 15 | 1 | 22242-000280 | RING, 28 | 1 | | | | | | | |
| 16 | 1 | 24311-240100 | O-RING, 1AP10A | 1 | | | | | | | |
| 17 | 1 | 26116-140302 | BOLT, M14X 30 PLATED | 1 | | | | | | | |
| 18 | 1 | 26776-120002 | NUT, LOCK M12 | 1 | | | | | | | |

Fig.49. PTO LEVER A

(A)=SC2400(YANMAR)

(B)=

(C)=

(D)=

(E)=

(F)=

| No. | Lev. | Parts No. | Description | Q'ty | | | | | | I | R |
|-----|------|--------------|-----------------|------|-----|-----|-----|-----|-----|---|---|
| | | | | (A) | (B) | (C) | (D) | (E) | (F) | | |
| 1 | 1 | 1A7880-27800 | LEVER ASSY, PTO | 1 | | | | | | | |
| 2 | 1 | 1A7880-27850 | ROD, PTO | 1 | | | | | | | |
| 3 | 1 | 22272-000100 | RING, E-10 | 1 | | | | | | | |
| 4 | 1 | 22372-080000 | PIN, SNAP 8 | 1 | | | | | | | |

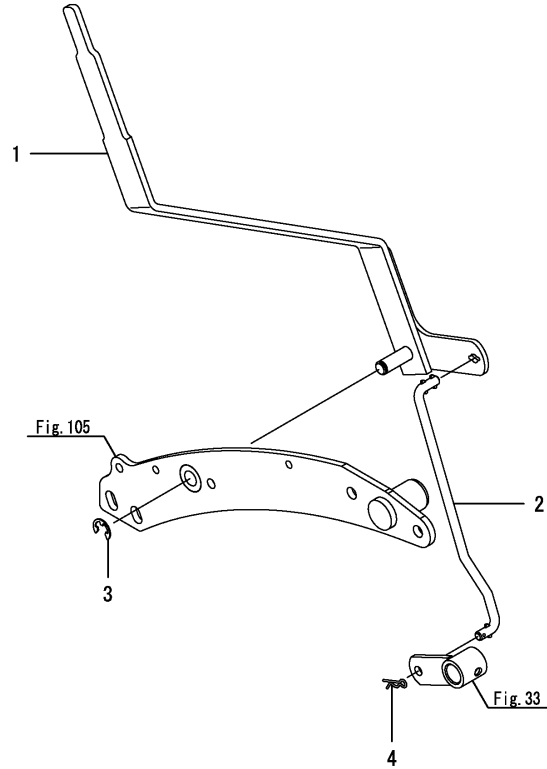


Fig.50. PTO LEVER B

(A)=SC2400(YANMAR)

(B)=

(C)=

(D)=

(E)=

(F)=

| No. | Lev. | Parts No. | Description | Q'ty | | | | | | I | R |
|-----|------|--------------|------------------|------|-----|-----|-----|-----|-----|---|---|
| | | | | (A) | (B) | (C) | (D) | (E) | (F) | | |
| 1 | 1 | 198200-27911 | KNOB, YELLOW | 1 | | | | | | | |
| 2 | 1 | 198162-47630 | TUBE, PROTECT 60 | 1 | | | | | | | |

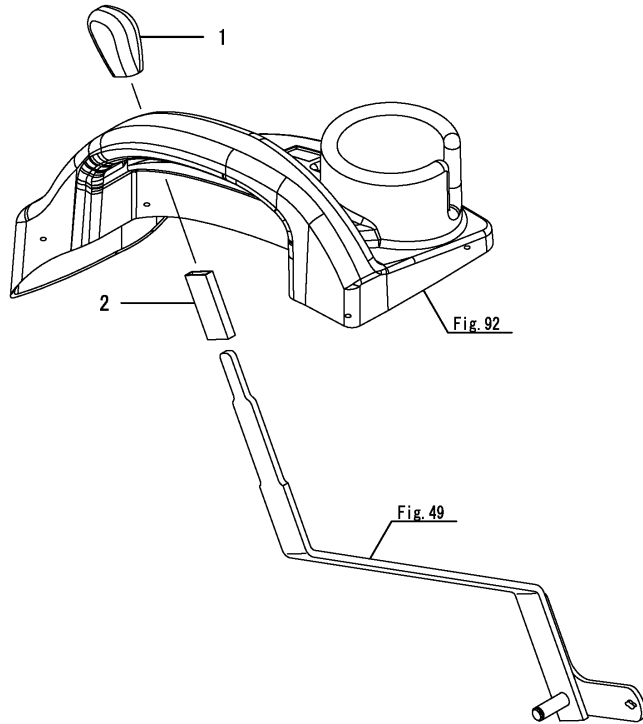
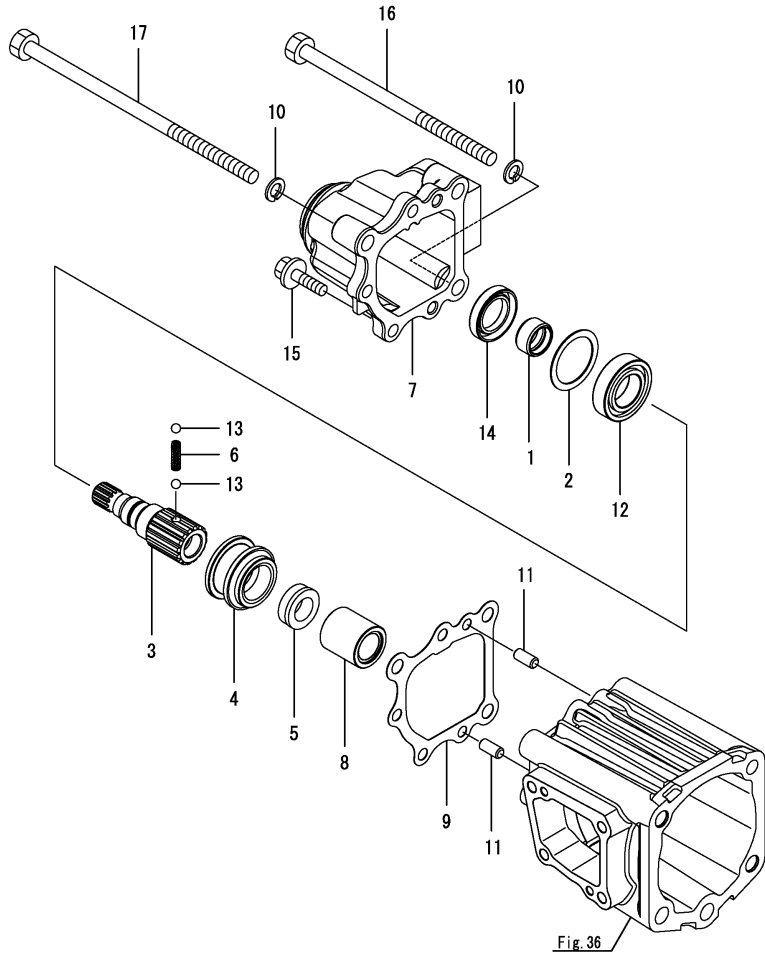


Fig.51. DRIVE SHAFT



(A)=SC2400(YANMAR)

(B)=

(C)=

(D)=

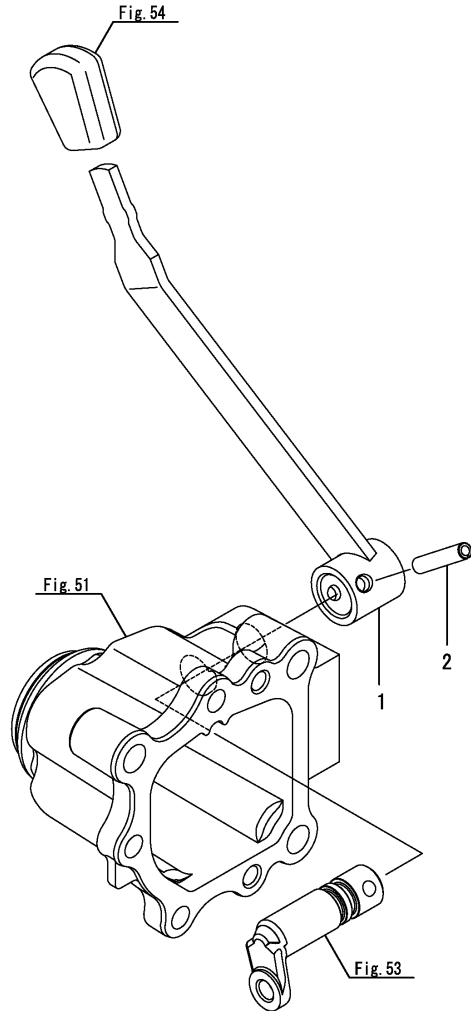
(E)=

(F)=

| No. | Lev. | Parts No. | Description | Q'ty | | | | | | I | R |
|-----|------|--------------|----------------------|------|-----|-----|-----|-----|-----|---|---|
| | | | | (A) | (B) | (C) | (D) | (E) | (F) | | |
| 1 | 1 | 194855-25290 | SLEEVE, SI 202513 | 1 | | | | | | | 1 |
| 2 | 1 | 1A7050-28110 | WASHER, 36X46X1 | 1 | | | | | | | 1 |
| 3 | 1 | 1A7050-28211 | SHAFT, FRONT DRIVE | 1 | | | | | | | 1 |
| 4 | 1 | 198165-28240 | COLLAR, SHIFT | 1 | | | | | | | 1 |
| 5 | 1 | 198165-28220 | COLLAR, SPLINE | 1 | | | | | | | 1 |
| 6 | 1 | 194311-28230 | SPRING, 21.2 | 1 | | | | | | | 1 |
| 7 | 1 | 1A7050-28250 | COVER, FRONT | 1 | | | | | | | 1 |
| 8 | 1 | 1A7050-28260 | SPACER, 20X33X285 | 1 | | | | | | | 1 |
| 9 | 1 | 1A7050-28560 | PACKING, FRONT COVER | 1 | | | | | | | 1 |
| 10 | 1 | 22287-100000 | WASHER, 10 | 3 | | | | | | | |
| 11 | 1 | 22312-080160 | PIN, PARALLEL M8X16 | 2 | | | | | | | |
| 12 | 1 | 24101-060054 | BEARING, BALL 6005 | 1 | | | | | | | 1 |
| 13 | 1 | 24190-080001 | BALL, STEEL 1/4 | 2 | | | | | | | 1 |
| 14 | 1 | 24421-254008 | SEAL, OIL TC254008 | 1 | | | | | | | 1 |
| 15 | 1 | 26106-080302 | BOLT, M8X 30 PLATED | 3 | | | | | | | |
| 16 | 1 | 26116-101802 | BOLT, M10X180 PLATED | 1 | | | | | | | |
| 17 | 1 | 26116-102202 | BOLT, M10X220 PLATED | 2 | | | | | | | |

Remarks
 (1) Refer to Fig.117 for the service part.

Fig.52. 2-4WD LEVER A



(A)=SC2400(YANMAR)

(B)=

(C)=

(D)=

(E)=

(F)=

| No. | Lev. | Parts No. | Description | Q'ty | | | | | | I | R |
|-----|------|--------------|--------------------|------|-----|-----|-----|-----|-----|---|---|
| | | | | (A) | (B) | (C) | (D) | (E) | (F) | | |
| 1 | 1 | 1A7880-28300 | LEVER ASSY, 4WD | 1 | | | | | | | |
| 2 | 1 | 22351-060032 | PIN, SPRING 6.0X32 | 1 | | | | | | | |

Fig.53. MFWD SHIFT

(A)=SC2400(YANMAR)

(B)=

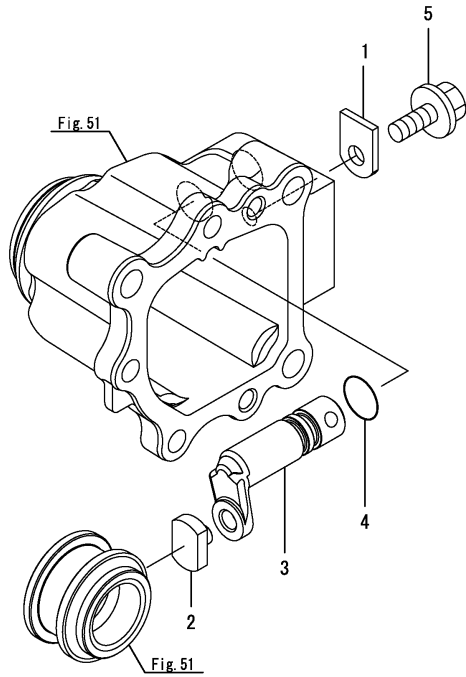
(C)=

(D)=

(E)=

(F)=

| No. | Lev. | Parts No. | Description | Q'ty | | | | | | I | R |
|-----|------|--------------|---------------------|------|-----|-----|-----|-----|-----|---|---|
| | | | | (A) | (B) | (C) | (D) | (E) | (F) | | |
| 1 | 1 | 194197-27681 | PLATE, KEEP | 1 | | | | | | | 1 |
| 2 | 1 | 1A7050-28331 | BLOCK, SHIFT | 1 | | | | | | | 1 |
| 3 | 1 | 1A7050-28351 | SHAFT, SHIFT 4WD | 1 | | | | | | | 1 |
| 4 | 1 | 24311-000125 | O-RING, 1AP12.5 | 1 | | | | | | | 1 |
| 5 | 1 | 26106-080162 | BOLT, M8X 16 PLATED | 1 | | | | | | | 1 |



Remarks
 (1) Refer to Fig.117 for the service part.

Fig.54. 2-4WD LEVER B

(A)=SC2400(YANMAR)

(B)=

(C)=

(D)=

(E)=

(F)=

| No. | Lev. | Parts No. | Description | Q'ty | | | | | | I | R |
|-----|------|--------------|---------------------|------|-----|-----|-----|-----|-----|---|---|
| | | | | (A) | (B) | (C) | (D) | (E) | (F) | | |
| 1 | 1 | 198273-28521 | KNOB, PARKING BRAKE | 1 | | | | | | | |

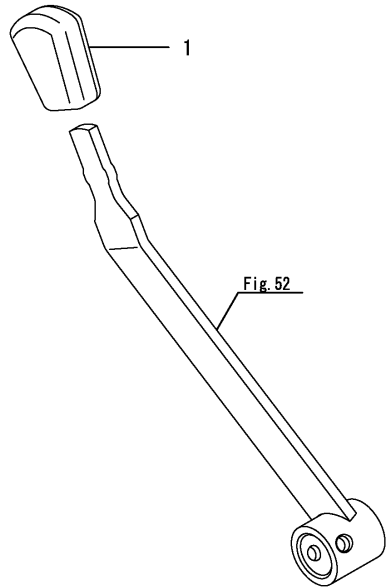
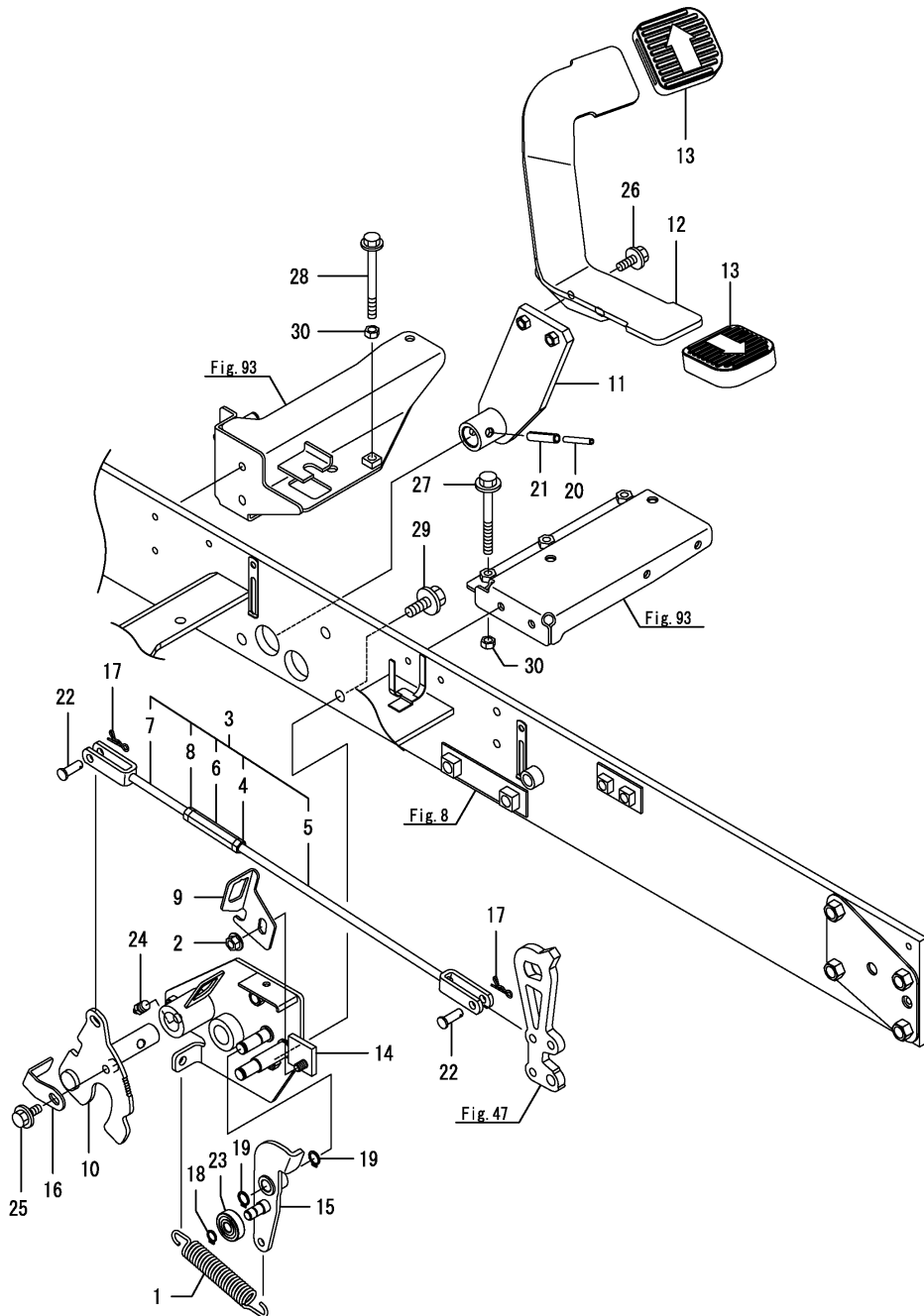


Fig.55. HST PEDAL



(A)=SC2400(YANMAR)

(B)=

(C)=

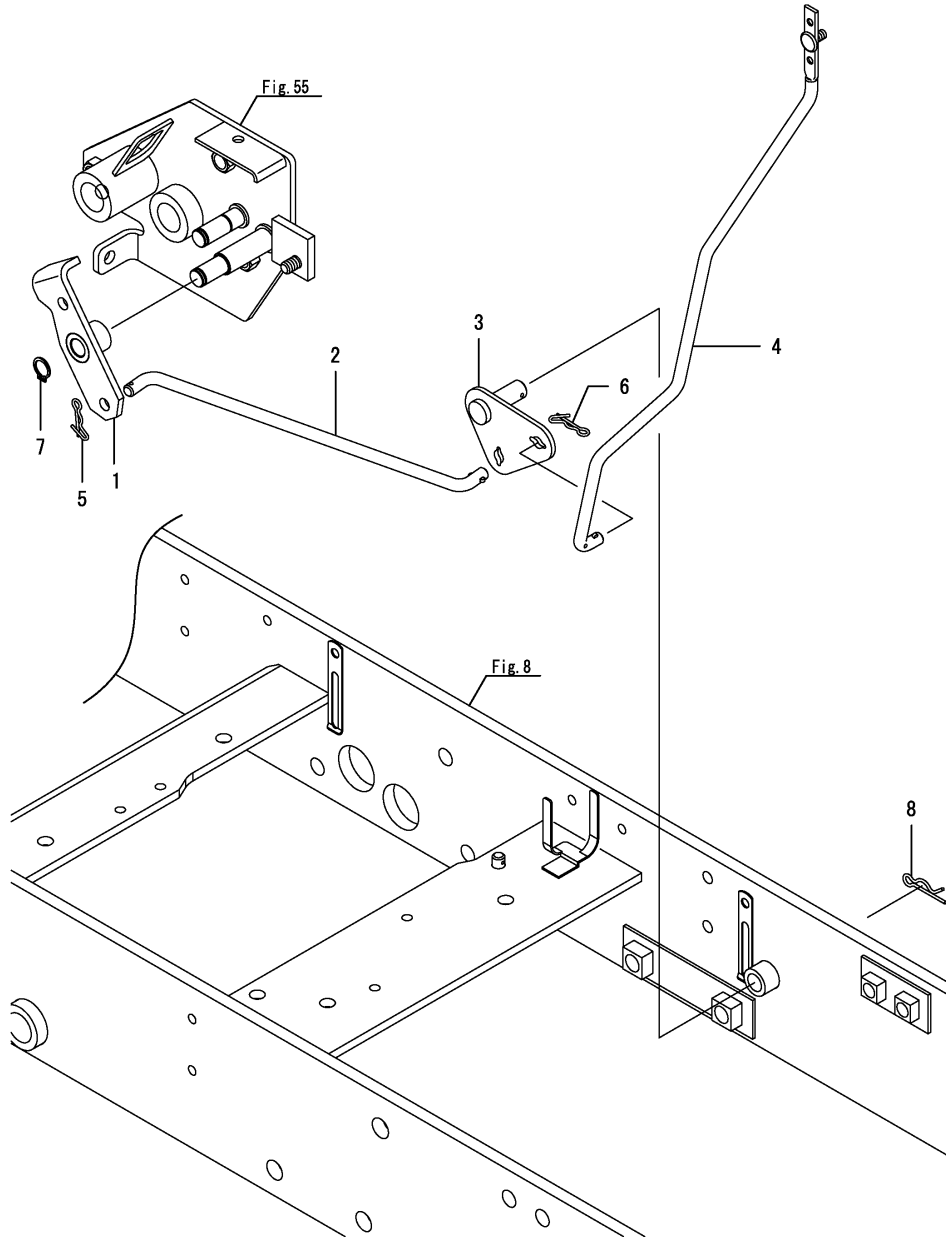
(D)=

(E)=

(F)=

| No. | Lev. | Parts No. | Description | Q'ty | | | | | | I | R |
|-----|------|--------------|----------------------|------|-----|-----|-----|-----|-----|---|---|
| | | | | (A) | (B) | (C) | (D) | (E) | (F) | | |
| 1 | 1 | 1A7790-01160 | SPRING, RETURN | 1 | | | | | | | |
| 2 | 1 | 194990-22140 | NUT, M8 | 1 | | | | | | | |
| 3 | 1 | 1A7880-29400 | ROD ASSY, HST | 1 | | | | | | | |
| 4 | 2 | 194990-20170 | NUT, M8 | 1 | | | | | | | |
| 5 | 2 | 1A7880-29410 | ROD ASSY, HST B | 1 | | | | | | | |
| 6 | 2 | 1A7880-29430 | TURNBUCKLE, M8X60 | 1 | | | | | | | |
| 7 | 2 | 1A7880-29610 | ROD ASSY, HST | 1 | | | | | | | |
| 8 | 2 | 26716-080002 | NUT, M8 | 1 | | | | | | | |
| 9 | 1 | 1A7880-29451 | ARM, SWITCH | 1 | | | | | | | |
| 10 | 1 | 1A7880-29500 | ARM ASSY, HST | 1 | | | | | | | |
| 11 | 1 | 1A7880-29541 | ARM ASSY, PEDAL | 1 | | | | | | | |
| 12 | 1 | 1A7880-29570 | PEDAL ASSY, HST | 1 | | | | | | | |
| 13 | 1 | 1A7880-29600 | HEAD, PEDAL | 2 | | | | | | | |
| 14 | 1 | 1A7880-29640 | FULCRUM ASSY, PEDAL | 1 | | | | | | | |
| 15 | 1 | 1A7880-29720 | ARM ASSY, SWITCH | 1 | | | | | | | |
| 16 | 1 | 1A7880-29780 | ARM, SWITCH | 1 | | | | | | | |
| 17 | 1 | 1C6281-52320 | PIN, SNAP 8 | 2 | | | | | | | |
| 18 | 1 | 22242-000100 | RING, 10 | 1 | | | | | | | |
| 19 | 1 | 22242-000120 | RING, 12 | 2 | | | | | | | |
| 20 | 1 | 22351-050040 | PIN, SPRING 5.0X40 | 1 | | | | | | | |
| 21 | 1 | 22351-080040 | PIN, SPRING 8.0X40 | 1 | | | | | | | |
| 22 | 1 | 22487-080200 | PIN, H 8X 20 | 2 | | | | | | | |
| 23 | 1 | 24104-062004 | BEARING, BALL 6200UU | 1 | | | | | | | |
| 24 | 1 | 24761-020000 | NIPPLE, GREASE PT1/8 | 1 | | | | | | | |
| 25 | 1 | 26106-080162 | BOLT, M8X 16 PLATED | 1 | | | | | | | |
| 26 | 1 | 26106-080202 | BOLT, M8X 20 PLATED | 2 | | | | | | | |
| 27 | 1 | 26106-080802 | BOLT, M8X 80 PLATED | 1 | | | | | | | |
| 28 | 1 | 26106-080852 | BOLT, M8X 85 PLATED | 1 | | | | | | | |
| 29 | 1 | 26106-100252 | BOLT, M10X 25 PLATED | 3 | | | | | | | |
| 30 | 1 | 26716-080002 | NUT, M8 | 2 | | | | | | | |

Fig.56. HST CRUISE LINK



(A)=SC2400(YANMAR)

(B)=

(C)=

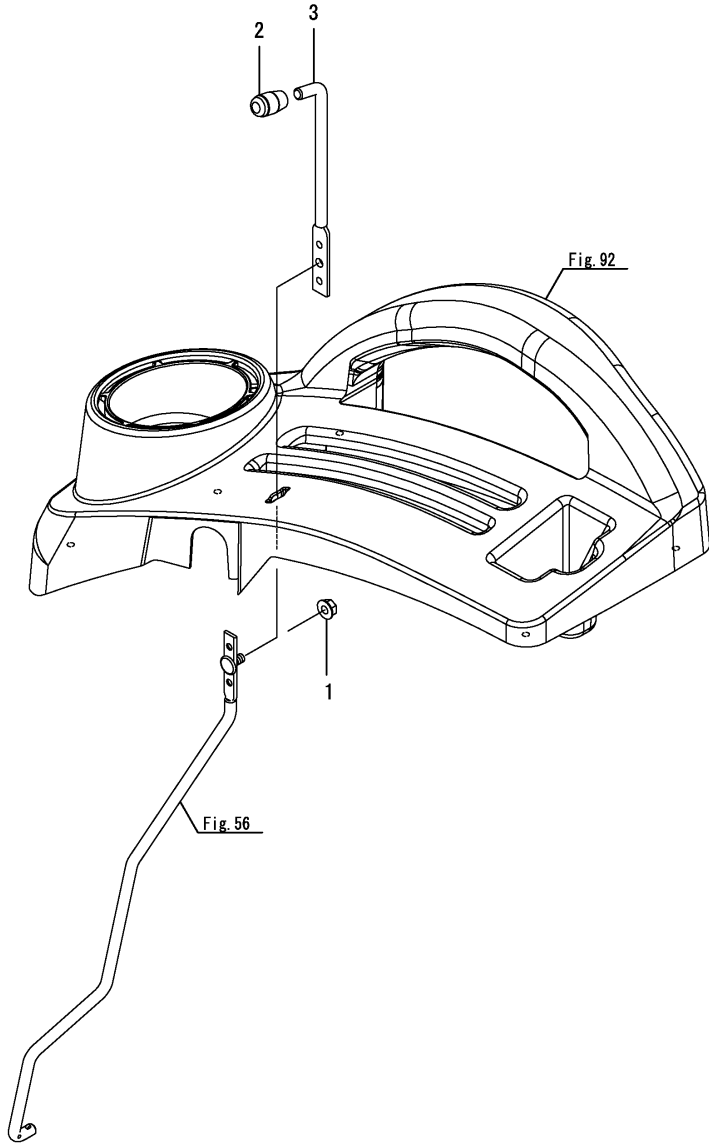
(D)=

(E)=

(F)=

| No. | Lev. | Parts No. | Description | Q'ty | | | | | | I | R |
|-----|------|--------------|--------------------|------|-----|-----|-----|-----|-----|---|---|
| | | | | (A) | (B) | (C) | (D) | (E) | (F) | | |
| 1 | 1 | 1A7880-29801 | ARM ASSY, CRUISE | 1 | | | | | | | |
| 2 | 1 | 1A7880-29830 | ROD, CRUISE A | 1 | | | | | | | |
| 3 | 1 | 1A7880-29840 | LINK, CRUISE | 1 | | | | | | | |
| 4 | 1 | 1A7880-29872 | ROD ASSY, CRUISE B | 1 | | | | | | | |
| 5 | 1 | 1C6281-52320 | PIN, SNAP 8 | 1 | | | | | | | |
| 6 | 1 | 1C6281-52320 | PIN, SNAP 8 | 1 | | | | | | | |
| 7 | 1 | 22242-000120 | RING, 12 | 1 | | | | | | | |
| 8 | 1 | 22372-120000 | PIN, SNAP 12 | 1 | | | | | | | |

Fig.57. CRUISE LEVER



(A)=SC2400(YANMAR)

(B)=

(C)=

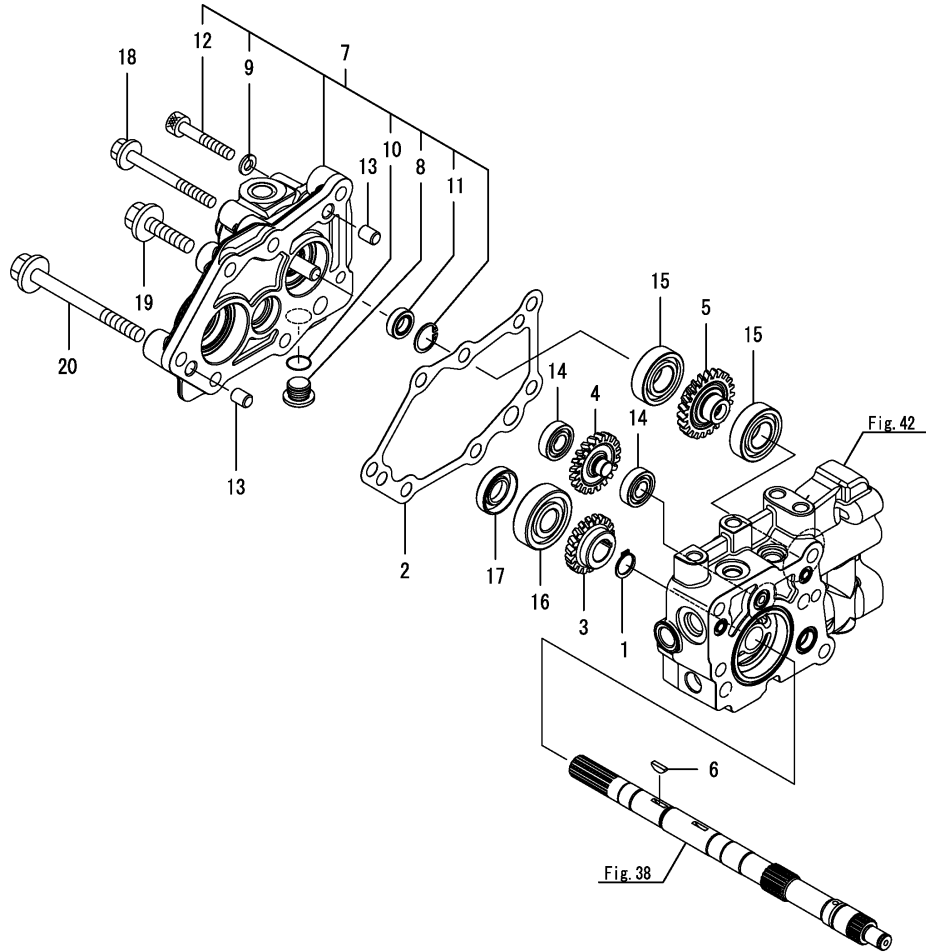
(D)=

(E)=

(F)=

| No. | Lev. | Parts No. | Description | Q'ty | | | | | | I | R |
|-----|------|--------------|-----------------|------|-----|-----|-----|-----|-----|---|---|
| | | | | (A) | (B) | (C) | (D) | (E) | (F) | | |
| 1 | 1 | 194990-22140 | NUT, M8 | 1 | | | | | | | |
| 2 | 1 | 194550-27030 | KNOB, 6.5X18X35 | 1 | | | | | | | |
| 3 | 1 | 1A7880-29901 | ROD, CRUISE C | 1 | | | | | | | |

Fig.58. GEAR PUMP



(A)=SC2400(YANMAR)

(B)=

(C)=

(D)=

(E)=

(F)=

| No. | Lev. | Parts No. | Description | Q'ty | | | | | | I | R |
|-----|------|--------------|----------------------|------|-----|-----|-----|-----|-----|---|---|
| | | | | (A) | (B) | (C) | (D) | (E) | (F) | | |
| 1 | 1 | 192167-25310 | CIRCLIP,17 | 1 | | | | | | | |
| 2 | 1 | 187K06-29620 | PAKING (PUMP COVER) | 1 | | | | | | | |
| 3 | 1 | 187K06-29860 | GEAR 1 (PUMP) | 1 | | | | | | | |
| 4 | 1 | 187K06-29870 | GEAR 2 (PUMP) | 1 | | | | | | | |
| 5 | 1 | 187K06-29880 | GEAR 3 (PUMP) | 1 | | | | | | | |
| 6 | 1 | 187K06-29890 | KEY, 8X3.2 | 1 | | | | | | | |
| 7 | 1 | 187K06-29900 | PWS-5CG SUB CMP | 1 | | | | | | | |
| 8 | 2 | 1A6750-29850 | PLUG, G3/8 | 1 | | | | | | | |
| 9 | 2 | 22217-080000 | WASHER, SPRING 8 | 3 | | | | | | | |
| 10 | 2 | 24311-000140 | O-RING, 1AP14.0 | 1 | | | | | | | |
| 11 | 2 | 24421-122207 | SEAL, OIL TC122207 | 1 | | | | | | | |
| 12 | 2 | 26450-080502 | BOLT, M8X 50 | 3 | | | | | | | |
| 13 | 1 | 22312-100120 | PIN, PARALLEL M10X12 | 2 | | | | | | | |
| 14 | 1 | 24101-060014 | BEARING, BALL 6001 | 2 | | | | | | | |
| 15 | 1 | 24101-060044 | BEARING, BALL 6004 | 2 | | | | | | | |
| 16 | 1 | 24101-063034 | BEARING, BALL 6303 | 1 | | | | | | | |
| 17 | 1 | 24421-173508 | SEAL, OIL TC173508 | 1 | | | | | | | |
| 18 | 1 | 26016-080852 | BOLT, M8X 85 | 1 | | | | | | | |
| 19 | 1 | 26016-100452 | BOLT, M10X 45 | 3 | | | | | | | |
| 20 | 1 | 26016-101052 | BOLT, M10X105 | 1 | | | | | | | |

Fig.59. MOTOR

(A)=SC2400(YANMAR)

(B)=

(C)=

(D)=

(E)=

(F)=

| No. | Lev. | Parts No. | Description | Q'ty | | | | | | I | R |
|-----|------|--------------|---------------------|------|-----|-----|-----|-----|-----|---|---|
| | | | | (A) | (B) | (C) | (D) | (E) | (F) | | |
| 1 | 1 | 187K06-25020 | MOTOR SHAFT (K93 | 1 | | | | | | | |
| 2 | 1 | 168HK0-29600 | BLOCK ASSY, CYL | 1 | | | | | | | |
| 3 | 2 | 168HK0-29610 | BLOCK, CYLINDER | 1 | | | | | | | |
| 4 | 2 | 168HK0-29690 | PIN, F2X13.8 | 6 | | | | | | | |
| 5 | 2 | 22252-000320 | RING, 32 | 1 | | | | | | | |
| 6 | 1 | 22292-000200 | RING, S-20 | 1 | | | | | | | |
| 7 | 1 | 24102-060044 | BEARING, BALL 6004U | 1 | | | | | | | |

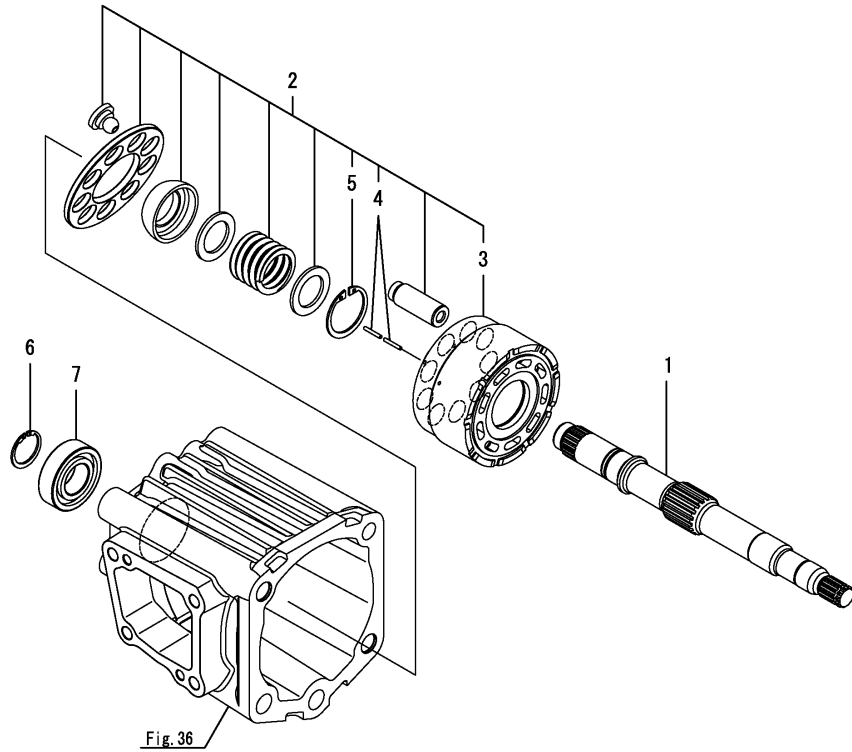


Fig.60. INPUT GEAR

(A)=SC2400(YANMAR)

(B)=

(C)=

(D)=

(E)=

(F)=

| No. | Lev. | Parts No. | Description | Q'ty | | | | | | I | R |
|-----|------|--------------|-------------------|------|-----|-----|-----|-----|-----|---|---|
| | | | | (A) | (B) | (C) | (D) | (E) | (F) | | |
| 1 | 1 | 1A6780-13910 | BEARING, 6303RSH2 | 1 | | | | | | | |
| 2 | 1 | 1A7050-31100 | GEAR KIT, INPUT | 1 | | | | | | | |
| 3 | 1 | 22207-012160 | RING, 12X1.6 | 1 | | | | | | | |

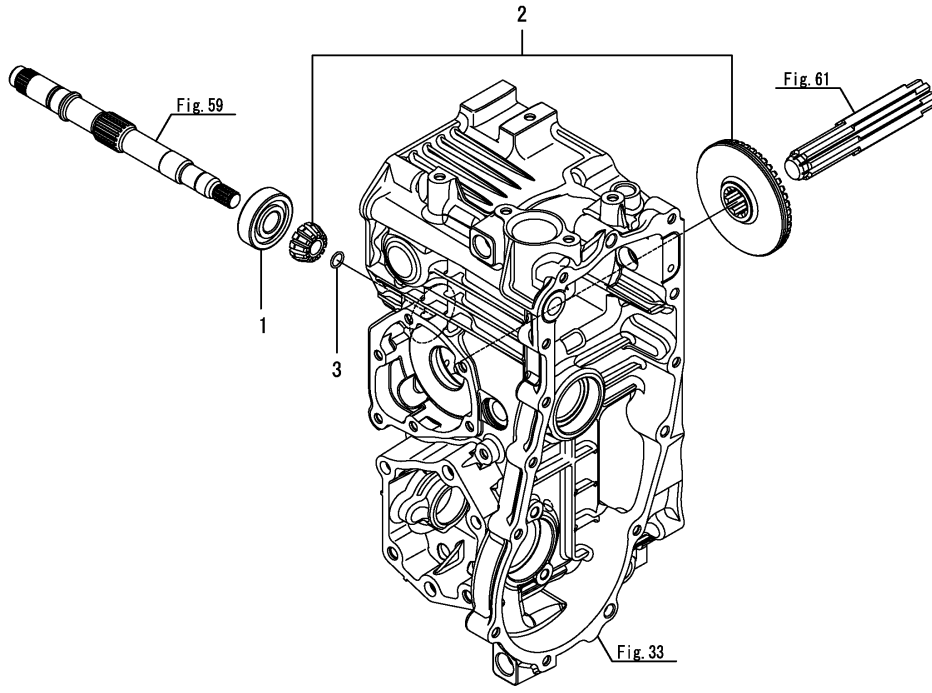
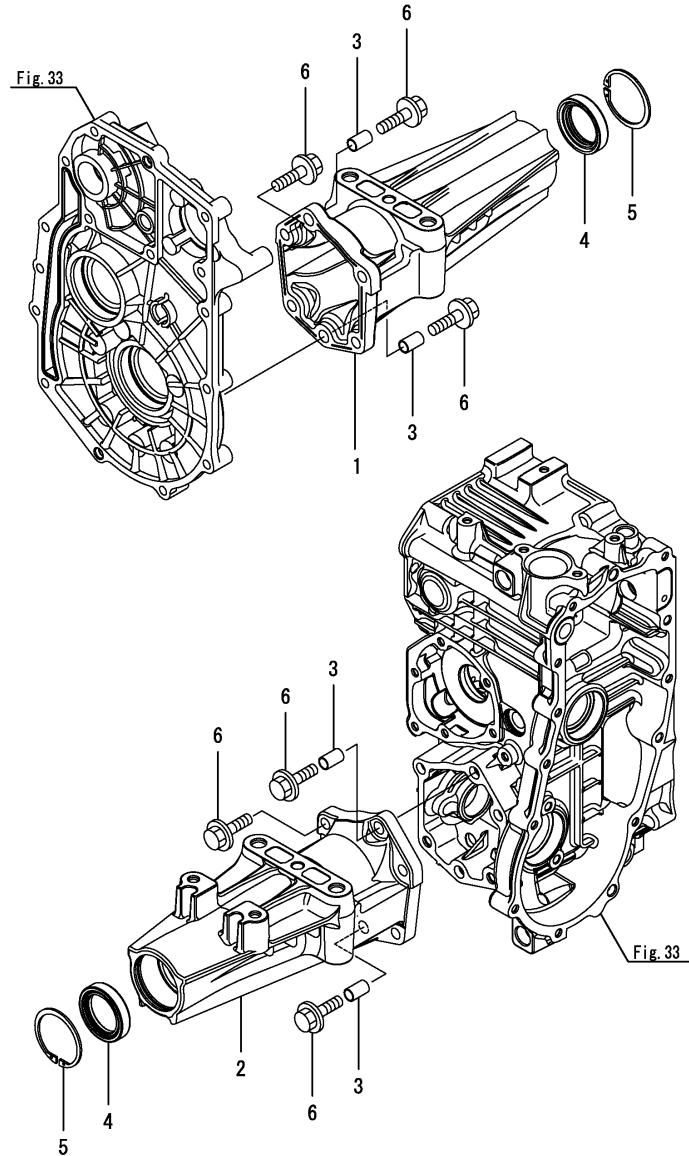


Fig.62. REAR HOUSING



(A)=SC2400(YANMAR)

(B)=

(C)=

(D)=

(E)=

(F)=

| No. | Lev. | Parts No. | Description | Q'ty | | | | | | I | R |
|-----|------|--------------|----------------------|------|-----|-----|-----|-----|-----|---|---|
| | | | | (A) | (B) | (C) | (D) | (E) | (F) | | |
| 1 | 1 | 1A7050-32320 | HOUSING, REAR AXLE R | 1 | | | | | | | |
| 2 | 1 | 1A7051-32320 | HOUSING, REAR AXLE | 1 | | | | | | | |
| 3 | 1 | 192157-32360 | COLLAR, 10X12X20 | 4 | | | | | | | |
| 4 | 1 | 192157-32370 | SEAL, TC395511 | 2 | | | | | | | |
| 5 | 1 | 22252-000550 | RING, 55 | 2 | | | | | | | |
| 6 | 1 | 26106-100352 | BOLT, M10X 35 PLATED | 12 | | | | | | | |

Fig.63. DIFFERENTIAL LOCK

(A)=SC2400(YANMAR)

(B)=

(C)=

(D)=

(E)=

(F)=

| No. | Lev. | Parts No. | Description | Q'ty | | | | | | I | R |
|-----|------|--------------|---------------------|------|-----|-----|-----|-----|-----|---|---|
| | | | | (A) | (B) | (C) | (D) | (E) | (F) | | |
| 1 | 1 | 192157-33101 | FORK KIT, DIFF.LOCK | 1 | | | | | | | |
| 2 | 2 | 1C6320-52210 | SPACER, 16.5X24X1 | 1 | | | | | | | |
| 3 | 2 | 22242-000160 | RING, 16 | 2 | | | | | | | |
| 4 | 2 | 22351-040025 | PIN, SPRING 4.0X25 | 1 | | | | | | | |
| 5 | 1 | 192157-33110 | FULCRUM KIT, DIFF. | 1 | | | | | | | |
| 6 | 2 | 22137-100000 | WASHER, 10 | 1 | | | | | | | |
| 7 | 2 | 22417-200200 | PIN, COTTER 2.0X20 | 1 | | | | | | | |
| 8 | 1 | 194854-33110 | SLIDER, LOCK | 1 | | | | | | | |
| 9 | 1 | 26016-080202 | BOLT, M8X 20 | 2 | | | | | | | |

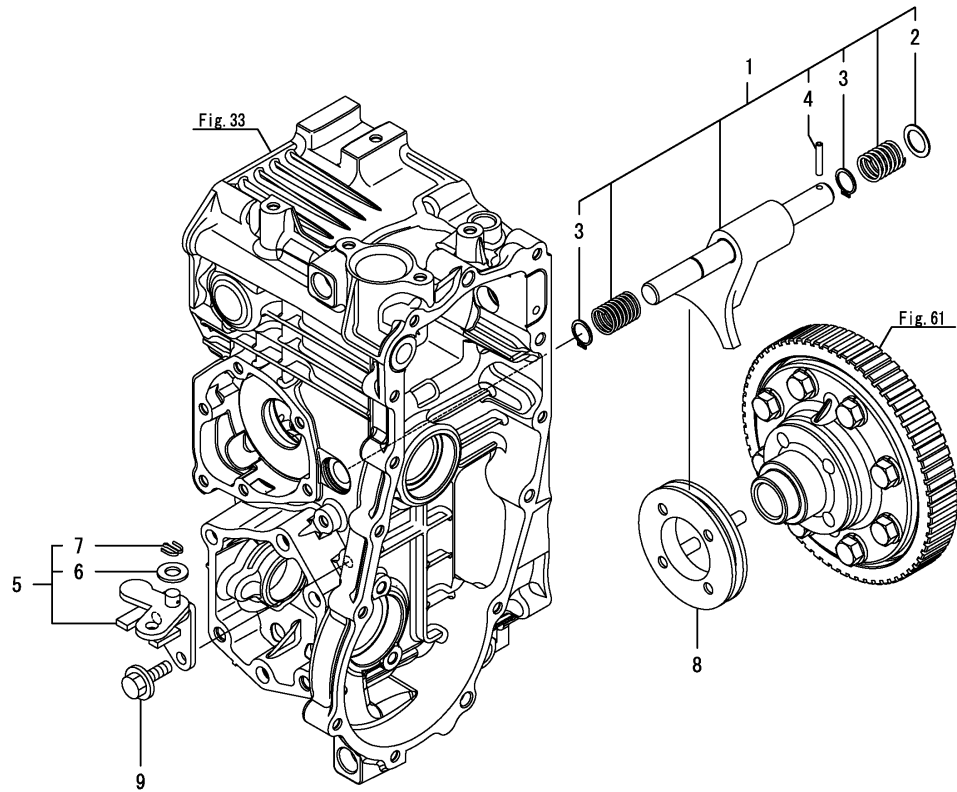
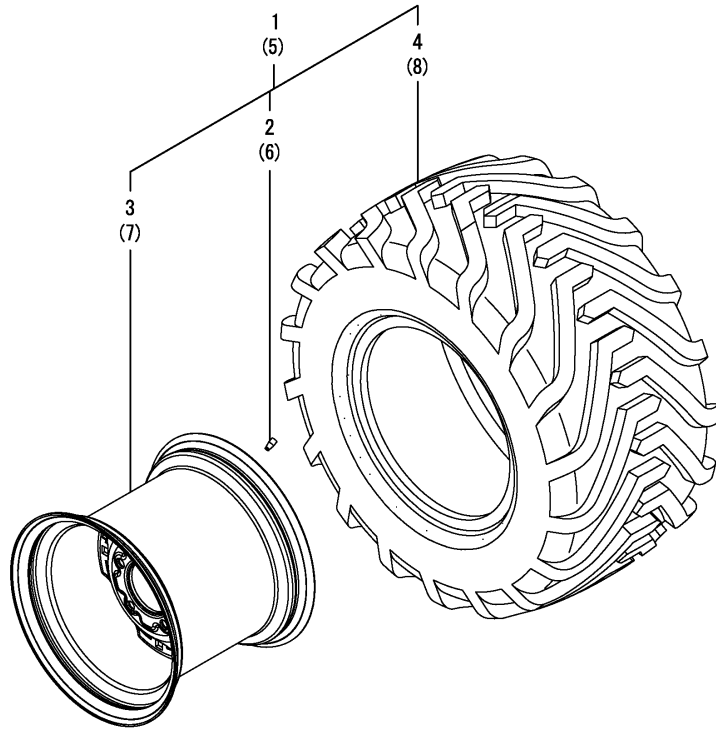


Fig.66. TIRE REAR R1



(A)=SC2400(YANMAR)

(B)=

(C)=

(D)=

(E)=

(F)=

| No. | Lev. | Parts No. | Description | Q'ty | | | | | | I | R |
|-----|------|--------------|---------------------|------|-----|-----|-----|-----|-----|---|---|
| | | | | (A) | (B) | (C) | (D) | (E) | (F) | | |
| 1 | 1 | 1A7880-34900 | TIRE KIT, REAR R1 L | 1 | | | | | | | |
| 2 | 2 | 1A7880-14840 | VALVE | 1 | | | | | | | |
| 3 | 2 | 1A7880-34830 | WHEEL, 12X10.5 | 1 | | | | | | | |
| 4 | 2 | 1A7880-34920 | TIRE, 26X12-12 R1 | 1 | | | | | | | |
| 5 | 1 | 1A7880-34910 | TIRE KIT, REAR R1 R | 1 | | | | | | | |
| 6 | 2 | 1A7880-14840 | VALVE | 1 | | | | | | | |
| 7 | 2 | 1A7880-34830 | WHEEL, 12X10.5 | 1 | | | | | | | |
| 8 | 2 | 1A7880-34920 | TIRE, 26X12-12 R1 | 1 | | | | | | | |

Fig.67. TIRE REAR R3

(A)=SC2400(YANMAR)

(B)=

(C)=

(D)=

(E)=

(F)=

| No. | Lev. | Parts No. | Description | Q'ty | | | | | | I | R |
|-----|------|--------------|-------------------|------|-----|-----|-----|-----|-----|---|---|
| | | | | (A) | (B) | (C) | (D) | (E) | (F) | | |
| 1 | 1 | 1A7880-34700 | TIRE KIT, REAR R3 | 2 | | | | | | | |
| 2 | 2 | 1A7880-14840 | VALVE | 2 | | | | | | | |
| 3 | 2 | 1A7880-34710 | TIRE, 26X12-12 R3 | 2 | | | | | | | |
| 4 | 2 | 1A7880-34830 | WHEEL, 12X10.5 | 2 | | | | | | | |

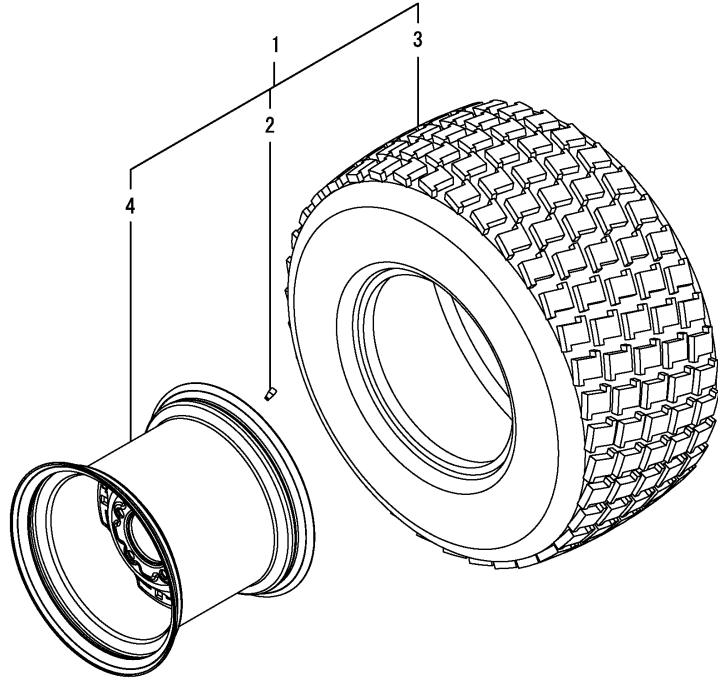


Fig.68. TIRE REAR R4

(A)=SC2400(YANMAR)

(B)=

(C)=

(D)=

(E)=

(F)=

| No. | Lev. | Parts No. | Description | Q'ty | | | | | | I | R |
|-----|------|--------------|---------------------|------|-----|-----|-----|-----|-----|---|---|
| | | | | (A) | (B) | (C) | (D) | (E) | (F) | | |
| 1 | 1 | 1A7880-34800 | TIRE KIT, REAR R4 L | 1 | | | | | | | |
| 2 | 2 | 1A7880-14840 | VALVE | 1 | | | | | | | |
| 3 | 2 | 1A7880-34820 | TIRE, 26X12-12 R4 | 1 | | | | | | | |
| 4 | 2 | 1A7880-34830 | WHEEL, 12X10.5 | 1 | | | | | | | |
| 5 | 1 | 1A7880-34810 | TIRE KIT, REAR R4 R | 1 | | | | | | | |
| 6 | 2 | 1A7880-14840 | VALVE | 1 | | | | | | | |
| 7 | 2 | 1A7880-34820 | TIRE, 26X12-12 R4 | 1 | | | | | | | |
| 8 | 2 | 1A7880-34830 | WHEEL, 12X10.5 | 1 | | | | | | | |

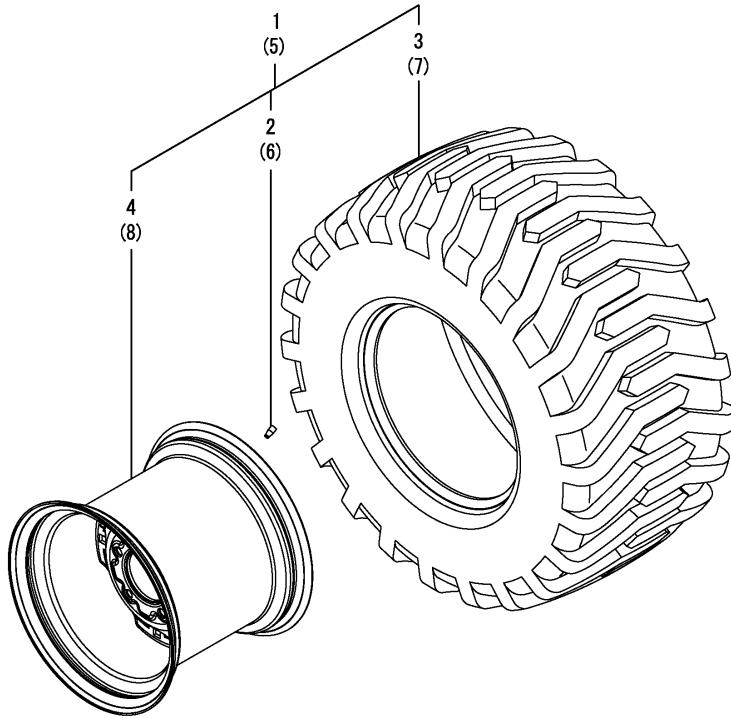


Fig.69. HUB BOLT

(A)=SC2400(YANMAR)

(B)=

(C)=

(D)=

(E)=

(F)=

| No. | Lev. | Parts No. | Description | Q'ty | | | | | | I | R |
|-----|------|--------------|------------------|------|-----|-----|-----|-----|-----|---|---|
| | | | | (A) | (B) | (C) | (D) | (E) | (F) | | |
| 1 | 1 | 1A7880-34180 | BOLT, 7/16-20UNF | 10 | | | | | | | |

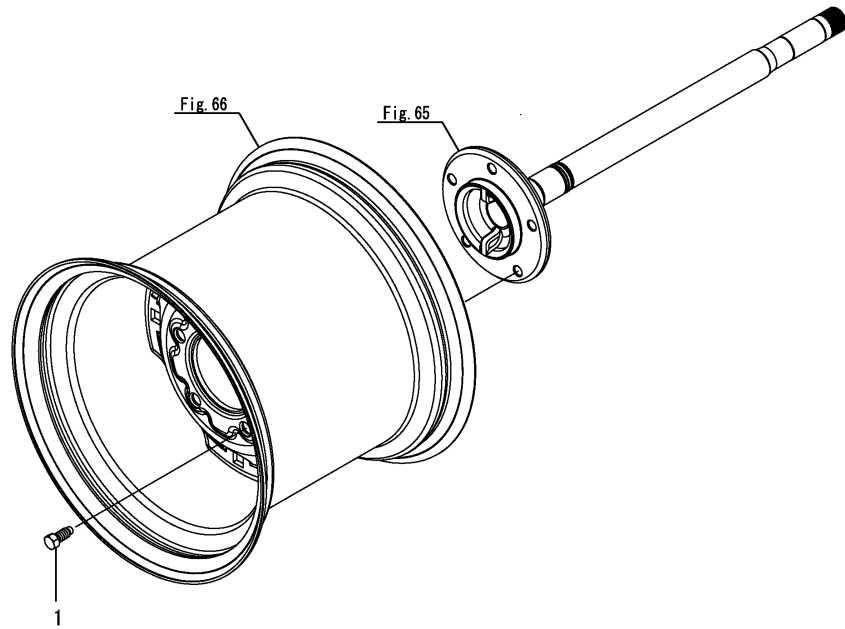


Fig.70. DISC BRAKE

(A)=SC2400(YANMAR)

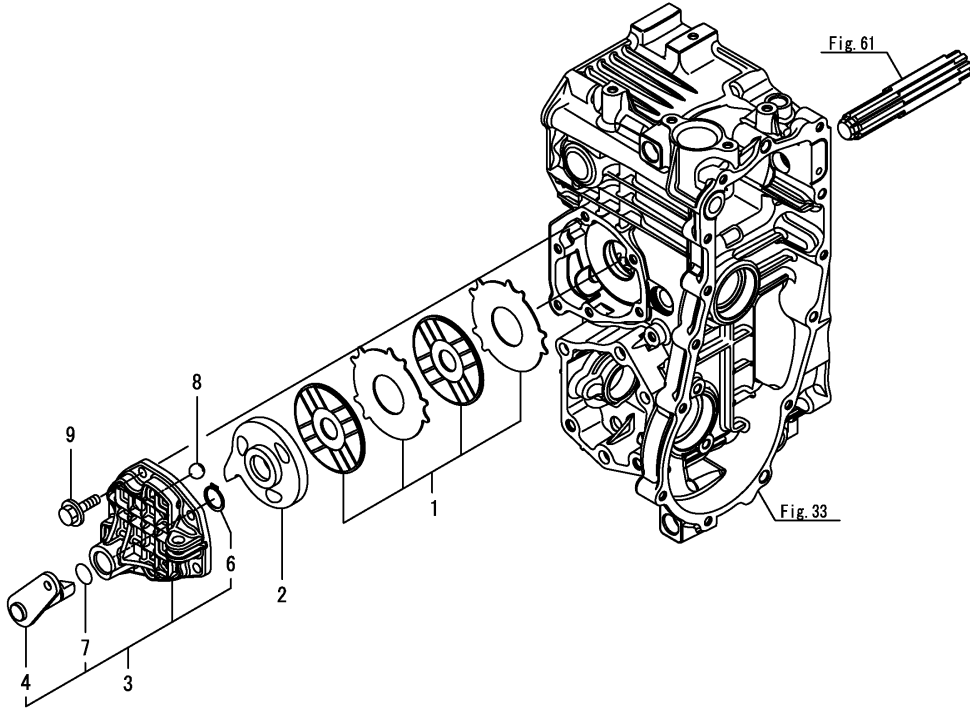
(B)=

(C)=

(D)=

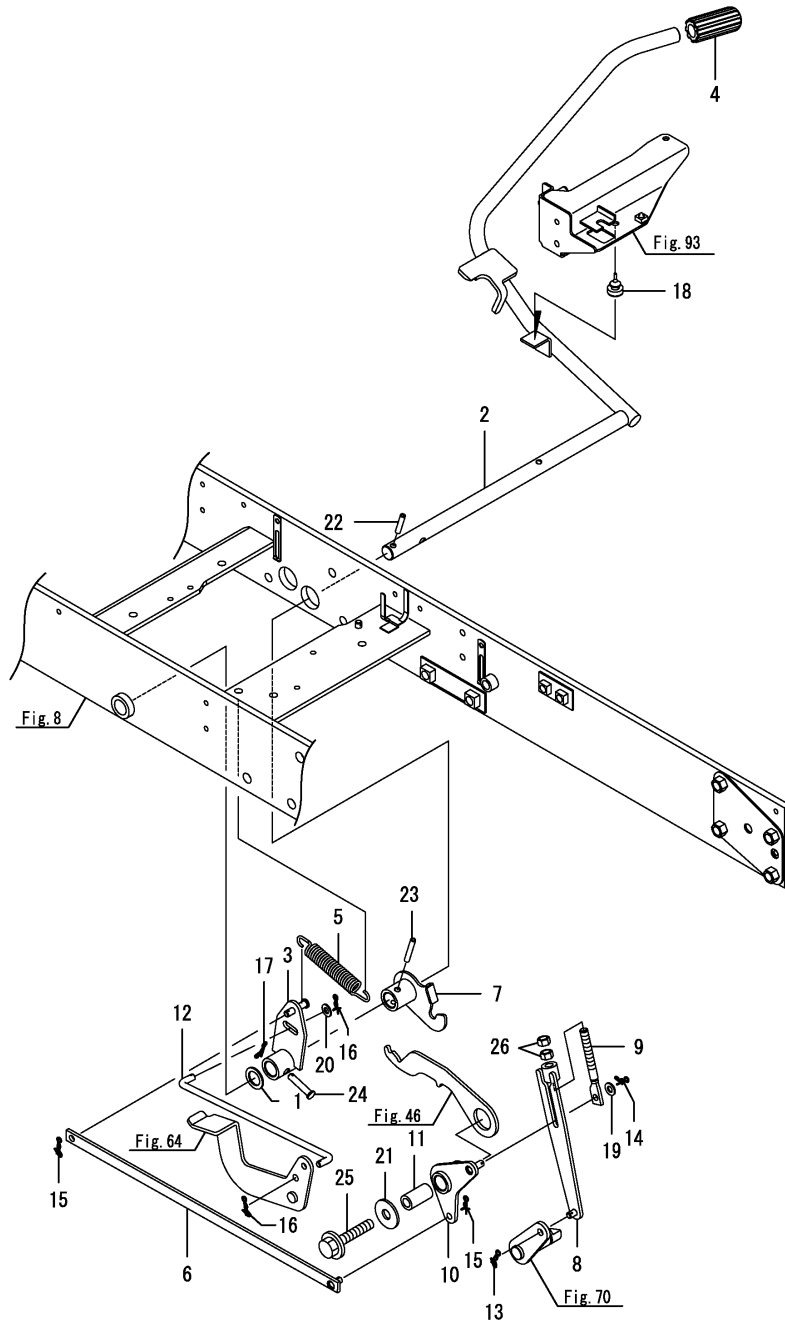
(E)=

(F)=



| No. | Lev. | Parts No. | Description | Q'ty | | | | | | I | R |
|-----|------|--------------|---------------------|------|-----|-----|-----|-----|-----|---|---|
| | | | | (A) | (B) | (C) | (D) | (E) | (F) | | |
| 1 | 1 | 192157-36300 | PLATE KIT, BRAKE | 1 | | | | | | | |
| 2 | 1 | 1A7130-36330 | ACTUATOR | 1 | | | | | | | |
| 3 | 1 | 187K06-36341 | CAM KIT, BRAKE | 1 | | | | | | | |
| 4 | 2 | 187K06-36350 | SHAFT ASSY, LEVER | 1 | | | | | | | |
| 6 | 2 | 22242-000200 | RING, 20 | 1 | | | | | | | |
| 7 | 2 | 24311-000160 | O-RING, 1AP16.0 | 1 | | | | | | | |
| 8 | 1 | 24190-160001 | BALL, STEEL 1/2 | 3 | | | | | | | |
| 9 | 1 | 26106-080252 | BOLT, M8X 25 PLATED | 6 | | | | | | | |

Fig.71. BRAKE PEDAL



(A)=SC2400(YANMAR)

(B)=

(C)=

(D)=

(E)=

(F)=

| No. | Lev. | Parts No. | Description | Qty | | | | | | I | R |
|-----|------|--------------|----------------------|-----|-----|-----|-----|-----|-----|---|---|
| | | | | (A) | (B) | (C) | (D) | (E) | (F) | | |
| 1 | 1 | 1A7510-36490 | WASHER, 20X30X2 | 1 | | | | | | | |
| 2 | 1 | 1A7880-37100 | PEDAL ASSY, BRAKE | 1 | | | | | | | |
| 3 | 1 | 1A7880-37150 | ARM ASSY, BRAKE | 1 | | | | | | | |
| 4 | 1 | 1A7880-37200 | HEAD, PEDAL R | 1 | | | | | | | |
| 5 | 1 | 1A7880-37220 | SPRING, RETURN | 1 | | | | | | | |
| 6 | 1 | 1A7880-37250 | ROD ASSY, BRAKE | 1 | | | | | | | |
| 7 | 1 | 1A7880-37310 | ARM ASSY, RELEASE | 1 | | | | | | | |
| 8 | 1 | 1A7880-37350 | ROD ASSY, PUSH | 1 | | | | | | | |
| 9 | 1 | 1A7880-37390 | SCREW, ADJUST | 1 | | | | | | | |
| 10 | 1 | 1A7880-37400 | ARM ASSY, BRAKE | 1 | | | | | | | |
| 11 | 1 | 1A7880-37441 | COLLAR | 1 | | | | | | | |
| 12 | 1 | 1A7880-37450 | ROD, LINK | 1 | | | | | | | |
| 13 | 1 | 1C6281-52320 | PIN, SNAP 8 | 1 | | | | | | | |
| 14 | 1 | 1C6281-52320 | PIN, SNAP 8 | 1 | | | | | | | |
| 15 | 1 | 1C6281-52320 | PIN, SNAP 8 | 2 | | | | | | | |
| 16 | 1 | 1C6281-52320 | PIN, SNAP 8 | 2 | | | | | | | |
| 17 | 1 | 1C6281-52320 | PIN, SNAP 8 | 1 | | | | | | | |
| 18 | 1 | 194330-62530 | STOPPER, PEDAL | 1 | | | | | | | |
| 19 | 1 | 22137-080000 | WASHER, 8 | 1 | | | | | | | |
| 20 | 1 | 22137-080000 | WASHER, 8 | 1 | | | | | | | |
| 21 | 1 | 22157-120000 | WASHER, 12 | 1 | | | | | | | |
| 22 | 1 | 22351-060032 | PIN, SPRING 6.0X32 | 1 | | | | | | | |
| 23 | 1 | 22351-060040 | PIN, SPRING 6.0X40 | 1 | | | | | | | |
| 24 | 1 | 22487-080350 | PIN, H 8X 35 | 1 | | | | | | | |
| 25 | 1 | 26106-120602 | BOLT, M12X 60 PLATED | 1 | | | | | | | |
| 26 | 1 | 26716-100002 | NUT, M10 | 2 | | | | | | | |

Fig.72. PARKING BRAKE

(A)=SC2400(YANMAR)

(B)=

(C)=

(D)=

(E)=

(F)=

| No. | Lev. | Parts No. | Description | Q'ty | | | | | | I | R |
|-----|------|--------------|---------------------|------|-----|-----|-----|-----|-----|---|---|
| | | | | (A) | (B) | (C) | (D) | (E) | (F) | | |
| 1 | 1 | 198273-28521 | KNOB, PARKING BRAKE | 1 | | | | | | | |
| 2 | 1 | 1A7880-37490 | LEVER ASSY, PARKING | 1 | | | | | | | |
| 3 | 2 | 24550-012200 | BUSH, 12X20 | 1 | | | | | | | |
| 4 | 1 | 198475-37690 | SPRING, LOCK | 1 | | | | | | | |
| 5 | 1 | 22137-120000 | WASHER, 12 | 1 | | | | | | | |
| 6 | 1 | 22242-000120 | RING, 12 | 1 | | | | | | | |

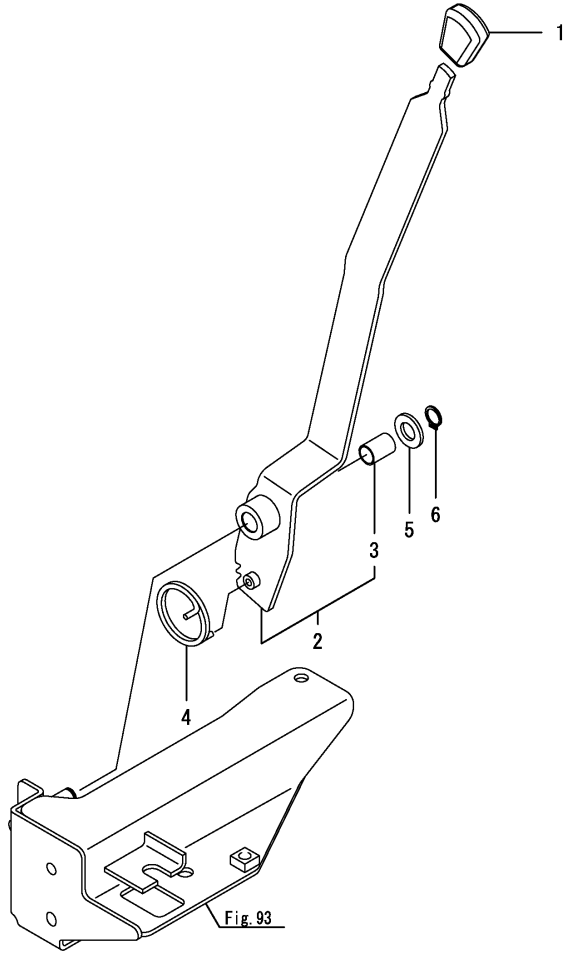
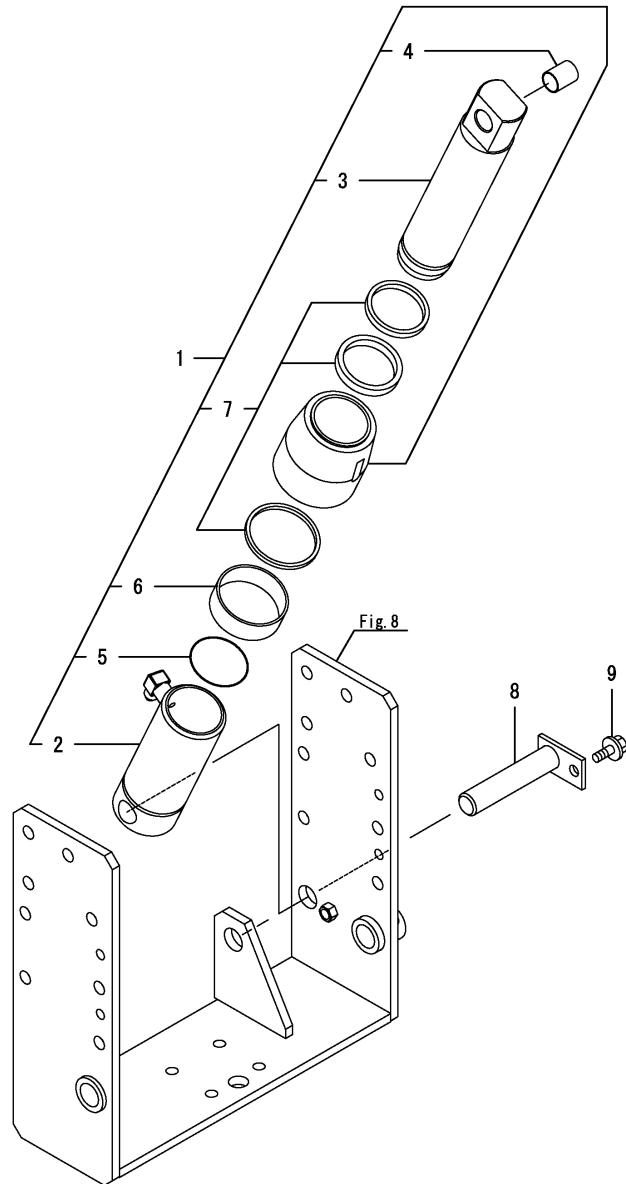


Fig.73. LIFT CYLINDER



(A)=SC2400(YANMAR)

(B)=

(C)=

(D)=

(E)=

(F)=

| No. | Lev. | Parts No. | Description | Q'ty | | | | | | I | R |
|-----|------|--------------|----------------------|------|-----|-----|-----|-----|-----|---|---|
| | | | | (A) | (B) | (C) | (D) | (E) | (F) | | |
| 1 | 1 | 1A7880-43101 | CYLINDER ASSY, HYD. | 1 | | | | | | | |
| 2 | 2 | 1A7880-43250 | CYLINDER | 1 | | | | | | | |
| 3 | 2 | 1A7880-43310 | ROD | 1 | | | | | | | |
| 4 | 2 | 1A7880-43320 | BUSH, DU TYPE | 1 | | | | | | | |
| 5 | 2 | 1A7880-43380 | CIRCLIP | 1 | | | | | | | |
| 6 | 2 | 1A7880-43410 | BUSH, GUIDING | 1 | | | | | | | |
| 7 | 2 | 1A7880-43500 | SEAL KIT | 1 | | | | | | | |
| 8 | 1 | 1A7880-44740 | PIN ASSY, CYLINDER | 1 | | | | | | | |
| 9 | 1 | 26106-100252 | BOLT, M10X 25 PLATED | 1 | | | | | | | |

Fig.74. LIFT ARM

(A)=SC2400(YANMAR)

(B)=

(C)=

(D)=

(E)=

(F)=

| No. | Lev. | Parts No. | Description | Q'ty | | | | | | I | R |
|-----|------|--------------|---------------------|------|-----|-----|-----|-----|-----|---|---|
| | | | | (A) | (B) | (C) | (D) | (E) | (F) | | |
| 1 | 1 | 1A7880-44400 | ARM KIT, LIFT | 1 | | | | | | | |
| 2 | 1 | 194130-44480 | PIN, LIFT ARM | 2 | | | | | | | |
| 3 | 1 | 1A7880-44700 | PIN ASSY, ARM | 1 | | | | | | | |
| 4 | 1 | 22217-160000 | WASHER, SPRING 16 | 2 | | | | | | | |
| 5 | 1 | 26106-080202 | BOLT, M8X 20 PLATED | 1 | | | | | | | |
| 6 | 1 | 26736-160002 | NUT, M16 | 2 | | | | | | | |

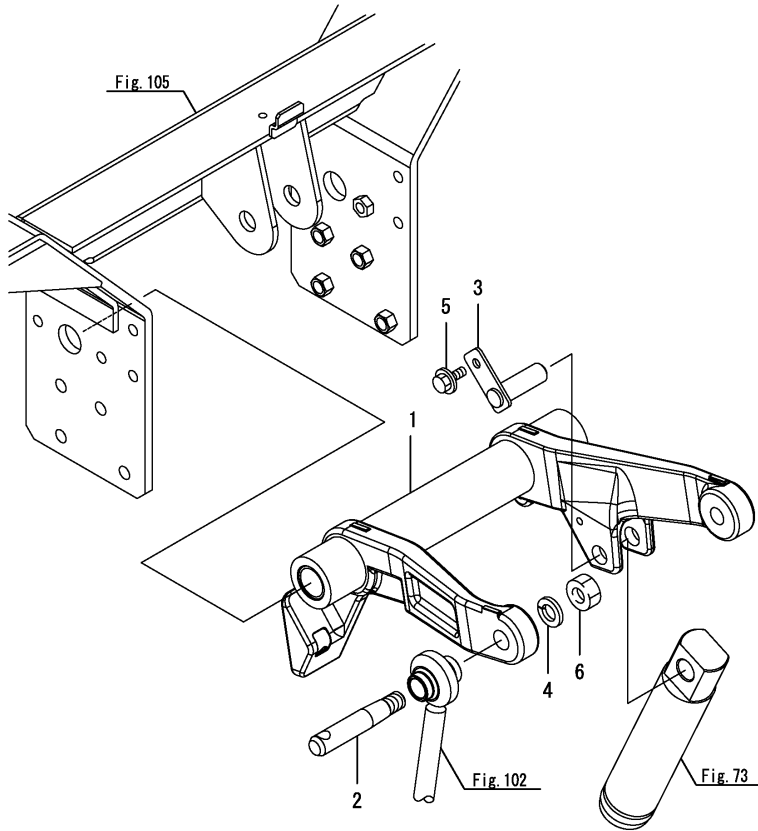
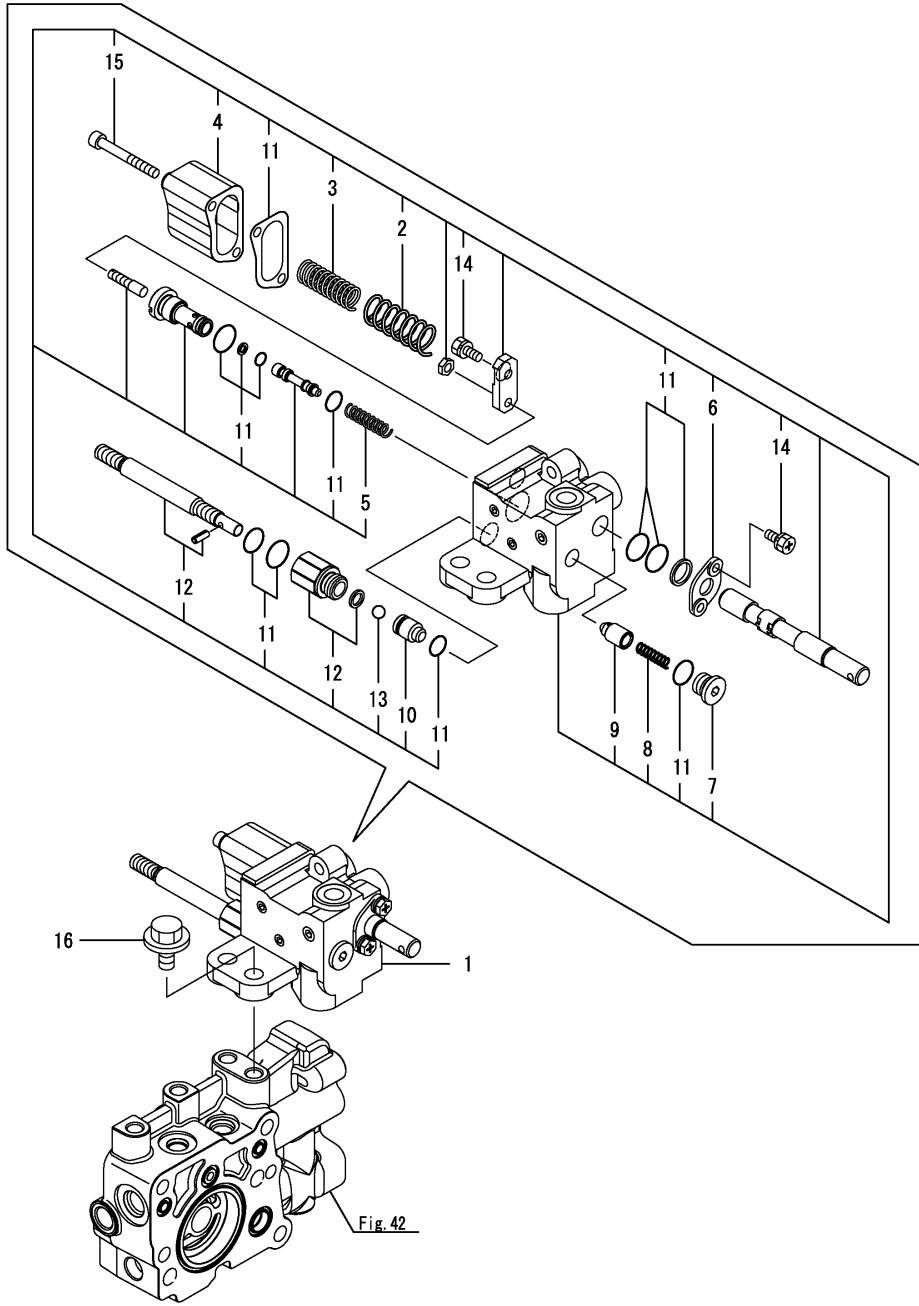


Fig.75. CONTROL VALVE



(A)=SC2400(YANMAR)

(B)=

(C)=

(D)=

(E)=

(F)=

| No. | Lev. | Parts No. | Description | Q'ty | | | | | | I | R |
|-----|------|--------------|----------------------|------|-----|-----|-----|-----|-----|---|---|
| | | | | (A) | (B) | (C) | (D) | (E) | (F) | | |
| 1 | 1 | 1A7880-45100 | VALVE ASSY, LIFT | 1 | | | | | | | |
| 2 | 2 | 1A7880-45530 | SPLING, LIFT VALVE | 1 | | | | | | | |
| 3 | 2 | 1A7880-45540 | SPLING, LIFT VALVE | 1 | | | | | | | |
| 4 | 2 | 1A7880-45560 | COVER, LIFT VALVE | 1 | | | | | | | |
| 5 | 2 | 1A7880-45610 | SPRING, MECHANICAL | 1 | | | | | | | |
| 6 | 2 | 1A7880-45620 | PLATE, VALVE | 1 | | | | | | | |
| 7 | 2 | 1A7880-45640 | PLUG, LIFT VALVE | 1 | | | | | | | |
| 8 | 2 | 1A7880-45650 | SPRING, LIFT VALVE | 1 | | | | | | | |
| 9 | 2 | 1A7880-45660 | POPPET, CHECK | 1 | | | | | | | |
| 10 | 2 | 1A7880-45700 | PLUNGER, LIFT VALVE | 1 | | | | | | | |
| 11 | 2 | 1A7880-45800 | SEAL KIT, LIFT VALVE | 1 | | | | | | | |
| 12 | 2 | 1A7880-45830 | BOLT, STOP | 1 | | | | | | | |
| 13 | 2 | 24190-100001 | BALL, STEEL 5/16 | 1 | | | | | | | |
| 14 | 2 | 26013-060129 | BOLT, M6X 12 | 3 | | | | | | | |
| 15 | 2 | 26450-060502 | BOLT M 6X 50 | 2 | | | | | | | |
| 16 | 1 | 26106-100252 | BOLT, M10X 25 PLATED | 2 | | | | | | | |

Fig.76. STOP VALVE

(A)=SC2400(YANMAR)

(B)=

(C)=

(D)=

(E)=

(F)=

| No. | Lev. | Parts No. | Description | Q'ty | | | | | | I | R |
|-----|------|--------------|-------------|------|-----|-----|-----|-----|-----|---|---|
| | | | | (A) | (B) | (C) | (D) | (E) | (F) | | |
| 1 | 1 | 1A8160-46670 | KNOB, VALVE | 1 | | | | | | | |
| 2 | 1 | 26716-100002 | NUT, M10 | 1 | | | | | | | |

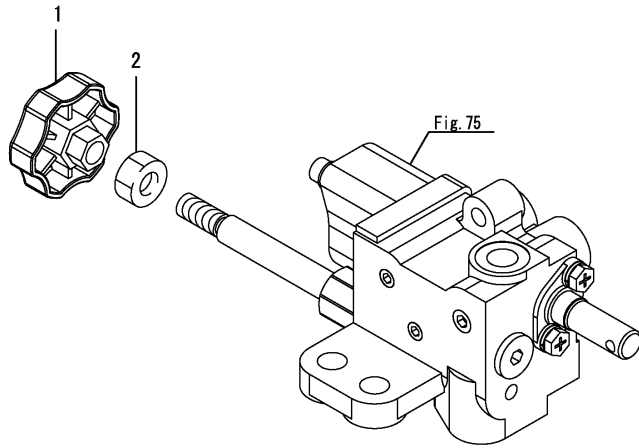
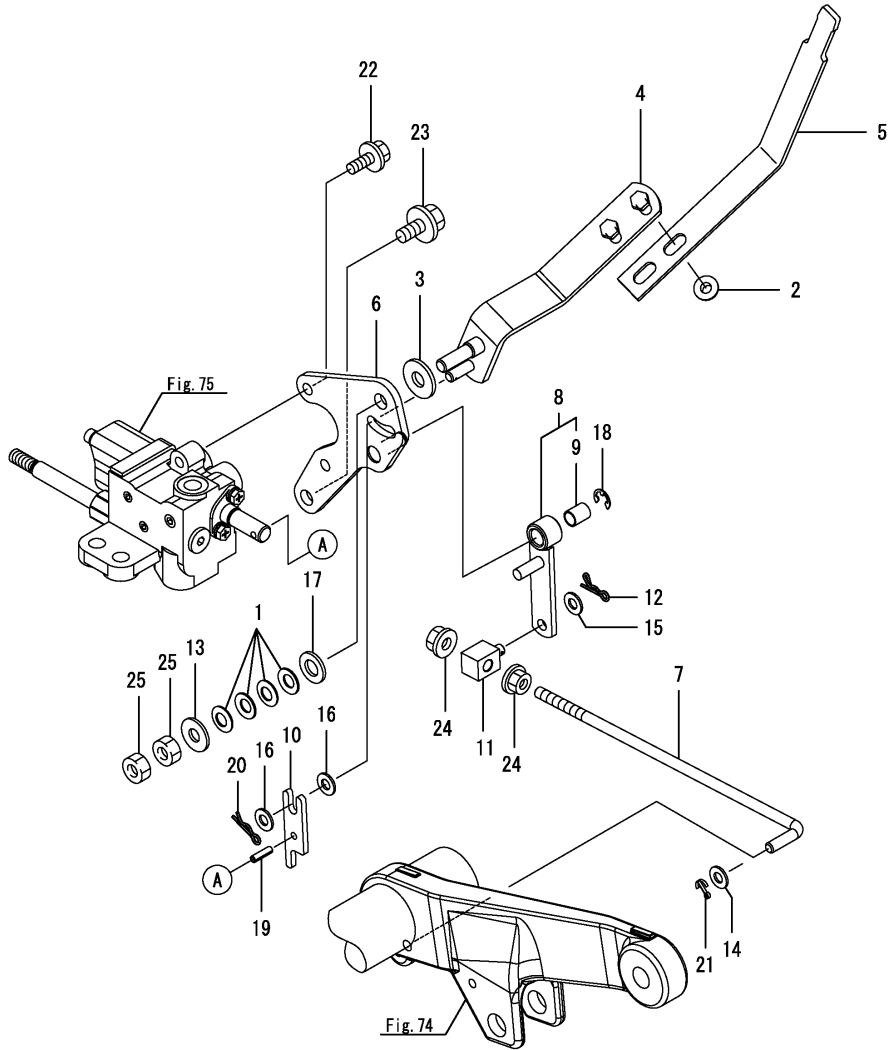


Fig.77. HYDRAULIC CONTROL A



(A)=SC2400(YANMAR)

(B)=

(C)=

(D)=

(E)=

(F)=

| No. | Lev. | Parts No. | Description | Q'ty | | | | | | I | R |
|-----|------|--------------|----------------------|------|-----|-----|-----|-----|-----|---|---|
| | | | | (A) | (B) | (C) | (D) | (E) | (F) | | |
| 1 | 1 | 194740-00160 | SPRING, 10 | 4 | | | | | | | |
| 2 | 1 | 194990-22140 | NUT, M8 | 2 | | | | | | | |
| 3 | 1 | 1A6260-41250 | PLATE, FRICTION | 1 | | | | | | | |
| 4 | 1 | 1A7880-45000 | LEVER ASSY, POSITION | 1 | | | | | | | |
| 5 | 1 | 1A7880-45040 | LEVER, POSITION | 1 | | | | | | | |
| 6 | 1 | 1A7880-45210 | STAY ASSY, LINK | 1 | | | | | | | |
| 7 | 1 | 1A7880-45250 | ROD, FEEDBACK | 1 | | | | | | | |
| 8 | 1 | 1A7880-45331 | LEVER ASSY, CONTROL | 1 | | | | | | | |
| 9 | 2 | 24550-010150 | BUSH, 10X15 | 1 | | | | | | | |
| 10 | 1 | 1A7070-47400 | LEVER, SPOOL | 1 | | | | | | | |
| 11 | 1 | 194208-47530 | ADJUSTER | 1 | | | | | | | |
| 12 | 1 | 1C6281-52320 | PIN, SNAP 8 | 1 | | | | | | | |
| 13 | 1 | 194145-61570 | WASHER, 10 | 1 | | | | | | | |
| 14 | 1 | 22137-080000 | WASHER, 8 | 1 | | | | | | | |
| 15 | 1 | 22137-080000 | WASHER, 8 | 1 | | | | | | | |
| 16 | 1 | 22137-080000 | WASHER, 8 | 2 | | | | | | | |
| 17 | 1 | 22137-120000 | WASHER, 12 | 1 | | | | | | | |
| 18 | 1 | 22272-000080 | RING, E- 8 | 1 | | | | | | | |
| 19 | 1 | 22351-050018 | PIN, SPRING 5.0X18 | 1 | | | | | | | |
| 20 | 1 | 22372-080000 | PIN, SNAP 8 | 1 | | | | | | | |
| 21 | 1 | 22417-200160 | PIN, COTTER 2.0X16 | 1 | | | | | | | |
| 22 | 1 | 26106-080162 | BOLT, M8X 16 PLATED | 2 | | | | | | | |
| 23 | 1 | 26106-100202 | BOLT, M10X 20 PLATED | 1 | | | | | | | |
| 24 | 1 | 26366-080002 | NUT, M8 | 2 | | | | | | | |
| 25 | 1 | 26716-100002 | NUT, M10 | 2 | | | | | | | |

Fig.80. OIL COOLER

(A)=SC2400(YANMAR)

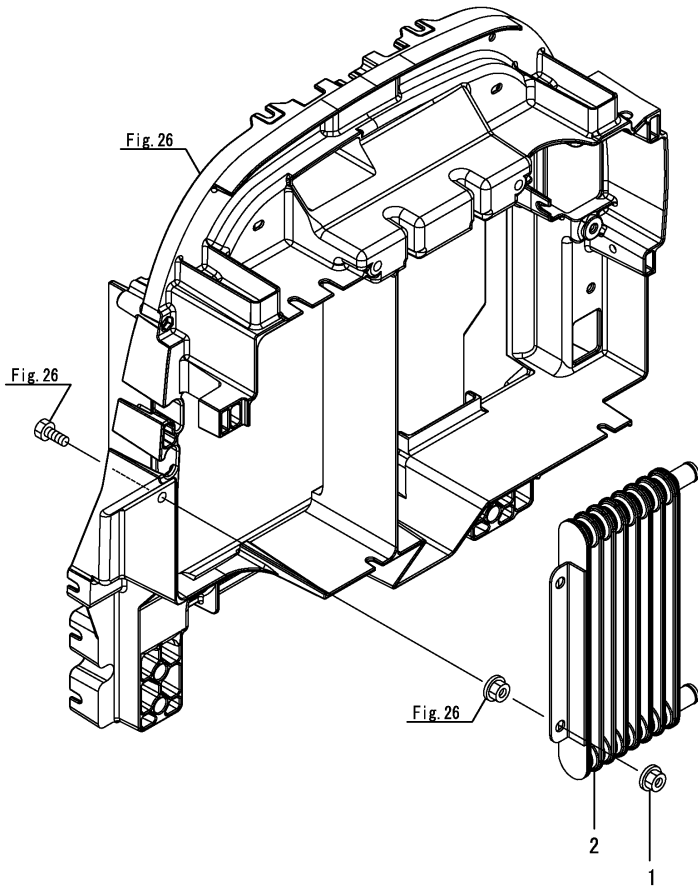
(B)=

(C)=

(D)=

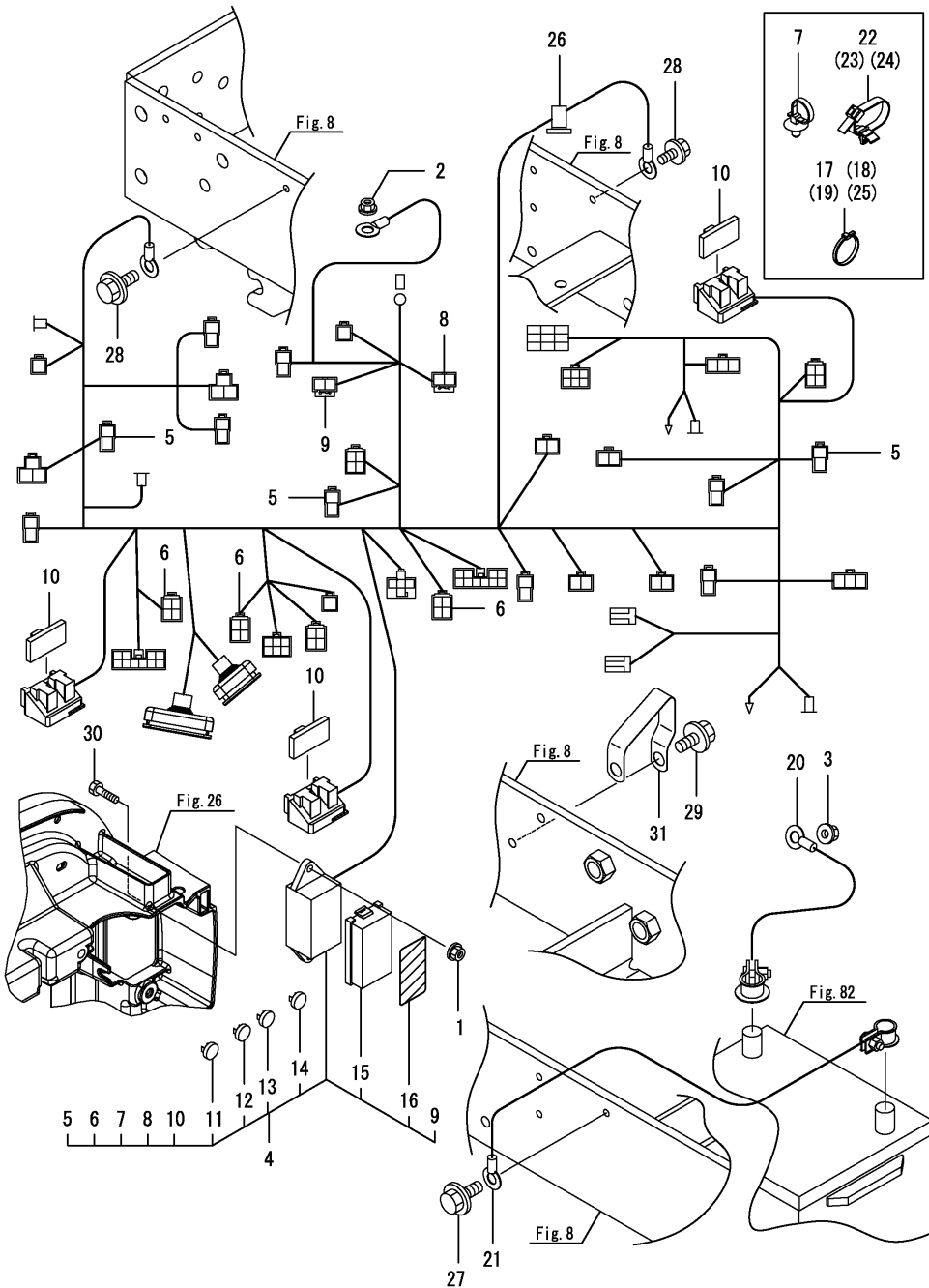
(E)=

(F)=



| No. | Lev. | Parts No. | Description | Q'ty | | | | | | I | R |
|-----|------|--------------|-------------|------|-----|-----|-----|-----|-----|---|---|
| | | | | (A) | (B) | (C) | (D) | (E) | (F) | | |
| 1 | 1 | 194990-22140 | NUT, M8 | 2 | | | | | | | |
| 2 | 1 | 1E8600-66700 | COOLER, OIL | 1 | | | | | | | |

Fig.81. WIRE HARNESS



(A)=SC2400(YANMAR)

(B)=

(C)=

(D)=

(E)=

(F)=

| No. | Lev. | Parts No. | Description | Q'ty | | | | | | I | R |
|-----|------|--------------|----------------------|------|-----|-----|-----|-----|-----|---|---|
| | | | | (A) | (B) | (C) | (D) | (E) | (F) | | |
| 1 | 1 | 194990-22130 | NUT, M6 | 2 | | | | | | | |
| 2 | 1 | 194990-22130 | NUT, M6 | 1 | | | | | | | |
| 3 | 1 | 194990-22140 | NUT, M8 | 1 | | | | | | | |
| 4 | 1 | 1A7882-51101 | HARNESS ASSY,WIRE | 1 | | | | | | | |
| 5 | 2 | 1A7500-51130 | DIODE, 3.0A | 3 | | | | | | | |
| 6 | 2 | 1A8160-51130 | DIODE, 3.0AX2 | 3 | | | | | | | |
| 7 | 2 | 1A7500-51160 | CLIP, HARNESS | 23 | | | | | | | |
| 8 | 2 | 1A6240-51630 | FUSE, SLOW BLOW 60A | 1 | | | | | | | |
| 9 | 2 | 198153-51700 | FUSE, SLOW BLOW 80A | 1 | | | | | | | |
| 10 | 2 | 1A7880-51730 | CLIP | 3 | | | | | | | |
| 11 | 2 | 198535-52110 | FUSE, 5A | 4 | | | | | | | |
| 12 | 2 | 198535-52120 | FUSE, 10A | 3 | | | | | | | |
| 13 | 2 | 198535-52130 | FUSE, 15A | 3 | | | | | | | |
| 14 | 2 | 1A7450-52180 | FUSE, 25A | 2 | | | | | | | |
| 15 | 2 | 1A7531-52420 | COVER, FUSE BOX | 1 | | | | | | | |
| 16 | 2 | 1A7880-65780 | LABEL,FUSE | 1 | | | | | | | |
| 17 | 1 | 1A8300-51210 | BAND, REPEAT | 1 | | | | | | | |
| 18 | 1 | 1A8300-51210 | BAND, REPEAT | 1 | | | | | | | |
| 19 | 1 | 1A8300-51210 | BAND, REPEAT | 1 | | | | | | | |
| 20 | 1 | 1A6780-51410 | CABLE, BATTERY | 1 | | | | | | | |
| 21 | 1 | 1A7880-51420 | CABLE, BATTERY EARTH | 1 | | | | | | | |
| 22 | 1 | 194680-51670 | BAND, CLIP | 1 | | | | | | | |
| 23 | 1 | 194680-51670 | BAND, CLIP | 1 | | | | | | | |
| 24 | 1 | 194680-51670 | BAND, CLIP | 1 | | | | | | | |
| 25 | 1 | 1A1380-55310 | CLAMP, WIRE | 1 | | | | | | | |
| 26 | 1 | 194680-78350 | STICKER, WIRE 18 | 1 | | | | | | | |
| 27 | 1 | 26106-080162 | BOLT, M8X 16 PLATED | 1 | | | | | | | |
| 28 | 1 | 26106-080162 | BOLT, M8X 16 PLATED | 2 | | | | | | | |
| 29 | 1 | 26106-100202 | BOLT, M10X 20 PLATED | 1 | | | | | | | |
| 30 | 1 | 26116-060202 | BOLT, M6X 20 PLATED | 2 | | | | | | | |
| 31 | 1 | 933171-15801 | CORD, ENGINE EARTH | 1 | | | | | | | |

Fig.82. BATTERY

(A)=SC2400(YANMAR)

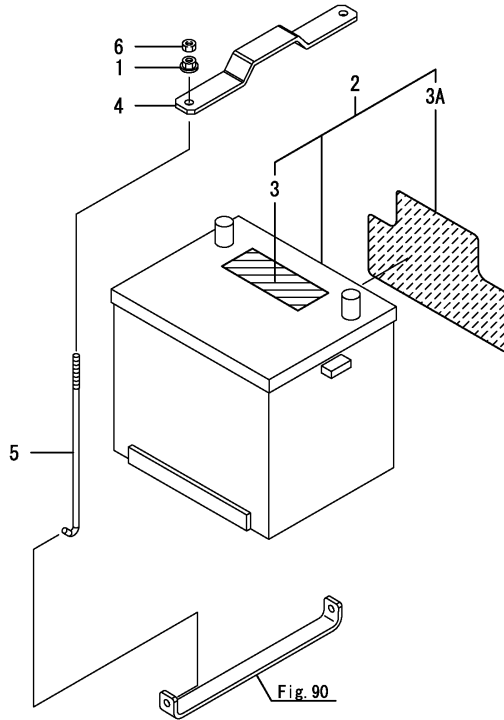
(B)=

(C)=

(D)=

(E)=

(F)=



| No. | Lev. | Parts No. | Description | Q'ty | | | | | | I | R |
|-----|------|--------------|-----------------------|------|-----|-----|-----|-----|-----|---|---|
| | | | | (A) | (B) | (C) | (D) | (E) | (F) | | |
| 1 | 1 | 194990-22130 | NUT, M6 | 2 | | | | | | | |
| 2 | 1 | 1A8160-51550 | BATTERY ASSY, DRY526R | 1 | | | | | | | |
| 3 | 2 | 1A8160-51570 | LABEL, BATTERY | 1 | | | | | | | |
| 3A | 2 | 1A8160-51580 | LABEL, BATTERY | 1 | | | | | | | |
| 4 | 1 | 1A7880-58111 | CLAMP, BATTERY | 1 | | | | | | | |
| 5 | 1 | 1A7880-58121 | ROD, BATTERY CLAMP | 2 | | | | | | | |
| 6 | 1 | 26716-060002 | NUT, M6 | 2 | | | | | | | |

Fig.83. SWITCH A

(A)=SC2400(YANMAR)

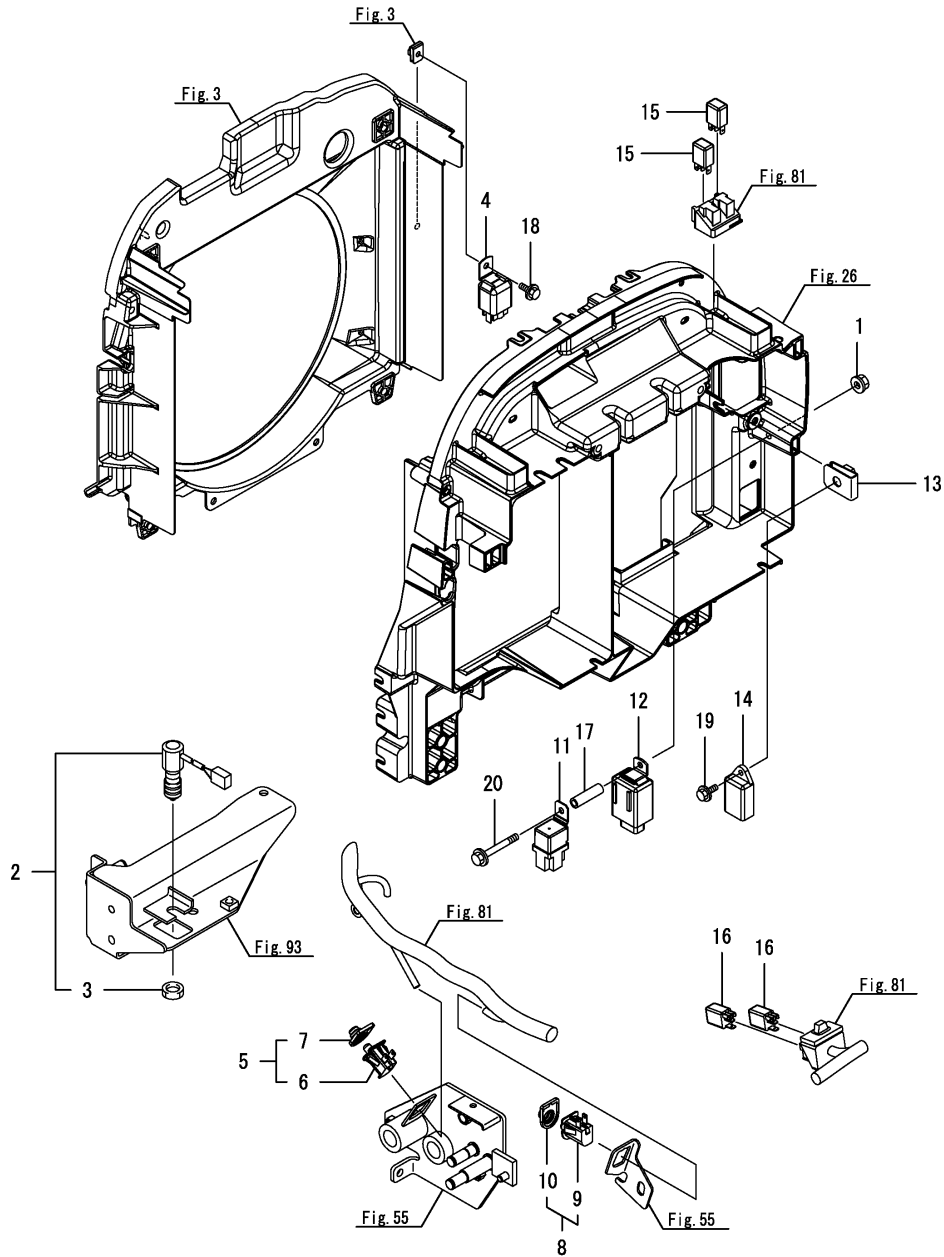
(B)=

(C)=

(D)=

(E)=

(F)=



| No. | Lev. | Parts No. | Description | Q'ty | | | | | | I | R |
|-----|------|--------------|---------------------|------|-----|-----|-----|-----|-----|---|---|
| | | | | (A) | (B) | (C) | (D) | (E) | (F) | | |
| 1 | 1 | 194990-22130 | NUT, M6 | 1 | | | | | | | |
| 2 | 1 | 198223-52150 | SWITCH, STOP LAMP | 1 | | | | | | | |
| 3 | 2 | 26776-120002 | NUT, LOCK M12 | 1 | | | | | | | |
| 4 | 1 | 198220-52180 | RELAY, STARTER | 1 | | | | | | | |
| 5 | 1 | 1A7880-52200 | SWITCH ASSY, PEDAL | 1 | | | | | | | |
| 6 | 2 | 1A7880-52210 | SWITCH, PEDAL NC | 1 | | | | | | | |
| 7 | 2 | 1A8160-52330 | COVER, GUARD | 1 | | | | | | | |
| 8 | 1 | 1A8160-52300 | SWITCH, SEAT DELTA | 1 | | | | | | | |
| 9 | 2 | 1A8160-52310 | SWITCH, SEAT DELTA | 1 | | | | | | | |
| 10 | 2 | 1A8160-52330 | COVER, GUARD | 1 | | | | | | | |
| 11 | 1 | 1A7870-52950 | RELAY, CB | 1 | | | | | | | |
| 12 | 1 | 1A6780-57200 | FLASHER | 1 | | | | | | | |
| 13 | 1 | 198071-61890 | NUT, SPEED M6 | 1 | | | | | | | |
| 14 | 1 | 129211-77920 | TIMER | 1 | | | | | | | |
| 15 | 1 | 1K1140-82500 | RELAY(ACM13211M01 | 4 | | | | | | | |
| 16 | 1 | 1K1140-82500 | RELAY(ACM13211M01 | 2 | | | | | | | |
| 17 | 1 | 1A6382-96650 | COLLAR | 1 | | | | | | | |
| 18 | 1 | 26106-060162 | BOLT, M6X 16 PLATED | 1 | | | | | | | |
| 19 | 1 | 26106-060162 | BOLT, M6X 16 PLATED | 1 | | | | | | | |
| 20 | 1 | 26106-060502 | BOLT, M6X 50 PLATED | 1 | | | | | | | |

Fig.84. SWITCH B

(A)=SC2400(YANMAR)

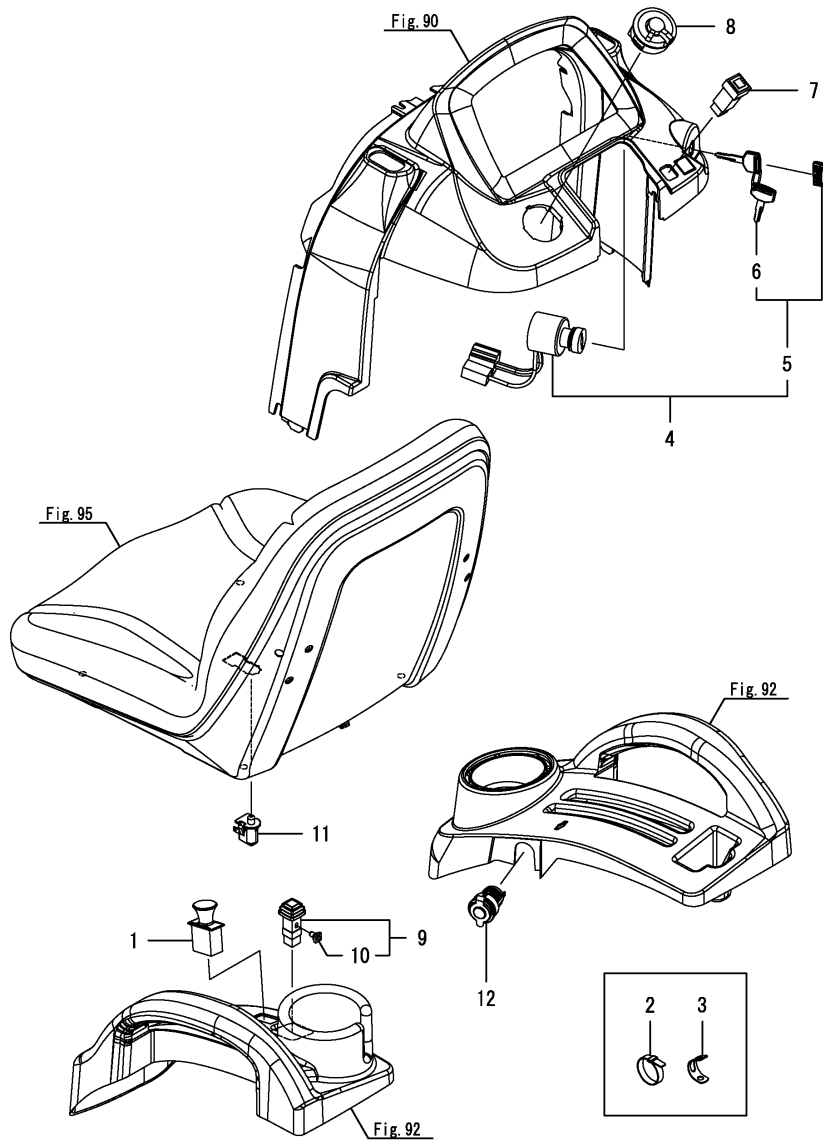
(B)=

(C)=

(D)=

(E)=

(F)=



| No. | Lev. | Parts No. | Description | Q'ty | | | | | | I | R |
|-----|------|--------------|----------------------|------|-----|-----|-----|-----|-----|---|---|
| | | | | (A) | (B) | (C) | (D) | (E) | (F) | | |
| 1 | 1 | 172531-17300 | SWITCH, PTO | 1 | | | | | | | |
| 2 | 1 | 1A8300-51210 | BAND, REPEAT | 2 | | | | | | | |
| 3 | 1 | 194440-51620 | CLAMP | 1 | | | | | | | |
| 4 | 1 | 198226-52100 | SWITCH ASSY, STARTER | 1 | | | | | | | |
| 5 | 2 | 194155-52160 | KEY ASSY | 1 | | | | | | | |
| 6 | 3 | 194155-52190 | KEY | 2 | | | | | | | |
| 7 | 1 | 1A7335-52120 | SWITCH, HAZARD | 1 | | | | | | | |
| 8 | 1 | 1A7880-52140 | SWITCH, COMBINATION | 1 | | | | | | | |
| 9 | 1 | 1A7880-52250 | SWITCH, NL Y | 1 | | | | | | | |
| 10 | 2 | 198133-78840 | LAMP ASSY | 1 | | | | | | | |
| 11 | 1 | 1A8160-52310 | SWITCH, SEAT DELTA | 1 | | | | | | | |
| 12 | 1 | 1A7880-57100 | SOCKET, POWER SOUCE | 1 | | | | | | | |

Fig.85. LAMPS

(A)=SC2400(YANMAR)

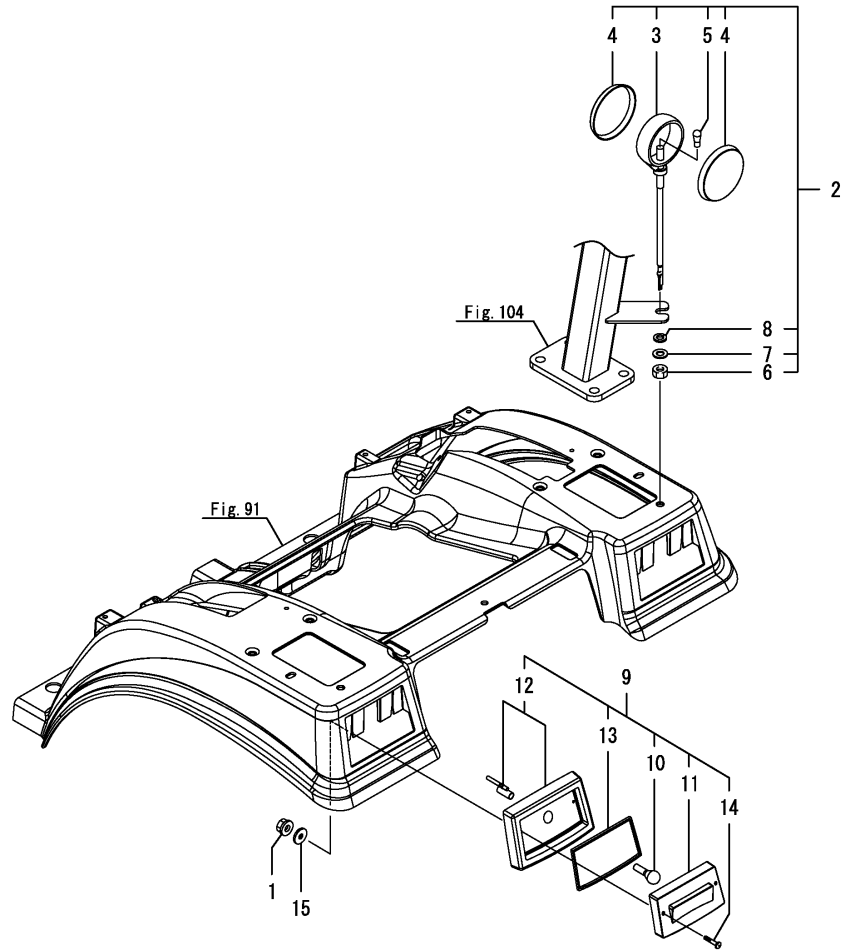
(B)=

(C)=

(D)=

(E)=

(F)=



| No. | Lev. | Parts No. | Description | Q'ty | | | | | | I | R |
|-----|------|--------------|----------------------|------|-----|-----|-----|-----|-----|---|---|
| | | | | (A) | (B) | (C) | (D) | (E) | (F) | | |
| 1 | 1 | 194990-22130 | NUT, M6 | 4 | | | | | | | |
| 2 | 1 | 1A7880-53400 | LAMP ASSY, FLASHER | 2 | | | | | | | |
| 3 | 2 | 1A7880-53410 | HOUSING | 2 | | | | | | | |
| 4 | 2 | 1A7880-53420 | LENS | 4 | | | | | | | |
| 5 | 2 | 1A7880-53430 | BULB, 12.8V/27W | 2 | | | | | | | |
| 6 | 2 | 21731-040002 | NUT | 2 | | | | | | | |
| 6-1 | 2 | 1A7880-53100 | NUT | 2 | | | | | | | R |
| | | (A=FXXXXX) | | | | | | | | | |
| 7 | 2 | 22137-130000 | WASHER, 13 | 2 | | | | | | | |
| 8 | 2 | 22217-130000 | WASHER, SPRING 1/2 | 2 | | | | | | | |
| 9 | 1 | 1A7335-53600 | LAMP, TAIL | 2 | | | | | | | |
| 10 | 2 | 1A7335-53610 | BULB, 12V-21/5W | 2 | | | | | | | |
| 11 | 2 | 1A7335-53620 | LENS ASSY | 2 | | | | | | | |
| 12 | 2 | 1A7335-53630 | HOUSING ASSY, SEMI | 2 | | | | | | | |
| 13 | 2 | 1A7335-53640 | GASKET | 2 | | | | | | | |
| 14 | 2 | 1A7335-53650 | SCREW, TAPPING M6X32 | 4 | | | | | | | |
| 15 | 1 | 22157-060000 | WASHER, 6 | 4 | | | | | | | |

Fig.86. SIDE LAMP

(A)=SC2400(YANMAR)

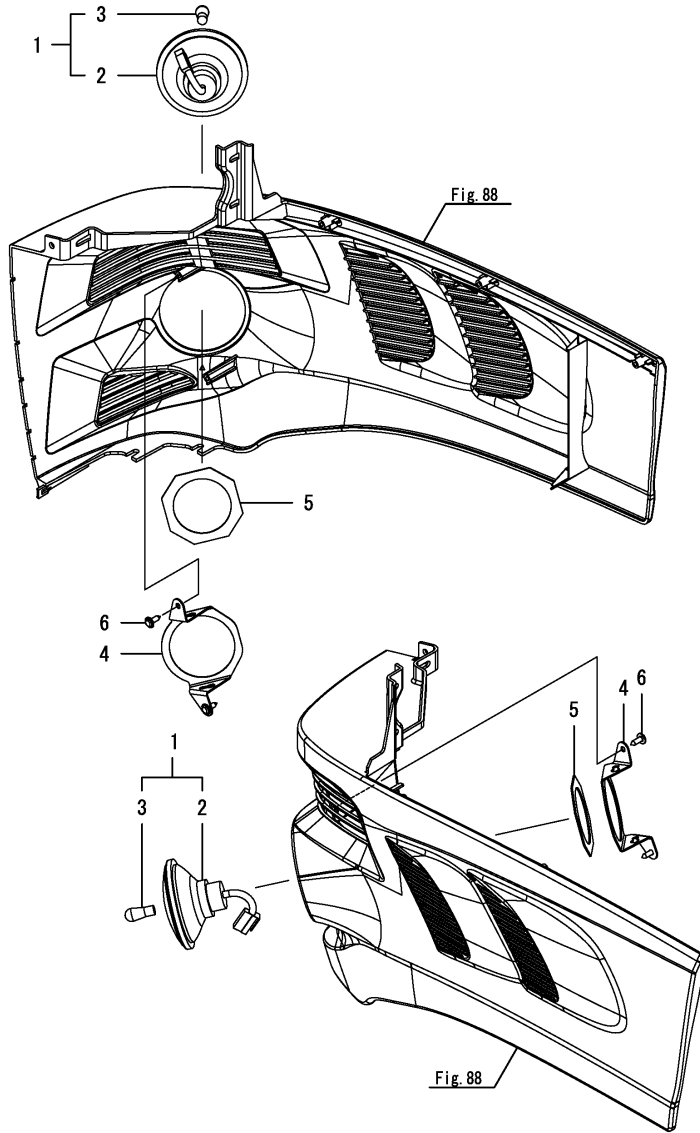
(B)=

(C)=

(D)=

(E)=

(F)=



| No. | Lev. | Parts No. | Description | Q'ty | | | | | | I | R |
|-----|------|--------------|----------------------|------|-----|-----|-----|-----|-----|---|---|
| | | | | (A) | (B) | (C) | (D) | (E) | (F) | | |
| 1 | 1 | 1A7880-53300 | LAMP ASSY, SIDE | 2 | | | | | | | |
| 2 | 2 | 1A7880-53310 | CASE ASSY, SIDE LAMP | 2 | | | | | | | |
| 3 | 2 | 1A7880-53320 | BULB, 12V/15W | 2 | | | | | | | |
| 4 | 1 | 1A7880-61061 | STAY, LAMP | 2 | | | | | | | |
| 5 | 1 | 1A7880-61070 | RUBBER, LAMP | 2 | | | | | | | |
| 6 | 1 | 194940-61790 | SCREW, TAPPING M5X16 | 4 | | | | | | | |

Fig.87. METER

(A)=SC2400(YANMAR)

(B)=

(C)=

(D)=

(E)=

(F)=

| No. | Lev. | Parts No. | Description | Q'ty | | | | | | I | R |
|-----|------|--------------|----------------|------|-----|-----|-----|-----|-----|---|---|
| | | | | (A) | (B) | (C) | (D) | (E) | (F) | | |
| 1 | 1 | 1A7880-56010 | METER ASSY | 1 | | | | | | | |
| 2 | 2 | 1A7510-56110 | BULB, 12V2.0W | 12 | | | | | | | |
| 3 | 2 | 198448-56150 | BULB, 14V-1.4W | 2 | | | | | | | |
| 4 | 1 | 22857-600160 | SCREW, 6X16 | 4 | | | | | | | |

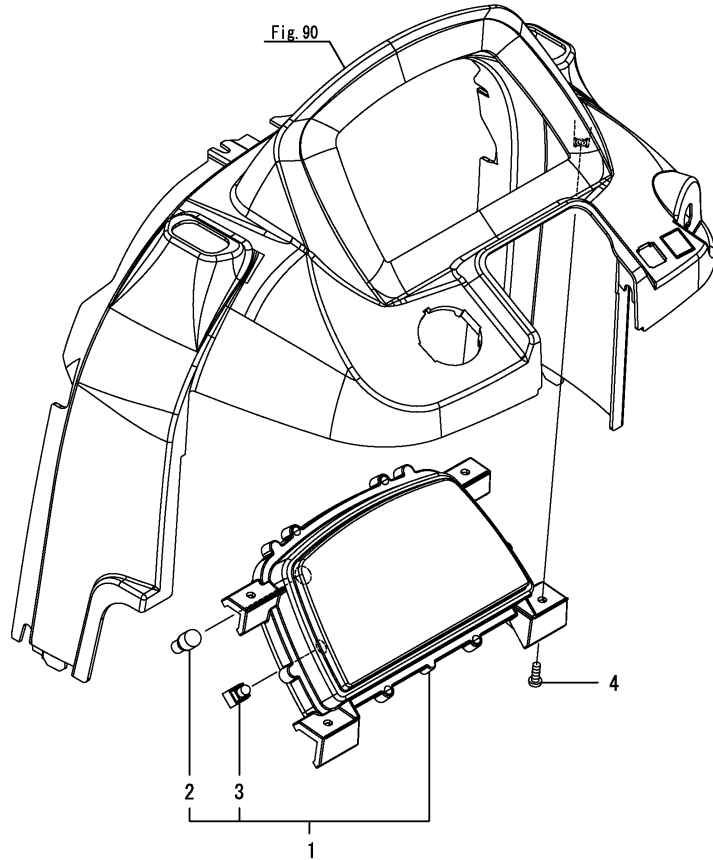


Fig.88. BONNET

(A)=SC2400(YANMAR)

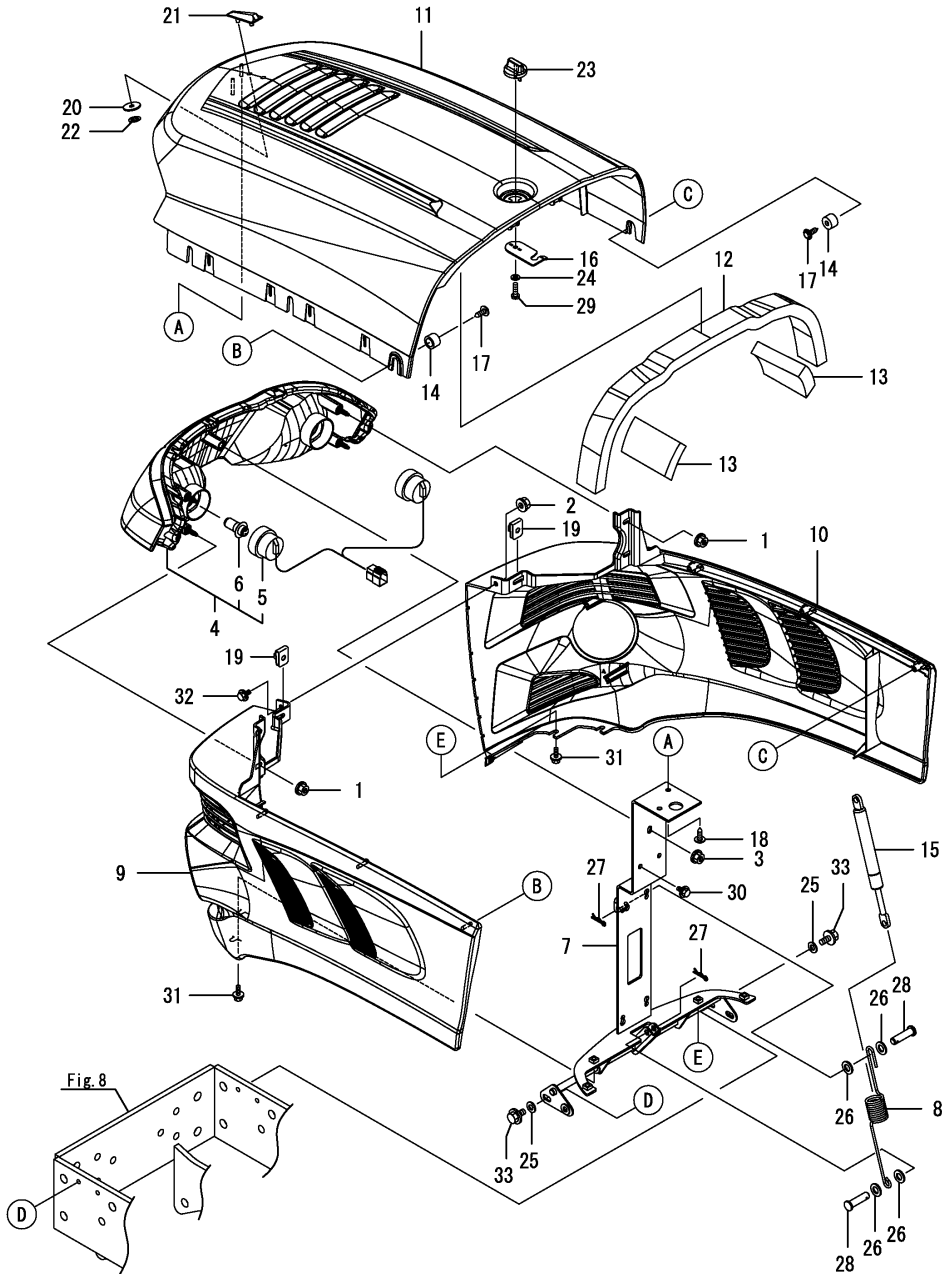
(B)=

(C)=

(D)=

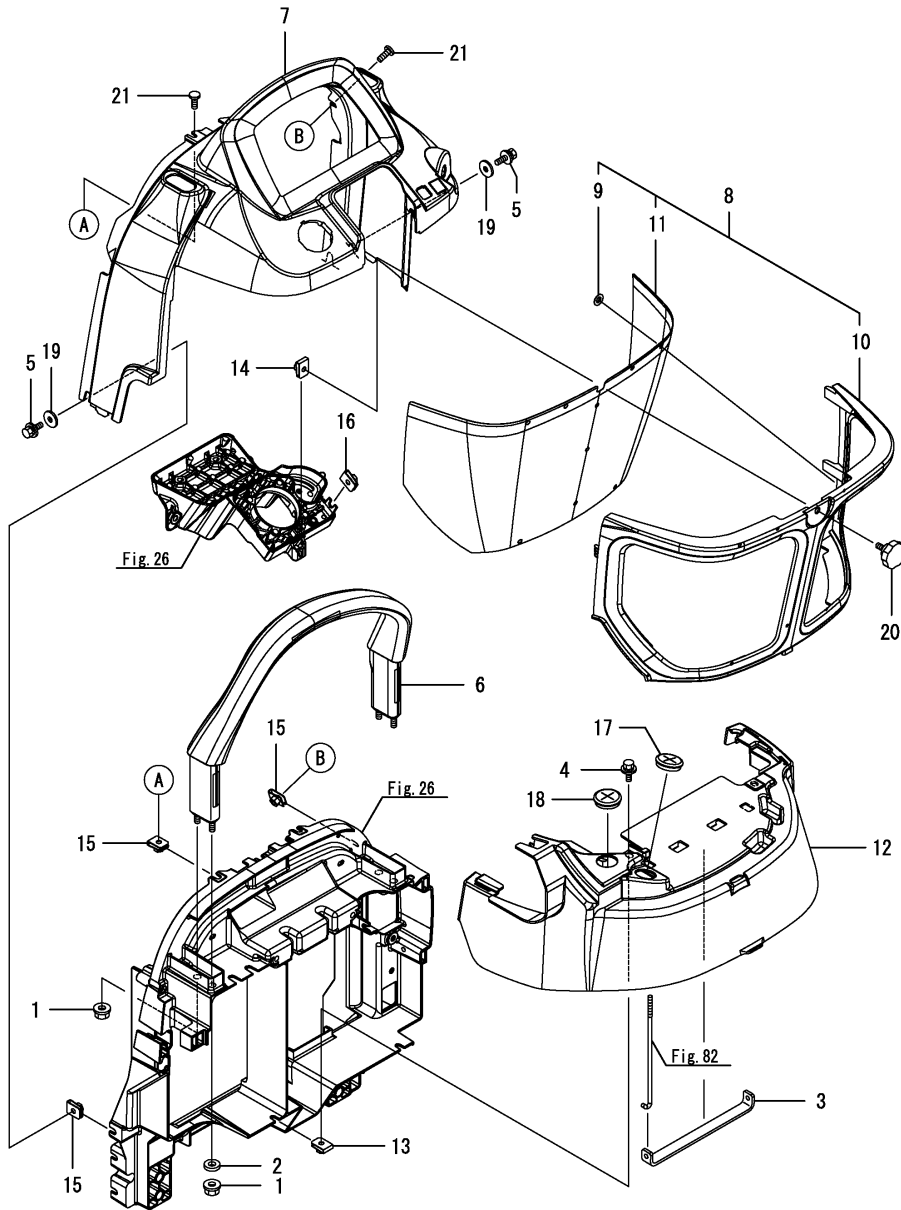
(E)=

(F)=



| No. | Lev. | Parts No. | Description | Q'ty | | | | | | I | R |
|-----|------|--------------|----------------------|------|-----|-----|-----|-----|-----|---|---|
| | | | | (A) | (B) | (C) | (D) | (E) | (F) | | |
| 1 | 1 | 194990-22130 | NUT, M6 | 4 | | | | | | | |
| 2 | 1 | 194990-22130 | NUT, M6 | 1 | | | | | | | |
| 3 | 1 | 194990-22130 | NUT, M6 | 1 | | | | | | | |
| 4 | 1 | 1A7880-53050 | LAMP ASSY, HEAD | 1 | | | | | | | |
| 5 | 2 | 1A7880-53070 | WIRE, HEAD LAMP | 1 | | | | | | | |
| 6 | 2 | 1A7880-53080 | BULB, 12V30/30W | 2 | | | | | | | |
| 7 | 1 | 1A7880-60901 | HINGE ASSY, BONNET | 1 | | | | | | | |
| 8 | 1 | 1A7880-60990 | SPRING, HINGE | 1 | | | | | | | |
| 9 | 1 | 1A7880-61020 | BONNET, LOWER L | 1 | | | | | | | |
| 10 | 1 | 1A7880-61030 | BONNET, LOWER R | 1 | | | | | | | |
| 11 | 1 | 1A7880-61111 | BONNET, UPPER | 1 | | | | | | | |
| 12 | 1 | 1A7880-61170 | SEAL, BONNET UPPER | 1 | | | | | | | |
| 13 | 1 | 1A7880-61260 | CUSHION, BONNET | 2 | | | | | | | |
| 14 | 1 | 1A8070-61330 | COLLAR, 10X15X10 | 6 | | | | | | | |
| 15 | 1 | 1A7880-61370 | SPRING, GAS | 1 | | | | | | | |
| 16 | 1 | 1A7880-61761 | STOPPER, BONNET | 1 | | | | | | | |
| 17 | 1 | 194940-61790 | SCREW, TAPPING M5X16 | 6 | | | | | | | |
| 18 | 1 | 194940-61790 | SCREW, TAPPING M5X16 | 2 | | | | | | | |
| 19 | 1 | 198071-61890 | NUT, SPEED M6 | 2 | | | | | | | |
| 20 | 1 | 194555-65130 | CUSHION | 2 | | | | | | | |
| 21 | 1 | 194940-65590 | MARK, TOP | 1 | | | | | | | |
| 22 | 1 | 198071-65610 | NUT, SPEED M5 | 2 | | | | | | | |
| 23 | 1 | 1E6460-91573 | KNOB, SACKER | 1 | | | | | | | |
| 24 | 1 | 22137-050000 | WASHER, 5 | 1 | | | | | | | |
| 25 | 1 | 22137-080000 | WASHER, 8 | 4 | | | | | | | |
| 26 | 1 | 22137-080000 | WASHER, 8 | 4 | | | | | | | |
| 27 | 1 | 22372-080000 | PIN, SNAP 8 | 2 | | | | | | | |
| 28 | 1 | 22487-080260 | PIN, H 8X 26 | 2 | | | | | | | |
| 29 | 1 | 22857-500161 | SCREW, 5X16 | 1 | | | | | | | |
| 30 | 1 | 26106-060162 | BOLT, M6X 16 PLATED | 2 | | | | | | | |
| 31 | 1 | 26106-060162 | BOLT, M6X 16 PLATED | 4 | | | | | | | |
| 32 | 1 | 26106-060162 | BOLT, M6X 16 PLATED | 1 | | | | | | | |
| 33 | 1 | 26106-080162 | BOLT, M8X 16 PLATED | 4 | | | | | | | |

Fig.90. DASH BOARD



(A)=SC2400(YANMAR)

(B)=

(C)=

(D)=

(E)=

(F)=

| No. | Lev. | Parts No. | Description | Q'ty | | | | | | I | R |
|-----|------|--------------|------------------|------|-----|-----|-----|-----|-----|---|---|
| | | | | (A) | (B) | (C) | (D) | (E) | (F) | | |
| 1 | 1 | 194990-22140 | NUT, M8 | 4 | | | | | | | |
| 2 | 1 | 194145-22430 | SPACER, 18 | 1 | | | | | | | |
| 3 | 1 | 1A7880-58151 | STAY, BATTERY | 1 | | | | | | | |
| 4 | 1 | 198461-60590 | BOLT, M6X20 | 2 | | | | | | | |
| 5 | 1 | 198461-60590 | BOLT, M6X20 | 2 | | | | | | | |
| 6 | 1 | 1A7880-61510 | GRIP, ASSIST | 1 | | | | | | | |
| 7 | 1 | 1A7880-61601 | COVER, DASHBOARD | 1 | | | | | | | |
| 8 | 1 | 1A7880-61640 | COVER, DASHBOARD | 1 | | | | | | | |
| 9 | 2 | 1C6460-38240 | NUT 5,PUSH | 6 | | | | | | | |
| 10 | 2 | 1A7880-61650 | COVER, DASHBOARD | 1 | | | | | | | |
| 11 | 2 | 1A7880-61670 | NET, DASH COVER | 1 | | | | | | | |
| 12 | 1 | 1A7880-61690 | COVER, DASHBOARD | 1 | | | | | | | |
| 13 | 1 | 198071-61890 | NUT, SPEED M6 | 2 | | | | | | | |
| 14 | 1 | 198071-61890 | NUT, SPEED M6 | 1 | | | | | | | |
| 15 | 1 | 198071-61890 | NUT, SPEED M6 | 5 | | | | | | | |
| 16 | 1 | 198071-61890 | NUT, SPEED M6 | 2 | | | | | | | |
| 17 | 1 | 1A6150-76740 | GROMMET, 31 | 1 | | | | | | | |
| 18 | 1 | 1A6150-76740 | GROMMET, 31 | 1 | | | | | | | |
| 19 | 1 | 22157-060000 | WASHER, 6 | 3 | | | | | | | |
| 20 | 1 | 26064-060151 | BOLT, 6X 15 | 1 | | | | | | | |
| 21 | 1 | 26589-060162 | SCREW, M6 | 5 | | | | | | | |

Fig.92. LEVER GUIDE

(A)=SC2400(YANMAR)

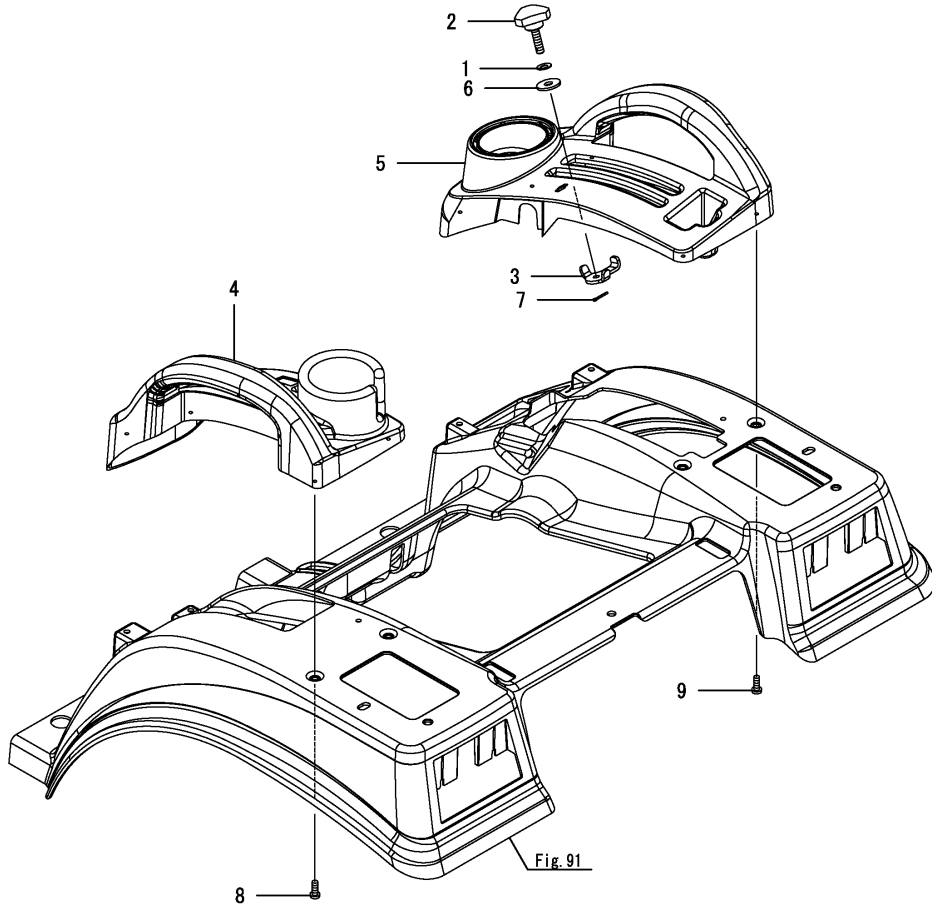
(B)=

(C)=

(D)=

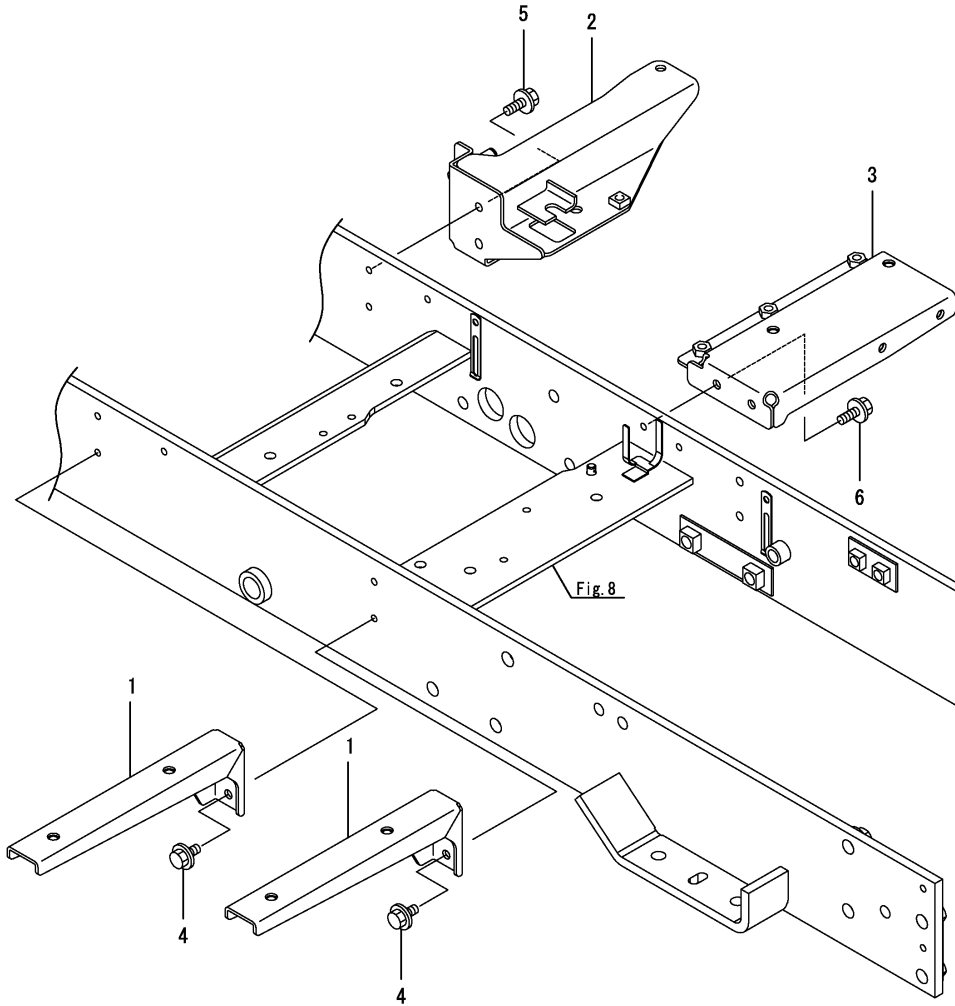
(E)=

(F)=



| No. | Lev. | Parts No. | Description | Q'ty | | | | | | I | R |
|-----|------|--------------|----------------------|------|-----|-----|-----|-----|-----|---|---|
| | | | | (A) | (B) | (C) | (D) | (E) | (F) | | |
| 1 | 1 | 194300-37570 | SPRING | 1 | | | | | | | |
| 2 | 1 | 198165-47750 | KNOB, CONTROL | 1 | | | | | | | |
| 3 | 1 | 1A7510-47760 | STOPPER, CONTROL | 1 | | | | | | | |
| 4 | 1 | 1A7880-62240 | GUIDE ASSY, LEVER LM | 1 | | | | | | | |
| 5 | 1 | 1A7880-62300 | GUIDE, LEVER R | 1 | | | | | | | |
| 6 | 1 | 22157-080000 | WASHER, 8 | 1 | | | | | | | |
| 7 | 1 | 22417-200160 | PIN, COTTER 2.0X16 | 1 | | | | | | | |
| 8 | 1 | 22857-600160 | SCREW, 6X16 | 4 | | | | | | | |
| 9 | 1 | 22857-600160 | SCREW, 6X16 | 5 | | | | | | | |

Fig.93. FOOTREST STAY



(A)=SC2400(YANMAR)

(B)=

(C)=

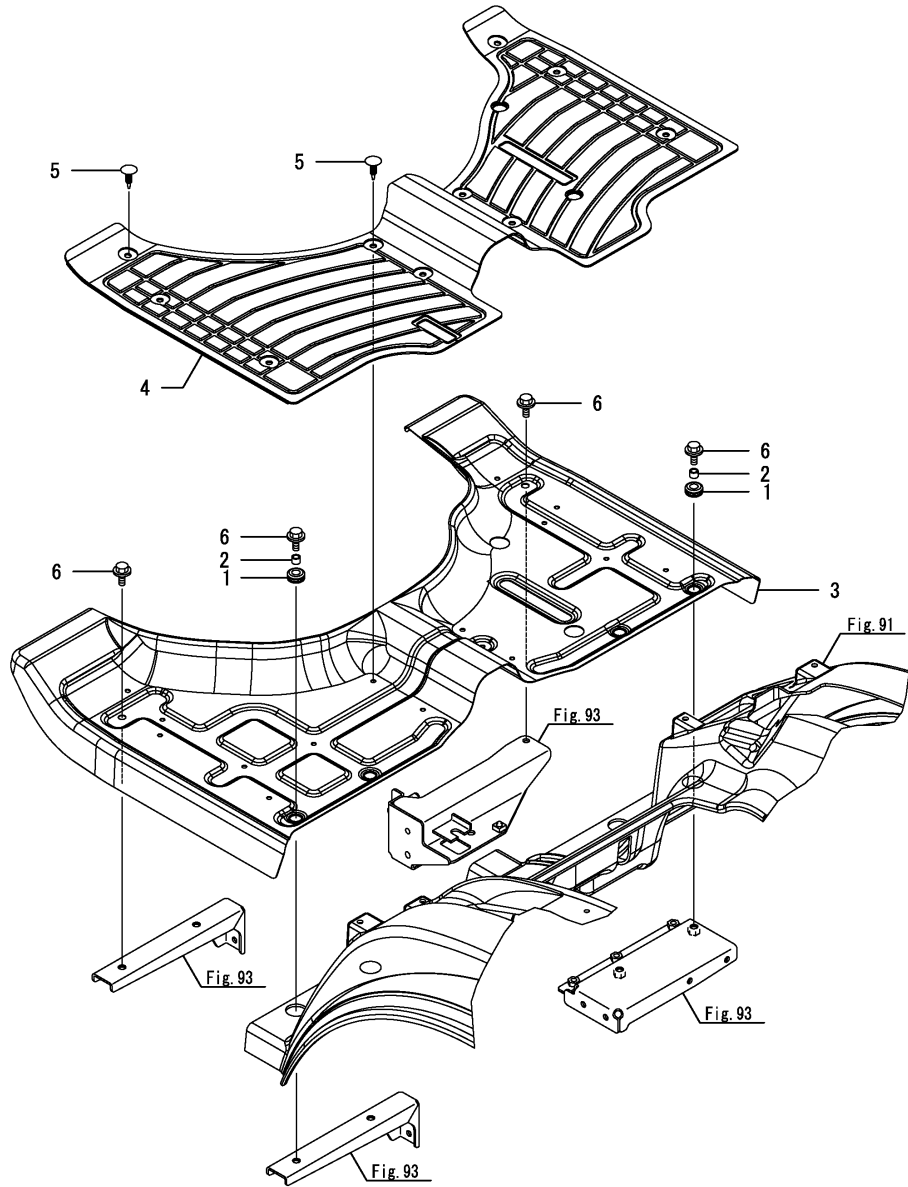
(D)=

(E)=

(F)=

| No. | Lev. | Parts No. | Description | Q'ty | | | | | | I | R |
|-----|------|--------------|---------------------|------|-----|-----|-----|-----|-----|---|---|
| | | | | (A) | (B) | (C) | (D) | (E) | (F) | | |
| 1 | 1 | 1A7880-62550 | STAY ASSY, STEP L | 2 | | | | | | | |
| 2 | 1 | 1A7880-62601 | STAY ASSY, STEP RF | 1 | | | | | | | |
| 3 | 1 | 1A7880-62650 | STAY ASSY, STEP RR | 1 | | | | | | | |
| 4 | 1 | 26106-080162 | BOLT, M8X 16 PLATED | 4 | | | | | | | |
| 5 | 1 | 26106-080162 | BOLT, M8X 16 PLATED | 2 | | | | | | | |
| 6 | 1 | 26106-080162 | BOLT, M8X 16 PLATED | 2 | | | | | | | |

Fig.94. STEP



(A)=SC2400(YANMAR)

(B)=

(C)=

(D)=

(E)=

(F)=

| No. | Lev. | Parts No. | Description | Q'ty | | | | | | I | R |
|-----|------|--------------|---------------------|------|-----|-----|-----|-----|-----|---|---|
| | | | | (A) | (B) | (C) | (D) | (E) | (F) | | |
| 1 | 1 | 198360-03260 | GROMMET, 12 | 4 | | | | | | | |
| 2 | 1 | 198360-03270 | SPACER | 4 | | | | | | | |
| 3 | 1 | 1A7880-62500 | STEP | 1 | | | | | | | |
| 4 | 1 | 1A7880-62510 | SHEET ,STEP | 1 | | | | | | | |
| 5 | 1 | 198162-62630 | FASNER | 10 | | | | | | | |
| 6 | 1 | 26106-080202 | BOLT, M8X 20 PLATED | 6 | | | | | | | |

Fig.95. DRIVER SEAT

(A)=SC2400(YANMAR)

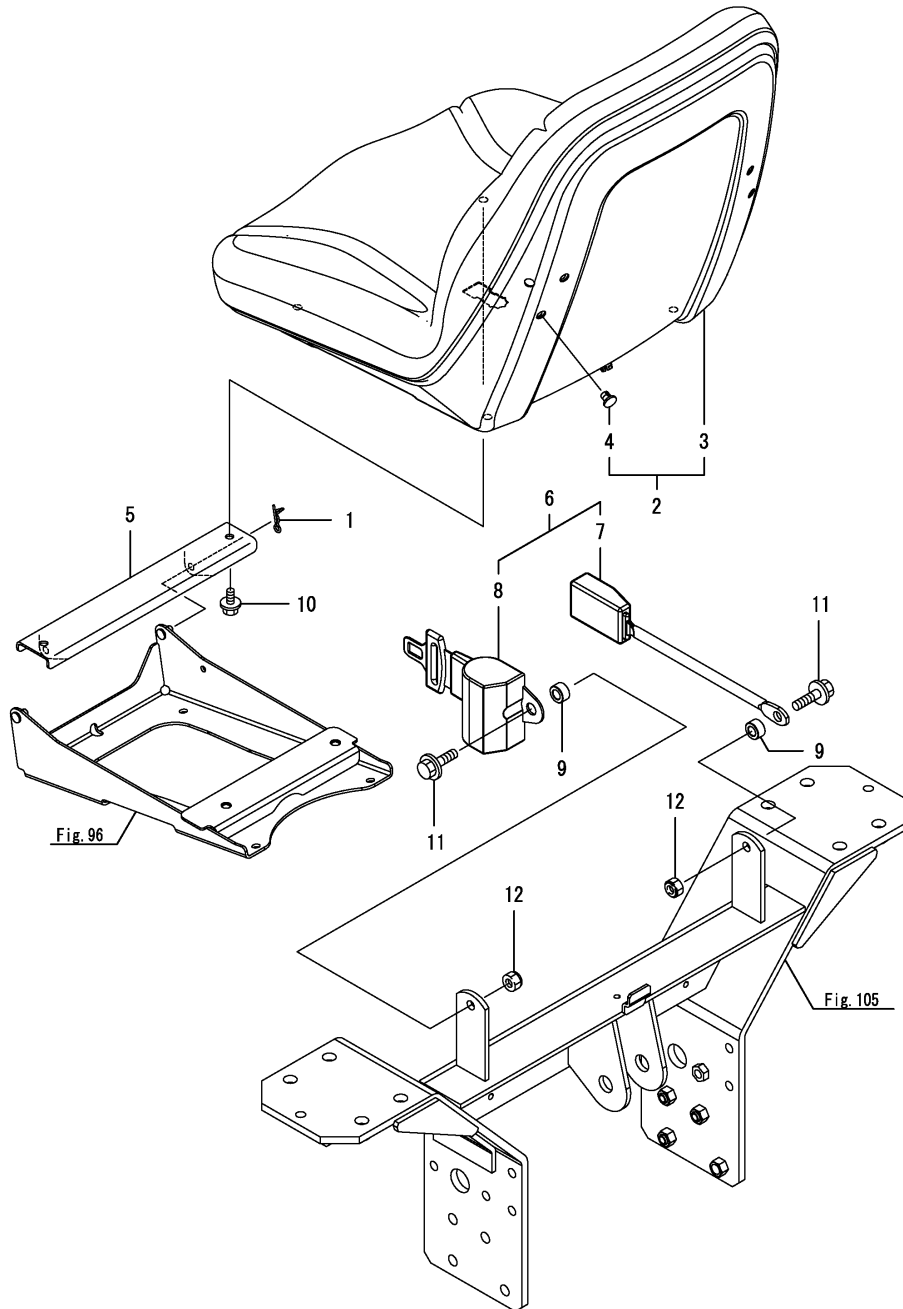
(B)=

(C)=

(D)=

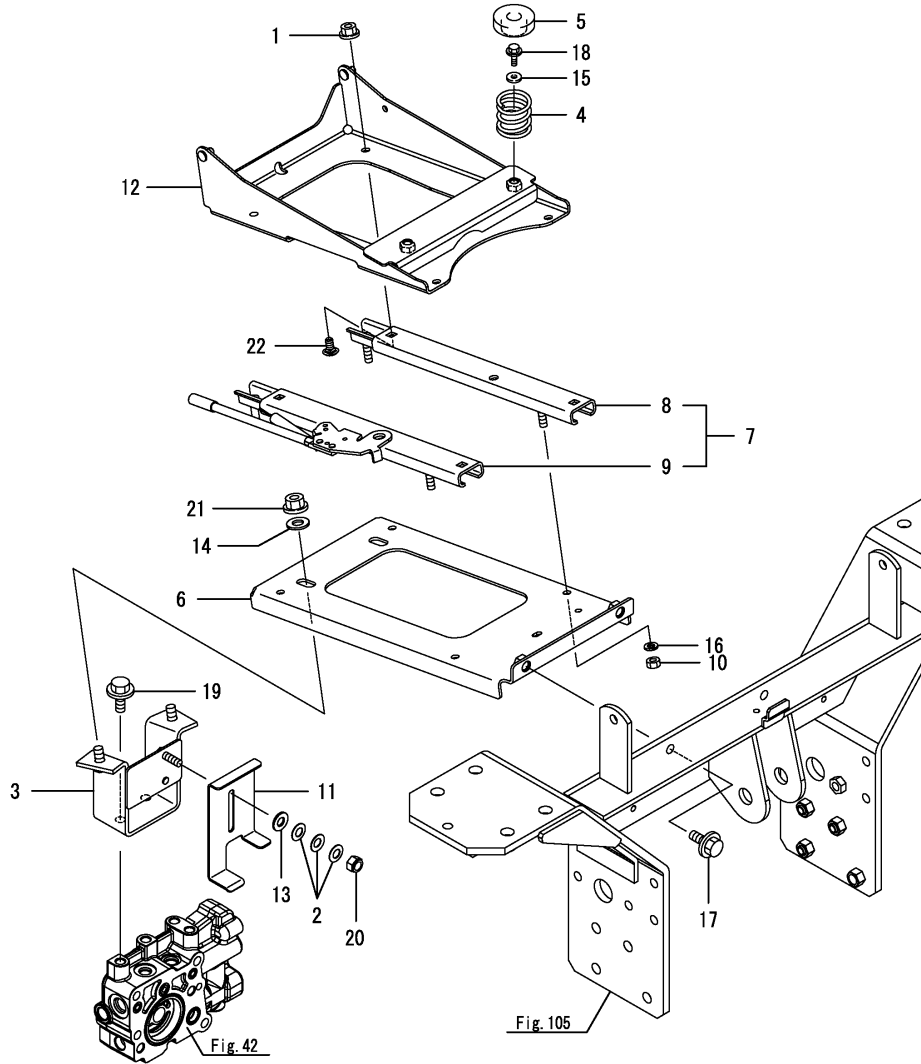
(E)=

(F)=



| No. | Lev. | Parts No. | Description | Q'ty | | | | | | I | R |
|-----|------|--------------|----------------------|------|-----|-----|-----|-----|-----|---|---|
| | | | | (A) | (B) | (C) | (D) | (E) | (F) | | |
| 1 | 1 | 1C6281-52320 | PIN, SNAP 8 | 1 | | | | | | | |
| 2 | 1 | 1A7880-63050 | SEAT ASSY, OPERATOR | 1 | | | | | | | |
| 2-1 | 1 | 1A7880-63020 | SEAT, OPERATOR | 1 | | | | | | | N |
| 3 | 2 | 1A8300-63010 | SEAT ASSY, OPERATOR | 1 | | | | | | | Z |
| 4 | 2 | 1A7880-63060 | NUT PLUG | 6 | | | | | | | Z |
| 5 | 1 | 1A7880-63100 | HINGE ASSY, SEAT | 1 | | | | | | | |
| 6 | 1 | 1A8160-63400 | BELT ASSY, SEAT | 1 | | | | | | | |
| 7 | 2 | 1A8160-63410 | BELT ASSY, SEAT | 1 | | | | | | | |
| 8 | 2 | 1A8160-63420 | BELT ASSY, SEAT | 1 | | | | | | | |
| 9 | 1 | 1A8160-63440 | COLLAR, SEAT BELT | 2 | | | | | | | |
| 10 | 1 | 26106-080162 | BOLT, M8X 16 PLATED | 2 | | | | | | | |
| 11 | 1 | 26106-100352 | BOLT, M10X 35 PLATED | 2 | | | | | | | |
| 12 | 1 | 26346-100002 | NUT, M10 | 2 | | | | | | | |

Fig.96. SEAT STAY



(A)=SC2400(YANMAR)

(B)=

(C)=

(D)=

(E)=

(F)=

| No. | Lev. | Parts No. | Description | Q'ty | | | | | | I | R |
|-----|------|--------------|----------------------|------|-----|-----|-----|-----|-----|---|---|
| | | | | (A) | (B) | (C) | (D) | (E) | (F) | | |
| 1 | 1 | 194990-22140 | NUT, M8 | 4 | | | | | | | |
| 2 | 1 | 194300-37570 | SPRING | 3 | | | | | | | |
| 3 | 1 | 1A7880-63200 | STAY ASSY, SEAT | 1 | | | | | | | |
| 4 | 1 | 1A8115-63260 | SPRING | 2 | | | | | | | |
| 5 | 1 | 198284-63270 | STOPPER, SEAT | 2 | | | | | | | |
| 6 | 1 | 1A7880-63300 | STAY ASSY, RAIL A | 1 | | | | | | | |
| 7 | 1 | 1A7880-63390 | RAIL KIT, SEAT | 1 | | | | | | | |
| 8 | 2 | 1A7880-63400 | RAIL ASSY, SEAT | 1 | | | | | | | |
| 9 | 2 | 1A7880-63410 | RAIL ASSY, SEAT | 1 | | | | | | | |
| 10 | 1 | 1A7880-63420 | NUT, 5/16-18UNC | 4 | | | | | | | |
| 11 | 1 | 1A7880-63451 | PLATE, SWITCH | 1 | | | | | | | |
| 12 | 1 | 1A7880-63500 | STAY ASSY, RAIL B | 1 | | | | | | | |
| 13 | 1 | 22137-080000 | WASHER, 8 | 1 | | | | | | | |
| 14 | 1 | 22137-100000 | WASHER, 10 | 2 | | | | | | | |
| 15 | 1 | 22157-080000 | WASHER, 8 | 2 | | | | | | | |
| 16 | 1 | 22217-080000 | WASHER, SPRING 8 | 4 | | | | | | | |
| 17 | 1 | 26014-100252 | BOLT, M10X 25 | 2 | | | | | | | |
| 18 | 1 | 26106-080202 | BOLT, M8X 20 PLATED | 2 | | | | | | | |
| 19 | 1 | 26106-100162 | BOLT, M10X 16 PLATED | 2 | | | | | | | |
| 20 | 1 | 26347-080002 | NUT, M8 | 1 | | | | | | | |
| 21 | 1 | 26366-100002 | NUT, M10 | 2 | | | | | | | |
| 22 | 1 | 26487-080163 | BOLT, M8X16 | 4 | | | | | | | |

Fig.97. LABEL(1)

(A)=SC2400(YANMAR)

(B)=

(C)=

(D)=

(E)=

(F)=

| No. | Lev. | Parts No. | Description | Q'ty | | | | | | I | R |
|-----|------|--------------|-------------|------|-----|-----|-----|-----|-----|---|---|
| | | | | (A) | (B) | (C) | (D) | (E) | (F) | | |
| 1 | 1 | 1A7340-65080 | LABEL,DRAIN | 1 | | | | | | | |
| | | | | | | | | | | | |
| | | | | | | | | | | | |
| | | | | | | | | | | | |
| | | | | | | | | | | | |
| | | | | | | | | | | | |
| | | | | | | | | | | | |
| | | | | | | | | | | | |
| | | | | | | | | | | | |
| | | | | | | | | | | | |
| | | | | | | | | | | | |
| | | | | | | | | | | | |
| | | | | | | | | | | | |
| | | | | | | | | | | | |
| | | | | | | | | | | | |
| | | | | | | | | | | | |
| | | | | | | | | | | | |
| | | | | | | | | | | | |

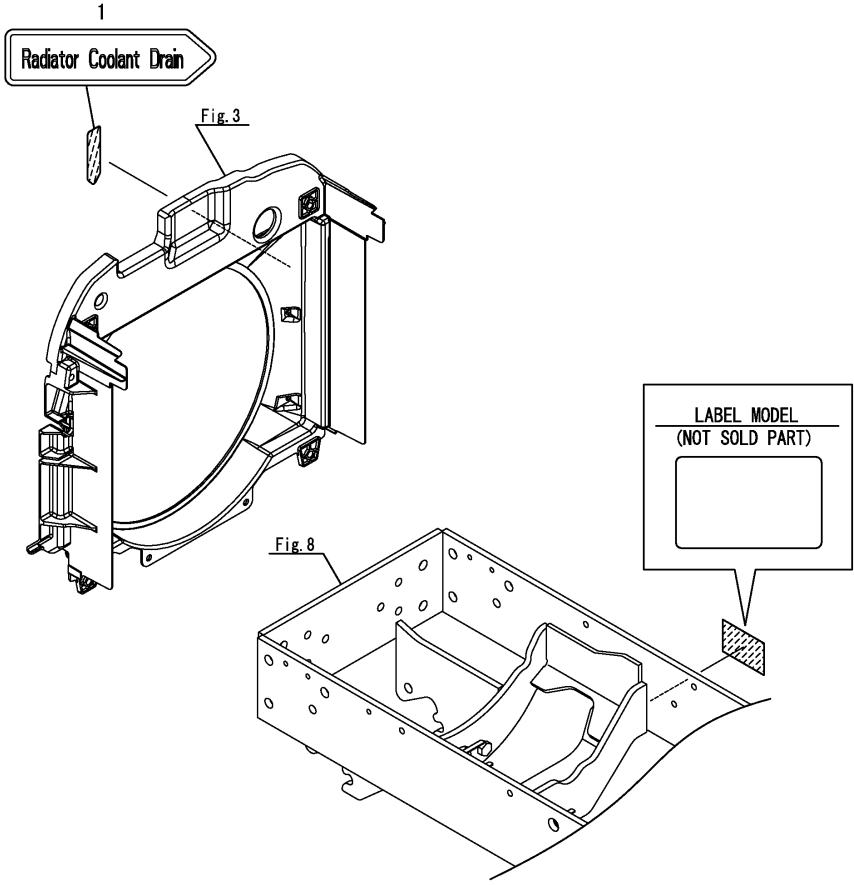


Fig.98. LABEL(2)

(A)=SC2400(YANMAR)

(B)=

(C)=

(D)=

(E)=

(F)=

| No. | Lev. | Parts No. | Description | Qty | | | | | | I | R |
|-----|------|--------------|----------------------|-----|-----|-----|-----|-----|-----|---|---|
| | | | | (A) | (B) | (C) | (D) | (E) | (F) | | |
| 1 | 1 | 1A7880-15880 | PLATE | 1 | | | | | | | |
| 2 | 1 | 1A7880-65331 | LABEL POSITION | 1 | | | | | | | |
| 3 | 1 | 1A7880-65341 | LABEL LEVER GUIDE L | 1 | | | | | | | |
| 4 | 1 | 1A7880-65370 | LABEL, LEVER 4WD | 1 | | | | | | | |
| 5 | 1 | 1A7880-65380 | LABEL, LEVER VALVE | 1 | | | | | | | |
| 6 | 1 | 1A7880-65390 | LABEL,DIFFLOCK | 1 | | | | | | | |
| 7 | 1 | 1A8250-65390 | LABEL,SPARK ARRESTOR | 1 | | | | | | | |
| 8 | 1 | 1A7880-65511 | LABEL,ACCELERAT.LVR. | 1 | | | | | | | |
| 9 | 1 | 1A7880-65570 | LABEL HOOD OPEN | 1 | | | | | | | |
| 10 | 1 | 1A8250-65630 | LABEL, SOCKET | 1 | | | | | | | |
| 11 | 1 | 1A8250-65650 | LABEL, FUEL OIL | 1 | | | | | | | |
| 12 | 1 | 1A7880-65722 | LABLE,START SWITCH | 1 | | | | | | | |
| 13 | 1 | 1A8160-65860 | TAPE, 50X115 | 2 | | | | | | | |

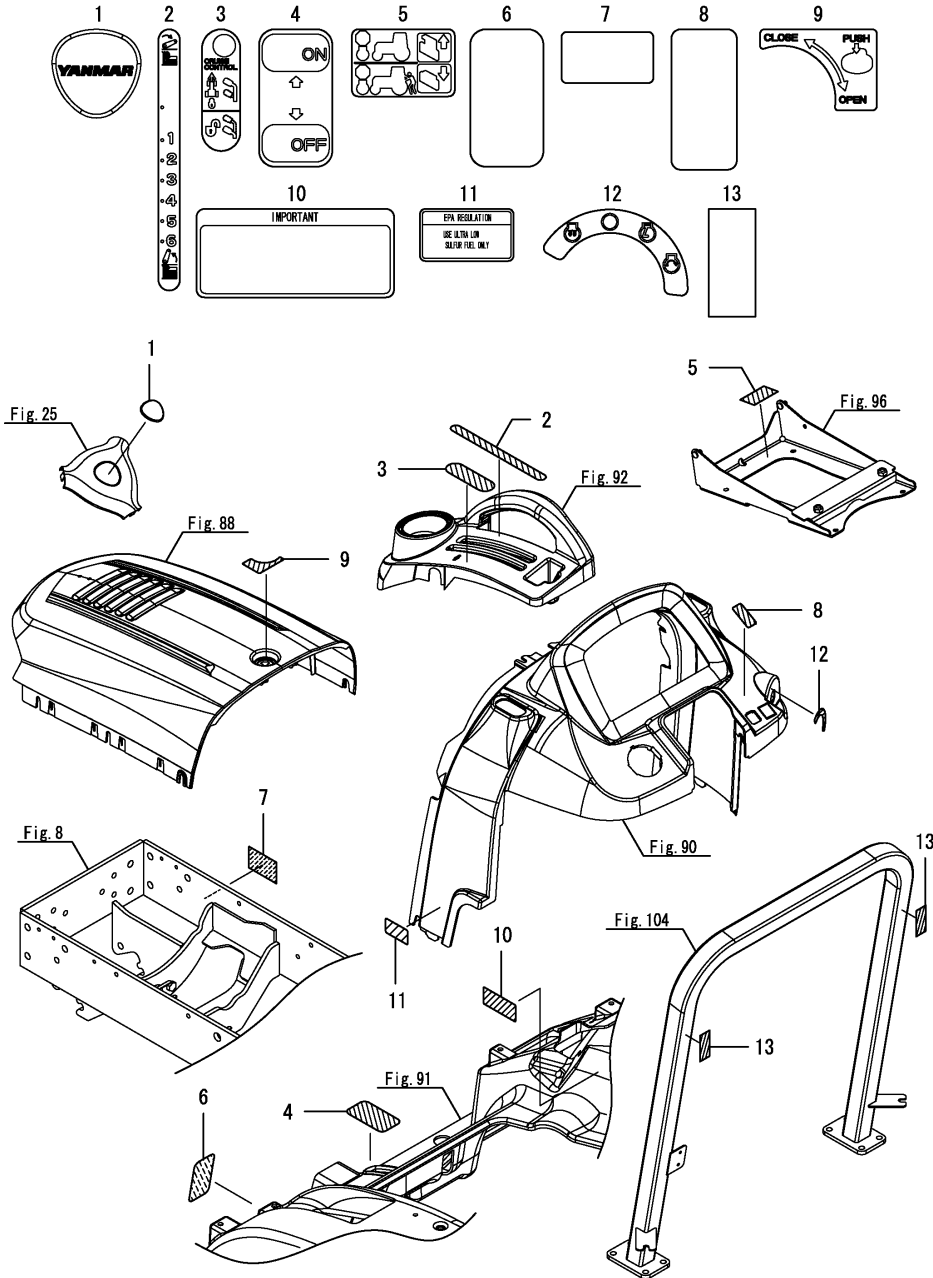


Fig.99. LABEL(3)

(A)=SC2400(YANMAR)

(B)=

(C)=

(D)=

(E)=

(F)=

| No. | Lev. | Parts No. | Description | Q'ty | | | | | | I | R |
|-----|------|--------------|-----------------|------|-----|-----|-----|-----|-----|---|---|
| | | | | (A) | (B) | (C) | (D) | (E) | (F) | | |
| 1 | 1 | 1A7880-65650 | LABEL,LOGO L.H. | 1 | | | | | | | |
| 2 | 1 | 1A7880-65660 | LABEL,LOGO R.H. | 1 | | | | | | | |

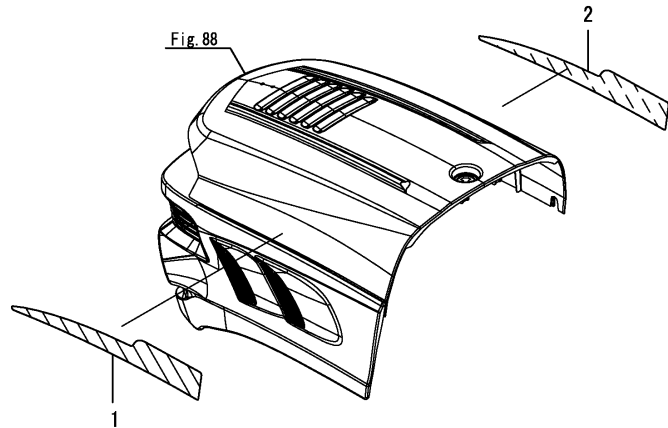
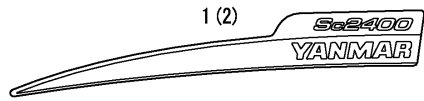


Fig.100. LABEL(SAFETY(1

(A)=SC2400(YANMAR)

(B)=

(C)=

(D)=

(E)=

(F)=

| No. | Lev. | Parts No. | Description | Q'ty | | | | | | I | R |
|-----|------|--------------|--------------------|------|-----|-----|-----|-----|-----|---|---|
| | | | | (A) | (B) | (C) | (D) | (E) | (F) | | |
| 1 | 1 | 1A8160-65300 | LABEL,DANGER,START | 1 | | | | | | | |
| 2 | 1 | 1A8160-65310 | LABEL,WARNIBG,STOP | 1 | | | | | | | |

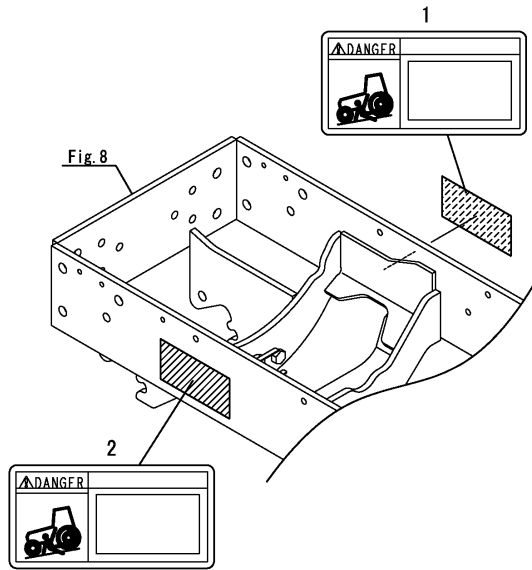
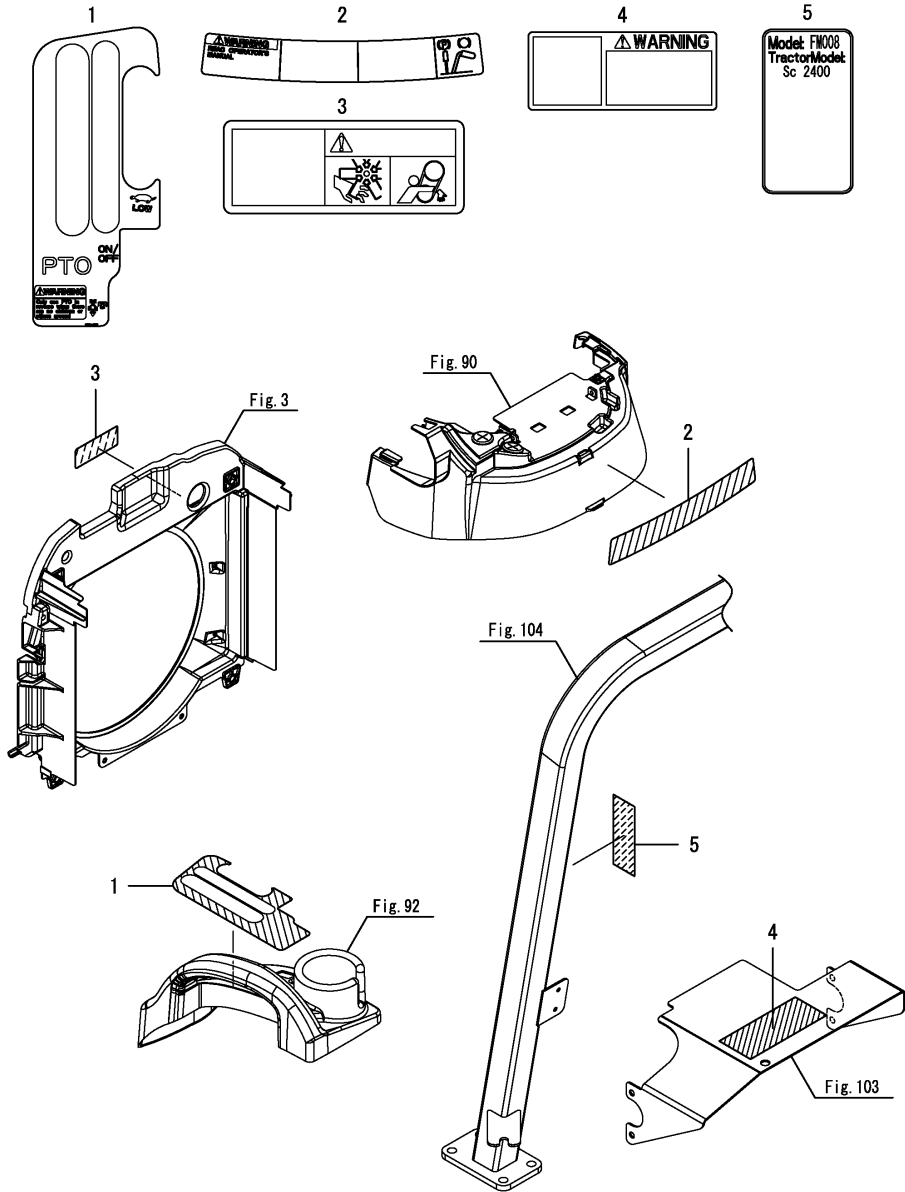


Fig.101. LABEL(SAFETY(2



(A)=SC2400(YANMAR)

(B)=

(C)=

(D)=

(E)=

(F)=

| No. | Lev. | Parts No. | Description | Q'ty | | | | | | I | R |
|-----|------|--------------|----------------------|------|-----|-----|-----|-----|-----|---|---|
| | | | | (A) | (B) | (C) | (D) | (E) | (F) | | |
| 1 | 1 | 1A7880-65351 | LABEL, LEVERGUIDE L | 1 | | | | | | | |
| 2 | 1 | 1A7880-65601 | LABEL,CAUTION,GENERA | 1 | | | | | | | |
| 3 | 1 | 1A7880-65610 | LABEL,WARNING,FAN | 1 | | | | | | | |
| 4 | 1 | 198220-65621 | LABEL, P.T.O.WARNING | 1 | | | | | | | |
| 5 | 1 | 1A7880-65981 | LABEL,ROPS | 1 | | | | | | | |

Fig.102. 3P KIT

(A)=SC2400(YANMAR)

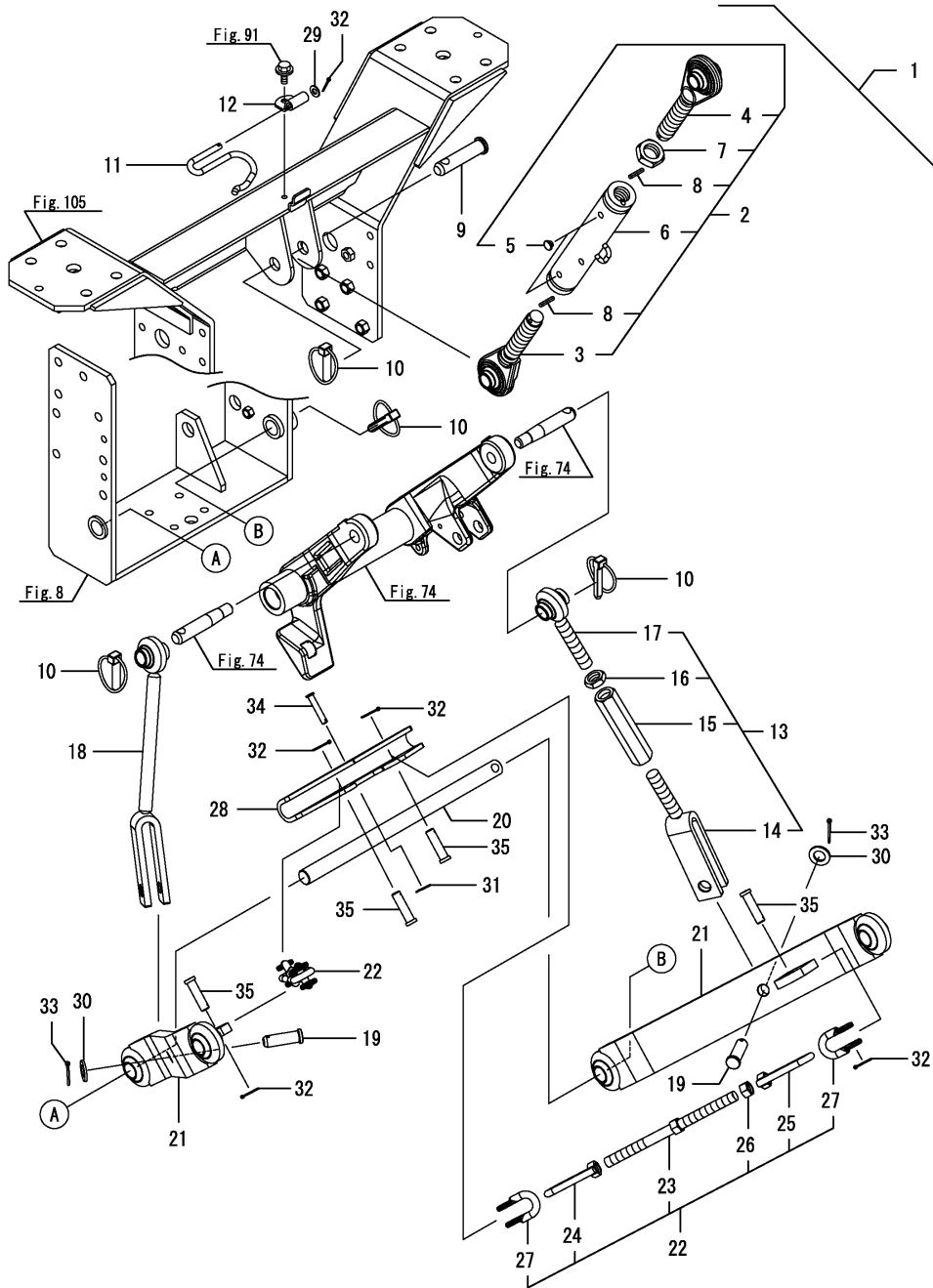
(B)=

(C)=

(D)=

(E)=

(F)=



| No. | Lev. | Parts No. | Description | Qty | | | | | | I | R |
|-----|------|--------------|--------------------|-----|-----|-----|-----|-----|-----|---|---|
| | | | | (A) | (B) | (C) | (D) | (E) | (F) | | |
| 1 | 1 | 1A7880-71800 | HITCH KIT, 3 POINT | 1 | | | | | | | |
| 2 | 2 | 1A7880-71110 | LINK ASSY, TOP | 1 | | | | | | | |
| 3 | 3 | 1A7880-71210 | BOLT, EYE | 1 | | | | | | | |
| 4 | 3 | 1A7880-71220 | BOLT, EYE | 1 | | | | | | | |
| 5 | 3 | 1A7335-71250 | CAP | 4 | | | | | | | |
| 6 | 3 | 1A7880-71500 | TURNBACKLE ASSY | 1 | | | | | | | |
| 7 | 3 | 1A7880-71580 | NUT, M24 | 1 | | | | | | | |
| 8 | 3 | 22351-050025 | PIN, SPRING 5.0X25 | 2 | | | | | | | |
| 9 | 2 | 1A7500-71120 | PIN, LINK | 1 | | | | | | | |
| 10 | 2 | 1A7500-71130 | PIN ASSY, LINTCH | 4 | | | | | | | |
| 11 | 2 | 1A7880-71550 | SPRING | 1 | | | | | | | |
| 12 | 2 | 1A7880-71720 | PLATE, TOP LINK | 1 | | | | | | | |
| 13 | 2 | 1A7880-72100 | ROD ASSY, LIFT R | 1 | | | | | | | |
| 14 | 3 | 1A7880-72310 | END ASSY, LOWER | 1 | | | | | | | |
| 15 | 3 | 1A7880-72320 | TURNBUCKLE | 1 | | | | | | | |
| 16 | 3 | 1A7880-72330 | NUT, M18 | 1 | | | | | | | |
| 17 | 3 | 1A7880-72340 | END ASSY, UPPER | 1 | | | | | | | |
| 18 | 2 | 1A7880-72300 | ROD ASSY, LIFT L | 1 | | | | | | | |
| 19 | 2 | 198234-72550 | PIN, 16X44 | 2 | | | | | | | |
| 20 | 2 | 1A7880-73150 | BAR, LOWER LINK | 1 | | | | | | | |
| 21 | 2 | 1A7880-73500 | LINK ASSY, LOWER | 2 | | | | | | | |
| 22 | 2 | 1A7880-74100 | CHAIN ASSY, CHECK | 2 | | | | | | | |
| 23 | 3 | 1A7880-74110 | TURNBACKLE ASSY | 2 | | | | | | | |
| 24 | 3 | 1A7880-74120 | NUT, EYE | 2 | | | | | | | |
| 25 | 3 | 1A7880-74130 | NUT, EYE | 2 | | | | | | | |
| 26 | 3 | 1A7880-74140 | NUT, M14 | 2 | | | | | | | |
| 27 | 3 | 1A7880-74150 | SHACKLE | 4 | | | | | | | |
| 28 | 2 | 1A7880-74550 | HINGE, CHECK CHAIN | 1 | | | | | | | |
| 29 | 1 | 22137-080000 | WASHER, 8 | 1 | | | | | | | |
| 30 | 1 | 22137-160000 | WASHER, 16 | 2 | | | | | | | |
| 31 | 1 | 22372-080000 | PIN, SNAP 8 | 1 | | | | | | | |
| 32 | 1 | 22417-250250 | PIN, COTTER 2.5X25 | 5 | | | | | | | |
| 33 | 1 | 22417-320320 | PIN, COTTER 3.2X32 | 2 | | | | | | | |
| 34 | 1 | 22487-080400 | PIN, H 8X 40 | 1 | | | | | | | |
| 35 | 1 | 22487-120400 | PIN, H12X40 | 4 | | | | | | | |

Fig.103. SAFETY COVER(PTO)

(A)=SC2400(YANMAR)

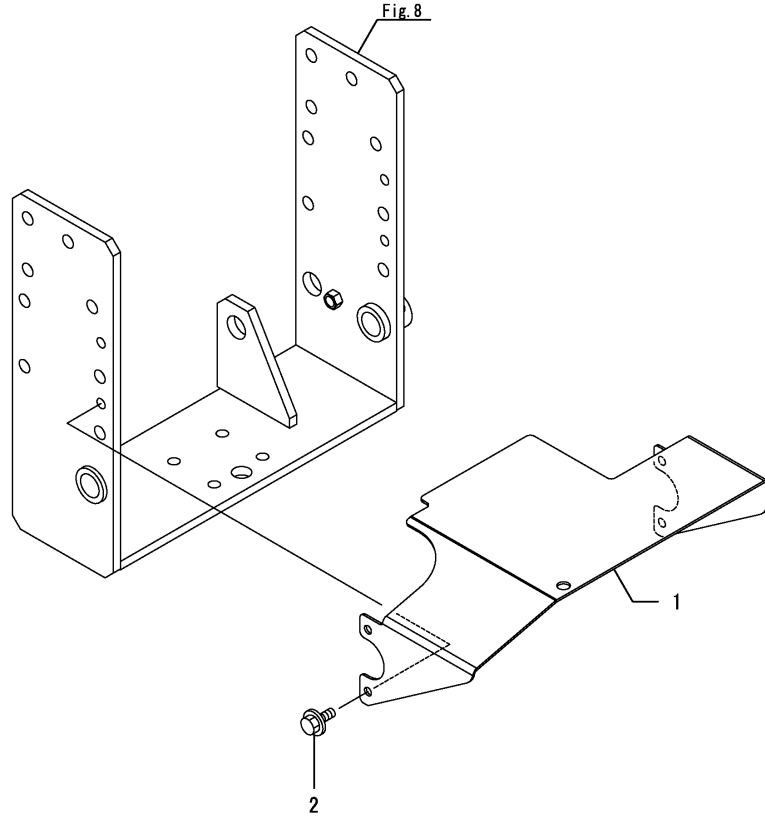
(B)=

(C)=

(D)=

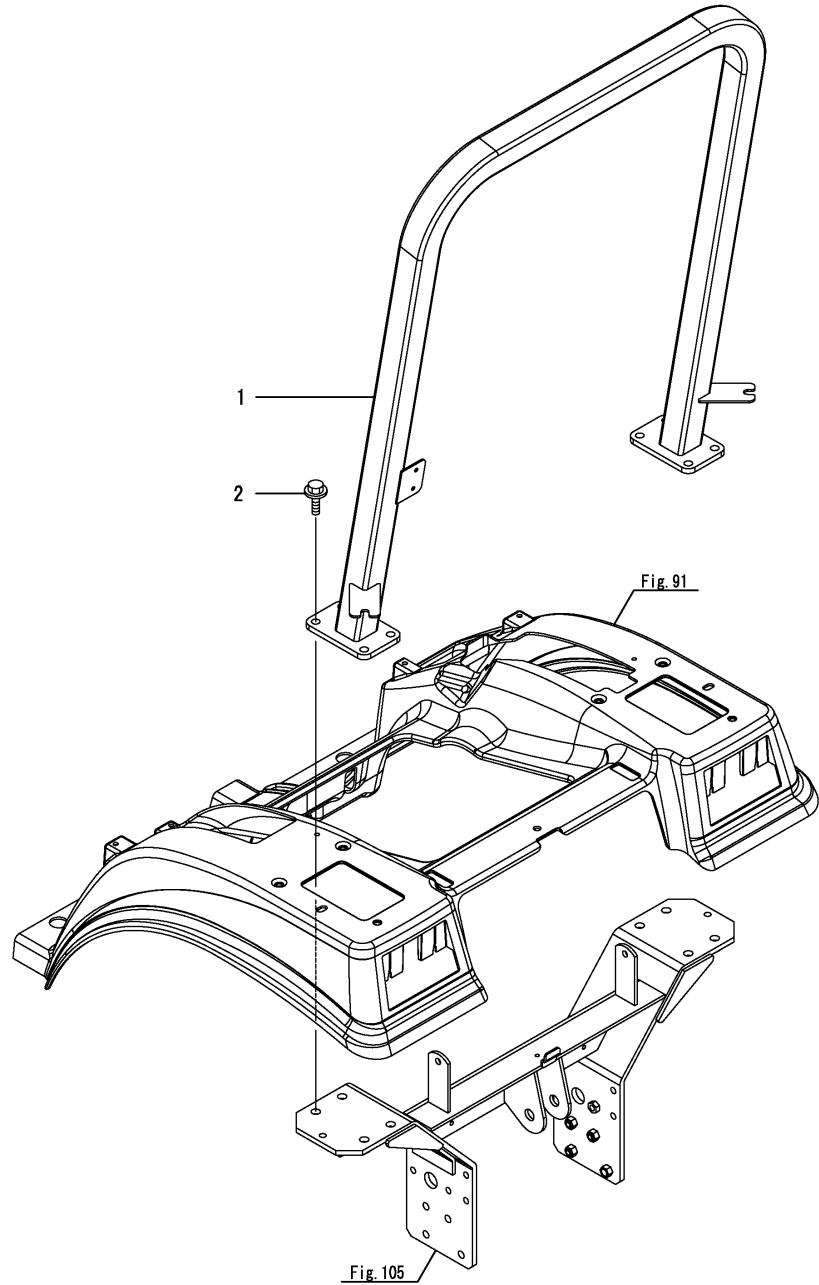
(E)=

(F)=



| No. | Lev. | Parts No. | Description | Q'ty | | | | | | I | R |
|-----|------|--------------|---------------------|------|-----|-----|-----|-----|-----|---|---|
| | | | | (A) | (B) | (C) | (D) | (E) | (F) | | |
| 1 | 1 | 1A7880-71130 | COVER ASSY, PTO M | 1 | | | | | | | |
| 2 | 1 | 26106-080202 | BOLT, M8X 20 PLATED | 4 | | | | | | | |

Fig.104. ROPS UPPER



(A)=SC2400(YANMAR)

(B)=

(C)=

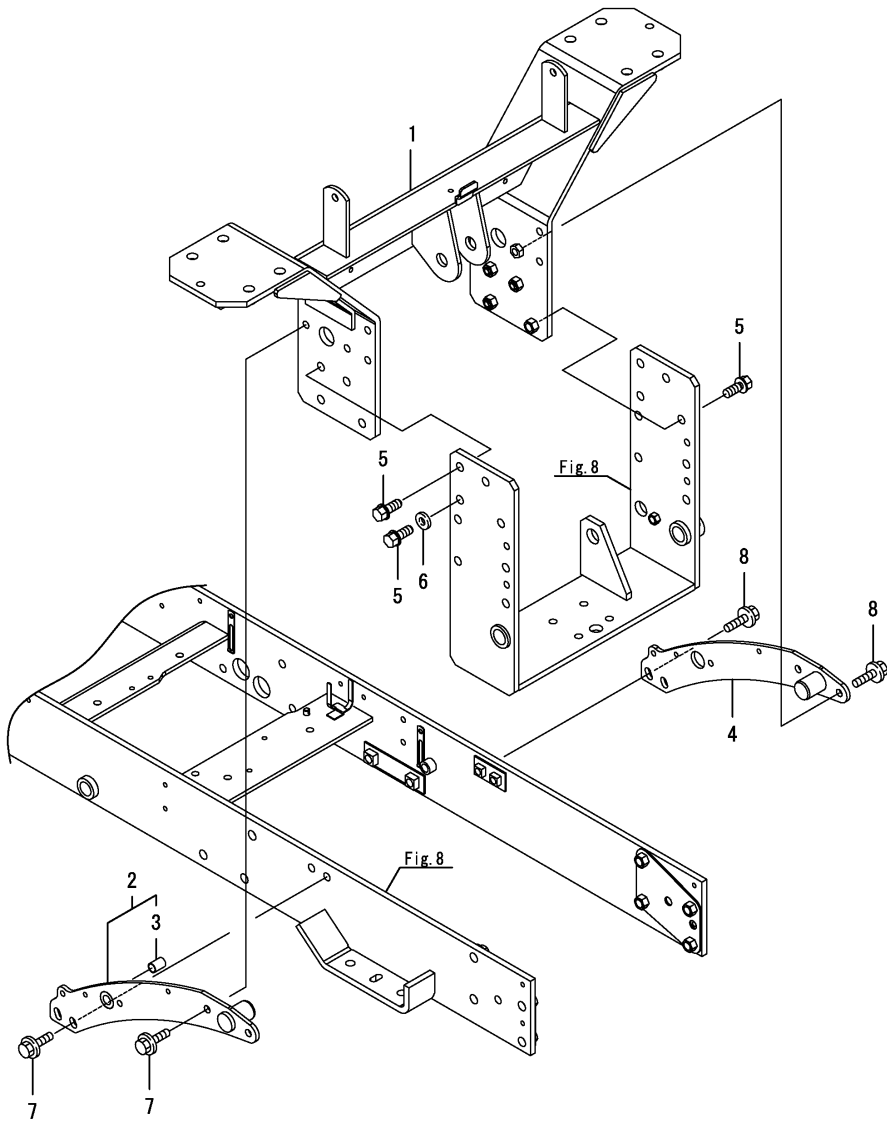
(D)=

(E)=

(F)=

| No. | Lev. | Parts No. | Description | Q'ty | | | | | | I | R |
|-----|------|--------------|---------------------|------|-----|-----|-----|-----|-----|---|---|
| | | | | (A) | (B) | (C) | (D) | (E) | (F) | | |
| 1 | 1 | 1A7880-85000 | FRAME ASSY, UPPER M | 1 | | | | | | | |
| 2 | 1 | 198165-85970 | BOLT, M12X35 | 8 | | | | | | | |

Fig.105. LOWER FRAME



(A)=SC2400(YANMAR)

(B)=

(C)=

(D)=

(E)=

(F)=

| No. | Lev. | Parts No. | Description | Q'ty | | | | | | I | R |
|-----|------|--------------|----------------------|------|-----|-----|-----|-----|-----|---|---|
| | | | | (A) | (B) | (C) | (D) | (E) | (F) | | |
| 1 | 1 | 1A7880-85300 | FRAME ASSY, LOWER | 1 | | | | | | | |
| 2 | 1 | 1A7882-85490 | PLATE ASSY, SIDE L | 1 | | | | | | | |
| 3 | 2 | 24550-012200 | BUSH, 12X20 | 1 | | | | | | | |
| 4 | 1 | 1A7882-85550 | PLATE ASSY, SIDE R | 1 | | | | | | | |
| 5 | 1 | 1A6770-85920 | BOLT, M12X30 | 8 | | | | | | | |
| 6 | 1 | 22137-120000 | WASHER, 12 | 1 | | | | | | | |
| 7 | 1 | 26106-100302 | BOLT, M10X 30 PLATED | 4 | | | | | | | |
| 8 | 1 | 26106-100302 | BOLT, M10X 30 PLATED | 4 | | | | | | | |

Fig.106. SMV

(A)=SC2400(YANMAR)

(B)=

(C)=

(D)=

(E)=

(F)=

| No. | Lev. | Parts No. | Description | Q'ty | | | | | | I | R |
|-----|------|--------------|---------------------|------|-----|-----|-----|-----|-----|---|---|
| | | | | (A) | (B) | (C) | (D) | (E) | (F) | | |
| 1 | 1 | 1A8160-65800 | EMBLEM, SMV | 1 | | | | | | | |
| 2 | 1 | 1A7880-85611 | STAY ASSY, SMV | 1 | | | | | | | |
| 3 | 1 | 26106-060162 | BOLT, M6X 16 PLATED | 4 | | | | | | | |

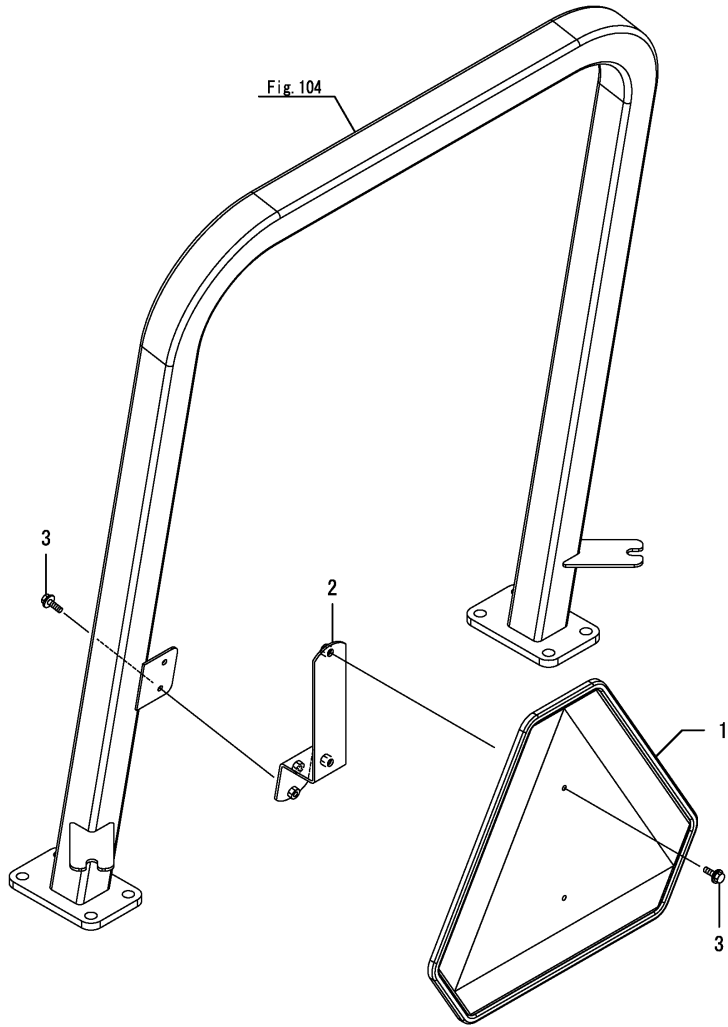


Fig.107. DOCUMENT

(A)=SC2400(YANMAR)

(B)=

(C)=

(D)=

(E)=

(F)=

| No. | Lev. | Parts No. | Description | Q'ty | | | | | | I | R |
|-----|------|--------------|------------------|------|-----|-----|-----|-----|-----|---|---|
| | | | | (A) | (B) | (C) | (D) | (E) | (F) | | |
| 1 | 1 | 0A041-U00700 | OPERATION MANUAL | 1 | | | | | | | |

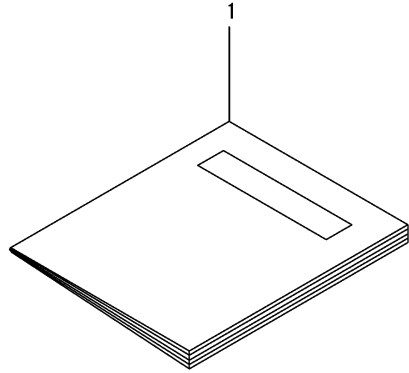


Fig.108. VALVE,SCV

(A)=SC2400(YANMAR)

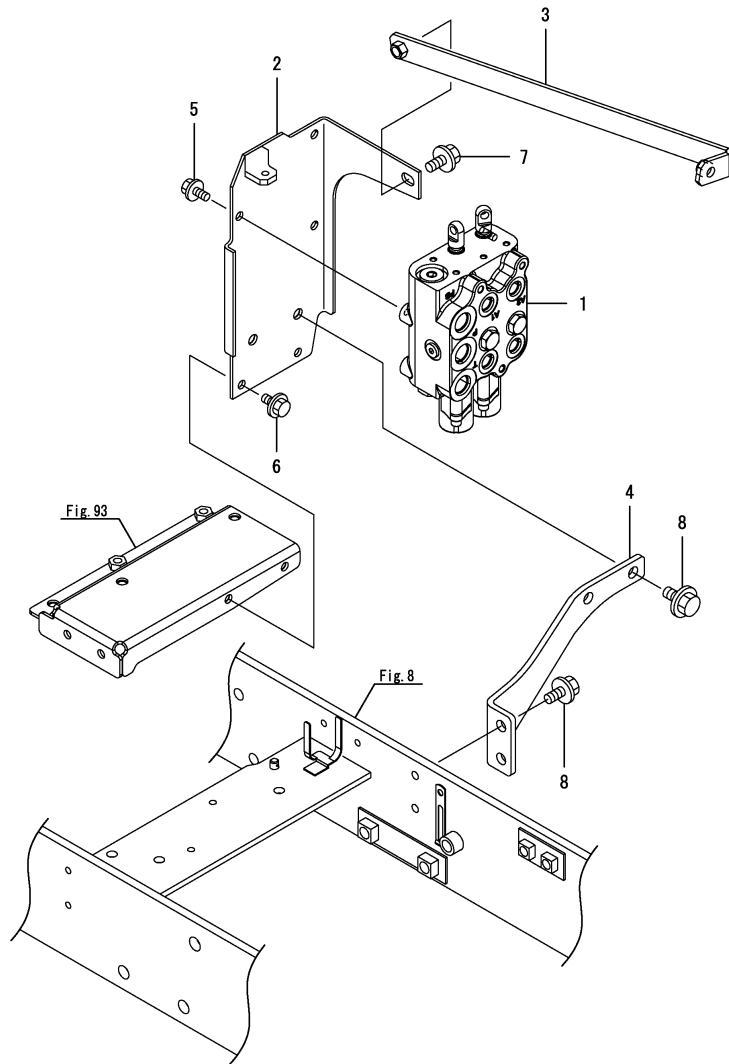
(B)=

(C)=

(D)=

(E)=

(F)=



| No. | Lev. | Parts No. | Description | Q'ty | | | | | | I | R |
|-----|------|--------------|----------------------|------|-----|-----|-----|-----|-----|---|---|
| | | | | (A) | (B) | (C) | (D) | (E) | (F) | | |
| 1 | 1 | 1A7880-47100 | VALVE ASSY, LORDER | 1 | | | | | | | |
| 2 | 1 | 1A7880-47121 | STAY ASSY, SCV VALVE | 1 | | | | | | | |
| 3 | 1 | 1A7880-47770 | PLATE ASSY, VALVE | 1 | | | | | | | |
| 4 | 1 | 1A7880-47851 | PLATE, REINFORCEMENT | 1 | | | | | | | |
| 5 | 1 | 26106-080122 | BOLT, M8X 12 PLATED | 3 | | | | | | | |
| 6 | 1 | 26106-080162 | BOLT, M8X 16 PLATED | 2 | | | | | | | |
| 7 | 1 | 26106-100202 | BOLT, M10X 20 PLATED | 2 | | | | | | | |
| 8 | 1 | 26106-100202 | BOLT, M10X 20 PLATED | 4 | | | | | | | |

Remarks

*Optional parts
 SCV KIT-SC2400
 Fig.108,109,110,111 items are
 incorporated in this kit.

Fig.109. LEVER,SCV

(A)=SC2400(YANMAR)

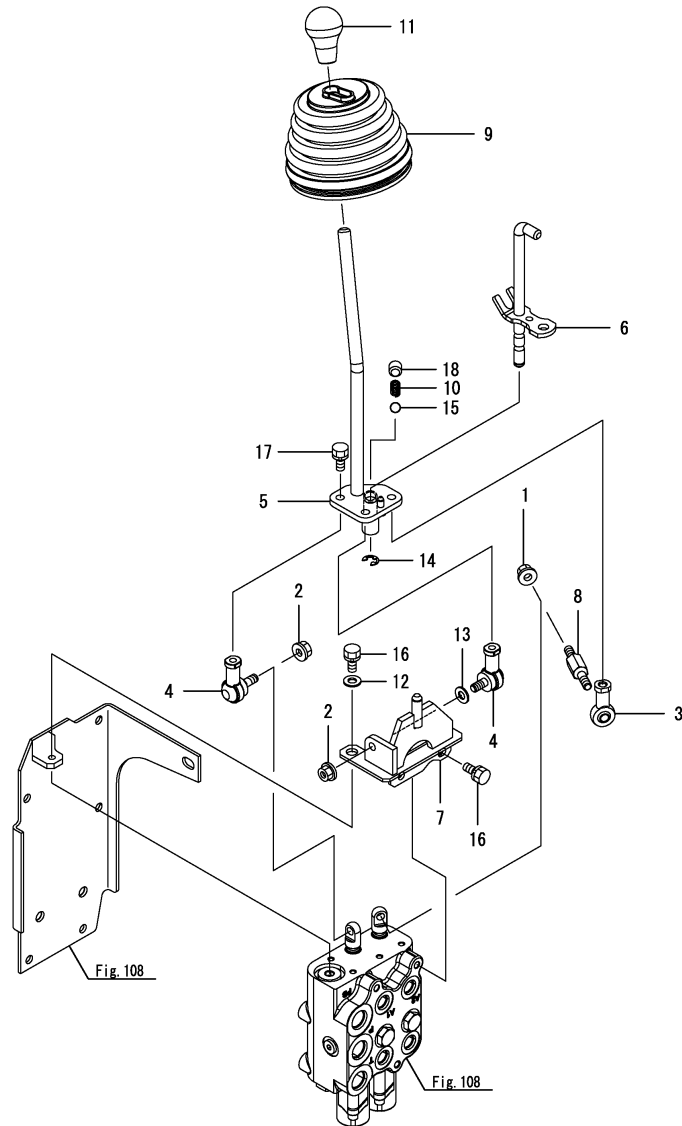
(B)=

(C)=

(D)=

(E)=

(F)=



| No. | Lev. | Parts No. | Description | Q'ty | | | | | | I | R |
|-----|------|--------------|---------------------|------|-----|-----|-----|-----|-----|---|---|
| | | | | (A) | (B) | (C) | (D) | (E) | (F) | | |
| 1 | 1 | 194990-22140 | NUT, M8 | 1 | | | | | | | |
| 2 | 1 | 194990-22140 | NUT, M8 | 2 | | | | | | | |
| 3 | 1 | 198164-27970 | END, ROD 8R | 1 | | | | | | | |
| 4 | 1 | 172122-46590 | ELBOW | 2 | | | | | | | |
| 5 | 1 | 1A7880-47600 | LEVER ASSY, SCV | 1 | | | | | | | |
| 6 | 1 | 1A7880-47651 | PIN ASSY, LOCK | 1 | | | | | | | |
| 7 | 1 | 1A7880-47701 | BRACKET ASSY, LEVER | 1 | | | | | | | |
| 8 | 1 | 1A7880-47750 | BOLT, LEVER | 1 | | | | | | | |
| 9 | 1 | 1A7880-47950 | BOOT, LEVER | 1 | | | | | | | |
| 10 | 1 | 1E6150-56040 | SPRING, FORK | 1 | | | | | | | |
| 11 | 1 | 194990-85561 | KNOB, HIGH/LOW | 1 | | | | | | | |
| 12 | 1 | 22137-080000 | WASHER, 8 | 1 | | | | | | | |
| 13 | 1 | 22137-080000 | WASHER, 8 | 1 | | | | | | | |
| 14 | 1 | 22272-000080 | RING, E- 8 | 1 | | | | | | | |
| 15 | 1 | 24190-100003 | BALL, STEEL 5/16 | 1 | | | | | | | |
| 16 | 1 | 26013-080162 | BOLT, M8X 16 | 3 | | | | | | | |
| 17 | 1 | 26013-080162 | BOLT, M8X 16 | 3 | | | | | | | |
| 18 | 1 | 26911-100102 | SCREW, M10X10 | 1 | | | | | | | |

Remarks

*Optional parts
 SCV KIT-SC2400
 Fig.108,109,110,111 items are
 incorporated in this kit.

Fig.110. PIPING,SCV

(A)=SC2400(YANMAR)

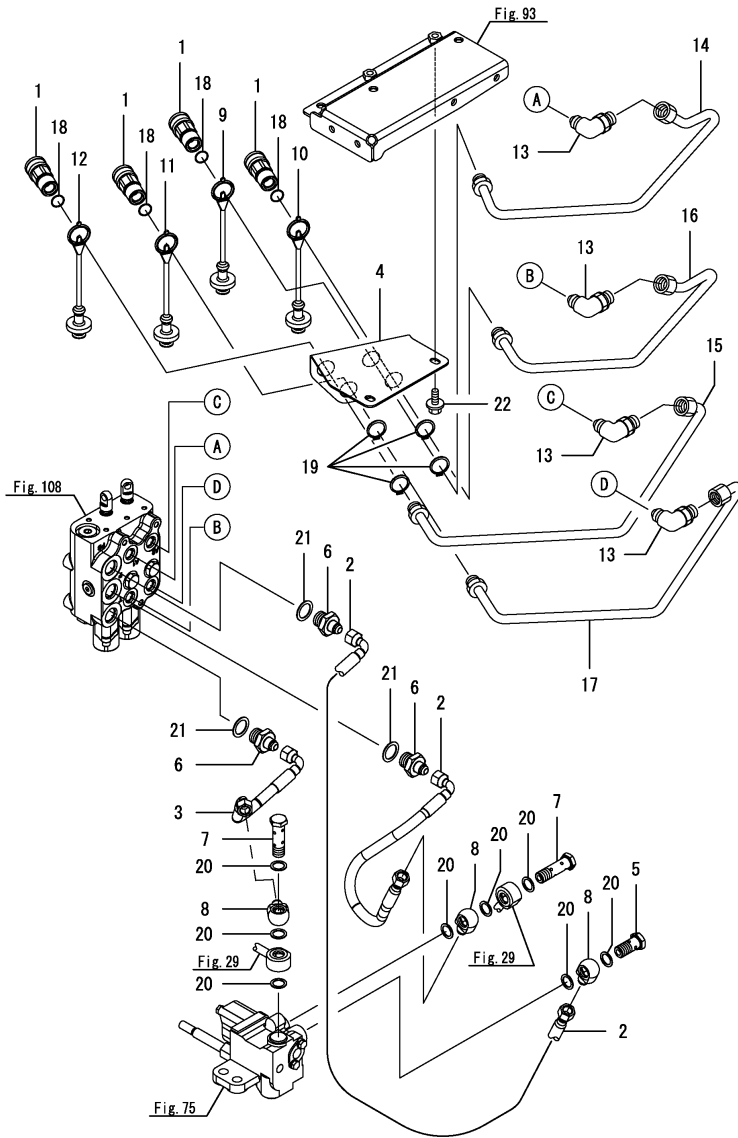
(B)=

(C)=

(D)=

(E)=

(F)=



| No. | Lev. | Parts No. | Description | Q'ty | | | | | | I | R |
|-----|------|--------------|----------------------|------|-----|-----|-----|-----|-----|---|---|
| | | | | (A) | (B) | (C) | (D) | (E) | (F) | | |
| 1 | 1 | 198223-46250 | COUPLER, QUICK | 4 | | | | | | | |
| 2 | 1 | 1A7880-47150 | HOSE, PRESSURE | 2 | | | | | | | |
| 3 | 1 | 1A7880-47200 | HOSE, PRESSURE | 1 | | | | | | | |
| 4 | 1 | 1A7880-47501 | STAY, SCV COUPLER | 1 | | | | | | | |
| 5 | 1 | 1A7880-47510 | BOLT, JOINT 9/16UNF | 1 | | | | | | | |
| 6 | 1 | 1A7880-47520 | JOINT, 3/4UNF9/16UNF | 3 | | | | | | | |
| 7 | 1 | 1A7880-47530 | BOLT, JOINT 9/16UNF | 2 | | | | | | | |
| 8 | 1 | 1A7880-47540 | JOINT, 9/16UNF-14.5 | 3 | | | | | | | |
| 9 | 1 | 1A7880-47550 | PLUG, DUST RED | 1 | | | | | | | |
| 10 | 1 | 1A7880-47560 | PLUG, DUST BLUE | 1 | | | | | | | |
| 11 | 1 | 1A7880-47570 | PLUG, DUST YELLOW | 1 | | | | | | | |
| 12 | 1 | 1A7880-47580 | PLUG, DUST GREEN | 1 | | | | | | | |
| 13 | 1 | 1A7880-47790 | PIPE JOINT, 90 3/8 | 4 | | | | | | | |
| 14 | 1 | 1A7880-47830 | PIPE ASSY, HP SCV A1 | 1 | | | | | | | |
| 15 | 1 | 1A7880-47880 | PIPE ASSY, HP SCV A2 | 1 | | | | | | | |
| 16 | 1 | 1A7880-47930 | PIPE ASSY, HP SCV B1 | 1 | | | | | | | |
| 17 | 1 | 1A7880-47980 | PIPE ASSY, HP SCV B2 | 1 | | | | | | | |
| 18 | 1 | 194850-49290 | PACKING, 6-1 | 4 | | | | | | | |
| 19 | 1 | 22242-000220 | RING, 22 | 4 | | | | | | | |
| 20 | 1 | 23414-140000 | GASKET, 14X1.0 | 8 | | | | | | | |
| 21 | 1 | 23414-190000 | GASKET, 19X1.0 | 3 | | | | | | | |
| 22 | 1 | 26106-080162 | BOLT, M8X 16 PLATED | 2 | | | | | | | |

Remarks

*Optional parts
 SCV KIT-SC2400
 Fig.108,109,110,111 items are
 incorporated in this kit.

Fig.111. LABEL(SCV)

(A)=SC2400(YANMAR)

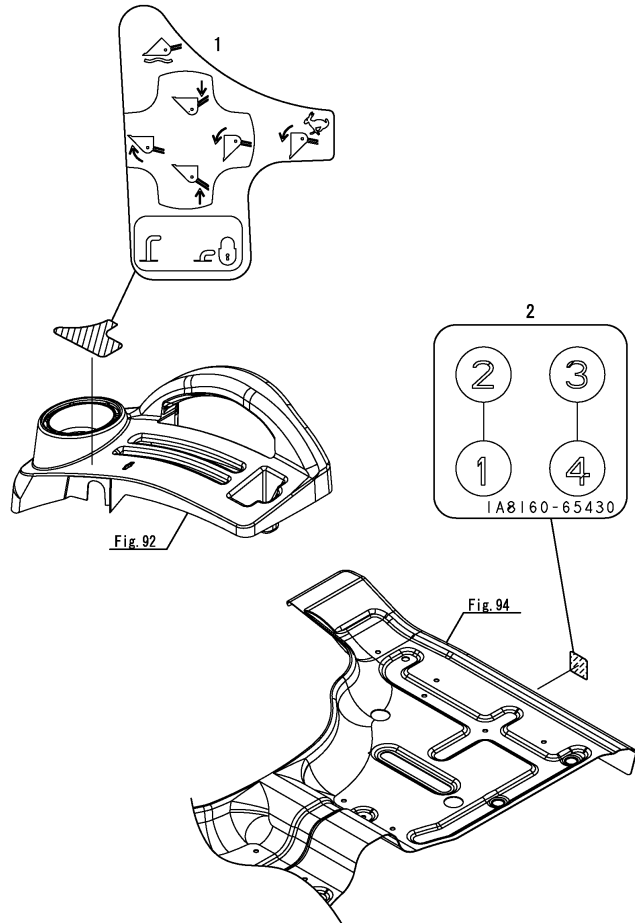
(B)=

(C)=

(D)=

(E)=

(F)=

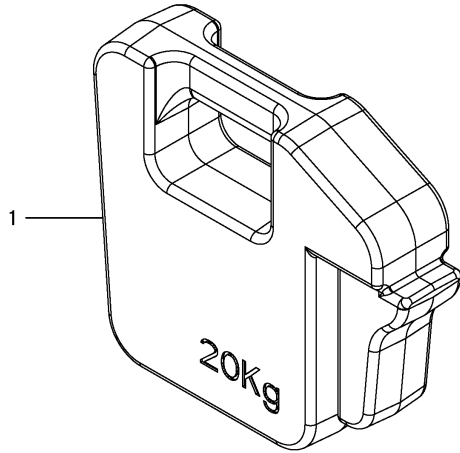


| No. | Lev. | Parts No. | Description | Q'ty | | | | | | I | R |
|-----|------|--------------|-------------------|------|-----|-----|-----|-----|-----|---|---|
| | | | | (A) | (B) | (C) | (D) | (E) | (F) | | |
| 1 | 1 | 1A7880-65411 | LABEL,SCV LEVER | 1 | | | | | | | |
| 2 | 1 | 1A8160-65430 | LABEL,SCV COUPLER | 1 | | | | | | | |

Remarks

*Optional parts
 SCV KIT-SC2400
 Fig.108,109,110,111 items are
 incorporated in this kit.

Fig.112. FRONT WEIGHT



(A)=SC2400(YANMAR)
 (B)=
 (C)=

(D)=
 (E)=
 (F)=

| No. | Lev. | Parts No. | Description | Q'ty | | | | | | I | R |
|-----|------|--------------|--------------------|------|-----|-----|-----|-----|-----|---|---|
| | | | | (A) | (B) | (C) | (D) | (E) | (F) | | |
| 1 | 1 | 1A8160-91000 | WEIGHT, FRONT 20KG | 1 | | | | | | | |

Remarks
 *Optional parts

Fig.113. FRONT HITCH

(A)=SC2400(YANMAR)

(B)=

(C)=

(D)=

(E)=

(F)=

| No. | Lev. | Parts No. | Description | Q'ty | | | | | | I | R |
|-----|------|--------------|----------------------|------|-----|-----|-----|-----|-----|---|---|
| | | | | (A) | (B) | (C) | (D) | (E) | (F) | | |
| 1 | 1 | 1A7880-10660 | HITCH KIT, FRONT | 1 | | | | | | | |
| 2 | 2 | 1A7880-10600 | HITCH ASSY | 1 | | | | | | | |
| 3 | 2 | 1A8300-10650 | PIN ASSY,WEIGHT LOCK | 1 | | | | | | | |
| 4 | 3 | 1A7880-10641 | PIN | 1 | | | | | | | |
| 5 | 3 | 22372-160000 | PIN, SNAP 16 | 2 | | | | | | | |
| 6 | 2 | 26106-100302 | BOLT, M10X 30 PLATED | 4 | | | | | | | |

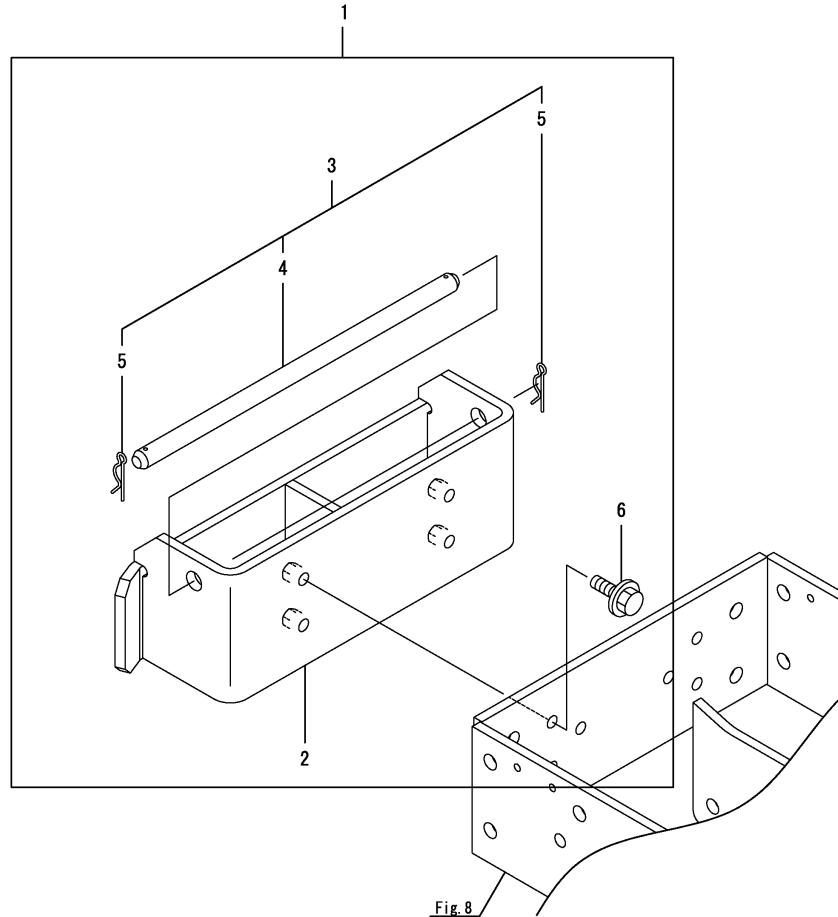


Fig. 8

Remarks

*Optional parts

Fig.114. WORK LAMP

(A)=SC2400(YANMAR)

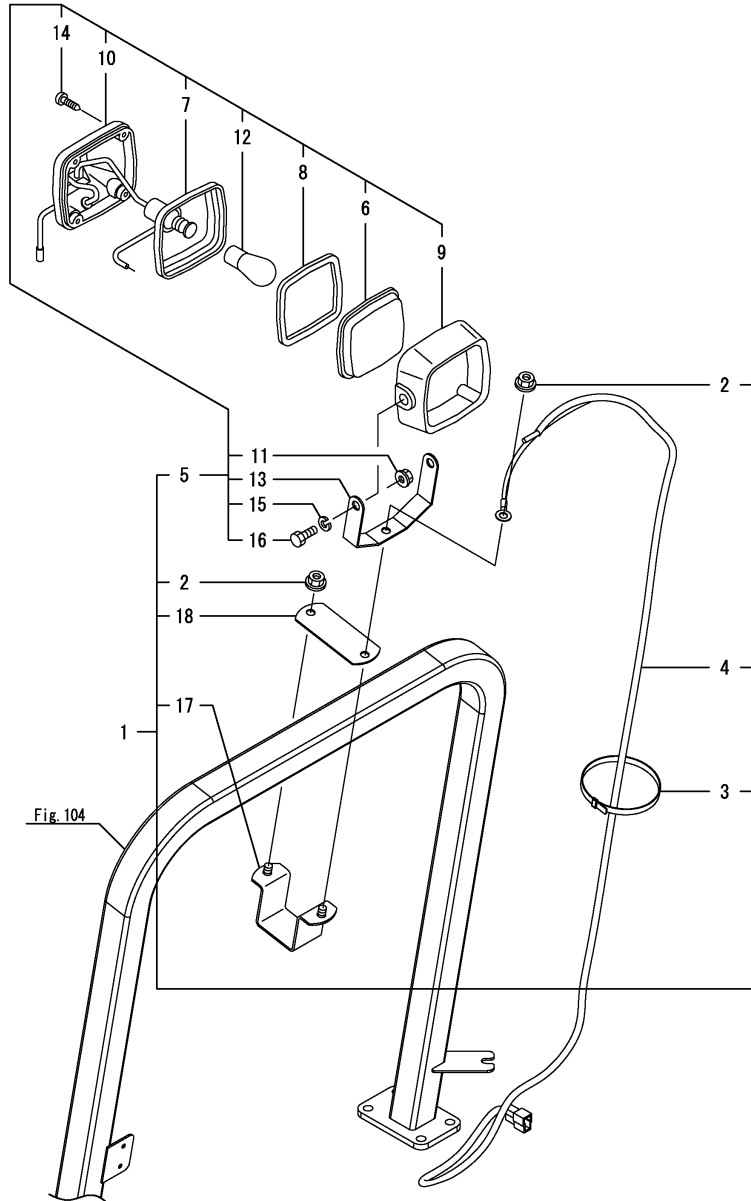
(B)=

(C)=

(D)=

(E)=

(F)=



| No. | Lev. | Parts No. | Description | Q'ty | | | | | | I | R |
|-----|------|--------------|----------------------|------|-----|-----|-----|-----|-----|---|---|
| | | | | (A) | (B) | (C) | (D) | (E) | (F) | | |
| 1 | 1 | 1A7880-54020 | LAMP KIT, WORK | 1 | | | | | | | |
| 2 | 2 | 194990-22140 | NUT, M8 | 2 | | | | | | | |
| 3 | 2 | 1A8300-51210 | BAND, REPEAT | 3 | | | | | | | |
| 4 | 2 | 1A7880-51300 | CABLE, WORK LAMP | 1 | | | | | | | |
| 5 | 2 | 194640-54100 | LAMP ASSY, WORKING | 1 | | | | | | | |
| 6 | 3 | 194640-54110 | LENS | 1 | | | | | | | |
| 7 | 3 | 194640-54120 | REFLECTOR ASSY | 1 | | | | | | | |
| 8 | 3 | 194640-54130 | GASKET | 1 | | | | | | | |
| 9 | 3 | 194640-54140 | RIM | 1 | | | | | | | |
| 10 | 3 | 194640-54150 | HOUSING ASSY | 1 | | | | | | | |
| 11 | 3 | 194640-54160 | NUT | 2 | | | | | | | |
| 12 | 3 | 194640-54170 | BULB, 12V/18.4W | 1 | | | | | | | |
| 13 | 3 | 194640-54180 | STAY | 1 | | | | | | | |
| 14 | 3 | 194640-54190 | SCREW, TAPPING M4X20 | 4 | | | | | | | |
| 15 | 3 | 22217-060000 | WASHER, SPRING 6 | 2 | | | | | | | |
| 16 | 3 | 26116-060162 | BOLT, M6X 16 PLATED | 2 | | | | | | | |
| 17 | 2 | 1A7880-58200 | STAY, WORK LAMP A | 1 | | | | | | | |
| 18 | 2 | 1A7880-58250 | STAY, WORK LAMP B | 1 | | | | | | | |

Remarks
*Optional parts

Fig.115. HEATER ,RADIATOR HOSE

(A)=SC2400(YANMAR)

(B)=

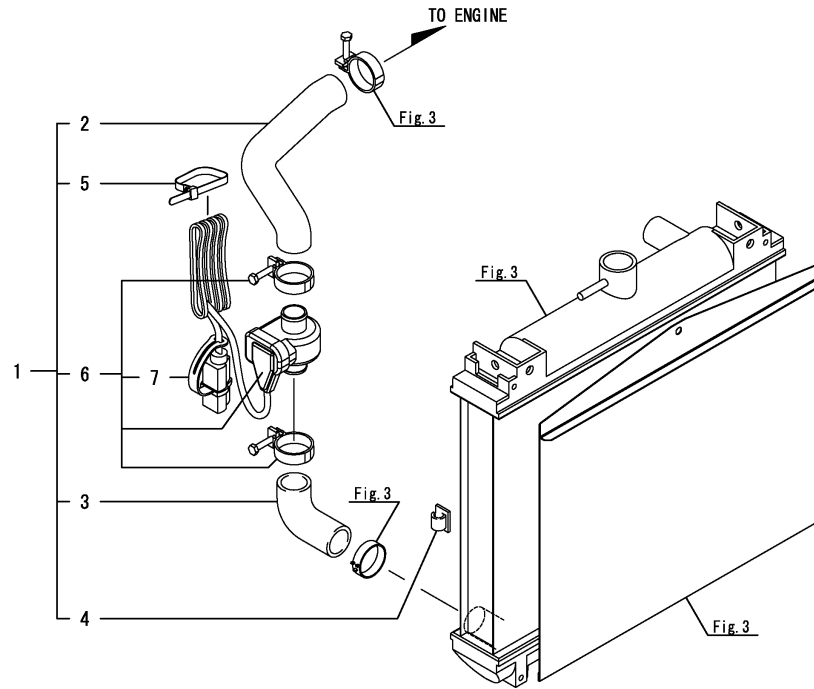
(C)=

(D)=

(E)=

(F)=

| No. | Lev. | Parts No. | Description | Q'ty | | | | | | I | R |
|-----|------|--------------|-----------------|------|-----|-----|-----|-----|-----|---|---|
| | | | | (A) | (B) | (C) | (D) | (E) | (F) | | |
| 1 | 1 | 1A7880-57210 | HEATER KIT | 1 | | | | | | | |
| 2 | 2 | 1A7880-01480 | HOSE, WATER U | 1 | | | | | | | |
| 3 | 2 | 1A7880-01490 | HOSE, WATER L | 1 | | | | | | | |
| 4 | 2 | 172010-07810 | STICKER, WIRE | 1 | | | | | | | |
| 5 | 2 | 1A8300-51210 | BAND, REPEAT | 1 | | | | | | | |
| 6 | 2 | 1A7880-57250 | HEATER | 1 | | | | | | | |
| 7 | 3 | 1A7880-57260 | PROTECTOR, PLUG | 1 | | | | | | | |



Remarks
*Optional parts

Fig.116. FUEL LINE(FAME)

(A)=SC2400(YANMAR)

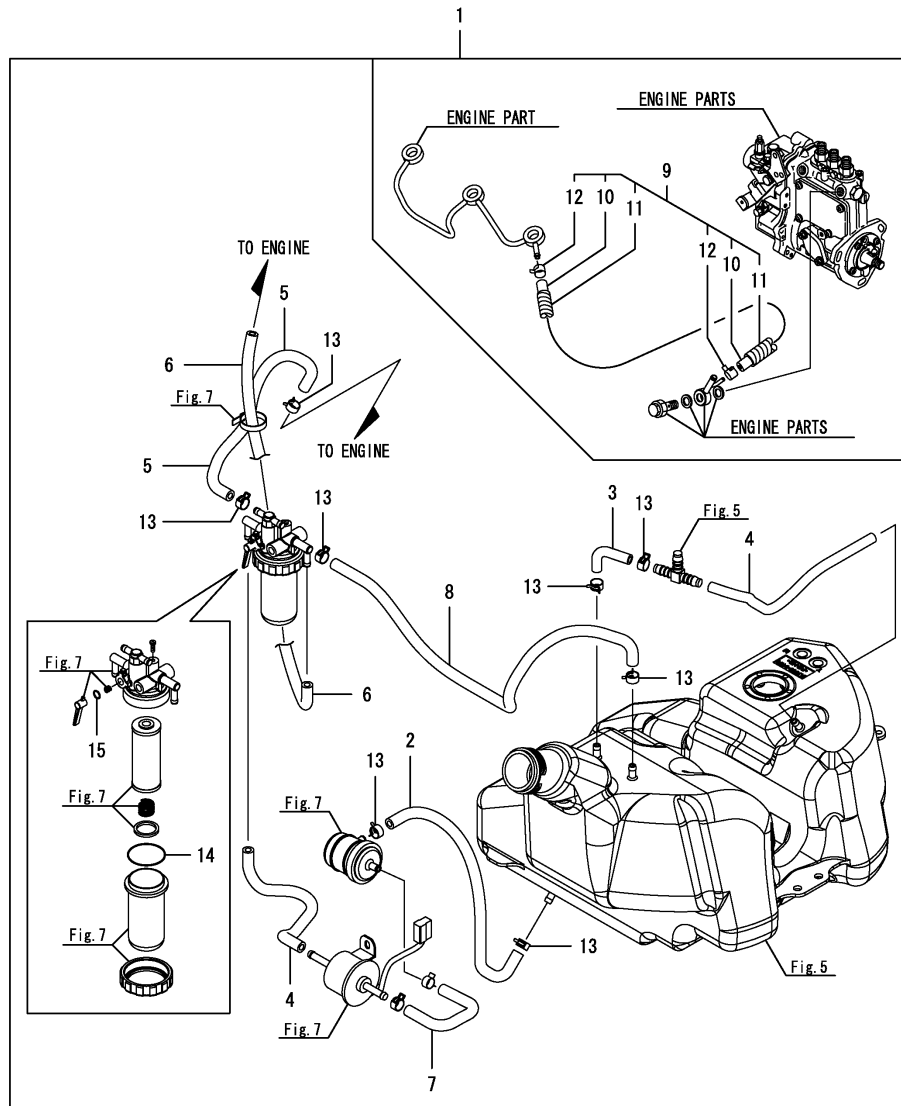
(B)=

(C)=

(D)=

(E)=

(F)=



| No. | Lev. | Parts No. | Description | Q'ty | | | | | | I | R |
|------------|------|--------------|---------------------|------|-----|-----|-----|-----|-----|---|---|
| | | | | (A) | (B) | (C) | (D) | (E) | (F) | | |
| 1 | 1 | 1A7880-04250 | HOSE KIT , FUEL | 1 | | | | | | | |
| 2 | 2 | 1A7510-04580 | HOSE, FUEL 40X290 | 1 | | | | | | | |
| 3 | 2 | 1A8160-04270 | HOSE, RETURN | 1 | | | | | | | |
| 4 | 2 | 1A8160-04500 | HOSE, FUEL 270 | 2 | | | | | | | |
| 5 | 2 | 1A7880-04510 | HOSE, FUEL | 1 | | | | | | | |
| 6 | 2 | 1A8160-04510 | HOSE, FUEL 330 | 1 | | | | | | | |
| 7 | 2 | 1A7880-04520 | HOSE, FUEL 150 | 1 | | | | | | | |
| 8 | 2 | 1A7880-04530 | HOSE, FUEL | 1 | | | | | | | |
| 9 | 2 | 119546-59300 | PIPE ASSY, FUEL | 1 | | | | | | | |
| 10 | 3 | 119416-59510 | PIPE, FUEL RETURN | 1 | | | | | | | |
| 11 | 3 | 119546-59700 | PROTECTOR,PIPE 13.2 | 1 | | | | | | | |
| 12 | 3 | 124060-77680 | CLIP, HOSE 10 | 2 | | | | | | | |
| 13 | 2 | 23080-012000 | CLAMP, 12 | 8 | | | | | | | |
| 13-1 | 2 | 114270-59010 | CLIP, HOSE 12 | 8 | | | | | | | R |
| (A=FXXXXX) | | | | | | | | | | | |
| 14 | 2 | 24316-000440 | O-RING, 4DP44.0 | 1 | | | | | | | |
| 15 | 2 | 24316-240100 | O-RING, 4DP10A | 1 | | | | | | | |

Remarks

*Optional parts

N:Old $\xrightarrow{\text{Yes}}$ New, Q:Old $\xrightarrow{\text{No}}$ New, R:Old $\xrightarrow{\text{Yes}}$ New, S:Old $\xrightarrow{\text{No}}$ New, W:Add, Z:Discontinued, F:Interchangeable by set, K:Q'ty Change

Fig.117. SERVICE PARTS

(A)=SC2400(YANMAR)

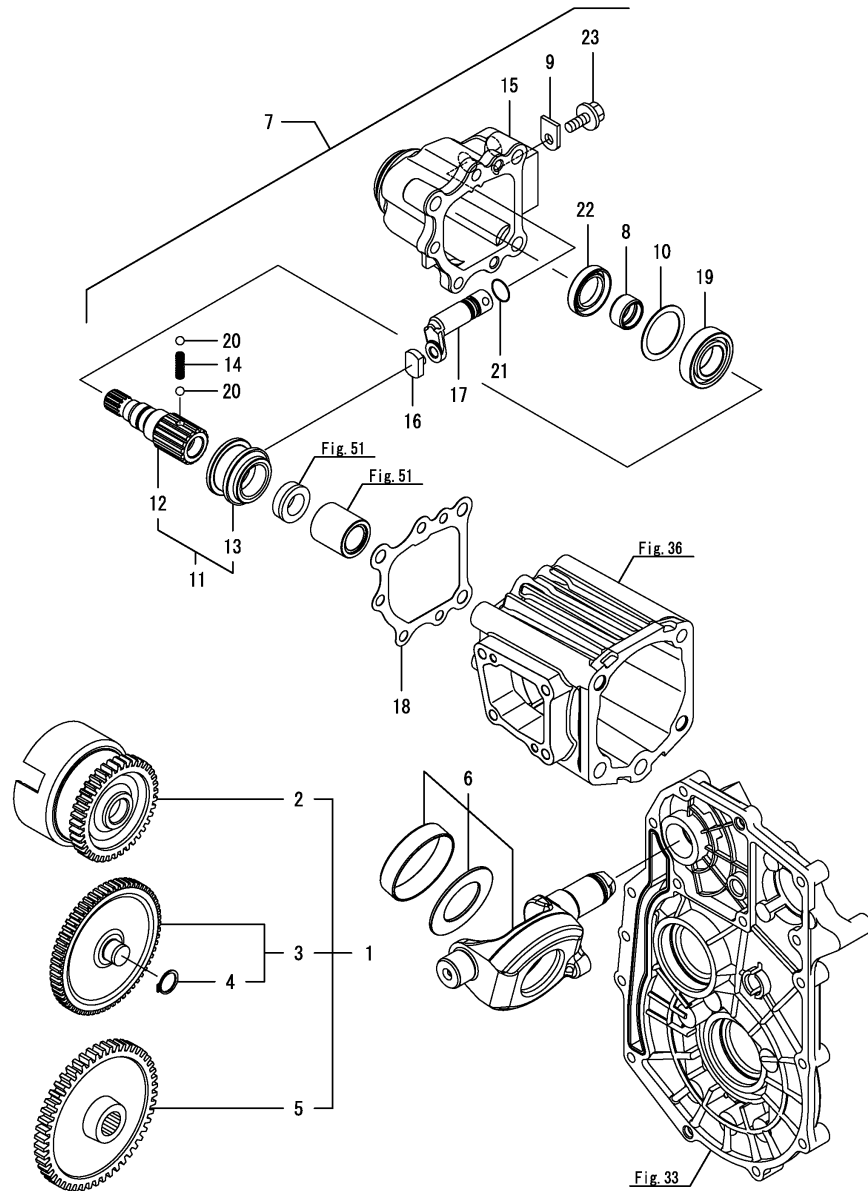
(B)=

(C)=

(D)=

(E)=

(F)=



| No. | Lev. | Parts No. | Description | Q'ty | | | | | | I | R |
|-----|------|--------------|----------------------|------|-----|-----|-----|-----|-----|---|---|
| | | | | (A) | (B) | (C) | (D) | (E) | (F) | | |
| 1 | 1 | 187K08-26110 | PTO GEAR KIT | 1 | | | | | | | |
| 2 | 2 | 187K08-26140 | GEAR, CLUTCH 39T | 1 | | | | | | | |
| 3 | 2 | 187K08-26340 | IDLE ASSY, PTO | 1 | | | | | | | |
| 4 | 3 | 22242-000200 | RING, 20 | 1 | | | | | | | |
| 5 | 2 | 187K08-26370 | GEAR,62T MID PTO | 1 | | | | | | | |
| 6 | 1 | 1A7050-27110 | SHIFT ASSY | 1 | | | | | | | |
| 7 | 1 | 187K06-99100 | FRONT DRIVE KIT | 1 | | | | | | | |
| 8 | 2 | 194855-25290 | SLEEVE, SI 202513 | 1 | | | | | | | |
| 9 | 2 | 194197-27681 | PLATE, KEEP | 1 | | | | | | | |
| 10 | 2 | 1A7050-28110 | WASHER, 36X46X1 | 1 | | | | | | | |
| 11 | 2 | 1A7050-28200 | F.DRIVE SHAFT SET | 1 | | | | | | | |
| 12 | 3 | 1A7050-28211 | SHAFT, FRONT DRIVE | 1 | | | | | | | |
| 13 | 3 | 198165-28240 | COLLAR, SHIFT | 1 | | | | | | | |
| 14 | 2 | 194311-28230 | SPRING, 21.2 | 1 | | | | | | | |
| 15 | 2 | 1A7050-28250 | COVER, FRONT | 1 | | | | | | | |
| 16 | 2 | 1A7050-28331 | BLOCK, SHIFT | 1 | | | | | | | |
| 17 | 2 | 1A7050-28351 | SHAFT, SHIFT 4WD | 1 | | | | | | | |
| 18 | 2 | 1A7050-28560 | PACKING, FRONT COVER | 1 | | | | | | | |
| 19 | 2 | 24101-060054 | BEARING, BALL 6005 | 1 | | | | | | | |
| 20 | 2 | 24190-080001 | BALL, STEEL 1/4 | 2 | | | | | | | |
| 21 | 2 | 24311-000125 | O-RING, 1AP12.5 | 1 | | | | | | | |
| 22 | 2 | 24421-254008 | SEAL, OIL TC254008 | 1 | | | | | | | |
| 23 | 2 | 26106-080162 | BOLT, M8X 16 PLATED | 1 | | | | | | | |

Remarks

*Optional parts

N:Old $\xrightarrow{\text{Yes}}$ New, Q:Old $\xrightarrow{\text{No}}$ New, R:Old $\xrightarrow{\text{Yes}}$ New, S:Old $\xrightarrow{\text{No}}$ New, W:Add, Z:Discontinued, F:Interchangeable by set, K:Q'ty Change

Fig.118. LABEL(FRENCH)

(A)=SC2400(YANMAR)

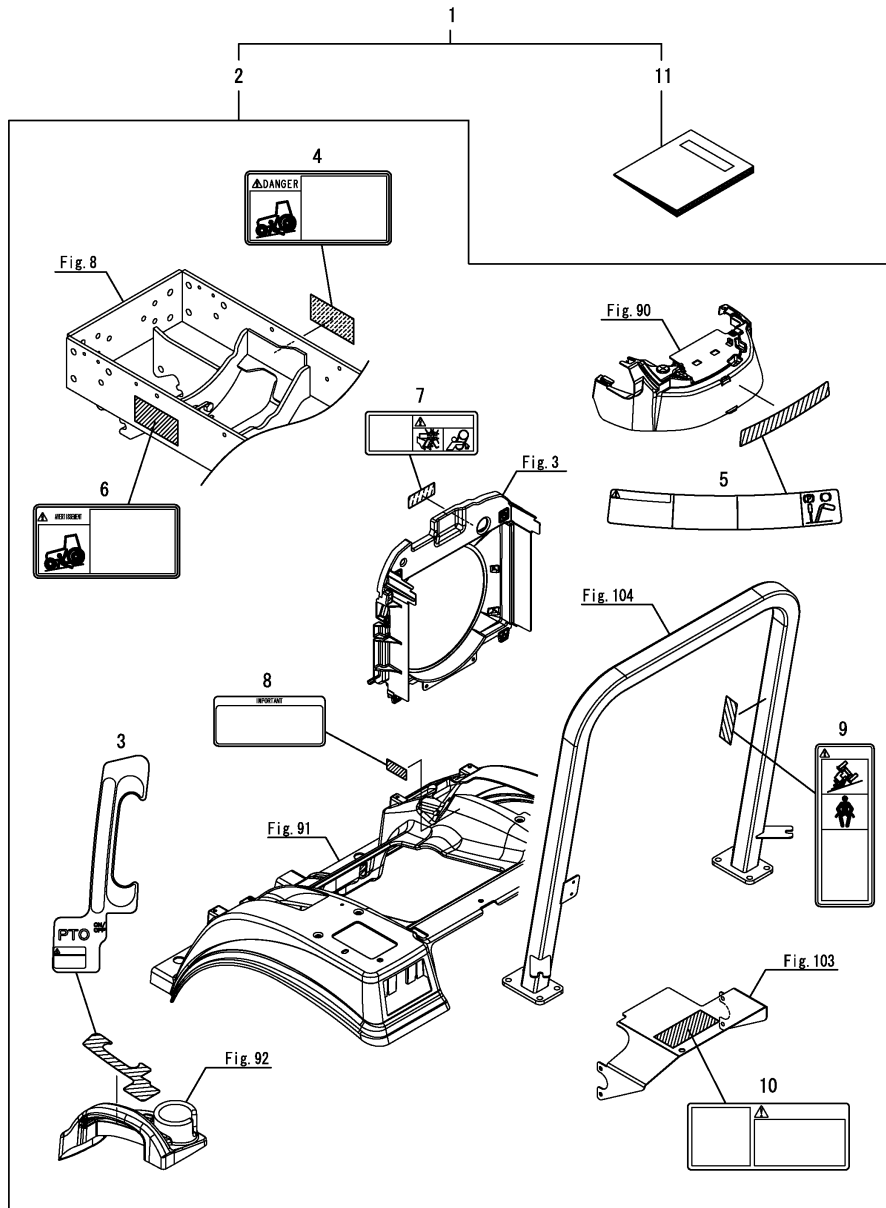
(B)=

(C)=

(D)=

(E)=

(F)=



| No. | Lev. | Parts No. | Description | Qty | | | | | | I | R |
|-----|------|--------------|----------------------|-----|-----|-----|-----|-----|-----|---|---|
| | | | | (A) | (B) | (C) | (D) | (E) | (F) | | |
| 1 | 1 | 1A7880-99200 | OPTION KIT, FRENCH | 1 | | | | | | | |
| 2 | 2 | 1A7880-65010 | LABEL KIT, SC FR | 1 | | | | | | | |
| 3 | 3 | 1A7880-65100 | LABEL, LEVER GUIDE L | 1 | | | | | | | |
| 4 | 3 | 1A8250-65100 | LABEL, DANGER START | 1 | | | | | | | |
| 5 | 3 | 1A7880-65110 | LABEL, WARNING GEN. | 1 | | | | | | | |
| 6 | 3 | 1A8250-65110 | LABEL, WARNING STOP | 1 | | | | | | | |
| 7 | 3 | 1A7880-65120 | LABEL, WARNING FAN | 1 | | | | | | | |
| 8 | 3 | 1A8250-65150 | LABEL, SOCKET | 1 | | | | | | | |
| 9 | 3 | 1A8250-65160 | LABEL, WARNING ROPS | 1 | | | | | | | |
| 10 | 3 | 1A8250-65180 | LABEL, WARNING PTO | 1 | | | | | | | |
| 11 | 2 | 0A041-F00700 | OPERATION MANUAL | 1 | | | | | | | |

Remarks

*Optional parts

N:Old $\xrightarrow{\text{Yes}}$ New, Q:Old $\xrightarrow{\text{No}}$ New, R:Old $\xrightarrow{\text{Yes}}$ New, S:Old $\xrightarrow{\text{No}}$ New, W:Add, Z:Discontinued, F:Interchangeable by set, K:Qty Change

Parts No. Index

| Parts No. | Fig. No. | Ref. No. |
|--------------|----------|----------|
| 0A041-F00700 | 118 | 11 |
| 0A041-U00700 | 107 | 1 |
| 102103-55520 | 7 | 12 |
| 104200-55330 | 7 | 9 |
| 104200-55750 | 7 | 17 |
| 105027-12580 | 2 | 7 |
| 110250-55610 | 7 | 13 |
| 114110-07761 | 2 | 1 |
| 114270-59010 | 3 | 36 |
| | 5 | 13 |
| | | 15 -1 |
| | 7 | 20 |
| | | 21 |
| | | 22 |
| | | 23 |
| | | 25 -1 |
| | 116 | 13 -1 |
| 119225-52102 | 7 | 7 |
| 119255-44660 | 3 | 29 |
| 119416-59510 | 116 | 10 |
| 119517-12510 | 2 | 2 |
| 119546-59300 | 116 | 9 |
| 119546-59700 | 116 | 11 |
| 119629-59910 | 5 | 14 |
| 119655-12560 | 2 | 5 |
| 119686-12570 | 2 | 6 |
| 119808-12540 | 2 | 4 |
| 119810-55340 | 7 | 10 |
| 119810-55650 | 7 | 14 |
| 121257-55720 | 7 | 15 |
| 121257-55731 | 7 | 16 |
| 121267-49500 | 3 | 30 |
| 121450-44531 | 3 | 8 |
| 121470-44581 | 3 | 10 |
| 124060-77680 | 116 | 12 |
| 124450-44560 | 3 | 9 |
| 129052-13550 | 3 | 25 |
| 129052-55630 | 7 | 19 |
| 129053-55620 | 7 | 8 |
| 129107-44590 | 3 | 3 |
| 129107-55510 | 7 | 11 |
| 129211-77920 | 83 | 14 |
| 129418-12530 | 2 | 3 |
| 168320-04150 | 43 | 3 |
| 1684Q3-01430 | 42 | 1 |
| 168H60-29390 | 36 | 9 |
| 168H60-29400 | 36 | 10 |
| 168H60-29411 | 36 | 11 |
| 168H61-29260 | 35 | 9 |
| 168HK0-29351 | 35 | 10 |

| Parts No. | Fig. No. | Ref. No. |
|--------------|----------|----------|
| 168HK0-29600 | 59 | 2 |
| 168HK0-29610 | 59 | 3 |
| 168HK0-29620 | 36 | 14 |
| 168HK0-29690 | 59 | 4 |
| 172010-07810 | 115 | 4 |
| 172122-46590 | 109 | 4 |
| 172524-06850 | 47 | 1 |
| 172531-17300 | 84 | 1 |
| 175022-49730 | 3 | 31 |
| 178080-06200 | 36 | 1 |
| 187K06-24500 | 35 | 2 |
| 187K06-24540 | 36 | 2 |
| 187K06-24550 | 36 | 4 |
| 187K06-24570 | 36 | 6 |
| 187K06-24600 | 36 | 7 |
| 187K06-25020 | 59 | 1 |
| 187K06-25170 | 38 | 1 |
| 187K06-26400 | 42 | 2 |
| 187K06-26710 | 33 | 16 |
| 187K06-26740 | 33 | 17 |
| 187K06-29390 | 42 | 13 |
| 187K06-29460 | 36 | 13 |
| 187K06-29620 | 58 | 2 |
| 187K06-29860 | 58 | 3 |
| 187K06-29870 | 58 | 4 |
| 187K06-29880 | 58 | 5 |
| 187K06-29890 | 42 | 14 |
| | 58 | 6 |
| 187K06-29900 | 58 | 7 |
| 187K06-36341 | 70 | 3 |
| 187K06-36350 | 70 | 4 |
| 187K06-40010 | 35 | 11 |
| 187K06-99100 | 117 | 7 |
| 187K08-26110 | 117 | 1 |
| 187K08-26140 | 39 | 6 |
| | 117 | 2 |
| 187K08-26340 | 41 | 2 |
| | 117 | 3 |
| | 117 | 5 |
| 187K08-26370 | 117 | 5 |
| 187K08-26970 | 44 | 9 |
| 187K08-27700 | 43 | 2 |
| 192154-24670 | 35 | 7 |
| | | 12 |
| 192154-29640 | 47 | 10 |
| 192154-29700 | 47 | 11 |
| 192157-24170 | 32 | 1 |
| 192157-24192 | 33 | 8 |
| 192157-24200 | 33 | 9 |
| | 44 | 2 |
| 192157-24220 | 33 | 10 |

| Parts No. | Fig. No. | Ref. No. |
|--------------|----------|----------|
| 192157-24450 | 33 | 12 |
| 192157-24560 | 36 | 5 |
| 192157-24620 | 45 | 2 |
| 192157-24801 | 33 | 15 |
| 192157-24850 | 36 | 8 |
| 192157-26100 | 39 | 2 |
| 192157-26111 | 39 | 3 |
| 192157-26120 | 39 | 4 |
| 192157-26130 | 39 | 5 |
| 192157-26150 | 39 | 7 |
| 192157-26160 | 39 | 8 |
| 192157-26170 | 39 | 9 |
| 192157-26180 | 40 | 2 |
| 192157-26220 | 40 | 4 |
| 192157-26270 | 39 | 10 |
| 192157-26300 | 39 | 11 |
| 192157-26330 | 39 | 12 |
| 192157-26350 | 39 | 13 |
| 192157-26380 | 41 | 5 |
| 192157-26460 | 42 | 7 |
| 192157-26470 | 42 | 8 |
| 192157-26520 | 42 | 10 |
| 192157-26611 | 43 | 1 |
| 192157-26740 | 42 | 11 |
| 192157-26810 | 33 | 18 |
| 192157-26821 | 33 | 19 |
| 192157-26840 | 44 | 6 |
| 192157-26860 | 44 | 7 |
| 192157-26980 | 44 | 10 |
| 192157-26991 | 44 | 11 |
| 192157-27090 | 33 | 13 |
| 192157-27510 | 47 | 3 |
| 192157-27520 | 47 | 4 |
| 192157-27550 | 47 | 6 |
| 192157-27740 | 44 | 13 |
| 192157-32360 | 62 | 3 |
| 192157-32370 | 62 | 4 |
| 192157-33101 | 63 | 1 |
| 192157-33110 | 63 | 5 |
| 192157-34130 | 65 | 5 |
| 192157-36300 | 70 | 1 |
| 192157-40180 | 35 | 8 |
| | | 13 |
| 192157-99010 | 44 | 15 |
| 192157-99020 | 44 | 16 |
| 192157-99040 | 44 | 17 |
| 192159-27780 | 43 | 6 |
| 192159-27790 | 43 | 4 |
| 192159-31410 | 44 | 14 |
| 192163-24420 | 35 | 1 |

| Parts No. | Fig. No. | Ref. No. |
|--------------|----------|----------|
| 192167-25310 | 58 | 1 |
| 194065-27270 | 33 | 20 |
| | 36 | 3 |
| 194105-26430 | 17 | 9 |
| 194130-44480 | 74 | 2 |
| 194145-22430 | 90 | 2 |
| 194145-27450 | 44 | 18 |
| 194145-61570 | 77 | 13 |
| 194151-36670 | 17 | 11 |
| 194155-52160 | 84 | 5 |
| 194155-52190 | 84 | 6 |
| 194197-27681 | 44 | 12 |
| | 53 | 1 |
| | 117 | 9 |
| 194200-25270 | 39 | 1 |
| | 41 | 1 |
| | 44 | 3 |
| 194205-63550 | 7 | 24 |
| 194208-47530 | 77 | 11 |
| 194300-37570 | 92 | 1 |
| | 96 | 2 |
| 194311-28230 | 51 | 6 |
| | 117 | 14 |
| 194312-39480 | 7 | 5 |
| 194330-62530 | 71 | 18 |
| 194440-11880 | 65 | 1 |
| 194440-51620 | 84 | 3 |
| 194440-51630 | 29 | 19 |
| 194454-25770 | 44 | 4 |
| 194454-25870 | 44 | 5 |
| 194464-22160 | 44 | 1 |
| 194464-48850 | 29 | 16 |
| 194550-27030 | 57 | 2 |
| 194555-25880 | 61 | 1 |
| 194555-65130 | 88 | 20 |
| 194640-54100 | 114 | 5 |
| 194640-54110 | 114 | 6 |
| 194640-54120 | 114 | 7 |
| 194640-54130 | 114 | 8 |
| 194640-54140 | 114 | 9 |
| 194640-54150 | 114 | 10 |
| 194640-54160 | 114 | 11 |
| 194640-54170 | 114 | 12 |
| 194640-54180 | 114 | 13 |
| 194640-54190 | 114 | 14 |
| 194680-51670 | 3 | 33 |
| | 81 | 22 |
| | | 23 |
| | | 24 |
| 194680-78350 | 81 | 26 |

Parts No. Index

| Parts No. | Fig. No. | Ref. No. |
|--------------|----------|----------|
| 194730-57242 | 11 | 2 |
| 194740-00160 | 4 | 1 |
| | 77 | 1 |
| 194850-49290 | 33 | 21 |
| | 110 | 18 |
| 194854-33110 | 63 | 8 |
| 194855-25290 | 51 | 1 |
| | 117 | 8 |
| 194859-24252 | 33 | 11 |
| 194940-61790 | 86 | 6 |
| | 88 | 17 |
| | | 18 |
| 194940-65590 | 88 | 21 |
| 194951-14440 | 17 | 6 |
| 194990-20170 | 55 | 4 |
| 194990-22130 | 3 | 26 |
| | 81 | 1 |
| | | 2 |
| | 82 | 1 |
| | 83 | 1 |
| | 85 | 1 |
| | 88 | 1 |
| | | 2 |
| | | 3 |
| 194990-22140 | 3 | 27 |
| | | 28 |
| | 6 | 2 |
| | 9 | 4 |
| | 26 | 7 |
| | | 8 |
| | 46 | 1 |
| | 55 | 2 |
| | 57 | 1 |
| | 77 | 2 |
| | 80 | 1 |
| | 81 | 3 |
| | 90 | 1 |
| | 96 | 1 |
| | 109 | 1 |
| | | 2 |
| | 114 | 2 |
| 194990-85561 | 109 | 11 |
| 198071-01160 | 4 | 4 |
| 198071-58810 | 26 | 11 |
| 198071-61890 | 3 | 38 |
| | | 39 |
| | 26 | 13 |
| | | 14 |
| | 83 | 13 |
| | 88 | 19 |

| Parts No. | Fig. No. | Ref. No. |
|--------------|----------|----------|
| 198071-61890 | 90 | 13 |
| | | 14 |
| | | 15 |
| | | 16 |
| 198071-65610 | 88 | 22 |
| 198072-04320 | 7 | 2 |
| 198093-84810 | 26 | 15 |
| | 79 | 5 |
| 198133-78840 | 84 | 10 |
| 198153-51700 | 81 | 9 |
| 198162-00720 | 3 | 5 |
| 198162-47630 | 50 | 2 |
| 198162-61370 | 3 | 37 |
| 198162-62630 | 94 | 5 |
| 198164-27970 | 109 | 3 |
| 198165-04380 | 5 | 12 |
| 198165-11500 | 10 | 1 |
| 198165-24440 | 17 | 7 |
| 198165-24490 | 17 | 8 |
| 198165-28220 | 51 | 5 |
| 198165-28240 | 51 | 4 |
| | 117 | 13 |
| 198165-47750 | 92 | 2 |
| 198165-85970 | 104 | 2 |
| 198167-24530 | 47 | 2 |
| 198167-24950 | 33 | 3 |
| 198200-01260 | 4 | 6 |
| 198200-27811 | 48 | 1 |
| 198200-27911 | 50 | 1 |
| 198200-47810 | 78 | 1 |
| 198200-56630 | 5 | 10 |
| 198220-52180 | 83 | 4 |
| 198220-65621 | 101 | 4 |
| 198223-46250 | 110 | 1 |
| 198223-52150 | 83 | 2 |
| 198226-52100 | 84 | 4 |
| 198234-72550 | 102 | 19 |
| 198240-48830 | 29 | 15 |
| 198240-48850 | 29 | 17 |
| 198253-01190 | 4 | 5 |
| 198273-28521 | 54 | 1 |
| | 72 | 1 |
| 198284-63270 | 96 | 5 |
| 198327-26560 | 65 | 2 |
| 198360-03260 | 94 | 1 |
| 198360-03270 | 94 | 2 |
| 198448-04270 | 5 | 11 |
| 198448-56150 | 87 | 3 |
| 198461-60590 | 90 | 4 |
| | | 5 |

| Parts No. | Fig. No. | Ref. No. |
|--------------|----------|----------|
| 198461-87590 | 3 | 40 |
| 198475-37690 | 72 | 4 |
| 198535-52110 | 81 | 11 |
| 198535-52120 | 81 | 12 |
| 198535-52130 | 81 | 13 |
| 1A1380-55310 | 3 | 34 |
| | 81 | 25 |
| 1A6150-76740 | 90 | 17 |
| | | 18 |
| 1A6240-51630 | 81 | 8 |
| 1A6260-41250 | 77 | 3 |
| 1A6370-31000 | 42 | 3 |
| 1A6380-25370 | 79 | 1 |
| 1A6382-96650 | 83 | 17 |
| 1A6680-56920 | 3 | 35 |
| 1A6750-29510 | 35 | 3 |
| 1A6750-29850 | 58 | 8 |
| 1A6770-85920 | 8 | 4 |
| | 105 | 5 |
| 1A6780-13910 | 60 | 1 |
| 1A6780-51410 | 81 | 20 |
| 1A6780-57200 | 83 | 12 |
| 1A7050-24101 | 33 | 2 |
| 1A7050-24130 | 33 | 5 |
| 1A7050-24150 | 33 | 6 |
| 1A7050-24610 | 45 | 1 |
| 1A7050-24950 | 37 | 1 |
| 1A7050-24990 | 35 | 4 |
| 1A7050-25181 | 38 | 2 |
| 1A7050-26080 | 40 | 1 |
| 1A7050-26210 | 40 | 3 |
| 1A7050-26360 | 41 | 4 |
| 1A7050-27110 | 117 | 6 |
| 1A7050-27530 | 47 | 5 |
| 1A7050-27600 | 47 | 7 |
| 1A7050-27610 | 47 | 8 |
| 1A7050-27620 | 47 | 9 |
| 1A7050-28110 | 51 | 2 |
| | 117 | 10 |
| 1A7050-28200 | 117 | 11 |
| 1A7050-28211 | 51 | 3 |
| | 117 | 12 |
| 1A7050-28250 | 51 | 7 |
| | 117 | 15 |
| 1A7050-28260 | 51 | 8 |
| 1A7050-28331 | 53 | 2 |
| | 117 | 16 |
| 1A7050-28351 | 53 | 3 |
| | 117 | 17 |
| 1A7050-28560 | 51 | 9 |

| Parts No. | Fig. No. | Ref. No. |
|--------------|----------|----------|
| 1A7050-28560 | 117 | 18 |
| 1A7050-31100 | 60 | 2 |
| 1A7050-32320 | 62 | 1 |
| 1A7050-33390 | 61 | 2 |
| 1A7050-33460 | 61 | 3 |
| 1A7050-34110 | 65 | 3 |
| 1A7050-34120 | 65 | 4 |
| 1A7051-32320 | 62 | 2 |
| 1A7052-26890 | 44 | 8 |
| 1A7070-47400 | 77 | 10 |
| 1A7130-11790 | 9 | 3 |
| 1A7130-13120 | 12 | 1 |
| 1A7130-13130 | 12 | 2 |
| 1A7130-13270 | 16 | 3 |
| 1A7130-29420 | 36 | 12 |
| 1A7130-36330 | 70 | 2 |
| 1A7180-04180 | 5 | 8 |
| 1A7335-17520 | 28 | 6 |
| 1A7335-52120 | 84 | 7 |
| 1A7335-53600 | 85 | 9 |
| 1A7335-53610 | 85 | 10 |
| 1A7335-53620 | 85 | 11 |
| 1A7335-53630 | 85 | 12 |
| 1A7335-53640 | 85 | 13 |
| 1A7335-53650 | 85 | 14 |
| 1A7335-71250 | 102 | 5 |
| 1A7340-65080 | 97 | 1 |
| 1A7450-52180 | 81 | 14 |
| 1A7500-13360 | 14 | 2 |
| 1A7500-51130 | 81 | 5 |
| 1A7500-51160 | 81 | 7 |
| 1A7500-51810 | 29 | 20 |
| 1A7500-71120 | 102 | 9 |
| 1A7500-71130 | 102 | 10 |
| 1A7510-04430 | 3 | 20 |
| | 7 | 3 |
| 1A7510-04580 | 116 | 2 |
| 1A7510-36490 | 71 | 1 |
| 1A7510-47760 | 92 | 3 |
| 1A7510-56110 | 87 | 2 |
| 1A7531-52420 | 81 | 15 |
| 1A7790-01160 | 55 | 1 |
| | 64 | 1 |
| 1A7870-52950 | 83 | 11 |
| 1A7880-00601 | 3 | 1 |
| 1A7880-00610 | 3 | 2 |
| 1A7880-00640 | 3 | 4 |
| 1A7880-01010 | 4 | 2 |
| 1A7880-01350 | 3 | 6 |
| 1A7880-01360 | 3 | 7 |

Parts No. Index

| Parts No. | Fig. No. | Ref. No. |
|--------------|----------|----------|
| 1A7880-01410 | 3 | 12 |
| 1A7880-01440 | 3 | 13 |
| 1A7880-01460 | 3 | 14 |
| 1A7880-01480 | 115 | 2 |
| 1A7880-01490 | 115 | 3 |
| 1A7880-01500 | 3 | 15 |
| 1A7880-01520 | 3 | 16 |
| 1A7880-01560 | 3 | 17 |
| 1A7880-01650 | 3 | 18 |
| 1A7880-03111 | 3 | 19 |
| 1A7880-04040 | 5 | 2 |
| 1A7880-04050 | 5 | 3 |
| 1A7880-04080 | 5 | 4 |
| 1A7880-04091 | 5 | 6 |
| 1A7880-04101 | 5 | 1 |
| 1A7880-04111 | 5 | 7 |
| 1A7880-04130 | 5 | 5 |
| 1A7880-04210 | 5 | 17 |
| 1A7880-04250 | 116 | 1 |
| 1A7880-04270 | 7 | 1 |
| 1A7880-04301 | 6 | 1 |
| 1A7880-04430 | 7 | 4 |
| 1A7880-04510 | 116 | 5 |
| 1A7880-04520 | 116 | 7 |
| 1A7880-04530 | 116 | 8 |
| 1A7880-05110 | 1 | 1 |
| 1A7880-05190 | 26 | 2 |
| 1A7880-06150 | 3 | 23 |
| 1A7880-06201 | 3 | 24 |
| 1A7880-10430 | 8 | 1 |
| 1A7880-10500 | 8 | 2 |
| 1A7880-10600 | 113 | 2 |
| 1A7880-10641 | 113 | 4 |
| 1A7880-10660 | 113 | 1 |
| 1A7880-11090 | 8 | 3 |
| 1A7880-11510 | 10 | 2 |
| 1A7880-11540 | 16 | 2 |
| 1A7880-11551 | 10 | 3 |
| 1A7880-11560 | 10 | 4 |
| 1A7880-12302 | 11 | 1 |
| 1A7880-13150 | 13 | 1 |
| 1A7880-13310 | 14 | 1 |
| 1A7880-13470 | 14 | 3 |
| 1A7880-13480 | 14 | 4 |
| 1A7880-13510 | 15 | 1 |
| 1A7880-13520 | 15 | 2 |
| 1A7880-13530 | 15 | 3 |
| 1A7880-13540 | 18 | 1 |
| 1A7880-13600 | 16 | 1 |
| 1A7880-13710 | 17 | 1 |

| Parts No. | Fig. No. | Ref. No. |
|--------------|----------|----------|
| 1A7880-13721 | 17 | 2 |
| 1A7880-13730 | 17 | 3 |
| 1A7880-13740 | 17 | 4 |
| 1A7880-13780 | 17 | 5 |
| 1A7880-13810 | 18 | 2 |
| 1A7880-13820 | 18 | 3 |
| 1A7880-14110 | 19 | 1 |
| 1A7880-14120 | 19 | 2 |
| 1A7880-14130 | 19 | 3 |
| 1A7880-14620 | 20 | 1 |
| 1A7880-14700 | 22 | 1 |
| 1A7880-14710 | 22 | 2 |
| 1A7880-14800 | 23 | 1 |
| 1A7880-14810 | 23 | 5 |
| 1A7880-14820 | 23 | 2 |
| | | 6 |
| 1A7880-14830 | 21 | 2 |
| | | 6 |
| | | 3 |
| | | 7 |
| 1A7880-14840 | 21 | 3 |
| | | 7 |
| | | 4 |
| | | 23 |
| | | 4 |
| | | 8 |
| | | 66 |
| | | 2 |
| | | 6 |
| | | 67 |
| | | 2 |
| | | 6 |
| 1A7880-14900 | 21 | 1 |
| 1A7880-14910 | 21 | 5 |
| 1A7880-14920 | 21 | 4 |
| | | 8 |
| 1A7880-15060 | 29 | 1 |
| 1A7880-15100 | 26 | 3 |
| 1A7880-15120 | 26 | 4 |
| 1A7880-15130 | 26 | 5 |
| 1A7880-15160 | 26 | 6 |
| 1A7880-15700 | 25 | 1 |
| 1A7880-15740 | 25 | 2 |
| 1A7880-15880 | 98 | 1 |
| 1A7880-17011 | 28 | 1 |
| 1A7880-17050 | 28 | 2 |
| 1A7880-17070 | 28 | 3 |
| 1A7880-17080 | 28 | 4 |
| 1A7880-17101 | 28 | 5 |
| 1A7880-17300 | 27 | 1 |
| 1A7880-17320 | 27 | 2 |

| Parts No. | Fig. No. | Ref. No. |
|--------------|----------|----------|
| 1A7880-17350 | 89 | 1 |
| 1A7880-17601 | 29 | 2 |
| 1A7880-17630 | 29 | 3 |
| 1A7880-17651 | 29 | 4 |
| 1A7880-17680 | 29 | 5 |
| 1A7880-17701 | 29 | 6 |
| 1A7880-17751 | 29 | 7 |
| 1A7880-17810 | 29 | 8 |
| 1A7880-17830 | 29 | 9 |
| 1A7880-17930 | 29 | 10 |
| 1A7880-17940 | 29 | 11 |
| 1A7880-17970 | 29 | 12 |
| 1A7880-17980 | 29 | 13 |
| 1A7880-21100 | 31 | 1 |
| 1A7880-21500 | 34 | 1 |
| 1A7880-27500 | 46 | 2 |
| 1A7880-27561 | 46 | 3 |
| 1A7880-27580 | 46 | 4 |
| 1A7880-27800 | 49 | 1 |
| 1A7880-27850 | 49 | 2 |
| 1A7880-28300 | 52 | 1 |
| 1A7880-29400 | 55 | 3 |
| 1A7880-29410 | 55 | 5 |
| 1A7880-29430 | 55 | 6 |
| 1A7880-29451 | 55 | 9 |
| 1A7880-29500 | 55 | 10 |
| 1A7880-29541 | 55 | 11 |
| 1A7880-29570 | 55 | 12 |
| 1A7880-29600 | 55 | 13 |
| 1A7880-29610 | 55 | 7 |
| 1A7880-29640 | 55 | 14 |
| 1A7880-29720 | 55 | 15 |
| 1A7880-29780 | 55 | 16 |
| 1A7880-29801 | 56 | 1 |
| 1A7880-29830 | 56 | 2 |
| 1A7880-29840 | 56 | 3 |
| 1A7880-29872 | 56 | 4 |
| 1A7880-29901 | 57 | 3 |
| 1A7880-33200 | 64 | 2 |
| 1A7880-33250 | 64 | 3 |
| 1A7880-34180 | 24 | 1 |
| | 69 | 1 |
| 1A7880-34700 | 67 | 1 |
| 1A7880-34710 | 67 | 3 |
| 1A7880-34800 | 68 | 1 |
| 1A7880-34810 | 68 | 5 |
| 1A7880-34820 | 68 | 3 |
| | | 7 |
| 1A7880-34830 | 66 | 3 |
| | | 7 |

| Parts No. | Fig. No. | Ref. No. |
|--------------|----------|----------|
| 1A7880-34830 | 67 | 4 |
| | 68 | 4 |
| | | 8 |
| 1A7880-34900 | 66 | 1 |
| 1A7880-34910 | 66 | 5 |
| 1A7880-34920 | 66 | 4 |
| | | 8 |
| 1A7880-37100 | 71 | 2 |
| 1A7880-37150 | 71 | 3 |
| 1A7880-37200 | 71 | 4 |
| 1A7880-37220 | 71 | 5 |
| 1A7880-37250 | 71 | 6 |
| 1A7880-37310 | 71 | 7 |
| 1A7880-37350 | 71 | 8 |
| 1A7880-37390 | 71 | 9 |
| 1A7880-37400 | 71 | 10 |
| 1A7880-37441 | 71 | 11 |
| 1A7880-37450 | 71 | 12 |
| 1A7880-37490 | 72 | 2 |
| 1A7880-43101 | 73 | 1 |
| 1A7880-43250 | 73 | 2 |
| 1A7880-43310 | 73 | 3 |
| 1A7880-43320 | 73 | 4 |
| 1A7880-43380 | 73 | 5 |
| 1A7880-43410 | 73 | 6 |
| 1A7880-43500 | 73 | 7 |
| 1A7880-44400 | 74 | 1 |
| 1A7880-44700 | 74 | 3 |
| 1A7880-44740 | 73 | 8 |
| 1A7880-45000 | 77 | 4 |
| 1A7880-45040 | 77 | 5 |
| 1A7880-45100 | 75 | 1 |
| 1A7880-45150 | 30 | 1 |
| 1A7880-45210 | 77 | 6 |
| 1A7880-45250 | 77 | 7 |
| 1A7880-45331 | 77 | 8 |
| 1A7880-45530 | 75 | 2 |
| 1A7880-45540 | 75 | 3 |
| 1A7880-45560 | 75 | 4 |
| 1A7880-45610 | 75 | 5 |
| 1A7880-45620 | 75 | 6 |
| 1A7880-45640 | 75 | 7 |
| 1A7880-45650 | 75 | 8 |
| 1A7880-45660 | 75 | 9 |
| 1A7880-45700 | 75 | 10 |
| 1A7880-45800 | 75 | 11 |
| 1A7880-45830 | 75 | 12 |
| 1A7880-47100 | 108 | 1 |
| 1A7880-47121 | 108 | 2 |
| 1A7880-47150 | 110 | 2 |

Parts No. Index

| Parts No. | Fig. No. | Ref. No. |
|--------------|----------|----------|
| 1A7880-47200 | 110 | 3 |
| 1A7880-47501 | 110 | 4 |
| 1A7880-47510 | 29 | 14 |
| | 30 | 2 |
| | 110 | 5 |
| 1A7880-47520 | 110 | 6 |
| 1A7880-47530 | 30 | 3 |
| | 110 | 7 |
| 1A7880-47540 | 110 | 8 |
| 1A7880-47550 | 110 | 9 |
| 1A7880-47560 | 110 | 10 |
| 1A7880-47570 | 110 | 11 |
| 1A7880-47580 | 110 | 12 |
| 1A7880-47600 | 109 | 5 |
| 1A7880-47651 | 109 | 6 |
| 1A7880-47701 | 109 | 7 |
| 1A7880-47750 | 109 | 8 |
| 1A7880-47770 | 108 | 3 |
| 1A7880-47790 | 110 | 13 |
| 1A7880-47830 | 110 | 14 |
| 1A7880-47851 | 108 | 4 |
| 1A7880-47880 | 110 | 15 |
| 1A7880-47930 | 110 | 16 |
| 1A7880-47950 | 109 | 9 |
| 1A7880-47980 | 110 | 17 |
| 1A7880-48101 | 79 | 2 |
| 1A7880-48160 | 79 | 3 |
| 1A7880-51300 | 114 | 4 |
| 1A7880-51420 | 81 | 21 |
| 1A7880-51710 | 26 | 10 |
| 1A7880-51730 | 81 | 10 |
| 1A7880-52140 | 84 | 8 |
| 1A7880-52200 | 83 | 5 |
| 1A7880-52210 | 83 | 6 |
| 1A7880-52250 | 84 | 9 |
| 1A7880-53050 | 88 | 4 |
| 1A7880-53070 | 88 | 5 |
| 1A7880-53080 | 88 | 6 |
| 1A7880-53100 | 85 | 6 -1 |
| 1A7880-53300 | 86 | 1 |
| 1A7880-53310 | 86 | 2 |
| 1A7880-53320 | 86 | 3 |
| 1A7880-53400 | 85 | 2 |
| 1A7880-53410 | 85 | 3 |
| 1A7880-53420 | 85 | 4 |
| 1A7880-53430 | 85 | 5 |
| 1A7880-54020 | 114 | 1 |
| 1A7880-56010 | 87 | 1 |
| 1A7880-56601 | 5 | 9 |
| 1A7880-57100 | 84 | 12 |

| Parts No. | Fig. No. | Ref. No. |
|--------------|----------|----------|
| 1A7880-57210 | 115 | 1 |
| 1A7880-57250 | 115 | 6 |
| 1A7880-57260 | 115 | 7 |
| 1A7880-58111 | 82 | 4 |
| 1A7880-58121 | 82 | 5 |
| 1A7880-58151 | 90 | 3 |
| 1A7880-58200 | 114 | 17 |
| 1A7880-58250 | 114 | 18 |
| 1A7880-60901 | 88 | 7 |
| 1A7880-60990 | 88 | 8 |
| 1A7880-61020 | 88 | 9 |
| 1A7880-61030 | 88 | 10 |
| 1A7880-61061 | 86 | 4 |
| 1A7880-61070 | 86 | 5 |
| 1A7880-61111 | 88 | 11 |
| 1A7880-61170 | 88 | 12 |
| 1A7880-61260 | 88 | 13 |
| 1A7880-61370 | 88 | 15 |
| 1A7880-61510 | 90 | 6 |
| 1A7880-61601 | 90 | 7 |
| 1A7880-61640 | 90 | 8 |
| 1A7880-61650 | 90 | 10 |
| 1A7880-61670 | 90 | 11 |
| 1A7880-61690 | 90 | 12 |
| 1A7880-61761 | 88 | 16 |
| 1A7880-61810 | 26 | 12 |
| 1A7880-62100 | 91 | 1 |
| 1A7880-62240 | 92 | 4 |
| 1A7880-62300 | 92 | 5 |
| 1A7880-62500 | 94 | 3 |
| 1A7880-62510 | 94 | 4 |
| 1A7880-62550 | 93 | 1 |
| 1A7880-62601 | 93 | 2 |
| 1A7880-62650 | 93 | 3 |
| 1A7880-63020 | 95 | 2 -1 |
| 1A7880-63050 | 95 | 2 |
| 1A7880-63060 | 95 | 4 |
| 1A7880-63100 | 95 | 5 |
| 1A7880-63200 | 96 | 3 |
| 1A7880-63300 | 96 | 6 |
| 1A7880-63390 | 96 | 7 |
| 1A7880-63400 | 96 | 8 |
| 1A7880-63410 | 96 | 9 |
| 1A7880-63420 | 96 | 10 |
| 1A7880-63451 | 96 | 11 |
| 1A7880-63500 | 96 | 12 |
| 1A7880-65010 | 118 | 2 |
| 1A7880-65100 | 118 | 3 |
| 1A7880-65110 | 118 | 5 |
| 1A7880-65120 | 118 | 7 |

| Parts No. | Fig. No. | Ref. No. |
|--------------|----------|----------|
| 1A7880-65331 | 98 | 2 |
| 1A7880-65341 | 98 | 3 |
| 1A7880-65351 | 101 | 1 |
| 1A7880-65370 | 98 | 4 |
| 1A7880-65380 | 98 | 5 |
| 1A7880-65390 | 98 | 6 |
| 1A7880-65411 | 111 | 1 |
| 1A7880-65511 | 98 | 8 |
| 1A7880-65570 | 98 | 9 |
| 1A7880-65601 | 101 | 2 |
| 1A7880-65610 | 101 | 3 |
| 1A7880-65650 | 99 | 1 |
| 1A7880-65660 | 99 | 2 |
| 1A7880-65722 | 98 | 12 |
| 1A7880-65780 | 81 | 16 |
| 1A7880-65981 | 101 | 5 |
| 1A7880-71110 | 102 | 2 |
| 1A7880-71130 | 103 | 1 |
| 1A7880-71210 | 102 | 3 |
| 1A7880-71220 | 102 | 4 |
| 1A7880-71500 | 102 | 6 |
| 1A7880-71550 | 102 | 11 |
| 1A7880-71580 | 102 | 7 |
| 1A7880-71720 | 102 | 12 |
| 1A7880-71800 | 102 | 1 |
| 1A7880-72100 | 102 | 13 |
| 1A7880-72300 | 102 | 18 |
| 1A7880-72310 | 102 | 14 |
| 1A7880-72320 | 102 | 15 |
| 1A7880-72330 | 102 | 16 |
| 1A7880-72340 | 102 | 17 |
| 1A7880-73150 | 102 | 20 |
| 1A7880-73500 | 102 | 21 |
| 1A7880-74100 | 102 | 22 |
| 1A7880-74110 | 102 | 23 |
| 1A7880-74120 | 102 | 24 |
| 1A7880-74130 | 102 | 25 |
| 1A7880-74140 | 102 | 26 |
| 1A7880-74150 | 102 | 27 |
| 1A7880-74550 | 102 | 28 |
| 1A7880-85000 | 104 | 1 |
| 1A7880-85300 | 105 | 1 |
| 1A7880-85611 | 106 | 2 |
| 1A7880-99200 | 118 | 1 |
| 1A7882-01150 | 4 | 3 |
| 1A7882-05150 | 26 | 1 |
| 1A7882-05410 | 3 | 21 |
| 1A7882-06010 | 3 | 22 |
| 1A7882-10800 | 9 | 1 |
| 1A7882-10900 | 9 | 2 |

| Parts No. | Fig. No. | Ref. No. |
|--------------|----------|----------|
| 1A7882-51101 | 81 | 4 |
| 1A7882-85490 | 105 | 2 |
| 1A7882-85550 | 105 | 4 |
| 1A8070-61330 | 88 | 14 |
| 1A8115-63260 | 96 | 4 |
| 1A8160-04270 | 116 | 3 |
| 1A8160-04500 | 116 | 4 |
| 1A8160-04510 | 116 | 6 |
| 1A8160-46670 | 76 | 1 |
| 1A8160-51130 | 81 | 6 |
| 1A8160-51550 | 82 | 2 |
| 1A8160-51570 | 82 | 3 |
| 1A8160-51580 | 82 | 3 A |
| 1A8160-52300 | 83 | 8 |
| 1A8160-52310 | 83 | 9 |
| | 84 | 11 |
| 1A8160-52330 | 83 | 7 |
| | | 10 |
| 1A8160-63400 | 95 | 6 |
| 1A8160-63410 | 95 | 7 |
| 1A8160-63420 | 95 | 8 |
| 1A8160-63440 | 95 | 9 |
| 1A8160-65300 | 100 | 1 |
| 1A8160-65310 | 100 | 2 |
| 1A8160-65430 | 111 | 2 |
| 1A8160-65800 | 106 | 1 |
| 1A8160-65860 | 98 | 13 |
| 1A8160-91000 | 112 | 1 |
| 1A8250-65100 | 118 | 4 |
| 1A8250-65110 | 118 | 6 |
| 1A8250-65150 | 118 | 8 |
| 1A8250-65160 | 118 | 9 |
| 1A8250-65180 | 118 | 10 |
| 1A8250-65390 | 98 | 7 |
| 1A8250-65630 | 98 | 10 |
| 1A8250-65650 | 98 | 11 |
| 1A8300-10650 | 113 | 3 |
| 1A8300-51210 | 3 | 32 |
| | 4 | 7 |
| | 7 | 6 |
| | 29 | 18 |
| | 81 | 17 |
| | | 18 |
| | | 19 |
| | 84 | 2 |
| | 114 | 3 |
| | 115 | 5 |
| 1A8300-63010 | 95 | 3 |
| 1C6050-31250 | 17 | 10 |
| 1C6140-47210 | 26 | 9 |

Parts No. Index

| Parts No. | Fig. No. | Ref. No. |
|--------------|----------|----------|
| 1C6281-52310 | 4 | 8 |
| 1C6281-52320 | 47 | 12 |
| | 55 | 17 |
| | 56 | 5 |
| | | 6 |
| | 64 | 4 |
| | 71 | 13 |
| | | 14 |
| | | 15 |
| | | 16 |
| | | 17 |
| | 77 | 12 |
| | 95 | 1 |
| 1C6320-52210 | 63 | 2 |
| 1C6460-38240 | 90 | 9 |
| 1C6900-23150 | 33 | 1 |
| 1E4760-73240 | 12 | 3 |
| 1E6150-56040 | 109 | 10 |
| 1E6460-91573 | 88 | 23 |
| 1E8420-55430 | 19 | 4 |
| 1E8450-66390 | 79 | 4 |
| 1E8600-66700 | 80 | 2 |
| 1K1140-82500 | 83 | 15 |
| | | 16 |
| 21731-040002 | 85 | 6 |
| 22117-100000 | 46 | 5 |
| 22137-050000 | 88 | 24 |
| 22137-060000 | 4 | 9 |
| 22137-080000 | 3 | 41 |
| | 47 | 13 |
| | 64 | 5 |
| | 71 | 19 |
| | | 20 |
| | 77 | 14 |
| | | 15 |
| | | 16 |
| | 88 | 25 |
| | | 26 |
| | 96 | 13 |
| | 102 | 29 |
| | 109 | 12 |
| | | 13 |
| 22137-100000 | 4 | 10 |
| | 63 | 6 |
| | 96 | 14 |
| 22137-120000 | 47 | 14 |
| | 72 | 5 |
| | 77 | 17 |
| | 105 | 6 |
| 22137-130000 | 85 | 7 |

| Parts No. | Fig. No. | Ref. No. |
|--------------|----------|----------|
| 22137-140000 | 64 | 6 |
| 22137-160000 | 25 | 3 |
| | 102 | 30 |
| 22157-060000 | 3 | 42 |
| | 85 | 15 |
| | 90 | 19 |
| 22157-080000 | 5 | 18 |
| | 91 | 2 |
| | 92 | 6 |
| | 96 | 15 |
| 22157-100000 | 46 | 6 |
| 22157-120000 | 71 | 21 |
| 22190-080002 | 42 | 15 |
| 22207-012160 | 60 | 3 |
| 22217-060000 | 114 | 15 |
| 22217-080000 | 58 | 9 |
| | 96 | 16 |
| 22217-120000 | 8 | 5 |
| | 10 | 5 |
| 22217-130000 | 85 | 8 |
| 22217-160000 | 74 | 4 |
| 22242-000100 | 46 | 7 |
| | 55 | 18 |
| 22242-000120 | 55 | 19 |
| | 56 | 7 |
| | 72 | 6 |
| 22242-000160 | 36 | 15 |
| | 63 | 3 |
| 22242-000200 | 38 | 4 |
| | 39 | 14 |
| | 41 | 3 |
| | 70 | 6 |
| | 117 | 4 |
| 22242-000220 | 110 | 19 |
| 22242-000240 | 12 | 4 |
| | 44 | 20 |
| 22242-000250 | 39 | 15 |
| 22242-000280 | 47 | 15 |
| 22242-000290 | 44 | 21 |
| 22242-000300 | 46 | 8 |
| 22242-000340 | 19 | 5 |
| 22242-000350 | 44 | 22 |
| 22242-000360 | 14 | 5 |
| 22242-000450 | 17 | 12 |
| 22242-000500 | 44 | 23 |
| 22252-000150 | 14 | 6 |
| 22252-000320 | 59 | 5 |
| 22252-000420 | 36 | 16 |
| 22252-000520 | 12 | 5 |
| 22252-000550 | 13 | 2 |

| Parts No. | Fig. No. | Ref. No. |
|--------------|----------|----------|
| 22252-000550 | 15 | 4 |
| | 62 | 5 |
| 22252-000620 | 44 | 24 |
| 22252-000681 | 17 | 13 |
| 22252-000720 | 17 | 14 |
| 22252-000800 | 39 | 16 |
| 22262-000240 | 38 | 3 |
| 22262-000420 | 33 | 22 |
| 22272-000080 | 77 | 18 |
| | 109 | 14 |
| 22272-000100 | 49 | 3 |
| 22287-100000 | 51 | 10 |
| 22292-000200 | 59 | 6 |
| 22312-060100 | 36 | 17 |
| 22312-080160 | 51 | 11 |
| 22312-080200 | 28 | 7 |
| 22312-100120 | 42 | 4 |
| | 58 | 13 |
| 22312-100200 | 33 | 23 |
| 22351-035025 | 33 | 24 |
| 22351-035032 | 14 | 7 |
| 22351-040025 | 63 | 4 |
| 22351-050018 | 77 | 19 |
| 22351-050025 | 102 | 8 |
| 22351-050040 | 55 | 20 |
| 22351-060025 | 33 | 25 |
| 22351-060032 | 14 | 8 |
| | 52 | 2 |
| | 71 | 22 |
| 22351-060040 | 71 | 23 |
| 22351-080040 | 55 | 21 |
| 22351-100020 | 8 | 6 |
| 22372-080000 | 49 | 4 |
| | 77 | 20 |
| | 88 | 27 |
| | 102 | 31 |
| 22372-120000 | 56 | 8 |
| 22372-140000 | 64 | 7 |
| 22372-160000 | 113 | 5 |
| 22417-200160 | 77 | 21 |
| | 92 | 7 |
| 22417-200200 | 63 | 7 |
| 22417-250250 | 102 | 32 |
| 22417-320250 | 11 | 3 |
| 22417-320320 | 102 | 33 |
| 22487-080200 | 3 | 43 |
| | 55 | 22 |
| 22487-080260 | 88 | 28 |
| 22487-080350 | 71 | 24 |
| 22487-080400 | 102 | 34 |

| Parts No. | Fig. No. | Ref. No. |
|--------------|----------|----------|
| 22487-120400 | 102 | 35 |
| 22857-500161 | 88 | 29 |
| 22857-600160 | 87 | 4 |
| | 92 | 8 |
| | | 9 |
| 23000-022000 | 29 | 21 |
| | | 22 |
| 23000-054000 | 3 | 44 |
| 23000-075000 | 20 | 2 |
| 23010-018000 | 79 | 6 |
| 23010-050000 | 3 | 45 |
| 23065-070130 | 3 | 11 |
| 23080-012000 | 5 | 15 |
| | 7 | 25 |
| | 116 | 13 |
| 23414-120000 | 33 | 14 |
| 23414-140000 | 29 | 23 |
| | 110 | 20 |
| 23414-160021 | 29 | 24 |
| 23414-190000 | 110 | 21 |
| 23857-100000 | 29 | 25 |
| 23871-010000 | 42 | 5 |
| 23871-020000 | 44 | 25 |
| 23871-030000 | 42 | 6 |
| 23980-730150 | 7 | 26 |
| 23980-730180 | 7 | 27 |
| 23980-730260 | 5 | 16 |
| 23980-730350 | 7 | 28 |
| 23980-730400 | 7 | 29 |
| 24101-060014 | 58 | 14 |
| 24101-060044 | 33 | 26 |
| | 39 | 17 |
| | 58 | 15 |
| 24101-060054 | 51 | 12 |
| | 117 | 19 |
| 24101-060064 | 13 | 3 |
| | 15 | 5 |
| | 65 | 6 |
| 24101-060074 | 19 | 6 |
| | 61 | 4 |
| 24101-060094 | 19 | 7 |
| | 44 | 26 |
| 24101-062044 | 41 | 6 |
| 24101-062054 | 12 | 6 |
| | 18 | 4 |
| | 41 | 7 |
| | 44 | 27 |
| 24101-062064 | 44 | 28 |
| 24101-062074 | 18 | 5 |
| 24101-063034 | 58 | 16 |

Parts No. Index

| Parts No. | Fig. No. | Ref. No. |
|--------------|----------|----------|
| 24102-060044 | 59 | 7 |
| 24104-060004 | 46 | 9 |
| 24104-062004 | 55 | 23 |
| 24161-354017 | 44 | 29 |
| 24162-253216 | 33 | 27 |
| 24190-080001 | 51 | 13 |
| | 117 | 20 |
| 24190-100001 | 44 | 19 |
| | 75 | 13 |
| 24190-100003 | 109 | 15 |
| 24190-160001 | 70 | 8 |
| 24311-000050 | 35 | 5 |
| 24311-000100 | 40 | 5 |
| 24311-000120 | 42 | 12 |
| 24311-000125 | 44 | 30 |
| | 53 | 4 |
| | 117 | 21 |
| 24311-000140 | 42 | 9 |
| | 58 | 10 |
| 24311-000160 | 14 | 9 |
| | 70 | 7 |
| 24311-000180 | 17 | 15 |
| | 34 | 2 |
| | 43 | 5 |
| 24311-000200 | 35 | 6 |
| | | 14 |
| 24311-000260 | 33 | 28 |
| 24311-000320 | 32 | 2 |
| 24311-240100 | 7 | 18 |
| | 47 | 16 |
| 24316-000440 | 116 | 14 |
| 24316-240100 | 116 | 15 |
| 24321-000750 | 39 | 18 |
| 24321-001300 | 19 | 8 |
| 24341-000112 | 43 | 7 |
| 24341-000850 | 17 | 16 |
| 24351-190170 | 33 | 29 |
| 24351-240450 | 40 | 6 |
| 24361-090500 | 42 | 16 |
| 24421-122207 | 58 | 11 |
| 24421-173508 | 58 | 17 |
| 24421-253807 | 33 | 30 |
| 24421-254008 | 51 | 14 |
| | 117 | 22 |
| 24421-255210 | 12 | 7 |
| 24550-010150 | 77 | 9 |
| 24550-012200 | 72 | 3 |
| | 105 | 3 |
| 24550-028200 | 33 | 4 |
| | | 7 |

| Parts No. | Fig. No. | Ref. No. |
|--------------|----------|----------|
| 24761-020000 | 55 | 24 |
| 26013-060129 | 75 | 14 |
| 26013-080162 | 109 | 16 |
| | | 17 |
| 26013-080202 | 14 | 10 |
| 26014-100252 | 96 | 17 |
| 26016-080202 | 41 | 8 |
| | 44 | 31 |
| | 63 | 9 |
| 26016-080852 | 58 | 18 |
| 26016-100452 | 58 | 19 |
| 26016-100652 | 33 | 31 |
| 26016-101052 | 33 | 32 |
| | 58 | 20 |
| 26016-101452 | 33 | 33 |
| 26064-060151 | 90 | 20 |
| 26106-060122 | 1 | 2 |
| | 3 | 46 |
| 26106-060162 | 3 | 47 |
| | | 48 |
| | | 49 |
| | | 50 |
| | 7 | 30 |
| | 26 | 16 |
| | | 17 |
| | 83 | 18 |
| | | 19 |
| | 88 | 30 |
| | | 31 |
| | | 32 |
| | 106 | 3 |
| 26106-060502 | 83 | 20 |
| 26106-080122 | 7 | 31 |
| | | 32 |
| | 108 | 5 |
| 26106-080162 | 3 | 51 |
| | | 52 |
| | 5 | 19 |
| | | 20 |
| | 29 | 26 |
| | | 27 |
| | 31 | 2 |
| | 53 | 5 |
| | 55 | 25 |
| | 77 | 22 |
| | 81 | 27 |
| | | 28 |
| | 88 | 33 |
| | 93 | 4 |
| | | 5 |

| Parts No. | Fig. No. | Ref. No. |
|--------------|----------|----------|
| 26106-080162 | 93 | 6 |
| | 95 | 10 |
| | 108 | 6 |
| | 110 | 22 |
| | 117 | 23 |
| 26106-080202 | 6 | 3 |
| | 55 | 26 |
| | 74 | 5 |
| | 91 | 3 |
| | 94 | 6 |
| | 96 | 18 |
| | 103 | 2 |
| 26106-080252 | 3 | 53 |
| | 40 | 7 |
| | 46 | 10 |
| | 70 | 9 |
| 26106-080302 | 27 | 3 |
| | 33 | 34 |
| | 36 | 18 |
| | 51 | 15 |
| | 91 | 4 |
| 26106-080402 | 33 | 35 |
| 26106-080652 | 7 | 33 |
| | 26 | 18 |
| 26106-080802 | 55 | 27 |
| 26106-080852 | 55 | 28 |
| 26106-080902 | 33 | 36 |
| 26106-100162 | 96 | 19 |
| 26106-100202 | 9 | 5 |
| | 77 | 23 |
| | 81 | 29 |
| | 108 | 7 |
| | | 8 |
| 26106-100252 | 55 | 29 |
| | 73 | 9 |
| | 75 | 16 |
| 26106-100302 | 17 | 17 |
| | 19 | 9 |
| | 105 | 7 |
| | | 8 |
| | 113 | 6 |
| 26106-100352 | 62 | 6 |
| | 95 | 11 |
| 26106-100752 | 26 | 19 |
| 26106-101052 | 36 | 19 |
| 26106-120452 | 28 | 8 |
| 26106-120602 | 71 | 25 |
| 26106-121002 | 8 | 7 |
| 26116-060162 | 114 | 16 |
| 26116-060202 | 81 | 30 |

| Parts No. | Fig. No. | Ref. No. |
|--------------|----------|----------|
| 26116-080202 | 26 | 20 |
| 26116-080402 | 26 | 21 |
| 26116-101802 | 51 | 16 |
| 26116-102202 | 51 | 17 |
| 26116-140302 | 47 | 17 |
| 26346-100002 | 95 | 12 |
| 26347-080002 | 96 | 20 |
| 26366-080002 | 77 | 24 |
| 26366-100002 | 96 | 21 |
| 26450-060502 | 75 | 15 |
| 26450-080502 | 42 | 17 |
| | 58 | 12 |
| 26476-080202 | 32 | 3 |
| 26487-080163 | 96 | 22 |
| 26589-060162 | 90 | 21 |
| 26716-060002 | 82 | 6 |
| 26716-080002 | 26 | 22 |
| | 46 | 11 |
| | 55 | 8 |
| | | 30 |
| 26716-100002 | 4 | 11 |
| | 71 | 26 |
| | 76 | 2 |
| | 77 | 25 |
| 26716-120002 | 8 | 8 |
| | 10 | 6 |
| 26736-160002 | 74 | 6 |
| 26776-100002 | 36 | 20 |
| 26776-120002 | 47 | 18 |
| | 83 | 3 |
| 26911-100102 | 109 | 18 |
| 27260-720000 | 17 | 18 |
| 29311-162000 | 26 | 23 |
| 933171-15801 | 81 | 31 |