

0CNP6-M01980EN

Corresponding table of the machine and engine

Machine		Engine
Model	Spec.	Model
YT347Y	without cabin	4TNV88C-KRN
	with cabin	4TNV88C-KRNQ
YT359Y	without cabin	4TNV98C-XNRA
	with cabin	4TNV98C-XNRAQ

Contents

OCNP6-M01980

Fig. No.	Fig. Name
ENGINE CONTROL	
1.	ENGINE RELATED
2.	RADIATOR
3.	RADIATOR
4.	RADIATOR(CABIN)
5.	RADIATOR(CABIN)
6.	ACCEL LEVER
7.	FOOT ACCEL
8.	EXHAUST PIPE
9.	EXHAUST PIPE
10.	FUEL TANK
11.	TANK BRACKET
12.	TANK BRACKET
13.	TANK BRACKET(CABIN)
14.	TANK BRACKET(CABIN)
15.	FUEL PUMP
16.	FUEL COOLER
17.	FUEL COOLER(CABIN)
18.	FUEL HOSE
19.	FUEL HOSE
20.	ENGINE COVER
21.	ENGINE COVER
22.	ENGINE COVER(CABIN)
23.	ENGINE COVER(CABIN)
24.	AIR CLEANER

Fig. No.	Fig. Name
25.	AIR CLEANER
26.	ENGINE MOUNT
27.	ENGINE MOUNT
28.	ENGINE MOUNT(TRANSMISSION)
29.	ENGINE MOUNT(TRANSMISSION)
FRONT AXLE	
30.	FRONT CHASSIS
31.	FRONT CHASSIS
32.	REAR CHASSIS
33.	CENTER PIN SUPPORT
34.	BREATHER
35.	TIE ROD
36.	RING GEAR
37.	DIFFERENTIAL GEAR
38.	PROPELLER SHAFT
39.	PROPELLER SHAFT
40.	FRONT SHAFT(1)
41.	FRONT AXLE CASE
42.	FRONT GEAR CASE
43.	FRONT SHAFT(2)
44.	STOPPER
45.	FRONT SPINDLE
46.	PROPELLER SHAFT COVER
47.	PROPELLER SHAFT COVER

Contents

OCNP6-M01980

Fig. No. Fig. Name

- 48. FRONT WHEEL TIRE(8-16)
- 49. FRONT WHEEL TIRE(27X10.5-15)
- 50. FRONT WHEEL TIRE(10-16.5)
- 51. HUB BOLT
- 52. FRONT GEAR BOX
- 53. STEERING COLUMN
- 54. STEERING COLUMN
- 55. STEERING COLUMN(CABIN)
- 56. STEERING SHAFT(CABIN)
- 57. STEERING WHEEL
- 58. COLUMN STAY
- 59. P.S.T. CYLINDER
- 60. P.S.T. VALVE
- 61. P.S.T. VALVE(CABIN)
- 62. P.S.T. HOSE
- 63. P.S.T. HOSE(CABIN)

TRANSMISSION

- 64. DAMPER DISC
- 65. FLYWHEEL COVER
- 66. FLYWHEEL COVER
- 67. DAMPER SHAFT
- 68. DAMPER SHAFT
- 69. DRIVE SHAFT
- 70. REVERSER SHAFT

Fig. No. Fig. Name

- 71. REVERSER SHAFT
- 72. REVERSER SHAFT(IDLE)
- 73. P.T.O. CLUTCH
- 74. P.T.O. CLUTCH
- 75. TRANSMISSION CASE
- 76. FRONT COVER
- 77. CENTER HOUSING
- 78. VALVE(I-H.M.T.)
- 79. REAR COVER
- 80. P.T.O. VALVE
- 81. INPUT SHAFT
- 82. INPUT SHAFT
- 83. OUTPUT SHAFT
- 84. COUNTER SHAFT
- 85. COUNTER SHAFT
- 86. P.T.O. DRIVE SHAFT
- 87. P.T.O. DRIVEN SHAFT
- 88. P.T.O. SHAFT
- 89. P.T.O. REDUCTION SHAFT
- 90. P.T.O. SHAFT GUARD
- 91. SUB SHIFT
- 92. P.T.O. SHIFT
- 93. 4WD DRIVE
- 94. IDLE DRIVE
- 95. FRONT DRIVE

Contents

OCNP6-M01980

Fig. No. Fig. Name

96. 4WD SHIFT

97. I-H.M.T.

98. I-H.M.T. MOUNT

99. PUMP DRIVE

100. PUMP DRIVE

REAR AXLE

101. DIFFERENTIAL GEAR

102. DIFFERENTIAL CARRIER

103. REAR AXLE HOUSING

104. DIFFERENTIAL LOCK

105. DIFFERENTIAL LOCK PEDAL

106. FINAL GEAR

107. REAR AXLE SHAFT

108. REAR WHEEL TIRE(14.9-24)

109. REAR WHEEL TIRE(44X18-20)

110. REAR WHEEL TIRE(17.5L-24)

111. HUB BOLT

112. BRAKE

113. PEDAL

114. LINK(CONNECT RELEASE)

115. BRAKE LINK

116. PARKING BRAKE LEVER

117. PARKING BRAKE LEVER

Fig. No. Fig. Name

HYDRAULIC CONTROL

118. HYDRAULIC PUMP

119. HYDRAULIC LIFT CASE

120. LIFTING CYLINDER

121. BRACKET CYLINDER

122. LIFT CRANK

123. CONTROL VALVE

124. RELIEF VALVE

125. STOP VALVE

126. STOP VALVE CONTROL

127. SAFETY VALVE

128. LOADER VALVE

129. S.C.V.

130. TOP LINK HINGE

131. HYDRAULIC CONTROL

132. HYDRAULIC HOSE

133. HYDRAULIC HOSE(CABIN)

134. LUB. OIL PIPE

135. HOSE CLAMP

136. HYDRAULIC FILTER

137. CYLINDER HOSE

138. LOADER HOSE

139. BREATHER HOSE

140. PIPE(SUCTION)

141. PIPE(I-H.M.T.)

Contents

OCNP6-M01980

Fig. No. Fig. Name

- 142. OIL COOLER
- 143. OIL COOLER(CABIN)
- 144. OIL COOLER PIPE
- 145. OIL COOLER PIPE

ELECTRICAL PARTS

- 146. CONTROLLER(H.M.T.)
- 147. CONTROLLER(DRAFT)
- 148. WIRE HARNESS(STARTER)
- 149. WIRE HARNESS(STARTER)
- 150. WIRE HARNESS(ENGINE)
- 151. WIRE HARNESS(ENGINE)(CABIN)
- 152. WIRE HARNESS(TRANSMISSION)
- 153. WIRE HARNESS(FLOOR)
- 154. WIRE HARNESS(FLOOR)(CABIN)
- 155. BATTERY
- 156. BATTERY
- 157. BATTERY CLAMP
- 158. WIRE HARNESS(CABIN)
- 159. CAP(SWITCH)
- 160. SWITCH
- 161. SWITCH(FLOOR)
- 162. SWITCH(CABIN)
- 163. SWITCH(STARTER)
- 164. SWITCH(STARTER)(CABIN)

Fig. No. Fig. Name

- 165. HEAD LAMP
- 166. LAMP(FLOOR)(FRONT)
- 167. LAMP(FLOOR)(FRONT)(CABIN)
- 168. LAMP(FLOOR)(REAR)
- 169. LAMP(FLOOR)(REAR)(CABIN)
- 170. WORK LAMP
- 171. SENSOR(TRANSMISSION)(1)
- 172. SENSOR(TRANSMISSION)(2)
- 173. SENSOR(FLOOR)
- 174. METER
- 175. HORN
- 176. BACK BUZZER

FITTINGS

- 177. FRONT FRAME
- 178. REAR FRAME
- 179. REAR FRAME
- 180. BONNET
- 181. BONNET
- 182. REAR COVER
- 183. REAR COVER(CABIN)
- 184. SIDE COVER
- 185. SIDE COVER
- 186. DASHBOARD(UPPER)
- 187. DASHBOARD(UPPER)(CABIN)

Contents

OCNP6-M01980

Fig. No. Fig. Name

188. DASHBOARD(LOWER)
189. COLUMN COVER
190. FENDER
191. OVER FENDER(CABIN)
192. LEVER GUIDE(LEFT)
193. LEVER GUIDE(RIGHT)
194. FLOOR MAT
195. FLOOR MAT(CABIN)
196. FLOOR
197. FLOOR
198. SUB STEP
199. DUST COVER
200. CABIN MOUNT(CABIN)
201. FLOOR COVER
202. FLOOR COVER(CABIN)
203. FLOOR BRACKET
204. SEAT
205. SEAT(CABIN)
206. SEAL(1)
207. SEAL(2)
208. SEAL(2)(CABIN)
209. BRACKET(S.M.V.)
210. BRACKET(S.M.V.)(CABIN)
211. EMBLEM(S.M.V.)

Fig. No. Fig. Name

LABEL

212. LABEL(1)
213. LABEL(1)
214. LABEL(2)
215. LABEL(3)
216. LABEL(3)(CABIN)
217. LABEL(SAFETY)(1)
218. LABEL(SAFETY)(2)
219. LABEL(SAFETY)(2)(CABIN)

CONTROL

220. BONNET LOCK
221. REVERSER LEVER
222. LEVER(LEFT)
223. SUB SHIFT LINK
224. 4WD LINK
225. P.T.O. LINK
226. POSITION LEVER
227. LOADER LEVER
228. S.C.V. LEVER(2 STATIONS)
229. S.C.V. LEVER LINK(2 STATIONS)

HITCH

230. TOP LINK
231. TOP LINK HOOK

Contents

OCNP6-M01980

Fig. No. Fig. Name

- 232. LIFT LINK(LEFT)
- 233. LIFT LINK(RIGHT)
- 234. LOWER LINK
- 235. LOWER LINK PIN
- 236. CHECK CHAIN BRACKET
- 237. DRAWBAR HITCH

SAFETY FRAME

- 238. SAFETY FRAME(UPPER)
- 239. SAFETY FRAME(LOWER)

CABIN

- 240. CABIN FRAME
- 241. DOOR
- 242. FRONT WINDOW
- 243. SIDE WINDOW
- 244. REAR WINDOW
- 245. INTERIORS
- 246. CASE(ACCESSORY)
- 247. CABIN SEAL(1)
- 248. ROOF
- 249. REARVIEW MIRROR
- 250. AUDIO
- 251. FRONT WIPER
- 252. WASHER TANK

Fig. No. Fig. Name

- 253. AIR CONDITIONER(1)
- 254. AIR CONDITIONER(2)
- 255. AIR CONDITIONER(2)
- 256. AIR CONDITIONER(3)
- 257. AIR CONDITIONER(4)
- 258. AIR CONDITIONER(4)
- 259. AIR CONDITIONER DUCT

ACCESSORIES

- 260. DOCUMENT

OPTIONAL

- 261. LABEL(SA-R)
- 262. BACKHOE FRAME
- 263. REAR HYDRAULIC
- 264. CONTROLLER(SA-R)
- 265. CONTROLLER(SA-R)(CABIN)
- 266. CASE(ACCESSORY)
- 267. REARVIEW MIRROR(LEFT)
- 268. REARVIEW MIRROR(RIGHT)
- 269. SUB STEP
- 270. SUB STEP(CABIN)
- 271. S.C.V.(3RD)
- 272. WORK LAMP
- 273. WORK LAMP(CABIN)

Contents

OCNP6-M01980

Fig. No. Fig. Name

274. WORK LAMP(LED)(CABIN)

275. REARVIEW MIRROR(ROOM)(CABIN)

276. VISOR(CABIN)

277. REAR WIPER(CABIN)

Fig. No. Fig. Name

Fig.1. ENGINE RELATED

(A)=YT347Y
(B)=YT359Y
(C)=

(D)=
(E)=
(F)=

No.	Lev.	Parts No.	Description	Q'ty						I	R
				(A)	(B)	(C)	(D)	(E)	(F)		
1	1	1A8275-51670	CLIP, M8 HOLE	1	1						
2	1	26106-060162	BOLT, M6X 16 PLATED	2	2						

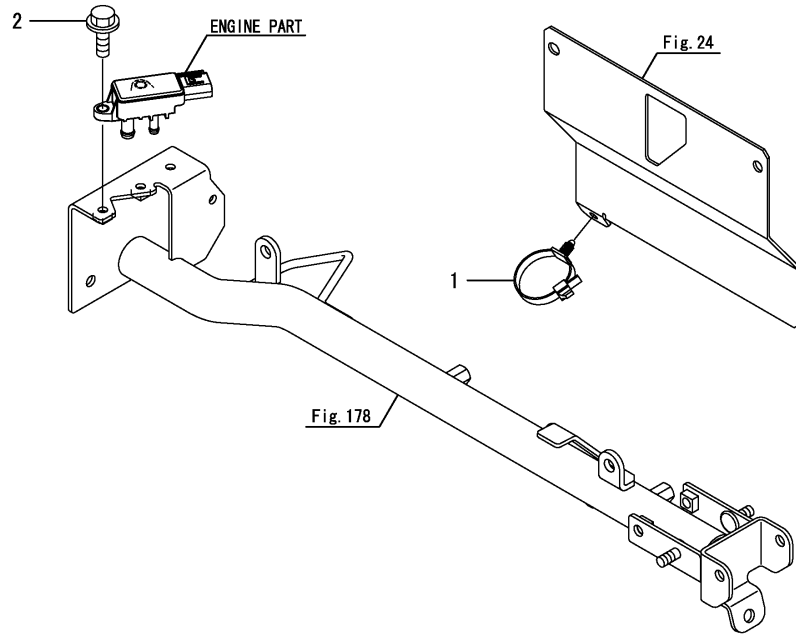
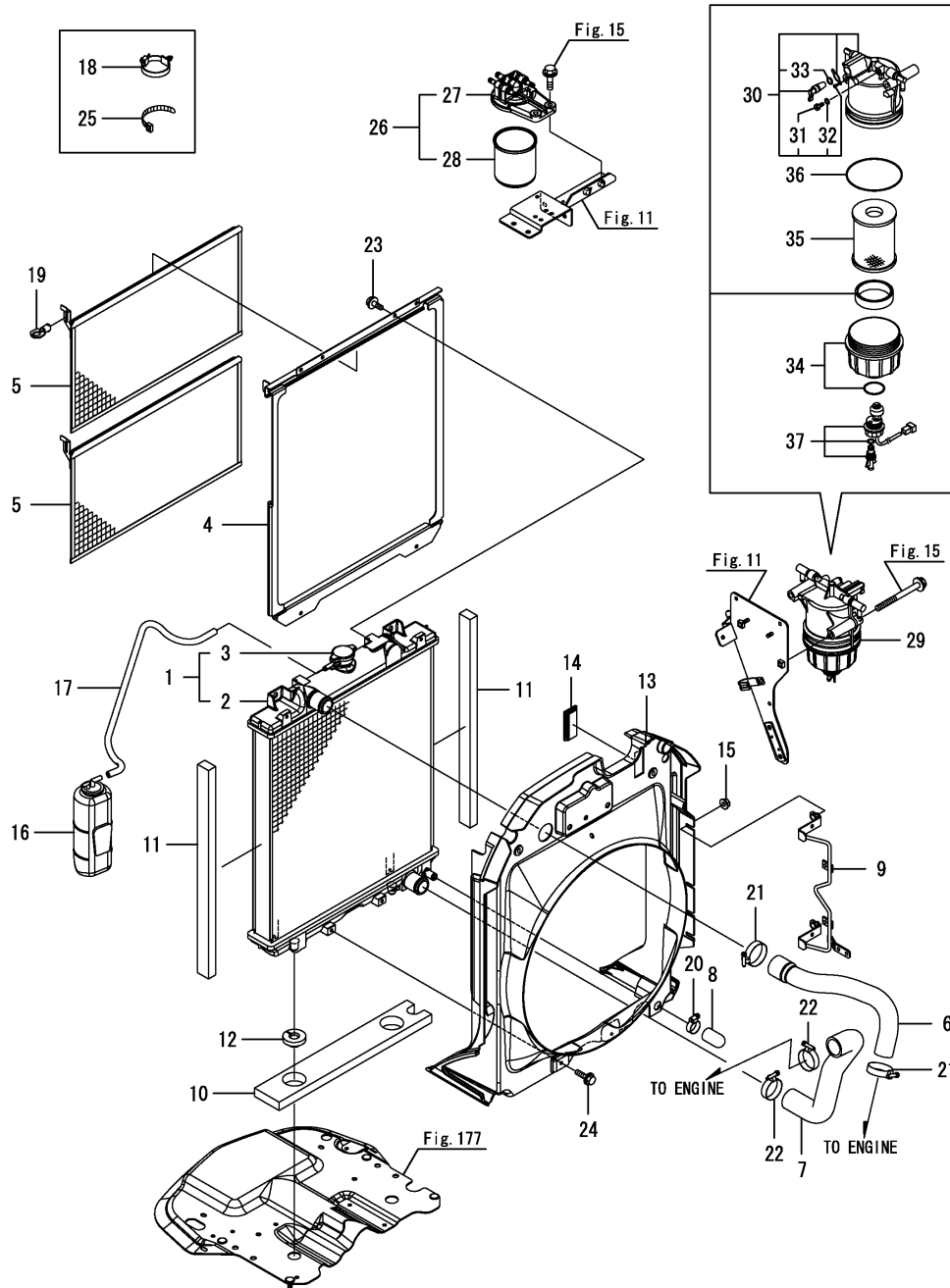


Fig.2. RADIATOR

(A)=YT347Y
(B)=YT359Y
(C)=

(D)=
(E)=
(F)=

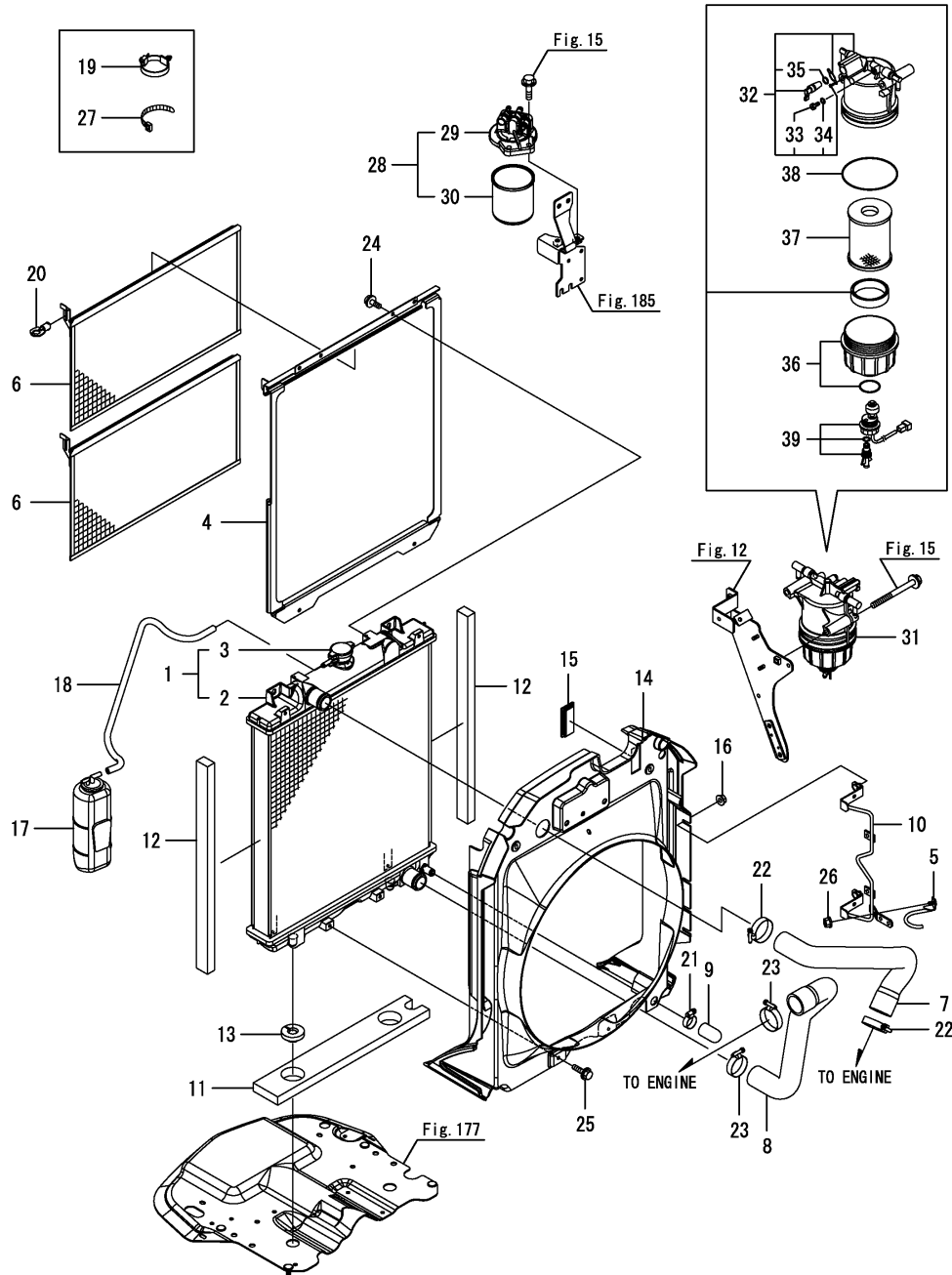


No.	Lev.	Parts No.	Description	Q'ty						I	R
				(A)	(B)	(C)	(D)	(E)	(F)		
1	1	1A8470-00300	RADIATOR ASSY	1							
2	2	1A8470-00310	RADIATOR, BODY	1							
3	2	172456-13310	CAP ASSY	1							
4	1	1A8470-00510	RAIL ASSY, SCREEN	1							
5	1	1A8470-00750	SCREEN ASSY, RADI	2							
6	1	1A8470-00810	CW-T, A	1							
7	1	1A8470-00820	CW-T, B	1							
8	1	1A8470-00830	CAP,RADIATOR DRAIN	1							
9	1	1A8470-00861	GUIDE, HOSE	1							
10	1	1A8470-00910	URETHANE	1							
11	1	1A8470-00920	URETHANE	2							
12	1	1A7180-01050	ABSORBER, RADIATOR	2							
13	1	1A8475-01550	M ASSY,SHROUD ROPS	1							
14	1	1A8470-01561	GROMMET, HOSE	1							
15	1	194990-22130	NUT, M6	2							
16	1	129263-44510	TANK ASSY, SUB	1							
17	1	121737-49150	PIPE, WATER DRAIN	1							
18	1	1A8275-51670	CLIP, M8 HOLE	1							
19	1	198220-61351	LOCK ASSY, CAM	1							
20	1	23000-016000	CLAMP, 16	1							
21	1	23000-048000	CLAMP, 48	2							
22	1	23000-048000	CLAMP, 48	2							
23	1	26106-060122	BOLT, M6X 12 PLATED	4							
24	1	26106-060202	BOLT, M6X 20 PLATED	4							
25	1	29622-140001	BAND, RF140	1							
26	1	129A23-55600	FILTER ASSY,FO	1							
27	2	129C20-55610	BRACKET ASSY,FO FILT	1							
28	2	129A23-55800	FILTER, FO	1							
29	1	129979-55700	FILTER ASSY,FUEL PRE	1							
30	2	129E00-55710	BODY ASSY	1							
31	3	129A00-55750	PLUG,BREATHER	1							
32	3	129A00-55760	O-RING	1							
33	3	24311-000110	O-RING, 1AP11.0	1							
34	2	129C20-55720	CUP, FUEL FILTER	1							
35	2	129A00-55730	ELEMENT	1							
36	2	129A00-55740	O-RING	1							
37	2	129917-55821	SENSOR ASSY, LEVEL	1							

Fig.3. RADIATOR

(A)=YT347Y
(B)=YT359Y
(C)=

(D)=
(E)=
(F)=

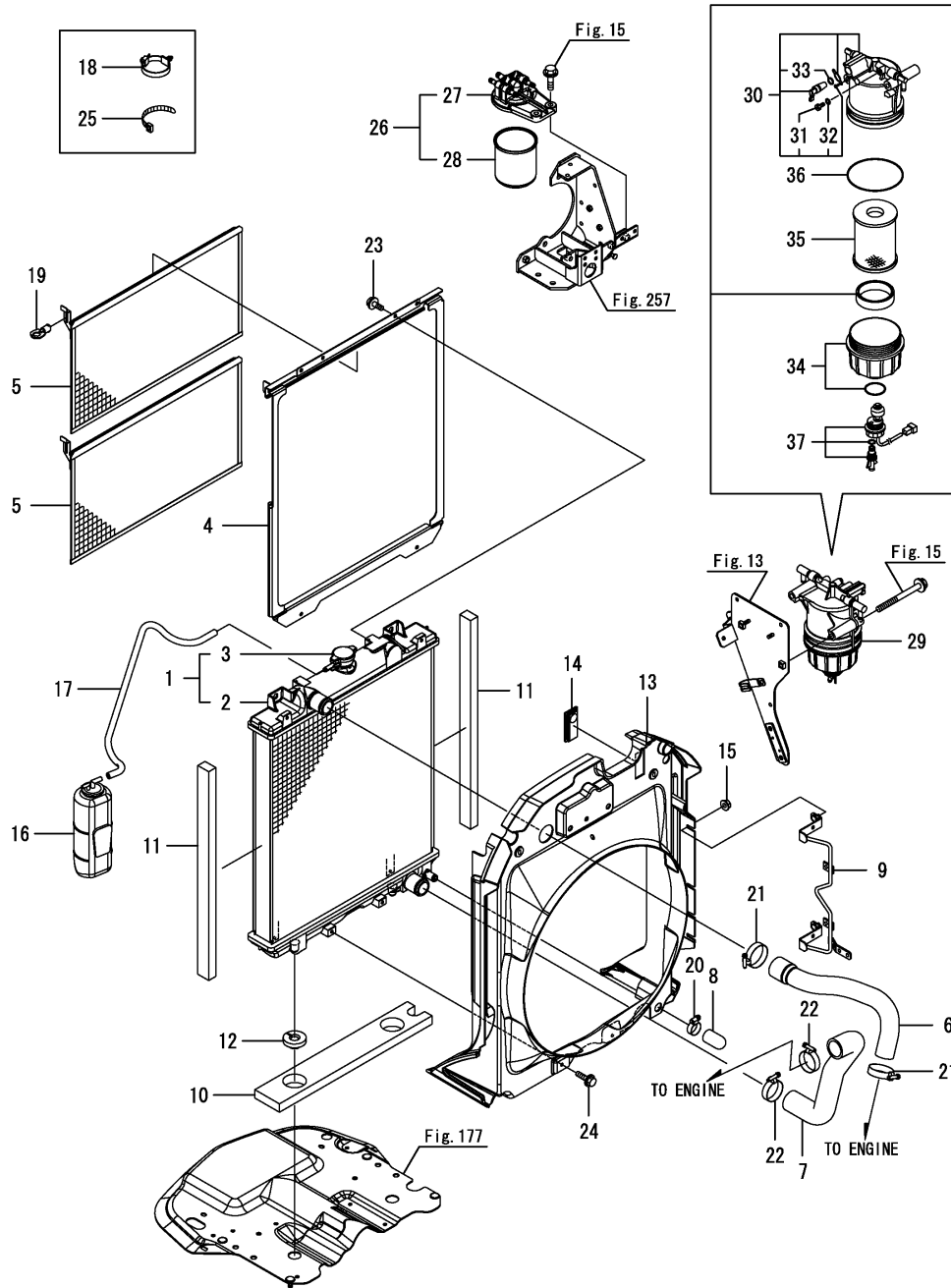


No.	Lev.	Parts No.	Description	Qty						I	R
				(A)	(B)	(C)	(D)	(E)	(F)		
1	1	1A8470-00300	RADIATOR ASSY	1							
2	2	1A8470-00310	RADIATOR, BODY	1							
3	2	172456-13310	CAP ASSY	1							
4	1	1A8470-00510	RAIL ASSY, SCREEN	1							
5	1	1A8470-00650	STAY, HOSE GUIDE	1							
6	1	1A8470-00750	SCREEN ASSY, RADI	2							
7	1	1A8480-00810	CW-T, A	1							
8	1	1A8480-00820	CW-T, B	1							
9	1	1A8470-00830	CAP,RADIATOR DRAIN	1							
10	1	1A8470-00861	GUIDE, HOSE	1							
11	1	1A8470-00910	URETHANE	1							
12	1	1A8470-00920	URETHANE	2							
13	1	1A7180-01050	ABSORBER, RADIATOR	2							
14	1	1A8475-01550	M ASSY,SHROUD ROPS	1							
15	1	1A8470-01561	GROMMET, HOSE	1							
16	1	194990-22130	NUT, M6	2							
17	1	129263-44510	TANK ASSY, SUB	1							
18	1	121737-49150	PIPE, WATER DRAIN	1							
19	1	1A8275-51670	CLIP, M8 HOLE	1							
20	1	198220-61351	LOCK ASSY, CAM	1							
21	1	23000-016000	CLAMP, 16	1							
22	1	23000-048000	CLAMP, 48	2							
23	1	23000-048000	CLAMP, 48	2							
24	1	26106-060122	BOLT, M6X 12 PLATED	4							
25	1	26106-060202	BOLT, M6X 20 PLATED	4							
26	1	26367-060002	NUT, M6	1							
27	1	29622-140001	BAND, RF140	1							
28	1	129A26-55600	FILTER ASSY, FUEL	1							
29	2	129A26-55610	BRACKET ASSY, FUEL	1							
30	2	129A23-55800	FILTER, FO	1							
31	1	129979-55700	FILTER ASSY,FUEL PRE	1							
32	2	129E00-55710	BODY ASSY	1							
33	3	129A00-55750	PLUG,BREATHER	1							
34	3	129A00-55760	O-RING	1							
35	3	24311-000110	O-RING, 1AP11.0	1							
36	2	129C20-55720	CUP, FUEL FILTER	1							
37	2	129A00-55730	ELEMENT	1							
38	2	129A00-55740	O-RING	1							
39	2	129917-55821	SENSOR ASSY, LEVEL	1							

Fig.4. RADIATOR(CABIN)

(A)=YT347Y
(B)=YT359Y
(C)=

(D)=
(E)=
(F)=

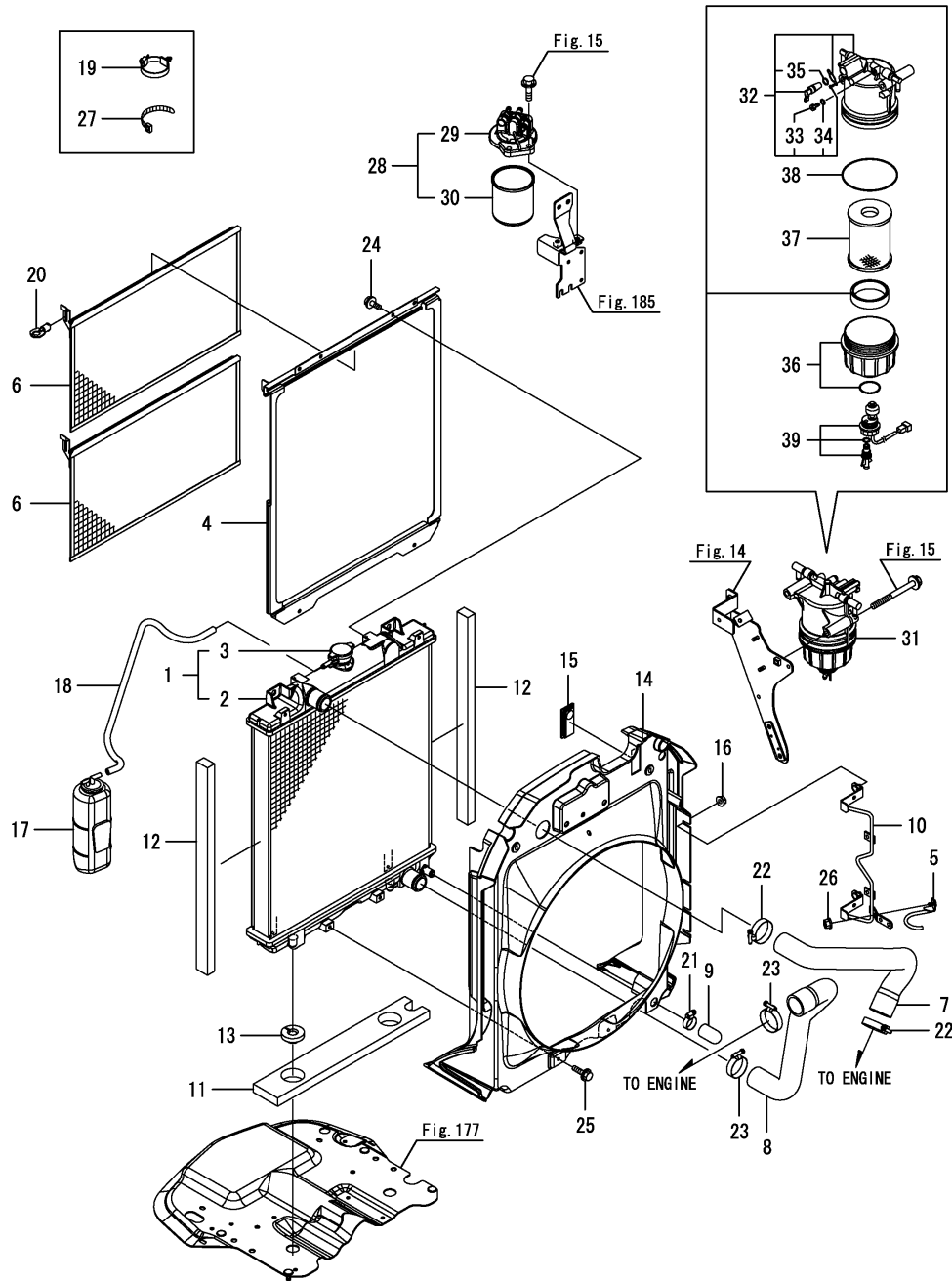


No.	Lev.	Parts No.	Description	Q'ty						I	R
				(A)	(B)	(C)	(D)	(E)	(F)		
1	1	1A8470-00300	RADIATOR ASSY	1							
2	2	1A8470-00310	RADIATOR, BODY	1							
3	2	172456-13310	CAP ASSY	1							
4	1	1A8470-00510	RAIL ASSY, SCREEN	1							
5	1	1A8470-00750	SCREEN ASSY, RADI	2							
6	1	1A8470-00810	CW-T, A	1							
7	1	1A8470-00820	CW-T, B	1							
8	1	1A8470-00830	CAP,RADIATOR DRAIN	1							
9	1	1A8470-00861	GUIDE, HOSE	1							
10	1	1A8470-00910	URETHANE	1							
11	1	1A8470-00920	URETHANE	2							
12	1	1A7180-01050	ABSORBER, RADIATOR	2							
13	1	1A8475-01510	M ASSY,SHROUD	1							
14	1	1A8484-01561	GROMMET, HOSE	1							
15	1	194990-22130	NUT, M6	2							
16	1	129263-44510	TANK ASSY, SUB	1							
17	1	121737-49150	PIPE, WATER DRAIN	1							
18	1	1A8275-51670	CLIP, M8 HOLE	1							
19	1	198220-61351	LOCK ASSY, CAM	1							
20	1	23000-016000	CLAMP, 16	1							
21	1	23000-048000	CLAMP, 48	2							
22	1	23000-048000	CLAMP, 48	2							
23	1	26106-060122	BOLT, M6X 12 PLATED	4							
24	1	26106-060202	BOLT, M6X 20 PLATED	4							
25	1	29622-140001	BAND, RF140	1							
26	1	129A23-55600	FILTER ASSY,FO	1							
27	2	129C20-55610	BRACKET ASSY,FO FILT	1							
28	2	129A23-55800	FILTER, FO	1							
29	1	129979-55700	FILTER ASSY,FUEL PRE	1							
30	2	129E00-55710	BODY ASSY	1							
31	3	129A00-55750	PLUG,BREATHER	1							
32	3	129A00-55760	O-RING	1							
33	3	24311-000110	O-RING, 1AP11.0	1							
34	2	129C20-55720	CUP, FUEL FILTER	1							
35	2	129A00-55730	ELEMENT	1							
36	2	129A00-55740	O-RING	1							
37	2	129917-55821	SENSOR ASSY, LEVEL	1							

Fig.5. RADIATOR(CABIN)

(A)=YT347Y
(B)=YT359Y
(C)=

(D)=
(E)=
(F)=

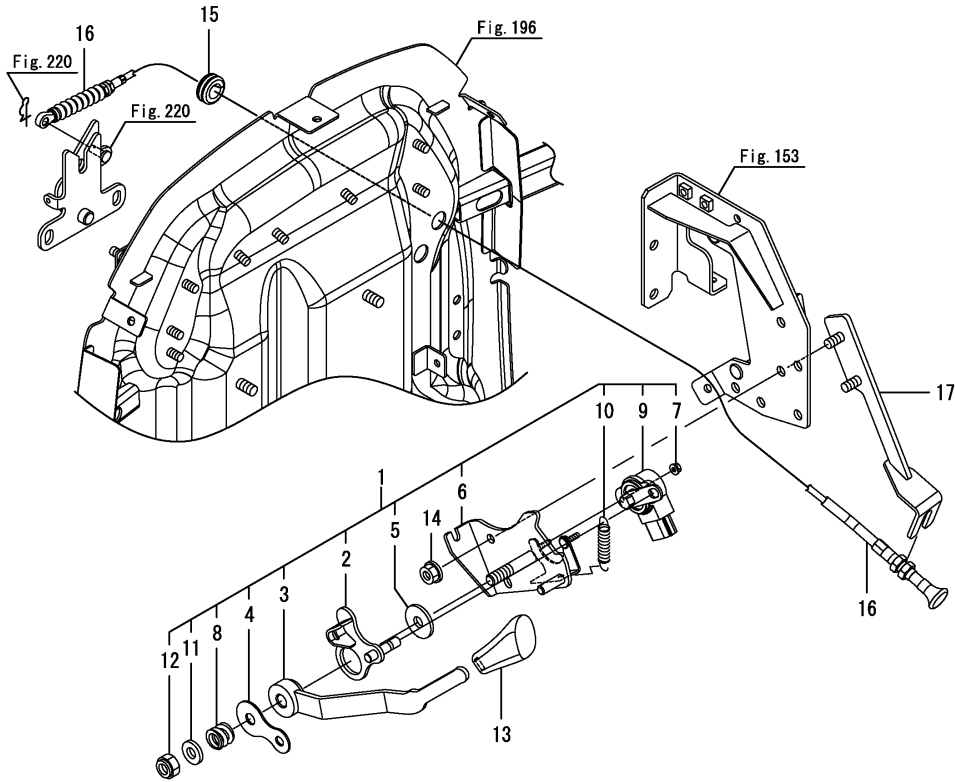


No.	Lev.	Parts No.	Description	Qty						I	R
				(A)	(B)	(C)	(D)	(E)	(F)		
1	1	1A8470-00300	RADIATOR ASSY		1						
2	2	1A8470-00310	RADIATOR, BODY		1						
3	2	172456-13310	CAP ASSY		1						
4	1	1A8470-00510	RAIL ASSY, SCREEN		1						
5	1	1A8470-00650	STAY, HOSE GUIDE		1						
6	1	1A8470-00750	SCREEN ASSY, RADI		2						
7	1	1A8480-00810	CW-T, A		1						
8	1	1A8480-00820	CW-T, B		1						
9	1	1A8470-00830	CAP,RADIATOR DRAIN		1						
10	1	1A8470-00861	GUIDE, HOSE		1						
11	1	1A8470-00910	URETHANE		1						
12	1	1A8470-00920	URETHANE		2						
13	1	1A7180-01050	ABSORBER, RADIATOR		2						
14	1	1A8475-01510	M ASSY,SHROUD		1						
15	1	1A8484-01561	GROMMET, HOSE		1						
16	1	194990-22130	NUT, M6		2						
17	1	129263-44510	TANK ASSY, SUB		1						
18	1	121737-49150	PIPE, WATER DRAIN		1						
19	1	1A8275-51670	CLIP, M8 HOLE		1						
20	1	198220-61351	LOCK ASSY, CAM		1						
21	1	23000-016000	CLAMP, 16		1						
22	1	23000-048000	CLAMP, 48		2						
23	1	23000-048000	CLAMP, 48		2						
24	1	26106-060122	BOLT, M6X 12 PLATED		4						
25	1	26106-060202	BOLT, M6X 20 PLATED		4						
26	1	26367-060002	NUT, M6		1						
27	1	29622-140001	BAND, RF140		1						
28	1	129A26-55600	FILTER ASSY, FUEL		1						
29	2	129A26-55610	BRACKET ASSY, FUEL		1						
30	2	129A23-55800	FILTER, FO		1						
31	1	129979-55700	FILTER ASSY,FUEL PRE		1						
32	2	129E00-55710	BODY ASSY		1						
33	3	129A00-55750	PLUG,BREATHER		1						
34	3	129A00-55760	O-RING		1						
35	3	24311-000110	O-RING, 1AP11.0		1						
36	2	129C20-55720	CUP, FUEL FILTER		1						
37	2	129A00-55730	ELEMENT		1						
38	2	129A00-55740	O-RING		1						
39	2	129917-55821	SENSOR ASSY, LEVEL		1						

Fig.6. ACCEL LEVER

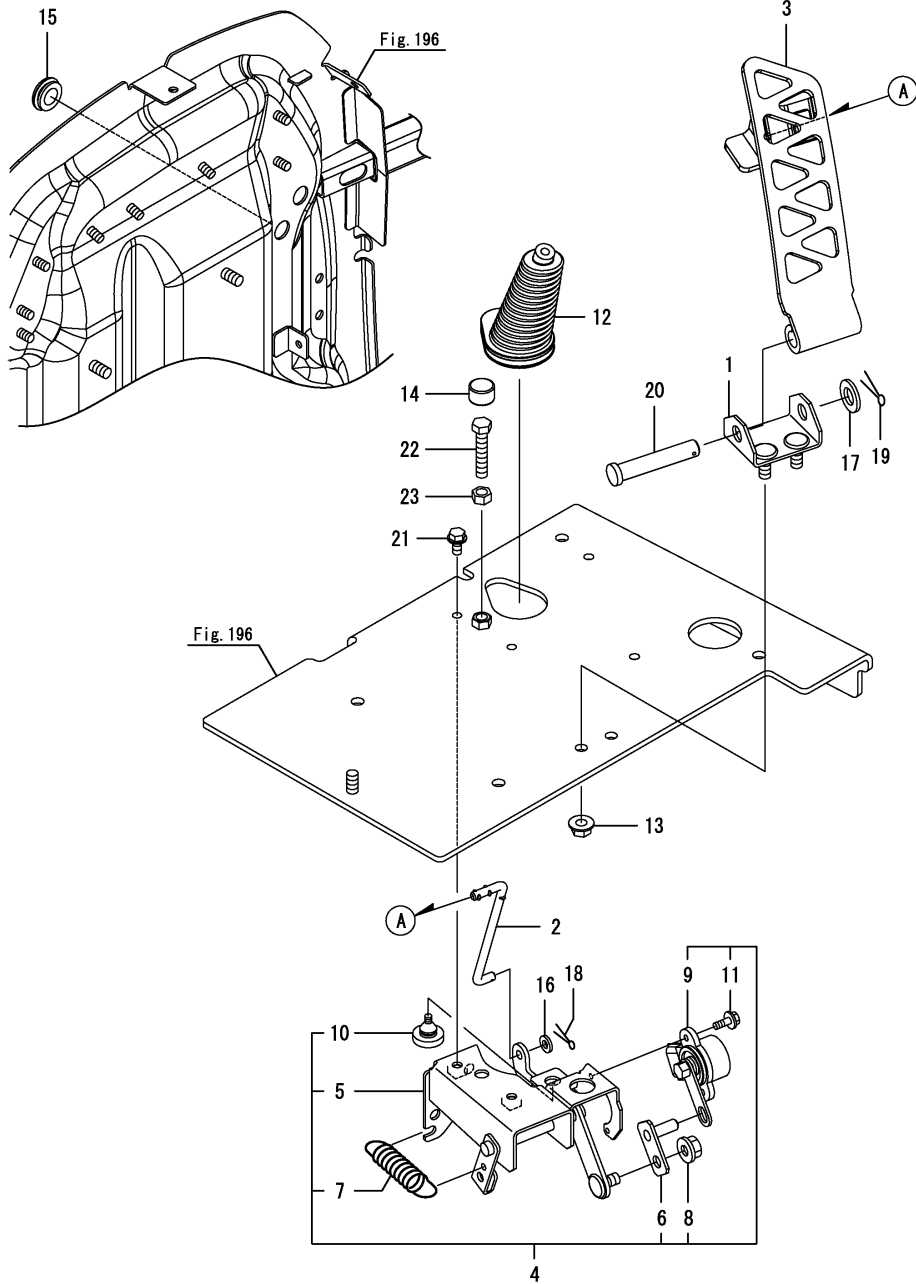
(A)=YT347Y
(B)=YT359Y
(C)=

(D)=
(E)=
(F)=



No.	Lev.	Parts No.	Description	Qty						I	R
				(A)	(B)	(C)	(D)	(E)	(F)		
1	1	1A8470-01160	LEVER UNIT,ACCEL	1	1						
2	2	1A8470-01170	ARM ASSY, WIRE	1	1						
3	2	1A8470-01210	LEVER, ACCELERATOR	1	1						
4	2	1A8060-01220	PLATE ,ACCELERATOR	1	1						
5	2	198200-01260	PLATE, FRICTION	1	1						
6	2	1A8470-01450	BRACKET ASSY, ACCEL	1	1						
7	2	194990-22110	NUT, M4	2	2						
8	2	1C6982-49480	SPRING 15X15	1	1						
9	2	1A8060-55600	SENSOR, ACCELERATOR	1	1						
10	2	194250-61850	SPRING, LOCK RETURN	1	1						
11	2	22137-100000	WASHER, 10	1	1						
12	2	26346-100002	NUT, M10	1	1						
13	1	1A8060-01250	KNOB, CONTROL LEVER	1	1						
14	1	194990-22140	NUT, M8	2	2						
15	1	198448-22520	GROMMET, CLUTCH WIRE	1	1						
16	1	1A8470-61371	WIRE, BONNET OPEN	1	1						
17	1	1A8470-67910	STAY ASSY, HOOD WIRE	1	1						

Fig.7. FOOT ACCEL

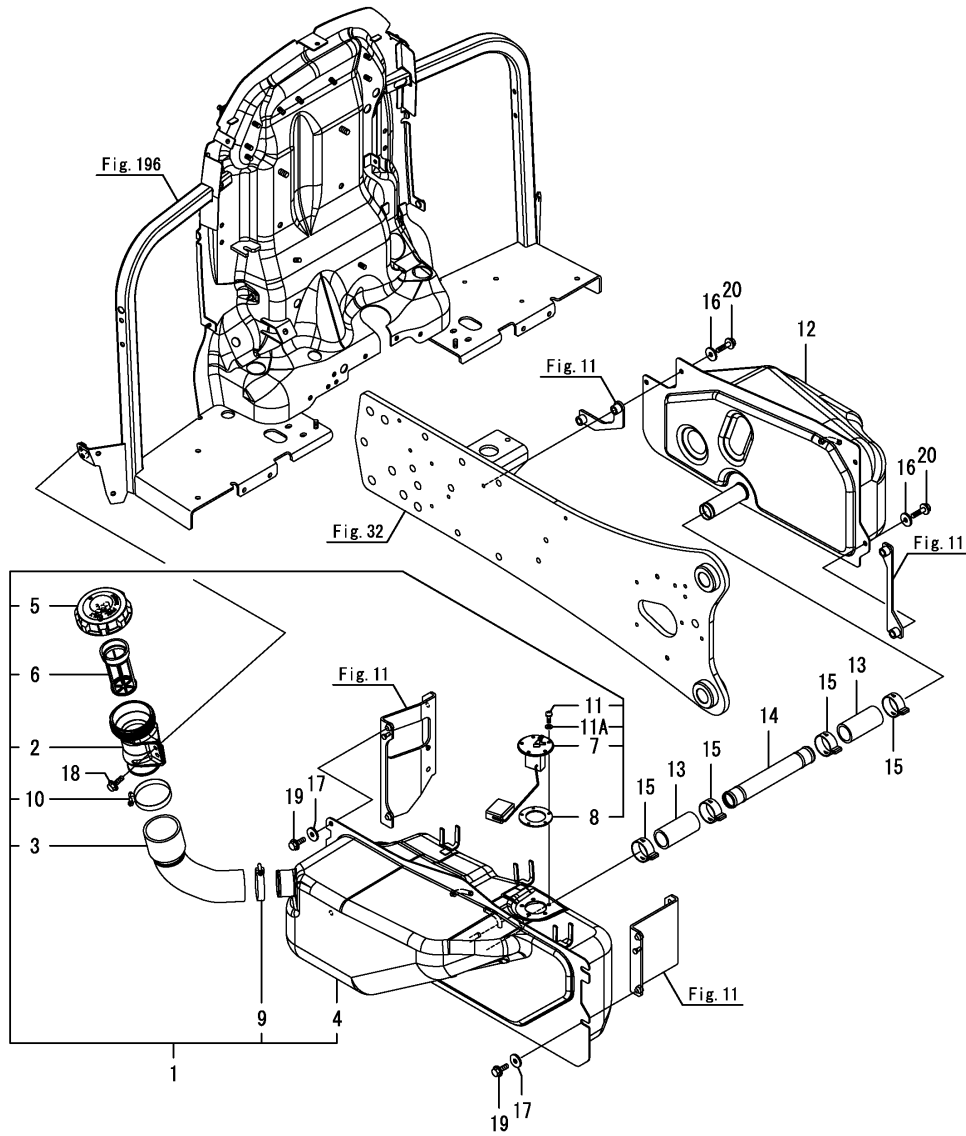


(A)=YT347Y
(B)=YT359Y
(C)=

(D)=
(E)=
(F)=

No.	Lev.	Parts No.	Description	Q'ty						I	R
				(A)	(B)	(C)	(D)	(E)	(F)		
1	1	1A8060-01000	FULCRUM, PEDAL	1	1						
2	1	1A8060-01071	ROD, FOOT ACCEL.	1	1						
3	1	1A8060-01090	PEDAL, ACCELERATOR	1	1						
4	1	1A8475-01340	PEDAL UNIT, HMT	1	1						
5	2	1A8475-01350	PEDAL ASSY, HMT	1	1						
6	2	1A8475-01400	PIN ASSY, SENSOR	1	1						
7	2	1A8475-01450	SPRING,HMT PEDAL	1	1						
8	2	194990-22140	NUT, M8	1	1						
9	2	1A8060-55600	SENSOR, ACCELERATOR	1	1						
10	2	1C6710-83410	STOPPER,FOLLOWER CAM	1	1						
11	2	26023-040102	SCREW, M4X10	2	2						
12	1	1A8060-01350	BOOT, FOOT ASSEL	1	1						
13	1	194990-22140	NUT, M8	2	2						
14	1	1A8060-63650	STOPPER, ARMEST	1	1						
15	1	197810-83220	GROMMET, 18	1	1						
16	1	22137-060000	WASHER, 6	1	1						
17	1	22137-120000	WASHER, 12	1	1						
18	1	22417-160180	PIN, COTTER 1.6X18	1	1						
19	1	22417-200250	PIN, COTTER 2.0X25	1	1						
20	1	22487-120600	PIN 12X 60	1	1						
21	1	26106-060122	BOLT, M6X 12 PLATED	2	2						
22	1	26116-080404	BOLT, M8X 40 PLATED	1	1						
23	1	26716-080002	NUT, M8	1	1						

Fig.10. FUEL TANK

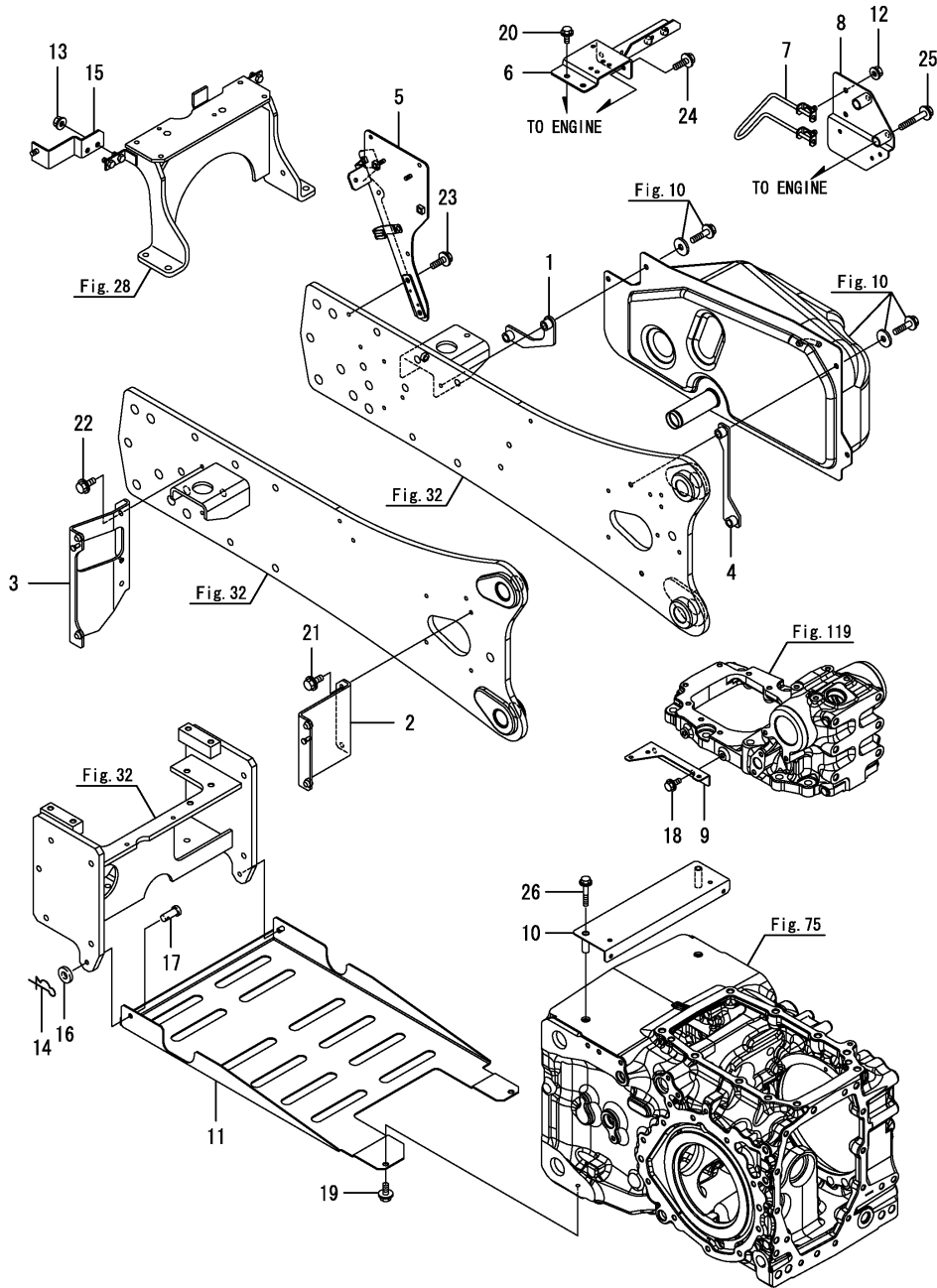


(A)=YT347Y
(B)=YT359Y
(C)=

(D)=
(E)=
(F)=

No.	Lev.	Parts No.	Description	Q'ty						I	R
				(A)	(B)	(C)	(D)	(E)	(F)		
1	1	1A8475-04100	TANK ASSY, FUEL L	1	1						
1-1	1	1A8475-04101	TANK ASSY, FUEL L	1	1						N
		(A=M100220) (B=M100247)									
2	2	1A8470-04050	FILLER, FO	1	1						
3	2	1A8470-04061	HOSE, FO	1	1						
4	2	1A8470-04110	TANK ASSY, L	1	1						
4-1	2	1A8470-04111	TANK ASSY, L	1	1						N
		(A=M100220) (B=M100247)									
5	2	1A8470-04710	CAP, TANK	1	1						
6	2	101504-55101	STRAINER, FUEL	1	1						
7	2	1A8470-56600	SENSOR ASSY, FUEL	1	1						
8	2	198200-56630	GASKET, FUEL GAUGE	1	1						
9	2	23000-060000	CLAMP, 60	1	1						
10	2	23000-080000	CLAMP, 80	1	1						
11	2	26022-050162	SCREW, M5X16	5	5						
11-1	2	198240-04550	SCREW, M5X12	5	5						N
		(A=M100220) (B=M100247)									
11A	2	22190-050000	WASHER, SEAL 5	5	5						W
		(A=M100220) (B=M100247)									
12	1	1A8470-04210	TANK ASSY, R	1	1						
12-1	1	1A8470-04211	TANK ASSY, R	1	1						N
		(A=M100216) (B=M100242)									
13	1	1A8060-04400	HOSE, CONNECTION	2	2						
14	1	1A8470-04720	PIPE, JOINT	1	1						
15	1	1A7890-04740	CLIP, HOSE 34	4	4						
16	1	22157-080000	WASHER, 8	4	4						
17	1	22157-080000	WASHER, 8	4	4						
18	1	26106-080202	BOLT, M8X 20 PLATED	2	2						
19	1	26106-080202	BOLT, M8X 20 PLATED	4	4						
20	1	26106-080302	BOLT, M8X 30 PLATED	4	4						

Fig.11. TANK BRACKET

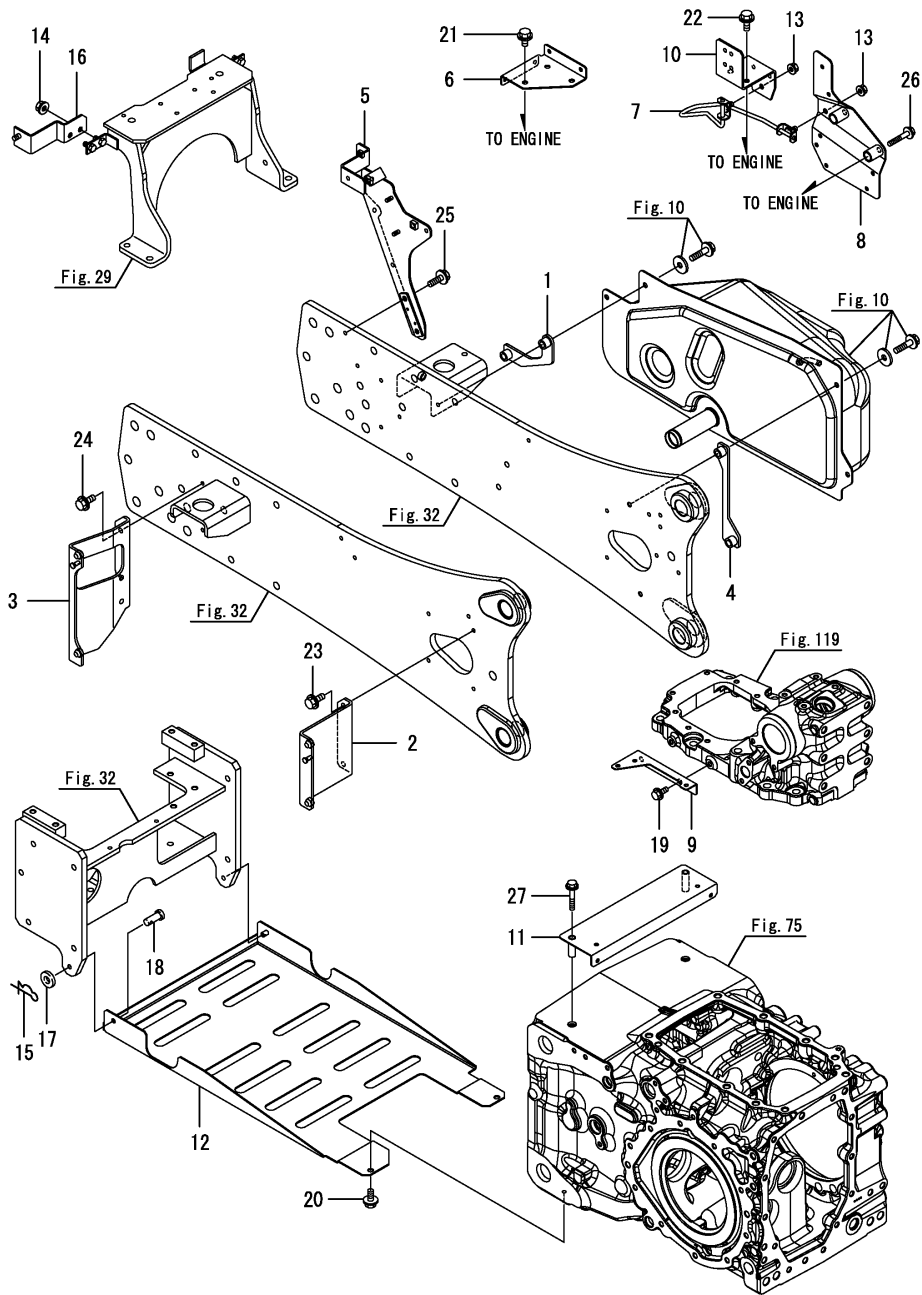


(A)=YT347Y
(B)=YT359Y
(C)=

(D)=
(E)=
(F)=

No.	Lev.	Parts No.	Description	Q'ty						I	R
				(A)	(B)	(C)	(D)	(E)	(F)		
1	1	1A8470-04270	PLATE, TANK LA	1							
2	1	1A8470-04300	BRACKET ASSY,TANK L	1							
3	1	1A8475-04320	M ASSY,TANK BRACKET	1							
4	1	1A8470-04380	PLATE, TANK LB	1							
5	1	1A8470-04410	STAY ASSY, WS	1							
6	1	1A8470-04460	STAY ASSY, FILTER	1							
7	1	1A8470-04550	GUIDE ASSY, HARNESS	1							
8	1	1A8470-04810	COVER ASSY, HOSE	1							
9	1	1A8470-04860	STAY, HOSE L	1							
10	1	1A8470-04910	STAY ASSY, HOSE	1							
11	1	1A8470-10902	GUARD ASSY, LOWER	1							
12	1	194990-22140	NUT, M8	2							
13	1	194990-22140	NUT, M8	2							
14	1	1C6281-52320	PIN, SNAP 8	1							
15	1	1A8484-88790	STAY, HEATER	1							
16	1	22137-080000	WASHER, 8	1							
17	1	22487-080200	PIN, H 8X 20	1							
18	1	26106-080162	BOLT, M8X 16 PLATED	2							
19	1	26106-080162	BOLT, M8X 16 PLATED	2							
20	1	26106-080162	BOLT, M8X 16 PLATED	2							
21	1	26106-080202	BOLT, M8X 20 PLATED	2							
22	1	26106-080202	BOLT, M8X 20 PLATED	2							
23	1	26106-080202	BOLT, M8X 20 PLATED	2							
24	1	26106-080202	BOLT, M8X 20 PLATED	2							
25	1	26106-080452	BOLT, M8X 45 PLATED	2							
26	1	26106-080502	BOLT, M8X 50 PLATED	2							

Fig.12. TANK BRACKET

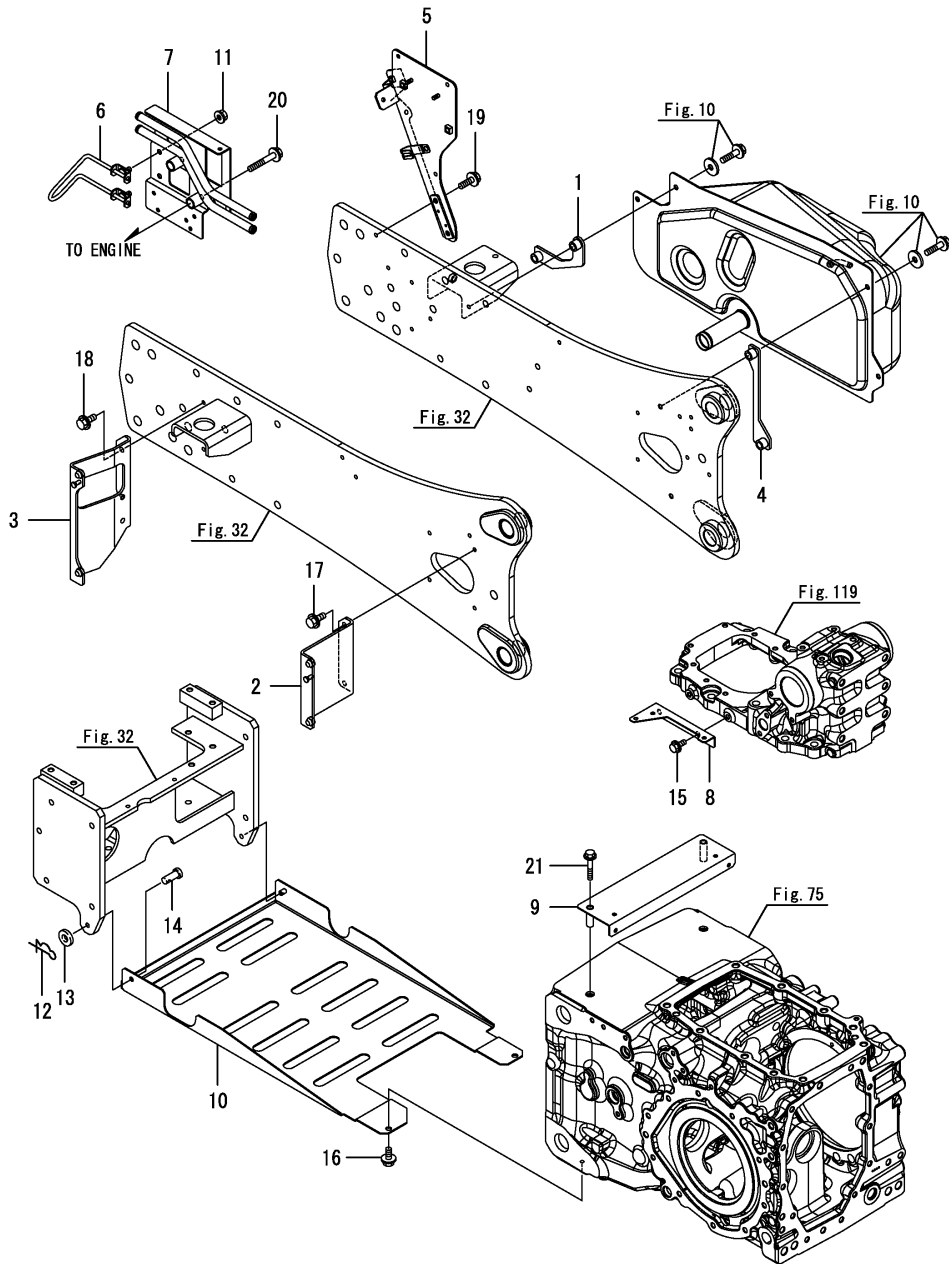


(A)=YT347Y
(B)=YT359Y
(C)=

(D)=
(E)=
(F)=

No.	Lev.	Parts No.	Description	Q'ty						I	R
				(A)	(B)	(C)	(D)	(E)	(F)		
1	1	1A8470-04270	PLATE, TANK LA	1							
2	1	1A8470-04300	BRACKET ASSY,TANK L	1							
3	1	1A8475-04320	M ASSY,TANK BRACKET	1							
4	1	1A8470-04380	PLATE, TANK LB	1							
5	1	1A8480-04410	STAY ASSY,WS	1							
6	1	1A8480-04490	STAY, FILTER	1							
7	1	1A8480-04550	GUIDE ASSY, HARNESS	1							
8	1	1A8480-04810	COVER ASSY, HOSE	1							
9	1	1A8470-04860	STAY, HOSE L	1							
10	1	1A8480-04870	STAY, CLAMP	1							
11	1	1A8470-04910	STAY ASSY, HOSE	1							
12	1	1A8470-10902	GUARD ASSY, LOWER	1							
13	1	194990-22140	NUT, M8	2							
14	1	194990-22140	NUT, M8	2							
15	1	1C6281-52320	PIN, SNAP 8	1							
16	1	1A8484-88790	STAY, HEATER	1							
17	1	22137-080000	WASHER, 8	1							
18	1	22487-080200	PIN, H 8X 20	1							
19	1	26106-080162	BOLT, M8X 16 PLATED	2							
20	1	26106-080162	BOLT, M8X 16 PLATED	2							
21	1	26106-080162	BOLT, M8X 16 PLATED	3							
22	1	26106-080162	BOLT, M8X 16 PLATED	2							
23	1	26106-080202	BOLT, M8X 20 PLATED	2							
24	1	26106-080202	BOLT, M8X 20 PLATED	2							
25	1	26106-080202	BOLT, M8X 20 PLATED	2							
26	1	26106-080452	BOLT, M8X 45 PLATED	2							
27	1	26106-080502	BOLT, M8X 50 PLATED	2							

Fig.13. TANK BRACKET(CABIN)

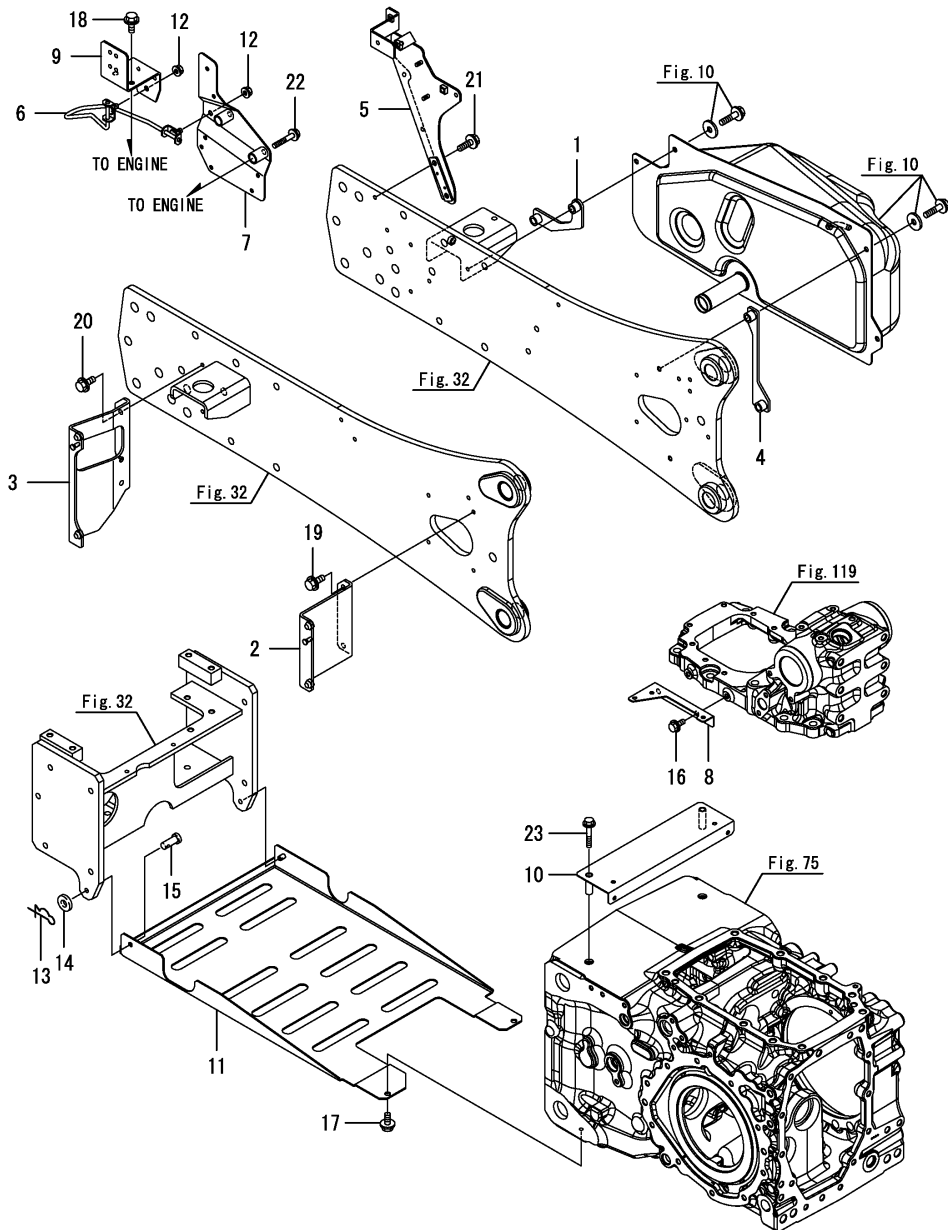


(A)=YT347Y
(B)=YT359Y
(C)=

(D)=
(E)=
(F)=

No.	Lev.	Parts No.	Description	Q'ty						I	R
				(A)	(B)	(C)	(D)	(E)	(F)		
1	1	1A8470-04270	PLATE, TANK LA	1							
2	1	1A8470-04300	BRACKET ASSY,TANK L	1							
3	1	1A8475-04320	M ASSY,TANK BRACKET	1							
4	1	1A8470-04380	PLATE, TANK LB	1							
5	1	1A8470-04410	STAY ASSY, WS	1							
6	1	1A8470-04550	GUIDE ASSY, HARNESS	1							
7	1	1A8474-04810	COVER ASSY, HOSE	1							
8	1	1A8470-04860	STAY, HOSE L	1							
9	1	1A8470-04910	STAY ASSY, HOSE	1							
10	1	1A8470-10902	GUARD ASSY, LOWER	1							
11	1	194990-22140	NUT, M8	2							
12	1	1C6281-52320	PIN, SNAP 8	1							
13	1	22137-080000	WASHER, 8	1							
14	1	22487-080200	PIN, H 8X 20	1							
15	1	26106-080162	BOLT, M8X 16 PLATED	2							
16	1	26106-080162	BOLT, M8X 16 PLATED	2							
17	1	26106-080202	BOLT, M8X 20 PLATED	2							
18	1	26106-080202	BOLT, M8X 20 PLATED	2							
19	1	26106-080202	BOLT, M8X 20 PLATED	2							
20	1	26106-080452	BOLT, M8X 45 PLATED	2							
21	1	26106-080502	BOLT, M8X 50 PLATED	2							

Fig.14. TANK BRACKET(CABIN)



(A)=YT347Y
(B)=YT359Y
(C)=

(D)=
(E)=
(F)=

No.	Lev.	Parts No.	Description	Qty						I	R
				(A)	(B)	(C)	(D)	(E)	(F)		
1	1	1A8470-04270	PLATE, TANK LA		1						
2	1	1A8470-04300	BRACKET ASSY, TANK L		1						
3	1	1A8475-04320	M ASSY, TANK BRACKET		1						
4	1	1A8470-04380	PLATE, TANK LB		1						
5	1	1A8480-04410	STAY ASSY, WS		1						
6	1	1A8480-04550	GUIDE ASSY, HARNESS		1						
7	1	1A8480-04810	COVER ASSY, HOSE		1						
8	1	1A8470-04860	STAY, HOSE L		1						
9	1	1A8480-04870	STAY, CLAMP		1						
10	1	1A8470-04910	STAY ASSY, HOSE		1						
11	1	1A8470-10902	GUARD ASSY, LOWER		1						
12	1	194990-22140	NUT, M8			2					
13	1	1C6281-52320	PIN, SNAP 8			1					
14	1	22137-080000	WASHER, 8			1					
15	1	22487-080200	PIN, H 8X 20			1					
16	1	26106-080162	BOLT, M8X 16 PLATED			2					
17	1	26106-080162	BOLT, M8X 16 PLATED			2					
18	1	26106-080162	BOLT, M8X 16 PLATED			2					
19	1	26106-080202	BOLT, M8X 20 PLATED			2					
20	1	26106-080202	BOLT, M8X 20 PLATED			2					
21	1	26106-080202	BOLT, M8X 20 PLATED			2					
22	1	26106-080452	BOLT, M8X 45 PLATED			2					
23	1	26106-080502	BOLT, M8X 50 PLATED			2					

Fig.17. FUEL COOLER(CABIN)

(A)=YT347Y
(B)=YT359Y
(C)=

(D)=
(E)=
(F)=

No.	Lev.	Parts No.	Description	Q'ty						I	R
				(A)	(B)	(C)	(D)	(E)	(F)		
1	1	1A7601-00650	COOLER, FO H40	1	1						
2	1	194990-22140	NUT, M8	2	2						

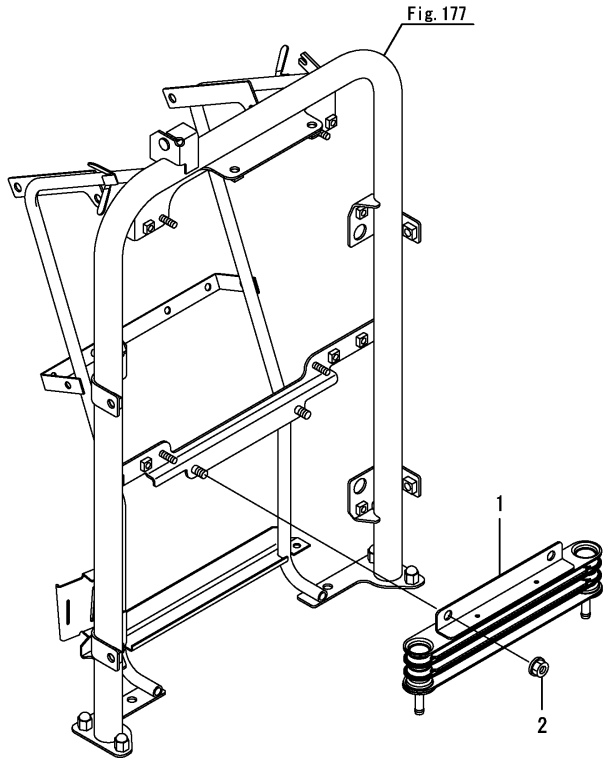
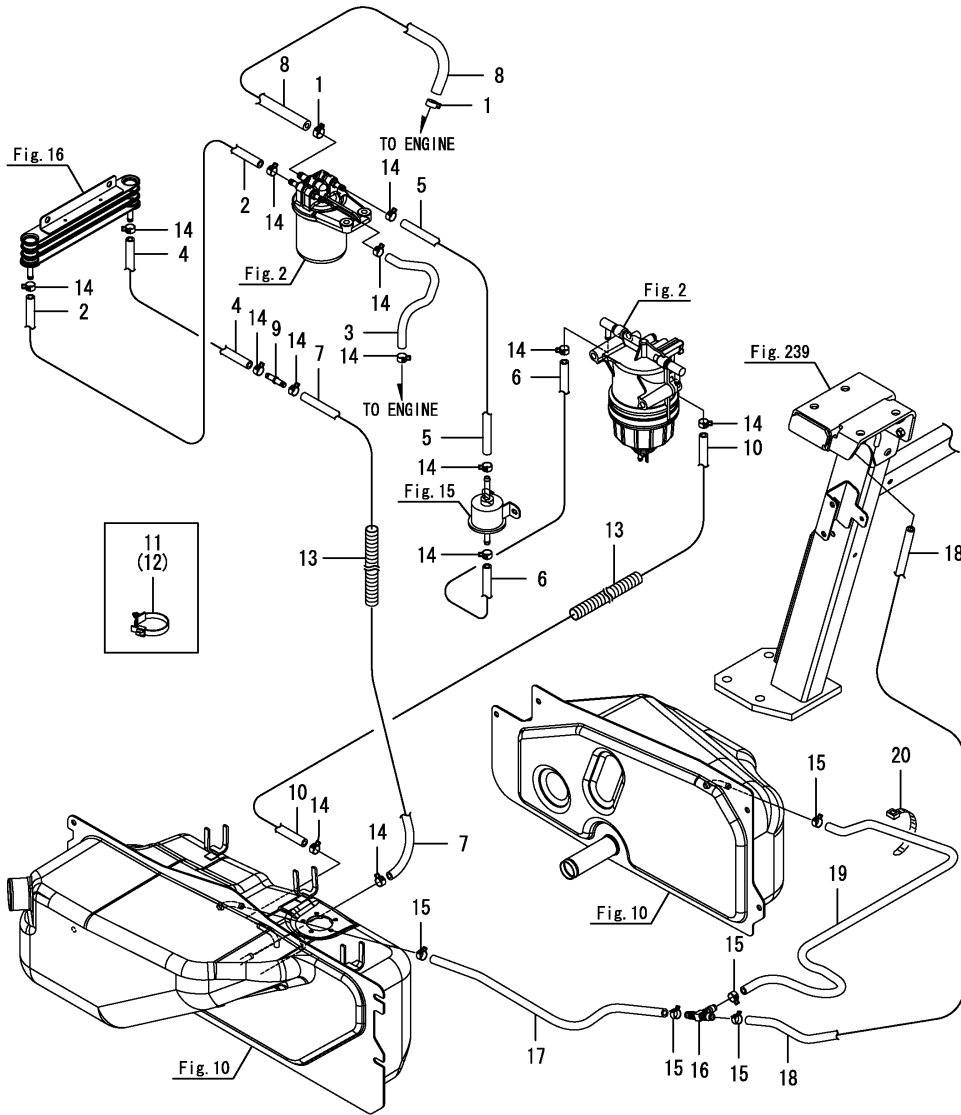


Fig.18. FUEL HOSE

(A)=YT347Y
(B)=YT359Y
(C)=

(D)=
(E)=
(F)=

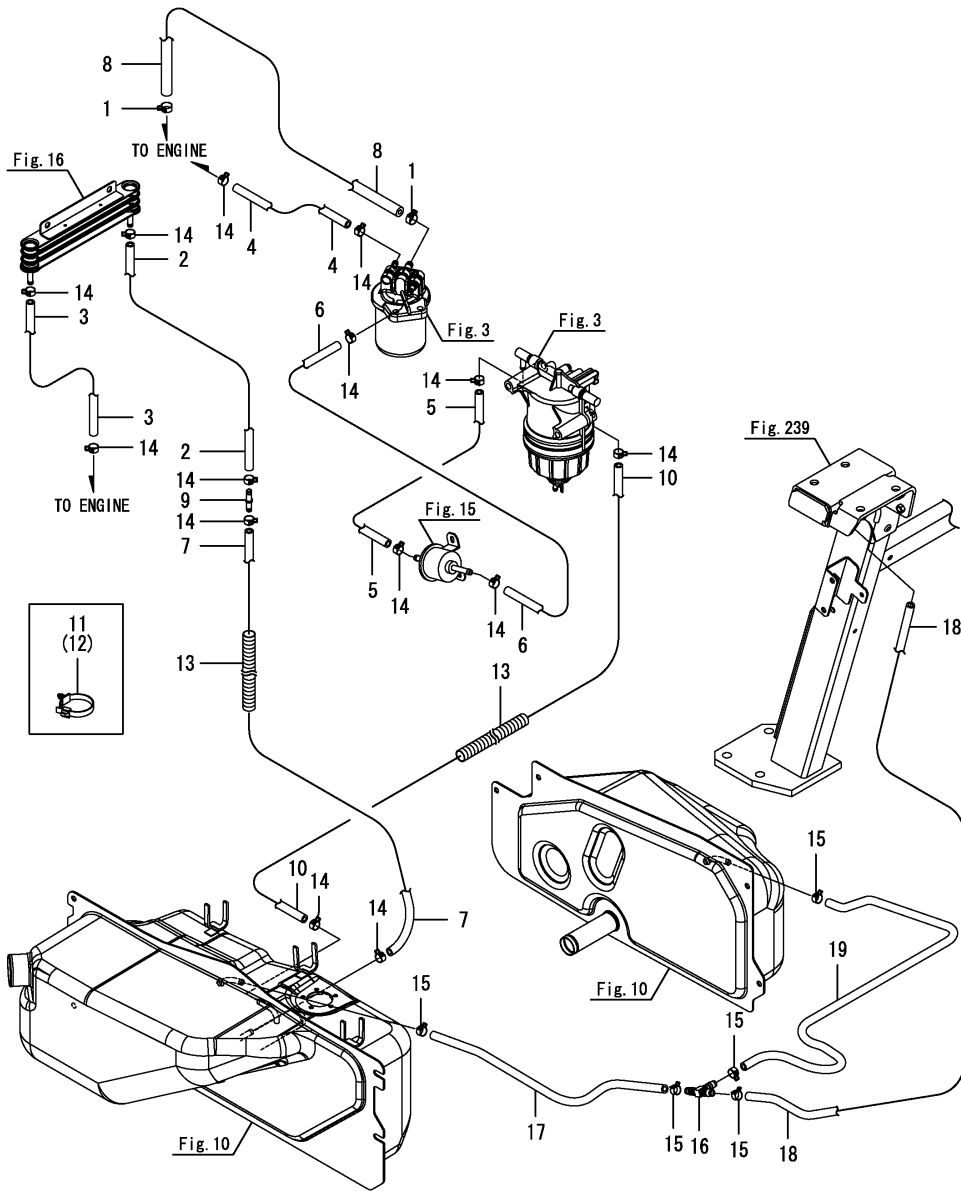


No.	Lev.	Parts No.	Description	Q'ty						I	R
				(A)	(B)	(C)	(D)	(E)	(F)		
1	1	129301-03660	CLAMP 15	2							
2	1	1A8060-04530	HOSE, FUEL 1000	1							
3	1	1A8470-04600	HOSE, FUEL 250	1							
4	1	1A8470-04650	HOSE, FUEL 850	1							
5	1	1A8470-04660	HOSE, FUEL 950	1							
6	1	1A8470-04670	HOSE, FUEL 300	1							
7	1	1A8470-04680	HOSE, FUEL 1350	1							
8	1	1A8470-04690	HOSE, FUEL 650	1							
9	1	1A7180-04850	JOINT, FO HOSE	1							
10	1	1A8066-04910	HOSE, FUEL 900	1							
11	1	1A8275-51670	CLIP, M8 HOLE	14							
12	1	1A8275-51670	CLIP, M8 HOLE	6							
13	1	1A7610-52170	TUBE, 15X400	2							
14	1	114270-59010	CLAMP, HOSE 12	14							
15	1	114270-59010	CLAMP, HOSE 12	5							
16	1	119629-59910	JOINT, 3-WAY	1							
17	1	23980-730580	HOSE, 7.3X 580	1							
18	1	23980-730850	HOSE, 7.3X 850	1							
19	1	23980-731040	HOSE, 7.3X1040	1							
20	1	29622-140001	BAND, RF140	1							

Fig.19. FUEL HOSE

(A)=YT347Y
(B)=YT359Y
(C)=

(D)=
(E)=
(F)=

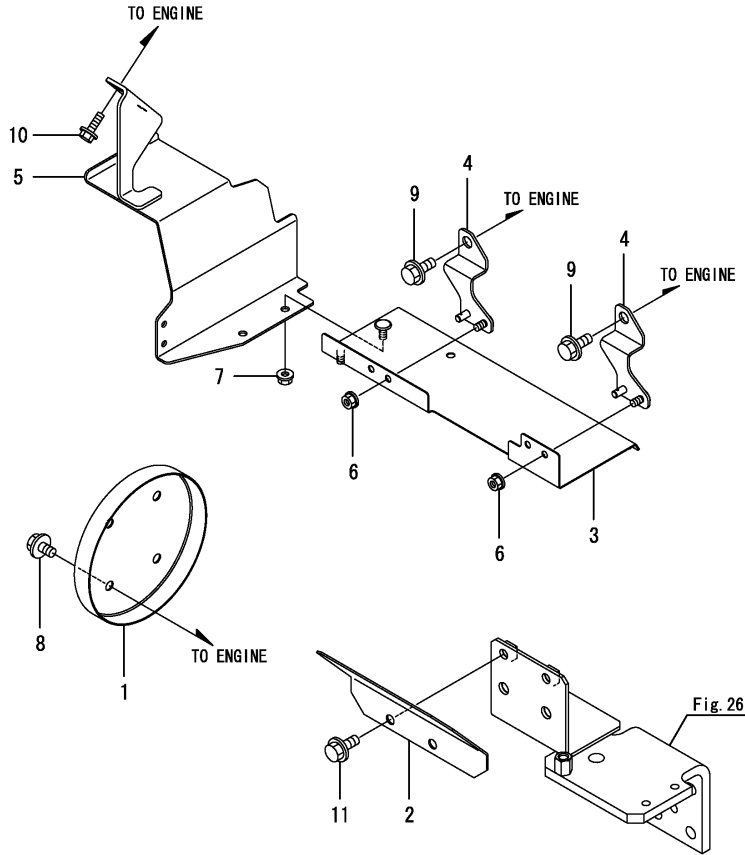


No.	Lev.	Parts No.	Description	Q'ty						I	R
				(A)	(B)	(C)	(D)	(E)	(F)		
1	1	129301-03660	CLAMP 15		2						
2	1	1A8042-04510	HOSE, FUEL 1150		1						
3	1	1A8060-04520	HOSE, FUEL 1250		1						
4	1	1A8042-04540	HOSE, FUEL 360		1						
5	1	1A8470-04600	HOSE, FUEL 250		1						
6	1	1A8470-04610	HOSE, FUEL 450		1						
7	1	1A8470-04680	HOSE, FUEL 1350		1						
8	1	1A8470-04730	HOSE, FUEL 500		1						
9	1	1A7180-04850	JOINT, FO HOSE		1						
10	1	1A8066-04910	HOSE, FUEL 900		1						
11	1	1A8275-51670	CLIP, M8 HOLE		17						
12	1	1A8275-51670	CLIP, M8 HOLE		6						
13	1	1A7610-52170	TUBE, 15X400		2						
14	1	114270-59010	CLAMP, HOSE 12		14						
15	1	114270-59010	CLAMP, HOSE 12		5						
16	1	119629-59910	JOINT, 3-WAY		1						
17	1	23980-730580	HOSE, 7.3X 580		1						
18	1	23980-730850	HOSE, 7.3X 850		1						
19	1	23980-731040	HOSE, 7.3X1040		1						

Fig.20. ENGINE COVER

(A)=YT347Y
(B)=YT359Y
(C)=

(D)=
(E)=
(F)=

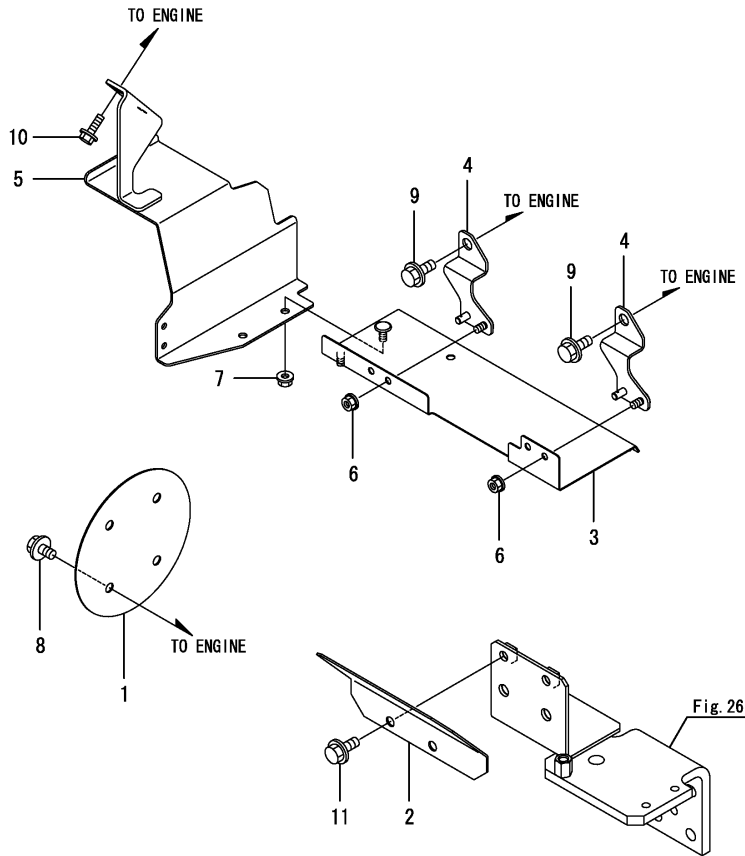


No.	Lev.	Parts No.	Description	Q'ty						I	R
				(A)	(B)	(C)	(D)	(E)	(F)		
1	1	1A8470-05210	COVER, PULLEY ROPS	1							
2	1	1A8470-05310	COVER,GENERATOR	1							
3	1	1A8470-05500	PLATE ASSY, SHUTTER	1							
4	1	1A8470-05531	STAY ASSY, SHUTTER	2							
5	1	1A8470-05550	PLATE ASSY,SHUTTER F	1							
6	1	194990-22130	NUT, M6	2							
7	1	194990-22130	NUT, M6	2							
8	1	26106-080122	BOLT, M8X 12 PLATED	4							
9	1	26106-080162	BOLT, M8X 16 PLATED	2							
10	1	26106-080162	BOLT, M8X 16 PLATED	2							
11	1	26106-080162	BOLT, M8X 16 PLATED	2							

Fig.22. ENGINE COVER(CABIN)

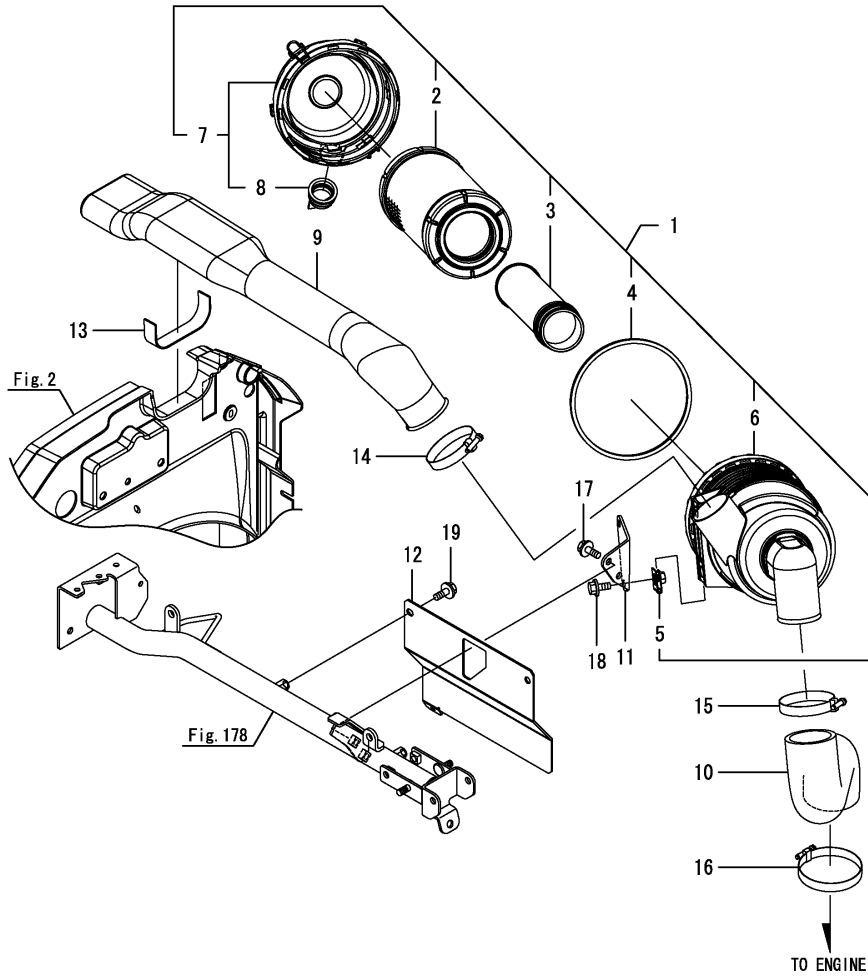
(A)=YT347Y
(B)=YT359Y
(C)=

(D)=
(E)=
(F)=



No.	Lev.	Parts No.	Description	Q'ty						I	R
				(A)	(B)	(C)	(D)	(E)	(F)		
1	1	1A8474-05210	COVER, PULLEY CAB	1							
2	1	1A8470-05310	COVER,GENERATOR	1							
3	1	1A8470-05500	PLATE ASSY, SHUTTER	1							
4	1	1A8470-05531	STAY ASSY, SHUTTER	2							
5	1	1A8470-05550	PLATE ASSY,SHUTTER F	1							
6	1	194990-22130	NUT, M6	2							
7	1	194990-22130	NUT, M6	2							
8	1	26106-080122	BOLT, M8X 12 PLATED	4							
9	1	26106-080162	BOLT, M8X 16 PLATED	2							
10	1	26106-080162	BOLT, M8X 16 PLATED	2							
11	1	26106-080162	BOLT, M8X 16 PLATED	2							

Fig.24. AIR CLEANER

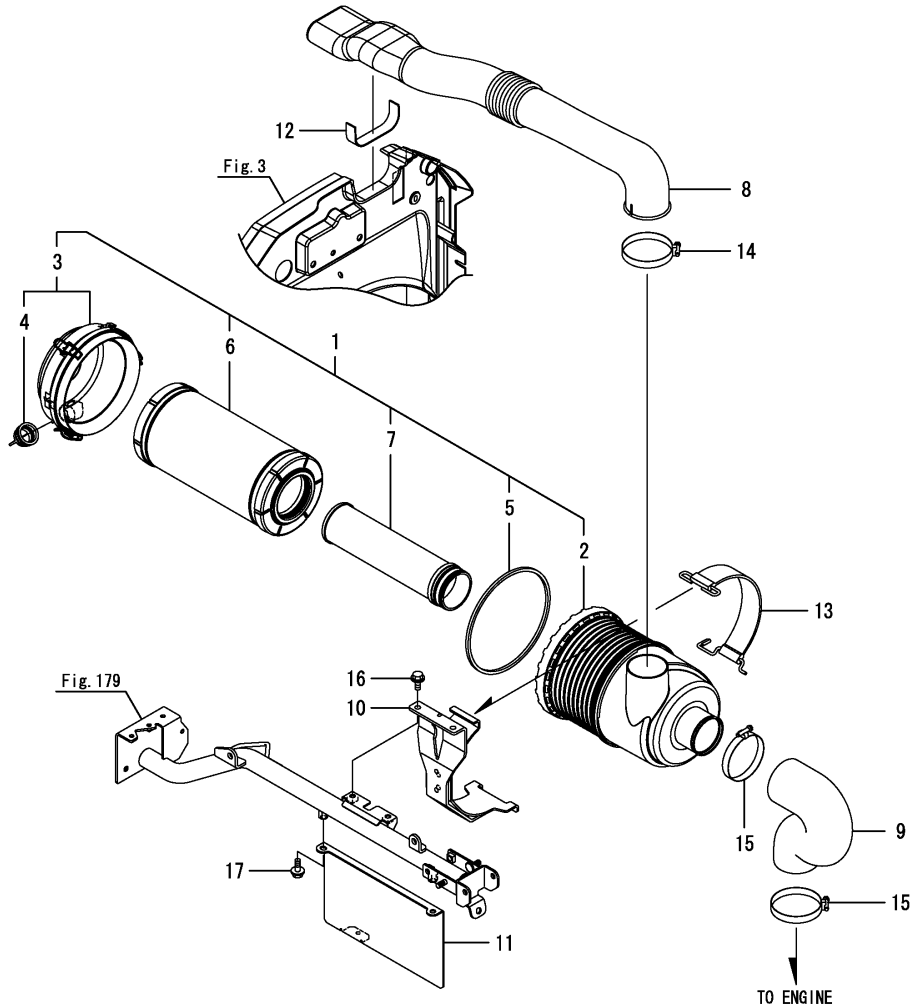


(A)=YT347Y
(B)=YT359Y
(C)=

(D)=
(E)=
(F)=

No.	Lev.	Parts No.	Description	Q'ty						I	R
				(A)	(B)	(C)	(D)	(E)	(F)		
1	1	1A8475-06100	CLEANER ASSY,AIR5.5W	1							
2	2	1A8240-05110	ELEMENT ASSY, OUTER	1							
3	2	1A8240-05120	ELEMENT ASSY, INNER	1							
4	2	1A8240-05130	GASKET, AIR CLEANER	1							
5	2	1A8240-05180	CLIP NUT, M8	2							
6	2	1A8470-06150	CASE ASSY, CLEANER	1							
7	2	1A8470-06160	CAP ASSY,CLEANER	1							
8	3	1A8240-05170	VALVE, UNLOADER	1							
9	1	1A8470-06110	HOSE, AIR INTAKE IN	1							
10	1	1A8470-06120	HOSE, AIR INTAKE OUT	1							
11	1	1A8470-06200	BRACKET, AIR CLEANER	1							
12	1	1A8470-06300	PLATE, HEAT SHIELD	1							
13	1	1A8470-06400	RUBBER, INTAKE HOSE	1							
14	1	23000-070000	CLAMP, 70	1							
15	1	23000-070000	CLAMP, 70	1							
16	1	23000-080000	CLAMP, 80	1							
17	1	26106-080162	BOLT, M8X 16 PLATED	2							
18	1	26106-080162	BOLT, M8X 16 PLATED	2							
19	1	26106-080162	BOLT, M8X 16 PLATED	2							

Fig.25. AIR CLEANER



(A)=YT347Y
(B)=YT359Y
(C)=

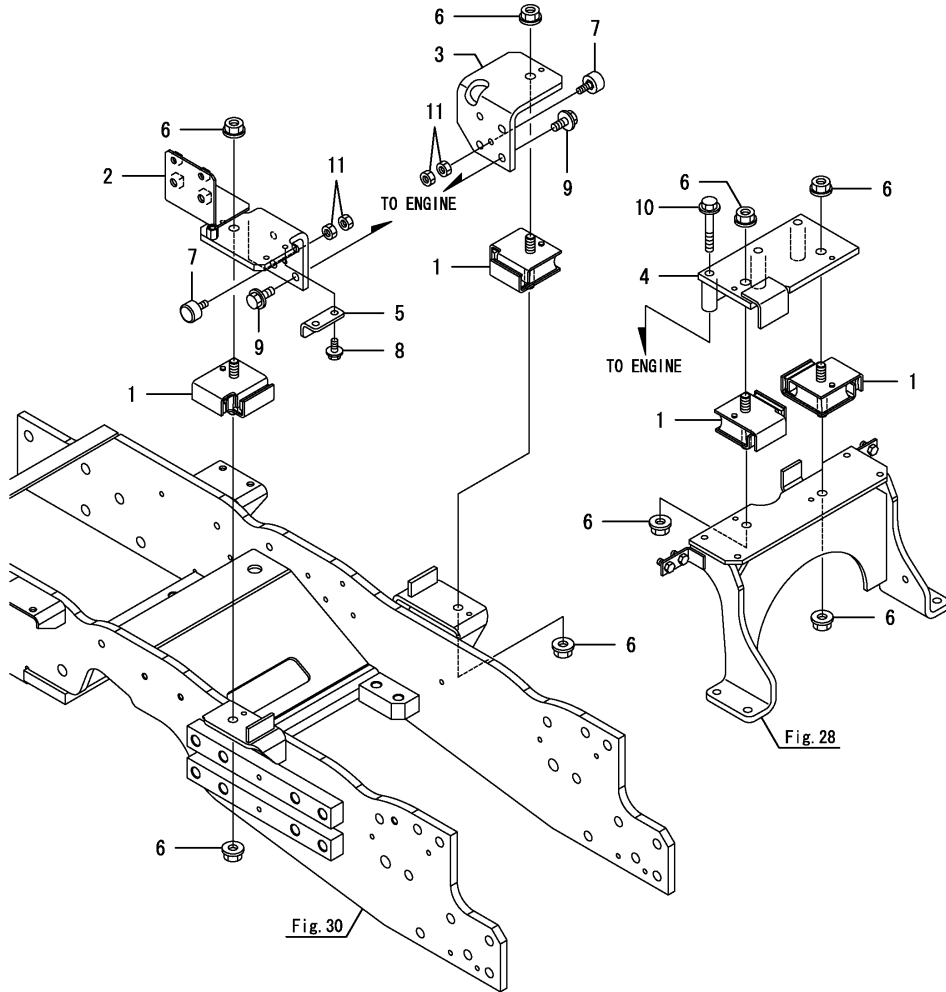
(D)=
(E)=
(F)=

No.	Lev.	Parts No.	Description	Q'ty						I	R
				(A)	(B)	(C)	(D)	(E)	(F)		
1	1	1A8485-06100	CLEANER ASSY,AIR6.5W		1						
2	2	1A8480-06150	CASE ASSY, CLEANER		1						
3	2	1A8480-06160	CAP ASSY,CLEANER		1						
4	3	1A8296-12540	VALVE, UNLOADER		1						
5	2	1A8480-06170	GASKET, AIR CLEANER		1						
6	2	172B06-11510	ELEMENT		1						
7	2	172B06-11520	ELEMENT		1						
8	1	1A8480-06110	HOSE, AIR INTAKE IN		1						
9	1	1A8480-06120	HOSE, AIR INTAKE OUT		1						
10	1	1A8480-06200	BRACKET ASSY,CLEANER		1						
11	1	1A8480-06300	PLATE, HEAT SHIELD		1						
12	1	1A8470-06400	RUBBER, INTAKE HOSE		1						
13	1	119865-12600	BAND ASSY, CLEANER		1						
14	1	23000-080000	CLAMP, 80		1						
15	1	23000-080000	CLAMP, 80		2						
16	1	26106-080162	BOLT, M8X 16 PLATED		2						
17	1	26106-080162	BOLT, M8X 16 PLATED		2						

Fig.26. ENGINE MOUNT

(A)=YT347Y
(B)=YT359Y
(C)=

(D)=
(E)=
(F)=

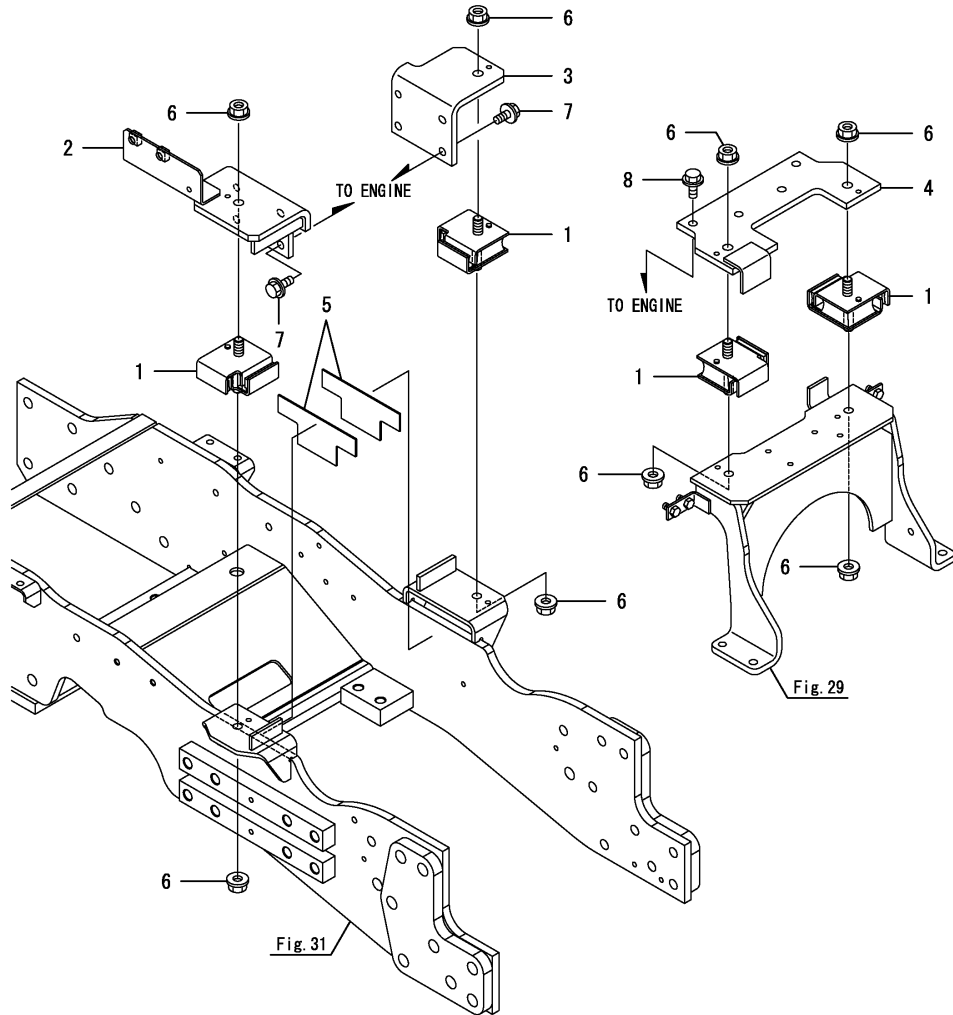


No.	Lev.	Parts No.	Description	Q'ty						I	R
				(A)	(B)	(C)	(D)	(E)	(F)		
1	1	1A8470-07100	RUBBER, ABSORBER 380	4							
2	1	1A8470-07201	BRACKET ASSY, MOUNT L	1							
3	1	1A8470-07211	BRACKET ASSY, MOUNT R	1							
4	1	1A8470-07260	BRACKET ASSY, MOUNT	1							
5	1	1A8470-07600	STOPPER, ABSORBER	1							
6	1	194990-22160	NUT, M12	8							
7	1	172176-67150	RUBBER, STOPPER	2							
8	1	26106-080162	BOLT, M8X 16 PLATED	2							
9	1	26106-100202	BOLT, M10X 20 PLATED	8							
10	1	26106-100652	BOLT, M10X 65 PLATED	3							
11	1	26756-080002	NUT, LOCK M8	4							

Fig.27. ENGINE MOUNT

(A)=YT347Y
(B)=YT359Y
(C)=

(D)=
(E)=
(F)=



No.	Lev.	Parts No.	Description	Q'ty						I	R
				(A)	(B)	(C)	(D)	(E)	(F)		
1	1	1A8470-07100	RUBBER, ABSORBER 380		4						
2	1	1A8480-07200	BRACKET ASSY, MOUNT L		1						
3	1	1A8480-07210	BRACKET ASSY, MOUNT R		1						
4	1	1A8480-07260	BRACKET ASSY, MOUNT		1						
5	1	1A8480-07500	SEAL, ENGINE MOUNT		2						
6	1	194990-22160	NUT, M12		8						
7	1	26106-100202	BOLT, M10X 20 PLATED		8						
8	1	26106-100252	BOLT, M10X 25 PLATED		4						

Fig.28. ENGINE MOUNT(TRANSMISSION)

(A)=YT347Y
(B)=YT359Y
(C)=

(D)=
(E)=
(F)=

No.	Lev.	Parts No.	Description	Q'ty						I	R
				(A)	(B)	(C)	(D)	(E)	(F)		
1	1	1A8470-07250	BRACKET ASSY, BRIGE	1							
2	1	26106-100302	BOLT, M10X 30 PLATED	4							

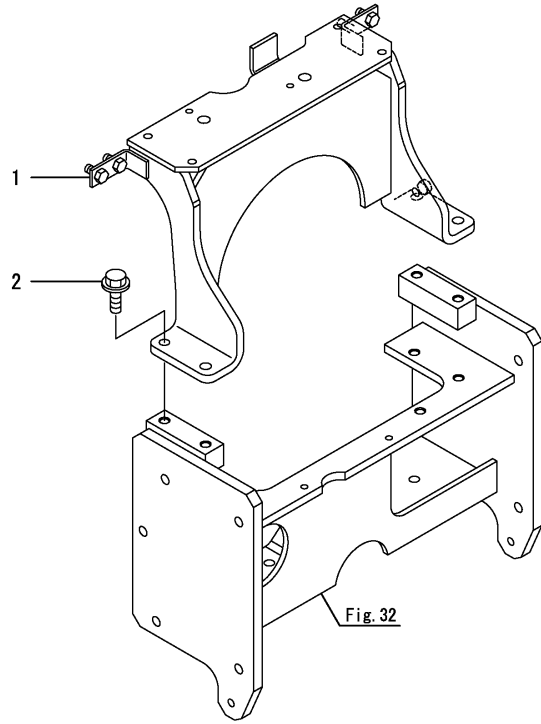


Fig.29. ENGINE MOUNT(TRANSMISSION)

(A)=YT347Y
(B)=YT359Y
(C)=

(D)=
(E)=
(F)=

No.	Lev.	Parts No.	Description	Q'ty						I	R	
				(A)	(B)	(C)	(D)	(E)	(F)			
1	1	1A8480-07250	BRACKET ASSY,BRIDGE		1							
2	1	26106-100302	BOLT, M10X 30 PLATED		4							

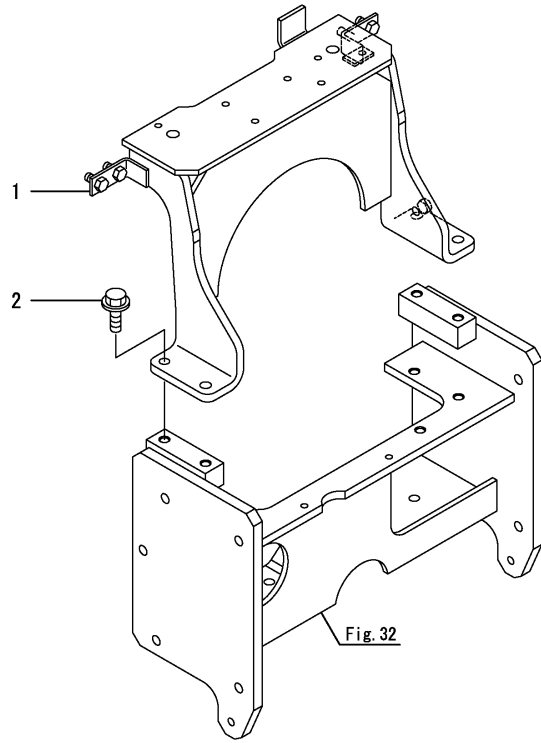
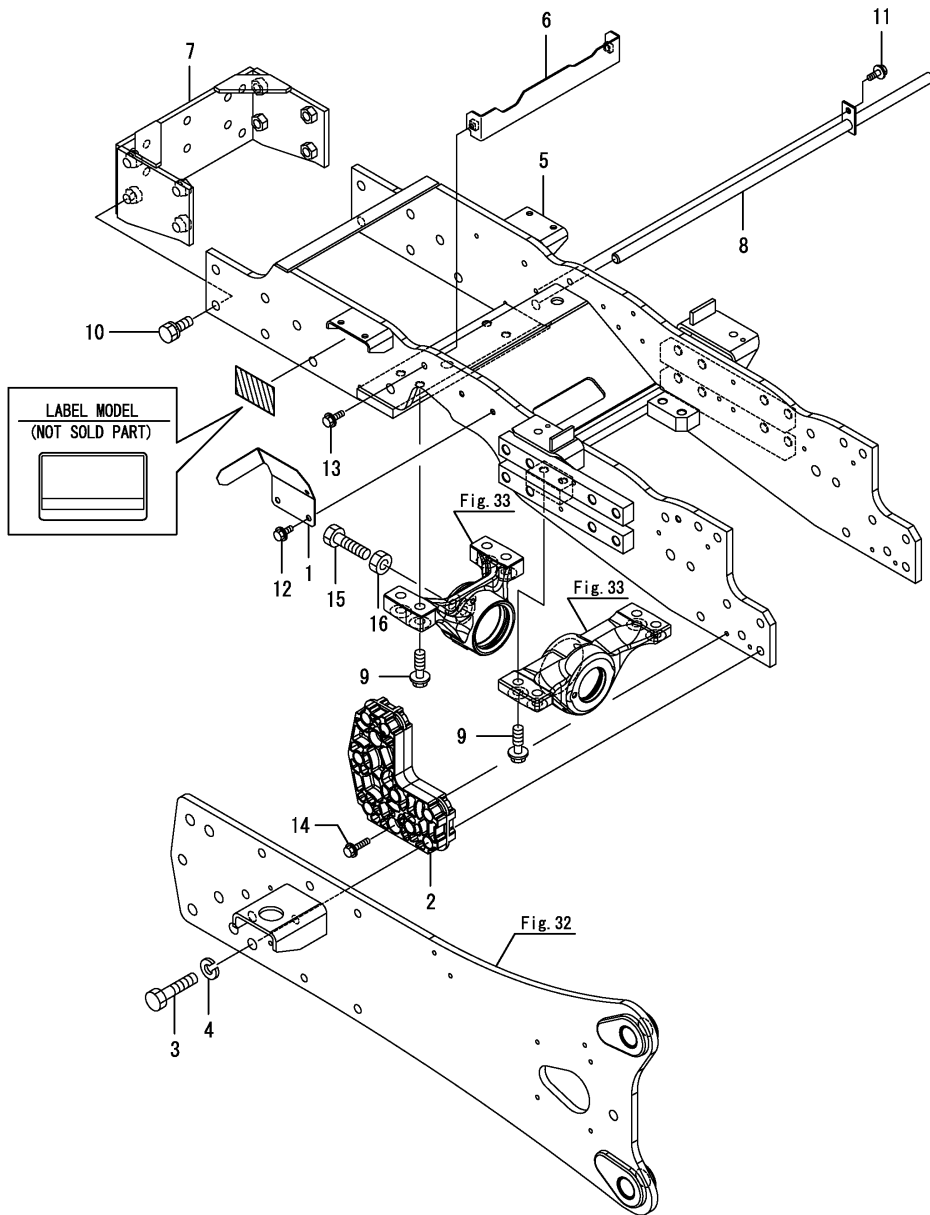


Fig.30. FRONT CHASSIS

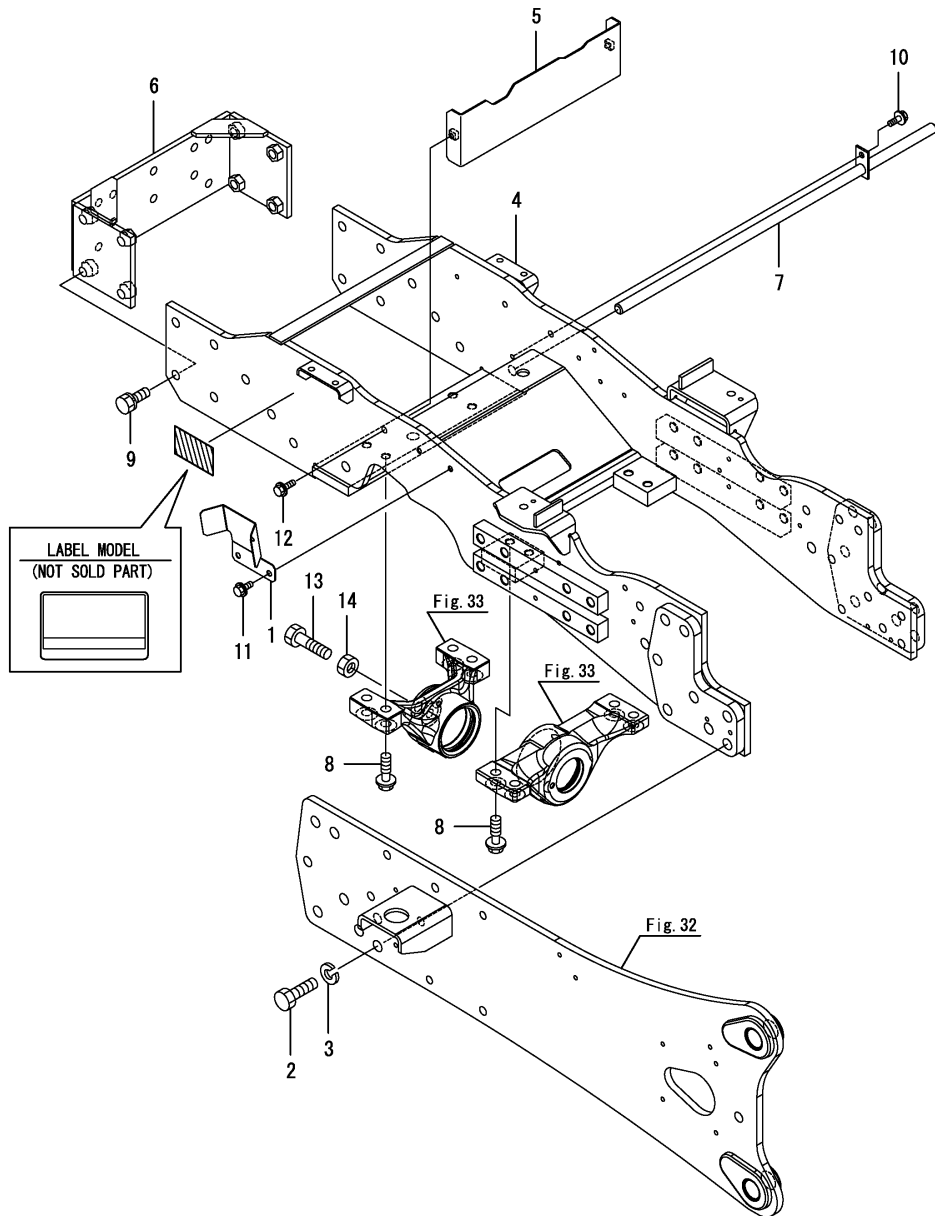
(A)=YT347Y
(B)=YT359Y
(C)=

(D)=
(E)=
(F)=



No.	Lev.	Parts No.	Description	Q'ty						I	R
				(A)	(B)	(C)	(D)	(E)	(F)		
1	1	1A8470-05600	PLATE, SHUTTER L	1							
2	1	1A7180-10830	SPACER	2							
3	1	1A7180-10860	BOLT, M16X70	14							
4	1	1A7180-10870	WASHER, SPRING 16	14							
5	1	1A8475-11090	M ASSY,AXLE BRACKET	1							
6	1	1A8475-11260	PLATE, SHUTTER A	1							
7	1	1A8475-11300	BUMPER ASSY, FRONT	1							
8	1	1A8475-17900	GUARD, PST CYLINDER	1							
9	1	1A6680-85980	BOLT, M14X45	8							
10	1	26013-140402	BOLT, M14X 40	8							
11	1	26106-080162	BOLT, M8X 16 PLATED	1							
12	1	26106-080162	BOLT, M8X 16 PLATED	2							
13	1	26106-080252	BOLT, M8X 25 PLATED	2							
14	1	26106-080352	BOLT, M8X 35 PLATED	4							
15	1	26116-160604	BOLT, M16X 60 PLATED	1							
16	1	26716-160002	NUT, M16	1							

Fig.31. FRONT CHASSIS



(A)=YT347Y
(B)=YT359Y
(C)=

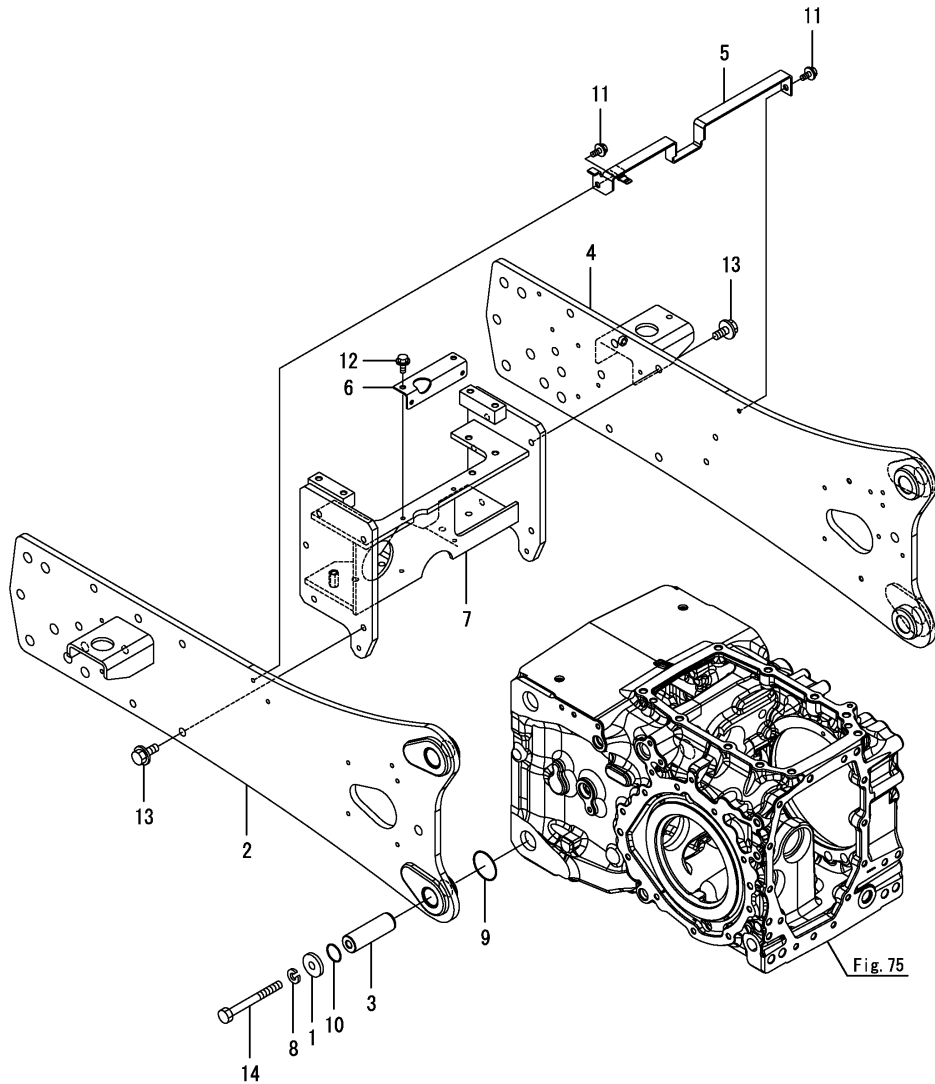
(D)=
(E)=
(F)=

No.	Lev.	Parts No.	Description	Q'ty						I	R
				(A)	(B)	(C)	(D)	(E)	(F)		
1	1	1A8480-05600	PLATE, SHUTTER L		1						
2	1	1A7210-10860	BOLT, M16X50		14						
3	1	1A7180-10870	WASHER, SPRING 16		14						
4	1	1A8485-11090	M ASSY,AXLE BRACKET		1						
5	1	1A8485-11260	PLATE, SHUTTER A		1						
6	1	1A8485-11300	BUMPER ASSY, FRONT		1						
7	1	1A8485-17900	GUARD, PST CYLINDER		1						
8	1	1A6680-85980	BOLT, M14X45		8						
9	1	26013-140402	BOLT, M14X 40		8						
10	1	26106-080162	BOLT, M8X 16 PLATED		1						
11	1	26106-080162	BOLT, M8X 16 PLATED		2						
12	1	26106-080252	BOLT, M8X 25 PLATED		2						
13	1	26116-160604	BOLT, M16X 60 PLATED		1						
14	1	26716-160002	NUT, M16		1						

Fig.32. REAR CHASSIS

(A)=YT347Y
(B)=YT359Y
(C)=

(D)=
(E)=
(F)=



No.	Lev.	Parts No.	Description	Q'ty						I	R
				(A)	(B)	(C)	(D)	(E)	(F)		
1	1	1A7180-10460	COLLAR, 40X13X6	4	4						
2	1	1A8470-10700	FRAME ASSY, REAR L	1	1						
3	1	1A8470-10780	PIN, FRAME	4	4						
4	1	1A8470-10800	FRAME ASSY, REAR R	1	1						
5	1	1A8470-10940	GUARD ASSY, JOINT	1	1						
6	1	1A8470-10960	STAY, HOSE	1	1						
7	1	1A8470-11800	FRAME ASSY, BRIDGE	1	1						
8	1	22217-120000	WASHER, SPRING 12	4	4						
9	1	24311-000500	O-RING, 1AP50.0	4	4						
10	1	24351-240300	O-RING, 1A24030	4	4						
11	1	26106-080162	BOLT, M8X 16 PLATED	2	2						
12	1	26106-080162	BOLT, M8X 16 PLATED	2	2						
13	1	26106-120252	BOLT, M12X 25 PLATED	10	10						
14	1	26116-121202	BOLT, M12X120 PLATED	4	4						

Fig.33. CENTER PIN SUPPORT

(A)=YT347Y
(B)=YT359Y
(C)=

(D)=
(E)=
(F)=

No.	Lev.	Parts No.	Description	Q'ty						I	R
				(A)	(B)	(C)	(D)	(E)	(F)		
1	1	1A8470-11500	SUPPORT ASSY,FRONT F	1	1						
2	2	1A8470-11520	BUSH, 65X70X30	1	1						
3	2	24761-010000	NIPPLE, GREASE M6F	1	1						
4	1	1A8470-11540	WASHER, THRUST 65X4	1	1						
5	1	1A8470-11550	SUPPORT ASSY,FRONT R	1	1						
6	2	1A8470-11570	BUSH, 80X85X25	1	1						
7	2	24761-010000	NIPPLE, GREASE M6F	1	1						
8	1	1A8470-11590	WASHER, 67X80X1.6	1	1						
9	1	24311-000700	O-RING, 1AP70.0	1	1						
10	1	24311-000800	O-RING, 1AP80.0	1	1						
11	1	24311-000850	O-RING, 1AP85.0	1	1						

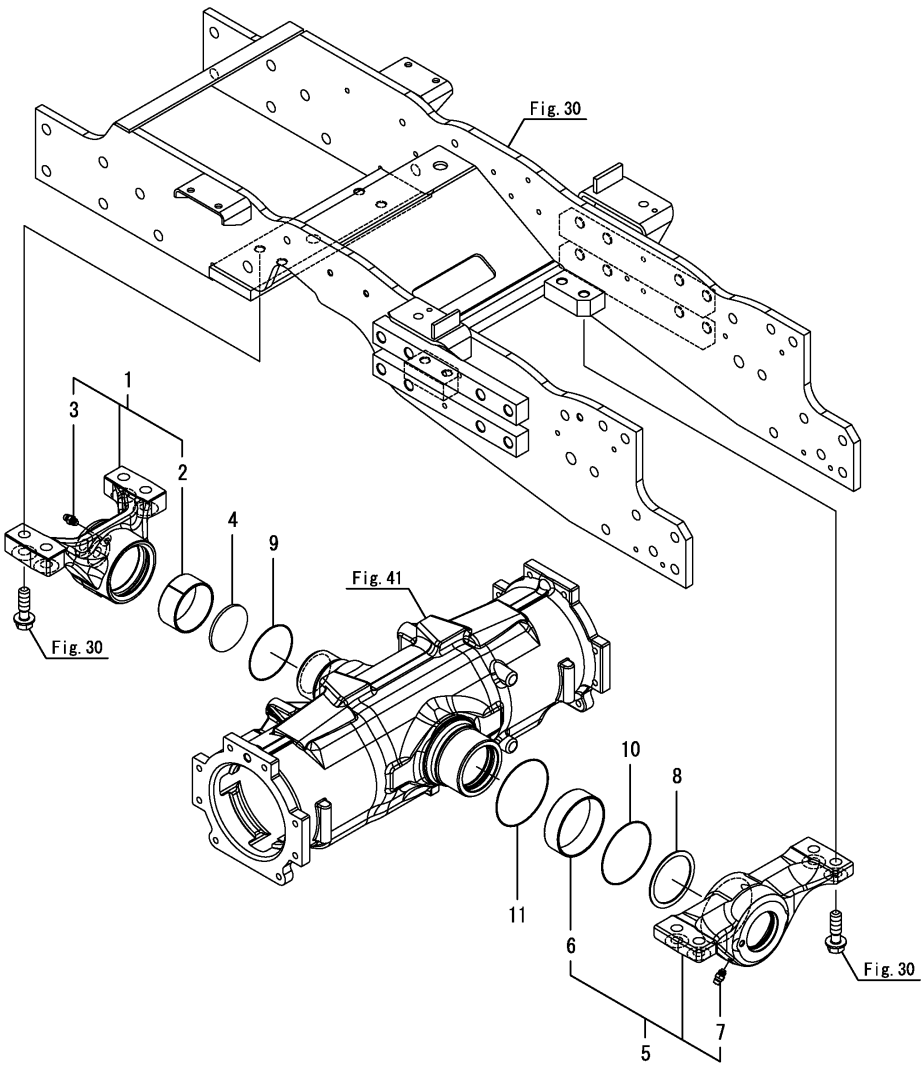
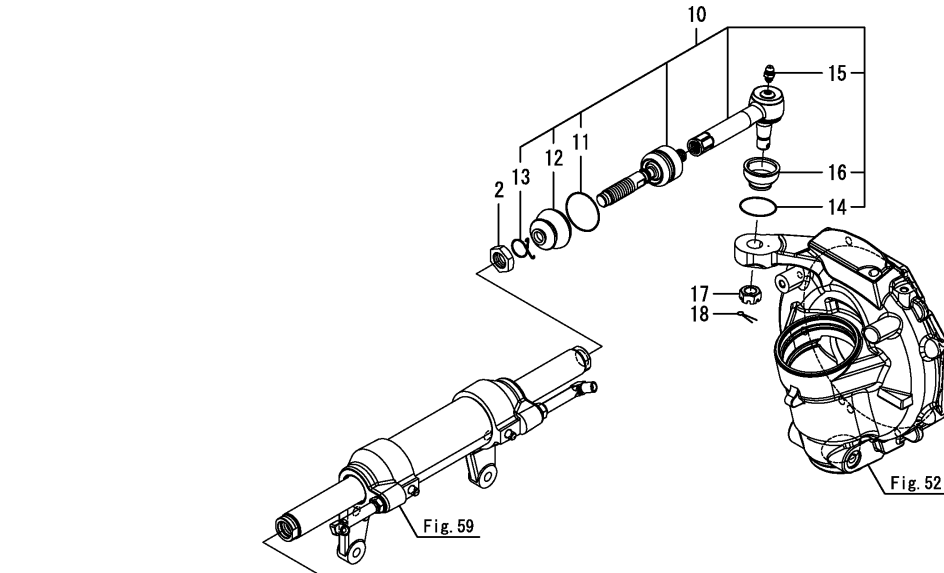


Fig.35. TIE ROD

(A)=YT347Y
(B)=YT359Y
(C)=

(D)=
(E)=
(F)=



No.	Lev.	Parts No.	Description	Q'ty						I	R
				(A)	(B)	(C)	(D)	(E)	(F)		
1	1	1A8470-12280	NUT, M22X1.5	1	1						
2	1	1A8470-12290	NUT, M22X1.5 L	1	1						
3	1	1A8470-12300	TIE-ROD ASSY, L	1	1						
4	2	1A8470-12330	BAND, BOOTS	1	1						
5	2	1A8470-12340	COVER, DUST	1	1						
6	2	1A8470-12350	BAND, BOOTS	1	1						
7	2	1A8310-12610	BAND, BOOTS	1	1						
8	2	1A8310-12620	NIPPLE, GREASE	1	1						
9	2	1A8310-12630	COVER, DUST	1	1						
10	1	1A8470-12400	TIE-ROD ASSY, R	1	1						
11	2	1A8470-12330	BAND, BOOTS	1	1						
12	2	1A8470-12340	COVER, DUST	1	1						
13	2	1A8470-12350	BAND, BOOTS	1	1						
14	2	1A8310-12610	BAND, BOOTS	1	1						
15	2	1A8310-12620	NIPPLE, GREASE	1	1						
16	2	1A8310-12630	COVER, DUST	1	1						
17	1	194180-12471	NUT, CASTLE M16	2	2						
18	1	22417-400400	PIN, COTTER 4.0X40	2	2						

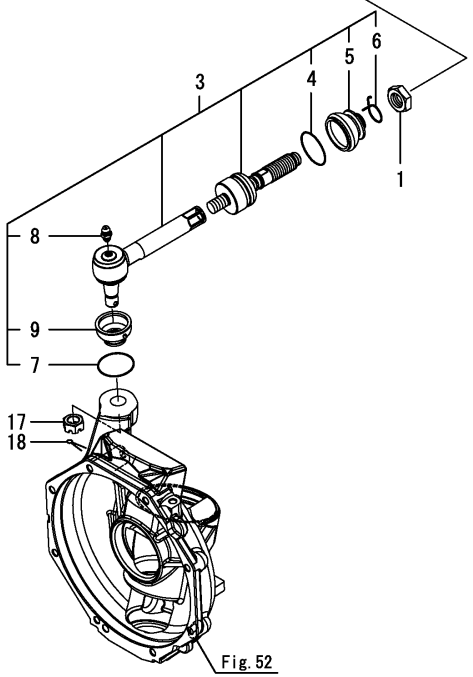
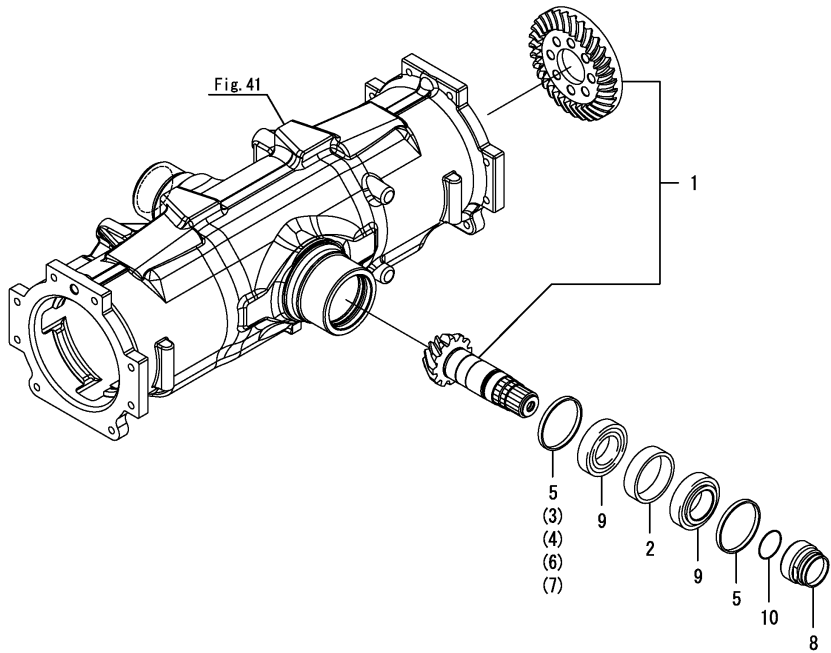


Fig.36. RING GEAR

(A)=YT347Y
(B)=YT359Y
(C)=

(D)=
(E)=
(F)=



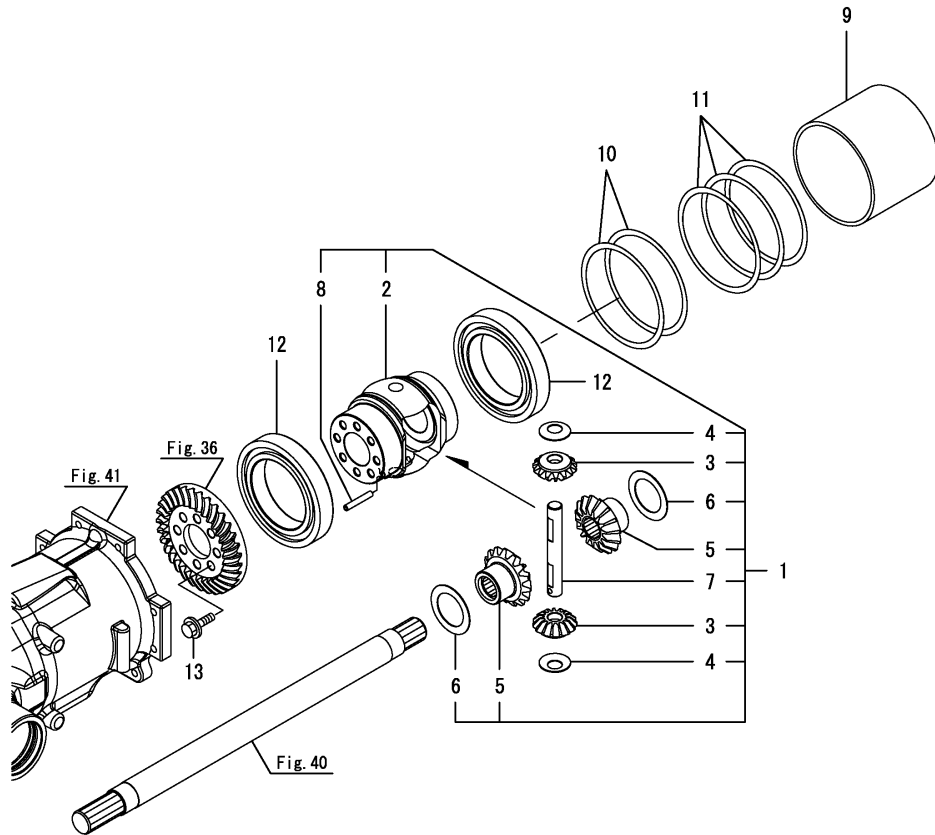
No.	Lev.	Parts No.	Description	Q'ty						I	R
				(A)	(B)	(C)	(D)	(E)	(F)		
1	1	1A8470-13100	GEAR ASSY, RING	1	1						
2	1	1A7180-13150	COLLAR, 52.5X60.5X16	1	1						
3	1	1A7180-13380	COLLAR, 58X62X4.8	1	1						1
4	1	1A7180-13390	COLLAR, 58X62X4.9	1	1						1
5	1	1A7180-13400	COLLAR, 58X62X5.0	2	2						1
6	1	1A7180-13410	COLLAR, 58X62X5.1	1	1						1
7	1	1A7180-13420	COLLAR, 58X62X5.2	1	1						1
8	1	198251-13670	COLLAR, DRIVE SEAL	1	1						
9	1	24141-320070	BEARING, 32007	2	2						
10	1	24341-000315	O-RING, 1AS31.5	1	1						

Remarks
(1)Appropriately

Fig.37. DIFFERENTIAL GEAR

(A)=YT347Y
(B)=YT359Y
(C)=

(D)=
(E)=
(F)=



No.	Lev.	Parts No.	Description	Q'ty						I	R
				(A)	(B)	(C)	(D)	(E)	(F)		
1	1	1A8470-13200	CASE ASSY, DIFF.	1	1						
2	2	1A8470-13210	CASE, DIFF.	1	1						
3	2	194321-13230	PINION, DIFFERENTIAL	2	2						
4	2	194465-13240	LINER, DIFF.PINION	2	2						
5	2	194321-13250	GEAR, DIFF.SIDE	2	2						
6	2	194465-13260	LINER, SIDE GEAR	2	2						
7	2	194321-13270	SHAFT, DIFF.PINION	1	1						
8	2	22351-060040	PIN, SPRING 6.0X40	1	1						
9	1	1A7180-13250	COLLAR	1	1						
10	1	1A7180-13260	SHIM, DIFFERENTIAL A	2	2						
11	1	1A7180-13270	SHIM, DIFFERENTIAL B	3	3						
12	1	24101-060174	BEARING, BALL 6017	2	2						
13	1	26106-100252	BOLT, M10X 25 PLATED	8	8						

Fig.38. PROPELLER SHAFT

(A)=YT347Y
(B)=YT359Y
(C)=

(D)=
(E)=
(F)=

No.	Lev.	Parts No.	Description	Q'ty						I	R
				(A)	(B)	(C)	(D)	(E)	(F)		
1	1	1A7180-13300	SHAFT, PROPELLER	1							
2	1	194640-26130	COUPLING, PTO	2							
3	1	22242-000300	RING, 30	2							

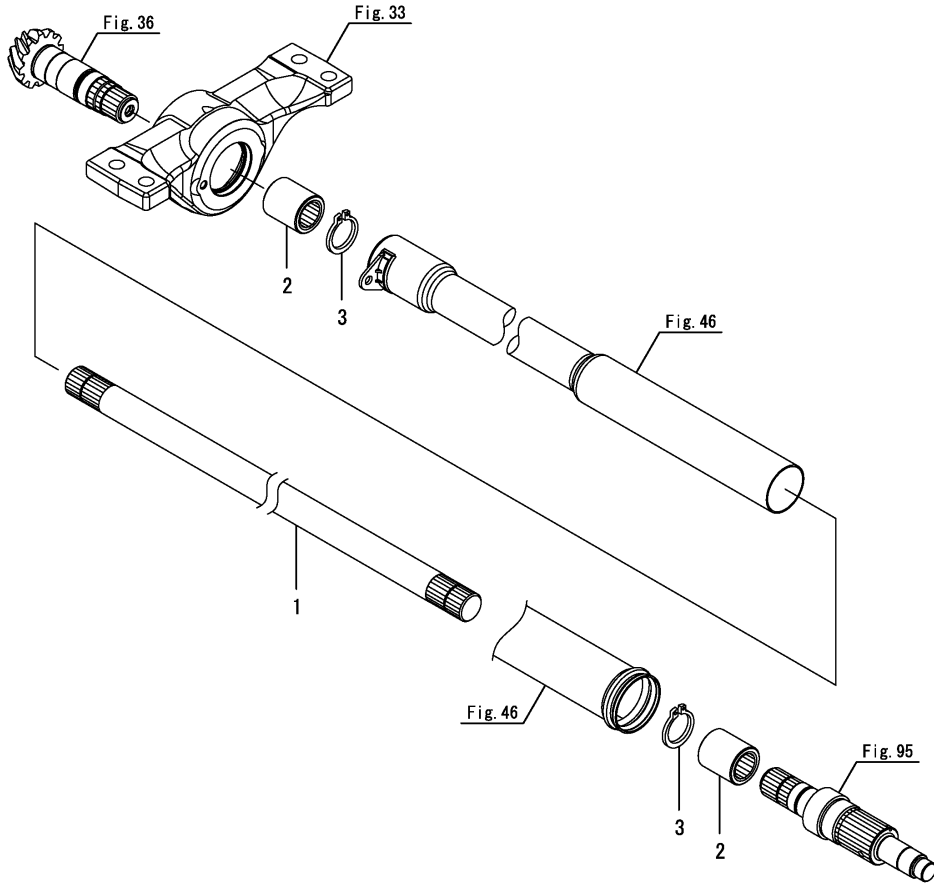


Fig.39. PROPELLER SHAFT

(A)=YT347Y
(B)=YT359Y
(C)=

(D)=
(E)=
(F)=

No.	Lev.	Parts No.	Description	Q'ty						I	R
				(A)	(B)	(C)	(D)	(E)	(F)		
1	1	1A7210-13300	SHAFT, PROPELLER		1						
2	1	194640-26130	COUPLING, PTO		2						
3	1	22242-000300	RING, 30		2						

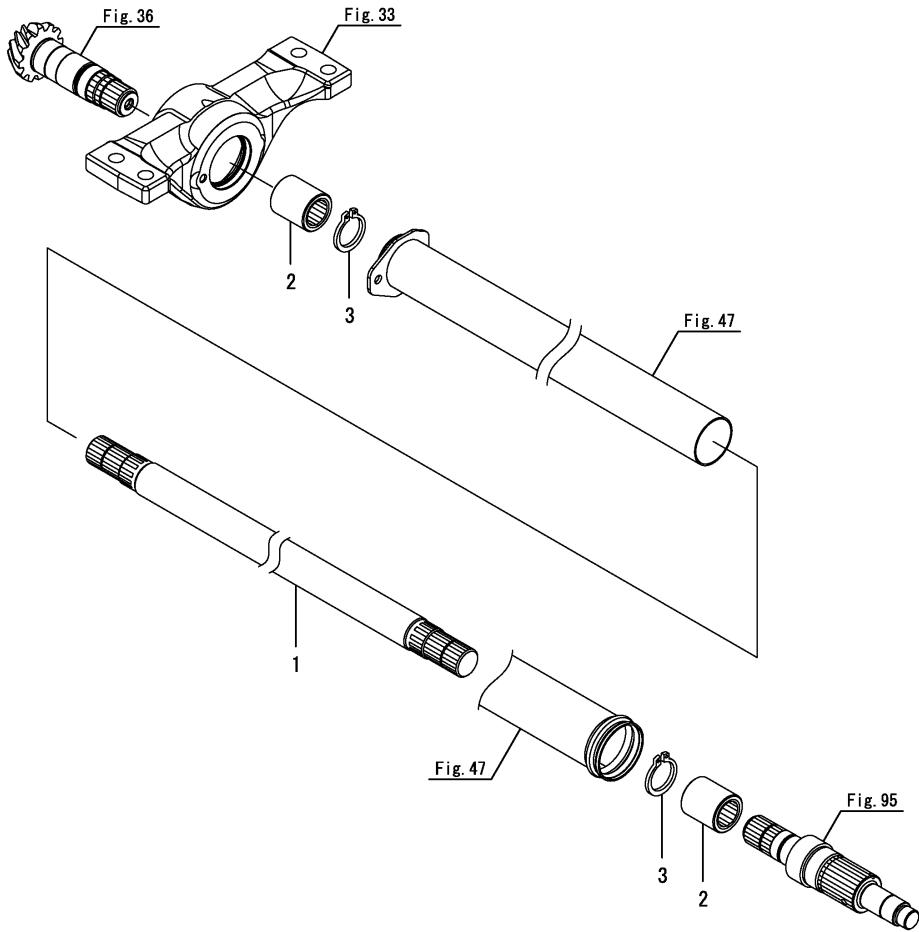
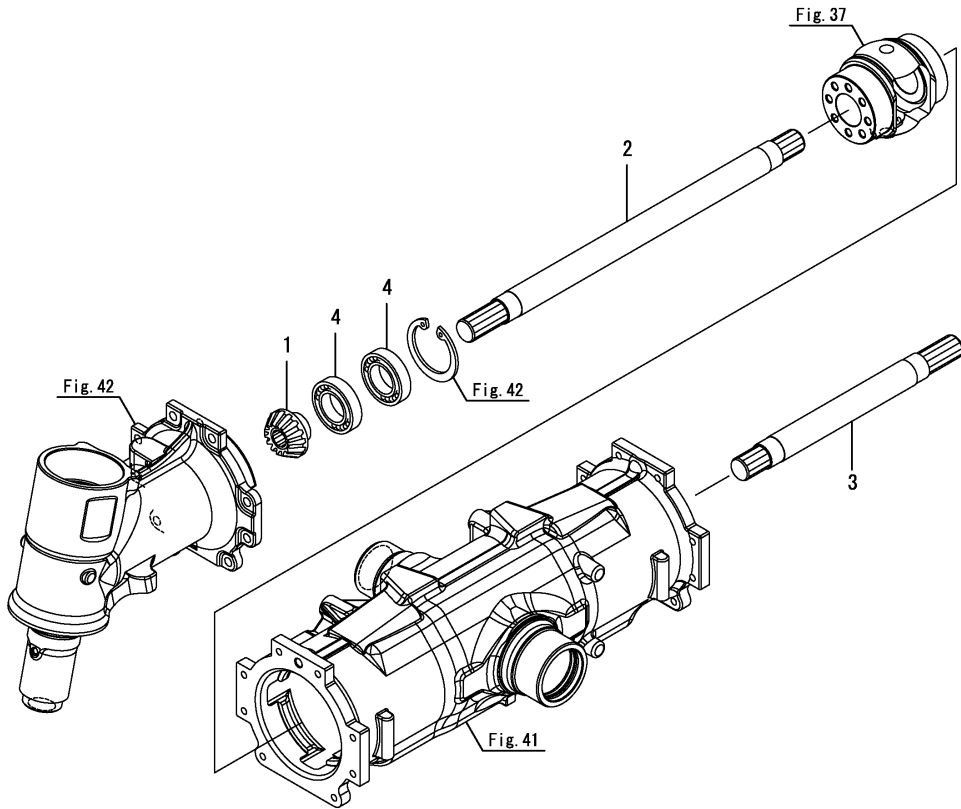


Fig.40. FRONT SHAFT(1)

(A)=YT347Y
(B)=YT359Y
(C)=

(D)=
(E)=
(F)=

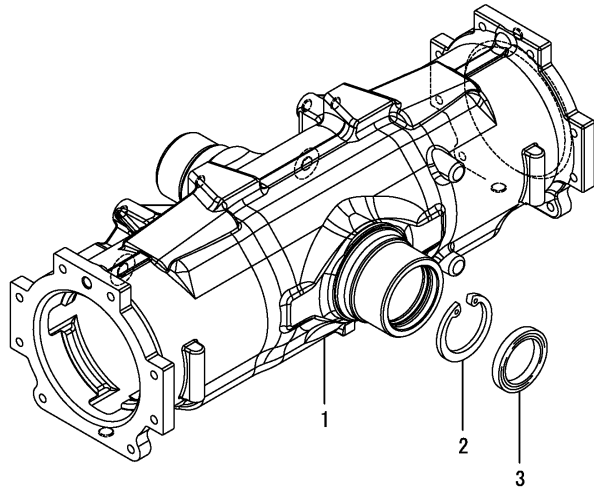


No.	Lev.	Parts No.	Description	Q'ty						I	R
				(A)	(B)	(C)	(D)	(E)	(F)		
1	1	1A7180-13520	PINION, 1ST SHAFT 12	2	2						
2	1	1A7180-13560	SHAFT, FRONT 1 L	1	1						
3	1	1A7180-13570	SHAFT, FRONT 1 R	1	1						
4	1	1A7180-13580	BEARING, HR6209UR	4	4						

Fig.41. FRONT AXLE CASE

(A)=YT347Y
(B)=YT359Y
(C)=

(D)=
(E)=
(F)=



No.	Lev.	Parts No.	Description	Q'ty						I	R
				(A)	(B)	(C)	(D)	(E)	(F)		
1	1	1A8470-13610	HOUSING, FRONT AXLE	1	1						
2	1	22252-000620	RING, 62	1	1						
3	1	24421-456209	SEAL, OIL TC456209	1	1						

Fig.42. FRONT GEAR CASE

(A)=YT347Y
(B)=YT359Y
(C)=

(D)=
(E)=
(F)=

No.	Lev.	Parts No.	Description	Q'ty						I	R
				(A)	(B)	(C)	(D)	(E)	(F)		
1	1	194066-13640	PLUG, 20	1	1						
2	1	1A8470-13710	CASE, FRONT GEAR L	1	1						
3	1	1A8472-13720	CASE, FRONT GEAR R	1	1						
4	1	1A8470-13740	SEAL, QLF7510017	2	2						
5	1	1A8310-13910	BOLT, TENSION 10X30	16	16						
6	1	1C7100-15100	PLUG, BORE 90	2	2						
7	1	22252-000850	RING, 85	2	2						
8	1	22252-000900	RING, 90	2	2						
9	1	22312-100180	PIN, PARALLEL M10X18	2	2						
10	1	24311-000180	O-RING, 1AP18.0	1	1						
11	1	24321-001300	O-RING, 1AG130.0	2	2						
12	1	26450-080122	BOLT, M8X 12	2	2						

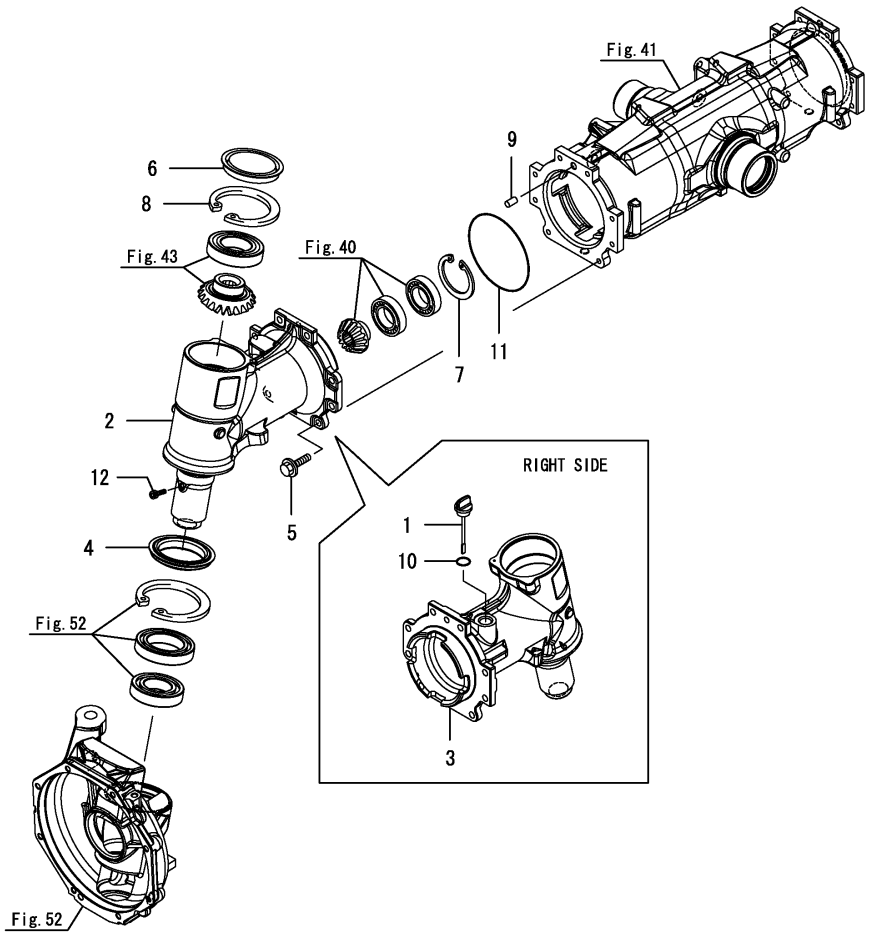
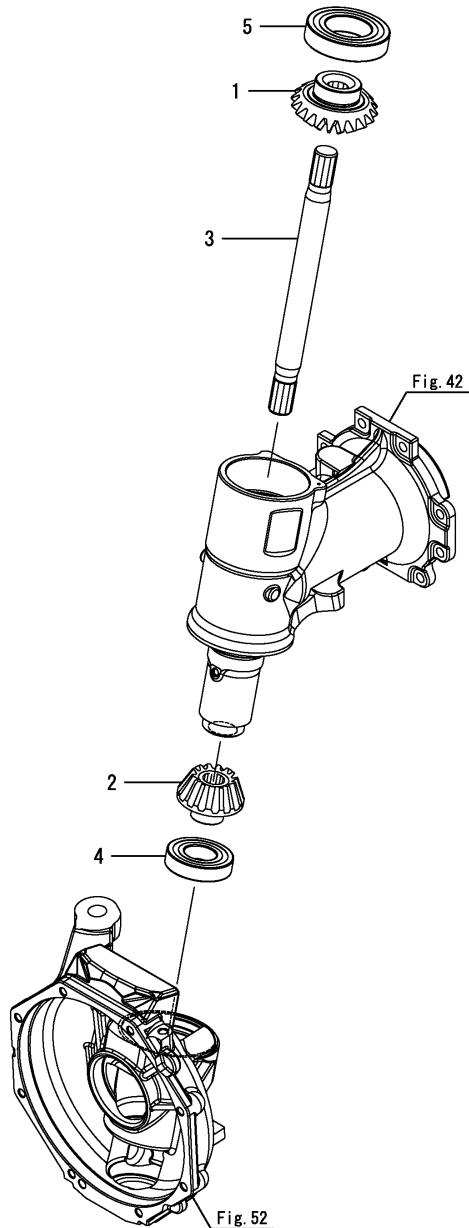


Fig.43. FRONT SHAFT(2)

(A)=YT347Y
(B)=YT359Y
(C)=

(D)=
(E)=
(F)=



No.	Lev.	Parts No.	Description	Q'ty						I	R
				(A)	(B)	(C)	(D)	(E)	(F)		
1	1	1A7180-13820	GEAR, SHAFT Z=15	2	2						
2	1	1A7180-13830	PINION, FRONT FINAL	2	2						
3	1	1A7180-13870	SHAFT, FRONT 2	2	2						
4	1	1A7180-13880	BEARING, TM207UR	2	2						
5	1	24104-062104	BEARING, BALL 6210UU	2	2						

Fig.44. STOPPER

(A)=YT347Y
(B)=YT359Y
(C)=

(D)=
(E)=
(F)=

No.	Lev.	Parts No.	Description	Q'ty						I	R
				(A)	(B)	(C)	(D)	(E)	(F)		
1	1	1A8470-13780	COLLAR, STOPPER	2	2						
2	1	26106-100302	BOLT, M10X 30 PLATED	2	2						

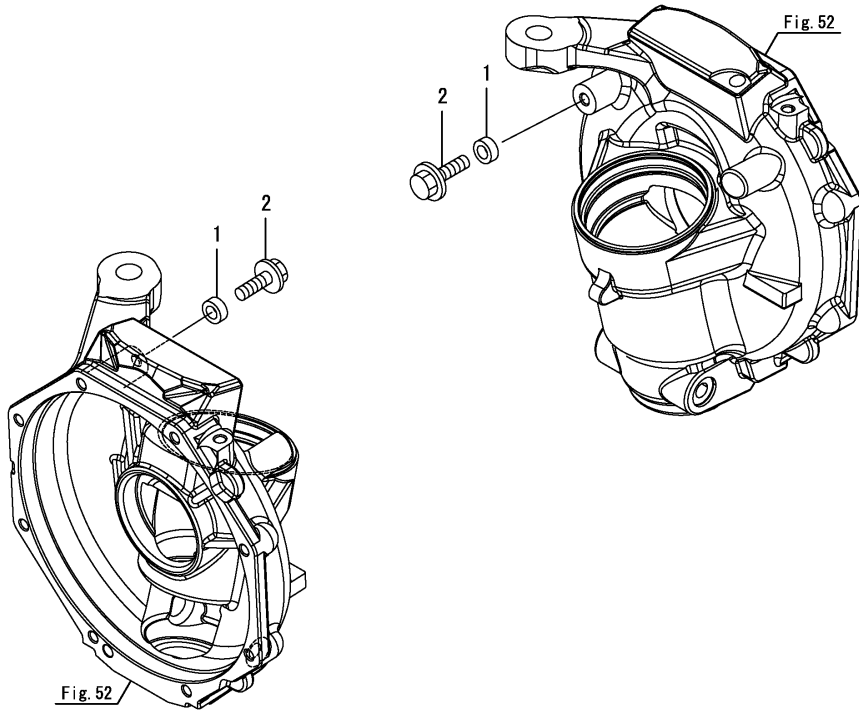


Fig.45. FRONT SPINDLE

(A)=YT347Y
(B)=YT359Y
(C)=

(D)=
(E)=
(F)=

No.	Lev.	Parts No.	Description	Q'ty						I	R
				(A)	(B)	(C)	(D)	(E)	(F)		
1	1	1A7180-13840	GEAR, FINAL Z=49	2	2						
2	1	1A8470-14111	SPINDLE, FRONT	2	2						
3	1	1A8470-14141	CASE, FRONT BEARING	2	2						
4	1	198200-14210	RING, HALF	4	4						
5	1	198475-32660	SEAL, QLNY527514.5	2	2						
6	1	192160-34160	BEARING TMB209	2	2						
7	1	24101-062084	BEARING, BALL 6208	2	2						
8	1	24321-002300	O-RING, 1AG230.0	2	2						
9	1	26106-100302	BOLT, M10X 30 PLATED	16	16						

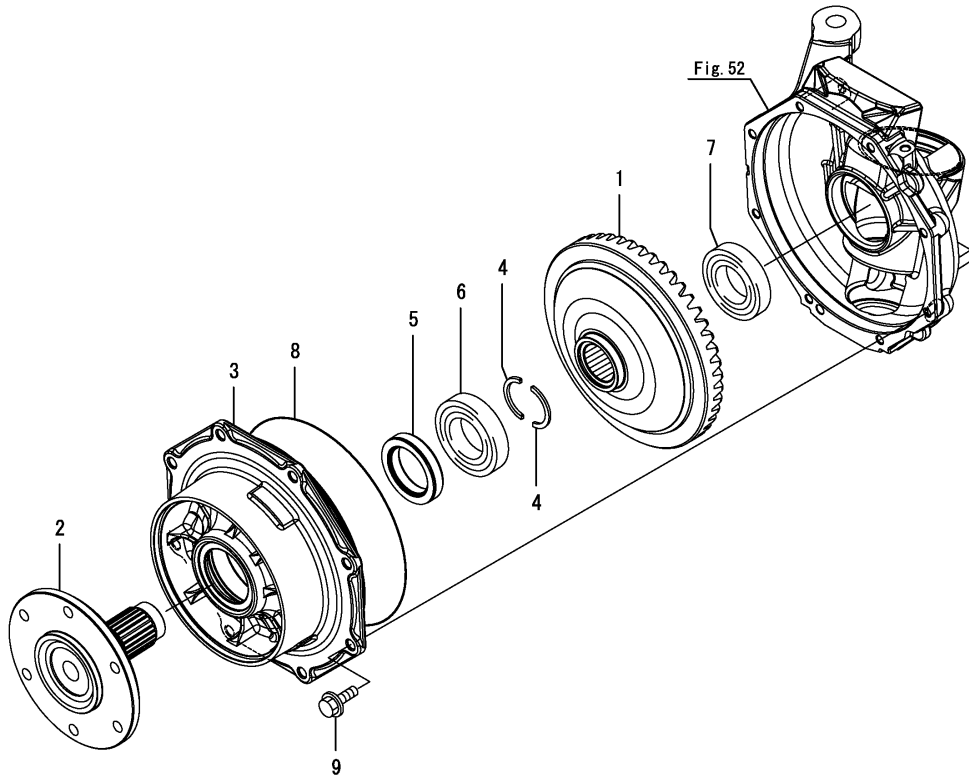
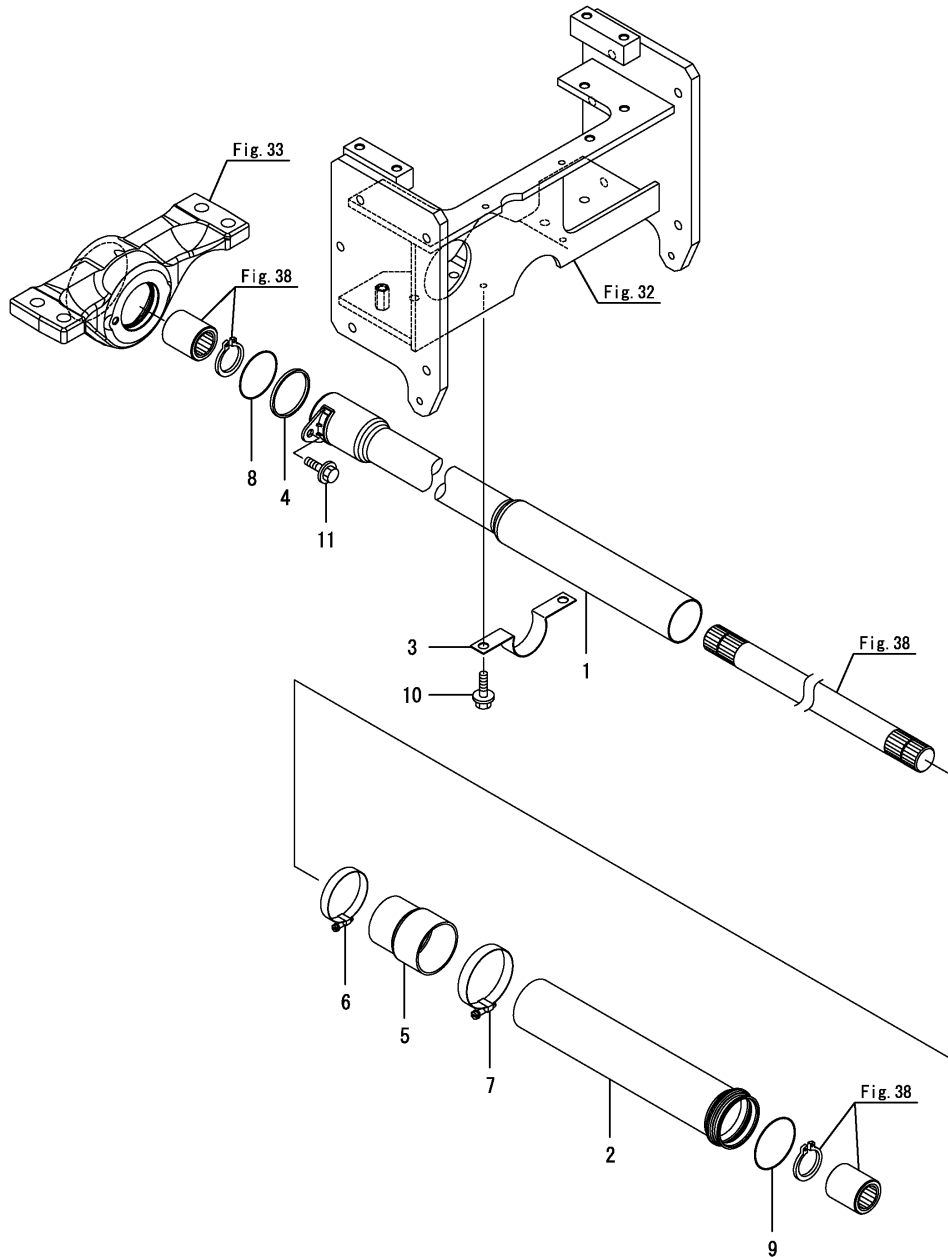


Fig.46. PROPELLER SHAFT COVER

(A)=YT347Y
(B)=YT359Y
(C)=

(D)=
(E)=
(F)=

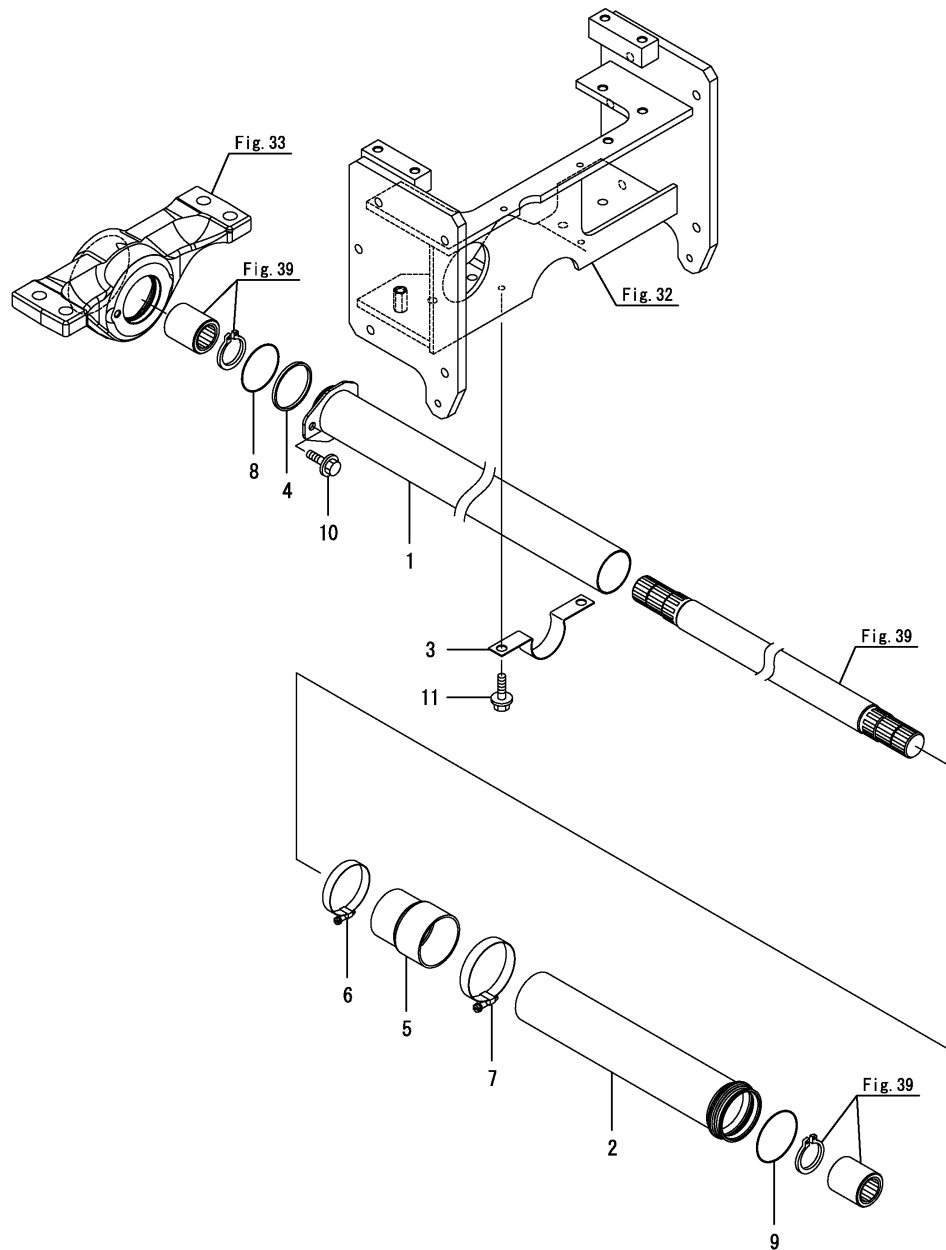


No.	Lev.	Parts No.	Description	Qty						I	R
				(A)	(B)	(C)	(D)	(E)	(F)		
1	1	1A7140-14610	COVER, FRONT SHAFT	1							
2	1	1A7180-14621	COVER, SHAFT REAR	1							
3	1	1A8470-14630	STAY, SHAFT COVER F	1							
4	1	1A8470-14640	COLLAR, O-RING	1							
5	1	198241-14650	BOOT, SHAFT COVER	1							
6	1	23000-060000	CLAMP, 60	1							
7	1	23000-070000	CLAMP, 70	1							
8	1	24321-000500	O-RING, 1AG50.0	1							
9	1	24321-000550	O-RING, 1AG55.0	1							
10	1	26106-080122	BOLT, M8X 12 PLATED	2							
11	1	26106-080122	BOLT, M8X 12 PLATED	1							

Fig.47. PROPELLER SHAFT COVER

(A)=YT347Y
(B)=YT359Y
(C)=

(D)=
(E)=
(F)=



No.	Lev.	Parts No.	Description	Qty						I	R
				(A)	(B)	(C)	(D)	(E)	(F)		
1	1	1A7180-13900	COVER, SHAFT F		1						
2	1	1A7180-14621	COVER, SHAFT REAR		1						
3	1	1A8470-14630	STAY, SHAFT COVER F		1						
4	1	1A8470-14640	COLLAR, O-RING		1						
5	1	198241-14650	BOOT, SHAFT COVER		1						
6	1	23000-060000	CLAMP, 60		1						
7	1	23000-070000	CLAMP, 70		1						
8	1	24321-000500	O-RING, 1AG50.0		1						
9	1	24321-000550	O-RING, 1AG55.0		1						
10	1	26106-080122	BOLT, M8X 12 PLATED		1						
11	1	26106-080122	BOLT, M8X 12 PLATED		2						

Fig.48. FRONT WHEEL TIRE(8-16)

(A)=YT347Y
(B)=YT359Y
(C)=

(D)=
(E)=
(F)=

No.	Lev.	Parts No.	Description	Q'ty						I	R
				(A)	(B)	(C)	(D)	(E)	(F)		
1	1	1A8475-14300	TIRE KIT, W/WHEEL L	1	1						
2	2	1A8475-14310	TIRE,8-16 R1	1	1						
3	2	1A8475-14330	WHEEL ASSY,W6X16	1	1						
4	2	1A8475-34750	VALVE	1	1						
5	1	1A8475-14400	TIRE KIT, W/WHEEL R	1	1						
6	2	1A8475-14310	TIRE,8-16 R1	1	1						
7	2	1A8475-14330	WHEEL ASSY,W6X16	1	1						
8	2	1A8475-34750	VALVE	1	1						

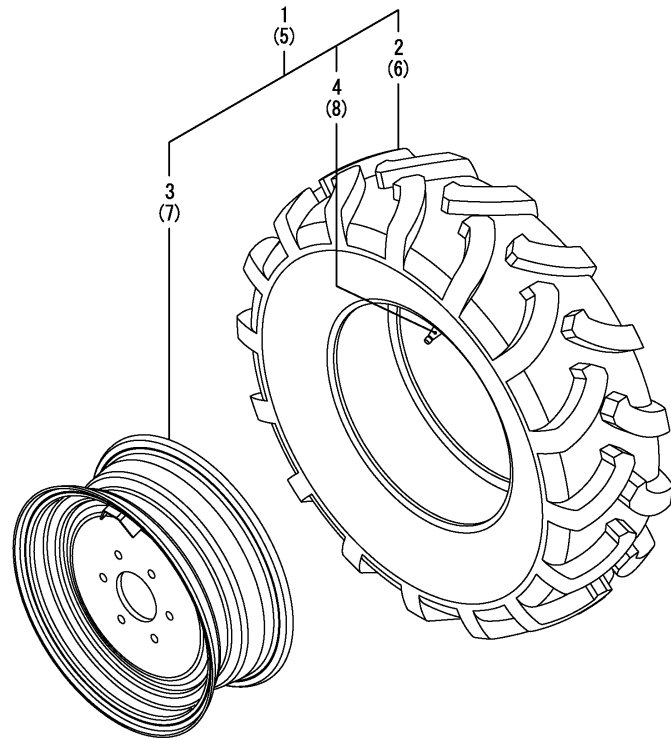


Fig.49. FRONT WHEEL TIRE(27X10.5-15)

(A)=YT347Y
(B)=YT359Y
(C)=

(D)=
(E)=
(F)=

No.	Lev.	Parts No.	Description	Q'ty						I	R
				(A)	(B)	(C)	(D)	(E)	(F)		
1	1	1A8475-14500	TIRE KIT, W/WHEEL	2	2						
2	2	1A8475-14510	TIRE,27X10.50-15NHS	2	2						
3	2	1A8475-14530	WHEEL ASSY,W8X15	2	2						
4	2	1A8475-34750	VALVE	2	2						

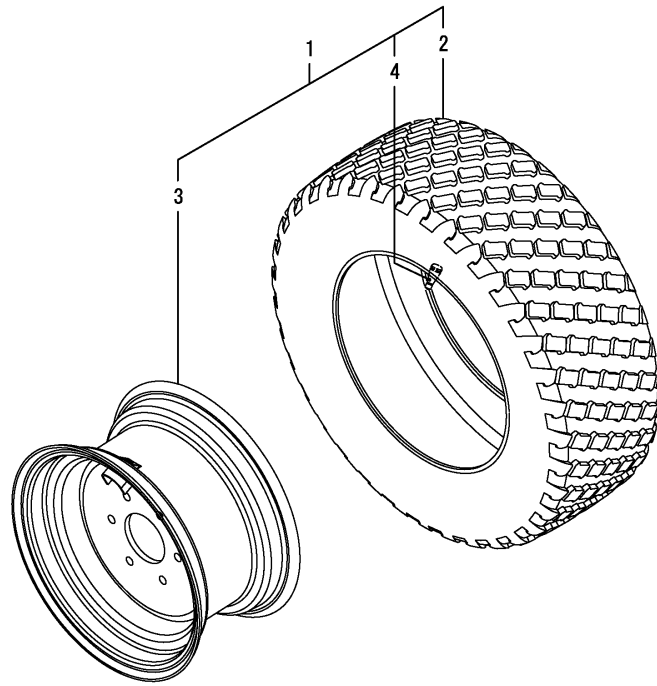
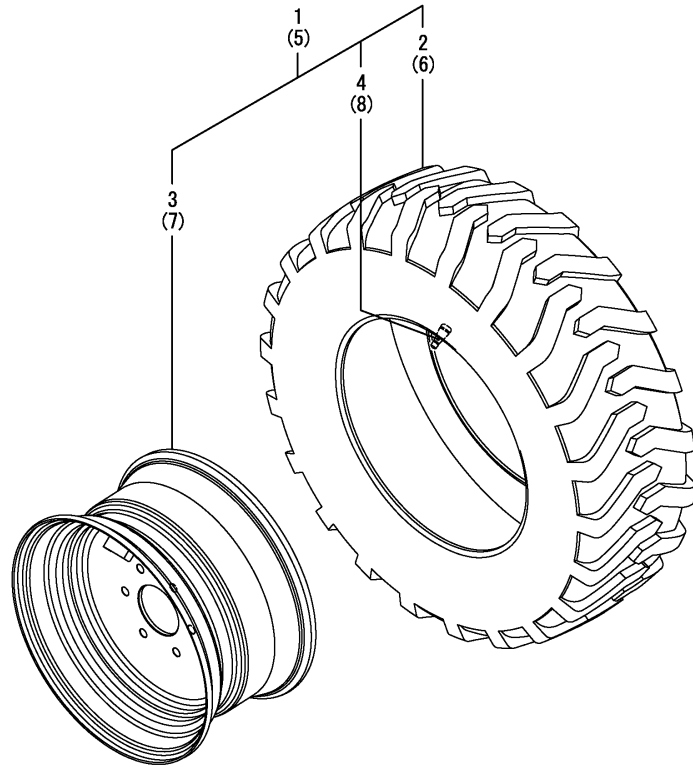


Fig.50. FRONT WHEEL TIRE(10-16.5)

(A)=YT347Y
(B)=YT359Y
(C)=

(D)=
(E)=
(F)=



No.	Lev.	Parts No.	Description	Q'ty						I	R
				(A)	(B)	(C)	(D)	(E)	(F)		
1	1	1A8475-14700	TIRE KIT, W/WHEEL L	1	1						
2	2	1A8475-14710	TIRE,10.00-16.5TL	1	1						
3	2	1A8475-14730	WHEEL ASSY,8.25X16.5	1	1						
4	2	1A8475-34750	VALVE	1	1						
5	1	1A8475-14800	TIRE KIT, W/WHEEL R	1	1						
6	2	1A8475-14710	TIRE,10.00-16.5TL	1	1						
7	2	1A8475-14730	WHEEL ASSY,8.25X16.5	1	1						
8	2	1A8475-34750	VALVE	1	1						

Fig.51. HUB BOLT

(A)=YT347Y
(B)=YT359Y
(C)=

(D)=
(E)=
(F)=

No.	Lev.	Parts No.	Description	Q'ty						I	R
				(A)	(B)	(C)	(D)	(E)	(F)		
1	1	194279-14220	WASHER, LOCK 14	4	4						
2	1	198133-34130	BOLT, M14X30	8	8						
3	1	198200-34130	STUD, 14X31	4	4						
4	1	198200-34190	NUT, M14	4	4						

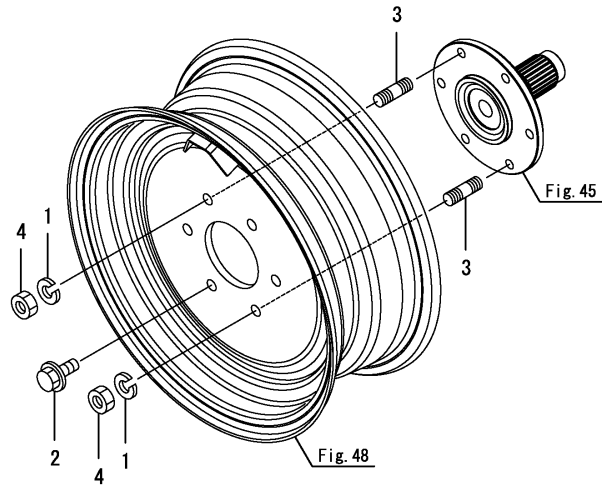


Fig.52. FRONT GEAR BOX

(A)=YT347Y
(B)=YT359Y
(C)=

(D)=
(E)=
(F)=

No.	Lev.	Parts No.	Description	Q'ty						I	R
				(A)	(B)	(C)	(D)	(E)	(F)		
1	1	1A8470-13760	GEARBOX, FRONT L	1	1						
2	1	1A8470-13770	GEARBOX, FRONT R	1	1						
3	1	194151-36670	PLUG, PF02	2	2						
4	1	22252-000950	RING, 95	2	2						
5	1	23491-140002	PLUG, 14	2	2						
6	1	24101-060124	BEARING, BALL 6012	2	2						
7	1	24101-062094	BEARING, BALL 6209	2	2						
8	1	24311-000160	O-RING, 1AP16.0	2	2						

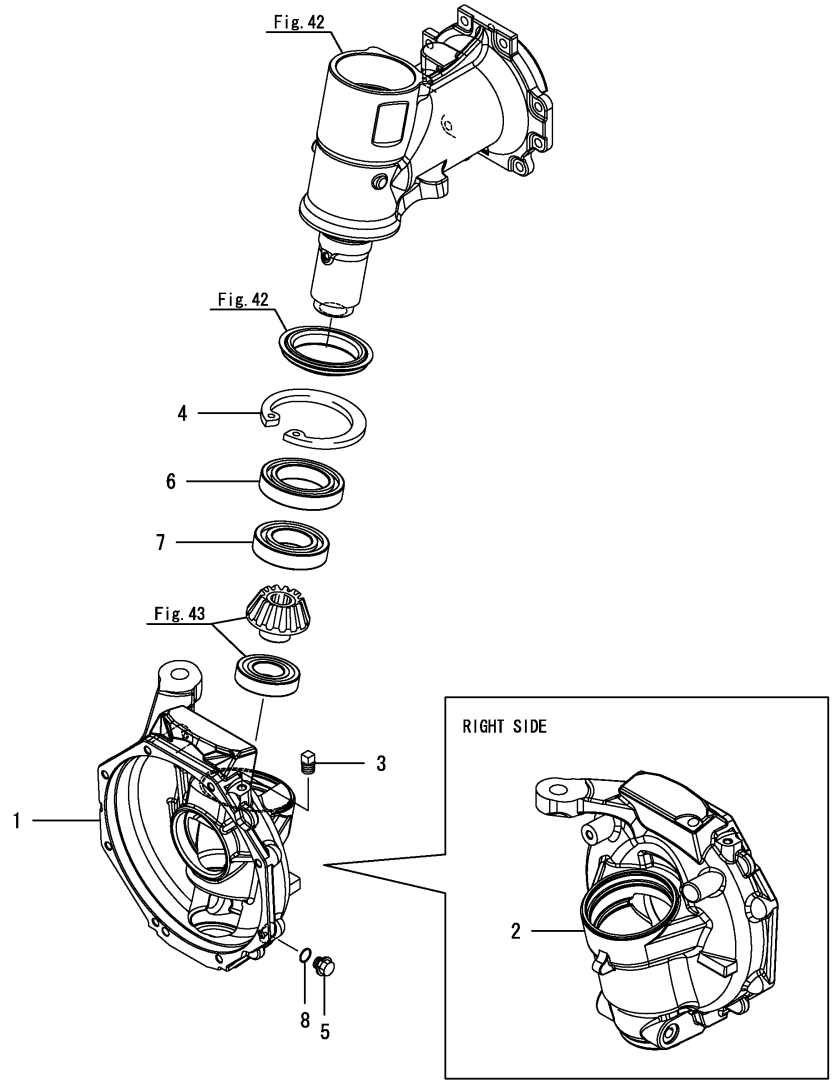


Fig.53. STEERING COLUMN

(A)=YT347Y
(B)=YT359Y
(C)=

(D)=
(E)=
(F)=

No.	Lev.	Parts No.	Description	Qty						I	R
				(A)	(B)	(C)	(D)	(E)	(F)		
1	1	1A8470-15100	COLUMN ASSY, STR	1							
2	2	1A8470-15200	COVER, STEERING	1							
3	1	1A8060-15410	CAM, CANCEL	1							
4	1	1A8475-15500	BASE, STEERING-UNIT	1							
5	1	26106-100202	BOLT, M10X 20 PLATED	2							
6	1	26106-100602	BOLT, M10X 60 PLATED	4							

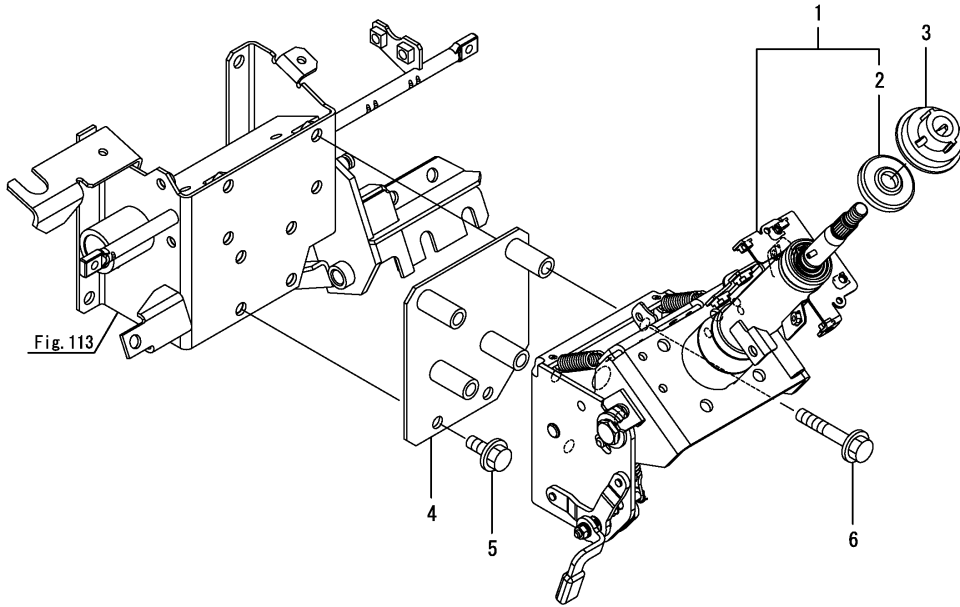


Fig.113

Fig.54. STEERING COLUMN

(A)=YT347Y
(B)=YT359Y
(C)=

(D)=
(E)=
(F)=

No.	Lev.	Parts No.	Description	Q'ty						I	R
				(A)	(B)	(C)	(D)	(E)	(F)		
1	1	1A8470-15100	COLUMN ASSY, STR		1						
2	2	1A8470-15200	COVER, STEERING		1						
3	1	1A8060-15410	CAM, CANCEL		1						
4	1	26106-100202	BOLT, M10X 20 PLATED		4						

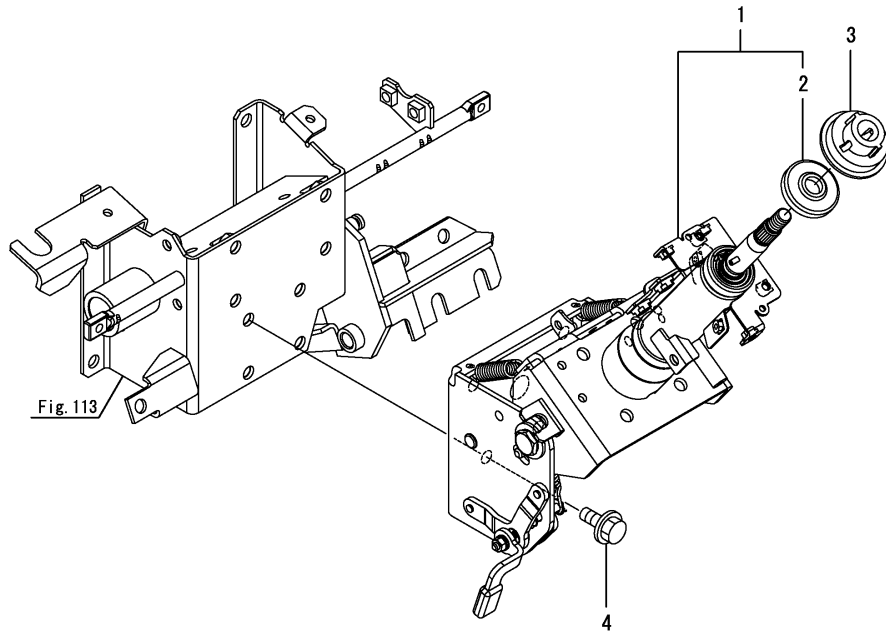
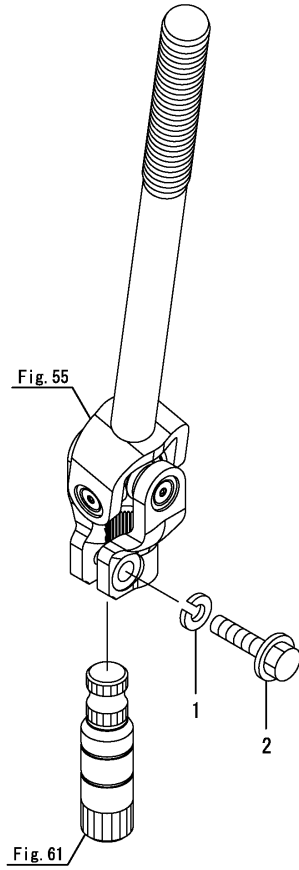


Fig.56. STEERING SHAFT(CABIN)

(A)=YT347Y
(B)=YT359Y
(C)=

(D)=
(E)=
(F)=

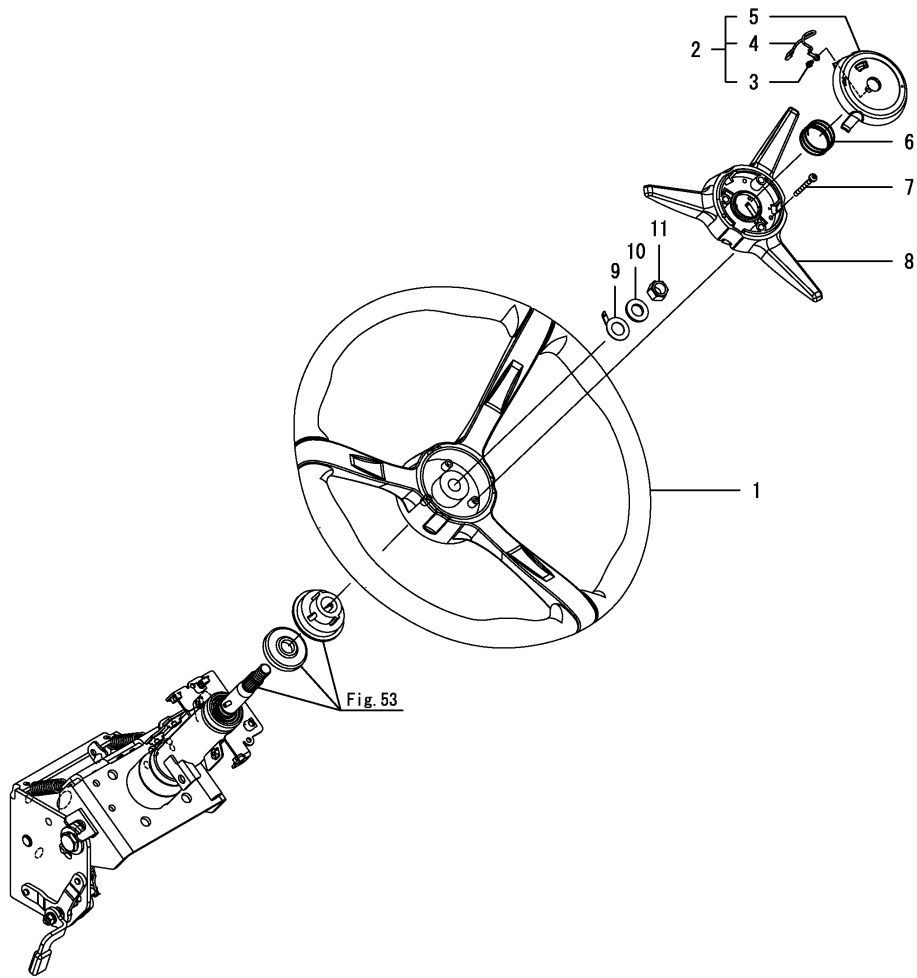


No.	Lev.	Parts No.	Description	Q'ty						I	R
				(A)	(B)	(C)	(D)	(E)	(F)		
1	1	22217-080000	WASHER, SPRING 8	1	1						
2	1	26106-080302	BOLT, M8X 30 PLATED	1	1						

Fig.57. STEERING WHEEL

(A)=YT347Y
(B)=YT359Y
(C)=

(D)=
(E)=
(F)=



No.	Lev.	Parts No.	Description	Q'ty						I	R
				(A)	(B)	(C)	(D)	(E)	(F)		
1	1	1A8060-15710	WHEEL,STEERING D400	1	1						
2	1	1A8060-15720	CAP ASSY,STR WHEEL	1	1						
3	2	1A8060-15790	CONTACT, HORN	1	1						
4	2	1A8060-15800	HARNES, HORN	1	1						
5	2	1A8060-15840	CAP ASSY,HORN	1	1						
6	1	1A8060-15741	SPRING,STR WHEEL	1	1						
7	1	1A8060-15751	SCREW,STR WHEEL	3	3						
8	1	1A8060-15760	COVER ASSY,STR WHEEL	1	1						
9	1	1A8060-15780	TERMINAL,RING	1	1						
10	1	22137-120000	WASHER, 12	1	1						
11	1	26356-120002	NUT, M12	1	1						

Fig.58. COLUMN STAY

(A)=YT347Y
(B)=YT359Y
(C)=

(D)=
(E)=
(F)=

No.	Lev.	Parts No.	Description	Q'ty						I	R
				(A)	(B)	(C)	(D)	(E)	(F)		
1	1	1A8470-15800	COVER	1	1						
2	1	26106-080162	BOLT, M8X 16 PLATED	2	2						

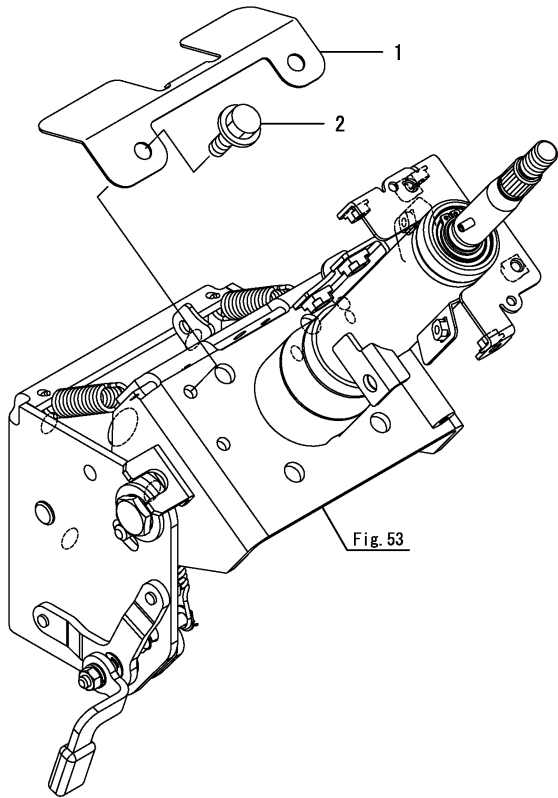
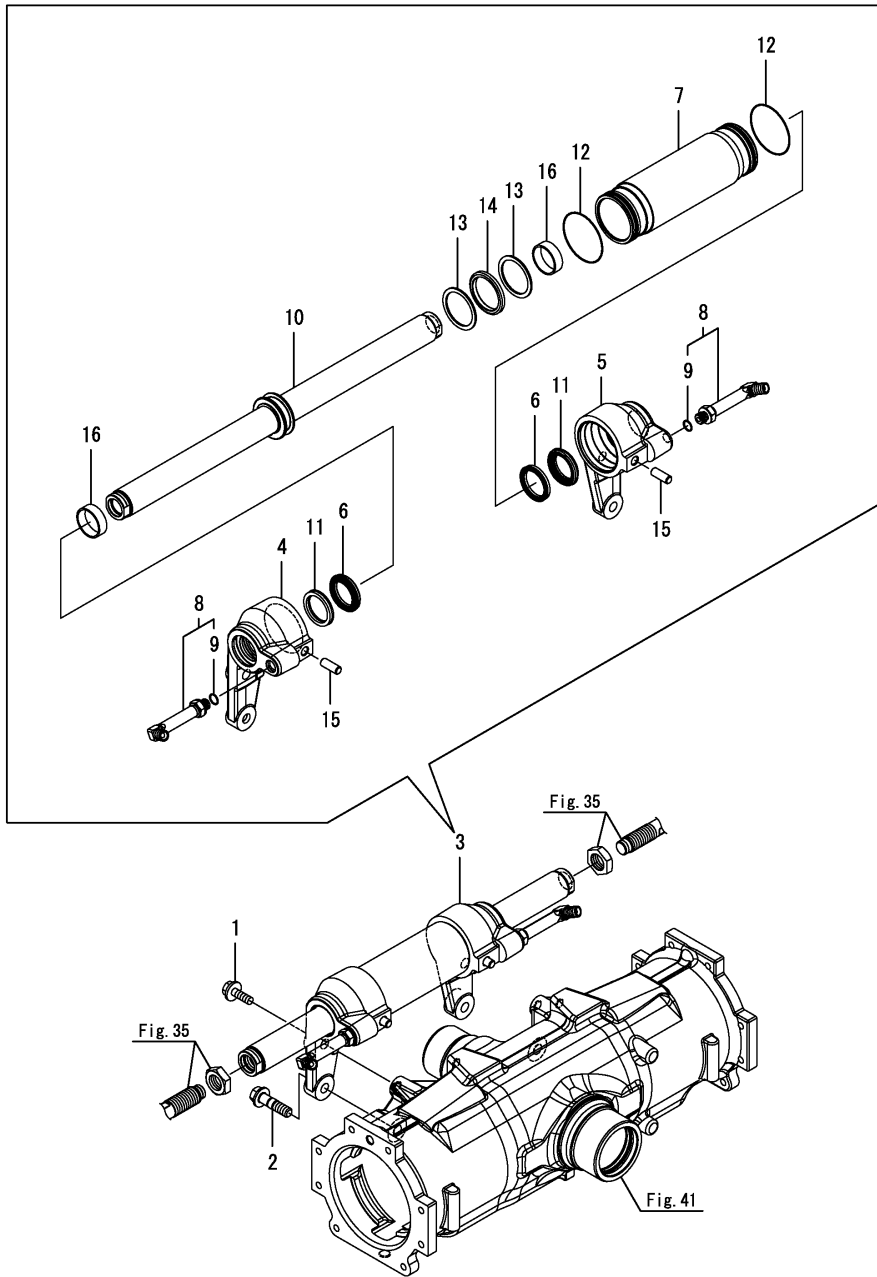


Fig.59. P.S.T. CYLINDER

(A)=YT347Y
(B)=YT359Y
(C)=

(D)=
(E)=
(F)=

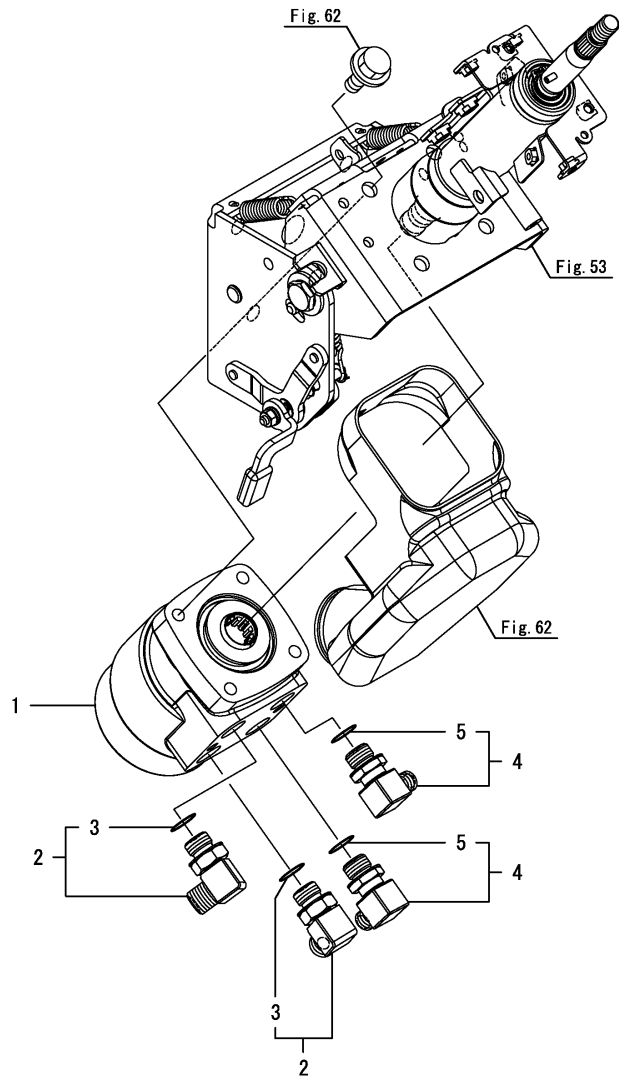


No.	Lev.	Parts No.	Description	Q'ty						I	R
				(A)	(B)	(C)	(D)	(E)	(F)		
1	1	198220-11520	BOLT, M12X38	2	2						
2	1	198240-11640	BOLT, M12X46	2	2						
3	1	1A8470-17100	CYLINDER ASSY, PST	1	1						
4	2	1A8470-17310	CAP, CYLINDER L	1	1						
5	2	1A8470-17320	CAP, CYLINDER R	1	1						
6	2	1A8470-17330	PACKING, 35	2	2						
7	2	1A8470-17350	TUBE, CYLINDER	1	1						
8	2	1A8275-17360	ELBOW ASSY	2	2						
9	3	24315-000110	O-RING, 1BP11.0	2	2						
10	2	1A8470-17400	ROD ASSY, PST	1	1						
11	2	1A8470-17430	SCRAPER, 35	2	2						
12	2	1A8275-17440	PACKING, 60	2	2						
13	2	1A8470-17480	RING, BACK UP 55	2	2						
14	2	1A8470-17490	PACKING, OKH 55	1	1						
15	2	22312-100250	PIN, PARALLEL M10X25	2	2						
16	2	24550-035120	BEARING, 35 X 12	2	2						

Fig.60. P.S.T. VALVE

(A)=YT347Y
(B)=YT359Y
(C)=

(D)=
(E)=
(F)=

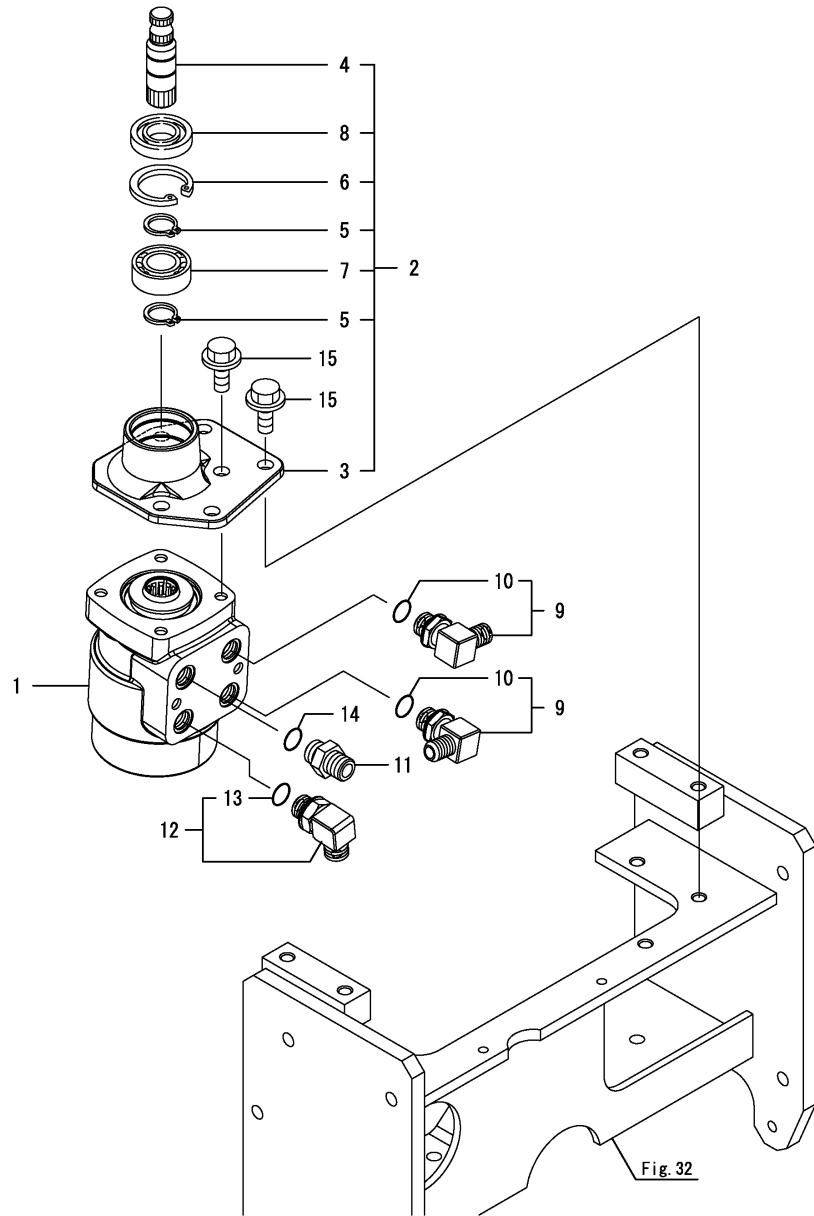


No.	Lev.	Parts No.	Description	Q'ty						I	R
				(A)	(B)	(C)	(D)	(E)	(F)		
1	1	1A8475-17500	VALVE ASSY, PST	1	1						
2	1	172142-76181	JOINT ASSY	2	2						
3	2	24315-000140	O-RING, 1BP14.0	2	2						
4	1	172141-76920	CONNECTOR ASSY	2	2						
5	2	24315-000140	O-RING, 1BP14.0	2	2						

Fig.61. P.S.T. VALVE(CABIN)

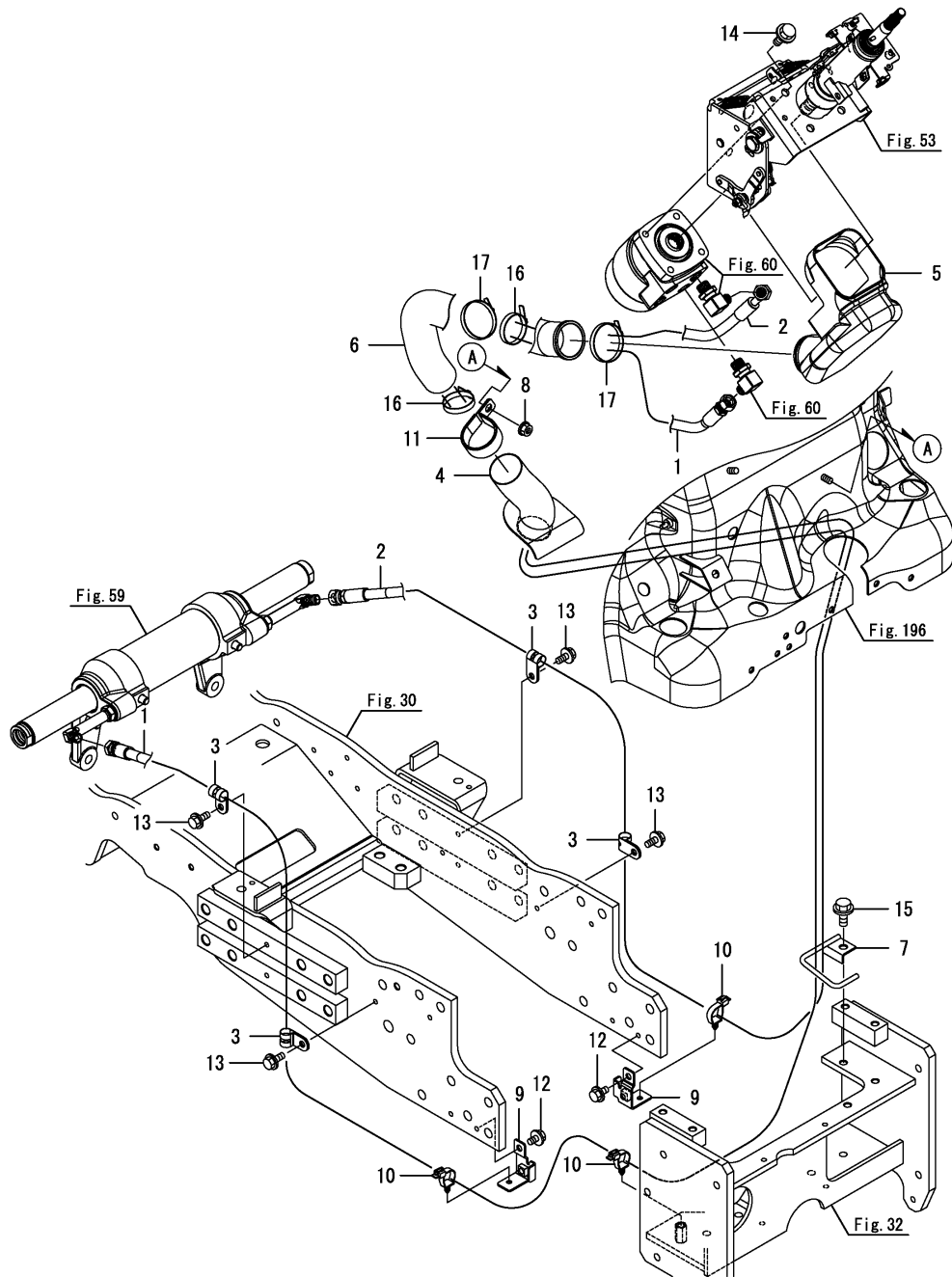
(A)=YT347Y
(B)=YT359Y
(C)=

(D)=
(E)=
(F)=



No.	Lev.	Parts No.	Description	Q'ty						I	R
				(A)	(B)	(C)	(D)	(E)	(F)		
1	1	1A8475-17500	VALVE ASSY, PST	1	1						
2	1	1A8484-17600	BRACKET ASSY, VALVE	1	1						
3	2	1A7180-17611	BRACKET, VALVE	1	1						
4	2	1A8060-17630	SHAFT, PST VALVE	1	1						
5	2	22242-000200	RING, 20	2	2						
6	2	22252-000420	RING, 42	1	1						
7	2	24104-060040	BEARING, 6004UUC3	1	1						
8	2	24430-204206	SEAL, OIL VC204206	1	1						
9	1	1D4220-22900	ELBOW ASSY, 3/8-1/4	2	2						
10	2	24315-000140	O-RING, 1BP14.0	2	2						
11	1	172730-75141	ADAPTER	1	1						
12	1	172142-76181	JOINT ASSY	1	1						
13	2	24315-000140	O-RING, 1BP14.0	1	1						
14	1	24315-000140	O-RING, 1BP14.0	1	1						
15	1	26106-100202	BOLT, M10X 20 PLATED	6	6						

Fig.62. P.S.T. HOSE



(A)=YT347Y
(B)=YT359Y
(C)=

(D)=
(E)=
(F)=

No.	Lev.	Parts No.	Description	Q'ty						I	R
				(A)	(B)	(C)	(D)	(E)	(F)		
1	1	1A8475-17850	HOSE ASSY, PST	1	1						
2	1	1A8475-17860	HOSE ASSY, PST	1	1						
3	1	1A8310-17910	CLAMP, RUBBER	4	4						
4	1	1A8470-17940	COVER, PST HOSE LOWER	1	1						
5	1	1A8470-17950	COVER, PST VALVE	1	1						
6	1	1A8470-17960	COVER, PST HOSE	1	1						
7	1	1A8470-17970	GUIDE ASSY, PST HOSE	1	1						
8	1	194990-22140	NUT, M8	1	1						
9	1	1A8470-49860	CLAMP ASSY	2	2						
10	1	1A8275-51670	CLIP, M8 HOLE	3	3						
11	1	172158-78250	CLAMP, 45	1	1						
12	1	26106-080122	BOLT, M8X 12 PLATED	2	2						
13	1	26106-080162	BOLT, M8X 16 PLATED	4	4						
14	1	26106-100202	BOLT, M10X 20 PLATED	4	4						
15	1	26106-100202	BOLT, M10X 20 PLATED	1	1						
16	1	29622-250001	BAND, RF250	2	2						
17	1	29622-250001	BAND, RF250	2	2						

Fig.64. DAMPER DISC

(A)=YT347Y
(B)=YT359Y
(C)=

(D)=
(E)=
(F)=

No.	Lev.	Parts No.	Description	Q'ty						I	R
				(A)	(B)	(C)	(D)	(E)	(F)		
1	1	198448-22190	PIN, PARALLEL 10X18	3	3						
2	1	1A8275-22810	DAMPER, DISK	1	1						
3	1	26106-080162	BOLT, M8X 16 PLATED	6	6						

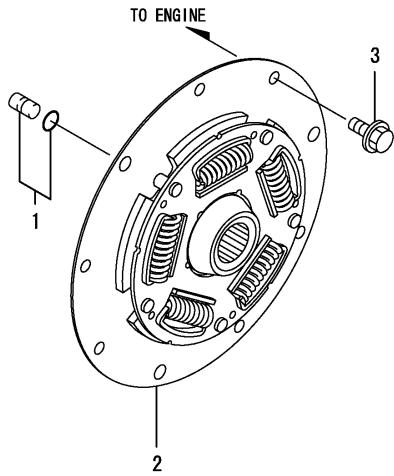
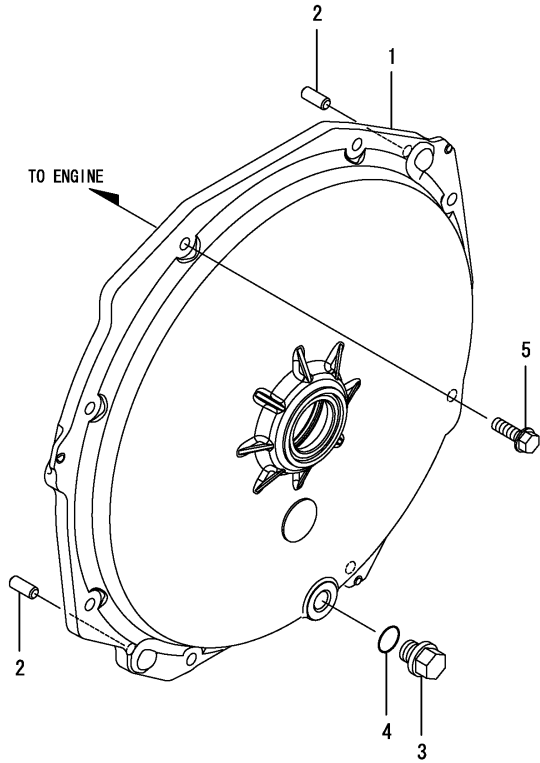


Fig.65. FLYWHEEL COVER

(A)=YT347Y
(B)=YT359Y
(C)=

(D)=
(E)=
(F)=



No.	Lev.	Parts No.	Description	Q'ty						I	R
				(A)	(B)	(C)	(D)	(E)	(F)		
1	1	1A8470-21510	COVER, FLYWHEEL	1							
2	1	22312-080180	PIN, PARALLEL M8X18	2							
3	1	23491-140002	PLUG, 14	1							
4	1	24311-000160	O-RING, 1AP16.0	1							
5	1	26106-080252	BOLT, M8X 25 PLATED	8							

Fig.66. FLYWHEEL COVER

(A)=YT347Y
(B)=YT359Y
(C)=

(D)=
(E)=
(F)=

No.	Lev.	Parts No.	Description	Q'ty						I	R	
				(A)	(B)	(C)	(D)	(E)	(F)			
1	1	1A8042-21511	COVER, FLYWHEEL		1							
2	1	22312-080180	PIN, PARALLEL M8X18		2							
3	1	23491-140002	PLUG, 14		1							
4	1	24311-000160	O-RING, 1AP16.0		1							
5	1	26106-080252	BOLT, M8X 25 PLATED		8							

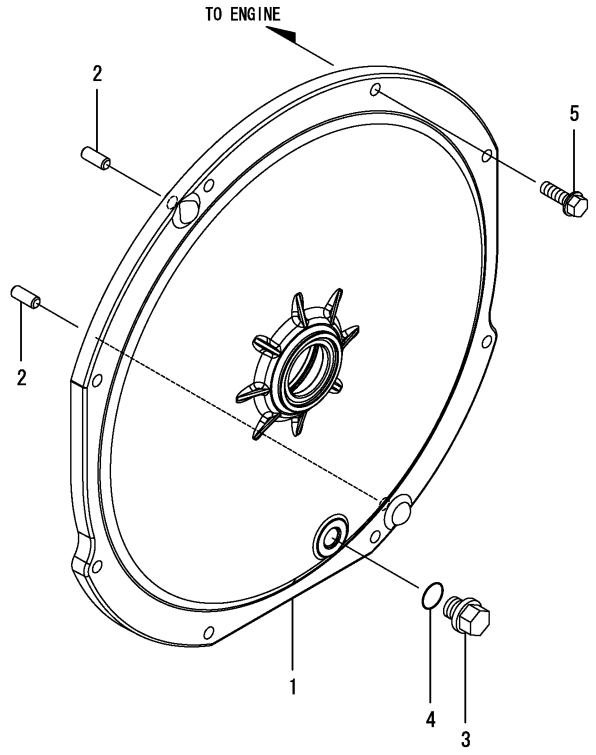


Fig.67. DAMPER SHAFT

(A)=YT347Y
(B)=YT359Y
(C)=

(D)=
(E)=
(F)=

No.	Lev.	Parts No.	Description	Q'ty						I	R
				(A)	(B)	(C)	(D)	(E)	(F)		
1	1	1A8470-21810	SHAFT, DAMPER	1							
2	1	1A8042-21850	BEARING, 6206CXDDU	1							
3	1	22242-000300	RING, 30	1							
4	1	22252-000620	RING, 62	1							
5	1	26216-080162	STUD, M8X 16	4							

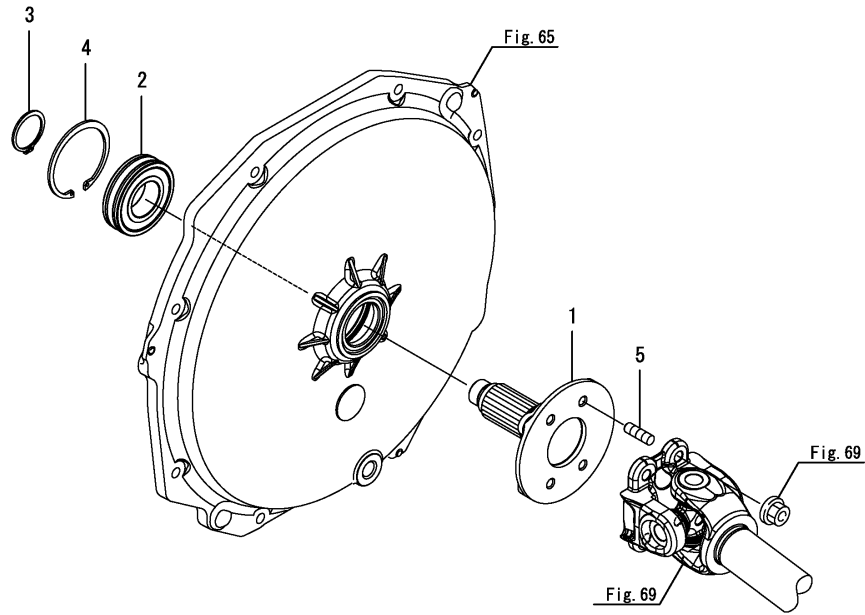
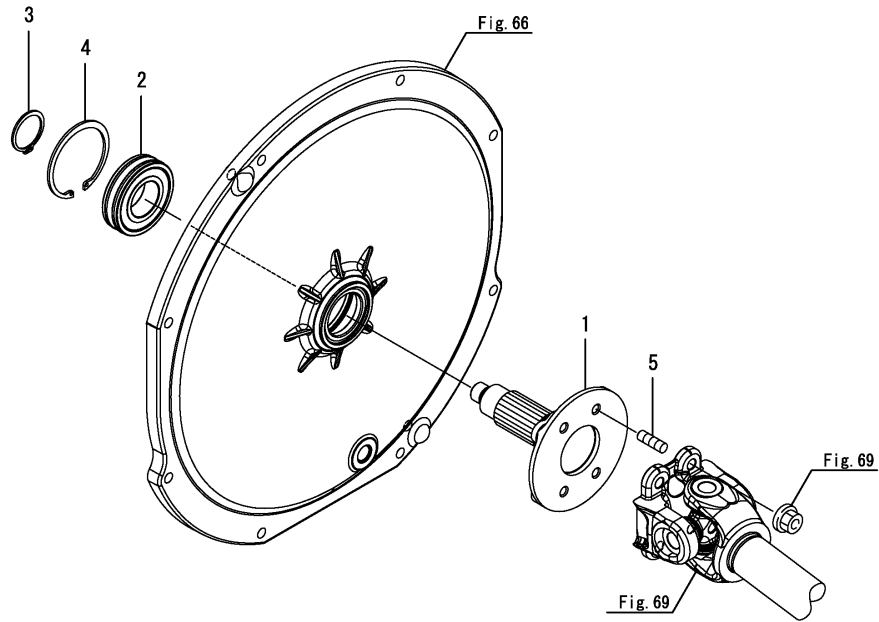


Fig.68. DAMPER SHAFT

(A)=YT347Y
(B)=YT359Y
(C)=

(D)=
(E)=
(F)=



No.	Lev.	Parts No.	Description	Qty						I	R	
				(A)	(B)	(C)	(D)	(E)	(F)			
1	1	1A8480-21810	SHAFT, DAMPER		1							
2	1	1A8042-21850	BEARING, 6206CXDDU		1							
3	1	22242-000300	RING, 30		1							
4	1	22252-000620	RING, 62		1							
5	1	26216-080162	STUD, M8X 16		4							

Fig.69. DRIVE SHAFT

(A)=YT347Y
(B)=YT359Y
(C)=

(D)=
(E)=
(F)=

No.	Lev.	Parts No.	Description	Q'ty						I	R
				(A)	(B)	(C)	(D)	(E)	(F)		
1	1	1A8470-21910	SHAFT ASSY, DRIVE	1	1						
2	2	1A7180-21260	NIPPLE, M6F X0.75	1	1						
3	2	24761-040000	NIPPLE, GREASE B	2	2						
4	1	194990-22140	NUT, M8	4	4						
5	1	26106-100402	BOLT, M10X 40 PLATED	1	1						

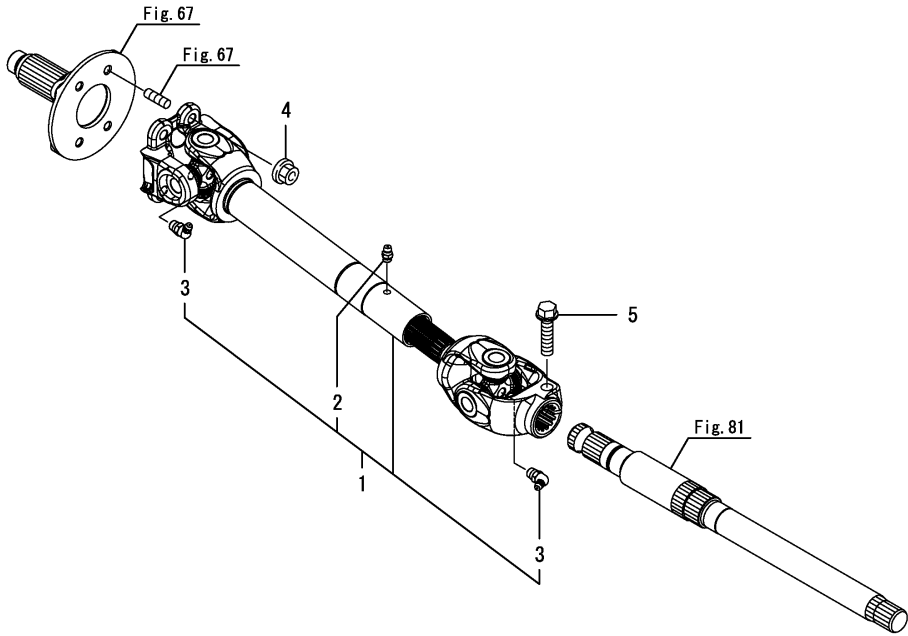
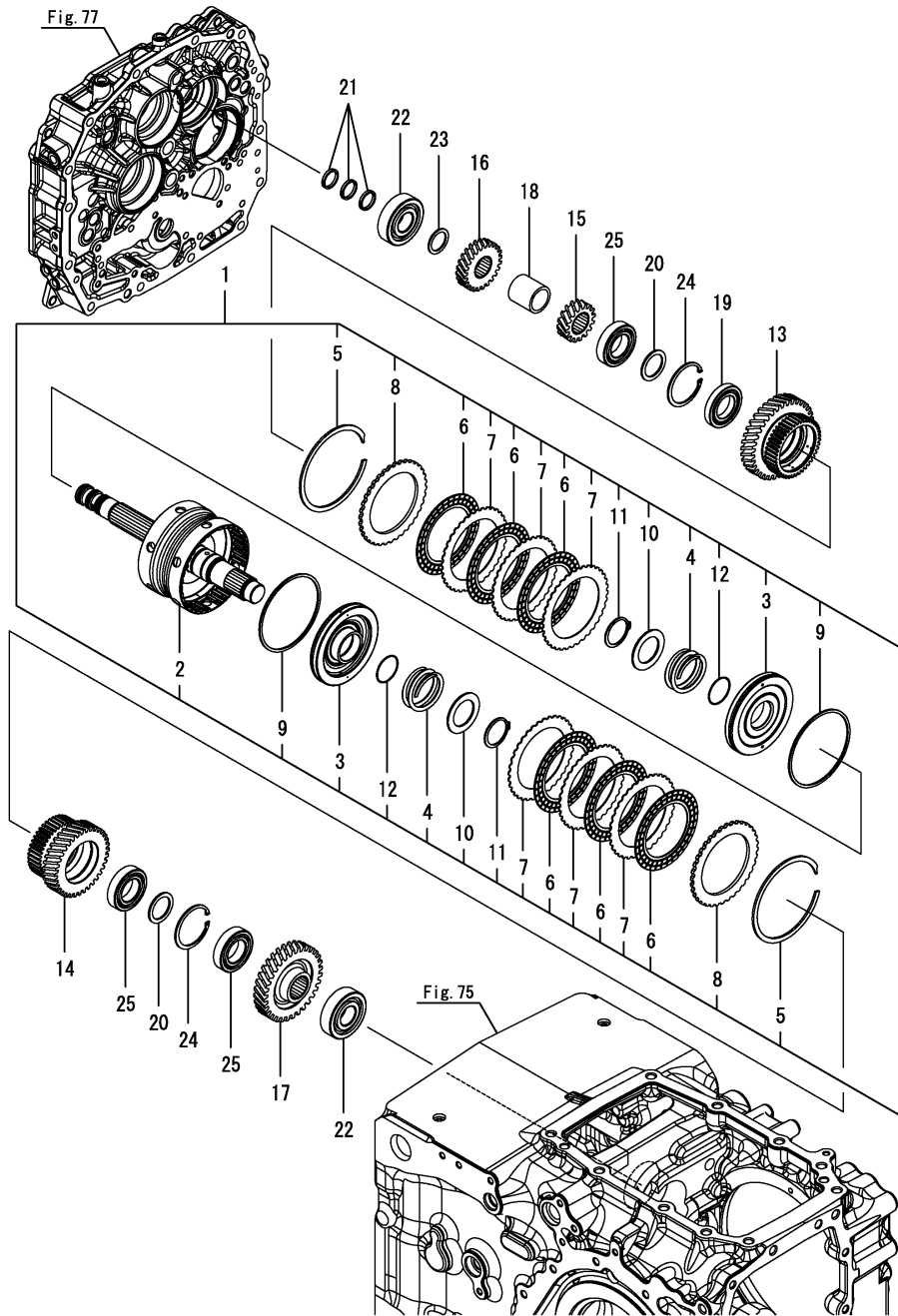


Fig.70. REVERSER SHAFT

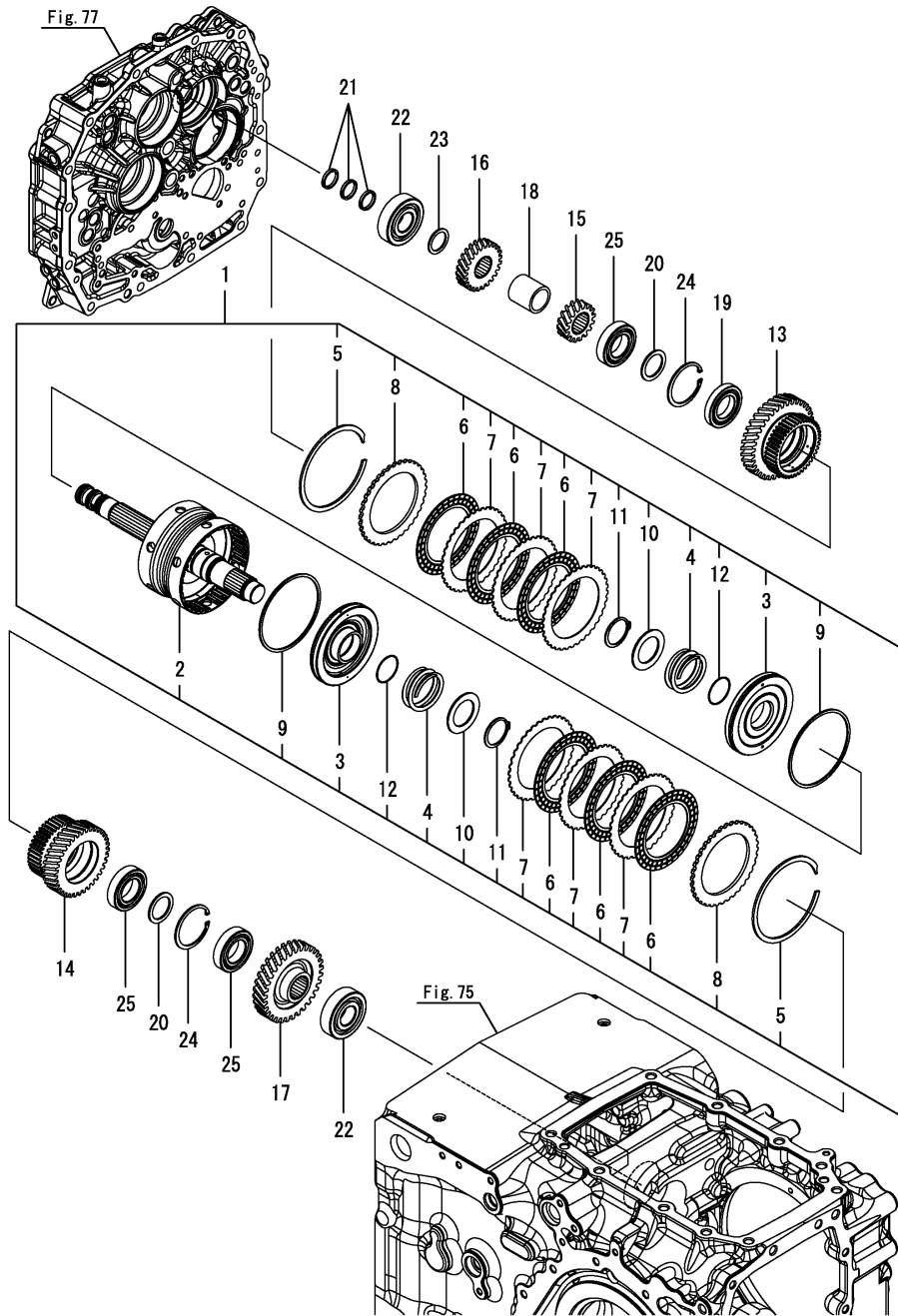


(A)=YT347Y
(B)=YT359Y
(C)=

(D)=
(E)=
(F)=

No.	Lev.	Parts No.	Description	Qty						I	R
				(A)	(B)	(C)	(D)	(E)	(F)		
1	1	1A8042-22100	SHAFT KIT, REVERSER	1							
2	2	1A8042-22110	SHAFT KIT, REVERSER	1							
3	2	1A8042-22150	PISTON, CLUTCH	2							
4	2	1A8042-22160	SPRING, CLUTCH	2							
5	2	1A8042-22180	RING	2							
6	2	1A8060-23170	DISK, FRICTION	6							
7	2	1A8060-23180	PLATE, STEEL 1.2	6							
8	2	1A8060-23190	PLATE, STEEL 4.0	2							
9	2	1A8060-23250	D-RING	2							
10	2	1A8060-23790	SEAT, SPRING	2							
11	2	22242-100350	RING, 35	2							
12	2	24341-000320	O-RING, 1AS32.0	2							
13	1	1A8042-22210	GEAR, CLUTCH F	1							
14	1	1A8042-22220	GEAR, CLUTCH R	1							
15	1	1A8470-22230	GEAR, REDUCTION 15	1							
16	1	1A8470-22240	GEAR, REDUCTION 20	1							
17	1	1A8470-22260	GEAR, REDUCTION 36	1							
18	1	1A8042-22270	COLLAR, 28X35X36	1							
19	1	194430-25460	BEARING, BALL 16006	1							
20	1	194312-25470	SPACER, 30X40X2	2							
21	1	198167-26240	RING, SEAL 21X25X3	3							
22	1	194850-31380	BEARING, 6305RSH2	2							
23	1	1E8540-54130	COLLAR 25X33X1.75	1							
24	1	22252-000550	RING, 55	2							
25	1	24101-060064	BEARING, BALL 6006	3							

Fig.71. REVERSER SHAFT



(A)=YT347Y
(B)=YT359Y
(C)=

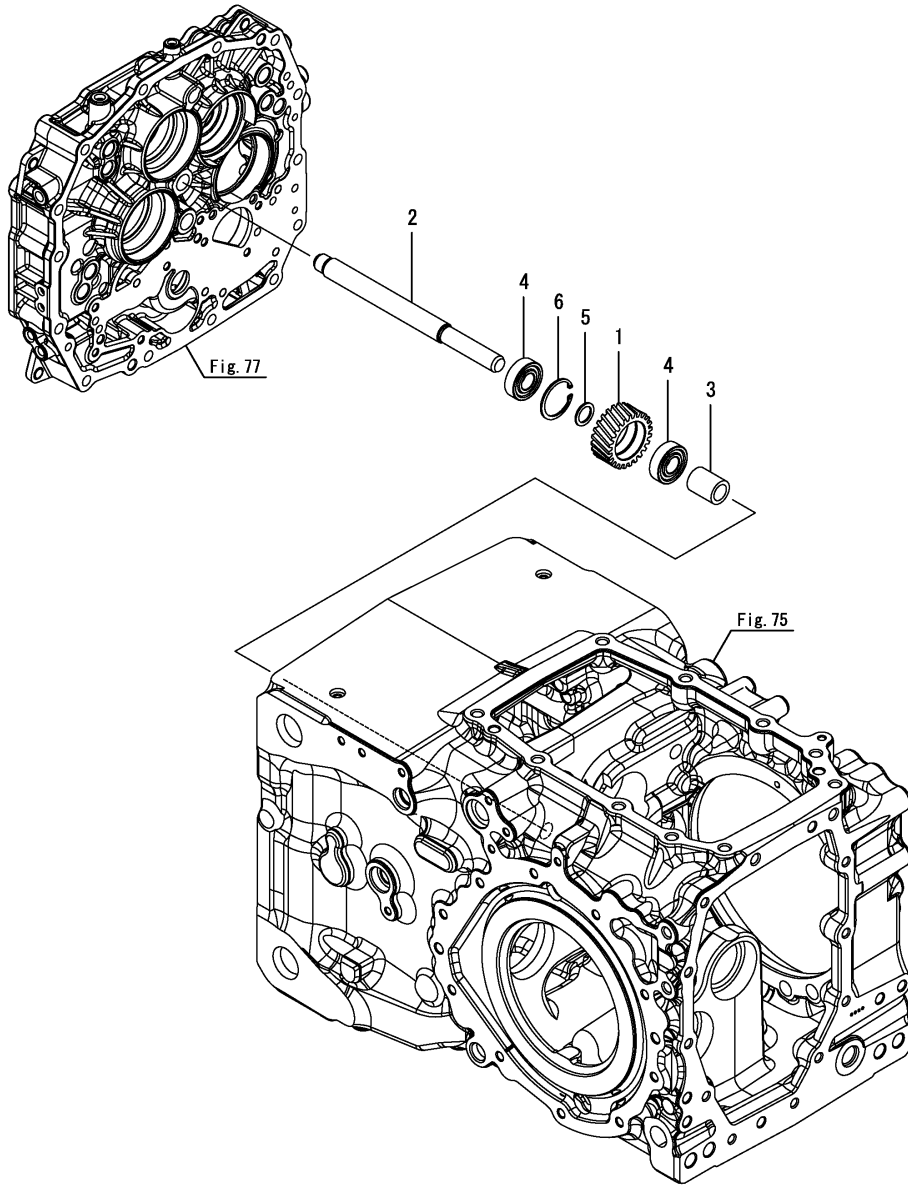
(D)=
(E)=
(F)=

No.	Lev.	Parts No.	Description	Qty						I	R
				(A)	(B)	(C)	(D)	(E)	(F)		
1	1	1A8042-22100	SHAFT KIT, REVERSER		1						
2	2	1A8042-22110	SHAFT KIT, REVERSER		1						
3	2	1A8042-22150	PISTON, CLUTCH		2						
4	2	1A8042-22160	SPRING, CLUTCH		2						
5	2	1A8042-22180	RING		2						
6	2	1A8060-23170	DISK, FRICTION		6						
7	2	1A8060-23180	PLATE, STEEL 1.2		6						
8	2	1A8060-23190	PLATE, STEEL 4.0		2						
9	2	1A8060-23250	D-RING		2						
10	2	1A8060-23790	SEAT, SPRING		2						
11	2	22242-100350	RING, 35		2						
12	2	24341-000320	O-RING, 1AS32.0		2						
13	1	1A8042-22210	GEAR, CLUTCH F		1						
14	1	1A8042-22220	GEAR, CLUTCH R		1						
15	1	1A8470-22230	GEAR, REDUCTION 15		1						
16	1	1A8470-22240	GEAR, REDUCTION 20		1						
17	1	1A8460-22260	GEAR, REDUCTION 37		1						
18	1	1A8042-22270	COLLAR, 28X35X36		1						
19	1	194430-25460	BEARING, BALL 16006		1						
20	1	194312-25470	SPACER, 30X40X2		2						
21	1	198167-26240	RING, SEAL 21X25X3		3						
22	1	194850-31380	BEARING, 6305RSH2		2						
23	1	1E8540-54130	COLLAR 25X33X1.75		1						
24	1	22252-000550	RING, 55		2						
25	1	24101-060064	BEARING, BALL 6006		3						

Fig.72. REVERSER SHAFT(IDLE)

(A)=YT347Y
(B)=YT359Y
(C)=

(D)=
(E)=
(F)=

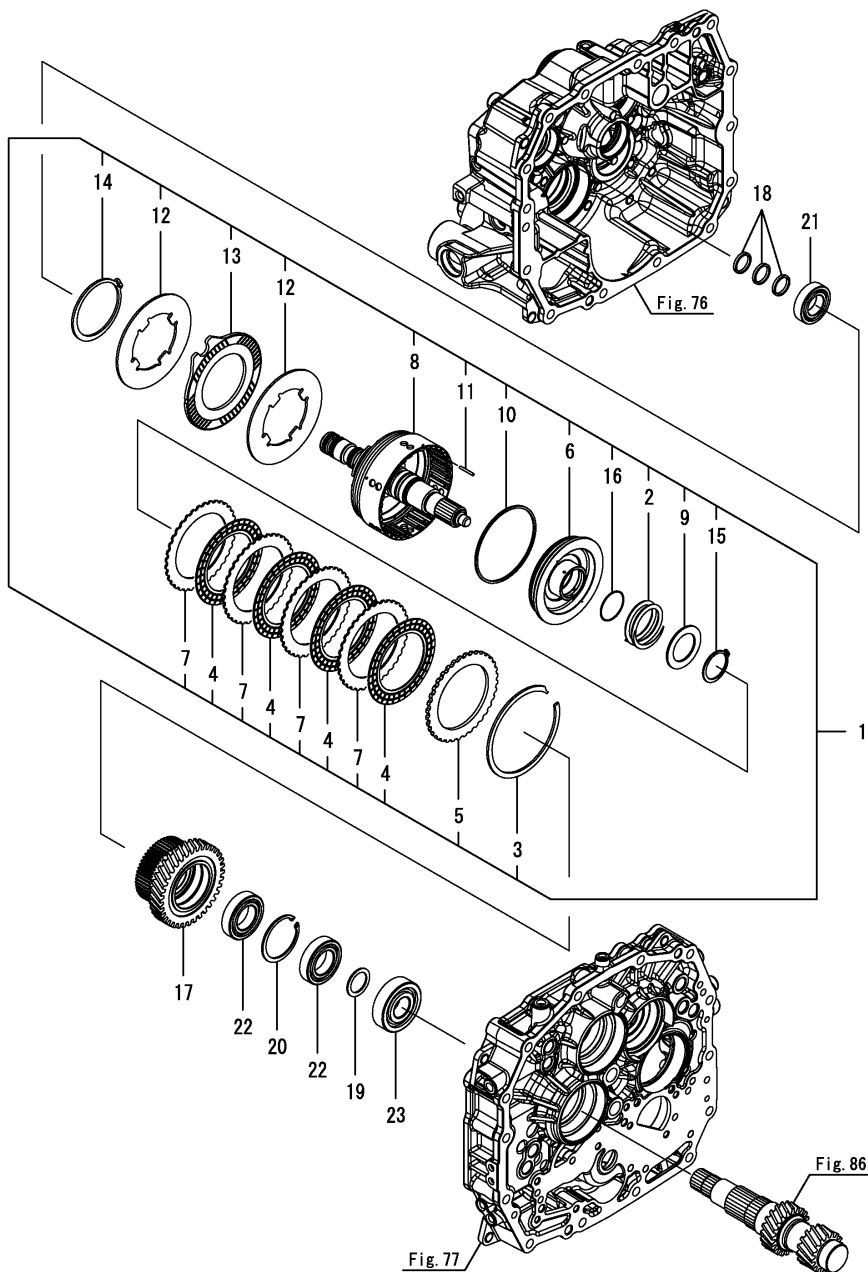


No.	Lev.	Parts No.	Description	Q'ty						I	R
				(A)	(B)	(C)	(D)	(E)	(F)		
1	1	1A8042-22310	GEAR, REVERSE IDLE	1	1						
2	1	1A8042-22320	SHAFT, REVERSE IDLE	1	1						
3	1	1A8042-22330	COLLAR, 17X25X33	1	1						
4	1	194850-25760	BEARING, BALL 6203	2	2						
5	1	194197-25930	WASHER, 17X24X1.6	1	1						
6	1	22252-000400	RING, 40	1	1						

Fig.73. P.T.O. CLUTCH

(A)=YT347Y
(B)=YT359Y
(C)=

(D)=
(E)=
(F)=

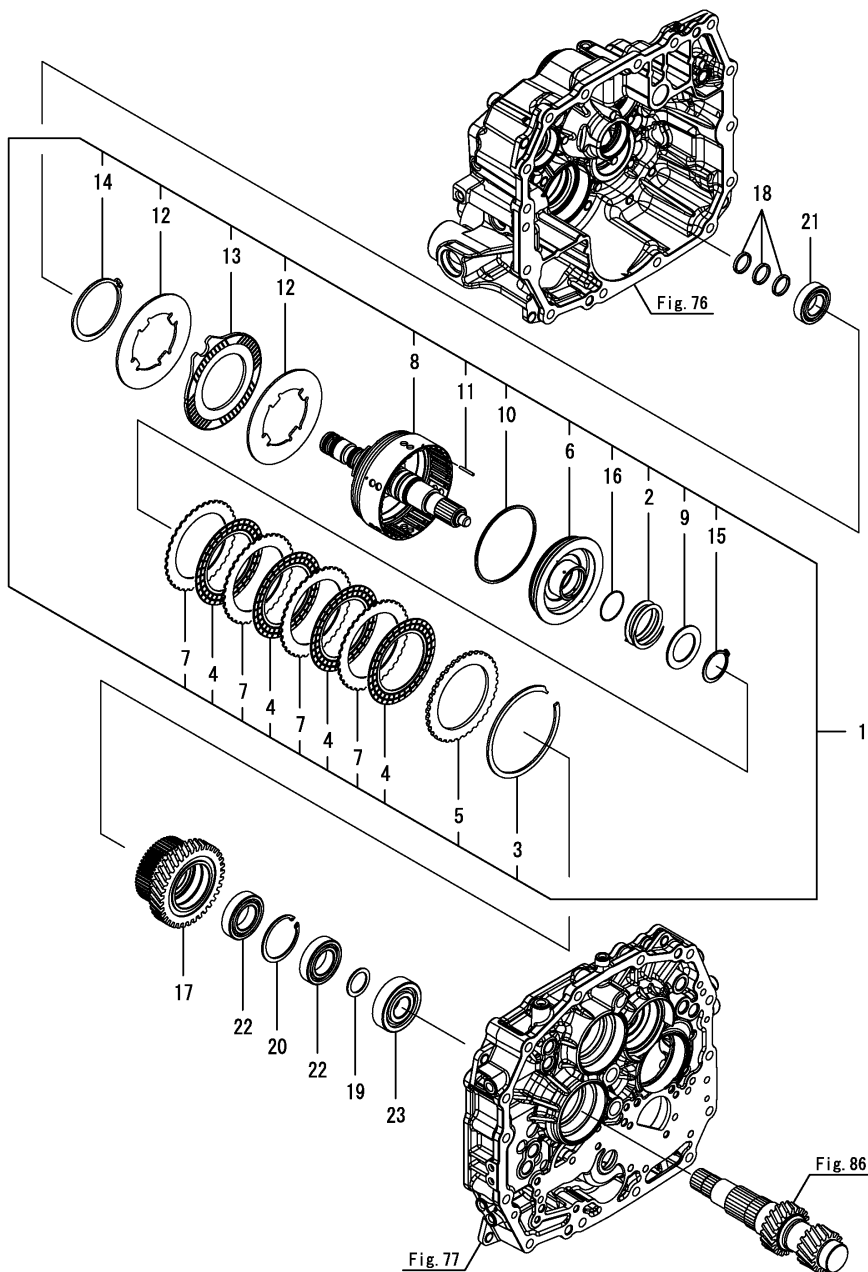


No.	Lev.	Parts No.	Description	Q'ty						I	R
				(A)	(B)	(C)	(D)	(E)	(F)		
1	1	1A8470-23700	SHAFT KIT, PTO	1							
2	2	1A8042-22160	SPRING, CLUTCH	1							
3	2	1A8042-22180	RING	1							
4	2	1A8060-23170	DISK, FRICTION	4							
5	2	1A8060-23190	PLATE, STEEL 4.0	1							
6	2	1A8042-23710	PISTON, CLUTCH	1							
7	2	1A8060-23740	PLATE, STEEL 2.0	4							
8	2	1A8470-23750	SHAFT KIT,PTO CLUTCT	1							
9	2	1A8060-23790	SEAT, SPRING	1							
10	2	1A8060-23820	D-RING, OUTER	1							
11	2	1A8060-23830	PIN, BRAKE PTO	3							
12	2	1A8060-23840	PLATE, BRAKE	2							
13	2	1A8060-23850	DISK, BRAKE	1							
14	2	22242-000700	RING, 70	1							
15	2	22242-100350	RING, 35	1							
16	2	24341-000320	O-RING, 1AS32.0	1							
17	1	1A8470-23810	GEAR, CLUTCH PTO 39	1							
18	1	198167-26240	RING, SEAL 21X25X3	3							
19	1	194190-26840	SPACER, 25X35X1.6	1							
20	1	22252-000550	RING, 55	1							
21	1	24101-060054	BEARING, BALL 6005	1							
22	1	24101-060064	BEARING, BALL 6006	2							
23	1	24101-063054	BEARING, BALL 6305	1							

Fig.74. P.T.O. CLUTCH

(A)=YT347Y
(B)=YT359Y
(C)=

(D)=
(E)=
(F)=

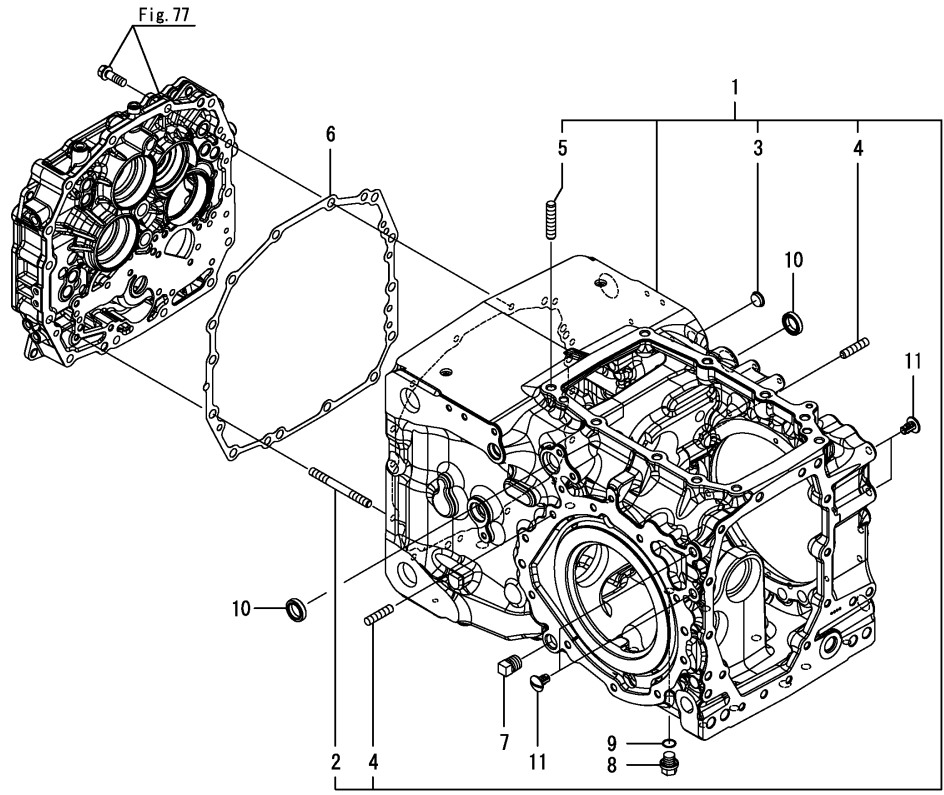


No.	Lev.	Parts No.	Description	Q'ty						I	R
				(A)	(B)	(C)	(D)	(E)	(F)		
1	1	1A8470-23700	SHAFT KIT, PTO		1						
2	2	1A8042-22160	SPRING, CLUTCH		1						
3	2	1A8042-22180	RING		1						
4	2	1A8060-23170	DISK, FRICTION		4						
5	2	1A8060-23190	PLATE, STEEL 4.0		1						
6	2	1A8042-23710	PISTON, CLUTCH		1						
7	2	1A8060-23740	PLATE, STEEL 2.0		4						
8	2	1A8470-23750	SHAFT KIT,PTO CLUTCT		1						
9	2	1A8060-23790	SEAT, SPRING		1						
10	2	1A8060-23820	D-RING, OUTER		1						
11	2	1A8060-23830	PIN, BRAKE PTO		3						
12	2	1A8060-23840	PLATE, BRAKE		2						
13	2	1A8060-23850	DISK, BRAKE		1						
14	2	22242-000700	RING, 70		1						
15	2	22242-100350	RING, 35		1						
16	2	24341-000320	O-RING, 1AS32.0		1						
17	1	1A8480-23810	GEAR, CLUTCH PTO 37		1						
18	1	198167-26240	RING, SEAL 21X25X3		3						
19	1	194190-26840	SPACER, 25X35X1.6		1						
20	1	22252-000550	RING, 55		1						
21	1	24101-060054	BEARING, BALL 6005		1						
22	1	24101-060064	BEARING, BALL 6006		2						
23	1	24101-063054	BEARING, BALL 6305		1						

Fig.75. TRANSMISSION CASE

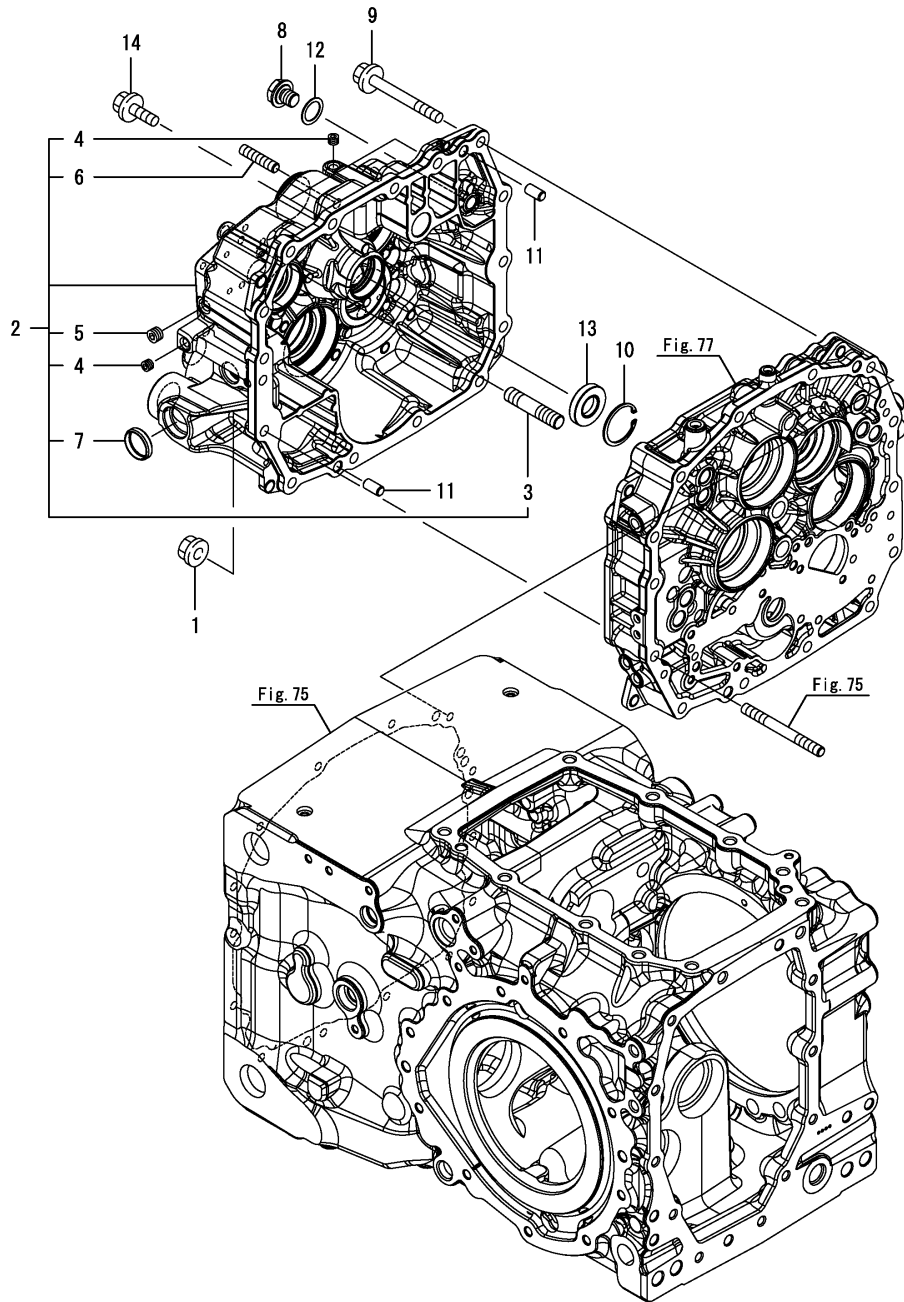
(A)=YT347Y
(B)=YT359Y
(C)=

(D)=
(E)=
(F)=



No.	Lev.	Parts No.	Description	Q'ty						I	R
				(A)	(B)	(C)	(D)	(E)	(F)		
1	1	1A8475-24100	HOUSING ASSY, T/M	1	1						
2	2	1A8470-24140	BOLT, STUD 10X90	1	1						
3	2	1A7450-24170	PLUG, BORE 17	1	1						
4	2	26216-100302	STUD, M10X 30	2	2						
5	2	26216-120352	STUD, M12X 35	1	1						
6	1	1A8042-24170	GASKET,XMSN. HOUSING	1	1						
7	1	194322-24980	PLUG, 1-2NPT	1	1						
8	1	23491-140002	PLUG, 14	1	1						
9	1	24311-000160	O-RING, 1AP16.0	1	1						
10	1	24421-203007	SEAL, OIL TC203007	2	2						
11	1	41810-000120	CAP, BOLT M12	4	4						

Fig.76. FRONT COVER



(A)=YT347Y
(B)=YT359Y
(C)=

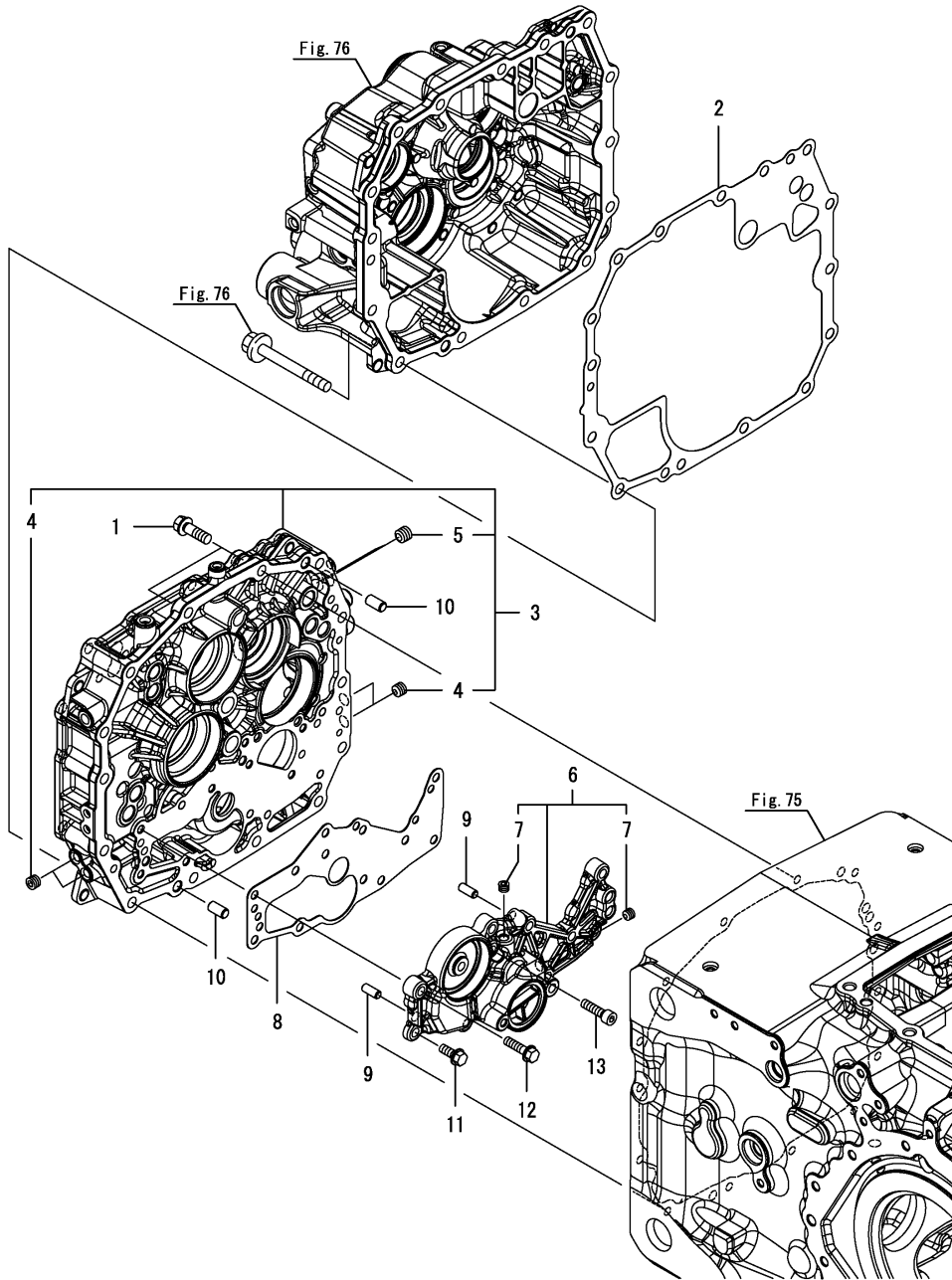
(D)=
(E)=
(F)=

No.	Lev.	Parts No.	Description	Q'ty						I	R
				(A)	(B)	(C)	(D)	(E)	(F)		
1	1	1A8160-13930	NUT, M10	1	1						
2	1	1A8475-24200	COVER ASSY, F	1	1						
3	2	1A8042-24250	STUD, M14X50	1	1						
4	2	23875-010000	PLUG, R01	2	2						
5	2	23875-020000	PLUG, R02	1	1						
6	2	26226-100252	STUD, M10X 25	1	1						
7	2	27260-320000	PLUG, 32	1	1						
8	1	1A8470-24240	PLUG, 9/16-18 UNF	1	1						
9	1	1A8470-24280	BOLT, 10X90	11	11						
10	1	22252-000420	RING, 42	1	1						
11	1	22312-100180	PIN, PARALLEL M10X18	2	2						
12	1	23414-200000	GASKET, 20X1.0	1	1						
13	1	24421-204208	SEAL, OIL TC204208	1	1						
14	1	26106-100302	BOLT, M10X 30 PLATED	3	3						

Fig.77. CENTER HOUSING

(A)=YT347Y
(B)=YT359Y
(C)=

(D)=
(E)=
(F)=

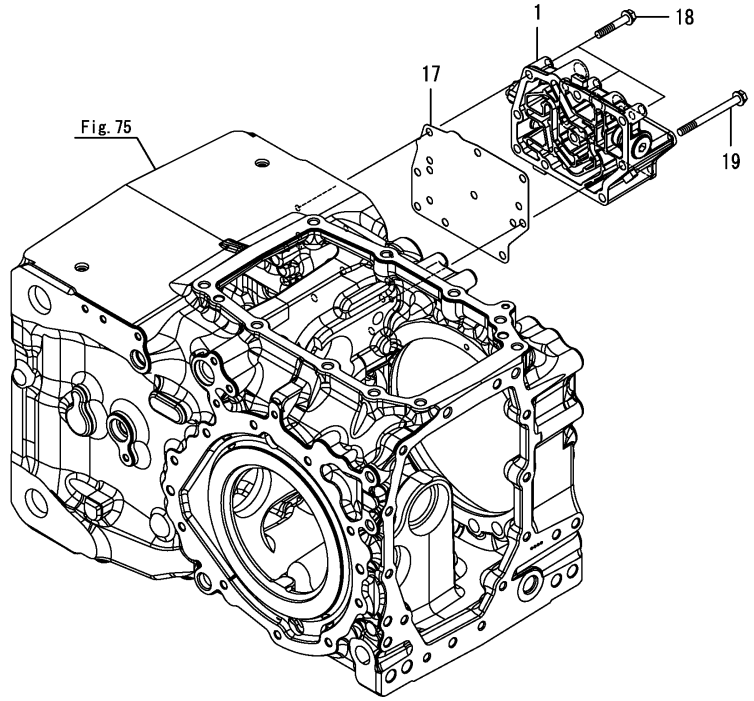
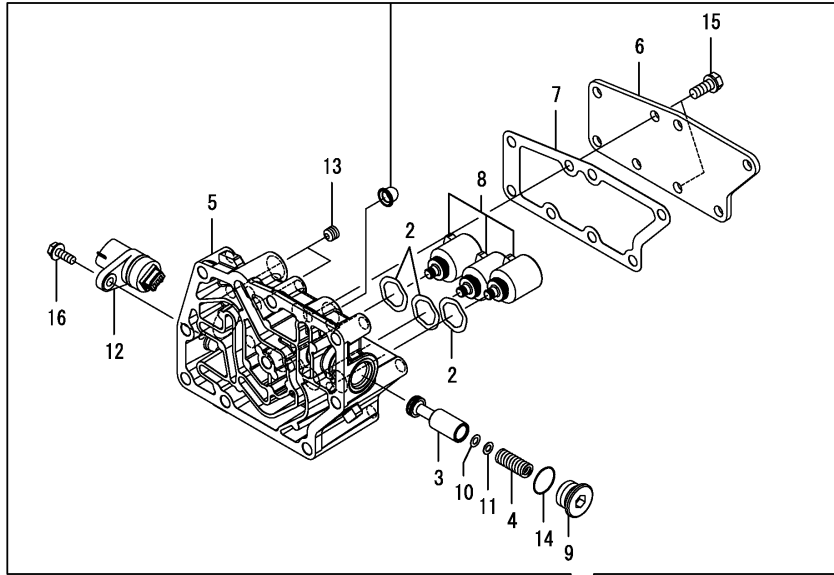


No.	Lev.	Parts No.	Description	Qty						I	R
				(A)	(B)	(C)	(D)	(E)	(F)		
1	1	1A8310-13910	BOLT, TENSION 10X30	2	2						
2	1	1A8042-24230	GASKET, FRONT COVER	1	1						
3	1	1A8042-24300	HOUSING ASSY, CENTER	1	1						
4	2	23875-010000	PLUG, R01	4	4						
5	2	23875-020000	PLUG, R02	2	2						
6	1	1A8042-24350	CASE ASSY, SEAL	1	1						
7	2	23875-010000	PLUG, R01	2	2						
8	1	1A8042-24390	GASKET, SEAL CASE	1	1						
9	1	22312-080180	PIN, PARALLEL M8X18	2	2						
10	1	22312-100180	PIN, PARALLEL M10X18	2	2						
11	1	26106-080202	BOLT, M8X 20 PLATED	2	2						
12	1	26106-080302	BOLT, M8X 30 PLATED	8	8						
13	1	26450-080302	BOLT, M8X 30	1	1						

Fig.78. VALVE(I-H.M.T.)

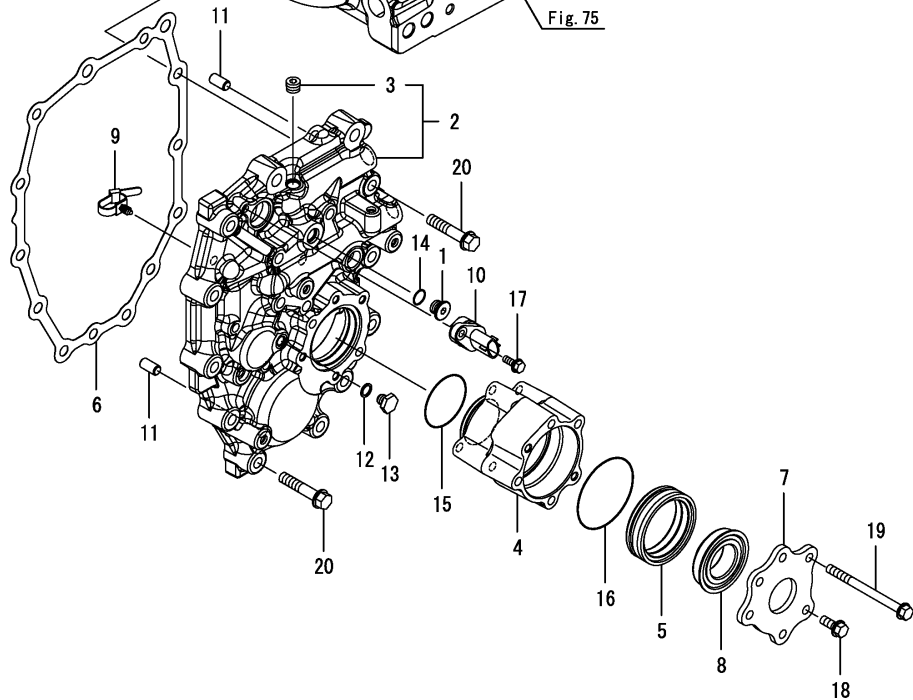
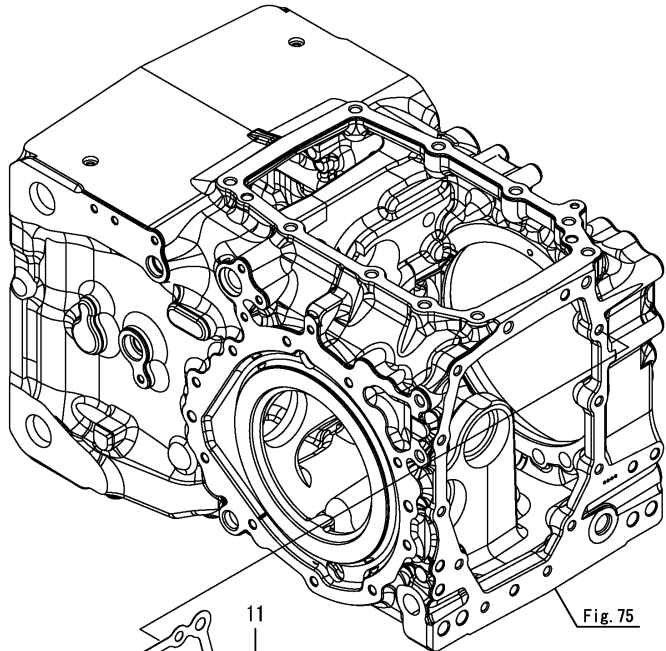
(A)=YT347Y
(B)=YT359Y
(C)=

(D)=
(E)=
(F)=



No.	Lev.	Parts No.	Description	Q'ty						I	R
				(A)	(B)	(C)	(D)	(E)	(F)		
1	1	168219-00030	VALVE ASSY, I-HMT	1	1						
2	2	168219-01210	WAVE WASHER	3	3						
3	2	168218-02150	RELIEF VALVE	1	1						
4	2	168218-02160	SP(MAIN RELIEF	1	1						
5	2	168219-03010	CASE ASSY, VALVE 9C	1	1						
6	2	168219-03030	COVER, VALVE 9C	1	1						
7	2	168219-03041	PACKING, COVER 9C	1	1						
8	2	168219-03200	SOLENOID ASSY,3	1	1						
9	2	178076-05420	PLUG, G,1/2	1	1						
10	2	192157-27060	SHIM (0.2	1	1						
11	2	192157-27080	SIM(T=0.5	1	1						
12	2	1A7180-52050	CONNECTOR, ADAPTER	1	1						
13	2	23871-010000	PLUG, R01	2	2						
14	2	24311-000180	O-RING, 1AP18.0	1	1						
15	2	26016-080202	BOLT, M8X 20	2	2						
16	2	26106-060162	BOLT, M6X 16 PLATED	1	1						
17	1	1A8042-24480	GASKET, I-HMT VALVE	1	1						
18	1	26106-080452	BOLT, M8X 45 PLATED	3	3						
19	1	26106-080902	BOLT, M8X 90 PLATED	6	6						

Fig.79. REAR COVER



(A)=YT347Y
(B)=YT359Y
(C)=

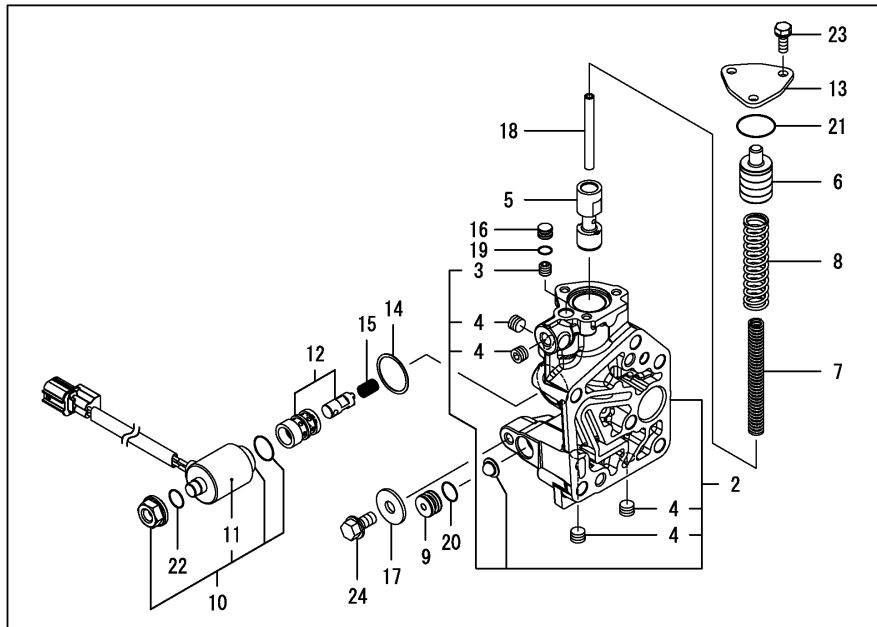
(D)=
(E)=
(F)=

No.	Lev.	Parts No.	Description	Q'ty						I	R
				(A)	(B)	(C)	(D)	(E)	(F)		
1	1	178076-12400	PLUG, G1/4	1	1						
2	1	1A8042-24400	COVER ASSY, REAR	1	1						
3	2	23875-020000	PLUG, R02	1	1						
4	1	1A8475-24420	RETAINER, PTO SHAFT	1	1						
5	1	1A8475-24430	COLLAR, SEAL	1	1						
6	1	1A8042-24440	GASKET, REAR COVER	1	1						
7	1	1A8475-24440	PLATE, OIL SEAL	1	1						
8	1	194370-26350	SEAL, OIL QLF356019	1	1						
9	1	1A8275-51670	CLIP, M8 HOLE	1	1						
10	1	1A7180-52050	CONNECTOR, ADAPTER	1	1						
11	1	22312-100180	PIN, PARALLEL M10X18	2	2						
12	1	23414-100014	GASKET, 10X1.0	1	1						
13	1	23887-100002	PLUG, 10	1	1						
14	1	24311-000110	O-RING, 1AP11.0	1	1						
15	1	24321-000550	O-RING, 1AG55.0	1	1						
16	1	24321-000700	O-RING, 1AG70.0	1	1						
17	1	26106-060162	BOLT, M6X 16 PLATED	1	1						
18	1	26106-080202	BOLT, M8X 20 PLATED	2	2						
19	1	26106-081002	BOLT, M8X100 PLATED	4	4						
20	1	26106-100502	BOLT, M10X 50 PLATED	10	10						

Fig.80. P.T.O. VALVE

(A)=YT347Y
(B)=YT359Y
(C)=

(D)=
(E)=
(F)=



No.	Lev.	Parts No.	Description	Q'ty						I	R
				(A)	(B)	(C)	(D)	(E)	(F)		
1	1	1682D2-00030	VALVE ASSY, PTO	1	1						
2	2	1682D2-01011	BODY ASSY, VALVE 2A	1	1						
3	3	1682D1-01100	ORIFICE	1	1						
4	3	23871-010000	PLUG, R01	4	4						
5	2	1682D1-01050	VALVE, MODULATION	1	1						
6	2	1682D1-01060	PISTON(ACCUMULATOR	1	1						
7	2	1682D1-01070	SP(INNER	1	1						
8	2	1682D1-01080	SP(OUTER	1	1						
9	2	1682D2-01150	PLUG, 16	1	1						
10	2	1682D2-01200	SOLENOID ASSY	1	1						
11	3	1682D2-01210	COIL	1	1						
12	2	178076-02430	VALVE ASSY, SOLENOID	1	1						
13	2	198213-24750	COVER, DRV	1	1						
14	2	192159-27780	GASKET, SOLENOID	1	1						
15	2	192159-27830	SPRING,SOLENOID	1	1						
16	2	194170-45370	PLUG, FLOW CONTROL	1	1						
17	2	22157-080000	WASHER, 8	1	1						
18	2	22351-060060	PIN, SPRING 6.0X60	1	1						
19	2	24311-000070	O-RING, 1AP7.0	1	1						
20	2	24311-000120	O-RING, 1AP12.0	1	1						
21	2	24311-000240	O-RING, 1AP24.0	1	1						
22	2	24341-000112	O-RING, 1AS11.2	1	1						
23	2	26016-060162	BOLT, M6X 16	3	3						
24	2	26106-080162	BOLT, M8X 16 PLATED	1	1						
25	1	1A8275-24160	PLUG ASSY	1	1						
26	1	1A8060-26840	GASKET, PTO VALVE	1	1						
27	1	22312-080180	PIN, PARALLEL M8X18	2	2						
28	1	24311-000070	O-RING, 1AP7.0	1	1						
29	1	26106-080502	BOLT, M8X 50 PLATED	5	5						
30	1	26106-080702	BOLT, M8X 70 PLATED	1	1						

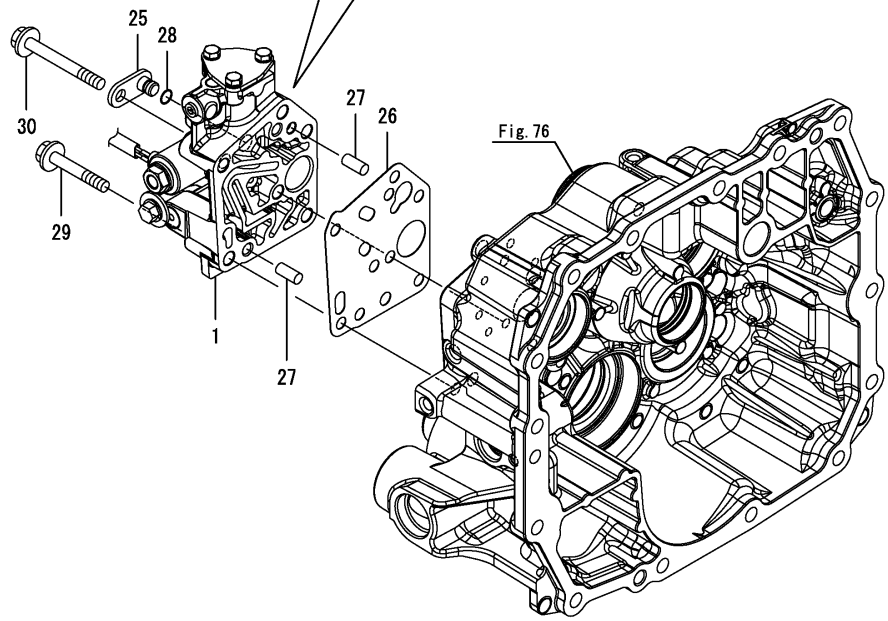
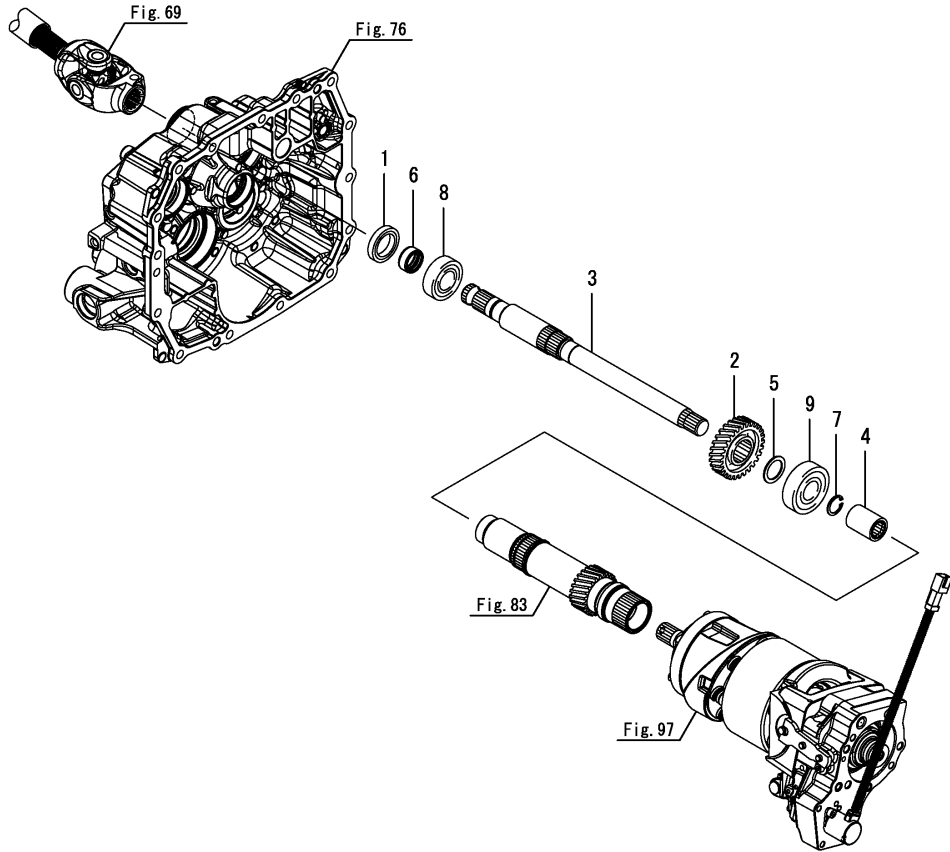


Fig.81. INPUT SHAFT

(A)=YT347Y
(B)=YT359Y
(C)=

(D)=
(E)=
(F)=

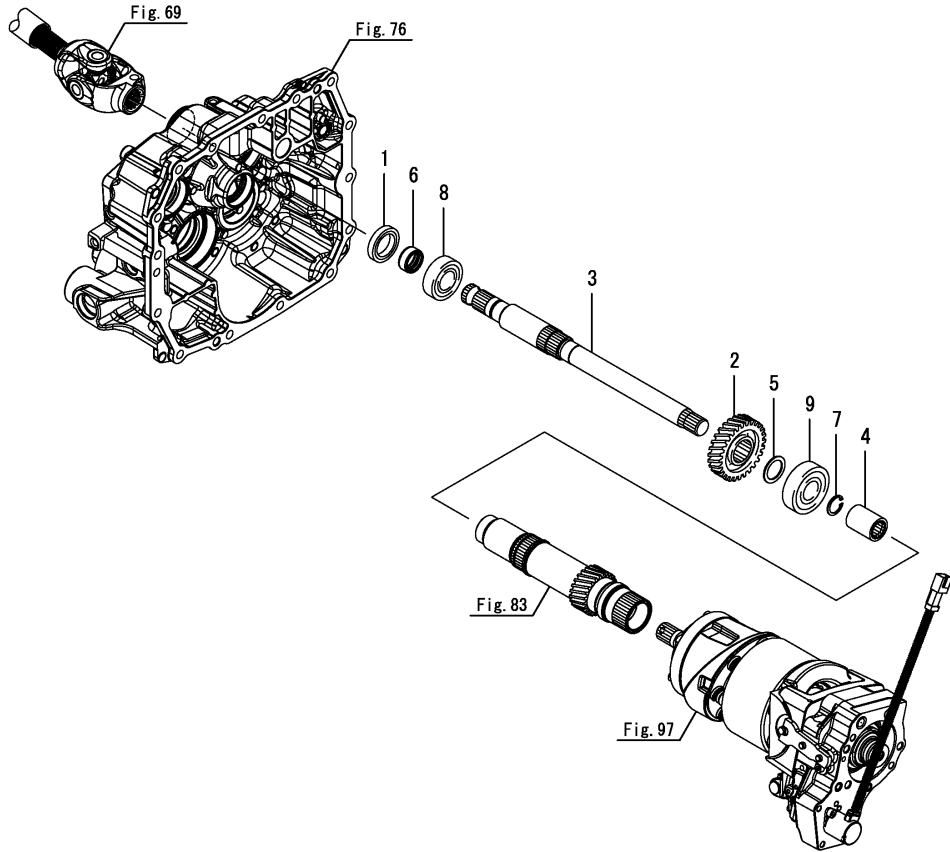


No.	Lev.	Parts No.	Description	Q'ty						I	R
				(A)	(B)	(C)	(D)	(E)	(F)		
1	1	198200-24320	SEAL, OIL TC304508	1							
2	1	1A7180-25110	GEAR, Z=29	1							
3	1	1A8470-25110	SHAFT, INPUT	1							
4	1	198212-25150	COUPLING, 13X16/32	1							
5	1	194190-26840	SPACER, 25X35X1.6	1							
6	1	1E6190-54080	SLEEVE SI25X30X13	1							
7	1	22252-000190	RING, 19	1							
8	1	24101-062054	BEARING, BALL 6205	1							
9	1	24101-063054	BEARING, BALL 6305	1							

Fig.82. INPUT SHAFT

(A)=YT347Y
(B)=YT359Y
(C)=

(D)=
(E)=
(F)=

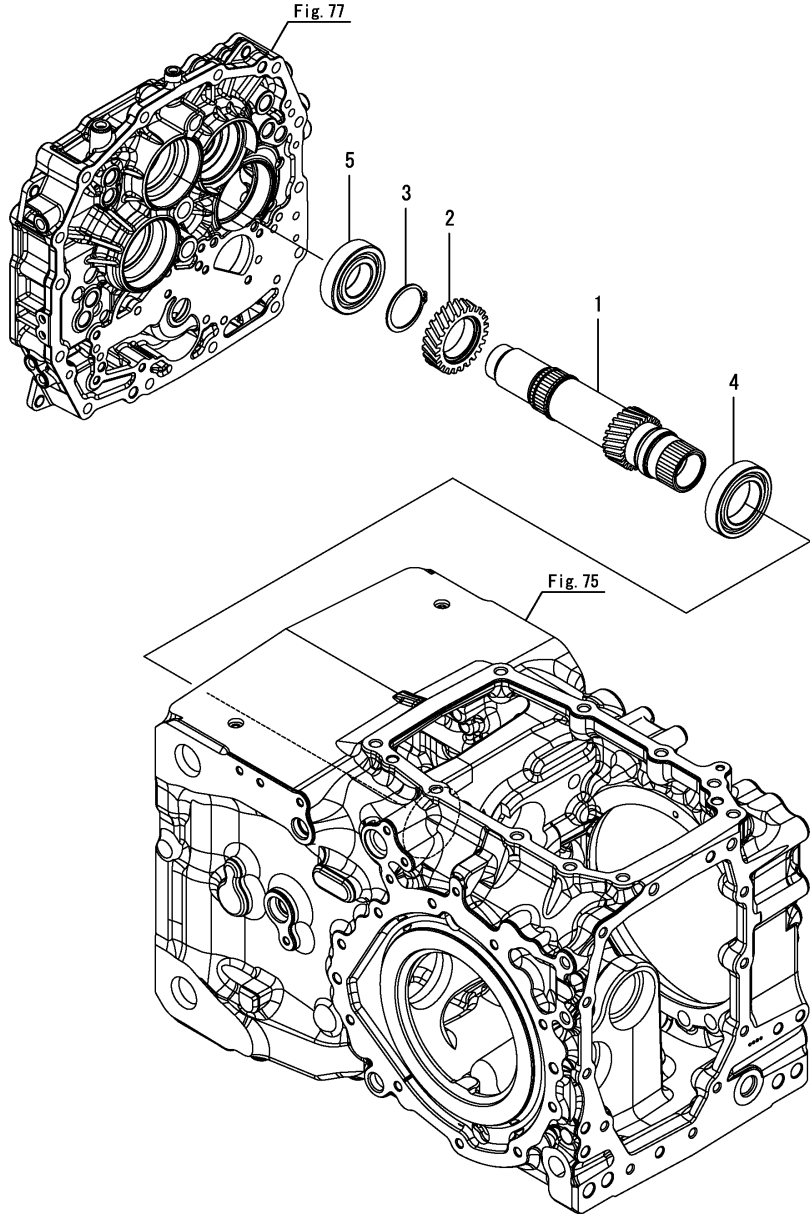


No.	Lev.	Parts No.	Description	Q'ty						I	R
				(A)	(B)	(C)	(D)	(E)	(F)		
1	1	198200-24320	SEAL, OIL TC304508		1						
2	1	1A7210-25110	GEAR, Z=31		1						
3	1	1A8470-25110	SHAFT, INPUT		1						
4	1	198212-25150	COUPLING, 13X16/32		1						
5	1	194190-26840	SPACER, 25X35X1.6		1						
6	1	1E6190-54080	SLEEVE SI25X30X13		1						
7	1	22252-000190	RING, 19		1						
8	1	24101-062054	BEARING, BALL 6205		1						
9	1	24101-063054	BEARING, BALL 6305		1						

Fig.83. OUTPUT SHAFT

(A)=YT347Y
(B)=YT359Y
(C)=

(D)=
(E)=
(F)=

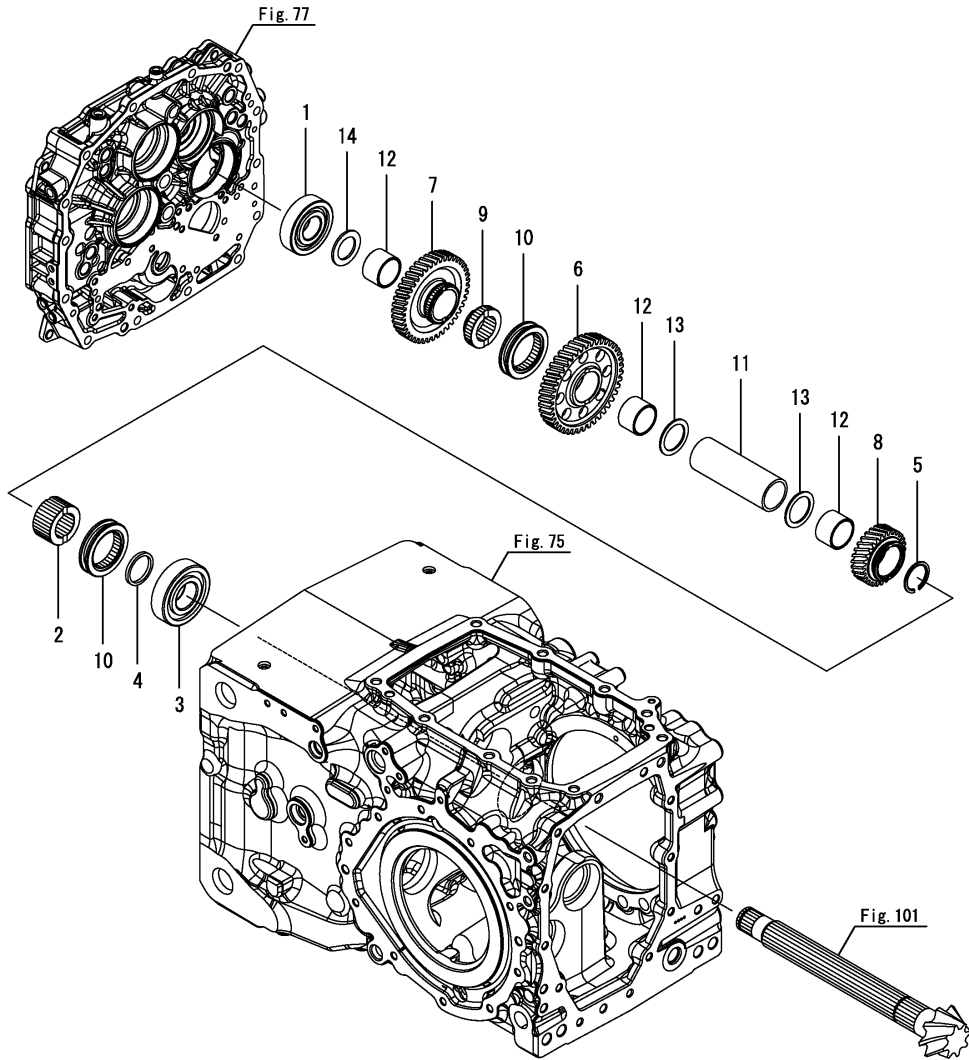


No.	Lev.	Parts No.	Description	Qty						I	R
				(A)	(B)	(C)	(D)	(E)	(F)		
1	1	1A8042-25311	SHAFT, OUTPUT	1	1						
2	1	1A8042-25320	GEAR, DRIVE F	1	1						
3	1	22242-000450	RING, 45	1	1						
4	1	24101-060094	BEARING, BALL 6009	1	1						
5	1	24101-062074	BEARING, BALL 6207	1	1						

Fig.84. COUNTER SHAFT

(A)=YT347Y
(B)=YT359Y
(C)=

(D)=
(E)=
(F)=

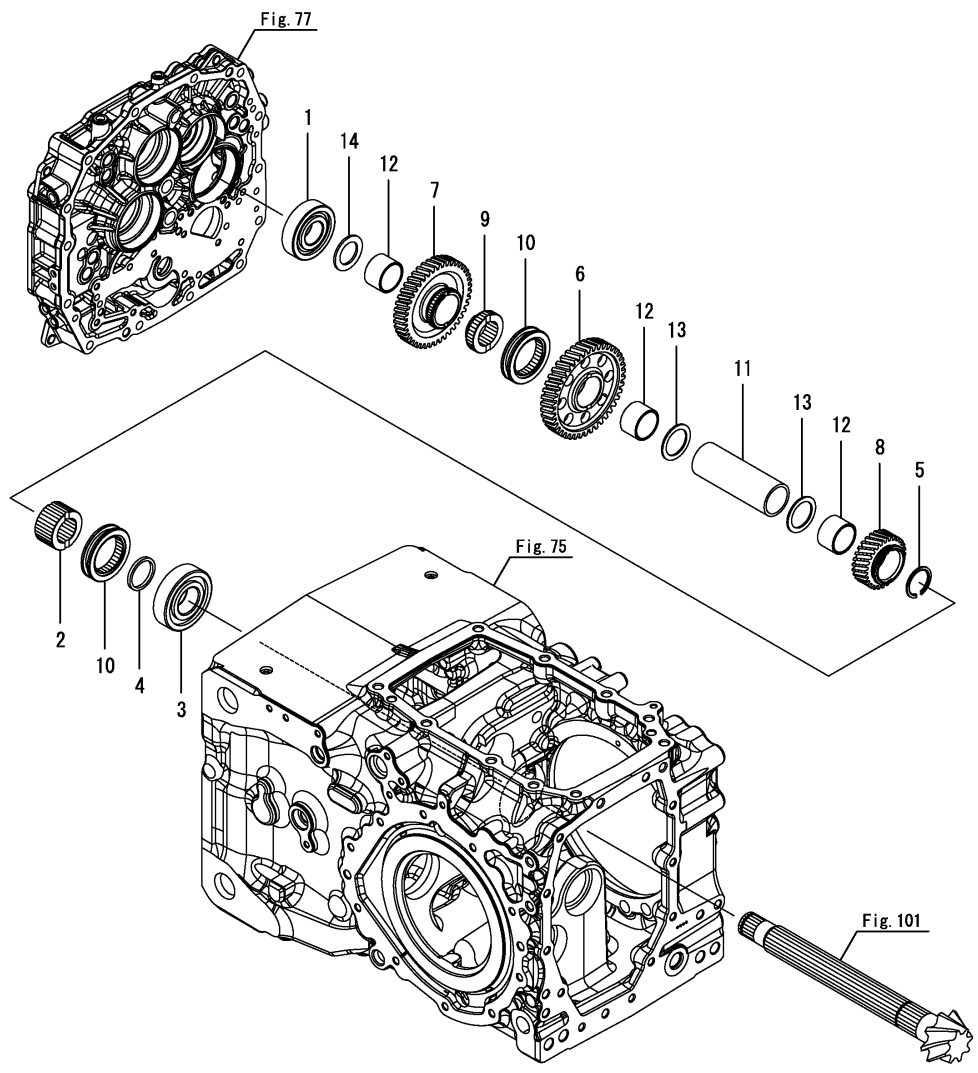


No.	Lev.	Parts No.	Description	Q'ty						I	R
				(A)	(B)	(C)	(D)	(E)	(F)		
1	1	174842-13740	BEARING, 6306RSH2	1							
2	1	198149-25780	COLLAR, SPLINE A	1							
3	1	198390-25790	BEARING, 6307R SH2	1							
4	1	1A8042-25800	COLLAR	1							
5	1	1A8310-25810	RING, 35X2	1							
6	1	1A8470-25810	GEAR, COUNTER 44	1							
7	1	1A8470-25820	GEAR, COUNTER 42	1							
8	1	1A8470-25830	GEAR, COUNTER 26	1							
9	1	1A8042-25841	COLLAR, SPLINE	1							
10	1	198149-25890	SHIFTER	2							
11	1	1A8042-25890	COLLAR, 36X43X123	1							
12	1	1A8042-26280	BUSH,	3							
13	1	1A7530-27570	WASHER, 35X47X2	2							
14	1	1A6650-28150	WASHER, THRUST	1							

Fig.85. COUNTER SHAFT

(A)=YT347Y
(B)=YT359Y
(C)=

(D)=
(E)=
(F)=



No.	Lev.	Parts No.	Description	Q'ty						I	R
				(A)	(B)	(C)	(D)	(E)	(F)		
1	1	174842-13740	BEARING, 6306RSH2		1						
2	1	198149-25780	COLLAR, SPLINE A		1						
3	1	198390-25790	BEARING, 6307R SH2		1						
4	1	1A8042-25800	COLLAR		1						
5	1	1A8310-25810	RING, 35X2		1						
6	1	1A8470-25810	GEAR, COUNTER 44		1						
7	1	1A8470-25820	GEAR, COUNTER 42		1						
8	1	1A8460-25830	GEAR, COUNTER 24		1						
9	1	1A8042-25841	COLLAR, SPLINE		1						
10	1	198149-25890	SHIFTER		2						
11	1	1A8042-25890	COLLAR, 36X43X123		1						
12	1	1A8042-26280	BUSH,		3						
13	1	1A7530-27570	WASHER, 35X47X2		2						
14	1	1A6650-28150	WASHER, THRUST		1						

Fig.86. P.T.O. DRIVE SHAFT

(A)=YT347Y
(B)=YT359Y
(C)=

(D)=
(E)=
(F)=

No.	Lev.	Parts No.	Description	Q'ty						I	R
				(A)	(B)	(C)	(D)	(E)	(F)		
1	1	1A8472-26110	DRIVE, PTO	1	1						
2	1	1A8470-26120	SHAFT, PINION PTO	1	1						
3	1	24101-062074	BEARING, BALL 6207	2	2						

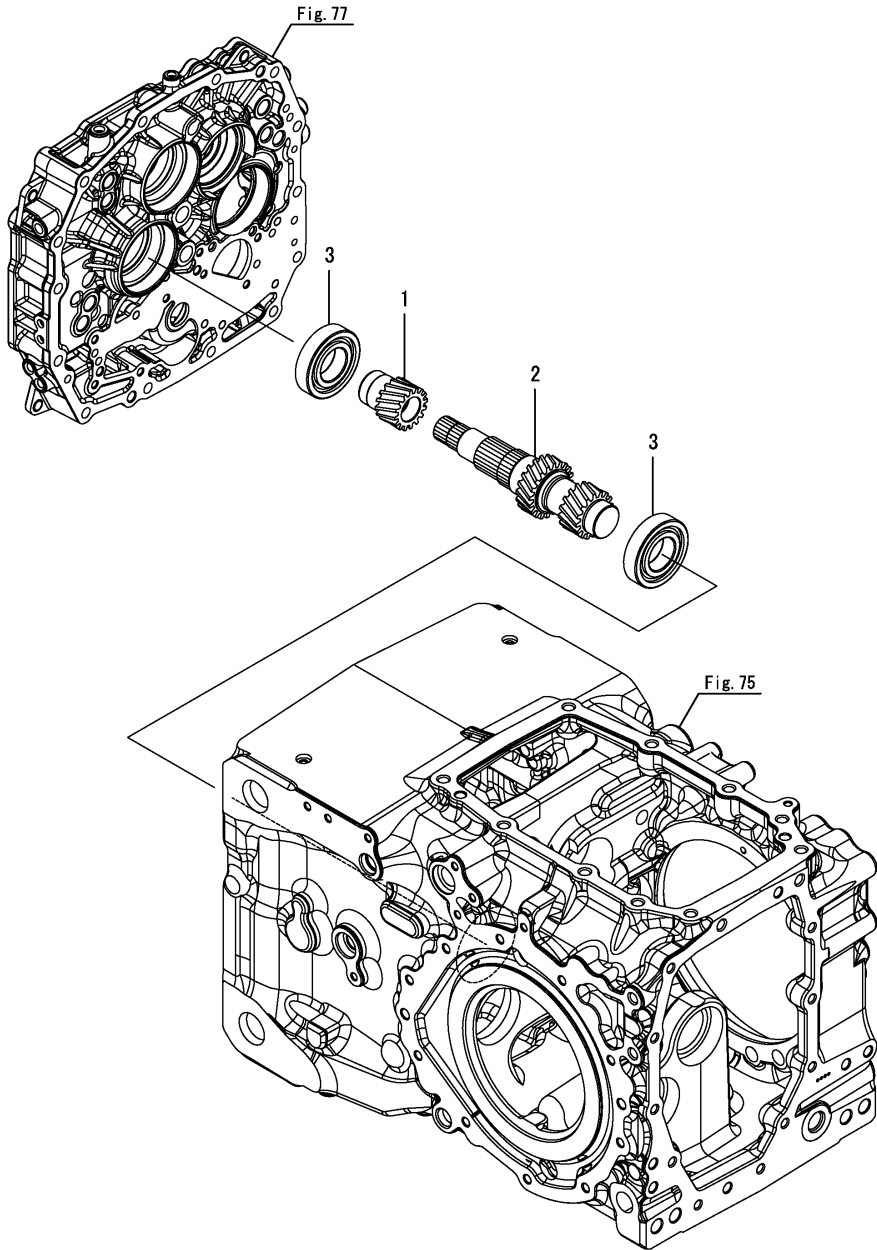
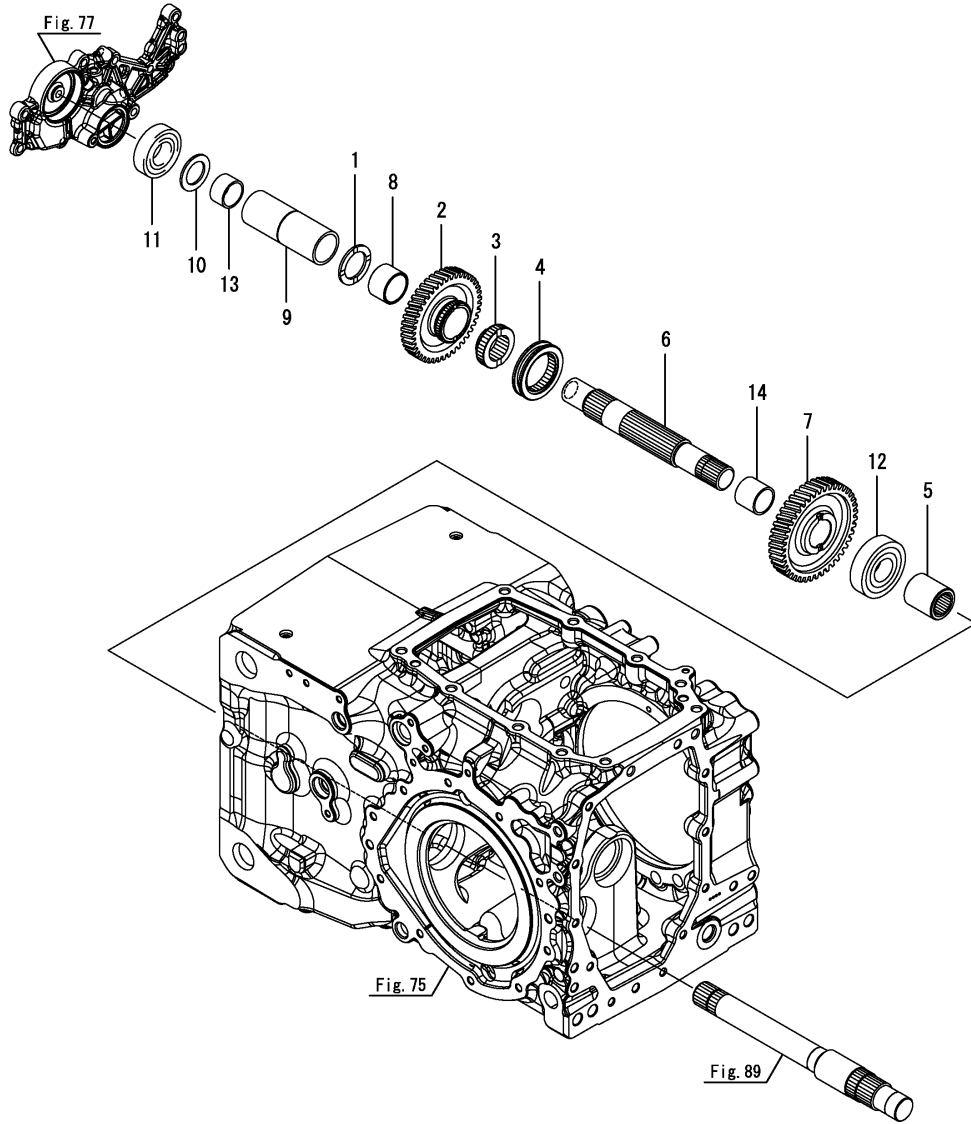


Fig.87. P.T.O. DRIVEN SHAFT

(A)=YT347Y
(B)=YT359Y
(C)=

(D)=
(E)=
(F)=



No.	Lev.	Parts No.	Description	Qty						I	R
				(A)	(B)	(C)	(D)	(E)	(F)		
1	1	194180-25550	WASHER, 35X50X3	1	1						
2	1	1A8470-25820	GEAR, COUNTER 42	1	1						
3	1	1A8042-25841	COLLAR, SPLINE	1	1						
4	1	198149-25890	SHIFTER	1	1						
5	1	194640-26130	COUPLING, PTO	1	1						
6	1	1A8470-26210	SHAFT, PTO SHIFT	1	1						
7	1	1A8470-26220	GEAR, DRIVEN 44	1	1						
8	1	1A8042-26280	BUSH,	1	1						
9	1	1A8472-26290	COLLAR,36X43X117	1	1						
10	1	1A6650-28150	WASHER, THRUST	1	1						
11	1	24101-062064	BEARING, BALL 6206	1	1						
12	1	24101-063064	BEARING, BALL 6306	1	1						
13	1	24163-305200	RING, INNER 303520	1	1						
14	1	24163-305300	RACE 303530, INNER	1	1						

Fig.88. P.T.O. SHAFT

(A)=YT347Y
(B)=YT359Y
(C)=

(D)=
(E)=
(F)=

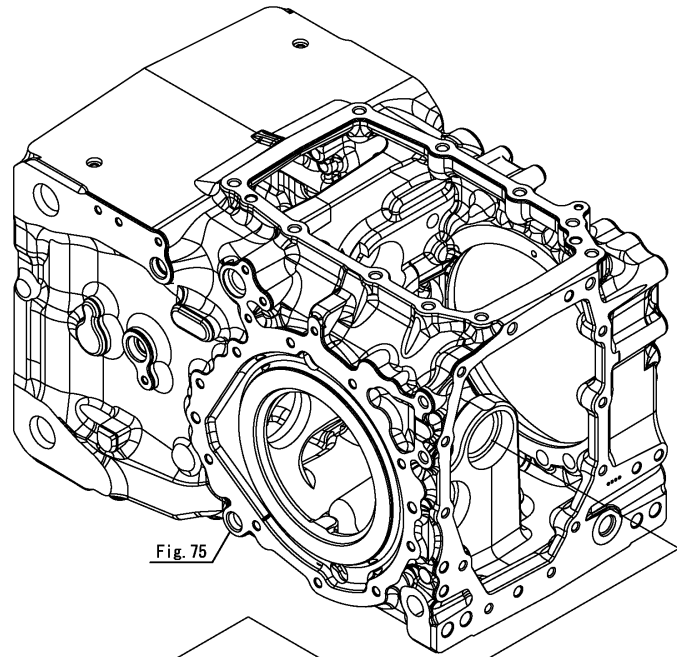


Fig. 75

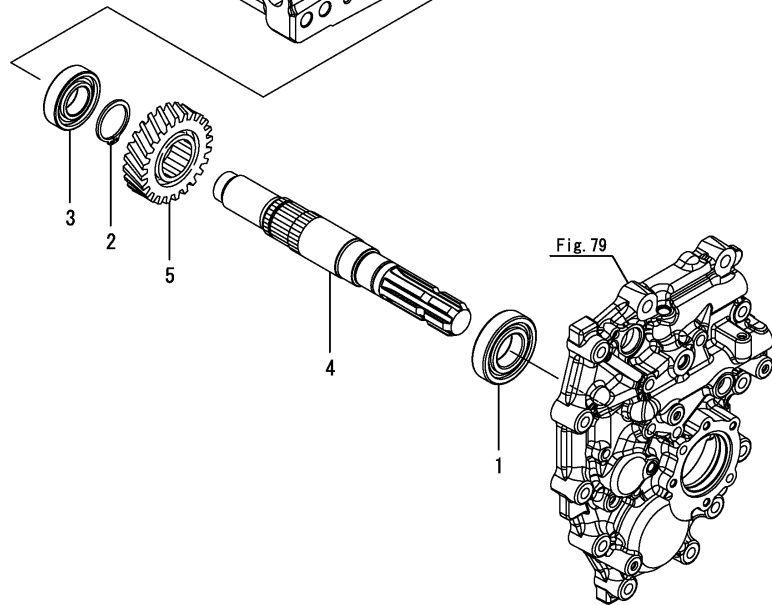
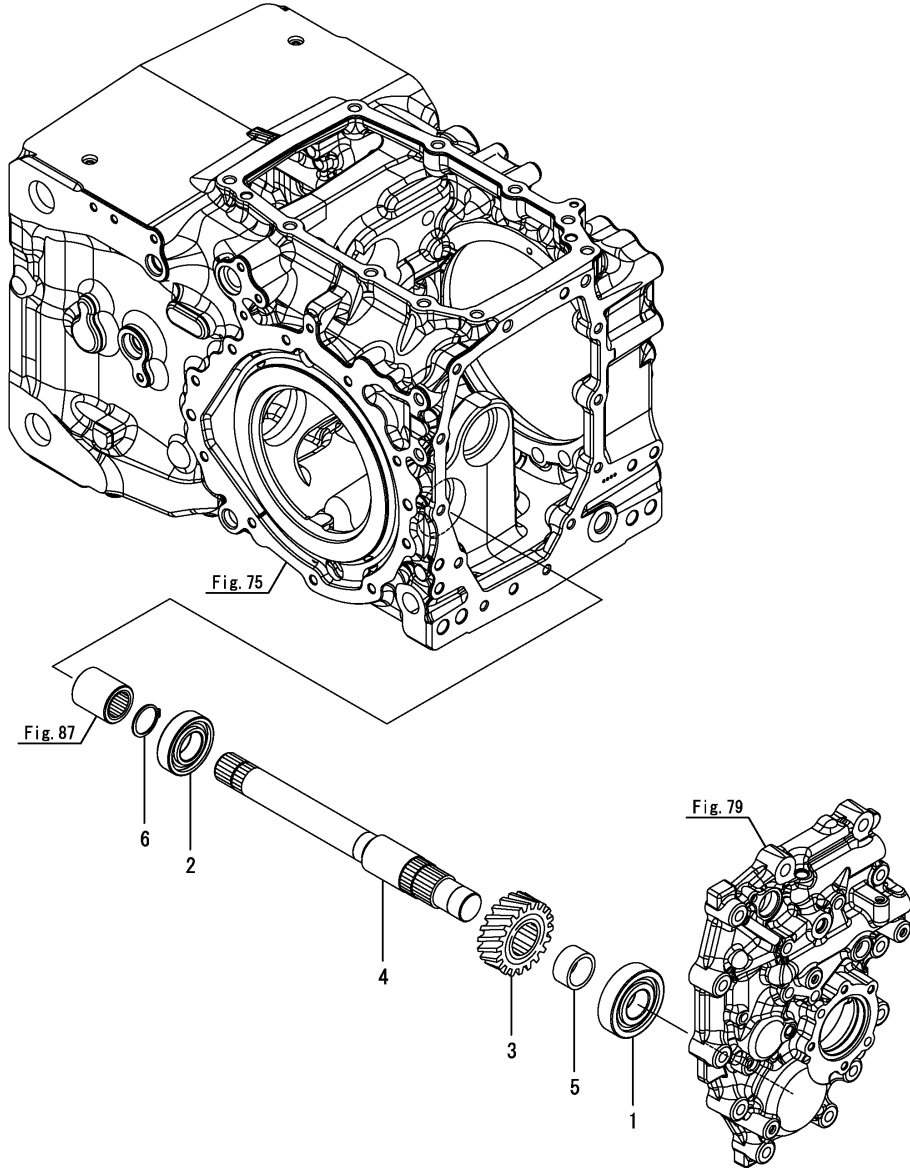


Fig. 79

No.	Lev.	Parts No.	Description	Q'ty						I	R
				(A)	(B)	(C)	(D)	(E)	(F)		
1	1	198390-25230	BEARING, 6207R SH2	1	1						
2	1	1A8296-25240	RING, 40	1	1						
3	1	198165-25810	BEARING, HTFHR6206	1	1						
4	1	1A8475-26310	SHAFT, PTO	1	1						
5	1	1A7180-26420	GEAR, PTO Z=24	1	1						

Fig.89. P.T.O. REDUCTION SHAFT



(A)=YT347Y
(B)=YT359Y
(C)=

(D)=
(E)=
(F)=

No.	Lev.	Parts No.	Description	Q'ty						I	R
				(A)	(B)	(C)	(D)	(E)	(F)		
1	1	174842-13740	BEARING, 6306RSH2	1	1						
2	1	198165-25810	BEARING, HTFHR6206	1	1						
3	1	1A7180-26410	PINION, PTO 19	1	1						
4	1	1A8470-26410	SHAFT, PTO DRIVE	1	1						
5	1	1A8042-26430	COLLAR,31X39X19	1	1						
6	1	22242-000300	RING, 30	1	1						

Fig.90. P.T.O. SHAFT GUARD

(A)=YT347Y
(B)=YT359Y
(C)=

(D)=
(E)=
(F)=

No.	Lev.	Parts No.	Description	Q'ty						I	R
				(A)	(B)	(C)	(D)	(E)	(F)		
1	1	1A8475-26900	MASSY,PTO GUARD	1	1						
2	1	26106-080162	BOLT, M8X 16 PLATED	3	3						

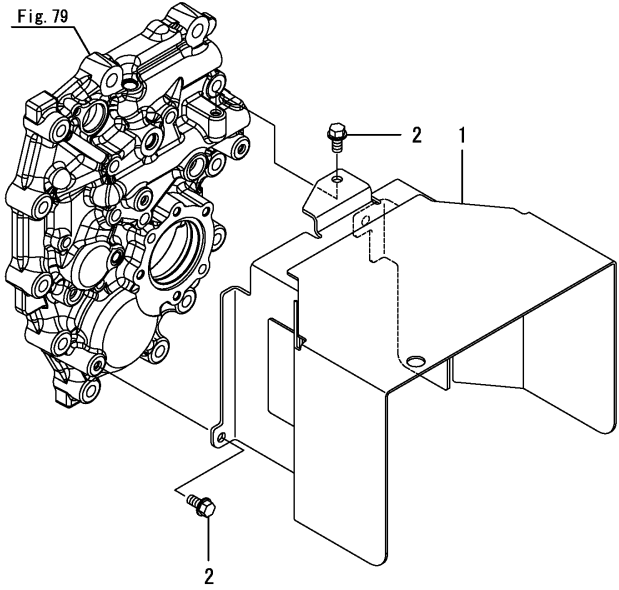
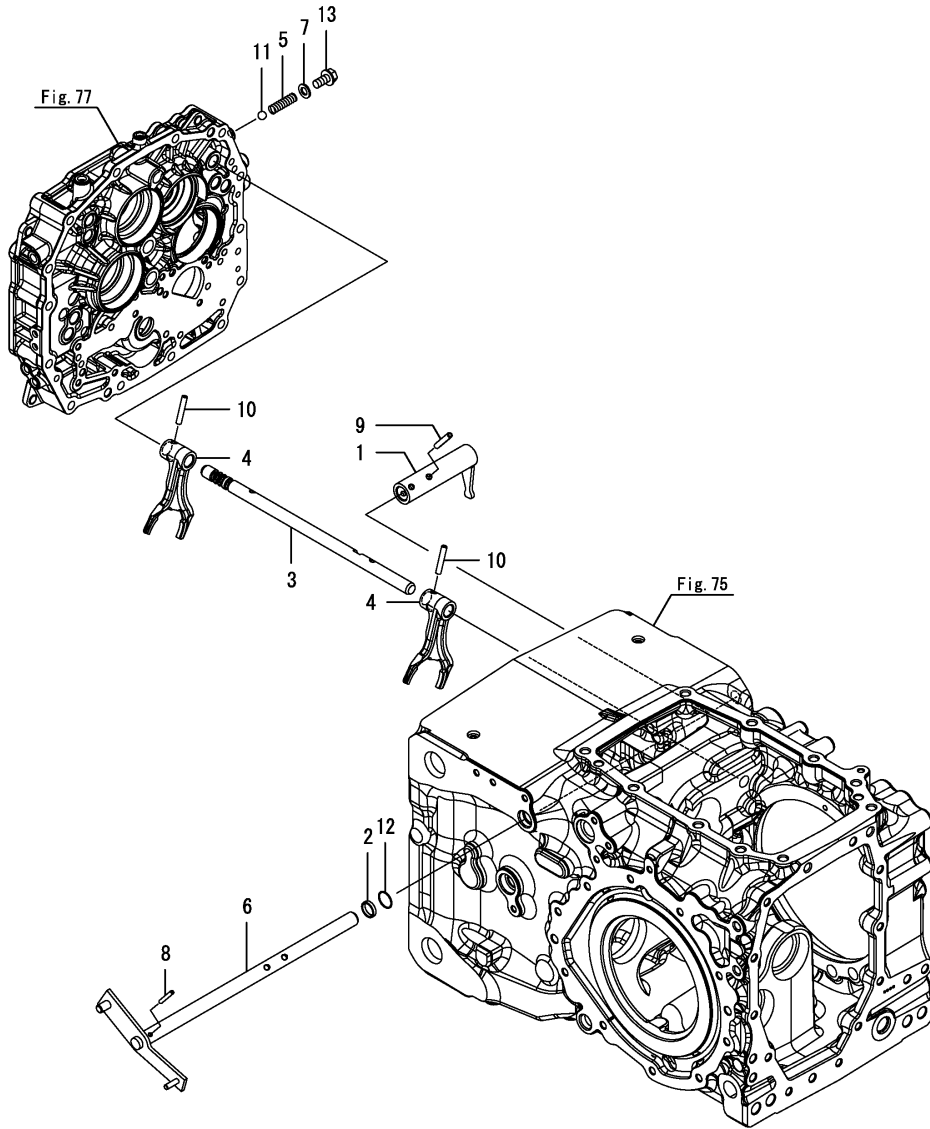


Fig.91. SUB SHIFT

(A)=YT347Y
(B)=YT359Y
(C)=

(D)=
(E)=
(F)=

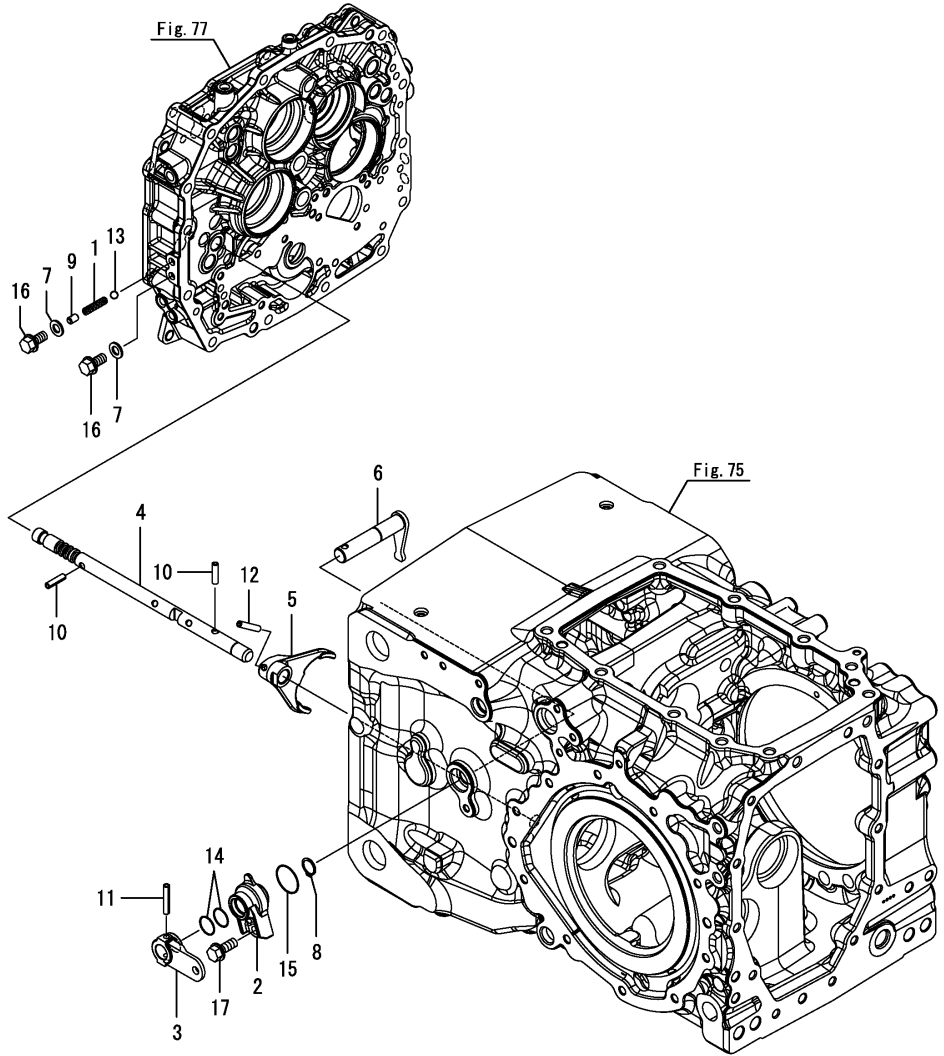


No.	Lev.	Parts No.	Description	Q'ty						I	R
				(A)	(B)	(C)	(D)	(E)	(F)		
1	1	1A7180-27050	ARM, RANGE SHIFT	1	1						
2	1	198119-27150	COLLAR, SHIFT ARM A	1	1						
3	1	1A8042-27510	SHAFT, FORK RANGE	1	1						
4	1	1A8042-27521	FORK, RANGE	2	2						
5	1	194680-27540	SPRING, FORK LOCK	1	1						
6	1	1A8470-27550	SHAFT ASSY, RANGE	1	1						
7	1	22190-080000	WASHER, SEAL 8	1	1						
8	1	22351-040032	PIN, SPRING 4.0X32	1	1						
9	1	22351-060036	PIN, SPRING 6.0X36	1	1						
10	1	22351-060036	PIN, SPRING 6.0X36	2	2						
11	1	24190-080001	BALL, STEEL 1/4	1	1						
12	1	24311-000160	O-RING, 1AP16.0	1	1						
13	1	26106-080162	BOLT, M8X 16 PLATED	1	1						

Fig.92. P.T.O. SHIFT

(A)=YT347Y
(B)=YT359Y
(C)=

(D)=
(E)=
(F)=

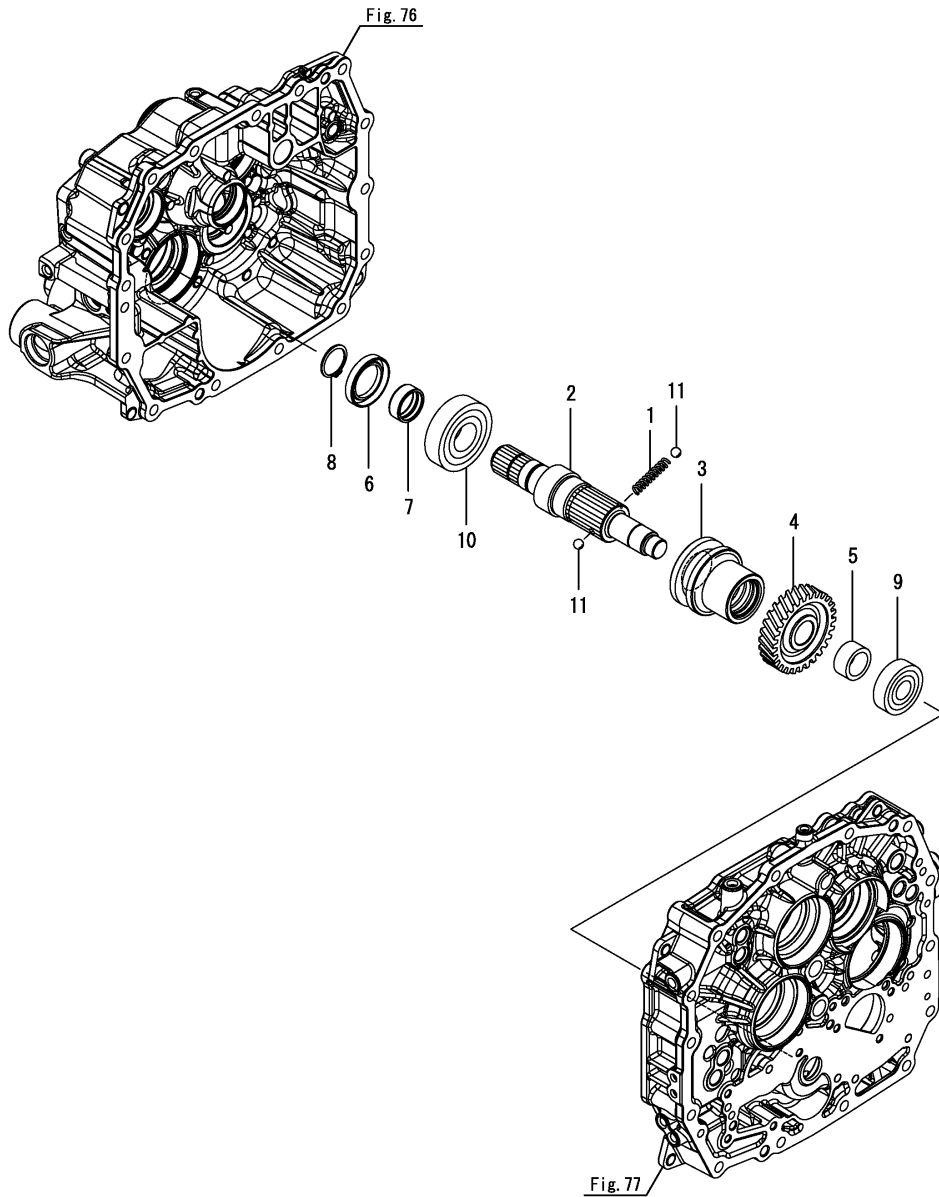


No.	Lev.	Parts No.	Description	Qty						I	R
				(A)	(B)	(C)	(D)	(E)	(F)		
1	1	1A7180-27410	SPRING, FORK LOCK	1	1						
2	1	198071-27470	HOLDER, SHIFT ARM	1	1						
3	1	198072-27650	ARM, SHIFT 50	1	1						
4	1	1A8470-27710	SHAFT, FORK PTO A	1	1						
5	1	1A8042-27730	FORK, PTO	1	1						
6	1	1A8042-27750	ARM ASSY, PTO SHIFT	1	1						
7	1	22190-080000	WASHER, SEAL 8	2	2						
8	1	22242-000170	RING, 17	1	1						
9	1	22312-060080	PIN, PARALLEL M6X 8	1	1						
10	1	22351-060025	PIN, SPRING 6.0X25	2	2						
11	1	22351-060036	PIN, SPRING 6.0X36	1	1						
12	1	22351-060036	PIN, SPRING 6.0X36	1	1						
13	1	24190-080001	BALL, STEEL 1/4	1	1						
14	1	24311-000160	O-RING, 1AP16.0	2	2						
15	1	24321-000250	O-RING, 1AG25.0	1	1						
16	1	26106-080162	BOLT, M8X 16 PLATED	2	2						
17	1	26106-080202	BOLT, M8X 20 PLATED	1	1						

Fig.95. FRONT DRIVE

(A)=YT347Y
(B)=YT359Y
(C)=

(D)=
(E)=
(F)=

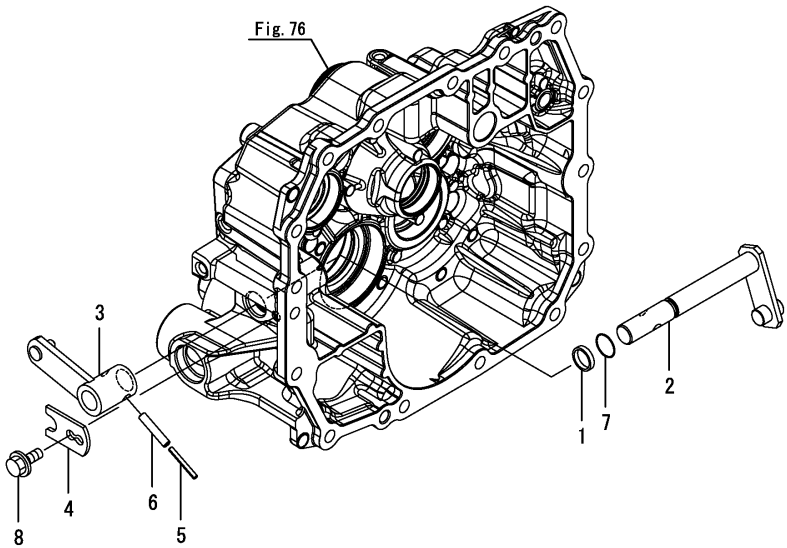


No.	Lev.	Parts No.	Description	Q'ty						I	R
				(A)	(B)	(C)	(D)	(E)	(F)		
1	1	198220-26910	SPRING, 30.2	1	1						
2	1	1A8472-28310	SHAFT, FRONT DRIVE	1	1						
3	1	1A8472-28320	SLIDER, 4WD	1	1						
4	1	1A8472-28360	GEAR, DRIVE FRONT	1	1						
5	1	1A8472-28390	COLLAR, 25X34X17	1	1						
6	1	194305-32650	SEAL, OIL TC35529	1	1						
7	1	194420-39370	SLEEVE, 30X35X13A	1	1						
8	1	22242-000300	RING, 30	1	1						
9	1	24101-063044	BEARING, BALL 6304	1	1						
10	1	24101-063064	BEARING, BALL 6306	1	1						
11	1	24190-080001	BALL, STEEL 1/4	2	2						

Fig.96. 4WD SHIFT

(A)=YT347Y
(B)=YT359Y
(C)=

(D)=
(E)=
(F)=

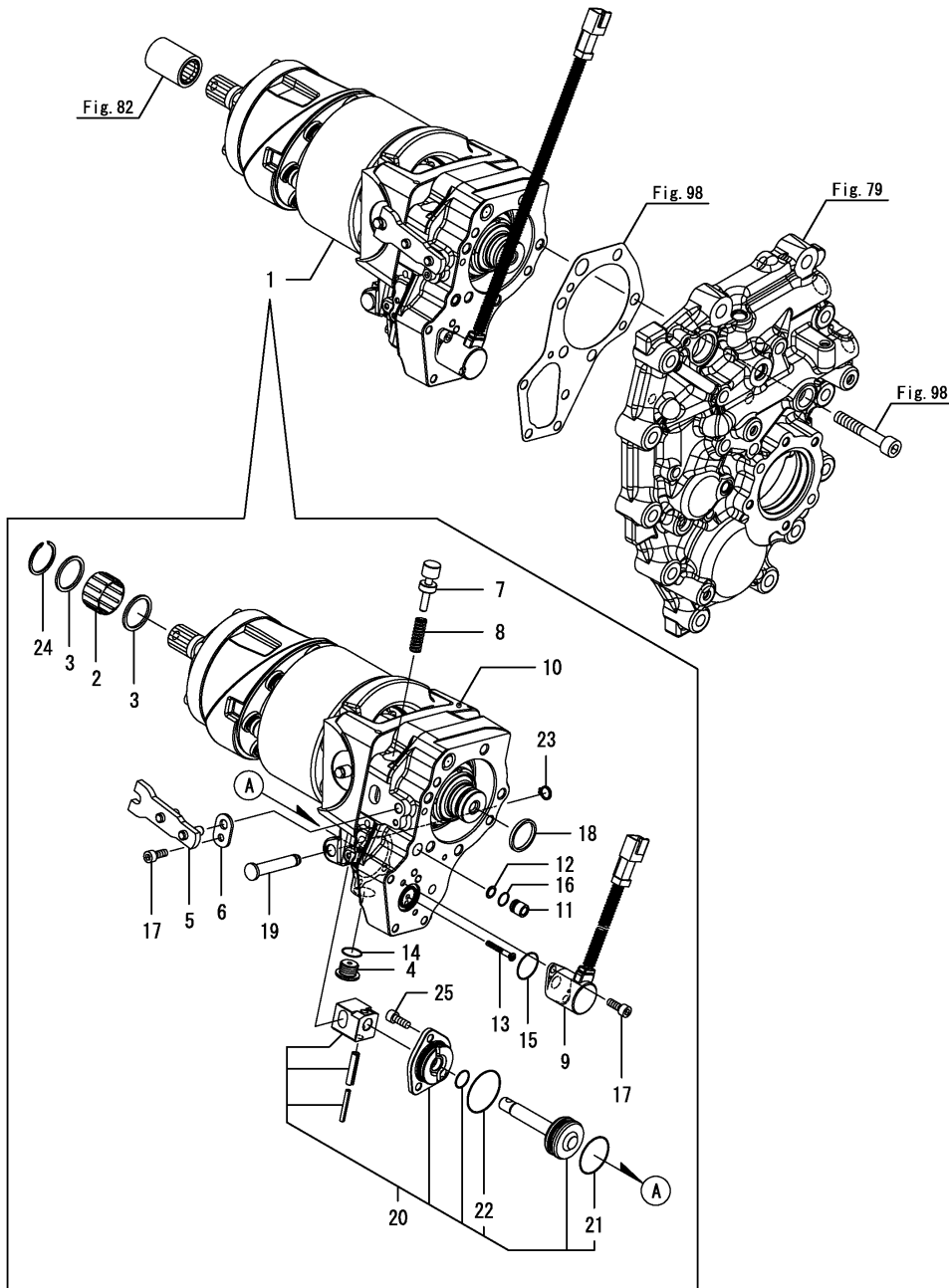


No.	Lev.	Parts No.	Description	Q'ty						I	R
				(A)	(B)	(C)	(D)	(E)	(F)		
1	1	198119-27150	COLLAR, SHIFT ARM A	1	1						
2	1	1A8475-28450	ARM ASSY,FRONT SHIFT	1	1						
3	1	1A8475-28500	ARM ASSY, 4WD	1	1						
4	1	1A8310-28560	PLATE, KEEP	1	1						
5	1	22351-035032	PIN, SPRING 3.5X32	1	1						
6	1	22351-060032	PIN, SPRING 6.0X32	1	1						
7	1	24311-000160	O-RING, 1AP16.0	1	1						
8	1	26106-080162	BOLT, M8X 16 PLATED	1	1						

Fig.97. I-H.M.T.

(A)=YT347Y
(B)=YT359Y
(C)=

(D)=
(E)=
(F)=

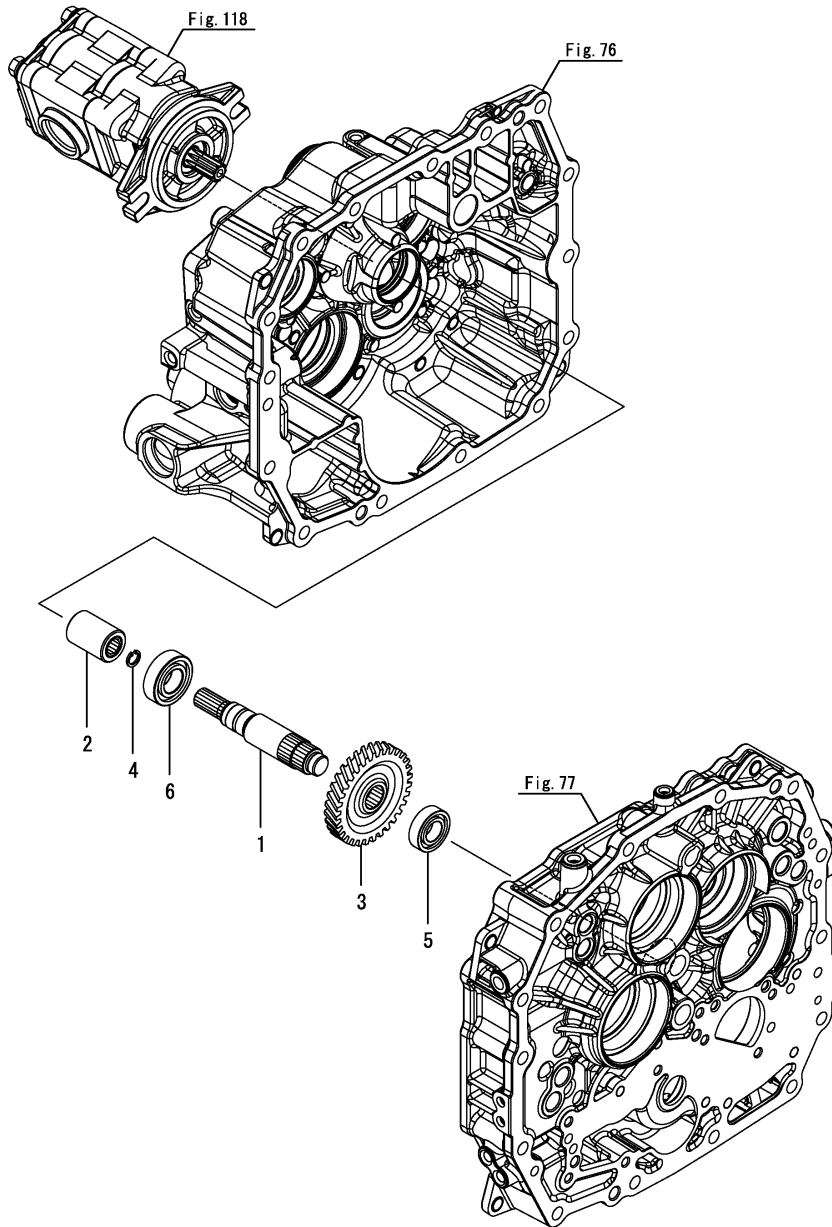


No.	Lev.	Parts No.	Description	Q'ty						I	R
				(A)	(B)	(C)	(D)	(E)	(F)		
1	1	168KAD-29000	I-HMT KIT, D	1	1						
2	2	194311-13880	BEARING, 283518	1	1						
3	2	194311-13910	WASHER, 28X33.5X2	2	2						
4	2	168461-01150	PLUG(CHEWCK	1	1						
5	2	168KA0-29150	LEVER(SERVO	1	1						
6	2	168KA0-29160	GUIDE(SERVO LEVER	1	1						
7	2	168KA0-29170	SPOOL(FEEDBACK	1	1						
8	2	168KA0-29180	SPRING(SERVO	1	1						
9	2	168KAD-29232	SOLENOID ASSY	1	1						
10	2	168KA1-29250	HOLDER(CRADLE CMP	1	1						
11	2	168KA1-29290	SPACER(STRAINER	1	1						
12	2	194680-77770	STRAINER	1	1						
13	2	168HQ0-87690	SPOOL VALVE(DETENT	1	1						
14	2	24311-000140	O-RING, 1AP14.0	1	1						
15	2	24311-000220	O-RING, 1AP22.0	1	1						
16	2	24341-000090	O-RING, 1AS9.0	1	1						
17	2	26450-060162	BOLT, M6X 16	3	3						
18	2	145610-83400	RING, SEAL	1	1						
19	2	168KA0-29840	PIN(CRADLE	1	1						
20	2	168KA0-29900	PISTON(SERVO CMP	1	1						
21	3	24311-000300	O-RING, 1AP30.0	1	1						
22	3	24341-000340	O-RING, 1AS34.0	1	1						
23	2	22242-000100	RING, 10	1	1						
24	2	24164-000282	CIRCLIP 28	1	1						
25	2	26450-060162	BOLT, M6X 16	3	3						

Fig.99. PUMP DRIVE

(A)=YT347Y
(B)=YT359Y
(C)=

(D)=
(E)=
(F)=

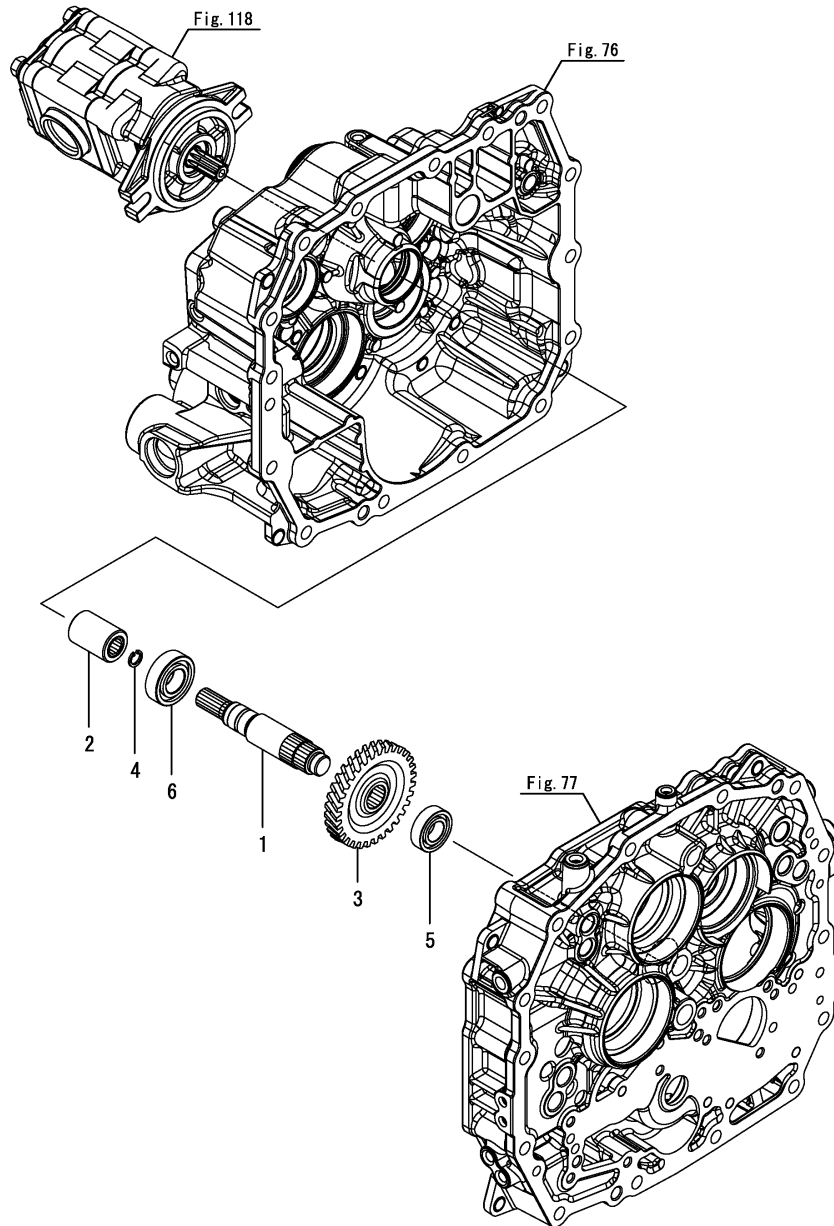


No.	Lev.	Parts No.	Description	Q'ty						I	R
				(A)	(B)	(C)	(D)	(E)	(F)		
1	1	1A8470-29910	SHAFT, PUMP	1							
2	1	1A8470-29920	COUPLING	1							
3	1	1A8470-29930	GEAR, PUMP 32	1							
4	1	22252-000130	RING, 13	1							
5	1	24101-060034	BEARING, BALL 6003	1							
6	1	24101-060044	BEARING, BALL 6004	1							

Fig.100. PUMP DRIVE

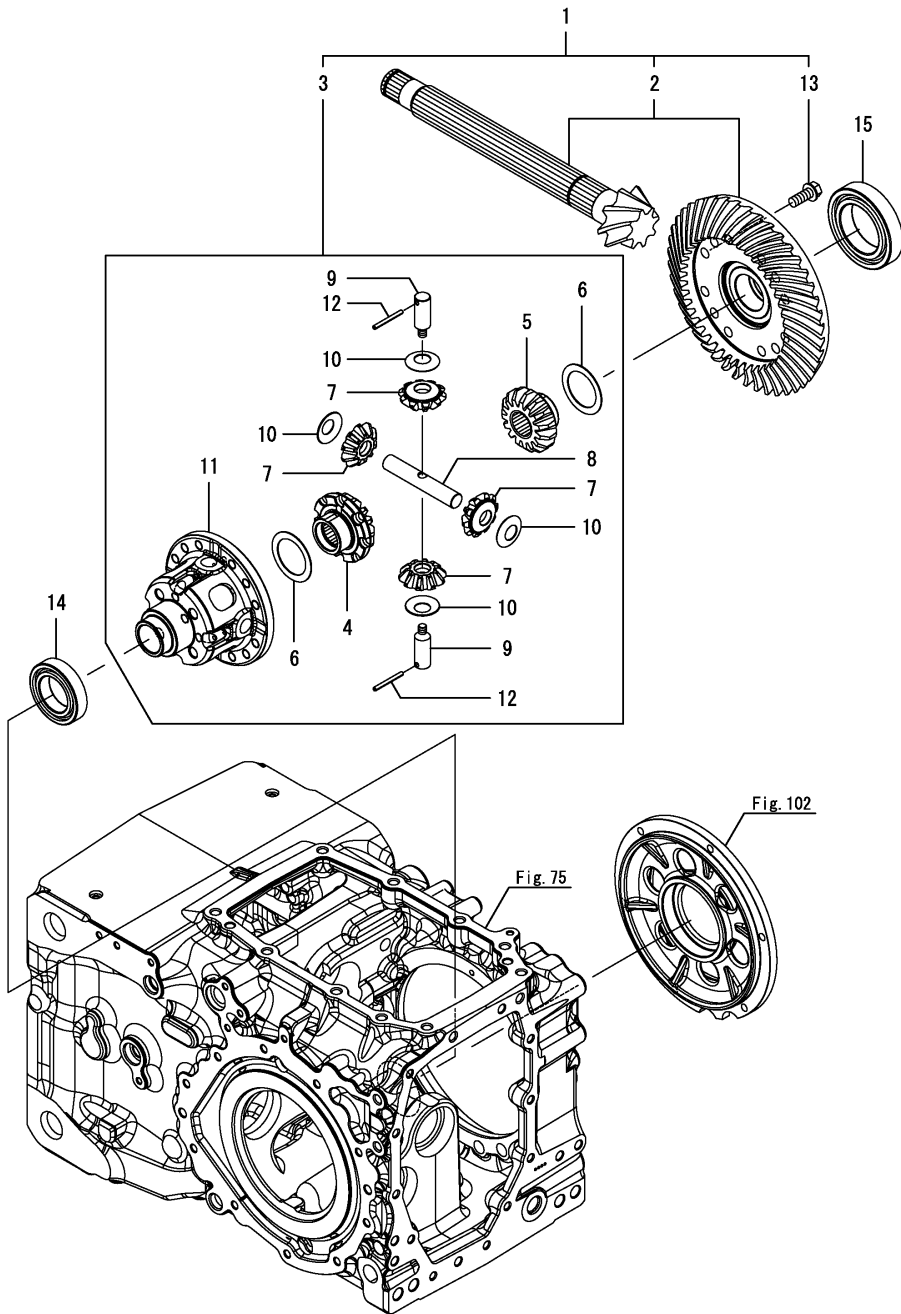
(A)=YT347Y
(B)=YT359Y
(C)=

(D)=
(E)=
(F)=



No.	Lev.	Parts No.	Description	Q'ty						I	R
				(A)	(B)	(C)	(D)	(E)	(F)		
1	1	1A8470-29910	SHAFT, PUMP		1						
2	1	1A8470-29920	COUPLING		1						
3	1	1A8480-29930	GEAR, PUMP 33		1						
4	1	22252-000130	RING, 13		1						
5	1	24101-060034	BEARING, BALL 6003		1						
6	1	24101-060044	BEARING, BALL 6004		1						

Fig.101. DIFFERENTIAL GEAR



(A)=YT347Y
(B)=YT359Y
(C)=

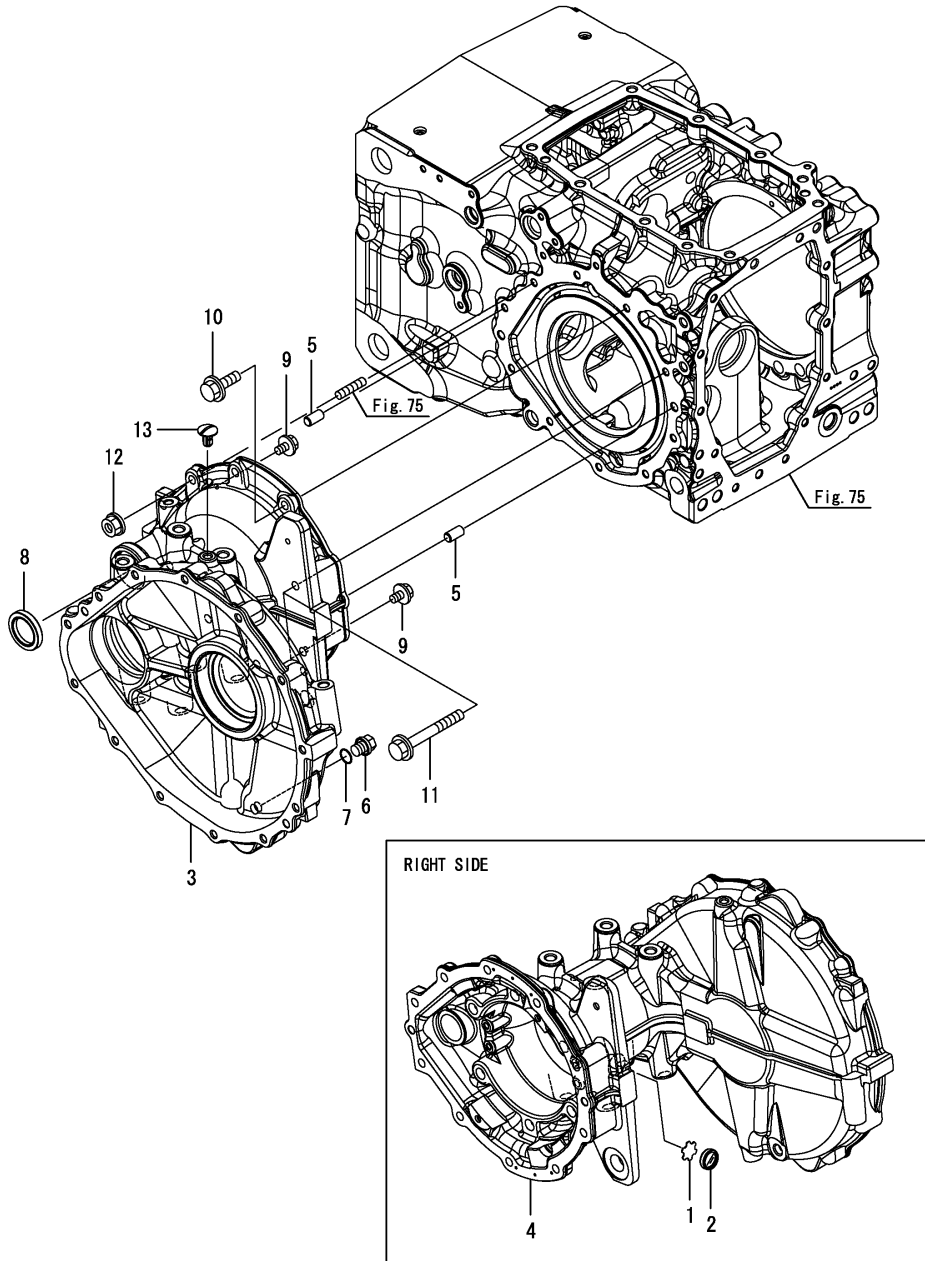
(D)=
(E)=
(F)=

No.	Lev.	Parts No.	Description	Q'ty						I	R
				(A)	(B)	(C)	(D)	(E)	(F)		
1	1	1A8042-31450	DIFFERENTIAL ASSY,RE	1	1						
2	2	1A8042-31400	GEAR ASSY, RING	1	1						
3	2	1A8042-31500	CASE ASSY, DIFF.	1	1						
4	3	1A8042-31510	GEAR,DIFF SIDE LOCK	1	1						
5	3	1A8042-31520	GEAR,DIFF SIDE	1	1						
6	3	198360-31530	LINER, DIFF.PINION	2	2						
7	3	198200-31810	PINION, DIFFERENTIAL	4	4						
8	3	1A8042-31820	SHAFT, DIFF. PINION	1	1						
9	3	1A8042-31830	SHAFT,DIFF. PINION	2	2						
10	3	194515-31850	LINER, DIFF.PINION	4	4						
11	3	1A8042-32110	CASE,DIFF	1	1						
12	3	22351-040040	PIN, SPRING 4.0X40	2	2						
13	2	26106-100252	BOLT, M10X 25 PLATED	12	12						
14	1	24101-060084	BEARING, BALL 6008	1	1						
15	1	24101-060114	BEARING, BALL 6011	1	1						

Fig.103. REAR AXLE HOUSING

(A)=YT347Y
(B)=YT359Y
(C)=

(D)=
(E)=
(F)=

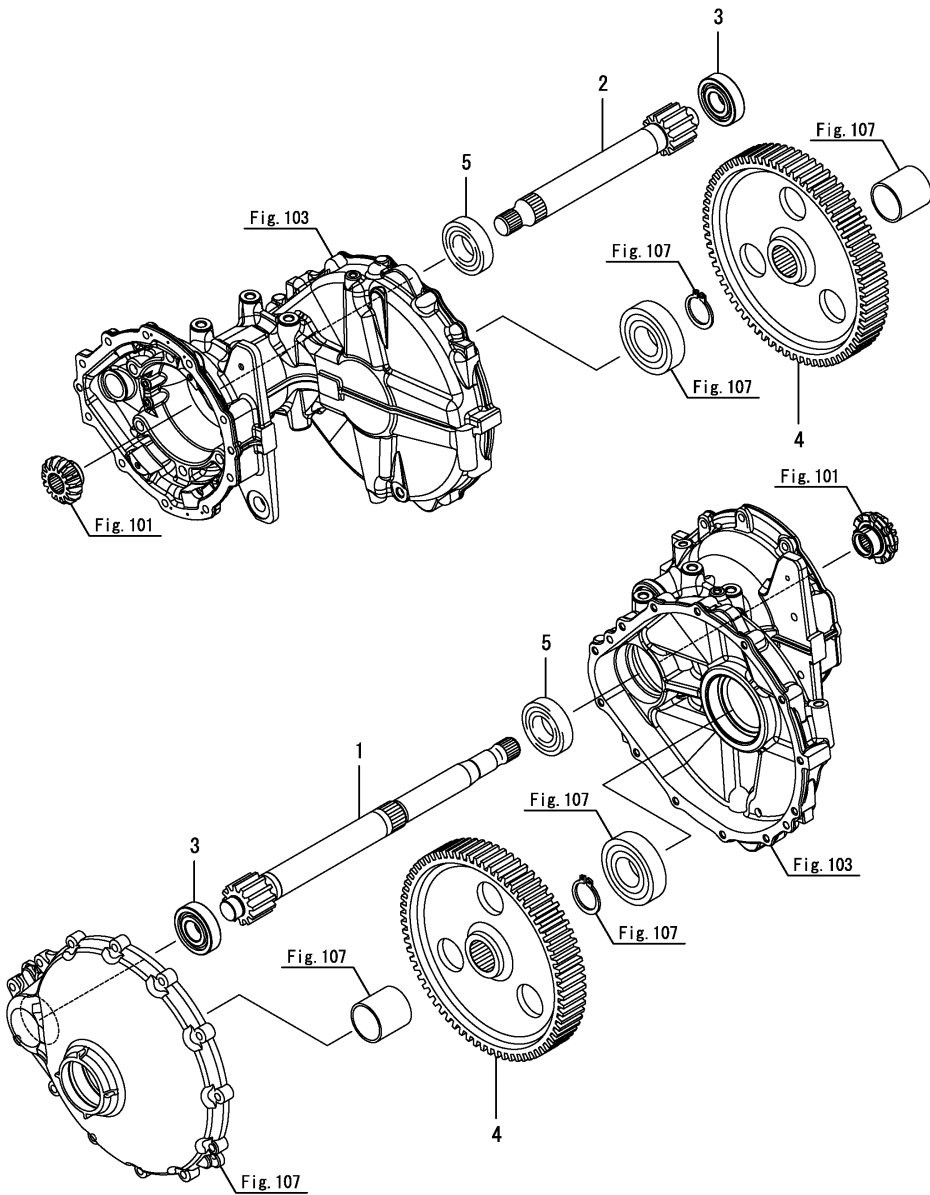


No.	Lev.	Parts No.	Description	Q'ty						I	R
				(A)	(B)	(C)	(D)	(E)	(F)		
1	1	198071-24350	PLATE, WINDOW	1	1						
2	1	1A7090-26690	WINDOW, OIL CHECK	1	1						
3	1	1A8470-32600	HOUSING, REAR AXLE L	1	1						
4	1	1A8470-32610	HOUSING, REAR AXLE R	1	1						
5	1	22312-100180	PIN, PARALLEL M10X18	4	4						
6	1	23491-140002	PLUG, 14	2	2						
7	1	24311-000160	O-RING, 1AP16.0	2	2						
8	1	24421-355008	SEAL, OIL TC355008	2	2						
9	1	26106-080122	BOLT, M8X 12 PLATED	4	4						
10	1	26106-100302	BOLT, M10X 30 PLATED	14	14						
11	1	26106-100802	BOLT, M10X 80 PLATED	4	4						
12	1	26366-100002	NUT, M10	2	2						
13	1	41810-000100	CAP, BOLT M10	2	2						

Fig.106. FINAL GEAR

(A)=YT347Y
(B)=YT359Y
(C)=

(D)=
(E)=
(F)=



No.	Lev.	Parts No.	Description	Q'ty						I	R
				(A)	(B)	(C)	(D)	(E)	(F)		
1	1	1A7180-33400	PINION, FINAL L 10	1	1						
2	1	1A7180-33410	PINION, FINAL R 10	1	1						
3	1	1M0020-33440	BEARING,6306RC3	2	2						
4	1	198091-33510	GEAR, FINAL	2	2						
5	1	24101-063080	BEARING, BALL 6308C3	2	2						

Fig.107. REAR AXLE SHAFT

(A)=YT347Y
(B)=YT359Y
(C)=

(D)=
(E)=
(F)=

No.	Lev.	Parts No.	Description	Q'ty						I	R
				(A)	(B)	(C)	(D)	(E)	(F)		
1	1	198483-32660	SEAL, QLN578015	2	2						
2	1	198091-34100	SHAFT, REAR AXLE	2	2						
3	1	198091-34130	COLLAR, 51X57X58	2	2						
4	1	198091-34320-1	COVER, REAR AXLE	2	2						
5	1	22242-000500	RING, 50	2	2						
6	1	22252-000900	RING, 90	2	2						
7	1	22312-100180	PIN, PARALLEL M10X18	4	4						
8	1	24101-062104	BEARING, BALL 6210	2	2						
9	1	24101-063094	BEARING, BALL 6309	2	2						
10	1	26013-100402	BOLT, M10X 40	26	26						

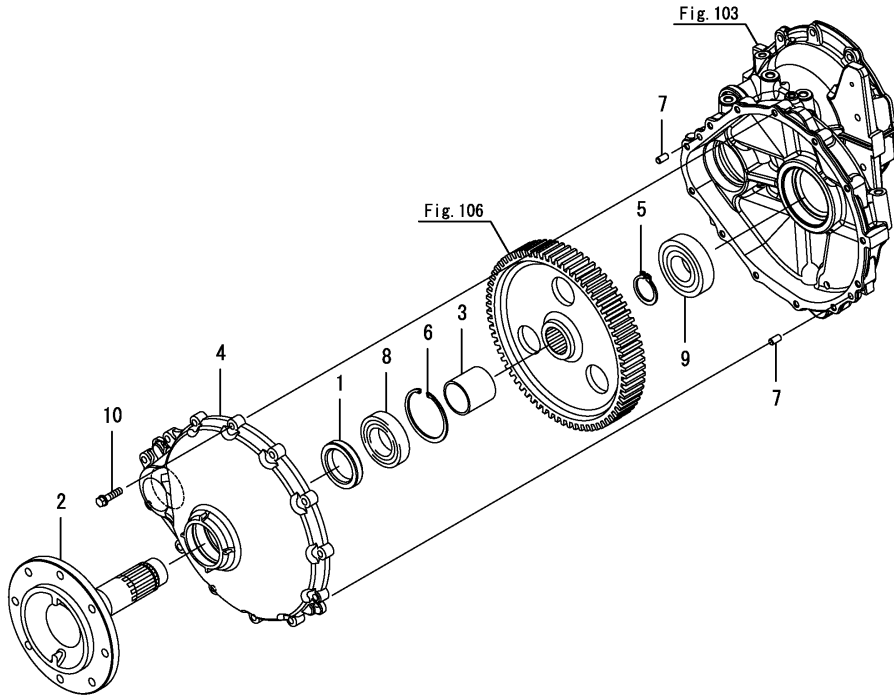
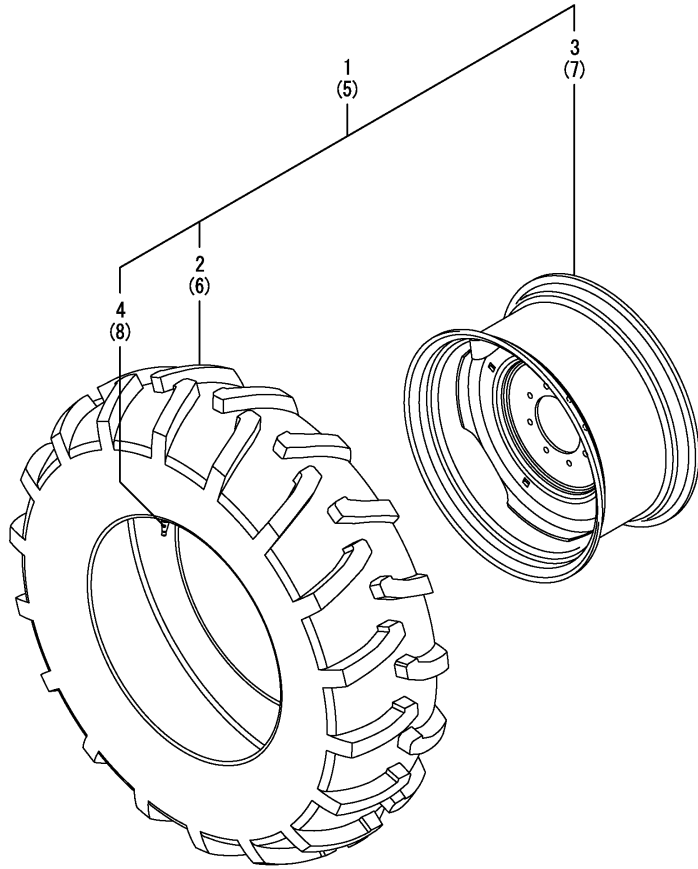


Fig.108. REAR WHEEL TIRE(14.9-24)

(A)=YT347Y
(B)=YT359Y
(C)=

(D)=
(E)=
(F)=

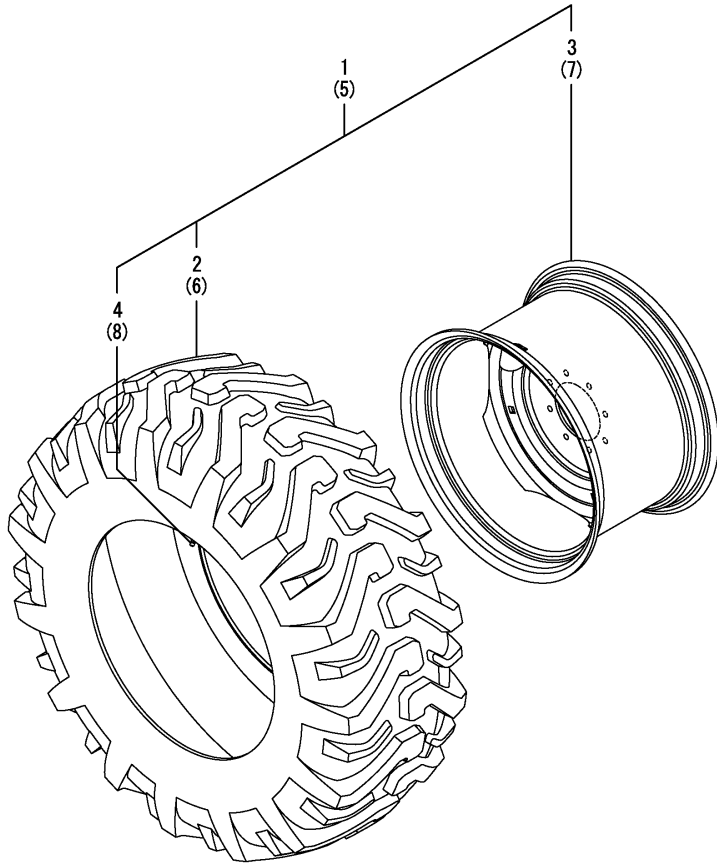


No.	Lev.	Parts No.	Description	Q'ty						I	R
				(A)	(B)	(C)	(D)	(E)	(F)		
1	1	1A8475-34300	TIRE KIT, W/WHEEL L	1	1						
2	2	1A8475-34310	TIRE,14.9-24 R1	1	1						
3	2	1A8475-34330	WHEEL ASSY,W12X24	1	1						
4	2	1A8475-34750	VALVE	1	1						
5	1	1A8475-34400	TIRE KIT, W/WHEEL R	1	1						
6	2	1A8475-34310	TIRE,14.9-24 R1	1	1						
7	2	1A8475-34330	WHEEL ASSY,W12X24	1	1						
8	2	1A8475-34750	VALVE	1	1						

Fig.110. REAR WHEEL TIRE(17.5L-24)

(A)=YT347Y
(B)=YT359Y
(C)=

(D)=
(E)=
(F)=



No.	Lev.	Parts No.	Description	Q'ty						I	R
				(A)	(B)	(C)	(D)	(E)	(F)		
1	1	1A8475-34700	TIRE KIT, W/WHEEL L	1	1						
2	2	1A8475-34710	TIRE,17.5L-24TL	1	1						
3	2	1A8475-34730	WHEEL ASSY,W15X24	1	1						
4	2	1A8475-34750	VALVE	1	1						
5	1	1A8475-34800	TIRE KIT, W/WHEEL R	1	1						
6	2	1A8475-34710	TIRE,17.5L-24TL	1	1						
7	2	1A8475-34730	WHEEL ASSY,W15X24	1	1						
8	2	1A8475-34750	VALVE	1	1						

Fig.111. HUB BOLT

(A)=YT347Y
(B)=YT359Y
(C)=

(D)=
(E)=
(F)=

No.	Lev.	Parts No.	Description	Q'ty						I	R
				(A)	(B)	(C)	(D)	(E)	(F)		
1	1	198133-34130	BOLT, M14X30	16	16						

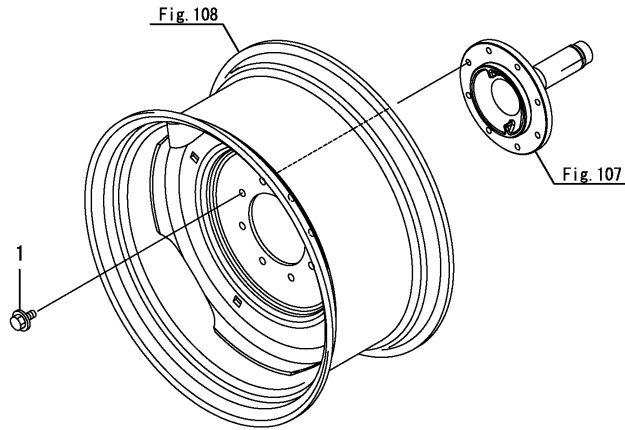
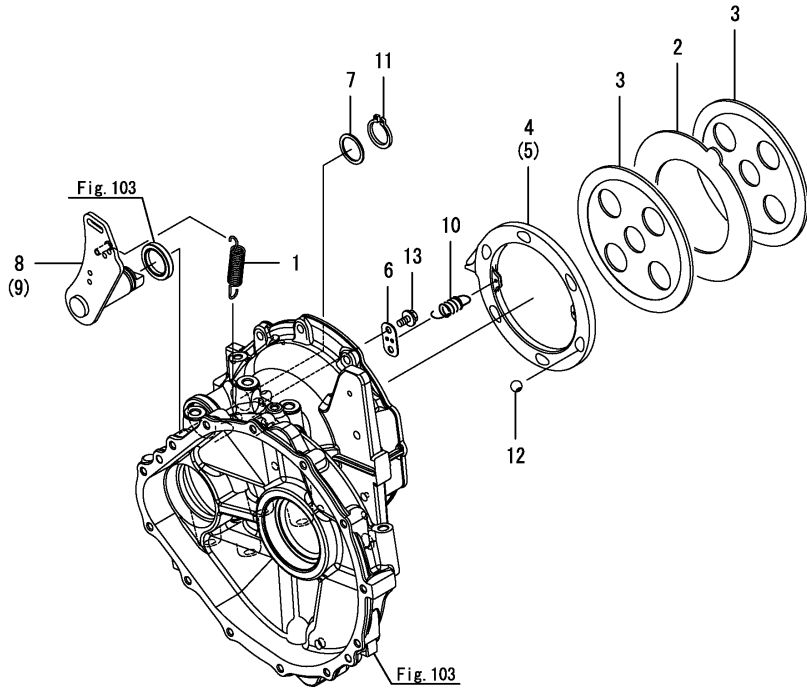


Fig.112. BRAKE

(A)=YT347Y
(B)=YT359Y
(C)=

(D)=
(E)=
(F)=

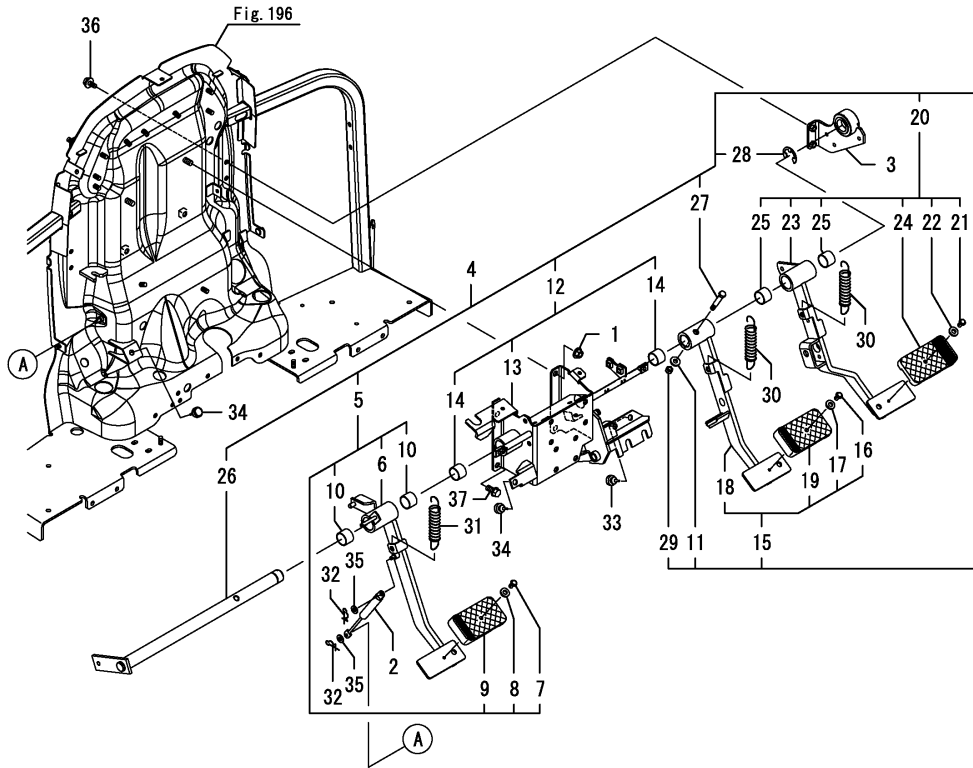


No.	Lev.	Parts No.	Description	Qty						I	R
				(A)	(B)	(C)	(D)	(E)	(F)		
1	1	1A7880-27570	SPRING	2	2						
2	1	1A7180-36100	PLATE, STEEL	2	2						
3	1	1A7180-36110	PLATE, FRICTION	4	4						
4	1	1A7180-36120	ACTUATOR, L	1	1						
5	1	1A7180-36130	ACTUATOR, R	1	1						
6	1	1A7180-36160	PLATE, SPRING HOOK	4	4						
7	1	1A7180-36240	WASHER, THRUST	2	2						
8	1	1A8470-36300	LEVER ASSY, BRAKE L	1	1						
9	1	1A8470-36350	LEVER ASSY, BRAKE R	1	1						
10	1	194327-36530	SPRING, RETURN	4	4						
11	1	22242-000320	RING, 32	2	2						
12	1	24190-180001	BALL, STEEL 9/16	12	12						
13	1	26106-080122	BOLT, M8X 12 PLATED	8	8						

Fig.113. PEDAL

(A)=YT347Y
(B)=YT359Y
(C)=

(D)=
(E)=
(F)=



No.	Lev.	Parts No.	Description	Q'ty						I	R
				(A)	(B)	(C)	(D)	(E)	(F)		
1	1	194990-22150	NUT, M10	2	2						
2	1	198448-22611	DAMPER, GUS 300	1	1						
3	1	1A8470-37020	SUPPORT UNIT, PEDAL	1	1						
4	1	1A8470-37202	PEDAL UNIT	1	1						
5	2	1A8060-22391	PEDAL ASSY, CLUTCH	1	1						
6	3	1A8060-22401	PEDAL ASSY, CLUTCH	1	1						
7	3	198133-22510	RIVET, PEDAL HEAD	1	1						
8	3	198133-22530	WASHER, RIVET	1	1						
9	3	198071-37510	COVER, HEAD	1	1						
10	3	24550-025200	BUSH, 25X20	2	2						
11	2	1C6053-32020	WASHER, 8.5X20X3.2	1	1						
12	2	1A8060-37223	RETAINER, PEDAL	1	1						
13	3	1A8060-37253	RETAINER ASSY, PEDAL	1	1						
14	3	24550-025200	BUSH, 25X20	2	2						
15	2	1A8470-37290	PEDAL ASSY, BRAKE L	1	1						
16	3	198133-22510	RIVET, PEDAL HEAD	1	1						
17	3	198133-22530	WASHER, RIVET	1	1						
18	3	1A8470-37300	PEDAL ASSY, BRAKE L	1	1						
19	3	198071-37510	COVER, HEAD	1	1						
20	2	1A8060-37391	PEDAL ASSY, BRAKE R	1	1						
21	3	198133-22510	RIVET, PEDAL HEAD	1	1						
22	3	198133-22530	WASHER, RIVET	1	1						
23	3	1A8060-37401	PEDAL ASSY, BRAKE R	1	1						
24	3	198071-37510	COVER, HEAD	1	1						
25	3	24550-025200	BUSH, 25X20	2	2						
26	2	1A8060-37550	SHAFT, BRAKE	1	1						
27	2	1A7130-37990	BOLT, REAMER M8X55	1	1						
28	2	22272-000190	RING, E-19	1	1						
29	2	26346-080002	NUT, M8	1	1						
30	1	198290-37510	SPRING, RETURN	2	2						
31	1	198290-37510	SPRING, RETURN	1	1						
32	1	1C6281-52310	PIN, SNAP 6	2	2						
33	1	194330-62530	STOPPER, PEDAL	2	2						
34	1	194330-62530	STOPPER, PEDAL	2	2						
35	1	22137-060000	WASHER, 6	2	2						
36	1	26106-080162	BOLT, M8X 16 PLATED	2	2						
37	1	26106-100202	BOLT, M10X 20 PLATED	2	2						

Fig.114. LINK(CONNECT RELEASE)

(A)=YT347Y
(B)=YT359Y
(C)=

(D)=
(E)=
(F)=

No.	Lev.	Parts No.	Description	Q'ty						I	R
				(A)	(B)	(C)	(D)	(E)	(F)		
1	1	1A8470-37100	PIN ASSY, CONNECT	1	1						
2	2	1A8470-37110	PIN ASSY, CONNECT	1	1						
3	2	1A8061-39010	BRACKET ASSY, PIN	1	1						
4	2	1A8061-39030	PLATE, GUIDE	1	1						
5	2	1A8060-39070	SPRING, CONNECT	1	1						
6	2	22272-000090	RING, E- 9	1	1						
7	2	22351-040040	PIN, SPRING 4.0X40	1	1						
8	2	26106-060122	BOLT, M6X 12 PLATED	1	1						
9	1	26106-080162	BOLT, M8X 16 PLATED	2	2						

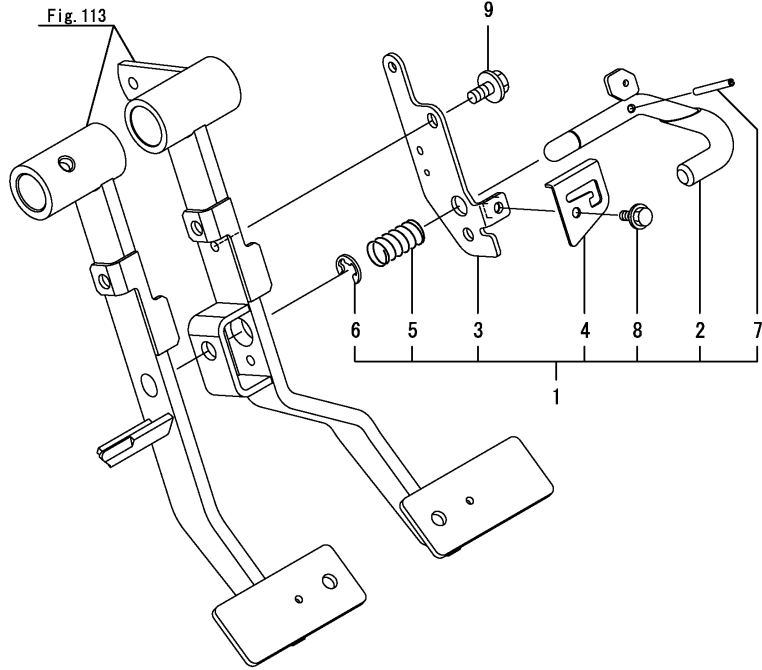
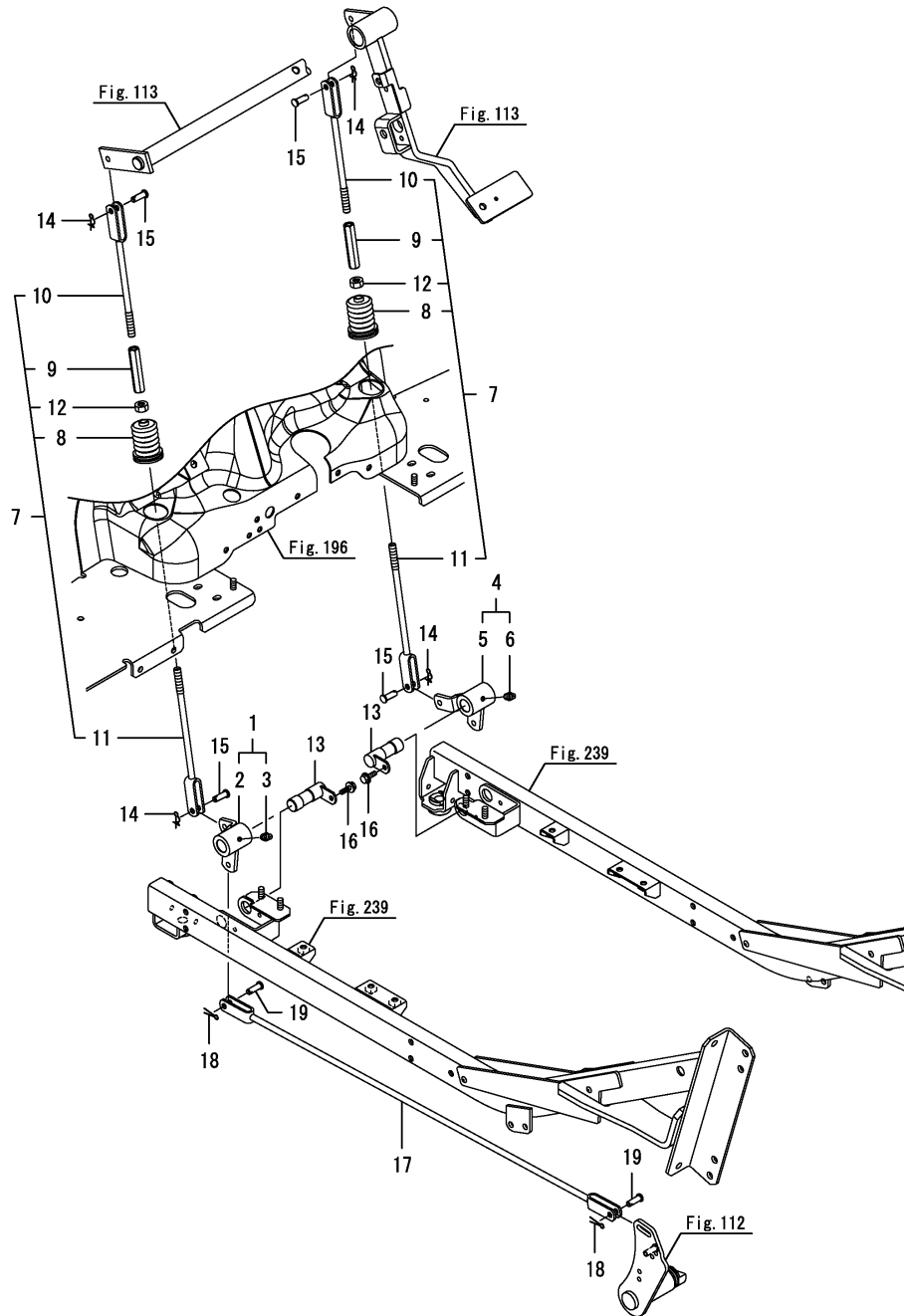


Fig.115. BRAKE LINK

(A)=YT347Y
(B)=YT359Y
(C)=

(D)=
(E)=
(F)=



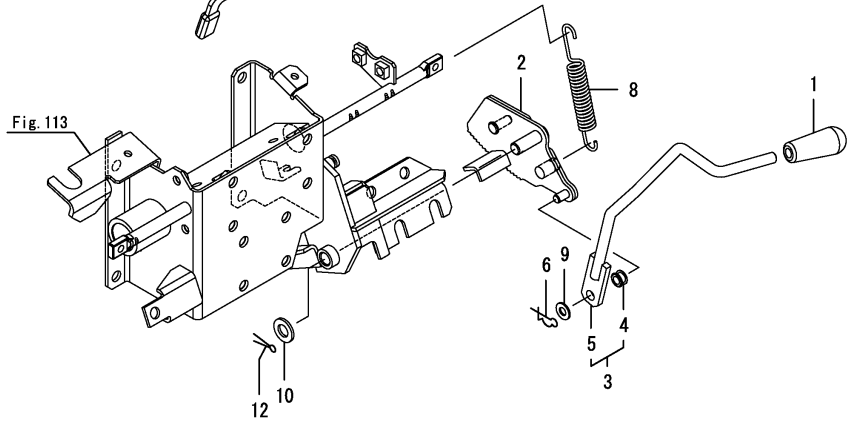
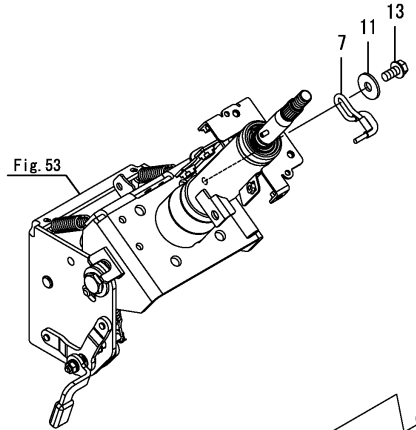
No.	Lev.	Parts No.	Description	Q'ty						I	R
				(A)	(B)	(C)	(D)	(E)	(F)		
1	1	1A8470-37700	ARM UNIT, LINK L	1	1						
2	2	1A8470-37710	ARM ASSY, BRAKE L	1	1						
3	2	24761-010000	NIPPLE, GREASE M6F	1	1						
4	1	1A8470-37750	ARM UNIT, LINK R	1	1						
5	2	1A8470-37760	ARM ASSY, BRAKE R	1	1						
6	2	24761-010000	NIPPLE, GREASE M6F	1	1						
7	1	1A8470-37800	ROD UNIT, BRAKE F	2	2						
8	2	198448-37450	BOOT, BRAKE ROD	2	2						
9	2	194130-37730	TURNBUCKLE, M10X70	2	2						
10	2	1A8470-37830	ROD, BRAKE L	2	2						
11	2	1A7180-37880	ROD, BRAKE R	2	2						
12	2	26716-100002	NUT, M10	2	2						
13	1	1A7180-37910	SHAFT ASSY, BRAKE	2	2						
14	1	1C6281-52320	PIN, SNAP 8	4	4						
15	1	22487-080200	PIN, H 8X 20	4	4						
16	1	26106-060122	BOLT, M6X 12 PLATED	2	2						
17	1	1A8470-37850	ROD ASSY, REAR	2	2						
18	1	22417-200300	PIN, COTTER 2.0X30	4	4						
19	1	22487-080200	PIN, H 8X 20	4	4						

Fig.116. PARKING BRAKE LEVER

(A)=YT347Y
(B)=YT359Y
(C)=

(D)=
(E)=
(F)=

No.	Lev.	Parts No.	Description	Q'ty						I	R
				(A)	(B)	(C)	(D)	(E)	(F)		
1	1	198253-01190	KNOB, THROTTLE LEVER	1							
2	1	1A8060-37641	LEVER ASSY, LOCK	1							
3	1	1A8475-37670	ROD UNIT, PARKING	1							
4	2	198268-27890	BUSH	1							
5	2	1A8475-37680	ROD ASSY, PARKING	1							
6	1	1C6281-52320	PIN, SNAP 8	1							
7	1	1A8060-67480	GUIDE, LEVER	1							
8	1	1F4123-73450	SPRING, 14X110	1							
9	1	22137-080000	WASHER, 8	1							
10	1	22137-120000	WASHER, 12	1							
11	1	22157-080000	WASHER, 8	1							
12	1	22417-200250	PIN, COTTER 2.0X25	1							
13	1	26106-080162	BOLT, M8X 16 PLATED	1							



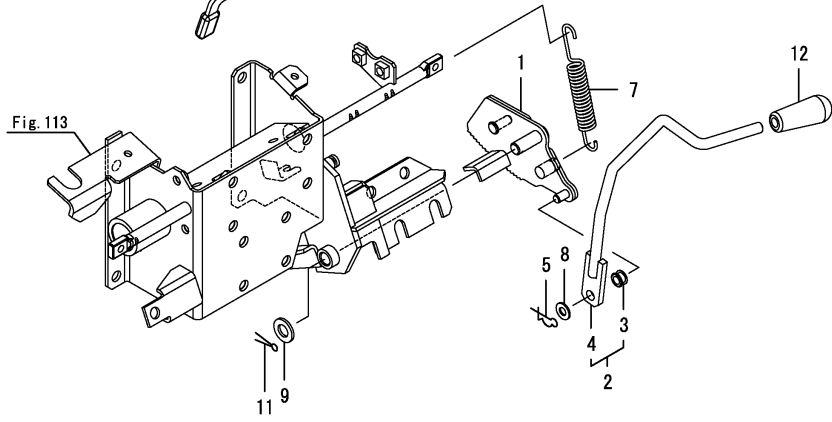
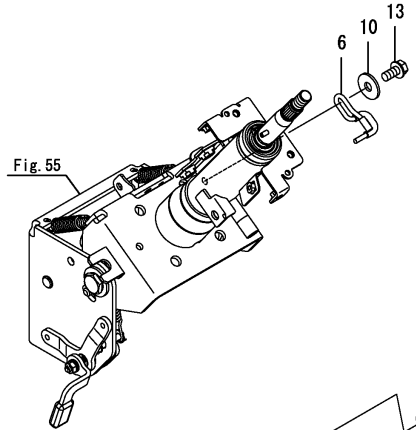
Remarks
* Please refer to Fig.117 for YT347 Cabin specification.

Fig.117. PARKING BRAKE LEVER

(A)=YT347Y
(B)=YT359Y
(C)=

(D)=
(E)=
(F)=

No.	Lev.	Parts No.	Description	Q'ty						I	R
				(A)	(B)	(C)	(D)	(E)	(F)		
1	1	1A8060-37641	LEVER ASSY, LOCK	1	1						
2	1	1A8060-37790	ROD ASSY,PARKING	1	1						
3	2	198268-27890	BUSH	1	1						
4	2	1A8060-37681	ROD, PARKING	1	1						
5	1	1C6281-52320	PIN, SNAP 8	1	1						
6	1	1A8060-67480	GUIDE, LEVER	1	1						
7	1	1F4123-73450	SPRING, 14X110	1	1						
8	1	22137-080000	WASHER, 8	1	1						
9	1	22137-120000	WASHER, 12	1	1						
10	1	22157-080000	WASHER, 8	1	1						
11	1	22417-200250	PIN, COTTER 2.0X25	1	1						
12	1	198253-01190	KNOB, THROTTLE LEVER	1	1						
13	1	26106-080162	BOLT, M8X 16 PLATED	1	1						



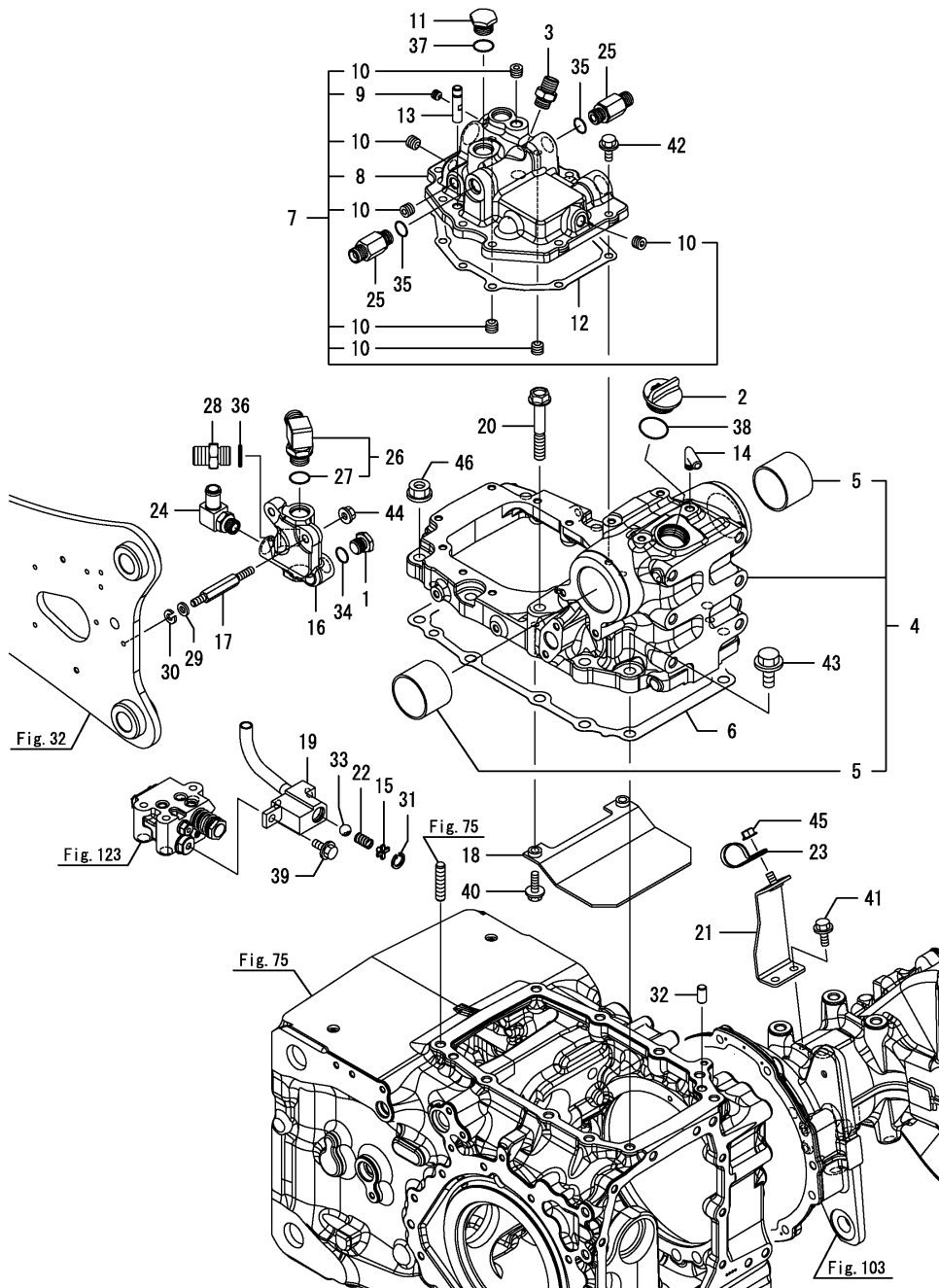
Remarks

* Please refer to Fig.116 for YT347 Rops specification.

Fig.119. HYDRAULIC LIFT CASE

(A)=YT347Y
(B)=YT359Y
(C)=

(D)=
(E)=
(F)=

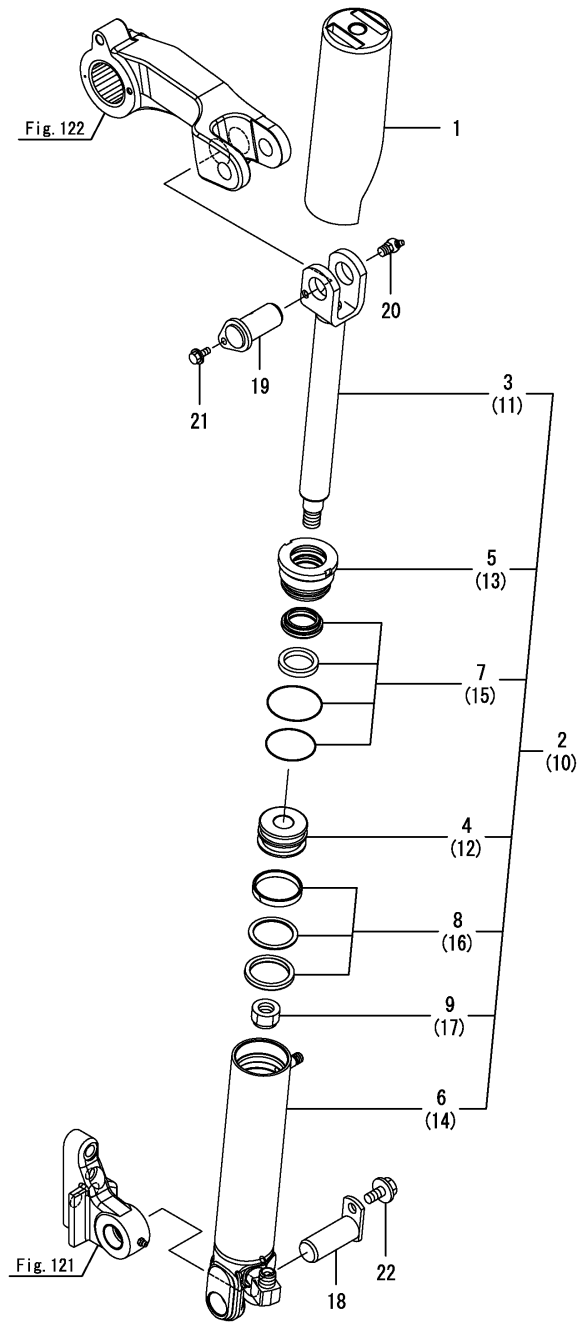


No.	Lev.	Parts No.	Description	Q'ty						I	R
				(A)	(B)	(C)	(D)	(E)	(F)		
1	1	192167-24600	PLUG	1	1						
2	1	1A7870-24910	CAP. OIL	1	1						
3	1	198266-24980	FITTING, 3/8	1	1						
4	1	1A8470-42100	HOUSING ASSY, HYD	1	1						
5	2	24550-050400	BUSH, 50X40	2	2						
6	1	1A8042-42150	GASKET, HOUSING	1	1						
7	1	1A8472-42200	PLATE ASSY, VALVE	1	1						
8	2	1A8472-42210	PLATE, VALVE	1	1						
9	2	23871-010000	PLUG, R01	1	1						
10	2	23871-020000	PLUG, R02	6	6						
11	1	194065-42250	PLUG, PF1/2	1	1						
12	1	1A8042-42250	GASKET, VALVE PLATE	1	1						
13	1	194555-42280	BREATHER, AIR	1	1						
14	1	1A7180-42281	PIPE, BREATHER	1	1						
15	1	1A7260-42310	SUPPORT, SPRING	1	1						
16	1	1A8470-42310	PLATE, RELIEF	1	1						
17	1	1A8470-42350	BOLT, SPACER	2	2						
18	1	1A8470-42380	PLATE ASSY	1	1						
19	1	1A8472-42600	BLOCK ASSY	1	1						
20	1	1A8042-43670	BOLT, 12X80	2	2						
21	1	1A8470-48250	STAY ASSY,HOSE CLAMP	1	1						
22	1	1A8042-48350	SPRING, 2ND RELIEF	1	1						
23	1	121575-49310	RETAINER, PIPE	1	1						
24	1	1A8060-49650	ELBOW ASSY, G3/8-16	1	1						
25	1	172B03-76070	CONNECTOR, G3/8X3/8	2	2						
26	1	172141-76900	CONNECTOR ASSY	1	1						
27	2	24315-000180	O-RING, 1BP18.0	1	1						
28	1	172112-77361	CONNECTOR	1	1						
29	1	22117-080000	WASHER, 8	2	2						
30	1	22217-080000	WASHER, SPRING 8	2	2						
31	1	22252-000180	RING, 18	1	1						
32	1	22312-100180	PIN, PARALLEL M10X18	2	2						
33	1	24190-160001	BALL, STEEL 1/2	1	1						
34	1	24315-000140	O-RING, 1BP14.0	1	1						
35	1	24315-000140	O-RING, 1BP14.0	2	2						
36	1	24315-000180	O-RING, 1BP18.0	1	1						
37	1	24315-000180	O-RING, 1BP18.0	1	1						
38	1	24351-240300	O-RING, 1A24030	1	1						
39	1	26106-080162	BOLT, M8X 16 PLATED	1	1						
40	1	26106-080202	BOLT, M8X 20 PLATED	2	2						
41	1	26106-080202	BOLT, M8X 20 PLATED	2	2						
42	1	26106-080302	BOLT, M8X 30 PLATED	9	9						
43	1	26106-120402	BOLT, M12X 40 PLATED	7	7						
44	1	26366-080002	NUT, M8	2	2						
45	1	26366-080002	NUT, M8	1	1						
46	1	26366-120002	NUT, M12	1	1						

Fig.120. LIFTING CYLINDER

(A)=YT347Y
(B)=YT359Y
(C)=

(D)=
(E)=
(F)=

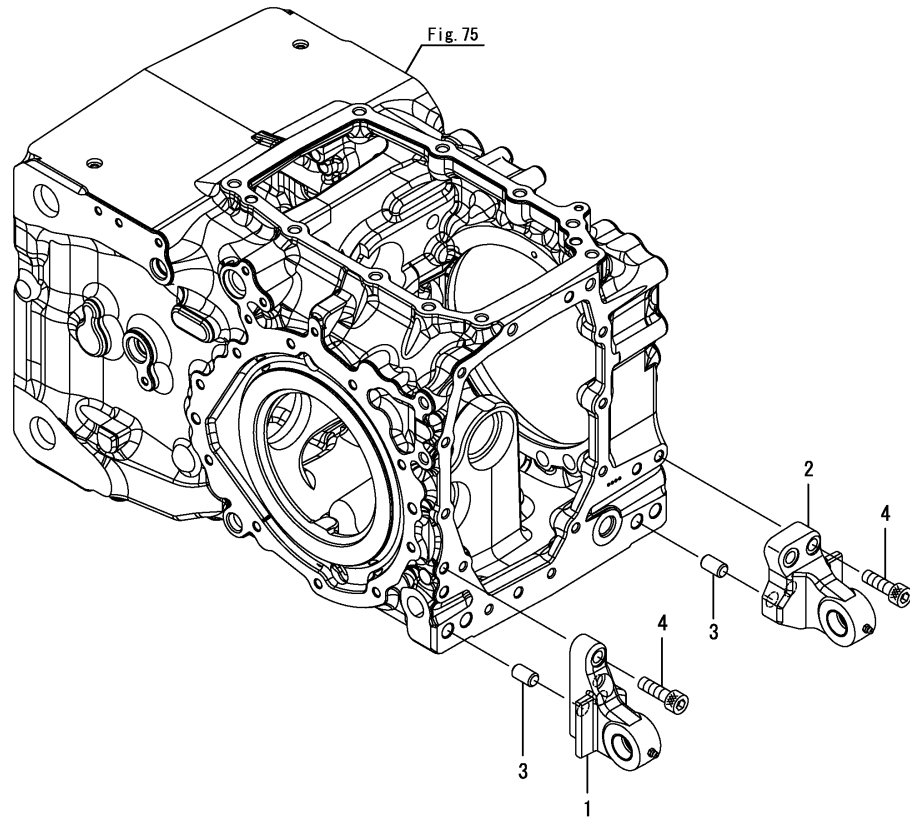


No.	Lev.	Parts No.	Description	Q'ty						I	R
				(A)	(B)	(C)	(D)	(E)	(F)		
1	1	1A8470-42510	COVER, CYLINDER	2	2						
2	1	1A8470-43100	CYLINDER ASSY, HYD L	1	1						
3	2	1A8470-43200	ROD ASSY	1	1						
4	2	1A8470-43260	PISTON	1	1						
5	2	1A8470-43270	CAP ASSY	1	1						
6	2	1A8470-43310	TUBE ASSY, L	1	1						
7	2	1A8470-43400	SEAL KIT, A	1	1						
8	2	1A8470-43450	SEAL KIT, B	1	1						
9	2	26356-160002	NUT, M16	1	1						
10	1	1A8470-43150	CYLINDER ASSY, HYD R	1	1						
11	2	1A8470-43200	ROD ASSY	1	1						
12	2	1A8470-43260	PISTON	1	1						
13	2	1A8470-43270	CAP ASSY	1	1						
14	2	1A8470-43320	TUBE ASSY, R	1	1						
15	2	1A8470-43400	SEAL KIT, A	1	1						
16	2	1A8470-43450	SEAL KIT, B	1	1						
17	2	26356-160002	NUT, M16	1	1						
18	1	1A8042-43610	PIN ASSY, CYLINDER	2	2						
19	1	1A7260-43660	PIN, LIFT ARM	2	2						
20	1	24761-040000	NIPPLE, GREASE B	2	2						
21	1	26106-060122	BOLT, M6X 12 PLATED	2	2						
22	1	26106-100202	BOLT, M10X 20 PLATED	2	2						

Fig.121. BRACKET CYLINDER

(A)=YT347Y
(B)=YT359Y
(C)=

(D)=
(E)=
(F)=



No.	Lev.	Parts No.	Description	Q'ty						I	R
				(A)	(B)	(C)	(D)	(E)	(F)		
1	1	1A8470-43510	BRACKET ASSY, L	1	1						
2	1	1A8470-43520	BRACKET ASSY, R	1	1						
3	1	1A8042-43650	PIN, PARALLEL	4	4						
4	1	26450-120452	BOLT, M12X 45	4	4						

Fig.122. LIFT CRANK

(A)=YT347Y
(B)=YT359Y
(C)=

(D)=
(E)=
(F)=

No.	Lev.	Parts No.	Description	Q'ty						I	R
				(A)	(B)	(C)	(D)	(E)	(F)		
1	1	1A8470-44210	SHAFT, LOCK	1	1						
2	1	1A8470-44230	WASHER, THRUST	2	2						
3	1	1A8470-44260	SLEEVE	2	2						
4	1	1A8470-44410	ARM ASSY, LIFT L	1	1						
5	2	24550-025120	BUSH, 25X12	2	2						
6	1	1A8470-44420	ARM ASSY, LIFT R	1	1						
7	2	24550-025120	BUSH, 25X12	2	2						
8	1	22242-000500	RING, 50	2	2						
9	1	24321-000500	O-RING, 1AG50.0	2	2						

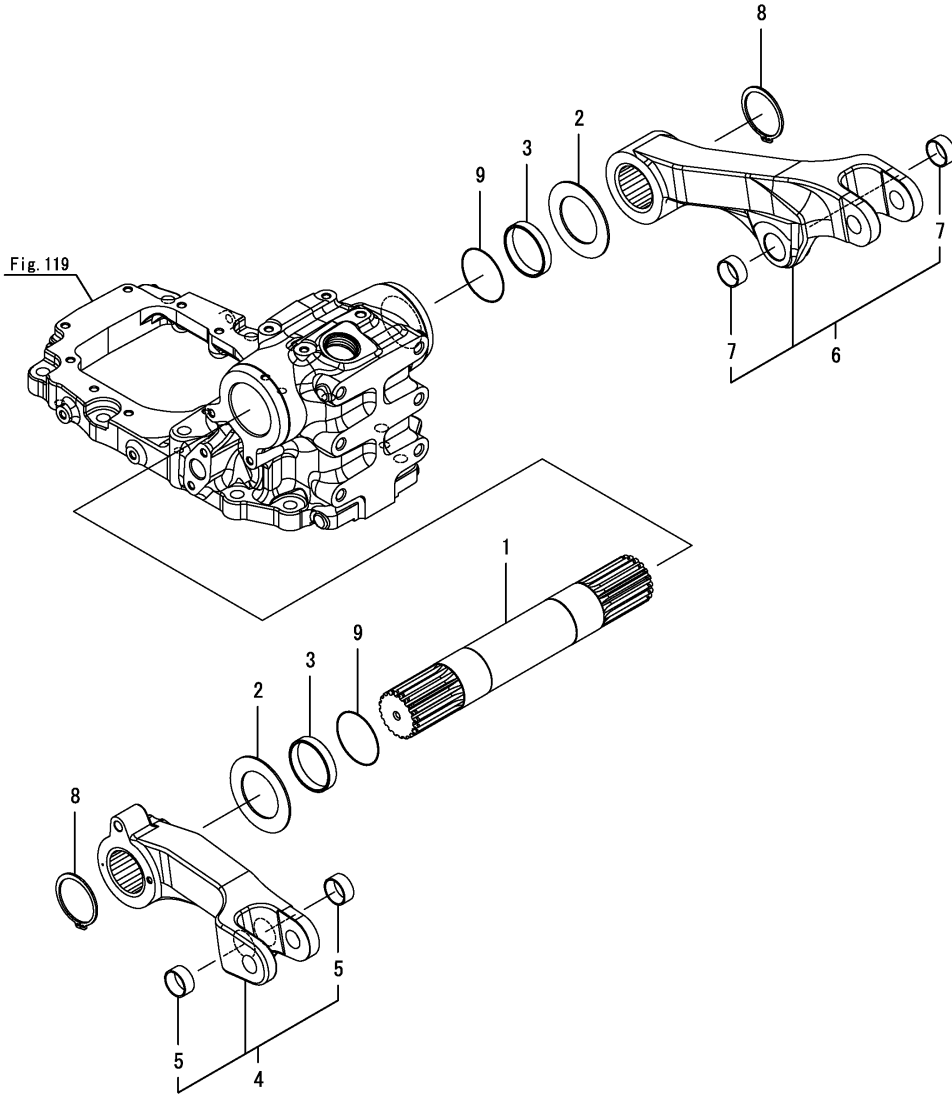


Fig.123. CONTROL VALVE

(A)=YT347Y
(B)=YT359Y
(C)=

(D)=
(E)=
(F)=

No.	Lev.	Parts No.	Description	Q'ty						I	R
				(A)	(B)	(C)	(D)	(E)	(F)		
1	1	168245-00080	VALVE ASSY, CONTROL	1	1						
2	2	24315-000110	O-RING, 1BP11.0	3	3						
3	1	26450-080252	BOLT, M8X 25	3	3						

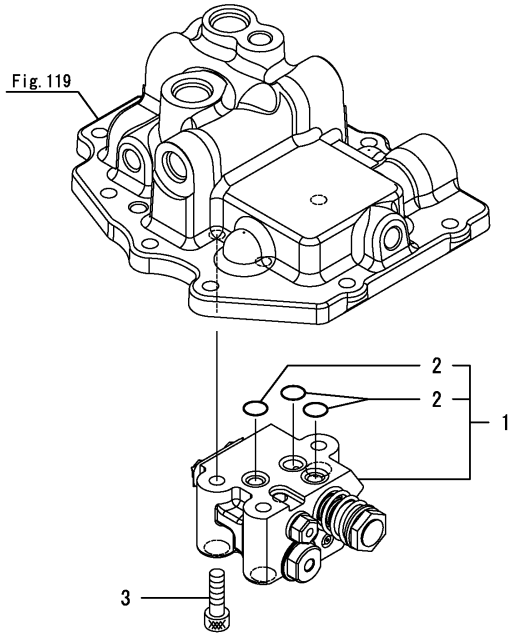
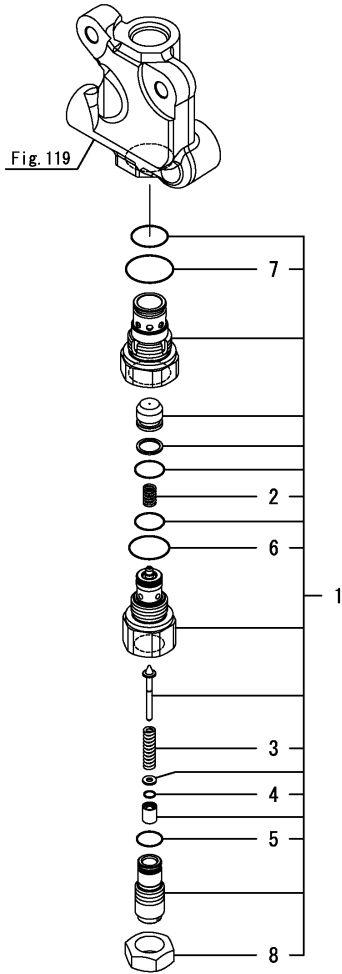


Fig.124. RELIEF VALVE

(A)=YT347Y
(B)=YT359Y
(C)=

(D)=
(E)=
(F)=



No.	Lev.	Parts No.	Description	Q'ty						I	R
				(A)	(B)	(C)	(D)	(E)	(F)		
1	1	1682B3-00040	VALVE ASSY, MAIN REL	1	1						
2	2	1682B3-01130	SPRING, MAIN RELIEF	1	1						
3	2	1682B3-01310	SPRING, PILOT	1	1						
4	2	24311-000030	O-RING, 1AP3.0	1	1						
5	2	24315-000100	O-RING, 1BP10.0	1	1						
6	2	24315-000180	O-RING, 1BP18.0	1	1						
7	2	24315-000220	O-RING, 1BP22.0	1	1						
8	2	26776-160002	NUT, LOCK M16	1	1						

Fig.125. STOP VALVE

(A)=YT347Y
(B)=YT359Y
(C)=

(D)=
(E)=
(F)=

No.	Lev.	Parts No.	Description	Q'ty						I	R
				(A)	(B)	(C)	(D)	(E)	(F)		
1	1	1A7640-43450	PLUG, CHECK VALVE	1	1						
2	1	194065-46220	RING, BACK UP P8	1	1						
3	1	1A8060-46300	VALVE, STOP	1	1						
4	1	194065-46320	ROD, STOP VALVE	1	1						
5	1	194065-46350	GUIDE, VALVE	1	1						
6	1	194555-46380	SPRING, CHECK	1	1						
7	1	22351-040014	PIN, SPRING 4.0X14	1	1						
8	1	24190-130003	BALL, STEEL 13/32	1	1						
9	1	24315-000080	O-RING, 1BP8.0	1	1						
10	1	24315-000160	O-RING, 1BP16.0	1	1						
11	1	24315-000180	O-RING, 1BP18.0	1	1						

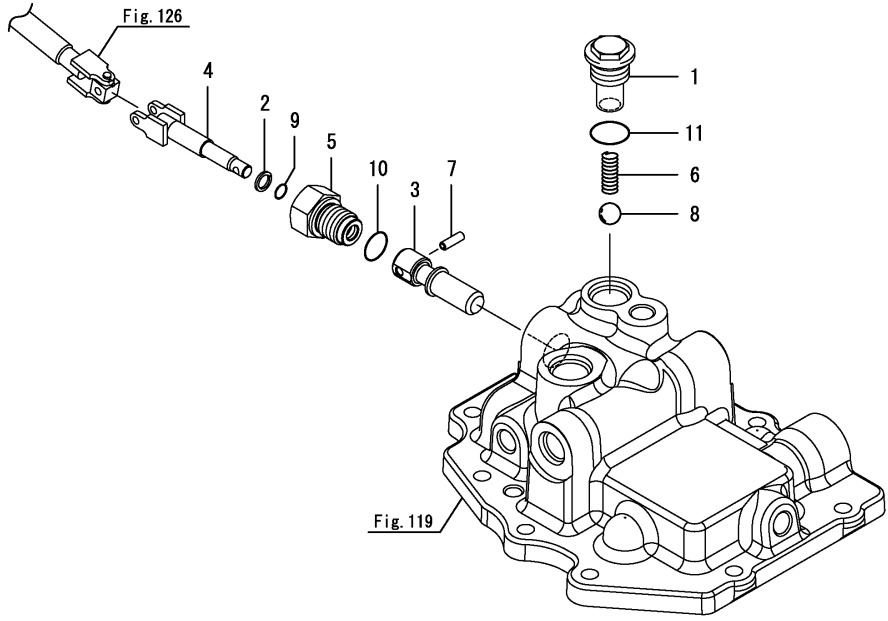
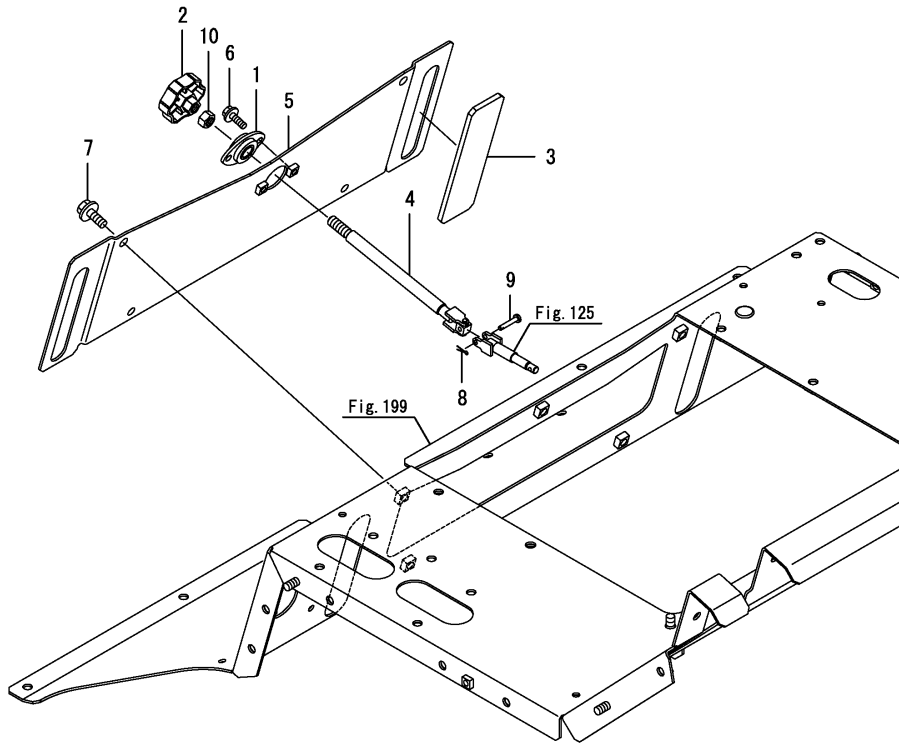


Fig.126. STOP VALVE CONTROL

(A)=YT347Y
(B)=YT359Y
(C)=

(D)=
(E)=
(F)=

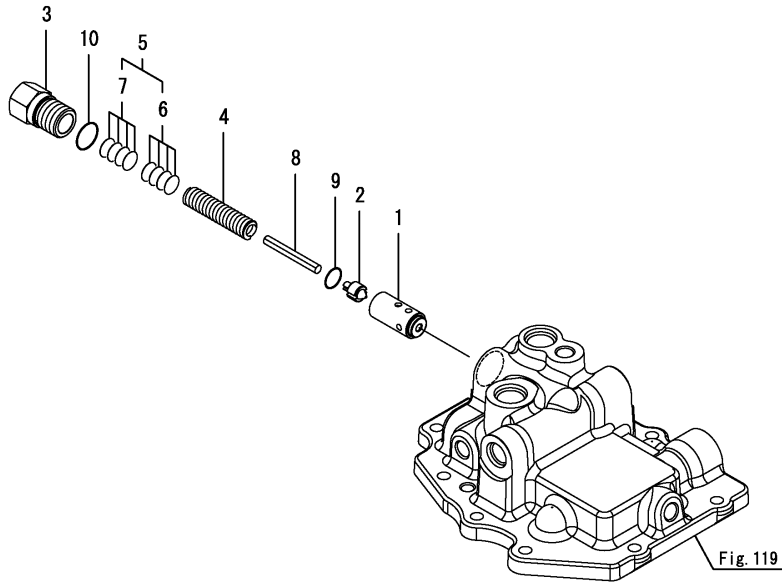


No.	Lev.	Parts No.	Description	Q'ty						I	R
				(A)	(B)	(C)	(D)	(E)	(F)		
1	1	1A6260-45870	FLANGE, 12	1	1						
2	1	1A8160-46670	KNOB, STOP VALVE	1	1						
3	1	1A8475-46900	RUBBER, COVER	1	1						
4	1	1A8472-46920	SHAFT, CONTROL	1	1						
5	1	1A8475-46950	COVER ASSY, VALVE	1	1						
6	1	198196-83170	BOLT, M6X16	2	2						
7	1	198460-83350	BOLT, M8X16	4	4						
8	1	22417-120100	PIN, COTTER 1.2X10	1	1						
9	1	22487-040200	PIN, H 4X 20	1	1						
10	1	26716-100002	NUT, M10	1	1						

Fig.127. SAFETY VALVE

(A)=YT347Y
(B)=YT359Y
(C)=

(D)=
(E)=
(F)=

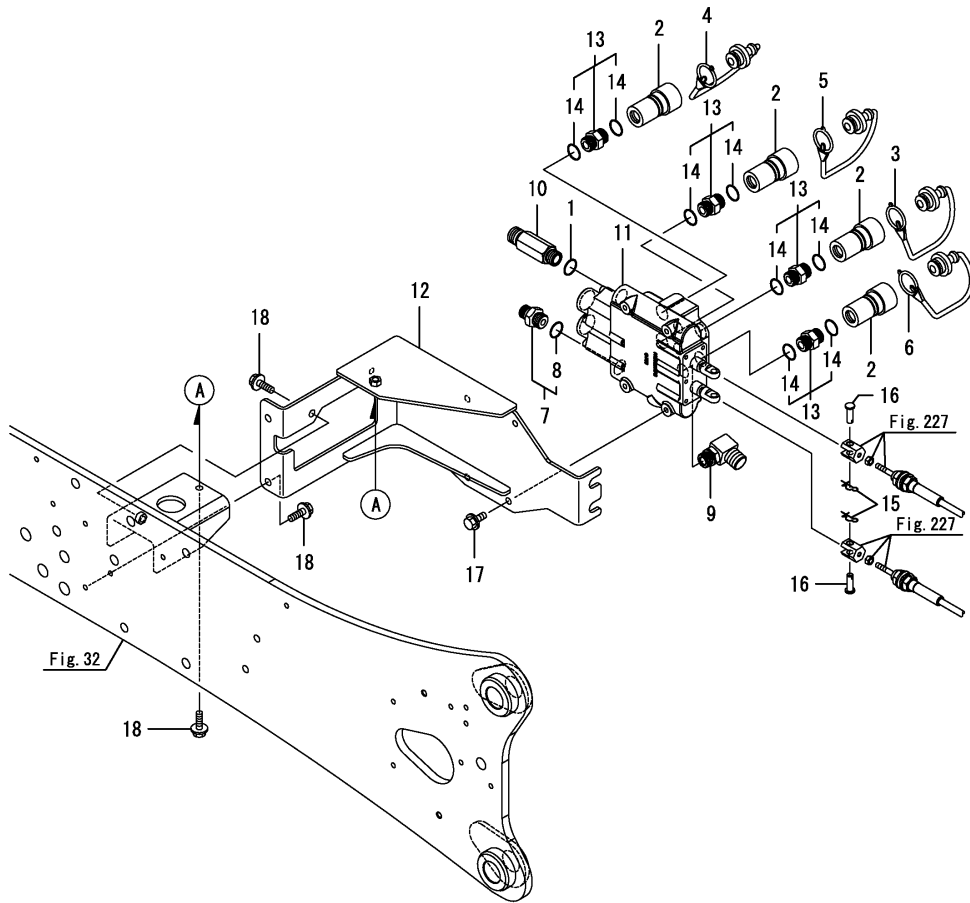


No.	Lev.	Parts No.	Description	Q'ty						I	R
				(A)	(B)	(C)	(D)	(E)	(F)		
1	1	1A8060-46410	SEAT, VALVE	1	1						
2	1	194640-46420	POPPET	1	1						
3	1	1A8042-46430	PLUG, VALVE	1	1						
4	1	1A8060-46440	SPRING, VALVE	1	1						
5	1	1A8060-46460	SHIM ASSY, RELIEF	1	1						
6	2	194250-46470	SHIM, T=0.2	4	4						
7	2	1A8060-46470	SHIM, 0.5	4	4						
8	1	22351-060050	PIN, SPRING 6.0X50	1	1						
9	1	24315-000150	O-RING, 1BP15.0	1	1						
10	1	24315-000200	O-RING, 1BP20.0	1	1						

Fig.128. LOADER VALVE

(A)=YT347Y
(B)=YT359Y
(C)=

(D)=
(E)=
(F)=

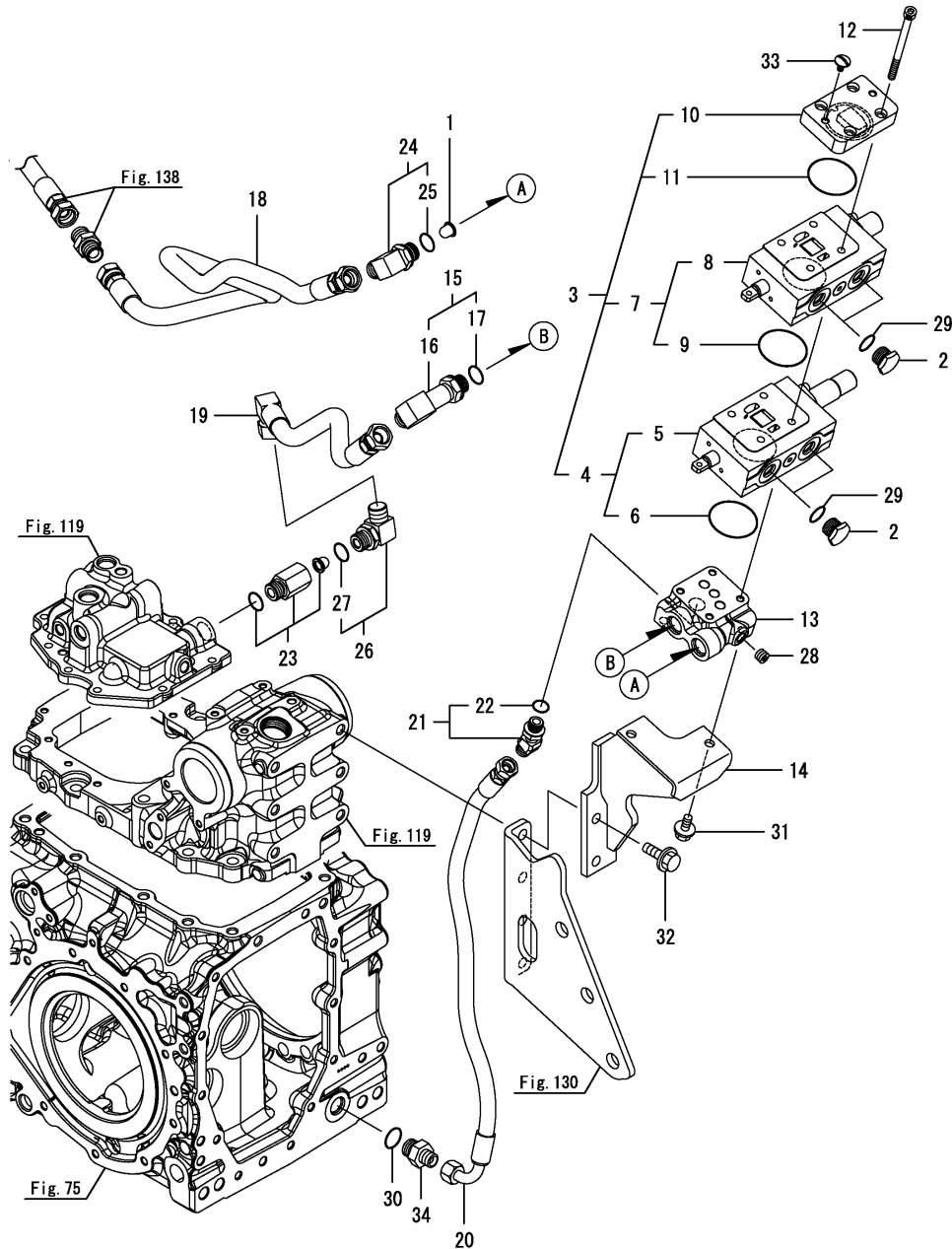


No.	Lev.	Parts No.	Description	Q'ty						I	R
				(A)	(B)	(C)	(D)	(E)	(F)		
1	1	194464-45930	O-RING, 8-1	1	1						
2	1	1A8160-46250	COUPLER, QUICK 3/8	4	4						
3	1	1A8160-46280	PLUG, DUST RED	1	1						
4	1	1A8160-46290	PLUG, DUST BLUE	1	1						
5	1	1A8160-46300	PLUG, DUST YELLOW	1	1						
6	1	1A8160-46310	PLUG, DUST GREEN	1	1						
7	1	1A8170-46510	CONNECTOR ASSY	1	1						
8	2	194464-45930	O-RING, 8-1	1	1						
9	1	1A8475-46550	ADAPTER, 3/4UNF-G1/2	1	1						
10	1	1A8475-46580	CONNECTOR	1	1						
11	1	1A8250-46600	SCV ASSY,	1	1						
12	1	1A8475-46600	BRACKET ASSY, VALVE	1	1						
13	1	1A8250-48280	JOINT/HYD, 3/4-16UNF	4	4						
14	2	194464-45930	O-RING, 8-1	8	8						
15	1	1C6281-52320	PIN, SNAP 8	2	2						
16	1	22487-080200	PIN, H 8X 20	2	2						
17	1	26106-080122	BOLT, M8X 12 PLATED	3	3						
18	1	26106-080202	BOLT, M8X 20 PLATED	4	4						

Fig.129. S.C.V.

(A)=YT347Y
(B)=YT359Y
(C)=

(D)=
(E)=
(F)=



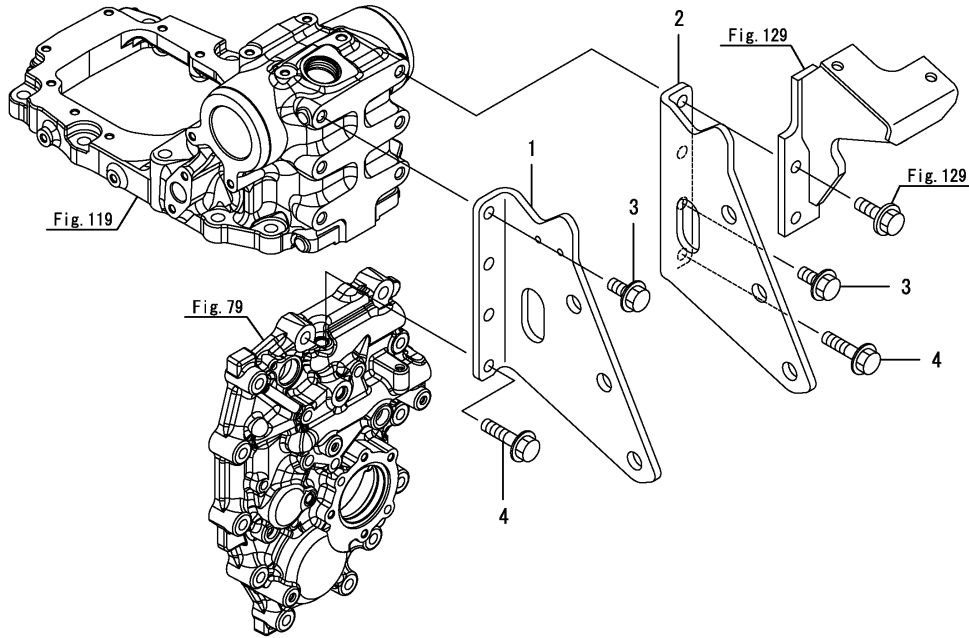
No.	Lev.	Parts No.	Description	Q'ty						I	R
				(A)	(B)	(C)	(D)	(E)	(F)		
1	1	194556-42220	STRAINER, A	1	1						
2	1	194065-42250	PLUG, PF1/2	4	4						
3	1	1A8060-46700	SCV ASSY, 2	1	1						
4	2	1A8060-46710	SCV ASSY, FLOAT	1	1						
5	3	1A8060-46730	SCV, FLOAT	1	1						
6	3	194850-49370	O-RING, 1A2053	1	1						
7	2	1A8060-46720	SCV ASSY	1	1						
8	3	1A8060-46740	SCV	1	1						
9	3	194850-49370	O-RING, 1A2053	1	1						
10	2	1A8060-46751	COVER, VALVE	1	1						
11	2	194850-49370	O-RING, 1A2053	1	1						
12	1	1A8042-46770	BOLT, M8X120	4	4						
13	1	1A8475-46810	PLATE, VALVE SCV	1	1						
14	1	1A8475-46910	BRACKET ASSY, SCV	1	1						
15	1	1A7805-48080	ELBOW ASSY, G1/2	1	1						
16	2	1A7805-48090	ELBOW, G1/2	1	1						
17	2	24315-000180	O-RING, 1BP18.0	1	1						
18	1	1A8475-48450	HOSE ASSY, 1/2-1060	1	1						
19	1	1A8475-48480	HOSE ASSY, 1/2-480	1	1						
20	1	1A8475-48510	HOSE ASSY, 3/8-640	1	1						
21	1	1A8130-48700	ADAPTER ASSY	1	1						
22	2	24315-000140	O-RING, 1BP14.0	1	1						
23	1	1E6681-66370	STRAINER ASSY	1	1						
24	1	172141-76900	CONNECTOR ASSY	1	1						
25	2	24315-000180	O-RING, 1BP18.0	1	1						
26	1	172141-76900	CONNECTOR ASSY	1	1						
27	2	24315-000180	O-RING, 1BP18.0	1	1						
28	1	23871-020000	PLUG, R02	1	1						
29	1	24315-000180	O-RING, 1BP18.0	4	4						
30	1	24315-000180	O-RING, 1BP18.0	1	1						
31	1	26106-100202	BOLT, M10X 20 PLATED	2	2						
32	1	26106-120352	BOLT, M12X 35 PLATED	2	2						
33	1	41810-000080	CAP, BOLT M8	2	2						
34	1	933160-01370	CONNECTOR,PF1/2PF3/8	1	1						

Fig.130. TOP LINK HINGE

(A)=YT347Y
(B)=YT359Y
(C)=

(D)=
(E)=
(F)=

No.	Lev.	Parts No.	Description	Q'ty						I	R
				(A)	(B)	(C)	(D)	(E)	(F)		
1	1	1A8470-42851	HINGE, L TOP LINK	1	1						
2	1	1A8470-42861	HINGE, R TOP LINK	1	1						
3	1	26106-120252	BOLT, M12X 25 PLATED	4	4						
4	1	26106-120502	BOLT, M12X 50 PLATED	2	2						

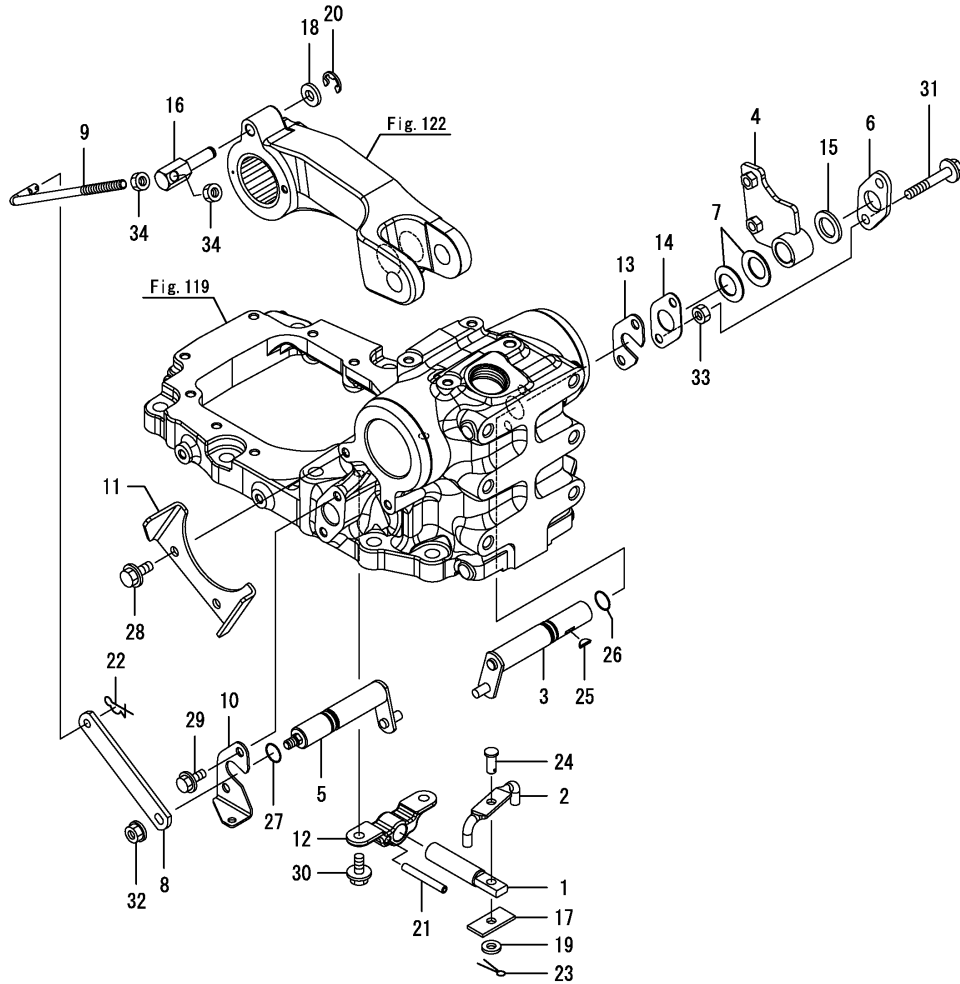


OCNP6-M01980 HYDRAULIC CONTROL
Fig.131. HYDRAULIC CONTROL

OCNP6-M01980 Fig.131

(A)=YT347Y
 (B)=YT359Y
 (C)=

(D)=
 (E)=
 (F)=

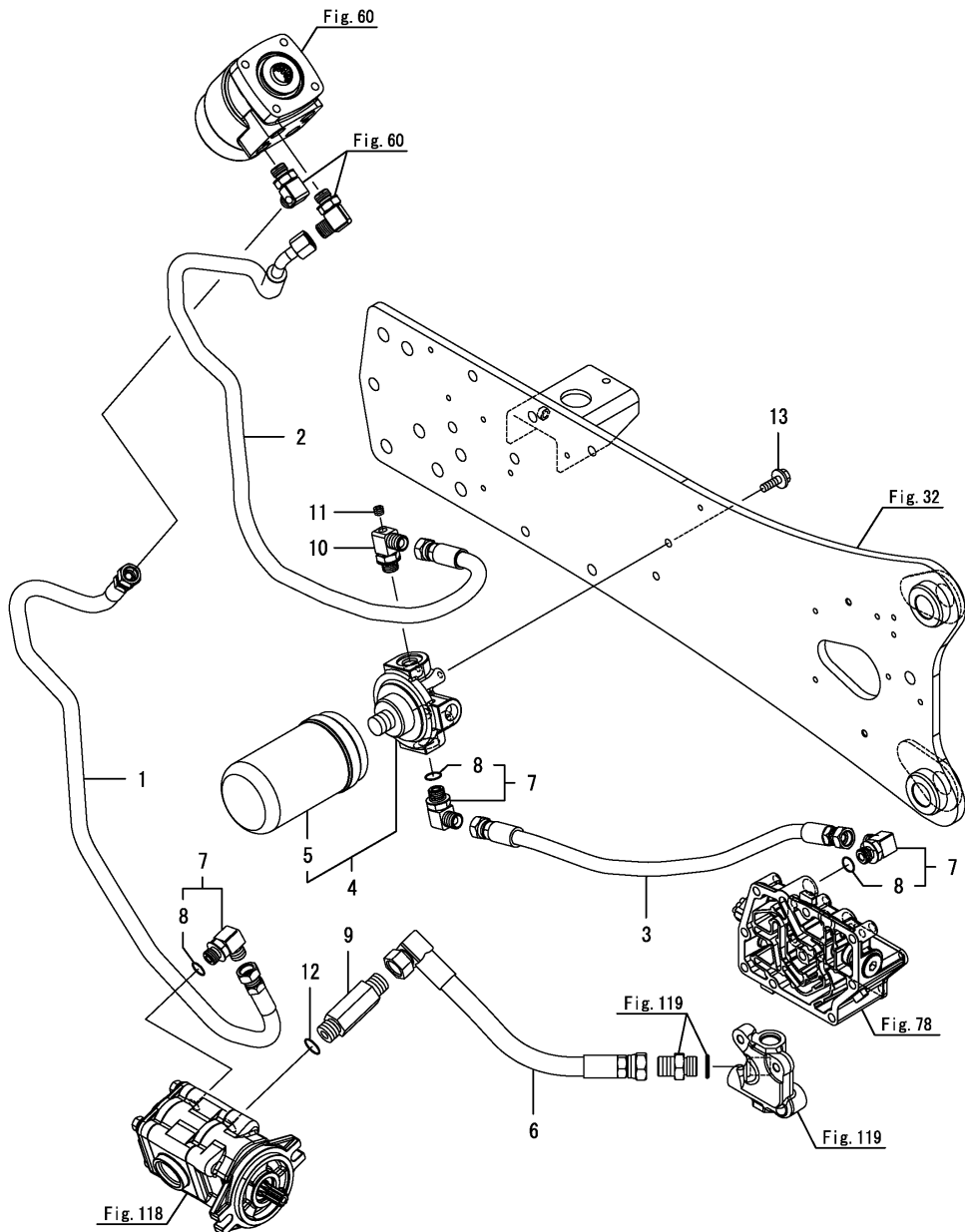


No.	Lev.	Parts No.	Description	Q'ty						I	R
				(A)	(B)	(C)	(D)	(E)	(F)		
1	1	1A8472-47010	ROD, CONTROL	1	1						
2	1	1A8472-47050	LINK, P CONTROL	1	1						
3	1	1A8472-47100	SHAFT ASSY, LEVER P	1	1						
4	1	1A8472-47150	LINK ASSY, LEVER P	1	1						
5	1	1A8472-47200	SHAFT ASSY, FEEDBACK	1	1						
6	1	194940-47210-1	PLATE	1	1						
7	1	194940-47220	WASHER, 20	2	2						
8	1	1A8472-47250	ARM, FEEDBACK P	1	1						
9	1	1A8472-47260	ROD, FEEDBACK P	1	1						
10	1	1A8472-47270	PLATE, KEEP	1	1						
11	1	1A8472-47280	STOPPER, LIFT ARM	1	1						
12	1	1A8472-47330	PLATE, CONTROL	1	1						
13	1	194555-47340-1	PLATE, A	1	1						
14	1	194555-47350-1	PLATE, B	1	1						
15	1	194170-47440	PLATE, FRICTION	1	1						
16	1	198200-47650	PIN, ADJUST	1	1						
17	1	1E6681-79140	WASHER, COOLER COVER	1	1						
18	1	22117-100000	WASHER, 10	1	1						
19	1	22137-080000	WASHER, 8	1	1						
20	1	22272-000080	RING, E- 8	1	1						
21	1	22351-060050	PIN, SPRING 6.0X50	1	1						
22	1	22372-080000	PIN, SNAP 8	1	1						
23	1	22417-200200	PIN, COTTER 2.0X20	1	1						
24	1	22487-080160	PIN, H 8X 16	1	1						
25	1	22522-030130	KEY, WOODRUFF 3X13	1	1						
26	1	24315-000150	O-RING, 1BP15.0	1	1						
27	1	24315-000150	O-RING, 1BP15.0	1	1						
28	1	26106-080162	BOLT, M8X 16 PLATED	2	2						
29	1	26106-080162	BOLT, M8X 16 PLATED	2	2						
30	1	26106-080162	BOLT, M8X 16 PLATED	2	2						
31	1	26106-080504	BOLT, M8X 50 PLATED	2	2						
32	1	26366-080002	NUT, M8	1	1						
33	1	26716-080002	NUT, M8	2	2						
34	1	26716-080002	NUT, M8	2	2						

Fig.132. HYDRAULIC HOSE

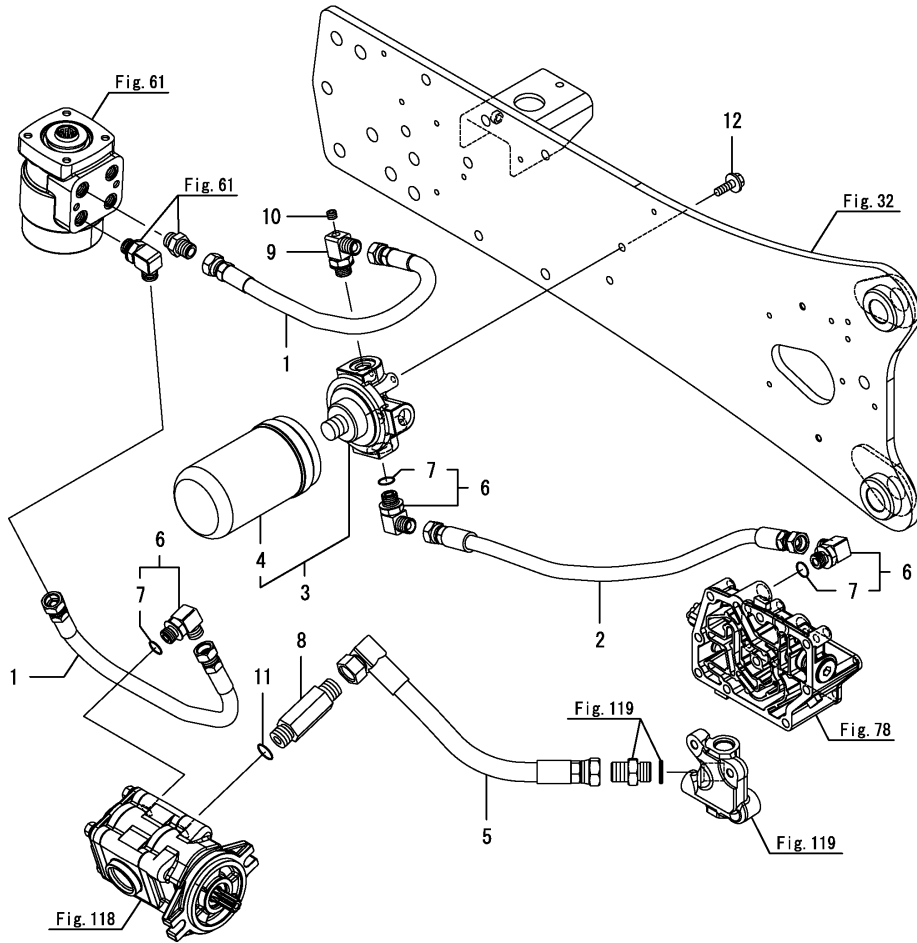
(A)=YT347Y
(B)=YT359Y
(C)=

(D)=
(E)=
(F)=



No.	Lev.	Parts No.	Description	Qty						I	R
				(A)	(B)	(C)	(D)	(E)	(F)		
1	1	1A8475-17700	HOSE ASSY, 3/8-1100	1	1						
2	1	1A8475-17750	HOSE ASSY, 3/8-1200	1	1						
3	1	1A8470-48110	HOSE ASSY, 3/8-550	1	1						
4	1	1A7180-48191	FILTER ASSY, LINE 10	1	1						
5	2	1A7180-48210	CARTRIDGE ASSY	1	1						
6	1	1A8470-48500	HOSE ASSY, 1/2-310	1	1						
7	1	172142-76181	JOINT ASSY	3	3						
8	2	24315-000140	O-RING, 1BP14.0	3	3						
9	1	172176-76200	JOINT, PF1/2	1	1						
10	1	172149-76300	ELBOW ASSY	1	1						
11	1	23871-010000	PLUG, R01	1	1						
12	1	24315-000180	O-RING, 1BP18.0	1	1						
13	1	26106-080252	BOLT, M8X 25 PLATED	2	2						

Fig.133. HYDRAULIC HOSE(CABIN)



(A)=YT347Y
(B)=YT359Y
(C)=

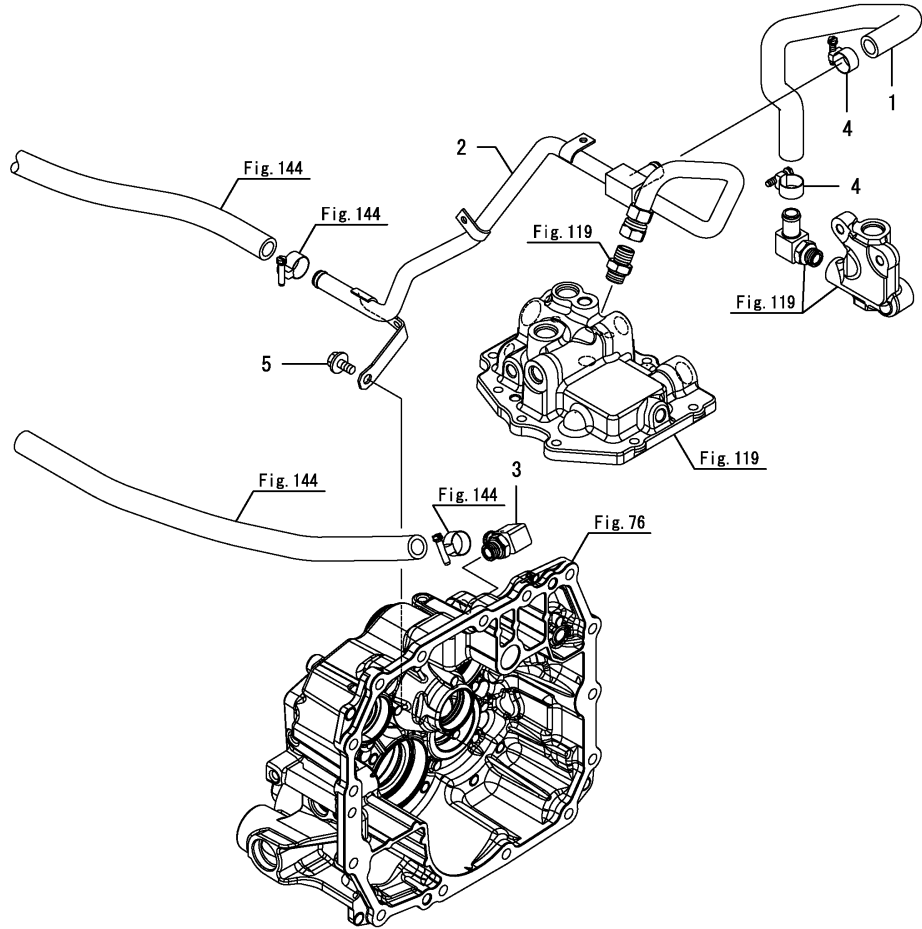
(D)=
(E)=
(F)=

No.	Lev.	Parts No.	Description	Q'ty						I	R
				(A)	(B)	(C)	(D)	(E)	(F)		
1	1	1A8484-17700	HOSE ASSY, 3/8-450	2	2						
2	1	1A8470-48110	HOSE ASSY, 3/8-550	1	1						
3	1	1A7180-48191	FILTER ASSY, LINE 10	1	1						
4	2	1A7180-48210	CARTRIDGE ASSY	1	1						
5	1	1A8470-48500	HOSE ASSY, 1/2-310	1	1						
6	1	172142-76181	JOINT ASSY	3	3						
7	2	24315-000140	O-RING, 1BP14.0	3	3						
8	1	172176-76200	JOINT, PF1/2	1	1						
9	1	172149-76300	ELBOW ASSY	1	1						
10	1	23871-010000	PLUG, R01	1	1						
11	1	24315-000180	O-RING, 1BP18.0	1	1						
12	1	26106-080252	BOLT, M8X 25 PLATED	2	2						

Fig.134. LUB. OIL PIPE

(A)=YT347Y
(B)=YT359Y
(C)=

(D)=
(E)=
(F)=



No.	Lev.	Parts No.	Description	Q'ty						I	R
				(A)	(B)	(C)	(D)	(E)	(F)		
1	1	1A8470-49400	HOSE, LUB	1	1						
2	1	1A8475-49501	PIPE ASSY, LUB	1	1						
3	1	1A8060-49650	ELBOW ASSY, G3/8-16	1	1						
4	1	23000-022000	CLAMP, 22	2	2						
5	1	26106-080162	BOLT, M8X 16 PLATED	1	1						

Fig.135. HOSE CLAMP

(A)=YT347Y
(B)=YT359Y
(C)=

(D)=
(E)=
(F)=

No.	Lev.	Parts No.	Description	Q'ty						I	R
				(A)	(B)	(C)	(D)	(E)	(F)		
1	1	29622-250001	BAND, RF250	1	1						

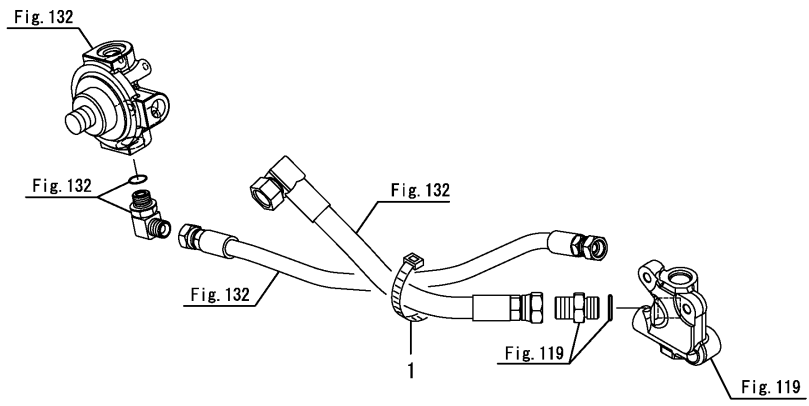
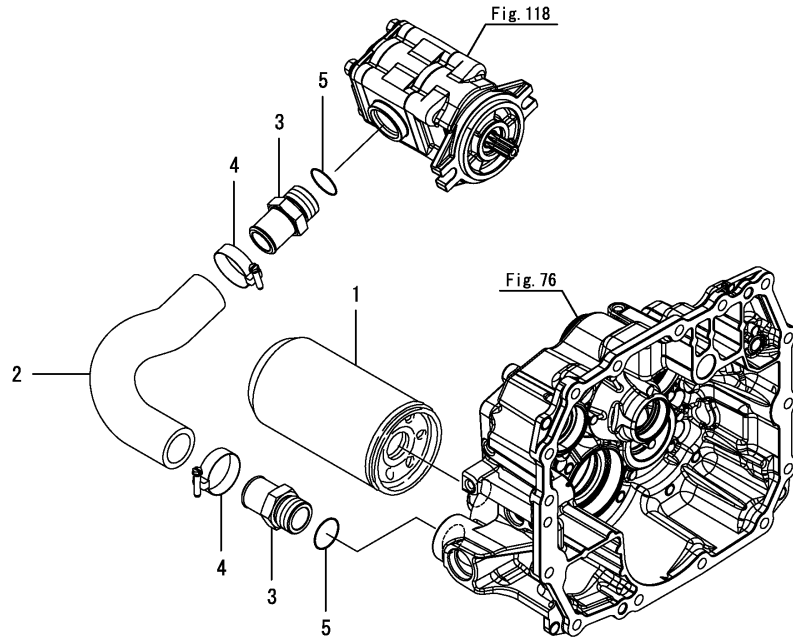


Fig.136. HYDRAULIC FILTER

(A)=YT347Y
(B)=YT359Y
(C)=

(D)=
(E)=
(F)=

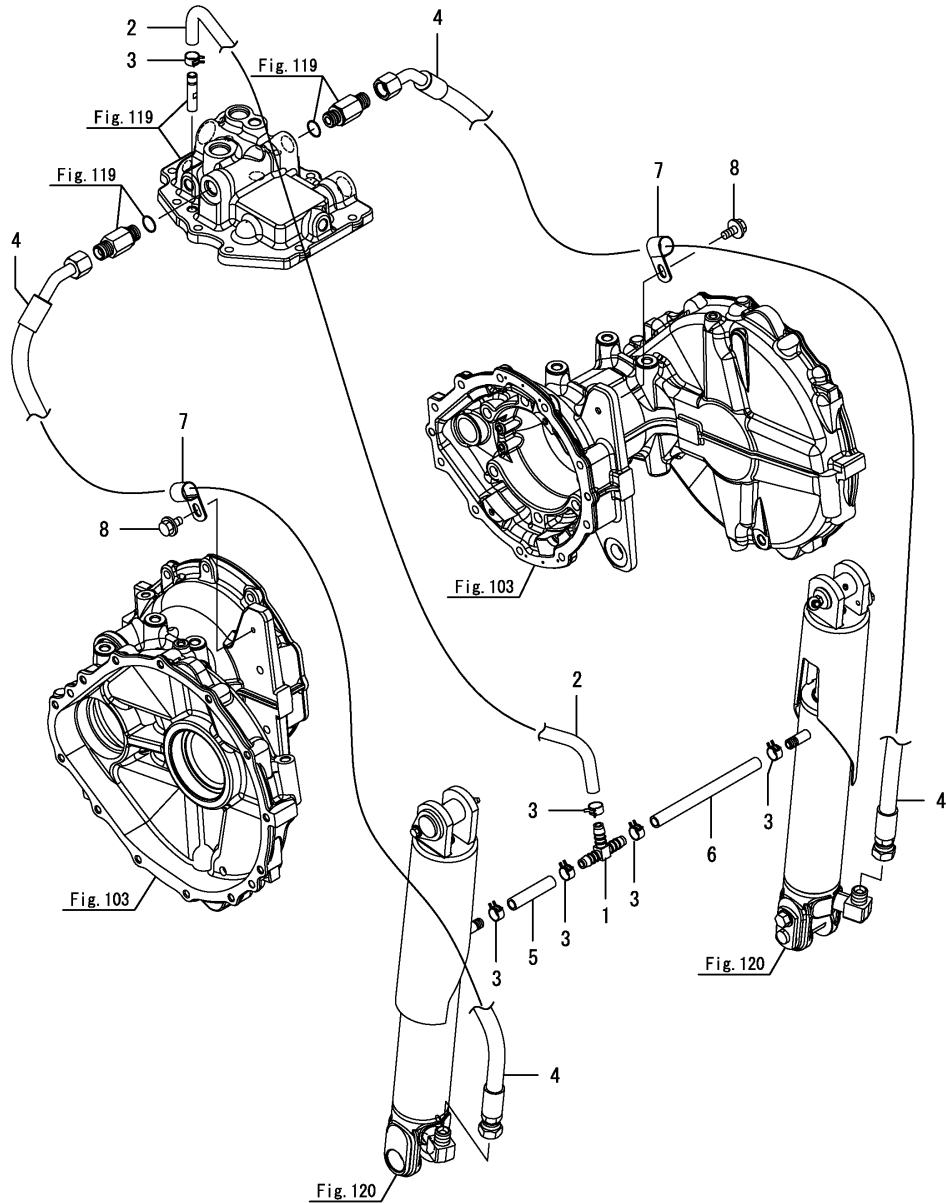


No.	Lev.	Parts No.	Description	Q'ty						I	R
				(A)	(B)	(C)	(D)	(E)	(F)		
1	1	198535-48080	FILTER, HYDRAULIC	1	1						
2	1	1A8470-48340	HOSE, SUCTION	1	1						
3	1	1A8470-48350	ADAPTER, HYD G1	2	2						
4	1	23000-048000	CLAMP, 48	2	2						
5	1	24311-000290	O-RING, 1AP29.0	2	2						

Fig.137. CYLINDER HOSE

(A)=YT347Y
(B)=YT359Y
(C)=

(D)=
(E)=
(F)=



No.	Lev.	Parts No.	Description	Q'ty						I	R
				(A)	(B)	(C)	(D)	(E)	(F)		
1	1	198448-04930	JOINT, HOSE	1	1						
2	1	1C7130-05571	PIPE, BREATHER	1	1						
3	1	106990-44660	CLAMP, HOSE 12.5	6	6						
4	1	1A8472-48400	HOSE ASSY, CYLINDER	2	2						
5	1	1A8470-48470	HOSE, BREATHER	1	1						
6	1	1A8470-48480	HOSE, BREATHER	1	1						
7	1	1E6213-83410	CLIP, HARNESS 18	2	2						
8	1	26106-080162	BOLT, M8X 16 PLATED	2	2						

Fig.138. LOADER HOSE

(A)=YT347Y
(B)=YT359Y
(C)=

(D)=
(E)=
(F)=

No.	Lev.	Parts No.	Description	Q'ty						I	R
				(A)	(B)	(C)	(D)	(E)	(F)		
1	1	1A8475-48200	HOSE ASSY, LOADER P	1	1						
2	1	1A8475-48220	HOSE ASSY, LOADER C	1	1						
3	1	1A8475-48250	HOSE ASSY, LOADER T	1	1						
4	1	1A8475-48550	ADAPTER, G1/2	1	1						
5	1	172142-76180	JOINT	1	1						
7	2	24315-000140	O-RING, 1BP14.0	1	1						

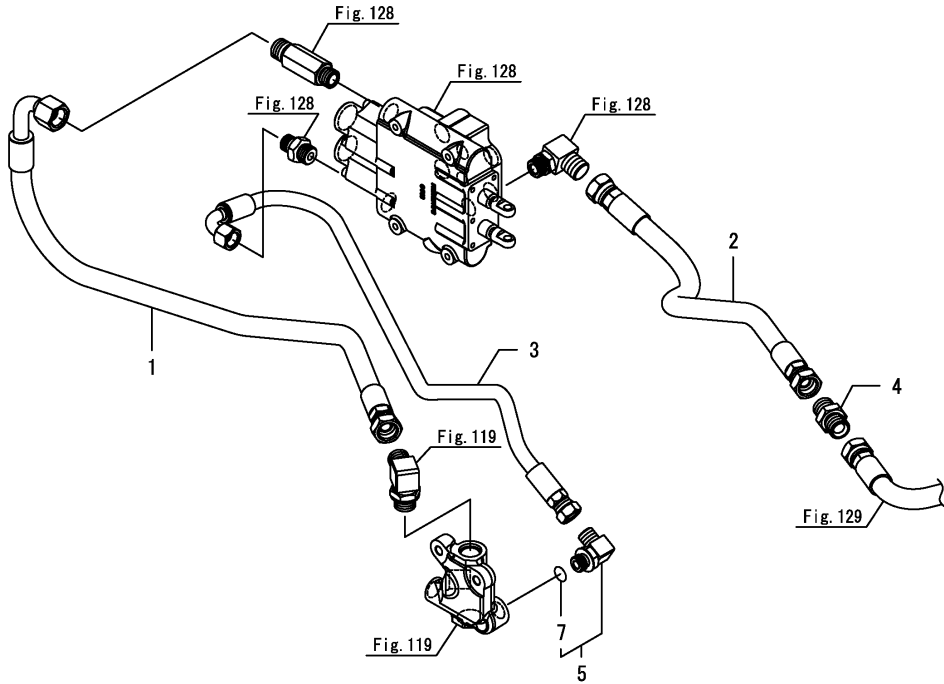


Fig.140. PIPE(SUCTION)

(A)=YT347Y
(B)=YT359Y
(C)=

(D)=
(E)=
(F)=

No.	Lev.	Parts No.	Description	Q'ty						I	R
				(A)	(B)	(C)	(D)	(E)	(F)		
1	1	1A8042-48700	PIPE ASSY, SUCTION	1	1						
2	1	24321-000400	O-RING, 1AG40.0	1	1						
3	1	26106-080162	BOLT, M8X 16 PLATED	1	1						
4	1	26106-080652	BOLT, M8X 65 PLATED	1	1						

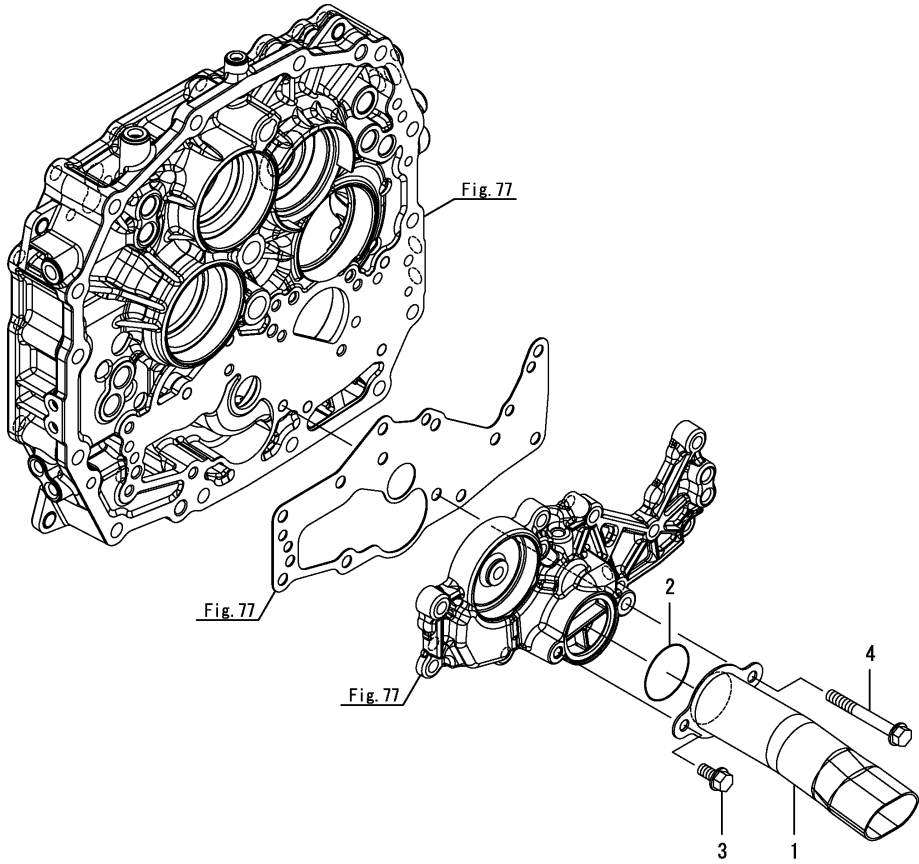
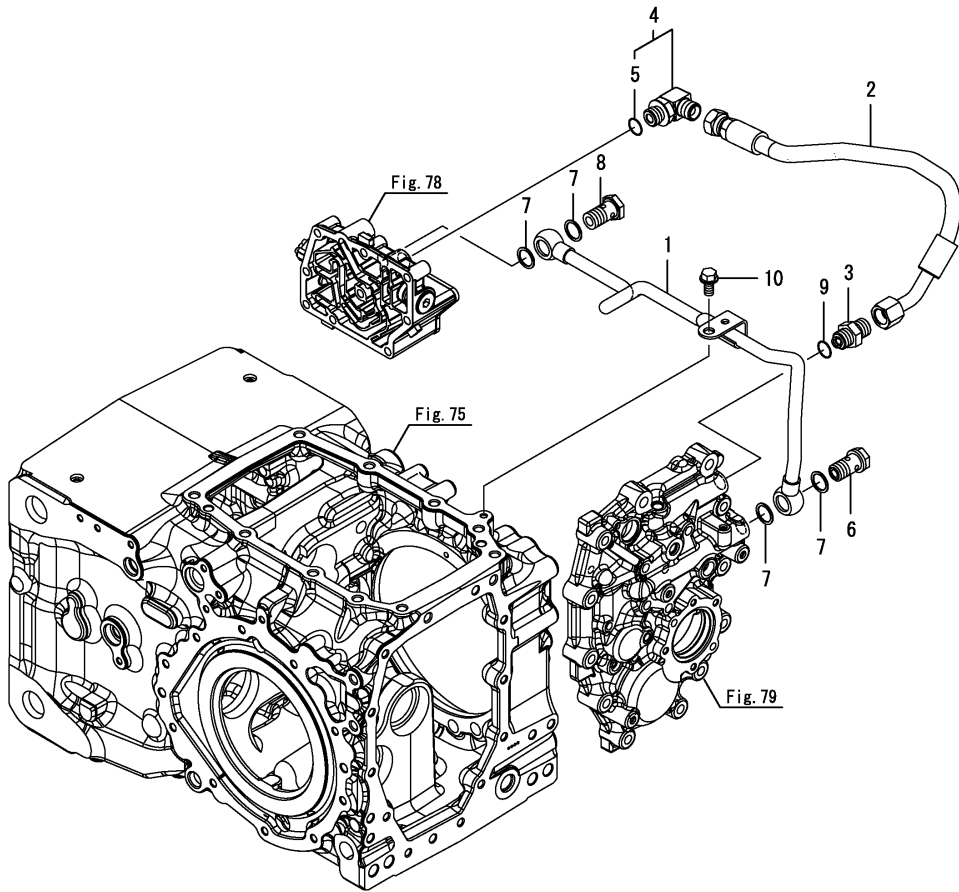


Fig.141. PIPE(I-H.M.T.)

(A)=YT347Y
(B)=YT359Y
(C)=

(D)=
(E)=
(F)=

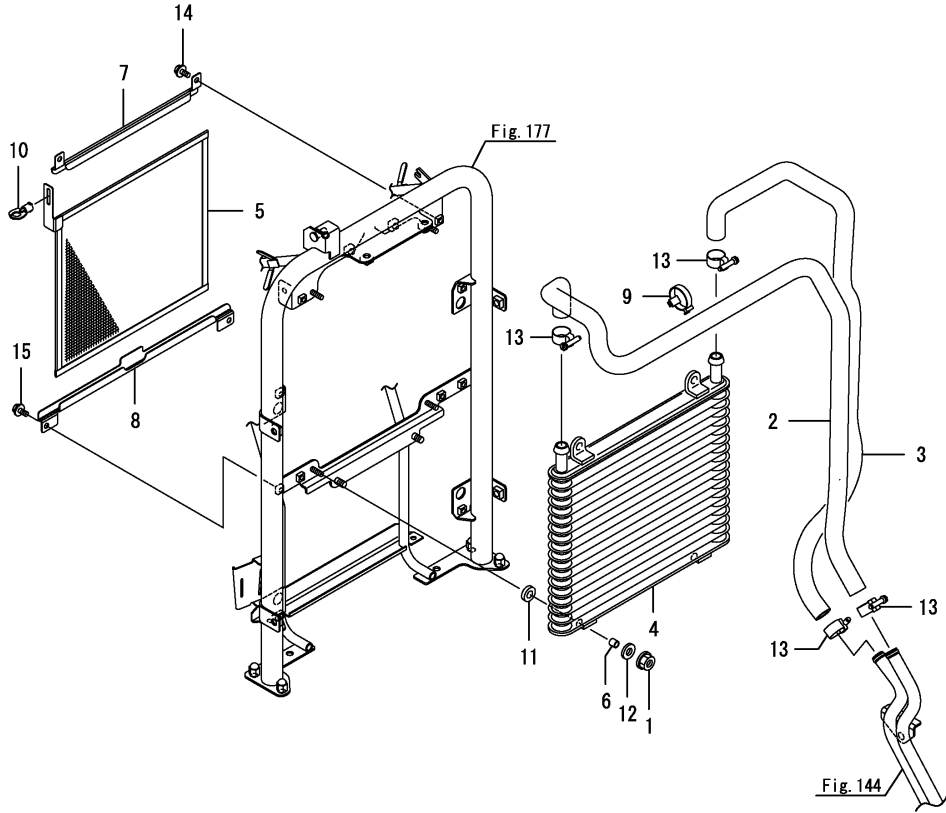


No.	Lev.	Parts No.	Description	Q'ty						I	R
				(A)	(B)	(C)	(D)	(E)	(F)		
1	1	1A8042-48600	PIPE ASSY, I-HMT	1	1						
2	1	1A8470-48630	HOSE ASSY, I-HMT	1	1						
3	1	172730-75141	ADAPTER	1	1						
4	1	172142-76181	JOINT ASSY	1	1						
5	2	24315-000140	O-RING, 1BP14.0	1	1						
6	1	194680-77750	BOLT ASSY, JOINT	1	1						
7	1	23414-160021	GASKET, 16X1.0	4	4						
8	1	23857-100000	BOLT, JOINT 10	1	1						
9	1	24311-000140	O-RING, 1AP14.0	1	1						
10	1	26106-080162	BOLT, M8X 16 PLATED	1	1						

Fig.142. OIL COOLER

(A)=YT347Y
(B)=YT359Y
(C)=

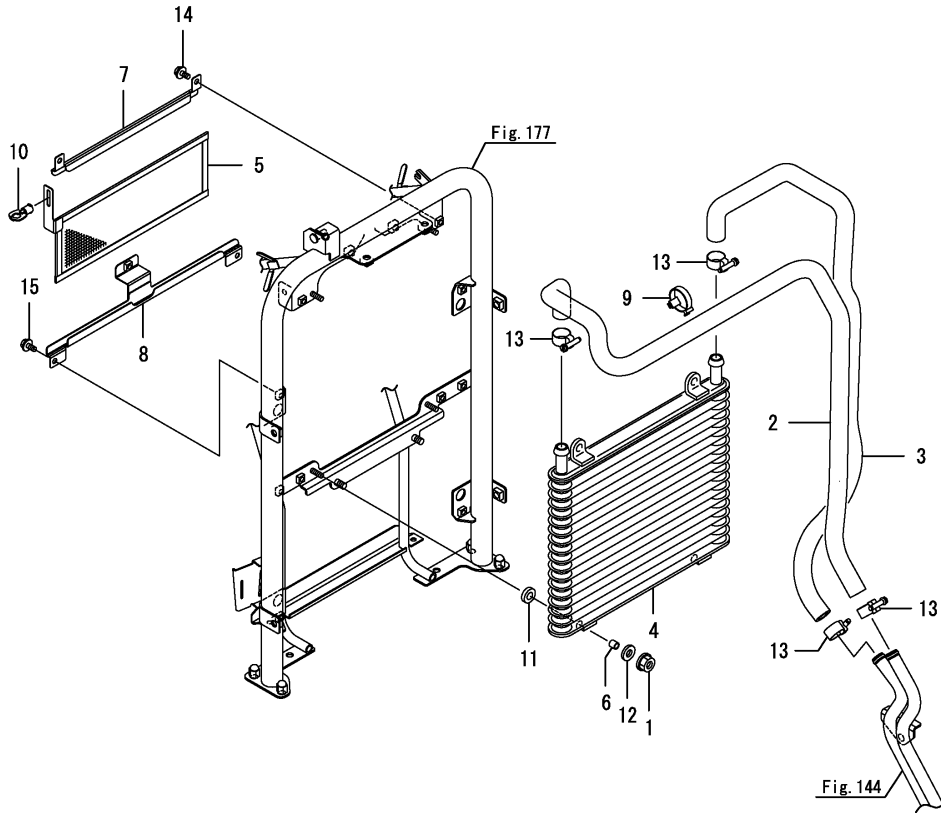
(D)=
(E)=
(F)=



No.	Lev.	Parts No.	Description	Q'ty						I	R
				(A)	(B)	(C)	(D)	(E)	(F)		
1	1	194990-22130	NUT, M6	4	4						
2	1	1A8470-48780	HOSE, OIL COOLER A	1	1						
3	1	1A8470-48791	HOSE, OIL COOLER B	1	1						
4	1	198138-49100	COOLER ASSY, OIL	1	1						
5	1	1A8470-49100	SCREEN ASSY, OIL ROP	1	1						
6	1	1A7180-49190	COLLAR, 9.0X7.0X9.0	4	4						
7	1	1A8470-49300	RAIL, UPPER	1	1						
8	1	1A8470-49370	RAIL, LOWER	1	1						
9	1	1A8275-51670	CLIP, M8 HOLE	1	1						
10	1	198220-61351	LOCK ASSY, CAM	1	1						
11	1	194420-62260	RUBBER, 10X20X5	4	4						
12	1	22137-100000	WASHER, 10	4	4						
13	1	23000-022000	CLAMP, 22	4	4						
14	1	26106-060122	BOLT, M6X 12 PLATED	2	2						
15	1	26106-060122	BOLT, M6X 12 PLATED	2	2						

(A)=YT347Y
 (B)=YT359Y
 (C)=

(D)=
 (E)=
 (F)=

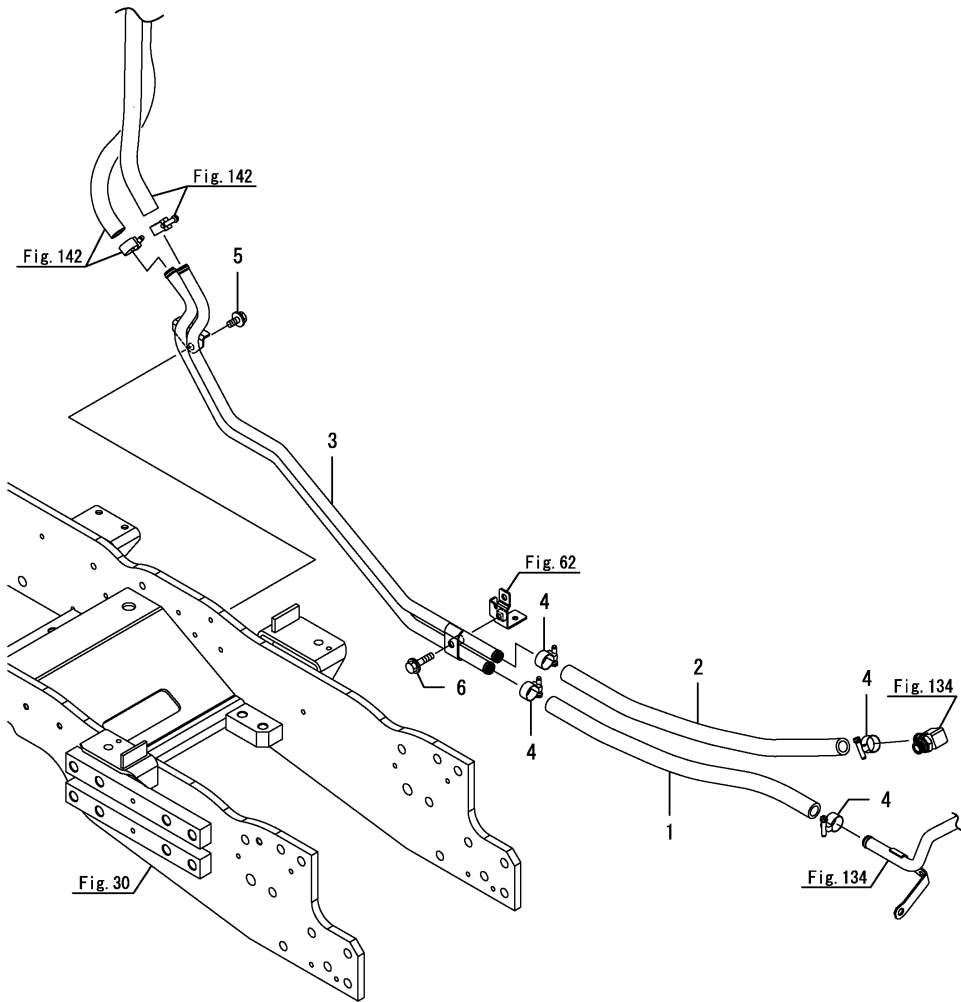


No.	Lev.	Parts No.	Description	Q'ty						I	R
				(A)	(B)	(C)	(D)	(E)	(F)		
1	1	194990-22130	NUT, M6	4	4						
2	1	1A8470-48780	HOSE, OIL COOLER A	1	1						
3	1	1A8470-48791	HOSE, OIL COOLER B	1	1						
4	1	198138-49100	COOLER ASSY, OIL	1	1						
5	1	1A8484-49100	SCREEN ASSY, OIL CAB	1	1						
6	1	1A7180-49190	COLLAR, 9.0X7.0X9.0	4	4						
7	1	1A8470-49300	RAIL, UPPER	1	1						
8	1	1A8484-49360	RAIL ASSY, LOWER	1	1						
9	1	1A8275-51670	CLIP, M8 HOLE	1	1						
10	1	198220-61351	LOCK ASSY, CAM	1	1						
11	1	194420-62260	RUBBER, 10X20X5	4	4						
12	1	22137-100000	WASHER, 10	4	4						
13	1	23000-022000	CLAMP, 22	4	4						
14	1	26106-060122	BOLT, M6X 12 PLATED	2	2						
15	1	26106-060122	BOLT, M6X 12 PLATED	2	2						

Fig.144. OIL COOLER PIPE

(A)=YT347Y
(B)=YT359Y
(C)=

(D)=
(E)=
(F)=

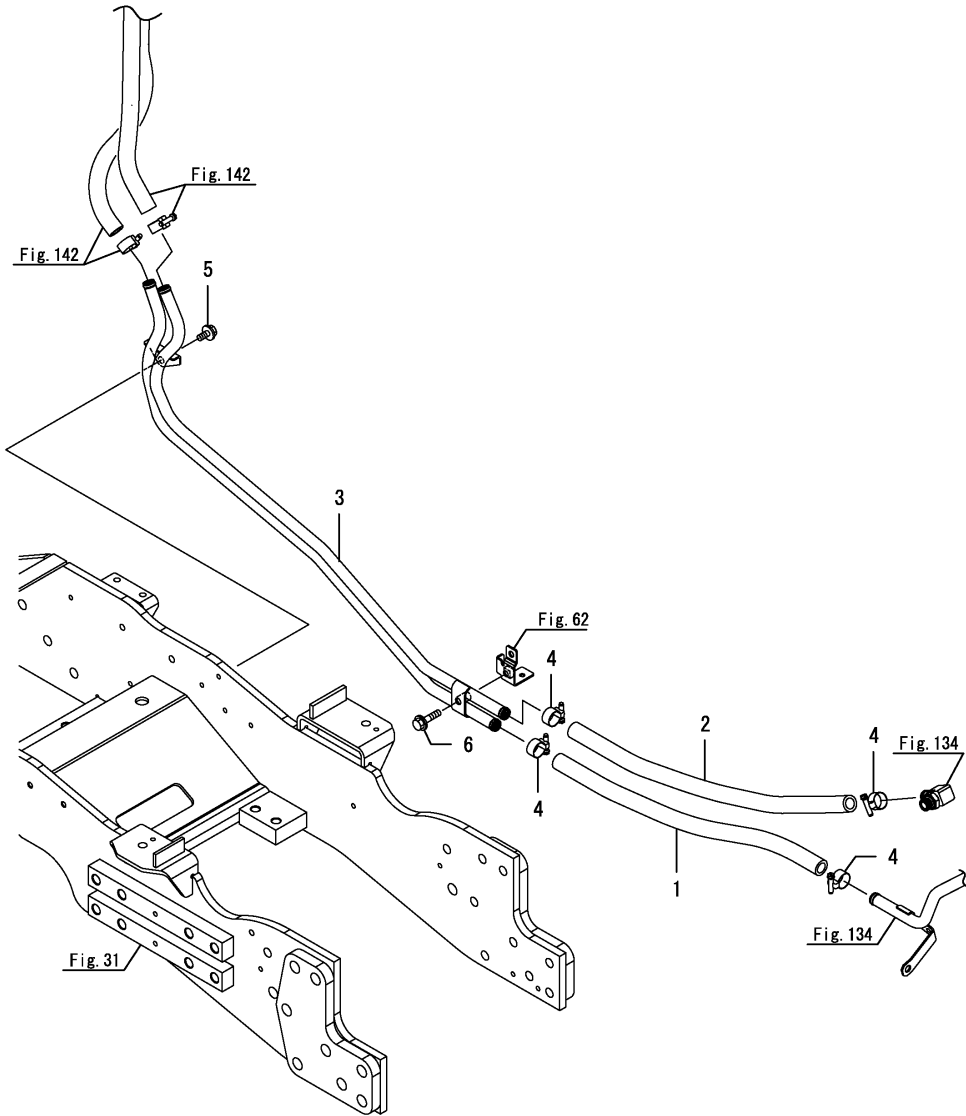


No.	Lev.	Parts No.	Description	Q'ty						I	R
				(A)	(B)	(C)	(D)	(E)	(F)		
1	1	1A8470-49260	HOSE, LOW PRESSURE	1							
2	1	1A8470-49270	HOSE, LOW PRESSURE	1							
3	1	1A8470-49800	PIPE ASSY, COOLER	1							
4	1	23000-022000	CLAMP, 22	4							
5	1	26106-080162	BOLT, M8X 16 PLATED	1							
6	1	26106-080302	BOLT, M8X 30 PLATED	1							

Fig.145. OIL COOLER PIPE

(A)=YT347Y
(B)=YT359Y
(C)=

(D)=
(E)=
(F)=

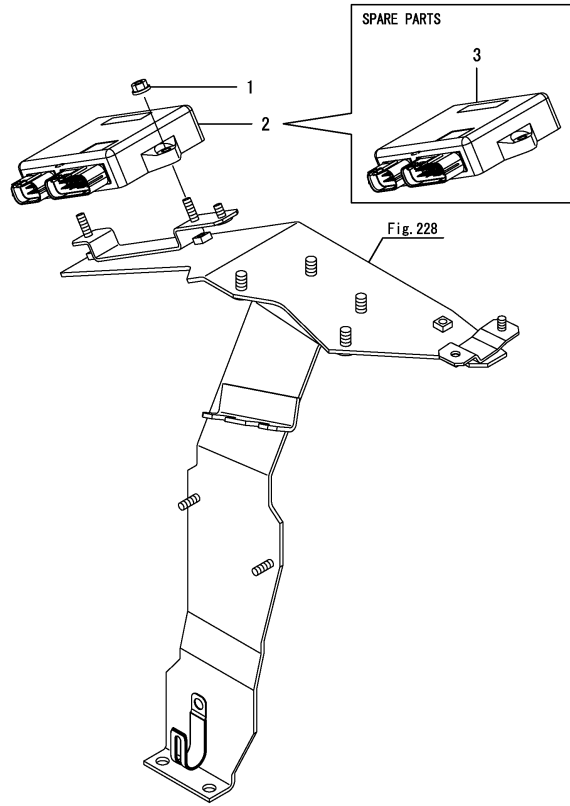


No.	Lev.	Parts No.	Description	Q'ty						I	R
				(A)	(B)	(C)	(D)	(E)	(F)		
1	1	1A8470-49260	HOSE, LOW PRESSURE		1						
2	1	1A8470-49270	HOSE, LOW PRESSURE		1						
3	1	1A8480-49800	PIPE ASSY, COOLER		1						
4	1	23000-022000	CLAMP, 22		4						
5	1	26106-080162	BOLT, M8X 16 PLATED		1						
6	1	26106-080302	BOLT, M8X 30 PLATED		1						

Fig.146. CONTROLLER(H.M.T.)

(A)=YT347Y
(B)=YT359Y
(C)=

(D)=
(E)=
(F)=



No.	Lev.	Parts No.	Description	Q'ty						I	R
				(A)	(B)	(C)	(D)	(E)	(F)		
1	1	194990-22130	NUT, M6	2	2						
2	1	1A8475-50100	CONTROL UNIT, HMT	1	1						1
3	1	1A8280-50900	CONTROLLER	1	1						2

Remarks

(1)Eco Controller

This part cannot be ordered.

Replace the part using a Service Controller with the proper tractor information installed.

(2)Service Controller

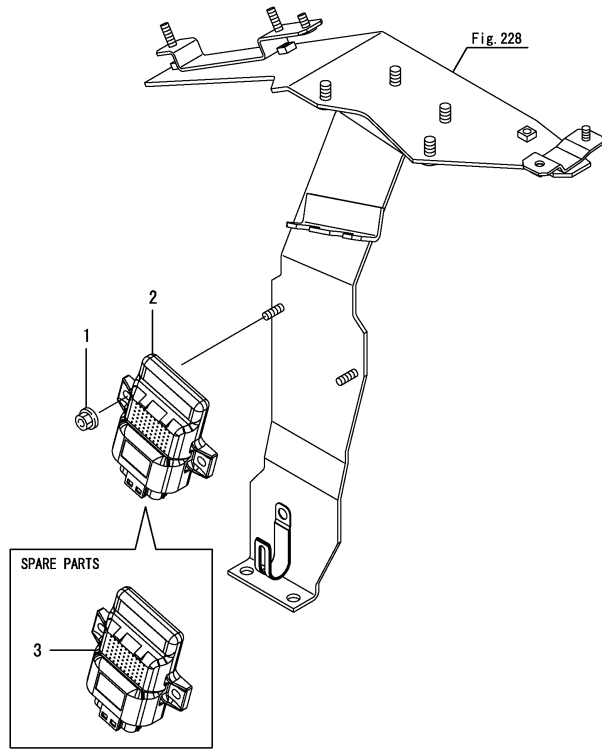
If the proper information is not installed, the tractor will not operate.

To install proper information, go to an authorized distributor.

Fig.147. CONTROLLER(DRAFT)

(A)=YT347Y
(B)=YT359Y
(C)=

(D)=
(E)=
(F)=



No.	Lev.	Parts No.	Description	Q'ty						I	R
				(A)	(B)	(C)	(D)	(E)	(F)		
1	1	194990-22130	NUT, M6	2	2						
2	1	1A7140-50503	CONTROL UNIT, VSP	1	1						1
3	1	1A7805-50900	CONTROL UNIT,SERVICE	1	1						2

Remarks

(1)Eco Controller

This part cannot be ordered.

Replace the part using a Service Controller with the proper tractor information installed.

(2)Service Controller

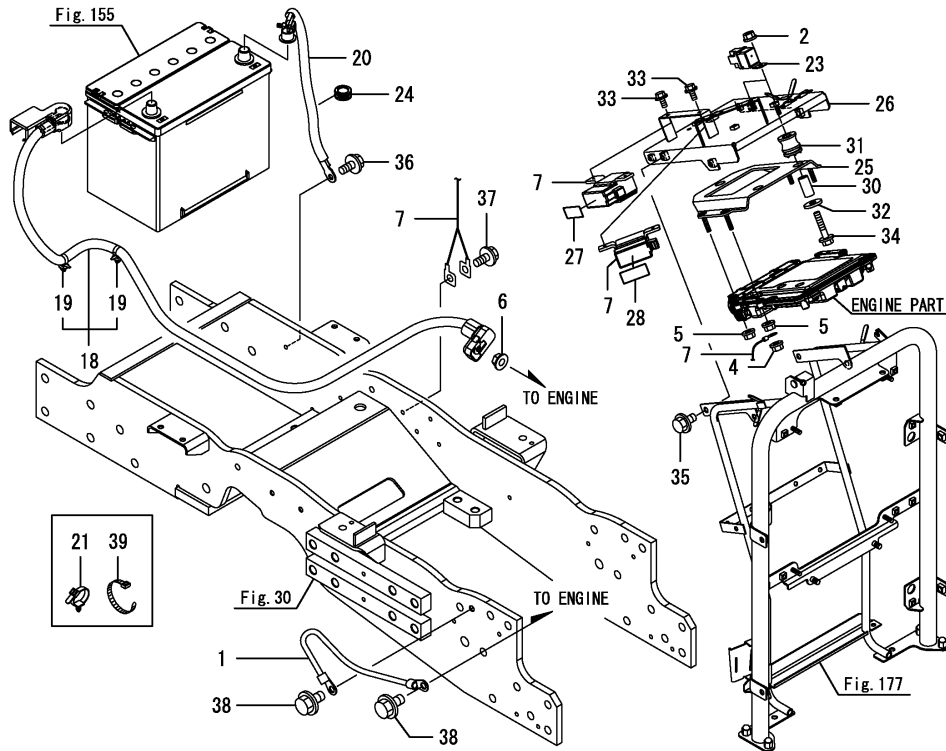
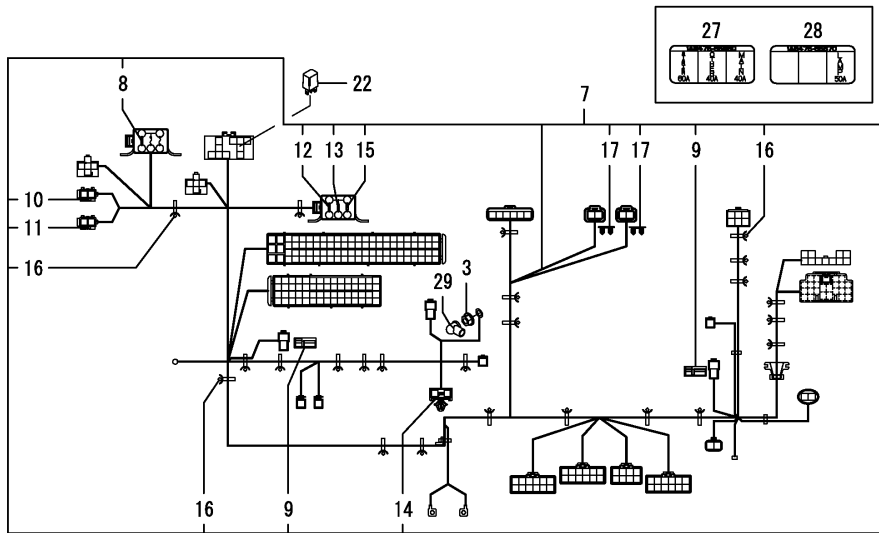
If the proper information is not installed, the tractor will not operate.

To install proper information, go to an authorized distributor.

Fig.150. WIRE HARNESS(ENGINE)

(A)=YT347Y
(B)=YT359Y
(C)=

(D)=
(E)=
(F)=

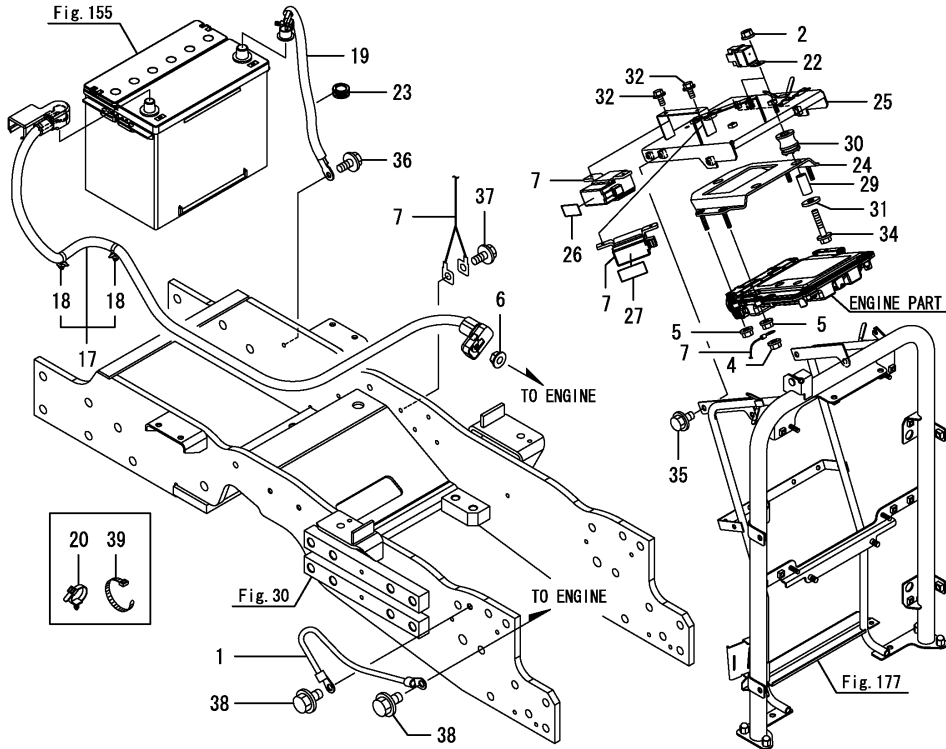
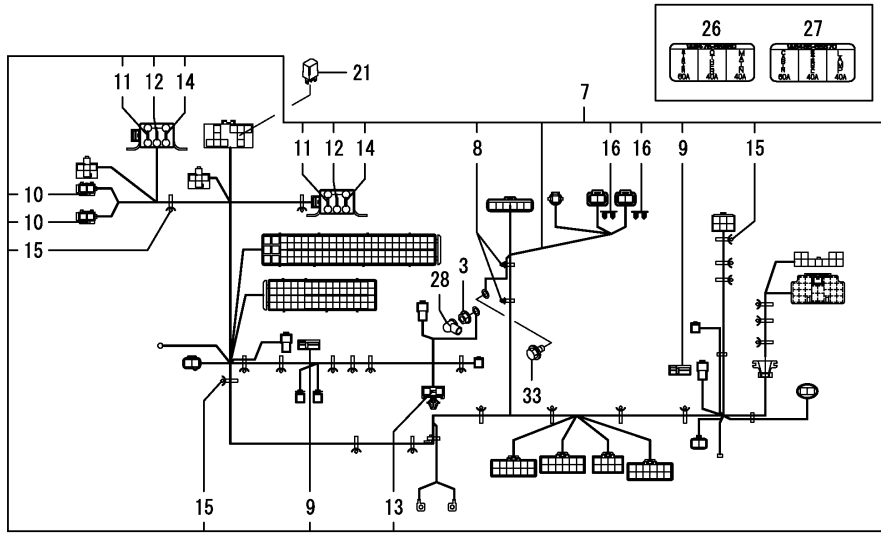


No.	Lev.	Parts No.	Description	Qty						I	R
				(A)	(B)	(C)	(D)	(E)	(F)		
1	1	1D4220-16250	WIRE, ENGINE EARTH	1	1						
2	1	194990-22130	NUT, M6	2	2						
3	1	194990-22130	NUT, M6	1	1						
4	1	194990-22130	NUT, M6	1	1						
5	1	194990-22130	NUT, M6	4	4						
6	1	194990-22140	NUT, M8	1	1						
7	1	1A8475-51151	HARNESS ASSY,ENG ROP	1	1						
8	2	1D2310-06080	FUSE, SLOW BLOW 50A	1	1						
9	2	1A6382-51510	RESISTANCE, 2W R120	2	2						
10	2	198535-52140	FUSE, 20A	1	1						
11	2	198535-52140	FUSE, 20A	1	1						
12	2	1A6780-52430	FUSE, 40A	1	1						
13	2	1A6780-52440	FUSE, 40A	1	1						
14	2	1A6780-52470	FUSE, 80A	1	1						
15	2	1E8540-83220	FUSE, SLOW BLOW 60A	1	1						
16	2	1E9265-84300	CLIP, BAND	24	24						
17	2	129A00-91430	CLIP, CONNECTOR	2	2						
18	1	1A8470-51400	CABLE, + BATTERY	1	1						
19	2	1E9265-84300	CLIP, BAND	2	2						
20	1	1A8470-51450	CABLE,BATTERY	1	1						
21	1	1A8275-51670	CLIP, M8 HOLE	1	1						
22	1	1A7522-52950	RELAY, ACM13221M19	1	1						
23	1	1A7870-52950	RELAY, CB	2	2						
24	1	1A1380-58050	GROMMET, 16X20X4.5	1	1						
25	1	1A8470-58100	BRACKET ASSY, CR-ECU	1	1						
26	1	1A8470-58150	BRACKET ASSY,ENG ELC	1	1						
27	1	1A8475-65860	LABEL, FUSE S/B 3	1	1						
28	1	1A8475-65870	LABEL, FUSE S/B 3	1	1						
29	1	124756-77040	COVER, TERMINAL	1	1						
30	1	198200-78710	COLLAR, 6.5X21X2	3	3						
31	1	198200-78730	MOUNT, SENSOR 45	3	3						
32	1	22157-060000	WASHER, 6	3	3						
33	1	26106-050122	BOLT M 5X 12 PLATED	4	4						
34	1	26106-060302	BOLT, M6X 30 PLATED	3	3						
35	1	26106-080162	BOLT, M8X 16 PLATED	4	4						
36	1	26106-080162	BOLT, M8X 16 PLATED	1	1						
37	1	26106-080162	BOLT, M8X 16 PLATED	1	1						
38	1	26106-100162	BOLT, M10X 16 PLATED	2	2						
39	1	29622-250001	BAND, RF250	1	1						

Fig.151. WIRE HARNESS(ENGINE)(CABIN)

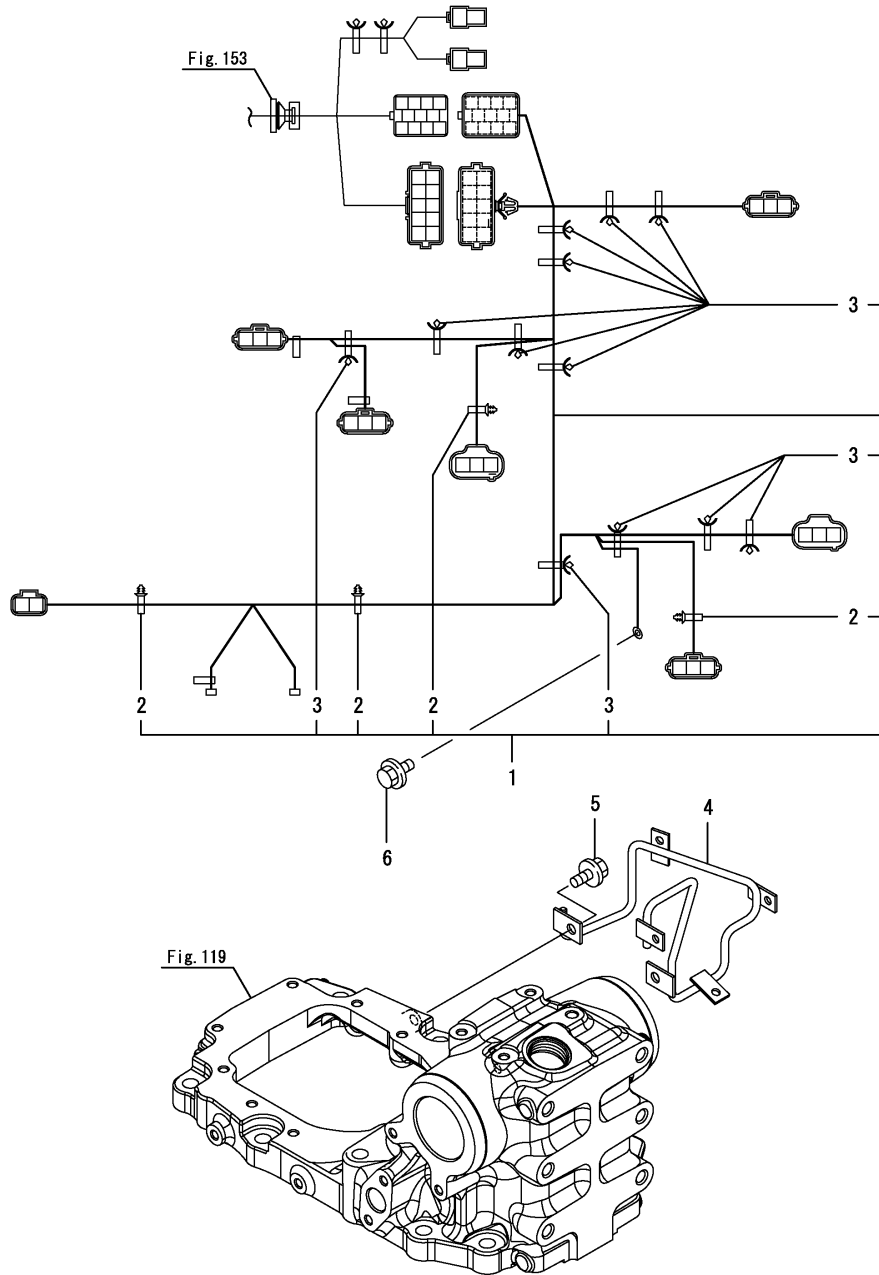
(A)=YT347Y
(B)=YT359Y
(C)=

(D)=
(E)=
(F)=



No.	Lev.	Parts No.	Description	Qty						I	R
				(A)	(B)	(C)	(D)	(E)	(F)		
1	1	1D4220-16250	WIRE, ENGINE EARTH	1	1						
2	1	194990-22130	NUT, M6	2	2						
3	1	194990-22130	NUT, M6	1	1						
4	1	194990-22130	NUT, M6	1	1						
5	1	194990-22130	NUT, M6	4	4						
6	1	194990-22140	NUT, M8	1	1						
7	1	1A8475-51101	HARNESS ASSY,ENG CAB	1	1						
8	2	1A7500-51160	CLIP, HARNESS	2	2						
9	2	1A6382-51510	RESISTANCE, 2W R120	2	2						
10	2	198535-52140	FUSE, 20A	2	2						
11	2	1A6780-52430	FUSE, 40A	2	2						
12	2	1A6780-52440	FUSE, 40A	2	2						
13	2	1A6780-52470	FUSE, 80A	1	1						
14	2	1E8540-83220	FUSE, SLOW BLOW 60A	2	2						
15	2	1E9265-84300	CLIP, BAND	21	21						
16	2	129A00-91430	CLIP, CONNECTOR	2	2						
17	1	1A8470-51400	CABLE, + BATTERY	1	1						
18	2	1E9265-84300	CLIP, BAND	2	2						
19	1	1A8470-51450	CABLE,BATTERY	1	1						
20	1	1A8275-51670	CLIP, M8 HOLE	2	2						
21	1	1A7522-52950	RELAY, ACM13221M19	1	1						
22	1	1A7870-52950	RELAY, CB	2	2						
23	1	1A1380-58050	GROMMET, 16X20X4.5	1	1						
24	1	1A8470-58100	BRACKET ASSY, CR-ECU	1	1						
25	1	1A8470-58150	BRACKET ASSY,ENG ELC	1	1						
26	1	1A8475-65860	LABEL, FUSE S/B 3	1	1						
27	1	1A8485-65870	LABEL, FUSE S/B 3	1	1						
28	1	124756-77040	COVER, TERMINAL	1	1						
29	1	198200-78710	COLLAR, 6.5X21X2	3	3						
30	1	198200-78730	MOUNT, SENSOR 45	3	3						
31	1	22157-060000	WASHER, 6	3	3						
32	1	26106-050122	BOLT M 5X 12 PLATED	4	4						
33	1	26106-060122	BOLT, M6X 12 PLATED	1	1						
34	1	26106-060302	BOLT, M6X 30 PLATED	3	3						
35	1	26106-080162	BOLT, M8X 16 PLATED	4	4						
36	1	26106-080162	BOLT, M8X 16 PLATED	1	1						
37	1	26106-080162	BOLT, M8X 16 PLATED	1	1						
38	1	26106-100162	BOLT, M10X 16 PLATED	2	2						
39	1	29622-250001	BAND, RF250	1	1						

Fig.152. WIRE HARNESS(TRANSMISSION)



(A)=YT347Y
(B)=YT359Y
(C)=

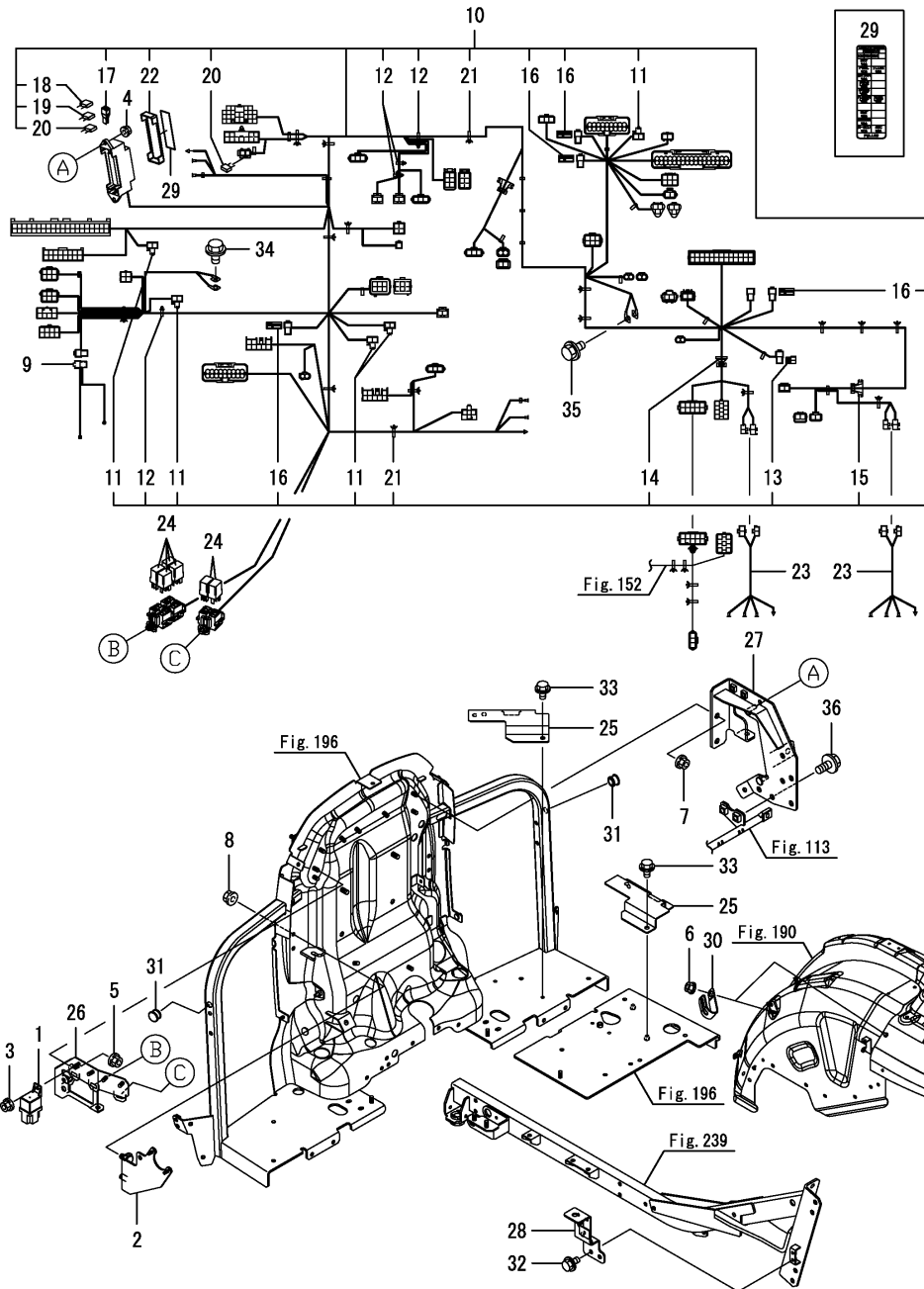
(D)=
(E)=
(F)=

No.	Lev.	Parts No.	Description	Q'ty						I	R
				(A)	(B)	(C)	(D)	(E)	(F)		
1	1	1A8475-51200	HARNESS ASSY, TM	1	1						
2	2	1A7500-51160	CLIP, HARNESS	4	4						
3	2	1E9265-84300	CLIP, BAND	12	12						
4	1	1A8470-58820	STAY ASSY, TM	1	1						
5	1	26106-080162	BOLT, M8X 16 PLATED	2	2						
6	1	26106-080162	BOLT, M8X 16 PLATED	1	1						

Fig.153. WIRE HARNESS(FLOOR)

(A)=YT347Y
(B)=YT359Y
(C)=

(D)=
(E)=
(F)=

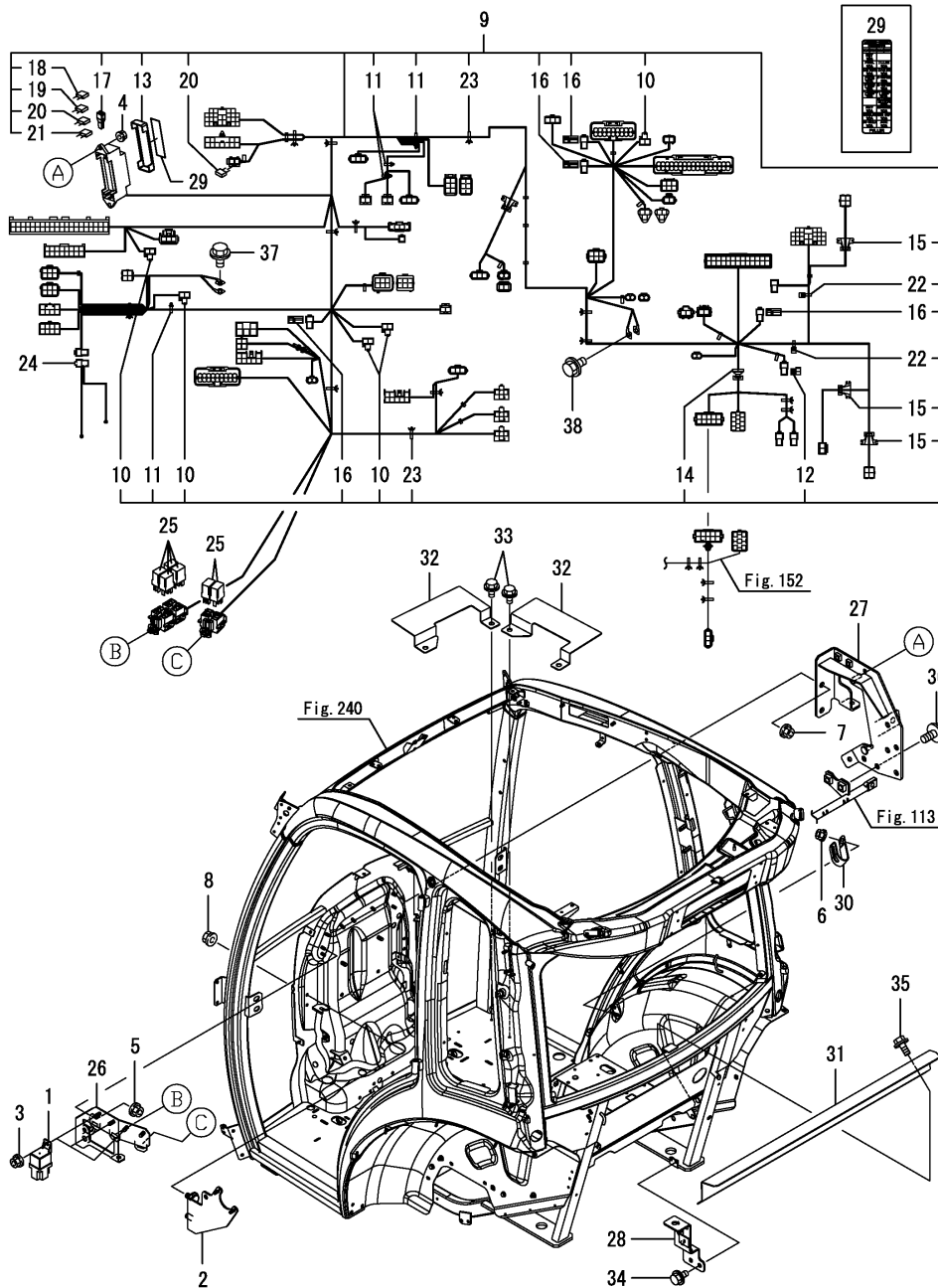


No.	Lev.	Parts No.	Description	Q'ty						I	R
				(A)	(B)	(C)	(D)	(E)	(F)		
1	1	172B16-17190	RELAY, CB C TYPE	1	1						
2	1	1A8470-22050	STAY ASSY, SWITCH	1	1						
3	1	194990-22120	NUT, M5	1	1						
4	1	194990-22130	NUT, M6	2	2						
5	1	194990-22140	NUT, M8	2	2						
6	1	194990-22140	NUT, M8	2	2						
7	1	194990-22140	NUT, M8	2	2						
8	1	194990-22140	NUT, M8	2	2						
9	1	1A8060-51322	CABLE, STEERING HORN	1	1						
10	1	1A8475-51351	HARNESS ASSY,FLR ROP	1	1						
11	2	1A7347-51140	DIODE, 3A	5	5						
12	2	1A7500-51160	CLIP, HARNESS	4	4						
13	2	1A8300-51230	COUPLER,PROTECT	1	1						
14	2	1A7640-51320	GROMMET, 50	1	1						
15	2	198448-51330	GROMMET, 40	1	1						
16	2	1A6382-51510	RESISTANCE, 2W R120	4	4						
17	2	1N3280-51800	PULLER.FUSE 15	1	1						
18	2	198535-52120	FUSE, 10A	10	10						
19	2	198535-52130	FUSE, 15A	3	3						
20	2	198535-52140	FUSE, 20A	3	3						
21	2	1E9265-84300	CLIP, BAND	16	16						
22	2	1E8970-84800	COVER, FUSE BOX 20P	1	1						
23	1	1A8475-51880	HARNESS, REARCOMB	2	2						
24	1	1A7522-52950	RELAY, ACM13221M19	6	6						
25	1	1A8470-58360	COVER, WIRE HARNESS	2	2						
26	1	1A8470-58600	BRACKET ASSY, RELAY	1	1						
27	1	1A8470-58650	BRACKET ASSY, FUSE	1	1						
28	1	1A8470-58890	STAY ASSY,CON	1	1						
29	1	1A8475-65881	LABEL, FUSE BOX 20	1	1						
30	1	1E6102-83230	CLAMP, BATTERY CABLE	2	2						
31	1	197830-85490	GROMMET, 15	2	2						
32	1	26106-060122	BOLT, M6X 12 PLATED	2	2						
33	1	26106-060122	BOLT, M6X 12 PLATED	4	4						
34	1	26106-080162	BOLT, M8X 16 PLATED	1	1						
35	1	26106-080162	BOLT, M8X 16 PLATED	1	1						
36	1	26106-080162	BOLT, M8X 16 PLATED	2	2						

Fig.154. WIRE HARNESS(FLOOR)(CABIN)

(A)=YT347Y
(B)=YT359Y
(C)=

(D)=
(E)=
(F)=

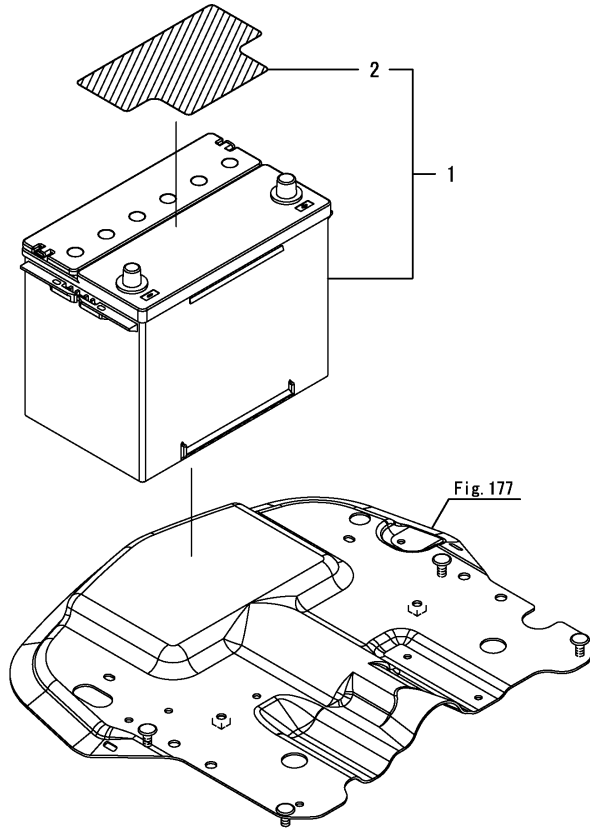


No.	Lev.	Parts No.	Description	Q'ty						I	R
				(A)	(B)	(C)	(D)	(E)	(F)		
1	1	172B16-17190	RELAY, CB C TYPE	3	3						
2	1	1A8470-22050	STAY ASSY, SWITCH	1	1						
3	1	194990-22120	NUT, M5	3	3						
4	1	194990-22130	NUT, M6	2	2						
5	1	194990-22140	NUT, M8	2	2						
6	1	194990-22140	NUT, M8	1	1						
7	1	194990-22140	NUT, M8	2	2						
8	1	194990-22140	NUT, M8	2	2						
9	1	1A8475-51301	HARNESS ASSY,FLR CAB	1	1						
10	2	1A7347-51140	DIODE, 3A	5	5						
11	2	1A7500-51160	CLIP, HARNESS	4	4						
12	2	1A8300-51230	COUPLER,PROTECT	1	1						
13	2	1E8970-84800	COVER, FUSE BOX 20P	1	1						
14	2	1A7640-51320	GROMMET, 50	1	1						
15	2	198448-51330	GROMMET, 40	3	3						
16	2	1A6382-51510	RESISTANCE, 2W R120	4	4						
17	2	1N3280-51800	PULLER.FUSE 15	1	1						
18	2	198535-52120	FUSE, 10A	11	11						
19	2	198535-52130	FUSE, 15A	6	6						
20	2	198535-52140	FUSE, 20A	4	4						
21	2	1A7450-52180	FUSE, 25A	2	2						
22	2	1E8665-83100	CLIP, BAND	2	2						
23	2	1E9265-84300	CLIP, BAND	13	13						
24	1	1A8060-51322	CABLE, STEERING HORN	1	1						
25	1	1A7522-52950	RELAY, ACM13221M19	6	6						
26	1	1A8470-58600	BRACKET ASSY, RELAY	1	1						
27	1	1A8470-58650	BRACKET ASSY, FUSE	1	1						
28	1	1A8470-58890	STAY ASSY,CON	1	1						
29	1	1A8485-65880	LABEL, FUSE BOX 20	1	1						
30	1	1E6102-83230	CLAMP, BATTERY CABLE	1	1						
31	1	1A8060-86700-1	GUARD, HARNESS	1	1						
32	1	1A8484-86760	GUARD, HARNESS	2	2						
33	1	26106-060122	BOLT, M6X 12 PLATED	4	4						
34	1	26106-060122	BOLT, M6X 12 PLATED	2	2						
35	1	26106-060122	BOLT, M6X 12 PLATED	3	3						
36	1	26106-080162	BOLT, M8X 16 PLATED	2	2						
37	1	26106-080162	BOLT, M8X 16 PLATED	1	1						
38	1	26106-080162	BOLT, M8X 16 PLATED	1	1						

Fig.155. BATTERY

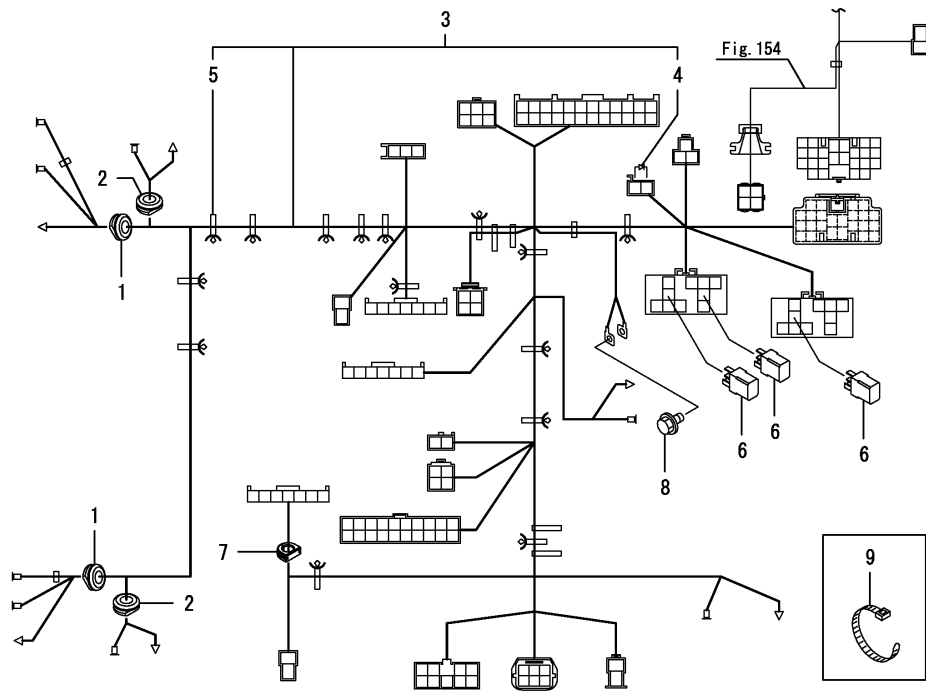
(A)=YT347Y
(B)=YT359Y
(C)=

(D)=
(E)=
(F)=



No.	Lev.	Parts No.	Description	Q'ty						I	R
				(A)	(B)	(C)	(D)	(E)	(F)		
1	1	1A8275-51500	BATTERY,624MF	1							
2	2	1A8275-51520	LABEL,BATTERY	1							

Fig.158. WIRE HARNESS(CABIN)



(A)=YT347Y
(B)=YT359Y
(C)=

(D)=
(E)=
(F)=

No.	Lev.	Parts No.	Description	Q'ty						I	R
				(A)	(B)	(C)	(D)	(E)	(F)		
1	1	198360-03260	GROMMET, 12	2	2						
2	1	198360-03260	GROMMET, 12	2	2						
3	1	1A8475-51701	HARNESS ASSY,CABIN	1	1						
4	2	1A7347-51140	DIODE, 3A	1	1						
5	2	1E9265-84300	CLIP, BAND	15	15						
6	1	1A7522-52950	RELAY, ACM13221M19	3	3						
7	1	194550-77590	GROMMET, 10.5	1	1						
8	1	26106-080162	BOLT, M8X 16 PLATED	1	1						
9	1	29622-250001	BAND, RF250	2	2						

Fig.159. CAP(SWITCH)

(A)=YT347Y
(B)=YT359Y
(C)=

(D)=
(E)=
(F)=

No.	Lev.	Parts No.	Description	Q'ty						I	R
				(A)	(B)	(C)	(D)	(E)	(F)		
1	1	1A7805-52420	COVER, SWITCH	1	1						

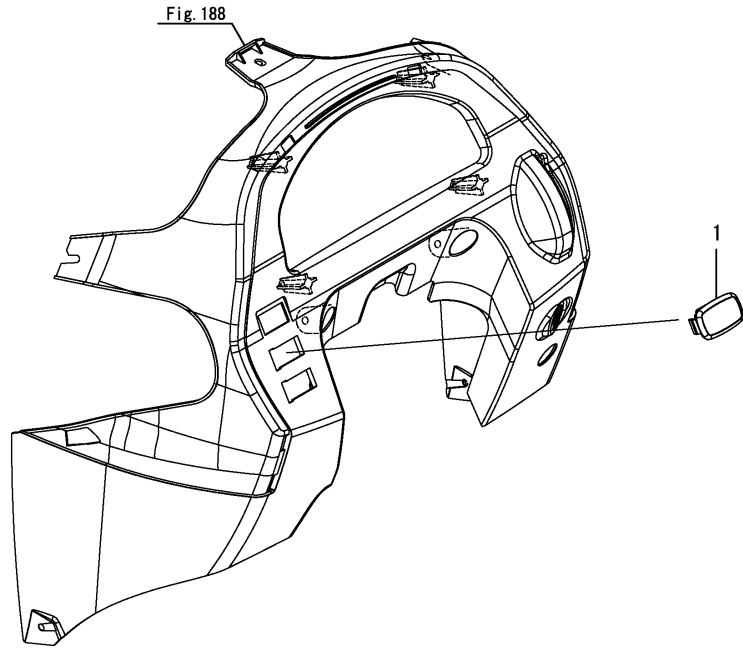


Fig.160. SWITCH

(A)=YT347Y
(B)=YT359Y
(C)=

(D)=
(E)=
(F)=

No.	Lev.	Parts No.	Description	Q'ty						I	R
				(A)	(B)	(C)	(D)	(E)	(F)		
1	1	1A8475-52500	SWITCH, FUNCTION	1	1						
2	1	1A8475-52550	SWITCH, CRUISE	1	1						
3	1	1E6C20-81300	SWITCH,LAMP OR NL	1	1						

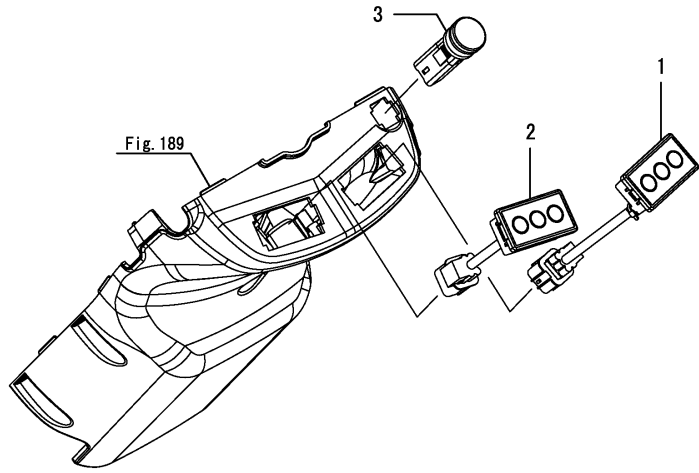
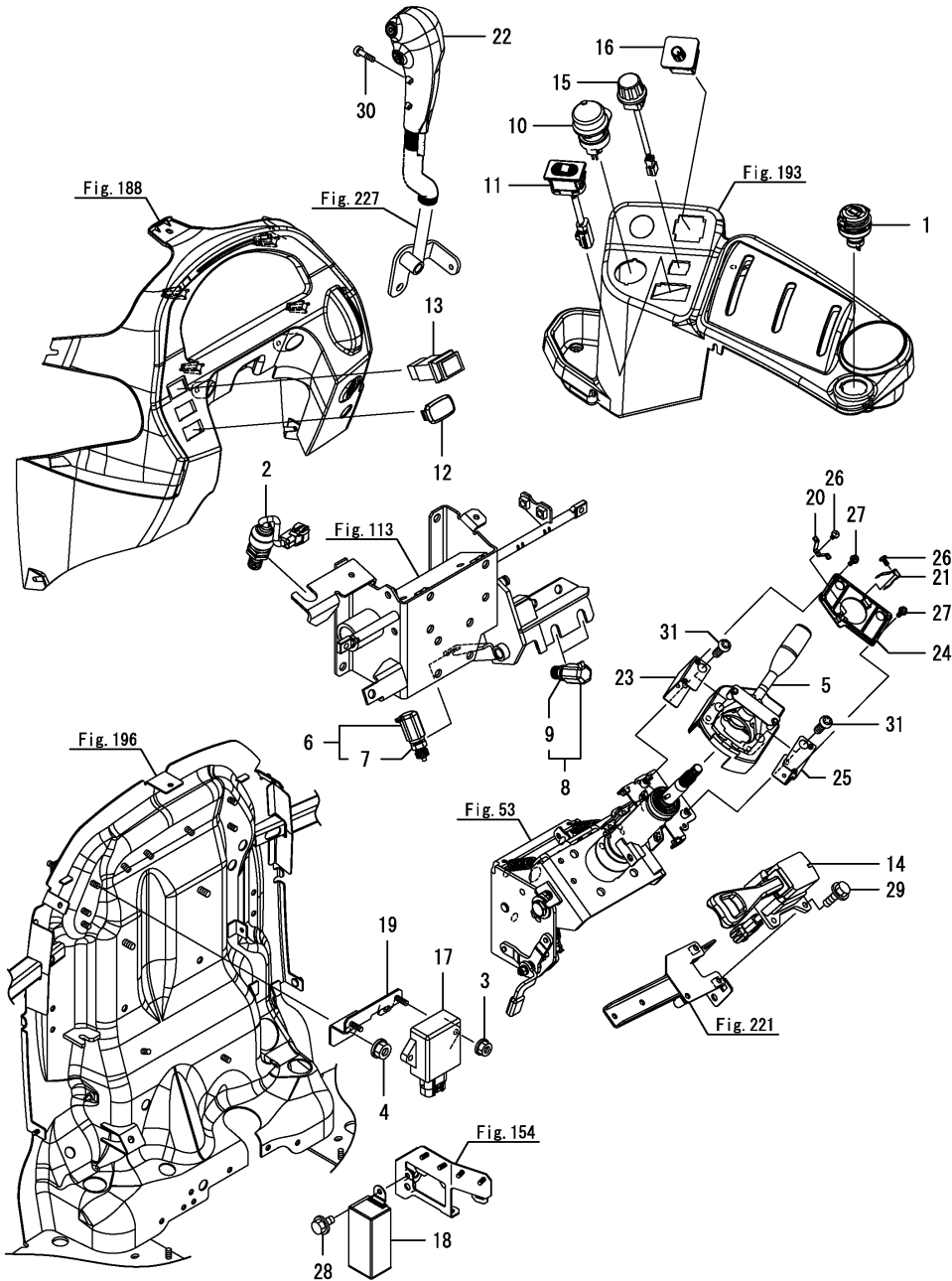


Fig.161. SWITCH(FLOOR)

(A)=YT347Y
(B)=YT359Y
(C)=

(D)=
(E)=
(F)=



No.	Lev.	Parts No.	Description	Q'ty						I	R
				(A)	(B)	(C)	(D)	(E)	(F)		
1	1	1D4270-17650	SOCKET, POWER SOURCE	1	1						
2	1	1D4103-18301	SWITCH, PUSH	1	1						
3	1	194990-22130	NUT, M6		2	2					
4	1	194990-22140	NUT, M8	2	2						
5	1	1A7180-52140	SWITCH, COMBINATION	1	1						
6	1	198223-52151	SWITCH ASSY, LAMP	1	1						
7	2	26776-120002	NUT, LOCK M12	1	1						
8	1	198223-52151	SWITCH ASSY, LAMP	2	2						
9	2	26776-120002	NUT, LOCK M12	2	2						
10	1	1A7340-52290	SWITCH, PTO IN-OFF	1	1						
11	1	1A8475-52310	SWITCH, MODE	1	1						
12	1	1A7805-52420	COVER, SWITCH	1	1						
13	1	1A7450-52450	SWITCH, HAZARD	1	1						
14	1	1A8060-52501	SWITCH UNIT, REVERSER	1	1						
15	1	1A8060-52801	SWITCH UNIT, ENCODER	1	1						
16	1	1A8475-55800	VOLUME, MOTION	1	1						
17	1	1A8275-57100	RELAY-UNIT	1	1						
18	1	1A8475-57200	RELAY UNIT, FLASHER	1	1						
19	1	1A8475-58620	BRACKET ASSY, RELAY	1	1						
20	1	1A8060-61680	TERMINAL, HORN +	1	1						
21	1	1A8060-61690	TERMINAL, HORN -	1	1						
22	1	1A8475-63500	JOYSTICK	1	1						
23	1	1A8060-67450	BRACKET ASSY, TER L	1	1						
24	1	1A8060-67470	SUPPORT, TERMINAL	1	1						
25	1	1A8060-67500	BRACKET ASSY, TER R	1	1						
26	1	22873-300060	SCREW, 3.0 X 6	2	2						
27	1	26023-030102	SCREW, M3X10	4	4						
28	1	26106-060122	BOLT, M6X 12 PLATED	1	1						
29	1	26106-060162	BOLT, M6X 16 PLATED	3	3						
30	1	26557-040162	SCREW, M4X16	2	2						
31	1	26557-060162	SCREW M 6X 16	2	2						

Fig.163. SWITCH(STARTER)

(A)=YT347Y
(B)=YT359Y
(C)=

(D)=
(E)=
(F)=

No.	Lev.	Parts No.	Description	Q'ty						I	R
				(A)	(B)	(C)	(D)	(E)	(F)		
1	1	198162-52110	SWITCH, STARTING	1	1						
2	2	198360-52320	NUT, RING	1	1						
3	2	198360-52330	WASHER	1	1						
4	2	198162-52150	KEY ASSY	1	1						

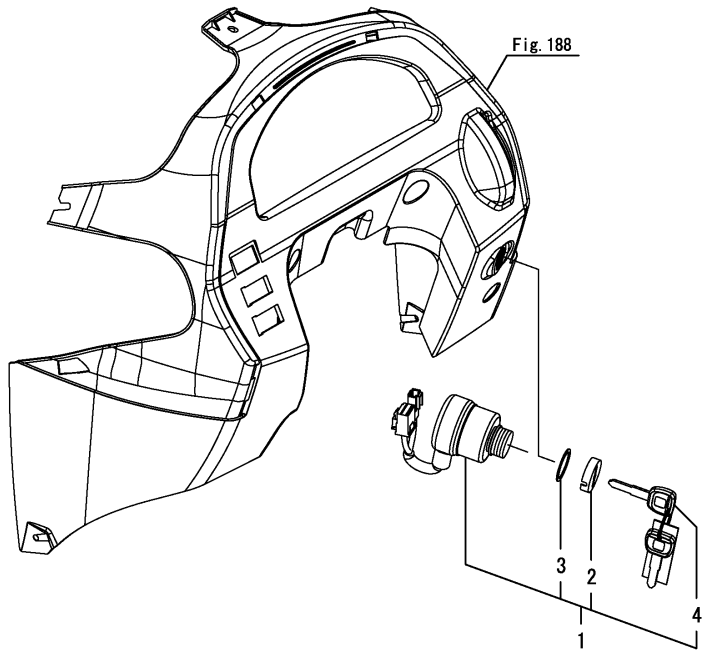


Fig.164. SWITCH(STARTER)(CABIN)

(A)=YT347Y
(B)=YT359Y
(C)=

(D)=
(E)=
(F)=

No.	Lev.	Parts No.	Description	Q'ty						I	R
				(A)	(B)	(C)	(D)	(E)	(F)		
1	1	1A7850-52110	SWITCH ASSY, STARTER	1	1						
2	2	1A7850-52130	KEY ASSY	1	1						

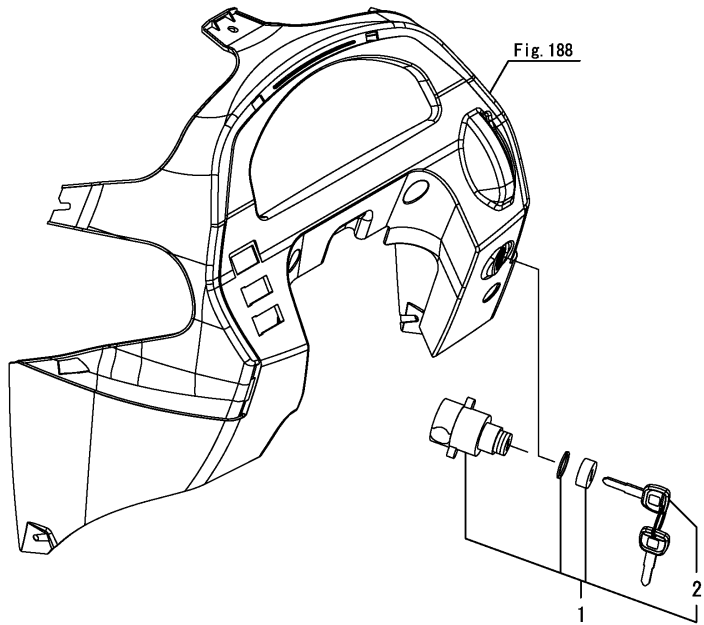
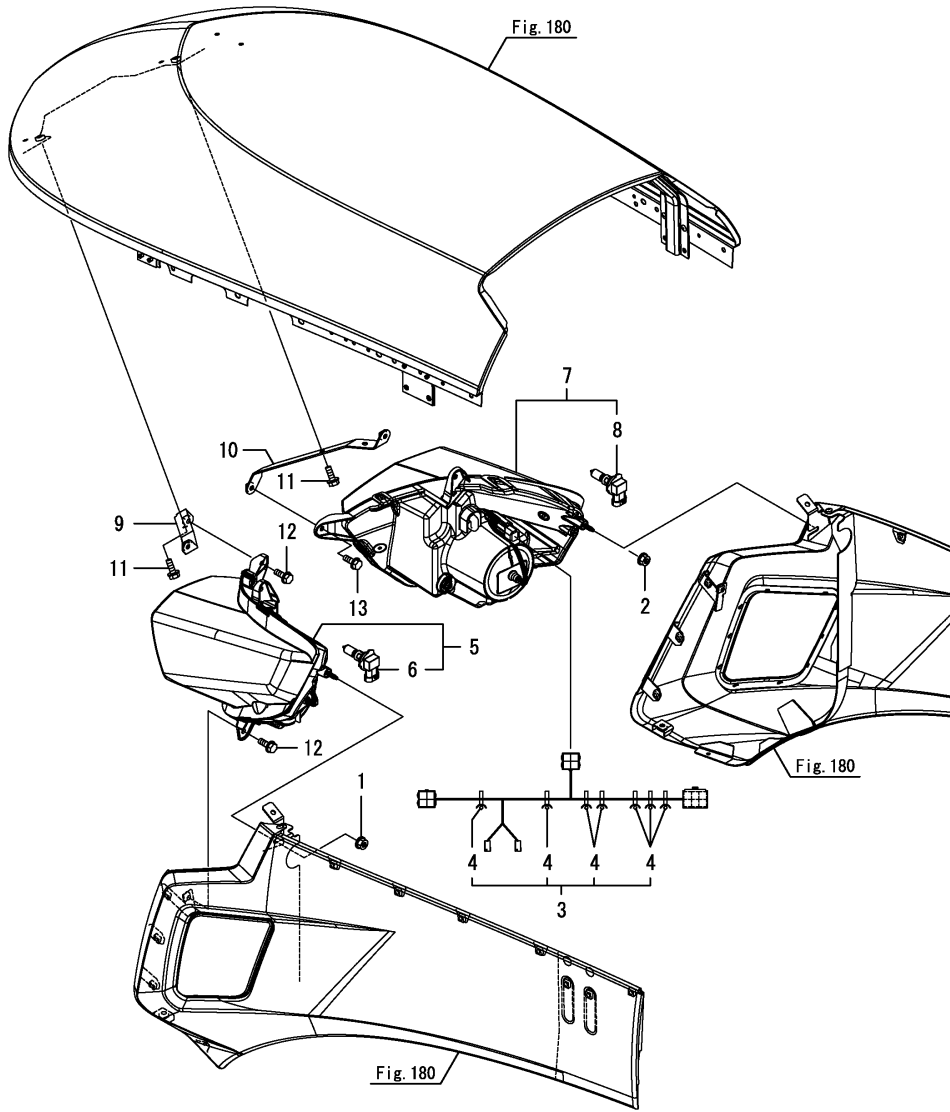


Fig.165. HEAD LAMP

(A)=YT347Y
(B)=YT359Y
(C)=

(D)=
(E)=
(F)=

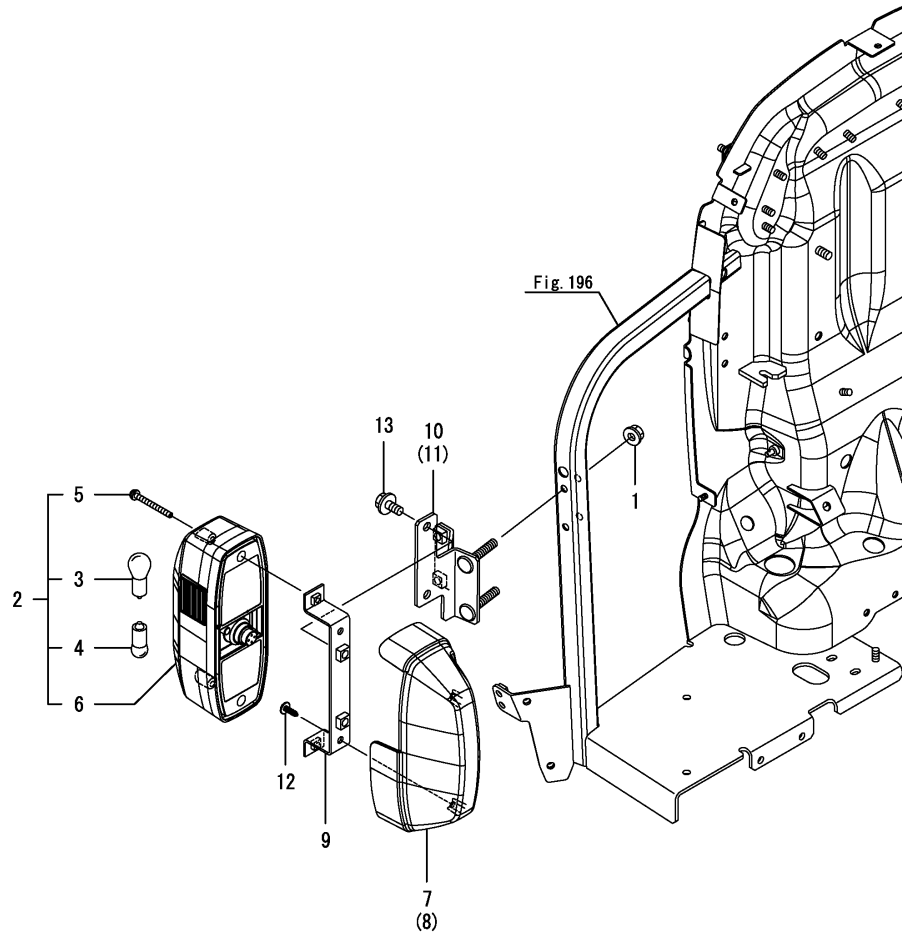


No.	Lev.	Parts No.	Description	Q'ty						I	R
				(A)	(B)	(C)	(D)	(E)	(F)		
1	1	194990-22130	NUT, M6	1	1						
2	1	194990-22130	NUT, M6	1	1						
3	1	1A8470-51600	HARNES ASSY, BONNET	1	1						
4	2	1E9265-84300	CLIP, BAND	7	7						
5	1	1A8475-53100	HEADLAMP ASSY, L US	1	1						
6	2	1A8470-53120	BULB, 12V60W HB3	1	1						
7	1	1A8475-53200	HEADLAMP ASSY, R US	1	1						
8	2	1A8470-53120	BULB, 12V60W HB3	1	1						
9	1	1A8470-61510	STAY ASSY, LAMP L	1	1						
10	1	1A8470-61520	STAY ASSY, LAMP R	1	1						
11	1	26106-060162	BOLT, M6X 16 PLATED	2	2						
12	1	26106-060162	BOLT, M6X 16 PLATED	3	3						
13	1	26106-060162	BOLT, M6X 16 PLATED	3	3						

Fig.166. LAMP(FLOOR)(FRONT)

(A)=YT347Y
(B)=YT359Y
(C)=

(D)=
(E)=
(F)=

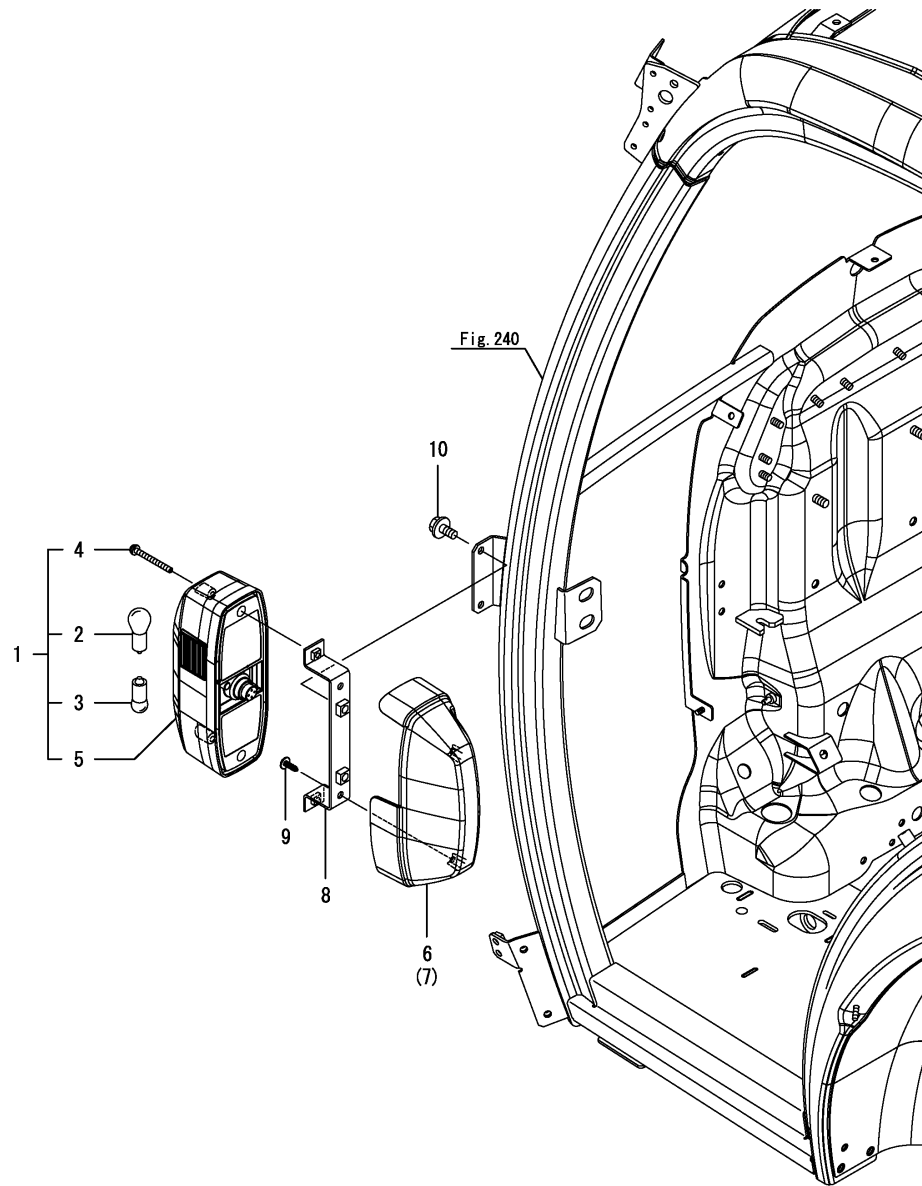


No.	Lev.	Parts No.	Description	Q'ty						I	R
				(A)	(B)	(C)	(D)	(E)	(F)		
1	1	194990-22140	NUT, M8	4	4						
2	1	1A8060-53400	LAMP ASSY, FRONTCOMB	2	2						
3	2	1A8060-53410	BULB, 12V21W	2	2						
4	2	1A8060-53420	BULB, 12V5W	2	2						
5	2	1A8060-53430	SCREW, M5X50	4	4						
6	2	1A8060-53440	LENS, FRONT	2	2						
7	1	1A8470-53450	COVER, LAMP A	1	1						
8	1	1A8470-53460	COVER, LAMP B	1	1						
9	1	1A8470-53850	STAY ASSY,LANP COVER	2	2						
10	1	1A8470-58400	STAY ASSY, LAMP L	1	1						
11	1	1A8470-58450	STAY ASSY, LAMP R	1	1						
12	1	194940-61790	SCREW, TAPPING M5X16	4	4						
13	1	26106-080162	BOLT, M8X 16 PLATED	4	4						

Fig.167. LAMP(FLOOR)(FRONT)(CABIN)

(A)=YT347Y
(B)=YT359Y
(C)=

(D)=
(E)=
(F)=

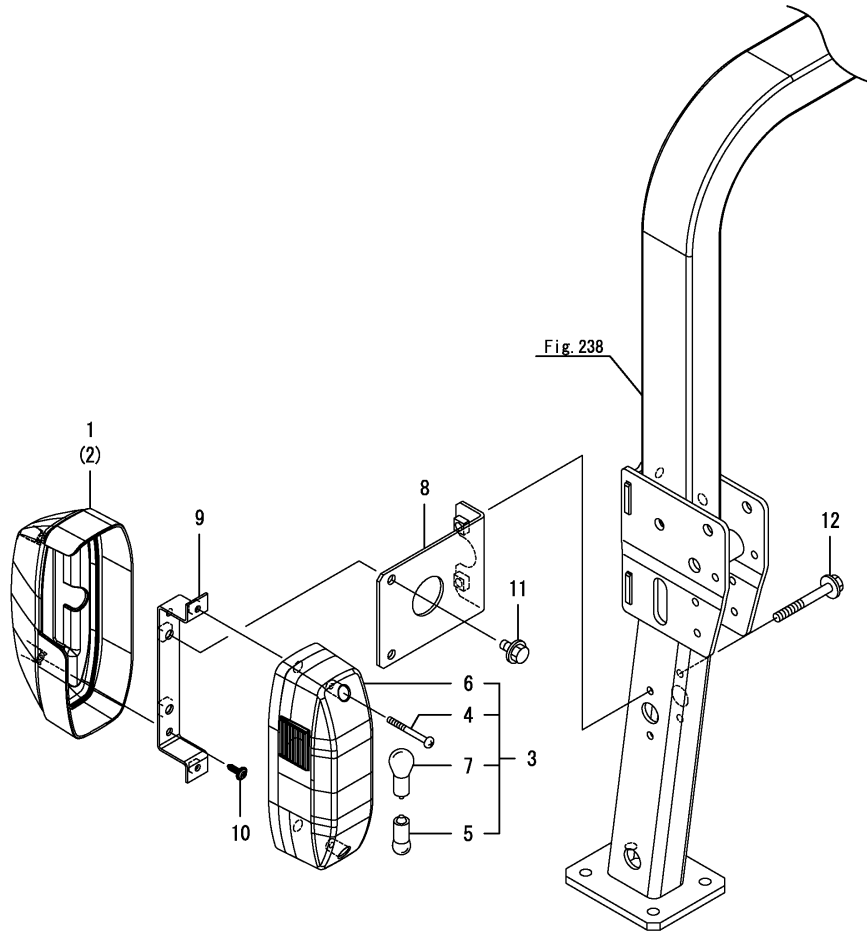


No.	Lev.	Parts No.	Description	Q'ty						I	R
				(A)	(B)	(C)	(D)	(E)	(F)		
1	1	1A8060-53400	LAMP ASSY, FRONTCOMB	2	2						
2	2	1A8060-53410	BULB, 12V21W	2	2						
3	2	1A8060-53420	BULB, 12V5W	2	2						
4	2	1A8060-53430	SCREW, M5X50	4	4						
5	2	1A8060-53440	LENS, FRONT	2	2						
6	1	1A8470-53450	COVER, LAMP A	1	1						
7	1	1A8470-53460	COVER, LAMP B	1	1						
8	1	1A8470-53850	STAY ASSY,LANP COVER	2	2						
9	1	194940-61790	SCREW, TAPPING M5X16	4	4						
10	1	26106-080162	BOLT, M8X 16 PLATED	4	4						

Fig.168. LAMP(FLOOR)(REAR)

(A)=YT347Y
(B)=YT359Y
(C)=

(D)=
(E)=
(F)=

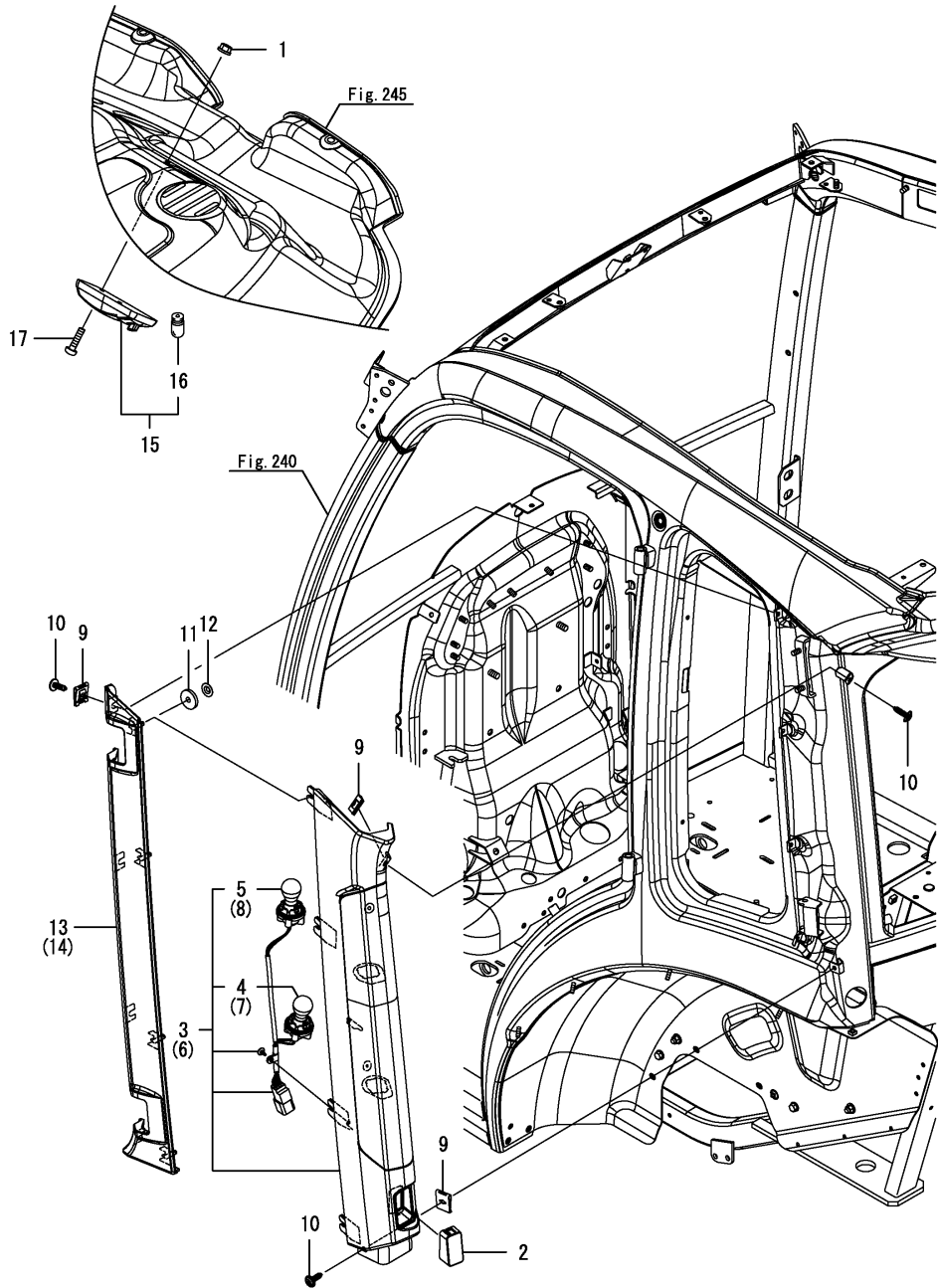


No.	Lev.	Parts No.	Description	Qty						I	R
				(A)	(B)	(C)	(D)	(E)	(F)		
1	1	1A8470-53450	COVER, LAMP A	1	1						
2	1	1A8470-53460	COVER, LAMP B	1	1						
3	1	1A8043-53600	LAMP ASSY, REAR COMB	2	2						
4	2	1A8060-53430	SCREW, M5X50	4	4						
5	2	1A7400-53530	VALVE, 12V21/5W	2	2						
6	2	1A8043-53640	LENS, REAR	2	2						
7	2	1E9170-81270	BULB, 12V/21W	2	2						
8	1	1A8475-53750	BRACKET ASSY, LAMP	2	2						
9	1	1A8470-53850	STAY ASSY, LAMP COVER	2	2						
10	1	194940-61790	SCREW, TAPPING M5X16	4	4						
11	1	26106-080162	BOLT, M8X 16 PLATED	4	4						
12	1	26106-080652	BOLT, M8X 65 PLATED	4	4						

Fig.169. LAMP(FLOOR)(REAR)(CABIN)

(A)=YT347Y
(B)=YT359Y
(C)=

(D)=
(E)=
(F)=



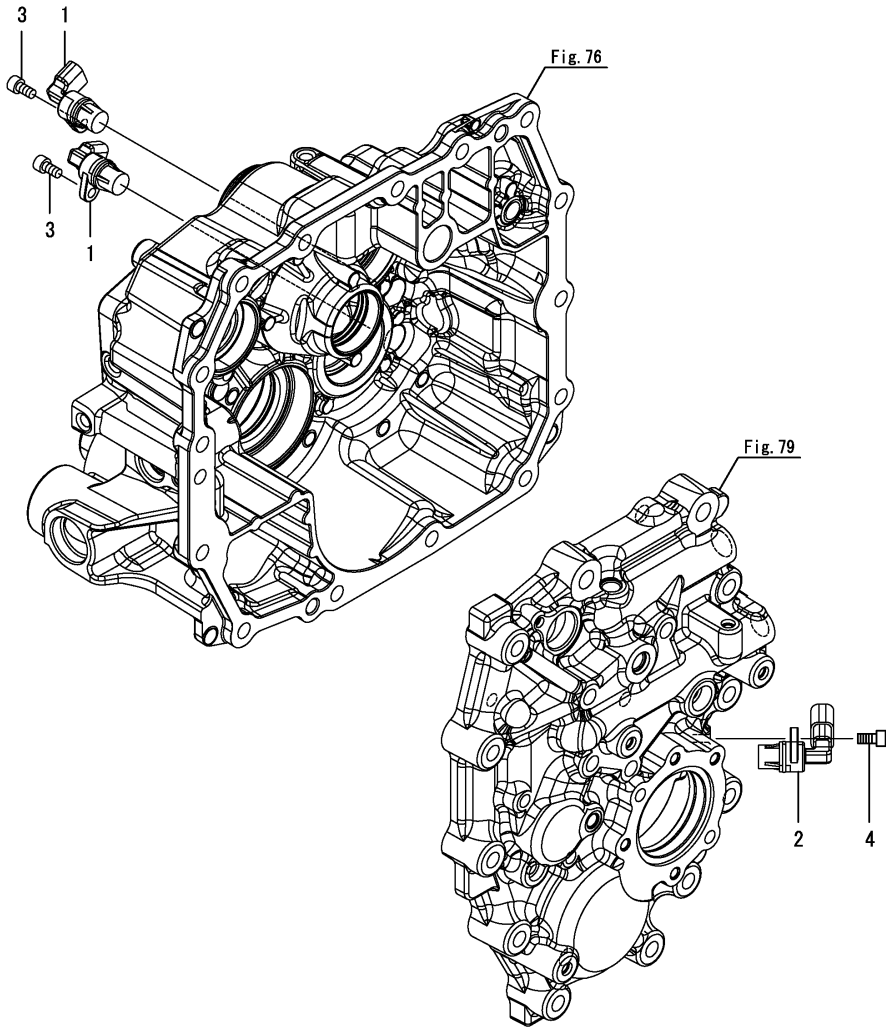
No.	Lev.	Parts No.	Description	Q'ty						I	R
				(A)	(B)	(C)	(D)	(E)	(F)		
1	1	194990-22120	NUT, M5	2	2						
2	1	1A8484-53510	LID	2	2						
3	1	1A8484-53600	LAMP ASSY, TAIL L	1	1						
4	2	1A7335-53610	BULB, 12V-21/5W	1	1						
5	2	1A8484-53610	BULB, 12V21W YELLOW	1	1						
6	1	1A8484-53700	LAMP ASSY, TAIL R	1	1						
7	2	1A7335-53610	BULB, 12V-21/5W	1	1						
8	2	1A8484-53610	BULB, 12V21W YELLOW	1	1						
9	1	194167-61650	NUT, SPEED 5	12	12						
10	1	194940-61790	SCREW, TAPPING M5X16	12	12						
11	1	198475-65030	CUSHION	8	8						
12	1	198071-65610	NUT, SPEED M5	8	8						
13	1	1A8484-85450	COVER, REAR PILLAR L	1	1						
14	1	1A8484-85460	COVER, REAR PILLAR R	1	1						
15	1	1A7470-86750	LAMP ASSY, ROOM	1	1						
16	2	1A7470-86770	BULB, 12V/5W	1	1						
17	1	26557-050202	SCREW, M5X20	2	2						

Fig.172. SENSOR(TRANSMISSION)(2)

(A)=YT347Y
(B)=YT359Y
(C)=

(D)=
(E)=
(F)=

No.	Lev.	Parts No.	Description	Q'ty						I	R
				(A)	(B)	(C)	(D)	(E)	(F)		
1	1	1A7180-52610	SENSOR, ROTATION	2	2						
2	1	1A7180-52610	SENSOR, ROTATION	1	1						
3	1	26450-060122	BOLT, M6X 12	2	2						
4	1	26450-060122	BOLT, M6X 12	1	1						



0CNP6-M01980 ELECTRICAL PARTS
Fig.173. SENSOR(FLOOR)

(A)=YT347Y
 (B)=YT359Y
 (C)=

(D)=
 (E)=
 (F)=

No.	Lev.	Parts No.	Description	Q'ty						I	R
				(A)	(B)	(C)	(D)	(E)	(F)		
1	1	194990-22110	NUT, M4	2	2						
2	1	1A8060-55550	SENSOR, BRAKE	1	1						
3	1	1A8060-55650	SENSOR, CLUTCH	1	1						
4	1	26023-040102	SCREW, M4X10	2	2						

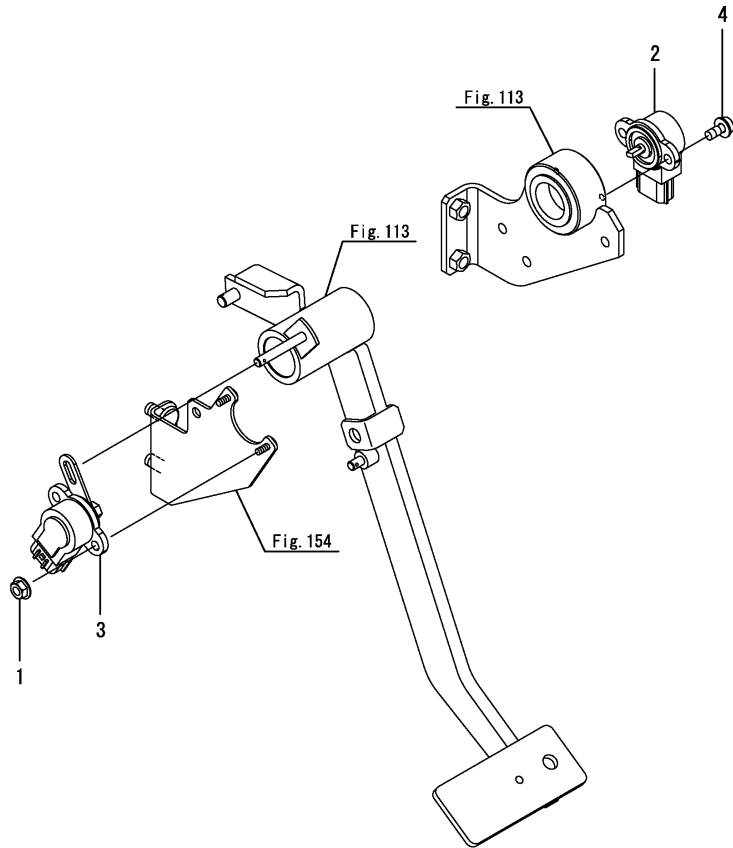
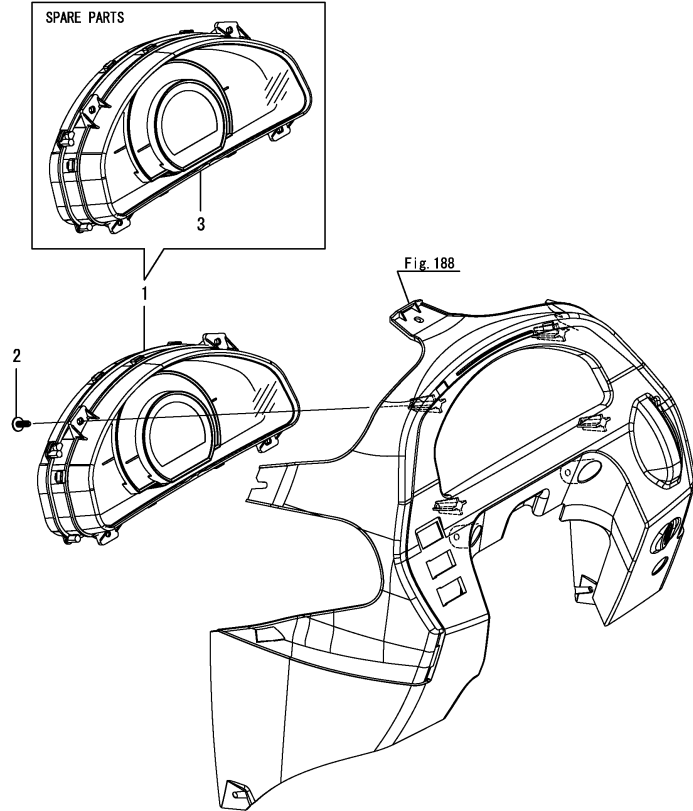


Fig.174. METER

(A)=YT347Y
(B)=YT359Y
(C)=

(D)=
(E)=
(F)=

No.	Lev.	Parts No.	Description	Q'ty						I	R
				(A)	(B)	(C)	(D)	(E)	(F)		
1	1	1A8475-56000	METER ASSY, COMBINA.	1	1						1
2	1	194940-61790	SCREW, TAPPING M5X16	4	4						
3	1	1A8475-56900	METER ASSY, SERVICE	1	1						2



Remarks

(1)Eco Meter

This part cannot be ordered.

Replace the part using a Service Meter with the proper tractor information installed.

(2)Service Meter

If the proper information is not installed, the tractor will not operate.

To install proper information, go to an authorized distributor.

Fig.175. HORN

(A)=YT347Y
(B)=YT359Y
(C)=

(D)=
(E)=
(F)=

No.	Lev.	Parts No.	Description	Q'ty						I	R
				(A)	(B)	(C)	(D)	(E)	(F)		
1	1	1C7100-08151	HORN ASSY	1	1						
2	1	26106-060122	BOLT, M6X 12 PLATED	1	1						

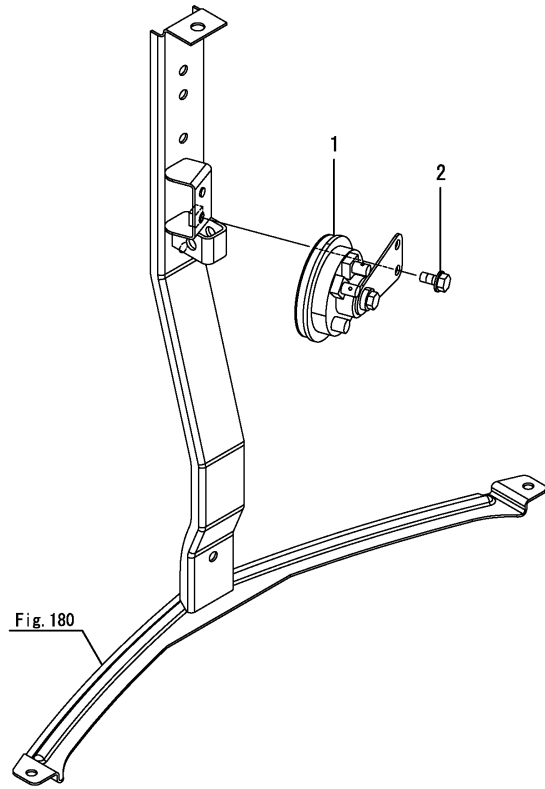


Fig.176. BACK BUZZER

(A)=YT347Y
(B)=YT359Y
(C)=

(D)=
(E)=
(F)=

No.	Lev.	Parts No.	Description	Q'ty						I	R
				(A)	(B)	(C)	(D)	(E)	(F)		
1	1	174570-57110	BUZZER, ALARM	1	1						
2	1	26106-060122	BOLT, M6X 12 PLATED	1	1						

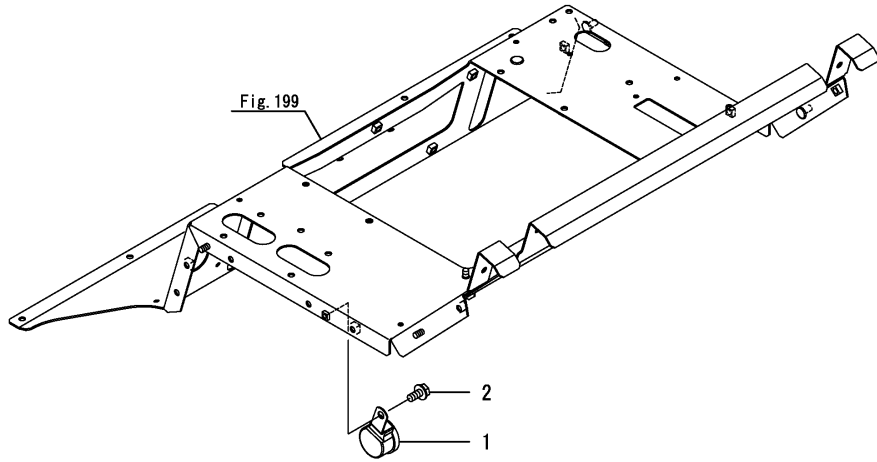
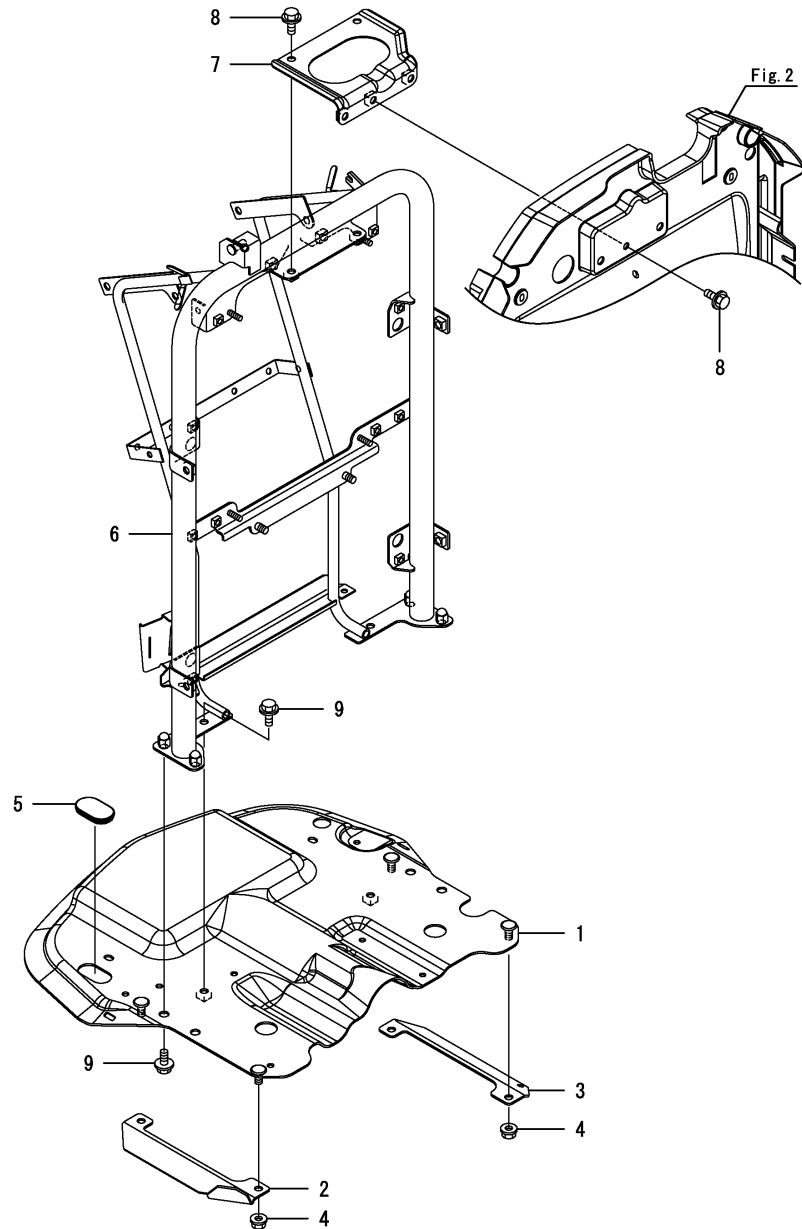


Fig.177. FRONT FRAME

(A)=YT347Y
(B)=YT359Y
(C)=

(D)=
(E)=
(F)=

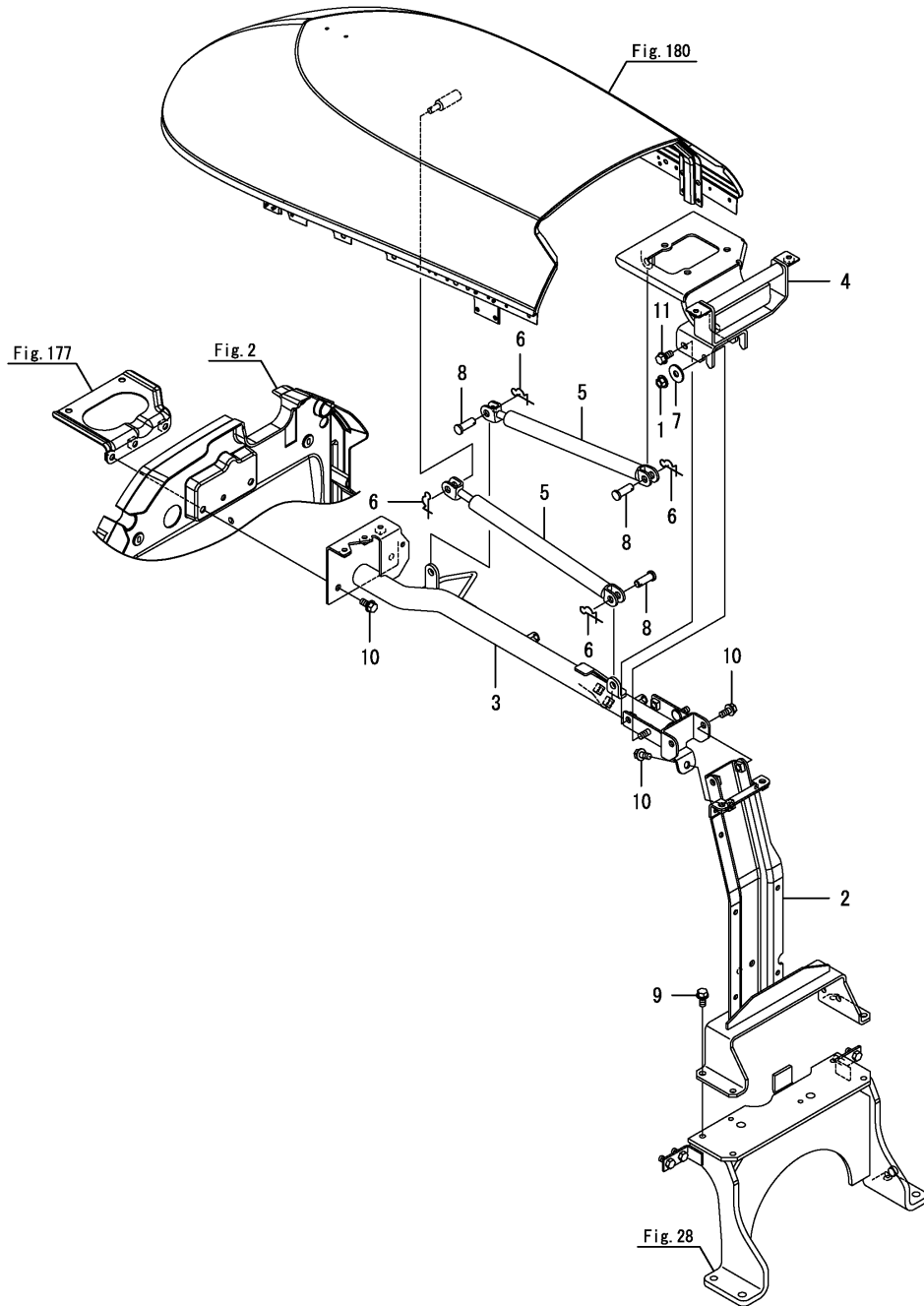


No.	Lev.	Parts No.	Description	Q'ty						I	R
				(A)	(B)	(C)	(D)	(E)	(F)		
1	1	1A8475-01610	PLATE ASSY, BATTERY	1	1						
2	1	1A8470-01650	PLATE,BATTERY SIDE L	1	1						
3	1	1A8470-01660	PLATE,BATTERY SIDE R	1	1						
4	1	194990-22140	NUT, M8	4	4						
5	1	1A8475-60060	GROMMET, HOSE	1	1						
6	1	1A8470-60100	FRAME ASSY, FRONT500	1	1						
7	1	1A8470-60300	FRAME,CONNECT F	1	1						
8	1	26106-080162	BOLT, M8X 16 PLATED	3	3						
9	1	26106-080162	BOLT, M8X 16 PLATED	6	6						

Fig.178. REAR FRAME

(A)=YT347Y
(B)=YT359Y
(C)=

(D)=
(E)=
(F)=

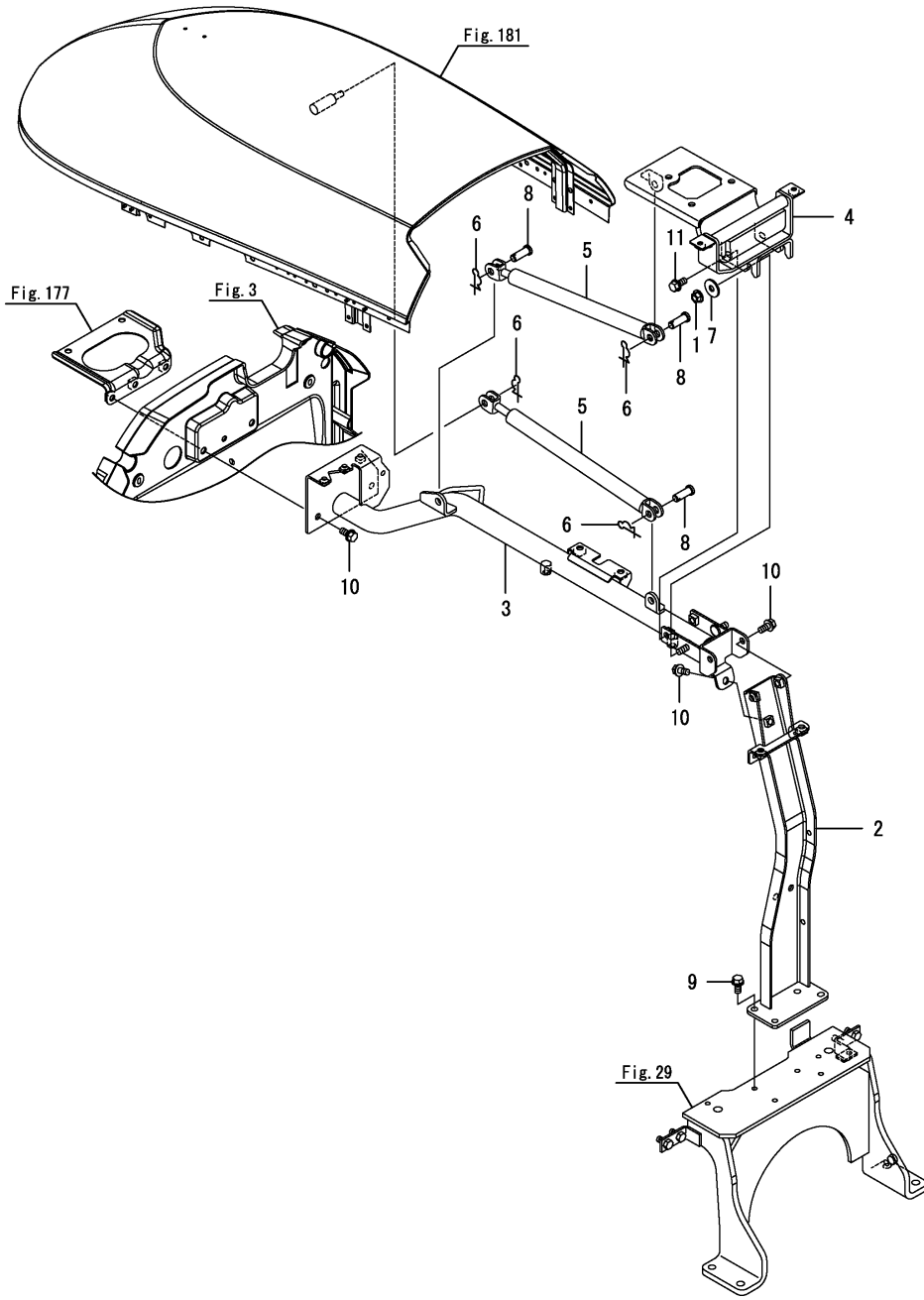


No.	Lev.	Parts No.	Description	Qty						I	R
				(A)	(B)	(C)	(D)	(E)	(F)		
1	1	194990-22140	NUT, M8	2							
2	1	1A8470-60500	FRAME ASSY, REAR	1							
3	1	1A8470-60800	FRAME, CONNECT M	1							
4	1	1A8470-60900	HINGE ASSY, BONNET M	1							
5	1	1A8470-61360	DAMPER, GAS 700	2							
6	1	1C6360-65700	PIN, SNAP 10	4							
7	1	22157-080000	WASHER, 8	2							
8	1	22487-100240	PIN, H10X 24	3							
9	1	26106-080162	BOLT, M8X 16 PLATED	4							
10	1	26106-080162	BOLT, M8X 16 PLATED	5							
11	1	26106-080162	BOLT, M8X 16 PLATED	2							

Fig.179. REAR FRAME

(A)=YT347Y
(B)=YT359Y
(C)=

(D)=
(E)=
(F)=

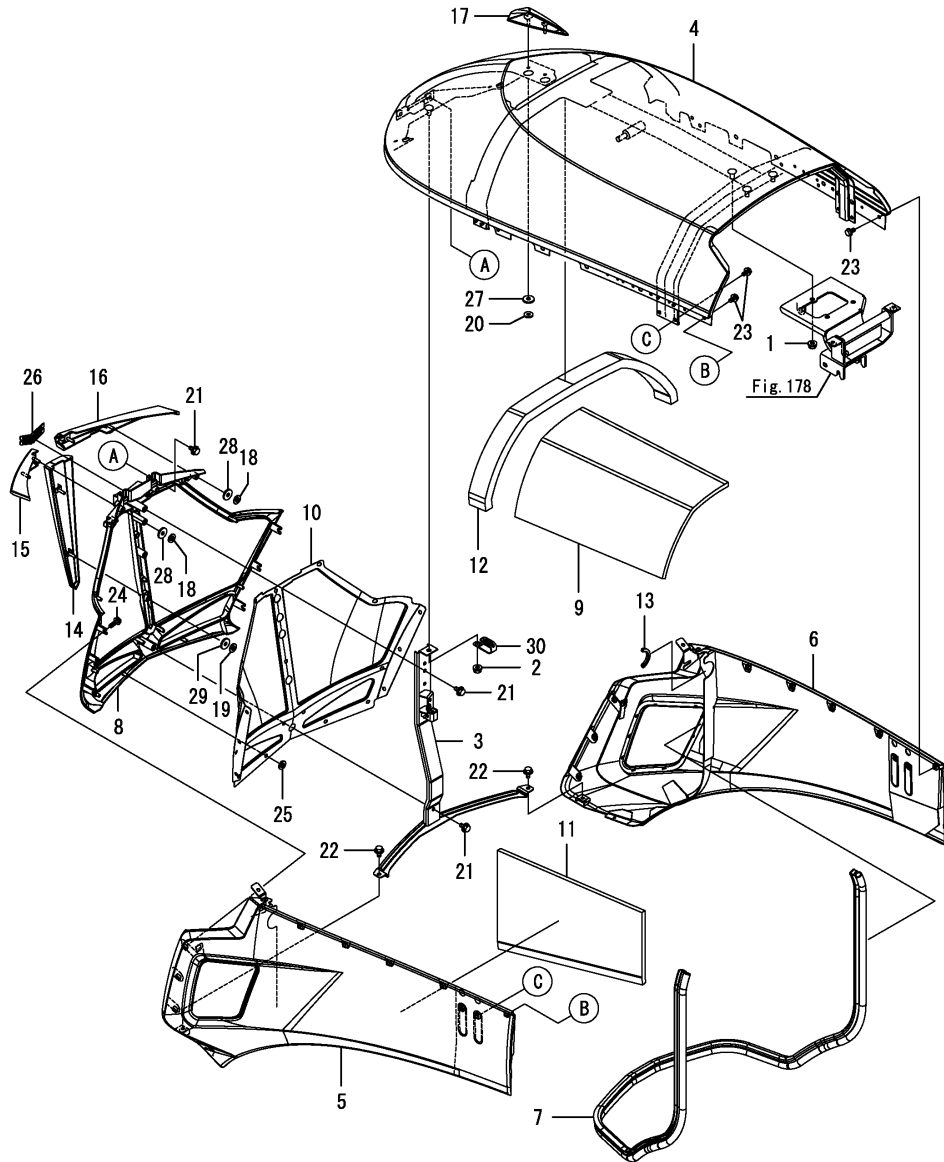


No.	Lev.	Parts No.	Description	Qty						I	R
				(A)	(B)	(C)	(D)	(E)	(F)		
1	1	194990-22140	NUT, M8		2						
2	1	1A8480-60500	FRAME ASSY, REAR		1						
3	1	1A8480-60800	FRAME, CONNECT L		1						
4	1	1A8480-60900	HINGE ASSY, BONNET		1						
5	1	1A8470-61360	DAMPER, GAS 700		2						
6	1	1C6360-65700	PIN, SNAP 10		4						
7	1	22157-080000	WASHER, 8		2						
8	1	22487-100240	PIN, H10X 24		3						
9	1	26106-080122	BOLT, M8X 12 PLATED		4						
10	1	26106-080162	BOLT, M8X 16 PLATED		5						
11	1	26106-080162	BOLT, M8X 16 PLATED		2						

Fig.180. BONNET

(A)=YT347Y
(B)=YT359Y
(C)=

(D)=
(E)=
(F)=

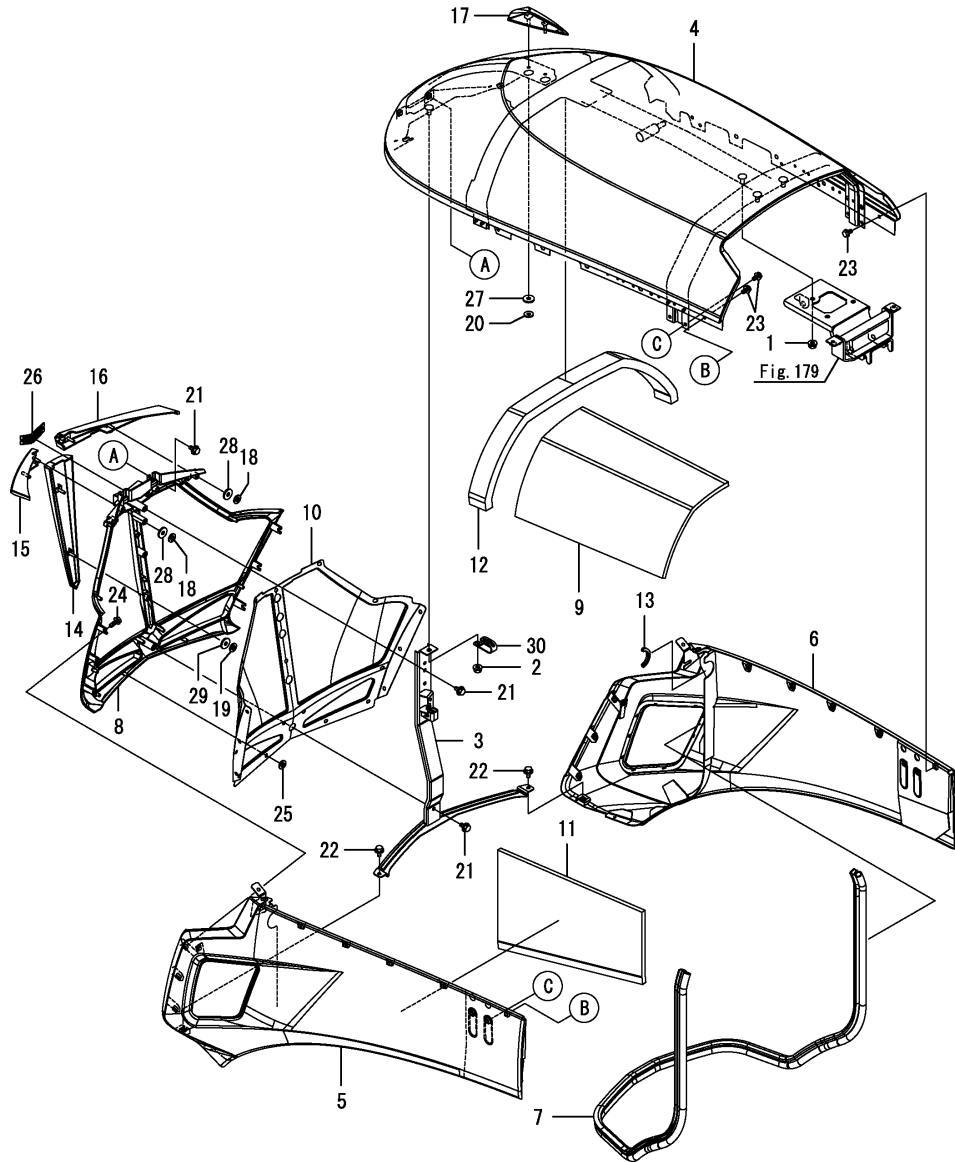


No.	Lev.	Parts No.	Description	Q'ty						I	R
				(A)	(B)	(C)	(D)	(E)	(F)		
1	1	194990-22140	NUT, M8	3							
2	1	194990-22140	NUT, M8	1							
3	1	1A8470-61050	FRAME ASSY, BONNET	1							
4	1	1A8475-61101	M ASSY, BONNET UPPER	1							
5	1	1A8470-61131	BONNET ASSY, LOWER L	1							
6	1	1A8470-61141	BONNET ASSY, LOWER R	1							
7	1	1A8470-61690	WEATHER-STRIP	1							
8	1	1A8470-61900	FRAME ASSY, GRILLE	1							
9	1	1A8470-61920	INSULATOR, UPPER	1							
10	1	1A8470-61931	SCREEN, GRILLE	1							
11	1	1A8470-61940	INSULATOR, LOWER	1							
12	1	1A8470-61950	URETHANE, HOOD UPPER	1							
13	1	1A8470-61960	GROMMET, 6X55	1							
14	1	1A8470-65150	BAR, Y	1							
15	1	1A8470-65160	BAR, YL	1							
16	1	1A8470-65170	BAR, YR	1							
17	1	1A8470-65590	MARK, TOP	1							
18	1	198071-65610	NUT, SPEED M5	4							
19	1	198071-65610	NUT, SPEED M5	2							
20	1	198071-65610	NUT, SPEED M5	2							
21	1	26106-060102	BOLT, M6X 10 PLATED	6							
22	1	26106-060102	BOLT, M6X 10 PLATED	2							
23	1	26106-060102	BOLT, M6X 10 PLATED	14							
24	1	26106-060162	BOLT, M6X 16 PLATED	6							
25	1	26893-000600	NUT, 6	14							
26	1	41801-110041	EMBLEM, FY S 04	1							
27	1	194555-65130	CUSHION	2							
28	1	194555-65130	CUSHION	4							
29	1	194555-65130	CUSHION	2							
30	1	1E6102-83230	CLAMP, BATTERY CABLE	1							

Fig.181. BONNET

(A)=YT347Y
(B)=YT359Y
(C)=

(D)=
(E)=
(F)=



No.	Lev.	Parts No.	Description	Q'ty						I	R
				(A)	(B)	(C)	(D)	(E)	(F)		
1	1	194990-22140	NUT, M8		3						
2	1	194990-22140	NUT, M8		1						
3	1	1A8470-61050	FRAME ASSY, BONNET		1						
4	1	1A8485-61101	M ASSY, BONNET UPPER		1						
5	1	1A8480-61131	BONNET ASSY, LOWER L		1						
6	1	1A8480-61141	BONNET ASSY, LOWER R		1						
7	1	1A8470-61690	WEATHER-STRIP		1						
8	1	1A8470-61900	FRAME ASSY, GRILLE		1						
9	1	1A8470-61920	INSULATOR, UPPER		1						
10	1	1A8470-61931	SCREEN, GRILLE		1						
11	1	1A8470-61940	INSULATOR, LOWER		1						
12	1	1A8470-61950	URETHANE, HOOD UPPER		1						
13	1	1A8470-61960	GROMMET, 6X55		1						
14	1	1A8470-65150	BAR, Y		1						
15	1	1A8470-65160	BAR, YL		1						
16	1	1A8470-65170	BAR, YR		1						
17	1	1A8470-65590	MARK, TOP		1						
18	1	198071-65610	NUT, SPEED M5		4						
19	1	198071-65610	NUT, SPEED M5		2						
20	1	198071-65610	NUT, SPEED M5		2						
21	1	26106-060102	BOLT, M6X 10 PLATED		6						
22	1	26106-060102	BOLT, M6X 10 PLATED		2						
23	1	26106-060102	BOLT, M6X 10 PLATED		14						
24	1	26106-060162	BOLT, M6X 16 PLATED		6						
25	1	26893-000600	NUT, 6		14						
26	1	41801-110041	EMBLEM, FY S 04		1						
27	1	194555-65130	CUSHION		2						
28	1	194555-65130	CUSHION		4						
29	1	194555-65130	CUSHION		2						
30	1	1E6102-83230	CLAMP, BATTERY CABLE		1						

Fig.183. REAR COVER(CABIN)

(A)=YT347Y
(B)=YT359Y
(C)=

(D)=
(E)=
(F)=

No.	Lev.	Parts No.	Description	Q'ty						I	R
				(A)	(B)	(C)	(D)	(E)	(F)		
1	1	198072-60590	BOLT, M6X20	2	2						
2	1	1A8484-61250	COVER, BONNET CAB	1	1						

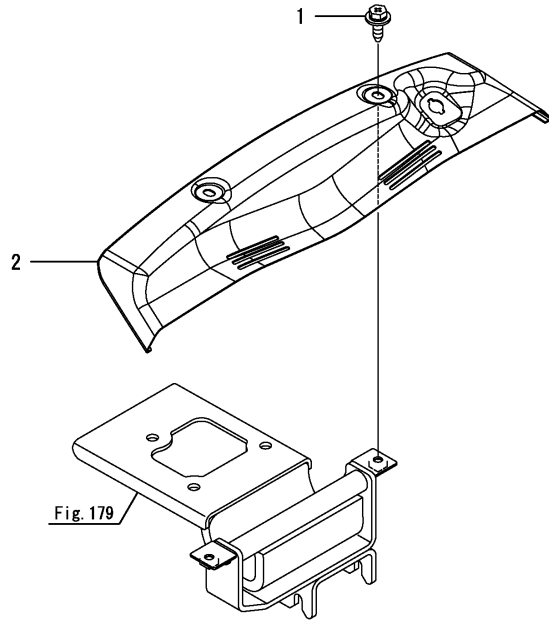


Fig.184. SIDE COVER

(A)=YT347Y
(B)=YT359Y
(C)=

(D)=
(E)=
(F)=

No.	Lev.	Parts No.	Description	Qty						I	R
				(A)	(B)	(C)	(D)	(E)	(F)		
1	1	194990-22140	NUT, M8	2							
2	1	194990-22140	NUT, M8	2							
3	1	194990-22140	NUT, M8	4							
4	1	198072-60590	BOLT, M6X20	2							
5	1	198072-60590	BOLT, M6X20	2							
6	1	1A8470-61400	COVER, SIDE L	1							
7	1	1A8470-61410	COVER, SIDE R	1							
8	1	1A8470-67101	FRAME, SIDE COVER	1							
9	1	1A8470-67180	STAY, SIDE COVER	1							
10	1	1A8470-67210	STAY, CONNECT	1							

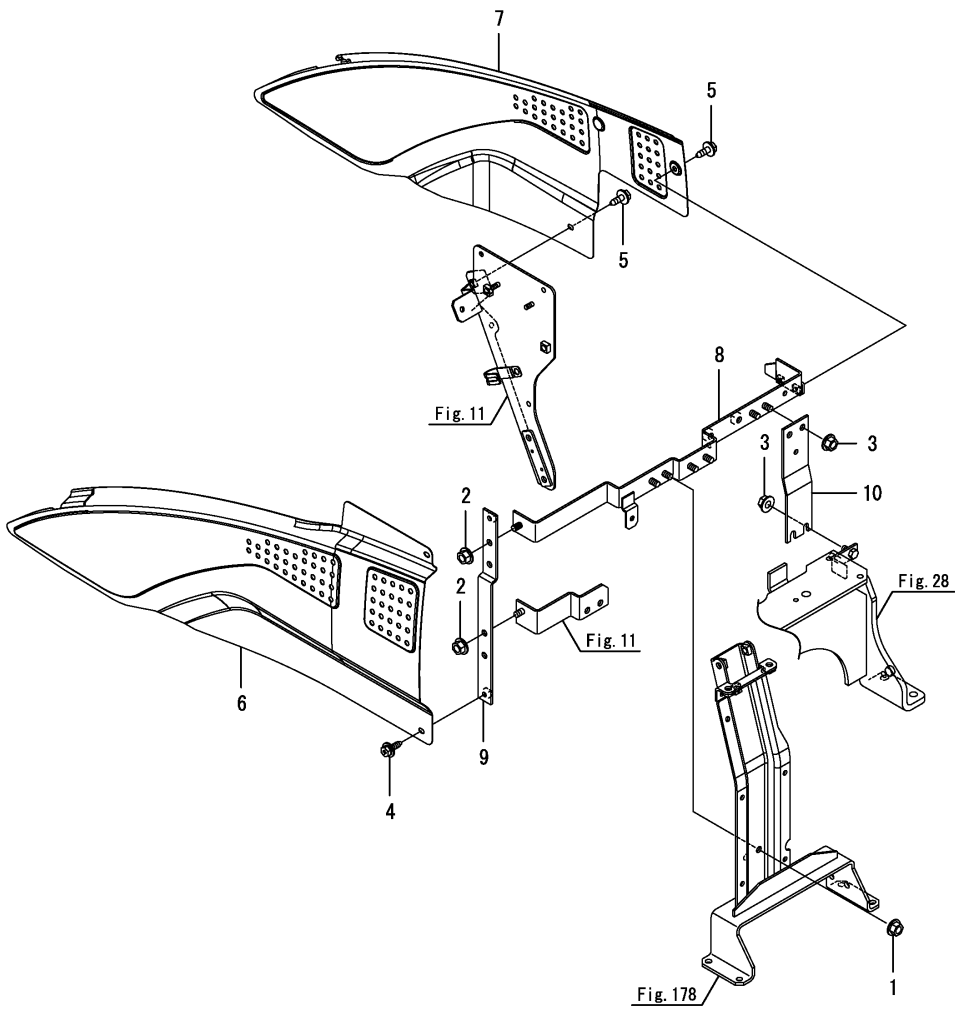
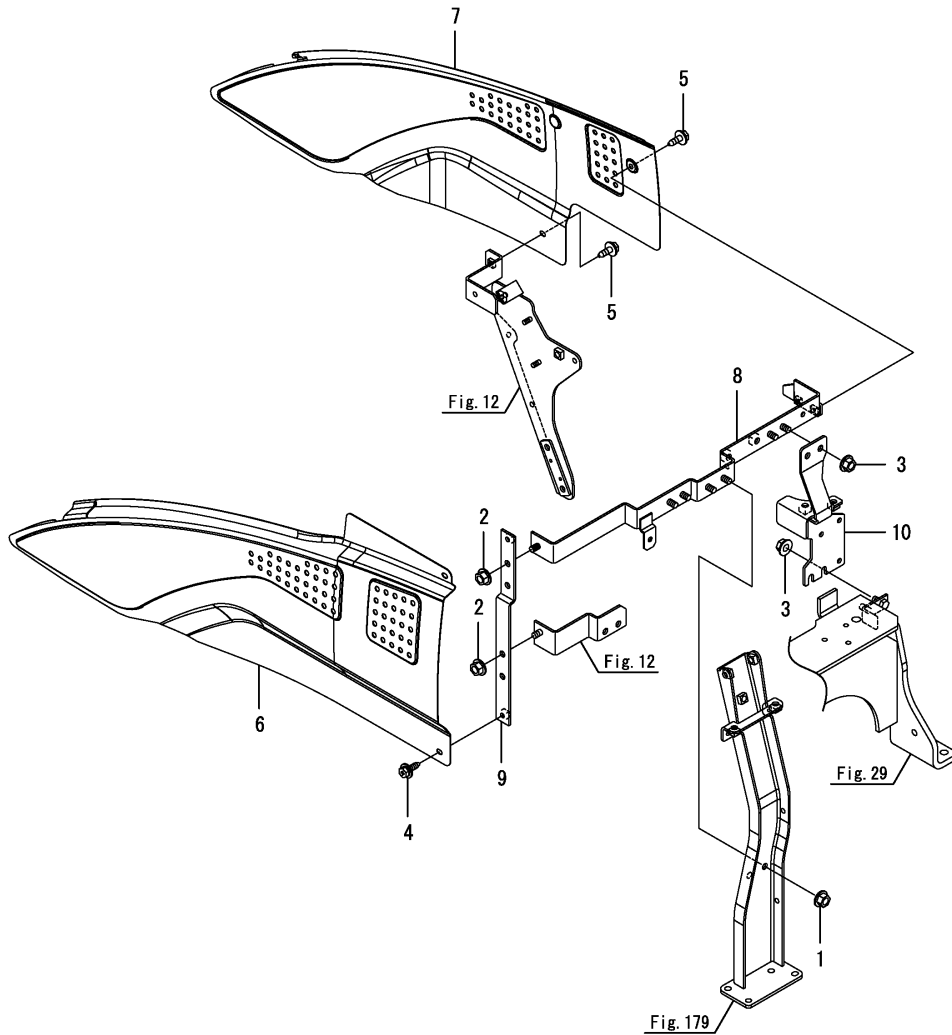


Fig.185. SIDE COVER

(A)=YT347Y
(B)=YT359Y
(C)=

(D)=
(E)=
(F)=

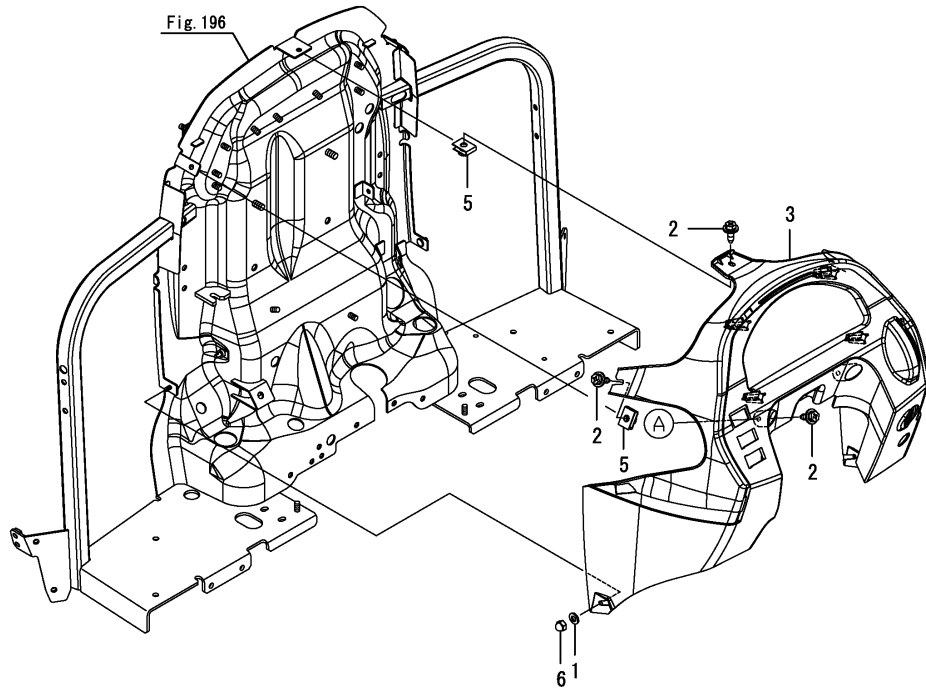


No.	Lev.	Parts No.	Description	Q'ty						I	R
				(A)	(B)	(C)	(D)	(E)	(F)		
1	1	194990-22140	NUT, M8		2						
2	1	194990-22140	NUT, M8		2						
3	1	194990-22140	NUT, M8		4						
4	1	198072-60590	BOLT, M6X20		2						
5	1	198072-60590	BOLT, M6X20		2						
6	1	1A8480-61400	COVER, SIDE L		1						
7	1	1A8480-61410	COVER, SIDE R		1						
8	1	1A8470-67101	FRAME, SIDE COVER		1						
9	1	1A8470-67180	STAY, SIDE COVER		1						
10	1	1A8480-67210	STAY ASSY, FILTER		1						

Fig.188. DASHBOARD(LOWER)

(A)=YT347Y
(B)=YT359Y
(C)=

(D)=
(E)=
(F)=



No.	Lev.	Parts No.	Description	Q'ty						I	R
				(A)	(B)	(C)	(D)	(E)	(F)		
1	1	1A8060-54260	WASHER, 6 BLACK	2	2						
2	1	198072-60590	BOLT, M6X20	5	5						
3	1	1A8475-61610	M ASSY,DASHBOARD LOW	1	1						
4	1	1A8470-61610	STAY,COVER DASHBOARD	1	1						
5	1	198071-61890	NUT, SPEED M6	3	3						
6	1	1A8484-61900	NUT, CAP M6 BLACK	2	2						
7	1	26106-080162	BOLT, M8X 16 PLATED	2	2						

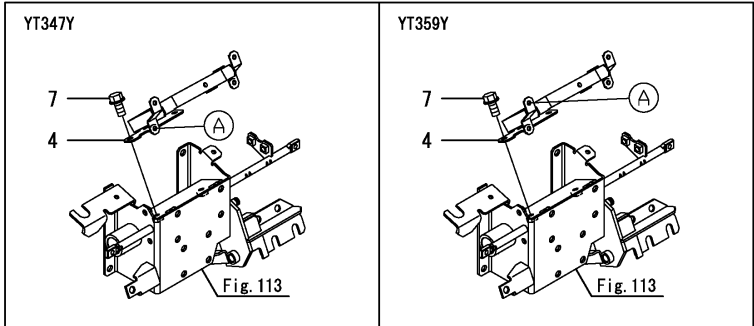


Fig.189. COLUMN COVER

(A)=YT347Y
(B)=YT359Y
(C)=

(D)=
(E)=
(F)=

No.	Lev.	Parts No.	Description	Q'ty						I	R
				(A)	(B)	(C)	(D)	(E)	(F)		
1	1	198072-60590	BOLT, M6X20	2	2						
2	1	1A8060-61661	COVER, COLUMN F	1	1						
3	1	194440-51630	CLAMP, HARNESS C	1	1						
4	1	198072-60590	BOLT, M6X20	2	2						
5	1	1A8475-61670	M ASSY,COVER COLUMN	1	1						
6	1	194940-61790	SCREW, TAPPING M5X16	4	4						
7	1	194940-61790	SCREW, TAPPING M5X16	1	1						

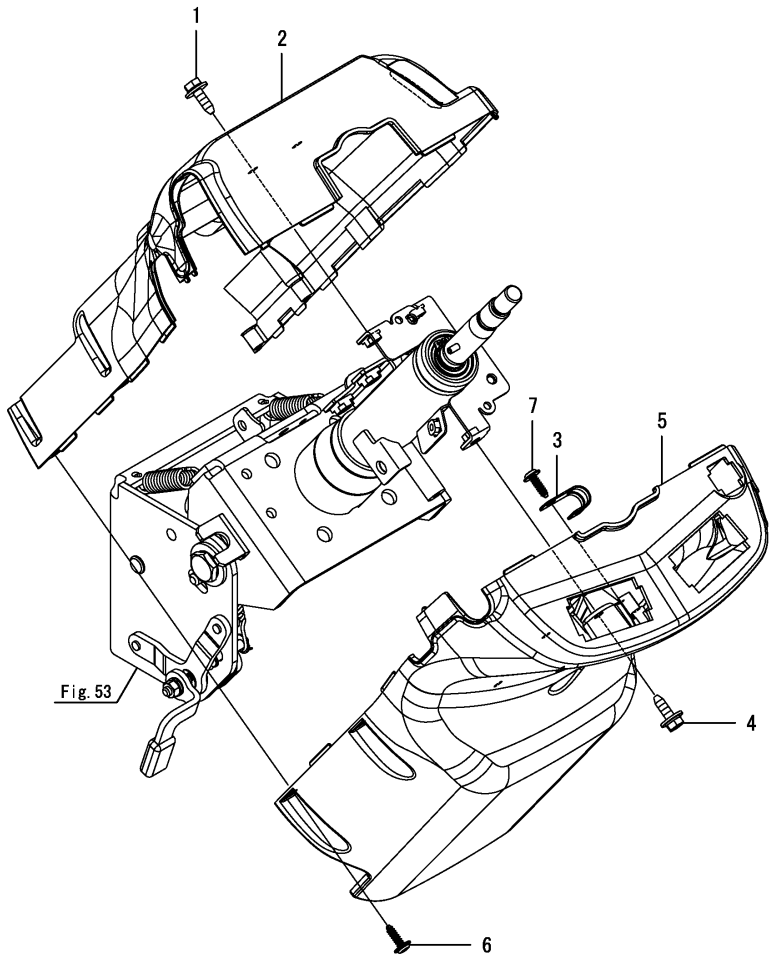
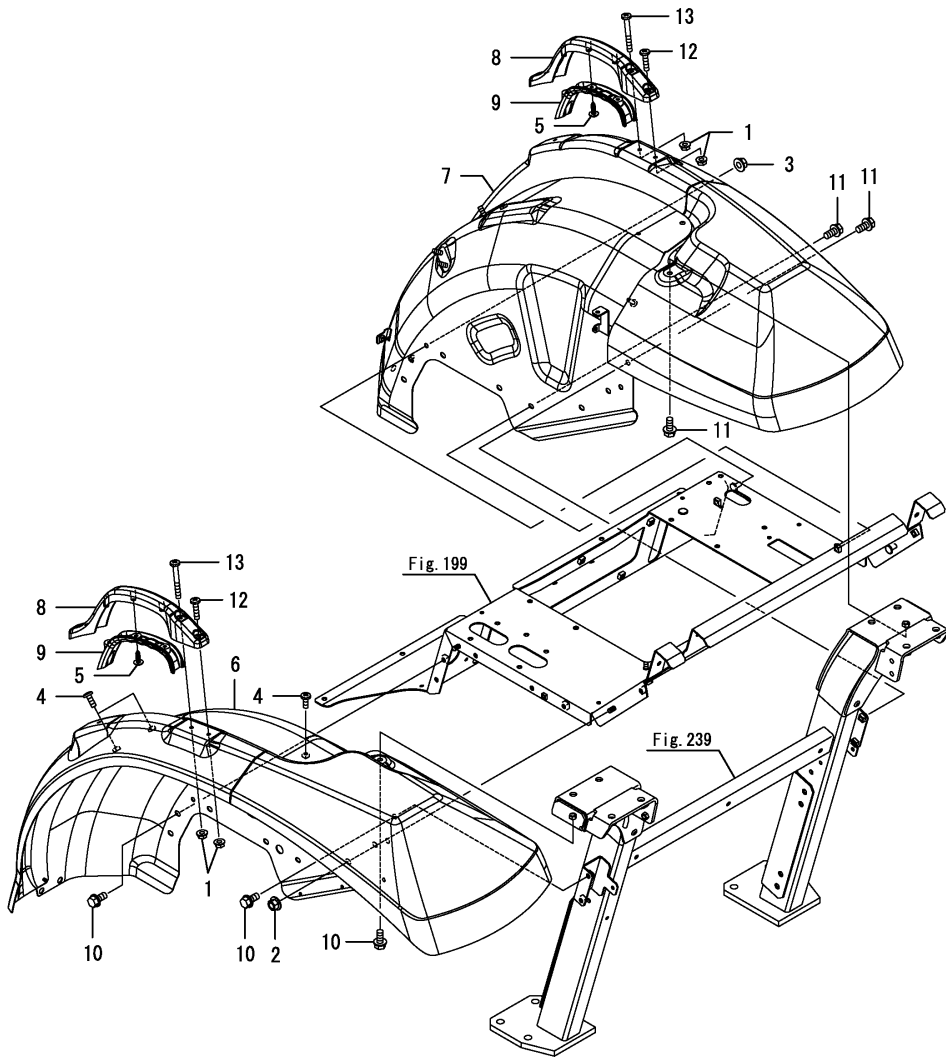


Fig. 53

Fig.190. FENDER

(A)=YT347Y
(B)=YT359Y
(C)=

(D)=
(E)=
(F)=



No.	Lev.	Parts No.	Description	Q'ty						I	R
				(A)	(B)	(C)	(D)	(E)	(F)		
1	1	194990-22130	NUT, M6	6	6						
2	1	194990-22140	NUT, M8	2	2						
3	1	194990-22140	NUT, M8	2	2						
4	1	198220-56290	SCREW, M6X16	3	3						
5	1	194940-61790	SCREW, TAPPING M5X16	6	6						
6	1	1A8475-62100	M ASSY,FENDER L	1	1						
7	1	1A8475-62120	FENDER ASSY, R	1	1						
8	1	1A8470-62280	GRIP, ASIST	2	2						
9	1	1A8470-62290	COVER, GRIP	2	2						
10	1	26106-080162	BOLT, M8X 16 PLATED	6	6						
11	1	26106-080162	BOLT, M8X 16 PLATED	6	6						
12	1	26589-060252	SCREW, M6X	4	4						
13	1	26589-060502	SCREW, M6X50	2	2						

Fig.191. OVER FENDER(CABIN)

(A)=YT347Y
(B)=YT359Y
(C)=

(D)=
(E)=
(F)=

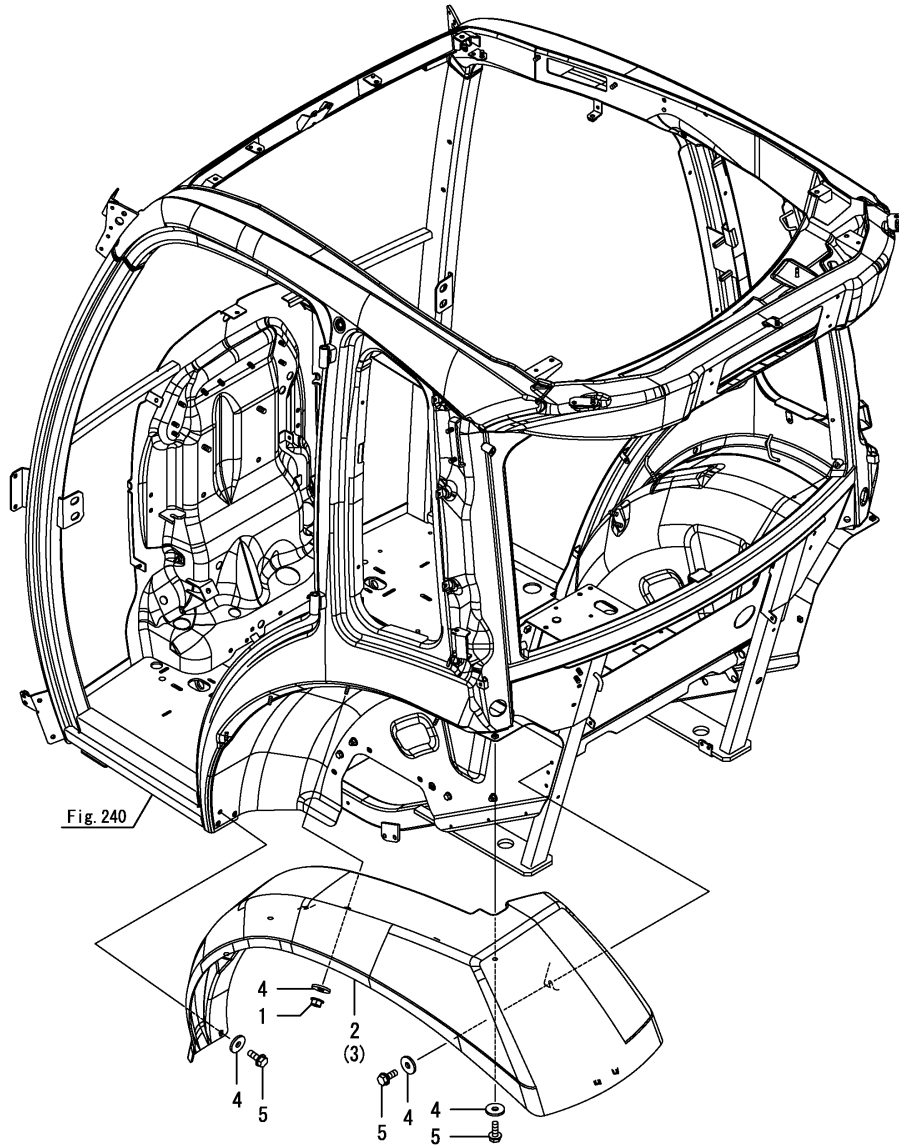


Fig. 240

No.	Lev.	Parts No.	Description	Qty						I	R
				(A)	(B)	(C)	(D)	(E)	(F)		
1	1	194990-22130	NUT, M6	8	8						
2	1	1A8485-62160	M ASSY, FENDER L	1	1						
3	1	1A8485-62180	OVER FENDER, R	1	1						
4	1	22157-060000	WASHER, 6	14	14						
5	1	26106-060162	BOLT, M6X 16 PLATED	6	6						

Fig.194. FLOOR MAT

(A)=YT347Y
(B)=YT359Y
(C)=

(D)=
(E)=
(F)=

No.	Lev.	Parts No.	Description	Qty						I	R
				(A)	(B)	(C)	(D)	(E)	(F)		
1	1	1A8475-62350	MAT, FLOOR	1	1						
2	1	1A8475-62360	SHEET, MAT A	1	1						
3	1	1A8475-62370	SHEET, MAT B	1	1						

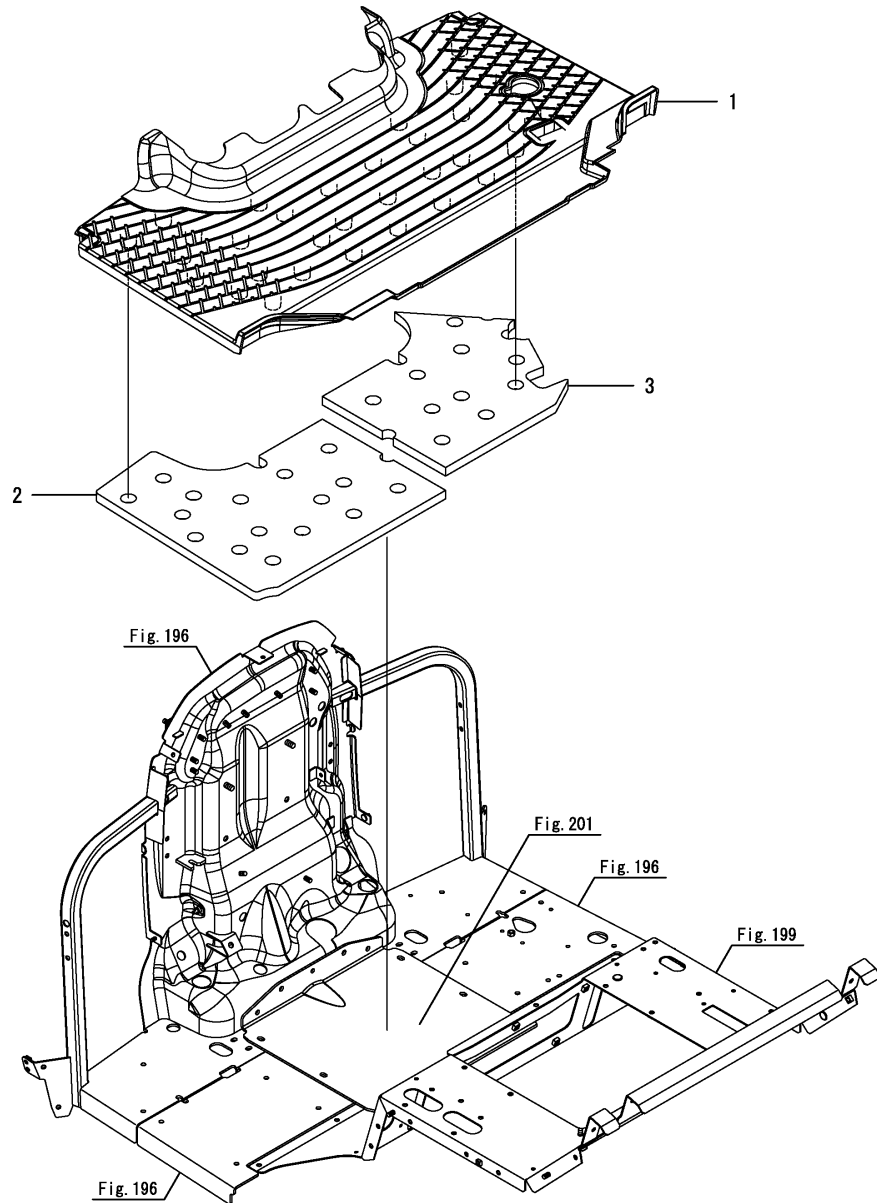
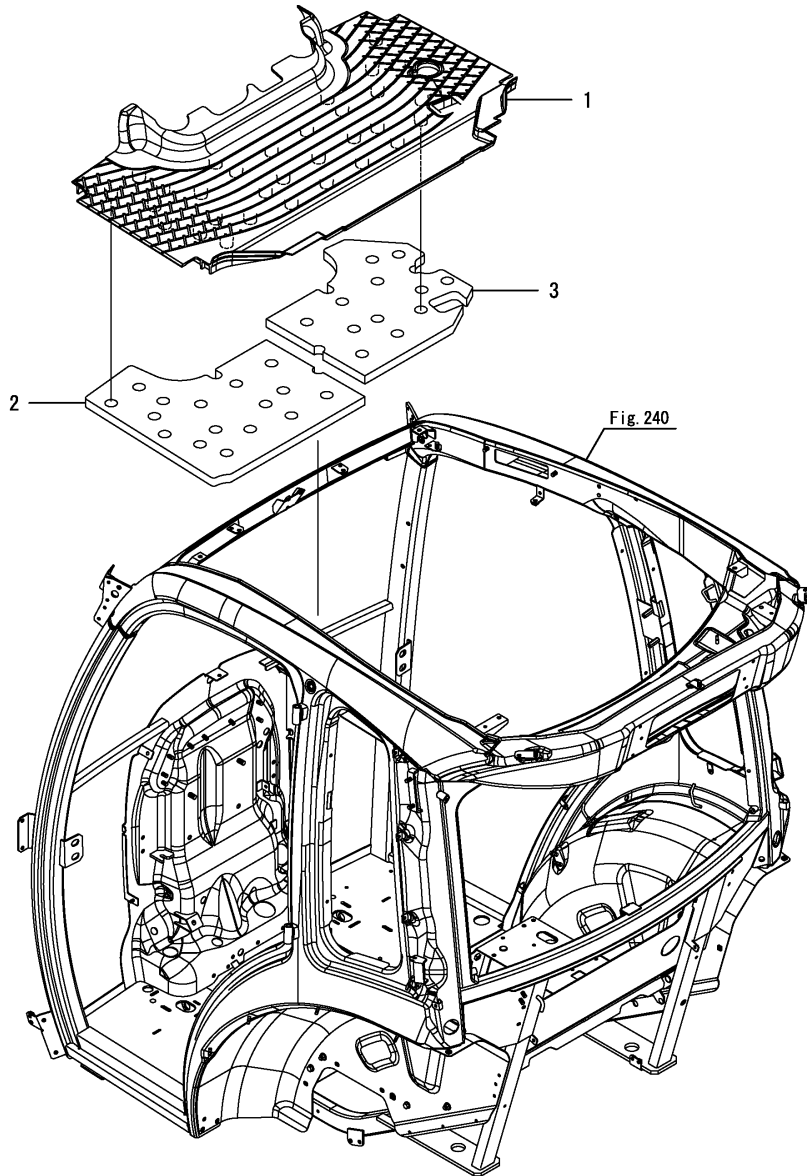


Fig.195. FLOOR MAT(CABIN)

(A)=YT347Y
(B)=YT359Y
(C)=

(D)=
(E)=
(F)=

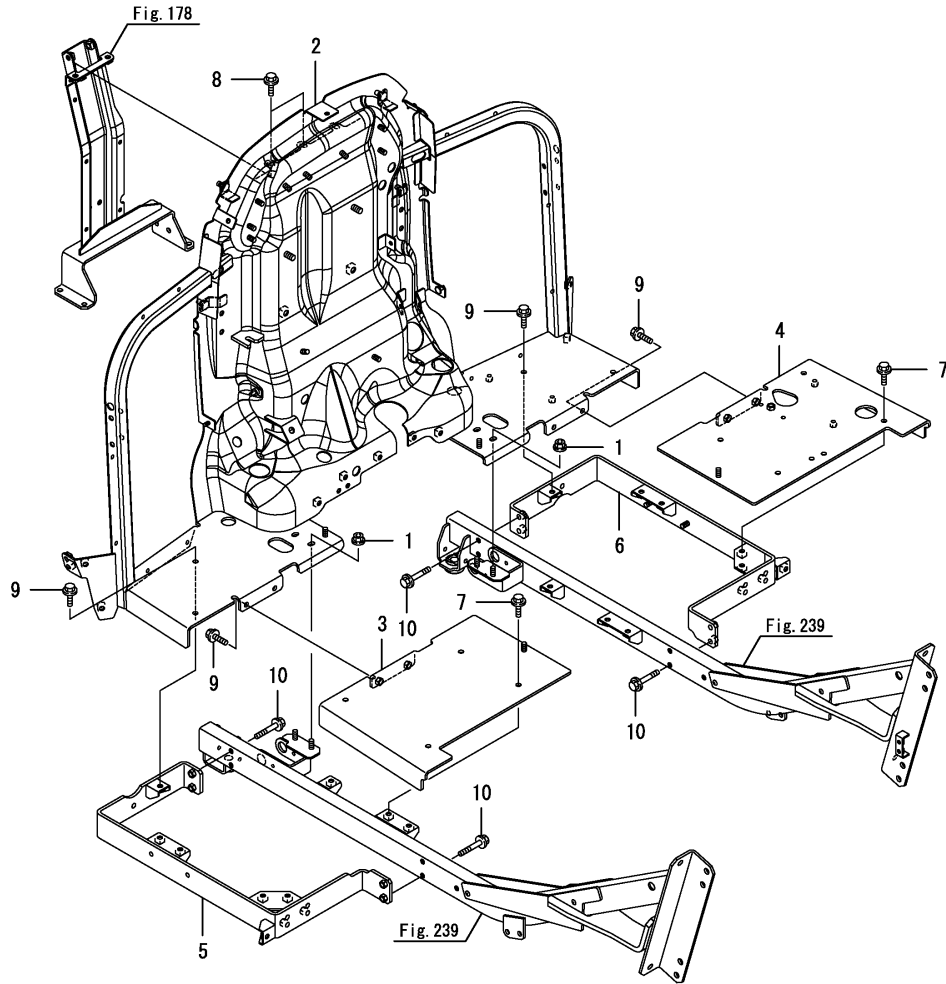


No.	Lev.	Parts No.	Description	Q'ty						I	R
				(A)	(B)	(C)	(D)	(E)	(F)		
1	1	1A8485-62350	MAT, FLOOR	1	1						
2	1	1A8485-62360	ACOUSTIC ABSORBENT,A	1	1						
3	1	1A8485-62370	ACOUSTIC ABSORBENT,B	1	1						

Fig.196. FLOOR

(A)=YT347Y
(B)=YT359Y
(C)=

(D)=
(E)=
(F)=

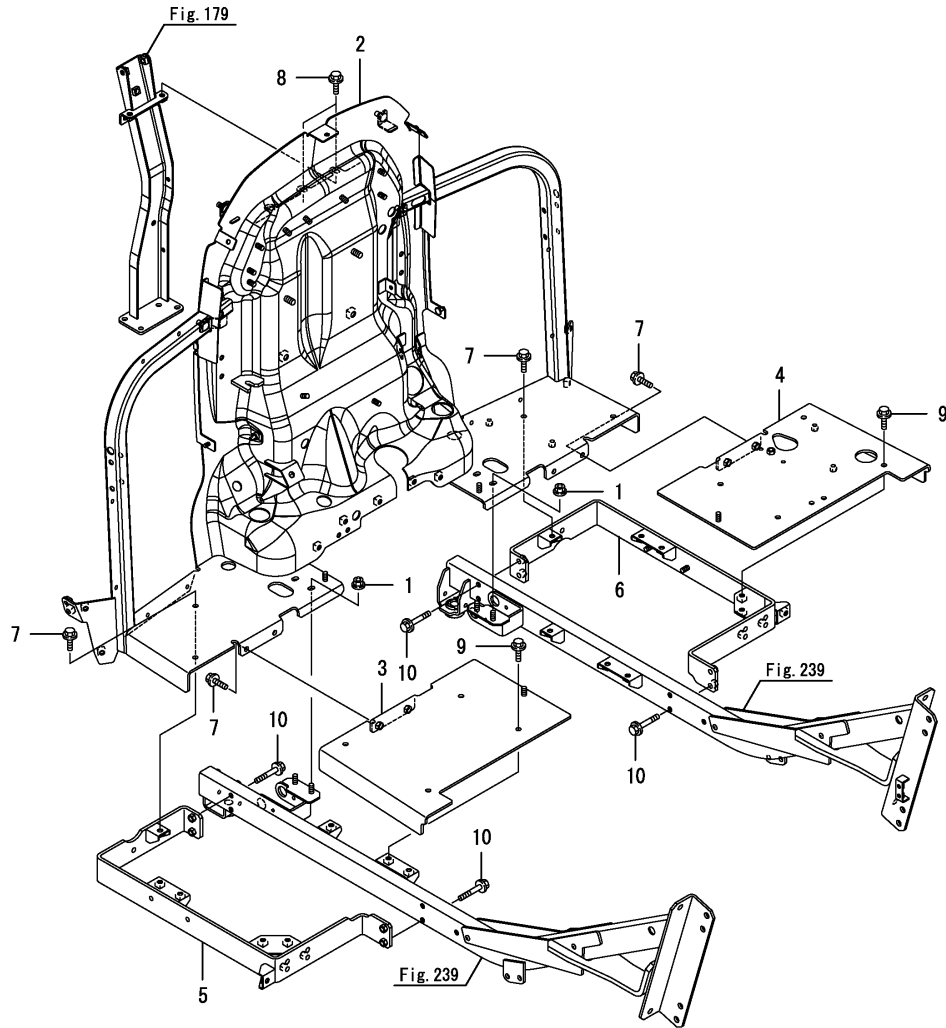


No.	Lev.	Parts No.	Description	Q'ty						I	R
				(A)	(B)	(C)	(D)	(E)	(F)		
1	1	194990-22140	NUT, M8	4							
2	1	1A8470-61700	PLATE ASSY, SHIELD	1							
3	1	1A8470-62510	PLATE ASSY, FLOOR L	1							
4	1	1A8470-62520	PLATE ASSY, FLOOR R	1							
5	1	1A8470-62700	FRAME ASSY, STEP L	1							
6	1	1A8470-62710	FRAME ASSY, STEP R	1							
7	1	26106-080162	BOLT, M8X 16 PLATED	8							
8	1	26106-080162	BOLT, M8X 16 PLATED	2							
9	1	26106-080162	BOLT, M8X 16 PLATED	8							
10	1	26106-080502	BOLT, M8X 50 PLATED	8							

Fig.197. FLOOR

(A)=YT347Y
(B)=YT359Y
(C)=

(D)=
(E)=
(F)=



No.	Lev.	Parts No.	Description	Q'ty						I	R
				(A)	(B)	(C)	(D)	(E)	(F)		
1	1	194990-22140	NUT, M8		4						
2	1	1A8480-61700	PLATE ASSY, SHIELD		1						
3	1	1A8470-62510	PLATE ASSY, FLOOR L		1						
4	1	1A8470-62520	PLATE ASSY, FLOOR R		1						
5	1	1A8470-62700	FRAME ASSY, STEP L		1						
6	1	1A8470-62710	FRAME ASSY, STEP R		1						
7	1	26106-080162	BOLT, M8X 16 PLATED		8						
8	1	26106-080162	BOLT, M8X 16 PLATED		2						
9	1	26106-080162	BOLT, M8X 16 PLATED		8						
10	1	26106-080502	BOLT, M8X 50 PLATED		8						

Fig.199. DUST COVER

(A)=YT347Y
(B)=YT359Y
(C)=

(D)=
(E)=
(F)=

No.	Lev.	Parts No.	Description	Q'ty						I	R
				(A)	(B)	(C)	(D)	(E)	(F)		
1	1	194990-22140	NUT, M8	3	3						
2	1	1A8475-62880	COVER ASSY, DUST	1	1						
3	1	26106-080162	BOLT, M8X 16 PLATED	6	6						
4	1	26106-080502	BOLT, M8X 50 PLATED	3	3						
5	1	26106-100202	BOLT, M10X 20 PLATED	2	2						

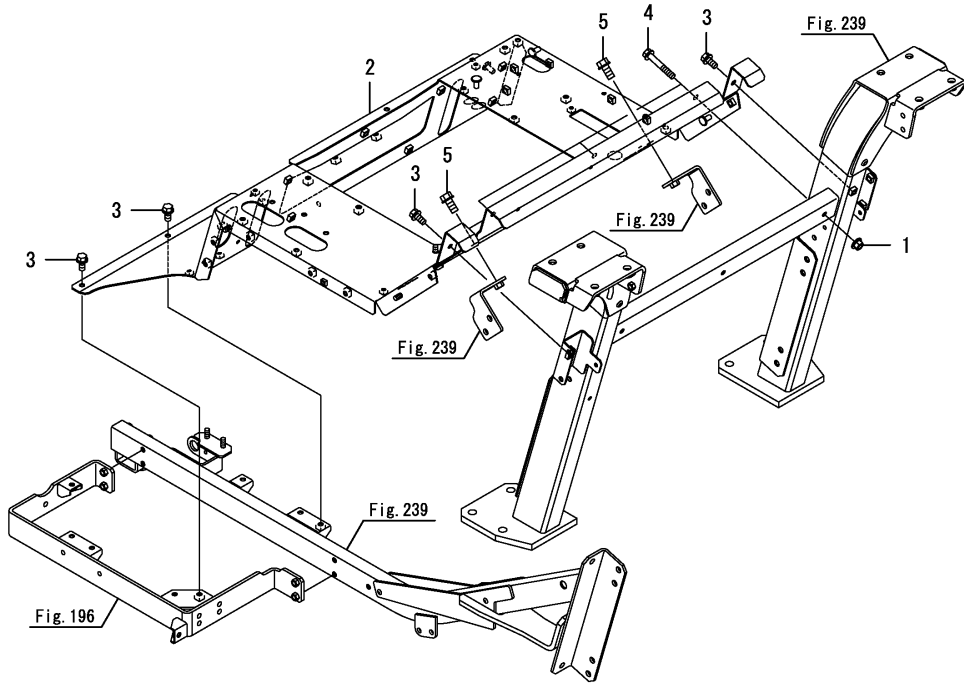
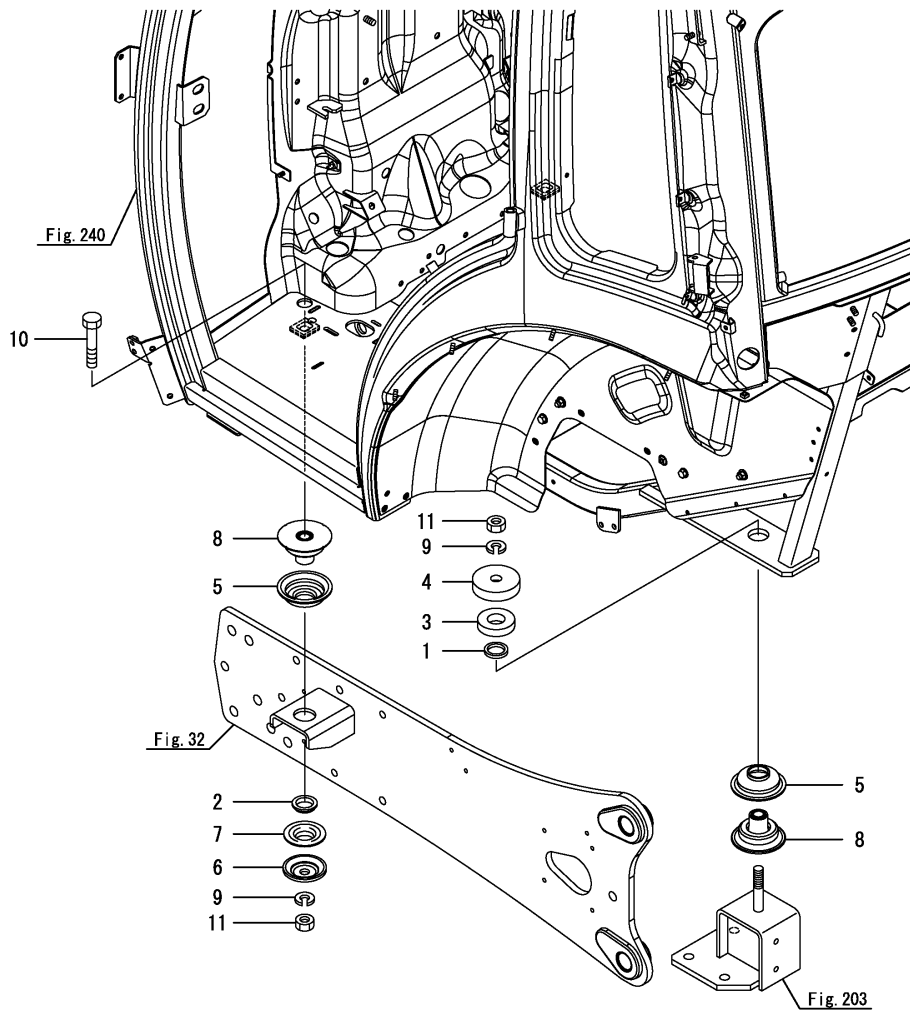


Fig.200. CABIN MOUNT(CABIN)

(A)=YT347Y
(B)=YT359Y
(C)=

(D)=
(E)=
(F)=

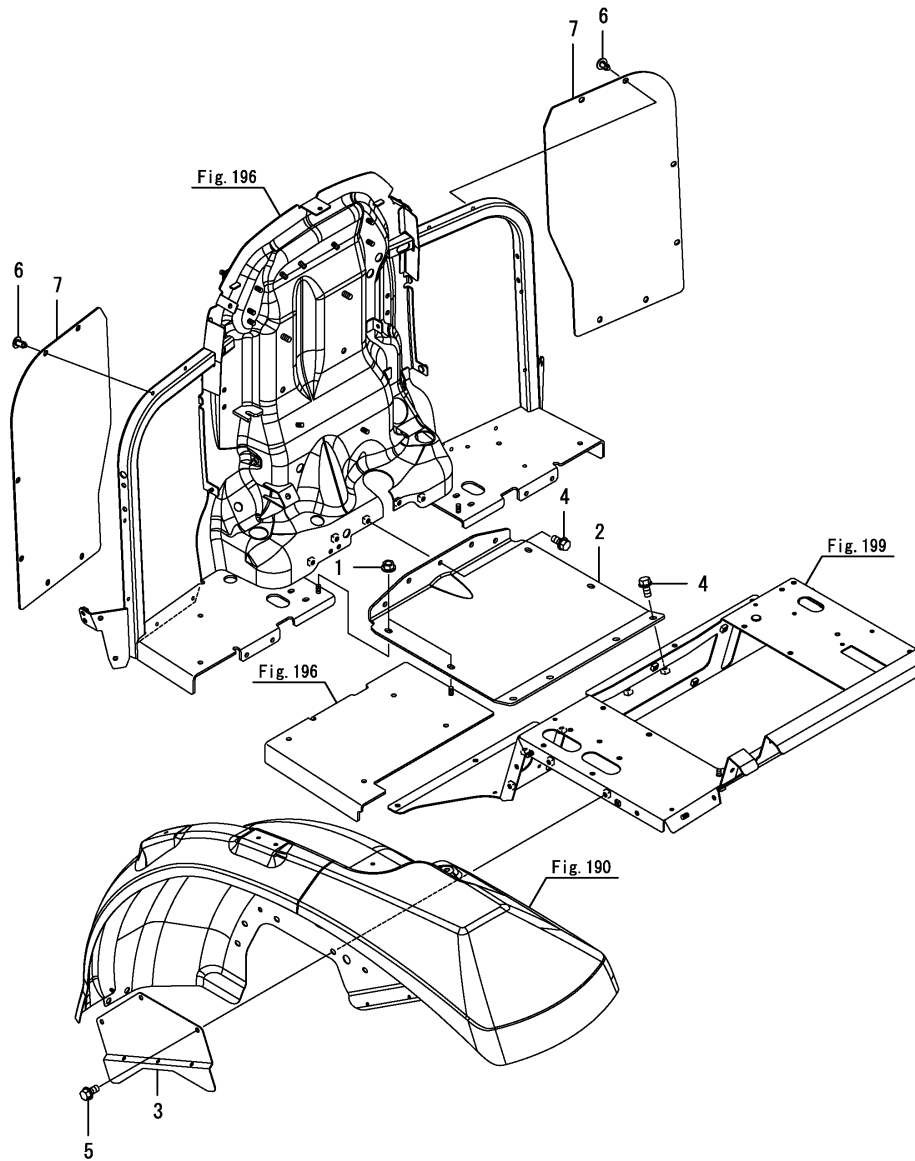


No.	Lev.	Parts No.	Description	Q'ty						I	R
				(A)	(B)	(C)	(D)	(E)	(F)		
1	1	198072-62790	RUBBER, STOPPER	2	2						
2	1	198094-62790	RUBBER, STOPPER	2	2						
3	1	198071-62800	MOUNT, UPPER	2	2						
4	1	198071-62890	STOPPER, U	2	2						
5	1	198071-62900	STOPPER, MOUNT	4	4						
6	1	198200-62910	STOPPER, U	2	2						
7	1	198200-62970	MOUNT, UPPER	2	2						
8	1	1A8110-62990	MOUNT, LOWER	4	4						
9	1	22217-140000	WASHER, SPRING 14	4	4						
10	1	26116-140752	BOLT, M14X 75 PLATED	2	2						
11	1	26716-140002	NUT, M14	4	4						

Fig.201. FLOOR COVER

(A)=YT347Y
(B)=YT359Y
(C)=

(D)=
(E)=
(F)=



No.	Lev.	Parts No.	Description	Q'ty						I	R
				(A)	(B)	(C)	(D)	(E)	(F)		
1	1	194990-22140	NUT, M8	4	4						
2	1	1A8470-62300	PLATE, FLOOR CENTER	1	1						
3	1	1A8470-62860	GUARD, SIDE	2	2						
4	1	26106-080162	BOLT, M8X 16 PLATED	9	9						
5	1	26106-080162	BOLT, M8X 16 PLATED	6	6						
6	1	1A7450-62320	RIVET, NYLON	12	12						
7	1	1A8470-62410	GUARD, DUST	2	2						

Fig.202. FLOOR COVER(CABIN)

(A)=YT347Y
(B)=YT359Y
(C)=

(D)=
(E)=
(F)=

No.	Lev.	Parts No.	Description	Q'ty						I	R
				(A)	(B)	(C)	(D)	(E)	(F)		
1	1	194990-22140	NUT, M8	4	4						
2	1	1A8470-62300	PLATE, FLOOR CENTER	1	1						
3	1	1A8470-62860-1	GUARD, SIDE	2	2						
4	1	1A7210-84870	SEAL, FLOOR PLATE A	1	1						
5	1	1A8484-84880	SEAL, FLOOR PLATE B	2	2						
6	1	1A8484-84890	SEAL, FLOOR CENTER	1	1						
7	1	26106-080162	BOLT, M8X 16 PLATED	9	9						
8	1	26106-080162	BOLT, M8X 16 PLATED	6	6						

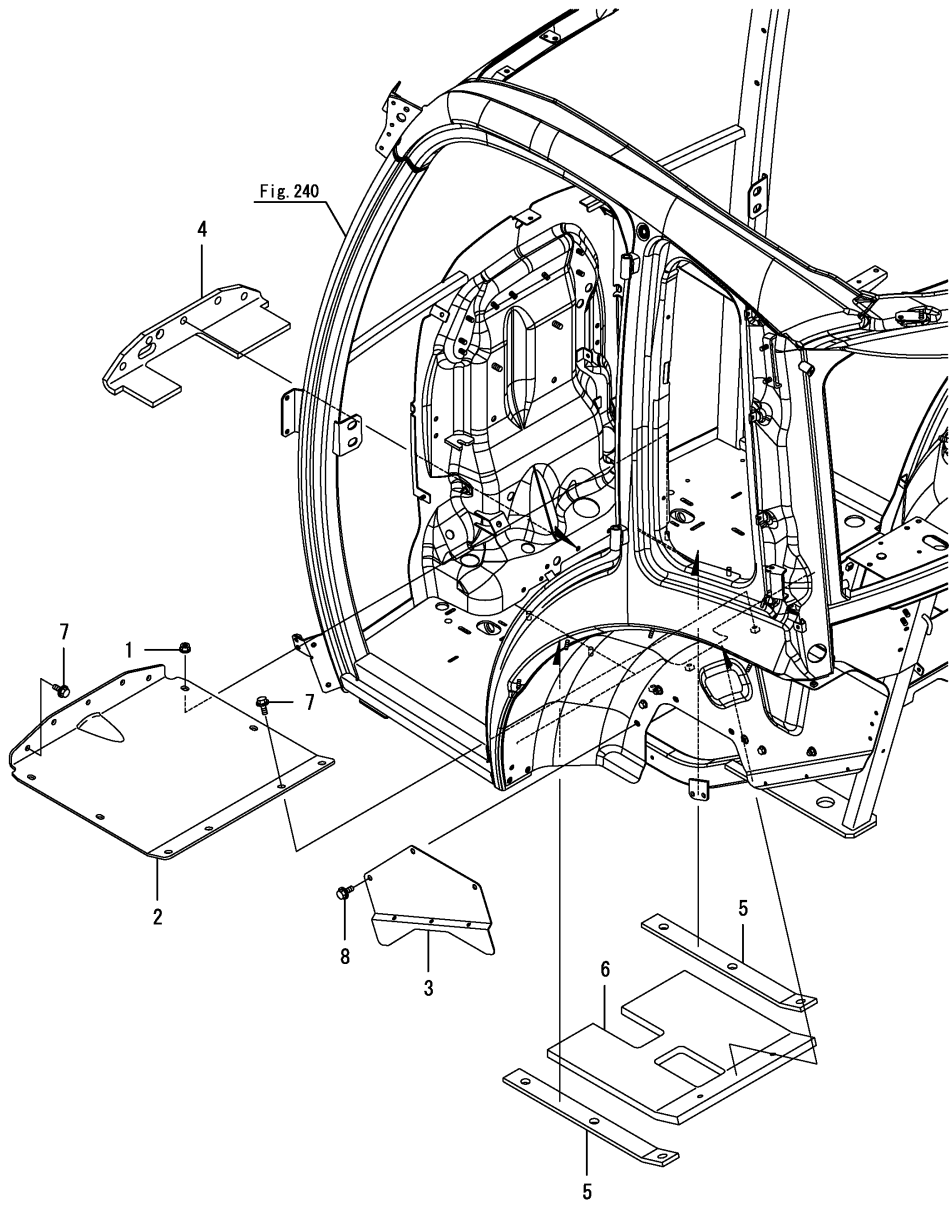


Fig.203. FLOOR BRACKET

(A)=YT347Y
(B)=YT359Y
(C)=

(D)=
(E)=
(F)=

No.	Lev.	Parts No.	Description	Q'ty						I	R
				(A)	(B)	(C)	(D)	(E)	(F)		
1	1	1A7180-62920	STAY ASSY, MOUNT L	1	1						
2	1	1A7180-62930	STAY ASSY, MOUNT R	1	1						
3	1	26013-140352	BOLT, M14X 35	6	6						

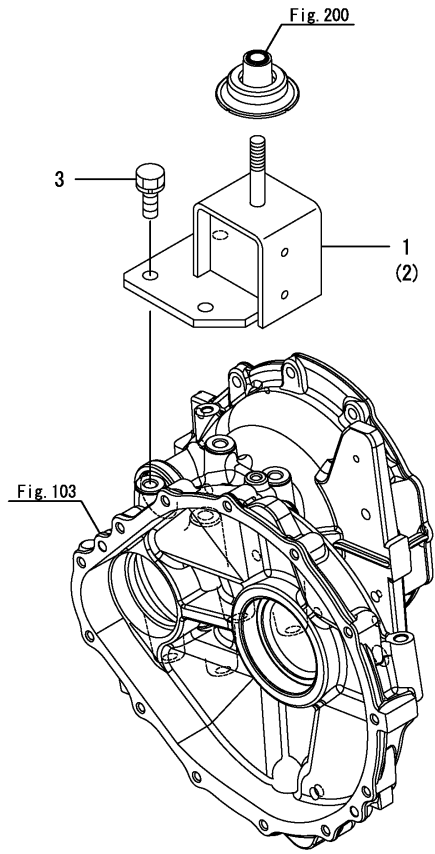
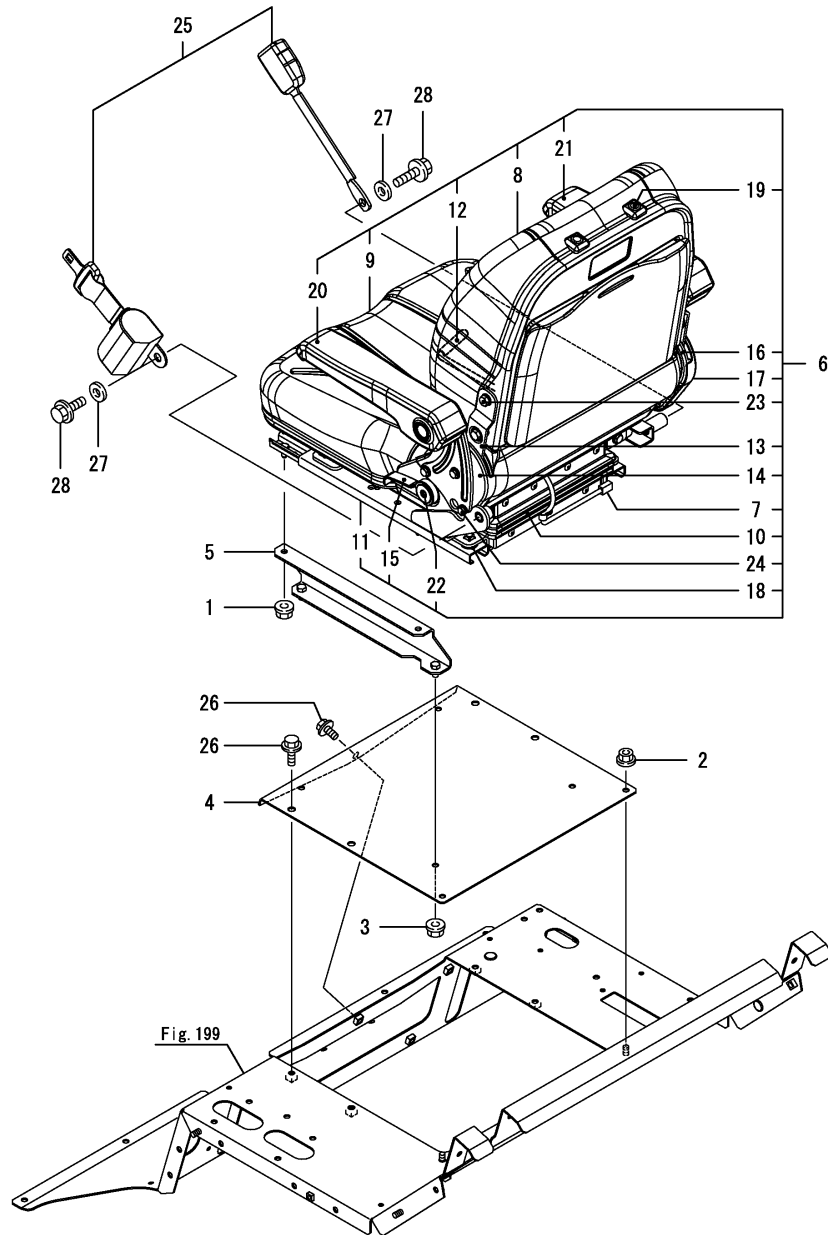


Fig.204. SEAT

(A)=YT347Y
(B)=YT359Y
(C)=

(D)=
(E)=
(F)=

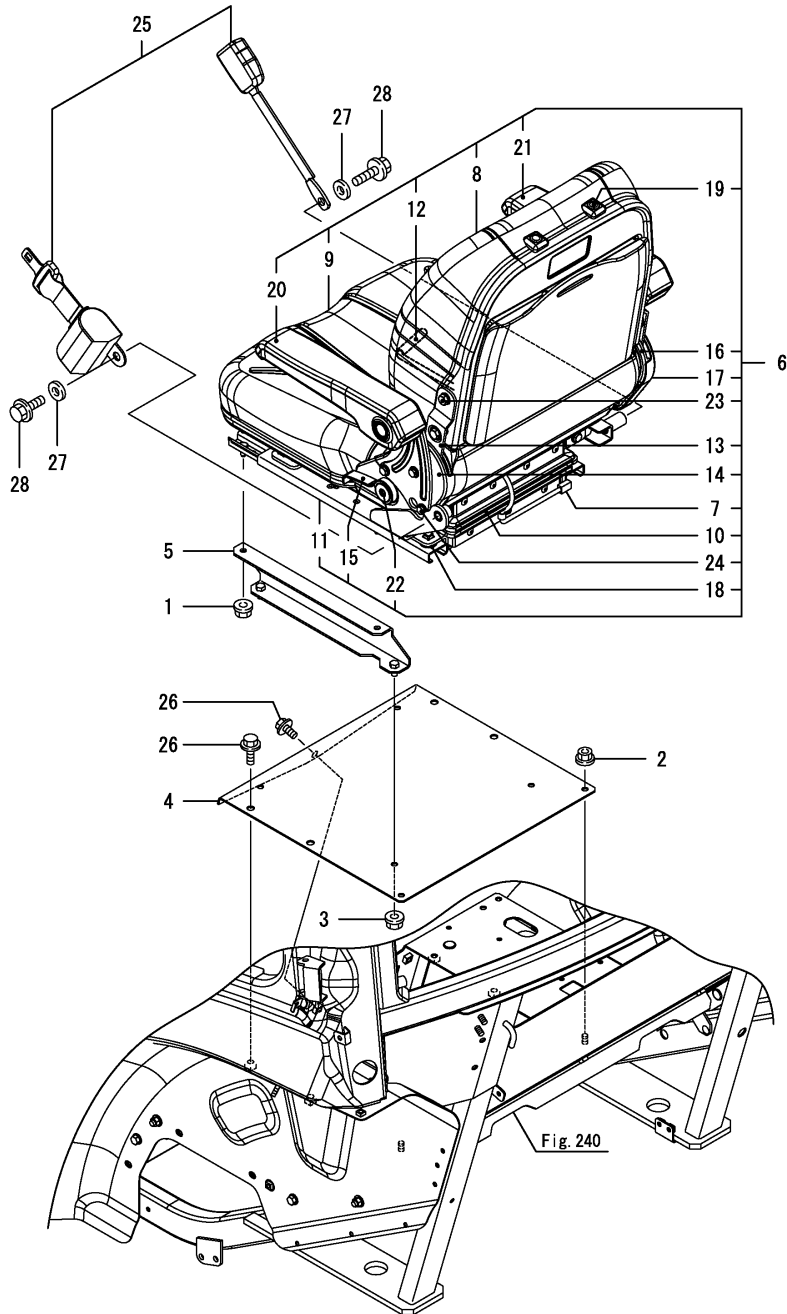


No.	Lev.	Parts No.	Description	Q'ty						I	R
				(A)	(B)	(C)	(D)	(E)	(F)		
1	1	194990-22140	NUT, M8	4	4						
2	1	194990-22140	NUT, M8	2	2						
3	1	194990-22140	NUT, M8	4	4						
4	1	1A8470-62840	COVER, DUST B	1	1						
5	1	1A8475-63050	STAY, SEATRAIL	2	2						
6	1	1A8475-63100	SEAT ASSY	1	1						
7	2	1A8475-52250	SWITCH ASSY, SEAT	1	1						
8	2	1A8470-63750	CUSHION, B SEAT	1	1						
9	2	1A8470-63760	CUSHION, SEAT	1	1						
10	2	1A8470-63800	SUSPENSION ASSY	1	1						
11	2	1A8470-63810	RAIL ASSY	1	1						
12	2	1A8470-63820	RAIL ASSY, R	1	1						
13	2	1A8470-63830	ADJUSTER ASSY, SEAT	1	1						
14	2	1A8470-63840	COVER, RECLINER	1	1						
15	2	1A8470-63850	LEVER, RECLINER	1	1						
16	2	1A8470-63860	HINGE ASSY	1	1						
17	2	1A8470-63870	COVER, HINGE	1	1						
18	2	1A8470-63880	BUSH	4	4						
19	2	1A8470-63890	CAP	2	2						
20	2	1A8475-63910	ARMREST, L	1	1						
21	2	1A8475-63920	ARMREST, R	1	1						
22	2	1A8470-63950	BOLT, M5X16	1	1						
23	2	1A8470-63960	BOLT, FLANGE M10X25	8	8						
24	2	1A8470-63970	BOLT, FLANGE M8X25	14	14						
25	1	1A8160-63401	SEATBELT ASSY	1	1						
26	1	198460-83350	BOLT, M8X16	5	5						
27	1	22137-120000	WASHER, 12	2	2						
28	1	26106-120252	BOLT, M12X 25 PLATED	2	2						

Fig.205. SEAT(CABIN)

(A)=YT347Y
(B)=YT359Y
(C)=

(D)=
(E)=
(F)=



No.	Lev.	Parts No.	Description	Q'ty						I	R
				(A)	(B)	(C)	(D)	(E)	(F)		
1	1	194990-22140	NUT, M8	4	4						
2	1	194990-22140	NUT, M8	2	2						
3	1	194990-22140	NUT, M8	4	4						
4	1	1A8470-62840	COVER, DUST B	1	1						
5	1	1A8475-63050	STAY, SEATRAIL	2	2						
6	1	1A8485-63100	SEAT ASSY	1	1						
7	2	1A8475-52250	SWITCH ASSY, SEAT	1	1						
8	2	1A8484-63750	CUSHION, B SEAT	1	1						
9	2	1A8484-63760	CUSHION, SEAT	1	1						
10	2	1A8470-63800	SUSPENSION ASSY	1	1						
11	2	1A8470-63810	RAIL ASSY	1	1						
12	2	1A8470-63820	RAIL ASSY, R	1	1						
13	2	1A8470-63830	ADJUSTER ASSY, SEAT	1	1						
14	2	1A8470-63840	COVER, RECLINER	1	1						
15	2	1A8470-63850	LEVER, RECLINER	1	1						
16	2	1A8470-63860	HINGE ASSY	1	1						
17	2	1A8470-63870	COVER, HINGE	1	1						
18	2	1A8470-63880	BUSH	4	4						
19	2	1A8470-63890	CAP	2	2						
20	2	1A8475-63910	ARMREST, L	1	1						
21	2	1A8475-63920	ARMREST, R	1	1						
22	2	1A8470-63950	BOLT, M5X16	1	1						
23	2	1A8470-63960	BOLT, FLANGE M10X25	8	8						
24	2	1A8470-63970	BOLT, FLANGE M8X25	14	14						
25	1	1A8160-63401	SEATBELT ASSY	1	1						
26	1	198460-83350	BOLT, M8X16	5	5						
27	1	22137-120000	WASHER, 12	2	2						
28	1	26106-120252	BOLT, M12X 25 PLATED	2	2						

Fig.208. SEAL(2)(CABIN)

(A)=YT347Y
(B)=YT359Y
(C)=

(D)=
(E)=
(F)=

No.	Lev.	Parts No.	Description	Qty						I	R
				(A)	(B)	(C)	(D)	(E)	(F)		
1	1	1A8484-62980	SEAL,WEATHER.143	2	2						
2	1	197810-83220	GROMMET, 18	1	1						
3	1	1A8485-84830	ACOUSTIC ABSORBENT	1	1						
4	1	1A8484-84840	ACOUSTIC ABSORBENT	1	1						
5	1	1A8485-84850	ACOUSTIC ABSORBENT	1	1						
6	1	1A8485-84860	ACOUSTIC ABSORBENT	1	1						

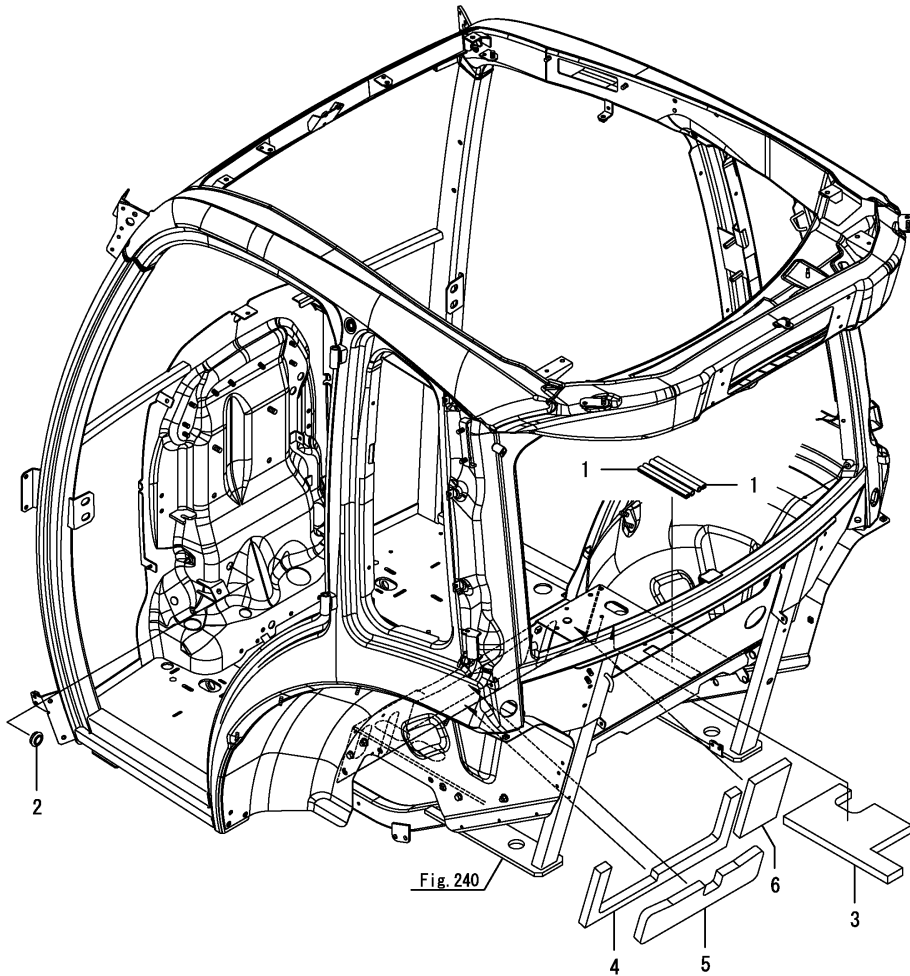
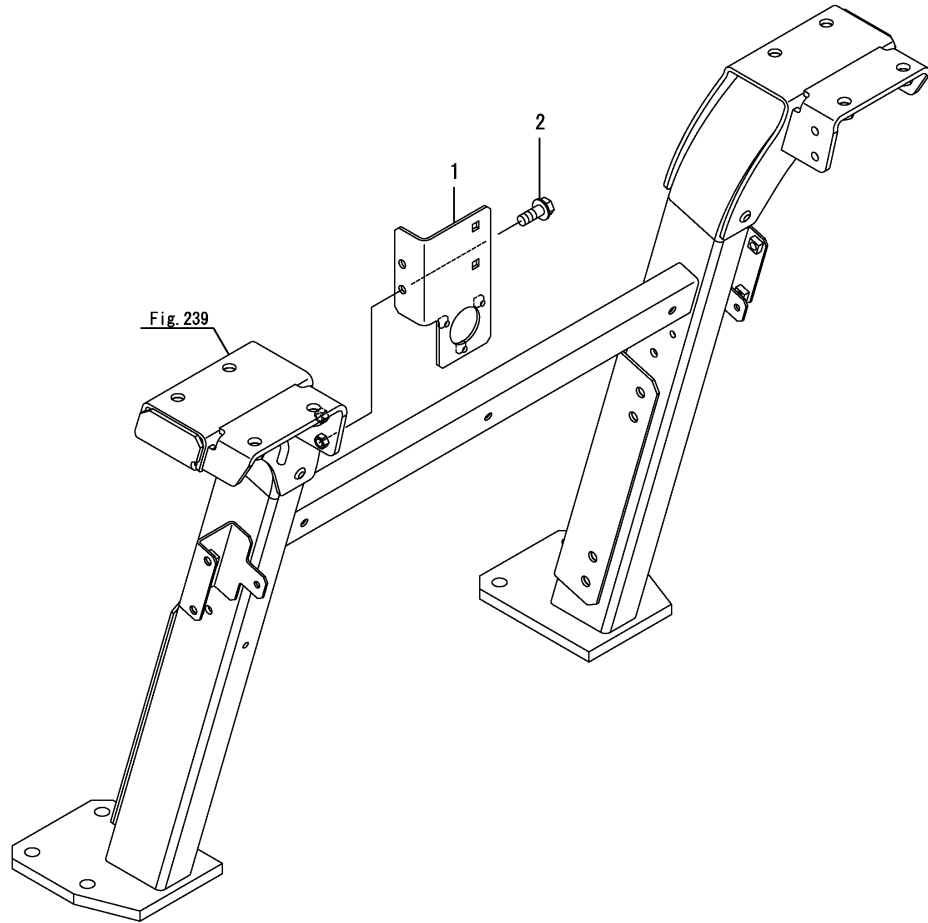


Fig.209. BRACKET(S.M.V.)

(A)=YT347Y
(B)=YT359Y
(C)=

(D)=
(E)=
(F)=



No.	Lev.	Parts No.	Description	Q'ty						I	R
				(A)	(B)	(C)	(D)	(E)	(F)		
1	1	1A8475-65800	BRACKET ASSY, SMV	1	1						
2	1	26106-080202	BOLT, M8X 20 PLATED	2	2						

Fig.210. BRACKET(S.M.V.)(CABIN)

(A)=YT347Y
(B)=YT359Y
(C)=

(D)=
(E)=
(F)=

No.	Lev.	Parts No.	Description	Q'ty						I	R
				(A)	(B)	(C)	(D)	(E)	(F)		
1	1	1A8484-93200	PLATE	1	1						
2	1	26106-080122	BOLT, M8X 12 PLATED	2	2						

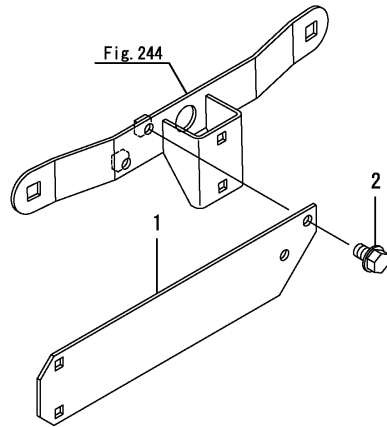


Fig.211. EMBLEM(S.M.V.)

(A)=YT347Y
(B)=YT359Y
(C)=

(D)=
(E)=
(F)=

No.	Lev.	Parts No.	Description	Q'ty						I	R
				(A)	(B)	(C)	(D)	(E)	(F)		
1	1	194990-22130	NUT, M6	2	2						
2	1	194990-22140	NUT, M8	2	2						
3	1	1A8160-65800	EMBLEM, SMV	1	1						
4	1	1A7882-85620	STAY, SMV	1	1						
5	1	1A7882-85630	HOLDER, SMV	1	1						
6	1	26106-060202	BOLT, M6X 20 PLATED	2	2						
7	1	26487-080163	BOLT, M8X16	2	2						

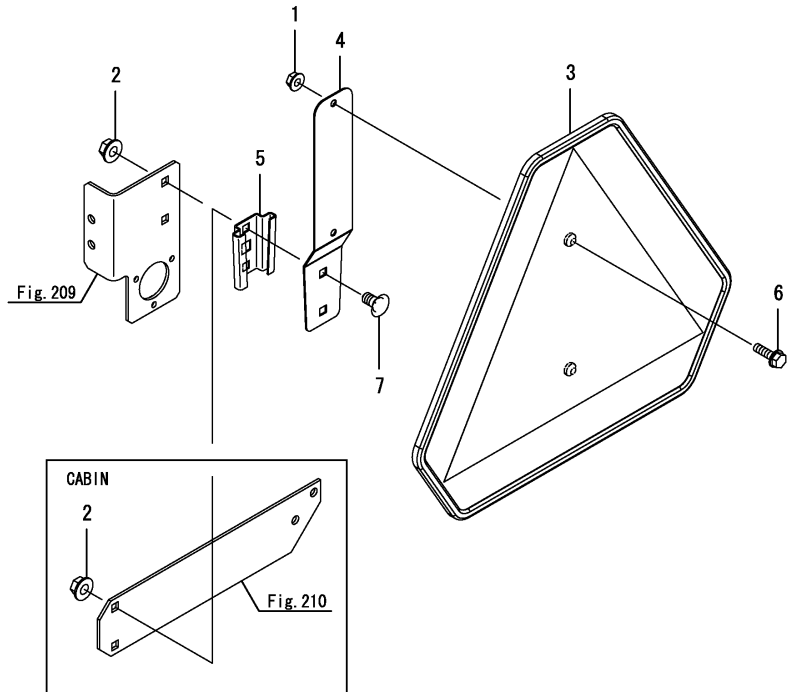


Fig.212. LABEL(1)

(A)=YT347Y
(B)=YT359Y
(C)=

(D)=
(E)=
(F)=

No.	Lev.	Parts No.	Description	Q'ty						I	R
				(A)	(B)	(C)	(D)	(E)	(F)		
1	1	1A8475-65050	LABEL, MODEL YT347	2							

¹
YT347

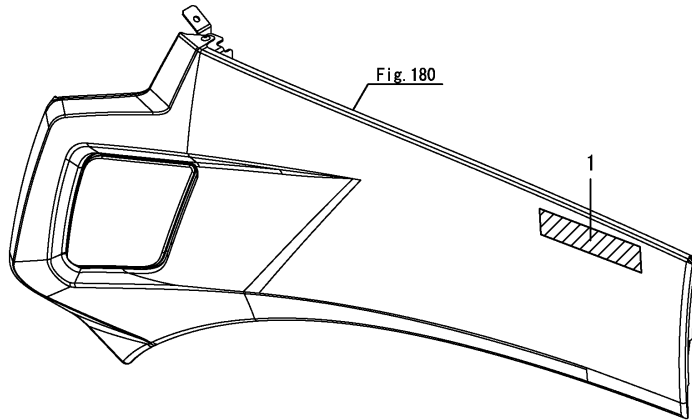


Fig.213. LABEL(1)

(A)=YT347Y
(B)=YT359Y
(C)=

(D)=
(E)=
(F)=

No.	Lev.	Parts No.	Description	Qty						I	R	
				(A)	(B)	(C)	(D)	(E)	(F)			
1	1	1A8485-65050	LABEL, MODEL YT359		2							

¹
YT359

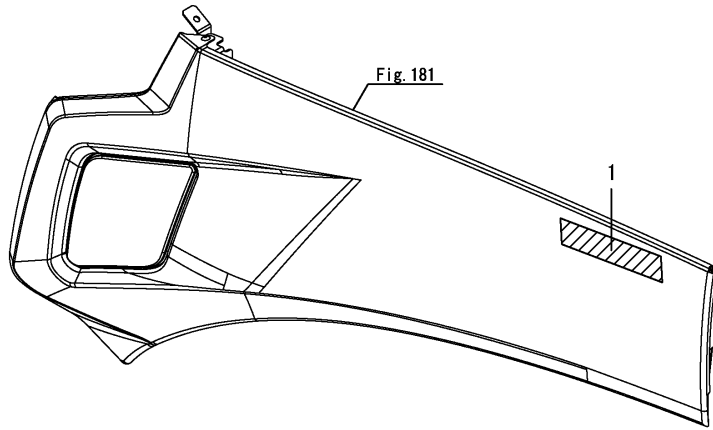


Fig.214. LABEL(2)

(A)=YT347Y
(B)=YT359Y
(C)=

(D)=
(E)=
(F)=

No.	Lev.	Parts No.	Description	Q'ty						I	R
				(A)	(B)	(C)	(D)	(E)	(F)		
1	1	1A8475-65010	MARK, YANMAR	2	2						
2	1	1A8250-65390	LABEL, SPARK ARRESTOR	1	1						
3	1	1A8250-65650	LABEL, FUEL OIL	1	1						
4	1	1A7805-65780	LABEL, FUSE	1	1						
5	1	1A8042-65900	LABEL, FUSE 20A	1	1						

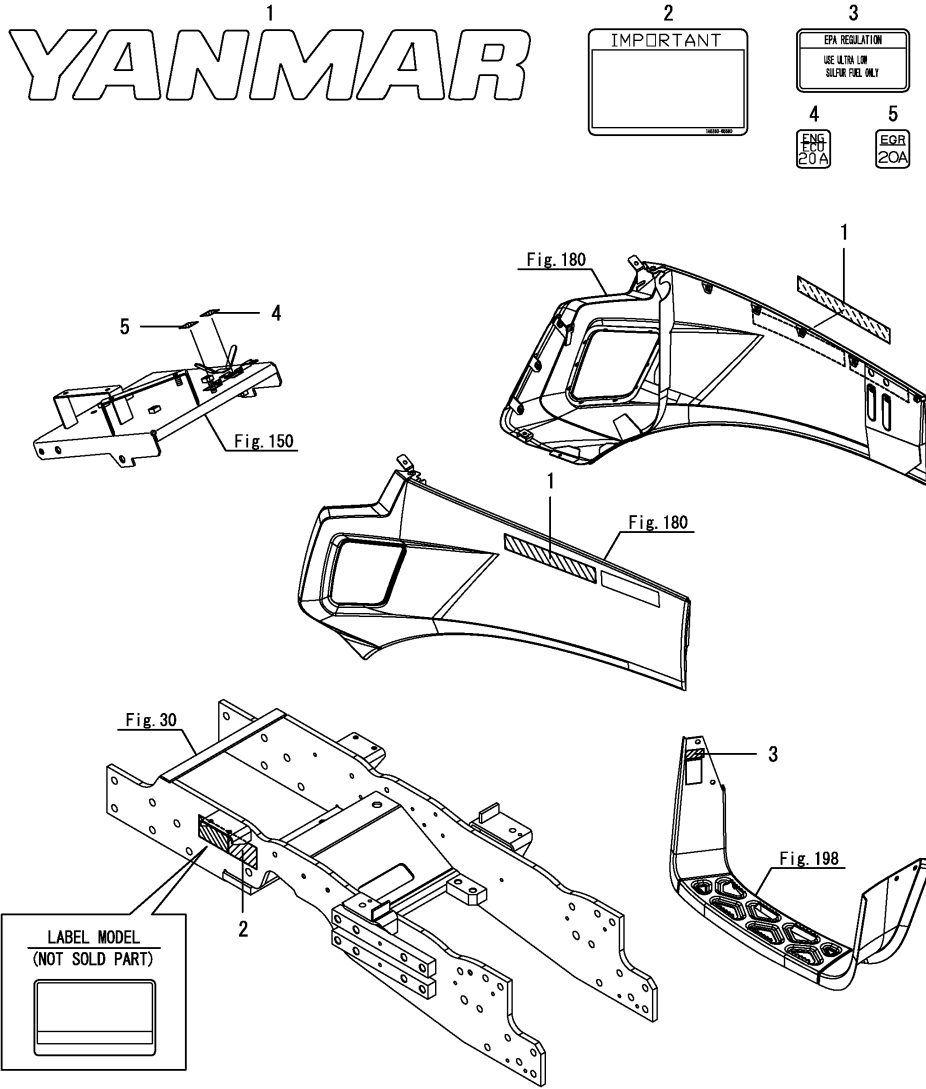
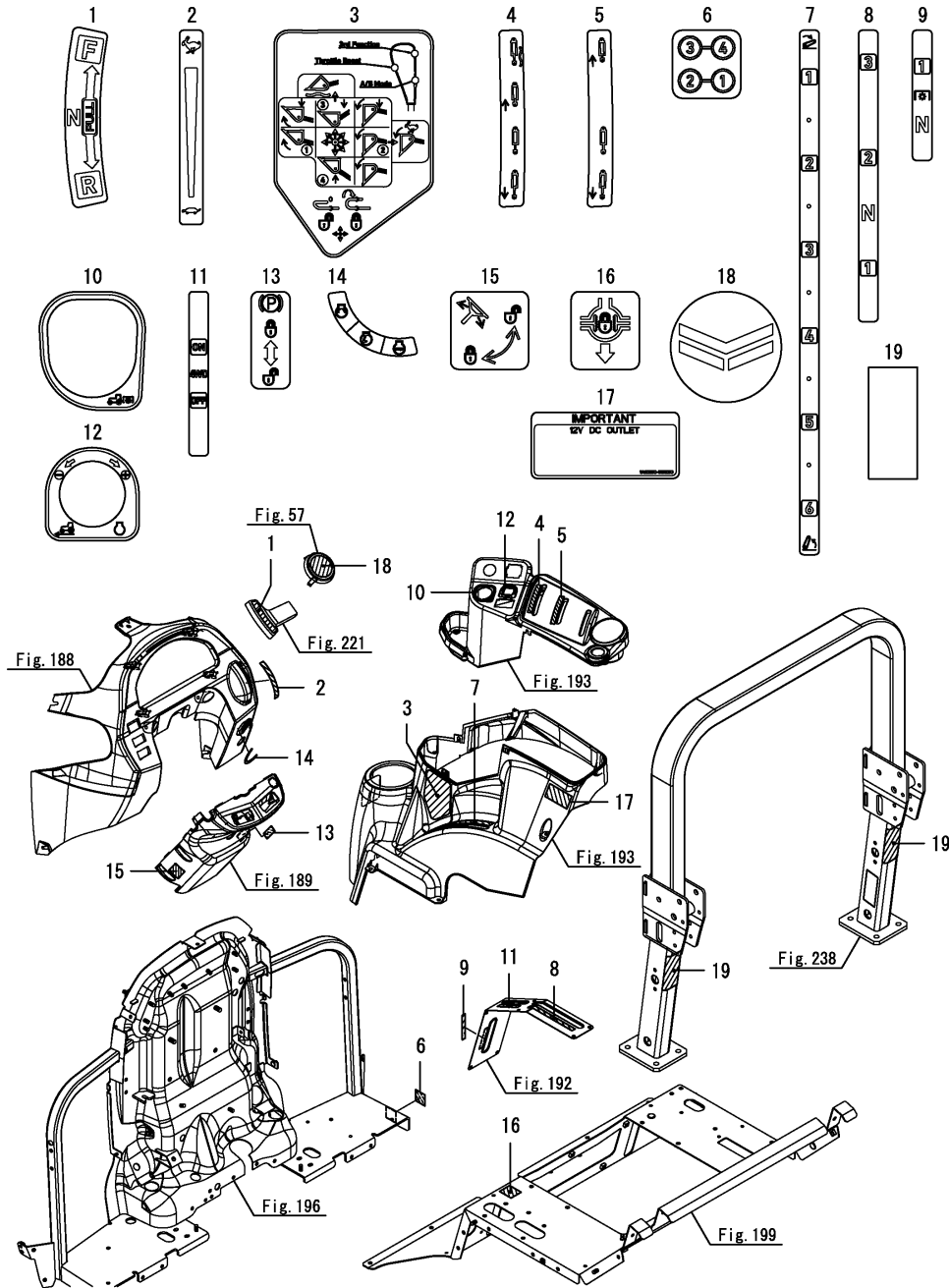


Fig.215. LABEL(3)

(A)=YT347Y
(B)=YT359Y
(C)=

(D)=
(E)=
(F)=

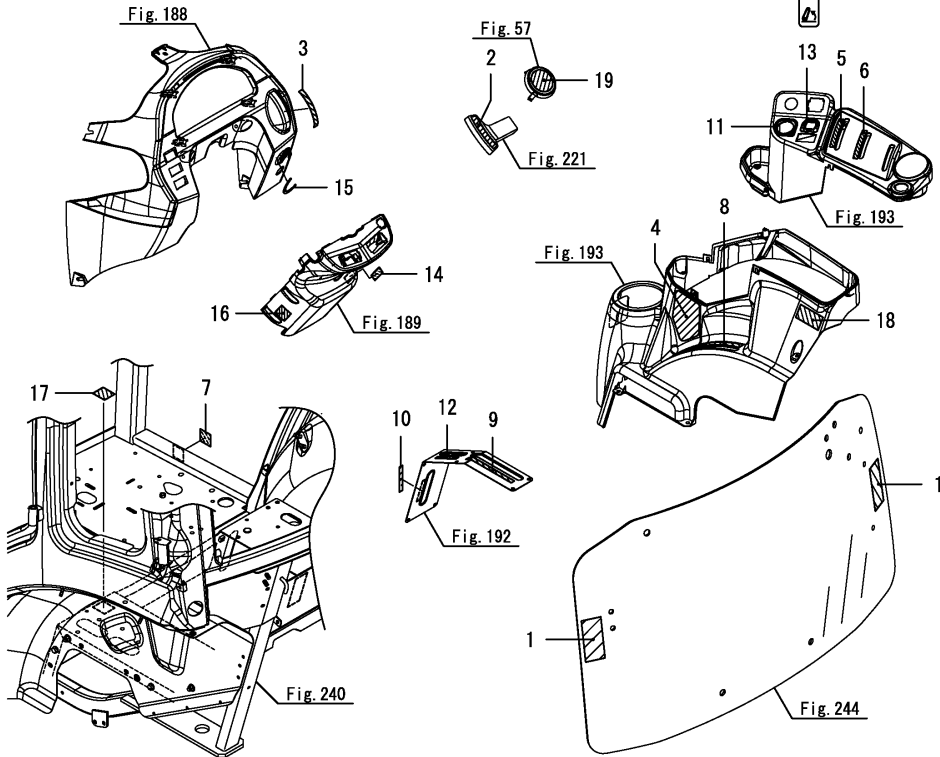
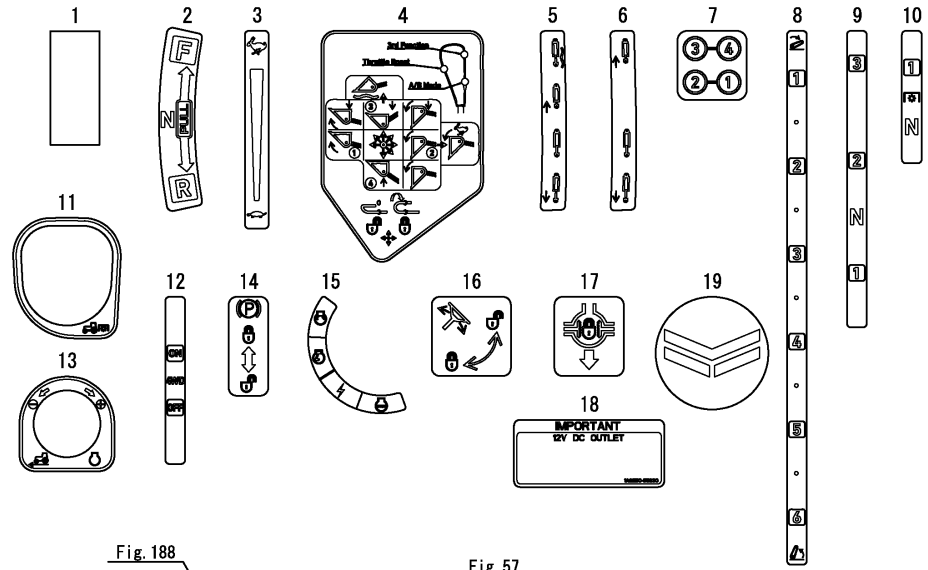


No.	Lev.	Parts No.	Description	Q'ty						I	R
				(A)	(B)	(C)	(D)	(E)	(F)		
1	1	1A8060-65300	LABEL, REVERSER	1	1						
2	1	1A8475-65310	LABEL, ACCELERATOR	1	1						
3	1	1A8475-65320	LABEL, SCV LEVER	1	1						
4	1	1A8475-65340	LABEL, SCV FLOAT	1	1						
5	1	1A8475-65350	LABEL, SCV	1	1						
6	1	1A8475-65360	LABEL, SCV COUPLER	1	1						
7	1	1A8475-65370	LABEL, POSITION	1	1						
8	1	1A8475-65401	LABEL, SUB SHIFT	1	1						
9	1	1A8475-65420	LABEL, PTO	1	1						
10	1	1A8475-65430	LABEL, REAR PTO	1	1						
11	1	1A8475-65450	LABEL, 4WD	1	1						
12	1	1A8475-65470	LABEL, SPEED	1	1						
13	1	1A8060-65500	LABEL, PARKING	1	1						
14	1	1A8475-65510	LABEL, KEY SWITCH	1	1						
15	1	1A8060-65560	LABEL, TILT WHEEL	1	1						
16	1	1A8060-65590	LABEL, DIFFERENTIAL	1	1						
17	1	1A8250-65630	LABEL, SOCKET	1	1						
18	1	1A8060-65780	LABEL, STG WHEEL	1	1						
19	1	1A8160-65860	TAPE, 50X115	2	2						

Fig.216. LABEL(3)(CABIN)

(A)=YT347Y
(B)=YT359Y
(C)=

(D)=
(E)=
(F)=



No.	Lev.	Parts No.	Description	Q'ty						I	R
				(A)	(B)	(C)	(D)	(E)	(F)		
1	1	1A8160-65860	TAPE, 50X115	2	2						
2	1	1A8060-65300	LABEL, REVERSER	1	1						
3	1	1A8475-65310	LABEL, ACCELERATOR	1	1						
4	1	1A8475-65320	LABEL, SCV LEVER	1	1						
5											

Fig.217. LABEL(SAFETY)(1)

(A)=YT347Y
(B)=YT359Y
(C)=

(D)=
(E)=
(F)=

No.	Lev.	Parts No.	Description	Q'ty						I	R
				(A)	(B)	(C)	(D)	(E)	(F)		
1	1	1A8061-65120	LABEL, SAFETY COVER	2	2						
2	1	1A8061-65140	LABEL, SAFETY HOT	1	1						
3	1	1A8475-65250	LABEL, CAUTION HOT	1	1						
4	1	1A8330-65300	LABEL, JUMP START	1	1						
5	1	1A7874-65400	LABEL,WARNING	2	2						
6	1	1A8330-65620	LABEL, DANGER SHAFT	1	1						
7	1	1A8330-65930	LABEL, WARNING FIRE	1	1						
8	1	1A8475-65211	LABEL, FREON	1	1						

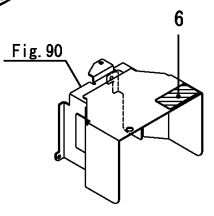
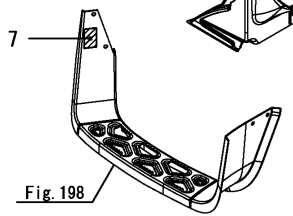
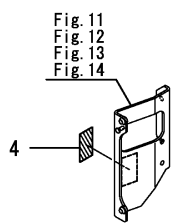
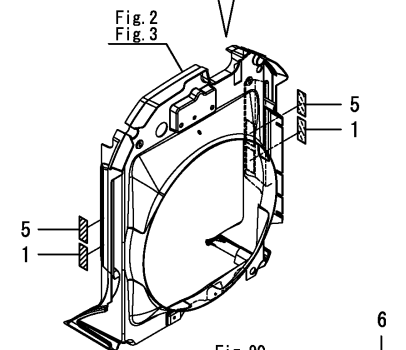
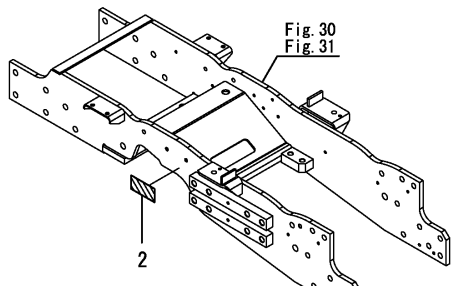
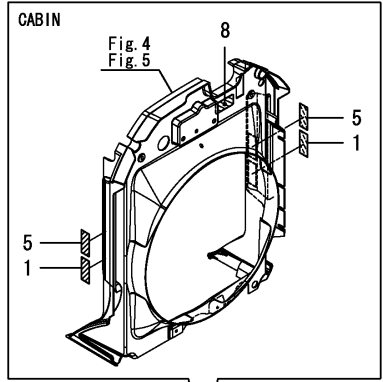
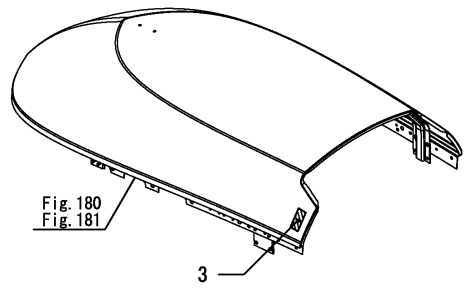
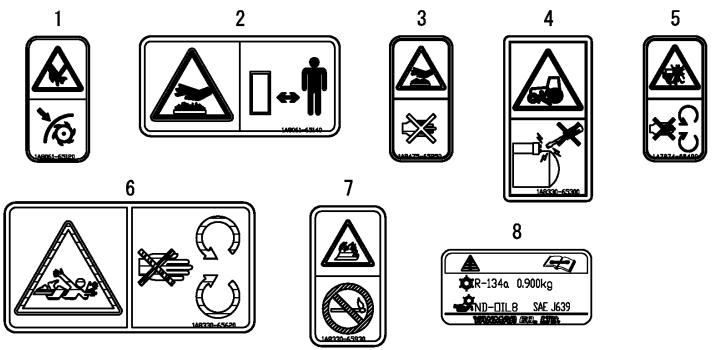
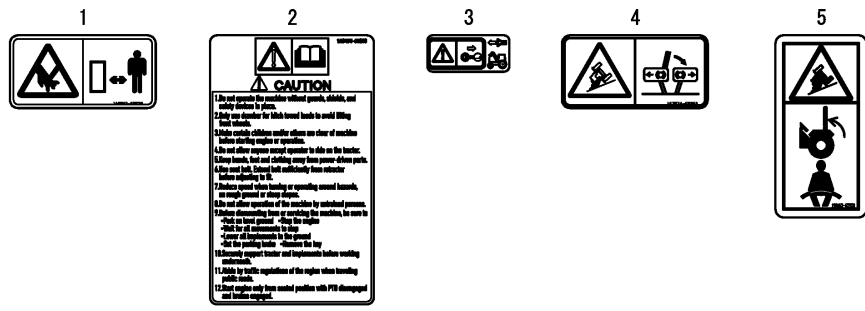


Fig.218. LABEL(SAFETY)(2)

(A)=YT347Y
(B)=YT359Y
(C)=

(D)=
(E)=
(F)=



No.	Lev.	Parts No.	Description	Q'ty						I	R
				(A)	(B)	(C)	(D)	(E)	(F)		
1	1	1A8061-65130	LABEL, SAFETY HYD	1	1						
2	1	1A8475-65200	LABEL, CAUTION	1	1						
3	1	1A8475-65270	LABEL, CAUTION OPEN	1	1						
4	1	1A7874-65360	LABEL, BRAKE COUPLIN	1	1						
5	1	198163-65950	LABEL, SEATBELT	1	1						

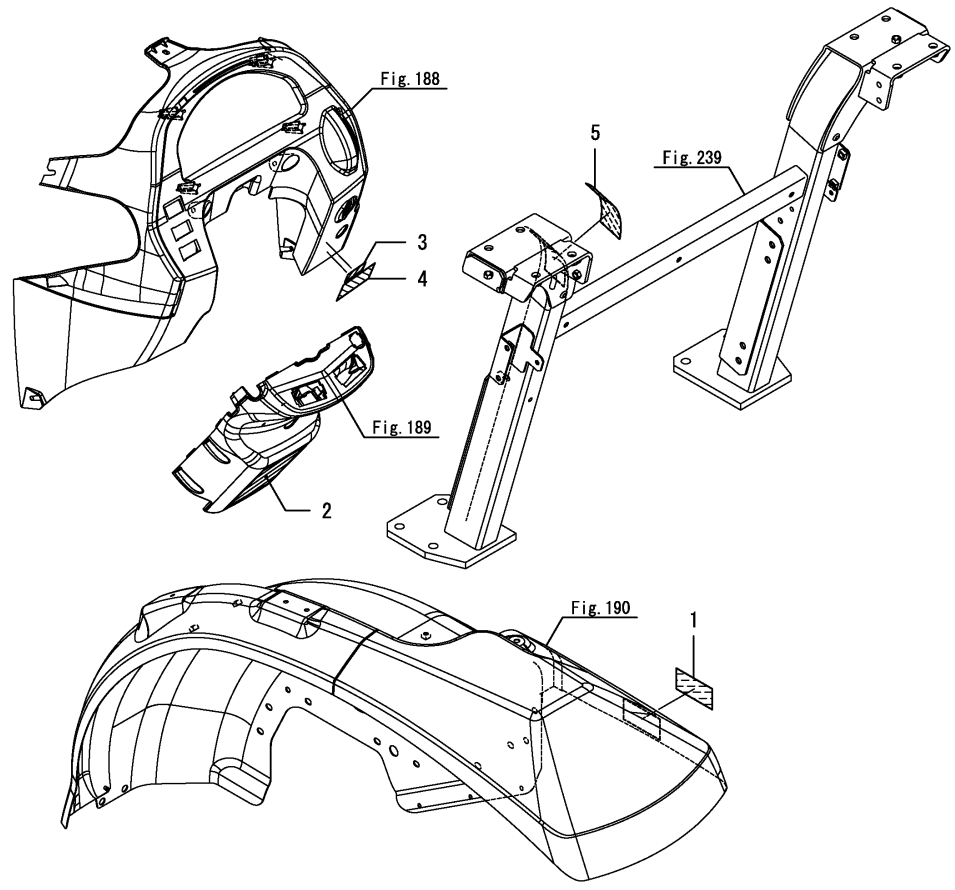
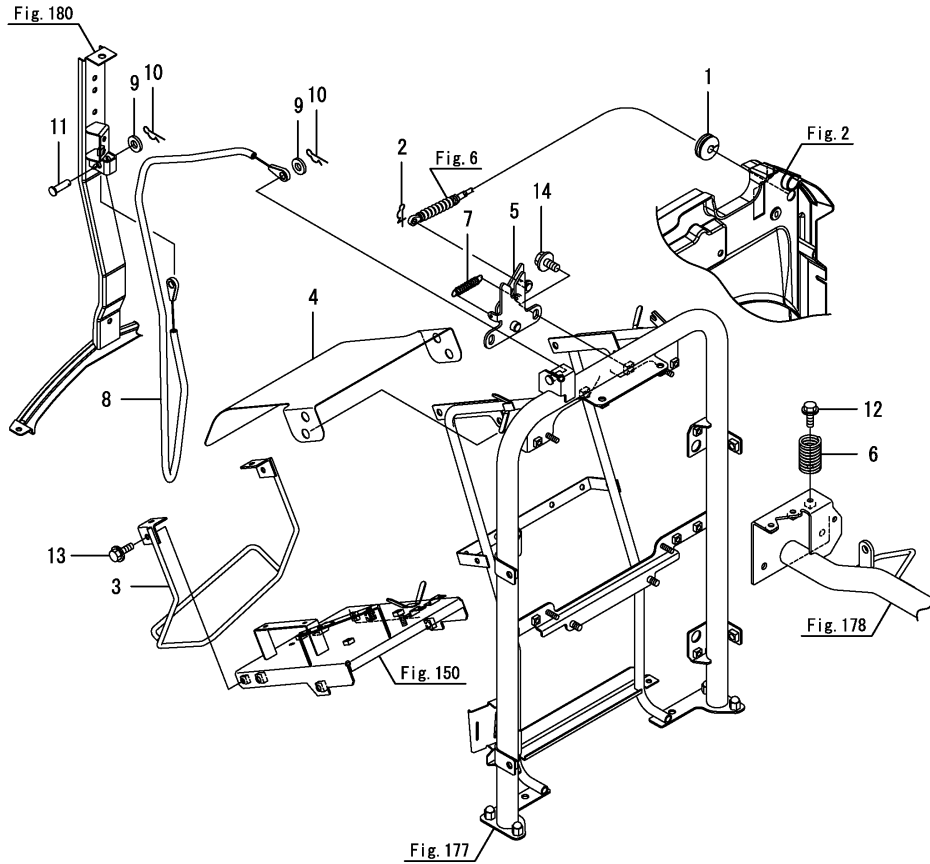


Fig.220. BONNET LOCK

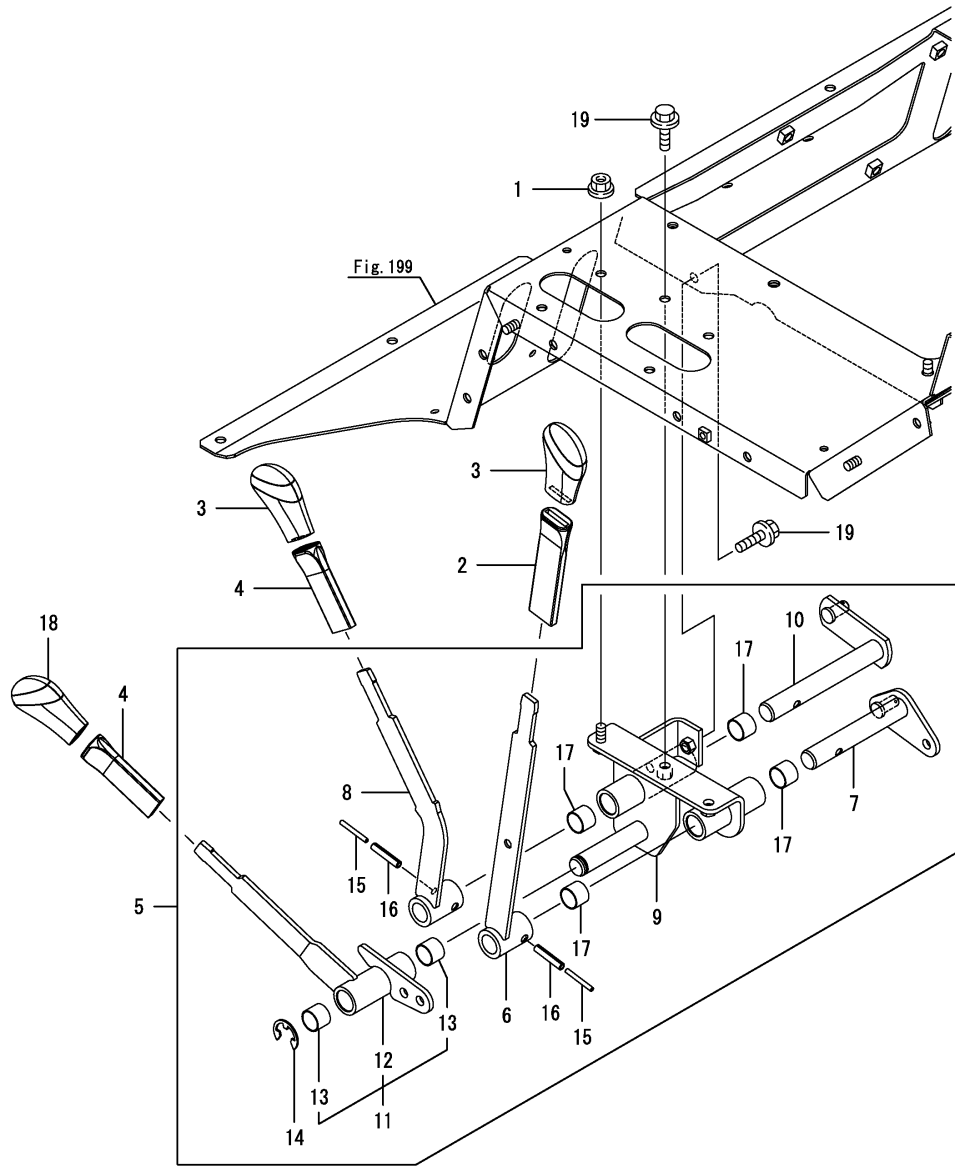
(A)=YT347Y
(B)=YT359Y
(C)=

(D)=
(E)=
(F)=



No.	Lev.	Parts No.	Description	Q'ty						I	R
				(A)	(B)	(C)	(D)	(E)	(F)		
1	1	198448-22520	GROMMET, CLUTCH WIRE	1	1						
2	1	1C6281-52310	PIN, SNAP 6	1	1						
3	1	1A8470-60650	GUARD, HARNESS	1	1						
4	1	1A8470-60701	SEAT, HARNESS COVER	1	1						
5	1	1A8470-61301	LOCK ASSY, BONNET	1	1						
6	1	1A8470-61350	SPRING, BONNET	1	1						
7	1	198230-61960	SPRING, LOCK RETURN	1	1						
8	1	1A8470-61991	WIRE ASSY, BONNET	1	1						
9	1	22137-080000	WASHER, 8	2	2						
10	1	22372-080000	PIN, SNAP 8	2	2						
11	1	22487-080240	PIN, H 8X 24	1	1						
12	1	26106-060162	BOLT, M6X 16 PLATED	1	1						
13	1	26106-060162	BOLT, M6X 16 PLATED	2	2						
14	1	26106-080162	BOLT, M8X 16 PLATED	2	2						

Fig.222. LEVER(LEFT)



(A)=YT347Y
(B)=YT359Y
(C)=

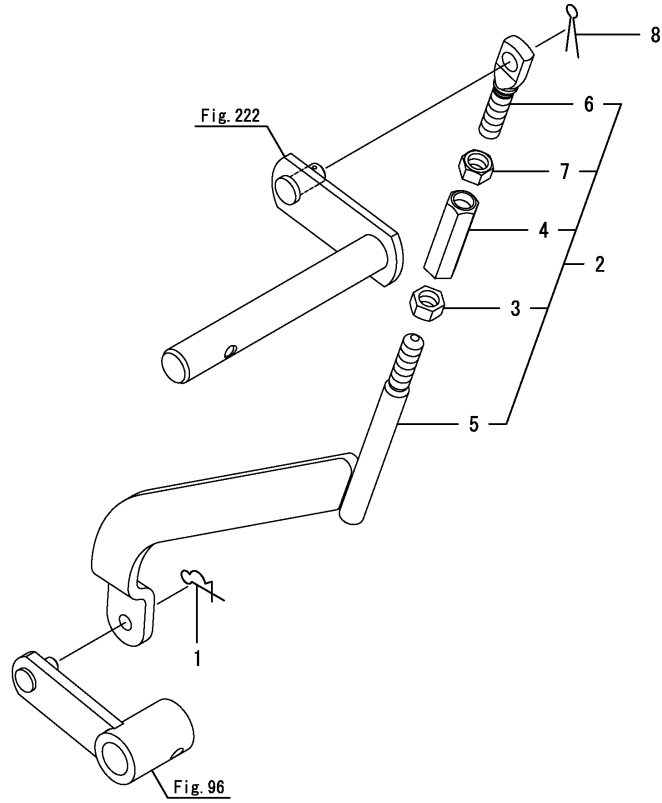
(D)=
(E)=
(F)=

No.	Lev.	Parts No.	Description	Q'ty						I	R
				(A)	(B)	(C)	(D)	(E)	(F)		
1	1	194990-22140	NUT, M8	1	1						
2	1	1A7640-27870	BOOT, SHAFT	1	1						
3	1	1A8060-67780	KNOB, ORANGE	2	2						
4	1	1A8475-67780	BOOT, SHAFT B	2	2						
5	1	1A8475-67800	BRACKET UNIT, LEVER	1	1						
6	2	1A8475-67610	LEVER ASSY, SUB	1	1						
7	2	1A8475-67650	ARM ASSY, SUB	1	1						
8	2	1A8475-67750	LEVER ASSY, 4WD	1	1						
9	2	1A8475-67820	BRACKET ASSY, LEVER	1	1						
10	2	1A8475-67900	ARM ASSY, 4WD	1	1						
11	2	1A8475-68100	LEVER UNIT, PTO	1	1						
12	3	1A8475-68110	LEVER ASSY, PTO	1	1						
13	3	24550-018150	BUSH, 18X15	2	2						
14	2	22272-000150	RING, E-15	1	1						
15	2	22351-035032	PIN, SPRING 3.5X32	2	2						
16	2	22351-060032	PIN, SPRING 6.0X32	2	2						
17	2	24550-018150	BUSH, 18X15	4	4						
18	1	1A8060-68310	KNOB, YELLOW	1	1						
19	1	26106-080162	BOLT, M8X 16 PLATED	3	3						

0CNP6-M01980 CONTROL
Fig.224. 4WD LINK

(A)=YT347Y
 (B)=YT359Y
 (C)=

(D)=
 (E)=
 (F)=

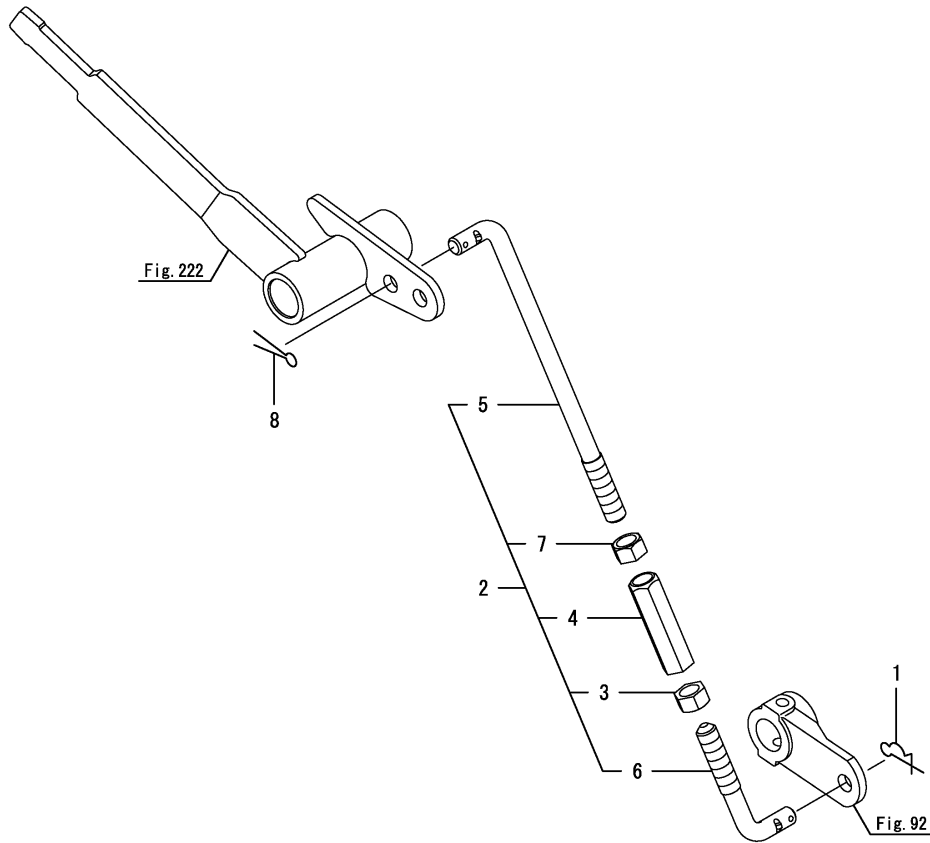


No.	Lev.	Parts No.	Description	Q'ty						I	R
				(A)	(B)	(C)	(D)	(E)	(F)		
1	1	1C6281-52320	PIN, SNAP 8	1	1						
2	1	1A8475-67951	ROD UNIT, 4WD	1	1						
3	2	194150-22480	NUT, M10	1	1						
4	2	194250-47490	TURNBUCKLE, M10X50	1	1						
5	2	1A8475-67961	ROD ASSY, 4WD 10L	1	1						
6	2	1A8475-67990	ROD,10RX55	1	1						
7	2	26716-100002	NUT, M10	1	1						
8	1	22417-200200	PIN, COTTER 2.0X20	1	1						

Fig.225. P.T.O. LINK

(A)=YT347Y
(B)=YT359Y
(C)=

(D)=
(E)=
(F)=



No.	Lev.	Parts No.	Description	Q'ty						I	R
				(A)	(B)	(C)	(D)	(E)	(F)		
1	1	1C6281-52320	PIN, SNAP 8	1	1						
2	1	1A8475-68250	ROD ASSY, PTO	1	1						
3	2	194150-22480	NUT, M10	1	1						
4	2	194250-47490	TURNBUCKLE, M10X50	1	1						
5	2	1A8475-68260	ROD, PTO 10R	1	1						
6	2	1A8475-68270	ROD, PTO 10L	1	1						
7	2	26716-100002	NUT, M10	1	1						
8	1	22417-200200	PIN, COTTER 2.0X20	1	1						

Fig.226. POSITION LEVER

(A)=YT347Y
(B)=YT359Y
(C)=

(D)=
(E)=
(F)=

No.	Lev.	Parts No.	Description	Q'ty						I	R
				(A)	(B)	(C)	(D)	(E)	(F)		
1	1	1A8470-47810	KNOB, BLACK	1	1						
2	1	1A8475-68410	LEVER, POSITION	1	1						
3	1	26106-080202	BOLT, M8X 20 PLATED	2	2						

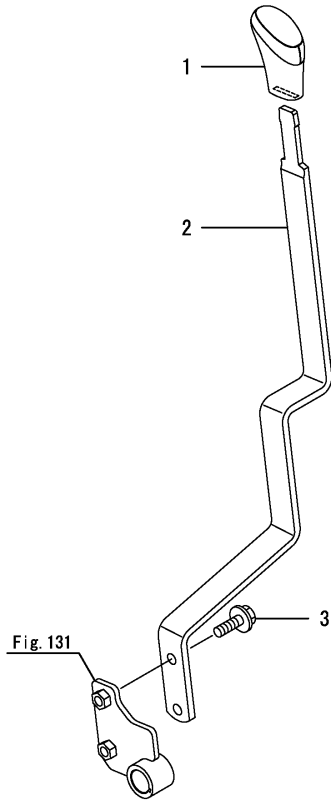
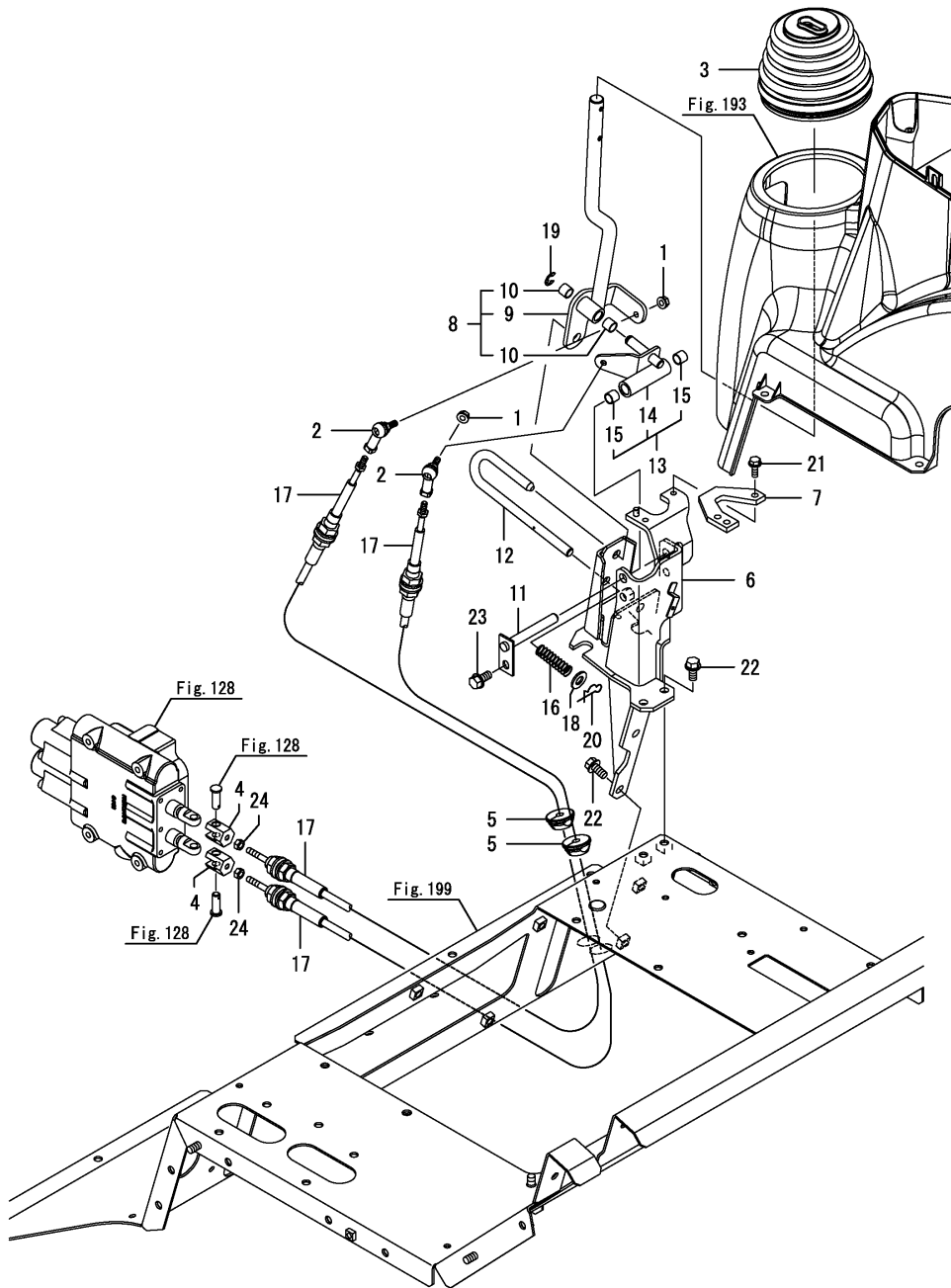


Fig.227. LOADER LEVER

(A)=YT347Y
(B)=YT359Y
(C)=

(D)=
(E)=
(F)=

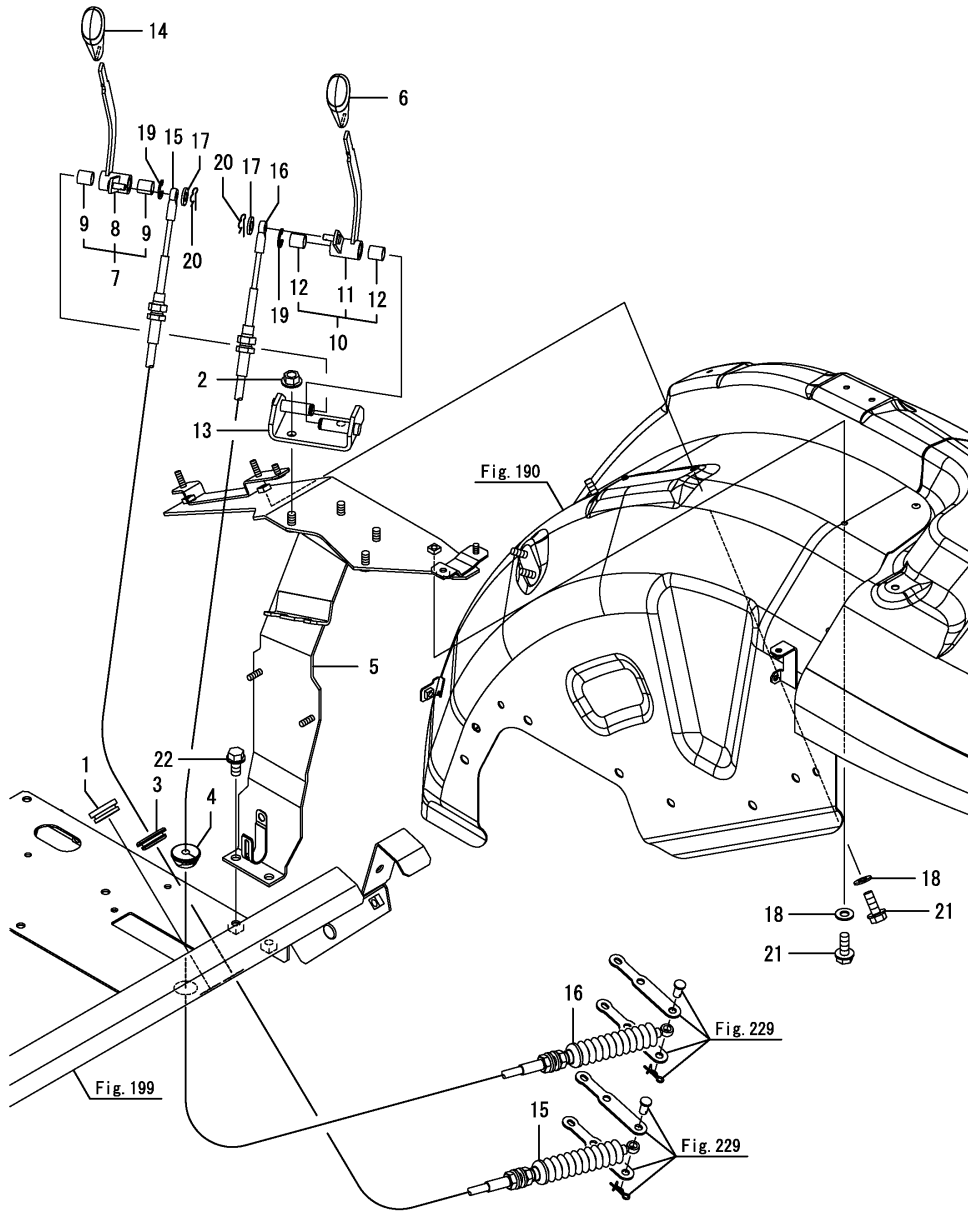


No.	Lev.	Parts No.	Description	Q'ty						I	R
				(A)	(B)	(C)	(D)	(E)	(F)		
1	1	194990-22040	NUT, M6	2	2						
2	1	1C6720-47610	BALL, LINK BL6D	2	2						
3	1	1A7880-47950	BOOT, SCV LEVER	1	1						
4	1	1A8250-48101	CONNECTOR,	2	2						
5	1	194275-51210	GROMMET, 25	2	2						
6	1	1A8475-68700	BRACKET ASSY, LEVER	1	1						
7	1	1A8475-68780	GUIDE, LEVER FRONT	1	1						
8	1	1A8475-68800	LEVER UNIT, LOADER	1	1						
9	2	1A8475-68810	LEVER ASSY, LOADER	1	1						
10	2	24550-010100	BUSH, 10X10	2	2						
11	1	1A8475-68860	PIN ASSY, 10	1	1						
12	1	1A8475-68890	PIN, LOCK	1	1						
13	1	1A8475-68910	LEVER UNIT, LOWER	1	1						
14	2	1A8475-68920	LEVER ASSY, LOWER	1	1						
15	2	24550-010100	BUSH, 10X10	2	2						
16	1	1A8475-68970	SPRING, 12X71	1	1						
17	1	1A8475-68990	WIRE ASSY, LOADER	2	2						
18	1	22137-100000	WASHER, 10	1	1						
19	1	22272-000080	RING, E- 8	1	1						
20	1	22372-100000	PIN, SNAP 10	1	1						
21	1	26106-060162	BOLT, M6X 16 PLATED	2	2						
22	1	26106-080162	BOLT, M8X 16 PLATED	4	4						
23	1	26106-080162	BOLT, M8X 16 PLATED	1	1						
24	1	26716-060002	NUT, M6	2	2						

Fig.228. S.C.V. LEVER(2 STATIONS)

(A)=YT347Y
(B)=YT359Y
(C)=

(D)=
(E)=
(F)=

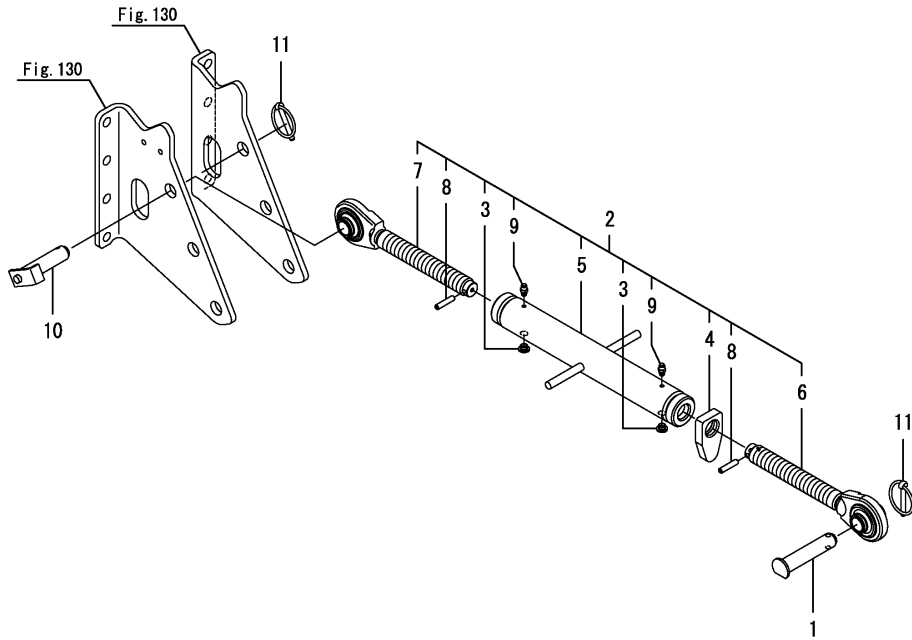


No.	Lev.	Parts No.	Description	Q'ty						I	R
				(A)	(B)	(C)	(D)	(E)	(F)		
1	1	194300-21460	CAP, RUBBER 25	1	1						
2	1	194990-22140	NUT, M8	2	2						
3	1	198448-33390	GROMMET, WIRE	1	1						
4	1	194275-51210	GROMMET, 25	1	1						
5	1	1A8476-68501	STAY ASSY, SCV	1	1						
6	1	1A8060-68700	KNOB,BLUE	1	1						
7	1	1A8476-68710	LEVER UNIT, SCV A	1	1						
8	2	1A8476-68730	LEVER ASSY, SCV A	1	1						
9	2	24550-012150	BUSH, 12X15	2	2						
10	1	1A8476-68720	LEVER UNIT, SCV B	1	1						
11	2	1A8476-68740	LEVER ASSY, SCV B	1	1						
12	2	24550-012150	BUSH, 12X15	2	2						
13	1	1A8470-68800	BRACKET ASSY, SCV	1	1						
14	1	1A8060-68820	KNOB, BROWN	1	1						
15	1	1A8476-68950	WIRE, SCV 1800	1	1						
16	1	1A8476-68960	WIRE, SCV 1900	1	1						
17	1	22137-060000	WASHER, 6	2	2						
18	1	22190-060000	WASHER, SEAL 6	3	3						
19	1	22272-000100	RING, E-10	2	2						
20	1	22372-050000	PIN, SNAP 5	2	2						
21	1	26106-060162	BOLT, M6X 16 PLATED	3	3						
22	1	26106-080162	BOLT, M8X 16 PLATED	2	2						

Fig.230. TOP LINK

(A)=YT347Y
(B)=YT359Y
(C)=

(D)=
(E)=
(F)=

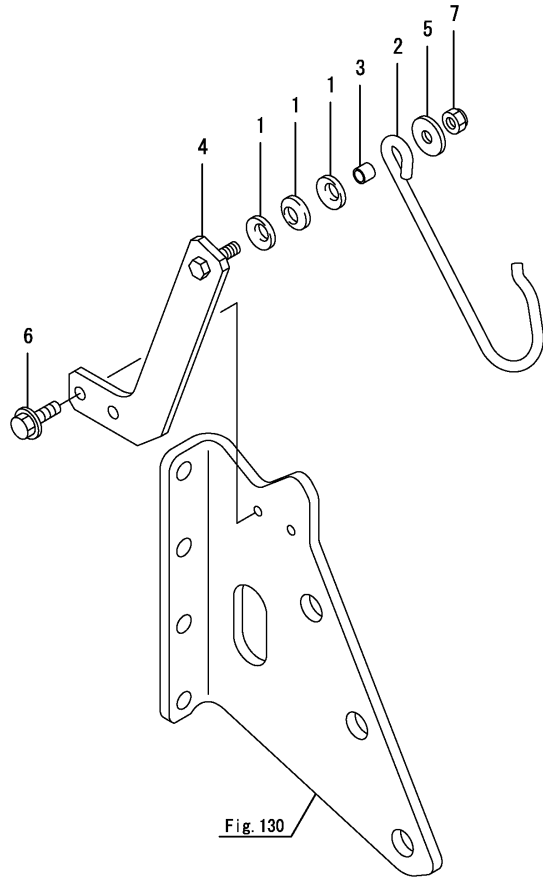


No.	Lev.	Parts No.	Description	Q'ty						I	R
				(A)	(B)	(C)	(D)	(E)	(F)		
1	1	195397-27810	PIN, 19X92	1	1						
2	1	1A8470-71100	LINK ASSY, TOP	1	1						
3	2	1A7335-71250	CAP	2	2						
4	2	1A8470-71390	NUT, LOCK R	1	1						
5	2	1A8470-71500	TUBE ASSY, TOP LINK	1	1						
6	2	198254-71600	LINK ASSY, TOP R	1	1						
7	2	198254-71700	LINK ASSY, TOP L	1	1						
8	2	22351-050025	PIN, SPRING 5.0X25	2	2						
9	2	24761-060000	NIPPLE, GREASE MT6X1	2	2						
10	1	1A8470-71400	PIN ASSY, TOP LINK	1	1						
11	1	194180-72950	PIN ASSY, LOCK	2	2						

Fig.231. TOP LINK HOOK

(A)=YT347Y
(B)=YT359Y
(C)=

(D)=
(E)=
(F)=

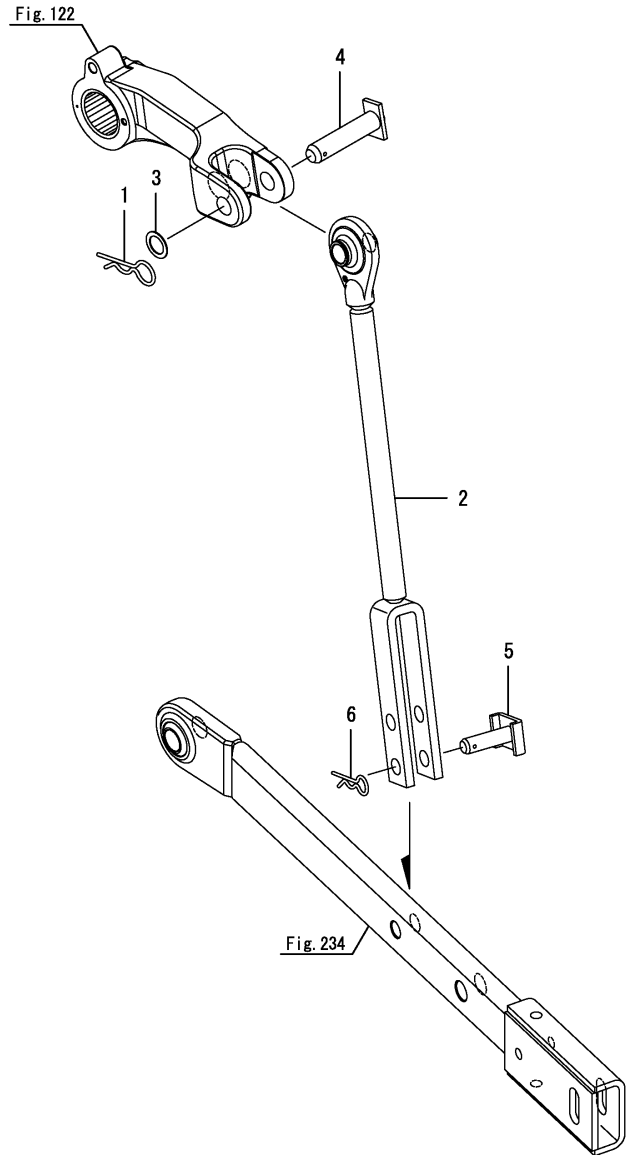


No.	Lev.	Parts No.	Description	Q'ty						I	R
				(A)	(B)	(C)	(D)	(E)	(F)		
1	1	198072-18320	SPRING, 12	3	3						
2	1	1A8470-71700	HOOK, TOPLINK	1	1						
3	1	198092-71720	COLLAR, 8.1X10.5X9.3	1	1						
4	1	1A8470-71750	STAY ASSY, HOOK	1	1						
5	1	22157-080000	WASHER, 8	1	1						
6	1	26106-080162	BOLT, M8X 16 PLATED	2	2						
7	1	26346-080002	NUT, M8	1	1						

Fig.232. LIFT LINK(LEFT)

(A)=YT347Y
(B)=YT359Y
(C)=

(D)=
(E)=
(F)=

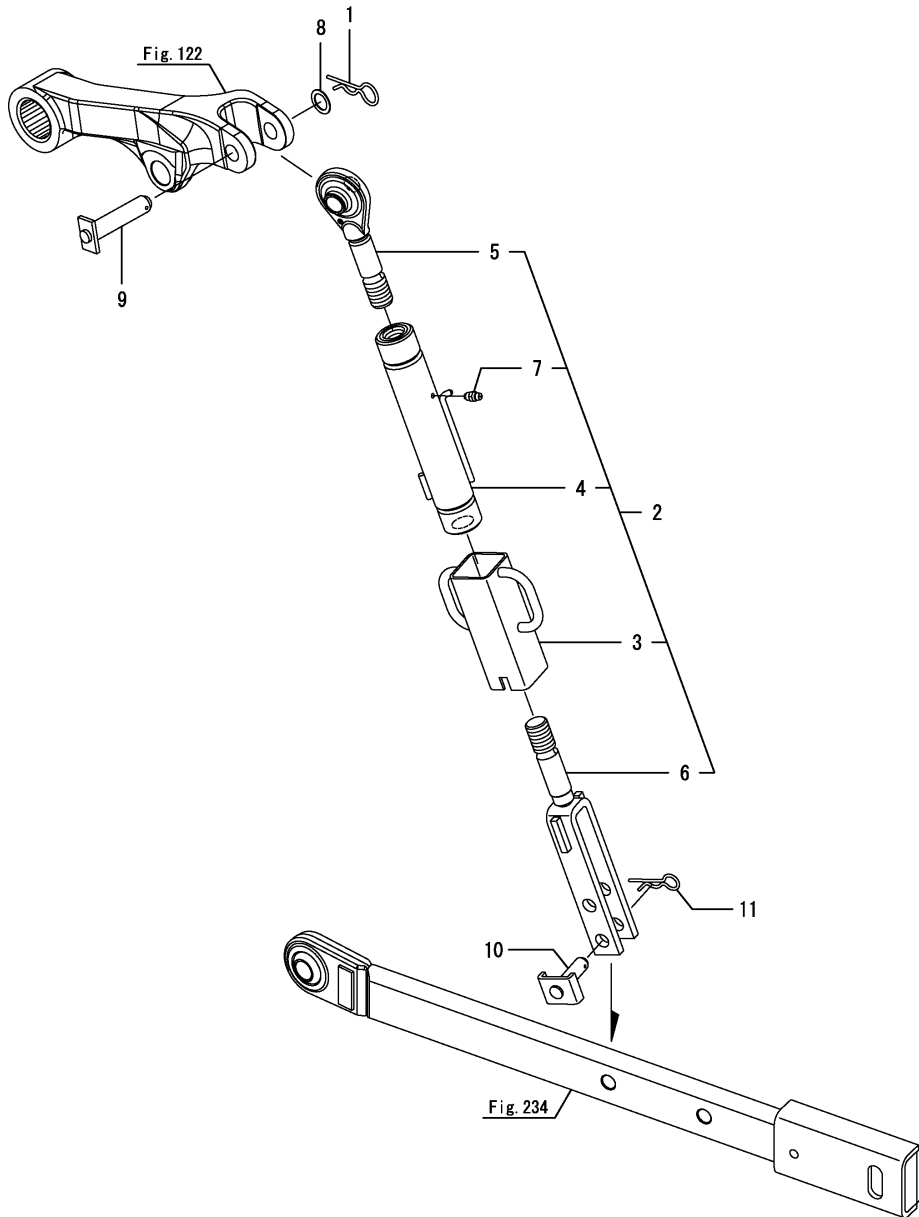


No.	Lev.	Parts No.	Description	Q'ty						I	R
				(A)	(B)	(C)	(D)	(E)	(F)		
1	1	195184-15360	PIN, SNAP 19	1	1						
2	1	1A8475-72300	LINK ASSY, LIFT L	1	1						
3	1	194640-72420	WASHER, 19X28X1	1	1						
4	1	1A7180-72451	PIN, LIFT ARM	1	1						
5	1	1A7180-72550	PIN, LIFT YOKE	1	1						
6	1	1A6150-73700	PIN, SNAP 16	1	1						

Fig.233. LIFT LINK(RIGHT)

(A)=YT347Y
(B)=YT359Y
(C)=

(D)=
(E)=
(F)=

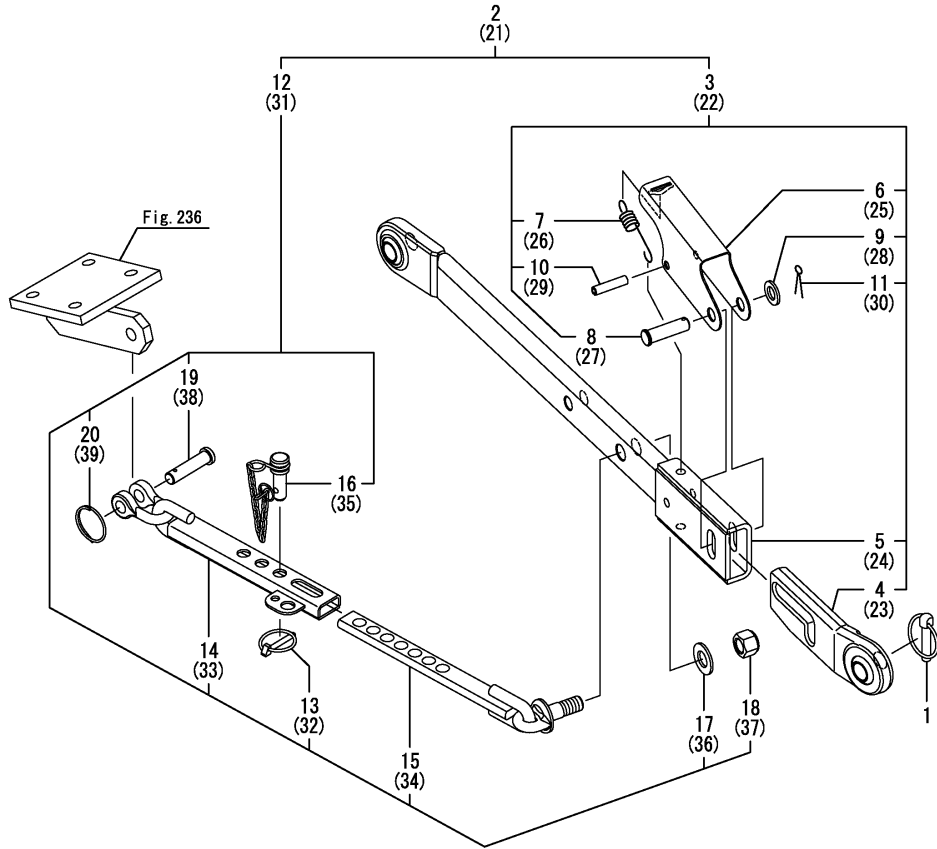


No.	Lev.	Parts No.	Description	Q'ty						I	R
				(A)	(B)	(C)	(D)	(E)	(F)		
1	1	195184-15360	PIN, SNAP 19	1	1						
2	1	1A8475-72100	LINK ASSY, LIFT R	1	1						
3	2	1A8475-72110	HANDLE ASSY	1	1						
4	2	1A8475-72200	TURNBUCKLE ASSY	1	1						
5	2	1A8475-72250	EYE-BOLT ASSY, LINK R	1	1						
6	2	1A8475-72270	YOKE ASSY, LINK R	1	1						
7	2	24761-060000	NIPPLE, GREASE MT6X1	1	1						
8	1	194640-72420	WASHER, 19X28X1	1	1						
9	1	1A7180-72451	PIN, LIFT ARM	1	1						
10	1	1A7180-72550	PIN, LIFT YOKE	1	1						
11	1	1A6150-73700	PIN, SNAP 16	1	1						

Fig.234. LOWER LINK

(A)=YT347Y
(B)=YT359Y
(C)=

(D)=
(E)=
(F)=

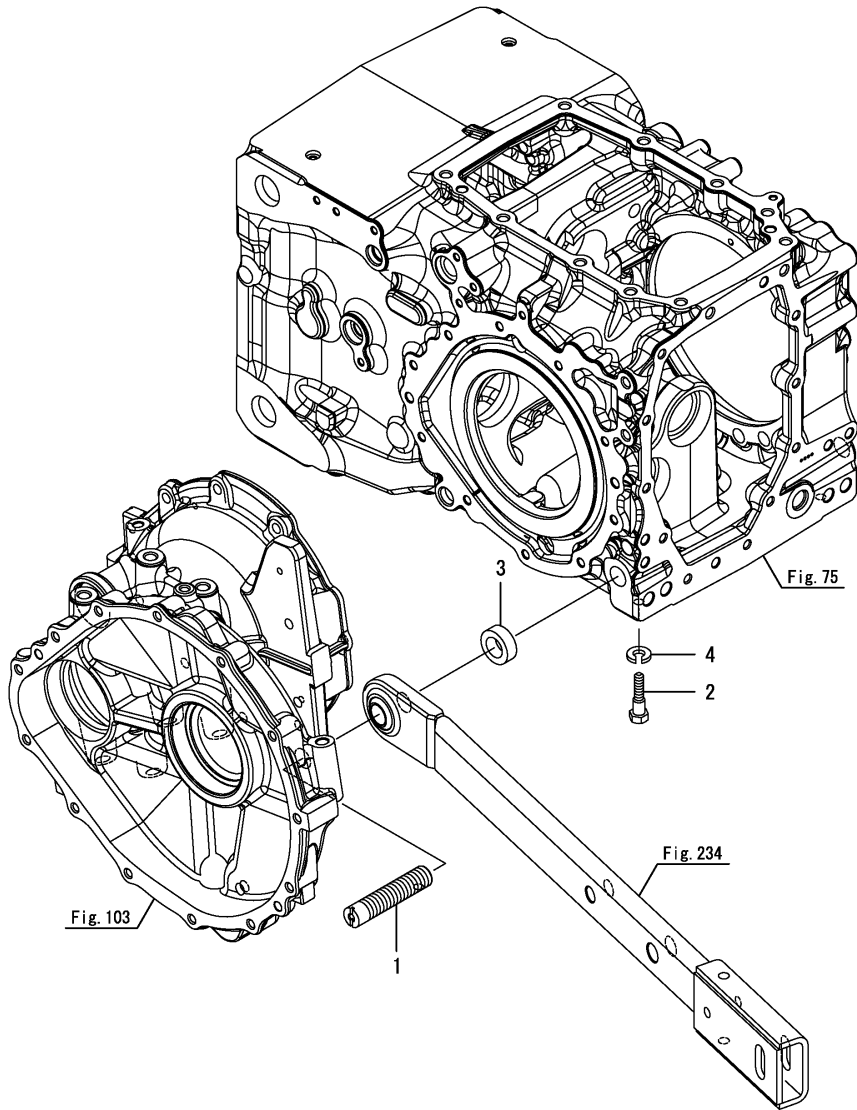


No.	Lev.	Parts No.	Description	Q'ty						I	R
				(A)	(B)	(C)	(D)	(E)	(F)		
1	1	794130-71410	PIN ASSY, BALL	2	2						
2	1	1A8475-73030	LINK ASSY, LOWER L	1	1						
3	2	1A8475-73500	LINK ASSY, LOWER L.H.	1	1						
4	3	1A8475-73510	LINK ASSY, LOWER RL	1	1						
5	3	1A8475-73600	LINK ASSY, LOWER F	1	1						
6	3	1A8475-73700	LEVER, TELESCOPIC	1	1						
7	3	1A8475-73710	SPRING	1	1						
8	3	1A8475-73720	PIN	1	1						
9	3	22137-160000	WASHER, 16	1	1						
10	3	22351-100045	PIN, SPRING 10.0X45	1	1						
11	3	22417-400320	PIN, COTTER 4.0X32	1	1						
12	2	1A8475-74200	STABILIZER ASSY	1	1						
13	3	1A8060-72590	PIN, LOCK	1	1						
14	3	1A8475-74260	TUBE ASSY, OUTER	1	1						
15	3	1A8475-74340	PLATE ASSY, INNER	1	1						
16	3	1A8475-74430	PIN ASSY	1	1						
17	3	1A8475-74520	WASHER	1	1						
18	3	1A8475-74530	NUT, LOCK	1	1						
19	3	194450-74630	PIN, SHACKLE SA10	1	1						
20	3	194145-75250	RING, STOPPER	1	1						
21	1	1A8475-73040	LINK ASSY, LOWER R	1	1						
22	2	1A8475-73550	LINK ASSY, LOWER R.H.	1	1						
23	3	1A8475-73560	LINK ASSY, LOWER RR	1	1						
24	3	1A8475-73600	LINK ASSY, LOWER F	1	1						
25	3	1A8475-73700	LEVER, TELESCOPIC	1	1						
26	3	1A8475-73710	SPRING	1	1						
27	3	1A8475-73720	PIN	1	1						
28	3	22137-160000	WASHER, 16	1	1						
29	3	22351-100045	PIN, SPRING 10.0X45	1	1						
30	3	22417-400320	PIN, COTTER 4.0X32	1	1						
31	2	1A8475-74200	STABILIZER ASSY	1	1						
32	3	1A8060-72590	PIN, LOCK	1	1						
33	3	1A8475-74260	TUBE ASSY, OUTER	1	1						
34	3	1A8475-74340	PLATE ASSY, INNER	1	1						
35	3	1A8475-74430	PIN ASSY	1	1						
36	3	1A8475-74520	WASHER	1	1						
37	3	1A8475-74530	NUT, LOCK	1	1						
38	3	194450-74630	PIN, SHACKLE SA10	1	1						
39	3	194145-75250	RING, STOPPER	1	1						

Fig.235. LOWER LINK PIN

(A)=YT347Y
(B)=YT359Y
(C)=

(D)=
(E)=
(F)=

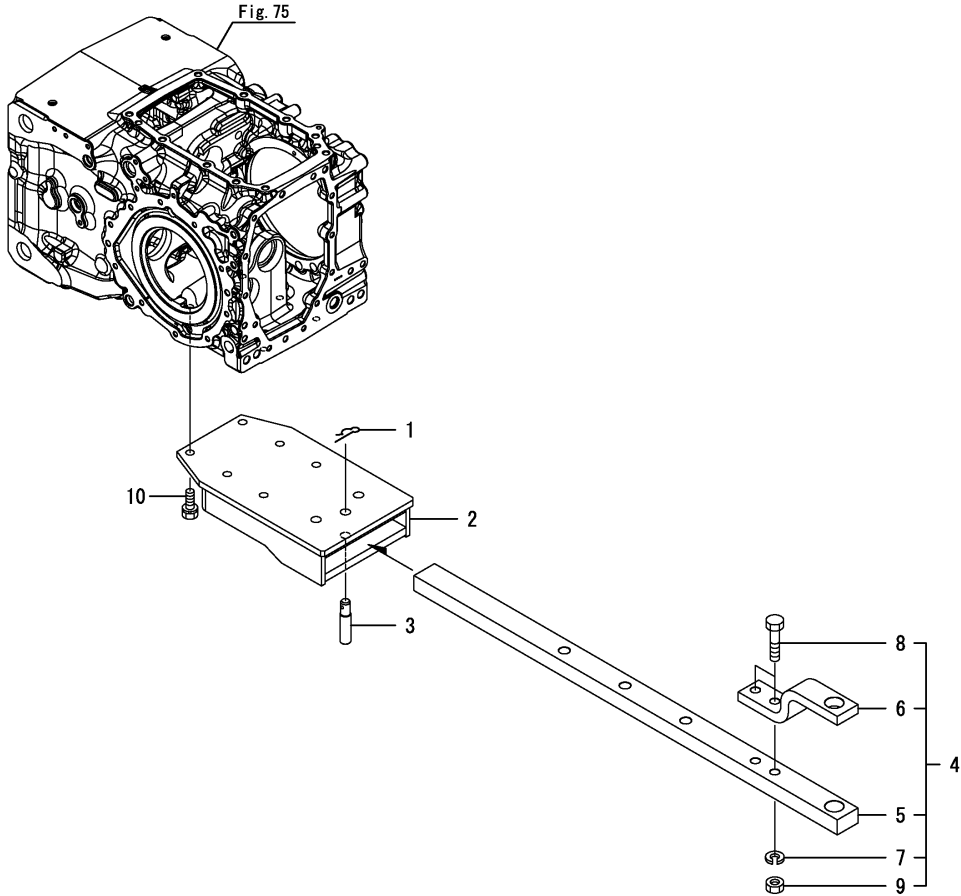


No.	Lev.	Parts No.	Description	Q'ty						I	R
				(A)	(B)	(C)	(D)	(E)	(F)		
1	1	1A8470-73150	PIN, LOWER LINK	2	2						
2	1	1A8470-73160	BOLT, LOWER LINK PIN	2	2						
3	1	1A8470-73170	COLLAR, LOWER LINK	2	2						
4	1	22217-120000	WASHER, SPRING 12	2	2						

Fig.237. DRAWBAR HITCH

(A)=YT347Y
(B)=YT359Y
(C)=

(D)=
(E)=
(F)=

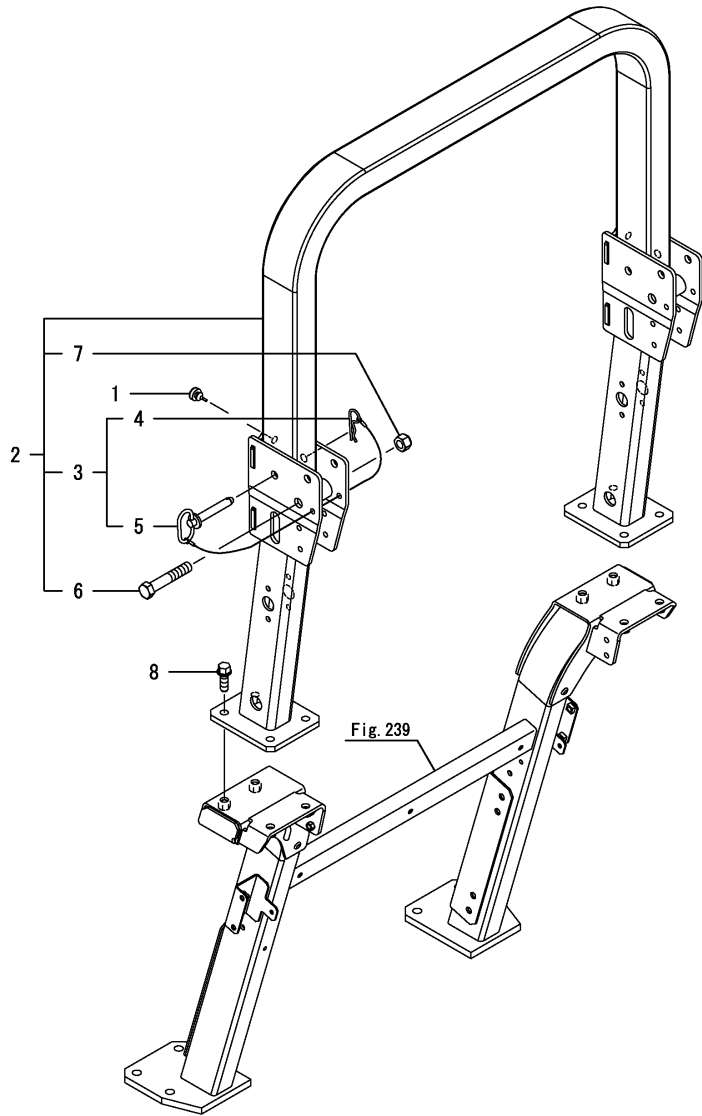


No.	Lev.	Parts No.	Description	Q'ty						I	R
				(A)	(B)	(C)	(D)	(E)	(F)		
1	1	195230-17260	PIN, SNAP 22S	1	1						
2	1	1A8470-75100	BRACKET ASSY,DRAWBAR	1	1						
3	1	1A8470-75430	PIN,HITCH	1	1						
4	1	1A8475-75710	DRAWBAR KIT	1	1						
5	2	1A8475-75720	DRAWBAR	1	1						
6	2	1A8475-75730	PLATE, CLEVIS	1	1						
7	2	22217-160000	WASHER, SPRING 16	2	2						
8	2	26116-160702	BOLT M16X 70 PLATED	2	2						
9	2	26716-160002	NUT, M16	2	2						
10	1	26013-140352	BOLT, M14X 35	6	6						

Fig.238. SAFETY FRAME(UPPER)

(A)=YT347Y
(B)=YT359Y
(C)=

(D)=
(E)=
(F)=

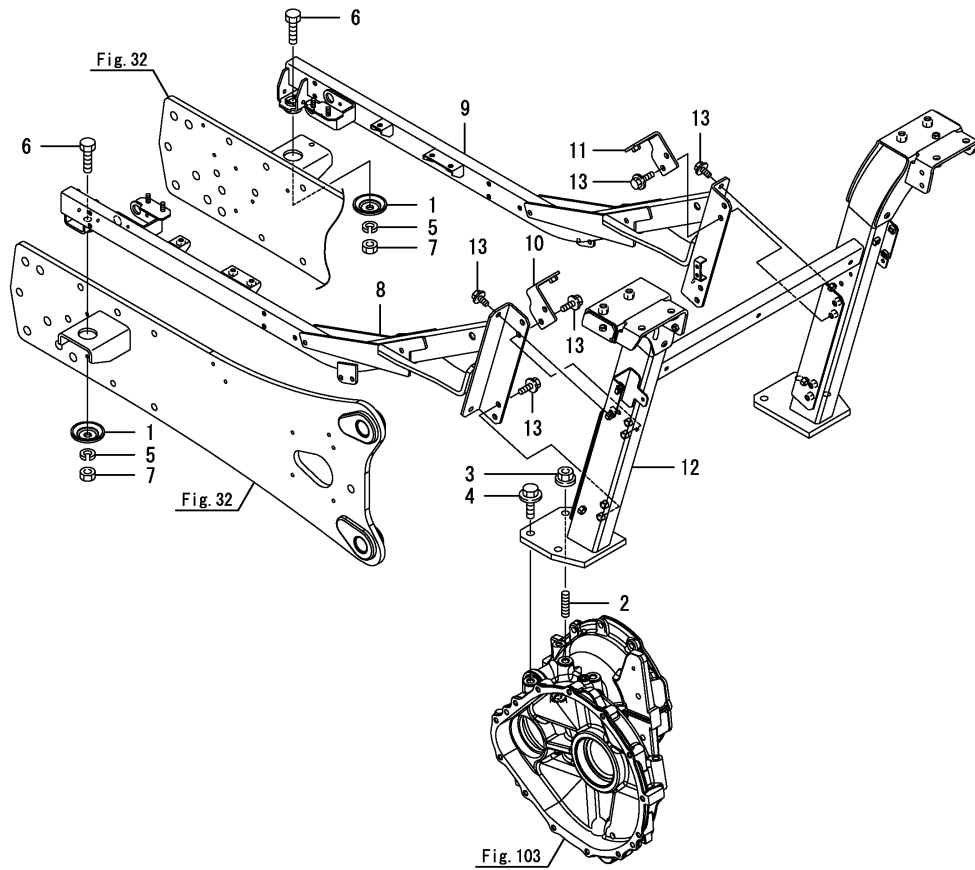


No.	Lev.	Parts No.	Description	Q'ty						I	R
				(A)	(B)	(C)	(D)	(E)	(F)		
1	1	194330-62530	STOPPER, PEDAL	2	2						
2	1	1A8475-85100	ROPS ASSY	1	1						
3	2	1A8160-85311	PIN ASSY, HITCH	2	2						
4	3	1TN322-71170	BETA PIN	2	2						
5	3	1A8160-85320	PIN, HITCH	2	2						
6	2	1A8300-85430	BOLT, M16X90	2	2						
7	2	1A8300-85440	NUT, M16	2	2						
8	1	198165-85970	BOLT, M12X35	8	8						

Fig.239. SAFETY FRAME(LOWER)

(A)=YT347Y
(B)=YT359Y
(C)=

(D)=
(E)=
(F)=



No.	Lev.	Parts No.	Description	Q'ty						I	R
				(A)	(B)	(C)	(D)	(E)	(F)		
1	1	198200-62910	STOPPER, U	2	2						
2	1	1A8470-85470	STUD, M14X35	2	2						
3	1	1A8470-85480	NUT, M14	2	2						
4	1	198165-85980	BOLT, M14X30	4	4						
5	1	22217-140000	WASHER, SPRING 14	2	2						
6	1	26116-140402	BOLT, M14X 40 PLATED	2	2						
7	1	26716-140002	NUT, M14	2	2						
8	1	1A8475-62600	FRAME ASSY, FLOOR L	1	1						
9	1	1A8475-62610	FRAME ASSY, FLOOR R	1	1						
10	1	1A8470-62800	STAY ASSY, BELT L	1	1						
11	1	1A8470-62810	STAY ASSY, BELT R	1	1						
12	1	1A8475-85090	M ASSY, ROPS FRAME	1	1						
13	1	26106-100202	BOLT, M10X 20 PLATED	12	12						

Fig.241. DOOR

(A)=YT347Y
(B)=YT359Y
(C)=

(D)=
(E)=
(F)=

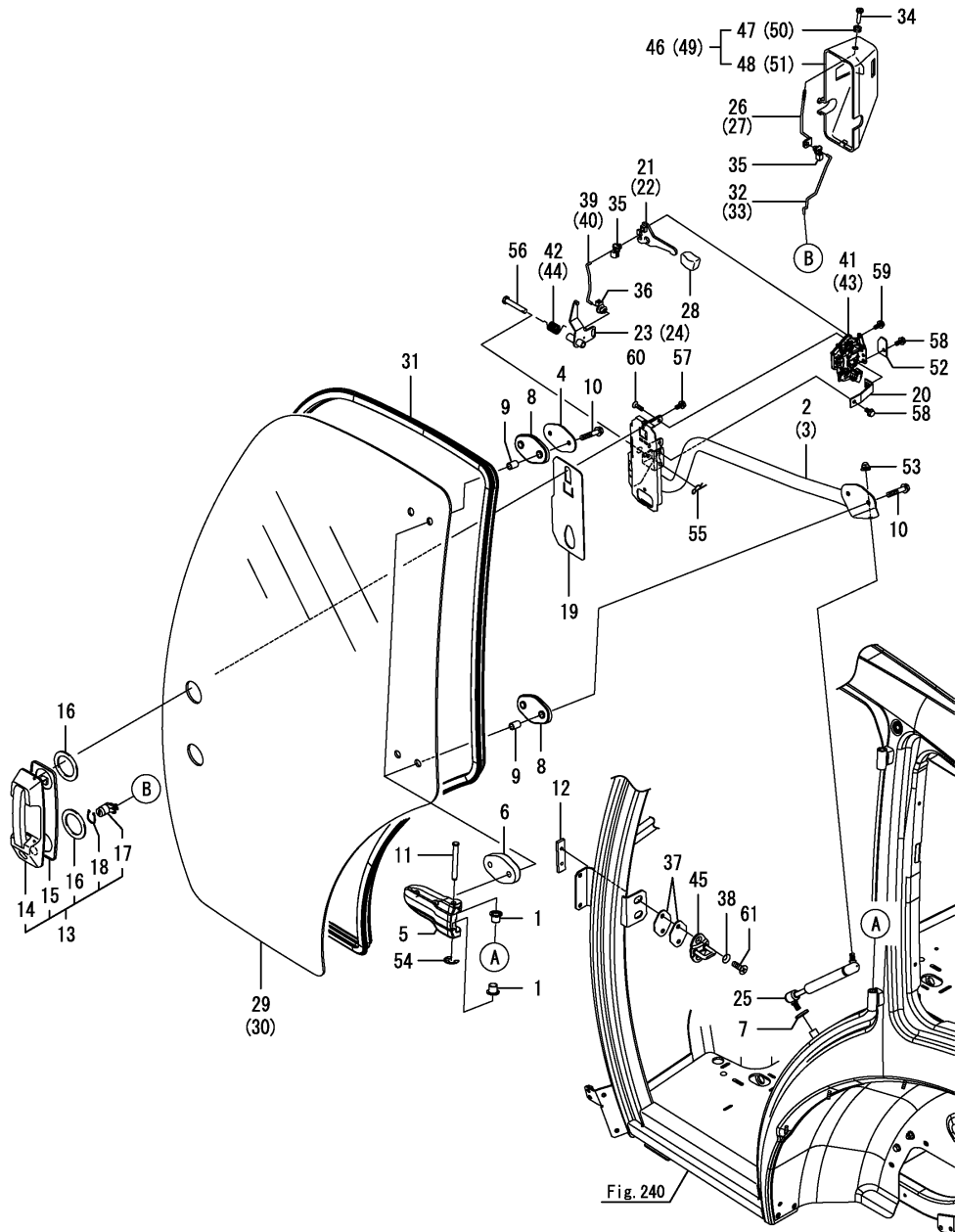


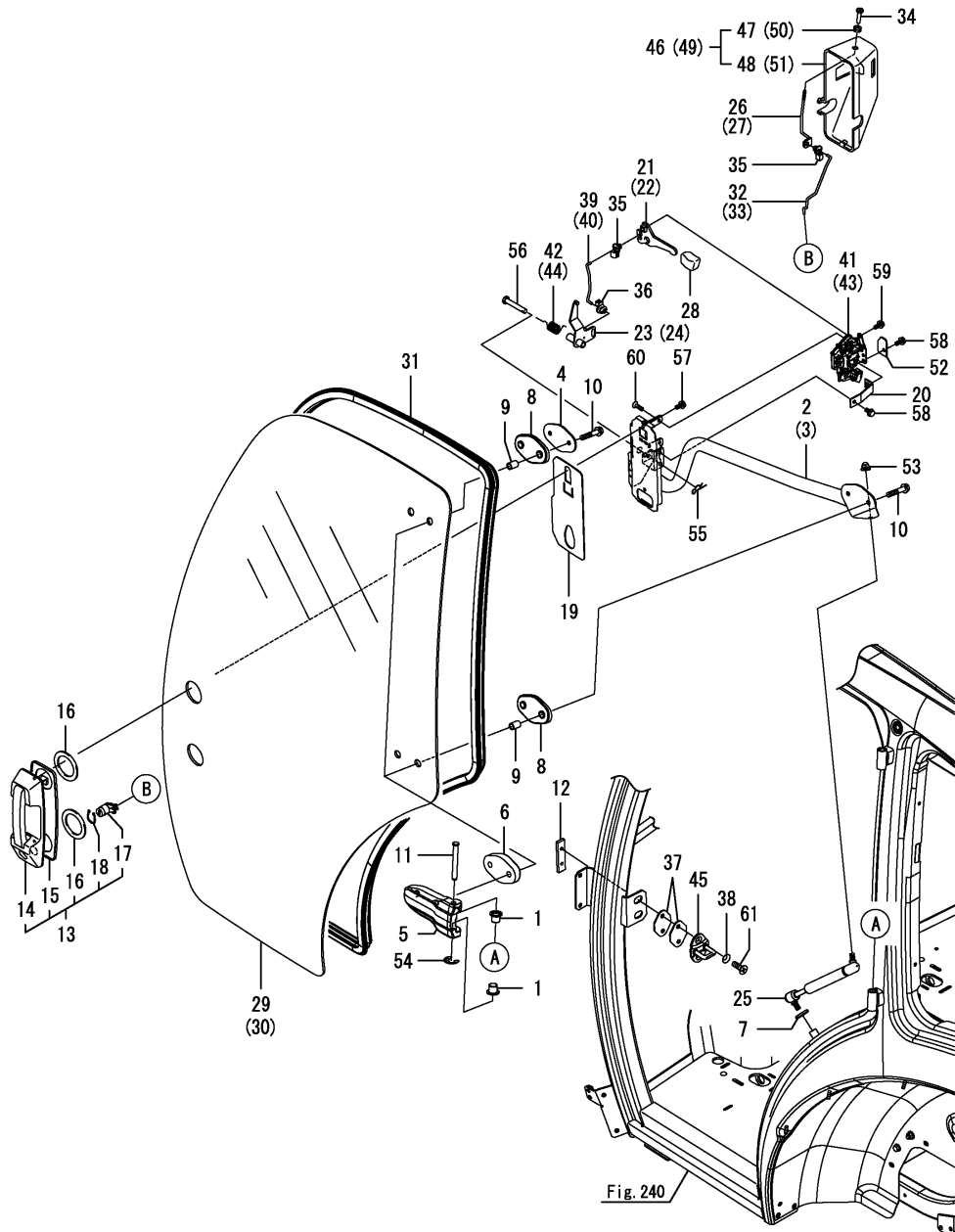
Fig. 240

No.	Lev.	Parts No.	Description	Qty						I	R
				(A)	(B)	(C)	(D)	(E)	(F)		
1	1	1C1011-33990	BUSH, COLLAR 10	8	8						
2	1	1A8484-82100	FRAME ASSY, DOOR L	1	1						
3	1	1A8484-82110	FRAME ASSY, DOOR R	1	1						
4	1	1A8484-82150	PLATE, DOOR FRAME	2	2						
5	1	1A8110-82250	HINGE, DOOR A	4	4						
6	1	1A8484-82260	SPACER, DOOR A	4	4						
7	1	198268-82270	WASHER, SPRING 8	2	2						
8	1	1A8484-82270	SPACER, DOOR B	4	4						
9	1	1A8484-82280	COLLAR	8	8						
10	1	1A8484-82290	BOLT, FLANGE M8X40	8	8						
11	1	1A8484-82300	PIN, DOOR HINGE	4	4						
12	1	198463-82350	PLATE, DOOR LOCK	2	2						
13	1	1A8485-82400	HANDLE ASSY, OUTER	2	2						
14	2	1A7470-82410	BODY, HANDLE	2	2						
15	2	1A8060-82420	SEAT, HANDLE OUTER	2	2						
16	2	1A7470-82580	SEAL, DOOR HANDLE	4	4						
17	2	1A7470-82880	CYLINDER ASSY, KEY	2	2						
18	2	1A7470-82890	PIN, KEY CYLINDER	2	2						
19	1	1A7470-82440	PACKING, LATCH COVER	2	2						
20	1	1A7470-82450	STAY, DOOR LOCK	2	2						
21	1	1A7470-82471	LEVER, DOOR L	1	1						
22	1	1A7470-82481	LEVER, DOOR R	1	1						
23	1	1A7470-82510	LEVER, OPEN OUT L	1	1						
24	1	1A7470-82520	LEVER, OPEN OUT R	1	1						
25	1	198463-82551	DAMPER, GAS 200	2	2						
26	1	1A7470-82560	ROD, INSIDE LOCK L	1	1						
27	1	1A7470-82570	ROD, INSIDE LOCK R	1	1						
28	1	198492-82590	KNOB, DOOR HANDLE	2	2						
29	1	1A8484-82610	GLASS, DOOR L	1	1						
30	1	1A8484-82620	GLASS, DOOR R	1	1						
31	1	1A8484-82630	WEATHER-STRIP, DG	2	2						
32	1	1A7470-82640	ROD, CYLINDER L	1	1						
33	1	1A7470-82650	ROD, CYLINDER R	1	1						
34	1	1A7470-82660	KNOB, LOCK	2	2						
35	1	1A7470-82670	BUSH, LINKAGE A	4	4						
36	1	1A7470-82680	BUSH, LINKAGE B	2	2						
37	1	198255-82690	SPACER, STRIKER	4	4						
38	1	198255-82701	WASHER, 8	4	4						
39	1	1A7470-82720	ROD, OPEN LEVER L	1	1						
40	1	1A7470-82730	ROD, OPEN LEVER R	1	1						
41	1	1A7320-82750	LOCK ASSY, DOOR L	1	1						
42	1	1A7470-82750	SPRING, DOOR LOCK L	1	1						
43	1	1A7320-82760	LOCK ASSY, DOOR R	1	1						
44	1	1A7470-82760	SPRING, DOOR LOCK R	1	1						
45	1	1A7320-82770	STRIKER, DOOR LOCK	2	2						
46	1	1A7470-82800	COVER, LATCH L	1	1						
47	2	198071-58810	GROMMET, 8	1	1						
48	2	1A7470-82810	COVER, LATCH L	1	1						
49	1	1A7470-82900	COVER, LATCH R	1	1						
50	2	198071-58810	GROMMET, 8	1	1						
51	2	1A7470-82820	COVER, LATCH R	1	1						

Fig.241. DOOR

(A)=YT347Y
(B)=YT359Y
(C)=

(D)=
(E)=
(F)=

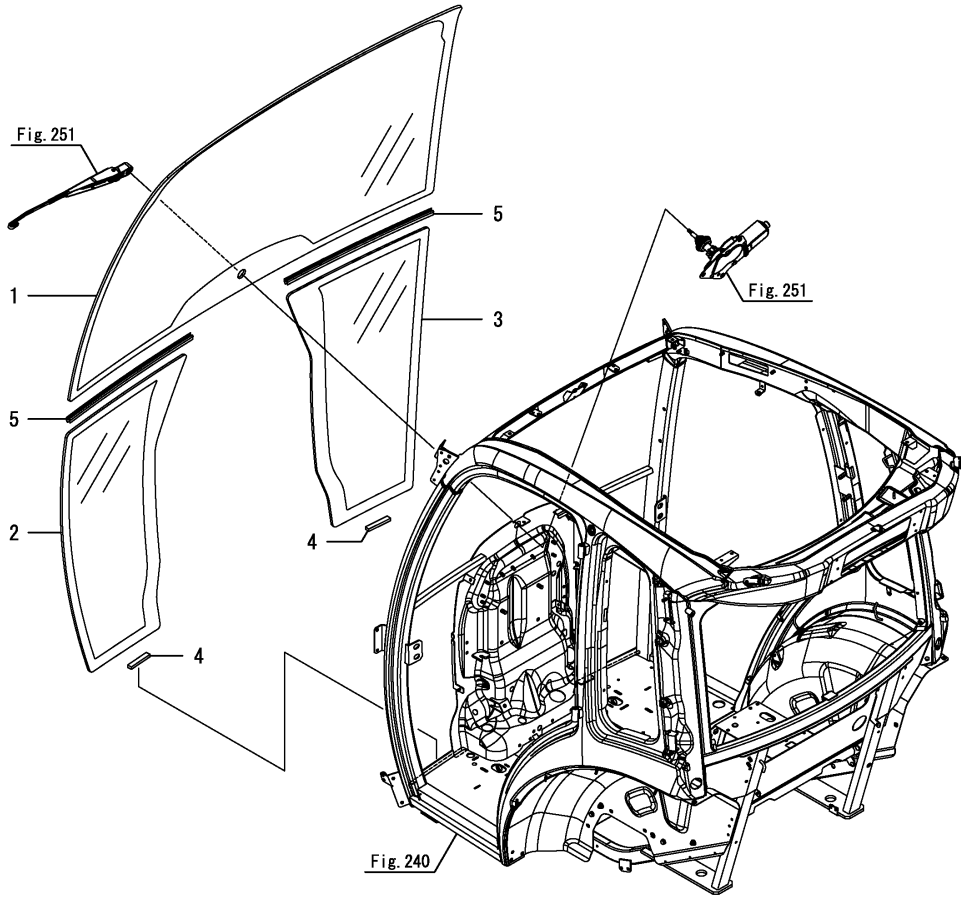


No.	Lev.	Parts No.	Description	Q'ty						I	R
				(A)	(B)	(C)	(D)	(E)	(F)		
52	1	1A7470-82950	PLATE, SUPPORT	2	2						
53	1	1A8110-83730	NUT, CAP M8	2	2						
54	1	22272-000080	RING, E- 8	4	4						
55	1	22372-080000	PIN, SNAP 8	2	2						
56	1	22487-080450	PIN 8X 45	2	2						
57	1	26106-060122	BOLT, M6X 12 PLATED	4	4						
58	1	26106-060122	BOLT, M6X 12 PLATED	4	4						
59	1	26106-060122	BOLT, M6X 12 PLATED	2	2						
60	1	26577-060202	SCREW, M6X20	6	6						
61	1	26577-080252	SCREW, M8X25	4	4						

Fig.242. FRONT WINDOW

(A)=YT347Y
(B)=YT359Y
(C)=

(D)=
(E)=
(F)=

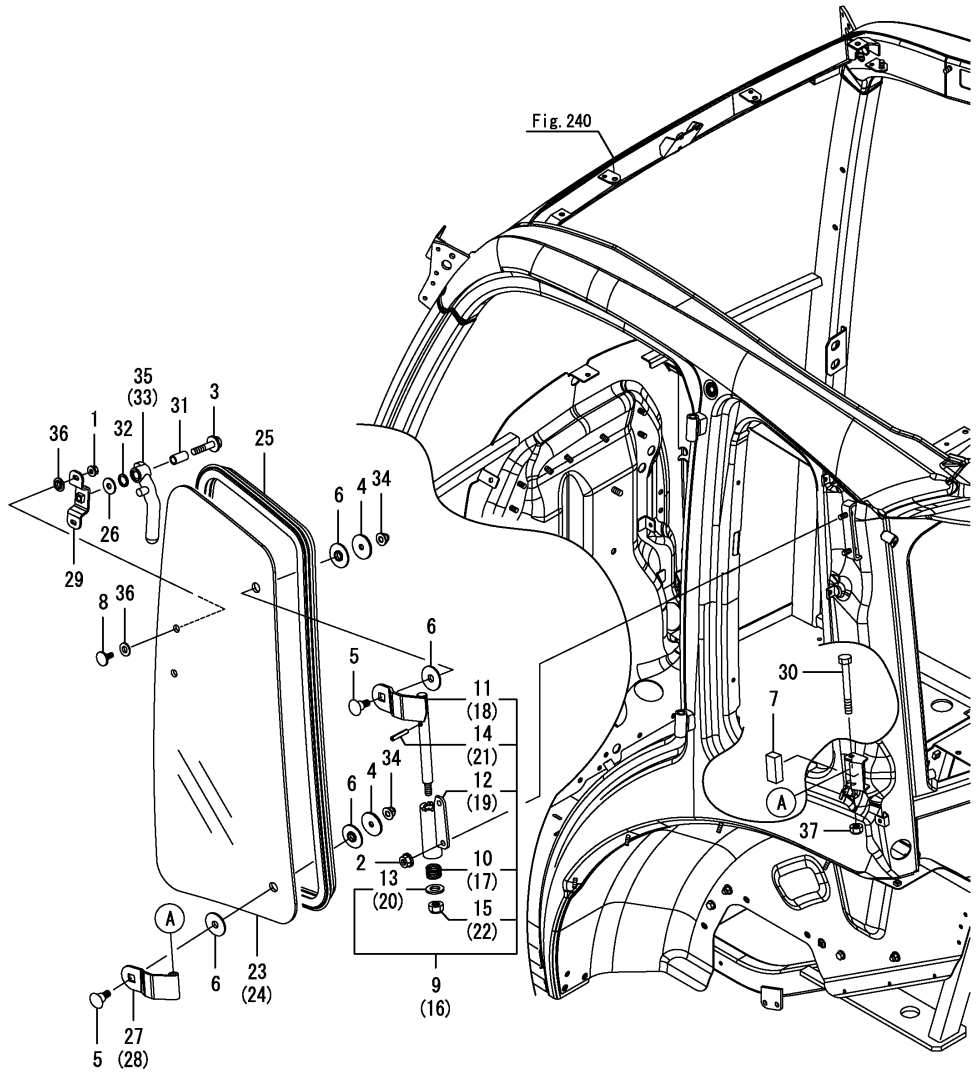


No.	Lev.	Parts No.	Description	Qty						I	R
				(A)	(B)	(C)	(D)	(E)	(F)		
1	1	1A8484-83110	GLASS, FRONT	1	1						
2	1	1A8484-83150	GLASS, FRONT LOWER L	1	1						
3	1	1A8484-83160	GLASS, FRONT LOWER R	1	1						
4	1	1A7210-83210	SPACER, LOWER	2	2						
5	1	1A8484-83260	LACE, GLASS 430	2	2						

Fig.243. SIDE WINDOW

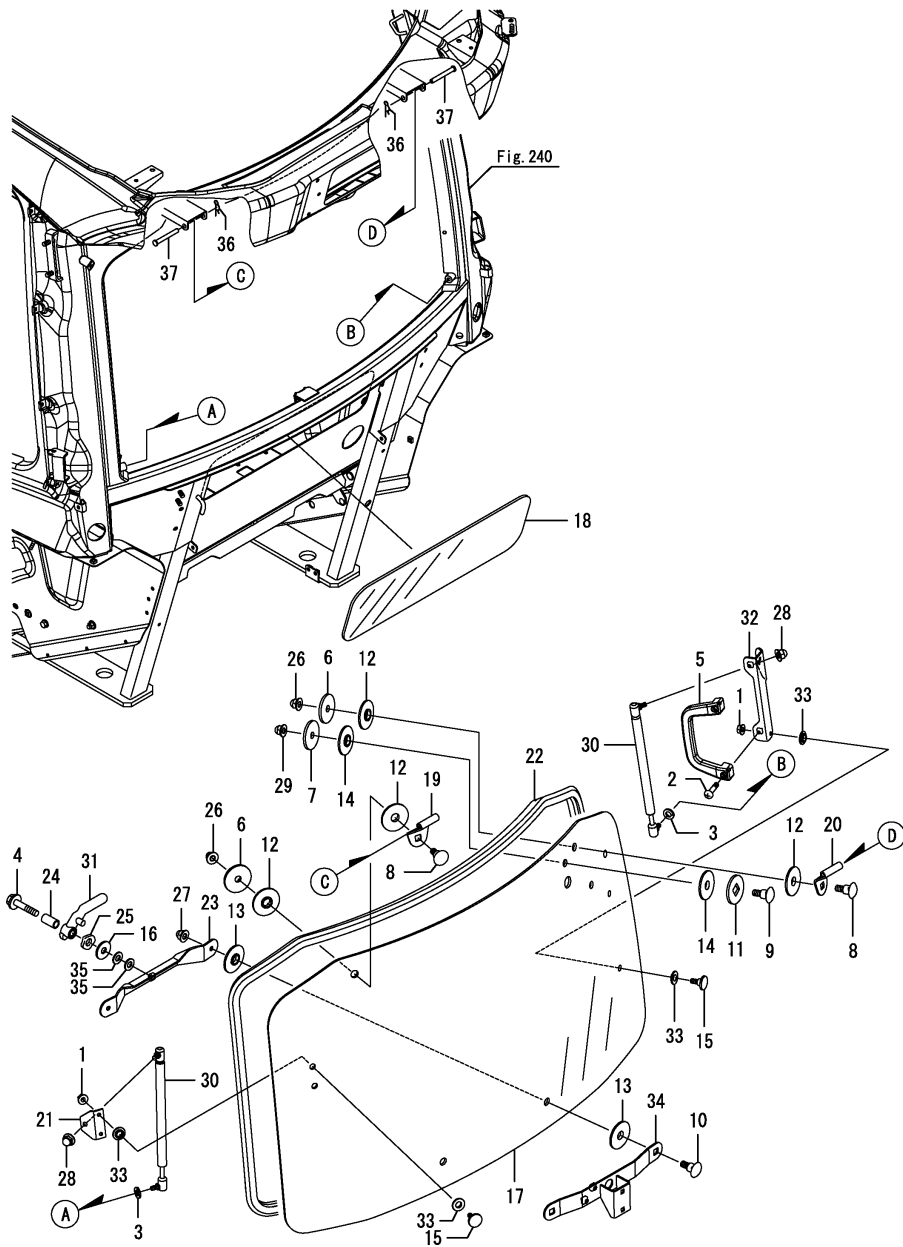
(A)=YT347Y
(B)=YT359Y
(C)=

(D)=
(E)=
(F)=



No.	Lev.	Parts No.	Description	Q'ty						I	R
				(A)	(B)	(C)	(D)	(E)	(F)		
1	1	194990-22130	NUT, M6	4	4						
2	1	194990-22140	NUT, M8	4	4						
3	1	194697-28270	BOLT, M8X35	2	2						
4	1	198255-82640	STAY, HINGE PLATE	4	4						
5	1	1A8110-82650	BOLT, CARRIAGE M8	4	4						
6	1	1A8110-82670	RUBBER, CUSHION	8	8						
7	1	1A8484-83280	RUBBER, 20X15X45	2	2						
8	1	1A8484-83300	BOLT, STEPPED M6	4	4						
9	1	1A8484-83350	HINGE ASSY, L SIDE	1	1						
10	2	198220-63340	SPRING, FRICTION	1	1						
11	2	1A8484-83460	HINGE, L SIDE UPPER	1	1						
12	2	1A8484-83510	HINGE ASSY, L B	1	1						
13	2	22137-120000	WASHER, 12	1	1						
14	2	22351-060036	PIN, SPRING 6.0X36	1	1						
15	2	26356-100002	NUT, M10	1	1						
16	1	1A8484-83360	HINGE ASSY, R SIDE	1	1						
17	2	198220-63340	SPRING, FRICTION	1	1						
18	2	1A8484-83470	HINGE, R SIDE UPPER	1	1						
19	2	1A8484-83520	HINGE ASSY, R B	1	1						
20	2	22137-120000	WASHER, 12	1	1						
21	2	22351-060036	PIN, SPRING 6.0X36	1	1						
22	2	26356-100002	NUT, M10	1	1						
23	1	1A8484-83410	GLASS, SIDE L	1	1						
24	1	1A8484-83420	GLASS, SIDE R	1	1						
25	1	1A8484-83430	WEATHER-STRIP, SG	2	2						
26	1	198255-83550	WASHER, FLAT 8	2	2						
27	1	1A8484-83550	PLATE, HINGE L	1	1						
28	1	1A8484-83560	PLATE, HINGE R	1	1						
29	1	1A8110-83570	STAY, SIDE LOCK	2	2						
30	1	198208-83680	BOLT, REAR HINGE	2	2						
31	1	198153-83710	COLLAR, 8.4X12X22.5	2	2						
32	1	198153-83720	WASHER, WAVE 12	2	2						
33	1	198153-83730	HANDLE, REAR GLASS	1	1						
34	1	1A8110-83730	NUT, CAP M8	4	4						
35	1	198463-83760	HANDLE, SIDE GLASS L	1	1						
36	1	197820-84740	LINER, GLASS FITTING	8	8						
37	1	26346-080002	NUT, M8	2	2						

Fig.244. REAR WINDOW



(A)=YT347Y
(B)=YT359Y
(C)=

(D)=
(E)=
(F)=

No.	Lev.	Parts No.	Description	Q'ty						I	R
				(A)	(B)	(C)	(D)	(E)	(F)		
1	1	194990-22130	NUT, M6	4	4						
2	1	194065-60580	SCREW, M6X25	2	2						
3	1	198268-82270	WASHER, SPRING 8	2	2						
4	1	1A8484-82290	BOLT, FLANGE M8X40	1	1						
5	1	198094-82540	GRIP	1	1						
6	1	198255-82640	STAY, HINGE PLATE	2	2						
7	1	198255-82640	STAY, HINGE PLATE	4	4						
8	1	1A8110-82650	BOLT, CARRIAGE M8	2	2						
9	1	1A8110-82650	BOLT, CARRIAGE M8	4	4						
10	1	1A8110-82650	BOLT, CARRIAGE M8	2	2						
11	1	1A8110-82660	WASHER, CARRIAGE	4	4						
12	1	1A8110-82670	RUBBER, CUSHION	4	4						
13	1	1A8110-82670	RUBBER, CUSHION	4	4						
14	1	1A8110-82670	RUBBER, CUSHION	8	8						
15	1	1A8484-83300	BOLT, STEPPED M6	4	4						
16	1	198255-83550	WASHER, FLAT 8	1	1						
17	1	1A8484-83610	GLASS, REAR	1	1						
18	1	198094-83620	GLASS, REAR LOWER	1	1						1
19	1	1A8484-83630	HINGE, REAR L	1	1						
20	1	1A8484-83640	HINGE, REAR R	1	1						
21	1	198094-83650	STAY, GAS SPRING	1	1						
22	1	1A8484-83650	WEATHER-STRIP, RG	1	1						
23	1	1A8484-83660	BRACKET ASSY, REAR	1	1						
24	1	198153-83710	COLLAR, 8.4X12X22.5	1	1						
25	1	198153-83720	WASHER, WAVE 12	1	1						
26	1	1A8110-83730	NUT, CAP M8	2	2						
27	1	1A8110-83730	NUT, CAP M8	2	2						
28	1	1A8110-83730	NUT, CAP M8	2	2						
29	1	1A8110-83730	NUT, CAP M8	4	4						
30	1	198093-83752	DAMPER, GAS 100	2	2						
31	1	198463-83760	HANDLE, SIDE GLASS L	1	1						
32	1	1A8484-83790	STAY, REAR GLASS	1	1						
33	1	197820-84740	LINER, GLASS FITTING	8	8						
34	1	1A8484-93130	BRACKET ASSY,SMV CAB	1	1						
35	1	22137-080000	WASHER, 8	2	2						
36	1	22372-080000	PIN, SNAP 8	2	2						
37	1	22487-080600	PIN 8X 60	2	2						

Remarks

(1)The specification of the glue for 198094-83620GLASS, REAR LOWER is Sikaflex-255FC.

N:Old $\begin{matrix} \leftarrow \text{Yes} \\ \text{No} \end{matrix}$ New, Q:Old $\begin{matrix} \leftarrow \text{No} \\ \text{Yes} \end{matrix}$ New, R:Old $\begin{matrix} \leftarrow \text{Yes} \\ \text{Yes} \end{matrix}$ New, S:Old $\begin{matrix} \leftarrow \text{No} \\ \text{No} \end{matrix}$ New, W:Add, Z:Discontinued, F:Interchangeable by set, K:Q'ty Change

Fig.245. INTERIORS

(A)=YT347Y
(B)=YT359Y
(C)=

(D)=
(E)=
(F)=

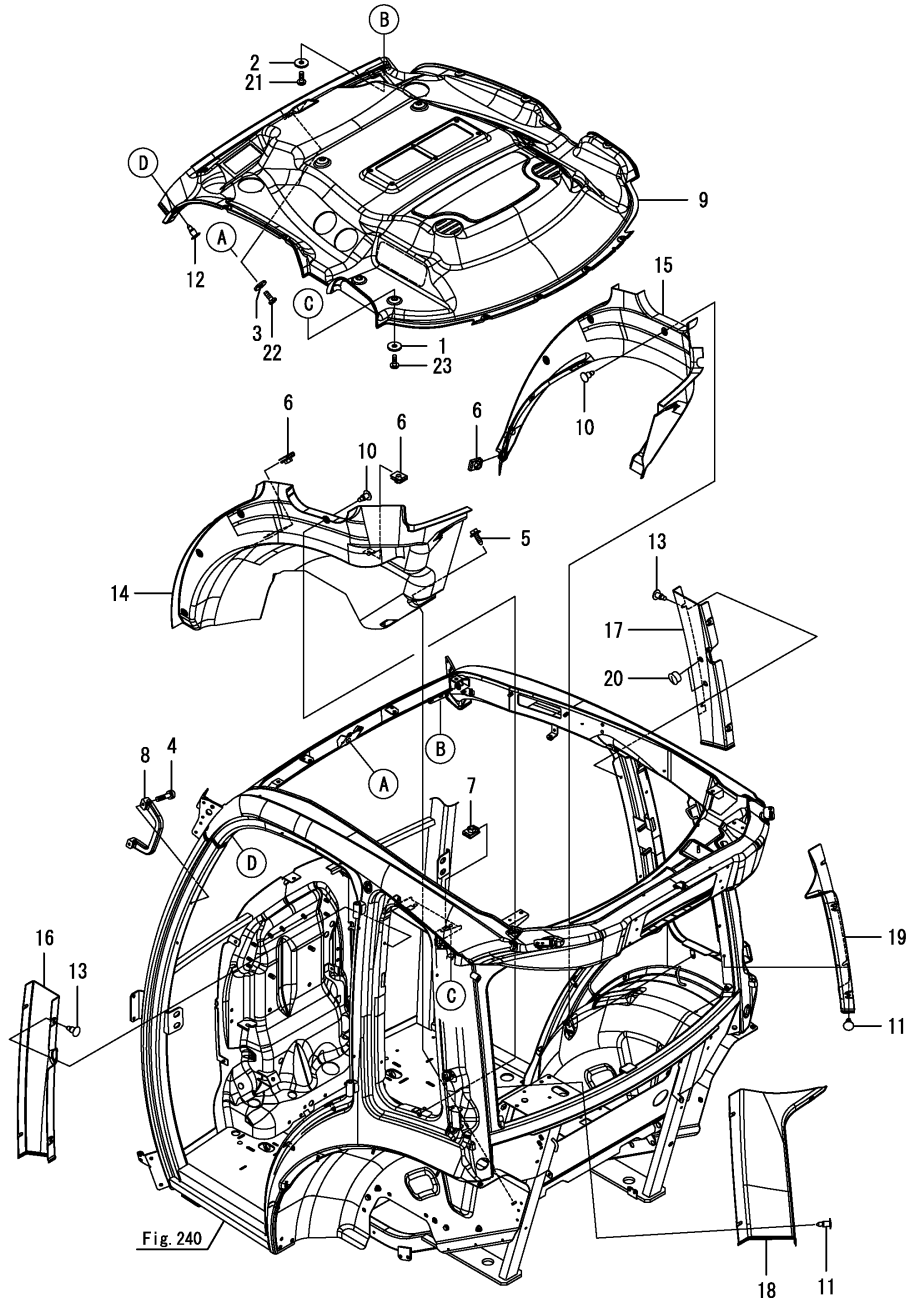


Fig. 240

No.	Lev.	Parts No.	Description	Q'ty						I	R
				(A)	(B)	(C)	(D)	(E)	(F)		
1	1	194515-01190	WASHER, 6	2	2						
2	1	194515-01190	WASHER, 6	2	2						
3	1	194515-01190	WASHER, 6	3	3						
4	1	194065-60580	SCREW, M6X25	4	4						
5	1	198072-60590	BOLT, M6X20	1	1						
6	1	198071-61890	NUT, SPEED M6	4	4						
7	1	198071-61890	NUT, SPEED M6	2	2						
8	1	198094-82540	GRIP	2	2						
9	1	1A8485-84110	ROOF, INNER	1	1						
10	1	1A8110-84210	RIVET	10	10						
11	1	1A8110-84210	RIVET	10	10						
12	1	1A8110-84210	RIVET	15	15						
13	1	1A8110-84210	RIVET	8	8						
14	1	1A8485-84610	COVER, FENDER L	1	1						
15	1	1A8485-84620	COVER, FENDER R	1	1						
16	1	1A8484-85360	COVER, SIDE FRAME L	1	1						
17	1	1A8484-85370	COVER, SIDE FRAME R	1	1						
18	1	1A8484-85480	COVER, REAR FRAME L	1	1						
19	1	1A8484-85490	COVER, REAR FRAME R	1	1						
20	1	1C6660-94100	PLUG, HOLE 16	2	2						
21	1	26589-060162	SCREW, M6	2	2						
22	1	26589-060162	SCREW, M6	3	3						
23	1	26589-060162	SCREW, M6	2	2						

Fig.246. CASE(ACCESSORY)

(A)=YT347Y
(B)=YT359Y
(C)=

(D)=
(E)=
(F)=

No.	Lev.	Parts No.	Description	Q'ty						I	R
				(A)	(B)	(C)	(D)	(E)	(F)		
1	1	198072-60590	BOLT, M6X20	3	3						
2	1	1A8484-84650	CASE, ACCESSORY	1	1						

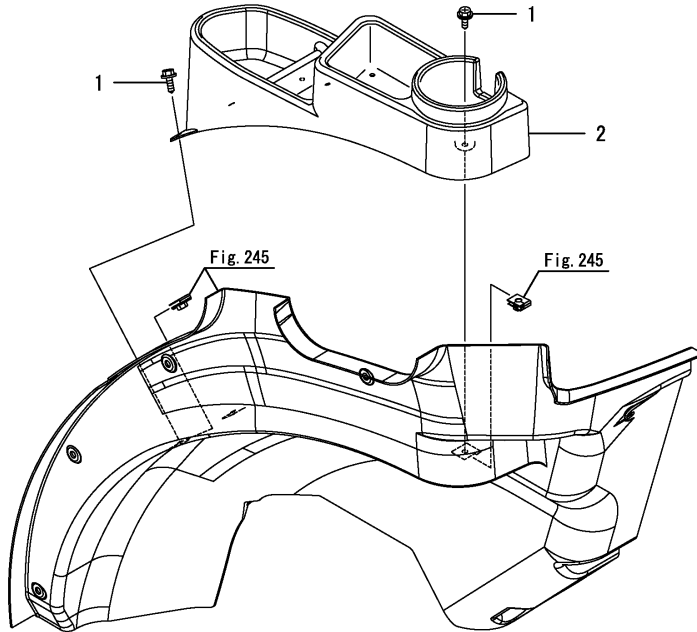
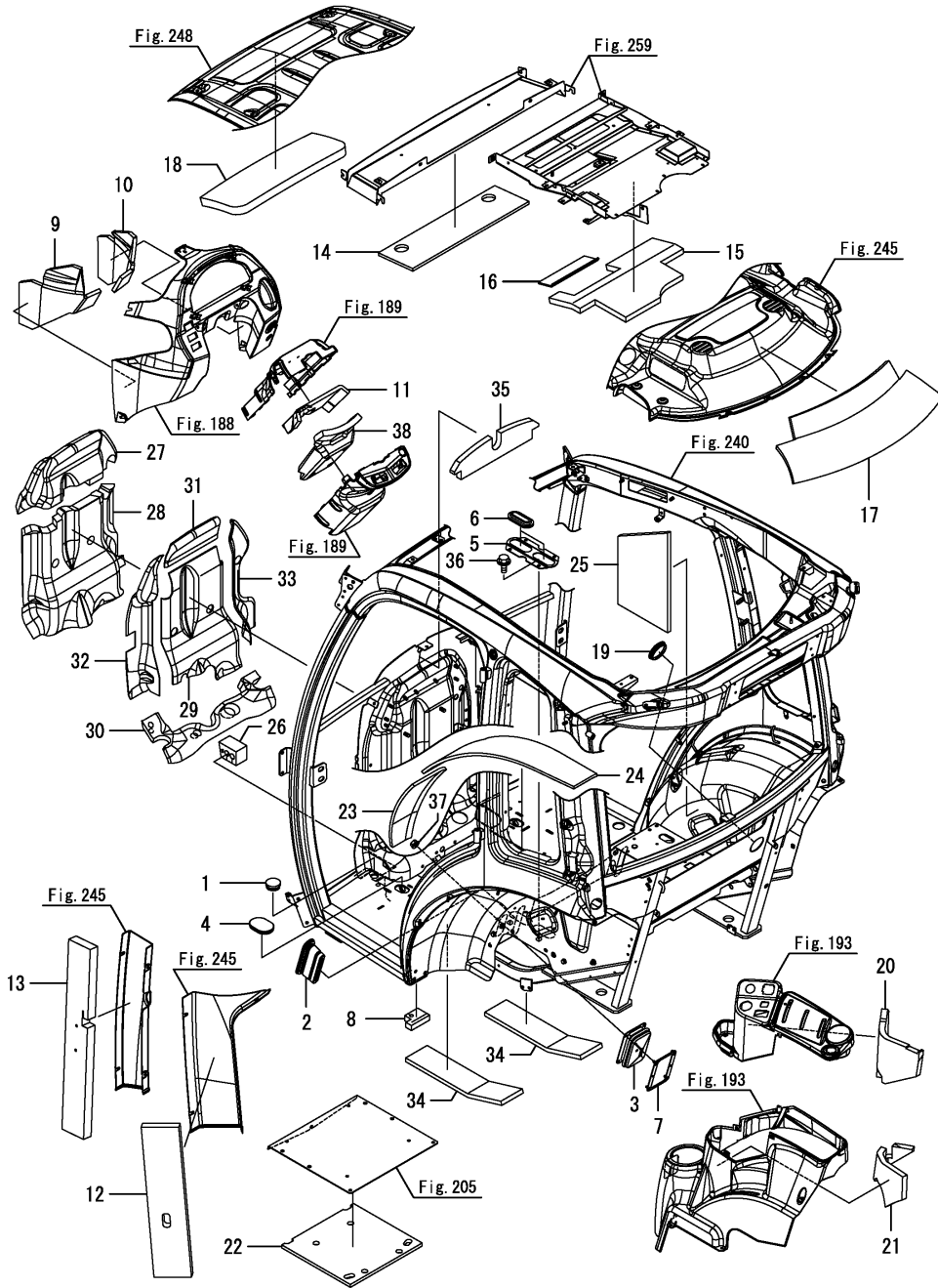


Fig.247. CABIN SEAL(1)



(A)=YT347Y
(B)=YT359Y
(C)=

(D)=
(E)=
(F)=

No.	Lev.	Parts No.	Description	Qty						I	R
				(A)	(B)	(C)	(D)	(E)	(F)		
1	1	194300-21460	CAP, RUBBER 25	2	2						
2	1	1A8470-33200	BOOT, DIFF LOCK	1	1						
3	1	198094-62870	BOOT, PTO	1	1						
4	1	198129-63691	GROMMET	2	2						
5	1	1A8475-67710	RETAINER, BOOT	1	1						
6	1	1A8484-67790	BOOT, LEVER	2	2						
7	1	1A8475-68300	RETAINER, PTO BOOT	1	1						
8	1	1A8484-84170	URETHANE	2	2						
9	1	1A8484-84230	SHEET, DASHBOARD L	1	1						
10	1	1A8484-84241	SHEET, DASHBOARD R	1	1						
11	1	1A8484-84260	SHEET, COLUMN COVER	1	1						
12	1	1A8484-84280	ACOUSTIC ABSORBENT	2	2						
13	1	1A8484-84300	ACOUSTIC ABSORBENT	2	2						
14	1	1A8484-84350	ACOUSTIC ABSORBENT	1	1						
15	1	1A8484-84360	ACOUSTIC ABSORBENT	1	1						
16	1	1A8484-84370	ACOUSTIC ABSORBENT	1	1						
17	1	1A8484-84380	ACOUSTIC ABSORBENT	1	1						
18	1	1A8484-84390	ACOUSTIC ABSORBENT	1	1						
19	1	1A7210-84410	CAP, 60	1	1						
20	1	1A8484-84500	ACOUSTIC ABSORBENT	1	1						
21	1	1A8484-84511	URETHANE, LEVER GUIDE	1	1						
22	1	1A7210-84521	INSULATOR, DUST BB	1	1						
23	1	1A8485-84650	SOUNDPROOF, L A	1	1						
24	1	1A8485-84660	SOUNDPROOF, L B	1	1						
25	1	1A8485-84670	SOUNDPROOF, R	1	1						
26	1	1A8484-84680	SEAL, HOSE F	2	2						
27	1	1A8484-84710	URETHANE, AIR SHIELD	1	1						
28	1	1A8484-84721	URETHANE, AIR SHIELD	1	1						
29	1	1A8484-84731	SHEET, DAMPING	1	1						
30	1	1A8484-84740	URETHANE, AIR SHIELD	1	1						
31	1	1A8484-84771	SHEET, DAMPING	1	1						
32	1	1A8484-84780	SHEET, DAMPING	1	1						
33	1	1A8484-84791	SHEET, DAMPING	1	1						
34	1	1A7210-84810	MATERIAL, ACOUSTIC	2	2						
35	1	1A8484-84910	ACOUSTIC ABSORBENT,	1	1						
36	1	26106-080162	BOLT, M8X 16 PLATED	2	2						
37	1	26366-060002	NUT, M6	4	4						
38	1	1A8484-84270	SHEET, COLUMN COVER	1	1						

Fig.248. ROOF

(A)=YT347Y
(B)=YT359Y
(C)=

(D)=
(E)=
(F)=

No.	Lev.	Parts No.	Description	Q'ty						I	R
				(A)	(B)	(C)	(D)	(E)	(F)		
1	1	1A8070-17970	NUT, M8 BC	3	3						
2	1	198072-60590	BOLT, M6X20	4	4						
3	1	1A7180-61790	KNOB, 6X15	2	2						
4	1	198071-61890	NUT, SPEED M6	2	2						
5	1	198220-62150	WASHER	8	8						
6	1	198460-83350	BOLT, M8X16	8	8						
7	1	198460-83350	BOLT, M8X16	2	2						
8	1	1A8484-85550	ROOF, OUTER	1	1						
9	1	1A8484-85560	COVER, REAR	1	1						
10	1	1A8484-85570	COVER, FILTER	1	1						
11	1	1A8484-85590	COVER, ROOF	1	1						
12	1	1A8484-85610	INSULATOR, ROOF A	1	1						
13	1	1A8484-85620	INSULATOR, ROOF B	1	1						
14	1	1A8484-85630	INSULATOR, ROOF C	1	1						
15	1	1A8484-85650	STAY ASSY, ROOF	2	2						
16	1	1A8484-85670	RUBBER, EDGE	2	2						
17	1	1A8484-85680	SEAL, ROOF A	2	2						
18	1	1A8484-85690	SEAL, ROOF B	1	1						
19	1	1A8484-85750	SEAL, REAR COVER A	1	1						
20	1	1A8484-85760	SEAL, REAR COVER B	2	2						
21	1	1A8484-85770	SEAL, REAR COVER C	1	1						
22	1	1A8484-88460	SEAL, AIR CON A	1	1						
23	1	1A8484-88470	SEAL, AIR CON B	1	1						
24	1	1A8484-88480	SEAL, AIR CON C	1	1						
25	1	22877-500080	SCREW, 5X 8	3	3						
26	1	26106-080162	BOLT, M8X 16 PLATED	2	2						

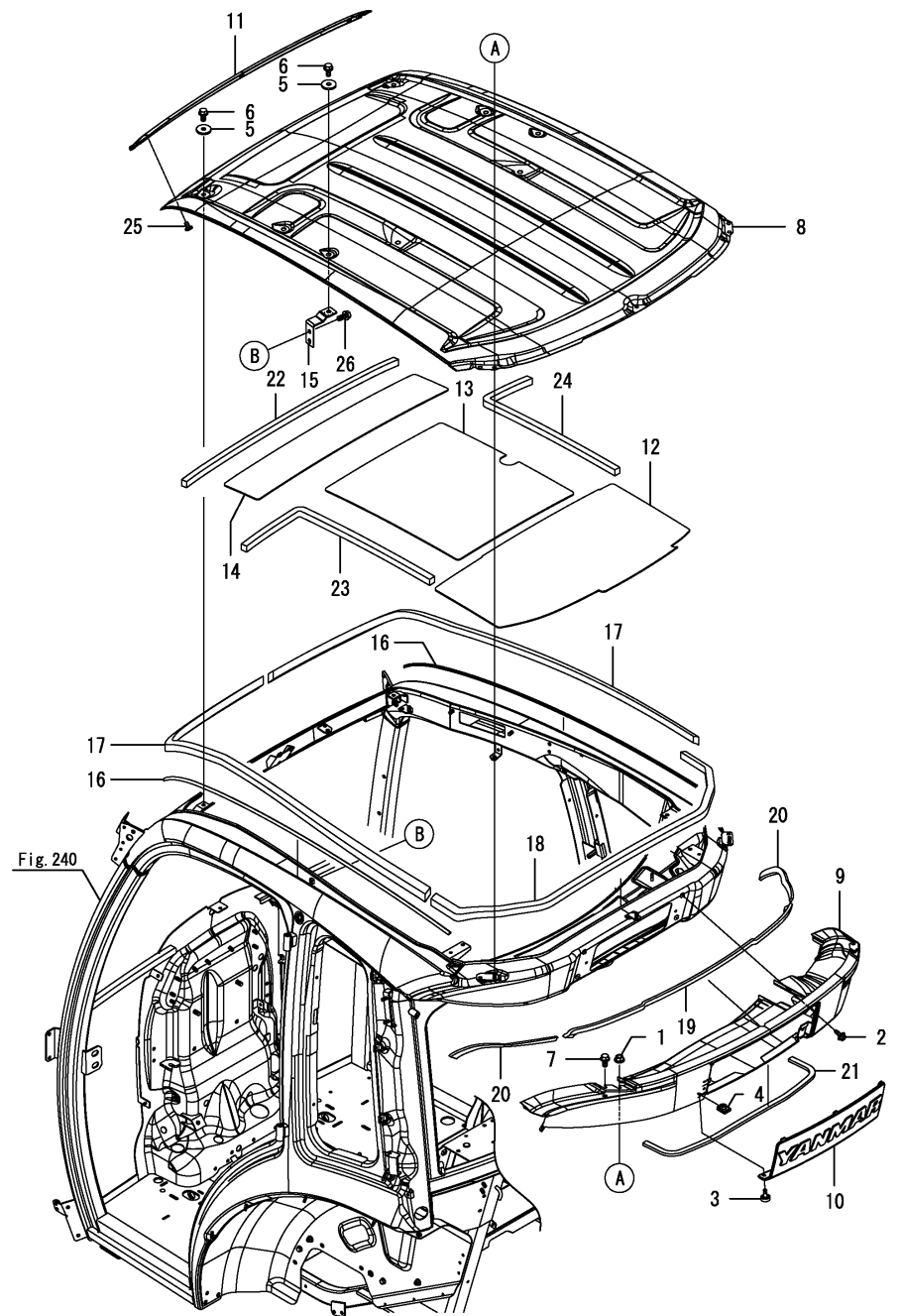


Fig.249. REARVIEW MIRROR

(A)=YT347Y
(B)=YT359Y
(C)=

(D)=
(E)=
(F)=

No.	Lev.	Parts No.	Description	Q'ty						I	R
				(A)	(B)	(C)	(D)	(E)	(F)		
1	1	198220-63340	SPRING, FRICTION	2	2						
2	1	198133-64400	GROMMET	2	2						
3	1	1A7320-64510	HEAD, REAR VIEW	2	2						
4	1	1A8484-81200	STAY ASSY, MIRROR L	1	1						
5	1	1A8484-81210	STAY ASSY, MIRROR R	1	1						
6	1	198460-83350	BOLT, M8X16	4	4						
7	1	1A8484-85810	SHAFT, MIRROR	2	2						
8	1	22137-100000	WASHER, 10	2	2						
9	1	22351-060050	PIN, SPRING 6.0X50	2	2						
10	1	26346-100002	NUT, M10	2	2						

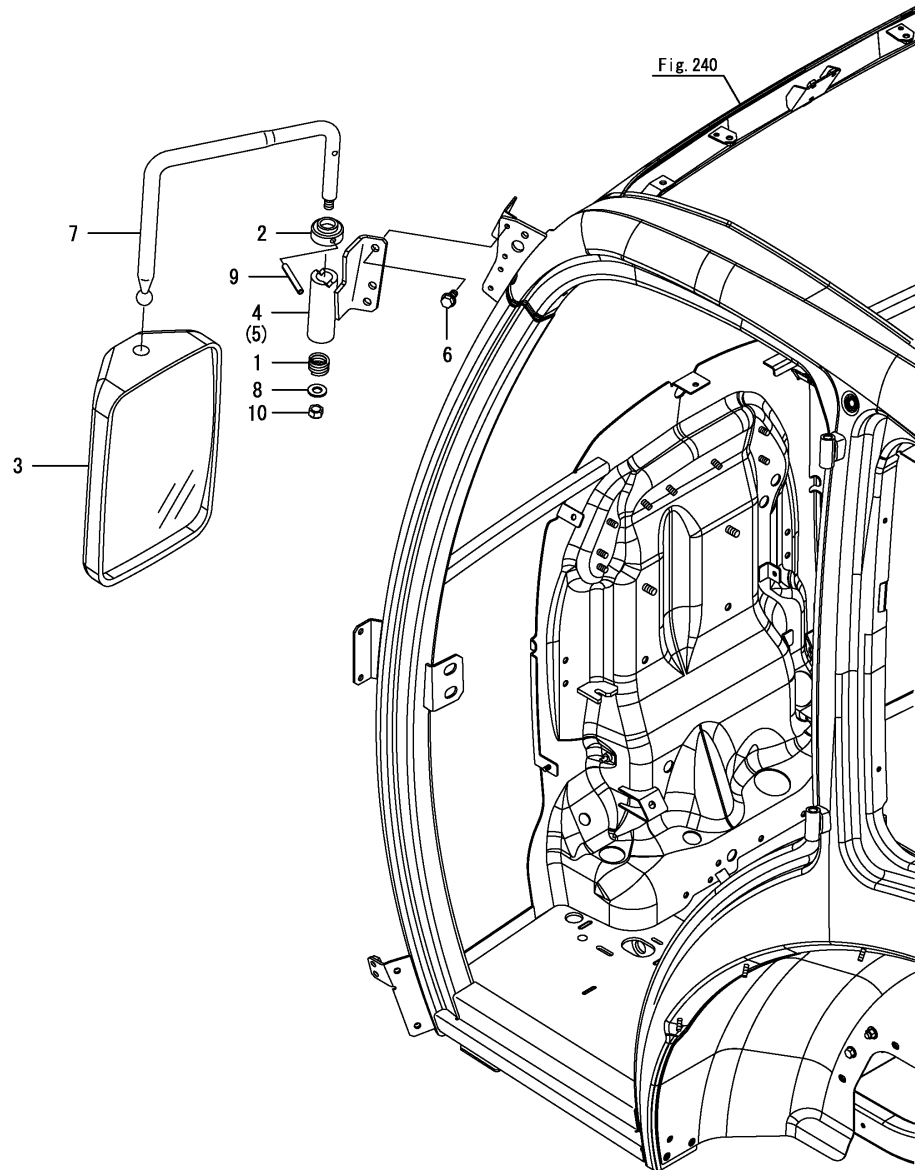
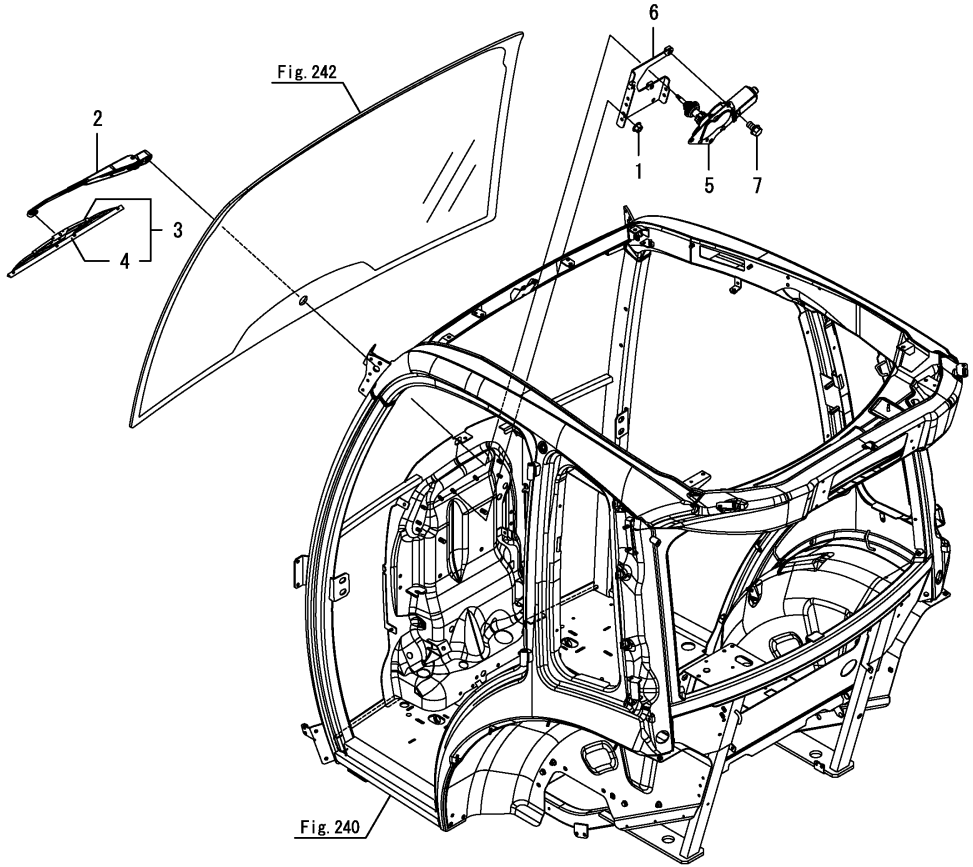


Fig.251. FRONT WIPER

(A)=YT347Y
(B)=YT359Y
(C)=

(D)=
(E)=
(F)=

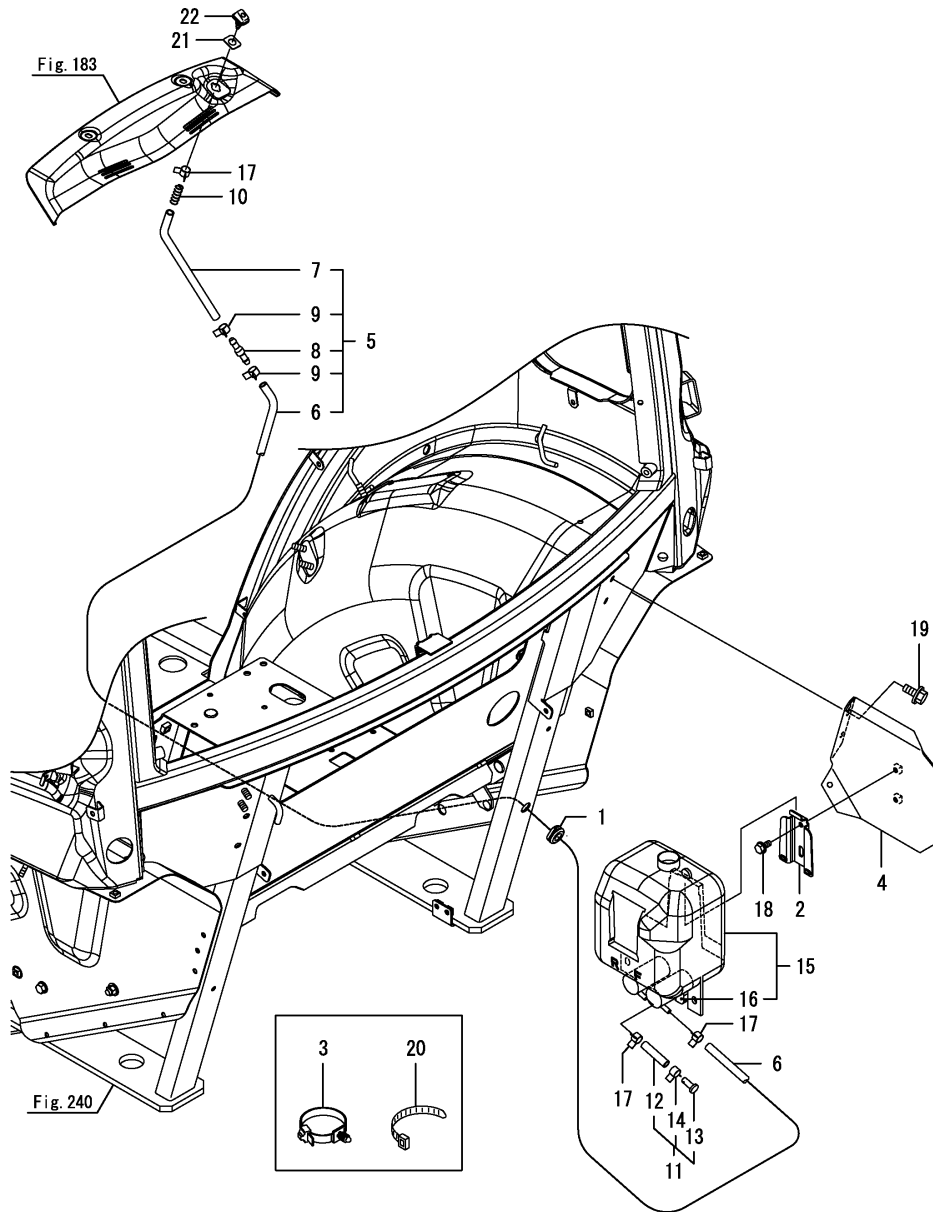


No.	Lev.	Parts No.	Description	Q'ty						I	R
				(A)	(B)	(C)	(D)	(E)	(F)		
1	1	194990-22140	NUT, M8	2	2						
2	1	1A8060-86540	ARM, WIPER	1	1						
3	1	1A8484-86590	BLADE, WIPER	1	1						
4	2	1A8484-86570	RUBBER	1	1						
5	1	1A7210-86610	MOTOR ASSY, WIPER	1	1						
6	1	1A8484-86650	BRACKET ASSY, WIPER	1	1						
7	1	26106-100162	BOLT, M10X 16 PLATED	3	3						

Fig.252. WASHER TANK

(A)=YT347Y
(B)=YT359Y
(C)=

(D)=
(E)=
(F)=

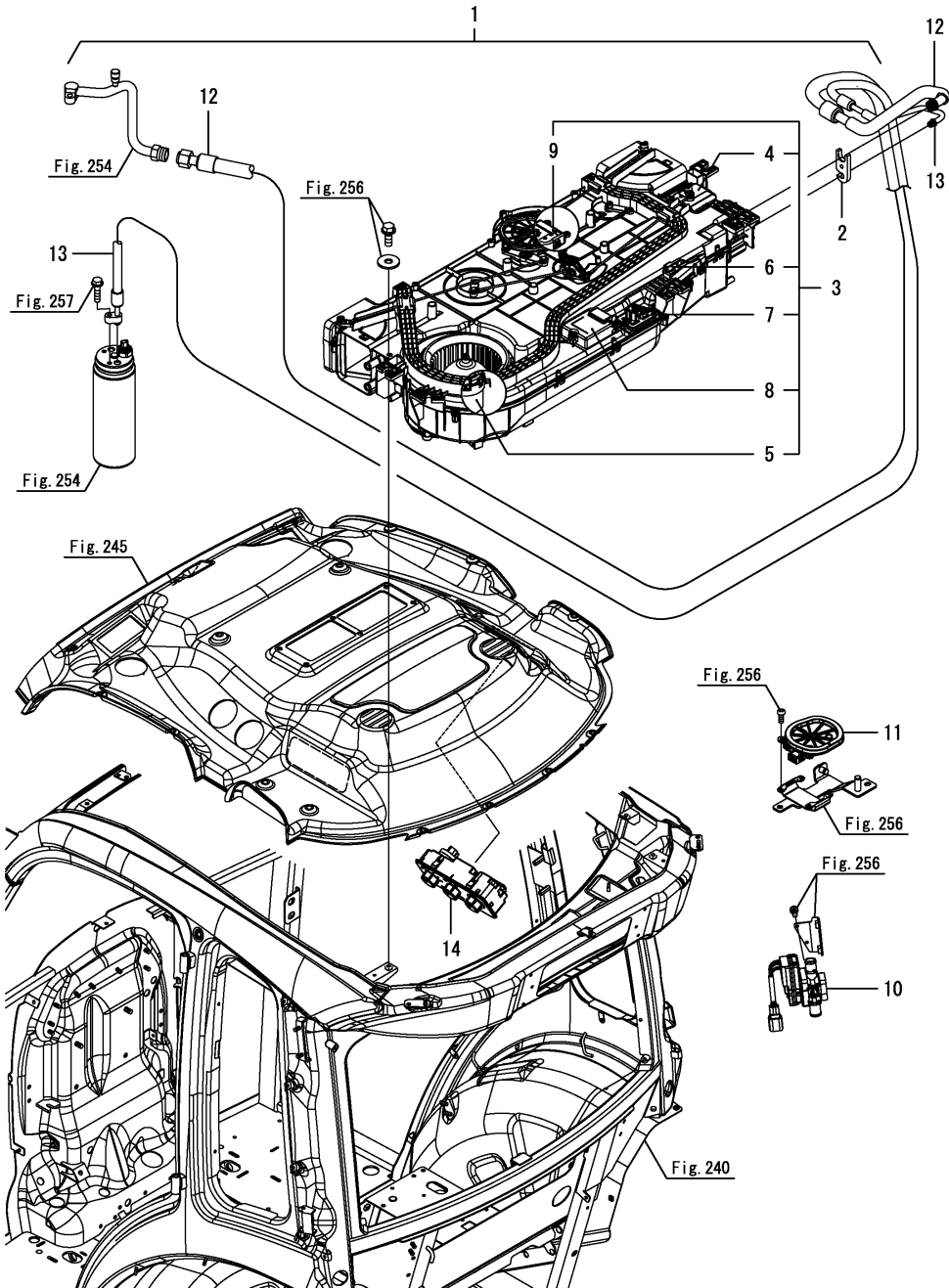


No.	Lev.	Parts No.	Description	Q'ty						I	R
				(A)	(B)	(C)	(D)	(E)	(F)		
1	1	198360-03260	GROMMET, 12	1	1						
2	1	120147-44810	BRACKET	1	1						
3	1	1A8275-51670	CLIP, M8 HOLE	2	2						
4	1	1A8485-86080	STAY ASSY, WS	1	1						
5	1	1A8485-86550	HOSE ASSY, VINYL F	1	1						
6	2	1A8485-86560	HOSE, VINYL F	1	1						
7	2	198153-86660	HOSE, VINYL 150	1	1						
8	2	198153-86670	VALVE, WASHER	1	1						
9	2	23080-007000	CLAMP, 7	2	2						
10	1	198094-86560	SPRING, NOZZLE	1	1						
11	1	1A7170-86580	PIPE ASSY, REARWASHER	1	1						
12	2	1A7170-86590	HOSE, VALVE 30	1	1						
13	2	22487-050100	PIN, H 5X 10	1	1						
14	2	23080-007000	CLAMP, 7	1	1						
15	1	1A7320-86650	TANK ASSY, WASHER	1	1						
16	2	1A7320-86640	PUMP ASSY, WASHER	2	2						
17	1	23080-007000	CLAMP, 7	3	3						
18	1	26106-060122	BOLT, M6X 12 PLATED	2	2						
19	1	26106-080162	BOLT, M8X 16 PLATED	2	2						
20	1	29622-140001	BAND, RF140	1	1						
21	1	1A7320-61140	SPACER, WASHER NOZZLE	1	1						
22	1	198094-86060	NOZZLE, WASHER	1	1						

Fig.253. AIR CONDITIONER(1)

(A)=YT347Y
(B)=YT359Y
(C)=

(D)=
(E)=
(F)=

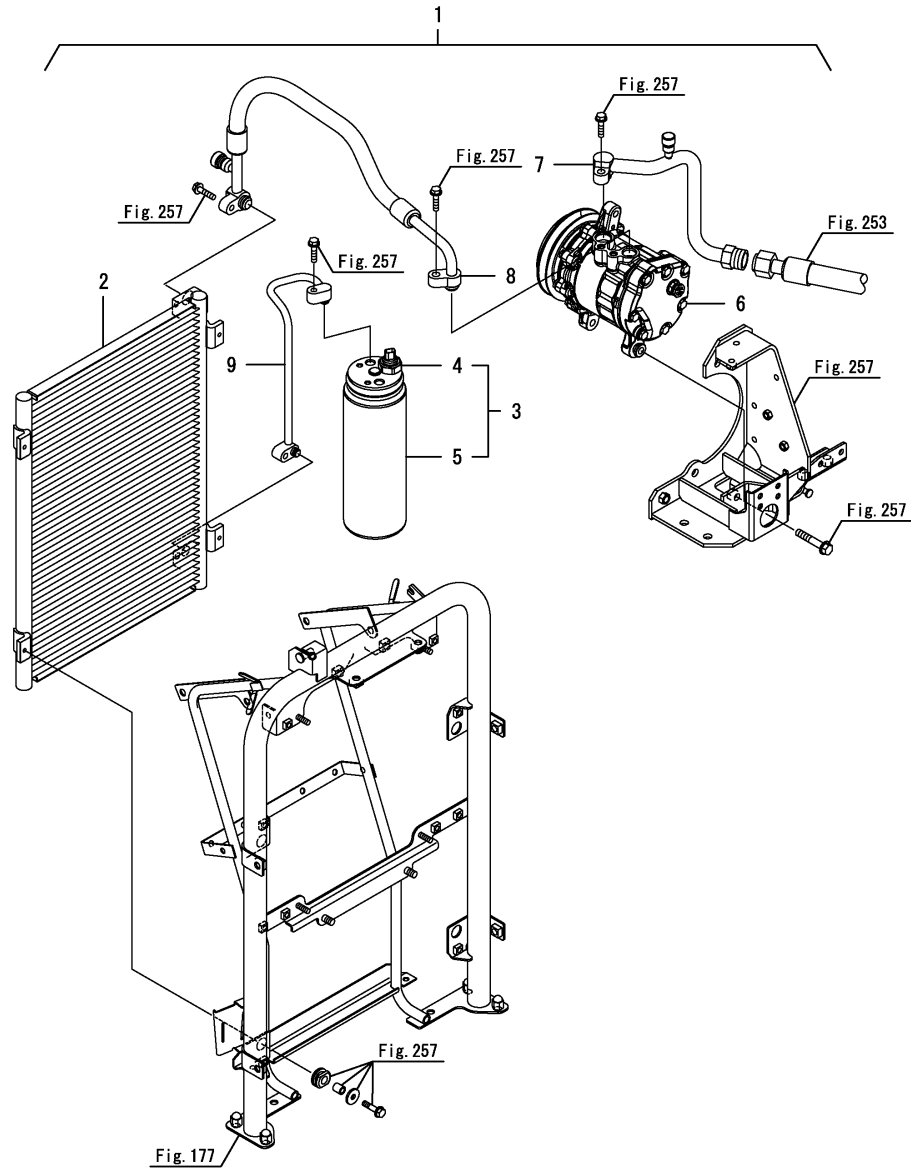


No.	Lev.	Parts No.	Description	Q'ty						I	R
				(A)	(B)	(C)	(D)	(E)	(F)		
1	1	1A8485-87010	AIR CON KIT, CAB SYS	1	1						
2	2	172B03-19110	PLATE, FLANGE	1	1						
3	2	1A8485-87200	AIR CON UNIT, MANUAL	1	1						
4	3	1A8484-87250	ACTUATOR, AIR MIX	1	1						
5	3	1A8484-87260	MOTOR, BLOWER	1	1						
6	3	1A8484-87270	THERMISTOR,FROST	1	1						
7	3	1A8484-87320	BLOWER, REGISTER	1	1						
8	3	1A8484-87330	AMP, A/C	1	1						
9	3	1A8484-87410	MOTOR, SERVO MODE	1	1						
10	2	1A8484-87280	VALVE, WATER	1	1						
11	2	1A8484-87580	MOTOR ASSY,SERVO F/R	1	1						
12	2	1A8484-87940	HOSE ASSY, A/U-COMP	1	1						
13	2	1A8484-87960	HOSE ASSY, R/D-A/U	1	1						
14	1	1A8484-87600	CONTROL,A/C MANU	1	1						

Fig.254. AIR CONDITIONER(2)

(A)=YT347Y
(B)=YT359Y
(C)=

(D)=
(E)=
(F)=

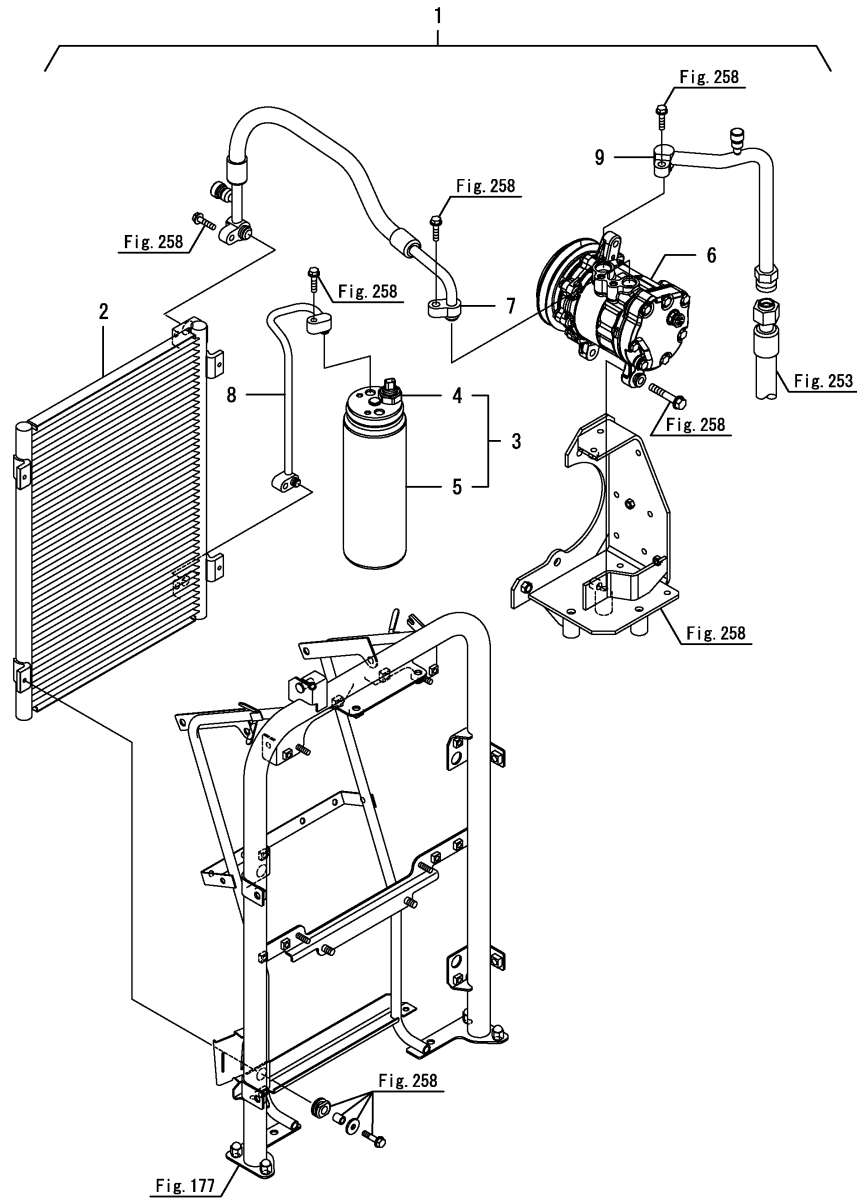


No.	Lev.	Parts No.	Description	Q'ty						I	R
				(A)	(B)	(C)	(D)	(E)	(F)		
1	1	1A8484-87060	AIR CON KIT, BODY SY	1							
2	2	1A8484-87110	CONDENSER ASSY	1							
3	2	1A8484-87690	RECEIVER ASSY, DRYER	1							
4	3	1A8484-87310	SWITCH, PRESSUR	1							
5	3	1A8484-89890	RECEIVER, DRYER	1							
6	2	1A8484-87900	COMPRESSOR ASSY	1							
7	2	1A8484-87920	PIPE ASSY, COMP-A/U	1							
8	2	1A8484-87930	HOSE ASSY, COMP-COND	1							
9	2	1A8484-87950	PIPE ASSY, COND-R/D	1							

Fig.255. AIR CONDITIONER(2)

(A)=YT347Y
(B)=YT359Y
(C)=

(D)=
(E)=
(F)=

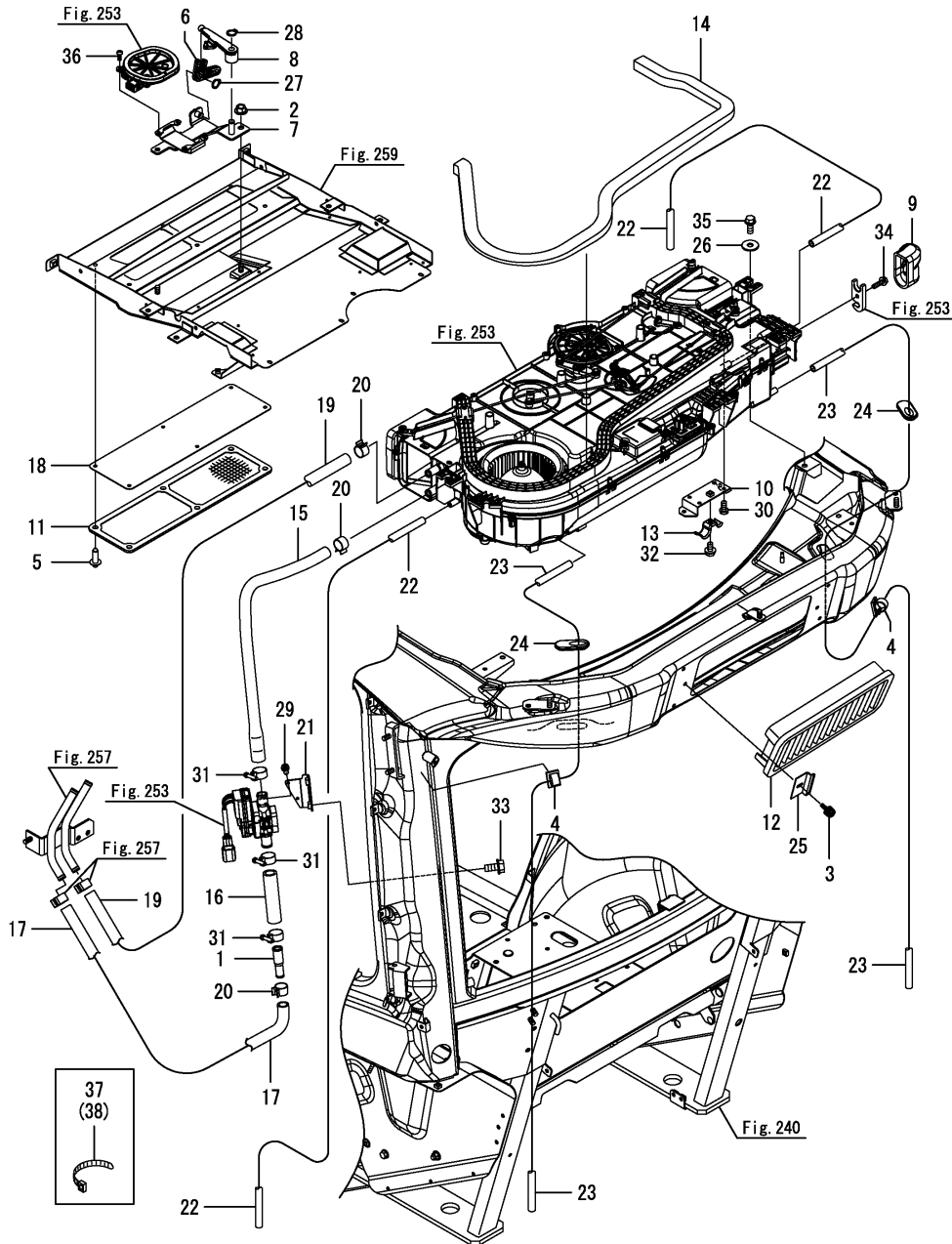


No.	Lev.	Parts No.	Description	Q'ty						I	R
				(A)	(B)	(C)	(D)	(E)	(F)		
1	1	1A8484-87070	AIR CON KIT, BODY SY		1						
2	2	1A8484-87110	CONDENSER ASSY		1						
3	2	1A8484-87690	RECEIVER ASSY, DRYER		1						
4	3	1A8484-87310	SWITCH, PRESSUR		1						
5	3	1A8484-89890	RECEIVER, DRYER		1						
6	2	1A8484-87900	COMPRESSOR ASSY		1						
7	2	1A8484-87930	HOSE ASSY, COMP-COND		1						
8	2	1A8484-87950	PIPE ASSY, COND-R/D		1						
9	2	1A8484-88920	PIPE ASSY, COMP-A/U		1						

Fig.256. AIR CONDITIONER(3)

(A)=YT347Y
(B)=YT359Y
(C)=

(D)=
(E)=
(F)=

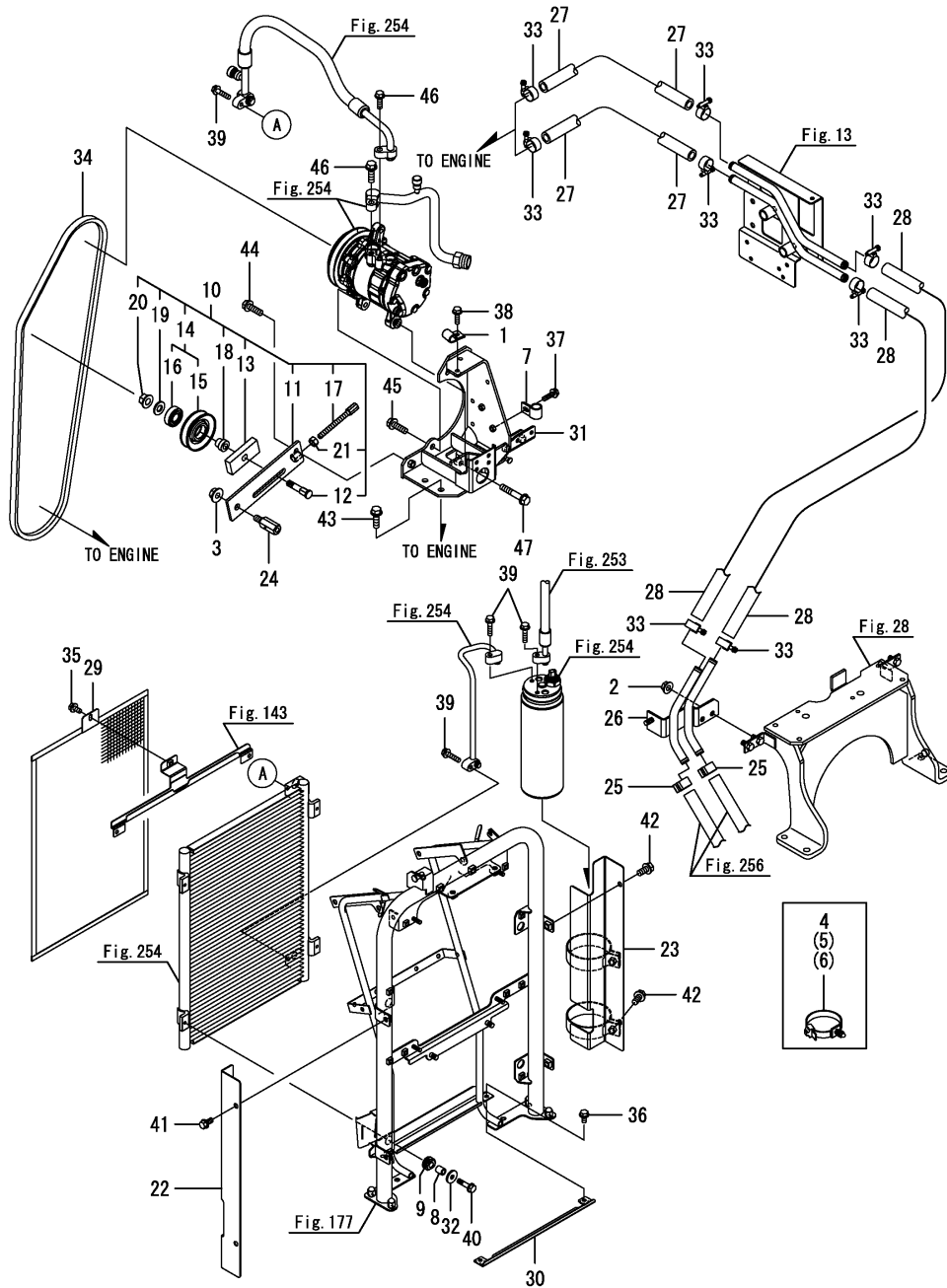


No.	Lev.	Parts No.	Description	Qty						I	R
				(A)	(B)	(C)	(D)	(E)	(F)		
1	1	172455-17930	JOINT, HOSE	1	1						
2	1	194990-22140	NUT, M8	2	2						
3	1	1F4190-41040	WING BOLT, 6X15	2	2						
4	1	194680-78350	STICKER, WIRE 18	2	2						
5	1	1A8111-84220	RIVET, PUSH	6	6						
6	1	1A8484-87160	LINK, SHUTTER	1	1						
7	1	1A8484-87170	BRACKET ASSY, MOTOR	1	1						
8	1	1A8484-87550	ARM, SHUTTER	1	1						
9	1	1A7030-87730	PAD, AIR-CON HOSE	1	1						
10	1	1A8484-87880	STAY ASSY, A/C HOSE	1	1						
11	1	1A7030-87970	FILTER	1	1						
12	1	1A7030-87990	FILTER	1	1						
13	1	1A8484-88060	CLAMP, AIRCON HOSE	1	1						
14	1	1A8484-88490	SEAL, AIR CON D	1	1						
15	1	1A8484-88650	HOSE, HEATER W/V-A/U	1	1						
16	1	1A8484-88660	HOSE, HEATER JOINT	1	1						
17	1	1A8484-88671	HOSE, HEATER ENG-W/V	1	1						
18	1	1A8111-88680	FILTER	1	1						
19	1	1A8484-88681	HOSE, HEATER A/U-ENG	1	1						
20	1	1A7030-88710	CLIP, HEATER HOSE	3	3						
21	1	1A8484-88940	BRACKET ASSY, W/V	1	1						
22	1	1A8484-88970	HOSE, DRAIN FL	2	2						
23	1	198208-88980	HOSE, DRAIN RR	2	2						
24	1	1A8484-88990	GROMMET	2	2						
25	1	1A8484-89650	STAY, FILTER	2	2						
26	1	22157-080000	WASHER, 8	5	5						
27	1	22242-000100	RING, 10	1	1						
28	1	22242-000100	RING, 10	1	1						
29	1	22857-400100	SCREW, 4X10	2	2						
30	1	22857-500100	SCREW, 5X10	4	4						
31	1	23000-022000	CLAMP, 22	3	3						
32	1	26106-060102	BOLT, M6X 10 PLATED	1	1						
33	1	26106-060122	BOLT, M6X 12 PLATED	2	2						
34	1	26106-060202	BOLT, M6X 20 PLATED	1	1						
35	1	26106-080202	BOLT, M8X 20 PLATED	5	5						
36	1	26557-040102	SCREW, M4X10	4	4						
37	1	29622-250001	BAND, RF250	2	2						
38	1	29622-250001	BAND, RF250	2	2						

Fig.257. AIR CONDITIONER(4)

(A)=YT347Y
(B)=YT359Y
(C)=

(D)=
(E)=
(F)=

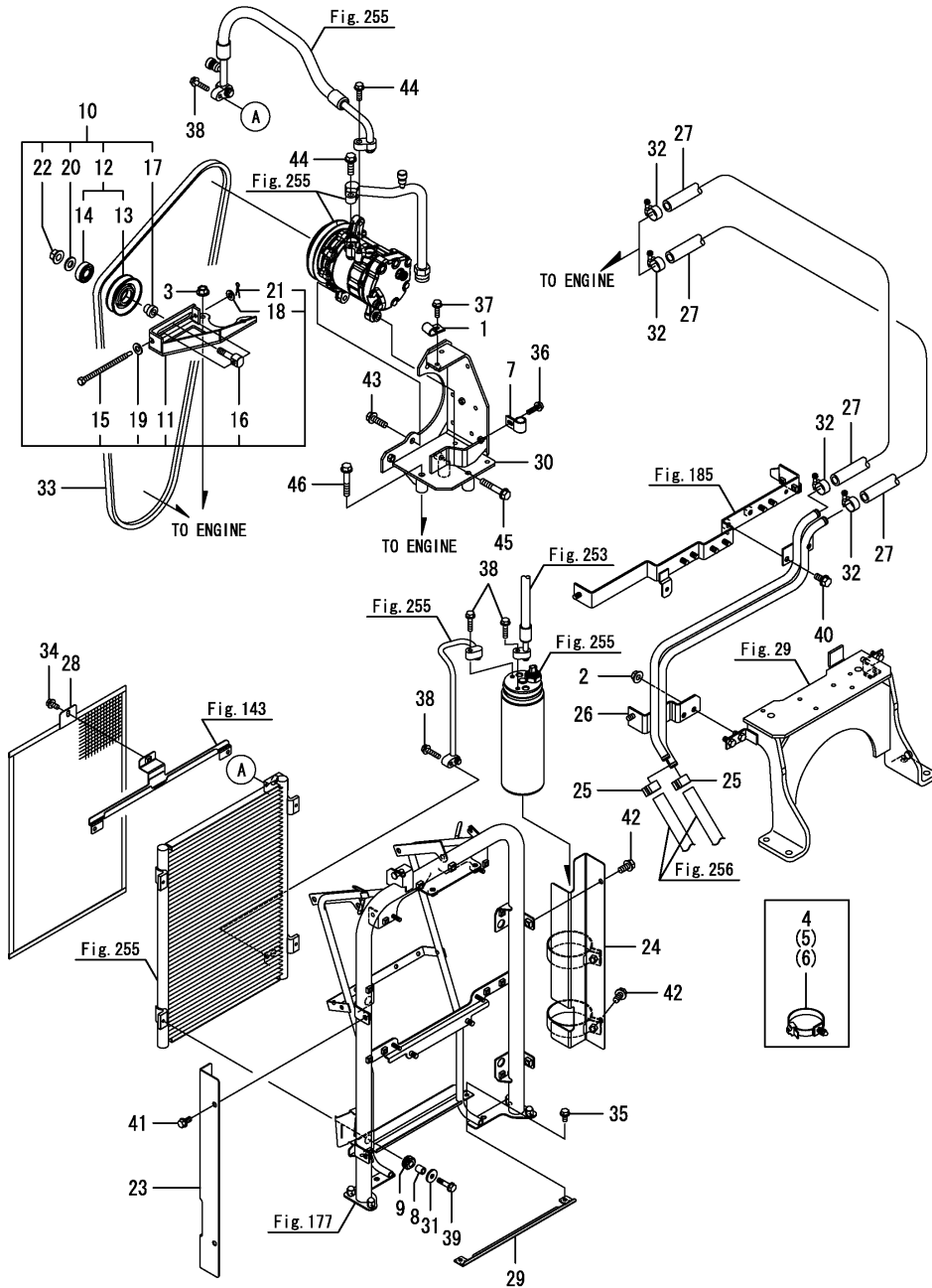


No.	Lev.	Parts No.	Description	Q'ty						I	R
				(A)	(B)	(C)	(D)	(E)	(F)		
1	1	1A7805-04170	CLIP 12	1							
2	1	194990-22140	NUT, M8	2							
3	1	194990-22150	NUT, M10	1							
4	1	1A8275-51670	CLIP, M8 HOLE	3							
5	1	1A8275-51670	CLIP, M8 HOLE	1							
6	1	1A8275-51670	CLIP, M8 HOLE	3							
7	1	1C1151-66470	CLAMP, 15	1							
8	1	1A7260-78700	SPACER, 11.3	4							
9	1	198129-78720	GROMMET, 10-16	4							
10	1	1A8474-87050	PULLEY ASSY, TENSION	1							
11	2	1A8474-89060	STAY ASSY, TENSION	1							
12	2	1A8474-89080	PIN	1							
13	2	1A8474-89090	PLATE, TENSION	1							
14	2	129457-96200	PULLEY ASSY, TENSION	1							
15	3	129457-96230	PULLEY, TENSION	1							
16	3	24104-062024	BEARING, BALL 6202UU	1							
17	2	129054-96970	BOLT, ADJUSTER	1							
18	2	129054-96990	SPACER	1							
19	2	22137-100000	WASHER, 10	1							
20	2	26306-100002	NUT, M10	1							
21	2	26712-080002	NUT, M8	1							
22	1	1A8484-87120	COVER, L	1							
23	1	1A8484-87130	STAY ASSY, R/D	1							
24	1	1A8474-87150	NUT, HIGH M10	1							
25	1	1A7030-88710	CLIP, HEATER HOSE	2							
26	1	1A8474-88760	PIPE ASSY, HEATER	1							
27	1	1A8474-88840	HOSE, HEATER ENG	2							
28	1	1A8474-88850	HOSE, HEATER ENG	2							
29	1	1A8484-89150	SCREEN ASSY, CON	1							
30	1	1A8484-89211	RAIL ASSY, CON LOWER	1							
31	1	1A8474-89711	BRACKET ASSY, COMP	1							
32	1	22157-060000	WASHER, 6	4							
33	1	23000-022000	CLAMP, 22	8							
34	1	25132-005700	V BELT, A 57	1							
35	1	26106-060122	BOLT, M6X 12 PLATED	1							
36	1	26106-060122	BOLT, M6X 12 PLATED	2							
37	1	26106-060202	BOLT, M6X 20 PLATED	1							
38	1	26106-060202	BOLT, M6X 20 PLATED	1							
39	1	26106-060252	BOLT, M6X 25 PLATED	4							
40	1	26106-060252	BOLT, M6X 25 PLATED	4							
41	1	26106-080162	BOLT, M8X 16 PLATED	2							
42	1	26106-080162	BOLT, M8X 16 PLATED	4							
43	1	26106-080162	BOLT, M8X 16 PLATED	4							
44	1	26106-080252	BOLT, M8X 25 PLATED	1							
45	1	26106-080252	BOLT, M8X 25 PLATED	2							
46	1	26106-080252	BOLT, M8X 25 PLATED	2							
47	1	26106-080452	BOLT, M8X 45 PLATED	1							

Fig.258. AIR CONDITIONER(4)

(A)=YT347Y
(B)=YT359Y
(C)=

(D)=
(E)=
(F)=

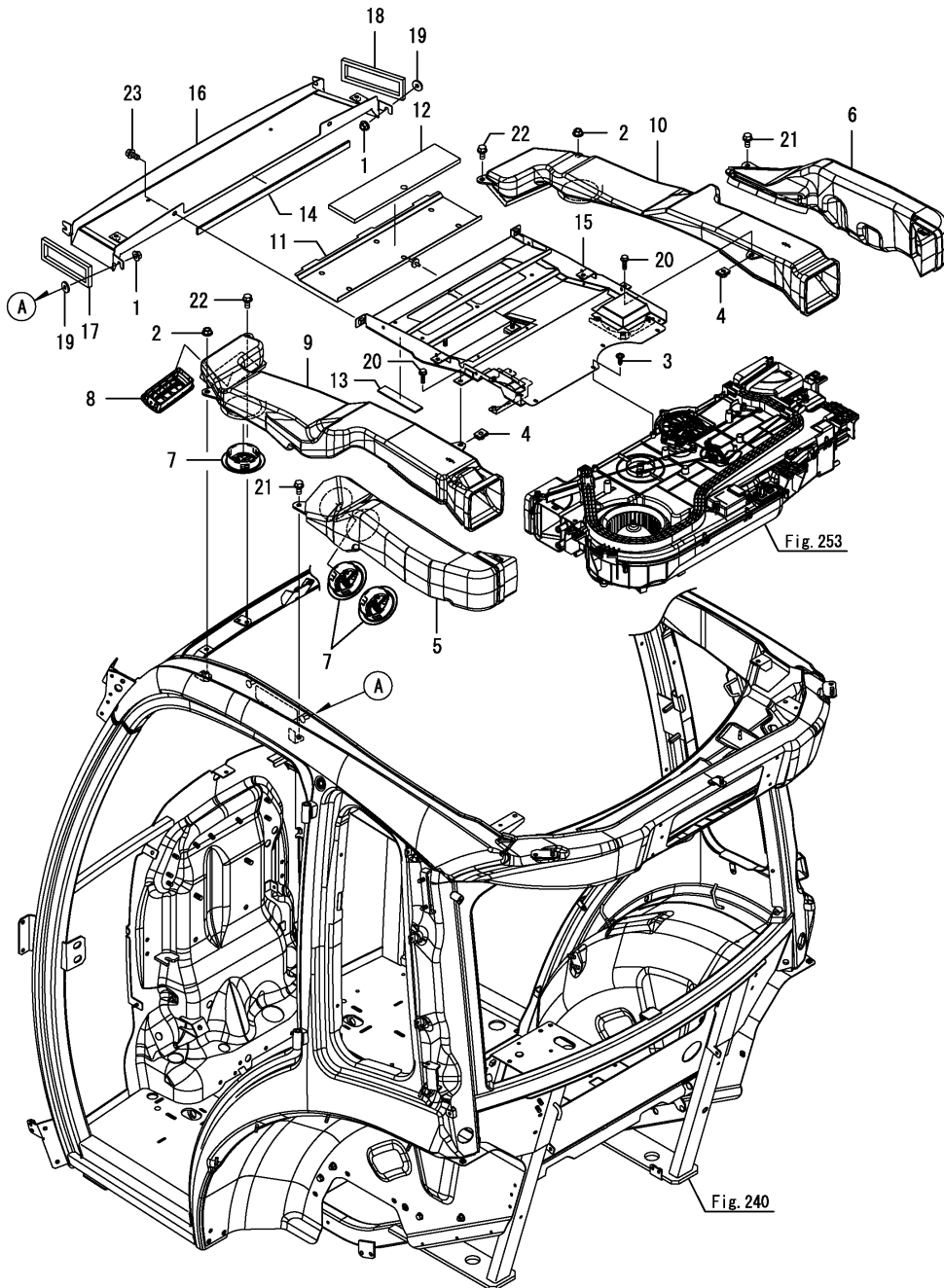


No.	Lev.	Parts No.	Description	Q'ty						I	R
				(A)	(B)	(C)	(D)	(E)	(F)		
1	1	1A7805-04170	CLIP 12		1						
2	1	194990-22140	NUT, M8		2						
3	1	194990-22140	NUT, M8		2						
4	1	1A8275-51670	CLIP, M8 HOLE		2						
5	1	1A8275-51670	CLIP, M8 HOLE		2						
6	1	1A8275-51670	CLIP, M8 HOLE		3						
7	1	1C1151-66470	CLAMP, 15		1						
8	1	1A7260-78700	SPACER, 11.3		4						
9	1	198129-78720	GROMMET, 10-16		4						
10	1	1A8484-87050	PULLEY ASSY, TENSION		1						
11	2	1A8042-87060	STAY ASSY, TENSION		1						
12	2	129457-96200	PULLEY ASSY, TENSION		1						
13	3	129457-96230	PULLEY, TENSION		1						
14	3	24104-062024	BEARING, BALL 6202UU		1						
15	2	129968-96970	BOLT, ADJUSTING		1						
16	2	129972-96980	BOLT		1						
17	2	129054-96990	SPACER		1						
18	2	22137-060000	WASHER, 6		1						
19	2	22137-080000	WASHER, 8		1						
20	2	22137-100000	WASHER, 10		1						
21	2	22417-160120	PIN, COTTER 1.6X12		1						
22	2	26306-100002	NUT, M10		1						
23	1	1A8484-87120	COVER, L		1						
24	1	1A8484-87130	STAY ASSY, R/D		1						
25	1	1A7030-88710	CLIP, HEATER HOSE		2						
26	1	1A8484-88760	PIPE ASSY, HEATER		1						
27	1	1A8484-88840	HOSE, HEATER ENG		2						
28	1	1A8484-89150	SCREEN ASSY, CON		1						
29	1	1A8484-89211	RAIL ASSY, CON LOWER		1						
30	1	1A8484-89710	BRACKET ASSY, COMP		1						
31	1	22157-060000	WASHER, 6		4						
32	1	23000-022000	CLAMP, 22		4						
33	1	25132-006800	V BELT, A 68		1						
34	1	26106-060122	BOLT, M6X 12 PLATED		1						
35	1	26106-060122	BOLT, M6X 12 PLATED		2						
36	1	26106-060202	BOLT, M6X 20 PLATED		1						
37	1	26106-060202	BOLT, M6X 20 PLATED		1						
38	1	26106-060252	BOLT, M6X 25 PLATED		4						
39	1	26106-060252	BOLT, M6X 25 PLATED		4						
40	1	26106-080162	BOLT, M8X 16 PLATED		2						
41	1	26106-080162	BOLT, M8X 16 PLATED		2						
42	1	26106-080162	BOLT, M8X 16 PLATED		4						
43	1	26106-080252	BOLT, M8X 25 PLATED		2						
44	1	26106-080252	BOLT, M8X 25 PLATED		2						
45	1	26106-080452	BOLT, M8X 45 PLATED		1						
46	1	26106-080452	BOLT, M8X 45 PLATED		3						

Fig.259. AIR CONDITIONER DUCT

(A)=YT347Y
(B)=YT359Y
(C)=

(D)=
(E)=
(F)=

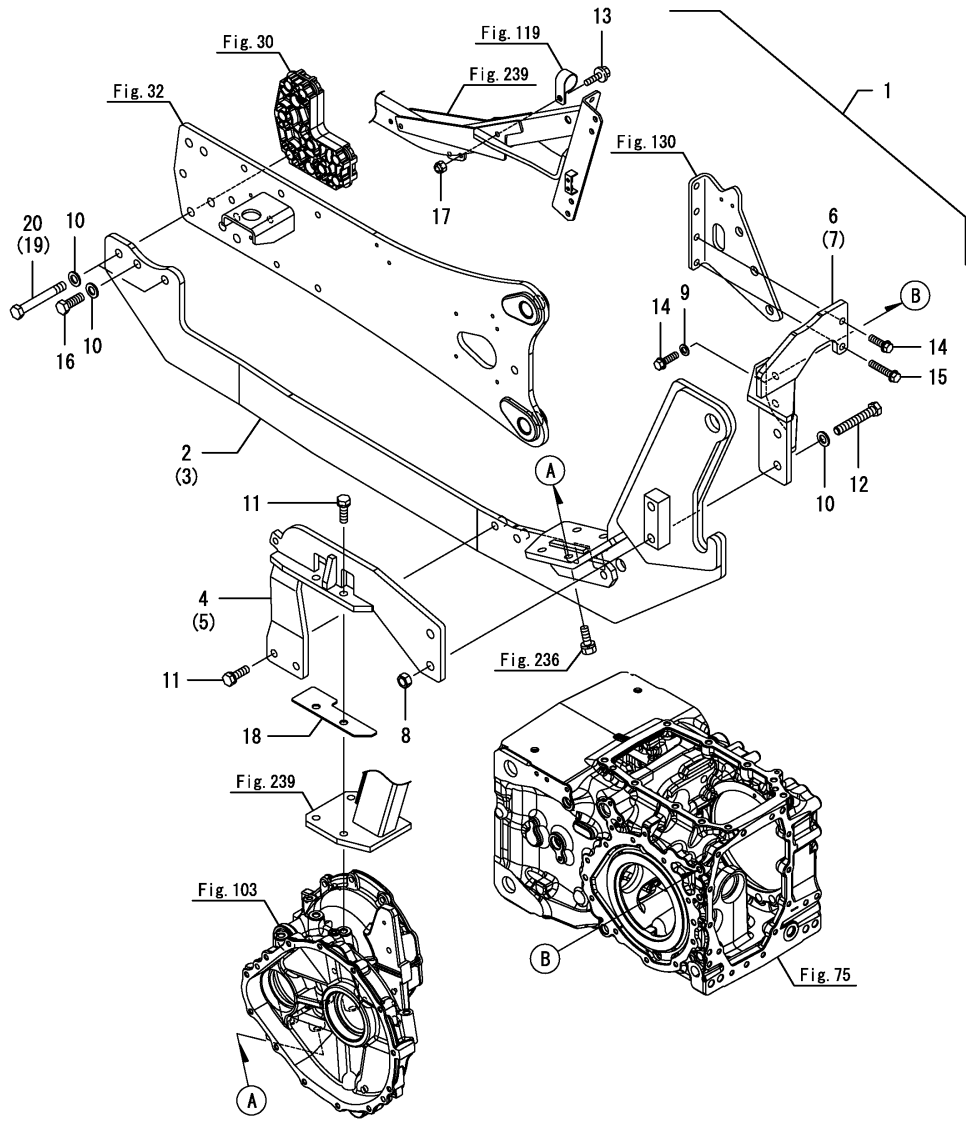


No.	Lev.	Parts No.	Description	Q'ty						I	R
				(A)	(B)	(C)	(D)	(E)	(F)		
1	1	194990-22140	NUT, M8	4	4						
2	1	194990-22140	NUT, M8	2	2						
3	1	194940-61790	SCREW, TAPPING M5X16	4	4						
4	1	198071-61890	NUT, SPEED M6	2	2						
5	1	1A8484-87380	DUCT ASSY, SIDE L	1	1						
6	1	1A8484-87390	DUCT ASSY, SIDE R	1	1						
7	1	1A8060-87400	GRILLE, AIR-CON	6	6						
8	1	1A8060-87411	GRILLE, AIR-CON	2	2						
9	1	1A8484-87480	DUCT ASSY, DEF L	1	1						
10	1	1A8484-87490	DUCT ASSY, DEF R	1	1						
11	1	1A8484-87500	SHUTTER ASSY,OUTSIDE	1	1						
12	1	1A8484-87560	SEAL,SHUTTER OUTSIDE	1	1						
13	1	1A8484-87570	STOPPER, SHUTTER	2	2						
14	1	1A8484-87670	SEAL, INLET	1	1						
15	1	1A8484-87700	INLET ASSY, AIR CON	1	1						
16	1	1A8484-87800	DUCT ASSY,OUTSIDE	1	1						
17	1	1A8484-87831	SEAL, DUCT FRAME L	1	1						
18	1	1A8484-87841	SEAL, DUCT FRAME R	1	1						
19	1	22157-080000	WASHER, 8	4	4						
20	1	26106-060202	BOLT, M6X 20 PLATED	2	2						
21	1	26106-080162	BOLT, M8X 16 PLATED	2	2						
22	1	26106-080162	BOLT, M8X 16 PLATED	2	2						
23	1	26106-080162	BOLT, M8X 16 PLATED	2	2						

Fig.262. BACKHOE FRAME

(A)=YT347Y
(B)=YT359Y
(C)=

(D)=
(E)=
(F)=



No.	Lev.	Parts No.	Description	Q'ty						I	R
				(A)	(B)	(C)	(D)	(E)	(F)		
1	1	1A8475-97000	MOUNT KIT, BACKHOE	1	1						
2	2	1A8475-97050	MOUNT ASSY, LH LOWER	1	1						
3	2	1A8475-97060	MOUNT ASSY, RH LOWER	1	1						
4	2	1A8475-97151	MOUNT ASSY, LH UPPER	1	1						
5	2	1A8475-97161	MOUNT ASSY, RH UPPER	1	1						
6	2	1A8475-97210	STAY, TM LH	1	1						
7	2	1A8475-97220	STAY, TM RH	1	1						
8	2	1A8425-97350	NUT, M16X2 CLASS 10	4	4						
9	2	22137-120000	WASHER, 12	4	4						
10	2	22137-160000	WASHER, 16	10	10						
11	2	26013-140452	BOLT, M14X 45	8	8						
12	2	26076-161002	BOLT, 16 X 100	4	4						
13	2	26106-080162	BOLT, M8X 16 PLATED	1	1						
14	2	26106-120402	BOLT, M12X 40 PLATED	6	6						
15	2	26106-120602	BOLT, M12X 60 PLATED	2	2						
16	2	26116-160452	BOLT, M16X 45 PLATED	2	2						
17	2	26346-080002	NUT, M8	1	1						
18	1	1A8475-97300	PLATE, SHIM	2	2						
19	1	26116-160952	BOLT, M16X 95 PLATED		4						
20	1	26116-161202	BOLT, M16X120 PLATED	4							

Fig.265. CONTROLLER(SA-R)(CABIN)

(A)=YT347Y
(B)=YT359Y
(C)=

(D)=
(E)=
(F)=

No.	Lev.	Parts No.	Description	Q'ty						I	R
				(A)	(B)	(C)	(D)	(E)	(F)		
1	1	1A8484-50800	CONTROL KIT, SA-R	1	1						
2	2	1RF001-00014	CONTROLLER,MOBILE,J	1	1						
3	2	194990-22130	NUT, M6	2	2						
4	2	194990-22130	NUT, M6	4	4						
5	2	1A8475-51920	HARNESS, SA-R	1	1						
6	2	1A8484-58700	BRACKET, CONTROLLER	2	2						
7	2	1A8484-58750	BRACKET ASSY, ANTENN	1	1						
8	2	1RF001-93010	ANTENNA,MOBILE	1	1						
9	2	26106-060162	BOLT, M6X 16 PLATED	4	4						

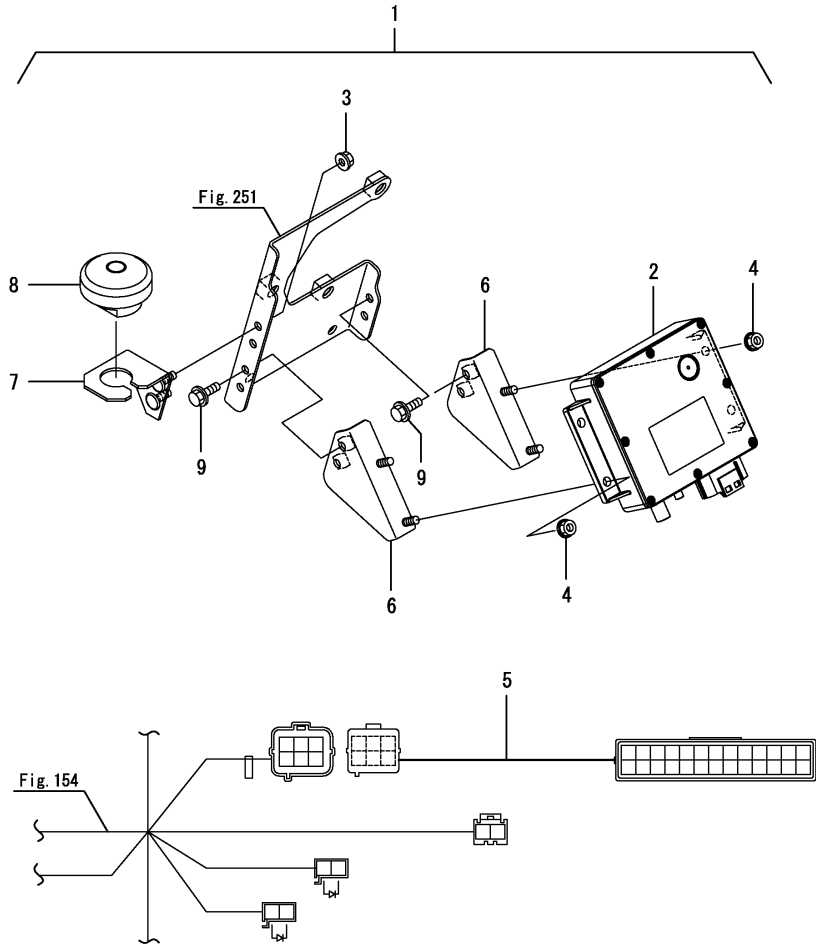


Fig.266. CASE(ACCESSORY)

(A)=YT347Y
(B)=YT359Y
(C)=

(D)=
(E)=
(F)=

No.	Lev.	Parts No.	Description	Q'ty						I	R
				(A)	(B)	(C)	(D)	(E)	(F)		
1	1	1A8484-84640	CASE KIT, ACCESSORY	1	1						
2	2	198072-60590	BOLT, M6X20	3	3						
3	2	1A8484-84650	CASE, ACCESSORY	1	1						

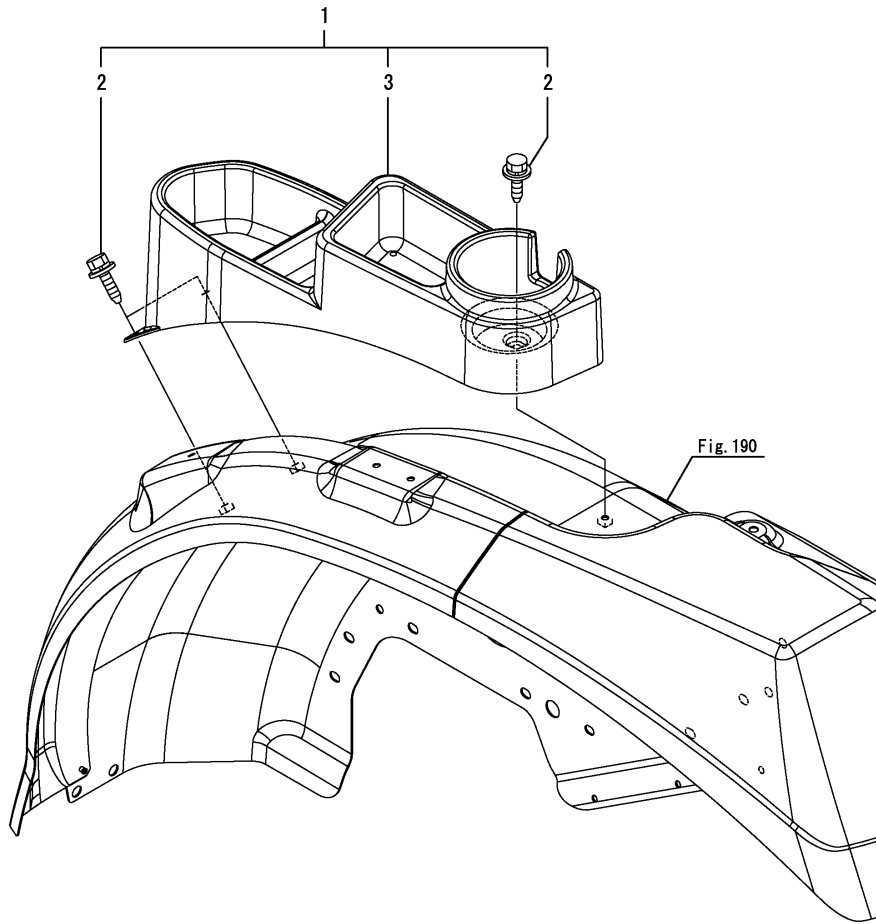
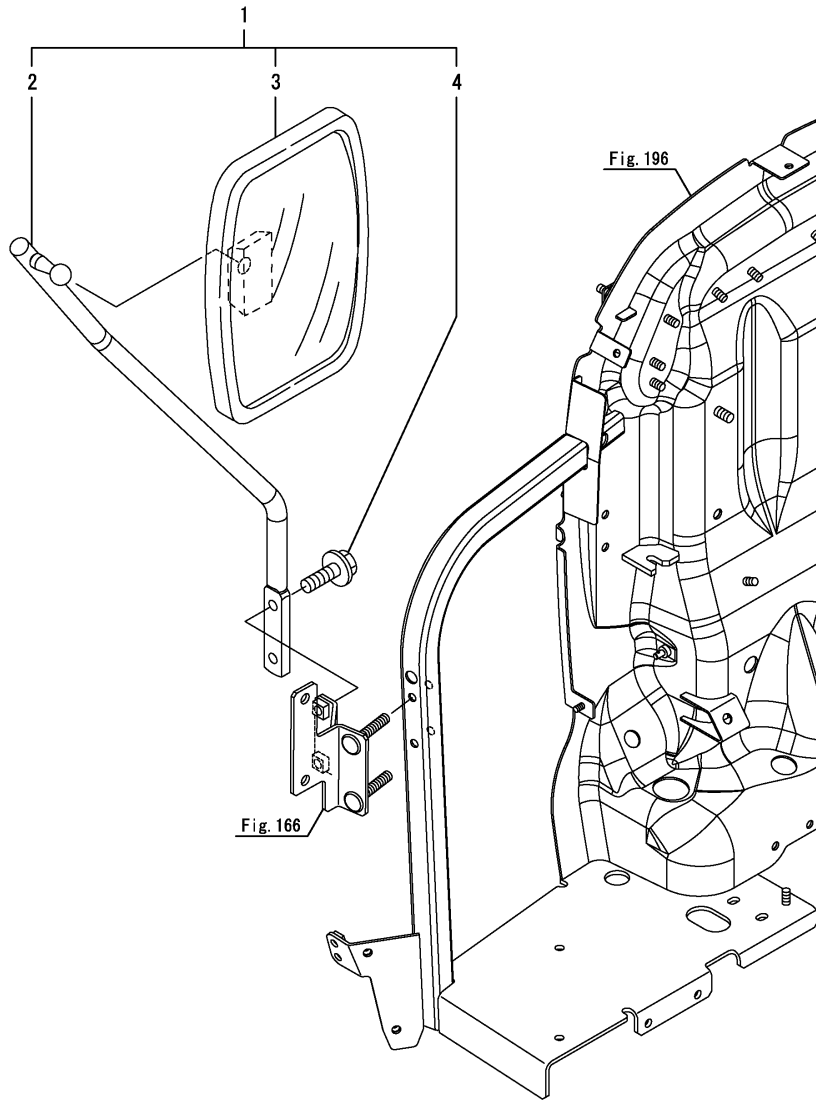


Fig.267. REARVIEW MIRROR(LEFT)

(A)=YT347Y
(B)=YT359Y
(C)=

(D)=
(E)=
(F)=

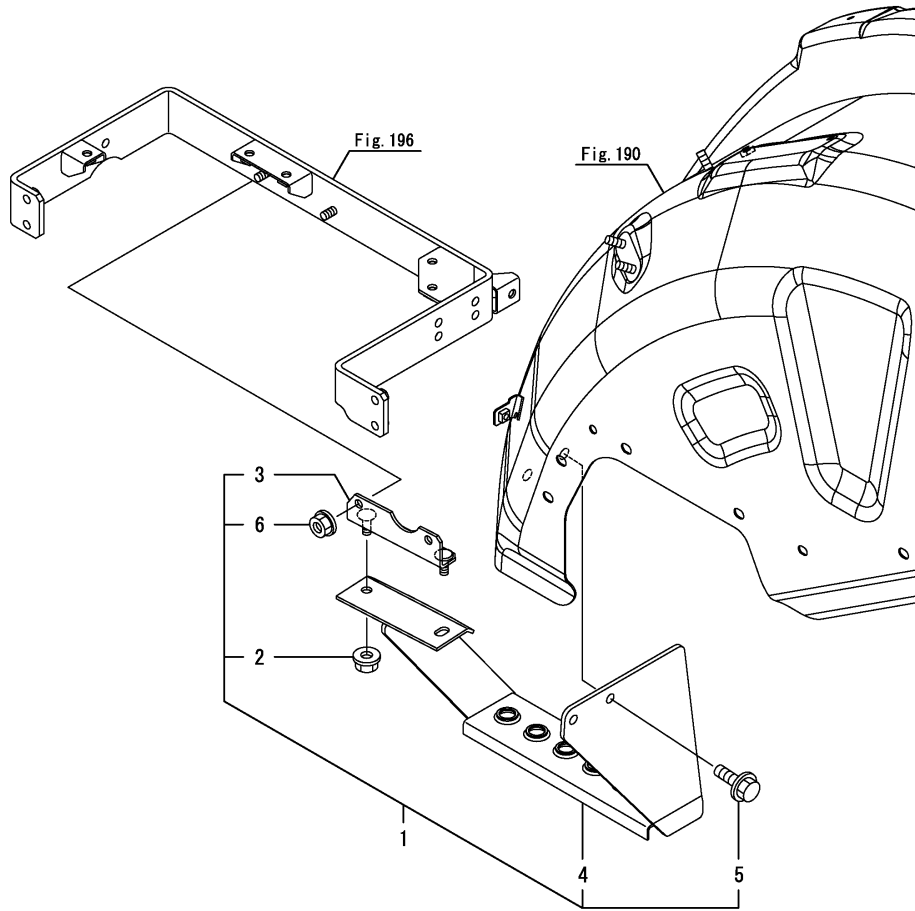


No.	Lev.	Parts No.	Description	Q'ty						I	R
				(A)	(B)	(C)	(D)	(E)	(F)		
1	1	1A8470-64050	MIRROR KIT, L	1	1						
2	2	1A8470-64080	ROD ASSY, MIRROR L	1	1						
3	2	198440-64100	HEAD, REAR VIEW	1	1						
4	2	198093-82510	BOLT, M8X25	2	2						

Fig.269. SUB STEP

(A)=YT347Y
(B)=YT359Y
(C)=

(D)=
(E)=
(F)=

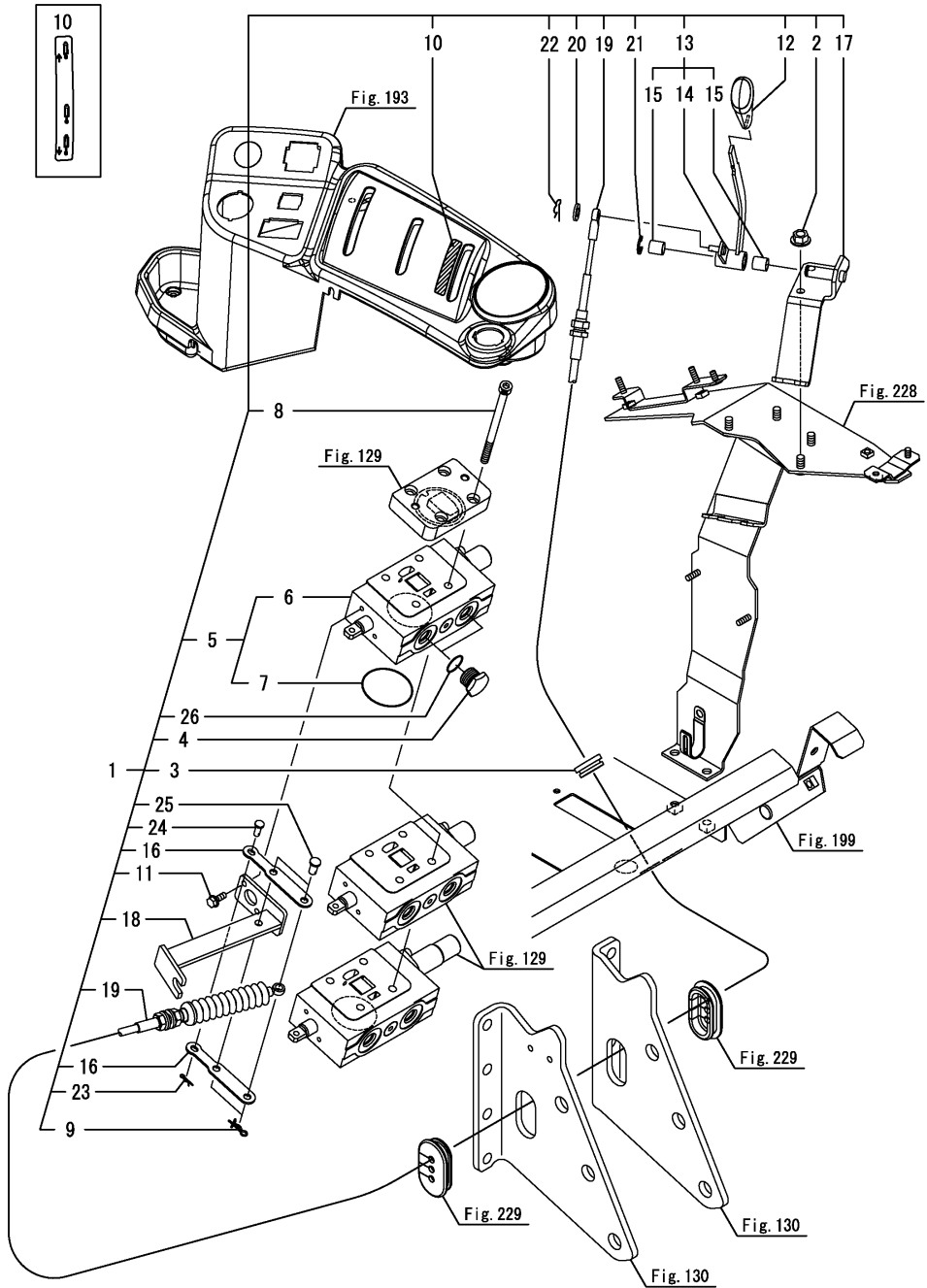


No.	Lev.	Parts No.	Description	Q'ty						I	R
				(A)	(B)	(C)	(D)	(E)	(F)		
1	1	1A8475-62800	STEP KIT, SUB	1	1						
2	2	194990-22140	NUT, M8	2	2						
3	2	1A8475-62570	STAY ASSY, SUB STEP	1	1						
4	2	1A8475-62810	STEP ASSY, SUB R	1	1						
5	2	198460-83350	BOLT, M8X16	2	2						
6	2	194990-22140	NUT, M8	2	2						

Fig.271. S.C.V.(3RD)

(A)=YT347Y
(B)=YT359Y
(C)=

(D)=
(E)=
(F)=

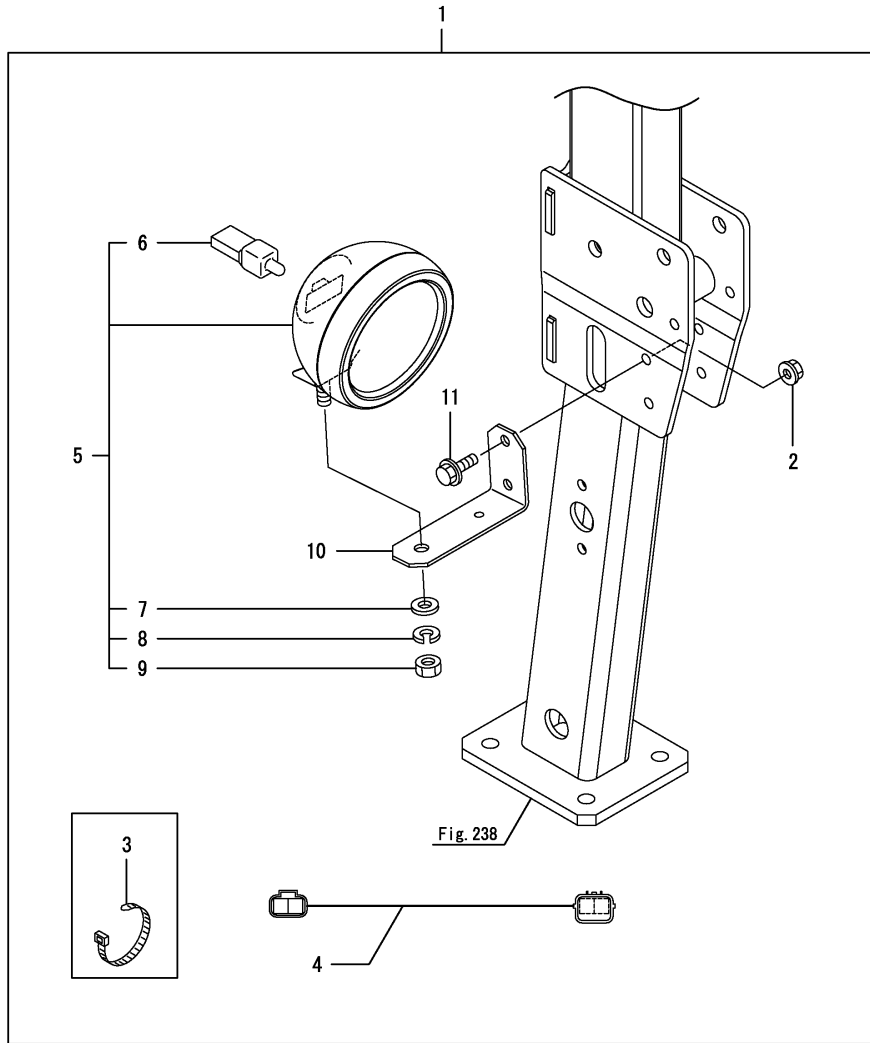


No.	Lev.	Parts No.	Description	Q'ty						I	R
				(A)	(B)	(C)	(D)	(E)	(F)		
1	1	1A8475-46030	SCV KIT, 3RD	1	1						
2	2	194990-22140	NUT, M8	2	2						
3	2	198448-33390	GROMMET, WIRE	1	1						
4	2	194065-42250	PLUG, PF1/2	2	2						
5	2	1A8060-46720	SCV ASSY	1	1						
6	3	1A8060-46740	SCV	1	1						
7	3	194850-49370	O-RING, 1A2053	1	1						
8	2	1A8060-46770	BOLT, M8X165	4	4						
9	2	1C6281-52320	PIN, SNAP 8	2	2						
10	2	1A8475-65350	LABEL, SCV	1	1						
11	2	26106-060162	BOLT, M6X 16 PLATED	2	2						
12	2	1A8060-68710	KNOB, WHITE	1	1						
13	2	1A8476-68720	LEVER UNIT, SCV B	1	1						
14	3	1A8476-68740	LEVER ASSY, SCV B	1	1						
15	3	24550-012150	BUSH, 12X15	2	2						
16	2	1A8476-68780	LINK, SCV	2	2						
17	2	1A8476-68800	BRACKET, SCV LEVER	1	1						
18	2	1A8476-68850	STAY ASSY, LINK SCV	1	1						
19	2	1A8476-68960	WIRE, SCV 1900	1	1						
20	2	22137-060000	WASHER, 6	1	1						
21	2	22272-000100	RING, E-10	1	1						
22	2	22372-050000	PIN, SNAP 5	1	1						
23	2	22372-050000	PIN, SNAP 5	1	1						
24	2	22487-060120	PIN, H 6X 12	1	1						
25	2	22487-080120	PIN, H 8X 12	2	2						
26	2	24315-000180	O-RING, 1BP18.0	2	2						

Fig.272. WORK LAMP

(A)=YT347Y
(B)=YT359Y
(C)=

(D)=
(E)=
(F)=

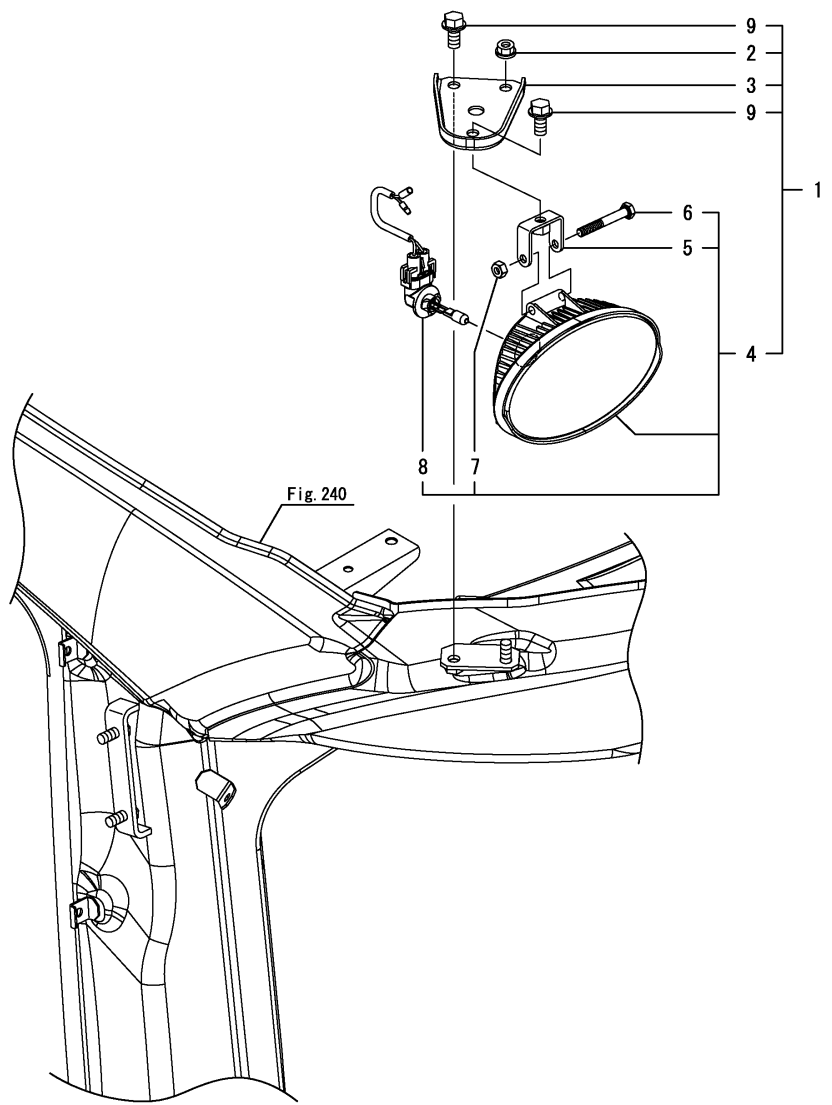


No.	Lev.	Parts No.	Description	Q'ty						I	R
				(A)	(B)	(C)	(D)	(E)	(F)		
1	1	1A8475-54980	LAMP KIT,WORK	1	1						
2	2	194990-22140	NUT, M8	4	4						
3	2	1A8300-51210	BAND, REPEAT	5	5						
4	2	1A8475-51910	HARNES,WORK LMP	1	1						
5	2	1A7340-54100	LAMP ASSY, WORKING	2	2						
6	3	1A7470-86270	BULB, 12V-35W	2	2						
7	3	22137-100000	WASHER, 10	2	2						
8	3	22217-100000	WASHER, SPRING 10	2	2						
9	3	26736-100002	NUT, M10	2	2						
10	2	1A8250-99320	STAY, WORK LAMP	2	2						
11	2	26106-080202	BOLT, M8X 20 PLATED	4	4						

Fig.273. WORK LAMP(CABIN)

(A)=YT347Y
(B)=YT359Y
(C)=

(D)=
(E)=
(F)=

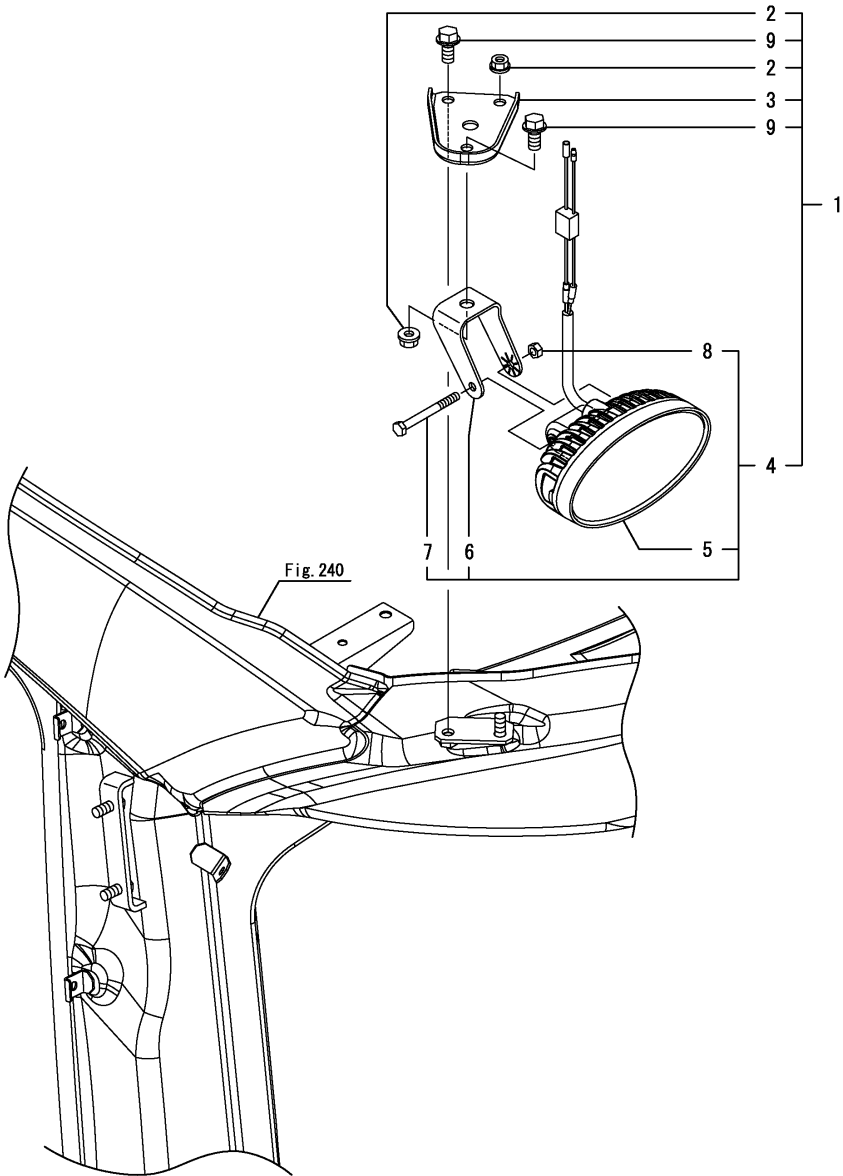


No.	Lev.	Parts No.	Description	Q'ty						I	R
				(A)	(B)	(C)	(D)	(E)	(F)		
1	1	1A8485-54980	LAMP KIT,WORK	1	1						
2	2	1A8070-17970	NUT, M8 BC	2	2						
3	2	1A8484-53800	STAY, LAMP	2	2						
4	2	1A8484-54200	LAMP ASSY,WORK 37.5W	2	2						
5	3	1A8484-54220	BRACKET, WORK LAMP	2	2						
6	3	1A8060-54230	BOLT, M6X45 BLACK	2	2						
7	3	1A8060-54240	NUT, M6 BLACK	2	2						
8	3	1A8484-54250	BULB, 12V37.5W	2	2						
9	2	198460-83350	BOLT, M8X16	4	4						

Fig.274. WORK LAMP(LED)(CABIN)

(A)=YT347Y
(B)=YT359Y
(C)=

(D)=
(E)=
(F)=

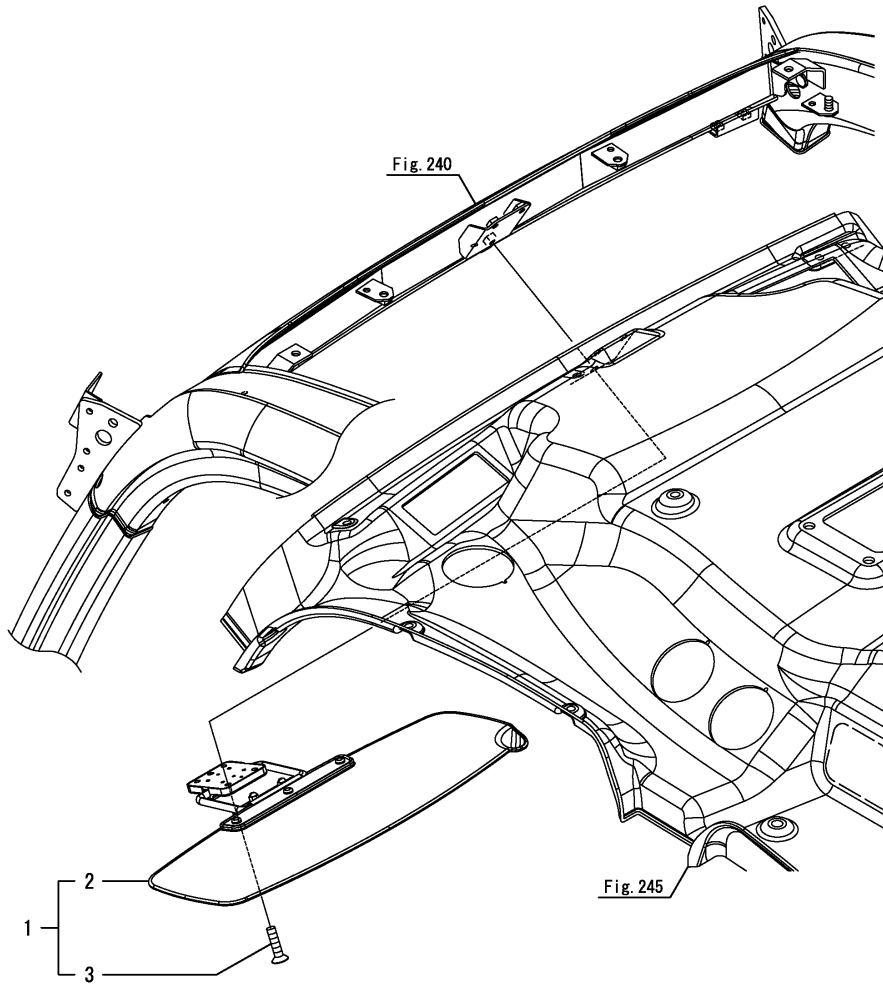


No.	Lev.	Parts No.	Description	Q'ty						I	R
				(A)	(B)	(C)	(D)	(E)	(F)		
1	1	1A8485-54990	LAMP KIT,WORK LED	1	1						
2	2	1A8070-17970	NUT, M8 BC	4	4						
3	2	1A8484-53800	STAY, LAMP	2	2						
4	2	1A8060-54103	LAMP ASSY, WORK	2	2						
5	3	1A8060-54112	LAMP, WORK LED	2	2						
6	3	1A8060-54120	BRACKET, LED LAMP	2	2						
7	3	1A8060-54130	BOLT, M6X70	2	2						
8	3	1A8060-54140	NUT, M6	2	2						
9	2	198460-83350	BOLT, M8X16	4	4						

Fig.276. VISOR(CABIN)

(A)=YT347Y
(B)=YT359Y
(C)=

(D)=
(E)=
(F)=

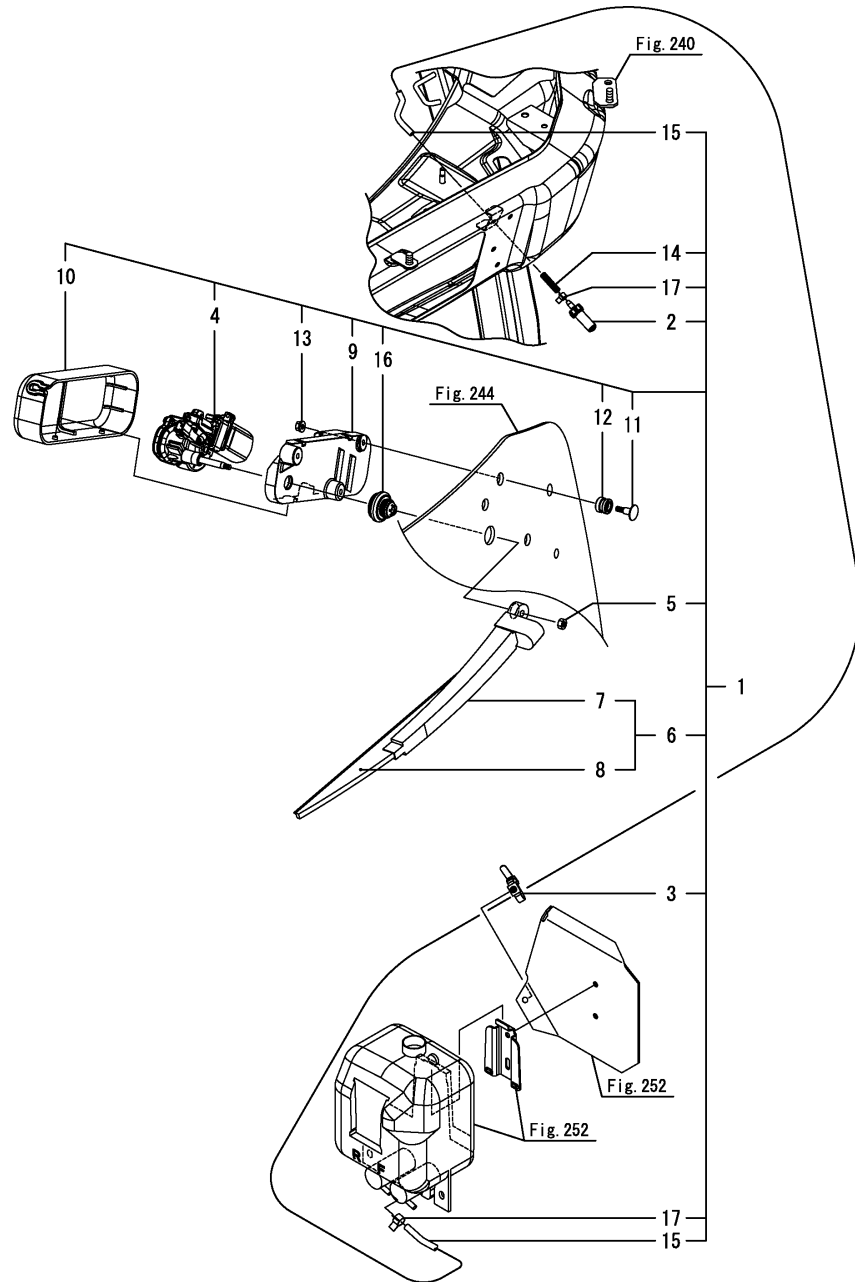


No.	Lev.	Parts No.	Description	Q'ty						I	R
				(A)	(B)	(C)	(D)	(E)	(F)		
1	1	1A8485-84750	VISOR ASSY	1	1						
2	2	1A8060-84720	VISOR, ACRYL	1	1						
3	2	26579-060252	SCREW, 6 X 25	3	3						

Fig.277. REAR WIPER(CABIN)

(A)=YT347Y
(B)=YT359Y
(C)=

(D)=
(E)=
(F)=



No.	Lev.	Parts No.	Description	Q'ty						I	R
				(A)	(B)	(C)	(D)	(E)	(F)		
1	1	1A8485-86290	MOTOR KIT, WIPER	1	1						
2	2	172527-17930	NOZZLE, WASHER	1	1						
3	2	1A8275-51670	CLIP, M8 HOLE	1	1						
4	2	1A8484-86310	MOTOR, REAR WIPER	1	1						
5	2	1A8110-86330	NUT, M6	1	1						
6	2	1A8110-86400	ARM KIT, WIPER&BLADE	1	1						
7	3	1A8110-86410	ARM, WIPER	1	1						
8	3	1A8110-86420	BLADE, WIPER	1	1						
9	2	1A8484-86450	PLATE, BASE	1	1						
10	2	1A8110-86460	COVER, MOTOR	1	1						
11	2	1A8110-86470	BOLT, W/COLLAR	3	3						
12	2	1A8110-86480	GROMMET	3	3						
13	2	1A8110-86490	NUT, FLANGE M6	3	3						
14	2	198094-86560	SPRING, NOZZLE	1	1						
15	2	1A8485-86580	HOSE, VINYL R	1	1						
16	2	1A7210-86630	CAP	1	1						
17	2	23080-007000	CLAMP, 7	2	2						

Parts No. Index

Parts No.	Fig. No.	Ref. No.
0A042-EN0060	260	1
101504-55101	10	6
106990-44660	137	3
114270-59010	18	14
		15
	19	14
		15
119629-59910	18	16
	19	16
119865-12600	25	13
120147-44810	252	2
121575-49310	119	23
121737-49150	2	17
	3	18
	4	17
	5	18
124756-77040	149	2
	150	29
	151	28
129052-13550	8	2
	9	2
129054-96970	257	17
129054-96990	257	18
	258	17
129263-44510	2	16
	3	17
	4	16
	5	17
129301-03660	18	1
	19	1
129457-96200	257	14
	258	12
129457-96230	257	15
	258	13
129612-52100	15	2
129917-55821	2	37
	3	39
	4	37
	5	39
129968-96970	258	15
129972-96980	258	16
129979-55700	2	29
	3	31
	4	29
	5	31
129A00-55730	2	35
	3	37
	4	35
	5	37
129A00-55740	2	36

Parts No.	Fig. No.	Ref. No.
129A00-55740	3	38
	4	36
	5	38
129A00-55750	2	31
	3	33
	4	31
	5	33
129A00-55760	2	32
	3	34
	4	32
	5	34
129A00-91430	150	17
	151	16
129A23-55600	2	26
	4	26
129A23-55800	2	28
	3	30
	4	28
	5	30
129A26-55600	3	28
	5	28
129A26-55610	3	29
	5	29
129C20-55610	2	27
	4	27
129C20-55720	2	34
	3	36
	4	34
	5	36
129E00-55710	2	30
	3	32
	4	30
	5	32
145610-83400	97	18
168218-02150	78	3
168218-02160	78	4
168219-00030	78	1
168219-01210	78	2
168219-03010	78	5
168219-03030	78	6
168219-03041	78	7
168219-03200	78	8
168245-00080	123	1
1682B3-00040	124	1
1682B3-01130	124	2
1682B3-01310	124	3
1682D1-01050	80	5
1682D1-01060	80	6
1682D1-01070	80	7
1682D1-01080	80	8

Parts No.	Fig. No.	Ref. No.
1682D1-01100	80	3
1682D2-00030	80	1
1682D2-01011	80	2
1682D2-01150	80	9
1682D2-01200	80	10
1682D2-01210	80	11
168461-01150	97	4
168HQ0-87690	97	13
168KA0-29150	97	5
168KA0-29160	97	6
168KA0-29170	97	7
168KA0-29180	97	8
168KA0-29840	97	19
168KA0-29900	97	20
168KA1-29250	97	10
168KA1-29290	97	11
168KAD-29000	97	1
168KAD-29232	97	9
172112-77361	119	28
172141-76900	119	26
	129	24
		26
172141-76920	60	4
172142-76180	138	5
172142-76181	60	2
	61	12
	132	7
	133	6
	141	4
172149-76300	132	10
	133	9
172158-78250	62	11
172176-67150	26	7
172176-76200	132	9
	133	8
172455-17930	256	1
172456-13310	2	3
	3	3
	4	3
	5	3
172527-17930	277	2
172730-75141	61	11
	141	3
172B03-19110	253	2
172B03-76070	119	25
172B06-11510	25	6
172B06-11520	25	7
172B16-17190	153	1
	154	1
174570-57110	176	1

Parts No.	Fig. No.	Ref. No.
174842-13740	84	1
	85	1
	89	1
178076-02430	80	12
178076-05420	78	9
178076-12400	79	1
192157-27060	78	10
192157-27080	78	11
192159-27780	80	14
192159-27830	80	15
192160-34160	45	6
192167-24600	119	1
194065-42250	119	11
	129	2
	271	4
194065-46220	125	2
194065-46320	125	4
194065-46350	125	5
194065-60580	244	2
	245	4
194066-13640	42	1
194130-33100	104	1
194130-37730	115	9
194145-61651	193	3
194145-75250	234	20
		39
194150-22480	223	3
	224	3
	225	3
194151-36670	52	3
194167-61650	169	9
194170-45370	80	16
194170-47440	131	15
194180-12471	35	17
194180-25550	87	1
194180-61980	206	1
194180-72950	230	11
194190-26840	73	19
	74	19
	81	5
	82	5
194197-25930	72	5
194250-46470	127	6
194250-47490	223	5
	224	4
	225	4
194250-61850	6	10
194275-51210	227	5
	228	4
194279-14220	51	1

Parts No. Index

Parts No.	Fig. No.	Ref. No.
194300-21460	228	1
	247	1
194305-32650	95	6
194311-13880	97	2
194311-13910	97	3
194312-25470	70	20
	71	20
194321-13230	37	3
194321-13250	37	5
194321-13270	37	7
194322-24980	75	7
194327-36530	112	10
194330-62530	113	33
		34
	238	1
194370-26350	79	8
194420-39370	95	7
194420-62260	142	11
	143	11
194430-25460	70	19
	71	19
194440-51630	189	3
194450-74630	234	19
		38
194464-45930	128	1
		8
		14
194465-13240	37	4
194465-13260	37	6
194515-01190	245	1
		2
		3
194515-31850	101	10
194550-77590	158	7
194555-25880	94	1
194555-27450	223	4
194555-32340	102	2
194555-42280	119	13
194555-46380	125	6
194555-47340-1	131	13
194555-47350-1	131	14
194555-65130	180	27
		28
		29
	181	27
		28
		29
194556-42220	129	1
194640-26130	38	2
	39	2

Parts No.	Fig. No.	Ref. No.
194640-26130	87	5
194640-46420	127	2
194640-72420	232	3
	233	8
194680-27540	91	5
194680-77750	141	6
194680-77770	97	12
194680-78350	256	4
194697-28270	243	3
194850-25760	72	4
194850-31380	70	22
	71	22
194850-49370	129	6
		9
		11
	271	7
194940-47210-1	131	6
194940-47220	131	7
194940-61790	166	12
	167	9
	168	10
	169	10
	174	2
	189	6
		7
	190	5
	193	4
	259	3
194990-22040	227	1
194990-22110	6	7
	171	1
	173	1
194990-22120	153	3
	154	3
	169	1
194990-22130	2	15
	3	16
	4	15
	5	16
	15	1
	20	6
	22	6
		7
	142	1
	143	1
	146	1
	147	1
	150	2
		3

Parts No.	Fig. No.	Ref. No.
194990-22130	150	4
		5
	151	2
		3
		4
		5
	153	4
	154	4
	161	3
	165	1
		2
	190	1
	191	1
	193	1
	211	1
	243	1
	244	1
	264	3
		9
	265	3
		4
194990-22140	6	14
	7	8
		13
	9	3
	11	12
		13
	12	13
		14
	13	11
	14	12
	16	3
	17	2
	62	8
	69	4
	150	6
	151	6
	153	5
		6
		7
		8
	154	5
		6
		7
		8
	157	1
	161	4
	166	1
	177	4
	178	1

Parts No.	Fig. No.	Ref. No.
194990-22140	179	1
	180	1
		2
	181	1
		2
	182	1
	184	1
		2
		3
	185	1
		2
		3
	190	2
		3
	196	1
	197	1
	199	1
	201	1
	202	1
	204	1
		2
		3
	205	1
		2
		3
	211	2
	222	1
	228	2
	243	2
	251	1
	256	2
	257	2
	258	2
		3
	259	1
		2
	269	2
		6
	270	2
	271	2
	272	2
194990-22150	113	1
	257	3
194990-22160	26	6
	27	6
195184-15360	232	1
	233	1
195230-17260	237	1
195397-27810	230	1
197810-83220	7	15

Parts No. Index

Parts No.	Fig. No.	Ref. No.
197810-83220	206	3
	207	1
	208	2
197810-84840	192	4
197820-84740	243	36
	244	33
197830-85490	153	31
198071-24350	103	1
198071-27470	92	2
198071-37510	113	9
		19
		24
198071-58810	241	47
		50
198071-61890	188	5
	245	6
		7
	248	4
	259	4
198071-62800	200	3
198071-62890	200	4
198071-62900	200	5
198071-65610	169	12
	180	18
		19
		20
	181	18
		19
		20
198072-18320	231	1
198072-27650	92	3
198072-60590	182	2
	183	1
	184	4
		5
	185	4
		5
	188	2
	189	1
		4
	192	1
	193	2
	245	5
	246	1
	248	2
	266	2
198072-62790	200	1
198091-33510	106	4
198091-34100	107	2
198091-34130	107	3

Parts No.	Fig. No.	Ref. No.
198091-34320-1	107	4
198092-71720	231	3
198093-82510	267	4
	268	4
198093-83752	244	30
198094-62790	200	2
198094-62870	247	3
198094-82540	244	5
	245	8
198094-83620	244	18
198094-83650	244	21
198094-86060	252	22
198094-86560	252	10
	277	14
198119-27150	91	2
	96	1
198129-63691	247	4
198129-78720	257	9
	258	9
198133-22510	113	7
		16
		21
198133-22530	113	8
		17
		22
198133-34130	51	2
	111	1
198133-64400	249	2
198138-49100	142	4
	143	4
198149-25780	84	2
	85	2
198149-25890	84	10
	85	10
	87	4
198153-83710	243	31
	244	24
198153-83720	243	32
	244	25
198153-83730	243	33
198153-86660	252	7
198153-86670	252	8
198162-52110	163	1
198162-52150	163	4
198163-65950	218	5
198165-25810	88	3
	89	2
198165-85970	238	8
198165-85980	239	4
198167-26240	70	21

Parts No.	Fig. No.	Ref. No.
198167-26240	71	21
	73	18
	74	18
198196-83170	126	6
198200-01260	6	5
198200-14210	45	4
198200-24320	81	1
	82	1
198200-31810	101	7
198200-34130	51	3
198200-34190	51	4
198200-47650	131	16
198200-56630	10	8
198200-62910	200	6
	239	1
198200-62970	200	7
198200-78710	150	30
	151	29
198200-78730	150	31
	151	30
198208-83680	243	30
198208-88980	256	23
198212-25150	81	4
	82	4
198213-24750	80	13
198220-11520	59	1
198220-26910	95	1
198220-56290	190	4
198220-61351	2	19
	3	20
	4	19
	5	20
	142	10
	143	10
198220-62150	248	5
198220-63340	243	10
		17
	249	1
198223-52151	161	6
		8
198230-61960	220	7
198240-04550	10	11 -1
198240-11640	59	2
198240-46260	263	3
198241-14650	46	5
	47	5
198251-13670	36	8
198253-01190	116	1
	117	12
198254-71600	230	6

Parts No.	Fig. No.	Ref. No.
198254-71700	230	7
198255-82640	243	4
	244	6
		7
198255-82690	241	37
198255-82701	241	38
198255-83550	243	26
	244	16
198266-24980	119	3
198268-27890	116	4
	117	3
198268-82270	241	7
	244	3
198280-65950	219	5
198290-37510	113	30
		31
198360-03260	158	1
		2
	252	1
198360-31530	101	6
198360-52320	163	2
198360-52330	163	3
198390-25230	88	1
198390-25790	84	3
	85	3
198421-33140	104	3
198440-64100	267	3
	268	2
198448-04930	137	1
198448-22190	64	1
198448-22520	6	15
	220	1
198448-22611	113	2
198448-33390	228	3
	271	3
198448-37450	115	8
198448-51330	153	15
	154	15
198460-83350	126	7
	170	8
		9
	204	26
	205	26
	248	6
		7
	249	6
	269	5
	270	6
	273	9
	274	9

Parts No. Index

Parts No.	Fig. No.	Ref. No.
198463-82350	241	12
198463-82551	241	25
198463-83760	243	35
	244	31
198463-84760	275	2
198463-86790	250	2
198475-32660	45	5
198475-65030	169	11
198483-32660	107	1
198492-82590	241	28
198535-48080	136	1
198535-52120	153	18
	154	18
198535-52130	153	19
	154	19
198535-52140	150	10
		11
	151	10
	153	20
	154	20
1A1380-58050	150	24
	151	23
1A6150-73700	232	6
	233	11
1A6260-45870	126	1
1A6382-51510	150	9
	151	9
	153	16
	154	16
1A6650-28150	84	14
	85	14
	87	10
1A6680-85980	30	9
	31	8
1A6780-52430	150	12
	151	11
1A6780-52440	150	13
	151	12
1A6780-52470	150	14
	151	13
1A7030-87730	256	9
1A7030-87970	256	11
1A7030-87990	256	12
1A7030-88710	256	20
	257	25
	258	25
1A7090-26690	103	2
1A7130-37990	113	27
1A7140-14610	46	1
1A7140-50503	147	2

Parts No.	Fig. No.	Ref. No.
1A7170-86580	252	11
1A7170-86590	252	12
1A7180-01050	2	12
	3	13
	4	12
	5	13
1A7180-04850	18	9
	19	9
1A7180-10460	32	1
1A7180-10830	30	2
1A7180-10860	30	3
1A7180-10870	30	4
	31	3
1A7180-13150	36	2
1A7180-13250	37	9
1A7180-13260	37	10
1A7180-13270	37	11
1A7180-13300	38	1
1A7180-13380	36	3
1A7180-13390	36	4
1A7180-13400	36	5
1A7180-13410	36	6
1A7180-13420	36	7
1A7180-13520	40	1
1A7180-13560	40	2
1A7180-13570	40	3
1A7180-13580	40	4
1A7180-13820	43	1
1A7180-13830	43	2
1A7180-13840	45	1
1A7180-13870	43	3
1A7180-13880	43	4
1A7180-13900	47	1
1A7180-14621	46	2
	47	2
1A7180-15690	55	7
1A7180-17611	61	3
1A7180-21260	69	2
1A7180-25110	81	2
1A7180-26410	89	3
1A7180-26420	88	5
1A7180-27050	91	1
1A7180-27410	92	1
1A7180-28060	94	2
1A7180-33400	106	1
1A7180-33410	106	2
1A7180-36100	112	2
1A7180-36110	112	3
1A7180-36120	112	4
1A7180-36130	112	5

Parts No.	Fig. No.	Ref. No.
1A7180-36160	112	6
1A7180-36240	112	7
1A7180-37880	115	11
1A7180-37910	115	13
1A7180-42281	119	14
1A7180-48191	132	4
	133	3
1A7180-48210	132	5
	133	4
1A7180-49190	142	6
	143	6
1A7180-52050	78	12
	79	10
1A7180-52140	161	5
1A7180-52610	172	1
		2
1A7180-61790	248	3
1A7180-62920	203	1
1A7180-62930	203	2
1A7180-72451	232	4
	233	9
1A7180-72550	232	5
	233	10
1A7180-74101	236	1
1A7180-74151	236	2
1A7210-10860	31	2
1A7210-13300	39	1
1A7210-25110	82	2
1A7210-83210	242	4
1A7210-84410	247	19
1A7210-84521	247	22
1A7210-84810	247	34
1A7210-84870	202	4
1A7210-86610	251	5
1A7210-86630	277	16
1A7260-42310	119	15
1A7260-43660	120	19
1A7260-78700	257	8
	258	8
1A7320-61140	252	21
1A7320-64510	249	3
1A7320-82750	241	41
1A7320-82760	241	43
1A7320-82770	241	45
1A7320-86640	252	16
1A7320-86650	252	15
1A7335-53610	169	4
		7
1A7335-71250	230	3
1A7340-52290	161	10

Parts No.	Fig. No.	Ref. No.
1A7340-54100	272	5
1A7347-51140	153	11
	154	10
	158	4
1A7400-53530	168	5
1A7450-24170	75	3
1A7450-52180	154	21
1A7450-52450	161	13
1A7450-62320	201	6
1A7470-82410	241	14
1A7470-82440	241	19
1A7470-82450	241	20
1A7470-82471	241	21
1A7470-82481	241	22
1A7470-82510	241	23
1A7470-82520	241	24
1A7470-82560	241	26
1A7470-82570	241	27
1A7470-82580	241	16
1A7470-82640	241	32
1A7470-82650	241	33
1A7470-82660	241	34
1A7470-82670	241	35
1A7470-82680	241	36
1A7470-82720	241	39
1A7470-82730	241	40
1A7470-82750	241	42
1A7470-82760	241	44
1A7470-82800	241	46
1A7470-82810	241	48
1A7470-82820	241	51
1A7470-82880	241	17
1A7470-82890	241	18
1A7470-82900	241	49
1A7470-82950	241	52
1A7470-86270	272	6
1A7470-86750	169	15
1A7470-86770	169	16
1A7500-51160	151	8
	152	2
	153	12
	154	11
1A7522-52950	150	22
	151	21
	153	24
	154	25
	158	6
1A7530-27570	84	13
	85	13
1A7590-51570	157	3

Parts No. Index

Parts No.	Fig. No.	Ref. No.
1A7591-86330	250	1
1A7601-00650	16	1
	17	1
1A7610-52170	18	13
	19	13
1A7640-27870	222	2
1A7640-43450	125	1
1A7640-51320	153	14
	154	14
1A7750-13910	139	1
1A7805-04170	257	1
	258	1
1A7805-21320	98	1
1A7805-48080	129	15
1A7805-48090	129	16
1A7805-50900	147	3
1A7805-52420	159	1
	161	12
1A7805-52550	162	2
1A7805-65780	214	4
1A7815-32810	34	1
1A7850-52110	164	1
1A7850-52130	164	2
1A7870-24910	119	2
1A7870-52950	150	23
	151	22
1A7874-65360	218	4
	219	4
1A7874-65400	217	5
1A7880-27570	112	1
1A7880-47950	227	3
1A7882-85620	211	4
1A7882-85630	211	5
1A7890-04740	10	15
1A8042-04510	19	2
1A8042-04540	19	4
1A8042-05610	21	4
	23	4
1A8042-21511	66	1
1A8042-21850	67	2
	68	2
1A8042-22100	70	1
	71	1
1A8042-22110	70	2
	71	2
1A8042-22150	70	3
	71	3
1A8042-22160	70	4
	71	4
	73	2

Parts No.	Fig. No.	Ref. No.
1A8042-22160	74	2
1A8042-22180	70	5
	71	5
	73	3
	74	3
1A8042-22210	70	13
	71	13
1A8042-22220	70	14
	71	14
1A8042-22270	70	18
	71	18
1A8042-22310	72	1
1A8042-22320	72	2
1A8042-22330	72	3
1A8042-23710	73	6
	74	6
1A8042-24170	75	6
1A8042-24230	77	2
1A8042-24250	76	3
1A8042-24300	77	3
1A8042-24350	77	6
1A8042-24390	77	8
1A8042-24400	79	2
1A8042-24440	79	6
1A8042-24480	78	17
1A8042-25311	83	1
1A8042-25320	83	2
1A8042-25800	84	4
	85	4
1A8042-25841	84	9
	85	9
	87	3
1A8042-25890	84	11
	85	11
1A8042-26280	84	12
	85	12
	87	8
1A8042-26430	89	5
1A8042-27510	91	3
1A8042-27521	91	4
1A8042-27730	92	5
1A8042-27750	92	6
1A8042-28140	93	3
1A8042-28210	94	3
1A8042-31400	101	2
1A8042-31450	101	1
1A8042-31500	101	3
1A8042-31510	101	4
1A8042-31520	101	5
1A8042-31820	101	8

Parts No.	Fig. No.	Ref. No.
1A8042-31830	101	9
1A8042-32110	101	11
1A8042-32310	102	1
1A8042-33140	104	4
1A8042-42150	119	6
1A8042-42250	119	12
1A8042-43610	120	18
1A8042-43650	121	3
1A8042-43670	119	20
1A8042-46430	127	3
1A8042-46770	129	12
1A8042-48350	119	22
1A8042-48600	141	1
1A8042-48700	140	1
1A8042-58380	171	3
1A8042-65900	214	5
1A8042-87060	258	11
1A8043-52600	168	3
1A8043-53640	168	6
1A8060-01000	7	1
1A8060-01071	7	2
1A8060-01090	7	3
1A8060-01220	6	4
1A8060-01250	6	13
1A8060-01350	7	12
1A8060-04400	10	13
1A8060-04520	19	3
1A8060-04530	18	2
1A8060-15410	53	3
	54	3
	55	8
1A8060-15450	55	4
1A8060-15460	55	5
1A8060-15510	55	6
1A8060-15710	57	1
1A8060-15720	57	2
1A8060-15741	57	6
1A8060-15751	57	7
1A8060-15760	57	8
1A8060-15780	57	9
1A8060-15790	57	3
1A8060-15800	57	4
1A8060-15840	57	5
1A8060-17630	61	4
1A8060-22391	113	5
1A8060-22401	113	6
1A8060-23170	70	6
	71	6
	73	4
	74	4

Parts No.	Fig. No.	Ref. No.
1A8060-23180	70	7
	71	7
1A8060-23190	70	8
	71	8
	73	5
	74	5
1A8060-23250	70	9
	71	9
1A8060-23740	73	7
	74	7
1A8060-23790	70	10
	71	10
	73	9
	74	9
1A8060-23820	73	10
	74	10
1A8060-23830	73	11
	74	11
1A8060-23840	73	12
	74	12
1A8060-23850	73	13
	74	13
1A8060-26840	80	26
1A8060-37223	113	12
1A8060-37253	113	13
1A8060-37391	113	20
1A8060-37401	113	23
1A8060-37550	113	26
1A8060-37641	116	2
	117	1
1A8060-37681	117	4
1A8060-37790	117	2
1A8060-39070	114	5
1A8060-46300	125	3
1A8060-46410	127	1
1A8060-46440	127	4
1A8060-46460	127	5
1A8060-46470	127	7
1A8060-46700	129	3
1A8060-46710	129	4
1A8060-46720	129	7
	271	5
1A8060-46730	129	5
1A8060-46740	129	8
	271	6
1A8060-46751	129	10
1A8060-46770	271	8
1A8060-49650	119	24
	134	3
1A8060-51322	153	9

Parts No. Index

Parts No.	Fig. No.	Ref. No.
1A8060-51322	154	24
1A8060-52430	162	1
1A8060-52501	161	14
1A8060-52801	161	15
1A8060-53400	166	2
	167	1
1A8060-53410	166	3
	167	2
1A8060-53420	166	4
	167	3
1A8060-53430	166	5
	167	4
	168	4
1A8060-53440	166	6
	167	5
1A8060-54103	274	4
1A8060-54112	274	5
1A8060-54120	274	6
1A8060-54130	274	7
1A8060-54140	274	8
1A8060-54230	170	3
	273	6
1A8060-54240	170	4
	273	7
1A8060-54260	188	1
1A8060-55550	173	2
1A8060-55600	6	9
	7	9
1A8060-55650	173	3
1A8060-55900	171	2
1A8060-61661	189	2
1A8060-61680	161	20
1A8060-61690	161	21
1A8060-63650	7	14
1A8060-65300	215	1
	216	2
1A8060-65500	215	13
	216	14
1A8060-65560	215	15
	216	16
1A8060-65590	215	16
	216	17
1A8060-65780	215	18
	216	19
1A8060-67431	221	1
1A8060-67450	161	23
1A8060-67470	161	24
1A8060-67480	116	7
	117	6
1A8060-67500	161	25

Parts No.	Fig. No.	Ref. No.
1A8060-67550	221	2
1A8060-67780	222	3
1A8060-68310	222	18
1A8060-68700	228	6
1A8060-68710	271	12
1A8060-68820	228	14
1A8060-72590	234	13
		32
1A8060-82420	241	15
1A8060-84720	276	2
1A8060-86540	251	2
1A8060-86700-1	154	31
1A8060-87400	259	7
1A8060-87411	259	8
1A8061-15101	55	2
1A8061-39010	114	3
1A8061-39030	114	4
1A8061-65120	217	1
1A8061-65130	218	1
	219	1
1A8061-65140	217	2
1A8066-04910	18	10
	19	10
1A8070-17970	248	1
	273	2
	274	2
1A8110-62990	200	8
1A8110-82250	241	5
1A8110-82650	243	5
	244	8
		9
		10
1A8110-82660	244	11
1A8110-82670	243	6
	244	12
		13
		14
1A8110-83570	243	29
1A8110-83730	241	53
	243	34
	244	26
		27
		28
		29
1A8110-84210	245	10
		11
		12
		13
1A8110-86330	277	5
1A8110-86400	277	6

Parts No.	Fig. No.	Ref. No.
1A8110-86410	277	7
1A8110-86420	277	8
1A8110-86460	277	10
1A8110-86470	277	11
1A8110-86480	277	12
1A8110-86490	277	13
1A8110-86920	250	3
1A8111-84220	256	5
1A8111-88680	256	18
1A8130-48700	129	21
1A8160-13930	76	1
1A8160-46250	128	2
1A8160-46280	128	3
1A8160-46290	128	4
1A8160-46300	128	5
1A8160-46310	128	6
1A8160-46670	126	2
1A8160-63401	204	25
	205	25
1A8160-65800	211	3
1A8160-65860	215	19
	216	1
1A8160-85311	238	3
1A8160-85320	238	5
1A8170-46510	128	7
1A8240-05110	24	2
1A8240-05120	24	3
1A8240-05130	24	4
1A8240-05170	24	8
1A8240-05180	24	5
1A8250-46600	128	11
1A8250-48101	227	4
1A8250-48280	128	13
1A8250-65390	214	2
1A8250-65630	215	17
	216	18
1A8250-65650	214	3
1A8250-99320	272	10
1A8265-46250	263	2
1A8265-48260	263	5
1A8265-48290	263	6
1A8275-17360	59	8
1A8275-17440	59	12
1A8275-22810	64	2
1A8275-24160	80	25
1A8275-51500	155	1
1A8275-51520	155	2
1A8275-51670	1	1
	2	18
	3	19

Parts No.	Fig. No.	Ref. No.
1A8275-51670	4	18
	5	19
	18	11
		12
	19	11
		12
	62	10
	63	5
	79	9
	142	9
	143	9
	150	21
	151	20
	229	1
	252	3
	257	4
		5
		6
	258	4
		5
		6
	277	3
1A8275-57100	161	17
1A8280-50900	146	3
1A8296-12540	25	4
1A8296-25240	88	2
1A8300-51210	272	3
1A8300-51230	153	13
	154	12
1A8300-65400	263	7
1A8300-85430	238	6
1A8300-85440	238	7
1A8310-12610	35	7
		14
1A8310-12620	35	8
		15
1A8310-12630	35	9
		16
1A8310-13910	42	5
	77	1
1A8310-17910	62	3
	63	3
1A8310-25810	84	5
	85	5
1A8310-28560	96	4
1A8330-65300	217	4
1A8330-65620	217	6
1A8330-65930	217	7
1A8425-97350	262	8
1A8450-28110	93	1

Parts No. Index

Parts No.	Fig. No.	Ref. No.
1A8450-28120	93	2
1A8460-22260	71	17
1A8460-25830	85	8
1A8470-00300	2	1
	3	1
	4	1
	5	1
1A8470-00310	2	2
	3	2
	4	2
	5	2
1A8470-00510	2	4
	3	4
	4	4
	5	4
1A8470-00650	3	5
	5	5
1A8470-00750	2	5
	3	6
	4	5
	5	6
1A8470-00810	2	6
	4	6
1A8470-00820	2	7
	4	7
1A8470-00830	2	8
	3	9
	4	8
	5	9
1A8470-00861	2	9
	3	10
	4	9
	5	10
1A8470-00910	2	10
	3	11
	4	10
	5	11
1A8470-00920	2	11
	3	12
	4	11
	5	12
1A8470-01160	6	1
1A8470-01170	6	2
1A8470-01210	6	3
1A8470-01450	6	6
1A8470-01561	2	14
	3	15
1A8470-01650	177	2
1A8470-01660	177	3
1A8470-03101	8	1

Parts No.	Fig. No.	Ref. No.
1A8470-04050	10	2
1A8470-04061	10	3
1A8470-04110	10	4
1A8470-04111	10	4 -1
1A8470-04210	10	12
1A8470-04211	10	12 -1
1A8470-04270	11	1
	12	1
	13	1
	14	1
1A8470-04300	11	2
	12	2
	13	2
	14	2
1A8470-04380	11	4
	12	4
	13	4
	14	4
1A8470-04410	11	5
	13	5
1A8470-04460	11	6
1A8470-04500	16	2
1A8470-04550	11	7
	13	6
1A8470-04600	18	3
	19	5
1A8470-04610	19	6
1A8470-04650	18	4
1A8470-04660	18	5
1A8470-04670	18	6
1A8470-04680	18	7
	19	7
1A8470-04690	18	8
1A8470-04710	10	5
1A8470-04720	10	14
1A8470-04730	19	8
1A8470-04810	11	8
1A8470-04860	11	9
	12	9
	13	8
	14	8
1A8470-04910	11	10
	12	11
	13	9
	14	10
1A8470-05210	20	1
1A8470-05310	20	2
	22	2
1A8470-05500	20	3
	22	3

Parts No.	Fig. No.	Ref. No.
1A8470-05531	20	4
	22	4
1A8470-05550	20	5
	22	5
1A8470-05600	30	1
1A8470-06110	24	9
1A8470-06120	24	10
1A8470-06150	24	6
1A8470-06160	24	7
1A8470-06200	24	11
1A8470-06300	24	12
1A8470-06400	24	13
	25	12
1A8470-07100	26	1
	27	1
1A8470-07201	26	2
1A8470-07211	26	3
1A8470-07250	28	1
1A8470-07260	26	4
1A8470-07600	26	5
1A8470-10700	32	2
1A8470-10780	32	3
1A8470-10800	32	4
1A8470-10902	11	11
	12	12
	13	10
	14	11
1A8470-10940	32	5
1A8470-10960	32	6
1A8470-11500	33	1
1A8470-11520	33	2
1A8470-11540	33	4
1A8470-11550	33	5
1A8470-11570	33	6
1A8470-11590	33	8
1A8470-11800	32	7
1A8470-12280	35	1
1A8470-12290	35	2
1A8470-12300	35	3
1A8470-12330	35	4
		11
1A8470-12340	35	5
		12
1A8470-12350	35	6
		13
1A8470-12400	35	10
1A8470-13100	36	1
1A8470-13200	37	1
1A8470-13210	37	2
1A8470-13610	41	1

Parts No.	Fig. No.	Ref. No.
1A8470-13710	42	2
1A8470-13740	42	4
1A8470-13760	52	1
1A8470-13770	52	2
1A8470-13780	44	1
1A8470-14111	45	2
1A8470-14141	45	3
1A8470-14630	46	3
	47	3
1A8470-14640	46	4
	47	4
1A8470-15100	53	1
	54	1
1A8470-15200	53	2
	54	2
1A8470-15800	58	1
1A8470-17100	59	3
1A8470-17310	59	4
1A8470-17320	59	5
1A8470-17330	59	6
1A8470-17350	59	7
1A8470-17400	59	10
1A8470-17430	59	11
1A8470-17480	59	13
1A8470-17490	59	14
1A8470-17940	62	4
1A8470-17950	62	5
1A8470-17960	62	6
1A8470-17970	62	7
1A8470-21510	65	1
1A8470-21810	67	1
1A8470-21910	69	1
1A8470-22050	153	2
	154	2
1A8470-22230	70	15
	71	15
1A8470-22240	70	16
	71	16
1A8470-22260	70	17
1A8470-23700	73	1
	74	1
1A8470-23750	73	8
	74	8
1A8470-23810	73	17
1A8470-24140	75	2
1A8470-24240	76	8
1A8470-24280	76	9
1A8470-25110	81	3
	82	3
1A8470-25810	84	6

Parts No. Index

Parts No.	Fig. No.	Ref. No.
1A8470-25810	85	6
1A8470-25820	84	7
	85	7
	87	2
1A8470-25830	84	8
1A8470-26120	86	2
1A8470-26210	87	6
1A8470-26220	87	7
1A8470-26410	89	4
1A8470-27550	91	6
1A8470-27710	92	4
1A8470-29910	99	1
	100	1
1A8470-29920	99	2
	100	2
1A8470-29930	99	3
1A8470-32600	103	3
1A8470-32610	103	4
1A8470-33200	247	2
1A8470-36300	112	8
1A8470-36350	112	9
1A8470-37020	113	3
1A8470-37100	114	1
1A8470-37110	114	2
1A8470-37202	113	4
1A8470-37290	113	15
1A8470-37300	113	18
1A8470-37700	115	1
1A8470-37710	115	2
1A8470-37750	115	4
1A8470-37760	115	5
1A8470-37800	115	7
1A8470-37830	115	10
1A8470-37850	115	17
1A8470-41200	118	2
1A8470-42100	119	4
1A8470-42310	119	16
1A8470-42350	119	17
1A8470-42380	119	18
1A8470-42510	120	1
1A8470-42851	130	1
1A8470-42861	130	2
1A8470-43100	120	2
1A8470-43150	120	10
1A8470-43200	120	3
		11
1A8470-43260	120	4
		12
1A8470-43270	120	5
		13

Parts No.	Fig. No.	Ref. No.
1A8470-43310	120	6
1A8470-43320	120	14
1A8470-43400	120	7
		15
1A8470-43450	120	8
		16
1A8470-43510	121	1
1A8470-43520	121	2
1A8470-44210	122	1
1A8470-44230	122	2
1A8470-44260	122	3
1A8470-44410	122	4
1A8470-44420	122	6
1A8470-47810	226	1
1A8470-48110	132	3
	133	2
1A8470-48250	119	21
1A8470-48340	136	2
1A8470-48350	136	3
1A8470-48470	137	5
1A8470-48480	137	6
1A8470-48500	132	6
	133	5
1A8470-48630	141	2
1A8470-48780	142	2
	143	2
1A8470-48791	142	3
	143	3
1A8470-49100	142	5
1A8470-49260	144	1
	145	1
1A8470-49270	144	2
	145	2
1A8470-49300	142	7
	143	7
1A8470-49370	142	8
1A8470-49400	134	1
1A8470-49800	144	3
1A8470-49860	62	9
	63	4
1A8470-50800	264	1
1A8470-51170	148	1
1A8470-51400	150	18
	151	17
1A8470-51450	150	20
	151	19
1A8470-51550	157	2
1A8470-51600	165	3
1A8470-53120	165	6
		8

Parts No.	Fig. No.	Ref. No.
1A8470-53450	166	7
	167	6
	168	1
1A8470-53460	166	8
	167	7
	168	2
1A8470-53850	166	9
	167	8
	168	9
1A8470-56600	10	7
1A8470-58100	150	25
	151	24
1A8470-58150	150	26
	151	25
1A8470-58360	153	25
1A8470-58400	166	10
1A8470-58450	166	11
1A8470-58600	153	26
	154	26
1A8470-58650	153	27
	154	27
1A8470-58700	264	5
1A8470-58740	264	6
1A8470-58820	152	4
1A8470-58890	153	28
	154	28
1A8470-60100	177	6
1A8470-60300	177	7
1A8470-60500	178	2
1A8470-60650	220	3
1A8470-60701	220	4
1A8470-60800	178	3
1A8470-60900	178	4
1A8470-61050	180	3
	181	3
1A8470-61131	180	5
1A8470-61141	180	6
1A8470-61251	182	3
1A8470-61301	220	5
1A8470-61350	220	6
1A8470-61360	178	5
	179	5
1A8470-61371	6	16
1A8470-61400	184	6
1A8470-61410	184	7
1A8470-61510	165	9
1A8470-61520	165	10
1A8470-61550	186	1
1A8470-61610	188	4
1A8470-61690	180	7

Parts No.	Fig. No.	Ref. No.
1A8470-61690	181	7
1A8470-61700	196	2
1A8470-61900	180	8
	181	8
1A8470-61920	180	9
	181	9
1A8470-61931	180	10
	181	10
1A8470-61940	180	11
	181	11
1A8470-61950	180	12
	181	12
1A8470-61960	180	13
	181	13
1A8470-61970	182	4
1A8470-61991	220	8
1A8470-62201	192	2
1A8470-62280	190	8
1A8470-62290	190	9
1A8470-62300	201	2
	202	2
1A8470-62410	201	7
1A8470-62510	196	3
	197	3
1A8470-62520	196	4
	197	4
1A8470-62700	196	5
	197	5
1A8470-62710	196	6
	197	6
1A8470-62800	239	10
1A8470-62810	239	11
1A8470-62840	204	4
	205	4
1A8470-62860	201	3
1A8470-62860-1	202	3
1A8470-63750	204	8
1A8470-63760	204	9
1A8470-63800	204	10
	205	10
1A8470-63810	204	11
	205	11
1A8470-63820	204	12
	205	12
1A8470-63830	204	13
	205	13
1A8470-63840	204	14
	205	14
1A8470-63850	204	15
	205	15

Parts No. Index

Parts No.	Fig. No.	Ref. No.
1A8470-63860	204	16
	205	16
1A8470-63870	204	17
	205	17
1A8470-63880	204	18
	205	18
1A8470-63890	204	19
	205	19
1A8470-63950	204	22
	205	22
1A8470-63960	204	23
	205	23
1A8470-63970	204	24
	205	24
1A8470-64050	267	1
1A8470-64080	267	2
1A8470-64150	268	1
1A8470-64180	268	3
1A8470-65150	180	14
	181	14
1A8470-65160	180	15
	181	15
1A8470-65170	180	16
	181	16
1A8470-65590	180	17
	181	17
1A8470-67101	184	8
	185	8
1A8470-67180	184	9
	185	9
1A8470-67210	184	10
1A8470-67670	223	2
1A8470-67680	223	6
1A8470-67910	6	17
1A8470-68800	228	13
1A8470-71100	230	2
1A8470-71390	230	4
1A8470-71400	230	10
1A8470-71500	230	5
1A8470-71700	231	2
1A8470-71750	231	4
1A8470-73150	235	1
1A8470-73160	235	2
1A8470-73170	235	3
1A8470-75100	237	2
1A8470-75430	237	3
1A8470-85470	239	2
1A8470-85480	239	3
1A8472-13720	42	3
1A8472-26110	86	1

Parts No.	Fig. No.	Ref. No.
1A8472-26290	87	9
1A8472-28310	95	2
1A8472-28320	95	3
1A8472-28360	95	4
1A8472-28390	95	5
1A8472-42200	119	7
1A8472-42210	119	8
1A8472-42600	119	19
1A8472-46920	126	4
1A8472-47010	131	1
1A8472-47050	131	2
1A8472-47100	131	3
1A8472-47150	131	4
1A8472-47200	131	5
1A8472-47250	131	8
1A8472-47260	131	9
1A8472-47270	131	10
1A8472-47280	131	11
1A8472-47330	131	12
1A8472-48400	137	4
1A8474-04810	13	7
1A8474-05210	22	1
1A8474-87050	257	10
1A8474-87150	257	24
1A8474-88760	257	26
1A8474-88840	257	27
1A8474-88850	257	28
1A8474-89060	257	11
1A8474-89080	257	12
1A8474-89090	257	13
1A8474-89711	257	31
1A8475-01340	7	4
1A8475-01350	7	5
1A8475-01400	7	6
1A8475-01450	7	7
1A8475-01510	4	13
	5	14
1A8475-01550	2	13
	3	14
1A8475-01610	177	1
1A8475-04100	10	1
1A8475-04101	10	1 -1
1A8475-04320	11	3
	12	3
	13	3
	14	3
1A8475-06100	24	1
1A8475-11090	30	5
1A8475-11260	30	6
1A8475-11300	30	7

Parts No.	Fig. No.	Ref. No.
1A8475-14300	48	1
1A8475-14310	48	2
		6
1A8475-14330	48	3
		7
1A8475-14400	48	5
1A8475-14500	49	1
1A8475-14510	49	2
1A8475-14530	49	3
1A8475-14700	50	1
1A8475-14710	50	2
		6
1A8475-14730	50	3
		7
1A8475-14800	50	5
1A8475-15090	55	1
1A8475-15350	55	3
1A8475-15500	53	4
1A8475-17500	60	1
	61	1
1A8475-17700	132	1
1A8475-17750	132	2
1A8475-17850	62	1
1A8475-17860	62	2
1A8475-17900	30	8
1A8475-24100	75	1
1A8475-24200	76	2
1A8475-24420	79	4
1A8475-24430	79	5
1A8475-24440	79	7
1A8475-26310	88	4
1A8475-26900	90	1
1A8475-28450	96	2
1A8475-28500	96	3
1A8475-33100	104	2
1A8475-33220	105	1
1A8475-34300	108	1
1A8475-34310	108	2
		6
1A8475-34330	108	3
		7
1A8475-34400	108	5
1A8475-34500	109	1
1A8475-34510	109	2
1A8475-34530	109	3
1A8475-34700	110	1
1A8475-34710	110	2
		6
1A8475-34730	110	3
		7

Parts No.	Fig. No.	Ref. No.
1A8475-34750	48	4
		8
	49	4
	50	4
		8
	108	4
		8
	109	4
	110	4
		8
1A8475-34800	110	5
1A8475-37670	116	3
1A8475-37680	116	5
1A8475-46030	271	1
1A8475-46550	128	9
1A8475-46580	128	10
1A8475-46600	128	12
1A8475-46810	129	13
1A8475-46900	126	3
1A8475-46910	129	14
1A8475-46950	126	5
1A8475-48200	138	1
1A8475-48220	138	2
1A8475-48250	138	3
1A8475-48450	129	18
1A8475-48480	129	19
1A8475-48510	129	20
1A8475-48550	138	4
1A8475-49501	134	2
1A8475-50100	146	2
1A8475-51101	151	7
1A8475-51151	150	7
1A8475-51200	152	1
1A8475-51301	154	9
1A8475-51351	153	10
1A8475-51701	158	3
1A8475-51880	153	23
1A8475-51910	272	4
1A8475-51920	264	4
	265	5
1A8475-52250	204	7
	205	7
1A8475-52310	161	11
1A8475-52500	160	1
1A8475-52550	160	2
1A8475-53100	165	5
1A8475-53200	165	7
1A8475-53750	168	8
1A8475-54980	272	1
1A8475-55800	161	16

Parts No. Index

Parts No.	Fig. No.	Ref. No.
1A8475-56000	174	1
1A8475-56900	174	3
1A8475-57200	161	18
1A8475-58620	161	19
1A8475-60060	177	5
1A8475-61101	180	4
1A8475-61610	188	3
1A8475-61670	189	5
1A8475-62100	190	6
1A8475-62120	190	7
1A8475-62230	192	3
1A8475-62250	193	5
1A8475-62260	193	6
1A8475-62350	194	1
1A8475-62360	194	2
1A8475-62370	194	3
1A8475-62570	269	3
1A8475-62600	239	8
1A8475-62610	239	9
1A8475-62770	198	1
1A8475-62800	269	1
1A8475-62810	269	4
	270	5
1A8475-62880	199	2
1A8475-63050	204	5
	205	5
1A8475-63100	204	6
1A8475-63500	161	22
1A8475-63910	204	20
	205	20
1A8475-63920	204	21
	205	21
1A8475-65010	214	1
1A8475-65050	212	1
1A8475-65200	218	2
	219	2
1A8475-65211	217	8
1A8475-65250	217	3
1A8475-65270	218	3
	219	3
1A8475-65310	215	2
	216	3
1A8475-65320	215	3
	216	4
1A8475-65340	215	4
	216	5
1A8475-65350	215	5
	216	6
	271	10
1A8475-65360	215	6

Parts No.	Fig. No.	Ref. No.
1A8475-65360	216	7
1A8475-65370	215	7
	216	8
1A8475-65401	215	8
	216	9
1A8475-65420	215	9
	216	10
1A8475-65430	215	10
	216	11
1A8475-65450	215	11
	216	12
1A8475-65470	215	12
	216	13
1A8475-65500	216	15
1A8475-65510	215	14
1A8475-65800	209	1
1A8475-65860	150	27
	151	26
1A8475-65870	150	28
1A8475-65881	153	29
1A8475-65900	261	1
1A8475-67610	222	6
1A8475-67650	222	7
1A8475-67710	247	5
1A8475-67750	222	8
1A8475-67780	222	4
1A8475-67800	222	5
1A8475-67820	222	9
1A8475-67900	222	10
1A8475-67951	224	2
1A8475-67961	224	5
1A8475-67990	224	6
1A8475-68100	222	11
1A8475-68110	222	12
1A8475-68250	225	2
1A8475-68260	225	5
1A8475-68270	225	6
1A8475-68300	247	7
1A8475-68410	226	2
1A8475-68700	227	6
1A8475-68780	227	7
1A8475-68800	227	8
1A8475-68810	227	9
1A8475-68860	227	11
1A8475-68890	227	12
1A8475-68910	227	13
1A8475-68920	227	14
1A8475-68970	227	16
1A8475-68990	227	17
1A8475-72100	233	2

Parts No.	Fig. No.	Ref. No.
1A8475-72110	233	3
1A8475-72200	233	4
1A8475-72250	233	5
1A8475-72270	233	6
1A8475-72300	232	2
1A8475-73030	234	2
1A8475-73040	234	21
1A8475-73500	234	3
1A8475-73510	234	4
1A8475-73550	234	22
1A8475-73560	234	23
1A8475-73600	234	5
		24
1A8475-73700	234	6
		25
1A8475-73710	234	7
		26
1A8475-73720	234	8
		27
1A8475-74200	234	12
		31
1A8475-74260	234	14
		33
1A8475-74340	234	15
		34
1A8475-74430	234	16
		35
1A8475-74520	234	17
		36
1A8475-74530	234	18
		37
1A8475-75710	237	4
1A8475-75720	237	5
1A8475-75730	237	6
1A8475-85090	239	12
1A8475-85100	238	2
1A8475-97000	262	1
1A8475-97050	262	2
1A8475-97060	262	3
1A8475-97151	262	4
1A8475-97161	262	5
1A8475-97210	262	6
1A8475-97220	262	7
1A8475-97300	262	18
1A8475-97500	263	1
1A8475-97550	263	8
1A8475-97560	263	9
1A8475-97580	263	4
1A8476-68501	228	5
1A8476-68710	228	7

Parts No.	Fig. No.	Ref. No.
1A8476-68720	228	10
	271	13
1A8476-68730	228	8
1A8476-68740	228	11
	271	14
1A8476-68780	229	3
	271	16
1A8476-68800	271	17
1A8476-68850	229	4
	271	18
1A8476-68950	228	15
1A8476-68960	228	16
	271	19
1A8476-68970	229	5
1A8480-00810	3	7
	5	7
1A8480-00820	3	8
	5	8
1A8480-03100	9	1
1A8480-04410	12	5
	14	5
1A8480-04490	12	6
1A8480-04550	12	7
	14	6
1A8480-04810	12	8
	14	7
1A8480-04870	12	10
	14	9
1A8480-05210	21	1
1A8480-05501	21	2
	23	2
1A8480-05550	21	3
	23	3
1A8480-05600	31	1
1A8480-06110	25	8
1A8480-06120	25	9
1A8480-06150	25	2
1A8480-06160	25	3
1A8480-06170	25	5
1A8480-06200	25	10
1A8480-06300	25	11
1A8480-07200	27	2
1A8480-07210	27	3
1A8480-07250	29	1
1A8480-07260	27	4
1A8480-07500	27	5
1A8480-21810	68	1
1A8480-23810	74	17
1A8480-29930	100	3
1A8480-49800	145	3

Parts No. Index

Parts No.	Fig. No.	Ref. No.
1A8480-51170	149	1
1A8480-60500	179	2
1A8480-60800	179	3
1A8480-60900	179	4
1A8480-61131	181	5
1A8480-61141	181	6
1A8480-61400	185	6
1A8480-61410	185	7
1A8480-61700	197	2
1A8480-67210	185	10
1A8484-01561	4	14
	5	15
1A8484-05210	23	1
1A8484-17600	61	2
1A8484-17700	133	1
1A8484-17850	63	1
1A8484-17860	63	2
1A8484-49100	143	5
1A8484-49360	143	8
1A8484-50800	265	1
1A8484-53510	169	2
1A8484-53600	169	3
1A8484-53610	169	5
	8	
1A8484-53700	169	6
1A8484-53800	273	3
	274	3
1A8484-54200	170	1
	273	4
1A8484-54220	170	2
	273	5
1A8484-54250	170	5
	273	8
1A8484-58700	265	6
1A8484-58750	265	7
1A8484-58800	170	6
1A8484-58810	170	7
1A8484-61250	183	2
1A8484-61550	187	1
1A8484-61900	188	6
1A8484-62980	208	1
1A8484-63690	206	2
1A8484-63750	205	8
1A8484-63760	205	9
1A8484-67790	247	6
1A8484-81200	249	4
1A8484-81210	249	5
1A8484-82100	241	2
1A8484-82110	241	3
1A8484-82150	241	4

Parts No.	Fig. No.	Ref. No.
1A8484-82260	241	6
1A8484-82270	241	8
1A8484-82280	241	9
1A8484-82290	241	10
	244	4
1A8484-82300	241	11
1A8484-82610	241	29
1A8484-82620	241	30
1A8484-82630	241	31
1A8484-83110	242	1
1A8484-83150	242	2
1A8484-83160	242	3
1A8484-83260	242	5
1A8484-83280	243	7
1A8484-83300	243	8
	244	15
1A8484-83350	243	9
1A8484-83360	243	16
1A8484-83410	243	23
1A8484-83420	243	24
1A8484-83430	243	25
1A8484-83460	243	11
1A8484-83470	243	18
1A8484-83510	243	12
1A8484-83520	243	19
1A8484-83550	243	27
1A8484-83560	243	28
1A8484-83610	244	17
1A8484-83630	244	19
1A8484-83640	244	20
1A8484-83650	244	22
1A8484-83660	244	23
1A8484-83790	244	32
1A8484-84170	247	8
1A8484-84230	247	9
1A8484-84241	247	10
1A8484-84260	247	11
1A8484-84270	247	38
1A8484-84280	247	12
1A8484-84300	247	13
1A8484-84350	247	14
1A8484-84360	247	15
1A8484-84370	247	16
1A8484-84380	247	17
1A8484-84390	247	18
1A8484-84500	247	20
1A8484-84511	247	21
1A8484-84640	266	1
1A8484-84650	246	2
	266	3

Parts No.	Fig. No.	Ref. No.
1A8484-84680	247	26
1A8484-84710	247	27
1A8484-84721	247	28
1A8484-84731	247	29
1A8484-84740	247	30
1A8484-84771	247	31
1A8484-84780	247	32
1A8484-84791	247	33
1A8484-84840	208	4
1A8484-84880	202	5
1A8484-84890	202	6
1A8484-84910	247	35
1A8484-85360	245	16
1A8484-85370	245	17
1A8484-85450	169	13
1A8484-85460	169	14
1A8484-85480	245	18
1A8484-85490	245	19
1A8484-85550	248	8
1A8484-85560	248	9
1A8484-85570	248	10
1A8484-85590	248	11
1A8484-85610	248	12
1A8484-85620	248	13
1A8484-85630	248	14
1A8484-85650	248	15
1A8484-85670	248	16
1A8484-85680	248	17
1A8484-85690	248	18
1A8484-85750	248	19
1A8484-85760	248	20
1A8484-85770	248	21
1A8484-85810	249	7
1A8484-86310	277	4
1A8484-86450	277	9
1A8484-86570	251	4
1A8484-86590	251	3
1A8484-86650	251	6
1A8484-86760	154	32
1A8484-87050	258	10
1A8484-87060	254	1
1A8484-87070	255	1
1A8484-87110	254	2
	255	2
1A8484-87120	257	22
	258	23
1A8484-87130	257	23
	258	24
1A8484-87160	256	6
1A8484-87170	256	7

Parts No.	Fig. No.	Ref. No.
1A8484-87250	253	4
1A8484-87260	253	5
1A8484-87270	253	6
1A8484-87280	253	10
1A8484-87310	254	4
	255	4
1A8484-87320	253	7
1A8484-87330	253	8
1A8484-87380	259	5
1A8484-87390	259	6
1A8484-87410	253	9
1A8484-87480	259	9
1A8484-87490	259	10
1A8484-87500	259	11
1A8484-87550	256	8
1A8484-87560	259	12
1A8484-87570	259	13
1A8484-87580	253	11
1A8484-87600	253	14
1A8484-87670	259	14
1A8484-87690	254	3
	255	3
1A8484-87700	259	15
1A8484-87800	259	16
1A8484-87831	259	17
1A8484-87841	259	18
1A8484-87880	256	10
1A8484-87900	254	6
	255	6
1A8484-87920	254	7
1A8484-87930	254	8
	255	7
1A8484-87940	253	12
1A8484-87950	254	9
	255	8
1A8484-87960	253	13
1A8484-88060	256	13
1A8484-88460	248	22
1A8484-88470	248	23
1A8484-88480	248	24
1A8484-88490	256	14
1A8484-88650	256	15
1A8484-88660	256	16
1A8484-88671	256	17
1A8484-88681	256	19
1A8484-88760	258	26
1A8484-88790	11	15
	12	16
1A8484-88840	258	27
1A8484-88920	255	9

Parts No. Index

Parts No.	Fig. No.	Ref. No.
1A8484-88940	256	21
1A8484-88970	256	22
1A8484-88990	256	24
1A8484-89150	257	29
	258	28
1A8484-89211	257	30
	258	29
1A8484-89650	256	25
1A8484-89710	258	30
1A8484-89890	254	5
	255	5
1A8484-93130	244	34
1A8484-93200	210	1
1A8485-06100	25	1
1A8485-11090	31	4
1A8485-11260	31	5
1A8485-11300	31	6
1A8485-17900	31	7
1A8485-41110	118	1
1A8485-51500	156	1
1A8485-54980	273	1
1A8485-54990	274	1
1A8485-61101	181	4
1A8485-62160	191	2
1A8485-62180	191	3
1A8485-62350	195	1
1A8485-62360	195	2
1A8485-62370	195	3
1A8485-62570	270	3
1A8485-62590	270	4
1A8485-62800	270	1
1A8485-63100	205	6
1A8485-65050	213	1
1A8485-65870	151	27
1A8485-65880	154	29
1A8485-80080	240	1
1A8485-82400	241	13
1A8485-84110	245	9
1A8485-84610	245	14
1A8485-84620	245	15
1A8485-84650	247	23
1A8485-84660	247	24
1A8485-84670	247	25
1A8485-84700	275	1
1A8485-84750	276	1
1A8485-84830	208	3
1A8485-84850	208	5
1A8485-84860	208	6
1A8485-86080	252	4
1A8485-86290	277	1

Parts No.	Fig. No.	Ref. No.
1A8485-86550	252	5
1A8485-86560	252	6
1A8485-86580	277	15
1A8485-87010	253	1
1A8485-87200	253	3
1C1011-33990	241	1
1C1151-66470	257	7
	258	7
1C6053-32020	113	11
1C6281-52310	113	32
	220	2
1C6281-52320	11	14
	12	15
	13	12
	14	13
	115	14
	116	6
	117	5
	128	15
	224	1
	225	1
	229	2
	271	9
1C6360-65700	178	6
	179	6
	223	1
1C6660-94100	245	20
1C6710-83410	7	10
1C6720-47610	227	2
1C6982-49480	6	8
1C7100-08151	175	1
1C7100-15100	42	6
1C7130-05571	137	2
1D2310-06080	150	8
1D4103-18301	161	2
1D4220-16250	150	1
	151	1
1D4220-22900	61	9
1D4270-17650	161	1
1E6102-83230	153	30
	154	30
	180	30
	181	30
1E6190-54080	81	6
	82	6
1E6213-83410	137	7
1E6681-66370	129	23
1E6681-79140	131	17
1E6C20-81300	160	3
1E8540-54130	70	23

Parts No.	Fig. No.	Ref. No.
1E8540-54130	71	23
1E8540-83220	150	15
	151	14
1E8665-83100	154	22
1E8970-84800	153	22
	154	13
1E9170-81270	168	7
1E9265-84300	150	16
		19
	151	15
		18
	152	3
	153	21
	154	23
	158	5
	165	4
1F4123-73450	116	8
	117	7
1F4190-41040	256	3
1M0020-33440	106	3
1N3280-51800	153	17
	154	17
1RF001-00014	264	2
	265	2
1RF001-93010	264	7
	265	8
1TN322-71170	238	4
22117-080000	119	29
22117-100000	131	18
22137-060000	7	16
	113	35
	228	17
	258	18
	271	20
22137-080000	11	16
	12	17
	13	13
	14	14
	116	9
	117	8
	131	19
	220	9
	244	35
	258	19
22137-100000	6	11
	118	3
	142	12
	143	12
	227	18
	249	8

Parts No.	Fig. No.	Ref. No.
22137-100000	257	19
	258	20
	272	7
22137-120000	7	17
	57	10
	116	10
	117	9
	204	27
	205	27
	243	13
		20
	262	9
22137-160000	234	9
		28
	262	10
22137-200000	104	5
22157-060000	150	32
	151	31
	191	4
	257	32
	258	31
22157-080000	10	16
		17
	80	17
	116	11
	117	10
	178	7
	179	7
	231	5
	256	26
	259	19
22157-100000	8	3
22190-050000	10	11 A
22190-060000	228	18
22190-080000	91	7
	92	7
22217-080000	56	1
	119	30
22217-100000	272	8
22217-120000	32	8
	235	4
22217-140000	200	9
	239	5
22217-160000	237	7
22242-000100	97	23
	256	27
		28
22242-000170	92	8
22242-000200	61	5
22242-000300	38	3

Parts No. Index

Parts No.	Fig. No.	Ref. No.
22242-000300	39	3
	67	3
	68	3
	89	6
	95	8
22242-000320	112	11
22242-000450	83	3
22242-000500	107	5
	122	8
22242-000700	73	14
	74	14
22242-100350	70	11
	71	11
	73	15
	74	15
22252-000130	99	4
	100	4
22252-000180	119	31
22252-000190	81	7
	82	7
22252-000400	72	6
22252-000420	61	6
	76	10
22252-000550	70	24
	71	24
	73	20
	74	20
22252-000620	41	2
	67	4
	68	4
22252-000850	42	7
22252-000900	42	8
	107	6
22252-000950	52	4
22272-000080	131	20
	227	19
	241	54
22272-000090	114	6
22272-000100	228	19
	271	21
22272-000150	222	14
22272-000190	113	28
22312-060080	92	9
22312-080180	65	2
	66	2
	77	9
	80	27
	98	2
22312-100180	42	9
	76	11

Parts No.	Fig. No.	Ref. No.
22312-100180	77	10
	79	11
	103	5
	107	7
	119	32
22312-100250	59	15
22351-035032	96	5
	222	15
22351-040014	125	7
22351-040032	91	8
22351-040040	101	12
	114	7
22351-050025	230	8
22351-050040	104	6
22351-060025	92	10
22351-060032	96	6
	222	16
22351-060036	91	9
		10
	92	11
		12
	243	14
		21
22351-060040	37	8
22351-060050	127	8
	131	21
	249	9
22351-060060	80	18
22351-080040	104	7
22351-100045	234	10
		29
22372-050000	228	20
	229	6
	271	22
		23
22372-080000	131	22
	220	10
	241	55
	244	36
22372-100000	227	20
22417-120100	126	8
22417-160120	258	21
22417-160180	7	18
22417-200200	131	23
	223	7
		9
	224	8
	225	8
22417-200250	7	19
	116	12

Parts No.	Fig. No.	Ref. No.
22417-200250	117	11
22417-200300	115	18
22417-400320	234	11
		30
22417-400400	35	18
22487-040200	126	9
22487-050100	252	13
22487-060120	229	7
	271	24
22487-080120	229	8
	271	25
22487-080160	131	24
22487-080200	11	17
	12	18
	13	14
	14	15
	115	15
		19
	128	16
22487-080240	220	11
22487-080450	241	56
22487-080600	244	37
22487-100240	178	8
	179	8
22487-120600	7	20
22522-030130	131	25
22857-400100	256	29
22857-500100	221	3
	256	30
22873-300060	161	26
22877-500080	248	25
23000-016000	2	20
	3	21
	4	20
	5	21
23000-022000	134	4
	142	13
	143	13
	144	4
	145	4
	256	31
	257	33
	258	32
23000-048000	2	21
		22
	3	22
		23
	4	21
		22
	5	22

Parts No.	Fig. No.	Ref. No.
23000-048000	5	23
	136	4
23000-060000	10	9
	46	6
	47	6
23000-070000	24	14
		15
	46	7
	47	7
23000-080000	10	10
	24	16
	25	14
		15
23080-007000	252	9
		14
		17
	277	17
23414-100014	79	12
23414-160021	141	7
23414-200000	76	12
23491-140002	52	5
	65	3
	66	3
	75	8
	103	6
23857-100000	141	8
23871-010000	78	13
	80	4
	119	9
	132	11
	133	10
23871-020000	119	10
	129	28
23875-010000	76	4
	77	4
		7
23875-020000	76	5
	77	5
	79	3
23887-100002	79	13
23980-730580	18	17
	19	17
23980-730850	18	18
	19	18
23980-731040	18	19
	19	19
24101-060034	99	5
	100	5
24101-060044	99	6
	100	6

Parts No. Index

Parts No.	Fig. No.	Ref. No.
24101-060054	73	21
	74	21
24101-060064	70	25
	71	25
	73	22
	74	22
24101-060084	101	14
24101-060094	83	4
24101-060114	101	15
24101-060124	52	6
24101-060174	37	12
24101-062054	81	8
	82	8
	94	4
24101-062064	87	11
24101-062074	83	5
	86	3
24101-062084	45	7
24101-062094	52	7
24101-062104	107	8
24101-063044	95	9
24101-063054	73	23
	74	23
	81	9
	82	9
24101-063064	87	12
	95	10
24101-063080	106	5
24101-063094	107	9
24104-060040	61	7
24104-062024	257	16
	258	14
24104-062104	43	5
24141-320070	36	9
24163-305200	87	13
24163-305300	87	14
24164-000282	97	24
24190-080001	91	11
	92	13
	95	11
24190-130003	125	8
24190-160001	119	33
24190-180001	112	12
24311-000030	124	4
24311-000070	80	19
		28
24311-000110	2	33
	3	35
	4	33
	5	35

Parts No.	Fig. No.	Ref. No.
24311-000110	79	14
24311-000120	80	20
24311-000140	97	14
	141	9
24311-000160	52	8
	65	4
	66	4
	75	9
	91	12
	92	14
	96	7
	103	7
24311-000180	42	10
	78	14
24311-000220	97	15
24311-000240	80	21
24311-000290	136	5
24311-000300	97	21
24311-000500	32	9
24311-000700	33	9
24311-000800	33	10
24311-000850	33	11
24315-000080	125	9
24315-000100	124	5
24315-000110	59	9
	123	2
24315-000140	60	3
		5
	61	10
		13
		14
	119	34
		35
	129	22
	132	8
	133	7
	138	7
	141	5
24315-000150	127	9
	131	26
		27
24315-000160	125	10
24315-000180	119	27
		36
		37
	124	6
	125	11
	129	17
		25
		27

Parts No.	Fig. No.	Ref. No.
24315-000180	129	29
		30
	132	12
	133	11
	271	26
24315-000200	127	10
24315-000220	124	7
24321-000250	92	15
24321-000400	140	2
24321-000500	46	8
	47	8
	122	9
24321-000550	46	9
	47	9
	79	15
24321-000700	79	16
24321-000800	118	4
24321-001300	42	11
24321-002300	45	8
24341-000090	97	16
24341-000112	80	22
24341-000315	36	10
24341-000320	70	12
	71	12
	73	16
	74	16
24341-000340	97	22
24351-240300	32	10
	119	38
24421-203007	75	10
24421-204208	76	13
24421-355008	103	8
24421-456209	41	3
24430-204206	61	8
24550-010100	227	10
		15
24550-012150	228	9
		12
	271	15
24550-018150	222	13
		17
24550-025120	122	5
		7
24550-025200	113	10
		14
		25
24550-035120	59	16
24550-050400	119	5
24761-010000	33	3
		7

Parts No.	Fig. No.	Ref. No.
24761-010000	115	3
		6
24761-040000	69	3
	120	20
24761-060000	230	9
	233	7
25132-005700	257	34
25132-006800	258	33
26013-100402	107	10
26013-140352	203	3
	236	3
	237	10
26013-140402	30	10
	31	9
26013-140452	262	11
26016-060162	80	23
26016-080202	78	15
26022-050162	10	11
26023-030102	161	27
26023-040102	7	11
	173	4
26076-161002	262	12
26106-050122	150	33
	151	32
26106-060102	180	21
		22
		23
	181	21
		22
		23
	256	32
26106-060122	2	23
	3	24
	4	23
	5	24
	7	21
	16	4
	114	8
	115	16
	120	21
	142	14
		15
	143	14
		15
	151	33
	153	32
		33
	154	33
		34
		35

Parts No. Index

Parts No.	Fig. No.	Ref. No.	
26106-060122	161	28	
	175	2	
	176	2	
	241	57	
		58	
		59	
	252	18	
	256	33	
	257	35	
		36	
	258	34	
		35	
	264	8	
	26106-060162	1	2
		78	16
79		17	
161		29	
165		11	
		12	
		13	
180		24	
181		24	
191		5	
220		12	
		13	
227		21	
228		21	
229		9	
265	9		
271	11		
26106-060202	2	24	
	3	25	
	4	24	
	5	25	
	211	6	
	256	34	
	257	37	
		38	
	258	36	
		37	
	259	20	
	26106-060252	257	39
			40
		258	38
	26106-060302	150	34
151		34	
26106-080122		20	8
	21	5	
		6	

Parts No.	Fig. No.	Ref. No.
26106-080122	22	8
	23	5
		6
	46	10
		11
	47	10
		11
	62	12
	63	6
	103	9
	112	13
	128	17
	179	9
	210	2
	26106-080162	8
11		18
		19
		20
12		19
		20
		21
		22
13		15
		16
14		16
		17
		18
20		9
		10
	11	
22	9	
	10	
	11	
24	17	
	18	
	19	
25	16	
	17	
26	8	
30	11	
	12	
31	10	
	11	
	11	
32	11	
	12	
58	2	
62	13	
63	7	
64	3	
80	24	

Parts No.	Fig. No.	Ref. No.
26106-080162	90	2
	91	13
	92	16
	96	8
	105	2
	113	36
	114	9
	116	13
	117	13
	119	39
	131	28
		29
		30
	134	5
	137	8
140	3	
141	10	
144	5	
145	5	
150	35	
	36	
	37	
151	35	
	36	
	37	
152	5	
	6	
153	34	
	35	
	36	
154	36	
	37	
	38	
158	8	
166	13	
167	10	
168	11	
171	4	
177	8	
	9	
178	9	
	10	
	11	
179	10	
	11	
188	7	
190	10	
	11	
196	7	
	8	

Parts No.	Fig. No.	Ref. No.
26106-080162	196	9
	197	7
		8
		9
	198	2
	199	3
	201	4
		5
	202	7
		8
	220	14
	221	4
	222	19
	227	22
		23
228	22	
231	6	
247	36	
248	26	
252	19	
257	41	
	42	
	43	
258	40	
	41	
	42	
259	21	
	22	
	23	
262	13	
26106-080202	10	18
		19
	11	21
		22
		23
		24
	12	23
		24
		25
	13	17
		18
		19
	14	19
		20
		21
77	11	
79	18	
92	17	
119	40	
	41	

Parts No. Index

Parts No.	Fig. No.	Ref. No.	
26106-080202	128	18	
	209	2	
	226	3	
	256	35	
	272	11	
26106-080252	30	13	
	31	12	
	65	5	
	66	5	
	102	3	
	132	13	
	133	12	
	257	44	
		45	
		46	
	258	43	
		44	
		44	
26106-080302	10	20	
	15	3	
	56	2	
	77	12	
	119	42	
	144	6	
145	6		
26106-080352	30	14	
26106-080452	11	25	
	12	26	
	13	20	
	14	22	
	78	18	
	257	47	
258	45		
	46		
26106-080502	11	26	
	12	27	
	13	21	
	14	23	
	80	29	
	196	10	
	197	10	
	199	4	
	26106-080504	131	31
	26106-080652	140	4
		168	12
26106-080702	80	30	
26106-080902	15	4	
	78	19	
26106-081002	79	19	
26106-100162	9	4	
	150	38	

Parts No.	Fig. No.	Ref. No.	
26106-100162	151	38	
	251	7	
26106-100202	8	5	
	26	9	
	27	7	
	53	5	
	54	4	
	55	9	
	61	15	
	62	14	
		15	
		113	37
		120	22
		129	31
		199	5
	239	13	
26106-100252	27	8	
	37	13	
	101	13	
26106-100302	28	2	
	29	2	
	44	2	
	45	9	
	76	14	
	103	10	
26106-100352	118	5	
26106-100402	69	5	
26106-100502	79	20	
26106-100602	53	6	
26106-100652	26	10	
26106-100802	103	11	
26106-120252	32	13	
	130	3	
	204	28	
	205	28	
	205	28	
26106-120352	129	32	
26106-120402	119	43	
	262	14	
26106-120502	130	4	
26106-120602	262	15	
26116-080404	7	22	
26116-121202	32	14	
26116-140402	239	6	
26116-140752	200	10	
26116-160452	262	16	
26116-160604	30	15	
	31	13	
26116-160702	237	8	
26116-160952	262	19	
26116-161202	262	20	

Parts No.	Fig. No.	Ref. No.
26216-080162	67	5
	68	5
26216-100302	75	4
26216-120352	75	5
26226-100252	76	6
26306-100002	257	20
	258	22
26346-080002	113	29
	231	7
	243	37
	262	17
26346-100002	6	12
	249	10
26356-100002	243	15
		22
26356-120002	57	11
26356-160002	120	9
		17
26366-060002	247	37
26366-080002	119	44
		45
	131	32
26366-100002	103	12
	118	6
26366-120002	119	46
26367-060002	3	26
	5	26
26450-060122	172	3
		4
26450-060162	97	17
		25
26450-080122	42	12
26450-080252	123	3
26450-080302	77	13
26450-080452	98	3
26450-100602	98	4
26450-120452	121	4
26487-080163	211	7
26557-040102	256	36
26557-040162	161	30
26557-050122	250	4
26557-050202	169	17
26557-060162	161	31
26577-060202	241	60
26577-080252	241	61
26579-060252	276	3
26589-060162	245	21
		22
		23
	275	3

Parts No.	Fig. No.	Ref. No.
26589-060252	190	12
26589-060502	190	13
26712-080002	257	21
26716-060002	227	24
26716-080002	7	23
	131	33
		34
	157	4
26716-100002	115	12
	126	10
	223	8
	224	7
	225	7
26716-140002	200	11
	239	7
26716-160002	30	16
	31	14
	237	9
26736-100002	272	9
26756-080002	26	11
26776-120002	161	7
		9
26776-160002	124	8
26893-000600	180	25
	181	25
27260-320000	76	7
29622-140001	2	25
	3	27
	4	25
	5	27
	18	20
	252	20
29622-250001	62	16
		17
	135	1
	150	39
	151	39
	158	9
	256	37
		38
41801-110041	180	26
	181	26
41810-000080	129	33
41810-000100	103	13
41810-000120	75	11
	240	2
794130-71410	234	1
933160-01370	129	34