

0CNP6-M02550EN

Corresponding table of the machine and engine

Machine		Engine
Model	Spec.	Model
YT235Y	without cabin	3TNV88C-KRNS
	with cabin	3TNV88C-KRNSQ

Contents

OCNP6-M02550

Fig. No. Fig. Name

ENGINE CONTROL

1. ENGINE RELATED
2. RADIATOR
3. COOLER(Accessories)(CABIN)
4. HEATER(Accessories)(CABIN)
5. ACCEL LEVER
6. EXHAUST PIPE
7. FUEL TANK
8. FUEL COOLER
9. FUEL HOSE(1)
10. FUEL HOSE(2)
11. FUEL FILTER
12. AIR CLEANER

FRONT AXLE

13. FRONT BRACKET
14. CENTER PIN SUPPORT
15. TIE ROD
16. RING GEAR
17. DIFFERENTIAL GEAR
18. PROPELLER SHAFT
19. FRONT SHAFT(1)
20. FRONT AXLE CASE
21. FRONT GEAR CASE
22. FRONT SHAFT(2)

Fig. No. Fig. Name

23. FRONT SPINDLE
24. SHAFT COVER
25. FRONT WHEEL TIRE(6-14)
26. FRONT WHEEL TIRE(25X8.5-14)
27. FRONT WHEEL TIRE(25X8.5-14)
28. HUB BOLT
29. FRONT GEAR BOX
30. STEERING COLUMN
31. JOINT(STEERING)
32. STEERING WHEEL
33. P.S.T. CYLINDER
34. P.S.T. VALVE
35. BRACKET(P.S.T. VALVE)
36. COVER(P.S.T. VALVE)
37. P.S.T. HOSE

TRANSMISSION

38. CLUTCH HOUSING
39. DOCKING BOLT
40. COUPLING(FLYWHEEL)
41. TRANSMISSION CASE
42. CENTER CASE
43. REDUCTION SHAFT
44. COUNTER SHAFT
45. P.T.O. CLUTCH

Contents

OCNP6-M02550

Fig. No.	Fig. Name
46.	P.T.O. DRIVE SHAFT
47.	P.T.O. SHAFT
48.	MID P.T.O.
49.	P.T.O. SHAFT COVER
50.	P.T.O. SHAFT COVER(MID)
51.	P.T.O. SHAFT GUARD
52.	P.T.O. VALVE
53.	SUB SHIFT
54.	P.T.O. SHIFT
55.	4WD DRIVE
56.	4WD SHIFT
57.	H.S.T.
58.	LINK(H.S.T. CRUISE)
59.	LINK(H.S.T.)
60.	H.S.T. CONTROL

REAR AXLE

61.	RING GEAR
62.	DIFFERENTIAL GEAR
63.	DIFFERENTIAL CARRIER
64.	REAR AXLE HOUSING
65.	DIFFERENTIAL LOCK
66.	DIFFERENTIAL LOCK PEDAL
67.	FINAL PINION
68.	FINAL GEAR

Fig. No.	Fig. Name
69.	REAR AXLE SHAFT
70.	REAR WHEEL TIRE(9.5-22)
71.	REAR WHEEL TIRE(15X19.5)
72.	REAR WHEEL TIRE(13.6X16)
73.	HUB BOLT
74.	BRAKE
75.	PEDAL
76.	BRAKE LINK

HYDRAULIC CONTROL

77.	HYDRAULIC PUMP
78.	HYDRAULIC CYLINDER CASE
79.	PISTON
80.	LIFT CRANK
81.	CONTROL VALVE
82.	RELIEF VALVE
83.	STOP VALVE CONTROL
84.	STOP VALVE
85.	SAFETY VALVE
86.	LOADER VALVE
87.	LOADER LEVER
88.	HYDRAULIC CONTROL
89.	HYDRAULIC CONTROL LEVER
90.	HYDRAULIC PIPING
91.	HYDRAULIC PIPING(TRANSMISSION)

Contents

OCNP6-M02550

Fig. No. Fig. Name

- 92. HYDRAULIC FILTER
- 93. HYDRAULIC PIPING(LOADER)
- 94. OIL COOLER
- 95. HYDRAULIC PIPING(H.S.T.)

ELECTRICAL PARTS

- 96. WIRE HARNESS(ENGINE)
- 97. WIRE HARNESS(ENGINE)(CABIN)
- 98. WIRE HARNESS(TRANSMISSION)
- 99. WIRE HARNESS(FLOOR)
- 100. WIRE HARNESS(FLOOR)(CABIN)
- 101. BATTERY
- 102. BATTERY CLAMP
- 103. WIRE HARNESS(BONNET)
- 104. WIRE HARNESS(CABIN)
- 105. SWITCH(FLOOR)
- 106. SWITCH(TRANSMISSION)
- 107. SWITCH(STARTER)
- 108. SWITCH(STARTER)(CABIN)
- 109. SWITCH(COLUMN COVER)
- 110. CONNECTOR COVER
- 111. SWITCH(CABIN)
- 112. SWITCH(SEAT)
- 113. LAMP(1)
- 114. LAMP(1)(CABIN)

Fig. No. Fig. Name

- 115. LAMP(2)
- 116. REFLECTOR
- 117. ROOM LAMP
- 118. WORK LAMP
- 119. HEAD LAMP
- 120. METER
- 121. BACK BUZZER
- 122. RELAY(ENGINE)
- 123. RELAY(ENGINE)(CABIN)
- 124. RELAY(CABIN)
- 125. POWER SUPPLY SOCKET

FITTINGS

- 126. FRONT FRAME
- 127. FRONT FRAME(CABIN)
- 128. REAR FRAME
- 129. BONNET
- 130. BATTERY SUPPORT
- 131. BONNET STAND
- 132. DUCT(BONNET)
- 133. DUCT(BONNET)(CABIN)
- 134. COVER(BONNET)
- 135. DASHBOARD
- 136. DASHBOARD(CABIN)
- 137. COLUMN COVER

Contents

OCNP6-M02550

Fig. No.	Fig. Name
138.	CURRENT PLATE
139.	INTERIORS
140.	INTERIORS(CABIN)
141.	FLOOR COVER
142.	OVER FENDER
143.	SUB STEP
144.	FLOOR
145.	FLOOR MOUNT(1)
146.	FLOOR MOUNT(2)
147.	SEAT(1)
148.	SEAT(1)(CABIN)
149.	SEAT(2)
150.	FENDER LOWER COVER
151.	FLOOR GUARD
152.	BRACKET(S.M.V.)
153.	EMBLEM(S.M.V.)
LABEL	
154.	LABEL(1)
155.	LABEL(2)
156.	LABEL(3)
157.	LABEL(3)(CABIN)
158.	LABEL(SAFETY)(1)
159.	LABEL(SAFETY)(2)
160.	LABEL(SAFETY)(2)(CABIN)

Fig. No.	Fig. Name
CONTROL	
161.	LEVER(LEFT)
162.	LEVER LINK(LEFT)
163.	4WD LEVER
HITCH	
164.	TOP LINK
165.	TOP LINK HOOK
166.	LIFT LINK(LEFT)
167.	LIFT LINK(RIGHT)
168.	LOWER LINK
169.	LOWER LINK PIN
170.	DRAWBAR HITCH
SAFETY FRAME	
171.	STAY(LAMP)
172.	SAFETY FRAME
CABIN	
173.	CABIN FRAME
174.	DOOR
175.	FRONT WINDOW
176.	REAR WINDOW
177.	CABIN SEAL(1)

Contents

OCNP6-M02550

Fig. No. Fig. Name

178. CABIN SEAL(2)

179. EXTERIOR

180. ROOF

181. REARVIEW MIRROR

182. FRONT WIPER

183. ANTENNA

184. AUDIO

185. AIR CONDITIONER(1)

186. AIR CONDITIONER(2)

187. AIR CONDITIONER(3)

188. AIR CONDITIONER DUCT

189. COMPRESSOR

ACCESSORIES

190. DOCUMENT

OPTIONAL

191. BACKHOE FRAME

192. REAR HYDRAULIC

193. REAR WIPER(CABIN)

194. WORK LAMP

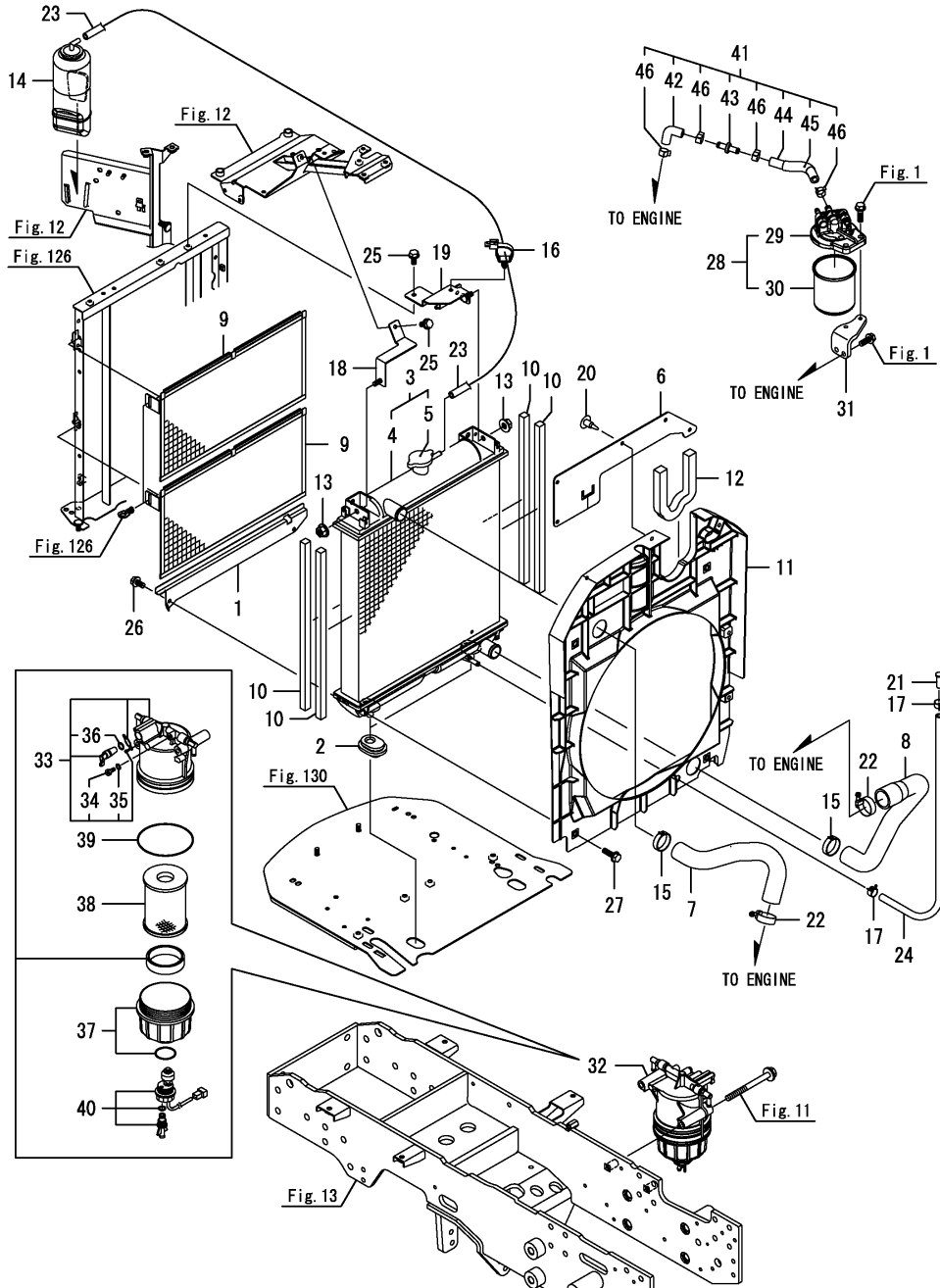
195. WORK LAMP(CABIN)

196. REARVIEW MIRROR(LEFT)

197. REARVIEW MIRROR(RIGHT)

Fig. No. Fig. Name

Fig.2. RADIATOR



(A)=YT235Y

(B)=

(C)=

(D)=

(E)=

(F)=

No.	Lev.	Parts No.	Description	Q'ty						I	R
				(A)	(B)	(C)	(D)	(E)	(F)		
1	1	1A8420-00561	RAIL, LOWER	1							
2	1	198200-00610	ABSORBER, RADIATOR	2							
3	1	1A8420-00610	RADIATOR ASSY	1							
4	2	1A8420-00630	RADIATOR, BODY	1							
5	2	129107-44590	CAP, RADIATOR	1							
6	1	1A8420-00670	COVER, SHROUD	1							
7	1	1A8420-00810	CW-T, IN	1							
8	1	1A8420-00820	CW-T, OUT	1							
9	1	1A8420-00950	SCREEN ASSY, RADI	2							
10	1	1A8420-01480	URETHANE, RADIATOR	4							
11	1	1A8420-01510	SHROUD, FAN	1							
12	1	1A8420-01530	URETHANE,SHROUD	1							
13	1	194990-22140	NUT, M8	2							
14	1	129263-44510	TANK ASSY, SUB	1							
15	1	175022-49730	CRIP 31, HOSE	2							
16	1	1A8275-51670	CLIP, M8 HOLE	1							
17	1	114270-59010	CLAMP, HOSE 12	2							
18	1	1A8420-61400	STAY ASSY,RADIATOR L	1							
19	1	1A8420-61420	STAY ASSY,RADIATOR R	1							
20	1	194697-62560	CLIP, HOLE CAP	5							
21	1	22487-080200	PIN, H 8X 20	1							
22	1	23000-035000	CLAMP, 35	2							
23	1	23780-070600	HOSE, FUEL 7X 600	1							
24	1	23980-730500	HOSE, 7.3X 500	1							
25	1	26106-060122	BOLT, M6X 12 PLATED	3							
26	1	26106-060122	BOLT, M6X 12 PLATED	2							
27	1	26106-060202	BOLT, M6X 20 PLATED	4							
28	1	129A26-55600	FILTER ASSY, FUEL	1							
29	2	129A26-55610	BRACKET ASSY, FUEL	1							
30	2	129A23-55800	FILTER, FO	1							
31	1	129A26-55650	BRACKET, FUEL FILTER	1							
32	1	129979-55700	FILTER ASSY,FUEL PRE	1							
33	2	129E00-55710	BODY ASSY	1							
34	3	129A00-55750	PLUG,BREATHER	1							
35	3	129A00-55760	O-RING	1							
36	3	24311-000110	O-RING, 1AP11.0	1							
37	2	129C20-55720	CUP, FUEL FILTER	1							
38	2	129A00-55730	ELEMENT	1							
39	2	129A00-55740	O-RING	1							
40	2	129917-55821	SENSOR ASSY, LEVEL	1							
41	1	129A26-59010	HOSE ASSY, FUEL	1							
42	2	129A26-59060	PIPE, FUEL	1							
43	2	129A26-59160	JOINT, FUEL HOSE	1							
44	2	129A26-59210	HOSE, FUEL	1							
45	2	129A26-59550	PROTECTOR, MESH	1							
46	2	23080-015000	CLAMP, 15	4							

Fig.3. COOLER(ACCESSORIES)(CABIN)

(A)=YT235Y

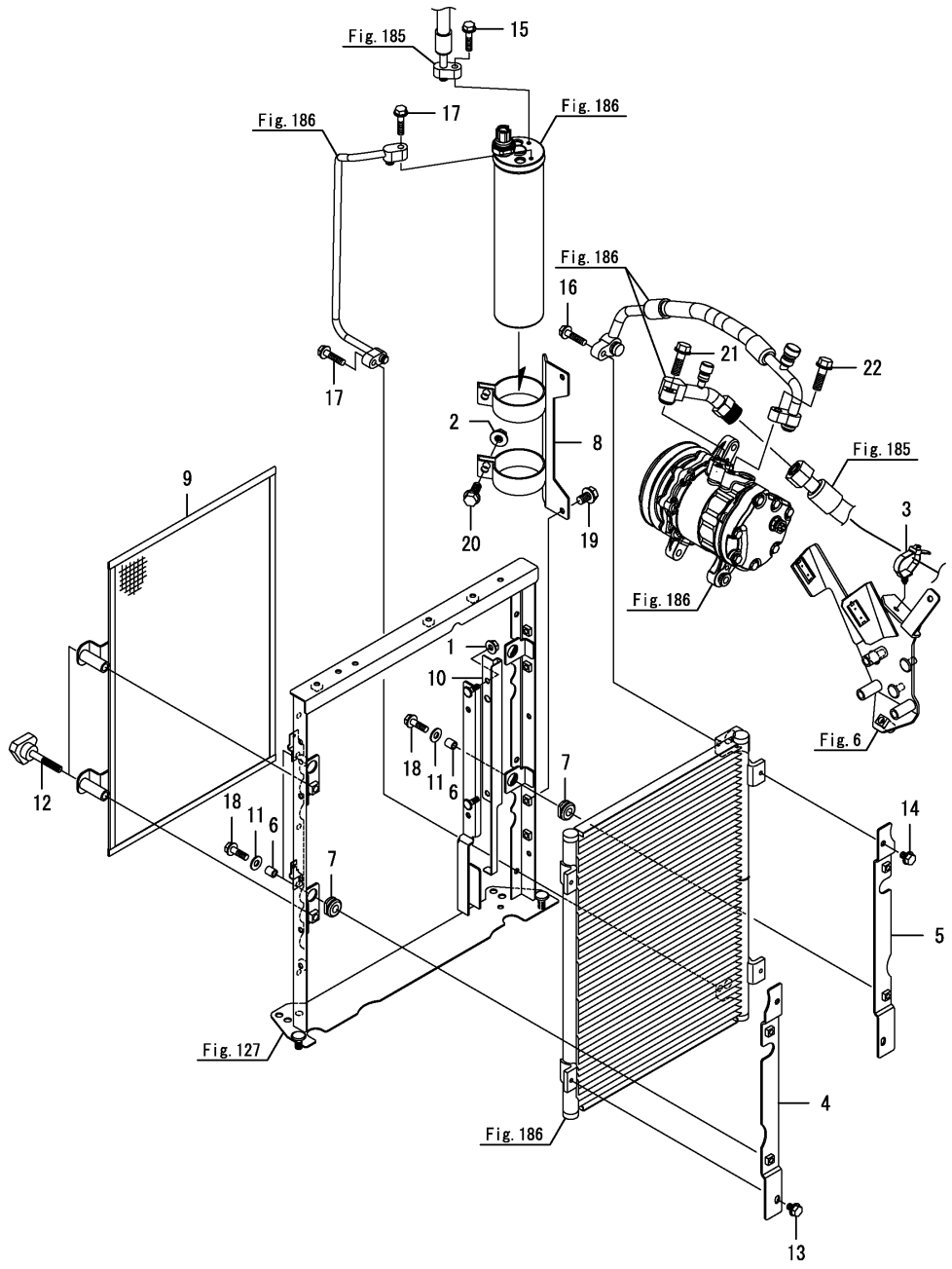
(B)=

(C)=

(D)=

(E)=

(F)=



No.	Lev.	Parts No.	Description	Q'ty						I	R
				(A)	(B)	(C)	(D)	(E)	(F)		
1	1	194990-22130	NUT, M6	2							
2	1	194990-22140	NUT, M8	2							
3	1	1A8275-51670	CLIP, M8 HOLE	2							
4	1	1A8420-60160	STAY ASSY, CONDEN A	1							
5	1	1A8420-60180	STAY ASSY, CONDEN B	1							
6	1	1A7260-78700	SPACER, 11.3	4							
7	1	198129-78720	GROMMET, 10-16	4							
8	1	1A8420-87140	STAY ASSY, R/D	1							
9	1	1A8420-89150	SCREEN ASSY, CONDEN	1							
10	1	1A8420-89210	RAIL, CONDEN-NET	1							
11	1	22157-060000	WASHER, 6	4							
12	1	26062-080501	BOLT, 8X 50	2							
13	1	26106-060082	BOLT, M6X 8 PLATED	2							
14	1	26106-060082	BOLT, M6X 8 PLATED	2							
15	1	26106-060252	BOLT, M6X 25 PLATED	1							
16	1	26106-060252	BOLT, M6X 25 PLATED	1							
17	1	26106-060252	BOLT, M6X 25 PLATED	2							
18	1	26106-060252	BOLT, M6X 25 PLATED	4							
19	1	26106-080122	BOLT, M8X 12 PLATED	2							
20	1	26106-080202	BOLT, M8X 20 PLATED	2							
21	1	26106-080252	BOLT, M8X 25 PLATED	1							
22	1	26106-080252	BOLT, M8X 25 PLATED	1							

Fig.4. HEATER(ACCESSORIES)(CABIN)

(A)=YT235Y
(B)=
(C)=

(D)=
(E)=
(F)=

No.	Lev.	Parts No.	Description	Q'ty						I	R
				(A)	(B)	(C)	(D)	(E)	(F)		
1	1	1A7030-88710	CLIP, HEATER HOSE	2							
2	1	1A7030-88710	CLIP, HEATER HOSE	1							
3	1	1A8420-89500	PIPE ASSY, HEATER	1							
4	1	198208-89530	HOSE, HEATER	2							
5	1	23000-022000	CLAMP, 22	2							
6	1	23000-022000	CLAMP, 22	1							
7	1	26106-080302	BOLT, M8X 30 PLATED	1							

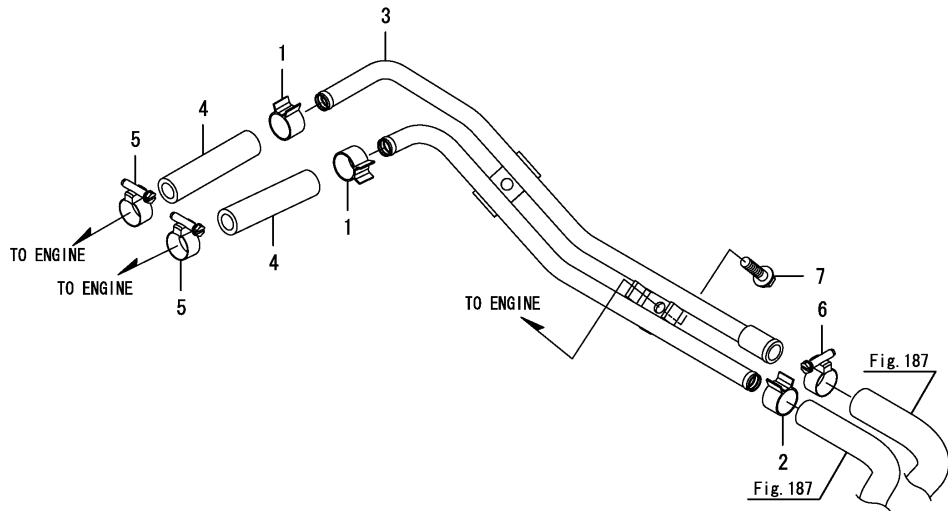


Fig.5. ACCEL LEVER

(A)=YT235Y

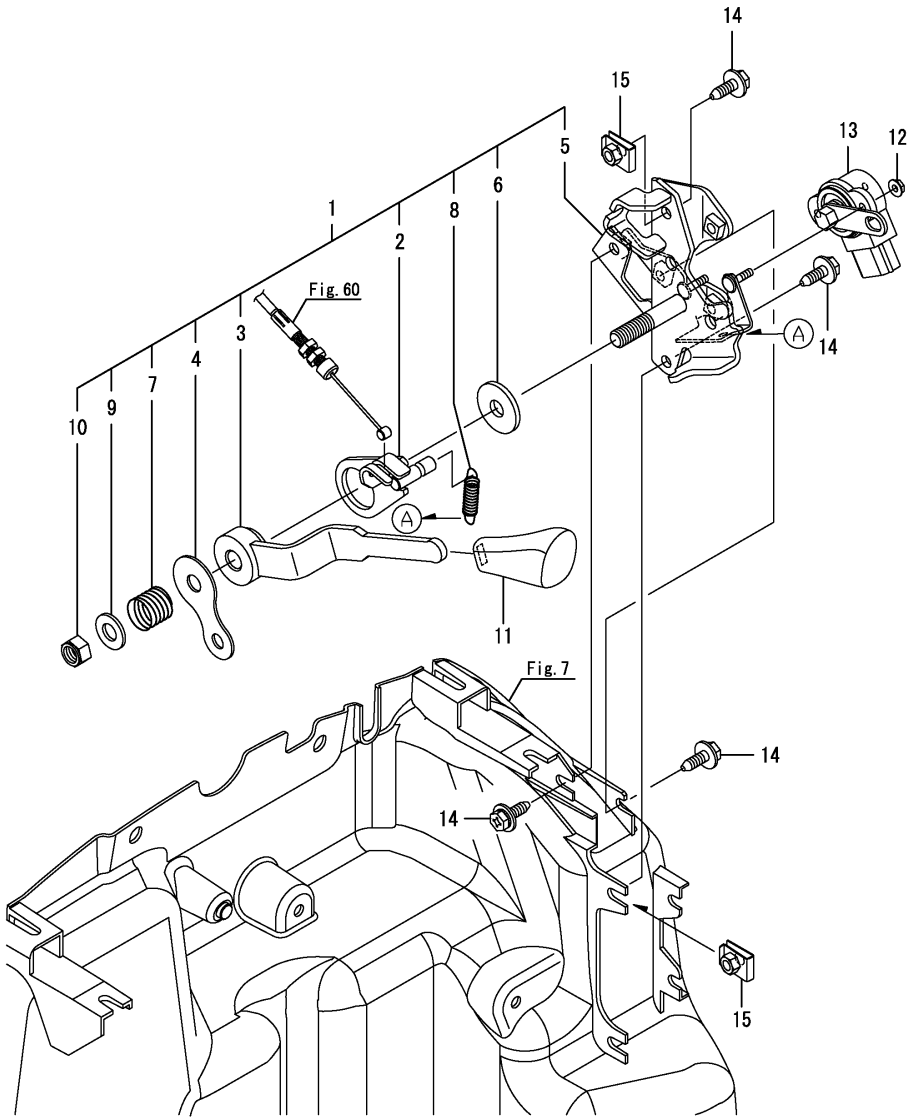
(B)=

(C)=

(D)=

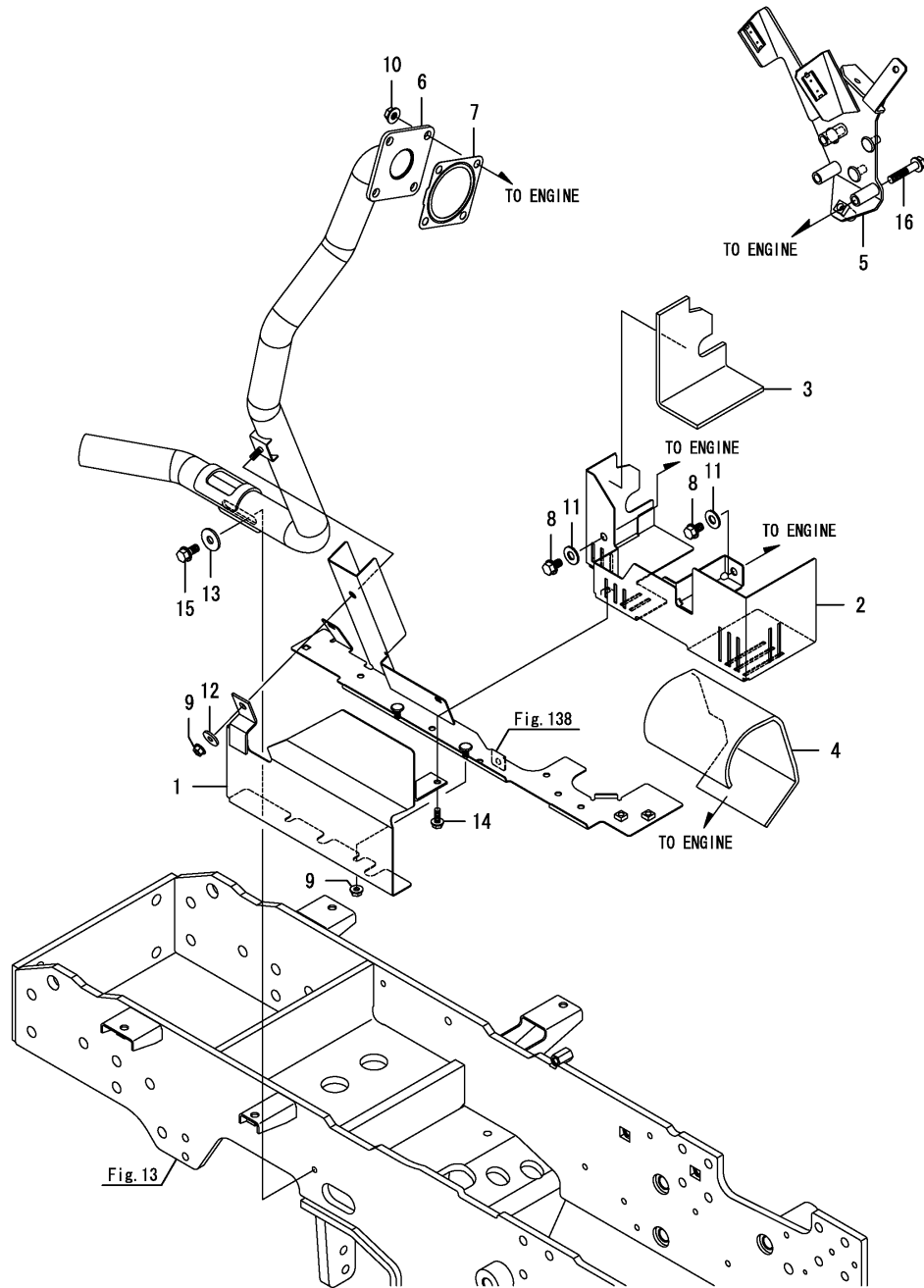
(E)=

(F)=



No.	Lev.	Parts No.	Description	Q'ty						I	R
				(A)	(B)	(C)	(D)	(E)	(F)		
1	1	1A8425-01101	LEVER UNIT, ACCEL	1							
2	2	1A8420-01170	ARM ASSY, WIRE	1							
3	2	1A8420-01210	LEVER, ACCELERATOR	1							
4	2	1A8060-01220	PLATE ,ACCELERATOR	1							
5	2	1A8425-01251	BRACKET ASSY, ACCEL	1							
6	2	198200-01260	PLATE, FRICTION	1							
7	2	1C6982-49480	SPRING 15X15	1							
8	2	194250-61850	SPRING, LOCK RETURN	1							
9	2	22137-100000	WASHER, 10	1							
10	2	26346-100002	NUT, M10	1							
11	1	1A8060-01250	KNOB, CONTROL LEVER	1							
12	1	194990-22110	NUT, M4	2							
13	1	1A8060-55600	SENSOR, ACCELERATOR	1							
14	1	198072-60590	BOLT, M6X20	4							
15	1	198071-61890	NUT, SPEED M6	2							

Fig.6. EXHAUST PIPE

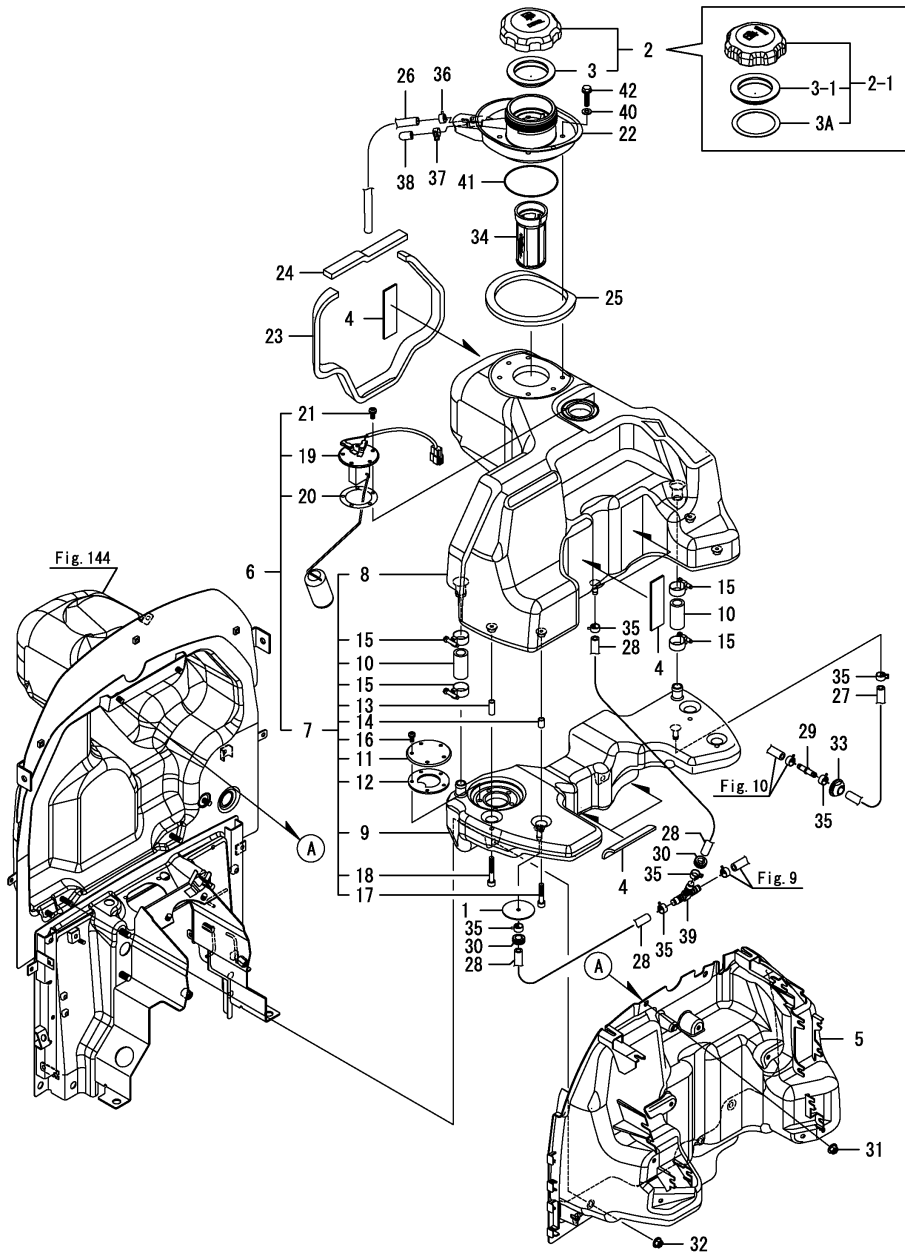


(A)=YT235Y
(B)=
(C)=

(D)=
(E)=
(F)=

No.	Lev.	Parts No.	Description	Q'ty						I	R
				(A)	(B)	(C)	(D)	(E)	(F)		
1	1	1A8420-01350	PLATE ASSY, COVER	1							
2	1	1A8420-01401	PLATE ASSY, SHUTTER	1							
3	1	1A8420-01431	HEAT INSULATOR, EXHA	1							
4	1	1A8420-01440	HEAT INSULATOR, START	1							
5	1	1A8420-01710	STAY ASSY, CLAMP HOSE	1							
6	1	1A8420-03100	PIPE ASSY, EXHAUST	1							
7	1	129930-13201	GASKET, SILENCER	1							
8	1	119802-13811	BOLT, M8X14 10.9T	2							
9	1	194990-22130	NUT, M6	3							
10	1	194990-22140	NUT, M8	4							
11	1	22137-080000	WASHER, 8	2							
12	1	22157-060000	WASHER, 6	1							
13	1	22157-080000	WASHER, 8	1							
14	1	26106-060162	BOLT, M6X 16 PLATED	1							
15	1	26106-080162	BOLT, M8X 16 PLATED	1							
16	1	26106-080402	BOLT, M8X 40 PLATED	3							

Fig.7. FUEL TANK



(A)=YT235Y
(B)=
(C)=

(D)=
(E)=
(F)=

No.	Lev.	Parts No.	Description	Qty						I	R
				(A)	(B)	(C)	(D)	(E)	(F)		
1	1	198200-04020	INSULATOR, TANK LOWER	2							
2	1	1A8400-04030	CAP ASSY, FILLER	1							
2-1	1	1A8400-04031	CAP ASSY, FILLER	1							N
3	2	198200-04040	GASKET, FUEL CAP	1							
3-1	2	1C7200-02071	GASKET, FILLER CAP	1							F 1
3A	2	1C7200-02700	SPACER, 82X65X1	1							W
4	1	198200-04090	CUSHION, TANK F	5							
5	1	1A8420-04091	COVER, FO TANK	1							
6	1	1A8420-04100	TANK KIT, FUEL	1							
7	2	1A8420-04110	TANK ASSY, FO	1							
8	3	1A8420-04120	TANK ASSY, FO A	1							
9	3	1A8400-04140	TANK ASSY, FO B	1							
10	3	1A8400-04160	HOSE, FO	2							
11	3	1A7180-04170	COVER	1							
12	3	1A8060-04180	PACKING	1							
13	3	1A8400-04240	COLLAR, 8X10X25	2							
14	3	1A8400-04250	COLLAR, 8X10X15	2							
15	3	23000-025000	CLAMP, 25	4							
16	3	26022-050162	SCREW, M5X16	5							
17	3	26450-060302	BOLT, M6X 30	2							
18	3	26450-060402	BOLT, M6X 40	2							
19	2	1A8400-56600	GAUGE ASSY, FUEL	1							
20	2	198200-56630	GASKET, FUEL GAUGE	1							
21	2	26022-050102	SCREW, M5X10	5							
22	1	1A8420-04211	SUMP, FO	1							
23	1	1A8420-04220	CUSHION, FO TANK A	1							
24	1	1A8420-04230	CUSHION, FO TANK B	1							
25	1	1A8420-04260	GASKET, DRIP PAN	1							
26	1	1A8400-04270	HOSE, DRAIN FO	1							
27	1	1A8420-04320	HOSE, FUEL	1							
28	1	1A8470-04600	HOSE, FUEL 250	2							
29	1	1A7180-04850	JOINT, FO HOSE	1							
30	1	1E8050-05510	GROMMET, SLIT 12X3	2							
31	1	194990-22140	NUT, M8	4							
32	1	194990-22140	NUT, M8	2							
33	1	194170-51210	GROMMET, 25/13	1							
34	1	101504-55101	STRAINER, FUEL	1							
35	1	114270-59010	CLAMP, HOSE 12	6							
36	1	114270-59010	CLAMP, HOSE 12	1							
37	1	114270-59010	CLAMP, HOSE 12	1							
38	1	129461-59580	CAP, FUEL OIL	1							
39	1	119629-59910	JOINT, 3-WAY	1							
40	1	22190-060000	WASHER, SEAL 6	6							
41	1	24311-000850	O-RING, 1AP85.0	1							
42	1	26106-060252	BOLT, M6X 25 PLATED	6							

Remarks

(1)No.3-1 & 3A interchangeable by set.

N:Old $\xrightarrow{\text{Yes}}$ New, Q:Old $\xrightarrow{\text{No}}$ New, R:Old $\xrightarrow{\text{Yes}}$ New, S:Old $\xrightarrow{\text{No}}$ New, W:Add, Z:Discontinued, F:Interchangeable by set, K:Qty Change

Fig.8. FUEL COOLER

(A)=YT235Y
(B)=
(C)=

(D)=
(E)=
(F)=

No.	Lev.	Parts No.	Description	Q'ty						I	R
				(A)	(B)	(C)	(D)	(E)	(F)		
1	1	1A7601-00650	COOLER, FO H40	1							
2	1	194990-22140	NUT, M8	2							

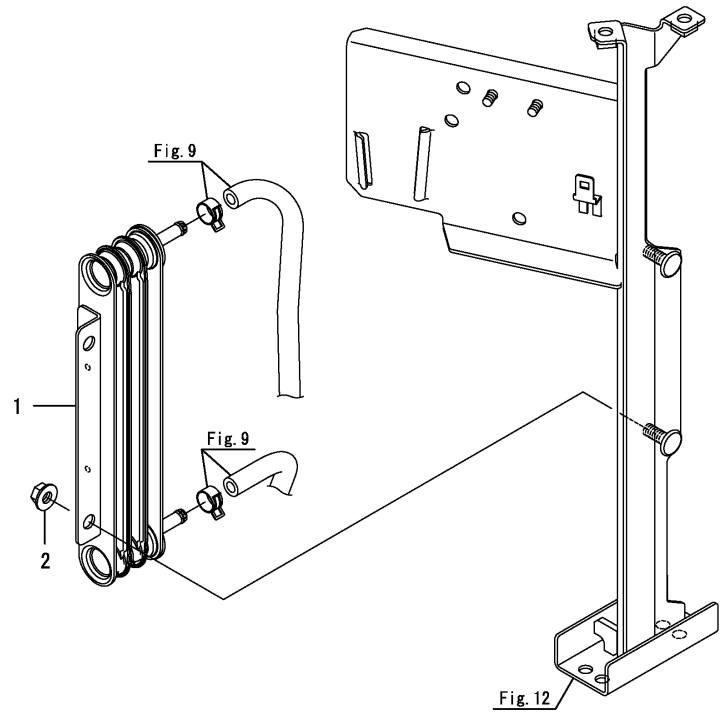
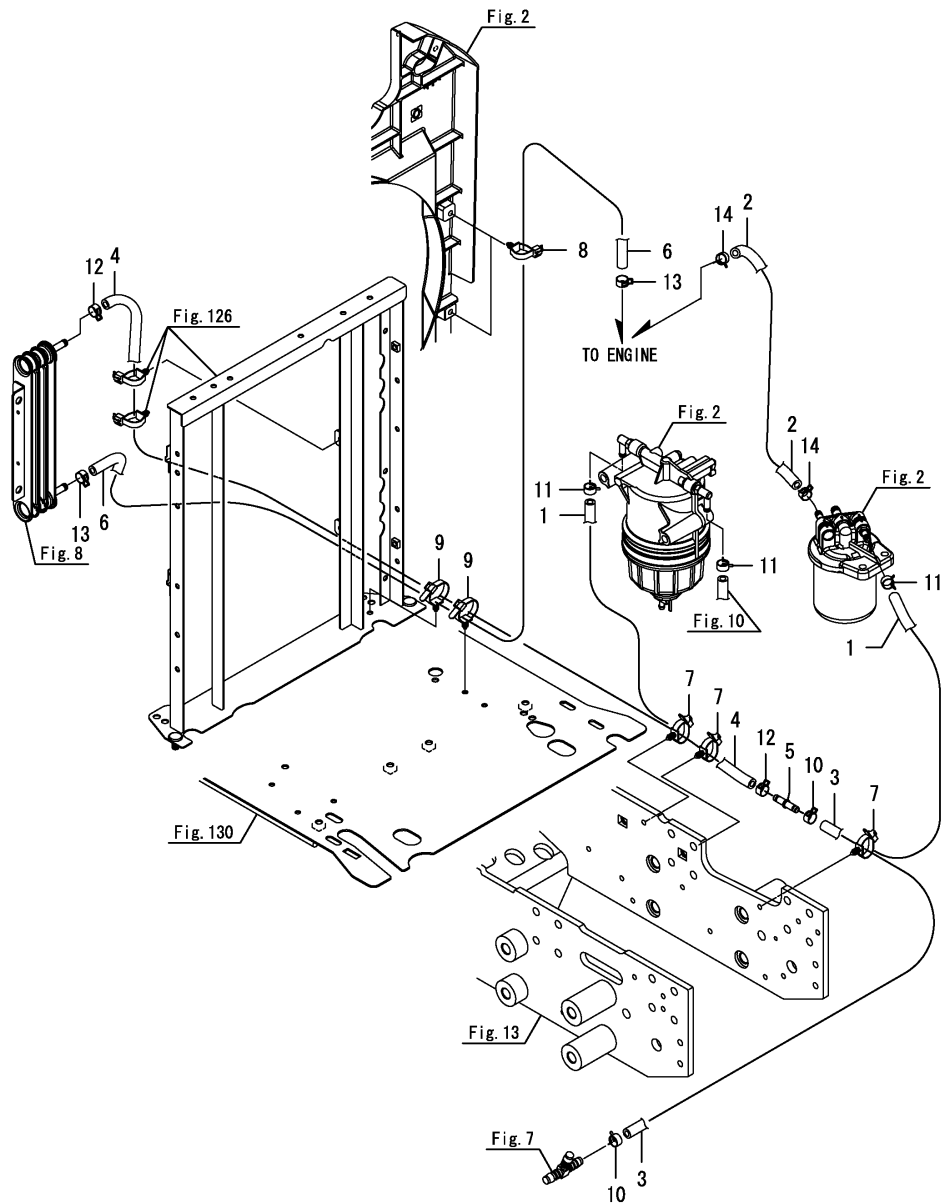


Fig.9. FUEL HOSE(1)

(A)=YT235Y
(B)=
(C)=

(D)=
(E)=
(F)=



No.	Lev.	Parts No.	Description	Qty						I	R
				(A)	(B)	(C)	(D)	(E)	(F)		
1	1	1A8060-04530	HOSE, FUEL 1000	1							
2	1	1A8042-04540	HOSE, FUEL 360	1							
3	1	1A8470-04650	HOSE, FUEL 850	1							
4	1	1A8470-04660	HOSE, FUEL 950	1							
5	1	1A7180-04850	JOINT, FO HOSE	1							
6	1	1A8066-04920	HOSE, FUEL 1100	1							
7	1	1A8275-51670	CLIP, M8 HOLE	3							
8	1	1A8275-51670	CLIP, M8 HOLE	2							
9	1	1A8275-51670	CLIP, M8 HOLE	2							
10	1	114270-59010	CLAMP, HOSE 12	2							
11	1	114270-59010	CLAMP, HOSE 12	3							
12	1	114270-59010	CLAMP, HOSE 12	2							
13	1	114270-59010	CLAMP, HOSE 12	2							
14	1	114270-59010	CLAMP, HOSE 12	2							

Fig.10. FUEL HOSE(2)

(A)=YT235Y
(B)=
(C)=

(D)=
(E)=
(F)=

No.	Lev.	Parts No.	Description	Q'ty						I	R
				(A)	(B)	(C)	(D)	(E)	(F)		
1	1	1A8420-04940	HOSE, FUEL 800	1							
2	1	114270-59010	CLAMP, HOSE 12	1							

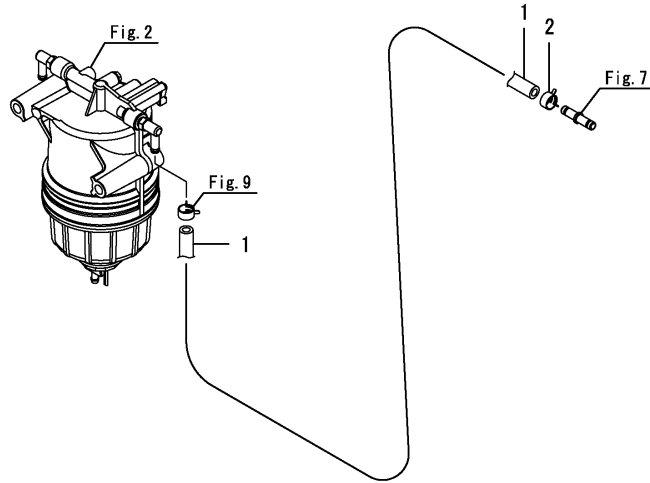


Fig.12. AIR CLEANER

(A)=YT235Y

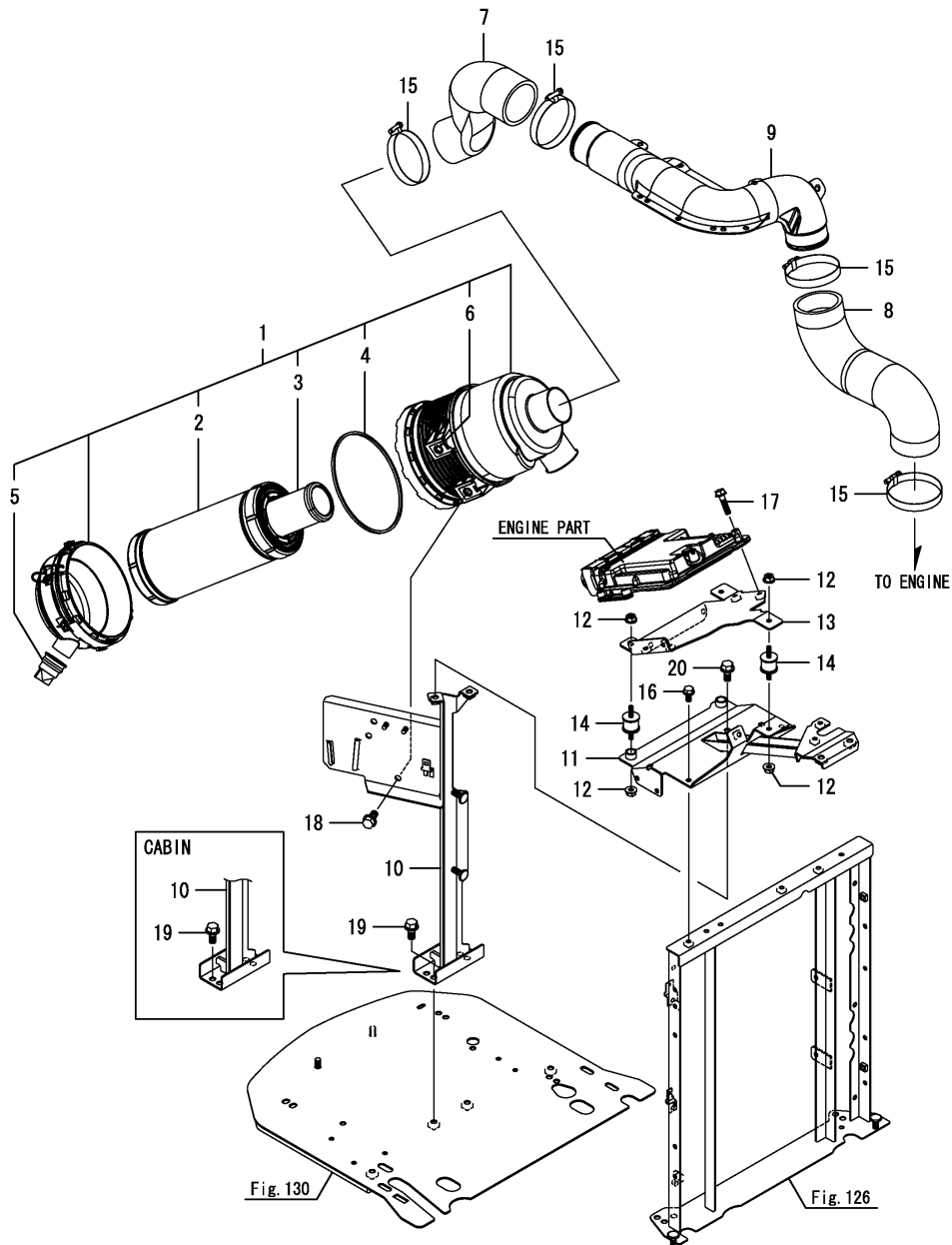
(B)=

(C)=

(D)=

(E)=

(F)=



No.	Lev.	Parts No.	Description	Q'ty						I	R
				(A)	(B)	(C)	(D)	(E)	(F)		
1	1	1A8425-05100	CLEANER ASSY,5.5IN D	1							
2	2	1A8240-05110	ELEMENT ASSY, OUTER	1							
3	2	1A8240-05120	ELEMENT ASSY, INNER	1							
4	2	1A8240-05130	GASKET, AIR CLEANER	1							
5	2	1A8240-05170	VALVE, UNLOADER	1							
6	2	1A8240-05180	CLIP NUT, M8	2							
7	1	1A8420-06010	HOSE, AIR INTAKE A	1							
8	1	1A8420-06020	HOSE, AIR INTAKE B	1							
9	1	1A8420-06150	PIPE, INTAKE	1							
10	1	1A8420-06201	BRACKET ASSY,CLEANER	1							
11	1	1A8420-06352	BRACKET ASSY, CR-ECU	1							
12	1	194990-22130	NUT, M6	6							
13	1	1A8420-58100	BRACKET ASSY, CR-ECU	1							
14	1	1A8420-58150	RUBBER, MOUNT	3							
15	1	23000-080000	CLAMP, 80	4							
16	1	26106-060122	BOLT, M6X 12 PLATED	2							
17	1	26106-060252	BOLT, M6X 25 PLATED	4							
18	1	26106-080162	BOLT, M8X 16 PLATED	2							
19	1	26106-080162	BOLT, M8X 16 PLATED	2							
20	1	26106-080162	BOLT, M8X 16 PLATED	2							

Fig.13. FRONT BRACKET

(A)=YT235Y
(B)=
(C)=

(D)=
(E)=
(F)=

No.	Lev.	Parts No.	Description	Q'ty						I	R
				(A)	(B)	(C)	(D)	(E)	(F)		
1	1	1A8425-11110	BRACKET ASSY, AXLE	1							
2	1	1A8420-11210	STAY, MOUNTING FLANG	2							
3	1	198208-11310	BOLT, M10X 25	16							
4	1	1A8425-17630	GUARD ASSY, CYLINDER	1							
5	1	1A8425-17640	STAY	1							
6	1	26106-080202	BOLT, M8X 20 PLATED	4							
7	1	26106-100552	BOLT, M10X 55 PLATED	4							

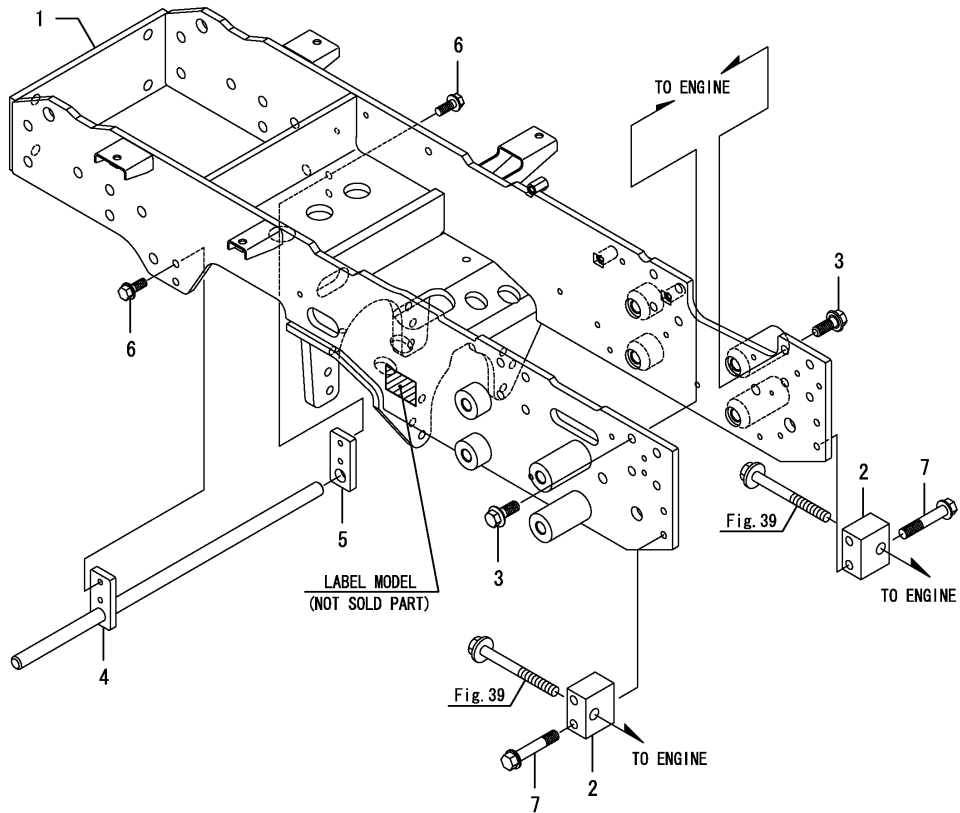
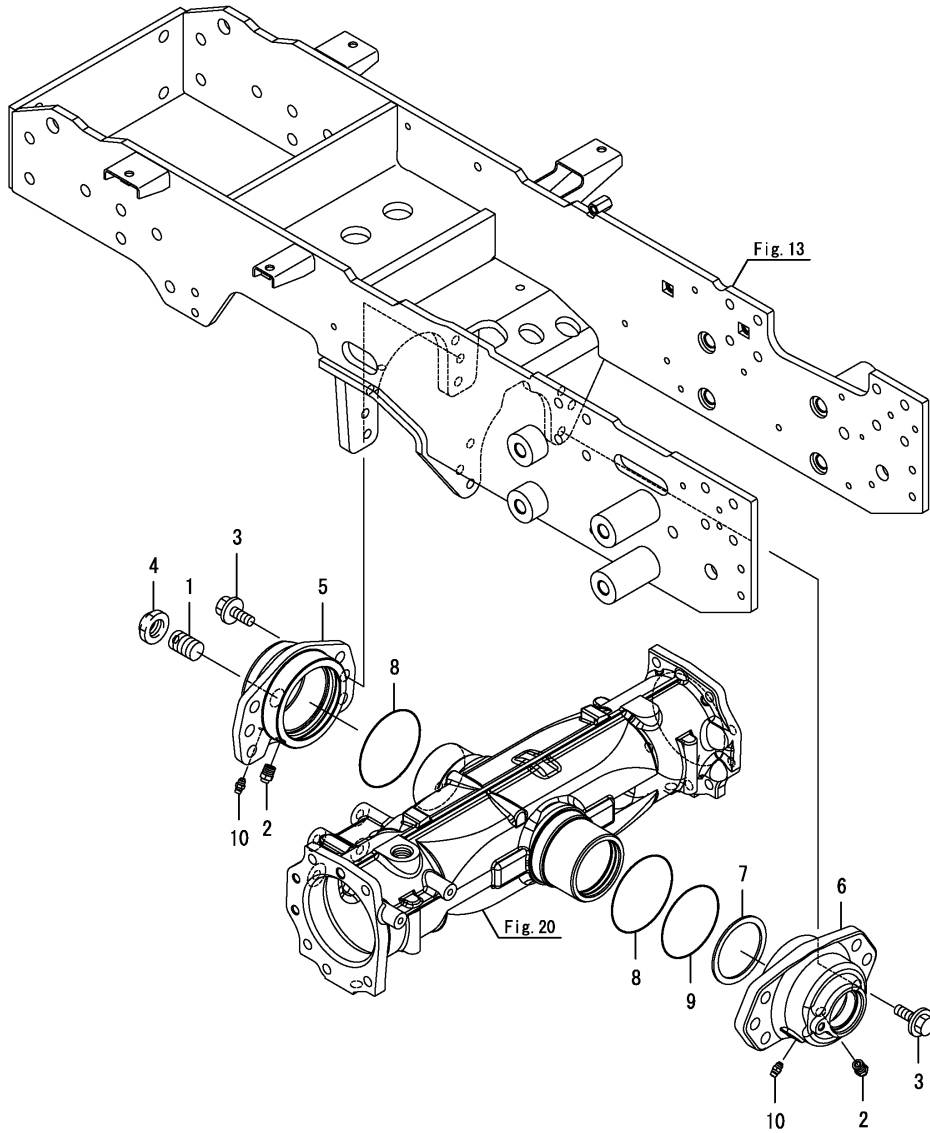


Fig.14. CENTER PIN SUPPORT

(A)=YT235Y
(B)=
(C)=

(D)=
(E)=
(F)=



No.	Lev.	Parts No.	Description	Q'ty						I	R
				(A)	(B)	(C)	(D)	(E)	(F)		
1	1	1A8071-13450	BOLT, ADJUST	1							
2	1	1A7815-32810	BREATHER, GREASE	2							
3	1	26106-120252	BOLT, M12X 25 PLATED	12							
4	1	26776-200002	NUT, LOCK M20	1							
5	1	1A8400-13150	SUPPORT ASSY, CENTER	1							
6	1	1A8400-13160	SUPPORT ASSY, CENTER	1							
7	1	1A8400-13480	WASHER, 62X75X2.3	1							
8	1	24311-000800	O-RING, 1AP80.0	2							
9	1	24321-000750	O-RING, 1AG75.0	1							
10	1	24761-010000	NIPPLE, GREASE M6F	2							

Fig.15. TIE ROD

(A)=YT235Y
(B)=
(C)=

(D)=
(E)=
(F)=

No.	Lev.	Parts No.	Description	Q'ty						I	R
				(A)	(B)	(C)	(D)	(E)	(F)		
1	1	1A8310-12330	TIE-ROD ASSY	1							
2	2	1A8310-12310	TIE ROD	1							
3	2	1A8310-12510	END ASSY, RH-A	1							
4	3	1A8310-12540	NUT, 16 R	1							
5	3	1A8310-12610	BAND, BOOTS	1							
6	3	1A8310-12620	NIPPLE, GREASE	1							
7	3	1A8310-12630	COVER, DUST	1							
8	2	1A8310-12550	END ASSY, LH	1							
9	3	1A8310-12580	NUT, 16 L	1							
10	3	1A8310-12610	BAND, BOOTS	1							
11	3	1A8310-12620	NIPPLE, GREASE	1							
12	3	1A8310-12630	COVER, DUST	1							
13	1	194180-12471	NUT, CASTLE M16	2							
14	1	22417-400400	PIN, COTTER 4.0X40	2							

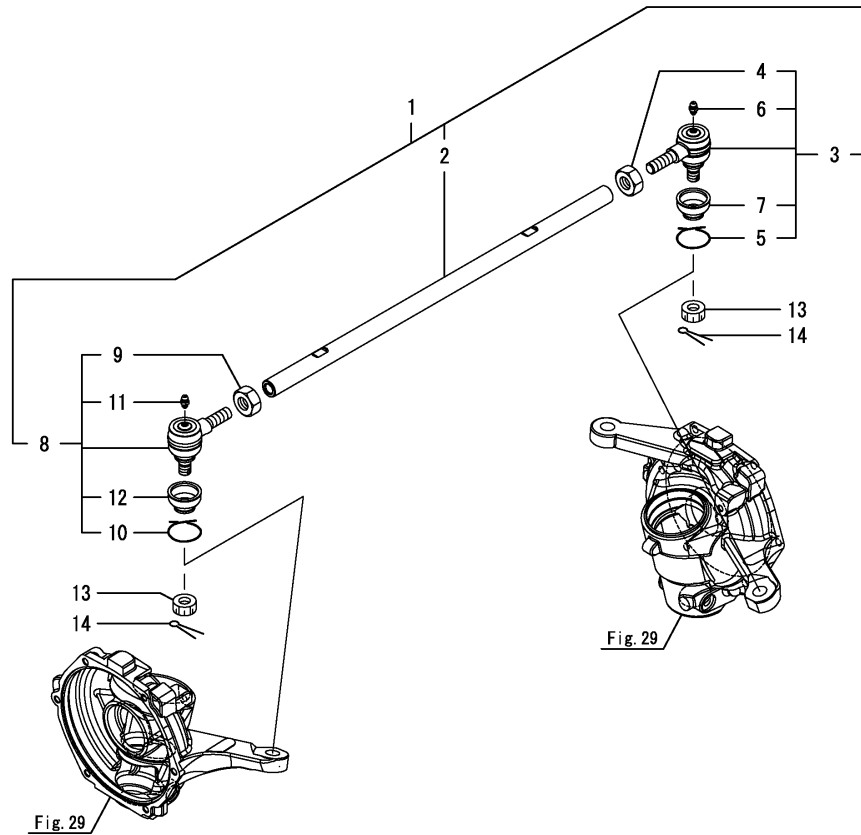


Fig.16. RING GEAR

(A)=YT235Y
(B)=
(C)=

(D)=
(E)=
(F)=

No.	Lev.	Parts No.	Description	Q'ty						I	R
				(A)	(B)	(C)	(D)	(E)	(F)		
1	1	1A8310-13110	PINION, DRIVE	1							
2	1	1A8310-13120	GEAR, RING 25	1							
3	1	194555-25870	BEARING, TMB206CC3	1							
4	1	1E6190-54080	SLEEVE SI25X30X13	1							
5	1	22242-000300	RING, 30	1							
6	1	24101-063054	BEARING, BALL 6305	1							

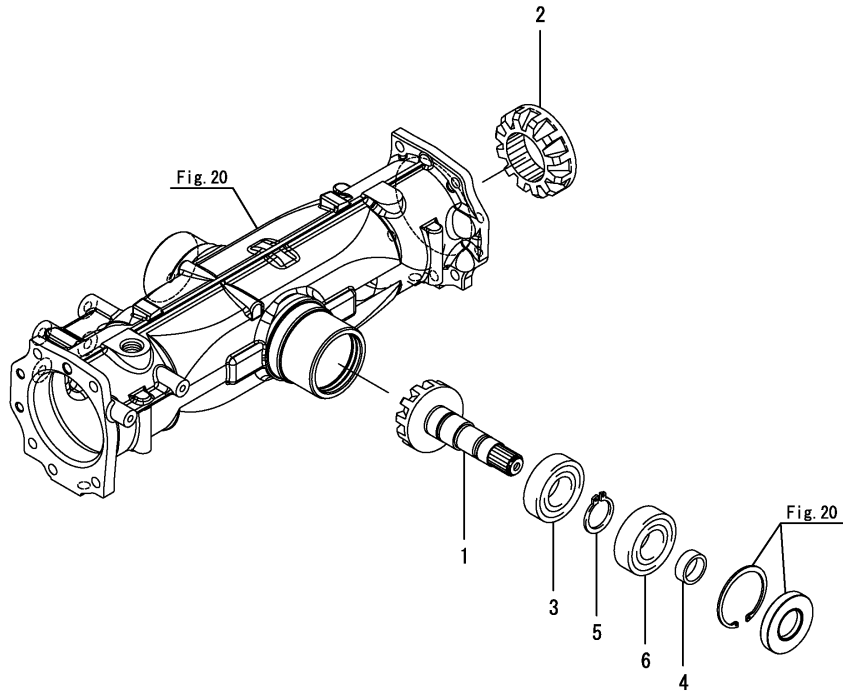


Fig.17. DIFFERENTIAL GEAR

(A)=YT235Y
(B)=
(C)=

(D)=
(E)=
(F)=

No.	Lev.	Parts No.	Description	Q'ty						I	R
				(A)	(B)	(C)	(D)	(E)	(F)		
1	1	1A8310-13200	DIFF.UNIT ,FRONT	1							
2	2	1A8310-13210	HOUSING, DIFF.	1							
3	2	198200-13220	SHAFT, DIFF.PINION	1							
4	2	1A8310-13230	GEAR, DIFF. SIDE	2							
5	2	1A8310-13240	GEAR, DIFF. PINION	2							
6	2	1A8310-13260	LINER, DIFF. GEAR	2							
7	2	1A8310-13270	LINER, DIFF. PINION	2							
8	2	22351-040040	PIN, SPRING 4.0X40	1							
9	1	1A8310-13250	COLLER, DIFFERENTIAL	1							
10	1	24101-060114	BEARING, BALL 6011	2							

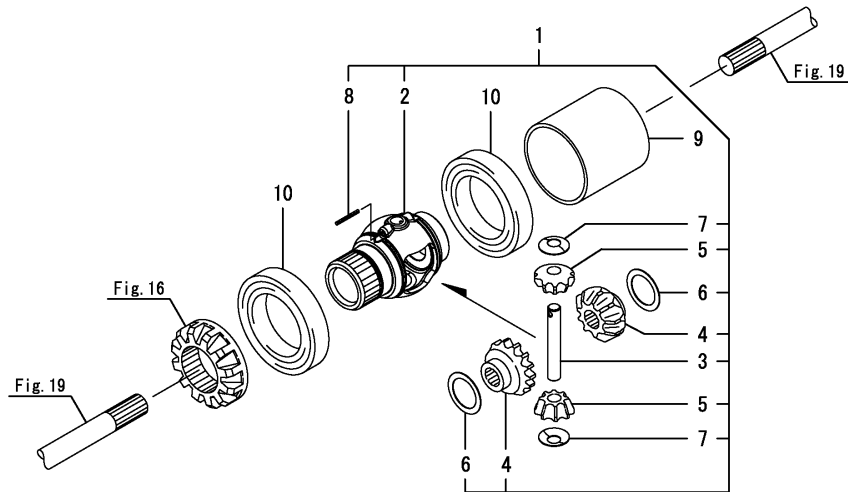


Fig.18. PROPELLER SHAFT

(A)=YT235Y
(B)=
(C)=

(D)=
(E)=
(F)=

No.	Lev.	Parts No.	Description	Q'ty						I	R
				(A)	(B)	(C)	(D)	(E)	(F)		
1	1	1A8310-13280	COUPLING	2							
2	1	1A8405-13310	SHAFT, PROPELLER	1							
3	1	22242-000220	RING, 22	2							

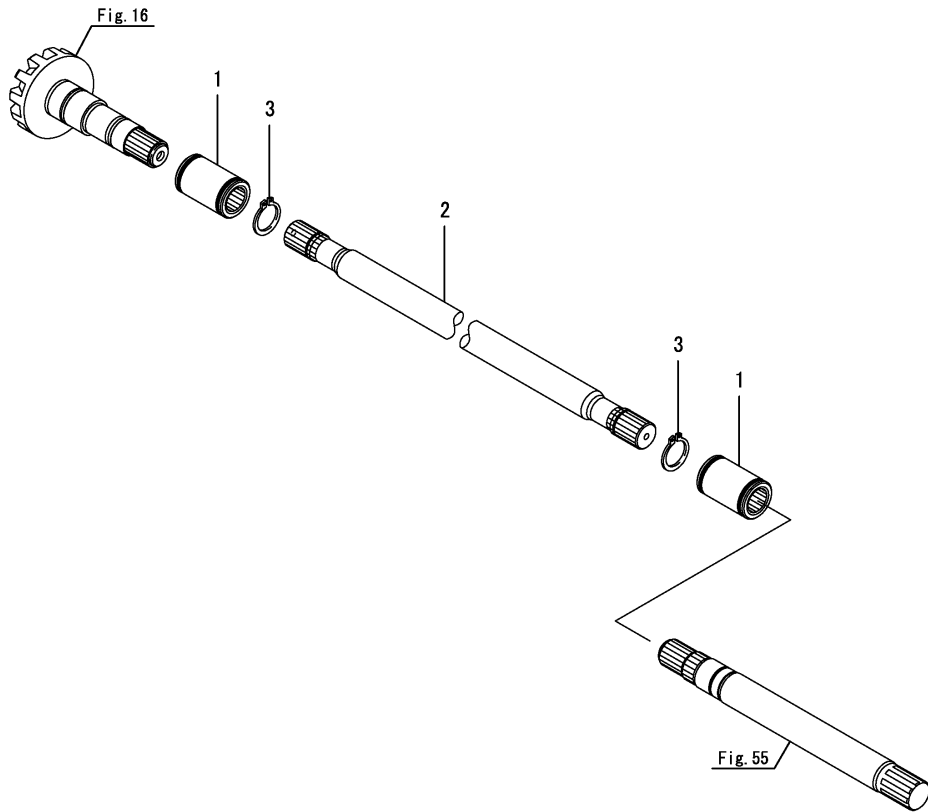


Fig.19. FRONT SHAFT(1)

(A)=YT235Y
(B)=
(C)=

(D)=
(E)=
(F)=

No.	Lev.	Parts No.	Description	Q'ty						I	R
				(A)	(B)	(C)	(D)	(E)	(F)		
1	1	1A8310-13510	SHAFT, FRONT 1ST R	1							
2	1	1A8310-13520	PINION, 1ST SHAFT 14	2							
3	1	1A8310-13530	SHAFT, FRONT 1ST L	1							
4	1	24101-062074	BEARING, BALL 6207	2							

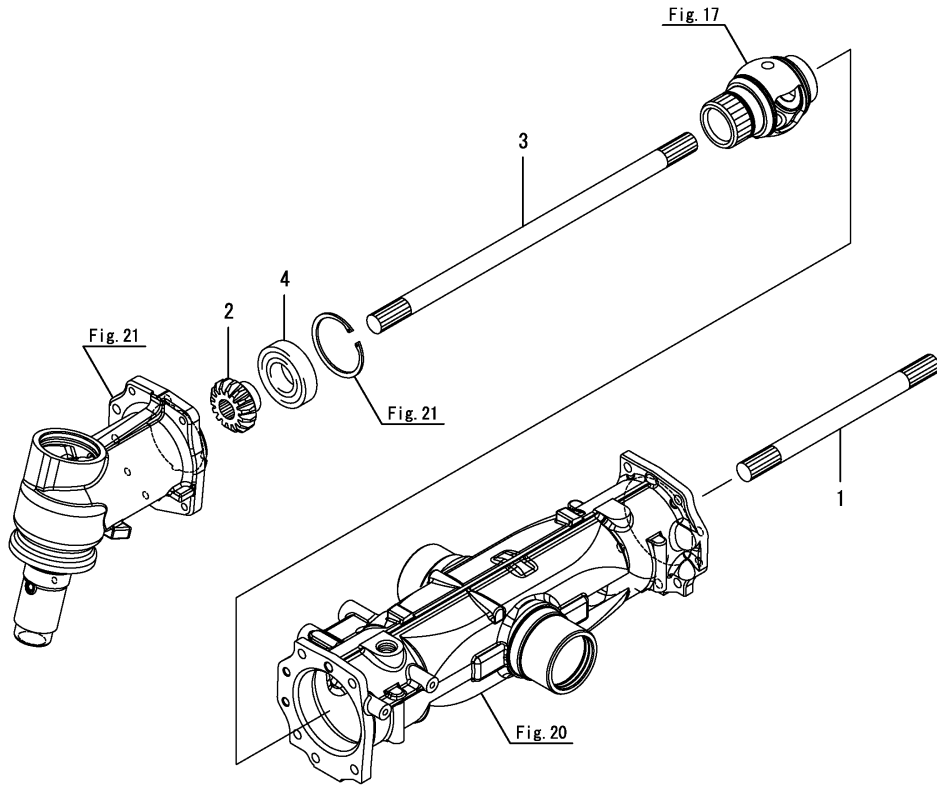


Fig.20. FRONT AXLE CASE

(A)=YT235Y
(B)=
(C)=

(D)=
(E)=
(F)=

No.	Lev.	Parts No.	Description	Q'ty						I	R
				(A)	(B)	(C)	(D)	(E)	(F)		
1	1	194447-13490	GAUGE, OIL LEVEL	1							
2	1	1A8400-13610	CASE, FRONT AXLE	1							
3	1	1A8405-17210	BRACKET,PST CYLINDER	1							
4	1	22252-000620	RING, 62	1							
5	1	24311-000180	O-RING, 1AP18.0	1							
6	1	24421-306210	SEAL, OIL TC306210	1							
7	1	26106-120302	BOLT, M12X 30 PLATED	4							

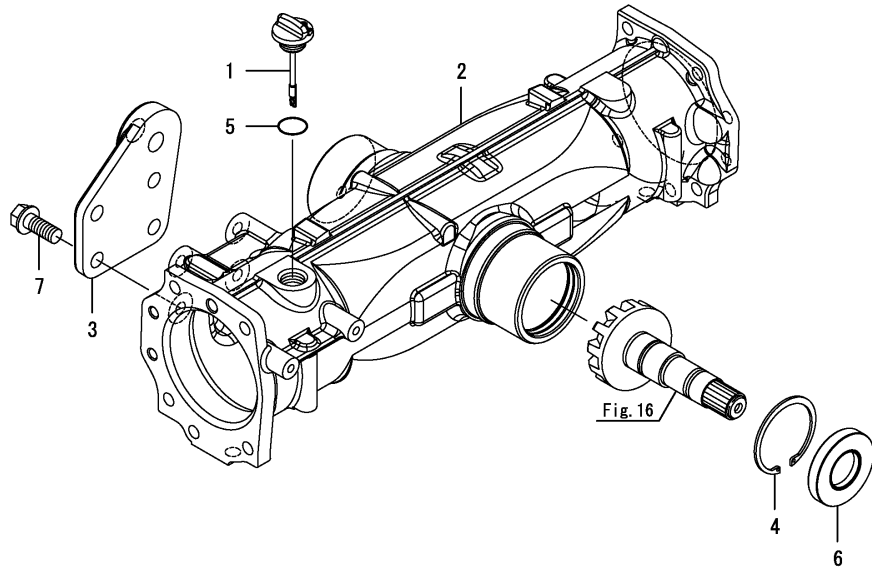


Fig.21. FRONT GEAR CASE

(A)=YT235Y
(B)=
(C)=

(D)=
(E)=
(F)=

No.	Lev.	Parts No.	Description	Qty						I	R
				(A)	(B)	(C)	(D)	(E)	(F)		
1	1	177432-03450	PLUG	2							
2	1	1A8430-13720	CASE, FRONT GEAR	2							
3	1	1A8310-13730	WASHER, 50X63X2.5	2							
4	1	1A8310-13910	BOLT, TENSION 10X30	14							
5	1	22252-000720	RING, 72	2							
6	1	22312-100180	PIN, PARALLEL M10X18	2							
7	1	24321-000950	O-RING, 1AG95.0	2							
8	1	26450-080122	BOLT, M8X 12	2							

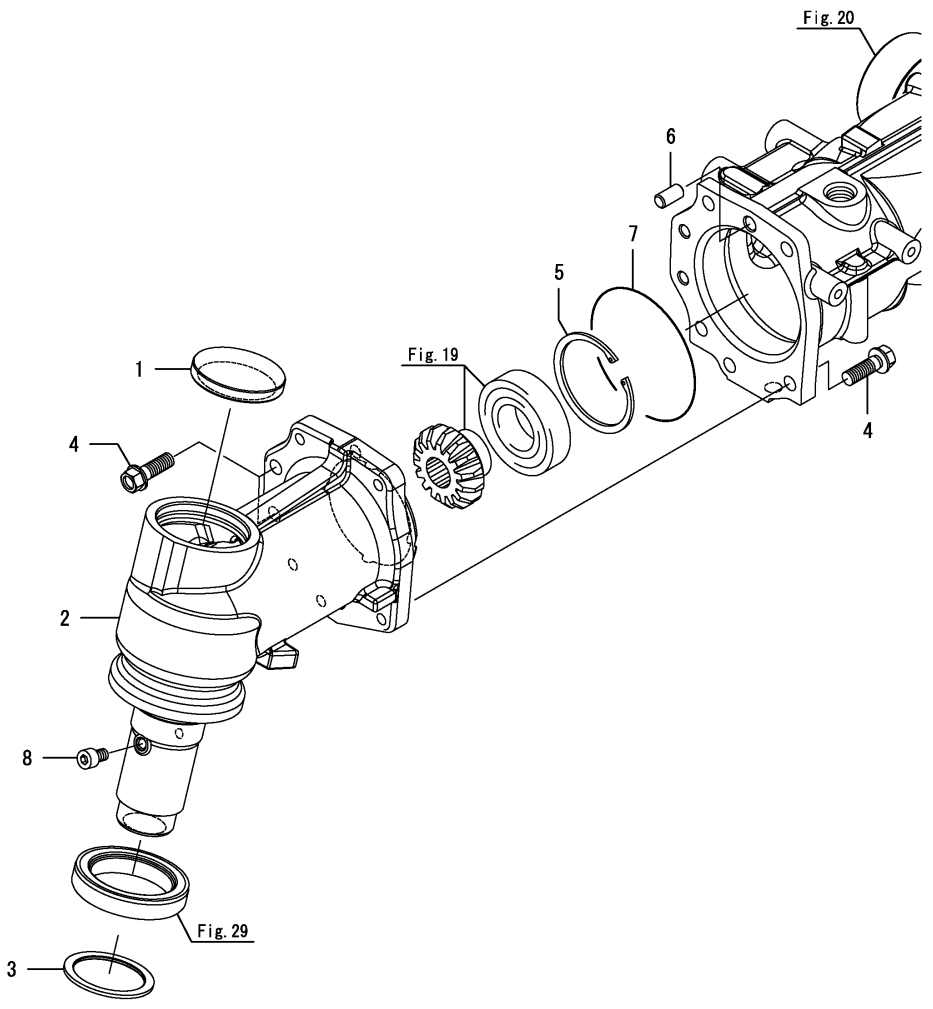
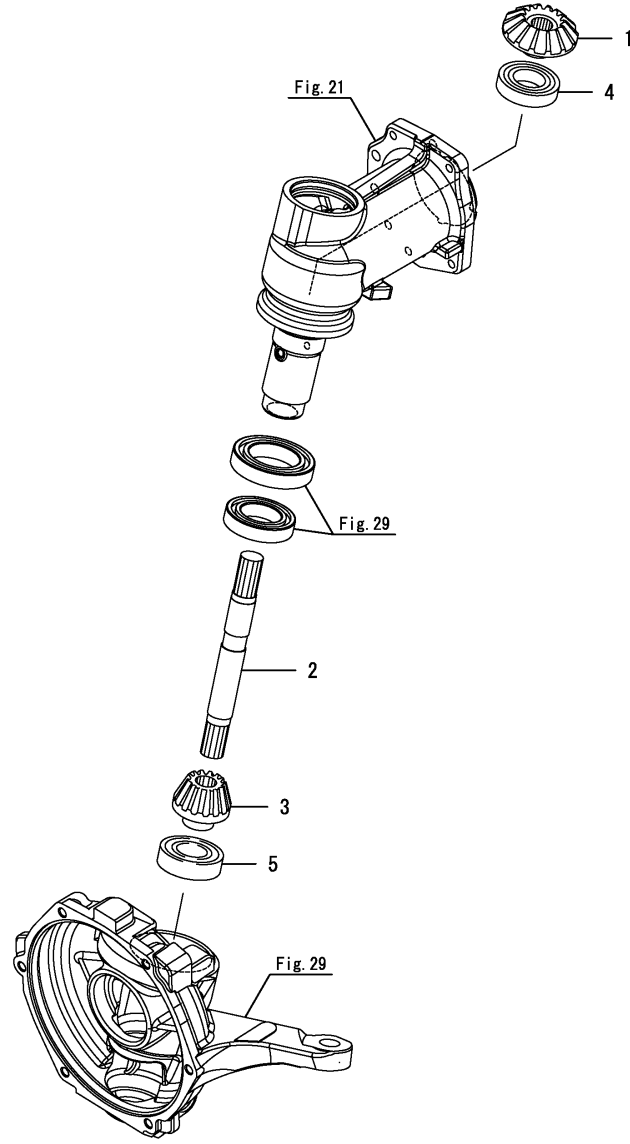


Fig.22. FRONT SHAFT(2)

(A)=YT235Y
(B)=
(C)=

(D)=
(E)=
(F)=



No.	Lev.	Parts No.	Description	Q'ty						I	R
				(A)	(B)	(C)	(D)	(E)	(F)		
1	1	1A8310-13820	GEAR, 2ND SHAFT 20	2							
2	1	1A8310-14270	SHAFT, FRONT 2ND	2							
3	1	1A8310-14320	PINION, FRONT FINAL	2							
4	1	24101-062064	BEARING, BALL 6206	2							
5	1	24104-062064	BEARING, BALL 6206UU	2							

Fig.23. FRONT SPINDLE

(A)=YT235Y
(B)=
(C)=

(D)=
(E)=
(F)=

No.	Lev.	Parts No.	Description	Q'ty						I	R
				(A)	(B)	(C)	(D)	(E)	(F)		
1	1	194556-13790	O-RING, 190X2.7	2							
2	1	198200-14130-1	COVER, GEAR BOX	2							
3	1	198200-14210	RING, HALF	4							
4	1	198283-14311	SPINDLE, FRONT	2							
5	1	1A8310-14330	GEAR, FRONT FINAL 51	2							
6	1	198475-32660	SEAL, QLNY527514.5	2							
7	1	24101-062074	BEARING, BALL 6207	2							
8	1	24101-062094	BEARING, BALL 6209	2							
9	1	26106-100252	BOLT, M10X 25 PLATED	12							

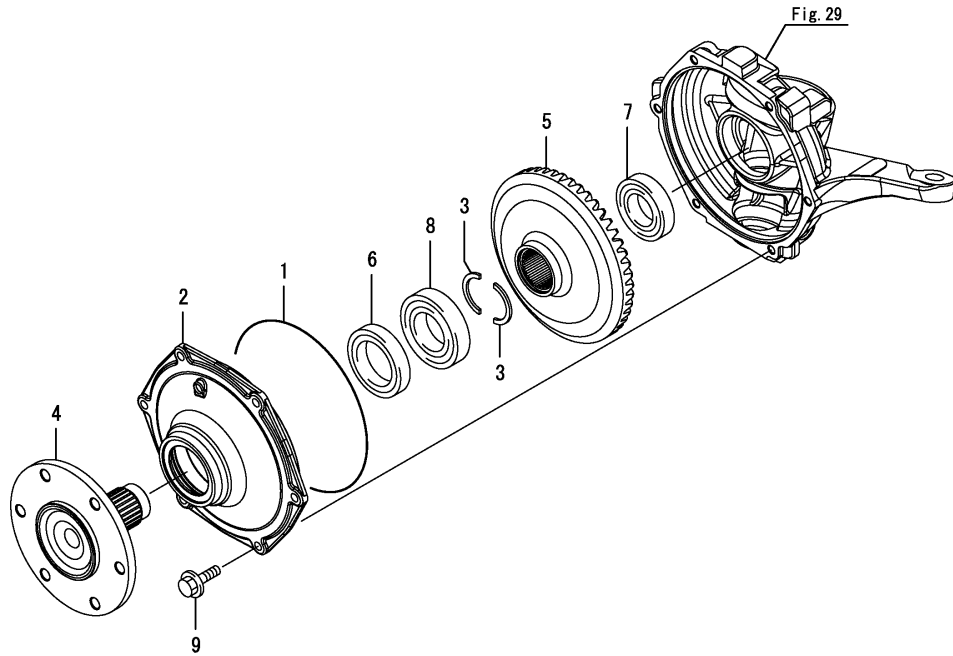


Fig.24. SHAFT COVER

(A)=YT235Y
(B)=
(C)=

(D)=
(E)=
(F)=

No.	Lev.	Parts No.	Description	Qty						I	R
				(A)	(B)	(C)	(D)	(E)	(F)		
1	1	1A8405-14630	COVER ASSY, SHAFT	1							
2	1	1A8310-14650	COLLAR	1							
3	1	1A8310-14660	PLATE	1							
4	1	24311-000400	O-RING, 1AP40.0	3							
5	1	26106-080162	BOLT, M8X 16 PLATED	1							
6	1	26106-080162	BOLT, M8X 16 PLATED	2							

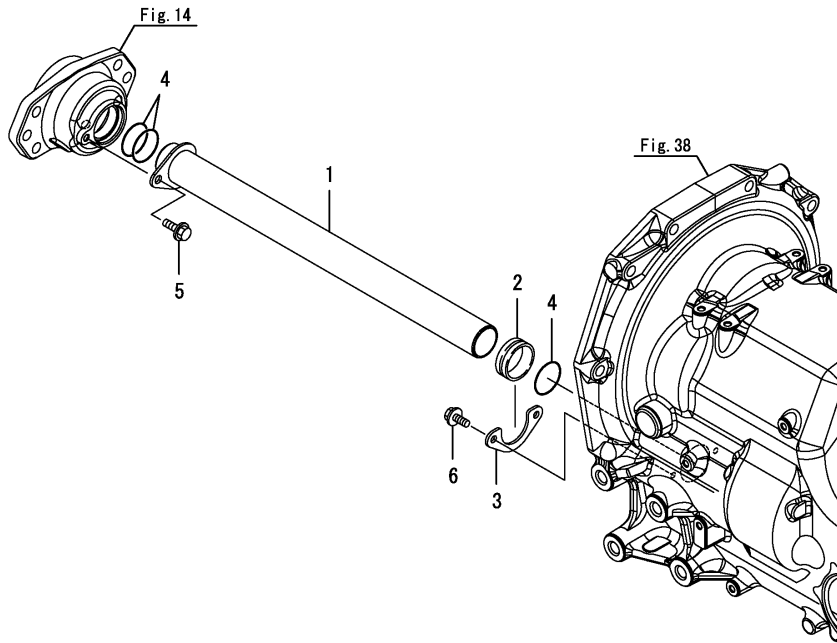
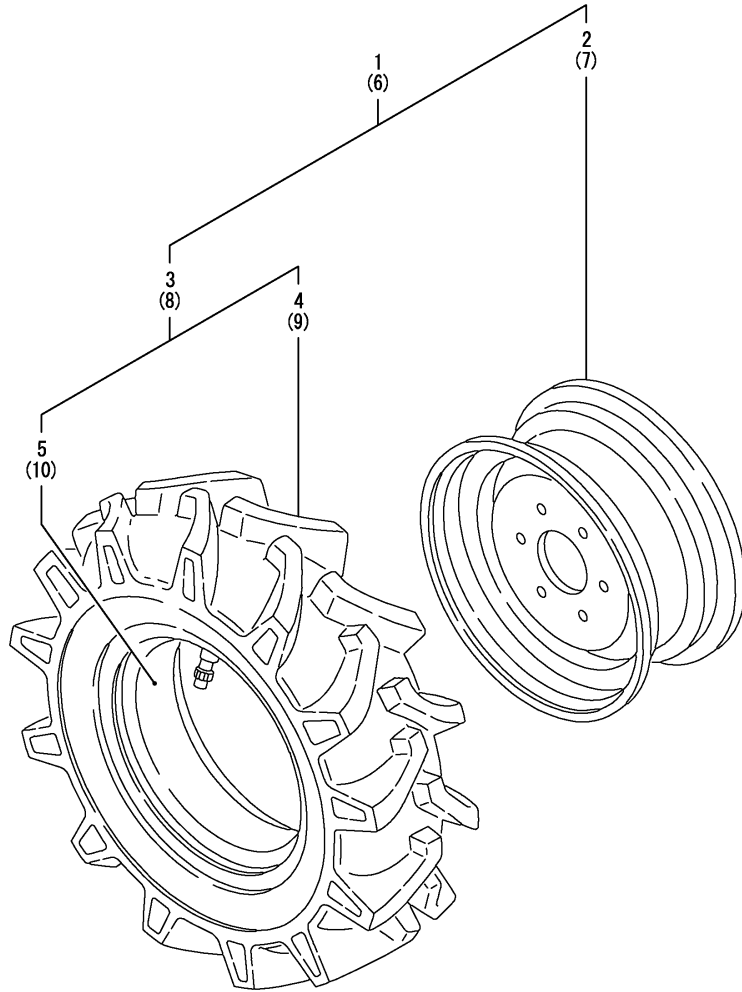


Fig.25. FRONT WHEEL TIRE(6-14)

(A)=YT235Y
(B)=
(C)=

(D)=
(E)=
(F)=

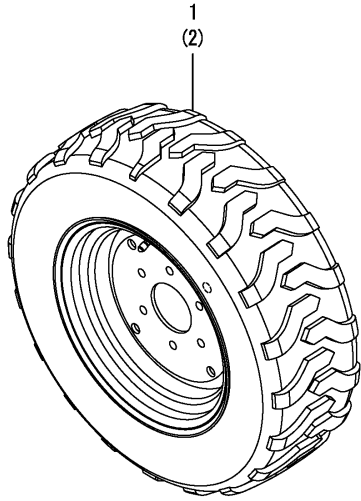


No.	Lev.	Parts No.	Description	Q'ty						I	R
				(A)	(B)	(C)	(D)	(E)	(F)		
1	1	198031-14701-1	TIRE KIT, FRONT L	1							
2	2	1A8071-14710-1	WHEEL ASSY, 5JAX14	1							
3	2	194166-14800	TIRE ASSY, F 6X14	1							
4	3	194166-14810	TIRE, F 6-14 4 FSLM	1							
5	3	194166-14820	TUBE, 6-14	1							
6	1	198031-14801-1	TIRE ASSY, 6-14 R	1							
7	2	1A8071-14710-1	WHEEL ASSY, 5JAX14	1							
8	2	194166-14800	TIRE ASSY, F 6X14	1							
9	3	194166-14810	TIRE, F 6-14 4 FSLM	1							
10	3	194166-14820	TUBE, 6-14	1							

Fig.26. FRONT WHEEL TIRE(25X8.5-14)

(A)=YT235Y
(B)=
(C)=

(D)=
(E)=
(F)=

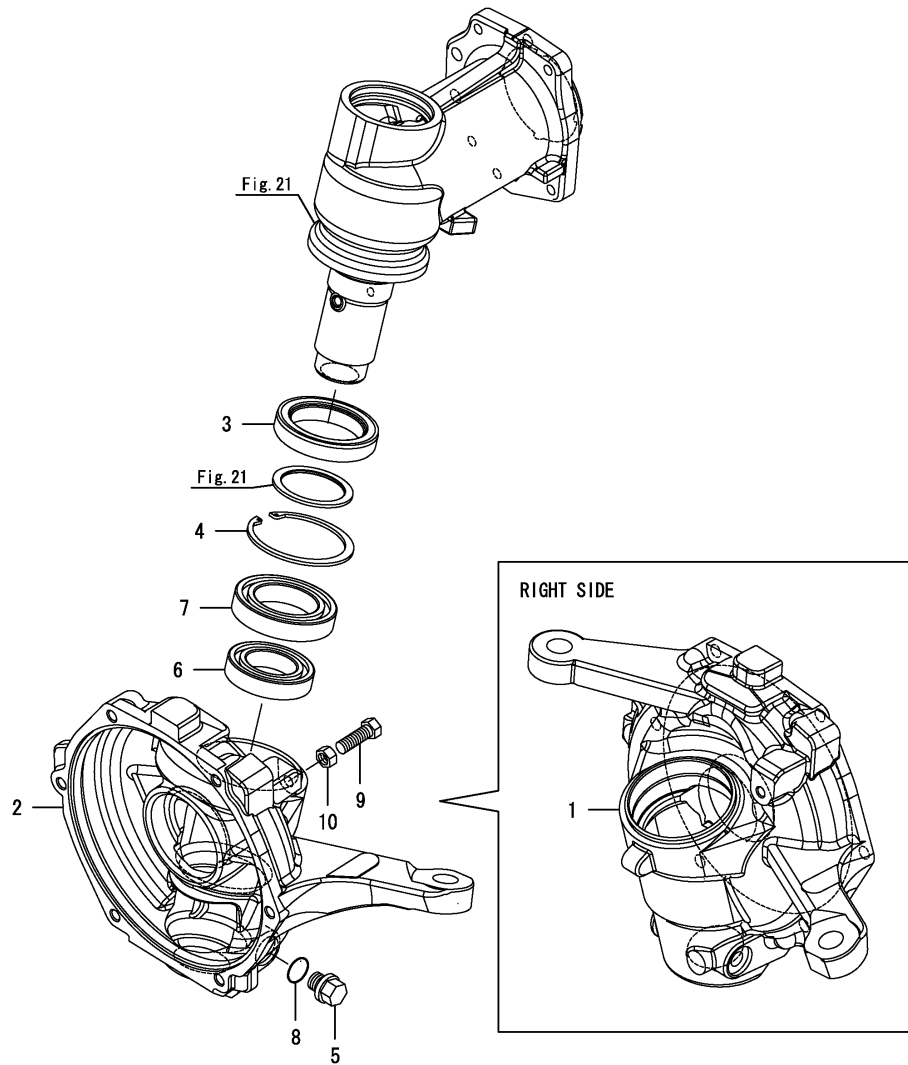


No.	Lev.	Parts No.	Description	Q'ty						I	R
				(A)	(B)	(C)	(D)	(E)	(F)		
1	1	1A8425-14700	TIRE KIT,FRONT R4 L	1							
2	1	1A8425-14800	TIRE KIT, FRONT R4 R	1							

Fig.29. FRONT GEAR BOX

(A)=YT235Y
(B)=
(C)=

(D)=
(E)=
(F)=

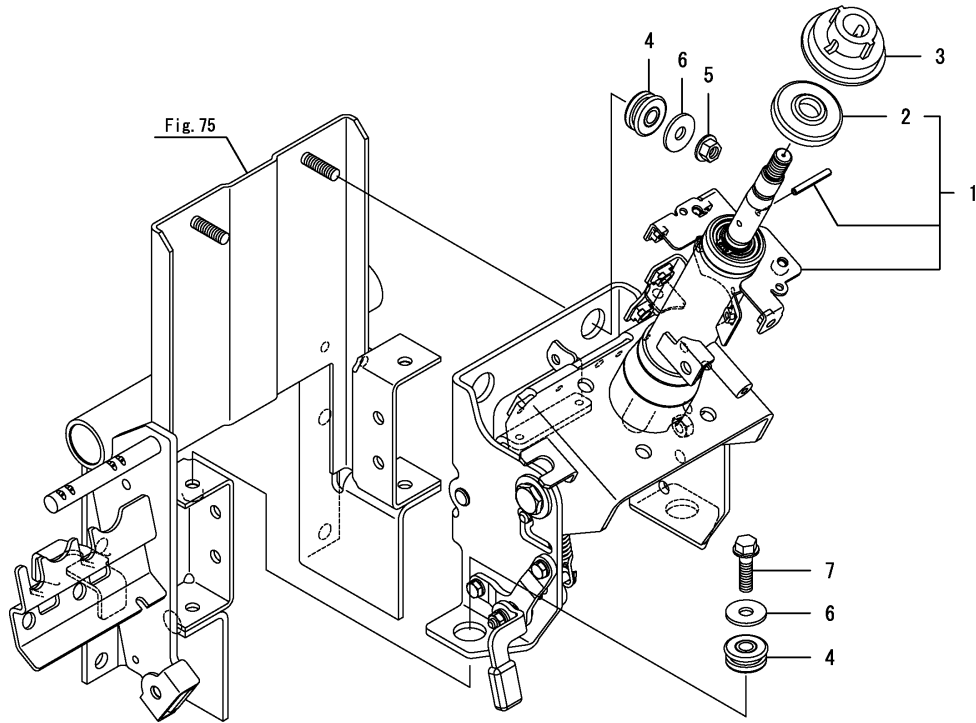


No.	Lev.	Parts No.	Description	Q'ty						I	R
				(A)	(B)	(C)	(D)	(E)	(F)		
1	1	1A8430-14240	GEARBOX, FRONT R	1							
2	1	1A8430-14250	GEARBOX, FRONT L	1							
3	1	198483-32660	SEAL, QLN578015	2							
4	1	22252-000800	RING, 80	2							
5	1	23491-140002	PLUG, 14	2							
6	1	24101-060084	BEARING, BALL 6008	2							
7	1	24101-060104	BEARING, BALL 6010	2							
8	1	24311-000160	O-RING, 1AP16.0	2							
9	1	26116-100302	BOLT, M10X 30 PLATED	2							
10	1	26716-100002	NUT, M10	2							

Fig.30. STEERING COLUMN

(A)=YT235Y
(B)=
(C)=

(D)=
(E)=
(F)=

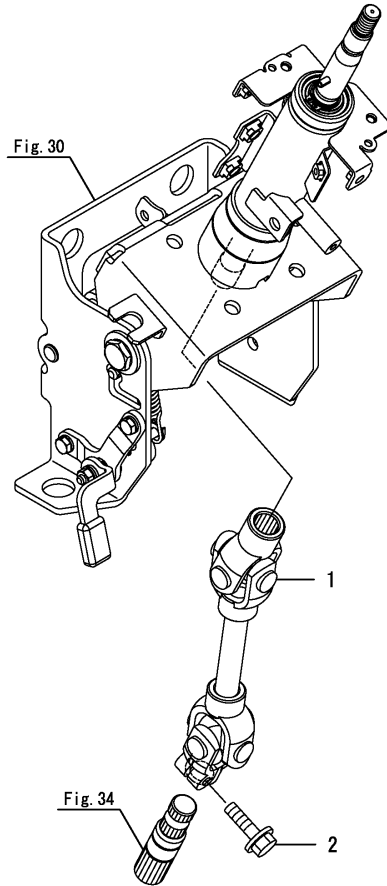


No.	Lev.	Parts No.	Description	Q'ty						I	R
				(A)	(B)	(C)	(D)	(E)	(F)		
1	1	1A8400-15100	COLUMN ASSY, STR	1							
2	2	1A8470-15200	COVER, STEERING	1							
3	1	1A8060-15410	CAM, CANCEL	1							
4	1	1A8400-17660	MOUNT ASSY,ST-COLUMN	4							
5	1	194990-22140	NUT, M8	2							
6	1	22157-080000	WASHER, 8	4							
7	1	26106-080302	BOLT, M8X 30 PLATED	2							

Fig.31. JOINT(STEERING)

(A)=YT235Y
(B)=
(C)=

(D)=
(E)=
(F)=

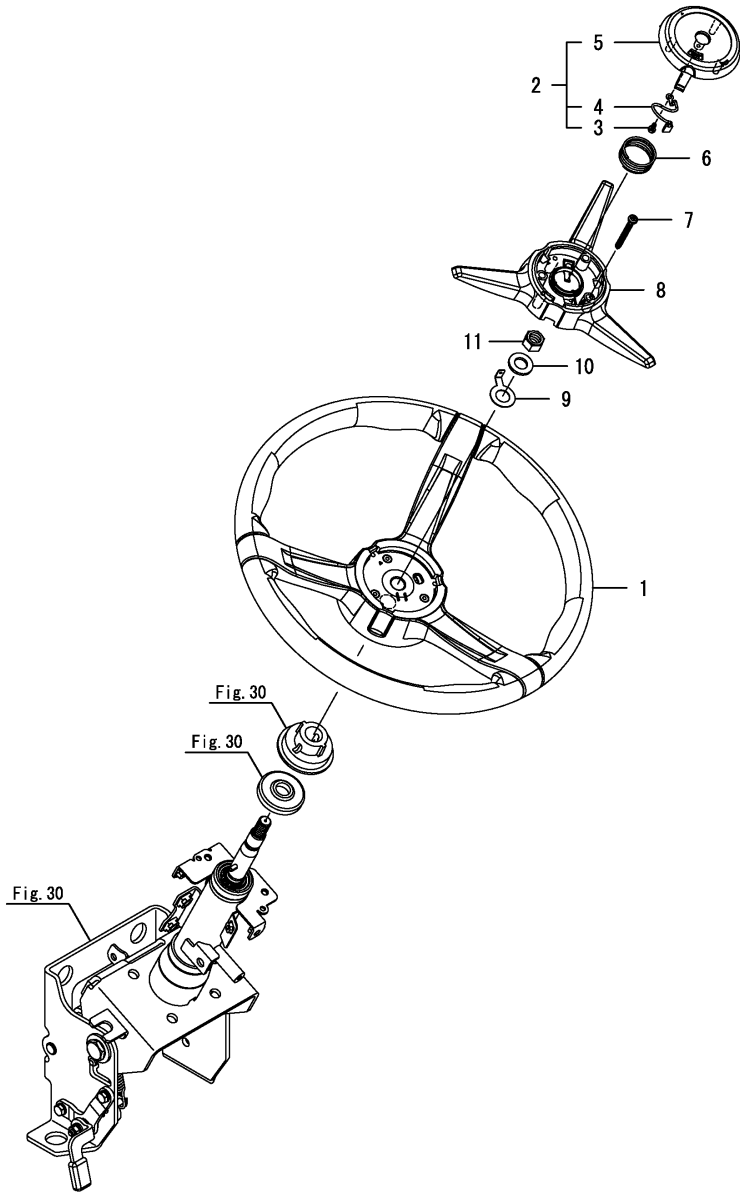


No.	Lev.	Parts No.	Description	Q'ty						I	R
				(A)	(B)	(C)	(D)	(E)	(F)		
1	1	1A8405-15350	JOINT ASSY,SHAFT	1							
2	1	26106-080302	BOLT, M8X 30 PLATED	1							

Fig.32. STEERING WHEEL

(A)=YT235Y
(B)=
(C)=

(D)=
(E)=
(F)=

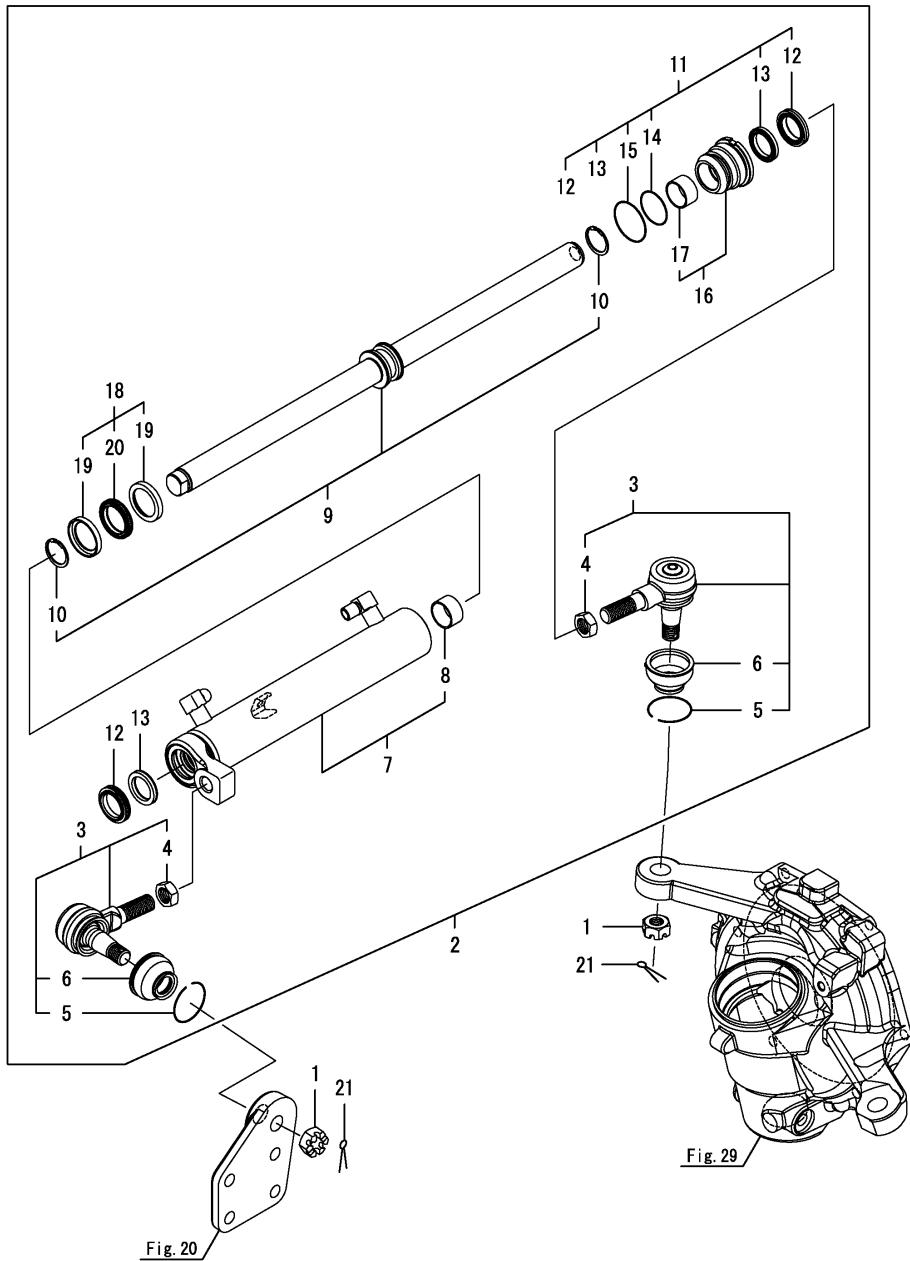


No.	Lev.	Parts No.	Description	Qty						I	R
				(A)	(B)	(C)	(D)	(E)	(F)		
1	1	1A8400-15710	WHEEL,STEERING D360	1							
2	1	1A8060-15720	CAP ASSY,STR WHEEL	1							
3	2	1A8060-15790	CONTACT, HORN	1							
4	2	1A8060-15800	HARNES, HORN	1							
5	2	1A8060-15840	CAP ASSY,HORN	1							
6	1	1A8060-15741	SPRING,STR WHEEL	1							
7	1	1A8060-15751	SCREW,STR WHEEL	3							
8	1	1A8060-15760	COVER ASSY,STR WHEEL	1							
9	1	1A8060-15780	TERMINAL,RING	1							
10	1	22137-120000	WASHER, 12	1							
11	1	26356-120002	NUT, M12	1							

Fig.33. P.S.T. CYLINDER

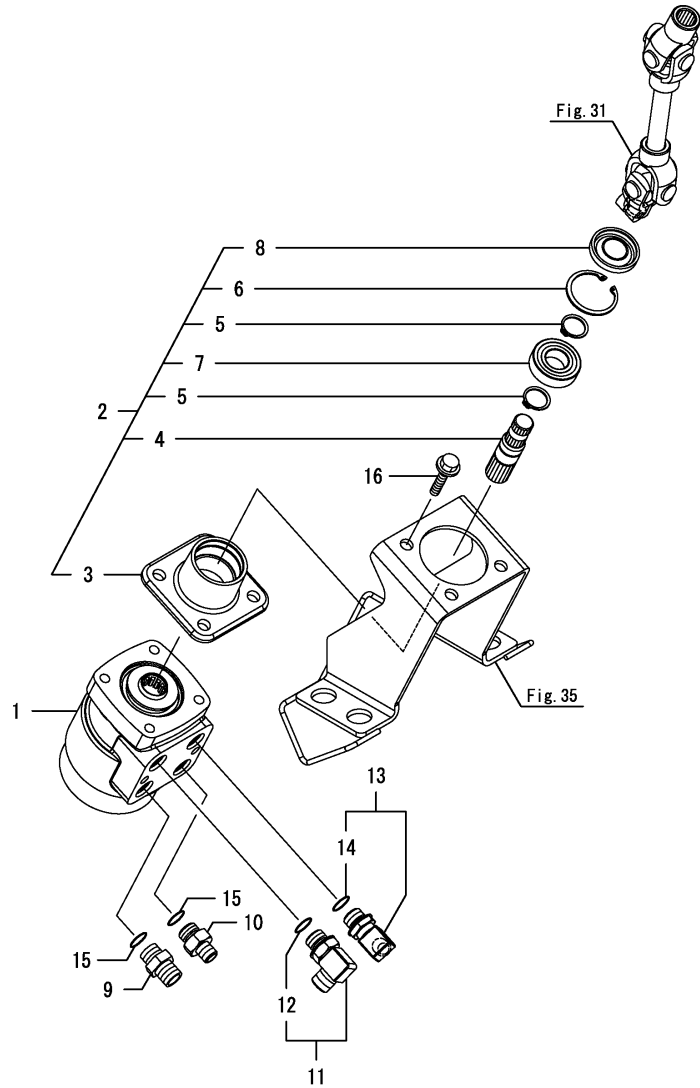
(A)=YT235Y
(B)=
(C)=

(D)=
(E)=
(F)=



No.	Lev.	Parts No.	Description	Q'ty						I	R
				(A)	(B)	(C)	(D)	(E)	(F)		
1	1	194180-12471	NUT, CASTLE M16	2							
2	1	1A8405-17300	CYLINDER ASSY, PST	1							
3	2	1A8310-12651	END ASSY, RH-B	2							
4	3	1A8310-12540	NUT, 16 R	2							
5	3	1A8310-12610	BAND, BOOTS	2							
6	3	1A8310-12640	COVER, DUST	2							
7	2	1A8400-17020	TUBE ASSY, CYLINDER	1							
8	3	24550-025150	BUSH, 25X15	1							
9	2	1A8400-17050	ROD ASSY, STEERING	1							
10	3	22292-000250	RING, S-25	2							
11	2	1A8400-17100	SEAL KIT, A	1							
12	3	1A8400-17140	SCRAPER, 25	2							
13	3	1A8400-17150	PACKING, 25	2							
14	3	24315-000350	O-RING, 1BP35.0	1							
15	3	24341-000420	O-RING, 1AS42.0	1							
16	2	1A8400-17110	CAP ASSY	1							
17	3	24550-025150	BUSH, 25X15	1							
18	2	1A8400-17200	SEAL KIT, B	1							
19	3	172156-72340	BEARING	2							
20	3	1A8400-72810	SEAL, PACKING 40	1							
21	1	22417-400250	PIN, COTTER 4.0X25	2							

Fig.34. P.S.T. VALVE



(A)=YT235Y
(B)=
(C)=

(D)=
(E)=
(F)=

No.	Lev.	Parts No.	Description	Q'ty						I	R
				(A)	(B)	(C)	(D)	(E)	(F)		
1	1	1A8400-17500	VALVE ASSY, PST	1							
2	1	1A8060-17600	SHAFT UNIT, PST	1							
2-1	1	1A8060-17601	SHAFT UNIT, PST	1							N
(A=F100260)											
3	2	1A8060-17610	BRACKET, PST VALVE	1							
4	2	1A8060-17630	SHAFT, PST VALVE	1							
4-1	2	1A8060-17631	SHAFT, PST VALVE	1							N
(A=F100260)											
5	2	22242-000200	RING, 20	2							
6	2	22252-000420	RING, 42	1							
7	2	24104-060040	BEARING, 6004UUC3	1							
8	2	24430-204206	SEAL, OIL VC204206	1							
9	1	172730-75141	ADAPTER	1							
10	1	172124-76160	CONNECTOR	1							
11	1	172142-76181	JOINT ASSY	1							
12	2	24315-000140	O-RING, 1BP14.0	1							
13	1	172141-76920	CONNECTOR ASSY	1							
14	2	24315-000140	O-RING, 1BP14.0	1							
15	1	24315-000140	O-RING, 1BP14.0	2							
16	1	26106-100252	BOLT, M10X 25 PLATED	3							

Fig.35. BRACKET(P.S.T. VALVE)

(A)=YT235Y
(B)=
(C)=

(D)=
(E)=
(F)=

No.	Lev.	Parts No.	Description	Q'ty						I	R
				(A)	(B)	(C)	(D)	(E)	(F)		
1	1	1A8400-17610	BRACKET ASSY,PST VA.	1							
2	1	1A8400-17660	MOUNT ASSY,ST-COLUMN	4							
3	1	22157-080000	WASHER, 8	4							
4	1	26106-080252	BOLT, M8X 25 PLATED	4							

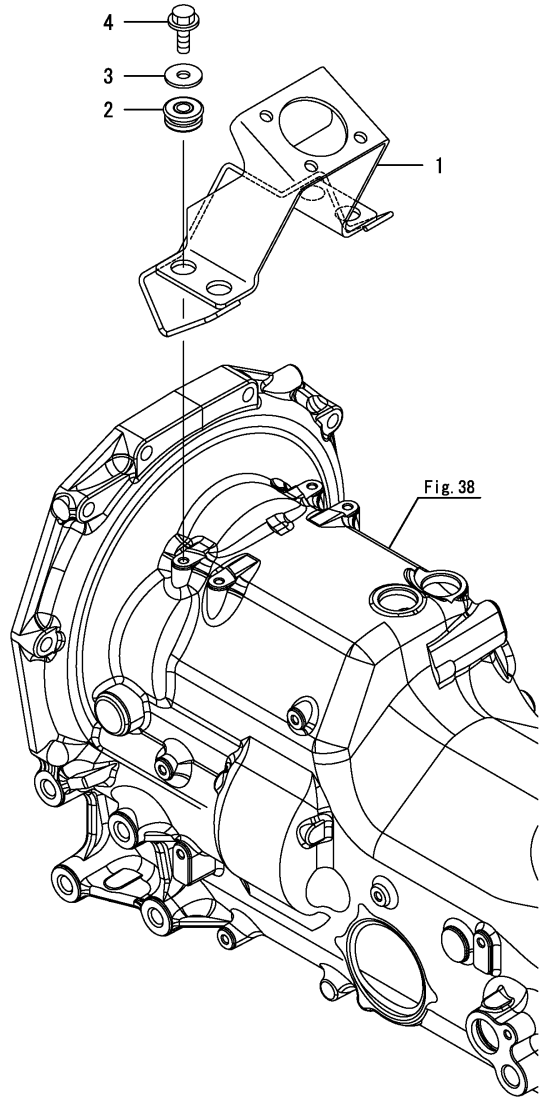
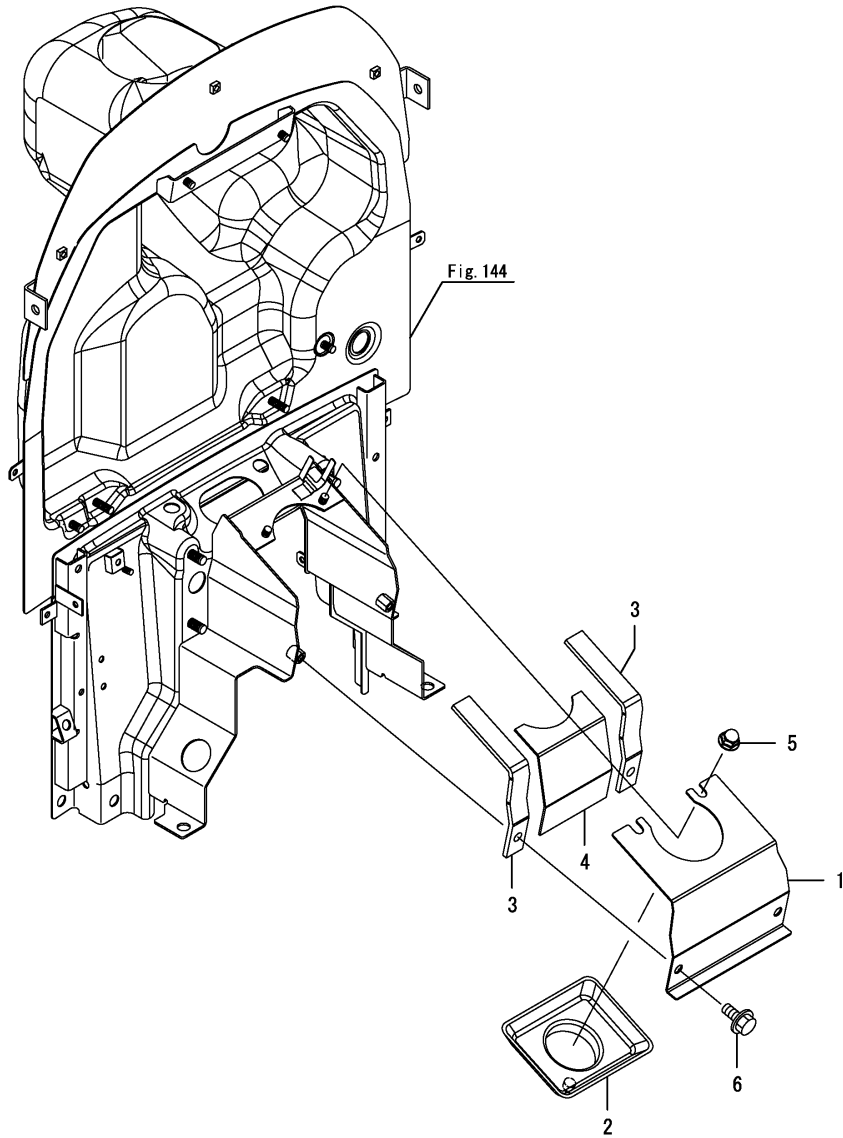


Fig.36. COVER(P.S.T. VALVE)

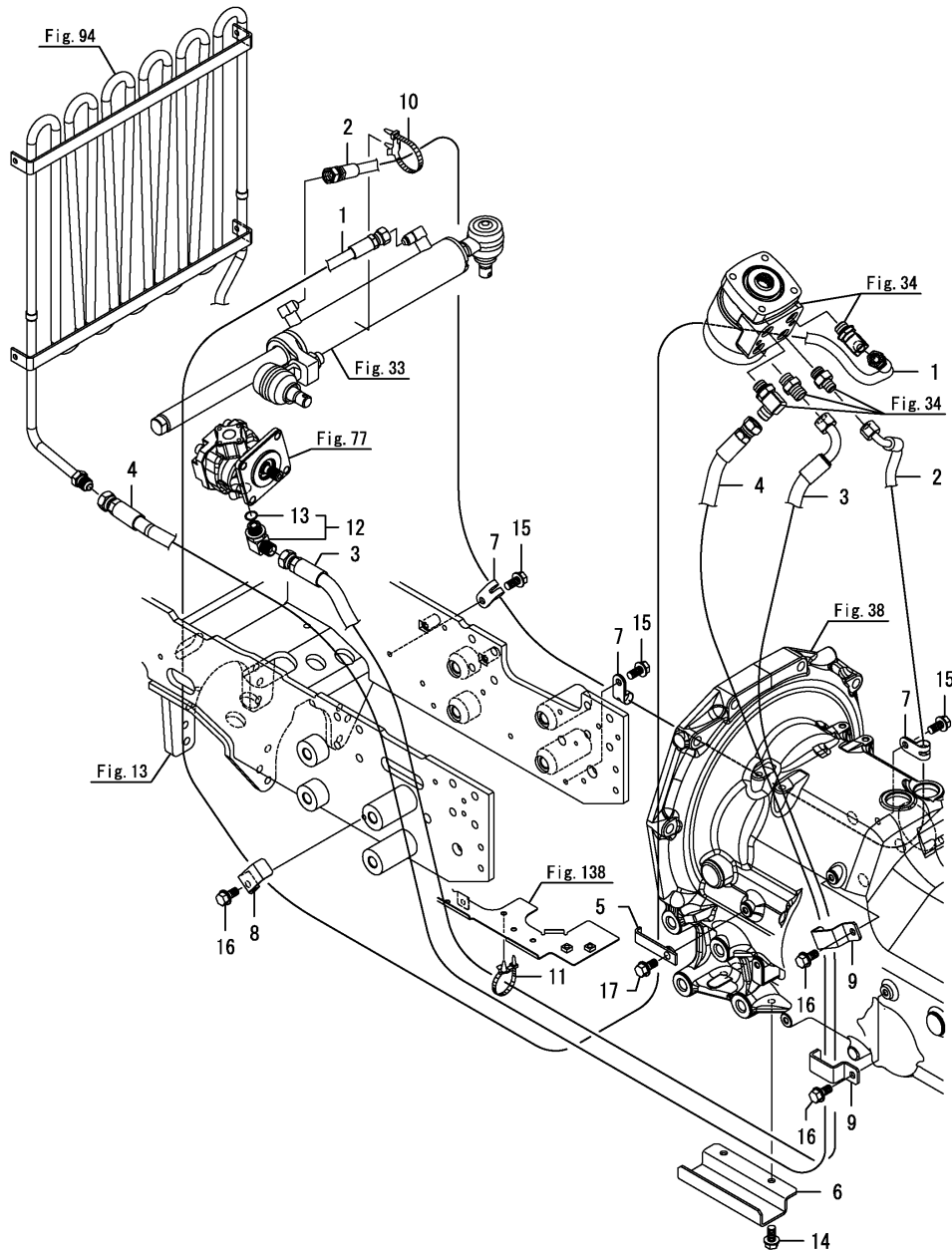
(A)=YT235Y
(B)=
(C)=

(D)=
(E)=
(F)=



No.	Lev.	Parts No.	Description	Q'ty						I	R
				(A)	(B)	(C)	(D)	(E)	(F)		
1	1	1A8400-17700	COVER,PST VALVE	1							
2	1	1A8400-17710	SEAL, PST VALVE	1							
3	1	1A8400-17730	SEAL, PST COVER	2							
4	1	1A8400-17750	RUBBER, PST COVER	1							
5	1	1A8110-83730	NUT, CAP M8	2							
6	1	26106-080162	BOLT, M8X 16 PLATED	2							

Fig.37. P.S.T. HOSE



(A)=YT235Y
(B)=
(C)=

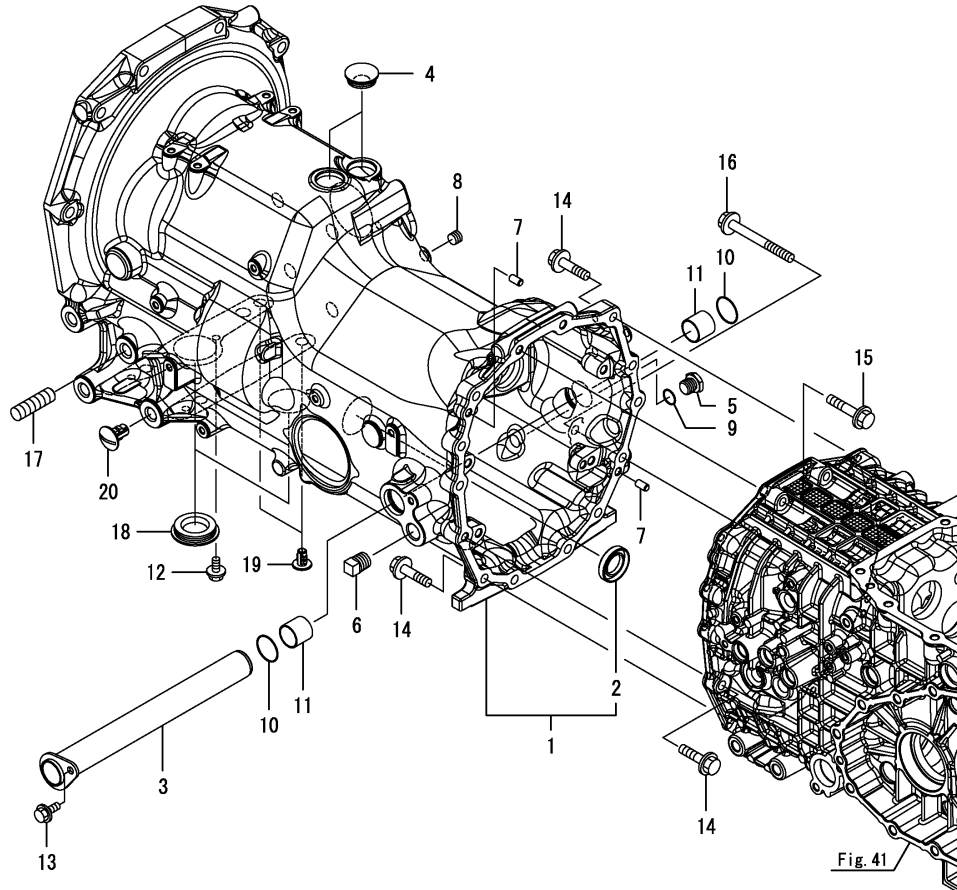
(D)=
(E)=
(F)=

No.	Lev.	Parts No.	Description	Qty						I	R
				(A)	(B)	(C)	(D)	(E)	(F)		
1	1	1A8405-17811	HOSE, CYLINDER L	1							
2	1	1A8405-17821	HOSE, CYLINDER R	1							
3	1	1A8400-17831	HOSE, PUMP	1							
4	1	1A8401-17841	HOSE, TANK	1							
5	1	1A8400-17850	CLAMP ASSY, HOSE	1							
6	1	1A8400-17900	BRACKET, HOSE	1							
7	1	1A8310-17910	CLAMP, RUBBER	3							
8	1	1A8400-17950	CLAMP, HOSE	1							
9	1	1A8400-17950	CLAMP, HOSE	2							
10	1	1A8275-51670	CLIP, M8 HOLE	1							
11	1	1A8275-51670	CLIP, M8 HOLE	1							
12	1	172142-76181	JOINT ASSY	1							
13	2	24315-000140	O-RING, 1BP14.0	1							
14	1	26106-080162	BOLT, M8X 16 PLATED	2							
15	1	26106-080162	BOLT, M8X 16 PLATED	3							
16	1	26106-080162	BOLT, M8X 16 PLATED	3							
17	1	26106-080162	BOLT, M8X 16 PLATED	1							

Fig.38. CLUTCH HOUSING

(A)=YT235Y
(B)=
(C)=

(D)=
(E)=
(F)=



No.	Lev.	Parts No.	Description	Q'ty						I	R
				(A)	(B)	(C)	(D)	(E)	(F)		
1	1	1A8415-21100	HOUSING ASSY, CLUTCH	1							
2	2	24423-254208	SEAL, OIL TC254208	1							
3	1	1A8415-21310	PIPE ASSY,MOWER LINK	1							
4	1	1A6660-24250	PLUG, BORE 32	2							
5	1	192167-24600	PLUG	1							
6	1	194322-24980	PLUG, 1-2NPT	1							
7	1	22312-080140	PIN, PARALLEL M8X14	2							
8	1	23871-020000	PLUG, R02	1							
9	1	24311-000140	O-RING, 1AP14.0	1							
10	1	24311-000320	O-RING, 1AP32.0	2							
11	1	24550-025250	BUSH, 25X25	2							
12	1	26106-080162	BOLT, M8X 16 PLATED	2							
13	1	26106-080162	BOLT, M8X 16 PLATED	1							
14	1	26106-100402	BOLT, M10X 40 PLATED	11							
15	1	26106-100502	BOLT, M10X 50 PLATED	2							
16	1	26106-100952	BOLT, M10X 95 PLATED	1							
17	1	26216-160352	STUD, M16X 35	1							
18	1	27260-470002	PLUG, 47	2							
19	1	41810-000120	CAP, BOLT M12	4							
20	1	41810-000160	CAP, BOLT M16	2							

(A)=YT235Y
 (B)=
 (C)=

(D)=
 (E)=
 (F)=

No.	Lev.	Parts No.	Description	Q'ty						I	R
				(A)	(B)	(C)	(D)	(E)	(F)		
1	1	1A8420-21250	BOLT, 12X120	4							
2	1	22217-120000	WASHER, SPRING 12	2							
3	1	22351-080018	PIN, SPRING 8.0X18	2							
4	1	26106-120502	BOLT, M12X 50 PLATED	3							
5	1	26216-120902	STUD, M12X 90	2							
6	1	26716-120002	NUT, M12	2							
7	1	27260-300000	PLUG, 30	1							

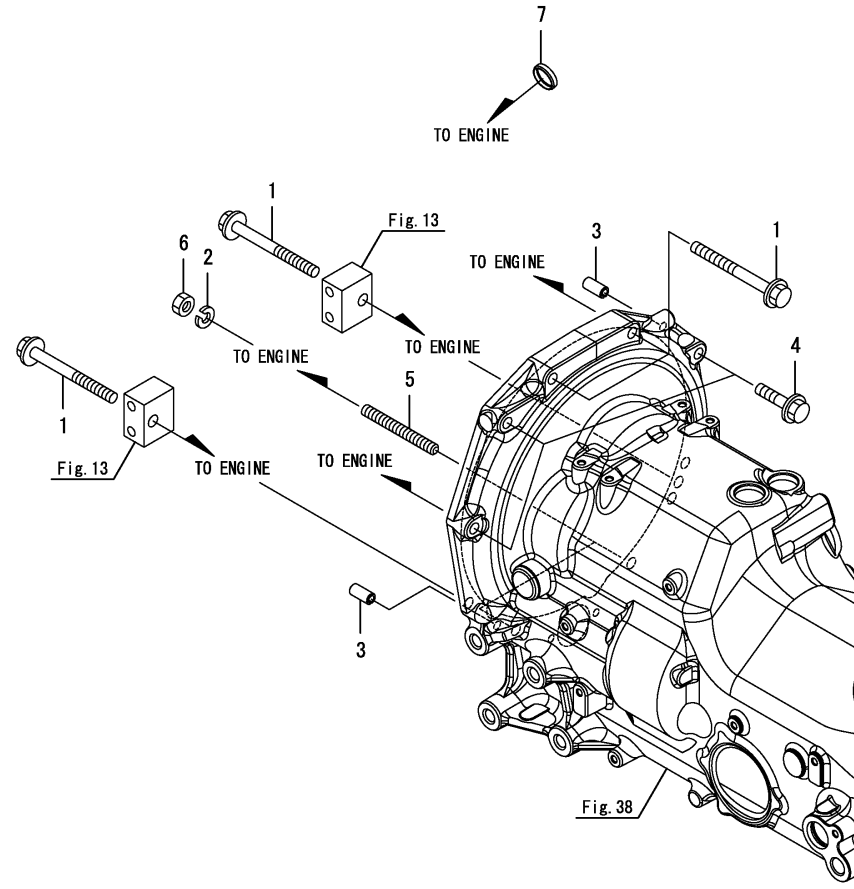


Fig.40. COUPLING(FLYWHEEL)

(A)=YT235Y
(B)=
(C)=

(D)=
(E)=
(F)=

No.	Lev.	Parts No.	Description	Q'ty						I	R
				(A)	(B)	(C)	(D)	(E)	(F)		
1	1	1A8415-22160	COUPLING, FLYWHEEL	1							
2	2	1A8415-22180	OUTER	1							
3	2	1A8415-22190	HUB	1							
4	2	26450-120352	BOLT, M12X 35	3							
5	1	1A8415-22170	PLATE, FLYWHEEL	1							
6	1	26450-120452	BOLT, M12X 45	3							

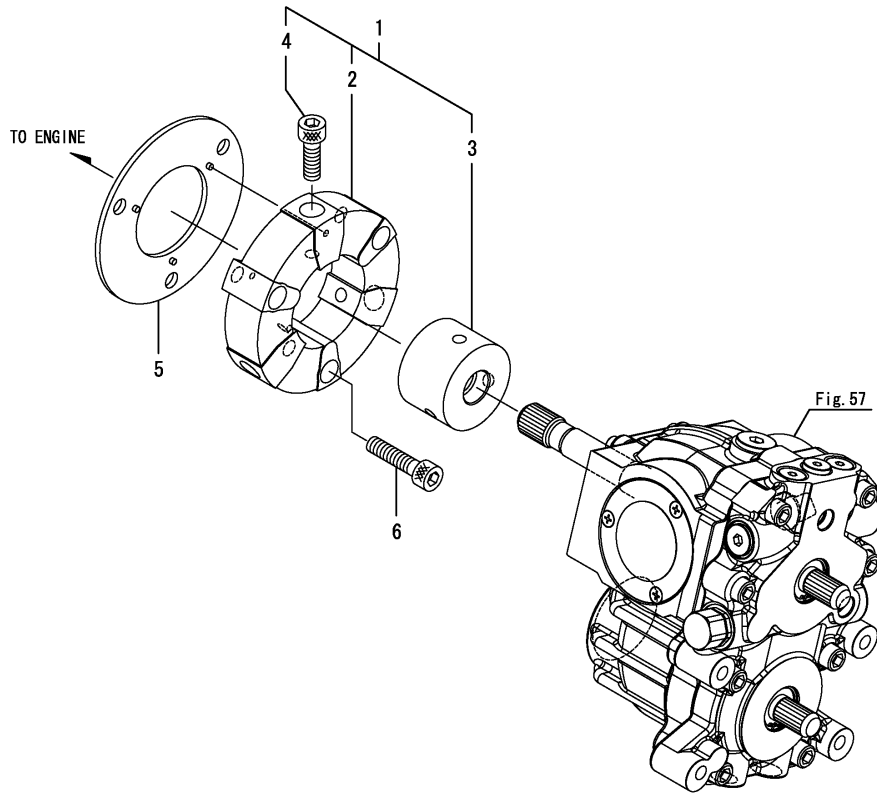


Fig.41. TRANSMISSION CASE

(A)=YT235Y

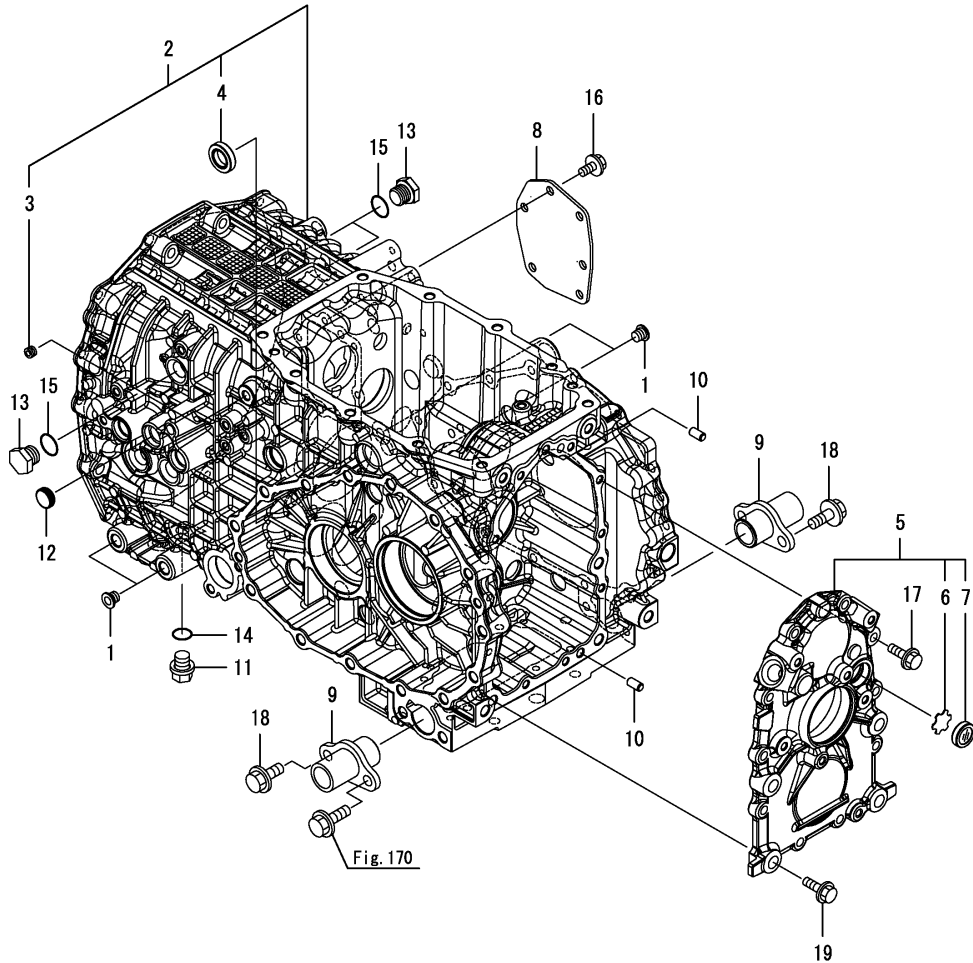
(B)=

(C)=

(D)=

(E)=

(F)=

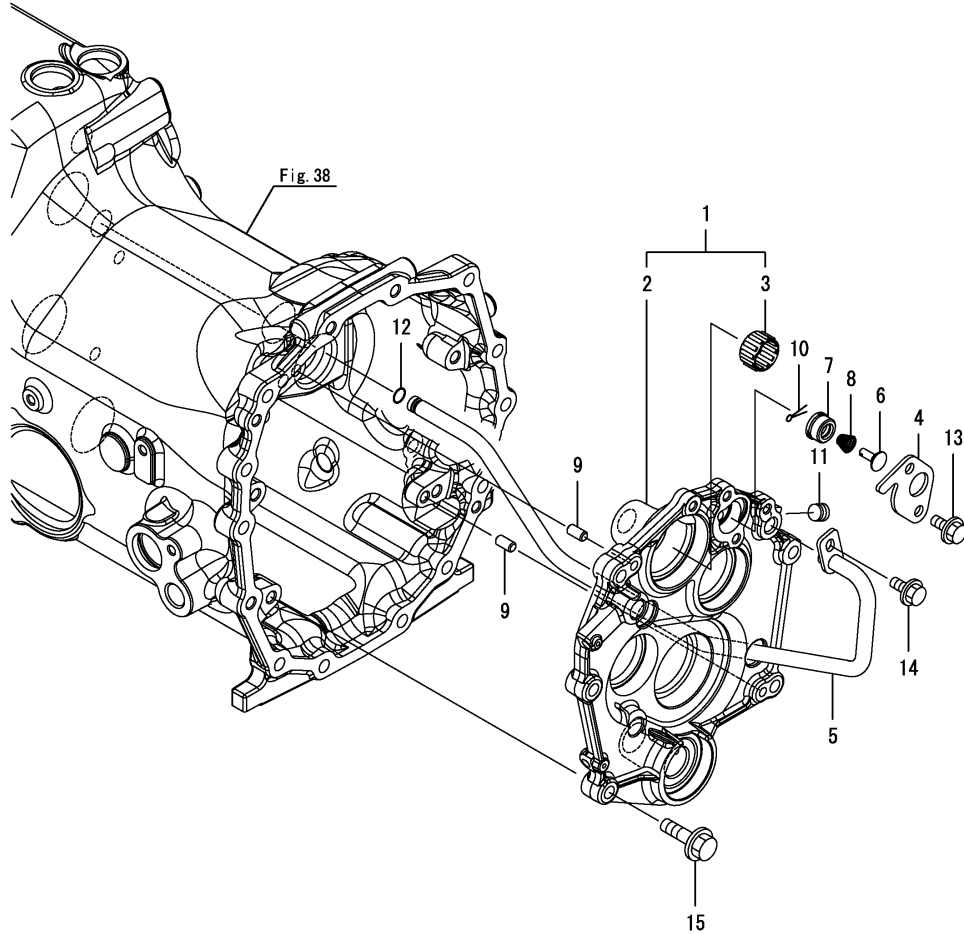


No.	Lev.	Parts No.	Description	Q'ty						I	R
				(A)	(B)	(C)	(D)	(E)	(F)		
1	1	194150-21910	PLUG, SCREW 11.2	4							
2	1	1A8415-24100	HOUSING ASSY, T/M	1							
3	2	23871-010000	PLUG, R01	1							
4	2	24421-173007	SEAL, OIL TC173007	1							
5	1	1A8415-24150	COVER ASSY, REAR	1							
6	2	198071-24350	PLATE, WINDOW	1							
7	2	1A1040-28470	WINDOW, OIL CHECK 25	1							
8	1	1A8100-24180	COVER, XMSN. SIDE	1							
9	1	198200-73170-1	SUPPORT, LOWER LINK	2							
10	1	22312-080140	PIN, PARALLEL M8X14	2							
11	1	23491-140002	PLUG, 14	1							
12	1	27260-220000	PLUG, 22	1							
13	1	23887-180002	PLUG, 18	3							
14	1	24311-000160	O-RING, 1AP16.0	1							
15	1	24311-000180	O-RING, 1AP18.0	3							
16	1	26106-080162	BOLT, M8X 16 PLATED	6							
17	1	26106-080252	BOLT, M8X 25 PLATED	10							
18	1	26106-100252	BOLT, M10X 25 PLATED	3							
19	1	26106-120452	BOLT, M12X 45 PLATED	2							

Fig.42. CENTER CASE

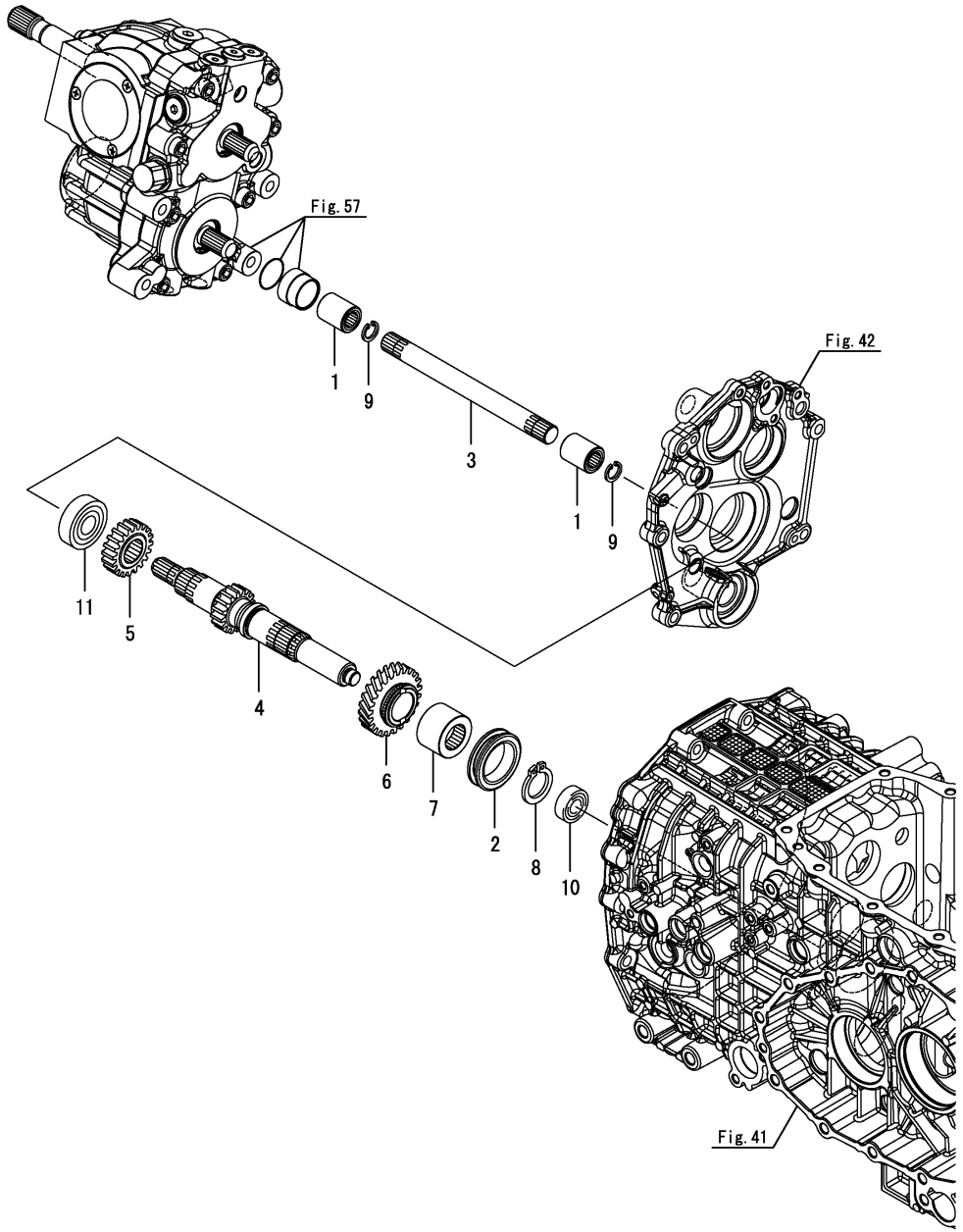
(A)=YT235Y
(B)=
(C)=

(D)=
(E)=
(F)=



No.	Lev.	Parts No.	Description	Q'ty						I	R
				(A)	(B)	(C)	(D)	(E)	(F)		
1	1	1A8410-24320	RETAINER ASSY, BEAR.	1							
2	2	1A8410-24330	RETAINER, BEARING	1							
3	2	24162-222915	NEEDLE, 222915	1							
4	1	1A8415-24370	PLATE, RETAINER	1							
5	1	1A8410-25050	PIPE ASSY, TANK	1							
6	1	1E6190-55660	VALVE, RELIEF	1							
7	1	1E6190-55710	SEAT, 2ND RELIEF	1							
8	1	1E6480-56410	VALVE, 2ND RELIEF	1							
9	1	22312-080140	PIN, PARALLEL M8X14	2							
10	1	22417-200100	COTTER PIN 2.0X10	1							
11	1	23871-020000	PLUG, R02	1							
12	1	24341-000100	O-RING, 1AS10.0	1							
13	1	26106-080162	BOLT, M8X 16 PLATED	2							
14	1	26106-080162	BOLT, M8X 16 PLATED	1							
15	1	26106-100352	BOLT, M10X 35 PLATED	5							

Fig.43. REDUCTION SHAFT



(A)=YT235Y
(B)=
(C)=

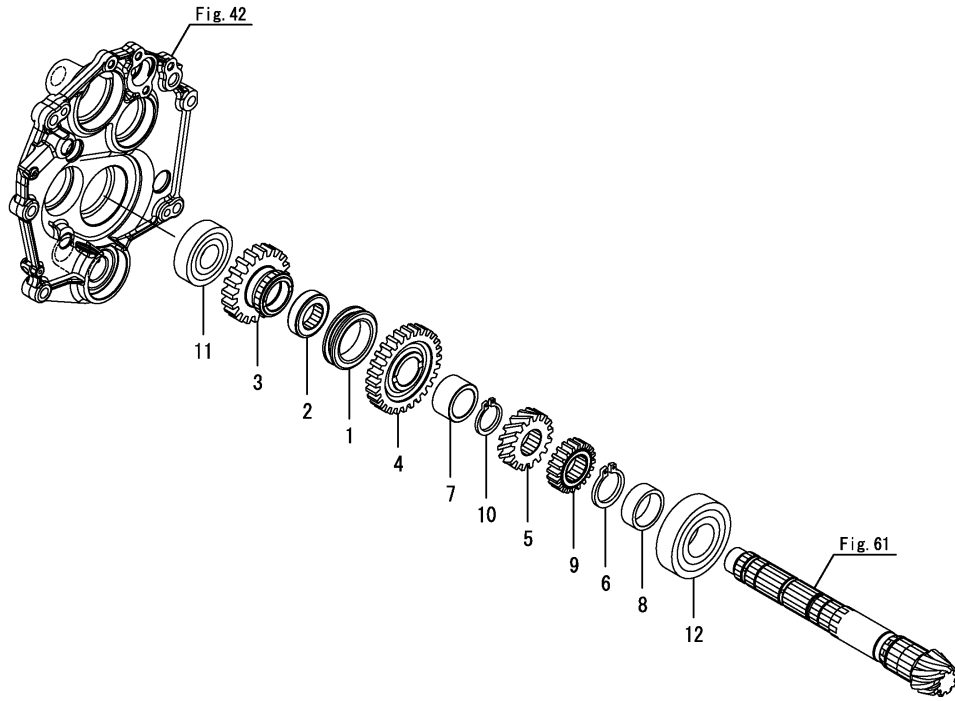
(D)=
(E)=
(F)=

No.	Lev.	Parts No.	Description	Q'ty						I	R
				(A)	(B)	(C)	(D)	(E)	(F)		
1	1	194310-25100	JOINT	2							
2	1	1A8400-25150	SHIFTER	1							
3	1	1A8410-25410	SHAFT, CONECT.	1							
4	1	1A8415-25510	SHAFT, REDUCTION	1							
5	1	1A8415-25660	GEAR, REDUCTION	1							
6	1	1A8410-25720	GEAR, REDUCTION	1							
7	1	1A8410-25790	COLLAR, SPLINE	1							
8	1	22242-000290	RING, 29	1							
9	1	22252-000170	RING, 17	2							
10	1	24101-062024	BEARING, BALL 6202	1							
11	1	24101-063044	BEARING, BALL 6304	1							

Fig.44. COUNTER SHAFT

(A)=YT235Y
(B)=
(C)=

(D)=
(E)=
(F)=



No.	Lev.	Parts No.	Description	Q'ty						I	R
				(A)	(B)	(C)	(D)	(E)	(F)		
1	1	1A8400-25150	SHIFTER	1							
2	1	1A8400-25480	COLLAR, SPLINE	1							
3	1	1A8415-25530	GEAR, COUNTER	1							
4	1	1A8415-25540	GEAR, COUNTER	1							
5	1	1A8410-25690	GEAR, COUNTER	1							
6	1	1A8310-25810	RING, 35X2	1							
7	1	1A8415-25820	COLLAR, 30X40X21.8	1							
8	1	1A8415-25830	COLLAR, 35X43X16	1							
9	1	1A8400-28250	GEAR, FRONT 20	1							
10	1	22242-000290	RING, 29	1							
11	1	24101-063054	BEARING, BALL 6305	1							
12	1	24101-063074	BEARING, BALL 6307	1							

Fig.45. P.T.O. CLUTCH

(A)=YT235Y

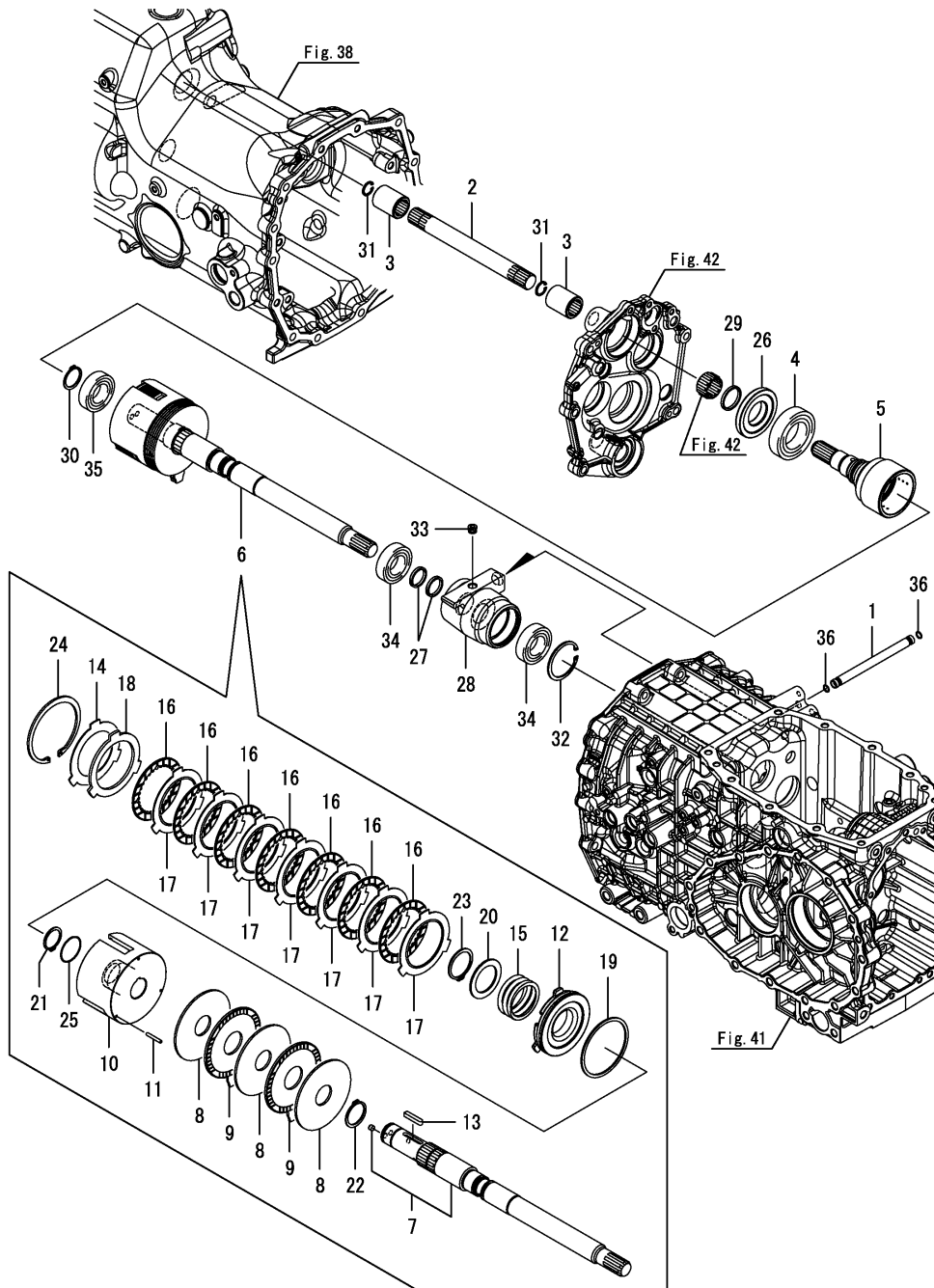
(B)=

(C)=

(D)=

(E)=

(F)=



No.	Lev.	Parts No.	Description	Q'ty						I	R
				(A)	(B)	(C)	(D)	(E)	(F)		
1	1	1A8400-24360	PIPE, FWD	1							
2	1	1A8410-25090	SHAFT, CONECT.	1							
3	1	194310-25100	JOINT	2							
4	1	194454-25770	BEARING, BALL 16007	1							
5	1	1A8415-26020	HUB, SPLINE	1							
6	1	1A8415-26030	CLUTCH KIT, PTO	1							
7	2	1A8415-26050	SHAFT KIT, CLUTCH	1							
8	2	1A8415-26070	PLATE, BRAKE	3							
9	2	1A8415-26080	DISK, BRAKE	2							
10	2	1A8415-26090	CASE, CLUTCH	1							
11	2	1A8415-26110	PIN, BRAKE	3							
12	2	1A8415-26120	PISTON, CLUTCH	1							
13	2	1A8415-26130	KEY	1							
14	2	1A8415-26140	PLATE, STEEL 1.2	1							
15	2	1A8330-26240	SPRING, CLUTCH	1							
16	2	1A7540-26620	FRICITION PLATE 80	7							
17	2	1A7540-26630	PLATE, STEEL 1.2	7							
18	2	1A7540-26640	PLATE, STEEL 3.18	1							
19	2	1A7540-26670	D-RING	1							
20	2	1A8275-26790	COLLAR,	1							
21	2	22242-000250	RING, 25	1							
22	2	22242-000290	RING, 29	1							
23	2	22242-100350	RING, 35	1							
24	2	22252-000820	RING, 82	1							
25	2	24341-000320	O-RING, 1AS32.0	1							
26	1	1A8415-26040	COLLAR, PTO CLUTCH	1							
27	1	198167-26240	RING, SEAL 21X25X3	2							
28	1	1A8415-26680	CASE, SEAL	1							
29	1	198451-28750	RING, 26.27X30.07X3	1							
30	1	22242-000250	RING, 25	1							
31	1	22252-000170	RING, 17	2							
32	1	22252-000470	RING, 47	1							
33	1	23871-010000	PLUG, R01	1							
34	1	24101-060054	BEARING, BALL 6005	2							
35	1	24101-060054	BEARING, BALL 6005	1							
36	1	24341-000080	O-RING, 1AS8.0	2							

Fig.46. P.T.O. DRIVE SHAFT

(A)=YT235Y
(B)=
(C)=

(D)=
(E)=
(F)=

No.	Lev.	Parts No.	Description	Q'ty						I	R
				(A)	(B)	(C)	(D)	(E)	(F)		
1	1	194310-25100	JOINT	1							
2	1	1A8415-26270	GEAR, PTO PINION	1							
3	1	22252-000170	RING, 17	1							
4	1	24101-063044	BEARING, BALL 6304	1							
5	1	24101-063054	BEARING, BALL 6305	1							

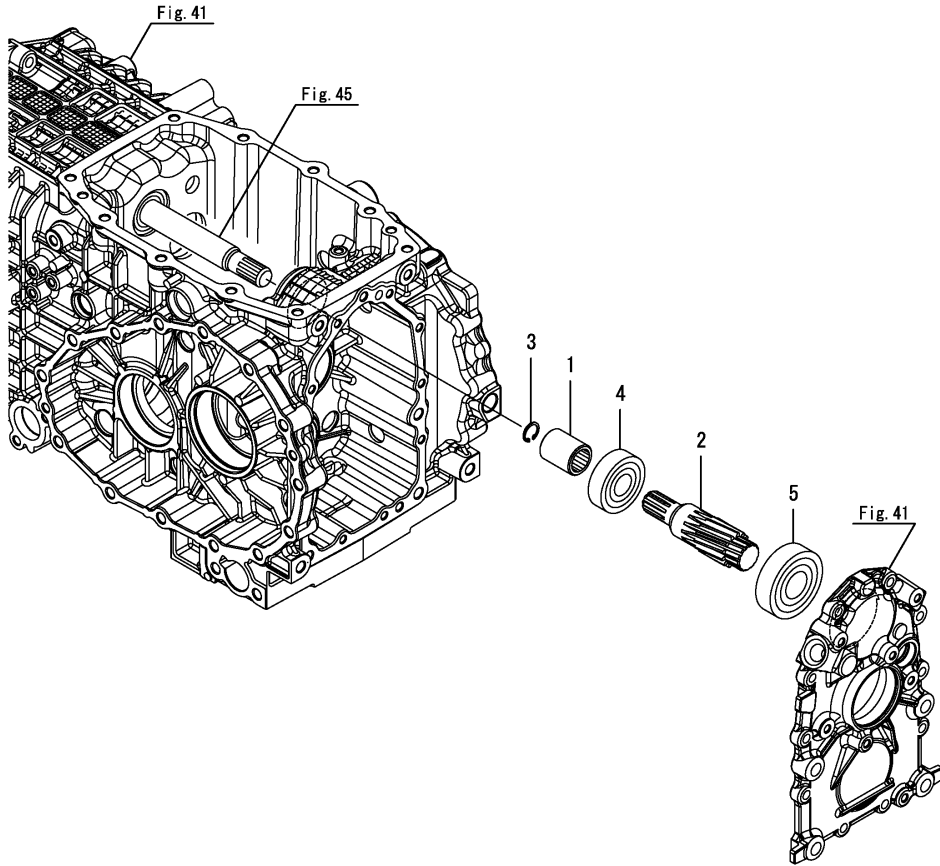


Fig.47. P.T.O. SHAFT

(A)=YT235Y
(B)=
(C)=

(D)=
(E)=
(F)=

No.	Lev.	Parts No.	Description	Q'ty						I	R
				(A)	(B)	(C)	(D)	(E)	(F)		
1	1	194250-25240	BEARING, 354019	2							
2	1	1A8310-25810	RING, 35X2	1							
3	1	1A8415-26310	SHAFT, PTO	1							
4	1	1A8415-26320	GEAR, PTO 62	1							
5	1	1A8415-26330	SHIFTER, PTO	1							
6	1	1A8415-26340	COLLAR, SPLINE	1							
7	1	194370-26350	SEAL, OIL QLF356019	1							
8	1	1E6190-54430	THRUST WASHER (C)	1							
9	1	24101-062054	BEARING, BALL 6205	1							
10	1	24101-062074	BEARING, BALL 6207	1							

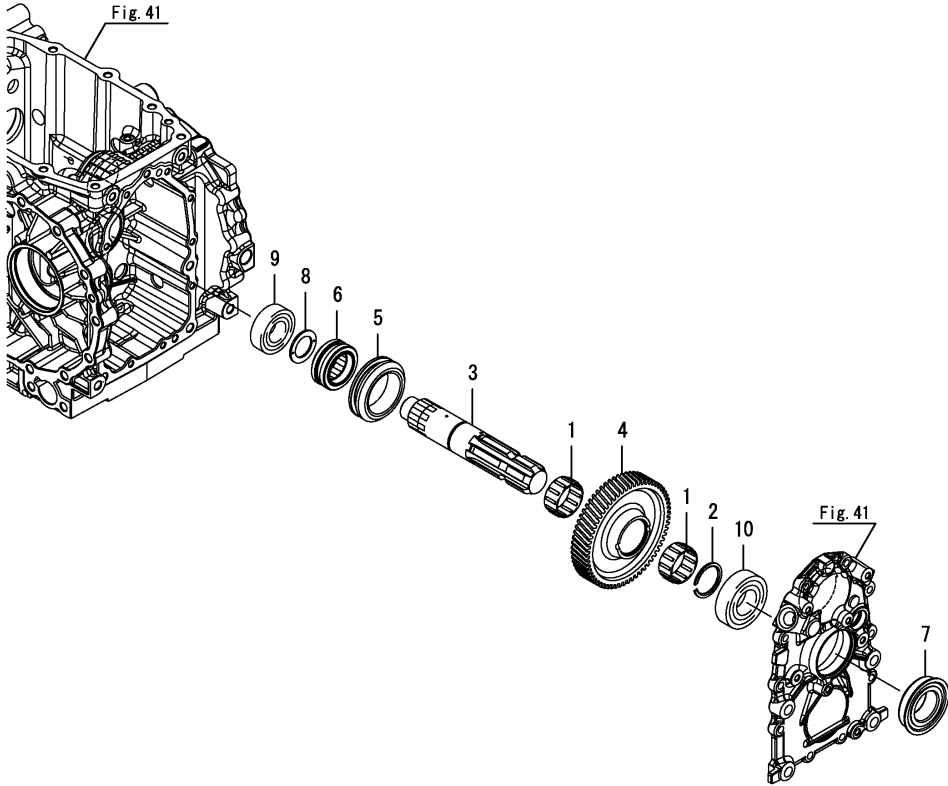


Fig.48. MID P.T.O.

(A)=YT235Y

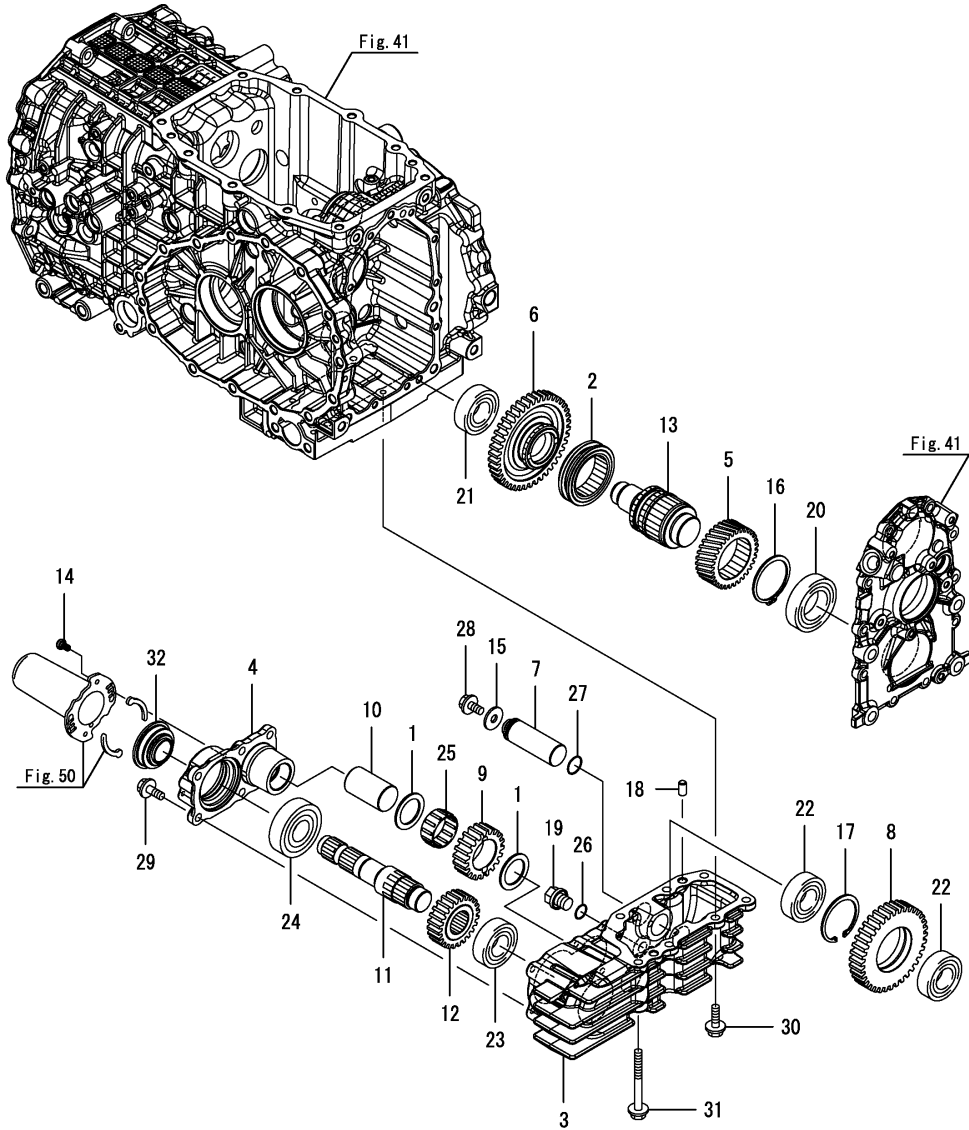
(B)=

(C)=

(D)=

(E)=

(F)=



No.	Lev.	Parts No.	Description	Qty						I	R
				(A)	(B)	(C)	(D)	(E)	(F)		
1	1	1A8310-25610	WASHER, 30	2							
2	1	1A8415-26330	SHIFTER, PTO	1							
3	1	1A8415-26410	CASE, MPTO	1							
4	1	1A8415-26420	COVER, MPTO CASE	1							
5	1	1A8415-26520	GEAR, MPTO 33	1							
6	1	1A8415-26530	GEAR, MPTO 42	1							
7	1	1A8415-26540	SHAFT, MPTO A	1							
8	1	1A8415-26550	GEAR, MPTO 38	1							
9	1	1A8415-26560	GEAR, MPTO 21	1							
10	1	1A8415-26570	SHAFT, MPTO B	1							
11	1	1A8415-26580	SHAFT, MPTO	1							
12	1	1A8415-26590	GEAR, MPTO 23	1							
13	1	1A8415-26610	SHAFT, IDLE GEAR	1							
14	1	194250-32530	PIN, COVER HOOK	2							
15	1	22157-080000	WASHER, 8	1							
16	1	22242-000500	RING, 50	1							
17	1	22252-000520	RING, 52	1							
18	1	22312-080140	PIN, PARALLEL M8X14	2							
19	1	23491-140002	PLUG, 14	1							
20	1	24101-060074	BEARING, BALL 6007	1							
21	1	24101-062054	BEARING, BALL 6205	1							
22	1	24101-062054	BEARING, BALL 6205	2							
23	1	24101-062054	BEARING, BALL 6205	1							
24	1	24101-063054	BEARING, BALL 6305	1							
25	1	24161-303520	BEARING, 303520	1							
26	1	24311-000160	O-RING, 1AP16.0	1							
27	1	24311-000200	O-RING, 1AP20.0	1							
28	1	26106-080162	BOLT, M8X 16 PLATED	1							
29	1	26106-080202	BOLT, M8X 20 PLATED	6							
30	1	26106-080252	BOLT, M8X 25 PLATED	5							
31	1	26106-080752	BOLT, M8X 75 PLATED	2							
32	1	933147-10350	SEAL, QLF25471121	1							

Fig.49. P.T.O. SHAFT COVER

(A)=YT235Y
(B)=
(C)=

(D)=
(E)=
(F)=

No.	Lev.	Parts No.	Description	Q'ty						I	R
				(A)	(B)	(C)	(D)	(E)	(F)		
1	1	1A7100-26850	COVER ASSY, SHAFT M	1							
2	1	26106-080202	BOLT, M8X 20 PLATED	2							

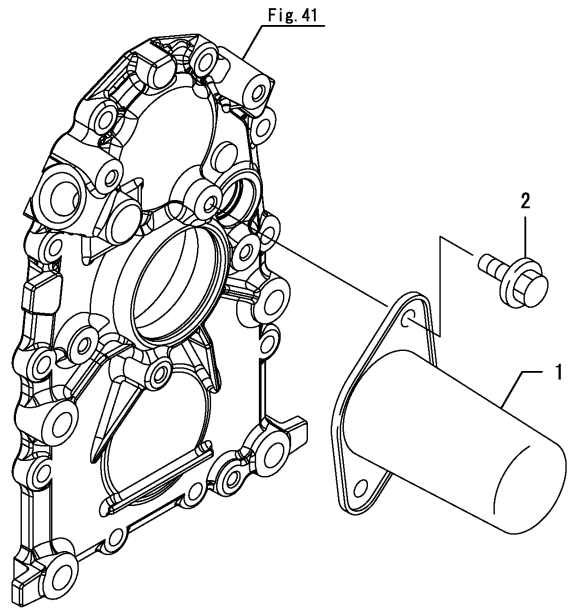


Fig.50. P.T.O. SHAFT COVER(MID)

(A)=YT235Y
(B)=
(C)=

(D)=
(E)=
(F)=

No.	Lev.	Parts No.	Description	Q'ty						I	R
				(A)	(B)	(C)	(D)	(E)	(F)		
1	1	194850-26850	COVER ASSY, SHAFT	1							
2	2	194850-26870	SPRING, SHIFT COVER	2							

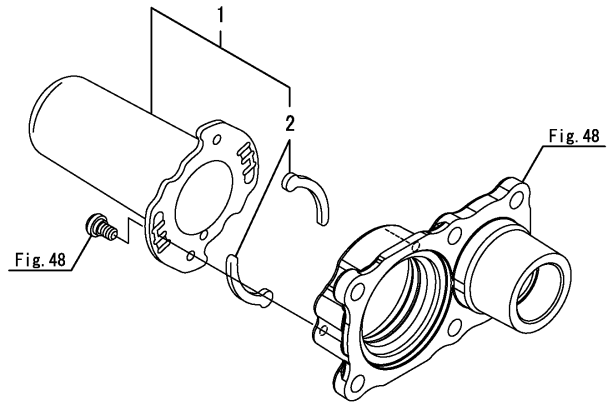


Fig.51. P.T.O. SHAFT GUARD

(A)=YT235Y
(B)=
(C)=

(D)=
(E)=
(F)=

No.	Lev.	Parts No.	Description	Q'ty						I	R
				(A)	(B)	(C)	(D)	(E)	(F)		
1	1	1A8415-26930	GUARD ASSY, PTO	1							
2	1	22157-080000	WASHER, 8	4							
3	1	26106-080202	BOLT, M8X 20 PLATED	4							
4	1	29311-124000	GROMET, 12.0X4	4							
5	1	1C6215-81681	COLLAR, 8.8X12X6.5	4							

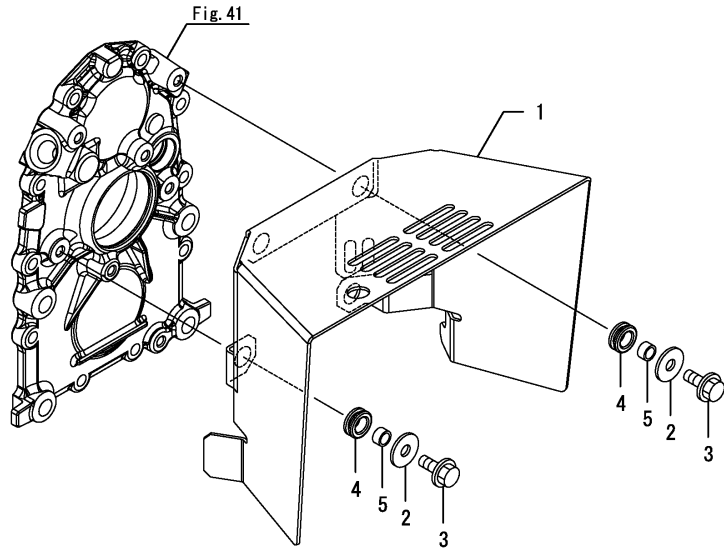


Fig.52. P.T.O. VALVE

(A)=YT235Y
(B)=
(C)=

(D)=
(E)=
(F)=

No.	Lev.	Parts No.	Description	Q'ty						I	R
				(A)	(B)	(C)	(D)	(E)	(F)		
1	1	1A8415-26810	VALVE ASSY, PTO	1							
2	1	1A8415-26830	PIPE, PTO VALVE	1							
3	1	24311-000140	O-RING, 1AP14.0	2							
4	1	26106-080652	BOLT, M8X 65 PLATED	1							

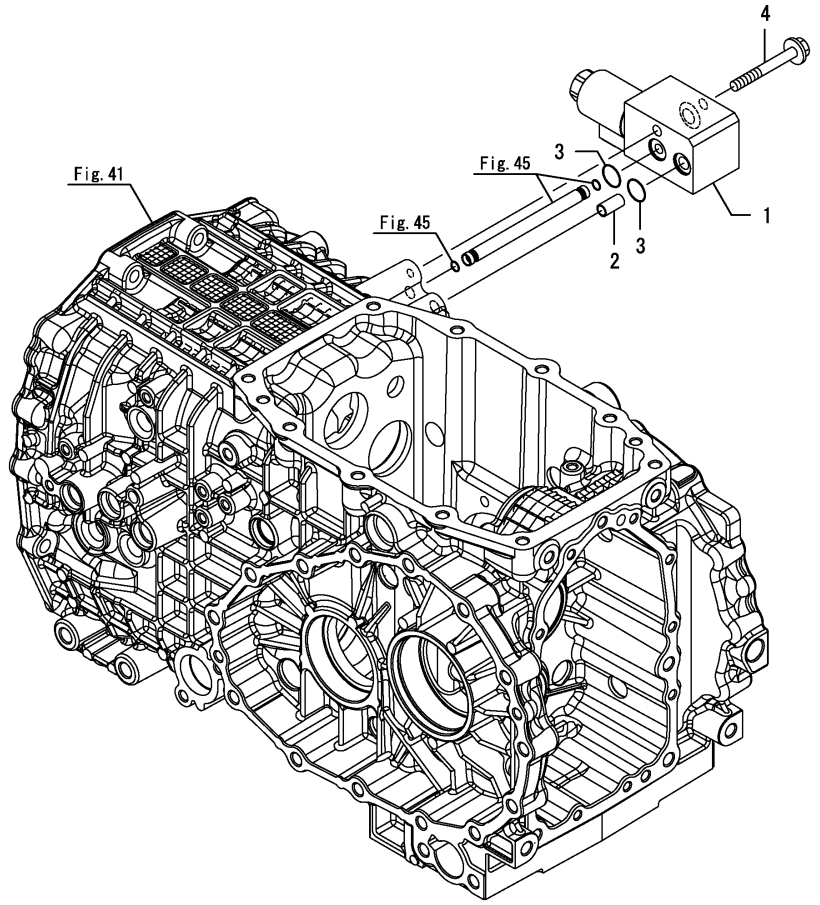
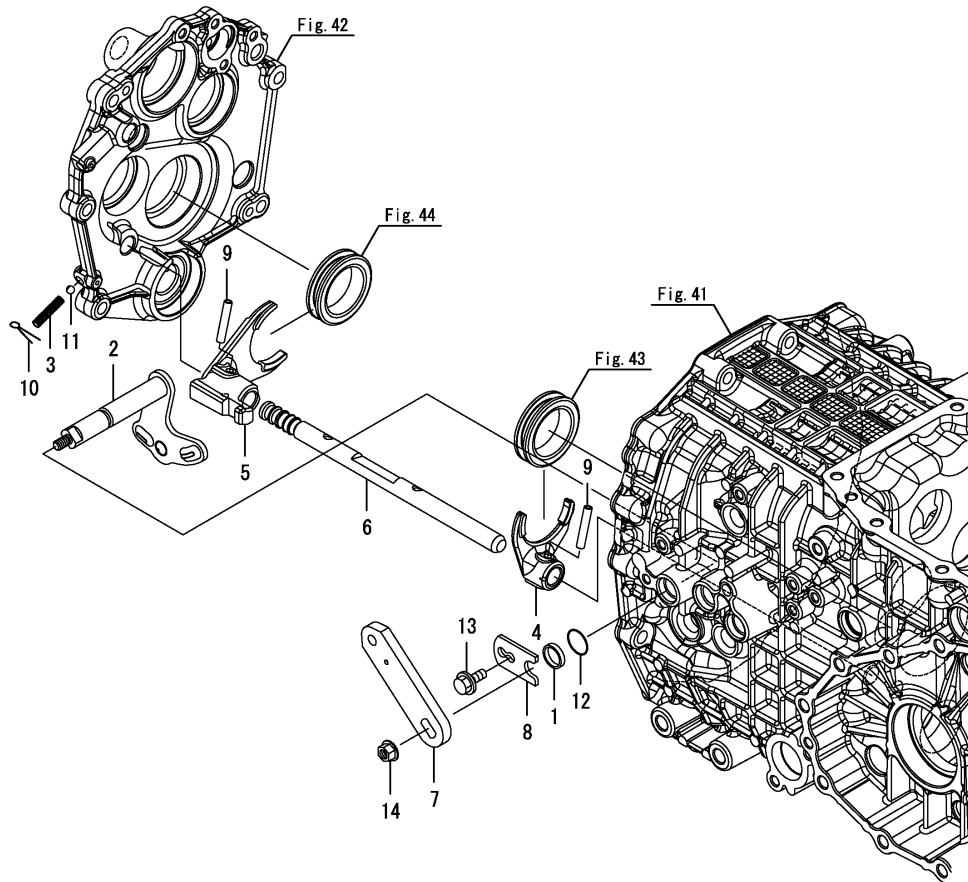


Fig.53. SUB SHIFT

(A)=YT235Y
(B)=
(C)=

(D)=
(E)=
(F)=



No.	Lev.	Parts No.	Description	Q'ty						I	R
				(A)	(B)	(C)	(D)	(E)	(F)		
1	1	198119-27150	COLLAR, SHIFT ARM A	1							
2	1	1A8410-27520	ARM, SHIFT RANGE	1							
3	1	194680-27540	SPRING, FORK LOCK	1							
4	1	1A8410-27550	FORK, SHIFT RANGE	1							
5	1	1A8410-27570	FORK, SHIFT RANGE	1							
6	1	1A8410-27580	SHAFT, FORK RANGE	1							
7	1	1A8410-27720	ARM, CHANGE RANGE	1							
8	1	1A8310-28560	PLATE, KEEP	1							
9	1	22351-060036	PIN, SPRING 6.0X36	2							
10	1	22417-320400	PIN, COTTER 3.2X40	1							
11	1	24190-080001	BALL, STEEL 1/4	1							
12	1	24311-000160	O-RING, 1AP16.0	1							
13	1	26106-080162	BOLT, M8X 16 PLATED	1							
14	1	26366-080002	NUT, M8	1							

Fig.54. P.T.O. SHIFT

(A)=YT235Y
(B)=
(C)=

(D)=
(E)=
(F)=

No.	Lev.	Parts No.	Description	Q'ty						I	R
				(A)	(B)	(C)	(D)	(E)	(F)		
1	1	194680-27540	SPRING, FORK LOCK	1							
2	1	198072-27650	ARM, SHIFT 50	1							
3	1	1A8415-27690	SHAFT, FORK PTO	1							
4	1	1A8415-27710	ARM ASSY, SHIFT PTO	1							
5	1	1A8415-27780	FORK, SHIFT PTO	1							
6	1	1A8415-27820	PLATE, SHIFT ARM	1							
7	1	1A8415-27830	COLLAR, 11X20X10	2							
8	1	22351-060036	PIN, SPRING 6.0X36	3							
9	1	24190-080001	BALL, STEEL 1/4	1							

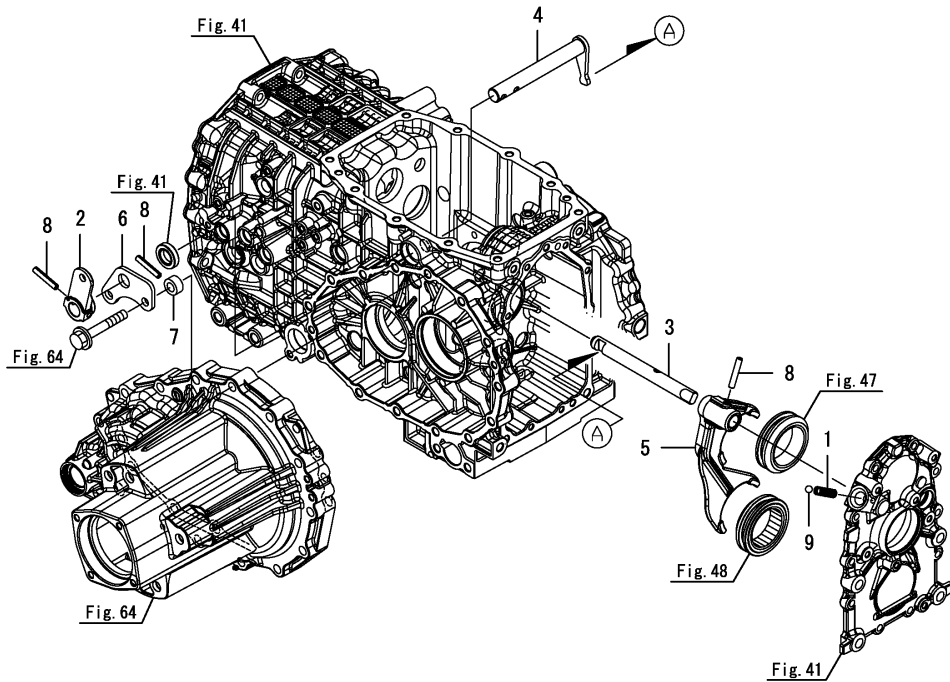
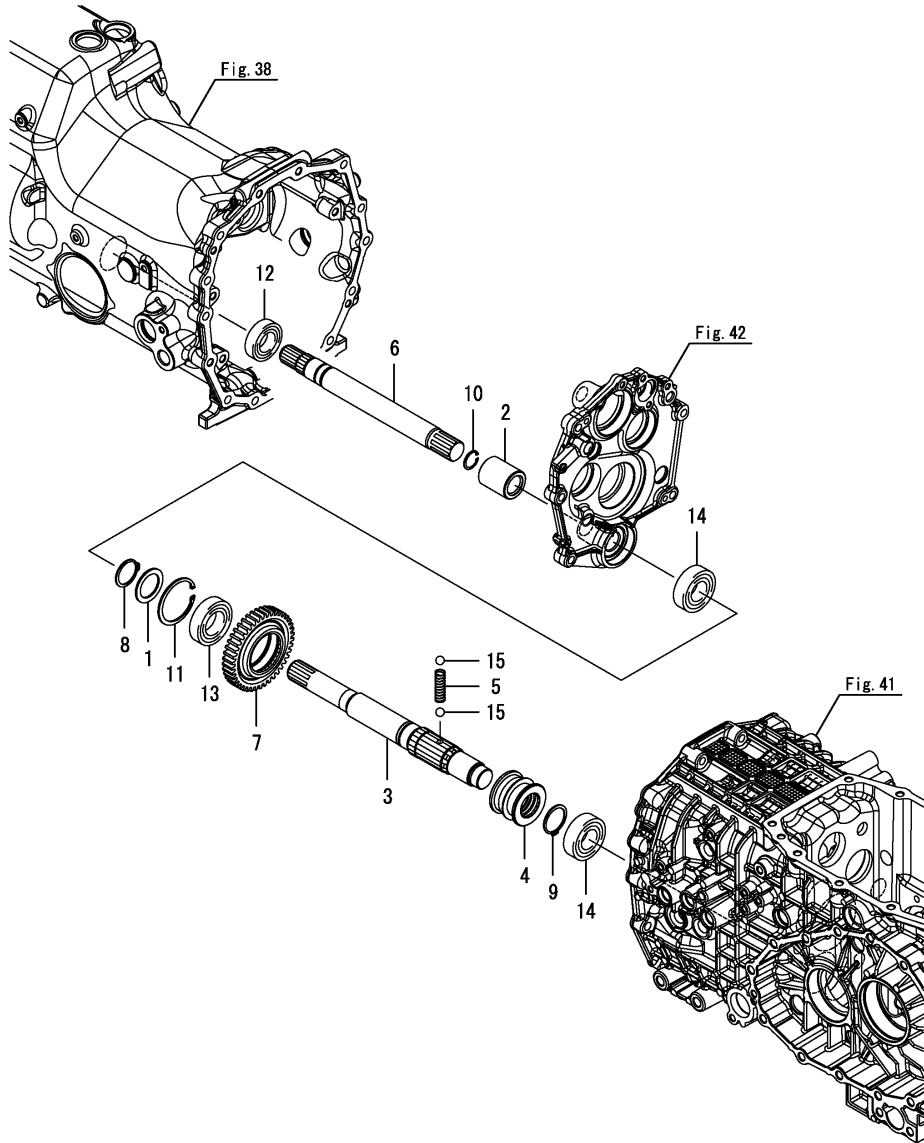


Fig.55. 4WD DRIVE

(A)=YT235Y
(B)=
(C)=

(D)=
(E)=
(F)=

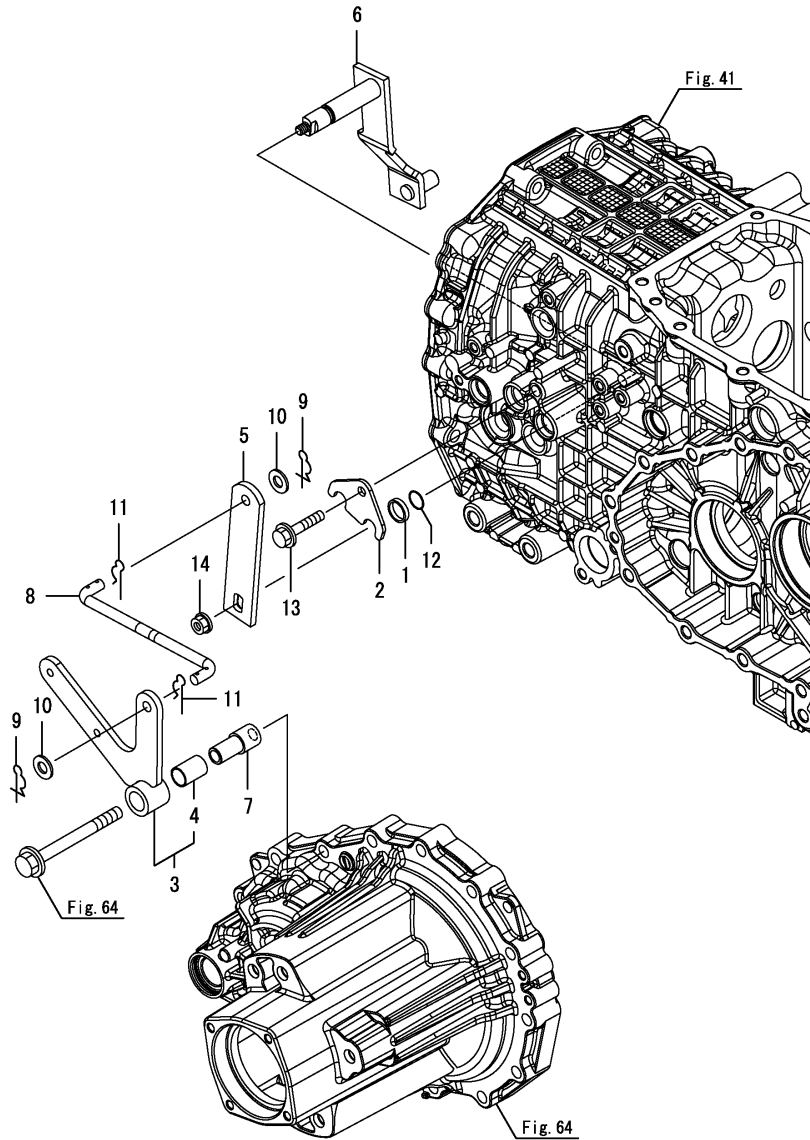


No.	Lev.	Parts No.	Description	Q'ty						I	R
				(A)	(B)	(C)	(D)	(E)	(F)		
1	1	1A8310-25610	WASHER, 30	1							
2	1	194555-26520	COUPLING, PTO	1							
3	1	1A8415-28180	SHAFT, FRONT DRIVE	1							
4	1	1A8415-28270	SHIFTER, FWD	1							
5	1	1A8310-28280	SPRING, 29	1							
6	1	1A8400-28280	SHAFT, CONECT	1							
7	1	1A8415-28310	GEAR, FRONT DRIVE	1							
8	1	22242-000300	RING, 30	1							
9	1	22242-000320	RING, 32	1							
10	1	22252-000220	RING, 22	1							
11	1	22252-000550	RING, 55	1							
12	1	24101-060054	BEARING, BALL 6005	1							
13	1	24101-060064	BEARING, BALL 6006	1							
14	1	24101-062054	BEARING, BALL 6205	2							
15	1	24190-080001	BALL, STEEL 1/4	2							

Fig.56. 4WD SHIFT

(A)=YT235Y
(B)=
(C)=

(D)=
(E)=
(F)=

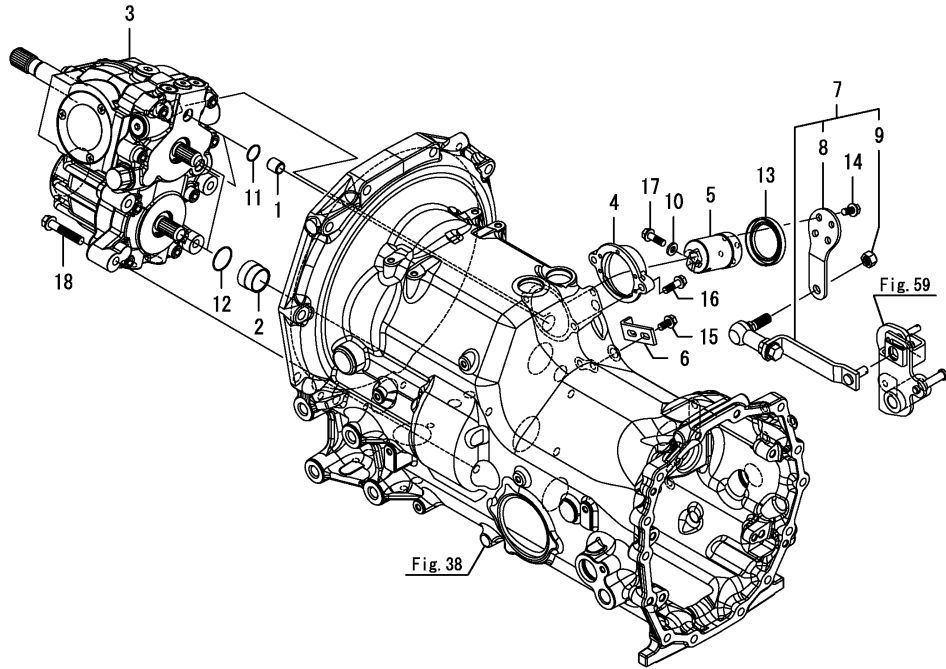


No.	Lev.	Parts No.	Description	Q'ty						I	R
				(A)	(B)	(C)	(D)	(E)	(F)		
1	1	198119-27150	COLLAR, SHIFT ARM A	1							
2	1	1A8400-27750	PLATE, KEEP	1							
3	1	1A8415-28411	ARM ASSY, 4WD SHIFT	1							
4	2	24550-015250	BUSH, 15X25	1							
5	1	1A8415-28450	ARM, CHANGE 4WD	1							
6	1	1A8415-28510	ARM, SHIFT 4WD	1							
7	1	1A8415-28550	COLLAR, FULCRUM	1							
8	1	1A8415-28611	ROD, 4WD	1							
9	1	1C6281-52320	PIN, SNAP 8	2							
10	1	22137-100000	WASHER, 10	2							
11	1	22372-080000	PIN, SNAP 8	2							
12	1	24311-000160	O-RING, 1AP16.0	1							
13	1	26106-080402	BOLT, M8X 40 PLATED	1							
14	1	26366-080002	NUT, M8	1							

Fig.57. H.S.T.

(A)=YT235Y
(B)=
(C)=

(D)=
(E)=
(F)=

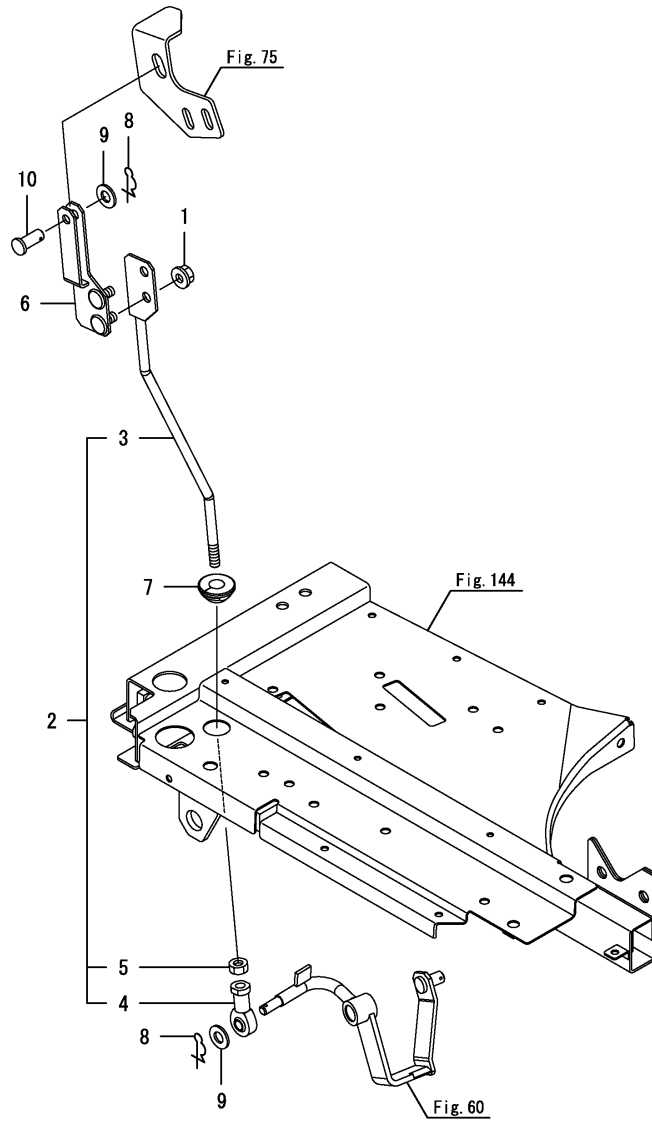


No.	Lev.	Parts No.	Description	Q'ty						I	R
				(A)	(B)	(C)	(D)	(E)	(F)		
1	1	198280-24340	COLLAR, 12X16X17	2							
2	1	1A8410-24350	COLLAR, 29X35X24	2							
3	1	1A8410-25150	HST ASSY	1							
4	1	1A8410-27020	CASE, SEAL	1							
5	1	1A8410-27231	BOSS, HST TRUNNION	1							
6	1	1A8410-27260	PLATE, STOPPER	1							
7	1	1A8415-29560	ROD UNIT	1							
8	2	1A8410-27240	ARM, HST TRUNNION	1							
9	2	26346-120002	NUT, M12	1							
10	1	22137-080000	WASHER, 8	1							
11	1	24311-000160	O-RING, 1AP16.0	2							
12	1	24311-000340	O-RING, 1AP34.0	2							
13	1	24421-456209	SEAL, OIL TC456209	1							
14	1	26106-080162	BOLT, M8X 16 PLATED	4							
15	1	26106-080162	BOLT, M8X 16 PLATED	2							
16	1	26106-080252	BOLT, M8X 25 PLATED	2							
17	1	26106-080252	BOLT, M8X 25 PLATED	1							
18	1	26106-100552	BOLT, M10X 55 PLATED	4							

Fig.58. LINK(H.S.T. CRUISE)

(A)=YT235Y
(B)=
(C)=

(D)=
(E)=
(F)=



No.	Lev.	Parts No.	Description	Q'ty						I	R
				(A)	(B)	(C)	(D)	(E)	(F)		
1	1	194990-22140	NUT, M8	2							
2	1	1A8405-27520	ROD UNIT, CRUISE A	1							
3	2	1A8405-27530	ROD ASSY, CRUISE A	1							
4	2	172122-46570	END, ROD	1							
5	2	26716-080002	NUT, M8	1							
6	1	1A8405-27560	CLEVIS ASSY, CRUISE	1							
7	1	194170-51210	GROMMET, 25/13	1							
8	1	1C6281-52320	PIN, SNAP 8	2							
9	1	22137-080000	WASHER, 8	2							
10	1	22487-080160	PIN, H 8X 16	1							

Fig.59. LINK(H.S.T.)

(A)=YT235Y
(B)=
(C)=

(D)=
(E)=
(F)=

No.	Lev.	Parts No.	Description	Q'ty						I	R
				(A)	(B)	(C)	(D)	(E)	(F)		
1	1	198129-27281	ROLLER, CAM	1							
2	1	1A8415-29010	LINK ASSY, HST	1							
3	2	1A8415-29080	ARM UNIT, A	1							
4	3	24550-015200	BUSH, 15X20	2							
5	2	1A8415-29150	BRACKET ASSY, A	1							
6	2	1A8415-29750	SPRING, NEUTRAL	2							
7	2	22137-140000	WASHER, 14	1							
8	2	22137-300000	WASHER, 30	1							
9	2	22351-060050	PIN, SPRING 6.0X50	1							
10	1	1A8260-29610	ABSORBER, SHOCK	1							
11	1	1A8410-29810	PLATE, BRACKET	1							
12	1	1C6281-52320	PIN, SNAP 8	2							
13	1	1C6360-65700	PIN, SNAP 10	1							
14	1	22137-080000	WASHER, 8	2							
15	1	22157-100000	WASHER, 10	1							
16	1	26218-080202	STUD, M8X 20	2							
17	1	26366-080002	NUT, M8	2							

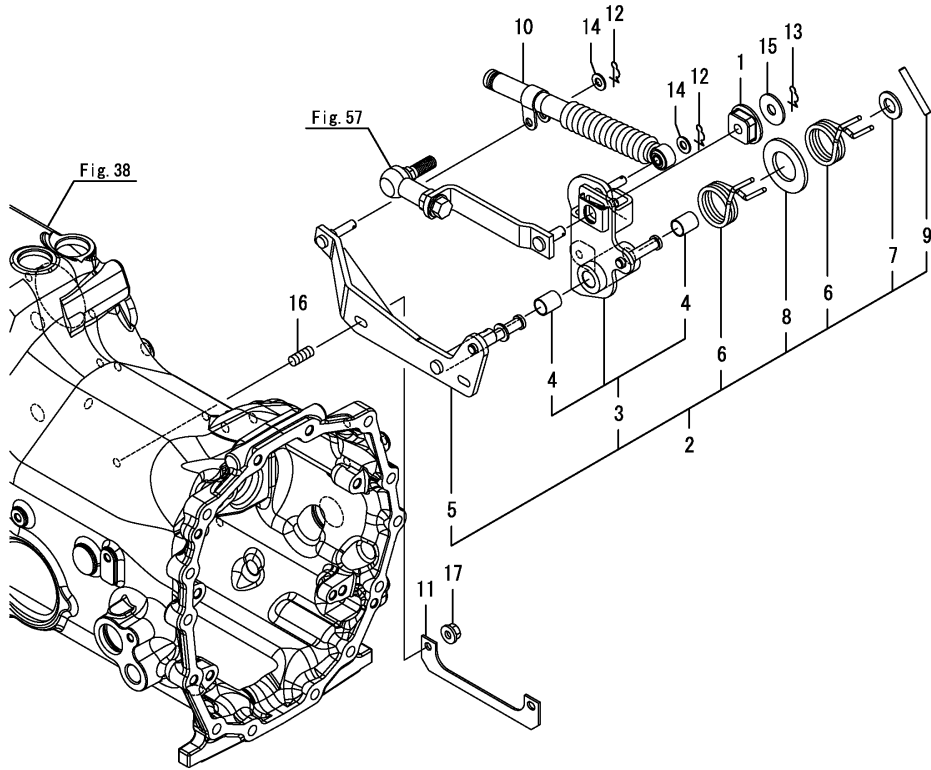
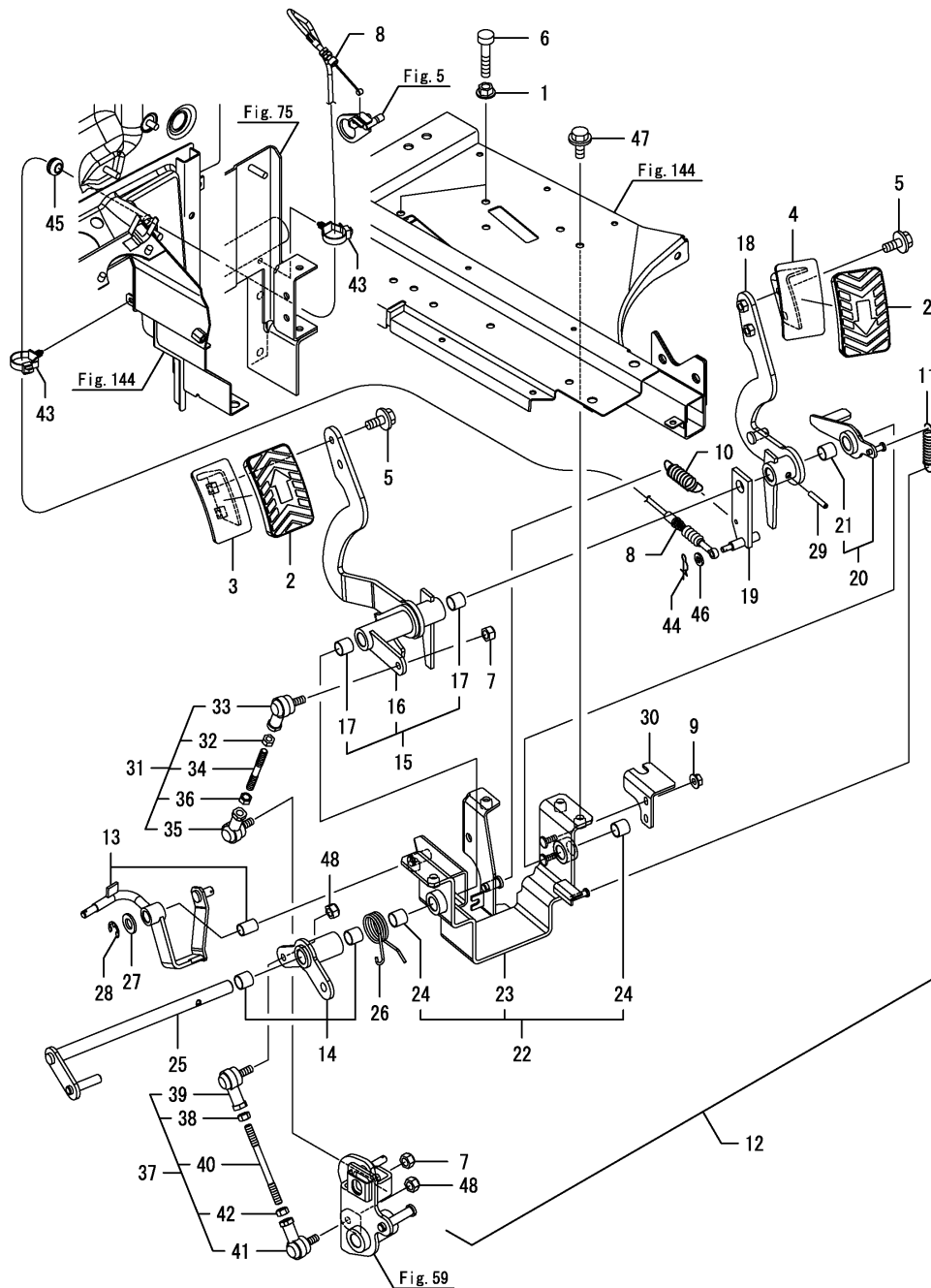


Fig.60. H.S.T. CONTROL



(A)=YT235Y
(B)=
(C)=

(D)=
(E)=
(F)=

No.	Lev.	Parts No.	Description	Q'ty						I	R
				(A)	(B)	(C)	(D)	(E)	(F)		
1	1	194990-22140	NUT, M8	2							
2	1	1A8160-35080	HEAD, PEDAL	2							
3	1	1A8405-35800	HEAD ASSY, PEDAL FW	1							
4	1	1A8405-35850	HEAD ASSY, PEDAL BW	1							
5	1	26106-080162	BOLT, M8X 16 PLATED	4							
6	1	26116-080454	BOLT, M8X 45 PLATED	2							
7	1	26346-080002	NUT, M8	2							
8	1	1A8405-01150	WIRE ASSY, FOOT ACCEL	1							
9	1	194990-22130	NUT, M6	2							
10	1	1C1230-23250	SPRING, SENSOR RETURN	1							
11	1	195545-23770	SPRING, RETURN	1							
12	1	1A8405-29000	PEDAL UNIT, HST	1							
13	2	1A8405-27400	PLATE UNIT, CRUISE	1							
14	2	1A8405-29250	ARM UNIT, BW	1							
15	2	1A8405-29300	PEDAL UNIT, FW	1							
16	3	1A8405-29310	PEDAL ASSY, FW	1							
17	3	24550-015150	BUSH, 15X15	2							
18	2	1A8405-29370	PEDAL ASSY, BW	1							
19	2	1A8405-29400	ARM ASSY, WIRE	1							
20	2	1A8405-29430	ARM UNIT, BW SW	1							
21	3	24550-015150	BUSH, 15X15	1							
22	2	1A8405-29500	BRACKET UNIT, PEDAL	1							
23	3	1A8405-29510	BRACKET ASSY, PEDAL	1							
24	3	24550-015150	BUSH, 15X15	2							
25	2	1A8405-29600	SHAFT ASSY, PEDAL	1							
26	2	1A8405-29910	SPRING, R LINK	1							
27	2	22137-120000	WASHER, 12	1							
28	2	22272-000100	RING, E-10	1							
29	2	22351-050032	PIN, SPRING 5.0X32	1							
30	1	1A8405-29650	STAY, BW SW	1							
31	1	1A8405-29700	ROD ASSY, 8X120	1							
32	2	194990-20170	NUT, M8	1							
33	2	194820-27370	END, ROD L	1							
34	2	1A8405-29710	ROD, 8X70	1							
35	2	172122-46590	ELBOW	1							
36	2	26716-080002	NUT, M8	1							
37	1	1A8405-29720	ROD ASSY, 8X146	1							
38	2	194990-20170	NUT, M8	1							
39	2	194820-27370	END, ROD L	1							
40	2	1A8405-29730	ROD, 8X100	1							
41	2	172122-46590	ELBOW	1							
42	2	26716-080002	NUT, M8	1							
43	1	1A8275-51670	CLIP, M8 HOLE	2							
44	1	1C6281-52310	PIN, SNAP 6	1							
45	1	198071-58810	GROMMET, 8	1							
46	1	22137-060000	WASHER, 6	1							
47	1	26106-080162	BOLT, M8X 16 PLATED	5							
48	1	26346-080002	NUT, M8	2							

Fig.61. RING GEAR

(A)=YT235Y
(B)=
(C)=

(D)=
(E)=
(F)=

No.	Lev.	Parts No.	Description	Q'ty						I	R
				(A)	(B)	(C)	(D)	(E)	(F)		
1	1	1A8400-31400	GEAR ASSY, RING	1							

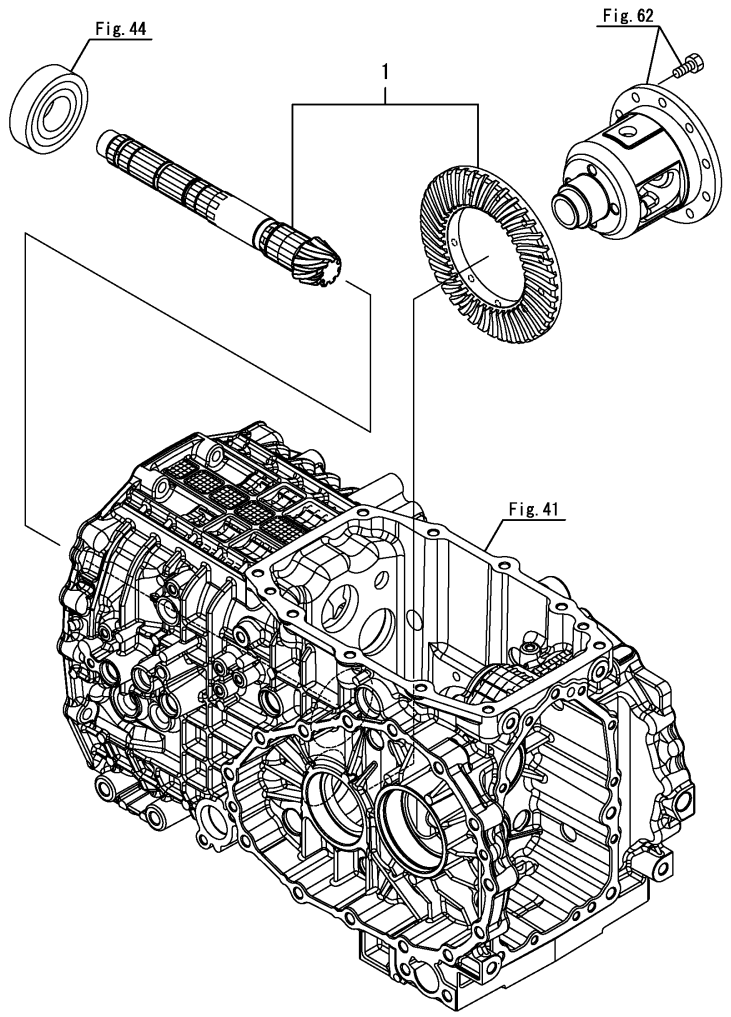
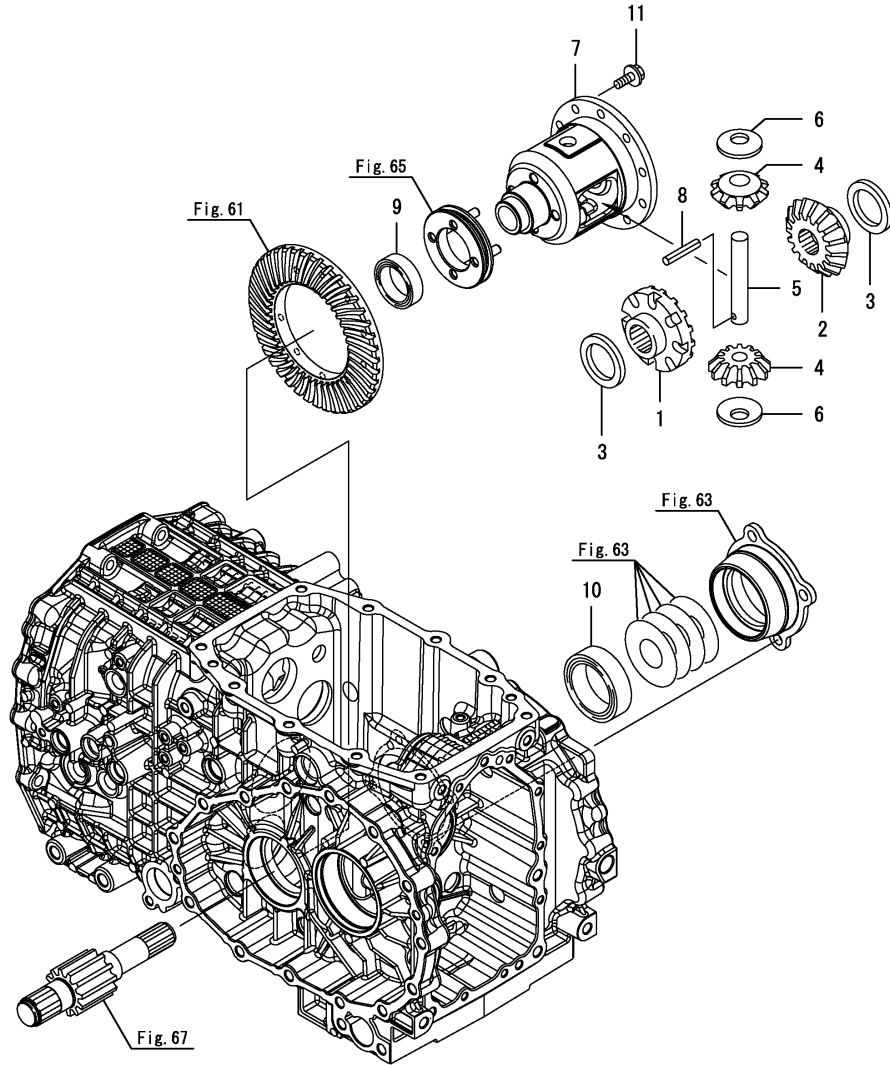


Fig.62. DIFFERENTIAL GEAR

(A)=YT235Y
(B)=
(C)=

(D)=
(E)=
(F)=



No.	Lev.	Parts No.	Description	Q'ty						I	R
				(A)	(B)	(C)	(D)	(E)	(F)		
1	1	198200-31510	GEAR, DIFF.SIDE L	1							
2	1	194525-31520	GEAR, DIFF.SIDE R	1							
3	1	194515-31610	LINER, SIDE GEAR	2							
4	1	198200-31810	PINION, DIFFERENTIAL	2							
5	1	198200-31820	SHAFT, DIFF.PINION	1							
6	1	194515-31850	LINER, DIFF.PINION	2							
7	1	198200-32110	CASE, DIFFERENTIAL	1							
8	1	22351-040040	PIN, SPRING 4.0X40	1							
9	1	24101-060074	BEARING, BALL 6007	1							
10	1	24101-062074	BEARING, BALL 6207	1							
11	1	26106-080162	BOLT, M8X 16 PLATED	10							

Fig.63. DIFFERENTIAL CARRIER

(A)=YT235Y
(B)=
(C)=

(D)=
(E)=
(F)=

No.	Lev.	Parts No.	Description	Q'ty						I	R
				(A)	(B)	(C)	(D)	(E)	(F)		
1	1	198200-32320	CARRIER,DIFFERENTIAL	1							
2	1	194850-32340	SHIM SET	1							
3	1	26106-100252	BOLT, M10X 25 PLATED	4							

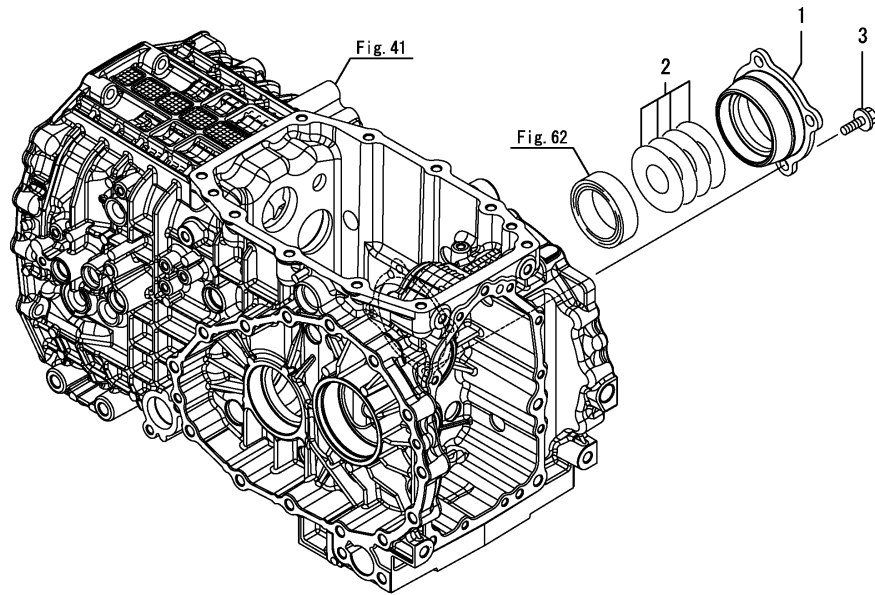


Fig.64. REAR AXLE HOUSING

(A)=YT235Y
(B)=
(C)=

(D)=
(E)=
(F)=

No.	Lev.	Parts No.	Description	Q'ty						I	R
				(A)	(B)	(C)	(D)	(E)	(F)		
1	1	1A8400-32600	HOUSING ASSY, R-AXLE	2							
2	2	1A8400-32610	HOUSING, REAR AXLE	2							
3	2	198290-32750	SEAL, OIL TC253506	2							
4	1	198475-32660	SEAL, QLN527514.5	2							
5	1	198200-32731-1	CASE, OIL SEAL	2							
6	1	22312-080140	PIN, PARALLEL M8X14	4							
7	1	26106-080402	BOLT, M8X 40 PLATED	8							
8	1	26106-100502	BOLT, M10X 50 PLATED	25							
9	1	26106-100652	BOLT, M10X 65 PLATED	2							
10	1	26106-100952	BOLT, M10X 95 PLATED	1							

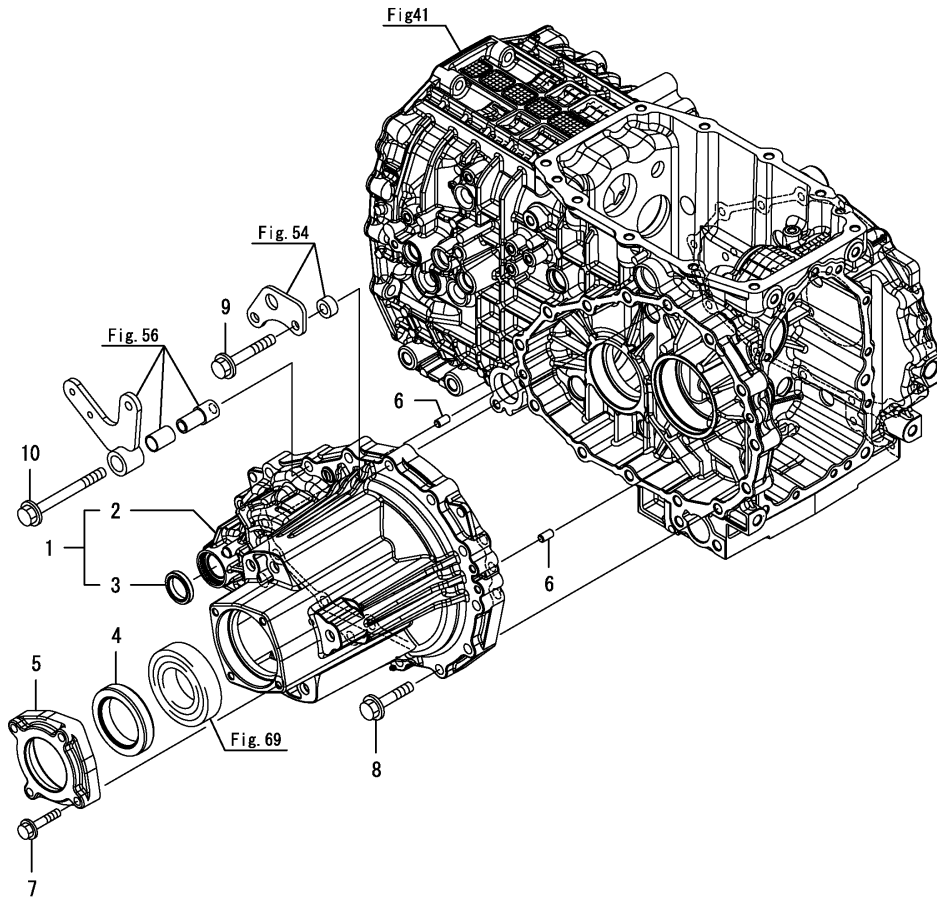
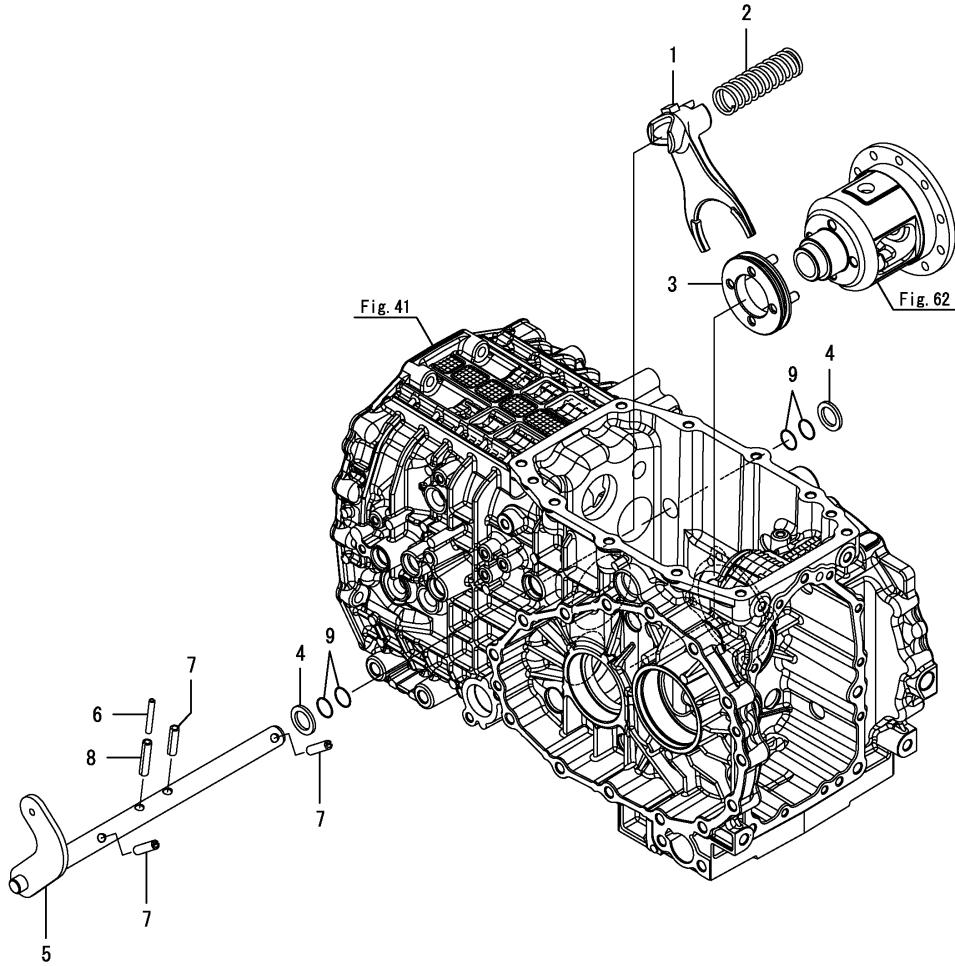


Fig.65. DIFFERENTIAL LOCK

(A)=YT235Y
(B)=
(C)=

(D)=
(E)=
(F)=



No.	Lev.	Parts No.	Description	Q'ty						I	R
				(A)	(B)	(C)	(D)	(E)	(F)		
1	1	198200-33111	FORK, DIFF.LOCK	1							
2	1	194420-33150	SPRING, RETURN	1							
3	1	198200-33150	SLIDER, DIFF.LOCK	1							
4	1	194300-33200	SPACER, 20X32X3.2	2							
5	1	1A8415-33210	SHAFT ASSY,DIFF LOCK	1							
6	1	22351-050040	PIN, SPRING 5.0X40	1							
7	1	22351-080032	PIN, SPRING 8.0X32	3							
8	1	22351-080040	PIN, SPRING 8.0X40	1							
9	1	24311-000200	O-RING, 1AP20.0	4							

Fig.66. DIFFERENTIAL LOCK PEDAL

(A)=YT235Y
(B)=
(C)=

(D)=
(E)=
(F)=

No.	Lev.	Parts No.	Description	Q'ty						I	R
				(A)	(B)	(C)	(D)	(E)	(F)		
1	1	1A8070-33250-1	PEDAL, DIFF.LOCK	1							
2	1	26106-080162	BOLT, M8X 16 PLATED	1							

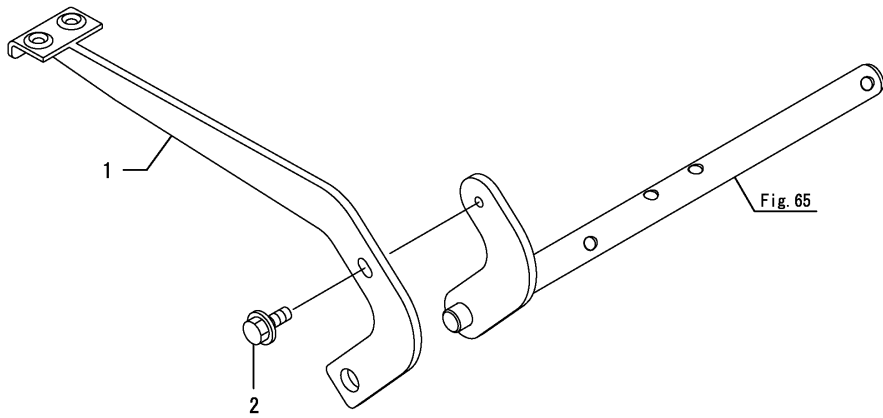


Fig.67. FINAL PINION

(A)=YT235Y
(B)=
(C)=

(D)=
(E)=
(F)=

No.	Lev.	Parts No.	Description	Q'ty						I	R
				(A)	(B)	(C)	(D)	(E)	(F)		
1	1	198200-33410	PINION, FINAL L 9T	1							
2	1	198200-33420	PINION, FINAL R 9T	1							
3	1	24101-063064	BEARING, BALL 6306	4							

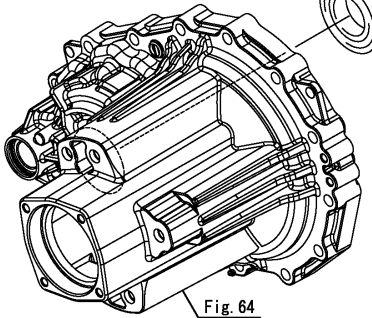
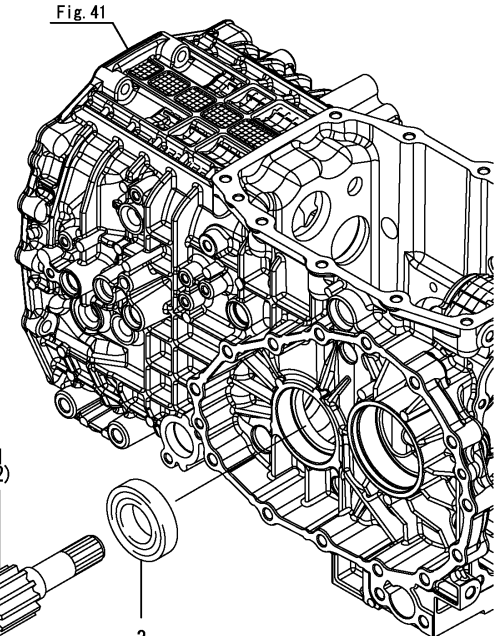


Fig.69. REAR AXLE SHAFT

(A)=YT235Y
(B)=
(C)=

(D)=
(E)=
(F)=

No.	Lev.	Parts No.	Description	Q'ty						I	R
				(A)	(B)	(C)	(D)	(E)	(F)		
1	1	194440-32580	COLLAR, 45X55X20	2							
2	1	198200-34111	SHAFT, REAR AXLE	2							
3	1	198196-34140	CIRCLIP, 45	4							
4	1	24101-062094	BEARING, BALL 6209	2							
5	1	24101-063074	BEARING, BALL 6307	2							

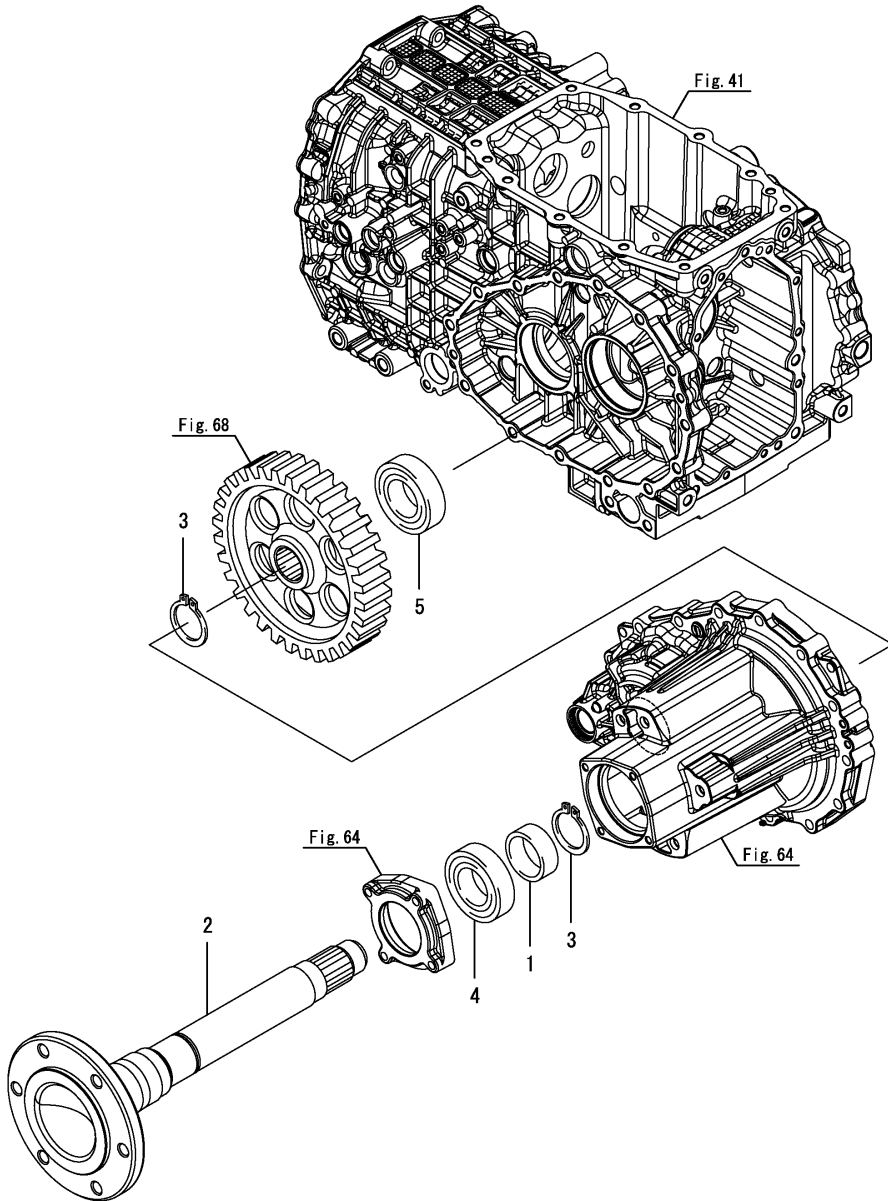
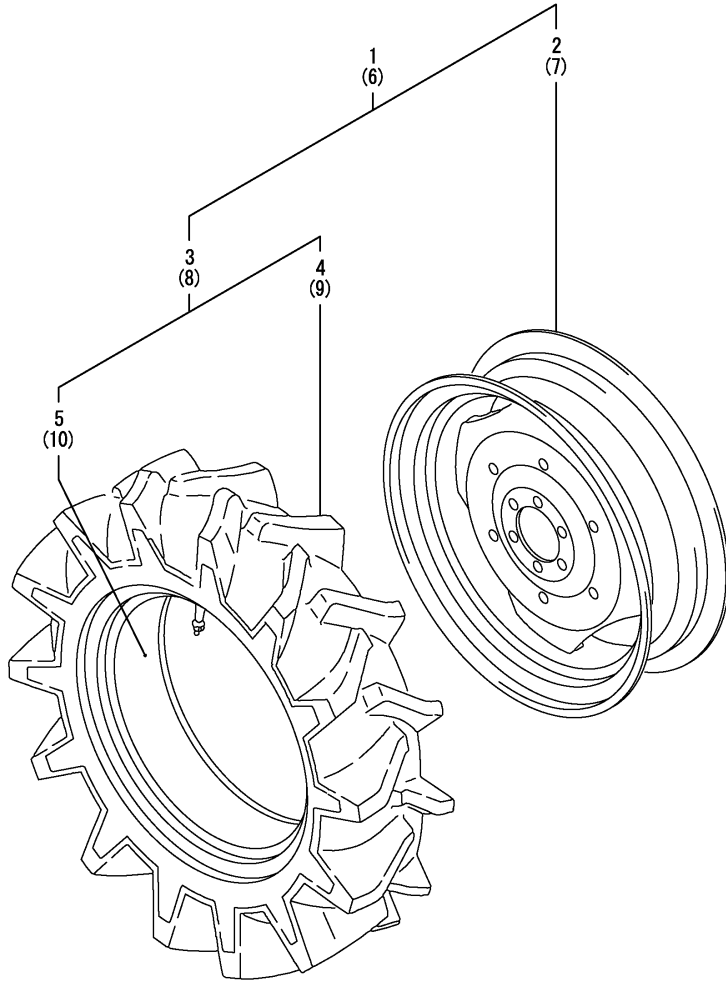


Fig.70. REAR WHEEL TIRE(9.5-22)

(A)=YT235Y
(B)=
(C)=

(D)=
(E)=
(F)=



No.	Lev.	Parts No.	Description	Q'ty						I	R
				(A)	(B)	(C)	(D)	(E)	(F)		
1	1	198280-34510-1	TIRE, REAR 9.5-22L	1							
2	2	198200-34650-1	WHEEL, W7X22	1							
3	2	198031-34900	TIRE ASSY, R 9.5X22	1							
4	3	198031-34910	TIRE, REAR 9.5-22	1							
5	3	198031-34920	TUBE, 9.5-22	1							
6	1	198280-34610-1	TIRE, REAR 9.5-22R	1							
7	2	198200-34650-1	WHEEL, W7X22	1							
8	2	198031-34900	TIRE ASSY, R 9.5X22	1							
9	3	198031-34910	TIRE, REAR 9.5-22	1							
10	3	198031-34920	TUBE, 9.5-22	1							

Fig.71. REAR WHEEL TIRE(15X19.5)

(A)=YT235Y
(B)=
(C)=

(D)=
(E)=
(F)=

No.	Lev.	Parts No.	Description	Q'ty						I	R
				(A)	(B)	(C)	(D)	(E)	(F)		
1	1	1A8425-34700	TIRE KIT,REAR R4 L	1							
2	1	1A8425-34800	TIRE KIT, REAR R4 R	1							

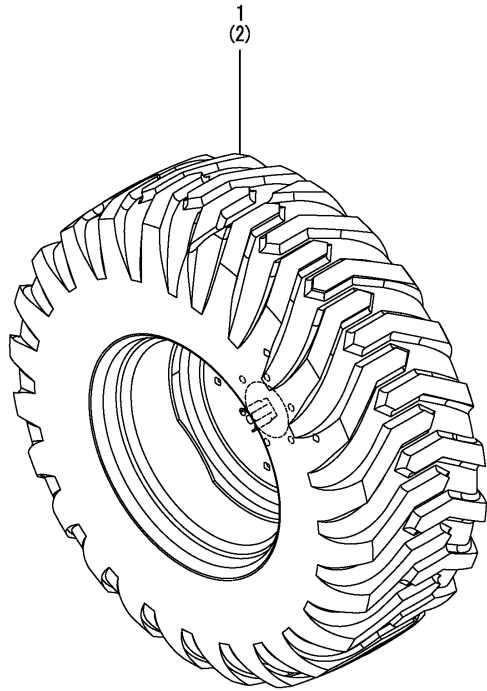


Fig.72. REAR WHEEL TIRE(13.6X16)

(A)=YT235Y
(B)=
(C)=

(D)=
(E)=
(F)=

No.	Lev.	Parts No.	Description	Q'ty						I	R
				(A)	(B)	(C)	(D)	(E)	(F)		
1	1	1A8427-34700	TIRE KIT, REAR R3	2							

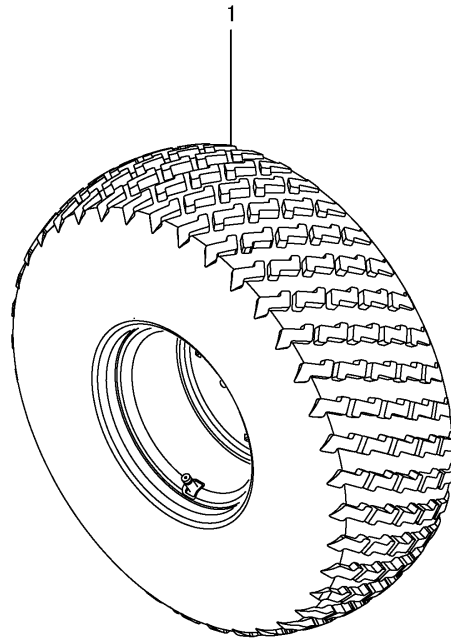


Fig.73. HUB BOLT

(A)=YT235Y
(B)=
(C)=

(D)=
(E)=
(F)=

No.	Lev.	Parts No.	Description	Q'ty						I	R
				(A)	(B)	(C)	(D)	(E)	(F)		
1	1	194881-12650	BOLT, M14X24	8							
2	1	194279-14220	WASHER, LOCK 14	4							
3	1	198200-34130	STUD, 14X31	4							
4	1	198200-34190	NUT, M14	4							

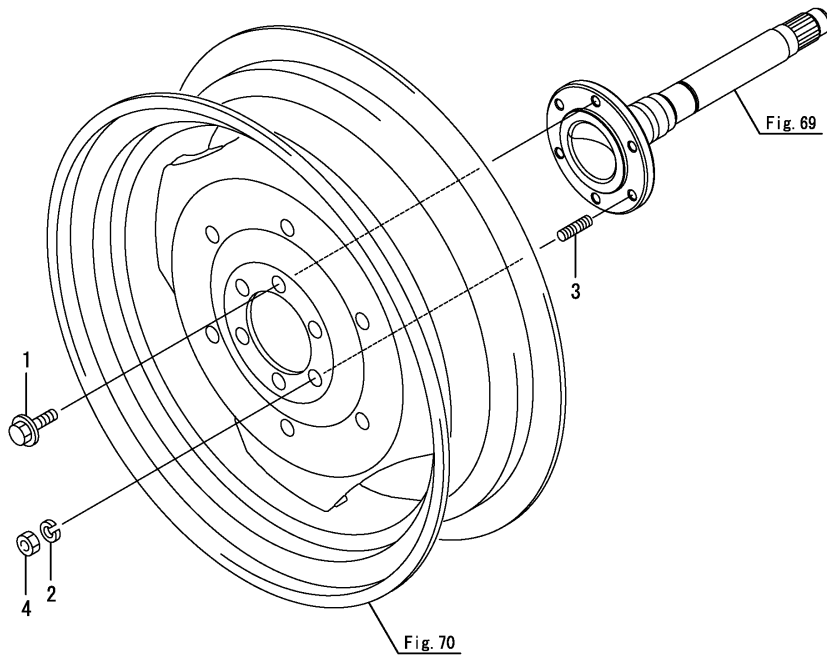
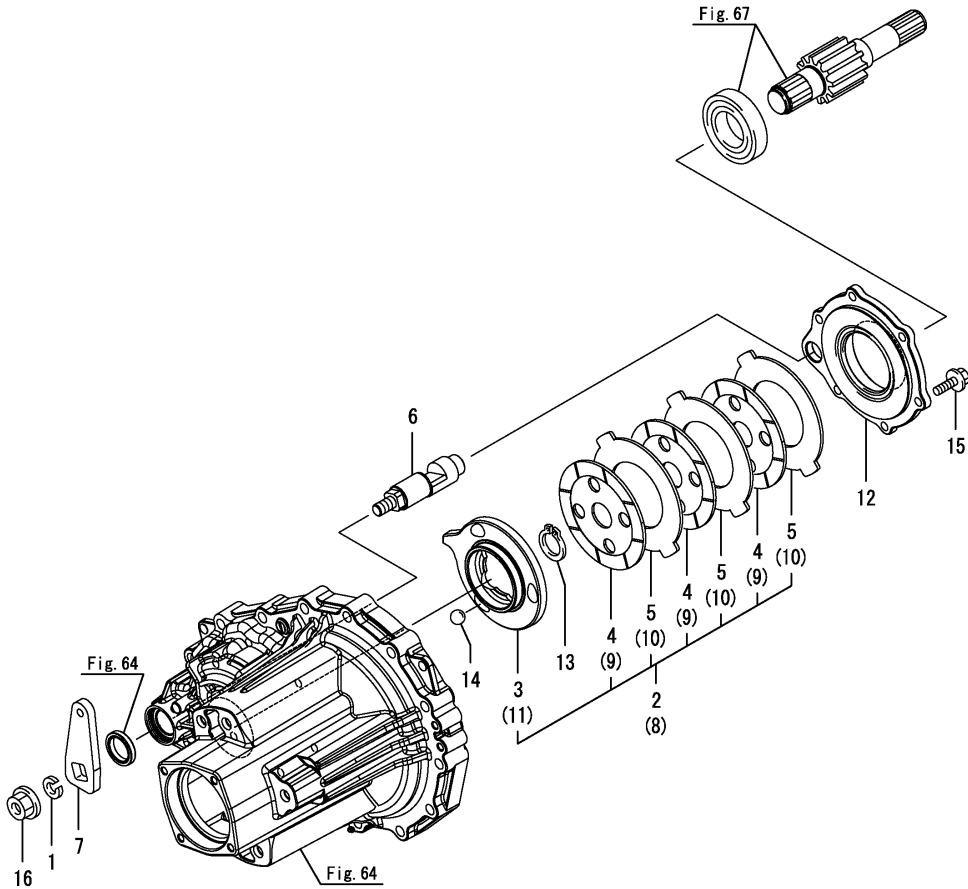


Fig.74. BRAKE

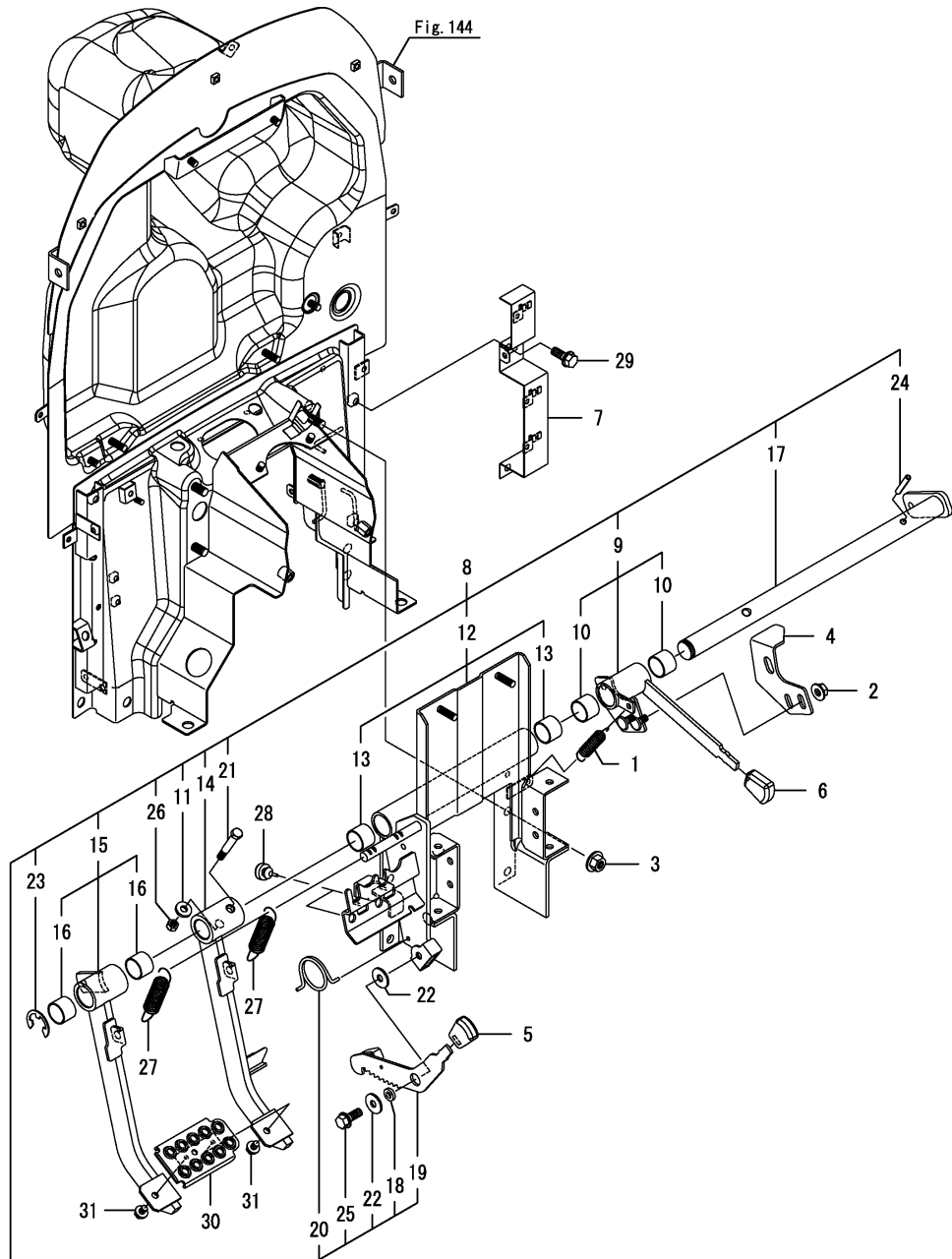
(A)=YT235Y
(B)=
(C)=

(D)=
(E)=
(F)=



No.	Lev.	Parts No.	Description	Q'ty						I	R
				(A)	(B)	(C)	(D)	(E)	(F)		
1	1	194274-13580	WASHER, SPRING 12	2							
2	1	1A8310-36300	BRAKE KIT,L	1							
3	2	1A8310-36310	ACTUATOR, L	1							
4	2	1A8310-36380	DISK, FRICTION 114	3							
5	2	198200-36390	PLATE, STEEL	3							
6	1	198200-36341	CAMSHAFT	2							
7	1	198200-36350-1	ARM, BRAKE	2							
8	1	1A8310-36400	BRAKE KIT,R	1							
9	2	1A8310-36380	DISK, FRICTION 114	3							
10	2	198200-36390	PLATE, STEEL	3							
11	2	1A8310-36410	ACTUATOR, R	1							
12	1	198200-36422	HOLDER, BEARING	2							
13	1	22242-000260	RING, 26	2							
14	1	24190-170001	BALL, STEEL 17/32	6							
15	1	26106-080202	BOLT, M8X 20 PLATED	12							
16	1	26376-120002	NUT, M12	2							

Fig.75. PEDAL



(A)=YT235Y

(B)=

(C)=

(D)=

(E)=

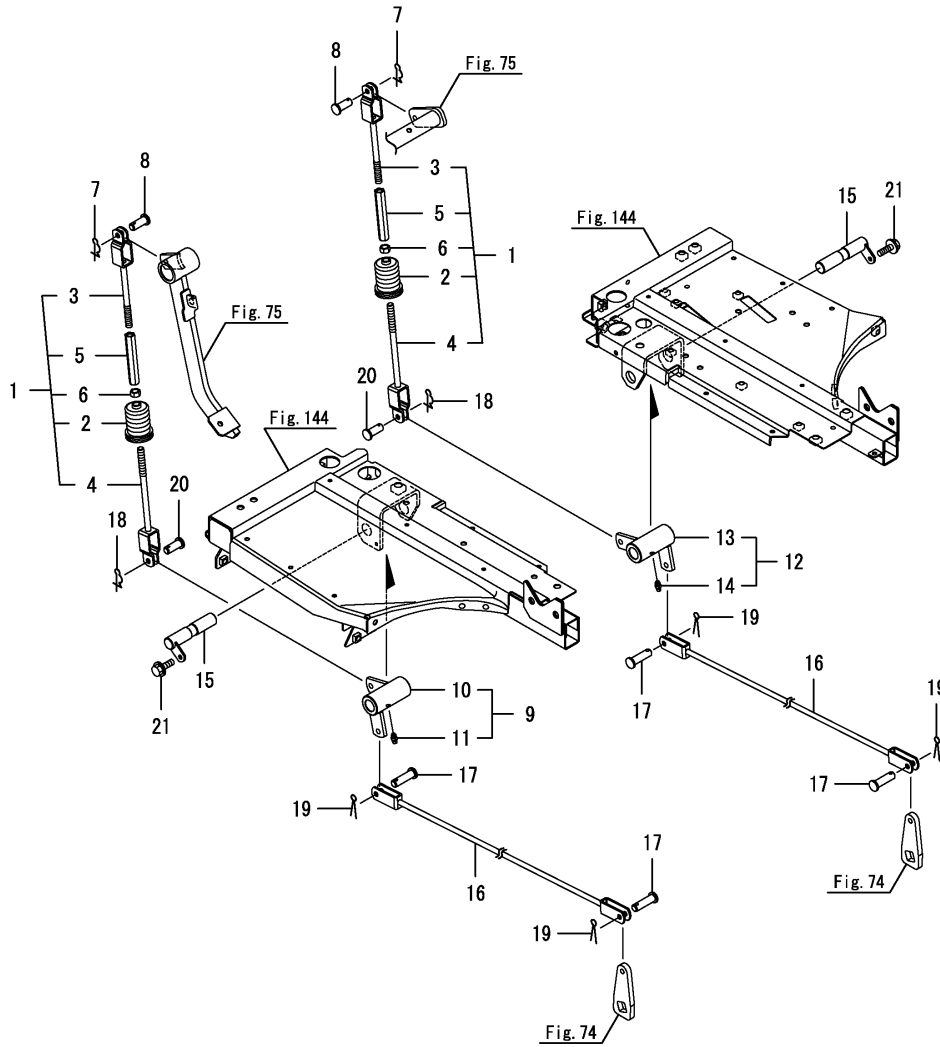
(F)=

No.	Lev.	Parts No.	Description	Q'ty						I	R
				(A)	(B)	(C)	(D)	(E)	(F)		
1	1	1A7790-01160	SPRING, RETURN	1							
2	1	194990-22140	NUT, M8	2							
3	1	194990-22150	NUT, M10	4							
4	1	1A8405-27380	PLATE, UNLOCK	1							
5	1	1A8400-28520	KNOB, ORANGE	1							
6	1	1A8400-28520	KNOB, ORANGE	1							
7	1	1A8400-37100	COVER, HUSE BOX	1							
8	1	1A8405-37201	PEDAL UNIT	1							
9	2	1A8405-27340	ARM ASSY, CRUISE	1							
10	3	24550-025200	BUSH, 25X20	2							
11	2	1C6053-32020	WASHER, 8.5X20X3.2	1							
12	2	1A8405-37191	BRACKET UNIT, PEDAL	1							
13	3	24550-025200	BUSH, 25X20	2							
14	2	1A8405-37310	PEDAL ASSY, BRAKE R	1							
15	2	1A8405-37410	PEDAL ASSY, BRAKE L	1							
16	3	24550-025200	BUSH, 25X20	2							
17	2	1A8405-37550	SHAFT ASSY, BRAKE	1							
18	2	198200-37640	COLLAR	1							
19	2	1A8405-37640	LEVER, BRAKE LOCK	1							
20	2	1A8405-37690	SPRING, LOCK	1							
21	2	1A7130-37990	BOLT, REAMER M8X55	1							
22	2	22157-080000	WASHER, 8	2							
23	2	22272-000190	RING, E-19	1							
24	2	22351-060036	PIN, SPRING 6.0X36	1							
25	2	26106-080202	BOLT, M8X 20 PLATED	1							
26	2	26346-080002	NUT, M8	1							
27	1	198290-37510	SPRING, RETURN	2							
28	1	194330-62530	STOPPER, PEDAL	2							
29	1	26106-080162	BOLT, M8X 16 PLATED	2							
30	1	1A8405-37520	PEDAL ASSY	1							
31	1	26106-060082	BOLT, M6X 8 PLATED	2							

Fig.76. BRAKE LINK

(A)=YT235Y
(B)=
(C)=

(D)=
(E)=
(F)=



No.	Lev.	Parts No.	Description	Q'ty						I	R
				(A)	(B)	(C)	(D)	(E)	(F)		
1	1	1A8400-37900	ROD ASSY, BRAKE F	2							
2	2	198448-37450	BOOT, BRAKE ROD	2							
3	2	1A8400-37940	ROD ASSY, BRAKE L	2							
4	2	1A8400-37970	ROD ASSY, BRAKE R	2							
5	2	1E8400-63791	NUT, ADJUST 10 LR	2							
6	2	26716-100002	NUT, M10	2							
7	1	1C6281-52320	PIN, SNAP 8	2							
8	1	22487-080160	PIN, H 8X 16	2							
9	1	1A8400-37730	ARM UNIT, BRAKE L	1							
10	2	1A8400-37750	ARM ASSY, BRAKE L	1							
11	2	24761-010000	NIPPLE, GREASE M6F	1							
12	1	1A8400-37740	ARM UNIT, BRAKE R	1							
13	2	1A8400-37760	ARM ASSY, BRAKE R	1							
14	2	24761-010000	NIPPLE, GREASE M6F	1							
15	1	1A8400-37800	SHAFT ASSY, BRAKE	2							
16	1	1A8400-37850	ROD ASSY, BRAKE R	2							
17	1	198220-37900	PIN, 8X24	4							
18	1	1C6281-52320	PIN, SNAP 8	2							
19	1	22417-250300	PIN, COTTER 2.5X30	4							
20	1	22487-080160	PIN, H 8X 16	2							
21	1	26106-060122	BOLT, M6X 12 PLATED	2							

Fig.77. HYDRAULIC PUMP

(A)=YT235Y
(B)=
(C)=

(D)=
(E)=
(F)=

No.	Lev.	Parts No.	Description	Q'ty						I	R
				(A)	(B)	(C)	(D)	(E)	(F)		
1	1	124240-01883	GASKET	2							
2	1	1A8400-41110	PUMP ASSY, 6	1							
3	2	1A8400-41200	SEAL KIT	1							
4	1	1A8400-41150	PUMP ASSY, 10	1							
5	2	1A8400-41200	SEAL KIT	1							
6	1	26106-080202	BOLT, M8X 20 PLATED	1							
7	1	26106-080202	BOLT, M8X 20 PLATED	3							
8	1	26216-080352	STUD, M8X 35	3							
9	1	26218-080202	STUD, M8X 20	1							
10	1	26306-080002	NUT, M8	3							
11	1	26306-080002	NUT, M8	1							

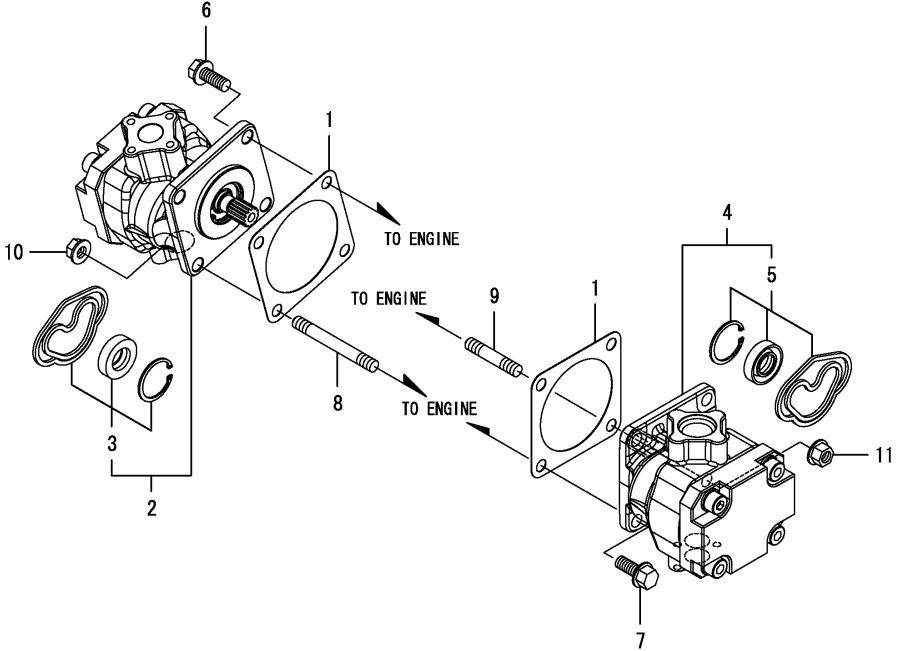


Fig.78. HYDRAULIC CYLINDER CASE

(A)=YT235Y

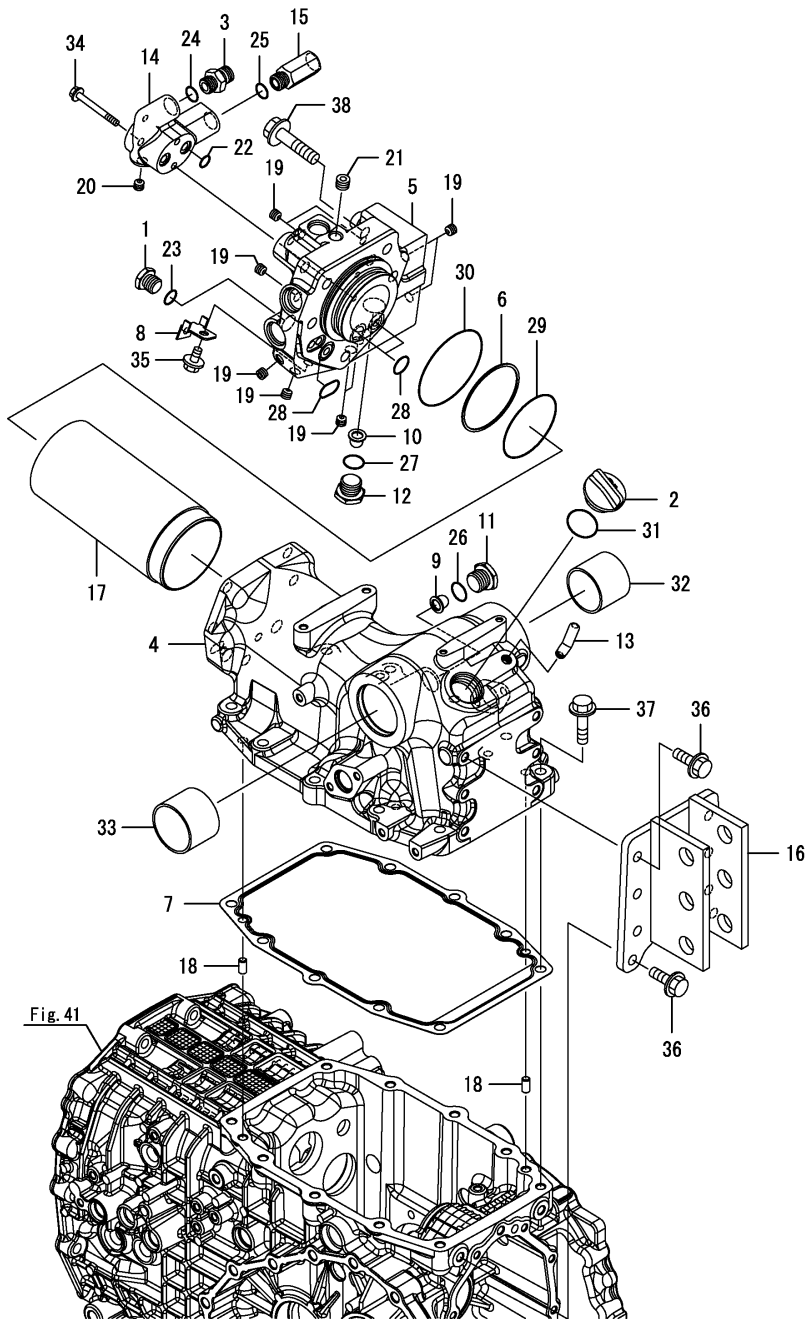
(B)=

(C)=

(D)=

(E)=

(F)=



No.	Lev.	Parts No.	Description	Qty						I	R
				(A)	(B)	(C)	(D)	(E)	(F)		
1	1	192167-24600	PLUG	1							
2	1	1A7870-24910	CAP, OIL	1							
3	1	198266-24980	FITTING, 3/8	1							
4	1	1A8400-42110	CASE, CYLINDER	1							
5	1	1A8405-42161	HEAD, CYLINDER	1							
6	1	1A8400-42170	RING, BACK UP G80	1							
7	1	1A8310-42180	GASKET,CYLINDER CASE	1							
8	1	1A8405-42200	STAY, HARNESS	1							
9	1	194556-42220	STRAINER, A	1							
10	1	194556-42220	STRAINER, A	1							
11	1	194065-42250	PLUG, PF1/2	1							
12	1	194065-42250	PLUG, PF1/2	1							
13	1	1A7180-42281	PIPE, BREATHER	1							
14	1	1A8405-42300	ADAPTER	1							
15	1	1A8405-42350	CONNECTOR, G3/8-G3/8	1							
16	1	198280-42810-1	HINGE ASSY, TOP LINK	1							
17	1	1A8400-43110	LINER, CYLINDER	1							
18	1	22312-080140	PIN, PARALLEL M8X14	2							
19	1	23871-010000	PLUG, R01	9							
20	1	23871-010000	PLUG, R01	1							
21	1	23871-020000	PLUG, R02	1							
22	1	24315-000110	O-RING, 1BP11.0	2							
23	1	24315-000140	O-RING, 1BP14.0	1							
24	1	24315-000140	O-RING, 1BP14.0	1							
25	1	24315-000140	O-RING, 1BP14.0	1							
26	1	24315-000180	O-RING, 1BP18.0	1							
27	1	24315-000180	O-RING, 1BP18.0	1							
28	1	24315-000180	O-RING, 1BP18.0	4							
29	1	24325-000750	O-RING, 1BG75.0	1							
30	1	24325-000900	O-RING, 1BG90.0	1							
31	1	24351-240300	O-RING, 1A24030	1							
32	1	24550-045400	BUSH, 45X40	1							
33	1	24550-050400	BUSH, 50X40	1							
34	1	26106-060552	BOLT, M6X 55 PLATED	2							
35	1	26106-080122	BOLT, M8X 12 PLATED	1							
36	1	26106-100252	BOLT, M10X 25 PLATED	8							
37	1	26106-100402	BOLT, M10X 40 PLATED	10							
38	1	26106-120502	BOLT, M12X 50 PLATED	5							

Fig.79. PISTON

(A)=YT235Y
(B)=
(C)=

(D)=
(E)=
(F)=

No.	Lev.	Parts No.	Description	Qty						I	R
				(A)	(B)	(C)	(D)	(E)	(F)		
1	1	1A8400-43310	PISTON, 80	1							
2	1	1A8400-43320	GASKET, 80	1							
3	1	1A8400-43330	RING, BACK UP	1							
4	1	1A8400-43350	WEAR RING, 80	2							

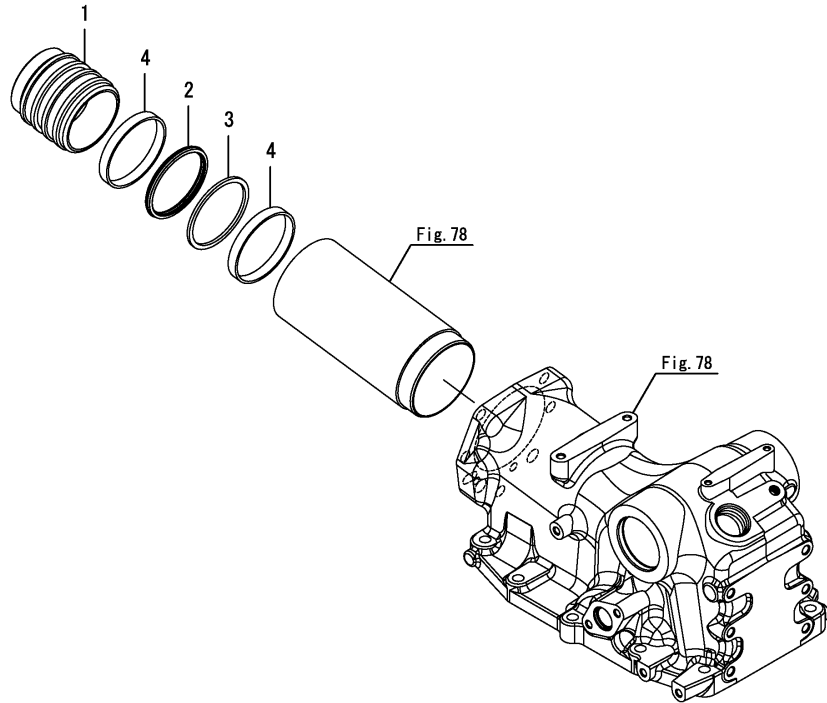
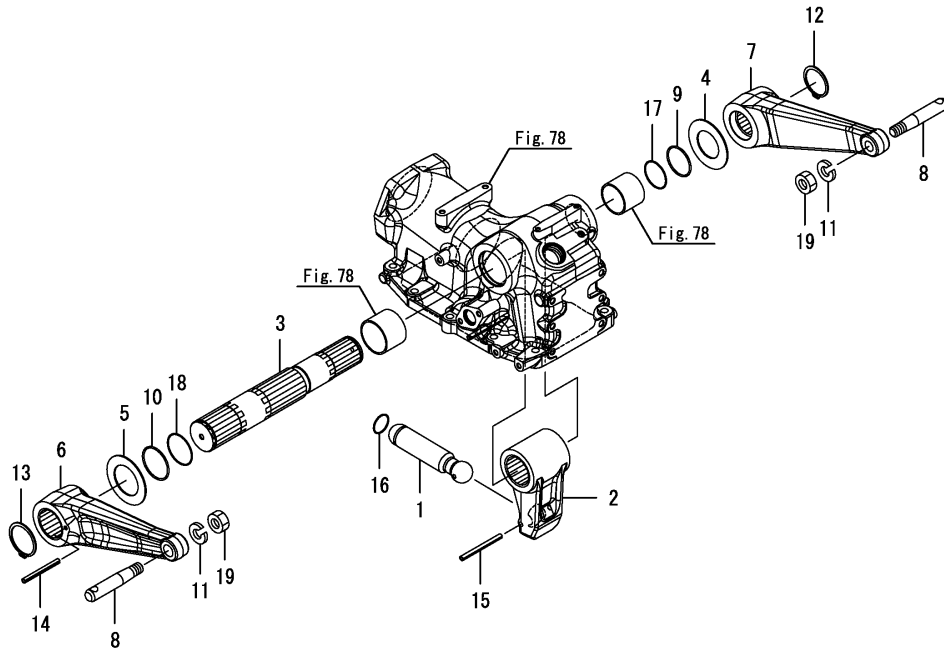


Fig.80. LIFT CRANK

(A)=YT235Y
(B)=
(C)=

(D)=
(E)=
(F)=



No.	Lev.	Parts No.	Description	Q'ty						I	R
				(A)	(B)	(C)	(D)	(E)	(F)		
1	1	1A8400-43410	ROD, PISTON	1							
2	1	1A8400-44110	CRANK, LIFT	1							
3	1	1A8400-44210	SHAFT, LIFT	1							
4	1	1A8400-44230	WASHER, THRUST	1							
5	1	1A8470-44230	WASHER, THRUST	1							
6	1	1A8400-44410	ARM, LIFT L	1							
7	1	1A8400-44420	ARM, LIFT R	1							
8	1	194130-44480	PIN, LIFT ARM	2							
9	1	1A8400-44480	SPACER	1							
10	1	1A8400-44490	SPACER	1							
11	1	22217-160000	WASHER, SPRING 16	2							
12	1	22242-000450	RING, 45	1							
13	1	22242-000500	RING, 50	1							
14	1	22351-050025	PIN, SPRING 5.0X25	1							
15	1	22351-050063	PIN, SPRING 5.0X63	1							
16	1	24311-000300	O-RING, 1AP30.0	1							
17	1	24311-000440	O-RING, 1AP44.0	1							
18	1	24311-000500	O-RING, 1AP50.0	1							
19	1	26736-160002	NUT, M16	2							

Fig.81. CONTROL VALVE

(A)=YT235Y
(B)=
(C)=

(D)=
(E)=
(F)=

No.	Lev.	Parts No.	Description	Q'ty						I	R
				(A)	(B)	(C)	(D)	(E)	(F)		
1	1	168245-00080	VALVE ASSY, CONTROL	1							
2	2	24315-000110	O-RING, 1BP11.0	3							
3	1	26450-080252	BOLT, M8X 25	3							

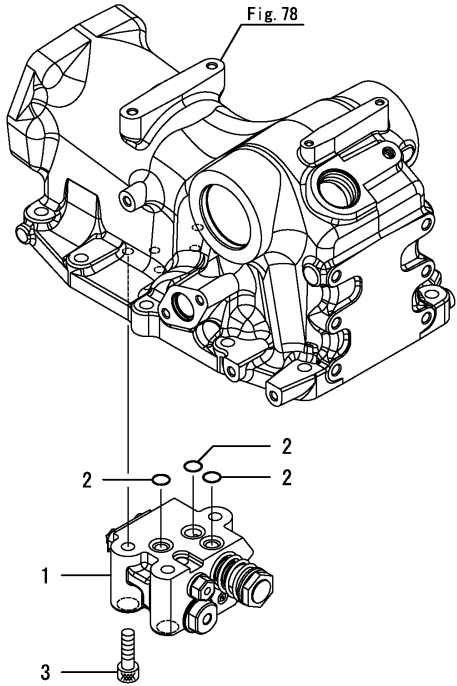


Fig.82. RELIEF VALVE

(A)=YT235Y
(B)=
(C)=

(D)=
(E)=
(F)=

No.	Lev.	Parts No.	Description	Q'ty						I	R
				(A)	(B)	(C)	(D)	(E)	(F)		
1	1	1682B3-00040	VALVE ASSY, MAIN REL	1							
2	2	1682B3-01130	SPRING, MAIN RELIEF	1							
3	2	1682B3-01310	SPRING, PILOT	1							
4	2	24311-000030	O-RING, 1AP3.0	1							
5	2	24315-000100	O-RING, 1BP10.0	1							
6	2	24315-000180	O-RING, 1BP18.0	1							
7	2	24315-000220	O-RING, 1BP22.0	1							
8	2	26776-160002	NUT, LOCK M16	1							

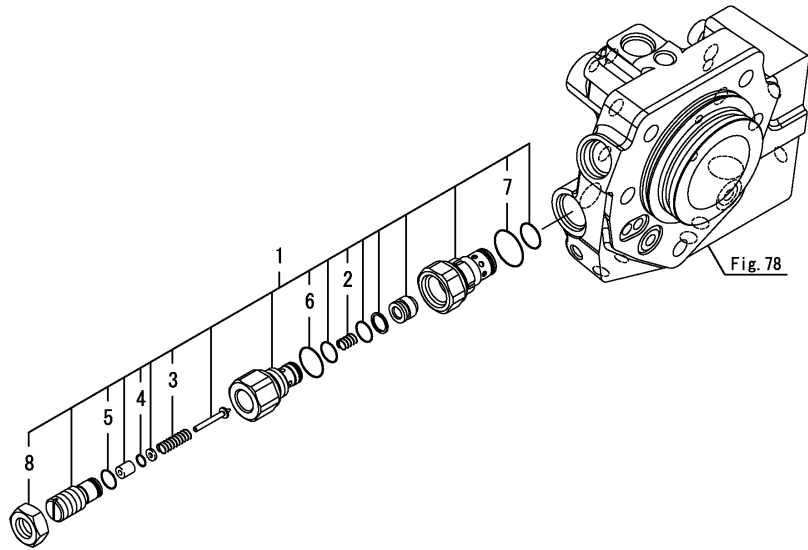


Fig.83. STOP VALVE CONTROL

(A)=YT235Y
(B)=
(C)=

(D)=
(E)=
(F)=

No.	Lev.	Parts No.	Description	Q'ty						I	R
				(A)	(B)	(C)	(D)	(E)	(F)		
1	1	1A8160-46670	KNOB, STOP VALVE	1							
2	1	26716-100002	NUT, M10	1							

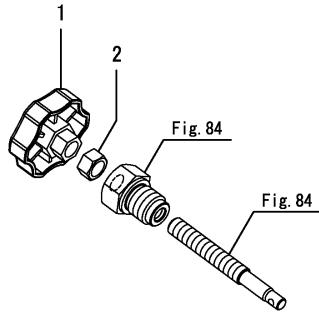


Fig.84. STOP VALVE

(A)=YT235Y
(B)=
(C)=

(D)=
(E)=
(F)=

No.	Lev.	Parts No.	Description	Q'ty						I	R
				(A)	(B)	(C)	(D)	(E)	(F)		
1	1	1A7640-43450	PLUG, CHECK VALVE	1							
2	1	194065-46220	RING, BACK UP P8	1							
3	1	1A8060-46300	VALVE, STOP	1							
4	1	1A8400-46320	ROD, STOP VALVE	1							
5	1	194065-46350	GUIDE, VALVE	1							
6	1	194555-46380	SPRING, CHECK	1							
7	1	22351-040014	PIN, SPRING 4.0X14	1							
8	1	24190-130003	BALL, STEEL 13/32	1							
9	1	24315-000080	O-RING, 1BP8.0	1							
10	1	24315-000160	O-RING, 1BP16.0	1							
11	1	24315-000180	O-RING, 1BP18.0	1							

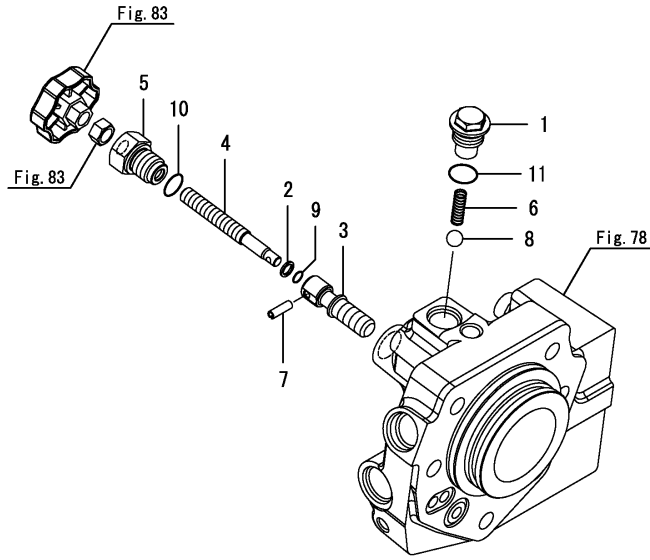


Fig.85. SAFETY VALVE

(A)=YT235Y
(B)=
(C)=

(D)=
(E)=
(F)=

No.	Lev.	Parts No.	Description	Q'ty						I	R
				(A)	(B)	(C)	(D)	(E)	(F)		
1	1	1A8060-46410	SEAT, VALVE	1							
2	1	194640-46420	POPPET	1							
3	1	1A8042-46430	PLUG, VALVE	1							
4	1	1A8060-46440	SPRING, VALVE	1							
5	1	1A8060-46460	SHIM ASSY, RELIEF	1							
6	2	194250-46470	SHIM, T=0.2	4							
7	2	1A8060-46470	SHIM, 0.5	4							
8	1	22351-060050	PIN, SPRING 6.0X50	1							
9	1	24315-000150	O-RING, 1BP15.0	1							
10	1	24315-000200	O-RING, 1BP20.0	1							

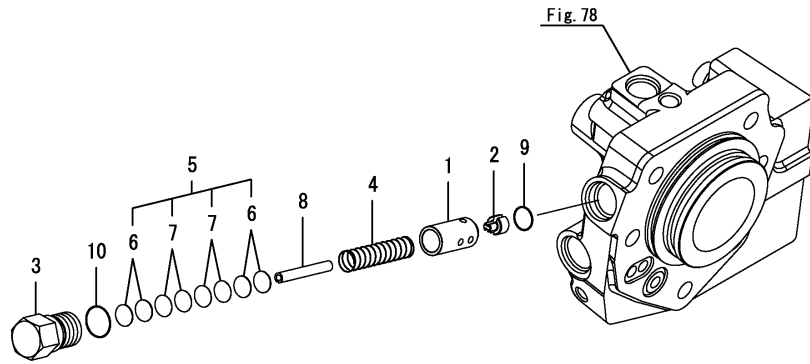


Fig.86. LOADER VALVE

(A)=YT235Y

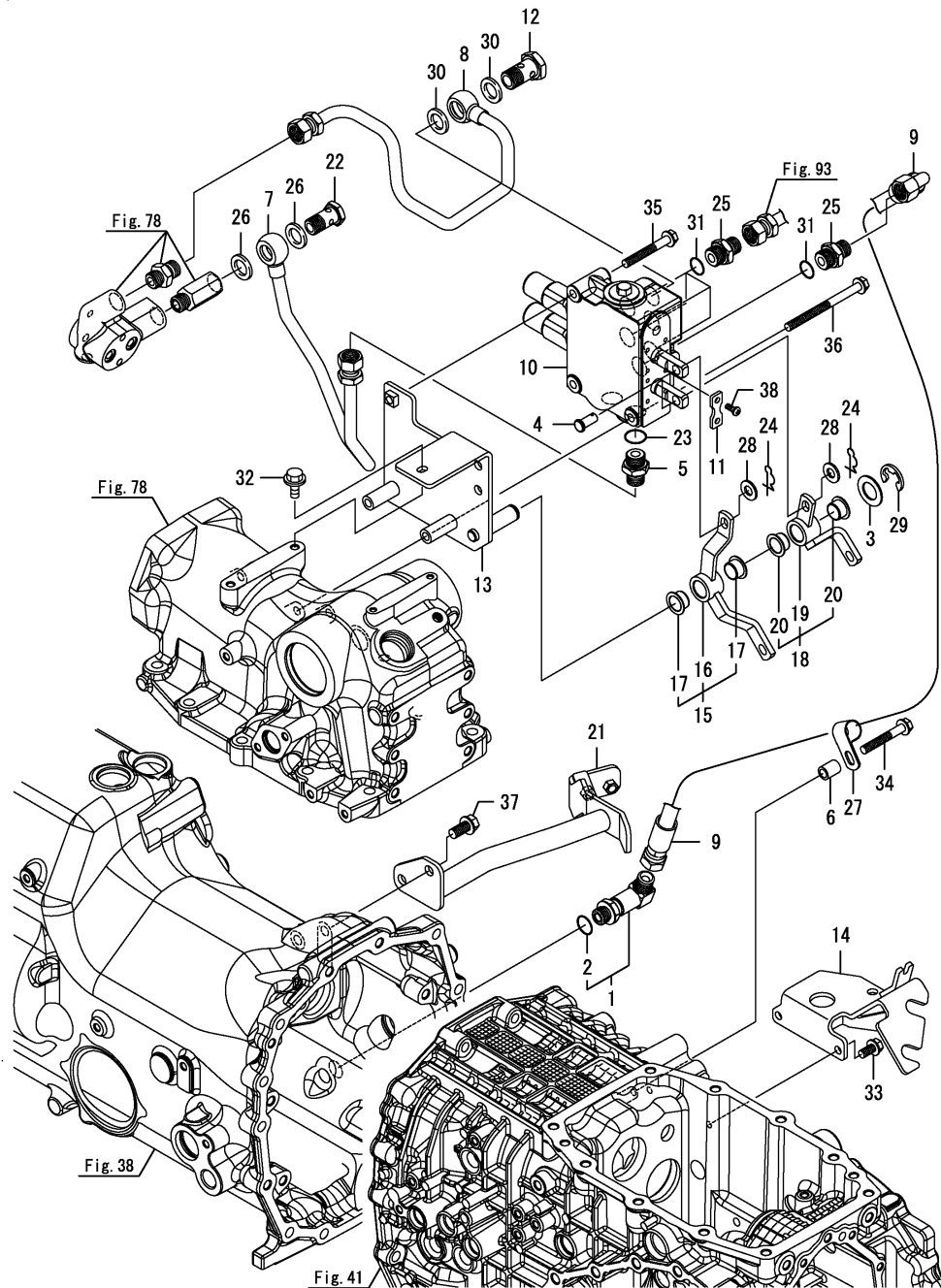
(B)=

(C)=

(D)=

(E)=

(F)=



No.	Lev.	Parts No.	Description	Q'ty						I	R
				(A)	(B)	(C)	(D)	(E)	(F)		
1	1	1D4220-22870	ELBOW ASSY, 3/8-3/8	1							
2	2	24315-000140	O-RING, 1BP14.0	1							
3	1	194197-25930	WASHER, 17X24X1.6	1							
4	1	194312-27780	PIN, 8.9	2							
5	1	1A6300-32220	CONNECTOR, PF3/8	1							
6	1	1E4440-44160	COLLAR	1							
7	1	1A8405-46302	PIPE ASSY, SCV C	1							
8	1	1A8405-46321	PIPE ASSY, SCV P	1							
9	1	1A8405-46340	HOSE, SCV T	1							
10	1	1A8330-46600	VALVE ASSY, LOADER	1							
11	1	1A8330-46610	PLATE	1							
12	1	198245-46680	BOLT, M3/4-16	1							
13	1	1A8405-47300	BRACKET ASSY, LOADER	1							
14	1	1A8405-47352	BRACKET ASSY, CABLE	1							
15	1	1A8405-47901	ARM ASSY, WIRE	1							
16	2	1A8405-47911	ARM ASSY	1							
17	2	1S6489-63330	BUSH, LFF 1610	2							
18	1	1A8405-47951	ARM ASSY, WIRE	1							
19	2	1A8405-47961	ARM ASSY	1							
20	2	1S6489-63330	BUSH, LFF 1610	2							
21	1	1A8405-48400	STAY ASSY,SCV	1							
22	1	198121-48870	JOINT, PF3/8	1							
23	1	194850-49290	PACKING, 6-1	1							
24	1	1C6281-52320	PIN, SNAP 8	2							
25	1	172175-76100	CONNECTOR,UN3/4PF3/8	5							
26	1	194555-77910	GASKET, 17	2							
27	1	1E6213-83410	CLIP, HARNESS 18	1							
28	1	22157-080000	WASHER, 8	2							
29	1	22272-000120	RING, E-12	1							
30	1	23414-190000	GASKET, 19X1.0	2							
31	1	24365-090800	O-RING, 1BAS908	5							
32	1	26106-080162	BOLT, M8X 16 PLATED	1							
33	1	26106-080162	BOLT, M8X 16 PLATED	2							
34	1	26106-080552	BOLT, M8X 55 PLATED	1							
35	1	26106-080602	BOLT, M8X 60 PLATED	1							
36	1	26106-081002	BOLT, M8X100 PLATED	2							
37	1	26106-100202	BOLT, M10X 20 PLATED	2							
38	1	26557-050122	SCREW, M5X12	2							

Fig.87. LOADER LEVER

(A)=YT235Y

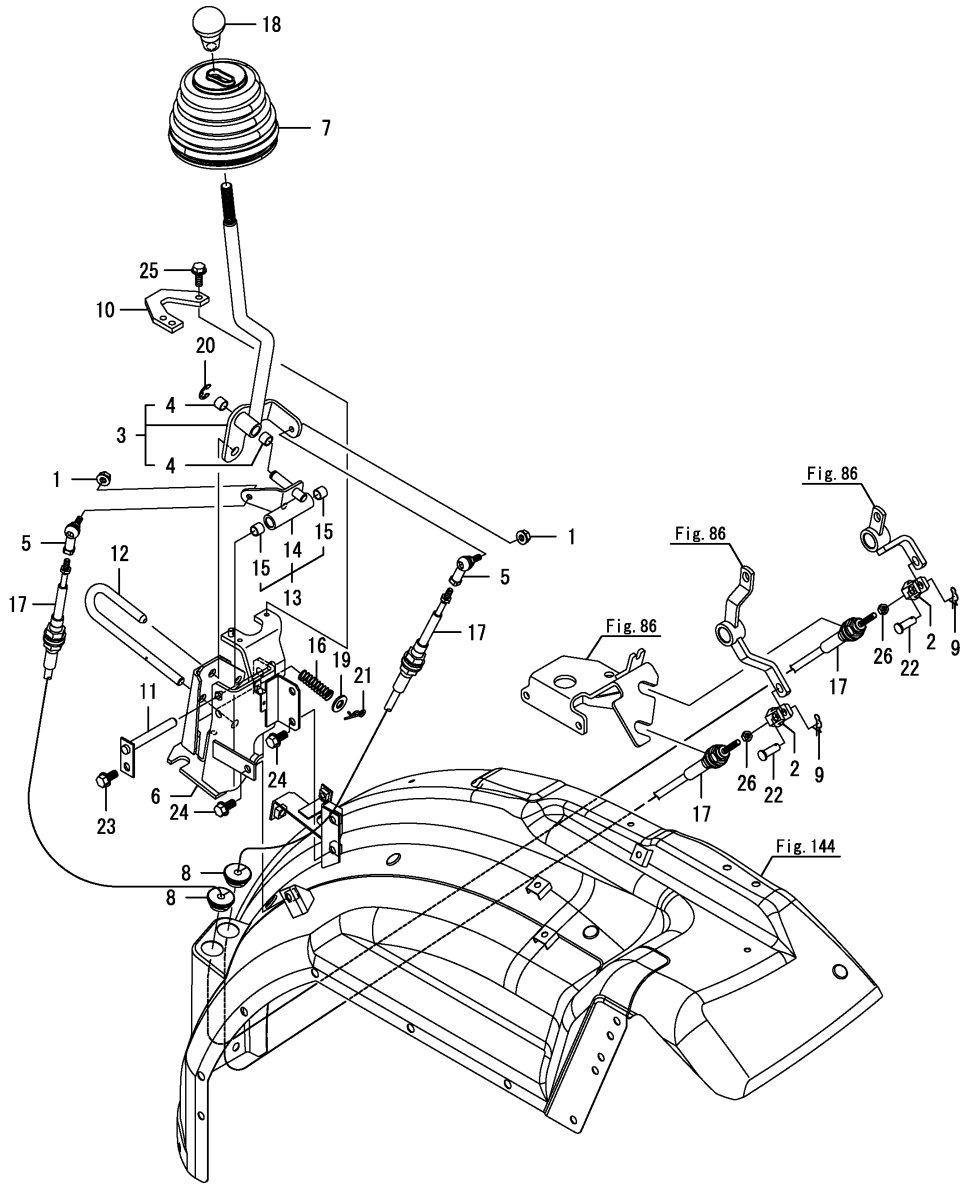
(B)=

(C)=

(D)=

(E)=

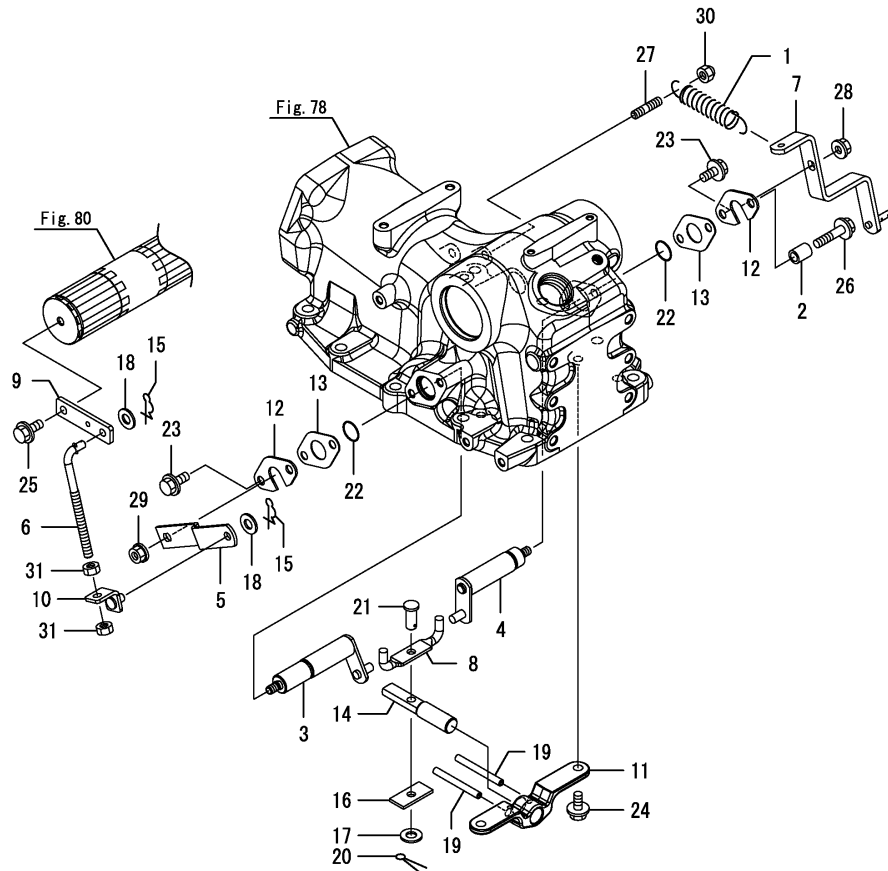
(F)=



No.	Lev.	Parts No.	Description	Q'ty						I	R
				(A)	(B)	(C)	(D)	(E)	(F)		
1	1	194990-22040	NUT, M6	2							
2	1	1A8405-46100	CONNECTOR,	2							
3	1	1A8405-47601	LEVER UNIT, LOADER	1							
4	2	24550-010100	BUSH, 10X10	2							
5	1	1C6720-47610	BALL, LINK BL6D	2							
6	1	1A8405-47750	STAY ASSY, L-VALVE	1							
7	1	1A7880-47950	BOOT, SCV LEVER	1							
8	1	194275-51210	GROMMET, 25	2							
9	1	1C6281-52320	PIN, SNAP 8	2							
10	1	1A8475-68780	GUIDE, LEVER FRONT	1							
11	1	1A8475-68860	PIN ASSY, 10	1							
12	1	1A8475-68890	PIN, LOCK	1							
13	1	1A8475-68910	LEVER UNIT, LOWER	1							
14	2	1A8475-68920	LEVER ASSY, LOWER	1							
15	2	24550-010100	BUSH, 10X10	2							
16	1	1A8475-68970	SPRING, 12X71	1							
17	1	1A8405-68990	WIRE ASSY, LOADER	2							
18	1	194990-85561	KNOB, LOW-HIGH LEVER	1							
19	1	22137-100000	WASHER, 10	1							
20	1	22272-000080	RING, E- 8	1							
21	1	22372-100000	PIN, SNAP 10	1							
22	1	22487-080200	PIN, H 8X 20	2							
23	1	26106-080162	BOLT, M8X 16 PLATED	1							
24	1	26106-080162	BOLT, M8X 16 PLATED	4							
25	1	26106-060162	BOLT, M6X 16 PLATED	2							
26	1	26716-060002	NUT, M6	2							

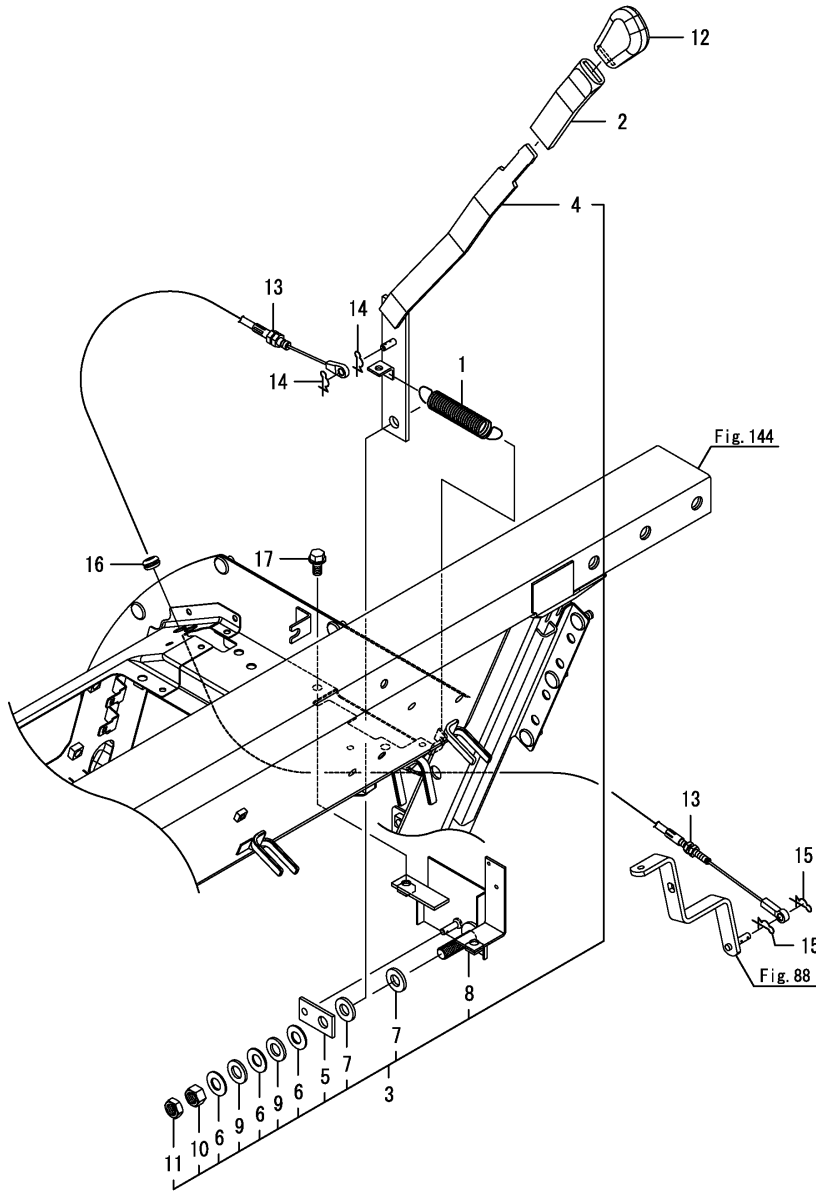
(A)=YT235Y
 (B)=
 (C)=

(D)=
 (E)=
 (F)=



No.	Lev.	Parts No.	Description	Q'ty						I	R
				(A)	(B)	(C)	(D)	(E)	(F)		
1	1	195534-22820	SPRING, COVER LOCK	1							
2	1	1E4440-44160	COLLAR	1							
3	1	1A8405-47000	SHAFT ASSY,P FEEDBAC	1							
4	1	1A8405-47030	SHAFT ASSY, P LEVER	1							
5	1	1A8400-47040	ARM, P FEEDBACK	1							
6	1	1A8400-47050	ROD, P FEEDBACK	1							
7	1	1A8405-47051	ARM ASSY,P LEVER	1							
8	1	1A8472-47050	LINK, P CONTROL	1							
9	1	1A8400-47060	PLATE	1							
10	1	1A8400-47070	ADJUSTER ASSY	1							
11	1	1A8400-47330	PLATE, CONTROL	1							
12	1	194555-47340	PLATE, A	2							
13	1	194555-47350	PLATE, B	2							
14	1	1A8400-47470	ROD, CONTROL	1							
15	1	1C6281-52320	PIN, SNAP 8	2							
16	1	1E6681-79140	WASHER, COOLER COVER	1							
17	1	22137-080000	WASHER, 8	1							
18	1	22137-080000	WASHER, 8	2							
19	1	22351-060060	PIN, SPRING 6.0X60	2							
20	1	22417-200200	PIN, COTTER 2.0X20	1							
21	1	22487-080160	PIN, H 8X 16	1							
22	1	24315-000200	O-RING, 1BP20.0	2							
23	1	26106-080162	BOLT, M8X 16 PLATED	3							
24	1	26106-080162	BOLT, M8X 16 PLATED	2							
25	1	26106-080162	BOLT, M8X 16 PLATED	1							
26	1	26106-080352	BOLT, M8X 35 PLATED	1							
27	1	26216-080252	STUD, M8X 25	1							
28	1	26366-080002	NUT, M8	1							
29	1	26366-080002	NUT, M8	1							
30	1	26657-080002	NUT, CAP M8	1							
31	1	26716-080002	NUT, M8	2							

Fig.89. HYDRAULIC CONTROL LEVER



(A)=YT235Y
(B)=
(C)=

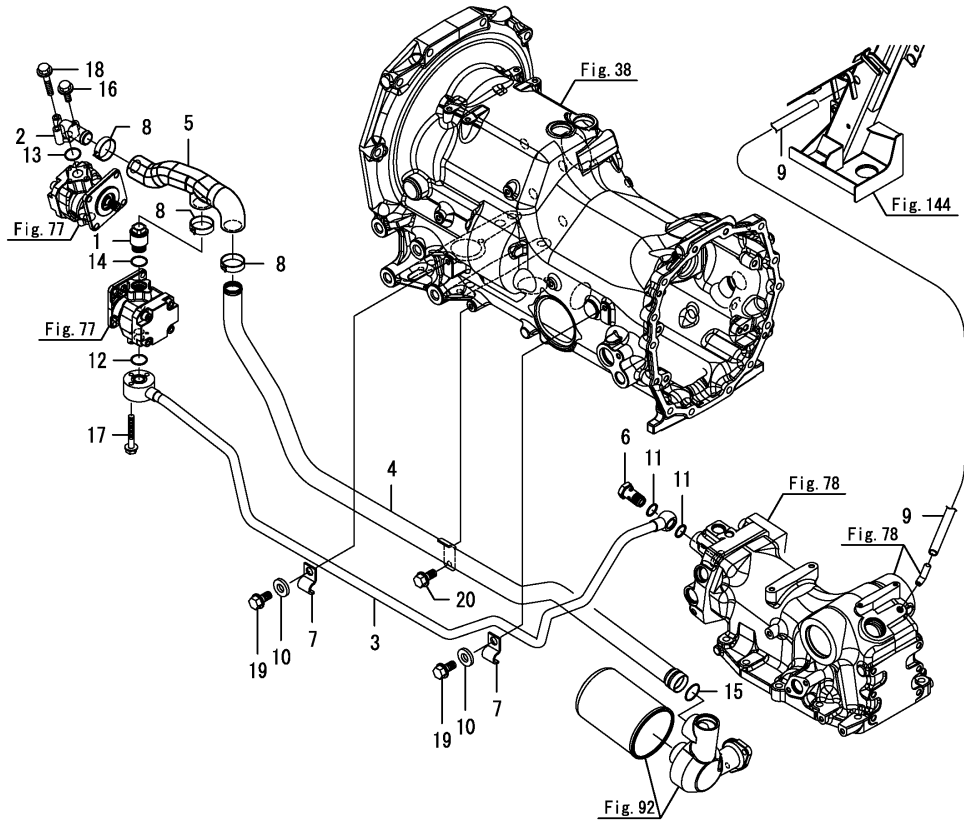
(D)=
(E)=
(F)=

No.	Lev.	Parts No.	Description	Q'ty						I	R
				(A)	(B)	(C)	(D)	(E)	(F)		
1	1	1D4140-24210	SPRING, RETURN	1							
2	1	198268-27870	BOOT, SHAFT	1							
3	1	1A8405-47151	LEVER UNIT, POSITION	1							
4	2	1A8405-47160	LEVER ASSY, POSITION	1							
5	2	1A8400-47400	BASE, POSITION	1							
6	2	194151-47760	WASHER, 12	3							
7	2	194310-47790	PLATE, FRICTION	2							
8	2	1A8400-49251	BRACKET ASSY,P-LEVER	1							
9	2	22137-120000	WASHER, 12	2							
10	2	26736-120002	NUT, M12	1							
11	2	26776-120002	NUT, LOCK M12	1							
12	1	198200-47810	KNOB, BLACK	1							
13	1	1A8405-49901	CABLE ASSY, P-LEVER	1							
14	1	1C6281-52310	PIN, SNAP 6	2							
15	1	1C6281-52310	PIN, SNAP 6	2							
16	1	198071-58810	GROMMET, 8	1							
17	1	26106-080162	BOLT, M8X 16 PLATED	2							

Fig.90. HYDRAULIC PIPING

(A)=YT235Y
(B)=
(C)=

(D)=
(E)=
(F)=

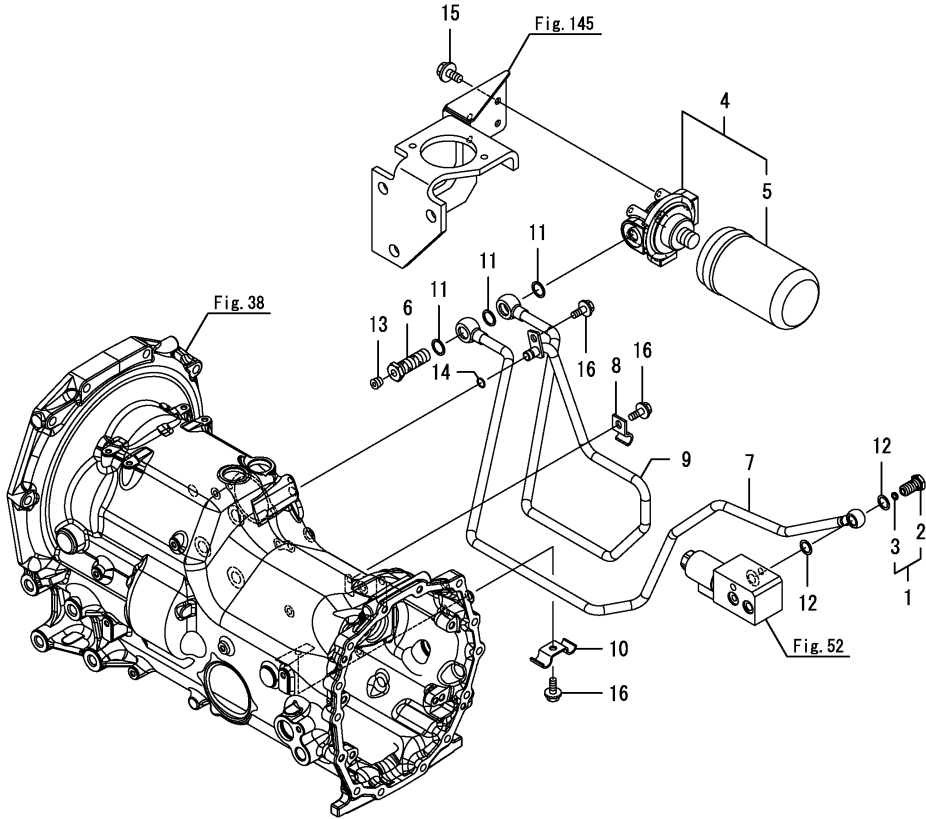


No.	Lev.	Parts No.	Description	Q'ty						I	R
				(A)	(B)	(C)	(D)	(E)	(F)		
1	1	198010-41211	JOINT, M22	1							
2	1	198220-48140	FLANGE, PIPE P	1							
3	1	1A8420-48211	PIPE ASSY, PUMP	1							
4	1	1A8420-48300	PIPE ASSY, LOW-P	1							
5	1	1A8400-48340	HOSE, SUCTION	1							
6	1	198220-48750	BOLT ASSY, JOINT	1							
7	1	1A8400-48810	CLAMP	2							
8	1	175022-49730	CRIP 31, HOSE	3							
9	1	198121-63560	PIPE, AIR BREATHER	1							
10	1	22157-080000	WASHER, 8	2							
11	1	23414-180023	GASKET, 18X1.0	2							
12	1	24311-000200	O-RING, 1AP20.0	1							
13	1	24311-000200	O-RING, 1AP20.0	1							
14	1	24311-000200	O-RING, 1AP20.0	1							
15	1	24311-000260	O-RING, 1AP26.0	1							
16	1	26106-060202	BOLT, M6X 20 PLATED	1							
17	1	26106-060402	BOLT, M6X 40 PLATED	3							
18	1	26106-060402	BOLT, M6X 40 PLATED	2							
19	1	26106-080162	BOLT, M8X 16 PLATED	2							
20	1	26106-080162	BOLT, M8X 16 PLATED	1							

Fig.91. HYDRAULIC PIPING(TRANSMISSION)

(A)=YT235Y
(B)=
(C)=

(D)=
(E)=
(F)=



No.	Lev.	Parts No.	Description	Q'ty						I	R
				(A)	(B)	(C)	(D)	(E)	(F)		
1	1	1A8091-29900	BOLT ASSY,PIPE JOINT	1							
2	2	1A8091-29910	BOLT, PIPE JOINT 8	1							
3	2	168HQ0-87730	COIN FILTER	1							
4	1	1A7180-48191	FILTER ASSY, LINE 10	1							
5	2	1A7180-48210	CARTRIDGE ASSY	1							
6	1	1A8405-48681	BOLT,JOINT G3/8	1							
7	1	1A8405-48800	PIPE ASSY, PTO	1							
8	1	1A8310-48810	CLAMP, PIPE	1							
9	1	1A8401-48850	PIPE ASSY,HST CHARGE	1							
10	1	1A8405-48900	CLAMP	1							
11	1	194555-77910	GASKET, 17	3							
12	1	23414-140000	GASKET, 14X1.0	2							
13	1	23875-010000	PLUG, R01	1							
14	1	24341-000100	O-RING, 1AS10.0	1							
15	1	26106-080162	BOLT, M8X 16 PLATED	4							
16	1	26106-080162	BOLT, M8X 16 PLATED	3							

Fig.92. HYDRAULIC FILTER

(A)=YT235Y
(B)=
(C)=

(D)=
(E)=
(F)=

No.	Lev.	Parts No.	Description	Q'ty						I	R
				(A)	(B)	(C)	(D)	(E)	(F)		
1	1	198119-48310	FILTER	1							
2	1	198200-48350	COVER, FILTER	1							
3	1	24311-000340	O-RING, 1AP34.0	1							
4	1	26106-080252	BOLT, M8X 25 PLATED	2							
5	1	27260-320000	PLUG, 32	1							

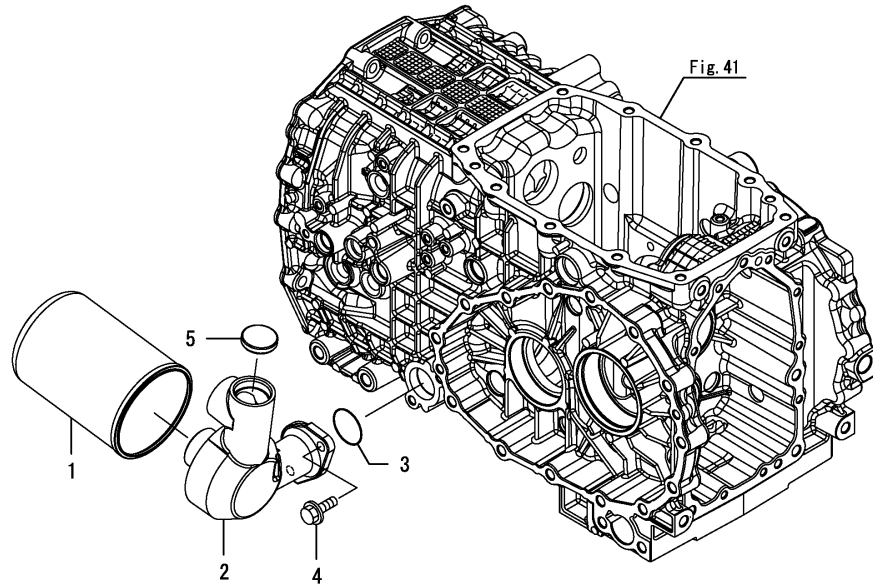


Fig.93. HYDRAULIC PIPING(LOADER)

(A)=YT235Y
(B)=
(C)=

(D)=
(E)=
(F)=

No.	Lev.	Parts No.	Description	Qty						I	R
				(A)	(B)	(C)	(D)	(E)	(F)		
1	1	198223-46250	COUPLER, QUICK	4							
2	1	198220-46500	CLAMP	1							
3	1	1A7880-47550	PLUG, DUST RED	1							
4	1	1A7880-47560	PLUG, DUST BLUE	1							
5	1	1A7880-47570	PLUG, DUST YELLOW	1							
6	1	1A7880-47580	PLUG, DUST GREEN	1							
7	1	1A8405-48100	PIPE ASSY, HP SCV A1	1							
8	1	1A8405-48150	PIPE ASSY, HP SCV A2	1							
9	1	1A8405-48200	PIPE ASSY, HP SCV B1	1							
10	1	1A8405-48250	PIPE ASSY, HP SCV B2	1							
11	1	1A8405-48360	STAY, SCV	1							
12	1	194850-49290	PACKING, 6-1	4							
13	1	22242-000220	RING, 22	4							
14	1	23000-035000	CLAMP, 35	1							
15	1	26106-080162	BOLT, M8X 16 PLATED	2							

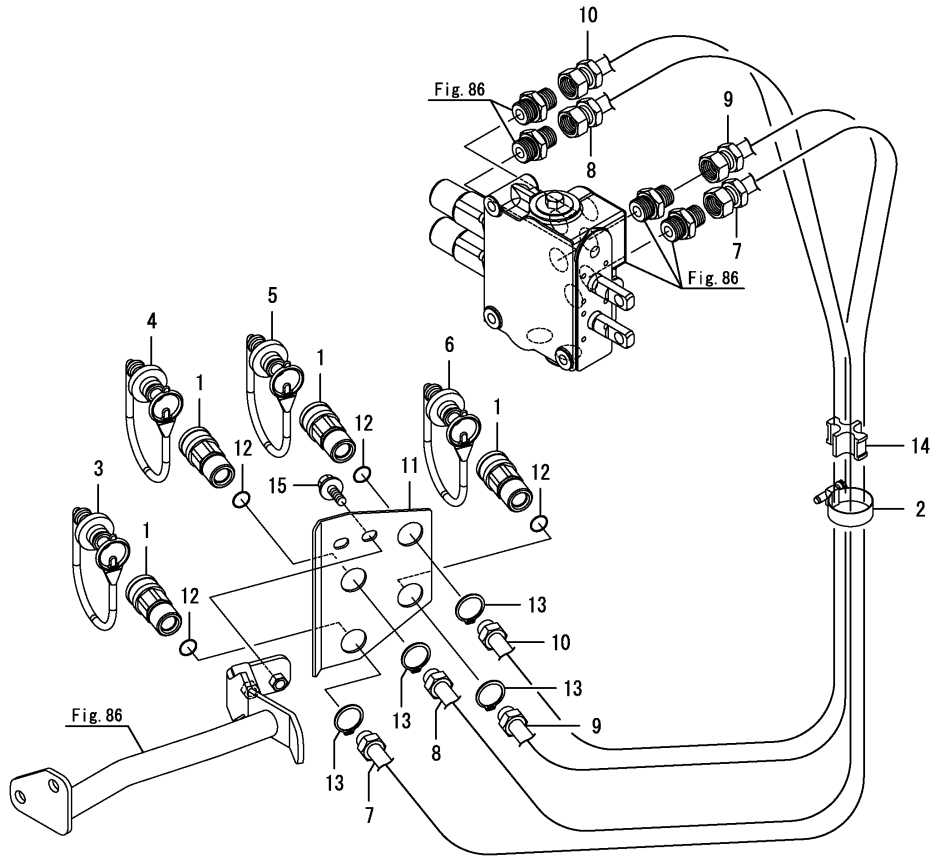


Fig.94. OIL COOLER

(A)=YT235Y
(B)=
(C)=

(D)=
(E)=
(F)=

No.	Lev.	Parts No.	Description	Q'ty						I	R
				(A)	(B)	(C)	(D)	(E)	(F)		
1	1	1A8420-49100	COOLER ASSY, OIL	1							
2	1	26106-060122	BOLT, M6X 12 PLATED	4							

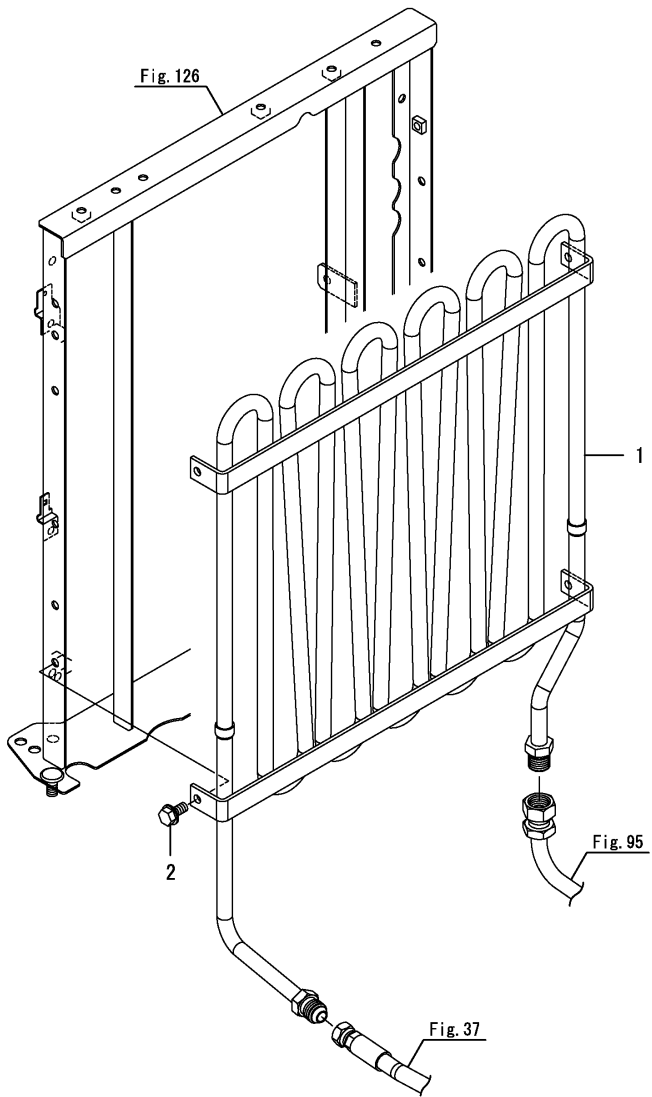


Fig.95. HYDRAULIC PIPING(H.S.T.)

(A)=YT235Y
(B)=
(C)=

(D)=
(E)=
(F)=

No.	Lev.	Parts No.	Description	Q'ty						I	R
				(A)	(B)	(C)	(D)	(E)	(F)		
1	1	1A8405-48610	PIPE ASSY, FILTER	1							
2	1	1A8310-48810	CLAMP, PIPE	1							
3	1	198121-48870	JOINT, PF3/8	1							
4	1	194555-77910	GASKET, 17	2							
5	1	26106-080162	BOLT, M8X 16 PLATED	1							

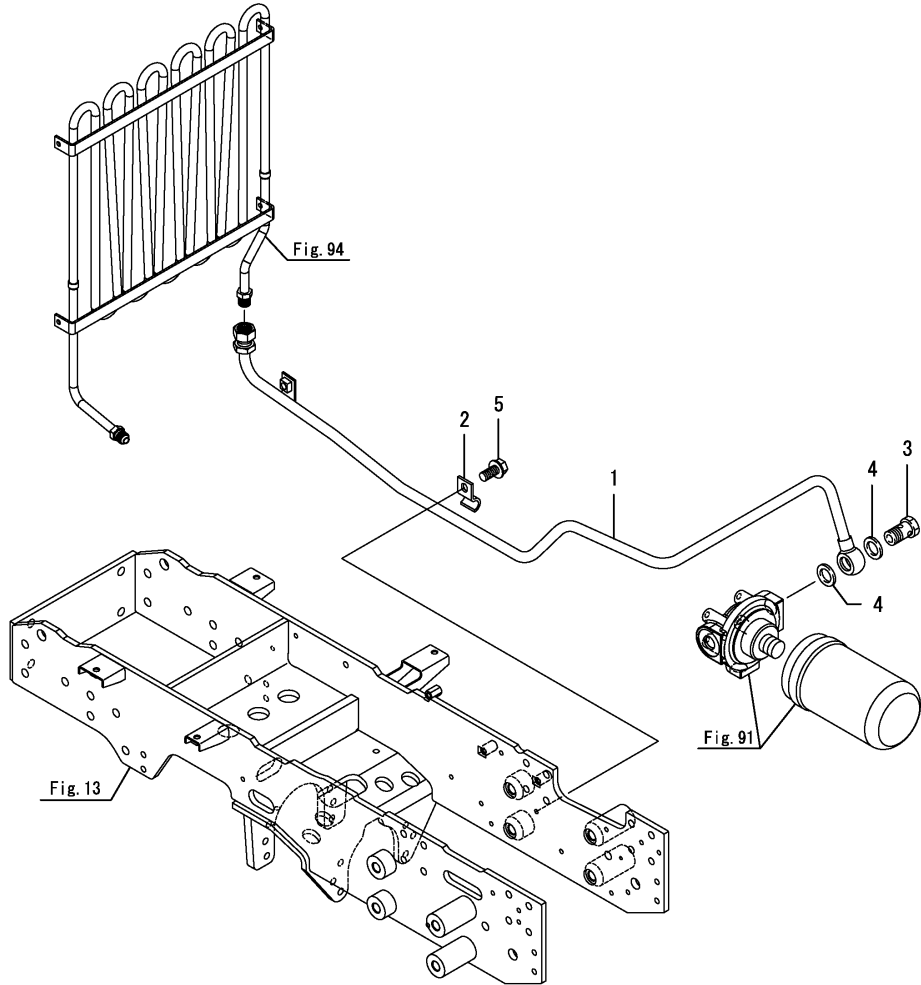


Fig.96. WIRE HARNESS(ENGINE)

(A)=YT235Y

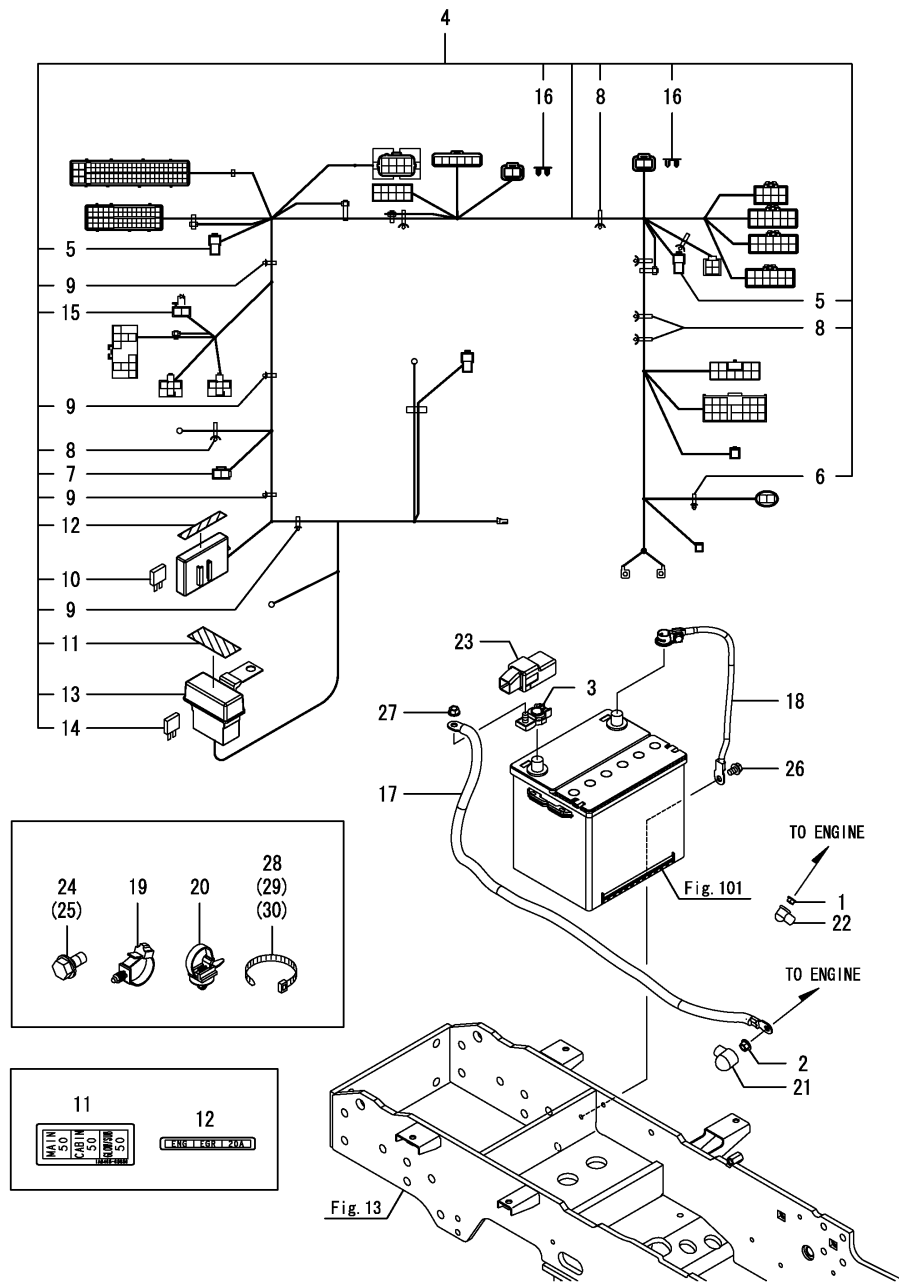
(B)=

(C)=

(D)=

(E)=

(F)=



No.	Lev.	Parts No.	Description	Q'ty						I	R
				(A)	(B)	(C)	(D)	(E)	(F)		
1	1	194990-22130	NUT, M6	1							
2	1	194990-22140	NUT, M8	1							
3	1	1A8400-51050	TERMINAL, BATTERY +	1							
4	1	1A8425-51102	HARNESS ASSY, ENGINE	1							
5	2	1A6382-51510	RESISTANCE, 2W R120	2							
6	2	1A8275-51670	CLIP, M8 HOLE	2							
7	2	198153-51700	FUSE, SLOW BLOW 80A	1							
8	2	1A8400-51810	CLAMP, HARNESS	10							
9	2	1A8400-51830	CLAMP, HARNESS	4							
10	2	198535-52140	FUSE, 20A	3							
11	2	1A8405-65850	LABEL,SBF	1							
12	2	1A8405-65900	LABEL,FUSE ENG	1							
13	2	1E8450-83110	CASE, BLOW FUSE 3A	1							
14	2	1E8720-83120	FUSE, SLOW BLOW 50	2							
15	2	1E8235-84910	DIODE, 090 31	1							
16	2	129A00-91430	CLIP, CONNECTOR	2							
17	1	1A8400-51400	CABLE, + BATTERY	1							
18	1	194250-51420	CABLE, BATTERY EARTH	1							
19	1	1A8275-51670	CLIP, M8 HOLE	3							
20	1	1A8400-51810	CLAMP, HARNESS	5							
21	1	124550-77030	COVER, TERMINAL	1							
22	1	124756-77040	COVER, TERMINAL	1							
23	1	1E8450-83060	COVER, TERMINAL	1							
24	1	26106-060122	BOLT, M6X 12 PLATED	2							
25	1	26106-080122	BOLT, M8X 12 PLATED	1							
26	1	26106-080122	BOLT, M8X 12 PLATED	1							
27	1	26367-080002	NUT, M8	1							
28	1	29622-140001	BAND, RF140	1							
29	1	29622-140001	BAND, RF140	2							
30	1	29622-250001	BAND, RF250	1							

Fig.97. WIRE HARNESS(ENGINE)(CABIN)

(A)=YT235Y

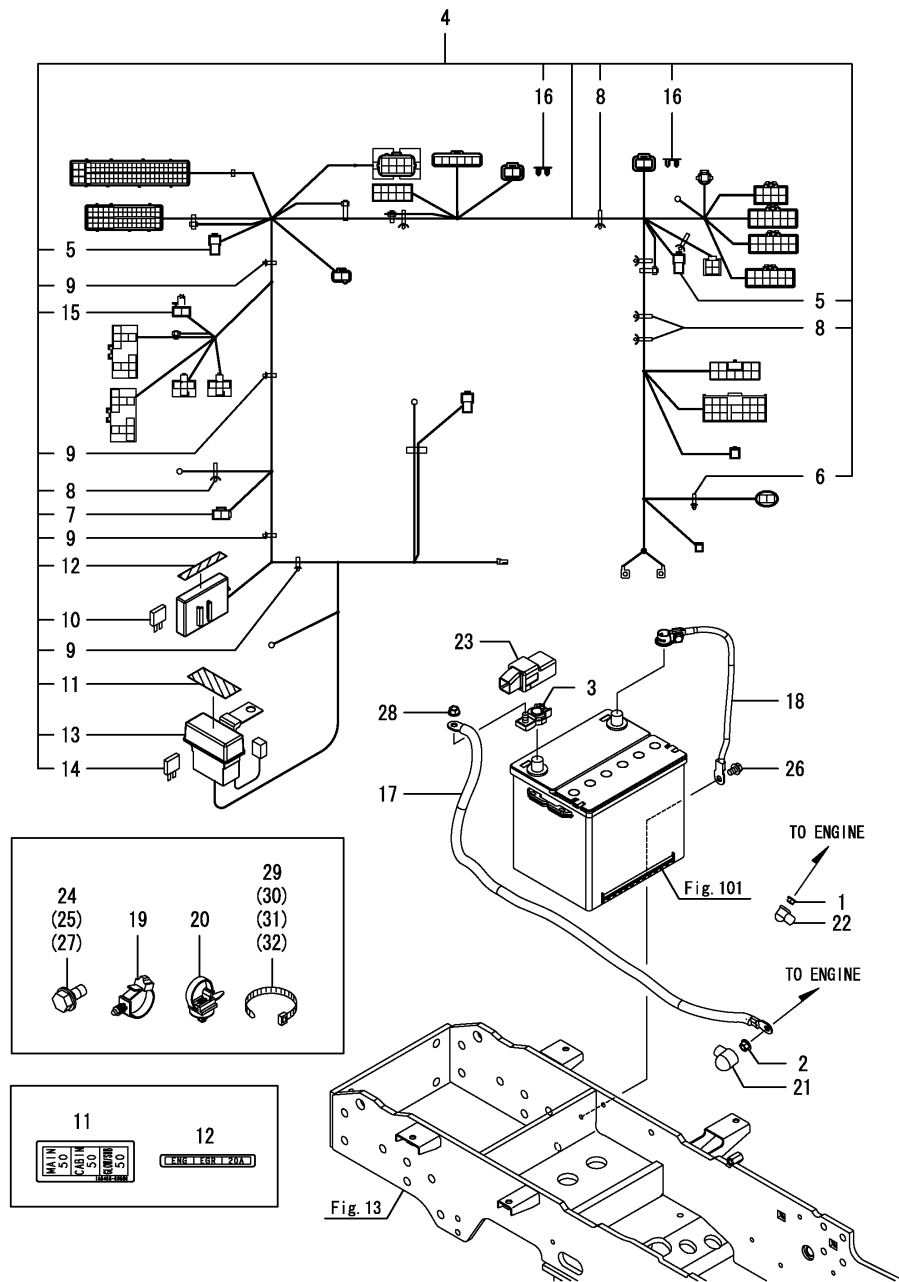
(B)=

(C)=

(D)=

(E)=

(F)=



No.	Lev.	Parts No.	Description	Q'ty						I	R
				(A)	(B)	(C)	(D)	(E)	(F)		
1	1	194990-22130	NUT, M6	1							
2	1	194990-22140	NUT, M8	1							
3	1	1A8400-51050	TERMINAL, BATTERY +	1							
4	1	1A8425-51152	HARNESS ASSY, ENGINE	1							
5	2	1A6382-51510	RESISTANCE, 2W R120	2							
6	2	1A8275-51670	CLIP, M8 HOLE	1							
7	2	198153-51700	FUSE, SLOW BLOW 80A	1							
8	2	1A8400-51810	CLAMP, HARNESS	10							
9	2	1A8400-51830	CLAMP, HARNESS	4							
10	2	198535-52140	FUSE, 20A	3							
11	2	1A8405-65850	LABEL,SBF	1							
12	2	1A8405-65900	LABEL,FUSE ENG	1							
13	2	1E8450-83110	CASE, BLOW FUSE 3A	1							
14	2	1E8720-83120	FUSE, SLOW BLOW 50	3							
15	2	1E8235-84910	DIODE, 090 31	1							
16	2	129A00-91430	CLIP, CONNECTOR	2							
17	1	1A8400-51400	CABLE, + BATTERY	1							
18	1	194250-51420	CABLE, BATTERY EARTH	1							
19	1	1A8275-51670	CLIP, M8 HOLE	3							
20	1	1A8400-51810	CLAMP, HARNESS	5							
21	1	124550-77030	COVER, TERMINAL	1							
22	1	124756-77040	COVER, TERMINAL	1							
23	1	1E8450-83060	COVER, TERMINAL	1							
24	1	26106-060122	BOLT, M6X 12 PLATED	2							
25	1	26106-080122	BOLT, M8X 12 PLATED	1							
26	1	26106-080122	BOLT, M8X 12 PLATED	1							
27	1	26106-080122	BOLT, M8X 12 PLATED	1							
28	1	26367-080002	NUT, M8	1							
29	1	29622-140001	BAND, RF140	1							
30	1	29622-140001	BAND, RF140	2							
31	1	29622-140001	BAND, RF140	1							
32	1	29622-250001	BAND, RF250	1							

Fig.98. WIRE HARNESS(TRANSMISSION)

(A)=YT235Y
(B)=
(C)=

(D)=
(E)=
(F)=

No.	Lev.	Parts No.	Description	Q'ty						I	R
				(A)	(B)	(C)	(D)	(E)	(F)		
1	1	1A8425-51200	HARNESS ASSY, TM	1							
2	2	1A8275-51670	CLIP, M8 HOLE	2							
3	2	1A8400-51810	CLAMP, HARNESS	2							
4	1	1A8275-51670	CLIP, M8 HOLE	1							
5	1	26106-080122	BOLT, M8X 12 PLATED	1							

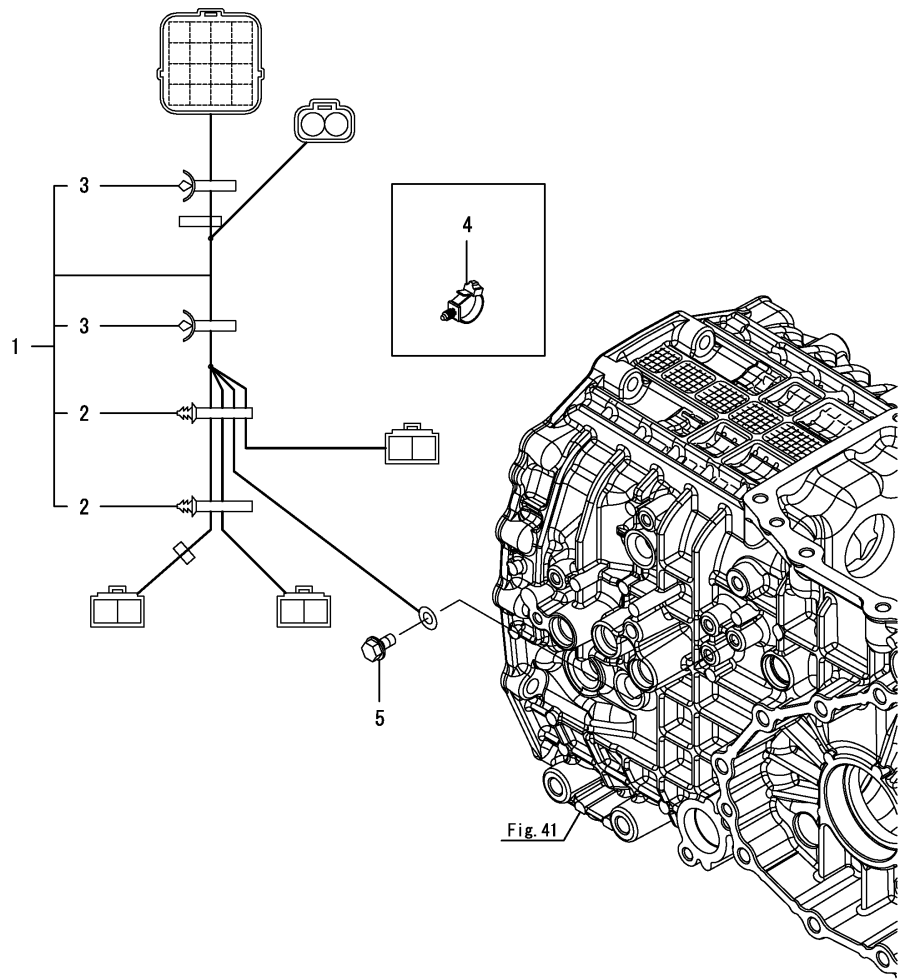
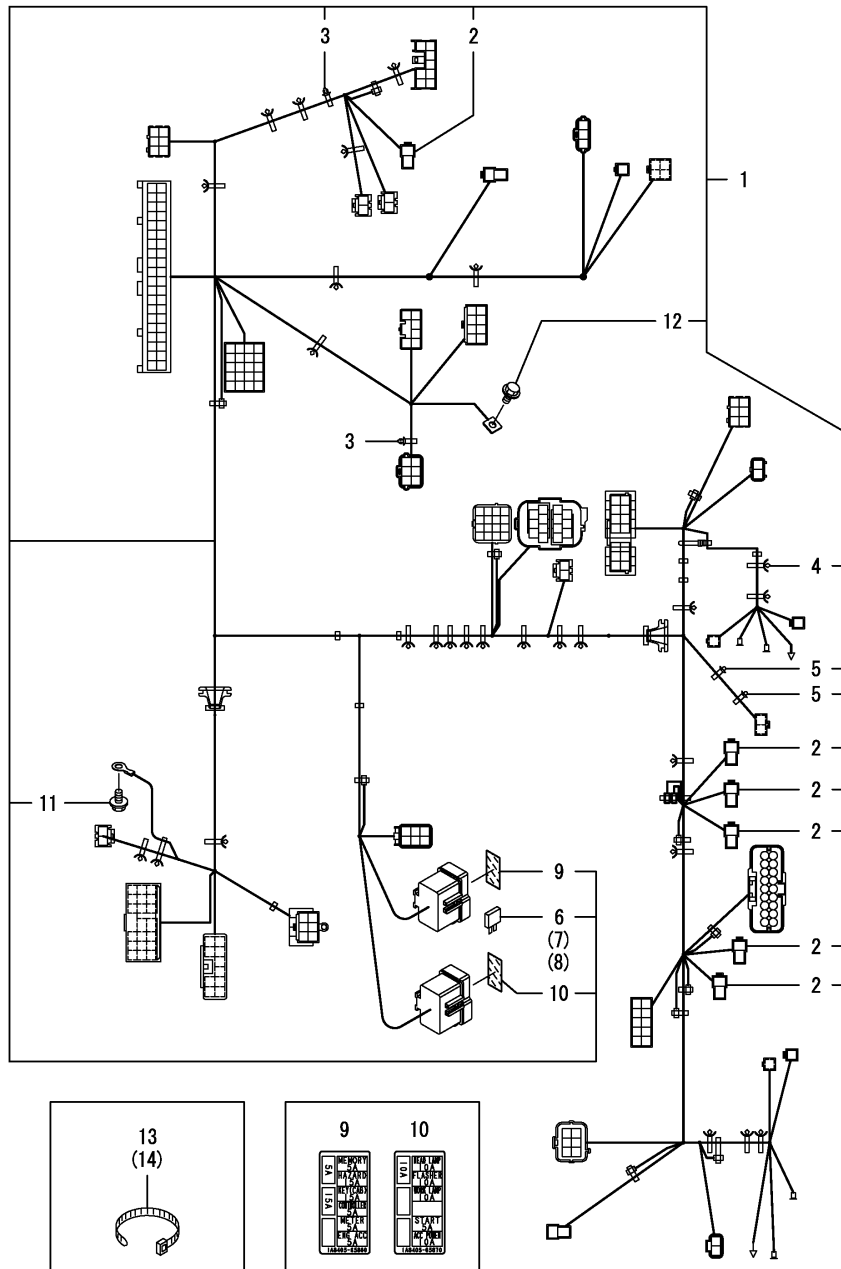


Fig.99. WIRE HARNESS(FLOOR)

(A)=YT235Y
(B)=
(C)=

(D)=
(E)=
(F)=

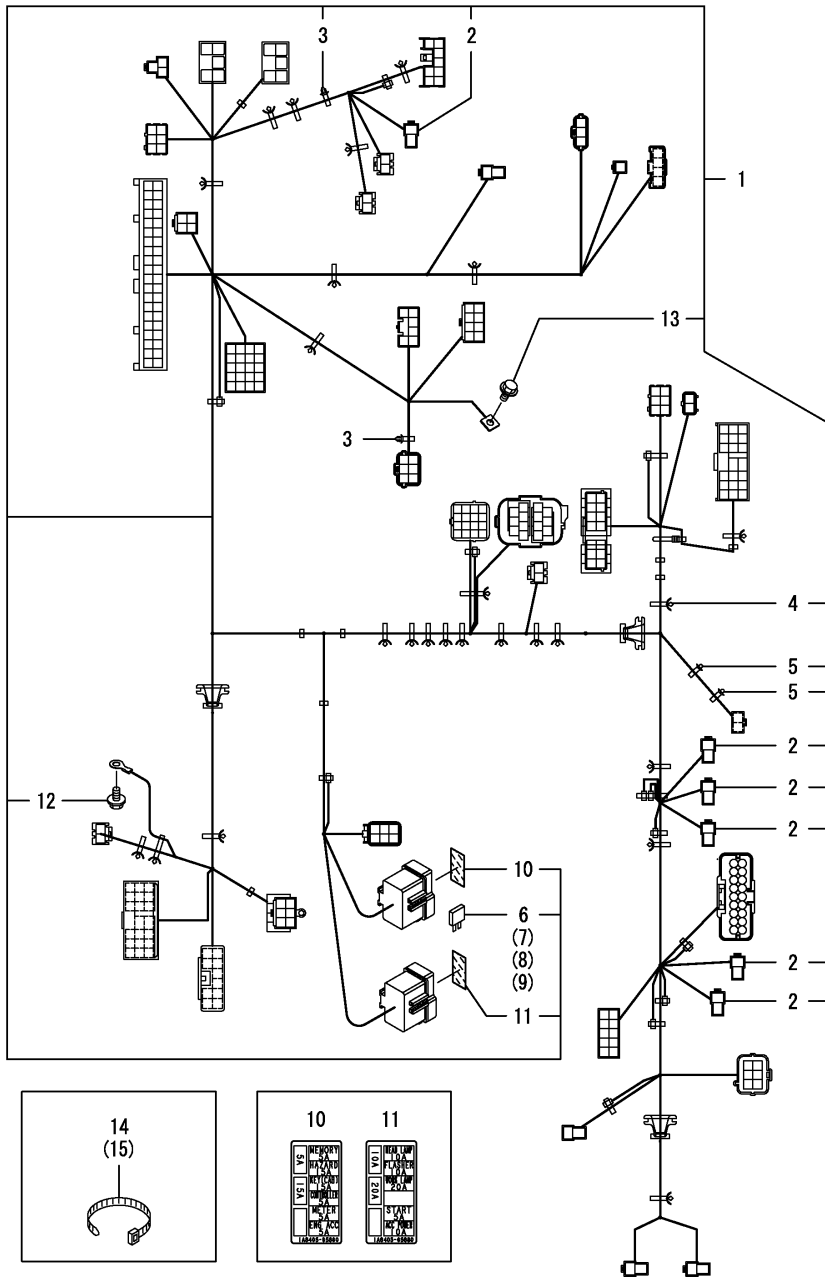


No.	Lev.	Parts No.	Description	Q'ty						I	R
				(A)	(B)	(C)	(D)	(E)	(F)		
1	1	1A8425-51302	HARNESS ASSY, FLOOR	1							
2	2	1A6382-51510	RESISTANCE, 2W R120	6							
3	2	1A8275-51670	CLIP, M8 HOLE	2							
4	2	1A8400-51810	CLAMP, HARNESS	28							
5	2	1A8400-51830	CLAMP, HARNESS	2							
6	2	198535-52110	FUSE, 5A	6							
7	2	198535-52120	FUSE, 10A	5							
8	2	198535-52130	FUSE, 15A	2							
9	2	1A8405-65860	LABEL,FUSE A	1							
10	2	1A8405-65870	LABEL,FUSE B	1							
11	1	26106-080122	BOLT, M8X 12 PLATED	1							
12	1	26106-080122	BOLT, M8X 12 PLATED	1							
13	1	29622-140001	BAND, RF140	6							
14	1	29622-250001	BAND, RF250	1							

Fig.100. WIRE HARNESS(FLOOR)(CABIN)

(A)=YT235Y
(B)=
(C)=

(D)=
(E)=
(F)=



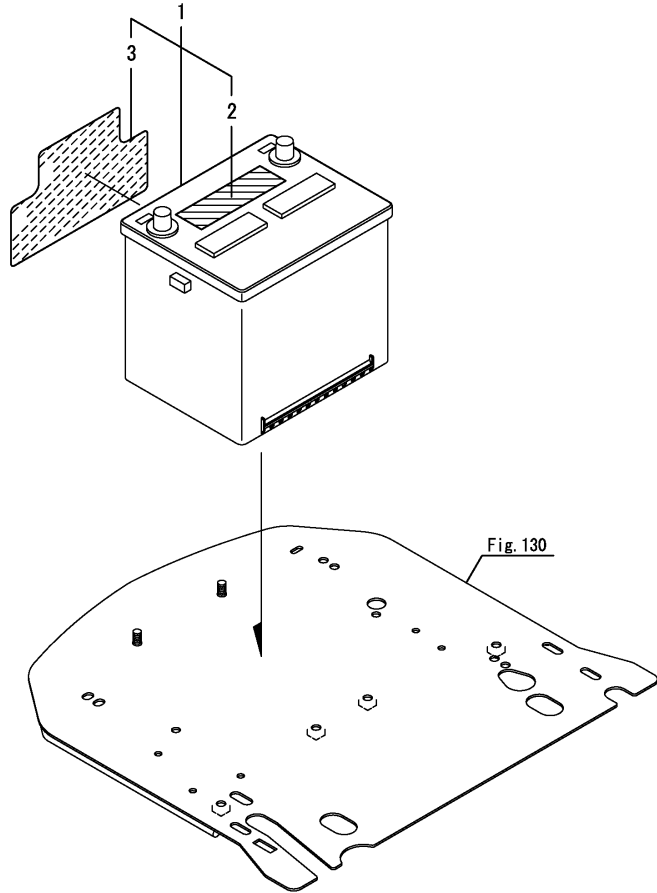
No.	Lev.	Parts No.	Description	Q'ty						I	R
				(A)	(B)	(C)	(D)	(E)	(F)		
1	1	1A8425-51352	HARNESS ASSY, FLOOR	1							
2	2	1A6382-51510	RESISTANCE, 2W R120	6							
3	2	1A8275-51670	CLIP, M8 HOLE	2							
4	2	1A8400-51810	CLAMP, HARNESS	25							
5	2	1A8400-51830	CLAMP, HARNESS	2							
6	2	198535-52110	FUSE, 5A	6							
7	2	198535-52120	FUSE, 10A	4							
8	2	198535-52130	FUSE, 15A	3							
9	2	198535-52140	FUSE, 20A	2							
10	2	1A8405-65860	LABEL,FUSE A	1							
11	2	1A8405-65880	LABEL,FUSE C	1							
12	1	26106-080122	BOLT, M8X 12 PLATED	1							
13	1	26106-080122	BOLT, M8X 12 PLATED	1							
14	1	29622-140001	BAND, RF140	4							
15	1	29622-250001	BAND, RF250	1							

Fig.101. BATTERY

(A)=YT235Y
(B)=
(C)=

(D)=
(E)=
(F)=

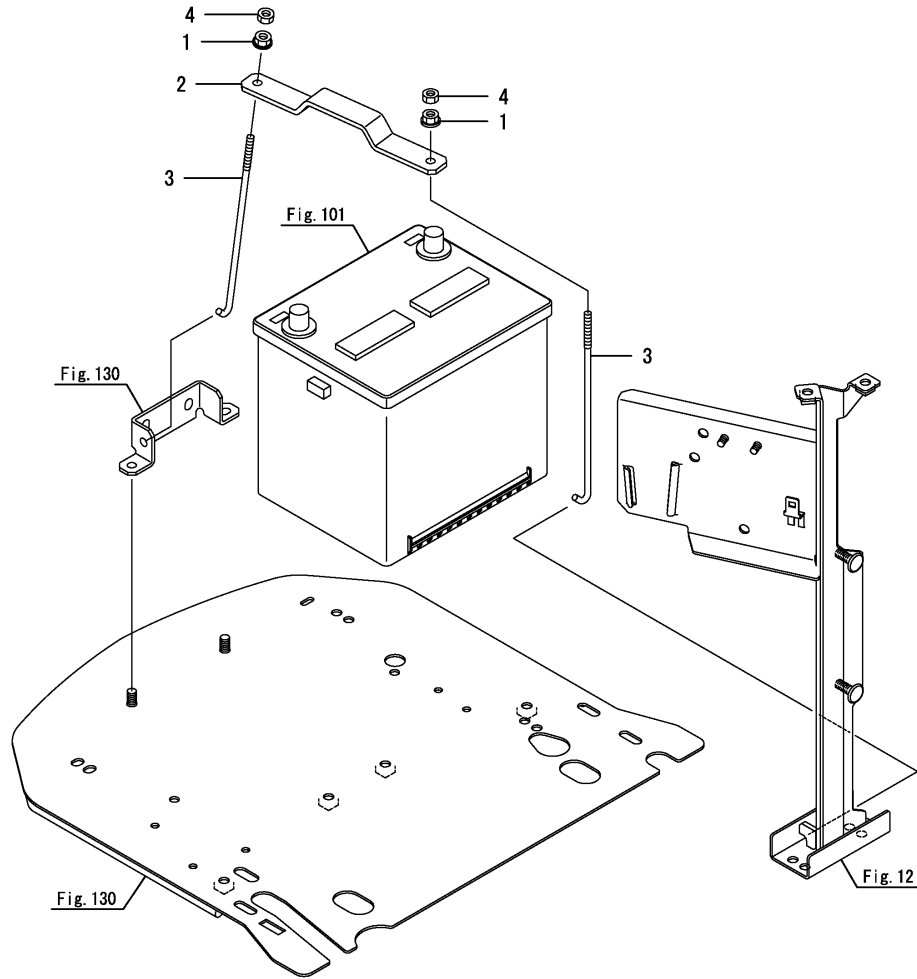
No.	Lev.	Parts No.	Description	Q'ty						I	R
				(A)	(B)	(C)	(D)	(E)	(F)		
1	1	1A8160-51550	BATTERY ASSY, DRY526R	1							
2	2	1A8160-51570	LABEL, BATTERY	1							
3	2	1A8160-51580	LABEL, BATTERY	1							



0CNP6-M02550 ELECTRICAL PARTS
Fig.102. BATTERY CLAMP

(A)=YT235Y
 (B)=
 (C)=

(D)=
 (E)=
 (F)=



No.	Lev.	Parts No.	Description	Q'ty						I	R
				(A)	(B)	(C)	(D)	(E)	(F)		
1	1	194990-22130	NUT, M6	2							
2	1	1A8425-58110	CLAMP, BATTERY	1							
3	1	198165-58120	ROD, BATTERY CLAMP	2							
4	1	26716-060002	NUT, M6	2							

Fig.103. WIRE HARNESS(BONNET)

(A)=YT235Y
(B)=
(C)=

(D)=
(E)=
(F)=

No.	Lev.	Parts No.	Description	Q'ty						I	R
				(A)	(B)	(C)	(D)	(E)	(F)		
1	1	195616-24930	TRIM	1							
2	1	1A8425-51600	HARNESS ASSY, BONNET	1							
3	2	1A8400-51810	CLAMP, HARNESS	6							

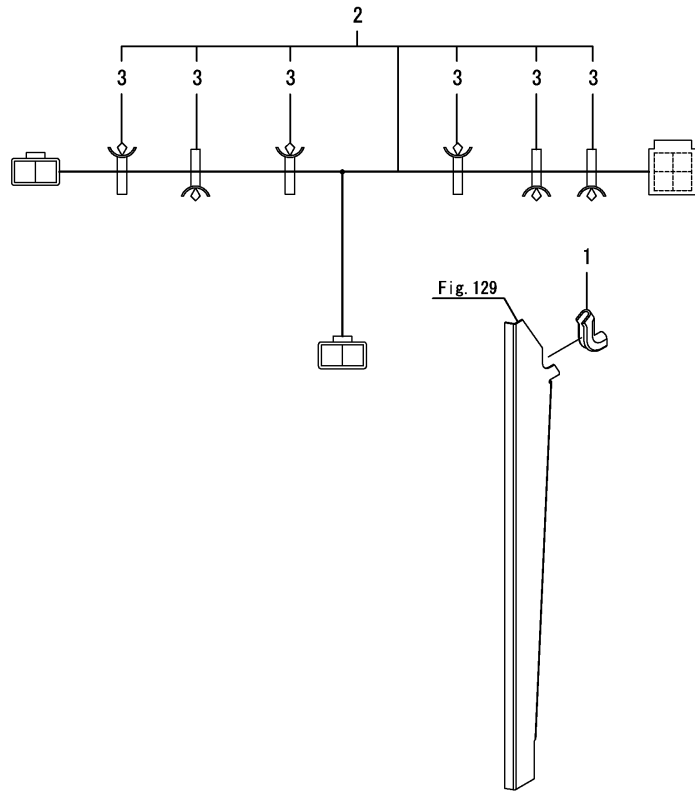
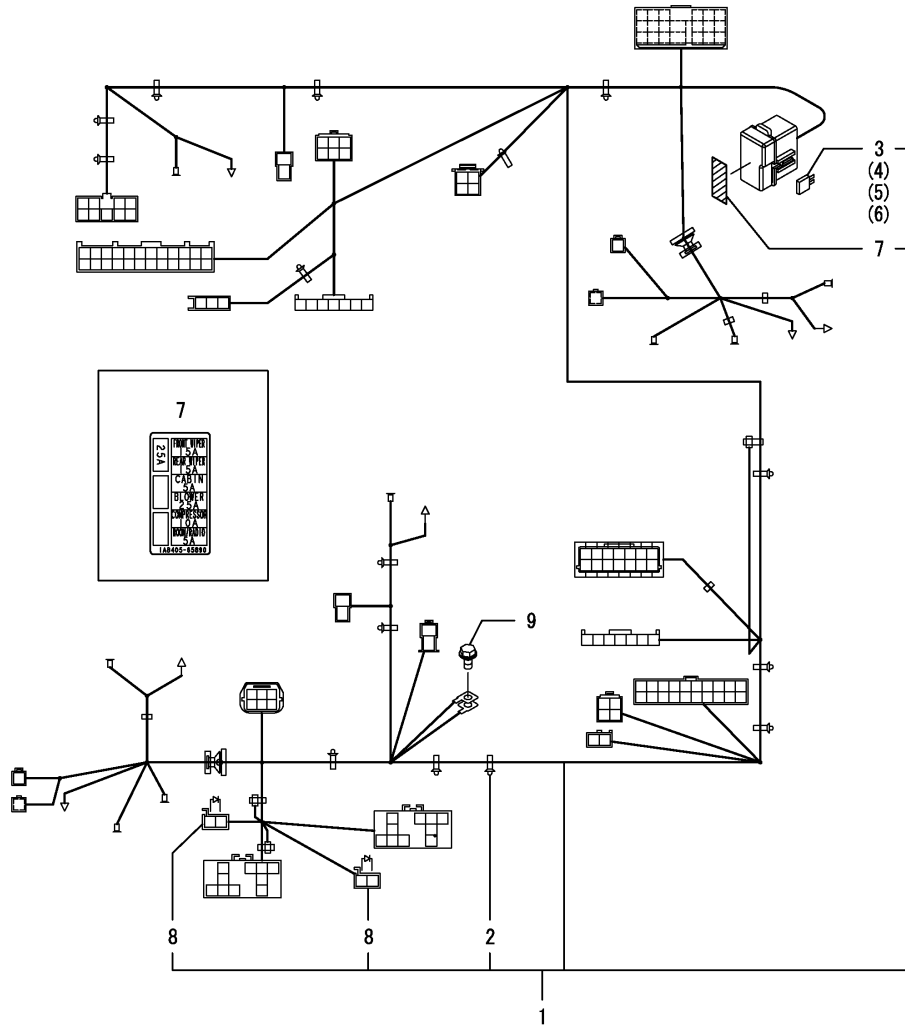


Fig.104. WIRE HARNESS(CABIN)

(A)=YT235Y
(B)=
(C)=

(D)=
(E)=
(F)=



No.	Lev.	Parts No.	Description	Q'ty						I	R
				(A)	(B)	(C)	(D)	(E)	(F)		
1	1	1A8425-51702	HARNESS ASSY, CABIN	1							
2	2	1A8400-51810	CLAMP, HARNESS	15							
3	2	198535-52110	FUSE, 5A	2							
4	2	198535-52120	FUSE, 10A	1							
5	2	198535-52130	FUSE, 15A	2							
6	2	1A7450-52180	FUSE, 25A	2							
7	2	1A8405-65890	LABEL,FUSE CAB	1							
8	2	1E8235-84910	DIODE, 090 31	2							
9	1	26106-080122	BOLT, M8X 12 PLATED	1							

Fig.105. SWITCH(FLOOR)

(A)=YT235Y

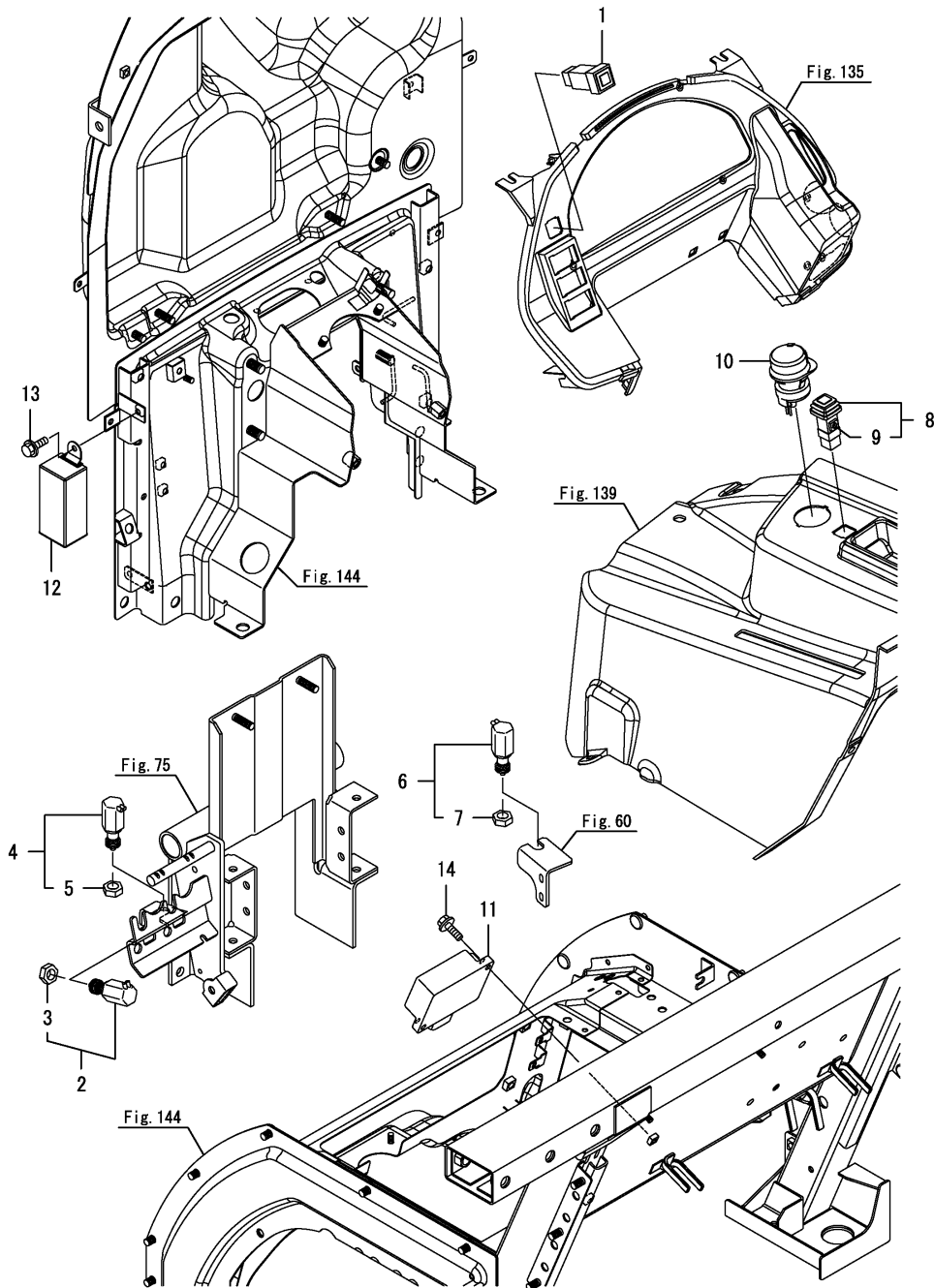
(B)=

(C)=

(D)=

(E)=

(F)=



No.	Lev.	Parts No.	Description	Q'ty						I	R
				(A)	(B)	(C)	(D)	(E)	(F)		
1	1	1A7335-52120	SWITCH, HAZARD	1							
2	1	198223-52151	SWITCH ASSY, LAMP	1							
3	2	26776-120002	NUT, LOCK M12	1							
4	1	198223-52151	SWITCH ASSY, LAMP	1							
5	2	26776-120002	NUT, LOCK M12	1							
6	1	198223-52151	SWITCH ASSY, LAMP	1							
7	2	26776-120002	NUT, LOCK M12	1							
8	1	1A7880-52250	SWITCH, WITH LAMP NL	1							
9	2	198133-78840	LAMP ASSY	1							
10	1	1A7340-52290	SWITCH, PTO IN-OFF	1							
11	1	1A8425-57100	RELAY UNIT	1							
12	1	1A8475-57200	RELAY UNIT, FLASHER	1							
13	1	26106-060122	BOLT, M6X 12 PLATED	1							
14	1	26106-060202	BOLT, M6X 20 PLATED	2							

Fig.106. SWITCH(TRANSMISSION)

(A)=YT235Y
(B)=
(C)=

(D)=
(E)=
(F)=

No.	Lev.	Parts No.	Description	Q'ty						I	R
				(A)	(B)	(C)	(D)	(E)	(F)		
1	1	198269-52190	SWITCH, SAFETY	1							
2	1	198269-52190	SWITCH, SAFETY	1							
3	1	198269-52190	SWITCH, SAFETY	1							
4	1	24311-000180	O-RING, 1AP18.0	1							
5	1	24311-000180	O-RING, 1AP18.0	1							
6	1	24311-000180	O-RING, 1AP18.0	1							

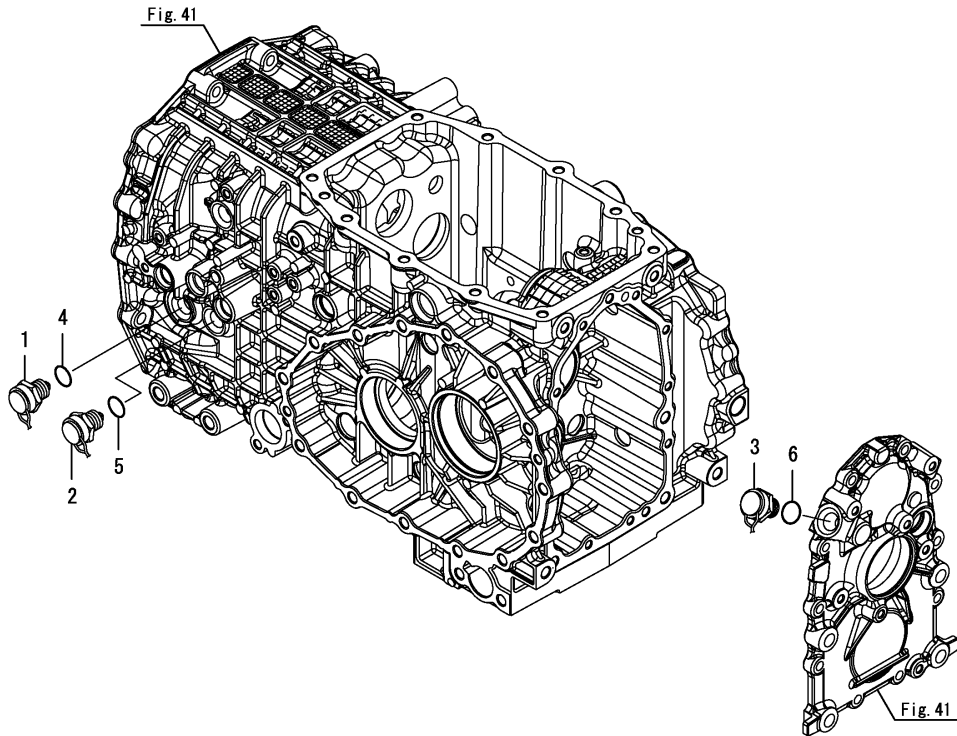


Fig.107. SWITCH(STARTER)

(A)=YT235Y
(B)=
(C)=

(D)=
(E)=
(F)=

No.	Lev.	Parts No.	Description	Q'ty						I	R
				(A)	(B)	(C)	(D)	(E)	(F)		
1	1	198162-52110	SWITCH, STARTING	1							
2	2	198360-52320	NUT, RING	1							
3	2	198360-52330	WASHER	1							
4	2	198162-52150	KEY ASSY	1							

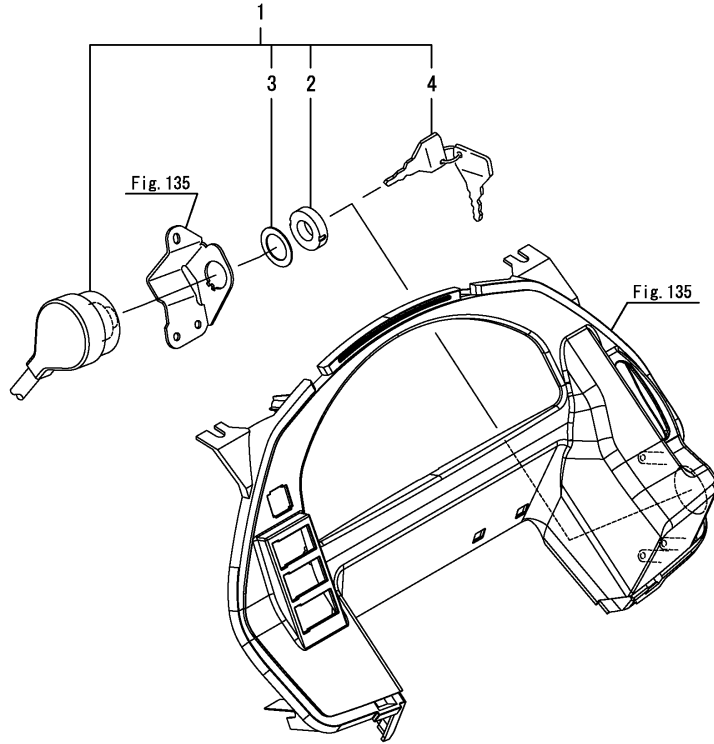


Fig.108. SWITCH(STARTER)(CABIN)

(A)=YT235Y
(B)=
(C)=

(D)=
(E)=
(F)=

No.	Lev.	Parts No.	Description	Q'ty						I	R
				(A)	(B)	(C)	(D)	(E)	(F)		
1	1	1A7850-52110	SWITCH ASSY, STARTER	1							
2	2	1A7850-52130	KEY ASSY	1							

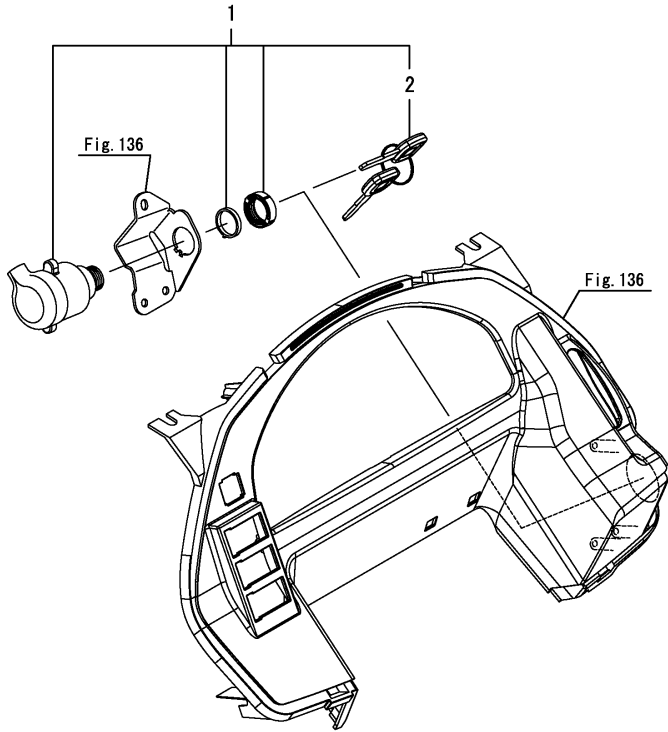
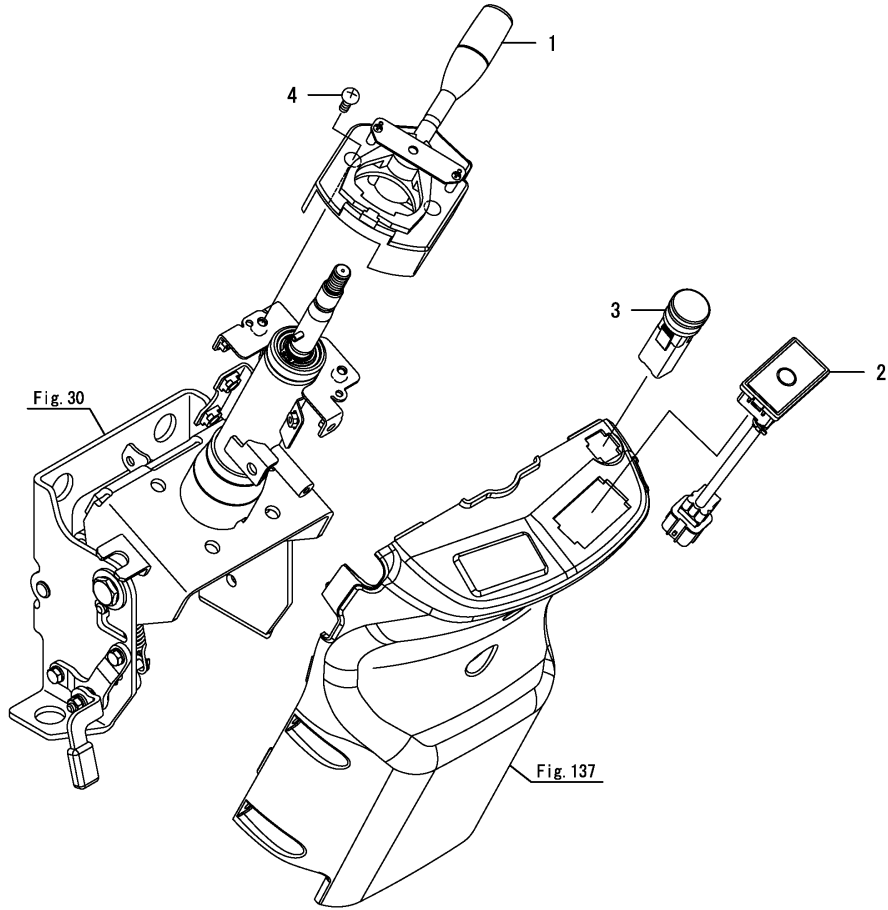


Fig.109. SWITCH(COLUMN COVER)

(A)=YT235Y
(B)=
(C)=

(D)=
(E)=
(F)=



No.	Lev.	Parts No.	Description	Q'ty						I	R
				(A)	(B)	(C)	(D)	(E)	(F)		
1	1	1A8400-52140	LEVER, COMBINATION	1							
2	1	1A8405-52550	SWITCH, DISPLAY	1							
3	1	1E6C20-81300	SWITCH,LAMP OR NL	1							
4	1	26557-060162	SCREW M 6X 16	2							

Fig.110. CONNECTOR COVER

(A)=YT235Y
(B)=
(C)=

(D)=
(E)=
(F)=

No.	Lev.	Parts No.	Description	Q'ty						I	R
				(A)	(B)	(C)	(D)	(E)	(F)		
1	1	1A8400-51860	COVER,CONNECTOR	1							
2	1	26106-060122	BOLT, M6X 12 PLATED	2							

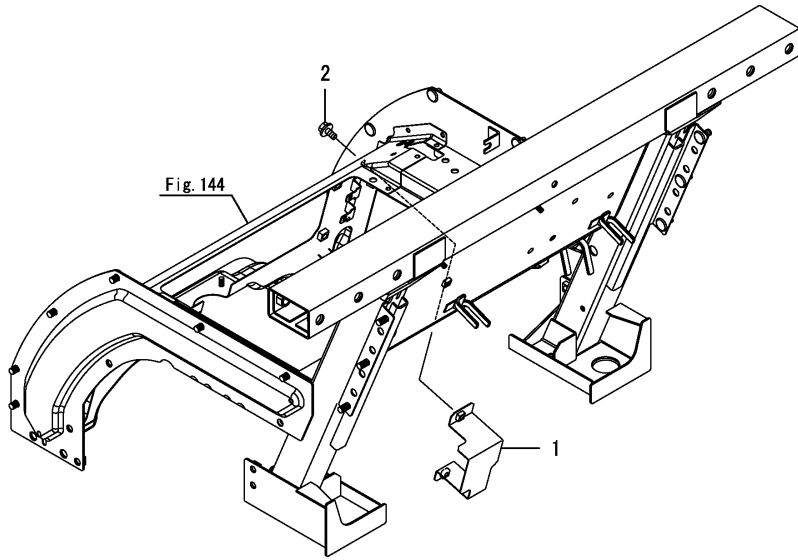


Fig.111. SWITCH(CABIN)

(A)=YT235Y
(B)=
(C)=

(D)=
(E)=
(F)=

No.	Lev.	Parts No.	Description	Q'ty						I	R
				(A)	(B)	(C)	(D)	(E)	(F)		
1	1	1A8400-52430	SWITCH, FRONT WIPER	1							
2	1	1A7805-52550	SWITCH, WORK LAMP	1							

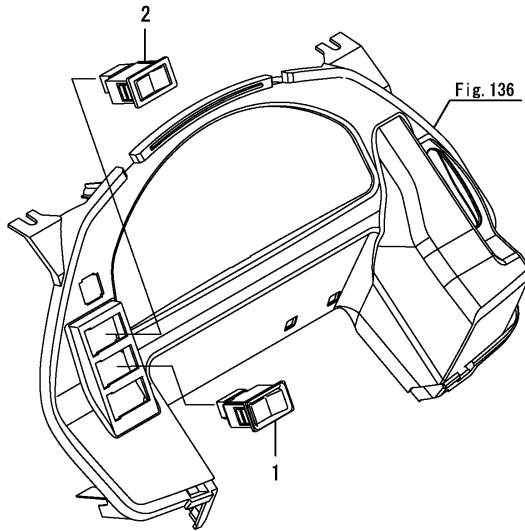


Fig.112. SWITCH(SEAT)

(A)=YT235Y

(B)=

(C)=

(D)=

(E)=

(F)=

No.	Lev.	Parts No.	Description	Q'ty						I	R
				(A)	(B)	(C)	(D)	(E)	(F)		
1	1	1A8160-52310	SWITCH, SEAT DELTA	1							

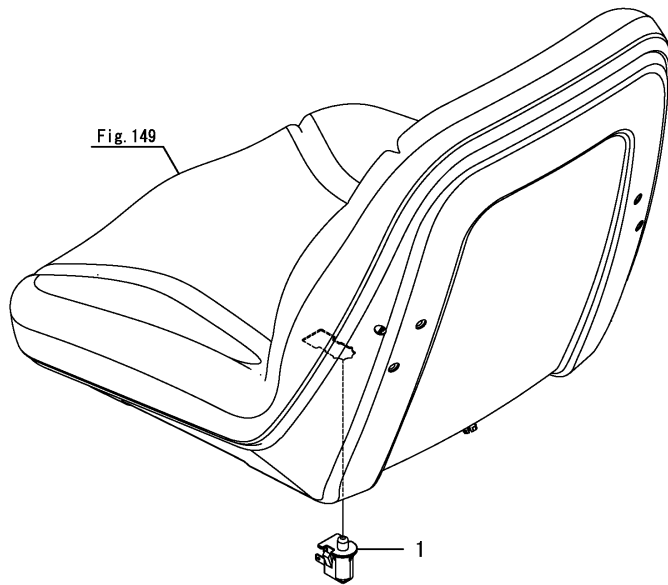


Fig.113. LAMP(1)

(A)=YT235Y
(B)=
(C)=

(D)=
(E)=
(F)=

No.	Lev.	Parts No.	Description	Q'ty						I	R
				(A)	(B)	(C)	(D)	(E)	(F)		
1	1	1A8043-53600	LAMP ASSY, REAR COMB	2							
2	2	1A8060-53430	SCREW, M5X50	4							
3	2	1A7400-53530	VALVE, 12V21/5W	2							
4	2	1A8043-53640	LENS, REAR	2							
5	2	1E9170-81270	BULB, 12V/21W	2							

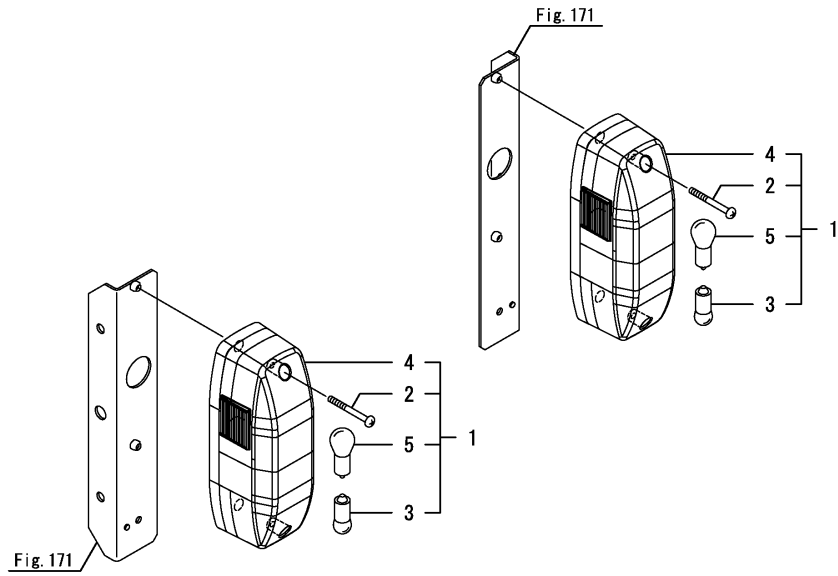


Fig.114. LAMP(1)(CABIN)

(A)=YT235Y
(B)=
(C)=

(D)=
(E)=
(F)=

No.	Lev.	Parts No.	Description	Q'ty						I	R
				(A)	(B)	(C)	(D)	(E)	(F)		
1	1	1A8043-53600	LAMP ASSY, REAR COMB	2							
2	2	1A8060-53430	SCREW, M5X50	4							
3	2	1A7400-53530	VALVE, 12V21/5W	2							
4	2	1A8043-53640	LENS, REAR	2							
5	2	1E9170-81270	BULB, 12V/21W	2							

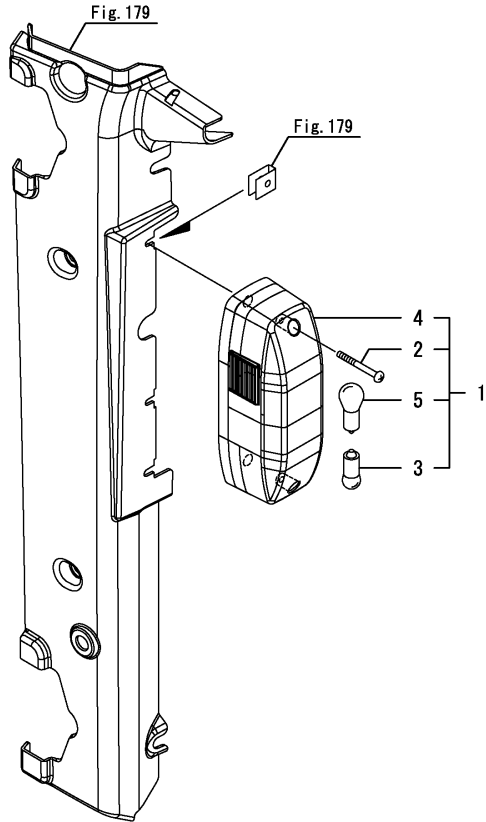


Fig.115. LAMP(2)

(A)=YT235Y
(B)=
(C)=

(D)=
(E)=
(F)=

No.	Lev.	Parts No.	Description	Q'ty						I	R
				(A)	(B)	(C)	(D)	(E)	(F)		
1	1	1A8275-53400	LAMP ASSY,FLASHER	2							
2	2	1A7880-53100	NUT	2							
3	2	1A7880-53430	BULB, 12.8V/27W	2							
4	2	22137-130000	WASHER, 13	2							
5	2	22217-130000	WASHER, SPRING 1/2	2							

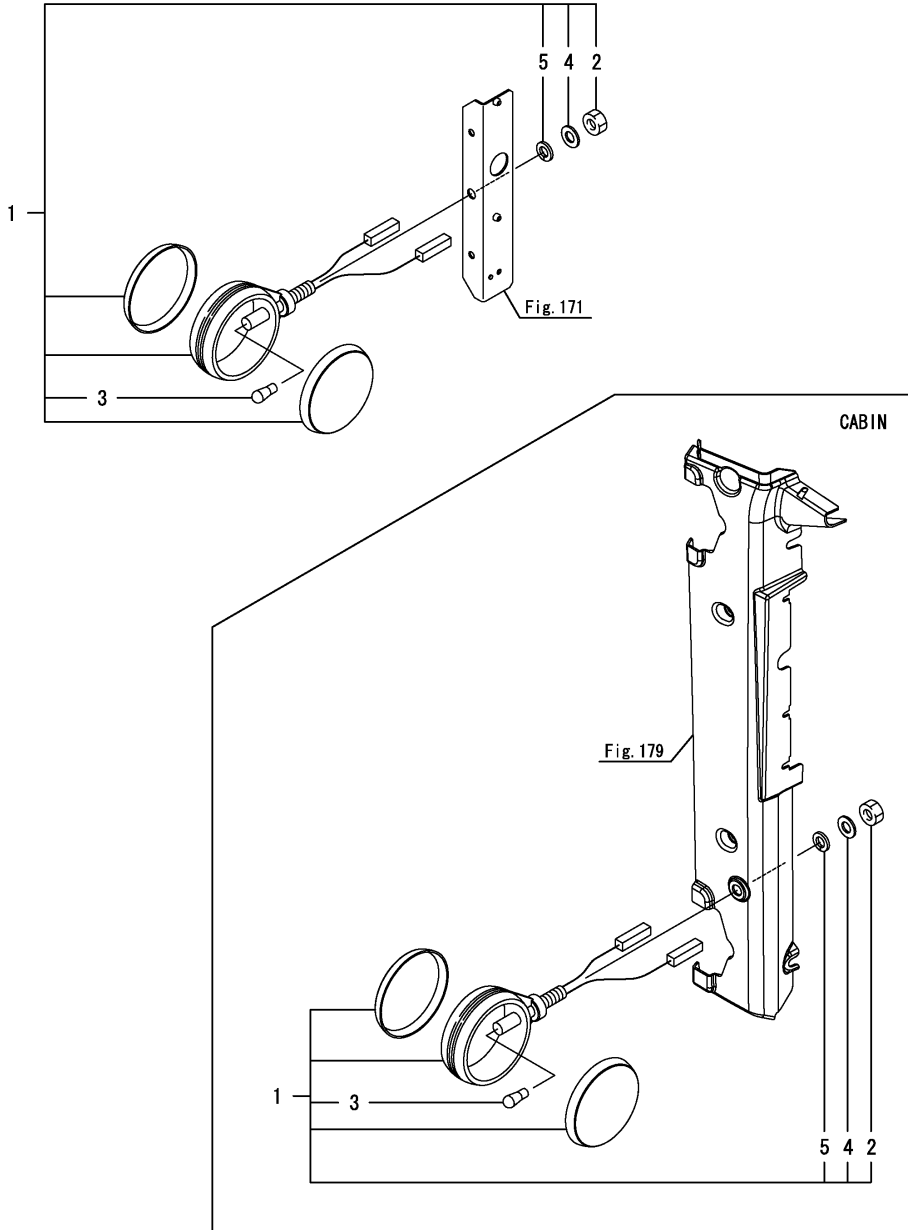
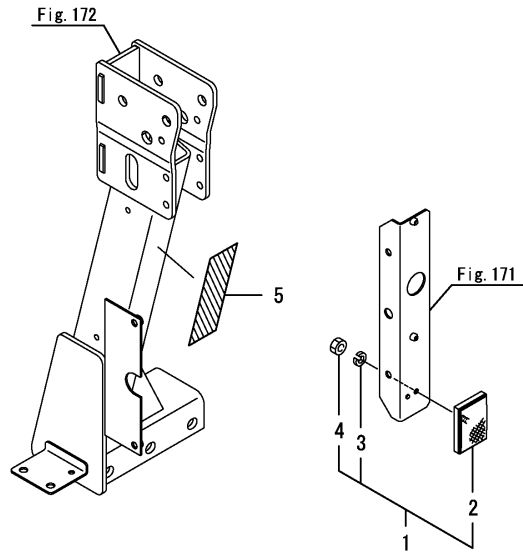


Fig.116. REFLECTOR

(A)=YT235Y
(B)=
(C)=

(D)=
(E)=
(F)=



No.	Lev.	Parts No.	Description	Q'ty						I	R
				(A)	(B)	(C)	(D)	(E)	(F)		
1	1	198280-62260	REFLECTOR ASSY	2							
2	2	198280-62270	REFLECTOR	2							
3	2	22217-060000	WASHER, SPRING 6	2							
4	2	26716-060002	NUT, M6	2							
5	1	1A8160-65860	TAPE, 50X115	2							

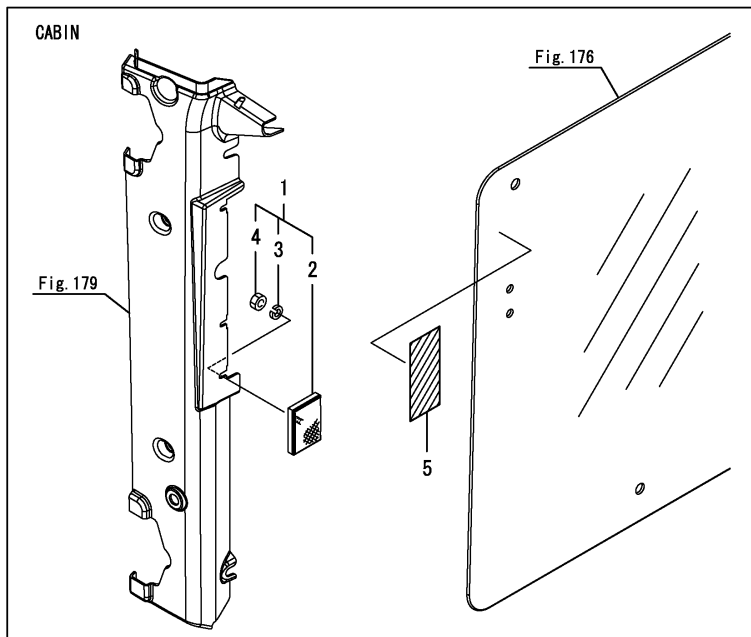


Fig.117. ROOM LAMP

(A)=YT235Y
(B)=
(C)=

(D)=
(E)=
(F)=

No.	Lev.	Parts No.	Description	Q'ty						I	R
				(A)	(B)	(C)	(D)	(E)	(F)		
1	1	194990-22120	NUT, M5	2							
2	1	1A7470-86750	LAMP ASSY, ROOM	1							
3	2	1A7470-86770	BULB, 12V/5W	1							
4	1	26557-050252	SCREW, M5X25	2							

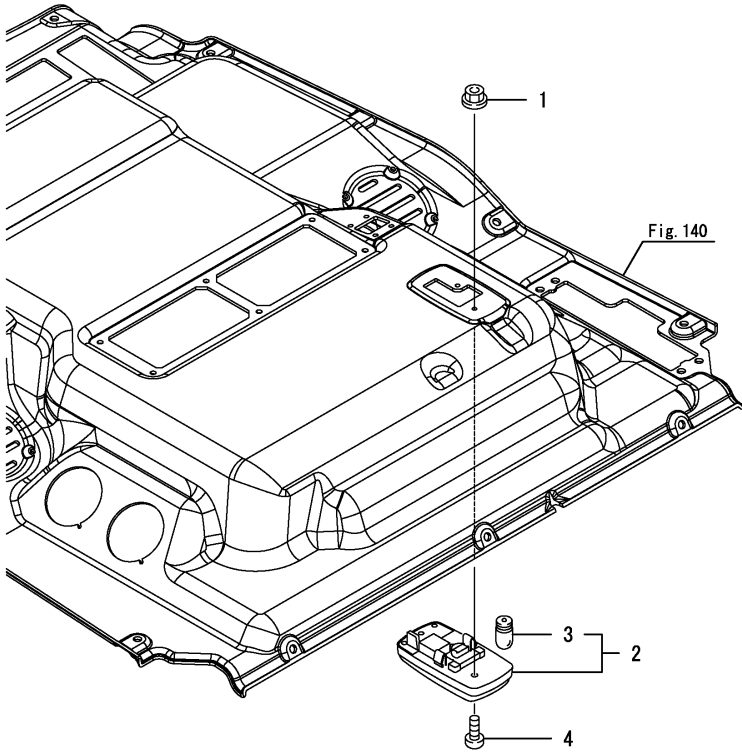
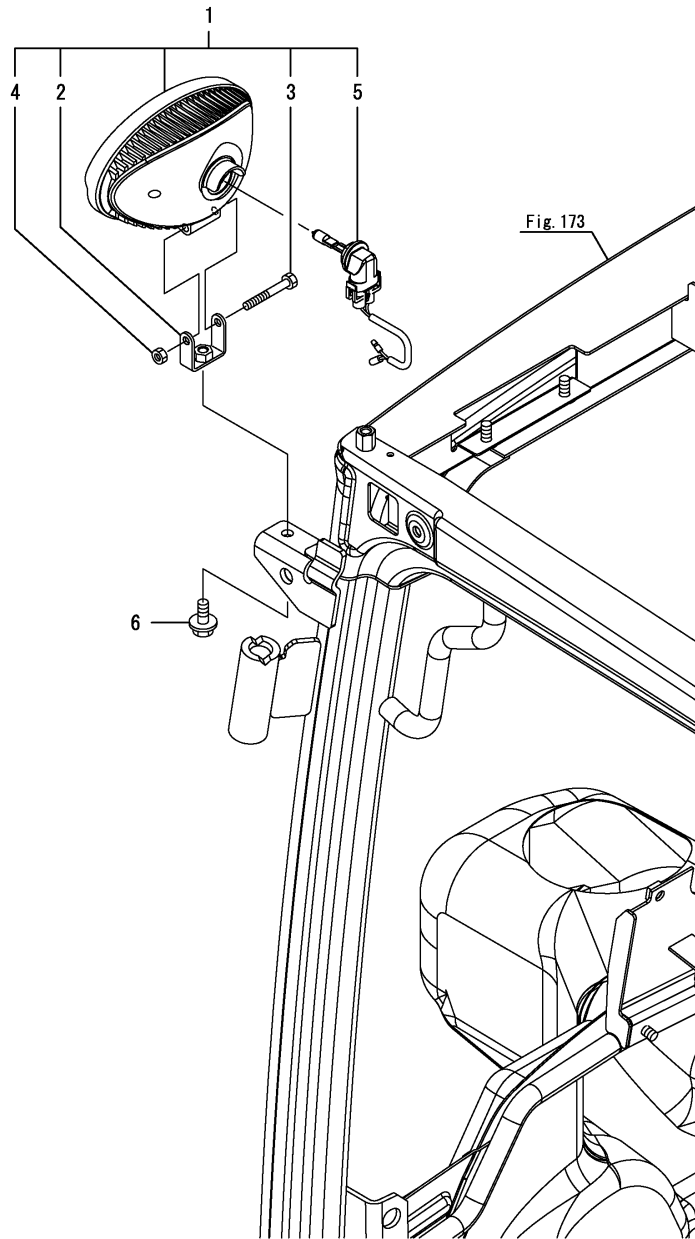


Fig.118. WORK LAMP

(A)=YT235Y
(B)=
(C)=

(D)=
(E)=
(F)=



No.	Lev.	Parts No.	Description	Q'ty						I	R
				(A)	(B)	(C)	(D)	(E)	(F)		
1	1	1A8484-54200	LAMP ASSY,WORK 37.5W	2							
2	2	1A8484-54220	BRACKET, WORK LAMP	2							
3	2	1A8060-54230	BOLT, M6X45 BLACK	2							
4	2	1A8060-54240	NUT, M6 BLACK	2							
5	2	1A8484-54250	BULB, 12V37.5W	2							
6	1	198460-83350	BOLT, M8X16	2							

Fig.119. HEAD LAMP

(A)=YT235Y
(B)=
(C)=

(D)=
(E)=
(F)=

No.	Lev.	Parts No.	Description	Qty						I	R
				(A)	(B)	(C)	(D)	(E)	(F)		
1	1	194990-22130	NUT, M6	2							
2	1	198234-48650	SPACER	2							
3	1	1A8400-53100	HEADLAMP ASSY, L	1							
4	2	1A8070-53140	BULB, 12V/35W	1							
5	1	1A8400-53200	HEADLAMP ASSY, R	1							
6	2	1A8070-53140	BULB, 12V/35W	1							
7	1	1A8470-61510	STAY ASSY, LAMP L	1							
8	1	1A8470-61520	STAY ASSY, LAMP R	1							
9	1	26106-060162	BOLT, M6X 16 PLATED	6							
10	1	26106-060302	BOLT, M6X 30 PLATED	2							

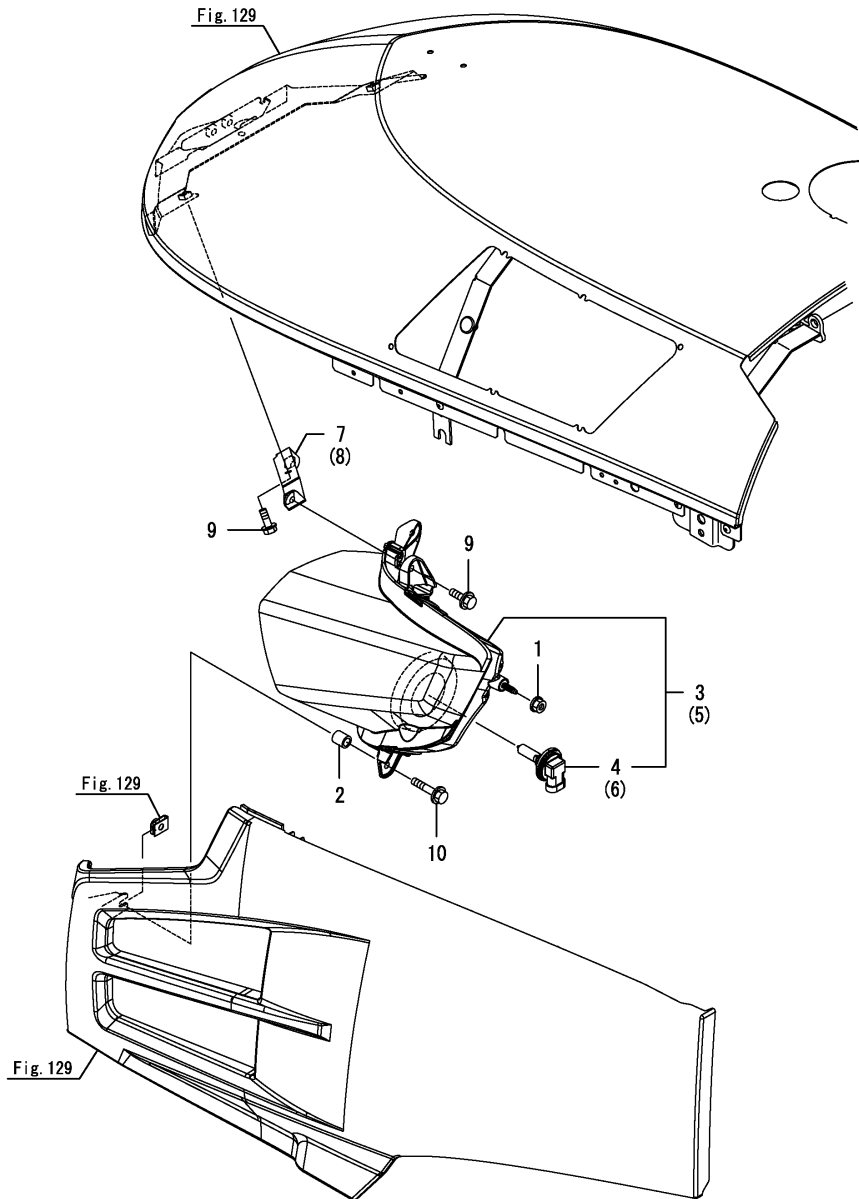
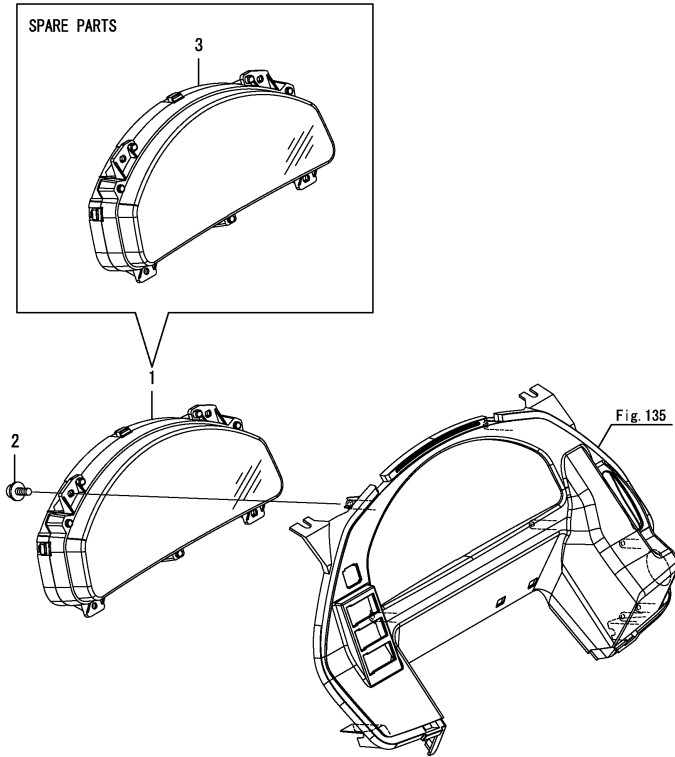


Fig.120. METER

(A)=YT235Y
(B)=
(C)=

(D)=
(E)=
(F)=

No.	Lev.	Parts No.	Description	Q'ty						I	R
				(A)	(B)	(C)	(D)	(E)	(F)		
1	1	1A8405-56000	METER ASSY, COMBINA.	1							1
2	1	194940-61790	SCREW, TAPPING M5X16	4							
3	1	1A8405-56900	METER ASSY, SERVICE	1							2



Remarks

(1)Eco Meter

This part cannot be ordered.

Replace the part using a Service Meter with the proper tractor information installed.

(2)Service Meter

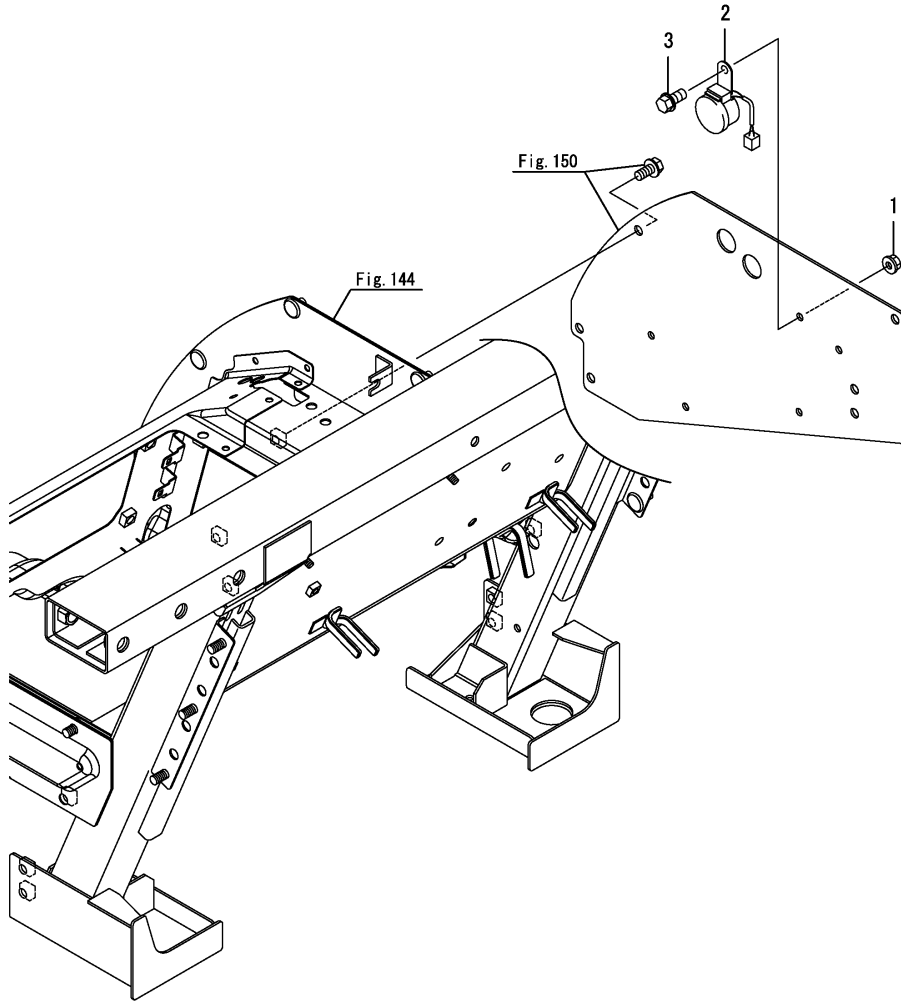
If the proper information is not installed, the tractor will not operate.

To install proper information, go to an authorized distributor.

Fig.121. BACK BUZZER

(A)=YT235Y
(B)=
(C)=

(D)=
(E)=
(F)=

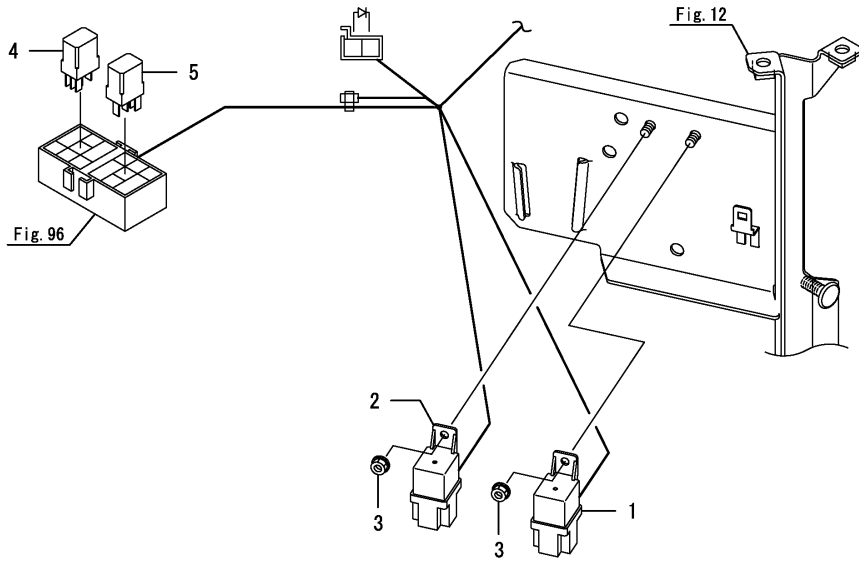


No.	Lev.	Parts No.	Description	Q'ty						I	R
				(A)	(B)	(C)	(D)	(E)	(F)		
1	1	194990-22130	NUT, M6	1							
2	1	174570-57110	BUZZER, ALARM	1							
3	1	26106-060122	BOLT, M6X 12 PLATED	1							

Fig.122. RELAY(ENGINE)

(A)=YT235Y
(B)=
(C)=

(D)=
(E)=
(F)=

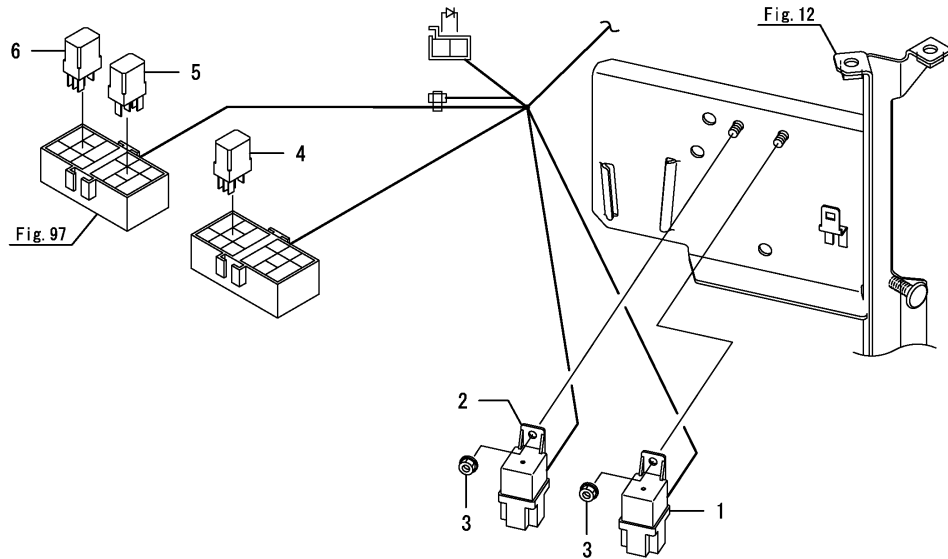


No.	Lev.	Parts No.	Description	Q'ty						I	R
				(A)	(B)	(C)	(D)	(E)	(F)		
1	1	172B16-17190	RELAY, CB C TYPE	1							
2	1	172B16-17190	RELAY, CB C TYPE	1							
3	1	194990-22120	NUT, M5	2							
4	1	1A7522-52950	RELAY, ACM13221M19	1							
5	1	1A7522-52950	RELAY, ACM13221M19	1							

Fig.123. RELAY(ENGINE)(CABIN)

(A)=YT235Y
(B)=
(C)=

(D)=
(E)=
(F)=



No.	Lev.	Parts No.	Description	Q'ty						I	R
				(A)	(B)	(C)	(D)	(E)	(F)		
1	1	172B16-17190	RELAY, CB C TYPE	1							
2	1	172B16-17190	RELAY, CB C TYPE	1							
3	1	194990-22120	NUT, M5	2							
4	1	1A7522-52950	RELAY, ACM13221M19	1							
5	1	1A7522-52950	RELAY, ACM13221M19	1							
6	1	1A7522-52950	RELAY, ACM13221M19	1							

Fig.124. RELAY(CABIN)

(A)=YT235Y
(B)=
(C)=

(D)=
(E)=
(F)=

No.	Lev.	Parts No.	Description	Q'ty						I	R
				(A)	(B)	(C)	(D)	(E)	(F)		
1	1	1A7522-52950	RELAY, ACM13221M19	1							
2	1	1A7522-52950	RELAY, ACM13221M19	1							
3	1	1A7522-52950	RELAY, ACM13221M19	1							
4	1	1A7522-52950	RELAY, ACM13221M19	1							

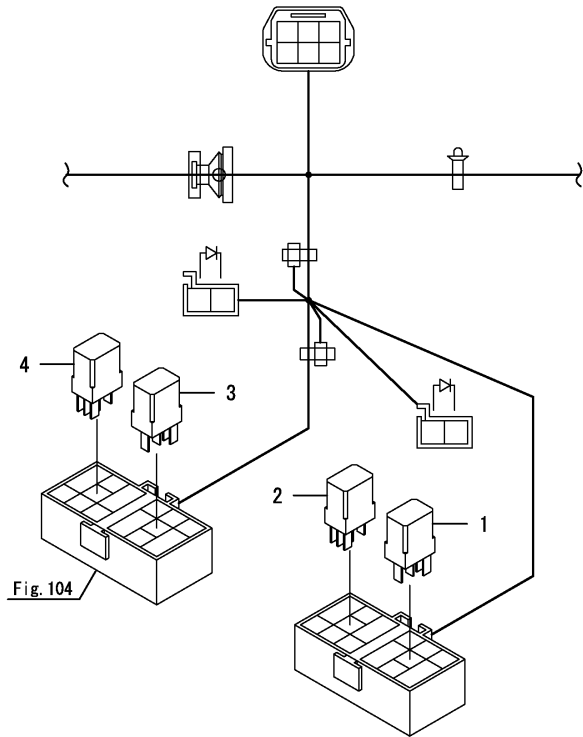


Fig.125. POWER SUPPLY SOCKET

(A)=YT235Y
(B)=
(C)=

(D)=
(E)=
(F)=

No.	Lev.	Parts No.	Description	Q'ty						I	R
				(A)	(B)	(C)	(D)	(E)	(F)		
1	1	1D4270-17650	SOCKET, POWER SOUCE	1							

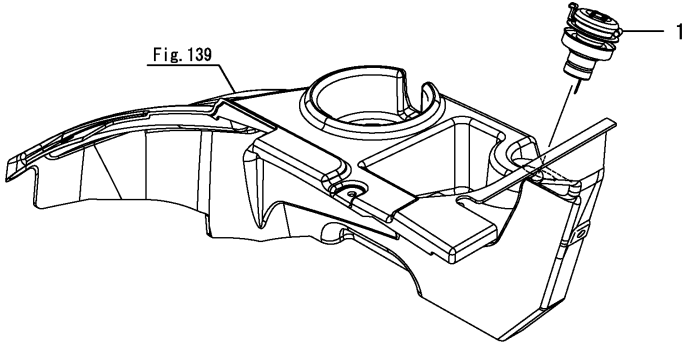
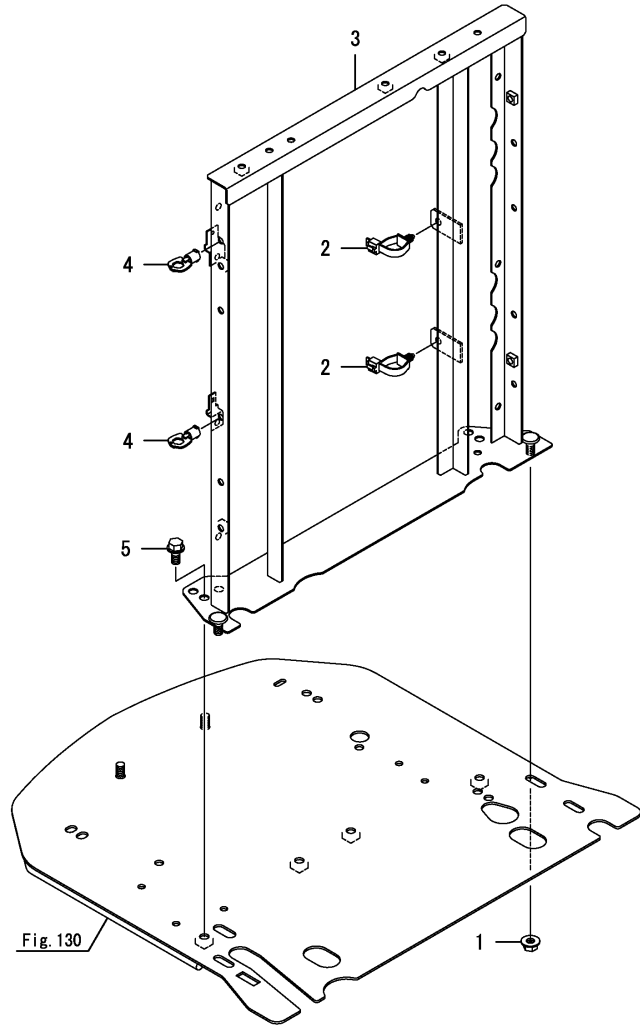


Fig.126. FRONT FRAME

(A)=YT235Y
(B)=
(C)=

(D)=
(E)=
(F)=



No.	Lev.	Parts No.	Description	Q'ty						I	R
				(A)	(B)	(C)	(D)	(E)	(F)		
1	1	194990-22140	NUT, M8	2							
2	1	1A8275-51670	CLIP, M8 HOLE	2							
3	1	1A8425-60090	FRAME ASSY, FRONT	1							
4	1	198220-61351	LOCK ASSY, CAM	2							
5	1	26106-080162	BOLT, M8X 16 PLATED	2							

Fig.127. FRONT FRAME(CABIN)

(A)=YT235Y
(B)=
(C)=

(D)=
(E)=
(F)=

No.	Lev.	Parts No.	Description	Q'ty						I	R
				(A)	(B)	(C)	(D)	(E)	(F)		
1	1	194990-22140	NUT, M8	2							
2	1	1A8275-51670	CLIP, M8 HOLE	2							
3	1	1A8420-60101	FRAME ASSY, FRONT	1							
4	1	198220-61351	LOCK ASSY, CAM	2							
5	1	26106-080162	BOLT, M8X 16 PLATED	2							

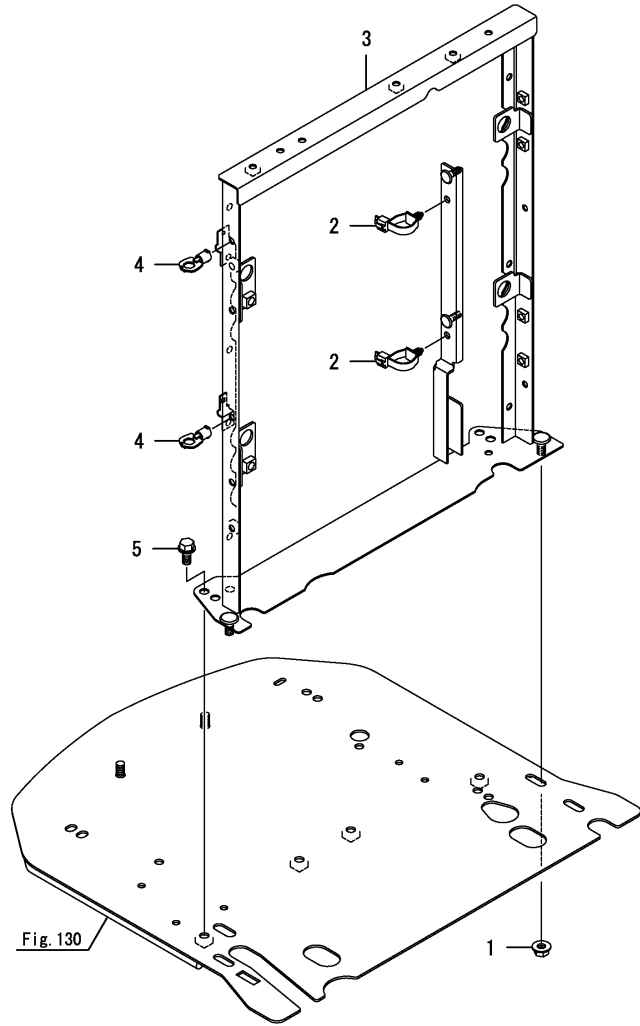
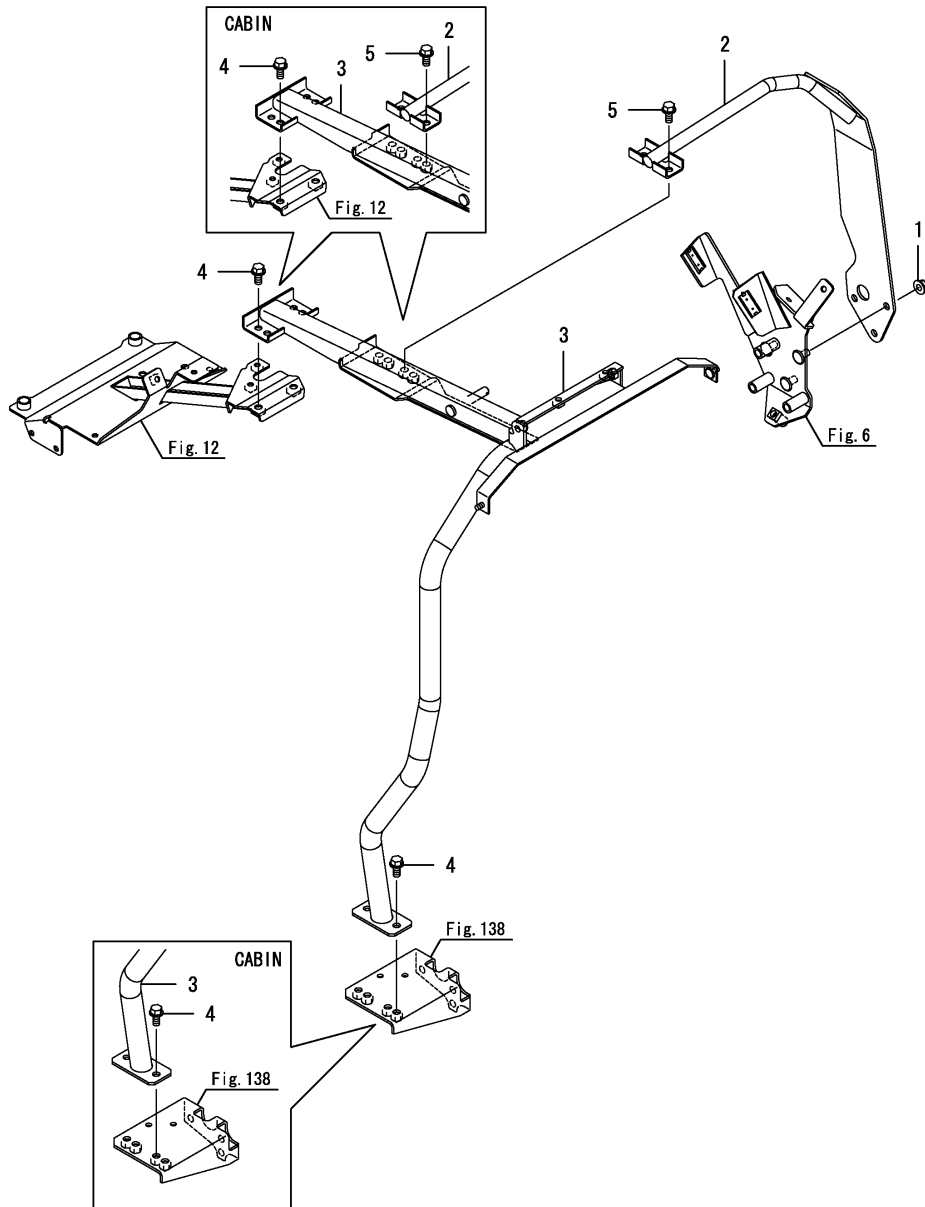


Fig.128. REAR FRAME

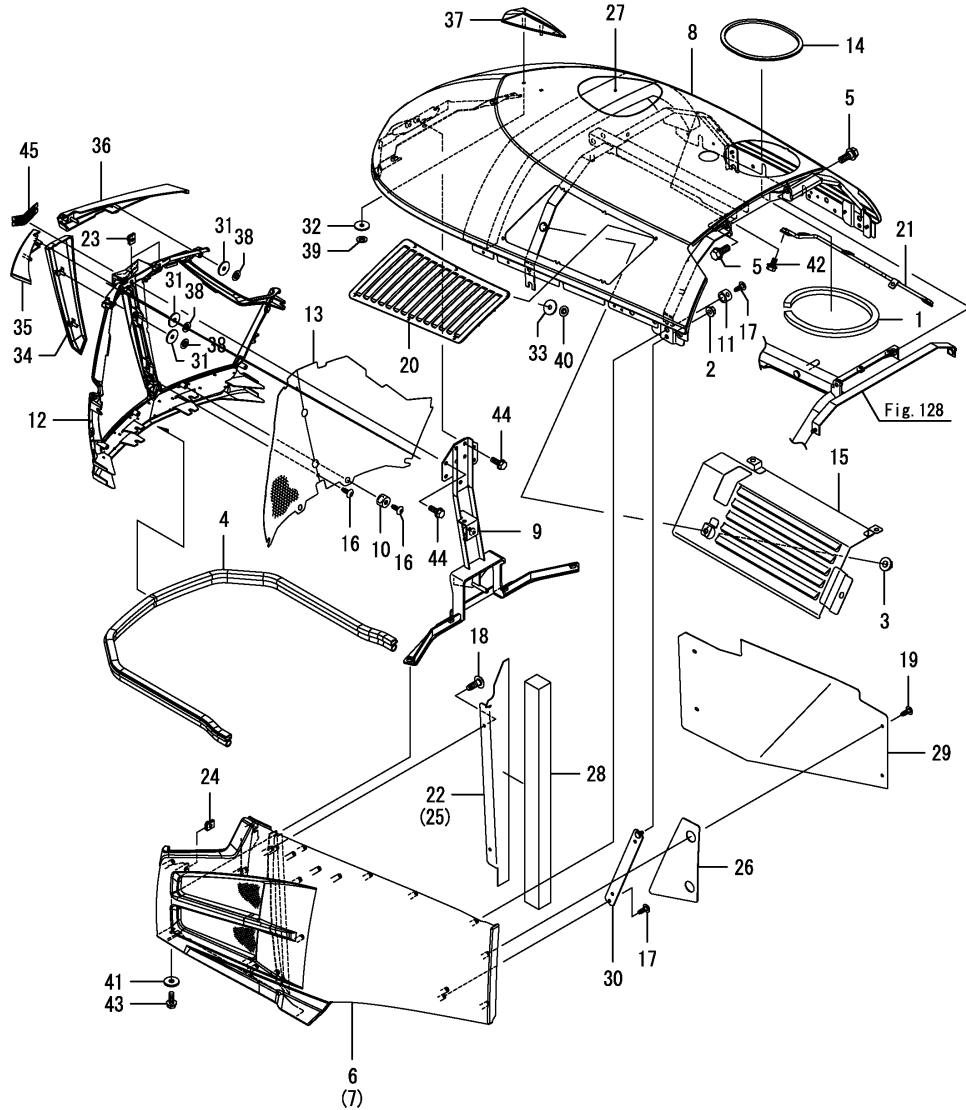
(A)=YT235Y
(B)=
(C)=

(D)=
(E)=
(F)=



No.	Lev.	Parts No.	Description	Q'ty						I	R
				(A)	(B)	(C)	(D)	(E)	(F)		
1	1	194990-22140	NUT, M8	3							
2	1	1A8420-60600	SUPPORT ASSY, HINGE	1							
3	1	1A8420-60800	FRAME ASSY, CONNECT	1							
4	1	26106-080162	BOLT, M8X 16 PLATED	4							
5	1	26106-080162	BOLT, M8X 16 PLATED	2							

Fig.129. BONNET



(A)=YT235Y

(B)=

(C)=

(D)=

(E)=

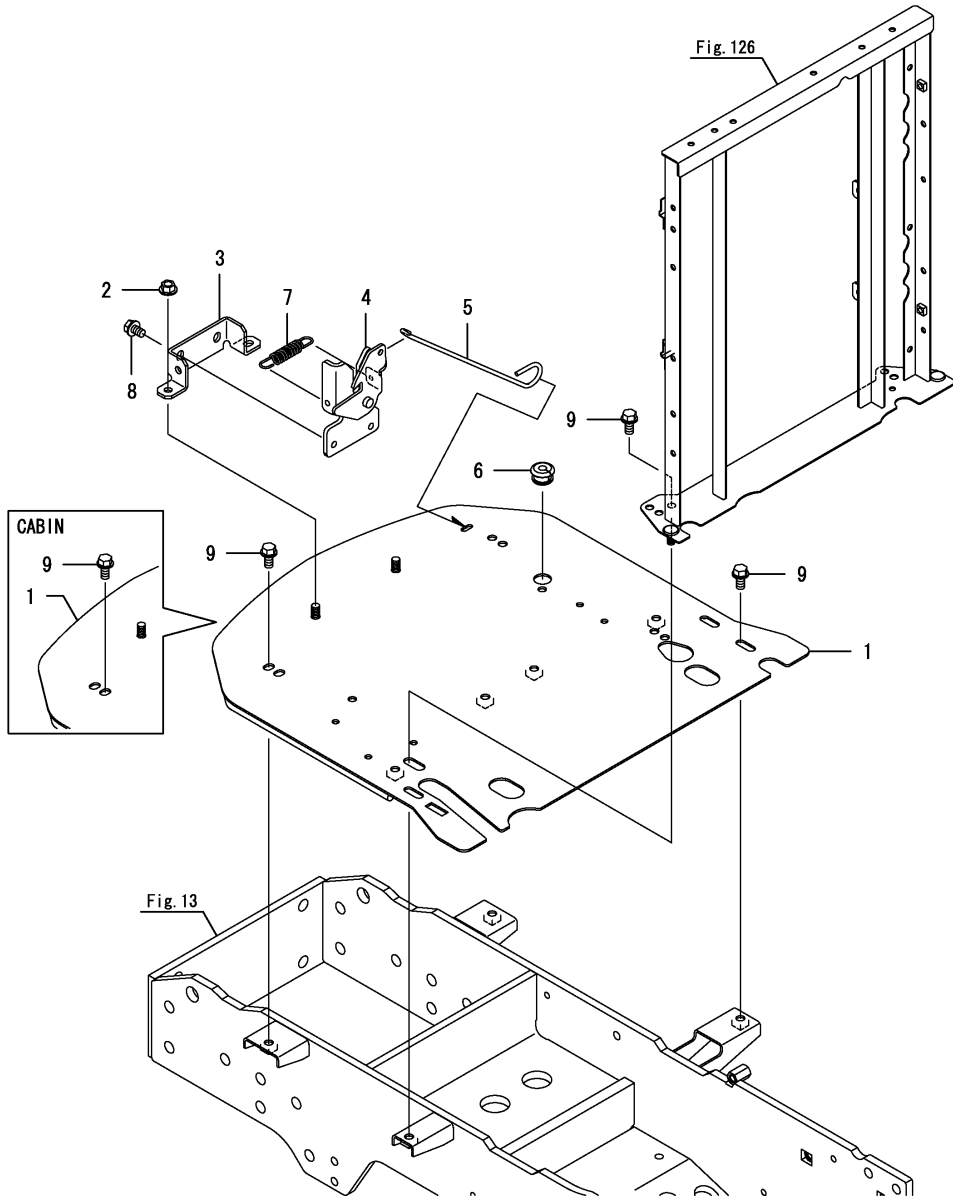
(F)=

No.	Lev.	Parts No.	Description	Q'ty						I	R
				(A)	(B)	(C)	(D)	(E)	(F)		
1	1	1A8070-04250	GASKET, DRIP PAN UPP	1							
2	1	194990-22130	NUT, M6	2							
3	1	194990-22140	NUT, M8	4							
4	1	1A7870-60750	WEATHER-STRIP, 1200	1							
5	1	1A8400-60960	BOLT, STEPPED M8	2							
6	1	1A8420-61010	BONNET ASSY, LOWER L	1							
7	1	1A8420-61020	BONNET ASSY, LOWER R	1							
8	1	1A8420-61100	BONNET ASSY, UPPER	1							
9	1	1A8400-61210	STAY ASSY, FRONT	1							
10	1	1A8070-61330	COLLAR, 10X15X10	4							
11	1	1A8070-61330	COLLAR, 10X15X10	10							
12	1	1A8420-61341	FRAME ASSY, GRILLE	1							
13	1	1A8400-61411	SCREEN, GRILLE	1							
14	1	1A8420-61450	GROMMET, TANK	1							
15	1	1A8420-61600	INSULATOR ASSY,UPPER	1							
16	1	1A7180-61780	SCREW, TAPPING M5X14	6							
17	1	1A7180-61780	SCREW, TAPPING M5X14	16							
18	1	1A7180-61780	SCREW, TAPPING M5X14	4							
19	1	1A7180-61780	SCREW, TAPPING M5X14	4							
20	1	1A8420-61820	DUCT, SIDE	1							
21	1	1A8420-61850	STAY, BONNET	1							
22	1	1A8420-61881	PLATE, SEAL L	1							
23	1	198071-61890	NUT, SPEED M6	2							
24	1	198071-61890	NUT, SPEED M6	2							
25	1	1A8420-61891	PLATE, SEAL R	1							
26	1	1A8420-61910	HEAT INSULATOR,LOWER	1							
27	1	1A8400-61920	URETHANE, HOOD UPPER	1							
28	1	1A8420-61930	URETHANE, HOOD LOWER	2							
29	1	1A8420-61941	INSULATOR, LOWER	1							
30	1	1A8400-61960	STAY ASSY, SIDE	2							
31	1	194555-65130	CUSHION	6							
32	1	194555-65130	CUSHION	2							
33	1	194555-65130	CUSHION	6							
34	1	1A8400-65150	BAR, Y	1							
35	1	1A8470-65160	BAR, YL	1							
36	1	1A8470-65170	BAR, YR	1							
37	1	1A8470-65590	MARK, TOP	1							
38	1	198071-65610	NUT, SPEED M5	6							
39	1	198071-65610	NUT, SPEED M5	2							
40	1	198071-65610	NUT, SPEED M5	6							
41	1	22157-060000	WASHER, 6	4							
42	1	26106-060102	BOLT, M6X 10 PLATED	2							
43	1	26106-060162	BOLT, M6X 16 PLATED	4							
44	1	26106-060162	BOLT, M6X 16 PLATED	4							
45	1	41801-110041	EMBLEM, FY S 04	1							

Fig.130. BATTERY SUPPORT

(A)=YT235Y
(B)=
(C)=

(D)=
(E)=
(F)=



No.	Lev.	Parts No.	Description	Qty						I	R
				(A)	(B)	(C)	(D)	(E)	(F)		
1	1	1A8420-01611	SUPPORT ASSY,BATTERY	1							
2	1	194990-22140	NUT, M8	2							
3	1	1A8420-60650	STAY, LOCK	1							
4	1	1A7601-61331	CATCH ASSY, LOCK	1							
5	1	1A8400-61450	ROD, BONNET LOCK	1							
6	1	198200-61490	GROMMET, 8	1							
7	1	1C7170-91300	SPRING, 11X51	1							
8	1	26106-080122	BOLT, M8X 12 PLATED	2							
9	1	26106-080162	BOLT, M8X 16 PLATED	4							

Fig.131. BONNET STAND

(A)=YT235Y
(B)=
(C)=

(D)=
(E)=
(F)=

No.	Lev.	Parts No.	Description	Q'ty						I	R
				(A)	(B)	(C)	(D)	(E)	(F)		
1	1	1A8470-61360	DAMPER, GAS 700	1							
2	1	22372-100000	PIN, SNAP 10	2							
3	1	22487-100350	PIN 10X 35	1							

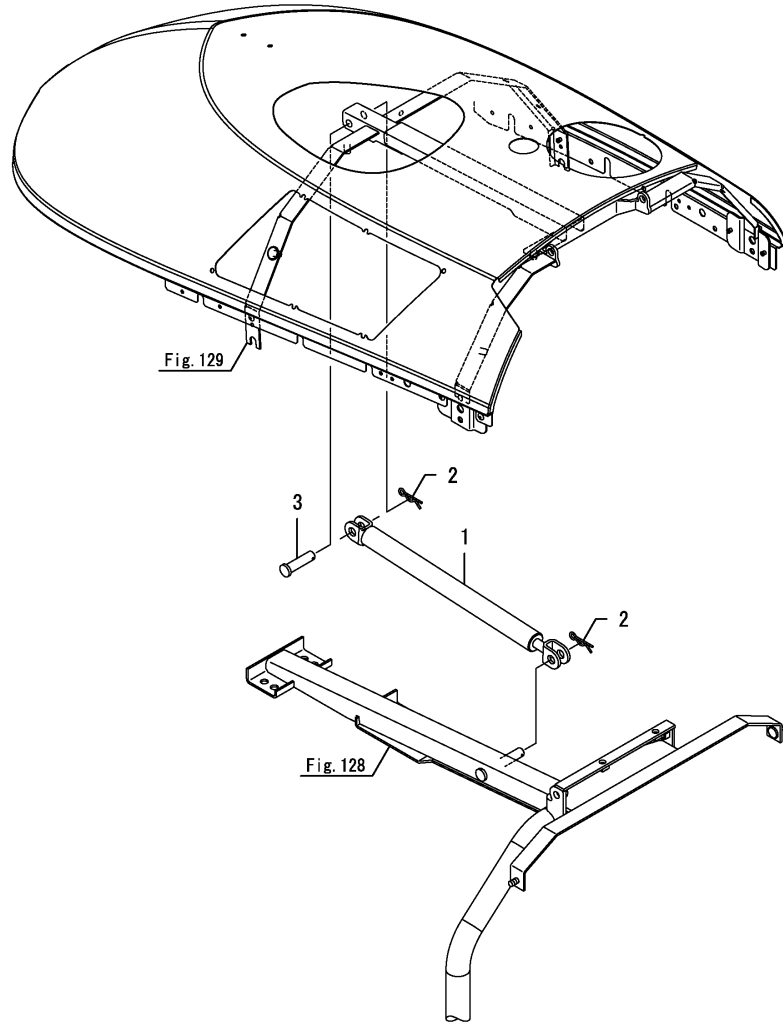


Fig.132. DUCT(BONNET)

(A)=YT235Y
(B)=
(C)=

(D)=
(E)=
(F)=

No.	Lev.	Parts No.	Description	Q'ty						I	R
				(A)	(B)	(C)	(D)	(E)	(F)		
1	1	194990-22130	NUT, M6	2							
2	1	1A8400-61460	DUCT, BONNET ROPS	1							
3	1	194640-62960	CAP, RUBBER 39X2	1							
4	1	26589-060162	SCREW, M6	2							

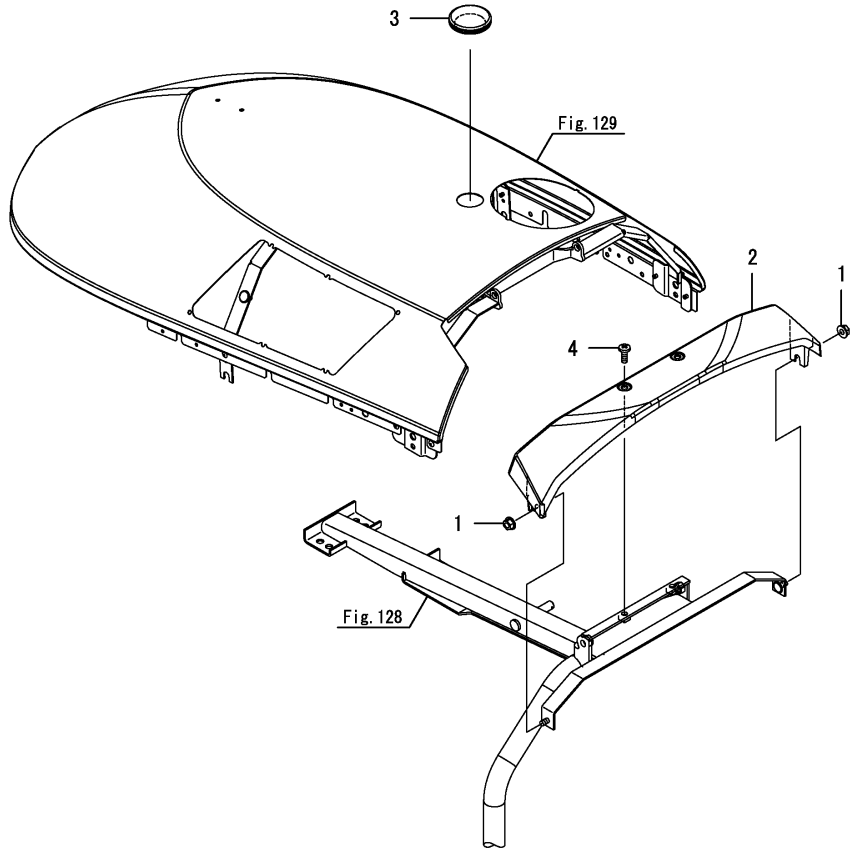


Fig.133. DUCT(BONNET)(CABIN)

(A)=YT235Y
(B)=
(C)=

(D)=
(E)=
(F)=

No.	Lev.	Parts No.	Description	Q'ty						I	R
				(A)	(B)	(C)	(D)	(E)	(F)		
1	1	194990-22130	NUT, M6	2							
2	1	1A8400-61460	DUCT, BONNET ROPS	1							
3	1	26589-060162	SCREW, M6	2							

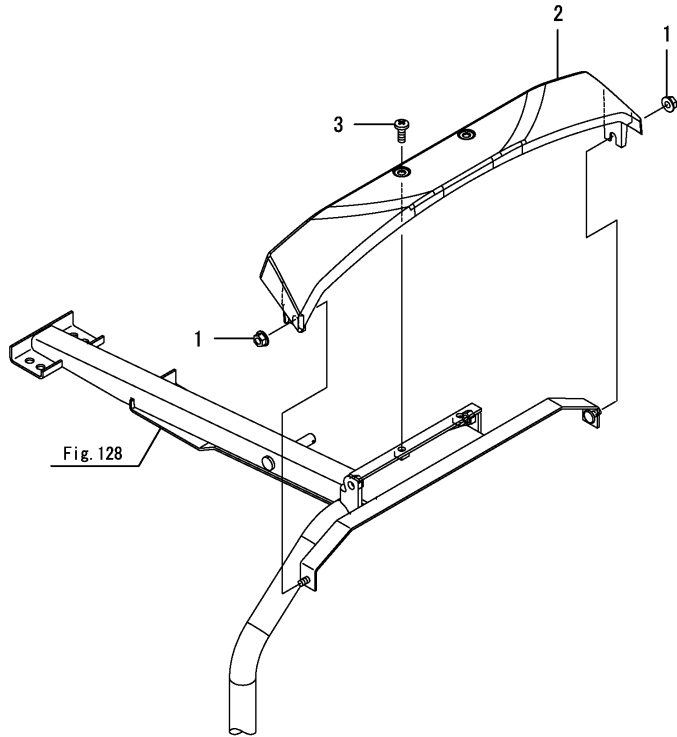


Fig.134. COVER(BONNET)

(A)=YT235Y
(B)=
(C)=

(D)=
(E)=
(F)=

No.	Lev.	Parts No.	Description	Q'ty						I	R
				(A)	(B)	(C)	(D)	(E)	(F)		
1	1	1A8425-61460	COVER, BONNET ROPS	1							
2	1	26589-060162	SCREW, M6	3							

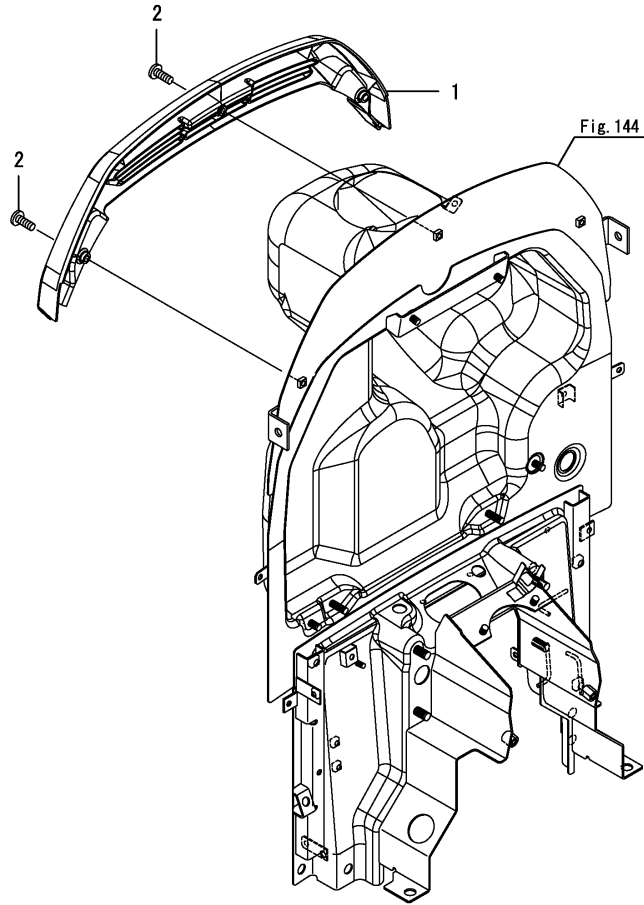
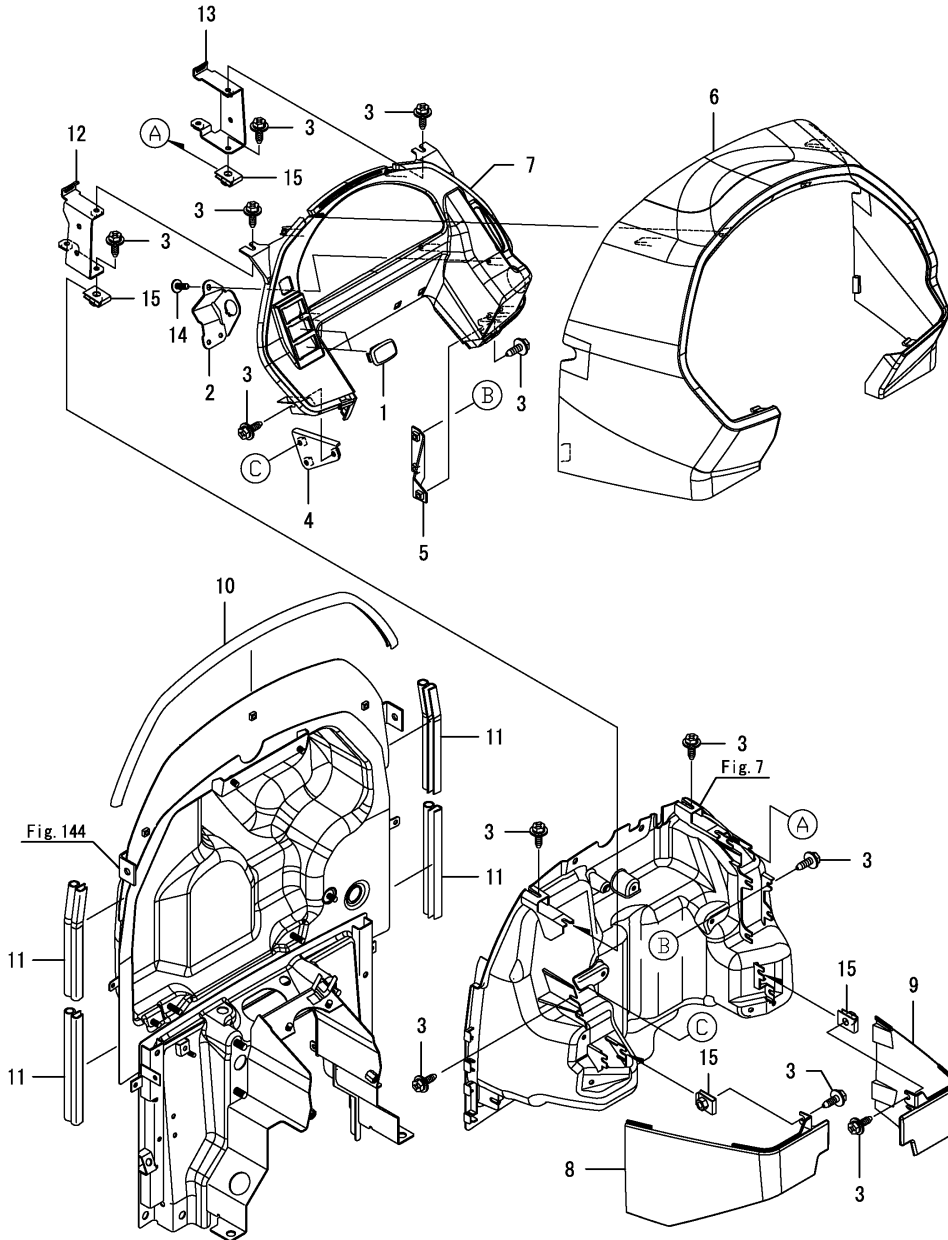


Fig.135. DASHBOARD

(A)=YT235Y
(B)=
(C)=

(D)=
(E)=
(F)=

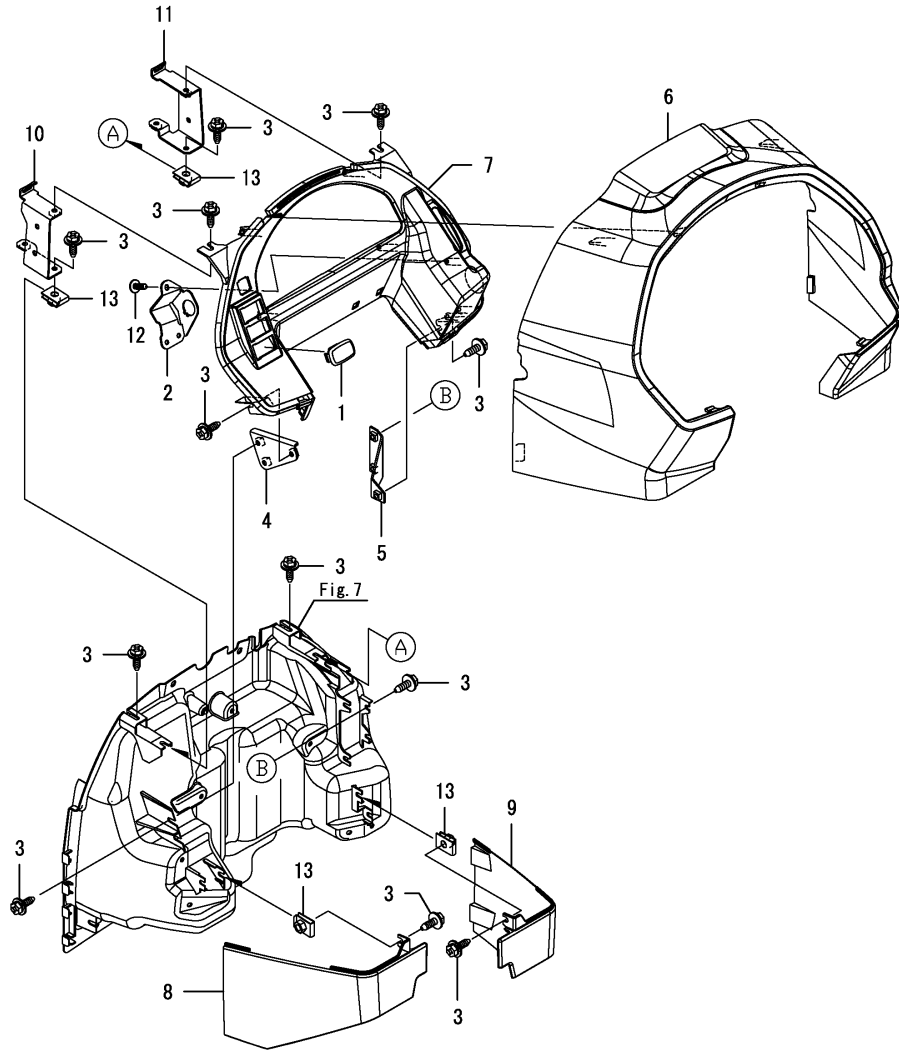


No.	Lev.	Parts No.	Description	Q'ty						I	R
				(A)	(B)	(C)	(D)	(E)	(F)		
1	1	1A7805-52420	COVER, SWITCH	2							
2	1	1A8400-58911	BRACKET, SWITCH	1							
3	1	198072-60590	BOLT, M6X20	14							
4	1	1A8405-61450	STAY ASSY, DASH L	1							
5	1	1A8405-61470	STAY ASSY, DASH R	1							
6	1	1A8400-61500	DASHBOARD, UPPER	1							
7	1	1A8400-61510	DASHBOARD, LOWER	1							
8	1	1A8405-61530	COVER, PEDAL L	1							
9	1	1A8405-61540	COVER, PEDAL R	1							
10	1	1A8425-61550	TRIM, DS	1							
11	1	1A7340-61560	WEATHER-STRIP, 180	4							
12	1	1A8405-61570	EXTENSION ASSY, L	1							
13	1	1A8405-61580	EXTENSION ASSY, R	1							
14	1	194940-61790	SCREW, TAPPING M5X16	3							
15	1	198071-61890	NUT, SPEED M6	4							

Fig.136. DASHBOARD(CABIN)

(A)=YT235Y
(B)=
(C)=

(D)=
(E)=
(F)=

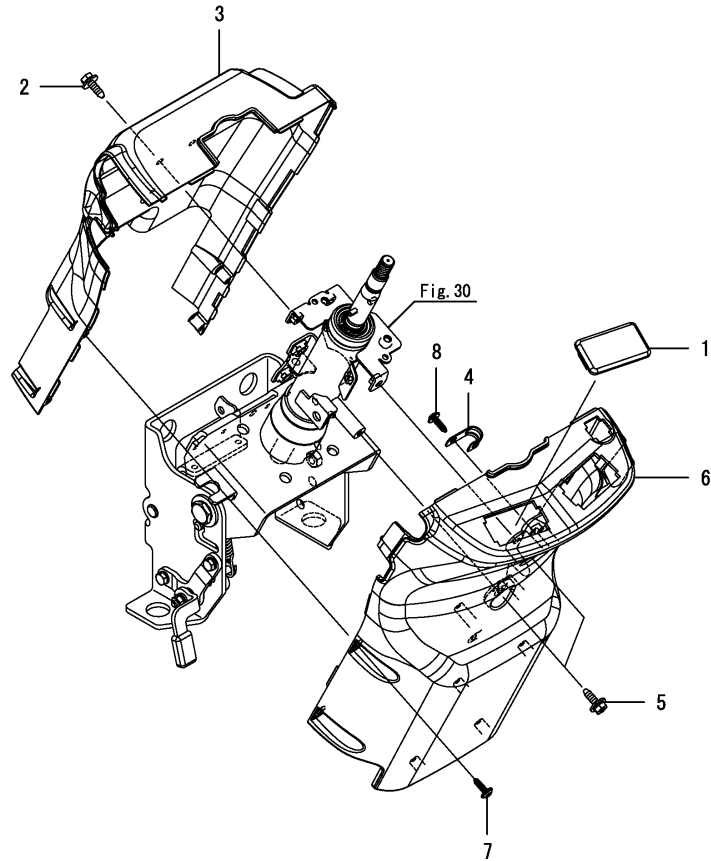


No.	Lev.	Parts No.	Description	Qty						I	R
				(A)	(B)	(C)	(D)	(E)	(F)		
1	1	1A7805-52420	COVER, SWITCH	1							
2	1	1A8400-58911	BRACKET, SWITCH	1							
3	1	198072-60590	BOLT, M6X20	14							
4	1	1A8405-61450	STAY ASSY, DASH L	1							
5	1	1A8405-61470	STAY ASSY, DASH R	1							
6	1	1A8425-61500	DASHBOARD, UPPER	1							
7	1	1A8400-61510	DASHBOARD, LOWER	1							
8	1	1A8405-61530	COVER, PEDAL L	1							
9	1	1A8405-61540	COVER, PEDAL R	1							
10	1	1A8405-61570	EXTENSION ASSY, L	1							
11	1	1A8405-61580	EXTENSION ASSY, R	1							
12	1	194940-61790	SCREW, TAPPING M5X16	3							
13	1	198071-61890	NUT, SPEED M6	4							

Fig.137. COLUMN COVER

(A)=YT235Y
(B)=
(C)=

(D)=
(E)=
(F)=



No.	Lev.	Parts No.	Description	Q'ty						I	R
				(A)	(B)	(C)	(D)	(E)	(F)		
1	1	1A8405-61700	CAP,COLUMN COVER A	1							
2	1	198072-60590	BOLT, M6X20	2							
3	1	1A8060-61662	COVER, COLUMN F	1							
4	1	194440-51630	CLAMP, HARNESS C	1							
5	1	198072-60590	BOLT, M6X20	2							
6	1	1A8060-61671	COVER, COLUMN R	1							
7	1	194940-61790	SCREW, TAPPING M5X16	4							
8	1	194940-61790	SCREW, TAPPING M5X16	1							

Fig.138. CURRENT PLATE

(A)=YT235Y
(B)=
(C)=

(D)=
(E)=
(F)=

No.	Lev.	Parts No.	Description	Q'ty						I	R
				(A)	(B)	(C)	(D)	(E)	(F)		
1	1	1A8420-11310	BRACKET ASSY,HINGE A	1							
2	1	194990-22130	NUT, M6	1							
3	1	1A8420-61900	PLATE ASSY, CURRENT	1							
4	1	26106-060162	BOLT, M6X 16 PLATED	2							
5	1	26106-080162	BOLT, M8X 16 PLATED	3							
6	1	26487-060163	BOLT, M6X16	1							

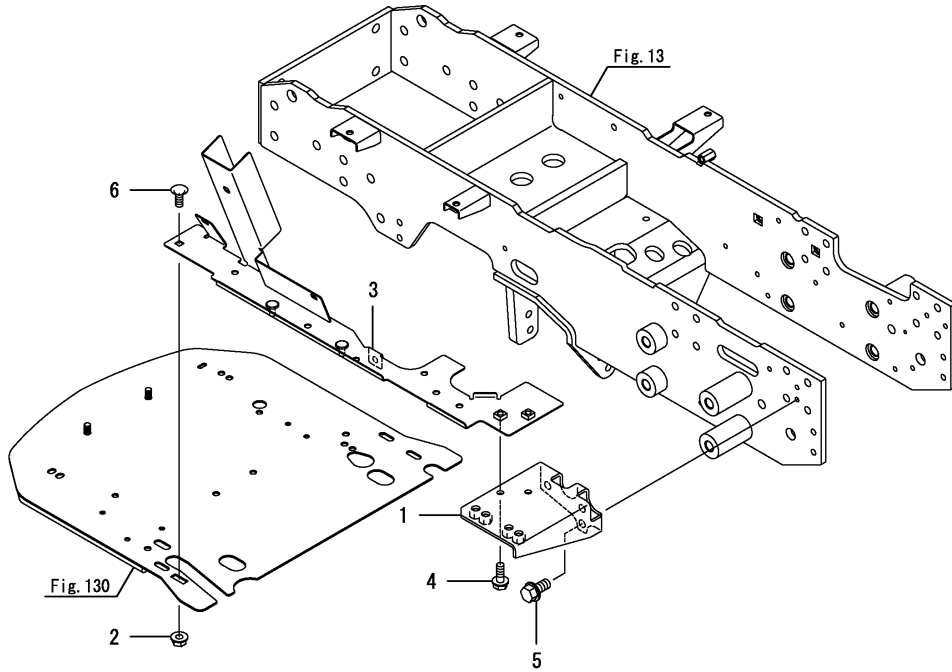


Fig.139. INTERIORS

(A)=YT235Y

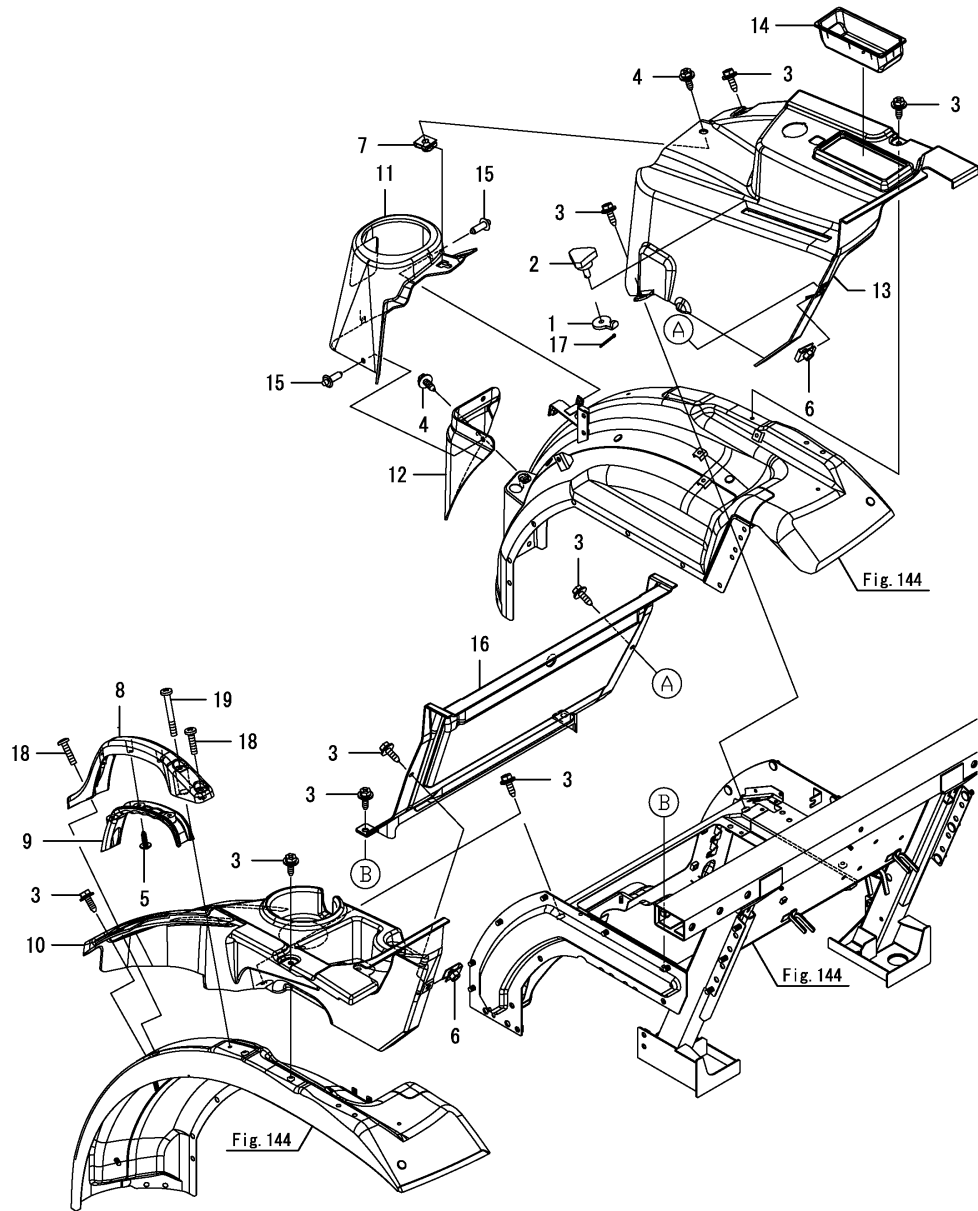
(B)=

(C)=

(D)=

(E)=

(F)=



No.	Lev.	Parts No.	Description	Q'ty						I	R
				(A)	(B)	(C)	(D)	(E)	(F)		
1	1	198121-47111	STOPPER, LEVER	1							
2	1	194130-47851	BOLT, M6X15	1							
3	1	198072-60590	BOLT, M6X20	10							
4	1	198072-60590	BOLT, M6X20	2							
5	1	194940-61790	SCREW, TAPPING M5X16	3							
6	1	198071-61890	NUT, SPEED M6	2							
7	1	198071-61890	NUT, SPEED M6	1							
8	1	1A8470-62280	GRIP, ASIST	1							
9	1	1A8470-62290	COVER, GRIP	1							
10	1	1A8405-63500	GUIDE, LEVER L	1							
11	1	1A8405-63550	COVER,LOADER LEVER A	1							
12	1	1A8405-63560	COVER,LOADER LEVER B	1							
13	1	1A8405-63600	GUIDE, LEVER R	1							
14	1	1A8405-63670	COVER,LEVER GUIDE	1							
15	1	1A8111-84220	RIVET, PUSH	4							
16	1	1A8425-84500	COVER, SEAT BACK	1							
17	1	22417-200200	PIN, COTTER 2.0X20	1							
18	1	26589-060252	SCREW, M6X	2							
19	1	26589-060502	SCREW, M6X50	1							

Fig.140. INTERIORS(CABIN)

(A)=YT235Y

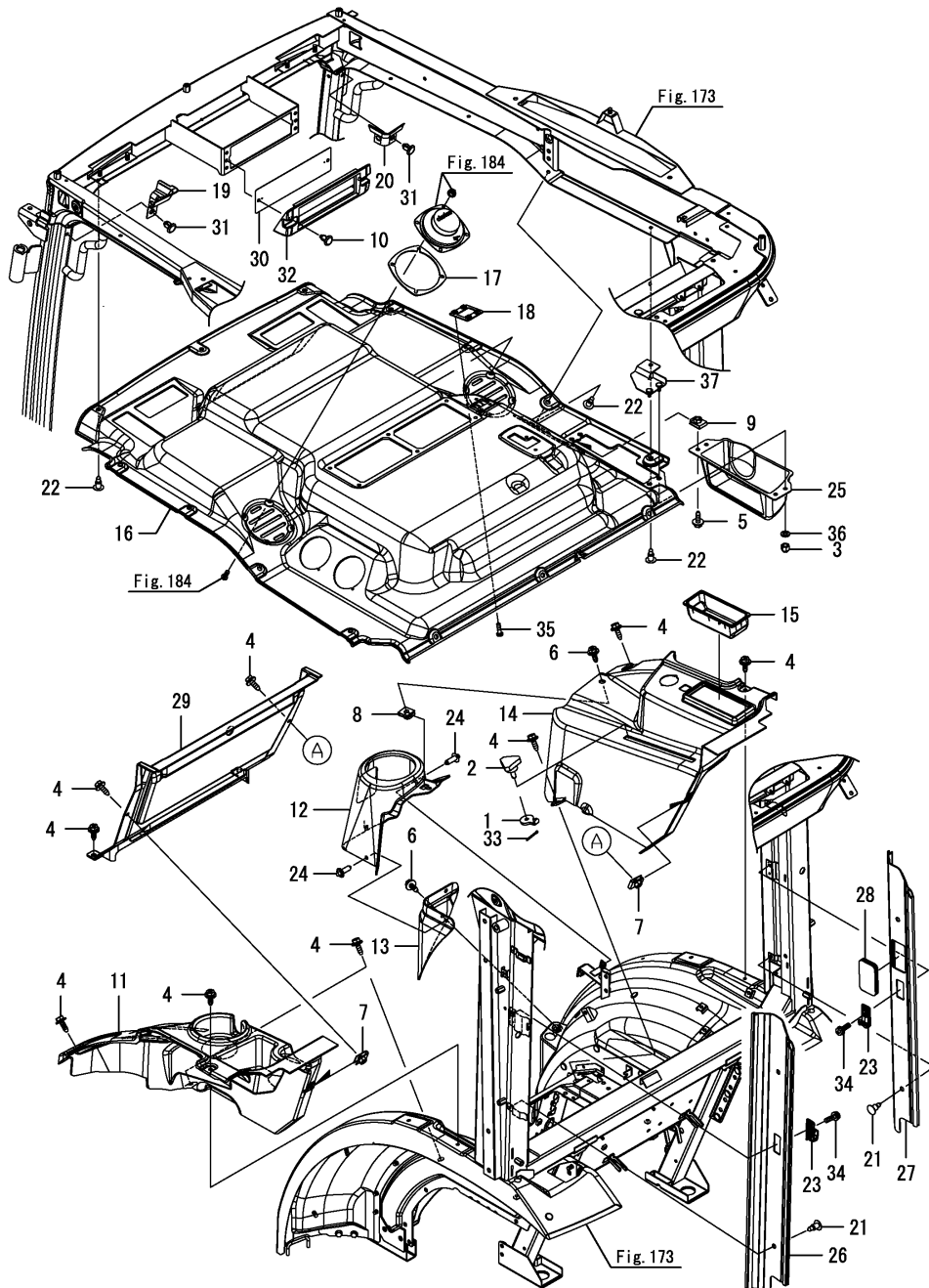
(B)=

(C)=

(D)=

(E)=

(F)=

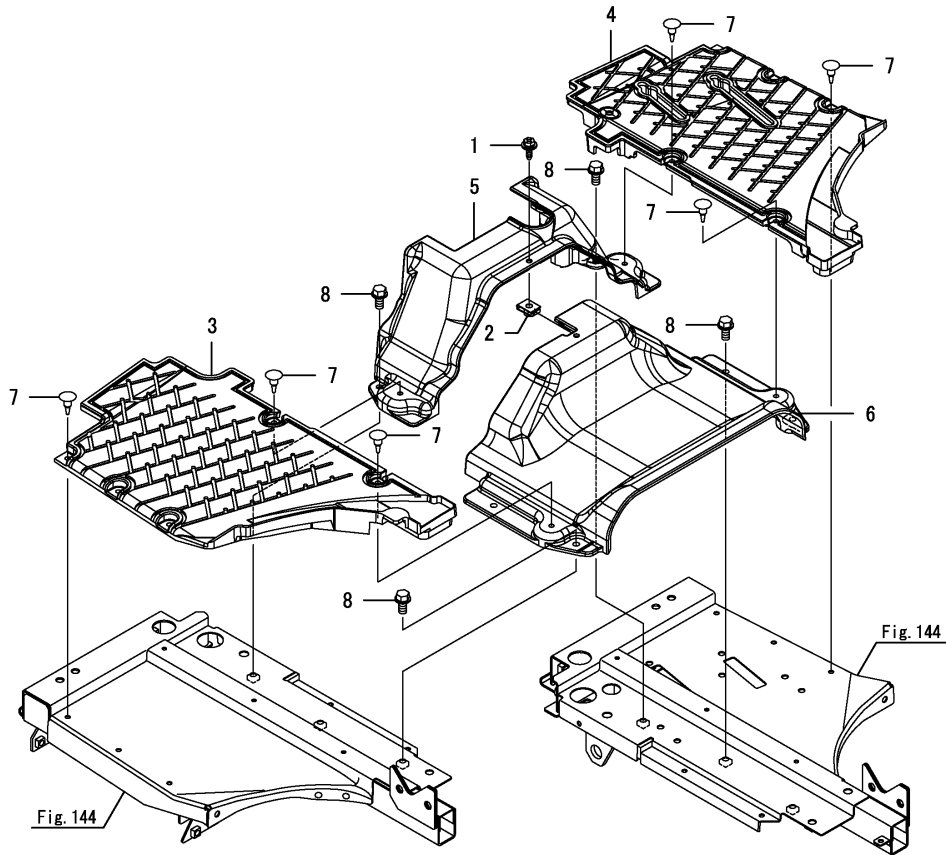


No.	Lev.	Parts No.	Description	Qty						I	R
				(A)	(B)	(C)	(D)	(E)	(F)		
1	1	198121-47111	STOPPER, LEVER	1							
2	1	194130-47851	BOLT, M6X15	1							
3	1	1A7030-53560	NUT, CAP M6	2							
4	1	198072-60590	BOLT, M6X20	10							
5	1	198072-60590	BOLT, M6X20	2							
6	1	198072-60590	BOLT, M6X20	2							
7	1	198071-61890	NUT, SPEED M6	2							
8	1	198071-61890	NUT, SPEED M6	1							
9	1	198071-61890	NUT, SPEED M6	2							
10	1	1A7450-62320	RIVET, NYLON	2							
11	1	1A8425-63500	GUIDE, LEVER L	1							
12	1	1A8405-63550	COVER,LOADER LEVER A	1							
13	1	1A8405-63560	COVER,LOADER LEVER B	1							
14	1	1A8425-63600	GUIDE, LEVER R	1							
15	1	1A8405-63670	COVER,LEVER GUIDE	1							
16	1	1A8425-84100	ROOF ASSY, INNER	1							
17	1	1A8420-84120	SPACER, SPEAKER	2							
18	1	1A8420-84150	PLATE ASSY, LEVER	1							
19	1	1A8420-84170	COVER,ROOF CORNER L	1							
20	1	1A8420-84180	COVER,ROOF CORNER R	1							
21	1	1A8110-84210	RIVET	4							
22	1	1A8110-84210	RIVET	14							
23	1	1A8420-84210	HOOK, PILLAR	2							
24	1	1A8111-84220	RIVET, PUSH	4							
25	1	1A8420-84252	COVER, A/C CONTROL	1							
26	1	1A8425-84300	COVER, REAR PILLAR L	1							
27	1	1A8425-84310	COVER, REAR PILLAR R	1							
28	1	1A8420-84330	CAP, FUSE	1							
29	1	1A8425-84500	COVER, SEAT BACK	1							
30	1	1A8420-84610	PLATE, RADIO	1							
31	1	197810-84840	RIVET, NYLON	4							
32	1	1A8420-86850	COVER,RADIO-CASSETTE	1							
33	1	22417-200200	PIN, COTTER 2.0X20	1							
34	1	26023-060202	SCREW, M6X20	2							
35	1	26559-050162	SCREW, M5X16	2							
36	1	1A8060-54260	WASHER, 6 BLACK	2							
37	1	1A8420-84220	BRACKET ASSY, COVER	1							

Fig.141. FLOOR COVER

(A)=YT235Y
(B)=
(C)=

(D)=
(E)=
(F)=



No.	Lev.	Parts No.	Description	Q'ty						I	R
				(A)	(B)	(C)	(D)	(E)	(F)		
1	1	198072-60590	BOLT, M6X20	1							
2	1	198071-61890	NUT, SPEED M6	1							
3	1	1A8400-62300	MAT, FLOOR L								
4	1	1A8405-62310	MAT, FLOOR R	1							
5	1	1A8400-62341	COVER, FLOOR FRONT	1							
6	1	1A8400-62350	COVER, FLOOR	1							
7	1	194697-62560	CLIP, HOLE CAP	10							
8	1	26106-080162	BOLT, M8X 16 PLATED	6							

Fig.142. OVER FENDER

(A)=YT235Y
(B)=
(C)=

(D)=
(E)=
(F)=

No.	Lev.	Parts No.	Description	Q'ty						I	R
				(A)	(B)	(C)	(D)	(E)	(F)		
1	1	194990-22140	NUT, M8	10							
2	1	1A8420-62250	OVER FENDER, L	1							
3	1	1A8420-62260	OVER FENDER, R	1							

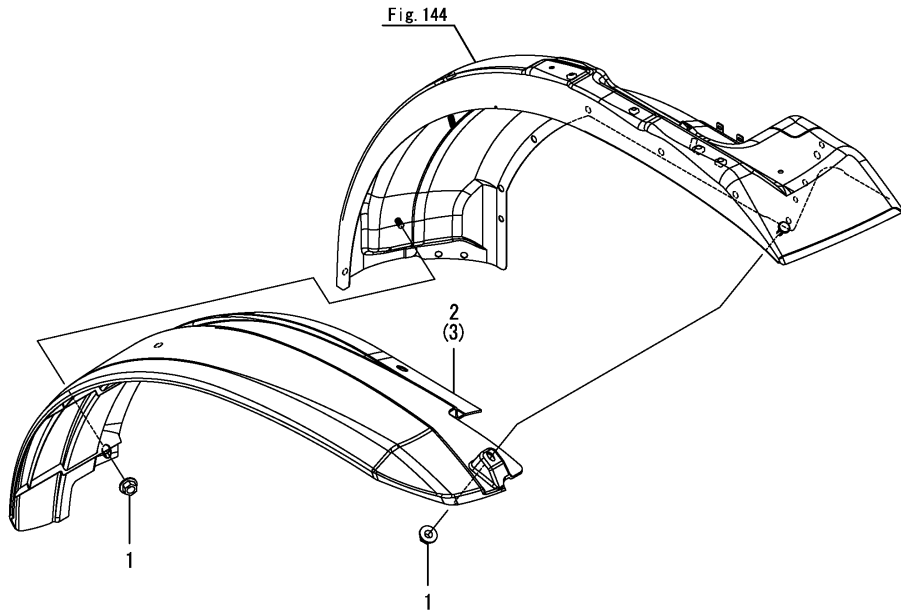


Fig.143. SUB STEP

(A)=YT235Y
(B)=
(C)=

(D)=
(E)=
(F)=

No.	Lev.	Parts No.	Description	Q'ty						I	R
				(A)	(B)	(C)	(D)	(E)	(F)		
1	1	198200-62560	STEP, SUB	1							
2	1	26106-080162	BOLT, M8X 16 PLATED	4							

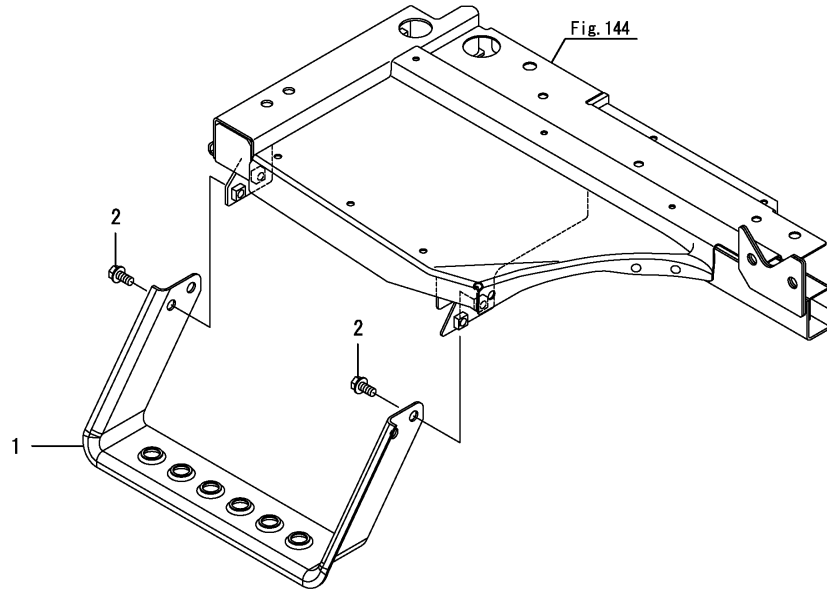
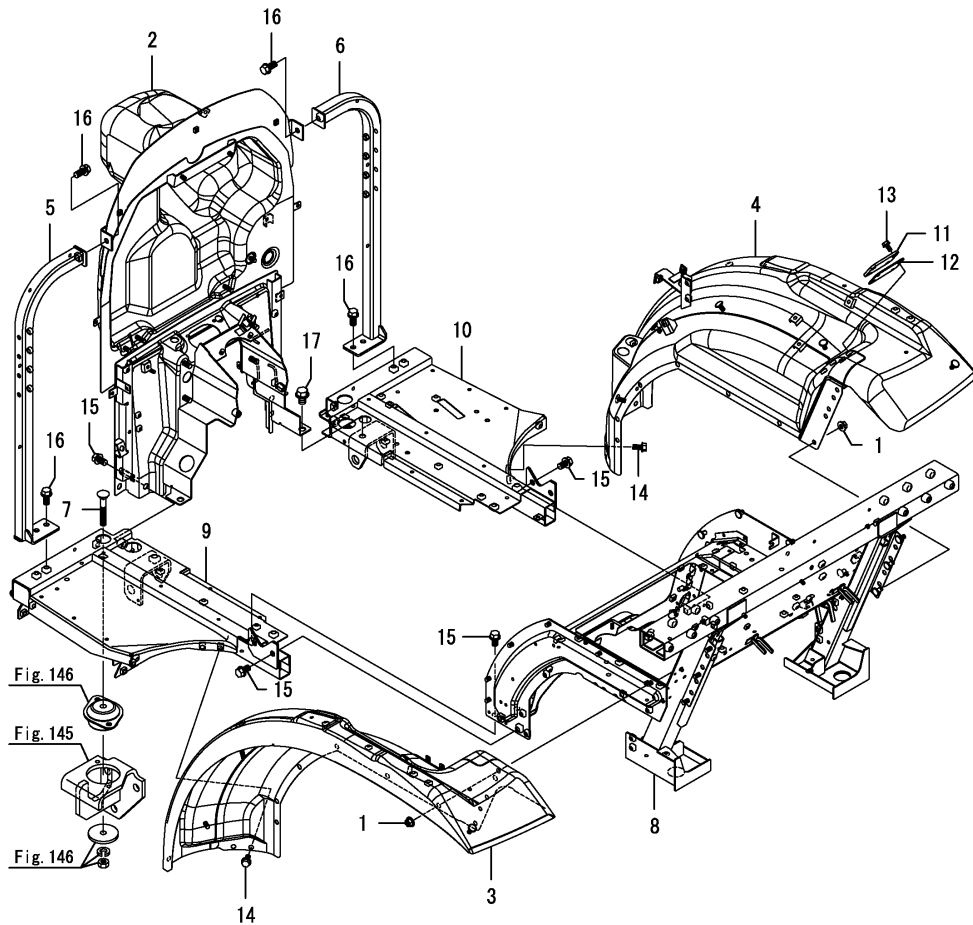


Fig.144. FLOOR

(A)=YT235Y
(B)=
(C)=

(D)=
(E)=
(F)=

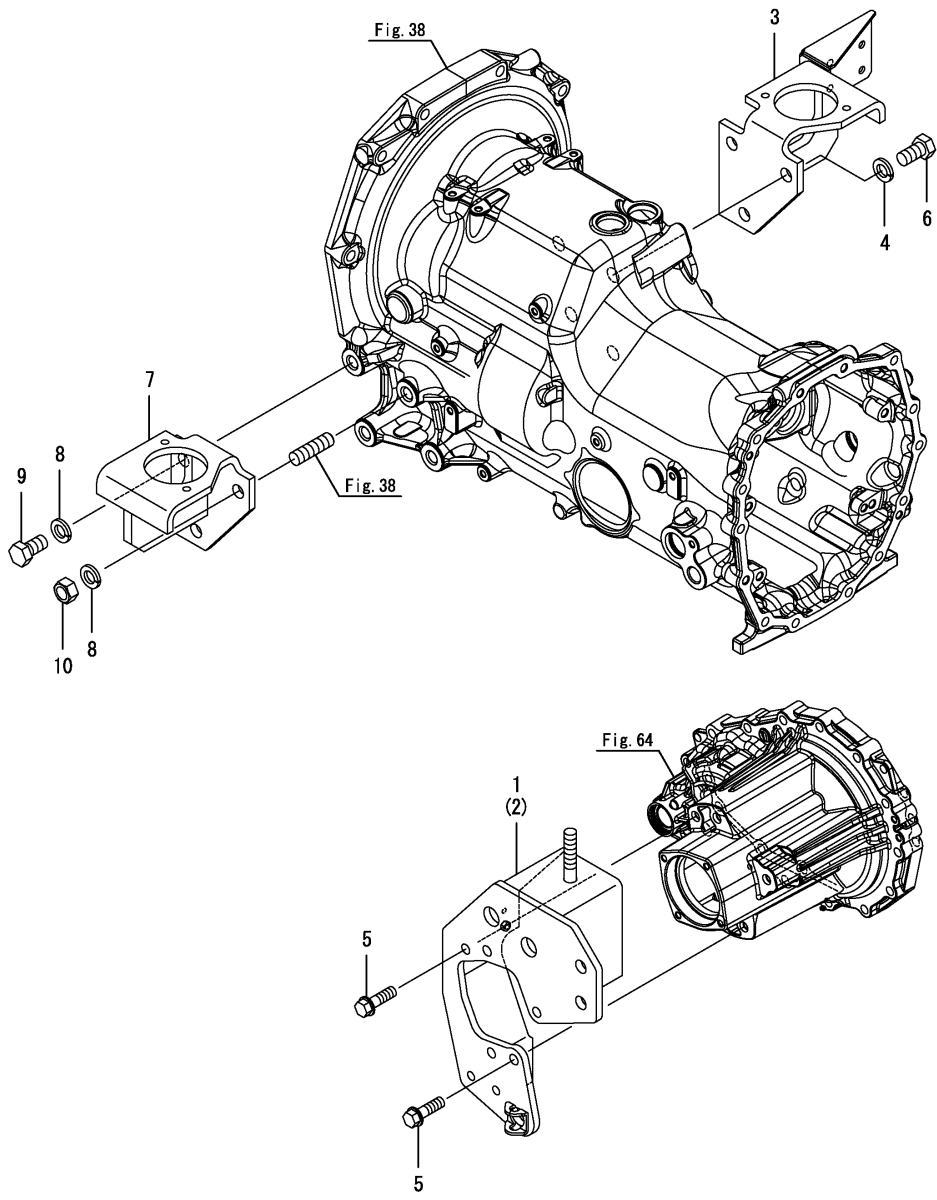


No.	Lev.	Parts No.	Description	Qty						I	R
				(A)	(B)	(C)	(D)	(E)	(F)		
1	1	194990-22140	NUT, M8	18							
2	1	1A8405-62000	PLATE ASSY, AIRCUT	1							
3	1	1A8400-62100	FENDER ASSY, L	1							
4	1	1A8405-62110	FENDER ASSY, R	1							
5	1	1A8405-62200	PIPE ASSY, FOOT GU. L	1							
6	1	1A8405-62210	PIPE ASSY, FOOT GU. R	1							
7	1	1A8070-62240	BOLT, M12X80	2							
8	1	1A8405-62500	FLOOR ASSY	1							
9	1	1A8400-62600	PLATE ASSY, FLOOR L	1							
10	1	1A8405-62610	PLATE ASSY, FLOOR R	1							
11	1	1A8420-84442	PLATE	1							
12	1	1A8420-84451	SEAL, PLATE	1							
13	1	26106-060122	BOLT, M6X 12 PLATED	4							
14	1	26106-080162	BOLT, M8X 16 PLATED	6							
15	1	26106-100162	BOLT, M10X 16 PLATED	12							
16	1	26106-100202	BOLT, M10X 20 PLATED	6							
17	1	26106-120162	BOLT, M12X 16 PLATED	2							

Fig.145. FLOOR MOUNT(1)

(A)=YT235Y
(B)=
(C)=

(D)=
(E)=
(F)=



No.	Lev.	Parts No.	Description	Q'ty						I	R
				(A)	(B)	(C)	(D)	(E)	(F)		
1	1	1A8425-62630	MOUNT ASSY, REAR L	1							
2	1	1A8425-62641	MOUNT ASSY, REAR R	1							
3	1	1A8401-62860	MOUNT ASSY, FRONT R	1							
4	1	22217-160000	WASHER, SPRING 16	3							
5	1	26106-120402	BOLT, M12X 40 PLATED	10							
6	1	26116-160302	BOLT, M16X 30 PLATED	3							
7	1	1A8400-62850	MOUNT ASSY, FRONT L	1							
8	1	22217-160000	WASHER, SPRING 16	3							
9	1	26116-160302	BOLT, M16X 30 PLATED	2							
10	1	26716-160002	NUT, M16	1							

Fig.146. FLOOR MOUNT(2)

(A)=YT235Y
(B)=
(C)=

(D)=
(E)=
(F)=

No.	Lev.	Parts No.	Description	Qty						I	R
				(A)	(B)	(C)	(D)	(E)	(F)		
1	1	198071-62900	STOPPER, MOUNT	2							
2	1	198200-62910	STOPPER, U	2							
3	1	198208-62970	RUBBER, 34X60X2	2							
4	1	1A8070-62980	STOPPER	2							
5	1	1A8400-62980	MOUNT,UPPER	2							
6	1	1A8070-62990	MOUNT	2							
7	1	1A8400-62990	MOUNT,LOWER	2							
8	1	22217-120000	WASHER, SPRING 12	2							
9	1	22217-140000	WASHER, SPRING 14	2							
10	1	26106-100162	BOLT, M10X 16 PLATED	4							
11	1	26716-120002	NUT, M12	2							
12	1	26716-140002	NUT, M14	2							

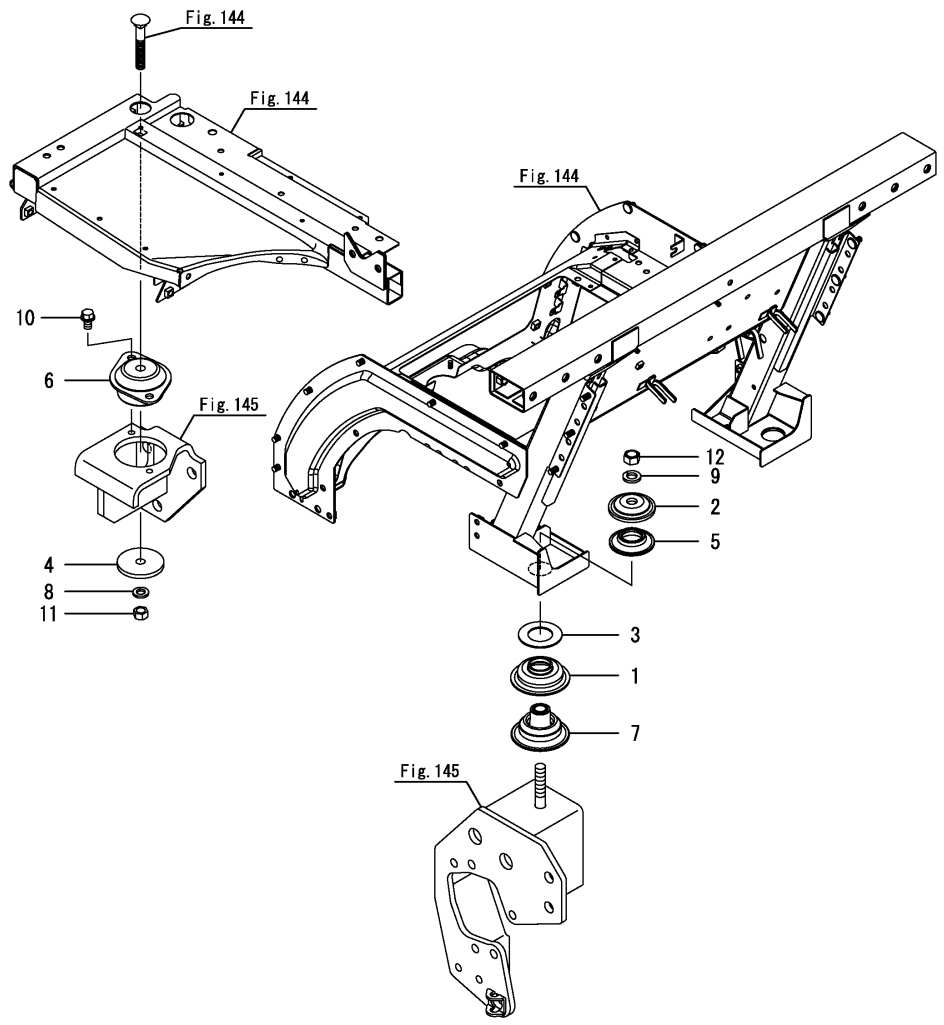
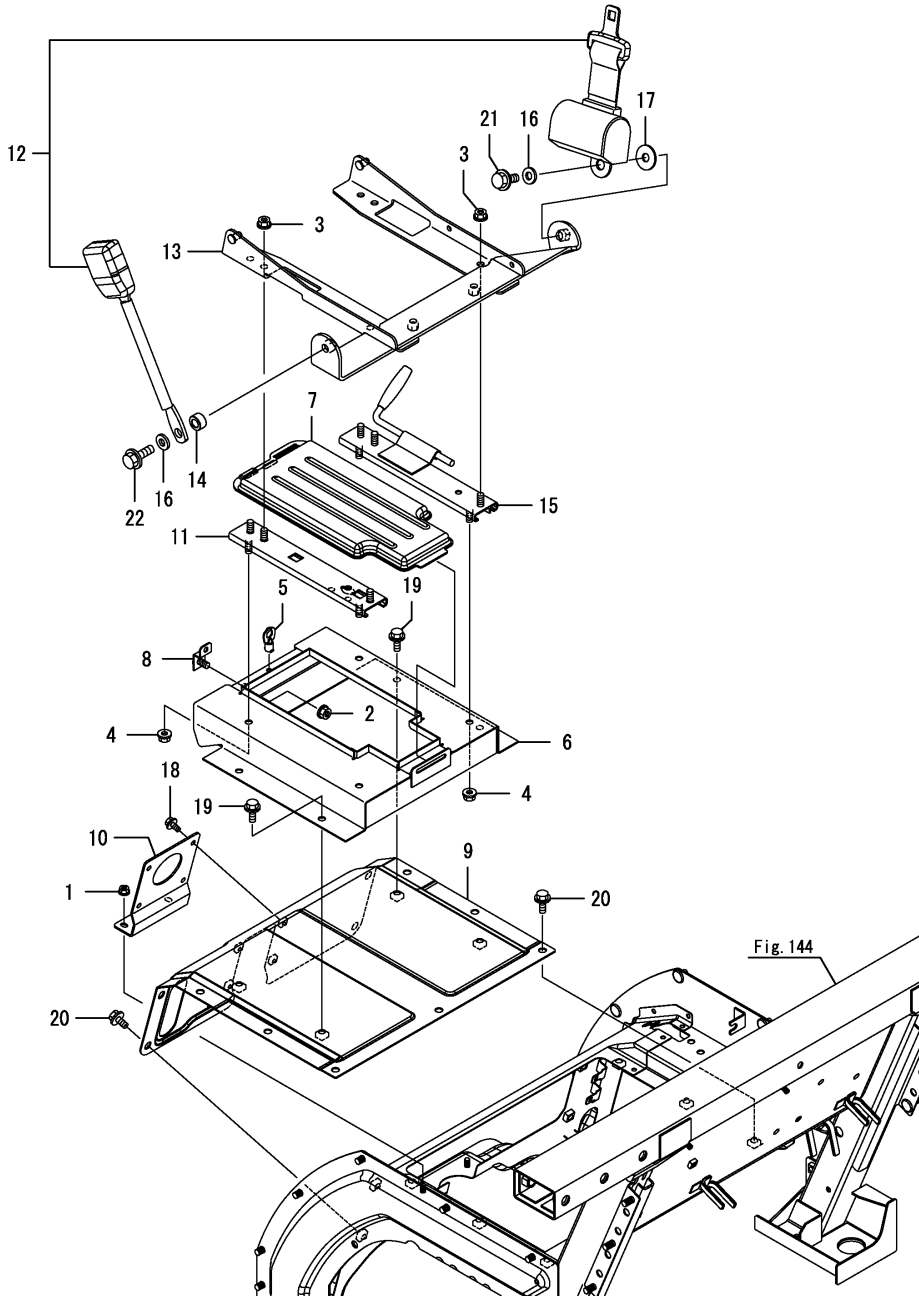


Fig.147. SEAT(1)

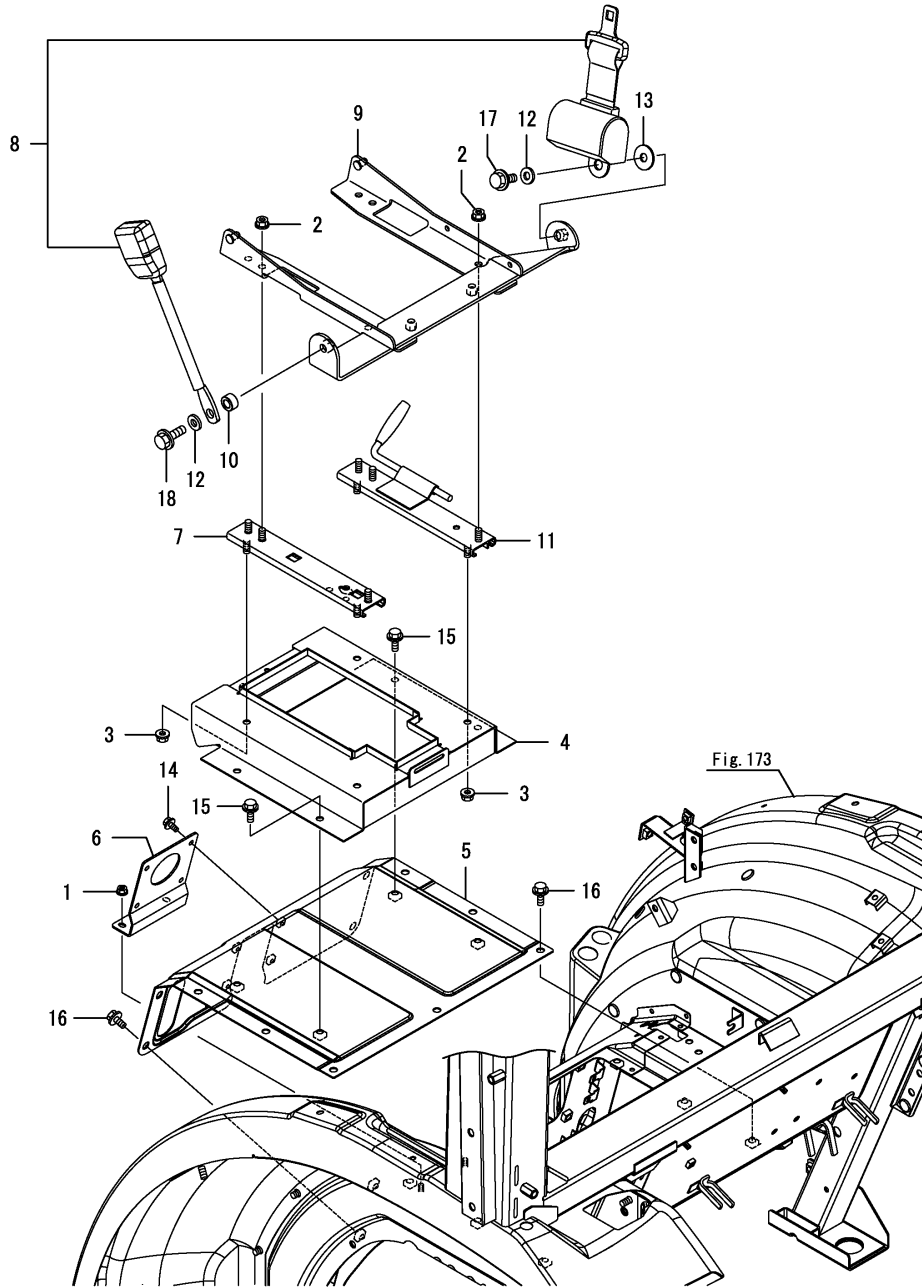


(A)=YT235Y
(B)=
(C)=

(D)=
(E)=
(F)=

No.	Lev.	Parts No.	Description	Qty						I	R
				(A)	(B)	(C)	(D)	(E)	(F)		
1	1	194990-22130	NUT, M6	2							
2	1	194990-22140	NUT, M8	1							
3	1	194990-22140	NUT, M8	6							
4	1	194990-22140	NUT, M8	4							
5	1	198220-61351	LOCK ASSY, CAM	1							
6	1	1A8405-62811	BOX, TOOL	1							
7	1	1A8405-62870	LID, TOOL	1							
8	1	1A8405-62880	BRACKET ASSY,KEY	1							
9	1	1A8405-62910	COVER, SEAT	1							
10	1	1A8400-62950	COVER, SEAT B	1							
11	1	198220-63150-1	ADJUSTER, SEAT L	1							
12	1	1A8160-63401	SEATBELT ASSY	1							
13	1	1A8405-63400	STAY ASSY, SEAT	1							
14	1	1A8160-63440	COLLAR, SEAT BELT	1							
15	1	198165-63960-1	ADJUSTER, SEAT R	1							
16	1	22137-100000	WASHER, 10	2							
17	1	22157-100000	WASHER, 10	1							
18	1	26106-060122	BOLT, M6X 12 PLATED	4							
19	1	26106-080162	BOLT, M8X 16 PLATED	4							
20	1	26106-080162	BOLT, M8X 16 PLATED	11							
21	1	26106-100202	BOLT, M10X 20 PLATED	1							
22	1	26106-100302	BOLT, M10X 30 PLATED	1							

Fig.148. SEAT(1)(CABIN)



(A)=YT235Y
(B)=
(C)=

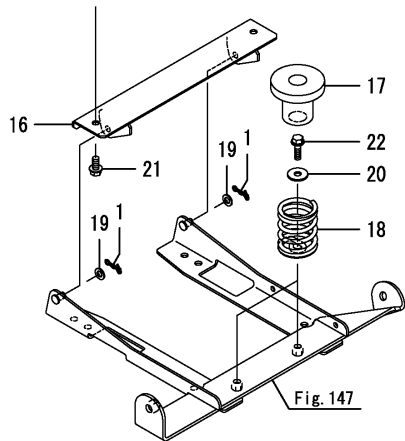
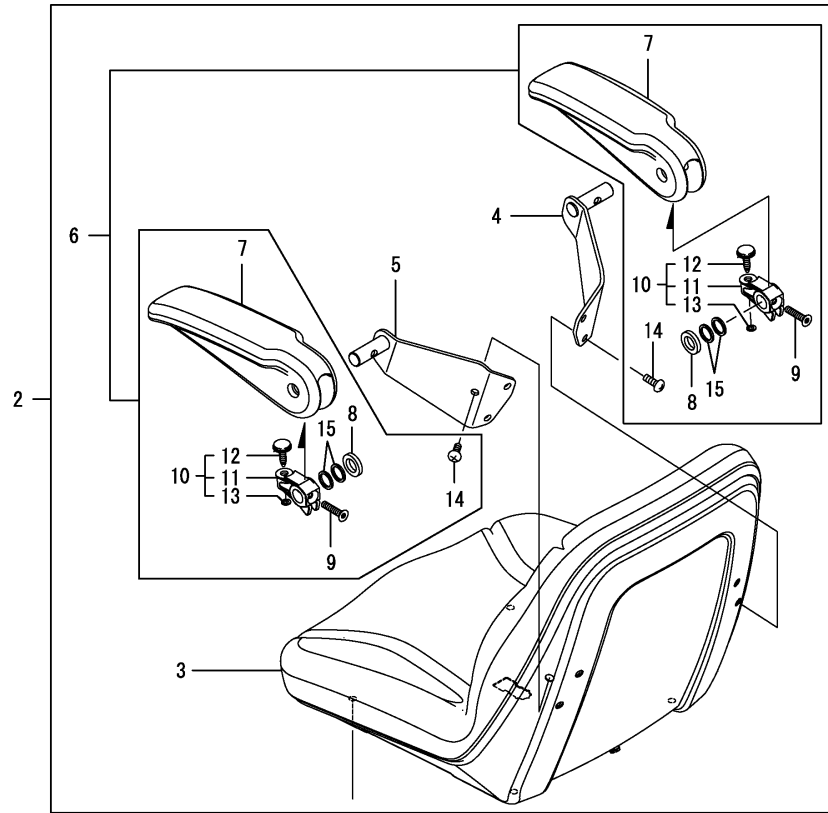
(D)=
(E)=
(F)=

No.	Lev.	Parts No.	Description	Q'ty						I	R
				(A)	(B)	(C)	(D)	(E)	(F)		
1	1	194990-22130	NUT, M6	2							
2	1	194990-22140	NUT, M8	6							
3	1	194990-22140	NUT, M8	4							
4	1	1A8405-62811	BOX, TOOL	1							
5	1	1A8405-62910	COVER, SEAT	1							
6	1	1A8400-62950	COVER, SEAT B	1							
7	1	198220-63150-1	ADJUSTER, SEAT L	1							
8	1	1A8160-63401	SEATBELT ASSY	1							
9	1	1A8405-63400	STAY ASSY, SEAT	1							
10	1	1A8160-63440	COLLAR, SEAT BELT	1							
11	1	198165-63960-1	ADJUSTER, SEAT R	1							
12	1	22137-100000	WASHER, 10	2							
13	1	22157-100000	WASHER, 10	1							
14	1	26106-060122	BOLT, M6X 12 PLATED	4							
15	1	26106-080162	BOLT, M8X 16 PLATED	4							
16	1	26106-080162	BOLT, M8X 16 PLATED	11							
17	1	26106-100202	BOLT, M10X 20 PLATED	1							
18	1	26106-100302	BOLT, M10X 30 PLATED	1							

Fig.149. SEAT(2)

(A)=YT235Y
(B)=
(C)=

(D)=
(E)=
(F)=



No.	Lev.	Parts No.	Description	Q'ty						I	R
				(A)	(B)	(C)	(D)	(E)	(F)		
1	1	1C6281-52320	PIN, SNAP 8	2							
2	1	1A8300-63000	SEAT ASSY, OPERATOR	1							
3	2	1A8300-63010	SEAT ASSY, OPERATOR	1							
4	2	1A8300-63500	BRACKET ASSY, R	1							
5	2	1A8300-63550	BRACKET ASSY, L	1							
6	2	1A8300-63600	REPLACE KIT, ARMREST	1							
7	3	1A8300-63620	ARMREST	2							
8	3	1A8300-63660	SPACER, B	2							
9	3	1A8300-63670	SCREW, 5/16-18UNC	2							
10	3	1A8300-63680	STOP ASSY, ARMREST	2							
11	4	1A8300-63690	STOP, ARMREST	2							
12	4	1A8300-63700	KNOB, ADJUSTING	2							
13	4	1A8300-63710	RING, RETAINING	2							
14	3	1A8300-63720	SCREW, 5/16-18	6							
15	3	1A8300-63730	SPACER, B	4							
16	1	1A8405-63100	HINGE ASSY, SEAT	1							
17	1	1A8330-63220	STOPPER, SEAT	2							
18	1	1A8330-63230	SPRING, CUSHION	2							
19	1	22117-080000	WASHER, 8	2							
20	1	22157-080000	WASHER, 8	2							
21	1	26106-080162	BOLT, M8X 16 PLATED	2							
22	1	26106-080252	BOLT, M8X 25 PLATED	2							

Fig.150. FENDER LOWER COVER

(A)=YT235Y
(B)=
(C)=

(D)=
(E)=
(F)=

No.	Lev.	Parts No.	Description	Q'ty						I	R
				(A)	(B)	(C)	(D)	(E)	(F)		
1	1	1A8400-62180	COVER, FENDER LOWER	2							
2	1	26106-080162	BOLT, M8X 16 PLATED	12							

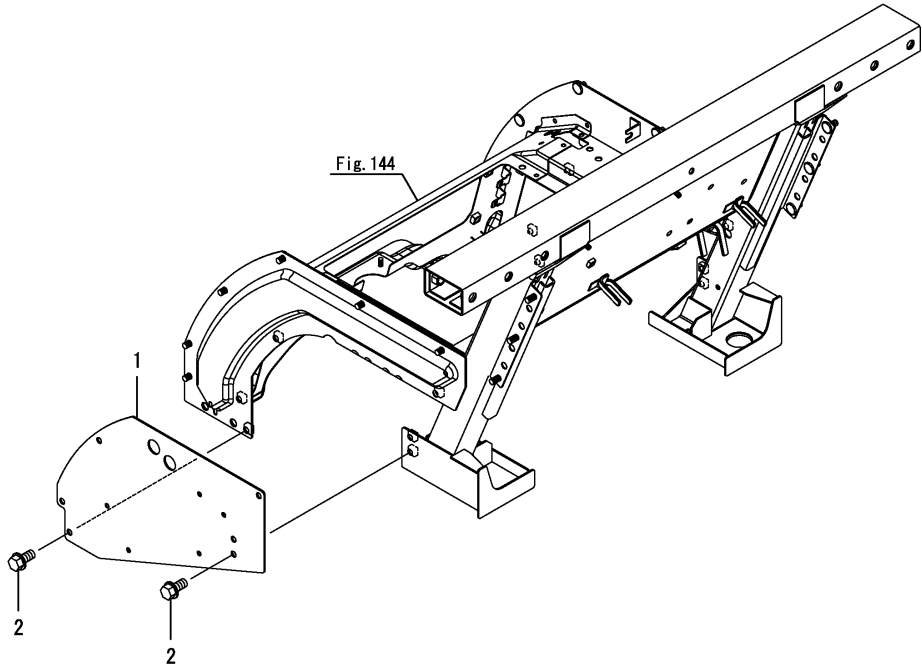
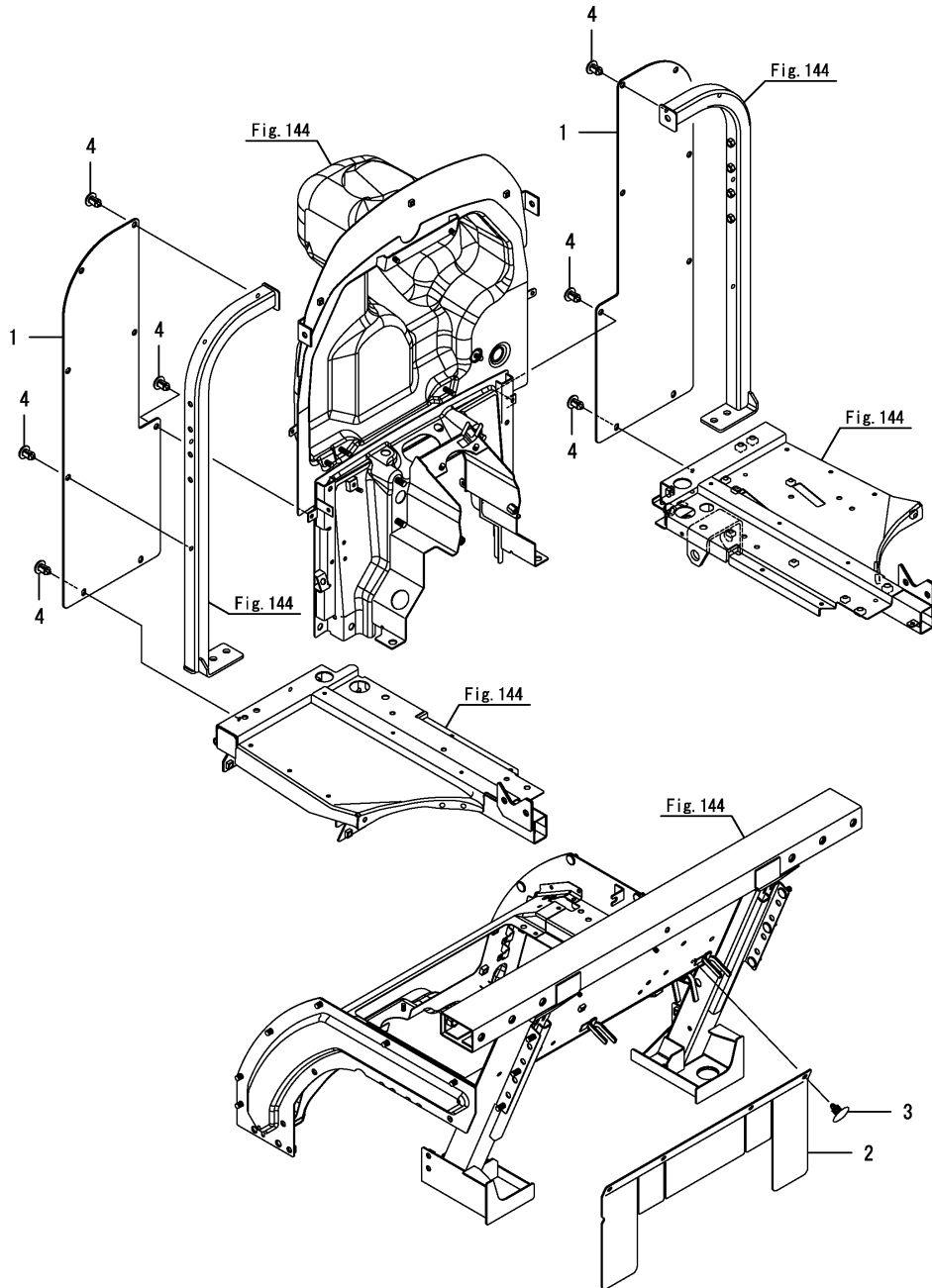


Fig.151. FLOOR GUARD

(A)=YT235Y
(B)=
(C)=

(D)=
(E)=
(F)=



No.	Lev.	Parts No.	Description	Qty						I	R
				(A)	(B)	(C)	(D)	(E)	(F)		
1	1	1A8405-62330	GUARD, FOOT	2							
2	1	1A8400-64300	RUBBER,	1							
3	1	1E6760-74150	CAP, HOLE 8	4							
4	1	197810-84840	RIVET, NYLON	16							

Fig.153. EMBLEM(S.M.V.)

(A)=YT235Y
(B)=
(C)=

(D)=
(E)=
(F)=

No.	Lev.	Parts No.	Description	Q'ty						I	R
				(A)	(B)	(C)	(D)	(E)	(F)		
1	1	194990-22130	NUT, M6	2							
2	1	194990-22140	NUT, M8	2							
3	1	1A8160-65800	EMBLEM, SMV	1							
4	1	1A7882-85620	STAY, SMV	1							
5	1	1A7882-85630	HOLDER, SMV	1							
6	1	26106-060202	BOLT, M6X 20 PLATED	2							
7	1	26487-080163	BOLT, M8X16	2							

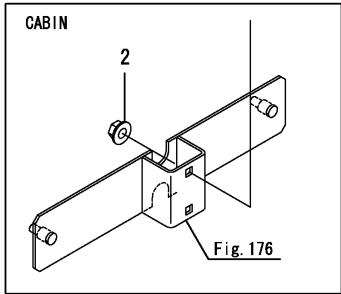
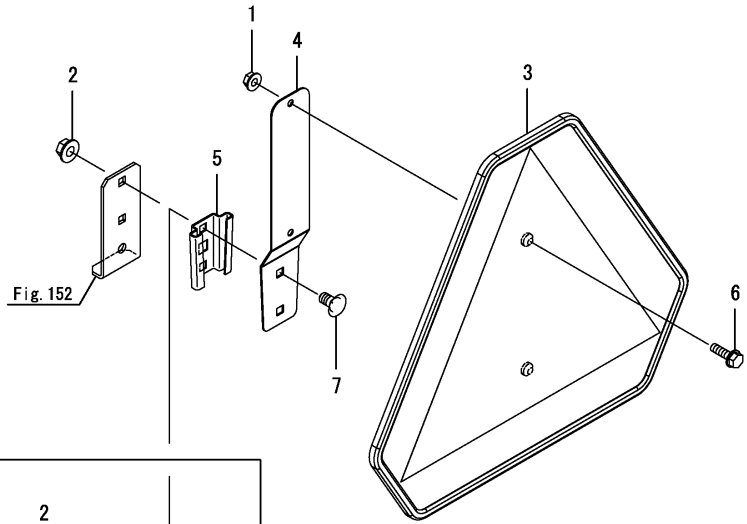


Fig.154. LABEL(1)

(A)=YT235Y
(B)=
(C)=

(D)=
(E)=
(F)=

No.	Lev.	Parts No.	Description	Q'ty						I	R
				(A)	(B)	(C)	(D)	(E)	(F)		
1	1	1A8405-65050	LABEL, MODEL YT235	2							

1
YT235

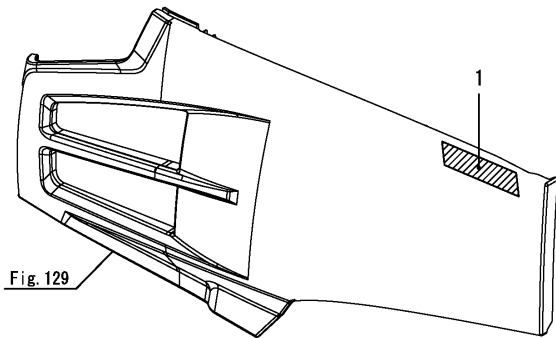


Fig. 129

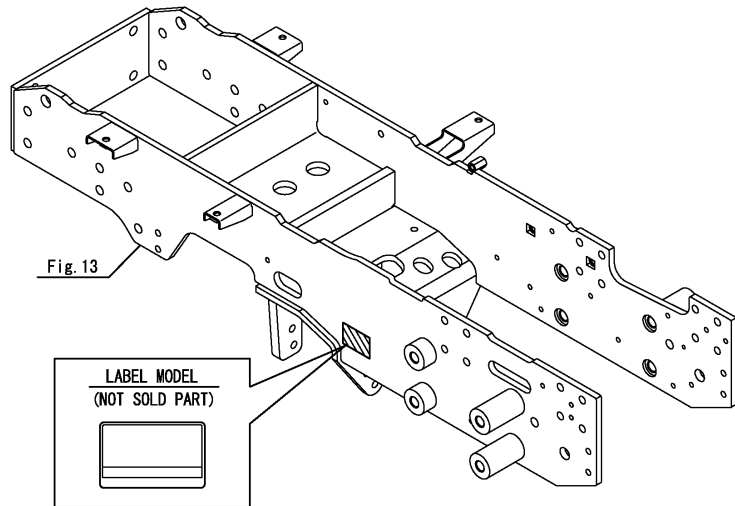


Fig. 13

LABEL MODEL
(NOT SOLD PART)

Fig.155. LABEL(2)

(A)=YT235Y
(B)=
(C)=

(D)=
(E)=
(F)=

No.	Lev.	Parts No.	Description	Q'ty						I	R
				(A)	(B)	(C)	(D)	(E)	(F)		
1	1	1A8475-65010	MARK, YANMAR	2							
2	1	1A8250-65650	LABEL, FUEL OIL	1							

1
YANMAR

2
EPA REGULATION
USE ULTRA LOW
SULFUR FUEL ONLY

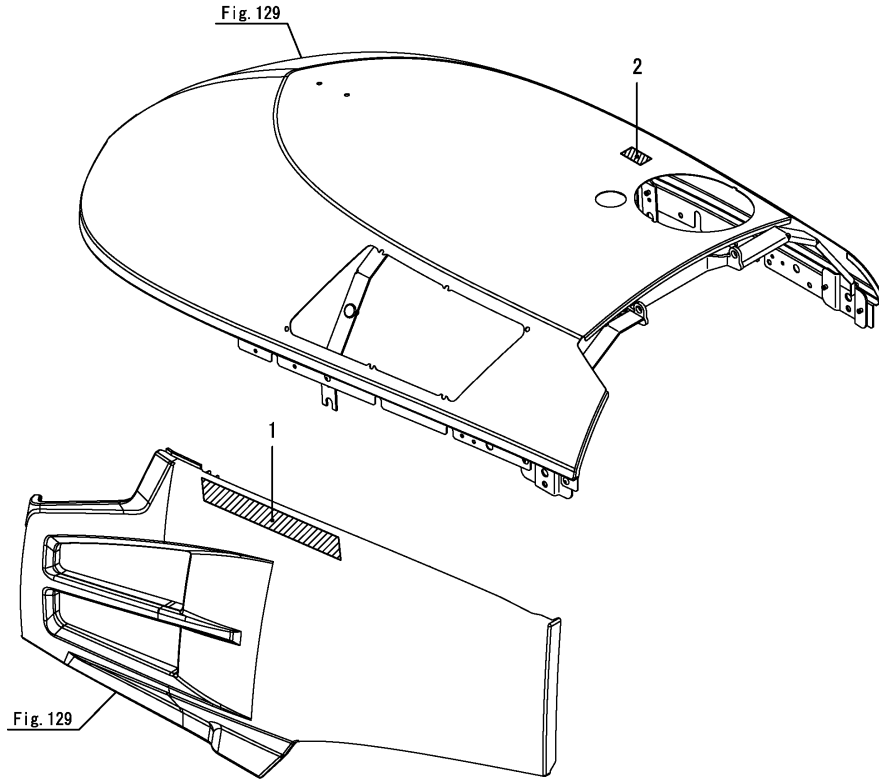
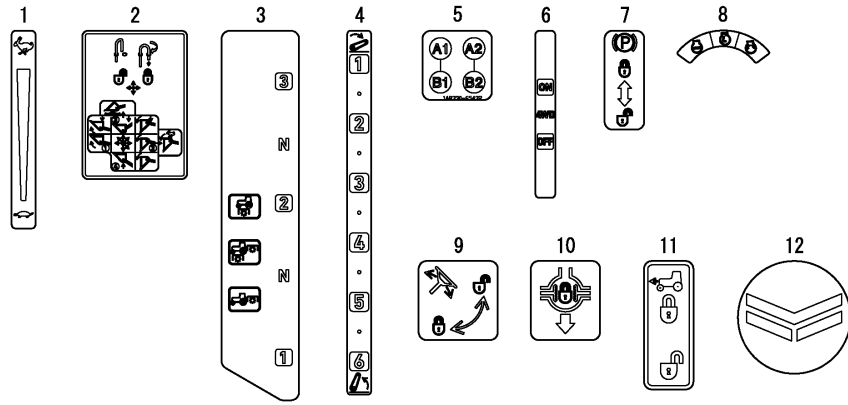


Fig.156. LABEL(3)



(A)=YT235Y
(B)=
(C)=

(D)=
(E)=
(F)=

No.	Lev.	Parts No.	Description	Qty						I	R
				(A)	(B)	(C)	(D)	(E)	(F)		
1	1	1A8475-65310	LABEL, ACCELERATOR	1							
2	1	1A8400-65320	LABEL, SCV LEVER	1							
3	1	1A8405-65350	LABEL, SUB SHIFT PTO	1							
4	1	1A8405-65370	LABEL, POSITION	1							
5	1	1A8330-65432	LABEL, SCV COUPLER	1							
6	1	1A8475-65450	LABEL, 4WD	1							
7	1	1A8060-65500	LABEL, PARKING	1							
8	1	1A8405-65500	LABEL, KEY SWITCH	1							
9	1	1A8060-65560	LABEL, TILT WHEEL	1							
10	1	1A8060-65590	LABEL, DIFFERENTIAL	1							
11	1	1A8160-65630	LABEL, CRUISE	1							
12	1	1A8060-65780	LABEL, STG WHEEL	1							

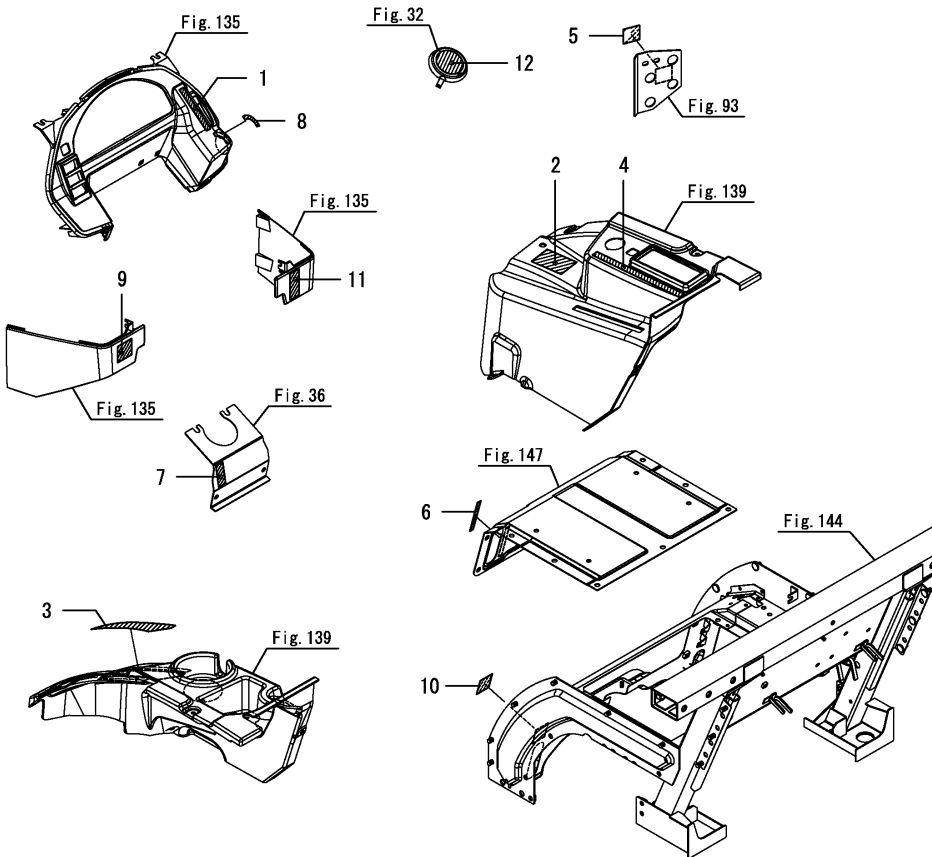
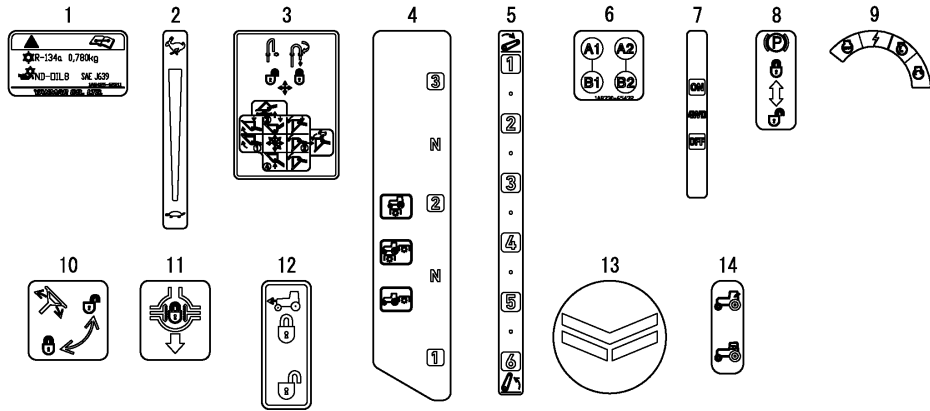


Fig.157. LABEL(3)(CABIN)

(A)=YT235Y
(B)=
(C)=

(D)=
(E)=
(F)=



No.	Lev.	Parts No.	Description	Q'ty						I	R
				(A)	(B)	(C)	(D)	(E)	(F)		
1	1	1A8425-65210	LABEL, FREON 0.780	1							
2	1	1A8475-65310	LABEL, ACCELERATOR	1							
3	1	1A8400-65320	LABEL, SCV LEVER	1							
4	1	1A8405-65350	LABEL, SUB SHIFT PTO	1							
5	1	1A8405-65370	LABEL, POSITION	1							
6	1	1A8330-65432	LABEL, SCV COUPLER	1							
7	1	1A8475-65450	LABEL, 4WD	1							
8	1	1A8060-65500	LABEL, PARKING	1							
9	1	1A8425-65500	LABEL, KEY SWITCH	1							
10	1	1A8060-65560	LABEL, TILT WHEEL	1							
11	1	1A8060-65590	LABEL, DIFFERENTIAL	1							
12	1	1A8160-65630	LABEL, CRUISE	1							
13	1	1A8060-65780	LABEL, STG WHEEL	1							
14	1	1A8420-65790	LABEL, OUTSIDE AIR	1							

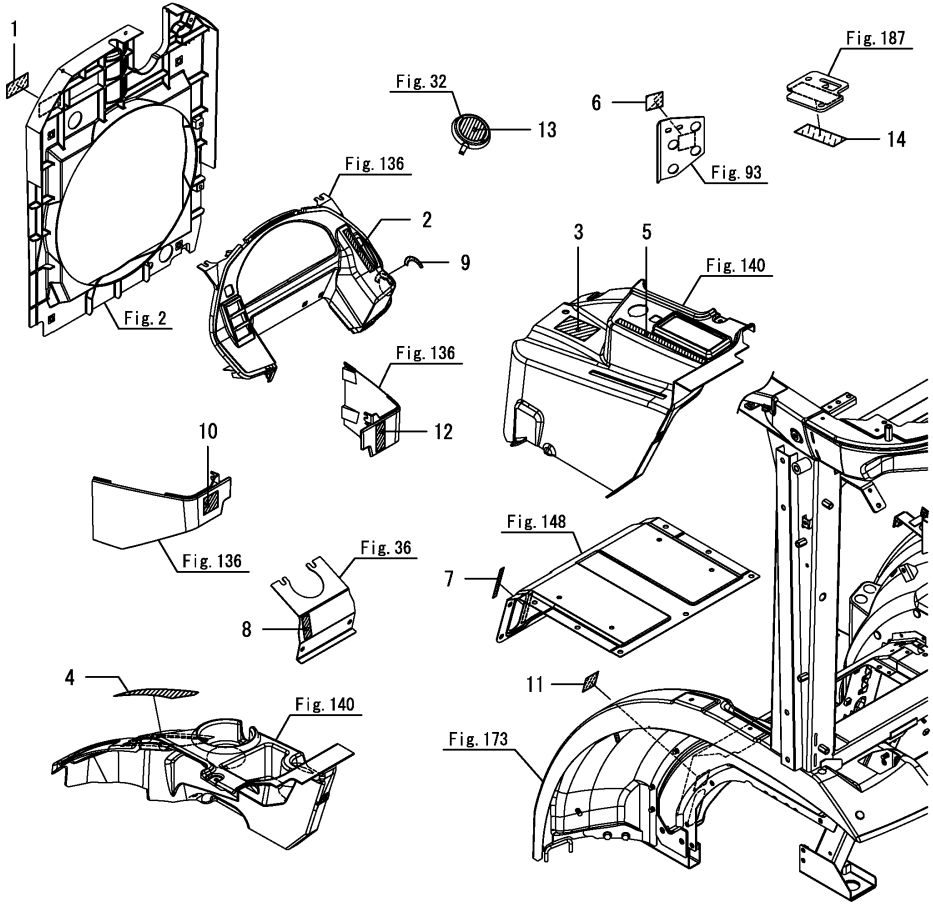
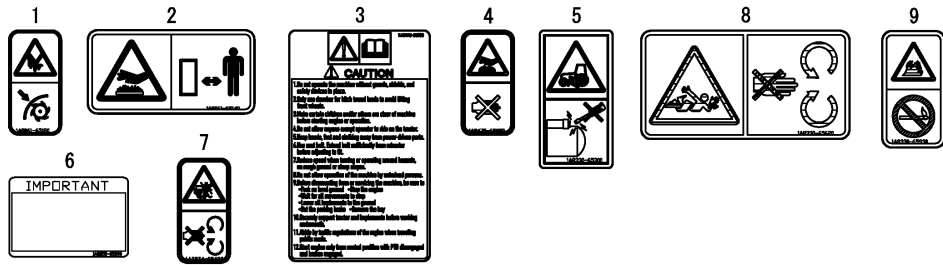


Fig.158. LABEL(SAFETY)(1)



(A)=YT235Y
(B)=
(C)=

(D)=
(E)=
(F)=

No.	Lev.	Parts No.	Description	Qty						I	R
				(A)	(B)	(C)	(D)	(E)	(F)		
1	1	1A8061-65120	LABEL, SAFETY COVER	2							
2	1	1A8061-65140	LABEL, SAFETY HOT	1							
3	1	1A8475-65200	LABEL, CAUTION	1							
4	1	1A8475-65250	LABEL, CAUTION HOT	1							
5	1	1A8330-65300	LABEL, JUMP START	1							
6	1	1A8250-65390	LABEL, SPARK ARRESTOR	1							
7	1	1A7874-65400	LABEL, WARNING	2							
8	1	1A8330-65620	LABEL, DANGER SHAFT	1							
9	1	1A8330-65930	LABEL, WARNING FIRE	1							

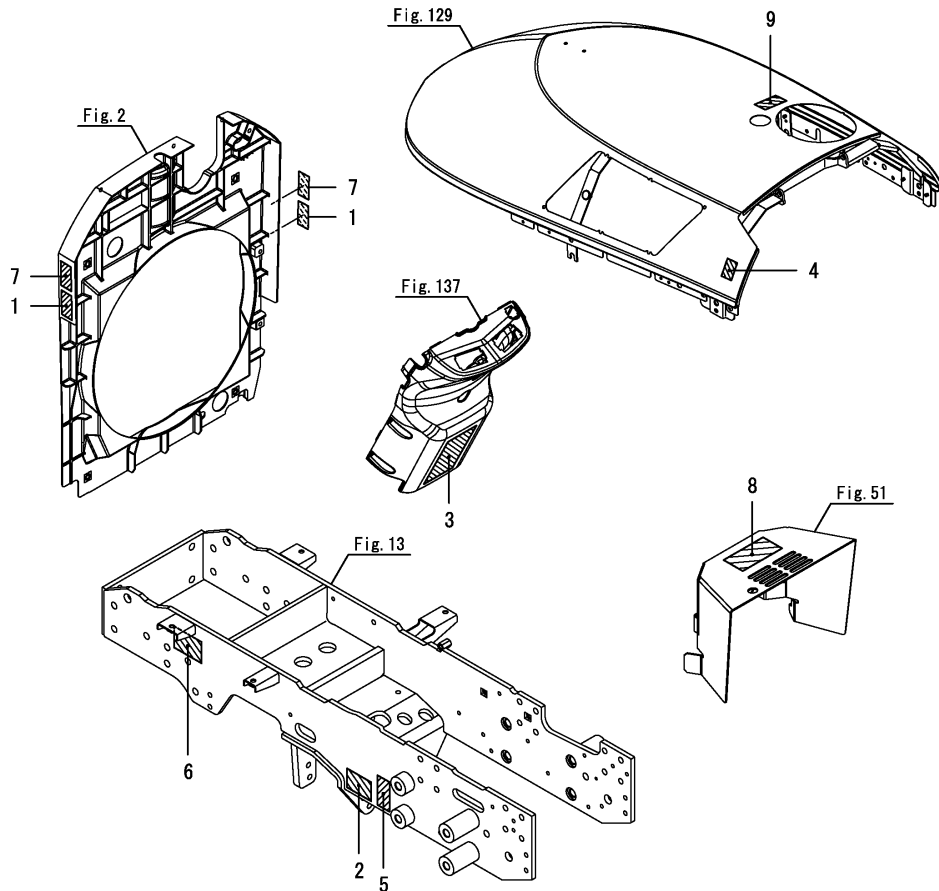


Fig.159. LABEL(SAFETY)(2)

(A)=YT235Y
(B)=
(C)=

(D)=
(E)=
(F)=

No.	Lev.	Parts No.	Description	Q'ty						I	R
				(A)	(B)	(C)	(D)	(E)	(F)		
1	1	1A8061-65130	LABEL, SAFETY HYD	1							
2	1	1A8250-65630	LABEL, SOCKET	1							
3	1	198163-65950	LABEL, SEATBELT	1							

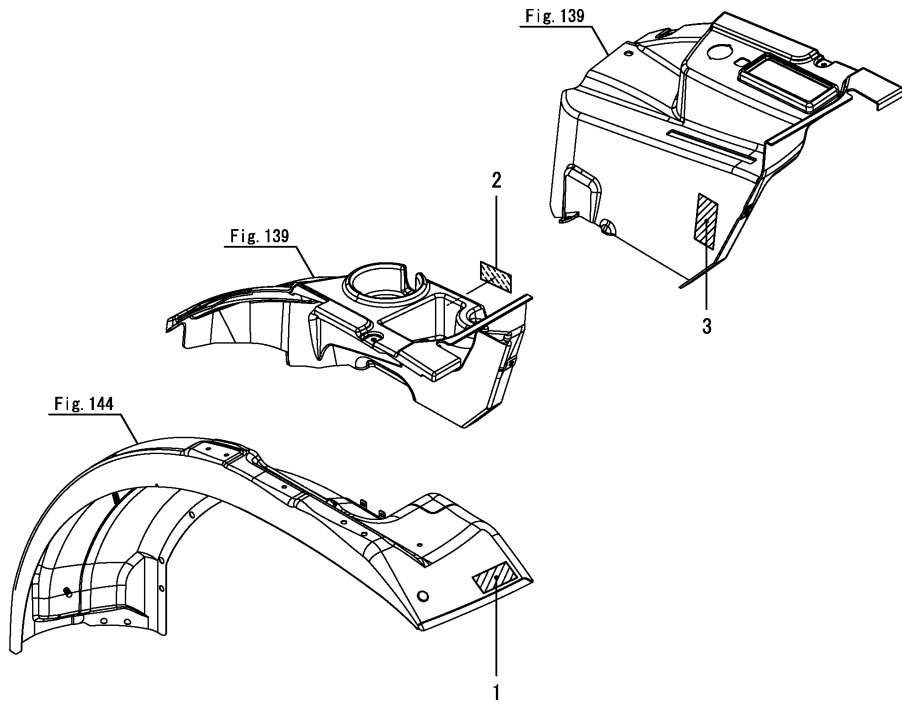
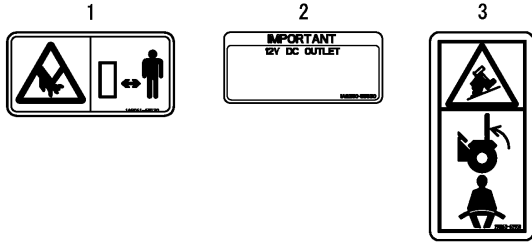


Fig.160. LABEL(SAFETY)(2)(CABIN)

(A)=YT235Y
(B)=
(C)=

(D)=
(E)=
(F)=

No.	Lev.	Parts No.	Description	Q'ty						I	R
				(A)	(B)	(C)	(D)	(E)	(F)		
1	1	1A8061-65130	LABEL, SAFETY HYD	1							
2	1	1A8250-65630	LABEL, SOCKET	1							
3	1	198280-65950	LABEL, SEATBELT	1							

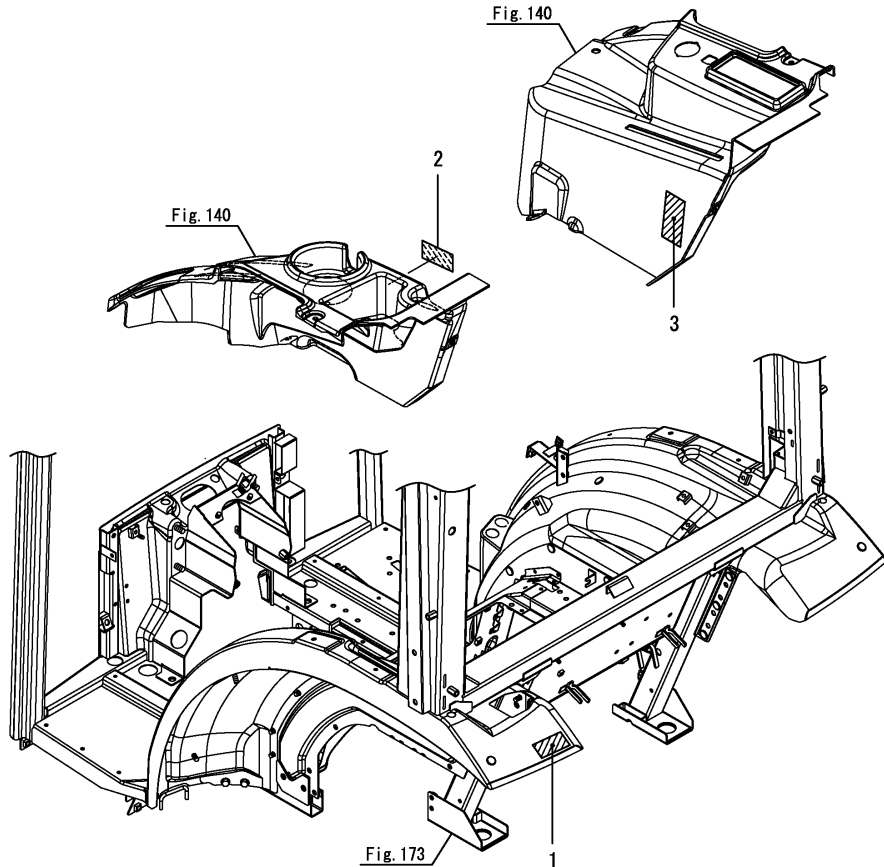
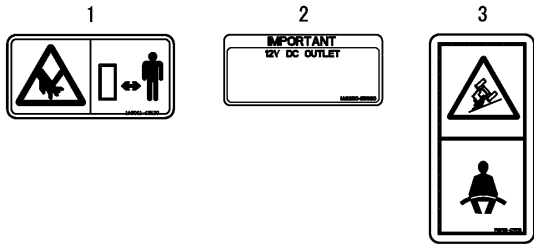
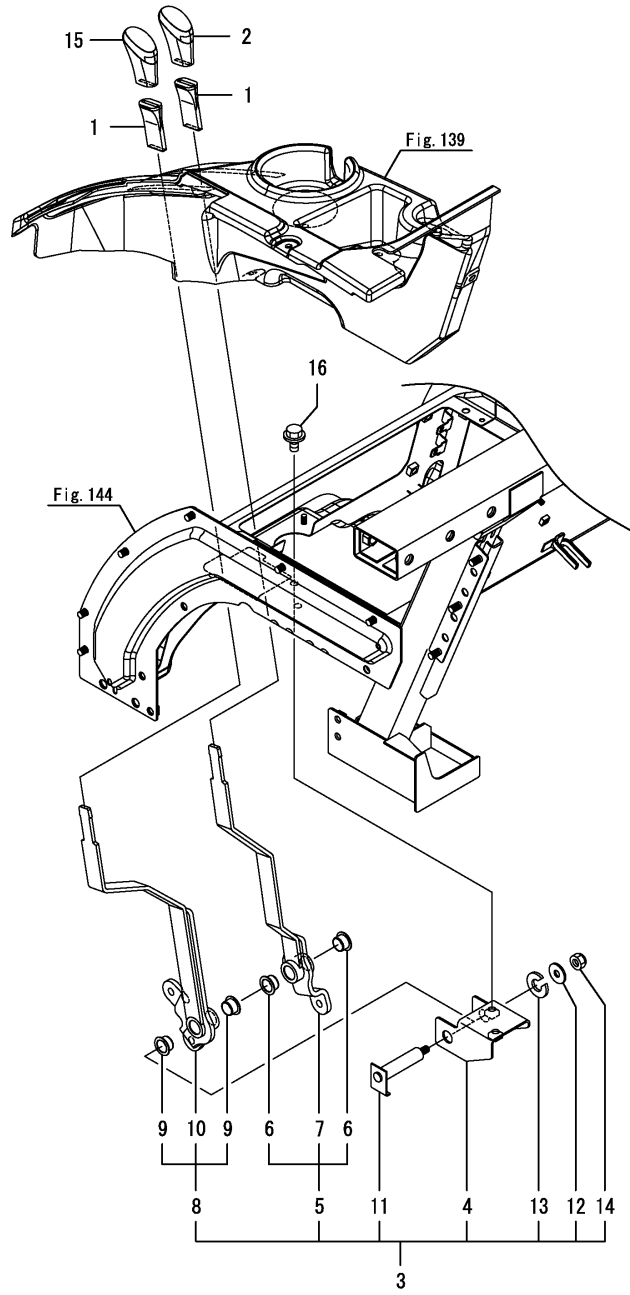


Fig.161. LEVER(LEFT)

(A)=YT235Y
(B)=
(C)=

(D)=
(E)=
(F)=

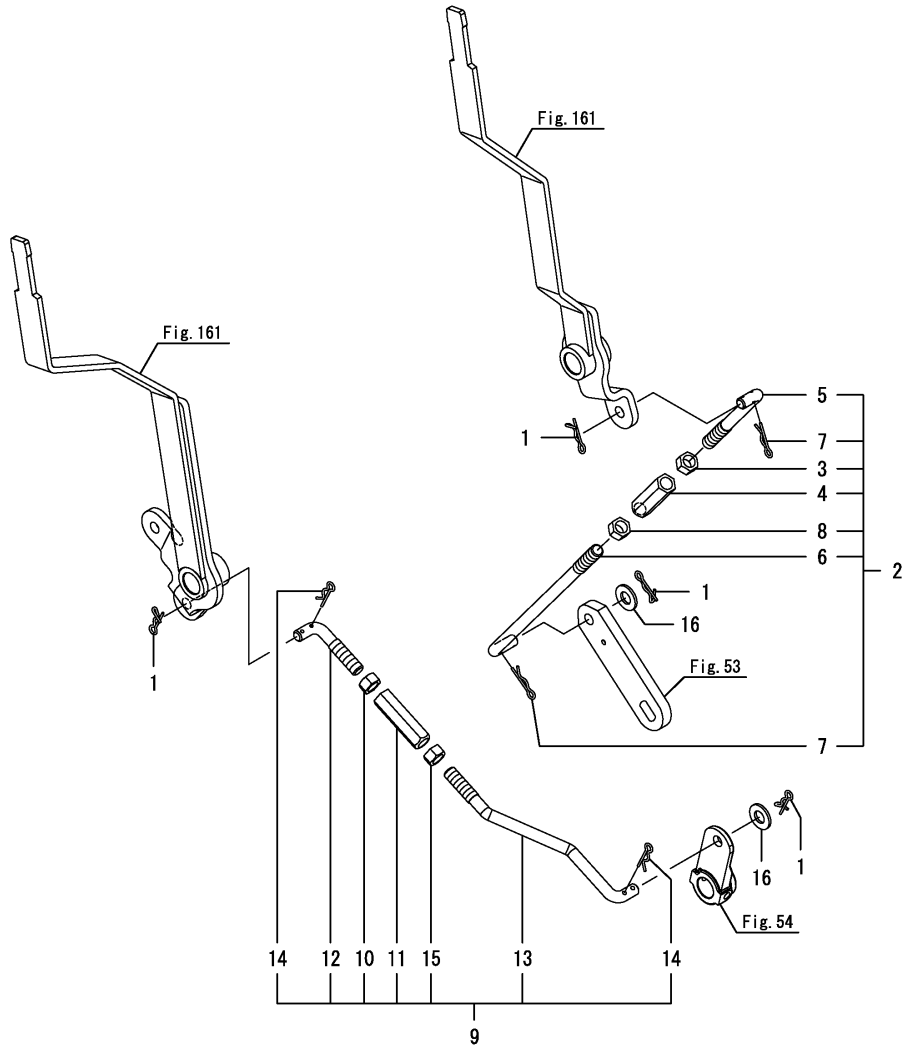


No.	Lev.	Parts No.	Description	Q'ty						I	R
				(A)	(B)	(C)	(D)	(E)	(F)		
1	1	198072-27880	BOOT, SHAFT	2							
2	1	1A8060-67780	KNOB, ORANGE	1							
3	1	1A8400-67800	LEVER UNIT, RENG PTO	1							
4	2	1A8400-67600	BRACKET ASSY, LEVER	1							
5	2	1A8400-67820	LEVER UNIT, RANGE	1							
6	3	1S6489-63330	BUSH, LFF 1610	2							
7	3	1A8400-67830	LEVER ASSY, RANGE	1							
8	2	1A8400-67900	LEVER UNIT, PTO	1							
9	3	1S6489-63330	BUSH, LFF 1610	2							
10	3	1A8400-67920	LEVER ASSY, PTO	1							
11	2	1A8400-67970	SHAFT ASSY, LEVER	1							
12	2	22157-080000	WASHER, 8	1							
13	2	22217-160000	WASHER, SPRING 16	1							
14	2	26346-080002	NUT, M8	1							
15	1	1A8060-68310	KNOB, YELLOW	1							
16	1	26106-080122	BOLT, M8X 12 PLATED	2							

Fig.162. LEVER LINK(LEFT)

(A)=YT235Y
(B)=
(C)=

(D)=
(E)=
(F)=



No.	Lev.	Parts No.	Description	Q'ty						I	R
				(A)	(B)	(C)	(D)	(E)	(F)		
1	1	1C6281-52320	PIN, SNAP 8	4							
2	1	1A8400-67700	ROD UNIT, RANGE	1							
3	2	194150-22480	NUT, M10	1							
4	2	194250-47490	TURNBUCKLE, M10X50	1							
5	2	1A8400-67710	ROD, RANGE L	1							
6	2	1A8400-67720	ROD, RANGE R	1							
7	2	22372-080000	PIN, SNAP 8	2							
8	2	26716-100002	NUT, M10	1							
9	1	1A8405-67700	ROD UNIT, PTO	1							
10	2	194150-22480	NUT, M10	1							
11	2	194250-47490	TURNBUCKLE, M10X50	1							
12	2	1A8405-67710	ROD, PTO L	1							
13	2	1A8405-67720	ROD, PTO R	1							
14	2	22372-080000	PIN, SNAP 8	2							
15	2	26716-100002	NUT, M10	1							
16	1	22137-100000	WASHER, 10	2							

Fig.164. TOP LINK

(A)=YT235Y
(B)=
(C)=

(D)=
(E)=
(F)=

No.	Lev.	Parts No.	Description	Q'ty						I	R
				(A)	(B)	(C)	(D)	(E)	(F)		
1	1	195080-15060	PIN, HITCH	1							
2	1	1A8470-71100	LINK ASSY, TOP	1							
3	2	1A7335-71250	CAP	2							
4	2	1A8470-71390	NUT, LOCK R	1							
5	2	1A8470-71500	TUBE ASSY, TOP LINK	1							
6	2	198254-71600	LINK ASSY, TOP R	1							
7	2	198254-71700	LINK ASSY, TOP L	1							
8	2	22351-050025	PIN, SPRING 5.0X25	2							
9	2	24761-060000	NIPPLE, GREASE MT6X1	2							
10	1	194150-71230	PIN, TOP LINK	1							
11	1	794130-71410	PIN ASSY, BALL	2							

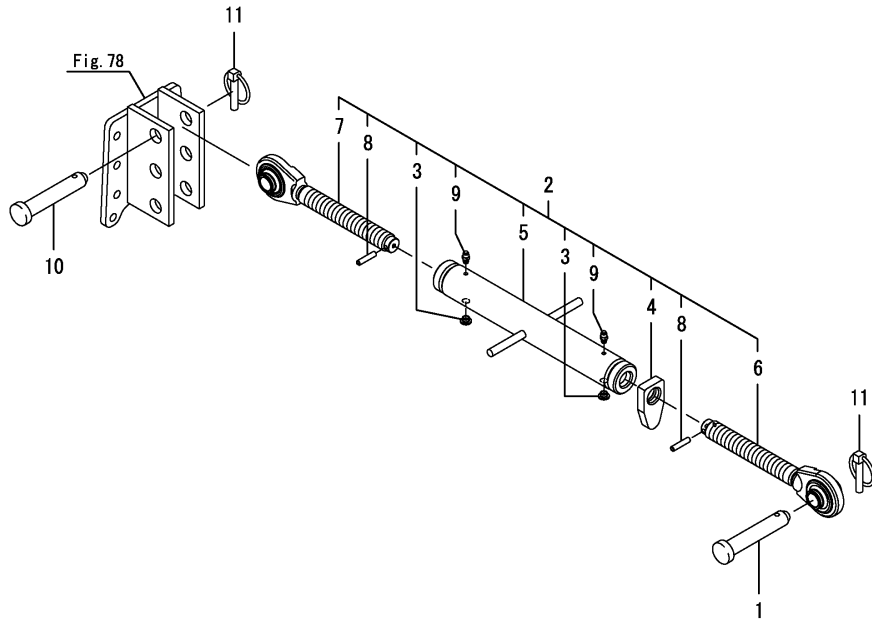
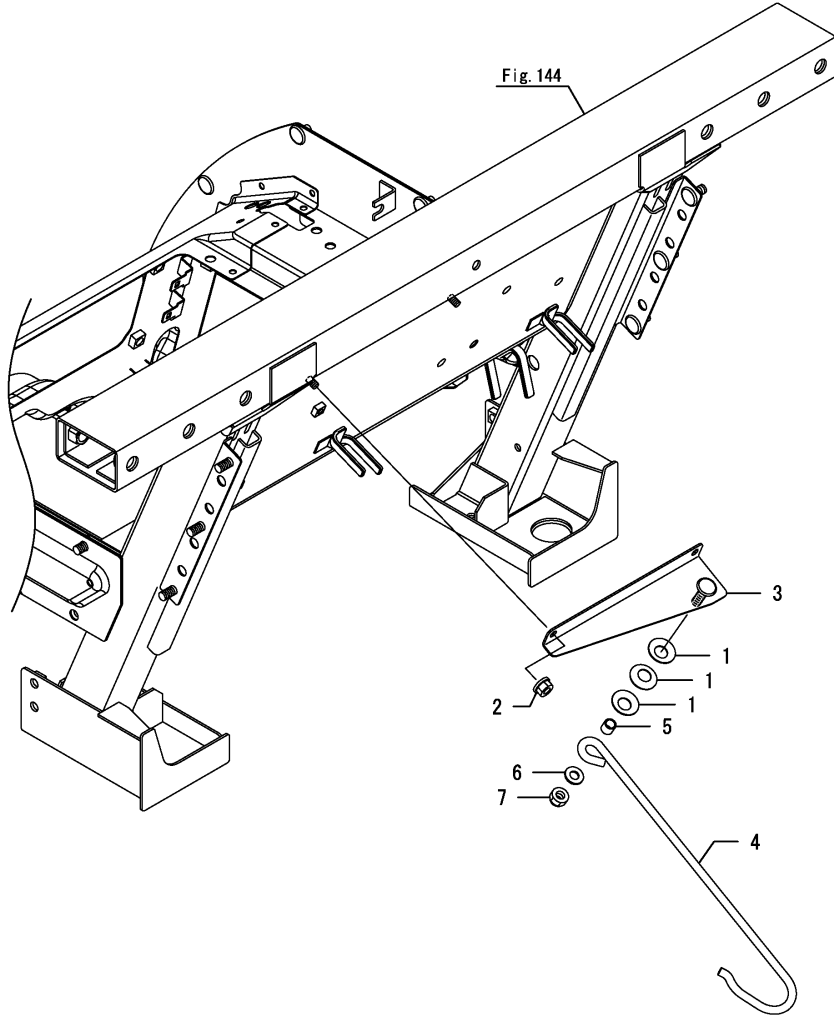


Fig.165. TOP LINK HOOK



(A)=YT235Y
(B)=
(C)=

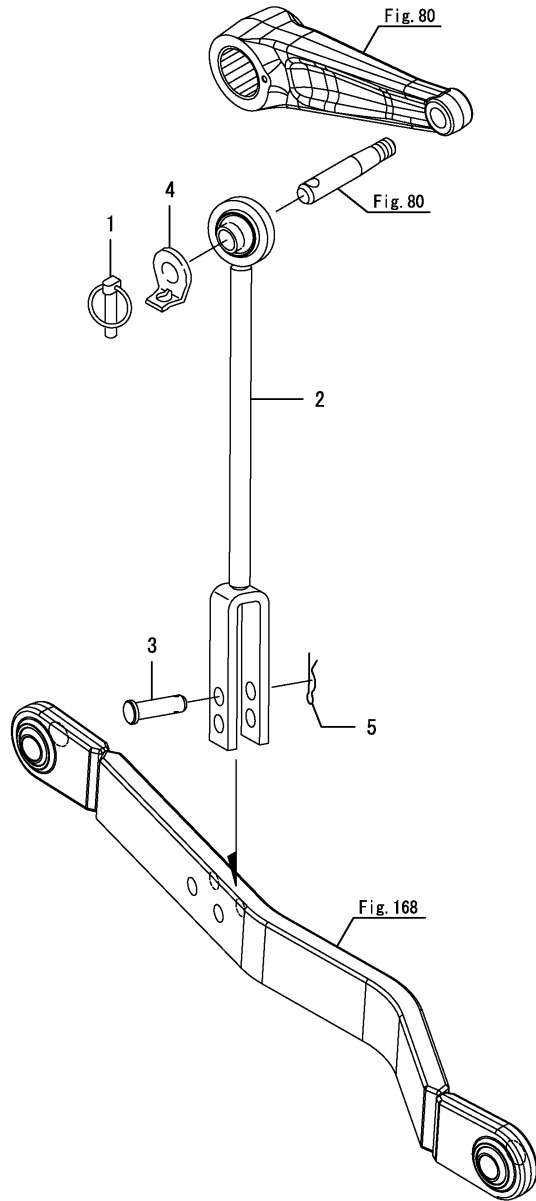
(D)=
(E)=
(F)=

No.	Lev.	Parts No.	Description	Q'ty						I	R
				(A)	(B)	(C)	(D)	(E)	(F)		
1	1	198072-18320	SPRING, 12	3							
2	1	194990-22130	NUT, M6	2							
3	1	1A8405-64110	BRACKET ASSY,TOPLINK	1							
4	1	1A8405-71700	HOOK, TOPLINK	1							
5	1	198092-71720	COLLAR, 8.1X10.5X9.3	1							
6	1	22137-080000	WASHER, 8	1							
7	1	26346-080002	NUT, M8	1							

Fig.166. LIFT LINK(LEFT)

(A)=YT235Y
(B)=
(C)=

(D)=
(E)=
(F)=

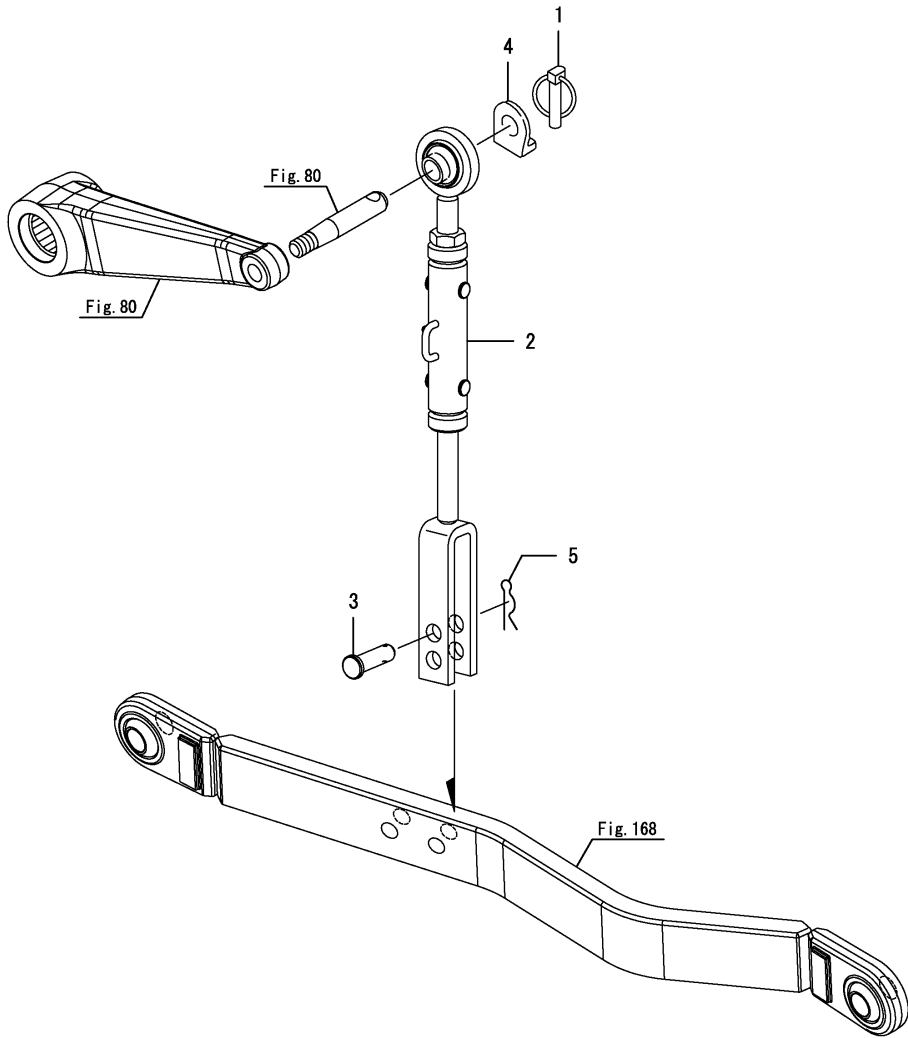


No.	Lev.	Parts No.	Description	Q'ty						I	R
				(A)	(B)	(C)	(D)	(E)	(F)		
1	1	794130-71410	PIN ASSY, BALL	1							
2	1	1A8405-72350	LINK ASSY, LIFT	1							
3	1	1A8400-72461	PIN,LIFT YOKE	1							
4	1	198071-74970	COLLAR, BALL SOCKET	1							
5	1	22372-160000	PIN, SNAP 16	1							

Fig.167. LIFT LINK(RIGHT)

(A)=YT235Y
(B)=
(C)=

(D)=
(E)=
(F)=

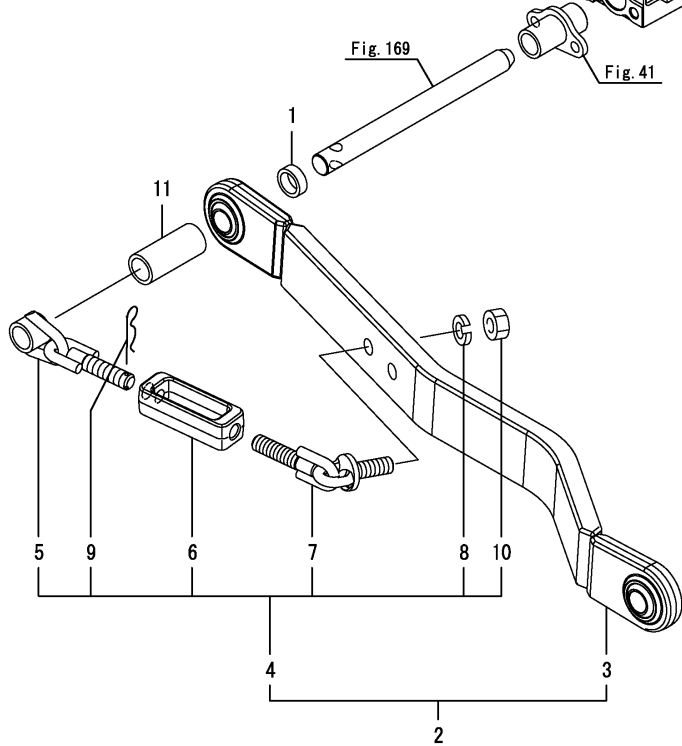
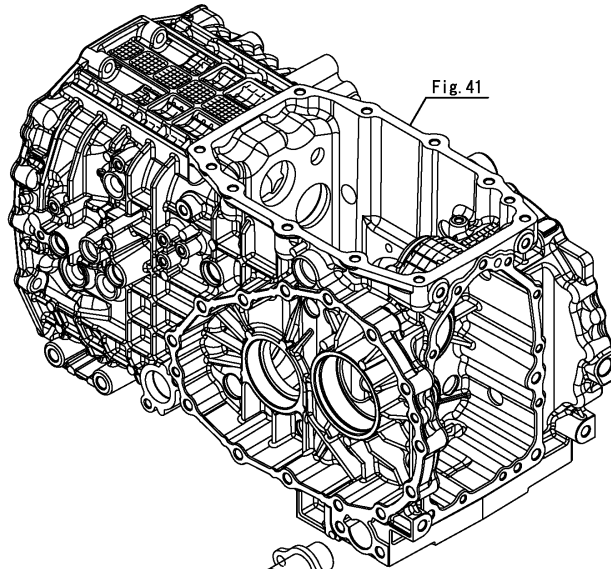


No.	Lev.	Parts No.	Description	Q'ty						I	R
				(A)	(B)	(C)	(D)	(E)	(F)		
1	1	794130-71410	PIN ASSY, BALL	1							
2	1	1A8405-72150	LINK ASSY, LIFT R	1							
3	1	1A8400-72461	PIN,LIFT YOKE	1							
4	1	198071-74970	COLLAR, BALL SOCKET	1							
5	1	22372-160000	PIN, SNAP 16	1							

Fig.168. LOWER LINK

(A)=YT235Y
(B)=
(C)=

(D)=
(E)=
(F)=



No.	Lev.	Parts No.	Description	Q'ty						I	R
				(A)	(B)	(C)	(D)	(E)	(F)		
1	1	1E6300-36360	COLLAR, 22X30X10	2							
2	1	1A8405-73011	LINK KIT, LOWER&CHAIN	2							
3	2	1A8405-73501	LINK ASSY, LOWER	2							
4	2	1A8405-74100	CHAIN ASSY, CHECK	2							
5	3	1A8405-74250	CHAIN ASSY	2							
6	3	1A8400-74670	TURNBUCKLE	2							
7	3	1A8400-74800	EYE-BOLT ASSY, L	2							
8	3	22217-160000	WASHER, SPRING 16	2							
9	3	22360-200000	PIN, SNAP 20	2							
10	3	26716-160002	NUT, M16	2							
11	1	1A8101-73210	COLLAR,	2							

Fig.169. LOWER LINK PIN

(A)=YT235Y
(B)=
(C)=

(D)=
(E)=
(F)=

No.	Lev.	Parts No.	Description	Q'ty						I	R
				(A)	(B)	(C)	(D)	(E)	(F)		
1	1	794130-71410	PIN ASSY, BALL	2							
2	1	198200-73150	PIN, LOWER LINK	2							

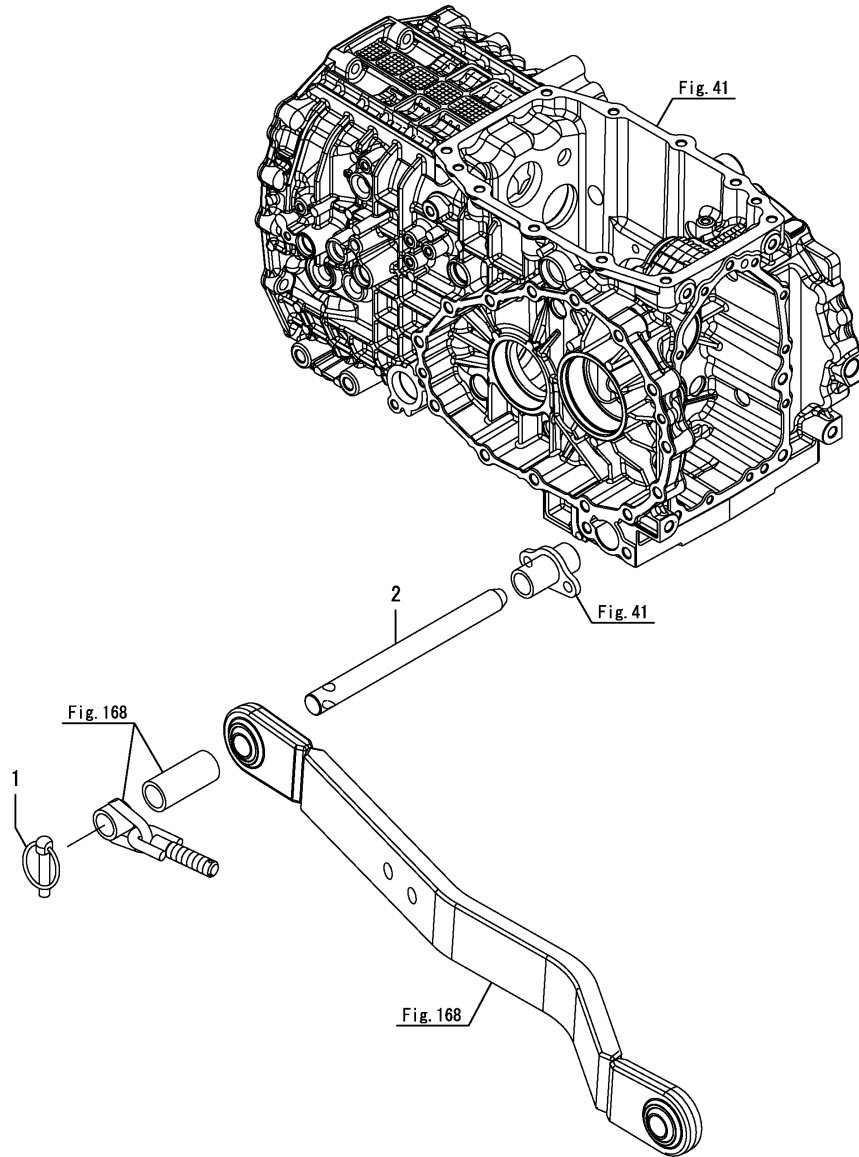
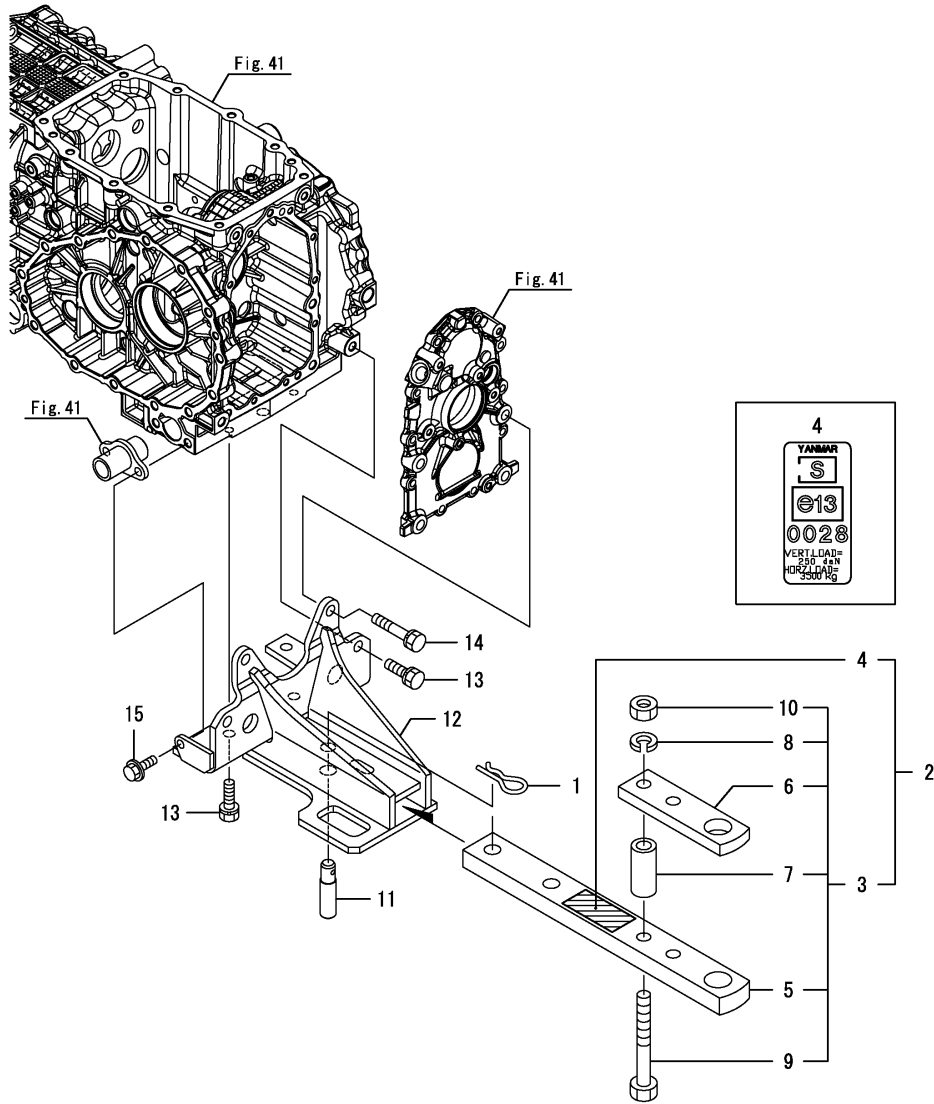


Fig.170. DRAWBAR HITCH



(A)=YT235Y
(B)=
(C)=

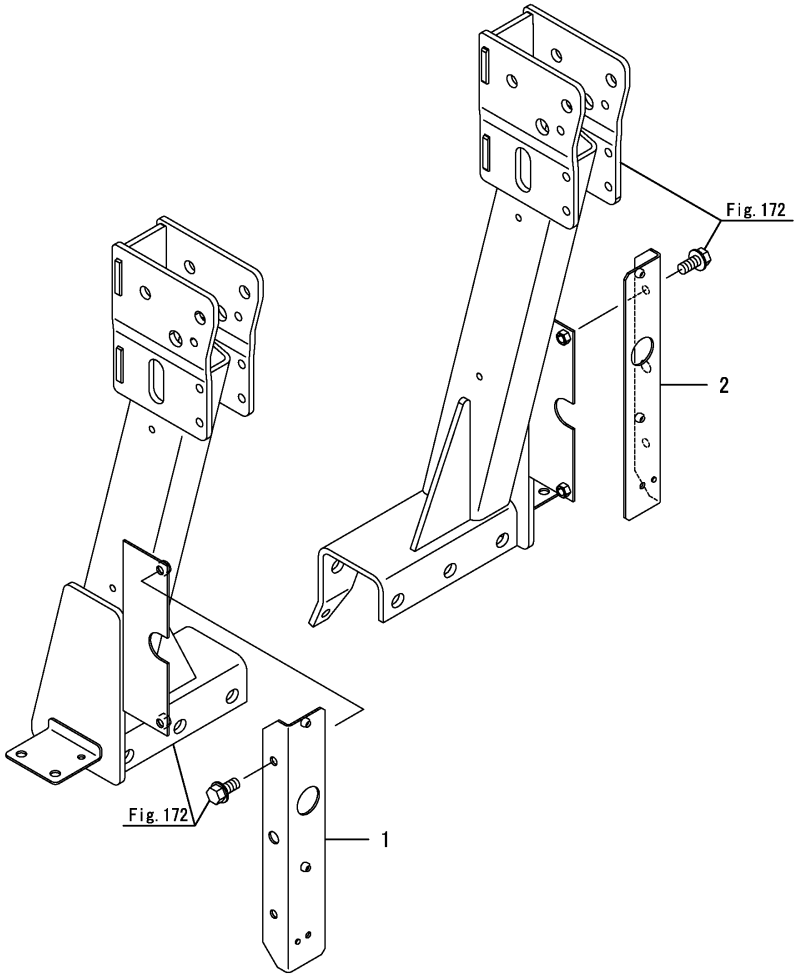
(D)=
(E)=
(F)=

No.	Lev.	Parts No.	Description	Q'ty						I	R
				(A)	(B)	(C)	(D)	(E)	(F)		
1	1	195230-17260	PIN, SNAP 22S	1							
2	1	198280-75100	M ASSY	1							
3	2	198280-75200	HITCH KIT, DRAWBAR	1							
4	2	198280-65210	LABEL,	1							
5	2	198280-75210	DRAWBAR	1							
6	2	198280-75250	PLATE, CLEVIS	1							
7	2	198280-75260	SPACER, CLEVIS	2							
8	2	22217-160000	WASHER, SPRING 16	2							
9	2	26116-161302	BOLT, M16X130 PLATED	2							
10	2	26716-160002	NUT, M16	2							
11	1	198253-75430	PIN, HITCH	1							
12	1	1A8405-75750	BRACKET ASSY, DRAWBAR	1							
13	1	26013-120352	BOLT, M12X 35	5							
14	1	26013-120602	BOLT, M12X 60	2							
15	1	26106-100302	BOLT, M10X 30 PLATED	1							

Fig.171. STAY(LAMP)

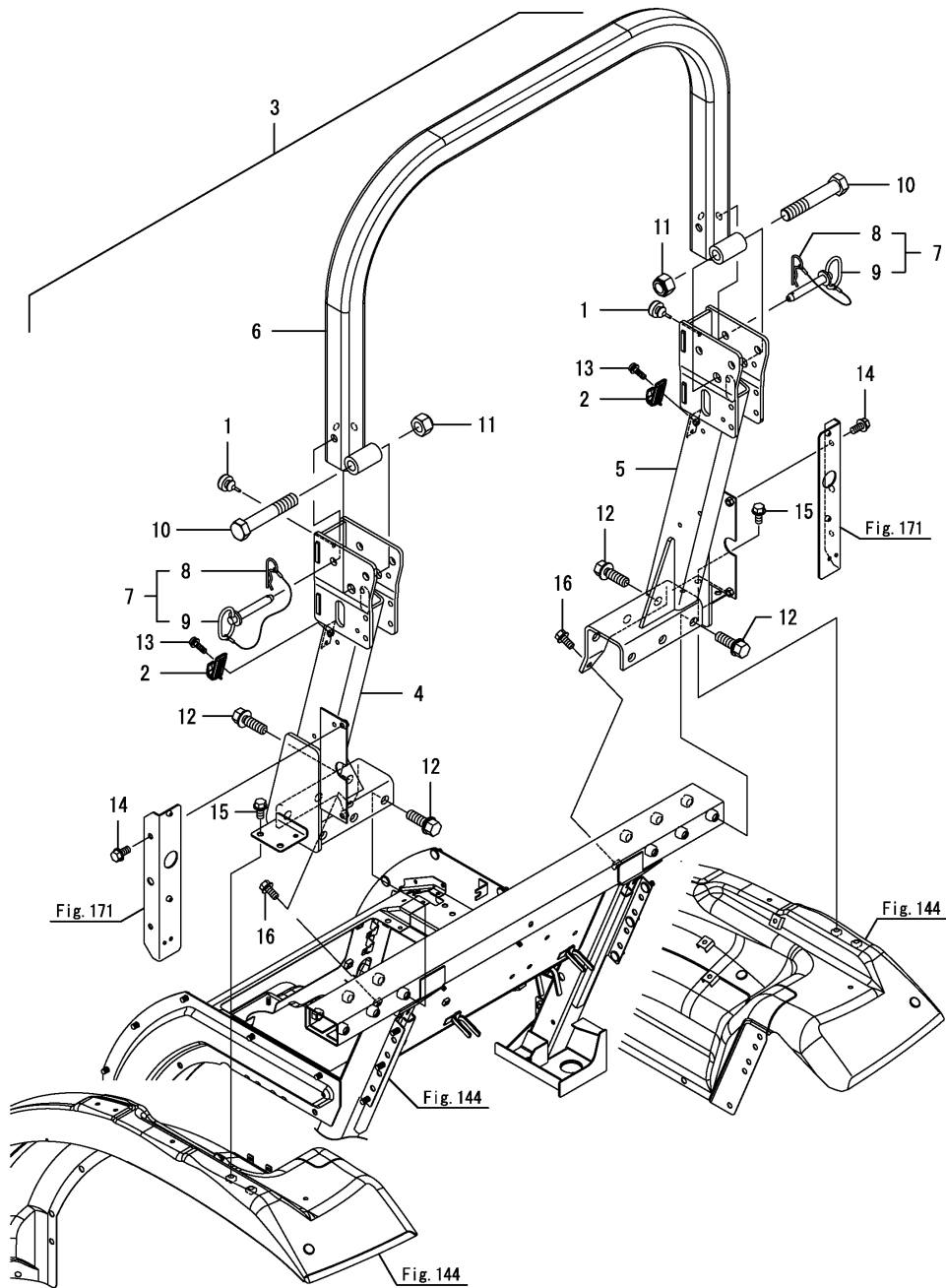
(A)=YT235Y
(B)=
(C)=

(D)=
(E)=
(F)=



No.	Lev.	Parts No.	Description	Q'ty						I	R
				(A)	(B)	(C)	(D)	(E)	(F)		
1	1	1A8405-85400	STAY,LAMP L	1							
2	1	1A8405-85410	STAY,LAMP R	1							

Fig.172. SAFETY FRAME



(A)=YT235Y
(B)=
(C)=

(D)=
(E)=
(F)=

No.	Lev.	Parts No.	Description	Q'ty						I	R
				(A)	(B)	(C)	(D)	(E)	(F)		
1	1	194330-62530	STOPPER, PEDAL	2							
2	1	1A8420-84210	HOOK, PILLAR	2							
3	1	1A8405-85100	ROPS ASSY	1							
4	2	1A8405-85110	FRAME ASSY, LOWER L	1							
5	2	1A8405-85120	FRAME ASSY, LOWER R	1							
6	2	1A8405-85150	FRAME ASSY, UPPER	1							
7	2	1A8160-85311	PIN ASSY, HITCH	2							
8	3	1TN322-71170	BETA PIN	2							
9	3	1A8160-85320	PIN, HITCH	2							
10	2	1A8300-85430	BOLT, M16X90	2							
11	2	1A8300-85440	NUT, M16	2							
12	1	198165-85970	BOLT, M12X35	12							
13	1	26023-060202	SCREW, M6X20	2							
14	1	26106-080162	BOLT, M8X 16 PLATED	4							
15	1	26106-080162	BOLT, M8X 16 PLATED	4							
16	1	26106-080162	BOLT, M8X 16 PLATED	2							

Fig.173. CABIN FRAME

(A)=YT235Y
(B)=
(C)=

(D)=
(E)=
(F)=

No.	Lev.	Parts No.	Description	Q'ty						I	R
				(A)	(B)	(C)	(D)	(E)	(F)		
1	1	1A8070-62240	BOLT, M12X80	2							
2	1	1A8425-80100	FRAME ASSY, CABIN	1							
3	2	194990-22140	NUT, M8	18							
4	2	22697-480641	RIVET, 4.8X 6.4	6							
5	2	26106-100162	BOLT, M10X 16 PLATED	8							
6	2	26106-120162	BOLT, M12X 16 PLATED	2							
7	1	1A8420-84442	PLATE	1							
8	1	1A8420-84451	SEAL, PLATE	1							
9	1	26106-060122	BOLT, M6X 12 PLATED	4							

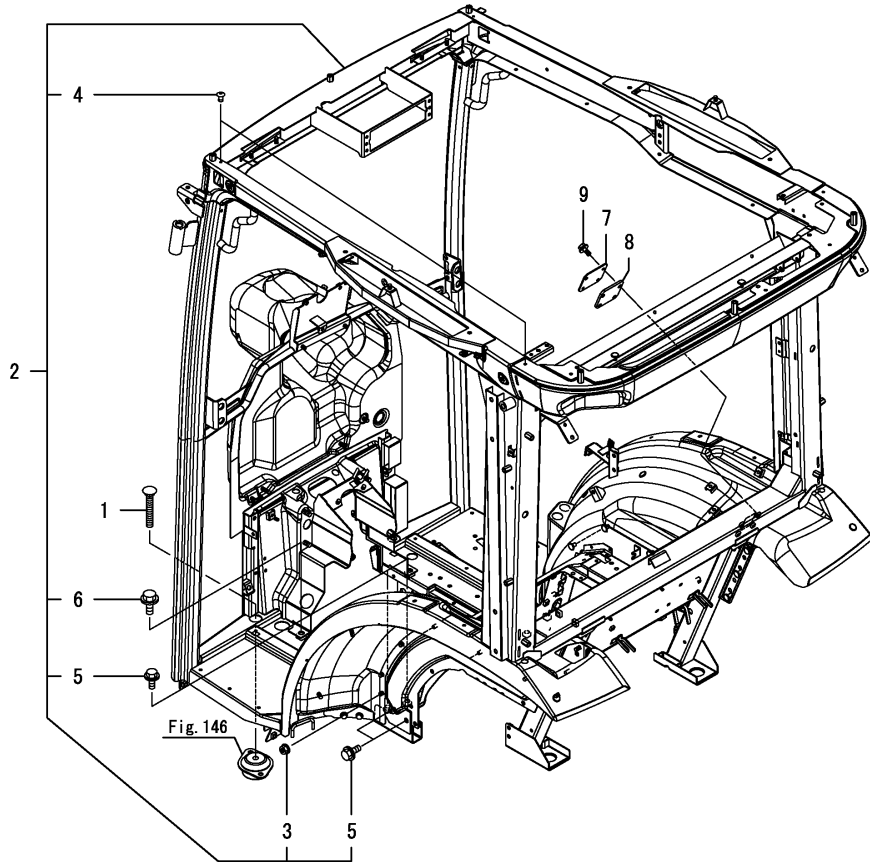
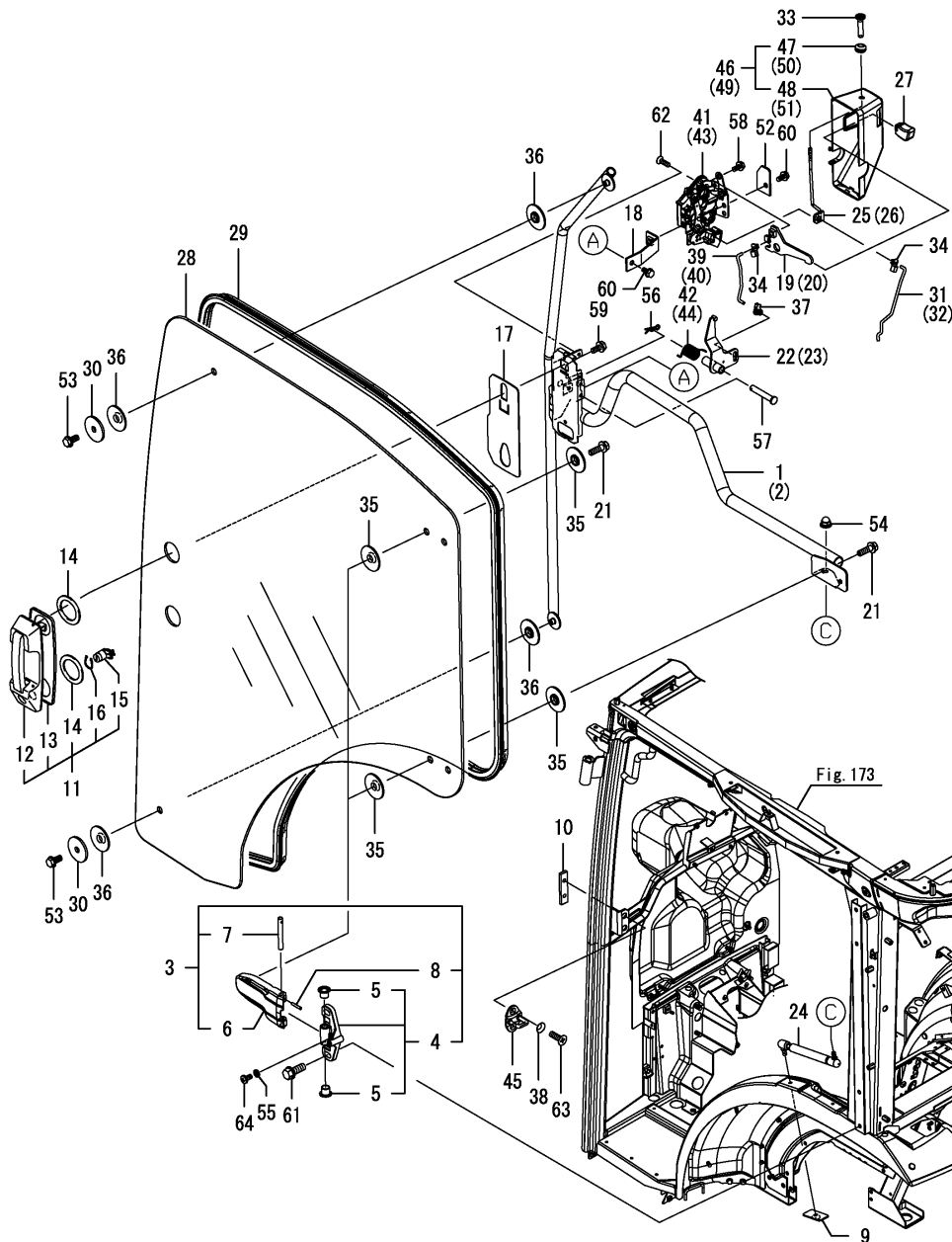


Fig.174. DOOR

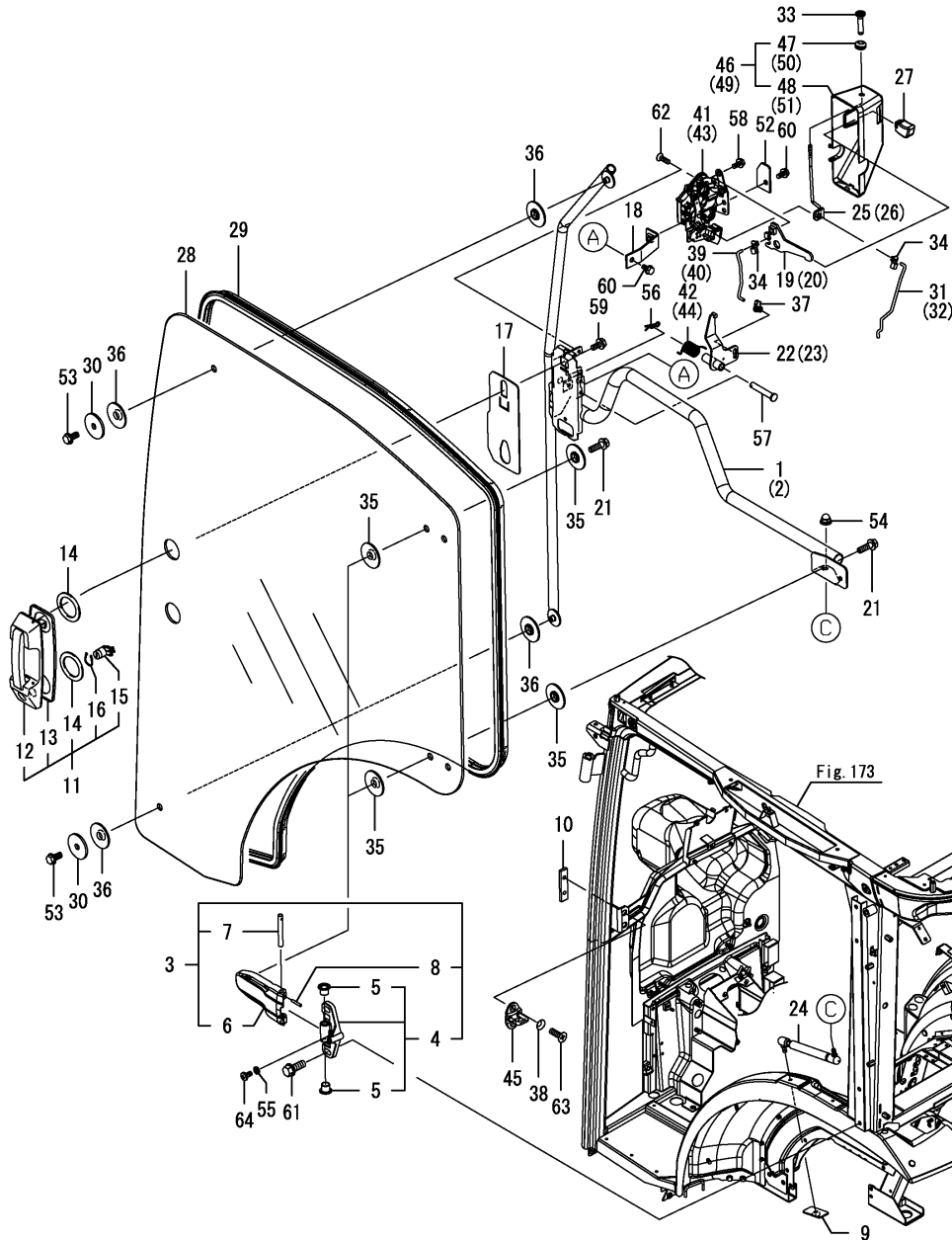


(A)=YT235Y
(B)=
(C)=

(D)=
(E)=
(F)=

No.	Lev.	Parts No.	Description	Qty						I	R
				(A)	(B)	(C)	(D)	(E)	(F)		
1	1	1A8425-82110	FRAME ASSY, DOOR L	1							
2	1	1A8425-82120	FRAME ASSY, DOOR R	1							
3	1	198208-82200	HINGE ASSY, DOOR	4							
4	2	198208-82220	HINGE ASSY, DOOR B	4							
5	3	1C1011-33990	BUSH, COLLAR 10	8							
6	2	198208-82250	HINGE, DOOR A	4							
7	2	198208-82260	PIN, DOOR HINGE	4							
8	2	22351-030020	PIN, SPRING 3.0X20	4							
9	1	198208-82320	STAY, DOOR DAMPER	2							
10	1	198463-82350	PLATE, DOOR LOCK	2							
11	1	1A7470-82400	HANDLE ASSY, OUTER	2							
12	2	1A7470-82410	BODY, HANDLE	2							
13	2	1A7470-82420	SEAT, OUTER HANDLE	2							
14	2	1A7470-82580	SEAL, DOOR HANDLE	4							
15	2	1A7470-82880	CYLINDER ASSY, KEY	2							
16	2	1A7470-82890	PIN, KEY CYLINDER	2							
17	1	1A7470-82440	PACKING, LATCH COVER	2							
18	1	1A7470-82450	STAY, DOOR LOCK	2							
19	1	1A7470-82471	LEVER, DOOR L	1							
20	1	1A7470-82481	LEVER, DOOR R	1							
21	1	198093-82510	BOLT, M8X25	8							
22	1	1A7470-82510	LEVER, OPEN OUT L	1							
23	1	1A7470-82520	LEVER, OPEN OUT R	1							
24	1	198463-82551	DAMPER, GAS 200	2							
25	1	1A7470-82560	ROD, INSIDE LOCK L	1							
26	1	1A7470-82570	ROD, INSIDE LOCK R	1							
27	1	198492-82590	KNOB, DOOR HANDLE	2							
28	1	1A8425-82610	GLASS, DOOR	2							
29	1	1A7320-82630	WEATHER-STRIP, 4450	2							
30	1	198255-82640	STAY, HINGE PLATE	4							
31	1	1A7470-82640	ROD, CYLINDER L	1							
32	1	1A7470-82650	ROD, CYLINDER R	1							
33	1	1A7470-82660	KNOB, LOCK	2							
34	1	1A7470-82670	BUSH, LINKAGE A	4							
35	1	1A8110-82670	RUBBER, CUSHION	16							
36	1	1A8110-82670	RUBBER, CUSHION	8							
37	1	1A7470-82680	BUSH, LINKAGE B	2							
38	1	198255-82701	WASHER, 8	4							
39	1	1A7470-82720	ROD, OPEN LEVER L	1							
40	1	1A7470-82730	ROD, OPEN LEVER R	1							
41	1	1A7320-82750	LOCK ASSY, DOOR L	1							
42	1	1A7470-82750	SPRING, DOOR LOCK L	1							
43	1	1A7320-82760	LOCK ASSY, DOOR R	1							
44	1	1A7470-82760	SPRING, DOOR LOCK R	1							
45	1	1A7320-82770	STRIKER, DOOR LOCK	2							
46	1	1A7470-82800	COVER, LATCH L	1							
47	2	198071-58810	GROMMET, 8	1							
48	2	1A7470-82810	COVER, LATCH L	1							
49	1	1A7470-82900	COVER, LATCH R	1							
50	2	198071-58810	GROMMET, 8	1							
51	2	1A7470-82820	COVER, LATCH R	1							

Fig.174. DOOR



(A)=YT235Y

(B)=

(C)=

(D)=

(E)=

(F)=

No.	Lev.	Parts No.	Description	Qty						I	R
				(A)	(B)	(C)	(D)	(E)	(F)		
52	1	1A7470-82950	PLATE, SUPPORT	2							
53	1	198460-83350	BOLT, M8X16	4							
54	1	1A8110-83730	NUT, CAP M8	2							
55	1	22117-060000	WASHER, 6	4							
56	1	22372-080000	PIN, SNAP 8	2							
57	1	22487-080450	PIN 8X 45	2							
58	1	26106-060122	BOLT, M6X 12 PLATED	2							
59	1	26106-060122	BOLT, M6X 12 PLATED	4							
60	1	26106-060122	BOLT, M6X 12 PLATED	4							
61	1	26106-100252	BOLT, M10X 25 PLATED	8							
62	1	26577-060202	SCREW, M6X20	6							
63	1	26577-080252	SCREW, M8X25	4							
64	1	26587-060122	SCREW, M6X12	4							

Fig.175. FRONT WINDOW

(A)=YT235Y
(B)=
(C)=

(D)=
(E)=
(F)=

No.	Lev.	Parts No.	Description	Q'ty						I	R
				(A)	(B)	(C)	(D)	(E)	(F)		
1	1	1A8425-83110	GLASS, FRONT	1							
2	1	1A8420-83120	GLASS, FRONT LOWER L	1							
3	1	1A8420-83130	GLASS, FRONT LOWER R	1							
4	1	1A7210-83200	SPACER, SIDE	4							

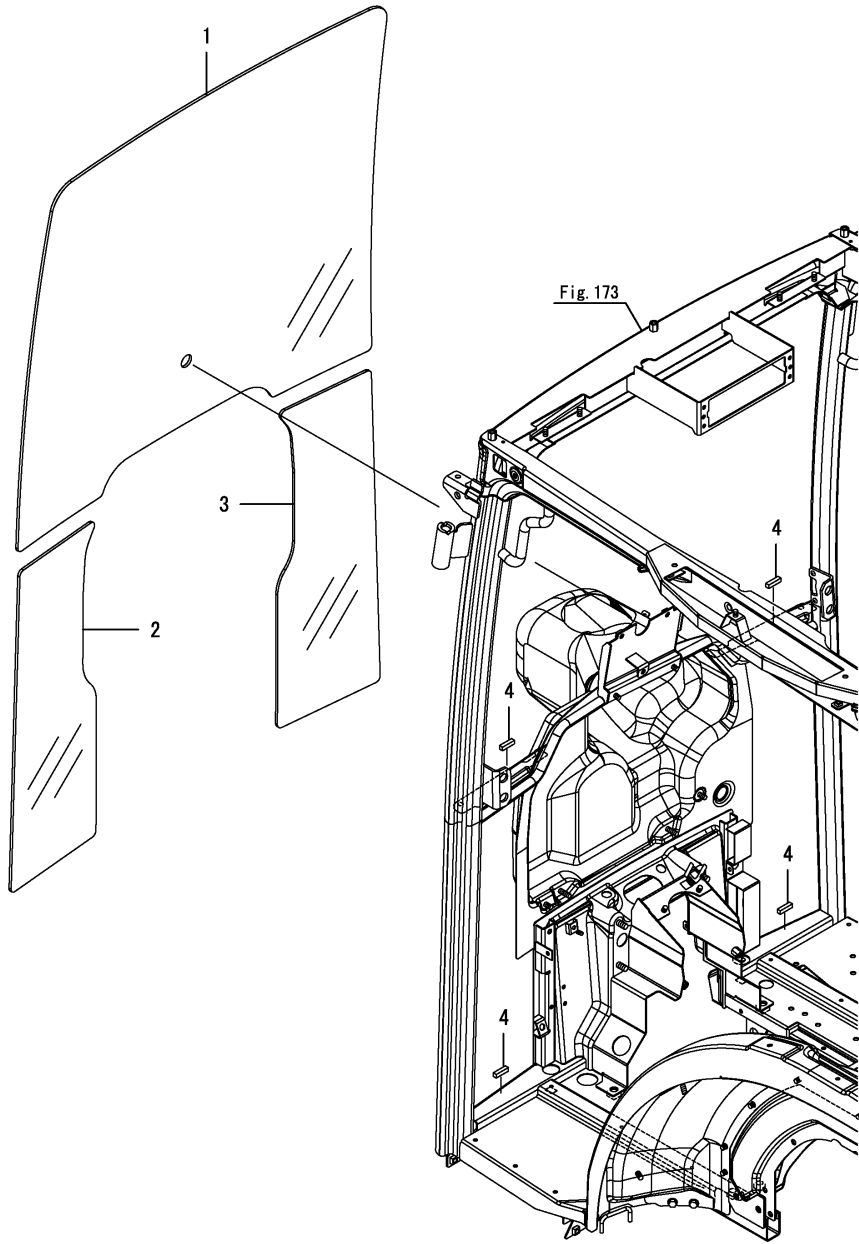
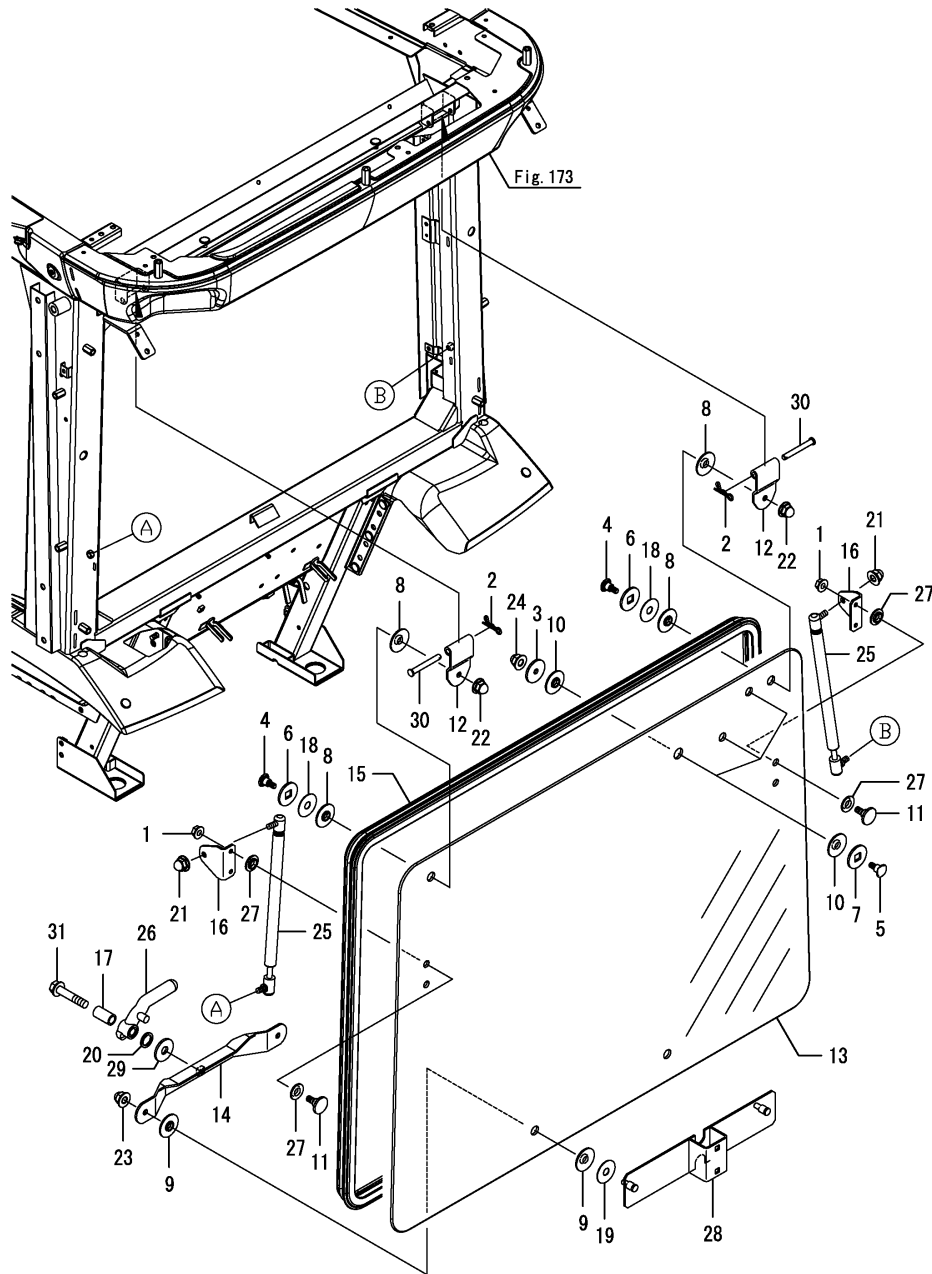


Fig.176. REAR WINDOW



(A)=YT235Y

(B)=

(C)=

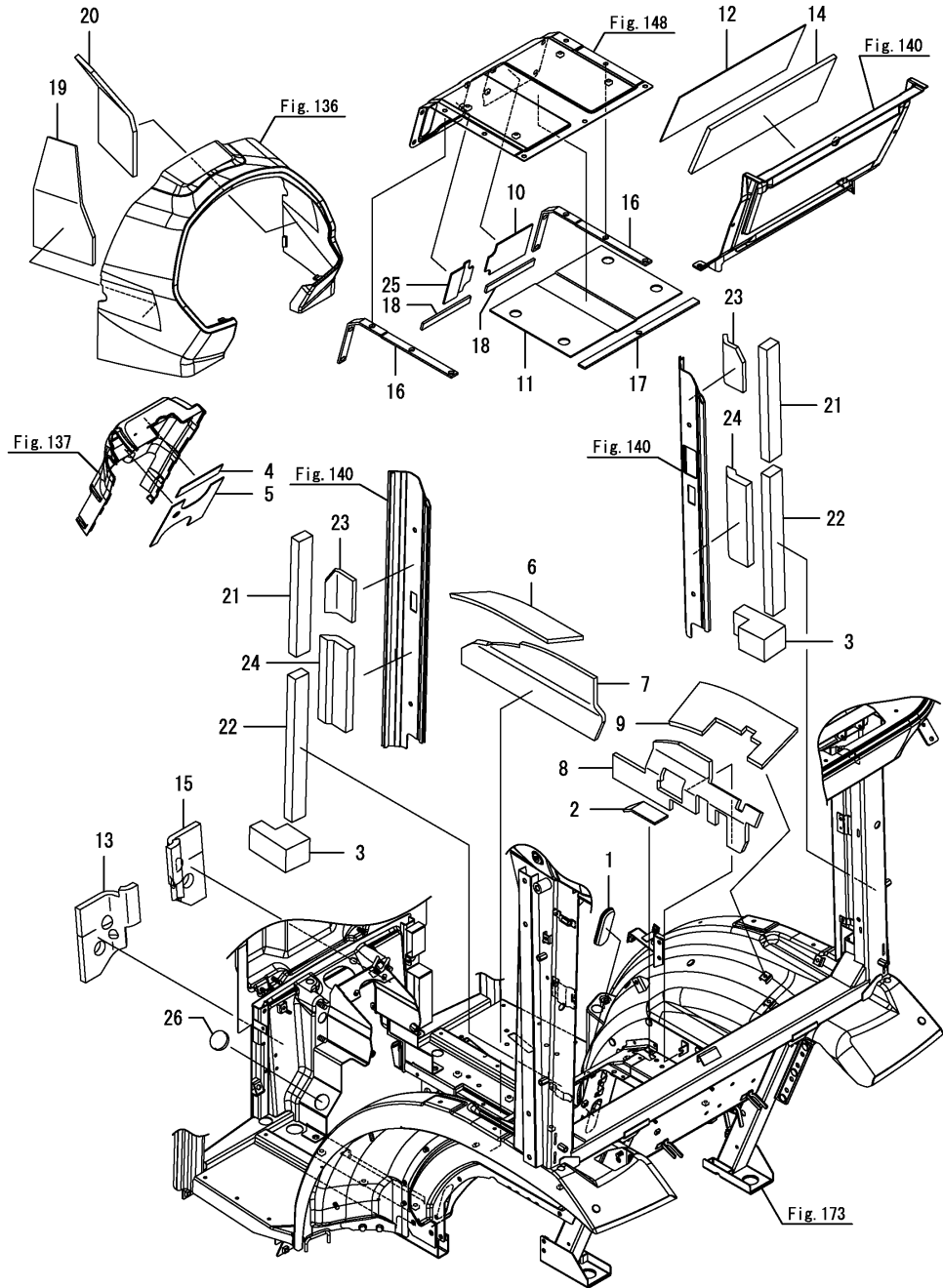
(D)=

(E)=

(F)=

No.	Lev.	Parts No.	Description	Q'ty						I	R
				(A)	(B)	(C)	(D)	(E)	(F)		
1	1	194990-22130	NUT, M6	4							
2	1	1C6281-52320	PIN, SNAP 8	2							
3	1	198255-82640	STAY, HINGE PLATE	3							
4	1	1A8110-82650	BOLT, CARRIAGE M8	2							
5	1	1A8110-82650	BOLT, CARRIAGE M8	3							
6	1	1A8110-82660	WASHER, CARRIAGE	2							
7	1	1A8110-82660	WASHER, CARRIAGE	3							
8	1	1A8110-82670	RUBBER, CUSHION	4							
9	1	1A8110-82670	RUBBER, CUSHION	4							
10	1	1A8110-82670	RUBBER, CUSHION	6							
11	1	1A8484-83300	BOLT, STEPPED M6	4							
12	1	198463-83610	HINGE, REAR	2							
13	1	1A8425-83610	GLASS, REAR	1							
14	1	198094-83640	BRACKET, REAR LOCK	1							
15	1	198287-83640	WEATHER-STRIP, RG	1							
16	1	198208-83650	STAY, GAS SPRING	2							
17	1	198153-83710	COLLAR, 8.4X12X22.5	1							
18	1	1A8110-83710	SPACER, GLASS	2							
19	1	1A8110-83710	SPACER, GLASS	2							
20	1	198153-83720	WASHER, WAVE 12	1							
21	1	1A8110-83730	NUT, CAP M8	2							
22	1	1A8110-83730	NUT, CAP M8	2							
23	1	1A8110-83730	NUT, CAP M8	2							
24	1	1A8110-83730	NUT, CAP M8	3							
25	1	198093-83752	DAMPER, GAS 100	2							
26	1	198463-83760	HANDLE, SIDE GLASS L	1							
27	1	197820-84740	LINER, GLASS FITTING	8							
28	1	1A7210-93130	BRACKET ASSY, SMV CAB	1							
29	1	22157-080000	WASHER, 8	1							
30	1	22487-080600	PIN 8X 60	2							
31	1	26106-080402	BOLT, M8X 40 PLATED	1							

Fig.177. CABIN SEAL(1)



(A)=YT235Y
(B)=
(C)=

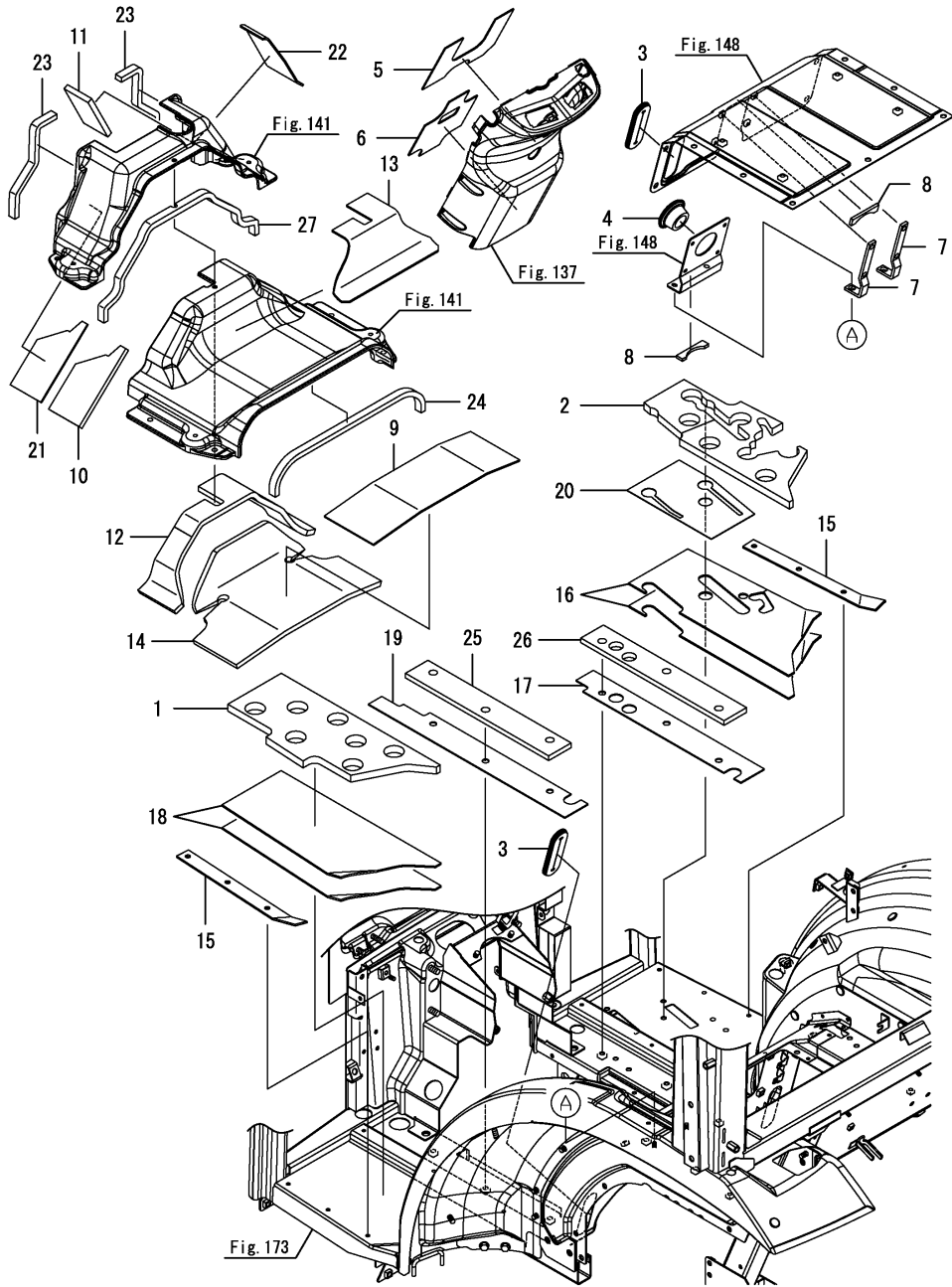
(D)=
(E)=
(F)=

No.	Lev.	Parts No.	Description	Qty						I	R
				(A)	(B)	(C)	(D)	(E)	(F)		
1	1	1A8420-63120	GROMMET, COVER A	1							
2	1	1A8425-84260	SEAL, MAIN CHANGE	1							
3	1	1A8420-84290	SEAL, HOSE	2							
4	1	1A8420-84350	RUBBER,COVER COVER COL. FA	1							
5	1	1A8420-84360	RUBBER,COVER COVER COL. FB	1							
6	1	1A8420-84460	URETHANE, FENDER A	1							
7	1	1A8420-84471	URETHANE, FENDER B	1							
8	1	1A8420-84482	URETHANE, FENDER C	1							
9	1	1A8420-84491	URETHANE, FENDER D	1							
10	1	1A8420-84510	RUBBER,DUST COVER A	1							
11	1	1A8420-84520	RUBBER, DUST B	1							
12	1	1A8425-84610	RUBBER,SHEET REAR C.	1							
13	1	1A8420-84621	URETHANE, AIRCUT A L	1							
14	1	1A8425-84620	URETHANE,SHEET R. C.	1							
15	1	1A8420-84631	URETHANE, AIRCUT A R	1							
16	1	1A8420-84650	SEAL, DUST A	2							
17	1	1A8420-84660	SEAL, DUST B	1							
18	1	1A8420-84670	SEAL, DUST C	2							
19	1	1A8420-84730	URETHANE, DASHBORD L	1							
20	1	1A8420-84740	URETHANE, DASHBORD R	1							
21	1	1A8420-84790	URETHANE, PILLAR A	2							
22	1	1A8425-84791	URETHANE, PILLAR A	2							
23	1	1A8420-84800	URETHANE, PILLAR B	2							
24	1	1A8425-84800	URETHANE, PILLAR C	2							
25	1	1A8420-84860	RUBBER,DUST COVER C	1							
26	1	198165-62460	GROMMET, 34A	1							

Fig.178. CABIN SEAL(2)

(A)=YT235Y
(B)=
(C)=

(D)=
(E)=
(F)=

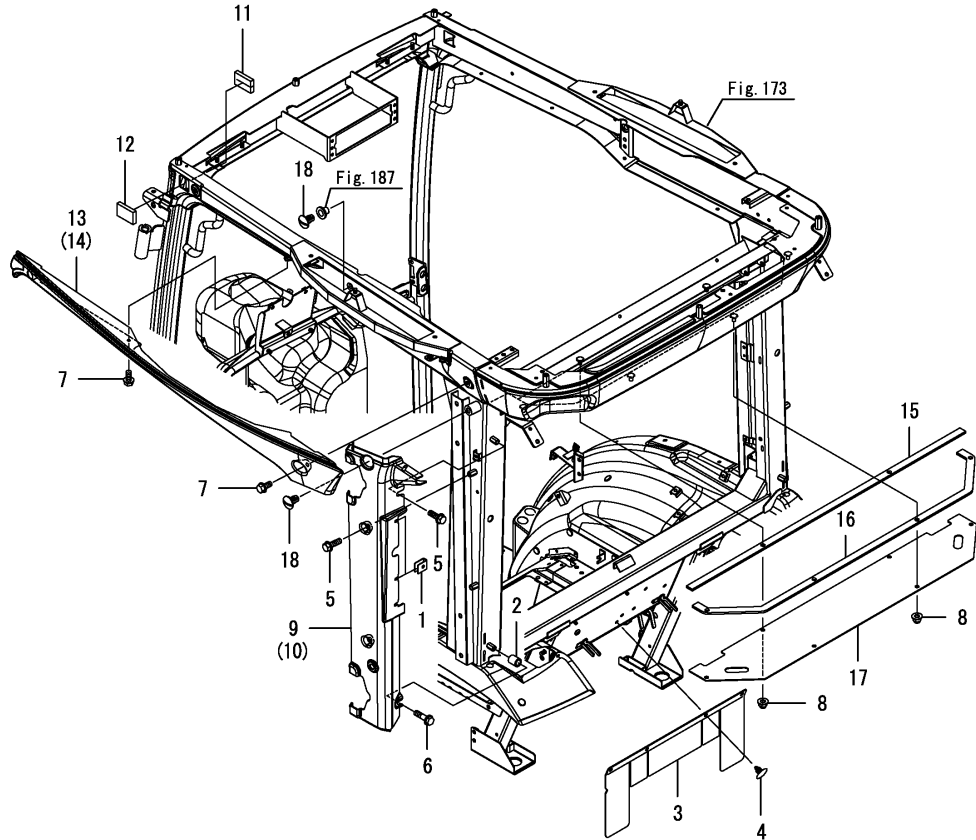


No.	Lev.	Parts No.	Description	Qty						I	R
				(A)	(B)	(C)	(D)	(E)	(F)		
1	1	1A8420-62180	URETHANE, MAT L	1							
2	1	1A8420-62190	URETHANE, MAT R	1							
3	1	198208-62810	GROMMET, PEDAL	2							
4	1	1A8420-63111	BOOT, STOP LEVER	1							
5	1	1A8420-84370	RUBBER,COVER COL. RA	1							
6	1	1A8420-84380	RUBBER,COVER COL. RB	1							
7	1	1A8420-84420	SEAL, SEAT COVER BA	2							
8	1	1A8420-84430	SEAL, SEAT COVER BB	2							
9	1	1A8420-84530	RUBBER, FLOOR B	1							
10	1	1A8420-84540	URETHANE, FLOOR A	1							
11	1	1A8420-84550	URETHANE, FLOOR B	1							
12	1	1A8420-84560	URETHANE, FLOOR C	1							
13	1	1A8420-84590	RUBBER, FLOOR A	1							
14	1	1A8420-84680	URETHANE, FLOOR D	1							
15	1	1A8420-84710	RUBBER, STEP 3	2							
16	1	1A8420-84752	RUBBER, STEP OUTER R	2							
17	1	1A8420-84760	RUBBER, STEP 2R	1							
18	1	1A8420-84770	RUBBER, STEP OUTER L	2							
19	1	1A8420-84780	RUBBER, STEP 2L	1							
20	1	1A8425-84820	SEAL, PEDAL	1							
21	1	1A8420-84870	RUBBER, FLOOR CL	1							
22	1	1A8420-84880	RUBBER, FLOOR CR	1							
23	1	1A8420-84900	SEAL, FLOOR FRONT	2							
24	1	1A8420-84910	SEAL, FLOOR REAR	1							
25	1	1A8420-84920	SEAL, FLOOR SIDE L	1							
26	1	1A8420-84930	SEAL, FLOOR SIDE R	1							
27	1	1A8420-84940	SEAL, FLOOR CENTER	1							

Fig.179. EXTERIOR

(A)=YT235Y
(B)=
(C)=

(D)=
(E)=
(F)=

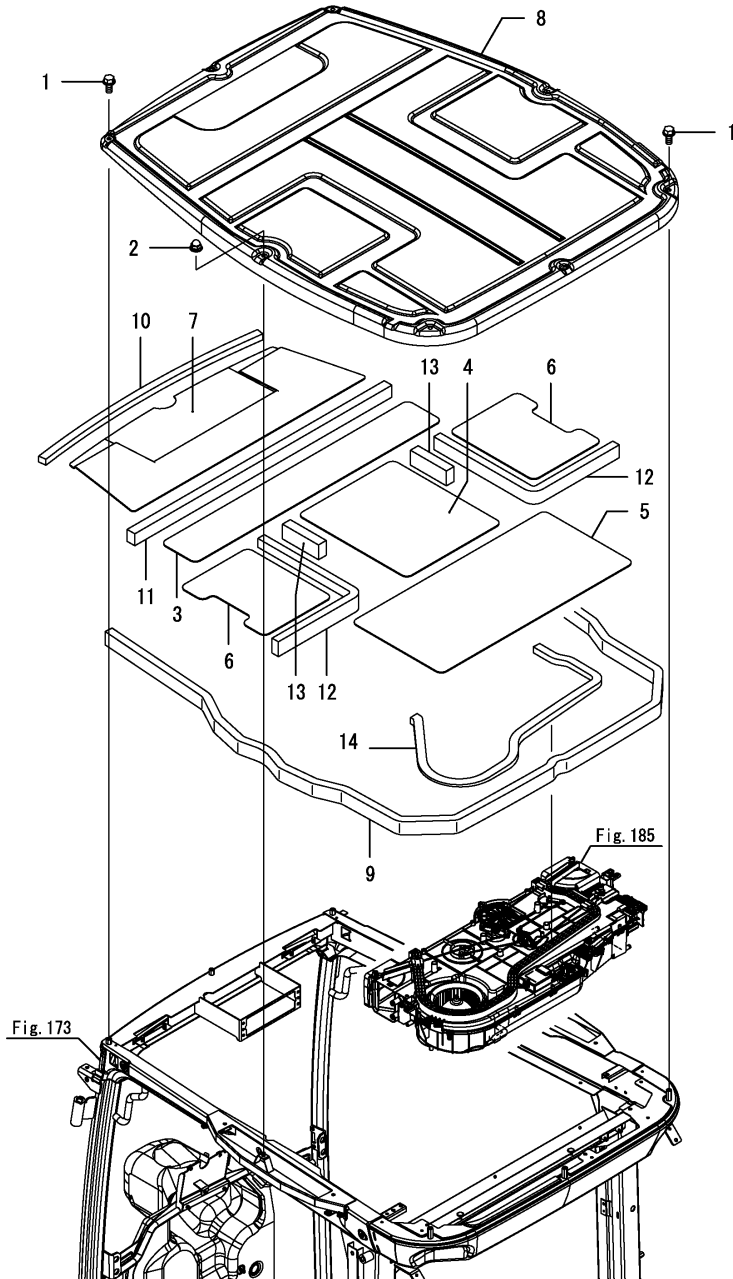


No.	Lev.	Parts No.	Description	Q'ty						I	R
				(A)	(B)	(C)	(D)	(E)	(F)		
1	1	194167-61650	NUT, SPEED 5	4							
2	1	194151-63250	COLLAR, CUSHION	2							
3	1	1A8400-64300	RUBBER,	1							
4	1	1E6760-74150	CAP, HOLE 8	4							
5	1	198093-82510	BOLT, M8X25	6							
6	1	198127-83150	BOLT, M8X30	2							
7	1	198460-83350	BOLT, M8X16	6							
8	1	1A8110-83730	NUT, CAP M8	6							
9	1	1A8425-85301	COVER,R-PILLAR OUT L	1							
10	1	1A8425-85311	COVER,R-PILLAR OUT R	1							
11	1	1A8420-85320	SEAL, ROOF COVER A	2							
12	1	1A8420-85330	SEAL, ROOF COVER B	2							
13	1	1A8420-85600	COVER, ROOF L	1							
14	1	1A8420-85610	COVER, ROOF R	1							
15	1	1A8420-85630	SEAL, AIRCON COVER A	1							
16	1	1A8420-85640	SEAL, AIRCON COVER B	1							
17	1	1A8420-87781	PLATE, AIRCON R	1							
18	1	41810-000120	CAP, BOLT M12	4							

Fig.180. ROOF

(A)=YT235Y
(B)=
(C)=

(D)=
(E)=
(F)=



No.	Lev.	Parts No.	Description	Q'ty						I	R
				(A)	(B)	(C)	(D)	(E)	(F)		
1	1	198460-83350	BOLT, M8X16	6							
2	1	1A8110-83730	NUT, CAP M8	2							
3	1	1A8420-85500	INSULATOR, ROOF A	1							
4	1	1A8420-85510	INSULATOR, ROOF B	1							
5	1	1A8420-85520	INSULATOR, ROOF C	1							
6	1	1A8420-85530	INSULATOR, ROOF D	2							
7	1	1A8420-85540	INSULATOR, ROOF E	1							
8	1	1A8420-85550	ROOF, OUTER	1							
9	1	1A8420-85580	SEAL, OUTTER ROOF A	1							
10	1	1A8420-85590	SEAL, OUTTER ROOF B	1							
11	1	1A8420-85651	SEAL, AIR-CON A	1							
12	1	1A8420-85671	SEAL, AIR-CON C	2							
13	1	1A8420-85680	SEAL, AIR-CON D	2							
14	1	1A8484-88490	SEAL, AIR CON D	1							

Fig.181. REARVIEW MIRROR

(A)=YT235Y
(B)=
(C)=

(D)=
(E)=
(F)=

No.	Lev.	Parts No.	Description	Q'ty						I	R
				(A)	(B)	(C)	(D)	(E)	(F)		
1	1	198220-63340	SPRING, FRICTION	2							
2	1	198133-64400	GROMMET	2							
3	1	1A7320-64510	HEAD, REAR VIEW	2							
4	1	1A8420-85830	SHAFT ASSY, MIRROR	2							
5	1	22137-120000	WASHER, 12	2							
6	1	22351-060050	PIN, SPRING 6.0X50	2							
7	1	26346-100002	NUT, M10	2							

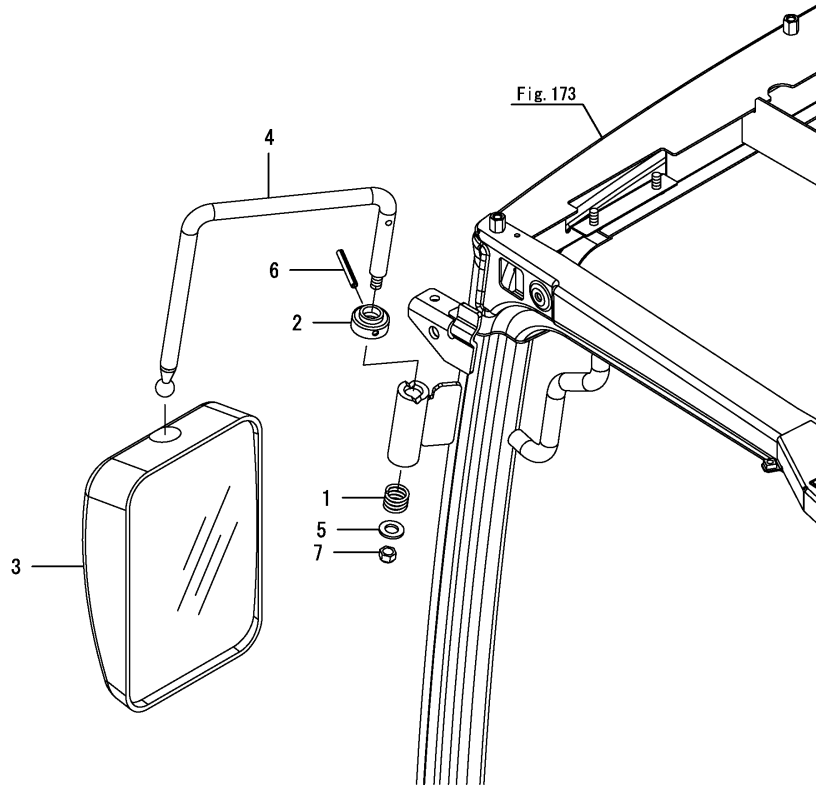


Fig.182. FRONT WIPER

(A)=YT235Y

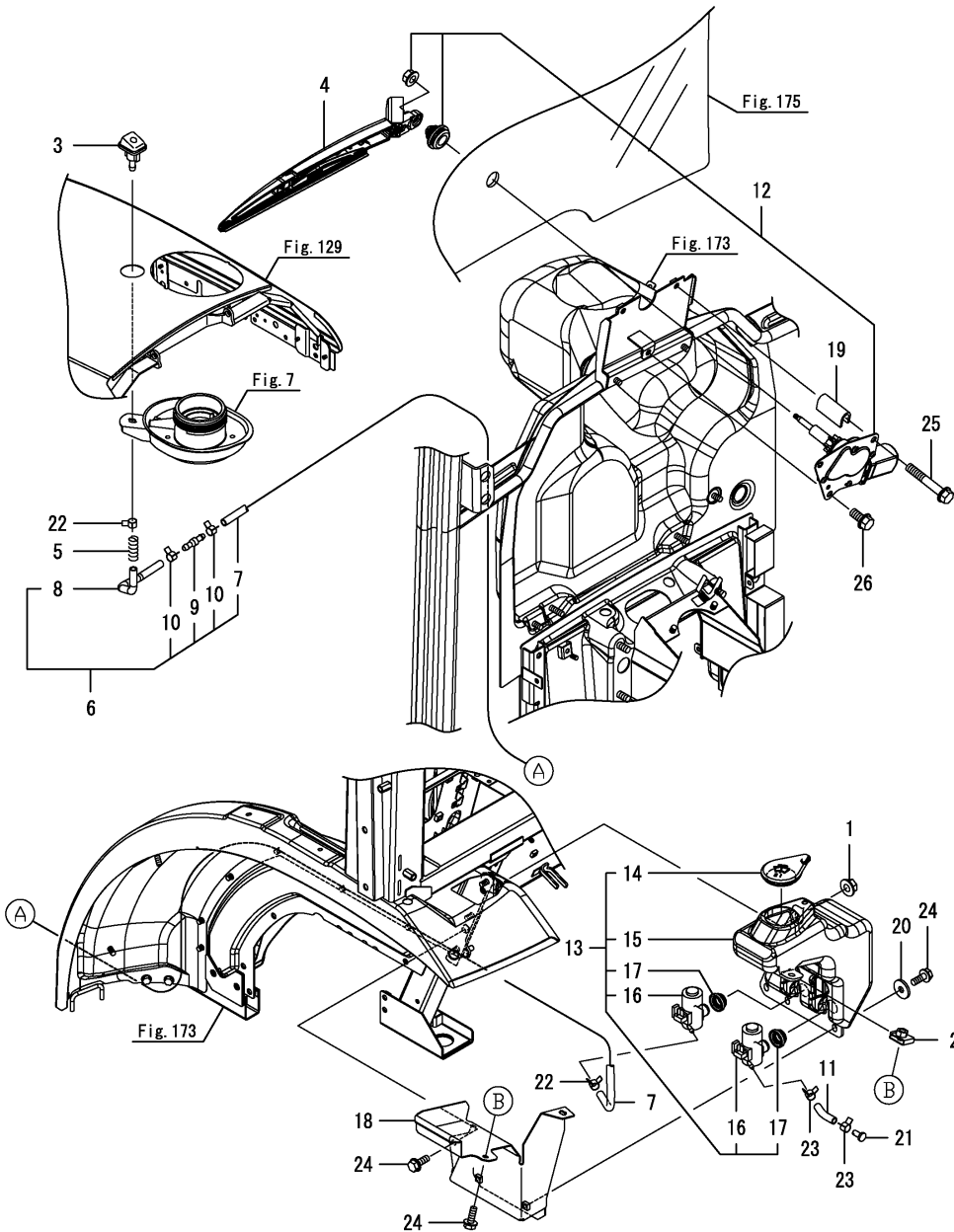
(B)=

(C)=

(D)=

(E)=

(F)=



No.	Lev.	Parts No.	Description	Qty						I	R
				(A)	(B)	(C)	(D)	(E)	(F)		
1	1	194990-22140	NUT, M8	2							
2	1	198071-61890	NUT, SPEED M6	1							
3	1	198094-86060	NOZZLE, WASHER	1							
4	1	1A8420-86400	WIPER ASSY, FRONT	1							
5	1	198094-86560	SPRING, NOZZLE	1							
6	1	1A8420-86570	HOSE ASSY, WASHER F	1							
7	2	1A8420-86550	HOSE, WASHER F	1							
8	2	198153-86660	HOSE, VINYL 150	1							
9	2	198153-86670	VALVE, WASHER	1							
10	2	23080-007000	CLAMP, 7	2							
11	1	1A7170-86590	HOSE, VALVE 30	1							
12	1	1A7030-86610	MOTOR ASSY, WIPER	1							
13	1	1A8420-86640	TANK ASSY, WASHER	1							
14	2	198208-86620	CAP, WASHER TANK	1							
15	2	1A8420-86650	TANK, WASHER	1							
16	2	198127-86710	PUMP, WASHER	2							
17	2	198127-86720	BUSH, PUMP	2							
18	1	1A8420-86670	COVER ASSY, WS TANK	1							
19	1	198208-86710	SPACER, B	2							
20	1	22157-060000	WASHER, 6	2							
21	1	22487-050100	PIN, H 5X 10	1							
22	1	23080-007000	CLAMP, 7	2							
23	1	23080-007000	CLAMP, 7	2							
24	1	26106-060162	BOLT, M6X 16 PLATED	4							
25	1	26106-080502	BOLT, M8X 50 PLATED	2							
26	1	26106-080162	BOLT, M8X 16 PLATED	1							

Fig.184. AUDIO

(A)=YT235Y
(B)=
(C)=

(D)=
(E)=
(F)=

No.	Lev.	Parts No.	Description	Q'ty						I	R
				(A)	(B)	(C)	(D)	(E)	(F)		
1	1	194990-22120	NUT, M5	8							
2	1	1A8110-86920	SPEAKER	2							
3	1	26557-050122	SCREW, M5X12	8							

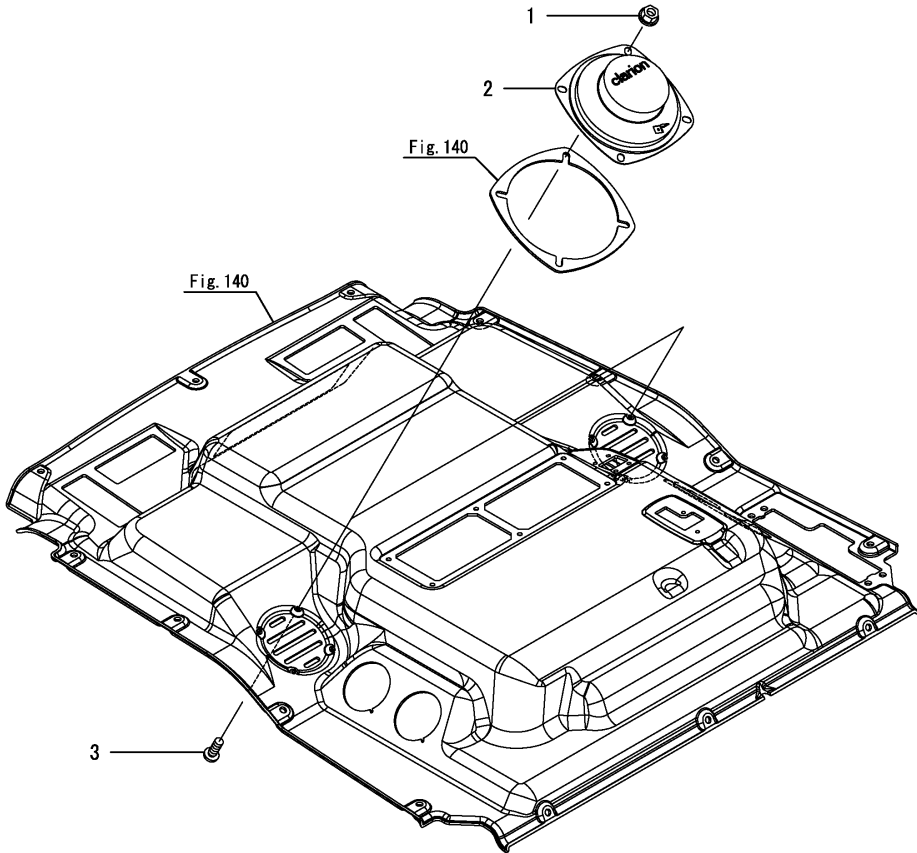


Fig.185. AIR CONDITIONER(1)

(A)=YT235Y

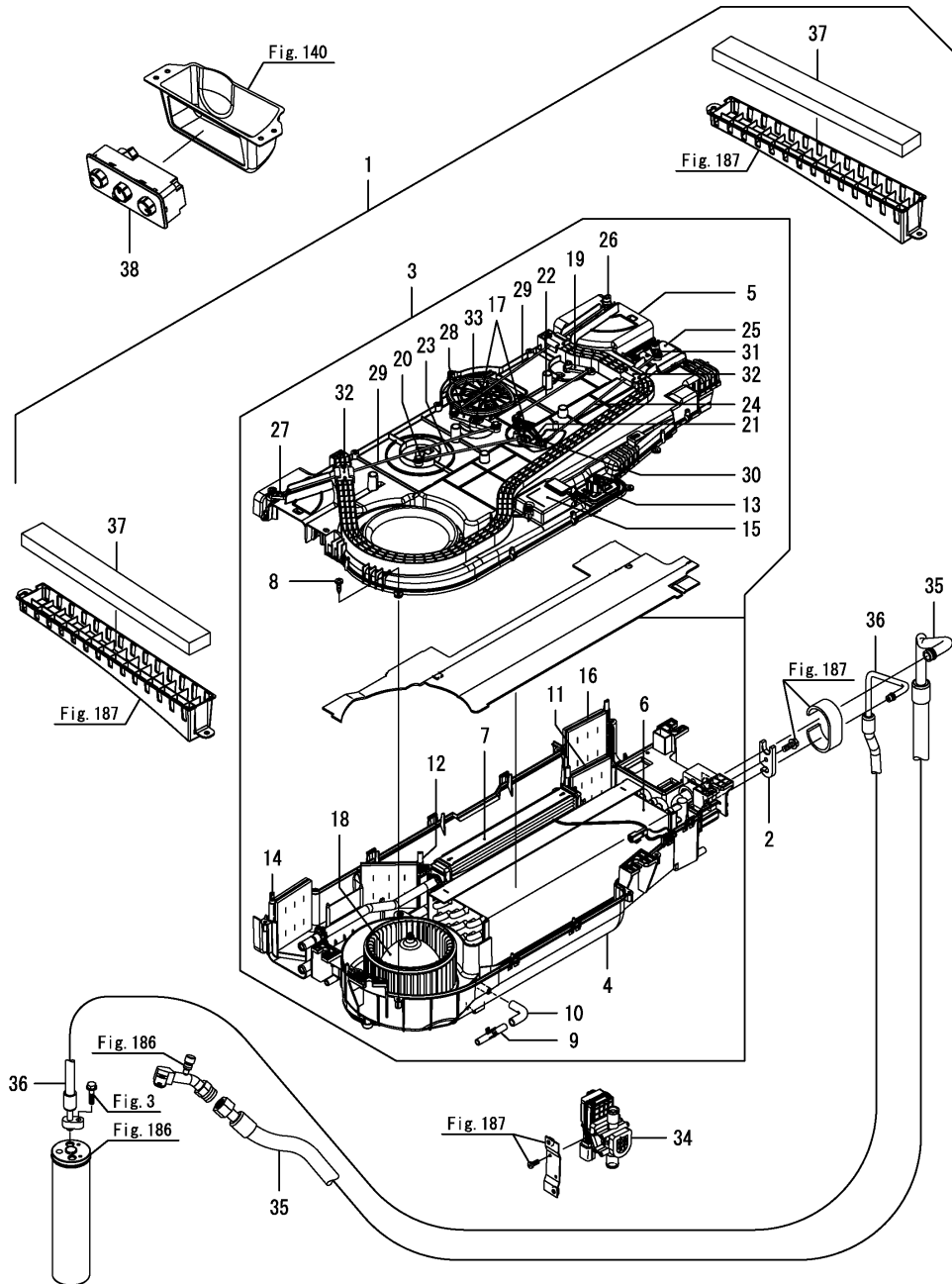
(B)=

(C)=

(D)=

(E)=

(F)=



No.	Lev.	Parts No.	Description	Qty						I	R
				(A)	(B)	(C)	(D)	(E)	(F)		
1	1	1A8425-87010	AIR CON KIT, CAB SYS	1							
2	2	172B03-19110	PLATE, FLANGE	1							
3	2	1A8485-87200	AIR CON UNIT, MANUAL	1							
4	3	1A8485-87210	CASE, LOWER	1							
5	3	1A8485-87220	CASE, UPPER	1							
6	3	1A8485-87230	EVAPORATOR ASSY	1							
7	3	1A8485-87240	CORE ASSY, HEATER	1							
8	3	1A8485-87260	SCREW, TAPPING	35							
9	3	1A8485-87280	JOINT, HOSE	1							
10	3	1A8485-87290	HOSE, DRAIN	1							
11	3	1A8485-87300	DOOR ASSY, A/M R	1							
12	3	1A8485-87310	DOOR ASSY, A/M L	1							
13	3	1A8484-87320	BLOWER, REGISTER	1							
14	3	1A8485-87320	DOOR ASSY, MODE L	1							
15	3	1A8484-87330	AMP, A/C	1							
16	3	1A8485-87330	DOOR ASSY, MODE R	1							
17	3	1A8485-87340	SCREW, TAPPING WASHER	2							
18	3	1A8485-87350	FAN ASSY, BLOWER	1							
19	3	1A8485-87360	LEVER, DOOR A/M R	1							
20	3	1A8485-87370	LEVER, DOOR A/M L	1							
21	3	1A8485-87380	LEVER, LINK A/M	1							
22	3	1A8485-87390	ROD, A/M R	1							
23	3	1A8485-87400	ROD, A/M L	1							
24	3	1A8485-87410	ROD, A/M MAL	1							
25	3	1A8485-87420	ACTUATOR ASSY, A/M	1							
26	3	1A8485-87430	LEVER, DOOR MODE R	1							
27	3	1A8485-87440	LEVER, DOOR MODE L	1							
28	3	1A8485-87450	LEVER, LINK MODE	1							
29	3	1A8485-87460	ROD, MODE	2							
30	3	1A8485-87470	HOLDER, ROD	6							
31	3	1A8485-87480	CLAMP, ROD	4							
32	3	1A8485-87490	COVER ASSY, ROD	3							
33	3	1A8485-87500	ACTUATOR ASSY, MODE	1							
34	2	1A8484-87280	VALVE, WATER	1							
35	2	1A8425-87920	HOSE ASSY, A/U-COMP R	1							
36	2	1A8425-87940	HOSE ASSY, R/D-A/U	1							
37	2	1A8420-87990	FILTER, OUTSIDE AIR	2							
38	1	1A8420-87300	CONTROL, A/C MANU	1							

Fig.186. AIR CONDITIONER(2)

(A)=YT235Y
(B)=
(C)=

(D)=
(E)=
(F)=

No.	Lev.	Parts No.	Description	Q'ty						I	R
				(A)	(B)	(C)	(D)	(E)	(F)		
1	1	1A8425-87060	AIR CON KIT, BODY SY	1							
2	2	1A8484-87110	CONDENSER ASSY	1							
3	2	1A8420-87690	RECEIVER ASSY, DRYER	1							
4	3	1A8484-87310	SWITCH, PRESSUR	1							
5	2	1A8484-87900	COMPRESSOR ASSY	1							
6	2	1A8400-87910	HOSE ASSY,A/U-COMP F	1							
7	2	1A8420-87930	HOSE ASSY,COMP-COND	1							
8	2	1A8420-87950	PIPE ASSY, COND-R/D	1							

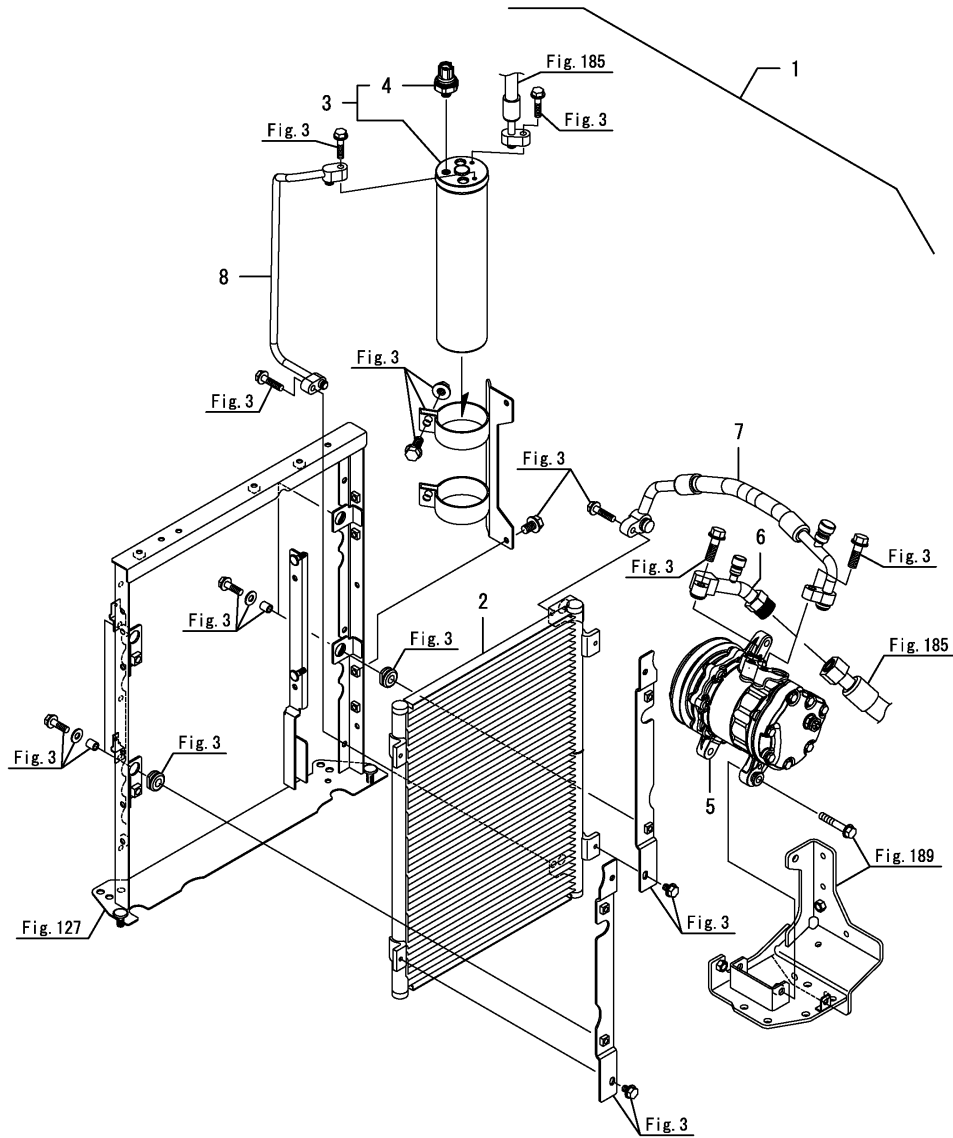
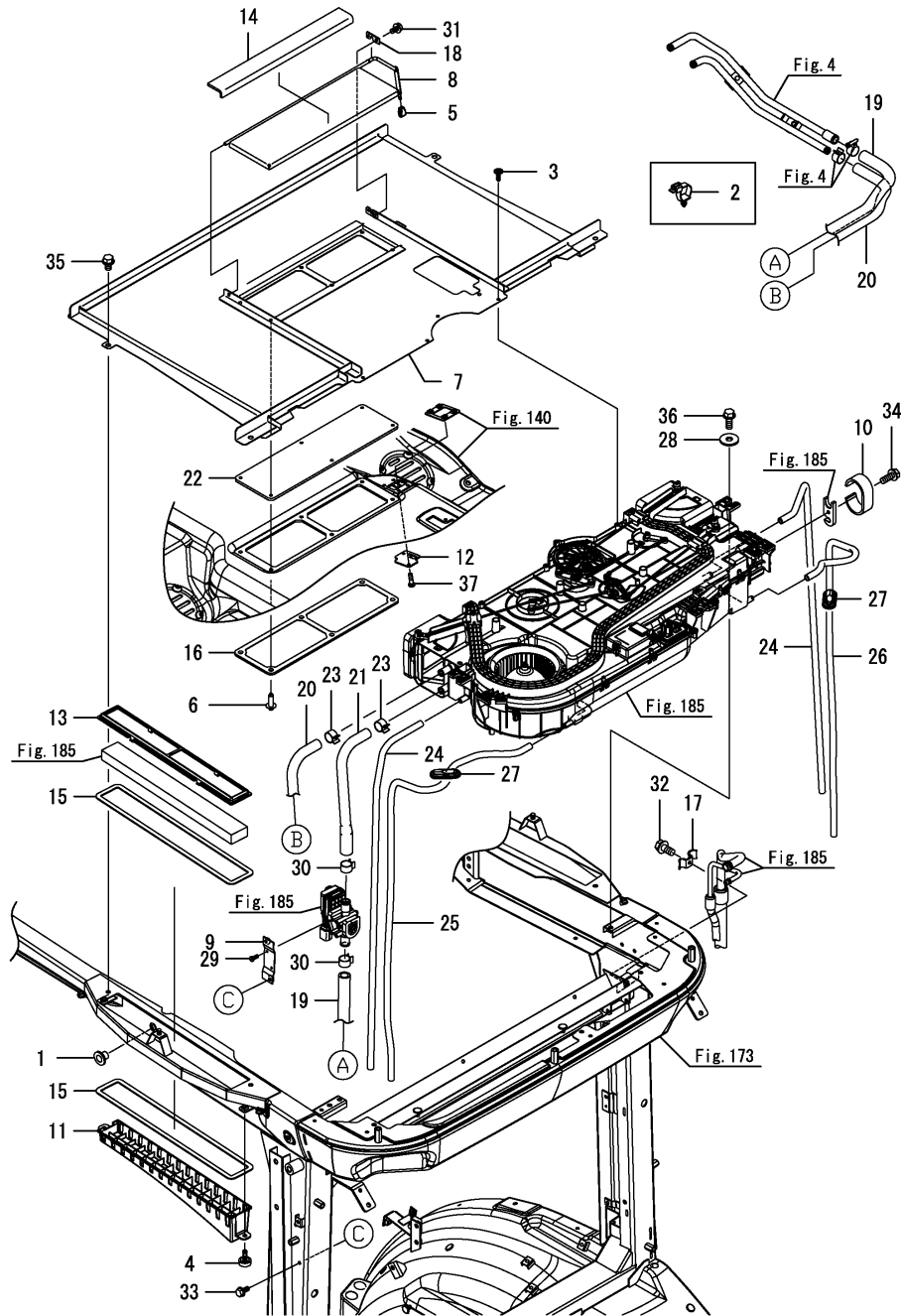


Fig.187. AIR CONDITIONER(3)



(A)=YT235Y
(B)=
(C)=

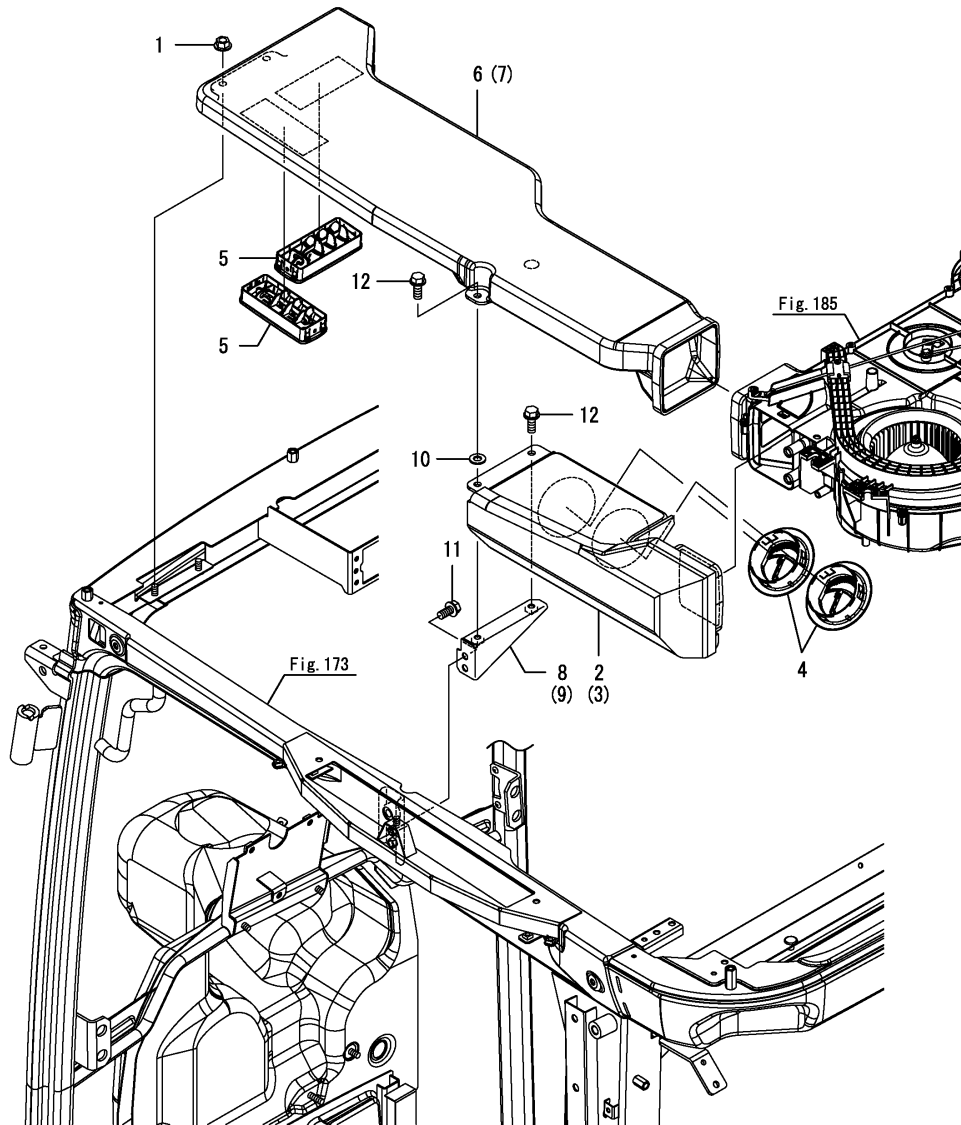
(D)=
(E)=
(F)=

No.	Lev.	Parts No.	Description	Q'ty						I	R
				(A)	(B)	(C)	(D)	(E)	(F)		
1	1	194150-24270	CAP, SCREW 13.0	2							
2	1	1A8275-51670	CLIP, M8 HOLE	5							
3	1	194940-61790	SCREW, TAPPING M5X16	4							
4	1	1A7180-61790	KNOB, 6X15	4							
5	1	1E8545-80080	KNOB, CONTROL	1							
6	1	1A8111-84220	RIVET, PUSH	6							
7	1	1A8420-87601	PLATE ASSY, AIRCON A	1							
8	1	1A8420-87701	SHUTTER ASSY,OUTSIDE	1							
9	1	1A8420-87720	BRACKET ASSY, VALVE	1							
10	1	1A7030-87730	PAD, AIR-CON HOSE	1							
11	1	1A8420-87811	COVER, FILTER OUT	1							
12	1	1A8420-87831	GUIDE, AIR	1							
13	1	1A8420-87851	COVER, FILTER OUT UP	1							
14	1	1A8420-87860	URETHANE, OUTSIDE	1							
15	1	1A8420-87871	URETHANE, OUT FILTER	4							
16	1	1A7030-87970	FILTER	1							
17	1	1A7030-88060	CLAMP, AIR CON HOSE	1							
18	1	1A8420-88601	PLATE, STOPPER	1							
19	1	1A8425-88630	HOSE, HEATER E/G-W/V	1							
20	1	1A8425-88640	HOSE, HEATER A/U-E/G	1							
21	1	1A8420-88650	HOSE, HEATER W/V-A/U	1							
22	1	1A8111-88680	FILTER	1							
23	1	1A7030-88710	CLIP, HEATER HOSE	2							
24	1	1A8425-88960	HOSE, DRAIN F	2							
25	1	1A8425-88970	HOSE, DRAIN RL	1							
26	1	1A8425-88980	HOSE, DRAIN RR	1							
27	1	1A8484-88990	GROMMET	2							
28	1	22157-080000	WASHER, 8	5							
29	1	22857-400100	SCREW, 4X10	2							
30	1	23000-022000	CLAMP, 22	2							
31	1	26106-060102	BOLT, M6X 10 PLATED	1							
32	1	26106-060122	BOLT, M6X 12 PLATED	1							
33	1	26106-060122	BOLT, M6X 12 PLATED	2							
34	1	26106-060202	BOLT, M6X 20 PLATED	1							
35	1	26106-080122	BOLT, M8X 12 PLATED	4							
36	1	26106-080202	BOLT, M8X 20 PLATED	5							
37	1	26559-050162	SCREW, M5X16	2							

Fig.188. AIR CONDITIONER DUCT

(A)=YT235Y
(B)=
(C)=

(D)=
(E)=
(F)=

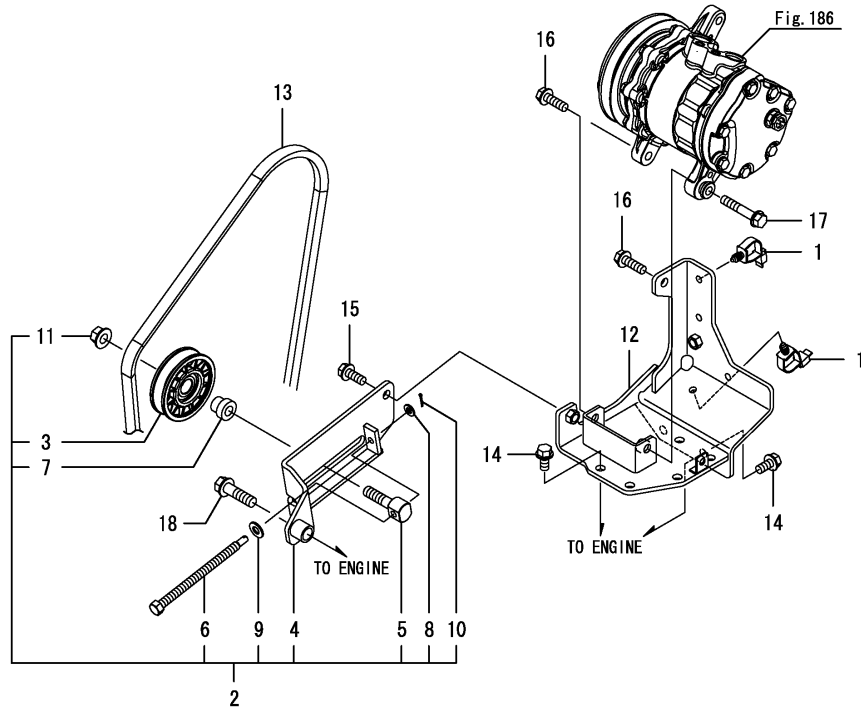


No.	Lev.	Parts No.	Description	Q'ty						I	R
				(A)	(B)	(C)	(D)	(E)	(F)		
1	1	194990-22140	NUT, M8	4							
2	1	1A8420-87360	DUCT ASSY, SIDE L	1							
3	1	1A8420-87370	DUCT ASSY, SIDE R	1							
4	1	1A8060-87400	GRILLE, AIR-CON	4							
5	1	1A8060-87411	GRILLE, AIR-CON	4							
6	1	1A8420-87460	DUCT ASSY,DEF SIDE L	1							
7	1	1A8420-87470	DUCT ASSY,DEF SIDE R	1							
8	1	1A8420-87550	STAY ASSY,DUCT L	1							
9	1	1A8420-87560	STAY ASSY,DUCT R	1							
10	1	22137-080000	WASHER, 8	2							
11	1	26106-080162	BOLT, M8X 16 PLATED	4							
12	1	26106-080202	BOLT, M8X 20 PLATED	4							

Fig.189. COMPRESSOR

(A)=YT235Y
(B)=
(C)=

(D)=
(E)=
(F)=



No.	Lev.	Parts No.	Description	Qty						I	R
				(A)	(B)	(C)	(D)	(E)	(F)		
1	1	1A8275-51670	CLIP, M8 HOLE	2							
2	1	1A8420-87051	PULLEY ASSY, TENSION	1							
3	2	1E6210-51910	PULLEY, TENSION V70A	1							
4	2	1A8420-87061	STAY ASSY, TENSION	1							
5	2	1A8420-87090	BOLT, TENSION PULLEY	1							
6	2	129968-96970	BOLT, ADJUSTING	1							
7	2	129054-96990	SPACER	1							
8	2	22137-060000	WASHER, 6	1							
9	2	22137-080000	WASHER, 8	1							
10	2	22417-160120	PIN, COTTER 1.6X12	1							
11	2	26306-100002	NUT, M10	1							
12	1	1A8420-87900	BRACKET ASSY, COMP	1							
13	1	25132-005600	V-BELT, A56	1							
14	1	26106-080162	BOLT, M8X 16 PLATED	4							
15	1	26106-080202	BOLT, M8X 20 PLATED	1							
16	1	26106-080252	BOLT, M8X 25 PLATED	2							
17	1	26106-080452	BOLT, M8X 45 PLATED	1							
18	1	26106-100352	BOLT, M10X 35 PLATED	1							

Fig.190. DOCUMENT

(A)=YT235Y
(B)=
(C)=

(D)=
(E)=
(F)=

No.	Lev.	Parts No.	Description	Q'ty						I	R
				(A)	(B)	(C)	(D)	(E)	(F)		
1	1	0A041-EN0220	OPERATION MANUAL	1							

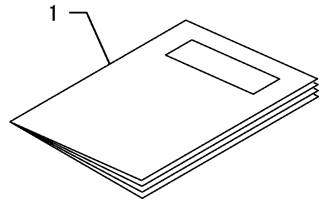
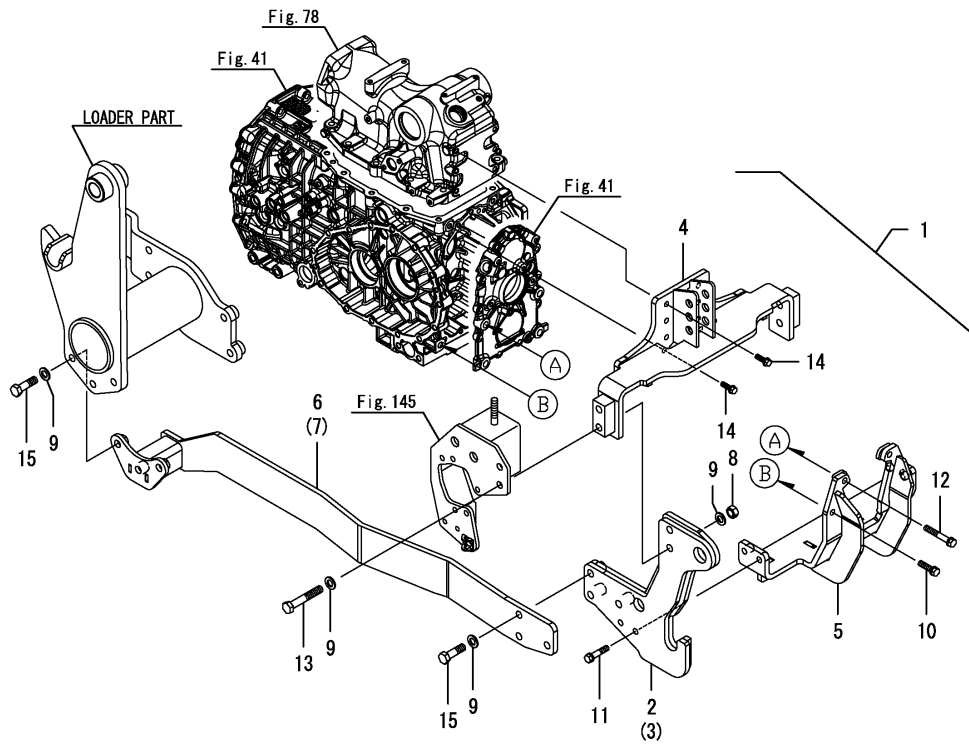


Fig.191. BACKHOE FRAME

(A)=YT235Y
(B)=
(C)=

(D)=
(E)=
(F)=

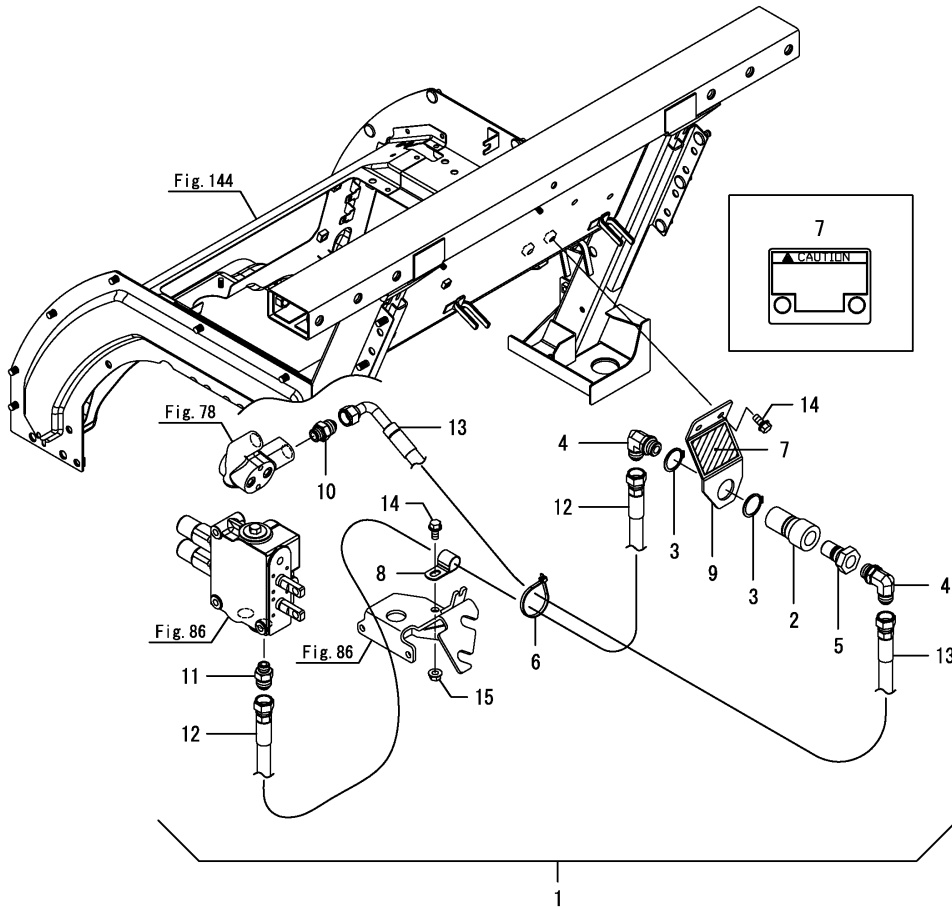


No.	Lev.	Parts No.	Description	Q'ty						I	R
				(A)	(B)	(C)	(D)	(E)	(F)		
1	1	1A8425-97000	MOUNT KIT, BACKHOE	1							
2	2	1A8425-97050	MOUNT ASSY, LH HOOK	1							
3	2	1A8425-97060	MOUNT ASSY, RH HOOK	1							
4	2	1A8425-97100	MOUNT ASSY, UPPER	1							
5	2	1A8425-97170	STAY ASSY, LOWER	1							
6	2	1A8425-97260	PLATE ASSY, LH LOWER	1							
7	2	1A8425-97270	PLATE ASSY, RH LOWER	1							
8	2	1A8425-97350	NUT, M16X2 CLASS 10	4							
9	2	22137-160000	WASHER, 16	20							
10	2	26013-120452	BOLT, M12X 45	2							
11	2	26013-120552	BOLT, M12X 55	4							
12	2	26013-120802	BOLT, M12X 80	2							
13	2	26076-161002	BOLT, 16 X 100	4							
14	2	26106-100302	BOLT, M10X 30 PLATED	8							
15	2	26116-160552	BOLT, M16X 55 PLATED	12							

Fig.192. REAR HYDRAULIC

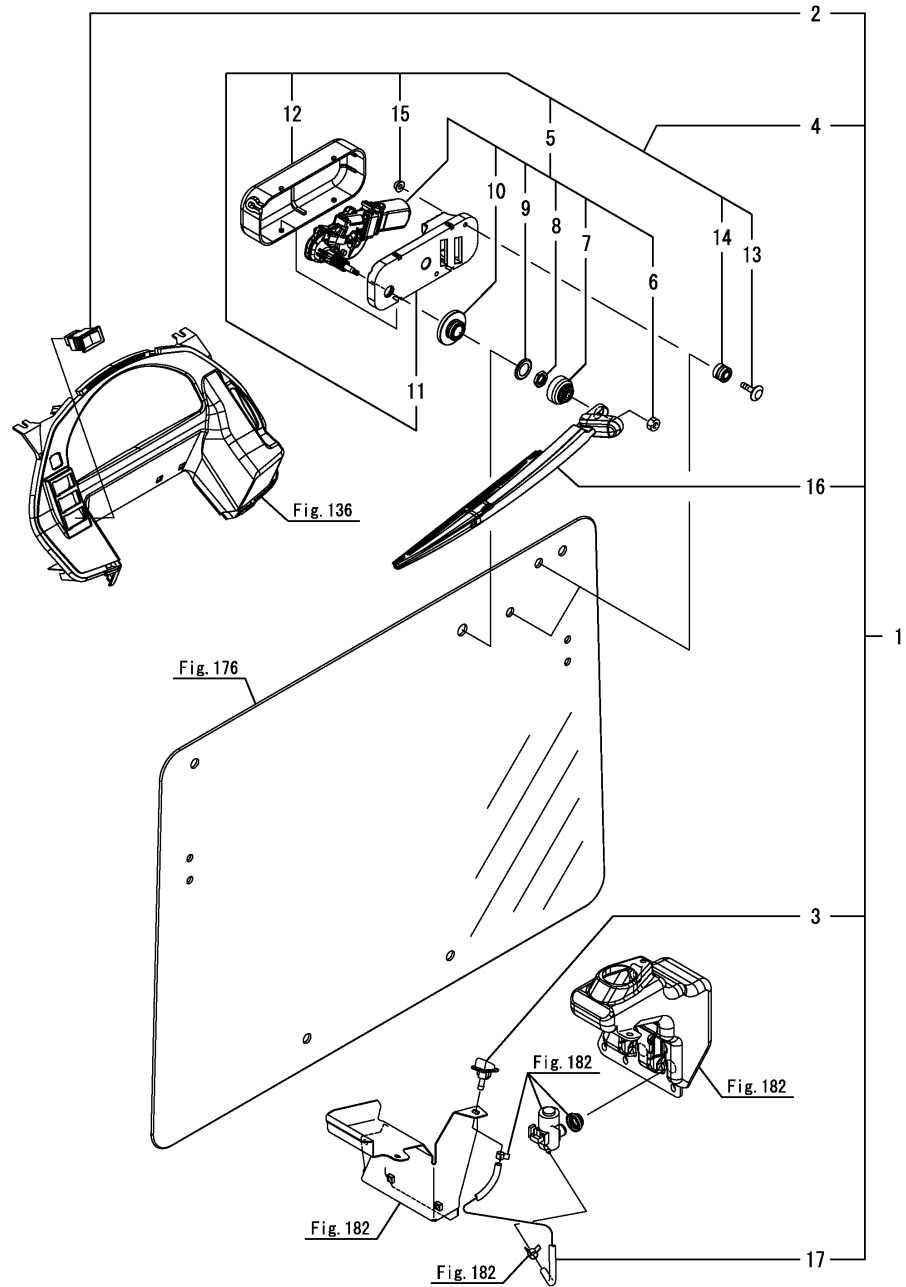
(A)=YT235Y
(B)=
(C)=

(D)=
(E)=
(F)=



No.	Lev.	Parts No.	Description	Q'ty						I	R
				(A)	(B)	(C)	(D)	(E)	(F)		
1	1	1A8425-97500	HYDRAULIC KIT, PBK	1							
2	2	1A8160-46250	COUPLER, QUICK 3/8	1							
3	2	198240-46260	CIRCLIP, COUPLER	2							
4	2	1A8160-46910	ELBOW, 8-8	2							
5	2	1A8160-48820	COUPLER, QUICK 3/8	1							
6	2	1A8300-51210	BAND, REPEAT	1							
7	2	1A8300-65400	LABEL, CAUTION	1							
8	2	1E6213-83410	CLIP, HARNESS 18	1							
9	2	1A8425-97540	STAY, COUPLER	1							
10	2	1A8425-97550	CONNECTOR, G3/8-1/2	1							
11	2	1A8425-97560	CONNECTOR, 3/8-1/2	1							
12	2	1A8425-97570	HOSE, PB	1							
13	2	1A8425-97580	HOSE, RETURN	1							
14	2	26106-080162	BOLT, M8X 16 PLATED	3							
15	2	26366-080002	NUT, M8	1							

Fig.193. REAR WIPER(CABIN)



(A)=YT235Y
(B)=
(C)=

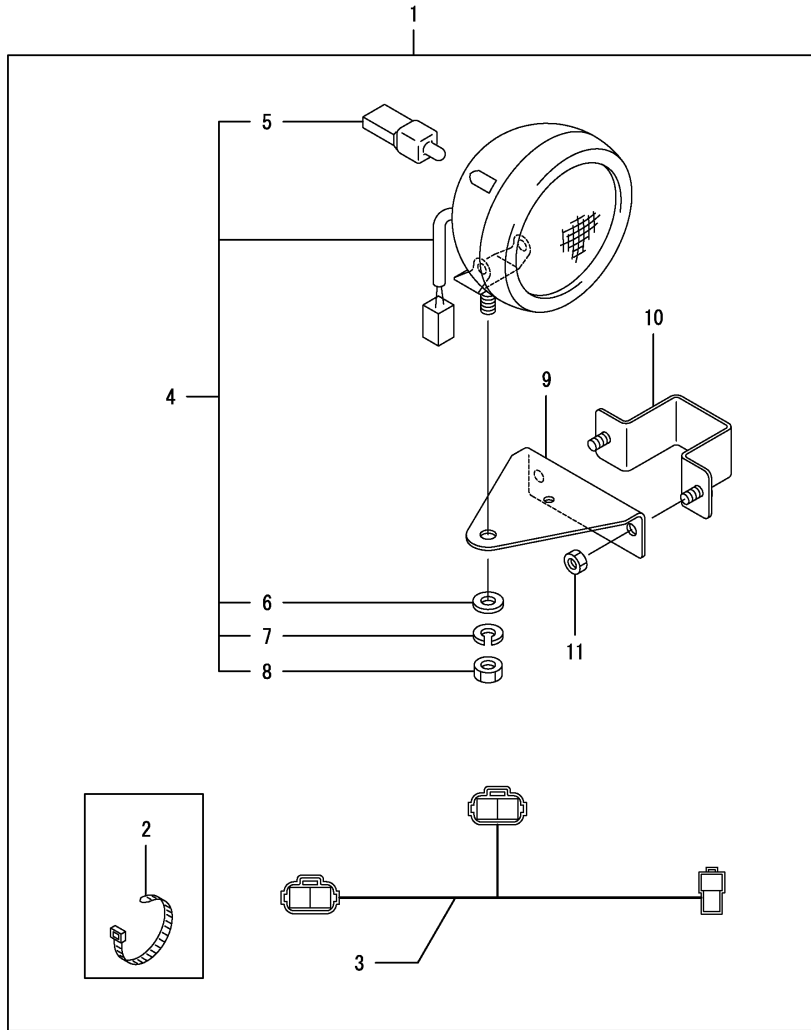
(D)=
(E)=
(F)=

No.	Lev.	Parts No.	Description	Q'ty						I	R
				(A)	(B)	(C)	(D)	(E)	(F)		
1	1	1A8425-86290	MOTOR KIT, WIPER	1							
2	2	1A8060-52530	SWITCH, REAR WIPER	1							
3	2	198094-86060	NOZZLE, WASHER	1							
4	2	1A8110-86300	MOTOR ASSY, WIPER	1							
5	3	1A8110-86310	MOTOR ASSY	1							
6	4	1A8110-86330	NUT, M6	1							
7	4	1A8110-86340	CAP	1							
8	4	1A8110-86350	NUT, M16	1							
9	4	1A8110-86360	WASHER	1							
10	4	1A8110-86370	GASKET	1							
11	3	1A8110-86450	PLATE, BASE	1							
12	3	1A8110-86460	COVER, MOTOR	1							
13	3	1A8110-86470	BOLT, W/COLLAR	2							
14	3	1A8110-86480	GROMMET	2							
15	3	1A8110-86490	NUT, FLANGE M6	2							
16	2	1A8420-86400	WIPER ASSY, FRONT	1							
17	2	1E8080-95660	PIPE, 5X8X320	1							

Fig.194. WORK LAMP

(A)=YT235Y
(B)=
(C)=

(D)=
(E)=
(F)=

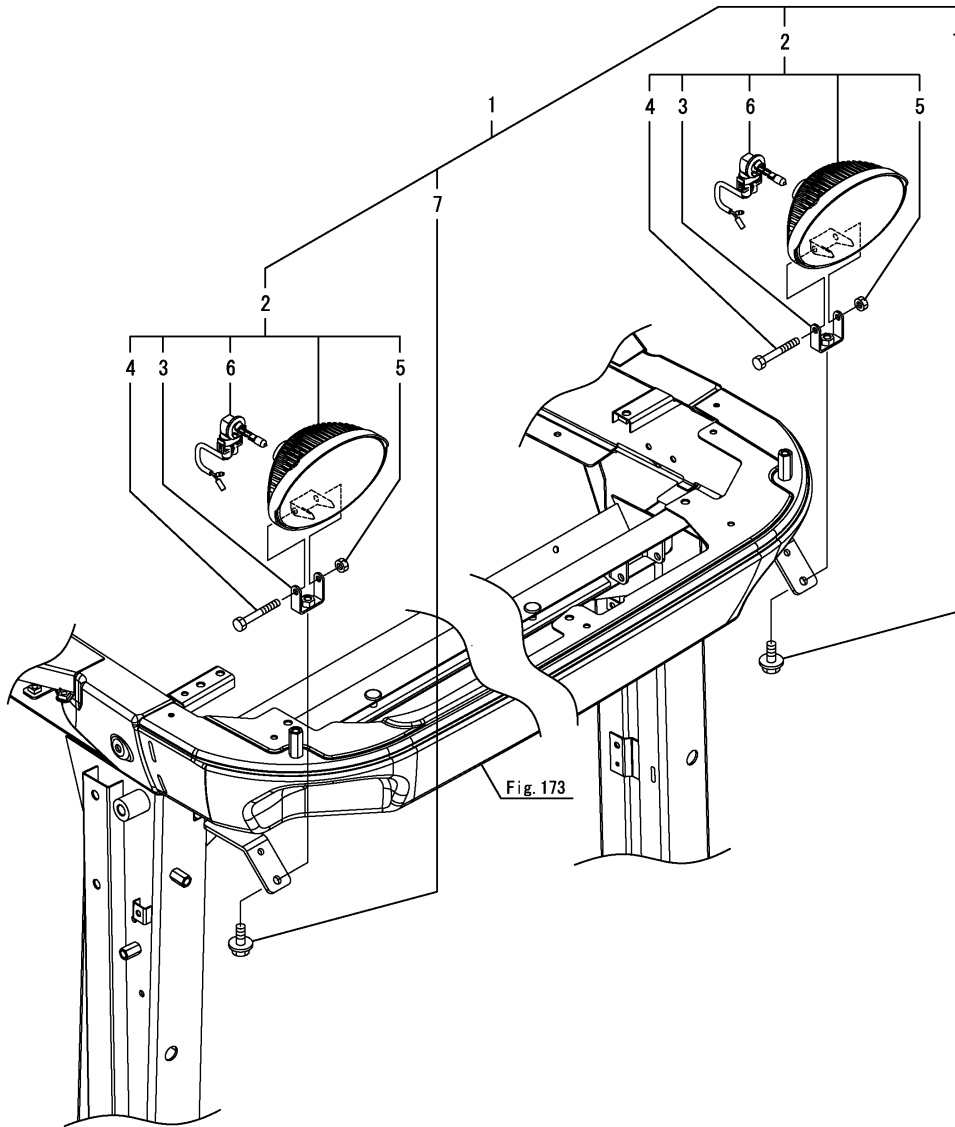


No.	Lev.	Parts No.	Description	Q'ty						I	R
				(A)	(B)	(C)	(D)	(E)	(F)		
1	1	1A8405-55100	LAMP KIT, WORK	1							
2	2	1A8300-51210	BAND, REPEAT	4							
3	2	1A8275-51260	LEAD,WORK LAMP	1							
4	2	1A7340-54100	LAMP ASSY, WORKING	2							
5	3	1A7470-86270	BULB, 12V-35W	2							
6	3	22137-100000	WASHER, 10	2							
7	3	22217-100000	WASHER, SPRING 10	2							
8	3	26736-100002	NUT, M10	2							
9	2	1A8330-55110	STAY, WORK LAMP	2							
10	2	1A8330-64130	BRACKET, ACC	2							
11	2	26716-080002	NUT, M8	4							

Fig.195. WORK LAMP(CABIN)

(A)=YT235Y
(B)=
(C)=

(D)=
(E)=
(F)=

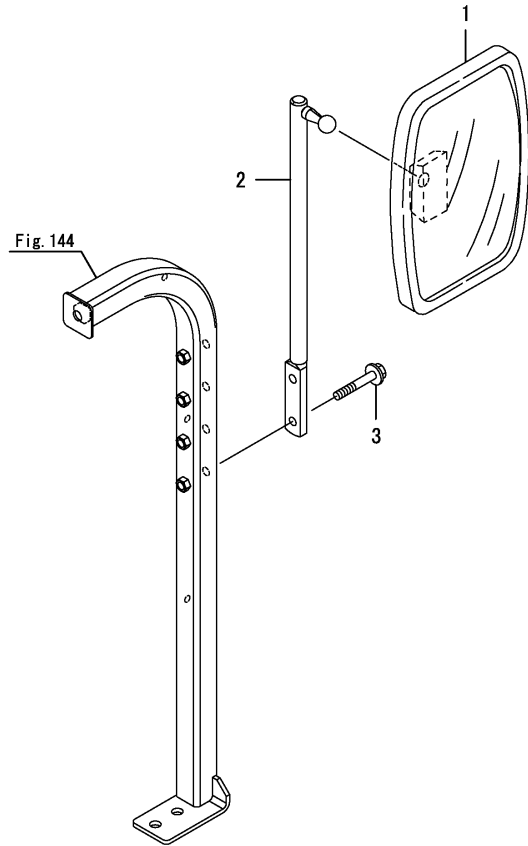


No.	Lev.	Parts No.	Description	Q'ty						I	R
				(A)	(B)	(C)	(D)	(E)	(F)		
1	1	1A8405-55110	LAMP KIT, WORK	1							
2	2	1A8484-54200	LAMP ASSY,WORK 37.5W	2							
3	3	1A8484-54220	BRACKET, WORK LAMP	2							
4	3	1A8060-54230	BOLT, M6X45 BLACK	2							
5	3	1A8060-54240	NUT, M6 BLACK	2							
6	3	1A8484-54250	BULB, 12V37.5W	2							
7	2	198460-83350	BOLT, M8X16	2							

Fig.197. REARVIEW MIRROR(RIGHT)

(A)=YT235Y
(B)=
(C)=

(D)=
(E)=
(F)=



No.	Lev.	Parts No.	Description	Q'ty						I	R
				(A)	(B)	(C)	(D)	(E)	(F)		
1	1	198440-64100	HEAD, REAR VIEW	1							
2	1	1A8400-64250	SHAFT ASSY, MIRROR R	1							
3	1	26106-080502	BOLT, M8X 50 PLATED	2							

Parts No. Index

Parts No.	Fig. No.	Ref. No.
0A041-EN0220	190	1
101504-55101	7	34
114270-59010	2	17
	7	35
		36
		37
	9	10
		11
		12
		13
		14
	10	2
119629-59910	7	39
119802-13811	6	8
124240-01883	77	1
124550-77030	96	21
	97	21
124756-77040	96	22
	97	22
129054-96990	189	7
129107-44590	2	5
129263-44510	2	14
129461-59580	7	38
129917-55821	2	40
129930-13201	6	7
129968-96970	189	6
129979-55700	2	32
129A00-55730	2	38
129A00-55740	2	39
129A00-55750	2	34
129A00-55760	2	35
129A00-91430	96	16
	97	16
129A23-55800	2	30
129A26-55600	2	28
129A26-55610	2	29
129A26-55650	2	31
129A26-59010	2	41
129A26-59060	2	42
129A26-59160	2	43
129A26-59210	2	44
129A26-59550	2	45
129C20-55720	2	37
129E00-55710	2	33
168245-00080	81	1
1682B3-00040	82	1
1682B3-01130	82	2
1682B3-01310	82	3
168HQ0-87730	91	3
172122-46570	58	4

Parts No.	Fig. No.	Ref. No.
172122-46590	60	35
		41
172124-76160	34	10
172141-76920	34	13
172142-76181	34	11
	37	12
172156-72340	33	19
172175-76100	86	25
172730-75141	34	9
172B03-19110	185	2
172B16-17190	122	1
		2
	123	1
		2
174570-57110	121	2
175022-49730	2	15
	90	8
177432-03450	21	1
192167-24600	38	5
	78	1
194065-42250	78	11
		12
194065-46220	84	2
194065-46350	84	5
194130-44480	80	8
194130-47851	139	2
	140	2
194150-21910	41	1
194150-22480	162	3
		10
194150-24270	187	1
194150-71230	164	10
194151-47760	89	6
194151-63250	179	2
194166-14800	25	3
		8
194166-14810	25	4
		9
194166-14820	25	5
		10
194167-61650	179	1
194170-51210	7	33
	58	7
194180-12471	15	13
	33	1
194180-61980	1	4
194197-25930	86	3
194250-25240	47	1
194250-32530	48	14
194250-46470	85	6

Parts No.	Fig. No.	Ref. No.
194250-47490	162	4
		11
194250-51420	96	18
	97	18
194250-61850	5	8
194274-13580	74	1
194275-51210	87	8
194279-14220	73	2
194300-33200	65	4
194310-25100	43	1
	45	3
	46	1
194310-47790	89	7
194312-27780	86	4
194322-24980	38	6
194330-62530	75	28
	172	1
194370-26350	47	7
194420-33150	65	2
194440-32580	69	1
194440-51630	137	4
194447-13490	20	1
194454-25770	45	4
194515-31610	62	3
194515-31850	62	6
194525-31520	62	2
194555-25870	16	3
194555-26520	55	2
194555-46380	84	6
194555-47340	88	12
194555-47350	88	13
194555-65130	129	31
		32
		33
194555-77910	86	26
	91	11
	95	4
194556-13790	23	1
194556-42220	78	9
		10
194640-46420	85	2
194640-62960	132	3
194680-27540	53	3
	54	1
194697-62560	2	20
	141	7
194820-27370	60	33
		39
194850-26850	50	1
194850-26870	50	2

Parts No.	Fig. No.	Ref. No.
194850-32340	63	2
194850-49290	86	23
	93	12
194881-12650	28	1
	73	1
194940-61790	120	2
	135	14
	136	12
	137	7
		8
	139	5
	187	3
194990-20170	60	32
		38
194990-22040	87	1
194990-22110	5	12
194990-22120	117	1
	122	3
	123	3
	184	1
194990-22130	3	1
	6	9
	12	12
	60	9
	96	1
	97	1
	102	1
	119	1
	121	1
	129	2
	132	1
	133	1
	138	2
	147	1
	148	1
	153	1
	165	2
	176	1
194990-22140	2	13
	3	2
	6	10
	7	31
		32
	8	2
	30	5
	58	1
	60	1
	75	2
	96	2
	97	2

Parts No. Index

Parts No.	Fig. No.	Ref. No.
194990-22140	126	1
	127	1
	128	1
	129	3
	130	2
	142	1
	144	1
	147	2
		3
		4
	148	2
		3
	152	1
	153	2
	173	3
	182	1
	188	1
194990-22150	75	3
194990-85561	87	18
195080-15060	164	1
195230-17260	170	1
195534-22820	88	1
195545-23770	60	11
195616-24930	103	1
197810-84840	140	31
	151	4
197820-84740	176	27
198010-41211	90	1
198031-14701-1	25	1
198031-14801-1	25	6
198031-34900	70	3
		8
198031-34910	70	4
		9
198031-34920	70	5
		10
198071-24350	41	6
198071-58810	60	45
	89	16
	174	47
		50
198071-61890	5	15
	129	23
		24
	135	15
	136	13
	139	6
		7
	140	7
		8

Parts No.	Fig. No.	Ref. No.
198071-61890	140	9
	141	2
	182	2
198071-62900	146	1
198071-65610	129	38
		39
		40
198071-74970	166	4
	167	4
198072-18320	165	1
198072-27650	54	2
198072-27880	161	1
198072-60590	5	14
	135	3
	136	3
	137	2
		5
	139	3
		4
	140	4
		5
		6
	141	1
198092-71720	165	5
198093-82510	174	21
	179	5
198093-83752	176	25
198094-83640	176	14
198094-86060	182	3
	193	3
198094-86560	182	5
198119-27150	53	1
	56	1
198119-48310	92	1
198121-47111	139	1
	140	1
198121-48870	86	22
	95	3
	90	9
198121-63560	179	6
198127-83150	179	6
198127-86710	182	16
198127-86720	182	17
198129-27281	59	1
198129-78720	3	7
198133-64400	181	2
198133-78840	105	9
198153-51700	96	7
	97	7
198153-83710	176	17
198153-83720	176	20

Parts No.	Fig. No.	Ref. No.
198153-86660	182	8
198153-86670	182	9
198162-52110	107	1
198162-52150	107	4
198163-65950	159	3
198165-58120	102	3
198165-62460	177	26
198165-63960-1	147	15
	148	11
198165-85970	172	12
198167-26240	45	27
198196-34140	69	3
198200-00610	2	2
198200-01260	5	6
198200-04020	7	1
198200-04040	7	3
198200-04090	7	4
198200-13220	17	3
198200-14130-1	23	2
198200-14210	23	3
198200-31510	62	1
198200-31810	62	4
198200-31820	62	5
198200-32110	62	7
198200-32320	63	1
198200-32731-1	64	5
198200-33111	65	1
198200-33150	65	3
198200-33410	67	1
198200-33420	67	2
198200-33511	68	1
198200-34111	69	2
198200-34130	73	3
198200-34190	73	4
198200-34650-1	70	2
		7
198200-36341	74	6
198200-36350-1	74	7
198200-36390	74	5
		10
198200-36422	74	12
198200-37640	75	18
198200-47810	89	12
198200-48350	92	2
198200-56630	7	20
198200-61490	130	6
198200-62560	143	1
198200-62910	146	2
198200-73150	169	2
198200-73170-1	41	9

Parts No.	Fig. No.	Ref. No.
198208-11310	13	3
198208-62810	178	3
198208-62970	146	3
198208-82200	174	3
198208-82220	174	4
198208-82250	174	6
198208-82260	174	7
198208-82320	174	9
198208-83650	176	16
198208-86620	182	14
198208-86710	182	19
198208-89530	4	4
198220-37900	76	17
198220-46500	93	2
198220-48140	90	2
198220-48750	90	6
198220-61351	126	4
	127	4
	147	5
198220-63150-1	147	11
	148	7
198220-63340	181	1
198223-46250	93	1
198223-52151	105	2
		4
		6
198234-48650	119	2
198240-46260	192	3
198245-46680	86	12
198253-75430	170	11
198254-71600	164	6
198254-71700	164	7
198255-82640	174	30
	176	3
198255-82701	174	38
198266-24980	78	3
198268-27870	89	2
198269-52190	106	1
		2
		3
198280-24340	57	1
198280-34510-1	70	1
198280-34610-1	70	6
198280-42810-1	78	16
198280-62260	116	1
198280-62270	116	2
198280-65210	170	4
198280-65950	160	3
198280-75100	170	2
198280-75200	170	3

Parts No. Index

Parts No.	Fig. No.	Ref. No.
198280-75210	170	5
198280-75250	170	6
198280-75260	170	7
198283-14311	23	4
198287-83640	176	15
198290-32750	64	3
198290-37510	75	27
198360-52320	107	2
198360-52330	107	3
198440-64100	196	1
	197	1
198448-37450	76	2
198451-28750	45	29
198460-83350	118	6
	174	53
	179	7
	180	1
	195	7
198463-82350	174	10
198463-82551	174	24
198463-83610	176	12
198463-83760	176	26
198463-86771	183	1
198475-32660	23	6
	64	4
198483-32660	29	3
198492-82590	174	27
198535-52110	99	6
	100	6
	104	3
198535-52120	99	7
	100	7
	104	4
198535-52130	99	8
	100	8
	104	5
198535-52140	96	10
	97	10
	100	9
1A1040-28470	41	7
1A6300-32220	86	5
1A6382-51510	96	5
	97	5
	99	2
	100	2
1A6660-24250	38	4
1A7030-53560	140	3
1A7030-86610	182	12
1A7030-87730	187	10
1A7030-87970	187	16

Parts No.	Fig. No.	Ref. No.
1A7030-88060	187	17
1A7030-88710	4	1
		2
	187	23
1A7100-26850	49	1
1A7130-37990	75	21
1A7170-86590	182	11
1A7180-04170	7	11
1A7180-04850	7	29
	9	5
1A7180-42281	78	13
1A7180-48191	91	4
1A7180-48210	91	5
1A7180-61780	129	16
		17
		18
		19
1A7180-61790	187	4
1A7210-83200	175	4
1A7210-93130	176	28
1A7260-78700	3	6
1A7320-64510	181	3
1A7320-82630	174	29
1A7320-82750	174	41
1A7320-82760	174	43
1A7320-82770	174	45
1A7335-52120	105	1
1A7335-71250	164	3
1A7340-52290	105	10
1A7340-54100	194	4
1A7340-61560	135	11
1A7400-53530	113	3
	114	3
1A7450-52180	104	6
1A7450-62320	140	10
1A7470-82400	174	11
1A7470-82410	174	12
1A7470-82420	174	13
1A7470-82440	174	17
1A7470-82450	174	18
1A7470-82471	174	19
1A7470-82481	174	20
1A7470-82510	174	22
1A7470-82520	174	23
1A7470-82560	174	25
1A7470-82570	174	26
1A7470-82580	174	14
1A7470-82640	174	31
1A7470-82650	174	32
1A7470-82660	174	33

Parts No.	Fig. No.	Ref. No.
1A7470-82670	174	34
1A7470-82680	174	37
1A7470-82720	174	39
1A7470-82730	174	40
1A7470-82750	174	42
1A7470-82760	174	44
1A7470-82800	174	46
1A7470-82810	174	48
1A7470-82820	174	51
1A7470-82880	174	15
1A7470-82890	174	16
1A7470-82900	174	49
1A7470-82950	174	52
1A7470-86270	194	5
1A7470-86750	117	2
1A7470-86770	117	3
1A7522-52950	122	4
		5
	123	4
		5
		6
	124	1
		2
		3
		4
1A7540-26620	45	16
1A7540-26630	45	17
1A7540-26640	45	18
1A7540-26670	45	19
1A7601-00650	8	1
1A7601-61331	130	4
1A7640-43450	84	1
1A7790-01160	75	1
1A7805-52420	135	1
	136	1
1A7805-52550	111	2
1A7815-32810	14	2
1A7850-52110	108	1
1A7850-52130	108	2
1A7870-24910	78	2
1A7870-60750	129	4
1A7874-65400	158	7
1A7880-47550	93	3
1A7880-47560	93	4
1A7880-47570	93	5
1A7880-47580	93	6
1A7880-47950	87	7
1A7880-52250	105	8
1A7880-53100	115	2
1A7880-53430	115	3

Parts No.	Fig. No.	Ref. No.
1A7882-85620	153	4
1A7882-85630	153	5
1A8042-04540	9	2
1A8042-46430	85	3
1A8043-53600	113	1
	114	1
1A8043-53640	113	4
	114	4
1A8060-01220	5	4
1A8060-01250	5	11
1A8060-04180	7	12
1A8060-04530	9	1
1A8060-15410	30	3
1A8060-15720	32	2
1A8060-15741	32	6
1A8060-15751	32	7
1A8060-15760	32	8
1A8060-15780	32	9
1A8060-15790	32	3
1A8060-15800	32	4
1A8060-15840	32	5
1A8060-17600	34	2
1A8060-17601	34	2 -1
1A8060-17610	34	3
1A8060-17630	34	4
1A8060-17631	34	4 -1
1A8060-46300	84	3
1A8060-46410	85	1
1A8060-46440	85	4
1A8060-46460	85	5
1A8060-46470	85	7
1A8060-52530	193	2
1A8060-53430	113	2
	114	2
1A8060-54230	118	3
	195	4
1A8060-54240	118	4
	195	5
1A8060-54260	140	36
1A8060-55600	5	13
1A8060-61662	137	3
1A8060-61671	137	6
1A8060-65500	156	7
	157	8
1A8060-65560	156	9
	157	10
1A8060-65590	156	10
	157	11
1A8060-65780	156	12
	157	13

Parts No. Index

Parts No.	Fig. No.	Ref. No.
1A8060-67780	161	2
	163	2
1A8060-68310	161	15
1A8060-87400	188	4
1A8060-87411	188	5
1A8061-65120	158	1
1A8061-65130	159	1
	160	1
1A8061-65140	158	2
1A8066-04920	9	6
1A8070-04250	129	1
1A8070-33250-1	66	1
1A8070-53140	119	4
		6
1A8070-61330	129	10
		11
1A8070-62240	144	7
	173	1
1A8070-62980	146	4
1A8070-62990	146	6
1A8071-13450	14	1
1A8071-14710-1	25	2
		7
1A8091-29900	91	1
1A8091-29910	91	2
1A8100-24180	41	8
1A8101-73210	168	11
1A8110-82650	176	4
		5
1A8110-82660	176	6
		7
1A8110-82670	174	35
		36
	176	8
		9
		10
1A8110-83710	176	18
		19
1A8110-83730	36	5
	174	54
	176	21
		22
		23
		24
	179	8
	180	2
1A8110-84210	140	21
		22
1A8110-86300	193	4
1A8110-86310	193	5

Parts No.	Fig. No.	Ref. No.
1A8110-86330	193	6
1A8110-86340	193	7
1A8110-86350	193	8
1A8110-86360	193	9
1A8110-86370	193	10
1A8110-86450	193	11
1A8110-86460	193	12
1A8110-86470	193	13
1A8110-86480	193	14
1A8110-86490	193	15
1A8110-86920	184	2
1A8111-84220	139	15
	140	24
	187	6
1A8111-88680	187	22
1A8160-35080	60	2
1A8160-46250	192	2
1A8160-46670	83	1
1A8160-46910	192	4
1A8160-48820	192	5
1A8160-51550	101	1
1A8160-51570	101	2
1A8160-51580	101	3
1A8160-52310	112	1
1A8160-63401	147	12
	148	8
1A8160-63440	147	14
	148	10
1A8160-65630	156	11
	157	12
1A8160-65800	153	3
1A8160-65860	116	5
1A8160-85311	172	7
1A8160-85320	172	9
1A8240-05110	12	2
1A8240-05120	12	3
1A8240-05130	12	4
1A8240-05170	12	5
1A8240-05180	12	6
1A8250-65390	158	6
1A8250-65630	159	2
	160	2
1A8250-65650	155	2
1A8260-29610	59	10
1A8275-26790	45	20
1A8275-51260	194	3
1A8275-51670	2	16
	3	3
	9	7
		8

Parts No.	Fig. No.	Ref. No.
1A8275-51670	9	9
	37	10
		11
	60	43
	96	6
		19
	97	6
		19
	98	2
		4
	99	3
	100	3
	126	2
	127	2
	187	2
	189	1
1A8275-53400	115	1
1A8300-51210	192	6
	194	2
1A8300-63000	149	2
1A8300-63010	149	3
1A8300-63500	149	4
1A8300-63550	149	5
1A8300-63600	149	6
1A8300-63620	149	7
1A8300-63660	149	8
1A8300-63670	149	9
1A8300-63680	149	10
1A8300-63690	149	11
1A8300-63700	149	12
1A8300-63710	149	13
1A8300-63720	149	14
1A8300-63730	149	15
1A8300-65400	192	7
1A8300-85430	172	10
1A8300-85440	172	11
1A8310-12310	15	2
1A8310-12330	15	1
1A8310-12510	15	3
1A8310-12540	15	4
	33	4
1A8310-12550	15	8
1A8310-12580	15	9
1A8310-12610	15	5
		10
	33	5
1A8310-12620	15	6
		11
1A8310-12630	15	7
		12

Parts No.	Fig. No.	Ref. No.
1A8310-12640	33	6
1A8310-12651	33	3
1A8310-13110	16	1
1A8310-13120	16	2
1A8310-13200	17	1
1A8310-13210	17	2
1A8310-13230	17	4
1A8310-13240	17	5
1A8310-13250	17	9
1A8310-13260	17	6
1A8310-13270	17	7
1A8310-13280	18	1
1A8310-13510	19	1
1A8310-13520	19	2
1A8310-13530	19	3
1A8310-13730	21	3
1A8310-13820	22	1
1A8310-13910	21	4
1A8310-14270	22	2
1A8310-14320	22	3
1A8310-14330	23	5
1A8310-14650	24	2
1A8310-14660	24	3
1A8310-17910	37	7
1A8310-25610	48	1
	55	1
1A8310-25810	44	6
	47	2
1A8310-28280	55	5
1A8310-28560	53	8
1A8310-36300	74	2
1A8310-36310	74	3
1A8310-36380	74	4
		9
1A8310-36400	74	8
1A8310-36410	74	11
1A8310-42180	78	7
1A8310-48810	91	8
	95	2
1A8330-26240	45	15
1A8330-46600	86	10
1A8330-46610	86	11
1A8330-55110	194	9
1A8330-63220	149	17
1A8330-63230	149	18
1A8330-64130	194	10
1A8330-65300	158	5
1A8330-65432	156	5
	157	6
1A8330-65620	158	8

Parts No. Index

Parts No.	Fig. No.	Ref. No.
1A8330-65930	158	9
1A8400-04030	7	2
1A8400-04031	7	2 -1
1A8400-04140	7	9
1A8400-04160	7	10
1A8400-04240	7	13
1A8400-04250	7	14
1A8400-04270	7	26
1A8400-13150	14	5
1A8400-13160	14	6
1A8400-13480	14	7
1A8400-13610	20	2
1A8400-15100	30	1
1A8400-15710	32	1
1A8400-17020	33	7
1A8400-17050	33	9
1A8400-17100	33	11
1A8400-17110	33	16
1A8400-17140	33	12
1A8400-17150	33	13
1A8400-17200	33	18
1A8400-17500	34	1
1A8400-17610	35	1
1A8400-17660	30	4
	35	2
1A8400-17700	36	1
1A8400-17710	36	2
1A8400-17730	36	3
1A8400-17750	36	4
1A8400-17831	37	3
1A8400-17850	37	5
1A8400-17900	37	6
1A8400-17950	37	8
		9
1A8400-24360	45	1
1A8400-25150	43	2
	44	1
1A8400-25480	44	2
1A8400-27750	56	2
1A8400-28250	44	9
1A8400-28280	55	6
1A8400-28520	75	5
		6
1A8400-31400	61	1
1A8400-32600	64	1
1A8400-32610	64	2
1A8400-37100	75	7
1A8400-37730	76	9
1A8400-37740	76	12
1A8400-37750	76	10

Parts No.	Fig. No.	Ref. No.
1A8400-37760	76	13
1A8400-37800	76	15
1A8400-37850	76	16
1A8400-37900	76	1
1A8400-37940	76	3
1A8400-37970	76	4
1A8400-41110	77	2
1A8400-41150	77	4
1A8400-41200	77	3
		5
1A8400-42110	78	4
1A8400-42170	78	6
1A8400-43110	78	17
1A8400-43310	79	1
1A8400-43320	79	2
1A8400-43330	79	3
1A8400-43350	79	4
1A8400-43410	80	1
1A8400-44110	80	2
1A8400-44210	80	3
1A8400-44230	80	4
1A8400-44410	80	6
1A8400-44420	80	7
1A8400-44480	80	9
1A8400-44490	80	10
1A8400-46320	84	4
1A8400-47040	88	5
1A8400-47050	88	6
1A8400-47060	88	9
1A8400-47070	88	10
1A8400-47330	88	11
1A8400-47400	89	5
1A8400-47470	88	14
1A8400-48340	90	5
1A8400-48810	90	7
1A8400-49251	89	8
1A8400-51050	96	3
	97	3
1A8400-51400	96	17
	97	17
1A8400-51810	96	8
		20
	97	8
		20
	98	3
	99	4
	100	4
	103	3
	104	2
1A8400-51830	96	9

Parts No.	Fig. No.	Ref. No.
1A8400-51830	97	9
	99	5
	100	5
1A8400-51860	110	1
1A8400-52140	109	1
1A8400-52430	111	1
1A8400-53100	119	3
1A8400-53200	119	5
1A8400-56600	7	19
1A8400-58911	135	2
	136	2
1A8400-60960	129	5
1A8400-61210	129	9
1A8400-61411	129	13
1A8400-61450	130	5
1A8400-61460	132	2
	133	2
1A8400-61500	135	6
1A8400-61510	135	7
	136	7
1A8400-61920	129	27
1A8400-61960	129	30
1A8400-62100	144	3
1A8400-62180	150	1
1A8400-62300	141	3
1A8400-62341	141	5
1A8400-62350	141	6
1A8400-62600	144	9
1A8400-62850	145	7
1A8400-62950	147	10
	148	6
1A8400-62980	146	5
1A8400-62990	146	7
1A8400-64200	196	2
1A8400-64250	197	2
1A8400-64300	151	2
	179	3
1A8400-64500	152	2
1A8400-65150	129	34
1A8400-65320	156	2
	157	3
1A8400-67600	161	4
1A8400-67700	162	2
1A8400-67710	162	5
1A8400-67720	162	6
1A8400-67800	161	3
1A8400-67820	161	5
1A8400-67830	161	7
1A8400-67900	161	8
1A8400-67920	161	10

Parts No.	Fig. No.	Ref. No.
1A8400-67970	161	11
1A8400-72461	166	3
	167	3
1A8400-72810	33	20
1A8400-74670	168	6
1A8400-74800	168	7
1A8400-87910	186	6
1A8401-17841	37	4
1A8401-48850	91	9
1A8401-62860	145	3
1A8405-01150	60	8
1A8405-13310	18	2
1A8405-14630	24	1
1A8405-15350	31	1
1A8405-17210	20	3
1A8405-17300	33	2
1A8405-17811	37	1
1A8405-17821	37	2
1A8405-27340	75	9
1A8405-27380	75	4
1A8405-27400	60	13
1A8405-27520	58	2
1A8405-27530	58	3
1A8405-27560	58	6
1A8405-29000	60	12
1A8405-29250	60	14
1A8405-29300	60	15
1A8405-29310	60	16
1A8405-29370	60	18
1A8405-29400	60	19
1A8405-29430	60	20
1A8405-29500	60	22
1A8405-29510	60	23
1A8405-29600	60	25
1A8405-29650	60	30
1A8405-29700	60	31
1A8405-29710	60	34
1A8405-29720	60	37
1A8405-29730	60	40
1A8405-29910	60	26
1A8405-35800	60	3
1A8405-35850	60	4
1A8405-37191	75	12
1A8405-37201	75	8
1A8405-37310	75	14
1A8405-37410	75	15
1A8405-37520	75	30
1A8405-37550	75	17
1A8405-37640	75	19
1A8405-37690	75	20

Parts No. Index

Parts No.	Fig. No.	Ref. No.
1A8405-42161	78	5
1A8405-42200	78	8
1A8405-42300	78	14
1A8405-42350	78	15
1A8405-46100	87	2
1A8405-46302	86	7
1A8405-46321	86	8
1A8405-46340	86	9
1A8405-47000	88	3
1A8405-47030	88	4
1A8405-47051	88	7
1A8405-47151	89	3
1A8405-47160	89	4
1A8405-47300	86	13
1A8405-47352	86	14
1A8405-47601	87	3
1A8405-47750	87	6
1A8405-47901	86	15
1A8405-47911	86	16
1A8405-47951	86	18
1A8405-47961	86	19
1A8405-48100	93	7
1A8405-48150	93	8
1A8405-48200	93	9
1A8405-48250	93	10
1A8405-48360	93	11
1A8405-48400	86	21
1A8405-48610	95	1
1A8405-48681	91	6
1A8405-48800	91	7
1A8405-48900	91	10
1A8405-49901	89	13
1A8405-52550	109	2
1A8405-55100	194	1
1A8405-55110	195	1
1A8405-56000	120	1
1A8405-56900	120	3
1A8405-61450	135	4
	136	4
1A8405-61470	135	5
	136	5
1A8405-61530	135	8
	136	8
1A8405-61540	135	9
	136	9
1A8405-61570	135	12
	136	10
1A8405-61580	135	13
	136	11
1A8405-61700	137	1

Parts No.	Fig. No.	Ref. No.
1A8405-62000	144	2
1A8405-62110	144	4
1A8405-62200	144	5
1A8405-62210	144	6
1A8405-62310	141	4
1A8405-62330	151	1
1A8405-62500	144	8
1A8405-62610	144	10
1A8405-62811	147	6
	148	4
1A8405-62870	147	7
1A8405-62880	147	8
1A8405-62910	147	9
	148	5
1A8405-63100	149	16
1A8405-63400	147	13
	148	9
1A8405-63500	139	10
1A8405-63550	139	11
	140	12
1A8405-63560	139	12
	140	13
1A8405-63600	139	13
1A8405-63670	139	14
	140	15
1A8405-64110	165	3
1A8405-65050	154	1
1A8405-65350	156	3
	157	4
1A8405-65370	156	4
	157	5
1A8405-65500	156	8
1A8405-65850	96	11
	97	11
1A8405-65860	99	9
	100	10
1A8405-65870	99	10
1A8405-65880	100	11
1A8405-65890	104	7
1A8405-65900	96	12
	97	12
1A8405-67501	163	1
1A8405-67700	162	9
1A8405-67710	162	12
1A8405-67720	162	13
1A8405-68990	87	17
1A8405-71700	165	4
1A8405-72150	167	2
1A8405-72350	166	2
1A8405-73011	168	2

Parts No.	Fig. No.	Ref. No.
1A8405-73501	168	3
1A8405-74100	168	4
1A8405-74250	168	5
1A8405-75750	170	12
1A8405-85100	172	3
1A8405-85110	172	4
1A8405-85120	172	5
1A8405-85150	172	6
1A8405-85400	171	1
1A8405-85410	171	2
1A8410-24320	42	1
1A8410-24330	42	2
1A8410-24350	57	2
1A8410-25050	42	5
1A8410-25090	45	2
1A8410-25150	57	3
1A8410-25410	43	3
1A8410-25690	44	5
1A8410-25720	43	6
1A8410-25790	43	7
1A8410-27020	57	4
1A8410-27231	57	5
1A8410-27240	57	8
1A8410-27260	57	6
1A8410-27520	53	2
1A8410-27550	53	4
1A8410-27570	53	5
1A8410-27580	53	6
1A8410-27720	53	7
1A8410-29810	59	11
1A8415-21100	38	1
1A8415-21310	38	3
1A8415-22160	40	1
1A8415-22170	40	5
1A8415-22180	40	2
1A8415-22190	40	3
1A8415-24100	41	2
1A8415-24150	41	5
1A8415-24370	42	4
1A8415-25510	43	4
1A8415-25530	44	3
1A8415-25540	44	4
1A8415-25660	43	5
1A8415-25820	44	7
1A8415-25830	44	8
1A8415-26020	45	5
1A8415-26030	45	6
1A8415-26040	45	26
1A8415-26050	45	7
1A8415-26070	45	8

Parts No.	Fig. No.	Ref. No.
1A8415-26080	45	9
1A8415-26090	45	10
1A8415-26110	45	11
1A8415-26120	45	12
1A8415-26130	45	13
1A8415-26140	45	14
1A8415-26270	46	2
1A8415-26310	47	3
1A8415-26320	47	4
1A8415-26330	47	5
	48	2
1A8415-26340	47	6
1A8415-26410	48	3
1A8415-26420	48	4
1A8415-26520	48	5
1A8415-26530	48	6
1A8415-26540	48	7
1A8415-26550	48	8
1A8415-26560	48	9
1A8415-26570	48	10
1A8415-26580	48	11
1A8415-26590	48	12
1A8415-26610	48	13
1A8415-26680	45	28
1A8415-26810	52	1
1A8415-26830	52	2
1A8415-26930	51	1
1A8415-27690	54	3
1A8415-27710	54	4
1A8415-27780	54	5
1A8415-27820	54	6
1A8415-27830	54	7
1A8415-28180	55	3
1A8415-28270	55	4
1A8415-28310	55	7
1A8415-28411	56	3
1A8415-28450	56	5
1A8415-28510	56	6
1A8415-28550	56	7
1A8415-28611	56	8
1A8415-29010	59	2
1A8415-29080	59	3
1A8415-29150	59	5
1A8415-29560	57	7
1A8415-29750	59	6
1A8415-33210	65	5
1A8420-00561	2	1
1A8420-00610	2	3
1A8420-00630	2	4
1A8420-00670	2	6

Parts No. Index

Parts No.	Fig. No.	Ref. No.
1A8420-00810	2	7
1A8420-00820	2	8
1A8420-00950	2	9
1A8420-01170	5	2
1A8420-01210	5	3
1A8420-01350	6	1
1A8420-01401	6	2
1A8420-01431	6	3
1A8420-01440	6	4
1A8420-01480	2	10
1A8420-01510	2	11
1A8420-01530	2	12
1A8420-01611	130	1
1A8420-01710	6	5
1A8420-03100	6	6
1A8420-04091	7	5
1A8420-04100	7	6
1A8420-04110	7	7
1A8420-04120	7	8
1A8420-04211	7	22
1A8420-04220	7	23
1A8420-04230	7	24
1A8420-04260	7	25
1A8420-04320	7	27
1A8420-04940	10	1
1A8420-06010	12	7
1A8420-06020	12	8
1A8420-06150	12	9
1A8420-06201	12	10
1A8420-06352	12	11
1A8420-11210	13	2
1A8420-11310	138	1
1A8420-21250	39	1
1A8420-48211	90	3
1A8420-48300	90	4
1A8420-49100	94	1
1A8420-58100	12	13
1A8420-58150	12	14
1A8420-60101	127	3
1A8420-60160	3	4
1A8420-60180	3	5
1A8420-60600	128	2
1A8420-60650	130	3
1A8420-60800	128	3
1A8420-61010	129	6
1A8420-61020	129	7
1A8420-61100	129	8
1A8420-61341	129	12
1A8420-61400	2	18
1A8420-61420	2	19

Parts No.	Fig. No.	Ref. No.
1A8420-61450	129	14
1A8420-61600	129	15
1A8420-61820	129	20
1A8420-61850	129	21
1A8420-61881	129	22
1A8420-61891	129	25
1A8420-61900	138	3
1A8420-61910	129	26
1A8420-61930	129	28
1A8420-61941	129	29
1A8420-62180	178	1
1A8420-62190	178	2
1A8420-62250	142	2
1A8420-62260	142	3
1A8420-63111	178	4
1A8420-63120	177	1
1A8420-65790	157	14
1A8420-83120	175	2
1A8420-83130	175	3
1A8420-84120	140	17
1A8420-84150	140	18
1A8420-84170	140	19
1A8420-84180	140	20
1A8420-84210	140	23
	172	2
1A8420-84220	140	37
1A8420-84252	140	25
1A8420-84290	177	3
1A8420-84330	140	28
1A8420-84350	177	4
1A8420-84360	177	5
1A8420-84370	178	5
1A8420-84380	178	6
1A8420-84420	178	7
1A8420-84430	178	8
1A8420-84442	144	11
	173	7
1A8420-84451	144	12
	173	8
1A8420-84460	177	6
1A8420-84471	177	7
1A8420-84482	177	8
1A8420-84491	177	9
1A8420-84510	177	10
1A8420-84520	177	11
1A8420-84530	178	9
1A8420-84540	178	10
1A8420-84550	178	11
1A8420-84560	178	12
1A8420-84590	178	13

Parts No.	Fig. No.	Ref. No.
1A8420-84610	140	30
1A8420-84621	177	13
1A8420-84631	177	15
1A8420-84650	177	16
1A8420-84660	177	17
1A8420-84670	177	18
1A8420-84680	178	14
1A8420-84710	178	15
1A8420-84730	177	19
1A8420-84740	177	20
1A8420-84752	178	16
1A8420-84760	178	17
1A8420-84770	178	18
1A8420-84780	178	19
1A8420-84790	177	21
1A8420-84800	177	23
1A8420-84860	177	25
1A8420-84870	178	21
1A8420-84880	178	22
1A8420-84900	178	23
1A8420-84910	178	24
1A8420-84920	178	25
1A8420-84930	178	26
1A8420-84940	178	27
1A8420-85320	179	11
1A8420-85330	179	12
1A8420-85500	180	3
1A8420-85510	180	4
1A8420-85520	180	5
1A8420-85530	180	6
1A8420-85540	180	7
1A8420-85550	180	8
1A8420-85580	180	9
1A8420-85590	180	10
1A8420-85600	179	13
1A8420-85610	179	14
1A8420-85630	179	15
1A8420-85640	179	16
1A8420-85651	180	11
1A8420-85671	180	12
1A8420-85680	180	13
1A8420-85830	181	4
1A8420-86400	182	4
	193	16
1A8420-86550	182	7
1A8420-86570	182	6
1A8420-86640	182	13
1A8420-86650	182	15
1A8420-86670	182	18
1A8420-86850	140	32

Parts No.	Fig. No.	Ref. No.
1A8420-87051	189	2
1A8420-87061	189	4
1A8420-87090	189	5
1A8420-87140	3	8
1A8420-87300	185	38
1A8420-87360	188	2
1A8420-87370	188	3
1A8420-87460	188	6
1A8420-87470	188	7
1A8420-87550	188	8
1A8420-87560	188	9
1A8420-87601	187	7
1A8420-87690	186	3
1A8420-87701	187	8
1A8420-87720	187	9
1A8420-87781	179	17
1A8420-87811	187	11
1A8420-87831	187	12
1A8420-87851	187	13
1A8420-87860	187	14
1A8420-87871	187	15
1A8420-87900	189	12
1A8420-87930	186	7
1A8420-87950	186	8
1A8420-87990	185	37
1A8420-88601	187	18
1A8420-88650	187	21
1A8420-89150	3	9
1A8420-89210	3	10
1A8420-89500	4	3
1A8425-01101	5	1
1A8425-01251	5	5
1A8425-05100	12	1
1A8425-11110	13	1
1A8425-14700	26	1
1A8425-14800	26	2
1A8425-17630	13	4
1A8425-17640	13	5
1A8425-34700	71	1
1A8425-34800	71	2
1A8425-51102	96	4
1A8425-51152	97	4
1A8425-51200	98	1
1A8425-51302	99	1
1A8425-51352	100	1
1A8425-51600	103	2
1A8425-51702	104	1
1A8425-57100	105	11
1A8425-58110	102	2
1A8425-60090	126	3

Parts No. Index

Parts No.	Fig. No.	Ref. No.
1A8425-61460	134	1
1A8425-61500	136	6
1A8425-61550	135	10
1A8425-62630	145	1
1A8425-62641	145	2
1A8425-63500	140	11
1A8425-63600	140	14
1A8425-65210	157	1
1A8425-65500	157	9
1A8425-80100	173	2
1A8425-82110	174	1
1A8425-82120	174	2
1A8425-82610	174	28
1A8425-83110	175	1
1A8425-83610	176	13
1A8425-84100	140	16
1A8425-84260	177	2
1A8425-84300	140	26
1A8425-84310	140	27
1A8425-84500	139	16
	140	29
1A8425-84610	177	12
1A8425-84620	177	14
1A8425-84791	177	22
1A8425-84800	177	24
1A8425-84820	178	20
1A8425-85301	179	9
1A8425-85311	179	10
1A8425-86290	193	1
1A8425-87010	185	1
1A8425-87060	186	1
1A8425-87920	185	35
1A8425-87940	185	36
1A8425-88630	187	19
1A8425-88640	187	20
1A8425-88960	187	24
1A8425-88970	187	25
1A8425-88980	187	26
1A8425-97000	191	1
1A8425-97050	191	2
1A8425-97060	191	3
1A8425-97100	191	4
1A8425-97170	191	5
1A8425-97260	191	6
1A8425-97270	191	7
1A8425-97350	191	8
1A8425-97500	192	1
1A8425-97540	192	9
1A8425-97550	192	10
1A8425-97560	192	11

Parts No.	Fig. No.	Ref. No.
1A8425-97570	192	12
1A8425-97580	192	13
1A8427-14700	27	1
1A8427-34700	72	1
1A8430-13720	21	2
1A8430-14240	29	1
1A8430-14250	29	2
1A8470-04600	7	28
1A8470-04650	9	3
1A8470-04660	9	4
1A8470-15200	30	2
1A8470-44230	80	5
1A8470-61360	131	1
1A8470-61510	119	7
1A8470-61520	119	8
1A8470-62280	139	8
1A8470-62290	139	9
1A8470-65160	129	35
1A8470-65170	129	36
1A8470-65590	129	37
1A8470-71100	164	2
1A8470-71390	164	4
1A8470-71500	164	5
1A8472-47050	88	8
1A8475-57200	105	12
1A8475-65010	155	1
1A8475-65200	158	3
1A8475-65250	158	4
1A8475-65310	156	1
	157	2
1A8475-65450	156	6
	157	7
1A8475-68780	87	10
1A8475-68860	87	11
1A8475-68890	87	12
1A8475-68910	87	13
1A8475-68920	87	14
1A8475-68970	87	16
1A8484-54200	118	1
	195	2
1A8484-54220	118	2
	195	3
1A8484-54250	118	5
	195	6
1A8484-83300	176	11
1A8484-87110	186	2
1A8484-87280	185	34
1A8484-87310	186	4
1A8484-87320	185	13
1A8484-87330	185	15

Parts No.	Fig. No.	Ref. No.
1A8484-87900	186	5
1A8484-88490	180	14
1A8484-88990	187	27
1A8485-87200	185	3
1A8485-87210	185	4
1A8485-87220	185	5
1A8485-87230	185	6
1A8485-87240	185	7
1A8485-87260	185	8
1A8485-87280	185	9
1A8485-87290	185	10
1A8485-87300	185	11
1A8485-87310	185	12
1A8485-87320	185	14
1A8485-87330	185	16
1A8485-87340	185	17
1A8485-87350	185	18
1A8485-87360	185	19
1A8485-87370	185	20
1A8485-87380	185	21
1A8485-87390	185	22
1A8485-87400	185	23
1A8485-87410	185	24
1A8485-87420	185	25
1A8485-87430	185	26
1A8485-87440	185	27
1A8485-87450	185	28
1A8485-87460	185	29
1A8485-87470	185	30
1A8485-87480	185	31
1A8485-87490	185	32
1A8485-87500	185	33
1C1011-33990	174	5
1C1230-23250	60	10
1C6053-32020	75	11
1C6215-81681	51	5
1C6281-52310	60	44
	89	14
		15
1C6281-52320	56	9
	58	8
	59	12
	76	7
		18
	86	24
	87	9
	88	15
	149	1
	162	1
	176	2

Parts No.	Fig. No.	Ref. No.
1C6360-65700	59	13
1C6720-47610	87	5
1C6982-49480	5	7
1C7170-91300	130	7
1C7200-02071	7	3 -1
1C7200-02700	7	3 A
1D4140-24210	89	1
1D4220-22870	86	1
1D4270-17650	125	1
1E4440-44160	86	6
	88	2
1E6190-54080	16	4
1E6190-54430	47	8
1E6190-55660	42	6
1E6190-55710	42	7
1E6210-51910	189	3
1E6213-83410	86	27
	192	8
1E6300-36360	168	1
1E6480-56410	42	8
1E6681-79140	88	16
1E6760-74150	151	3
	179	4
1E6C20-81300	109	3
1E8050-05510	7	30
1E8080-95660	193	17
1E8235-84910	96	15
	97	15
	104	8
1E8400-63791	76	5
1E8450-83060	96	23
	97	23
1E8450-83110	96	13
	97	13
1E8545-80080	187	5
1E8720-83120	96	14
	97	14
1E9170-81270	113	5
	114	5
1S6489-63330	86	17
		20
	161	6
		9
1TN322-71170	172	8
22117-060000	174	55
22117-080000	149	19
22137-060000	60	46
	189	8
22137-080000	6	11
	57	10

Parts No. Index

Parts No.	Fig. No.	Ref. No.
22137-080000	58	9
	59	14
	88	17
		18
	165	6
	188	10
	189	9
22137-100000	5	9
	56	10
	87	19
	147	16
	148	12
	162	16
	194	6
22137-120000	32	10
	60	27
	89	9
	181	5
22137-130000	115	4
22137-140000	59	7
22137-160000	191	9
22137-300000	59	8
22157-060000	3	11
	6	12
	129	41
	182	20
22157-080000	6	13
	30	6
	35	3
	48	15
	51	2
	75	22
	86	28
	90	10
	149	20
	161	12
	176	29
	187	28
22157-100000	59	15
	147	17
	148	13
22190-060000	7	40
22217-060000	116	3
22217-100000	194	7
22217-120000	39	2
	146	8
22217-130000	115	5
22217-140000	146	9
22217-160000	80	11
	145	4

Parts No.	Fig. No.	Ref. No.
22217-160000	145	8
	161	13
	168	8
	170	8
22242-000200	34	5
22242-000220	18	3
	93	13
22242-000250	45	21
		30
22242-000260	74	13
22242-000290	43	8
	44	10
	45	22
22242-000300	16	5
	55	8
22242-000320	55	9
22242-000450	80	12
22242-000500	48	16
	80	13
22242-100350	45	23
22252-000170	43	9
	45	31
	46	3
22252-000220	55	10
22252-000420	34	6
22252-000470	45	32
22252-000520	48	17
22252-000550	55	11
22252-000620	20	4
22252-000720	21	5
22252-000800	29	4
22252-000820	45	24
22272-000080	87	20
22272-000100	60	28
22272-000120	86	29
22272-000190	75	23
22292-000250	33	10
22312-080140	38	7
	41	10
	42	9
	48	18
	64	6
	78	18
22312-100180	21	6
22351-030020	174	8
22351-040014	84	7
22351-040040	17	8
	62	8
22351-050025	80	14
	164	8

Parts No.	Fig. No.	Ref. No.
22351-050032	60	29
22351-050040	65	6
22351-050063	80	15
22351-060036	53	9
	54	8
	75	24
22351-060050	59	9
	85	8
	181	6
22351-060060	88	19
22351-080018	39	3
22351-080032	65	7
22351-080040	65	8
22360-200000	168	9
22372-080000	56	11
	162	7
		14
	174	56
22372-100000	87	21
	131	2
22372-160000	166	5
	167	5
22417-160120	189	10
22417-200100	42	10
22417-200200	88	20
	139	17
	140	33
22417-250300	76	19
22417-320400	53	10
22417-400250	33	21
22417-400400	15	14
22487-050100	182	21
22487-080160	58	10
	76	8
		20
	88	21
22487-080200	2	21
	87	22
22487-080450	174	57
22487-080600	176	30
22487-100350	131	3
22697-480641	173	4
22857-400100	187	29
23000-022000	4	5
		6
	187	30
23000-025000	7	15
23000-035000	2	22
	93	14
23000-080000	12	15

Parts No.	Fig. No.	Ref. No.
23080-007000	182	10
		22
		23
23080-015000	2	46
23414-140000	91	12
23414-180023	90	11
23414-190000	86	30
23491-140002	29	5
	41	11
	48	19
23780-070600	2	23
23871-010000	41	3
	45	33
	78	19
		20
23871-020000	38	8
	42	11
	78	21
23875-010000	91	13
23887-180002	41	13
23980-730500	2	24
24101-060054	45	34
		35
	55	12
24101-060064	55	13
24101-060074	48	20
	62	9
24101-060084	29	6
24101-060104	29	7
24101-060114	17	10
24101-062024	43	10
24101-062054	47	9
	48	21
		22
		23
	55	14
24101-062064	22	4
24101-062074	19	4
	23	7
	47	10
	62	10
24101-062094	23	8
	69	4
24101-063044	43	11
	46	4
24101-063054	16	6
	44	11
	46	5
	48	24
24101-063064	67	3

Parts No. Index

Parts No.	Fig. No.	Ref. No.
24101-063074	44	12
	69	5
24104-060040	34	7
24104-062064	22	5
24161-303520	48	25
24162-222915	42	3
24190-080001	53	11
	54	9
	55	15
24190-130003	84	8
24190-170001	74	14
24311-000030	82	4
24311-000110	2	36
24311-000140	38	9
	52	3
24311-000160	29	8
	41	14
	48	26
	53	12
	56	12
24311-000180	57	11
	20	5
	41	15
	106	4
	5	5
24311-000200	6	6
	48	27
	65	9
	90	12
	13	13
24311-000260	14	14
	90	15
	80	16
24311-000300	80	16
24311-000320	38	10
24311-000340	57	12
24311-000400	92	3
	24	4
	80	17
24311-000440	80	17
24311-000500	80	18
24311-000800	14	8
24311-000850	7	41
24315-000080	84	9
24315-000100	82	5
24315-000110	78	22
24315-000140	81	2
	34	12
	14	14
	15	15
	37	13
	78	23

Parts No.	Fig. No.	Ref. No.
24315-000140	78	24
		25
	86	2
		9
24315-000150	85	9
24315-000160	84	10
24315-000180	78	26
		27
		28
	82	6
	84	11
24315-000200	84	11
	85	10
	88	22
		7
24315-000220	82	7
24315-000350	33	14
24321-000750	14	9
24321-000950	21	7
24325-000750	78	29
24325-000900	78	30
24341-000080	45	36
24341-000100	42	12
	91	14
24341-000320	45	25
24341-000420	33	15
24351-240300	78	31
24365-090800	86	31
24421-173007	41	4
24421-306210	20	6
24421-456209	57	13
24423-254208	38	2
24430-204206	34	8
24550-010100	87	4
		15
24550-015150	60	17
		21
		24
		4
24550-015200	59	4
24550-015250	56	4
24550-025150	33	8
		17
24550-025200	75	10
		13
		16
		11
24550-025250	38	11
24550-045400	78	32
24550-050400	78	33
24761-010000	14	10
	76	11
		14
		14
24761-060000	164	9
25132-005600	189	13

Parts No.	Fig. No.	Ref. No.
26013-120352	170	13
26013-120452	191	10
26013-120552	191	11
26013-120602	170	14
26013-120802	191	12
26022-050102	7	21
26022-050162	7	16
26023-060202	140	34
	172	13
26062-080501	3	12
26076-161002	191	13
26106-060082	3	13
		14
	75	31
	129	42
26106-060102	187	31
		25
26106-060122	2	25
		26
	12	16
	76	21
	94	2
	96	24
	97	24
	105	13
	110	2
	121	3
	144	13
	147	18
	148	14
	173	9
	174	58
		59
		60
	187	32
		33
	1	1
26106-060162	6	14
	87	25
	119	9
	129	43
		44
	138	4
	182	24
	2	27
26106-060202	90	16
	105	14
	153	6
	187	34
26106-060252	3	15
		16

Parts No.	Fig. No.	Ref. No.
26106-060252	3	17
		18
	7	42
	12	17
26106-060302	119	10
26106-060402	90	17
		18
26106-060552	78	34
	3	19
26106-080122	78	35
	96	25
	97	25
		26
		27
	98	5
	99	11
		12
	100	12
		13
	104	9
	130	8
	161	16
	163	3
	187	35
	6	15
26106-080162	12	18
		19
		20
	24	5
		6
	36	6
	37	14
		15
		16
		17
	38	12
		13
	41	16
	42	13
		14
	48	28
	53	13
	57	14
		15
	60	5
		47
	62	11
	66	2
	75	29

Parts No. Index

Parts No.	Fig. No.	Ref. No.	
26106-080162	86	32	
		33	
	87	23	
		24	
	88	23	
		24	
		25	
	89	17	
	90	19	
		20	
	91	15	
		16	
	93	15	
	95	5	
	126	5	
	127	5	
	128	4	
		5	
	130	9	
	138	5	
	141	8	
	143	2	
	144	14	
	147	19	
		20	
	148	15	
		16	
	149	21	
	150	2	
	172	14	
		15	
		16	
	182	26	
	188	11	
	189	14	
	192	14	
	26106-080202	1	2
		3	20
		13	6
		48	29
		49	2
		51	3
		74	15
75		25	
77		6	
		7	
187		36	
188		12	
189		15	
26106-080252	1	3	

Parts No.	Fig. No.	Ref. No.
26106-080252	3	21
		22
	35	4
	41	17
	48	30
	57	16
		17
	92	4
	149	22
	189	16
26106-080302	4	7
	30	7
26106-080352	31	2
	88	26
26106-080402	6	16
	56	13
	64	7
	176	31
26106-080452	189	17
26106-080502	182	25
	196	3
	197	3
26106-080552	86	34
26106-080602	86	35
26106-080652	52	4
26106-080752	48	31
26106-080902	11	1
	152	3
26106-081002	86	36
26106-100162	144	15
	146	10
	173	5
26106-100202	86	37
	144	16
	147	21
	148	17
26106-100252	23	9
	34	16
	41	18
	63	3
	78	36
	174	61
26106-100302	147	22
	148	18
	170	15
	191	14
26106-100352	42	15
	189	18
26106-100402	38	14
	78	37

Parts No.	Fig. No.	Ref. No.
26106-100502	38	15
	64	8
26106-100552	13	7
	57	18
	64	9
26106-100652	64	9
26106-100952	38	16
	64	10
26106-120162	144	17
	173	6
26106-120252	14	3
26106-120302	20	7
26106-120402	145	5
26106-120452	41	19
26106-120502	39	4
	78	38
26116-080454	60	6
26116-100302	29	9
26116-160302	145	6
	9	
26116-160552	191	15
26116-161302	170	9
26216-080252	88	27
26216-080352	77	8
26216-120902	39	5
26216-160352	38	17
26218-080202	59	16
	77	9
26306-080002	77	10
	11	
26306-100002	189	11
26346-080002	60	7
	48	
	75	26
	161	14
	165	7
26346-100002	5	10
	181	7
26346-120002	57	9
26356-120002	32	11
26366-080002	53	14
	56	14
	59	17
	88	28
	29	
	192	15
26367-080002	96	27
	97	28
26376-120002	74	16
26450-060302	7	17
26450-060402	7	18

Parts No.	Fig. No.	Ref. No.
26450-080122	21	8
26450-080252	81	3
26450-120352	40	4
26450-120452	40	6
26487-060163	138	6
26487-080163	153	7
26557-050122	86	38
	184	3
26557-050252	117	4
26557-060162	109	4
26559-050162	140	35
	187	37
26577-060202	174	62
26577-080252	174	63
26587-060122	174	64
26589-060162	132	4
	133	3
	134	2
26589-060252	139	18
26589-060502	139	19
26657-080002	88	30
26716-060002	87	26
	102	4
	116	4
26716-080002	58	5
	60	36
	42	
	88	31
	194	11
26716-100002	29	10
	76	6
	83	2
	162	8
	15	
26716-120002	39	6
	146	11
26716-140002	146	12
26716-160002	145	10
	168	10
	170	10
26736-100002	194	8
26736-120002	89	10
26736-160002	80	19
26776-120002	89	11
	105	3
	5	
	7	
26776-160002	82	8
26776-200002	14	4
27260-220000	41	12

Parts No. Index

Parts No.	Fig. No.	Ref. No.
27260-300000	39	7
27260-320000	92	5
27260-470002	38	18
29311-124000	51	4
29622-140001	96	28
		29
	97	29
		30
		31
	99	13
	100	14
29622-250001	96	30
	97	32
	99	14
	100	15
41801-110041	129	45
41810-000120	38	19
	179	18
41810-000160	38	20
794130-71410	164	11
	166	1
	167	1
	169	1
933147-10350	48	32

Parts No.	Fig. No.	Ref. No.
-----------	----------	----------

Parts No.	Fig. No.	Ref. No.
-----------	----------	----------

Parts No.	Fig. No.	Ref. No.
-----------	----------	----------