

0CNP5-M53400EN

Contents

OCNP5-M53400

Fig. No.	Fig. Name
ENGINE CONTROL SECTION	
1.	ENGINE ACCESSORIES(1)
2.	ENGINE ACCESSORIES(2)
3.	ENGINE ACCESSORIES(3)
4.	ACCEL LEVER
5.	FUEL TANK
6.	COVER, FO TANK
7.	FUEL PIPE

FRONT AXLE SECTION	
8.	FRAME
9.	JOINT FRAME
10.	ENGINE MOUNT
11.	CENTER PIN
12.	TIE ROD
13.	DRIVE PINION
14.	DIFFERENTIAL GEAR
15.	PROPELLER SHAFT
16.	FRONT SHAFT 1
17.	FRONT AXLE CASE
18.	FRONT GEAR CASE
19.	FRONT SHAFT 2
20.	FRONT SPINDLE
21.	SHAFT COVER
22.	FRONT TIRE R1

Fig. No.	Fig. Name
23.	FRONT TIRE R3
24.	FRONT TIRE R4
25.	HUB BOLT
26.	STEERING WHEEL
27.	COLUMN BRACKET
28.	PST VALVE
29.	PST CYLINDER
30.	PST PIPING A
31.	PST PIPING B

TRANSMISSION SECTION	
32.	DRIVE SHAFT
33.	T/M ACCESSORIES
34.	TRANSAXLE CASE
35.	OIL GAUGE
36.	CENTER CASE
37.	MOTOR CASE
38.	FILTER
39.	PUMP
40.	MOTOR
41.	CLUTCH SHAFT
42.	PTO BRAKE
43.	PTO SHAFT
44.	POWER PUMP
45.	SOLENOID VALVE

Contents

OCNP5-M53400

Fig. No. Fig. Name

- 46. R-PTO SHAFT
- 47. SHIFT
- 48. RANGE SHIFT LEVER A
- 49. CONTROL
- 50. RANGE SHIFT LEVER B
- 51. PTO LEVER A
- 52. PTO LEVER B
- 53. DRIVE SHAFT
- 54. 2-4WD LEVER A
- 55. MFWD SHIFT
- 56. 2-4WD LEVER B
- 57. HST PEDAL
- 58. HST CRUISE LINK
- 59. CRUISE LEVER
- 60. GEAR PUMP

REAR AXLE SECTION

- 61. INPUT GEAR
- 62. DIFFERENTIAL GEAR
- 63. REAR HOUSING
- 64. DIFFERENTIAL LOCK
- 65. DIFFERENTIAL PEDAL
- 66. REAR AXLE SHAFT
- 67. TIRE REAR R1
- 68. TIRE REAR R3

Fig. No. Fig. Name

- 69. TIRE REAR R4
- 70. HUB BOLT
- 71. DISC BRAKE
- 72. BRAKE PEDAL
- 73. PARKING BRAKE

HYDRAULIC CONTROL SECTION

- 74. LIFT CYLINDER
- 75. LIFT ARM
- 76. CONTROL VALVE
- 77. STOP VALVE
- 78. VALVE,SCV
- 79. LEVER,SCV
- 80. HYDRAULIC CONTROL A
- 81. HYDRAULIC CONTROL B
- 82. HYDRAULIC PIPE
- 83. OIL COOLER
- 84. PIPING

ELECTRICAL PARTS SECTION

- 85. WIRE HARNESS
- 86. BATTERY
- 87. SWITCH A
- 88. SWITCH B
- 89. LAMPS

Contents

OCNP5-M53400

Fig. No. Fig. Name

90. SIDE LAMP

91. METER

FITTINGS SECTION

92. BONNET

93. DASH BOARD ACCESSORIES

94. DASH BOARD

95. FENDER

96. LEVER GUIDE

97. FOOTREST STAY

98. STEP

99. DRIVER SEAT

100. SEAT STAY

101. LABEL(1)

102. LABEL(2)

103. LABEL(3)

104. LABEL(4)

105. LABEL(SAFETY(1)

106. LABEL(SAFETY(2)

107. LABEL(SAFETY(3)

HITCH SECTION

108. SAFETY COVER(PTO

Fig. No. Fig. Name

SAFETY FRAME SECTION

109. ROPS UPPER

110. LOWER FRAME

111. SMV

112. FRONT GRILLE GUARD

ACCESSORIES SECTION

113. DOCUMENT

OPTIONAL SECTION

114. 3P KIT

115. FRONT WEIGHT

116. FRONT HITCH

117. BUCKETS , 8INCH KIT

118. BUCKETS ,12INCH KIT

119. STREET PAD KIT

120. WORK LAMP

121. HEATER ,RADIATOR HOSE

122. FUEL LINE(FAME

123. SERVICE PARTS

124. LABEL(FRENCH

Fig.1. ENGINE ACCESSORIES(1)

(A)=SC2450(YANMAR)
 (B)=
 (C)=

(D)=
 (E)=
 (F)=

No.	Lev.	Parts No.	Description	Q'ty						I	R
				(A)	(B)	(C)	(D)	(E)	(F)		
1	1	1A7880-05110	COVER, FLYWHEEL	1							
2	1	26106-060122	BOLT, M6X 12 PLATED	4							

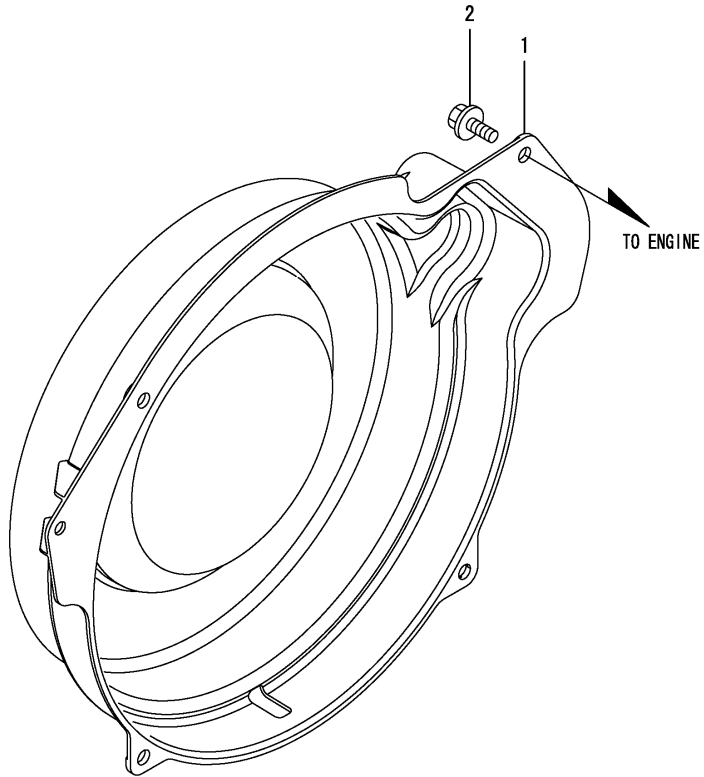
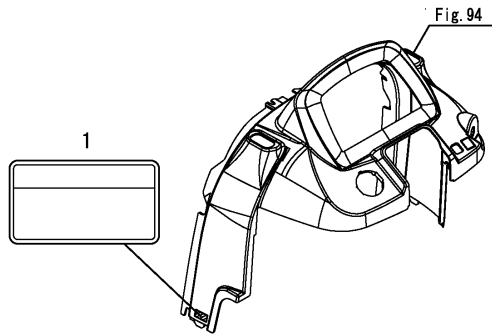
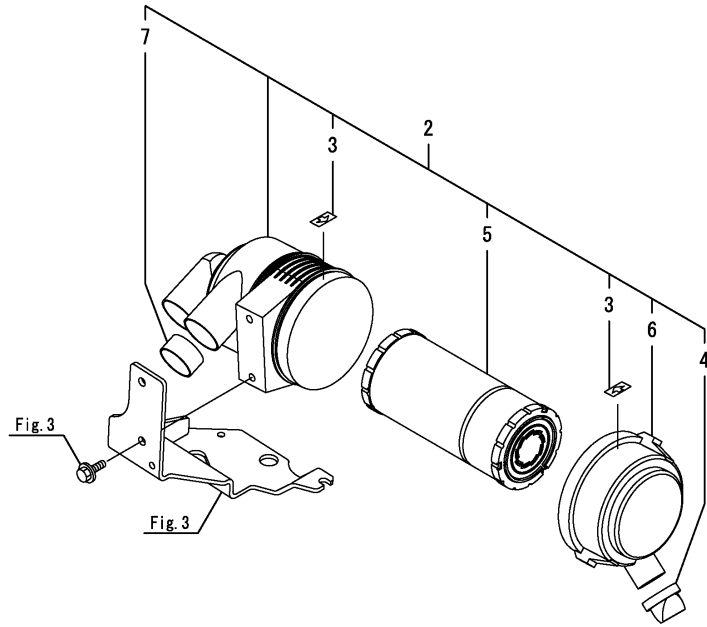


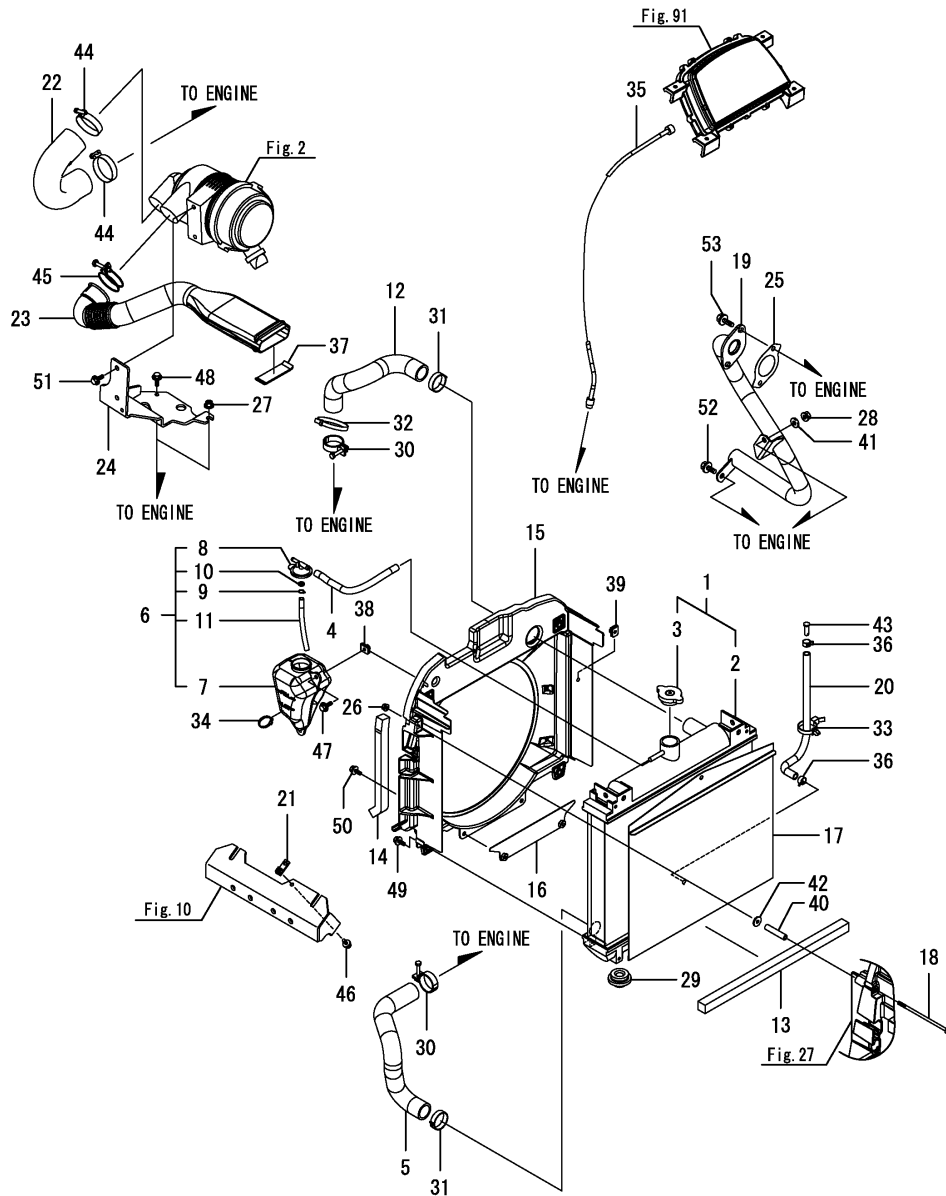
Fig.2. ENGINE ACCESSORIES(2)

(A)=SC2450(YANMAR)
 (B)=
 (C)=

(D)=
 (E)=
 (F)=

No.	Lev.	Parts No.	Description	Qty						I	R
				(A)	(B)	(C)	(D)	(E)	(F)		
1	1	114110-07761	LABEL, FUEL OIL CAUT	1							
2	1	119517-12510	CLEANER ASSY, AIR	1							
3	2	129418-12530	LABEL, MARK	2							
4	2	119808-12540	VALVE, UNLOADER	1							
5	2	119655-12560	ELEMENT	1							
6	2	119686-12570	COVER ASSY	1							
7	2	105027-12580	RING	1							





(A)=SC2450(YANMAR)

(B)=

(C)=

(D)=

(E)=

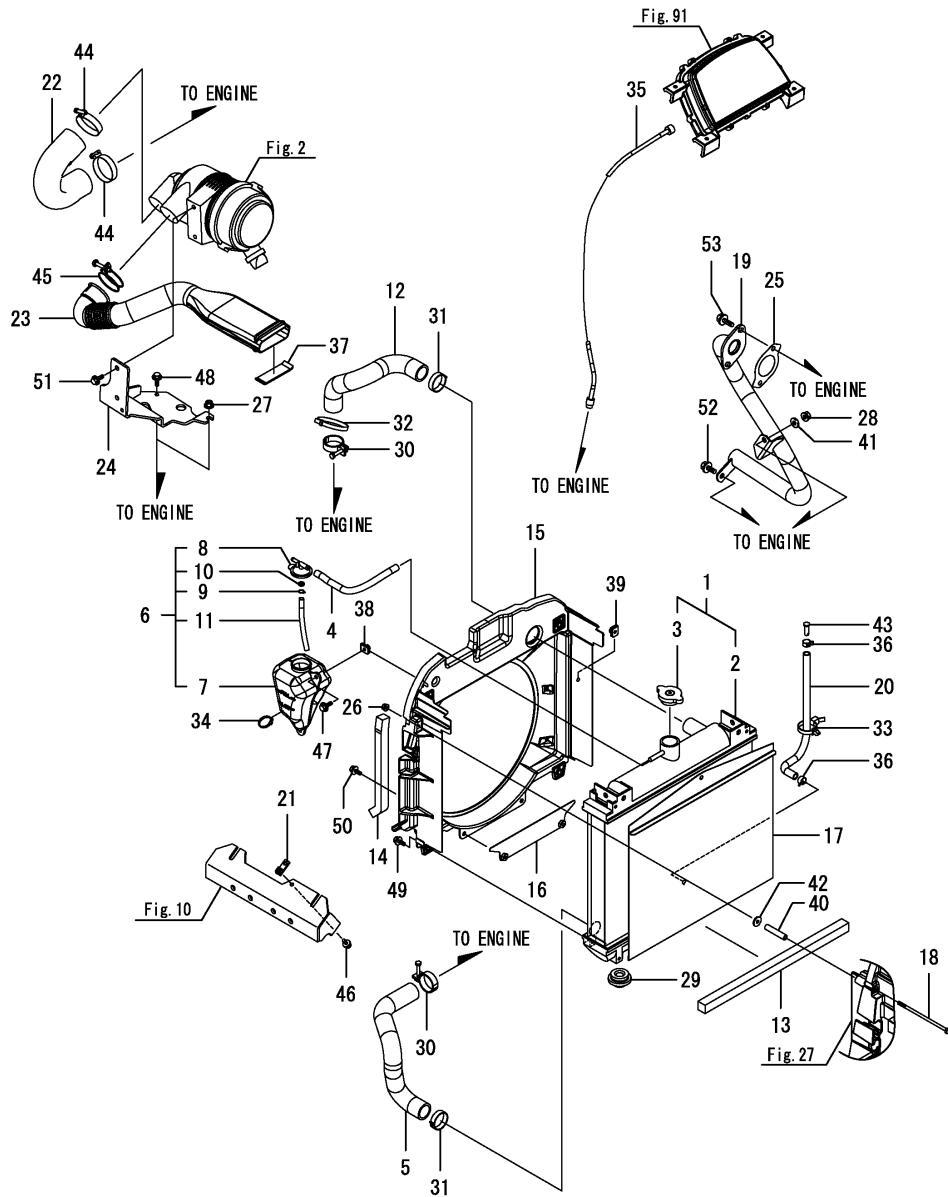
(F)=

No.	Lev.	Parts No.	Description	Q'ty						I	R
				(A)	(B)	(C)	(D)	(E)	(F)		
1	1	1A7880-00601	RADIATOR ASSY	1							
2	2	1A7880-00610	RADIATOR	1							
3	2	129107-44590	CAP, RADIATOR	1							
4	1	1A7880-00640	HOSE, SUB TANK	1							
5	1	198162-00720	PIPE, WATER L 66	1							
6	1	1A7880-01350	TANK ASSY, COOLANT	1							
7	2	1A7880-01360	TANK, COOLANT	1							
8	2	121450-44531	CAP	1							
9	2	124450-44560	RETAINER	1							
10	2	121470-44581	GASKET	1							
11	2	23065-070130	PIPE, 7X 130	1							
12	1	1A7880-01410	HOSE, WATER A	1							
13	1	1A7880-01440	SEAL, RADIATOR	1							
14	1	1A7880-01460	SEAL, SHROUD LOWER	2							
15	1	1A7880-01500	SHROUD ASSY, FAN M	1							
16	1	1A7880-01520	PLATE ASSY, SHROUD	1							
17	1	1A7880-01560	SCREEN, RADIATOR	1							
18	1	1A7880-01650	BOLT, M6X135	2							
19	1	1A7880-03111	PIPE, EXHAUST	1							
20	1	1A7510-04430	HOSE, FUEL F-P	1							
21	1	1A7882-05410	PLATE ASSY, MOUNT	1							
22	1	1A7882-06010	HOSE, AIR INTAKE	1							
23	1	1A7880-06150	PIPE, AIR INTAKE	1							
24	1	1A7880-06201	BRACKET ASSY	1							
25	1	129052-13550	GASKET	1							
26	1	194990-22130	NUT, M6	2							
27	1	194990-22140	NUT, M8	1							
28	1	194990-22140	NUT, M8	1							
29	1	119255-44660	ABSORBER	2							
30	1	121267-49500	BAND, 38	2							
31	1	175022-49730	CRIP 31, HOSE	2							
32	1	1A8300-51210	BAND, REPEAT	1							
33	1	194680-51670	BAND, CLIP	2							
34	1	1A1380-55310	CLAMP, WIRE	1							
35	1	1A6680-56920	CABLE, HOUR METER	1							
36	1	114270-59010	CLIP, HOSE 12	2							
37	1	198162-61370	SEAL, RADIATOR E	1							
38	1	198071-61890	NUT, SPEED M6	2							
39	1	198071-61890	NUT, SPEED M6	1							
40	1	198461-87590	COLLAR, 6.5X10X52	2							
41	1	22137-080000	WASHER, 8	1							
42	1	22157-060000	WASHER, 6	2							
43	1	22487-080200	PIN, H 8X 20	1							
44	1	23000-054000	CLAMP, 54	2							
45	1	23010-050000	CLAMP, 50	1							
46	1	26106-060122	BOLT, M6X 12 PLATED	1							
47	1	26106-060162	BOLT, M6X 16 PLATED	2							
48	1	26106-060162	BOLT, M6X 16 PLATED	2							
49	1	26106-060162	BOLT, M6X 16 PLATED	4							
50	1	26106-060162	BOLT, M6X 16 PLATED	2							
51	1	26106-080162	BOLT, M8X 16 PLATED	2							

Fig.3. ENGINE ACCESSORIES(3)

(A)=SC2450(YANMAR)
 (B)=
 (C)=

(D)=
 (E)=
 (F)=

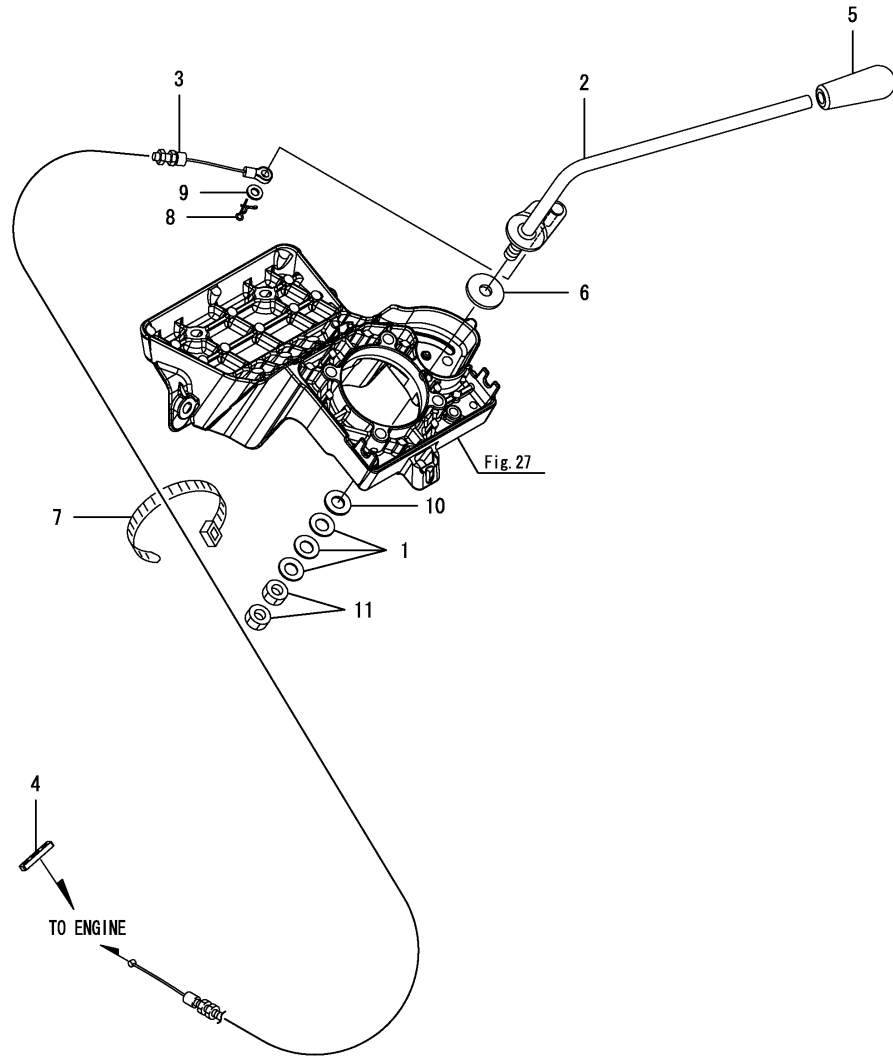


No.	Lev.	Parts No.	Description	Qty						I	R
				(A)	(B)	(C)	(D)	(E)	(F)		
52	1	26106-080162	BOLT, M8X 16 PLATED	1							
53	1	26106-080252	BOLT, M8X 25 PLATED	2							

Fig.4. ACCEL LEVER

(A)=SC2450(YANMAR)
 (B)=
 (C)=

(D)=
 (E)=
 (F)=

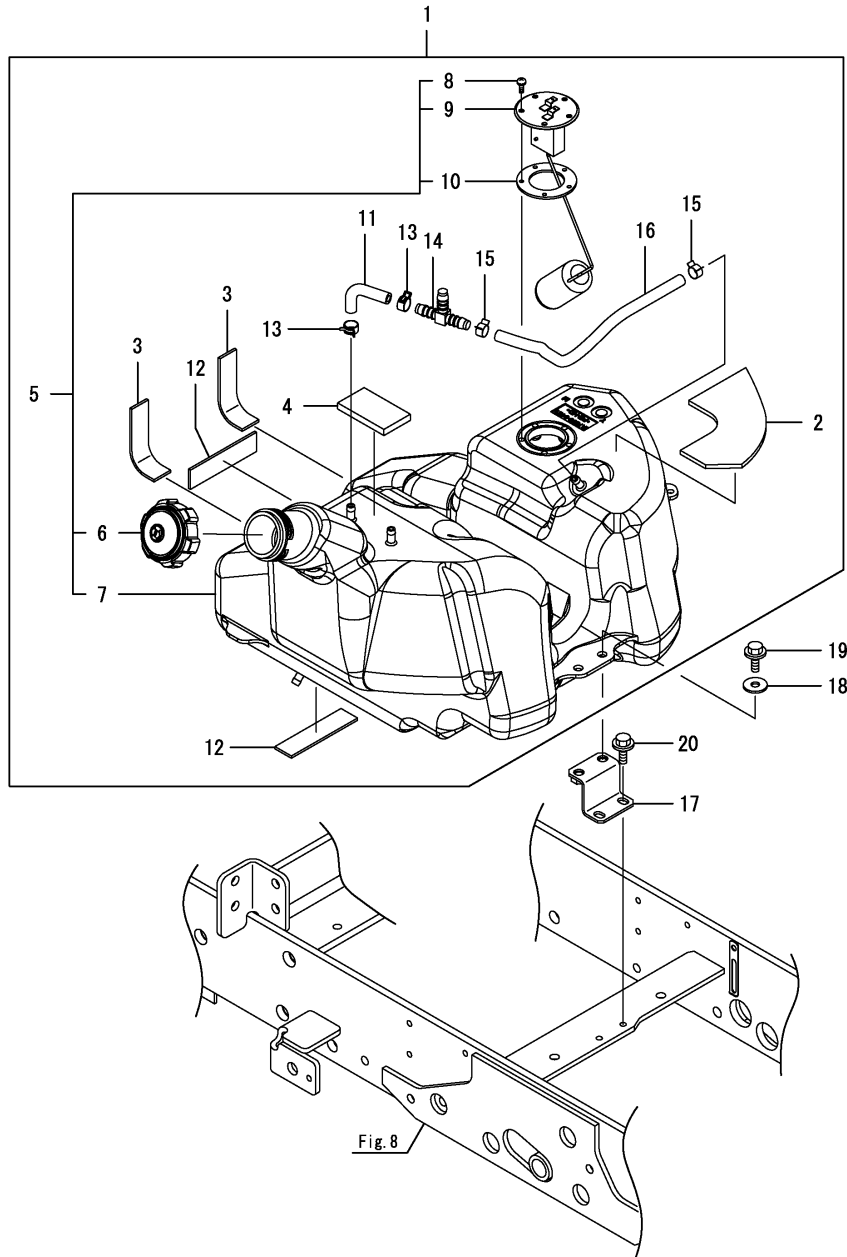


No.	Lev.	Parts No.	Description	Q'ty						I	R
				(A)	(B)	(C)	(D)	(E)	(F)		
1	1	194740-00160	SPRING, 10	3							
2	1	1A7880-01010	LEVER ASSY, CONTROL	1							
3	1	1A7882-01150	WIRE ASSY, CONTROL	1							
4	1	198071-01160	RUBBER	1							
5	1	198253-01190	KNOB, LEVER	1							
6	1	198200-01260	PLATE, FRICTION	1							
7	1	1A8300-51210	BAND, REPEAT	1							
8	1	1C6281-52310	PIN, SNAP 6	1							
9	1	22137-060000	WASHER, 6	1							
10	1	22137-100000	WASHER, 10	1							
11	1	26716-100002	NUT, M10	2							

Fig.5. FUEL TANK

(A)=SC2450(YANMAR)
 (B)=
 (C)=

(D)=
 (E)=
 (F)=

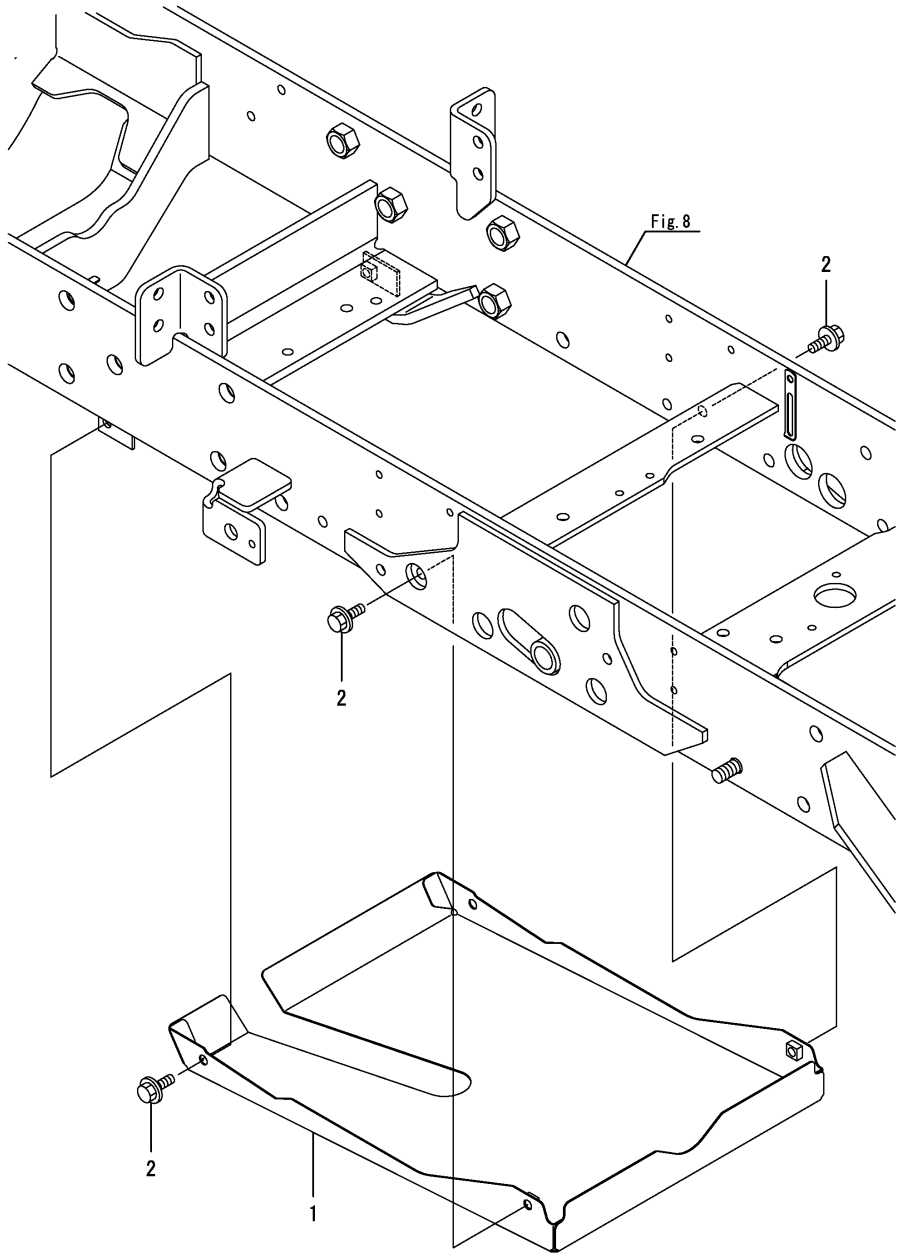


No.	Lev.	Parts No.	Description	Q'ty						I	R
				(A)	(B)	(C)	(D)	(E)	(F)		
1	1	1A7880-04101	TANK ASSY, FUEL	1							
2	2	1A7880-04040	CUSHION, TANK R	1							
3	2	1A7880-04050	CUSHION, TANK SIDE	2							
4	2	1A7880-04080	CUSHION, TANK UPPER	1							
5	2	1A7880-04130	TANK, FUEL KIT	1							
6	3	1A7880-04091	CAP, FUEL TANK	1							
7	3	1A7880-04111	TANK, FUEL	1							
8	3	1A7180-04180	SCREW, M5X14	5							
9	3	1A7880-56601	GAUGE ASSY, FUEL	1							
10	3	198200-56630	GASKET, GAUGE	1							
11	2	198448-04270	HOSE, RETURN	1							
12	2	198165-04380	RUBBER, 100X25X3	2							
13	2	114270-59010	CLIP, HOSE 12	2							
14	2	119629-59910	JOINT, 3-WAY	1							
15	2	23080-012000	CLAMP, 12	2							
15-1	2	114270-59010	CLIP, HOSE 12	2							R
(A=FXXXXX)											
16	2	23980-730260	HOSE, 7.3X 260	1							
17	1	1A7880-04210	STAY, FUEL TANK	1							
18	1	22157-080000	WASHER, 8	2							
19	1	26106-080162	BOLT, M8X 16 PLATED	2							
20	1	26106-080162	BOLT, M8X 16 PLATED	2							

Fig.6. COVER, FO TANK

(A)=SC2450(YANMAR)
 (B)=
 (C)=

(D)=
 (E)=
 (F)=



No.	Lev.	Parts No.	Description	Q'ty						I	R	
				(A)	(B)	(C)	(D)	(E)	(F)			
1	1	1A7882-04300	COVER, FUEL TANK	1								
2	1	26106-080202	BOLT, M8X 20 PLATED	4								

Fig.7. FUEL PIPE

(A)=SC2450(YANMAR)

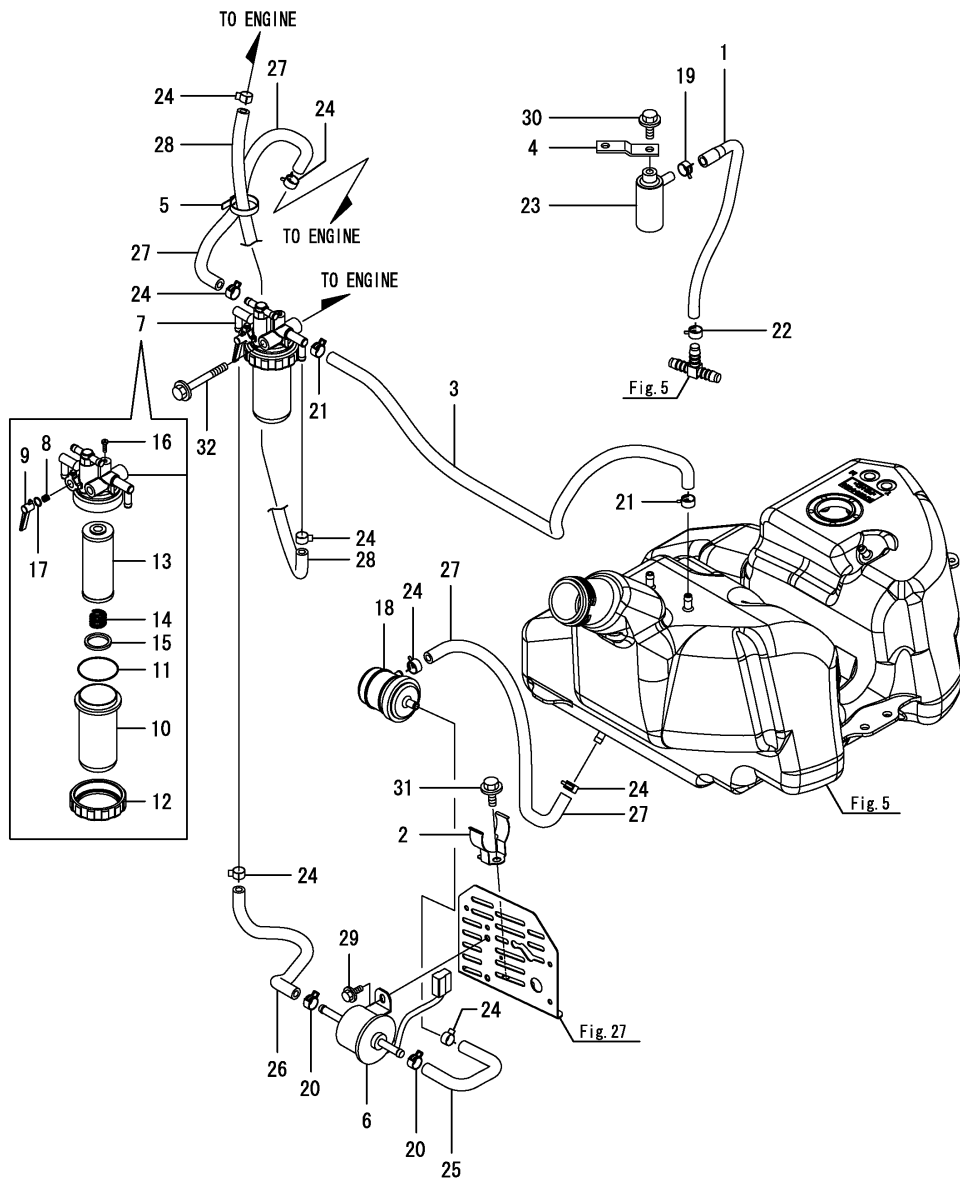
(B)=

(C)=

(D)=

(E)=

(F)=



No.	Lev.	Parts No.	Description	Qty						I	R
				(A)	(B)	(C)	(D)	(E)	(F)		
1	1	1A7880-04270	HOSE, AIR VENT	1							
2	1	198072-04320	CLAMP, FILTER	1							
3	1	1A7880-04430	HOSE, FUEL F-T	1							
4	1	194312-39480	SUPPORT, BREATHER	1							
5	1	1A8300-51210	BAND, REPEAT	1							
6	1	119225-52102	PUMP ASSY, FUEL FEED	1							
7	1	129053-55620	FILTER ASSY, FUEL	1							
8	2	104200-55330	SPRING, VALVE	1							
9	2	119810-55340	LEVER	1							
10	2	129107-55510	CUP, STRAINER	1							
11	2	102103-55520	O-RING	1							
12	2	110250-55610	RING, RETAINING	1							
13	2	119810-55650	ELEMENT	1							
14	2	121257-55720	SPRING	1							
15	2	121257-55731	FLOAT	1							
16	2	104200-55750	SCREW, M4	1							
17	2	24311-240100	O-RING, 1AP10A	1							
18	1	129052-55630	FILTER, FUEL	1							
19	1	114270-59010	CLIP, HOSE 12	1							
20	1	114270-59010	CLIP, HOSE 12	2							
21	1	114270-59010	CLIP, HOSE 12	2							
22	1	114270-59010	CLIP, HOSE 12	1							
23	1	194205-63550	BREATHER, AIR	1							
24	1	23080-012000	CLAMP, 12	8							
24-1	1	114270-59010	CLIP, HOSE 12	8							R
		(A=FXXXXX)									
25	1	23980-730150	HOSE, 7.3X 150	1							
26	1	23980-730180	HOSE, 7.3X 180	1							
27	1	23980-730350	HOSE, 7.3X 350	2							
28	1	23980-730400	HOSE, 7.3X 400	1							
29	1	26106-060162	BOLT, M6X 16 PLATED	2							
30	1	26106-080122	BOLT, M8X 12 PLATED	1							
31	1	26106-080122	BOLT, M8X 12 PLATED	1							
32	1	26106-080652	BOLT, M8X 65 PLATED	1							

Fig.8. FRAME

(A)=SC2450(YANMAR)
 (B)=
 (C)=

(D)=
 (E)=
 (F)=

No.	Lev.	Parts No.	Description	Q'ty						I	R
				(A)	(B)	(C)	(D)	(E)	(F)		
1	1	1A7882-10090	FRAME ASSY, TLB M	1							
2	1	1A7882-10450	BRACKET, MISSION	1							
3	1	1A7882-10500	FRAME ASSY, LINK	1							
4	1	1A6770-85920	BOLT, M12X30	10							
5	1	22217-120000	WASHER, SPRING 12	4							
6	1	22351-100020	PIN, SPRING 10.0X20	2							
7	1	26116-121202	BOLT, M12X120 PLATED	4							

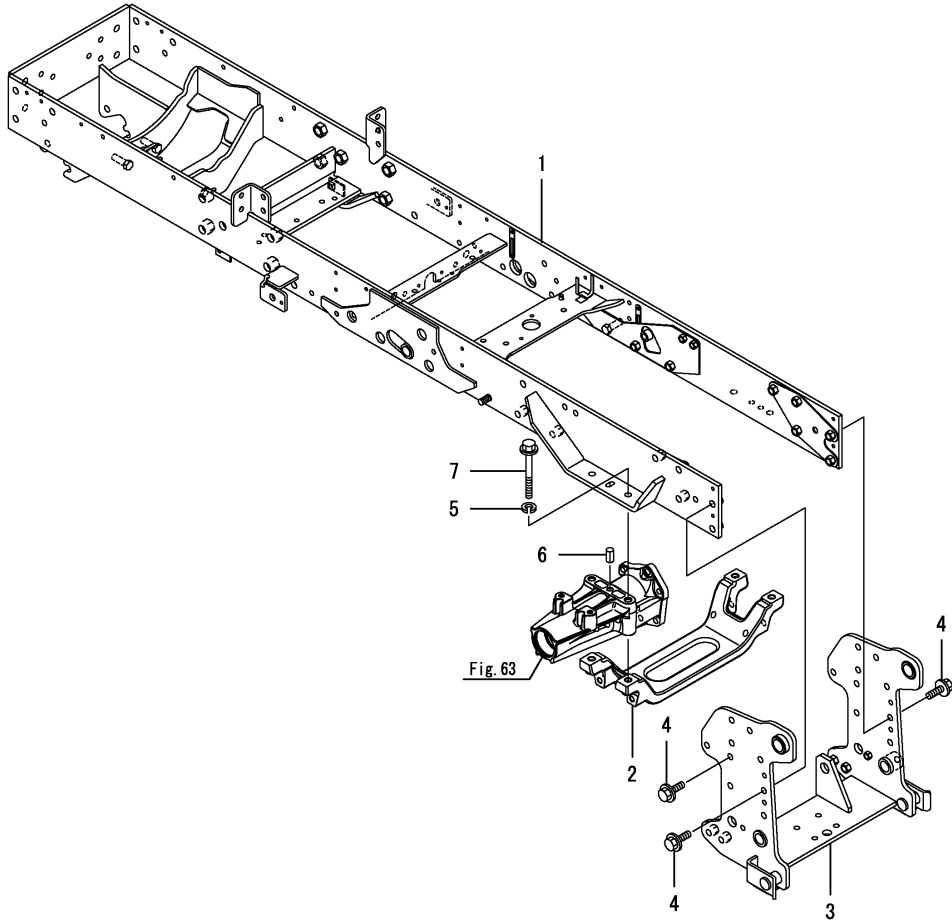


Fig.9. JOINT FRAME

(A)=SC2450(YANMAR)
 (B)=
 (C)=

(D)=
 (E)=
 (F)=

No.	Lev.	Parts No.	Description	Qty						I	R
				(A)	(B)	(C)	(D)	(E)	(F)		
1	1	1A7882-10600	PLATE, SUPPORT UNDER	2							
2	1	1A7882-10610	PLATE ASSY, MOWER L	1							
3	1	1A7882-10620	PLATE ASSY, MOWER R	1							
4	1	24761-020000	NIPPLE, GREASE PT1/8	2							
5	1	26106-120252	BOLT, M12X 25 PLATED	8							
6	1	26106-120402	BOLT, M12X 40 PLATED	4							
7	1	26366-120002	NUT, M12	2							

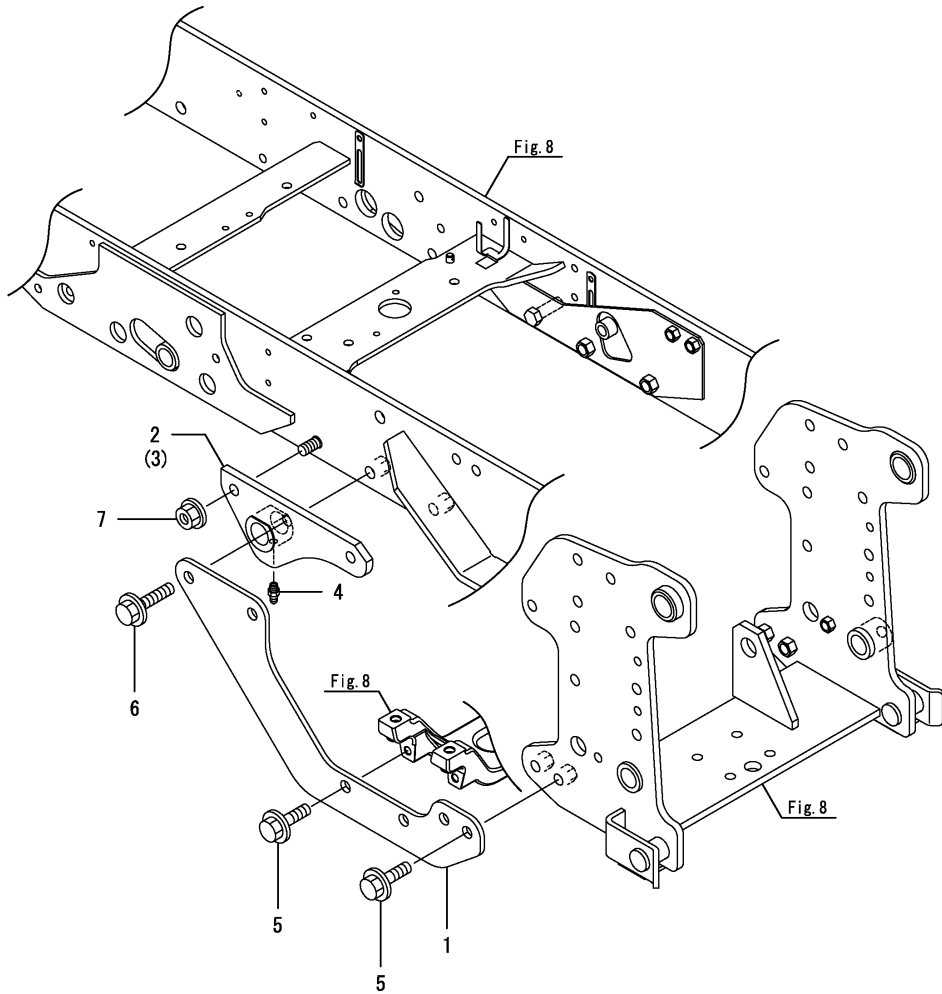


Fig.10. ENGINE MOUNT

(A)=SC2450(YANMAR)
 (B)=
 (C)=

(D)=
 (E)=
 (F)=

No.	Lev.	Parts No.	Description	Q'ty						I	R
				(A)	(B)	(C)	(D)	(E)	(F)		
1	1	1A7882-10800	STAY ASSY, MOUNT E	2							
2	1	1A7882-10900	STAY, MOUNT FRAME	2							
3	1	1A7130-11790	RUBBER, MOUNT	4							
4	1	194990-22140	NUT, M8	8							
5	1	26106-100202	BOLT, M10X 20 PLATED	10							

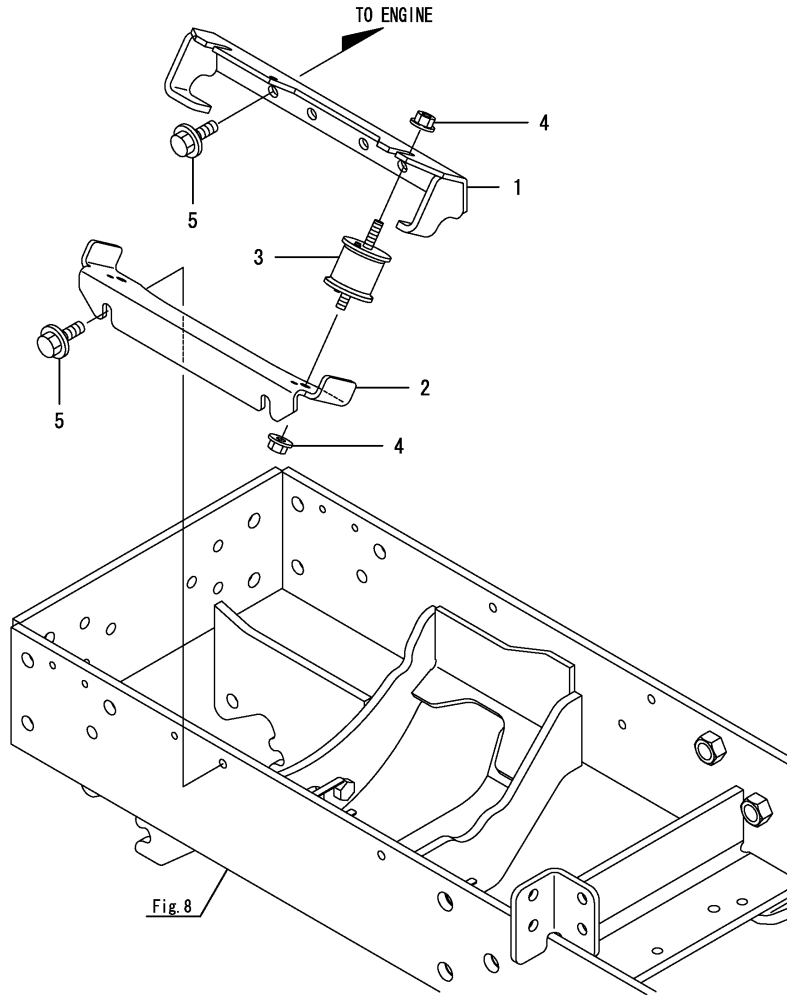
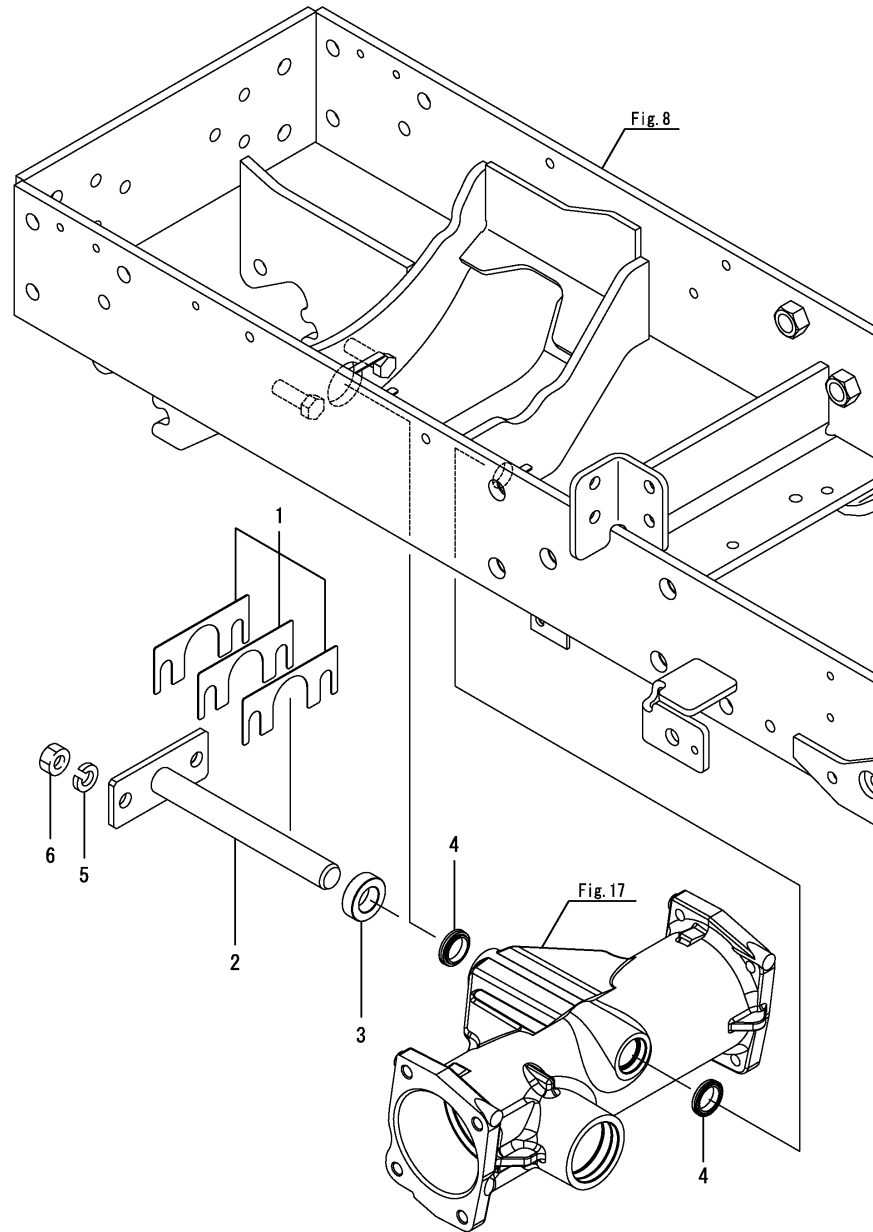


Fig.11. CENTER PIN



(A)=SC2450(YANMAR)
 (B)=
 (C)=

(D)=
 (E)=
 (F)=

No.	Lev.	Parts No.	Description	Q'ty						I	R
				(A)	(B)	(C)	(D)	(E)	(F)		
1	1	198165-11500	SHIM SET, CENTER PIN	1							
2	1	1A7880-11510	PIN ASSY, CENTER	1							
3	1	1A7880-11551	COLLAR, 22X38X12.5	1							
4	1	1A7880-11560	SEAL, DUST 22X30X6	2							
5	1	22217-120000	WASHER, SPRING 12	2							
6	1	26716-120002	NUT, M12	2							

Fig.12. TIE ROD

(A)=SC2450(YANMAR)
 (B)=
 (C)=

(D)=
 (E)=
 (F)=

No.	Lev.	Parts No.	Description	Q'ty						I	R
				(A)	(B)	(C)	(D)	(E)	(F)		
1	1	1A7880-12302	TIE-ROD ASSY, 132	2							
2	1	194730-57242	NUT, CASTLE M12	2							
3	1	22417-320250	PIN, COTTER 3.2X25	2							

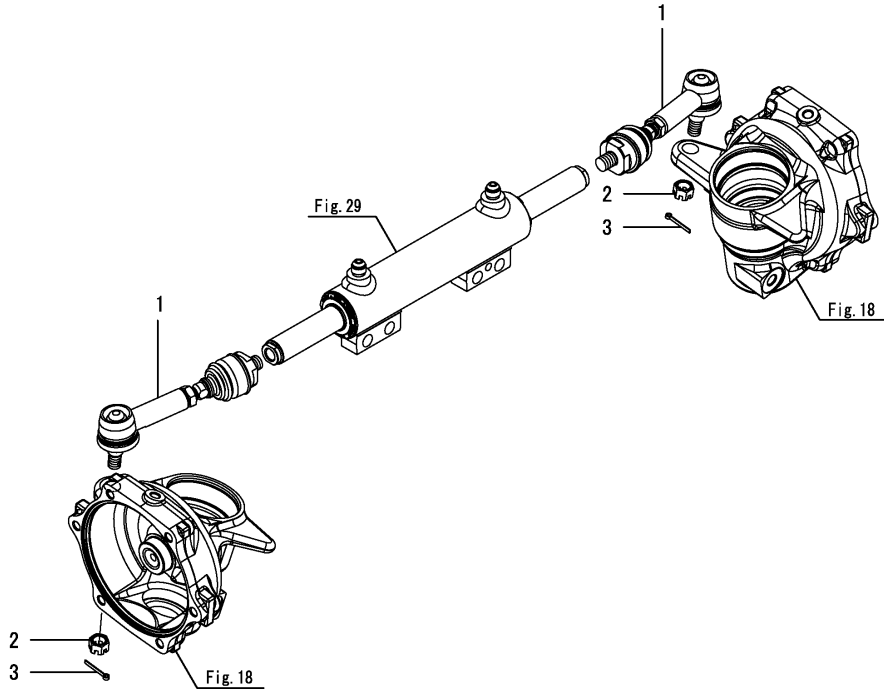


Fig.13. DRIVE PINION

(A)=SC2450(YANMAR)
 (B)=
 (C)=

(D)=
 (E)=
 (F)=

No.	Lev.	Parts No.	Description	Q'ty						I	R
				(A)	(B)	(C)	(D)	(E)	(F)		
1	1	1A7130-13120	SHAFT, INPUT	1							
2	1	1A7130-13130	COLLAR, 30X25X5.7	1							
3	1	1E4760-73240	SLEEVE 202513	1							
4	1	22242-000240	RING, 24	1							
5	1	22252-000520	RING, 52	1							
6	1	24101-062054	BEARING, BALL 6205	2							
7	1	24421-255210	SEAL, OIL TC255210	1							

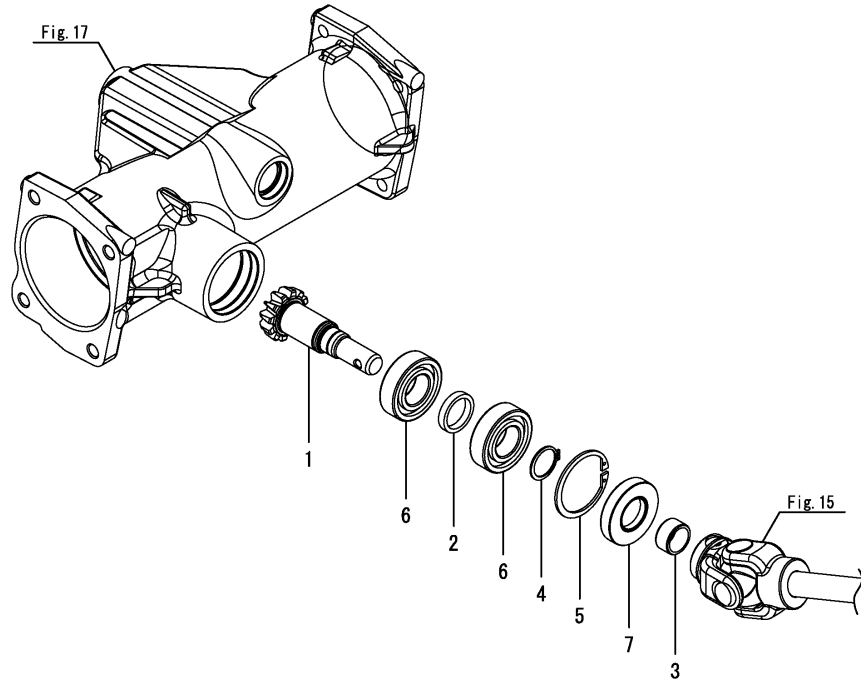


Fig.14. DIFFERENTIAL GEAR

(A)=SC2450(YANMAR)
 (B)=
 (C)=

(D)=
 (E)=
 (F)=

No.	Lev.	Parts No.	Description	Q'ty						I	R
				(A)	(B)	(C)	(D)	(E)	(F)		
1	1	1A7880-13150	GEAR ASSY	1							
2	1	22252-000550	RING, 55	1							
3	1	24101-060064	BEARING, BALL 6006	1							

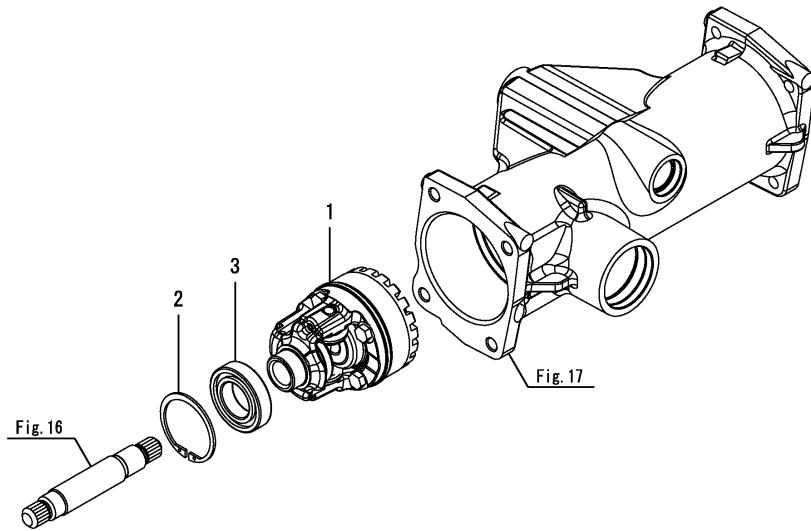


Fig.15. PROPELLER SHAFT

(A)=SC2450(YANMAR)
 (B)=
 (C)=

(D)=
 (E)=
 (F)=

No.	Lev.	Parts No.	Description	Q'ty						I	R
				(A)	(B)	(C)	(D)	(E)	(F)		
1	1	1A7880-13310	SHAFT ASSY, F	1							
2	1	1A7500-13360	BEARING, MIDDLE	1							
3	1	1A7880-13470	SHAFT, PROPELLER R	1							
4	1	1A7880-13480	COLLAR, SPLINE	1							
5	1	22242-000360	RING, 36	2							
6	1	22252-000150	RING, 15	1							
7	1	22351-035032	PIN, SPRING 3.5X32	2							
8	1	22351-060032	PIN, SPRING 6.0X32	2							
9	1	24311-000160	O-RING, 1AP16.0	2							
10	1	26013-080202	BOLT, M8X 20	2							

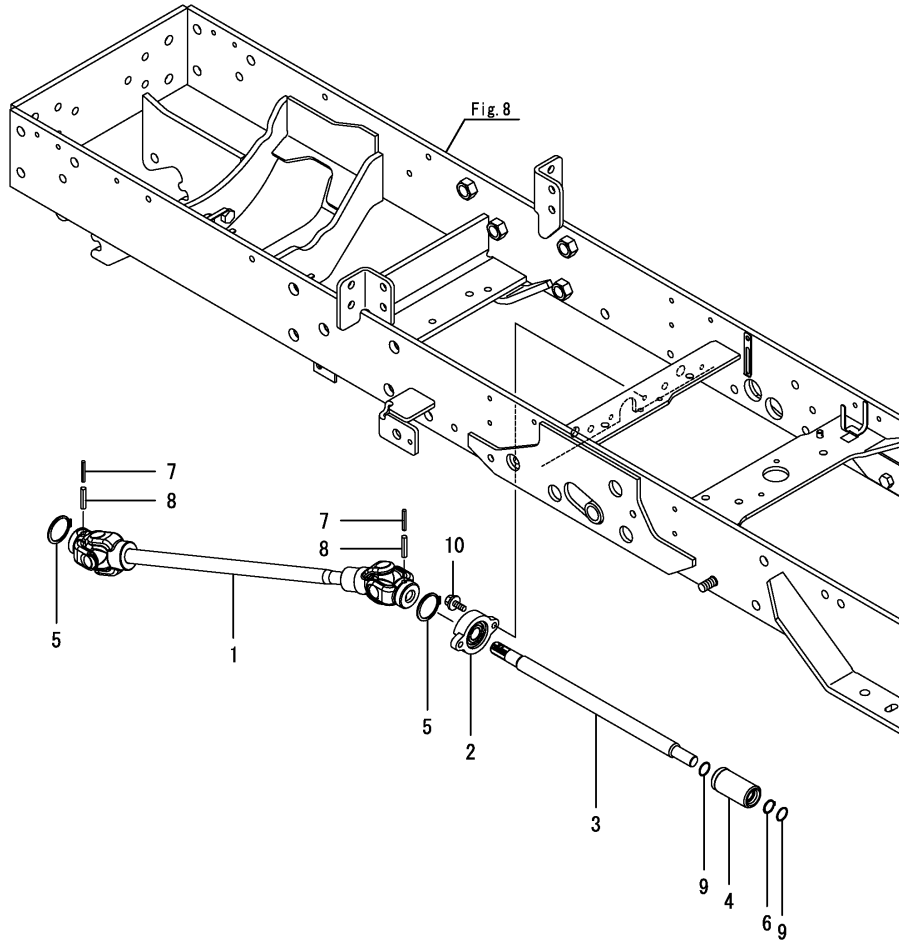


Fig.16. FRONT SHAFT 1

(A)=SC2450(YANMAR)
 (B)=
 (C)=

(D)=
 (E)=
 (F)=

No.	Lev.	Parts No.	Description	Q'ty						I	R
				(A)	(B)	(C)	(D)	(E)	(F)		
1	1	1A7880-13510	SHAFT, FRONT 1ST L	1							
2	1	1A7880-13520	SHAFT, FRONT 1ST R	1							
3	1	1A7880-13530	GEAR, BEVEL 9	2							
4	1	22252-000550	RING, 55	2							
5	1	24101-060064	BEARING, BALL 6006	2							

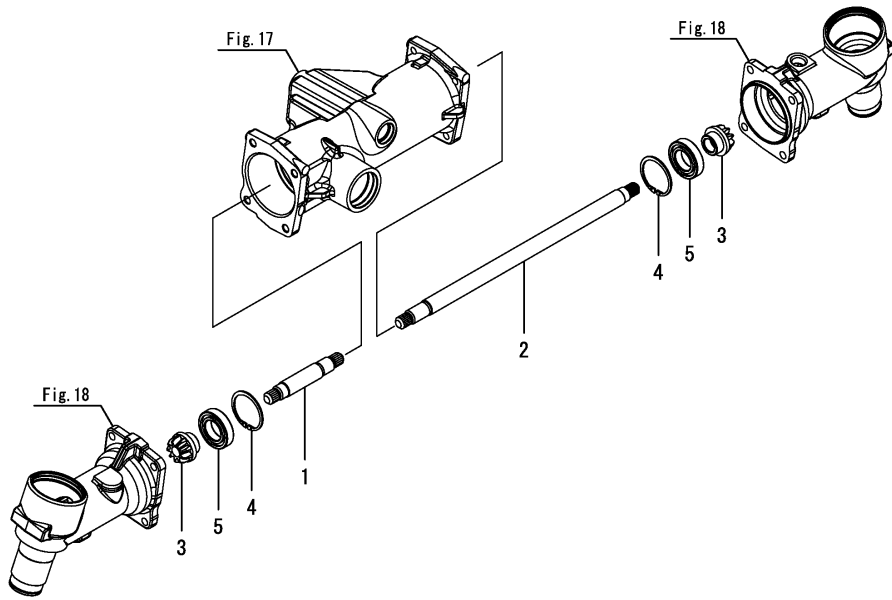


Fig.17. FRONT AXLE CASE

(A)=SC2450(YANMAR)
 (B)=
 (C)=

(D)=
 (E)=
 (F)=

No.	Lev.	Parts No.	Description	Q'ty						I	R
				(A)	(B)	(C)	(D)	(E)	(F)		
1	1	1A7880-13600	HOUSING, FRONT AXLE	1							
2	2	1A7880-11540	BUSH, 22X25X30	2							
3	2	1A7130-13270	BUSH, 85X90X20	1							

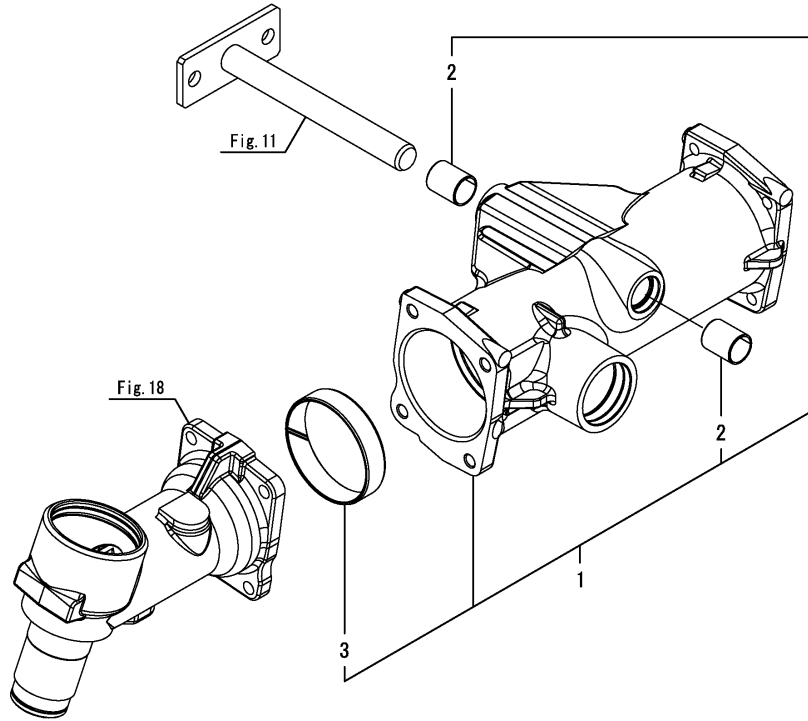
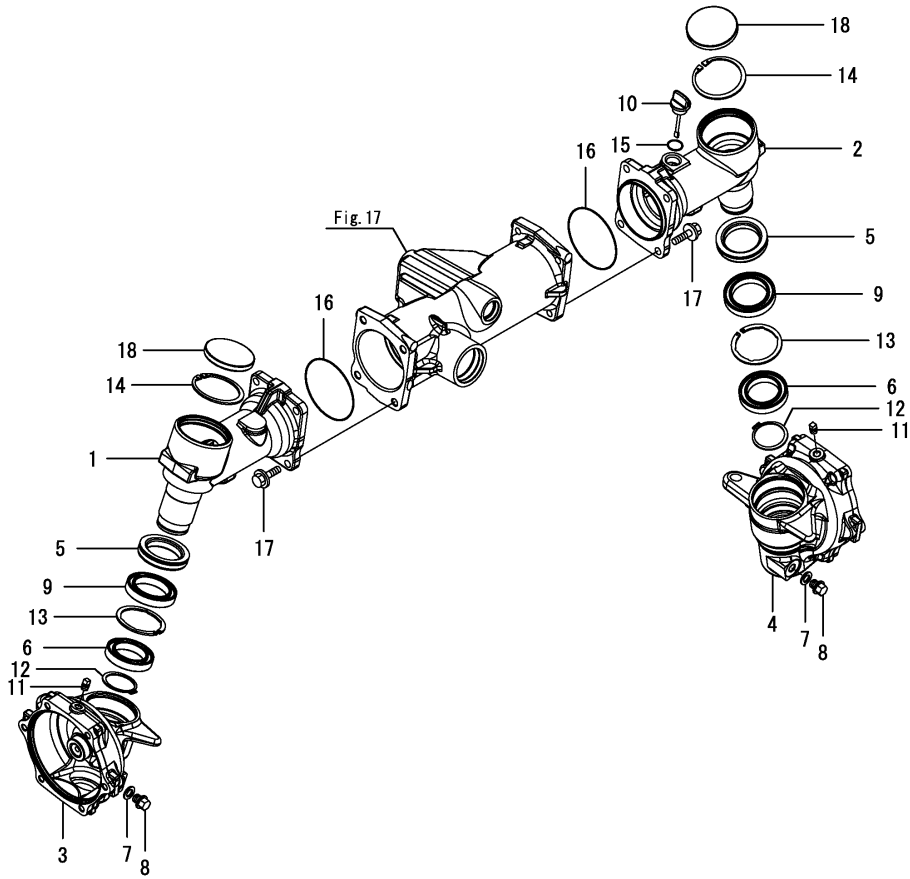


Fig.18. FRONT GEAR CASE



(A)=SC2450(YANMAR)
(B)=
(C)=

(D)=
(E)=
(F)=

No.	Lev.	Parts No.	Description	Q'ty						I	R
				(A)	(B)	(C)	(D)	(E)	(F)		
1	1	1A7880-13710	CASE, FRONT GEAR L	1							
2	1	1A7880-13721	CASE, FRONT GEAR R	1							
3	1	1A7880-13730	BOX, GEAR L	1							
4	1	1A7880-13740	BOX, GEAR R	1							
5	1	1A7880-13780	SEAL, QLN50721013	2							
6	1	194951-14440	BEARING, 6909	2							
7	1	198165-24440	GASKET, 20X12X2	2							
8	1	198165-24490	BOLT, M12X12	2							
9	1	194105-26430	BEARING, BALL 6910	2							
10	1	1C6050-31250	GAUGE, OIL LEVEL	1							
11	1	194151-36670	PLUG, PF02	2							
12	1	22242-000450	RING, 45	2							
13	1	22252-000681	RING, 68	2							
14	1	22252-000720	RING, 72	2							
15	1	24311-000180	O-RING, 1AP18.0	1							
16	1	24341-000850	O-RING, 1AS85.0	2							
17	1	26106-100302	BOLT, M10X 30 PLATED	8							
18	1	27260-720000	PLUG, 72	2							

Fig.19. FRONT SHAFT 2

(A)=SC2450(YANMAR)
 (B)=
 (C)=

(D)=
 (E)=
 (F)=

No.	Lev.	Parts No.	Description	Q'ty						I	R
				(A)	(B)	(C)	(D)	(E)	(F)		
1	1	1A7880-13540	GEAR, BEVEL 20T	2							
2	1	1A7880-13810	SHAFT, FRONT 2ND	2							
3	1	1A7880-13820	PINION, FINAL	2							
4	1	24101-062054	BEARING, BALL 6205	2							
5	1	24101-062074	BEARING, BALL 6207	2							

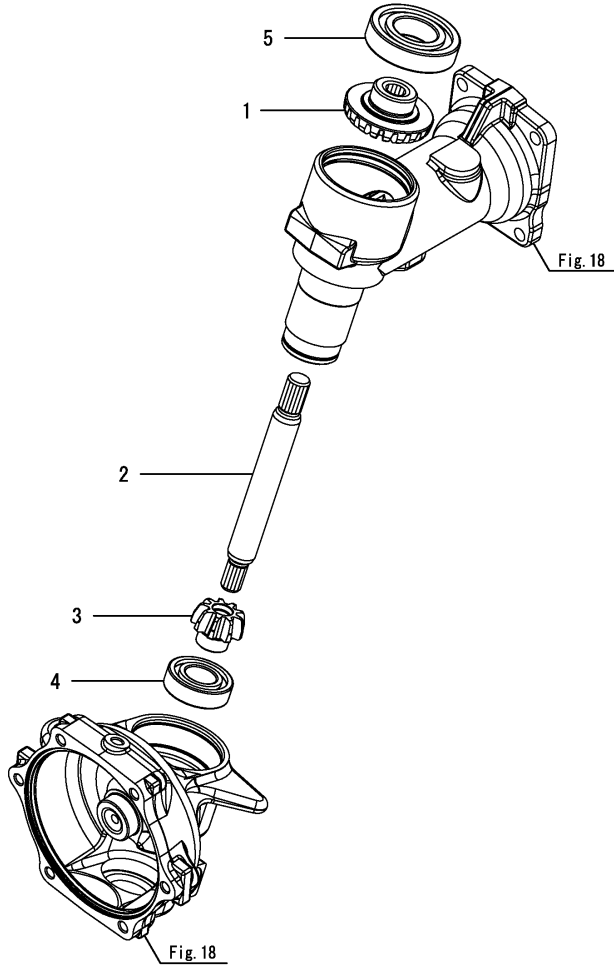


Fig.20. FRONT SPINDLE

(A)=SC2450(YANMAR)
 (B)=
 (C)=

(D)=
 (E)=
 (F)=

No.	Lev.	Parts No.	Description	Q'ty						I	R
				(A)	(B)	(C)	(D)	(E)	(F)		
1	1	1A7880-14110	SPINDLE, FRONT	2							
2	1	1A7880-14120	GEAR, FINAL F	2							
3	1	1A7880-14130	CASE, FRONT BEARING	2							
4	1	1E8420-55430	SEAL, QLFY40X62X14	2							
5	1	22242-000340	RING, 34	2							
6	1	24101-060074	BEARING, BALL 6007	2							
7	1	24101-060094	BEARING, BALL 6009	2							
8	1	24321-001300	O-RING, 1AG130.0	2							
9	1	26106-100302	BOLT, M10X 30 PLATED	12							

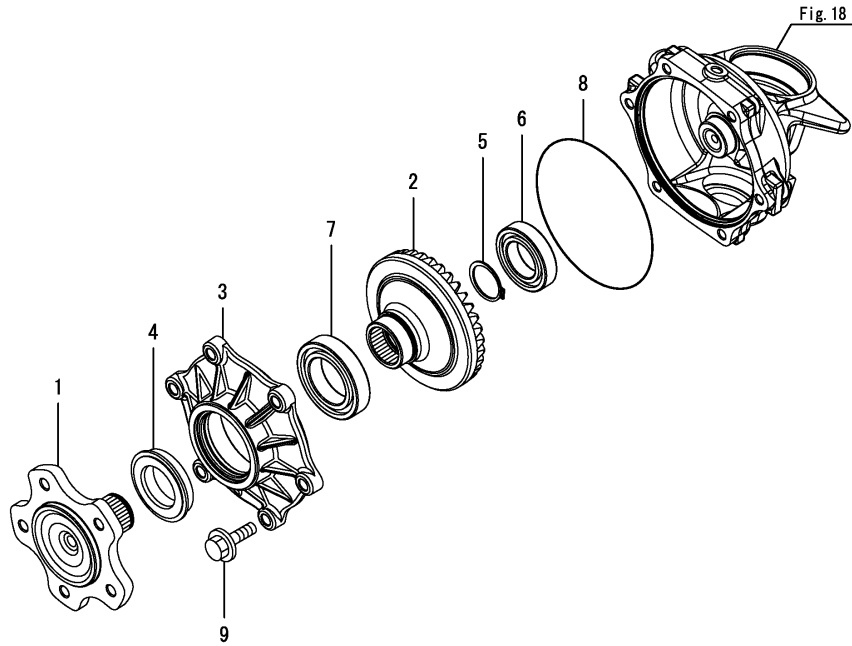


Fig.21. SHAFT COVER

(A)=SC2450(YANMAR)
 (B)=
 (C)=

(D)=
 (E)=
 (F)=

No.	Lev.	Parts No.	Description	Q'ty						I	R
				(A)	(B)	(C)	(D)	(E)	(F)		
1	1	1A7880-14620	COVER, SHAFT	1							
2	1	23000-075000	CLAMP, 75	1							

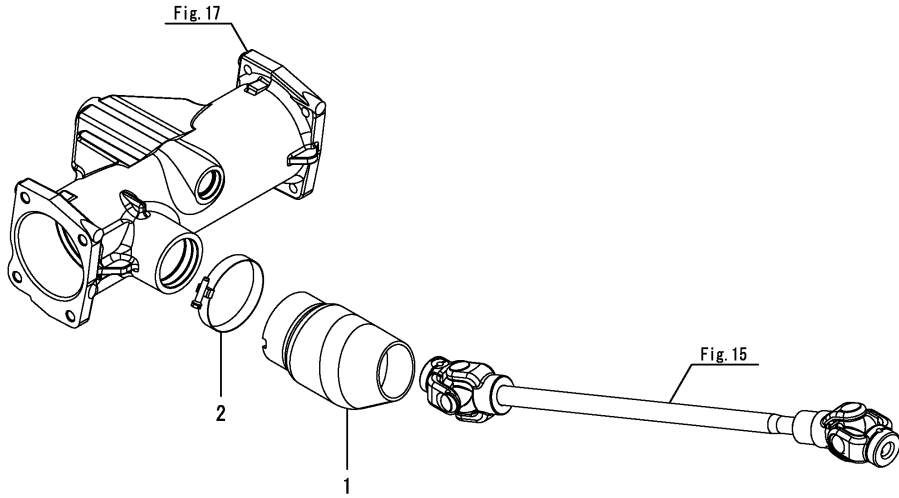


Fig.22. FRONT TIRE R1

(A)=SC2450(YANMAR)
 (B)=
 (C)=

(D)=
 (E)=
 (F)=

No.	Lev.	Parts No.	Description	Q'ty						I	R
				(A)	(B)	(C)	(D)	(E)	(F)		
1	1	1A7880-14900	TIRE KIT, FRONT R1 L	1							
2	2	1A7880-14830	WHEEL, 10X7.0	1							
3	2	1A7880-14840	VALVE	1							
4	2	1A7880-14920	TIRE, 18X8.5-10 R1	1							
5	1	1A7880-14910	TIRE KIT, FRONT R1 R	1							
6	2	1A7880-14830	WHEEL, 10X7.0	1							
7	2	1A7880-14840	VALVE	1							
8	2	1A7880-14920	TIRE, 18X8.5-10 R1	1							

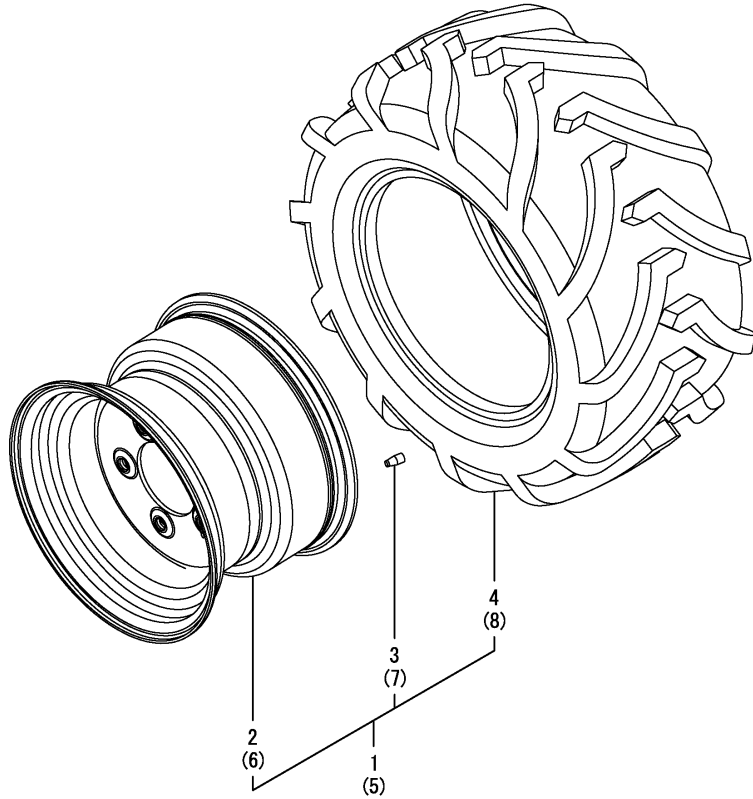


Fig.23. FRONT TIRE R3

(A)=SC2450(YANMAR)
 (B)=
 (C)=

(D)=
 (E)=
 (F)=

No.	Lev.	Parts No.	Description	Q'ty						I	R
				(A)	(B)	(C)	(D)	(E)	(F)		
1	1	1A7880-14700	TIRE KIT, FRONT R3	2							
2	2	1A7880-14710	TIRE, 18X8.5-10 R3	2							
3	2	1A7880-14830	WHEEL, 10X7.0	2							
4	2	1A7880-14840	VALVE	2							

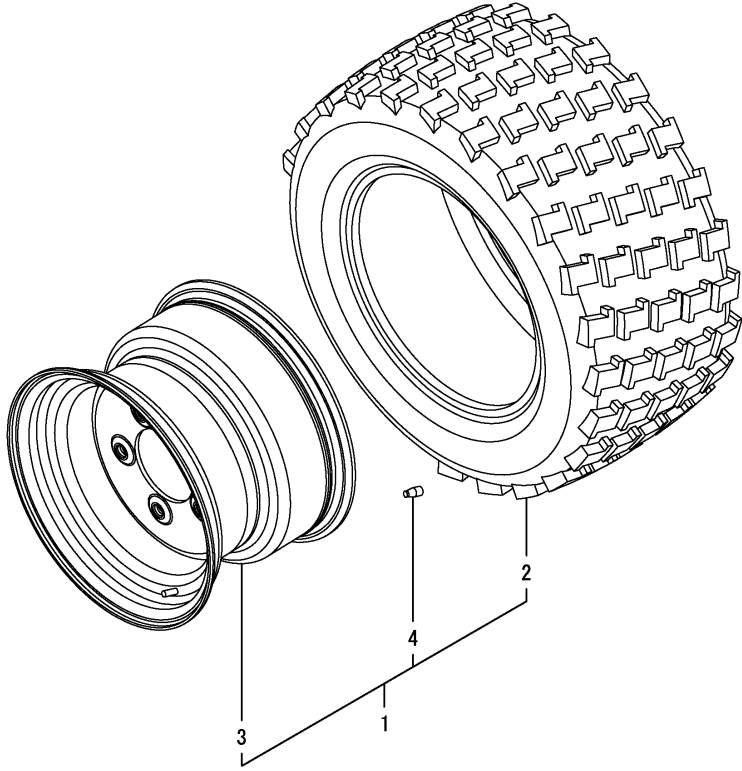


Fig.24. FRONT TIRE R4

(A)=SC2450(YANMAR)
 (B)=
 (C)=

(D)=
 (E)=
 (F)=

No.	Lev.	Parts No.	Description	Qty						I	R
				(A)	(B)	(C)	(D)	(E)	(F)		
1	1	1A7880-14800	TIRE KIT, FRONT R4 L	1							
2	2	1A7880-14820	TIRE, 18X8.5-10 R4	1							
3	2	1A7880-14830	WHEEL, 10X7.0	1							
4	2	1A7880-14840	VALVE	1							
5	1	1A7880-14810	TIRE KIT, FRONT R4 R	1							
6	2	1A7880-14820	TIRE, 18X8.5-10 R4	1							
7	2	1A7880-14830	WHEEL, 10X7.0	1							
8	2	1A7880-14840	VALVE	1							

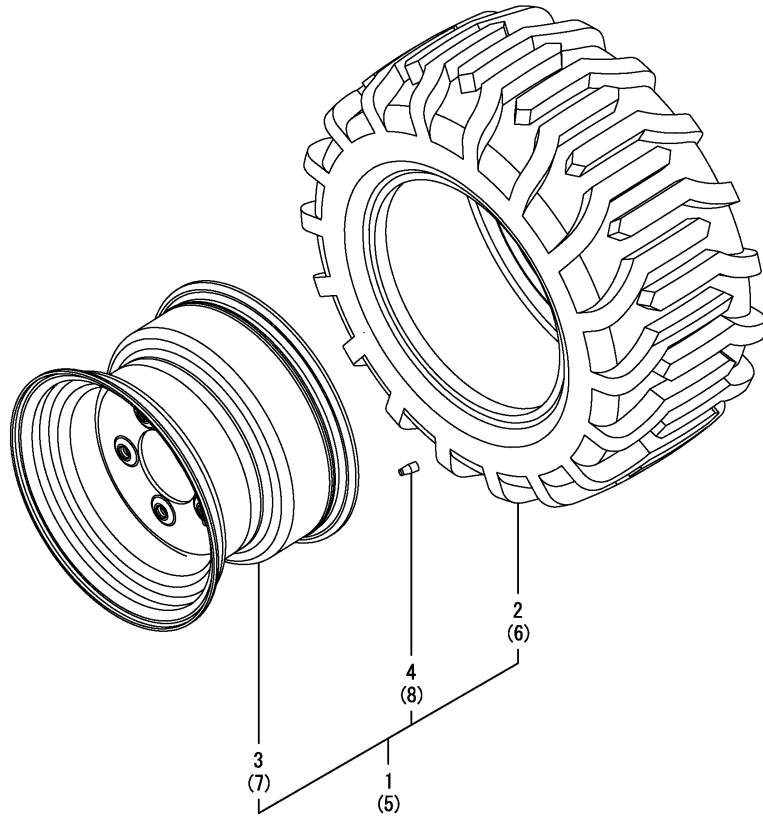
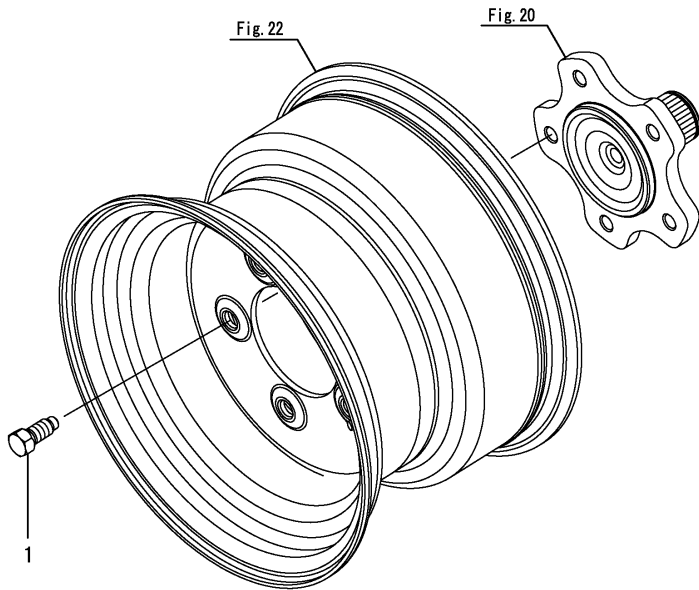


Fig.25. HUB BOLT

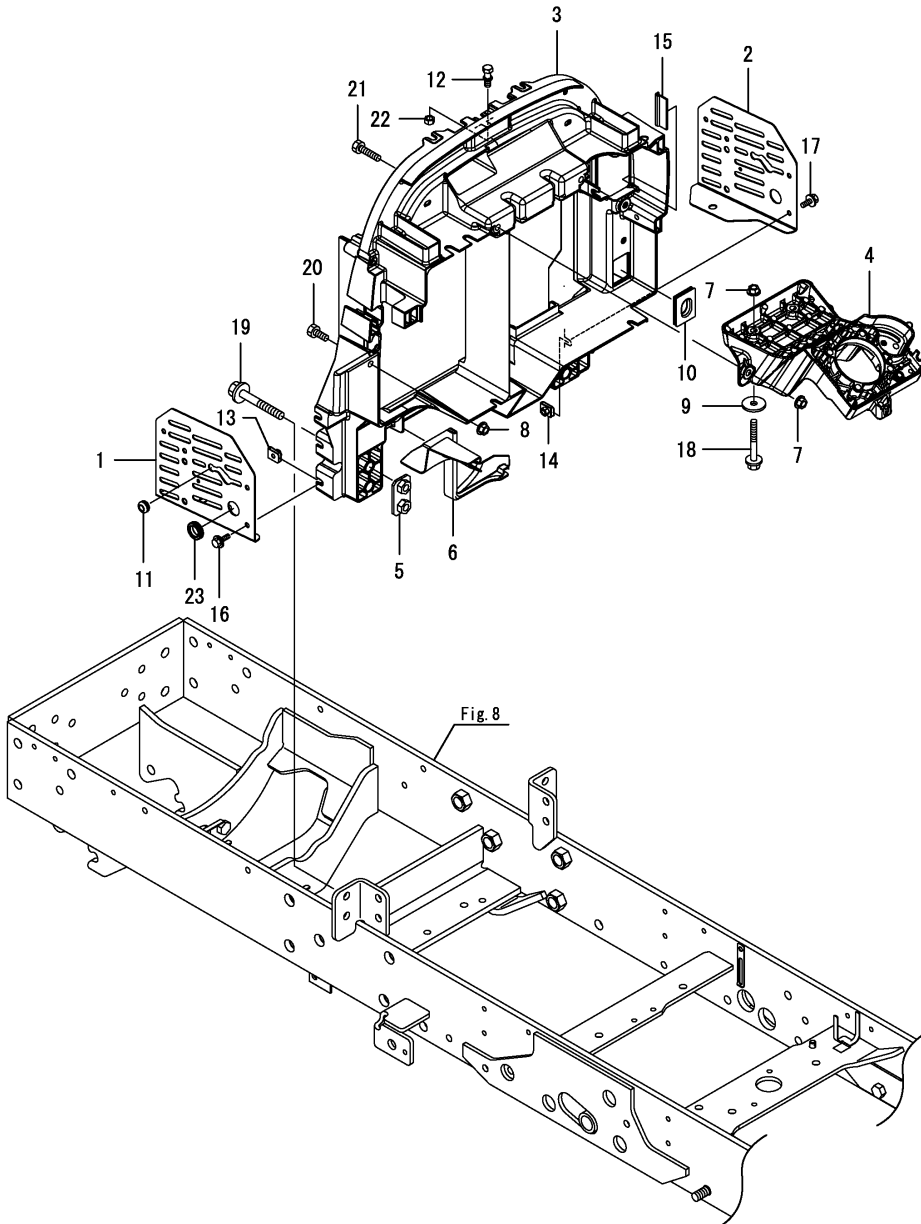
(A)=SC2450(YANMAR)
 (B)=
 (C)=

(D)=
 (E)=
 (F)=



No.	Lev.	Parts No.	Description	Q'ty						I	R
				(A)	(B)	(C)	(D)	(E)	(F)		
1	1	1A7880-34180	BOLT, 7/16-20UNF	10							

Fig.27. COLUMN BRACKET



(A)=SC2450(YANMAR)
 (B)=
 (C)=

(D)=
 (E)=
 (F)=

No.	Lev.	Parts No.	Description	Qty						I	R
				(A)	(B)	(C)	(D)	(E)	(F)		
1	1	1A7882-05150	COVER ASSY, BELT L	1							
2	1	1A7880-05190	COVER, BELT R	1							
3	1	1A7880-15100	BRACKET, COLUMN	1							
4	1	1A7880-15120	BRACKET, STEERING	1							
5	1	1A7880-15130	STAY, COLUMN	2							
6	1	1A7880-15160	BOOT	1							
7	1	194990-22140	NUT, M8	4							
8	1	194990-22140	NUT, M8	2							
9	1	1C6140-47210	WASHER, 9X32X3.2	2							
10	1	1A7880-51710	GROMMET, HARNESS	1							
11	1	198071-58810	GROMMET, 8	1							
12	1	1A7880-61810	BOLT, STEPPED M8	1							
13	1	198071-61890	NUT, SPEED M6	2							
14	1	198071-61890	NUT, SPEED M6	2							
15	1	198093-84810	SEAL, FENDER	1							
16	1	26106-060162	BOLT, M6X 16 PLATED	2							
17	1	26106-060162	BOLT, M6X 16 PLATED	2							
18	1	26106-080652	BOLT, M8X 65 PLATED	2							
19	1	26106-100752	BOLT, M10X 75 PLATED	4							
20	1	26116-080202	BOLT, M8X 20 PLATED	2							
21	1	26116-080402	BOLT, M8X 40 PLATED	2							
22	1	26716-080002	NUT, M8	1							
23	1	29311-162000	GROMMET, 16.0X2	1							

Fig.28. PST VALVE

(A)=SC2450(YANMAR)
 (B)=
 (C)=

(D)=
 (E)=
 (F)=

No.	Lev.	Parts No.	Description	Q'ty						I	R
				(A)	(B)	(C)	(D)	(E)	(F)		
1	1	1A7880-17300	VALVE ASSY, STEERING	1							
2	2	1A7880-17320	NUT, 5/8-18 UNF	1							
3	1	26106-080302	BOLT, M8X 30 PLATED	4							

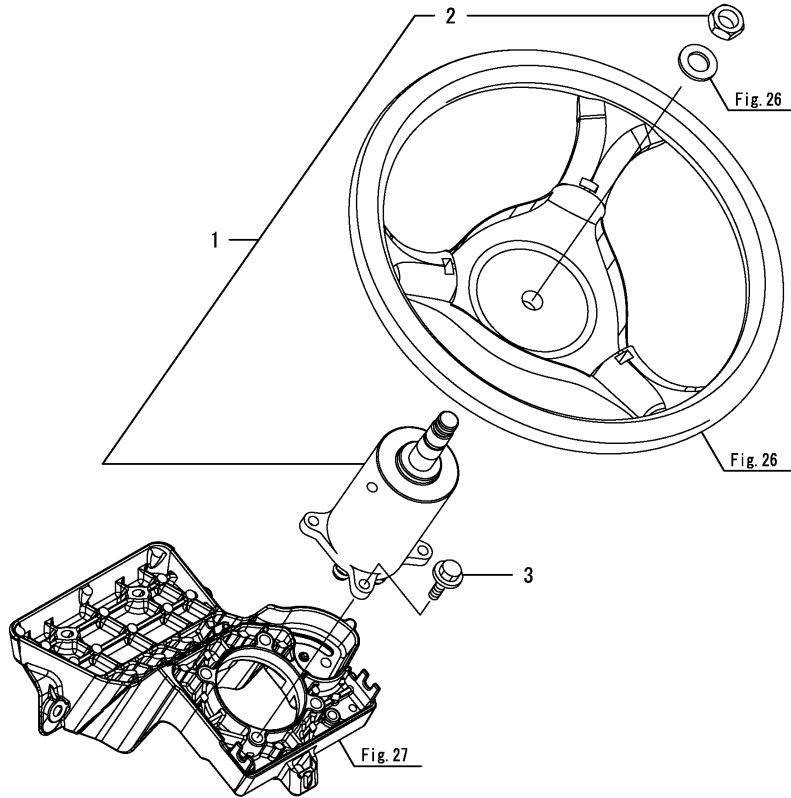
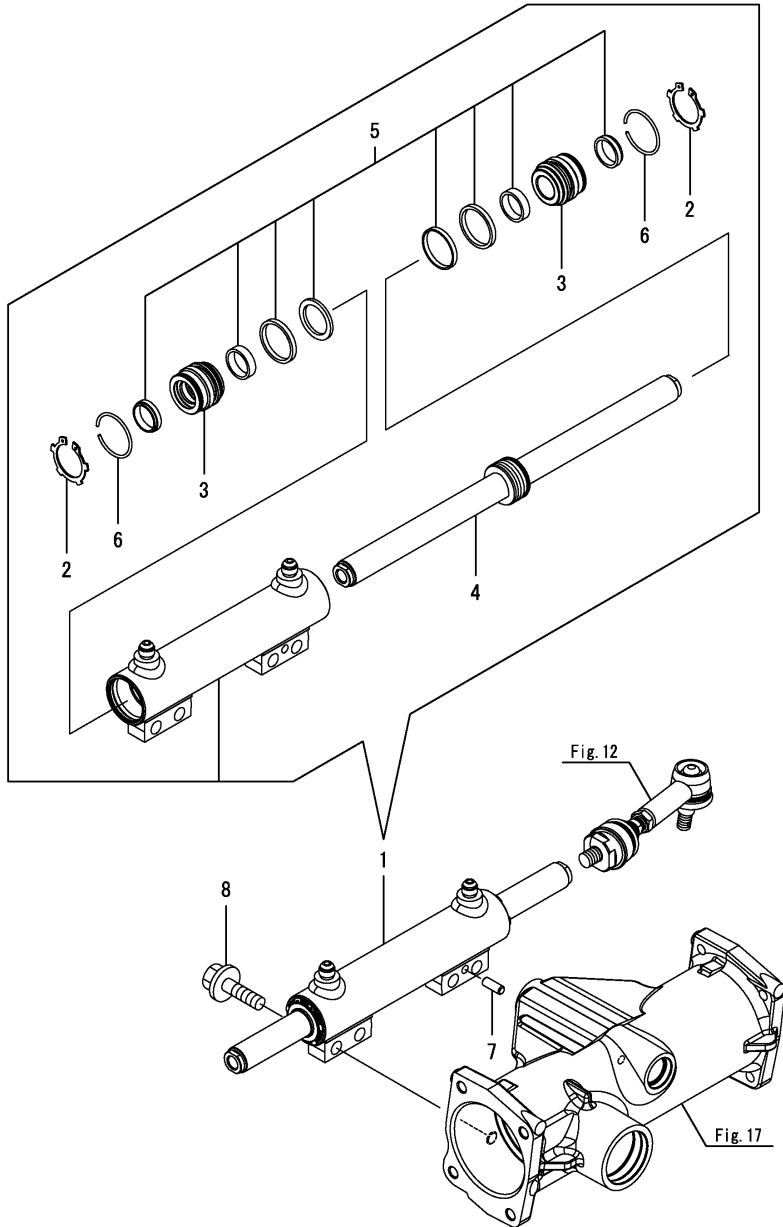


Fig.29. PST CYLINDER

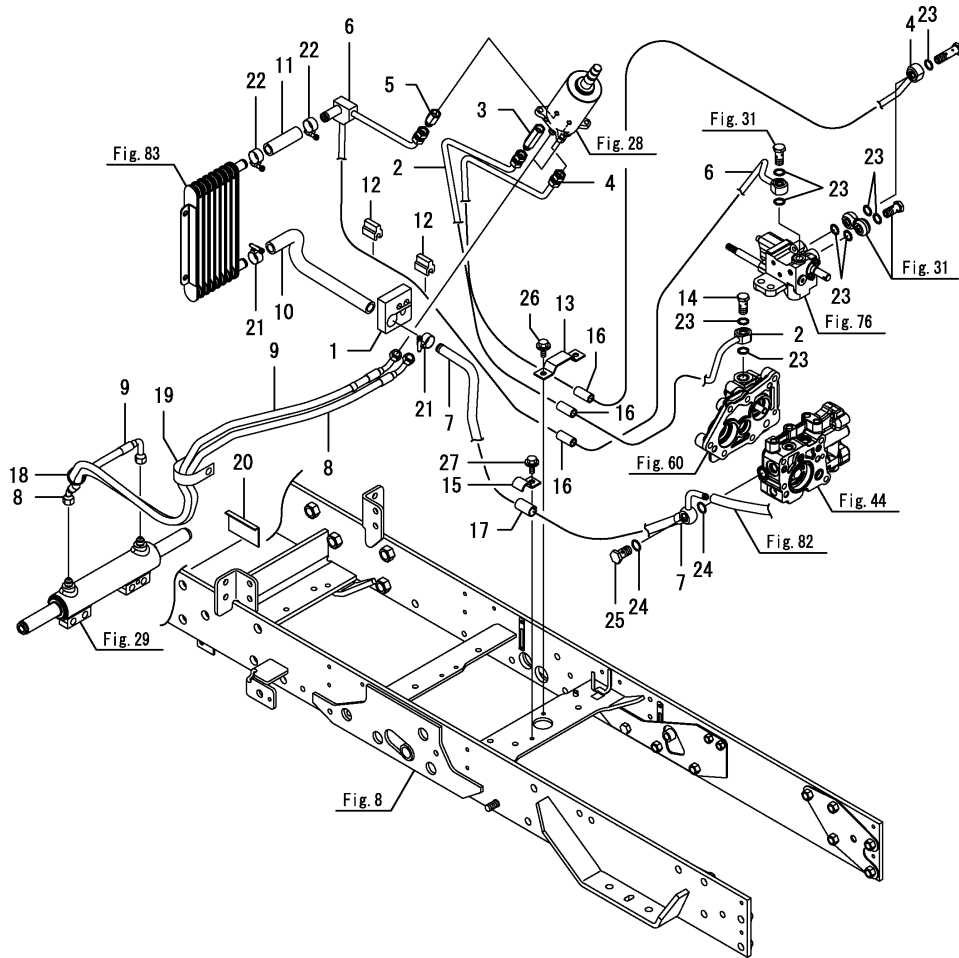
(A)=SC2450(YANMAR)
 (B)=
 (C)=

(D)=
 (E)=
 (F)=



No.	Lev.	Parts No.	Description	Q'ty						I	R
				(A)	(B)	(C)	(D)	(E)	(F)		
1	1	1A7880-17011	CYLINDER ASSY	1							
2	2	1A7880-17050	RING	2							
3	2	1A7880-17070	HEAD	2							
4	2	1A7880-17080	ROD ASSY, PISTON	1							
5	2	1A7880-17101	SEAL KIT	1							
6	2	1A7335-17520	CIRCLIP	2							
7	1	22312-080200	PIN, PARALLEL M8X20	1							
8	1	26106-120452	BOLT, M12X 45 PLATED	4							

Fig.30. PST PIPING A



(A)=SC2450(YANMAR)
(B)=
(C)=

(D)=
(E)=
(F)=

No.	Lev.	Parts No.	Description	Q'ty						I	R
				(A)	(B)	(C)	(D)	(E)	(F)		
1	1	1A7880-15060	SEAL, PIPE	1							
2	1	1A7880-17601	PIPE ASSY, PRESSURE	1							
3	1	1A7880-17630	JOINT, 9/16UNF-70	1							
4	1	1A7880-17651	PIPE ASSY, PRESSURE	1							
5	1	1A7880-17680	JOINT, 9/16UNF-40	1							
6	1	1A7880-17701	PIPE ASSY, PRESSURE	1							
7	1	1A7880-17751	PIPE ASSY, PRESSURE	1							
8	1	1A7880-17810	HOSE, PRESSURE L	1							
9	1	1A7880-17830	HOSE, PRESSURE R	1							
10	1	1A7880-17930	HOSE, PRESSURE A	1							
11	1	1A7880-17940	HOSE, PRESSURE B	1							
12	1	1A7880-17970	CLAMP, PIPE	2							
13	1	1A7880-17980	CLAMP, PIPE	1							
14	1	1A7880-47510	BOLT, JOINT 9/16UNF	1							
15	1	198240-48830	CLAMP	1							
16	1	194464-48850	RUBBER, ABSORBER	3							
17	1	198240-48850	CLAMP, ABSORBER	1							
18	1	1A8300-51210	BAND, REPEAT	1							
19	1	194440-51630	CLAMP, HARNESS	1							
20	1	1A7500-51810	SEAL, HARNESS	1							
21	1	23000-022000	CLAMP, 22	2							
22	1	23000-022000	CLAMP, 22	2							
23	1	23414-140000	GASKET, 14X1.0	9							
24	1	23414-160021	GASKET, 16X1.0	2							
25	1	23857-100000	BOLT, JOINT 10	1							
26	1	26106-080162	BOLT, M8X 16 PLATED	1							
27	1	26106-080162	BOLT, M8X 16 PLATED	1							

Fig.31. PST PIPING B

(A)=SC2450(YANMAR)
 (B)=
 (C)=

(D)=
 (E)=
 (F)=

No.	Lev.	Parts No.	Description	Q'ty						I	R
				(A)	(B)	(C)	(D)	(E)	(F)		
1	1	1A7880-45150	CONNECTOR, 9/16UNF	1							
2	1	1A7880-47510	BOLT, JOINT 9/16UNF	2							
3	1	1A7880-47530	BOLT, JOINT 9/16UNF	1							

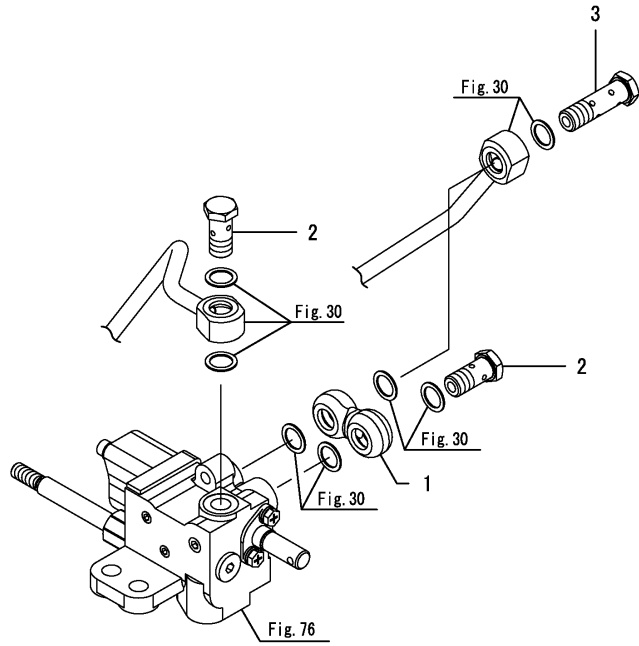


Fig.32. DRIVE SHAFT

(A)=SC2450(YANMAR)
 (B)=
 (C)=

(D)=
 (E)=
 (F)=

No.	Lev.	Parts No.	Description	Q'ty						I	R
				(A)	(B)	(C)	(D)	(E)	(F)		
1	1	1A7882-21100	SHAFT ASSY, DRIVE	1							
2	1	26106-080162	BOLT, M8X 16 PLATED	4							

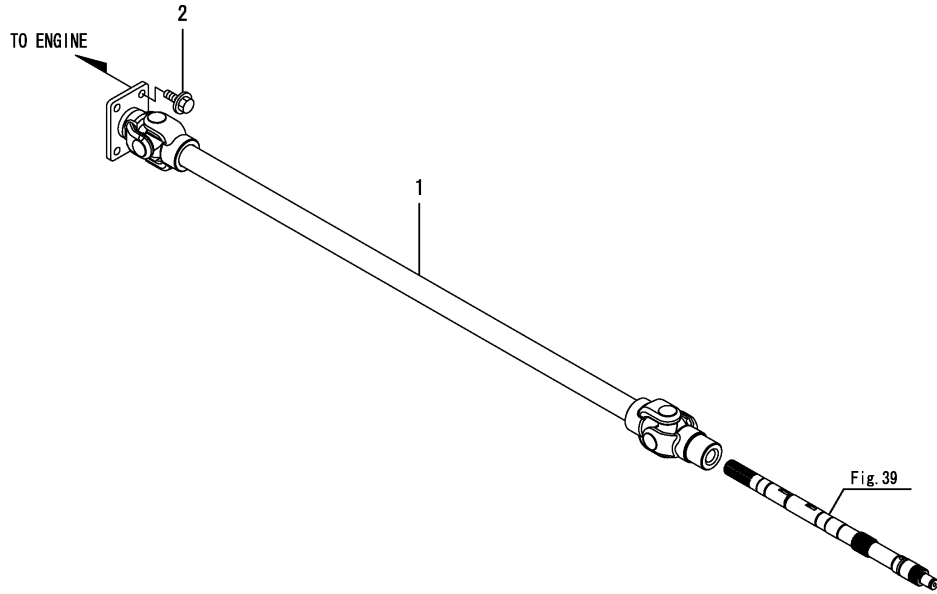


Fig.33. T/M ACCESSORIES

(A)=SC2450(YANMAR)
 (B)=
 (C)=

(D)=
 (E)=
 (F)=

No.	Lev.	Parts No.	Description	Q'ty						I	R
				(A)	(B)	(C)	(D)	(E)	(F)		
1	1	192157-24170	FILLER	1							
2	1	24311-000320	O-RING, 1AP32.0	1							
3	1	26476-080202	SCREW, TAPPING M8X20	2							

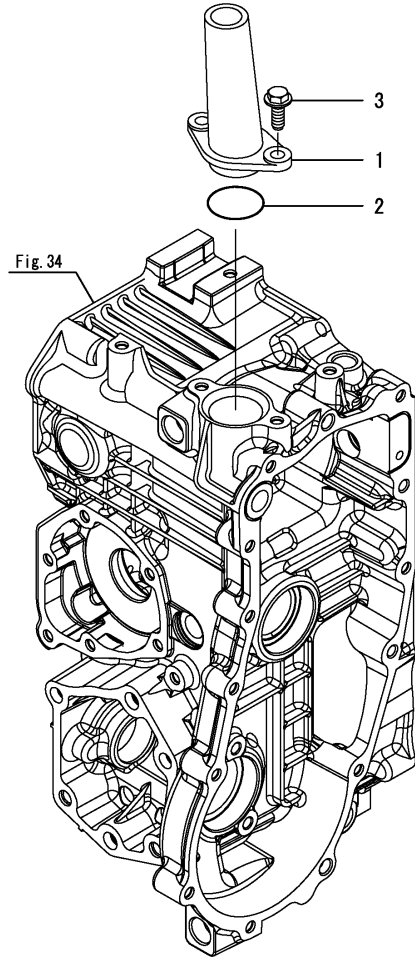


Fig.34. TRANSAXLE CASE

(A)=SC2450(YANMAR)

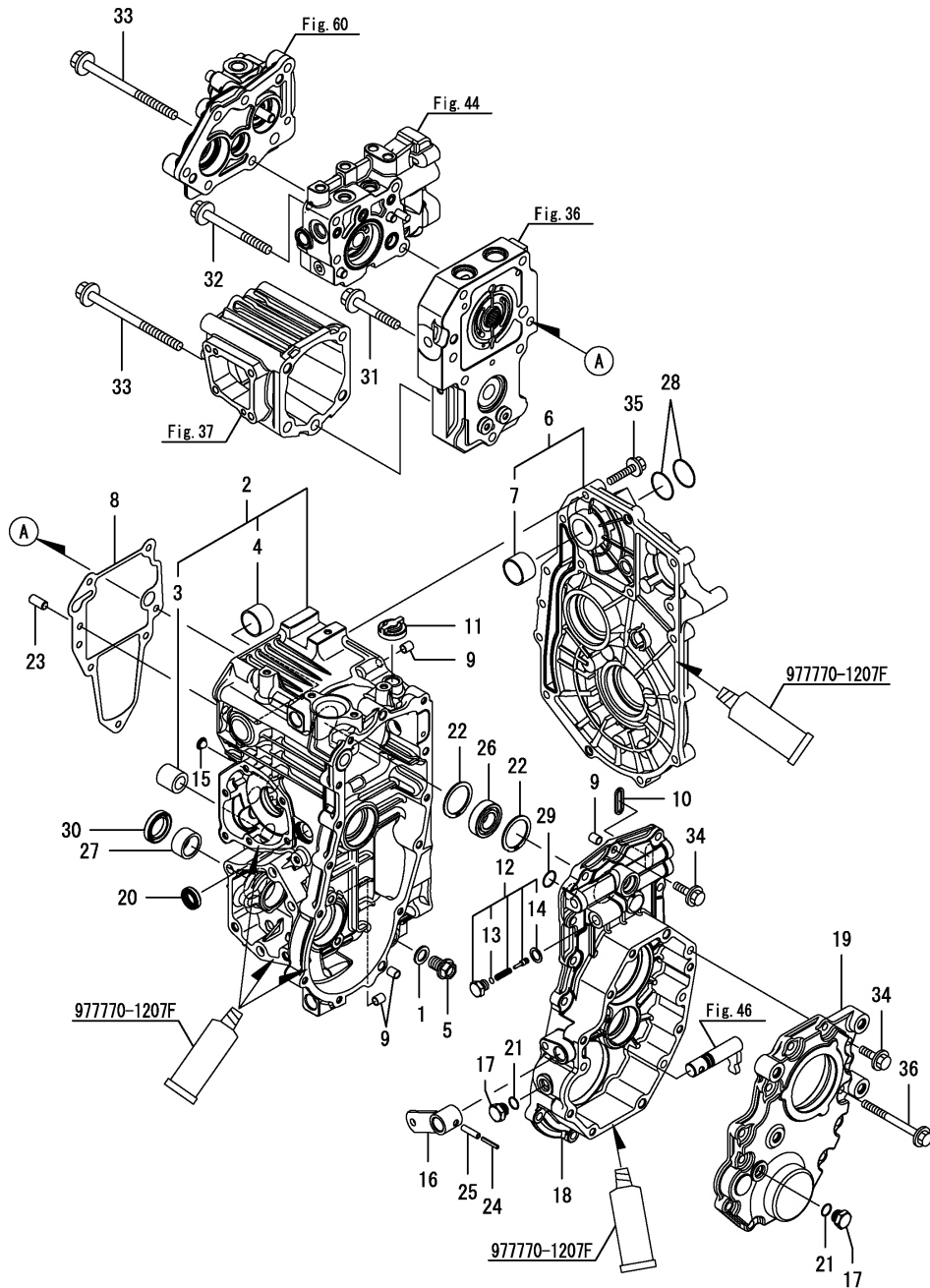
(B)=

(C)=

(D)=

(E)=

(F)=



No.	Lev.	Parts No.	Description	Q'ty						I	R
				(A)	(B)	(C)	(D)	(E)	(F)		
1	1	1C6900-23150	WASHER, PLUG	1							
2	1	1A7050-24101	HOUSING KIT, MISSION	1							
3	2	198167-24950	JOINT, STRAINER	1							
4	2	24550-028200	BUSH, 28X20	1							
5	1	1A7050-24130	BOLT, DRAIN M14X20	1							
6	1	1A7050-24150	COVER KIT, CASE	1							
7	2	24550-028200	BUSH, 28X20	1							
8	1	192157-24192	PACKING, CASE	1							
9	1	192157-24200	COLLAR 8*10*11.5	4							
10	1	192157-24220	D-RING	1							
11	1	194859-24252	VALVE, VENT 15	1							
12	1	192157-24450	RELIEF KIT, PTO	1							
13	2	192157-27090	SHIM, 7X0.2	1							
14	2	23414-120000	GASKET, 12X1.0	1							
15	1	192157-24801	STRAINER	2							
16	1	187K06-26710	PTO ARM CMP	1							
17	1	187K06-26740	PLUG 9/16-18UNF	2							
18	1	192157-26810	CASE, REAR PTO	1							
19	1	192157-26821	COVER, REAR PTO CASE	1							
20	1	194065-27270	SEAL, OIL TC16266	1							
21	1	194850-49290	PACKING, 6-1	2							
22	1	22262-000420	RING, R-42	2							
23	1	22312-100200	PIN, PARALLEL M10X20	1							
24	1	22351-035025	PIN, SPRING 3.5X25	1							
25	1	22351-060025	PIN, SPRING 6.0X25	1							
26	1	24101-060044	BEARING, BALL 6004	1							
27	1	24162-253216	BEARING, 253216	1							
28	1	24311-000260	O-RING, 1AP26.0	2							
29	1	24351-190170	O-RING, 1A19017	1							
30	1	24421-253807	SEAL, OIL TC253807	1							
31	1	26016-100652	BOLT, M10X 65	1							
32	1	26016-101052	BOLT, M10X105	1							
33	1	26016-101452	BOLT, M10X145	3							
34	1	26106-080302	BOLT, M8X 30 PLATED	19							
35	1	26106-080402	BOLT, M8X 40 PLATED	16							
36	1	26106-080902	BOLT, M8X 90 PLATED	4							

Fig.35. OIL GAUGE

(A)=SC2450(YANMAR)
 (B)=
 (C)=

(D)=
 (E)=
 (F)=

No.	Lev.	Parts No.	Description	Q'ty						I	R
				(A)	(B)	(C)	(D)	(E)	(F)		
1	1	1A7880-21500	PLUG, 20X271	1							
2	1	24311-000180	O-RING, 1AP18.0	1							

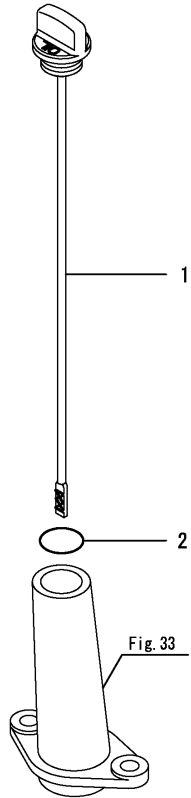


Fig.36. CENTER CASE

(A)=SC2450(YANMAR)
 (B)=
 (C)=

(D)=
 (E)=
 (F)=

No.	Lev.	Parts No.	Description	Q'ty						I	R
				(A)	(B)	(C)	(D)	(E)	(F)		
1	1	192163-24420	PIN, KNOCK 3.5	4							
2	1	187K06-24500	CENTER CASE K93 CMP	1							
3	2	1A6750-29510	BODY ASSY, SUCTION	2							
4	1	1A7050-24990	VALVE ASSY, CHECK R	1							
5	2	24311-000050	O-RING, 1AP5.0	1							
6	2	24311-000200	O-RING, 1AP20.0	1							
7	2	192154-24670	PACKING 1015	1							
8	2	192157-40180	RING, BACK UP 18	1							
9	1	168H61-29260	VALVE PLATE(P)	1							
10	1	168HK0-29351	VALVE PLATE(M)	1							
11	1	187K06-40010	RELEAF ASSY,TOW 25	1							
12	2	192154-24670	PACKING 1015	1							
13	2	192157-40180	RING, BACK UP 18	1							
14	2	24311-000200	O-RING, 1AP20.0	1							

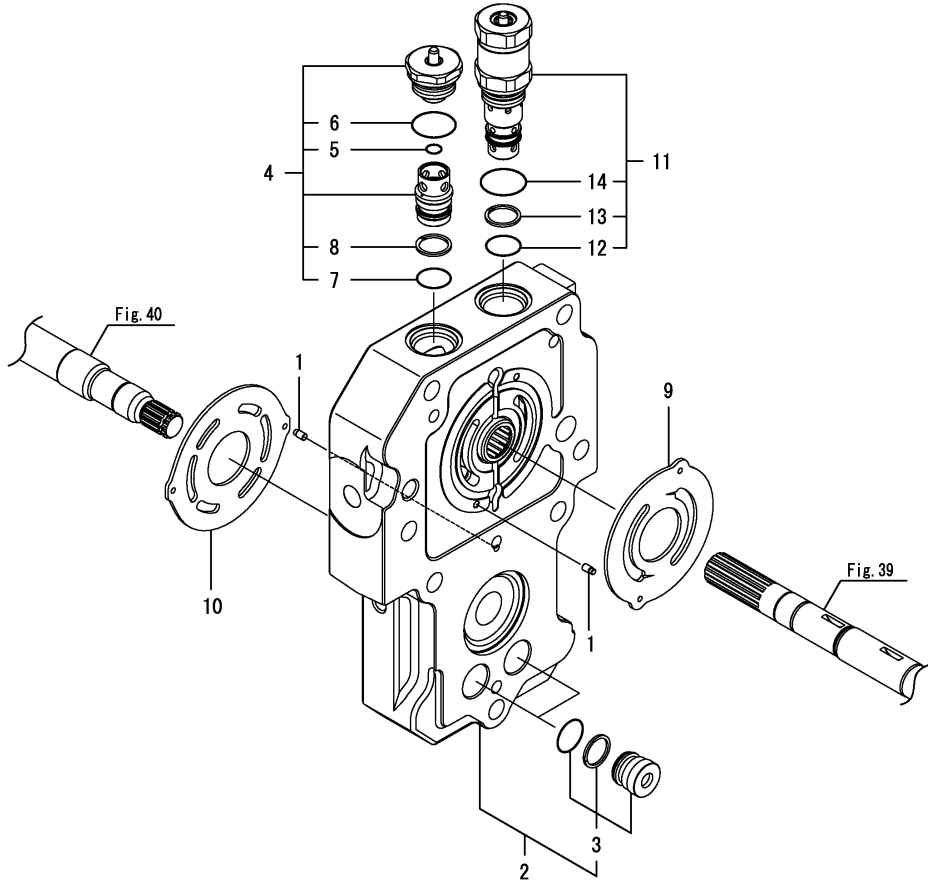
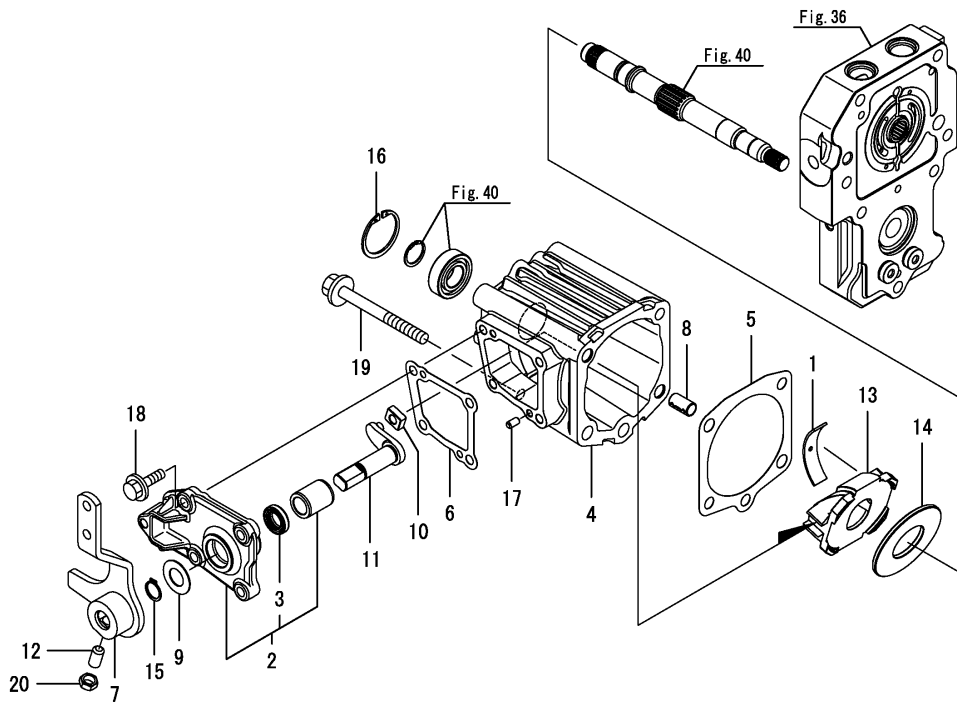


Fig.37. MOTOR CASE

(A)=SC2450(YANMAR)
(B)=
(C)=

(D)=
(E)=
(F)=

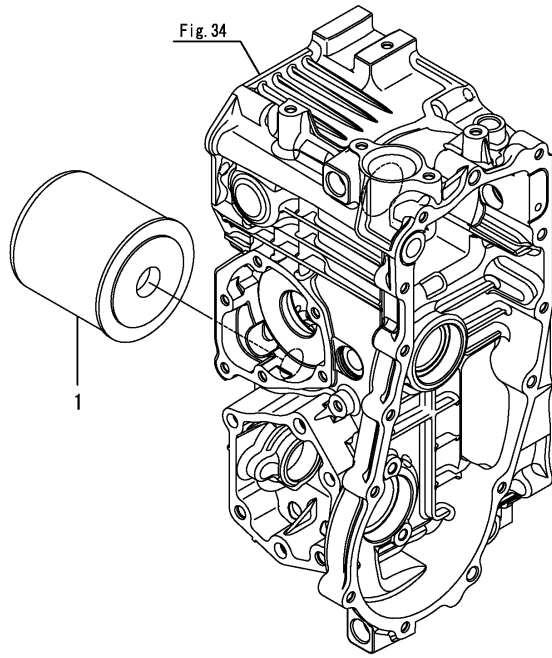


No.	Lev.	Parts No.	Description	Q'ty						I	R
				(A)	(B)	(C)	(D)	(E)	(F)		
1	1	178080-06200	THRUST METAL(DDR16	2							
2	1	187K06-24540	SIDE COVER CMP	1							
3	2	194065-27270	SEAL, OIL TC16266	1							
4	1	187K06-24550	MOTOR CASE K93	1							
5	1	192157-24560	PACKING, MOTOR CASE	1							
6	1	187K06-24570	PAKING (SIDE COVER	1							
7	1	187K06-24600	SECOND LEVER CMP	1							
8	1	192157-24850	PIN 12X22,KNOCK	2							
9	1	168H60-29390	WASHER 17X32X1	1							
10	1	168H60-29400	SHIFT BLOCK	1							
11	1	168H60-29411	CONTROL ARM	1							
12	1	1A7130-29420	SCREW, M10X20	1							
13	1	187K06-29460	SWASH PLATE	1							
14	1	168HK0-29620	PLATE, THRUST	1							
15	1	22242-000160	RING, 16	1							
16	1	22252-000420	RING, 42	1							
17	1	22312-060100	PIN, PARALLEL M6X10	2							
18	1	26106-080302	BOLT, M8X 30 PLATED	4							
19	1	26106-101052	BOLT, M10X105 PLATED	1							
20	1	26776-100002	NUT, LOCK M10	1							

Fig.38. FILTER

(A)=SC2450(YANMAR)
 (B)=
 (C)=

(D)=
 (E)=
 (F)=



No.	Lev.	Parts No.	Description	Q'ty						I	R
				(A)	(B)	(C)	(D)	(E)	(F)		
1	1	1A7050-24950	FILTER, OIL	1							

Fig.39. PUMP

(A)=SC2450(YANMAR)
 (B)=
 (C)=

(D)=
 (E)=
 (F)=

No.	Lev.	Parts No.	Description	Q'ty						I	R
				(A)	(B)	(C)	(D)	(E)	(F)		
1	1	187K06-25170	PUMP SHAFT K93	1							
2	1	1A7050-25181	BLOCK ASSY, CYLINDER	1							
3	2	22262-000240	RING, R-24	1							
4	1	22242-000200	RING, 20	1							

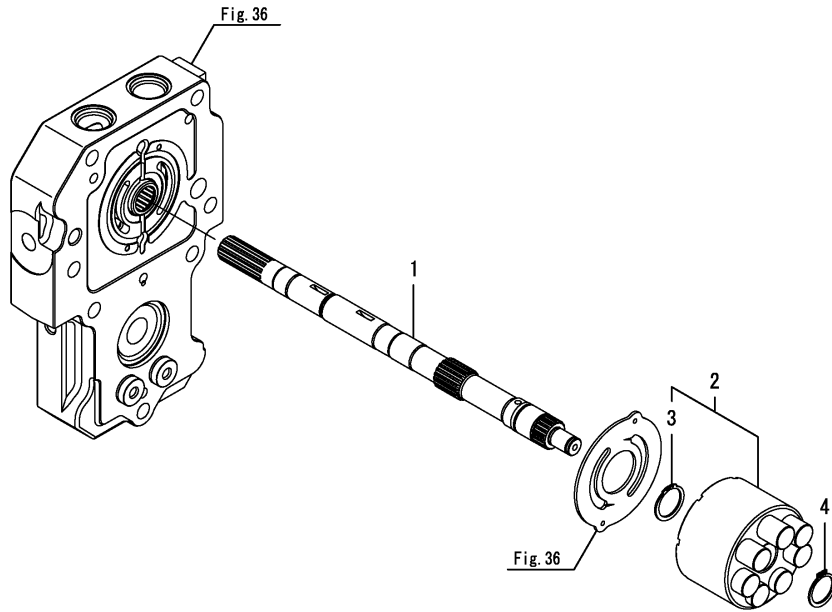


Fig.40. MOTOR

(A)=SC2450(YANMAR)
 (B)=
 (C)=

(D)=
 (E)=
 (F)=

No.	Lev.	Parts No.	Description	Q'ty						I	R
				(A)	(B)	(C)	(D)	(E)	(F)		
1	1	187K06-25020	MOTOR SHAFT (K93	1							
2	1	168HK0-29600	BLOCK ASSY, CYL	1							
3	2	168HK0-29610	BLOCK, CYLINDER	1							
4	2	168HK0-29690	PIN, F2X13.8	6							
5	2	22252-000320	RING, 32	1							
6	1	22292-000200	RING, S-20	1							
7	1	24102-060044	BEARING, BALL 6004U	1							

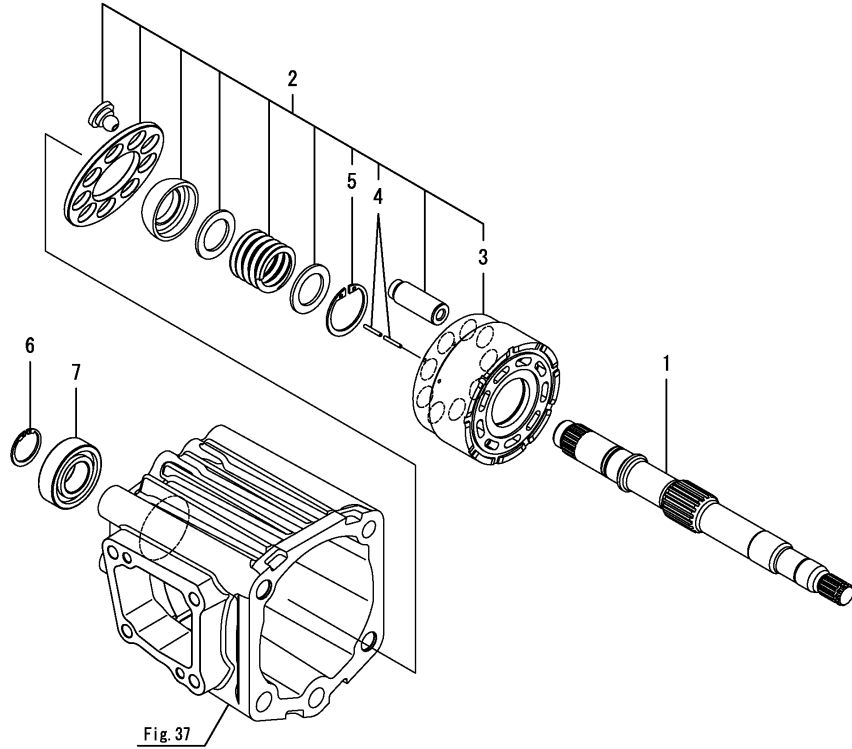


Fig.41. CLUTCH SHAFT

(A)=SC2450(YANMAR)
(B)=
(C)=

(D)=
(E)=
(F)=

No.	Lev.	Parts No.	Description	Q'ty						I	R
				(A)	(B)	(C)	(D)	(E)	(F)		
1	1	194200-25270	SPACER, SHAFT	2							
2	1	192157-26100	DISC KIT, FRICTION	1							
3	1	192157-26111	SHAFT, CLUTCH	1							
4	1	192157-26120	COLLAR, SPLINE	1							
5	1	192157-26130	PISTON	1							
6	1	187K08-26140	GEAR, CLUTCH 39T	1							
7	1	192157-26150	SPRING, PTO RETURN	1							
8	1	192157-26160	NEEDLE, 121718	1							
9	1	192157-26170	WASHER, 13X17X1	2							
10	1	192157-26270	WASHER 25X42X2	1							
11	1	192157-26300	WASHER, 20X34X1	1							
12	1	192157-26330	RING 12	1							
13	1	192157-26350	RING, SEAL	1							
14	1	22242-000200	RING, 20	2							
15	1	22242-000250	RING, 25	1							
16	1	22252-000800	RING, 80	1							
17	1	24101-060044	BEARING, BALL 6004	1							
18	1	24321-000750	O-RING, 1AG75.0	1							

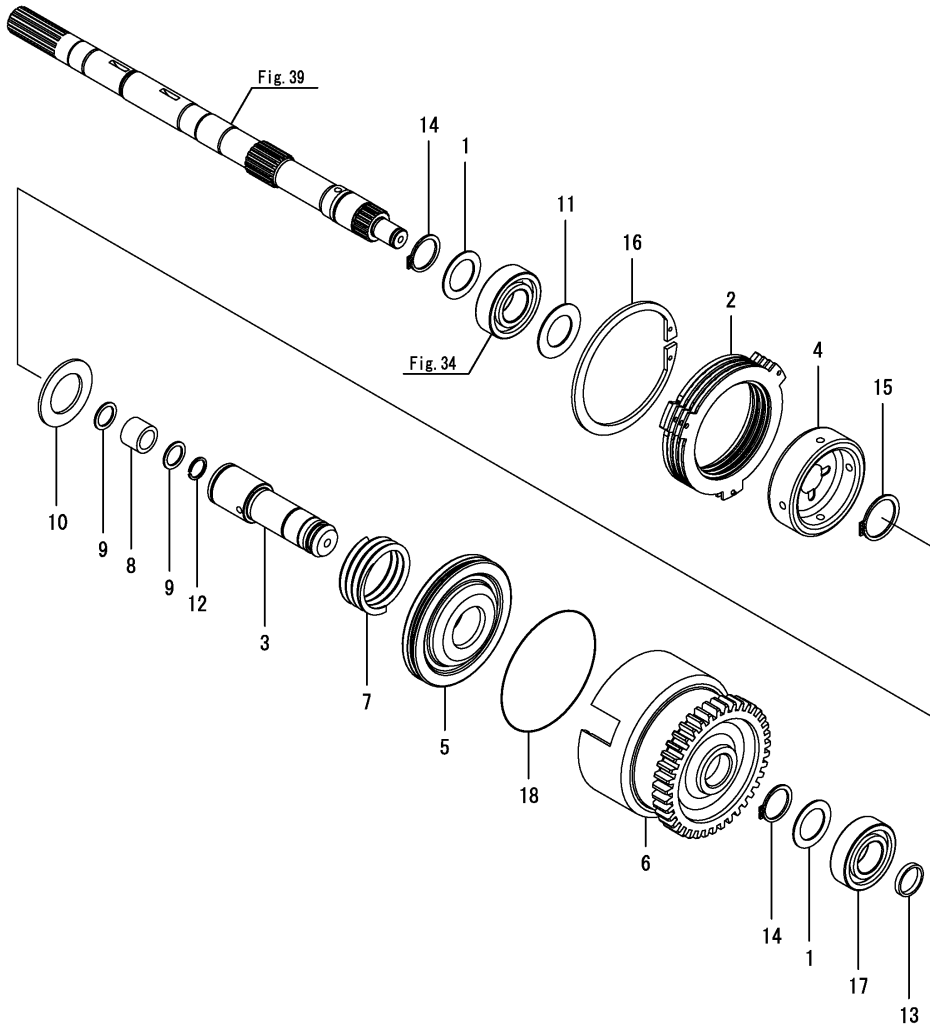


Fig.42. PTO BRAKE

(A)=SC2450(YANMAR)
 (B)=
 (C)=

(D)=
 (E)=
 (F)=

No.	Lev.	Parts No.	Description	Q'ty						I	R
				(A)	(B)	(C)	(D)	(E)	(F)		
1	1	1A7050-26080	BRAKE KIT, PTO	1							
2	1	192157-26180	COLLAR, BRAKE PIN	1							
3	1	1A7050-26210	COVER, PTO BRAKE	1							
4	1	192157-26220	SHOE, BRAKE	1							
5	1	24311-000100	O-RING, 1AP10.0	1							
6	1	24351-240450	O-RING, 1A24045	1							
7	1	26106-080252	BOLT, M8X 25 PLATED	3							

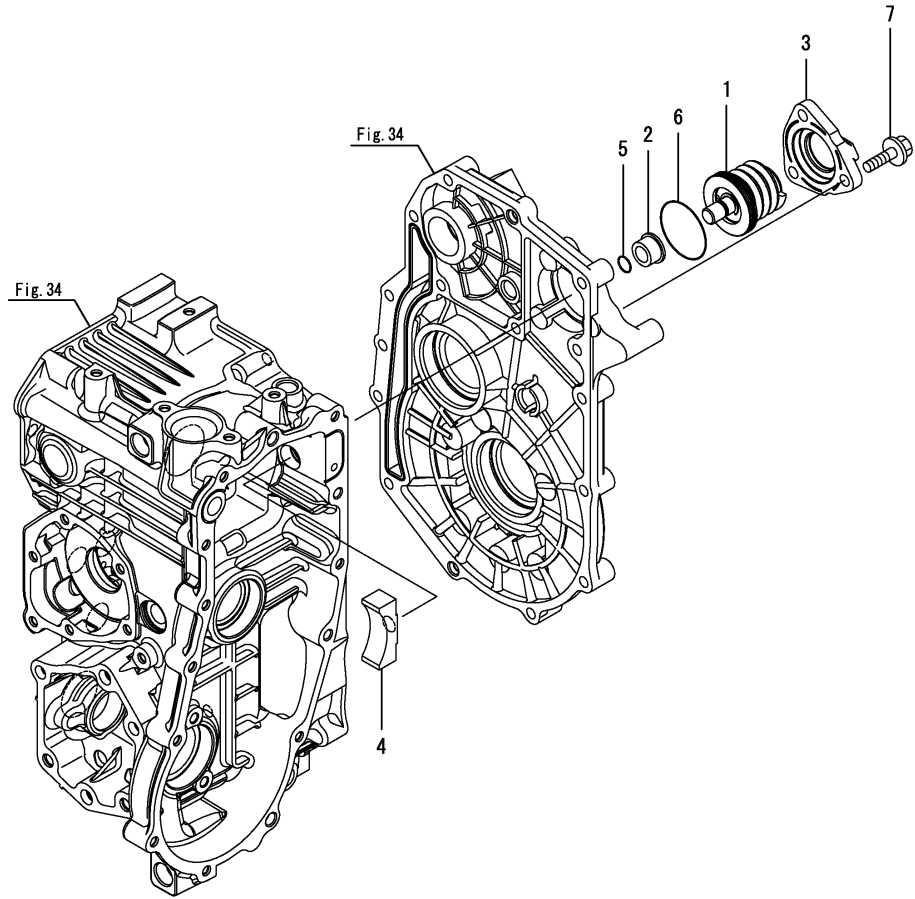


Fig.43. PTO SHAFT

(A)=SC2450(YANMAR)
 (B)=
 (C)=

(D)=
 (E)=
 (F)=

No.	Lev.	Parts No.	Description	Q'ty						I	R
				(A)	(B)	(C)	(D)	(E)	(F)		
1	1	194200-25270	SPACER, SHAFT	1							
2	1	187K08-26340	IDLE ASSY, PTO	1							
3	2	22242-000200	RING, 20	1							
4	1	1A7050-26360	SHAFT, MID PTO	1							
5	1	192157-26380	WASHER, 8.5X24X4	2							
6	1	24101-062044	BEARING, BALL 6204	2							
7	1	24101-062054	BEARING, BALL 6205	1							
8	1	26016-080202	BOLT, M8X 20	2							

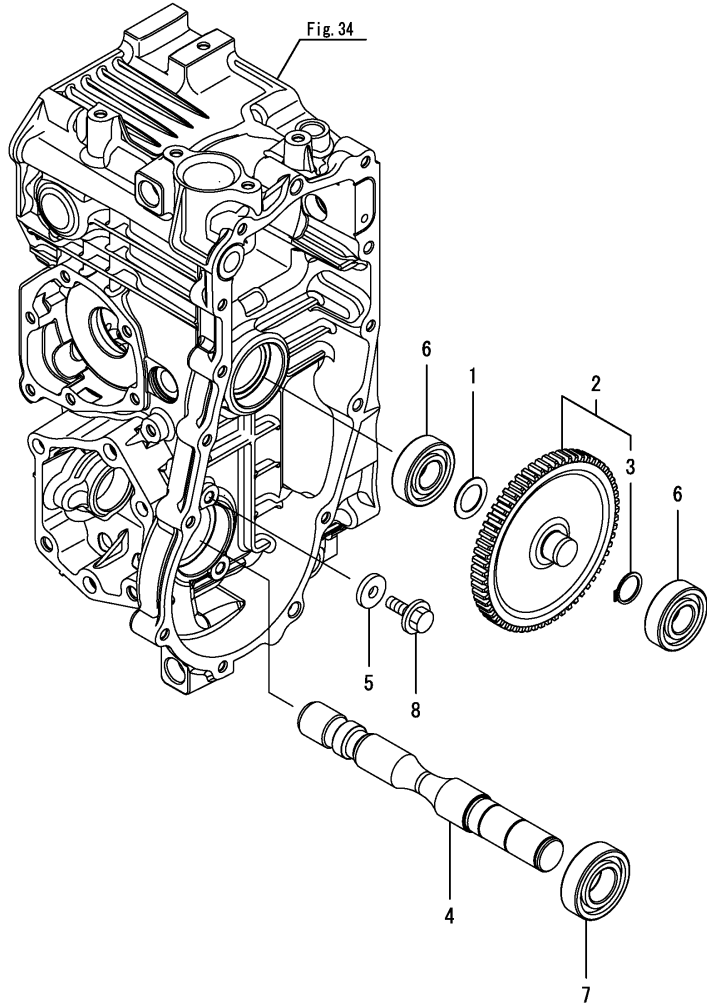
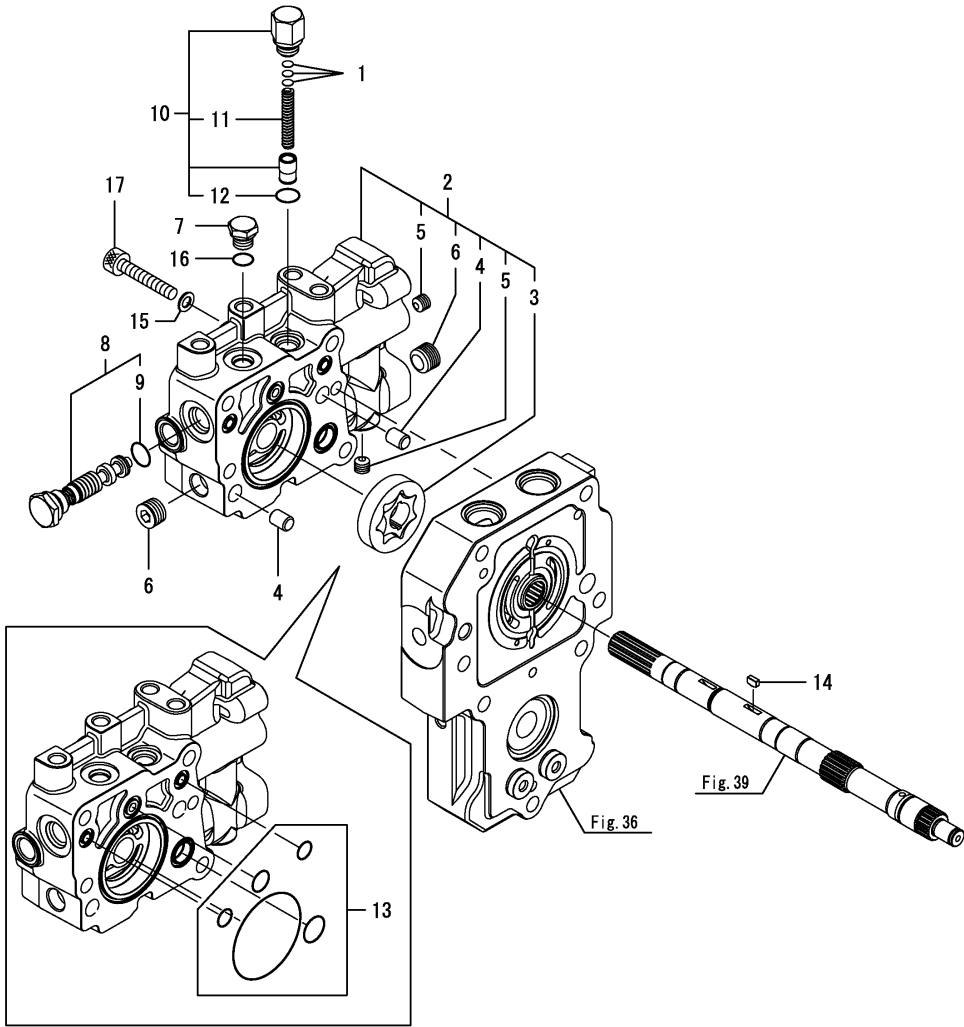


Fig.44. POWER PUMP

(A)=SC2450(YANMAR)
 (B)=
 (C)=

(D)=
 (E)=
 (F)=



No.	Lev.	Parts No.	Description	Q'ty						I	R
				(A)	(B)	(C)	(D)	(E)	(F)		
1	1	1684Q3-01430	SHIM 7X0.5	3							
2	1	187K06-26400	PUMP BODY K93 CMP	1							
3	2	1A6370-31000	ROTOR SET	1							
4	2	22312-100120	PIN, PARALLEL M10X12	2							
5	2	23871-010000	PLUG, R01	2							
6	2	23871-030000	PLUG, R03	2							
7	1	192157-26460	PLUG 1/2-20 UNF	1							
8	1	192157-26470	REDUCING VALVE COMP.	1							
9	2	24311-000140	O-RING, 1AP14.0	1							
10	1	192157-26520	PRESSURE VALVE COMP.	1							
11	2	192157-26740	SPRING	1							
12	2	24311-000120	O-RING, 1AP12.0	1							
13	1	187K06-29390	GASKET SET	1							
14	1	187K06-29890	KEY, 8X3.2	1							
15	1	22190-080002	WASHER, SEAL 6	1							
16	1	24361-090500	O-RING, 1AAS905	1							
17	1	26450-080502	BOLT, M8X 50	1							

Fig.45. SOLENOID VALVE

(A)=SC2450(YANMAR)
 (B)=
 (C)=

(D)=
 (E)=
 (F)=

No.	Lev.	Parts No.	Description	Q'ty						I	R
				(A)	(B)	(C)	(D)	(E)	(F)		
1	1	192157-26611	VALVE SOLENOID CMP	1							
2	1	187K08-27700	SOLENOID ASSY	1							
3	2	168320-04150	DISTINCTIONBINDER(BK	1							
4	2	192159-27790	PLASTIC NUT	1							
5	2	24311-000180	O-RING, 1AP18.0	1							
6	2	192159-27780	GASKET, SOLENOID	1							
7	2	24341-000112	O-RING, 1AS11.2	1							

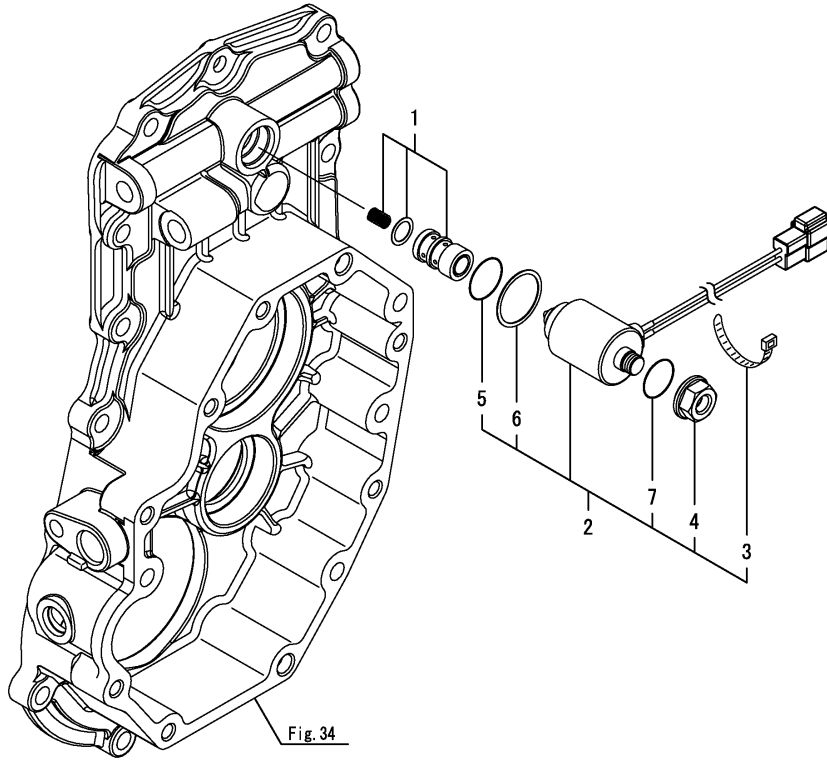
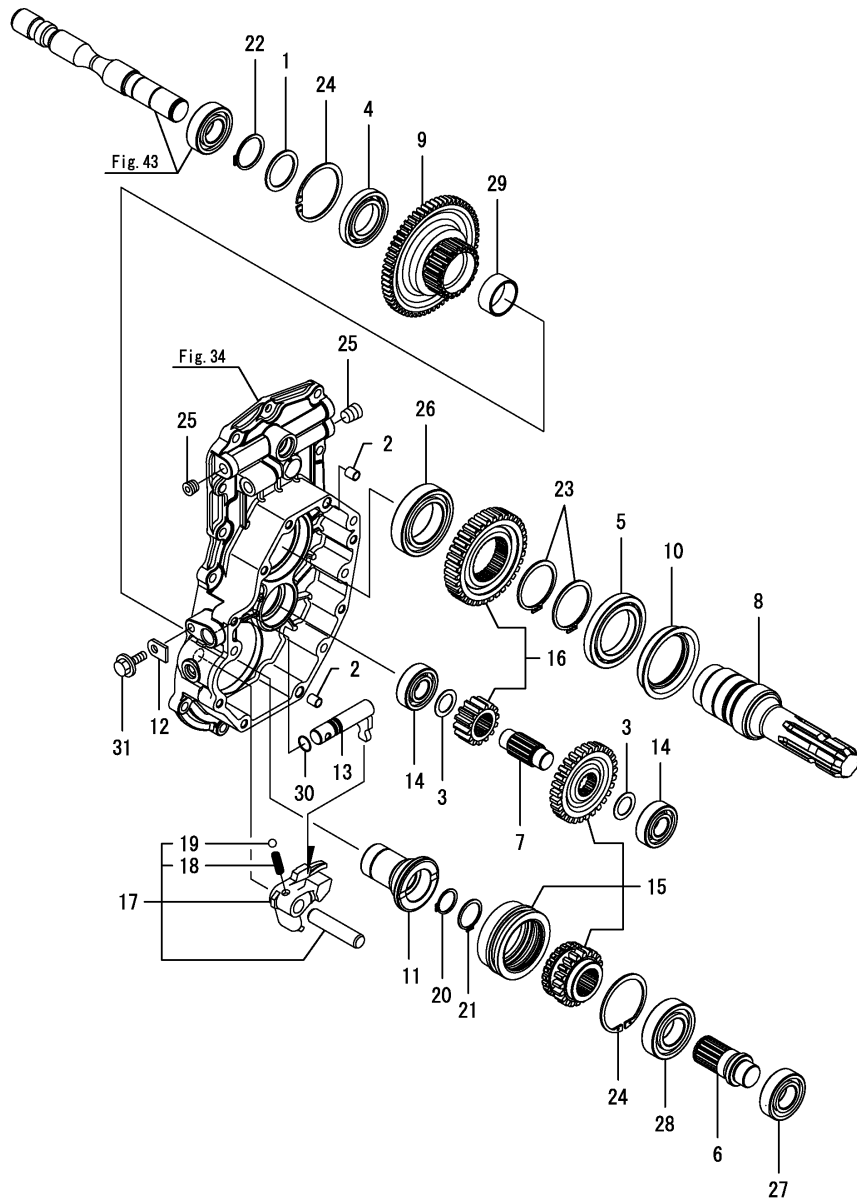


Fig.46. R-PTO SHAFT



(A)=SC2450(YANMAR)

(B)=

(C)=

(D)=

(E)=

(F)=

No.	Lev.	Parts No.	Description	Q'ty						I	R
				(A)	(B)	(C)	(D)	(E)	(F)		
1	1	194464-22160	SPACER, 35.5X45X2	1							
2	1	192157-24200	COLLAR 8*10*11.5	2							
3	1	194200-25270	SPACER, SHAFT	2							
4	1	194454-25770	BEARING, BALL 16007	1							
5	1	194454-25870	BEARING, BALL 16010	1							
6	1	192157-26840	SHAFT, REAR PTO	1							
7	1	192157-26860	SHAFT, REAR PTO IDLE	1							
8	1	1A7052-26890	SHAFT, REAR PTO	1							
9	1	187K08-26970	B-PTO GEAR 62T	1							
10	1	192157-26980	SEAL, TCFY557214	1							
11	1	192157-26991	COLLAR, SPLINE	1							
12	1	194197-27681	PLATE, KEEP	1							
13	1	192157-27740	SHAFT, MBR CHANGE	1							
14	1	192159-31410	BEARING,6204R SH2	2							
15	1	192157-99010	GEAR KIT, 20-29	1							
16	1	192157-99020	GEAR KIT, 14-35	1							
17	1	192157-99040	HORK KIT, MBR	1							
18	2	194145-27450	SPRING	1							
19	2	24190-100001	BALL, STEEL 5/16	1							
20	1	22242-000240	RING, 24	1							
21	1	22242-000290	RING, 29	1							
22	1	22242-000350	RING, 35	1							
23	1	22242-000500	RING, 50	2							
24	1	22252-000620	RING, 62	2							
25	1	23871-020000	PLUG, R02	3							
26	1	24101-060094	BEARING, BALL 6009	1							
27	1	24101-062054	BEARING, BALL 6205	1							
28	1	24101-062064	BEARING, BALL 6206	1							
29	1	24161-354017	BEARING, 354017	1							
30	1	24311-000125	O-RING, 1AP12.5	1							
31	1	26016-080202	BOLT, M8X 20	1							

Fig.47. SHIFT

(A)=SC2450(YANMAR)
 (B)=
 (C)=

(D)=
 (E)=
 (F)=

No.	Lev.	Parts No.	Description	Qty						I	R
				(A)	(B)	(C)	(D)	(E)	(F)		
1	1	1A7050-24610	BEARING, THRUST	1							
2	1	192157-24620	PLATE, THRUST A	1							

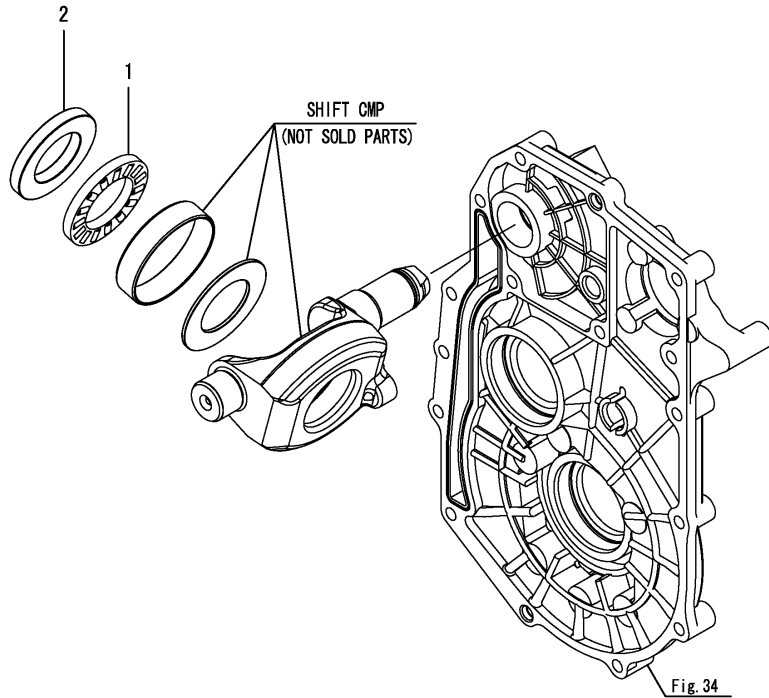
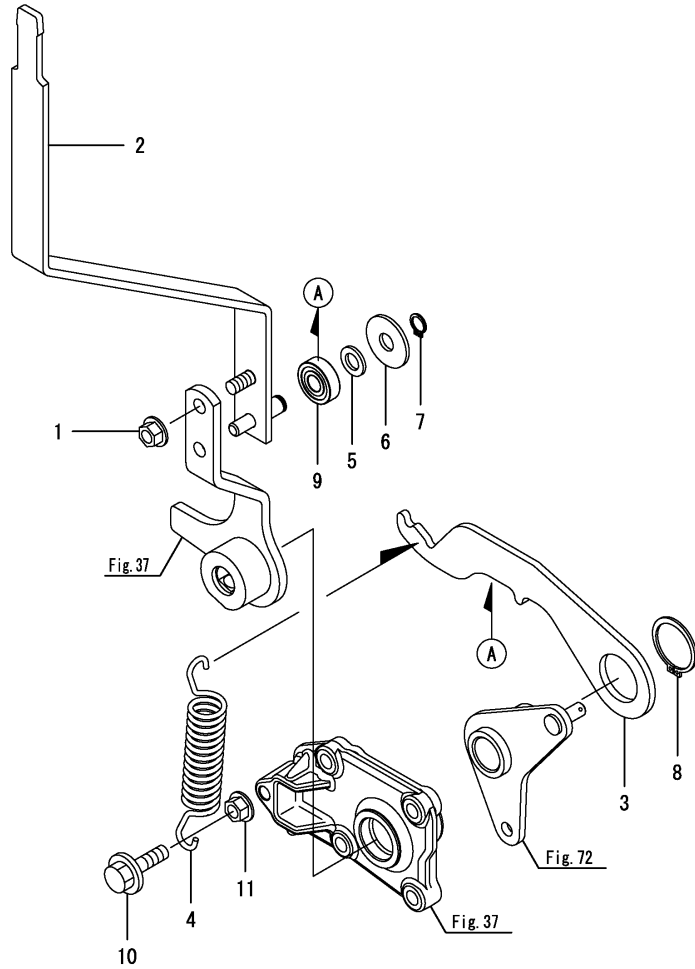


Fig.48. RANGE SHIFT LEVER A

(A)=SC2450(YANMAR)
 (B)=
 (C)=

(D)=
 (E)=
 (F)=

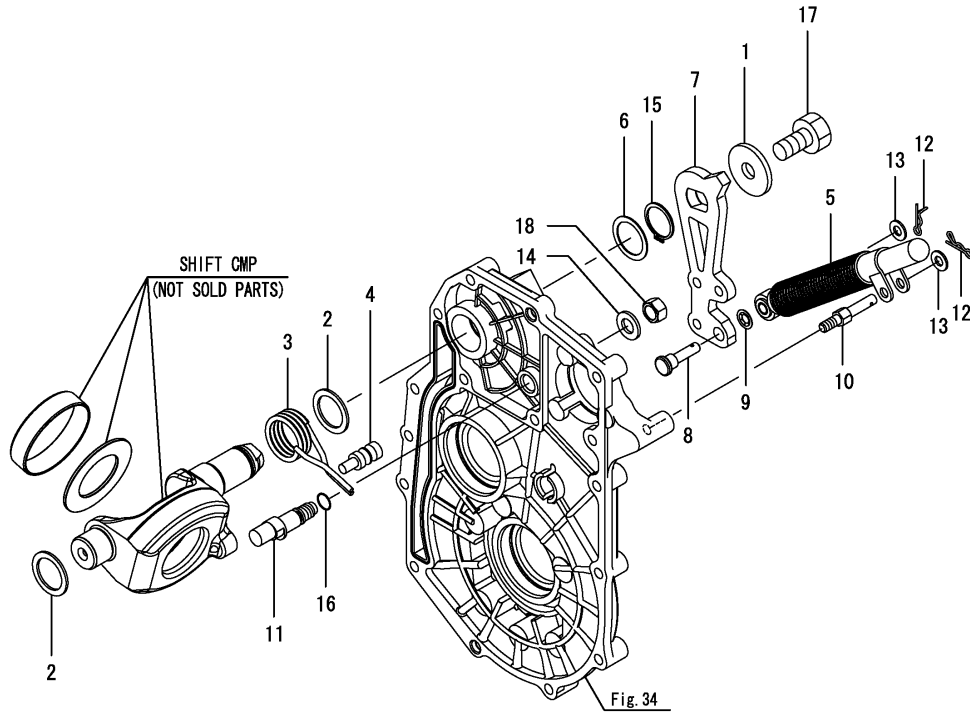


No.	Lev.	Parts No.	Description	Q'ty						I	R
				(A)	(B)	(C)	(D)	(E)	(F)		
1	1	194990-22140	NUT, M8	2							
2	1	1A7880-27500	LEVER ASSY, RANGE	1							
3	1	1A7880-27561	ARM, RANGE	1							
4	1	1A7880-27580	SPRING	1							
5	1	22117-100000	WASHER, 10	1							
6	1	22157-100000	WASHER, 10	1							
7	1	22242-000100	RING, 10	1							
8	1	22242-000300	RING, 30	1							
9	1	24104-060004	BEARING, BALL 6000UU	1							
10	1	26106-080252	BOLT, M8X 25 PLATED	1							
11	1	26716-080002	NUT, M8	1							

Fig.49. CONTROL

(A)=SC2450(YANMAR)
(B)=
(C)=

(D)=
(E)=
(F)=



No.	Lev.	Parts No.	Description	Q'ty						I	R
				(A)	(B)	(C)	(D)	(E)	(F)		
1	1	172524-06850	WASHER 44X14X4.5	1							
2	1	198167-24530	WASHER, 28X38X2	2							
3	1	192157-27510	SPRING,N/C	1							
4	1	192157-27520	PIN, N/C	1							
5	1	1A7050-27530	ABSORBER, SHOCK	1							
6	1	192157-27550	WASHER 29*35*1	1							
7	1	1A7050-27600	ARM, CONTROL	1							
8	1	1A7050-27610	PIN, ARM	1							
9	1	1A7050-27620	NUT, PUSH 7.8	1							
10	1	192154-29640	STUD	1							
11	1	192154-29700	FULCRUM	1							
12	1	1C6281-52320	PIN, SNAP 8	2							
13	1	22137-080000	WASHER, 8	2							
14	1	22137-120000	WASHER, 12	1							
15	1	22242-000280	RING, 28	1							
16	1	24311-240100	O-RING, 1AP10A	1							
17	1	26116-140302	BOLT, M14X 30 PLATED	1							
18	1	26776-120002	NUT, LOCK M12	1							

0CNP5-M53400 TRANSMISSION SECTION
 Fig.50. RANGE SHIFT LEVER B

0CNP5-M53400 Fig.50

(A)=SC2450(YANMAR)
 (B)=
 (C)=

(D)=
 (E)=
 (F)=

No.	Lev.	Parts No.	Description	Q'ty						I	R
				(A)	(B)	(C)	(D)	(E)	(F)		
1	1	198200-27811	KNOB, ORANGE	1							

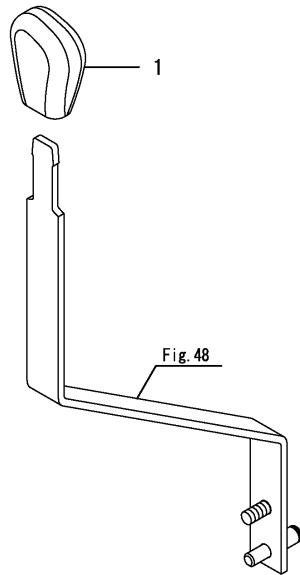


Fig.51. PTO LEVER A

(A)=SC2450(YANMAR)
 (B)=
 (C)=

(D)=
 (E)=
 (F)=

No.	Lev.	Parts No.	Description	Q'ty						I	R
				(A)	(B)	(C)	(D)	(E)	(F)		
1	1	1A7880-27800	LEVER ASSY, PTO	1							
2	1	1A7880-27850	ROD, PTO	1							
3	1	22272-000100	RING, E-10	1							
4	1	22372-080000	PIN, SNAP 8	1							

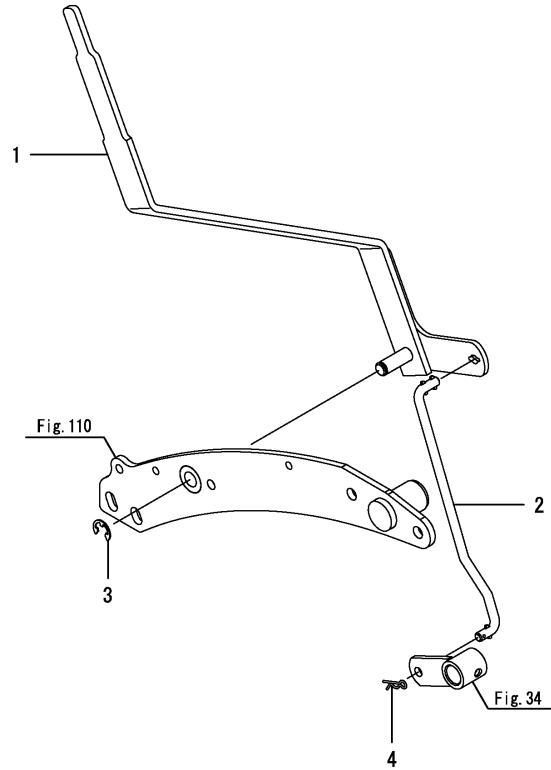


Fig.52. PTO LEVER B

(A)=SC2450(YANMAR)
 (B)=
 (C)=

(D)=
 (E)=
 (F)=

No.	Lev.	Parts No.	Description	Q'ty						I	R
				(A)	(B)	(C)	(D)	(E)	(F)		
1	1	198200-27911	KNOB, YELLOW	1							
2	1	198162-47630	TUBE, PROTECT 60	1							

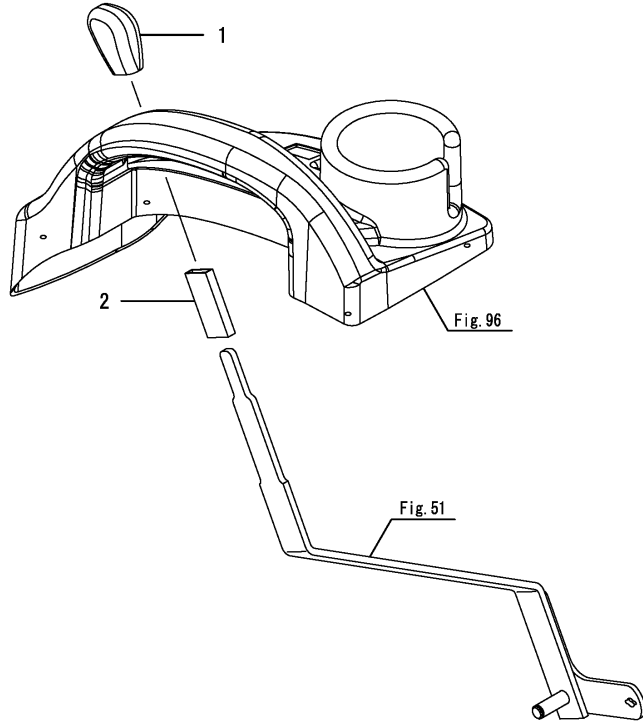
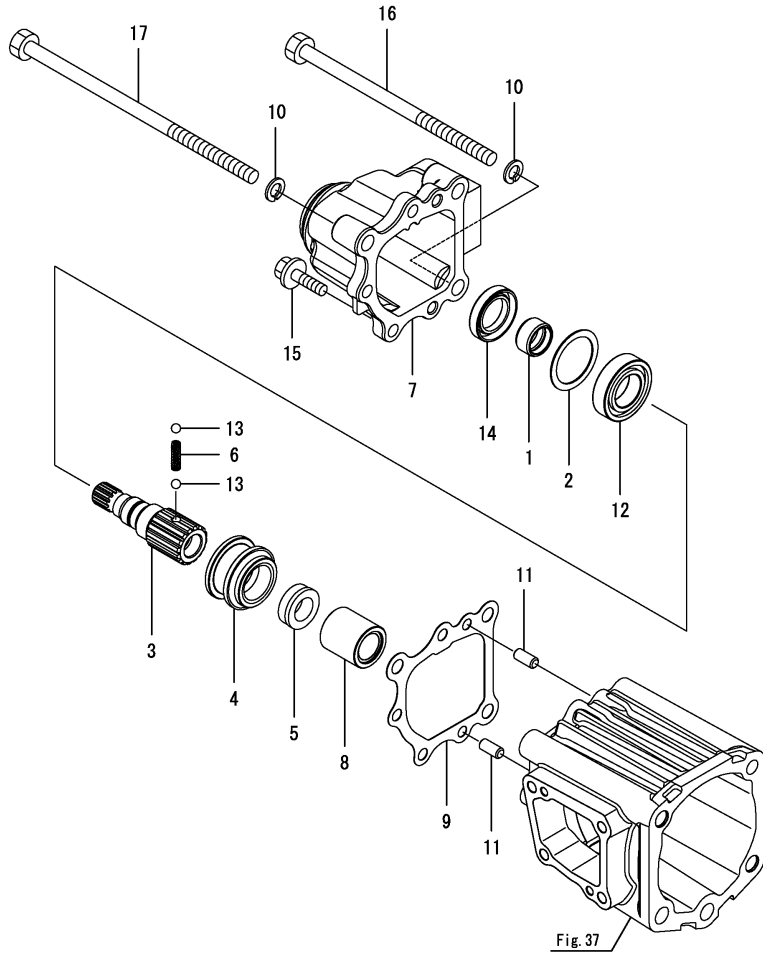


Fig.53. DRIVE SHAFT

(A)=SC2450(YANMAR)
 (B)=
 (C)=

(D)=
 (E)=
 (F)=



No.	Lev.	Parts No.	Description	Q'ty						I	R
				(A)	(B)	(C)	(D)	(E)	(F)		
1	1	194855-25290	SLEEVE, SI 202513	1							1
2	1	1A7050-28110	WASHER, 36X46X1	1							1
3	1	1A7050-28211	SHAFT, FRONT DRIVE	1							1
4	1	198165-28240	COLLAR, SHIFT	1							1
5	1	198165-28220	COLLAR, SPLINE	1							1
6	1	194311-28230	SPRING, 21.2	1							1
7	1	1A7050-28250	COVER, FRONT	1							1
8	1	1A7050-28260	SPACER, 20X33X285	1							1
9	1	1A7050-28560	PACKING, FRONT COVER	1							1
10	1	22287-100000	WASHER, 10	3							
11	1	22312-080160	PIN, PARALLEL M8X16	2							
12	1	24101-060054	BEARING, BALL 6005	1							1
13	1	24190-080001	BALL, STEEL 1/4	2							1
14	1	24421-254008	SEAL, OIL TC254008	1							1
15	1	26106-080302	BOLT, M8X 30 PLATED	3							
16	1	26116-101802	BOLT, M10X180 PLATED	1							
17	1	26116-102202	BOLT, M10X220 PLATED	2							

Remarks
 (1) Refer to Fig.123 for the service part.

Fig.54. 2-4WD LEVER A

(A)=SC2450(YANMAR)
 (B)=
 (C)=

(D)=
 (E)=
 (F)=

No.	Lev.	Parts No.	Description	Q'ty						I	R
				(A)	(B)	(C)	(D)	(E)	(F)		
1	1	1A7880-28300	LEVER ASSY, 4WD	1							
2	1	22351-060032	PIN, SPRING 6.0X32	1							

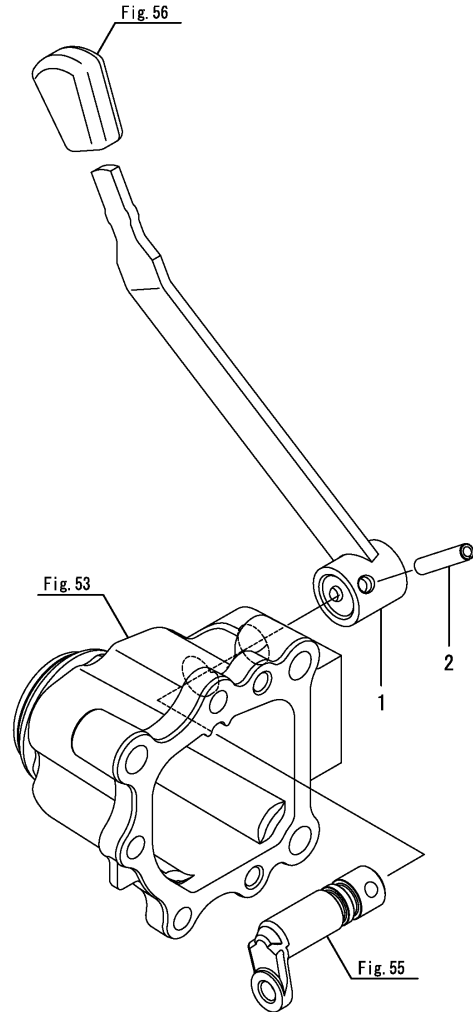


Fig.55. MFWD SHIFT

(A)=SC2450(YANMAR)
 (B)=
 (C)=

(D)=
 (E)=
 (F)=

No.	Lev.	Parts No.	Description	Q'ty						I	R
				(A)	(B)	(C)	(D)	(E)	(F)		
1	1	194197-27681	PLATE, KEEP	1							
2	1	1A7050-28331	BLOCK, SHIFT	1							
3	1	1A7050-28351	SHAFT, SHIFT 4WD	1							
4	1	24311-000125	O-RING, 1AP12.5	1							
5	1	26106-080162	BOLT, M8X 16 PLATED	1							

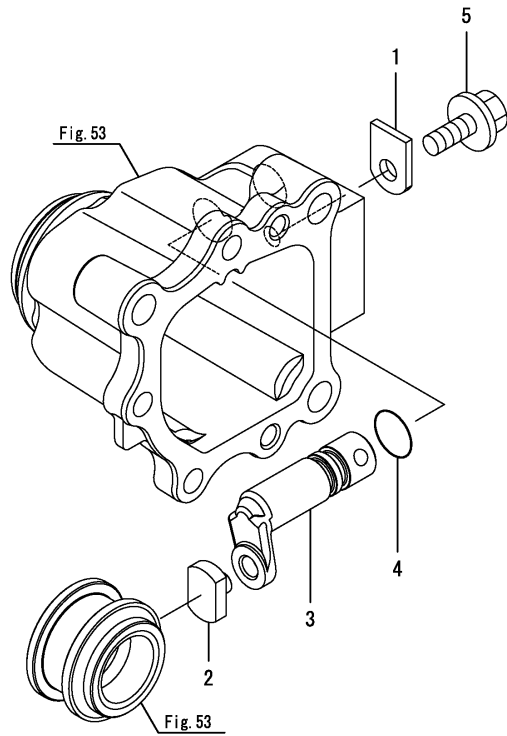


Fig.56. 2-4WD LEVER B

(A)=SC2450(YANMAR)
 (B)=
 (C)=

(D)=
 (E)=
 (F)=

No.	Lev.	Parts No.	Description	Q'ty						I	R
				(A)	(B)	(C)	(D)	(E)	(F)		
1	1	198273-28521	KNOB, PARKING BRAKE	1							

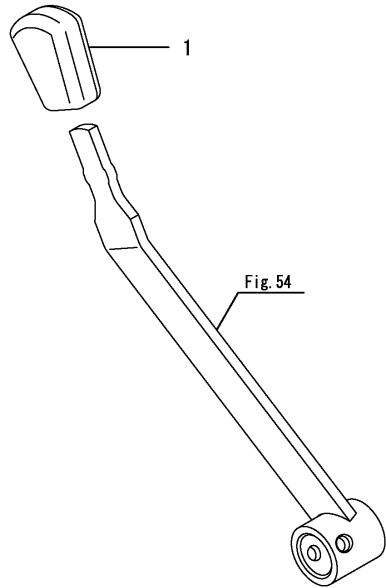
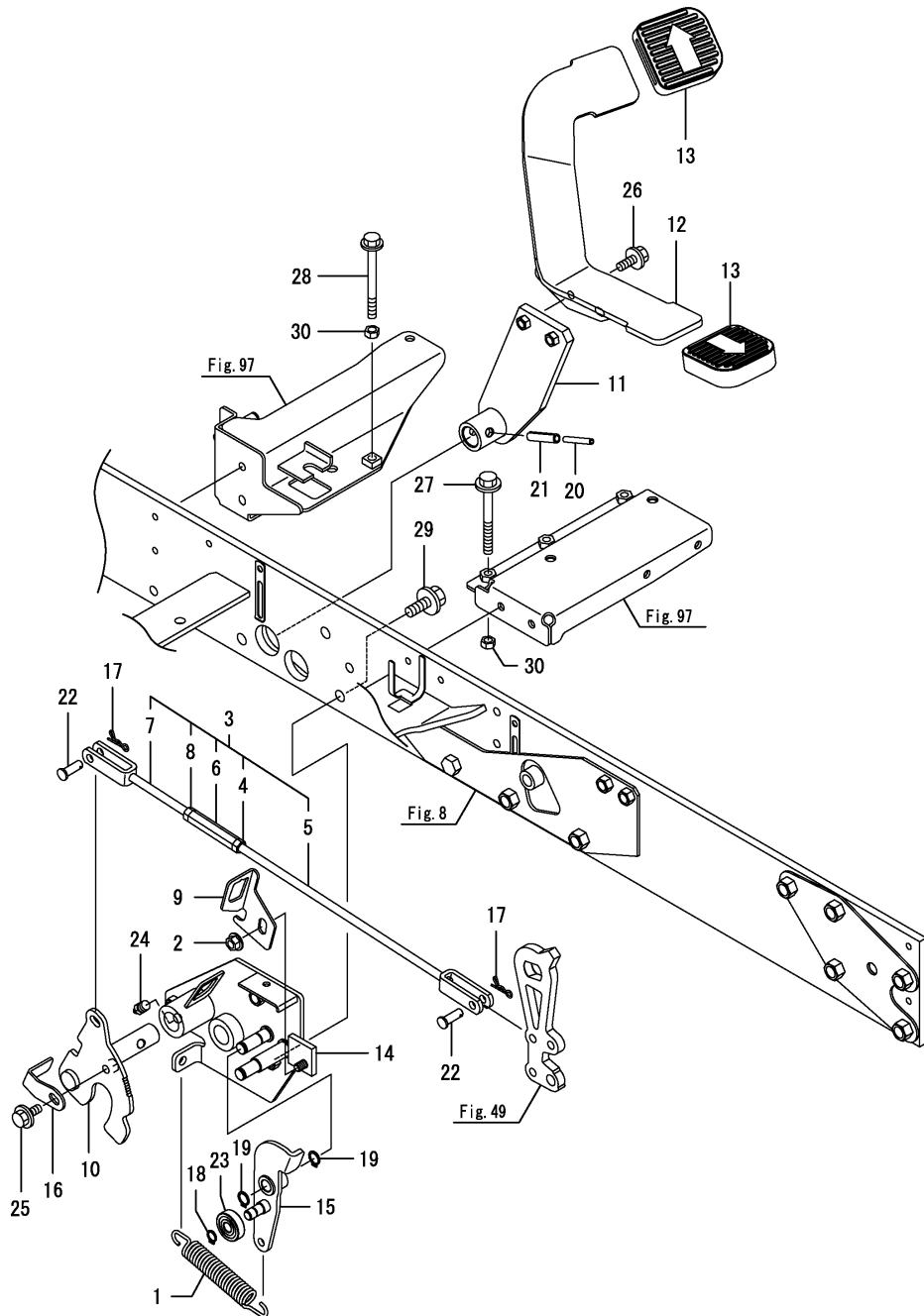


Fig.57. HST PEDAL



(A)=SC2450(YANMAR)

(B)=

(C)=

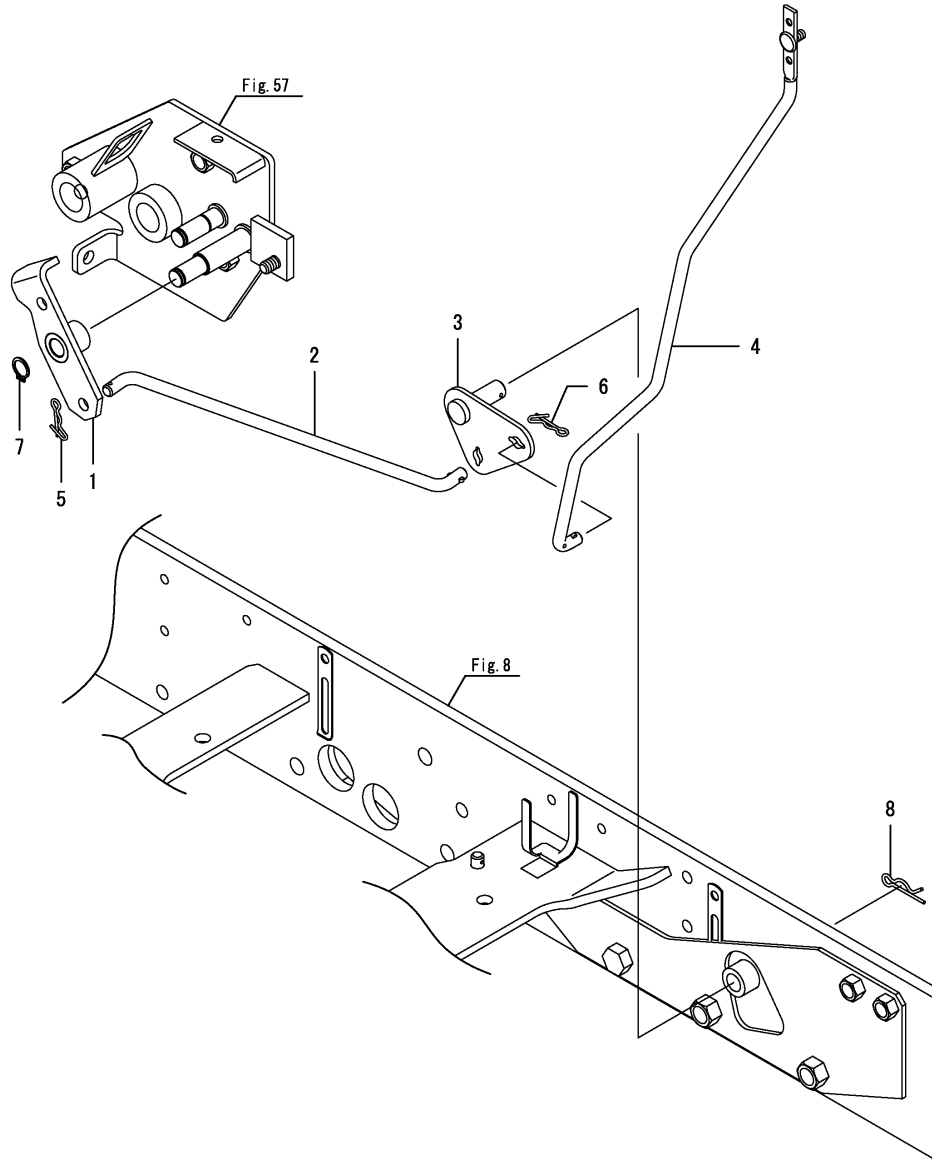
(D)=

(E)=

(F)=

No.	Lev.	Parts No.	Description	Q'ty						I	R
				(A)	(B)	(C)	(D)	(E)	(F)		
1	1	1A7790-01160	SPRING, RETURN	1							
2	1	194990-22140	NUT, M8	1							
3	1	1A7880-29400	ROD ASSY, HST	1							
4	2	194990-20170	NUT, M8	1							
5	2	1A7880-29410	ROD ASSY, HST B	1							
6	2	1A7880-29430	TURNBUCKLE, M8X60	1							
7	2	1A7880-29610	ROD ASSY, HST	1							
8	2	26716-080002	NUT, M8	1							
9	1	1A7880-29451	ARM, SWITCH	1							
10	1	1A7880-29500	ARM ASSY, HST	1							
11	1	1A7880-29541	ARM ASSY, PEDAL	1							
12	1	1A7880-29570	PEDAL ASSY, HST	1							
13	1	1A7880-29600	HEAD, PEDAL	2							
14	1	1A7880-29640	FULCRUM ASSY, PEDAL	1							
15	1	1A7880-29720	ARM ASSY, SWITCH	1							
16	1	1A7880-29780	ARM, SWITCH	1							
17	1	1C6281-52320	PIN, SNAP 8	2							
18	1	22242-000100	RING, 10	1							
19	1	22242-000120	RING, 12	2							
20	1	22351-050040	PIN, SPRING 5.0X40	1							
21	1	22351-080040	PIN, SPRING 8.0X40	1							
22	1	22487-080200	PIN, H 8X 20	2							
23	1	24104-062004	BEARING, BALL 6200UU	1							
24	1	24761-020000	NIPPLE, GREASE PT1/8	1							
25	1	26106-080162	BOLT, M8X 16 PLATED	1							
26	1	26106-080202	BOLT, M8X 20 PLATED	2							
27	1	26106-080802	BOLT, M8X 80 PLATED	1							
28	1	26106-080852	BOLT, M8X 85 PLATED	1							
29	1	26106-100252	BOLT, M10X 25 PLATED	3							
30	1	26716-080002	NUT, M8	2							

Fig.58. HST CRUISE LINK



(A)=SC2450(YANMAR)
 (B)=
 (C)=

(D)=
 (E)=
 (F)=

No.	Lev.	Parts No.	Description	Q'ty						I	R
				(A)	(B)	(C)	(D)	(E)	(F)		
1	1	1A7880-29801	ARM ASSY, CRUISE	1							
2	1	1A7880-29830	ROD, CRUISE A	1							
3	1	1A7880-29840	LINK, CRUISE	1							
4	1	1A7880-29872	ROD ASSY, CRUISE B	1							
5	1	1C6281-52320	PIN, SNAP 8	1							
6	1	1C6281-52320	PIN, SNAP 8	1							
7	1	22242-000120	RING, 12	1							
8	1	22372-120000	PIN, SNAP 12	1							

Fig.59. CRUISE LEVER

(A)=SC2450(YANMAR)
 (B)=
 (C)=

(D)=
 (E)=
 (F)=

No.	Lev.	Parts No.	Description	Q'ty						I	R
				(A)	(B)	(C)	(D)	(E)	(F)		
1	1	194990-22140	NUT, M8	1							
2	1	194550-27030	KNOB, 6.5X18X35	1							
3	1	1A7880-29901	ROD, CRUISE C	1							

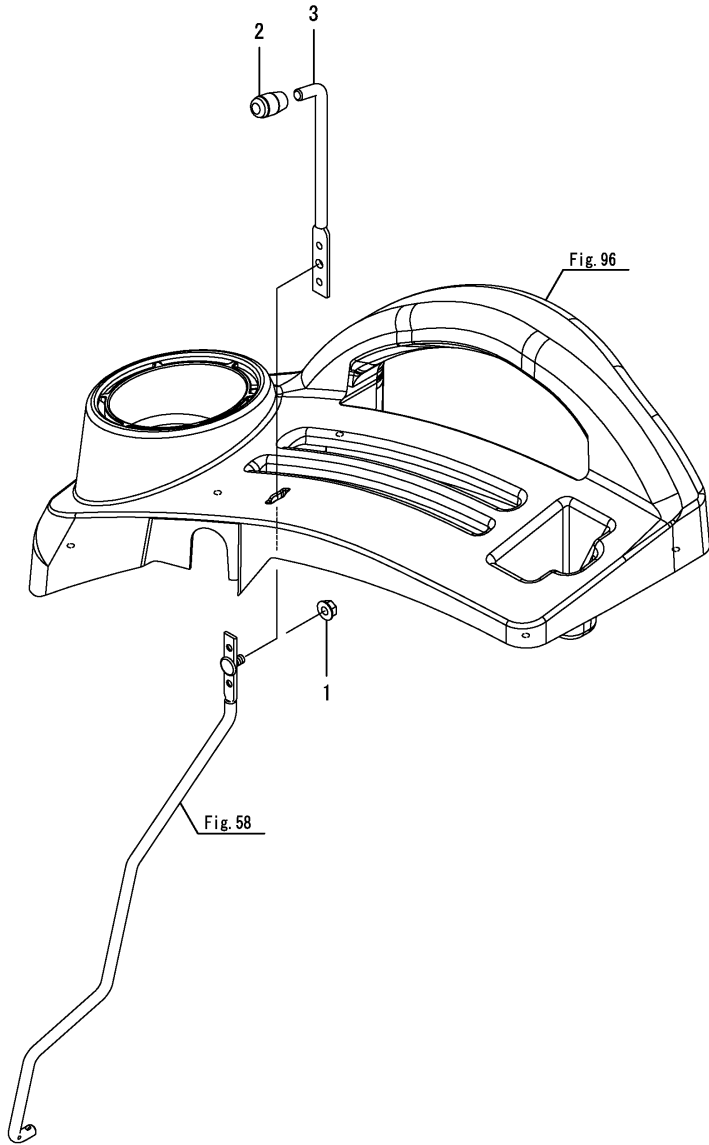
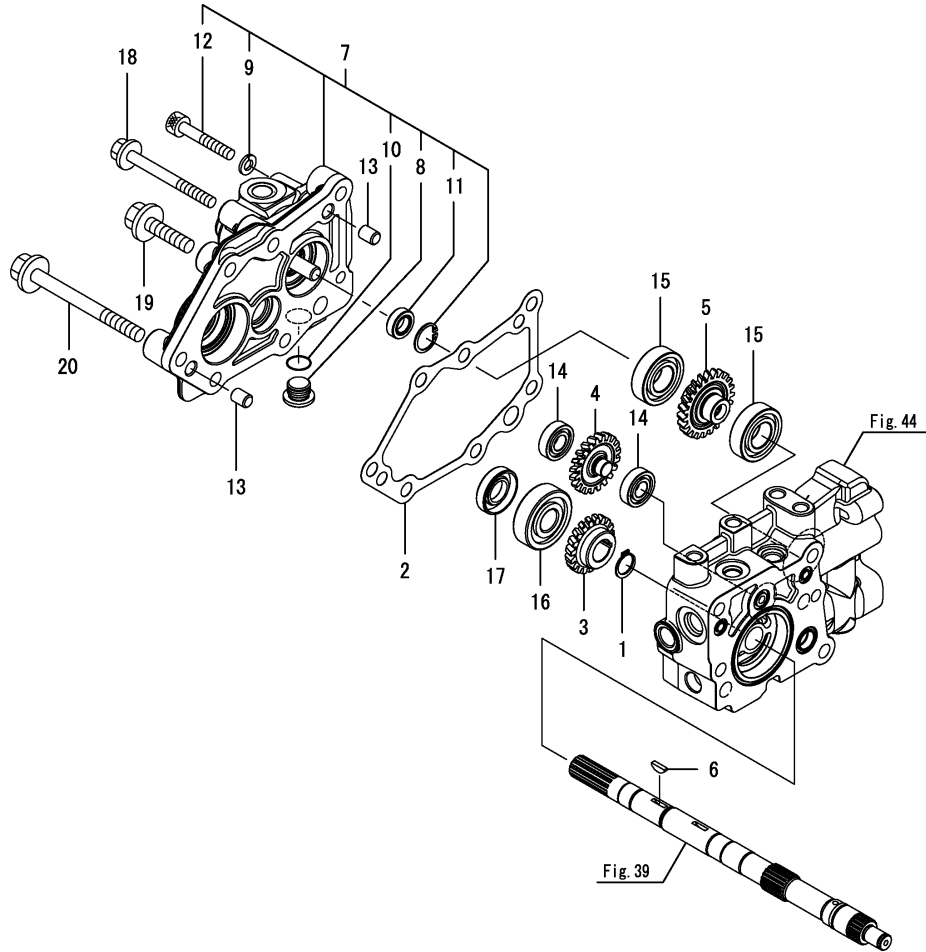


Fig.60. GEAR PUMP

(A)=SC2450(YANMAR)
(B)=
(C)=

(D)=
(E)=
(F)=



No.	Lev.	Parts No.	Description	Q'ty						I	R
				(A)	(B)	(C)	(D)	(E)	(F)		
1	1	192167-25310	CIRCLIP,17	1							
2	1	187K06-29620	PAKING (PUMP COVER)	1							
3	1	187K06-29860	GEAR 1 (PUMP)	1							
4	1	187K06-29870	GEAR 2 (PUMP)	1							
5	1	187K06-29880	GEAR 3 (PUMP)	1							
6	1	187K06-29890	KEY, 8X3.2	1							
7	1	187K06-29900	PWS-5CG SUB CMP	1							
8	2	1A6750-29850	PLUG, G3/8	1							
9	2	22217-080000	WASHER, SPRING 8	3							
10	2	24311-000140	O-RING, 1AP14.0	1							
11	2	24421-122207	SEAL, OIL TC122207	1							
12	2	26450-080502	BOLT, M8X 50	3							
13	1	22312-100120	PIN, PARALLEL M10X12	2							
14	1	24101-060014	BEARING, BALL 6001	2							
15	1	24101-060044	BEARING, BALL 6004	2							
16	1	24101-063034	BEARING, BALL 6303	1							
17	1	24421-173508	SEAL, OIL TC173508	1							
18	1	26016-080852	BOLT, M8X 85	1							
19	1	26016-100452	BOLT, M10X 45	3							
20	1	26016-101052	BOLT, M10X105	1							

Fig.61. INPUT GEAR

(A)=SC2450(YANMAR)
(B)=
(C)=

(D)=
(E)=
(F)=

No.	Lev.	Parts No.	Description	Q'ty						I	R
				(A)	(B)	(C)	(D)	(E)	(F)		
1	1	1A6780-13910	BEARING, 6303RSH2	1							
2	1	1A7050-31100	GEAR KIT, INPUT	1							
3	1	22207-012160	RING, 12X1.6	1							

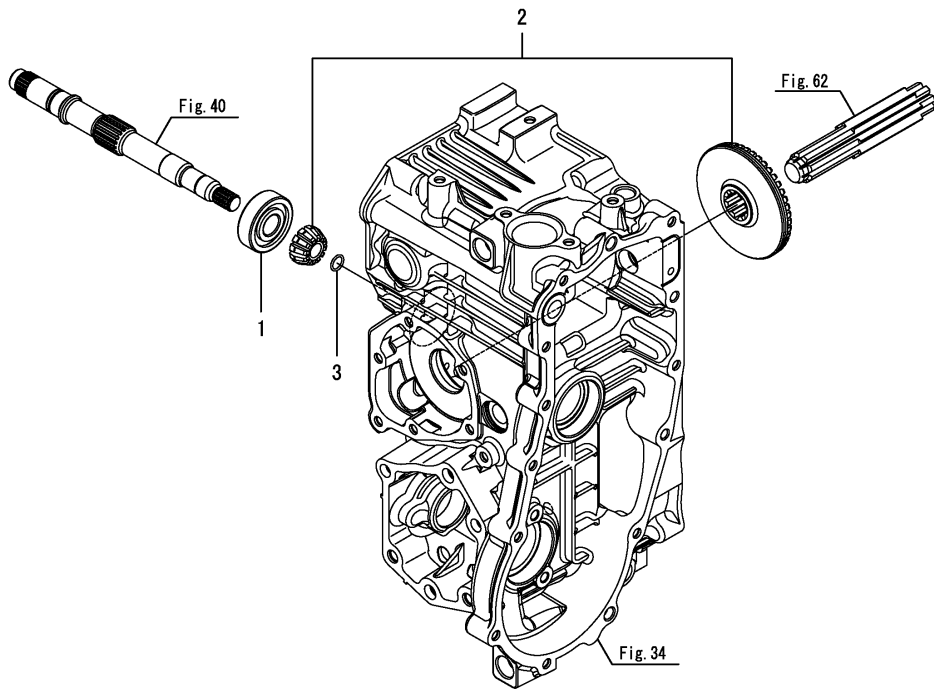


Fig.62. DIFFERENTIAL GEAR

(A)=SC2450(YANMAR)
 (B)=
 (C)=

(D)=
 (E)=
 (F)=

No.	Lev.	Parts No.	Description	Qty						I	R
				(A)	(B)	(C)	(D)	(E)	(F)		
1	1	194555-25880	BEARING, BALL TMB305	1							
2	1	1A7050-33390	GEAR KIT, FINAL	1							
3	1	1A7050-33460	BEARING, BALL 6005	1							
4	1	24101-060074	BEARING, BALL 6007	2							

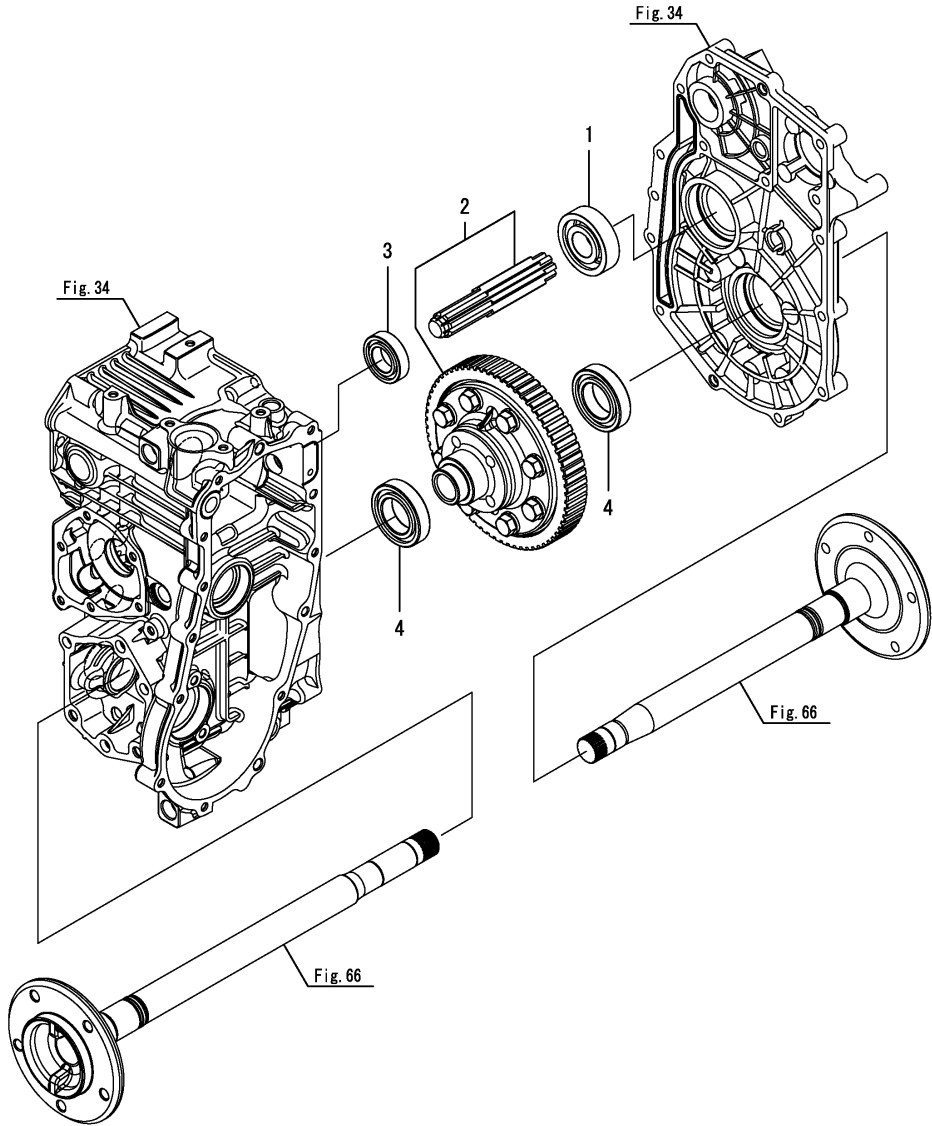
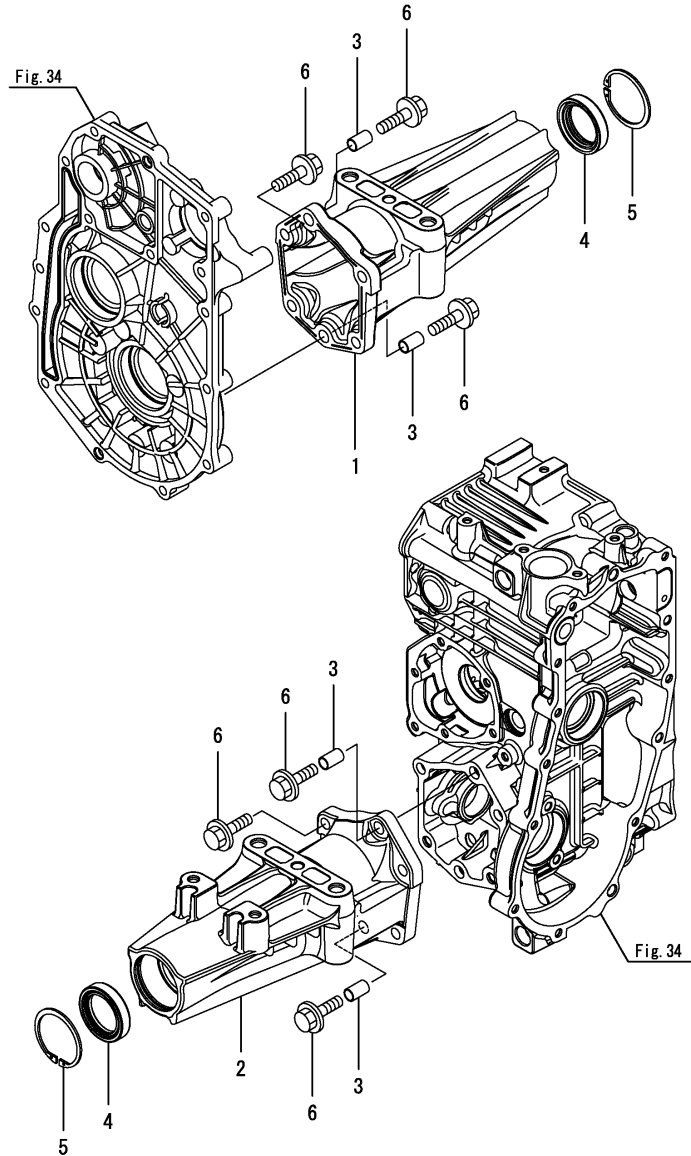


Fig.63. REAR HOUSING

(A)=SC2450(YANMAR)
 (B)=
 (C)=

(D)=
 (E)=
 (F)=



No.	Lev.	Parts No.	Description	Q'ty						I	R
				(A)	(B)	(C)	(D)	(E)	(F)		
1	1	1A7050-32320	HOUSING, REAR AXLE R	1							
2	1	1A7051-32320	HOUSING, REAR AXLE	1							
3	1	192157-32360	COLLAR, 10X12X20	4							
4	1	192157-32370	SEAL, TC395511	2							
5	1	22252-000550	RING, 55	2							
6	1	26106-100352	BOLT, M10X 35 PLATED	12							

Fig.64. DIFFERENTIAL LOCK

(A)=SC2450(YANMAR)
 (B)=
 (C)=

(D)=
 (E)=
 (F)=

No.	Lev.	Parts No.	Description	Q'ty						I	R
				(A)	(B)	(C)	(D)	(E)	(F)		
1	1	192157-33101	FORK KIT, DIFF.LOCK	1							
2	2	1C6320-52210	SPACER, 16.5X24X1	1							
3	2	22242-000160	RING, 16	2							
4	2	22351-040025	PIN, SPRING 4.0X25	1							
5	1	192157-33110	FULCRUM KIT, DIFF.	1							
6	2	22137-100000	WASHER, 10	1							
7	2	22417-200200	PIN, COTTER 2.0X20	1							
8	1	194854-33110	SLIDER, LOCK	1							
9	1	26016-080202	BOLT, M8X 20	2							

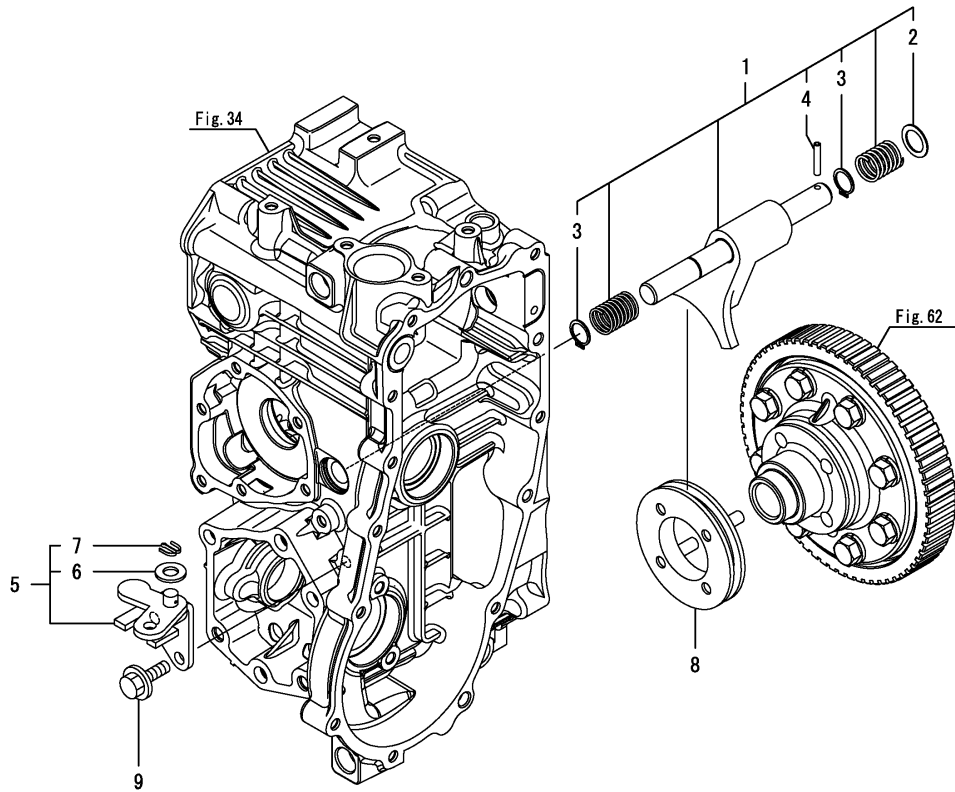


Fig.65. DIFFERENTIAL PEDAL

(A)=SC2450(YANMAR)
 (B)=
 (C)=

(D)=
 (E)=
 (F)=

No.	Lev.	Parts No.	Description	Q'ty						I	R
				(A)	(B)	(C)	(D)	(E)	(F)		
1	1	1A7790-01160	SPRING, RETURN	1							
2	1	1A7880-33200	PEDAL ASSY, LOCK	1							
3	1	1A7880-33250	ROD	1							
4	1	1C6281-52320	PIN, SNAP 8	1							
5	1	22137-080000	WASHER, 8	1							
6	1	22137-140000	WASHER, 14	1							
7	1	22372-140000	PIN, SNAP 14	1							

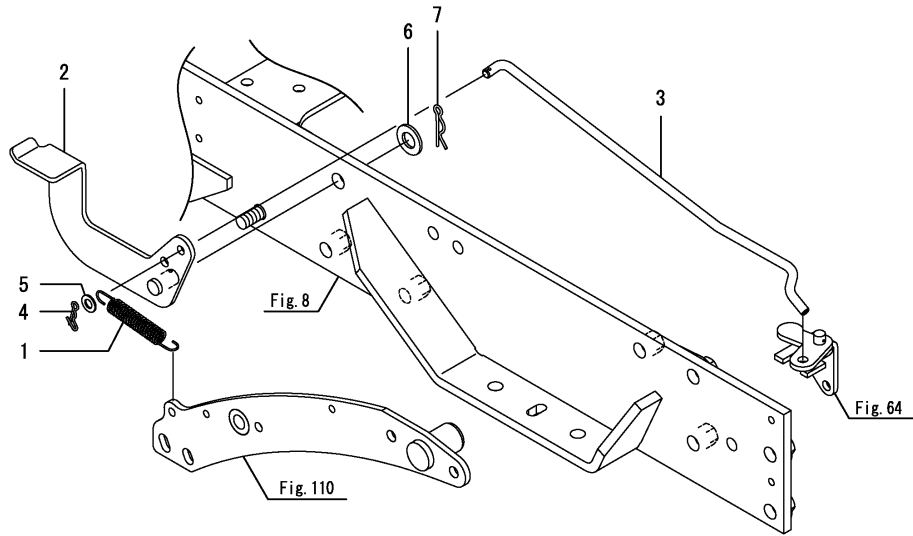


Fig.66. REAR AXLE SHAFT

(A)=SC2450(YANMAR)
 (B)=
 (C)=

(D)=
 (E)=
 (F)=

No.	Lev.	Parts No.	Description	Q'ty						I	R
				(A)	(B)	(C)	(D)	(E)	(F)		
1	1	194440-11880	SLEEVE 30X39X16	2							
2	1	198327-26560	COLLAR, 30X42X2	4							
3	1	1A7050-34110	SHAFT, REAR AXLE L	1							
4	1	1A7050-34120	SHAFT, REAR AXLE R	1							
5	1	192157-34130	CIRCLIP, 29	2							
6	1	24101-060064	BEARING, BALL 6006	2							

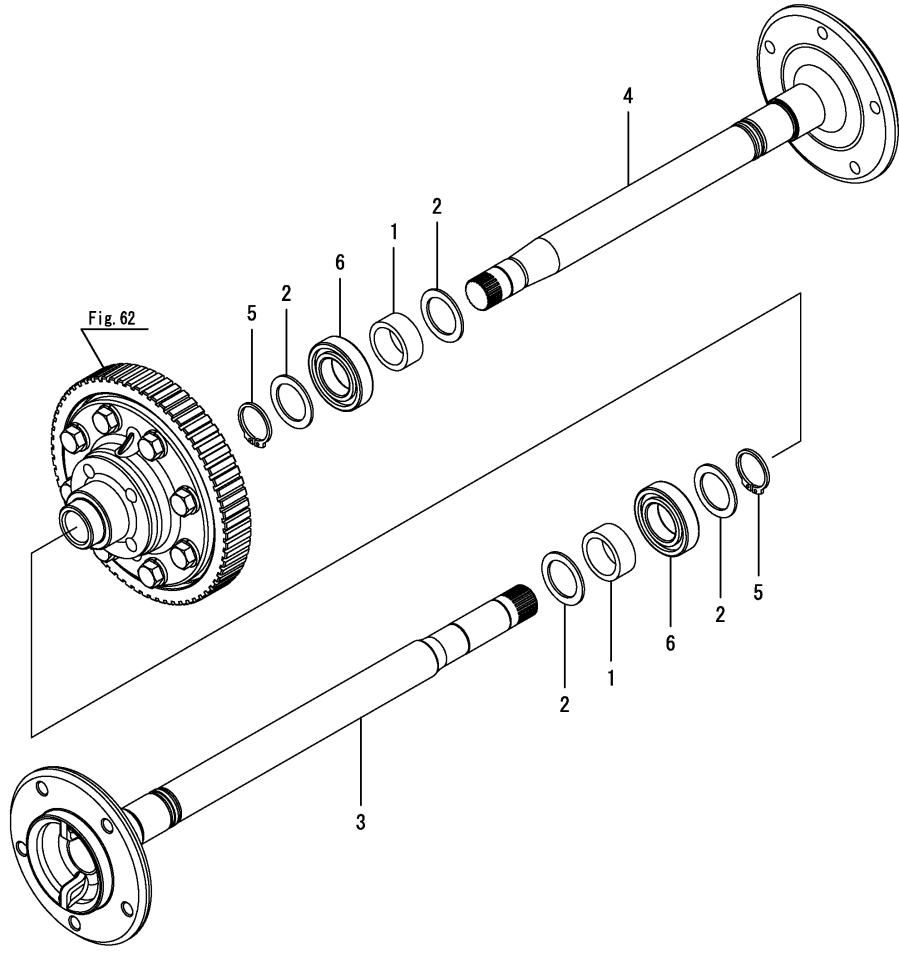
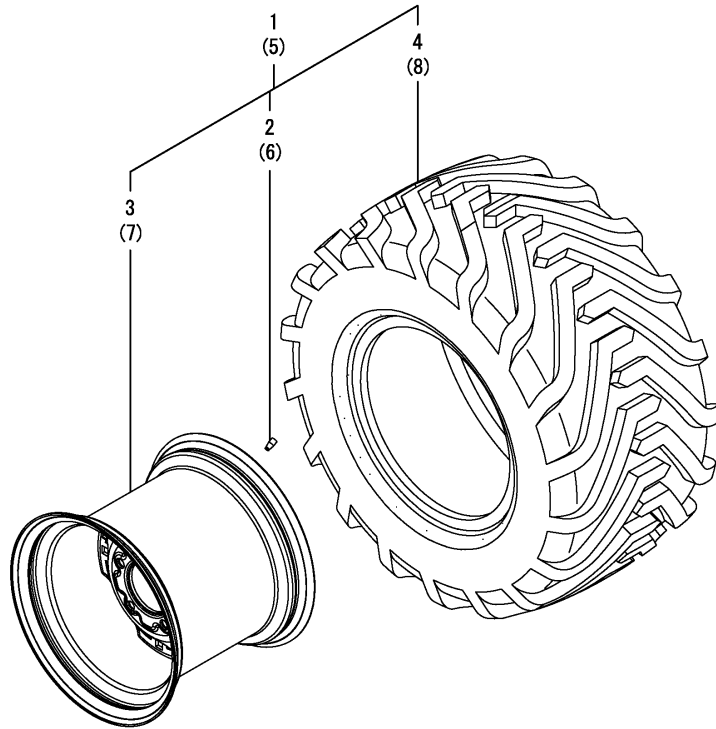


Fig.67. TIRE REAR R1

(A)=SC2450(YANMAR)
 (B)=
 (C)=

(D)=
 (E)=
 (F)=



No.	Lev.	Parts No.	Description	Q'ty						I	R
				(A)	(B)	(C)	(D)	(E)	(F)		
1	1	1A7880-34900	TIRE KIT, REAR R1 L	1							
2	2	1A7880-14840	VALVE	1							
3	2	1A7880-34830	WHEEL, 12X10.5	1							
4	2	1A7880-34920	TIRE, 26X12-12 R1	1							
5	1	1A7880-34910	TIRE KIT, REAR R1 R	1							
6	2	1A7880-14840	VALVE	1							
7	2	1A7880-34830	WHEEL, 12X10.5	1							
8	2	1A7880-34920	TIRE, 26X12-12 R1	1							

Fig.68. TIRE REAR R3

(A)=SC2450(YANMAR)
 (B)=
 (C)=

(D)=
 (E)=
 (F)=

No.	Lev.	Parts No.	Description	Qty						I	R
				(A)	(B)	(C)	(D)	(E)	(F)		
1	1	1A7880-34700	TIRE KIT, REAR R3	2							
2	2	1A7880-14840	VALVE	2							
3	2	1A7880-34710	TIRE, 26X12-12 R3	2							
4	2	1A7880-34830	WHEEL, 12X10.5	2							

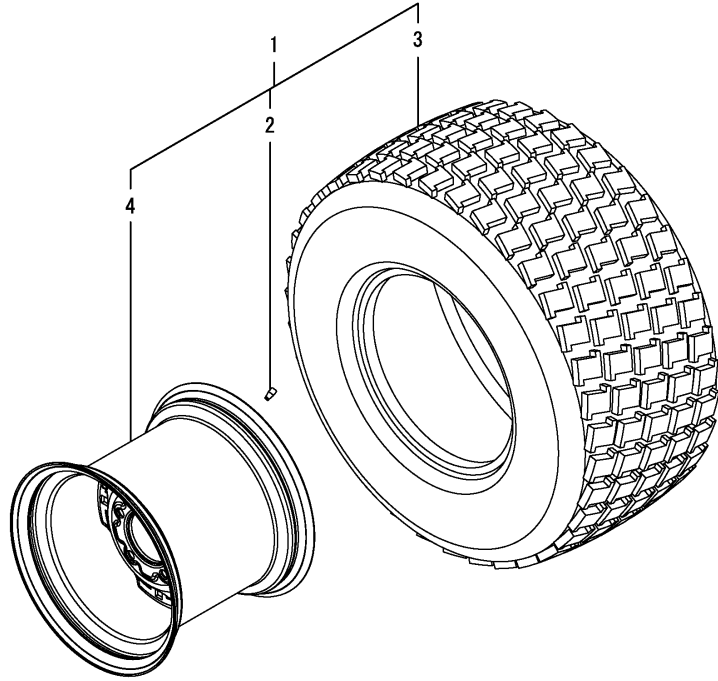


Fig.69. TIRE REAR R4

(A)=SC2450(YANMAR)
 (B)=
 (C)=

(D)=
 (E)=
 (F)=

No.	Lev.	Parts No.	Description	Q'ty						I	R
				(A)	(B)	(C)	(D)	(E)	(F)		
1	1	1A7880-34800	TIRE KIT, REAR R4 L	1							
2	2	1A7880-14840	VALVE	1							
3	2	1A7880-34820	TIRE, 26X12-12 R4	1							
4	2	1A7880-34830	WHEEL, 12X10.5	1							
5	1	1A7880-34810	TIRE KIT, REAR R4 R	1							
6	2	1A7880-14840	VALVE	1							
7	2	1A7880-34820	TIRE, 26X12-12 R4	1							
8	2	1A7880-34830	WHEEL, 12X10.5	1							

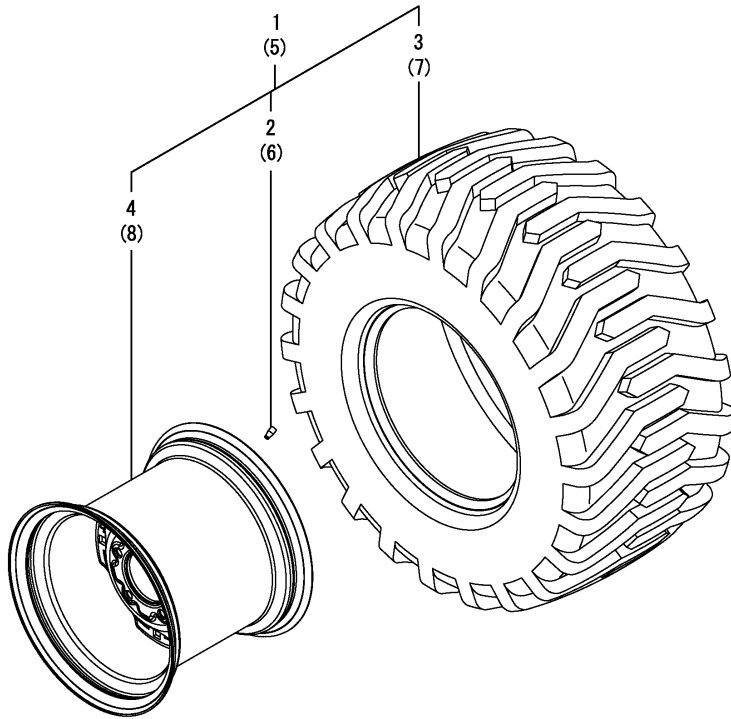


Fig.70. HUB BOLT

(A)=SC2450(YANMAR)
 (B)=
 (C)=

(D)=
 (E)=
 (F)=

No.	Lev.	Parts No.	Description	Q'ty						I	R
				(A)	(B)	(C)	(D)	(E)	(F)		
1	1	1A7880-34180	BOLT, 7/16-20UNF	10							

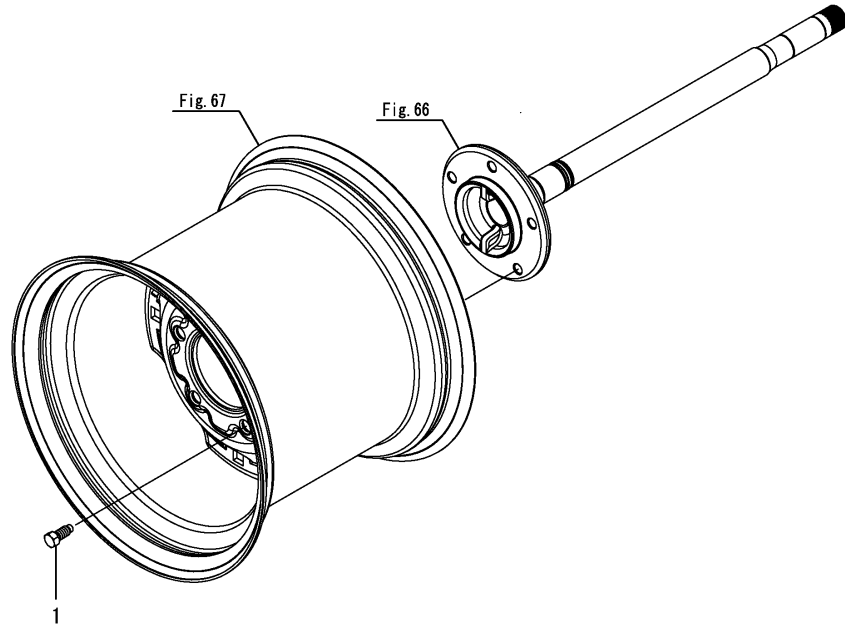
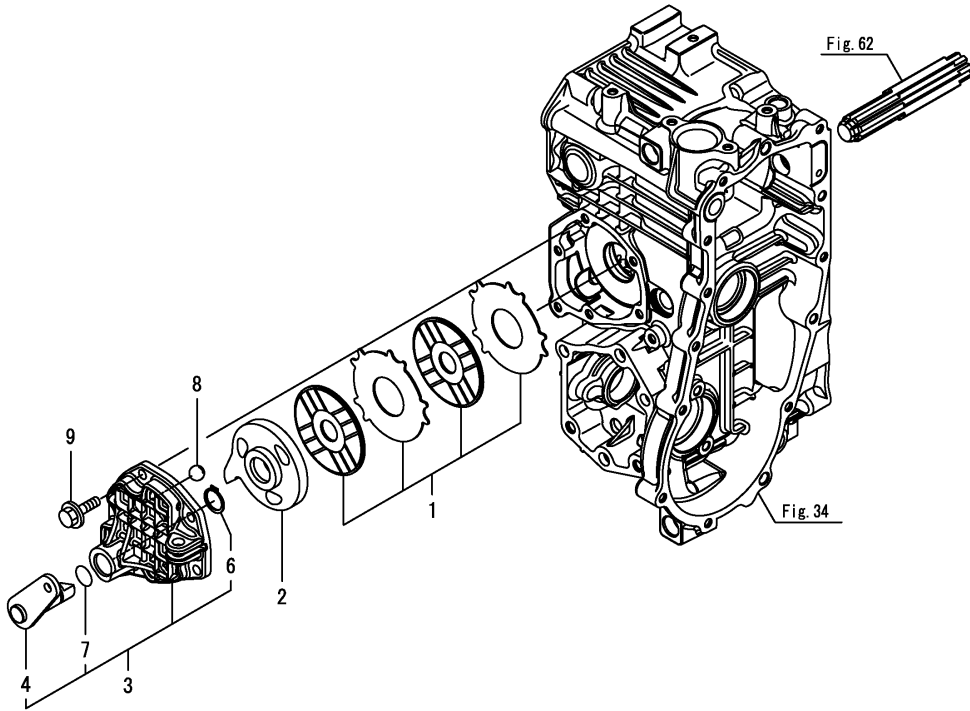


Fig.71. DISC BRAKE

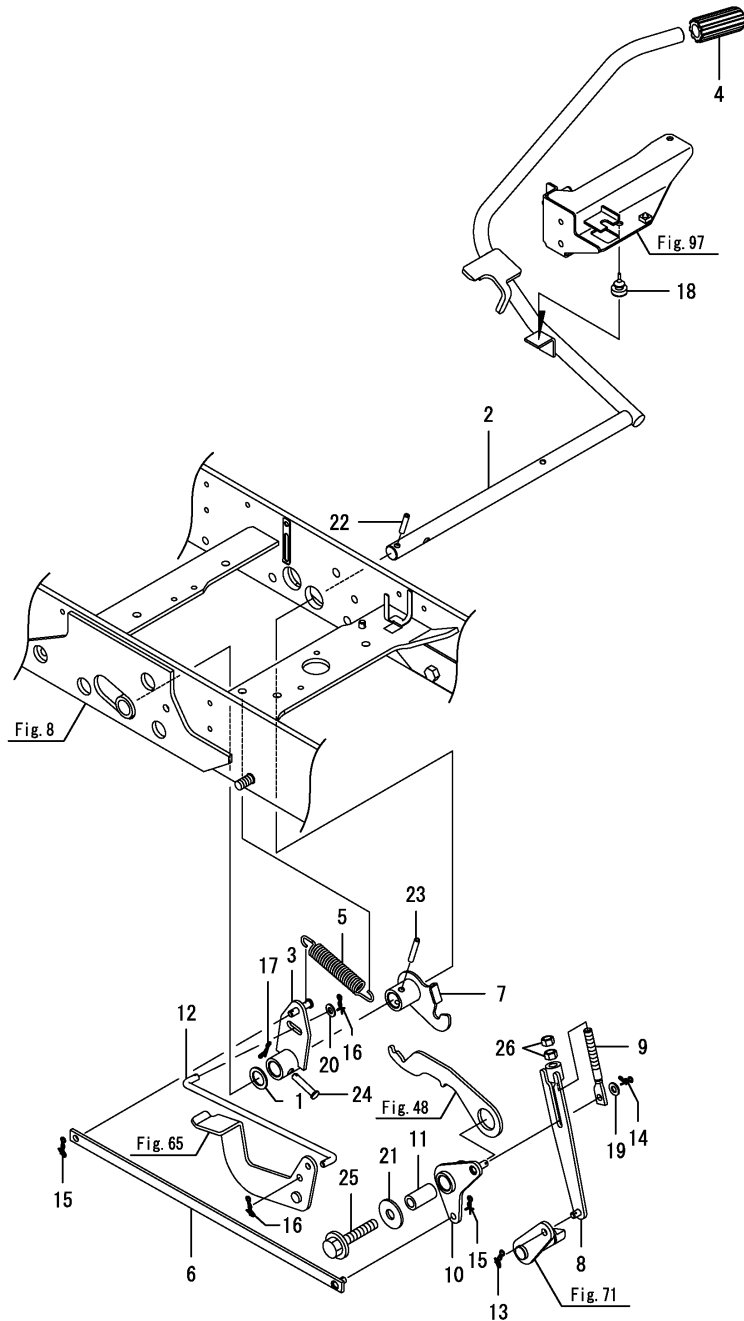
(A)=SC2450(YANMAR)
 (B)=
 (C)=

(D)=
 (E)=
 (F)=



No.	Lev.	Parts No.	Description	Q'ty						I	R
				(A)	(B)	(C)	(D)	(E)	(F)		
1	1	192157-36300	PLATE KIT, BRAKE	1							
2	1	1A7130-36330	ACTUATOR	1							
3	1	187K06-36341	CAM KIT, BRAKE	1							
4	2	187K06-36350	SHAFT ASSY, LEVER	1							
6	2	22242-000200	RING, 20	1							
7	2	24311-000160	O-RING, 1AP16.0	1							
8	1	24190-160001	BALL, STEEL 1/2	3							
9	1	26106-080252	BOLT, M8X 25 PLATED	6							

Fig.72. BRAKE PEDAL



(A)=SC2450(YANMAR)
 (B)=
 (C)=

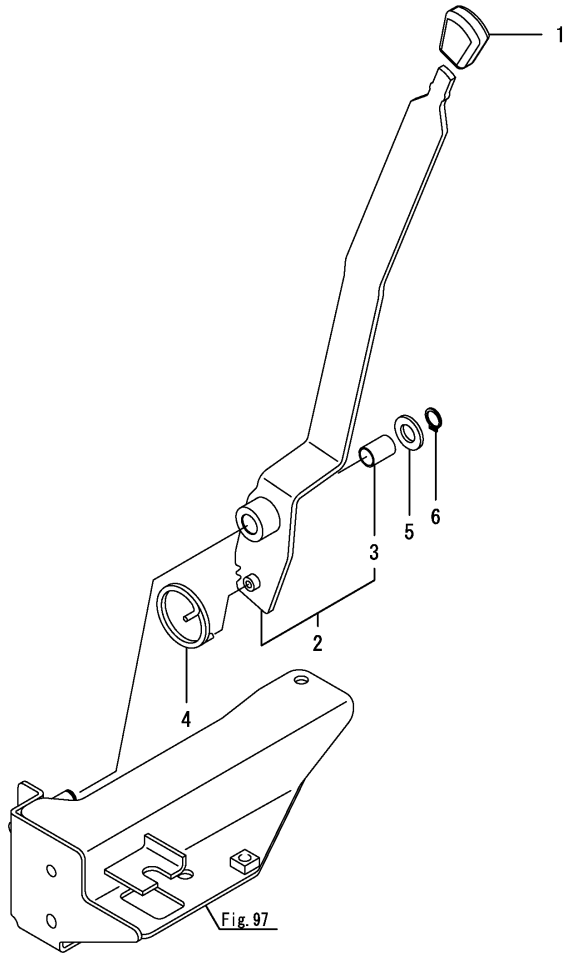
(D)=
 (E)=
 (F)=

No.	Lev.	Parts No.	Description	Q'ty						I	R
				(A)	(B)	(C)	(D)	(E)	(F)		
1	1	1A7510-36490	WASHER, 20X30X2	1							
2	1	1A7880-37100	PEDAL ASSY, BRAKE	1							
3	1	1A7880-37150	ARM ASSY, BRAKE	1							
4	1	1A7880-37200	HEAD, PEDAL R	1							
5	1	1A7880-37220	SPRING, RETURN	1							
6	1	1A7880-37250	ROD ASSY, BRAKE	1							
7	1	1A7880-37310	ARM ASSY, RELEASE	1							
8	1	1A7880-37350	ROD ASSY, PUSH	1							
9	1	1A7880-37390	SCREW, ADJUST	1							
10	1	1A7880-37400	ARM ASSY, BRAKE	1							
11	1	1A7880-37441	COLLAR	1							
12	1	1A7880-37450	ROD, LINK	1							
13	1	1C6281-52320	PIN, SNAP 8	1							
14	1	1C6281-52320	PIN, SNAP 8	1							
15	1	1C6281-52320	PIN, SNAP 8	2							
16	1	1C6281-52320	PIN, SNAP 8	2							
17	1	1C6281-52320	PIN, SNAP 8	1							
18	1	194330-62530	STOPPER, PEDAL	1							
19	1	22137-080000	WASHER, 8	1							
20	1	22137-080000	WASHER, 8	1							
21	1	22157-120000	WASHER, 12	1							
22	1	22351-060032	PIN, SPRING 6.0X32	1							
23	1	22351-060040	PIN, SPRING 6.0X40	1							
24	1	22487-080350	PIN, H 8X 35	1							
25	1	26106-120602	BOLT, M12X 60 PLATED	1							
26	1	26716-100002	NUT, M10	2							

Fig.73. PARKING BRAKE

(A)=SC2450(YANMAR)
 (B)=
 (C)=

(D)=
 (E)=
 (F)=

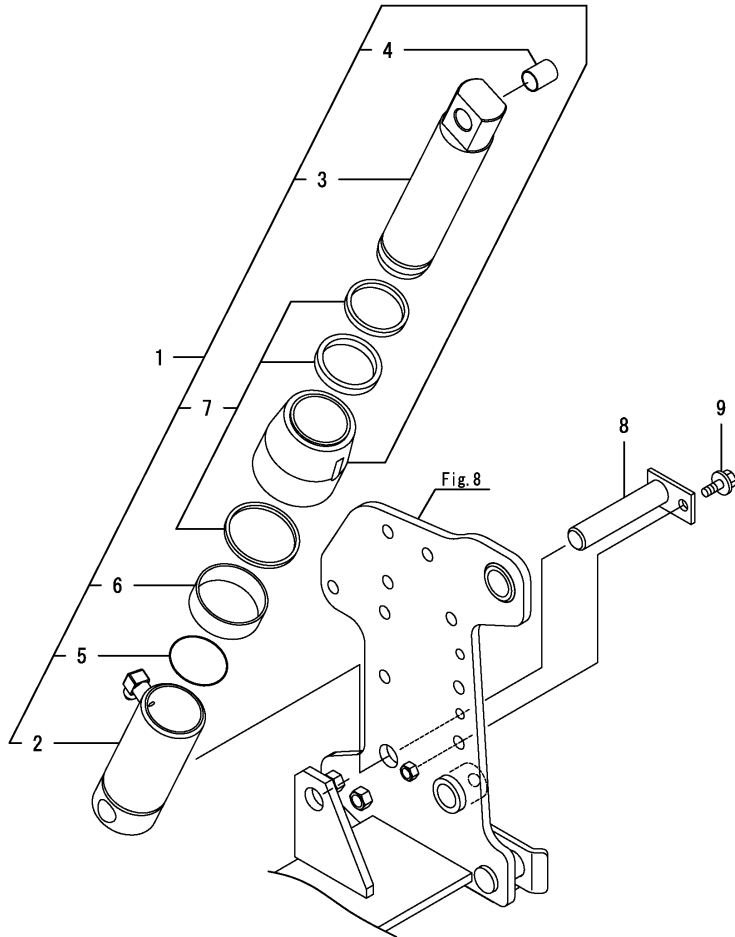


No.	Lev.	Parts No.	Description	Q'ty						I	R
				(A)	(B)	(C)	(D)	(E)	(F)		
1	1	198273-28521	KNOB, PARKING BRAKE	1							
2	1	1A7880-37490	LEVER ASSY, PARKING	1							
3	2	24550-012200	BUSH, 12X20	1							
4	1	198475-37690	SPRING, LOCK	1							
5	1	22137-120000	WASHER, 12	1							
6	1	22242-000120	RING, 12	1							

Fig.74. LIFT CYLINDER

(A)=SC2450(YANMAR)
 (B)=
 (C)=

(D)=
 (E)=
 (F)=



No.	Lev.	Parts No.	Description	Q'ty						I	R
				(A)	(B)	(C)	(D)	(E)	(F)		
1	1	1A7880-43101	CYLINDER ASSY, HYD.	1							
2	2	1A7880-43250	CYLINDER	1							
3	2	1A7880-43310	ROD	1							
4	2	1A7880-43320	BUSH, DU TYPE	1							
5	2	1A7880-43380	CIRCLIP	1							
6	2	1A7880-43410	BUSH, GUIDING	1							
7	2	1A7880-43500	SEAL KIT	1							
8	1	1A7880-44740	PIN ASSY, CYLINDER	1							
9	1	26106-100252	BOLT, M10X 25 PLATED	1							

Fig.75. LIFT ARM

(A)=SC2450(YANMAR)
(B)=
(C)=

(D)=
(E)=
(F)=

No.	Lev.	Parts No.	Description	Q'ty						I	R
				(A)	(B)	(C)	(D)	(E)	(F)		
1	1	1A7880-44400	ARM KIT, LIFT	1							
2	1	194130-44480	PIN, LIFT ARM	2							
3	1	1A7880-44700	PIN ASSY, ARM	1							
4	1	22217-160000	WASHER, SPRING 16	2							
5	1	26106-080202	BOLT, M8X 20 PLATED	1							
6	1	26736-160002	NUT, M16	2							

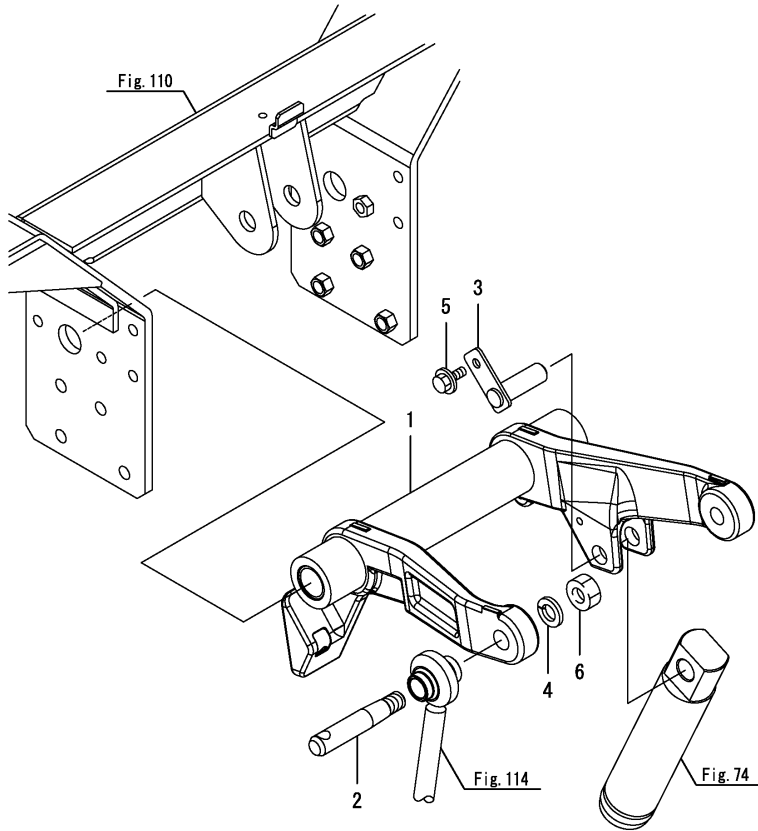
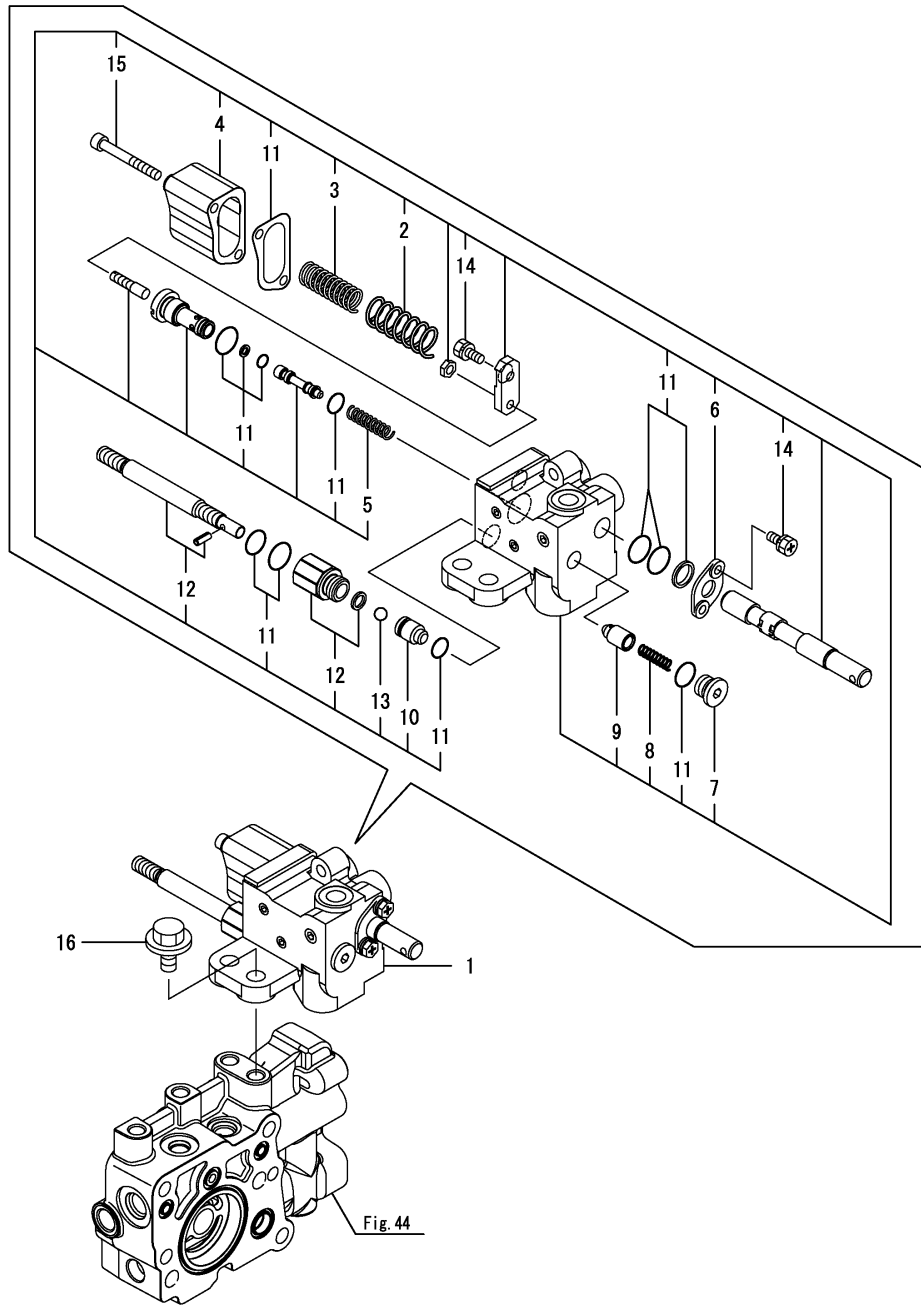


Fig.76. CONTROL VALVE



(A)=SC2450(YANMAR)
(B)=
(C)=

(D)=
(E)=
(F)=

No.	Lev.	Parts No.	Description	Q'ty						I	R
				(A)	(B)	(C)	(D)	(E)	(F)		
1	1	1A7880-45100	VALVE ASSY, LIFT	1							
2	2	1A7880-45530	SPLING, LIFT VALVE	1							
3	2	1A7880-45540	SPLING, LIFT VALVE	1							
4	2	1A7880-45560	COVER, LIFT VALVE	1							
5	2	1A7880-45610	SPRING, MECHANICAL	1							
6	2	1A7880-45620	PLATE, VALVE	1							
7	2	1A7880-45640	PLUG, LIFT VALVE	1							
8	2	1A7880-45650	SPRING, LIFT VALVE	1							
9	2	1A7880-45660	POPPET, CHECK	1							
10	2	1A7880-45700	PLUNGER, LIFT VALVE	1							
11	2	1A7880-45800	SEAL KIT, LIFT VALVE	1							
12	2	1A7880-45830	BOLT, STOP	1							
13	2	24190-100001	BALL, STEEL 5/16	1							
14	2	26013-060129	BOLT, M6X 12	3							
15	2	26450-060502	BOLT M 6X 50	2							
16	1	26106-100252	BOLT, M10X 25 PLATED	2							

Fig.77. STOP VALVE

(A)=SC2450(YANMAR)
 (B)=
 (C)=

(D)=
 (E)=
 (F)=

No.	Lev.	Parts No.	Description	Q'ty						I	R
				(A)	(B)	(C)	(D)	(E)	(F)		
1	1	1A8160-46670	KNOB, VALVE	1							
2	1	26716-100002	NUT, M10	1							

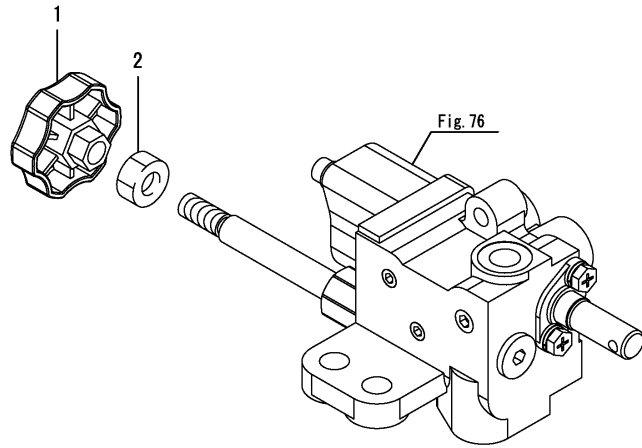


Fig.78. VALVE,SCV

(A)=SC2450(YANMAR)
 (B)=
 (C)=

(D)=
 (E)=
 (F)=

No.	Lev.	Parts No.	Description	Q'ty						I	R
				(A)	(B)	(C)	(D)	(E)	(F)		
1	1	1A7880-47100	VALVE ASSY, LORDER	1							
2	1	1A7880-47121	STAY ASSY, SCV VALVE	1							
3	1	1A7880-47770	PLATE ASSY, VALVE	1							
4	1	1A7880-47851	PLATE, REINFORCEMENT	1							
5	1	26106-080122	BOLT, M8X 12 PLATED	3							
6	1	26106-080162	BOLT, M8X 16 PLATED	2							
7	1	26106-100202	BOLT, M10X 20 PLATED	2							
8	1	26106-100202	BOLT, M10X 20 PLATED	4							

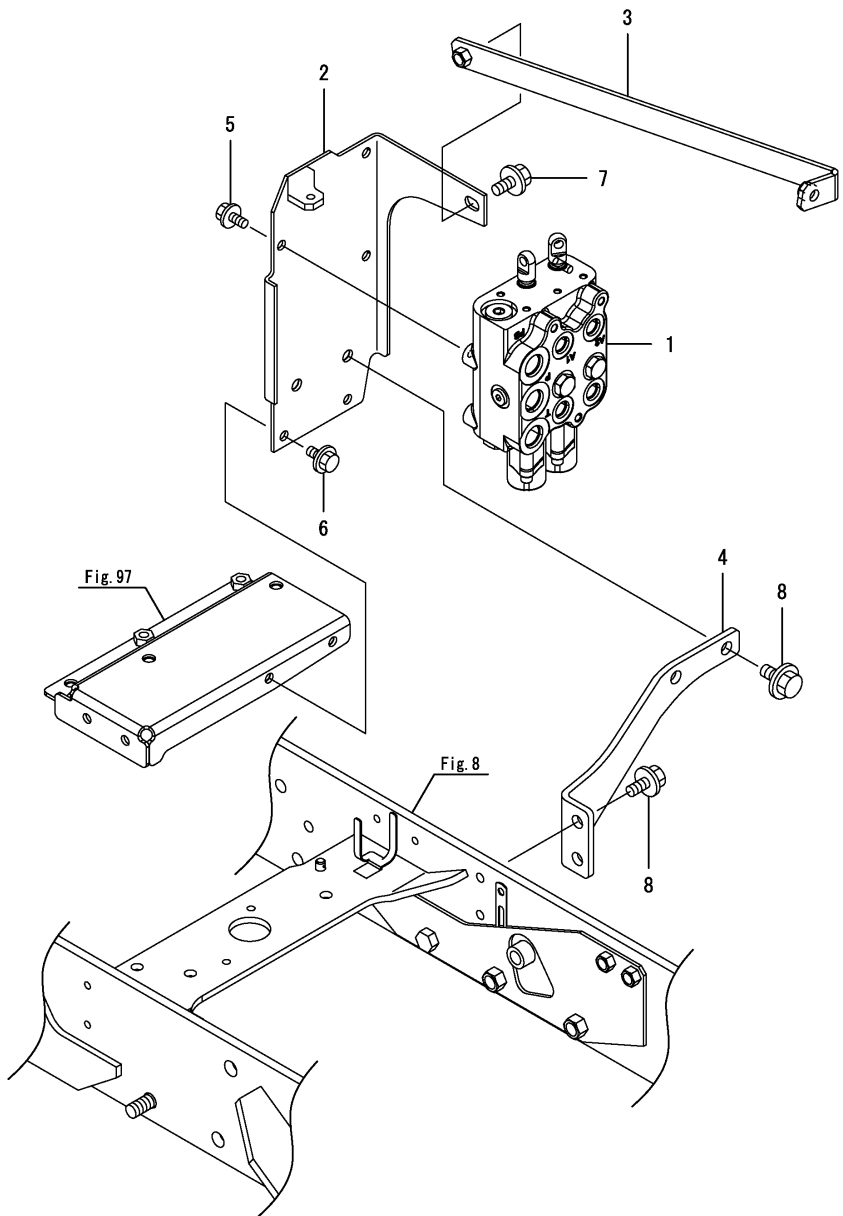
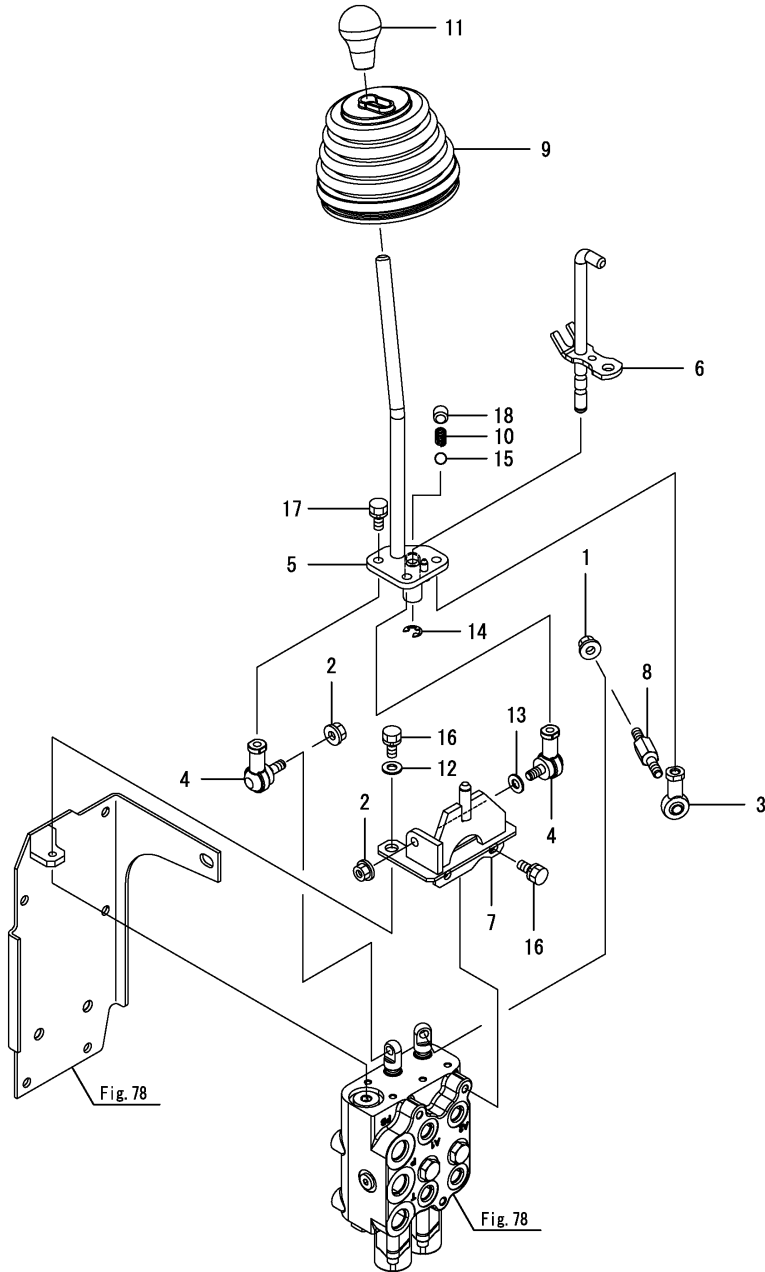


Fig.79. LEVER,SCV

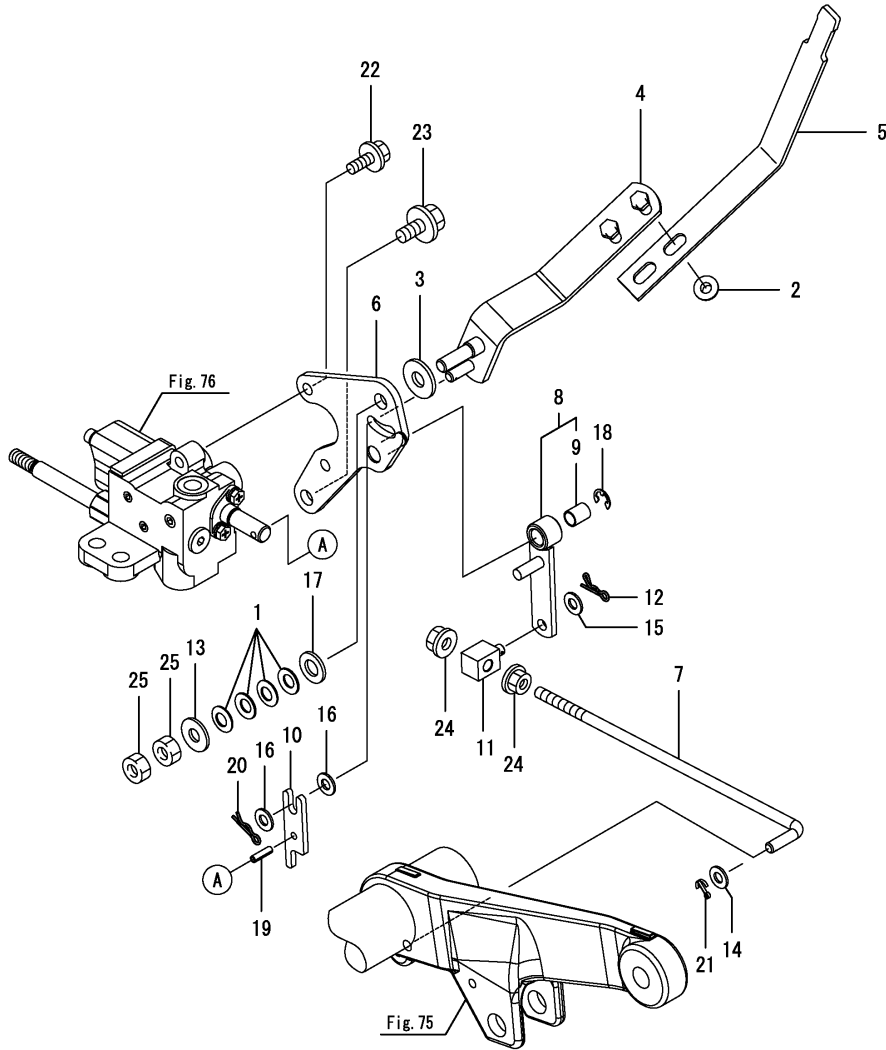
(A)=SC2450(YANMAR)
 (B)=
 (C)=

(D)=
 (E)=
 (F)=



No.	Lev.	Parts No.	Description	Q'ty						I	R
				(A)	(B)	(C)	(D)	(E)	(F)		
1	1	194990-22140	NUT, M8	1							
2	1	194990-22140	NUT, M8	2							
3	1	198164-27970	END, ROD 8R	1							
4	1	172122-46590	ELBOW	2							
5	1	1A7880-47600	LEVER ASSY, SCV	1							
6	1	1A7880-47651	PIN ASSY, LOCK	1							
7	1	1A7880-47701	BRACKET ASSY, LEVER	1							
8	1	1A7880-47750	BOLT, LEVER	1							
9	1	1A7880-47950	BOOT, LEVER	1							
10	1	1E6150-56040	SPRING, FORK	1							
11	1	194990-85561	KNOB, HIGH/LOW	1							
12	1	22137-080000	WASHER, 8	1							
13	1	22137-080000	WASHER, 8	1							
14	1	22272-000080	RING, E- 8	1							
15	1	24190-100003	BALL, STEEL 5/16	1							
16	1	26013-080162	BOLT, M8X 16	3							
17	1	26013-080162	BOLT, M8X 16	3							
18	1	26911-100102	SCREW, M10X10	1							

Fig.80. HYDRAULIC CONTROL A



(A)=SC2450(YANMAR)
 (B)=
 (C)=

(D)=
 (E)=
 (F)=

No.	Lev.	Parts No.	Description	Q'ty						I	R
				(A)	(B)	(C)	(D)	(E)	(F)		
1	1	194740-00160	SPRING, 10	4							
2	1	194990-22140	NUT, M8	2							
3	1	1A6260-41250	PLATE, FRICTION	1							
4	1	1A7880-45000	LEVER ASSY, POSITION	1							
5	1	1A7880-45040	LEVER, POSITION	1							
6	1	1A7880-45210	STAY ASSY, LINK	1							
7	1	1A7880-45250	ROD, FEEDBACK	1							
8	1	1A7880-45331	LEVER ASSY, CONTROL	1							
9	2	24550-010150	BUSH, 10X15	1							
10	1	1A7070-47400	LEVER, SPOOL	1							
11	1	194208-47530	ADJUSTER	1							
12	1	1C6281-52320	PIN, SNAP 8	1							
13	1	194145-61570	WASHER, 10	1							
14	1	22137-080000	WASHER, 8	1							
15	1	22137-080000	WASHER, 8	1							
16	1	22137-080000	WASHER, 8	2							
17	1	22137-120000	WASHER, 12	1							
18	1	22272-000080	RING, E- 8	1							
19	1	22351-050018	PIN, SPRING 5.0X18	1							
20	1	22372-080000	PIN, SNAP 8	1							
21	1	22417-200160	PIN, COTTER 2.0X16	1							
22	1	26106-080162	BOLT, M8X 16 PLATED	2							
23	1	26106-100202	BOLT, M10X 20 PLATED	1							
24	1	26366-080002	NUT, M8	2							
25	1	26716-100002	NUT, M10	2							

Fig.81. HYDRAULIC CONTROL B

(A)=SC2450(YANMAR)
 (B)=
 (C)=

(D)=
 (E)=
 (F)=

No.	Lev.	Parts No.	Description	Q'ty						I	R
				(A)	(B)	(C)	(D)	(E)	(F)		
1	1	198200-47810	KNOB, BLACK	1							

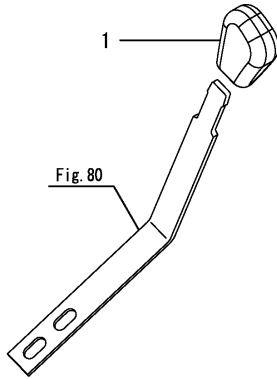
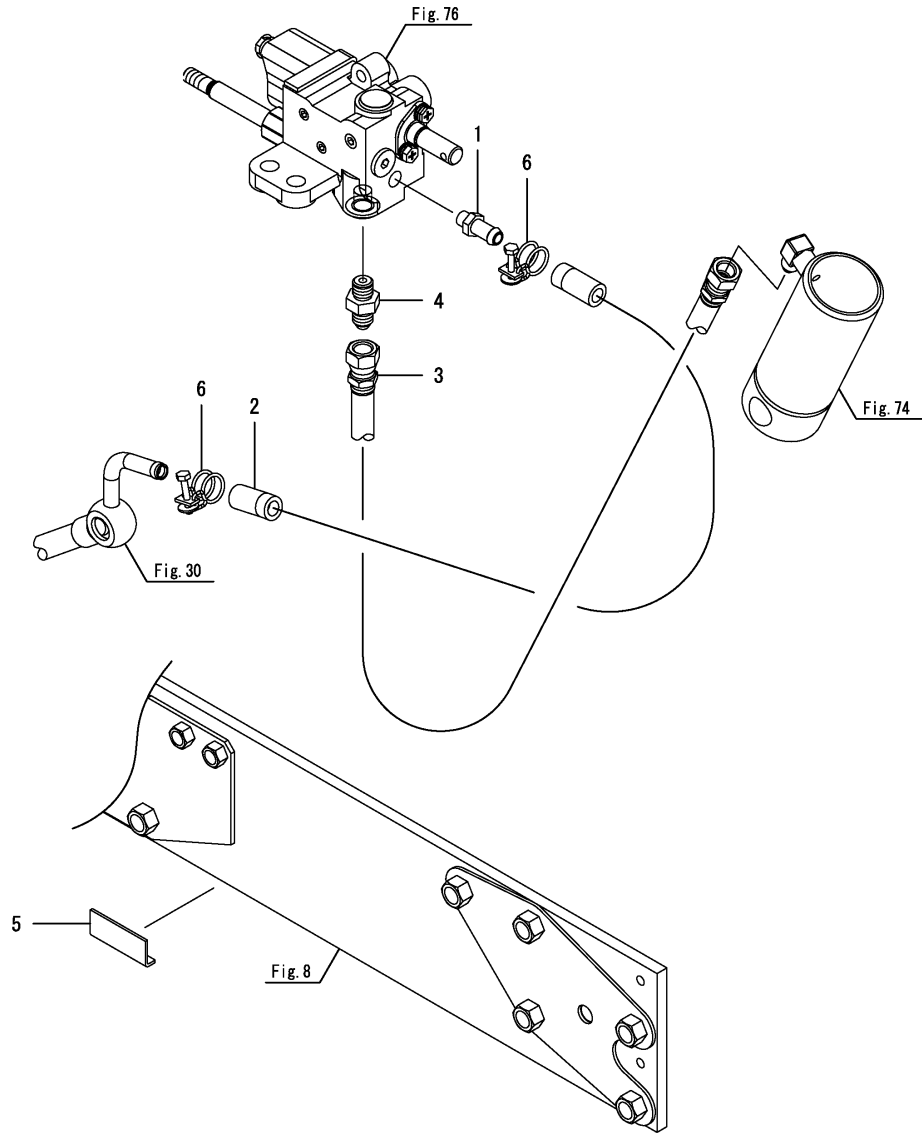


Fig.82. HYDRAULIC PIPE



(A)=SC2450(YANMAR)
 (B)=
 (C)=

(D)=
 (E)=
 (F)=

No.	Lev.	Parts No.	Description	Q'ty						I	R
				(A)	(B)	(C)	(D)	(E)	(F)		
1	1	1A6380-25370	JOINT, R1/8	1							
2	1	1A7880-48101	HOSE, DRAIN LP	1							
3	1	1A7880-48160	HOSE, PRESSURE	1							
4	1	1E8450-66390	CONNECTOR, PF1/4	1							
5	1	198093-84810	SEAL, FENDER	2							
6	1	23010-018000	CLAMP, 18	2							

Fig.83. OIL COOLER

(A)=SC2450(YANMAR)
 (B)=
 (C)=

(D)=
 (E)=
 (F)=

No.	Lev.	Parts No.	Description	Q'ty						I	R
				(A)	(B)	(C)	(D)	(E)	(F)		
1	1	194990-22140	NUT, M8	2							
2	1	1E8600-66700	COOLER, OIL	1							

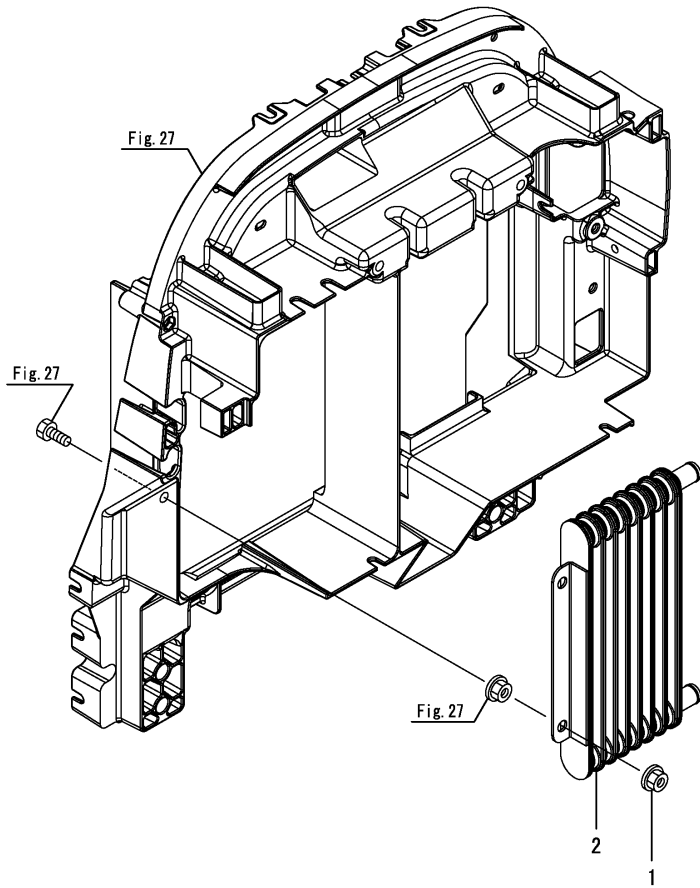
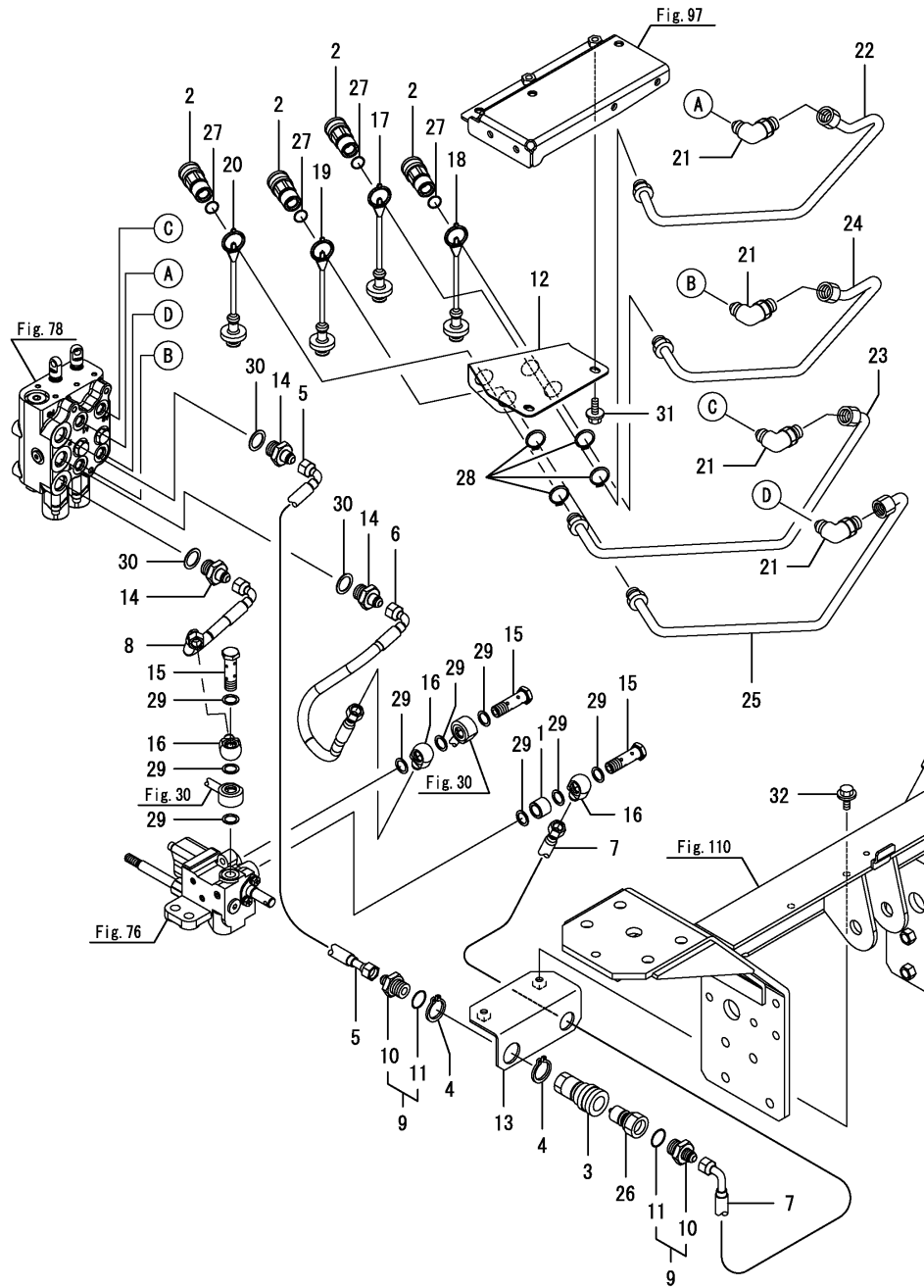


Fig.84. PIPING

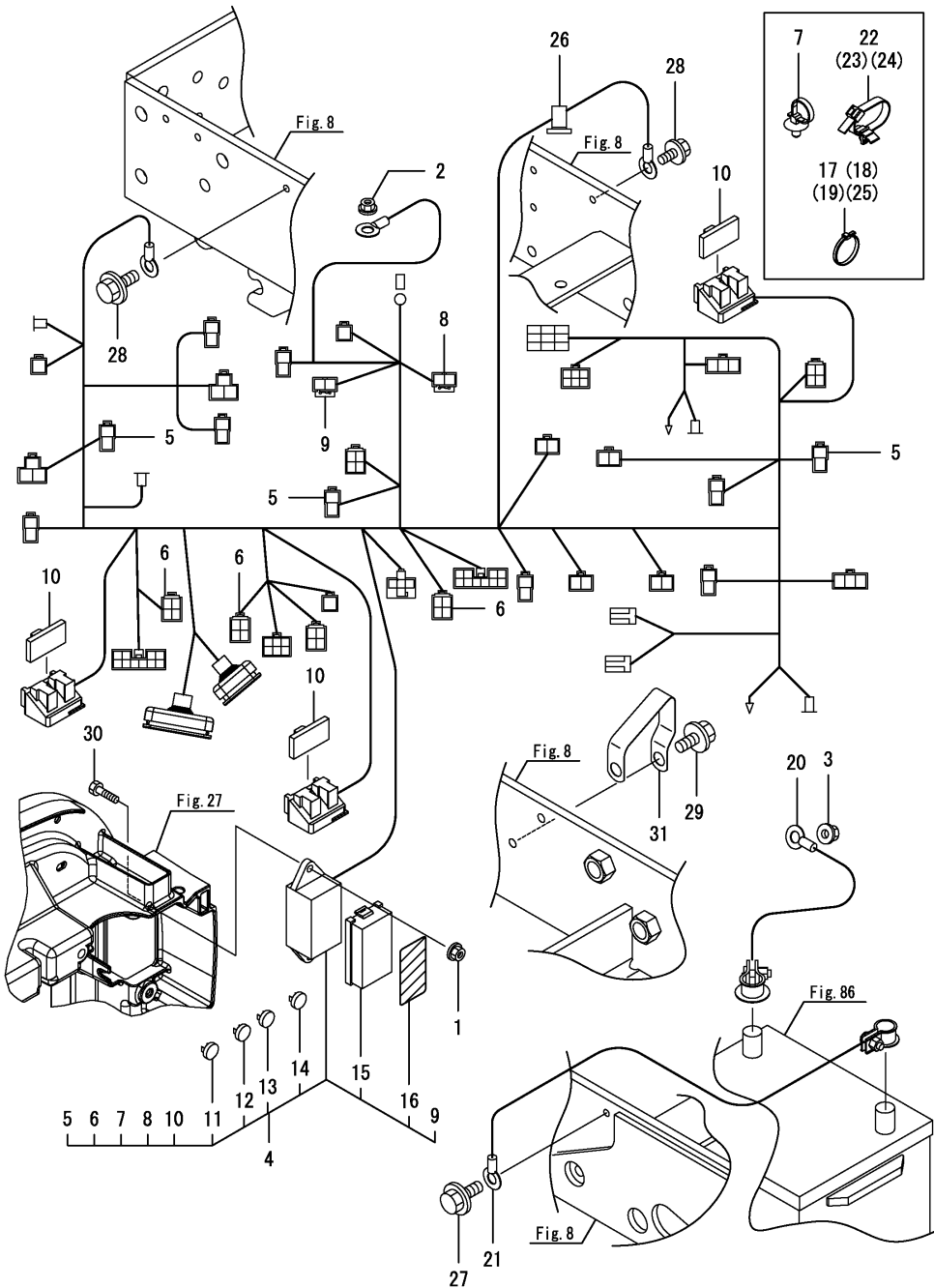


(A)=SC2450(YANMAR)
(B)=
(C)=

(D)=
(E)=
(F)=

No.	Lev.	Parts No.	Description	Q'ty						I	R
				(A)	(B)	(C)	(D)	(E)	(F)		
1	1	1A7882-45210	SPACER	1							
2	1	198223-46250	COUPLER, QUICK	4							
3	1	1A8160-46250	COUPLER, QUICK 3/8	1							
4	1	198240-46260	RING, SNAP	2							
5	1	1A7882-47100	HOSE, PRESSURE BH	1							
6	1	1A7880-47150	HOSE, PRESSURE	1							
7	1	1A7882-47150	HOSE, PRESSURE BH T	1							
8	1	1A7880-47200	HOSE, PRESSURE	1							
9	1	1A7882-47210	JOINT ASSY	2							
10	2	1A7882-47220	JOINT, 3/4UNF9/16UNF	2							
11	2	1A7882-47230	O-RING, 8-1	2							
12	1	1A7880-47501	STAY, SCV COUPLER	1							
13	1	1A7882-47500	STAY ASSY, COUPLER	1							
14	1	1A7880-47520	JOINT, 3/4UNF9/16UNF	3							
15	1	1A7880-47530	BOLT, JOINT 9/16UNF	3							
16	1	1A7880-47540	JOINT, 9/16UNF-14.5	3							
17	1	1A7880-47550	PLUG, DUST RED	1							
18	1	1A7880-47560	PLUG, DUST BLUE	1							
19	1	1A7880-47570	PLUG, DUST YELLOW	1							
20	1	1A7880-47580	PLUG, DUST GREEN	1							
21	1	1A7880-47790	PIPE JOINT, 90 3/8	4							
22	1	1A7880-47830	PIPE ASSY, HP SCV A1	1							
23	1	1A7880-47880	PIPE ASSY, HP SCV A2	1							
24	1	1A7880-47930	PIPE ASSY, HP SCV B1	1							
25	1	1A7880-47980	PIPE ASSY, HP SCV B2	1							
26	1	1A8160-48820	COUPLER, QUICK 3/8	1							
27	1	194850-49290	PACKING, 6-1	4							
28	1	22242-000220	RING, 22	4							
29	1	23414-140000	GASKET, 14X1.0	9							
30	1	23414-190000	GASKET, 19X1.0	3							
31	1	26106-080162	BOLT, M8X 16 PLATED	2							
32	1	26106-080202	BOLT, M8X 20 PLATED	2							

Fig.85. WIRE HARNESS



(A)=SC2450(YANMAR)

(B)=

(C)=

(D)=

(E)=

(F)=

No.	Lev.	Parts No.	Description	Q'ty						I	R
				(A)	(B)	(C)	(D)	(E)	(F)		
1	1	194990-22130	NUT, M6	2							
2	1	194990-22130	NUT, M6	1							
3	1	194990-22140	NUT, M8	1							
4	1	1A7882-51101	HARNESS ASSY,WIRE	1							
5	2	1A7500-51130	DIODE, 3.0A	3							
6	2	1A8160-51130	DIODE, 3.0AX2	3							
7	2	1A7500-51160	CLIP, HARNESS	23							
8	2	1A6240-51630	FUSE, SLOW BLOW 60A	1							
9	2	198153-51700	FUSE, SLOW BLOW 80A	1							
10	2	1A7880-51730	CLIP	3							
11	2	198535-52110	FUSE, 5A	4							
12	2	198535-52120	FUSE, 10A	3							
13	2	198535-52130	FUSE, 15A	3							
14	2	1A7450-52180	FUSE, 25A	2							
15	2	1A7531-52420	COVER, FUSE BOX	1							
16	2	1A7880-65780	LABEL,FUSE	1							
17	1	1A8300-51210	BAND, REPEAT	1							
18	1	1A8300-51210	BAND, REPEAT	1							
19	1	1A8300-51210	BAND, REPEAT	1							
20	1	1A6780-51410	CABLE, BATTERY	1							
21	1	1A7880-51420	CABLE, BATTERY EARTH	1							
22	1	194680-51670	BAND, CLIP	1							
23	1	194680-51670	BAND, CLIP	1							
24	1	194680-51670	BAND, CLIP	1							
25	1	1A1380-55310	CLAMP, WIRE	1							
26	1	194680-78350	STICKER, WIRE 18	1							
27	1	26106-080162	BOLT, M8X 16 PLATED	1							
28	1	26106-080162	BOLT, M8X 16 PLATED	2							
29	1	26106-100202	BOLT, M10X 20 PLATED	1							
30	1	26116-060202	BOLT, M6X 20 PLATED	2							
31	1	933171-15801	CORD, ENGINE EARTH	1							

Fig.86. BATTERY

(A)=SC2450(YANMAR)
 (B)=
 (C)=

(D)=
 (E)=
 (F)=

No.	Lev.	Parts No.	Description	Q'ty						I	R
				(A)	(B)	(C)	(D)	(E)	(F)		
1	1	194990-22130	NUT, M6	2							
2	1	1A8160-51550	BATTERY ASSY, DRY526R	1							
3	2	1A8160-51570	LABEL, BATTERY	1							
3A	2	1A8160-51580	LABEL, BATTERY	1							
4	1	1A7880-58111	CLAMP, BATTERY	1							
5	1	1A7880-58121	ROD, BATTERY CLAMP	2							
6	1	26716-060002	NUT, M6	2							

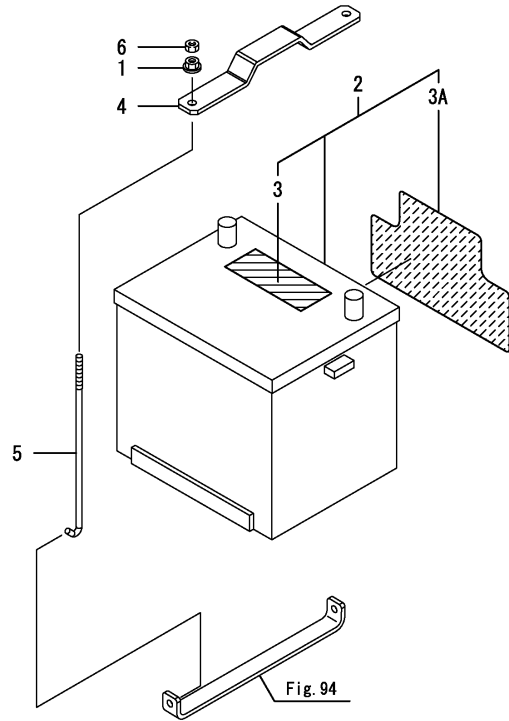
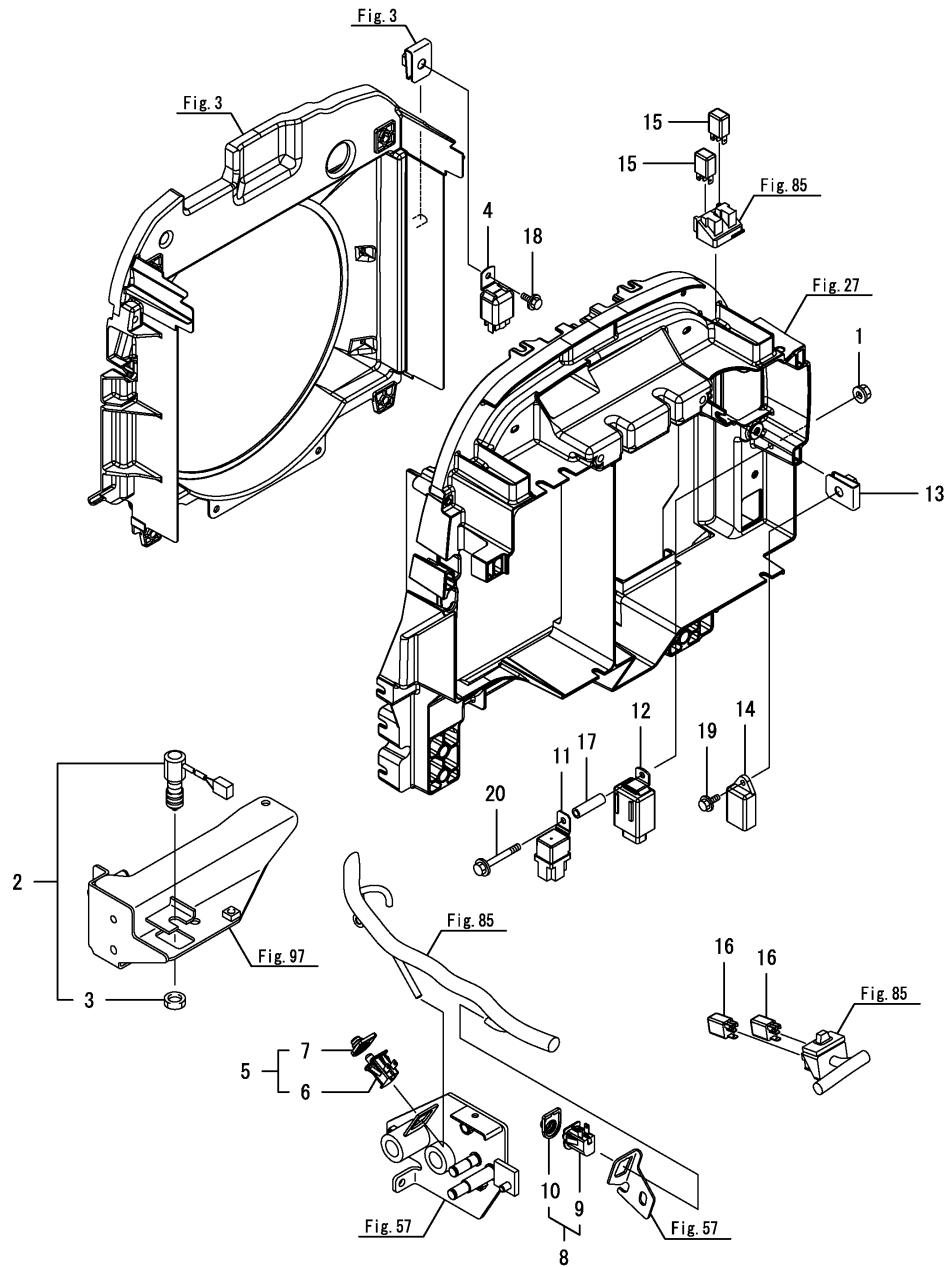


Fig.87. SWITCH A



(A)=SC2450(YANMAR)
 (B)=
 (C)=

(D)=
 (E)=
 (F)=

No.	Lev.	Parts No.	Description	Qty						I	R
				(A)	(B)	(C)	(D)	(E)	(F)		
1	1	194990-22130	NUT, M6	1							
2	1	198223-52150	SWITCH, STOP LAMP	1							
3	2	26776-120002	NUT, LOCK M12	1							
4	1	198220-52180	RELAY, STARTER	1							
5	1	1A7880-52200	SWITCH ASSY, PEDAL	1							
6	2	1A7880-52210	SWITCH, PEDAL NC	1							
7	2	1A8160-52330	COVER, GUARD	1							
8	1	1A8160-52300	SWITCH, SEAT DELTA	1							
9	2	1A8160-52310	SWITCH, SEAT DELTA	1							
10	2	1A8160-52330	COVER, GUARD	1							
11	1	1A7870-52950	RELAY, CB	1							
12	1	1A6780-57200	FLASHER	1							
13	1	198071-61890	NUT, SPEED M6	1							
14	1	129211-77920	TIMER	1							
15	1	1K1140-82500	RELAY(ACM13211M01	4							
16	1	1K1140-82500	RELAY(ACM13211M01	2							
17	1	1A6382-96650	COLLAR	1							
18	1	26106-060162	BOLT, M6X 16 PLATED	1							
19	1	26106-060162	BOLT, M6X 16 PLATED	1							
20	1	26106-060502	BOLT, M6X 50 PLATED	1							

Fig.88. SWITCH B

(A)=SC2450(YANMAR)
 (B)=
 (C)=

(D)=
 (E)=
 (F)=

No.	Lev.	Parts No.	Description	Q'ty						I	R
				(A)	(B)	(C)	(D)	(E)	(F)		
1	1	172531-17300	SWITCH, PTO	1							
2	1	1A8300-51210	BAND, REPEAT	2							
3	1	194440-51620	CLAMP	1							
4	1	198226-52100	SWITCH ASSY, STARTER	1							
5	2	194155-52160	KEY ASSY	1							
6	3	194155-52190	KEY	2							
7	1	1A7335-52120	SWITCH, HAZARD	1							
8	1	1A7880-52140	SWITCH, COMBINATION	1							
9	1	1A7880-52250	SWITCH, NL Y	1							
10	2	198133-78840	LAMP ASSY	1							
11	1	1A8160-52310	SWITCH, SEAT DELTA	1							
12	1	1A7880-57100	SOCKET, POWER SOUCE	1							

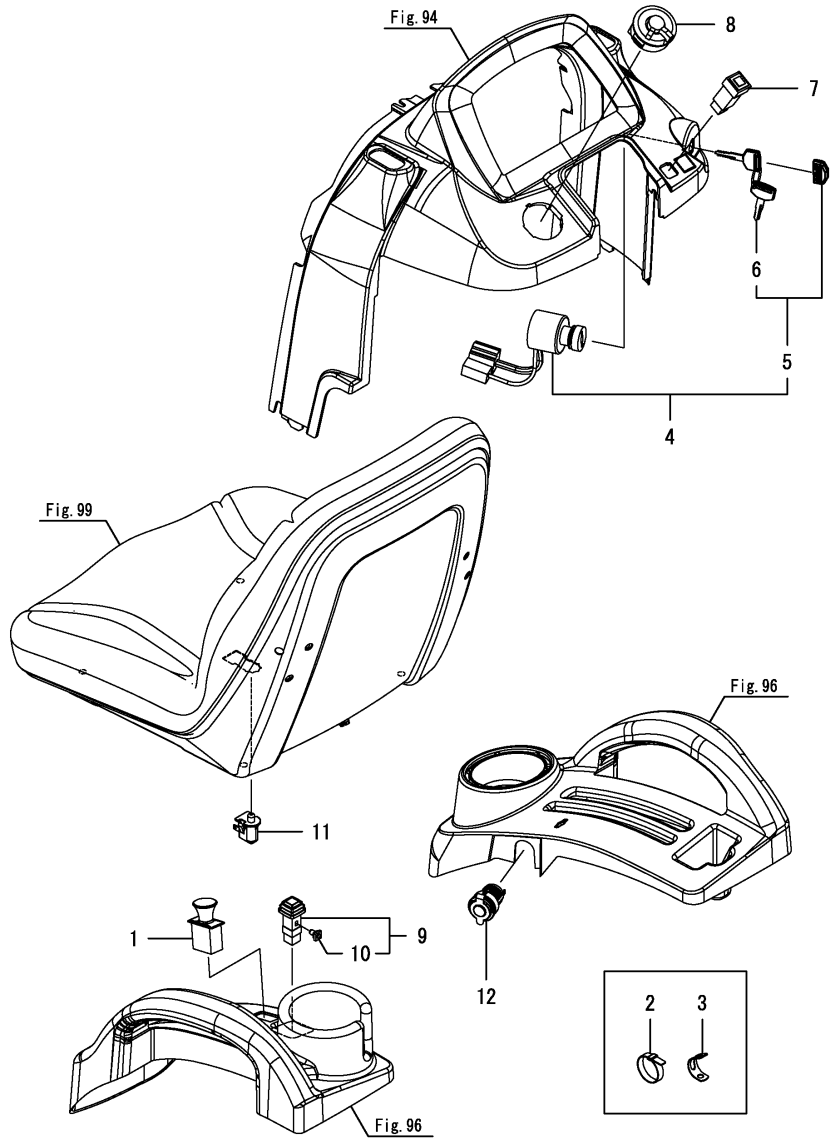
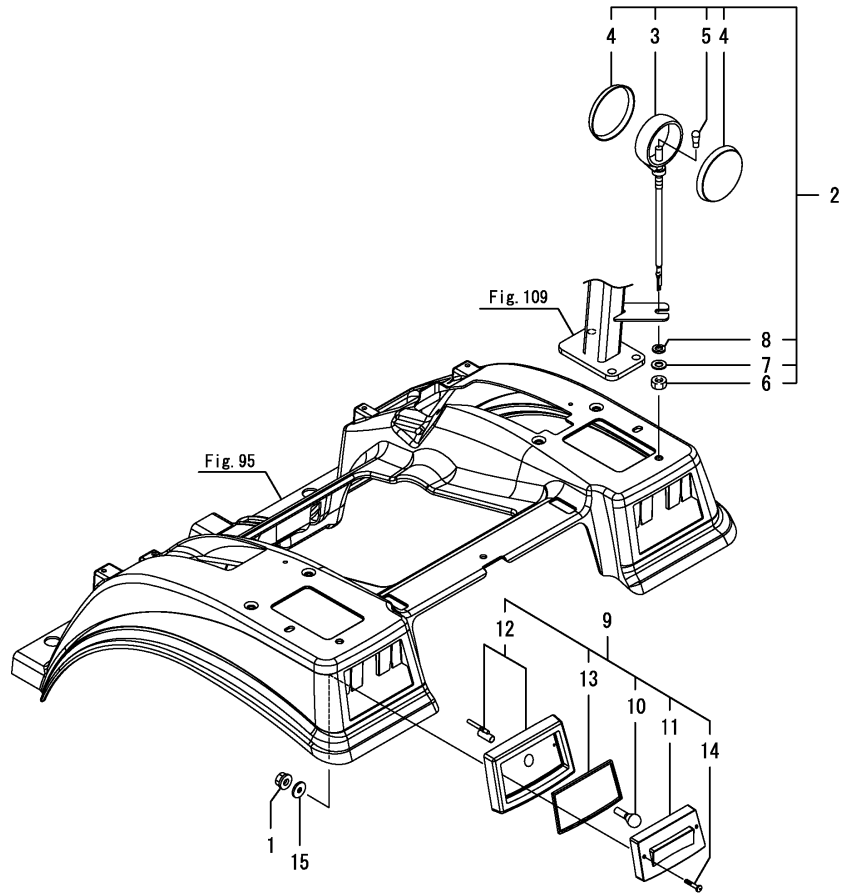


Fig.89. LAMPS

(A)=SC2450(YANMAR)
(B)=
(C)=

(D)=
(E)=
(F)=

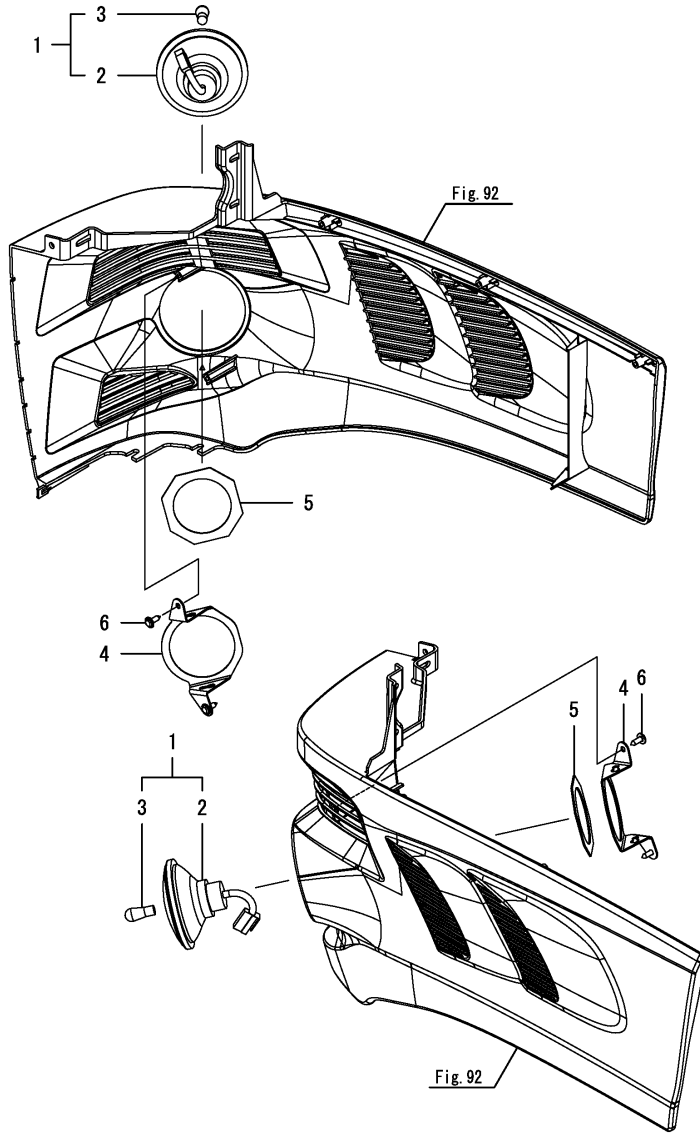


No.	Lev.	Parts No.	Description	Q'ty						I	R
				(A)	(B)	(C)	(D)	(E)	(F)		
1	1	194990-22130	NUT, M6	4							
2	1	1A7880-53400	LAMP ASSY, FLASHER	2							
3	2	1A7880-53410	HOUSING	2							
4	2	1A7880-53420	LENS	4							
5	2	1A7880-53430	BULB, 12.8V/27W	2							
6	2	21731-040002	NUT	2							
6-1	2	1A7880-53100	NUT	2							R
		(A=FXXXXX)									
7	2	22137-130000	WASHER, 13	2							
8	2	22217-130000	WASHER, SPRING 1/2	2							
9	1	1A7335-53600	LAMP, TAIL	2							
10	2	1A7335-53610	BULB, 12V-21/5W	2							
11	2	1A7335-53620	LENS ASSY	2							
12	2	1A7335-53630	HOUSING ASSY, SEMI	2							
13	2	1A7335-53640	GASKET	2							
14	2	1A7335-53650	SCREW, TAPPING M6X32	4							
15	1	22157-060000	WASHER, 6	4							

Fig.90. SIDE LAMP

(A)=SC2450(YANMAR)
 (B)=
 (C)=

(D)=
 (E)=
 (F)=



No.	Lev.	Parts No.	Description	Q'ty						I	R
				(A)	(B)	(C)	(D)	(E)	(F)		
1	1	1A7880-53300	LAMP ASSY, SIDE	2							
2	2	1A7880-53310	CASE ASSY, SIDE LAMP	2							
3	2	1A7880-53320	BULB, 12V/15W	2							
4	1	1A7880-61061	STAY, LAMP	2							
5	1	1A7880-61070	RUBBER, LAMP	2							
6	1	194940-61790	SCREW, TAPPING M5X16	4							

Fig.91. METER

(A)=SC2450(YANMAR)
 (B)=
 (C)=

(D)=
 (E)=
 (F)=

No.	Lev.	Parts No.	Description	Q'ty						I	R
				(A)	(B)	(C)	(D)	(E)	(F)		
1	1	1A7880-56010	METER ASSY	1							
2	2	1A7510-56110	BULB, 12V2.0W	12							
3	2	198448-56150	BULB, 14V-1.4W	2							
4	1	22857-600160	SCREW, 6X16	4							

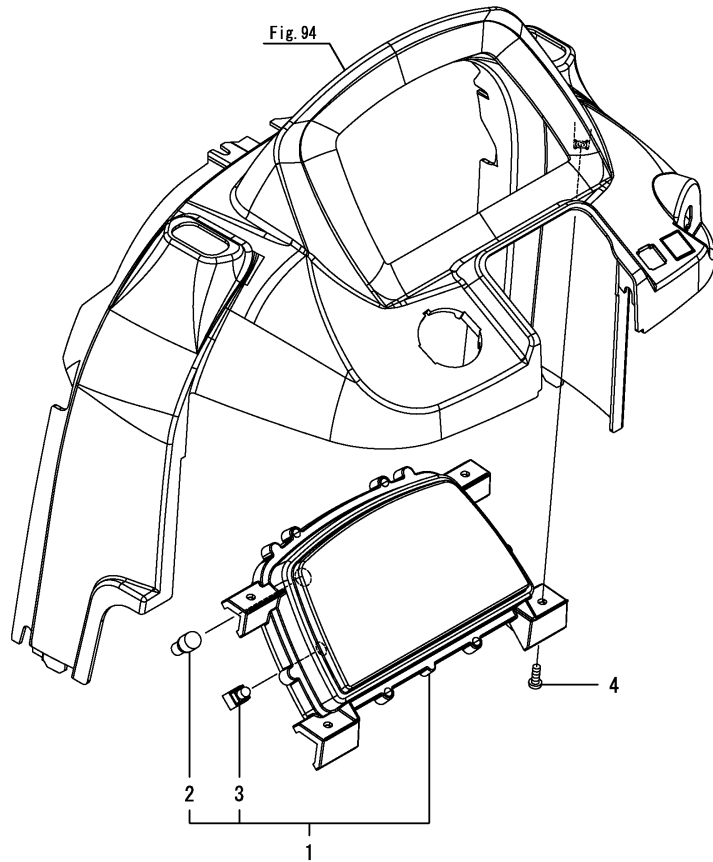


Fig.92. BONNET

(A)=SC2450(YANMAR)

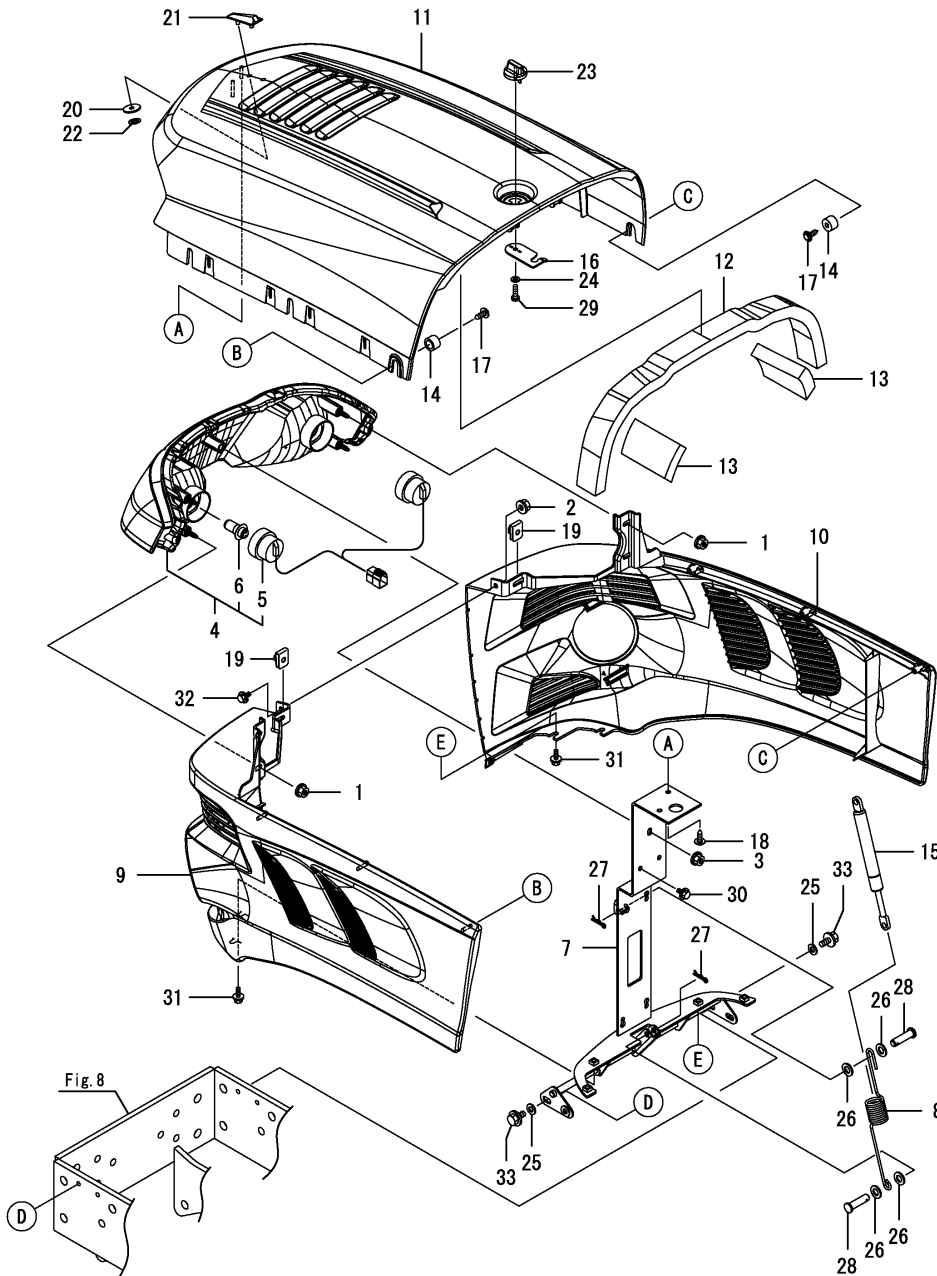
(B)=

(C)=

(D)=

(E)=

(F)=



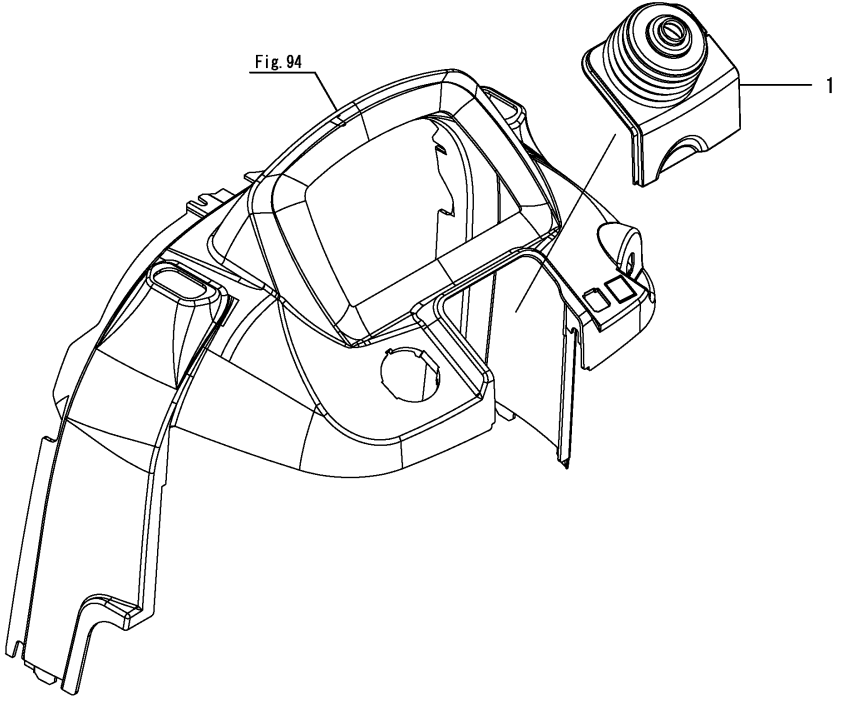
No.	Lev.	Parts No.	Description	Q'ty						I	R
				(A)	(B)	(C)	(D)	(E)	(F)		
1	1	194990-22130	NUT, M6	4							
2	1	194990-22130	NUT, M6	1							
3	1	194990-22130	NUT, M6	1							
4	1	1A7880-53050	LAMP ASSY, HEAD	1							
5	2	1A7880-53070	WIRE, HEAD LAMP	1							
6	2	1A7880-53080	BULB, 12V30/30W	2							
7	1	1A7880-60901	HINGE ASSY, BONNET	1							
8	1	1A7880-60990	SPRING, HINGE	1							
9	1	1A7880-61020	BONNET, LOWER L	1							
10	1	1A7880-61030	BONNET, LOWER R	1							
11	1	1A7880-61111	BONNET, UPPER	1							
12	1	1A7880-61170	SEAL, BONNET UPPER	1							
13	1	1A7880-61260	CUSHION, BONNET	2							
14	1	1A8070-61330	COLLAR, 10X15X10	6							
15	1	1A7880-61370	SPRING, GAS	1							
16	1	1A7880-61761	STOPPER, BONNET	1							
17	1	194940-61790	SCREW, TAPPING M5X16	6							
18	1	194940-61790	SCREW, TAPPING M5X16	2							
19	1	198071-61890	NUT, SPEED M6	2							
20	1	194555-65130	CUSHION	2							
21	1	194940-65590	MARK, TOP	1							
22	1	198071-65610	NUT, SPEED M5	2							
23	1	1E6460-91573	KNOB, SACKER	1							
24	1	22137-050000	WASHER, 5	1							
25	1	22137-080000	WASHER, 8	4							
26	1	22137-080000	WASHER, 8	4							
27	1	22372-080000	PIN, SNAP 8	2							
28	1	22487-080260	PIN, H 8X 26	2							
29	1	22857-500161	SCREW, 5X16	1							
30	1	26106-060162	BOLT, M6X 16 PLATED	2							
31	1	26106-060162	BOLT, M6X 16 PLATED	4							
32	1	26106-060162	BOLT, M6X 16 PLATED	1							
33	1	26106-080162	BOLT, M8X 16 PLATED	4							

Fig.93. DASH BOARD ACCESSORIES

(A)=SC2450(YANMAR)
(B)=
(C)=

(D)=
(E)=
(F)=

No.	Lev.	Parts No.	Description	Q'ty						I	R
				(A)	(B)	(C)	(D)	(E)	(F)		
1	1	1A7880-17350	BOOT	1							



N:Old $\begin{matrix} \leftarrow \text{Yes} \\ \text{No} \rightarrow \end{matrix}$ New, Q:Old $\begin{matrix} \leftarrow \text{No} \\ \text{Yes} \rightarrow \end{matrix}$ New, R:Old $\begin{matrix} \leftarrow \text{Yes} \\ \text{Yes} \rightarrow \end{matrix}$ New, S:Old $\begin{matrix} \leftarrow \text{No} \\ \text{No} \rightarrow \end{matrix}$ New, W:Add, Z:Discontinued, F:Interchangeable by set, K:Q'ty Change
Copyright (C) YANMAR CO., LTD. All Rights Reserved.

Fig.94. DASH BOARD

(A)=SC2450(YANMAR)

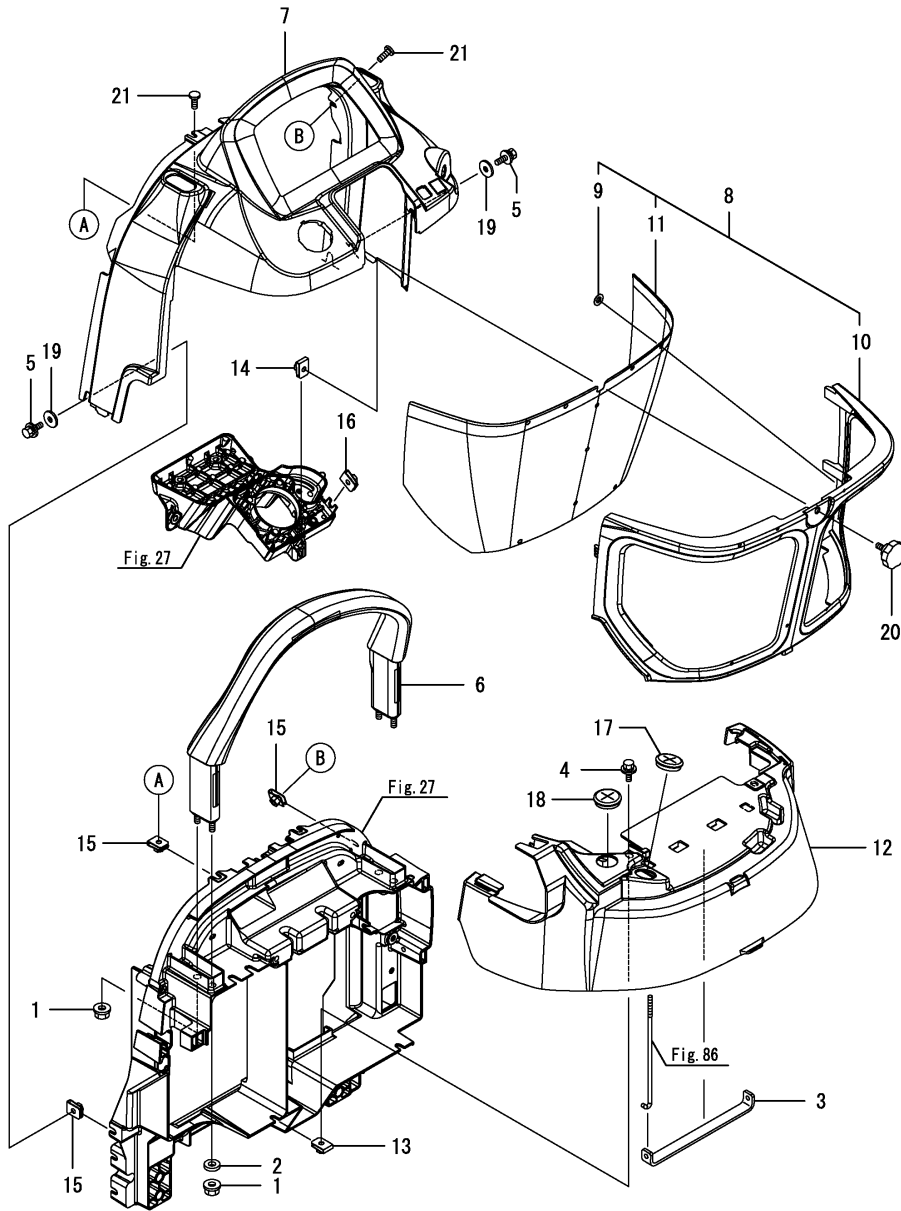
(B)=

(C)=

(D)=

(E)=

(F)=



No.	Lev.	Parts No.	Description	Q'ty						I	R
				(A)	(B)	(C)	(D)	(E)	(F)		
1	1	194990-22140	NUT, M8	4							
2	1	194145-22430	SPACER, 18	1							
3	1	1A7880-58151	STAY, BATTERY	1							
4	1	198461-60590	BOLT, M6X20	2							
5	1	198461-60590	BOLT, M6X20	2							
6	1	1A7880-61510	GRIP, ASSIST	1							
7	1	1A7880-61601	COVER, DASHBOARD	1							
8	1	1A7880-61640	COVER, DASHBOARD	1							
9	2	1C6460-38240	NUT 5,PUSH	6							
10	2	1A7880-61650	COVER, DASHBOARD	1							
11	2	1A7880-61670	NET, DASH COVER	1							
12	1	1A7880-61690	COVER, DASHBOARD	1							
13	1	198071-61890	NUT, SPEED M6	2							
14	1	198071-61890	NUT, SPEED M6	1							
15	1	198071-61890	NUT, SPEED M6	5							
16	1	198071-61890	NUT, SPEED M6	2							
17	1	1A6150-76740	GROMMET, 31	1							
18	1	1A6150-76740	GROMMET, 31	1							
19	1	22157-060000	WASHER, 6	3							
20	1	26064-060151	BOLT, 6X 15	1							
21	1	26589-060162	SCREW, M6	5							

Fig.95. FENDER

(A)=SC2450(YANMAR)
(B)=
(C)=

(D)=
(E)=
(F)=

No.	Lev.	Parts No.	Description	Q'ty						I	R
				(A)	(B)	(C)	(D)	(E)	(F)		
1	1	1A7880-62100	FENDER	1							
2	1	22157-080000	WASHER, 8	2							
3	1	26106-080202	BOLT, M8X 20 PLATED	1							
4	1	26106-080302	BOLT, M8X 30 PLATED	2							

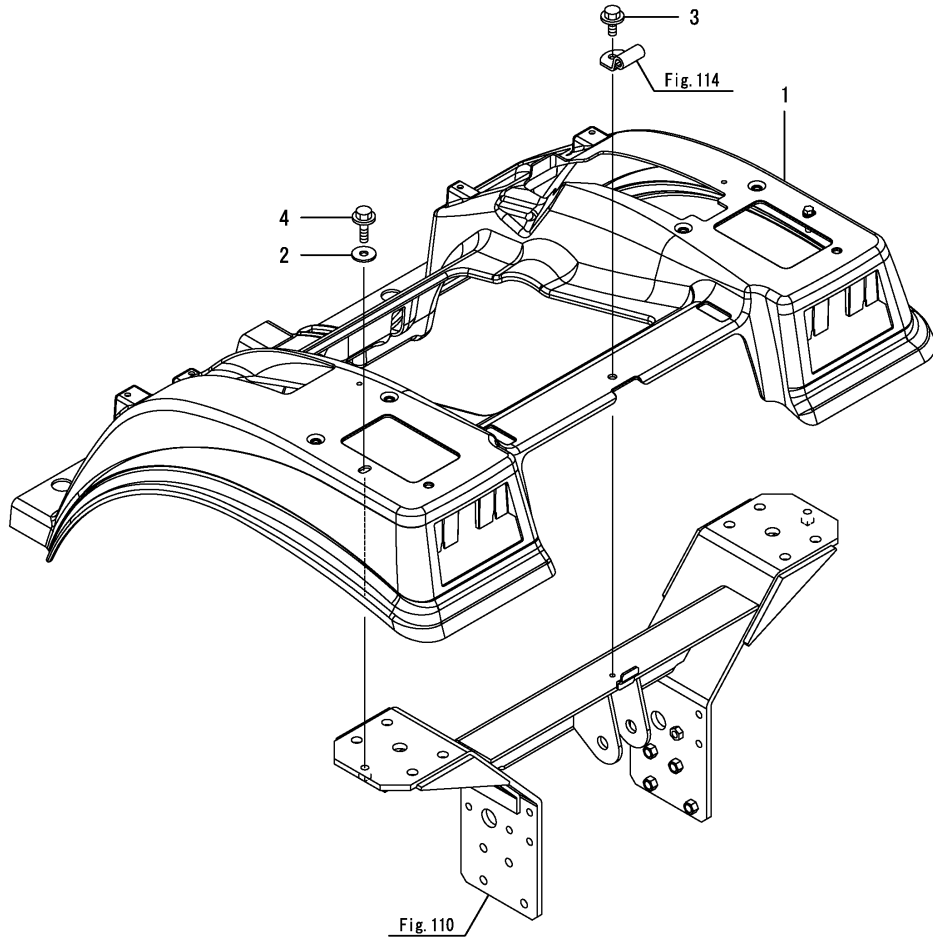


Fig.96. LEVER GUIDE

(A)=SC2450(YANMAR)
 (B)=
 (C)=

(D)=
 (E)=
 (F)=

No.	Lev.	Parts No.	Description	Q'ty						I	R
				(A)	(B)	(C)	(D)	(E)	(F)		
1	1	194300-37570	SPRING	1							
2	1	198165-47750	KNOB, CONTROL	1							
3	1	1A7510-47760	STOPPER, CONTROL	1							
4	1	1A7880-62240	GUIDE ASSY, LEVER LM	1							
5	1	1A7880-62300	GUIDE, LEVER R	1							
6	1	22157-080000	WASHER, 8	1							
7	1	22417-200160	PIN, COTTER 2.0X16	1							
8	1	22857-600160	SCREW, 6X16	4							
9	1	22857-600160	SCREW, 6X16	5							

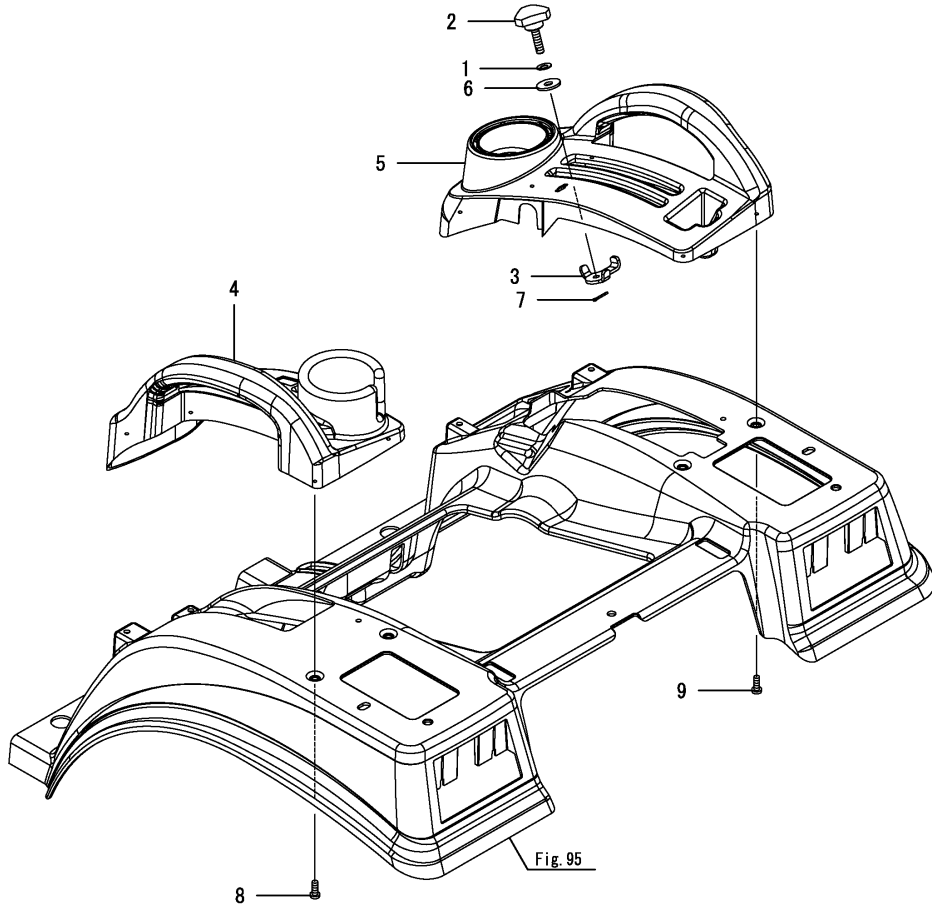


Fig.97. FOOTREST STAY

(A)=SC2450(YANMAR)
 (B)=
 (C)=

(D)=
 (E)=
 (F)=

No.	Lev.	Parts No.	Description	Q'ty						I	R
				(A)	(B)	(C)	(D)	(E)	(F)		
1	1	1A7880-62550	STAY ASSY, STEP L	2							
2	1	1A7880-62601	STAY ASSY, STEP RF	1							
3	1	1A7880-62650	STAY ASSY, STEP RR	1							
4	1	26106-080162	BOLT, M8X 16 PLATED	4							
5	1	26106-080162	BOLT, M8X 16 PLATED	2							
6	1	26106-080162	BOLT, M8X 16 PLATED	2							

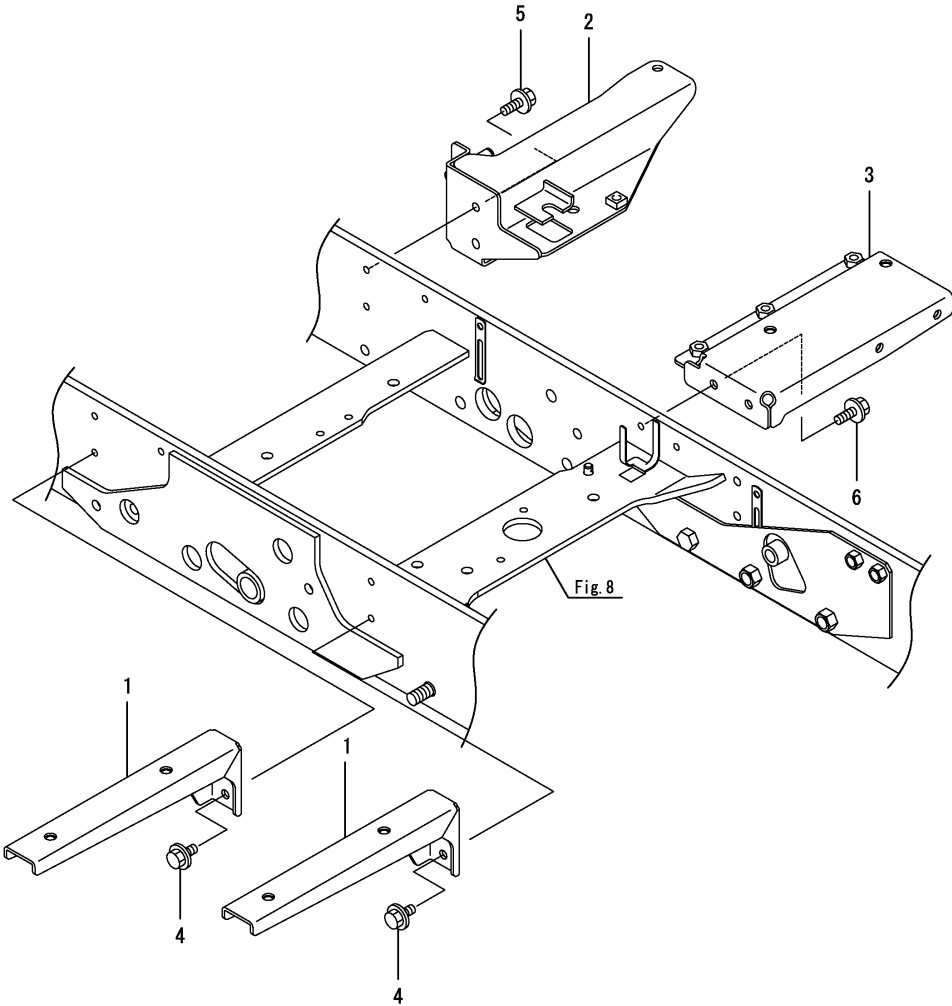


Fig.98. STEP

(A)=SC2450(YANMAR)
(B)=
(C)=

(D)=
(E)=
(F)=

No.	Lev.	Parts No.	Description	Q'ty						I	R
				(A)	(B)	(C)	(D)	(E)	(F)		
1	1	198360-03260	GROMMET, 12	4							
2	1	198360-03270	SPACER	4							
3	1	1A7880-62500	STEP	1							
4	1	1A7880-62510	SHEET ,STEP	1							
5	1	198162-62630	FASNER	10							
6	1	26106-080202	BOLT, M8X 20 PLATED	6							

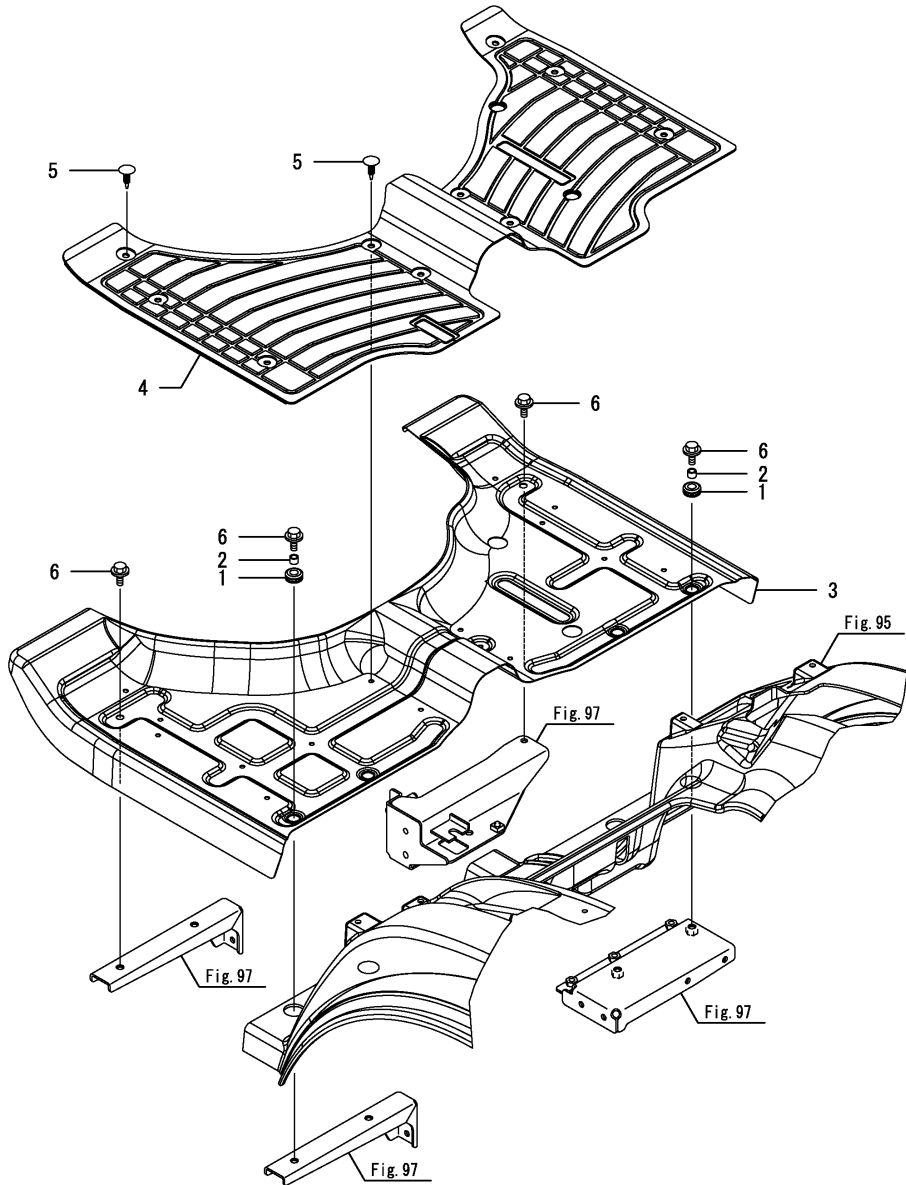
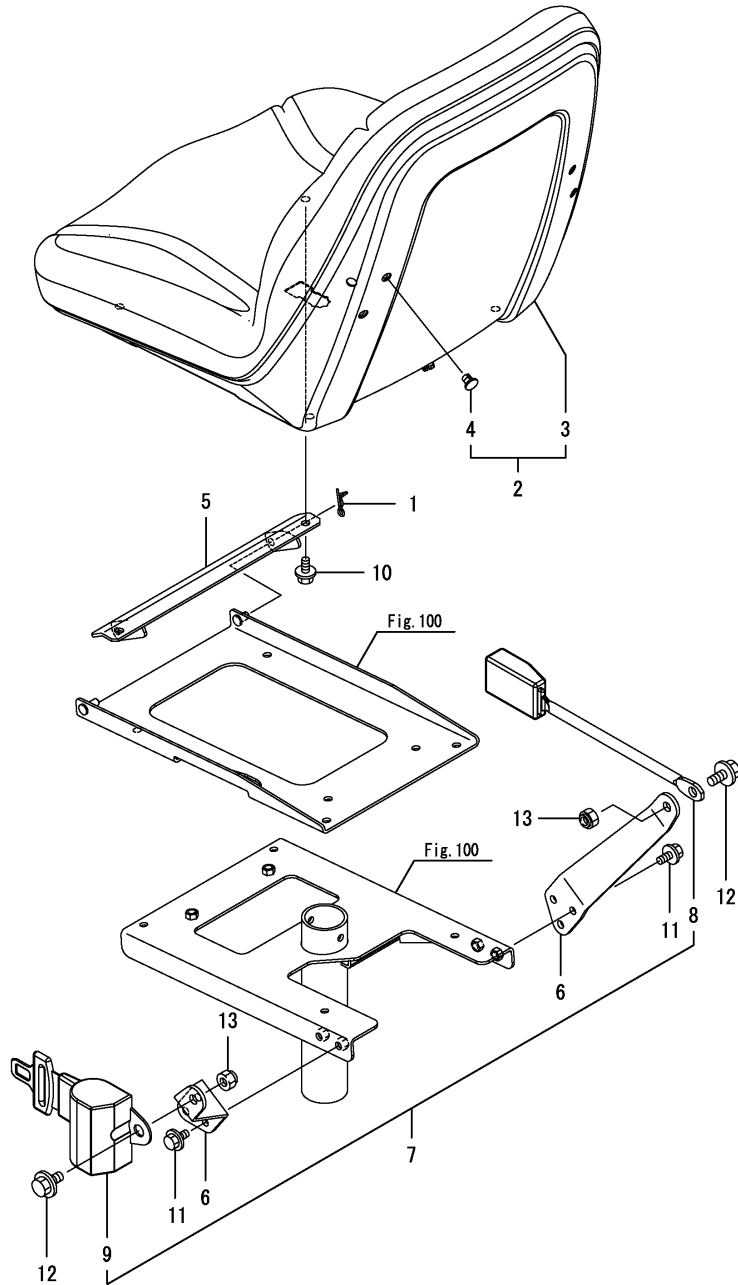


Fig.99. DRIVER SEAT



(A)=SC2450(YANMAR)
(B)=
(C)=

(D)=
(E)=
(F)=

No.	Lev.	Parts No.	Description	Q'ty						I	R
				(A)	(B)	(C)	(D)	(E)	(F)		
1	1	1C6281-52320	PIN, SNAP 8	1							
2	1	1A7880-63050	SEAT ASSY, OPERATOR	1							
2-1	1	1A7880-63020	SEAT, OPERATOR	1							N
3	2	1A8300-63010	SEAT ASSY, OPERATOR	1							Z
4	2	1A7880-63060	NUT PLUG	6							Z
5	1	1A7882-63100	HINGE ASSY, SEAT	1							
6	1	1A7882-63250	STAY, SEAT BELT	2							
7	1	1A8160-63400	BELT ASSY, SEAT	1							
8	2	1A8160-63410	BELT ASSY, SEAT	1							
9	2	1A8160-63420	BELT ASSY, SEAT	1							
10	1	26106-080162	BOLT, M8X 16 PLATED	2							
11	1	26106-080162	BOLT, M8X 16 PLATED	4							
12	1	26106-100202	BOLT, M10X 20 PLATED	2							
13	1	26346-100002	NUT, M10	2							

Fig.100. SEAT STAY

(A)=SC2450(YANMAR)

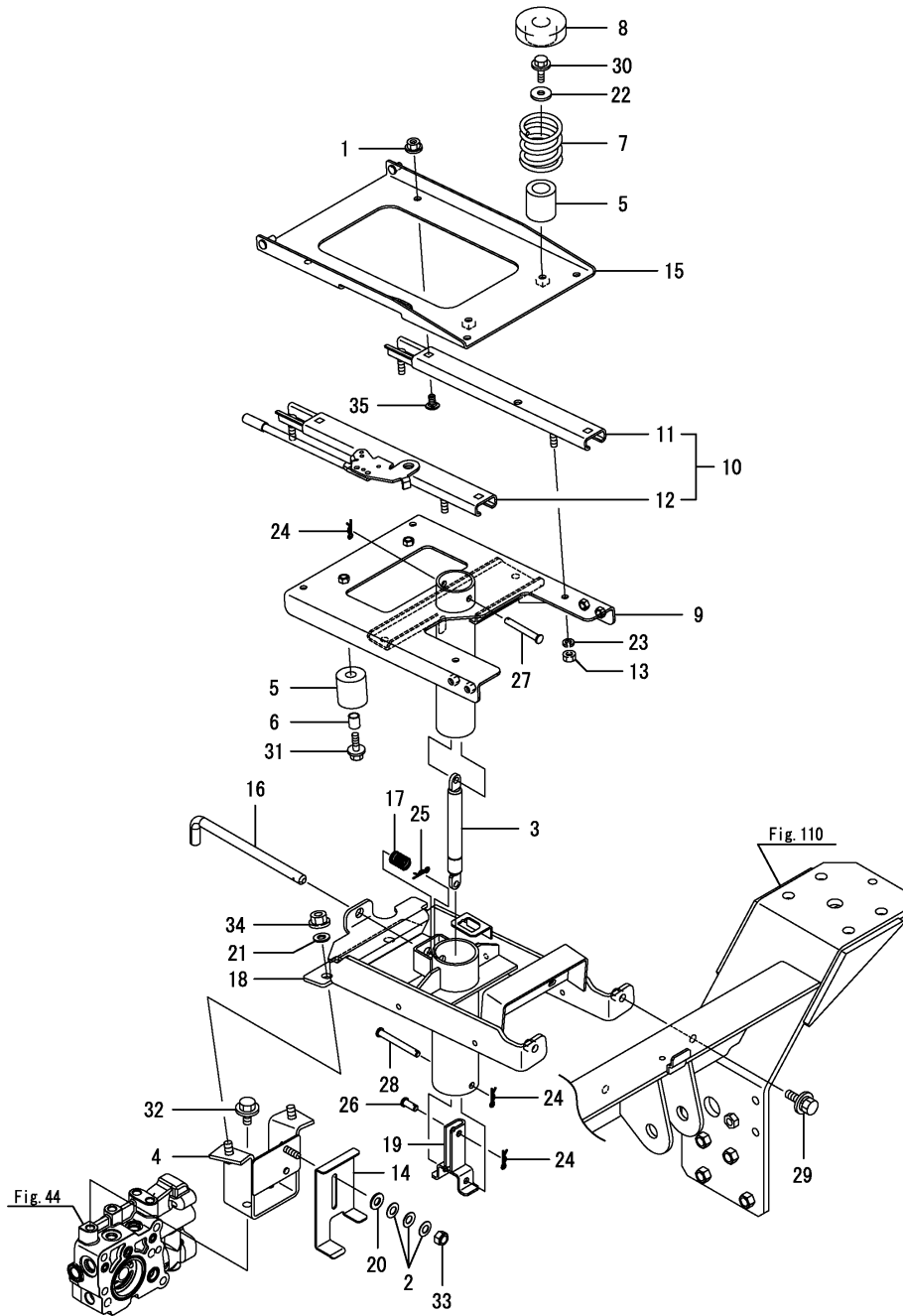
(B)=

(C)=

(D)=

(E)=

(F)=



No.	Lev.	Parts No.	Description	Q'ty						I	R
				(A)	(B)	(C)	(D)	(E)	(F)		
1	1	194990-22140	NUT, M8	4							
2	1	194300-37570	SPRING	3							
3	1	1A7880-61370	SPRING, GAS	1							
4	1	1A7880-63200	STAY ASSY, SEAT	1							
5	1	194151-63240	RUBBER, CUSHION	2							
6	1	194151-63250	COLLAR, CUSHION	2							
7	1	1A8115-63260	SPRING	2							
8	1	198284-63270	STOPPER, SEAT	2							
9	1	1A7882-63300	STAY ASSY, RAIL A	1							
10	1	1A7880-63390	RAIL KIT, SEAT	1							
11	2	1A7880-63400	RAIL ASSY, SEAT	1							
12	2	1A7880-63410	RAIL ASSY, SEAT	1							
13	1	1A7880-63420	NUT, 5/16-18UNC	4							
14	1	1A7880-63451	PLATE, SWITCH	1							
15	1	1A7882-63500	STAY ASSY, RAIL B	1							
16	1	1A7882-63550	PIN, LOCK	1							
17	1	1A7882-63560	SPRING, SEAT STAY	1							
18	1	1A7882-63600	BRACKET ASSY, SEAT	1							
19	1	1A7882-63700	STAY ASSY, SPRING	1							
20	1	22137-080000	WASHER, 8	1							
21	1	22137-100000	WASHER, 10	2							
22	1	22157-080000	WASHER, 8	2							
23	1	22217-080000	WASHER, SPRING 8	4							
24	1	22372-080000	PIN, SNAP 8	3							
25	1	22372-120000	PIN, SNAP 12	1							
26	1	22487-080160	PIN, H 8X 16	1							
27	1	22487-080550	PIN 8X 55	1							
28	1	22487-080650	PIN 8X 65	1							
29	1	26014-100252	BOLT, M10X 25	2							
30	1	26106-080202	BOLT, M8X 20 PLATED	2							
31	1	26106-080252	BOLT, M8X 25 PLATED	2							
32	1	26106-100162	BOLT, M10X 16 PLATED	2							
33	1	26347-080002	NUT, M8	1							
34	1	26366-100002	NUT, M10	2							
35	1	26487-080163	BOLT, M8X16	4							

Fig.101. LABEL(1)

(A)=SC2450(YANMAR)
 (B)=
 (C)=

(D)=
 (E)=
 (F)=

No.	Lev.	Parts No.	Description	Qty						I	R
				(A)	(B)	(C)	(D)	(E)	(F)		
1	1	1A7340-65080	LABEL,DRAIN	1							

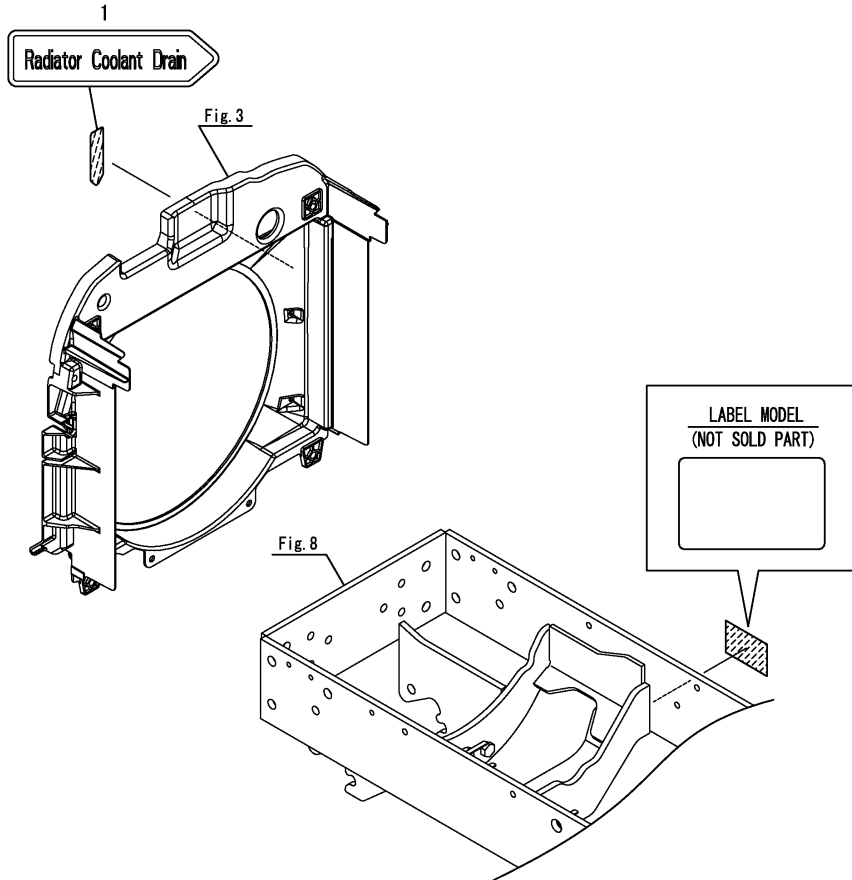


Fig.102. LABEL(2)

(A)=SC2450(YANMAR)

(B)=

(C)=

(D)=

(E)=

(F)=

No.	Lev.	Parts No.	Description	Q'ty						I	R
				(A)	(B)	(C)	(D)	(E)	(F)		
1	1	1A7880-15880	PLATE	1							
2	1	1A7880-65331	LABEL POSITION	1							
3	1	1A7880-65341	LABEL LEVER GUIDE L	1							
4	1	1A7880-65370	LABEL, LEVER 4WD	1							
5	1	1A7880-65380	LABEL, LEVER VALVE	1							
6	1	1A7880-65390	LABEL,DIFFLOCK	1							
7	1	1A8250-65390	LABEL,SPARK ARRESTOR	1							
8	1	1A7880-65511	LABEL,ACCELERAT.LVR.	1							
9	1	1A7880-65570	LABEL HOOD OPEN	1							
10	1	1A8250-65630	LABEL, SOCKET	1							
11	1	1A8250-65650	LABEL, FUEL OIL	1							
12	1	1A7880-65722	LABLE,START SWITCH	1							
13	1	1A8160-65860	TAPE, 50X115	2							

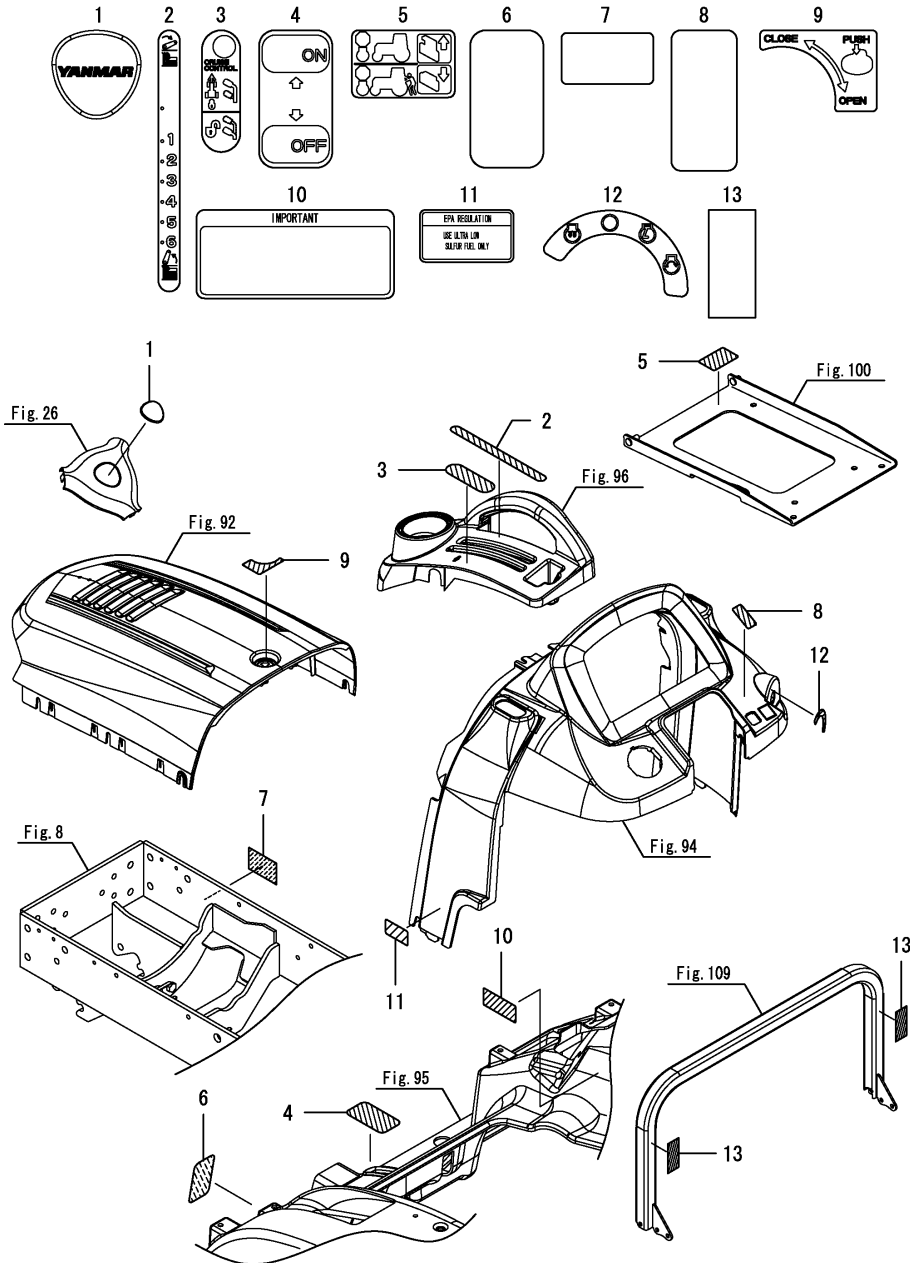


Fig.103. LABEL(3)

(A)=SC2450(YANMAR)
 (B)=
 (C)=

(D)=
 (E)=
 (F)=

No.	Lev.	Parts No.	Description	Q'ty						I	R
				(A)	(B)	(C)	(D)	(E)	(F)		
1	1	1A7882-65650	LABEL,LOGO L.H.	1							
2	1	1A7882-65660	LABEL,LOGO R.H.	1							

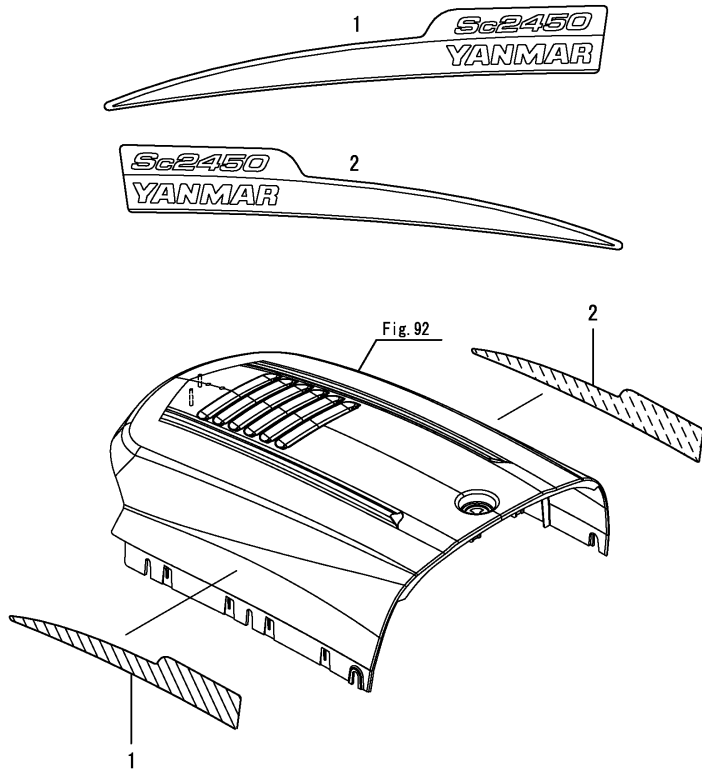


Fig.104. LABEL(4)

(A)=SC2450(YANMAR)
(B)=
(C)=

(D)=
(E)=
(F)=

No.	Lev.	Parts No.	Description	Q'ty						I	R
				(A)	(B)	(C)	(D)	(E)	(F)		
1	1	1A7880-65411	LABEL,SCV LEVER	1							
2	1	1A8160-65430	LABEL,SCV COUPLER	1							

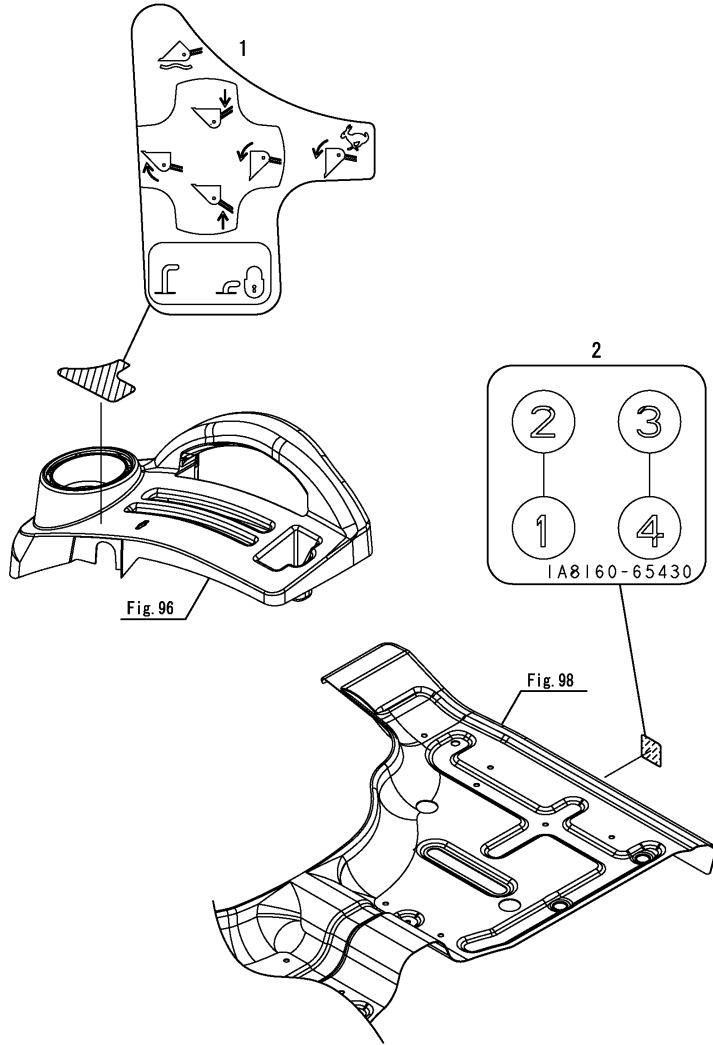


Fig.105. LABEL(SAFETY)(1)

(A)=SC2450(YANMAR)
 (B)=
 (C)=

(D)=
 (E)=
 (F)=

No.	Lev.	Parts No.	Description	Q'ty						I	R
				(A)	(B)	(C)	(D)	(E)	(F)		
1	1	1A8160-65300	LABEL,DANGER,START	1							
2	1	1A8160-65310	LABEL,WARNIBG,STOP	1							

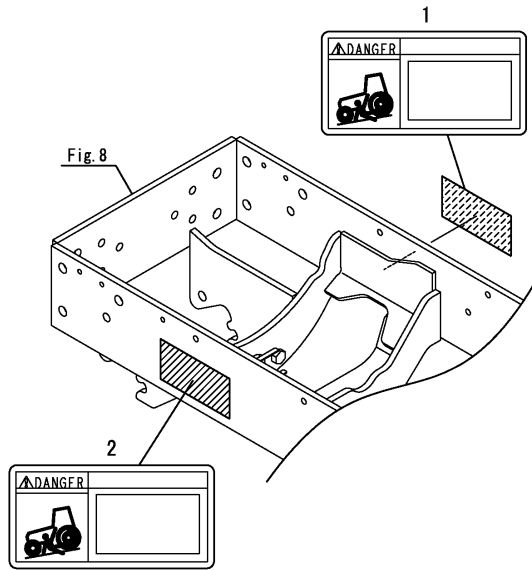


Fig.106. LABEL(SAFETY)(2)

(A)=SC2450(YANMAR)
 (B)=
 (C)=

(D)=
 (E)=
 (F)=

No.	Lev.	Parts No.	Description	Q'ty						I	R
				(A)	(B)	(C)	(D)	(E)	(F)		
1	1	1A7880-65351	LABEL, LEVERGUIDE L	1							
2	1	1A7880-65601	LABEL, CAUTION, GENERA	1							
3	1	1A7880-65610	LABEL, WARNING, FAN	1							
4	1	198220-65621	LABEL, P.T.O. WARNING	1							
5	1	1A7882-65980	LABEL, ROPS	1							
6	1	1A7882-85231	LABEL, WARNING ROPS	1							

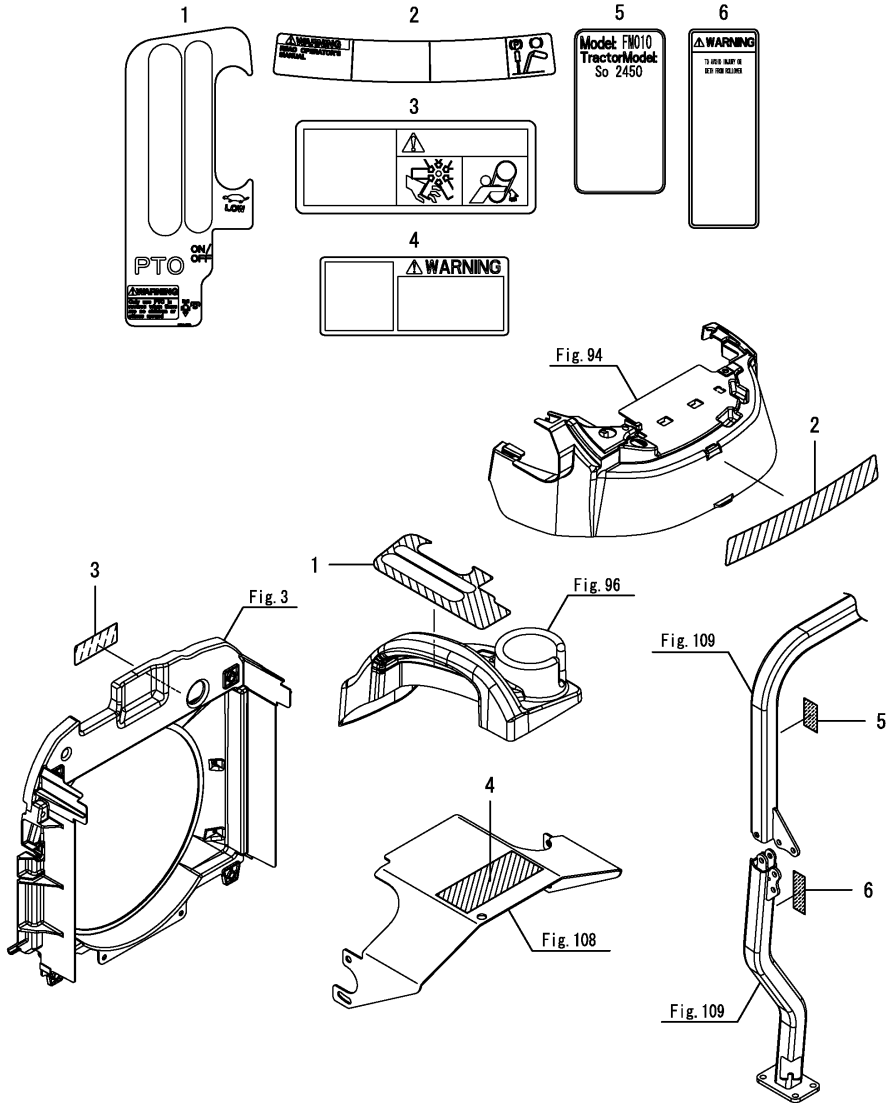


Fig.107. LABEL(SAFETY)(3)

(A)=SC2450(YANMAR)
 (B)=
 (C)=

(D)=
 (E)=
 (F)=

No.	Lev.	Parts No.	Description	Q'ty						I	R
				(A)	(B)	(C)	(D)	(E)	(F)		
1	1	1A7882-97920	SAFETY DECAL	1							
2	1	1A7882-97930	SAFETY DECAL	1							
3	1	1A7882-97940	SAFETY DECAL	2							

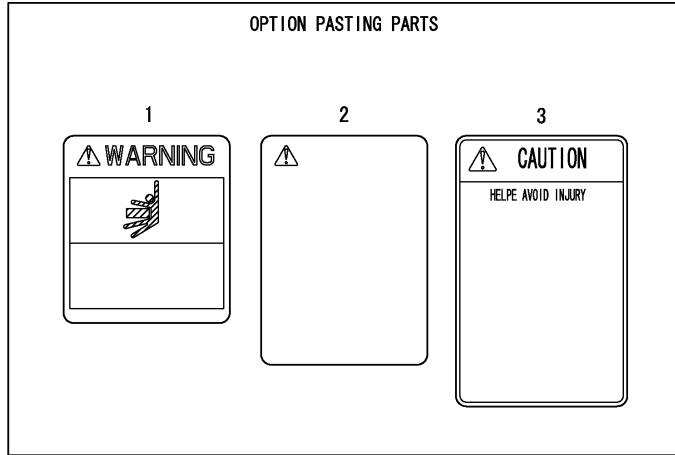


Fig.108. SAFETY COVER(PTO)

(A)=SC2450(YANMAR)
 (B)=
 (C)=

(D)=
 (E)=
 (F)=

No.	Lev.	Parts No.	Description	Q'ty						I	R
				(A)	(B)	(C)	(D)	(E)	(F)		
1	1	194990-22140	NUT, M8	4							
2	1	1A7882-71130	COVER ASSY, PTO M	1							
3	1	26106-080302	BOLT, M8X 30 PLATED	4							

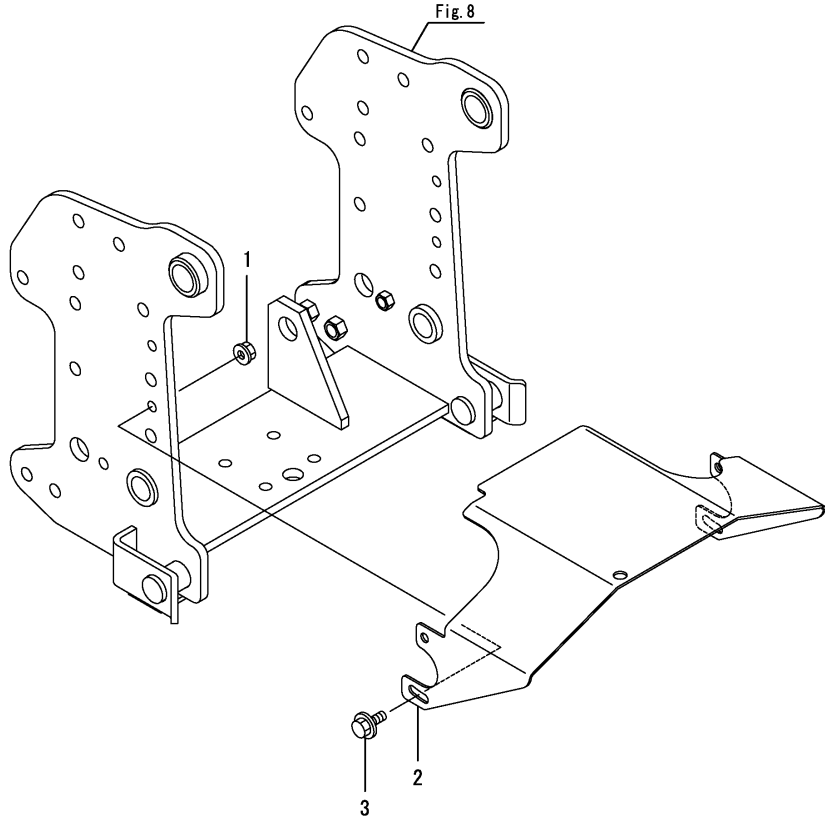
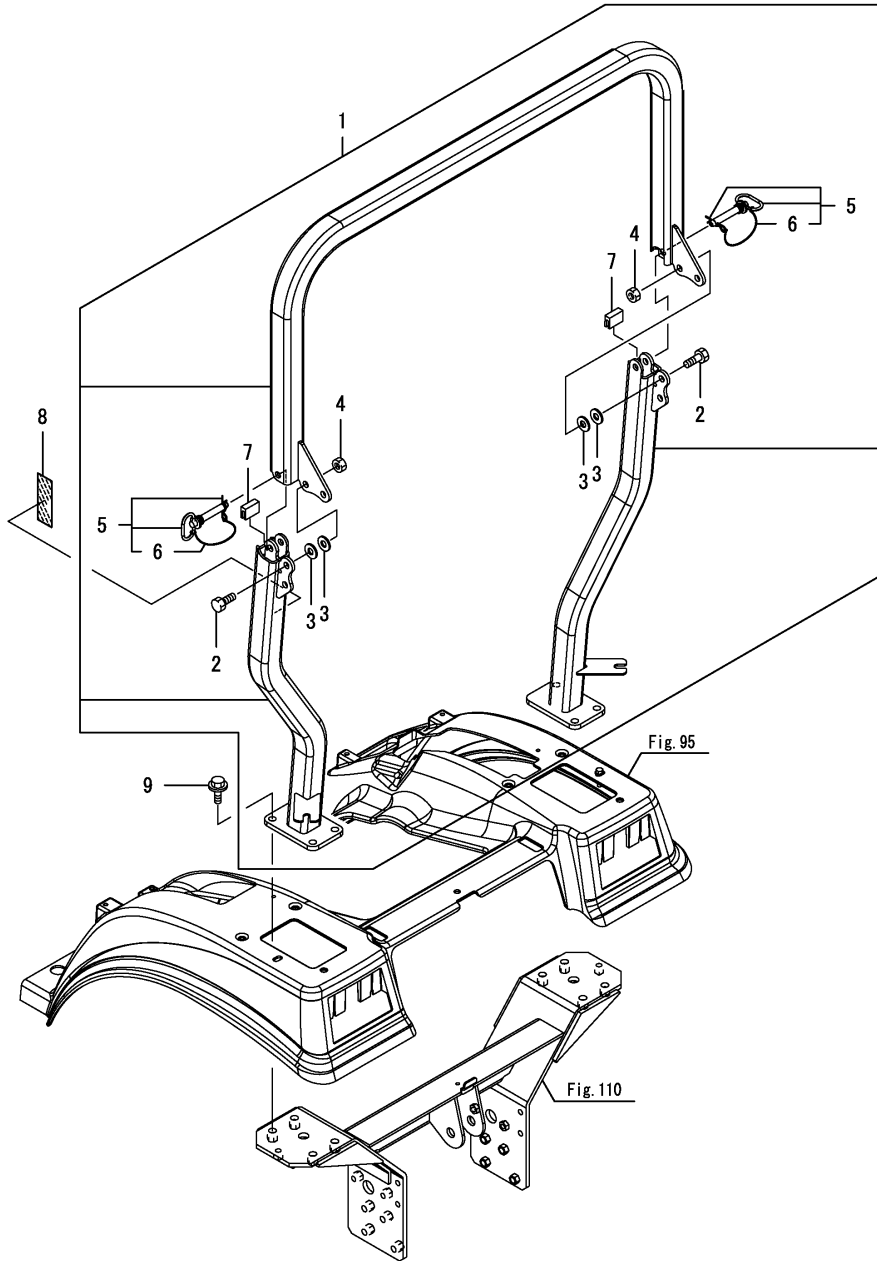


Fig.109. ROPS UPPER

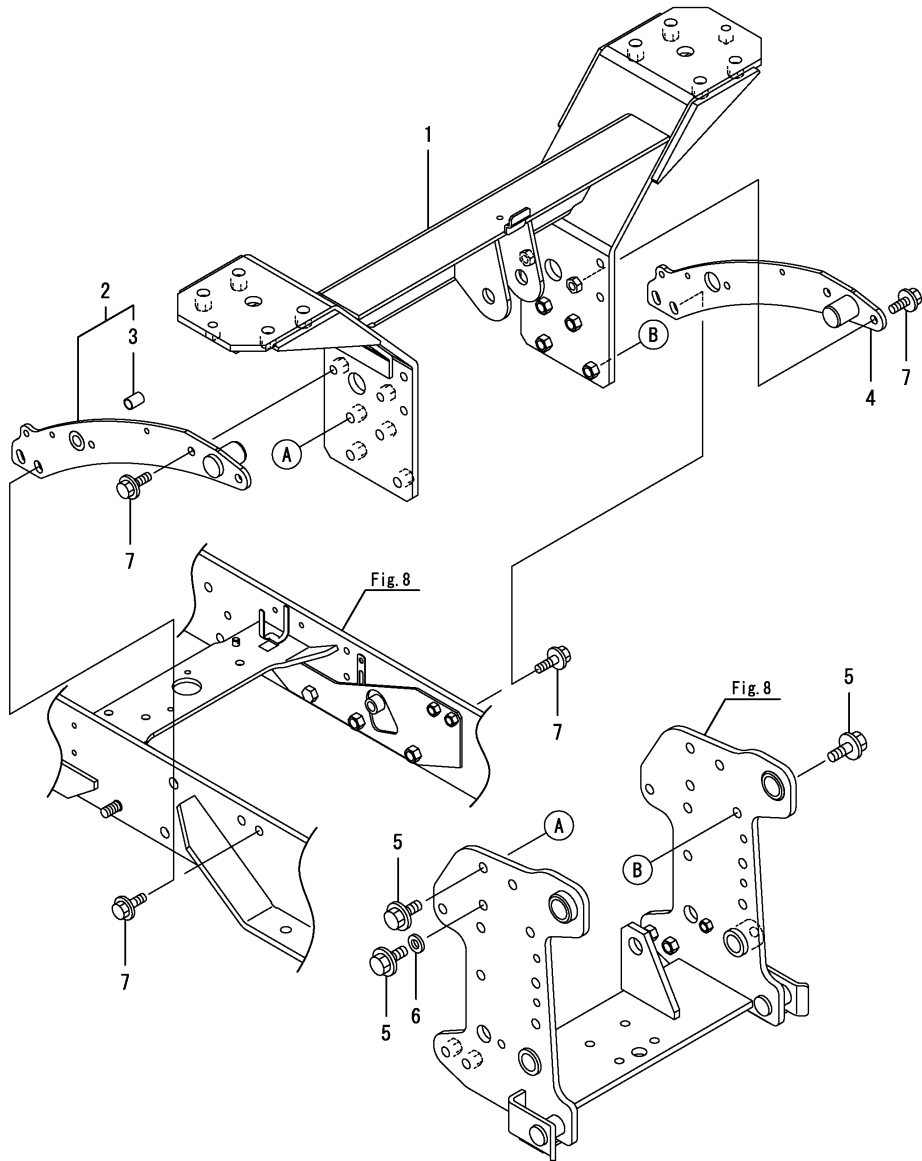


(A)=SC2450(YANMAR)
 (B)=
 (C)=

(D)=
 (E)=
 (F)=

No.	Lev.	Parts No.	Description	Q'ty						I	R
				(A)	(B)	(C)	(D)	(E)	(F)		
1	1	1A7882-85000	FRAME ASSY, UPPER	1							
2	2	1A8160-85090	BOLT, 1/2-13X1.25	2							
3	2	1A8160-85100	WASHER	4							
4	2	1A8160-85110	NUT, 1/2-13	2							
5	2	1A8160-85121	PIN ASSY, HITCH	2							
6	3	1A8160-85130	SPRING	2							
7	2	1A7882-85250	RUBBER, CUSHION	2							
8	1	1A7882-85231	LABEL, WARNING ROPS	1							
9	1	198165-85970	BOLT, M12X35	6							

Fig.110. LOWER FRAME



(A)=SC2450(YANMAR)
 (B)=
 (C)=

(D)=
 (E)=
 (F)=

No.	Lev.	Parts No.	Description	Qty						I	R
				(A)	(B)	(C)	(D)	(E)	(F)		
1	1	1A7882-85300	FRAME ASSY, LOWER	1							
2	1	1A7882-85490	PLATE ASSY, SIDE L	1							
3	2	24550-012200	BUSH, 12X20	1							
4	1	1A7882-85550	PLATE ASSY, SIDE R	1							
5	1	1A6770-85920	BOLT, M12X30	8							
6	1	22137-120000	WASHER, 12	1							
7	1	26106-100302	BOLT, M10X 30 PLATED	8							

Fig.111. SMV

(A)=SC2450(YANMAR)
(B)=
(C)=

(D)=
(E)=
(F)=

No.	Lev.	Parts No.	Description	Q'ty						I	R
				(A)	(B)	(C)	(D)	(E)	(F)		
1	1	194990-22130	NUT, M6	2							
2	1	194990-22140	NUT, M8	2							
3	1	1A7882-63520	STAY, SMV	1							
4	1	1A8160-65800	EMBLEM, SMV	1							
5	1	1A7882-85620	STAY, SMV	1							
6	1	1A7882-85630	HOLDER, SMV	1							
7	1	26106-060162	BOLT, M6X 16 PLATED	2							
8	1	26106-080162	BOLT, M8X 16 PLATED	2							
9	1	26487-080163	BOLT, M8X16	2							

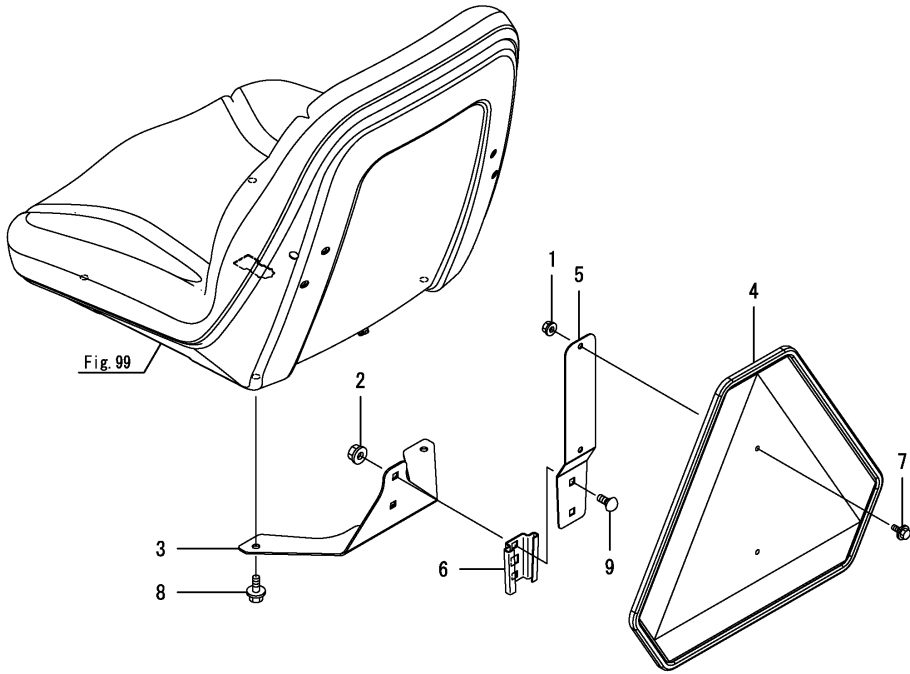
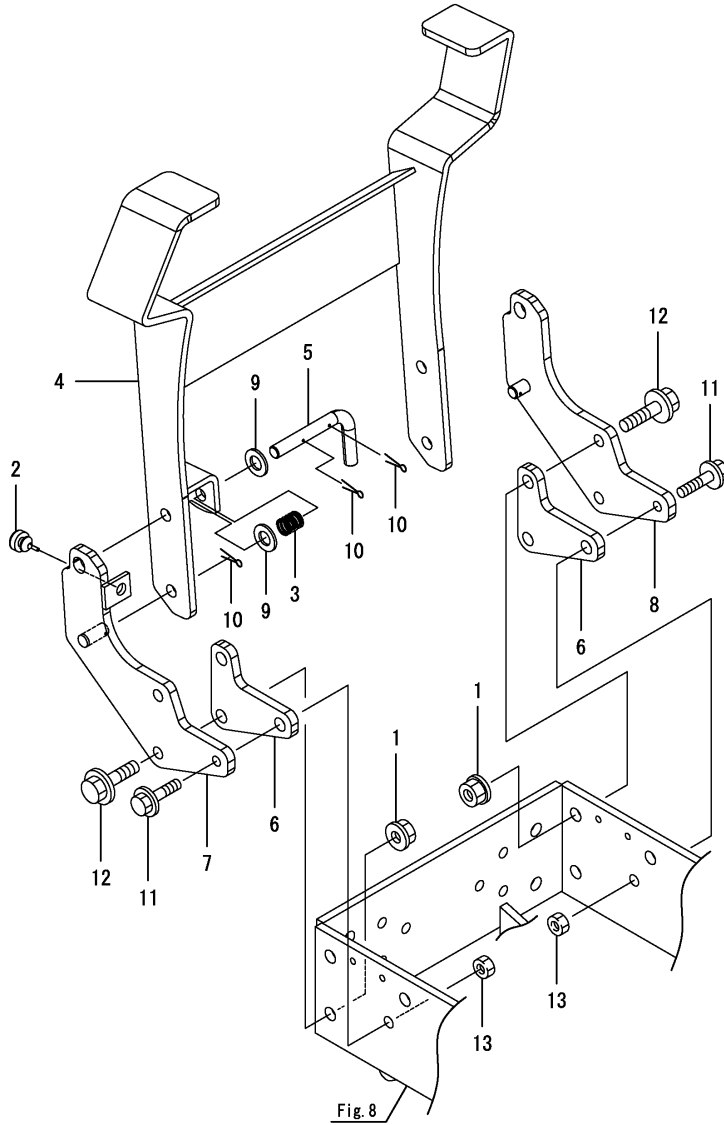


Fig.112. FRONT GRILLE GUARD

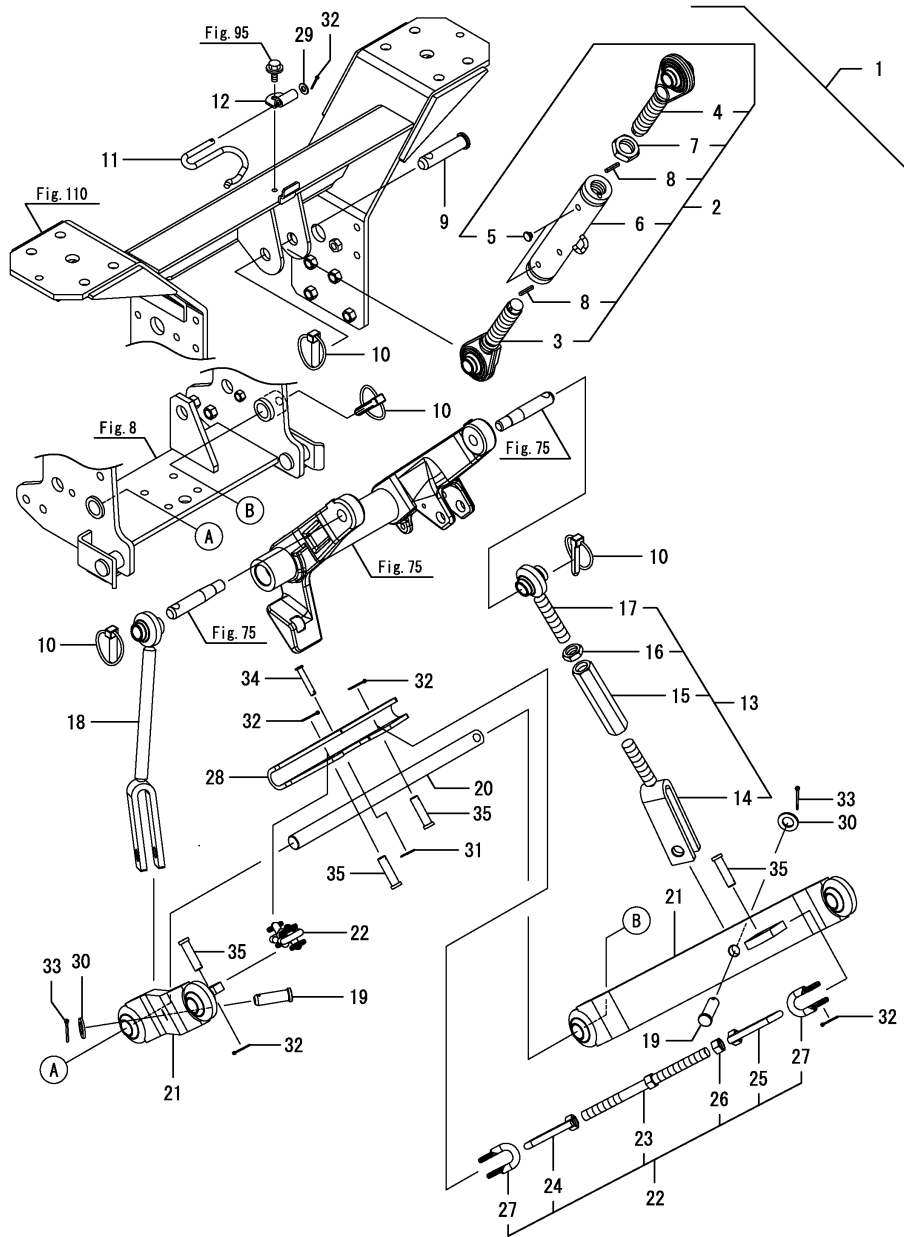
(A)=SC2450(YANMAR)
 (B)=
 (C)=

(D)=
 (E)=
 (F)=



No.	Lev.	Parts No.	Description	Q'ty						I	R
				(A)	(B)	(C)	(D)	(E)	(F)		
1	1	194990-22160	NUT, M12	4							
2	1	194330-62530	STOPPER, PEDAL	1							
3	1	1A7882-63560	SPRING, SEAT STAY	1							
4	1	1A7882-93000	GUARD ASSY, GRILLE	1							
5	1	1A7882-93050	PIN	1							
6	1	1A7882-93060	SPACER	2							
7	1	1A7882-93100	BRACKET ASSY	1							
8	1	1A7882-93110	BRACKET ASSY	1							
9	1	22137-140000	WASHER, 14	2							
10	1	22417-250300	PIN, COTTER 2.5X30	3							
11	1	26106-100402	BOLT, M10X 40 PLATED	2							
12	1	26106-120452	BOLT, M12X 45 PLATED	4							
13	1	26716-100002	NUT, M10	2							

Fig.114. 3P KIT



(A)=SC2450(YANMAR)
(B)=
(C)=

(D)=
(E)=
(F)=

No.	Lev.	Parts No.	Description	Q'ty						I	R
				(A)	(B)	(C)	(D)	(E)	(F)		
1	1	1A7880-71800	HITCH KIT, 3 POINT	1							
2	2	1A7880-71110	LINK ASSY, TOP	1							
3	3	1A7880-71210	BOLT, EYE	1							
4	3	1A7880-71220	BOLT, EYE	1							
5	3	1A7335-71250	CAP	4							
6	3	1A7880-71500	TURNBACKLE ASSY	1							
7	3	1A7880-71580	NUT, M24	1							
8	3	22351-050025	PIN, SPRING 5.0X25	2							
9	2	1A7500-71120	PIN, LINK	1							
10	2	1A7500-71130	PIN ASSY, LINTCH	4							
11	2	1A7880-71550	SPRING	1							
12	2	1A7880-71720	PLATE, TOP LINK	1							
13	2	1A7880-72100	ROD ASSY, LIFT R	1							
14	3	1A7880-72310	END ASSY, LOWER	1							
15	3	1A7880-72320	TURNBUCKLE	1							
16	3	1A7880-72330	NUT, M18	1							
17	3	1A7880-72340	END ASSY, UPPER	1							
18	2	1A7880-72300	ROD ASSY, LIFT L	1							
19	2	198234-72550	PIN, 16X44	2							
20	2	1A7880-73150	BAR, LOWER LINK	1							
21	2	1A7880-73500	LINK ASSY, LOWER	2							
22	2	1A7880-74100	CHAIN ASSY, CHECK	2							
23	3	1A7880-74110	TURNBACKLE ASSY	2							
24	3	1A7880-74120	NUT, EYE	2							
25	3	1A7880-74130	NUT, EYE	2							
26	3	1A7880-74140	NUT, M14	2							
27	3	1A7880-74150	SHACKLE	4							
28	2	1A7880-74550	HINGE, CHECK CHAIN	1							
29	1	22137-080000	WASHER, 8	1							
30	1	22137-160000	WASHER, 16	2							
31	1	22372-080000	PIN, SNAP 8	1							
32	1	22417-250250	PIN, COTTER 2.5X25	5							
33	1	22417-320320	PIN, COTTER 3.2X32	2							
34	1	22487-080400	PIN, H 8X 40	1							
35	1	22487-120400	PIN, H12X40	4							

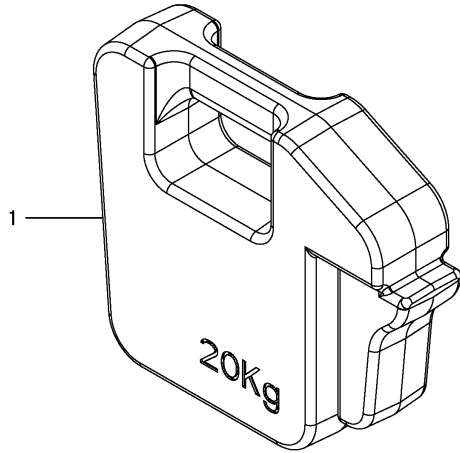
Remarks
*Optional parts.

Fig.115. FRONT WEIGHT

(A)=SC2450(YANMAR)
 (B)=
 (C)=

(D)=
 (E)=
 (F)=

No.	Lev.	Parts No.	Description	Qty						I	R
				(A)	(B)	(C)	(D)	(E)	(F)		
1	1	1A8160-91000	WEIGHT, FRONT 20KG	1							



Remarks
 *Optional parts.

Fig.116. FRONT HITCH

(A)=SC2450(YANMAR)
 (B)=
 (C)=

(D)=
 (E)=
 (F)=

No.	Lev.	Parts No.	Description	Q'ty						I	R
				(A)	(B)	(C)	(D)	(E)	(F)		
1	1	1A7880-10660	HITCH KIT, FRONT	1							
2	2	1A7880-10600	HITCH ASSY	1							
3	2	1A8300-10650	PIN ASSY,WEIGHT LOCK	1							
4	3	1A7880-10641	PIN	1							
5	3	22372-160000	PIN, SNAP 16	2							
6	2	26106-100302	BOLT, M10X 30 PLATED	4							

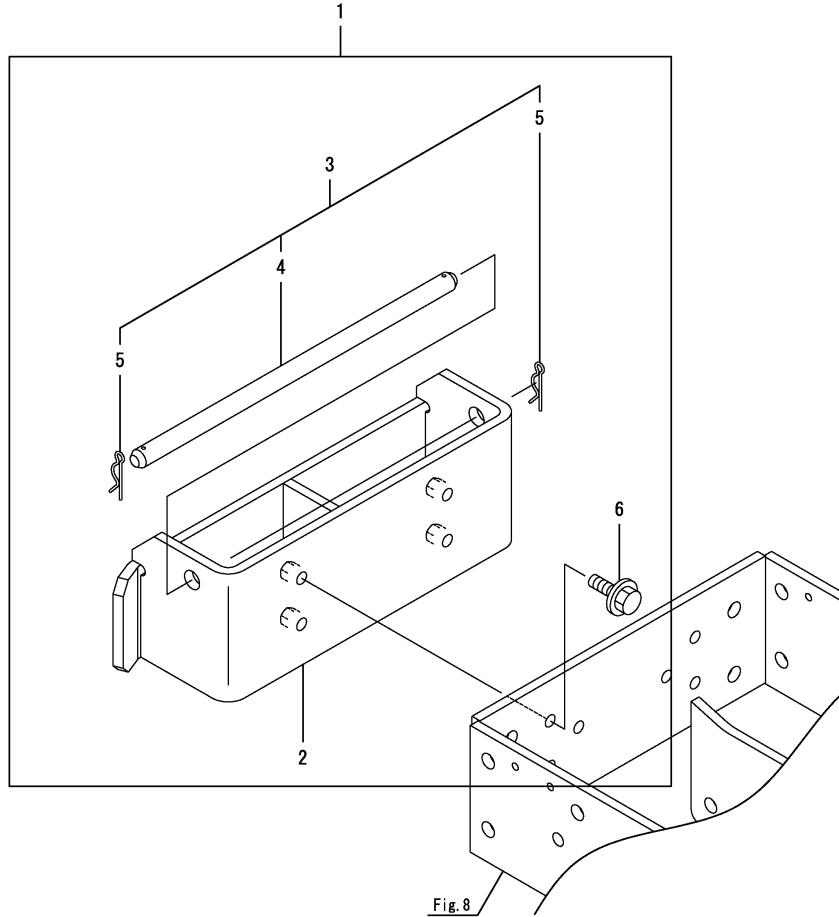


Fig.8

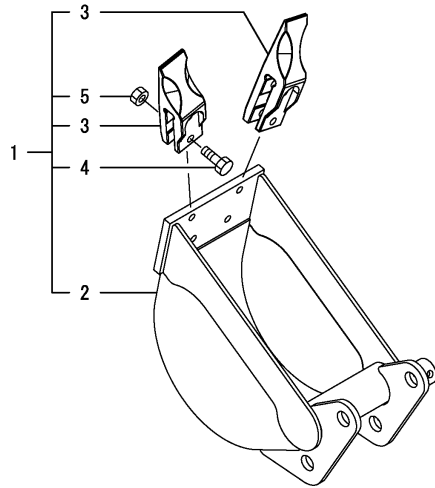
Remarks
 *Optional parts.

Fig.117. BUCKETS , 8INCH KIT

(A)=SC2450(YANMAR)
 (B)=
 (C)=

(D)=
 (E)=
 (F)=

No.	Lev.	Parts No.	Description	Q'ty						I	R
				(A)	(B)	(C)	(D)	(E)	(F)		
1	1	1A7882-97710	BUCKET KIT, 8 INCH	1							
2	2	1A7882-97720	BUCKET, 8	1							
3	2	1A7882-97750	TOOTH, BUCKET	2							
4	2	1A7882-97760	BOLT, 7/16-20X1.75	4							
5	2	1A7882-97770	NUT, LOCK 7/16	4							



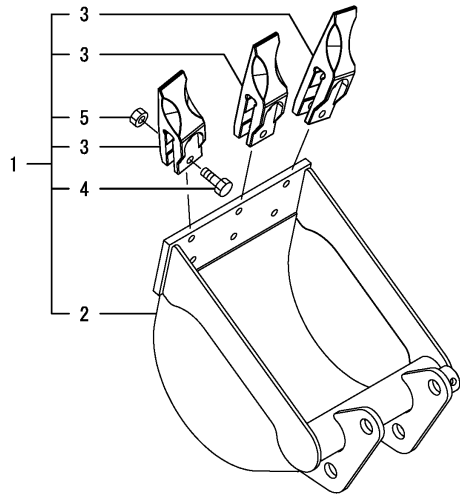
Remarks
 *Optional parts.

Fig.118. BUCKETS ,12INCH KIT

(A)=SC2450(YANMAR)
 (B)=
 (C)=

(D)=
 (E)=
 (F)=

No.	Lev.	Parts No.	Description	Q'ty						I	R
				(A)	(B)	(C)	(D)	(E)	(F)		
1	1	1A7882-97780	BUCKET KIT, 12 INCH	1							
2	2	1A7882-97730	BUCKET, 12	1							
3	2	1A7882-97750	TOOTH, BUCKET	3							
4	2	1A7882-97760	BOLT, 7/16-20X1.75	6							
5	2	1A7882-97770	NUT, LOCK 7/16	6							



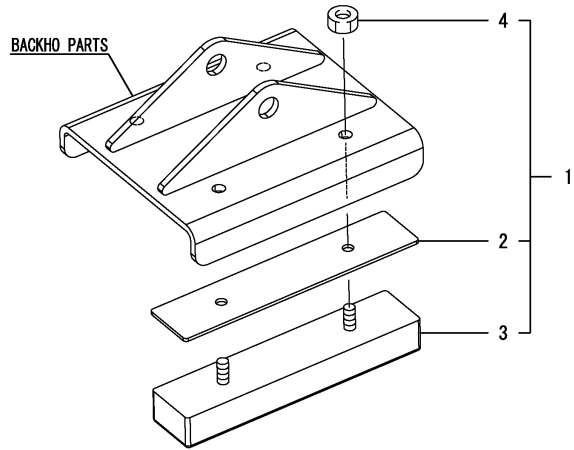
Remarks
 *Optional parts.

Fig.119. STREET PAD KIT

(A)=SC2450(YANMAR)
 (B)=
 (C)=

(D)=
 (E)=
 (F)=

No.	Lev.	Parts No.	Description	Q'ty						I	R
				(A)	(B)	(C)	(D)	(E)	(F)		
1	1	1A7882-97550	PAD KIT, STREET	1							
2	2	1A7882-97460	SPACER, STREET PAD	4							
3	2	1A7882-97790	RUBBER	4							
4	2	1A7882-98330	NUT, LOCK 3/8	8							

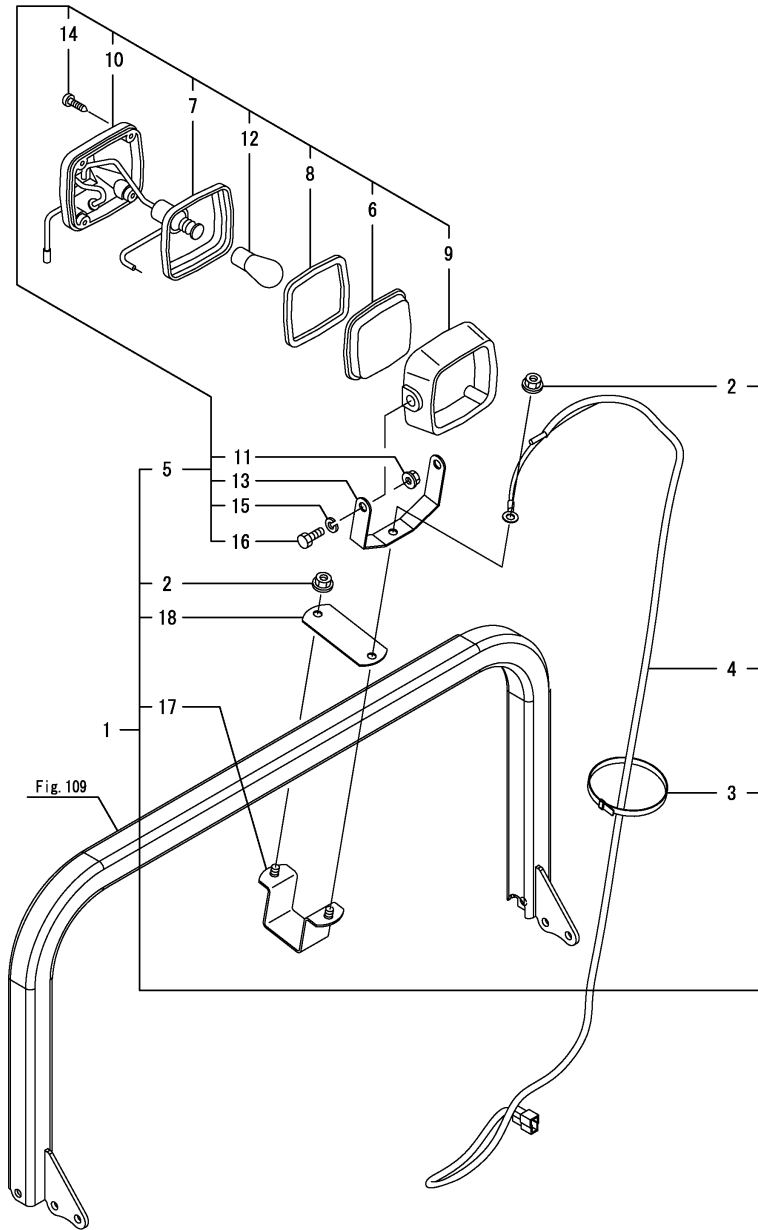


Remarks
 *Optional parts.

Fig.120. WORK LAMP

(A)=SC2450(YANMAR)
(B)=
(C)=

(D)=
(E)=
(F)=



No.	Lev.	Parts No.	Description	Qty						I	R
				(A)	(B)	(C)	(D)	(E)	(F)		
1	1	1A7880-54020	LAMP KIT, WORK	1							
2	2	194990-22140	NUT, M8	2							
3	2	1A8300-51210	BAND, REPEAT	3							
4	2	1A7880-51300	CABLE, WORK LAMP	1							
5	2	194640-54100	LAMP ASSY, WORKING	1							
6	3	194640-54110	LENS	1							
7	3	194640-54120	REFLECTOR ASSY	1							
8	3	194640-54130	GASKET	1							
9	3	194640-54140	RIM	1							
10	3	194640-54150	HOUSING ASSY	1							
11	3	194640-54160	NUT	2							
12	3	194640-54170	BULB, 12V/18.4W	1							
13	3	194640-54180	STAY	1							
14	3	194640-54190	SCREW, TAPPING M4X20	4							
15	3	22217-060000	WASHER, SPRING 6	2							
16	3	26116-060162	BOLT, M6X 16 PLATED	2							
17	2	1A7880-58200	STAY, WORK LAMP A	1							
18	2	1A7880-58250	STAY, WORK LAMP B	1							

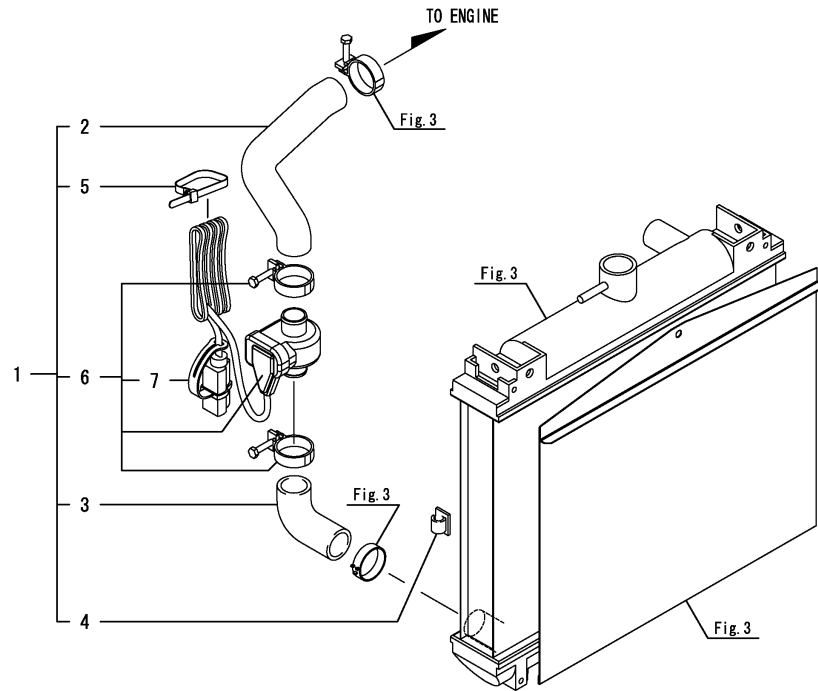
Remarks
*Optional parts.

Fig.121. HEATER ,RADIATOR HOSE

(A)=SC2450(YANMAR)
 (B)=
 (C)=

(D)=
 (E)=
 (F)=

No.	Lev.	Parts No.	Description	Q'ty						I	R
				(A)	(B)	(C)	(D)	(E)	(F)		
1	1	1A7880-57210	HEATER KIT	1							
2	2	1A7880-01480	HOSE, WATER U	1							
3	2	1A7880-01490	HOSE, WATER L	1							
4	2	172010-07810	STICKER, WIRE	1							
5	2	1A8300-51210	BAND, REPEAT	1							
6	2	1A7880-57250	HEATER	1							
7	3	1A7880-57260	PROTECTOR, PLUG	1							



Remarks
 *Optional parts.

Fig.122. FUEL LINE(FAME)

(A)=SC2450(YANMAR)

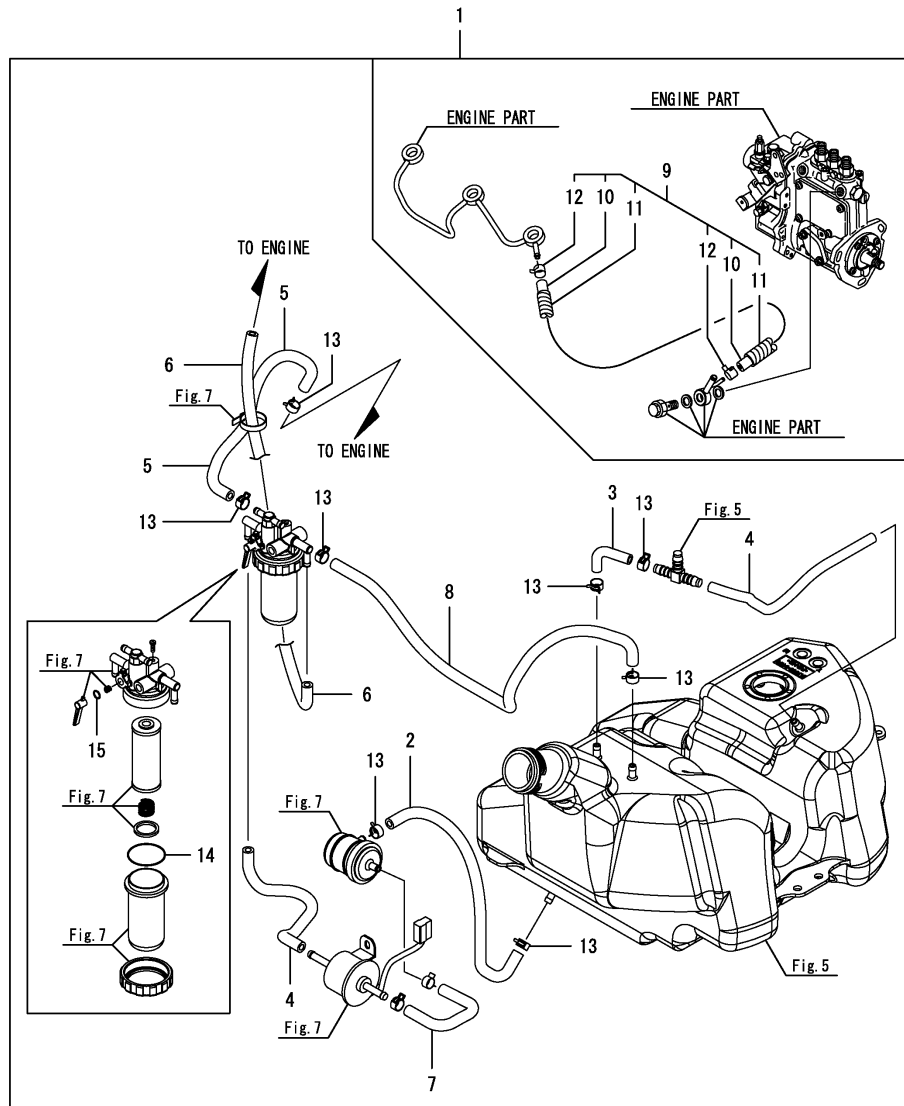
(B)=

(C)=

(D)=

(E)=

(F)=



No.	Lev.	Parts No.	Description	Q'ty						I	R
				(A)	(B)	(C)	(D)	(E)	(F)		
1	1	1A7880-04250	HOSE KIT , FUEL	1							
2	2	1A7780-04210	HOSE, FUEL 350	1							
3	2	1A8160-04270	HOSE, RETURN	1							
4	2	1A8160-04500	HOSE, FUEL 270	2							
5	2	1A7880-04510	HOSE, FUEL	1							
6	2	1A8160-04510	HOSE, FUEL 330	1							
7	2	1A7880-04520	HOSE, FUEL 150	1							
8	2	1A7880-04530	HOSE, FUEL	1							
9	2	119546-59300	PIPE ASSY, FUEL	1							
10	3	119416-59510	PIPE, FUEL RETURN	1							
11	3	119546-59700	PROTECTOR,PIPE 13.2	1							
12	3	124060-77680	CLIP, HOSE 10	2							
13	2	23080-012000	CLAMP, 12	8							
13-1	2	114270-59010	CLIP, HOSE 12	8							R
(A=FXXXXX)											
14	2	24316-000440	O-RING, 4DP44.0	1							
15	2	24316-240100	O-RING, 4DP10A	1							

Remarks
*Optional parts.

Fig.123. SERVICE PARTS

(A)=SC2450(YANMAR)

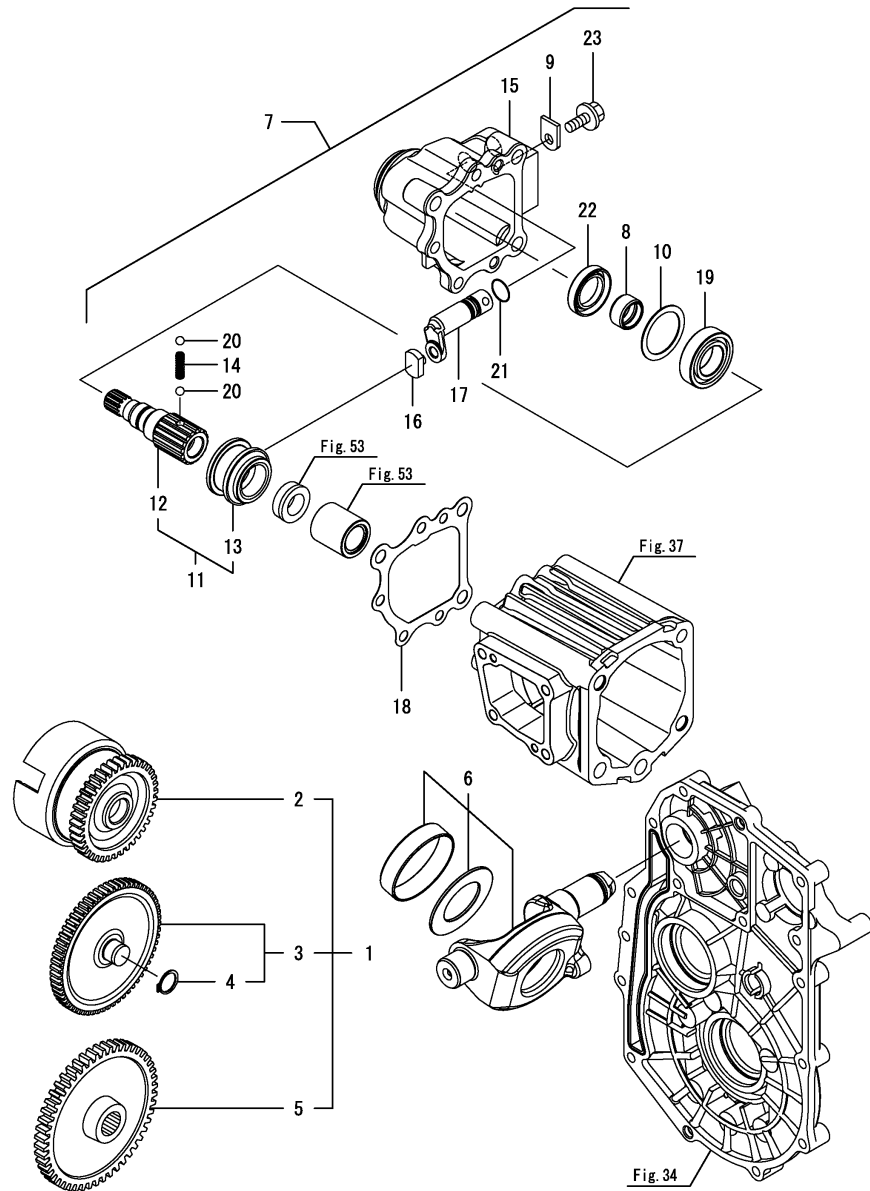
(B)=

(C)=

(D)=

(E)=

(F)=



No.	Lev.	Parts No.	Description	Q'ty						I	R
				(A)	(B)	(C)	(D)	(E)	(F)		
1	1	187K08-26110	PTO GEAR KIT	1							
2	2	187K08-26140	GEAR, CLUTCH 39T	1							
3	2	187K08-26340	IDLE ASSY, PTO	1							
4	3	22242-000200	RING, 20	1							
5	2	187K08-26370	GEAR,62T MID PTO	1							
6	1	1A7050-27110	SHIFT ASSY	1							
7	1	187K06-99100	FRONT DRIVE KIT	1							
8	2	194855-25290	SLEEVE, SI 202513	1							
9	2	194197-27681	PLATE, KEEP	1							
10	2	1A7050-28110	WASHER, 36X46X1	1							
11	2	1A7050-28200	F.DRIVE SHAFT SET	1							
12	3	1A7050-28211	SHAFT, FRONT DRIVE	1							
13	3	198165-28240	COLLAR, SHIFT	1							
14	2	194311-28230	SPRING, 21.2	1							
15	2	1A7050-28250	COVER, FRONT	1							
16	2	1A7050-28331	BLOCK, SHIFT	1							
17	2	1A7050-28351	SHAFT, SHIFT 4WD	1							
18	2	1A7050-28560	PACKING, FRONT COVER	1							
19	2	24101-060054	BEARING, BALL 6005	1							
20	2	24190-080001	BALL, STEEL 1/4	2							
21	2	24311-000125	O-RING, 1AP12.5	1							
22	2	24421-254008	SEAL, OIL TC254008	1							
23	2	26106-080162	BOLT, M8X 16 PLATED	1							

Remarks

*Optional parts.

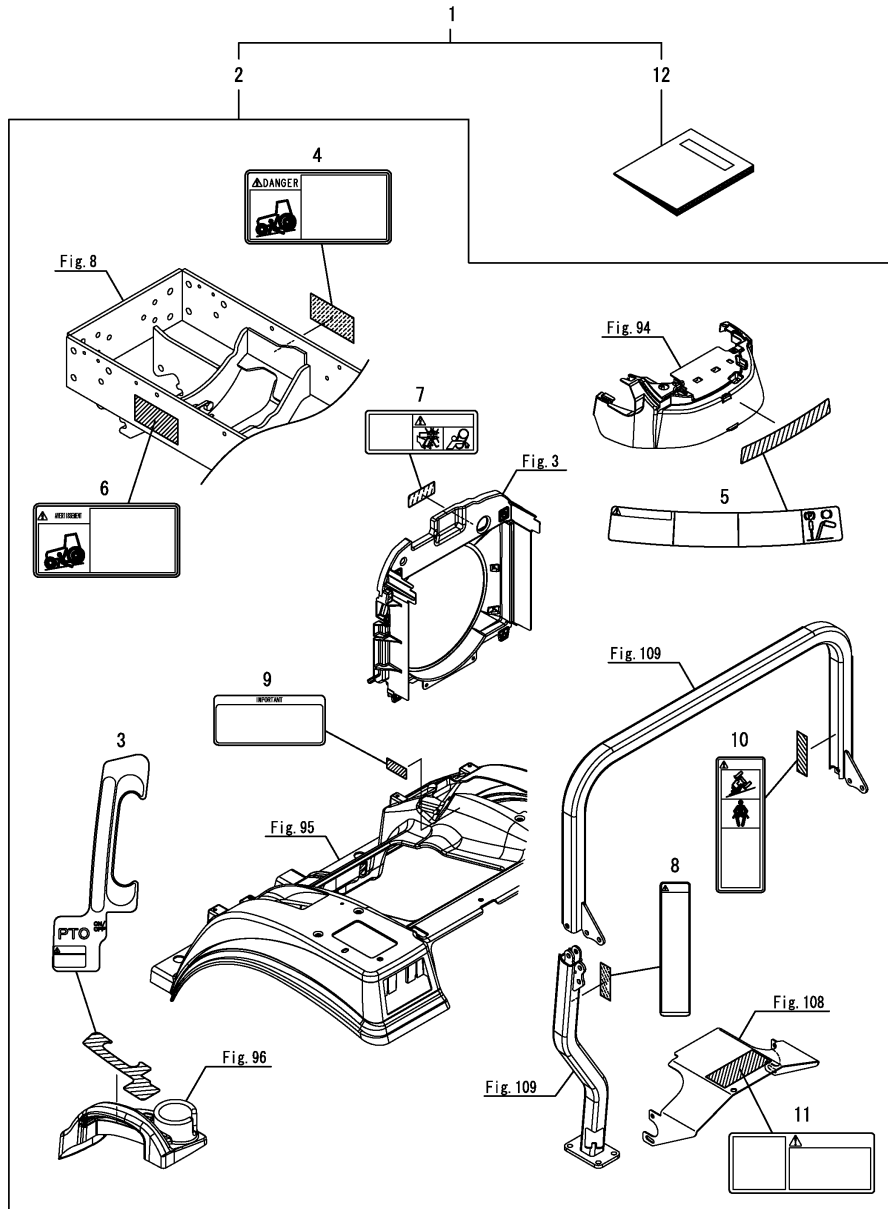
N:Old $\xrightarrow{\text{Yes}}$ New, Q:Old $\xrightarrow{\text{No}}$ New, R:Old $\xrightarrow{\text{Yes}}$ New, S:Old $\xrightarrow{\text{No}}$ New, W:Add, Z:Discontinued, F:Interchangeable by set, K:Q'ty Change

Fig.124. LABEL(FRENCH)

(A)=SC2450(YANMAR)
 (B)=
 (C)=

(D)=
 (E)=
 (F)=

No.	Lev.	Parts No.	Description	Qty						I	R
				(A)	(B)	(C)	(D)	(E)	(F)		
1	1	1A7882-99200	OPTION KIT, FRENCH	1							
2	2	1A7880-65010	LABEL KIT, SC FR	1							
3	3	1A7880-65100	LABEL, LEVER GUIDE L	1							
4	3	1A8250-65100	LABEL, DANGER START	1							
5	3	1A7880-65110	LABEL, WARNING GEN.	1							
6	3	1A8250-65110	LABEL, WARNING STOP	1							
7	3	1A7880-65120	LABEL, WARNING FAN	1							
8	3	1A7882-65130	LABEL, WARNING ROPS	1							
9	3	1A8250-65150	LABEL, SOCKET	1							
10	3	1A8250-65160	LABEL, WARNING ROPS	1							
11	3	1A8250-65180	LABEL, WARNING PTO	1							
12	2	0A041-F00800	OPERATION MANUAL	1							



Remarks
 *Optional parts.

Parts No. Index

Parts No.	Fig. No.	Ref. No.
0A041-F00800	124	12
0A041-U00800	113	1
102103-55520	7	11
104200-55330	7	8
104200-55750	7	16
105027-12580	2	7
110250-55610	7	12
114110-07761	2	1
114270-59010	3	36
	5	13
		15 -1
	7	19
		20
		21
		22
		24 -1
	122	13 -1
119225-52102	7	6
119255-44660	3	29
119416-59510	122	10
119517-12510	2	2
119546-59300	122	9
119546-59700	122	11
119629-59910	5	14
119655-12560	2	5
119686-12570	2	6
119808-12540	2	4
119810-55340	7	9
119810-55650	7	13
121257-55720	7	14
121257-55731	7	15
121267-49500	3	30
121450-44531	3	8
121470-44581	3	10
124060-77680	122	12
124450-44560	3	9
129052-13550	3	25
129052-55630	7	18
129053-55620	7	7
129107-44590	3	3
129107-55510	7	10
129211-77920	87	14
129418-12530	2	3
168320-04150	45	3
1684Q3-01430	44	1
168H60-29390	37	9
168H60-29400	37	10
168H60-29411	37	11
168H61-29260	36	9
168HK0-29351	36	10

Parts No.	Fig. No.	Ref. No.
168HK0-29600	40	2
168HK0-29610	40	3
168HK0-29620	37	14
168HK0-29690	40	4
172010-07810	121	4
172122-46590	79	4
172524-06850	49	1
172531-17300	88	1
175022-49730	3	31
178080-06200	37	1
187K06-24500	36	2
187K06-24540	37	2
187K06-24550	37	4
187K06-24570	37	6
187K06-24600	37	7
187K06-25020	40	1
187K06-25170	39	1
187K06-26400	44	2
187K06-26710	34	16
187K06-26740	34	17
187K06-29390	44	13
187K06-29460	37	13
187K06-29620	60	2
187K06-29860	60	3
187K06-29870	60	4
187K06-29880	60	5
187K06-29890	44	14
	60	6
187K06-29900	60	7
187K06-36341	71	3
187K06-36350	71	4
187K06-40010	36	11
187K06-99100	123	7
187K08-26110	123	1
187K08-26140	41	6
	123	2
187K08-26340	43	2
	123	3
	123	5
187K08-26370	123	5
187K08-26970	46	9
187K08-27700	45	2
192154-24670	36	7
		12
192154-29640	49	10
192154-29700	49	11
192157-24170	33	1
192157-24192	34	8
192157-24200	34	9
	46	2
192157-24220	34	10

Parts No.	Fig. No.	Ref. No.
192157-24450	34	12
192157-24560	37	5
192157-24620	47	2
192157-24801	34	15
192157-24850	37	8
192157-26100	41	2
192157-26111	41	3
192157-26120	41	4
192157-26130	41	5
192157-26150	41	7
192157-26160	41	8
192157-26170	41	9
192157-26180	42	2
192157-26220	42	4
192157-26270	41	10
192157-26300	41	11
192157-26330	41	12
192157-26350	41	13
192157-26380	43	5
192157-26460	44	7
192157-26470	44	8
192157-26520	44	10
192157-26611	45	1
192157-26740	44	11
192157-26810	34	18
192157-26821	34	19
192157-26840	46	6
192157-26860	46	7
192157-26980	46	10
192157-26991	46	11
192157-27090	34	13
192157-27510	49	3
192157-27520	49	4
192157-27550	49	6
192157-27740	46	13
192157-32360	63	3
192157-32370	63	4
192157-33101	64	1
192157-33110	64	5
192157-34130	66	5
192157-36300	71	1
192157-40180	36	8
		13
192157-99010	46	15
192157-99020	46	16
192157-99040	46	17
192159-27780	45	6
192159-27790	45	4
192159-31410	46	14
192163-24420	36	1

Parts No.	Fig. No.	Ref. No.
192167-25310	60	1
194065-27270	34	20
	37	3
194105-26430	18	9
194130-44480	75	2
194145-22430	94	2
194145-27450	46	18
194145-61570	80	13
194151-36670	18	11
194151-63240	100	5
194151-63250	100	6
194155-52160	88	5
194155-52190	88	6
194197-27681	46	12
	55	1
	123	9
194200-25270	41	1
	43	1
	46	3
194205-63550	7	23
194208-47530	80	11
194300-37570	96	1
	100	2
194311-28230	53	6
	123	14
194312-39480	7	4
194330-62530	72	18
	112	2
194440-11880	66	1
194440-51620	88	3
194440-51630	30	19
194454-25770	46	4
194454-25870	46	5
194464-22160	46	1
194464-48850	30	16
194550-27030	59	2
194555-25880	62	1
194555-65130	92	20
194640-54100	120	5
194640-54110	120	6
194640-54120	120	7
194640-54130	120	8
194640-54140	120	9
194640-54150	120	10
194640-54160	120	11
194640-54170	120	12
194640-54180	120	13
194640-54190	120	14
194680-51670	3	33
	85	22

Parts No. Index

Parts No.	Fig. No.	Ref. No.
194680-51670	85	23
		24
194680-78350	85	26
194730-57242	12	2
194740-00160	4	1
	80	1
194850-49290	34	21
	84	27
194854-33110	64	8
194855-25290	53	1
	123	8
194859-24252	34	11
194940-61790	90	6
	92	17
		18
194940-65590	92	21
194951-14440	18	6
194990-20170	57	4
194990-22130	3	26
	85	1
		2
	86	1
	87	1
	89	1
	92	1
		2
		3
	111	1
194990-22140	3	27
		28
	10	4
	27	7
		8
	48	1
	57	2
	59	1
	79	1
		2
	80	2
	83	1
	85	3
	94	1
	100	1
	108	1
	111	2
	120	2
194990-22160	112	1
194990-85561	79	11
198071-01160	4	4
198071-58810	27	11

Parts No.	Fig. No.	Ref. No.
198071-61890	3	38
		39
	27	13
		14
	87	13
	92	19
	94	13
		14
		15
		16
198071-65610	92	22
198072-04320	7	2
198093-84810	27	15
	82	5
198133-78840	88	10
198153-51700	85	9
198162-00720	3	5
198162-47630	52	2
198162-61370	3	37
198162-62630	98	5
198164-27970	79	3
198165-04380	5	12
198165-11500	11	1
198165-24440	18	7
198165-24490	18	8
198165-28220	53	5
198165-28240	53	4
	123	13
198165-47750	96	2
198165-85970	109	9
198167-24530	49	2
198167-24950	34	3
198200-01260	4	6
198200-27811	50	1
198200-27911	52	1
198200-47810	81	1
198200-56630	5	10
198220-52180	87	4
198220-65621	106	4
198223-46250	84	2
198223-52150	87	2
198226-52100	88	4
198234-72550	114	19
198240-46260	84	4
198240-48830	30	15
198240-48850	30	17
198253-01190	4	5
198273-28521	56	1
	73	1
198284-63270	100	8

Parts No.	Fig. No.	Ref. No.
198327-26560	66	2
198360-03260	98	1
198360-03270	98	2
198448-04270	5	11
198448-56150	91	3
198461-60590	94	4
		5
198461-87590	3	40
198475-37690	73	4
198535-52110	85	11
198535-52120	85	12
198535-52130	85	13
1A1380-55310	3	34
	85	25
1A6150-76740	94	17
		18
1A6240-51630	85	8
1A6260-41250	80	3
1A6370-31000	44	3
1A6380-25370	82	1
1A6382-96650	87	17
1A6680-56920	3	35
1A6750-29510	36	3
1A6750-29850	60	8
1A6770-85920	8	4
	110	5
1A6780-13910	61	1
1A6780-51410	85	20
1A6780-57200	87	12
1A7050-24101	34	2
1A7050-24130	34	5
1A7050-24150	34	6
1A7050-24610	47	1
1A7050-24950	38	1
1A7050-24990	36	4
1A7050-25181	39	2
1A7050-26080	42	1
1A7050-26210	42	3
1A7050-26360	43	4
1A7050-27110	123	6
1A7050-27530	49	5
1A7050-27600	49	7
1A7050-27610	49	8
1A7050-27620	49	9
1A7050-28110	53	2
	123	10
1A7050-28200	123	11
1A7050-28211	53	3
	123	12
1A7050-28250	53	7

Parts No.	Fig. No.	Ref. No.
1A7050-28250	123	15
1A7050-28260	53	8
1A7050-28331	55	2
	123	16
1A7050-28351	55	3
	123	17
1A7050-28560	53	9
	123	18
1A7050-31100	61	2
1A7050-32320	63	1
1A7050-33390	62	2
1A7050-33460	62	3
1A7050-34110	66	3
1A7050-34120	66	4
1A7051-32320	63	2
1A7052-26890	46	8
1A7070-47400	80	10
1A7130-11790	10	3
1A7130-13120	13	1
1A7130-13130	13	2
1A7130-13270	17	3
1A7130-29420	37	12
1A7130-36330	71	2
1A7180-04180	5	8
1A7335-17520	29	6
1A7335-52120	88	7
1A7335-53600	89	9
1A7335-53610	89	10
1A7335-53620	89	11
1A7335-53630	89	12
1A7335-53640	89	13
1A7335-53650	89	14
1A7335-71250	114	5
1A7340-65080	101	1
1A7450-52180	85	14
1A7500-13360	15	2
1A7500-51130	85	5
1A7500-51160	85	7
1A7500-51810	30	20
1A7500-71120	114	9
1A7500-71130	114	10
1A7510-04430	3	20
1A7510-36490	72	1
1A7510-47760	96	3
1A7510-56110	91	2
1A7531-52420	85	15
1A7780-04210	122	2
1A7790-01160	57	1
	65	1
1A7870-52950	87	11

Parts No. Index

Parts No.	Fig. No.	Ref. No.
1A7880-00601	3	1
1A7880-00610	3	2
1A7880-00640	3	4
1A7880-01010	4	2
1A7880-01350	3	6
1A7880-01360	3	7
1A7880-01410	3	12
1A7880-01440	3	13
1A7880-01460	3	14
1A7880-01480	121	2
1A7880-01490	121	3
1A7880-01500	3	15
1A7880-01520	3	16
1A7880-01560	3	17
1A7880-01650	3	18
1A7880-03111	3	19
1A7880-04040	5	2
1A7880-04050	5	3
1A7880-04080	5	4
1A7880-04091	5	6
1A7880-04101	5	1
1A7880-04111	5	7
1A7880-04130	5	5
1A7880-04210	5	17
1A7880-04250	122	1
1A7880-04270	7	1
1A7880-04430	7	3
1A7880-04510	122	5
1A7880-04520	122	7
1A7880-04530	122	8
1A7880-05110	1	1
1A7880-05190	27	2
1A7880-06150	3	23
1A7880-06201	3	24
1A7880-10600	116	2
1A7880-10641	116	4
1A7880-10660	116	1
1A7880-11510	11	2
1A7880-11540	17	2
1A7880-11551	11	3
1A7880-11560	11	4
1A7880-12302	12	1
1A7880-13150	14	1
1A7880-13310	15	1
1A7880-13470	15	3
1A7880-13480	15	4
1A7880-13510	16	1
1A7880-13520	16	2
1A7880-13530	16	3
1A7880-13540	19	1

Parts No.	Fig. No.	Ref. No.		
1A7880-13600	17	1		
1A7880-13710	18	1		
1A7880-13721	18	2		
1A7880-13730	18	3		
1A7880-13740	18	4		
1A7880-13780	18	5		
1A7880-13810	19	2		
1A7880-13820	19	3		
1A7880-14110	20	1		
1A7880-14120	20	2		
1A7880-14130	20	3		
1A7880-14620	21	1		
1A7880-14700	23	1		
1A7880-14710	23	2		
1A7880-14800	24	1		
1A7880-14810	24	5		
1A7880-14820	24	2		
		6		
1A7880-14830	22	2		
		6		
		23	3	
		24	3	
			7	
1A7880-14840	22	3		
			7	
			23	4
			24	4
				8
			67	2
				6
			68	2
			69	2
				6
1A7880-14900	22	1		
1A7880-14910	22	5		
1A7880-14920	22	4		
			8	
1A7880-15060	30	1		
1A7880-15100	27	3		
1A7880-15120	27	4		
1A7880-15130	27	5		
1A7880-15160	27	6		
1A7880-15700	26	1		
1A7880-15740	26	2		
1A7880-15880	102	1		
1A7880-17011	29	1		
1A7880-17050	29	2		
1A7880-17070	29	3		
1A7880-17080	29	4		
1A7880-17101	29	5		

Parts No.	Fig. No.	Ref. No.		
1A7880-17300	28	1		
1A7880-17320	28	2		
1A7880-17350	93	1		
1A7880-17601	30	2		
1A7880-17630	30	3		
1A7880-17651	30	4		
1A7880-17680	30	5		
1A7880-17701	30	6		
1A7880-17751	30	7		
1A7880-17810	30	8		
1A7880-17830	30	9		
1A7880-17930	30	10		
1A7880-17940	30	11		
1A7880-17970	30	12		
1A7880-17980	30	13		
1A7880-21500	35	1		
1A7880-27500	48	2		
1A7880-27561	48	3		
1A7880-27580	48	4		
1A7880-27800	51	1		
1A7880-27850	51	2		
1A7880-28300	54	1		
1A7880-29400	57	3		
1A7880-29410	57	5		
1A7880-29430	57	6		
1A7880-29451	57	9		
1A7880-29500	57	10		
1A7880-29541	57	11		
1A7880-29570	57	12		
1A7880-29600	57	13		
1A7880-29610	57	7		
1A7880-29640	57	14		
1A7880-29720	57	15		
1A7880-29780	57	16		
1A7880-29801	58	1		
1A7880-29830	58	2		
1A7880-29840	58	3		
1A7880-29872	58	4		
1A7880-29901	59	3		
1A7880-33200	65	2		
1A7880-33250	65	3		
1A7880-34180	25	1		
		70	1	
			68	1
1A7880-34700	68	1		
1A7880-34710	68	3		
1A7880-34800	69	1		
1A7880-34810	69	5		
1A7880-34820	69	3		
			7	
			67	3

Parts No.	Fig. No.	Ref. No.
1A7880-34830	67	7
	68	4
	69	4
		8
1A7880-34900	67	1
1A7880-34910	67	5
1A7880-34920	67	4
		8
1A7880-37100	72	2
1A7880-37150	72	3
1A7880-37200	72	4
1A7880-37220	72	5
1A7880-37250	72	6
1A7880-37310	72	7
1A7880-37350	72	8
1A7880-37390	72	9
1A7880-37400	72	10
1A7880-37441	72	11
1A7880-37450	72	12
1A7880-37490	73	2
1A7880-43101	74	1
1A7880-43250	74	2
1A7880-43310	74	3
1A7880-43320	74	4
1A7880-43380	74	5
1A7880-43410	74	6
1A7880-43500	74	7
1A7880-44400	75	1
1A7880-44700	75	3
1A7880-44740	74	8
1A7880-45000	80	4
1A7880-45040	80	5
1A7880-45100	76	1
1A7880-45150	31	1
1A7880-45210	80	6
1A7880-45250	80	7
1A7880-45331	80	8
1A7880-45530	76	2
1A7880-45540	76	3
1A7880-45560	76	4
1A7880-45610	76	5
1A7880-45620	76	6
1A7880-45640	76	7
1A7880-45650	76	8
1A7880-45660	76	9
1A7880-45700	76	10
1A7880-45800	76	11
1A7880-45830	76	12
1A7880-47100	78	1
1A7880-47121	78	2

Parts No. Index

Parts No.	Fig. No.	Ref. No.
1A7880-47150	84	6
1A7880-47200	84	8
1A7880-47501	84	12
1A7880-47510	30	14
	31	2
1A7880-47520	84	14
1A7880-47530	31	3
	84	15
1A7880-47540	84	16
1A7880-47550	84	17
1A7880-47560	84	18
1A7880-47570	84	19
1A7880-47580	84	20
1A7880-47600	79	5
1A7880-47651	79	6
1A7880-47701	79	7
1A7880-47750	79	8
1A7880-47770	78	3
1A7880-47790	84	21
1A7880-47830	84	22
1A7880-47851	78	4
1A7880-47880	84	23
1A7880-47930	84	24
1A7880-47950	79	9
1A7880-47980	84	25
1A7880-48101	82	2
1A7880-48160	82	3
1A7880-51300	120	4
1A7880-51420	85	21
1A7880-51710	27	10
1A7880-51730	85	10
1A7880-52140	88	8
1A7880-52200	87	5
1A7880-52210	87	6
1A7880-52250	88	9
1A7880-53050	92	4
1A7880-53070	92	5
1A7880-53080	92	6
1A7880-53100	89	6 -1
1A7880-53300	90	1
1A7880-53310	90	2
1A7880-53320	90	3
1A7880-53400	89	2
1A7880-53410	89	3
1A7880-53420	89	4
1A7880-53430	89	5
1A7880-54020	120	1
1A7880-56010	91	1
1A7880-56601	5	9
1A7880-57100	88	12

Parts No.	Fig. No.	Ref. No.
1A7880-57210	121	1
1A7880-57250	121	6
1A7880-57260	121	7
1A7880-58111	86	4
1A7880-58121	86	5
1A7880-58151	94	3
1A7880-58200	120	17
1A7880-58250	120	18
1A7880-60901	92	7
1A7880-60990	92	8
1A7880-61020	92	9
1A7880-61030	92	10
1A7880-61061	90	4
1A7880-61070	90	5
1A7880-61111	92	11
1A7880-61170	92	12
1A7880-61260	92	13
1A7880-61370	92	15
	100	3
1A7880-61510	94	6
1A7880-61601	94	7
1A7880-61640	94	8
1A7880-61650	94	10
1A7880-61670	94	11
1A7880-61690	94	12
1A7880-61761	92	16
1A7880-61810	27	12
1A7880-62100	95	1
1A7880-62240	96	4
1A7880-62300	96	5
1A7880-62500	98	3
1A7880-62510	98	4
1A7880-62550	97	1
1A7880-62601	97	2
1A7880-62650	97	3
1A7880-63020	99	2 -1
1A7880-63050	99	2
1A7880-63060	99	4
1A7880-63200	100	4
1A7880-63390	100	10
1A7880-63400	100	11
1A7880-63410	100	12
1A7880-63420	100	13
1A7880-63451	100	14
1A7880-65010	124	2
1A7880-65100	124	3
1A7880-65110	124	5
1A7880-65120	124	7
1A7880-65331	102	2
1A7880-65341	102	3

Parts No.	Fig. No.	Ref. No.
1A7880-65351	106	1
1A7880-65370	102	4
1A7880-65380	102	5
1A7880-65390	102	6
1A7880-65411	104	1
1A7880-65511	102	8
1A7880-65570	102	9
1A7880-65601	106	2
1A7880-65610	106	3
1A7880-65722	102	12
1A7880-65780	85	16
1A7880-71110	114	2
1A7880-71210	114	3
1A7880-71220	114	4
1A7880-71500	114	6
1A7880-71550	114	11
1A7880-71580	114	7
1A7880-71720	114	12
1A7880-71800	114	1
1A7880-72100	114	13
1A7880-72300	114	18
1A7880-72310	114	14
1A7880-72320	114	15
1A7880-72330	114	16
1A7880-72340	114	17
1A7880-73150	114	20
1A7880-73500	114	21
1A7880-74100	114	22
1A7880-74110	114	23
1A7880-74120	114	24
1A7880-74130	114	25
1A7880-74140	114	26
1A7880-74150	114	27
1A7880-74550	114	28
1A7882-01150	4	3
1A7882-04300	6	1
1A7882-05150	27	1
1A7882-05410	3	21
1A7882-06010	3	22
1A7882-10090	8	1
1A7882-10450	8	2
1A7882-10500	8	3
1A7882-10600	9	1
1A7882-10610	9	2
1A7882-10620	9	3
1A7882-10800	10	1
1A7882-10900	10	2
1A7882-21100	32	1
1A7882-45210	84	1
1A7882-47100	84	5

Parts No.	Fig. No.	Ref. No.
1A7882-47150	84	7
1A7882-47210	84	9
1A7882-47220	84	10
1A7882-47230	84	11
1A7882-47500	84	13
1A7882-51101	85	4
1A7882-63100	99	5
1A7882-63250	99	6
1A7882-63300	100	9
1A7882-63500	100	15
1A7882-63520	111	3
1A7882-63550	100	16
1A7882-63560	100	17
	112	3
1A7882-63600	100	18
1A7882-63700	100	19
1A7882-65130	124	8
1A7882-65650	103	1
1A7882-65660	103	2
1A7882-65980	106	5
1A7882-71130	108	2
1A7882-85000	109	1
1A7882-85231	106	6
	109	8
1A7882-85250	109	7
1A7882-85300	110	1
1A7882-85490	110	2
1A7882-85550	110	4
1A7882-85620	111	5
1A7882-85630	111	6
1A7882-93000	112	4
1A7882-93050	112	5
1A7882-93060	112	6
1A7882-93100	112	7
1A7882-93110	112	8
1A7882-97460	119	2
1A7882-97550	119	1
1A7882-97710	117	1
1A7882-97720	117	2
1A7882-97730	118	2
1A7882-97750	117	3
	118	3
1A7882-97760	117	4
	118	4
1A7882-97770	117	5
	118	5
1A7882-97780	118	1
1A7882-97790	119	3
1A7882-97920	107	1
1A7882-97930	107	2

Parts No. Index

Parts No.	Fig. No.	Ref. No.
1A7882-97940	107	3
1A7882-98330	119	4
1A7882-99200	124	1
1A8070-61330	92	14
1A8115-63260	100	7
1A8160-04270	122	3
1A8160-04500	122	4
1A8160-04510	122	6
1A8160-46250	84	3
1A8160-46670	77	1
1A8160-48820	84	26
1A8160-51130	85	6
1A8160-51550	86	2
1A8160-51570	86	3
1A8160-51580	86	3 A
1A8160-52300	87	8
1A8160-52310	87	9
	88	11
1A8160-52330	87	7
		10
1A8160-63400	99	7
1A8160-63410	99	8
1A8160-63420	99	9
1A8160-65300	105	1
1A8160-65310	105	2
1A8160-65430	104	2
1A8160-65800	111	4
1A8160-65860	102	13
1A8160-85090	109	2
1A8160-85100	109	3
1A8160-85110	109	4
1A8160-85121	109	5
1A8160-85130	109	6
1A8160-91000	115	1
1A8250-65100	124	4
1A8250-65110	124	6
1A8250-65150	124	9
1A8250-65160	124	10
1A8250-65180	124	11
1A8250-65390	102	7
1A8250-65630	102	10
1A8250-65650	102	11
1A8300-10650	116	3
1A8300-51210	3	32
	4	7
	7	5
	30	18
	85	17
		18
		19

Parts No.	Fig. No.	Ref. No.
1A8300-51210	88	2
	120	3
	121	5
1A8300-63010	99	3
1C6050-31250	18	10
1C6140-47210	27	9
1C6281-52310	4	8
1C6281-52320	49	12
	57	17
	58	5
		6
	65	4
	72	13
		14
		15
		16
		17
	80	12
	99	1
1C6320-52210	64	2
1C6460-38240	94	9
1C6900-23150	34	1
1E4760-73240	13	3
1E6150-56040	79	10
1E6460-91573	92	23
1E8420-55430	20	4
1E8450-66390	82	4
1E8600-66700	83	2
1K1140-82500	87	15
		16
21731-040002	89	6
22117-100000	48	5
22137-050000	92	24
22137-060000	4	9
22137-080000	3	41
	49	13
	65	5
	72	19
		20
	79	12
		13
	80	14
		15
		16
		16
	92	25
		26
	100	20
	114	29
22137-100000	4	10
		64
		6

Parts No.	Fig. No.	Ref. No.
22137-100000	100	21
22137-120000	49	14
	73	5
	80	17
	110	6
22137-130000	89	7
22137-140000	65	6
	112	9
22137-160000	26	3
	114	30
22157-060000	3	42
	89	15
	94	19
22157-080000	5	18
	95	2
	96	6
	100	22
22157-100000	48	6
22157-120000	72	21
22190-080002	44	15
22207-012160	61	3
22217-060000	120	15
22217-080000	60	9
	100	23
22217-120000	8	5
	11	5
22217-130000	89	8
22217-160000	75	4
22242-000100	48	7
	57	18
22242-000120	57	19
	58	7
	73	6
22242-000160	37	15
	64	3
22242-000200	39	4
	41	14
	43	3
	71	6
	123	4
22242-000220	84	28
22242-000240	13	4
	46	20
22242-000250	41	15
22242-000280	49	15
22242-000290	46	21
22242-000300	48	8
22242-000340	20	5
22242-000350	46	22
22242-000360	15	5

Parts No.	Fig. No.	Ref. No.
22242-000450	18	12
22242-000500	46	23
22252-000150	15	6
22252-000320	40	5
22252-000420	37	16
22252-000520	13	5
22252-000550	14	2
	16	4
	63	5
22252-000620	46	24
22252-000681	18	13
22252-000720	18	14
22252-000800	41	16
22262-000240	39	3
22262-000420	34	22
22272-000080	79	14
	80	18
22272-000100	51	3
22287-100000	53	10
22292-000200	40	6
22312-060100	37	17
22312-080160	53	11
22312-080200	29	7
22312-100120	44	4
	60	13
22312-100200	34	23
22351-035025	34	24
22351-035032	15	7
22351-040025	64	4
22351-050018	80	19
22351-050025	114	8
22351-050040	57	20
22351-060025	34	25
22351-060032	15	8
	54	2
	72	22
22351-060040	72	23
22351-080040	57	21
22351-100020	8	6
22372-080000	51	4
	80	20
	92	27
	100	24
	114	31
22372-120000	58	8
	100	25
22372-140000	65	7
22372-160000	116	5
22417-200160	80	21
	96	7

Parts No. Index

Parts No.	Fig. No.	Ref. No.
22417-200200	64	7
22417-250250	114	32
22417-250300	112	10
22417-320250	12	3
22417-320320	114	33
22487-080160	100	26
22487-080200	3	43
	57	22
22487-080260	92	28
22487-080350	72	24
22487-080400	114	34
22487-080550	100	27
22487-080650	100	28
22487-120400	114	35
22857-500161	92	29
22857-600160	91	4
	96	8
		9
23000-022000	30	21
		22
23000-054000	3	44
23000-075000	21	2
23010-018000	82	6
23010-050000	3	45
23065-070130	3	11
23080-012000	5	15
	7	24
	122	13
23414-120000	34	14
23414-140000	30	23
	84	29
23414-160021	30	24
23414-190000	84	30
23857-100000	30	25
23871-010000	44	5
23871-020000	46	25
23871-030000	44	6
23980-730150	7	25
23980-730180	7	26
23980-730260	5	16
23980-730350	7	27
23980-730400	7	28
24101-060014	60	14
24101-060044	34	26
	41	17
	60	15
24101-060054	53	12
	123	19
24101-060064	14	3
	16	5

Parts No.	Fig. No.	Ref. No.
24101-060064	66	6
24101-060074	20	6
	62	4
24101-060094	20	7
	46	26
24101-062044	43	6
24101-062054	13	6
	19	4
	43	7
	46	27
24101-062064	46	28
24101-062074	19	5
24101-063034	60	16
24102-060044	40	7
24104-060004	48	9
24104-062004	57	23
24161-354017	46	29
24162-253216	34	27
24190-080001	53	13
	123	20
24190-100001	46	19
	76	13
24190-100003	79	15
24190-160001	71	8
24311-000050	36	5
24311-000100	42	5
24311-000120	44	12
24311-000125	46	30
	55	4
	123	21
24311-000140	44	9
	60	10
24311-000160	15	9
	71	7
24311-000180	18	15
	35	2
	45	5
24311-000200	36	6
		14
24311-000260	34	28
24311-000320	33	2
24311-240100	7	17
	49	16
24316-000440	122	14
24316-240100	122	15
24321-000750	41	18
24321-001300	20	8
24341-000112	45	7
24341-000850	18	16
24351-190170	34	29

Parts No.	Fig. No.	Ref. No.
24351-240450	42	6
24361-090500	44	16
24421-122207	60	11
24421-173508	60	17
24421-253807	34	30
24421-254008	53	14
	123	22
24421-255210	13	7
24550-010150	80	9
24550-012200	73	3
	110	3
24550-028200	34	4
		7
24761-020000	9	4
	57	24
26013-060129	76	14
26013-080162	79	16
		17
26013-080202	15	10
26014-100252	100	29
26016-080202	43	8
	46	31
	64	9
26016-080852	60	18
26016-100452	60	19
26016-100652	34	31
26016-101052	34	32
	60	20
26016-101452	34	33
26064-060151	94	20
26106-060122	1	2
	3	46
26106-060162	3	47
		48
		49
		50
	7	29
	27	16
		17
	87	18
		19
	92	30
		31
		32
	111	7
26106-060502	87	20
26106-080122	7	30
		31
	78	5
26106-080162	3	51

Parts No.	Fig. No.	Ref. No.
26106-080162	3	52
	5	19
		20
	30	26
		27
	32	2
	55	5
	57	25
	78	6
	80	22
	84	31
	85	27
		28
	92	33
	97	4
		5
		6
	99	10
		11
	111	8
	123	23
26106-080202	6	2
	57	26
	75	5
	84	32
	95	3
	98	6
	100	30
26106-080252	3	53
	42	7
	48	10
	71	9
	100	31
26106-080302	28	3
	34	34
	37	18
	53	15
	95	4
	108	3
26106-080402	34	35
26106-080652	7	32
	27	18
26106-080802	57	27
26106-080852	57	28
26106-080902	34	36
26106-100162	100	32
26106-100202	10	5
	78	7
		8
	80	23

Parts No. Index

Parts No.	Fig. No.	Ref. No.	
26106-100202	85	29	
	99	12	
	57	29	
26106-100252	74	9	
	76	16	
	18	17	
26106-100302	20	9	
	110	7	
	116	6	
	26106-100352	63	6
	26106-100402	112	11
26106-100752	27	19	
26106-101052	37	19	
26106-120252	9	5	
26106-120402	9	6	
26106-120452	29	8	
	112	12	
26106-120602	72	25	
26116-060162	120	16	
26116-060202	85	30	
26116-080202	27	20	
26116-080402	27	21	
26116-101802	53	16	
26116-102202	53	17	
26116-121202	8	7	
26116-140302	49	17	
26346-100002	99	13	
26347-080002	100	33	
26366-080002	80	24	
26366-100002	100	34	
26366-120002	9	7	
26450-060502	76	15	
26450-080502	44	17	
	60	12	
26476-080202	33	3	
26487-080163	100	35	
	111	9	
26589-060162	94	21	
26716-060002	86	6	
26716-080002	27	22	
	48	11	
	57	8	
		30	
	4	11	
26716-100002	72	26	
	77	2	
	80	25	
	112	13	
26716-120002	11	6	
26736-160002	75	6	

Parts No.	Fig. No.	Ref. No.
26776-100002	37	20
26776-120002	49	18
	87	3
26911-100102	79	18
27260-720000	18	18
29311-162000	27	23
933171-15801	85	31

Parts No.	Fig. No.	Ref. No.
-----------	----------	----------

Parts No.	Fig. No.	Ref. No.
-----------	----------	----------