

0CNP5-M27201EN

## DEPLOYMENT ENGINE MODEL TABLE

TRACTOR			ENGINE	
MODEL	PC-No.	SERIAL No.	MODEL	PC-No.
SC2450	0CNP5-G27201	~ F020100	3TNV72-YUKS	0CNP4-G95000
		F020101 ~	3TNM72-CUKS	0CNP5-G27300

# Contents

OCNP5-M27201

Fig. No.	Fig. Name	Fig. No.	Fig. Name
<b>ENGINE CONTROL SECTION</b>		19.	FRONT SHAFT 2
1.	ENGINE ACCESSORIES(1)	20.	FRONT SPINDLE
2.	ENGINE ACCESSORIES(2)	21.	SHAFT COVER
3.	ENGINE ACCESSORIES(3)	22.	FRONT TIRE R1
121.	(3A)ENGINE ACCESSORIES(3)	23.	FRONT TIRE R3
4.	ACCEL LEVER	24.	FRONT TIRE R4
122.	(4A)ACCEL LEVER	25.	HUB BOLT
5.	TANK,FUEL OIL	26.	STEERING WHEEL
6.	COVER,FO TANK	27.	COLUMN BRACKET
7.	FUEL PIPE	125.	(27A)COLUMN BRACKET
123.	(7A)FUEL PIPE	28.	PST VALVE
<b>FRONT AXLE SECTION</b>		29.	PST CYLINDER
8.	FRAME	30.	STEERING PIPE
9.	FRAME,JOINT	<b>TRANSMISSION SECTION</b>	
10.	ENGINE MOUNT	31.	DRIVE SHAFT
124.	(10A)ENGINE MOUNT	32.	T/M ACCESSORIES
11.	CENTER PIN	33.	TRANSAXLE CASE
12.	TIE-ROD	34.	OIL GAUGE
13.	DRIVE PINION	35.	CENTER CASE
14.	DIFFERENTIAL GEAR	36.	MOTOR CASE
15.	PROPELLER SHAFT	37.	FILTER
16.	FRONT SHAFT 1	38.	PUMP
17.	FRONT AXLE CASE	39.	MOTOR
18.	CASE,FRONT GEAR	40.	CLUTCH SHAFT

# Contents

0CNP5-M27201

Fig. No. Fig. Name

- 41. PTO BRAKE
- 42. P.T.O SHAFT
- 43. POWER PUMP
- 44. SOLENOID VALVE
- 45. R-PTO SHAFT
- 46. SHIFT
- 47. RANGE SHIFT LEVER
- 48. CONTROL
- 49. PTO LEVER
- 50. DRIVE SHAFT
- 51. 2-4WD LEVER
- 52. MFWD SHIFT
- 53. HST PEDAL
- 54. HST CRUISE LINK
- 55. CRUISE LEVER
- 56. GEAR PUMP

## REAR AXLE SECTION

- 57. INPUT GEAR
- 58. DIFFERENTIAL GEAR
- 59. REAR HOUSING
- 60. DIFFERENTIAL LOCK
- 61. DIFF.LOCK PEDAL
- 62. REAR AXLE SHAFT
- 63. TIRE REAR R1

Fig. No. Fig. Name

- 64. TIRE REAR R3
- 65. TIRE REAR R4
- 66. HUB BOLT
- 67. DISC BRAKE
- 68. BRAKE PEDAL
- 69. PARKING BRAKE

## HYDRAULIC CONTROL SECTION

- 70. LIFT CYLINDER
- 71. LIFT ARM
- 72. CONTROL VALVE
- 73. STOP VALVE
- 74. VALVE,SCV
- 75. LEVER,SCV
- 76. HYDRAULIC CONTROL
- 77. HYDRAULIC LINE
- 78. OIL COOLER
- 79. PIPING

## ELECTRICAL PARTS SECTION

- 80. WIRE HARNESS
- 126. (80A)WIRE HARNESS
- 81. BATTERY
- 82. SWITCH A
- 127. (82A)SWITCH A

# Contents

0CNP5-M27201

Fig. No. Fig. Name

83. SWITCH B

84. LAMPS

85. SIDE LAMP

86. METER

## FITTINGS SECTION

87. HOOD

88. DASH BOARD ACCESSORIES

89. DASHBOARD

90. FENDER

91. LEVER GUIDE

92. FOOTREST STAY

93. STEP

94. DRIVER SEAT

95. SEAT STAY

96. LABEL

97. LABEL(NAME

98. LABEL(SCV

99. LABEL(SAFETY

## HITCH SECTION

100. SAFETY COVER(PTO

## SAFETY FRAME SECTION

101. ROPS UPPER

Fig. No. Fig. Name

102. LOWER FRAME

103. SMV

104. FRONT GRILLE GUARD

## ACCESSORIES SECTION

105. DOCUMENT

## OPTIONAL SECTION

106. 3P KIT

107. FRONT WEIGHT

108. FRONT HITCH

109. WORK LAMP

110. HEATER,RADIATOR HOSE

120. CABLE ASSY, BRAKE SW

128. SERVICE PARTS

129. FUEL LINE(FAME

## BACKHOE SECTION

111. BACKHOE(SWING FRAME

112. BACKHOE(CONTROL

113. BACKHOE(MAIN FRAME

114. BACKHOE(PIPING

115. BUCKETS,8INCH KIT

116. BUCKETS,12INCH KIT

117. STREET PAD KIT

# Contents

OCNP5-M27201

Fig. No.	Fig. Name
118.	LABEL & DOCUMENT
119.	LABEL(SAFETY

Fig. No.	Fig. Name
----------	-----------

Fig.1. ENGINE ACCESSORIES(1)

(A)=SC2450(CCY)  
(B)=  
(C)=

(D)=  
(E)=  
(F)=

No.	Lev.	Parts No.	Description	Q'ty						I	R
				(A)	(B)	(C)	(D)	(E)	(F)		
1	1	1A7880-05110	COVER, FLYWHEEL	1							
2	1	26106-060122	BOLT, M6X 12 PLATED	4							

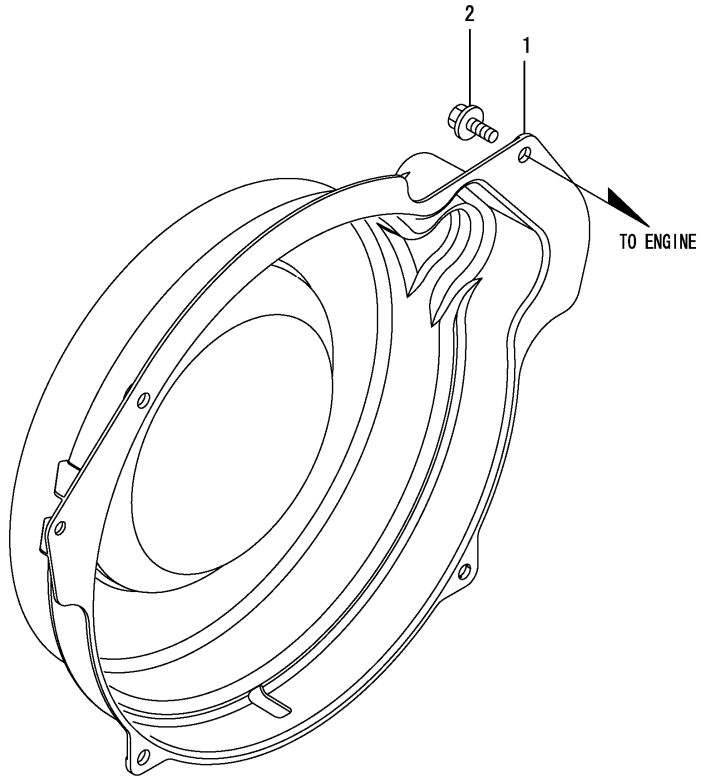


Fig.2. ENGINE ACCESSORIES(2)

(A)=SC2450(CCY)  
(B)=  
(C)=

(D)=  
(E)=  
(F)=

No.	Lev.	Parts No.	Description	Q'ty						I	R
				(A)	(B)	(C)	(D)	(E)	(F)		
1	1	114110-07760	LABEL, FUEL OIL	1							
1-1	1	114110-07761	LABEL, FUEL OIL CAUT	1							N
(A=F020320)											
2	1	119517-12510	CLEANER ASSY, AIR	1							
3	2	119515-12520	ELEMENT	1							
3-1	2	119655-12560	ELEMENT	1							N
(A=FXXXXX)											
4	2	129418-12530	LABEL, MARK	2							
5	2	119808-12540	VALVE, UNLOADER	1							
6	2	119686-12570	COVER ASSY	1							
7	2	105027-12580	RING	1							

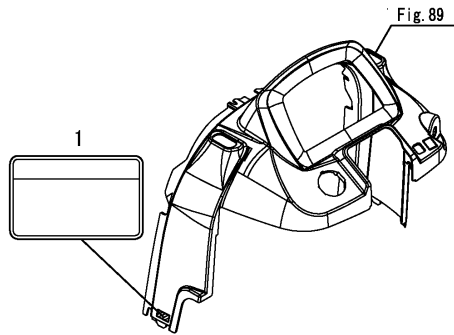
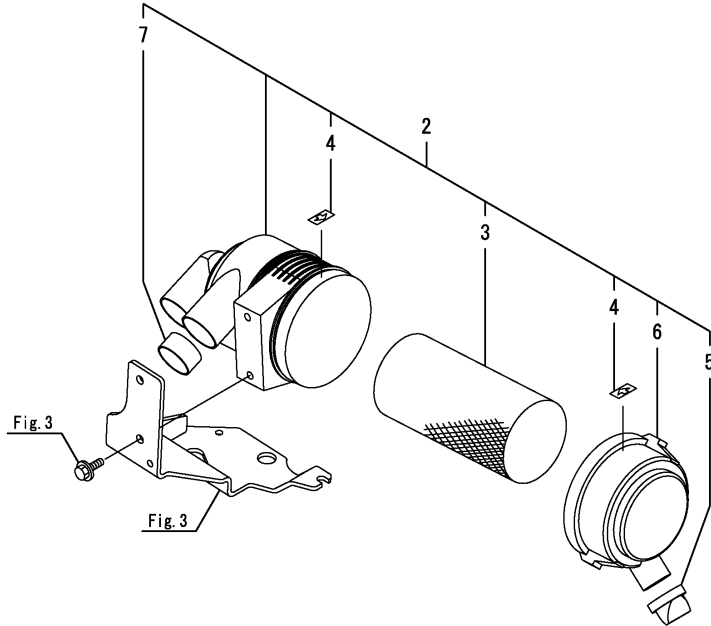




Fig.3. ENGINE ACCESSORIES(3)

(A)=SC2450(CCY)

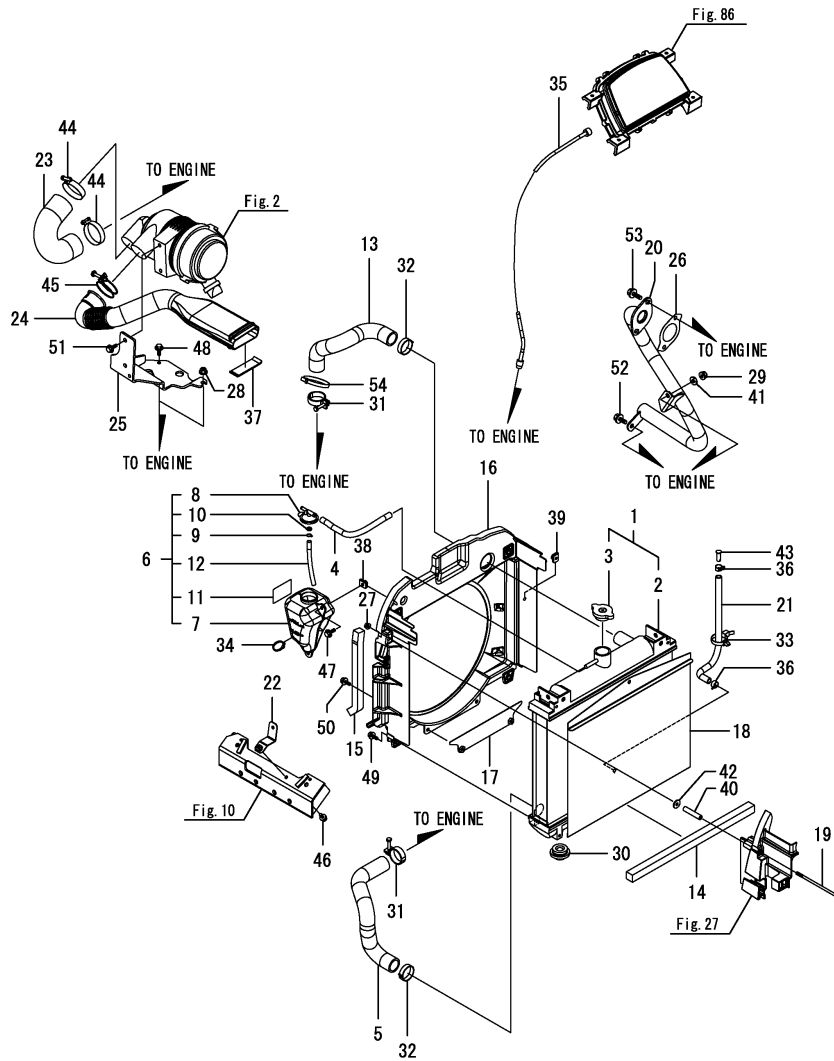
(B)=

(C)=

(D)=

(E)=

(F)=



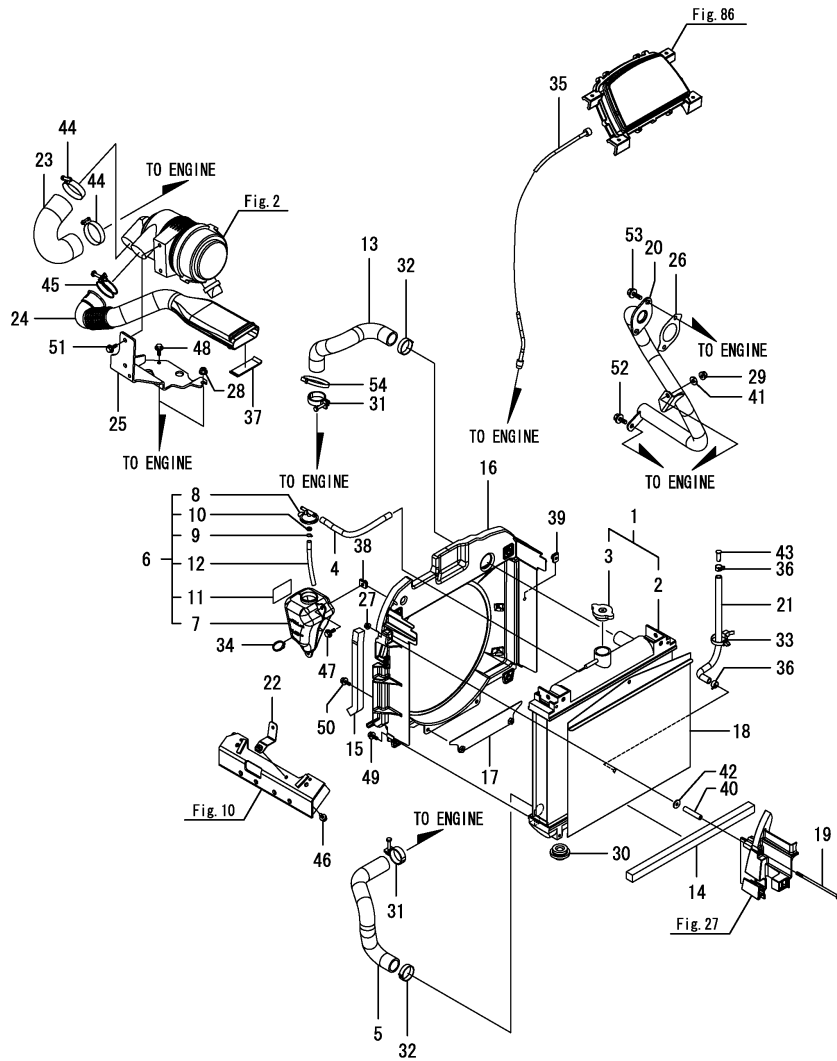
No.	Lev.	Parts No.	Description	Q'ty						I	R
				(A)	(B)	(C)	(D)	(E)	(F)		
1	1	1A7880-00601	RADIATOR ASSY	1							
2	2	1A7880-00610	RADIATOR	1							
3	2	129107-44590	CAP, RADIATOR	1							
4	1	1A7880-00640	HOSE, SUB TANK	1							
5	1	198162-00720	PIPE, WATER L 66	1							
6	1	1A7880-01350	TANK ASSY, COOLANT	1							
7	2	1A7880-01360	TANK, COOLANT	1							
8	2	121450-44531	CAP	1							
9	2	124450-44560	RETAINER	1							
10	2	121470-44581	GASKET	1							
11	2	124764-44810	LABEL,SUB-TANK	1							Z
(A=F020101)											
12	2	23065-070130	PIPE, 7X 130	1							
13	1	1A7880-01410	HOSE, WATER A	1							
14	1	1A7880-01440	SEAL, RADIATOR	1							
15	1	1A7880-01460	SEAL, SHROUD LOWER	2							
16	1	1A7880-01500	SHROUD ASSY, FAN M	1							
17	1	1A7880-01520	PLATE ASSY, SHROUD	1							
18	1	1A7880-01560	SCREEN, RADIATOR	1							
19	1	1A7880-01650	BOLT, M6X135	2							
20	1	1A7880-03111	PIPE, EXHAUST	1							
21	1	1A7510-04430	HOSE, FUEL F-P	1							
22	1	1A7880-05410	INSULATOR	1							
23	1	1A7880-06010	HOSE, AIR INTAKE	1							
24	1	1A7880-06150	PIPE, AIR INTAKE	1							
25	1	1A7880-06201	BRACKET ASSY	1							
26	1	129052-13550	GASKET	1							
27	1	194990-22130	NUT, M6	2							
28	1	194990-22140	NUT, M8	1							
29	1	194990-22140	NUT, M8	1							
30	1	119255-44660	ABSORBER	2							
31	1	121267-49500	BAND, 38	2							
32	1	175022-49730	CRIP 31, HOSE	2							
33	1	194680-51670	BAND, CLIP	2							
34	1	1A1380-55310	CLAMP, WIRE	1							
35	1	1A6680-56920	CABLE, HOUR METER	1							
36	1	114270-59010	CLIP, HOSE 12	2							
37	1	198162-61370	SEAL, RADIATOR E	1							
38	1	198071-61890	NUT, SPEED M6	2							
39	1	198071-61890	NUT, SPEED M6	1							
40	1	198461-87590	COLLAR, 6.5X10X52	2							
41	1	22137-080000	WASHER, 8	1							
42	1	22157-060000	WASHER, 6	2							
43	1	22487-080200	PIN, H 8X 20	1							
44	1	23000-054000	CLAMP, 54	2							
45	1	23010-050000	CLAMP, 50	1							
46	1	26106-060162	BOLT, M6X 16 PLATED	1							
47	1	26106-060162	BOLT, M6X 16 PLATED	2							
48	1	26106-060162	BOLT, M6X 16 PLATED	2							
49	1	26106-060162	BOLT, M6X 16 PLATED	4							
50	1	26106-060162	BOLT, M6X 16 PLATED	2							

Remarks  
 \*Serial No.  
 Up to F020100 refer to this item.  
 From F020101 refer to Fig.121.

Fig.3. ENGINE ACCESSORIES(3)

(A)=SC2450(CCY)  
(B)=  
(C)=

(D)=  
(E)=  
(F)=



No.	Lev.	Parts No.	Description	Q'ty						I	R
				(A)	(B)	(C)	(D)	(E)	(F)		
51	1	26106-080162	BOLT, M8X 16 PLATED	2							
52	1	26106-080162	BOLT, M8X 16 PLATED	1							
53	1	26106-080252	BOLT, M8X 25 PLATED	2							
54	1	29622-250001	BAND, RF250	1							
54-1	1	1A8300-51210	BAND, REPEAT	1							R
			(A=FXXXXX)								

Remarks  
\*Serial No.  
Up to F020100 refer to this item.  
From F020101 refer to Fig.121.

Fig.121. (3A)ENGINE ACCESSORIES(3)

(A)=SC2450(CCY)

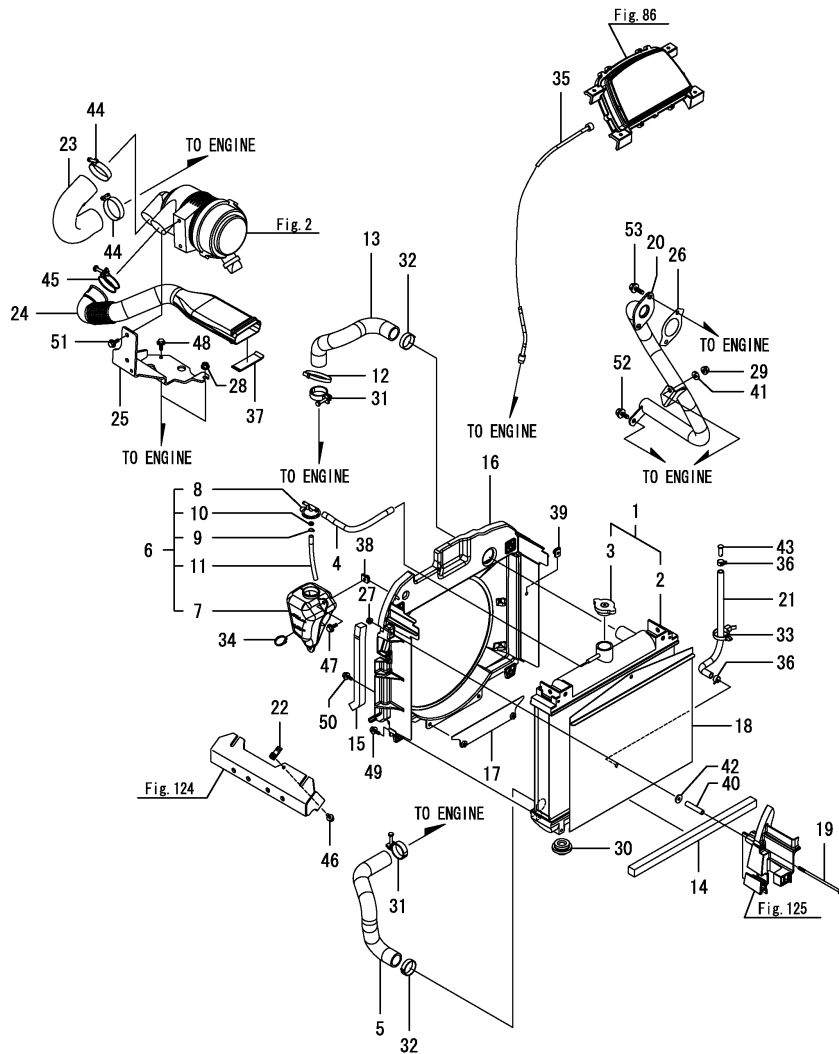
(B)=

(C)=

(D)=

(E)=

(F)=



No.	Lev.	Parts No.	Description	Q'ty						I	R
				(A)	(B)	(C)	(D)	(E)	(F)		
1	1	1A7880-00601	RADIATOR ASSY	1							
2	2	1A7880-00610	RADIATOR	1							
3	2	129107-44590	CAP, RADIATOR	1							
4	1	1A7880-00640	HOSE, SUB TANK	1							
5	1	198162-00720	PIPE, WATER L 66	1							
6	1	1A7880-01350	TANK ASSY, COOLANT	1							
7	2	1A7880-01360	TANK, COOLANT	1							
8	2	121450-44531	CAP	1							
9	2	124450-44560	RETAINER	1							
10	2	121470-44581	GASKET	1							
11	2	23065-070130	PIPE, 7X 130	1							
12	1	1A8300-51210	BAND, REPEAT	1							
13	1	1A7880-01410	HOSE, WATER A	1							
14	1	1A7880-01440	SEAL, RADIATOR	1							
15	1	1A7880-01460	SEAL, SHROUD LOWER	2							
16	1	1A7880-01500	SHROUD ASSY, FAN M	1							
17	1	1A7880-01520	PLATE ASSY, SHROUD	1							
18	1	1A7880-01560	SCREEN, RADIATOR	1							
19	1	1A7880-01650	BOLT, M6X135	2							
20	1	1A7880-03111	PIPE, EXHAUST	1							
21	1	1A7510-04430	HOSE, FUEL F-P	1							
22	1	1A7882-05410	PLATE ASSY, MOUNT	1							
23	1	1A7882-06010	HOSE, AIR INTAKE	1							
24	1	1A7880-06150	PIPE, AIR INTAKE	1							
25	1	1A7880-06201	BRACKET ASSY	1							
26	1	129052-13550	GASKET	1							
27	1	194990-22130	NUT, M6	2							
28	1	194990-22140	NUT, M8	1							
29	1	194990-22140	NUT, M8	1							
30	1	119255-44660	ABSORBER	2							
31	1	121267-49500	BAND, 38	2							
32	1	175022-49730	CRIP 31, HOSE	2							
33	1	194680-51670	BAND, CLIP	2							
34	1	1A1380-55310	CLAMP, WIRE	1							
35	1	1A6680-56920	CABLE, HOUR METER	1							
36	1	114270-59010	CLIP, HOSE 12	2							
37	1	198162-61370	SEAL, RADIATOR E	1							
38	1	198071-61890	NUT, SPEED M6	2							
39	1	198071-61890	NUT, SPEED M6	1							
40	1	198461-87590	COLLAR, 6.5X10X52	2							
41	1	22137-080000	WASHER, 8	1							
42	1	22157-060000	WASHER, 6	2							
43	1	22487-080200	PIN, H 8X 20	1							
44	1	23000-054000	CLAMP, 54	2							
45	1	23010-050000	CLAMP, 50	1							
46	1	26106-060122	BOLT, M6X 12 PLATED	1							
47	1	26106-060162	BOLT, M6X 16 PLATED	2							
48	1	26106-060162	BOLT, M6X 16 PLATED	2							
49	1	26106-060162	BOLT, M6X 16 PLATED	4							
50	1	26106-060162	BOLT, M6X 16 PLATED	2							
51	1	26106-080162	BOLT, M8X 16 PLATED	2							

Remarks

\*Serial No.

Up to F020100 refer to Fig.3.

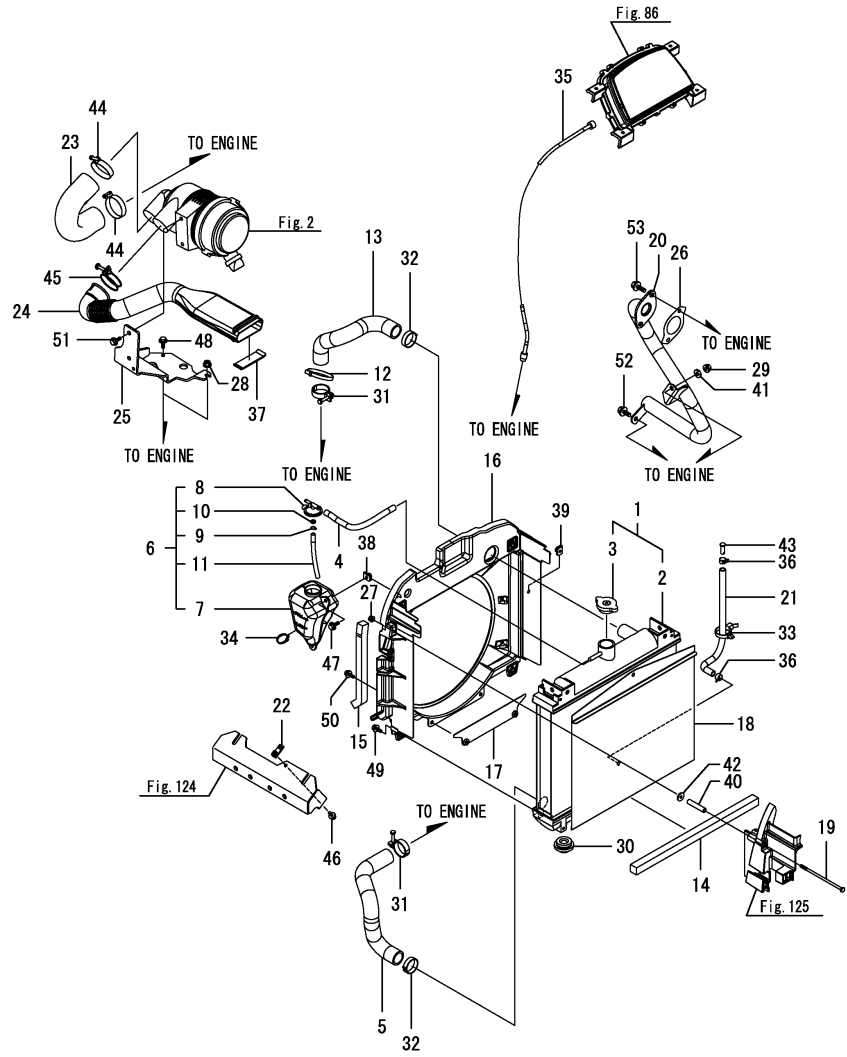
From F020101 refer to this item.

Fig.121. (3A)ENGINE ACCESSORIES(3)

(A)=SC2450(CCY)  
(B)=  
(C)=

(D)=  
(E)=  
(F)=

No.	Lev.	Parts No.	Description	Q'ty						I	R
				(A)	(B)	(C)	(D)	(E)	(F)		
52	1	26106-080162	BOLT, M8X 16 PLATED	1							
53	1	26106-080252	BOLT, M8X 25 PLATED	2							

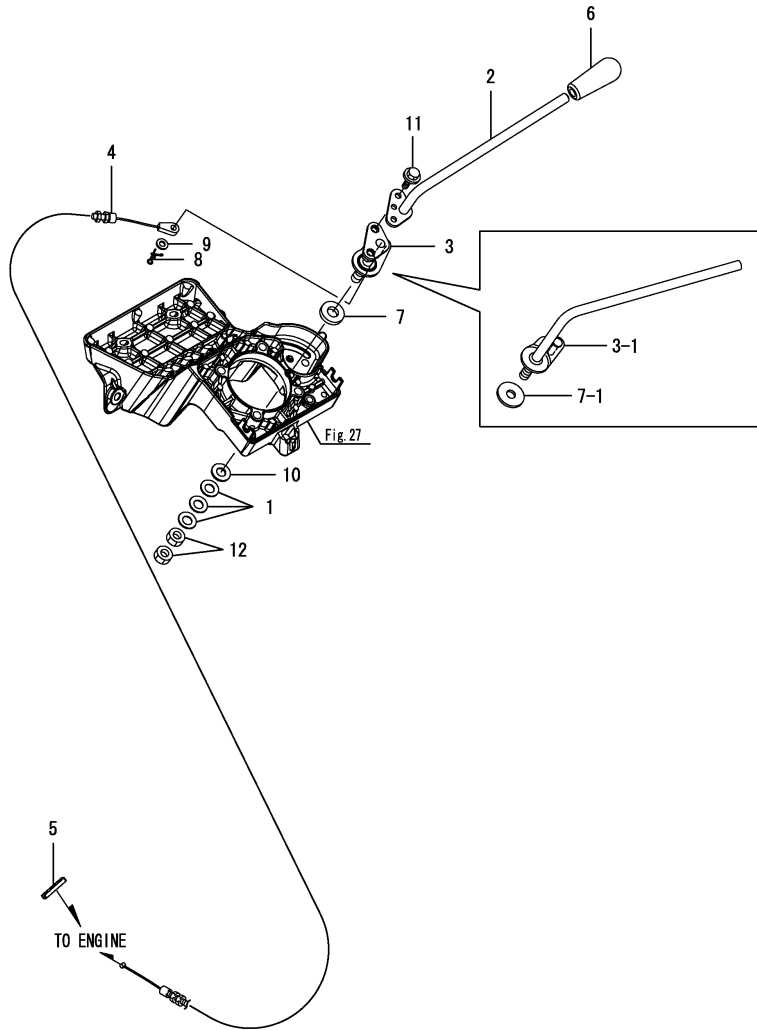


Remarks  
\*Serial No.  
Up to F020100 refer to Fig.3.  
From F020101 refer to this item.

Fig.4. ACCEL LEVER

(A)=SC2450(CCY)  
(B)=  
(C)=

(D)=  
(E)=  
(F)=



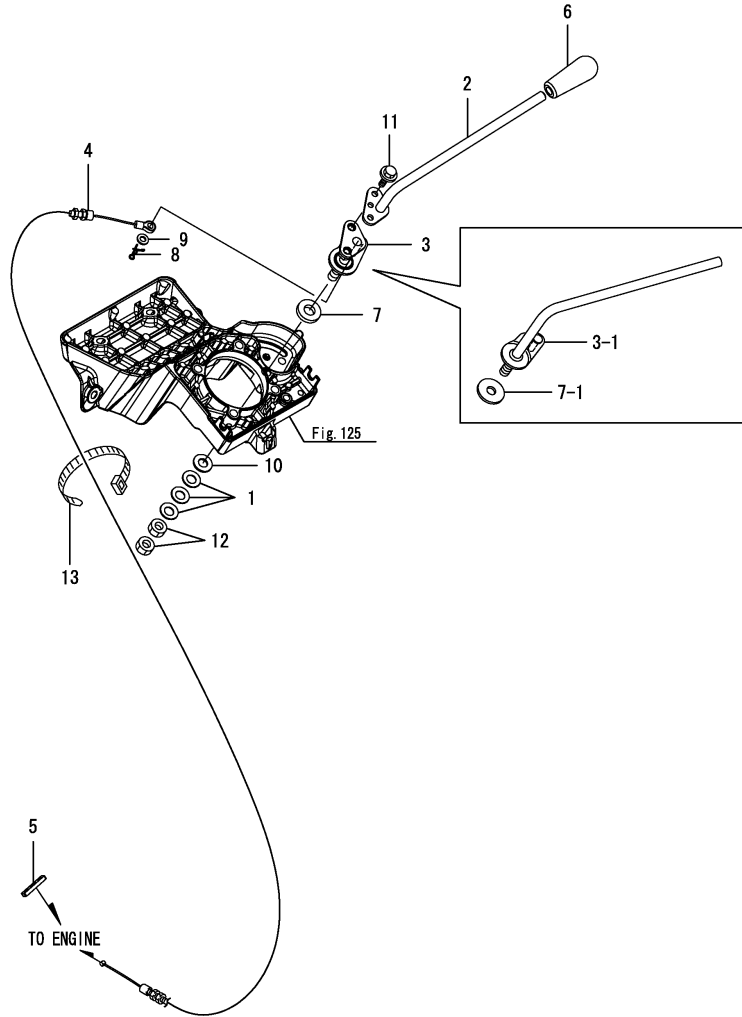
No.	Lev.	Parts No.	Description	Q'ty						I	R
				(A)	(B)	(C)	(D)	(E)	(F)		
1	1	194740-00160	SPRING, 10	3							
2	1	1A7880-01060	LEVER, ACCELERATOR	1							Z
(A=F020278)											
3	1	1A7880-01110	LEVER, ACCELERATOR	1							
3-1	1	1A7880-01010	LEVER ASSY, CONTROL	1							S
(A=F020278)											
4	1	1A7880-01150	WIRE ASSY, CONTROL	1							
5	1	198071-01160	RUBBER	1							
6	1	198253-01190	KNOB, LEVER	1							
7	1	1C6900-48251	SPACER, 13X26X5	1							
7-1	1	198200-01260	PLATE, FRICTION	1							S
(A=F020278)											
8	1	1C6281-52310	PIN, SNAP 6	1							
9	1	22137-060000	WASHER, 6	1							
10	1	22137-100000	WASHER, 10	1							
11	1	26106-060122	BOLT, M6X 12 PLATED	2							Z
(A=F020278)											
12	1	26716-100002	NUT, M10	2							

Remarks  
\*Serial No.  
Up to F020100 refer to this item.  
From F020101 refer to Fig.122.

Fig.122. (4A)ACCEL LEVER

(A)=SC2450(CCY)  
(B)=  
(C)=

(D)=  
(E)=  
(F)=



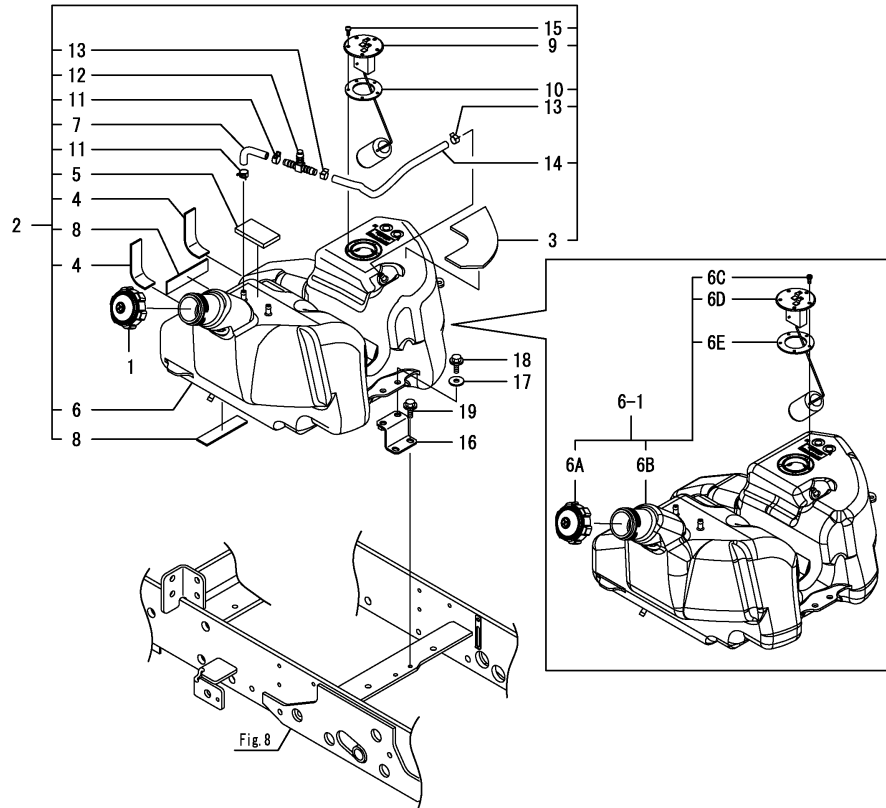
No.	Lev.	Parts No.	Description	Q'ty						I	R
				(A)	(B)	(C)	(D)	(E)	(F)		
1	1	194740-00160	SPRING, 10	3							
2	1	1A7880-01060	LEVER, ACCELERATOR	1							Z
(A=F020278)											
3	1	1A7880-01110	LEVER, ACCELERATOR	1							
3-1	1	1A7880-01010	LEVER ASSY, CONTROL	1							S
(A=F020278)											
4	1	1A7882-01150	WIRE ASSY, CONTROL	1							
5	1	198071-01160	RUBBER	1							
6	1	198253-01190	KNOB, LEVER	1							
7	1	1C6900-48251	SPACER, 13X26X5	1							
7-1	1	198200-01260	PLATE, FRICTION	1							S
(A=F020278)											
8	1	1C6281-52310	PIN, SNAP 6	1							
9	1	22137-060000	WASHER, 6	1							
10	1	22137-100000	WASHER, 10	1							
11	1	26106-060122	BOLT, M6X 12 PLATED	2							Z
(A=F020278)											
12	1	26716-100002	NUT, M10	2							
13	1	1A8300-51210	BAND, REPEAT	1							

Remarks  
\*Serial No.  
Up to F020100 refer to Fig.4.  
From F020101 refer to this item.

Fig.5. TANK,FUEL OIL

(A)=SC2450(CCY)  
(B)=  
(C)=

(D)=  
(E)=  
(F)=



No.	Lev.	Parts No.	Description	Qty						I	R
				(A)	(B)	(C)	(D)	(E)	(F)		
1	1	1A7880-04091 (A=F020101)	CAP, FUEL TANK	1							Z
2	1	1A7880-04100	TANK ASSY, FUEL	1							
2-1	1	1A7880-04101 (A=F020101)	TANK ASSY, FUEL	1							R
3	2	1A7880-04040	CUSHION, TANK R	1							
4	2	1A7880-04050	CUSHION, TANK SIDE	2							
5	2	1A7880-04080	CUSHION, TANK UPPER	1							
6	2	1A7880-04110	TANK, FUEL	1							
6-1	2	1A7880-04130 (A=F020101)	TANK, FUEL KIT	1							F 1
6A	3	1A7880-04091 (A=F020101)	CAP, FUEL TANK	1							W
6B	3	1A7880-04111 (A=F020101)	TANK, FUEL	1							W
6C	3	1A7180-04180 (A=F020101)	SCREW, M5X14	5							W
6D	3	1A7880-56601 (A=F020101)	GAUGE ASSY, FUEL	1							W
6E	3	198200-56630 (A=F020101)	GASKET, GAUGE	1							W
7	2	198448-04270	HOSE, RETURN	1							
8	2	198165-04380	RUBBER, 100X25X3	2							
9	2	1A7880-56601 (A=F020101)	GAUGE ASSY, FUEL	1							Z
10	2	198200-56630 (A=F020101)	GASKET, GAUGE	1							Z
11	2	114270-59010	CLIP, HOSE 12	2							
12	2	119629-59910	JOINT, 3-WAY	1							
13	2	23080-012000	CLAMP, 12	2							
13-1	2	114270-59010 (A=FXXXXX)	CLIP, HOSE 12	2							R
14	2	23980-730260	HOSE, 7.3X 260	1							
15	2	1A7180-04180 (A=F020101)	SCREW, M5X14	5							Z
16	1	1A7880-04210	STAY, FUEL TANK	1							
17	1	22157-080000	WASHER, 8	2							
18	1	26106-080162	BOLT, M8X 16 PLATED	2							
19	1	26106-080162	BOLT, M8X 16 PLATED	2							

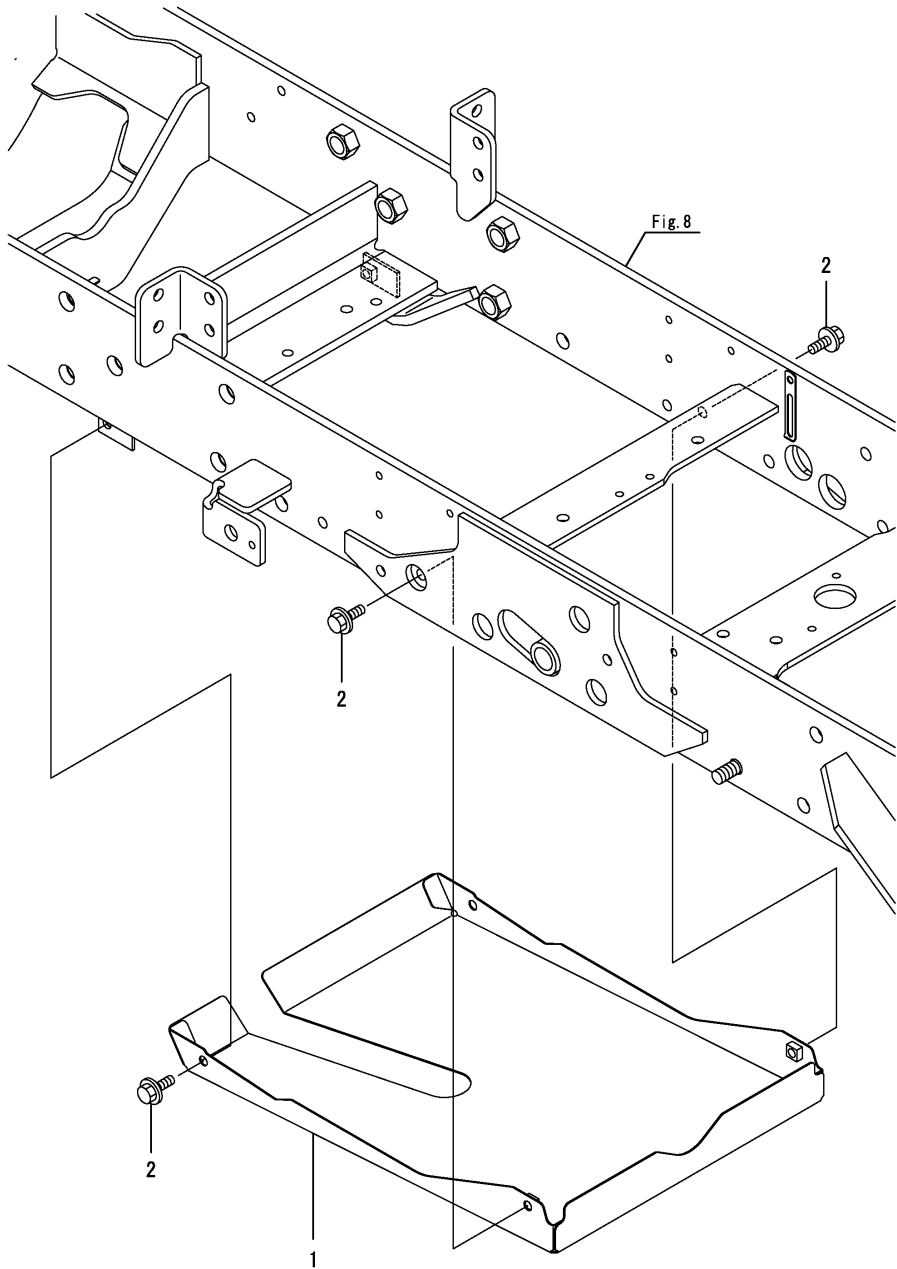
Remarks

(1)Ref.6-1 is interchangeable with a set of 1,6,9,10,15.

Fig.6. COVER,FO TANK

(A)=SC2450(CCY)  
 (B)=  
 (C)=

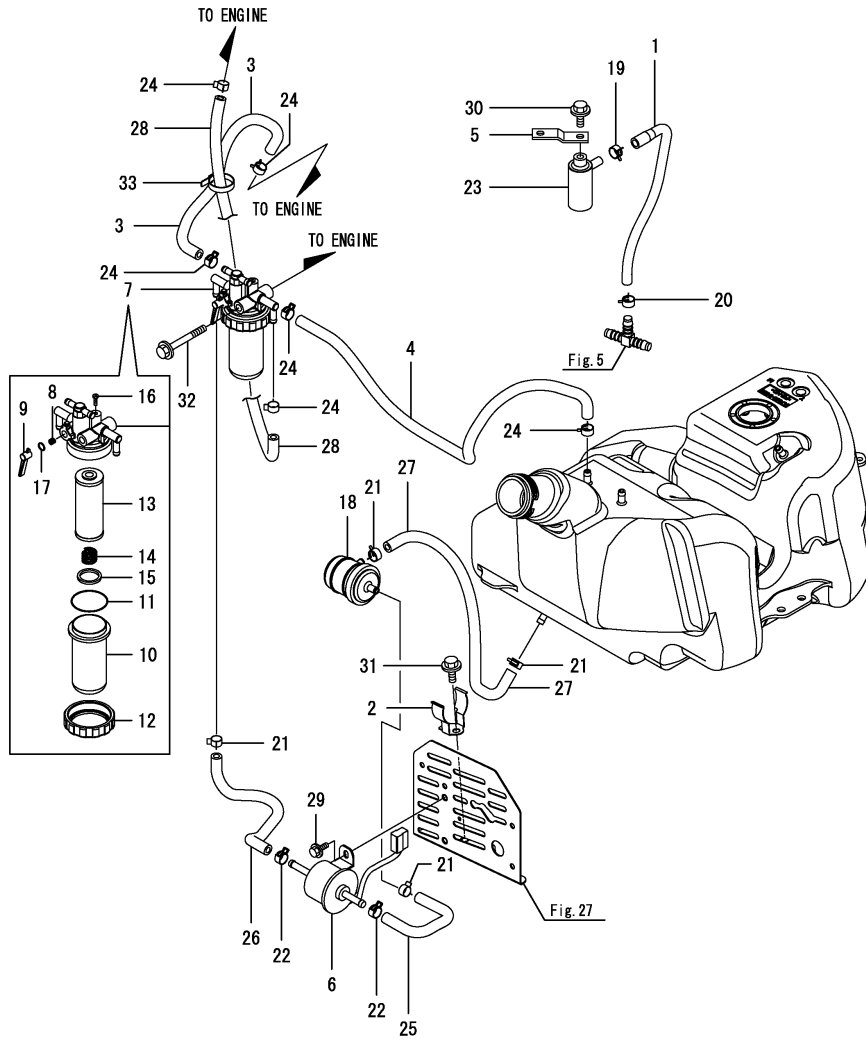
(D)=  
 (E)=  
 (F)=



No.	Lev.	Parts No.	Description	Q'ty						I	R
				(A)	(B)	(C)	(D)	(E)	(F)		
1	1	1A7882-04300	COVER, FUEL TANK	1							
2	1	26106-080202	BOLT, M8X 20 PLATED	4							



Fig.7. FUEL PIPE



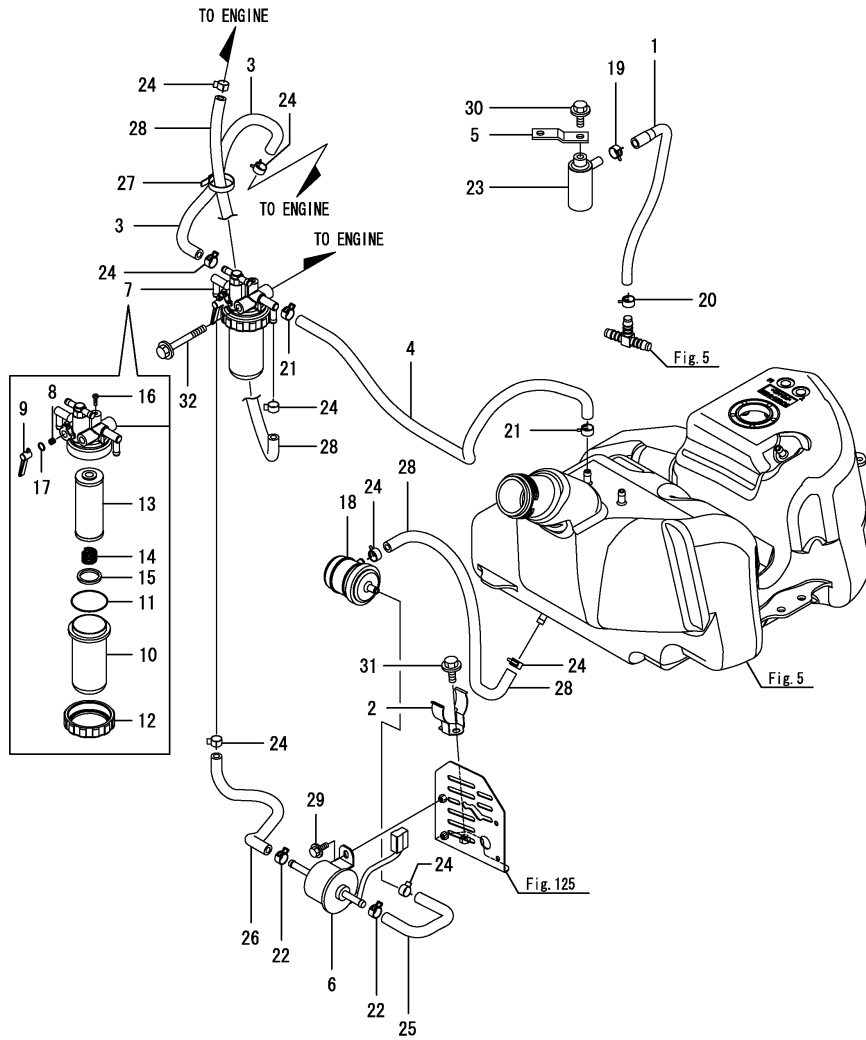
(A)=SC2450(CCY)  
(B)=  
(C)=

(D)=  
(E)=  
(F)=

No.	Lev.	Parts No.	Description	Qty						I	R
				(A)	(B)	(C)	(D)	(E)	(F)		
1	1	1A7880-04270	HOSE, AIR VENT	1							
2	1	198072-04320	CLAMP, FILTER	1							
3	1	1A7880-04410	HOSE, FUEL F-E	1							
4	1	1A7880-04430	HOSE, FUEL F-T	1							
5	1	194312-39480	SUPPORT, BREATHER	1							
6	1	119225-52102	PUMP ASSY, FUEL FEED	1							
7	1	129053-55620	FILTER ASSY, FUEL	1							
8	2	104200-55330	SPRING, VALVE	1							
9	2	119810-55340	LEVER	1							
10	2	129107-55510	CUP, STRAINER	1							
11	2	102103-55520	O-RING	1							
12	2	110250-55610	RING, RETAINING	1							
13	2	119810-55650	ELEMENT	1							
14	2	121257-55720	SPRING	1							
15	2	121257-55731	FLOAT	1							
16	2	104200-55750	SCREW, M4	1							
17	2	24311-240100	O-RING, 1AP10A	1							
18	1	129052-55630	FILTER, FUEL	1							
19	1	114270-59010	CLIP, HOSE 12	1							
20	1	114270-59010	CLIP, HOSE 12	1							
21	1	114270-59010	CLIP, HOSE 12	4							
22	1	114270-59010	CLIP, HOSE 12	2							
23	1	194205-63550	BREATHER, AIR	1							
24	1	23080-012000	CLAMP, 12	6							
24-1	1	114270-59010	CLIP, HOSE 12	6							R
(A=FXXXXX)											
25	1	23980-730150	HOSE, 7.3X 150	1							
26	1	23980-730260	HOSE, 7.3X 260	1							
27	1	23980-730330	HOSE, 7.3X 330	1							
28	1	23980-730350	HOSE, 7.3X 350	1							
29	1	26106-060162	BOLT, M6X 16 PLATED	2							
30	1	26106-080122	BOLT, M8X 12 PLATED	1							
31	1	26106-080122	BOLT, M8X 12 PLATED	1							
32	1	26106-080602	BOLT, M8X 60 PLATED	1							
33	1	29622-140001	BAND, RF140	2							
33-1	1	1A8300-51210	BAND, REPEAT	2							R
(A=FXXXXX)											

Remarks  
\*Serial No.  
Up to F020100 refer to this item.  
From F020101 refer to Fig.123.

Fig.123. (7A)FUEL PIPE



(A)=SC2450(CCY)

(B)=

(C)=

(D)=

(E)=

(F)=

No.	Lev.	Parts No.	Description	Qty						I	R
				(A)	(B)	(C)	(D)	(E)	(F)		
1	1	1A7880-04270	HOSE, AIR VENT	1							
2	1	198072-04320	CLAMP, FILTER	1							
3	1	23980-730400	HOSE, 7.3X 400	1							
4	1	1A7880-04430	HOSE, FUEL F-T	1							
5	1	194312-39480	SUPPORT, BREATHER	1							
6	1	119225-52102	PUMP ASSY, FUEL FEED	1							
7	1	129053-55620	FILTER ASSY, FUEL	1							
8	2	104200-55330	SPRING, VALVE	1							
9	2	119810-55340	LEVER	1							
10	2	129107-55510	CUP, STRAINER	1							
11	2	102103-55520	O-RING	1							
12	2	110250-55610	RING, RETAINING	1							
13	2	119810-55650	ELEMENT	1							
14	2	121257-55720	SPRING	1							
15	2	121257-55731	FLOAT	1							
16	2	104200-55750	SCREW, M4	1							
17	2	24311-240100	O-RING, 1AP10A	1							
18	1	129052-55630	FILTER, FUEL	1							
19	1	114270-59010	CLIP, HOSE 12	1							
20	1	114270-59010	CLIP, HOSE 12	1							
21	1	114270-59010	CLIP, HOSE 12	2							
22	1	114270-59010	CLIP, HOSE 12	2							
23	1	194205-63550	BREATHER, AIR	1							
24	1	23080-012000	CLAMP, 12	8							
24-1	1	114270-59010	CLIP, HOSE 12	8							R
		(A=FXXXXX)									
25	1	23980-730150	HOSE, 7.3X 150	1							
26	1	23980-730180	HOSE, 7.3X 180	1							
27	1	1A8300-51210	BAND, REPEAT	1							
28	1	23980-730350	HOSE, 7.3X 350	2							
29	1	26106-060162	BOLT, M6X 16 PLATED	2							
30	1	26106-080122	BOLT, M8X 12 PLATED	1							
31	1	26106-080122	BOLT, M8X 12 PLATED	1							
32	1	26106-080652	BOLT, M8X 65 PLATED	1							

Remarks

\*Serial No.

Up to F020100 refer to Fig.7.

From F020101 refer to this item.

Fig.8. FRAME

(A)=SC2450(CCY)  
 (B)=  
 (C)=

(D)=  
 (E)=  
 (F)=

No.	Lev.	Parts No.	Description	Qty						I	R
				(A)	(B)	(C)	(D)	(E)	(F)		
1	1	1A7882-10090	FRAME ASSY, TLB M	1							
2	1	1A7882-10450	BRACKET, MISSION	1							
3	1	1A7882-10500	FRAME ASSY, LINK	1							
4	1	1A6770-85920	BOLT, M12X30	10							
6	1	22217-120000	WASHER, SPRING 12	4							
7	1	22351-100020	PIN, SPRING 10.0X20	2							
8	1	26116-121202	BOLT, M12X120 PLATED	4							

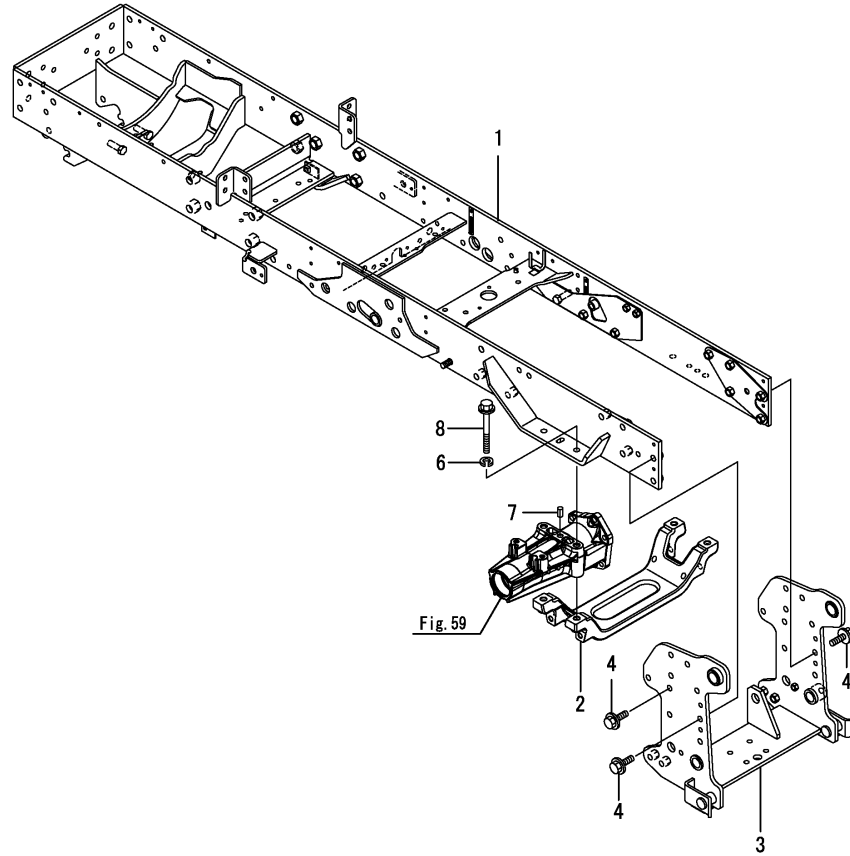
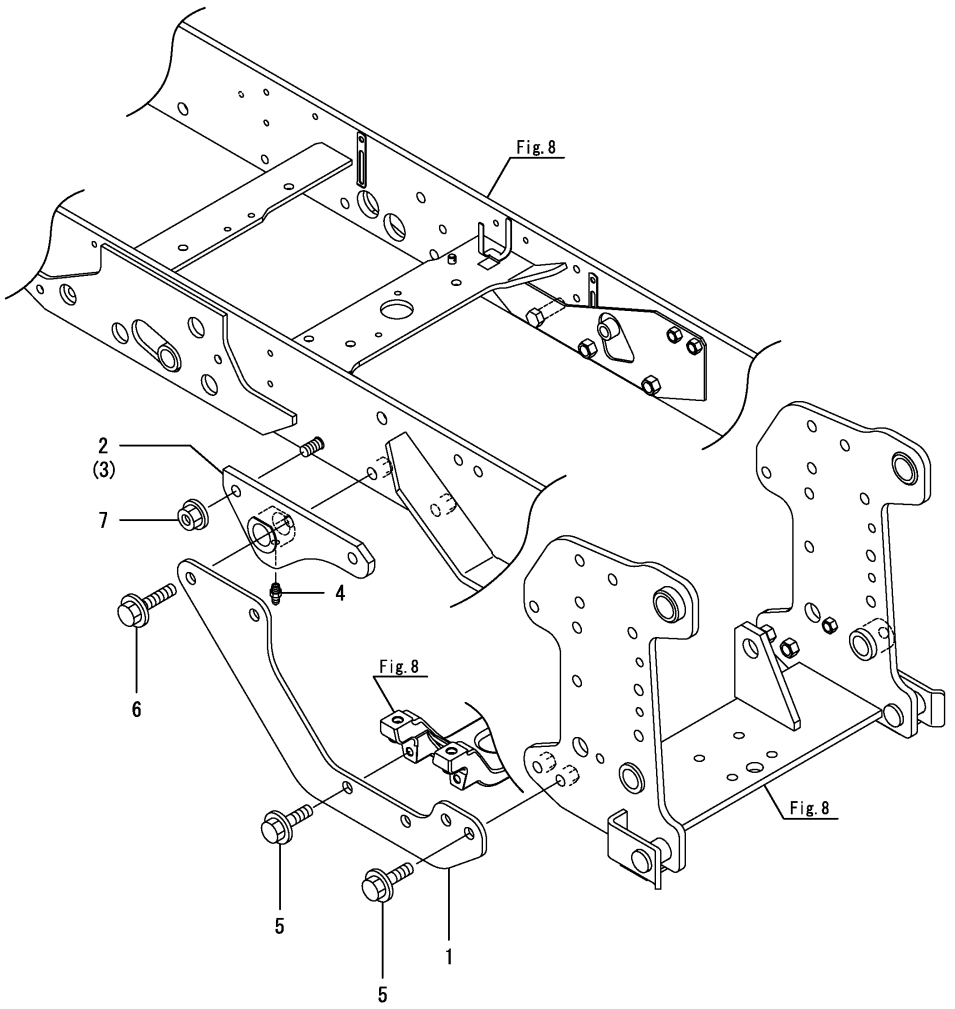


Fig.9. FRAME,JOINT

(A)=SC2450(CCY)  
 (B)=  
 (C)=

(D)=  
 (E)=  
 (F)=

No.	Lev.	Parts No.	Description	Qty						I	R
				(A)	(B)	(C)	(D)	(E)	(F)		
1	1	1A7882-10600	PLATE, SUPPORT UNDER	2							
2	1	1A7882-10610	PLATE ASSY, MOWER L	1							
3	1	1A7882-10620	PLATE ASSY, MOWER R	1							
4	1	24761-020000	NIPPLE, GREASE PT1/8	2							
5	1	26106-120252	BOLT, M12X 25 PLATED	8							
6	1	26106-120402	BOLT, M12X 40 PLATED	4							
7	1	26366-120002	NUT, M12	2							




---

---

---

---

---

---

---

---

---

---

---

---

---

---

---

---

---

---

---

---

---

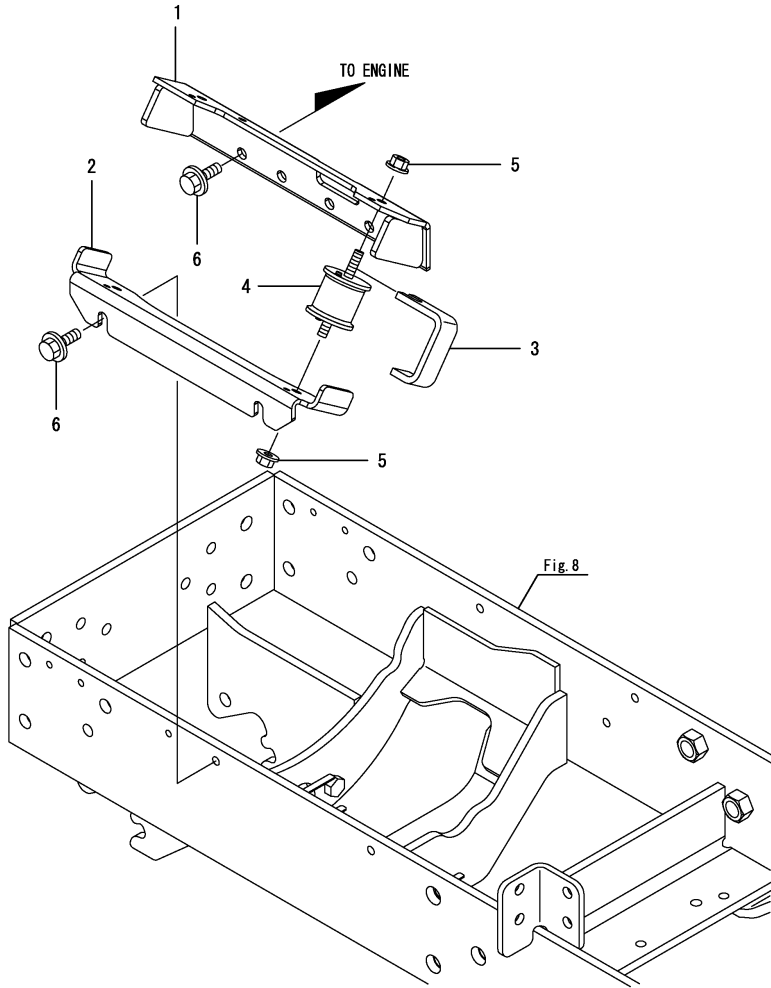
---

Fig.10. ENGINE MOUNT

(A)=SC2450(CCY)  
 (B)=  
 (C)=

(D)=  
 (E)=  
 (F)=

No.	Lev.	Parts No.	Description	Q'ty						I	R
				(A)	(B)	(C)	(D)	(E)	(F)		
1	1	1A7880-10800	STAY ASSY, MOUNT E	2							
2	1	1A7880-10900	STAY, MOUNT FRAME	2							
3	1	1A7880-10950	STOPPER	2							
4	1	1A7130-11790	RUBBER, MOUNT	4							
5	1	194990-22140	NUT, M8	8							
6	1	26106-100202	BOLT, M10X 20 PLATED	10							



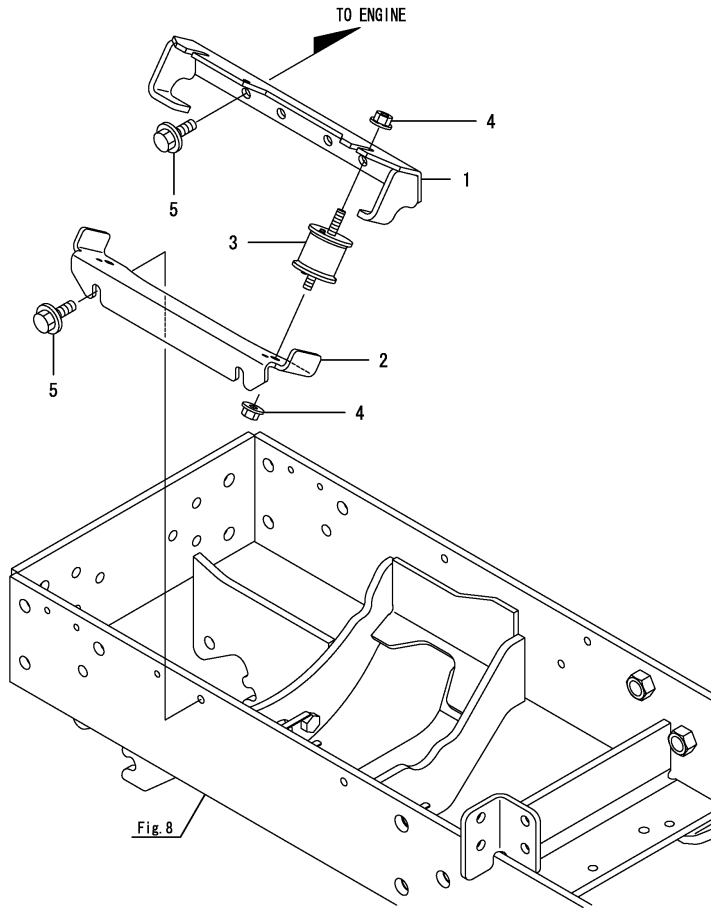
Remarks  
 \*Serial No.  
 Up to F020100 refer to this item.  
 From F020101 refer to Fig.124.

Fig.124. (10A)ENGINE MOUNT

(A)=SC2450(CCY)  
(B)=  
(C)=

(D)=  
(E)=  
(F)=

No.	Lev.	Parts No.	Description	Q'ty						I	R
				(A)	(B)	(C)	(D)	(E)	(F)		
1	1	1A7882-10800	STAY ASSY, MOUNT E	2							
2	1	1A7882-10900	STAY, MOUNT FRAME	2							
3	1	1A7130-11790	RUBBER, MOUNT	4							
4	1	194990-22140	NUT, M8	8							
5	1	26106-100202	BOLT, M10X 20 PLATED	10							

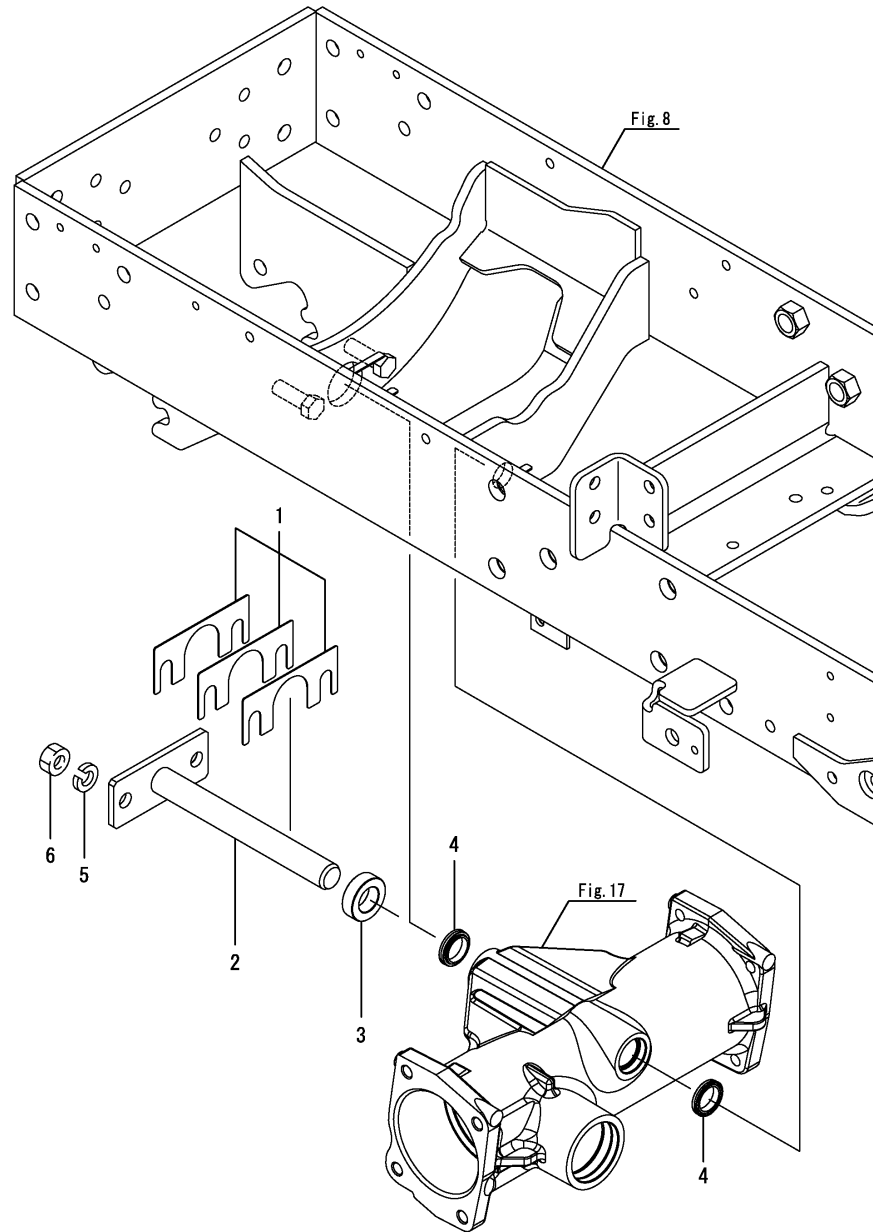


Remarks  
\*Serial No.  
Up to F020100 refer to Fig.10.  
From F020101 refer to this item.

Fig.11. CENTER PIN

(A)=SC2450(CCY)  
(B)=  
(C)=

(D)=  
(E)=  
(F)=



No.	Lev.	Parts No.	Description	Q'ty						I	R
				(A)	(B)	(C)	(D)	(E)	(F)		
1	1	198165-11500	SHIM SET, CENTER PIN	1							
2	1	1A7880-11510	PIN ASSY, CENTER	1							
3	1	1A7880-11551	COLLAR, 22X38X12.5	1							
4	1	1A7880-11560	SEAL, DUST 22X30X6	2							
5	1	22217-120000	WASHER, SPRING 12	2							
6	1	26716-120002	NUT, M12	2							

---

---

---

---

---

---

---

---

---

---

---

---

---

---

---

---

---

---

---

---

---

---

---

---

---

---

Fig.12. TIE-ROD

(A)=SC2450(CCY)  
 (B)=  
 (C)=

(D)=  
 (E)=  
 (F)=

No.	Lev.	Parts No.	Description	Q'ty						I	R
				(A)	(B)	(C)	(D)	(E)	(F)		
1	1	1A7880-12302	TIE-ROD ASSY, 132	2							
2	1	194730-57242	NUT, CASTLE M12	2							
3	1	22417-320250	PIN, COTTER 3.2X25	2							

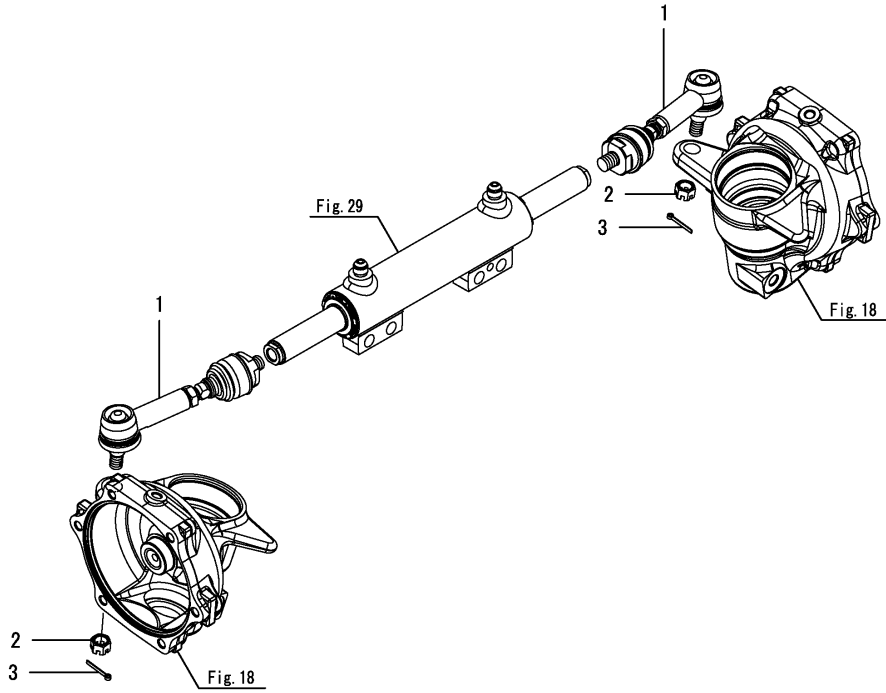




Fig.13. DRIVE PINION

(A)=SC2450(CCY)  
 (B)=  
 (C)=

(D)=  
 (E)=  
 (F)=

No.	Lev.	Parts No.	Description	Q'ty						I	R
				(A)	(B)	(C)	(D)	(E)	(F)		
1	1	1A7130-13120	SHAFT, INPUT	1							
2	1	1A7130-13130	COLLAR, 30X25X5.7	1							
3	1	1E4760-73240	SLEEVE 202513	1							
4	1	22242-000240	RING, 24	1							
5	1	22252-000520	RING, 52	1							
6	1	24101-062054	BEARING, BALL 6205	2							
7	1	24421-255210	SEAL, OIL TC255210	1							

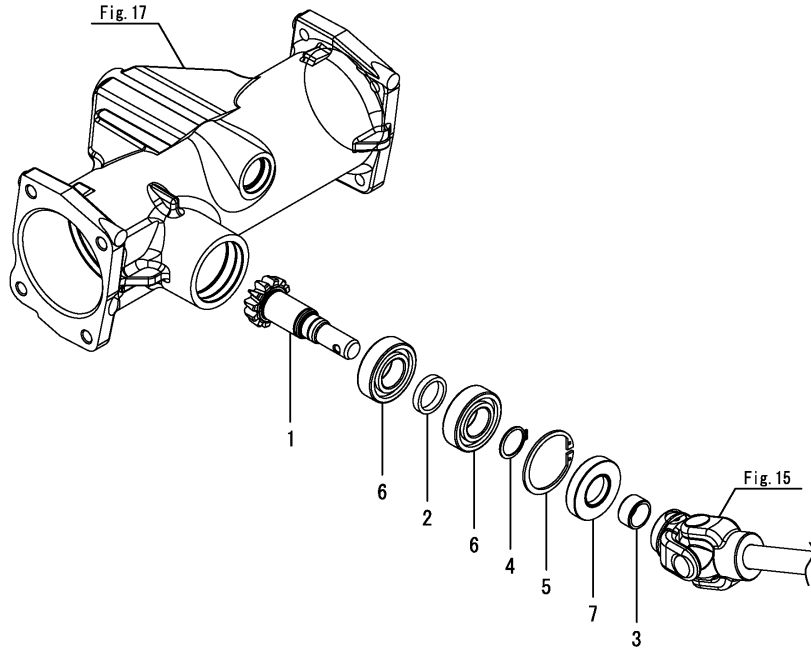


Fig.14. DIFFERENTIAL GEAR

(A)=SC2450(CCY)  
 (B)=  
 (C)=

(D)=  
 (E)=  
 (F)=

No.	Lev.	Parts No.	Description	Q'ty						I	R
				(A)	(B)	(C)	(D)	(E)	(F)		
1	1	1A7880-13150	GEAR ASSY	1							
2	1	22252-000550	RING, 55	1							
3	1	24101-060064	BEARING, BALL 6006	1							

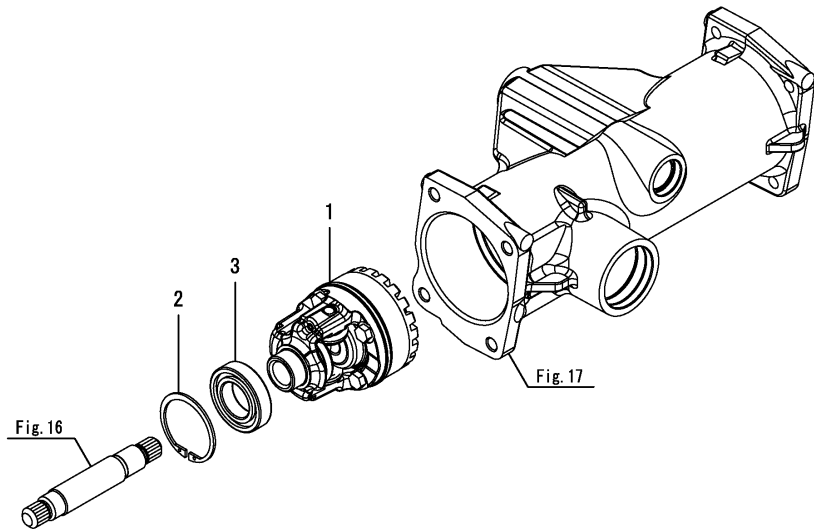


Fig.15. PROPELLER SHAFT

(A)=SC2450(CCY)  
 (B)=  
 (C)=

(D)=  
 (E)=  
 (F)=

No.	Lev.	Parts No.	Description	Q'ty						I	R
				(A)	(B)	(C)	(D)	(E)	(F)		
1	1	1A7880-13310	SHAFT ASSY, F	1							
2	1	1A7500-13360	BEARING, MIDDLE	1							
3	1	1A7880-13470	SHAFT, PROPELLER R	1							
4	1	1A7880-13480	COLLAR, SPLINE	1							
5	1	22242-000360	RING, 36	2							
6	1	22252-000150	RING, 15	1							
7	1	22351-035032	PIN, SPRING 3.5X32	2							
8	1	22351-060032	PIN, SPRING 6.0X32	2							
9	1	24311-000160	O-RING, 1AP16.0	2							
10	1	26013-080202	BOLT, M8X 20	2							

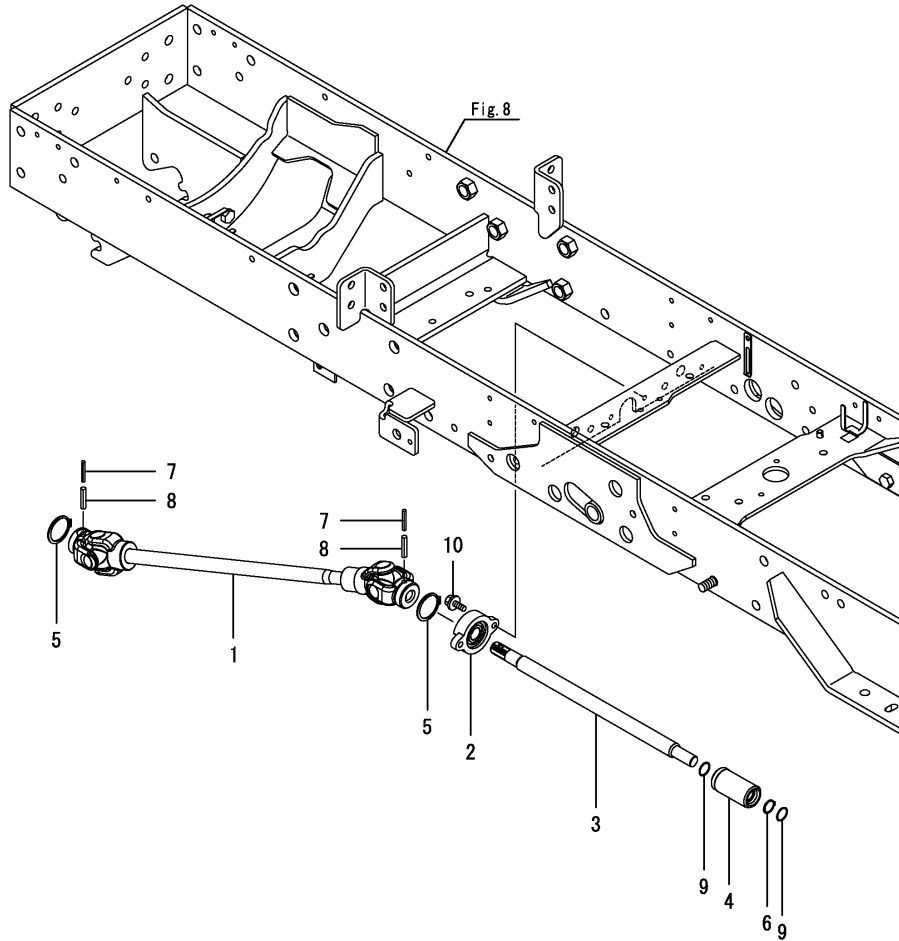


Fig.16. FRONT SHAFT 1

(A)=SC2450(CCY)  
 (B)=  
 (C)=

(D)=  
 (E)=  
 (F)=

No.	Lev.	Parts No.	Description	Q'ty						I	R
				(A)	(B)	(C)	(D)	(E)	(F)		
1	1	1A7880-13510	SHAFT, FRONT 1ST L	1							
2	1	1A7880-13520	SHAFT, FRONT 1ST R	1							
3	1	1A7880-13530	GEAR, BEVEL 9	2							
4	1	22252-000550	RING, 55	2							
5	1	24101-060064	BEARING, BALL 6006	2							

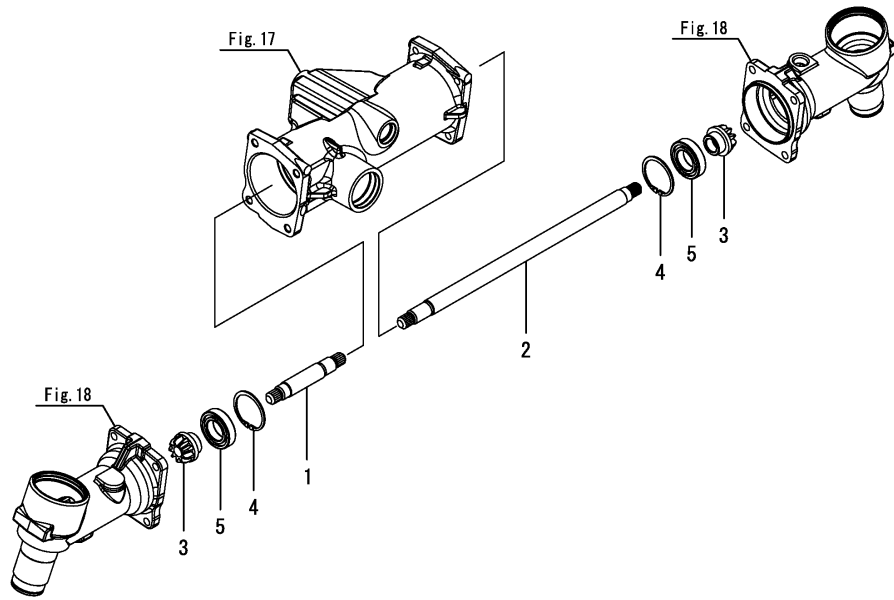
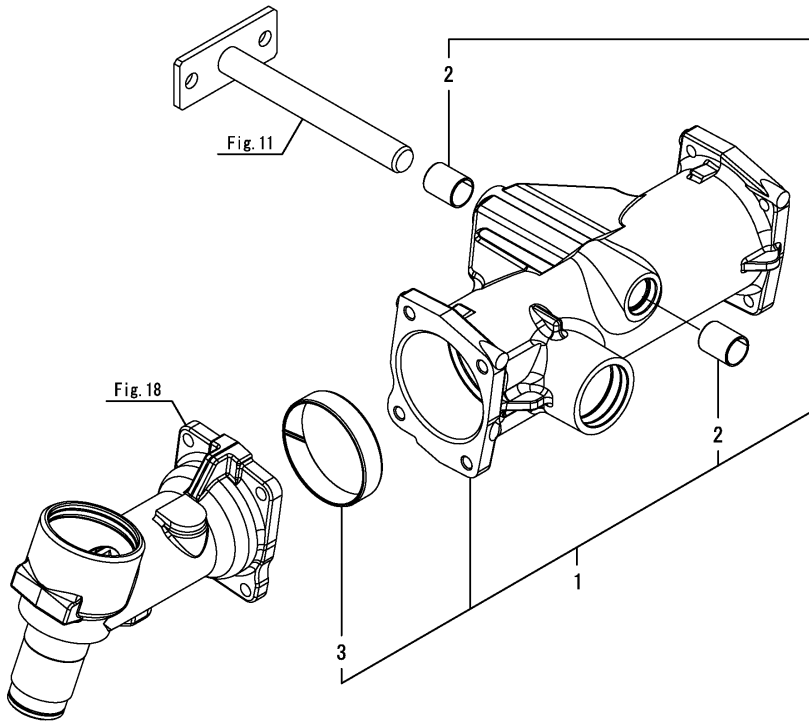


Fig.17. FRONT AXLE CASE

(A)=SC2450(CCY)  
(B)=  
(C)=

(D)=  
(E)=  
(F)=

No.	Lev.	Parts No.	Description	Q'ty						I	R	
				(A)	(B)	(C)	(D)	(E)	(F)			
1	1	1A7880-13600	HOUSING, FRONT AXLE	1								
2	2	1A7880-11540	BUSH, 22X25X30	2								
3	2	1A7130-13270	BUSH, 85X90X20	1								




---

---

---

---

---

---

---

---

---

---

---

---

---

---

---

---

---

---

---

---

---

---

---

---

---

---

---

---

---

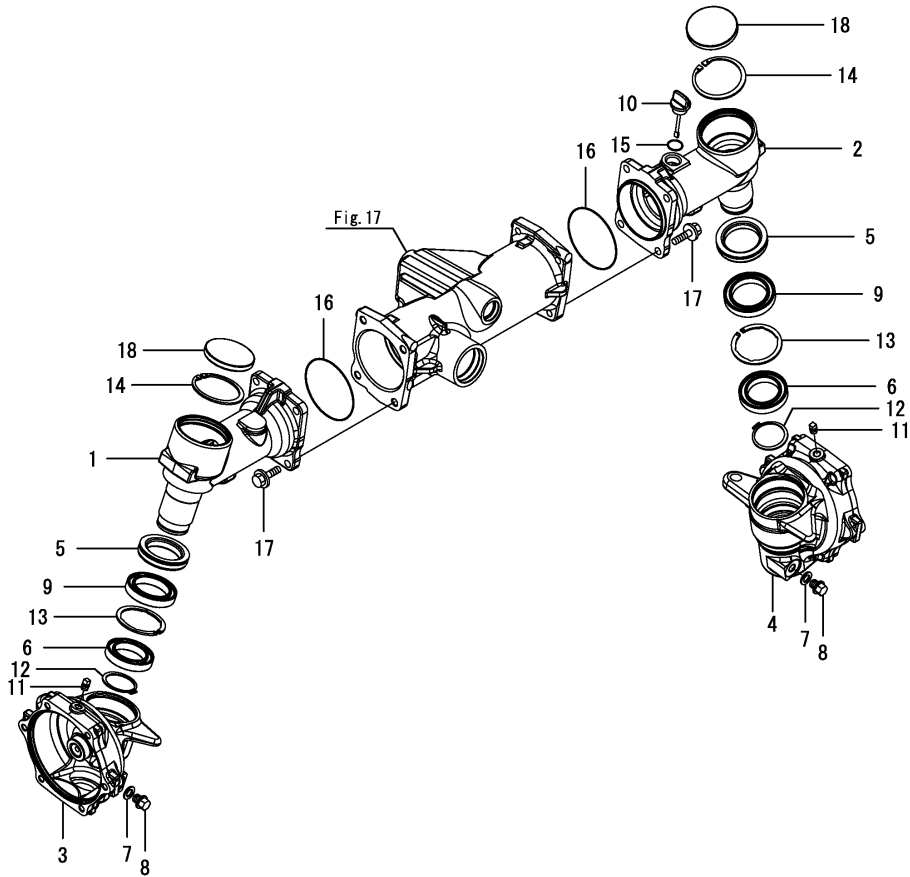
---

---

Fig.18. CASE,FRONT GEAR

(A)=SC2450(CCY)  
 (B)=  
 (C)=

(D)=  
 (E)=  
 (F)=



No.	Lev.	Parts No.	Description	Q'ty						I	R
				(A)	(B)	(C)	(D)	(E)	(F)		
1	1	1A7880-13710	CASE, FRONT GEAR L	1							
2	1	1A7880-13721	CASE, FRONT GEAR R	1							
3	1	1A7880-13730	BOX, GEAR L	1							
4	1	1A7880-13740	BOX, GEAR R	1							
5	1	1A7880-13780	SEAL, QLN50721013	2							
6	1	194951-14440	BEARING, 6909	2							
7	1	198165-24440	GASKET, 20X12X2	2							
8	1	198165-24490	BOLT, M12X12	2							
9	1	194105-26430	BEARING, BALL 6910	2							
10	1	1C6050-31250	GAUGE, OIL LEVEL	1							
11	1	194151-36670	PLUG, PF02	2							
12	1	22242-000450	RING, 45	2							
13	1	22252-000681	RING, 68	2							
14	1	22252-000720	RING, 72	2							
15	1	24311-000180	O-RING, 1AP18.0	1							
16	1	24341-000850	O-RING, 1AS85.0	2							
17	1	26106-100302	BOLT, M10X 30 PLATED	8							
18	1	27260-720000	PLUG, 72	2							

Fig.19. FRONT SHAFT 2

(A)=SC2450(CCY)  
 (B)=  
 (C)=

(D)=  
 (E)=  
 (F)=

No.	Lev.	Parts No.	Description	Q'ty						I	R
				(A)	(B)	(C)	(D)	(E)	(F)		
1	1	1A7880-13540	GEAR, BEVEL 20T	2							
2	1	1A7880-13810	SHAFT, FRONT 2ND	2							
3	1	1A7880-13820	PINION, FINAL	2							
4	1	24101-062054	BEARING, BALL 6205	2							
5	1	24101-062074	BEARING, BALL 6207	2							

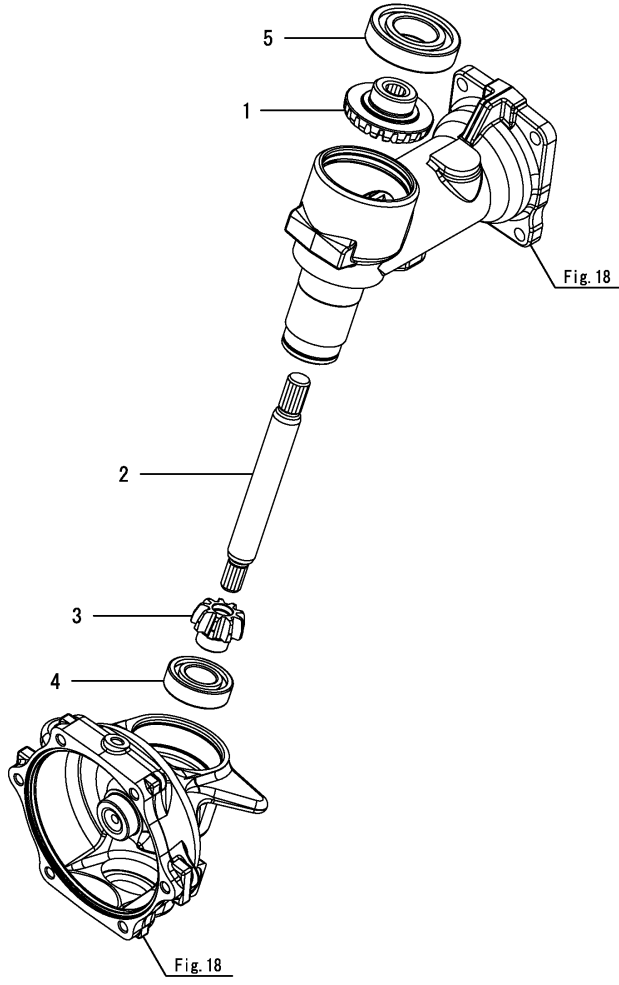


Fig.20. FRONT SPINDLE

(A)=SC2450(CCY)  
 (B)=  
 (C)=

(D)=  
 (E)=  
 (F)=

No.	Lev.	Parts No.	Description	Q'ty						I	R
				(A)	(B)	(C)	(D)	(E)	(F)		
1	1	1A7880-14110	SPINDLE, FRONT	2							
2	1	1A7880-14120	GEAR, FINAL F	2							
3	1	1A7880-14130	CASE, FRONT BEARING	2							
4	1	1E8420-55430	SEAL, QLFY40X62X14	2							
5	1	22242-000340	RING, 34	2							
6	1	24101-060074	BEARING, BALL 6007	2							
7	1	24101-060094	BEARING, BALL 6009	2							
8	1	24321-001300	O-RING, 1AG130.0	2							
9	1	26106-100302	BOLT, M10X 30 PLATED	12							

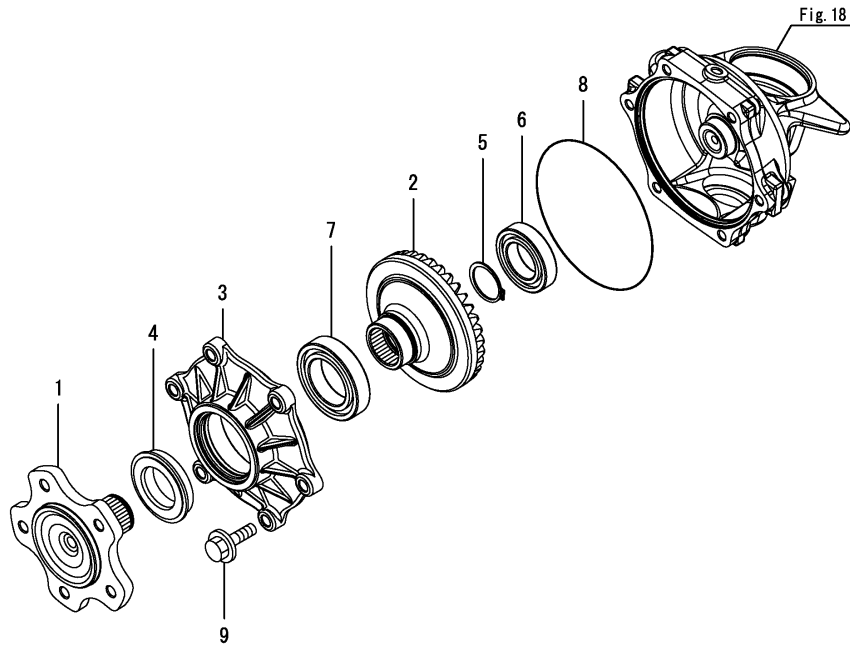




Fig.21. SHAFT COVER

(A)=SC2450(CCY)  
 (B)=  
 (C)=

(D)=  
 (E)=  
 (F)=

No.	Lev.	Parts No.	Description	Qty						I	R
				(A)	(B)	(C)	(D)	(E)	(F)		
1	1	1A7880-14620	COVER, SHAFT	1							
2	1	23000-075000	CLAMP, 75	1							

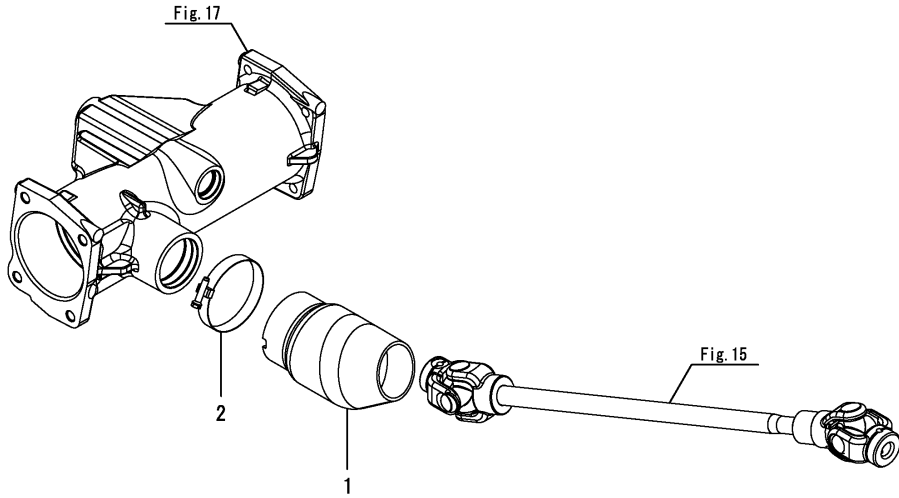
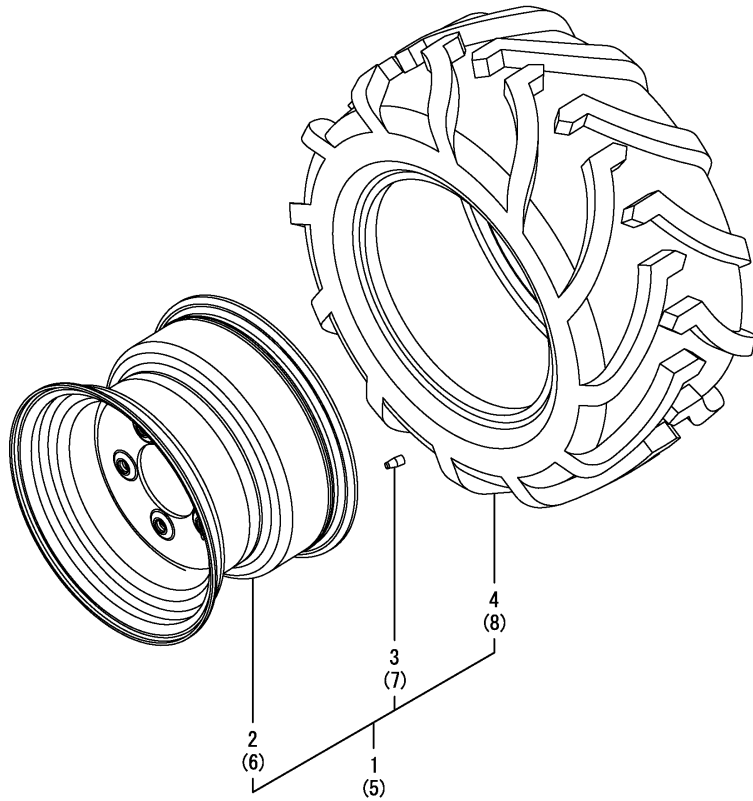


Fig.22. FRONT TIRE R1

(A)=SC2450(CCY)  
 (B)=  
 (C)=

(D)=  
 (E)=  
 (F)=



No.	Lev.	Parts No.	Description	Q'ty						I	R
				(A)	(B)	(C)	(D)	(E)	(F)		
1	1	1A7880-14900	TIRE KIT, FRONT R1 L	1							
2	2	1A7880-14830	WHEEL, 10X7.0	1							
3	2	1A7880-14840	VALVE	1							
4	2	1A7880-14920	TIRE, 18X8.5-10 R1	1							
5	1	1A7880-14910	TIRE KIT, FRONT R1 R	1							
6	2	1A7880-14830	WHEEL, 10X7.0	1							
7	2	1A7880-14840	VALVE	1							
8	2	1A7880-14920	TIRE, 18X8.5-10 R1	1							

Fig.23. FRONT TIRE R3

(A)=SC2450(CCY)

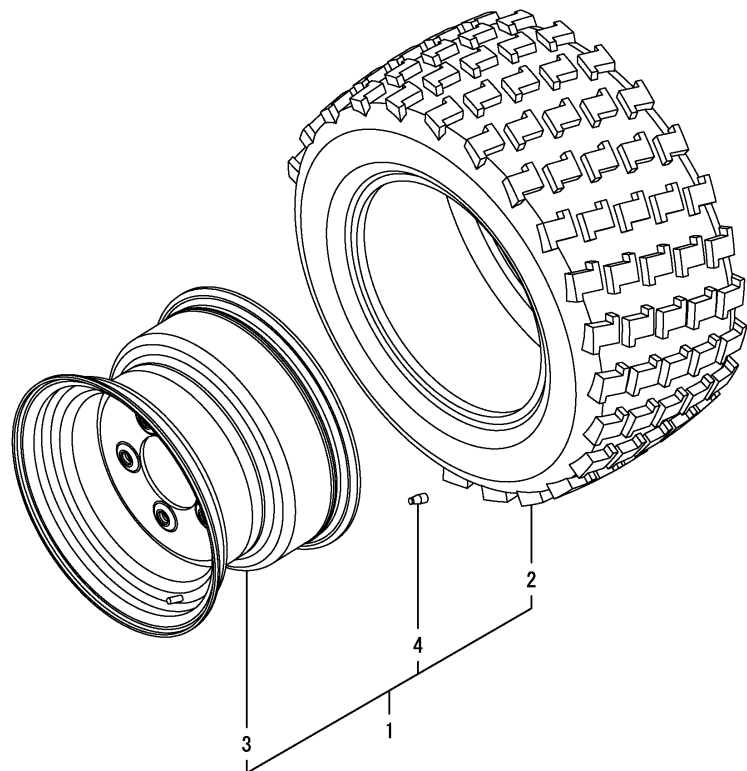
(B)=

(C)=

(D)=

(E)=

(F)=



No.	Lev.	Parts No.	Description	Q'ty						I	R	
				(A)	(B)	(C)	(D)	(E)	(F)			
1	1	1A7880-14700	TIRE KIT, FRONT R3	2								
2	2	1A7880-14710	TIRE, 18X8.5-10 R3	2								
3	2	1A7880-14830	WHEEL, 10X7.0	2								
4	2	1A7880-14840	VALVE	2								

Fig.24. FRONT TIRE R4

(A)=SC2450(CCY)  
 (B)=  
 (C)=

(D)=  
 (E)=  
 (F)=

No.	Lev.	Parts No.	Description	Qty						I	R
				(A)	(B)	(C)	(D)	(E)	(F)		
1	1	1A7880-14800	TIRE KIT, FRONT R4 L	1							
2	2	1A7880-14820	TIRE, 18X8.5-10 R4	1							
3	2	1A7880-14830	WHEEL, 10X7.0	1							
4	2	1A7880-14840	VALVE	1							
5	1	1A7880-14810	TIRE KIT, FRONT R4 R	1							
6	2	1A7880-14820	TIRE, 18X8.5-10 R4	1							
7	2	1A7880-14830	WHEEL, 10X7.0	1							
8	2	1A7880-14840	VALVE	1							

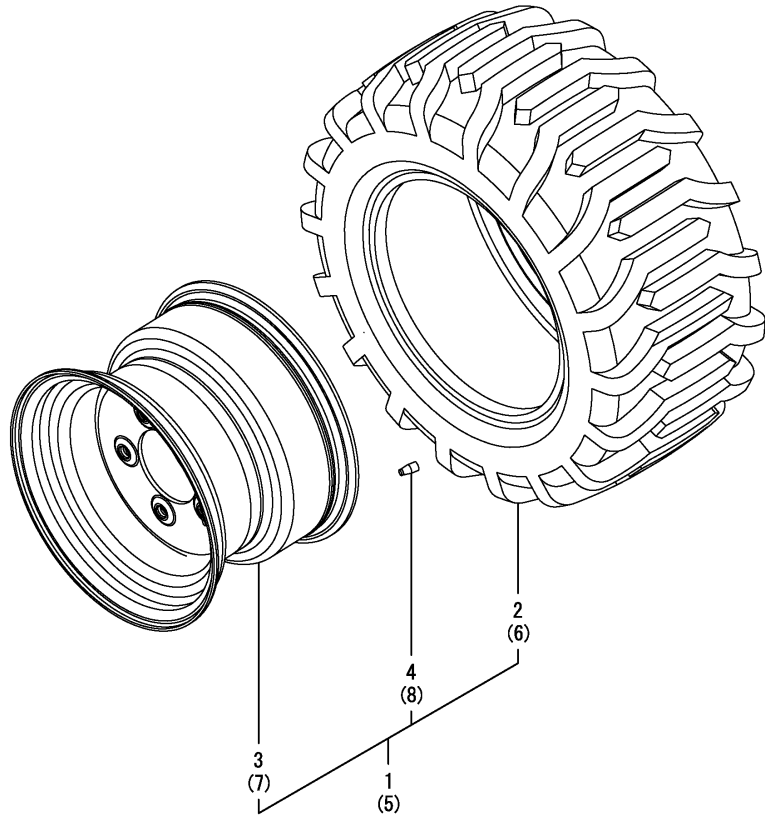


Fig.25. HUB BOLT

(A)=SC2450(CCY)  
(B)=  
(C)=

(D)=  
(E)=  
(F)=

No.	Lev.	Parts No.	Description	Q'ty						I	R
				(A)	(B)	(C)	(D)	(E)	(F)		
1	1	1A7880-34180	BOLT, 7/16-20UNF	10							

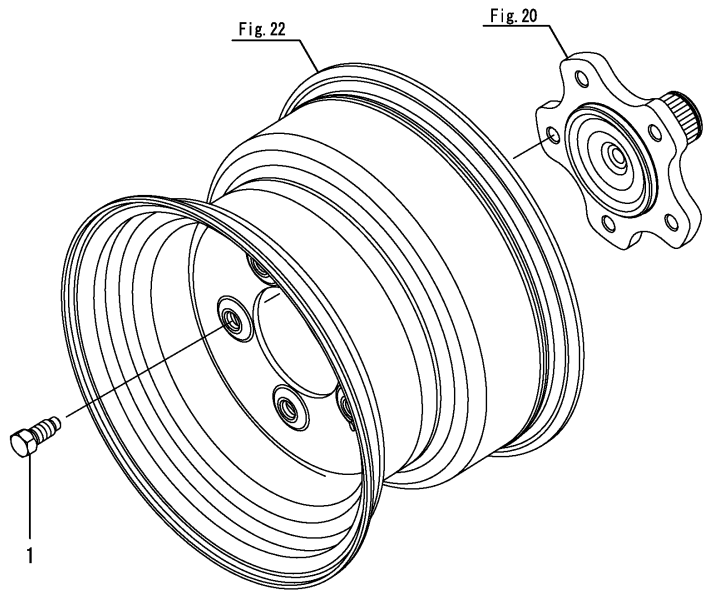


Fig.26. STEERING WHEEL

(A)=SC2450(CCY)  
 (B)=  
 (C)=

(D)=  
 (E)=  
 (F)=

No.	Lev.	Parts No.	Description	Q'ty						I	R
				(A)	(B)	(C)	(D)	(E)	(F)		
1	1	1A7880-15700	WHEEL, STEERING	1							
2	1	1A7880-15740	CAP, STEERING WHEEL	1							
3	1	22137-160000	WASHER, 16	1							

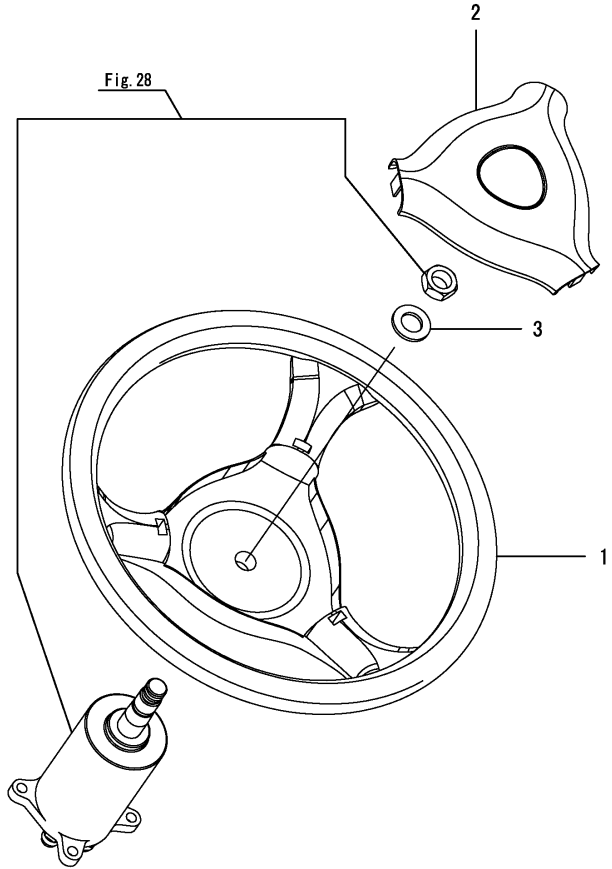
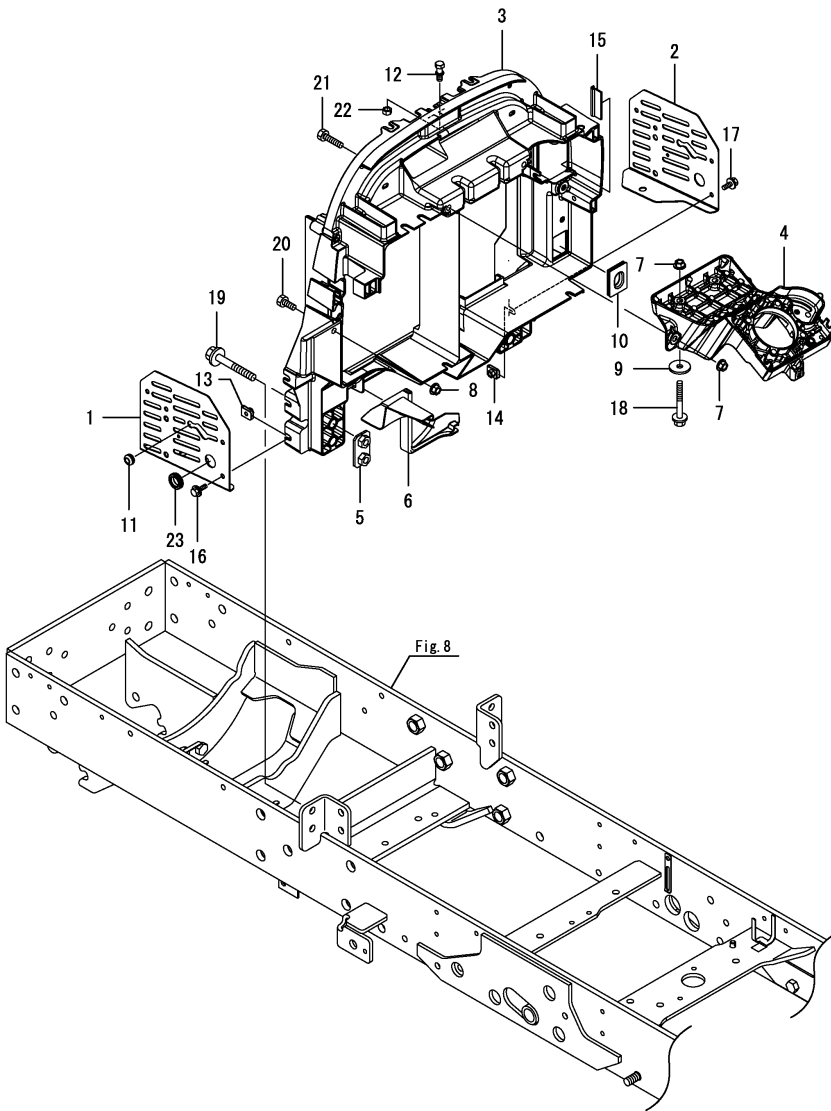


Fig.27. COLUMN BRACKET



(A)=SC2450(CCY)  
(B)=  
(C)=

(D)=  
(E)=  
(F)=

No.	Lev.	Parts No.	Description	Q'ty						I	R
				(A)	(B)	(C)	(D)	(E)	(F)		
1	1	1A7880-05150	COVER ASSY, BELT L	1							
2	1	1A7880-05190	COVER, BELT R	1							
3	1	1A7880-15100	BRACKET, COLUMN	1							
4	1	1A7880-15120	BRACKET, STEERING	1							
5	1	1A7880-15130	STAY, COLUMN	2							
6	1	1A7880-15160	BOOT	1							
7	1	194990-22140	NUT, M8	4							
8	1	194990-22140	NUT, M8	2							
9	1	1C6140-47210	WASHER, 9X32X3.2	2							
10	1	1A7880-51710	GROMMET, HARNESS	1							
11	1	198071-58810	GROMMET, 8	1							
12	1	1A7880-61810	BOLT, STEPPED M8	1							
13	1	198071-61890	NUT, SPEED M6	2							
14	1	198071-61890	NUT, SPEED M6	2							
15	1	198093-84810	SEAL, FENDER	1							
16	1	26106-060162	BOLT, M6X 16 PLATED	2							
17	1	26106-060162	BOLT, M6X 16 PLATED	2							
18	1	26106-080652	BOLT, M8X 65 PLATED	2							
19	1	26106-100752	BOLT, M10X 75 PLATED	4							
20	1	26116-080202	BOLT, M8X 20 PLATED	2							
21	1	26116-080402	BOLT, M8X 40 PLATED	2							
22	1	26716-080002	NUT, M8	1							
23	1	29311-162000	GROMMET, 16.0X2	1							

Remarks  
\*Serial No.  
Up to F020100 refer to this item.  
From F020101 refer to Fig.125.

Fig.125. (27A)COLUMN BRACKET

(A)=SC2450(CCY)

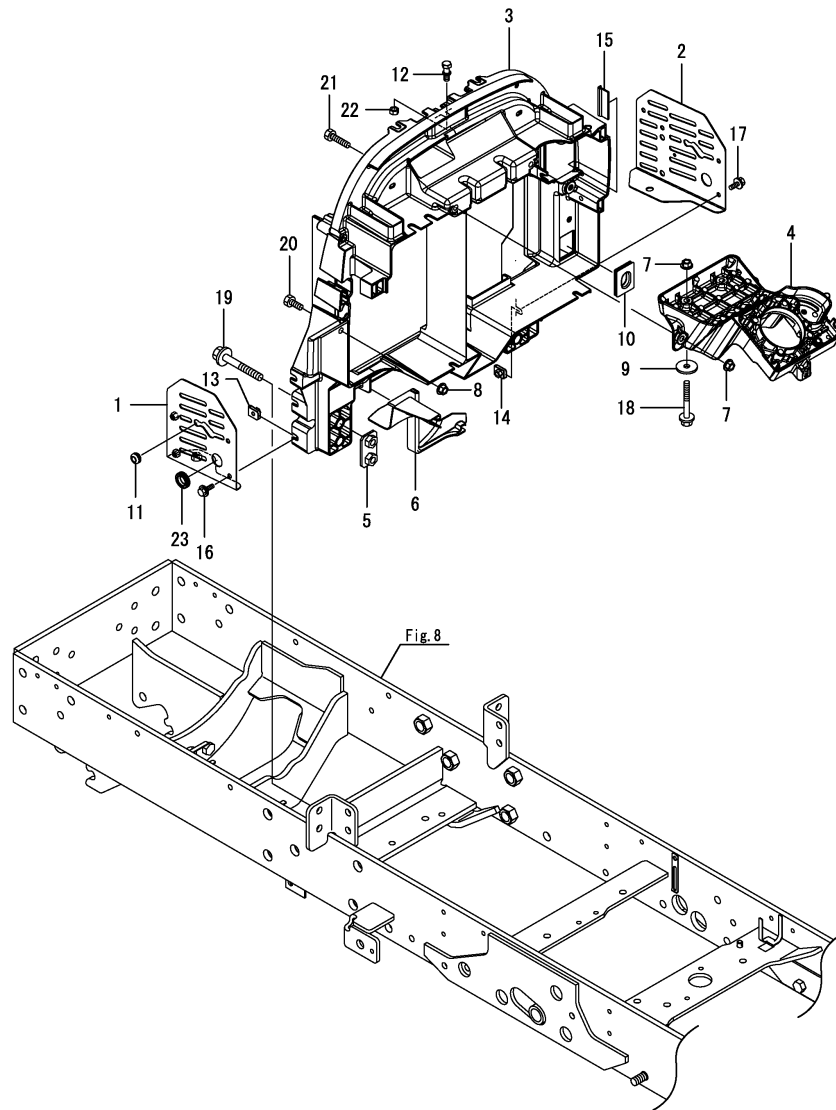
(B)=

(C)=

(D)=

(E)=

(F)=



No.	Lev.	Parts No.	Description	Qty						I	R
				(A)	(B)	(C)	(D)	(E)	(F)		
1	1	1A7882-05150	COVER ASSY, BELT L	1							
2	1	1A7880-05190	COVER, BELT R	1							
3	1	1A7880-15100	BRACKET, COLUMN	1							
4	1	1A7880-15120	BRACKET, STEERING	1							
5	1	1A7880-15130	STAY, COLUMN	2							
6	1	1A7880-15160	BOOT	1							
7	1	194990-22140	NUT, M8	4							
8	1	194990-22140	NUT, M8	2							
9	1	1C6140-47210	WASHER, 9X32X3.2	2							
10	1	1A7880-51710	GROMMET, HARNESS	1							
11	1	198071-58810	GROMMET, 8	1							
12	1	1A7880-61810	BOLT, STEPPED M8	1							
13	1	198071-61890	NUT, SPEED M6	2							
14	1	198071-61890	NUT, SPEED M6	2							
15	1	198093-84810	SEAL, FENDER	1							
16	1	26106-060162	BOLT, M6X 16 PLATED	2							
17	1	26106-060162	BOLT, M6X 16 PLATED	2							
18	1	26106-080652	BOLT, M8X 65 PLATED	2							
19	1	26106-100752	BOLT, M10X 75 PLATED	4							
20	1	26116-080202	BOLT, M8X 20 PLATED	2							
21	1	26116-080402	BOLT, M8X 40 PLATED	2							
22	1	26716-080002	NUT, M8	1							
23	1	29311-162000	GROMMET, 16.0X2	1							

Remarks

\*Serial No.

Up to F020100 refer to Fig.27.

From F020101 refer to this item.



Fig.28. PST VALVE

(A)=SC2450(CCY)  
 (B)=  
 (C)=

(D)=  
 (E)=  
 (F)=

No.	Lev.	Parts No.	Description	Q'ty						I	R
				(A)	(B)	(C)	(D)	(E)	(F)		
1	1	1A7880-17300	VALVE ASSY, STEERING	1							
2	2	1A7880-17320	NUT, 5/8-18 UNF	1							
3	1	26106-080302	BOLT, M8X 30 PLATED	4							

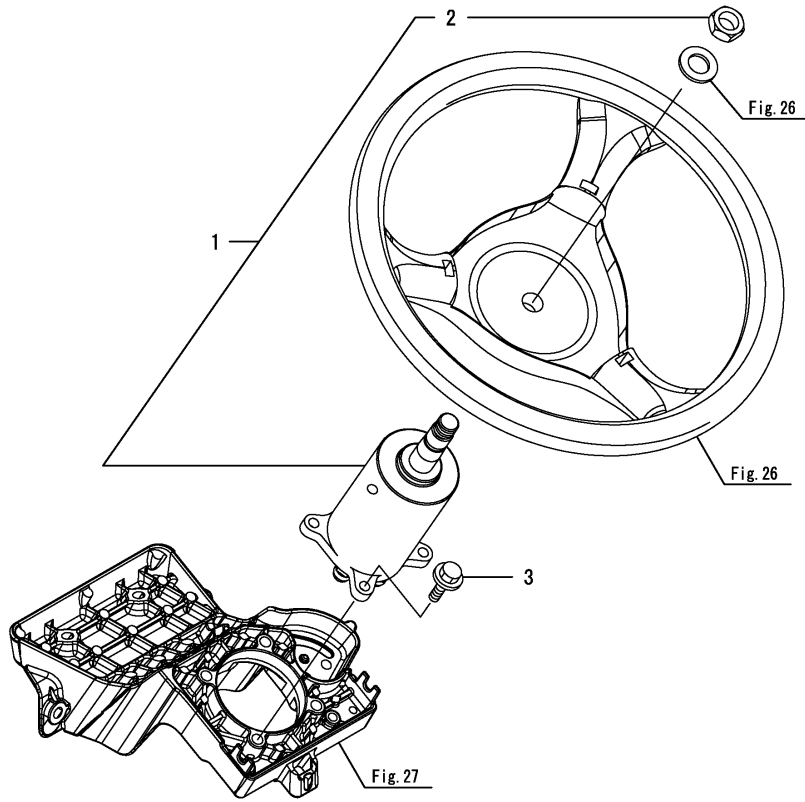
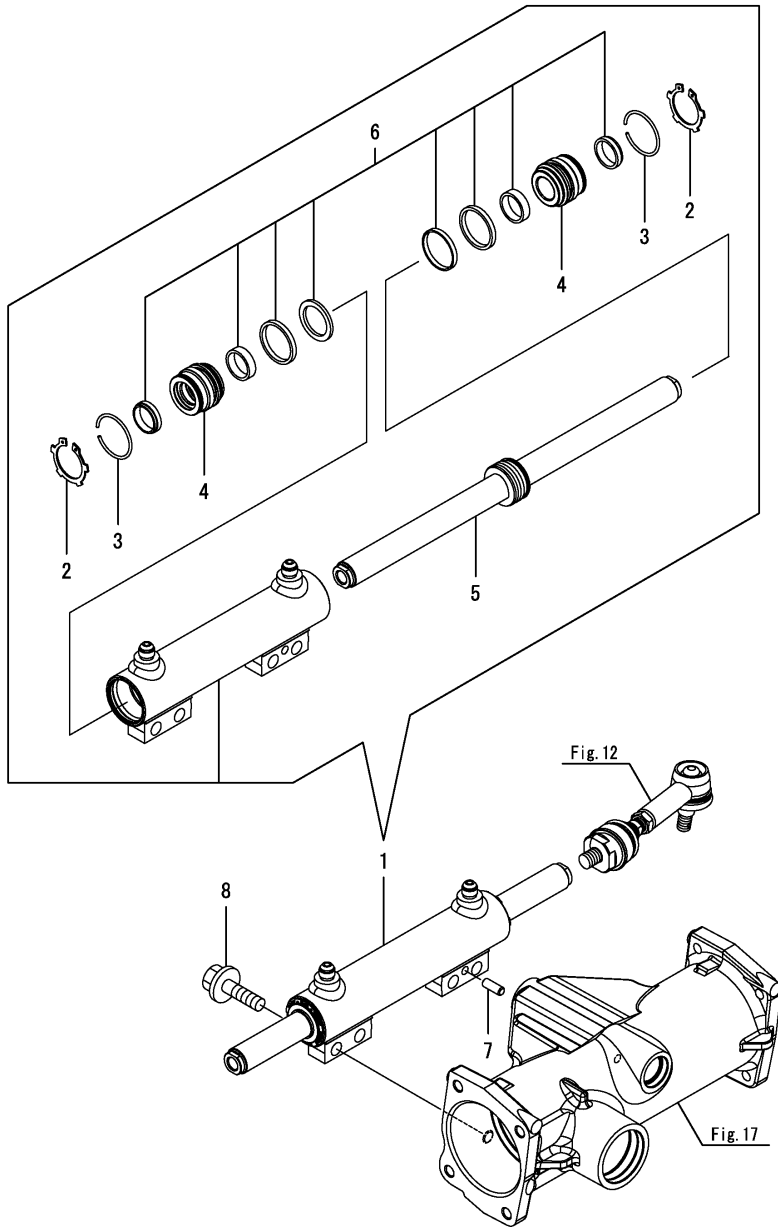


Fig.29. PST CYLINDER

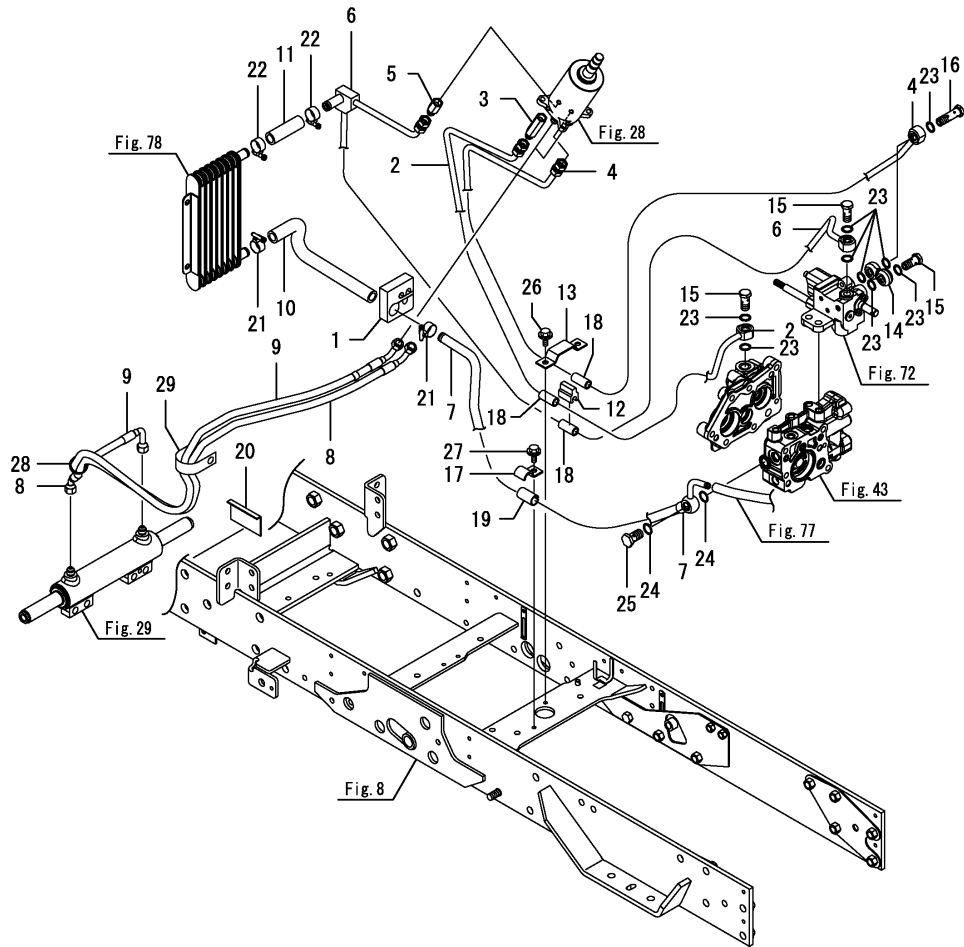
(A)=SC2450(CCY)  
(B)=  
(C)=

(D)=  
(E)=  
(F)=



No.	Lev.	Parts No.	Description	Q'ty						I	R
				(A)	(B)	(C)	(D)	(E)	(F)		
1	1	1A7880-17010	CYLINDER ASSY, PST	1							
1-1	1	1A7880-17011	CYLINDER ASSY	1							N
(A=F000352)											
2	2	1A7880-17050	RING	2							
3	2	1A7335-17520	CIRCLIP	2							
4	2	1A7880-17070	HEAD	2							
5	2	1A7880-17080	ROD ASSY, PISTON	1							
6	2	1A7880-17100	SEAL KIT	1							
6-1	2	1A7880-17101	SEAL KIT	1							N
(A=F000352)											
7	1	22312-080200	PIN, PARALLEL M8X20	1							
8	1	26106-120452	BOLT, M12X 45 PLATED	4							

Fig.30. STEERING PIPE



(A)=SC2450(CCY)  
(B)=  
(C)=

(D)=  
(E)=  
(F)=

No.	Lev.	Parts No.	Description	Qty						I	R
				(A)	(B)	(C)	(D)	(E)	(F)		
1	1	1A7880-15060	SEAL, PIPE	1							
2	1	1A7880-17601	PIPE ASSY, PRESSURE	1							
3	1	1A7880-17630	JOINT, 9/16UNF-70	1							
4	1	1A7880-17651	PIPE ASSY, PRESSURE	1							
5	1	1A7880-17680	JOINT, 9/16UNF-40	1							
6	1	1A7880-17701	PIPE ASSY, PRESSURE	1							
7	1	1A7880-17751	PIPE ASSY, PRESSURE	1							
8	1	1A7880-17810	HOSE, PRESSURE L	1							
9	1	1A7880-17830	HOSE, PRESSURE R	1							
10	1	1A7880-17930	HOSE, PRESSURE A	1							
11	1	1A7880-17940	HOSE, PRESSURE B	1							
12	1	1A7880-17970	CLAMP, PIPE	2							
13	1	1A7880-17980	CLAMP, PIPE	1							
14	1	1A7880-45150	CONNECTOR, 9/16UNF	1							
15	1	1A7880-47510	BOLT, JOINT 9/16UNF	3							
16	1	1A7880-47530	BOLT, JOINT 9/16UNF	1							
17	1	198240-48830	CLAMP	1							
18	1	194464-48850	RUBBER, ABSORBER	3							
19	1	198240-48850	CLAMP, ABSORBER	1							
20	1	1A7500-51810	SEAL, HARNESS	1							
21	1	23000-022000	CLAMP, 22	2							
22	1	23000-022000	CLAMP, 22	2							
23	1	23414-140000	GASKET, 14X1.0	9							
24	1	23414-160021	GASKET, 16X1.0	2							
25	1	23857-100000	BOLT, JOINT 10	1							
26	1	26106-080162	BOLT, M8X 16 PLATED	1							
27	1	26106-080162	BOLT, M8X 16 PLATED	1							
28	1	29622-140001	BAND, RF140	1							
28-1	1	1A8300-51210	BAND, REPEAT	1							R
(A=FXXXXX)											
29	1	194440-51630	CLAMP, HARNESS	1							

Fig.31. DRIVE SHAFT

(A)=SC2450(CCY)  
 (B)=  
 (C)=

(D)=  
 (E)=  
 (F)=

No.	Lev.	Parts No.	Description	Q'ty						I	R
				(A)	(B)	(C)	(D)	(E)	(F)		
1	1	1A7882-21100	SHAFT ASSY, DRIVE	1							
2	1	26106-080162	BOLT, M8X 16 PLATED	4							

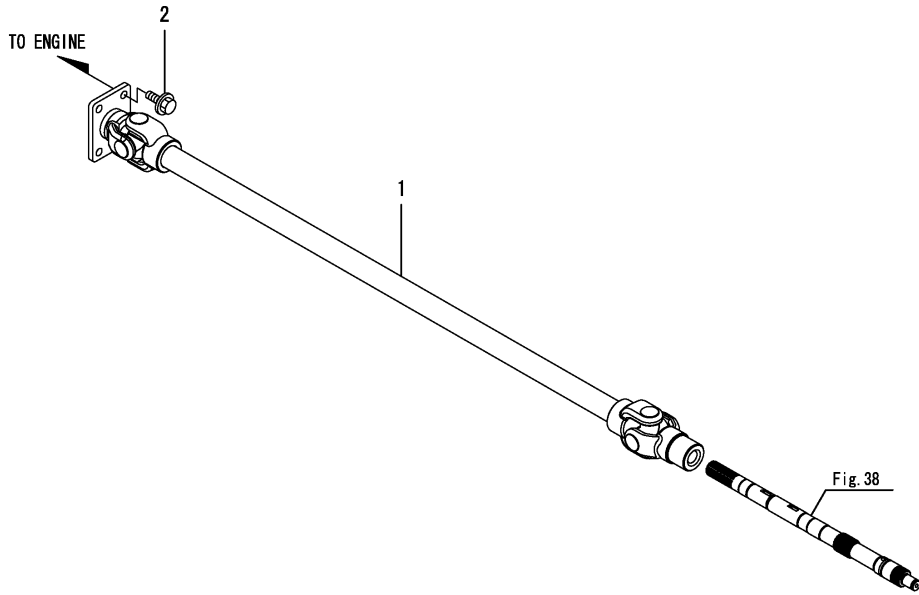


Fig.32. T/M ACCESSORIES

(A)=SC2450(CCY)  
 (B)=  
 (C)=

(D)=  
 (E)=  
 (F)=

No.	Lev.	Parts No.	Description	Q'ty						I	R
				(A)	(B)	(C)	(D)	(E)	(F)		
1	1	192157-24170	FILLER	1							
2	1	24311-000320	O-RING, 1AP32.0	1							
3	1	26476-080202	SCREW, TAPPING M8X20	2							

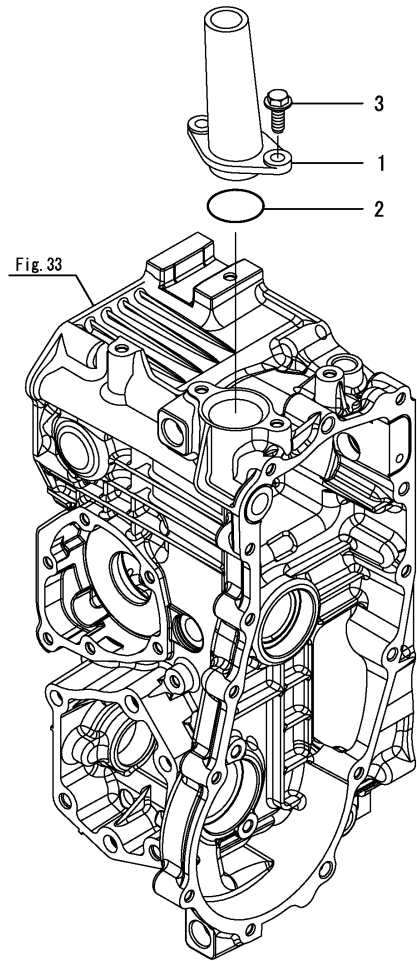
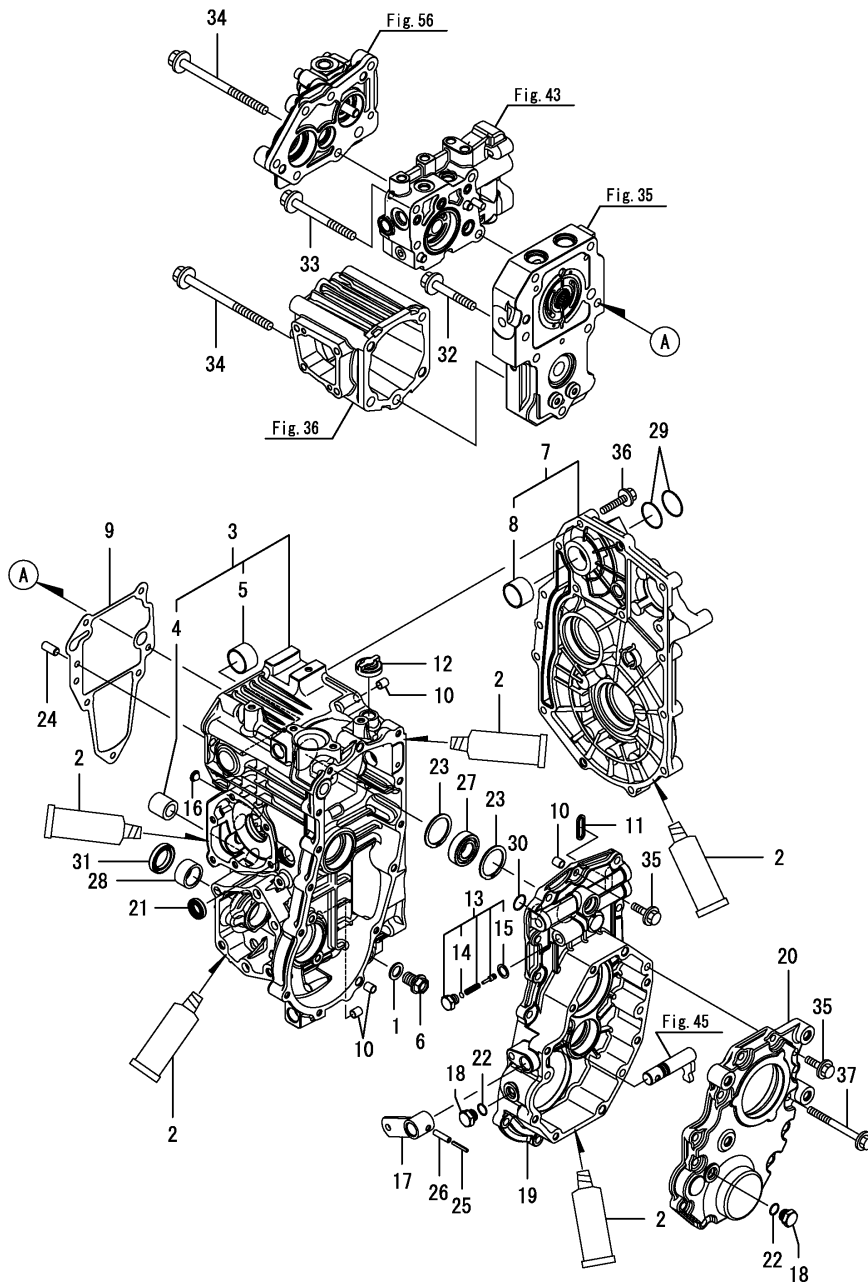


Fig. 33

Fig.33. TRANSAXLE CASE



(A)=SC2450(CCY)  
(B)=  
(C)=

(D)=  
(E)=  
(F)=

No.	Lev.	Parts No.	Description	Q'ty						I	R
				(A)	(B)	(C)	(D)	(E)	(F)		
1	1	1C6900-23150	WASHER, PLUG	1							
2	1	194855-24020	SEALANT	1							
3	1	1A7050-24101	HOUSING KIT, MISSION	1							
4	2	198167-24950	JOINT, STRAINER	1							
5	2	24550-028200	BUSH, 28X20	1							
6	1	1A7050-24130	BOLT, DRAIN M14X20	1							
7	1	1A7050-24150	COVER KIT, CASE	1							
8	2	24550-028200	BUSH, 28X20	1							
9	1	192157-24192	PACKING, CASE	1							
10	1	192157-24200	COLLAR 8*10*11.5	4							
11	1	192157-24220	D-RING	1							
12	1	194859-24252	VALVE, VENT 15	1							
13	1	192157-24450	RELIEF KIT, PTO	1							
14	2	192157-27090	SHIM, 7X0.2	1							
15	2	23414-120000	GASKET, 12X1.0	1							
16	1	192157-24801	STRAINER	2							
17	1	187K06-26710	PTO ARM CMP	1							
18	1	187K06-26740	PLUG 9/16-18UNF	2							
19	1	192157-26810	CASE, REAR PTO	1							
20	1	192157-26821	COVER, REAR PTO CASE	1							
21	1	194065-27270	SEAL, OIL TC16266	1							
22	1	194850-49290	PACKING, 6-1	2							
23	1	22262-000420	RING, R-42	1							
24	1	22312-100200	PIN, PARALLEL M10X20	2							
25	1	22351-035025	PIN, SPRING 3.5X25	1							
26	1	22351-060025	PIN, SPRING 6.0X25	1							
27	1	24101-060044	BEARING, BALL 6004	1							
28	1	24162-253216	BEARING, 253216	1							
29	1	24311-000260	O-RING, 1AP26.0	2							
30	1	24351-190170	O-RING, 1A19017	1							
31	1	24421-253807	SEAL, OIL TC253807	1							
32	1	26016-100652	BOLT, M10X 65	1							
33	1	26016-101052	BOLT, M10X105	1							
34	1	26016-101452	BOLT, M10X145	3							
35	1	26106-080302	BOLT, M8X 30 PLATED	19							
36	1	26106-080402	BOLT, M8X 40 PLATED	16							
37	1	26106-080902	BOLT, M8X 90 PLATED	4							

Fig.34. OIL GAUGE

(A)=SC2450(CCY)  
 (B)=  
 (C)=

(D)=  
 (E)=  
 (F)=

No.	Lev.	Parts No.	Description	Q'ty						I	R
				(A)	(B)	(C)	(D)	(E)	(F)		
1	1	1A7880-21500	PLUG, 20X271	1							
2	1	24311-000180	O-RING, 1AP18.0	1							

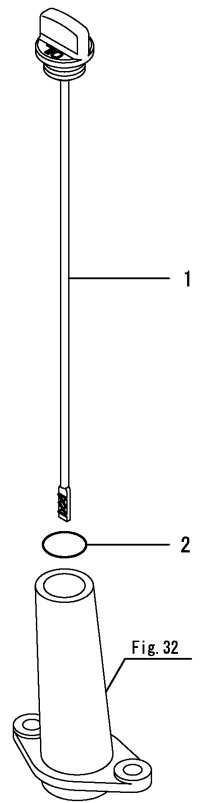


Fig.35. CENTER CASE

(A)=SC2450(CCY)  
(B)=  
(C)=

(D)=  
(E)=  
(F)=

No.	Lev.	Parts No.	Description	Q'ty						I	R
				(A)	(B)	(C)	(D)	(E)	(F)		
1	1	192163-24420	PIN, KNOCK 3.5	4							
2	1	187K06-24500	CENTER CASE K93 CMP	1							
2A	2	1A6750-29510	BODY ASSY, SUCTION	2							
3	1	1A7050-24990	VALVE ASSY, CHECK R	1							
4	2	24311-000050	O-RING, 1AP5.0	1							
5	2	24311-000200	O-RING, 1AP20.0	1							
6	2	192154-24670	PACKING 1015	1							
7	2	192157-40180	RING, BACK UP 18	1							
8	1	168H61-29260	VALVE PLATE(P)	1							
9	1	168HK0-29351	VALVE PLATE(M)	1							
10	1	187K06-40010	RELEAF ASSY,TOW 25	1							
11	2	192154-24670	PACKING 1015	1							
12	2	192157-40180	RING, BACK UP 18	1							
13	2	24311-000200	O-RING, 1AP20.0	1							

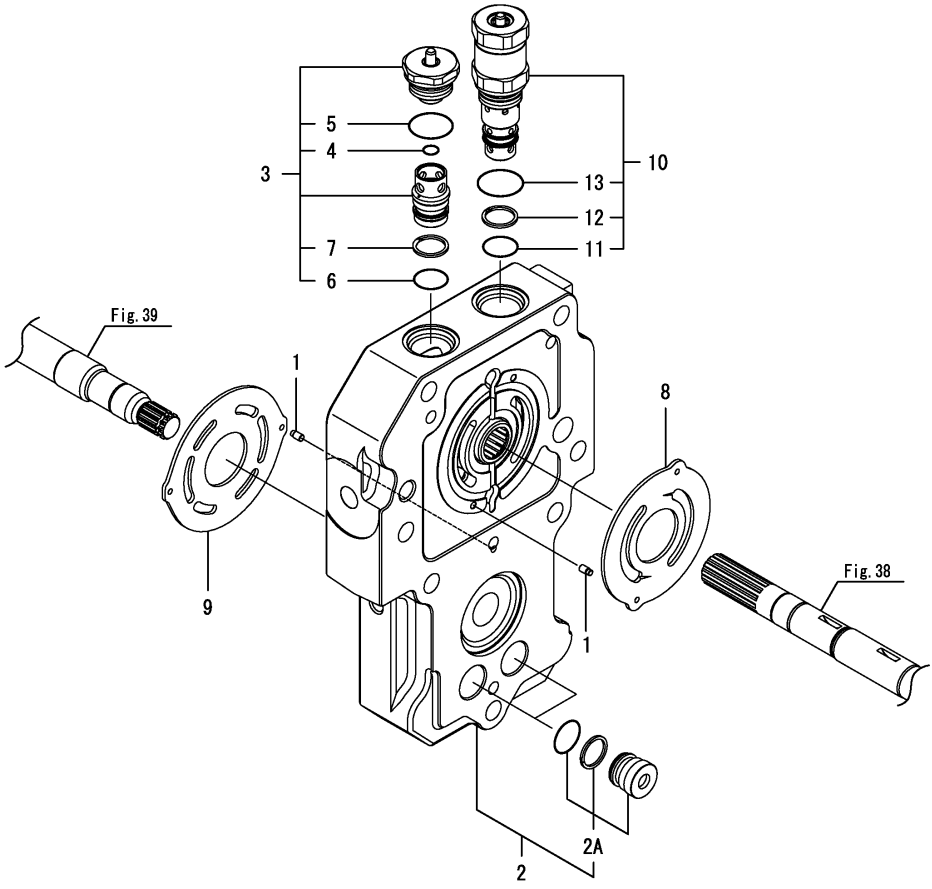
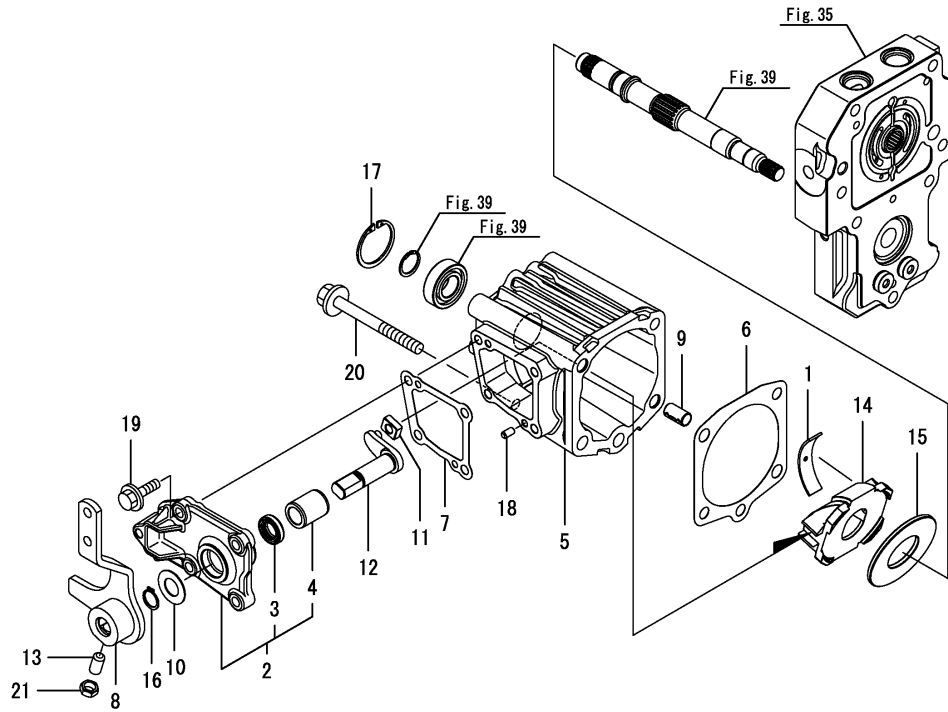




Fig.36. MOTOR CASE

(A)=SC2450(CCY)  
(B)=  
(C)=

(D)=  
(E)=  
(F)=



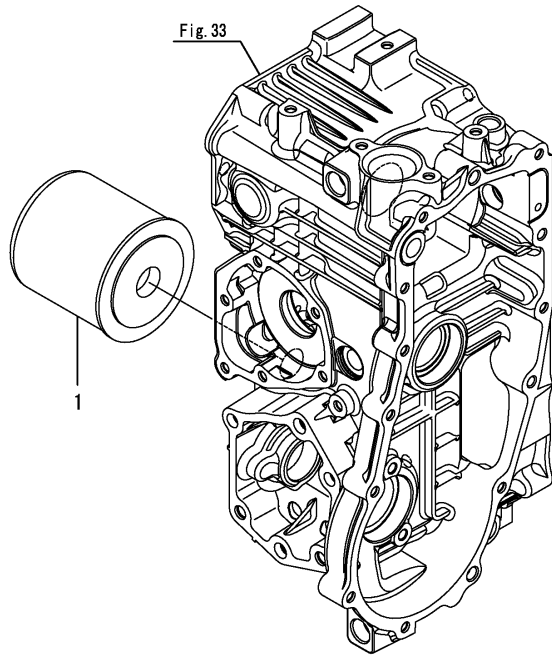
No.	Lev.	Parts No.	Description	Q'ty						I	R
				(A)	(B)	(C)	(D)	(E)	(F)		
1	1	178080-06200	THRUST METAL(DDR16	2							
2	1	187K06-24540	SIDE COVER CMP	1							
3	2	194065-27270	SEAL, OIL TC16266	1							
4	2	168H60-29840	BUSH 16X24X30	1							
5	1	187K06-24550	MOTOR CASE K93	1							
6	1	192157-24560	PACKING, MOTOR CASE	1							
7	1	187K06-24570	PAKING (SIDE COVER	1							
8	1	187K06-24600	SECOND LEVER CMP	1							
9	1	192157-24850	PIN 12X22,KNOCK	2							
10	1	168H60-29390	WASHER 17X32X1	1							
11	1	168H60-29400	SHIFT BLOCK	1							
12	1	168H60-29411	CONTROL ARM	1							
13	1	1A7130-29420	SCREW, M10X20	1							
14	1	187K06-29460	SWASH PLATE	1							
15	1	168HK0-29620	PLATE, THRUST	1							
16	1	22242-000160	RING, 16	1							
17	1	22252-000420	RING, 42	1							
18	1	22312-060100	PIN, PARALLEL M6X10	2							
19	1	26106-080302	BOLT, M8X 30 PLATED	4							
20	1	26106-101052	BOLT, M10X105 PLATED	1							
21	1	26776-100002	NUT, LOCK M10	1							

Fig.37. FILTER

(A)=SC2450(CCY)  
(B)=  
(C)=

(D)=  
(E)=  
(F)=

No.	Lev.	Parts No.	Description	Q'ty						I	R
				(A)	(B)	(C)	(D)	(E)	(F)		
1	1	1A7050-24950	FILTER, OIL	1							




---

---

---

---

---

---

---

---

---

---

---

---

---

---

---

---

---

---

---

---

---

---

---

---

Fig.38. PUMP

(A)=SC2450(CCY)  
 (B)=  
 (C)=

(D)=  
 (E)=  
 (F)=

No.	Lev.	Parts No.	Description	Q'ty						I	R
				(A)	(B)	(C)	(D)	(E)	(F)		
1	1	187K06-25170	PUMP SHAFT K93	1							
2	1	1A7050-25181	BLOCK ASSY, CYLINDER	1							
3	2	22262-000240	RING, R-24	1							
4	1	22242-000200	RING, 20	1							

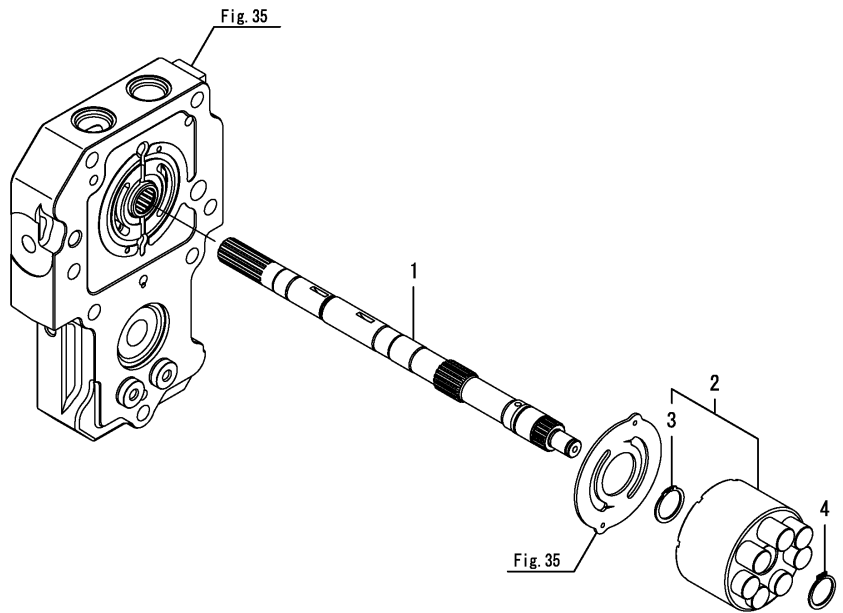




Fig.40. CLUTCH SHAFT

(A)=SC2450(CCY)  
(B)=  
(C)=

(D)=  
(E)=  
(F)=

No.	Lev.	Parts No.	Description	Q'ty						I	R
				(A)	(B)	(C)	(D)	(E)	(F)		
1	1	194200-25270	SPACER, SHAFT	2							
2	1	192157-26100	DISC KIT, FRICTION	1							
3	1	192157-26111	SHAFT, CLUTCH	1							
4	1	192157-26120	COLLAR, SPLINE	1							
5	1	192157-26130	PISTON	1							
6	1	192157-26140	GEAR, CLUTCH Z=39	1							
7	1	192157-26150	SPRING, PTO RETURN	1							
8	1	192157-26160	NEEDLE, 121718	1							
9	1	192157-26170	WASHER, 13X17X1	2							
10	1	192157-26270	WASHER 25X42X2	1							
11	1	192157-26300	WASHER, 20X34X1	1							
12	1	192157-26330	RING 12	1							
13	1	192157-26350	RING, SEAL	1							
14	1	22242-000200	RING, 20	2							
15	1	22242-000250	RING, 25	1							
16	1	22252-000800	RING, 80	1							
17	1	24101-060044	BEARING, BALL 6004	1							
18	1	24321-000750	O-RING, 1AG75.0	1							

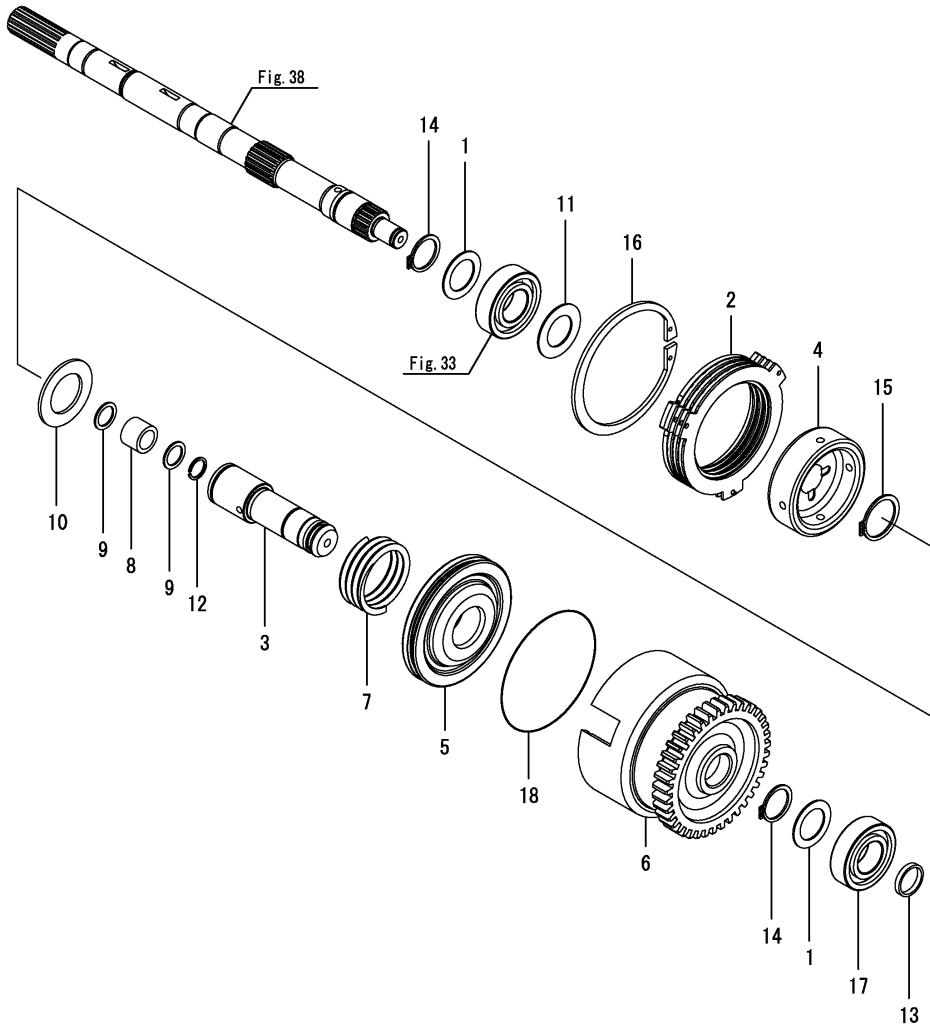
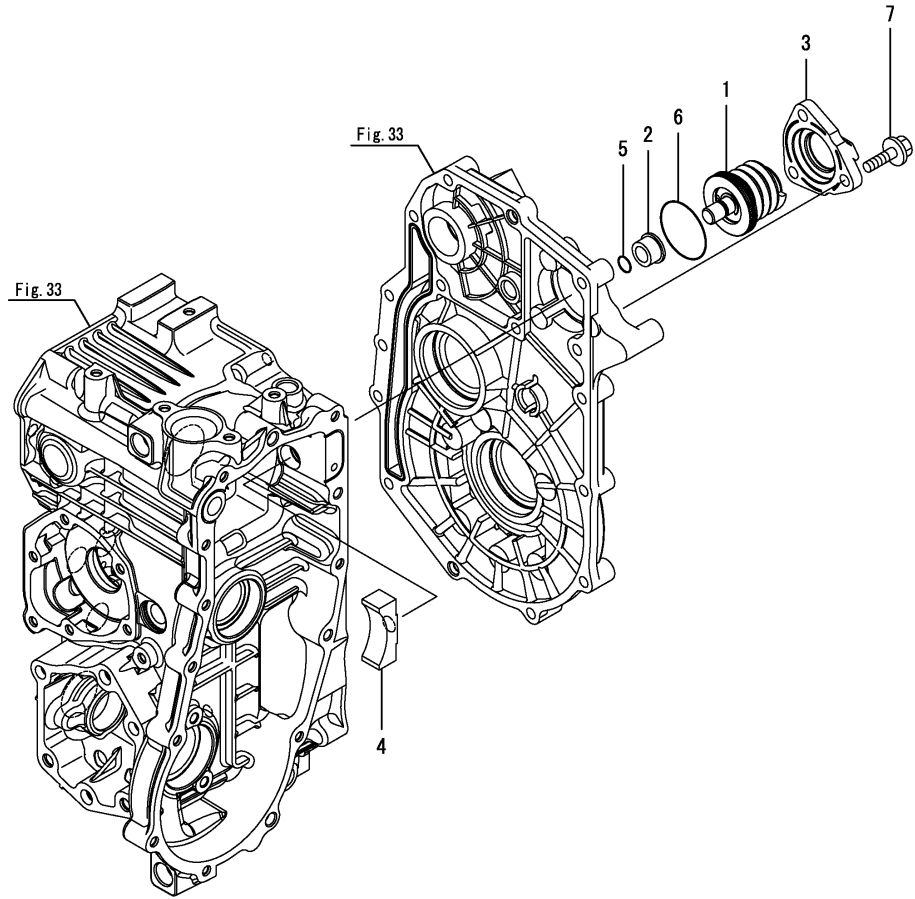


Fig.41. PTO BRAKE

(A)=SC2450(CCY)  
(B)=  
(C)=

(D)=  
(E)=  
(F)=

No.	Lev.	Parts No.	Description	Q'ty						I	R
				(A)	(B)	(C)	(D)	(E)	(F)		
1	1	1A7050-26080	BRAKE KIT, PTO	1							
2	1	192157-26180	COLLAR, BRAKE PIN	1							
3	1	1A7050-26210	COVER, PTO BRAKE	1							
4	1	192157-26220	SHOE, BRAKE	1							
5	1	24311-000100	O-RING, 1AP10.0	1							
6	1	24351-240450	O-RING, 1A24045	1							
7	1	26106-080252	BOLT, M8X 25 PLATED	3							




---

---

---

---

---

---

---

---

---

---

---

---

---

---

---

---

---

---

---

---

---

---

---

---

---

---

Fig.42. P.T.O SHAFT

(A)=SC2450(CCY)  
 (B)=  
 (C)=

(D)=  
 (E)=  
 (F)=

No.	Lev.	Parts No.	Description	Q'ty						I	R
				(A)	(B)	(C)	(D)	(E)	(F)		
1	1	194200-25270	SPACER, SHAFT	1							
2	1	192157-26340	IDLE ASSY, PTO	1							
3	2	22242-000200	RING, 20	1							
4	1	1A7050-26360	SHAFT, MID PTO	1							
5	1	192157-26380	WASHER, 8.5X24X4	2							
6	1	24101-062044	BEARING, BALL 6204	2							
7	1	24101-062054	BEARING, BALL 6205	1							
8	1	26016-080202	BOLT, M8X 20	2							

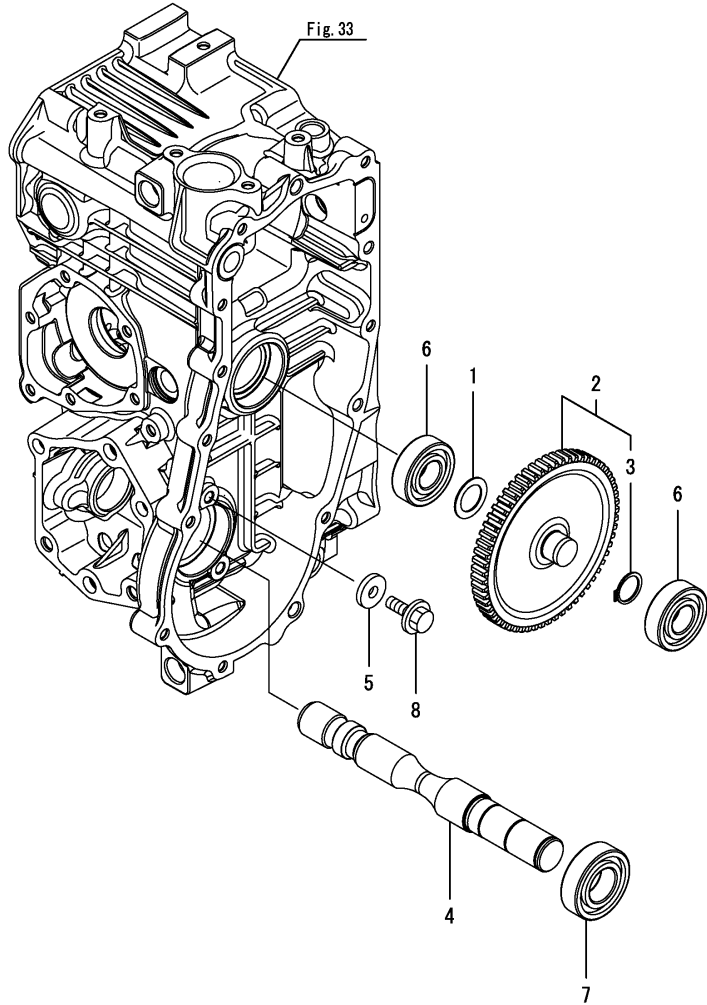
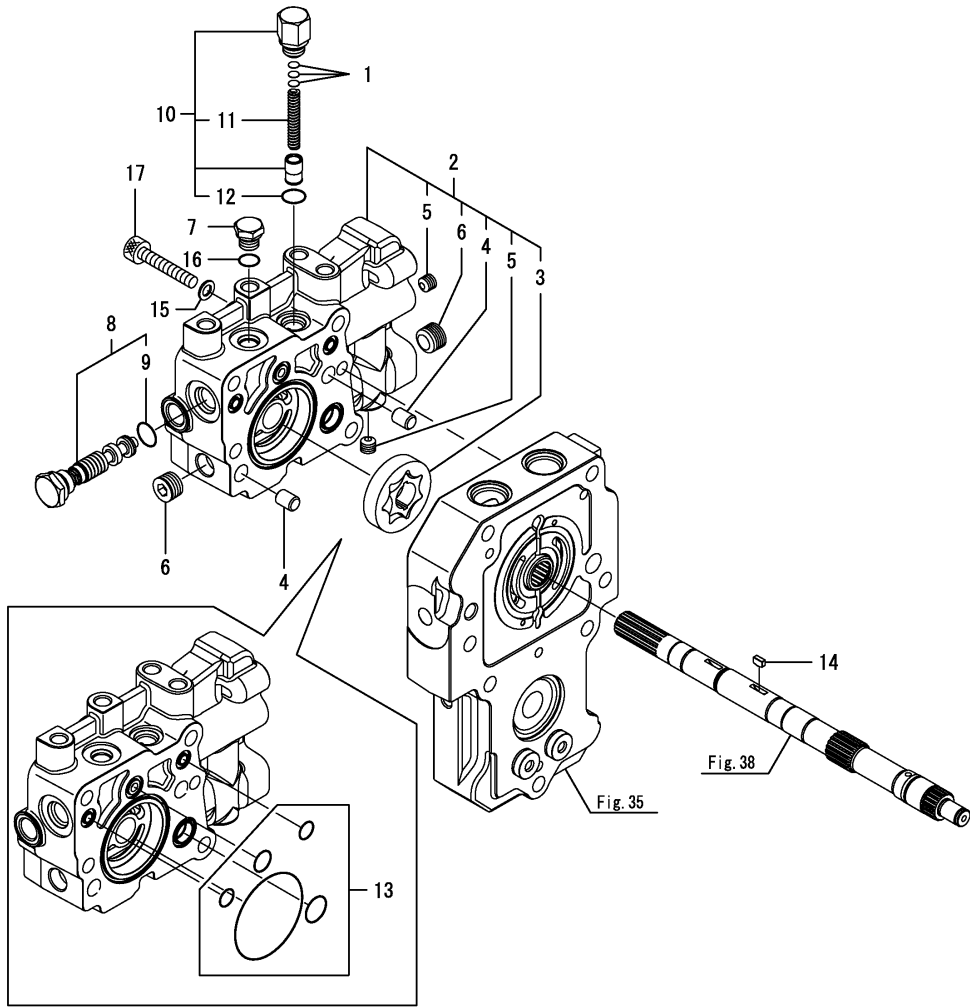


Fig.43. POWER PUMP

(A)=SC2450(CCY)  
(B)=  
(C)=

(D)=  
(E)=  
(F)=



No.	Lev.	Parts No.	Description	Q'ty						I	R
				(A)	(B)	(C)	(D)	(E)	(F)		
1	1	1684Q3-01430	SHIM 7X0.5	3							
2	1	187K06-26400	PUMP BODY K93 CMP	1							
3	2	1A6370-31000	ROTOR SET	1							
4	2	22312-100120	PIN, PARALLEL M10X12	2							
5	2	23871-010000	PLUG, R01	2							
6	2	23871-030000	PLUG, R03	2							
7	1	192157-26460	PLUG 1/2-20 UNF	1							
8	1	192157-26470	REDUCING VALVE COMP.	1							
9	2	24311-000140	O-RING, 1AP14.0	1							
10	1	192157-26520	PRESSURE VALVE COMP.	1							
11	2	192157-26740	SPRING	1							
12	2	24311-000120	O-RING, 1AP12.0	1							
13	1	187K06-29390	GASKET SET	1							
14	1	187K06-29890	KEY, 8X3.2	1							
15	1	22190-080002	WASHER, SEAL 6	1							
16	1	24361-090500	O-RING, 1AAS905	1							
17	1	26450-080502	BOLT, M8X 50	1							



Fig.44. SOLENOID VALVE

(A)=SC2450(CCY)  
 (B)=  
 (C)=

(D)=  
 (E)=  
 (F)=

No.	Lev.	Parts No.	Description	Q'ty						I	R
				(A)	(B)	(C)	(D)	(E)	(F)		
1	1	192157-26611	VALVE SOLENOID CMP	1							
2	2	192157-26600	SHIM WASHER	1							
3	2	192157-26641	SPRING, SOLENOID	1							
4	1	192159-27700	SOLENOID ASSY	1							
5	3	192159-27790	PLASTIC NUT	1							
6	3	24311-000180	O-RING, 1AP18.0	1							
7	2	192159-27780	GASKET, SOLENOID	1							
8	2	24341-000112	O-RING, 1AS11.2	1							

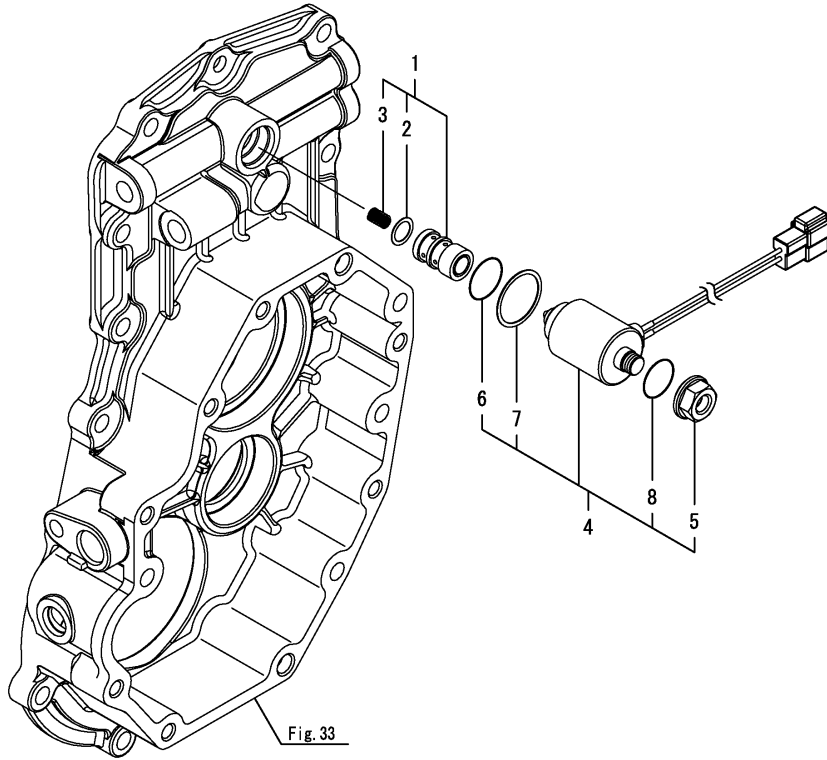
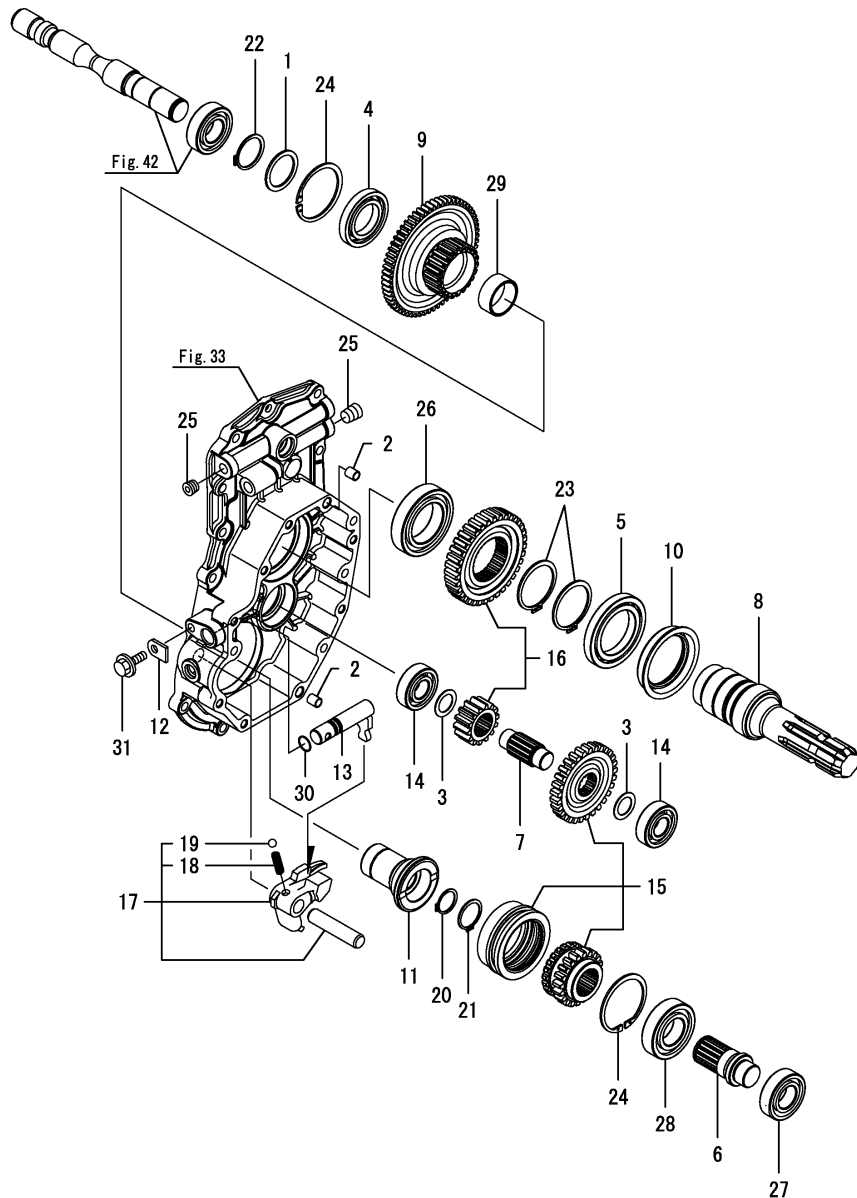


Fig.45. R-PTO SHAFT



(A)=SC2450(CCY)  
(B)=  
(C)=

(D)=  
(E)=  
(F)=

No.	Lev.	Parts No.	Description	Q'ty						I	R
				(A)	(B)	(C)	(D)	(E)	(F)		
1	1	194464-22160	SPACER, 35.5X45X2	1							
2	1	192157-24200	COLLAR 8*10*11.5	2							
3	1	194200-25270	SPACER, SHAFT	2							
4	1	194454-25770	BEARING, BALL 16007	1							
5	1	194454-25870	BEARING, BALL 16010	1							
6	1	192157-26840	SHAFT, REAR PTO	1							
7	1	192157-26860	SHAFT, REAR PTO IDLE	1							
8	1	1A7052-26890	SHAFT, REAR PTO	1							
9	1	192157-26960	GEAR, PTO Z=62 B	1							
10	1	192157-26980	SEAL, TCFY557214	1							
11	1	192157-26991	COLLAR, SPLINE	1							
12	1	194197-27681	PLATE, KEEP	1							
13	1	192157-27740	SHAFT, MBR CHANGE	1							
14	1	192159-31410	BEARING,6204R SH2	2							
15	1	192157-99010	GEAR KIT, 20-29	1							
16	1	192157-99020	GEAR KIT, 14-35	1							
17	1	192157-99040	HORK KIT, MBR	1							
18	2	194145-27450	SPRING	1							
19	2	24190-100001	BALL, STEEL 5/16	1							
20	1	22242-000240	RING, 24	1							
21	1	22242-000290	RING, 29	1							
22	1	22242-000350	RING, 35	1							
23	1	22242-000500	RING, 50	2							
24	1	22252-000620	RING, 62	2							
25	1	23871-020000	PLUG, R02	3							
26	1	24101-060094	BEARING, BALL 6009	1							
27	1	24101-062054	BEARING, BALL 6205	1							
28	1	24101-062064	BEARING, BALL 6206	1							
29	1	24161-354017	BEARING, 354017	1							
30	1	24311-000125	O-RING, 1AP12.5	1							
31	1	26016-080202	BOLT, M8X 20	1							

Fig.46. SHIFT

(A)=SC2450(CCY)  
 (B)=  
 (C)=

(D)=  
 (E)=  
 (F)=

No.	Lev.	Parts No.	Description	Q'ty						I	R
				(A)	(B)	(C)	(D)	(E)	(F)		
1	1	1A7050-24610	BEARING, THRUST	1							
2	1	192157-24620	PLATE, THRUST A	1							

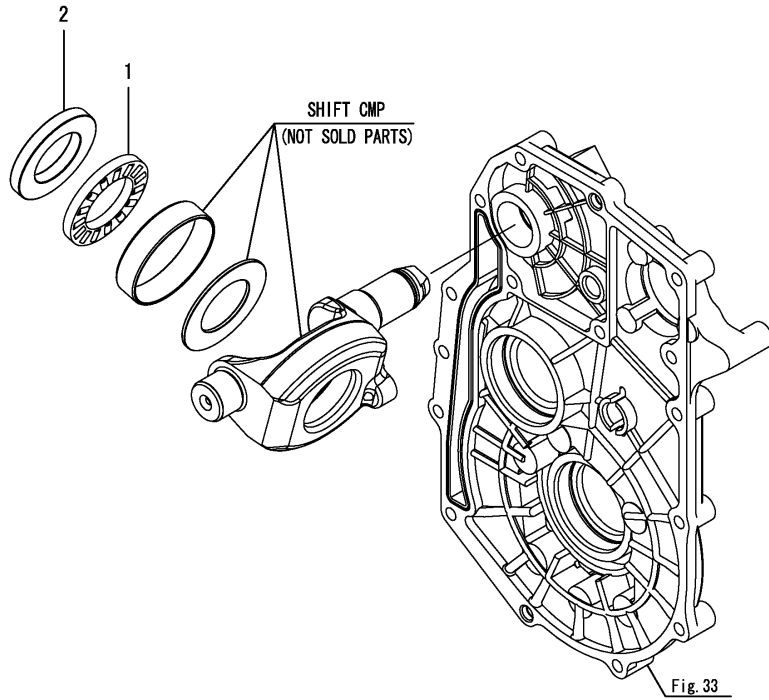
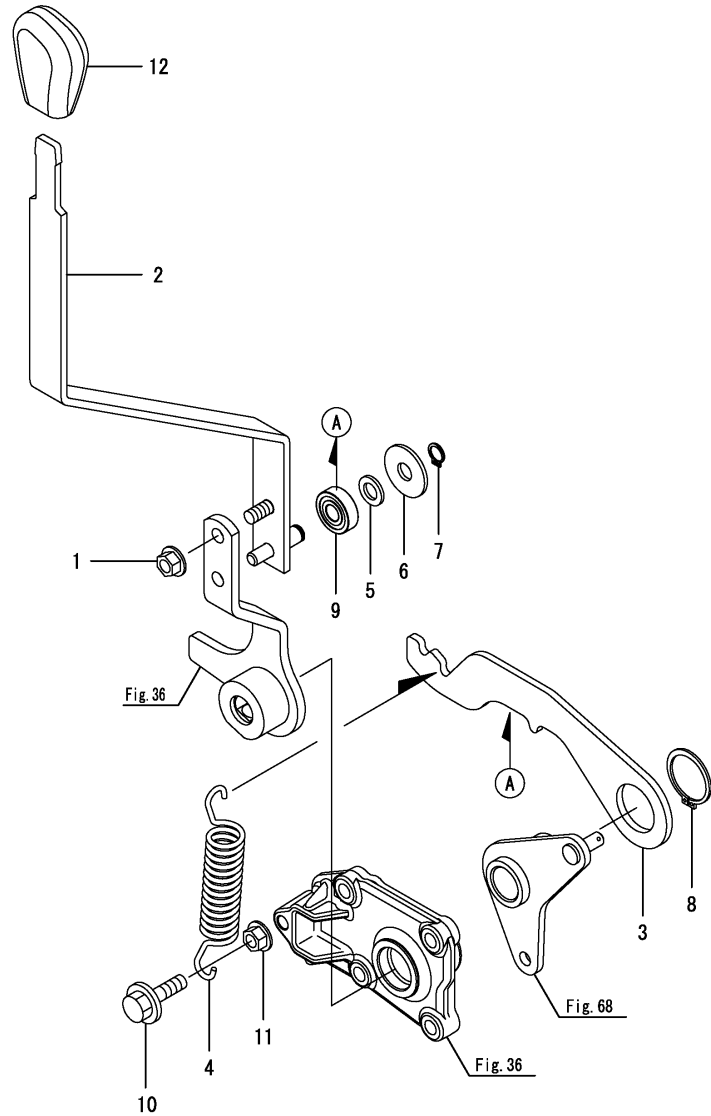


Fig. 33

Fig.47. RANGE SHIFT LEVER

(A)=SC2450(CCY)  
 (B)=  
 (C)=

(D)=  
 (E)=  
 (F)=

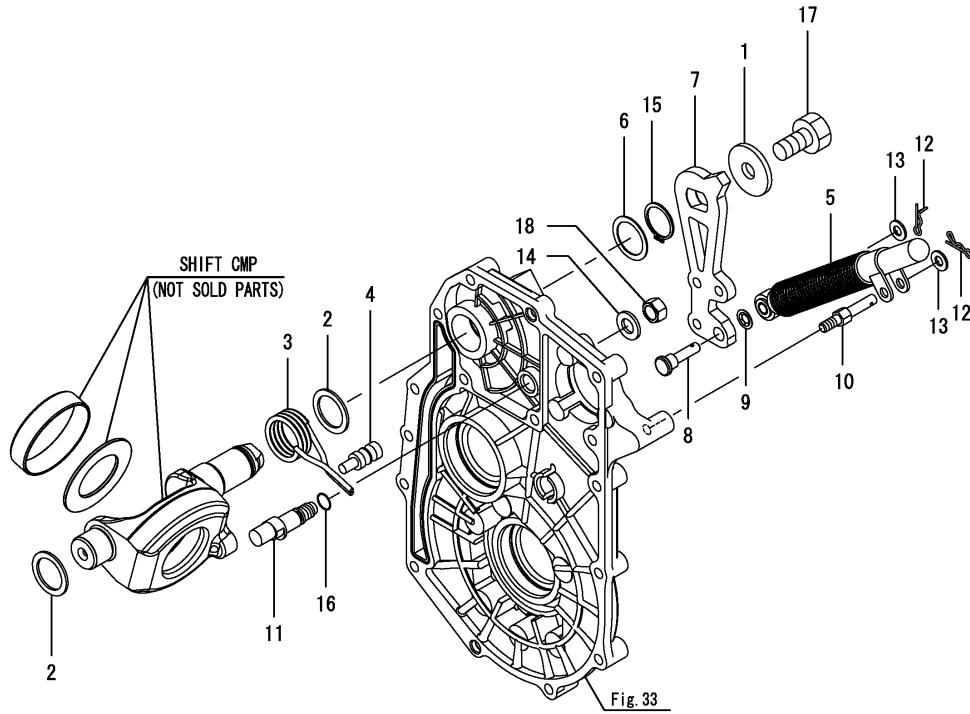


No.	Lev.	Parts No.	Description	Q'ty						I	R
				(A)	(B)	(C)	(D)	(E)	(F)		
1	1	194990-22140	NUT, M8	2							
2	1	1A7880-27500	LEVER ASSY, RANGE	1							
3	1	1A7880-27560	ARM, RANGE	1							
3-1	1	1A7880-27561 (A=FZZZZZ)	ARM, RANGE	1							R
4	1	1A7880-27580	SPRING	1							
5	1	22117-100000	WASHER, 10	1							
6	1	22157-100000	WASHER, 10	1							
7	1	22242-000100	RING, 10	1							
8	1	22242-000300	RING, 30	1							
9	1	24104-060004	BEARING, BALL 6000UU	1							
10	1	26106-080252	BOLT, M8X 25 PLATED	1							
11	1	26716-080002	NUT, M8	1							
12	1	198200-27811	KNOB, ORANGE	1							

Fig.48. CONTROL

(A)=SC2450(CCY)  
(B)=  
(C)=

(D)=  
(E)=  
(F)=



No.	Lev.	Parts No.	Description	Q'ty						I	R
				(A)	(B)	(C)	(D)	(E)	(F)		
1	1	172524-06850	WASHER 44X14X4.5	1							
2	1	198167-24530	WASHER, 28X38X2	2							
3	1	192157-27510	SPRING,N/C	1							
4	1	192157-27520	PIN, N/C	1							
5	1	1A7050-27530	ABSORBER, SHOCK	1							
6	1	192157-27550	WASHER 29*35*1	1							
7	1	1A7050-27600	ARM, CONTROL	1							
8	1	1A7050-27610	PIN, ARM	1							
9	1	1A7050-27620	NUT, PUSH 7.8	1							
10	1	192154-29640	STUD	1							
11	1	192154-29700	FULCRUM	1							
12	1	1C6281-52320	PIN, SNAP 8	2							
13	1	22137-080000	WASHER, 8	2							
14	1	22137-120000	WASHER, 12	1							
15	1	22242-000280	RING, 28	1							
16	1	24311-240100	O-RING, 1AP10A	1							
17	1	26116-140302	BOLT, M14X 30 PLATED	1							
18	1	26776-120002	NUT, LOCK M12	1							

Fig.49. PTO LEVER

(A)=SC2450(CCY)  
 (B)=  
 (C)=

(D)=  
 (E)=  
 (F)=

No.	Lev.	Parts No.	Description	Q'ty						I	R
				(A)	(B)	(C)	(D)	(E)	(F)		
1	1	1A7880-27800	LEVER ASSY, PTO	1							
2	1	1A7880-27850	ROD, PTO	1							
3	1	22272-000100	RING, E-10	1							
4	1	22372-080000	PIN, SNAP 8	1							
5	1	198200-27911	KNOB, YELLOW	1							
6	1	198162-47630	TUBE, PROTECT 60	1							

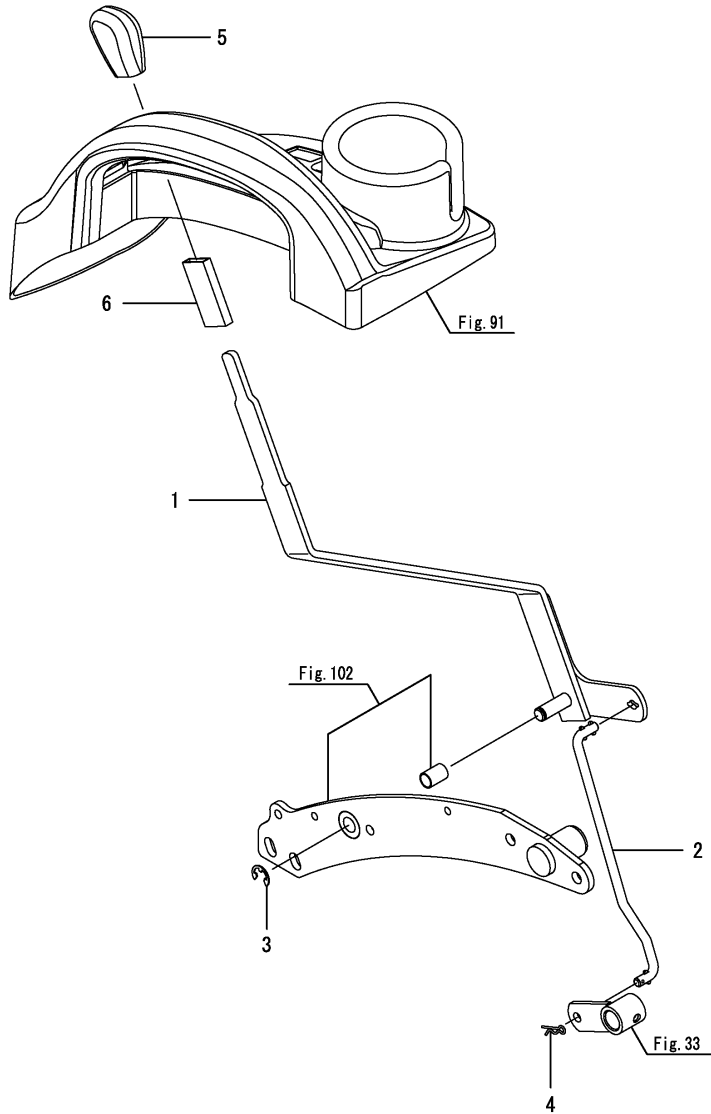
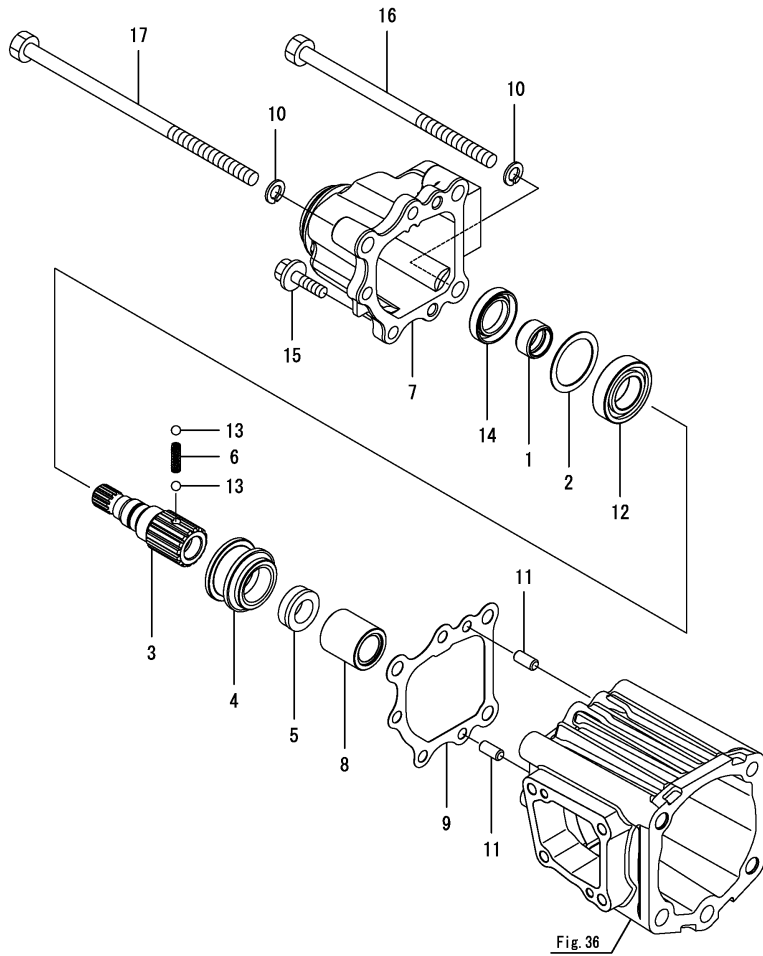


Fig.50. DRIVE SHAFT

(A)=SC2450(CCY)  
 (B)=  
 (C)=

(D)=  
 (E)=  
 (F)=



No.	Lev.	Parts No.	Description	Q'ty						I	R
				(A)	(B)	(C)	(D)	(E)	(F)		
1	1	194855-25290	SLEEVE, SI 202513	1							1
2	1	1A7050-28110	WASHER, 36X46X1	1							1
3	1	1A7050-28211	SHAFT, FRONT DRIVE	1							1
4	1	198165-28240	COLLAR, SHIFT	1							1
5	1	198165-28220	COLLAR, SPLINE	1							1
6	1	194311-28230	SPRING, 21.2	1							1
7	1	1A7050-28250	COVER, FRONT	1							1
8	1	1A7050-28260	SPACER, 20X33X285	1							1
9	1	1A7050-28560	PACKING, FRONT COVER	1							1
10	1	22287-100000	WASHER, 10	3							
11	1	22312-080160	PIN, PARALLEL M8X16	2							
12	1	24101-060054	BEARING, BALL 6005	1							1
13	1	24190-080001	BALL, STEEL 1/4	2							1
14	1	24421-254008	SEAL, OIL TC254008	1							1
15	1	26106-080302	BOLT, M8X 30 PLATED	3							
16	1	26116-101802	BOLT, M10X180 PLATED	1							
17	1	26116-102202	BOLT, M10X220 PLATED	2							

Remarks  
 (1) Refer to Fig.128 for the service part.

Fig.51. 2-4WD LEVER

(A)=SC2450(CCY)  
 (B)=  
 (C)=

(D)=  
 (E)=  
 (F)=

No.	Lev.	Parts No.	Description	Q'ty						I	R
				(A)	(B)	(C)	(D)	(E)	(F)		
1	1	1A7880-28300	LEVER ASSY, 4WD	1							
2	1	22351-060032	PIN, SPRING 6.0X32	1							
3	1	198273-28521	KNOB, PARKING BRAKE	1							

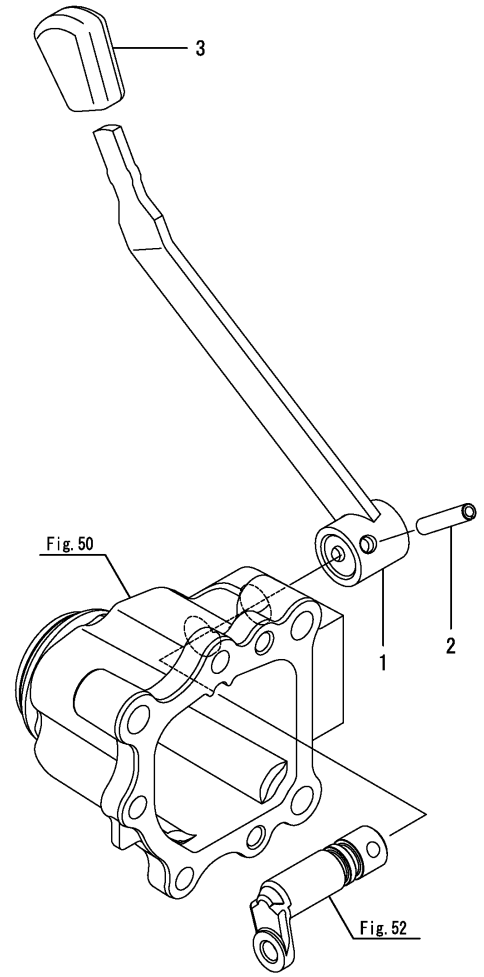
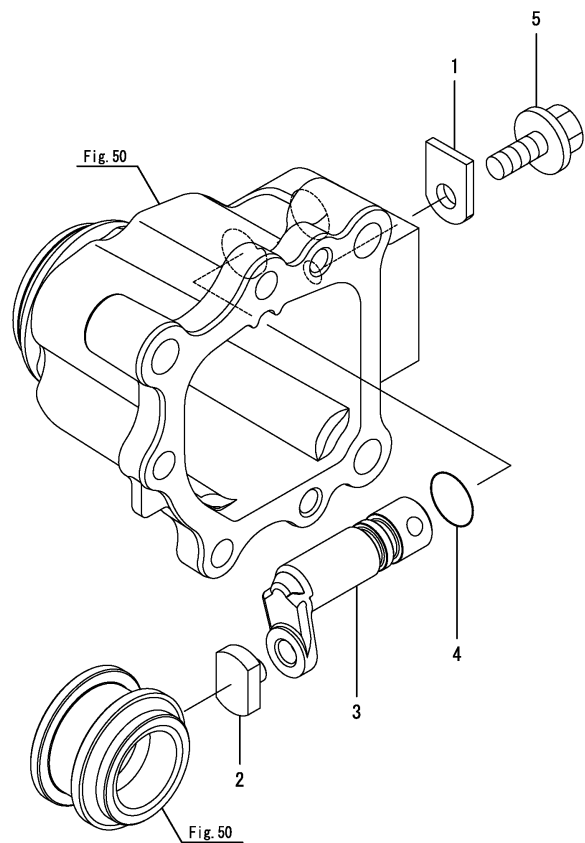




Fig.52. MFWD SHIFT

(A)=SC2450(CCY)  
 (B)=  
 (C)=

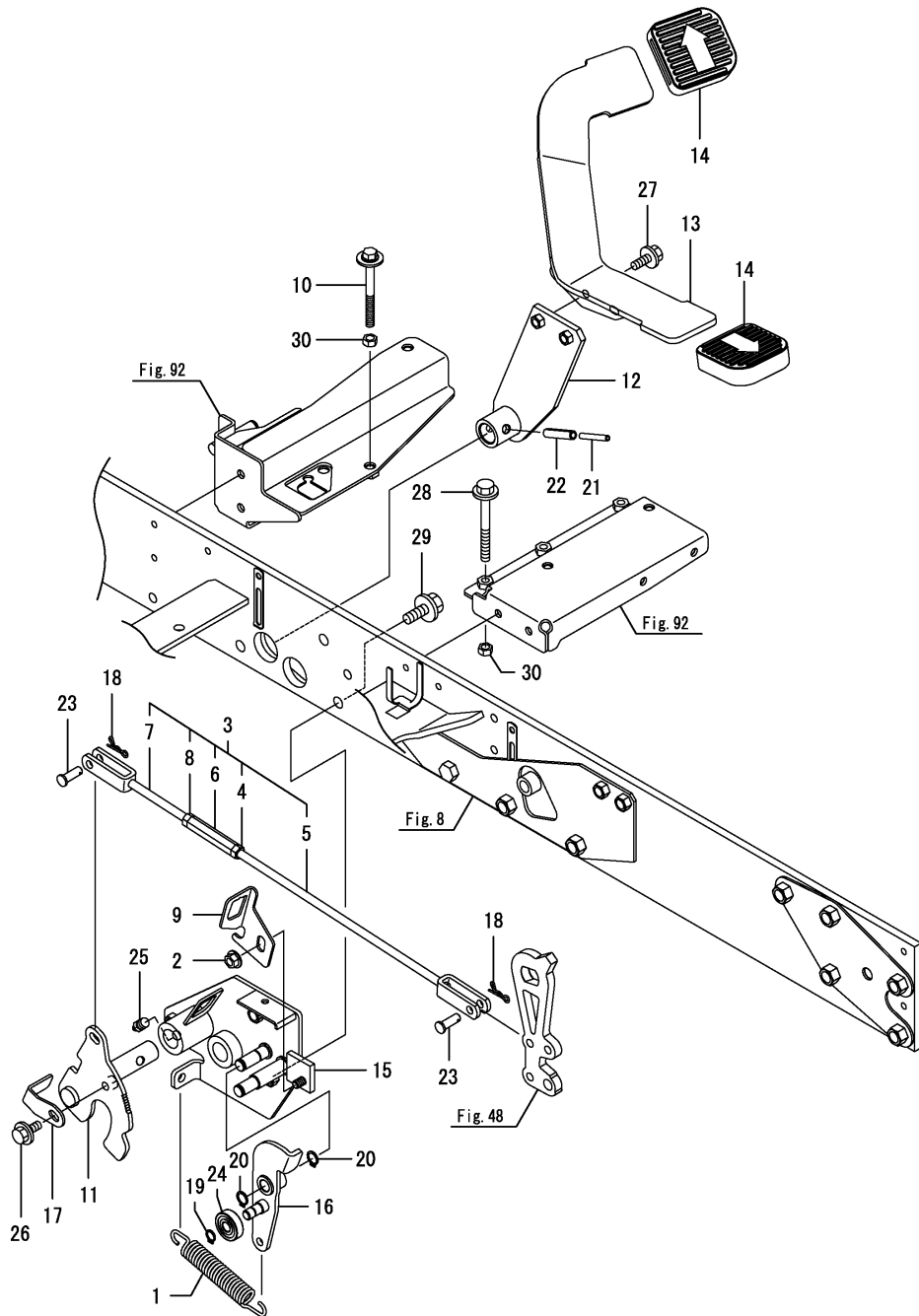
(D)=  
 (E)=  
 (F)=



No.	Lev.	Parts No.	Description	Q'ty						I	R
				(A)	(B)	(C)	(D)	(E)	(F)		
1	1	194197-27681	PLATE, KEEP	1							1
2	1	1A7050-28331	BLOCK, SHIFT	1							1
3	1	1A7050-28351	SHAFT, SHIFT 4WD	1							1
4	1	24311-000125	O-RING, 1AP12.5	1							1
5	1	26106-080162	BOLT, M8X 16 PLATED	1							1

Remarks  
 (1) Refer to Fig.128 for the service part.

Fig.53. HST PEDAL



(A)=SC2450(CCY)

(B)=

(C)=

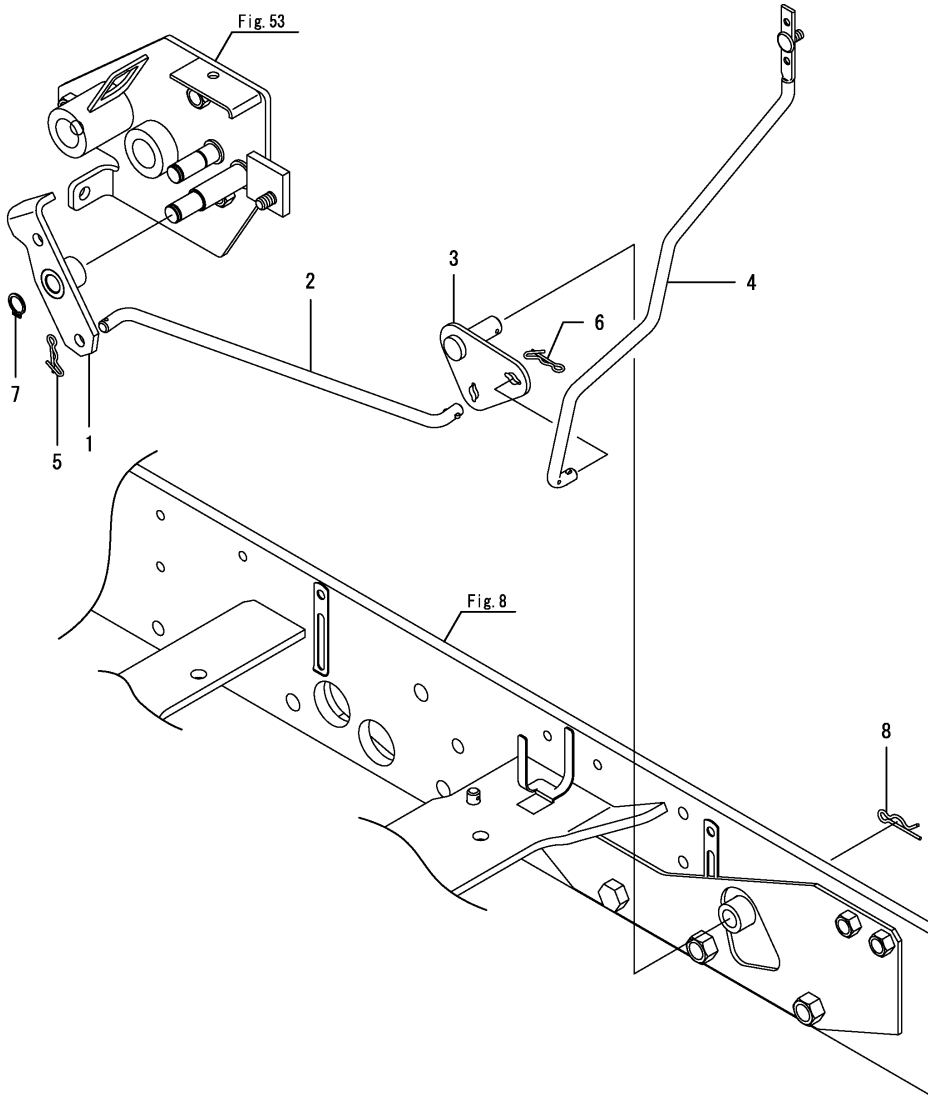
(D)=

(E)=

(F)=

No.	Lev.	Parts No.	Description	Q'ty						I	R
				(A)	(B)	(C)	(D)	(E)	(F)		
1	1	1A7790-01160	SPRING, RETURN	1							
2	1	194990-22140	NUT, M8	1							
3	1	1A7880-29400	ROD ASSY, HST	1							
4	2	194990-20170	NUT, M8	1							
5	2	1A7880-29410	ROD ASSY, HST B	1							
6	2	1A7880-29430	TURNBUCKLE, M8X60	1							
7	2	1A7880-29610	ROD ASSY, HST	1							
8	2	26716-080002	NUT, M8	1							
9	1	1A7880-29450	ARM, SWITCH	1							
9-1	1	1A7880-29451	ARM, SWITCH	1							R
		(A=FZZZZZ)									
10	1	1A7880-29490	BOLT, PEDAL	1							
10-1	1	1A7880-29491	BOLT, PEDAL	1							N
		(A=F010102)									
10-2	1	26106-080852	BOLT, M8X 85 PLATED	1							Q
		(A=F020101)									
11	1	1A7880-29500	ARM ASSY, HST	1							
12	1	1A7880-29540	PEDAL,ARM CMP	1							
12-1	1	1A7880-29541	ARM ASSY, PEDAL	1							N
		(A=F020101)									
13	1	1A7880-29570	PEDAL ASSY, HST	1							
14	1	1A7880-29600	HEAD, PEDAL	2							
15	1	1A7880-29640	FULCRUM ASSY, PEDAL	1							
16	1	1A7880-29720	ARM ASSY, SWITCH	1							
17	1	1A7880-29780	ARM, SWITCH	1							
18	1	1C6281-52320	PIN, SNAP 8	2							
19	1	22242-000100	RING, 10	1							
20	1	22242-000120	RING, 12	2							
21	1	22351-050040	PIN, SPRING 5.0X40	1							
22	1	22351-080040	PIN, SPRING 8.0X40	1							
23	1	22487-080200	PIN, H 8X 20	2							
24	1	24104-062004	BEARING, BALL 6200UU	1							
25	1	24761-020000	NIPPLE, GREASE PT1/8	1							
26	1	26106-080162	BOLT, M8X 16 PLATED	1							
27	1	26106-080202	BOLT, M8X 20 PLATED	2							
28	1	26106-080802	BOLT, M8X 80 PLATED	1							
29	1	26106-100252	BOLT, M10X 25 PLATED	3							
30	1	26716-080002	NUT, M8	2							

Fig.54. HST CRUISE LINK



(A)=SC2450(CCY)  
(B)=  
(C)=

(D)=  
(E)=  
(F)=

No.	Lev.	Parts No.	Description	Q'ty						I	R	
				(A)	(B)	(C)	(D)	(E)	(F)			
1	1	1A7880-29800	ARM ASSY, CRUISE	1								
1-1	1	1A7880-29801	ARM ASSY, CRUISE	1								R
(A=FZZZZZ)												
2	1	1A7880-29830	ROD, CRUISE A	1								
3	1	1A7880-29840	LINK, CRUISE	1								
4	1	1A7880-29871	ROD ASSY, CRUISE B	1								
4-1	1	1A7880-29872	ROD ASSY, CRUISE B	1								R
(A=FZZZZZ)												
5	1	1C6281-52320	PIN, SNAP 8	1								
6	1	1C6281-52320	PIN, SNAP 8	1								
7	1	22242-000120	RING, 12	1								
8	1	22372-120000	PIN, SNAP 12	1								

Fig.55. CRUISE LEVER

(A)=SC2450(CCY)  
(B)=  
(C)=

(D)=  
(E)=  
(F)=

No.	Lev.	Parts No.	Description	Q'ty						I	R
				(A)	(B)	(C)	(D)	(E)	(F)		
1	1	194990-22140	NUT, M8	1							
2	1	194550-27030	KNOB, 6.5X18X35	1							
3	1	1A7880-29901	ROD, CRUISE C	1							

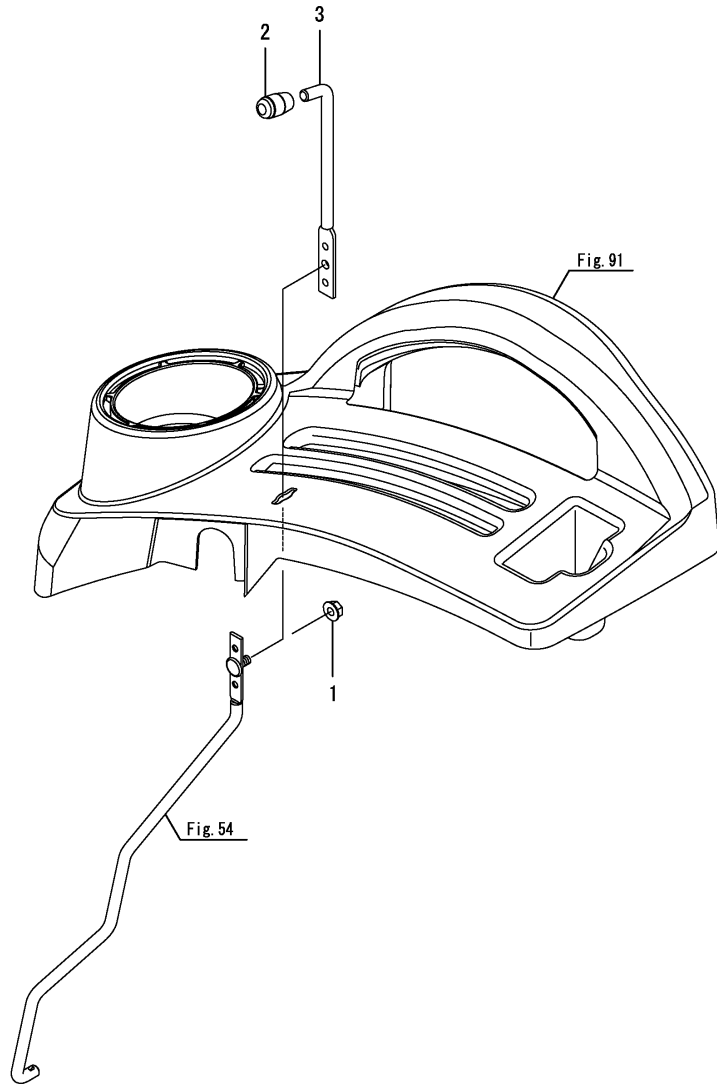
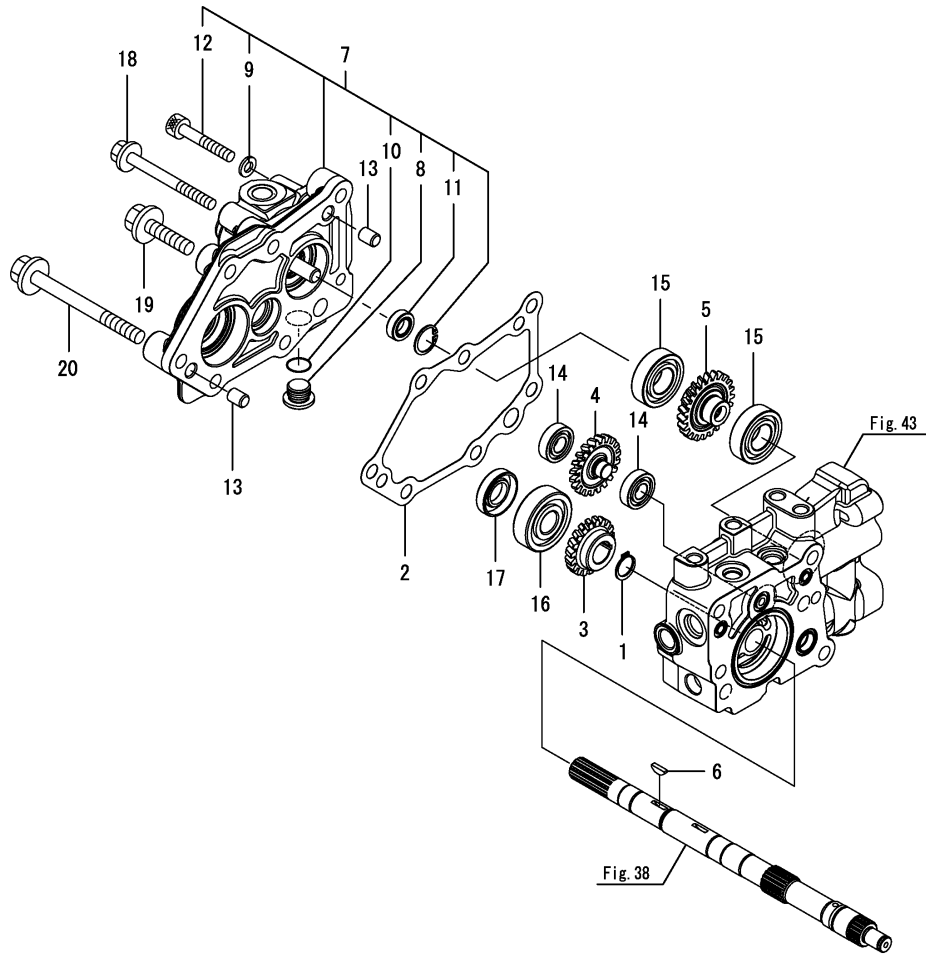


Fig.56. GEAR PUMP

(A)=SC2450(CCY)  
(B)=  
(C)=

(D)=  
(E)=  
(F)=



No.	Lev.	Parts No.	Description	Q'ty						I	R
				(A)	(B)	(C)	(D)	(E)	(F)		
1	1	192167-25310	CIRCLIP,17	1							
2	1	187K06-29620	PAKING (PUMP COVER)	1							
3	1	187K06-29860	GEAR 1 (PUMP)	1							
4	1	187K06-29870	GEAR 2 (PUMP)	1							
5	1	187K06-29880	GEAR 3 (PUMP)	1							
6	1	187K06-29890	KEY, 8X3.2	1							
7	1	187K06-29900	PWS-5CG SUB CMP	1							
8	2	1A6750-29850	PLUG, G3/8	1							
9	2	22217-080000	WASHER, SPRING 8	3							
10	2	24311-000140	O-RING, 1AP14.0	1							
11	2	24421-122207	SEAL, OIL TC122207	1							
12	2	26450-080502	BOLT, M8X 50	3							
13	1	22312-100120	PIN, PARALLEL M10X12	2							
14	1	24101-060014	BEARING, BALL 6001	2							
15	1	24101-060044	BEARING, BALL 6004	2							
16	1	24101-063034	BEARING, BALL 6303	1							
17	1	24421-173508	SEAL, OIL TC173508	1							
18	1	26016-080852	BOLT, M8X 85	1							
19	1	26016-100452	BOLT, M10X 45	3							
20	1	26016-101052	BOLT, M10X105	1							

Fig.57. INPUT GEAR

(A)=SC2450(CCY)  
(B)=  
(C)=

(D)=  
(E)=  
(F)=

No.	Lev.	Parts No.	Description	Q'ty						I	R
				(A)	(B)	(C)	(D)	(E)	(F)		
1	1	1A6780-13910	BEARING, 6303RSH2	1							
2	1	1A7050-31100	GEAR KIT, INPUT	1							
3	1	22207-012160	RING, 12X1.6	1							

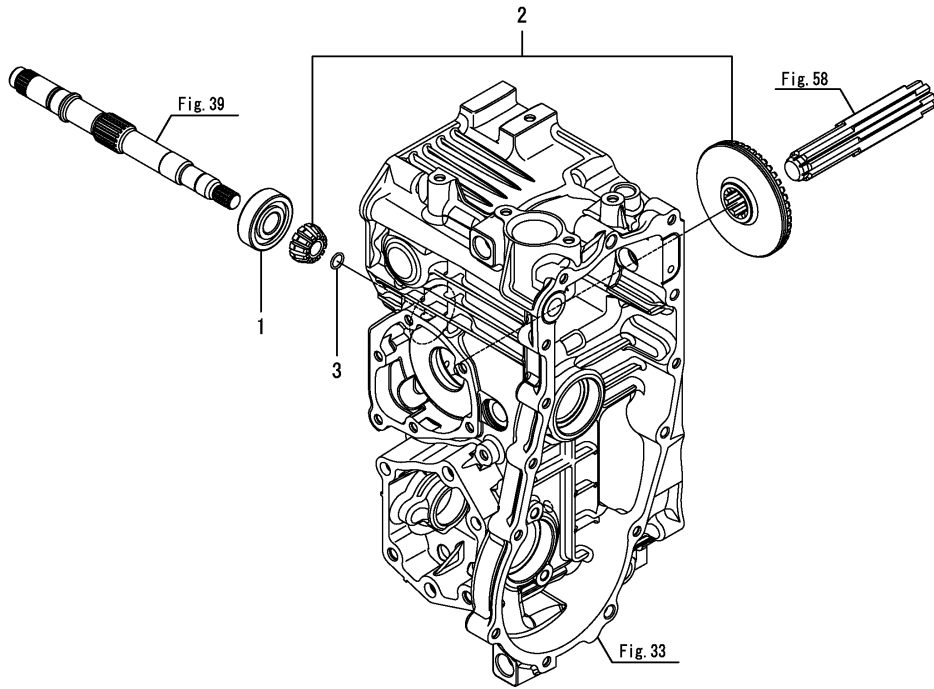
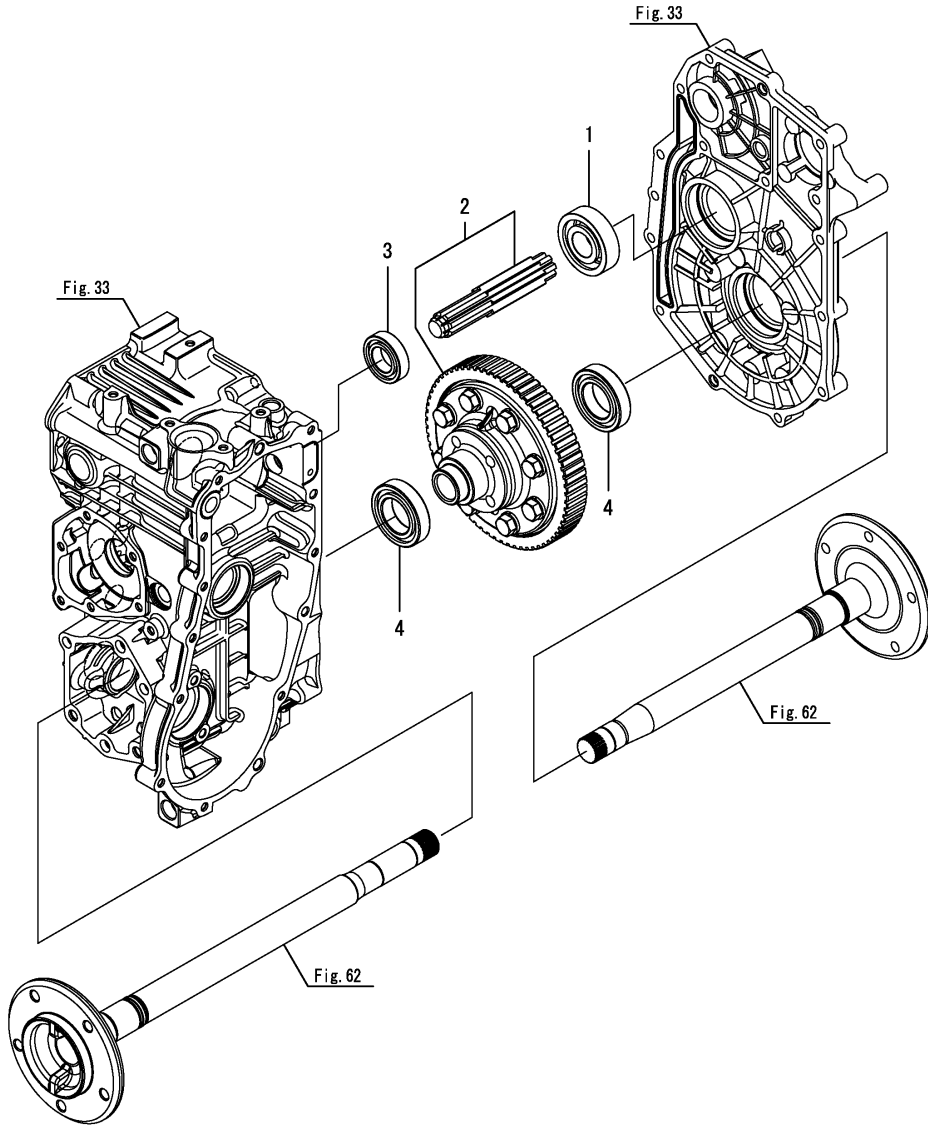


Fig.58. DIFFERENTIAL GEAR

(A)=SC2450(CCY)  
 (B)=  
 (C)=

(D)=  
 (E)=  
 (F)=

No.	Lev.	Parts No.	Description	Q'ty						I	R
				(A)	(B)	(C)	(D)	(E)	(F)		
1	1	194555-25880	BEARING, BALL TMB305	1							
2	1	1A7050-33390	GEAR KIT, FINAL	1							
3	1	1A7050-33460	BEARING, BALL 6005	1							
4	1	24101-060074	BEARING, BALL 6007	2							




---

---

---

---

---

---

---

---

---

---

---

---

---

---

---

---

---

---

---

---

---

---

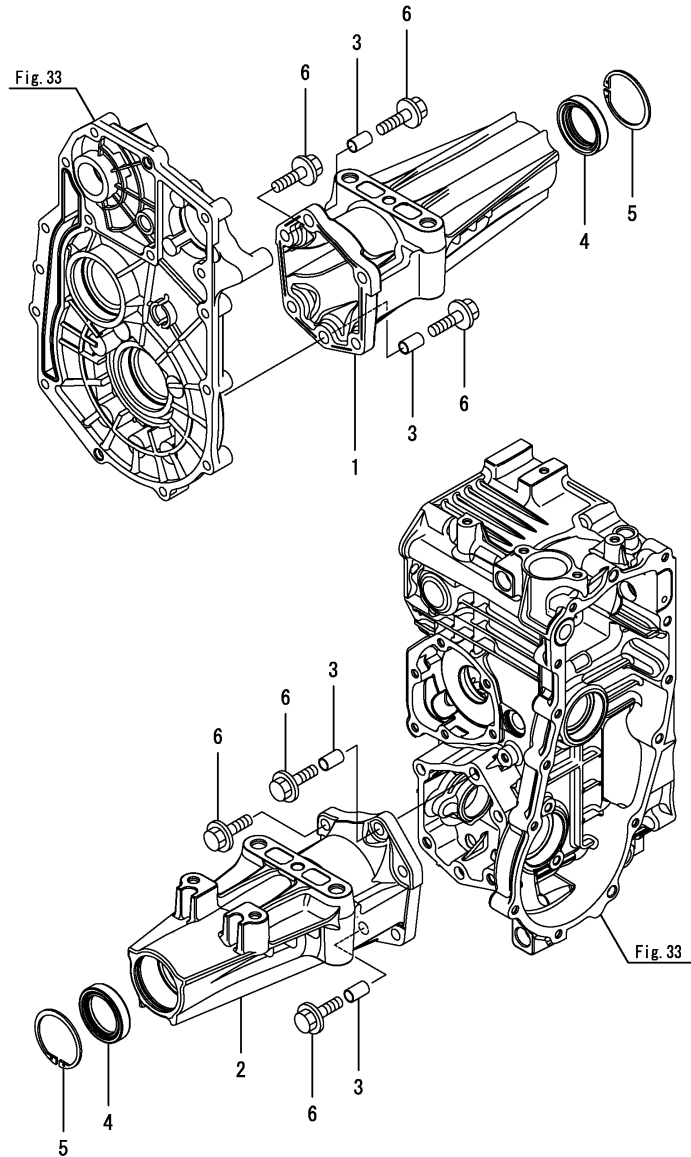
---

---

Fig.59. REAR HOUSING

(A)=SC2450(CCY)  
 (B)=  
 (C)=

(D)=  
 (E)=  
 (F)=



No.	Lev.	Parts No.	Description	Q'ty						I	R
				(A)	(B)	(C)	(D)	(E)	(F)		
1	1	1A7050-32320	HOUSING, REAR AXLE R	1							
2	1	1A7051-32320	HOUSING, REAR AXLE	1							
3	1	192157-32360	COLLAR, 10X12X20	4							
4	1	192157-32370	SEAL, TC395511	2							
5	1	22252-000550	RING, 55	2							
6	1	26106-100352	BOLT, M10X 35 PLATED	12							



Fig.60. DIFFERENTIAL LOCK

(A)=SC2450(CCY)  
 (B)=  
 (C)=

(D)=  
 (E)=  
 (F)=

No.	Lev.	Parts No.	Description	Q'ty						I	R
				(A)	(B)	(C)	(D)	(E)	(F)		
1	1	192157-33101	FORK KIT, DIFF.LOCK	1							
2	2	1C6320-52210	SPACER, 16.5X24X1	1							
3	2	22242-000160	RING, 16	2							
4	2	22351-040025	PIN, SPRING 4.0X25	1							
5	1	192157-33110	FULCRUM KIT, DIFF.	1							
6	2	22137-100000	WASHER, 10	1							
7	2	22417-200200	PIN, COTTER 2.0X20	1							
8	1	194854-33110	SLIDER, LOCK	1							
9	1	26016-080202	BOLT, M8X 20	2							

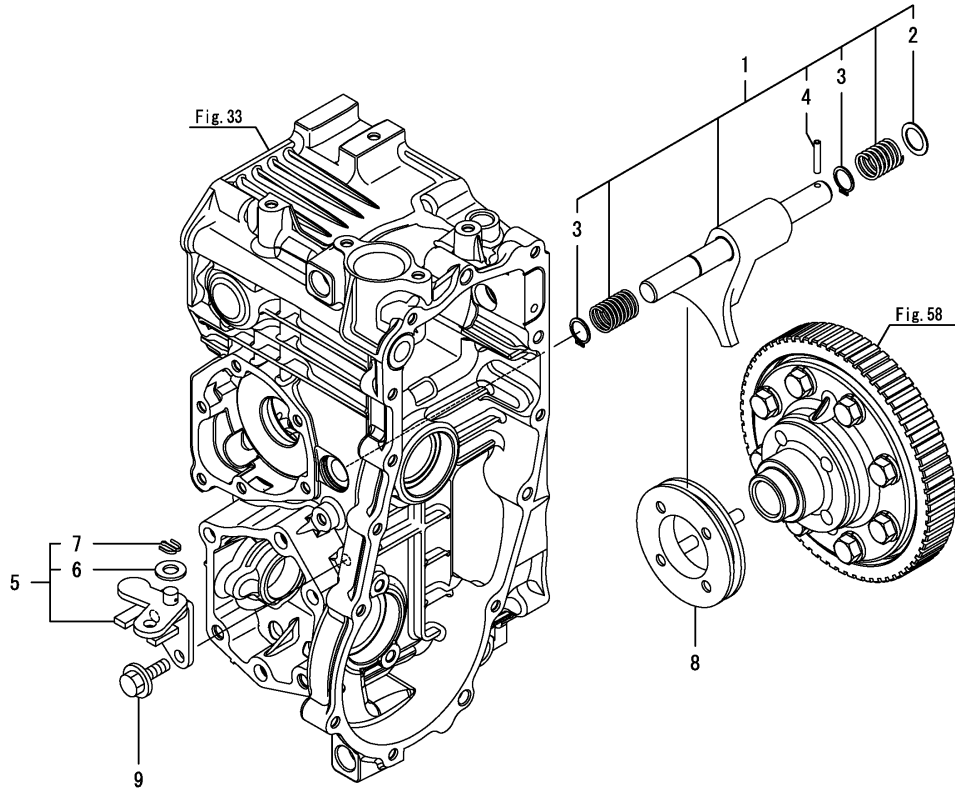


Fig.61. DIFF.LOCK PEDAL

(A)=SC2450(CCY)  
 (B)=  
 (C)=

(D)=  
 (E)=  
 (F)=

No.	Lev.	Parts No.	Description	Q'ty						I	R
				(A)	(B)	(C)	(D)	(E)	(F)		
1	1	1A7790-01160	SPRING, RETURN	1							
2	1	1A7880-33200	PEDAL ASSY, LOCK	1							
3	1	1A7880-33250	ROD	1							
4	1	1C6281-52320	PIN, SNAP 8	1							
5	1	22137-140000	WASHER, 14	1							
6	1	22372-140000	PIN, SNAP 14	1							
7	1	22137-080000	WASHER, 8	1							

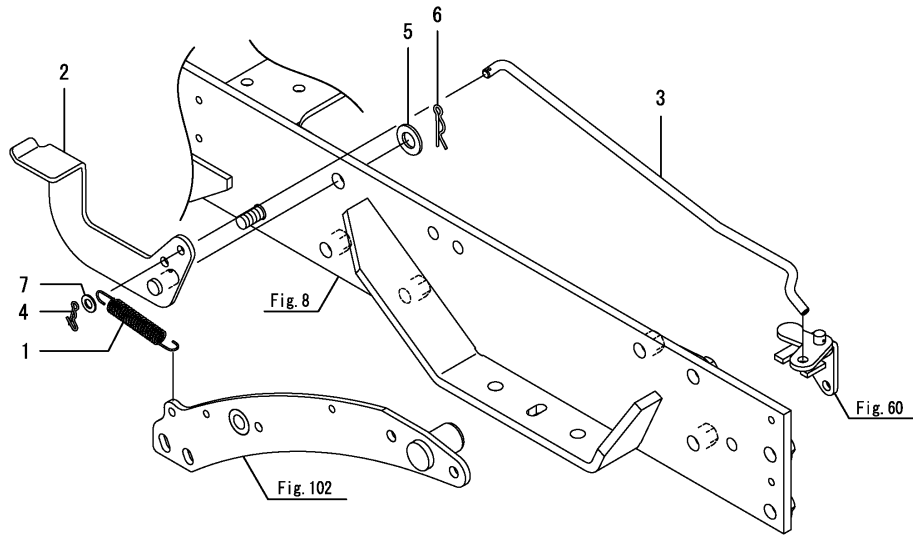


Fig.62. REAR AXLE SHAFT

(A)=SC2450(CCY)  
 (B)=  
 (C)=

(D)=  
 (E)=  
 (F)=

No.	Lev.	Parts No.	Description	Q'ty						I	R
				(A)	(B)	(C)	(D)	(E)	(F)		
1	1	194440-11880	SLEEVE 30X39X16	2							
2	1	198327-26560	COLLAR, 30X42X2	4							
3	1	1A7050-34110	SHAFT, REAR AXLE L	1							
4	1	1A7050-34120	SHAFT, REAR AXLE R	1							
5	1	192157-34130	CIRCLIP, 29	2							
6	1	24101-060064	BEARING, BALL 6006	2							

---

---

---

---

---

---

---

---

---

---

---

---

---

---

---

---

---

---

---

---

---

---

---

---

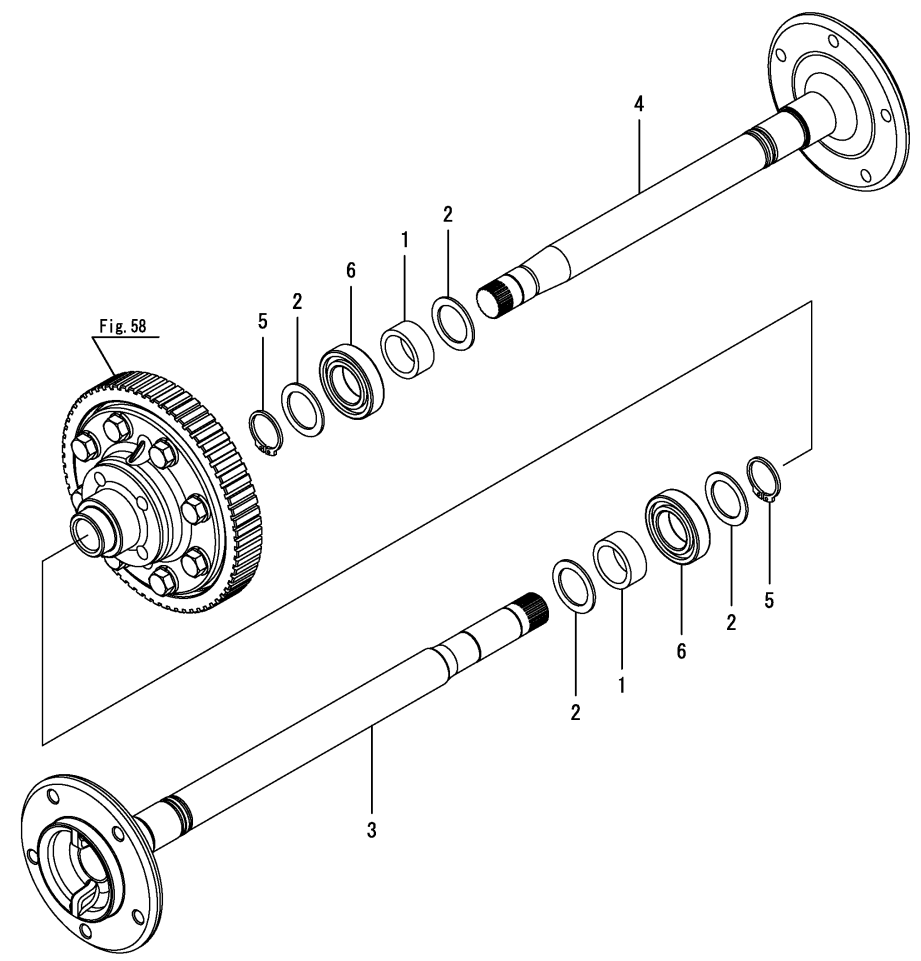


Fig.63. TIRE REAR R1

(A)=SC2450(CCY)  
 (B)=  
 (C)=

(D)=  
 (E)=  
 (F)=

No.	Lev.	Parts No.	Description	Q'ty						I	R
				(A)	(B)	(C)	(D)	(E)	(F)		
1	1	1A7880-34900	TIRE KIT, REAR R1 L	1							
2	2	1A7880-14840	VALVE	1							
3	2	1A7880-34830	WHEEL, 12X10.5	1							
4	2	1A7880-34920	TIRE, 26X12-12 R1	1							
5	1	1A7880-34910	TIRE KIT, REAR R1 R	1							
6	2	1A7880-14840	VALVE	1							
7	2	1A7880-34830	WHEEL, 12X10.5	1							
8	2	1A7880-34920	TIRE, 26X12-12 R1	1							

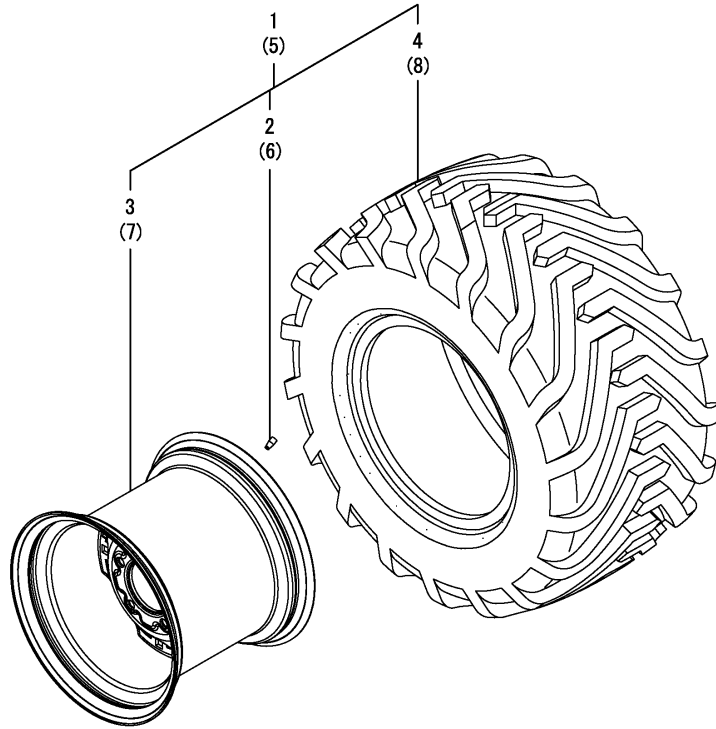


Fig.64. TIRE REAR R3

(A)=SC2450(CCY)  
(B)=  
(C)=

(D)=  
(E)=  
(F)=

No.	Lev.	Parts No.	Description	Qty						I	R
				(A)	(B)	(C)	(D)	(E)	(F)		
1	1	1A7880-34700	TIRE KIT, REAR R3	2							
2	2	1A7880-14840	VALVE	2							
3	2	1A7880-34710	TIRE, 26X12-12 R3	2							
4	2	1A7880-34830	WHEEL, 12X10.5	2							

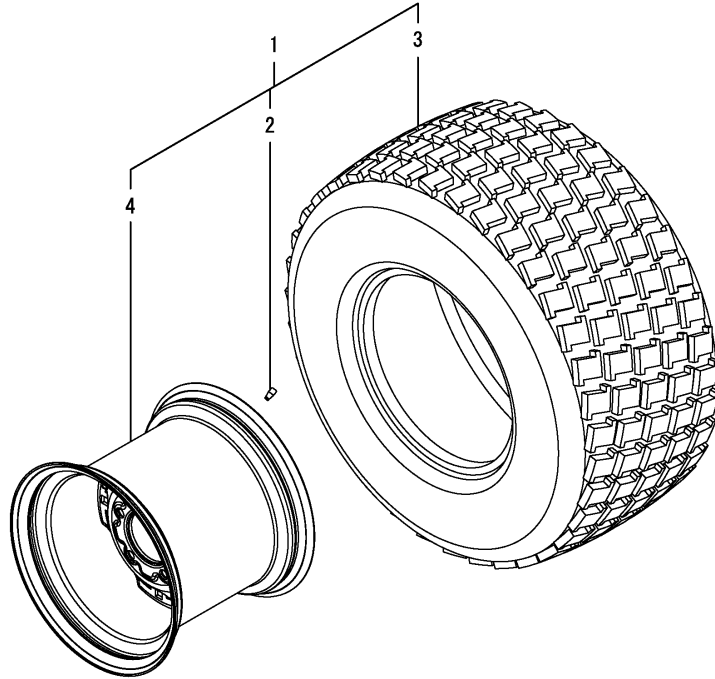


Fig.65. TIRE REAR R4

(A)=SC2450(CCY)  
 (B)=  
 (C)=

(D)=  
 (E)=  
 (F)=

No.	Lev.	Parts No.	Description	Q'ty						I	R
				(A)	(B)	(C)	(D)	(E)	(F)		
1	1	1A7880-34800	TIRE KIT, REAR R4 L	1							
2	2	1A7880-14840	VALVE	1							
3	2	1A7880-34820	TIRE, 26X12-12 R4	1							
4	2	1A7880-34830	WHEEL, 12X10.5	1							
5	1	1A7880-34810	TIRE KIT, REAR R4 R	1							
6	2	1A7880-14840	VALVE	1							
7	2	1A7880-34820	TIRE, 26X12-12 R4	1							
8	2	1A7880-34830	WHEEL, 12X10.5	1							

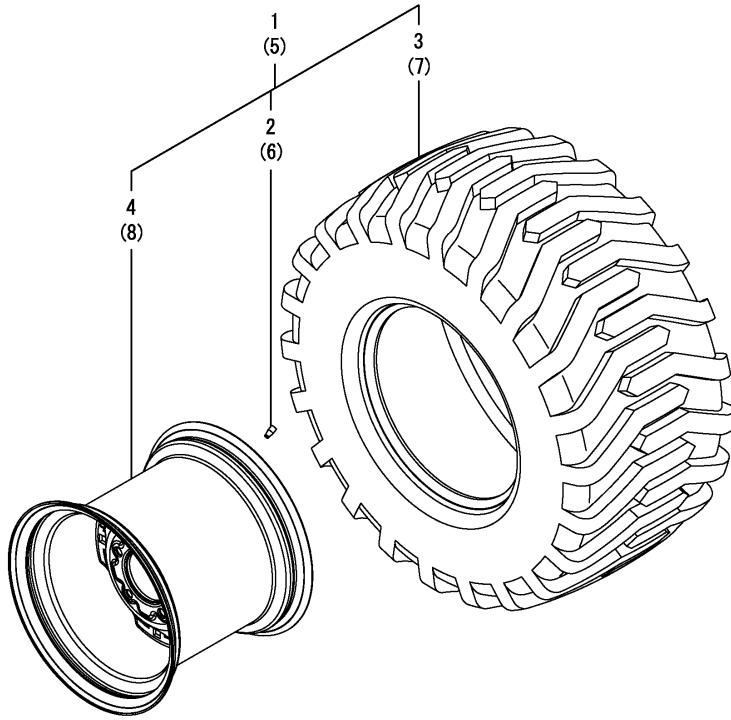


Fig.66. HUB BOLT

(A)=SC2450(CCY)  
 (B)=  
 (C)=

(D)=  
 (E)=  
 (F)=

No.	Lev.	Parts No.	Description	Qty						I	R
				(A)	(B)	(C)	(D)	(E)	(F)		
1	1	1A7880-34180	BOLT, 7/16-20UNF	10							

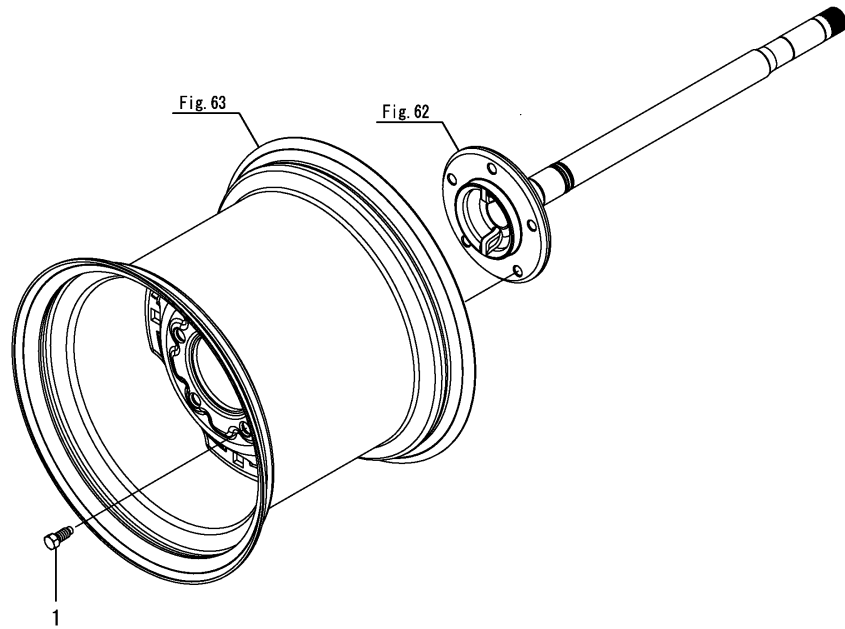
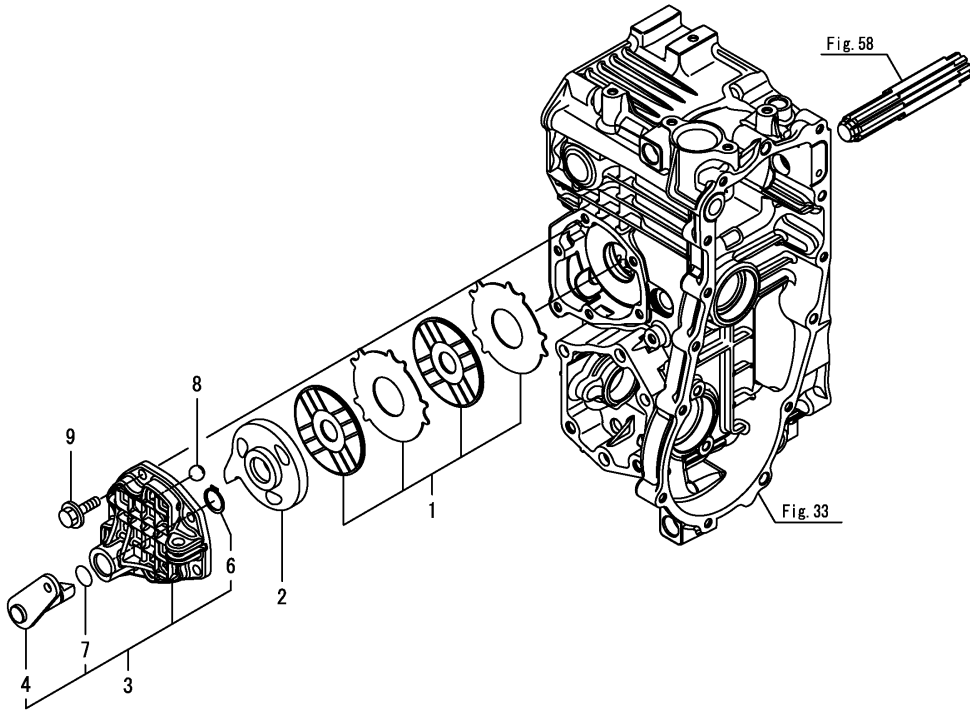


Fig.67. DISC BRAKE

(A)=SC2450(CCY)  
 (B)=  
 (C)=

(D)=  
 (E)=  
 (F)=



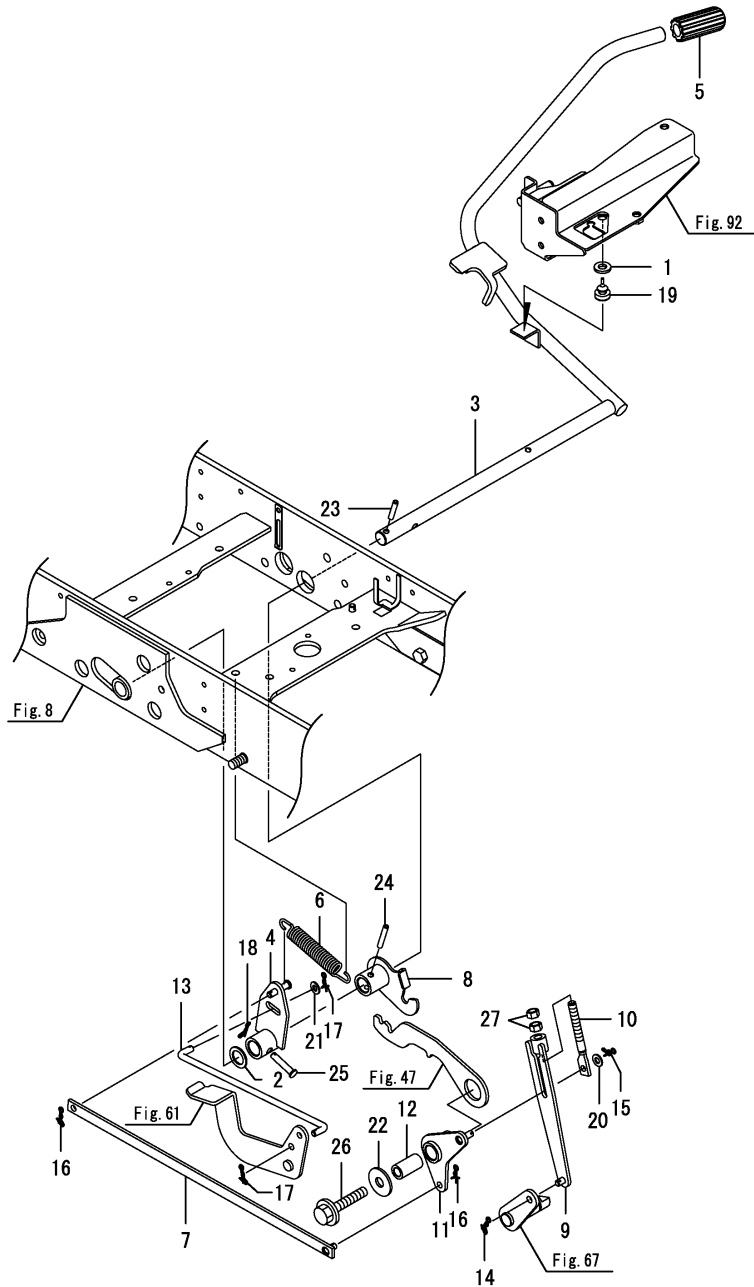
No.	Lev.	Parts No.	Description	Q'ty						I	R
				(A)	(B)	(C)	(D)	(E)	(F)		
1	1	192157-36300	PLATE KIT, BRAKE	1							
2	1	1A7130-36330	ACTUATOR	1							
3	1	187K06-36341	CAM KIT, BRAKE	1							
4	2	187K06-36350	SHAFT ASSY, LEVER	1							
6	2	22242-000200	RING, 20	1							
7	2	24311-000160	O-RING, 1AP16.0	1							
8	1	24190-160001	BALL, STEEL 1/2	3							
9	1	26106-080252	BOLT, M8X 25 PLATED	6							



Fig.68. BRAKE PEDAL

(A)=SC2450(CCY)  
(B)=  
(C)=

(D)=  
(E)=  
(F)=

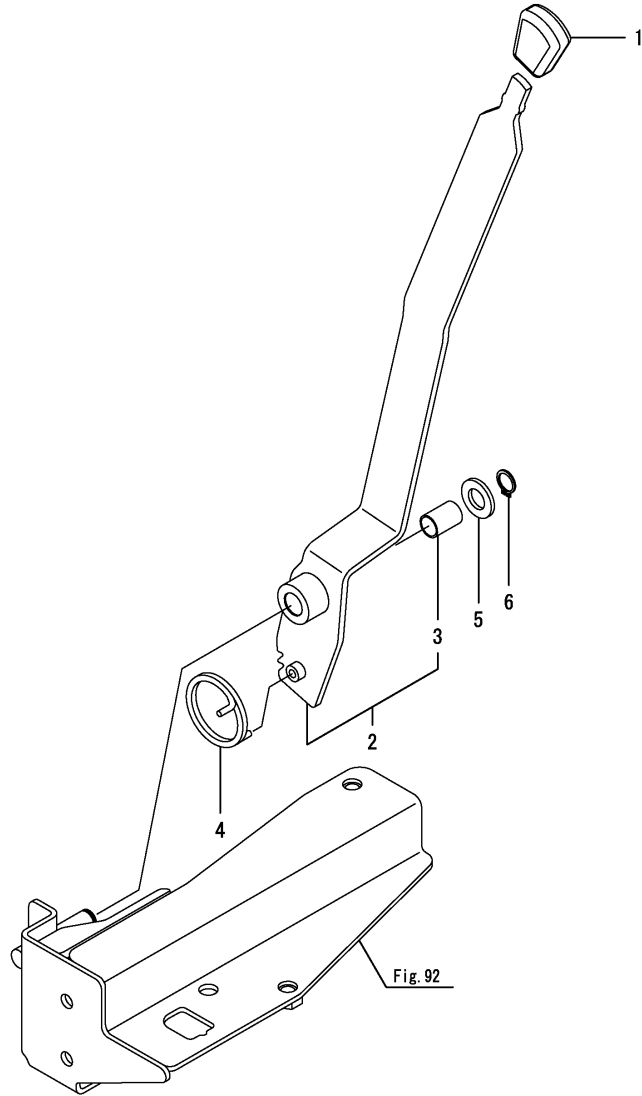


No.	Lev.	Parts No.	Description	Q'ty						I	R
				(A)	(B)	(C)	(D)	(E)	(F)		
1	1	194145-04810	WASHER 10	1							Z
		(A=F010102)									
2	1	1A7510-36490	WASHER, 20X30X2	1							
3	1	1A7880-37100	PEDAL ASSY, BRAKE	1							
4	1	1A7880-37150	ARM ASSY, BRAKE	1							
5	1	1A7880-37200	HEAD, PEDAL R	1							
6	1	1A7880-37220	SPRING, RETURN	1							
7	1	1A7880-37250	ROD ASSY, BRAKE	1							
8	1	1A7880-37310	ARM ASSY, RELEASE	1							
9	1	1A7880-37350	ROD ASSY, PUSH	1							
10	1	1A7880-37390	SCREW, ADJUST	1							
11	1	1A7880-37400	ARM ASSY, BRAKE	1							
12	1	1A7880-37440	COLLAR	1							
12-1	1	1A7880-37441	COLLAR	1							R
		(A=F020232)									
13	1	1A7880-37450	ROD, LINK	1							
14	1	1C6281-52320	PIN, SNAP 8	1							
15	1	1C6281-52320	PIN, SNAP 8	1							
16	1	1C6281-52320	PIN, SNAP 8	2							
17	1	1C6281-52320	PIN, SNAP 8	2							
18	1	1C6281-52320	PIN, SNAP 8	1							
19	1	194330-62530	STOPPER, PEDAL	1							
20	1	22137-080000	WASHER, 8	1							
21	1	22137-080000	WASHER, 8	1							
22	1	22157-120000	WASHER, 12	1							
23	1	22351-060032	PIN, SPRING 6.0X32	1							
24	1	22351-060040	PIN, SPRING 6.0X40	1							
25	1	22487-080350	PIN, H 8X 35	1							
26	1	26106-120602	BOLT, M12X 60 PLATED	1							
27	1	26716-100002	NUT, M10	2							

Fig.69. PARKING BRAKE

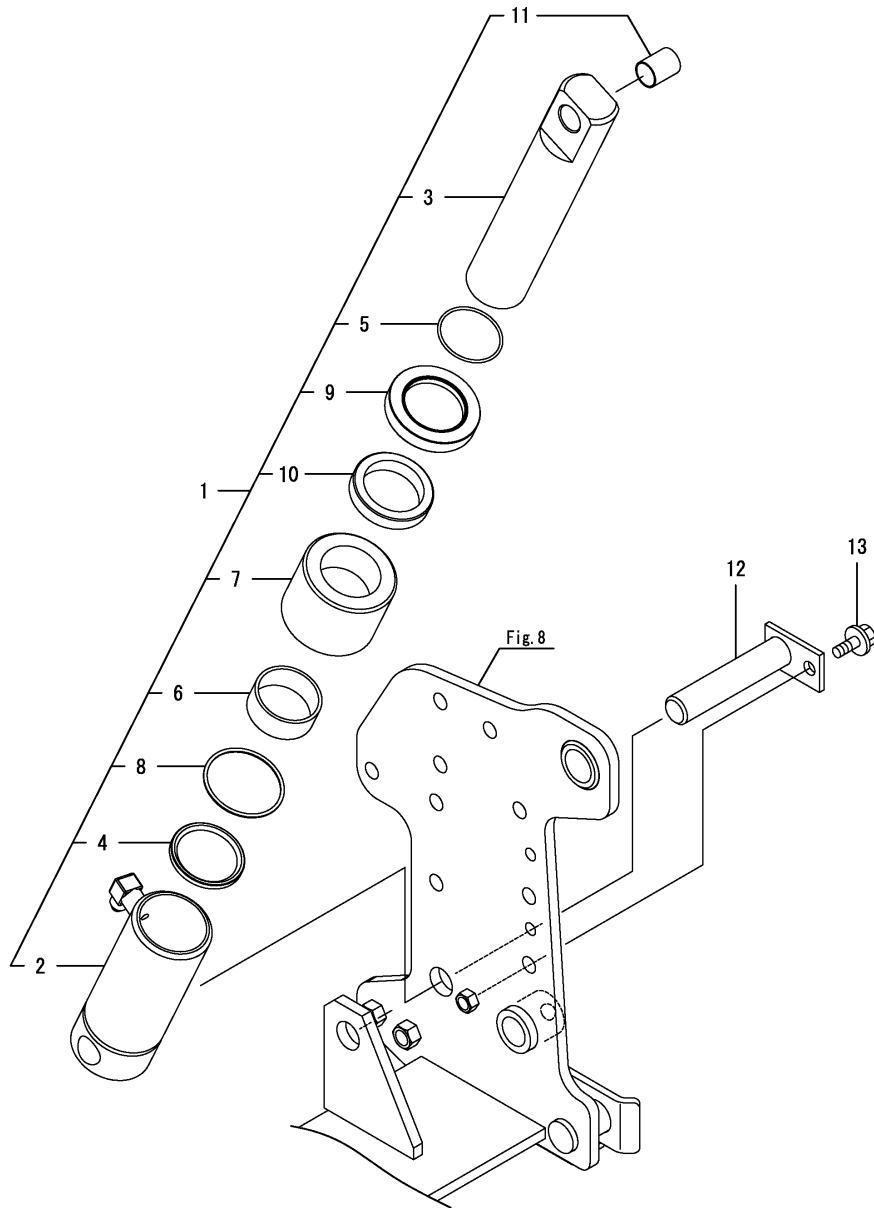
(A)=SC2450(CCY)  
 (B)=  
 (C)=

(D)=  
 (E)=  
 (F)=



No.	Lev.	Parts No.	Description	Q'ty						I	R
				(A)	(B)	(C)	(D)	(E)	(F)		
1	1	198273-28521	KNOB, PARKING BRAKE	1							
2	1	1A7880-37490	LEVER ASSY, PARKING	1							
3	2	24550-012200	BUSH, 12X20	1							
4	1	198475-37690	SPRING, LOCK	1							
5	1	22137-120000	WASHER, 12	1							
6	1	22242-000120	RING, 12	1							

Fig.70. LIFT CYLINDER

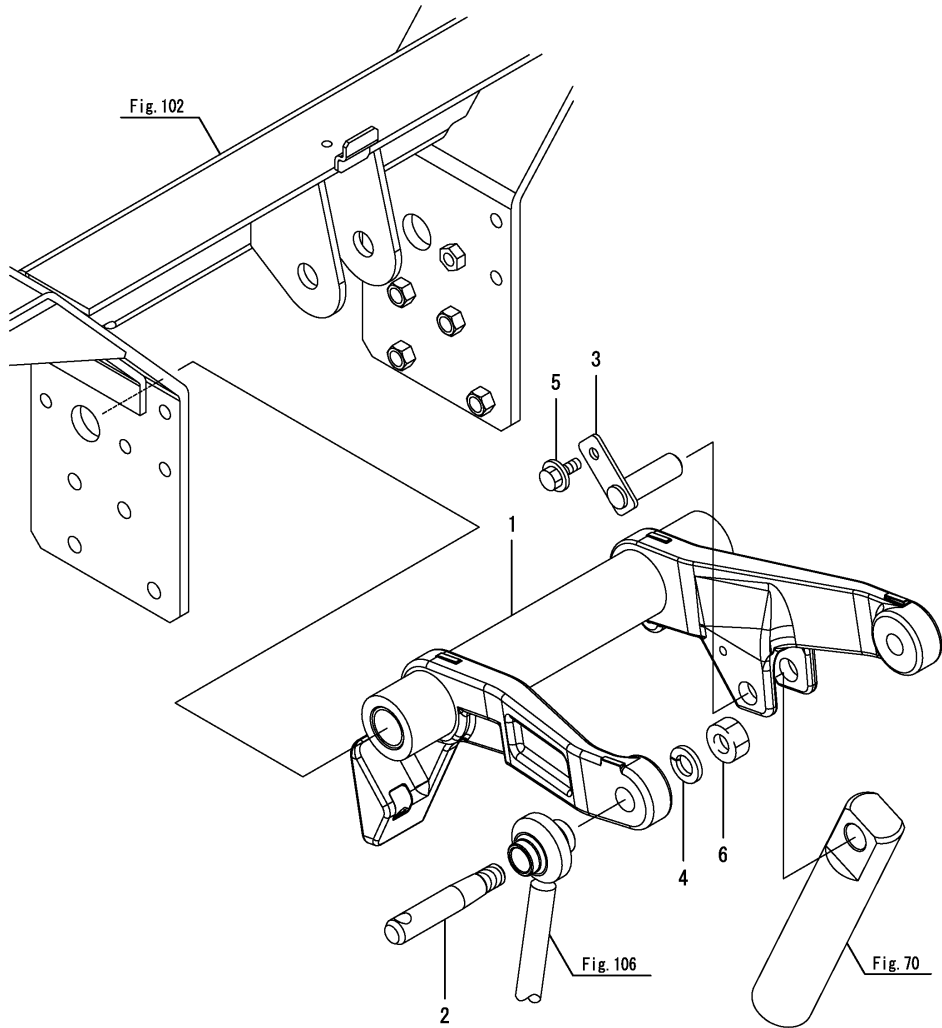


(A)=SC2450(CCY)  
(B)=  
(C)=

(D)=  
(E)=  
(F)=

No.	Lev.	Parts No.	Description	Q'ty						I	R
				(A)	(B)	(C)	(D)	(E)	(F)		
1	1	1A7880-43100	CYLINDER ASSY, LIFT	1							
2	2	1A7880-43200	TUBE ASSY	1							
3	2	1A7880-43300	ROD	1							
4	2	1A7880-43350	SPACER	1							
5	2	1A7880-43370	RING, STEEL	1							
6	2	1A7880-43390	BUSH, DU	1							
7	2	1A7880-43400	COVER, HEAD	1							
8	2	1A7880-43460	O-RING	1							
9	2	1A7880-43470	SEAL, DUST	1							
10	2	1A7880-43480	SEAL, ROD	1							
11	2	24550-018250	BUSH, 18X25	1							
12	1	1A7880-44740	PIN ASSY, CYLINDER	1							
13	1	26106-100252	BOLT, M10X 25 PLATED	1							

Fig.71. LIFT ARM

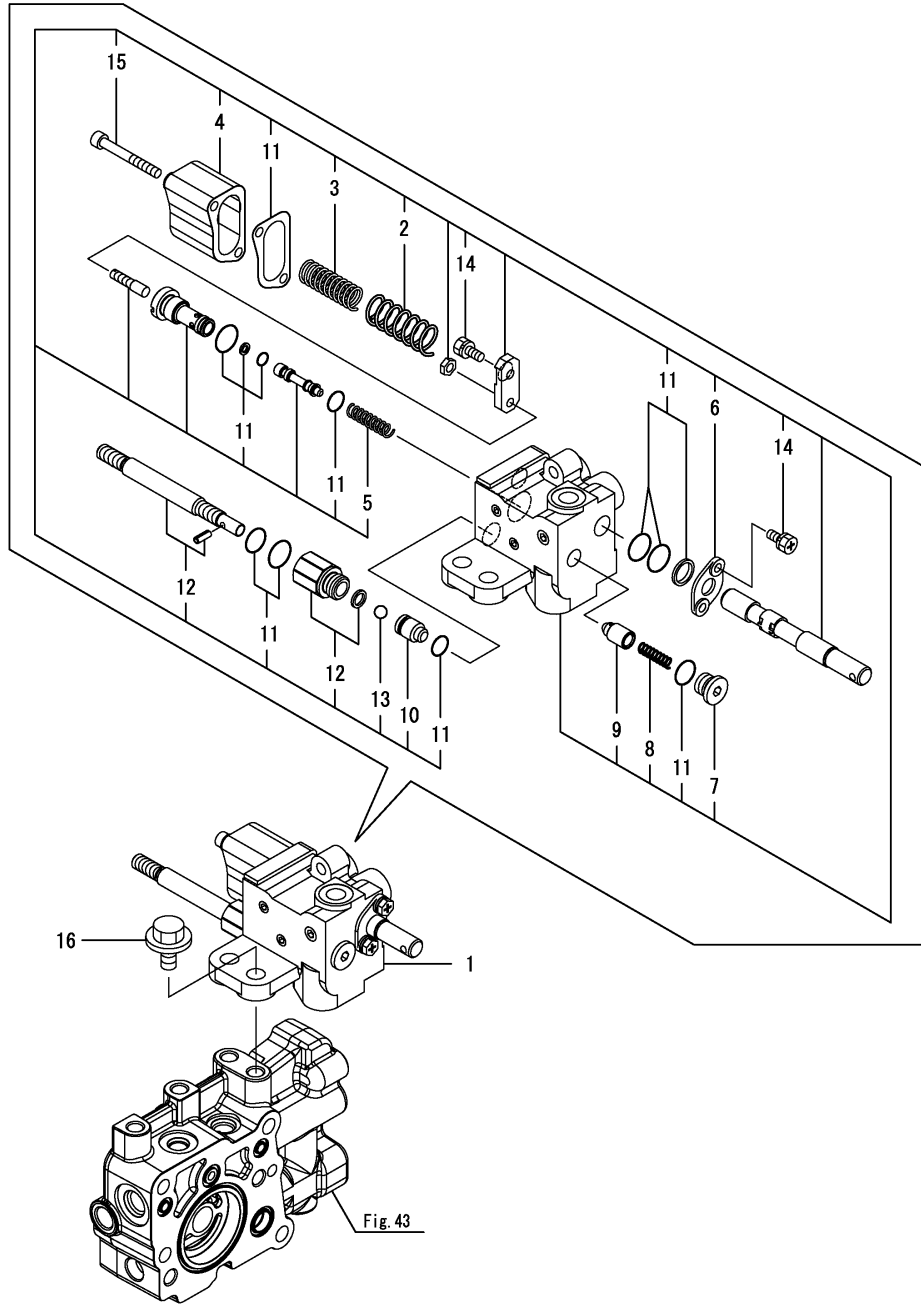


(A)=SC2450(CCY)  
 (B)=  
 (C)=

(D)=  
 (E)=  
 (F)=

No.	Lev.	Parts No.	Description	Q'ty						I	R
				(A)	(B)	(C)	(D)	(E)	(F)		
1	1	1A7880-44400	ARM KIT, LIFT	1							
2	1	194130-44480	PIN, LIFT ARM	2							
3	1	1A7880-44700	PIN ASSY, ARM	1							
4	1	22217-160000	WASHER, SPRING 16	2							
5	1	26106-080202	BOLT, M8X 20 PLATED	1							
6	1	26736-160002	NUT, M16	2							

Fig.72. CONTROL VALVE



(A)=SC2450(CCY)  
(B)=  
(C)=

(D)=  
(E)=  
(F)=

No.	Lev.	Parts No.	Description	Q'ty						I	R
				(A)	(B)	(C)	(D)	(E)	(F)		
1	1	1A7880-45100	VALVE ASSY, LIFT	1							
2	2	1A7880-45530	SPLING, LIFT VALVE	1							
3	2	1A7880-45540	SPLING, LIFT VALVE	1							
4	2	1A7880-45560	COVER, LIFT VALVE	1							
5	2	1A7880-45610	SPRING, MECHANICAL	1							
6	2	1A7880-45620	PLATE, VALVE	1							
7	2	1A7880-45640	PLUG, LIFT VALVE	1							
8	2	1A7880-45650	SPRING, LIFT VALVE	1							
9	2	1A7880-45660	POPPET, CHECK	1							
10	2	1A7880-45700	PLUNGER, LIFT VALVE	1							
11	2	1A7880-45800	SEAL KIT, LIFT VALVE	1							
12	2	1A7880-45830	BOLT, STOP	1							
13	2	24190-100001	BALL, STEEL 5/16	1							
14	2	26013-060129	BOLT, M6X 12	3							
15	2	26450-060502	BOLT M 6X 50	2							
16	1	26106-100252	BOLT, M10X 25 PLATED	2							

Fig.73. STOP VALVE

(A)=SC2450(CCY)  
 (B)=  
 (C)=

(D)=  
 (E)=  
 (F)=

No.	Lev.	Parts No.	Description	Q'ty						I	R
				(A)	(B)	(C)	(D)	(E)	(F)		
1	1	1A8160-46670	KNOB, VALVE	1							
2	1	26716-100002	NUT, M10	1							

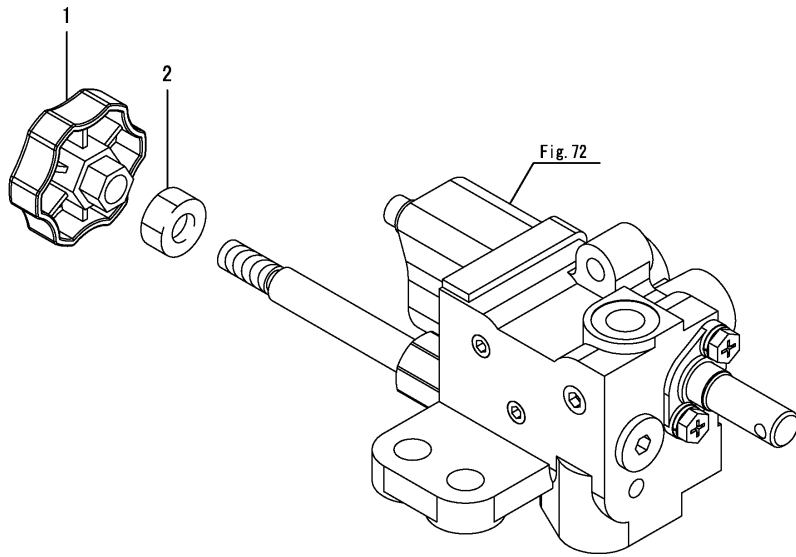
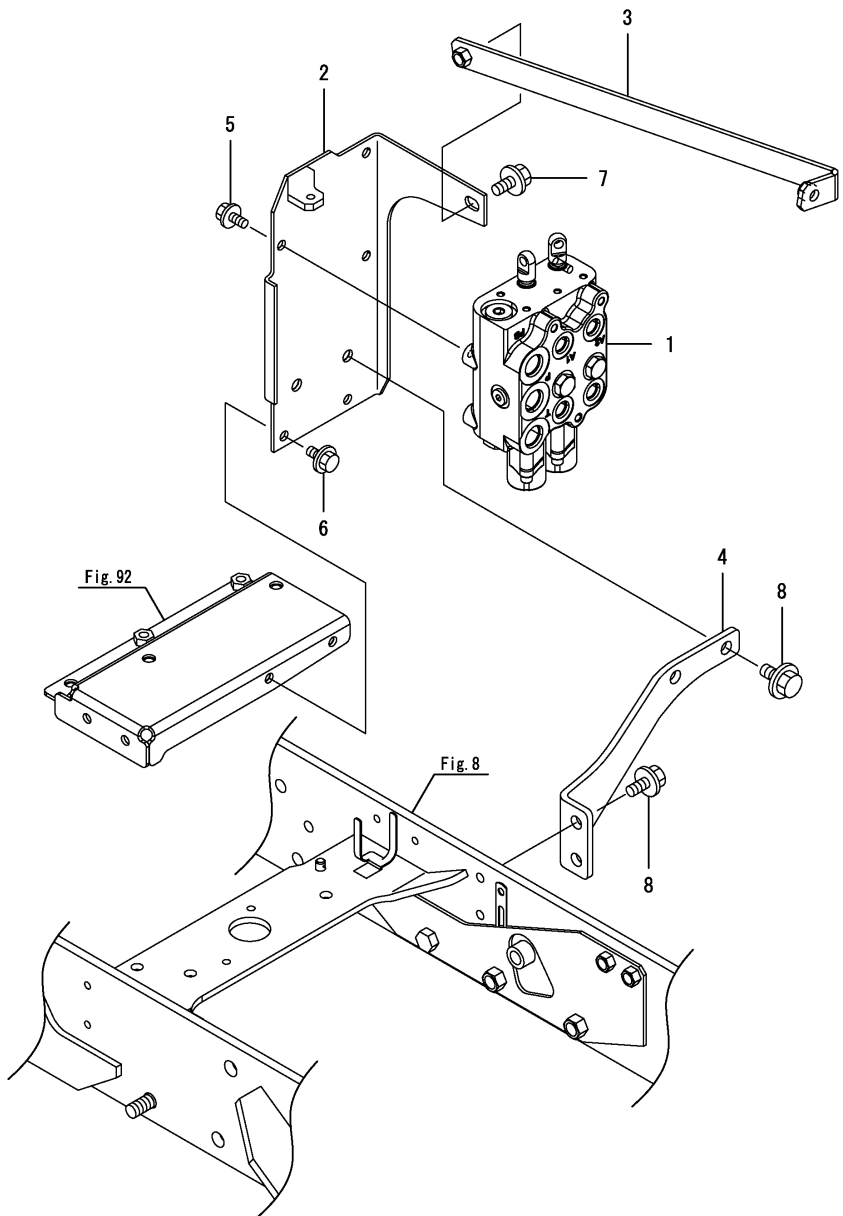


Fig.74. VALVE,SCV



(A)=SC2450(CCY)  
(B)=  
(C)=

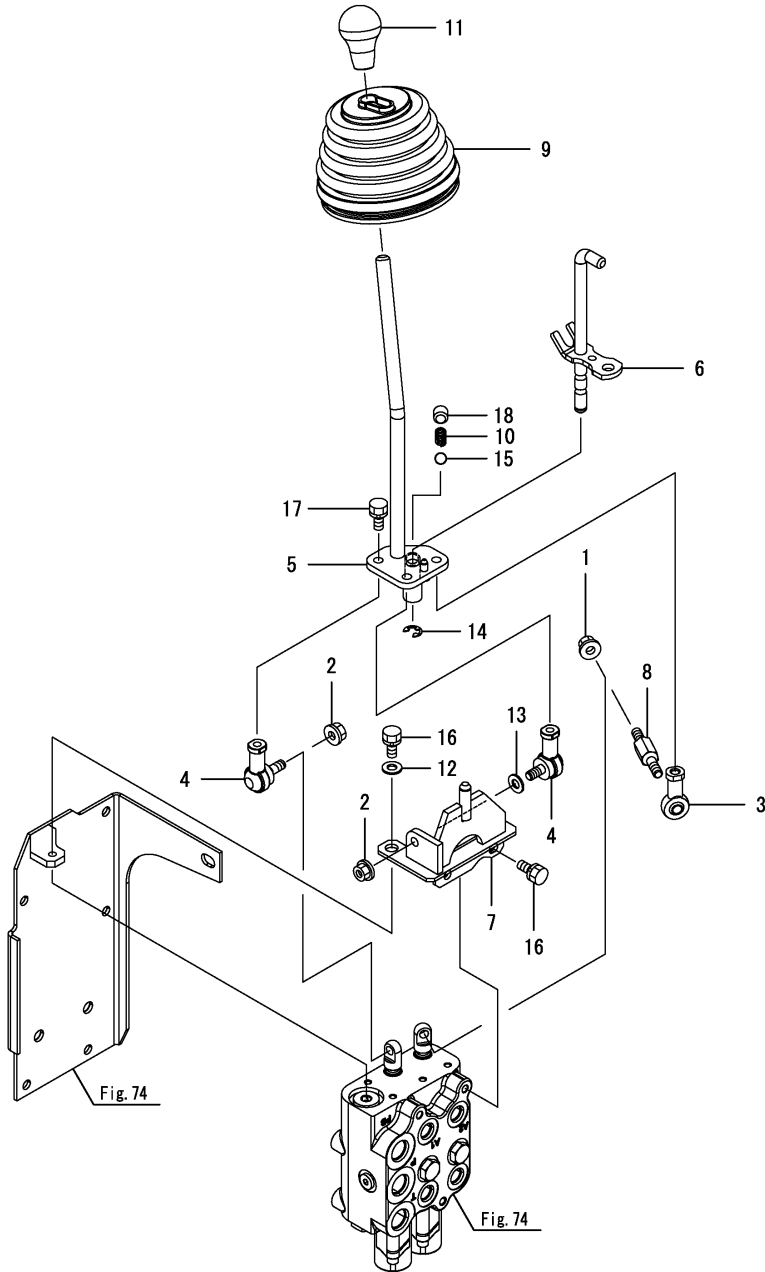
(D)=  
(E)=  
(F)=

No.	Lev.	Parts No.	Description	Q'ty						I	R
				(A)	(B)	(C)	(D)	(E)	(F)		
1	1	1A7880-47100	VALVE ASSY, LORDER	1							
2	1	1A7880-47120	STAY CMP SCV VALVE	1							
2-1	1	1A7880-47121	STAY ASSY, SCV VALVE	1							R
(A=F010159)											
3	1	1A7880-47770	PLATE ASSY, VALVE	1							
4	1	1A7880-47850	PLATE,SUPPORT SCV	1							
4-1	1	1A7880-47851	PLATE, REINFORCEMENT	1							R
(A=F020101)											
5	1	26106-080122	BOLT, M8X 12 PLATED	3							
6	1	26106-080162	BOLT, M8X 16 PLATED	2							
7	1	26106-100202	BOLT, M10X 20 PLATED	2							
8	1	26106-100202	BOLT, M10X 20 PLATED	4							

Fig.75. LEVER,SCV

(A)=SC2450(CCY)  
 (B)=  
 (C)=

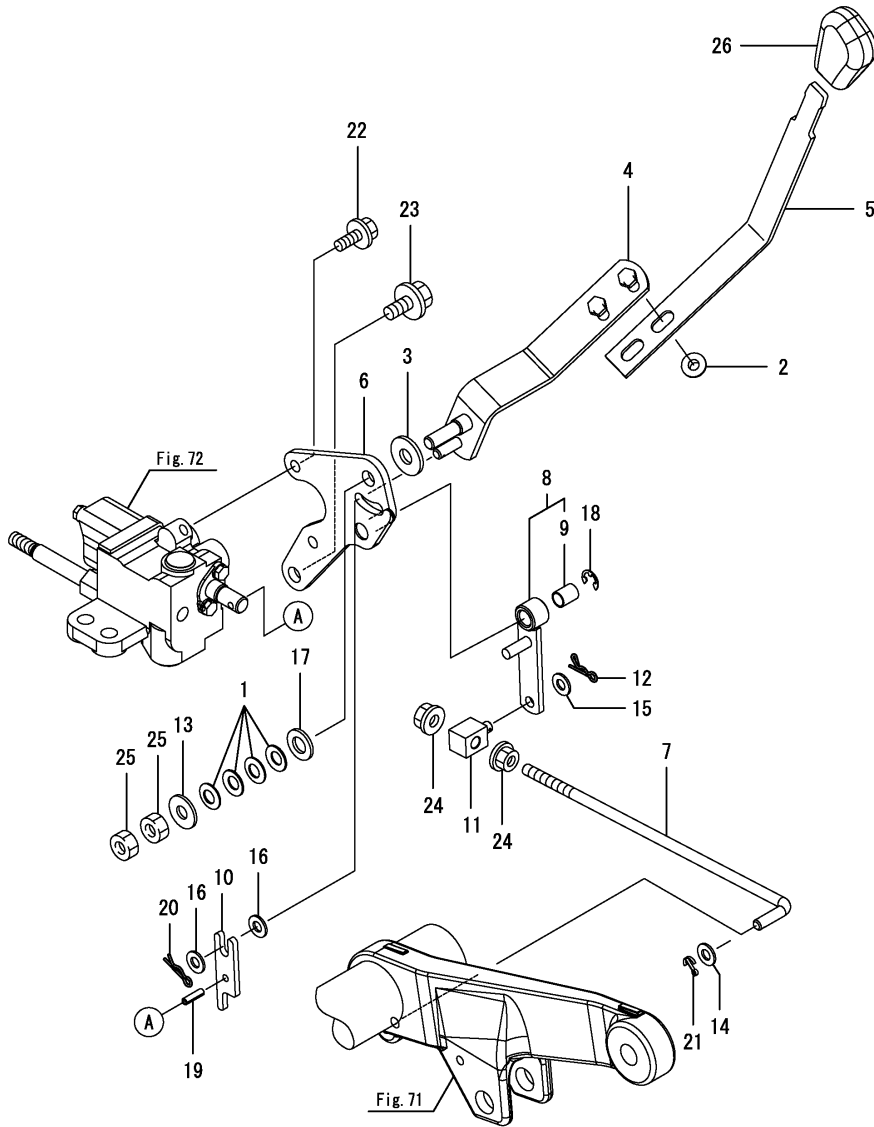
(D)=  
 (E)=  
 (F)=



No.	Lev.	Parts No.	Description	Q'ty						I	R
				(A)	(B)	(C)	(D)	(E)	(F)		
1	1	194990-22140	NUT, M8	1							
2	1	194990-22140	NUT, M8	2							
3	1	198164-27970	END, ROD 8R	1							
4	1	172122-46590	ELBOW	2							
5	1	1A7880-47600	LEVER ASSY, SCV	1							
6	1	1A7880-47650	PIN CMP, LOCK	1							
6-1	1	1A7880-47651	PIN ASSY, LOCK	1							R
(A=F020153)											
7	1	1A7880-47701	BRACKET ASSY, LEVER	1							
8	1	1A7880-47750	BOLT, LEVER	1							
9	1	1A7880-47950	BOOT, LEVER	1							
10	1	1E6150-56040	SPRING, FORK	1							
11	1	194990-85561	KNOB, HIGH/LOW	1							
12	1	22137-080000	WASHER, 8	1							
13	1	22137-080000	WASHER, 8	1							
14	1	22272-000080	RING, E- 8	1							
15	1	24190-100003	BALL, STEEL 5/16	1							
16	1	26013-080162	BOLT, M8X 16	3							
17	1	26013-080162	BOLT, M8X 16	3							
18	1	26911-100102	SCREW, M10X10	1							



Fig.76. HYDRAULIC CONTROL

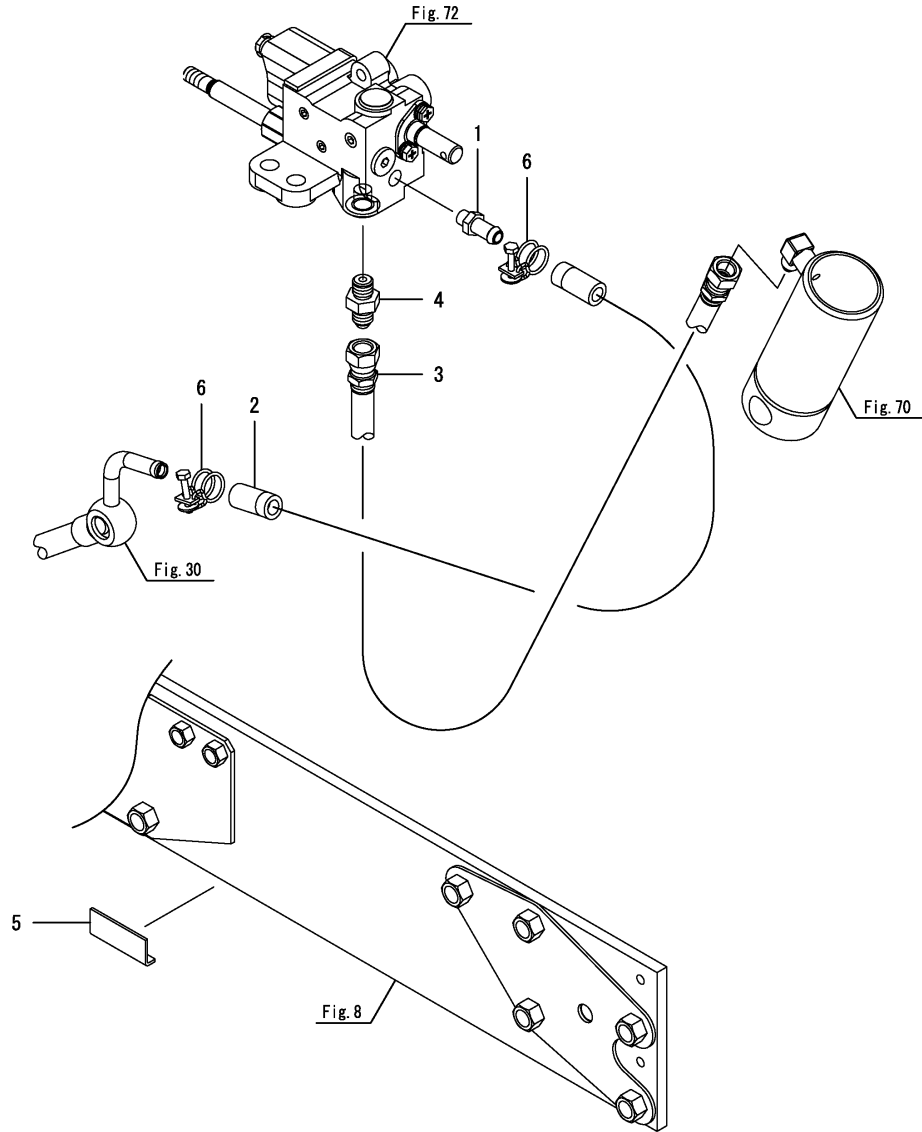


(A)=SC2450(CCY)  
(B)=  
(C)=

(D)=  
(E)=  
(F)=

No.	Lev.	Parts No.	Description	Q'ty						I	R
				(A)	(B)	(C)	(D)	(E)	(F)		
1	1	194740-00160	SPRING, 10	4							
2	1	194990-22140	NUT, M8	2							
3	1	1A6260-41250	PLATE, FRICTION	1							
4	1	1A7880-45000	LEVER ASSY, POSITION	1							
5	1	1A7880-45040	LEVER, POSITION	1							
6	1	1A7880-45210	STAY ASSY, LINK	1							
7	1	1A7880-45250	ROD, FEEDBACK	1							
8	1	1A7880-45330	LEVER ASSY, CONTROL	1							
8-1	1	1A7880-45331	LEVER ASSY, CONTROL	1							R
(A=F020205)											
9	2	24550-010150	BUSH, 10X15	1							
10	1	1A7070-47400	LEVER, SPOOL	1							
11	1	194208-47530	ADJUSTER	1							
12	1	1C6281-52320	PIN, SNAP 8	1							
13	1	194145-61570	WASHER, 10	1							
14	1	22137-080000	WASHER, 8	1							
15	1	22137-080000	WASHER, 8	1							
16	1	22137-080000	WASHER, 8	2							
17	1	22137-120000	WASHER, 12	1							
18	1	22272-000080	RING, E- 8	1							
19	1	22351-050018	PIN, SPRING 5.0X18	1							
20	1	22372-080000	PIN, SNAP 8	1							
21	1	22417-200160	PIN, COTTER 2.0X16	1							
22	1	26106-080162	BOLT, M8X 16 PLATED	2							
23	1	26106-100202	BOLT, M10X 20 PLATED	1							
24	1	26366-080002	NUT, M8	2							
25	1	26716-100002	NUT, M10	2							
26	1	198200-47810	KNOB, BLACK	1							

Fig.77. HYDRAULIC LINE

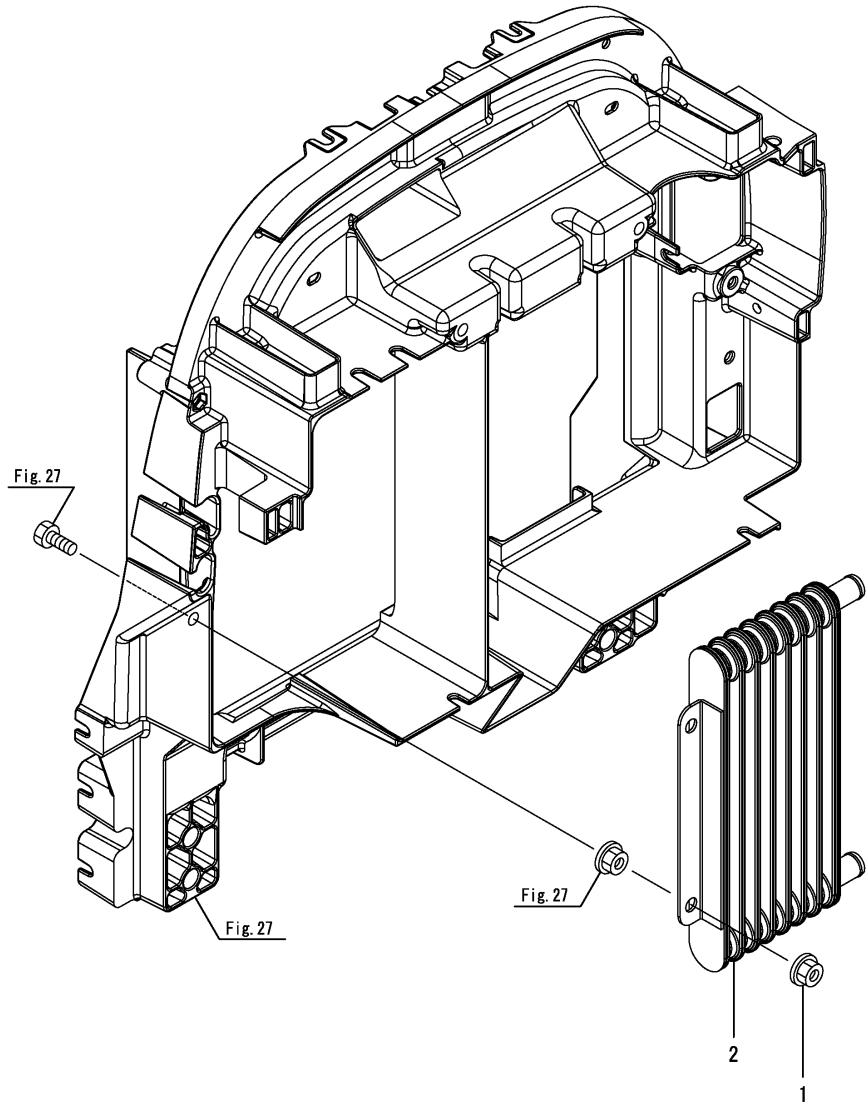


(A)=SC2450(CCY)  
 (B)=  
 (C)=

(D)=  
 (E)=  
 (F)=

No.	Lev.	Parts No.	Description	Q'ty						I	R
				(A)	(B)	(C)	(D)	(E)	(F)		
1	1	1A6380-25370	JOINT, R1/8	1							
2	1	1A7880-48101	HOSE, DRAIN LP	1							
3	1	1A7880-48160	HOSE, PRESSURE	1							
4	1	1E8450-66390	CONNECTOR, PF1/4	1							
5	1	198093-84810	SEAL, FENDER	2							
6	1	23010-018000	CLAMP, 18	2							

Fig.78. OIL COOLER

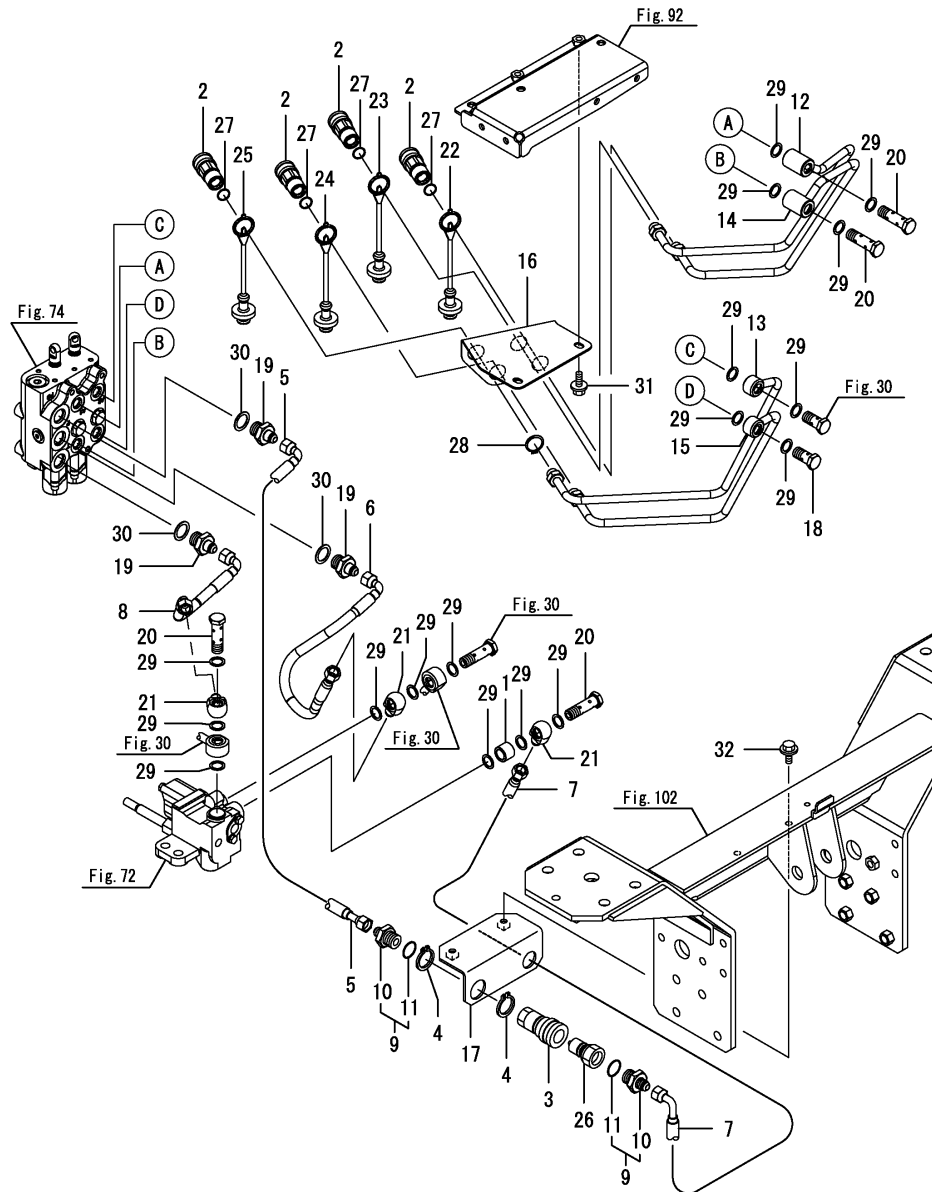


(A)=SC2450(CCY)  
 (B)=  
 (C)=

(D)=  
 (E)=  
 (F)=

No.	Lev.	Parts No.	Description	Q'ty						I	R
				(A)	(B)	(C)	(D)	(E)	(F)		
1	1	194990-22140	NUT, M8	2							
2	1	1E8600-66700	COOLER, OIL	1							

Fig.79. PIPING



(A)=SC2450(CCY)  
(B)=  
(C)=

(D)=  
(E)=  
(F)=

No.	Lev.	Parts No.	Description	Q'ty						I	R
				(A)	(B)	(C)	(D)	(E)	(F)		
1	1	1A7882-45210	SPACER	1							
2	1	198223-46250	COUPLER, QUICK	4							
3	1	1A8160-46250	COUPLER, QUICK 3/8	1							
4	1	198240-46260	RING, SNAP	2							
5	1	1A7882-47100	HOSE, PRESSURE BH	1							
6	1	1A7880-47150	HOSE, PRESSURE	1							
7	1	1A7882-47150	HOSE, PRESSURE BH T	1							
8	1	1A7880-47200	HOSE, PRESSURE	1							
9	1	1A7882-47210	JOINT ASSY	2							
10	2	1A7882-47220	JOINT, 3/4UNF9/16UNF	2							
11	2	1A7882-47230	O-RING, 8-1	2							
12	1	1A7880-47301	PIPE ASSY, PRESSURE	1							
13	1	1A7880-47351	PIPE ASSY, PRESSURE	1							
14	1	1A7880-47401	PIPE ASSY, PRESSURE	1							
15	1	1A7880-47451	PIPE ASSY, PRESSURE	1							
16	1	1A7880-47500	STAY(SCV COUPLER	1							
16-1	1	1A7880-47501	STAY, SCV COUPLER	1							R
(A=F020101)											
17	1	1A7882-47500	STAY ASSY, COUPLER	1							
18	1	1A7880-47510	BOLT, JOINT 9/16UNF	1							
19	1	1A7880-47520	JOINT, 3/4UNF9/16UNF	3							
20	1	1A7880-47530	BOLT, JOINT 9/16UNF	4							
21	1	1A7880-47540	JOINT, 9/16UNF-14.5	3							
22	1	1A7880-47550	PLUG, DUST RED	1							
23	1	1A7880-47560	PLUG, DUST BLUE	1							
24	1	1A7880-47570	PLUG, DUST YELLOW	1							
25	1	1A7880-47580	PLUG, DUST GREEN	1							
26	1	1A8160-48820	COUPLER, QUICK 3/8	1							
27	1	194850-49290	PACKING, 6-1	4							
28	1	22242-000220	RING, 22	4							
29	1	23414-140000	GASKET, 14X1.0	17							
30	1	23414-190000	GASKET, 19X1.0	3							
31	1	26106-080162	BOLT, M8X 16 PLATED	2							
32	1	26106-080202	BOLT, M8X 20 PLATED	2							

Fig.80. WIRE HARNESS

(A)=SC2450(CCY)

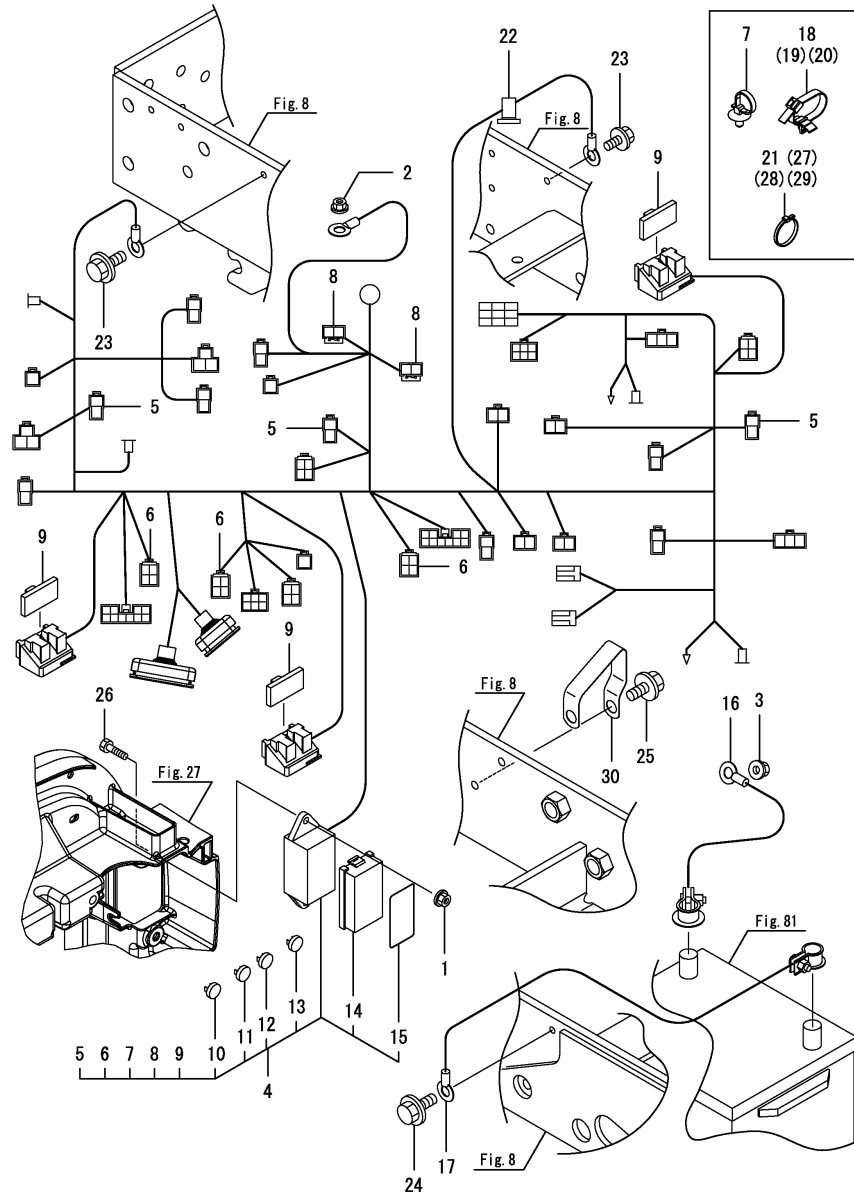
(B)=

(C)=

(D)=

(E)=

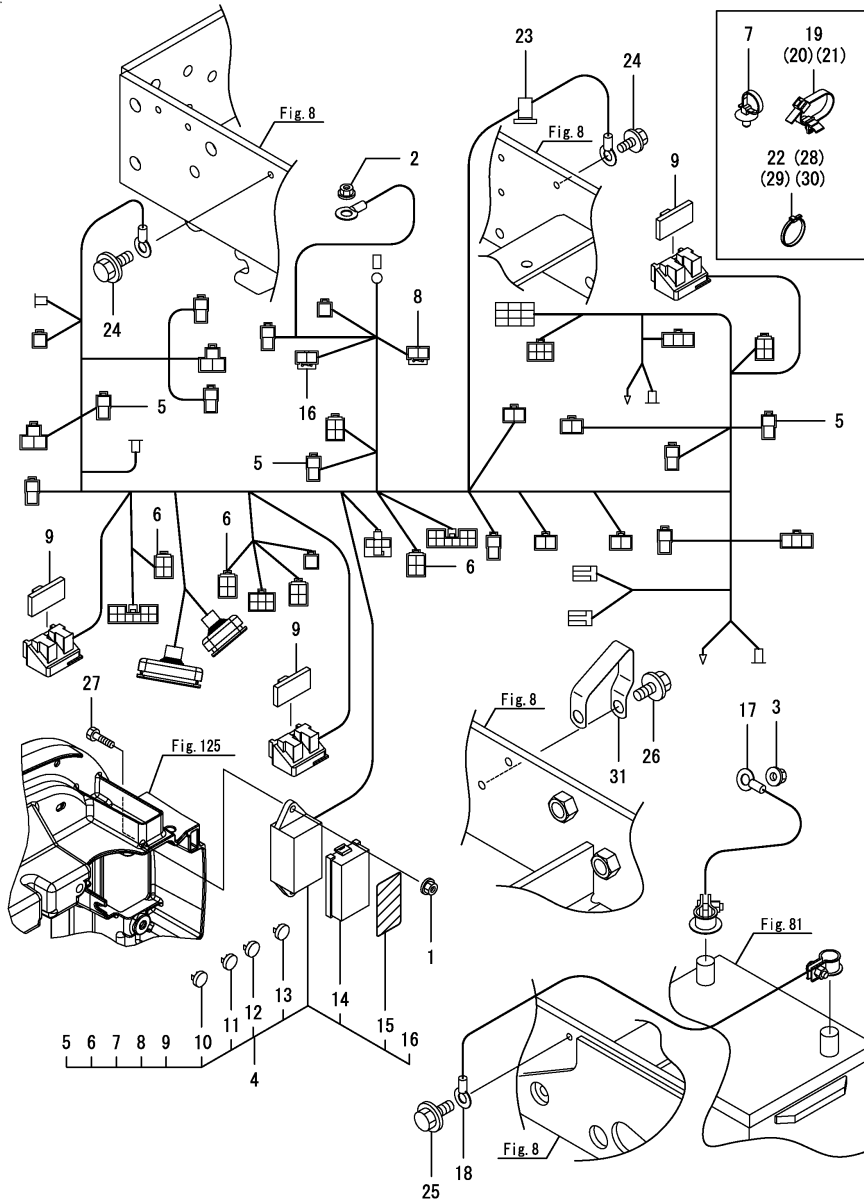
(F)=



No.	Lev.	Parts No.	Description	Q'ty						I	R
				(A)	(B)	(C)	(D)	(E)	(F)		
1	1	194990-22130	NUT, M6	2							
2	1	194990-22130	NUT, M6	1							
3	1	194990-22140	NUT, M8	1							
4	1	1A7880-51102	HARNESS ASSY, WIRE	1							
4-1	1	1A7880-51103	HARNESS ASSY, WIRE	1							N
(A=F010102)											
5	2	1A7500-51130	DIODE, 3.0A	3							
6	2	1A8160-51130	DIODE, 3.0AX2	3							
7	2	1A7500-51160	CLIP, HARNESS	23							
8	2	1A6240-51630	FUSE, SLOW BLOW 60A	2							
9	2	1A7880-51730	CLIP	3							
10	2	198535-52110	FUSE, 5A	4							
11	2	198535-52120	FUSE, 10A	3							
12	2	198535-52130	FUSE, 15A	3							
13	2	1A7450-52180	FUSE, 25A	2							
14	2	1A7531-52420	COVER, FUSE BOX	1							
15	2	1A7880-65780	LABEL,FUSE	1							
16	1	1A6780-51410	CABLE, BATTERY	1							
17	1	1A7880-51420	CABLE, BATTERY EARTH	1							
18	1	194680-51670	BAND, CLIP	1							
19	1	194680-51670	BAND, CLIP	1							
20	1	194680-51670	BAND, CLIP	1							
21	1	1A1380-55310	CLAMP, WIRE	1							
22	1	194680-78350	STICKER, WIRE 18	1							
23	1	26106-080162	BOLT, M8X 16 PLATED	2							
24	1	26106-080162	BOLT, M8X 16 PLATED	1							
25	1	26106-100202	BOLT, M10X 20 PLATED	1							
26	1	26116-060202	BOLT, M6X 20 PLATED	2							
27	1	29622-140001	BAND, RF140	1							
27-1	1	1A8300-51210	BAND, REPEAT	1							R
(A=FXXXXX)											
28	1	29622-250001	BAND, RF250	1							
28-1	1	1A8300-51210	BAND, REPEAT	1							R
(A=FXXXXX)											
29	1	29622-250001	BAND, RF250	1							
29-1	1	1A8300-51210	BAND, REPEAT	1							R
(A=FXXXXX)											
30	1	933171-15801	CORD, ENGINE EARTH	1							

Remarks  
 \*Serial No.  
 Up to F020100 refer to this item.  
 From F020101 refer to Fig.126.

Fig.126. (80A)WIRE HARNESS



No.	Lev.	Parts No.	Description	Q'ty						I	R
				(A)	(B)	(C)	(D)	(E)	(F)		
1	1	194990-22130	NUT, M6	2							
2	1	194990-22130	NUT, M6	1							
3	1	194990-22140	NUT, M8	1							
4	1	1A7882-51101	HARNESS ASSY,WIRE	1							
5	2	1A7500-51130	DIODE, 3.0A	3							
6	2	1A8160-51130	DIODE, 3.0AX2	3							
7	2	1A7500-51160	CLIP, HARNESS	23							
8	2	1A6240-51630	FUSE, SLOW BLOW 60A	1							
9	2	1A7880-51730	CLIP	3							
10	2	198535-52110	FUSE, 5A	4							
11	2	198535-52120	FUSE, 10A	3							
12	2	198535-52130	FUSE, 15A	3							
13	2	1A7450-52180	FUSE, 25A	2							
14	2	1A7531-52420	COVER, FUSE BOX	1							
15	2	1A7880-65780	LABEL,FUSE	1							
16	2	198153-51700	FUSE, SLOW BLOW 80A	1							
17	1	1A6780-51410	CABLE, BATTERY	1							
18	1	1A7880-51420	CABLE, BATTERY EARTH	1							
19	1	194680-51670	BAND, CLIP	1							
20	1	194680-51670	BAND, CLIP	1							
21	1	194680-51670	BAND, CLIP	1							
22	1	1A1380-55310	CLAMP, WIRE	1							
23	1	194680-78350	STICKER, WIRE 18	1							
24	1	26106-080162	BOLT, M8X 16 PLATED	2							
25	1	26106-080162	BOLT, M8X 16 PLATED	1							
26	1	26106-100202	BOLT, M10X 20 PLATED	1							
27	1	26116-060202	BOLT, M6X 20 PLATED	2							
28	1	1A8300-51210	BAND, REPEAT	1							
29	1	1A8300-51210	BAND, REPEAT	1							
30	1	1A8300-51210	BAND, REPEAT	1							
31	1	933171-15801	CORD, ENGINE EARTH	1							

Remarks  
 \*Serial No.  
 Up to F020100 refer to Fig.80.  
 From F020101 refer to this item.

Fig.81. BATTERY

(A)=SC2450(CCY)  
(B)=  
(C)=

(D)=  
(E)=  
(F)=

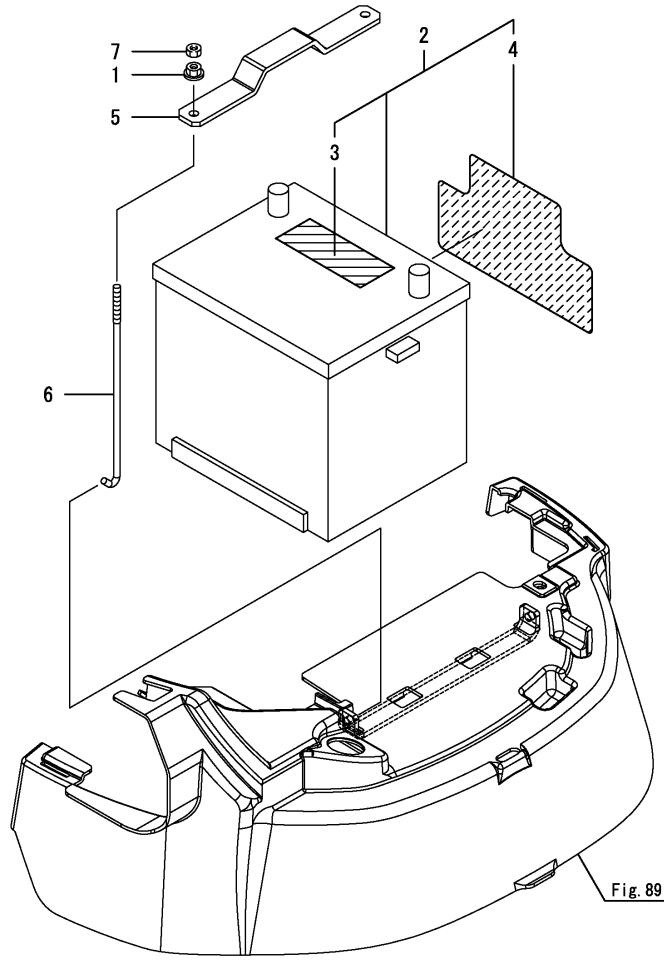


Fig. 89

No.	Lev.	Parts No.	Description	Q'ty						I	R
				(A)	(B)	(C)	(D)	(E)	(F)		
1	1	194990-22130	NUT, M6	2							
2	1	1A8160-51550	BATTERY ASSY, DRY526R	1							
3	2	1A8160-51570	LABEL, BATTERY	1							
4	2	1A8160-51580	LABEL, BATTERY	1							
5	1	1A7880-58111	CLAMP, BATTERY	1							
6	1	1A7880-58120	ROD, CLAMP	2							
6-1	1	1A7880-58121	ROD, BATTERY CLAMP	2							R
		(A=F010149)									
7	1	26716-060002	NUT, M6	2							

Fig.82. SWITCH A

(A)=SC2450(CCY)

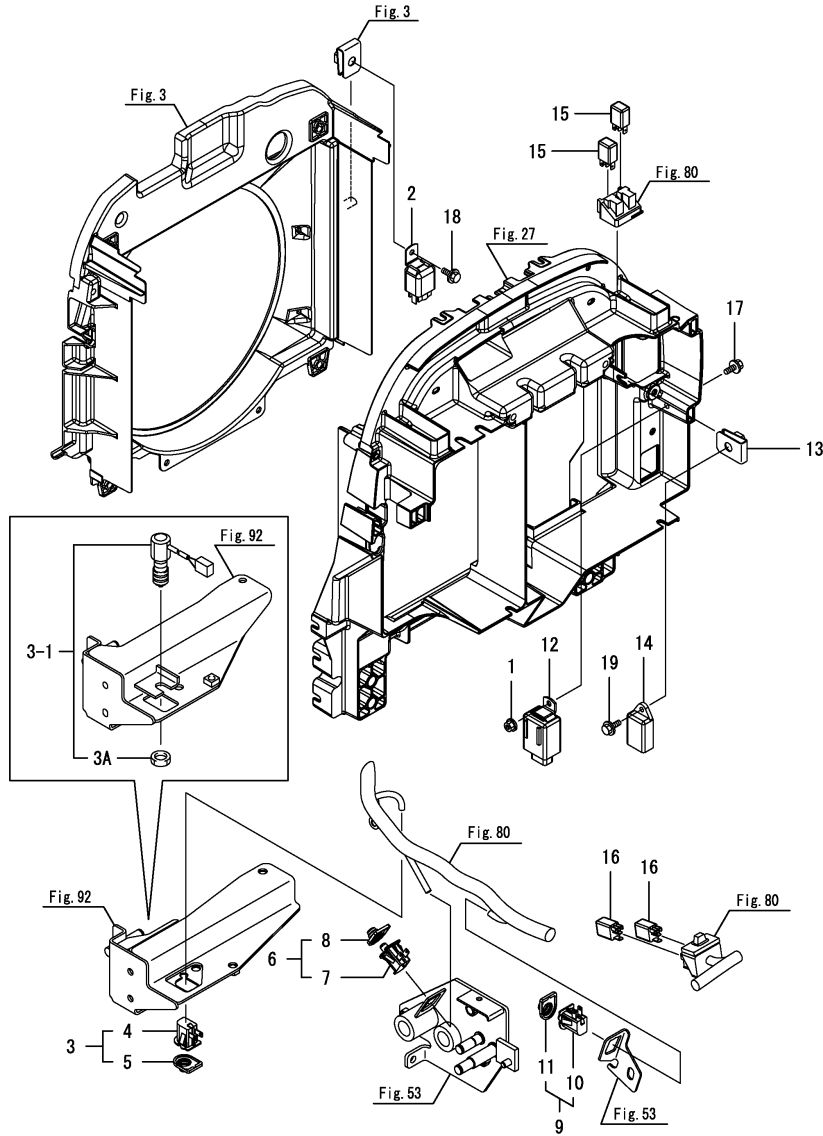
(B)=

(C)=

(D)=

(E)=

(F)=



No.	Lev.	Parts No.	Description	Q'ty						I	R
				(A)	(B)	(C)	(D)	(E)	(F)		
1	1	194990-22130	NUT, M6	1							
2	1	198220-52180	RELAY, STARTER	1							
3	1	1A7880-52200	SWITCH ASSY, PEDAL	1							
3-1	1	198223-52150 (A=F010102)	SWITCH, STOP LAMP	1							N
3A	2	26776-120002 (A=F010102)	NUT, LOCK M12	1							W
4	2	1A7880-52210 (A=F010102)	SWITCH, PEDAL NC	1							Z
5	2	1A8160-52330 (A=F010102)	COVER, GUARD	1							Z
6	1	1A7880-52200	SWITCH ASSY, PEDAL	1							
7	2	1A7880-52210	SWITCH, PEDAL NC	1							
8	2	1A8160-52330	COVER, GUARD	1							
9	1	1A8160-52300	SWITCH, SEAT DELTA	1							
10	2	1A8160-52310	SWITCH, SEAT DELTA	1							
11	2	1A8160-52330	COVER, GUARD	1							
12	1	1A6780-57200	FLASHER	1							
13	1	198071-61890	NUT, SPEED M6	1							
14	1	129211-77920	TIMER	1							
15	1	1K1140-82500	RELAY(ACM13211M01	4							
16	1	1K1140-82500	RELAY(ACM13211M01	2							
17	1	26106-060162	BOLT, M6X 16 PLATED	1							
18	1	26106-060162	BOLT, M6X 16 PLATED	1							
19	1	26106-060162	BOLT, M6X 16 PLATED	1							

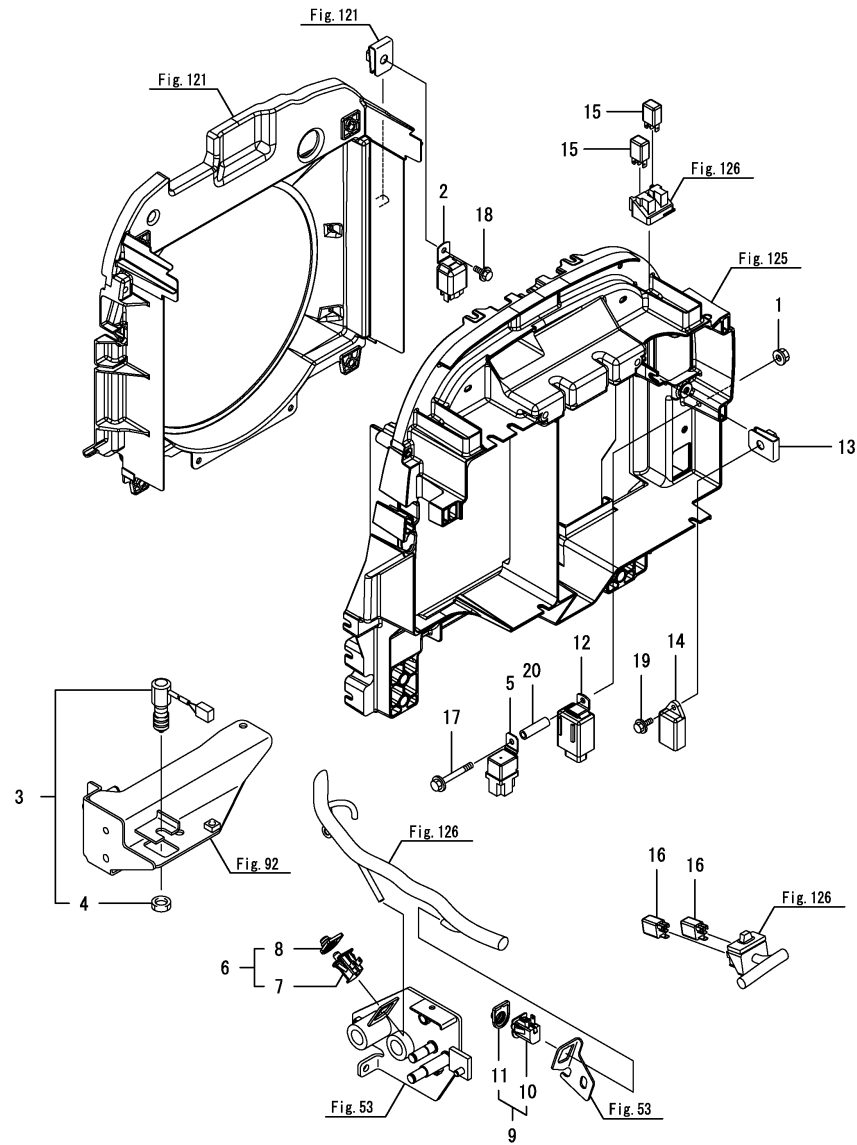
Remarks  
 \*Serial No.  
 Up to F020100 refer to this item.  
 From F020101 refer to Fig.127.



Fig.127. (82A)SWITCH A

(A)=SC2450(CCY)  
(B)=  
(C)=

(D)=  
(E)=  
(F)=



No.	Lev.	Parts No.	Description	Q'ty						I	R
				(A)	(B)	(C)	(D)	(E)	(F)		
1	1	194990-22130	NUT, M6	1							
2	1	198220-52180	RELAY, STARTER	1							
3	1	198223-52150	SWITCH, STOP LAMP	1							
4	2	26776-120002	NUT, LOCK M12	1							
5	1	1A7870-52950	RELAY, CB	1							
6	1	1A7880-52200	SWITCH ASSY, PEDAL	1							
7	2	1A7880-52210	SWITCH, PEDAL NC	1							
8	2	1A8160-52330	COVER, GUARD	1							
9	1	1A8160-52300	SWITCH, SEAT DELTA	1							
10	2	1A8160-52310	SWITCH, SEAT DELTA	1							
11	2	1A8160-52330	COVER, GUARD	1							
12	1	1A6780-57200	FLASHER	1							
13	1	198071-61890	NUT, SPEED M6	1							
14	1	129211-77920	TIMER	1							
15	1	1K1140-82500	RELAY(ACM13211M01	4							
16	1	1K1140-82500	RELAY(ACM13211M01	2							
17	1	26106-060502	BOLT, M6X 50 PLATED	1							
18	1	26106-060162	BOLT, M6X 16 PLATED	1							
19	1	26106-060162	BOLT, M6X 16 PLATED	1							
20	1	1A6382-96650	COLLAR	1							

Remarks  
\*Serial No.  
Up to F020100 refer to Fig.82.  
From F020101 refer to this item.

Fig.83. SWITCH B

(A)=SC2450(CCY)  
(B)=  
(C)=

(D)=  
(E)=  
(F)=

No.	Lev.	Parts No.	Description	Q'ty						I	R
				(A)	(B)	(C)	(D)	(E)	(F)		
1	1	172531-17300	SWITCH, PTO	1							
2	1	194440-51620	CLAMP	1							
3	1	1A7880-52110	SWITCH ASSY, STARTER	1							
4	2	1A7880-52100	KEY ASSY	1							
5	1	1A7335-52120	SWITCH, HAZARD	1							
6	1	1A7880-52140	SWITCH, COMBINATION	1							
7	1	1A7880-52250	SWITCH, NL Y	1							
8	2	198133-78840	LAMP ASSY	1							
9	1	1A8160-52310	SWITCH, SEAT DELTA	1							
10	1	1A7880-57100	SOCKET, POWER SOUCE	1							
11	1	29622-140001	BAND, RF140	2							
11-1	1	1A8300-51210	BAND, REPEAT	2							R

(A=FXXXXX)

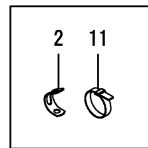
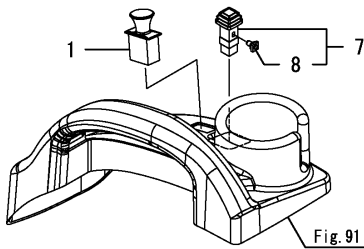
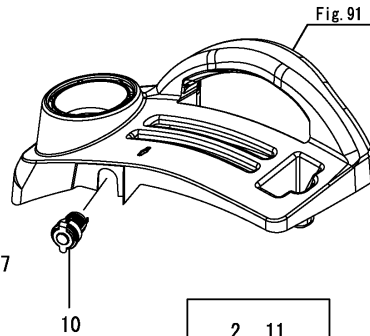
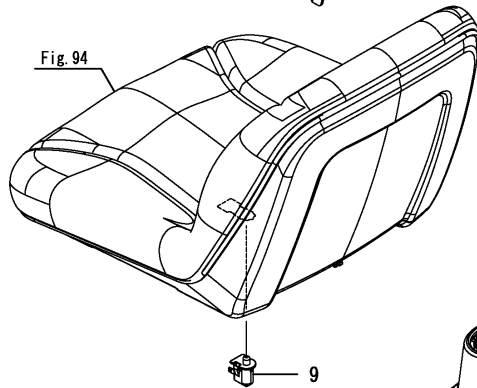
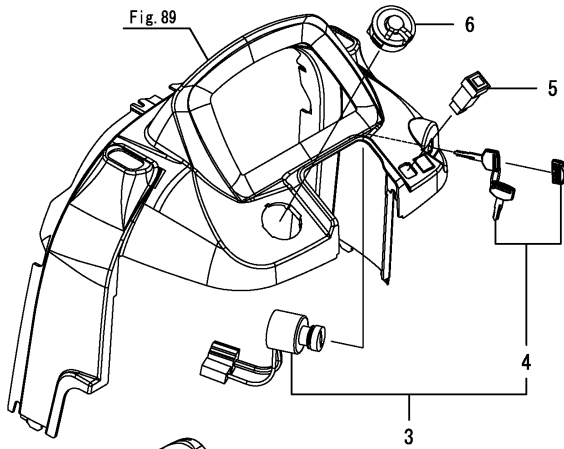
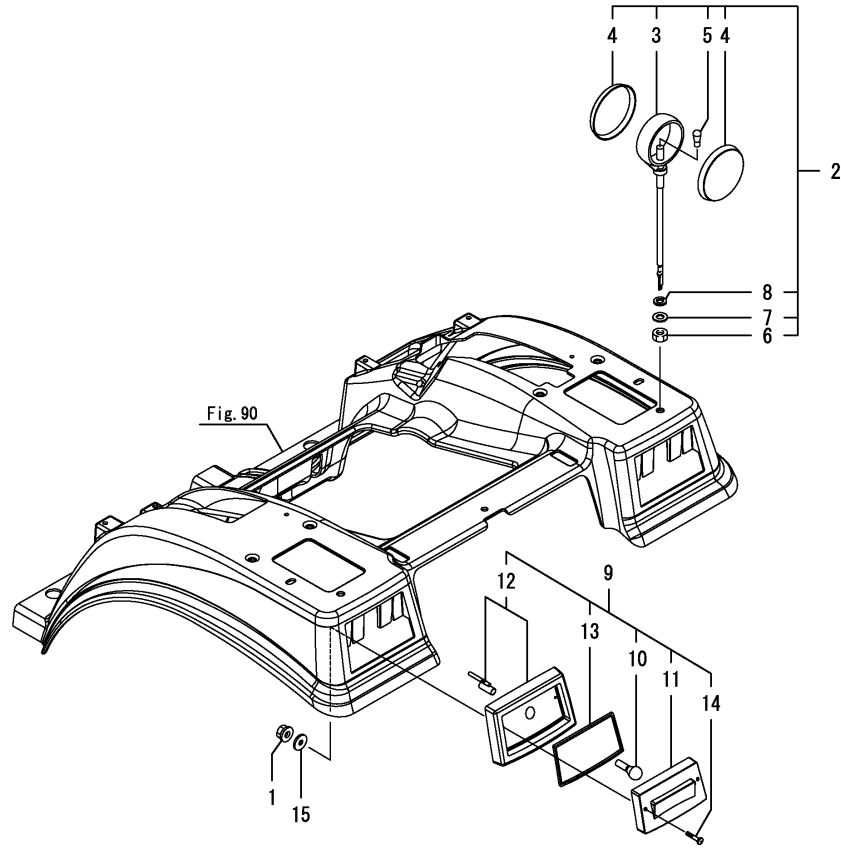


Fig.84. LAMPS

(A)=SC2450(CCY)  
(B)=  
(C)=

(D)=  
(E)=  
(F)=

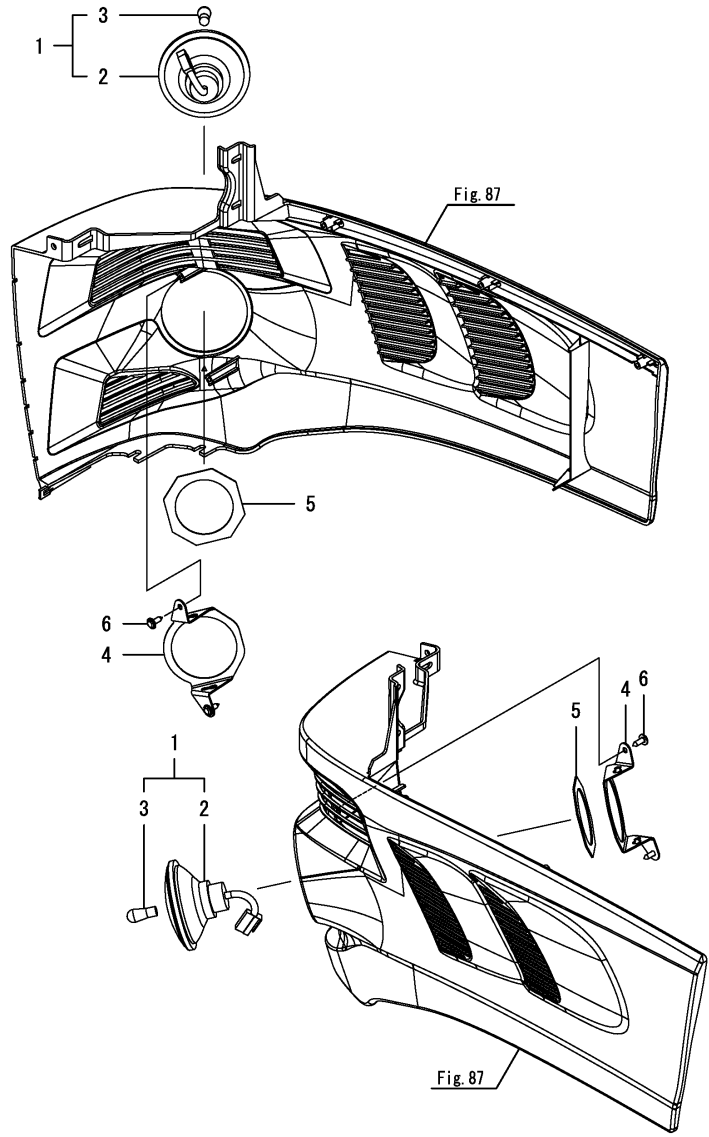


No.	Lev.	Parts No.	Description	Q'ty						I	R
				(A)	(B)	(C)	(D)	(E)	(F)		
1	1	194990-22130	NUT, M6	4							
2	1	1A7880-53400	LAMP ASSY, FLASHER	2							
3	2	1A7880-53410	HOUSING	2							
4	2	1A7880-53420	LENS	4							
5	2	1A7880-53430	BULB, 12.8V/27W	2							
6	2	21731-040002	NUT	2							
6-1	2	1A7880-53100	NUT	2							R
		(A=FXXXXX)									
7	2	22137-130000	WASHER, 13	2							
8	2	22217-130000	WASHER, SPRING 1/2	2							
9	1	1A7335-53600	LAMP, TAIL	2							
10	2	1A7335-53610	BULB, 12V-21/5W	2							
11	2	1A7335-53620	LENS ASSY	2							
12	2	1A7335-53630	HOUSING ASSY, SEMI	2							
13	2	1A7335-53640	GASKET	2							
14	2	1A7335-53650	SCREW, TAPPING M6X32	4							
15	1	22157-060000	WASHER, 6	4							

Fig.85. SIDE LAMP

(A)=SC2450(CCY)  
(B)=  
(C)=

(D)=  
(E)=  
(F)=



No.	Lev.	Parts No.	Description	Q'ty						I	R
				(A)	(B)	(C)	(D)	(E)	(F)		
1	1	1A7880-53300	LAMP ASSY, SIDE	2							
2	2	1A7880-53310	CASE ASSY, SIDE LAMP	2							
3	2	1A7880-53320	BULB, 12V/15W	2							
4	1	1A7880-61060	STAY,LAMP	2							
4-1	1	1A7880-61061	STAY, LAMP	2							R
(A=F010130)											
5	1	1A7880-61070	RUBBER, LAMP	2							
6	1	194420-61640	SCREW, TAPPING M5X16	4							
6-1	1	194940-61790	SCREW, TAPPING M5X16	4							R
(A=FXXXXX)											

Fig.86. METER

(A)=SC2450(CCY)  
 (B)=  
 (C)=

(D)=  
 (E)=  
 (F)=

No.	Lev.	Parts No.	Description	Q'ty						I	R
				(A)	(B)	(C)	(D)	(E)	(F)		
1	1	1A7880-56010	METER ASSY	1							
2	2	1A7510-56110	BULB, 12V2.0W	12							
3	2	198448-56150	BULB, 14V-1.4W	2							
4	1	22857-600160	SCREW, 6X16	4							

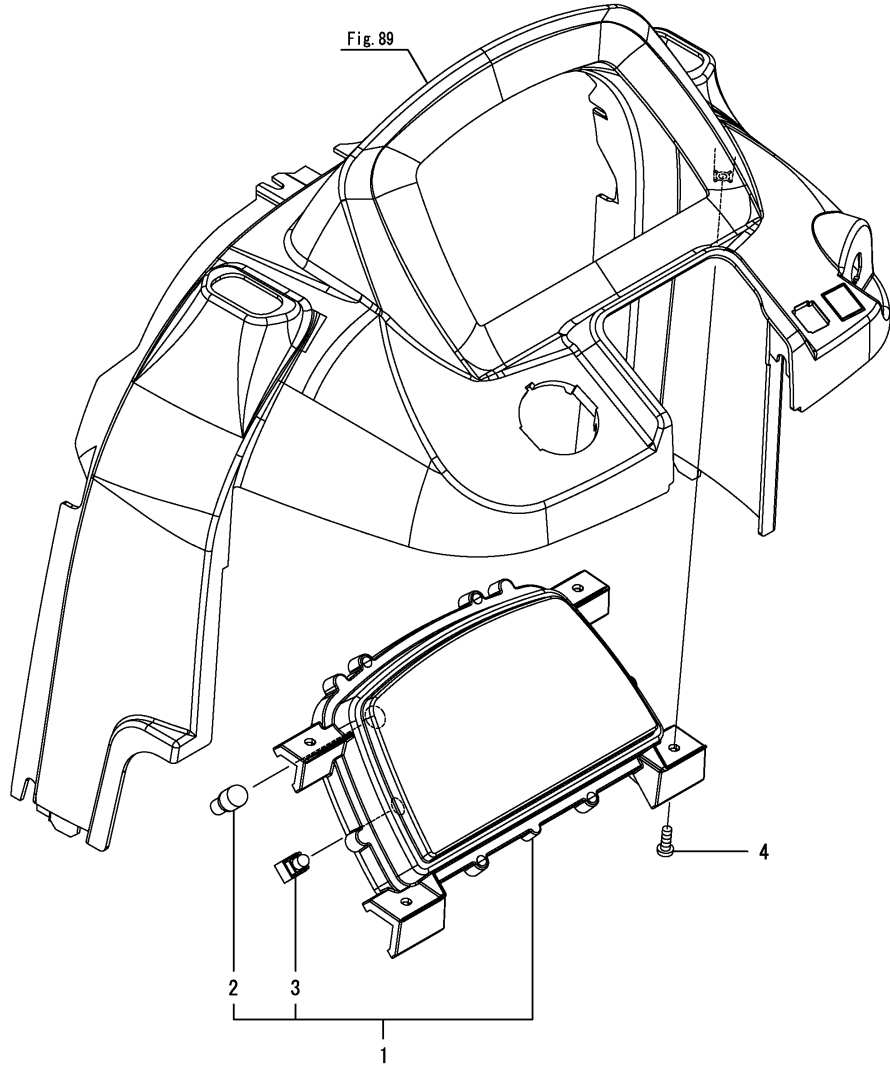
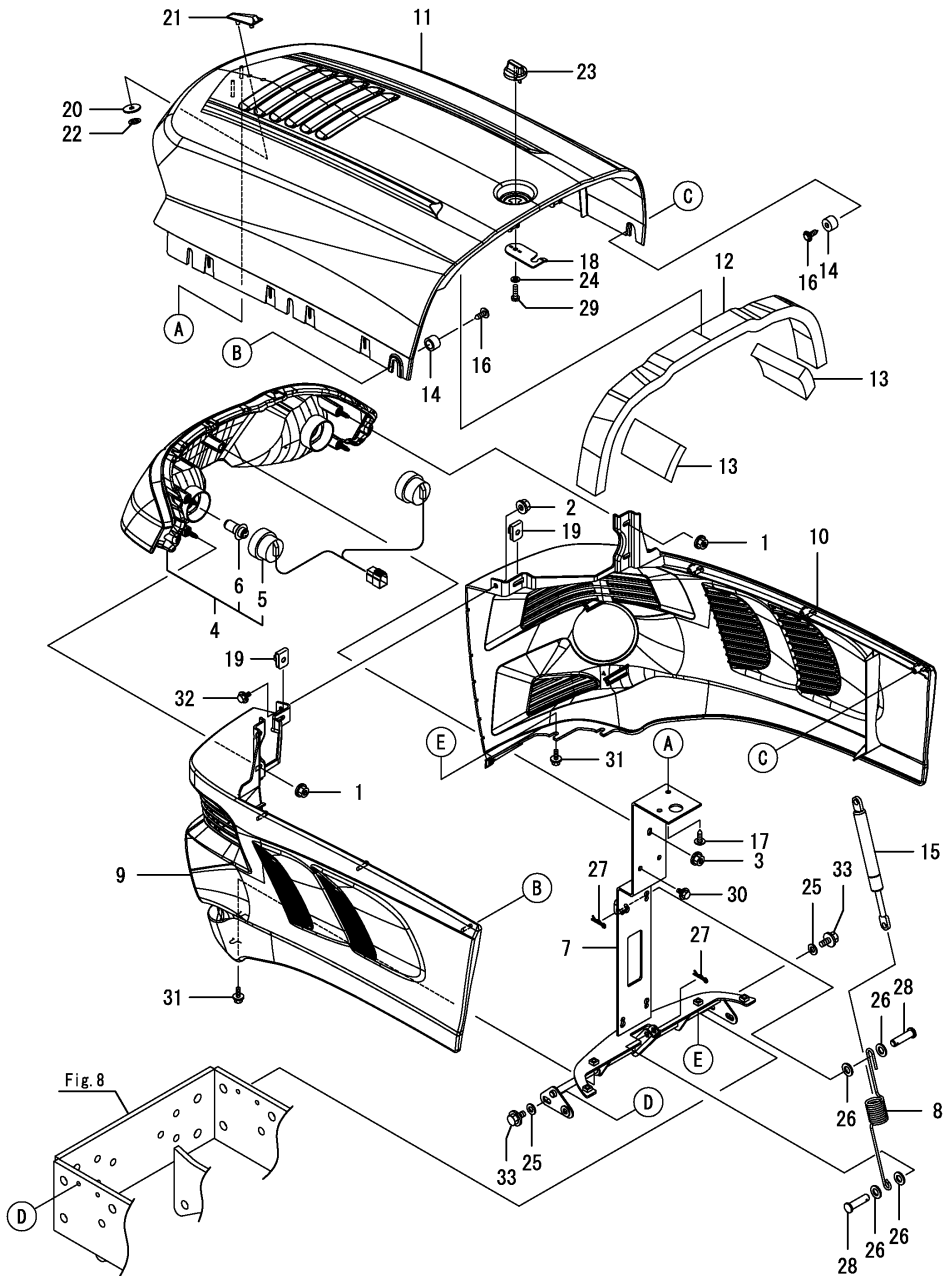


Fig.87. HOOD



(A)=SC2450(CCY)

(B)=

(C)=

(D)=

(E)=

(F)=

No.	Lev.	Parts No.	Description	Q'ty						I	R
				(A)	(B)	(C)	(D)	(E)	(F)		
1	1	194990-22130	NUT, M6	4							
2	1	194990-22130	NUT, M6	1							
3	1	194990-22130	NUT, M6	1							
4	1	1A7880-53050	LAMP ASSY, HEAD	1							
5	2	1A7880-53070	WIRE, HEAD LAMP	1							
6	2	1A7880-53080	BULB, 12V30/30W	2							
7	1	1A7880-60900	HINGE ASSY, BONNET	1							
7-1	1	1A7880-60901	HINGE ASSY, BONNET	1							R
(A=F010130)											
8	1	1A7880-60990	SPRING, HINGE	1							
9	1	1A7880-61020	BONNET, LOWER L	1							
10	1	1A7880-61030	BONNET, LOWER R	1							
11	1	1A7880-61110	HOOD, UPPER	1							
11-1	1	1A7880-61111	BONNET, UPPER	1							N
(A=F020101)											
12	1	1A7880-61170	SEAL, BONNET UPPER	1							
13	1	1A7880-61260	CUSHION, BONNET	2							
14	1	1A8070-61330	COLLAR, 10X15X10	6							
15	1	1A7880-61370	SPRING, GAS	1							
16	1	194420-61640	SCREW, TAPPING M5X16	6							
16-1	1	194940-61790	SCREW, TAPPING M5X16	6							R
(A=FXXXXX)											
17	1	194420-61640	SCREW, TAPPING M5X16	2							
17-1	1	194940-61790	SCREW, TAPPING M5X16	2							R
(A=FXXXXX)											
18	1	1A7880-61760	STOPPER(HOOD	1							
18-1	1	1A7880-61761	STOPPER, BONNET	1							R
(A=F020101)											
19	1	198071-61890	NUT, SPEED M6	2							
20	1	194555-65130	CUSHION	2							
21	1	194940-65590	MARK, TOP	1							
22	1	198071-65610	NUT, SPEED M5	2							
23	1	1E6460-91573	KNOB, SACKER	1							
24	1	22137-050000	WASHER, 5	1							
25	1	22137-080000	WASHER, 8	4							
26	1	22137-080000	WASHER, 8	4							
27	1	22372-080000	PIN, SNAP 8	2							
28	1	22487-080260	PIN, H 8X 26	2							
29	1	22857-500161	SCREW, 5X16	1							
30	1	26106-060162	BOLT, M6X 16 PLATED	2							
31	1	26106-060162	BOLT, M6X 16 PLATED	4							
32	1	26106-060162	BOLT, M6X 16 PLATED	1							
33	1	26106-080162	BOLT, M8X 16 PLATED	4							

# Fig.88. DASH BOARD ACCESSORIES

(A)=SC2450(CCY)  
(B)=  
(C)=

(D)=  
(E)=  
(F)=

No.	Lev.	Parts No.	Description	Q'ty						I	R
				(A)	(B)	(C)	(D)	(E)	(F)		
1	1	1A7880-17350	BOOT	1							

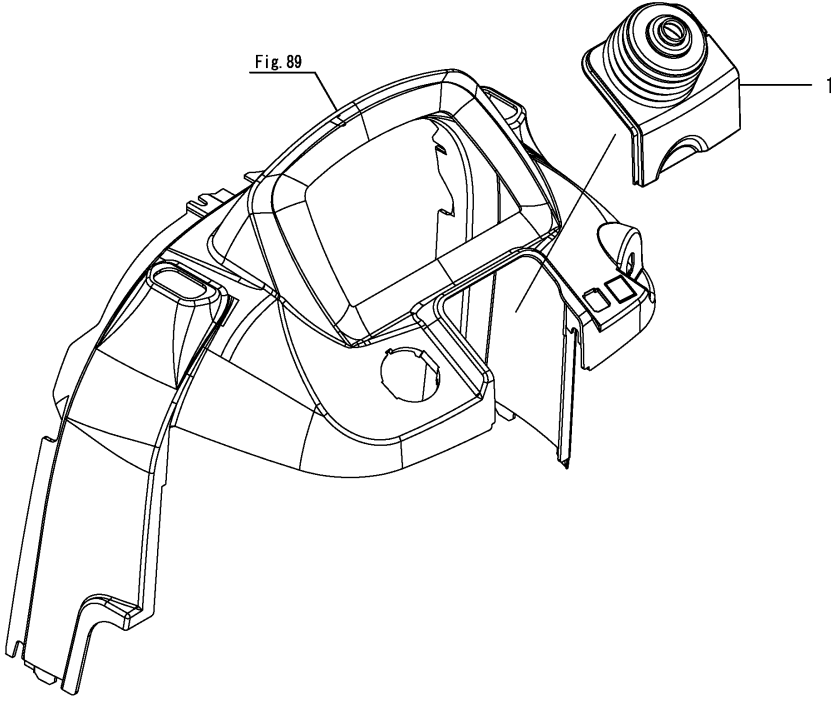
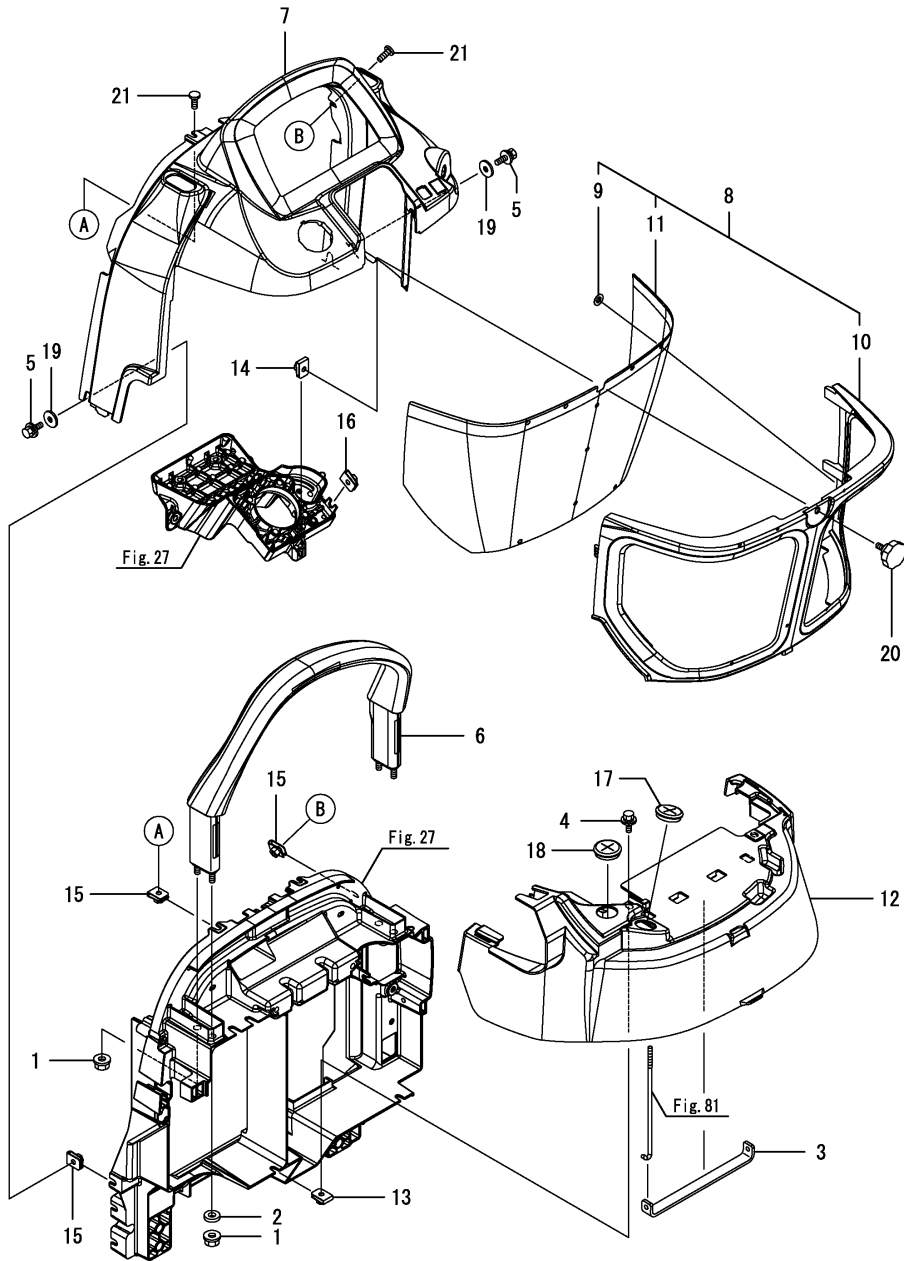


Fig.89. DASHBOARD



(A)=SC2450(CCY)  
 (B)=  
 (C)=

(D)=  
 (E)=  
 (F)=

No.	Lev.	Parts No.	Description	Q'ty						I	R
				(A)	(B)	(C)	(D)	(E)	(F)		
1	1	194990-22140	NUT, M8	4							
2	1	194145-22430	SPACER, 18	1							
3	1	1A7880-58150	STAY,BATTERY	1							
3-1	1	1A7880-58151 (A=F010159)	STAY, BATTERY	1							R
4	1	198461-60590	BOLT, M6X20	2							
5	1	198461-60590	BOLT, M6X20	2							
6	1	1A7880-61510	GRIP, ASSIST	1							
7	1	1A7880-61601	COVER, DASHBOARD	1							
8	1	1A7880-61640	COVER, DASHBOARD	1							
9	2	1C6460-38240	NUT 5,PUSH	6							
10	2	1A7880-61650	COVER, DASHBOARD	1							
11	2	1A7880-61670	NET, DASH COVER	1							
12	1	1A7880-61690	COVER, DASHBOARD	1							
13	1	198071-61890	NUT, SPEED M6	2							
14	1	198071-61890	NUT, SPEED M6	1							
15	1	198071-61890	NUT, SPEED M6	5							
16	1	198071-61890	NUT, SPEED M6	2							
17	1	1A6150-76740	GROMMET, 31	1							
18	1	1A6150-76740	GROMMET, 31	1							
19	1	22157-060000	WASHER, 6	3							
20	1	26064-060151	BOLT, 6X 15	1							
21	1	26589-060162	SCREW, M6	5							





Fig.91. LEVER GUIDE

(A)=SC2450(CCY)  
(B)=  
(C)=

(D)=  
(E)=  
(F)=

No.	Lev.	Parts No.	Description	Q'ty						I	R
				(A)	(B)	(C)	(D)	(E)	(F)		
1	1	194300-37570	SPRING	1							
2	1	198165-47750	KNOB, CONTROL	1							
3	1	1A7510-47760	STOPPER, CONTROL	1							
4	1	1A7880-62240	GUIDE ASSY, LEVER LM	1							
5	1	1A7880-62300	GUIDE, LEVER R	1							
6	1	22157-080000	WASHER, 8	1							
7	1	22417-200160	PIN, COTTER 2.0X16	1							
8	1	22857-600160	SCREW, 6X16	4							
9	1	22857-600160	SCREW, 6X16	5							

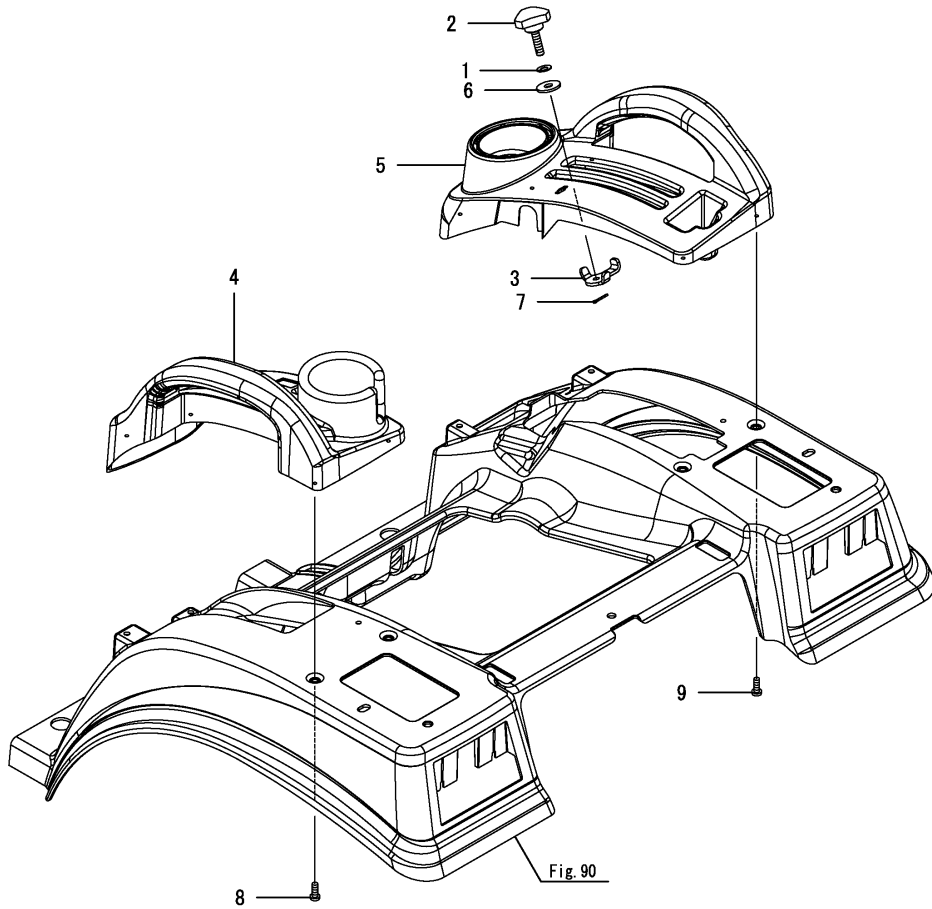


Fig.92. FOOTREST STAY

(A)=SC2450(CCY)  
 (B)=  
 (C)=

(D)=  
 (E)=  
 (F)=

No.	Lev.	Parts No.	Description	Q'ty						I	R
				(A)	(B)	(C)	(D)	(E)	(F)		
1	1	1A7880-62550	STAY ASSY, STEP L	2							
2	1	1A7880-62600	STAY ASSY, STEP RF	1							
2-1	1	1A7880-62601	STAY ASSY, STEP RF	1							N
			(A=F010102)								
3	1	1A7880-62650	STAY ASSY, STEP RR	1							
4	1	26106-080162	BOLT, M8X 16 PLATED	4							
5	1	26106-080162	BOLT, M8X 16 PLATED	2							
6	1	26106-080162	BOLT, M8X 16 PLATED	2							

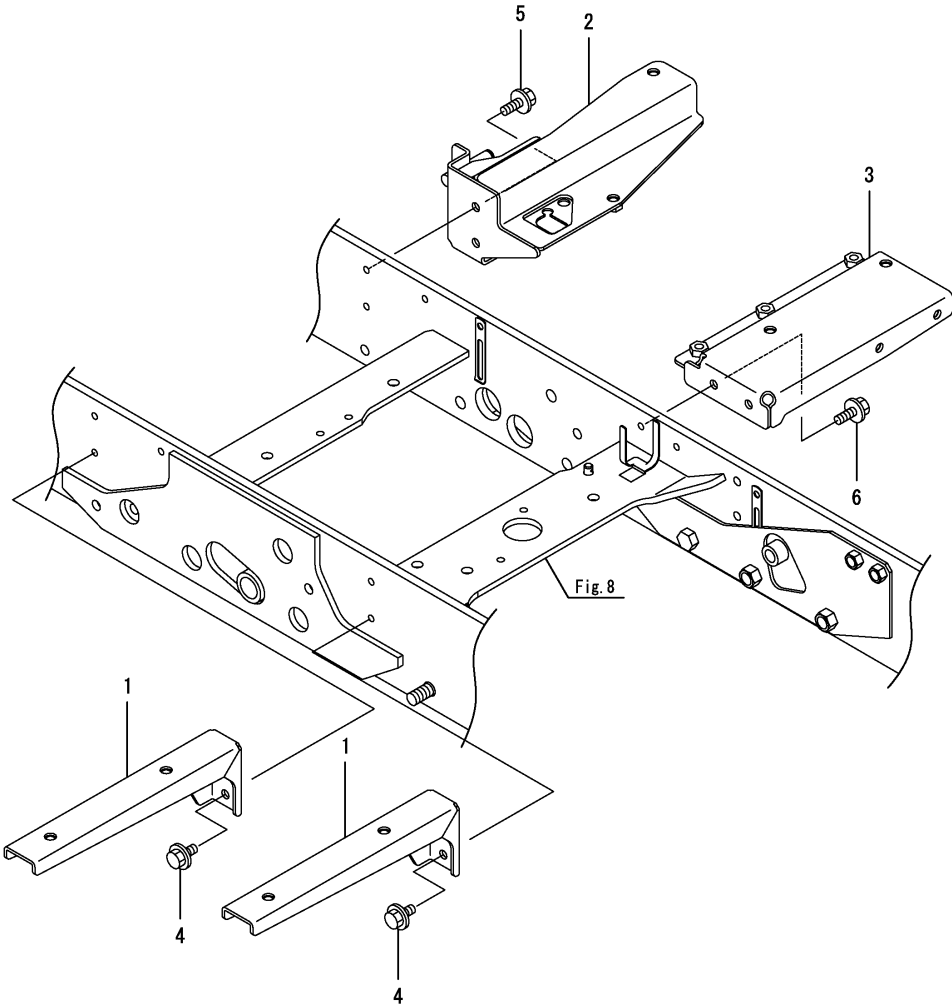


Fig.93. STEP

(A)=SC2450(CCY)  
(B)=  
(C)=

(D)=  
(E)=  
(F)=

No.	Lev.	Parts No.	Description	Qty						I	R	
				(A)	(B)	(C)	(D)	(E)	(F)			
1	1	198360-03260	GROMMET, 12	4								
2	1	198360-03270	SPACER	4								
3	1	1A7880-62500	STEP	1								
4	1	1A7880-62510	SHEET ,STEP	1								
5	1	198162-62630	FASNER	10								
6	1	26106-080202	BOLT, M8X 20 PLATED	6								

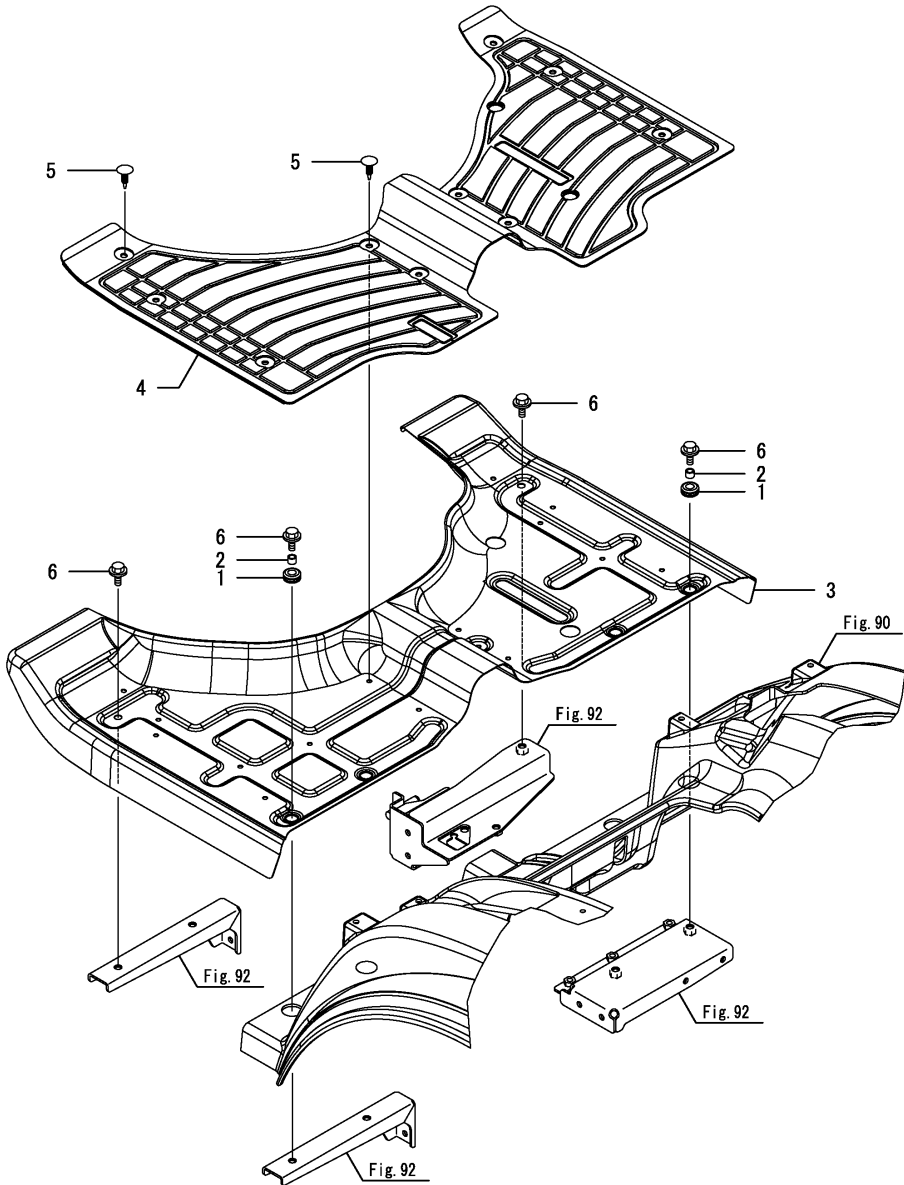
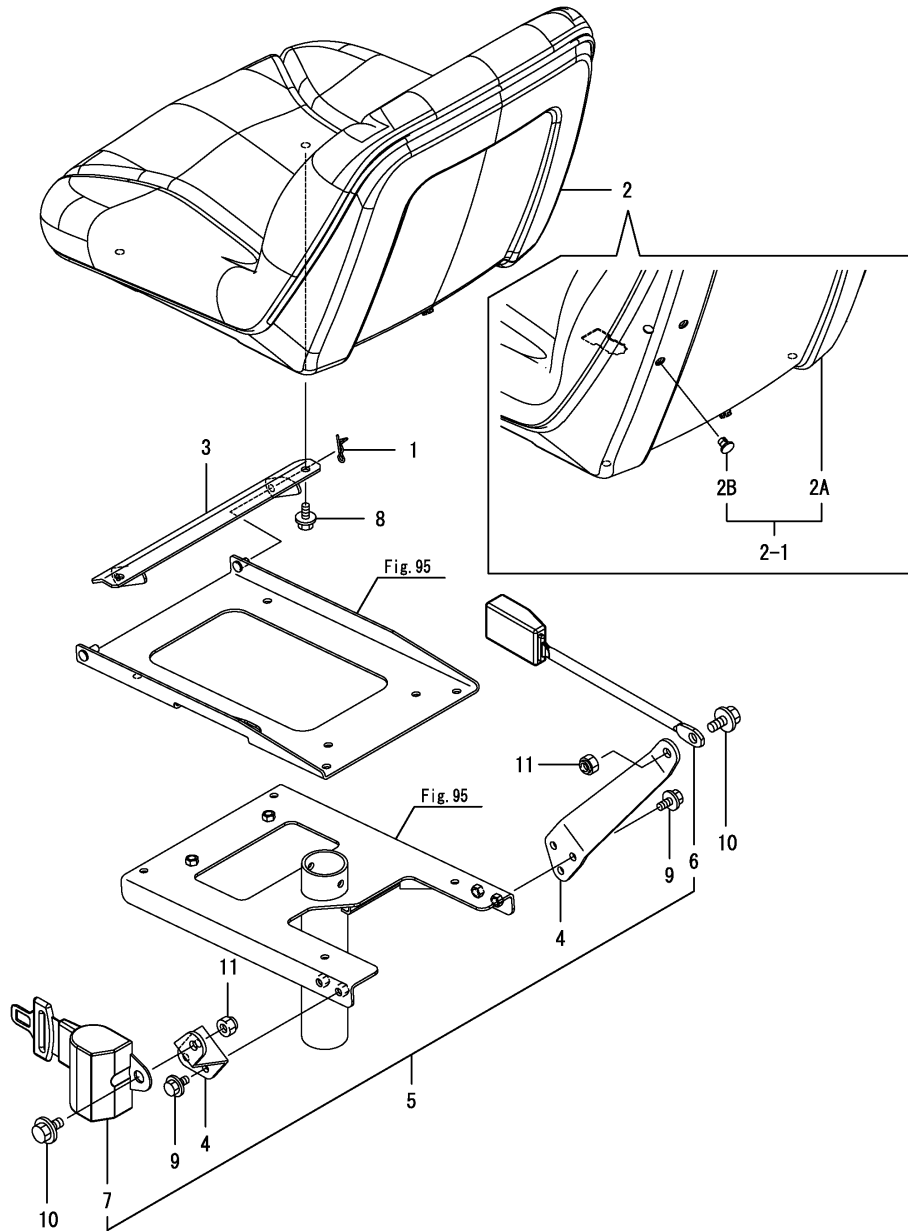


Fig.94. DRIVER SEAT



(A)=SC2450(CCY)  
(B)=  
(C)=

(D)=  
(E)=  
(F)=

No.	Lev.	Parts No.	Description	Q'ty						I	R
				(A)	(B)	(C)	(D)	(E)	(F)		
1	1	1C6281-52320	PIN, SNAP 8	1							
2	1	1A7880-63010	SEAT ASSY, OPERATOR	1							
2-1	1	1A7880-63050	SEAT ASSY, OPERATOR	1							N
2-2	1	1A7880-63020	SEAT, OPERATOR	1							N
2A	2	1A8300-63010	SEAT ASSY, OPERATOR	1							W
2A-1	2	1A8300-63010	SEAT ASSY, OPERATOR	1							Z
2B	2	1A7880-63060	NUT PLUG	6							W
2B-1	2	1A7880-63060	NUT PLUG	6							Z
3	1	1A7882-63100	HINGE ASSY, SEAT	1							
4	1	1A7882-63250	STAY, SEAT BELT	2							
5	1	1A8160-63400	BELT ASSY, SEAT	1							
6	2	1A8160-63410	BELT ASSY, SEAT	1							
7	2	1A8160-63420	BELT ASSY, SEAT	1							
8	1	26106-080162	BOLT, M8X 16 PLATED	2							
9	1	26106-080162	BOLT, M8X 16 PLATED	4							
10	1	26106-100202	BOLT, M10X 20 PLATED	2							
11	1	26346-100002	NUT, M10	2							

Fig.95. SEAT STAY

(A)=SC2450(CCY)

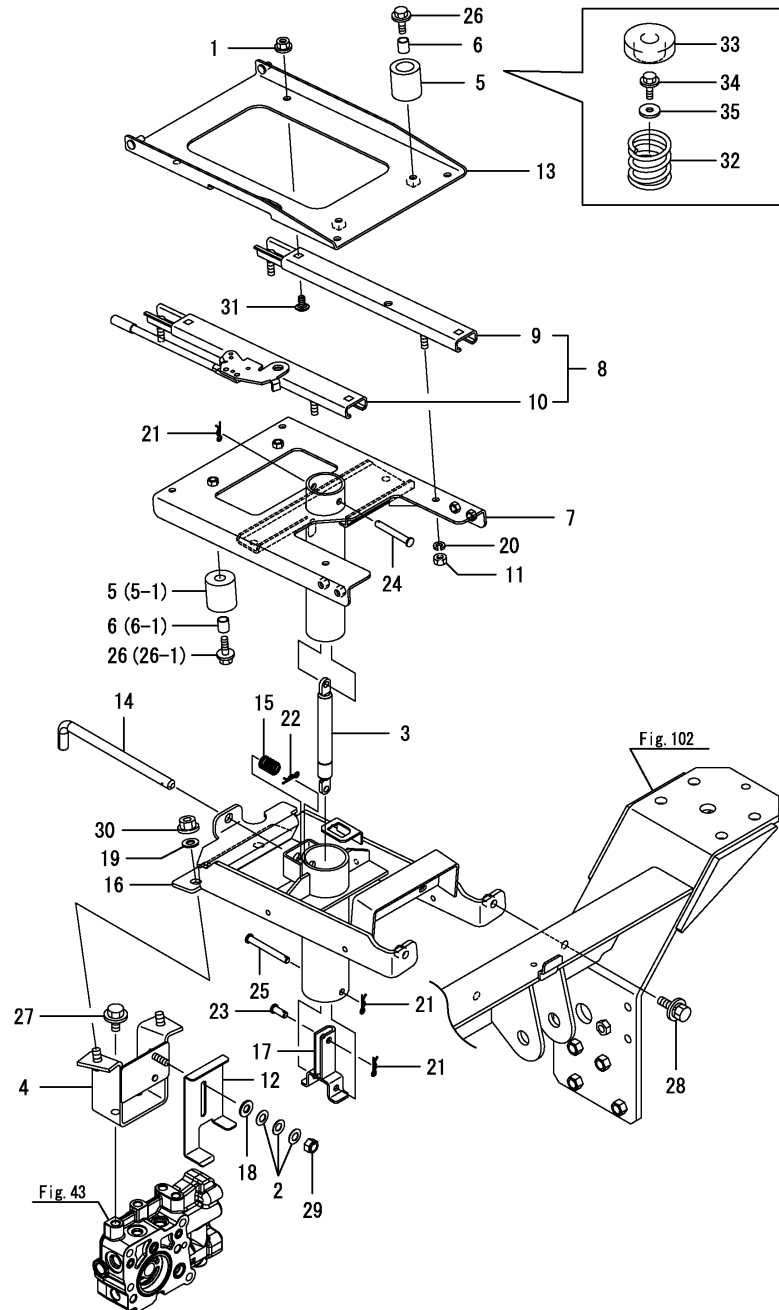
(B)=

(C)=

(D)=

(E)=

(F)=

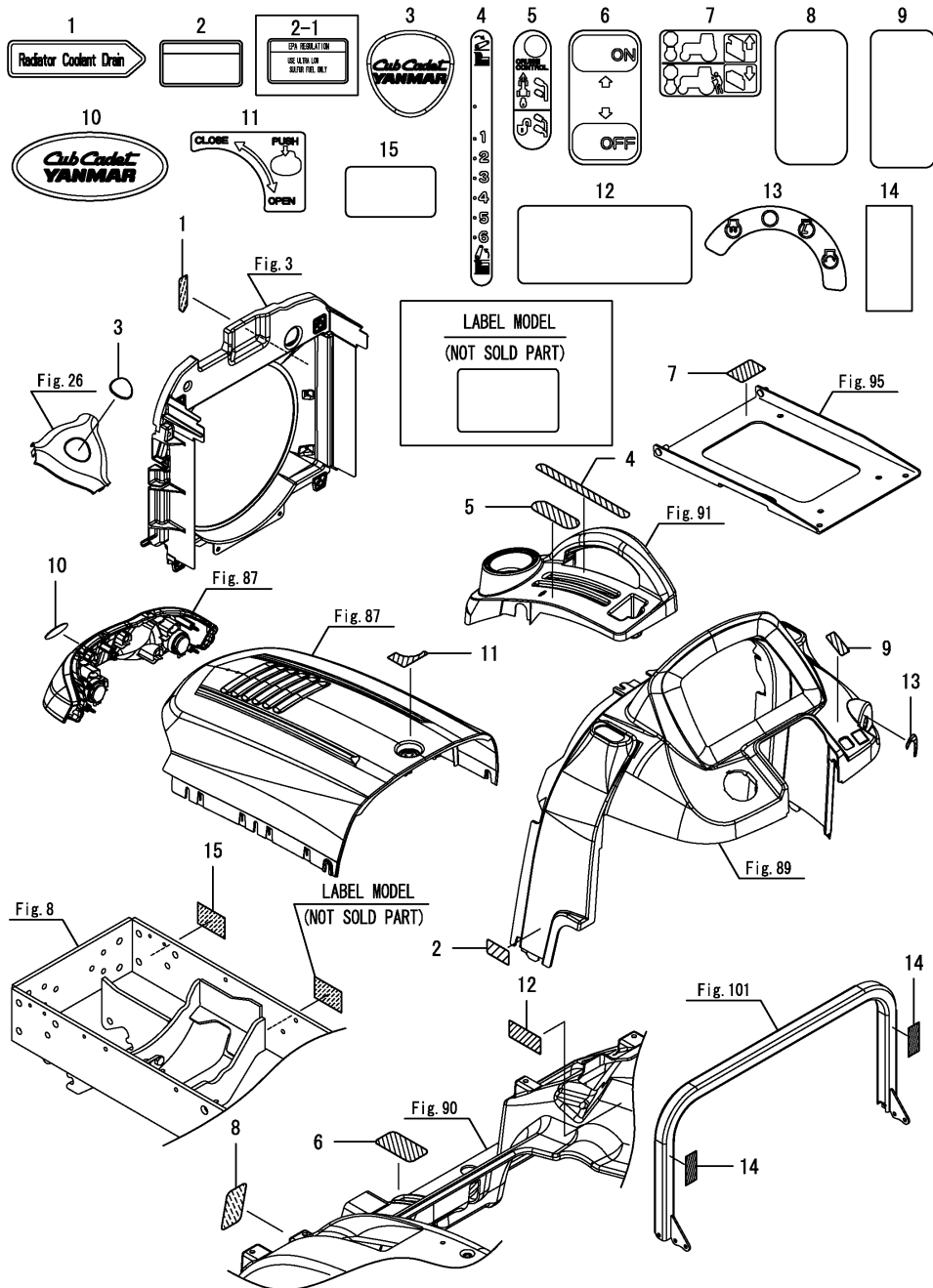


No.	Lev.	Parts No.	Description	Q'ty						I	R
				(A)	(B)	(C)	(D)	(E)	(F)		
1	1	194990-22140	NUT, M8	4							
2	1	194300-37570	SPRING	3							
3	1	1A7880-61370	SPRING, GAS	1							
4	1	1A7880-63200	STAY ASSY, SEAT	1							
5	1	194151-63240	RUBBER, CUSHION	4							
5-1	1	194151-63240	RUBBER, CUSHION	2							K
(A=F020101)											
6	1	194151-63250	COLLAR, CUSHION	4							
6-1	1	194151-63250	COLLAR, CUSHION	2							K
(A=F020101)											
7	1	1A7882-63300	STAY ASSY, RAIL A	1							
8	1	1A7880-63390	RAIL KIT, SEAT	1							
9	2	1A7880-63400	RAIL ASSY, SEAT	1							
10	2	1A7880-63410	RAIL ASSY, SEAT	1							
11	1	1A7880-63420	NUT, 5/16-18UNC	4							
12	1	1A7880-63450	PLATE, SWITCH	1							
12-1	1	1A7880-63451	PLATE, SWITCH	1							R
(A=F020101)											
13	1	1A7882-63500	STAY ASSY, RAIL B	1							
14	1	1A7882-63550	PIN, LOCK	1							
15	1	1A7882-63560	SPRING, SEAT STAY	1							
16	1	1A7882-63600	BRACKET ASSY, SEAT	1							
17	1	1A7882-63700	STAY ASSY, SPRING	1							
18	1	22137-080000	WASHER, 8	1							
19	1	22137-100000	WASHER, 10	2							
20	1	22217-080000	WASHER, SPRING 8	4							
21	1	22372-080000	PIN, SNAP 8	3							
22	1	22372-120000	PIN, SNAP 12	1							
23	1	22487-080160	PIN, H 8X 16	1							
24	1	22487-080550	PIN 8X 55	1							
25	1	22487-080650	PIN 8X 65	1							
26	1	26106-080252	BOLT, M8X 25 PLATED	4							
26-1	1	26106-080252	BOLT, M8X 25 PLATED	2							K
(A=F020101)											
27	1	26106-100162	BOLT, M10X 16 PLATED	2							
28	1	26014-100252	BOLT, M10X 25	2							
29	1	26347-080002	NUT, M8	1							
30	1	26366-100002	NUT, M10	2							
31	1	26487-080163	BOLT, M8X16	4							
32	1	1A8115-63260	SPRING	2							W
(A=F020101)											
33	1	198284-63270	STOPPER, SEAT	2							W
(A=F020101)											
34	1	26106-080202	BOLT, M8X 20 PLATED	2							W
(A=FXXXXX)											
35	1	22157-080000	WASHER, 8	2							W
(A=FXXXXX)											

Fig.96. LABEL

(A)=SC2450(CCY)  
 (B)=  
 (C)=

(D)=  
 (E)=  
 (F)=



No.	Lev.	Parts No.	Description	Qty						I	R
				(A)	(B)	(C)	(D)	(E)	(F)		
1	1	1A7340-65080	LABEL,DRAIN	1							
2	1	114110-07760	LABEL, FUEL OIL	1							
2-1	1	1A8250-65650	LABEL, FUEL OIL	1							S
(A=FXXXXX)											
3	1	1A7880-15780	PLATE	1							
4	1	1A7880-65331	LABEL POSITION	1							
5	1	1A7880-65341	LABEL LEVER GUIDE L	1							
6	1	1A7880-65370	LABEL, LEVER 4WD	1							
7	1	1A7880-65380	LABEL, LEVER VALVE	1							
8	1	1A7880-65390	LABEL,DIFFLOCK	1							
9	1	1A7880-65511	LABEL,ACCELERAT.LVR.	1							
10	1	1A7880-65560	LABEL CENTER LOGO	1							Z
(A=F020317)											
11	1	1A7880-65570	LABEL HOOD OPEN	1							
12	1	1A7880-65630	LABEL,SOCKET	1							
13	1	1A7880-65721	LABLE,START SWITCH	1							
13-1	1	1A7880-65722	LABLE,START SWITCH	1							N
(A=F020235)											
14	1	1A8160-65860	TAPE, 50X115	2							
15	1	1A8250-65390	LABEL,SPARK ARRESTOR	1							W
(A=F020320)											

Fig.97. LABEL(NAME)

(A)=SC2450(CCY)  
 (B)=  
 (C)=

(D)=  
 (E)=  
 (F)=

No.	Lev.	Parts No.	Description	Q'ty						I	R
				(A)	(B)	(C)	(D)	(E)	(F)		
1	1	1A7882-64710	LABEL, NAME	2							
2	1	1A7880-65580	LABEL, LOGO L.H.	1							
3	1	1A7880-65590	LABEL, LOGO R.H.	1							

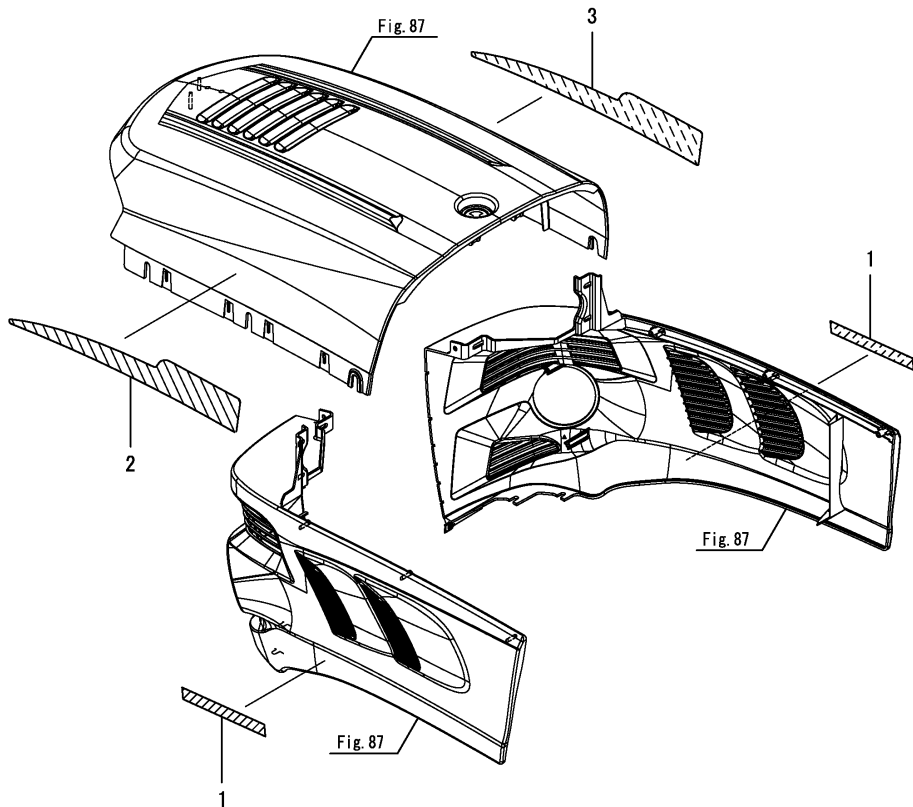
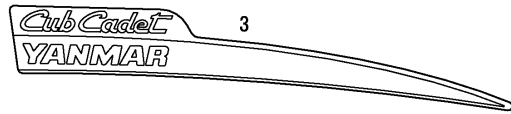
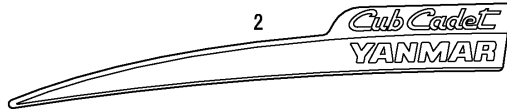


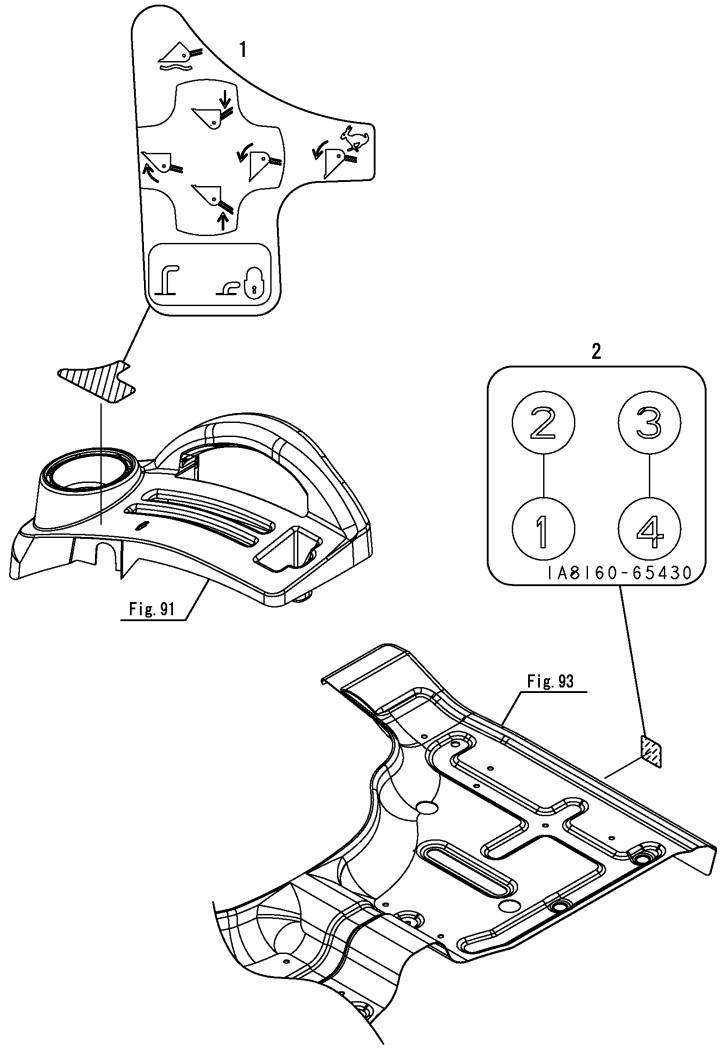


Fig.98. LABEL(SCV)

(A)=SC2450(CCY)  
 (B)=  
 (C)=

(D)=  
 (E)=  
 (F)=

No.	Lev.	Parts No.	Description	Q'ty						I	R
				(A)	(B)	(C)	(D)	(E)	(F)		
1	1	1A7880-65411	LABEL,SCV LEVER	1							
2	1	1A8160-65430	LABEL,SCV COUPLER	1							




---

---

---

---

---

---

---

---

---

---

---

---

---

---

---

---

---

---

---

---

---

---

---

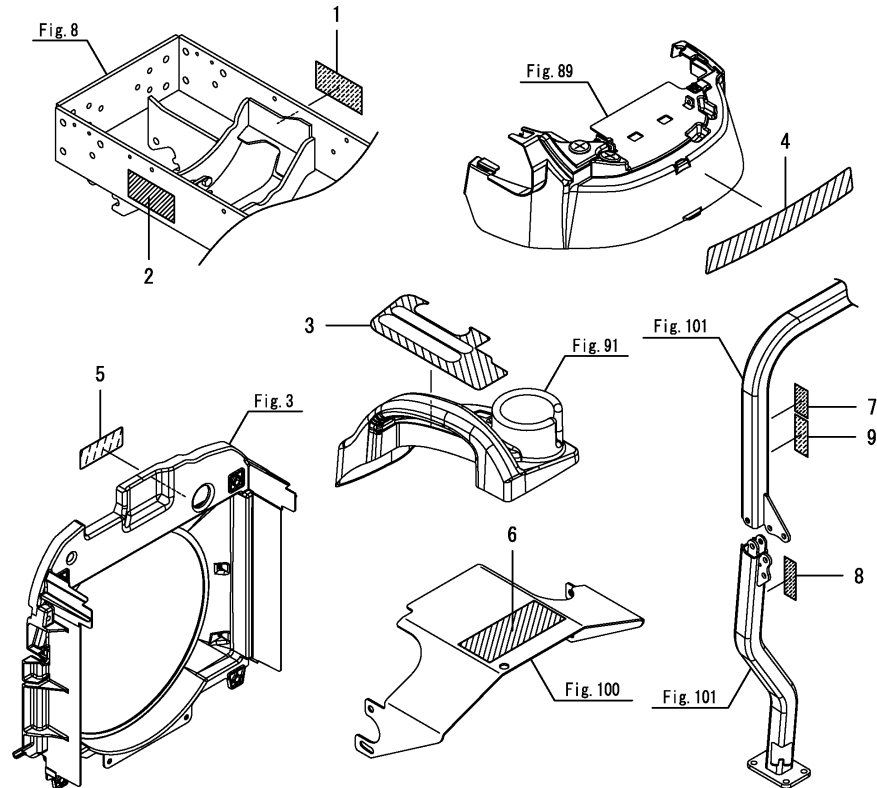
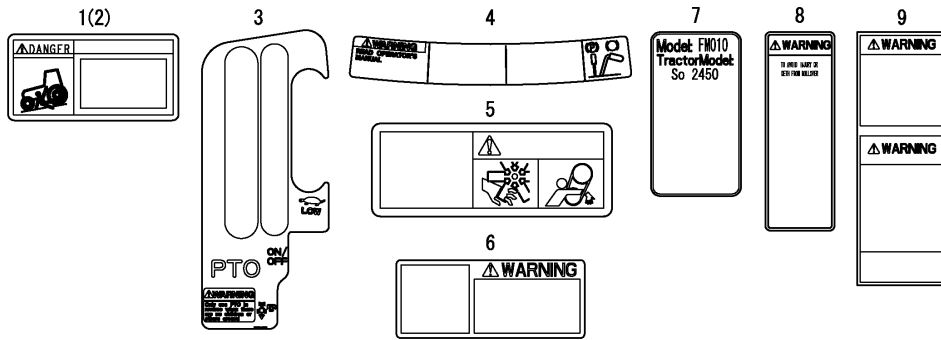
---

---

Fig.99. LABEL(SAFETY)

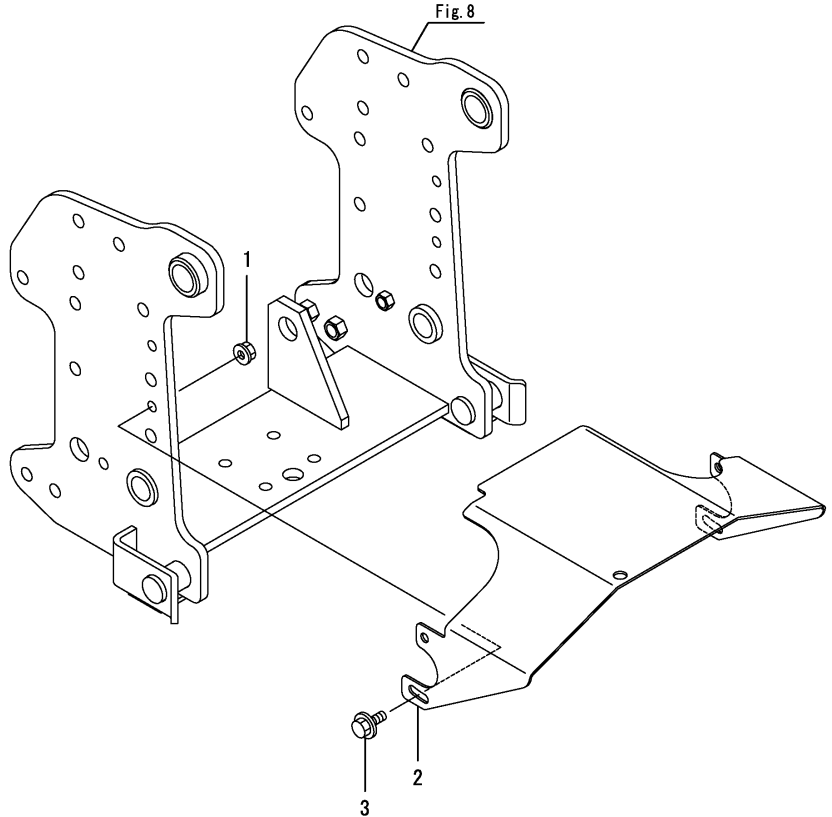
(A)=SC2450(CCY)  
 (B)=  
 (C)=

(D)=  
 (E)=  
 (F)=



No.	Lev.	Parts No.	Description	Q'ty						I	R
				(A)	(B)	(C)	(D)	(E)	(F)		
1	1	1A8160-65300	LABEL,DANGER,START	1							
2	1	1A8160-65310	LABEL,WARNIBG,STOP	1							
3	1	1A7880-65351	LABEL, LEVERGUIDE L	1							
4	1	1A7880-65601	LABEL,CAUTION,GENERA	1							
5	1	1A7880-65610	LABEL,WARNING,FAN	1							
6	1	198220-65621	LABEL, P.T.O.WARNING	1							
7	1	1A7882-65980	LABEL, ROPS	1							
8	1	1A7882-85230	LABEL, WARNING ROPS	1							
8-1	1	1A7882-85231	LABEL, WARNING ROPS	1							N
(A=F020221)											
9	1	1A7880-85190	SAFETY DECAL, ROPS	1							

Fig.100. SAFETY COVER(PTO)



(A)=SC2450(CCY)  
(B)=  
(C)=

(D)=  
(E)=  
(F)=

No.	Lev.	Parts No.	Description	Q'ty						I	R
				(A)	(B)	(C)	(D)	(E)	(F)		
1	1	194990-22140	NUT, M8	4							
2	1	1A7882-71130	COVER ASSY, PTO M	1							
3	1	26106-080302	BOLT, M8X 30 PLATED	4							

---

---

---

---

---

---

---

---

---

---

---

---

---

---

---

---

---

---

---

---

---

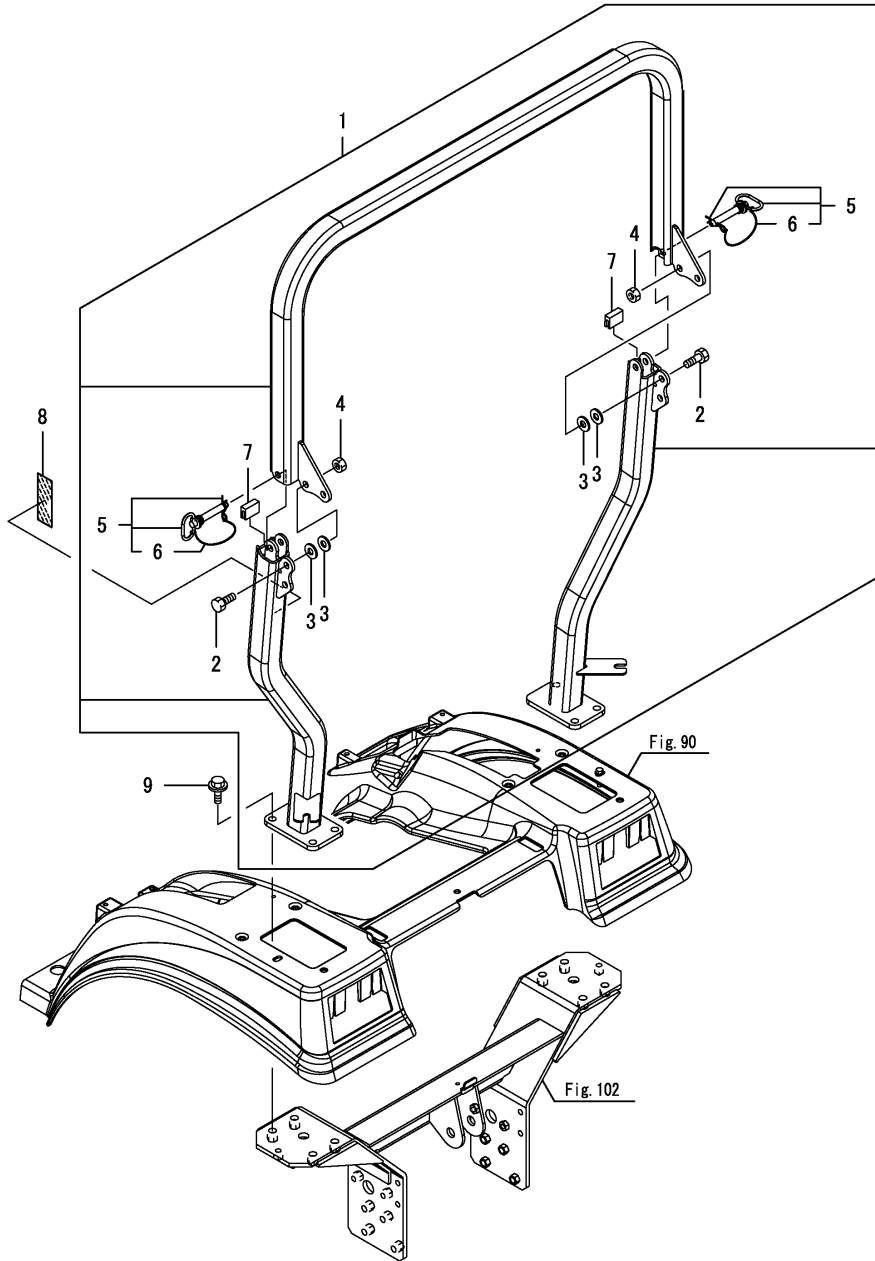
---

---

---

---

Fig.101. ROPS UPPER

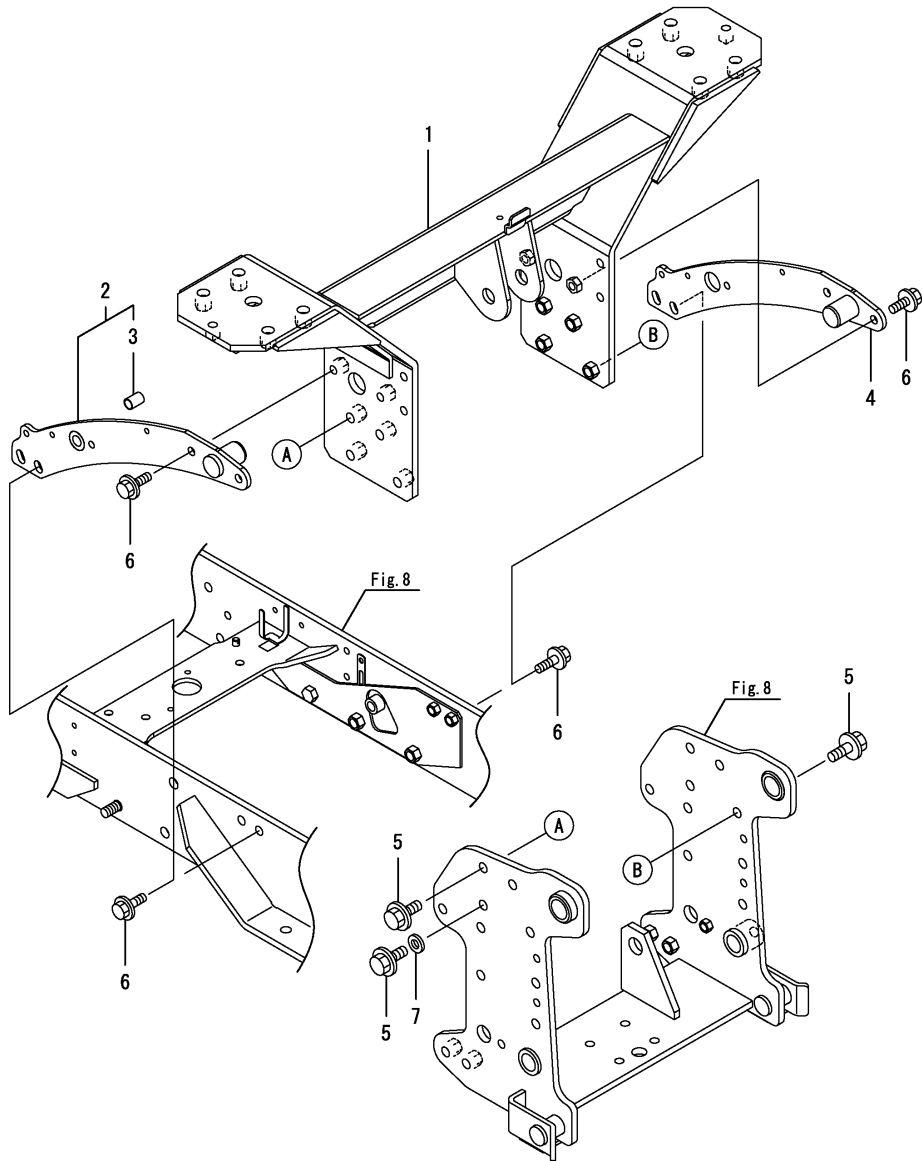


(A)=SC2450(CCY)  
(B)=  
(C)=

(D)=  
(E)=  
(F)=

No.	Lev.	Parts No.	Description	Q'ty						I	R
				(A)	(B)	(C)	(D)	(E)	(F)		
1	1	1A7882-85000	FRAME ASSY, UPPER	1							
2	2	1A8160-85090	BOLT, 1/2-13X1.25	2							
3	2	1A8160-85100	WASHER	4							
4	2	1A8160-85110	NUT, 1/2-13	2							
5	2	1A8160-85121	PIN ASSY, HITCH	2							
6	3	1A8160-85130	SPRING	2							
7	2	1A7882-85250	RUBBER, CUSHION	2							
8	1	1A7882-85230	LABEL, WARNING ROPS	1							
8-1	1	1A7882-85231	LABEL, WARNING ROPS	1							N
(A=F020221)											
9	1	198165-85970	BOLT, M12X35	6							

Fig.102. LOWER FRAME



(A)=SC2450(CCY)  
 (B)=  
 (C)=

(D)=  
 (E)=  
 (F)=

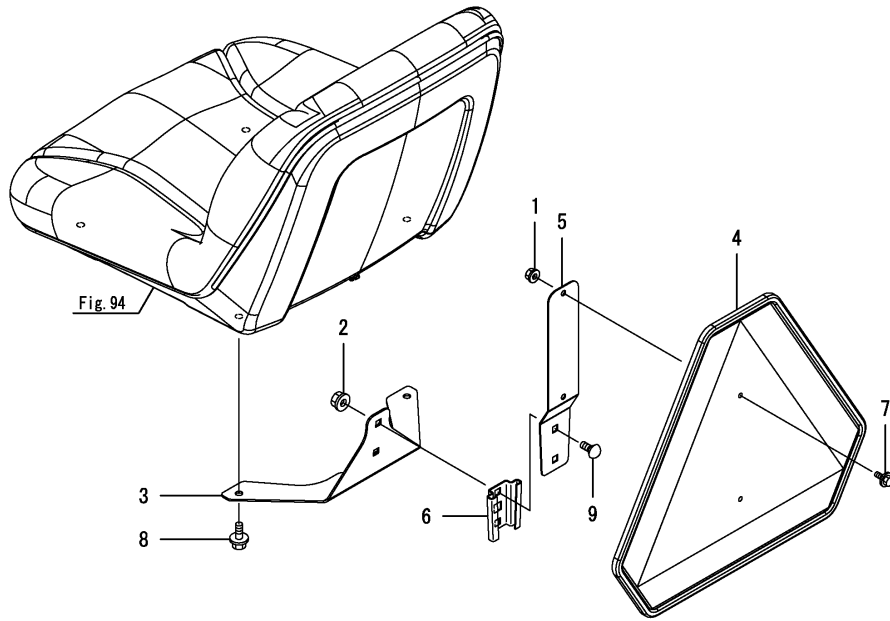
No.	Lev.	Parts No.	Description	Qty						I	R
				(A)	(B)	(C)	(D)	(E)	(F)		
1	1	1A7882-85300	FRAME ASSY, LOWER	1							
2	1	1A7882-85490	PLATE ASSY, SIDE L	1							
3	2	24550-012200	BUSH, 12X20	1							
4	1	1A7882-85550	PLATE ASSY, SIDE R	1							
5	1	1A6770-85920	BOLT, M12X30	8							
6	1	26106-100302	BOLT, M10X 30 PLATED	8							
7	1	22137-120000	WASHER, 12	1							

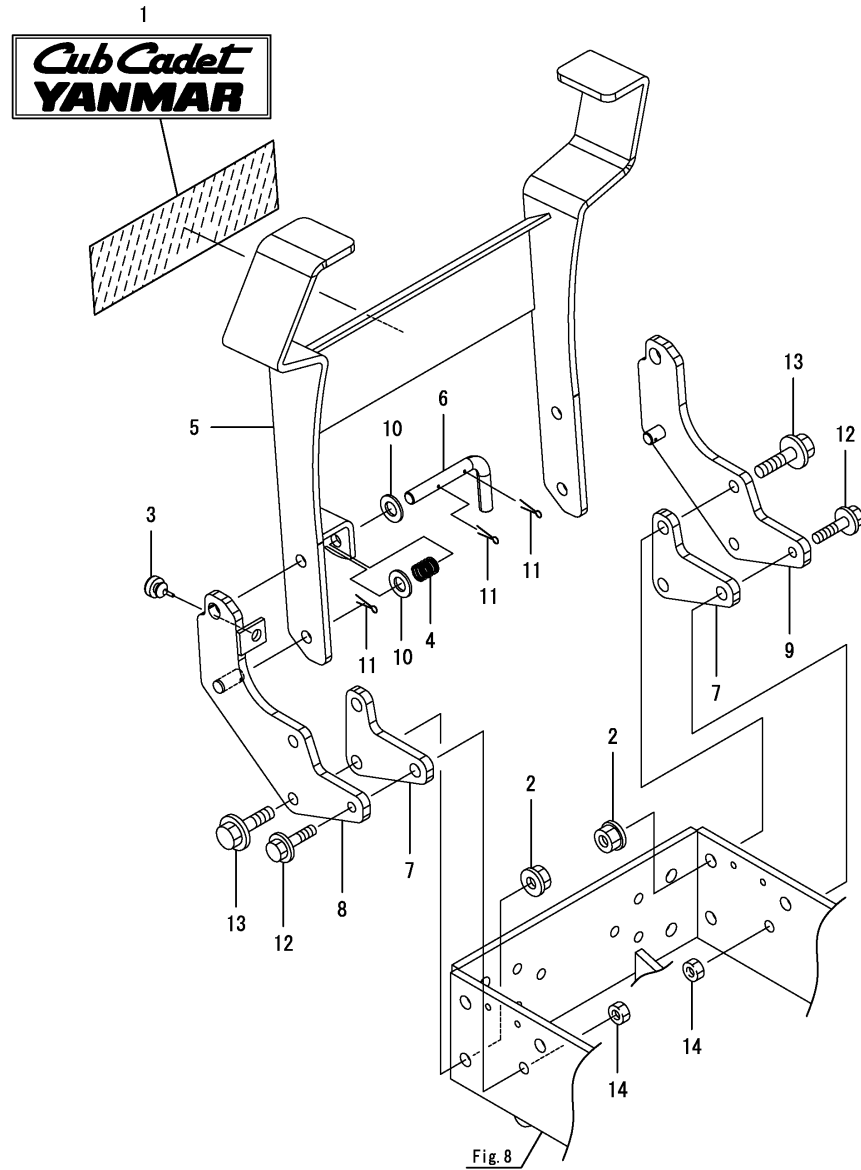
Fig.103. SMV

(A)=SC2450(CCY)  
 (B)=  
 (C)=

(D)=  
 (E)=  
 (F)=

No.	Lev.	Parts No.	Description	Q'ty						I	R
				(A)	(B)	(C)	(D)	(E)	(F)		
1	1	194990-22130	NUT, M6	2							
2	1	194990-22140	NUT, M8	2							
3	1	1A7882-63520	STAY, SMV	1							
4	1	1A8160-65800	EMBLEM, SMV	1							
5	1	1A7882-85620	STAY, SMV	1							
6	1	1A7882-85630	HOLDER, SMV	1							
7	1	26106-060162	BOLT, M6X 16 PLATED	2							
8	1	26106-080162	BOLT, M8X 16 PLATED	2							
9	1	26487-080163	BOLT, M8X16	2							





(A)=SC2450(CCY)  
 (B)=  
 (C)=

(D)=  
 (E)=  
 (F)=

No.	Lev.	Parts No.	Description	Q'ty						I	R
				(A)	(B)	(C)	(D)	(E)	(F)		
1	1	1TN322-01630 (A=F020317)	LABEL, GRILL GAURD	1							Z
2	1	194990-22160	NUT, M12	4							
3	1	194330-62530	STOPPER, PEDAL	1							
4	1	1A7882-63560	SPRING, SEAT STAY	1							
5	1	1A7882-93000	GUARD ASSY, GRILLE	1							
6	1	1A7882-93050	PIN	1							
7	1	1A7882-93060	SPACER	2							
8	1	1A7882-93100	BRACKET ASSY	1							
9	1	1A7882-93110	BRACKET ASSY	1							
10	1	22137-140000	WASHER, 14	2							
11	1	22417-250300	PIN, COTTER 2.5X30	3							
12	1	26106-100402	BOLT, M10X 40 PLATED	2							
13	1	26106-120452	BOLT, M12X 45 PLATED	4							
14	1	26716-100002	NUT, M10	2							

Fig.105. DOCUMENT

(A)=SC2450(CCY)  
(B)=  
(C)=

(D)=  
(E)=  
(F)=

No.	Lev.	Parts No.	Description	Qty						I	R
				(A)	(B)	(C)	(D)	(E)	(F)		
1	1	0A041-U00500	OPERATION MANUAL	1							
1-1	1	0A041-U00501 (A=F020101)	OPERATION MANUAL	1							S
1-2	1	0A041-U00502 (A=FXXXXX)	OPERATION MANUAL	1							S
1-3	1	0A041-U00503 (A=FZZZZZ)	OPERATION MANUAL	1							N

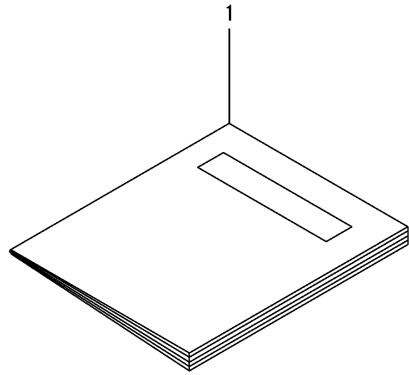
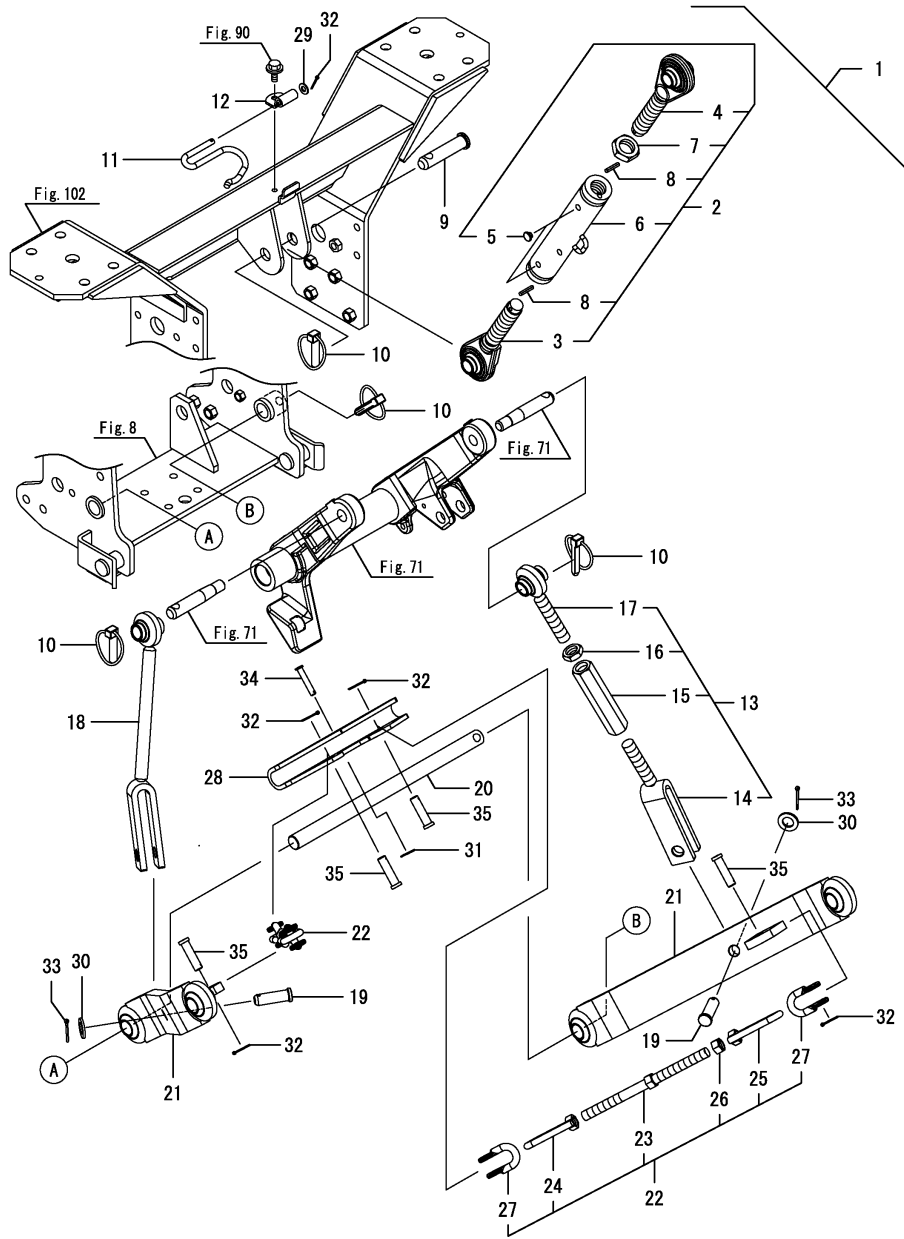




Fig.106. 3P KIT



(A)=SC2450(CCY)

(B)=

(C)=

(D)=

(E)=

(F)=

No.	Lev.	Parts No.	Description	Q'ty						I	R
				(A)	(B)	(C)	(D)	(E)	(F)		
1	1	1A7880-71800	HITCH KIT, 3 POINT	1							
2	2	1A7880-71110	LINK ASSY, TOP	1							
3	3	1A7880-71210	BOLT, EYE	1							
4	3	1A7880-71220	BOLT, EYE	1							
5	3	1A7335-71250	CAP	4							
6	3	1A7880-71500	TURNBACKLE ASSY	1							
7	3	1A7880-71580	NUT, M24	1							
8	3	22351-050025	PIN, SPRING 5.0X25	2							
9	2	1A7500-71120	PIN, LINK	1							
10	2	1A7500-71130	PIN ASSY, LINTCH	4							
11	2	1A7880-71550	SPRING	1							
12	2	1A7880-71720	PLATE, TOP LINK	1							
13	2	1A7880-72100	ROD ASSY, LIFT R	1							
14	3	1A7880-72310	END ASSY, LOWER	1							
15	3	1A7880-72320	TURNBUCKLE	1							
16	3	1A7880-72330	NUT, M18	1							
17	3	1A7880-72340	END ASSY, UPPER	1							
18	2	1A7880-72300	ROD ASSY, LIFT L	1							
19	2	198234-72550	PIN, 16X44	2							
20	2	1A7880-73150	BAR, LOWER LINK	1							
21	2	1A7880-73500	LINK ASSY, LOWER	2							
22	2	1A7880-74100	CHAIN ASSY, CHECK	2							
23	3	1A7880-74110	TURNBACKLE ASSY	2							
24	3	1A7880-74120	NUT, EYE	2							
25	3	1A7880-74130	NUT, EYE	2							
26	3	1A7880-74140	NUT, M14	2							
27	3	1A7880-74150	SHACKLE	4							
28	2	1A7880-74550	HINGE, CHECK CHAIN	1							
29	1	22137-080000	WASHER, 8	1							
30	1	22137-160000	WASHER, 16	2							
31	1	22372-080000	PIN, SNAP 8	1							
32	1	22417-250250	PIN, COTTER 2.5X25	5							
33	1	22417-320320	PIN, COTTER 3.2X32	2							
34	1	22487-080400	PIN, H 8X 40	1							
35	1	22487-120400	PIN, H12X40	4							

Remarks

\*Optional parts.

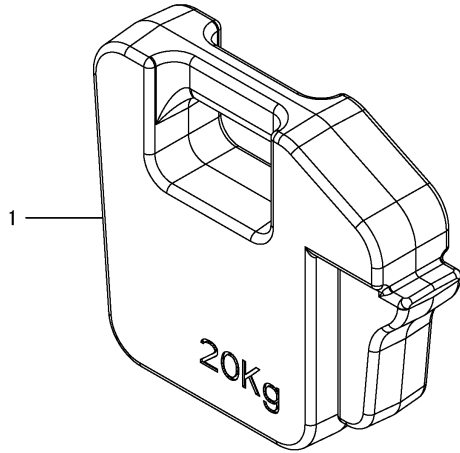
N:Old  $\begin{matrix} \leftarrow \text{Yes} \\ \text{No} \end{matrix}$  New, Q:Old  $\begin{matrix} \leftarrow \text{No} \\ \text{Yes} \end{matrix}$  New, R:Old  $\begin{matrix} \leftarrow \text{Yes} \\ \text{Yes} \end{matrix}$  New, S:Old  $\begin{matrix} \leftarrow \text{No} \\ \text{No} \end{matrix}$  New, W:Add, Z:Discontinued, F:Interchangeable by set, K:Q'ty Change

Fig.107. FRONT WEIGHT

(A)=SC2450(CCY)  
 (B)=  
 (C)=

(D)=  
 (E)=  
 (F)=

No.	Lev.	Parts No.	Description	Q'ty						I	R
				(A)	(B)	(C)	(D)	(E)	(F)		
1	1	1A8160-91000	WEIGHT, FRONT 20KG	1							

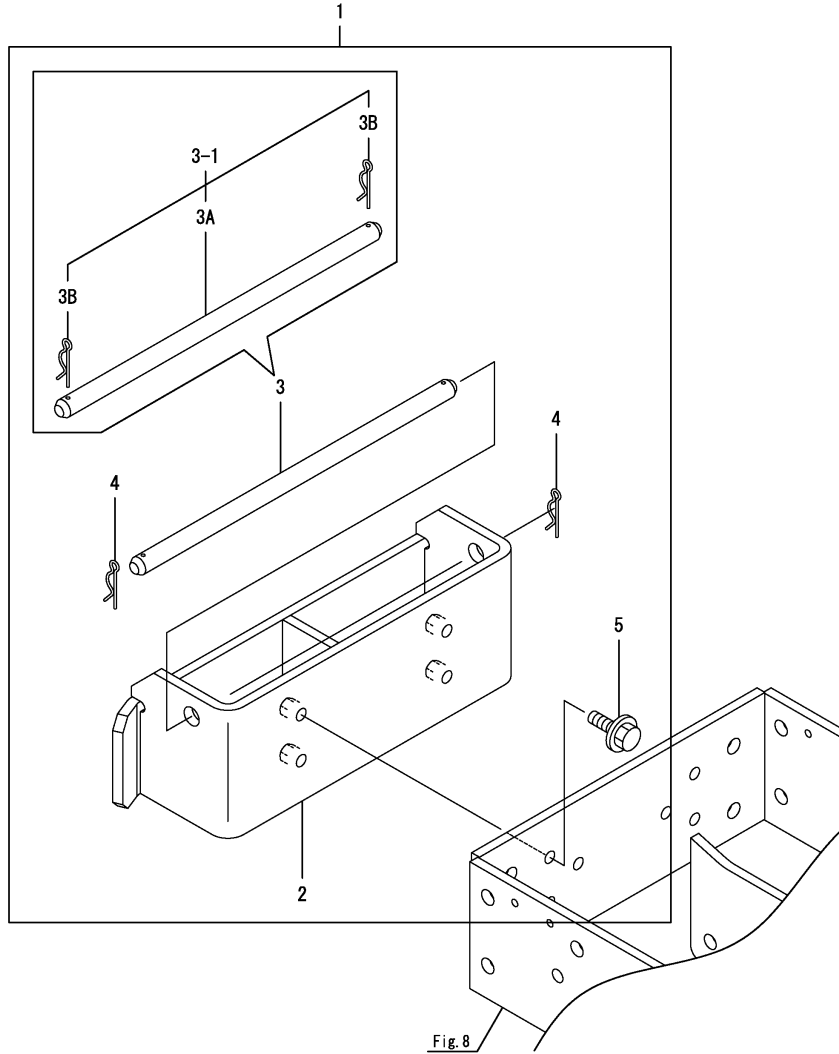


Remarks  
 \*Optional parts.

Fig.108. FRONT HITCH

(A)=SC2450(CCY)  
(B)=  
(C)=

(D)=  
(E)=  
(F)=



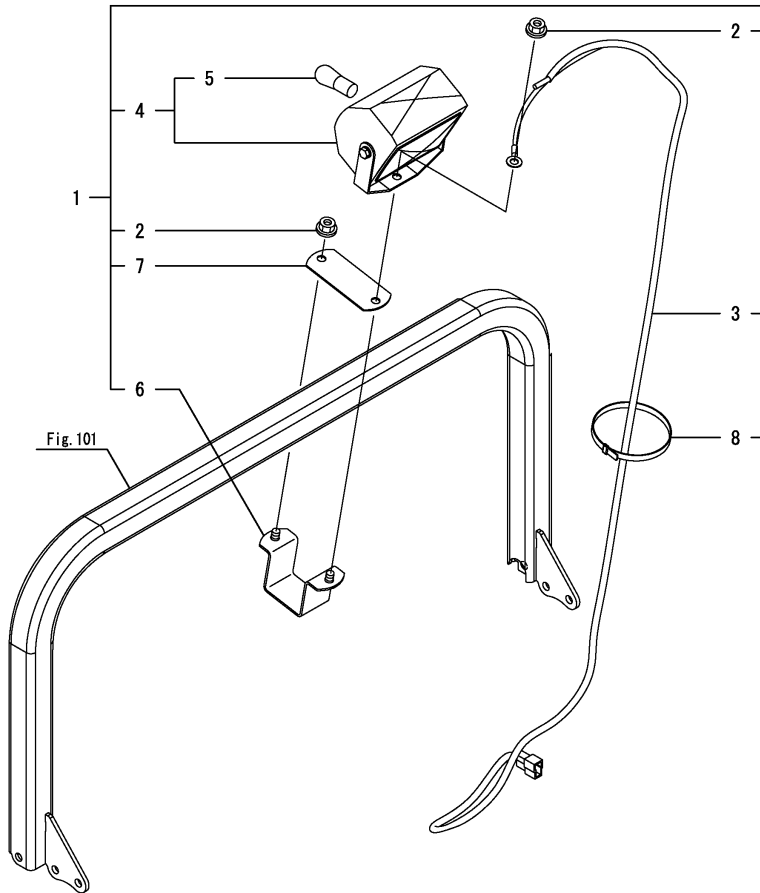
No.	Lev.	Parts No.	Description	Q'ty						I	R
				(A)	(B)	(C)	(D)	(E)	(F)		
1	1	1A7880-10650	HITCH KIT, FRONT	1							
2	2	1A7880-10600	HITCH ASSY	1							
3	2	1A7880-10640	PIN	1							
3-1	2	1A8300-10650	PIN ASSY,WEIGHT LOCK	1							N
		(A=FXXXXX)									
3A	3	1A7880-10641	PIN	1							W
		(A=FXXXXX)									
3B	3	22372-160000	PIN, SNAP 16	2							W
		(A=FXXXXX)									
4	2	22372-160000	PIN, SNAP 16	2							Z
		(A=FXXXXX)									
5	2	26106-100302	BOLT, M10X 30 PLATED	4							

Remarks  
\*Optional parts.

Fig.109. WORK LAMP

(A)=SC2450(CCY)  
 (B)=  
 (C)=

(D)=  
 (E)=  
 (F)=



No.	Lev.	Parts No.	Description	Q'ty						I	R
				(A)	(B)	(C)	(D)	(E)	(F)		
1	1	1A7880-54010	LAMP KIT, WORKING	1							
2	2	194990-22140	NUT, M8	2							
3	2	1A7880-51300	CABLE, WORK LAMP	1							
4	2	194640-54100	LAMP ASSY, WORKING	1							
5	3	194640-54170	BULB, 12V/18.4W	1							
6	2	1A7880-58200	STAY, WORK LAMP A	1							
7	2	1A7880-58250	STAY, WORK LAMP B	1							
8	2	29622-250001	BAND, RF250	3							
8-1	2	1A8300-51210	BAND, REPEAT	3							R

(A=FXXXXX)

Remarks  
 \*Optional parts.

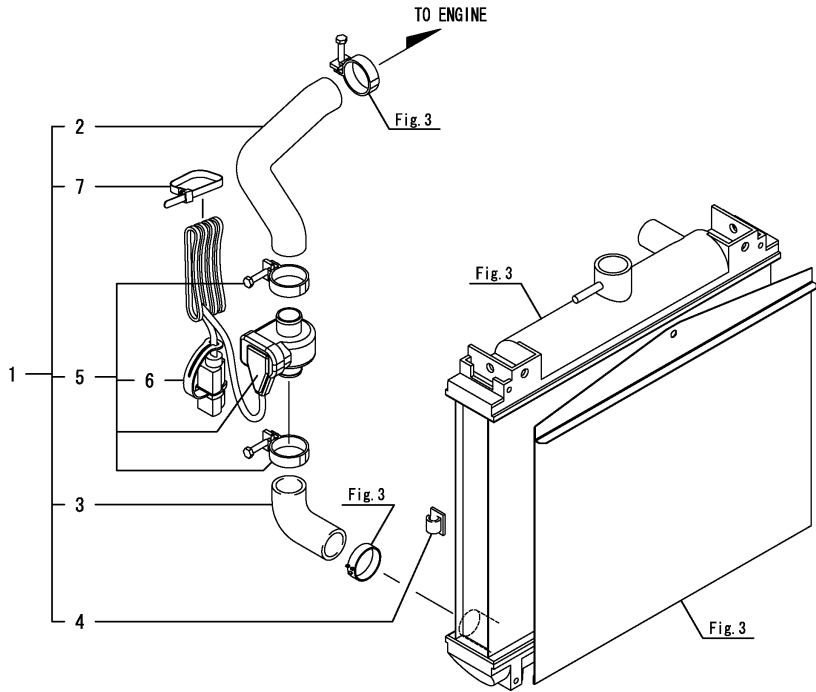
Fig.110. HEATER,RADIATOR HOSE

(A)=SC2450(CCY)  
 (B)=  
 (C)=

(D)=  
 (E)=  
 (F)=

No.	Lev.	Parts No.	Description	Q'ty						I	R
				(A)	(B)	(C)	(D)	(E)	(F)		
1	1	1A7880-57200	HEATER KIT	1							
2	2	1A7880-01480	HOSE, WATER U	1							
3	2	1A7880-01490	HOSE, WATER L	1							
4	2	172010-07810	STICKER, WIRE	1							
5	2	1A7880-57250	HEATER	1							
6	3	1A7880-57260	PROTECTOR, PLUG	1							
7	2	29622-250001	BAND, RF250	1							
7-1	2	1A8300-51210	BAND, REPEAT	1							R

(A=FXXXXX)



Remarks  
 \*Optional parts.

Fig.120. CABLE ASSY, BRAKE SW

(A)=SC2450(CCY)  
 (B)=  
 (C)=

(D)=  
 (E)=  
 (F)=

No.	Lev.	Parts No.	Description	Q'ty						I	R
				(A)	(B)	(C)	(D)	(E)	(F)		
1	1	1A7880-51250	SWITCH KIT, BRAKE	1							
2	2	1A7880-29491	BOLT, PEDAL	1							
3	2	1A7880-51260	CABLE, BRAKE SWITCH	1							
4	2	1A7880-51270	TERMINAL, BULLET	2							
5	2	198223-52150	SWITCH, STOP LAMP	1							
6	3	26776-120002	NUT, LOCK M12	1							
7	2	1A7880-62601	STAY ASSY, STEP RF	1							

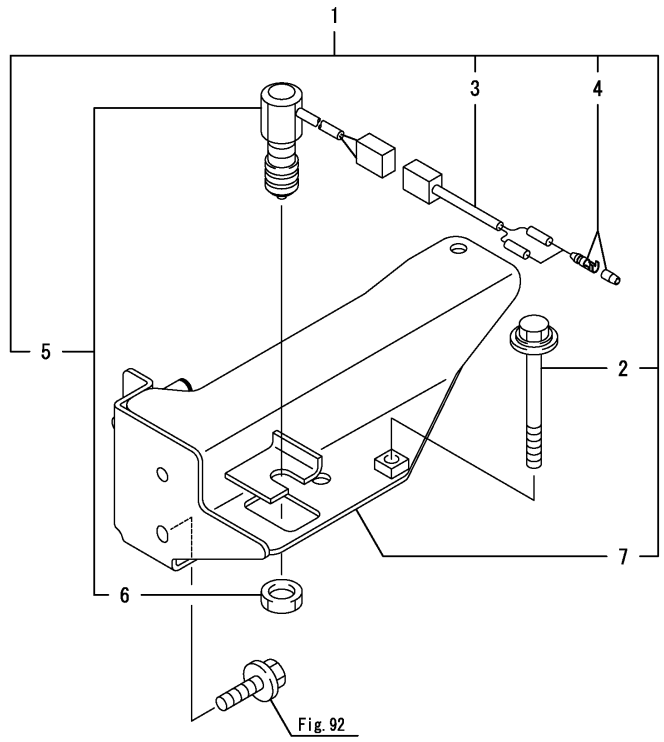


Fig.128. SERVICE PARTS

(A)=SC2450(CCY)

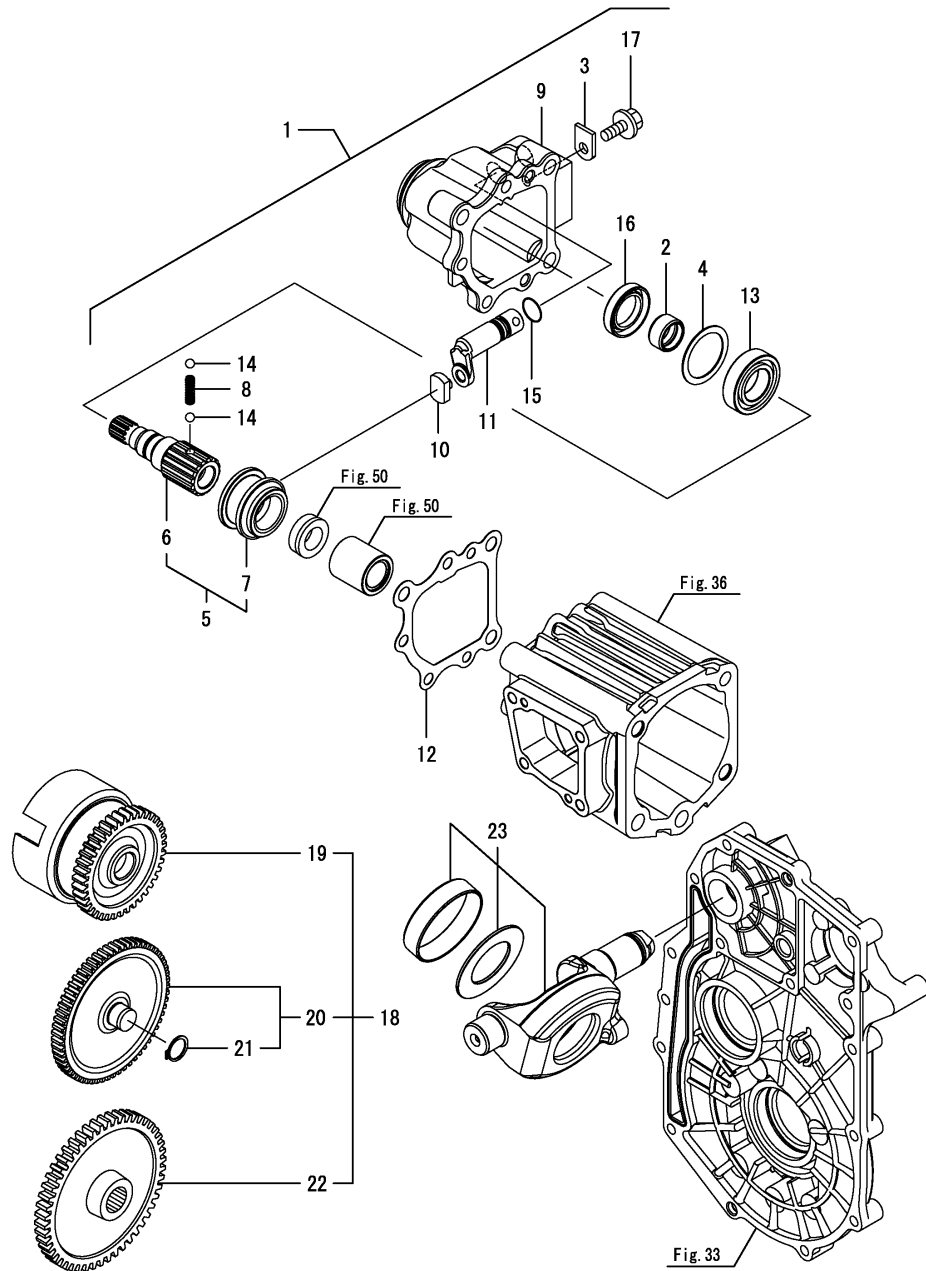
(B)=

(C)=

(D)=

(E)=

(F)=

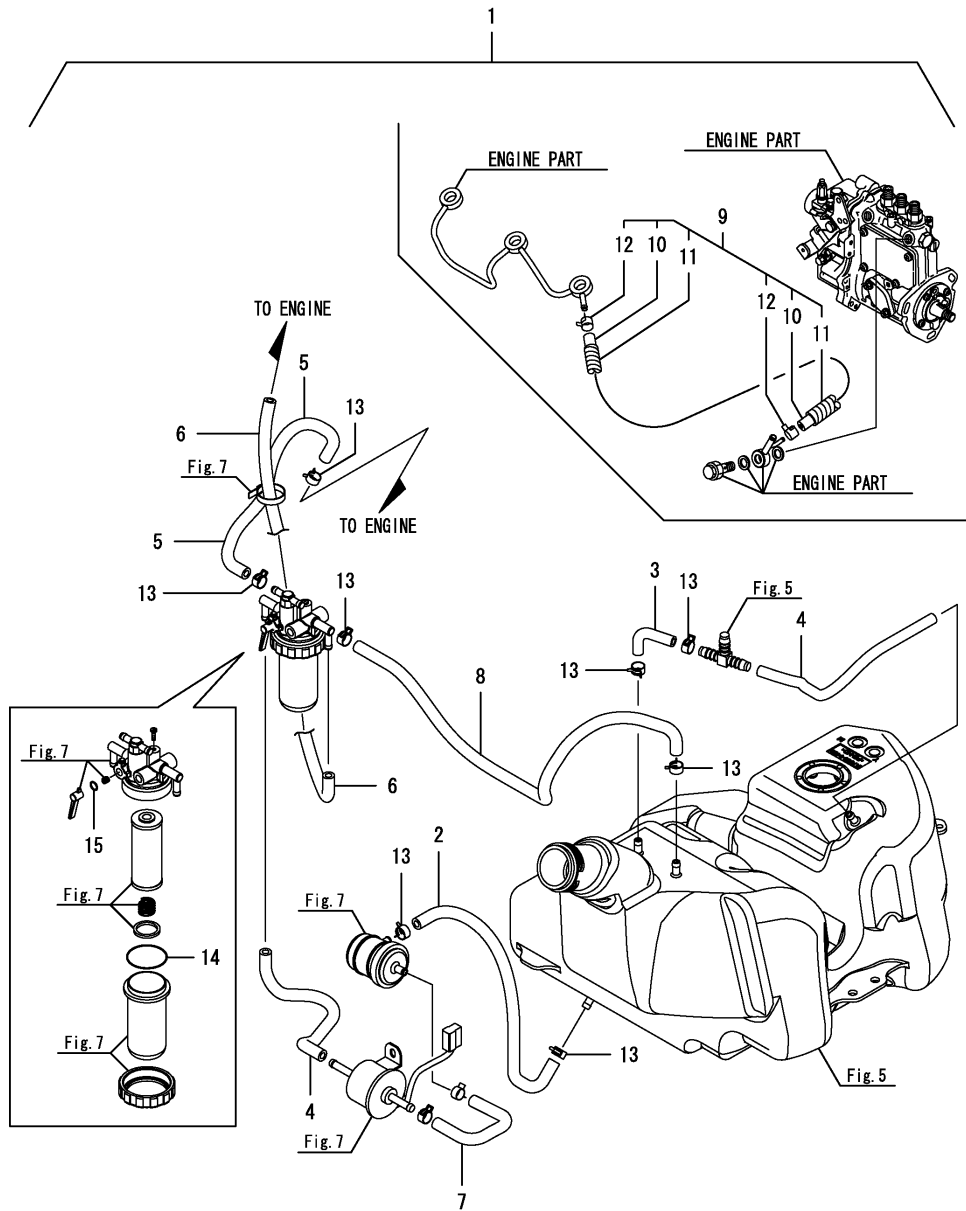


No.	Lev.	Parts No.	Description	Q'ty						I	R
				(A)	(B)	(C)	(D)	(E)	(F)		
1	1	187K06-99100	FRONT DRIVE KIT	1							
2	2	194855-25290	SLEEVE, SI 202513	1							
3	2	194197-27681	PLATE, KEEP	1							
4	2	1A7050-28110	WASHER, 36X46X1	1							
5	2	1A7050-28200	F.DRIVE SHAFT SET	1							
6	3	1A7050-28211	SHAFT, FRONT DRIVE	1							
7	3	198165-28240	COLLAR, SHIFT	1							
8	2	194311-28230	SPRING, 21.2	1							
9	2	1A7050-28250	COVER, FRONT	1							
10	2	1A7050-28331	BLOCK, SHIFT	1							
11	2	1A7050-28351	SHAFT, SHIFT 4WD	1							
12	2	1A7050-28560	PACKING, FRONT COVER	1							
13	2	24101-060054	BEARING, BALL 6005	1							
14	2	24190-080001	BALL, STEEL 1/4	2							
15	2	24311-000125	O-RING, 1AP12.5	1							
16	2	24421-254008	SEAL, OIL TC254008	1							
17	2	26106-080162	BOLT, M8X 16 PLATED	1							
18	1	187K08-26110	PTO GEAR KIT	1							
19	2	187K08-26140	GEAR, CLUTCH 39T	1							
20	2	187K08-26340	IDLE ASSY, PTO	1							
21	3	22242-000200	RING, 20	1							
22	2	187K08-26370	GEAR,62T MID PTO	1							
23	1	1A7050-27110	SHIFT ASSY	1							

Fig.129. FUEL LINE(FAME)

(A)=SC2450(CCY)  
(B)=  
(C)=

(D)=  
(E)=  
(F)=



No.	Lev.	Parts No.	Description	Qty						I	R
				(A)	(B)	(C)	(D)	(E)	(F)		
1	1	1A7880-04250	HOSE KIT , FUEL	1							
2	2	1A7780-04210	HOSE, FUEL 350	1							
3	2	1A8160-04270	HOSE, RETURN	1							
4	2	1A8160-04500	HOSE, FUEL 270	2							
5	2	1A7880-04510	HOSE, FUEL	1							
6	2	1A8160-04510	HOSE, FUEL 330	1							
7	2	1A7880-04520	HOSE, FUEL 150	1							
8	2	1A7880-04530	HOSE, FUEL	1							
9	2	119546-59300	PIPE ASSY, FUEL	1							
10	3	119416-59510	PIPE, FUEL RETURN	1							
11	3	119546-59700	PROTECTOR,PIPE 13.2	1							
12	3	124060-77680	CLIP, HOSE 10	2							
13	2	23080-012000	CLAMP, 12	8							
13-1	2	114270-59010	CLIP, HOSE 12	8							R
(A=FXXXXX)											
14	2	24316-000440	O-RING, 4DP44.0	1							
15	2	24316-240100	O-RING, 4DP10A	1							



Fig.111. BACKHOE(SWING FRAME)

(A)=SC2450(CCY)

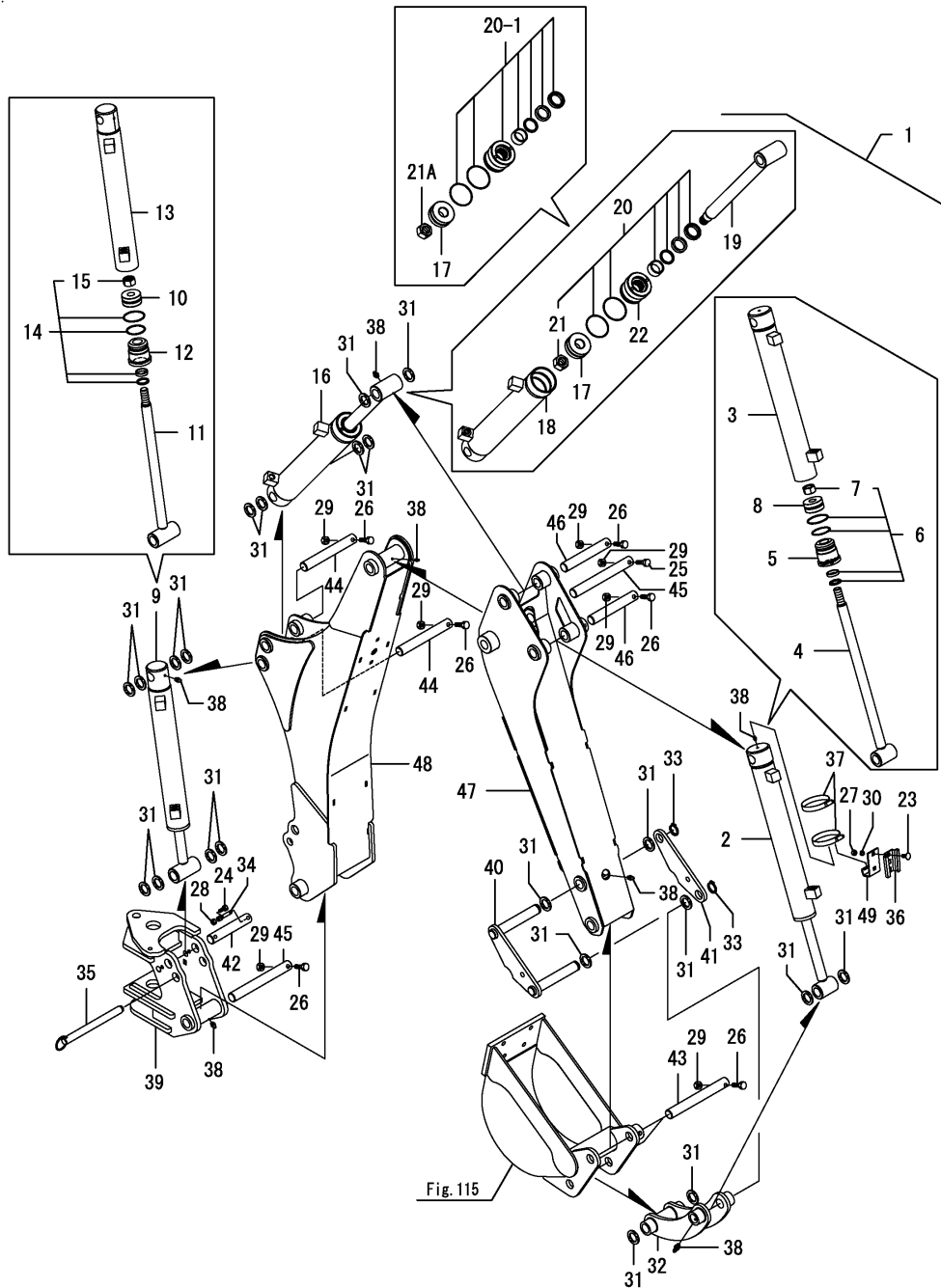
(B)=

(C)=

(D)=

(E)=

(F)=



No.	Lev.	Parts No.	Description	Qty						I	R
				(A)	(B)	(C)	(D)	(E)	(F)		
1	1	1A7882-98000	BACKHOE KIT	1							
2	2	1A7882-98120	CYLINDER, BUCKET	1							
3	3	1A7882-97510	TUBE, CYLINDER	1							
4	3	1A7882-97520	ROD, PISTON	1							
5	3	1A7882-97530	GLAND, THRADED	1							
6	3	1A7882-97540	REPAIR KIT, SEAL	1							
7	4	1A7882-97100	NUT, 3/4	1							
8	3	1A7882-97280	PISTON	1							
9	2	1A7882-98130	CYLINDER, BOOM	1							
10	3	1A7882-97280	PISTON	1							
11	3	1A7882-97290	ROD, PISTON	1							
12	3	1A7882-97300	GLAND, THRADED	1							
13	3	1A7882-97310	TUBE, CYLINDER	1							
14	3	1A7882-97540	REPAIR KIT, SEAL	1							
15	4	1A7882-97100	NUT, 3/4	1							
16	2	1A7882-98140	CYLINDER, 2-1/2X11	1							
17	3	1A7882-97370	PISTON ASSY	1							
18	3	1A7882-97430	TUBE, CYLINDER	1							
19	3	1A7882-97440	ROD, PISTON	1							
20	3	1A7882-97450	REPAIR KIT, SEAL	1							
20-1	3	1A7882-97330	GLAND ASSEMBLY	1							N
		(A=F010102)									
21	4	1A7882-97340	NUT, 7/8	1							Z
		(A=F010102)									
21A	3	1A7882-97340	NUT, 7/8	1							W
		(A=F010102)									
22	3	1A7882-97220	GLAND	1							Z
		(A=F010102)									
23	2	1A7882-98150	BOLT, M31X75	2							
24	2	1A7882-98240	BOLT, M31X112	2							
25	2	1A7882-98260	BOLT, M3/8	1							
26	2	1A7882-98270	BOLT, M38X200	7							
27	2	1A7882-98290	NUT, M31	2							
28	2	1A7882-98310	NUT, LOCK NF 31	2							
29	2	1A7882-98330	NUT, LOCK 3/8	8							
30	2	1A7882-98350	WASHER, 31	2							
31	2	1A7882-98390	BUSH, 150	20							
32	2	1A7882-98450	LINK, BUCKET	1							
33	2	1A7882-98460	RING, RETAINING	2							
34	2	1A7882-98490	PIN, RETAINER	2							
35	2	1A7882-98500	FASPIN	1							
36	2	1A7882-98520	SOCKET	1							
37	2	1A7882-98580	CLAMP, HOSE	2							
38	2	1A7882-98610	GREASE	13							
39	2	1A7882-98720	FRAME, SWING	1							
40	2	1A7882-98730	GUIDE, LINK	1							
41	2	1A7882-98740	LINK, GUIDE	1							
42	2	1A7882-98760	PIN	1							
43	2	1A7882-98780	PIN	2							
44	2	1A7882-98790	PIN	2							
45	2	1A7882-98800	PIN	2							

Fig.111. BACKHOE(SWING FRAME)

(A)=SC2450(CCY)  
(B)=  
(C)=

(D)=  
(E)=  
(F)=

No.	Lev.	Parts No.	Description	Q'ty					
				(A)	(B)	(C)	(D)	(E)	(F)
46	2	1A7882-98810	PIN	2					
47	2	1A7882-98860	DIPPERSTICK	1					
48	2	1A7882-98870	BOOM	1					
49	2	1A7882-98920	MOUNT, SMV SOCKET	1					

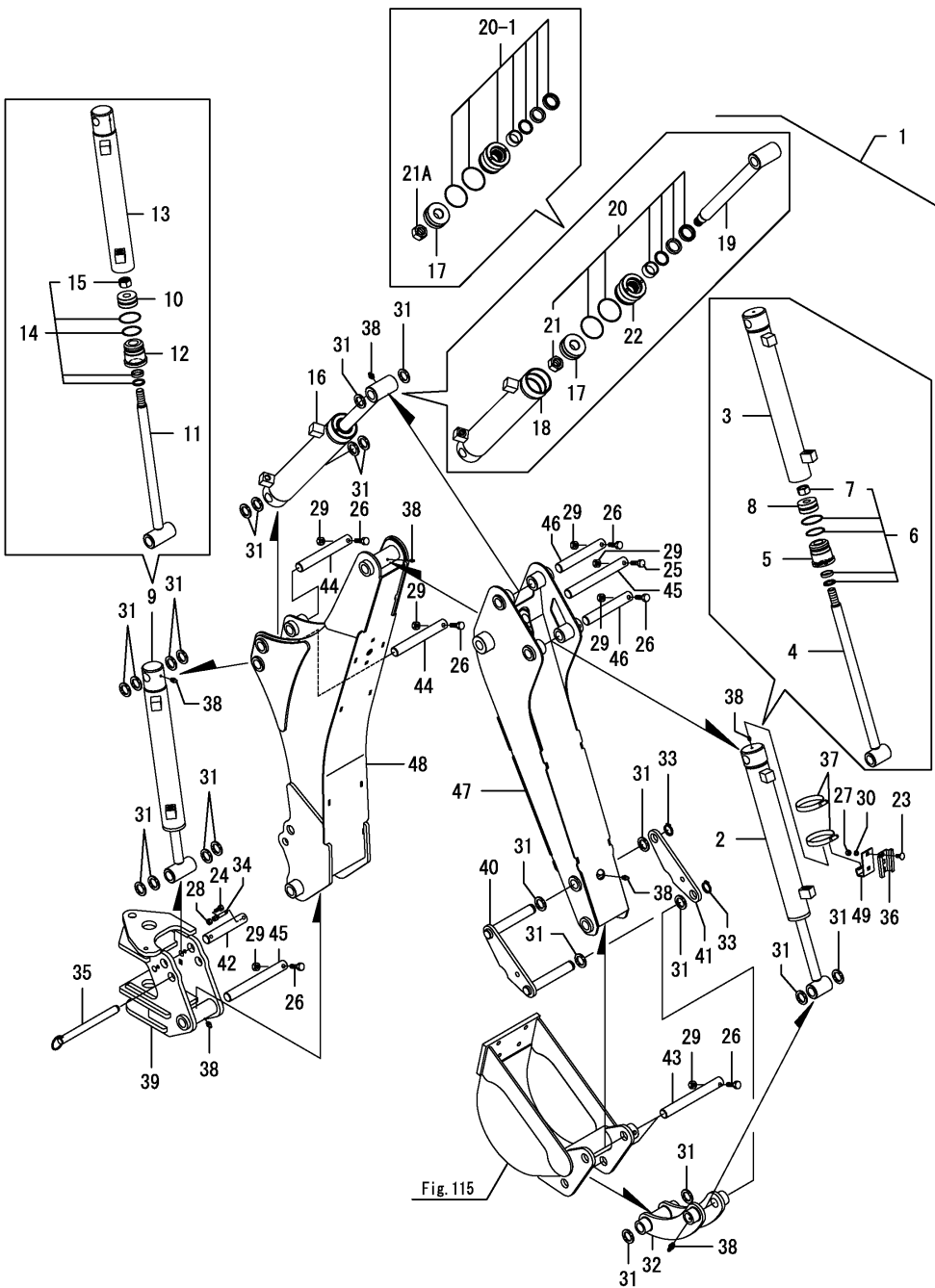


Fig.115

Fig.112. BACKHOE(CONTROL

(A)=SC2450(CCY)

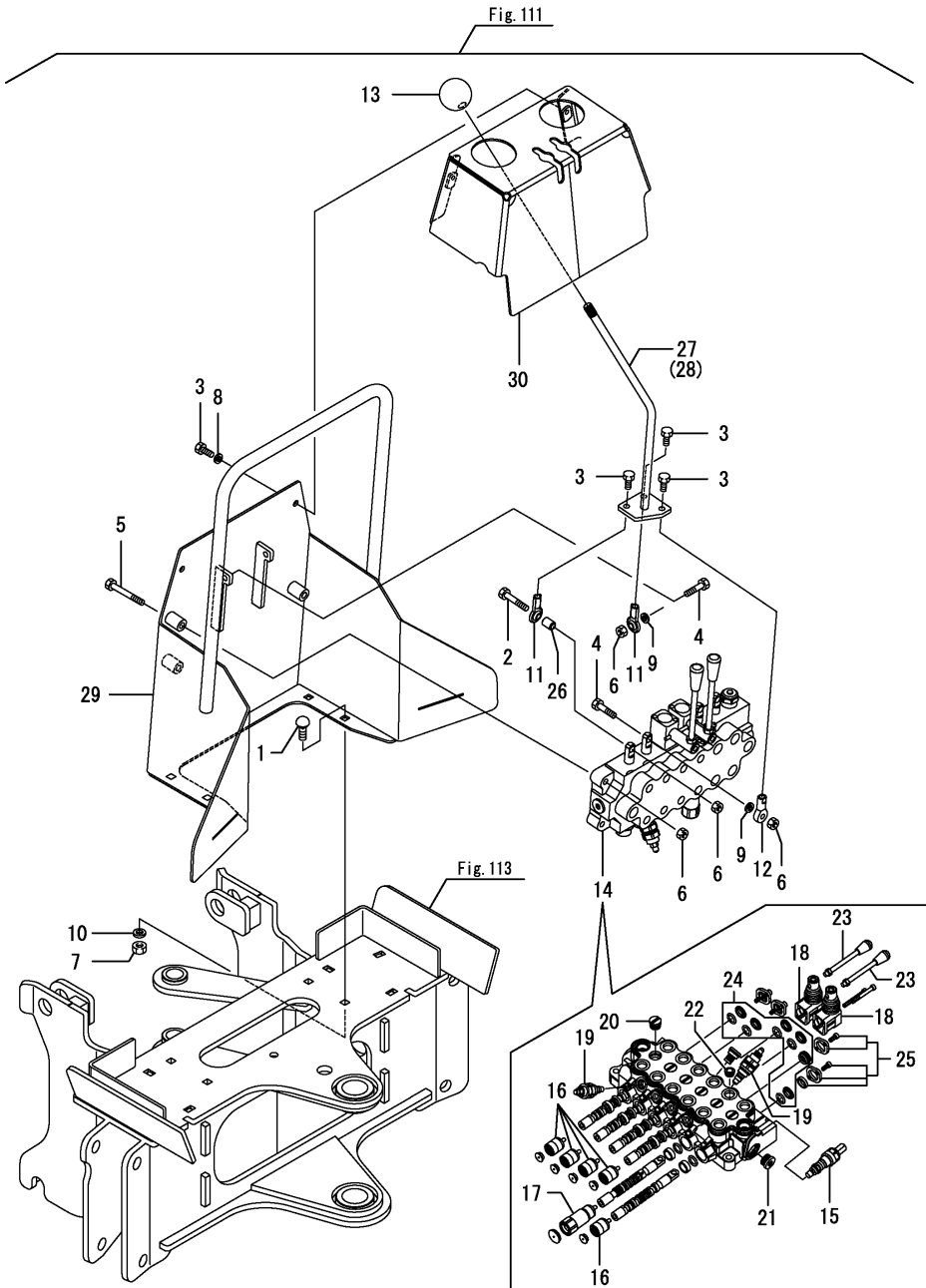
(B)=

(C)=

(D)=

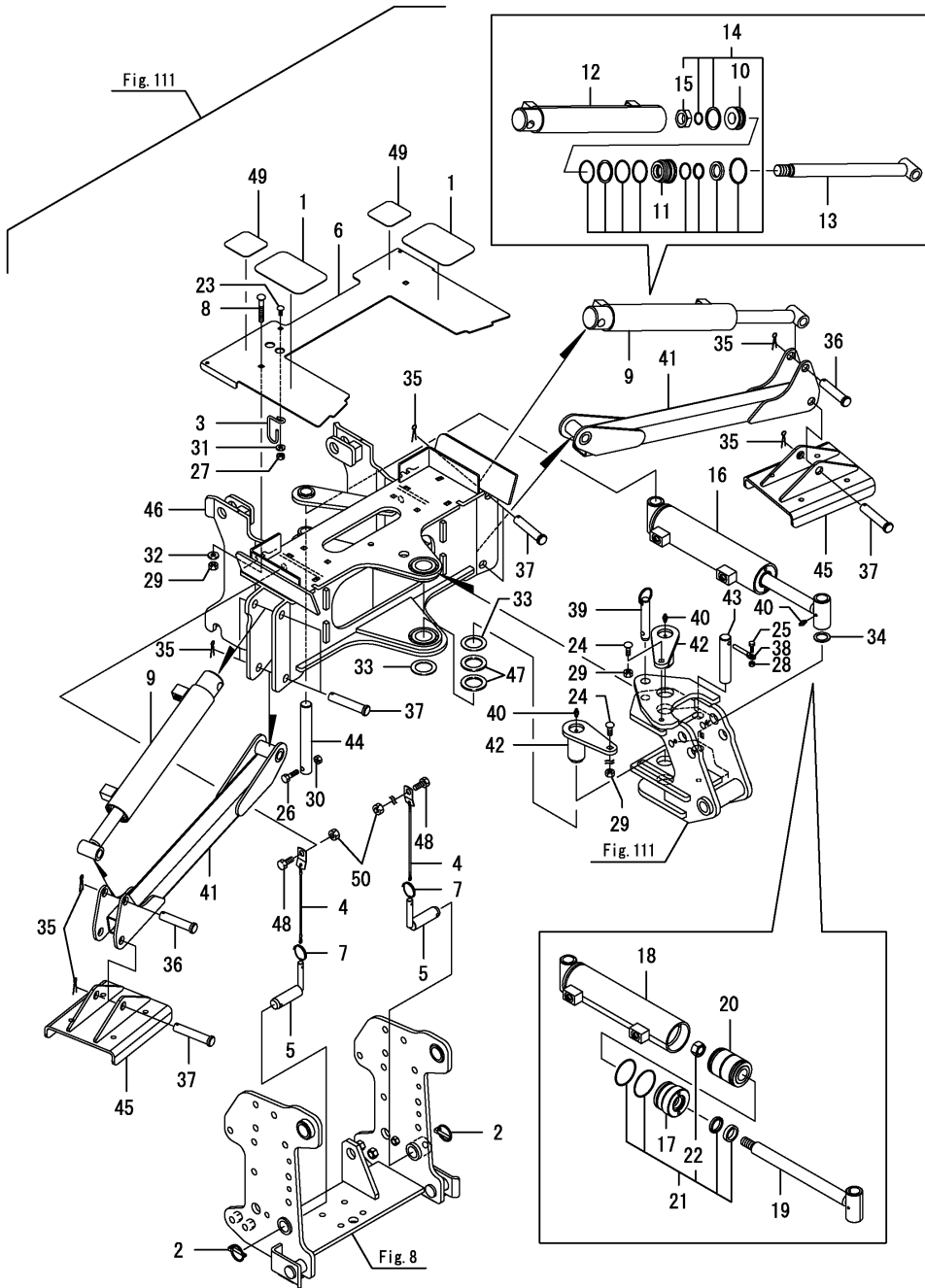
(E)=

(F)=



No.	Lev.	Parts No.	Description	Q'ty						I	R
				(A)	(B)	(C)	(D)	(E)	(F)		
1	2	1A7882-98160	BOLT, M38X100	4							
2	2	1A7882-98190	BOLT, M31X175	2							
3	2	1A7882-98220	BOLT, M31X75	8							
4	2	1A7882-98230	BOLT, M31X125	4							
5	2	1A7882-98250	BOLT, M31X250	3							
6	2	1A7882-98310	NUT, LOCK NF 31	9							
7	2	1A7882-98320	NUT, LOCK NC 38	4							
8	2	1A7882-98350	WASHER, 31	2							
9	2	1A7882-98360	WASHER, 5/16	4							
10	2	1A7882-98370	WASHER, 38	4							
11	2	1A7882-98540	JOINT, BALL	4							
12	2	1A7882-98550	JOINT, BALL	2							
13	2	1A7882-98560	KNOB	2							
14	2	1A7882-98690	VALVE, SPOOL 6	1							
15	3	1A7882-97800	RELIEF ASSY, MAIN	1							
16	3	1A7882-97810	POSITIONER	5							
17	3	1A7882-97820	BOOM, POSITIONER	1							
18	3	1A7882-97830	BOX ASSY, LEVER	2							
19	3	1A7882-97840	VALVE, RELIEF W/P	2							
20	3	1A7882-97850	VALVE, CHECK	6							
21	3	1A7882-97860	PLUG, 3/4-16UNF	2							
22	3	1A7882-97870	ORIFICE ASSY	1							
23	3	1A7882-97880	HANDLE ASSY	2							
24	3	1A7882-97890	SEAL KIT, VALVE	1							
25	3	1A7882-97900	WIPER KIT	1							
26	2	1A7882-98820	SPACER, LONG	2							
27	2	1A7882-98830	HANDLE, CONTROL R	1							
28	2	1A7882-98840	HANDLE, CONTROL L	1							
29	2	1A7882-98890	TOWER ASSY, CONTROL	1							
30	2	1A7882-98900	COVER ASSY, VALVE	1							

Fig.113. BACKHOE(MAIN FRAME)



(A)=SC2450(CCY)

(B)=

(C)=

(D)=

(E)=

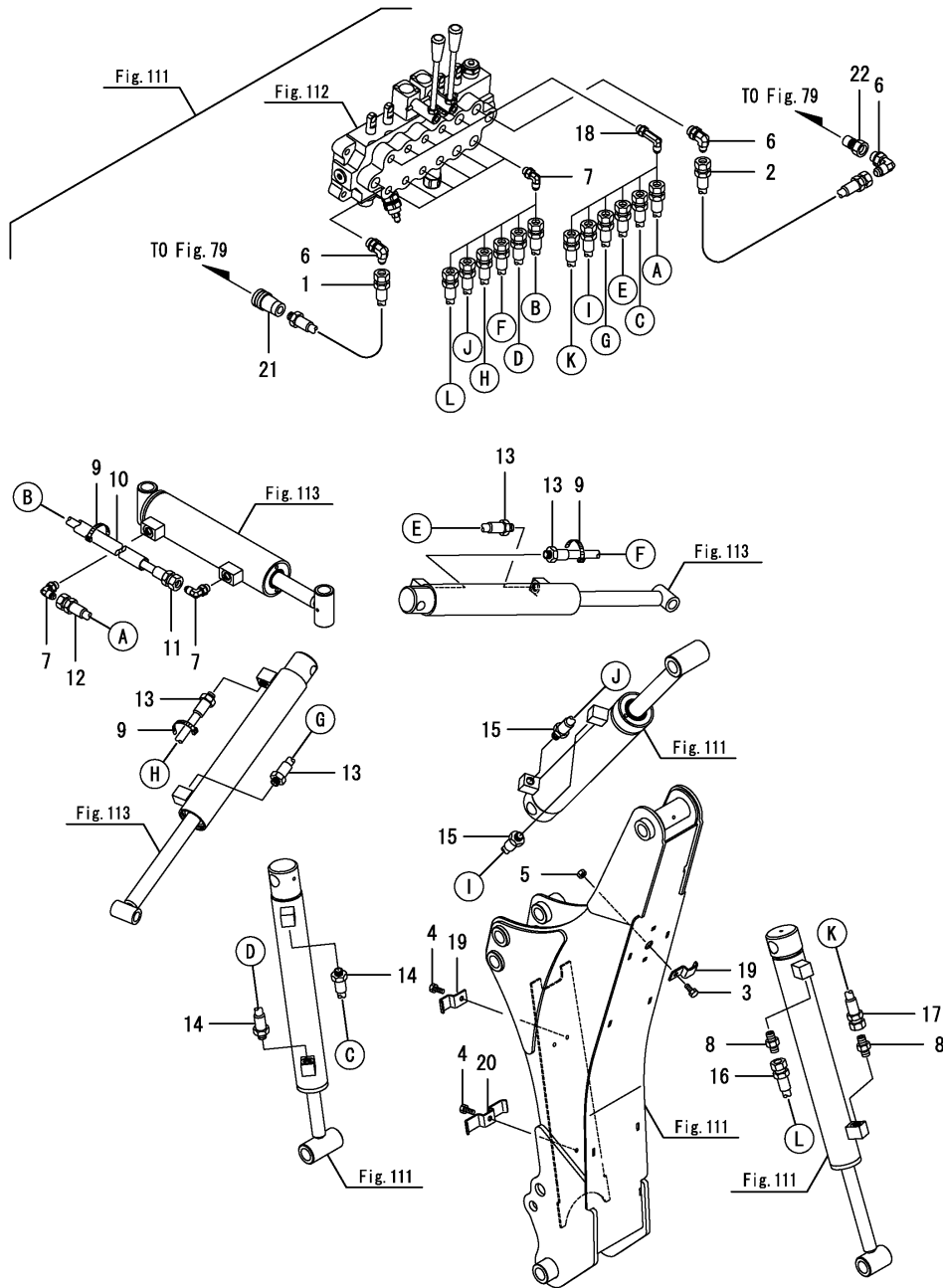
(F)=

No.	Lev.	Parts No.	Description	Qty						I	R
				(A)	(B)	(C)	(D)	(E)	(F)		
1	2	1A7882-97000	PAD, STEP 4X6	2							
2	2	1A7882-97010	PIN, LINTCH	2							
3	2	1A7882-97020	HOSE, WIRE	1							
4	2	1A7882-97030	CABLE ASSY	2							
5	2	1A7882-97060	PIN, WELDMENT	2							
6	2	1A7882-97070	PLATE, FLOOR	1							
7	2	1A7882-97080	RING	2							
8	2	1A7882-97960	BOLT, 3/8	2							
9	2	1A7882-98100	CYLINDER, 2X11-1/4	2							
10	3	1A7882-97660	PISTON	2							
11	3	1A7882-97670	GLAND	2							
12	3	1A7882-97680	TUBE, CYLINDER	2							
13	3	1A7882-97690	ROD, PISTON	2							
14	3	1A7882-97700	SEAL KIT	2							
15	4	1A7882-97560	NUT, 1 NF	2							
16	2	1A7882-98110	CYLINDER, 2-1/2	1							
17	3	1A7882-97170	GLAND, THRADED	1							
18	3	1A7882-97180	BARREL, CYLINDER	1							
19	3	1A7882-97190	ROD, CYLINDER	1							
20	3	1A7882-97200	PISTON	1							
21	3	1A7882-97210	REPAIR KIT, SEAL	1							
22	4	1A7882-97100	NUT, 3/4	1							
23	2	1A7882-98150	BOLT, M31X75	1							
24	2	1A7882-98170	BOLT, M38X150	2							
25	2	1A7882-98240	BOLT, M31X112	1							
26	2	1A7882-98270	BOLT, M38X200	1							
27	2	1A7882-98300	NUT, LOCK NC 31	1							
28	2	1A7882-98310	NUT, LOCK NF 31	1							
29	2	1A7882-98320	NUT, LOCK NC 38	4							
30	2	1A7882-98330	NUT, LOCK 3/8	1							
31	2	1A7882-98360	WASHER, 5/16	1							
32	2	1A7882-98370	WASHER, 38	2							
33	2	1A7882-98380	BUSH, 225	2							
34	2	1A7882-98390	BUSH, 150	5							
35	2	1A7882-98400	PIN, 19X125	8							
36	2	1A7882-98470	PIN, 3-1/4	2							
37	2	1A7882-98480	PIN, 4	6							
38	2	1A7882-98490	PIN, RETAINER	1							
39	2	1A7882-98510	FASPIN	1							
40	2	1A7882-98610	GREASE	3							
41	2	1A7882-98710	STABILIZER LEG	2							
42	2	1A7882-98750	PIN, WELDMENT	2							
43	2	1A7882-98770	PIN	1							
44	2	1A7882-98810	PIN	1							
45	2	1A7882-98850	PAD, STABILIZER	2							
46	2	1A7882-98880	FRAME, MAIN	1							
47	2	1A7882-98910	WASHER, THRUST	2							
48	2	1A7882-98950	SCREW	2							
49	2	1A7882-98990	PAD, STEP 3X3	2							
50	2	1A7882-98960	NUT	2							

Fig.114. BACKHOE(PIPING)

(A)=SC2450(CCY)  
(B)=  
(C)=

(D)=  
(E)=  
(F)=

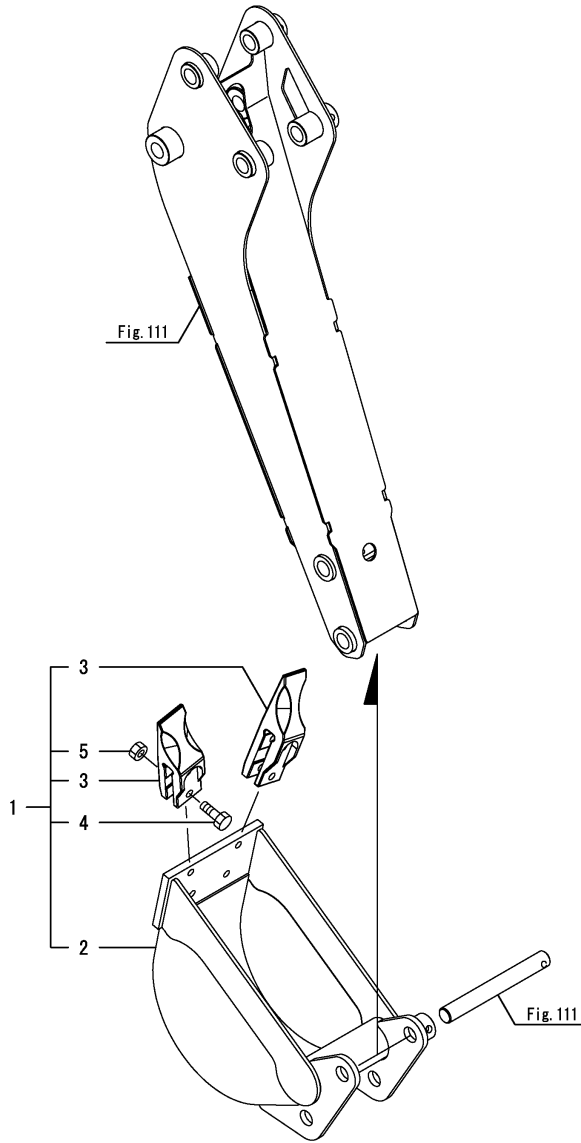


No.	Lev.	Parts No.	Description	Qty						I	R
				(A)	(B)	(C)	(D)	(E)	(F)		
1	2	1A7882-97040	HOSE, 3/8X27	1							
2	2	1A7882-97050	HOSE, 3/8X40	1							
3	2	1A7882-98200	BOLT, M5X31	1							
4	2	1A7882-98210	BOLT, M31X75	2							
5	2	1A7882-98300	NUT, LOCK NC 31	1							
6	2	1A7882-98420	ADAPTER, UNION	3							
7	2	1A7882-98430	ADAPTER	8							
8	2	1A7882-98440	ADAPTER	2							
9	2	1A7882-98570	CONNECTOR	3							
10	2	1A7882-98590	HOSE, SLEEVE	1							
11	2	1A7882-98620	HOSE, 20	1							
12	2	1A7882-98630	HOSE, 26	1							
13	2	1A7882-98640	HOSE, 40	4							
14	2	1A7882-98650	HOSE, 63	2							
15	2	1A7882-98660	HOSE, 75	2							
16	2	1A7882-98670	HOSE, 107	1							
17	2	1A7882-98680	HOSE, 114	1							
18	2	1A7882-98700	ADAPTER	6							
19	2	1A7882-98930	CLAMP, HOSE	2							
20	2	1A7882-98940	CLAMP, HOSE	1							
21	2	1A7882-98970	BODY, COUPLER	1							
22	2	1A7882-98980	COUPLER, NOSE	1							

Fig.115. BUCKETS,8INCH KIT

(A)=SC2450(CCY)  
(B)=  
(C)=

(D)=  
(E)=  
(F)=



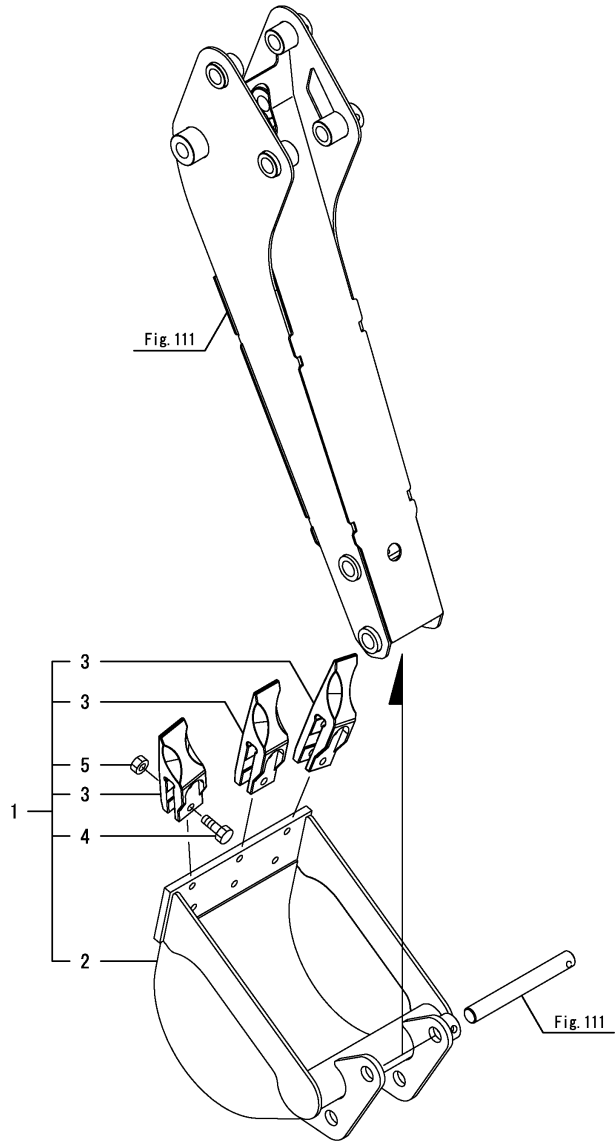
No.	Lev.	Parts No.	Description	Q'ty						I	R
				(A)	(B)	(C)	(D)	(E)	(F)		
1	1	1A7882-97710	BUCKET KIT, 8 INCH	1							
2	2	1A7882-97720	BUCKET, 8	1							
3	2	1A7882-97750	TOOTH, BUCKET	2							
4	2	1A7882-97760	BOLT, 7/16-20X1.75	4							
5	2	1A7882-97770	NUT, LOCK 7/16	4							

Remarks  
\*Optional parts.

Fig.116. BUCKETS,12INCH KIT

(A)=SC2450(CCY)  
(B)=  
(C)=

(D)=  
(E)=  
(F)=



No.	Lev.	Parts No.	Description	Q'ty						I	R
				(A)	(B)	(C)	(D)	(E)	(F)		
1	1	1A7882-97780	BUCKET KIT, 12 INCH	1							
2	2	1A7882-97730	BUCKET, 12	1							
3	2	1A7882-97750	TOOTH, BUCKET	3							
4	2	1A7882-97760	BOLT, 7/16-20X1.75	6							
5	2	1A7882-97770	NUT, LOCK 7/16	6							

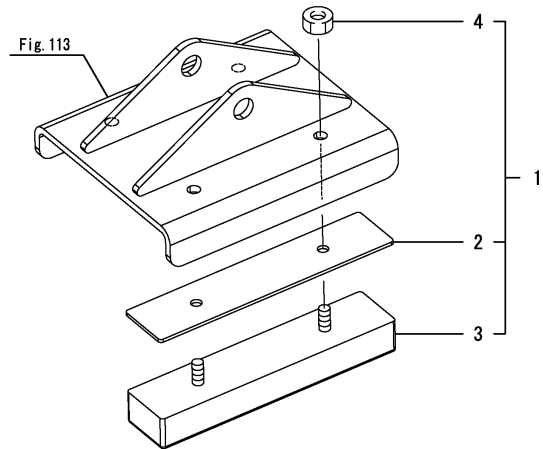
Remarks  
\*Optional parts.

Fig.117. STREET PAD KIT

(A)=SC2450(CCY)  
(B)=  
(C)=

(D)=  
(E)=  
(F)=

No.	Lev.	Parts No.	Description	Q'ty						I	R
				(A)	(B)	(C)	(D)	(E)	(F)		
1	1	1A7882-97550	PAD KIT, STREET	1							
2	2	1A7882-97460	SPACER, STREET PAD	4							
3	2	1A7882-97790	RUBBER	4							
4	2	1A7882-98330	NUT, LOCK 3/8	8							



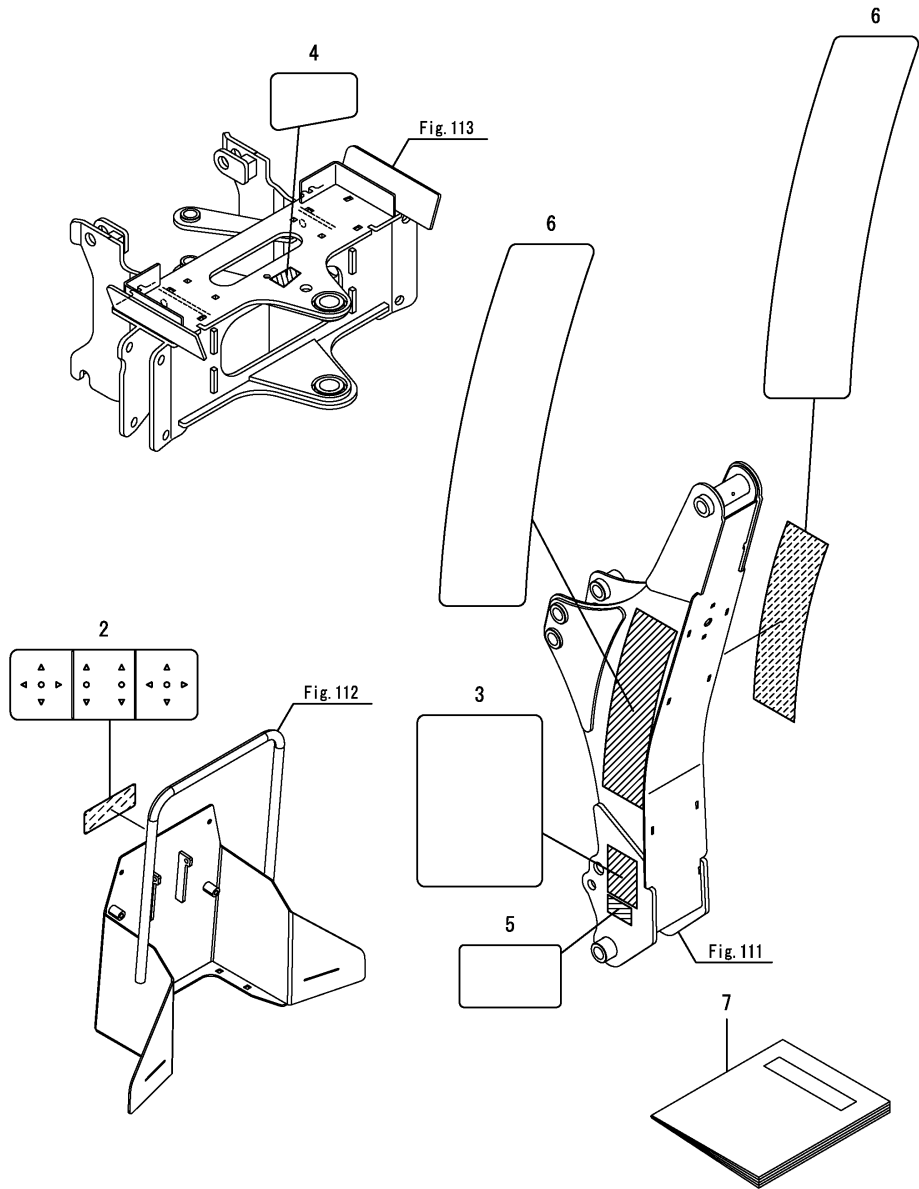
Remarks  
\*Optional parts.



Fig.118. LABEL & DOCUMENT

(A)=SC2450(CC)  
(B)=  
(C)=

(D)=  
(E)=  
(F)=



No.	Lev.	Parts No.	Description	Q'ty						I	R
				(A)	(B)	(C)	(D)	(E)	(F)		
2	2	1A7882-98050	DECAL, OPERATION	1							
3	2	1A7882-98060	DECAL, IMPORTANT	1							
4	2	1A7882-98070	DECAL,SAFTYLOCKSWING	1							
5	2	1A7882-98080	DECAL,SAFTYLOCK BOOM	1							
6	2	1A7882-98090	DECAL, CCY	2							
7	2	0A059-U00100	OPERATION MANUAL	1							

---

---

---

---

---

---

---

---

---

---

---

---

---

---

---

---

---

---

---

---

---

---

---

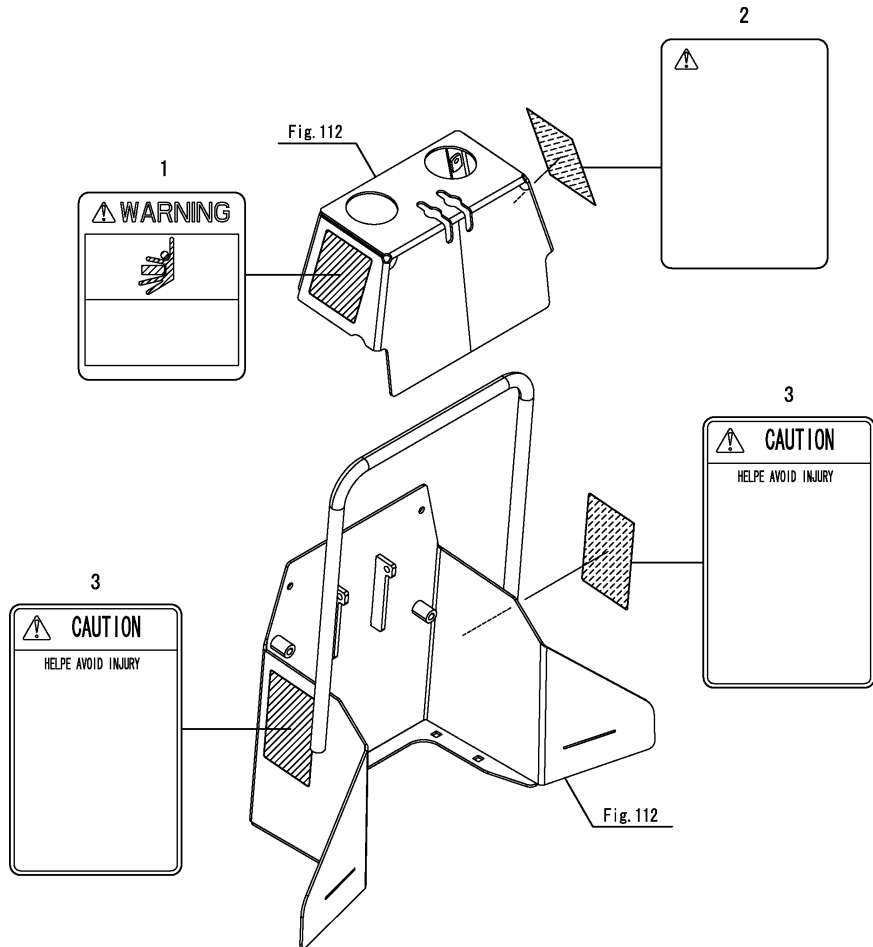
---

Fig.119. LABEL(SAFETY)

(A)=SC2450(CCY)  
(B)=  
(C)=

(D)=  
(E)=  
(F)=

No.	Lev.	Parts No.	Description	Q'ty						I	R
				(A)	(B)	(C)	(D)	(E)	(F)		
1	1	1A7882-97920	SAFETY DECAL	1							
2	1	1A7882-97930	SAFETY DECAL	1							
3	1	1A7882-97940	SAFETY DECAL	2							



## Parts No. Index

Parts No.	Fig. No.	Ref. No.
0A041-U00500	105	1
0A041-U00501	105	1 -1
0A041-U00502	105	1 -2
0A041-U00503	105	1 -3
0A059-U00100	118	7
102103-55520	7	11
	123	11
104200-55330	7	8
	123	8
104200-55750	7	16
	123	16
105027-12580	2	7
110250-55610	7	12
	123	12
114110-07760	2	1
	96	2
114110-07761	2	1 -1
114270-59010	3	36
	5	11
		13 -1
	7	19
		20
		21
		22
		24 -1
	121	36
	123	19
		20
		21
		22
		24 -1
119225-52102	7	6
	123	6
119255-44660	3	30
	121	30
119416-59510	129	10
119515-12520	2	3
119517-12510	2	2
119546-59300	129	9
119546-59700	129	11
119629-59910	5	12
119655-12560	2	3 -1
119686-12570	2	6
119808-12540	2	5
119810-55340	7	9
	123	9
119810-55650	7	13
	123	13
121257-55720	7	14

Parts No.	Fig. No.	Ref. No.
121257-55720	123	14
121257-55731	7	15
	123	15
121267-49500	3	31
	121	31
121450-44531	3	8
	121	8
121470-44581	3	10
	121	10
124060-77680	129	12
124450-44560	3	9
	121	9
124764-44810	3	11
129052-13550	3	26
	121	26
129052-55630	7	18
	123	18
129053-55620	7	7
	123	7
129107-44590	3	3
	121	3
129107-55510	7	10
	123	10
129211-77920	82	14
	127	14
129418-12530	2	4
1684Q3-01430	43	1
168H60-29390	36	10
168H60-29400	36	11
168H60-29411	36	12
168H60-29840	36	4
168H61-29260	35	8
168HK0-29351	35	9
168HK0-29600	39	2
168HK0-29610	39	3
168HK0-29620	36	15
168HK0-29690	39	4
172010-07810	110	4
172122-46590	75	4
172524-06850	48	1
172531-17300	83	1
175022-49730	3	32
	121	32
178080-06200	36	1
187K06-24500	35	2
187K06-24540	36	2
187K06-24550	36	5
187K06-24570	36	7
187K06-24600	36	8
187K06-25020	39	1

Parts No.	Fig. No.	Ref. No.
187K06-25170	38	1
187K06-26400	43	2
187K06-26710	33	17
187K06-26740	33	18
187K06-29390	43	13
187K06-29460	36	14
187K06-29620	56	2
187K06-29860	56	3
187K06-29870	56	4
187K06-29880	56	5
187K06-29890	43	14
	56	6
187K06-29900	56	7
187K06-36341	67	3
187K06-36350	67	4
187K06-40010	35	10
187K06-99100	128	1
187K08-26110	128	18
187K08-26140	128	19
187K08-26340	128	20
187K08-26370	128	22
192154-24670	35	6
		11
192154-29640	48	10
192154-29700	48	11
192157-24170	32	1
192157-24192	33	9
192157-24200	33	10
	45	2
192157-24220	33	11
192157-24450	33	13
192157-24560	36	6
192157-24620	46	2
192157-24801	33	16
192157-24850	36	9
192157-26100	40	2
192157-26111	40	3
192157-26120	40	4
192157-26130	40	5
192157-26140	40	6
192157-26150	40	7
192157-26160	40	8
192157-26170	40	9
192157-26180	41	2
192157-26220	41	4
192157-26270	40	10
192157-26300	40	11
192157-26330	40	12
192157-26340	42	2
192157-26350	40	13

Parts No.	Fig. No.	Ref. No.
192157-26380	42	5
192157-26460	43	7
192157-26470	43	8
192157-26520	43	10
192157-26600	44	2
192157-26611	44	1
192157-26641	44	3
192157-26740	43	11
192157-26810	33	19
192157-26821	33	20
192157-26840	45	6
192157-26860	45	7
192157-26960	45	9
192157-26980	45	10
192157-26991	45	11
192157-27090	33	14
192157-27510	48	3
192157-27520	48	4
192157-27550	48	6
192157-27740	45	13
192157-32360	59	3
192157-32370	59	4
192157-33101	60	1
192157-33110	60	5
192157-34130	62	5
192157-36300	67	1
192157-40180	35	7
		12
192157-99010	45	15
192157-99020	45	16
192157-99040	45	17
192159-27700	44	4
192159-27780	44	7
192159-27790	44	5
192159-31410	45	14
192163-24420	35	1
192167-25310	56	1
194065-27270	33	21
	36	3
194105-26430	18	9
194130-44480	71	2
194145-04810	68	1
194145-22430	89	2
194145-27450	45	18
194145-61570	76	13
194151-36670	18	11
194151-63240	95	5
		5 -1
194151-63250	95	6
		6 -1

## Parts No. Index

Parts No.	Fig. No.	Ref. No.
194197-27681	45	12
	52	1
	128	3
194200-25270	40	1
	42	1
	45	3
194205-63550	7	23
	123	23
194208-47530	76	11
194300-37570	91	1
	95	2
194311-28230	50	6
	128	8
194312-39480	7	5
	123	5
194330-62530	68	19
	104	3
194420-61640	85	6
	87	16
		17
194440-11880	62	1
194440-51620	83	2
194440-51630	30	29
194454-25770	45	4
194454-25870	45	5
194464-22160	45	1
194464-48850	30	18
194550-27030	55	2
194555-25880	58	1
194555-65130	87	20
194640-54100	109	4
194640-54170	109	5
194680-51670	3	33
	80	18
		19
		20
	121	33
	126	19
		20
		21
194680-78350	80	22
	126	23
194730-57242	12	2
194740-00160	4	1
	76	1
	122	1
194850-49290	33	22
	79	27
194854-33110	60	8
194855-24020	33	2

Parts No.	Fig. No.	Ref. No.
194855-25290	50	1
	128	2
194859-24252	33	12
194940-61790	85	6 -1
	87	16 -1
		17 -1
194940-65590	87	21
194951-14440	18	6
194990-20170	53	4
194990-22130	3	27
	80	1
		2
	81	1
	82	1
	84	1
	87	1
		2
		3
	103	1
	121	27
	126	1
		2
	127	1
194990-22140	3	28
		29
	10	5
	27	7
		8
	47	1
	53	2
	55	1
	75	1
		2
	76	2
	78	1
	80	3
	89	1
	95	1
	100	1
	103	2
	109	2
	121	28
		29
	124	4
	125	7
		8
	126	3
194990-22160	104	2
194990-85561	75	11
198071-01160	4	5

Parts No.	Fig. No.	Ref. No.
198071-01160	122	5
198071-58810	27	11
	125	11
198071-61890	3	38
		39
	27	13
		14
	82	13
	87	19
	89	13
		14
		15
		16
	121	38
		39
	125	13
		14
	127	13
198071-65610	87	22
198072-04320	7	2
	123	2
198093-84810	27	15
	77	5
	125	15
198133-78840	83	8
198153-51700	126	16
198162-00720	3	5
	121	5
198162-47630	49	6
198162-61370	3	37
	121	37
198162-62630	93	5
198164-27970	75	3
198165-04380	5	8
198165-11500	11	1
198165-24440	18	7
198165-24490	18	8
198165-28220	50	5
198165-28240	50	4
	128	7
198165-47750	91	2
198165-85970	101	9
198167-24530	48	2
198167-24950	33	4
198200-01260	4	7 -1
	122	7 -1
198200-27811	47	12
198200-27911	49	5
198200-47810	76	26
198200-56630	5	6 E

Parts No.	Fig. No.	Ref. No.
198200-56630	5	10
198220-52180	82	2
	127	2
198220-65621	99	6
198223-46250	79	2
198223-52150	82	3 -1
	120	5
	127	3
198234-72550	106	19
198240-46260	79	4
198240-48830	30	17
198240-48850	30	19
198253-01190	4	6
	122	6
198273-28521	51	3
	69	1
198284-63270	95	33
198327-26560	62	2
198360-03260	93	1
198360-03270	93	2
198448-04270	5	7
198448-56150	86	3
198461-60590	89	4
		5
198461-87590	3	40
	121	40
198475-37690	69	4
198535-52110	80	10
	126	10
198535-52120	80	11
	126	11
198535-52130	80	12
	126	12
1A1380-55310	3	34
	80	21
	121	34
	126	22
1A6150-76740	89	17
		18
1A6240-51630	80	8
	126	8
1A6260-41250	76	3
1A6370-31000	43	3
1A6380-25370	77	1
1A6382-96650	127	20
1A6680-56920	3	35
	121	35
1A6750-29510	35	2 A
1A6750-29850	56	8
1A6770-85920	8	4

## Parts No. Index

Parts No.	Fig. No.	Ref. No.
1A6770-85920	102	5
1A6780-13910	57	1
1A6780-51410	80	16
	126	17
1A6780-57200	82	12
	127	12
1A7050-24101	33	3
1A7050-24130	33	6
1A7050-24150	33	7
1A7050-24610	46	1
1A7050-24950	37	1
1A7050-24990	35	3
1A7050-25181	38	2
1A7050-26080	41	1
1A7050-26210	41	3
1A7050-26360	42	4
1A7050-27110	128	23
1A7050-27530	48	5
1A7050-27600	48	7
1A7050-27610	48	8
1A7050-27620	48	9
1A7050-28110	50	2
	128	4
1A7050-28200	128	5
1A7050-28211	50	3
	128	6
1A7050-28250	50	7
	128	9
1A7050-28260	50	8
1A7050-28331	52	2
	128	10
1A7050-28351	52	3
	128	11
1A7050-28560	50	9
	128	12
1A7050-31100	57	2
1A7050-32320	59	1
1A7050-33390	58	2
1A7050-33460	58	3
1A7050-34110	62	3
1A7050-34120	62	4
1A7051-32320	59	2
1A7052-26890	45	8
1A7070-47400	76	10
1A7130-11790	10	4
	124	3
1A7130-13120	13	1
1A7130-13130	13	2
1A7130-13270	17	3
1A7130-29420	36	13

Parts No.	Fig. No.	Ref. No.
1A7130-36330	67	2
1A7180-04180	5	6 C
		15
1A7335-17520	29	3
1A7335-52120	83	5
1A7335-53600	84	9
1A7335-53610	84	10
1A7335-53620	84	11
1A7335-53630	84	12
1A7335-53640	84	13
1A7335-53650	84	14
1A7335-71250	106	5
1A7340-65080	96	1
1A7450-52180	80	13
	126	13
1A7500-13360	15	2
1A7500-51130	80	5
	126	5
1A7500-51160	80	7
	126	7
1A7500-51810	30	20
1A7500-71120	106	9
1A7500-71130	106	10
1A7510-04430	3	21
	121	21
1A7510-36490	68	2
1A7510-47760	91	3
1A7510-56110	86	2
1A7531-52420	80	14
	126	14
1A7780-04210	129	2
1A7790-01160	53	1
	61	1
1A7870-52950	127	5
1A7880-00601	3	1
	121	1
1A7880-00610	3	2
	121	2
1A7880-00640	3	4
	121	4
1A7880-01010	4	3 -1
	122	3 -1
1A7880-01060	4	2
	122	2
1A7880-01110	4	3
	122	3
1A7880-01150	4	4
1A7880-01350	3	6
	121	6
1A7880-01360	3	7

Parts No.	Fig. No.	Ref. No.
1A7880-01360	121	7
1A7880-01410	3	13
	121	13
1A7880-01440	3	14
	121	14
1A7880-01460	3	15
	121	15
1A7880-01480	110	2
1A7880-01490	110	3
1A7880-01500	3	16
	121	16
1A7880-01520	3	17
	121	17
1A7880-01560	3	18
	121	18
1A7880-01650	3	19
	121	19
1A7880-03111	3	20
	121	20
1A7880-04040	5	3
1A7880-04050	5	4
1A7880-04080	5	5
1A7880-04091	5	1
		6 A
1A7880-04100	5	2
1A7880-04101	5	2 -1
1A7880-04110	5	6
1A7880-04111	5	6 B
1A7880-04130	5	6 -1
1A7880-04210	5	16
1A7880-04250	129	1
1A7880-04270	7	1
	123	1
1A7880-04410	7	3
1A7880-04430	7	4
	123	4
1A7880-04510	129	5
1A7880-04520	129	7
1A7880-04530	129	8
1A7880-05110	1	1
1A7880-05150	27	1
1A7880-05190	27	2
	125	2
1A7880-05410	3	22
1A7880-06010	3	23
1A7880-06150	3	24
	121	24
1A7880-06201	3	25
	121	25
1A7880-10600	108	2

Parts No.	Fig. No.	Ref. No.
1A7880-10640	108	3
1A7880-10641	108	3 A
1A7880-10650	108	1
1A7880-10800	10	1
1A7880-10900	10	2
1A7880-10950	10	3
1A7880-11510	11	2
1A7880-11540	17	2
1A7880-11551	11	3
1A7880-11560	11	4
1A7880-12302	12	1
1A7880-13150	14	1
1A7880-13310	15	1
1A7880-13470	15	3
1A7880-13480	15	4
1A7880-13510	16	1
1A7880-13520	16	2
1A7880-13530	16	3
1A7880-13540	19	1
1A7880-13600	17	1
1A7880-13710	18	1
1A7880-13721	18	2
1A7880-13730	18	3
1A7880-13740	18	4
1A7880-13780	18	5
1A7880-13810	19	2
1A7880-13820	19	3
1A7880-14110	20	1
1A7880-14120	20	2
1A7880-14130	20	3
1A7880-14620	21	1
1A7880-14700	23	1
1A7880-14710	23	2
1A7880-14800	24	1
1A7880-14810	24	5
1A7880-14820	24	2
		6
1A7880-14830	22	2
		6
	23	3
	24	3
		7
1A7880-14840	22	3
		7
	23	4
	24	4
		8
	63	2
		6
	64	2

## Parts No. Index

Parts No.	Fig. No.	Ref. No.
1A7880-14840	65	2
		6
1A7880-14900	22	1
1A7880-14910	22	5
1A7880-14920	22	4
		8
1A7880-15060	30	1
1A7880-15100	27	3
	125	3
1A7880-15120	27	4
	125	4
1A7880-15130	27	5
	125	5
1A7880-15160	27	6
	125	6
1A7880-15700	26	1
1A7880-15740	26	2
1A7880-15780	96	3
1A7880-17010	29	1
1A7880-17011	29	1 -1
1A7880-17050	29	2
1A7880-17070	29	4
1A7880-17080	29	5
1A7880-17100	29	6
1A7880-17101	29	6 -1
1A7880-17300	28	1
1A7880-17320	28	2
1A7880-17350	88	1
1A7880-17601	30	2
1A7880-17630	30	3
1A7880-17651	30	4
1A7880-17680	30	5
1A7880-17701	30	6
1A7880-17751	30	7
1A7880-17810	30	8
1A7880-17830	30	9
1A7880-17930	30	10
1A7880-17940	30	11
1A7880-17970	30	12
1A7880-17980	30	13
1A7880-21500	34	1
1A7880-27500	47	2
1A7880-27560	47	3
1A7880-27561	47	3 -1
1A7880-27580	47	4
1A7880-27800	49	1
1A7880-27850	49	2
1A7880-28300	51	1
1A7880-29400	53	3
1A7880-29410	53	5

Parts No.	Fig. No.	Ref. No.
1A7880-29430	53	6
1A7880-29450	53	9
1A7880-29451	53	9 -1
1A7880-29490	53	10
1A7880-29491	53	10 -1
	120	2
1A7880-29500	53	11
1A7880-29540	53	12
1A7880-29541	53	12 -1
1A7880-29570	53	13
1A7880-29600	53	14
1A7880-29610	53	7
1A7880-29640	53	15
1A7880-29720	53	16
1A7880-29780	53	17
1A7880-29800	54	1
1A7880-29801	54	1 -1
1A7880-29830	54	2
1A7880-29840	54	3
1A7880-29871	54	4
1A7880-29872	54	4 -1
1A7880-29901	55	3
1A7880-33200	61	2
1A7880-33250	61	3
1A7880-34180	25	1
	66	1
1A7880-34700	64	1
1A7880-34710	64	3
1A7880-34800	65	1
1A7880-34810	65	5
1A7880-34820	65	3
		7
1A7880-34830	63	3
		7
	64	4
	65	4
		8
1A7880-34900	63	1
1A7880-34910	63	5
1A7880-34920	63	4
		8
1A7880-37100	68	3
1A7880-37150	68	4
1A7880-37200	68	5
1A7880-37220	68	6
1A7880-37250	68	7
1A7880-37310	68	8
1A7880-37350	68	9
1A7880-37390	68	10
1A7880-37400	68	11

Parts No.	Fig. No.	Ref. No.
1A7880-37440	68	12
1A7880-37441	68	12 -1
1A7880-37450	68	13
1A7880-37490	69	2
1A7880-43100	70	1
1A7880-43200	70	2
1A7880-43300	70	3
1A7880-43350	70	4
1A7880-43370	70	5
1A7880-43390	70	6
1A7880-43400	70	7
1A7880-43460	70	8
1A7880-43470	70	9
1A7880-43480	70	10
1A7880-44400	71	1
1A7880-44700	71	3
1A7880-44740	70	12
1A7880-45000	76	4
1A7880-45040	76	5
1A7880-45100	72	1
1A7880-45150	30	14
1A7880-45210	76	6
1A7880-45250	76	7
1A7880-45330	76	8
1A7880-45331	76	8 -1
1A7880-45530	72	2
1A7880-45540	72	3
1A7880-45560	72	4
1A7880-45610	72	5
1A7880-45620	72	6
1A7880-45640	72	7
1A7880-45650	72	8
1A7880-45660	72	9
1A7880-45700	72	10
1A7880-45800	72	11
1A7880-45830	72	12
1A7880-47100	74	1
1A7880-47120	74	2
1A7880-47121	74	2 -1
1A7880-47150	79	6
1A7880-47200	79	8
1A7880-47301	79	12
1A7880-47351	79	13
1A7880-47401	79	14
1A7880-47451	79	15
1A7880-47500	79	16
1A7880-47501	79	16 -1
1A7880-47510	30	15
	79	18
	79	19
1A7880-47520	79	19

Parts No.	Fig. No.	Ref. No.
1A7880-47530	30	16
	79	20
1A7880-47540	79	21
1A7880-47550	79	22
1A7880-47560	79	23
1A7880-47570	79	24
1A7880-47580	79	25
1A7880-47600	75	5
1A7880-47650	75	6
1A7880-47651	75	6 -1
1A7880-47701	75	7
1A7880-47750	75	8
1A7880-47770	74	3
1A7880-47850	74	4
1A7880-47851	74	4 -1
1A7880-47950	75	9
1A7880-48101	77	2
1A7880-48160	77	3
1A7880-51102	80	4
1A7880-51103	80	4 -1
1A7880-51250	120	1
1A7880-51260	120	3
1A7880-51270	120	4
1A7880-51300	109	3
1A7880-51420	80	17
	126	18
	125	10
1A7880-51710	27	10
	126	9
1A7880-51730	80	9
	126	9
1A7880-52100	83	4
1A7880-52110	83	3
1A7880-52140	83	6
1A7880-52200	82	3
		6
	127	6
1A7880-52210	82	4
		7
	127	7
1A7880-52250	83	7
1A7880-53050	87	4
1A7880-53070	87	5
1A7880-53080	87	6
1A7880-53100	84	6 -1
1A7880-53300	85	1
1A7880-53310	85	2
1A7880-53320	85	3
1A7880-53400	84	2
1A7880-53410	84	3
1A7880-53420	84	4

## Parts No. Index

Parts No.	Fig. No.	Ref. No.
1A7880-53430	84	5
1A7880-54010	109	1
1A7880-56010	86	1
1A7880-56601	5	6 D
		9
1A7880-57100	83	10
1A7880-57200	110	1
1A7880-57250	110	5
1A7880-57260	110	6
1A7880-58111	81	5
1A7880-58120	81	6
1A7880-58121	81	6 -1
1A7880-58150	89	3
1A7880-58151	89	3 -1
1A7880-58200	109	6
1A7880-58250	109	7
1A7880-60900	87	7
1A7880-60901	87	7 -1
1A7880-60990	87	8
1A7880-61020	87	9
1A7880-61030	87	10
1A7880-61060	85	4
1A7880-61061	85	4 -1
1A7880-61070	85	5
1A7880-61110	87	11
1A7880-61111	87	11 -1
1A7880-61170	87	12
1A7880-61260	87	13
1A7880-61370	87	15
	95	3
1A7880-61510	89	6
1A7880-61601	89	7
1A7880-61640	89	8
1A7880-61650	89	10
1A7880-61670	89	11
1A7880-61690	89	12
1A7880-61760	87	18
1A7880-61761	87	18 -1
1A7880-61810	27	12
	125	12
1A7880-62100	90	1
1A7880-62240	91	4
1A7880-62300	91	5
1A7880-62500	93	3
1A7880-62510	93	4
1A7880-62550	92	1
1A7880-62600	92	2
1A7880-62601	92	2 -1
	120	7
1A7880-62650	92	3

Parts No.	Fig. No.	Ref. No.
1A7880-63010	94	2
1A7880-63020	94	2 -2
1A7880-63050	94	2 -1
1A7880-63060	94	2 B
		2 B-1
1A7880-63200	95	4
1A7880-63390	95	8
1A7880-63400	95	9
1A7880-63410	95	10
1A7880-63420	95	11
1A7880-63450	95	12
1A7880-63451	95	12 -1
1A7880-65331	96	4
1A7880-65341	96	5
1A7880-65351	99	3
1A7880-65370	96	6
1A7880-65380	96	7
1A7880-65390	96	8
1A7880-65411	98	1
1A7880-65511	96	9
1A7880-65560	96	10
1A7880-65570	96	11
1A7880-65580	97	2
1A7880-65590	97	3
1A7880-65601	99	4
1A7880-65610	99	5
1A7880-65630	96	12
1A7880-65721	96	13
1A7880-65722	96	13 -1
1A7880-65780	80	15
	126	15
1A7880-71110	106	2
1A7880-71210	106	3
1A7880-71220	106	4
1A7880-71500	106	6
1A7880-71550	106	11
1A7880-71580	106	7
1A7880-71720	106	12
1A7880-71800	106	1
1A7880-72100	106	13
1A7880-72300	106	18
1A7880-72310	106	14
1A7880-72320	106	15
1A7880-72330	106	16
1A7880-72340	106	17
1A7880-73150	106	20
1A7880-73500	106	21
1A7880-74100	106	22
1A7880-74110	106	23
1A7880-74120	106	24

Parts No.	Fig. No.	Ref. No.
1A7880-74130	106	25
1A7880-74140	106	26
1A7880-74150	106	27
1A7880-74550	106	28
1A7880-85190	99	9
1A7882-01150	122	4
1A7882-04300	6	1
1A7882-05150	125	1
1A7882-05410	121	22
1A7882-06010	121	23
1A7882-10090	8	1
1A7882-10450	8	2
1A7882-10500	8	3
1A7882-10600	9	1
1A7882-10610	9	2
1A7882-10620	9	3
1A7882-10800	124	1
1A7882-10900	124	2
1A7882-21100	31	1
1A7882-45210	79	1
1A7882-47100	79	5
1A7882-47150	79	7
1A7882-47210	79	9
1A7882-47220	79	10
1A7882-47230	79	11
1A7882-47500	79	17
1A7882-51101	126	4
1A7882-63100	94	3
1A7882-63250	94	4
1A7882-63300	95	7
1A7882-63500	95	13
1A7882-63520	103	3
1A7882-63550	95	14
1A7882-63560	95	15
	104	4
1A7882-63600	95	16
1A7882-63700	95	17
1A7882-64710	97	1
1A7882-65980	99	7
1A7882-71130	100	2
1A7882-85000	101	1
1A7882-85230	99	8
	101	8
1A7882-85231	99	8 -1
	101	8 -1
1A7882-85250	101	7
1A7882-85300	102	1
1A7882-85490	102	2
1A7882-85550	102	4
1A7882-85620	103	5

Parts No.	Fig. No.	Ref. No.
1A7882-85630	103	6
1A7882-93000	104	5
1A7882-93050	104	6
1A7882-93060	104	7
1A7882-93100	104	8
1A7882-93110	104	9
1A7882-97000	113	1
1A7882-97010	113	2
1A7882-97020	113	3
1A7882-97030	113	4
1A7882-97040	114	1
1A7882-97050	114	2
1A7882-97060	113	5
1A7882-97070	113	6
1A7882-97080	113	7
1A7882-97100	111	7
		15
	113	22
1A7882-97170	113	17
1A7882-97180	113	18
1A7882-97190	113	19
1A7882-97200	113	20
1A7882-97210	113	21
1A7882-97220	111	22
1A7882-97280	111	8
		10
1A7882-97290	111	11
1A7882-97300	111	12
1A7882-97310	111	13
1A7882-97330	111	20 -1
1A7882-97340	111	21
		21 A
1A7882-97370	111	17
1A7882-97430	111	18
1A7882-97440	111	19
1A7882-97450	111	20
1A7882-97460	117	2
1A7882-97510	111	3
1A7882-97520	111	4
1A7882-97530	111	5
1A7882-97540	111	6
		14
1A7882-97550	117	1
1A7882-97560	113	15
1A7882-97660	113	10
1A7882-97670	113	11
1A7882-97680	113	12
1A7882-97690	113	13
1A7882-97700	113	14
1A7882-97710	115	1

## Parts No. Index

Parts No.	Fig. No.	Ref. No.
1A7882-97720	115	2
1A7882-97730	116	2
1A7882-97750	115	3
	116	3
1A7882-97760	115	4
	116	4
1A7882-97770	115	5
	116	5
1A7882-97780	116	1
1A7882-97790	117	3
1A7882-97800	112	15
1A7882-97810	112	16
1A7882-97820	112	17
1A7882-97830	112	18
1A7882-97840	112	19
1A7882-97850	112	20
1A7882-97860	112	21
1A7882-97870	112	22
1A7882-97880	112	23
1A7882-97890	112	24
1A7882-97900	112	25
1A7882-97920	119	1
1A7882-97930	119	2
1A7882-97940	119	3
1A7882-97960	113	8
1A7882-98000	111	1
1A7882-98050	118	2
1A7882-98060	118	3
1A7882-98070	118	4
1A7882-98080	118	5
1A7882-98090	118	6
1A7882-98100	113	9
1A7882-98110	113	16
1A7882-98120	111	2
1A7882-98130	111	9
1A7882-98140	111	16
1A7882-98150	111	23
	113	23
1A7882-98160	112	1
1A7882-98170	113	24
1A7882-98190	112	2
1A7882-98200	114	3
1A7882-98210	114	4
1A7882-98220	112	3
1A7882-98230	112	4
1A7882-98240	111	24
	113	25
1A7882-98250	112	5
1A7882-98260	111	25
1A7882-98270	111	26

Parts No.	Fig. No.	Ref. No.
1A7882-98270	113	26
1A7882-98290	111	27
1A7882-98300	113	27
	114	5
1A7882-98310	111	28
	112	6
	113	28
1A7882-98320	112	7
	113	29
1A7882-98330	111	29
	113	30
	117	4
1A7882-98350	111	30
	112	8
1A7882-98360	112	9
	113	31
1A7882-98370	112	10
	113	32
1A7882-98380	113	33
1A7882-98390	111	31
	113	34
1A7882-98400	113	35
1A7882-98420	114	6
1A7882-98430	114	7
1A7882-98440	114	8
1A7882-98450	111	32
1A7882-98460	111	33
1A7882-98470	113	36
1A7882-98480	113	37
1A7882-98490	111	34
	113	38
1A7882-98500	111	35
1A7882-98510	113	39
1A7882-98520	111	36
1A7882-98540	112	11
1A7882-98550	112	12
1A7882-98560	112	13
1A7882-98570	114	9
1A7882-98580	111	37
1A7882-98590	114	10
1A7882-98610	111	38
	113	40
1A7882-98620	114	11
1A7882-98630	114	12
1A7882-98640	114	13
1A7882-98650	114	14
1A7882-98660	114	15
1A7882-98670	114	16
1A7882-98680	114	17
1A7882-98690	112	14

Parts No.	Fig. No.	Ref. No.
1A7882-98700	114	18
1A7882-98710	113	41
1A7882-98720	111	39
1A7882-98730	111	40
1A7882-98740	111	41
1A7882-98750	113	42
1A7882-98760	111	42
1A7882-98770	113	43
1A7882-98780	111	43
1A7882-98790	111	44
1A7882-98800	111	45
1A7882-98810	111	46
	113	44
1A7882-98820	112	26
1A7882-98830	112	27
1A7882-98840	112	28
1A7882-98850	113	45
1A7882-98860	111	47
1A7882-98870	111	48
1A7882-98880	113	46
1A7882-98890	112	29
1A7882-98900	112	30
1A7882-98910	113	47
1A7882-98920	111	49
1A7882-98930	114	19
1A7882-98940	114	20
1A7882-98950	113	48
1A7882-98960	113	50
1A7882-98970	114	21
1A7882-98980	114	22
1A7882-98990	113	49
1A8070-61330	87	14
1A8115-63260	95	32
1A8160-04270	129	3
1A8160-04500	129	4
1A8160-04510	129	6
1A8160-46250	79	3
1A8160-46670	73	1
1A8160-48820	79	26
1A8160-51130	80	6
	126	6
1A8160-51550	81	2
1A8160-51570	81	3
1A8160-51580	81	4
1A8160-52300	82	9
	127	9
1A8160-52310	82	10
	83	9
	127	10
1A8160-52330	82	5

Parts No.	Fig. No.	Ref. No.
1A8160-52330	82	8
		11
	127	8
		11
1A8160-63400	94	5
1A8160-63410	94	6
1A8160-63420	94	7
1A8160-65300	99	1
1A8160-65310	99	2
1A8160-65430	98	2
1A8160-65800	103	4
1A8160-65860	96	14
1A8160-85090	101	2
1A8160-85100	101	3
1A8160-85110	101	4
1A8160-85121	101	5
1A8160-85130	101	6
1A8160-91000	107	1
1A8250-65390	96	15
1A8250-65650	96	2 -1
1A8300-10650	108	3 -1
1A8300-51210	3	54 -1
	7	33 -1
	30	28 -1
	80	27 -1
		28 -1
		29 -1
	83	11 -1
	109	8 -1
	110	7 -1
	121	12
	122	13
	123	27
	126	28
		29
		30
1A8300-63010	94	2 A
		2 A-1
1C6050-31250	18	10
1C6140-47210	27	9
	125	9
1C6281-52310	4	8
	122	8
1C6281-52320	48	12
	53	18
	54	5
		6
	61	4
	68	14
		15



## Parts No. Index

Parts No.	Fig. No.	Ref. No.
1C6281-52320	68	16
		17
		18
	76	12
	94	1
1C6320-52210	60	2
1C6460-38240	89	9
1C6900-23150	33	1
1C6900-48251	4	7
	122	7
1E4760-73240	13	3
1E6150-56040	75	10
1E6460-91573	87	23
1E8420-55430	20	4
1E8450-66390	77	4
1E8600-66700	78	2
1K1140-82500	82	15
	127	15
		16
1TN322-01630	104	1
21731-040002	84	6
22117-100000	47	5
22137-050000	87	24
22137-060000	4	9
	122	9
22137-080000	3	41
	48	13
	61	7
	68	20
		21
	75	12
		13
	76	14
		15
		16
		26
		95
	106	
	121	
22137-100000	4	10
	60	6
	95	19
	122	10
	121	41
22137-120000	48	14
	69	5
	76	17
	102	7
	84	7

Parts No.	Fig. No.	Ref. No.
22137-140000	61	5
	104	10
	26	3
22137-160000	106	30
	3	42
	84	15
22157-060000	89	19
	121	42
	5	17
22157-080000	90	2
	91	6
	95	35
	47	6
	68	22
22157-100000	68	22
22157-120000	68	22
22190-080002	43	15
22207-012160	57	3
22217-080000	56	9
	95	20
22217-120000	8	6
	11	5
	84	8
22217-130000	84	8
22217-160000	71	4
22242-000100	47	7
	53	19
22242-000120	53	20
	54	7
	69	6
22242-000160	36	16
	60	3
22242-000200	38	4
	40	14
	42	3
	67	6
	128	21
22242-000220	79	28
22242-000240	13	4
	45	20
22242-000250	40	15
22242-000280	48	15
22242-000290	45	21
22242-000300	47	8
22242-000340	20	5
22242-000350	45	22
22242-000360	15	5
22242-000450	18	12
22242-000500	45	23
22252-000150	15	6
22252-000320	39	5
22252-000420	36	17
22252-000520	13	5

Parts No.	Fig. No.	Ref. No.
22252-000550	14	2
	16	4
	59	5
22252-000620	45	24
22252-000681	18	13
22252-000720	18	14
22252-000800	40	16
22262-000240	38	3
22262-000420	33	23
22272-000080	75	14
	76	18
22272-000100	49	3
22287-100000	50	10
22292-000200	39	6
22312-060100	36	18
22312-080160	50	11
22312-080200	29	7
22312-100120	43	4
	56	13
22312-100200	33	24
22351-035025	33	25
22351-035032	15	7
22351-040025	60	4
22351-050018	76	19
22351-050025	106	8
22351-050040	53	21
22351-060025	33	26
22351-060032	15	8
	51	2
	68	23
22351-060040	68	24
22351-080040	53	22
22351-100020	8	7
22372-080000	49	4
	76	20
	87	27
	95	21
	106	31
22372-120000	54	8
	95	22
22372-140000	61	6
22372-160000	108	3 B
		4
22417-200160	76	21
	91	7
22417-200200	60	7
22417-250250	106	32
22417-250300	104	11
22417-320250	12	3
22417-320320	106	33

Parts No.	Fig. No.	Ref. No.
22487-080160	95	23
22487-080200	3	43
	53	23
	121	43
22487-080260	87	28
22487-080350	68	25
22487-080400	106	34
22487-080550	95	24
22487-080650	95	25
22487-120400	106	35
22857-500161	87	29
22857-600160	86	4
	91	8
		9
23000-022000	30	21
		22
23000-054000	3	44
	121	44
23000-075000	21	2
23010-018000	77	6
23010-050000	3	45
	121	45
23065-070130	3	12
	121	11
23080-012000	5	13
	7	24
	123	24
	129	13
23414-120000	33	15
23414-140000	30	23
	79	29
23414-160021	30	24
23414-190000	79	30
23857-100000	30	25
23871-010000	43	5
23871-020000	45	25
23871-030000	43	6
23980-730150	7	25
	123	25
23980-730180	123	26
23980-730260	5	14
	7	26
23980-730330	7	27
23980-730350	7	28
	123	28
23980-730400	123	3
24101-060014	56	14
24101-060044	33	27
	40	17
	56	15

## Parts No. Index

Parts No.	Fig. No.	Ref. No.
24101-060054	50	12
	128	13
24101-060064	14	3
	16	5
	62	6
24101-060074	20	6
	58	4
24101-060094	20	7
	45	26
24101-062044	42	6
24101-062054	13	6
	19	4
	42	7
	45	27
24101-062064	45	28
24101-062074	19	5
24101-063034	56	16
24102-060044	39	7
24104-060004	47	9
24104-062004	53	24
24161-354017	45	29
24162-253216	33	28
24190-080001	50	13
	128	14
24190-100001	45	19
	72	13
24190-100003	75	15
24190-160001	67	8
24311-000050	35	4
24311-000100	41	5
24311-000120	43	12
24311-000125	45	30
	52	4
	128	15
24311-000140	43	9
	56	10
24311-000160	15	9
	67	7
24311-000180	18	15
	34	2
	44	6
24311-000200	35	5
		13
24311-000260	33	29
24311-000320	32	2
24311-240100	7	17
	48	16
	123	17
24316-000440	129	14
24316-240100	129	15

Parts No.	Fig. No.	Ref. No.
24321-000750	40	18
24321-001300	20	8
24341-000112	44	8
24341-000850	18	16
24351-190170	33	30
24351-240450	41	6
24361-090500	43	16
24421-122207	56	11
24421-173508	56	17
24421-253807	33	31
24421-254008	50	14
	128	16
24421-255210	13	7
24550-010150	76	9
24550-012200	69	3
	102	3
24550-018250	70	11
24550-028200	33	5
		8
24761-020000	9	4
	53	25
26013-060129	72	14
26013-080162	75	16
		17
26013-080202	15	10
26014-100252	95	28
26016-080202	42	8
	45	31
	60	9
26016-080852	56	18
26016-100452	56	19
26016-100652	33	32
26016-101052	33	33
	56	20
26016-101452	33	34
26064-060151	89	20
26106-060122	1	2
	4	11
	121	46
	122	11
26106-060162	3	46
		47
		48
		49
		50
	7	29
	27	16
		17
	82	17
		18

Parts No.	Fig. No.	Ref. No.
26106-060162	82	19
	87	30
		31
		32
	103	7
	121	47
		48
		49
		50
	123	29
	125	16
		17
	127	18
		19
26106-060502	127	17
26106-080122	7	30
		31
	74	5
	123	30
		31
26106-080162	3	51
		52
	5	18
		19
	30	26
		27
	31	2
	52	5
	53	26
	74	6
	76	22
	79	31
	80	23
		24
	87	33
	92	4
		5
		6
	94	8
		9
	103	8
	121	51
		52
	126	24
		25
	128	17
26106-080202	6	2
	53	27
	71	5
	79	32

Parts No.	Fig. No.	Ref. No.
26106-080202	90	3
	93	6
	95	34
26106-080252	3	53
	41	7
	47	10
	67	9
	95	26
		26 -1
	121	53
26106-080302	28	3
	33	35
	36	19
	50	15
	90	4
	100	3
26106-080402	33	36
26106-080602	7	32
26106-080652	27	18
	123	32
	125	18
26106-080802	53	28
26106-080852	53	10 -2
26106-080902	33	37
26106-100162	95	27
26106-100202	10	6
	74	7
		8
	76	23
	80	25
	94	10
	124	5
	126	26
26106-100252	53	29
	70	13
	72	16
26106-100302	18	17
	20	9
	102	6
	108	5
26106-100352	59	6
26106-100402	104	12
26106-100752	27	19
	125	19
26106-101052	36	20
26106-120252	9	5
26106-120402	9	6
26106-120452	29	8
	104	13
26106-120602	68	26

## Parts No. Index

Parts No.	Fig. No.	Ref. No.
26116-060202	80	26
	126	27
26116-080202	27	20
	125	20
26116-080402	27	21
	125	21
26116-101802	50	16
26116-102202	50	17
26116-121202	8	8
26116-140302	48	17
26346-100002	94	11
26347-080002	95	29
26366-080002	76	24
26366-100002	95	30
26366-120002	9	7
26450-060502	72	15
26450-080502	43	17
	56	12
26476-080202	32	3
26487-080163	95	31
	103	9
26589-060162	89	21
26716-060002	81	7
26716-080002	27	22
	47	11
	53	8
		30
	125	22
26716-100002	4	12
	68	27
	73	2
	76	25
	104	14
	122	12
26716-120002	11	6
26736-160002	71	6
26776-100002	36	21
26776-120002	48	18
	82	3 A
	120	6
	127	4
	26911-100102	75
27260-720000	18	18
29311-162000	27	23
	125	23
29622-140001	7	33
	30	28
	80	27
	83	11
29622-250001	3	54

Parts No.	Fig. No.	Ref. No.
29622-250001	80	28
		29
933171-15801	109	8
	110	7
	80	30
	126	31

Parts No.	Fig. No.	Ref. No.
-----------	----------	----------

Parts No.	Fig. No.	Ref. No.
-----------	----------	----------