



PARTS CATALOG

Published

2011/12 (Dec.)

0CNP5-G53700

Directions for the Parts Catalog.

1. This Parts Catalog shows both standard and optional parts.
2. Parts may change without prior notice.
3. The following is an example of the Parts Catalog format.

REF.	LEV.	PARTS NO.	DESCRIPTION	Q'TY						I	R
				(A)	(B)	(C)	(D)	(E)	(F)		
1	1	729595-51390	FUEL INJECTION PUMP	1	1	1	1	1			1
1-1	1	729595-51391	FUEL INJECTION PUMP	1	1	1	1	1		N	1
		(A=E00185) (B=E00200)									
3	2	26022-060162	SCREW M 6X 16	9	9	9	9	9			
3-1	2	26022-060162	SCREW M 6X 16	4	4	4	4	4		K	
		(A=E00156) (B=E00156) (C=E00156) (D=E00156) (E=E00156)									
4	2	129470-51040	CAMSHAFT	1	1	1	1	1			
5	2	122710-51050	BEARING, ROLLER	2	2	2	2	2			
6	2	129470-51060	RETAINER	1	1	1	1	1			

Remarks
(1) BOOST COMPEMSATOR TYPE. OPTIONAL PART, TO E00155,(4JH-DT, 4JH-DTZ

① Ref. No.

The Ref. No. listed may not be in accordance with the illustration Ref. No.

(Ex.) Illustration No.

List Ref No.

1

1

(Before change)

1-1

(After change)

For interchangeable symbols N, R and K, illustrations for new parts may be abbreviated.

② Lev. (Level)

Level indication

The numbers below indicate the level of relativity towards the main part.

1 ----- Main parts (Assembly parts)

2 ----- Sub component included in " 1 ".

3 ----- Sub component included in " 2 ".

Note) Parts that are not for sale are partially illustrated but not listed.

③ Interchangeability Symbol

When a part change takes place, one of the following interchangeability symbols is indicated beside the part.

Symbol	Interchangeability	Contents note
N	Old $\begin{matrix} \leftarrow \text{Yes} \\ \text{No} \rightarrow \end{matrix}$ New	New Part is interchangeable for Old Part but Old Part is not interchangeable for New Part.
Q	Old $\begin{matrix} \leftarrow \text{No} \\ \text{Yes} \rightarrow \end{matrix}$ New	New Part is not interchangeable for Old Part but Old Part is interchangeable for New Part.
R	Old $\begin{matrix} \leftarrow \text{Yes} \\ \text{Yes} \rightarrow \end{matrix}$ New	New/ Old Parts are both interchangeable.
S	Old $\begin{matrix} \leftarrow \text{No} \\ \text{No} \rightarrow \end{matrix}$ New	New/ Old Parts are both not interchangeable.
W		Part newly added.
Z		Part discontinued.
F		Not interchangeable by a single part but interchangeable together with related parts.
K		Changes only for used parts quantities.

④ Effective Machine No.

When a part changes, the effective Machine No. will be indicated in the (A)-(F) column.

Product Symbol	Product No.	Product Symbol	Product No.
C	Clutch No. Compressor No.	F	Machine No. (Agricultural Equip.)
D	Drive No.	M	Machine No.
E	Engine No.		

Note 1) A date may follow the symbol. (Ex.) 1996.01

Note 2) "XXXXX" and "ZZZZZ" are for parts that could not be predicted or for engine models that could not be identified.

Note 3) (A=E00185) is the E (Engine Serial Number) for the column (A) model (in this case 4JH-DT) after the parts design change.

⑤ Remarks

Figures or alphabets (symbols) are entered in the remarks column.

The comments (remarks) on parts that are indicated at the bottom of the illustration are the same symbols as those stated above.

Instructions pour le catalogue de pièces.

1. Le catalogue contient des pièces standards et optionnelles.

2. Les pièces peuvent changer sans préavis.

3. Voici un exemple de format du catalogue de pièces.

REF.	LEV.	PARTS NO.	DESCRIPTION	Q'TY						I	R
				(A)	(B)	(C)	(D)	(E)	(F)		
1	1	729595-51390	FUEL INJECTION PUMP	1	1	1	1	1			1
1-1	1	729595-51391	FUEL INJECTION PUMP	1	1	1	1	1		N	1
		(A=E00185) (B=E00200)									
3	2	26022-060162	SCREW M 6X 16	9	9	9	9	9			
3-1	2	26022-060162	SCREW M 6X 16	4	4	4	4	4		K	
		(A=E00156) (B=E00156) (C=E00156) (D=E00156) (E=E00156)									
4	2	129470-51040	CAMSHAFT	1	1	1	1	1			
5	2	122710-51050	BEARING, ROLLER	2	2	2	2	2			
6	2	129470-51060	RETAINER	1	1	1	1	1			

Remarks
(1) BOOST COMPEMSATOR TYPE. OPTIONAL PART, TO E00155,(4JH-DT, 4JH-DTZ

① Réf.

Il se peut que la référence de la liste ne concorde pas avec la référence de l'illustration.

(Ex.) Réf. de l'illustration Réf. de la liste
1 1 (Avant le changement) → 1-1 (Après le changement)

Pour les symboles d'interchangeabilité N, R et K, les illustrations pour les nouvelles pièces peuvent être abrégées.

② Niv. (Niveau)

Indication du niveau

Les numéros ci-dessous indiquent le niveau par rapport à la pièce principale.

1 ----- Pièces principales (pièces d'assemblage)

2 ----- Sous-élément inclus dans « 1 ».

3 ----- Sous-élément inclus dans « 2 ».

Remarque : les pièces qui ne sont pas en vente sont partiellement illustrées, mais ne figurent pas dans la liste.

③ Symbole d'interchangeabilité

En cas de changement de pièce, l'un des symboles d'interchangeabilité suivants est indiqué à côté de la pièce.

Symbole	Interchangeabilité	Remarque sur le contenu
N	Ancienne $\xleftarrow{\text{Oui}}$ Nouvelle $\xrightarrow{\text{Non}}$	La nouvelle pièce peut être substituée à l'ancienne, mais l'ancienne pièce ne peut pas être substituée à la nouvelle.
Q	Ancienne $\xleftarrow{\text{Non}}$ Nouvelle $\xrightarrow{\text{Oui}}$	La nouvelle pièce ne peut pas être substituée à l'ancienne, mais l'ancienne pièce peut être substituée à la nouvelle.
R	Ancienne $\xleftarrow{\text{Oui}}$ Nouvelle $\xrightarrow{\text{Oui}}$	La nouvelle pièce et l'ancienne sont interchangeables.
S	Ancienne $\xleftarrow{\text{Non}}$ Nouvelle $\xrightarrow{\text{Non}}$	La nouvelle pièce et l'ancienne ne sont pas interchangeables.
W		Pièce nouvellement ajoutée.
Z		Pièce supprimée.
F		Non interchangeable avec une pièce unique, mais interchangeable avec des pièces connexes.
K		Changements uniquement aux quantités de pièces usagées.

④ N° de machine applicable

En cas de changement de pièce, le n° de machine applicable est indiqué dans la colonne (A)-(F).

Symbole de produit	N° de produit	Symbole de produit	N° de produit
C	N° d'embrayage, n° de compresseur	F	N° de machine (agroéquipement)
D	N° d'entraînement	M	N° de machine
E	N° de moteur		

Remarque 1 : une date peut suivre le symbole. (Ex.) 1996.01

Remarque 2 : « XXXXX » et « ZZZZZ » désignent des pièces impossibles à prédire ou des modèles de moteur non identifiables.

Remarque 3 : (A=E00185) est le E (numéro de série du moteur) pour le modèle de la colonne (A) (ici : 4JH-DT) après le changement à la conception des pièces.

⑤ Identification des remarques

Des chiffres ou des lettres (symboles) sont entrés dans la colonne des remarques.

Les commentaires (remarques) sur les pièces dans le bas de l'illustration sont les mêmes symboles que ceux mentionnés ci-dessus.

CONTENTS

MODEL : SX3100(YANMAR)

PC NO : 0CNP5-G53700

Fig.No.	GROUP NAME
ENGINE CONTROL SECTION	
1.	ENGINE ACCESSORIES
2.	ACCEL LEVER
3.	TANK,FUEL OIL
4.	FUEL PIPE
FRONT AXLE SECTION	
5.	FRONT BRACKET
6.	CENTER PIN
7.	TIE ROD
8.	DRIVE PINION
9.	DIFFERENTIAL GEAR
10.	PROPELLER SHAFT
11.	FRONT SHAFT(1
12.	FRONT AXLE HOUSING
13.	FRONT GEAR CASE
14.	FRONT SHAFT(2
15.	INPUT SHAFT
16.	FRONT SPINDLE
17.	SHAFT COVER
18.	FRONT TIRE R3
19.	FRONT TIRE R4
20.	HUB BOLT,FRONT
21.	STEERING WHEEL
22.	PST VALVE
23.	PST CYLINDER
24.	PST PIPING(A
25.	PST PIPING(B

Fig.No.	GROUP NAME
TRANSMISSION SECTION	
26.	CLUTCH HOUSING
27.	DOCKING BOLT
28.	DAMPER DISC
29.	CLUTCH SHAFT
30.	TRANSMISSION CASE
31.	CENTER PLATE
32.	OIL CAP
33.	OIL STRAINER
34.	INPUT SHAFT
35.	MAIN SHAFT
36.	COUNTER SHAFT
37.	PTO DRIVE SHAFT
38.	PTO CLUTCH SHAFT
39.	PTO SHAFT
40.	MID PTO SHAFT
41.	INERTIA BRAKE
42.	RANGE SHIFT
43.	PTO CHANGE
44.	FRONT DRIVE
45.	FRONT SHIFT
46.	H.S.T. CONTROL(1
47.	H.S.T. CONTROL(2
48.	H.S.T.
REAR AXLE SECTION	
54.	RING GEAR
55.	DIFFERENTIAL GEAR
56.	DIFFERENTIAL CARRIER
57.	REAR HOUSING

CONTENTS

MODEL : SX3100(YANMAR)

PC NO : 0CNP5-G53700

Fig.No. GROUP NAME

- 58. DIFFERENTIAL LOCK
- 59. FINAL PINION
- 60. FINAL GEAR
- 61. REAR AXLE SHAFT
- 62. TIRE REAR R3
- 63. TIRE REAR R4
- 64. HUB BOLT,REAR
- 65. HYDRAULIC PEDAL
- 66. CRUISE CONTROL
- 67. DISC BRAKE
- 68. BRAKE PEDAL
- 69. PARKING BRAKE

HYDRAULIC CONTROL SECTION

- 70. HYDRAULIC PUMP
- 71. HYDRAULIC LIFT
- 72. HYDRAULIC CONTROL
- 73. STOP VALVE
- 74. SUB CONTROL VALVE
- 75. VALVE ACCESSORIES
- 76. HYDRAULIC LINE

ELECTRICAL PARTS SECTION

- 77. WIRE HARNESS
- 78. BATTERY
- 79. SWITCH(1
- 80. SWITCH(2
- 81. SWITCH(3
- 82. LAMP
- 83. METER

Fig.No. GROUP NAME

- 84. RELAY

FITTINGS SECTION

- 85. HOOD
- 86. DASHBOARD
- 87. FENDER
- 88. FENDER(BOLT
- 89. STEP
- 90. SEAT BRACKET
- 91. DRIVER SEAT
- 92. LABEL(1
- 93. LABEL(2
- 94. LABEL(SAFETY

HITCH SECTION

- 95. PTO GUARD
- 96. PTO SHAFT COVER
- 97. OIL SEAL COVER
- 98. 3-POINT HITCH
- 99. REAR HITCH
- 100. DRAWBAR HITCH

SAFETY FRAME SECTION

- 101. ROPS(1
- 102. ROPS(2
- 103. SMV

ACCESSORIES SECTION

- 104. MANUAL

CONTENTS

MODEL : SX3100(YANMAR)

PC NO : 0CNP5-G53700

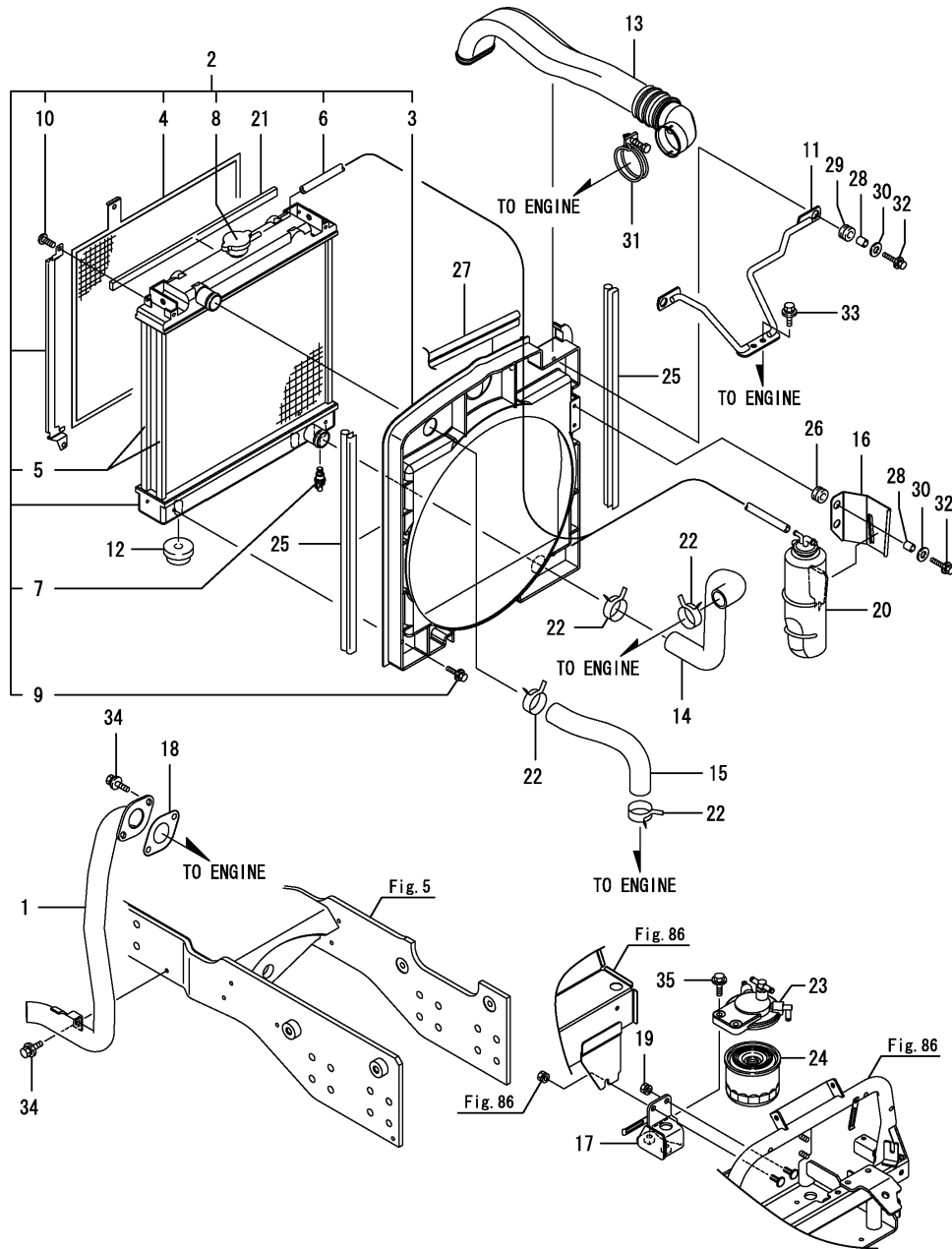
Fig.No. GROUP NAME

OPTIONAL SECTION

- 105. HEATER(BLOCK
- 106. WEIGHT LOCK PIN
- 107. FUEL LINE(FAME
- 108. PTO CLUTCH KIT
- 109. HYDRAULIC,REAR

Fig.No. GROUP NAME

Fig.1. ENGINE ACCESSORIES



OCNP5-G53700 1. ENGINE ACCESSORIES

(A)=SX3100(YANMAR)

(B)=

(C)=

(D)=

(E)=

(F)=

REF.	LEV.	PARTS NO.	DESCRIPTION	QTY						I	R
				(A)	(B)	(C)	(D)	(E)	(F)		
1	1	1A7540-00511	PIPE ASSY, EXHAUST	1							
2	1	1A8300-00600	RADIATOR (M ASSY	1							
3	2	1A8300-00610	SHROUD (M ASSY	1							
4	2	1A7530-00620	PROTECTOR	1							
5	2	1A7530-00690	PACKIN	4							
6	2	121250-44570	PIPE	1							
7	2	119924-44580	VALVE ASSY,DRAIN	1							
8	2	129107-44590	CAP	1							
9	2	26014-060202	BOLT M 6X 20	4							
10	2	26557-060122	SCREW M 6X 12,PAN HD	4							
11	1	1A7540-00630	SUPPORT ROD CMP	1							
12	1	198162-00640	SUPPORT	2							
13	1	1A8300-00680	PIPE, INTAKE	1							
14	1	1A7540-00720	CW-T (L	1							
15	1	1A7540-00730	CW-T (U	1							
16	1	1A7530-00750	STAY,SUBTANK	1							
17	1	1A7540-04150	BRACKET, FILTER CMP	1							
18	1	129052-13550	GASKET	1							
19	1	194990-22050	NUT W/WASHER 8	1							
20	1	129263-44510	TANK ASSY, SUB	1							
21	1	121454-44590	PAD, URETHANE	1							
22	1	175022-49730	CRIP 31, HOSE	4							
23	1	129004-55612	BRACKET	1							
24	1	119802-55801	FILTER	1							
25	1	198448-60780	WEATHER-STRIP, 470	2							
26	1	198220-62440	GROMMET	2							
27	1	172164-66620	RUBBER, SEAL 320	1							
28	1	198129-78710	SPACER, 6-10	4							
29	1	198129-78720	GROMMET, 10-16	2							
30	1	22157-060000	WASHER 6	4							
31	1	23010-060000	CLAMP 60	1							
32	1	26018-060302	BOLT 6X30	4							
33	1	26018-080202	BOLT M 8X 20	2							
34	1	26018-080252	BOLT M8X 25	3							
35	1	26106-080302	BOLT M 8X 30 PLATED	2							

Fig.2. ACCEL LEVER

0CNP5-G53700 2. ACCEL LEVER

(A)=SX3100(YANMAR)

(B)=

(C)=

(D)=

(E)=

(F)=

REF.	LEV.	PARTS NO.	DESCRIPTION	QTY						I	R
				(A)	(B)	(C)	(D)	(E)	(F)		
1	1	1A7510-01100	LEVER ASSY,ACCEL	1							
2	1	198165-01130	PLATE, FRICTION	1							
3	1	1A7510-01151	SHAFT ASSY,ACCEL.	1							
4	1	198071-01160	RUBBER,WIRE RETAINING	1							
5	1	1A7510-01180	WIRE, ACCELERATOR	1							
6	1	198253-01190	KNOB, THROTTLE LEVER	1							
7	1	1A7510-01240	COVER, ACCEL	1							
8	1	198421-01250	BOLT 6X40	1							
9	1	194151-47760	WASHER 12	3							
10	1	1C6281-52310	PIN 6,COME-OFF SNAP	1							
11	1	22157-060000	WASHER 6	1							
12	1	26716-120002	NUT 12	2							

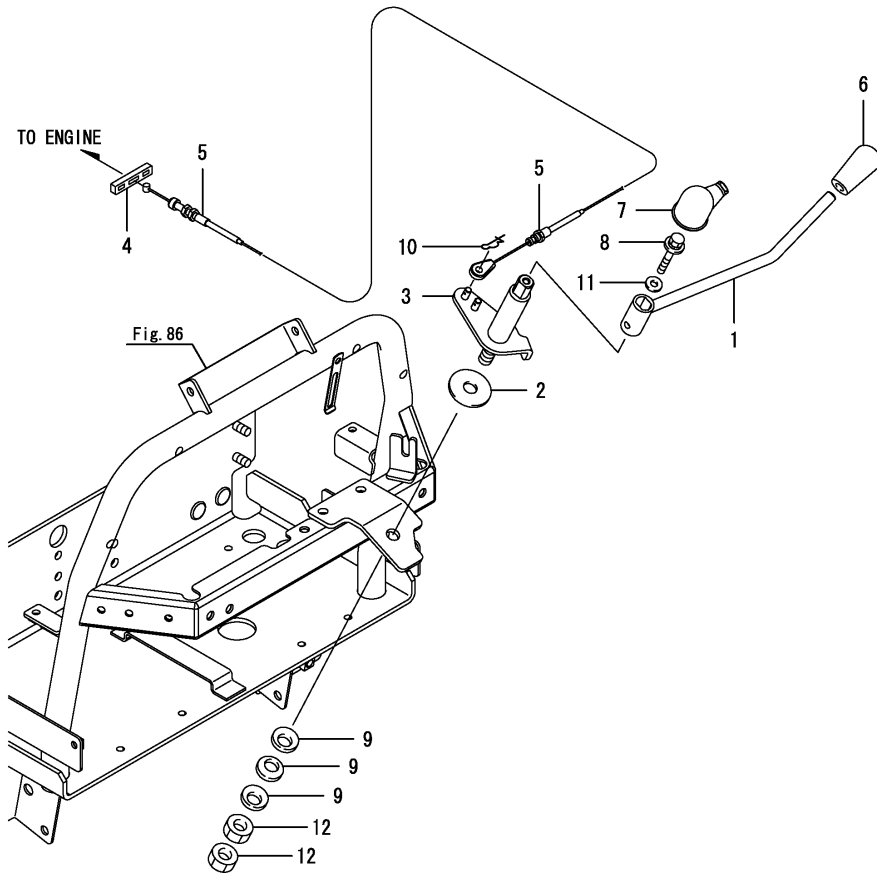


Fig.3. TANK,FUEL OIL

(A)=SX3100(YANMAR)

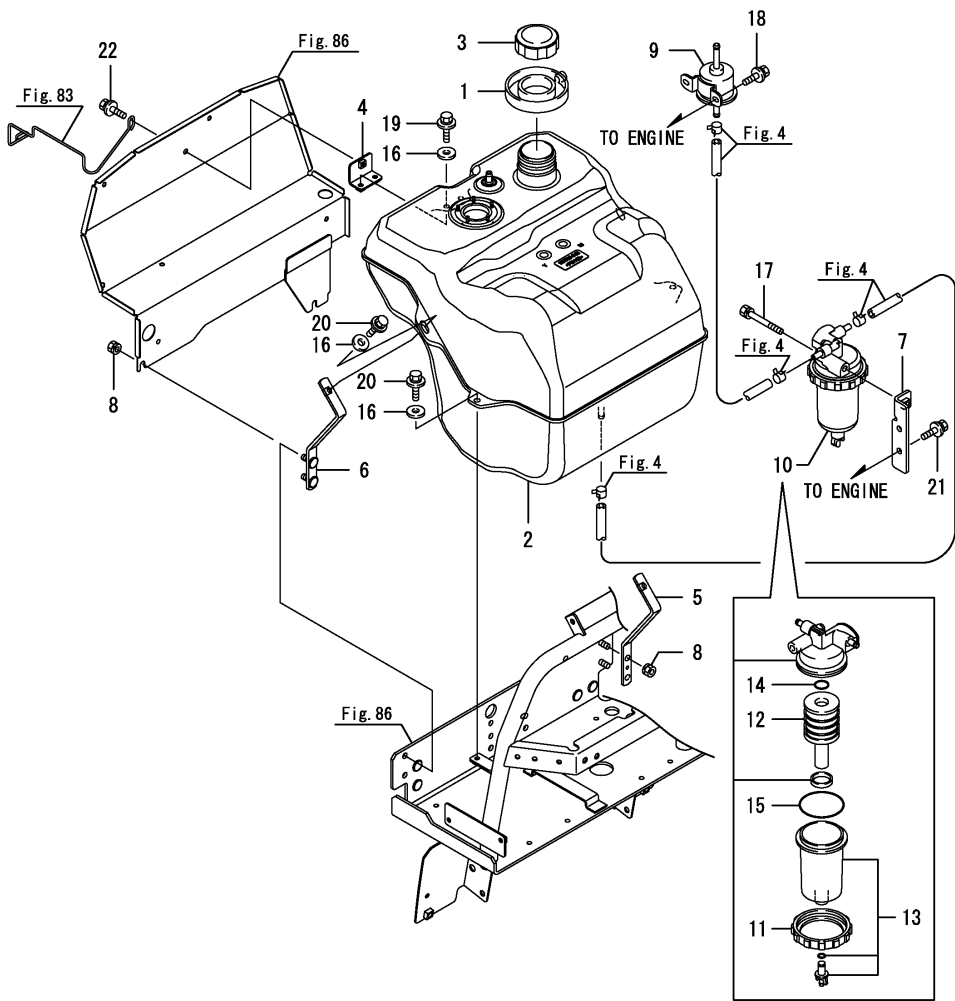
(B)=

(C)=

(D)=

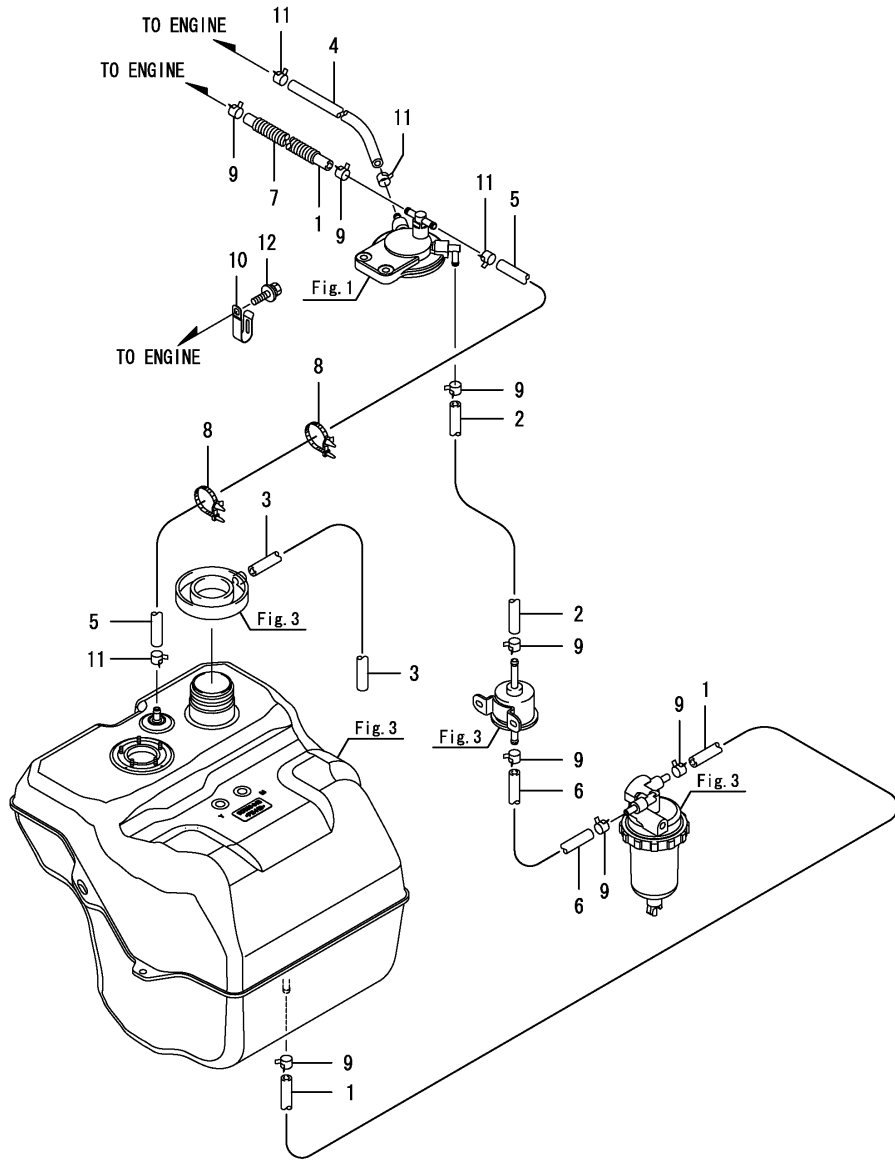
(E)=

(F)=



REF.	LEV.	PARTS NO.	DESCRIPTION	QTY						I	R
				(A)	(B)	(C)	(D)	(E)	(F)		
1	1	1C6860-02300	PAN,FUEL	1							
2	1	1A7530-04110	TANK, FUEL OIL	1							
3	1	1A8160-04130	CAP, FUEL TANK	1							
4	1	1A7530-04310	STAY ASSY, TANK F	1							
5	1	1A7530-04330	STAY R CMP, TANK	1							
6	1	1A7530-04340	STAY CMP, TANK	1							
7	1	1A7531-04410	STAY CMP,SEPARATER	1							
8	1	194990-22050	NUT W/WASHER 8	4							
9	1	119225-52102	PUMP ASSY	1							
10	1	119802-55700	SEPARATOR ASSY	1							
11	2	129100-55690	RING	1							
12	2	119802-55710	ELEMENT	1							
13	2	119802-55730	CUP ASSY	1							
14	2	24311-000160	O-RING 1A P-16.0	1							
15	2	24321-000650	O-RING 1A G-65.0	1							
16	1	22157-060000	WASHER 6	6							
17	1	26013-080702	BOLT M 8X 70	1							
18	1	26018-060162	BOLT M6X16	2							
19	1	26018-060202	BOLT M 6X 20	2							
20	1	26018-060252	BOLT, M6X25	4							
21	1	26018-080162	BOLT M 8X 16	2							
22	1	26019-060162	BOLT M 6X 16	1							

Fig.4. FUEL PIPE



0CNP5-G53700 4. FUEL PIPE

(A)=SX3100(YANMAR)

(B)=

(C)=

(D)=

(E)=

(F)=

REF.	LEV.	PARTS NO.	DESCRIPTION	QTY						I	R
				(A)	(B)	(C)	(D)	(E)	(F)		
1	1	1A7530-04410	HOSE, FUEL	2							
2	1	1A7540-04410	HOSE, FUEL	1							
3	1	198421-04430	PIPE, FUEL OIL PAN	1							
4	1	1A7510-04430	HOSE	1							
5	1	1A7540-04430	HOSE, FUEL	1							
6	1	1A7540-04440	HOSE, FUEL	1							
7	1	198463-51170	PIPE 13, CORRUGAT	1							
8	1	194680-51670	BAND	2							
9	1	114270-59010	CLIP	8							
10	1	1E6102-83230	CLAMP, BATTERY CABLE	1							
11	1	23080-012000	CLAMP 12	4							
12	1	26018-080162	BOLT M 8X 16	1							

Fig.5. FRONT BRACKET

0CNP5-G53700 5. FRONT BRACKET

(A)=SX3100(YANMAR)

(B)=

(C)=

(D)=

(E)=

(F)=

REF.	LEV.	PARTS NO.	DESCRIPTION	Q'TY						I	R
				(A)	(B)	(C)	(D)	(E)	(F)		
1	1	1A7540-11101	BRACKET ASSY, AXLE	1							
2	1	26108-120252	BOLT 12* 25	16							

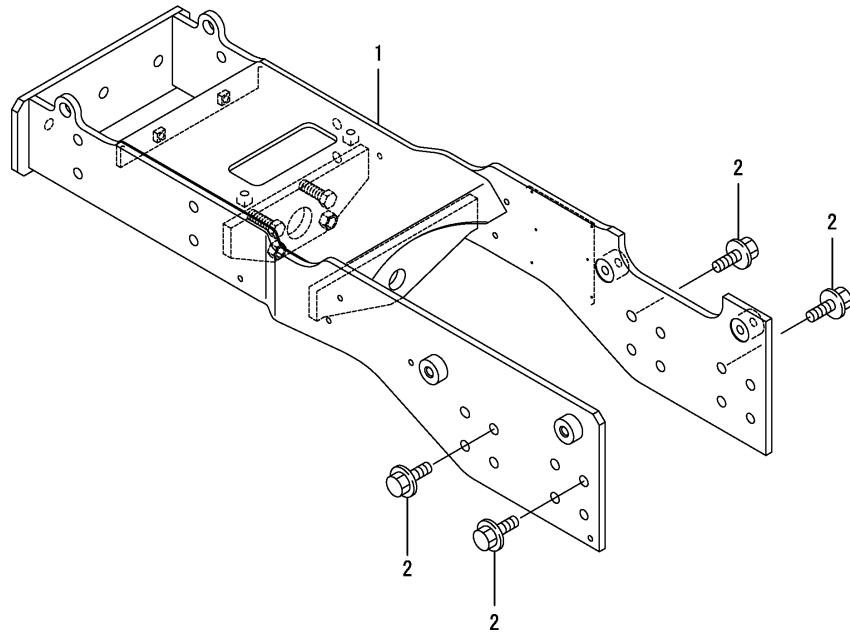


Fig.6. CENTER PIN

0CNP5-G53700 6. CENTER PIN

(A)=SX3100(YANMAR)

(B)=

(C)=

(D)=

(E)=

(F)=

REF.	LEV.	PARTS NO.	DESCRIPTION	Q'TY						I	R
				(A)	(B)	(C)	(D)	(E)	(F)		
1	1	1A7531-11510	PIN, CENTER	1							
2	1	198165-11540	BUSH, CENTER PIN	1							
3	1	1A7531-11550	SHIM KIT, CENTER PIN	1							
4	2	1A7531-11560	SHIM, CENTER PIN 0.2	2							
5	2	1A7531-11570	SHIM, CENTER PIN 0.5	2							
6	2	1A7531-11580	SHIM, CENTER PIN 1.0	2							
7	1	198435-16230	GREASE FITTING	1							
8	1	26106-120302	BOLT M12X 30 PLATED	2							
9	1	26366-120002	U-NUT M12	2							

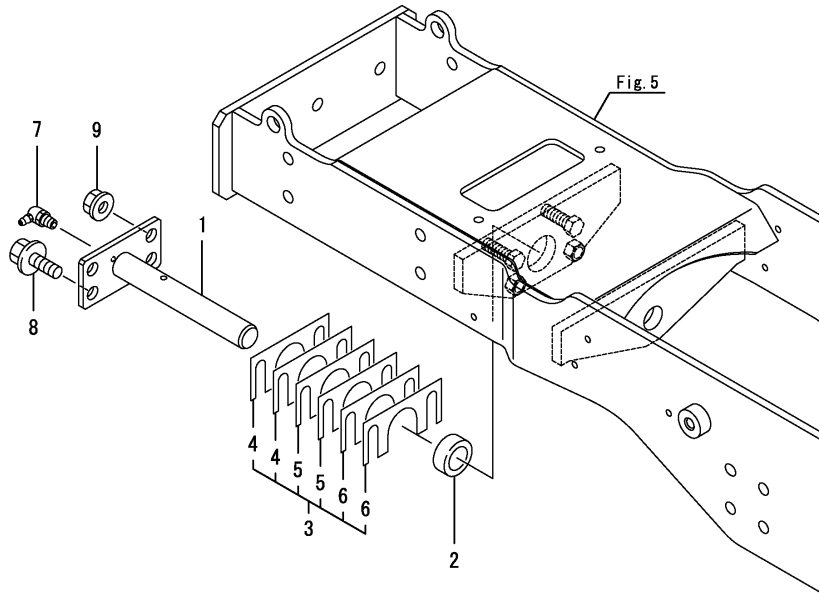


Fig.7. TIE ROD

0CNP5-G53700 7. TIE ROD

(A)=SX3100(YANMAR)
 (B)=
 (C)=

(D)=
 (E)=
 (F)=

REF.	LEV.	PARTS NO.	DESCRIPTION	Q'TY						I	R
				(A)	(B)	(C)	(D)	(E)	(F)		
1	1	198165-12310-1	ROD, CMP TIE	1							
2	2	24761-060000	NIPPLE MT6X1, GREASE	2							
3	1	194215-12340	NUT M10	2							
4	1	22417-250250	COTTER PIN 2.5X25	2							

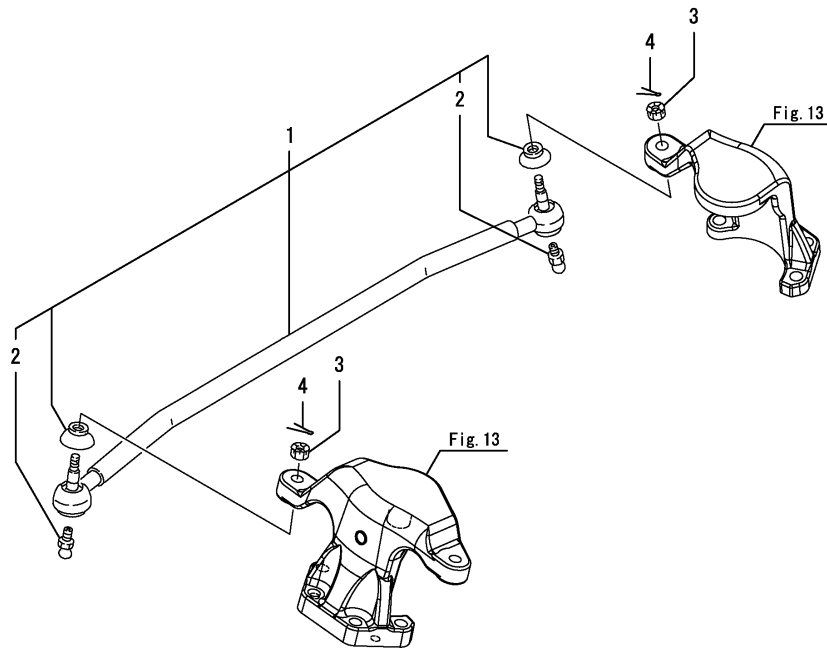


Fig.9. DIFFERENTIAL GEAR

0CNP5-G53700 9. DIFFERENTIAL GEAR

(A)=SX3100(YANMAR)

(B)=

(C)=

(D)=

(E)=

(F)=

REF.	LEV.	PARTS NO.	DESCRIPTION	Q'TY						I	R
				(A)	(B)	(C)	(D)	(E)	(F)		
1	1	198165-13101	PINION, DRIVE KIT	1							
2	1	198421-13221	GEAR,DIFF.SIDE	2							
3	1	1A7050-13230	GEAR,DIFF.PINION	2							
4	1	198421-13240	SHAFT,DIFF.PINION	1							
5	1	24101-060054	BALL BEARING 6005	1							
6	1	24101-060074	BALL BEARING	1							

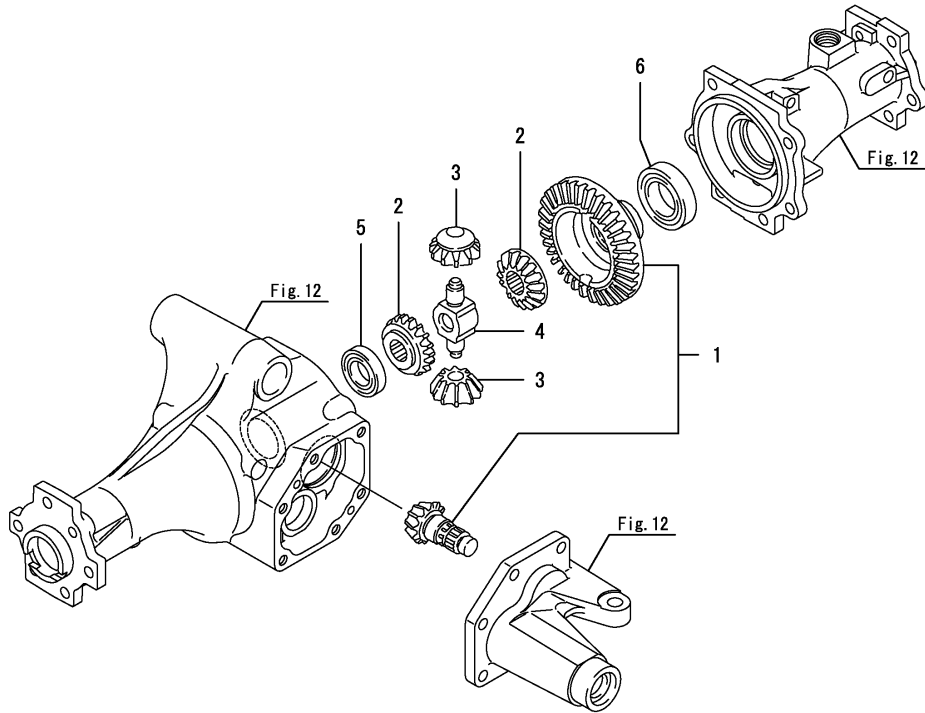


Fig.10. PROPELLER SHAFT

0CNP5-G53700 10. PROPELLER SHAFT

(A)=SX3100(YANMAR)

(B)=

(C)=

(D)=

(E)=

(F)=

REF.	LEV.	PARTS NO.	DESCRIPTION	Q'TY						I	R
				(A)	(B)	(C)	(D)	(E)	(F)		
1	1	1A7540-13310	SHAFT ASSY,PROPELLER	1							
2	1	22242-000360	CIRCLIP 36(S)	1							
3	1	22351-035032	SPRING PIN 3.5X32	1							
4	1	22351-060032	SPRING PIN 6X32	1							

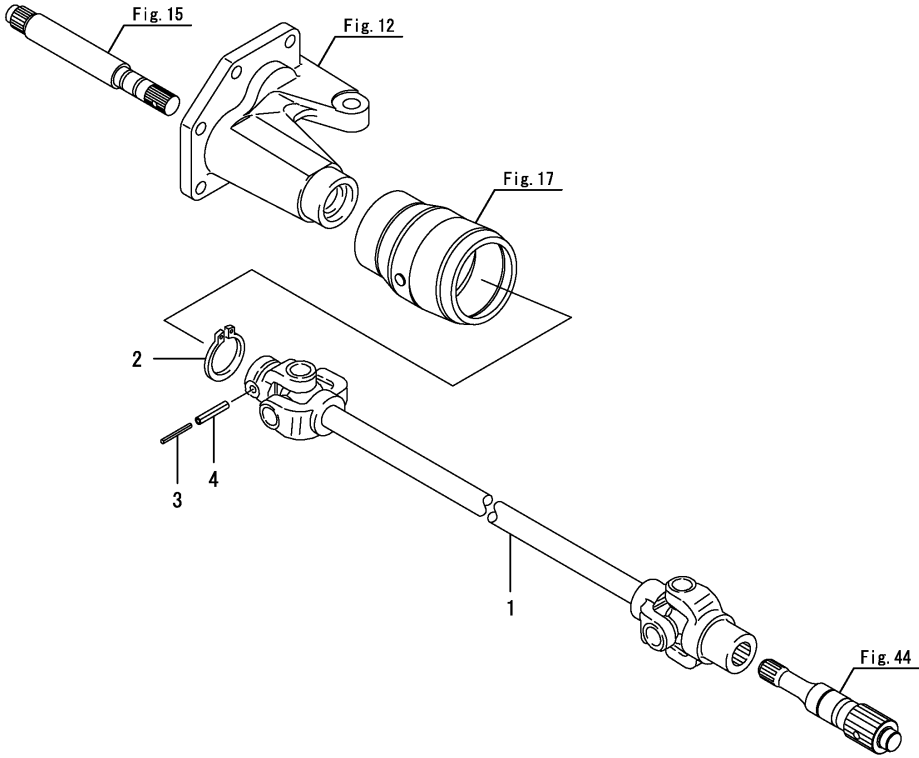


Fig.11. FRONT SHAFT(1)

0CNP5-G53700 11. FRONT SHAFT(1)

(A)=SX3100(YANMAR)

(B)=

(C)=

(D)=

(E)=

(F)=

REF.	LEV.	PARTS NO.	DESCRIPTION	Q'TY						I	R
				(A)	(B)	(C)	(D)	(E)	(F)		
1	1	198165-13511	SHAFT L,FRONT 1	1							
2	1	198165-13521	SHAFT R,FRONT 1	1							
3	1	198165-13532	GEAR, 1-2 SHAFT	2							
4	1	24101-062054	BEARING #6205	2							

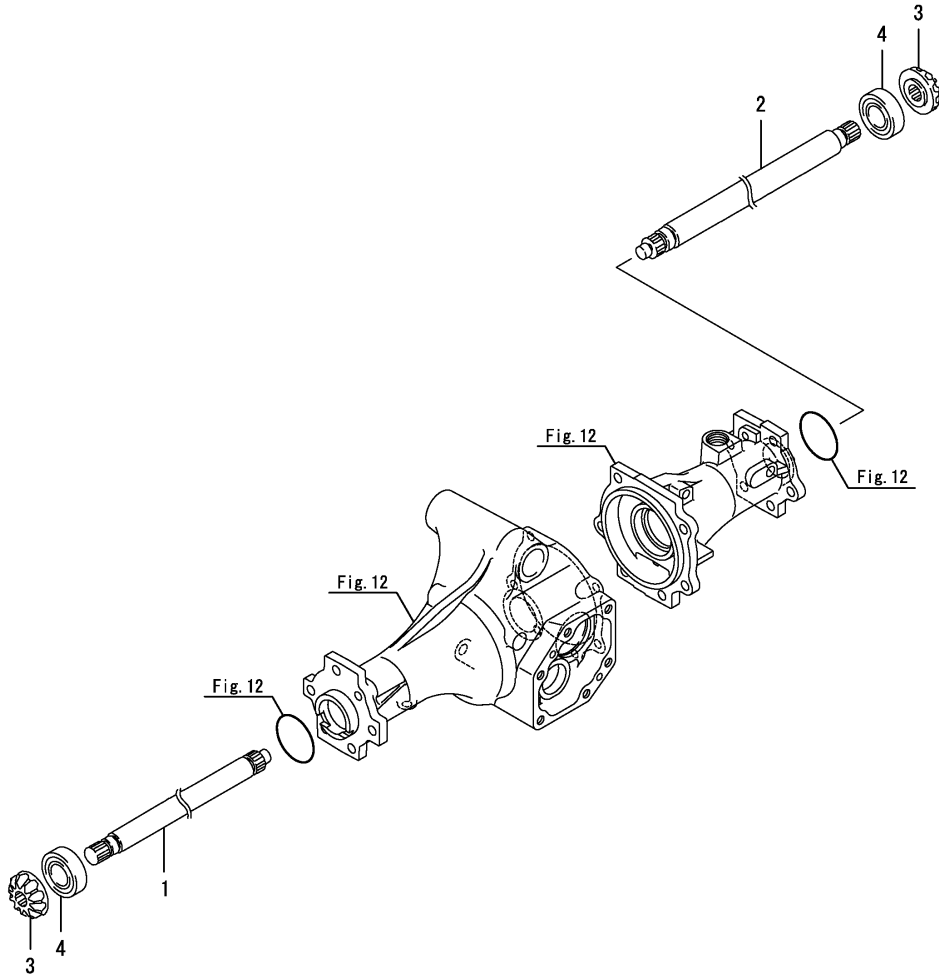


Fig.12. FRONT AXLE HOUSING

(A)=SX3100(YANMAR)

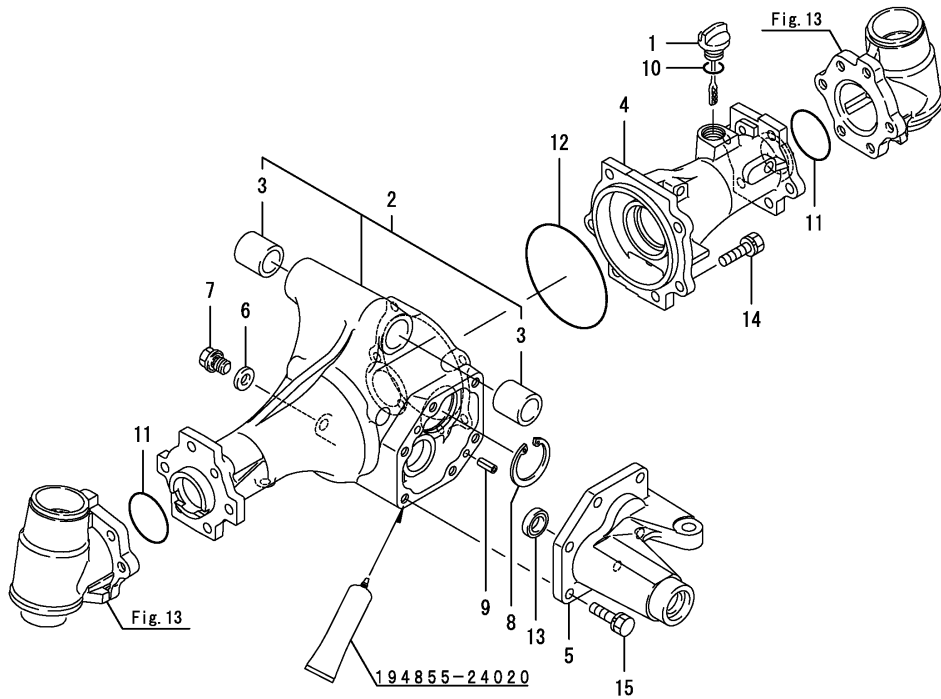
(B)=

(C)=

(D)=

(E)=

(F)=



REF.	LEV.	PARTS NO.	DESCRIPTION	QTY						I	R
				(A)	(B)	(C)	(D)	(E)	(F)		
1	1	194447-13490	CAP W/DIPSTICK	1							
2	1	198165-13600	CASE L COMP, F. AXLE	1							
3	2	194850-13660	BUSH	2							
4	1	198165-13620-2	CASE R,FRONT AXLE	1							
5	1	198165-13631-1	COVER,FRONT AXLE CAS	1							
6	1	198165-24440	GASKET	1							
7	1	198165-24490	BOLT M 12X 12 PLATED	1							
8	1	22252-000520	CIRCLIP 52	1							
9	1	22351-080020	SPRING PIN 8X20	2							
10	1	24311-000180	O-RING 1A P-18.0	1							
11	1	24321-000500	O-RING 1A G-50.0	2							
12	1	24321-001150	O-RING 1A G-115.0	1							
13	1	24421-173007	SEAL TC17 30 07, OIL	1							
14	1	26013-100302	BOLT M10X 30	6							
15	1	26016-100302	BOLT M10X 30	6							

Fig.13. FRONT GEAR CASE

(A)=SX3100(YANMAR)

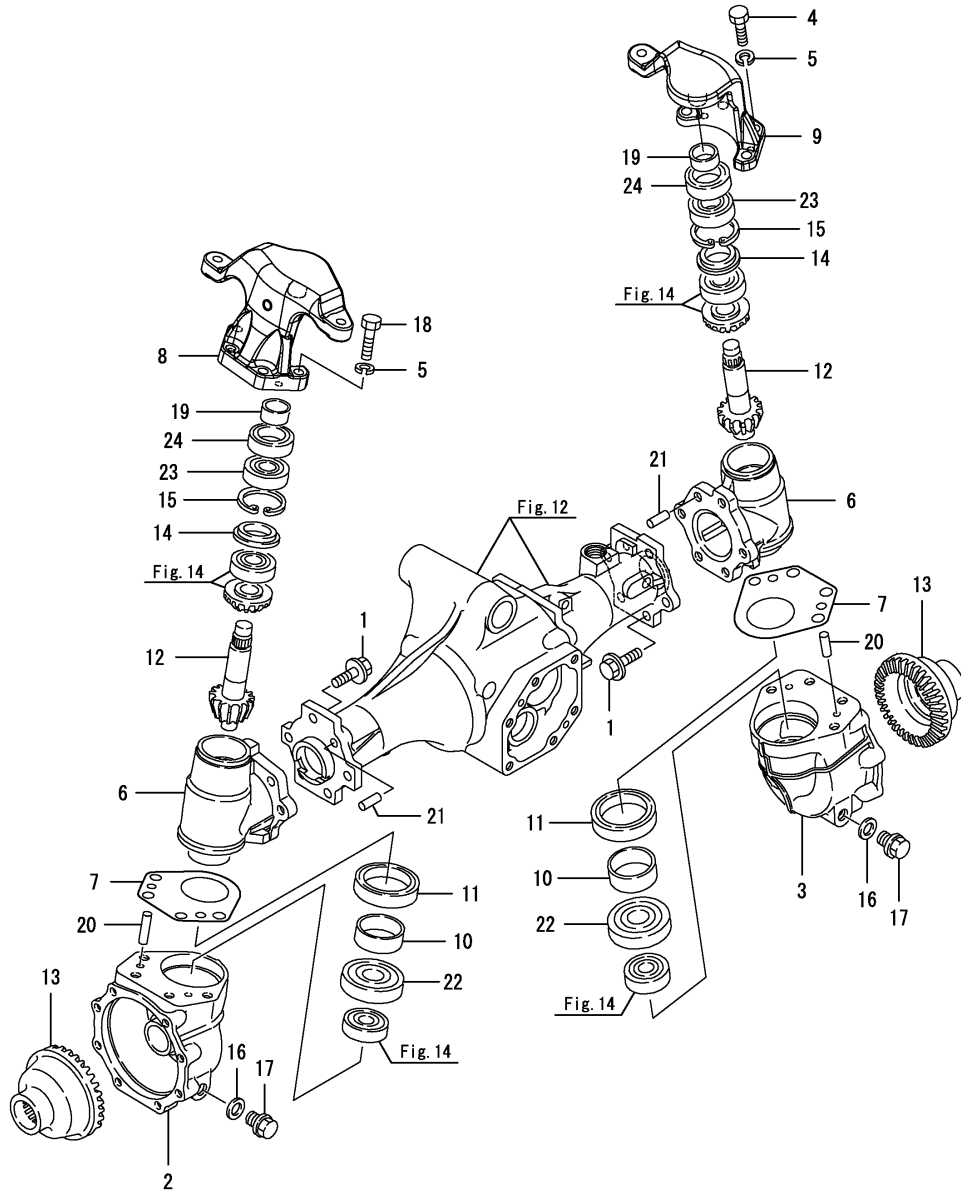
(B)=

(C)=

(D)=

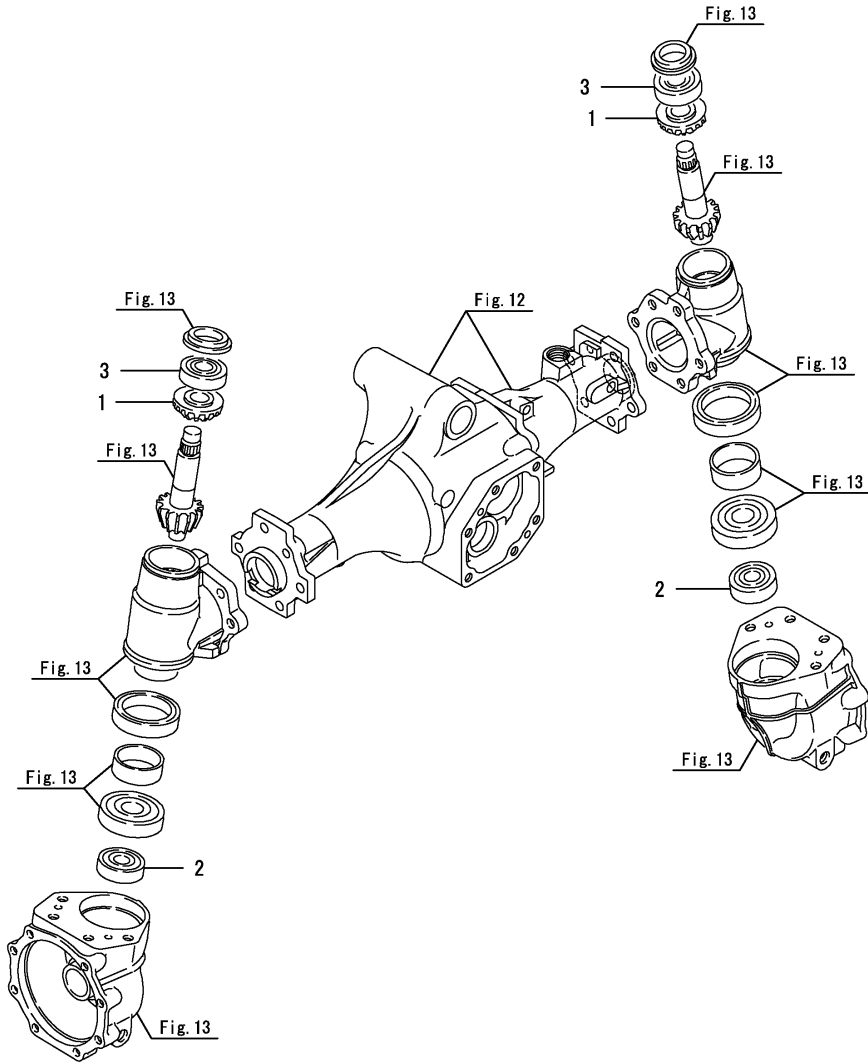
(E)=

(F)=



REF.	LEV.	PARTS NO.	DESCRIPTION	QTY						I	R
				(A)	(B)	(C)	(D)	(E)	(F)		
1	1	1A7531-11350	BOLT, M10X25	10							
2	1	1A7531-13730	CASE, FINAL GEAR L.H	1							
3	1	1A7531-13740	CASE, FINAL GEAR R.H	1							
4	1	194274-13550	BOLT M10X 30	4							
5	1	194274-13570	SPRING WASHER 10	8							
6	1	1A7531-13710	CASE, FRONT GEAR	2							
7	1	198165-13750	SHIM	2							
8	1	1A8300-13750	SUPPORT, KING PIN LH	1							
9	1	1A8300-13760	SUPPORT, KING PIN RH	1							
10	1	194516-13770	SLEEVE SI455016	2							
11	1	194516-13780	SEAL TC6Y 506812.5	2							
12	1	1A7531-13810	PINION, FRONT FINAL	2							
13	1	198165-14120	FAINAL GEAR, FRONT	2							
14	1	1D4110-13870	WASHER	2							
15	1	1A6780-13890	RING 47	2							
16	1	198165-24440	GASKET	2							
17	1	198165-24490	BOLT M 12X 12 PLATED	2							
18	1	194320-42150	BOLT M10X 35	4							
19	1	1E6190-54080	SLEEVE SI25X30X13	2							
20	1	22312-080200	PARALLEL PIN, M8X20	4							
21	1	22312-100200	PARALLEL PIN, M10X20	2							
22	1	24101-060084	BALL BEARING	2							
23	1	24104-062044	BALL BEARING	2							
24	1	24421-304708	SEAL TC30 47 08, OIL	2							

Fig.14. FRONT SHAFT(2)



0CNP5-G53700 14. FRONT SHAFT(2)

(A)=SX3100(YANMAR)
 (B)=
 (C)=

(D)=
 (E)=
 (F)=

REF.	LEV.	PARTS NO.	DESCRIPTION	Q'TY						I	R
				(A)	(B)	(C)	(D)	(E)	(F)		
1	1	198165-13532	GEAR, 1-2 SHAFT	2							
2	1	1A6780-13910	BEARING 6303 RSH2	2							
3	1	24104-063034	BALL BEARING	2							

Fig.15. INPUT SHAFT

(A)=SX3100(YANMAR)
 (B)=
 (C)=

(D)=
 (E)=
 (F)=

REF.	LEV.	PARTS NO.	DESCRIPTION	Q'TY						I	R
				(A)	(B)	(C)	(D)	(E)	(F)		
1	1	198165-13910	SHAFT,INPUT FRONT	1							
2	1	1A7540-13920	GEAR, FRONT Z=18T	1							
3	1	24101-060034	BALL BEARING	1							
4	1	24101-062024	BALL BEARING	1							

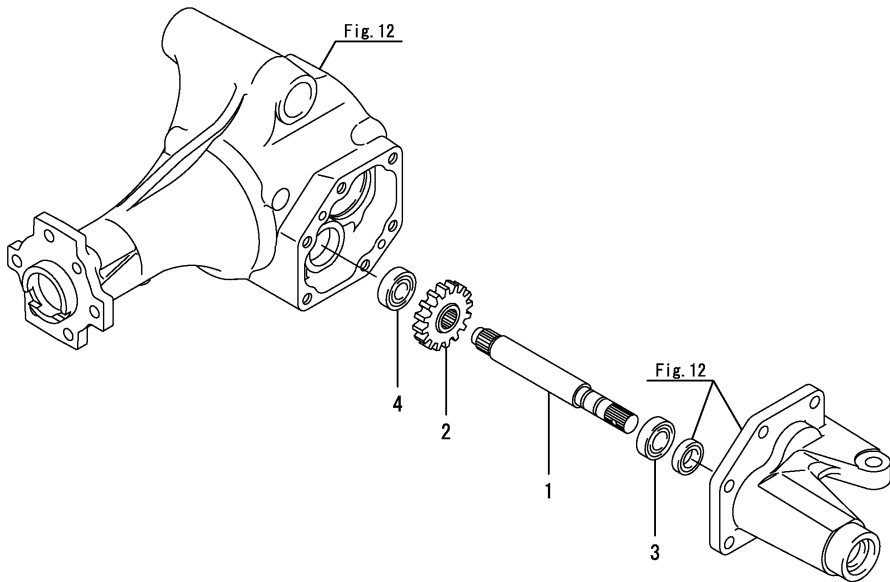


Fig.16. FRONT SPINDLE

0CNP5-G53700 16. FRONT SPINDLE

(A)=SX3100(YANMAR)

(B)=

(C)=

(D)=

(E)=

(F)=

REF.	LEV.	PARTS NO.	DESCRIPTION	Q'TY						I	R
				(A)	(B)	(C)	(D)	(E)	(F)		
1	1	1A6780-14110	SHAFT,FRONT AXLE	2							
2	1	1A6780-14131	CASE, FRONT BEARING	2							
3	1	198165-14140	GASKET, CASE	2							
4	1	194151-36670	PLUG PT02	2							
5	1	1E8420-55430	SEAL 40X62X14,OIL	2							
6	1	22242-000350	CIRCLIP 35	2							
7	1	24101-060084	BALL BEARING	2							
8	1	24101-062074	BALL BEARING	2							
9	1	26016-080252	BOLT M 8X 25	16							

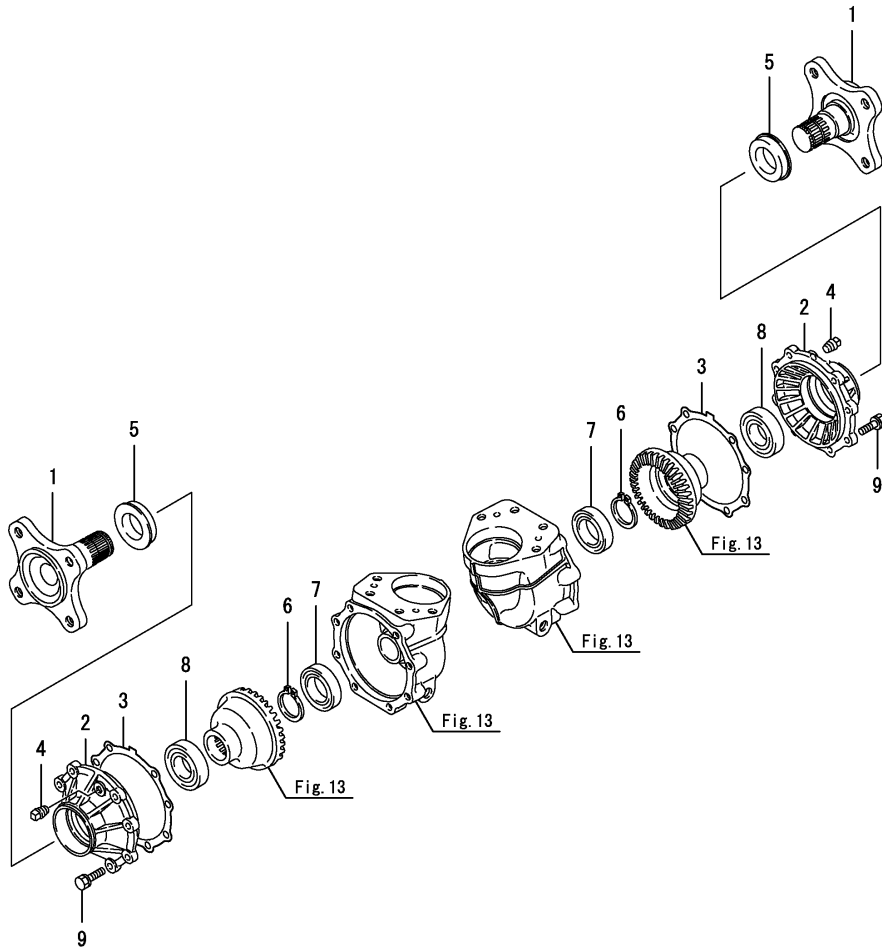


Fig.17. SHAFT COVER

0CNP5-G53700 17. SHAFT COVER

(A)=SX3100(YANMAR)
 (B)=
 (C)=

(D)=
 (E)=
 (F)=

REF.	LEV.	PARTS NO.	DESCRIPTION	Q'TY						I	R
				(A)	(B)	(C)	(D)	(E)	(F)		
1	1	1A7531-14620	BOOT, RUBBER	1							
2	1	198421-14630	COLLAR, RUBBER BOOT	1							
3	1	23000-070000	CLAMP 70	1							

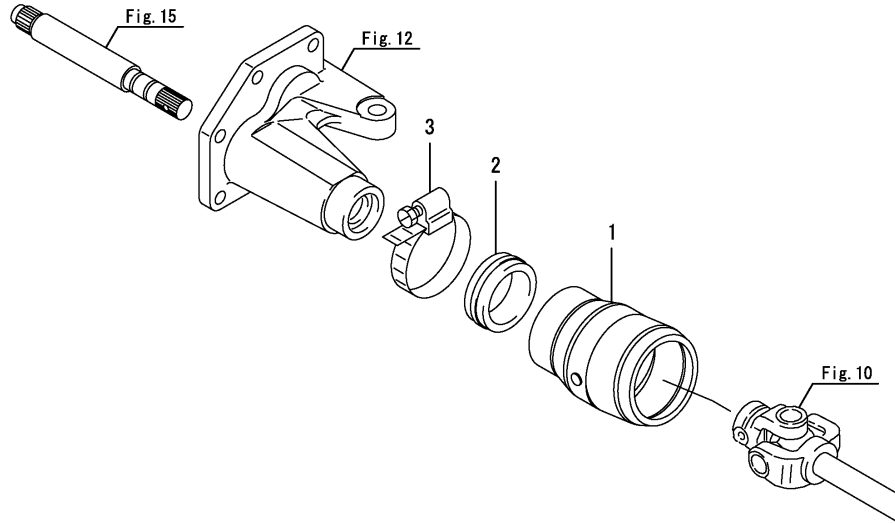


Fig.18. FRONT TIRE R3

0CNP5-G53700 18. FRONT TIRE R3

(A)=SX3100(YANMAR)

(B)=

(C)=

(D)=

(E)=

(F)=

REF.	LEV.	PARTS NO.	DESCRIPTION	Q'TY						I	R
				(A)	(B)	(C)	(D)	(E)	(F)		
1	1	1A8300-14700	TIRE KIT, FRONT R3	2							
2	2	1A8300-14710	TIRE, 24X8.50-14 R3	2							
3	2	1A8300-14730	WHEEL,	2							
4	2	1A8300-14740	VALVE,	2							

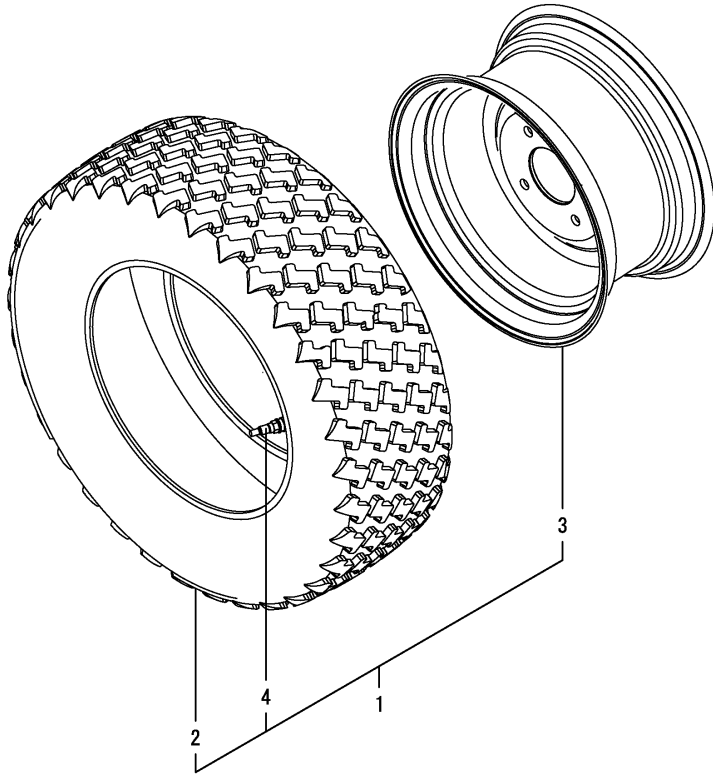


Fig.19. FRONT TIRE R4

0CNP5-G53700 19. FRONT TIRE R4

(A)=SX3100(YANMAR)

(B)=

(C)=

(D)=

(E)=

(F)=

REF.	LEV.	PARTS NO.	DESCRIPTION	Q'TY						I	R
				(A)	(B)	(C)	(D)	(E)	(F)		
1	1	1A8300-14800	TIRE KIT, FRONT L R4	1							
2	2	1A8300-14820	TIRE, 23X8.5-12 R4	1							
3	2	1A8300-14830	WHEEL,	1							
4	2	1A8300-14840	VALVE,	1							
5	1	1A8300-14810	TIRE KIT, FRONT R R4	1							
6	2	1A8300-14820	TIRE, 23X8.5-12 R4	1							
7	2	1A8300-14830	WHEEL,	1							
8	2	1A8300-14840	VALVE,	1							

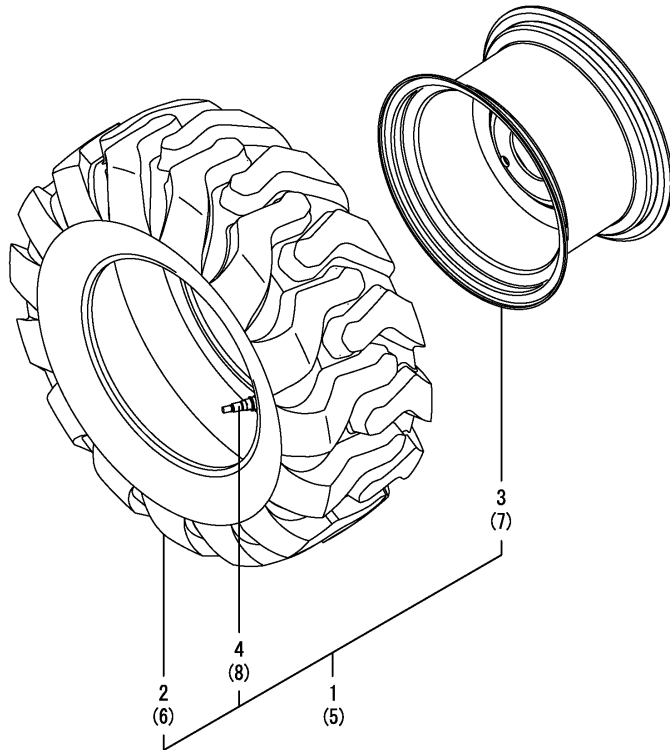


Fig.20. HUB BOLT,FRONT

0CNP5-G53700 20. HUB BOLT,FRONT

(A)=SX3100(YANMAR)

(B)=

(C)=

(D)=

(E)=

(F)=

REF.	LEV.	PARTS NO.	DESCRIPTION	Q'TY						I	R
				(A)	(B)	(C)	(D)	(E)	(F)		
1	1	194881-12650	BOLT M14X 24	8							

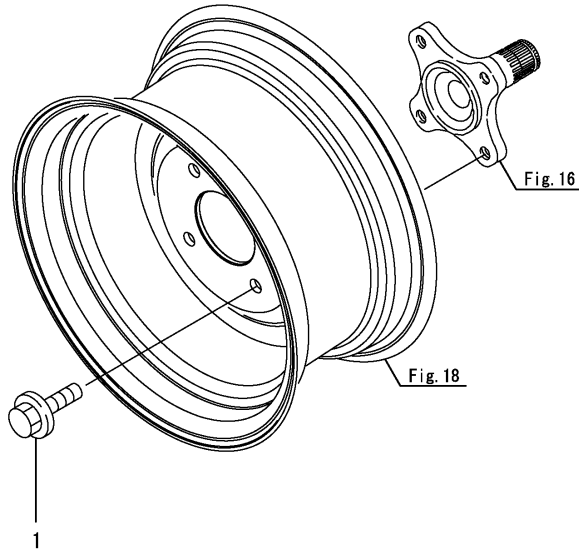


Fig.21. STEERING WHEEL

0CNP5-G53700 21. STEERING WHEEL

(A)=SX3100(YANMAR)

(B)=

(C)=

(D)=

(E)=

(F)=

REF.	LEV.	PARTS NO.	DESCRIPTION	QTY						I	R
				(A)	(B)	(C)	(D)	(E)	(F)		
1	1	1A7880-15700	WHEEL,STEERING	1							
2	1	1A7880-15740	CAP,STEERING WHEEL	1							

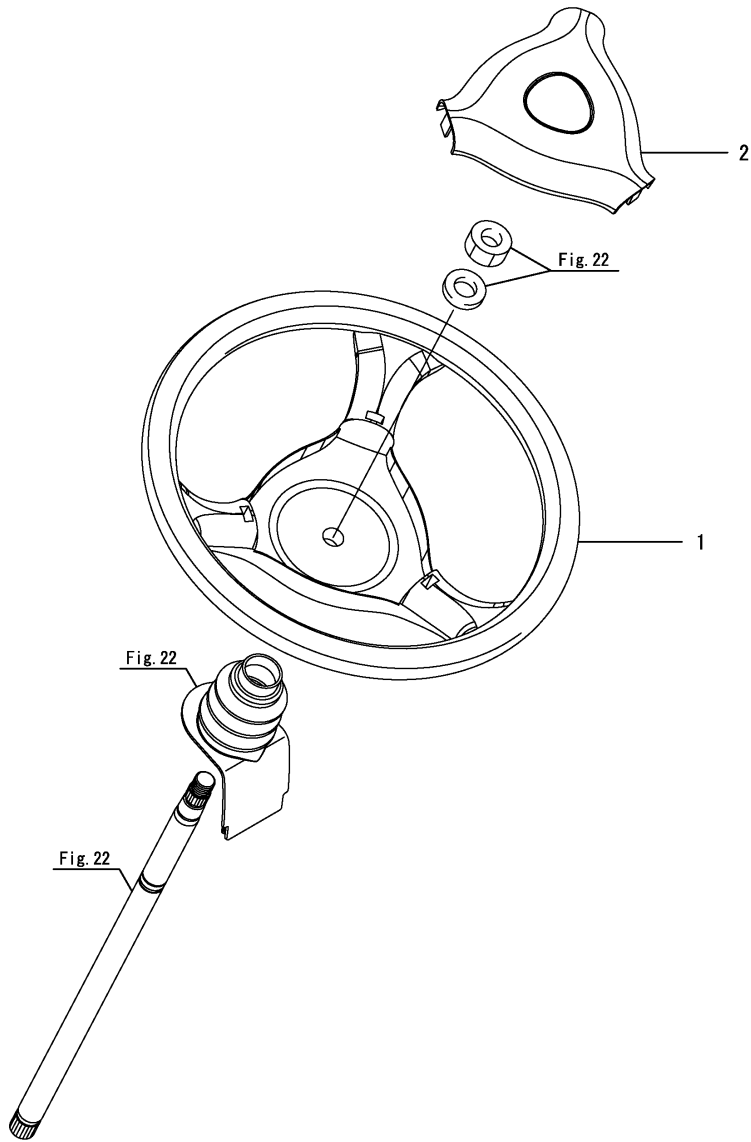


Fig.22. PST VALVE

(A)=SX3100(YANMAR)

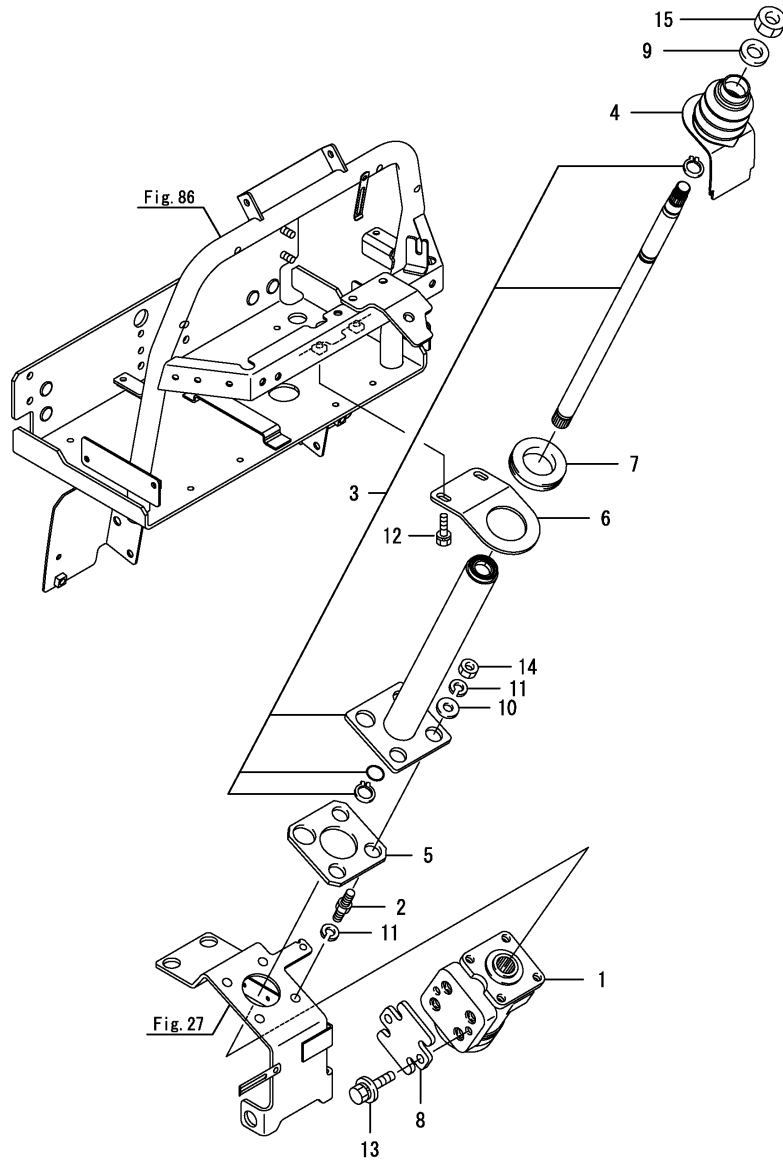
(B)=

(C)=

(D)=

(E)=

(F)=



REF.	LEV.	PARTS NO.	DESCRIPTION	QTY						I	R
				(A)	(B)	(C)	(D)	(E)	(F)		
1	1	1A7530-17300	VALVE ASSY, STEERING	1							
2	1	1A7510-17310	BOLT	4							
3	1	1A7530-17410	COLUMN SET	1							
4	1	1A7510-17470	BOOT, STEERRING	1							
5	1	1A6770-17510	PLATE, ST COLUM	1							
6	1	1A7530-17550	STAY,STEERING	1							
7	1	1A7530-17571	RUBBER,STS	1							
8	1	1A7500-17910	PLATE	1							
9	1	22137-160000	WASHER 16,POLISHED	1							
10	1	22157-100000	WASHER 10	4							
11	1	22217-100000	SPRING WASHER 10	8							
12	1	26013-080202	BOLT W/WASHER M8X20	2							
13	1	26018-100202	BOLT M10X20	2							
14	1	26736-100002	NUT M10	4							
15	1	26776-160002	LOCK NUT M16 PLATED	1							

Fig.23. PST CYLINDER

(A)=SX3100(YANMAR)

(B)=

(C)=

(D)=

(E)=

(F)=

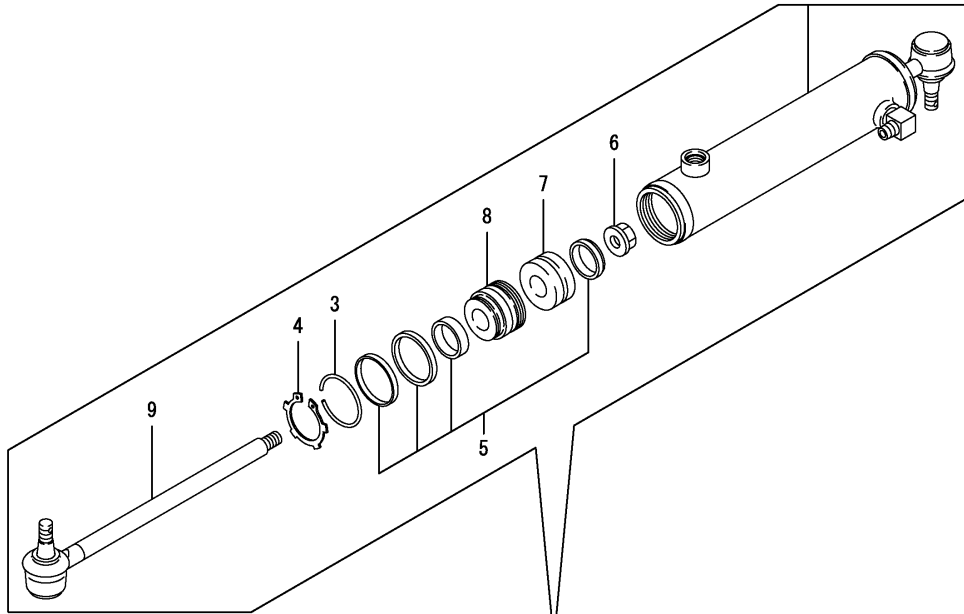
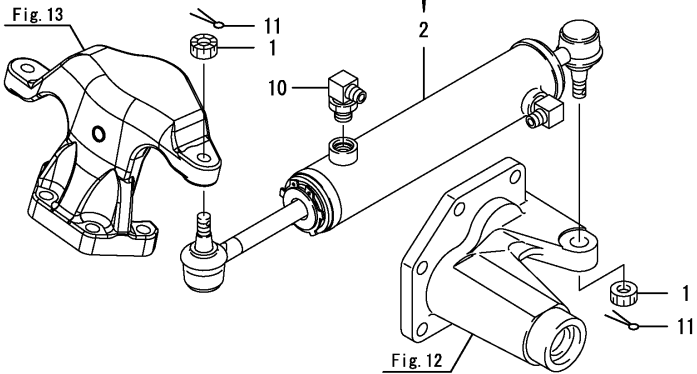
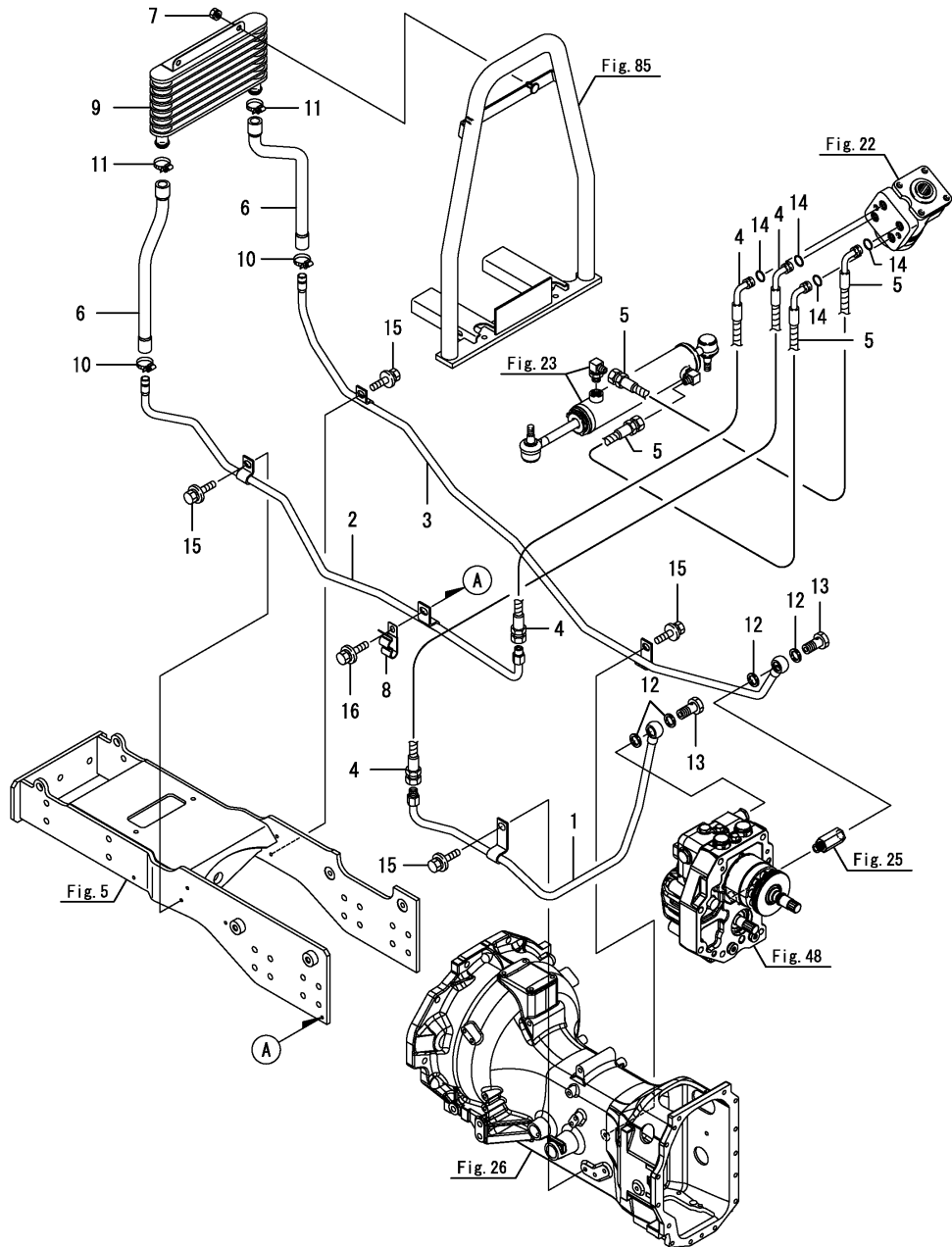


Fig. 13



REF.	LEV.	PARTS NO.	DESCRIPTION	Q'TY						I	R
				(A)	(B)	(C)	(D)	(E)	(F)		
1	1	194215-12341	NUT	2							
2	1	1A7531-17541	CYLINDER ASSY, STEER	1							
3	2	1A7335-17520	CIRCLIP 120	1							
4	2	1A7335-17530	CIRCLIP 120	1							
5	2	1A7500-17551	SEAL KIT	1							
6	2	1A7500-17560	ROCK NUT	1							
7	2	1A7500-17570	PISTON	1							
8	2	1A7500-17580	CAP, CYLINDER	1							
9	2	1A7510-17590	ROD ASSY	1							
10	1	198165-17781	ELBO, 1/4X1/4	1							
11	1	22417-250250	COTTER PIN 2.5X25	2							

Fig.24. PST PIPING(A)



0CNP5-G53700 24. PST PIPING(A)

(A)=SX3100(YANMAR)

(B)=

(C)=

(D)=

(E)=

(F)=

REF.	LEV.	PARTS NO.	DESCRIPTION	QTY						I	R
				(A)	(B)	(C)	(D)	(E)	(F)		
1	1	1A7530-17640	PIPE, HIGH PRESS. PS	1							
2	1	1A7540-17670	PIPE, OUTLET PS	1							
3	1	1A7540-17710	PIPE, DRAIN	1							
4	1	1A7530-17821	HOSE, HYDRAULIC	2							
5	1	1A7530-17830	HOSE, HYDRAULIC	2							
6	1	1A8300-17940	HOSE, OIL COOLER	2							
7	1	194990-22050	NUT W/WASHER 8	2							
8	1	1A7130-48110	CLAMP, PIPE	1							
9	1	1E8600-66700	COOLER, OIL	1							
10	1	23000-019000	CLAMP 19	2							
11	1	23000-022000	CLAMP 22	2							
12	1	23414-160021	GASKET 16	4							
13	1	23857-100000	JOINT BOLT 10	2							
14	1	24311-000120	O-RING 1A P-12.0	4							
15	1	26018-080202	BOLT M 8X 20	4							
16	1	26018-080202	BOLT M 8X 20	1							

Fig.25. PST PIPING(B)

0CNP5-G53700 25. PST PIPING(B)

(A)=SX3100(YANMAR)
 (B)=
 (C)=

(D)=
 (E)=
 (F)=

REF.	LEV.	PARTS NO.	DESCRIPTION	QTY						I	R
				(A)	(B)	(C)	(D)	(E)	(F)		
1	1	1A6680-48910	CONNECTOR	1							
2	1	24311-000140	O-RING 1A P-14.0	1							

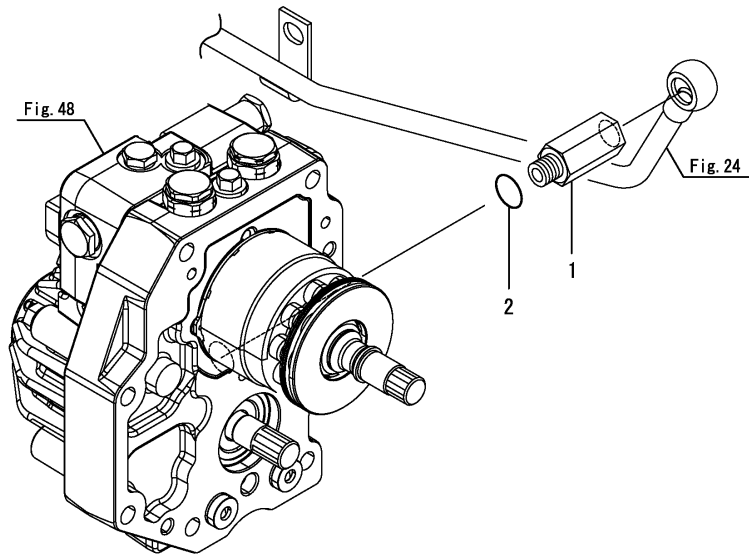


Fig.26. CLUTCH HOUSING

(A)=SX3100(YANMAR)

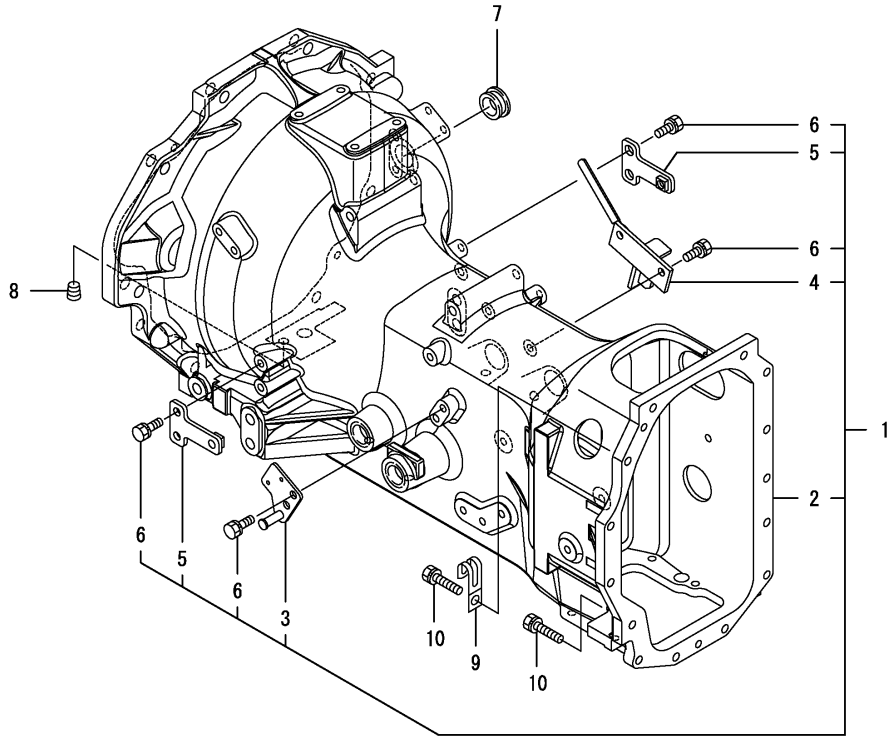
(B)=

(C)=

(D)=

(E)=

(F)=



REF.	LEV.	PARTS NO.	DESCRIPTION	Q'TY						I	R
				(A)	(B)	(C)	(D)	(E)	(F)		
1	1	1A7540-21100	HOUSING ASSY, CLUTCH	1							
2	2	1A7540-21110	HOUSING, CLUTCH	1							
3	2	1A6680-21120	STAY CMP, SWITCH	1							
4	2	1A6680-21200	STOP CMP	1							
5	2	1A6680-21250	STAY, F REST L	2							
6	2	26016-080202	BOLT M 8X 20	8							
7	1	1A6680-21460	RUBBER, CAP 25	1							
8	1	194151-36670	PLUG PT02	1							
9	1	1E6102-83230	CLAMP, BATTERY CABLE	1							
10	1	26016-080352	BOLT M 8X 35	14							

Fig.27. DOCKING BOLT

(A)=SX3100(YANMAR)

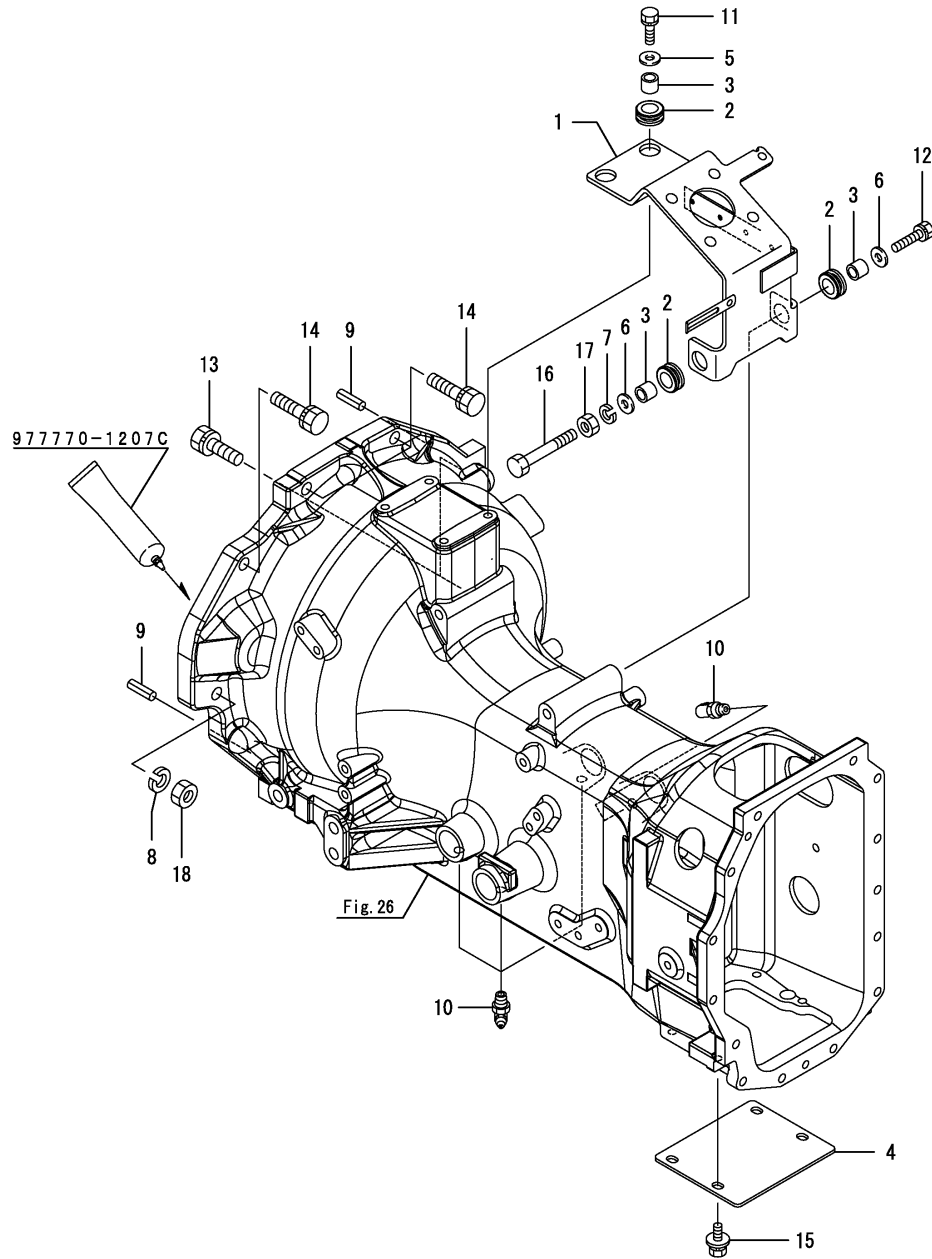
(B)=

(C)=

(D)=

(E)=

(F)=



REF.	LEV.	PARTS NO.	DESCRIPTION	QTY						I	R
				(A)	(B)	(C)	(D)	(E)	(F)		
1	1	1A7530-21150	STAY CMP, GEAR BOX	1							
2	1	1A7530-21210	RUBBER,ST	4							
3	1	1A7530-21220	COLLAR10.6X13.8X12.5	4							
4	1	1A7530-21320	PLATE,C/H	1							
5	1	22157-080000	WASHER 8	2							
6	1	22157-100000	WASHER 10	2							
7	1	22217-100000	SPRING WASHER 10	1							
8	1	22217-120000	SPRING WASHER 12	1							
9	1	22351-080016	SPRING PIN 8X16	2							
10	1	24761-040000	NIPPLE B,GREASE	4							
11	1	26013-080252	BOLT M 8X 25	2							
12	1	26013-100352	BOLT M10X 35	1							
13	1	26013-120352	BOLT M12X 35	3							
14	1	26013-120452	BOLT M12X 45	5							
15	1	26018-080162	BOLT M 8X 16	4							
16	1	26116-100804	BOLT M10X 80 PLATED	1							
17	1	26716-100002	NUT 10	1							
18	1	26756-120002	LOCK NUT 12	1							

Fig.28. DAMPER DISC

0CNP5-G53700 28. DAMPER DISC

(A)=SX3100(YANMAR)

(B)=

(C)=

(D)=

(E)=

(F)=

REF.	LEV.	PARTS NO.	DESCRIPTION	QTY						I	R
				(A)	(B)	(C)	(D)	(E)	(F)		
1	1	198167-21410	DISC ,DANPER	1							
2	1	22351-080016	SPRING PIN 8X16	2							
3	1	26013-080162	BOLT W/WASHER M8X16	6							

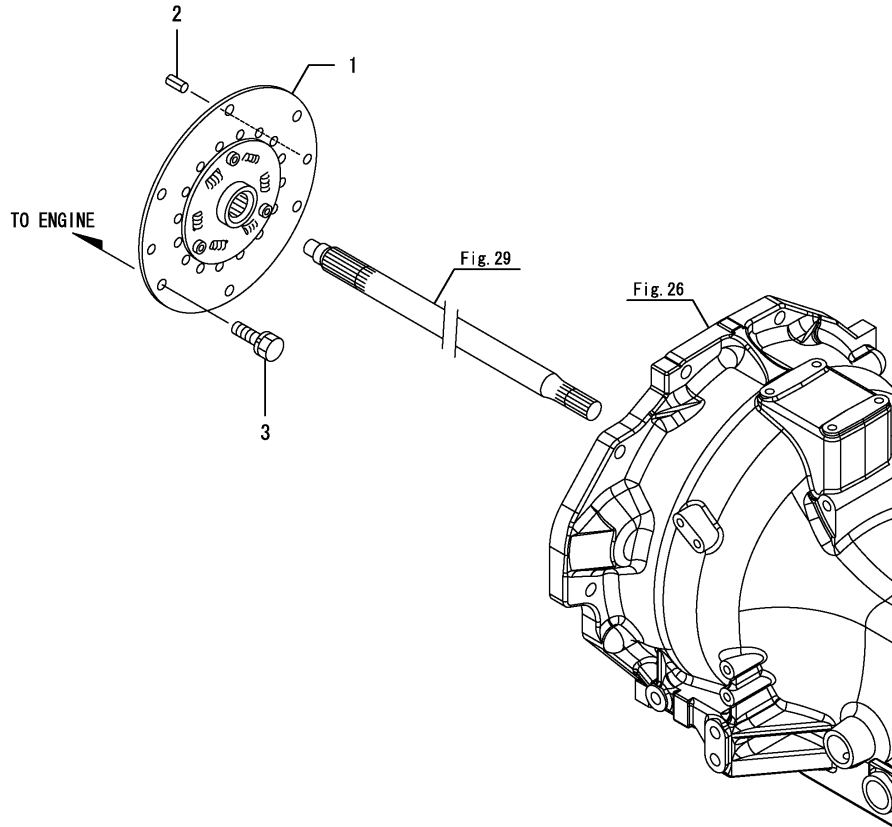


Fig.29. CLUTCH SHAFT

OCNP5-G53700 29. CLUTCH SHAFT

(A)=SX3100(YANMAR)

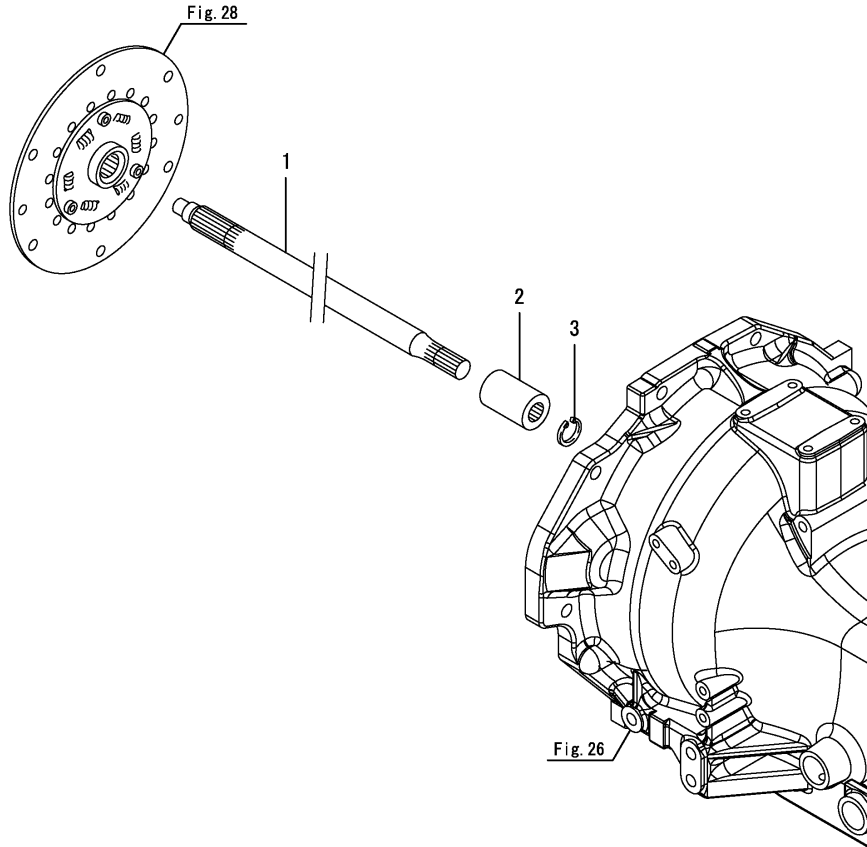
(B)=

(C)=

(D)=

(E)=

(F)=



REF.	LEV.	PARTS NO.	DESCRIPTION	Q'TY						I	R
				(A)	(B)	(C)	(D)	(E)	(F)		
1	1	1A7530-22110	SHAFT,MAIN DRIVE	1							
2	1	194300-25100	COUPLING	1							
3	1	22252-000150	CIRCLIP 15	1							

Fig.30. TRANSMISSION CASE

(A)=SX3100(YANMAR)

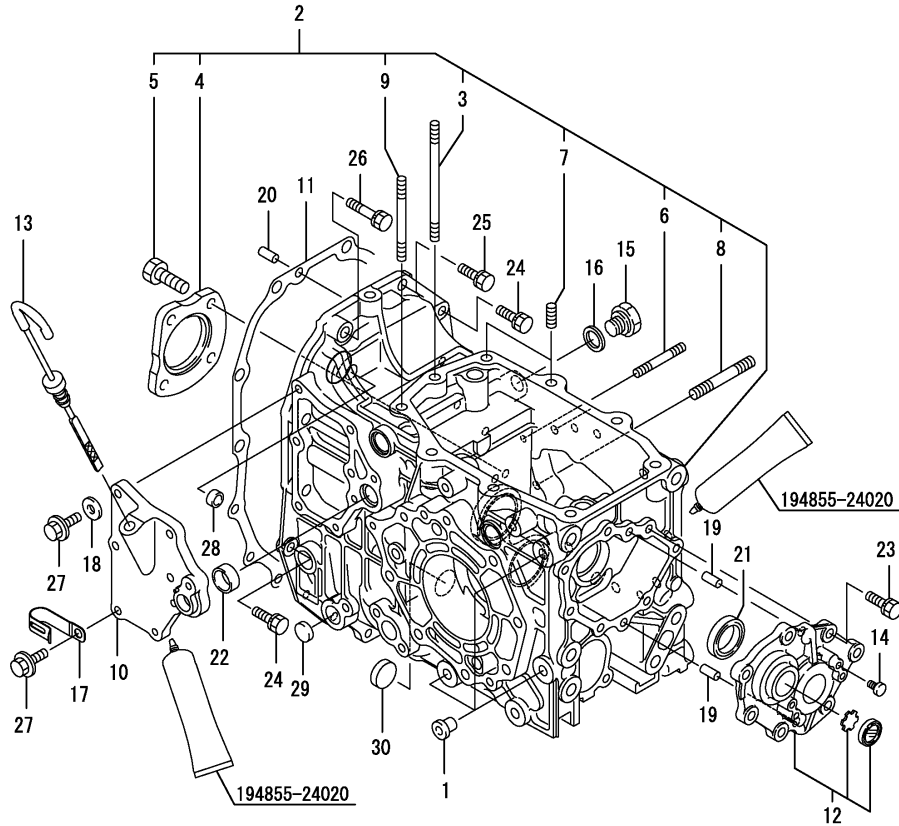
(B)=

(C)=

(D)=

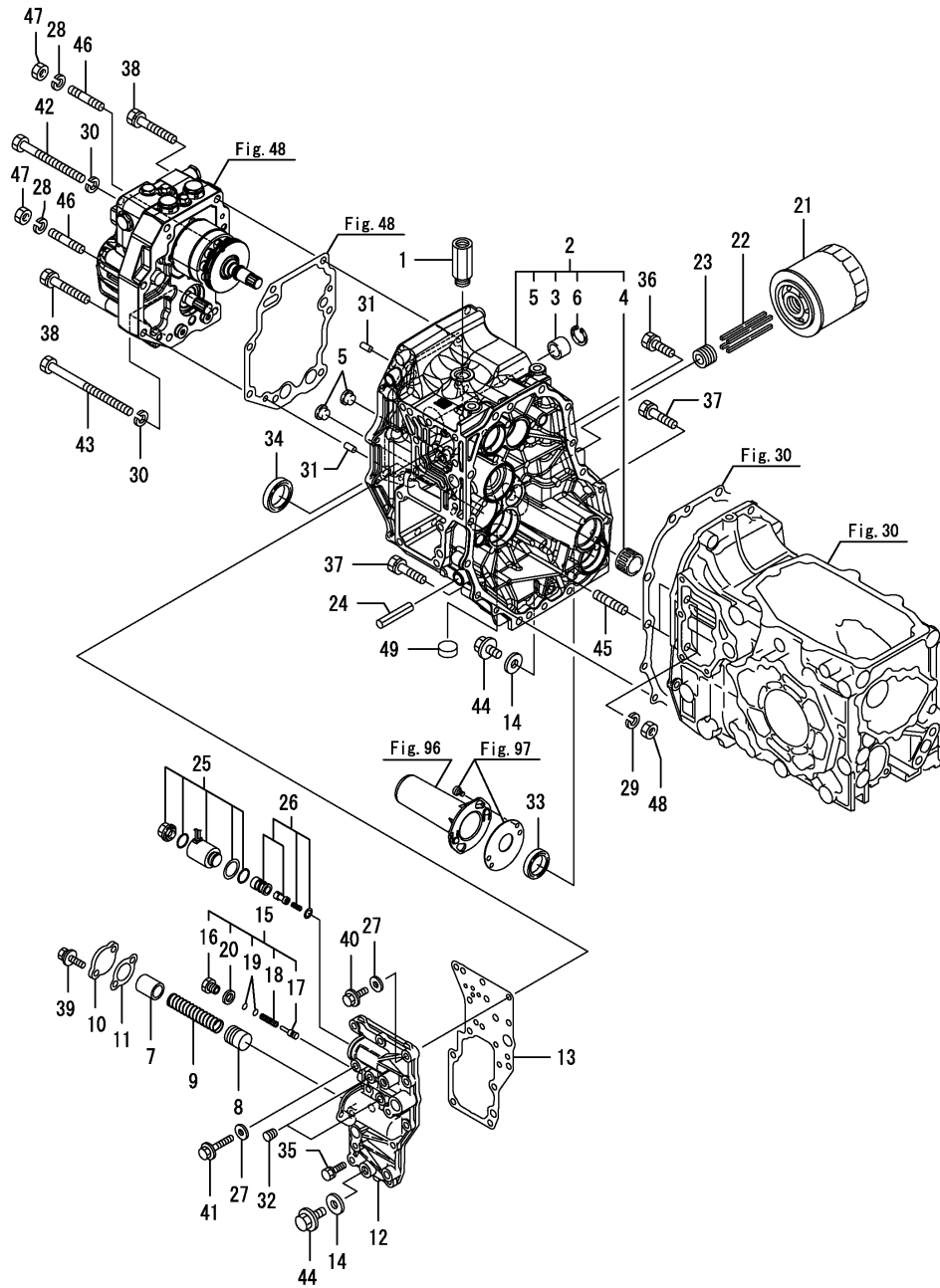
(E)=

(F)=



REF.	LEV.	PARTS NO.	DESCRIPTION	Q'TY						I	R
				(A)	(B)	(C)	(D)	(E)	(F)		
1	1	194201-11230	CAP 11X21	6							
2	1	1A7530-24100	CASE ASSY, MISSION	1							
3	2	198165-24480	STUD 10X130	1							
4	2	198165-25851	HOLDER, BEARING	1							
5	2	198165-25870	BOLT 10* 20	4							
6	2	26228-080602	STUD, BOLT 8X60	1							
7	2	26228-100252	STUD, BOLT 10X25	2							
8	2	26228-100752	STUD, BOLT 10X75	1							
9	2	26228-100902	STUD, BOLT 10X90	1							
10	1	198167-24150	PLATE, SIDE	1							
11	1	198165-24160	PACKING, MISSION CASE	1							
12	1	1A7530-24500	COVER ASSY, REAR CASE	1							
13	1	198167-24980	GAUGE, OIL LEVEL	1							
14	1	194250-32530	PIN, COVER HOOK	2							
15	1	194312-46750	PLUG PF3/8	1							
16	1	194555-77910	GASKET	1							
17	1	1E6102-83230	CLAMP, BATTERY CABLE	1							
18	1	22190-080000	SEAL WASHER 8(BOLT)	5							
19	1	22312-080160	PARALLEL PIN 8X 16	2							
20	1	22312-080160	PARALLEL PIN 8X 16	2							
21	1	24421-284008	SEAL TC28 40 08, OIL	1							
22	1	24550-020100	BUSH	1							
23	1	26016-080252	BOLT M 8X 25	7							
24	1	26016-080302	BOLT M 8X 30	2							
25	1	26016-100302	BOLT M10X 30	1							
26	1	26016-100452	BOLT M10X 45	1							
27	1	26106-080252	BOLT M 8X 25 PLATED	6							
28	1	27260-150000	PLUG 15, BORE	1							
29	1	27260-170000	PLUG, BORE 17	1							
30	1	27260-260000	PLUG 26, BORE	1							

Fig.31. CENTER PLATE



(A)=SX3100(YANMAR)

(B)=

(C)=

(D)=

(E)=

(F)=

REF.	LEV.	PARTS NO.	DESCRIPTION	QTY						I	R
				(A)	(B)	(C)	(D)	(E)	(F)		
1	1	195450-13141	PIPE L,LUB.OIL	1							
2	1	1A7530-24300	HOUSING ASSY, CENTER	1							
3	2	1A7530-24330	DRY BEARING 35X20	1							
4	2	198167-24390	NEEDLE BEARING,2516	1							
5	2	192157-24801	STRAINER	2							
6	2	24165-000402	CIRCLIP	1							
7	1	198167-24340	COLLAR A, ACC	1							
8	1	198167-24350	PISTON, ACC	1							
9	1	198167-24360	SPRING, ACC	1							
10	1	198167-24370	COVER, ACC	1							
11	1	198167-24380	PACKING, COVER ACC	1							
12	1	198167-24400	COVER L, SIDE	1							
13	1	198167-24410	PACKING,SIDE COVER L	1							
14	1	198165-24440	GASKET	2							
15	1	1A7530-24550	RELIEF KIT, PTO	1							
16	2	192157-24770	PLUG,PTO	1							
17	2	192157-24780	VALVE,RELIEF	1							
18	2	192162-25250	SPRING 29.5	1							
19	2	1E6217-56160	SHIM 0.5	2							
20	2	23414-120016	GASKET 12	1							
21	1	198167-24900	FILTER	1							
22	1	198129-24930	MAGNET, FILTER	4							
23	1	198167-24950	JOINT	1							
24	1	1A6781-24990	SPRING PIN 12X60	1							
25	1	1A6770-26600	SOLENOID ASSY	1							
26	1	192157-26611	VALVE SOLENOID CMP	1							
27	1	22190-080000	SEAL WASHER 8(BOLT)	7							
28	1	22287-100000	WASHER 10	2							
29	1	22287-100000	WASHER 10	2							
30	1	22287-100000	WASHER 10	3							
31	1	22312-080160	PARALLEL PIN 8X 16	4							
32	1	23871-010000	PLUG PT1/8,SCREW	2							
33	1	24421-304208	SEAL TC30 42 08, OIL	1							
34	1	24421-304708	SEAL TC30 47 08, OIL	1							
35	1	26016-080302	BOLT M 8X 30	4							
36	1	26016-080302	BOLT M 8X 30	3							
37	1	26016-080402	BOLT M 8X 40	7							
38	1	26016-100602	BOLT	2							
39	1	26018-080202	BOLT M 8X 20	2							
40	1	26106-080302	BOLT M 8X 30 PLATED	6							
41	1	26106-080552	BOLT M 8X 55 PLATED	1							
42	1	26116-101102	BOLT M10X110 PLATED	1							
43	1	26116-101352	BOLT M10X135 PLATED	2							
44	1	26136-120202	BOLT, 12X 20	2							
45	1	26226-100452	STUD M10X 45 PLATED	2							
46	1	26226-100552	STUD M10X 55 PLATED	2							
47	1	26716-100002	NUT 10	2							
48	1	26716-100002	NUT 10	2							
49	1	27260-260000	PLUG 26,BORE	1							

Fig.32. OIL CAP

(A)=SX3100(YANMAR)

(B)=

(C)=

(D)=

(E)=

(F)=

REF.	LEV.	PARTS NO.	DESCRIPTION	Q'TY						I	R
				(A)	(B)	(C)	(D)	(E)	(F)		
1	1	194855-24290	CAP M20, OIL	1							
2	1	24311-000180	O-RING 1A P-18.0	1							

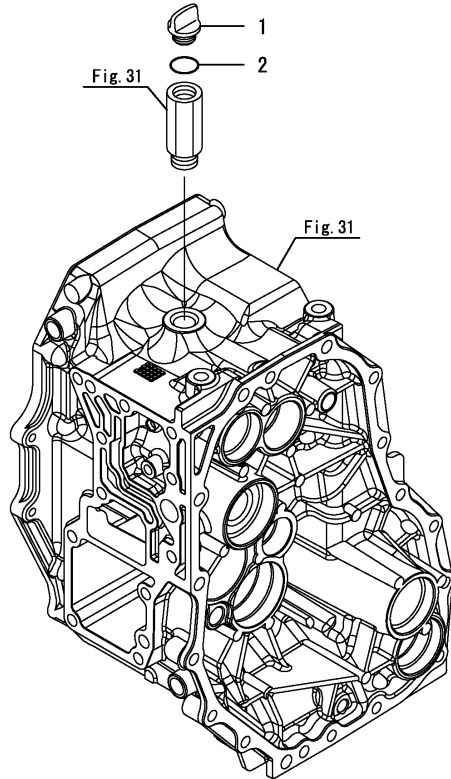


Fig.33. OIL STRAINER

(A)=SX3100(YANMAR)

(B)=

(C)=

(D)=

(E)=

(F)=

REF.	LEV.	PARTS NO.	DESCRIPTION	Q'TY						I	R
				(A)	(B)	(C)	(D)	(E)	(F)		
1	1	198421-24910	STRAINER,OIL	1							
2	1	198129-24930	MAGNET, FILTER	4							
3	1	194305-24970	COVER, OIL STRAINER	1							
4	1	194322-24980	PLUG 1/2-NPT	1							
5	1	1A7870-24980	PACKING,SUCTION	1							
6	1	26013-080252	BOLT M 8X 25	2							

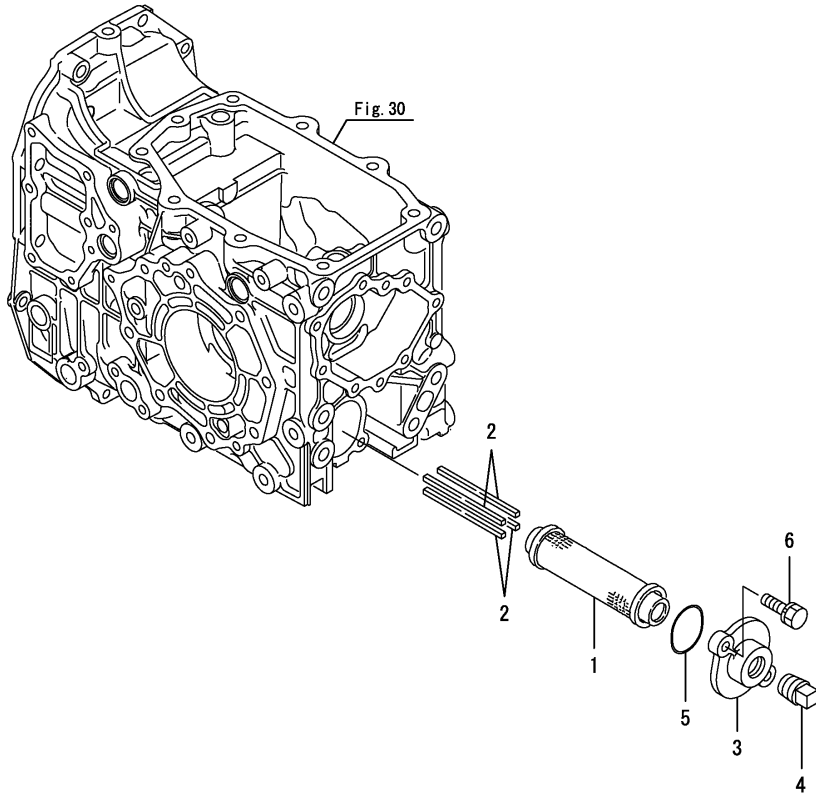


Fig.34. INPUT SHAFT

OCNP5-G53700 34. INPUT SHAFT

(A)=SX3100(YANMAR)

(B)=

(C)=

(D)=

(E)=

(F)=

REF.	LEV.	PARTS NO.	DESCRIPTION	Q'TY						I	R
				(A)	(B)	(C)	(D)	(E)	(F)		
1	1	1A7530-25100	SHAFT ASSY,INPUT	1							
2	1	194305-25160	BALL BEARING	1							
3	1	24101-060054	BALL BEARING 6005	1							

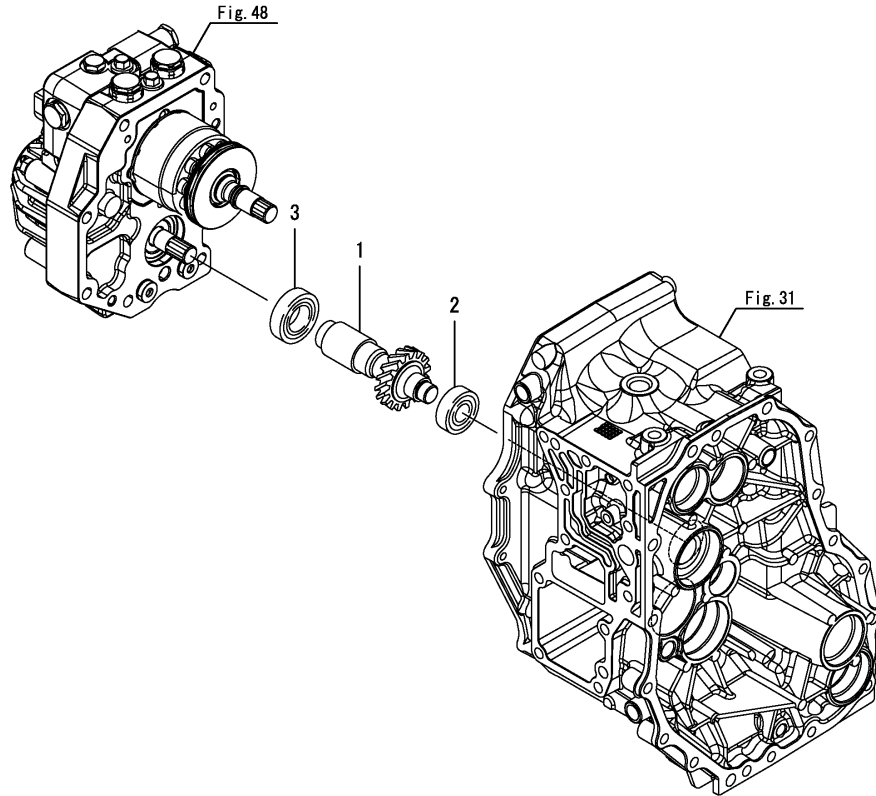


Fig.35. MAIN SHAFT

0CNP5-G53700 35. MAIN SHAFT

(A)=SX3100(YANMAR)

(B)=

(C)=

(D)=

(E)=

(F)=

REF.	LEV.	PARTS NO.	DESCRIPTION	Q'TY						I	R
				(A)	(B)	(C)	(D)	(E)	(F)		
1	1	194305-25160	BALL BEARING	1							
2	1	1A7540-25170	GEAR,DRIVEN Z=21	1							
3	1	1A7540-25191	SHAFT(MAIN	1							
4	1	1E6190-54430	THRUST WASHER (C)	1							
5	1	22242-000240	CIRCLIP 24	1							
6	1	24104-062054	BALL BEARING	2							

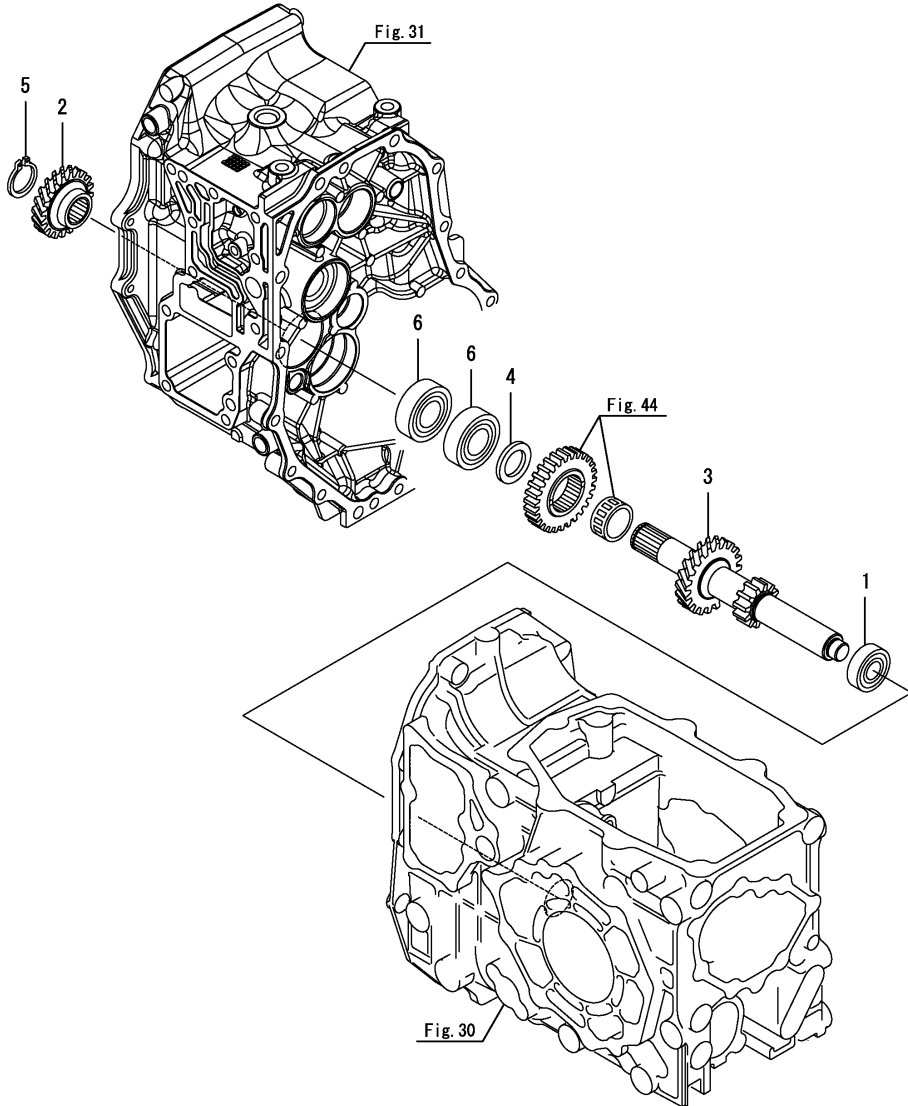


Fig.36. COUNTER SHAFT

(A)=SX3100(YANMAR)

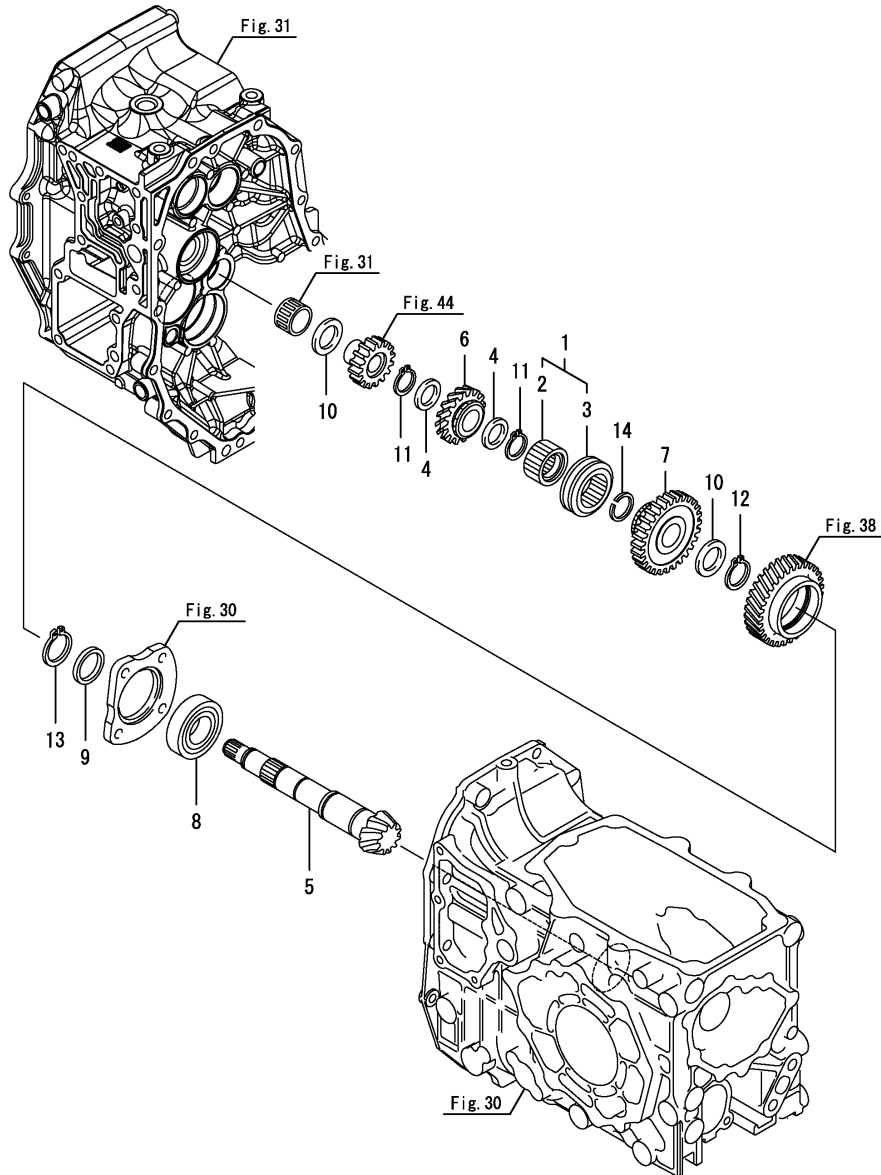
(B)=

(C)=

(D)=

(E)=

(F)=



REF.	LEV.	PARTS NO.	DESCRIPTION	QTY						I	R
				(A)	(B)	(C)	(D)	(E)	(F)		
1	1	198167-25080	COLLAR SET,SPL H/L	1							
2	2	198167-25750	SPLINE COLLAR, H/L	1							
3	2	198167-25770	COLLAR, SHIFT	1							
4	1	194856-25330	WASHER 22X32X2.5	2							
5	1	1A7540-25710	SHAFT, COUNTER	1							
6	1	1A7540-25730	GEAR(COUNTER HIGH	1							
7	1	1A7540-25740	GEAR, COUNTER LOW	1							
8	1	198165-25810	BEARING 6206RSH2	1							
9	1	198165-25840	COLLAR 30*38*4.5	1							
10	1	1E6190-54430	THRUST WASHER (C)	2							
11	1	1E6820-54560	CIRCLIP 22	2							
12	1	22242-000250	CIRCLIP 25S	1							
13	1	22242-000290	CIRCLIP 29	1							
14	1	22292-000240	CIRCLIP S-24	1							

Fig.37. PTO DRIVE SHAFT

0CNP5-G53700 37. PTO DRIVE SHAFT

(A)=SX3100(YANMAR)

(B)=

(C)=

(D)=

(E)=

(F)=

REF.	LEV.	PARTS NO.	DESCRIPTION	Q'TY						I	R
				(A)	(B)	(C)	(D)	(E)	(F)		
1	1	198220-25130	SPACER 25*33*2	1							
2	1	192167-25310	CIRCLIP,17	1							
3	1	194850-25760	BALL BEARING	2							
4	1	1A7450-25870	BEARING, TMB005	1							
5	1	1A7530-26050	SHAFT ASSY, INPUT	1							
6	1	1A6781-26090	BALL BEARING 6201	1							
7	1	1A7530-26110	GEAR, PTO DRIVE Z=15	1							
8	1	1A7530-26130	GEAR, IDLE Z=18T	1							
9	1	22242-000250	CIRCLIP 25S	1							
10	1	22252-000400	CIRCLIP 40(H)	1							
11	1	24101-062034	BALL BEARING	1							

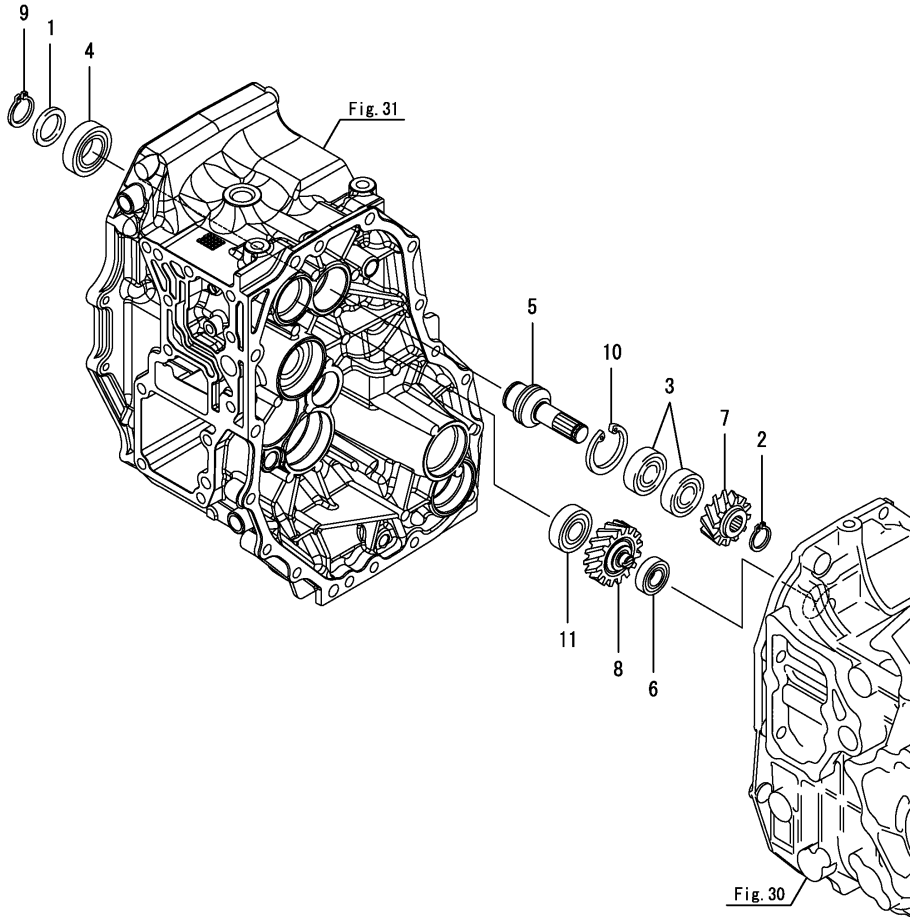


Fig.38. PTO CLUTCH SHAFT

(A)=SX3100(YANMAR)

(B)=

(C)=

(D)=

(E)=

(F)=

REF.	LEV.	PARTS NO.	DESCRIPTION	QTY						I	R
				(A)	(B)	(C)	(D)	(E)	(F)		
1	1	1C6560-13170	BEARING 16005,BALL	2							
2	1	194640-25390	BALL BEARING	1							
3	1	198167-26080	COLLAR SET,SPL PTO	1							
4	2	198165-26150	SPLINE COLLAR, PTO	1							
5	2	198167-26220	COLLAR, SHIFT	1							
6	1	1A7540-26160	GEAR(CLUTCH 33T	1							
7	1	1A6680-26170	GEAR 41T,PTO	1							
8	1	198165-26180	JOINT	1							
9	1	1A7530-26190	GEAR, PTO Z=10T	1							
10	1	198165-26210	BRAKE	1							
11	1	198165-26240	COLLAR 15XT2.5	1							
12	1	198167-26240	RING, 21X25X3 SEAL	2							
13	1	198167-26250	SHAFT,PTO DRIVE OUT	1							
14	1	198165-26270	BEARING TMB302	1							
15	1	1A7540-26310	GEAR(PTO IDLE Z=35	1							
16	1	1A7530-26330	GEAR, PTO IDLE Z=45	1							
17	1	198167-26340	SHAFT, IDLE MID	1							
18	1	1A7540-26480	SHAFT ASSY, CLUTCH	1							
19	1	1A7540-26600	CLUTCH ASSY, PTO	1							
20	2	1A7540-26220	CYLINDER, CLUTCH PTO	1							
21	2	1A7540-26610	PISTON	1							
22	2	1A7540-26620	FRICITION PLATE 80	8							
23	2	1A7540-26630	PLATE, STEEL 1.2	8							
24	2	1A7540-26640	PLATE, STEEL 3.18	1							
25	2	1A7540-26650	THRUST WASHER	1							
26	2	1A7540-26660	SPRING, PTO	1							
27	2	1A7540-26670	D-RING	1							
28	2	22242-000360	CIRCLIP 36(S)	1							
29	2	22252-000800	CIRCLIP 80	1							
30	1	192159-31410	BEARING,6204R SH2	1							
31	1	1E6190-54430	THRUST WASHER (C)	2							
32	1	22242-000200	CIRCLIP 20	1							
33	1	22252-000180	CIRCLIP 18	1							
34	1	22252-000470	CIRCLIP 47(H)	1							
35	1	22252-000520	CIRCLIP 52	1							
36	1	22351-030008	SPRING PIN 3X 8	1							
37	1	22551-050300	KEY 5X30	1							
38	1	24101-060074	BALL BEARING	1							
39	1	24101-062044	BALL BEARING #6204	2							
40	1	24101-062054	BEARING #6205	1							
41	1	24101-063054	BEARING #6305	1							
42	1	24161-202417	BEARING	1							
43	1	24164-000202	CIRCLIP 20-S	1							
44	1	26018-080352	BOLT M8X35	1							

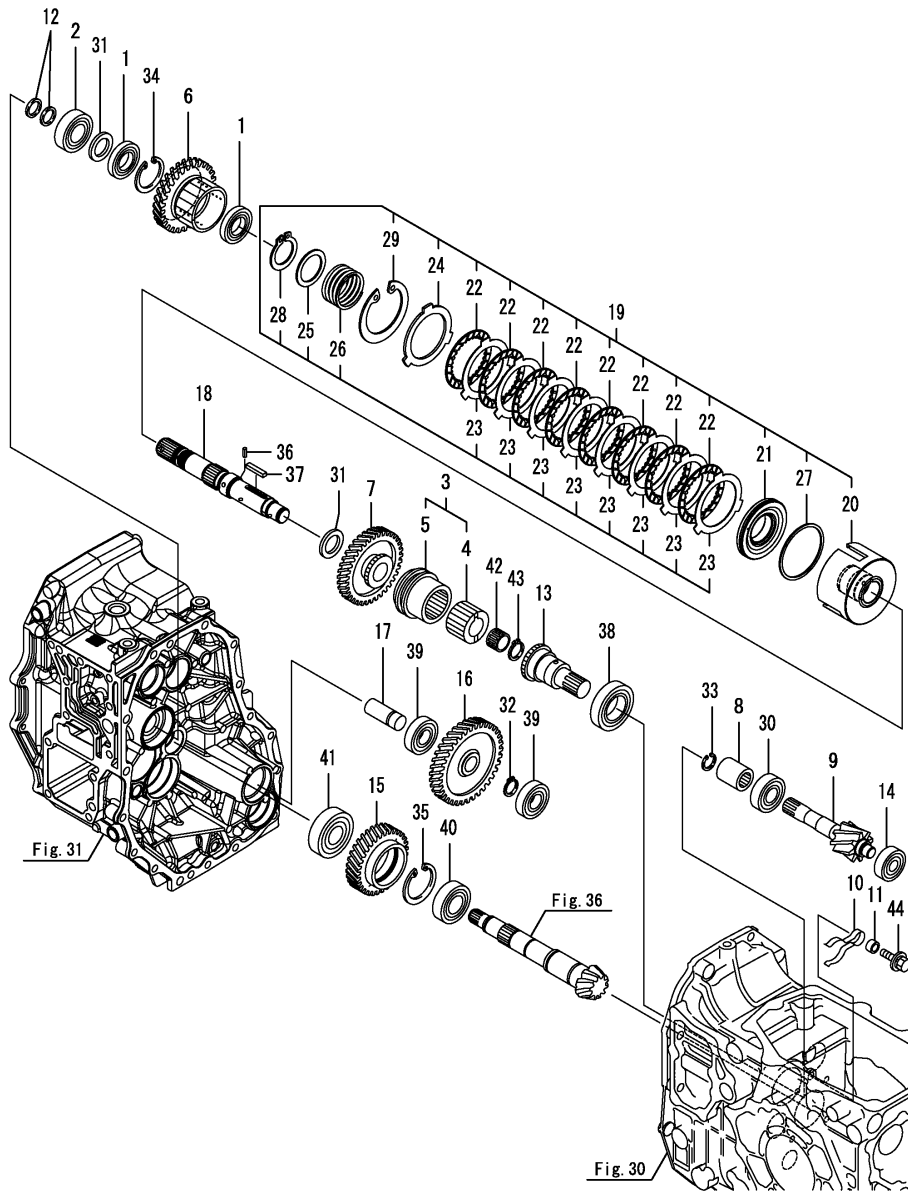


Fig.39. PTO SHAFT

(A)=SX3100(YANMAR)

(B)=

(C)=

(D)=

(E)=

(F)=

REF.	LEV.	PARTS NO.	DESCRIPTION	Q'TY						I	R
				(A)	(B)	(C)	(D)	(E)	(F)		
1	1	194306-13140	CIRCLIP 24-S	1							
2	1	198220-25130	SPACER 25*33*2	1							
3	1	1A7530-26220	SHAFT, PTO	1							
4	1	1A7530-26230	GEAR, REAR PTO Z=21T	1							
5	1	1C6220-32250	SPACER 15.5 X 27 X 1	1							
6	1	24101-062054	BEARING #6205	1							
7	1	24101-063024	BALL BEARING	1							

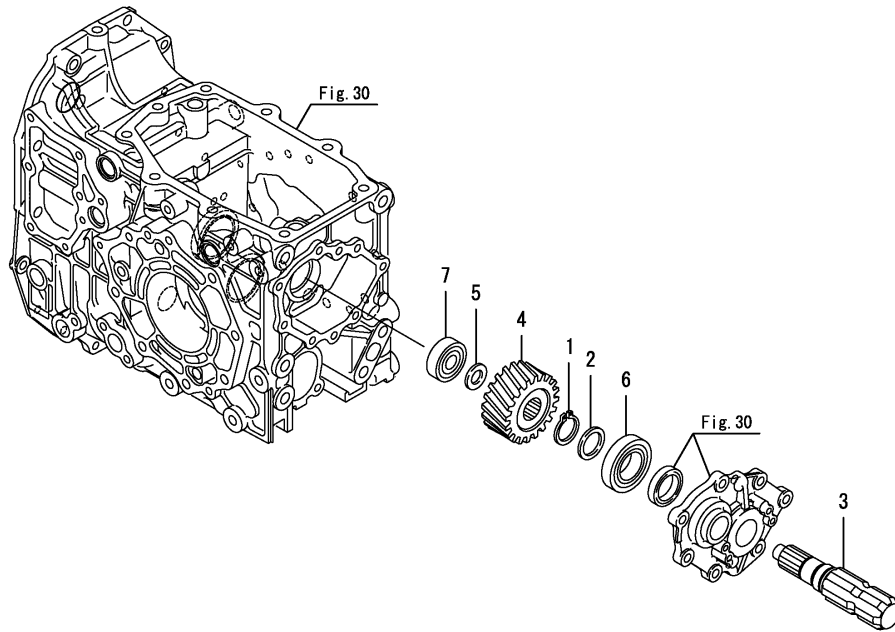


Fig.40. MID PTO SHAFT

(A)=SX3100(YANMAR)

(B)=

(C)=

(D)=

(E)=

(F)=

REF.	LEV.	PARTS NO.	DESCRIPTION	Q'TY						I	R
				(A)	(B)	(C)	(D)	(E)	(F)		
1	1	1A7530-26400	SHAFT, MID PTO	1							
2	1	1E6190-54080	SLEEVE SI25X30X13	1							
3	1	24101-060054	BALL BEARING 6005	2							

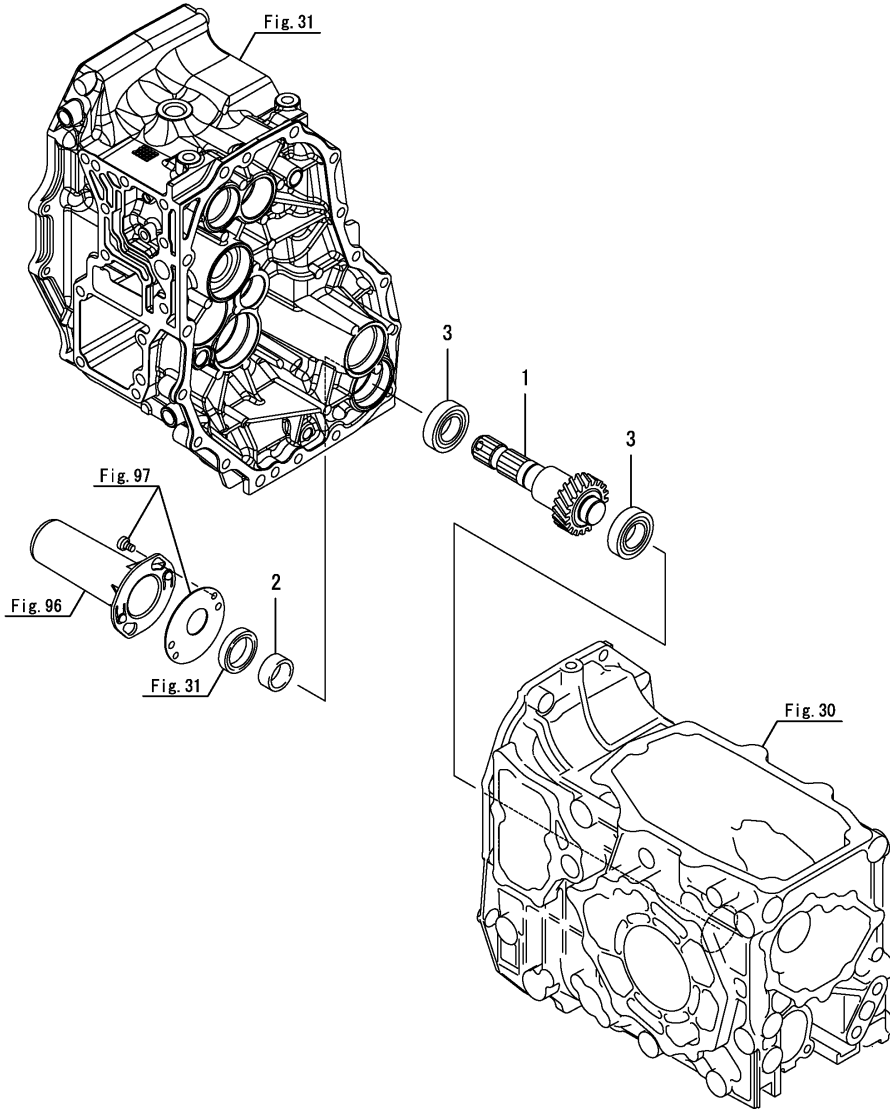


Fig.41. INERTIA BRAKE

(A)=SX3100(YANMAR)

(B)=

(C)=

(D)=

(E)=

(F)=

REF.	LEV.	PARTS NO.	DESCRIPTION	Q'TY						I	R
				(A)	(B)	(C)	(D)	(E)	(F)		
1	1	198167-26500	CASE,CMP SEAL	1							
2	2	198167-26510	CASE,SEAL	1							
3	2	198167-26520	CLIP 45	1							
4	2	198167-26530	PISTON,INERSHER	1							
5	2	198167-26540	BRAKE CASE,INERSHER	1							
6	2	198167-26550	PLATE	1							
7	2	198167-26580	SPRING,BRAKE	1							
8	2	1A7540-26710	FRICITION PLATE 40	5							
9	2	1A7540-26720	STEEL PLATE 1.2	6							
10	2	24321-000300	O-RING G30	1							
11	2	24321-000500	O-RING 1A G-50.0	1							
12	2	24341-000120	O-RING 1A S-12.0	1							
13	1	26016-080352	BOLT M 8X 35	3							
14	1	26016-100302	BOLT M10X 30	1							

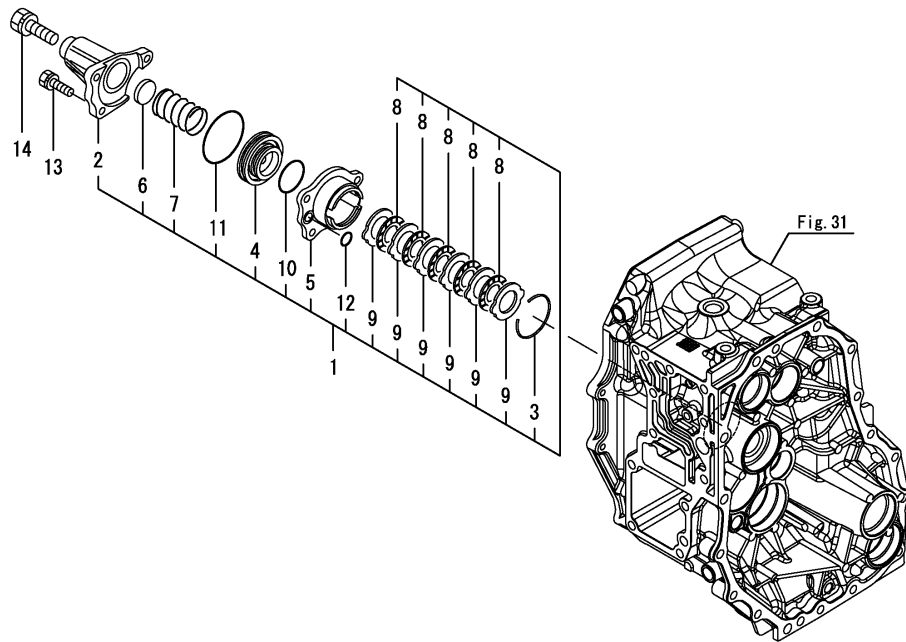
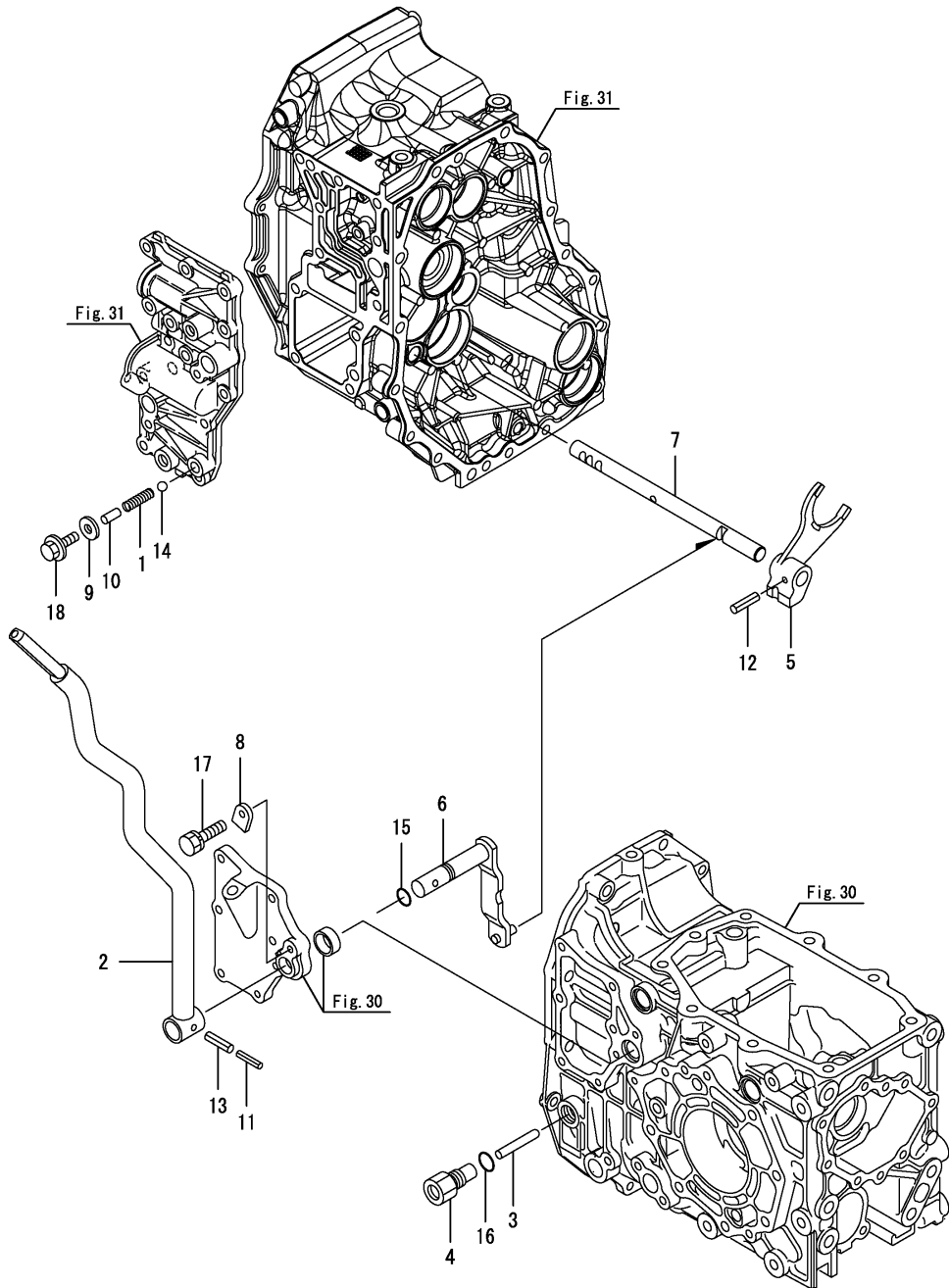


Fig.42. RANGE SHIFT



(A)=SX3100(YANMAR)

(B)=

(C)=

(D)=

(E)=

(F)=

REF.	LEV.	PARTS NO.	DESCRIPTION	QTY						I	R
				(A)	(B)	(C)	(D)	(E)	(F)		
1	1	198421-27110	SPRING 38.4	1							
2	1	1A7530-27410	LEVER CMP	1							
3	1	198167-27480	PIN,SWITCH RENGE	1							
4	1	198167-27490	HOLDER,SWITCH	1							
5	1	198167-27521	FORK,SHIFT RENGE	1							
6	1	198167-27530	ARM,CMP SHIFT	1							
7	1	1A7530-27610	SHAFT, RANGE FORK	1							
8	1	194197-27681	PLATE, KEEP	1							
9	1	22190-100000	SEAL WASHER 10(BOLT)	1							
10	1	22312-080180	PARALLEL PIN, M8X16	1							
11	1	22351-035032	SPRING PIN 3.5X32	1							
12	1	22351-060025	SPRING PIN 6X25	1							
13	1	22351-060032	SPRING PIN 6X32	1							
14	1	24190-100001	BALL 5/16, STEEL	1							
15	1	24311-000125	O-RING 1A P-12.5	1							
16	1	24311-000140	O-RING 1A P-14.0	1							
17	1	26016-080352	BOLT M 8X 35	1							
18	1	26106-100252	BOLT M10X 25 PLATED	1							

Fig.43. PTO CHANGE

(A)=SX3100(YANMAR)

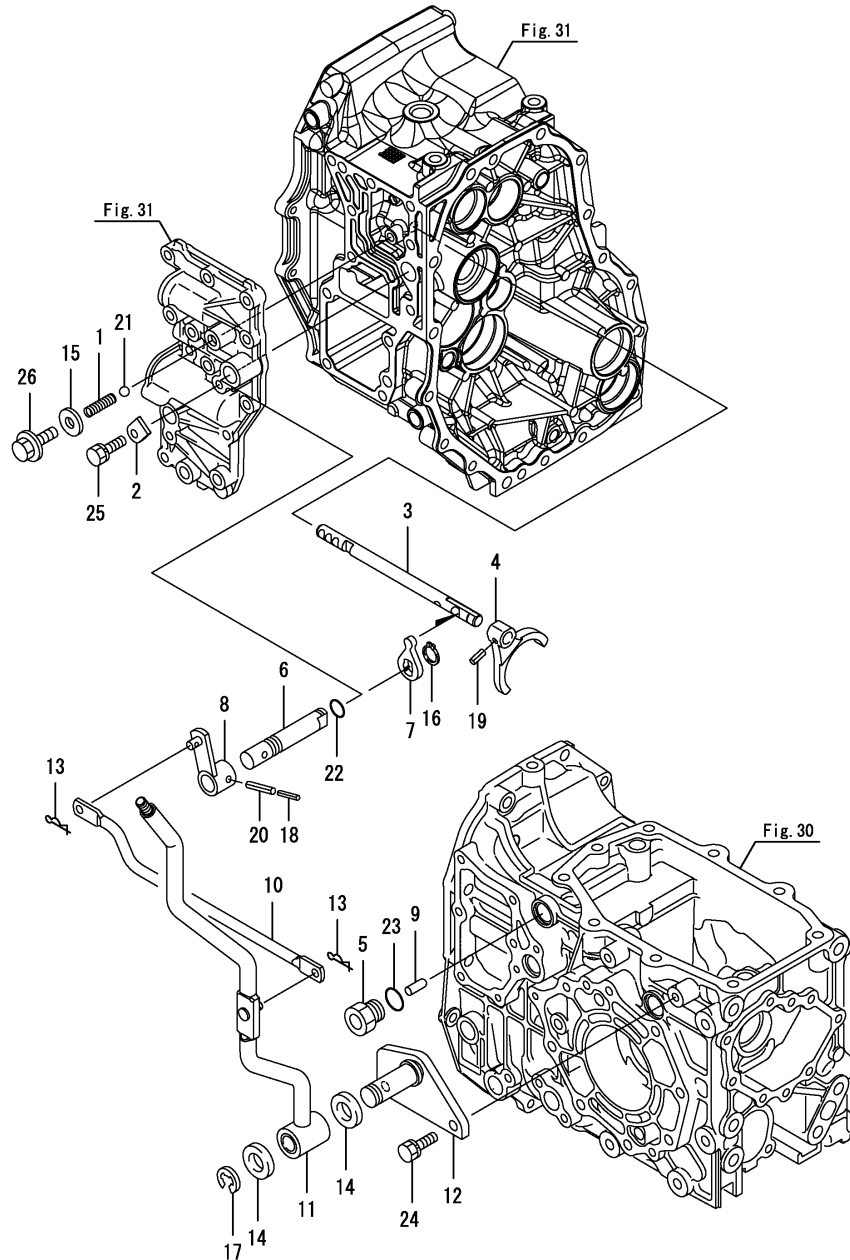
(B)=

(C)=

(D)=

(E)=

(F)=



REF.	LEV.	PARTS NO.	DESCRIPTION	QTY						I	R
				(A)	(B)	(C)	(D)	(E)	(F)		
1	1	198421-27110	SPRING 38.4	1							
2	1	194197-27681	PLATE, KEEP	1							
3	1	1A7530-27720	SHAFT, PTO FORK	1							
4	1	198167-27730	FORK, PTO SHIFT	1							
5	1	198165-27750	HOLDER M20, SWITCH	1							
6	1	198167-27770	SHAFT, PTO SHIFT	1							
7	1	198167-27780	ARM, PTO SHIFT	1							
8	1	198167-27810	ARM, CMP PTO SHIFT	1							
9	1	198165-27820	PIN, SWITCH PTO	1							
10	1	1A7530-27850	SHIFT, PTO SHIFT	1							
11	1	1A7530-27870	LEVER CMP, PTO	1							
12	1	198167-27930	BRACKET, PTO LEVER	1							
13	1	1C6281-52320	PIN 8, COME-OFF SNAP	2							
14	1	22137-180000	WASHER 18	2							
15	1	22190-100000	SEAL WASHER 10(BOLT)	1							
16	1	22242-000170	CIRCLIP 17	1							
17	1	22272-000150	CIRCLIP E-15	1							
18	1	22351-035032	SPRING PIN 3.5X32	1							
19	1	22351-060020	SPRING PIN 6X20	1							
20	1	22351-060032	SPRING PIN 6X32	1							
21	1	24190-100001	BALL 5/16, STEEL	1							
22	1	24311-000125	O-RING 1A P-12.5	1							
23	1	24311-000180	O-RING 1A P-18.0	1							
24	1	26013-080252	BOLT M 8X 25	2							
25	1	26016-080202	BOLT M 8X 20	1							
26	1	26106-100252	BOLT M10X 25 PLATED	1							

Fig.44. FRONT DRIVE

(A)=SX3100(YANMAR)

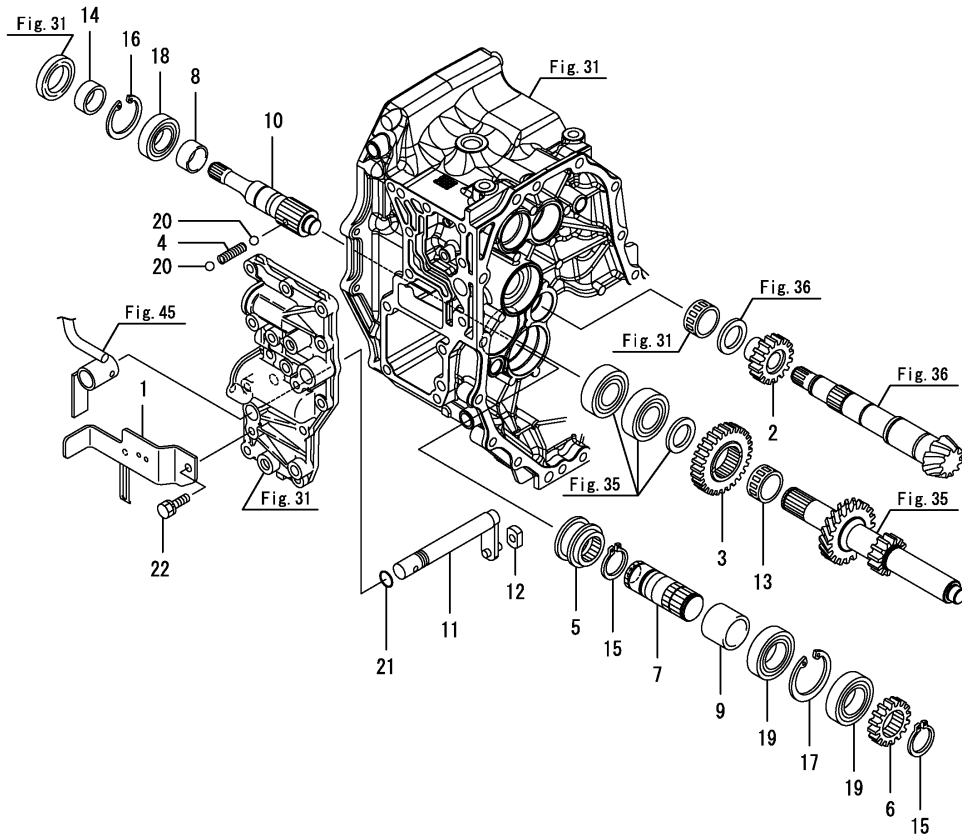
(B)=

(C)=

(D)=

(E)=

(F)=



REF.	LEV.	PARTS NO.	DESCRIPTION	Q'TY						I	R
				(A)	(B)	(C)	(D)	(E)	(F)		
1	1	1A7530-27650	STAY CMP, 4WD SWITCH	1							
2	1	198167-28210	GEAR,DRIVE MFWD	1							
3	1	1A7540-28220	GEAR, IDLE MFWD	1							
4	1	194311-28230	SPRING 21.2	1							
5	1	198165-28240	COLLAR,SHIFT FRONT	1							
6	1	198167-28240	GEAR,DRIVEN MFWD	1							
7	1	1A7530-28250	SHAFT, MFWD DRIVE	1							
8	1	1A7530-28270	COLLAR, 25.4X30X14.8	1							
9	1	1A7530-28280	COLLAR, 30X38X30.7	1							
10	1	1A7530-28290	SHAFT, FRONT DRIVE	1							
11	1	198167-28310	ARM,CMP SHIFT 4WD	1							
12	1	198165-28330	BROCK,SHIFT	1							
13	1	1A7540-28880	BEARING, 283516	1							
14	1	1E6190-54080	SLEEVE SI25X30X13	1							
15	1	22242-000290	CIRCLIP 29	2							
16	1	22252-000470	CIRCLIP 47(H)	1							
17	1	22252-000550	CIRCLIP 55	1							
18	1	24101-060054	BALL BEARING 6005	1							
19	1	24104-060064	BALL BEARING	2							
20	1	24190-080001	BALL 1/4, STEEL	2							
21	1	24311-000125	O-RING 1A P-12.5	1							
22	1	26016-080202	BOLT M 8X 20	1							

Fig.45. FRONT SHIFT

0CNP5-G53700 45. FRONT SHIFT

(A)=SX3100(YANMAR)

(B)=

(C)=

(D)=

(E)=

(F)=

REF.	LEV.	PARTS NO.	DESCRIPTION	Q'TY						I	R
				(A)	(B)	(C)	(D)	(E)	(F)		
1	1	1A7530-28351	LEVER, 4WD	1							
2	1	22351-035032	SPRING PIN 3.5X32	1							
3	1	22351-060032	SPRING PIN 6X32	1							

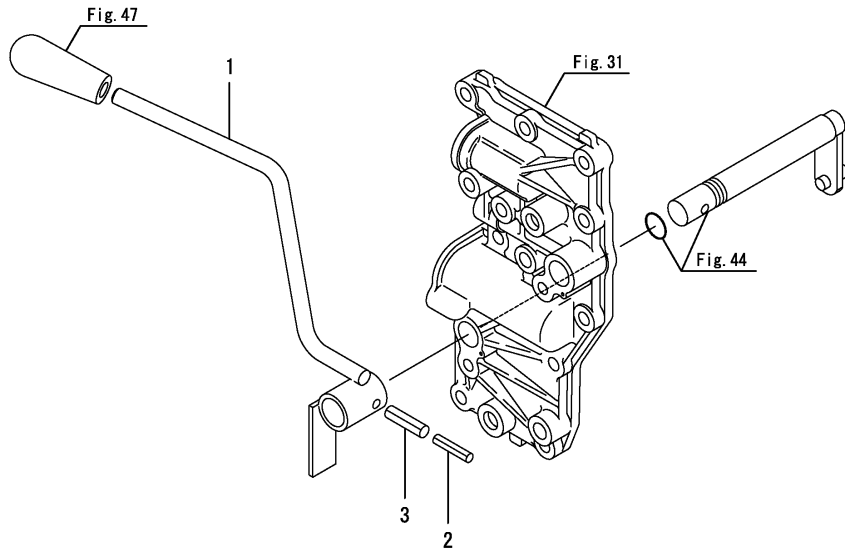


Fig.46. H.S.T. CONTROL(1

(A)=SX3100(YANMAR)

(B)=

(C)=

(D)=

(E)=

(F)=

REF.	LEV.	PARTS NO.	DESCRIPTION	QTY						I	R
				(A)	(B)	(C)	(D)	(E)	(F)		
1	1	1A7530-24450	COVER ASSY, SIDE R	1							
2	1	1A7530-24470	GASKET, SIDE COVER R	1							
3	1	194180-25930	WASHER 12X27X4.5	1							
4	1	1A7530-27510	SPRING, RETURN	1							
5	1	1A7530-27520	FULCRUM, N CENTER	1							
6	1	1A7530-27550	STAY CMP, ABSORBER	1							
7	1	1A7530-27570	WASHER, 35X47X2	2							
8	1	192157-27600	CONTROL ARM COMP.	1							
9	1	1A7530-28800	PLATE, SWASH	1							
10	1	1A7530-28850	PLATE, CONTROL ARM	1							
11	1	1E1270-29701	SUPPORT	1							
12	1	22137-120000	WASHER 12,POLISHED	1							
13	1	22312-080160	PARALLEL PIN 8X 16	2							
14	1	24311-240100	O-RING 1A P-10A	1							
15	1	24421-355008	SEAL TC35 50 08, OIL	1							
16	1	26016-080162	BOLT M 8X 16	1							
17	1	26016-080202	BOLT M 8X 20	1							
18	1	26016-080402	BOLT M 8X 40	9							
19	1	26016-120302	BOLT M12X 30	1							
20	1	26018-080252	BOLT M8X 25	1							
21	1	26716-080002	NUT M 8	1							
22	1	26776-120002	LOCK NUT M12 PLATED	1							

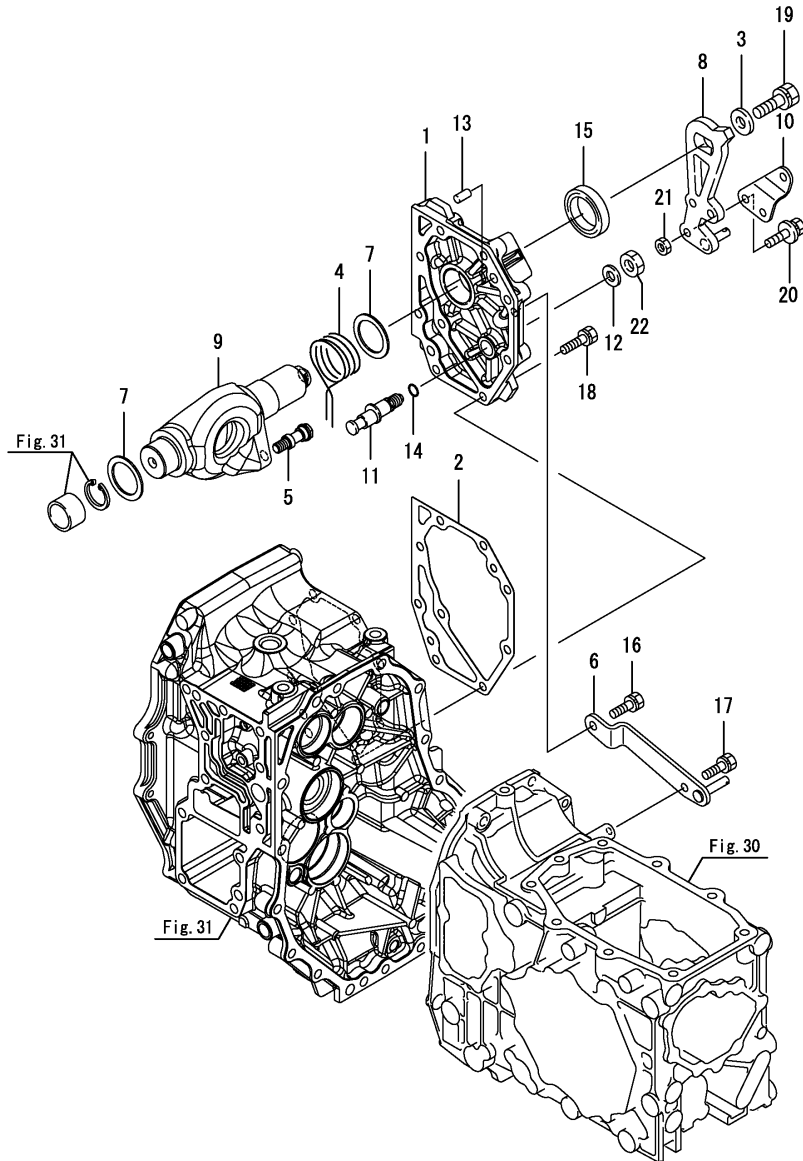


Fig.47. H.S.T. CONTROL(2)

(A)=SX3100(YANMAR)

(B)=

(C)=

(D)=

(E)=

(F)=

REF.	LEV.	PARTS NO.	DESCRIPTION	Q'TY						I	R
				(A)	(B)	(C)	(D)	(E)	(F)		
1	1	198253-01190	KNOB, THROTTLE LEVER	1							
2	1	192154-29610	SHOCK ABSORBER	1							
3	1	1C6281-52320	PIN 8,COME-OFF SNAP	2							
4	1	22137-080000	WASHER 8, POLISHED	2							
5	1	22487-080350	PIN 8X 35	1							

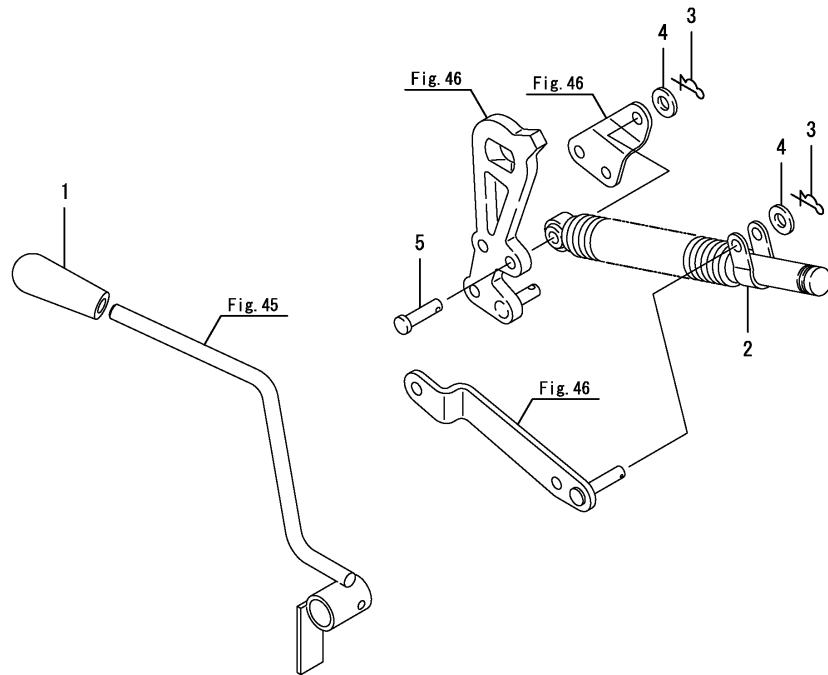


Fig.48. H.S.T.

(A)=SX3100(YANMAR)

(B)=

(C)=

(D)=

(E)=

(F)=

REF.	LEV.	PARTS NO.	DESCRIPTION	QTY						I	R
				(A)	(B)	(C)	(D)	(E)	(F)		
1	1	198167-24330	PACKING, C.HOUSING	1							
2	1	1A7540-29100	HST ASSY	1							

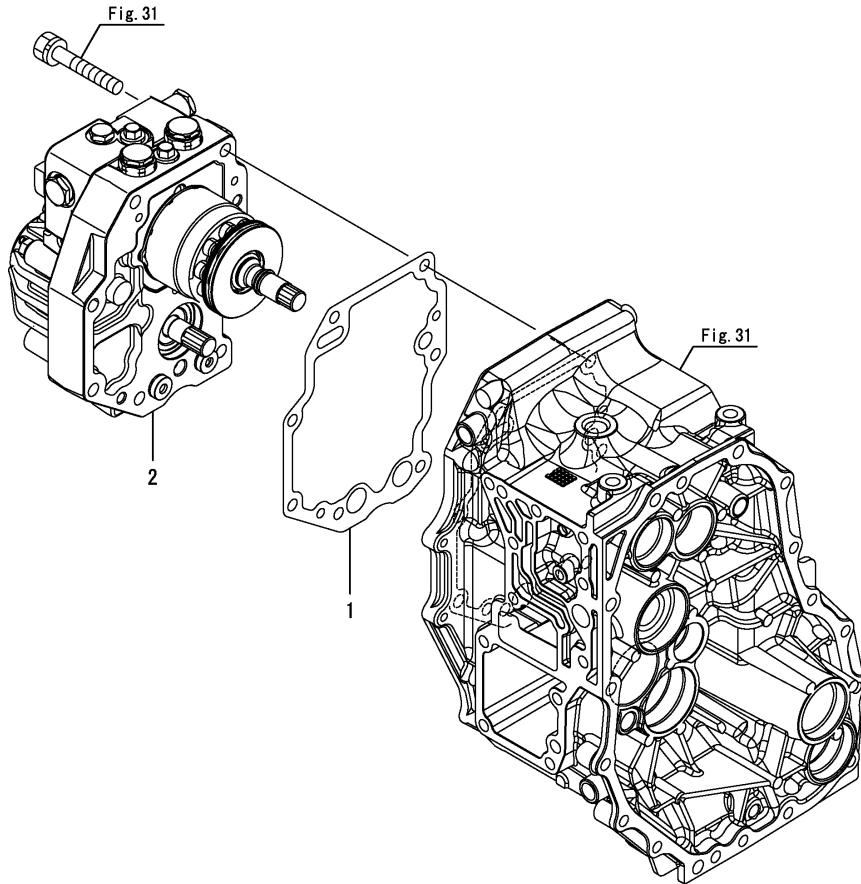


Fig.54. RING GEAR

0CNP5-G53700 54. RING GEAR

(A)=SX3100(YANMAR)

(B)=

(C)=

(D)=

(E)=

(F)=

REF.	LEV.	PARTS NO.	DESCRIPTION	Q'TY						I	R
				(A)	(B)	(C)	(D)	(E)	(F)		
1	1	1A6780-31400	GEAR, RING	1							

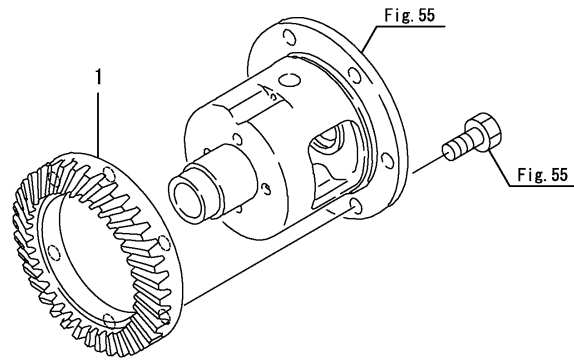


Fig.55. DIFFERENTIAL GEAR

(A)=SX3100(YANMAR)

(B)=

(C)=

(D)=

(E)=

(F)=

REF.	LEV.	PARTS NO.	DESCRIPTION	QTY						I	R
				(A)	(B)	(C)	(D)	(E)	(F)		
1	1	1A6780-31500	CASE ASSY,DIFF	1							
2	2	198421-31510	GEAR,DIFF.SIDE	1							
3	2	1A6780-31520	GEAR, DIFF.SIDE(LOCK)	1							
4	2	198421-31530	CASE,DIFFERENTIAL	1							
5	2	198421-31550	LINER,DIFF.SIDE GEAR	2							
6	2	194300-31560	GEAR, DIFFERENTIAL	2							
7	2	194300-31570	SHAFT, DIFFERENTIAL	1							
8	2	194300-31620	WASHER, DIFFERENTIAL	2							
9	2	22351-040040	SPRING PIN 4X40	1							
10	1	24101-060064	BALL BEARING	1							
11	1	24101-060074	BALL BEARING	1							
12	1	26156-100162	BOLT M10X16	6							

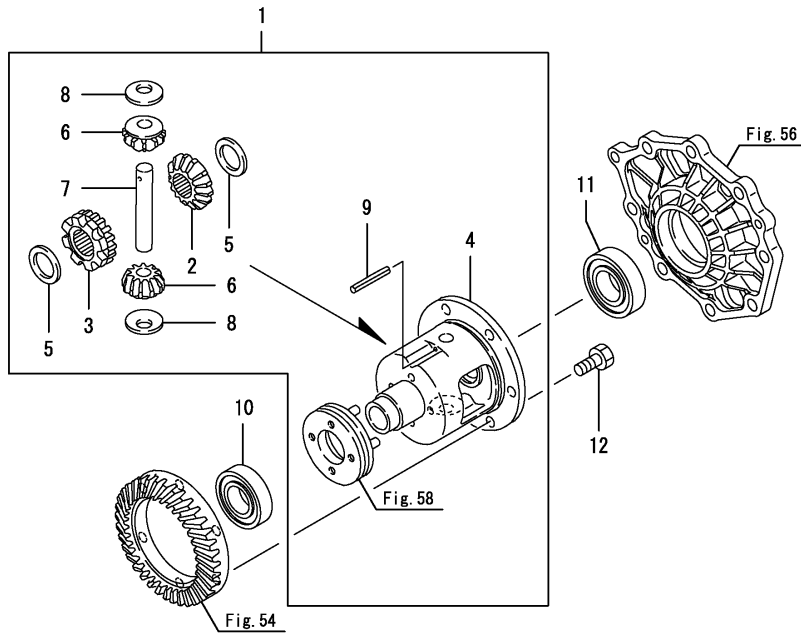


Fig.56. DIFFERENTIAL CARRIER

0CNP5-G53700 56. DIFFERENTIAL CARRIER

(A)=SX3100(YANMAR)

(B)=

(C)=

(D)=

(E)=

(F)=

REF.	LEV.	PARTS NO.	DESCRIPTION	Q'TY						I	R
				(A)	(B)	(C)	(D)	(E)	(F)		
1	1	198165-32311	CARRIER,DIFFERENTIAL	1							
2	1	198165-32320	SHIM SET,DIF CARRIER	1							

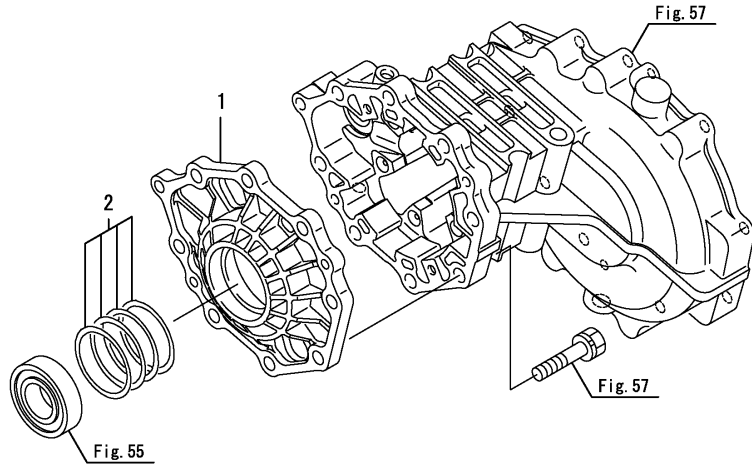


Fig.57. REAR HOUSING

(A)=SX3100(YANMAR)

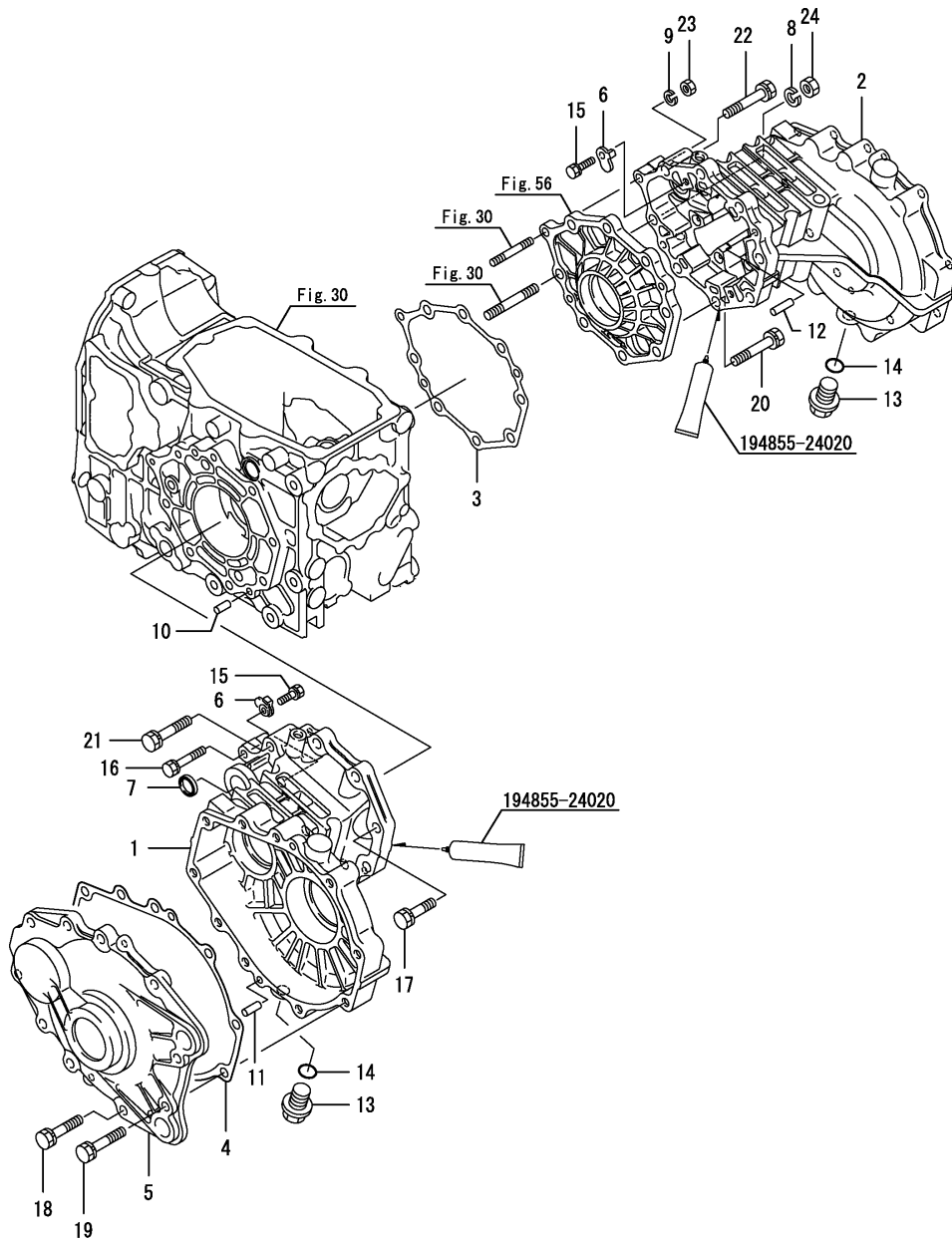
(B)=

(C)=

(D)=

(E)=

(F)=



REF.	LEV.	PARTS NO.	DESCRIPTION	QTY						I	R
				(A)	(B)	(C)	(D)	(E)	(F)		
1	1	1A7540-32610	HOUSING, REAR AXLE L	1							
2	1	1A7540-32620	HOUSING, REAR AXLE R	1							
3	1	198165-32630	PACKING,HOUSING	1							
4	1	1A6680-32630	GASKET	2							
5	1	1A7540-32640	COVER, REAR AXLE	2							
6	1	198421-32660	STOPPER,STEEL PLATE	4							
7	1	198290-32750	SEAL TC253506,OIL	2							
8	1	22217-100000	SPRING WASHER 10	1							
9	1	22287-080000	LOCKING WASHER	1							
10	1	22312-080180	PARALLEL PIN, M8X16	2							
11	1	22312-080200	PARALLEL PIN, M8X20	4							
12	1	22312-080320	PARALLEL PIN, M8X32	2							
13	1	23491-140002	PLUG 14	2							
14	1	24311-000160	O-RING 1A P-16.0	2							
15	1	26013-080202	BOLT W/WASHER M8X20	4							
16	1	26013-080502	BOLT M 8X 50	1							
17	1	26013-100402	BOLT M10X 40	6							
18	1	26013-100452	BOLT M10X 45	16							
19	1	26013-100502	BOLT M10X 50	4							
20	1	26013-100502	BOLT M10X 50	6							
21	1	26013-100552	BOLT M10X 55	2							
22	1	26013-100652	BOLT 10X65 W/SP.WSHR	1							
23	1	26716-080002	NUT M 8	1							
24	1	26716-100002	NUT 10	1							

Fig.58. DIFFERENTIAL LOCK

(A)=SX3100(YANMAR)

(B)=

(C)=

(D)=

(E)=

(F)=

REF.	LEV.	PARTS NO.	DESCRIPTION	QTY						I	R
				(A)	(B)	(C)	(D)	(E)	(F)		
1	1	1A7530-33100	DIFF LOCK KIT	1							
2	2	22351-080032	SPRING PIN 8X32	1							
3	1	198421-33110	SLIDER,DIFF.LOCK	1							
4	1	198421-33140	SPRING,DIFF.LOCK	1							
5	1	198421-33170	SPACER 20X25X3.2	1							
6	1	22351-050040	SPRING PIN 5X40	1							
7	1	22351-080032	SPRING PIN 8X32	1							
8	1	22351-080040	SPRING PIN 8X40	1							
9	1	24311-000160	O-RING 1A P-16.0	2							

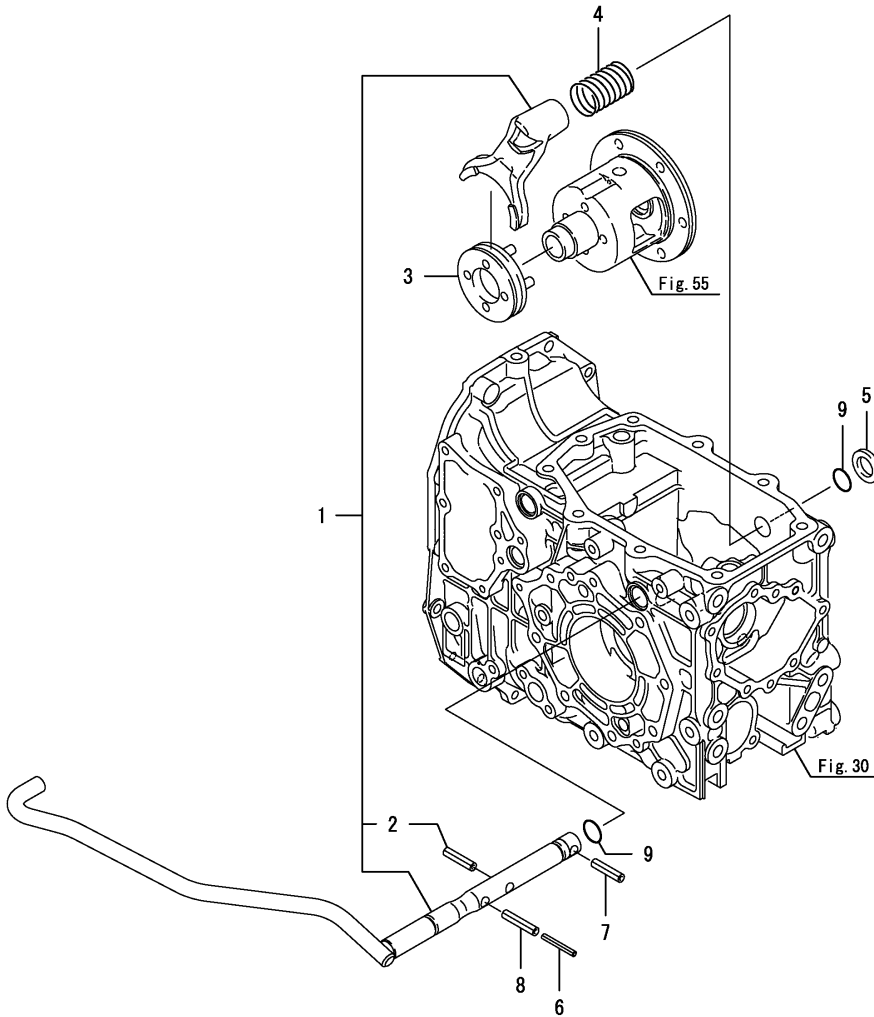


Fig.59. FINAL PINION

(A)=SX3100(YANMAR)

(B)=

(C)=

(D)=

(E)=

(F)=

REF.	LEV.	PARTS NO.	DESCRIPTION	Q'TY						I	R
				(A)	(B)	(C)	(D)	(E)	(F)		
1	1	194105-25390	BALL BEARING	2							
2	1	194640-26470	BALL BEARING	2							
3	1	1A7540-33410	PINION, FINAL L	1							
4	1	1A7540-33420	PINION, FINAL R	1							

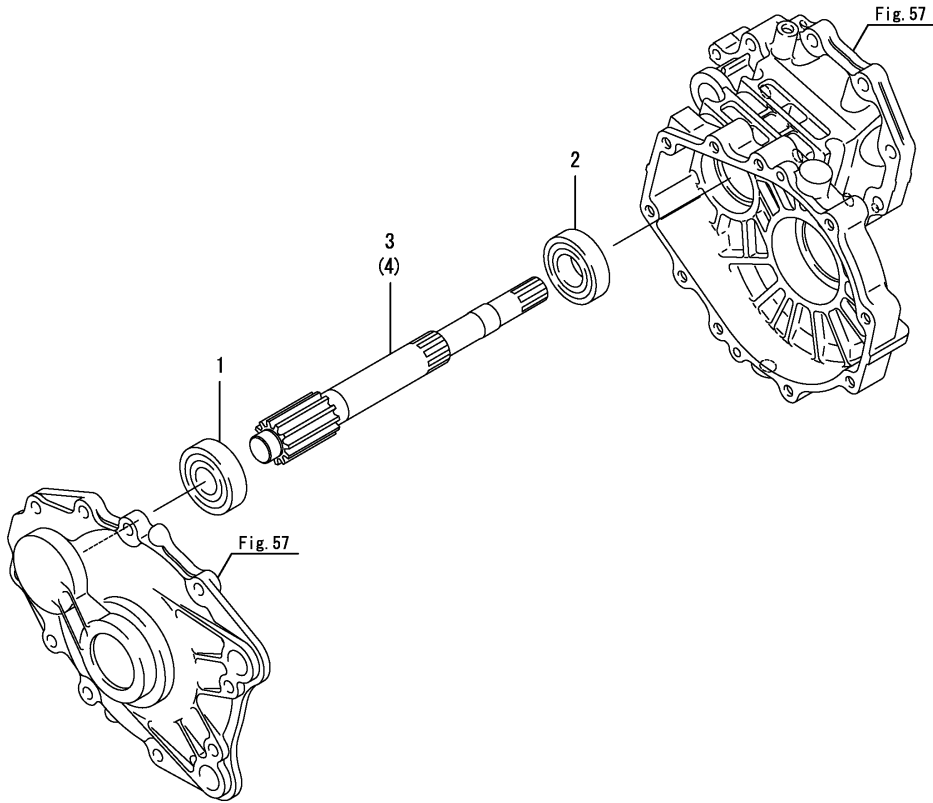


Fig.60. FINAL GEAR

0CNP5-G53700 60. FINAL GEAR

(A)=SX3100(YANMAR)

(B)=

(C)=

(D)=

(E)=

(F)=

REF.	LEV.	PARTS NO.	DESCRIPTION	QTY						I	R
				(A)	(B)	(C)	(D)	(E)	(F)		
1	1	1A7540-33510	GEAR, FINAL Z=48	2							

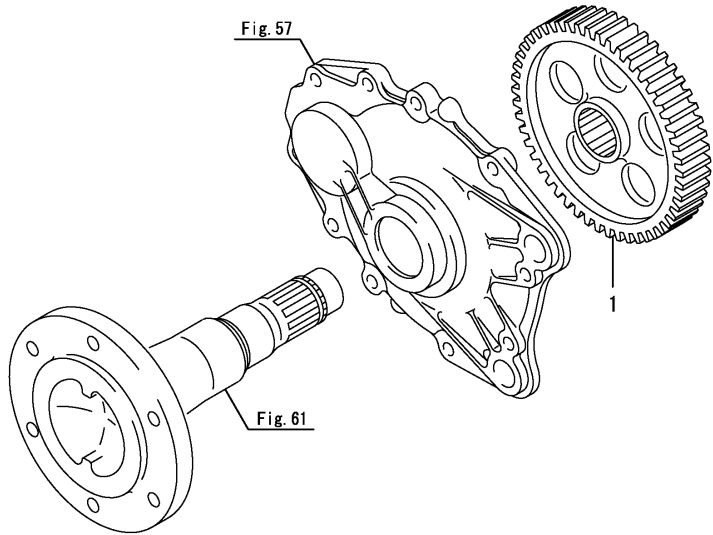


Fig.61. REAR AXLE SHAFT

0CNP5-G53700 61. REAR AXLE SHAFT

(A)=SX3100(YANMAR)

(B)=

(C)=

(D)=

(E)=

(F)=

REF.	LEV.	PARTS NO.	DESCRIPTION	Q'TY						I	R
				(A)	(B)	(C)	(D)	(E)	(F)		
1	1	194516-13770	SLEEVE SI455016	2							
2	1	194516-13780	SEAL TC6Y 506812.5	2							
3	1	1A7540-34110	SHAFT, REAR AXLE	2							
4	1	198165-34140	COLLAR	2							
5	1	22242-000400	CIRCLIP 40	2							
6	1	24101-062090	BALL BEARING	2							
7	1	24101-063070	BALL BEARING	2							

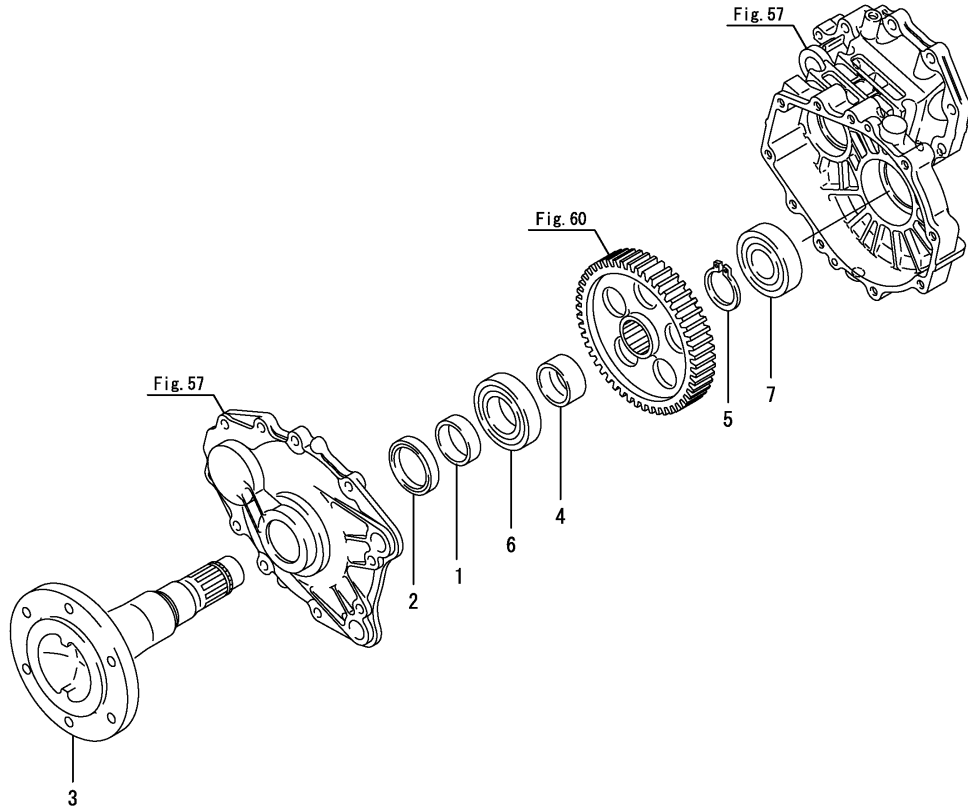


Fig.62. TIRE REAR R3

0CNP5-G53700 62. TIRE REAR R3

(A)=SX3100(YANMAR)

(B)=

(C)=

(D)=

(E)=

(F)=

REF.	LEV.	PARTS NO.	DESCRIPTION	Q'TY						I	R
				(A)	(B)	(C)	(D)	(E)	(F)		
1	1	1A8300-34700	TIRE KIT, REAR R3	2							
2	2	1A8300-34710	TIRE, 36X14-15 R3	2							
3	2	1A8300-34730	WHEEL,	2							
4	2	1A8300-34740	VALVE TR415	2							

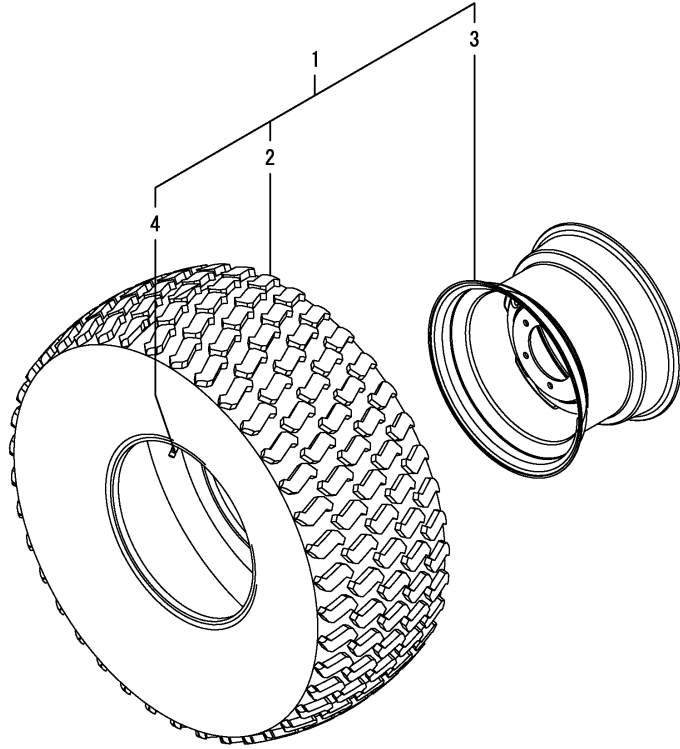


Fig.63. TIRE REAR R4

(A)=SX3100(YANMAR)

(B)=

(C)=

(D)=

(E)=

(F)=

REF.	LEV.	PARTS NO.	DESCRIPTION	Q'TY						I	R
				(A)	(B)	(C)	(D)	(E)	(F)		
1	1	1A8300-34800	TIRE KIT, REAR L R4	1							
2	2	1A8300-34820	TIRE, 14X17.5 R4	1							
3	2	1A8300-34830	WHEEL,	1							
4	2	1A8300-34840	VALVE TR618A	1							
5	1	1A8300-34810	TIRE KIT, REAR R R4	1							
6	2	1A8300-34820	TIRE, 14X17.5 R4	1							
7	2	1A8300-34830	WHEEL,	1							
8	2	1A8300-34840	VALVE TR618A	1							

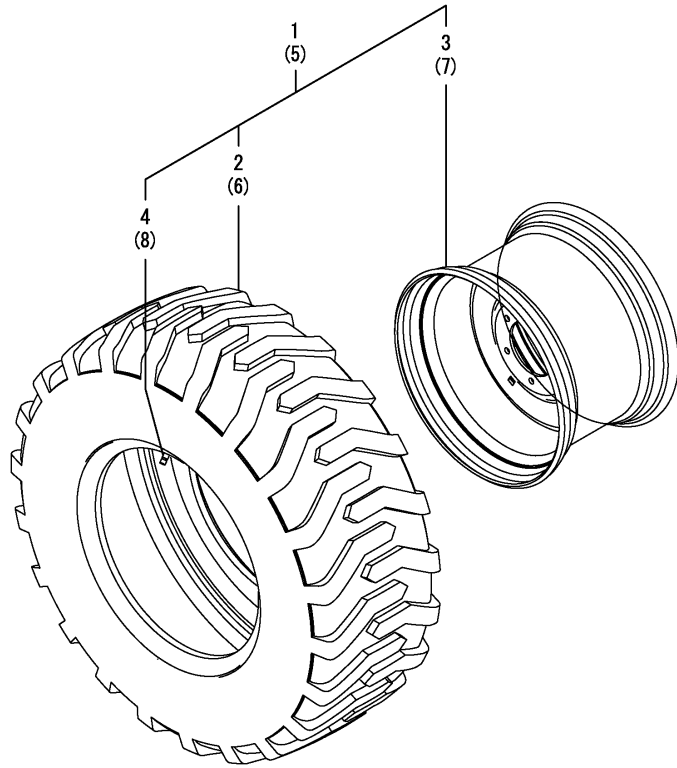


Fig.64. HUB BOLT,REAR

0CNP5-G53700 64. HUB BOLT,REAR

(A)=SX3100(YANMAR)

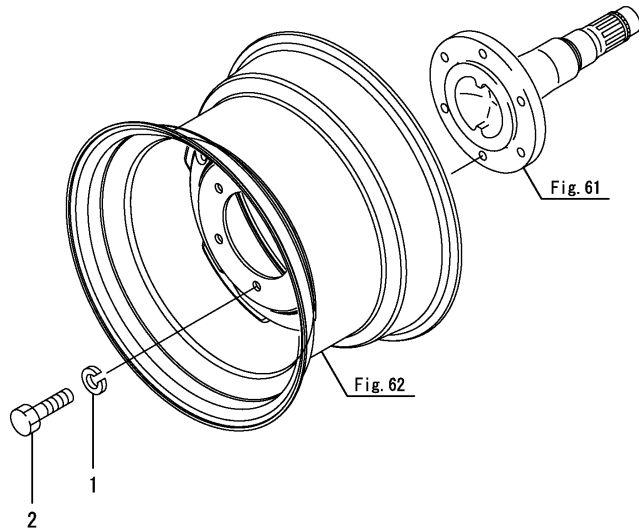
(B)=

(C)=

(D)=

(E)=

(F)=



REF.	LEV.	PARTS NO.	DESCRIPTION	Q'TY						I	R
				(A)	(B)	(C)	(D)	(E)	(F)		
1	1	22217-120000	SPRING WASHER 12	12							
2	1	26086-120302	BOLT 12* 30	12							

Fig.65. HYDRAULIC PEDAL

(A)=SX3100(YANMAR)

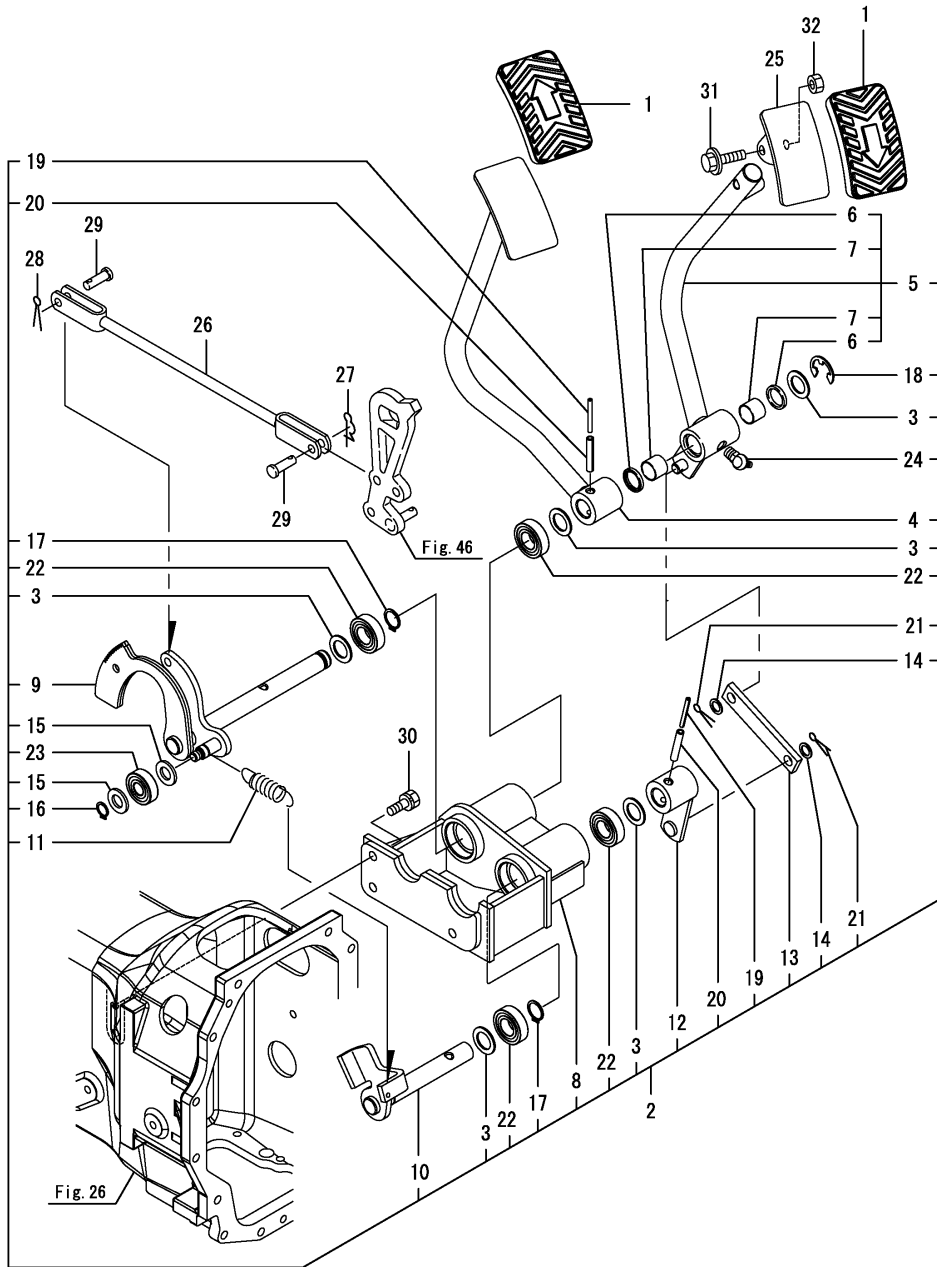
(B)=

(C)=

(D)=

(E)=

(F)=



REF.	LEV.	PARTS NO.	DESCRIPTION	QTY						I	R
				(A)	(B)	(C)	(D)	(E)	(F)		
1	1	1A8160-35080	HEAD,PEDAL	2							
2	1	1A8300-35100	PEDAL KIT, HST	1							
3	2	194630-27190	LINNER 17.5X27X1.6	5							
4	2	1A8300-35110	PEDAL ASSY, FORWARD	1							
5	2	1A8300-35200	PEDAL ASSY, REVERSE	1							
6	3	1A8300-35270	SEAL, G172303	2							
7	3	24550-017150	BUSH 17X15	2							
8	2	1A8300-35240	BRACKET, HST PEDAL	1							
9	2	1A8300-35320	SHAFT ASSY, PEDAL	1							
10	2	1A8300-35360	SHAFT ASSY,	1							
11	2	198167-35411	SPRING,REVERSE PEDAL	1							
12	2	1A8300-35410	ARM ASSY, SHAFT	1							
13	2	1A8300-35460	PLATE, LINK	1							
14	2	1C6900-63890	SPACER 10X15X1	2							
15	2	22137-120000	WASHER 12,POLISHED	2							
16	2	22242-000120	CIRCLIP 12	1							
17	2	22242-000170	CIRCLIP 17	2							
18	2	22272-000150	CIRCLIP E-15	1							
19	2	22351-035036	SPRING PIN 3.5X36	2							
20	2	22351-060036	SPRING PIN 6X36	2							
21	2	22417-160160	COTTER PIN 1.6X16	2							
22	2	24104-060034	BALL BEARING	4							
23	2	24104-062014	BALL BEARING 6201UU	1							
24	2	24761-040000	NIPPLE B,GREASE	1							
25	1	1A8300-35170	HEAD ASSY, PEDAL	1							
26	1	1A7530-35450	ROD, HYDRAULIC	1							
27	1	1C6281-52320	PIN 8,COME-OFF SNAP	1							
28	1	22417-200200	COTTER PIN 2.0X20	1							
29	1	22487-080180	PIN, H8X18	2							
30	1	26013-080252	BOLT M 8X 25	3							
31	1	26106-080352	BOLT M 8X 35 PLATED	1							
32	1	26716-080002	NUT M 8	1							

Fig.66. CRUISE CONTROL

(A)=SX3100(YANMAR)

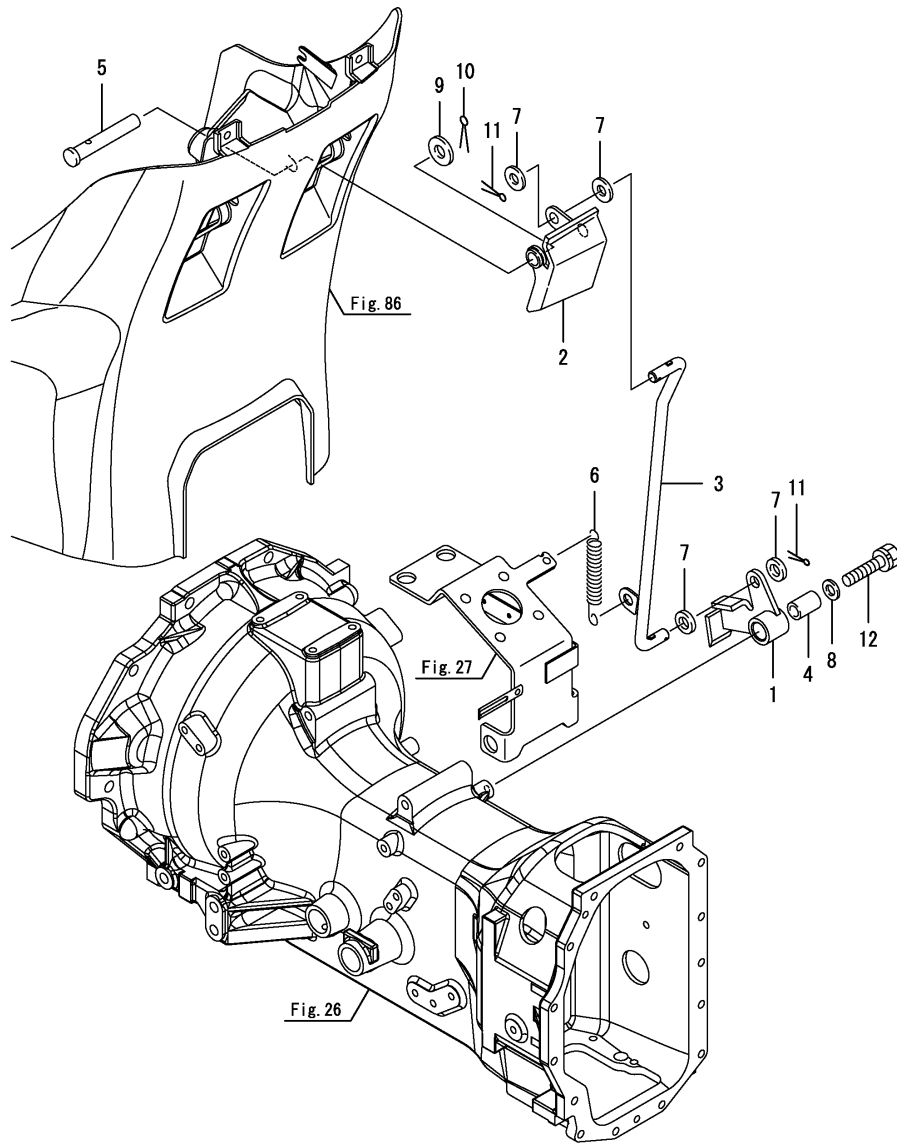
(B)=

(C)=

(D)=

(E)=

(F)=



REF.	LEV.	PARTS NO.	DESCRIPTION	QTY						I	R
				(A)	(B)	(C)	(D)	(E)	(F)		
1	1	1A7530-35500	RACHET CMP, CRUISE	1							
2	1	1A7510-35510	LEVER,CRUIZE CONTROL	1							
3	1	1A7530-35551	CRUISE ROD CMP	1							
4	1	1A6680-35580	COLLAR	1							
5	1	198162-61670	PIN	1							
6	1	1C6720-73330	SPRING,FLOAT	1							
7	1	22137-100000	WASHER 10,POLISHED	4							
8	1	22137-100000	WASHER 10,POLISHED	1							
9	1	22137-120000	WASHER 12,POLISHED	1							
10	1	22417-200320	COTTER PIN 2.0X32	1							
11	1	22417-250250	COTTER PIN 2.5X25	2							
12	1	26013-100452	BOLT M10X 45	1							

Fig.67. DISC BRAKE

(A)=SX3100(YANMAR)

(B)=

(C)=

(D)=

(E)=

(F)=

REF.	LEV.	PARTS NO.	DESCRIPTION	Q'TY						I	R
				(A)	(B)	(C)	(D)	(E)	(F)		
1	1	1A7531-36080	DISK BRAKE SET	1							
2	2	1A7531-36310	ACTUATOR L.H.	1							
3	2	1A7531-36320	STEEL PLATE	4							
4	2	198165-36330-2	SHAFT L,CAM LEVER	1							
5	2	1A7531-36380	FRICITION PLATE 114	4							
6	2	1A7531-36410	ACTUATOR R.H.	1							
7	2	198165-36430-2	SHAFT R,CAM LEVER	1							
8	1	22242-000250	CIRCLIP 25S	2							
9	1	24190-160001	BALL 1/2	6							

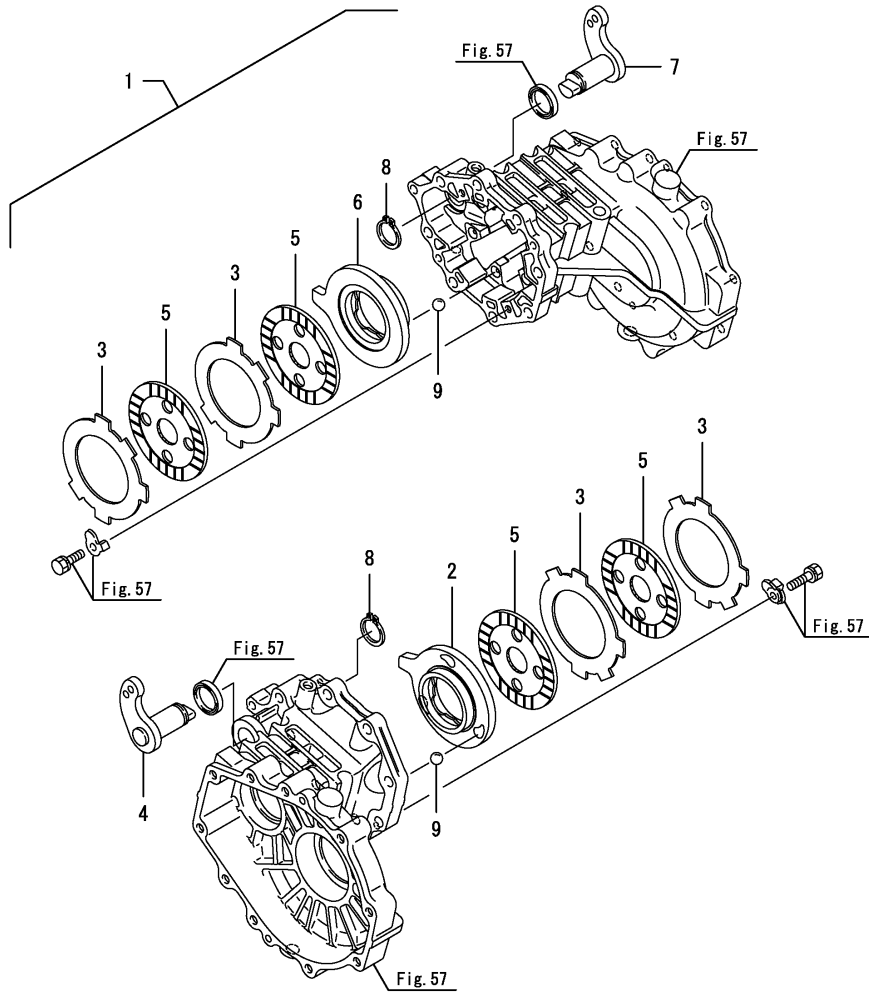


Fig.68. BRAKE PEDAL

(A)=SX3100(YANMAR)

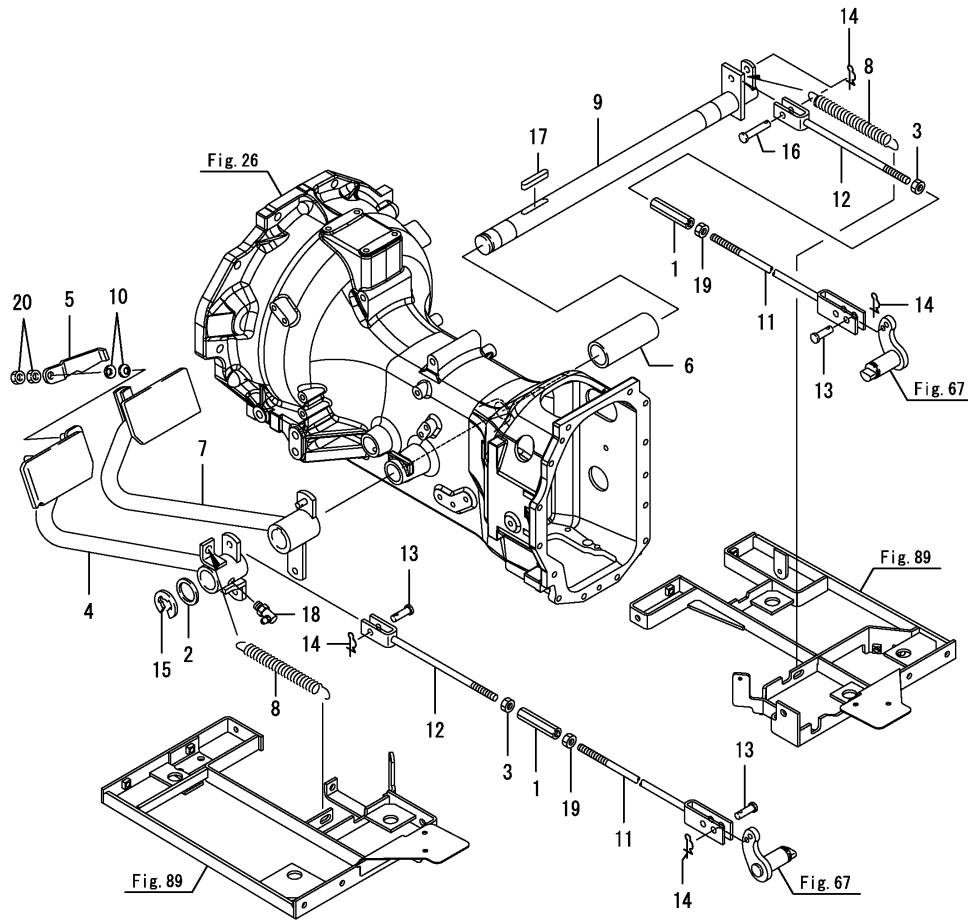
(B)=

(C)=

(D)=

(E)=

(F)=



REF.	LEV.	PARTS NO.	DESCRIPTION	QTY						I	R
				(A)	(B)	(C)	(D)	(E)	(F)		
1	1	194740-00322	TURNBUCKLE	2							
2	1	1C6140-14050	SPACER 25.2X34X2	1							
3	1	194990-20170	NUT W/WASHER 8	2							
4	1	1A6781-37300	PEDAL L CMP, BRAKE	1							
5	1	198165-37340	CONECTOR,BRAKE	1							
6	1	198167-37350	COLLAR 34*85	1							
7	1	1A7530-37400	PEDAL ASSY, R BRAKE	1							
8	1	198421-37511	SPRING,RETURN	2							
9	1	1A7530-37550	SHAFT, BRAKE PEDAL	1							
10	1	194300-37570	SPRING, CONICAL	2							
11	1	198165-37760	ROD R,BRAKE	2							
12	1	198165-37770	ROD L,BRAKE	2							
13	1	194080-37781	PIN 8X25	3							
14	1	1C6281-52320	PIN 8,COME-OFF SNAP	4							
15	1	22272-000190	CIRCLIP E-19	1							
16	1	22487-080400	PIN, H8X40	1							
17	1	22512-070400	KEY, 7X40	1							
18	1	24761-040000	NIPPLE B,GREASE	1							
19	1	26716-080002	NUT M 8	2							
20	1	26716-080002	NUT M 8	2							

Fig.69. PARKING BRAKE

(A)=SX3100(YANMAR)

(B)=

(C)=

(D)=

(E)=

(F)=

REF.	LEV.	PARTS NO.	DESCRIPTION	Q'TY						I	R
				(A)	(B)	(C)	(D)	(E)	(F)		
1	1	1C6140-14050	SPACER 25.2X34X2	1							
2	1	1C6053-32020	WASHER 8.5X20X3.2	2							
3	1	1A6781-37500	ARM CMP, PARKING	1							
4	1	1A6781-37530	ARM ASSY, CRUISE	1							
5	1	1A6781-37590	ARM	1							
6	1	1A7530-37590	RACHET KIT,PARK LOCK	1							
7	2	1A7530-37600	RACHET CMP,PARK LOCK	1							
8	2	1A7530-37710	BOLT, M8	1							
9	1	1A6781-37600	SHAFT CMP, CRUISE	1							
10	1	1A6640-37640	BOLT M8	2							
11	1	1A6781-37660	SPRING, RETURN	1							
12	1	1A6781-37710	SPRING	1							
13	1	1A7530-37742	ROD,BRAKE CMP	1							
14	1	1A7530-37781	ROD,BRAKE CMP	1							
15	1	1A6781-37800	LINK CMP, CRUISE	1							
16	1	1A6781-37810	LINK, CRUISE	1							
17	1	1A7530-37830	CRUISE LINK B	1							
18	1	198165-37840	SPRING,P.BRAKE	1							
19	1	1C6281-52320	PIN 8,COME-OFF SNAP	4							
20	1	198162-61661	LEVER,P.BRAKE	1							
21	1	198162-61670	PIN	1							
22	1	22137-080000	WASHER 8, POLISHED	6							
23	1	22137-100000	WASHER 10,POLISHED	4							
24	1	22137-120000	WASHER 12,POLISHED	1							
25	1	22272-000190	CIRCLIP E-19	1							
26	1	22417-200320	COTTER PIN 2.0X32	1							
27	1	22417-250250	COTTER PIN 2.5X25	3							
28	1	22512-070200	KEY, 7X20	1							
29	1	26051-080002	NUT M 8	2							

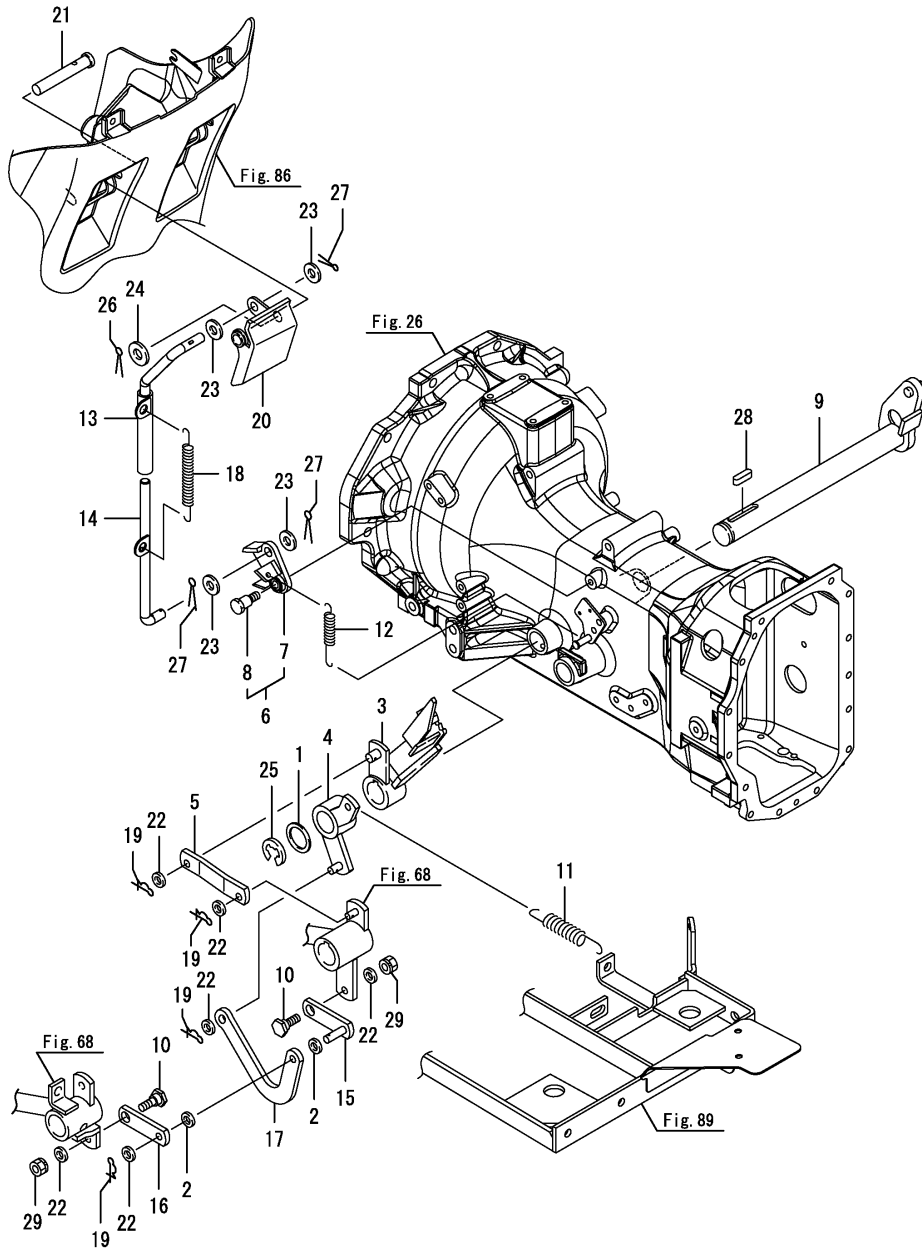


Fig.70. HYDRAULIC PUMP

(A)=SX3100(YANMAR)

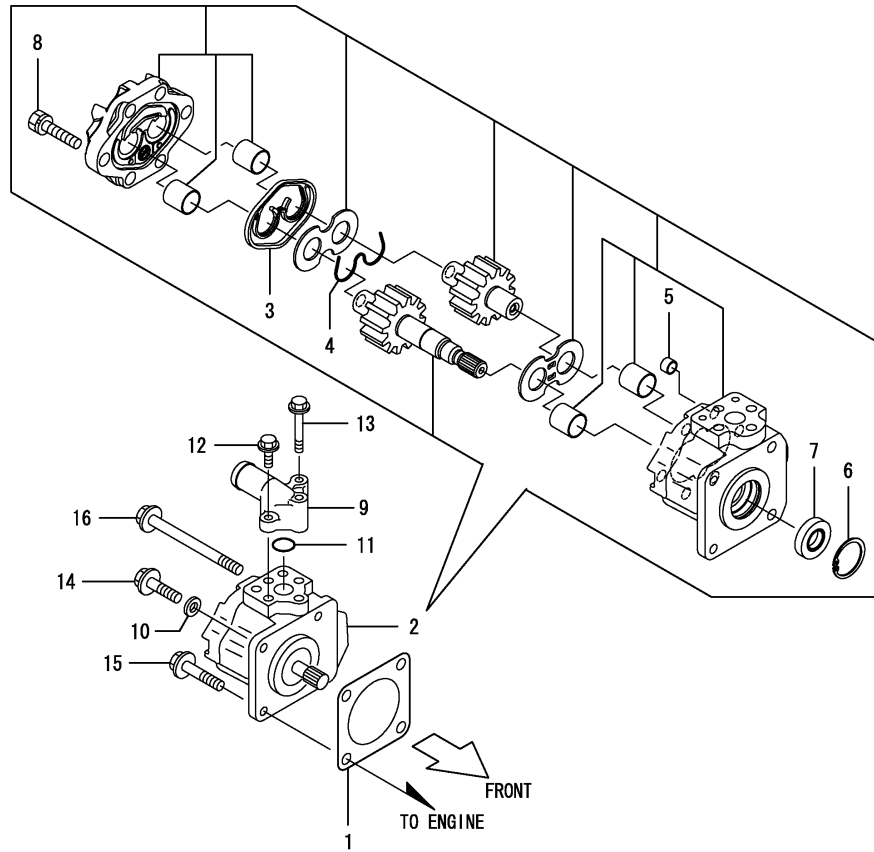
(B)=

(C)=

(D)=

(E)=

(F)=



REF.	LEV.	PARTS NO.	DESCRIPTION	Q'TY						I	R
				(A)	(B)	(C)	(D)	(E)	(F)		
1	1	124240-01883	GASKET	1							
2	1	119923-26010	PUMP ASSY	1							
3	2	178077-15400	SEAL RING	1							
4	2	178077-15410	BACKUP RING	1							
5	2	194521-41570	PIN 11X7	2							
6	2	22252-000320	CIRCLIP 32	1							
7	2	24421-153207	SEAL TC15 32 07, OIL	1							
8	2	26016-080352	BOLT M 8X 35	4							
9	1	198220-48140	FLANGE	1							
10	1	22190-080002	SEAL WASHER 8S	1							
11	1	24311-000200	O-RING 1A P-20.0	1							
12	1	26106-060202	BOLT M 6X 20 PLATED	1							
13	1	26106-060402	BOLT M 6X 40 PLATED	2							
14	1	26106-080302	BOLT M 8X 30 PLATED	1							
15	1	26106-080402	BOLT M 8X 40 PLATED	1							
16	1	26106-080952	BOLT M 8X 95 PLATED	2							

Fig.71. HYDRAULIC LIFT

(A)=SX3100(YANMAR)

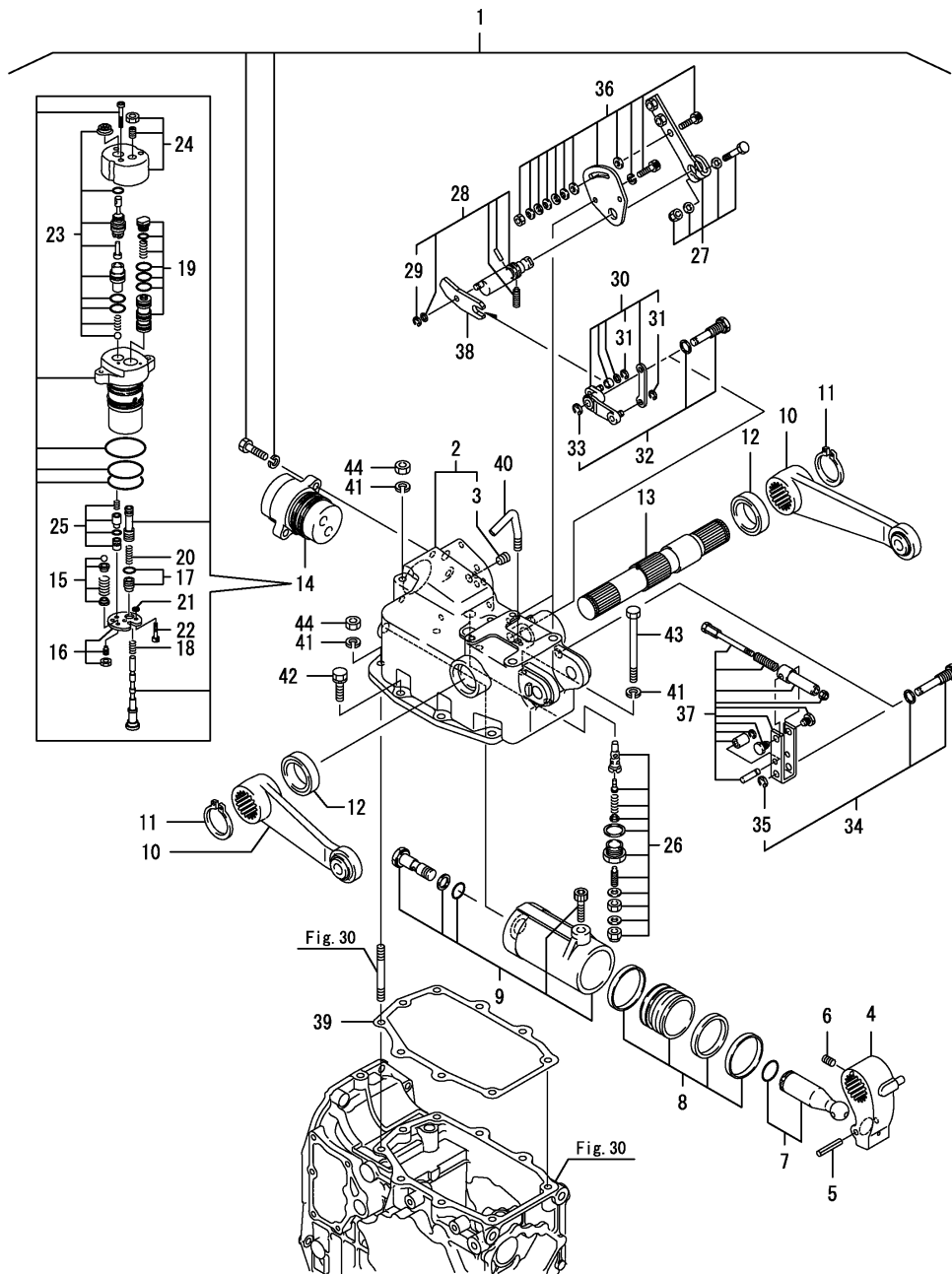
(B)=

(C)=

(D)=

(E)=

(F)=



REF.	LEV.	PARTS NO.	DESCRIPTION	Q'TY						I	R
				(A)	(B)	(C)	(D)	(E)	(F)		
1	1	1A6780-42010	ROCK SHAFT ASSY	1							
2	2	198165-42100	CASE, HYDRAULIC CYL.	1							
3	3	198165-42400	PLUG M 10	1							
4	2	1A6780-44110	CRANK CMP	1							
5	2	198165-44140	PIN 6X 40	1							
6	2	198165-44170	PLUG M 8X 16	1							
7	2	198165-44180	PISTON ROD COMP	1							
8	2	1A6780-44200	PISTON CMP	1							
9	2	1A6780-44240	CYLINDER CMP	1							
10	2	198165-44410	ARM, CMP LIFT	2							
11	2	198165-44440	CIRCLIP	2							
12	2	198165-44450	SEAL, 354507 OIL	2							
13	2	1A6780-44460	SHAFT	1							
14	2	198165-45101	VALVE ASSY, CONTROL	1							
15	3	198165-45010	VALVE KIT	1							
16	3	198165-45020	PLATE KIT	1							
17	3	198165-45030	PLUG KIT	1							
18	3	198165-45140	SPRING, PILOT	1							
19	3	198165-45191	VALVE ASSY	1							
20	3	198165-45270	SPRING	1							
21	3	198165-45290	SPACER	3							
22	3	198165-45370	BOLT M 6X 18	3							
23	3	198165-45400	LEVER, CMP SLOWRETURN	1							
24	3	198165-45500	COVER KIT	1							
25	3	198165-45600	VALVE KIT	1							
26	2	198165-45800	VALVE, ASSY RELIEF	1							
27	2	198165-47020	LEVER KIT	1							
28	2	198165-47030	SHAFT KIT	1							
29	3	198165-47520	CIRCLIP 6	1							
30	2	198165-47040	ARM KIT	1							
31	3	198165-47520	CIRCLIP 6	2							
32	2	1A6780-47050	KIT, PIN A	1							
33	3	198165-47530	CIRCLIP 7	1							
34	2	198165-47060	PIN B KIT	1							
35	3	198165-47530	CIRCLIP 7	1							
36	2	198165-47100	LEVER, ASSY HYDRAULIC	1							
37	2	198165-47300	CONTROL, ASSY HYD.	1							
38	2	198165-47440	LEVER, B	1							
39	1	198165-42120	GASKET, HOUSING	1							
40	1	194205-42280	PIPE, AIR BREATHER	1							
41	1	22217-100000	SPRING WASHER 10	5							
42	1	26013-100302	BOLT M10X 30	4							
43	1	26116-101202	BOLT M10X120 PLATED	1							
44	1	26716-100002	NUT 10	4							

Fig.72. HYDRAULIC CONTROL

0CNP5-G53700 72. HYDRAULIC CONTROL

(A)=SX3100(YANMAR)

(B)=

(C)=

(D)=

(E)=

(F)=

REF.	LEV.	PARTS NO.	DESCRIPTION	Q'TY						I	R
				(A)	(B)	(C)	(D)	(E)	(F)		
1	1	1A7530-47360	LEVER, CONTROL	1							
2	1	198220-47370	KNOB	1							
3	1	26013-080202	BOLT W/WASHER M8X20	2							

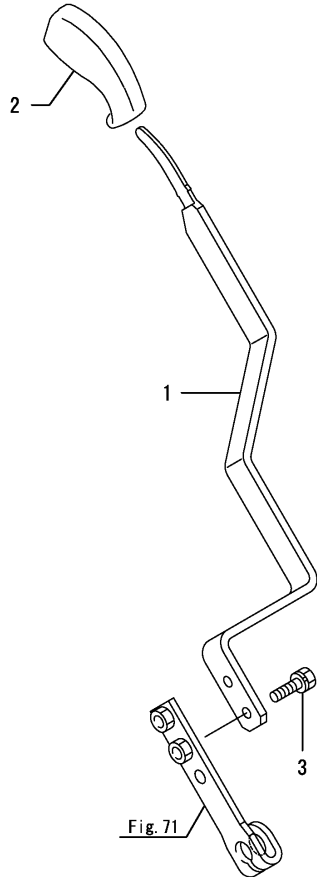


Fig.73. STOP VALVE

0CNP5-G53700 73. STOP VALVE

(A)=SX3100(YANMAR)

(B)=

(C)=

(D)=

(E)=

(F)=

REF.	LEV.	PARTS NO.	DESCRIPTION	Q'TY						I	R
				(A)	(B)	(C)	(D)	(E)	(F)		
1	1	198165-42150	JOINT, HYDRAULIC	1							
2	1	1A7530-42170	STAY CMP, STOP BOLT	1							
3	1	1A6770-46620	BOLT, STOP	1							
4	1	1A8160-46670	KNOB, STOP VALVE	1							
5	1	26018-080202	BOLT M 8X 20	1							
6	1	26716-100002	NUT 10	1							

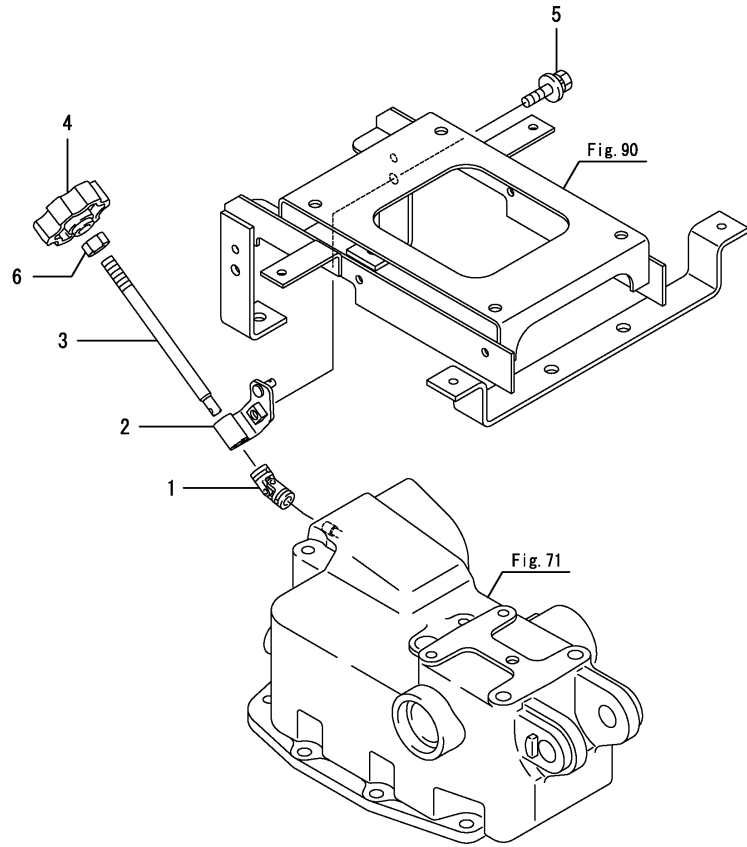
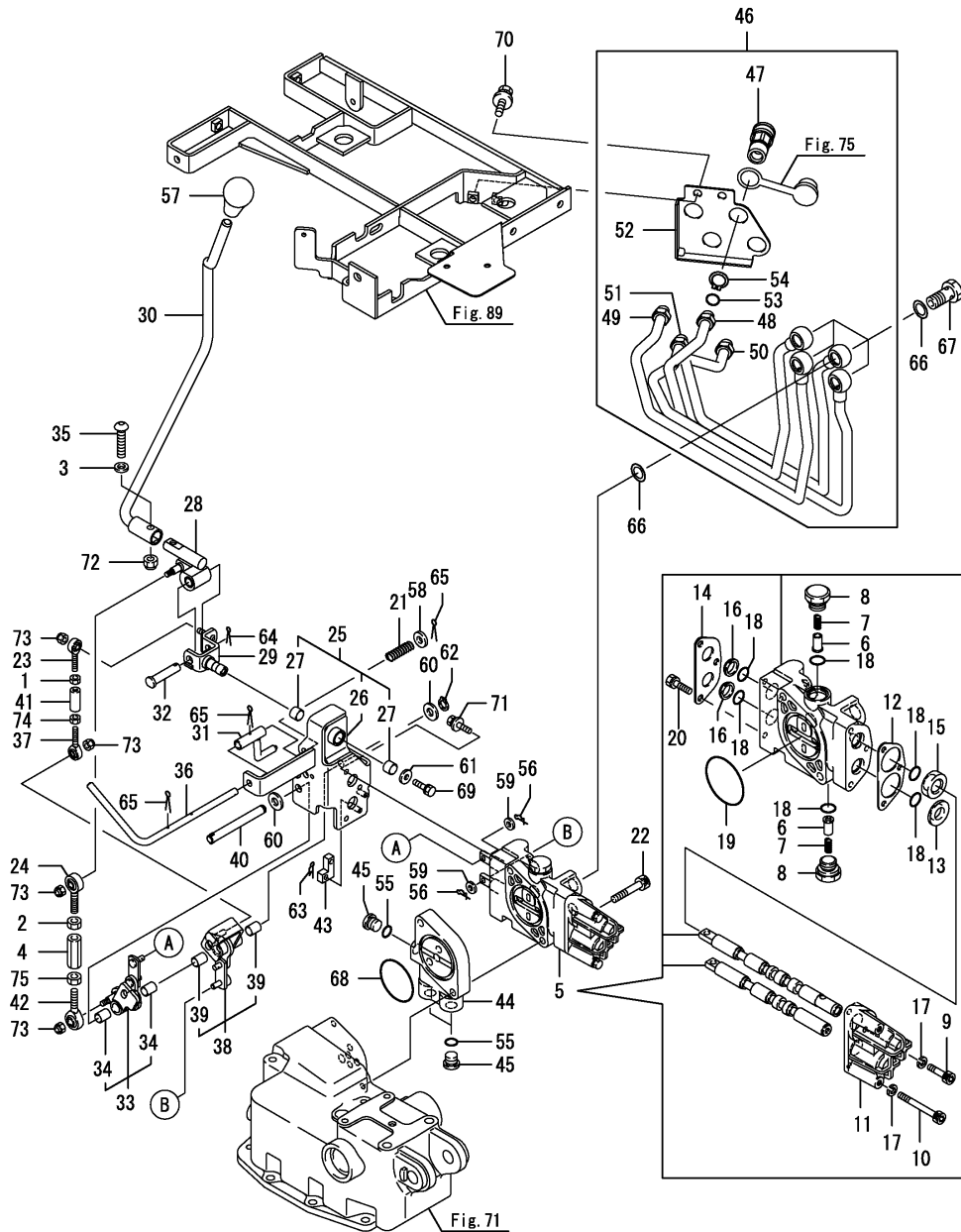


Fig.74. SUB CONTROL VALVE



OCNP5-G53700 74. SUB CONTROL VALVE

(A)=SX3100(YANMAR)

(B)=

(C)=

(D)=

(E)=

(F)=

REF.	LEV.	PARTS NO.	DESCRIPTION	QTY						I	R
				(A)	(B)	(C)	(D)	(E)	(F)		
1	1	194130-01390	NUT M6	1							
2	1	194990-20170	NUT W/WASHER 8	1							
3	1	1C6053-32020	WASHER 8.5X20X3.2	1							
4	1	192157-33780	NUT	1							
5	1	198165-46110	S.C.V, CMP	1							
6	2	198165-46130	VALVE	2							
7	2	198165-46140	SPRING	2							
8	2	198165-46150	PLUG	2							
9	2	1A6780-46160	BOLT M 6X 25	1							
10	2	1A6780-46170	BOLT M 6X 55	2							
11	2	198165-46200	COVER	1							
12	2	198165-46210	GASKET	1							
13	2	198165-46220	JOINT	1							
14	2	198165-46240	COVER, DUST SEAL	1							
15	2	198165-46370	DETENT	1							
16	2	172510-74410	SEAL, DUST	2							
17	2	22287-060000	WASHER 6	3							
18	2	24311-000140	O-RING 1A P-14.0	6							
19	2	24321-000500	O-RING 1A G-50.0	1							
20	2	26016-060102	BOLT M6X 10	3							
21	1	198220-46200	SPRING	1							
22	1	1A6780-46260	BOLT 8X65	2							
23	1	198165-46470	ROD END 6	1							
24	1	198165-46480	ROD END 8	1							
25	1	1A7500-46491	HOLDER ASSY, LEVER	1							
26	2	1A7500-46501	HOLDER ASSY, LEVER	1							
27	2	24550-012100	BUSH 12X10	2							
28	1	1A7530-46601	LEVER KIT, SCV	1							
29	1	1A6780-46650	LEVER B ASSY	1							
30	1	1A7530-46651	LEVER ASSY, UPPER	1							
31	1	1A7500-46750	PIN CMP, STOPPER	1							
32	1	198165-46780	PIN, LEVER B	1							
33	1	1A7500-46800	CAM ASSY, LINK L	1							
34	2	24550-010150	BUSH 10X15	2							
35	1	1A7510-46850	BOLT, ROUND HEAD 8X35	1							
36	1	1A8300-46860	PIN,	1							
37	1	198165-46880	ROD-END, 6	1							
38	1	1A7500-46900	CAM ASSY, LINK B	1							
39	2	24550-010150	BUSH 10X15	2							
40	1	1A6780-46910	SHAFT, LINK CAM	1							
41	1	198165-46961	ROD B, LINK	1							
42	1	198165-46980	ROD-END	1							
43	1	198165-46991	LINK, C	1							
44	1	198165-48550	PLATE, AUX	1							
45	1	198165-48560	PLUG, 9/16	3							
46	1	1A8300-48600	PIPE KIT, SCV	1							
47	2	198223-46250	HYD. QUICK COUPLER	4							
48	2	1A7530-48610	PIPE, SCV 1	1							
49	2	1A7530-48620	PIPE, SCV 2	1							
50	2	1A7530-48630	PIPE, SCV 3	1							
51	2	1A7530-48640	PIPE, SCV 4	1							

N:Old $\begin{matrix} \text{Yes} \\ \text{No} \end{matrix}$ New, Q:Old $\begin{matrix} \text{No} \\ \text{Yes} \end{matrix}$ New, R:Old $\begin{matrix} \text{Yes} \\ \text{No} \end{matrix}$ New, S:Old $\begin{matrix} \text{No} \\ \text{Yes} \end{matrix}$ New, W:Add, Z:Discontinued, F:Interchangeable by set, K:Q'ty Change

++ CONTINUE ++

(C)Copy Rights YANMAR CO.,LTD.

Fig.74. SUB CONTROL VALVE

(A)=SX3100(YANMAR)

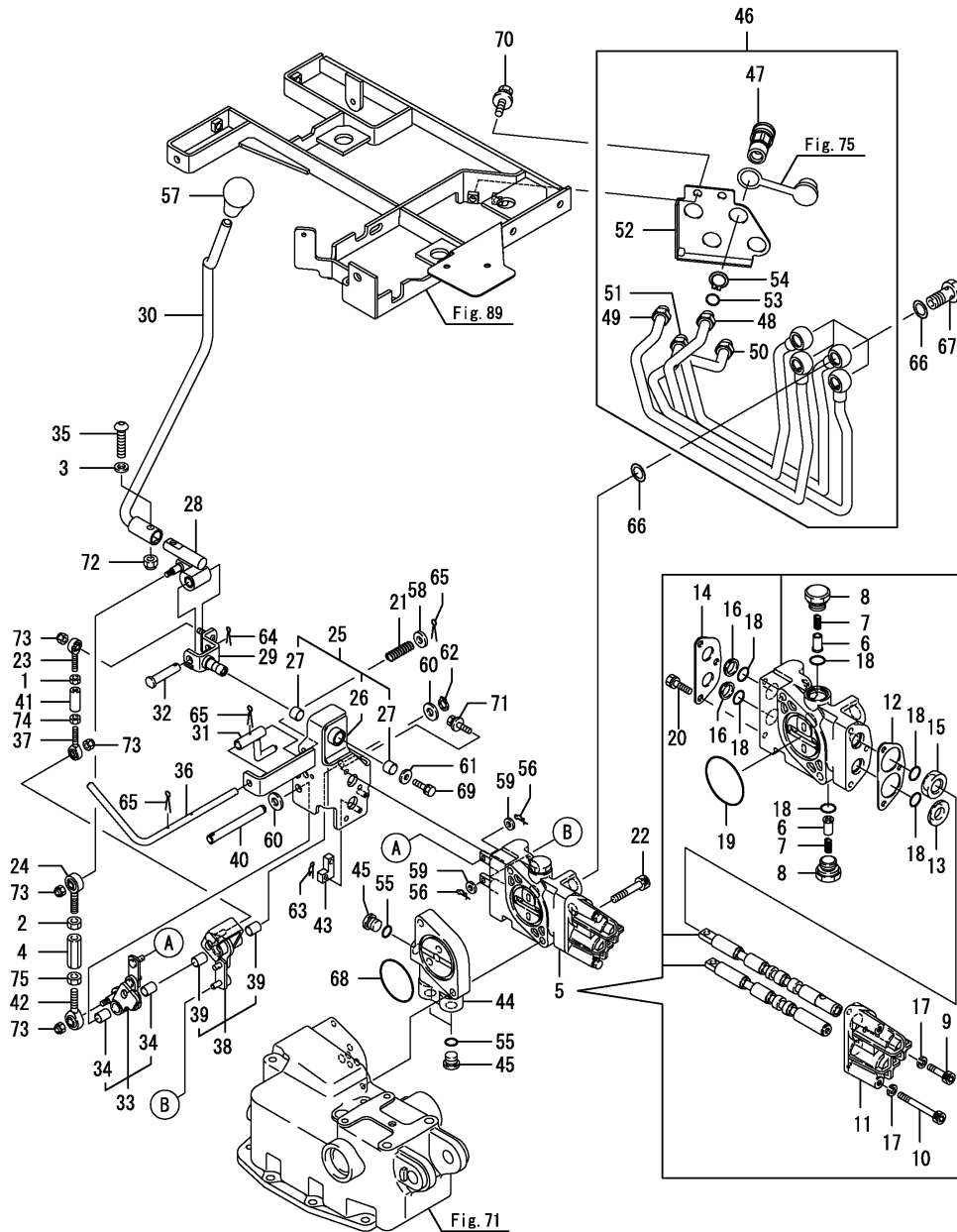
(B)=

(C)=

(D)=

(E)=

(F)=



REF.	LEV.	PARTS NO.	DESCRIPTION	Q'TY						I	R
				(A)	(B)	(C)	(D)	(E)	(F)		
52	2	1A7530-48760	MOUNT, COUPLER	1							
53	2	194850-49290	PACKING 6-1	4							
54	2	22242-000220	CIRCLIP 22	4							
55	1	194850-49290	PACKING 6-1	3							
56	1	1C6281-52310	PIN 6,COME-OFF SNAP	2							
57	1	194990-85561	KNOB	1							
58	1	22117-080000	WASHER 8	1							
59	1	22137-060000	WASHER 6, POLISHED	2							
60	1	22137-100000	WASHER 10,POLISHED	2							
61	1	22157-060000	WASHER 6	1							
62	1	22242-000100	CIRCLIP 10	1							
63	1	22372-060000	SNAP PIN 6	1							
64	1	22417-200160	COTTER PIN 2.0X16	1							
65	1	22417-250250	COTTER PIN 2.5X25	3							
66	1	23414-160021	GASKET 16	8							
67	1	23857-100000	JOINT BOLT 10	4							
68	1	24321-000550	O-RING 1A G-55.0	1							
69	1	26013-060162	BOLT M 6X 16	1							
70	1	26013-080202	BOLT W/WASHER M8X20	2							
71	1	26018-060162	BOLT M6X16	3							
72	1	26346-080002	U-NUT, M8	1							
73	1	26347-060002	U-NUT M 6	4							
74	1	26716-060002	NUT 6	1							
75	1	26716-080002	NUT M 8	1							

Fig.75. VALVE ACCESSORIES

0CNP5-G53700 75. VALVE ACCESSORIES

(A)=SX3100(YANMAR)

(B)=

(C)=

(D)=

(E)=

(F)=

REF.	LEV.	PARTS NO.	DESCRIPTION	Q'TY						I	R
				(A)	(B)	(C)	(D)	(E)	(F)		
1	1	1A7880-47550	DUST PLUG 1/4(RED	1							
2	1	1A7880-47560	DUST PLUG 1/4(BLUE	1							
3	1	1A7880-47570	DUST PLUG 1/4(YEL	1							
4	1	1A7880-47580	DUST PLUG 1/4(GRE	1							

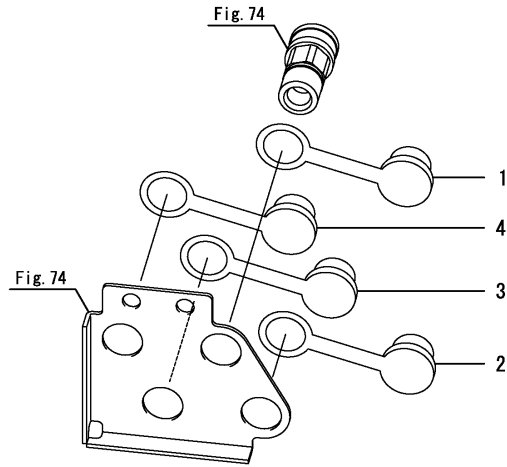


Fig.76. HYDRAULIC LINE

(A)=SX3100(YANMAR)

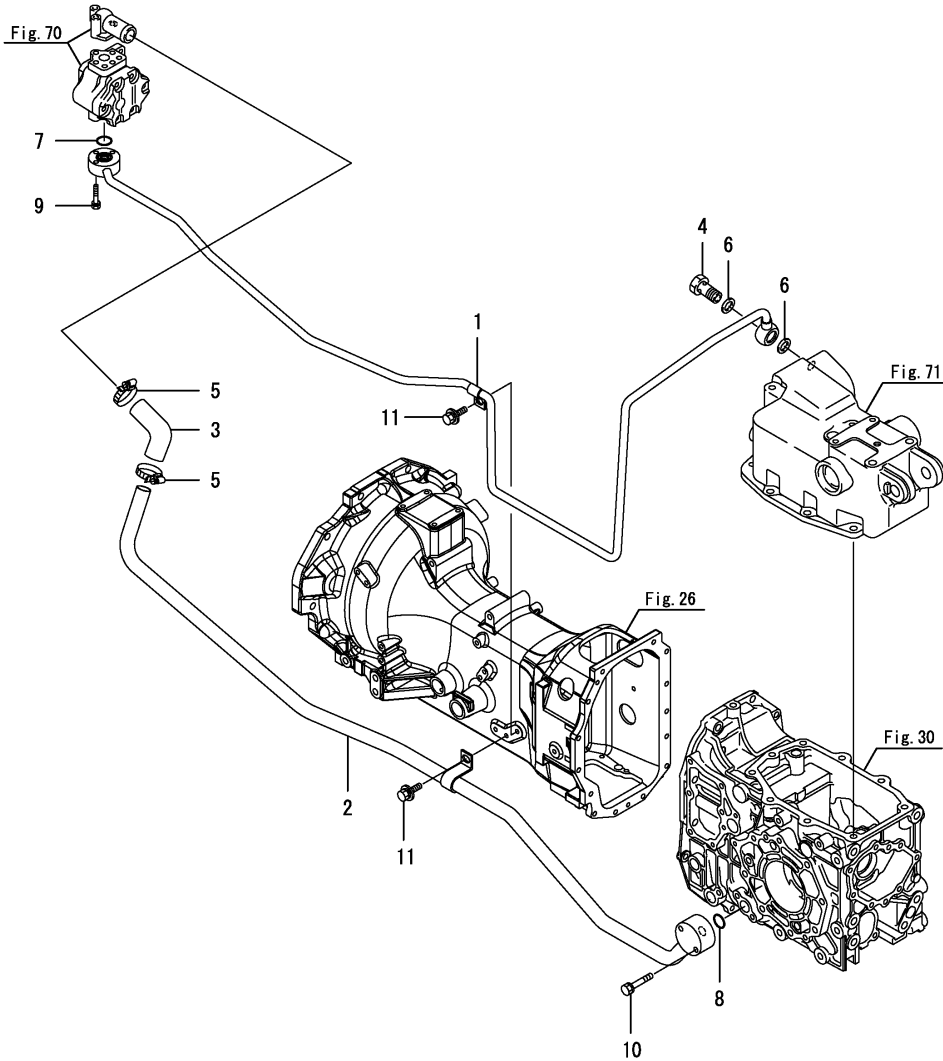
(B)=

(C)=

(D)=

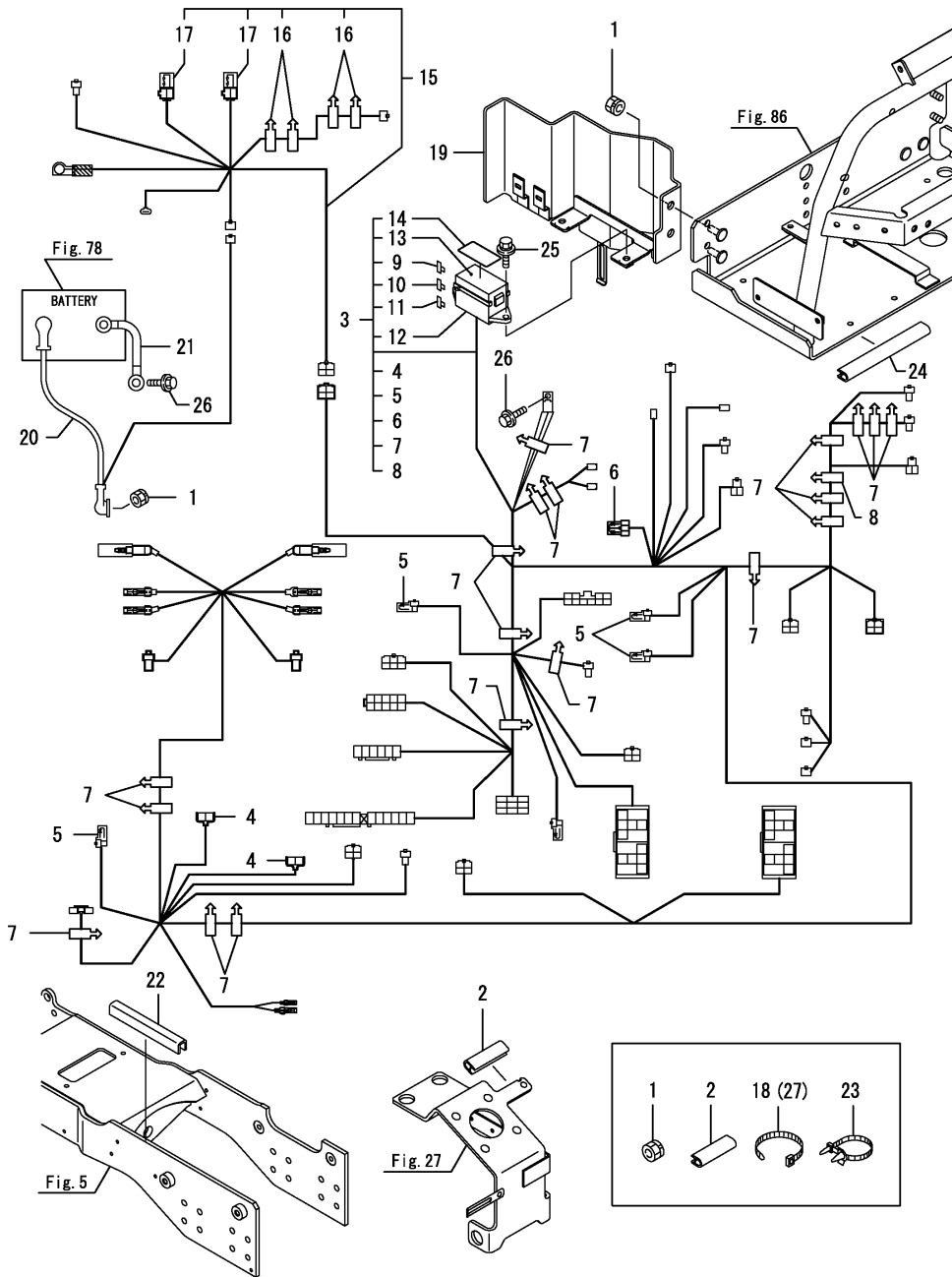
(E)=

(F)=



REF.	LEV.	PARTS NO.	DESCRIPTION	Q'TY						I	R
				(A)	(B)	(C)	(D)	(E)	(F)		
1	1	1A7540-48110	PIPE, HIGH PRESSURE	1							
2	1	1A7530-48320	PIPE, LOW PRESSURE	1							
3	1	198167-48340	HOSE	1							
4	1	198220-48750	CONNECTOR ASSY	1							
5	1	23000-035000	CLAMP 35	2							
6	1	23414-180023	GASKET 18	2							
7	1	24311-000200	O-RING 1A P-20.0	1							
8	1	24311-000220	O-RING 1A P-22.0	1							
9	1	26013-060322	BOLT M 6X 32	3							
10	1	26013-080452	BOLT M 8X 45	2							
11	1	26018-080202	BOLT M 8X 20	2							

Fig.77. WIRE HARNESS



(A)=SX3100(YANMAR)

(B)=

(C)=

(D)=

(E)=

(F)=

REF.	LEV.	PARTS NO.	DESCRIPTION	QTY						I	R
				(A)	(B)	(C)	(D)	(E)	(F)		
1	1	194990-22050	NUT W/WASHER 8	4							
2	1	195616-24930	TRIM	2							
3	1	1A8300-51111	HARNESS, WIRE A	1							
4	2	1A7510-01240	COVER, ACCEL	2							
5	2	1A7130-51130	DIODE, 1.5A	4							
6	2	1A7500-51140	DIODE 1.5AX2	1							
7	2	1A7500-51160	CLIP, HARNESS	18							
8	2	1A7500-51170	CLIP, HARNESS	1							
9	2	198535-52120	FUSE 10A	4							
10	2	198535-52130	FUSE 15A	3							
11	2	1A7450-52180	FUSE, 25A	2							
12	2	1A7531-52410	BOX, FUSE	1							
13	2	1A7531-52420	COVER, FUSE BOX	1							
14	2	1A7531-65780	LABEL,FUSE	1							
15	1	1A7531-51150	HARNESS, WIRE P	1							
16	2	1A7500-51160	CLIP, HARNESS	4							
17	2	198153-51700	BLOW 79A,SLOW CMP	2							
18	1	1A8300-51210	BAND, REPEAT	3							
19	1	1A7531-51400	STAY CMP, FUSE BOX	1							
20	1	1A6780-51410	CABLE, BATTERY	1							
21	1	1A7500-51420	CABLE, BATTERY EARTH	1							
22	1	1A7500-51810	SEAL,WIRING HARNESS	1							
23	1	1A1380-55310	CLAMP, WIRE	1							
24	1	1A7000-61490	TRIM, 120	3							
25	1	26018-060202	BOLT M 6X 20	2							
26	1	26106-080122	BOLT M 8X 12 PLATED	2							
27	1	29622-140001	BAND 140	3							

Fig.78. BATTERY

0CNP5-G53700 78. BATTERY

(A)=SX3100(YANMAR)

(B)=

(C)=

(D)=

(E)=

(F)=

REF.	LEV.	PARTS NO.	DESCRIPTION	Q'TY						I	R
				(A)	(B)	(C)	(D)	(E)	(F)		
1	1	194990-22130	NUT W/WASHER 6	2							
2	1	1A8160-51500	BATTERY ASSY,526RMF	1							
3	2	1A8160-51520	LABEL,BATTERY	1							
4	1	1A8160-51600	CLAMP,BATTERY,6-245	1							
5	1	1A8160-51610	ROD,BATTERY	2							
6	1	26716-060002	NUT 6	2							

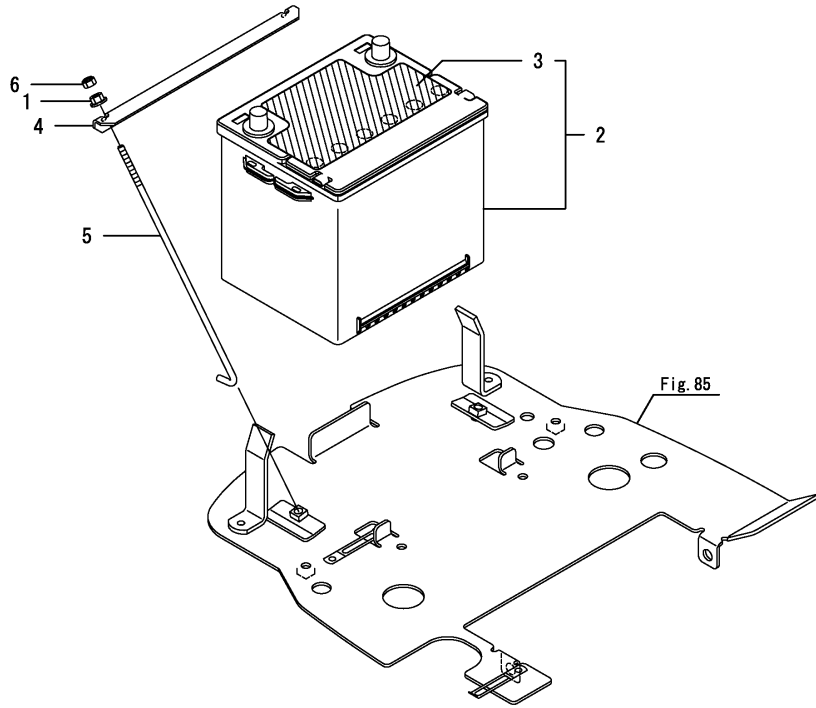
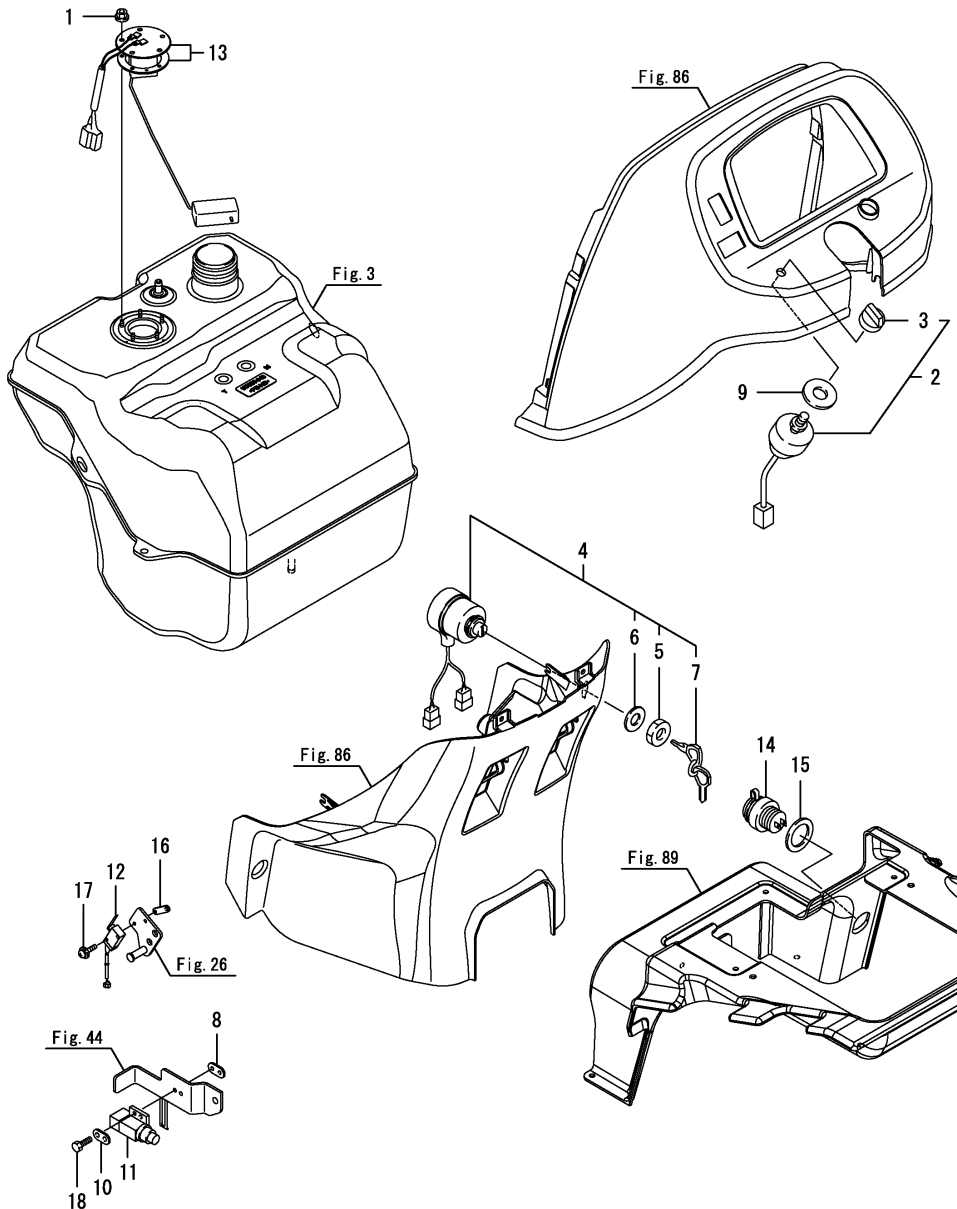


Fig.79. SWITCH(1)



OCNP5-G53700 79. SWITCH(1)

(A)=SX3100(YANMAR)

(B)=

(C)=

(D)=

(E)=

(F)=

REF.	LEV.	PARTS NO.	DESCRIPTION	Q'TY						I	R
				(A)	(B)	(C)	(D)	(E)	(F)		
1	1	194990-22110	NUT W/WASHER 4	5							
2	1	198165-52100	SWITCH,CMP LIGHTING	1							
3	2	198165-52110	KNOB	1							
4	1	198162-52110	SWITCH, STARTING	1							
5	2	198360-52320	NUT,RING	1							
6	2	198360-52330	WASHER	1							
7	2	198162-52150	KEY ASSY	1							
8	1	1A7510-52110	NUT,SWITCH 2-M4	1							
9	1	198165-52120	SEAL	1							
10	1	1A7510-52120	WASHER,SWITCH	1							
11	1	1A7335-52150	STOP LAMP SW,DELTA	1							
12	1	198167-52180	SWITCH, P. BRAKE	1							
13	1	1A7500-56610	GAUGE, FUEL OIL	1							
14	1	1A7880-57100	DC POWER OUTLET	1							
15	1	1A7500-79720	WASHER	1							
16	1	1E6460-84220	NUT 2-M3,SWITCH	1							
17	1	26023-030202	SCREW, M3X20	2							
18	1	26117-040162	SCREW	2							

Fig.80. SWITCH(2)

(A)=SX3100(YANMAR)

(B)=

(C)=

(D)=

(E)=

(F)=

REF.	LEV.	PARTS NO.	DESCRIPTION	Q'TY						I	R
				(A)	(B)	(C)	(D)	(E)	(F)		
1	1	194850-49290	PACKING 6-1	2							
2	1	198165-50110	SWITCH,NEUTRAL	2							

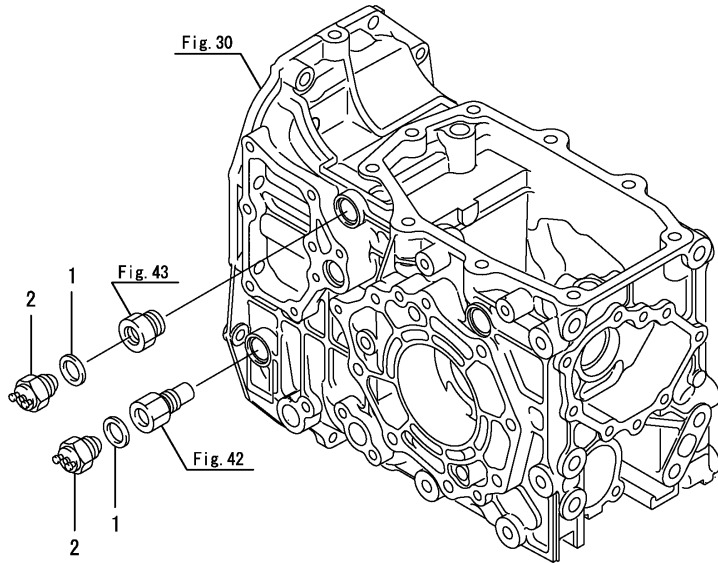


Fig.81. SWITCH(3)

0CNP5-G53700 81. SWITCH(3)

(A)=SX3100(YANMAR)

(B)=

(C)=

(D)=

(E)=

(F)=

REF.	LEV.	PARTS NO.	DESCRIPTION	Q'TY						I	R
				(A)	(B)	(C)	(D)	(E)	(F)		
1	1	172531-17300	SWITCH, PTO	1							
2	1	1A8300-51210	BAND, REPEAT	9							
3	1	1A8300-52150	SWITCH, TURN SIGNAL	1							
4	1	1A8160-52310	SWITCH,SEAT,DELTA,AS	1							

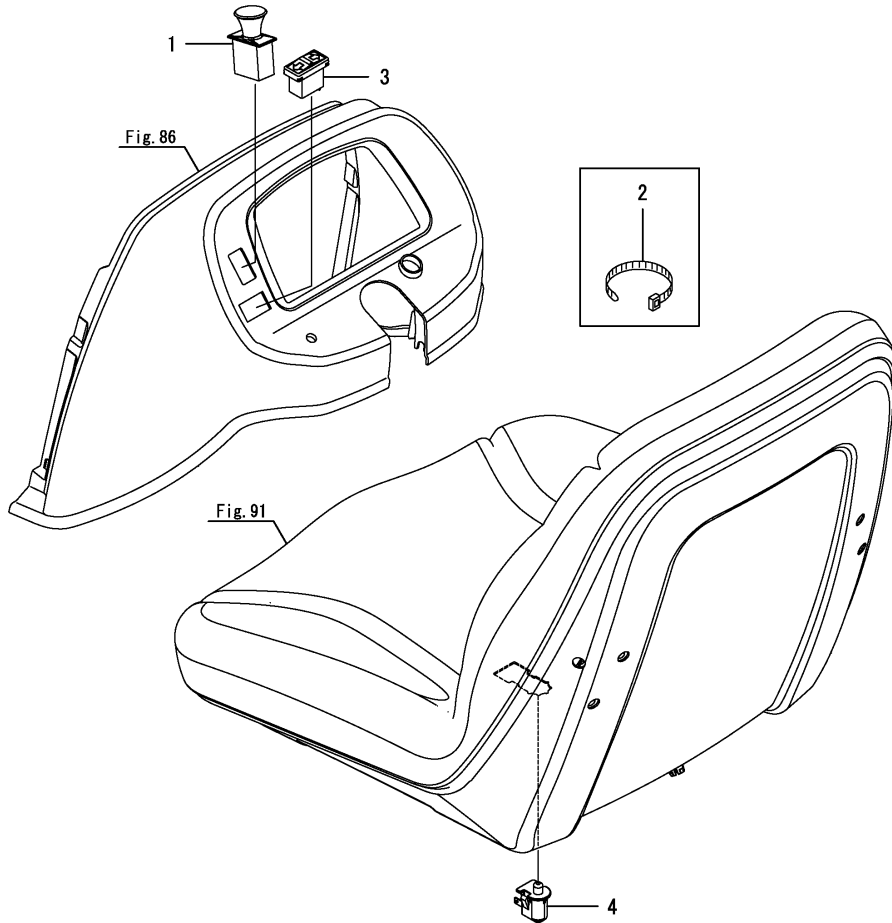


Fig.82. LAMP

(A)=SX3100(YANMAR)

(B)=

(C)=

(D)=

(E)=

(F)=

REF.	LEV.	PARTS NO.	DESCRIPTION	Q'TY						I	R
				(A)	(B)	(C)	(D)	(E)	(F)		
1	1	1A8300-53210	LAMP, WARNING L	1							
2	2	1A8300-53250	BULB 27W-12.8V	1							
3	2	1A8300-53260	BULB 4.9W-12.8V	1							
4	1	1A8300-53220	LAMP, WARNING R	1							
5	2	1A8300-53250	BULB 27W-12.8V	1							
6	2	1A8300-53260	BULB 4.9W-12.8V	1							
7	1	26106-080702	BOLT M 8X 70 PLATED	4							

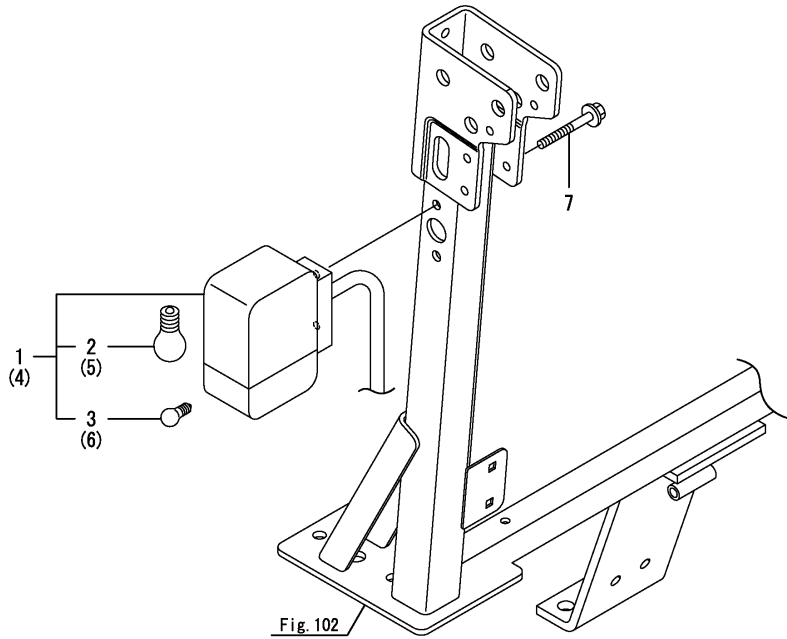


Fig.83. METER

(A)=SX3100(YANMAR)

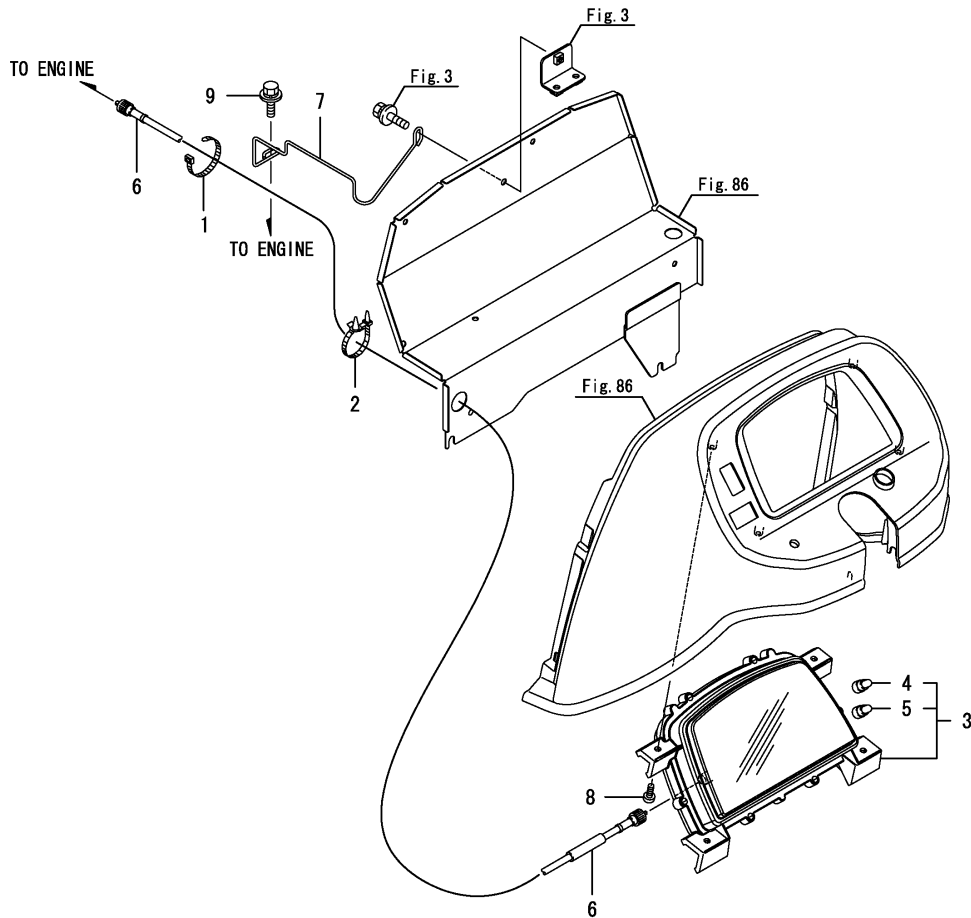
(B)=

(C)=

(D)=

(E)=

(F)=



REF.	LEV.	PARTS NO.	DESCRIPTION	QTY						I	R
				(A)	(B)	(C)	(D)	(E)	(F)		
1	1	1A8300-51210	BAND, REPEAT	1							
2	1	194680-51670	BAND	1							
3	1	1A7531-56100	PANEL ASSY, INSTRU.	1							
4	2	1A7510-56110	BULB	9							
5	2	198448-56150	LAMP 14V/1.4W, SOCKET	2							
6	1	1A7500-56900	CABLE, HOUR METER	1							
7	1	1A7540-56960	GUIDE, CABLE	1							
8	1	22857-600160	SCREW, M6X16	4							
9	1	26019-060162	BOLT M 6X 16	1							

Fig.84. RELAY

(A)=SX3100(YANMAR)

(B)=

(C)=

(D)=

(E)=

(F)=

REF.	LEV.	PARTS NO.	DESCRIPTION	QTY						I	R
				(A)	(B)	(C)	(D)	(E)	(F)		
1	1	1A7531-51460	STAY, RELAY	2							
2	1	198220-52180	RELAY, STARTER	1							
3	1	1A7510-57101	STAY CMP, REGULATOR	1							
4	1	1A6780-57200	FLUSHER UNIT	1							
5	1	119650-77911	RELAY ASSY, GLOW	1							
6	1	128300-77920	TIMER	1							
7	1	129211-77920	TIMER	1							
8	1	1K1140-82500	RELAY(ACM13211M01	4							
9	1	26018-060122	BOLT M 6X 12	2							
10	1	26018-060162	BOLT M6X16	6							
11	1	26018-080202	BOLT M 8X 20	2							

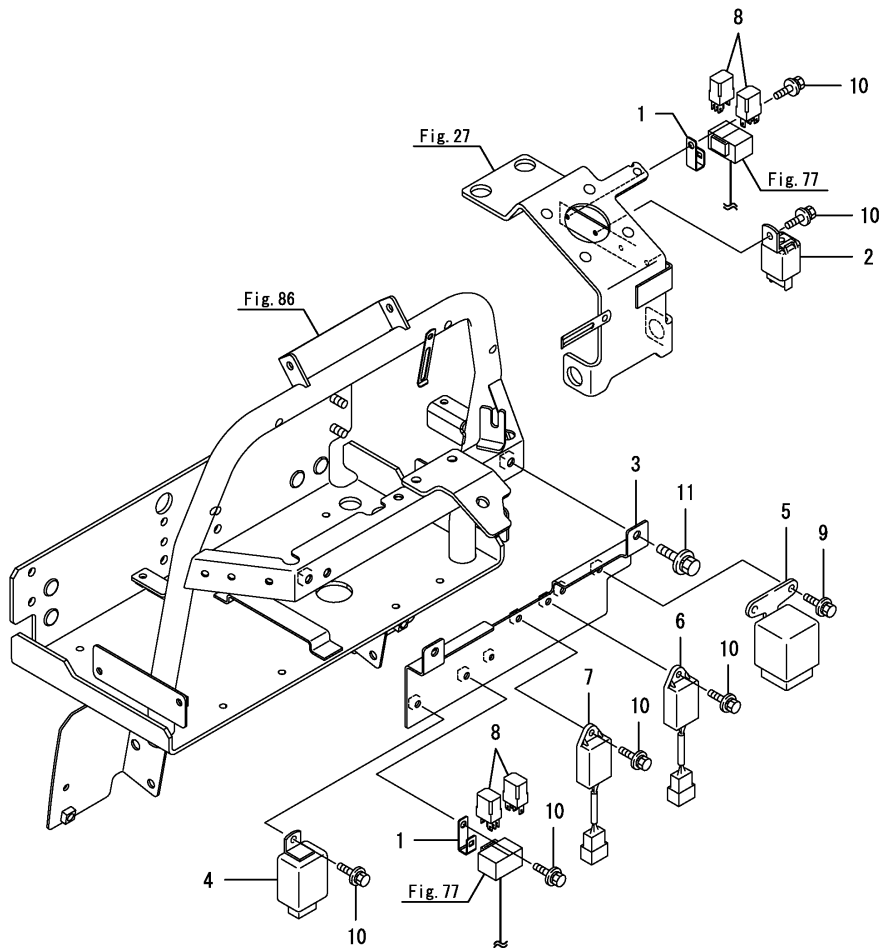
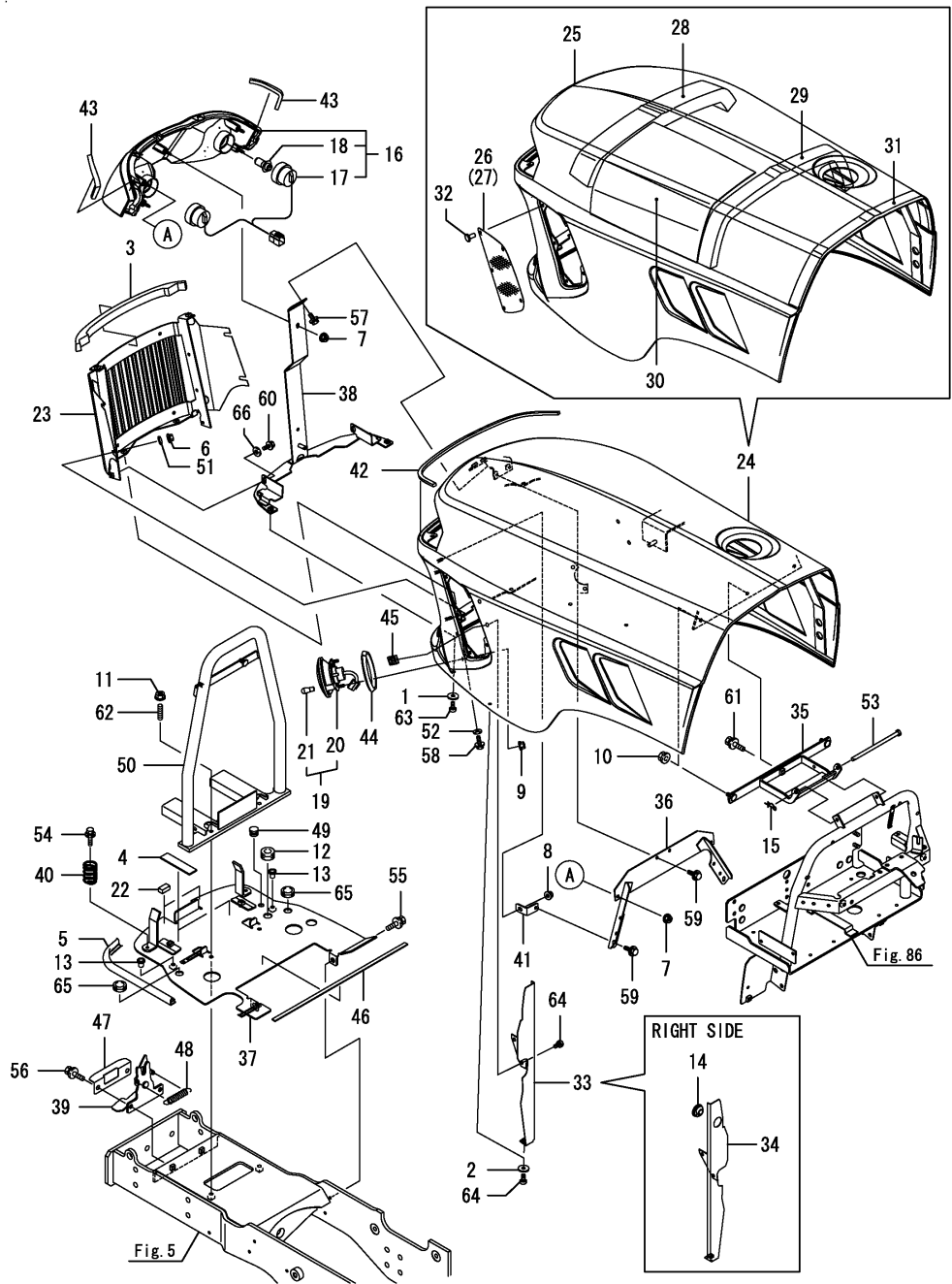


Fig.85. HOOD



(A)=SX3100(YANMAR)

(B)=

(C)=

(D)=

(E)=

(F)=

REF.	LEV.	PARTS NO.	DESCRIPTION	Q'TY						I	R
				(A)	(B)	(C)	(D)	(E)	(F)		
1	1	194515-01190	WASHER 6	2							
2	1	194515-01190	WASHER 6	2							
3	1	1A7880-01440	SEAL,RADIATOR	1							
4	1	198165-04380	RUBBER, 100X25X3	2							
5	1	1A7510-10191	SEAL,F DECK C	1							
6	1	194990-22130	NUT W/WASHER 6	4							
7	1	194990-22130	NUT W/WASHER 6	5							
8	1	194990-22130	NUT W/WASHER 6	2							
9	1	194990-22130	NUT W/WASHER 6	4							
10	1	194990-22140	NUT W/WASHER 8	2							
11	1	194990-22140	NUT W/WASHER 8	2							
12	1	198448-22520	GROMMET,CLUTCH WIRE	1							
13	1	194275-27750	PLUG 7.8	2							
14	1	194170-51210	GROMMET 25	1							
15	1	1C6281-52320	PIN 8,COME-OFF SNAP	1							
16	1	1A7880-53050	LAMP ASSY,HEAD	1							
17	2	1A7880-53070	WIRE,LEAD HEAD LAMP	1							
18	2	1A7880-53080	BULB,HALOGEN12V30/30	2							
19	1	1A8300-53290	LAMP ASSY, SIDE	2							
20	2	1A7880-53310	CASE ASSY,SIDE LAMP	2							
21	2	1A7880-53320	BULB,12V/15W	2							
22	1	1A7510-60980	STOPPER	2							
23	1	1A8300-61010	GRILLE ASSY, FRONT	1							
24	1	1A8300-61130	HOOD KIT,	1							
25	2	1A8300-61100	HOOD ASSY,	1							
26	2	1A8300-61210	SCREEN, HOOD SIDE	1							
27	2	1A8300-61220	SCREEN, HOOD SIDE R	1							
28	2	1A8300-61810	SEAL, HOOD	1							
29	2	1A8300-61860	SEAL, AIR-SHIELD	1							
30	2	1A8300-61910	INSULATOR, HOOD	1							
31	2	1A8300-61960	SEAL, HOOD	1							
32	2	197810-84840	RIVET	10							
33	1	1A8300-61250	PLATE ASSY, L SEAL	1							
34	1	1A8300-61260	PLATE ASSY, R SEAL	1							
35	1	1A7530-61300	HINGE(BONNET CMP	1							
36	1	1A8300-61310	STAY ASSY, HEADLAMP	1							
37	1	1A7540-61351	DECK ASSY,FRONT	1							
38	1	1A8300-61360	STAY ASSY, CATCH	1							
39	1	1A7510-61450	LOCK ASSY,HOOD	1							
40	1	1A7500-61480	SPRING,BONNET	2							
41	1	1A8300-61590	STAY ASSY,	2							
42	1	1A8300-61770	SEAL, HEADLAMP A	1							
43	1	1A8300-61780	SEAL, HEADLAMP B	2							
44	1	1A8300-61780	SEAL, HEADLAMP B	2							
45	1	198071-61890	NUT 6,SPEED	4							
46	1	1A7530-61890	SEAL	1							
47	1	1A7510-61900	PLATE,SEAL	1							
48	1	198230-61960	SPRING	1							
49	1	194630-62360	GROMMET	1							
50	1	1A8300-85710	FRAME ASSY, FRONT	1							
51	1	22157-060000	WASHER 6	8							

Fig.85. HOOD

(A)=SX3100(YANMAR)

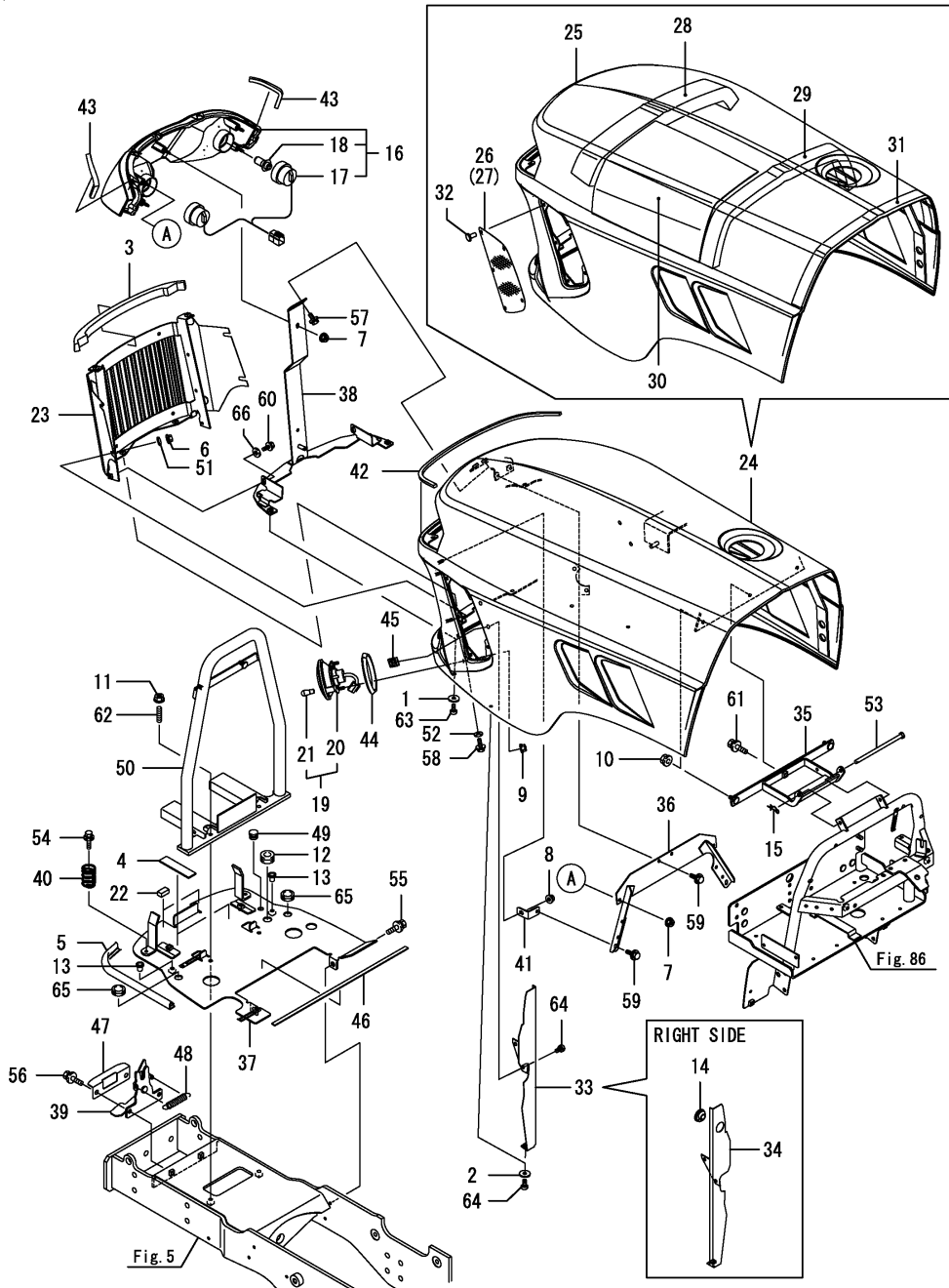
(B)=

(C)=

(D)=

(E)=

(F)=



REF.	LEV.	PARTS NO.	DESCRIPTION	QTY						I	R
				(A)	(B)	(C)	(D)	(E)	(F)		
52	1	22157-060000	WASHER 6	2							
53	1	22487-081500	PIN, H8X150	1							
54	1	26018-060162	BOLT M6X16	2							
55	1	26018-080202	BOLT M 8X 20	2							
56	1	26018-080252	BOLT M8X 25	2							
57	1	26106-060122	BOLT M 6X 12 PLATED	2							
58	1	26106-060162	BOLT M 6X 16 PLATED	4							
59	1	26106-060162	BOLT M 6X 16 PLATED	4							
60	1	26106-060162	BOLT M 6X 16 PLATED	2							
61	1	26106-080252	BOLT M 8X 25 PLATED	1							
62	1	26216-080302	STUD M 8X 30 PLATED	2							
63	1	26589-060162	SCREW M6,BINDING	2							
64	1	26589-060162	SCREW M6,BINDING	6							
65	1	29331-124000	GROMMET, 12.0 X 4	2							
66	1	22157-060000	WASHER 6	2							

Fig.86. DASHBOARD

(A)=SX3100(YANMAR)

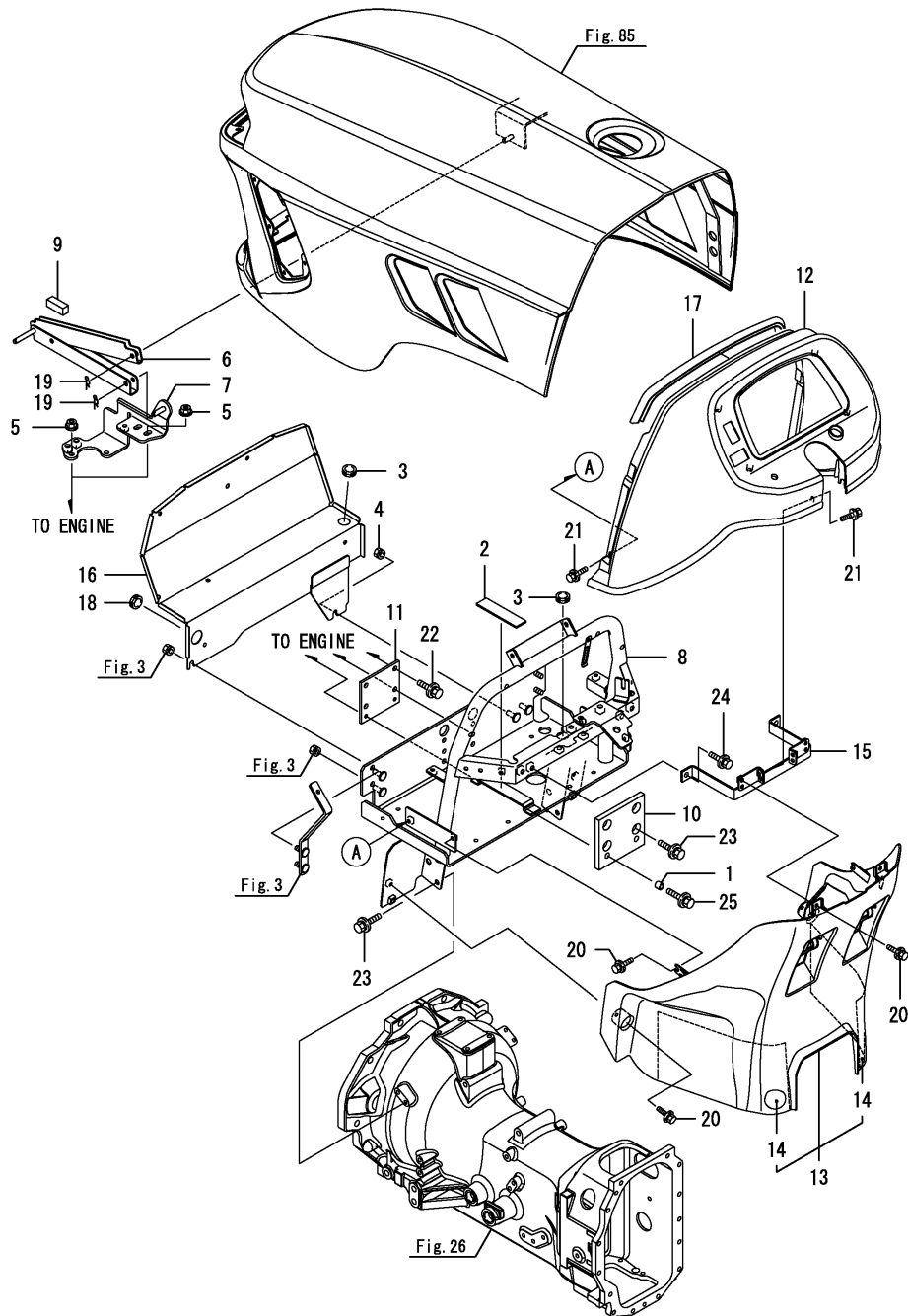
(B)=

(C)=

(D)=

(E)=

(F)=



REF.	LEV.	PARTS NO.	DESCRIPTION	QTY						I	R
				(A)	(B)	(C)	(D)	(E)	(F)		
1	1	194215-04220	SPACER 8X10X10	2							
2	1	198165-04380	RUBBER, 100X25X3	1							
3	1	1A7530-21210	RUBBER,ST	2							
4	1	194990-22050	NUT W/WASHER 8	1							
5	1	194990-22140	NUT W/WASHER 8	4							
6	1	1A7530-61420	BONNET STAND ASSY	1							
7	1	1A7540-61450	STAY CMP, ROD	1							
8	1	1A7540-61500	STAY ASSY, DASHBOARD	1							
9	1	198200-61550	STOPPER, STAND	1							
10	1	1A7540-61580	SPACER	1							
11	1	1A7540-61590	PLATE,ENG	1							
12	1	1A7510-61610	DASHBOARD(UPPER	1							
13	1	1A8300-61650	DASHBOARD ASSY,LOWER	1							
14	2	198165-64260	SEAL E	2							
15	1	1A7510-61670	STAY,DB LOWER	1							
16	1	1A7531-61801	PLATE CMP, AIR CUT	1							
17	1	1A7510-61850	SEAL, DASHBOARD	1							
18	1	1E6910-83500	GROMMET 30 W/FILM	1							
19	1	22372-080000	SNAP PIN (JASO 8)	2							
20	1	26018-060162	BOLT M6X16	6							
21	1	26018-060162	BOLT M6X16	4							
22	1	26018-080162	BOLT M 8X 16	2							
23	1	26018-080202	BOLT M 8X 20	4							
24	1	26018-080202	BOLT M 8X 20	2							
25	1	26018-080252	BOLT M8X 25	2							

Fig.87. FENDER

(A)=SX3100(YANMAR)

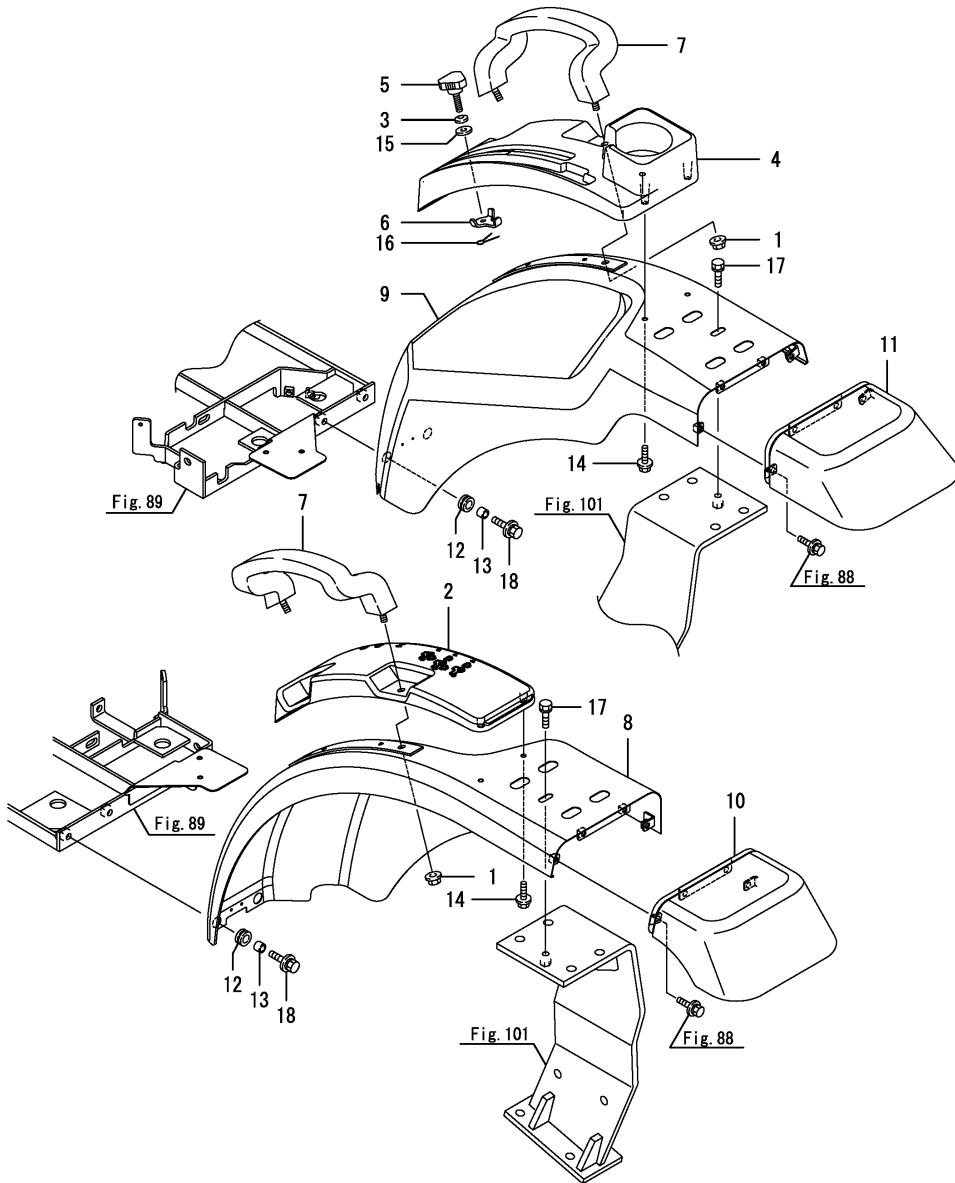
(B)=

(C)=

(D)=

(E)=

(F)=



REF.	LEV.	PARTS NO.	DESCRIPTION	QTY						I	R
				(A)	(B)	(C)	(D)	(E)	(F)		
1	1	194990-22140	NUT W/WASHER 8	4							
2	1	1A7510-27450	GUIDE, CHANGE LEVER	1							
3	1	194300-37570	SPRING, CONICAL	1							
4	1	1A7510-47711	GUIDE, HYD.LEVER	1							
5	1	198165-47750	KNOB, HYD.CONTROL	1							
6	1	1A7510-47760	STOPPER, HYD.CONTROL	1							
7	1	1A7510-62100	BAR, ASSIST	2							
8	1	1A8300-62110	FENDER L(M ASSY	1							
9	1	1A8300-62120	FENDER R (M ASSY	1							
10	1	1A7510-62130-1	FENDER EXT L CMP	1							
11	1	1A7510-62140-1	FENDER EXT R CMP	1							
12	1	1A6640-62960	GROMMET	4							
13	1	1A6640-62970	COLLAR 8.8X12X10	4							
14	1	198165-63130	PLUG, SMV	6							
15	1	22157-080000	WASHER 8	1							
16	1	22417-200160	COTTER PIN 2.0X16	1							
17	1	26013-080252	BOLT M 8X 25	2							
18	1	26018-080252	BOLT M8X 25	4							

Fig.88. FENDER(BOLT

0CNP5-G53700 88. FENDER(BOLT

(A)=SX3100(YANMAR)

(B)=

(C)=

(D)=

(E)=

(F)=

REF.	LEV.	PARTS NO.	DESCRIPTION	QTY						I	R
				(A)	(B)	(C)	(D)	(E)	(F)		
1	1	26018-060162	BOLT M6X16	8							

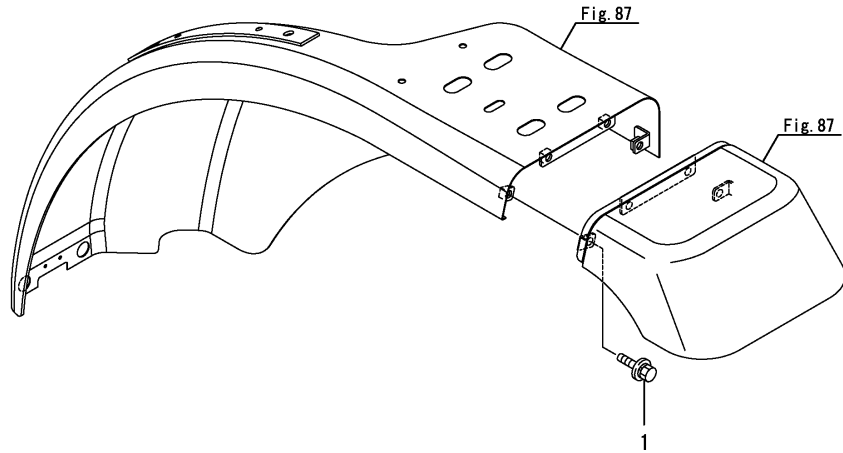


Fig.89. STEP

(A)=SX3100(YANMAR)

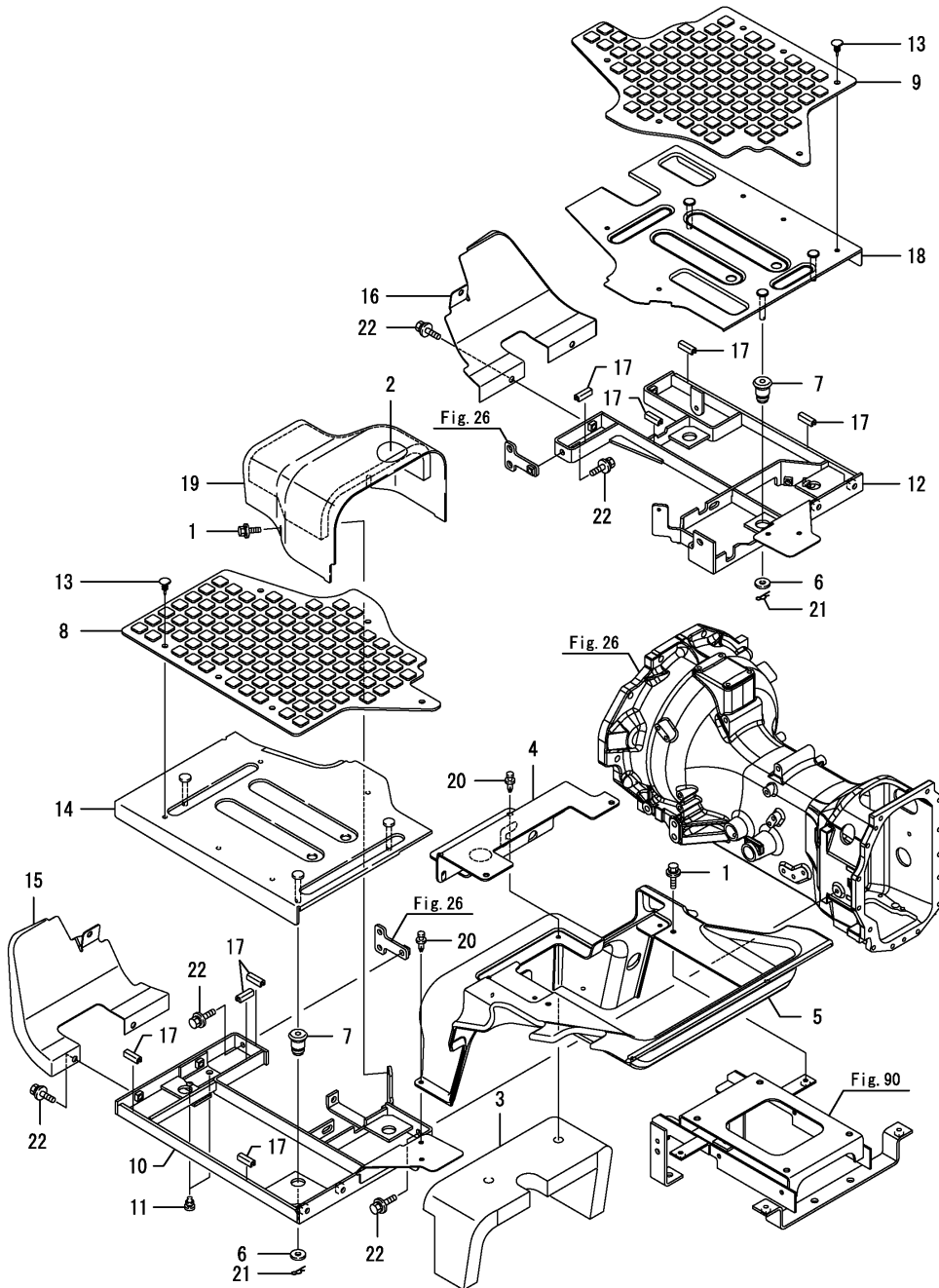
(B)=

(C)=

(D)=

(E)=

(F)=



REF.	LEV.	PARTS NO.	DESCRIPTION	QTY						I	R
				(A)	(B)	(C)	(D)	(E)	(F)		
1	1	198421-61620	BOLT 6X20	6							
2	1	1A7530-61970	SEAL(COVER)	1							
3	1	1A7530-61981	SEAL,COVER-R	1							
4	1	1A7530-62060	SEAT CLOSE OUT COVER	1							
5	1	1A7531-62070	SEAT CLOSE OUT	1							
6	1	198220-62150	WASHER	6							
7	1	198240-62451	RUBBER,STEP VIBPRF.	6							
8	1	1A7530-62470	RUBBER, STEP L	1							
9	1	1A7530-62480	RUBBER, STEP R-H	1							
10	1	1A7530-62500	FRAME ASSY, STEP L	1							
11	1	194330-62530	STOPPER, PEDAL	2							
12	1	1A7530-62600	FRAME ASSY, STEP R	1							
13	1	198162-62630	FASTENER	12							
14	1	198165-62661-1	STEP (L) CMP	1							
15	1	1A7530-62810-1	FOOT COVER L CMP	1							
16	1	1A7530-62820-1	FOOT COVER R CMP	1							
17	1	198220-62890	STOPPER	8							
18	1	1A7530-62930-1	STEP ASSY, R	1							
19	1	198165-62961	COVER, FRONT F	1							
20	1	197810-84840	RIVET	7							
21	1	22372-080000	SNAP PIN (JASO 8)	6							
22	1	26018-080202	BOLT M 8X 20	10							

Fig.90. SEAT BRACKET

(A)=SX3100(YANMAR)

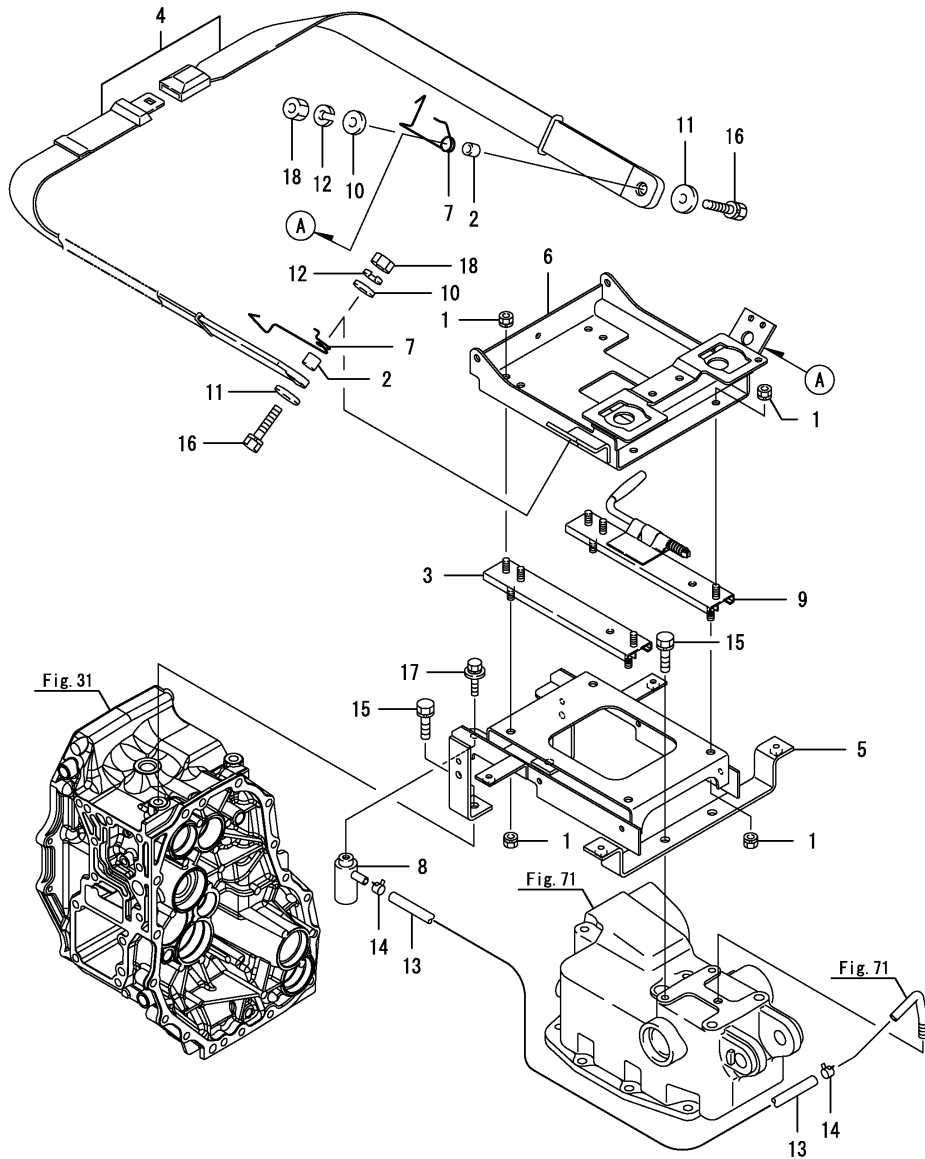
(B)=

(C)=

(D)=

(E)=

(F)=



REF.	LEV.	PARTS NO.	DESCRIPTION	QTY						I	R
				(A)	(B)	(C)	(D)	(E)	(F)		
1	1	194990-22050	NUT W/WASHER 8	10							
2	1	1C6720-47780	COLLAR 10X16X15	2							
3	1	198220-63150	ADJUSTER, BELT	1							
4	1	1A7500-63171	SEATBELT	1							
5	1	1A7530-63200	BRACKET CMP, SEAT	1							
6	1	1A7530-63400	SLIDER CNO	1							
7	1	198220-63450	HOLDER	2							
8	1	194205-63550	BREATHER, AIR	1							
9	1	1A6770-63850	ADJUSTER, SEAT R	1							
10	1	22137-100000	WASHER 10,POLISHED	2							
11	1	22157-100000	WASHER 10	2							
12	1	22217-100000	SPRING WASHER 10	2							
13	1	23065-090450	HOSE,9X450	1							
14	1	23080-012000	CLAMP 12	2							
15	1	26013-100202	BOLT W/WASHER M10X20	4							
16	1	26013-100352	BOLT M10X 35	2							
17	1	26018-080162	BOLT M 8X 16	1							
18	1	26716-100002	NUT 10	2							

Fig.91. DRIVER SEAT

(A)=SX3100(YANMAR)

(B)=

(C)=

(D)=

(E)=

(F)=

REF.	LEV.	PARTS NO.	DESCRIPTION	QTY						I	R
				(A)	(B)	(C)	(D)	(E)	(F)		
1	1	1A8300-27810	KNOB, RANGE SHIFT	1							
2	1	1A8300-27830	KNOB, PTO	1							
3	1	1C6281-52320	PIN 8,COME-OFF SNAP	2							
4	1	1A8300-63000	SEAT ASSY	1							
5	2	1A8300-63010	SEAT ASSY, OPERATOR	1							
6	2	1A8300-63500	BRACKET ASSY, R.H.	1							
7	2	1A8300-63550	BRACKET ASSY, L.H	1							
8	2	1A8300-63600	REPLACE KIT, ARMREST	1							
9	3	1A8300-63620	ARMREST	2							
10	3	1A8300-63660	SPACER,	2							
11	3	1A8300-63670	SCREW, 5/16-18 UNC	2							
12	3	1A8300-63680	STOP ASSY, ARMREST	2							
13	4	1A8300-63690	STOP, ARMREST	2							
14	4	1A8300-63700	KNOB, ADJUST	2							
15	4	1A8300-63710	RING, RETAINER	2							
16	3	1A8300-63720	SCREW, 5/16-18	6							
17	3	1A8300-63730	SPACER,	4							
18	1	1A8300-63100	HINGE ASSY, SEAT	1							
19	1	1A8300-63140	RUBBER, CUSHION	2							
20	1	1A7130-63190	HOOK R	1							
21	1	1A8300-63200	PIN, SEAT	1							
22	1	1A7130-63600	HOOK L	1							
23	1	198200-78710	COLLAR,	1							
24	1	22137-080000	WASHER 8, POLISHED	2							
25	1	24311-000110	O-RING 1A P-11.0	1							
26	1	26106-060352	BOLT M 6X 35 PLATED	1							
27	1	26106-080122	BOLT M 8X 12 PLATED	2							
28	1	26106-080162	BOLT M 8X 16 PLATED	2							

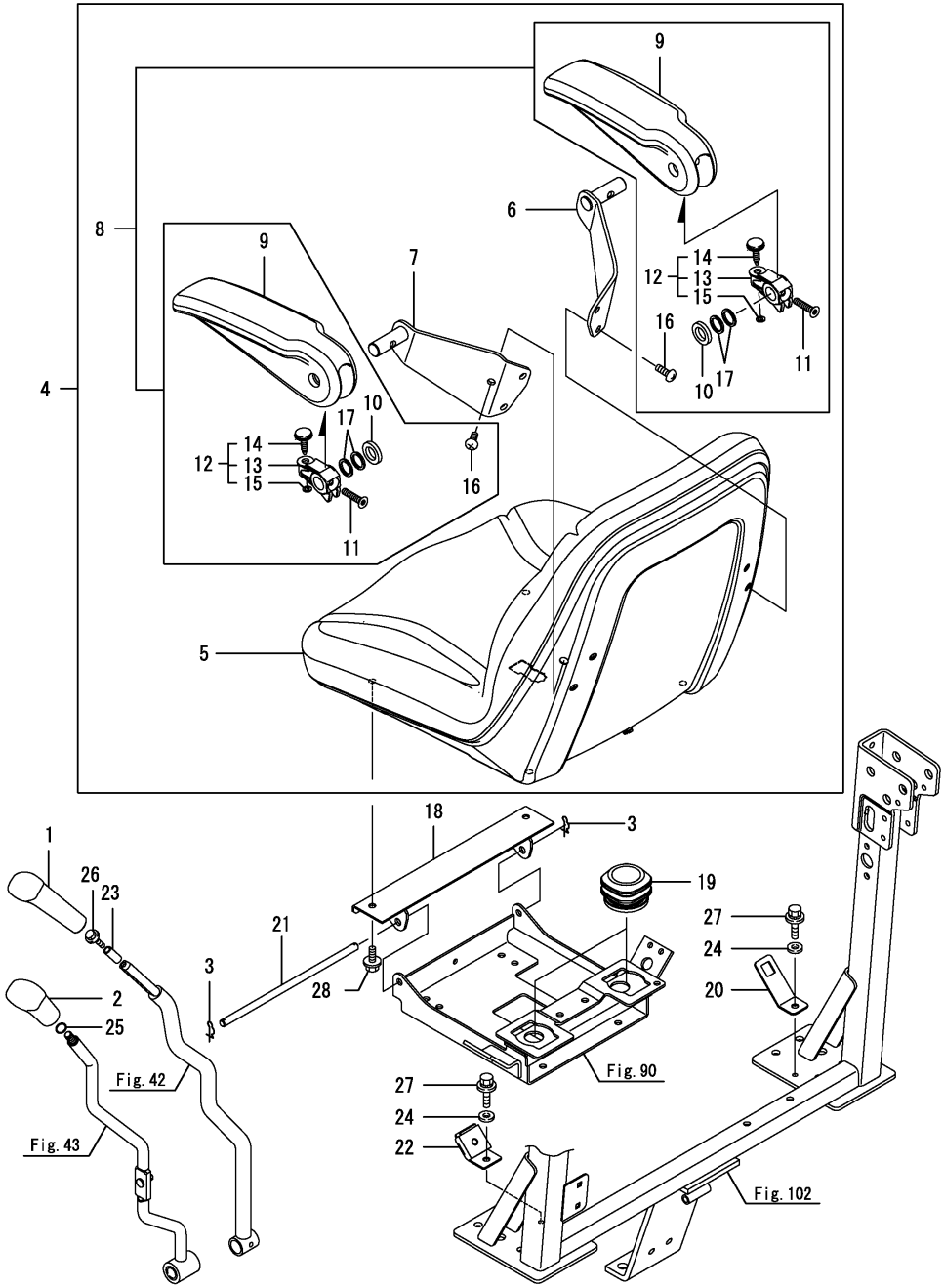


Fig.92. LABEL(1)

(A)=SX3100(YANMAR)

(B)=

(C)=

(D)=

(E)=

(F)=

REF.	LEV.	PARTS NO.	DESCRIPTION	QTY						I	R
				(A)	(B)	(C)	(D)	(E)	(F)		
1	1	198220-65410	LABEL, SCV LEVER	1							
2	1	1A8300-65430	LABEL, SCV COUPLER	1							
3	1	1A7530-65471	LABEL, HYD.LEVER	1							
4	1	1A7520-65480	LABEL B, HYD.LEVER	1							
5	1	1A8250-65650	LABEL, FUEL OIL	1							
6	1	198165-65690	DECAL,	1							

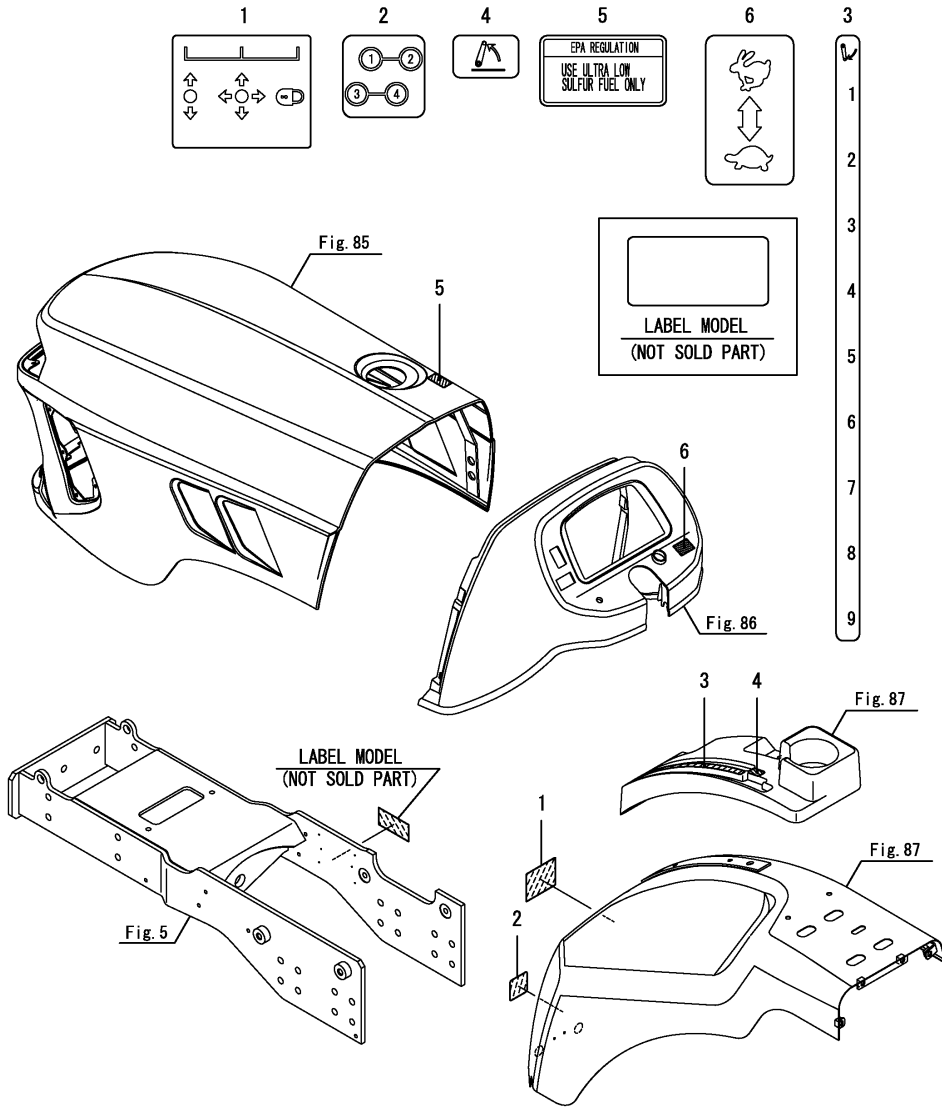


Fig.93. LABEL(2)

(A)=SX3100(YANMAR)

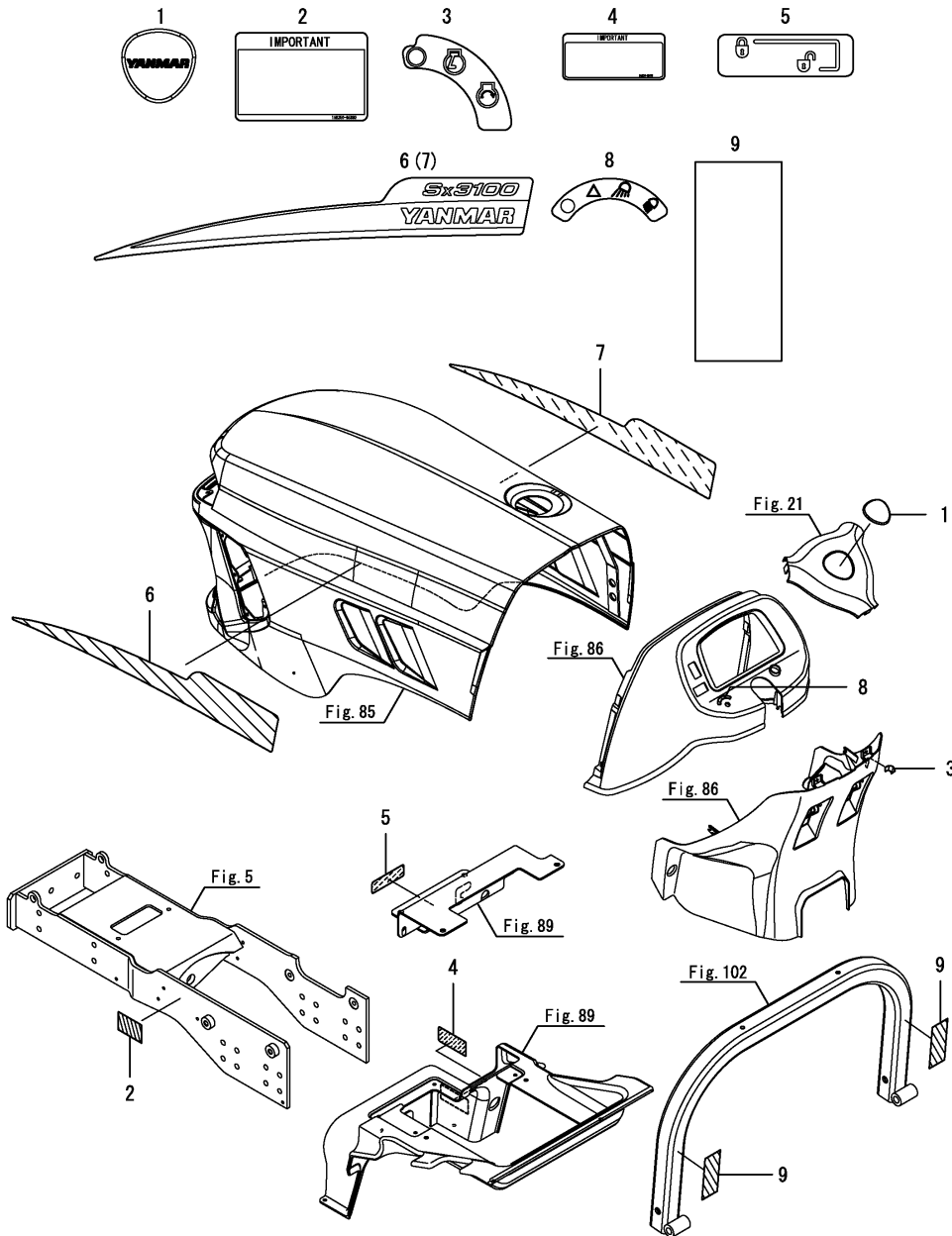
(B)=

(C)=

(D)=

(E)=

(F)=



REF.	LEV.	PARTS NO.	DESCRIPTION	QTY						I	R
				(A)	(B)	(C)	(D)	(E)	(F)		
1	1	1A7880-15880	LABEL,STEERING WHELL	1							
2	1	1A8250-65390	LABEL,SPARK ARRESTOR	1							
3	1	1A8300-65421	LABEL, START SWITCH	1							
4	1	1A8250-65630	LABEL, SOCKET	1							
5	1	1A8300-65630	DECAL, SCV LOCK	1							
6	1	1A8300-65680	LABEL, SIDE L	1							
7	1	1A8300-65690	LABEL, SIDE R	1							
8	1	1A8300-65730	DECAL, LIGHT	1							
9	1	1A8160-65860	TAPE, REFLECTION	2							

Fig.94. LABEL(SAFETY)

(A)=SX3100(YANMAR)

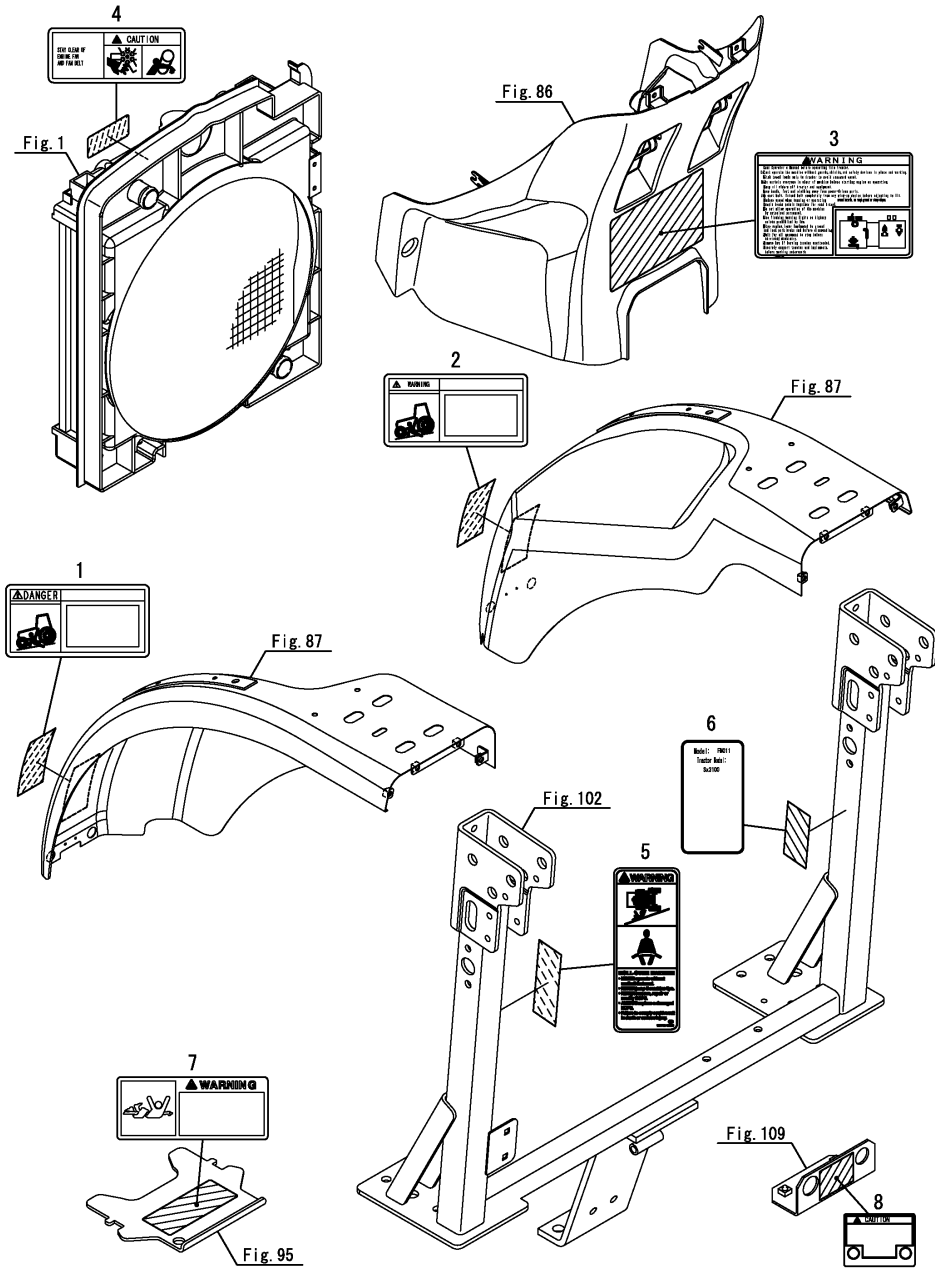
(B)=

(C)=

(D)=

(E)=

(F)=



REF.	LEV.	PARTS NO.	DESCRIPTION	QTY						I	R
				(A)	(B)	(C)	(D)	(E)	(F)		
1	1	1A8160-65300	LABEL,DANGER,START	1							
2	1	1A8160-65310	LABEL,WARNIBG,STOP	1							
3	1	1A8300-65320	LABEL, WARINING	1							
4	1	1A7880-65610	LABEL,WARNING,FAN	1							
5	1	1A7340-65850	LABEL,ROPS WARNING	1							
6	1	1A8300-65980	LABEL, ROPS	1							
7	1	198220-65621	LABEL, P.T.O.WARNING	1							
8	1	1A8300-65400	LABEL, CAUTION	1							

Fig.95. PTO GUARD

(A)=SX3100(YANMAR)

(B)=

(C)=

(D)=

(E)=

(F)=

REF.	LEV.	PARTS NO.	DESCRIPTION	Q'TY						I	R
				(A)	(B)	(C)	(D)	(E)	(F)		
1	1	1A7530-26580	PLATE KIT, PTO GUARD	1							
2	1	198165-26600	COVER L,CMP PTO	1							
3	1	198165-26700	COVER R,CMP PTO	1							
4	1	26018-060162	BOLT M6X16	4							

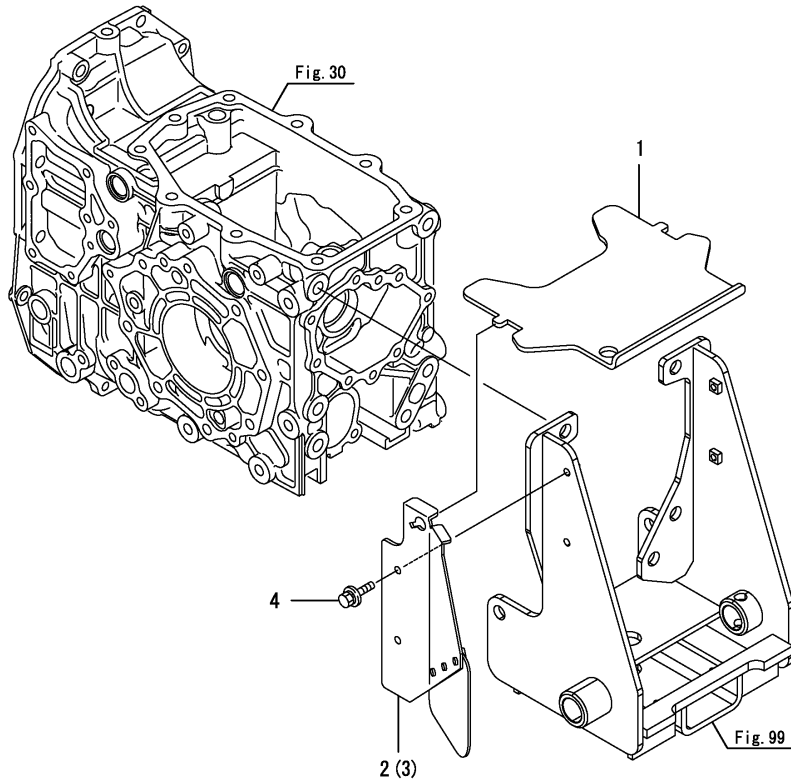


Fig.96. PTO SHAFT COVER

(A)=SX3100(YANMAR)

(B)=

(C)=

(D)=

(E)=

(F)=

REF.	LEV.	PARTS NO.	DESCRIPTION	Q'TY						I	R
				(A)	(B)	(C)	(D)	(E)	(F)		
1	1	1A7510-26850	COVER,SHAFT	1							

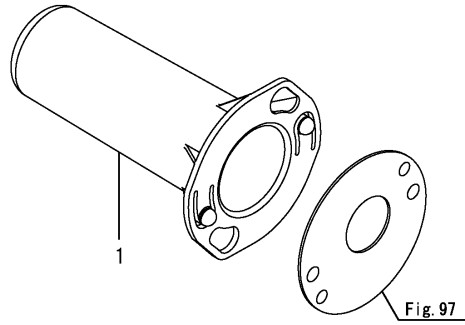


Fig.97. OIL SEAL COVER

(A)=SX3100(YANMAR)

(B)=

(C)=

(D)=

(E)=

(F)=

REF.	LEV.	PARTS NO.	DESCRIPTION	Q'TY						I	R
				(A)	(B)	(C)	(D)	(E)	(F)		
1	1	1A7530-26490	COVER, OIL SEAL MPTO	1							
2	1	194250-32530	PIN, COVER HOOK	2							

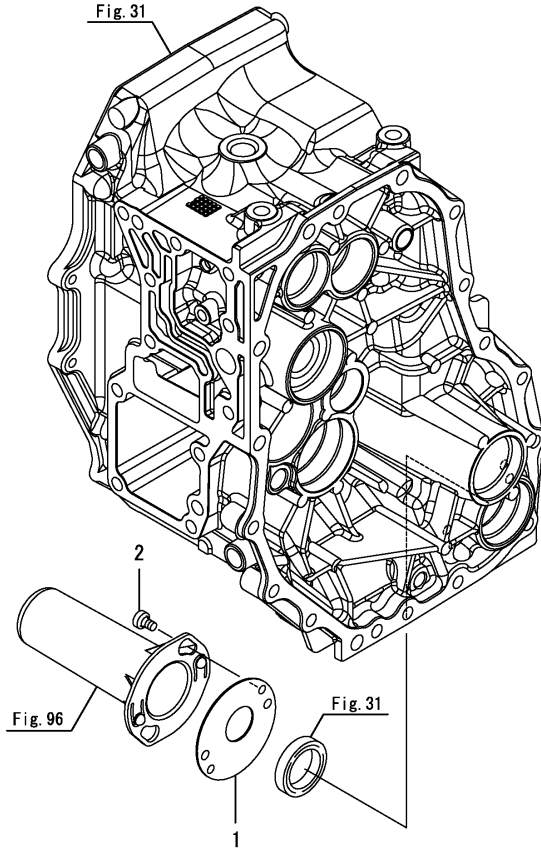


Fig.98. 3-POINT HITCH

(A)=SX3100(YANMAR)

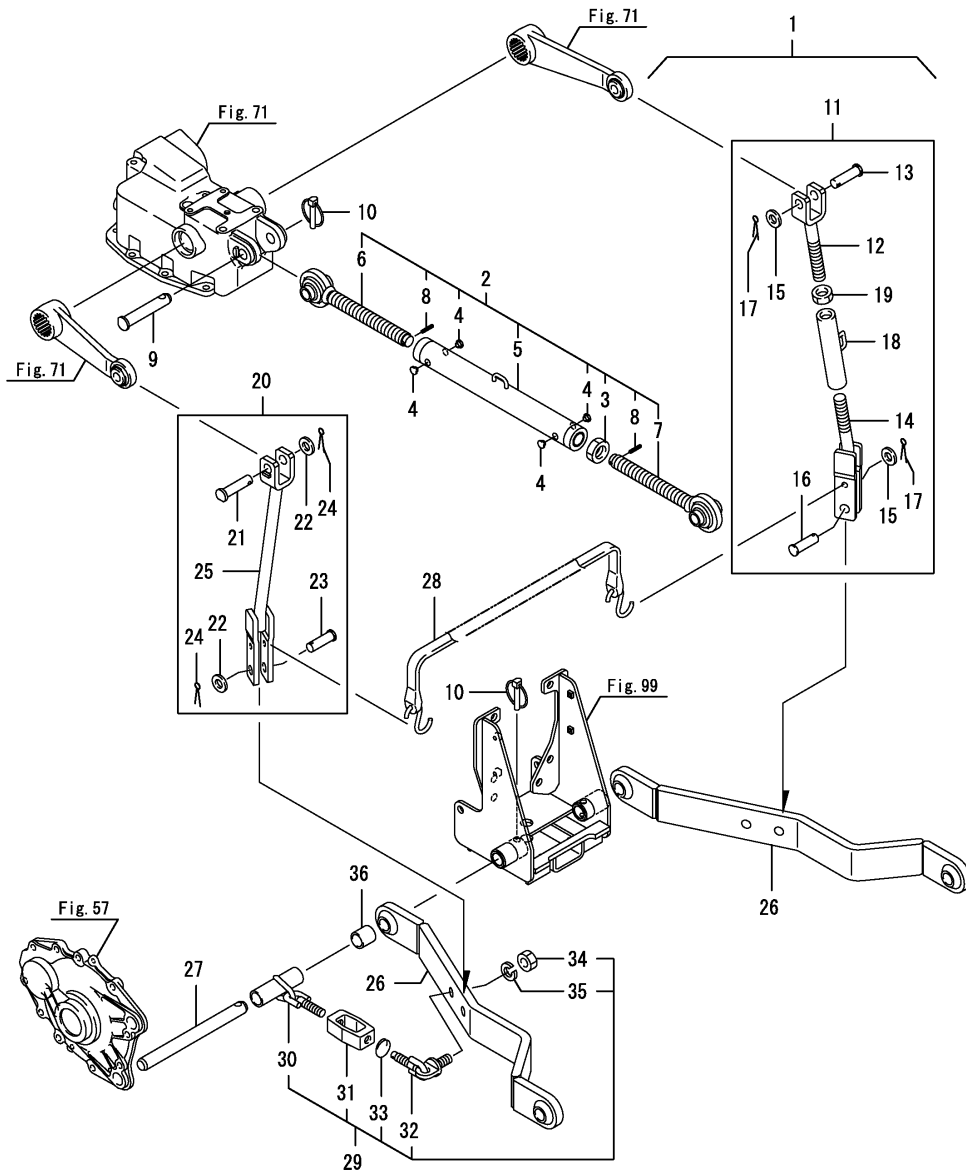
(B)=

(C)=

(D)=

(E)=

(F)=



REF.	LEV.	PARTS NO.	DESCRIPTION	QTY						I	R
				(A)	(B)	(C)	(D)	(E)	(F)		
1	1	1A7540-71100	3 PT KIT	1							
2	2	1A7500-71112	LINK,ASSY UPPER	1							
3	3	1A7500-71200	LOCK NUT	1							
4	3	1A7335-71250	CAP	4							
5	3	1A7500-71251	TUBE ASSEMBLY	1							
6	3	1A7500-71271	EYE BOLT LH ASSY	1							
7	3	1A7500-71291	EYE BOLT ASSY	1							
8	3	22351-050025	SPRING PIN 5X25	2							
9	2	1A7530-71120	PIN, UPPER LINK	1							
10	2	1A7500-71130	PIN ASSY, LINTCH	3							
11	2	1A7530-72110	LIFT LINK R.H. KIT	1							
12	3	1A7530-72120	UPPER END ASSLY	1							
13	3	1A7500-72150	PIN	1							
14	3	1A7530-72150	LOWER END ASSLY	1							
15	3	1A7500-72160	WASHER, 16	2							
16	3	1A7500-72170	PIN	1							
17	3	1A7500-72180	PIN, 4.0X32	2							
18	3	1A7500-72350	TURN BUCKLE	1							
19	3	1A7500-72380	NUT LH	1							
20	2	1A7530-72210	LINK ASSY, LIFT L	1							
21	3	1A7500-72150	PIN	1							
22	3	1A7500-72160	WASHER, 16	2							
23	3	1A7500-72170	PIN	1							
24	3	1A7500-72180	PIN, 4.0X32	2							
25	3	1A7530-72220	LIFT LINK L CMP	1							
26	2	1A7530-73111	LINK, LOWER	2							
27	2	1A7530-73120	PIN, HINGE	2							
28	2	1A7500-73310	STRAP, LOWER LINK	1							
29	2	1A7530-74610	CHAIN ASSY, SWAY	2							
30	3	1A7530-74630	CHAIN ASSY	2							
31	3	1A7500-74640	TURN BUCKLE	2							
32	3	1A7530-74650	CHAIN ASSY	2							
33	3	1A7500-74661	RING 32	2							
34	3	1A7500-74670	NUT 16	2							
35	3	1A7500-74680	SPRING WASHER 16	2							
36	2	1A7530-74620	COLLAR, HINGE PIN	2							

Fig.99. REAR HITCH

(A)=SX3100(YANMAR)

(B)=

(C)=

(D)=

(E)=

(F)=

REF.	LEV.	PARTS NO.	DESCRIPTION	Q'TY						I	R
				(A)	(B)	(C)	(D)	(E)	(F)		
1	1	1A7531-75400	HITCH ASSY, REAR	1							
2	1	26013-120302	BOLT W/WASHER M12X30	8							

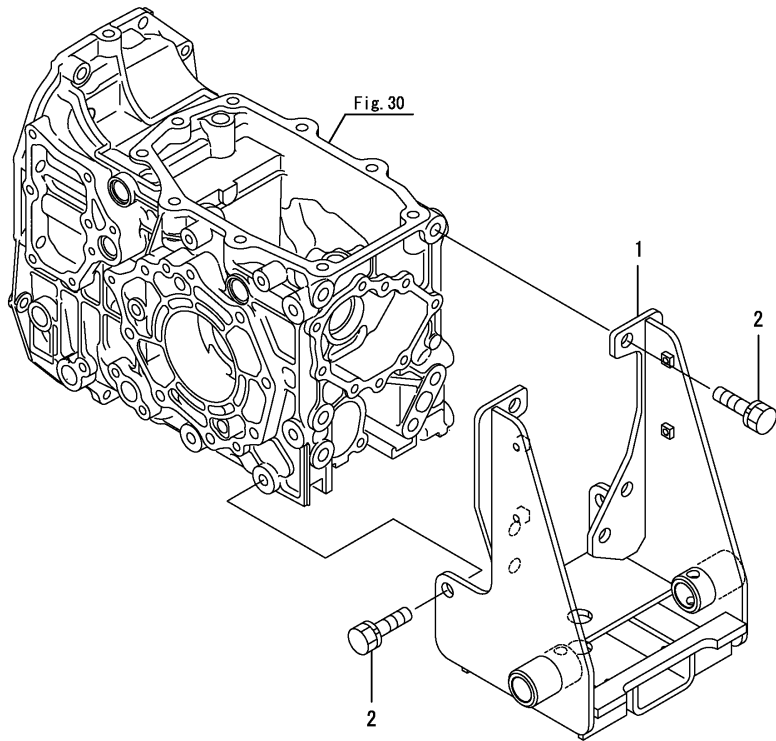


Fig.100. DRAWBAR HITCH

(A)=SX3100(YANMAR)

(B)=

(C)=

(D)=

(E)=

(F)=

REF.	LEV.	PARTS NO.	DESCRIPTION	Q'TY						I	R
				(A)	(B)	(C)	(D)	(E)	(F)		
1	1	194145-75250	RING	1							
2	1	198165-75710	BAR, DRAW	1							
3	1	198165-75720	PIN,DRAW-BAR	1							

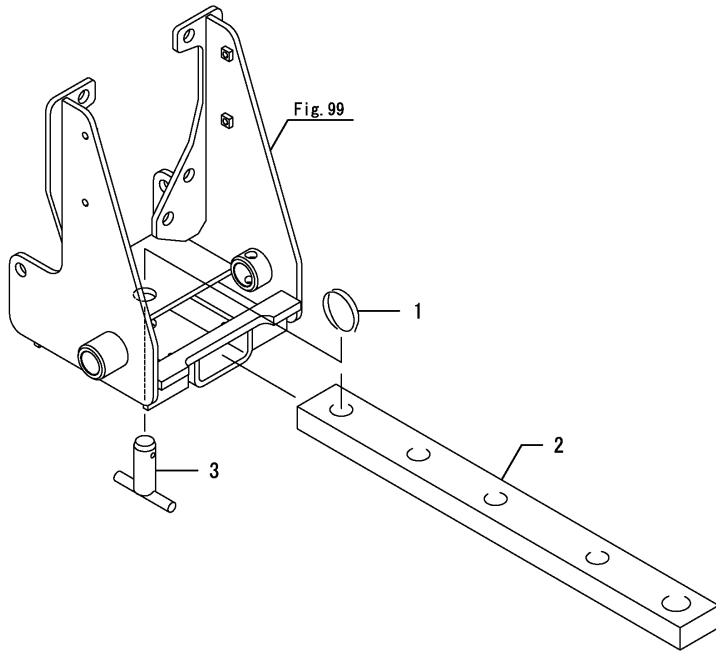


Fig.101. ROPS(1)

(A)=SX3100(YANMAR)

(B)=

(C)=

(D)=

(E)=

(F)=

REF.	LEV.	PARTS NO.	DESCRIPTION	Q'TY						I	R
				(A)	(B)	(C)	(D)	(E)	(F)		
1	1	1A7530-85080	ROPS LOWER KIT 2520	1							
2	2	1A7530-85200	FRAME ASSY, LOWER L	1							
3	2	1A7530-85250	FRAME ASSY, LOWER R	1							
4	1	1A7530-85301	PLATE ASSY, LOWER	2							
5	1	1A7530-85950	BOLT,12X155	8							

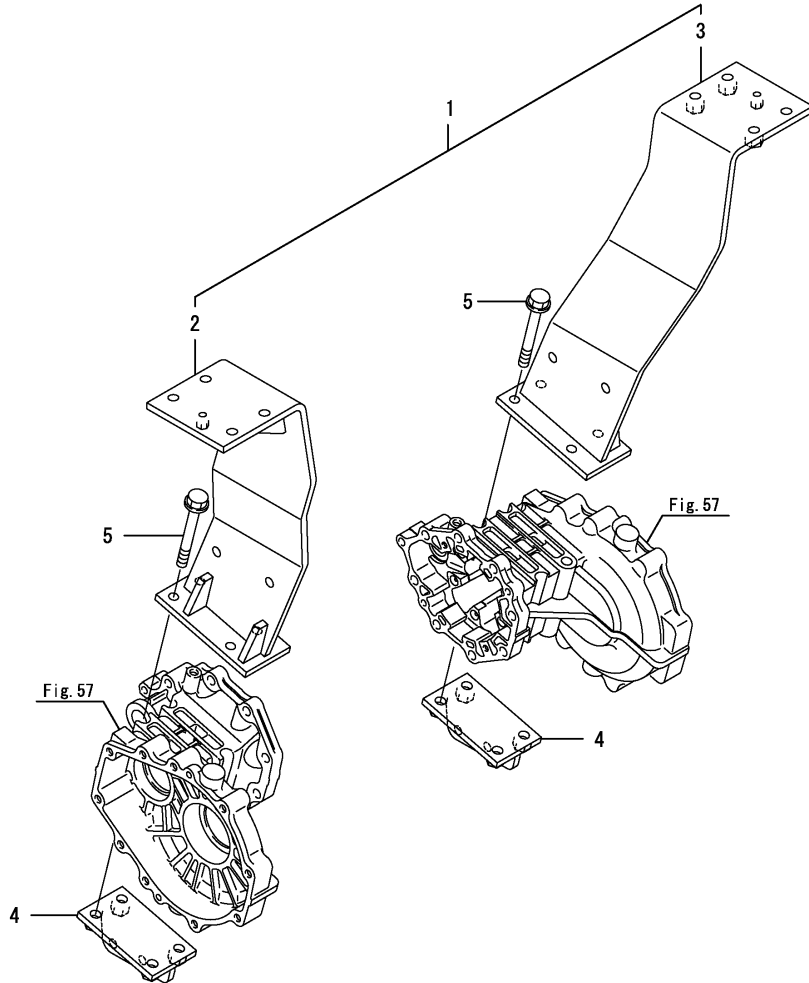


Fig.102. ROPS(2)

(A)=SX3100(YANMAR)

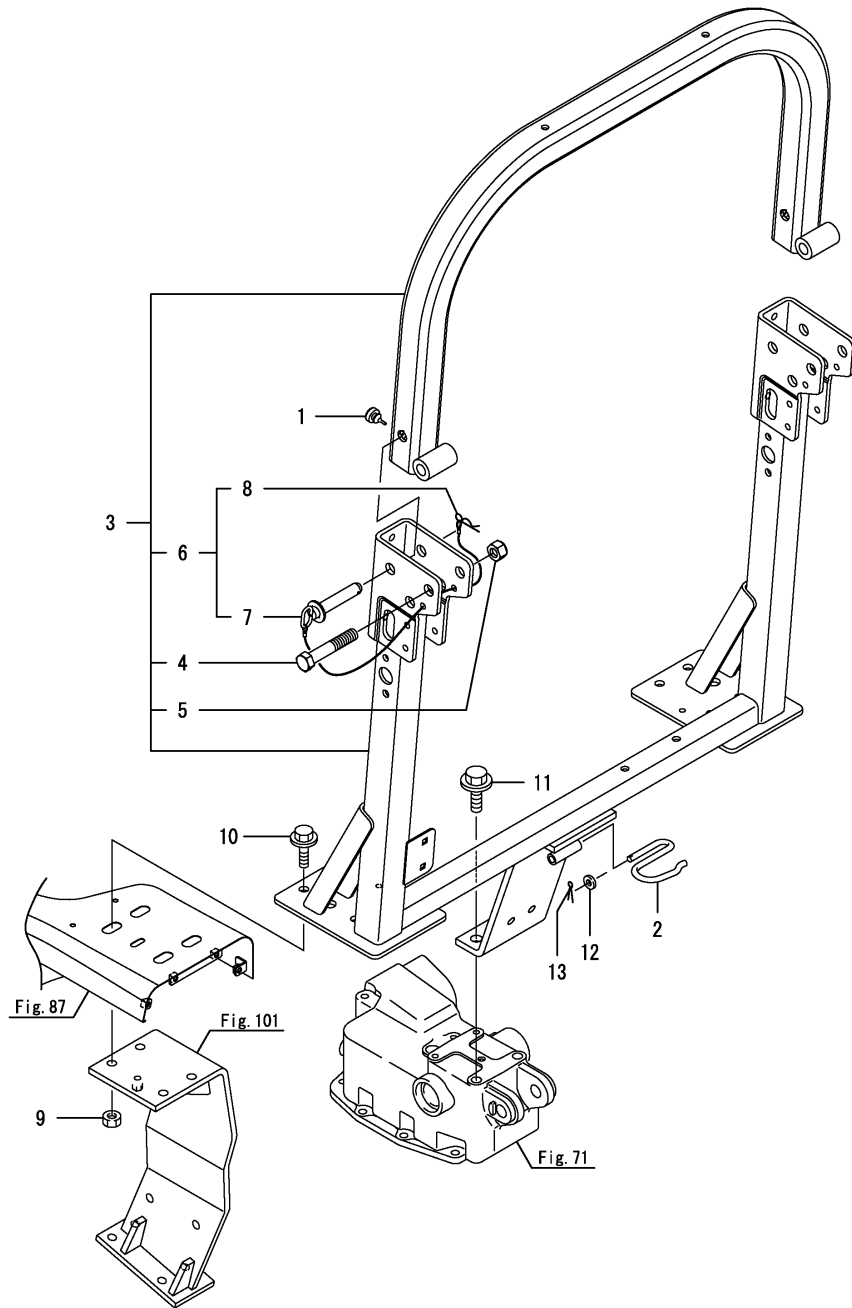
(B)=

(C)=

(D)=

(E)=

(F)=



REF.	LEV.	PARTS NO.	DESCRIPTION	QTY						I	R
				(A)	(B)	(C)	(D)	(E)	(F)		
1	1	194330-62530	STOPPER, PEDAL	2							
2	1	1A7880-71550	SPRING	1							
3	1	1A8300-85180	FRAME ASSY, UPPER	1							
4	2	1A8300-85430	BOLT, M16X90	2							
5	2	1A8300-85440	NUT, M16 (NYLOCK)	2							
6	2	1A8300-85910	PIN ASSY, STOPPER	2							
7	3	1A8300-85920	PIN STOPPER CMP	2							
8	3	1A8300-85930	HITCH PIN CLIP	2							
9	1	198172-85440	NUT, 12	8							
10	1	198165-85970	BOLT M12X 35 PLATED	8							
11	1	198165-85980	BOLT M14X 30 PLATED	2							
12	1	22137-080000	WASHER 8, POLISHED	1							
13	1	22417-300250	COTTER PIN 3.0X 25	1							

Fig.103. SMV

(A)=SX3100(YANMAR)

(B)=

(C)=

(D)=

(E)=

(F)=

REF.	LEV.	PARTS NO.	DESCRIPTION	Q'TY						I	R
				(A)	(B)	(C)	(D)	(E)	(F)		
1	1	194990-22130	NUT W/WASHER 6	2							
2	1	194990-22140	NUT W/WASHER 8	2							
3	1	1A8160-65800	EMBLEM,SMV ASSEMBLY	1							
4	1	1A7882-85620	STAY, SMV	1							
5	1	1A7882-85630	HOLDER, SMV	1							
6	1	26106-060162	BOLT M 6X 16 PLATED	2							
7	1	26487-080163	BOLT 8 X 16	2							

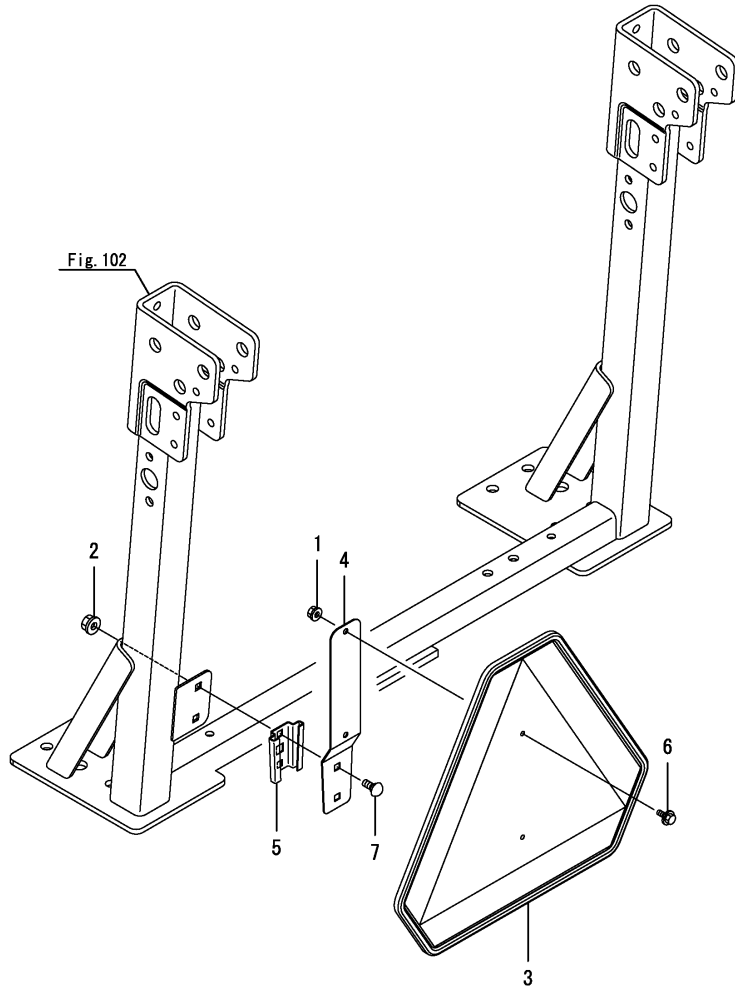


Fig.104. MANUAL

(A)=SX3100(YANMAR)

(B)=

(C)=

(D)=

(E)=

(F)=

REF.	LEV.	PARTS NO.	DESCRIPTION	Q'TY						I	R
				(A)	(B)	(C)	(D)	(E)	(F)		
1	1	0A041-U00900	OPERATION MANUAL	1							

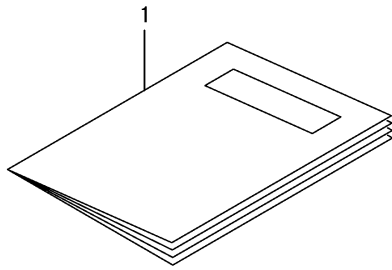


Fig.105. HEATER(BLOCK)

(A)=SX3100(YANMAR)

(B)=

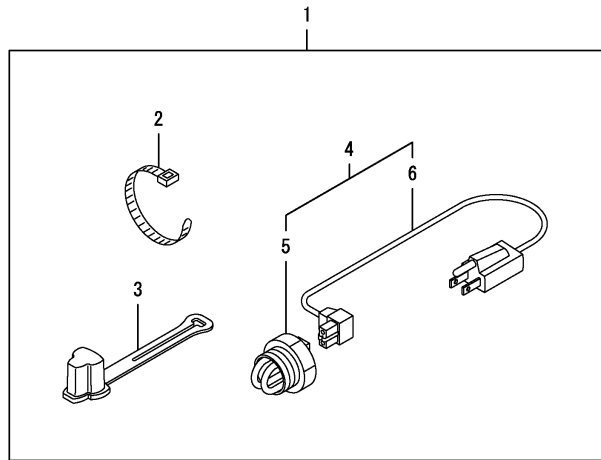
(C)=

(D)=

(E)=

(F)=

REF.	LEV.	PARTS NO.	DESCRIPTION	Q'TY						I	R
				(A)	(B)	(C)	(D)	(E)	(F)		
1	1	129269-95050	HEATER ASSY,BLOCK	1							
2	2	1A8300-51210	BAND, REPEAT	1							
3	2	1A7880-57260	PLUG PROTECTOR	1							
4	2	129269-95010	HEATER ASSY	1							
5	3	171015-77900	HEATER	1							
6	3	171015-77910	CORD, HEATER	1							



Remarks
* Optional parts.

Fig.106. WEIGHT LOCK PIN

(A)=SX3100(YANMAR)

(B)=

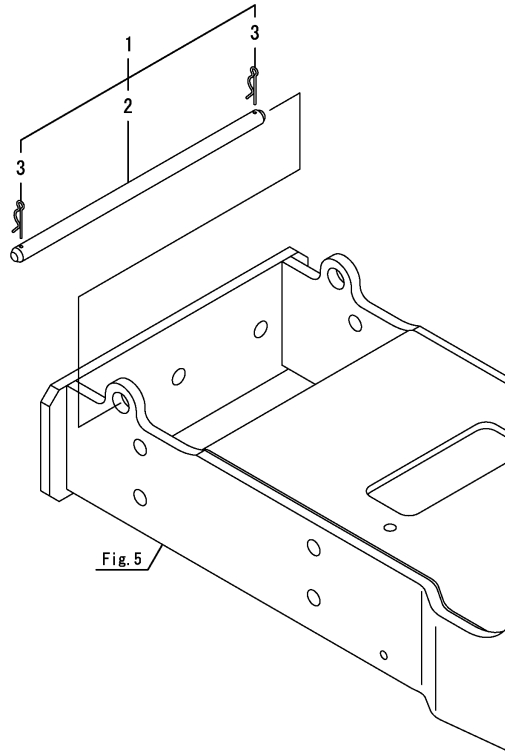
(C)=

(D)=

(E)=

(F)=

REF.	LEV.	PARTS NO.	DESCRIPTION	Q'TY						I	R
				(A)	(B)	(C)	(D)	(E)	(F)		
1	1	1A8300-10650	PIN ASSY,WEIGHT LOCK	1							
2	2	1A7880-10641	PIN	1							
3	2	22372-160000	SNAP PIN 16	2							



Remarks
* Optional parts.

Fig.107. FUEL LINE(FAME)

(A)=SX3100(YANMAR)

(B)=

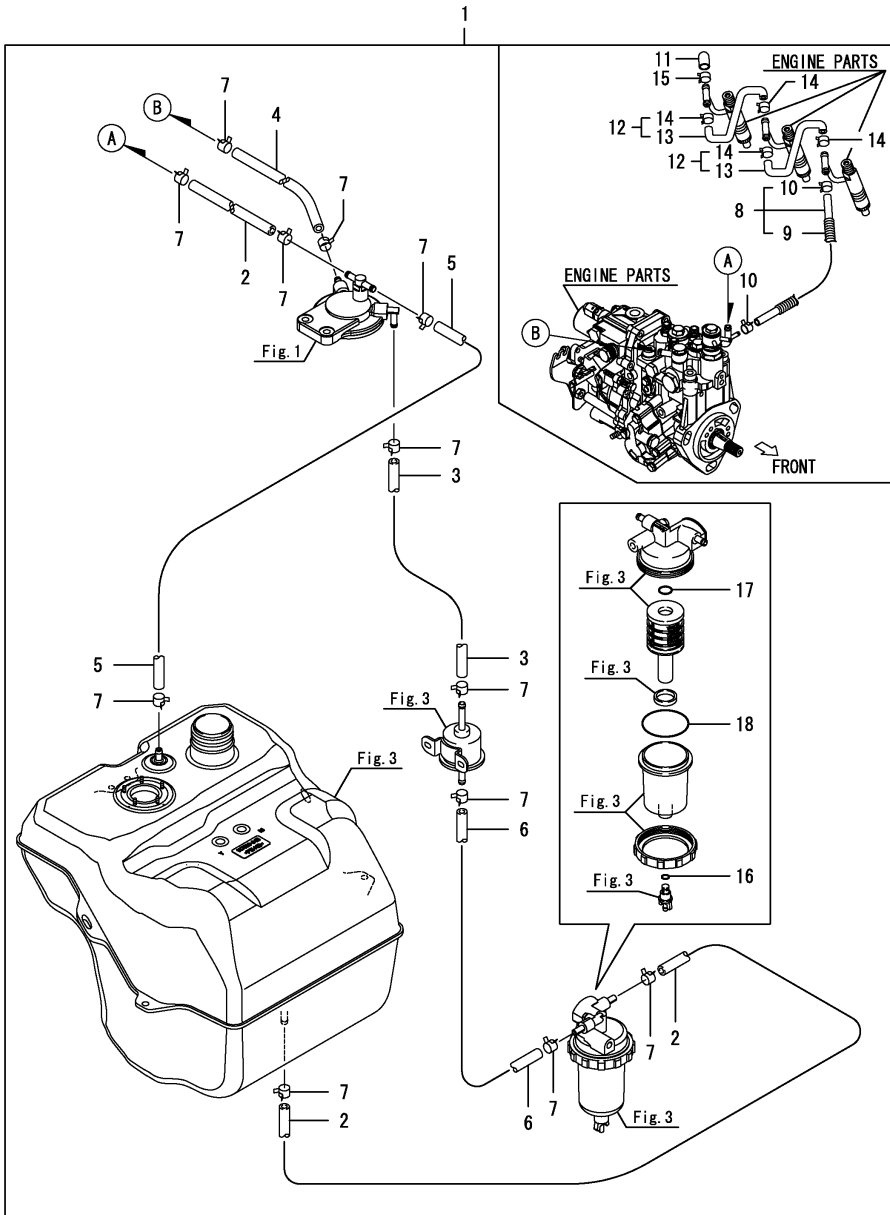
(C)=

(D)=

(E)=

(F)=

REF.	LEV.	PARTS NO.	DESCRIPTION	QTY						I	R
				(A)	(B)	(C)	(D)	(E)	(F)		
1	1	1A7540-04250	HOSE KIT , FUEL	1							
2	2	1A7530-04560	HOSE, FUEL 35X350X35	2							
3	2	1A7540-04570	HOSE, FUEL 70X45X270	1							
4	2	1A7510-04580	HOSE, FUEL 40X290	1							
5	2	1A7540-04580	HOSE, FUEL 33X650X33	1							
6	2	1A7540-04590	HOSE, FUEL 70X70	1							
7	2	114270-59010	CLIP	12							
8	2	129268-59551	PIPE ASSY	1							
9	3	129237-59120	PROTECTOR,HOSE	1							
10	3	124060-77680	CLIP	2							
11	2	119593-59581	CAP	1							
12	2	129486-59581	HOSE	2							
13	3	129486-59521	PIPE	2							
14	3	124060-77680	CLIP	4							
15	2	124060-77680	CLIP	1							
16	2	24316-000070	O-RING 4D P-7.0	1							
17	2	24316-000160	O-RING 4D P-16.0	1							
18	2	24326-000650	O-RING, 4D G65	1							



Remarks
* Optional parts.

N:Old $\begin{matrix} \text{Yes} \\ \text{No} \end{matrix}$ New, Q:Old $\begin{matrix} \text{No} \\ \text{Yes} \end{matrix}$ New, R:Old $\begin{matrix} \text{Yes} \\ \text{No} \end{matrix}$ New, S:Old $\begin{matrix} \text{No} \\ \text{Yes} \end{matrix}$ New, W:Add, Z:Discontinued, F:Interchangeable by set, K:Q'ty Change

Fig.108. PTO CLUTCH KIT

(A)=SX3100(YANMAR)

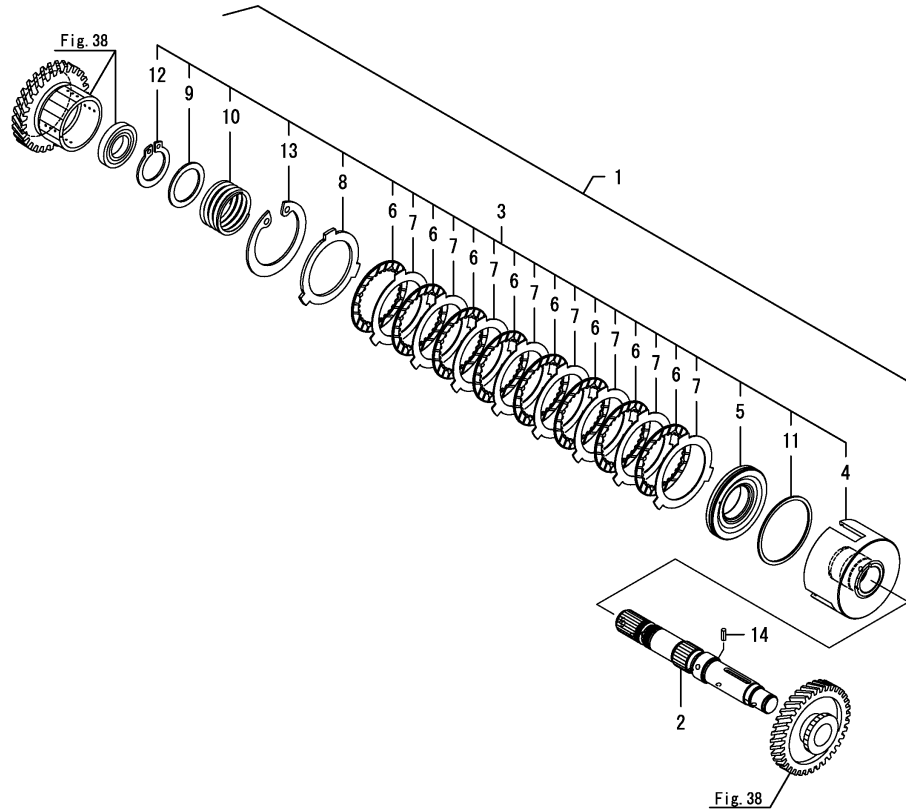
(B)=

(C)=

(D)=

(E)=

(F)=



REF.	LEV.	PARTS NO.	DESCRIPTION	Q'TY						I	R
				(A)	(B)	(C)	(D)	(E)	(F)		
1	1	1A7540-26400	KIT, PTO CLUTCH	1							
2	2	1A7540-26480	SHAFT ASSY, CLUTCH	1							
3	2	1A7540-26600	CLUTCH ASSY, PTO	1							
4	3	1A7540-26220	CYLYNDER, CLUTCH PTO	1							
5	3	1A7540-26610	PISTON	1							
6	3	1A7540-26620	FRICITION PLATE 80	8							
7	3	1A7540-26630	PLATE, STEEL 1.2	8							
8	3	1A7540-26640	PLATE, STEEL 3.18	1							
9	3	1A7540-26650	THRUST WASHER	1							
10	3	1A7540-26660	SPRING, PTO	1							
11	3	1A7540-26670	D-RING	1							
12	3	22242-000360	CIRCLIP 36(S)	1							
13	3	22252-000800	CIRCLIP 80	1							
14	2	22351-030008	SPRING PIN 3X 8	1							

Remarks
* Optional parts.

Fig.109. HYDRAULIC,REAR

(A)=SX3100(YANMAR)

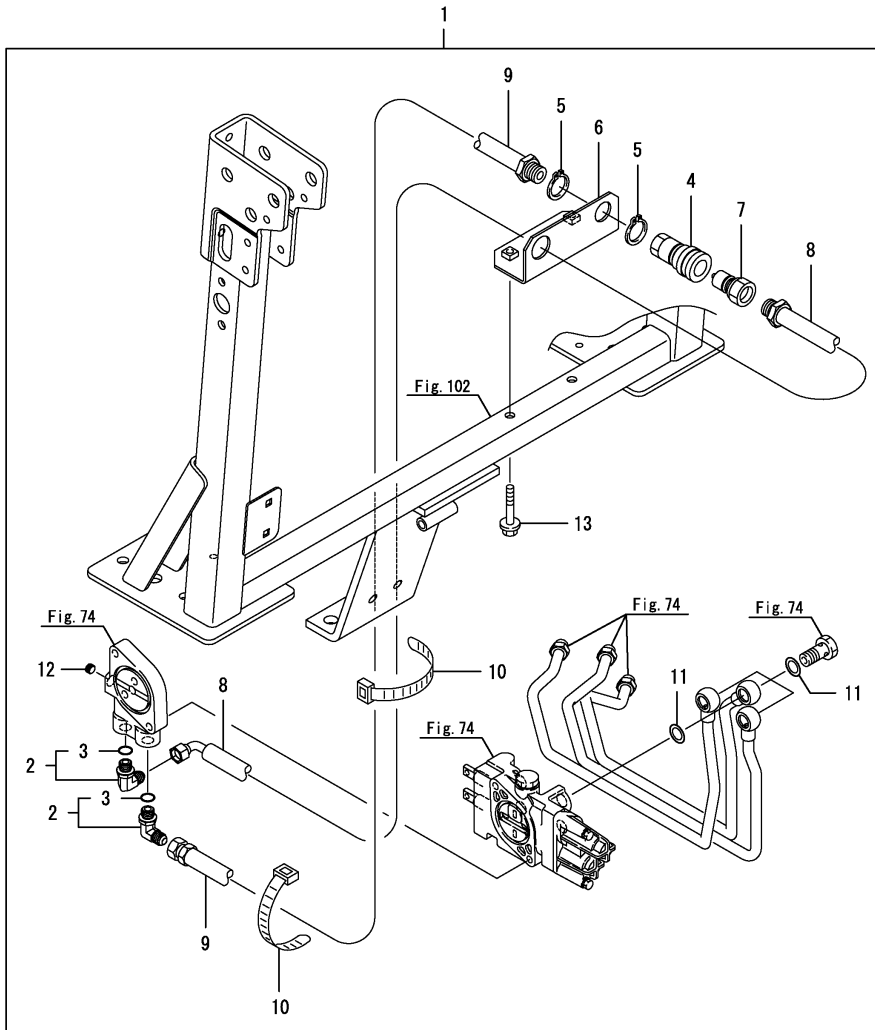
(B)=

(C)=

(D)=

(E)=

(F)=



REF.	LEV.	PARTS NO.	DESCRIPTION	QTY						I	R
				(A)	(B)	(C)	(D)	(E)	(F)		
1	1	1A8300-48810	HYDRAULIC KIT,REAR	1							
2	2	1TN322-38910	JOINT,90SAE9/16-18	2							
3	3	1TN322-38930	PACKING, JOINT	2							
4	2	1A8160-46250	COUPLER,QUICK 3/8F	1							
5	2	198240-46260	SNAP RING	2							
6	2	1A8300-47500	STAY M(CMP)	1							
7	2	1A8160-48820	COUPLER,QUICK 3/8M	1							
8	2	1A8300-48820	HOSE A	1							
9	2	1A8300-48830	HOSE B	1							
10	2	1A8300-51210	BAND, REPEAT	2							
11	2	23414-160021	GASKET 16	6							
12	2	23871-010000	PLUG PT1/8,SCREW	1							
13	2	26106-080502	BOLT M 8X 50 PLATED	2							

Remarks
* Optional parts.

Part Number Index

All parts are stipulated in the order of part numbers.

(Depending on the area in which the part is used.)

This index will display the location of the part according to each part number.

PARTS No. INDEX

PARTS No.	Fig.	Ref.No.
0A041-U00900	104	1
114270-59010	4	9
	107	7
119225-52102	3	9
119593-59581	107	11
119650-77911	84	5
119802-55700	3	10
119802-55710	3	12
119802-55730	3	13
119802-55801	1	24
119923-26010	70	2
119924-44580	1	7
121250-44570	1	6
121454-44590	1	21
124060-77680	107	10
		14
		15
124240-01883	70	1
128300-77920	84	6
129004-55612	1	23
129052-13550	1	18
129100-55690	3	11
129107-44590	1	8
129211-77920	84	7
129237-59120	107	9
129263-44510	1	20
129268-59551	107	8
129269-95010	105	4
129269-95050	105	1
129486-59521	107	13
129486-59581	107	12
171015-77900	105	5
171015-77910	105	6
172164-66620	1	27
172510-74410	74	16
172531-17300	81	1
175022-49730	1	22
178077-15400	70	3
178077-15410	70	4
192154-29610	47	2
192157-24770	31	16
192157-24780	31	17
192157-24801	31	5
192157-26611	31	26
192157-27600	46	8
192157-33780	74	4
192159-31410	38	30
192162-25250	31	18
192167-25310	37	2
194080-37781	68	13

PARTS No.	Fig.	Ref.No.
194105-25390	59	1
194130-01390	74	1
194145-75250	100	1
194151-36670	16	4
	26	8
194151-47760	2	9
194170-51210	85	14
194180-25930	46	3
194197-27681	42	8
	43	2
194201-11230	30	1
194205-42280	71	40
194205-63550	90	8
194215-04220	86	1
194215-12340	7	3
194215-12341	23	1
194250-32530	30	14
	97	2
194274-13550	13	4
194274-13570	13	5
194275-27750	85	13
194300-25100	29	2
194300-31560	55	6
194300-31570	55	7
194300-31620	55	8
194300-37570	68	10
	87	3
194305-24970	33	3
194305-25160	34	2
	35	1
194306-13140	39	1
194311-28230	44	4
194312-46750	30	15
194320-42150	13	18
194322-24980	33	4
194330-62530	89	11
	102	1
194447-13490	12	1
194447-13860	8	2
194515-01190	85	1
	2	
194516-13770	13	10
	61	1
194516-13780	13	11
	61	2
194521-41570	70	5
194555-77910	30	16
194630-27190	65	3
194630-62360	85	49
194640-25390	38	2

PARTS No.	Fig.	Ref.No.
194640-26470	59	2
194680-51670	4	8
	83	2
194740-00322	68	1
194850-13660	12	3
194850-25760	37	3
194850-49290	74	53
		55
	80	1
194855-24290	32	1
194856-25330	36	4
194881-12650	20	1
194990-20170	68	3
	74	2
194990-22050	1	19
	3	8
	24	7
	77	1
	86	4
	90	1
194990-22110	79	1
194990-22130	78	1
	85	6
		7
		8
		9
	103	1
194990-22140	85	10
		11
	86	5
	87	1
	103	2
194990-85561	74	57
195450-13141	31	1
195616-24930	77	2
197810-84840	85	32
	89	20
198071-01160	2	4
198071-61890	85	45
198129-24930	31	22
	33	2
198129-78710	1	28
198129-78720	1	29
198153-51700	77	17
198162-00640	1	12
198162-52110	79	4
198162-52150	79	7
198162-61661	69	20
198162-61670	66	5
	69	21

PARTS No.	Fig.	Ref.No.
198162-62630	89	13
198165-01130	2	2
198165-04380	85	4
	86	2
198165-11540	6	2
198165-12310-1	7	1
198165-13101	9	1
198165-13511	11	1
198165-13521	11	2
198165-13532	11	3
	14	1
198165-13600	12	2
198165-13620-2	12	4
198165-13631-1	12	5
198165-13750	13	7
198165-13910	15	1
198165-14120	13	13
198165-14140	16	3
198165-17781	23	10
198165-24160	30	11
198165-24440	12	6
	13	16
	31	14
198165-24480	30	3
198165-24490	12	7
	13	17
198165-25810	36	8
198165-25840	36	9
198165-25851	30	4
198165-25870	30	5
198165-26150	38	4
198165-26180	38	8
198165-26210	38	10
198165-26240	38	11
198165-26270	38	14
198165-26600	95	2
198165-26700	95	3
198165-27750	43	5
198165-27820	43	9
198165-28240	44	5
198165-28330	44	12
198165-32311	56	1
198165-32320	56	2
198165-32630	57	3
198165-34140	61	4
198165-36330-2	67	4
198165-36430-2	67	7
198165-37340	68	5
198165-37760	68	11
198165-37770	68	12

PARTS No. INDEX

PARTS No.	Fig.	Ref.No.
198165-37840	69	18
198165-42100	71	2
198165-42120	71	39
198165-42150	73	1
198165-42400	71	3
198165-44140	71	5
198165-44170	71	6
198165-44180	71	7
198165-44410	71	10
198165-44440	71	11
198165-44450	71	12
198165-45010	71	15
198165-45020	71	16
198165-45030	71	17
198165-45101	71	14
198165-45140	71	18
198165-45191	71	19
198165-45270	71	20
198165-45290	71	21
198165-45370	71	22
198165-45400	71	23
198165-45500	71	24
198165-45600	71	25
198165-45800	71	26
198165-46110	74	5
198165-46130	74	6
198165-46140	74	7
198165-46150	74	8
198165-46200	74	11
198165-46210	74	12
198165-46220	74	13
198165-46240	74	14
198165-46370	74	15
198165-46470	74	23
198165-46480	74	24
198165-46780	74	32
198165-46880	74	37
198165-46961	74	41
198165-46980	74	42
198165-46991	74	43
198165-47020	71	27
198165-47030	71	28
198165-47040	71	30
198165-47060	71	34
198165-47100	71	36
198165-47300	71	37
198165-47440	71	38
198165-47520	71	29
		31
198165-47530	71	33

PARTS No.	Fig.	Ref.No.
198165-47530	71	35
198165-47750	87	5
198165-48550	74	44
198165-48560	74	45
198165-50110	80	2
198165-52100	79	2
198165-52110	79	3
198165-52120	79	9
198165-62661-1	89	14
198165-62961	89	19
198165-63130	87	14
198165-64260	86	14
198165-65690	92	6
198165-75710	100	2
198165-75720	100	3
198165-85970	102	10
198165-85980	102	11
198167-21410	28	1
198167-24150	30	10
198167-24330	48	1
198167-24340	31	7
198167-24350	31	8
198167-24360	31	9
198167-24370	31	10
198167-24380	31	11
198167-24390	31	4
198167-24400	31	12
198167-24410	31	13
198167-24900	31	21
198167-24950	31	23
198167-24980	30	13
198167-25080	36	1
198167-25750	36	2
198167-25770	36	3
198167-26080	38	3
198167-26220	38	5
198167-26240	38	12
198167-26250	38	13
198167-26340	38	17
198167-26500	41	1
198167-26510	41	2
198167-26520	41	3
198167-26530	41	4
198167-26540	41	5
198167-26550	41	6
198167-26580	41	7
198167-27480	42	3
198167-27490	42	4
198167-27521	42	5
198167-27530	42	6

PARTS No.	Fig.	Ref.No.
198167-27730	43	4
198167-27770	43	6
198167-27780	43	7
198167-27810	43	8
198167-27930	43	12
198167-28210	44	2
198167-28240	44	6
198167-28310	44	11
198167-35411	65	11
198167-37350	68	6
198167-48340	76	3
198167-52180	79	12
198172-85440	102	9
198200-61550	86	9
198200-78710	91	23
198220-25130	37	1
	39	2
198220-46200	74	21
198220-47370	72	2
198220-48140	70	9
198220-48750	76	4
198220-52180	84	2
198220-62150	89	6
198220-62440	1	26
198220-62890	89	17
198220-63150	90	3
198220-63450	90	7
198220-65410	92	1
198220-65621	94	7
198223-46250	74	47
198230-61960	85	48
198240-46260	109	5
198240-62451	89	7
198253-01190	2	6
	47	1
198290-32750	57	7
198360-52320	79	5
198360-52330	79	6
198421-01250	2	8
198421-04430	4	3
198421-13221	9	2
198421-13240	9	4
198421-14630	17	2
198421-24910	33	1
198421-27110	42	1
	43	1
198421-31510	55	2
198421-31530	55	4
198421-31550	55	5
198421-32660	57	6

PARTS No.	Fig.	Ref.No.
198421-33110	58	3
198421-33140	58	4
198421-33170	58	5
198421-37511	68	8
198421-61620	89	1
198435-16230	6	7
198448-22520	85	12
198448-56150	83	5
198448-60780	1	25
198463-51170	4	7
198535-52120	77	9
198535-52130	77	10
1A1380-55310	77	23
1A6640-37640	69	10
1A6640-62960	87	12
1A6640-62970	87	13
1A6680-21120	26	3
1A6680-21200	26	4
1A6680-21250	26	5
1A6680-21460	26	7
1A6680-26170	38	7
1A6680-32630	57	4
1A6680-35580	66	4
1A6680-48910	25	1
1A6770-17510	22	5
1A6770-26600	31	25
1A6770-46620	73	3
1A6770-63850	90	9
1A6780-13890	13	15
1A6780-13910	14	2
1A6780-14110	16	1
1A6780-14131	16	2
1A6780-31400	54	1
1A6780-31500	55	1
1A6780-31520	55	3
1A6780-42010	71	1
1A6780-44110	71	4
1A6780-44200	71	8
1A6780-44240	71	9
1A6780-44460	71	13
1A6780-46160	74	9
1A6780-46170	74	10
1A6780-46260	74	22
1A6780-46650	74	29
1A6780-46910	74	40
1A6780-47050	71	32
1A6780-51410	77	20
1A6780-57200	84	4
1A6781-24990	31	24
1A6781-26090	37	6

PARTS No. INDEX

PARTS No.	Fig.	Ref.No.
1A6781-37300	68	4
1A6781-37500	69	3
1A6781-37530	69	4
1A6781-37590	69	5
1A6781-37600	69	9
1A6781-37660	69	11
1A6781-37710	69	12
1A6781-37800	69	15
1A6781-37810	69	16
1A7000-61490	77	24
1A7050-13230	9	3
1A7130-48110	24	8
1A7130-51130	77	5
1A7130-63190	91	20
1A7130-63600	91	22
1A7335-17520	23	3
1A7335-17530	23	4
1A7335-52150	79	11
1A7335-71250	98	4
1A7340-65850	94	5
1A7450-25870	37	4
1A7450-52180	77	11
1A7500-17551	23	5
1A7500-17560	23	6
1A7500-17570	23	7
1A7500-17580	23	8
1A7500-17910	22	8
1A7500-46491	74	25
1A7500-46501	74	26
1A7500-46750	74	31
1A7500-46800	74	33
1A7500-46900	74	38
1A7500-51140	77	6
1A7500-51160	77	7
		16
1A7500-51170	77	8
1A7500-51420	77	21
1A7500-51810	77	22
1A7500-56610	79	13
1A7500-56900	83	6
1A7500-61480	85	40
1A7500-63171	90	4
1A7500-71112	98	2
1A7500-71130	98	10
1A7500-71200	98	3
1A7500-71251	98	5
1A7500-71271	98	6
1A7500-71291	98	7
1A7500-72150	98	13
		21

PARTS No.	Fig.	Ref.No.
1A7500-72160	98	15
		22
1A7500-72170	98	16
		23
1A7500-72180	98	17
		24
1A7500-72350	98	18
1A7500-72380	98	19
1A7500-73310	98	28
1A7500-74640	98	31
1A7500-74661	98	33
1A7500-74670	98	34
1A7500-74680	98	35
1A7500-79720	79	15
1A7510-01100	2	1
1A7510-01151	2	3
1A7510-01180	2	5
1A7510-01240	2	7
	77	4
1A7510-04430	4	4
1A7510-04580	107	4
1A7510-10191	85	5
1A7510-17310	22	2
1A7510-17470	22	4
1A7510-17590	23	9
1A7510-26850	96	1
1A7510-27450	87	2
1A7510-35510	66	2
1A7510-46850	74	35
1A7510-47711	87	4
1A7510-47760	87	6
1A7510-52110	79	8
1A7510-52120	79	10
1A7510-56110	83	4
1A7510-57101	84	3
1A7510-60980	85	22
1A7510-61450	85	39
1A7510-61610	86	12
1A7510-61670	86	15
1A7510-61850	86	17
1A7510-61900	85	47
1A7510-62100	87	7
1A7510-62130-1	87	10
1A7510-62140-1	87	11
1A7520-65480	92	4
1A7530-00620	1	4
1A7530-00690	1	5
1A7530-00750	1	16
1A7530-04110	3	2
1A7530-04310	3	4

PARTS No.	Fig.	Ref.No.
1A7530-04330	3	5
1A7530-04340	3	6
1A7530-04410	4	1
1A7530-04560	107	2
1A7530-17300	22	1
1A7530-17410	22	3
1A7530-17550	22	6
1A7530-17571	22	7
1A7530-17640	24	1
1A7530-17821	24	4
1A7530-17830	24	5
1A7530-21150	27	1
1A7530-21210	27	2
	86	3
1A7530-21220	27	3
1A7530-21320	27	4
1A7530-22110	29	1
1A7530-24100	30	2
1A7530-24300	31	2
1A7530-24330	31	3
1A7530-24450	46	1
1A7530-24470	46	2
1A7530-24500	30	12
1A7530-24550	31	15
1A7530-25100	34	1
1A7530-26050	37	5
1A7530-26110	37	7
1A7530-26130	37	8
1A7530-26190	38	9
1A7530-26220	39	3
1A7530-26230	39	4
1A7530-26330	38	16
1A7530-26400	40	1
1A7530-26490	97	1
1A7530-26580	95	1
1A7530-27410	42	2
1A7530-27510	46	4
1A7530-27520	46	5
1A7530-27550	46	6
1A7530-27570	46	7
1A7530-27610	42	7
1A7530-27650	44	1
1A7530-27720	43	3
1A7530-27850	43	10
1A7530-27870	43	11
1A7530-28250	44	7
1A7530-28270	44	8
1A7530-28280	44	9
1A7530-28290	44	10
1A7530-28351	45	1

PARTS No.	Fig.	Ref.No.
1A7530-28800	46	9
1A7530-28850	46	10
1A7530-33100	58	1
1A7530-35450	65	26
1A7530-35500	66	1
1A7530-35551	66	3
1A7530-37400	68	7
1A7530-37550	68	9
1A7530-37590	69	6
1A7530-37600	69	7
1A7530-37710	69	8
1A7530-37742	69	13
1A7530-37781	69	14
1A7530-37830	69	17
1A7530-42170	73	2
1A7530-46601	74	28
1A7530-46651	74	30
1A7530-47360	72	1
1A7530-48320	76	2
1A7530-48610	74	48
1A7530-48620	74	49
1A7530-48630	74	50
1A7530-48640	74	51
1A7530-48760	74	52
1A7530-61300	85	35
1A7530-61420	86	6
1A7530-61890	85	46
1A7530-61970	89	2
1A7530-61981	89	3
1A7530-62060	89	4
1A7530-62470	89	8
1A7530-62480	89	9
1A7530-62500	89	10
1A7530-62600	89	12
1A7530-62810-1	89	15
1A7530-62820-1	89	16
1A7530-62930-1	89	18
1A7530-63200	90	5
1A7530-63400	90	6
1A7530-65471	92	3
1A7530-71120	98	9
1A7530-72110	98	11
1A7530-72120	98	12
1A7530-72150	98	14
1A7530-72210	98	20
1A7530-72220	98	25
1A7530-73111	98	26
1A7530-73120	98	27
1A7530-74610	98	29
1A7530-74620	98	36

PARTS No. INDEX

PARTS No.	Fig.	Ref.No.
1A7530-74630	98	30
1A7530-74650	98	32
1A7530-85080	101	1
1A7530-85200	101	2
1A7530-85250	101	3
1A7530-85301	101	4
1A7530-85950	101	5
1A7531-04410	3	7
1A7531-11350	13	1
1A7531-11510	6	1
1A7531-11550	6	3
1A7531-11560	6	4
1A7531-11570	6	5
1A7531-11580	6	6
1A7531-13710	13	6
1A7531-13730	13	2
1A7531-13740	13	3
1A7531-13810	13	12
1A7531-14620	17	1
1A7531-17541	23	2
1A7531-36080	67	1
1A7531-36310	67	2
1A7531-36320	67	3
1A7531-36380	67	5
1A7531-36410	67	6
1A7531-51150	77	15
1A7531-51400	77	19
1A7531-51460	84	1
1A7531-52410	77	12
1A7531-52420	77	13
1A7531-56100	83	3
1A7531-61801	86	16
1A7531-62070	89	5
1A7531-65780	77	14
1A7531-75400	99	1
1A7540-00511	1	1
1A7540-00630	1	11
1A7540-00720	1	14
1A7540-00730	1	15
1A7540-04150	1	17
1A7540-04250	107	1
1A7540-04410	4	2
1A7540-04430	4	5
1A7540-04440	4	6
1A7540-04570	107	3
1A7540-04580	107	5
1A7540-04590	107	6
1A7540-11101	5	1
1A7540-13120	8	1
1A7540-13310	10	1

PARTS No.	Fig.	Ref.No.
1A7540-13920	15	2
1A7540-17670	24	2
1A7540-17710	24	3
1A7540-21100	26	1
1A7540-21110	26	2
1A7540-25170	35	2
1A7540-25191	35	3
1A7540-25710	36	5
1A7540-25730	36	6
1A7540-25740	36	7
1A7540-26160	38	6
1A7540-26220	38	20
	108	4
1A7540-26310	38	15
1A7540-26400	108	1
1A7540-26480	38	18
	108	2
1A7540-26600	38	19
	108	3
1A7540-26610	38	21
	108	5
1A7540-26620	38	22
	108	6
1A7540-26630	38	23
	108	7
1A7540-26640	38	24
	108	8
1A7540-26650	38	25
	108	9
1A7540-26660	38	26
	108	10
1A7540-26670	38	27
	108	11
1A7540-26710	41	8
1A7540-26720	41	9
1A7540-28220	44	3
1A7540-28880	44	13
1A7540-29100	48	2
1A7540-32610	57	1
1A7540-32620	57	2
1A7540-32640	57	5
1A7540-33410	59	3
1A7540-33420	59	4
1A7540-33510	60	1
1A7540-34110	61	3
1A7540-48110	76	1
1A7540-56960	83	7
1A7540-61351	85	37
1A7540-61450	86	7
1A7540-61500	86	8

PARTS No.	Fig.	Ref.No.
1A7540-61580	86	10
1A7540-61590	86	11
1A7540-71100	98	1
1A7870-24980	33	5
1A7880-01440	85	3
1A7880-10641	106	2
1A7880-15700	21	1
1A7880-15740	21	2
1A7880-15880	93	1
1A7880-47550	75	1
1A7880-47560	75	2
1A7880-47570	75	3
1A7880-47580	75	4
1A7880-53050	85	16
1A7880-53070	85	17
1A7880-53080	85	18
1A7880-53310	85	20
1A7880-53320	85	21
1A7880-57100	79	14
1A7880-57260	105	3
1A7880-65610	94	4
1A7880-71550	102	2
1A7882-85620	103	4
1A7882-85630	103	5
1A8160-04130	3	3
1A8160-35080	65	1
1A8160-46250	109	4
1A8160-46670	73	4
1A8160-48820	109	7
1A8160-51500	78	2
1A8160-51520	78	3
1A8160-51600	78	4
1A8160-51610	78	5
1A8160-52310	81	4
1A8160-65300	94	1
1A8160-65310	94	2
1A8160-65800	103	3
1A8160-65860	93	9
1A8250-65390	93	2
1A8250-65630	93	4
1A8250-65650	92	5
1A8300-00600	1	2
1A8300-00610	1	3
1A8300-00680	1	13
1A8300-10650	106	1
1A8300-13750	13	8
1A8300-13760	13	9
1A8300-14700	18	1
1A8300-14710	18	2
1A8300-14730	18	3

PARTS No.	Fig.	Ref.No.
1A8300-14740	18	4
1A8300-14800	19	1
1A8300-14810	19	5
1A8300-14820	19	2
		6
1A8300-14830	19	3
		7
1A8300-14840	19	4
		8
1A8300-17940	24	6
1A8300-27810	91	1
1A8300-27830	91	2
1A8300-34700	62	1
1A8300-34710	62	2
1A8300-34730	62	3
1A8300-34740	62	4
1A8300-34800	63	1
1A8300-34810	63	5
1A8300-34820	63	2
		6
1A8300-34830	63	3
		7
1A8300-34840	63	4
		8
1A8300-35100	65	2
1A8300-35110	65	4
1A8300-35170	65	25
1A8300-35200	65	5
1A8300-35240	65	8
1A8300-35270	65	6
1A8300-35320	65	9
1A8300-35360	65	10
1A8300-35410	65	12
1A8300-35460	65	13
1A8300-46860	74	36
1A8300-47500	109	6
1A8300-48600	74	46
1A8300-48810	109	1
1A8300-48820	109	8
1A8300-48830	109	9
1A8300-51111	77	3
1A8300-51210	77	18
	81	2
	83	1
	105	2
	109	10
1A8300-52150	81	3
1A8300-53210	82	1
1A8300-53220	82	4
1A8300-53250	82	2

PARTS No. INDEX

PARTS No.	Fig.	Ref.No.
1A8300-53250	82	5
1A8300-53260	82	3
		6
1A8300-53290	85	19
1A8300-61010	85	23
1A8300-61100	85	25
1A8300-61130	85	24
1A8300-61210	85	26
1A8300-61220	85	27
1A8300-61250	85	33
1A8300-61260	85	34
1A8300-61310	85	36
1A8300-61360	85	38
1A8300-61590	85	41
1A8300-61650	86	13
1A8300-61770	85	42
1A8300-61780	85	43
		44
1A8300-61810	85	28
1A8300-61860	85	29
1A8300-61910	85	30
1A8300-61960	85	31
1A8300-62110	87	8
1A8300-62120	87	9
1A8300-63000	91	4
1A8300-63010	91	5
1A8300-63100	91	18
1A8300-63140	91	19
1A8300-63200	91	21
1A8300-63500	91	6
1A8300-63550	91	7
1A8300-63600	91	8
1A8300-63620	91	9
1A8300-63660	91	10
1A8300-63670	91	11
1A8300-63680	91	12
1A8300-63690	91	13
1A8300-63700	91	14
1A8300-63710	91	15
1A8300-63720	91	16
1A8300-63730	91	17
1A8300-65320	94	3
1A8300-65400	94	8
1A8300-65421	93	3
1A8300-65430	92	2
1A8300-65630	93	5
1A8300-65680	93	6
1A8300-65690	93	7
1A8300-65730	93	8
1A8300-65980	94	6

PARTS No.	Fig.	Ref.No.
1A8300-85180	102	3
1A8300-85430	102	4
1A8300-85440	102	5
1A8300-85710	85	50
1A8300-85910	102	6
1A8300-85920	102	7
1A8300-85930	102	8
1C6053-32020	69	2
	74	3
1C6140-14050	68	2
	69	1
1C6220-32250	39	5
1C6281-52310	2	10
	74	56
1C6281-52320	43	13
	47	3
	65	27
	68	14
	69	19
	85	15
	91	3
1C6560-13170	38	1
1C6720-47780	90	2
1C6720-73330	66	6
1C6860-02300	3	1
1C6900-63890	65	14
1D4110-13870	13	14
1E1270-29701	46	11
1E6102-83230	4	10
	26	9
	30	17
1E6190-54080	13	19
	40	2
	44	14
1E6190-54430	35	4
	36	10
	38	31
1E6217-56160	31	19
1E6460-84220	79	16
1E6820-54560	36	11
1E6910-83500	86	18
1E8420-55430	16	5
1E8600-66700	24	9
1K1140-82500	84	8
1TN322-38910	109	2
1TN322-38930	109	3

PARTS No.	Fig.	Ref.No.
-----------	------	---------

PARTS No.	Fig.	Ref.No.
-----------	------	---------



YANMAR CO., LTD.