

0CB10-M83500EN

Contents

OCB10-M83500

Fig. No. Fig. Name

Fig. No. Fig. Name

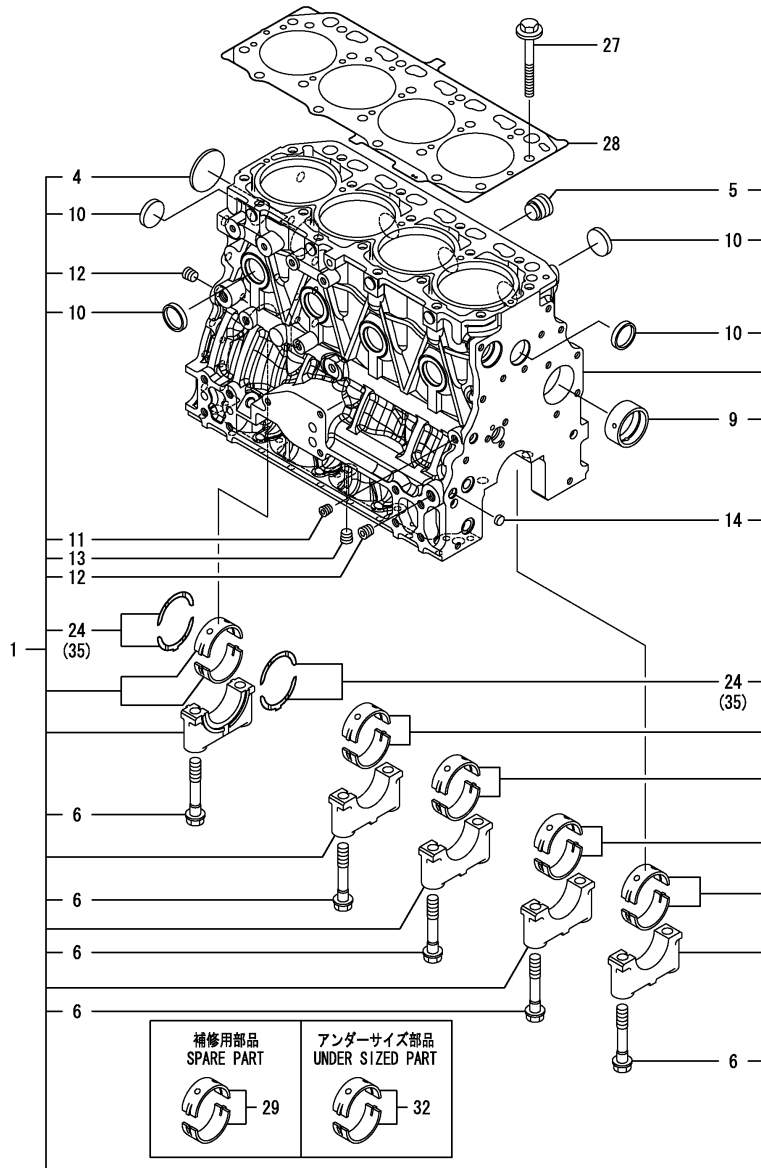
ENGINE

1. CYLINDER BLOCK
2. GEAR HOUSING
3. FLYWHEEL HOUSING & OIL SUMP
4. CYLINDER HEAD & BONNET
5. SUCTION MANIFOLD
6. EXHAUST MANIFOLD
7. DIESEL PARTICULATE FILTER(DPF)
8. CAMSHAFT & DRIVING GEAR
9. TURBINE
10. CRANKSHAFT & PISTON
11. LUB. OIL SYSTEM
12. LUB. OIL PIPING
13. COOLING WATER SYSTEM
14. FUEL SUPPLY PUMP
15. FUEL INJECTION VALVE
16. FUEL PIPING
17. STARTER MOTOR
18. GENERATOR
19. ELECTRONIC CONTROL UNIT(ECU)
20. ELECTRIC PARTS
21. GASKET SET

Fig.1. CYLINDER BLOCK

(A)=4TNV86CT-PBV
(B)=
(C)=

(D)=
(E)=
(F)=



No.	Lev.	Parts No.	Description	Q'ty						I	R
				(A)	(B)	(C)	(D)	(E)	(F)		
1	1	129C01-01560	BLOCK ASSY, CYLINDER	1							
4	2	129001-01250	PLUG, 50	1							
5	2	171051-01921	PLUG, NPTF1	1							
6	2	129150-02020	BOLT, METAL CAP	10							
9	2	129795-02412	BUSH, CAMSHAFT	1							
10	2	27241-300000	PLUG 30	8							
11	2	124060-01050	PLUG, PT1/8	1							
12	2	124160-01910	PLUG, PT1/4	2							
13	2	124160-01910	PLUG, PT1/4	1							
14	2	27241-120000	PLUG, 12	1							
24	2	129150-02931	BEARING, THRUST	2							
27	1	129150-01200	BOLT, HEAD	18							
28	1	129C01-01331	GASKET, CYL. HEAD	1							
29	1	129001-02931	BEARING, MAIN	5							1
32	1	129150-02871	BEARING, 0.25 US	5							2
35	1	129150-02941	BEARING, THRUST 0.25	1							3

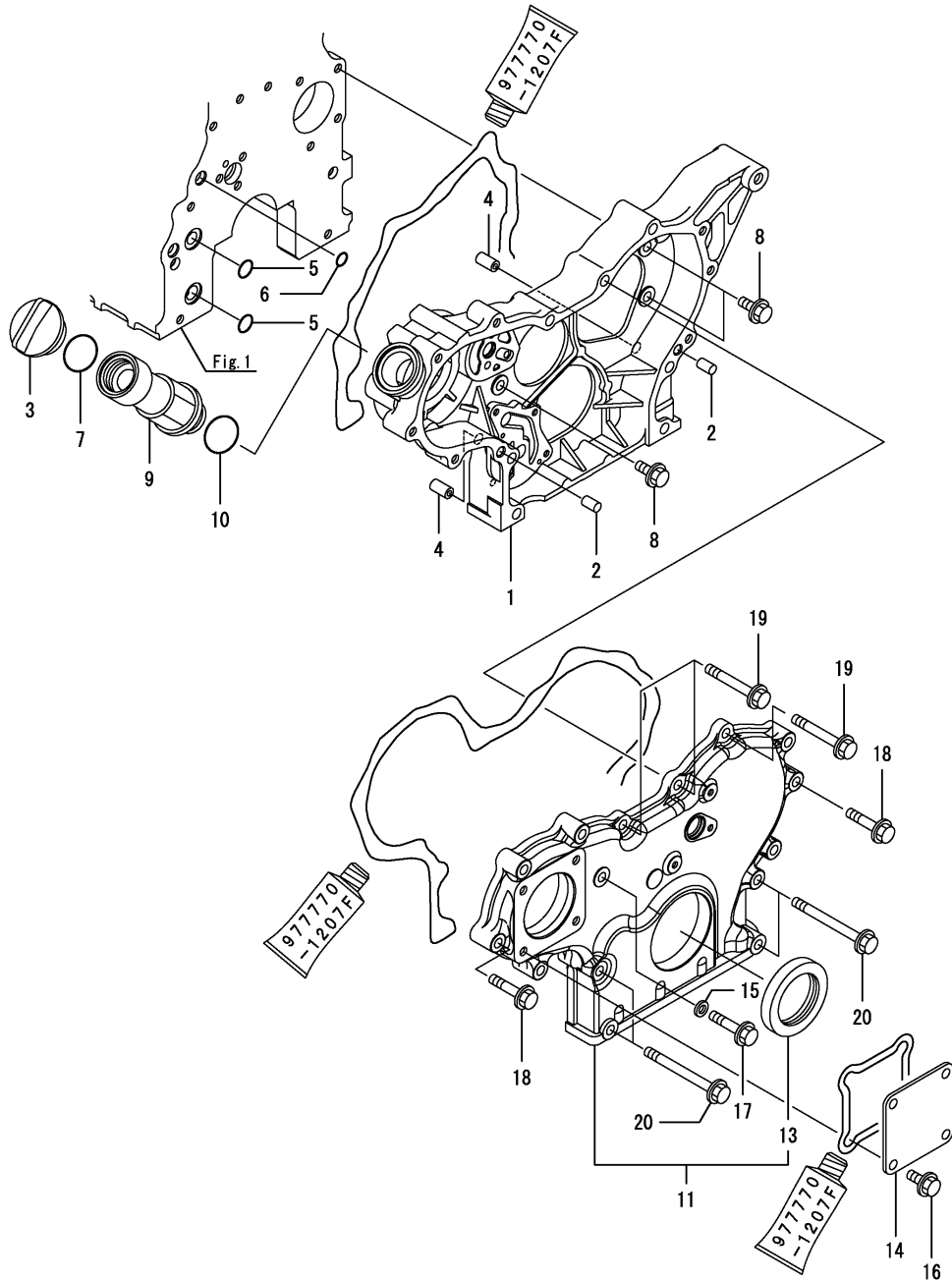
Remarks

- (1) Spare parts.
- (2) Under-sized (U.S.=0.25) parts.
- (3) Over-sized (O.S.=0.25) parts.

Fig.2. GEAR HOUSING

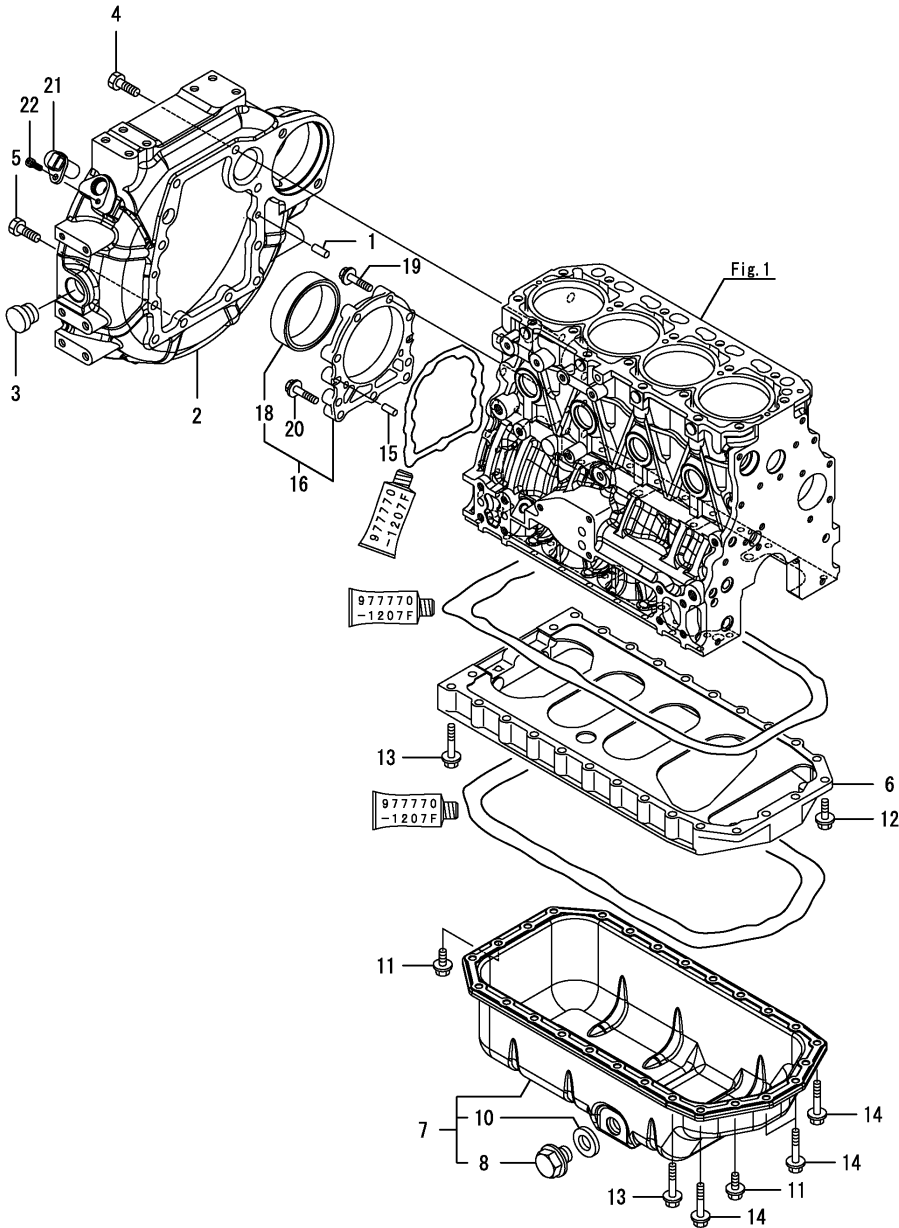
(A)=4TNV86CT-PBV
(B)=
(C)=

(D)=
(E)=
(F)=



No.	Lev.	Parts No.	Description	Q'ty						I	R
				(A)	(B)	(C)	(D)	(E)	(F)		
1	1	129A00-01500	CASE, GEAR	1							
2	1	129100-01580	PIN, M8X16	2							
3	1	124160-01751	COVER, FILLER	1							
4	1	129795-01950	PIPE, KNOCK L=18	2							
5	1	119609-32040	O-RING, P16	2							
6	1	119624-32040	O-RING, P12.0	1							
7	1	24311-000320	O-RING, 1AP32.0	1							
8	1	26106-080162	BOLT, M8X 16 PLATED	3							
9	1	171031-11741	PIPE	1							
10	1	24311-000320	O-RING, 1AP32.0	1							
11	1	129A00-01550	COVER ASSY, GEARCASE	1							
13	2	119934-01800	SEAL, OIL	1							
14	1	124240-01871	COVER	1							
15	1	22190-080002	WASHER, SEAL 8	1							
16	1	26106-080162	BOLT, M8X 16 PLATED	4							
17	1	26106-080352	BOLT, M8X 35 PLATED	1							
18	1	26106-080402	BOLT, M8X 40 PLATED	7							
19	1	26106-080602	BOLT, M8X 60 PLATED	3							
20	1	26106-080852	BOLT, M8X 85 PLATED	4							

Fig.3. FLYWHEEL HOUSING & OIL SUMP



(A)=4TNV86CT-PBV

(B)=

(C)=

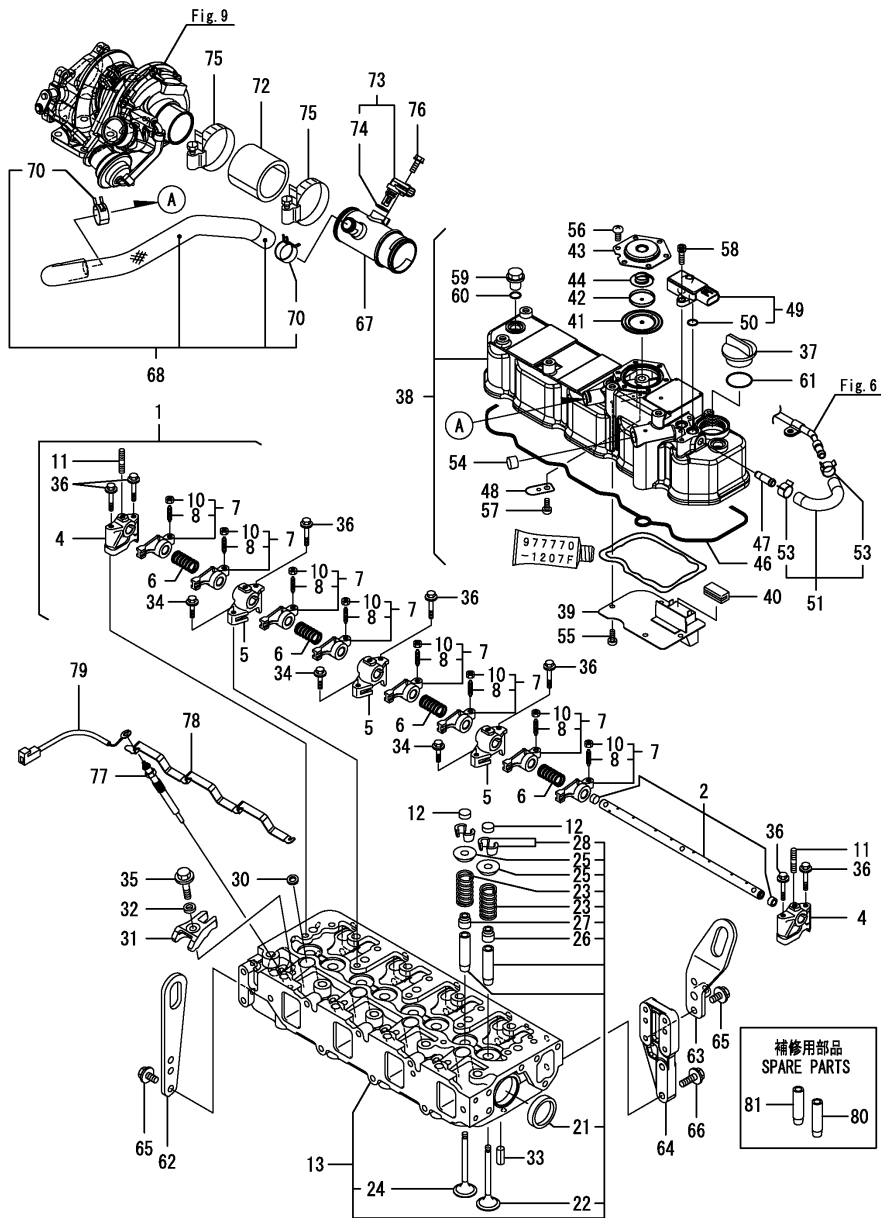
(D)=

(E)=

(F)=

No.	Lev.	Parts No.	Description	Q'ty						I	R
				(A)	(B)	(C)	(D)	(E)	(F)		
1	1	129100-01580	PIN, M8X16	2							
2	1	129A00-01602	HOUSING, FLYWHEEL	1							
3	1	119620-01750	CAP	1							
4	1	26206-100252	BOLT, M10X 25 PLATED	6							
5	1	26206-100302	BOLT, M10X 30 PLATED	4							
6	1	129400-01730	SPACER, OIL SUMP	1							
7	1	129688-01780	OIL PAN ASSY, DEEP	1							
8	2	119640-01640	PLUG, DRAIN M22	1							
10	2	22190-220002	WASHER, SEAL 22	1							
11	1	26106-080162	BOLT, M8X 16 PLATED	4							
12	1	26106-080252	BOLT, M8X 25 PLATED	2							
13	1	26106-080452	BOLT, M8X 45 PLATED	20							
14	1	26106-080502	BOLT, M8X 50 PLATED	4							
15	1	129100-01580	PIN, M8X16	2							
16	1	129648-01600	CASE ASSY, OIL SEAL	1							
18	2	129648-01780	SEAL, OIL	1							
19	1	129486-01670	BOLT, M8X30	6							
20	1	26106-080352	BOLT, M8X 35 PLATED	3							
21	1	129A00-21710	SENSOR, FLYWHEEL REV	1							
22	1	26450-060162	BOLT, M6X 16	1							

Fig.4. CYLINDER HEAD & BONNET



(A)=4TNV86CT-PBV

(B)=

(C)=

(D)=

(E)=

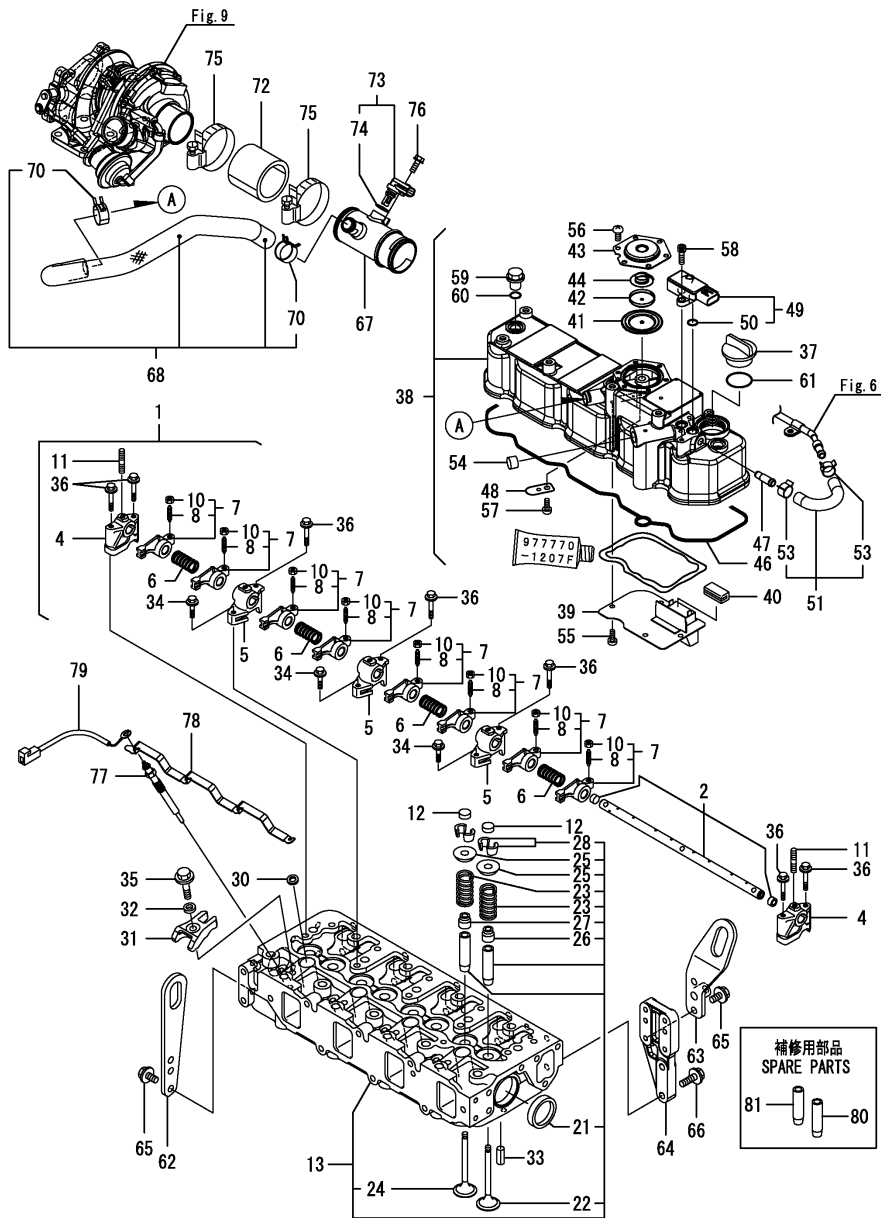
(F)=

No.	Lev.	Parts No.	Description	Q'ty						I	R
				(A)	(B)	(C)	(D)	(E)	(F)		
1	1	129601-11241	SHAFT ASSY, ROCKER	1							
2	2	129601-11251	SHAFT, ROCKER ARM	1							
4	2	119802-11260	SUPPORT, ROCKER ARM	2							
5	2	119802-11270	SUPPORT, ROCKER ARM	3							
6	2	129150-11280	SPRING	4							
7	2	129004-11650	ARM, ROCKER	8							
8	3	129150-11230	SCREW, VALVE ADJUST	8							
10	3	129150-11750	NUT, M8	8							
11	2	26226-080182	STUD, M8X 18	3							
12	1	129150-11370	CAP, VALVE	8							
13	1	129C01-11700	HEAD ASSY, CYLINDER	1							
21	2	27241-400000	PLUG, 40	2							
22	2	129005-11100	VALVE, INTAKE	4							
23	2	129795-11120	SPRING, VALVE	8							
24	2	129100-11130	VALVE, EXHAUST	4							
25	2	129795-11180	RETAINER, SPRING	8							
26	2	124460-11340	SEAL, VALVE STEM	4							
27	2	129A00-11340	SEAL, VALVE STEM	4							
28	2	27310-080001	COTTER, 8	8							
30	1	129978-11871	GASKET,INJECTOR	4							
31	1	129A00-11900	RETAINER, INJECTOR	4							
32	1	120270-54410	WASHER, INJECTOR	4							
33	1	22351-060012	PIN, SPRING 6.0X12	2							
34	1	26106-080252	BOLT, M8X 25 PLATED	3							
35	1	26106-080352	BOLT, M8X 35 PLATED	4							
36	1	26106-080502	BOLT, M8X 50 PLATED	7							
37	1	124160-01751	COVER, FILLER	1							
38	1	129C01-11351	BONNET ASSY	1							
39	2	129004-03010	PLATE	1							
40	2	129150-03070	BAFFLE, BREATHER	1							
41	2	123907-03100	DIAPHRAGM	1							
42	2	123907-03110	PLATE	1							
43	2	123907-03120	PLATE, BREATHER	1							
44	2	123907-03140	SPRING, DIAPHRAGM	1							
46	2	129C00-11310	GASKET, COVER	1							
47	2	129A00-11330	JOINT	1							
48	2	129009-11340	SPRING	1							
49	2	129A00-12703	SENSOR,PRESSURE	1							
50	3	129A00-12780	O-RING,PRES SENSOR	1							
51	2	129A00-13360	HOSE ASSY, PRES EXH	1							
53	3	129A00-13380	CLIP, HOSE 14	2							
54	2	119640-61400	PLUG	1							
55	2	22857-500100	SCREW, 5X10	4							
56	2	22857-500100	SCREW, 5X10	6							
57	2	22857-500100	SCREW, 5X10	1							
58	2	26450-060162	BOLT, M6X 16	2							
59	1	124160-11360	KNOB	3							
60	1	24311-000120	O-RING, 1AP12.0	3							
61	1	24311-000320	O-RING, 1AP32.0	1							
62	1	129900-07900	LIFTER	1							
63	1	129C30-07901	LIFTER, ENGINE	1							

Remarks

(1) Spare parts.

Fig.4. CYLINDER HEAD & BONNET



(A)=4TNV86CT-PBV

(B)=

(C)=

(D)=

(E)=

(F)=

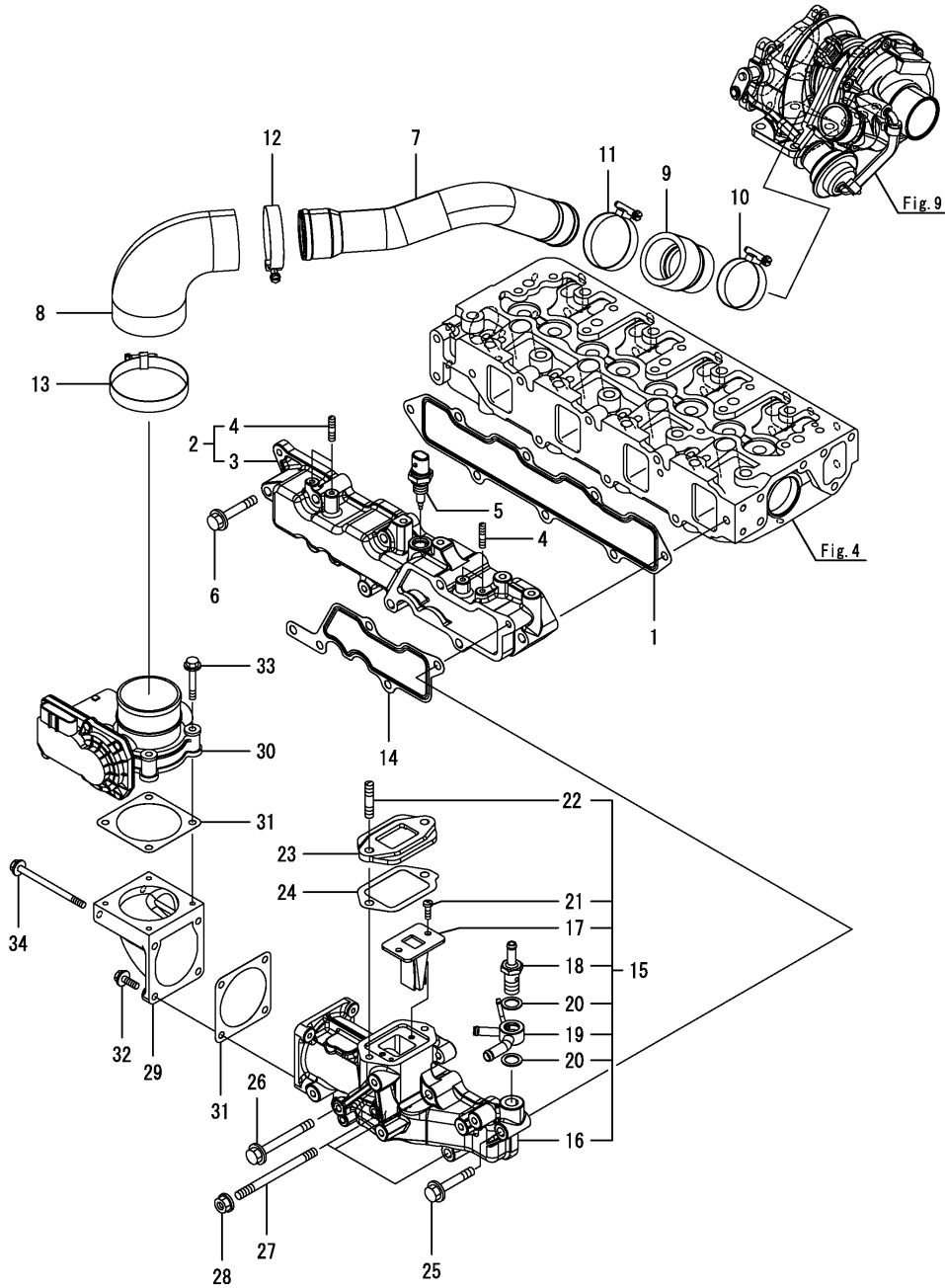
No.	Lev.	Parts No.	Description	Q'ty						I	R
				(A)	(B)	(C)	(D)	(E)	(F)		
64	1	129C01-07910	SPACER, LIFTER	1							
65	1	26106-080162	BOLT, M8X 16 PLATED	4							
66	1	26106-080252	BOLT, M8X 25 PLATED	2							
67	1	129C01-03050	JOINT,BREATHER	1							
68	1	129C01-03080	HOSE ASSY, BREATHER	1							
70	2	129410-03990	CLIP	2							
72	1	129C01-12060	HOSE,INTAKE	1							
73	1	129A00-12711	SENSOR,AIR TEMP	1							
74	2	129A00-12790	O-RING,TEMP SENSOR	1							
75	1	23000-060000	CLAMP, 60	2							
76	1	26106-060162	BOLT, M6X 16 PLATED	1							
77	1	129008-77800	PLUG, GLOW	4							
78	1	129C00-77820	CONNECTOR, GLOW PLUG	1							
79	1	129C30-77830	HARNES, GLOW PLUG	1							
80	1	120130-11860	GUIDE, VALVE	4							1
81	1	129150-11810	GUIDE, VALVE	4							1

Remarks

(1) Spare parts.

N:Old $\xrightarrow{\text{Yes}}$ New, Q:Old $\xrightarrow{\text{No}}$ New, R:Old $\xrightarrow{\text{Yes}}$ New, S:Old $\xrightarrow{\text{No}}$ New, W:Add, Z:Discontinued, F:Interchangeable by set, K:Q'ty Change

Fig.5. SUCTION MANIFOLD



(A)=4TNV86CT-PBV

(B)=

(C)=

(D)=

(E)=

(F)=

No.	Lev.	Parts No.	Description	Q'ty						I	R
				(A)	(B)	(C)	(D)	(E)	(F)		
1	1	129C00-12110	GASKET, INT MANIFOLD	1							
2	1	129C01-12150	MANIFOLD CMP,INTAKE	1							
3	2	129C01-12100	MANIFOLD,INT	1							
4	2	26216-060202	STUD, M6X 20	4							
5	1	129A00-12720	SENSOR,AIR TEMP	1							
6	1	26106-080502	BOLT, M8X 50 PLATED	5							
7	1	129C01-18200	DUCT SUCTION	1							
8	1	129A01-18210	JOINT, RUBBER	1							
9	1	129C01-18220	JOINT, RUBBER	1							
10	1	23000-048000	CLAMP, 48	1							
11	1	23000-054000	CLAMP, 54	1							
12	1	23000-060000	CLAMP, 60	1							
13	1	23000-075000	CLAMP, 75	1							
14	1	129A00-12810	GASKET, COLLECTOR	1							
15	1	129A01-12851	COLLECTOR, INT CMP	1							
16	2	129A01-12800	COLLECTOR, INT	1							
17	2	129C01-13700	VALVE, REED	1							
18	2	129A00-59110	JOINT, HOSE M14	1							
19	2	129A00-59120	JOINT, HOSE 14	1							
20	2	22190-140002	WASHER, SEAL 14	2							
21	2	22857-500160	SCREW, 5X16	2							
22	2	26216-080302	STUD, M8X 30	2							
23	1	129A00-13710	SPACER, EGR VALVE	1							
24	1	129A00-13720	GASKET(EGR-V SPACER	1							
25	1	26106-080502	BOLT, M8X 50 PLATED	1							
26	1	26106-080752	BOLT, M8X 75 PLATED	1							
27	1	26216-081052	STUD, M8X105	3							
28	1	26306-080002	NUT, M8	3							
29	1	129A00-12820	BEND, INLET	1							
30	1	129A00-12900	THROTTLE BODY(INT	1							
31	1	129A00-12910	GASKET,THROTTLE	2							
32	1	26106-060202	BOLT, M6X 20 PLATED	2							
33	1	26106-060402	BOLT, M6X 40 PLATED	4							
34	1	26106-060902	BOLT, M6X 90 PLATED	2							

Fig.6. EXHAUST MANIFOLD

(A)=4TNV86CT-PBV

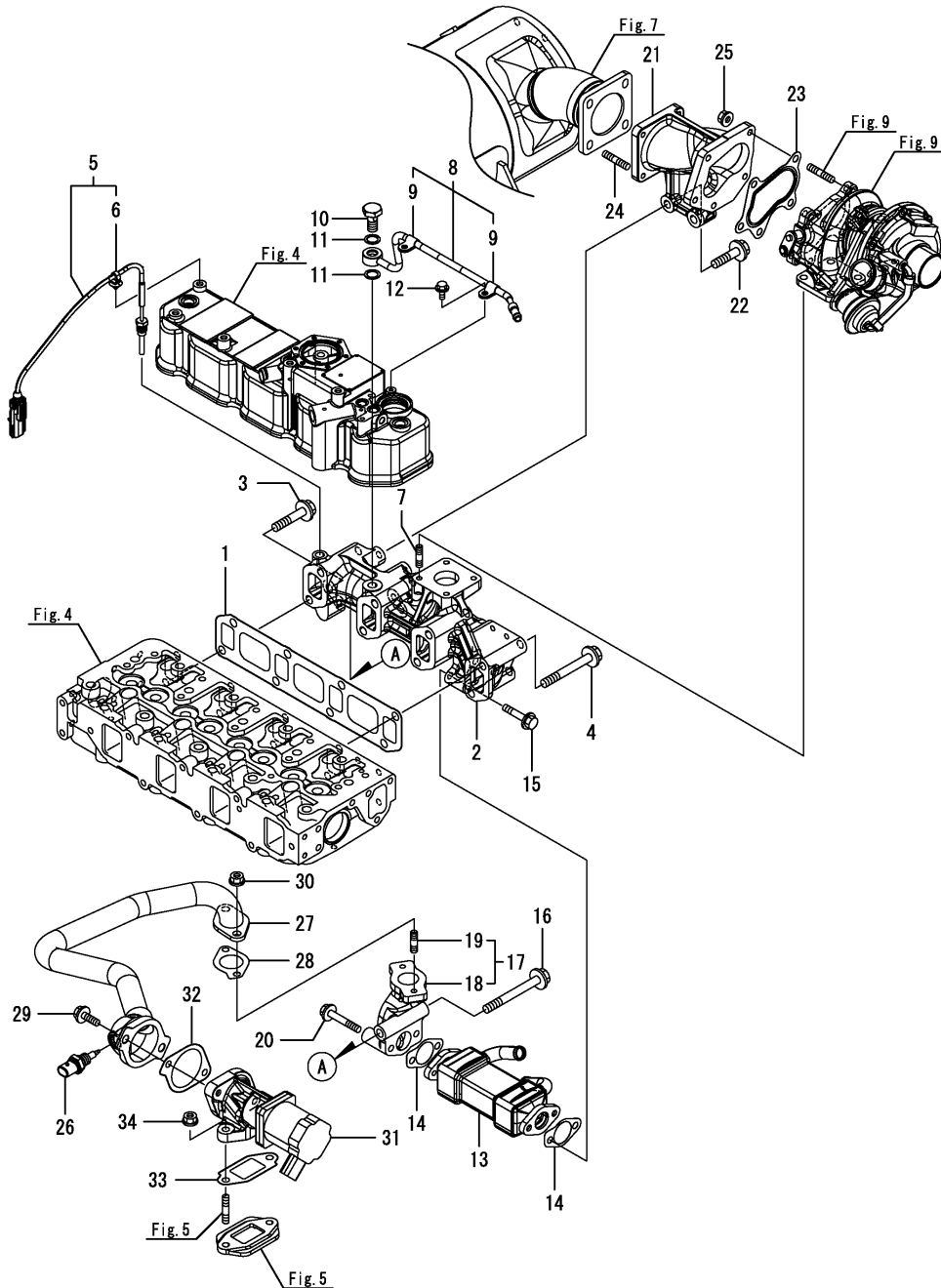
(B)=

(C)=

(D)=

(E)=

(F)=



No.	Lev.	Parts No.	Description	Q'ty						I	R
				(A)	(B)	(C)	(D)	(E)	(F)		
1	1	129C00-13110	GASKET, EXH MANIFOLD	1							
2	1	129C01-13110	MANIFOLD, EXHAUST	1							
3	1	129A01-13600	BOLT, M10X50 10.9T	1							
4	1	129A00-13610	BOLT, M10X80	7							
5	1	129C01-13770	SENSOR,EXH TEMP.	1							
6	2	129A00-91200	BAND CLIP	1							
7	1	129418-18320	STUD, M8X20	4							
8	1	129A00-13300	PIPE ASSY, EXHAUST P	1							
9	2	23297-080061	CLAMP, A8X 6	2							
10	1	129A00-13350	BOLT, PIPE JOINT	1							
11	1	23414-120000	GASKET, 12X1.0	2							
12	1	26106-060122	BOLT, M6X 12 PLATED	2							
13	1	129A00-13400	COOLER, EGR	1							
14	1	129A00-13410	GASKET, EGR COOLER	2							
15	1	119802-13600	BOLT, M8X40	2							
16	1	129978-13700	BOLT, FLANGE 10X90	1							
17	1	129A00-13851	PIPE CMP, EGR OUT	1							
18	2	129A00-13861	PIPE,EGR OUT	1							
19	2	129418-18320	STUD, M8X20	2							
20	1	26106-080502	BOLT, M8X 50 PLATED	2							
21	1	129C01-13350	PIPE, EXHAUST	1							
22	1	129C01-13600	FLANGE BOLT, 10X40	2							
23	1	129508-18090	GASKET	1							
24	1	119131-18320	STUD, M8X22	4							
25	1	26306-080002	NUT, M8	5							
26	1	129A00-13751	SENSOR,EGR GAS TEMP	1							
27	1	129C00-13800	PIPE(EGR CMP	1							
28	1	129927-13810	GASKET	1							
29	1	26106-080252	BOLT, M8X 25 PLATED	2							
30	1	26306-080002	NUT, M8	2							
31	1	129C00-13901	VALVE, EGR	1							
32	1	129A00-13910	GASKET, EGR-V IN	1							
33	1	129A00-13920	GASKET(EGR-V OUT	1							
34	1	26306-080002	NUT, M8	2							

Fig.7. DIESEL PARTICULATE FILTER(DPF)

(A)=4TNV86CT-PBV

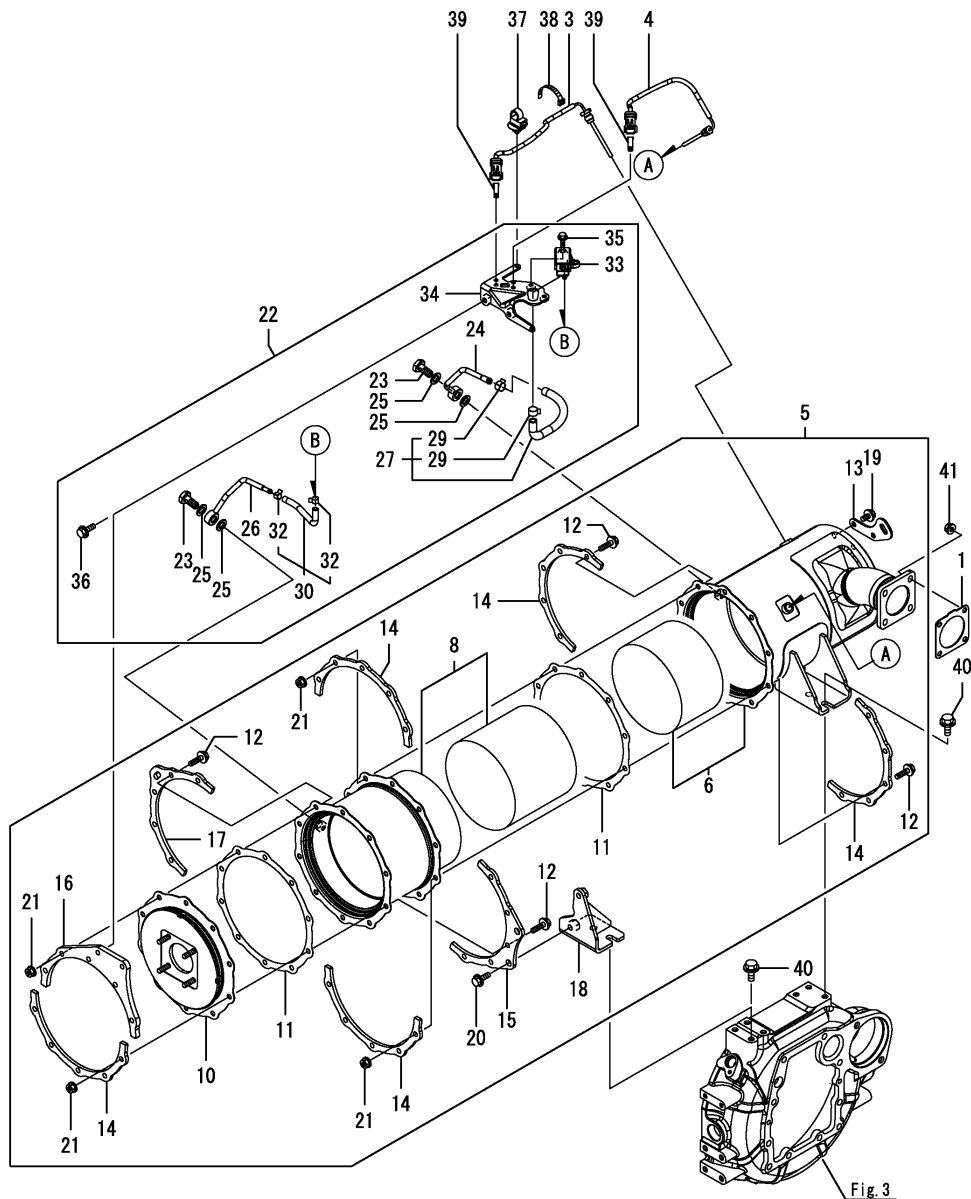
(B)=

(C)=

(D)=

(E)=

(F)=



No.	Lev.	Parts No.	Description	Q'ty						I	R
				(A)	(B)	(C)	(D)	(E)	(F)		
1	1	129930-13201	GASKET, SILENCER	1							
3	1	129C00-13940	SENSOR, EXH.TEMP	1							
4	1	129C00-13950	SENSOR, EXH.TEMP	1							
5	1	129C01-16001	DPF ASSY	1							
6	2	129C01-16200	CASE, DOC	1							
8	2	129C01-16400	CASE, SOOT FILTER	1							
10	2	129C01-16550	FLANGE, OUTLET	1							
11	2	129E00-16600	GASKET, DPF	2							
12	2	129A00-16610	BOLT, M8X28 10.9T	20							
13	2	129C01-16680	LIFTER, DPF	1							
14	2	129C01-16700	STIFFENER, DPF A	5							
15	2	129C01-16710	STIFFENER, DPF B	1							
16	2	129C01-16730	STIFFENER, DPF C	1							
17	2	129C01-16740	STIFFENER, DPF C	1							
18	2	129C01-16800	STAY, DPF	1							
19	2	26106-080142	BOLT, M8X 14 PLATED	2							
20	2	26106-100222	BOLT, M10X 22 PLATED	2							
21	2	26306-080002	NUT, M8	20							
22	1	129E00-17200	SENSOR UNIT,PRESSURE	1							
23	2	129A00-13350	BOLT, PIPE JOINT	2							
24	2	129E00-17300	PIPE ASSY,PRES EXH	1							
25	2	129A00-17311	GASKET,SENSOR	4							
26	2	129E00-17350	PIPE ASSY,PRES EXH	1							
27	2	129C00-17600	HOSE ASSY,PRES EXH	1							
29	3	129A00-17520	CLIP, HOSE	2							
30	2	129A00-17650	HOSE ASSY,PRES EXH	1							
32	3	129A00-17570	CLIP, HOSE	2							
33	2	129A00-17702	SENSOR,PRESSURE	1							
34	2	129A00-17760	BRACKET, PRES SENSOR	1							
35	2	26106-060162	BOLT, M6X 16 PLATED	2							
36	2	26106-080202	BOLT, M8X 20 PLATED	2							
37	1	129A00-91200	BAND CLIP	1							
38	1	129C00-91200	BAND	1							
39	1	129A00-91430	CLIP, CONNECTOR	2							
40	1	26106-100202	BOLT, M10X 20 PLATED	4							
41	1	26306-080002	NUT, M8	4							

Fig.8. CAMSHAFT & DRIVING GEAR

(A)=4TNV86CT-PBV

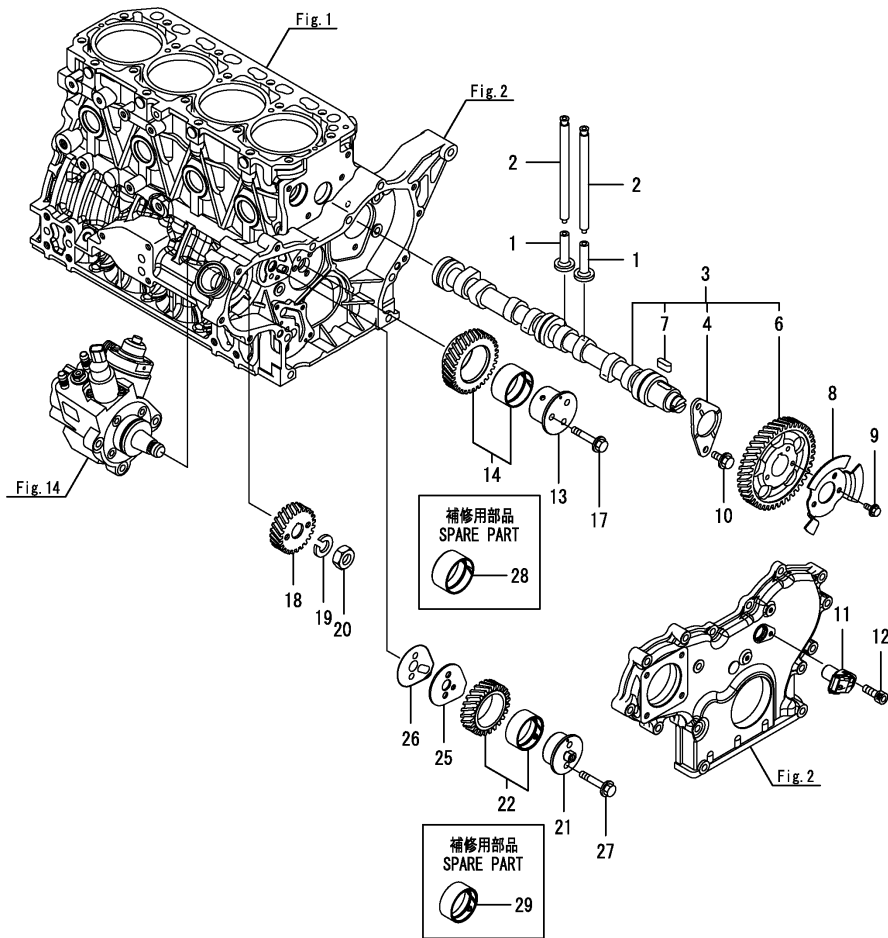
(B)=

(C)=

(D)=

(E)=

(F)=



No.	Lev.	Parts No.	Description	Q'ty						I	R
				(A)	(B)	(C)	(D)	(E)	(F)		
1	1	129150-14200	TAPPET	8							
2	1	129150-14400	ROD, PUSH L=178	8							
3	1	129C00-14580	CAMSHAFT ASSY	1							
4	2	129150-02450	BEARING, THRUST	1							
6	2	129A00-14100	GEAR,CAMSHAFT	1							
7	2	22512-070140	KEY, 7X 14	1							
8	1	129A00-14700	PULSER, CAMSHAFT	1							
9	1	26106-060102	BOLT, M6X 10 PLATED	3							
10	1	26106-080142	BOLT, M8X 14 PLATED	2							
11	1	129A00-14710	SENSOR, GEAR REV	1							
12	1	26450-060162	BOLT, M6X 16	1							
13	1	129A00-25050	SHAFT, IDLE GEAR A	1							
14	1	129A00-25110	GEAR ASSY, IDLE A	1							
17	1	26106-080452	BOLT, M8X 45 PLATED	3							
18	1	129A00-25900	GEAR, SUPPLY PUMP	1							
19	1	22217-180000	WASHER, SPRING 18	1							
20	1	26776-180002	NUT, LOCK M18	1							
21	1	129A00-25060	SHAFT, IDLE GEAR B	1							
22	1	129A00-25120	GEAR ASSY, IDLE B	1							
25	1	129A00-25200	PLATE, IDLE SHAFT B	1							
26	1	129A00-25210	GASKET, IDLE SHAFT B	1							
27	1	26106-080402	BOLT, M8X 40 PLATED	2							
28	1	119802-25071	BUSH, IDLE GEAR	1							1
29	1	129A00-25080	BUSH	1							1

Remarks

(1) Spare parts.

N:Old $\begin{matrix} \leftarrow \text{Yes} \\ \text{No} \end{matrix}$ New, Q:Old $\begin{matrix} \leftarrow \text{No} \\ \text{Yes} \end{matrix}$ New, R:Old $\begin{matrix} \leftarrow \text{Yes} \\ \text{Yes} \end{matrix}$ New, S:Old $\begin{matrix} \leftarrow \text{No} \\ \text{No} \end{matrix}$ New, W:Add, Z:Discontinued, F:Interchangeable by set, K:Q'ty Change

Fig.9. TURBINE

(A)=4TNV86CT-PBV
(B)=
(C)=

(D)=
(E)=
(F)=

No.	Lev.	Parts No.	Description	Q'ty						I	R
				(A)	(B)	(C)	(D)	(E)	(F)		
1	1	129C01-18010	TURBINE ASSY, RHF4	1							
2	1	129508-18080	GASKET	1							
3	1	119131-18320	STUD, M8X22	5							
4	1	26306-080002	NUT, M8	4							

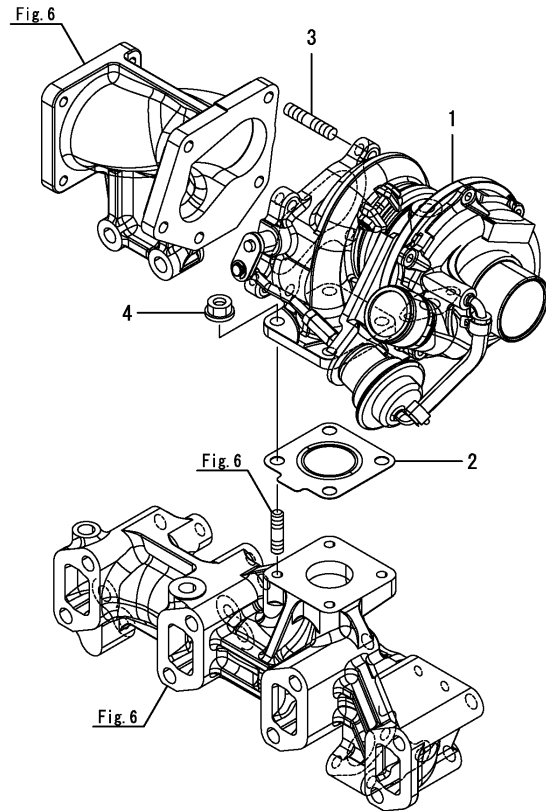
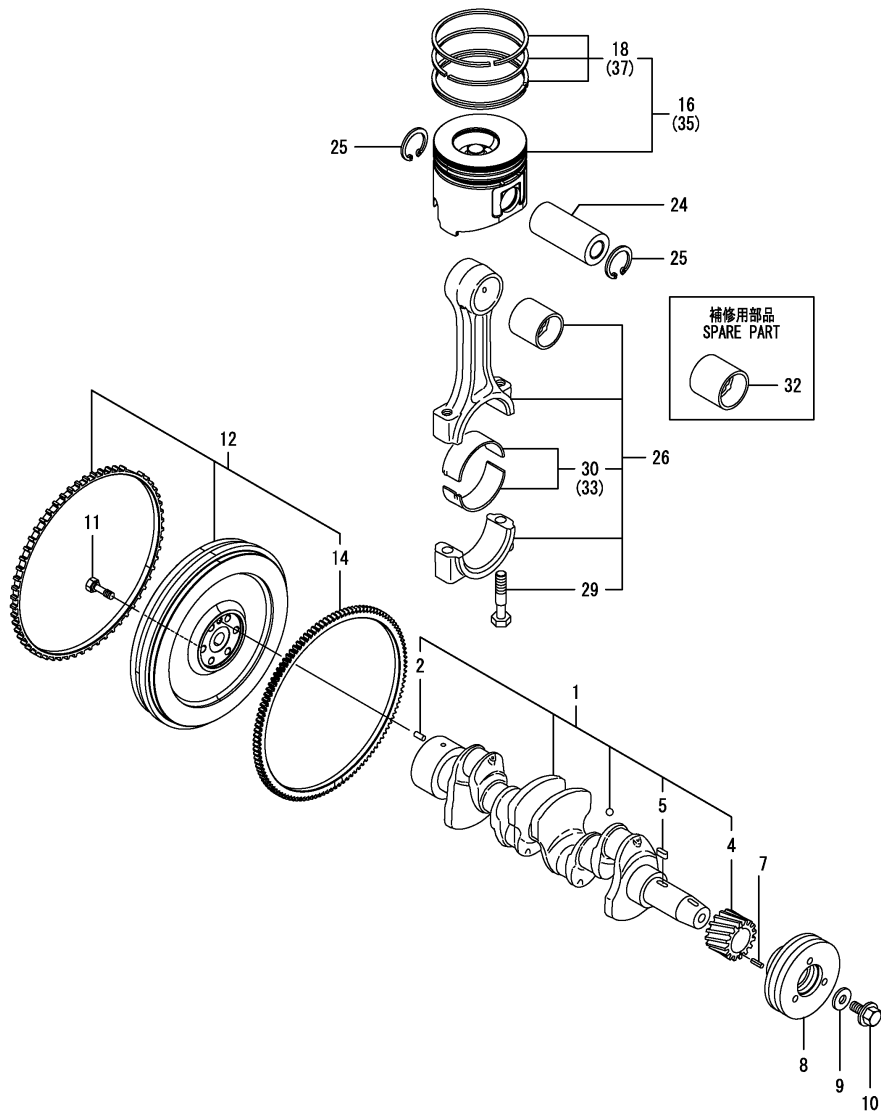


Fig.10. CRANKSHAFT & PISTON



(A)=4TNV86CT-PBV
(B)=
(C)=

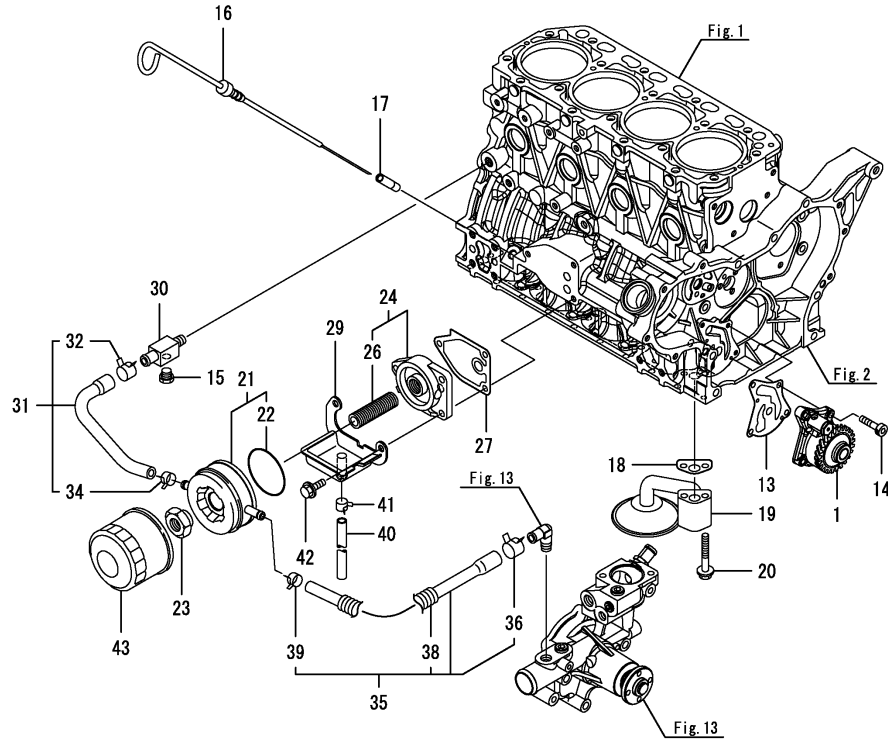
(D)=
(E)=
(F)=

No.	Lev.	Parts No.	Description	Q'ty						I	R
				(A)	(B)	(C)	(D)	(E)	(F)		
1	1	129509-21000	CRANKSHAFT ASSY	1							
2	2	129100-01580	PIN, M8X16	1							
4	2	119803-21200	GEAR, CRANKSHAFT	1							
5	2	22512-070140	KEY, 7X 14	1							
7	1	22351-030010	PIN, SPRING 3.0X10	1							
8	1	119802-21650	V-PULLEY, 110	1							
9	1	129795-21661	WASHER	1							
10	1	121850-21680	BOLT	1							
11	1	121111-21501	BOLT, FLYWHEEL	6							
12	1	129C00-21580	FLYWHEEL ASSY	1							
14	2	119865-21600	GEAR, RING	1							
16	1	129A01-22080	PISTON ASSY	4							
18	2	129A01-22500	RING ASSY, PISTON	4							
24	1	129202-22300	PIN, PISTON D26 L70	4							
25	1	22252-000260	RING, 26	8							
26	1	729402-23100	ROD ASSY, CONNECTING	4							
29	2	121550-23200	BOLT, CONNECTING ROD	8							
30	2	129150-23601	BEARING, CRANK PIN	4							
32	1	129100-23910	BEARING, PISTON PIN	4							1
33	1	129150-23611	BEARING, 0.25 US	4							2
35	1	129A01-22900	PISTON ASSY, 0.25 OS	4							3
37	2	129A01-22950	RING ASSY, 0.25OS	4							3

Remarks

- (1) Spare parts.
- (2) Under-sized (U.S.=0.25) parts.
- (3) Over-sized (O.S.=0.25) parts.

Fig.11. LUB. OIL SYSTEM



(A)=4TNV86CT-PBV
(B)=
(C)=

(D)=
(E)=
(F)=

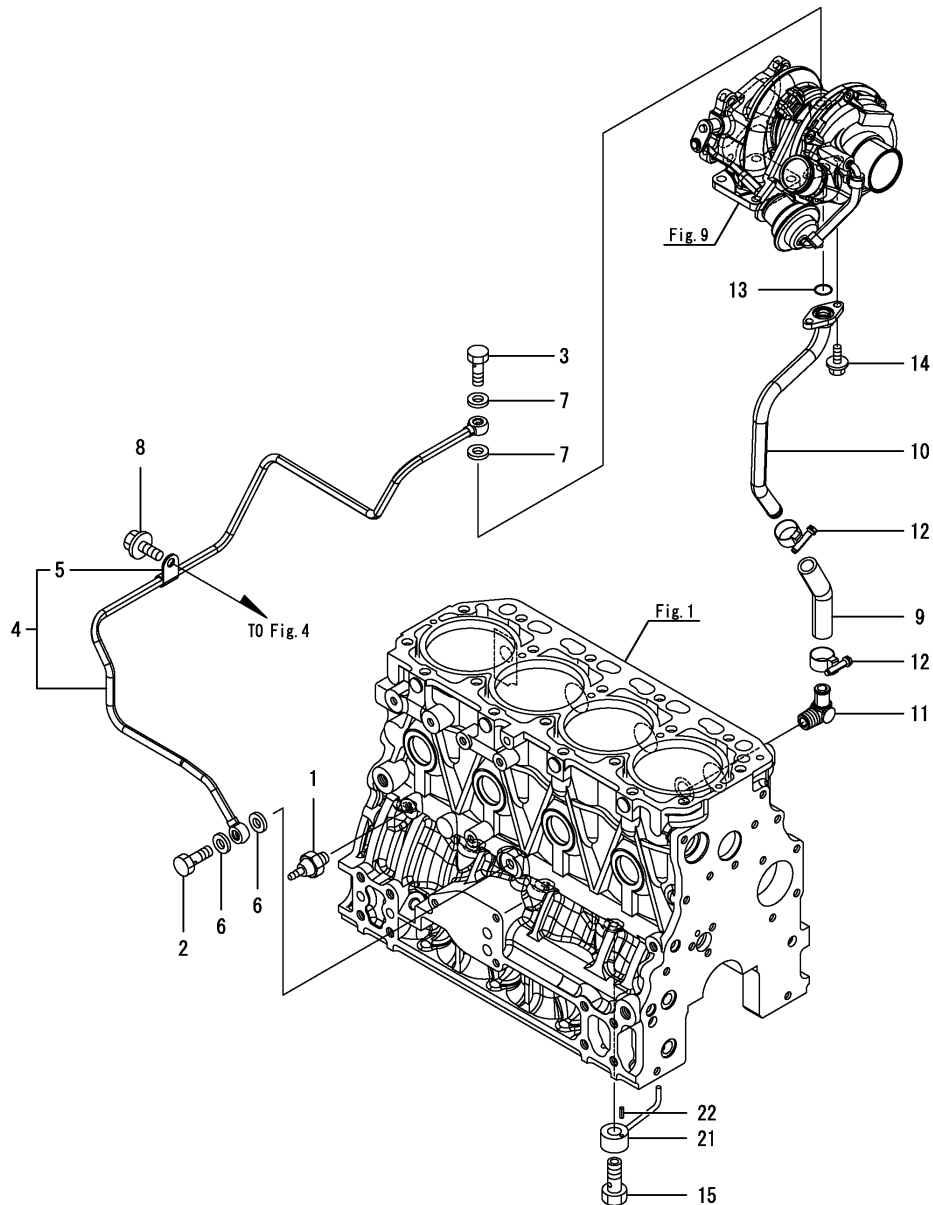
No.	Lev.	Parts No.	Description	Q'ty						I	R
				(A)	(B)	(C)	(D)	(E)	(F)		
1	1	129A01-32000	PUMP ASSY, LUB. OIL	1							
13	1	129486-32020	GASKET, PUMP	1							
14	1	26450-060252	BOLT, M6X 25	4							
15	1	171056-49120	PLUG, DRAIN	1							
16	1	129642-34801	DIPSTICK, OIL	1							
17	1	121520-34810	GUIDE, DIPSTICK	1							
18	1	129150-35042	GASKET	1							
19	1	129436-35070	PIPE ASSY	1							
20	1	26106-080552	BOLT, M8X 55 PLATED	2							
21	1	129508-33010	COOLER ASSY, OIL	1							
22	2	129508-33050	O-RING	1							
23	1	129417-33111	NUT, OIL COOLER	1							
24	1	129006-35100	BRACKET ASSY, FILTER	1							
26	2	129417-35150	STUD, L=67	1							
27	1	129150-35111	GASKET	1							
29	1	129240-35800	OIL PAN	1							
30	1	129006-44480	JOINT	1							
31	1	129508-49030	PIPE ASSY, WATER	1							
32	2	171008-03990	CLIP, HOSE 18.5	1							
34	2	23080-015000	CLAMP, 15	1							
35	1	129642-49040	PIPE ASSY, WATER	1							
36	2	171008-03990	CLIP, HOSE 18.5	1							
38	2	129642-49180	TUBE, CORRUGATED	1							
39	2	23080-015000	CLAMP, 15	1							
40	1	23065-120230	PIPE, 12X 230	1							
41	1	23080-014000	CLAMP, 14	1							
42	1	26106-080202	BOLT, M8X 20 PLATED	3							
43	1	129150-35170	FILTER, LO	1							1

Remarks

(1) Spare parts.

N:Old $\xrightarrow{\text{Yes}}$ New, Q:Old $\xrightarrow{\text{No}}$ New, R:Old $\xrightarrow{\text{Yes}}$ New, S:Old $\xrightarrow{\text{No}}$ New, W:Add, Z:Discontinued, F:Interchangeable by set, K:Q'ty Change

Fig.12. LUB. OIL PIPING

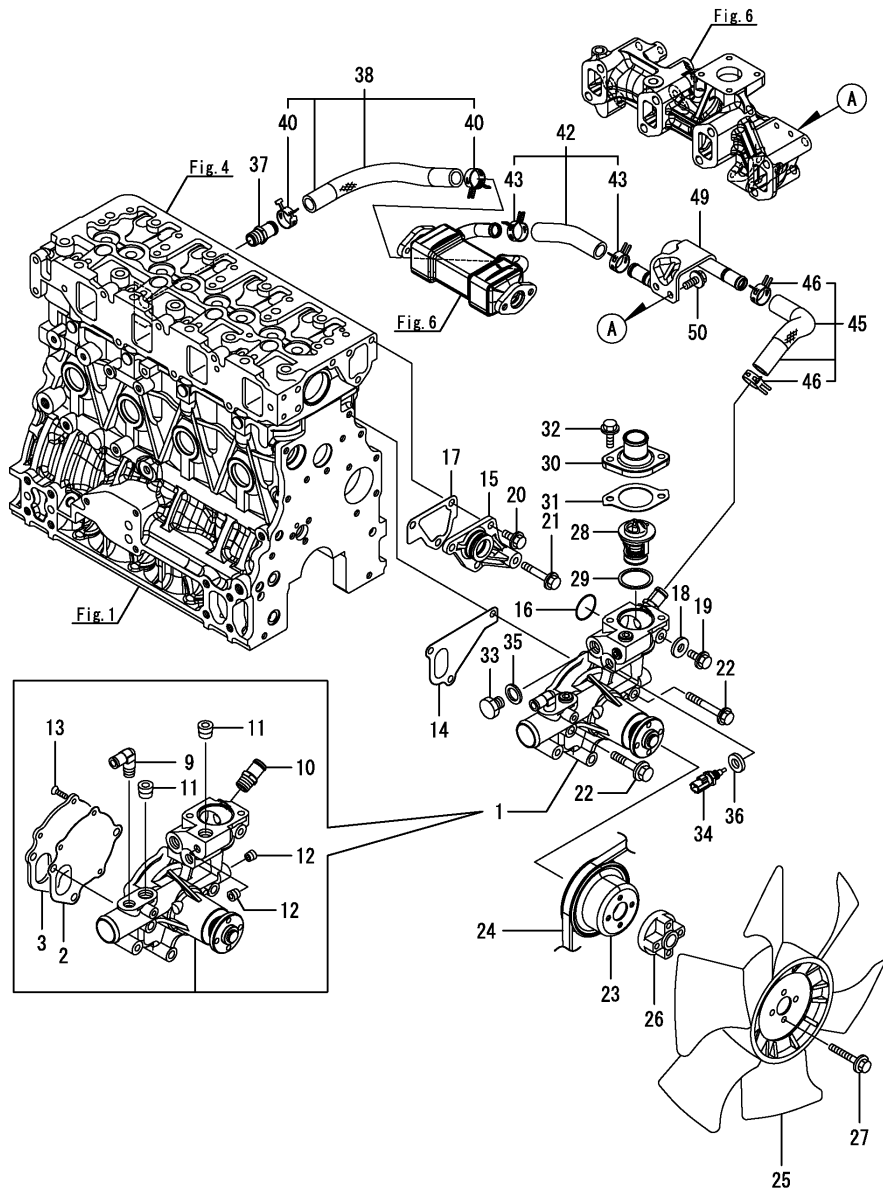


(A)=4TNV86CT-PBV
(B)=
(C)=

(D)=
(E)=
(F)=

No.	Lev.	Parts No.	Description	Q'ty						I	R
				(A)	(B)	(C)	(D)	(E)	(F)		
1	1	114250-39450	SWITCH, 0.5KG	1							
2	1	124160-39140	BOLT, PIPE JOINT M10	1							
3	1	121252-39150	BOLT, JOINT M10X1.5	1							
4	1	129C01-39450	PIPE ASSY, LUB. OIL	1							
5	2	124223-39900	RETAINER	1							
6	1	22190-100002	WASHER, SEAL 10	2							
7	1	23414-100000	GASKET, 10X1.0	2							
8	1	26106-080122	BOLT, M8X 12 PLATED	1							
9	1	129044-39610	JOINT, RUBBER	1							
10	1	129C01-39610	PIPE, LUB. OIL	1							
11	1	129466-49300	ELBOW, PT3/8	1							
12	1	23000-022000	CLAMP, 22	2							
13	1	24316-000160	O-RING, 4DP16.0	1							
14	1	26106-060122	BOLT, M6X 12 PLATED	2							
15	1	129792-39410	VALVE ASSY, CHECK	4							
21	1	129553-39650	NOZZLE	4							
22	1	22351-030010	PIN, SPRING 3.0X10	4							

Fig.13. COOLING WATER SYSTEM



(A)=4TNV86CT-PBV

(B)=

(C)=

(D)=

(E)=

(F)=

No.	Lev.	Parts No.	Description	Q'ty						I	R
				(A)	(B)	(C)	(D)	(E)	(F)		
1	1	129C30-42000	PUMP ASSY, CW	1							
2	2	129100-42051	GASKET, WATER PUMP	1							
3	2	129100-42121	PLATE	1							
9	2	129103-49301	ELBOW, PT1/4	1							
10	2	129928-49420	JOINT	1							
11	2	129916-49740	PLUG, R03	2							
12	2	23876-010000	PLUG, R01	2							
13	2	26577-060142	SCREW M 6X 14	3							
14	1	129486-42021	GASKET, WATER PUMP	1							
15	1	129004-42040	JOINT	1							
16	1	129486-42140	O-RING, G30	1							
17	1	124395-49840	GASKET	1							
18	1	23414-080000	GASKET, 8X1.0	1							
19	1	26106-080122	BOLT, M8X 12 PLATED	1							
20	1	26106-080162	BOLT, M8X 16 PLATED	3							
21	1	26106-080452	BOLT, M8X 45 PLATED	1							
22	1	26106-080602	BOLT, M8X 60 PLATED	3							
23	1	129556-42350	V-PULLEY, 96	1							
24	1	129612-42330	V-BELT, A37.5	1							
25	1	129612-44700	FAN, COOLING	1							
26	1	171353-44760	SPACER, FAN	1							
27	1	26106-060402	BOLT, M6X 40 PLATED	4							
28	1	129155-49801	THERMOSTAT, 71	1							
29	1	129150-49811	GASKET, THERMOSTAT	1							
30	1	129350-49530	COVER, THERMOSTAT	1							
31	1	129795-49551	GASKET	1							
32	1	26106-080222	BOLT, M8X 22 PLATED	2							
33	1	121450-42450	PLUG, M16	1							
34	1	129927-44900	SENSOR	1							
35	1	124465-44950	GASKET, 16	1							
36	1	22190-120002	WASHER, SEAL 12	1							
37	1	129928-49420	JOINT	1							
38	1	129A00-49610	PIPE ASSY, WATER IN	1							
40	2	129960-03990	CLIP, HOSE 19.8	2							
42	1	129C00-49610	PIPE ASSY, WATER OUT	1							
43	2	129960-03990	CLIP, HOSE 19.8	2							
45	1	129C00-49620	PIPE ASSY, WATER OUT	1							
46	2	129960-03990	CLIP, HOSE 19.8	2							
49	1	129C00-49700	CW PIPE OUT(EGR-C)	1							
50	1	26106-080162	BOLT, M8X 16 PLATED	2							

Fig.14. FUEL SUPPLY PUMP

(A)=4TNV86CT-PBV
(B)=
(C)=

(D)=
(E)=
(F)=

No.	Lev.	Parts No.	Description	Q'ty						I	R
				(A)	(B)	(C)	(D)	(E)	(F)		
1	1	129A00-51000	PUMP ASSY, FUEL	1							
2	2	129A00-51100	VALVE ASSY, MPROP	1							
3	3	129A00-51110	RING, SEALING	1							
4	3	129A00-51120	O-RING, MPROP	1							
5	2	129A00-51130	BOLT, MPROP	2							
6	2	129A00-51200	SENSOR, TEMPERATURE	1							
7	2	129A00-51900	O-RING, FUEL PUMP	1							
8	1	26106-080302	BOLT, M8X 30 PLATED	3							

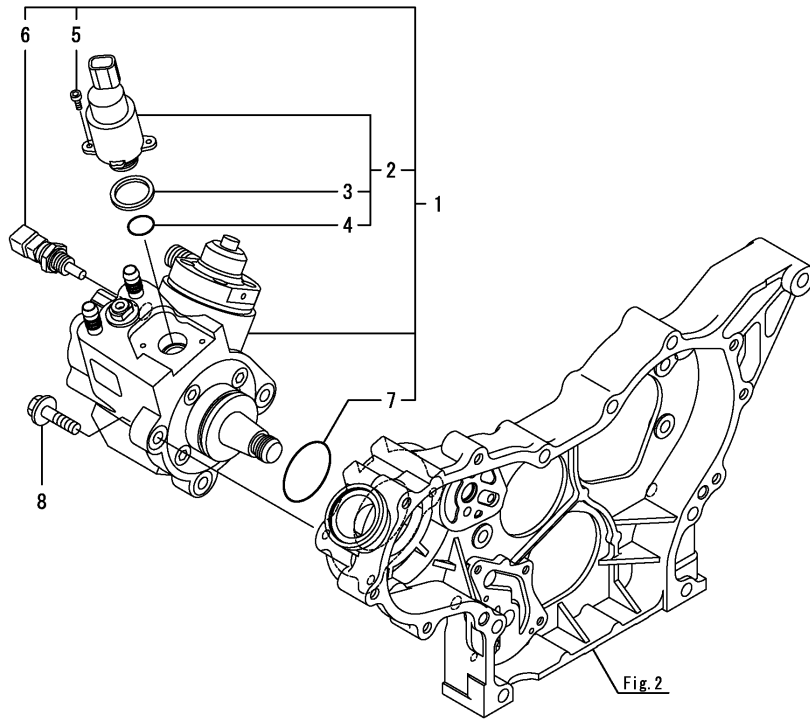
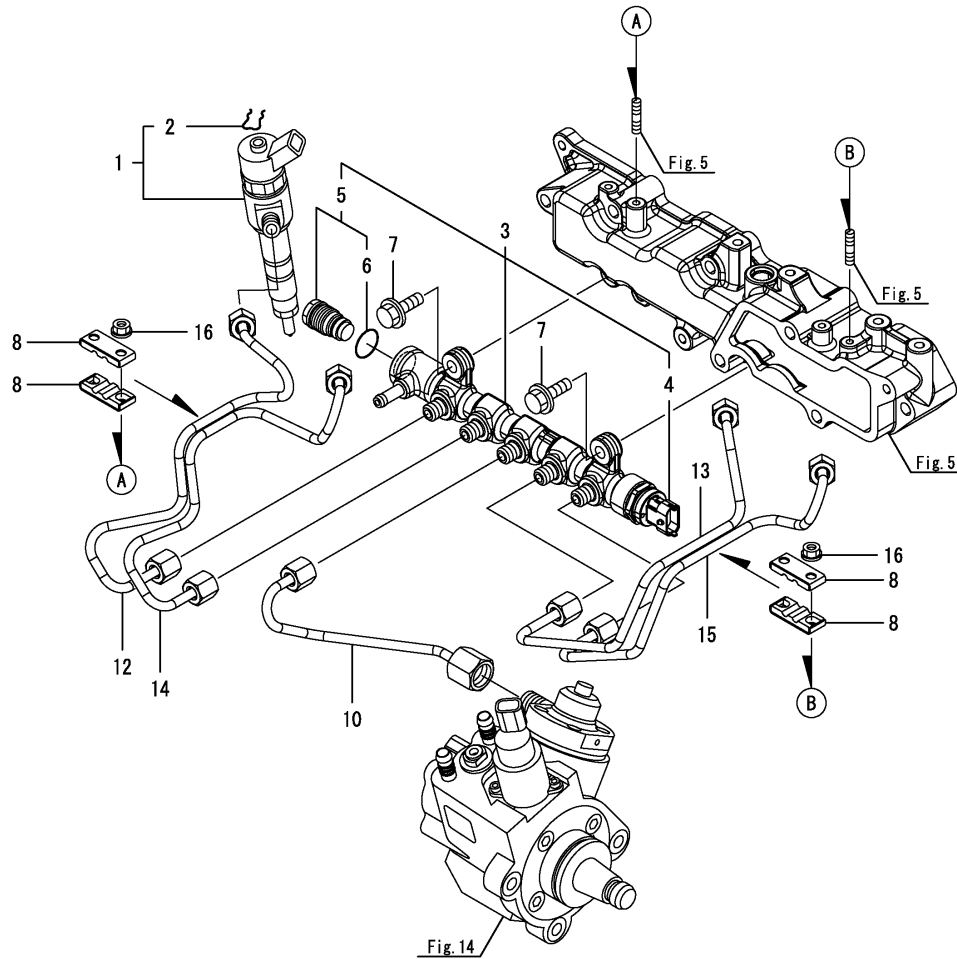


Fig.15. FUEL INJECTION VALVE

(A)=4TNV86CT-PBV
(B)=
(C)=

(D)=
(E)=
(F)=



No.	Lev.	Parts No.	Description	Q'ty						I	R
				(A)	(B)	(C)	(D)	(E)	(F)		
1	1	129A01-53100	INJECTOR, CR	4							
2	2	129A00-53200	RING, RETAINING	4							
3	1	129C00-57000	RAIL ASSY	1							
4	2	129A00-57100	SENSOR, RAILPRESSURE	1							
5	2	129A00-57200	VALVE ASSY, PLV4	1							
6	3	129A00-57210	O-RING, PLV4	1							
7	1	26106-080252	BOLT, M8X 25 PLATED	2							
8	1	122780-59100	RETAINER	4							
10	1	129A00-59700	PIPE ASSY, RAIL IN	1							
12	1	129C00-59810	PIPE ASSY, INJECTION	1							
13	1	129A00-59820	PIPE ASSY, INJECTION	1							
14	1	129C00-59820	PIPE ASSY, INJECTION	1							
15	1	129A00-59830	PIPE ASSY, INJECTION	1							
16	1	26366-060002	NUT, M6	4							

Fig.16. FUEL PIPING

(A)=4TNV86CT-PBV

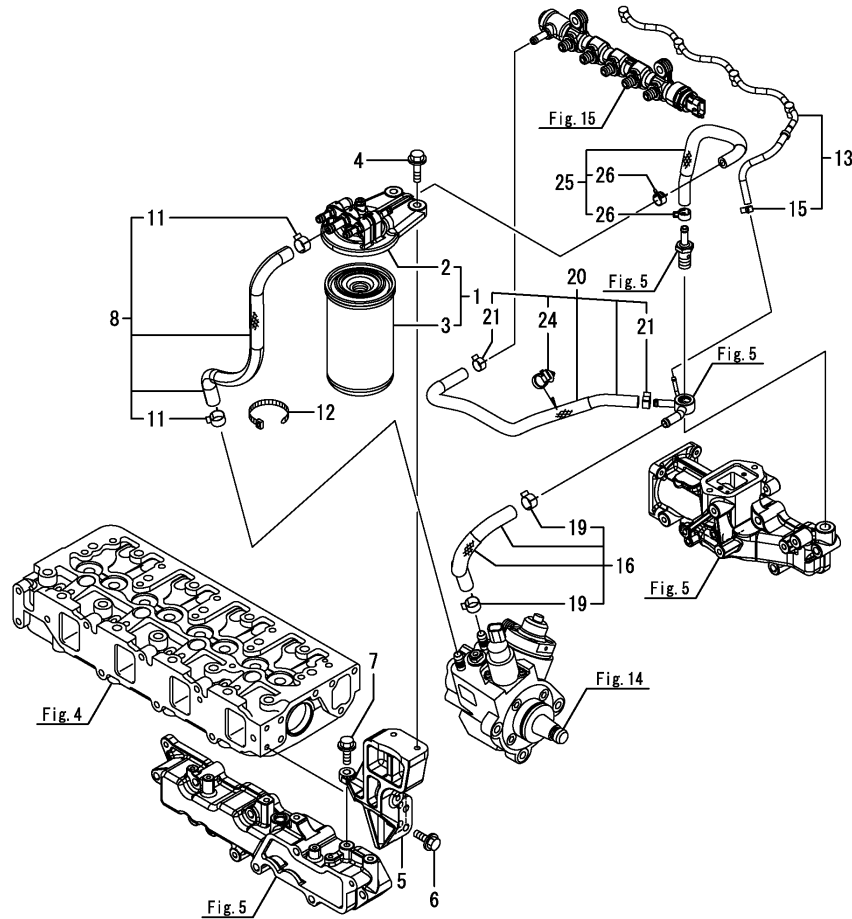
(B)=

(C)=

(D)=

(E)=

(F)=



No.	Lev.	Parts No.	Description	Qty						I	R
				(A)	(B)	(C)	(D)	(E)	(F)		
1	1	129A00-55600	FILTE ASSY,FO	1							
2	2	129A00-55610	BRACKET ASSY,FO FILT	1							
3	2	129A00-55800	FILTER, FUEL OIL	1							
4	1	26106-080302	BOLT, M8X 30 PLATED	2							
5	1	129A00-55650	BRACKET ASSY, FILTER	1							
6	1	26106-080182	BOLT, M8X 18 PLATED	2							
7	1	26106-080252	BOLT, M8X 25 PLATED	1							
8	1	129A00-59010	PIPE ASSY, FUEL	1							
11	2	23080-015000	CLAMP, 15	2							
12	1	121750-59890	BAND, 140	1							
13	1	129C00-59500	PIPE ASSY, FUEL	1							
15	2	23080-007000	CLAMP, 7	1							
16	1	129A00-59020	PIPE ASSY, FUEL	1							
19	2	23080-015000	CLAMP, 15	2							
20	1	129C00-59030	PIPE ASSY, FUEL	1							
21	2	114270-59010	CLIP, HOSE 12	2							
24	2	129A00-91200	BAND CLIP	1							
25	1	129A00-59040	PIPE ASSY, FUEL	1							
26	2	114270-59010	CLIP, HOSE 12	2							

Fig.17. STARTER MOTOR

(A)=4TNV86CT-PBV

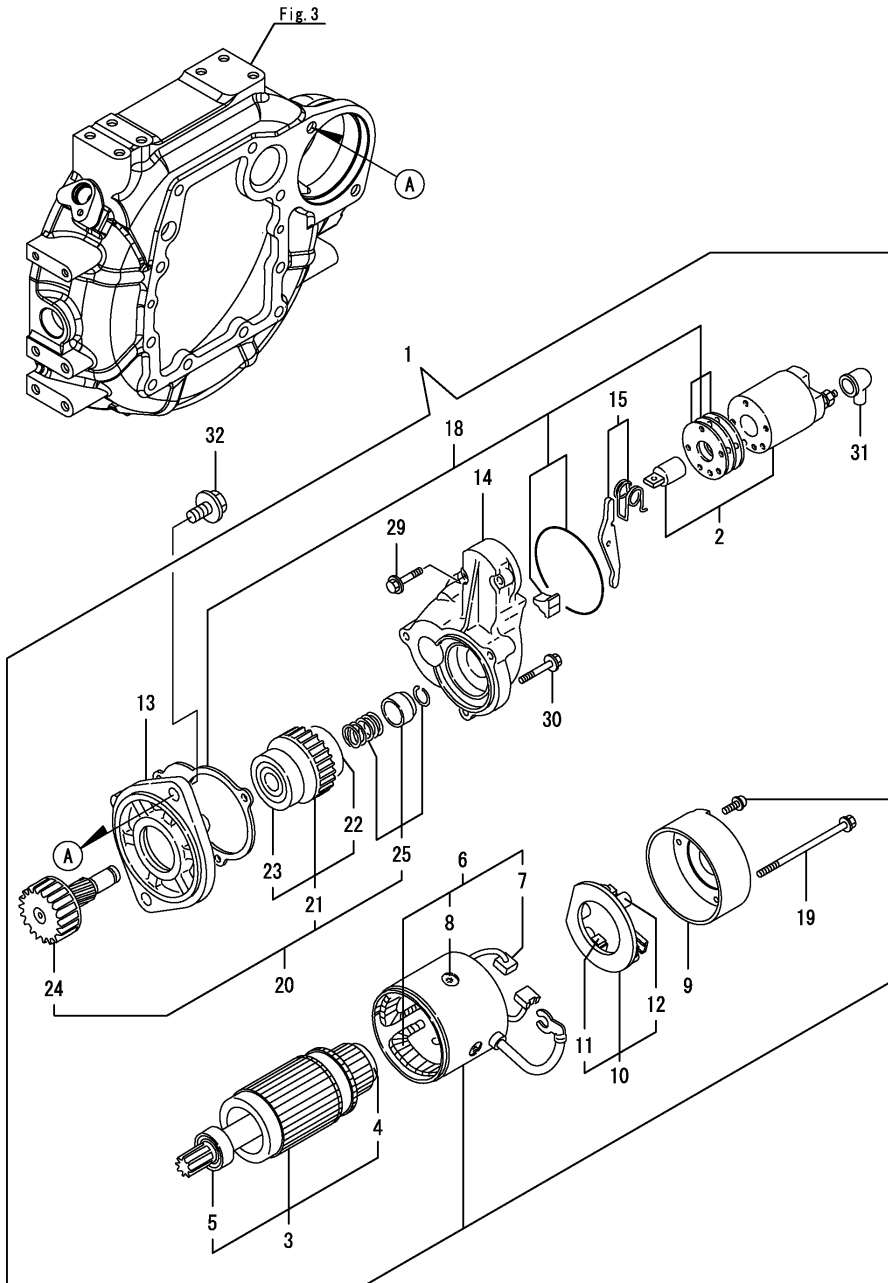
(B)=

(C)=

(D)=

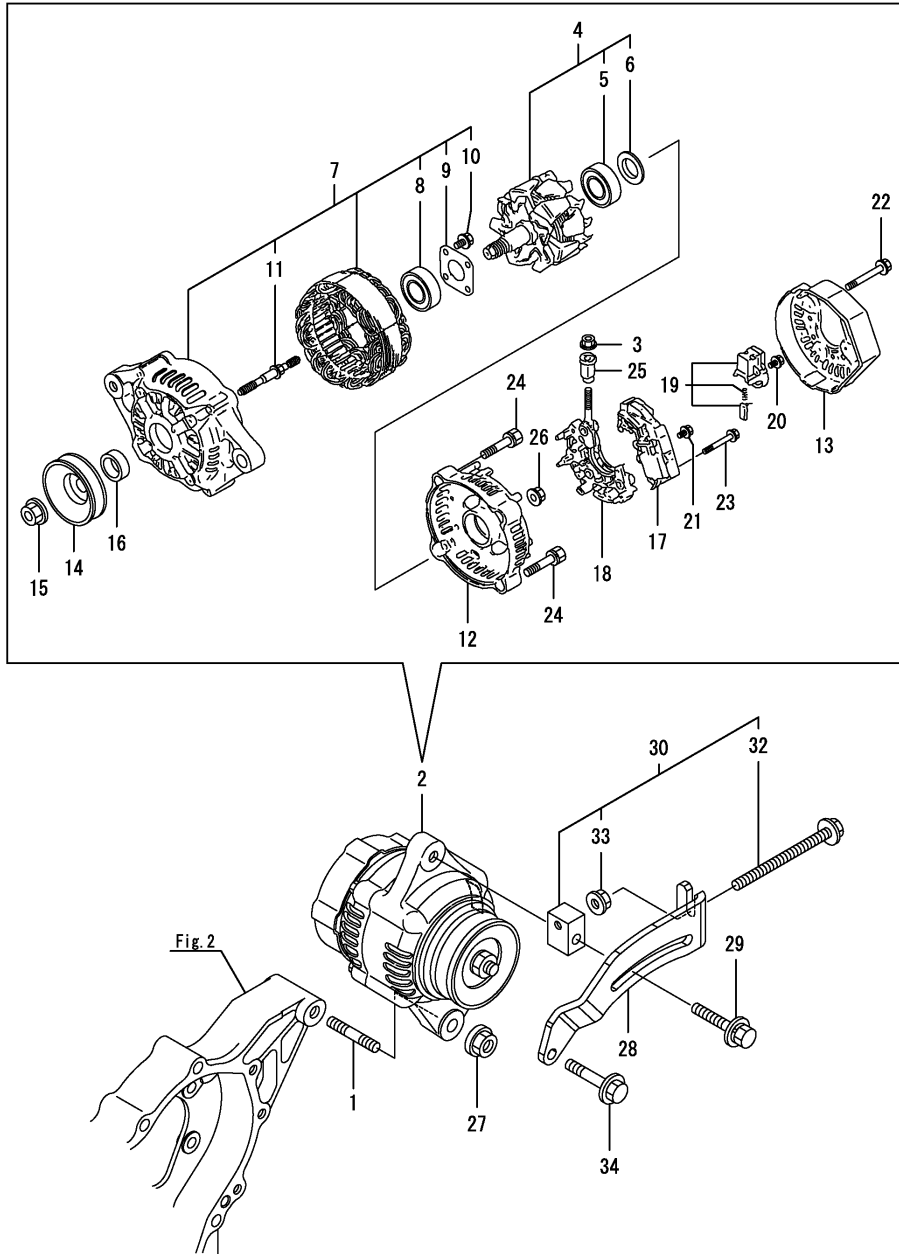
(E)=

(F)=



No.	Lev.	Parts No.	Description	Q'ty						I	R
				(A)	(B)	(C)	(D)	(E)	(F)		
1	1	129136-77011	STARTER	1							
2	2	129136-77310	SWITCH ASSY	1							
3	2	129900-77400	ARMATURE ASSY	1							
4	3	X2130350900	BEARING, BALL	1							
5	3	X2114255110	BEARING, BALL	1							
6	2	129900-77440	COIL ASSY, FIELD	1							
7	3	129900-77450	BRUSH	2							
8	3	171008-77450	SCREW	4							
9	2	129900-77460	COVER	1							
10	2	129900-77480	HOLDER ASSY, BRUSH	1							
11	3	129900-77450	BRUSH	2							
12	3	129400-77490	SPRING	4							
13	2	171008-77510	CASE, GEAR	1							
14	2	129136-77520	HOUSING	1							
15	2	171008-77540	LEVER SET	1							
18	2	129400-77571	COVER ASSY, DUST	1							
19	2	129900-77640	BOLT, THROUGH	2							
20	2	171008-77650	PINION ASSY	1							
21	3	X2114555500	CLUTCH ASSY	1							
22	4	X2114955020	BEARING, BALL	1							
23	4	X2240410100	BEARING, BALL	1							
24	3	171008-77660	SHAFT	1							
25	3	171008-77670	STOPPER SET	1							
29	2	26106-060322	BOLT, M6X 32 PLATED	2							
30	2	26106-060402	BOLT, M6X 40 PLATED	3							
31	2	171008-77750	COVER	1							
32	1	26106-120252	BOLT, M12X 25 PLATED	2							

Fig.18. GENERATOR



(A)=4TNV86CT-PBV
(B)=
(C)=

(D)=
(E)=
(F)=

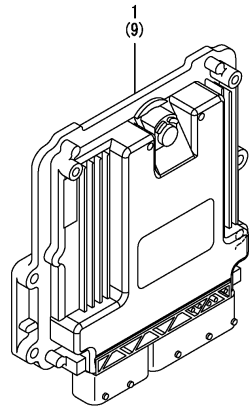
No.	Lev.	Parts No.	Description	Q'ty						I	R
				(A)	(B)	(C)	(D)	(E)	(F)		
1	1	129795-01900	STUD	1							
2	1	129052-77220	GENERATOR, 12V-55A	1							
3	2	X9490561001	NUT	1							
4	2	129052-77380	ROTOR ASSY	1							
5	3	123501-79240	BEARING, BALL	1							
6	3	119620-79250	COVER	1							
7	2	129052-77422	FRAME ASSY	1							
8	3	119620-79200	BEARING, BALL	1							
9	3	119620-79210	PLATE, RETAINER	1							
10	3	119620-79220	SCREW	4							
11	3	119620-79230	STUD	2							
12	2	128401-77440	FRAME	1							
13	2	128401-77450	COVER	1							
14	2	119620-77461	PULLEY	1							
15	2	119620-77471	NUT	1							
16	2	119620-77490	COLLAR	1							
17	2	119620-77710	REGULATOR ASSY	1							
18	2	129052-79260	HOLDER	1							
19	2	129052-79270	HOLDER, BRUSH	1							
20	2	119620-79290	SCREW	6							
21	2	119620-79300	SCREW	1							
22	2	119620-79310	BOLT	3							
23	2	119620-79320	SCREW	2							
24	2	119620-79330	BOLT	2							
25	2	119620-79340	BUSH, INSULATION	1							
26	2	119620-79350	NUT	2							
27	1	26306-100002	NUT, M10	1							
28	1	129017-77320	ADJUSTER, BELT	1							
29	1	129972-77341	BOLT, ADJUSTER L=50	1							
30	1	119624-77351	BLOCK ASSY, ADJUSTER	1							
32	2	26106-081004	BOLT, M8X100 PLATED	1							
33	2	26306-080002	NUT, M8	1							
34	1	26106-080452	BOLT, M8X 45 PLATED	1							

Fig.19. ELECTRONIC CONTROL UNIT(ECU)

(A)=4TNV86CT-PBV
(B)=
(C)=

(D)=
(E)=
(F)=

No.	Lev.	Parts No.	Description	Q'ty						I	R
				(A)	(B)	(C)	(D)	(E)	(F)		
1	1	129C30-75030	ECU ASSY,4-86CT-PBV	1							1
9	1	129A00-75910	ECU ASSY,SERVICE YMR	1							2



Remarks

(1)Eco ECU

This part cannot be ordered.

Replace the part using a Service ECU with the proper engine information installed.

(2)Service ECU

If the proper information is not installed, the engine will not operate.

To install proper information, go to an authorized distributor.

Fig.20. ELECTRIC PARTS

(A)=4TNV86CT-PBV
(B)=
(C)=

(D)=
(E)=
(F)=

No.	Lev.	Parts No.	Description	Q'ty						I	R
				(A)	(B)	(C)	(D)	(E)	(F)		
1	1	129A00-77930	BRACKET,CONNECTOR	1							
2	1	129928-79700	CLIP	1							
3	1	129C01-91221	HARNESS,B ECO ENGINE	1							
13	1	129C00-91231	HARNESS C,ECO ENGINE	1							
18	1	129A00-91451	BOOT,CAP TYPE	1							
19	1	129C01-91500	BRACKET, HARNESS	1							
20	1	129C20-91500	BRACKET, HARNESS	1							
21	1	129C30-91600	BRACKET,HARNESS	1							
22	1	26106-080122	BOLT, M8X 12 PLATED	2							
23	1	26106-080122	BOLT, M8X 12 PLATED	2							
24	1	26106-080122	BOLT, M8X 12 PLATED	1							
25	1	26106-080122	BOLT, M8X 12 PLATED	2							
26	1	26106-080142	BOLT, M8X 14 PLATED	2							
27	1	29621-100000	BAND, TR100	1							
28	1	29621-200000	BAND	1							

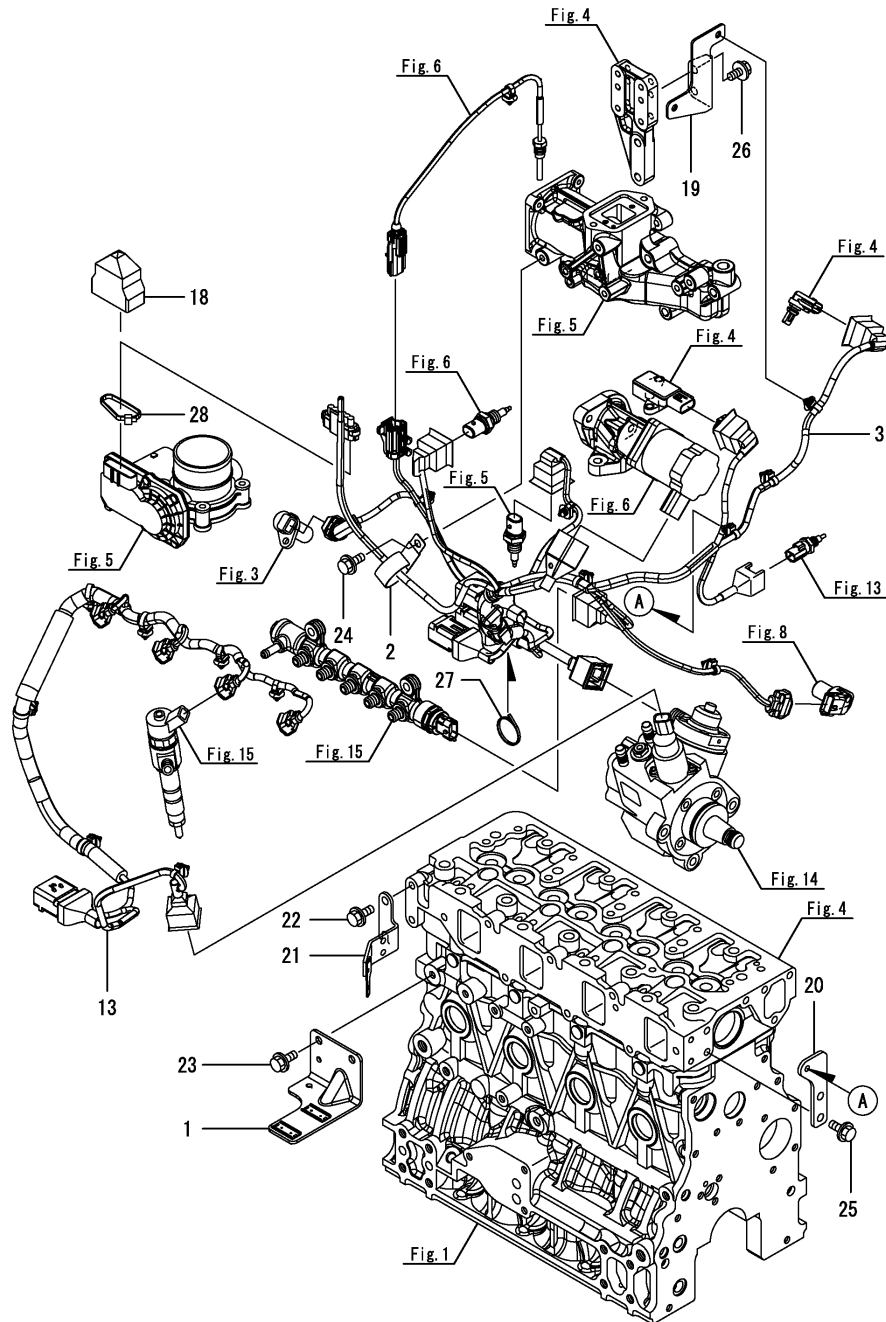


Fig.21. GASKET SET

(A)=4TNV86CT-PBV

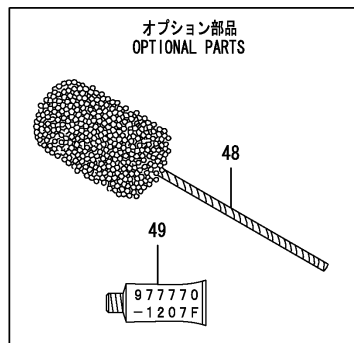
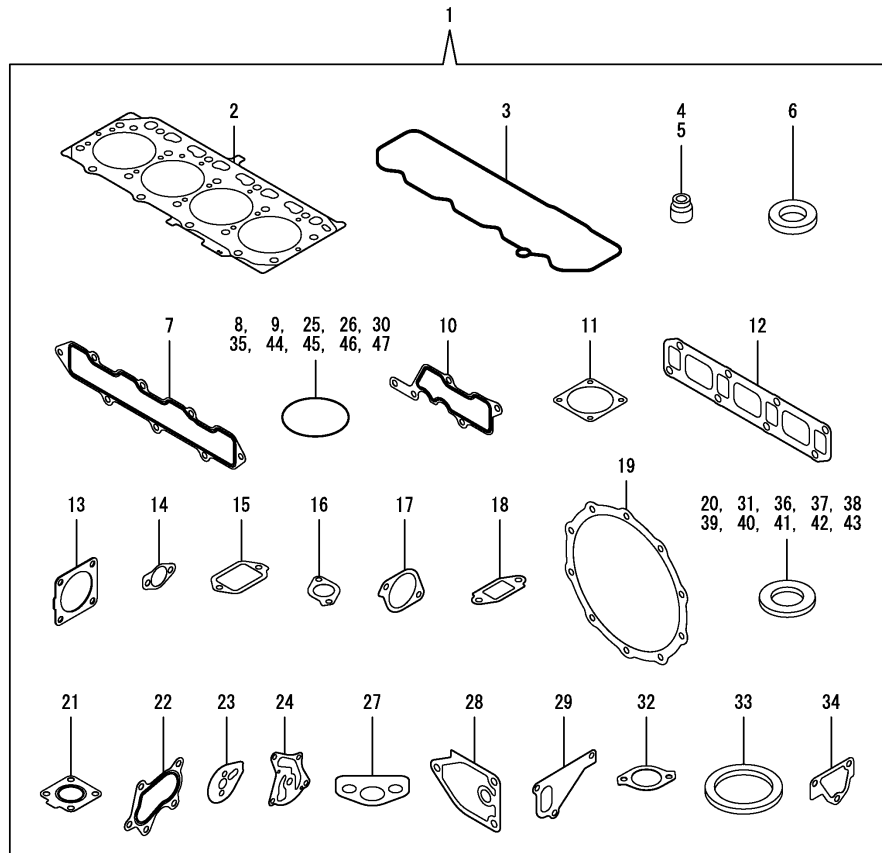
(B)=

(C)=

(D)=

(E)=

(F)=



オプション部品
OPTIONAL PARTS

No.	Lev.	Parts No.	Description	Q'ty						I	R
				(A)	(B)	(C)	(D)	(E)	(F)		
1	1	129C30-92600	GASKET SET	1							1
2	2	129C01-01331	GASKET, CYL. HEAD	1							
3	2	129C00-11310	GASKET, COVER	1							
4	2	124460-11340	SEAL, VALVE STEM	4							
5	2	129A00-11340	SEAL, VALVE STEM	4							
6	2	129978-11871	GASKET, INJECTOR	4							
7	2	129C00-12110	GASKET, INT MANIFOLD	1							
8	2	129A00-12780	O-RING, PRES SENSOR	2							
9	2	129A00-12790	O-RING, TEMP SENSOR	1							
10	2	129A00-12810	GASKET, COLLECTOR	1							
11	2	129A00-12910	GASKET, THROTTLE	2							
12	2	129C00-13110	GASKET, EXH MANIFOLD	1							
13	2	129930-13201	GASKET, SILENCER	1							
14	2	129A00-13410	GASKET, EGR COOLER	2							
15	2	129A00-13720	GASKET(EGR-V SPACER	1							
16	2	129927-13810	GASKET	1							
17	2	129A00-13910	GASKET, EGR-V IN	1							
18	2	129A00-13920	GASKET(EGR-V OUT	1							
19	2	129E00-16600	GASKET, DPF	2							
20	2	129A00-17311	GASKET, SENSOR	4							
21	2	129508-18080	GASKET	1							
22	2	129508-18090	GASKET	1							
23	2	129A00-25210	GASKET, IDLE SHAFT B	1							
24	2	129486-32020	GASKET, PUMP	1							
25	2	119609-32040	O-RING, P16	2							
26	2	119624-32040	O-RING, P12.0	1							
27	2	129150-35042	GASKET	1							
28	2	129150-35111	GASKET	1							
29	2	129486-42021	GASKET, WATER PUMP	1							
30	2	129486-42140	O-RING, G30	1							
31	2	124465-44950	GASKET, 16	1							
32	2	129795-49551	GASKET	1							
33	2	129150-49811	GASKET, THERMOSTAT	1							
34	2	124395-49840	GASKET	1							
35	2	129A00-51900	O-RING, FUEL PUMP	1							
36	2	22190-080002	WASHER, SEAL 8	1							
37	2	22190-100002	WASHER, SEAL 10	2							
38	2	22190-120002	WASHER, SEAL 12	1							
39	2	22190-140002	WASHER, SEAL 14	2							
40	2	22190-220002	WASHER, SEAL 22	1							
41	2	23414-080000	GASKET, 8X1.0	1							
42	2	23414-100000	GASKET, 10X1.0	2							
43	2	23414-120000	GASKET, 12X1.0	2							
44	2	24311-000120	O-RING, 1AP12.0	3							
45	2	24311-000320	O-RING, 1AP32.0	3							
46	2	24316-000160	O-RING, 4DP16.0	1							
47	2	24321-000600	O-RING, 1AG60.0	1							
48	1	129400-92420	HONE	1							1
49	1	977770-1207F	GASKET.LIQUID	1							1

Remarks

(1)Optional parts.

N:Old $\xrightarrow{\text{Yes}}$ New, Q:Old $\xrightarrow{\text{No}}$ New, R:Old $\xrightarrow{\text{Yes}}$ New, S:Old $\xrightarrow{\text{No}}$ New, W:Add, Z:Discontinued, F:Interchangeable by set, K:Q'ty Change

Parts No. Index

Parts No.	Fig. No.	Ref. No.
114250-39450	12	1
114270-59010	16	21
		26
119131-18320	6	24
	9	3
119609-32040	2	5
	21	25
119620-01750	3	3
119620-77461	18	14
119620-77471	18	15
119620-77490	18	16
119620-77710	18	17
119620-79200	18	8
119620-79210	18	9
119620-79220	18	10
119620-79230	18	11
119620-79250	18	6
119620-79290	18	20
119620-79300	18	21
119620-79310	18	22
119620-79320	18	23
119620-79330	18	24
119620-79340	18	25
119620-79350	18	26
119624-32040	2	6
	21	26
119624-77351	18	30
119640-01640	3	8
119640-61400	4	54
119802-11260	4	4
119802-11270	4	5
119802-13600	6	15
119802-21650	10	8
119802-25071	8	28
119803-21200	10	4
119865-21600	10	14
119934-01800	2	13
120130-11860	4	80
120270-54410	4	32
121111-21501	10	11
121252-39150	12	3
121450-42450	13	33
121520-34810	11	17
121550-23200	10	29
121750-59890	16	12
121850-21680	10	10
122780-59100	15	8
123501-79240	18	5
123907-03100	4	41
123907-03110	4	42

Parts No.	Fig. No.	Ref. No.
123907-03120	4	43
123907-03140	4	44
124060-01050	1	11
124160-01751	2	3
	4	37
124160-01910	1	12
		13
124160-11360	4	59
124160-39140	12	2
124223-39900	12	5
124240-01871	2	14
124395-49840	13	17
	21	34
124460-11340	4	26
	21	4
124465-44950	13	35
	21	31
128401-77440	18	12
128401-77450	18	13
129001-01250	1	4
129001-02931	1	29
129004-03010	4	39
129004-11650	4	7
129004-42040	13	15
129005-11100	4	22
129006-35100	11	24
129006-44480	11	30
129008-77800	4	77
129009-11340	4	48
129017-77320	18	28
129044-39610	12	9
129052-77220	18	2
129052-77380	18	4
129052-77422	18	7
129052-79260	18	18
129052-79270	18	19
129100-01580	2	2
	3	1
		15
	10	2
129100-11130	4	24
129100-23910	10	32
129100-42051	13	2
129100-42121	13	3
129103-49301	13	9
129136-77011	17	1
129136-77310	17	2
129136-77520	17	14
129150-01200	1	27
129150-02020	1	6

Parts No.	Fig. No.	Ref. No.
129150-02450	8	4
129150-02871	1	32
129150-02931	1	24
129150-02941	1	35
129150-03070	4	40
129150-11230	4	8
129150-11280	4	6
129150-11370	4	12
129150-11750	4	10
129150-11810	4	81
129150-14200	8	1
129150-14400	8	2
129150-23601	10	30
129150-23611	10	33
129150-35042	11	18
	21	27
129150-35111	11	27
	21	28
129150-35170	11	43
129150-49811	13	29
	21	33
129155-49801	13	28
129202-22300	10	24
129240-35800	11	29
129350-49530	13	30
129400-01730	3	6
129400-77490	17	12
129400-77571	17	18
129400-92420	21	48
129410-03990	4	70
129417-33111	11	23
129417-35150	11	26
129418-18320	6	7
		19
129436-35070	11	19
129466-49300	12	11
129486-01670	3	19
129486-32020	11	13
	21	24
129486-42021	13	14
	21	29
129486-42140	13	16
	21	30
129508-18080	9	2
	21	21
129508-18090	6	23
	21	22
129508-33010	11	21
129508-33050	11	22
129508-49030	11	31

Parts No.	Fig. No.	Ref. No.
129509-21000	10	1
129553-39650	12	21
129556-42350	13	23
129601-11241	4	1
129601-11251	4	2
129612-42330	13	24
129612-44700	13	25
129642-34801	11	16
129642-49040	11	35
129642-49180	11	38
129648-01600	3	16
129648-01780	3	18
129688-01780	3	7
129792-39410	12	15
129795-01900	18	1
129795-01950	2	4
129795-02412	1	9
129795-11120	4	23
129795-11180	4	25
129795-21661	10	9
129795-49551	13	31
	21	32
129900-07900	4	62
129900-77400	17	3
129900-77440	17	6
129900-77450	17	7
		11
129900-77460	17	9
129900-77480	17	10
129900-77640	17	19
129916-49740	13	11
129927-13810	6	28
	21	16
129927-44900	13	34
129928-49420	13	10
		37
129928-79700	20	2
129930-13201	7	1
	21	13
129960-03990	13	40
		43
		46
129972-77341	18	29
129978-11871	4	30
	21	6
129978-13700	6	16
129A00-01500	2	1
129A00-01550	2	11
129A00-01602	3	2
129A00-11330	4	47

Parts No. Index

Parts No.	Fig. No.	Ref. No.
129A00-11340	4	27
	21	5
129A00-11900	4	31
129A00-12703	4	49
129A00-12711	4	73
129A00-12720	5	5
129A00-12780	4	50
	21	8
129A00-12790	4	74
	21	9
129A00-12810	5	14
	21	10
129A00-12820	5	29
129A00-12900	5	30
129A00-12910	5	31
	21	11
129A00-13300	6	8
129A00-13350	6	10
	7	23
129A00-13360	4	51
129A00-13380	4	53
129A00-13400	6	13
129A00-13410	6	14
	21	14
129A00-13610	6	4
129A00-13710	5	23
129A00-13720	5	24
	21	15
129A00-13751	6	26
129A00-13851	6	17
129A00-13861	6	18
129A00-13910	6	32
	21	17
129A00-13920	6	33
	21	18
129A00-14100	8	6
129A00-14700	8	8
129A00-14710	8	11
129A00-16610	7	12
129A00-17311	7	25
	21	20
129A00-17520	7	29
129A00-17570	7	32
129A00-17650	7	30
129A00-17702	7	33
129A00-17760	7	34
129A00-21710	3	21
129A00-25050	8	13
129A00-25060	8	21
129A00-25080	8	29

Parts No.	Fig. No.	Ref. No.
129A00-25110	8	14
129A00-25120	8	22
129A00-25200	8	25
129A00-25210	8	26
	21	23
129A00-25900	8	18
129A00-49610	13	38
129A00-51000	14	1
129A00-51100	14	2
129A00-51110	14	3
129A00-51120	14	4
129A00-51130	14	5
129A00-51200	14	6
129A00-51900	14	7
	21	35
129A00-53200	15	2
129A00-55600	16	1
129A00-55610	16	2
129A00-55650	16	5
129A00-55800	16	3
129A00-57100	15	4
129A00-57200	15	5
129A00-57210	15	6
129A00-59010	16	8
129A00-59020	16	16
129A00-59040	16	25
129A00-59110	5	18
129A00-59120	5	19
129A00-59700	15	10
129A00-59820	15	13
129A00-59830	15	15
129A00-75910	19	9
129A00-77930	20	1
129A00-91200	6	6
	7	37
	16	24
129A00-91430	7	39
129A00-91451	20	18
129A01-12800	5	16
129A01-12851	5	15
129A01-13600	6	3
129A01-18210	5	8
129A01-22080	10	16
129A01-22500	10	18
129A01-22900	10	35
129A01-22950	10	37
129A01-32000	11	1
129A01-53100	15	1
129C00-11310	4	46
	21	3

Parts No.	Fig. No.	Ref. No.
129C00-12110	5	1
	21	7
129C00-13110	6	1
	21	12
129C00-13800	6	27
129C00-13901	6	31
129C00-13940	7	3
129C00-13950	7	4
129C00-14580	8	3
129C00-17600	7	27
129C00-21580	10	12
129C00-49610	13	42
129C00-49620	13	45
129C00-49700	13	49
129C00-57000	15	3
129C00-59030	16	20
129C00-59500	16	13
129C00-59810	15	12
129C00-59820	15	14
129C00-77820	4	78
129C00-91200	7	38
129C00-91231	20	13
129C01-01331	1	28
	21	2
129C01-01560	1	1
129C01-03050	4	67
129C01-03080	4	68
129C01-07910	4	64
129C01-11351	4	38
129C01-11700	4	13
129C01-12060	4	72
129C01-12100	5	3
129C01-12150	5	2
129C01-13110	6	2
129C01-13350	6	21
129C01-13600	6	22
129C01-13700	5	17
129C01-13770	6	5
129C01-16001	7	5
129C01-16200	7	6
129C01-16400	7	8
129C01-16550	7	10
129C01-16680	7	13
129C01-16700	7	14
129C01-16710	7	15
129C01-16730	7	16
129C01-16740	7	17
129C01-16800	7	18
129C01-18010	9	1
129C01-18200	5	7

Parts No.	Fig. No.	Ref. No.
129C01-18220	5	9
129C01-39450	12	4
129C01-39610	12	10
129C01-91221	20	3
129C01-91500	20	19
129C20-91500	20	20
129C30-07901	4	63
129C30-42000	13	1
129C30-75030	19	1
129C30-77830	4	79
129C30-91600	20	21
129C30-92600	21	1
129E00-16600	7	11
	21	19
129E00-17200	7	22
129E00-17300	7	24
129E00-17350	7	26
171008-03990	11	32
		36
171008-77450	17	8
171008-77510	17	13
171008-77540	17	15
171008-77650	17	20
171008-77660	17	24
171008-77670	17	25
171008-77750	17	31
171031-11741	2	9
171051-01921	1	5
171056-49120	11	15
171353-44760	13	26
22190-080002	2	15
	21	36
22190-100002	12	6
	21	37
22190-120002	13	36
	21	38
22190-140002	5	20
	21	39
22190-220002	3	10
	21	40
22217-180000	8	19
22252-000260	10	25
22351-030010	10	7
	12	22
22351-060012	4	33
22512-070140	8	7
	10	5
22857-500100	4	55
		56
		57

Parts No. Index

Parts No.	Fig. No.	Ref. No.
22857-500160	5	21
23000-022000	12	12
23000-048000	5	10
23000-054000	5	11
23000-060000	4	75
	5	12
23000-075000	5	13
23065-120230	11	40
23080-007000	16	15
23080-014000	11	41
23080-015000	11	34
		39
	16	11
		19
23297-080061	6	9
23414-080000	13	18
	21	41
23414-100000	12	7
	21	42
23414-120000	6	11
	21	43
23876-010000	13	12
24311-000120	4	60
	21	44
24311-000320	2	7
		10
	4	61
	21	45
24316-000160	12	13
	21	46
24321-000600	21	47
26106-060102	8	9
26106-060122	6	12
	12	14
26106-060162	4	76
	7	35
26106-060202	5	32
26106-060322	17	29
26106-060402	5	33
	13	27
	17	30
26106-060902	5	34
26106-080122	12	8
	13	19
	20	22
		23
		24
		25
26106-080142	7	19
	8	10

Parts No.	Fig. No.	Ref. No.
26106-080142	20	26
26106-080162	2	8
		16
	3	11
	4	65
	13	20
		50
26106-080182	16	6
26106-080202	7	36
	11	42
26106-080222	13	32
26106-080252	3	12
	4	34
		66
	6	29
	15	7
	16	7
26106-080302	14	8
	16	4
26106-080352	2	17
	3	20
	4	35
26106-080402	2	18
	8	27
26106-080452	3	13
	8	17
	13	21
	18	34
26106-080502	3	14
	4	36
	5	6
		25
	6	20
26106-080552	11	20
26106-080602	2	19
	13	22
26106-080752	5	26
26106-080852	2	20
26106-081004	18	32
26106-100202	7	40
26106-100222	7	20
26106-120252	17	32
26206-100252	3	4
26206-100302	3	5
26216-060202	5	4
26216-080302	5	22
26216-081052	5	27
26226-080182	4	11
26306-080002	5	28
	6	25

Parts No.	Fig. No.	Ref. No.
26306-080002	6	30
		34
	7	21
		41
	9	4
	18	33
26306-100002	18	27
26366-060002	15	16
26450-060162	3	22
	4	58
	8	12
26450-060252	11	14
26577-060142	13	13
26776-180002	8	20
27241-120000	1	14
27241-300000	1	10
27241-400000	4	21
27310-080001	4	28
29621-100000	20	27
29621-200000	20	28
729402-23100	10	26
977770-1207F	21	49
X2114255110	17	5
X2114555500	17	21
X2114955020	17	22
X2130350900	17	4
X2240410100	17	23
X9490561001	18	3

Parts No.	Fig. No.	Ref. No.
-----------	----------	----------