

0CB10-M83400EN

Contents

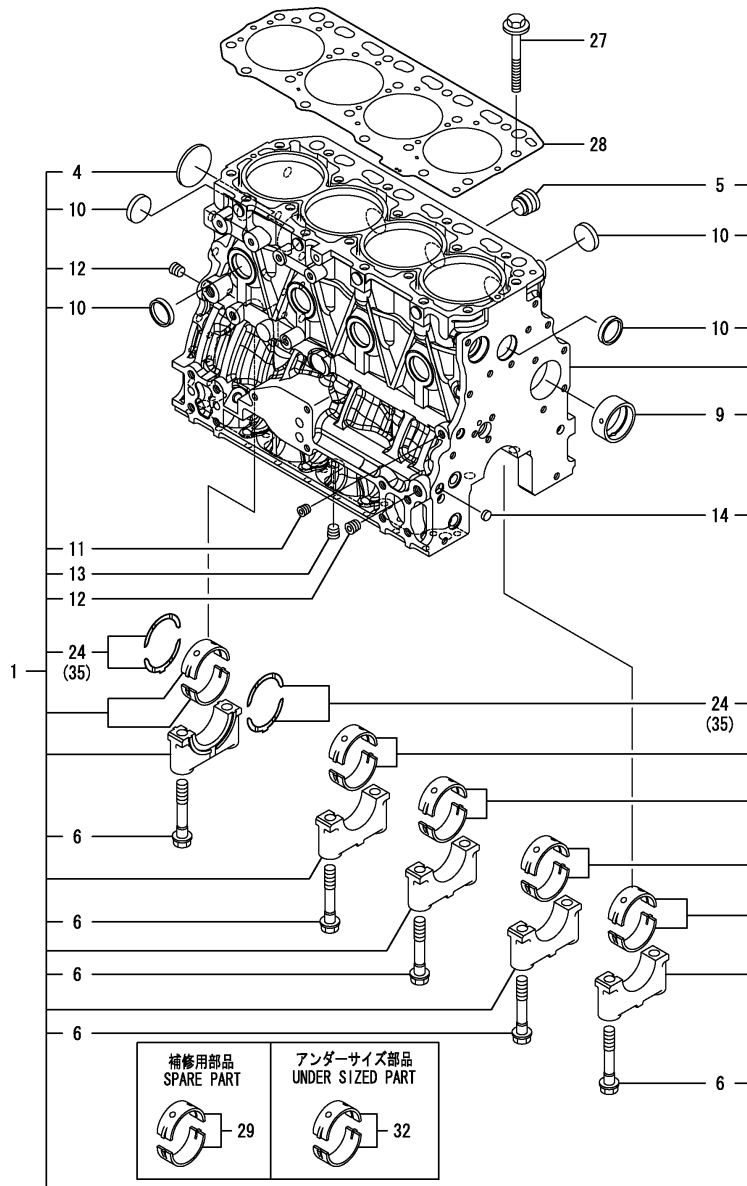
0CB10-M83400

Fig. No.	Fig. Name	Fig. No.	Fig. Name
ENGINE			
1.	CYLINDER BLOCK		
2.	GEAR HOUSING		
3.	FLYWHEEL HOUSING & OIL SUMP		
4.	CYLINDER HEAD & BONNET		
5.	SUCTION MANIFOLD		
6.	EXHAUST MANIFOLD		
7.	DIESEL PARTICULATE FILTER(DPF)		
8.	CAMSHAFT & DRIVING GEAR		
9.	CRANKSHAFT & PISTON		
10.	LUB. OIL SYSTEM		
11.	COOLING WATER SYSTEM		
12.	FUEL SUPPLY PUMP		
13.	FUEL INJECTION VALVE		
14.	FUEL PIPING		
15.	STARTER MOTOR		
16.	GENERATOR		
17.	ELECTRONIC CONTROL UNIT(ECU)		
18.	ELECTRIC PARTS		
19.	GASKET SET		

Fig.1. CYLINDER BLOCK

(A)=4TNV88C-PBV
(B)=
(C)=

(D)=
(E)=
(F)=



No.	Lev.	Parts No.	Description	Q'ty						I	R
				(A)	(B)	(C)	(D)	(E)	(F)		
1	1	129C00-01560	BLOCK ASSY, CYLINDER	1							
4	2	129001-01250	PLUG, 50	1							
5	2	171051-01921	PLUG, NPTF1	1							
6	2	129150-02020	BOLT, METAL CAP	10							
9	2	129795-02412	BUSH, CAMSHAFT	1							
10	2	27241-300000	PLUG 30	8							
11	2	124060-01050	PLUG, PT1/8	1							
12	2	124160-01910	PLUG, PT1/4	2							
13	2	124160-01910	PLUG, PT1/4	1							
14	2	27241-120000	PLUG, 12	1							
24	2	129150-02931	BEARING, THRUST	2							
27	1	129150-01200	BOLT, HEAD	18							
28	1	129685-01350	GASKET, HEAD	1							
29	1	129001-02931	BEARING, MAIN	5							1
32	1	129150-02871	BEARING, 0.25 US	5							2
35	1	129150-02941	BEARING, THRUST 0.25	1							3

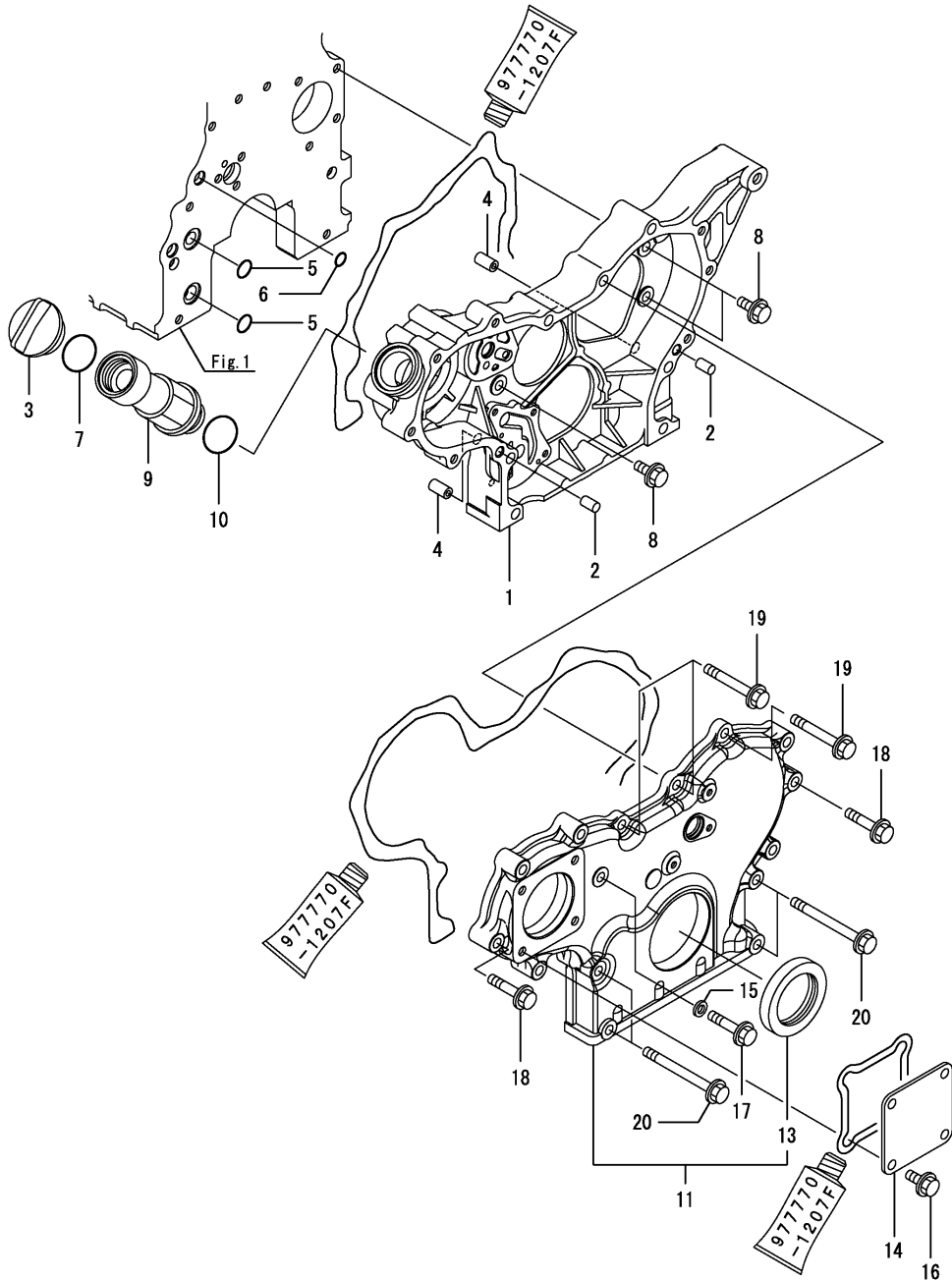
Remarks

- (1) Spare parts.
- (2) Under-sized (U.S.=0.25) parts.
- (3) Over-sized (O.S.=0.25) parts.

Fig.2. GEAR HOUSING

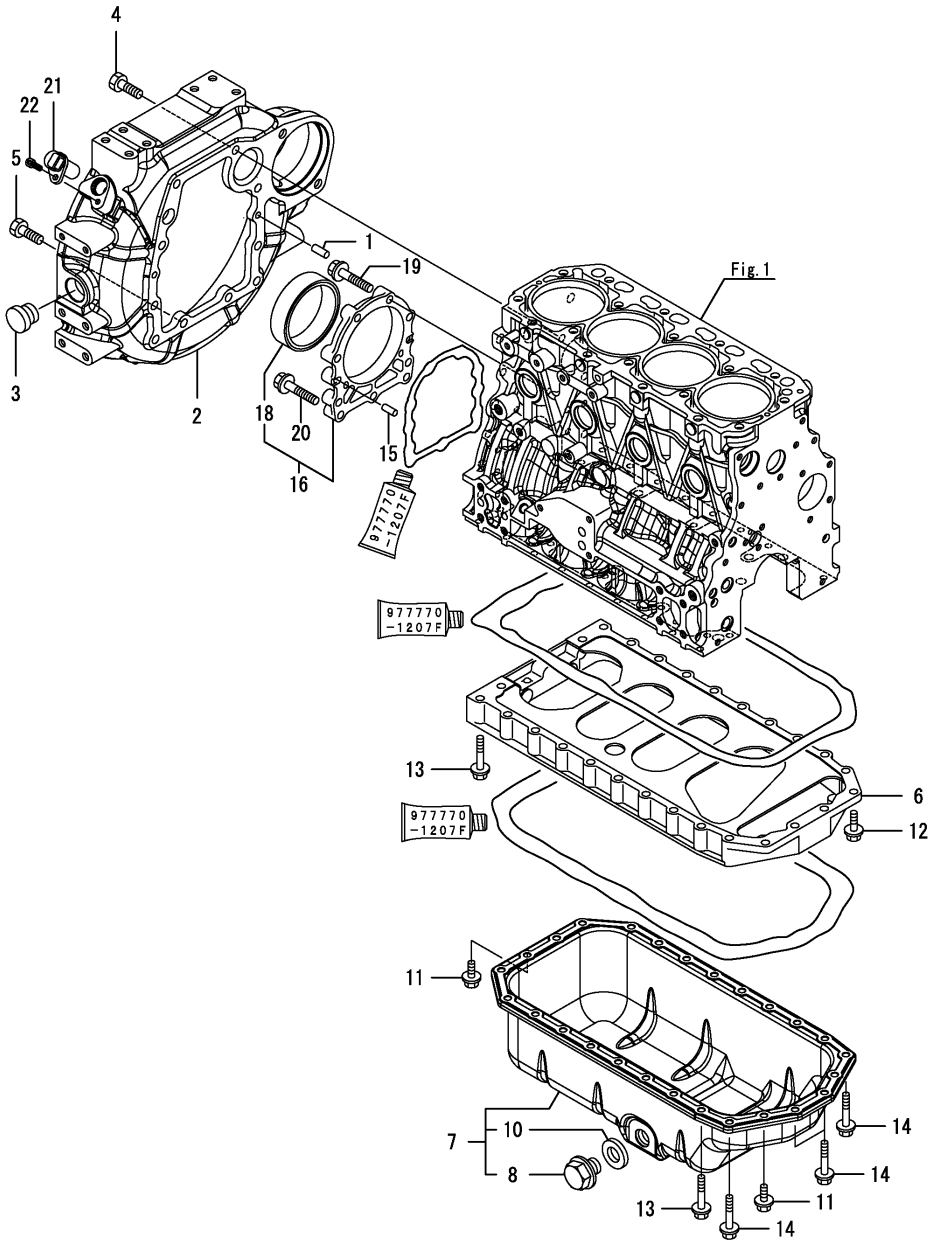
(A)=4TNV88C-PBV
(B)=
(C)=

(D)=
(E)=
(F)=



No.	Lev.	Parts No.	Description	Q'ty						I	R
				(A)	(B)	(C)	(D)	(E)	(F)		
1	1	129A00-01500	CASE, GEAR	1							
2	1	129100-01580	PIN, M8X16	2							
3	1	124160-01751	COVER, FILLER	1							
4	1	129795-01950	PIPE, KNOCK L=18	2							
5	1	119609-32040	O-RING, P16	2							
6	1	119624-32040	O-RING, P12.0	1							
7	1	24311-000320	O-RING, 1AP32.0	1							
8	1	26106-080162	BOLT, M8X 16 PLATED	3							
9	1	171031-11741	PIPE	1							
10	1	24311-000320	O-RING, 1AP32.0	1							
11	1	129A00-01550	COVER ASSY, GEARCASE	1							
13	2	119934-01800	SEAL, OIL	1							
14	1	124240-01871	COVER	1							
15	1	22190-080002	WASHER, SEAL 8	1							
16	1	26106-080162	BOLT, M8X 16 PLATED	4							
17	1	26106-080352	BOLT, M8X 35 PLATED	1							
18	1	26106-080402	BOLT, M8X 40 PLATED	7							
19	1	26106-080602	BOLT, M8X 60 PLATED	3							
20	1	26106-080852	BOLT, M8X 85 PLATED	4							

Fig.3. FLYWHEEL HOUSING & OIL SUMP

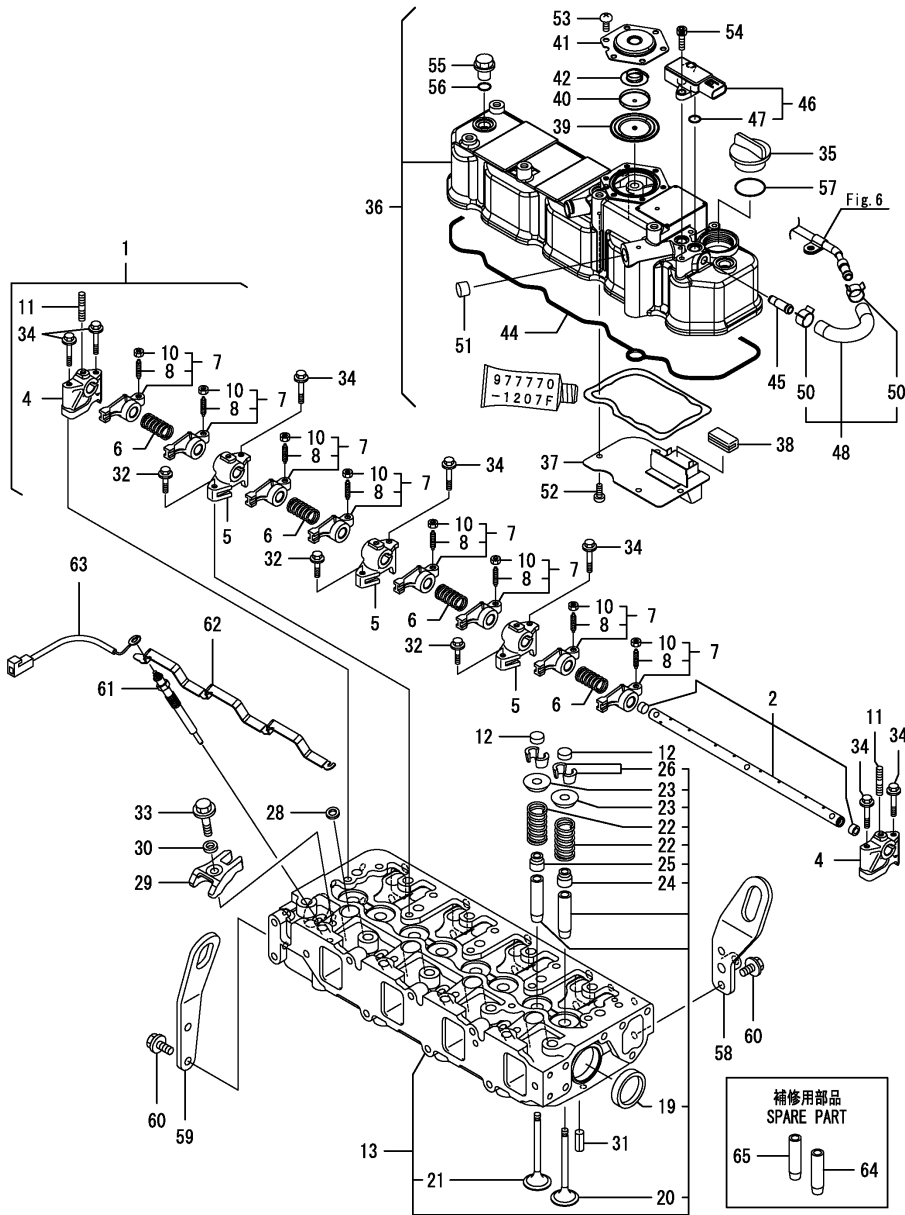


(A)=4TNV88C-PBV
(B)=
(C)=

(D)=
(E)=
(F)=

No.	Lev.	Parts No.	Description	Q'ty						I	R
				(A)	(B)	(C)	(D)	(E)	(F)		
1	1	129100-01580	PIN, M8X16	2							
2	1	129A00-01602	HOUSING, FLYWHEEL	1							
3	1	119620-01750	CAP	1							
4	1	26206-100252	BOLT, M10X 25 PLATED	6							
5	1	26206-100302	BOLT, M10X 30 PLATED	4							
6	1	129400-01730	SPACER, OIL SUMP	1							
7	1	129688-01780	OIL PAN ASSY, DEEP	1							
8	2	119640-01640	PLUG, DRAIN M22	1							
10	2	22190-220002	WASHER, SEAL 22	1							
11	1	26106-080162	BOLT, M8X 16 PLATED	4							
12	1	26106-080252	BOLT, M8X 25 PLATED	2							
13	1	26106-080452	BOLT, M8X 45 PLATED	20							
14	1	26106-080502	BOLT, M8X 50 PLATED	4							
15	1	129100-01580	PIN, M8X16	2							
16	1	129648-01600	CASE ASSY, OIL SEAL	1							
18	2	129648-01780	SEAL, OIL	1							
19	1	129486-01670	BOLT, M8X30	6							
20	1	26106-080352	BOLT, M8X 35 PLATED	3							
21	1	129A00-21710	SENSOR, FLYWHEEL REV	1							
22	1	26450-060162	BOLT, M6X 16	1							

Fig.4. CYLINDER HEAD & BONNET



(A)=4TNV88C-PBV

(B)=

(C)=

(D)=

(E)=

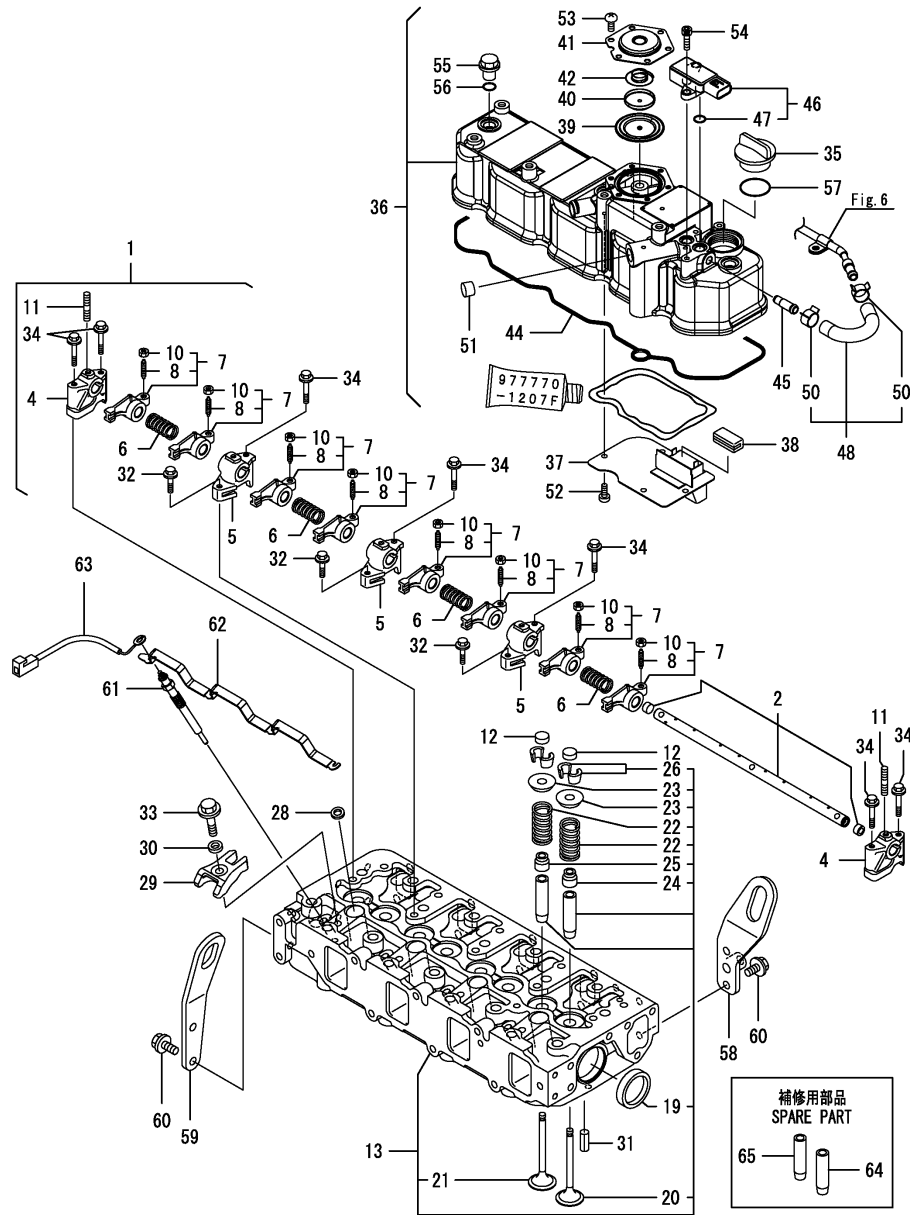
(F)=

No.	Lev.	Parts No.	Description	Q'ty						I	R
				(A)	(B)	(C)	(D)	(E)	(F)		
1	1	129601-11241	SHAFT ASSY, ROCKER	1							
2	2	129601-11251	SHAFT, ROCKER ARM	1							
4	2	119802-11260	SUPPORT, ROCKER ARM	2							
5	2	119802-11270	SUPPORT, ROCKER ARM	3							
6	2	129150-11280	SPRING	4							
7	2	129004-11650	ARM, ROCKER	8							
8	3	129150-11230	SCREW, VALVE ADJUST	8							
10	3	129150-11750	NUT, M8	8							
11	2	26226-080182	STUD, M8X 18	3							
12	1	129150-11370	CAP, VALVE	8							
13	1	129C00-11710	HEAD ASSY, CYLINDER	1							
19	2	27241-400000	PLUG, 40	2							
20	2	129005-11100	VALVE, INTAKE	4							
21	2	129100-11112	VALVE, EXHAUST	4							
22	2	129795-11120	SPRING, VALVE	8							
23	2	129795-11180	RETAINER, SPRING	8							
24	2	124460-11340	SEAL, VALVE STEM	4							
25	2	129A00-11340	SEAL, VALVE STEM	4							
26	2	27310-080001	COTTER, 8	8							
28	1	129978-11871	GASKET,INJECTOR	4							
29	1	129A00-11900	RETAINER, INJECTOR	4							
30	1	120270-54410	WASHER, INJECTOR	4							
31	1	22351-060012	PIN, SPRING 6.0X12	2							
32	1	26106-080252	BOLT, M8X 25 PLATED	3							
33	1	26106-080352	BOLT, M8X 35 PLATED	4							
34	1	26106-080502	BOLT, M8X 50 PLATED	7							
35	1	124160-01751	COVER, FILLER	1							
36	1	129C00-11350	BONNET ASSY	1							
37	2	129004-03010	PLATE	1							
38	2	129150-03070	BAFFLE, BREATHER	1							
39	2	123907-03100	DIAPHRAGM	1							
40	2	123907-03110	PLATE	1							
41	2	123907-03120	PLATE, BREATHER	1							
42	2	123907-03140	SPRING, DIAPHRAGM	1							
44	2	129C00-11310	GASKET, COVER	1							
45	2	129A00-11330	JOINT	1							
46	2	129A00-12703	SENSOR,PRESSURE	1							
47	3	129A00-12780	O-RING,PRES SENSOR	2							
48	2	129A00-13360	HOSE ASSY, PRES EXH	1							
50	3	129A00-13380	CLIP, HOSE 14	2							
51	2	119640-61400	PLUG	1							
52	2	22857-500100	SCREW, 5X10	4							
53	2	22857-500100	SCREW, 5X10	6							
54	2	26450-060162	BOLT, M6X 16	2							
55	1	124160-11360	KNOB	3							
56	1	24311-000120	O-RING, 1AP12.0	3							
57	1	24311-000320	O-RING, 1AP32.0	1							
58	1	129C30-07901	LIFTER, ENGINE	1							
59	1	129930-07910	LIFTER	1							
60	1	26106-080162	BOLT, M8X 16 PLATED	4							
61	1	129008-77800	PLUG, GLOW	4							

Remarks

(1) Spare parts.

Fig.4. CYLINDER HEAD & BONNET



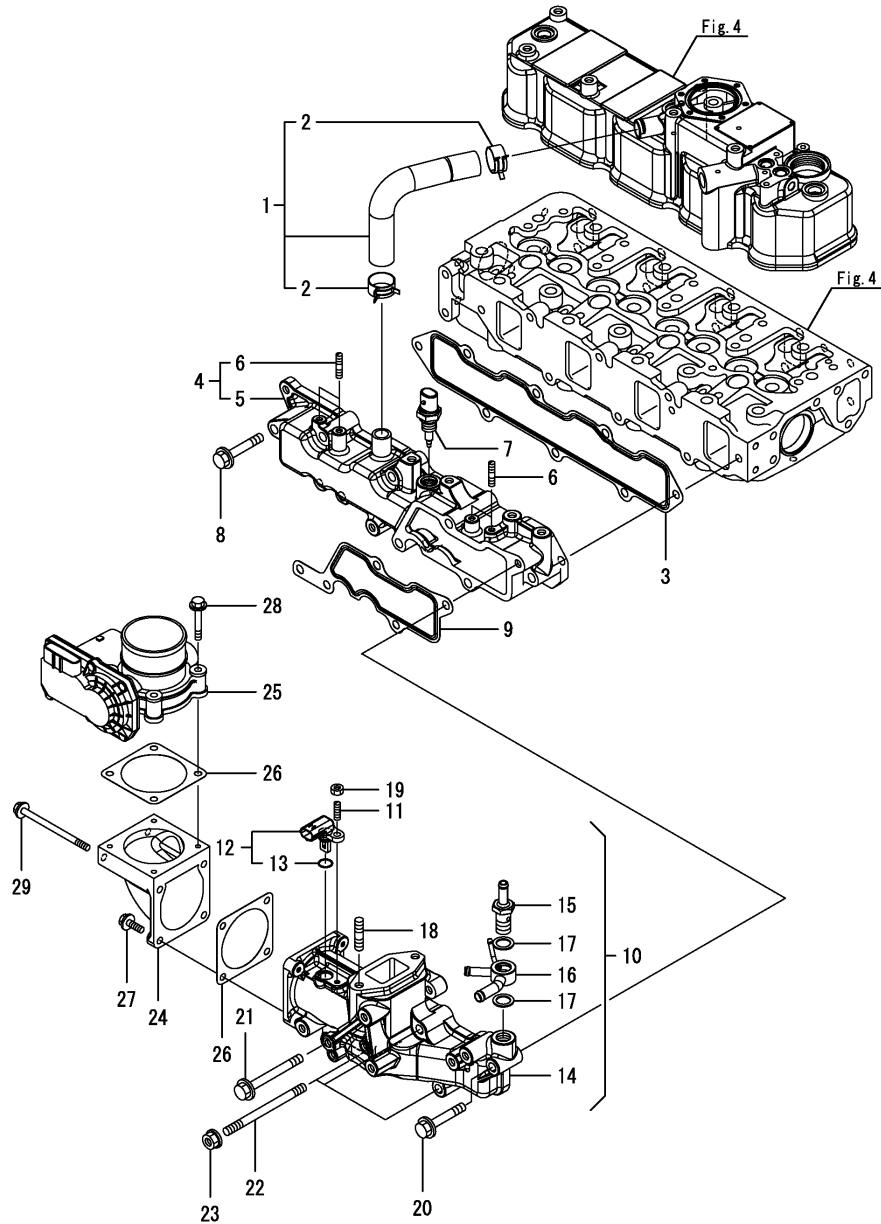
(A)=4TNV88C-PBV
(B)=
(C)=

(D)=
(E)=
(F)=

No.	Lev.	Parts No.	Description	Q'ty						I	R
				(A)	(B)	(C)	(D)	(E)	(F)		
62	1	129C00-77820	CONNECTOR, GLOW PLUG	1							
63	1	129C30-77830	HARNESS, GLOW PLUG	1							
64	1	120130-11860	GUIDE, VALVE	4							1
65	1	129150-11810	GUIDE, VALVE	4							1

Remarks
(1) Spare parts.

Fig.5. SUCTION MANIFOLD

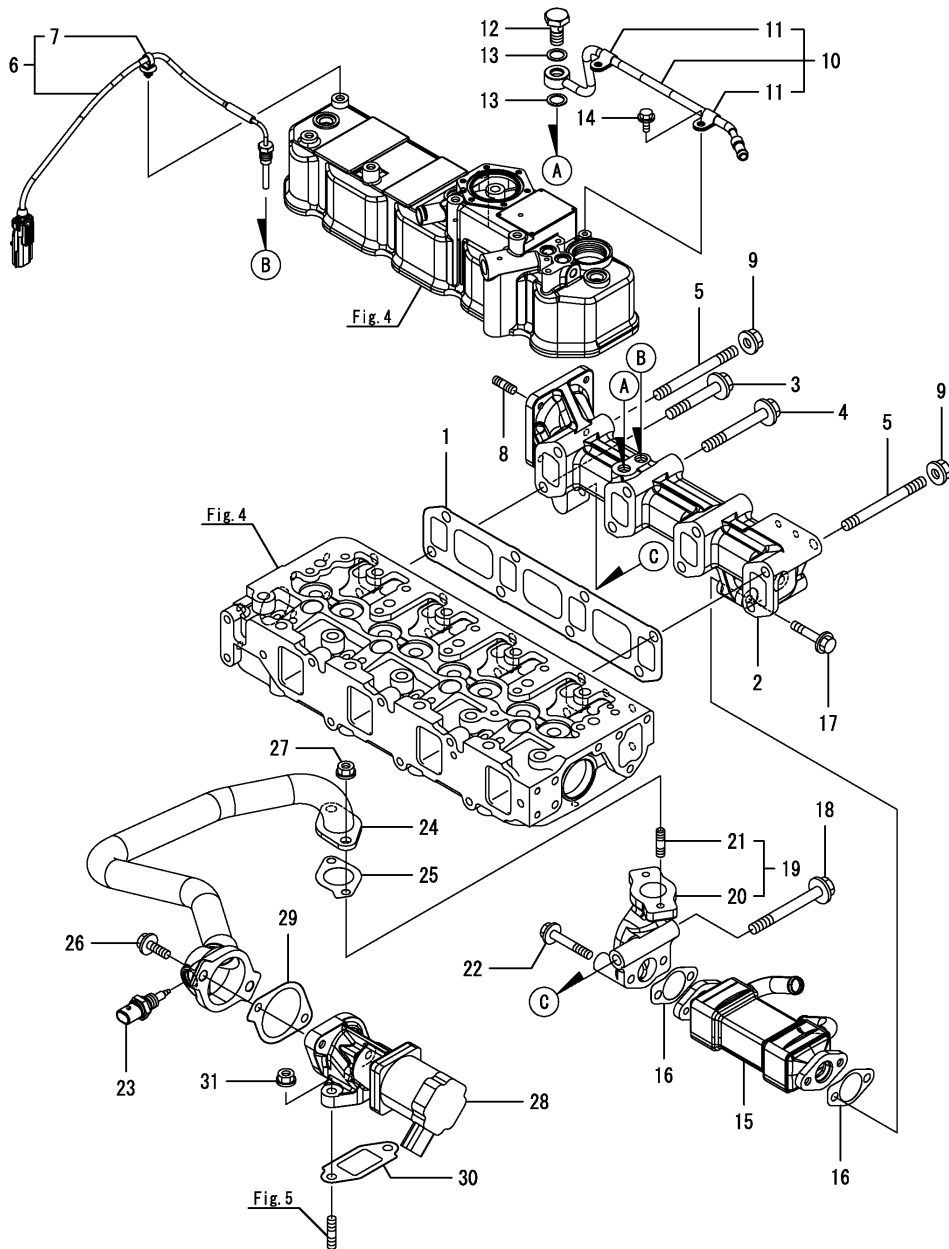


(A)=4TNV88C-PBV
(B)=
(C)=

(D)=
(E)=
(F)=

No.	Lev.	Parts No.	Description	Q'ty						I	R
				(A)	(B)	(C)	(D)	(E)	(F)		
1	1	129005-03080	PIPE , BREATHER	1							
2	2	129410-03990	CLIP	2							
3	1	129C00-12110	GASKET, INT MANIFOLD	1							
4	1	129C00-12150	MANIFOLD CMP,INTAKE	1							
5	2	129C00-12100	MANIFOLD,INT	1							
6	2	26216-060202	STUD, M6X 20	4							
7	1	129A00-12720	SENSOR,AIR TEMP	1							
8	1	26106-080502	BOLT, M8X 50 PLATED	5							
9	1	129A00-12810	GASKET, COLLECTOR	1							
10	1	129A00-12851	COLLECTOR, INT CMP	1							
11	2	119660-01570	STUD, M6X12	1							
12	2	129A00-12711	SENSOR,AIR TEMP	1							
13	3	129A00-12790	O-RING,TEMP SENSOR	1							
14	2	129A00-12830	COLLECTOR, INT	1							
15	2	129A00-59110	JOINT, HOSE M14	1							
16	2	129A00-59120	JOINT, HOSE 14	1							
17	2	22190-140002	WASHER, SEAL 14	2							
18	2	26216-080252	STUD, M8X 25	2							
19	2	26716-060002	NUT, M6	1							
20	1	26106-080502	BOLT, M8X 50 PLATED	1							
21	1	26106-080752	BOLT, M8X 75 PLATED	1							
22	1	26216-081052	STUD, M8X105	3							
23	1	26306-080002	NUT, M8	3							
24	1	129A00-12820	BEND, INLET	1							
25	1	129A00-12900	THROTTLE BODY(INT	1							
26	1	129A00-12910	GASKET,THROTTLE	2							
27	1	26106-060202	BOLT, M6X 20 PLATED	2							
28	1	26106-060402	BOLT, M6X 40 PLATED	4							
29	1	26106-060902	BOLT, M6X 90 PLATED	2							

Fig.6. EXHAUST MANIFOLD



(A)=4TNV88C-PBV

(B)=

(C)=

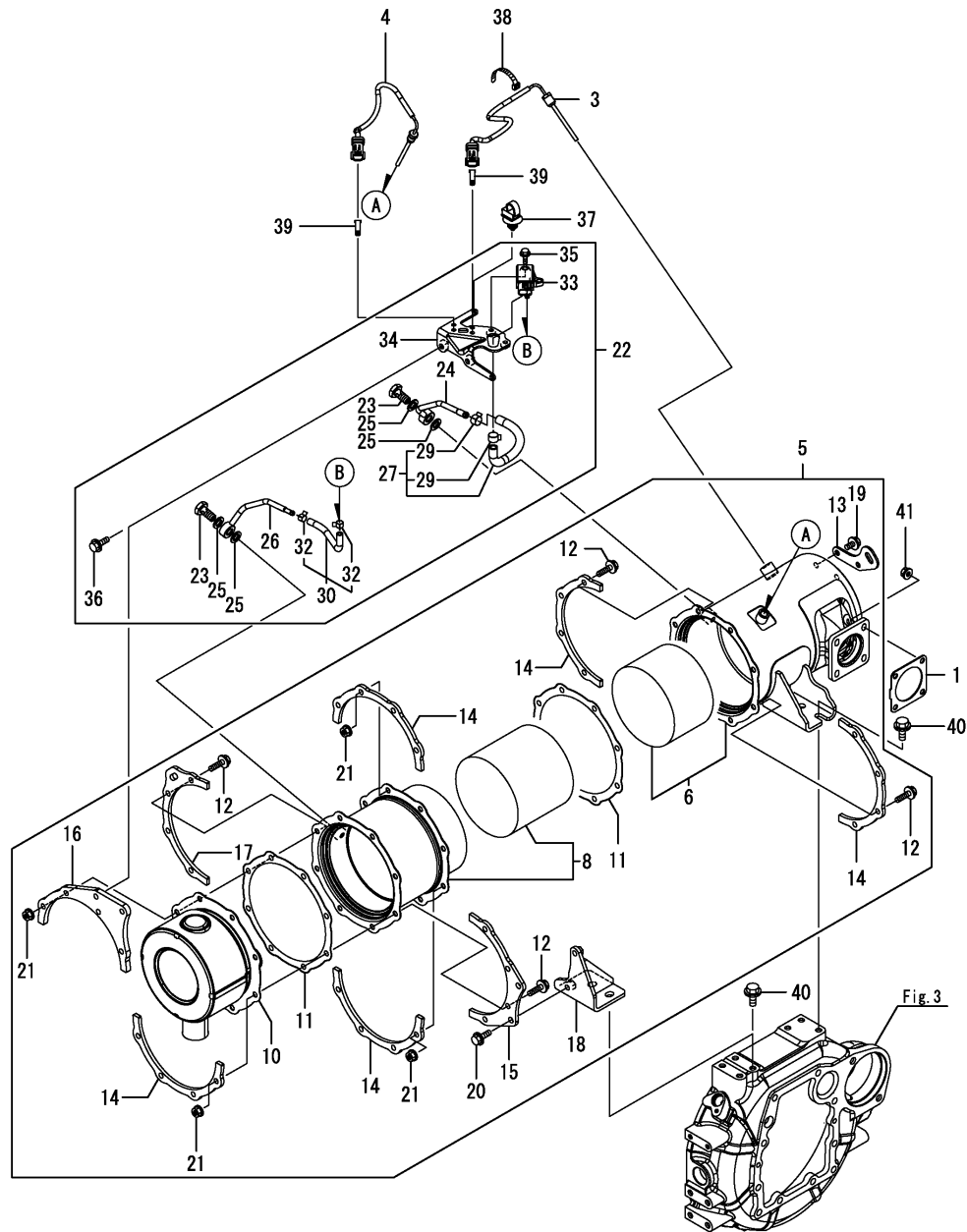
(D)=

(E)=

(F)=

No.	Lev.	Parts No.	Description	Q'ty						I	R
				(A)	(B)	(C)	(D)	(E)	(F)		
1	1	129C00-13110	GASKET, EXH MANIFOLD	1							
2	1	129C00-13121	MANIFOLD, EXHAUST	1							
3	1	129978-13600	BOLT, M10X65 10.9T	1							
4	1	129A00-13610	BOLT, M10X80	5							
5	1	129A01-13700	STUD,10X80	2							
6	1	129A00-13770	SENSOR,EXH TEMP.	1							
7	2	129A00-91200	BAND CLIP	1							
8	1	119131-18320	STUD, M8X22	4							
9	1	26306-100002	NUT, M10	2							
10	1	129A00-13300	PIPE ASSY, EXHAUST P	1							
11	2	23297-080061	CLAMP, A8X 6	2							
12	1	129A00-13350	BOLT, PIPE JOINT	1							
13	1	23414-120000	GASKET, 12X1.0	2							
14	1	26106-060122	BOLT, M6X 12 PLATED	2							
15	1	129A00-13400	COOLER, EGR	1							
16	1	129A00-13410	GASKET, EGR COOLER	2							
17	1	119802-13600	BOLT, M8X40	2							
18	1	129978-13700	BOLT, FLANGE 10X90	1							
19	1	129A00-13851	PIPE CMP, EGR OUT	1							
20	2	129A00-13861	PIPE,EGR OUT	1							
21	2	129418-18320	STUD, M8X20	2							
22	1	26106-080502	BOLT, M8X 50 PLATED	2							
23	1	129A00-13751	SENSOR,EGR GAS TEMP	1							
24	1	129C00-13800	PIPE(EGR CMP	1							
25	1	129927-13810	GASKET	1							
26	1	26106-080252	BOLT, M8X 25 PLATED	2							
27	1	26306-080002	NUT, M8	2							
28	1	129C00-13901	VALVE, EGR	1							
29	1	129A00-13910	GASKET, EGR-V IN	1							
30	1	129A00-13920	GASKET(EGR-V OUT	1							
31	1	26306-080002	NUT, M8	2							

Fig.7. DIESEL PARTICULATE FILTER(DPF)



(A)=4TNV88C-PBV

(B)=

(C)=

(D)=

(E)=

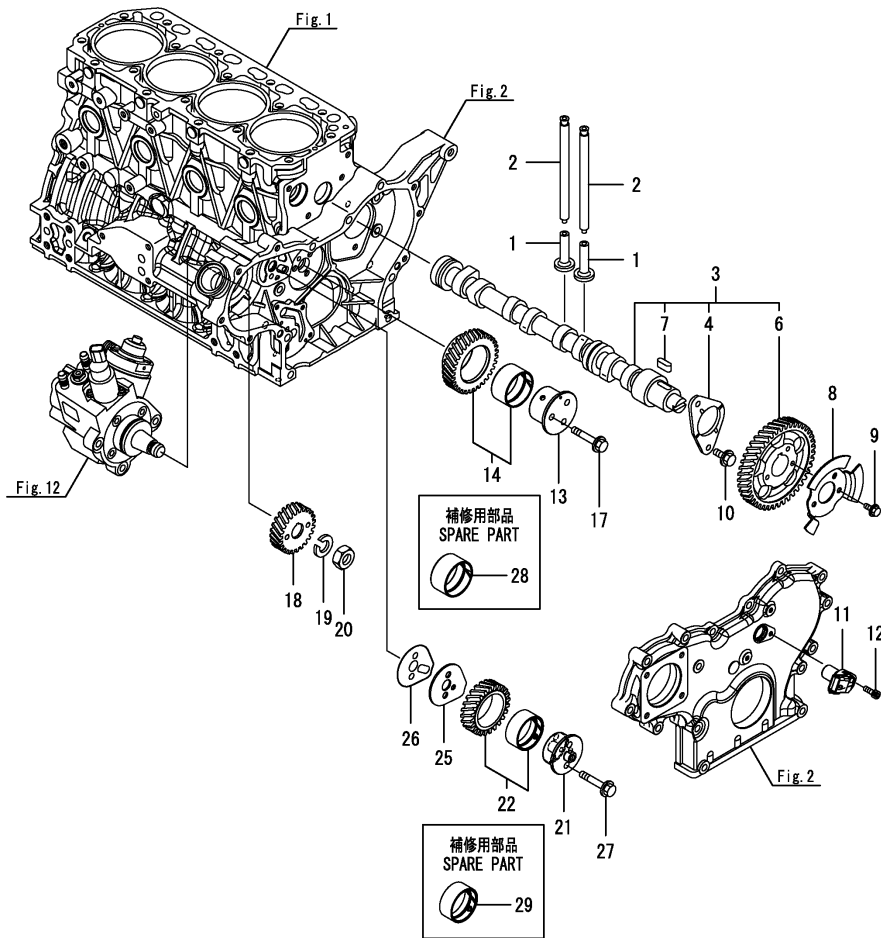
(F)=

No.	Lev.	Parts No.	Description	Q'ty						I	R
				(A)	(B)	(C)	(D)	(E)	(F)		
1	1	129930-13201	GASKET, SILENCER	1							
3	1	129C00-13940	SENSOR, EXH.TEMP	1							
4	1	129C00-13950	SENSOR, EXH.TEMP	1							
5	1	129A00-16002	DPF ASSY	1							
6	2	129A00-16201	CASE, DOC	1							
8	2	129A00-16400	CASE, SOOT FILTER	1							
10	2	129A00-16500	SILENCER, DPF	1							
11	2	129A00-16600	GASKET, DPF	2							
12	2	129A00-16610	BOLT, M8X28 10.9T	16							
13	2	129C01-16690	LIFTER, DPF	1							
14	2	129A00-16700	STIFFENER, DPF A	5							
15	2	129A00-16710	STIFFENER, DPF B	1							
16	2	129A00-16730	STIFFENER, DPF C	1							
17	2	129A00-16740	STIFFENER, DPF C	1							
18	2	129A00-16801	STAY, DPF	1							
19	2	26106-080142	BOLT, M8X 14 PLATED	2							
20	2	26106-080222	BOLT, M8X 22 PLATED	2							
21	2	26306-080002	NUT, M8	16							
22	1	129A00-17200	SENSOR UNIT,PRESSURE	1							
23	2	129A00-13350	BOLT, PIPE JOINT	2							
24	2	129A00-17300	PIPE, SENSOR	1							
25	2	129A00-17311	GASKET,SENSOR	4							
26	2	129A00-17350	PIPE, SENSOR	1							
27	2	129A00-17600	HOSE ASSY,PRES EXH	1							
29	3	129A00-17520	CLIP, HOSE	2							
30	2	129A00-17650	HOSE ASSY,PRES EXH	1							
32	3	129A00-17570	CLIP, HOSE	2							
33	2	129A00-17702	SENSOR,PRESSURE	1							
34	2	129A00-17760	BRACKET, PRES SENSOR	1							
35	2	26106-060162	BOLT, M6X 16 PLATED	2							
36	2	26106-080202	BOLT, M8X 20 PLATED	2							
37	1	129A00-91200	BAND CLIP	1							
38	1	129C00-91200	BAND	1							
39	1	129A00-91430	CLIP, CONNECTOR	2							
40	1	26106-100202	BOLT, M10X 20 PLATED	4							
41	1	26306-080002	NUT, M8	4							

Fig.8. CAMSHAFT & DRIVING GEAR

(A)=4TNV88C-PBV
(B)=
(C)=

(D)=
(E)=
(F)=



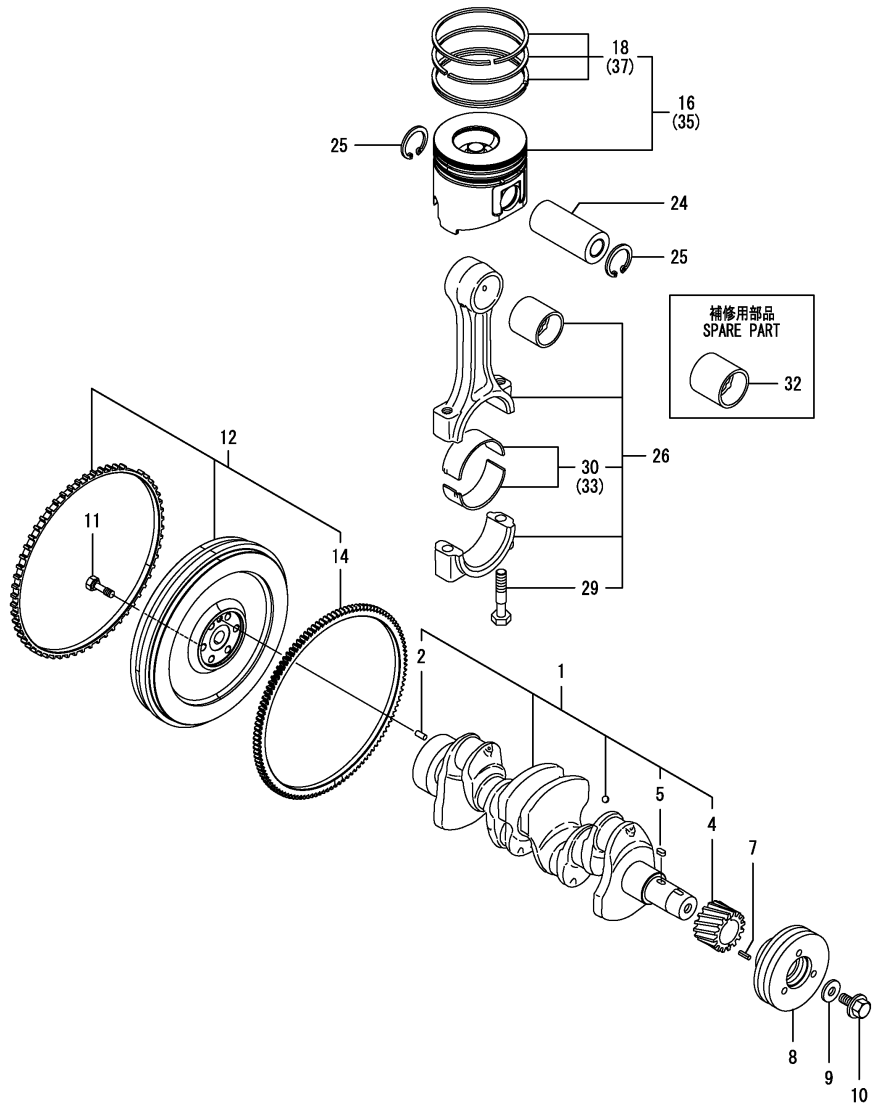
No.	Lev.	Parts No.	Description	Q'ty						I	R
				(A)	(B)	(C)	(D)	(E)	(F)		
1	1	129150-14200	TAPPET	8							
2	1	129150-14400	ROD, PUSH L=178	8							
3	1	129C00-14580	CAMSHAFT ASSY	1							
4	2	129150-02450	BEARING, THRUST	1							
6	2	129A00-14100	GEAR,CAMSHAFT	1							
7	2	22512-070140	KEY, 7X 14	1							
8	1	129A00-14700	PULSER, CAMSHAFT	1							
9	1	26106-060102	BOLT, M6X 10 PLATED	3							
10	1	26106-080142	BOLT, M8X 14 PLATED	2							
11	1	129A00-14710	SENSOR, GEAR REV	1							
12	1	26450-060162	BOLT, M6X 16	1							
13	1	129A00-25050	SHAFT, IDLE GEAR A	1							
14	1	129A00-25110	GEAR ASSY, IDLE A	1							
17	1	26106-080452	BOLT, M8X 45 PLATED	3							
18	1	129A00-25900	GEAR, SUPPLY PUMP	1							
19	1	22217-180000	WASHER, SPRING 18	1							
20	1	26776-180002	NUT, LOCK M18	1							
21	1	129A00-25060	SHAFT, IDLE GEAR B	1							
22	1	129A00-25120	GEAR ASSY, IDLE B	1							
25	1	129A00-25200	PLATE, IDLE SHAFT B	1							
26	1	129A00-25210	GASKET, IDLE SHAFT B	1							
27	1	26106-080402	BOLT, M8X 40 PLATED	2							
28	1	119802-25071	BUSH, IDLE GEAR	1							1
29	1	129A00-25080	BUSH	1							1

Remarks

(1) Spare parts.

N:Old $\begin{matrix} \leftarrow \text{Yes} \\ \text{No} \end{matrix}$ New, Q:Old $\begin{matrix} \leftarrow \text{No} \\ \text{Yes} \end{matrix}$ New, R:Old $\begin{matrix} \leftarrow \text{Yes} \\ \text{Yes} \end{matrix}$ New, S:Old $\begin{matrix} \leftarrow \text{No} \\ \text{No} \end{matrix}$ New, W:Add, Z:Discontinued, F:Interchangeable by set, K:Q'ty Change

Fig.9. CRANKSHAFT & PISTON



(A)=4TNV88C-PBV
(B)=
(C)=

(D)=
(E)=
(F)=

No.	Lev.	Parts No.	Description	Q'ty						I	R
				(A)	(B)	(C)	(D)	(E)	(F)		
1	1	129604-21000	CRANKSHAFT ASSY	1							
2	2	129100-01580	PIN, M8X16	1							
4	2	119803-21200	GEAR, CRANKSHAFT	1							
5	2	22512-070140	KEY, 7X 14	1							
7	1	22351-030010	PIN, SPRING 3.0X10	1							
8	1	119802-21650	V-PULLEY, 110	1							
9	1	129795-21661	WASHER	1							
10	1	121850-21680	BOLT	1							
11	1	121111-21501	BOLT, FLYWHEEL	6							
12	1	129C00-21580	FLYWHEEL ASSY	1							
14	2	119865-21600	GEAR, RING	1							
16	1	129C00-22080	PISTON ASSY	4							
18	2	129A00-22500	RING ASSY, PISTON	4							
24	1	129202-22300	PIN, PISTON D26 L70	4							
25	1	22252-000260	RING, 26	8							
26	1	729402-23100	ROD ASSY, CONNECTING	4							
29	2	121550-23200	BOLT, CONNECTING ROD	8							
30	2	129150-23601	BEARING, CRANK PIN	4							
32	1	129100-23910	BEARING, PISTON PIN	4							1
33	1	129150-23611	BEARING, 0.25 US	4							2
35	1	129C00-22900	PISTON ASSY, 0.25OS	4							3
37	2	129A00-22950	RING SET, 0.25 OS	4							3

Remarks

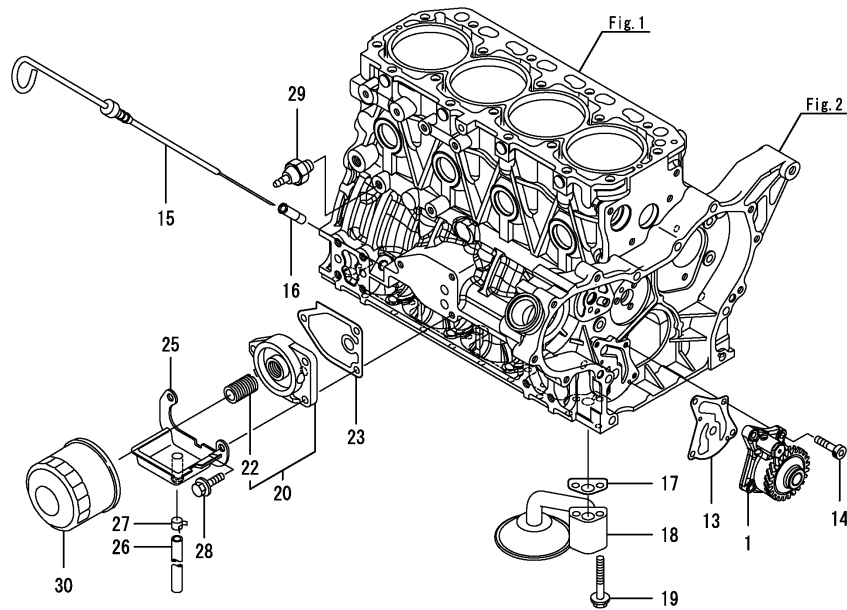
- (1) Spare parts.
- (2) Under-sized (U.S.=0.25) parts.
- (3) Over-sized (O.S.=0.25) parts.

Fig.10. LUB. OIL SYSTEM

(A)=4TNV88C-PBV
(B)=
(C)=

(D)=
(E)=
(F)=

No.	Lev.	Parts No.	Description	Q'ty						I	R
				(A)	(B)	(C)	(D)	(E)	(F)		
1	1	129C00-32000	PUMP ASSY, LUB.OIL	1							
13	1	129486-32020	GASKET, PUMP	1							
14	1	26450-060252	BOLT, M6X 25	4							
15	1	129642-34801	DIPSTICK, OIL	1							
16	1	121520-34810	GUIDE, DIPSTICK	1							
17	1	129150-35042	GASKET	1							
18	1	129436-35070	PIPE ASSY	1							
19	1	26106-080552	BOLT, M8X 55 PLATED	2							
20	1	119802-35100	BRACKET ASSY, FILTER	1							
22	2	129100-35140	STUD	1							
23	1	129150-35111	GASKET	1							
25	1	129240-35800	OIL PAN	1							
26	1	23065-120230	PIPE, 12X 230	1							
27	1	23080-014000	CLAMP, 14	1							
28	1	26106-080202	BOLT, M8X 20 PLATED	3							
29	1	114250-39450	SWITCH, 0.5KG	1							
30	1	129150-35170	FILTER,LO	1							1

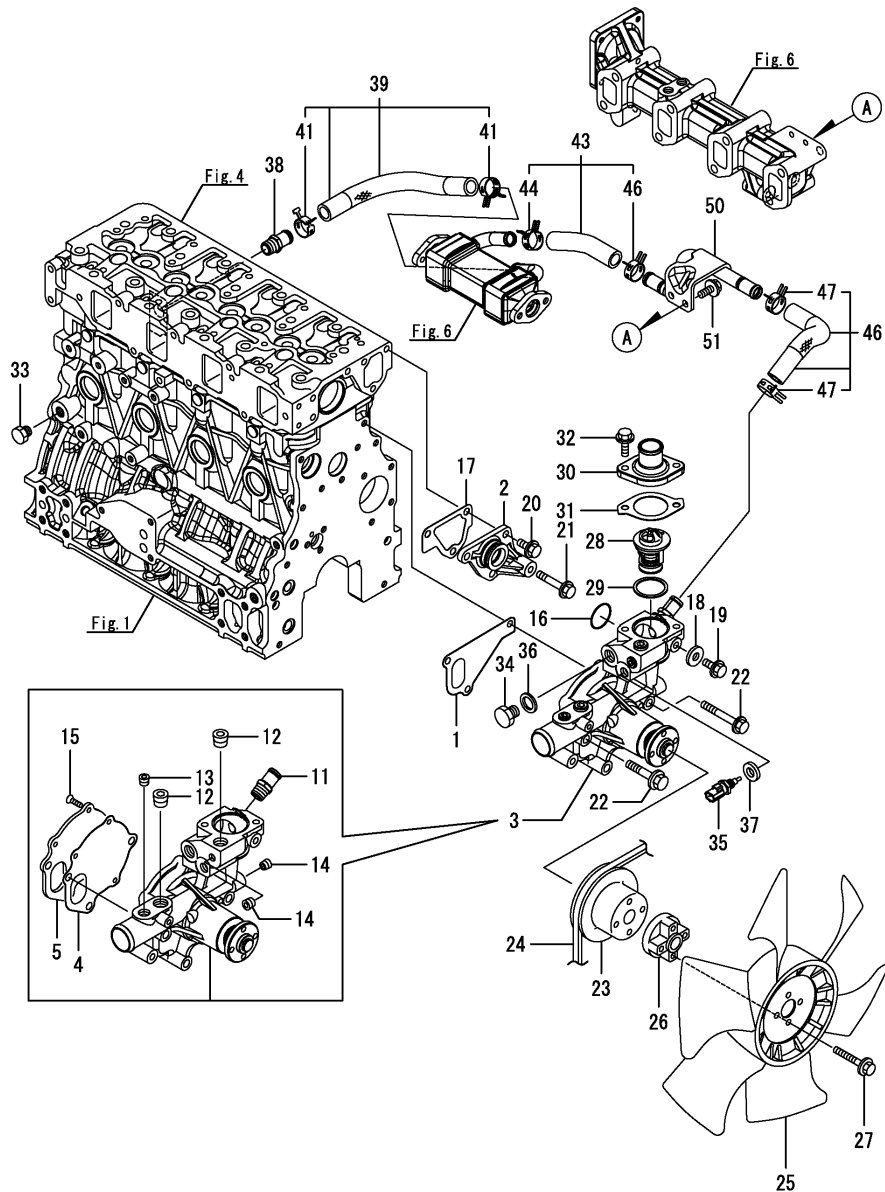


Remarks

(1) Spare parts.

N:Old $\xrightarrow{\text{Yes}}$ New, Q:Old $\xrightarrow{\text{No}}$ New, R:Old $\xrightarrow{\text{Yes}}$ New, S:Old $\xrightarrow{\text{No}}$ New, W:Add, Z:Discontinued, F:Interchangeable by set, K:Q'ty Change

Fig.11. COOLING WATER SYSTEM



(A)=4TNV88C-PBV

(B)=

(C)=

(D)=

(E)=

(F)=

No.	Lev.	Parts No.	Description	Q'ty						I	R
				(A)	(B)	(C)	(D)	(E)	(F)		
1	1	129486-42021	GASKET, WATER PUMP	1							
2	1	129004-42040	JOINT	1							
3	1	129C20-42120	PUMP ASSY, CW	1							
4	2	129100-42051	GASKET, WATER PUMP	1							
5	2	129100-42121	PLATE	1							
11	2	129928-49420	JOINT	1							
12	2	129916-49740	PLUG, R03	2							
13	2	23875-020000	PLUG, R02	1							
14	2	23876-010000	PLUG, R01	2							
15	2	26577-060142	SCREW M 6X 14	3							
16	1	129486-42140	O-RING, G30	1							
17	1	124395-49840	GASKET	1							
18	1	23414-080000	GASKET, 8X1.0	1							
19	1	26106-080122	BOLT, M8X 12 PLATED	1							
20	1	26106-080162	BOLT, M8X 16 PLATED	3							
21	1	26106-080452	BOLT, M8X 45 PLATED	1							
22	1	26106-080602	BOLT, M8X 60 PLATED	3							
23	1	129652-42350	V-PULLEY, D=105	1							
24	1	129612-42330	V-BELT, A37.5	1							
25	1	129612-44700	FAN, COOLING	1							
26	1	171353-44760	SPACER, FAN	1							
27	1	26106-060402	BOLT, M6X 40 PLATED	4							
28	1	129155-49801	THERMOSTAT, 71	1							
29	1	129150-49811	GASKET, THERMOSTAT	1							
30	1	129350-49530	COVER, THERMOSTAT	1							
31	1	129795-49551	GASKET	1							
32	1	26106-080222	BOLT, M8X 22 PLATED	2							
33	1	171056-49120	PLUG, DRAIN	1							
34	1	121450-42450	PLUG, M16	1							
35	1	129927-44900	SENSOR	1							
36	1	124465-44950	GASKET, 16	1							
37	1	22190-120002	WASHER, SEAL 12	1							
38	1	129928-49420	JOINT	1							
39	1	129A00-49610	PIPE ASSY, WATER IN	1							
41	2	129960-03990	CLIP, HOSE 19.8	2							
43	1	129C00-49610	PIPE ASSY, WATER OUT	1							
44	2	129960-03990	CLIP, HOSE 19.8	2							
46	1	129C00-49620	PIPE ASSY, WATER OUT	1							
47	2	129960-03990	CLIP, HOSE 19.8	2							
50	1	129C00-49700	CW PIPE OUT(EGR-C)	1							
51	1	26106-080162	BOLT, M8X 16 PLATED	2							

Fig.12. FUEL SUPPLY PUMP

(A)=4TNV88C-PBV
(B)=
(C)=

(D)=
(E)=
(F)=

No.	Lev.	Parts No.	Description	Q'ty						I	R
				(A)	(B)	(C)	(D)	(E)	(F)		
1	1	129A00-51000	PUMP ASSY, FUEL	1							
2	2	129A00-51100	VALVE ASSY, MPROP	1							
3	3	129A00-51110	RING, SEALING	1							
4	3	129A00-51120	O-RING, MPROP	1							
5	2	129A00-51130	BOLT, MPROP	2							
6	2	129A00-51200	SENSOR, TEMPERATURE	1							
7	2	129A00-51900	O-RING, FUEL PUMP	1							
8	1	26106-080302	BOLT, M8X 30 PLATED	3							

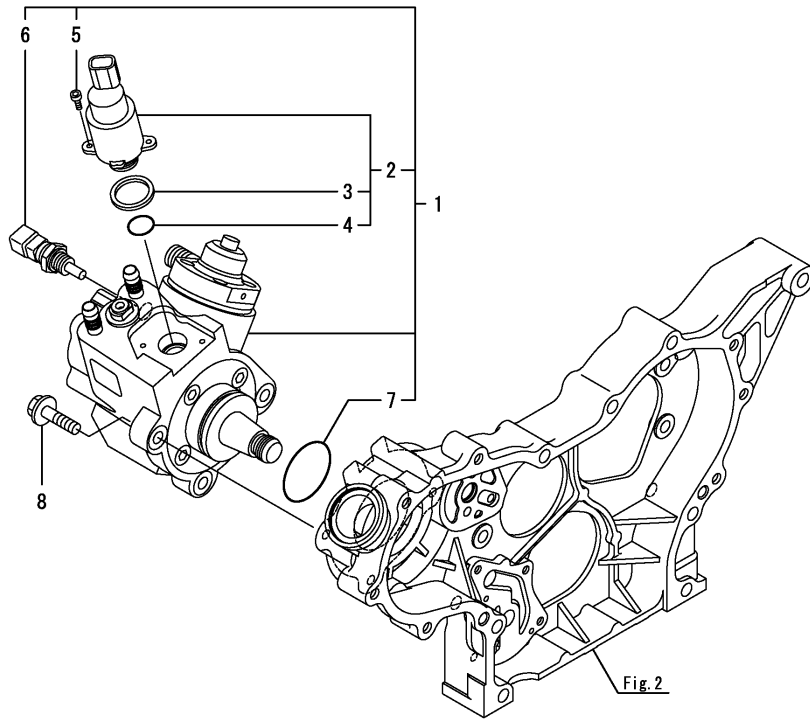
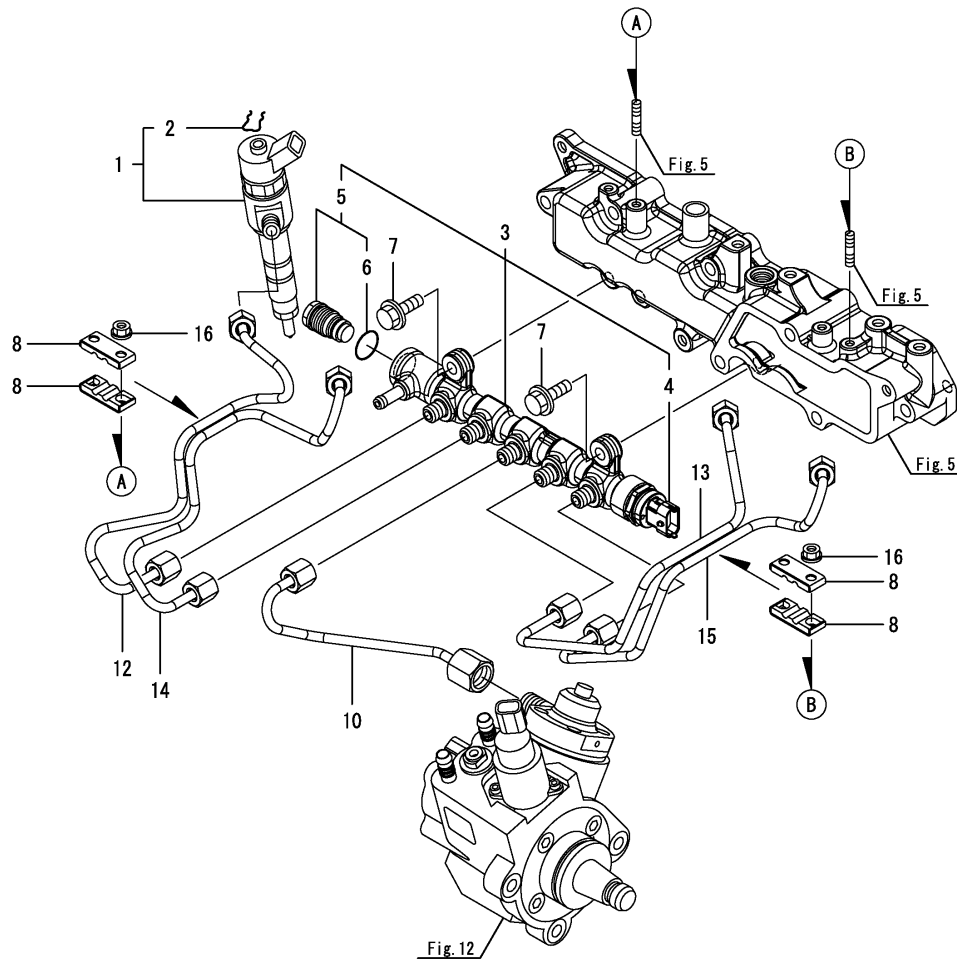


Fig.13. FUEL INJECTION VALVE

(A)=4TNV88C-PBV
(B)=
(C)=

(D)=
(E)=
(F)=

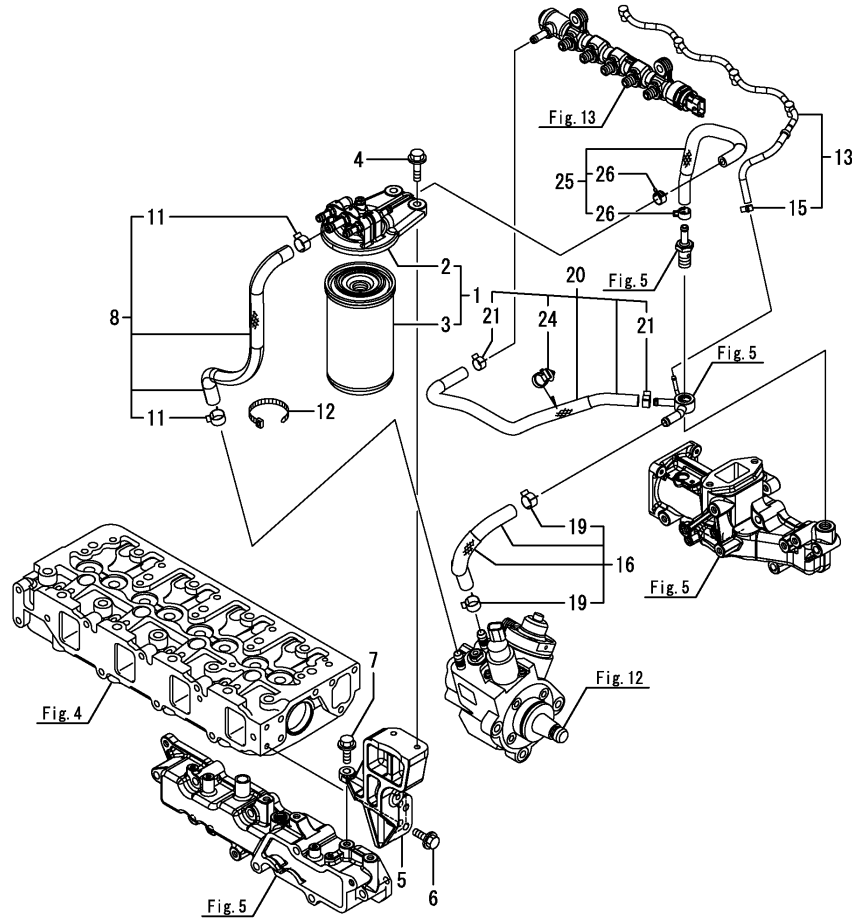


No.	Lev.	Parts No.	Description	Q'ty						I	R
				(A)	(B)	(C)	(D)	(E)	(F)		
1	1	129A00-53100	INJECTOR, CR	4							
2	2	129A00-53200	RING, RETAINING	4							
3	1	129C00-57000	RAIL ASSY	1							
4	2	129A00-57100	SENSOR, RAILPRESSURE	1							
5	2	129A00-57200	VALVE ASSY, PLV4	1							
6	3	129A00-57210	O-RING, PLV4	1							
7	1	26106-080252	BOLT, M8X 25 PLATED	2							
8	1	122780-59100	RETAINER	4							
10	1	129A00-59700	PIPE ASSY, RAIL IN	1							
12	1	129C00-59810	PIPE ASSY, INJECTION	1							
13	1	129A00-59820	PIPE ASSY, INJECTION	1							
14	1	129C00-59820	PIPE ASSY, INJECTION	1							
15	1	129A00-59830	PIPE ASSY, INJECTION	1							
16	1	26366-060002	NUT, M6	4							

Fig.14. FUEL PIPING

(A)=4TNV88C-PBV
(B)=
(C)=

(D)=
(E)=
(F)=

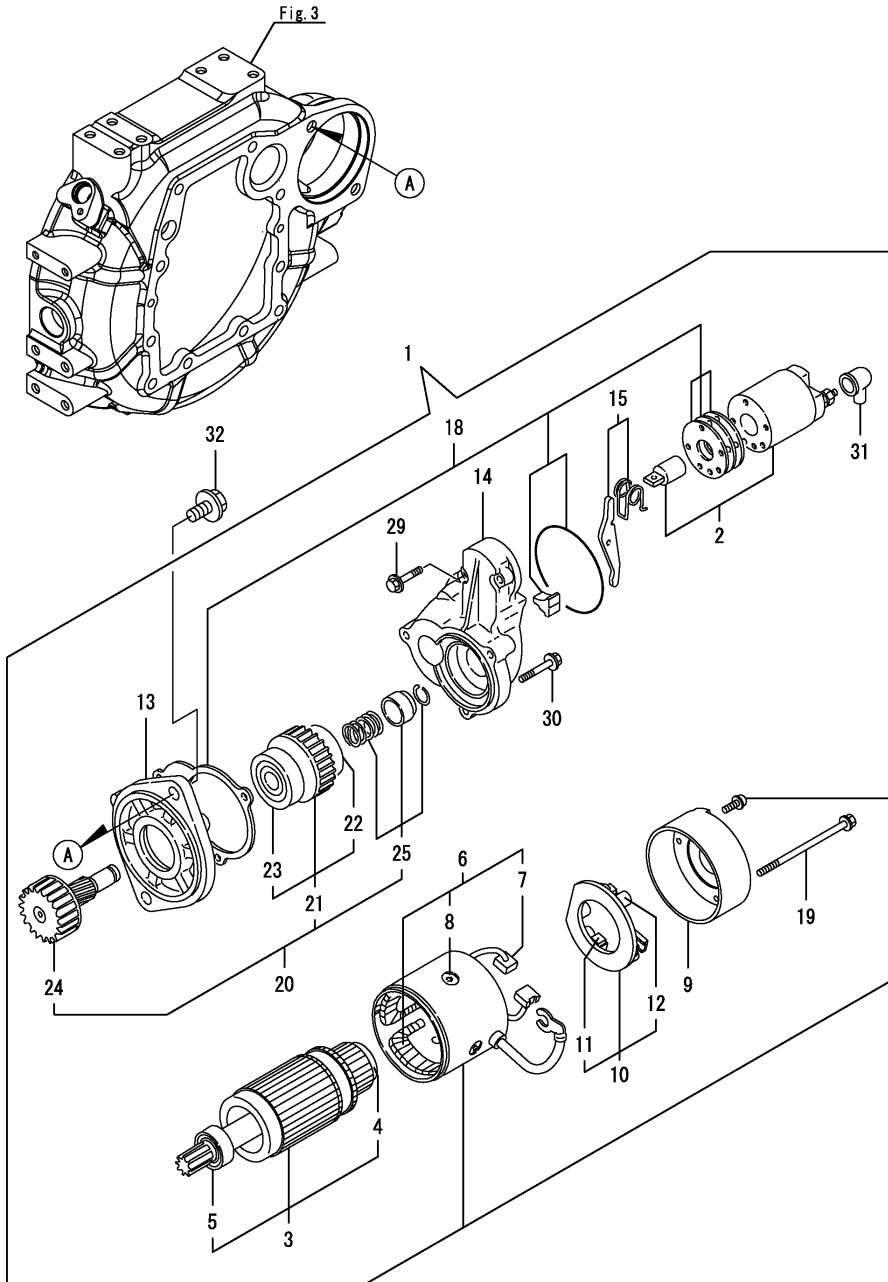


No.	Lev.	Parts No.	Description	Q'ty						I	R
				(A)	(B)	(C)	(D)	(E)	(F)		
1	1	129A00-55600	FILTE ASSY,FO	1							
2	2	129A00-55610	BRACKET ASSY,FO FILT	1							
3	2	129A00-55800	FILTER, FUEL OIL	1							
4	1	26106-080302	BOLT, M8X 30 PLATED	2							
5	1	129A00-55650	BRACKET ASSY, FILTER	1							
6	1	26106-080182	BOLT, M8X 18 PLATED	2							
7	1	26106-080252	BOLT, M8X 25 PLATED	1							
8	1	129A00-59010	PIPE ASSY, FUEL	1							
11	2	23080-015000	CLAMP, 15	2							
12	1	121750-59890	BAND, 140	1							
13	1	129C00-59500	PIPE ASSY, FUEL	1							
15	2	23080-007000	CLAMP, 7	1							
16	1	129A00-59020	PIPE ASSY, FUEL	1							
19	2	23080-015000	CLAMP, 15	2							
20	1	129C00-59030	PIPE ASSY, FUEL	1							
21	2	114270-59010	CLIP, HOSE 12	2							
24	2	129A00-91200	BAND CLIP	1							
25	1	129A00-59040	PIPE ASSY, FUEL	1							
26	2	114270-59010	CLIP, HOSE 12	2							

Fig.15. STARTER MOTOR

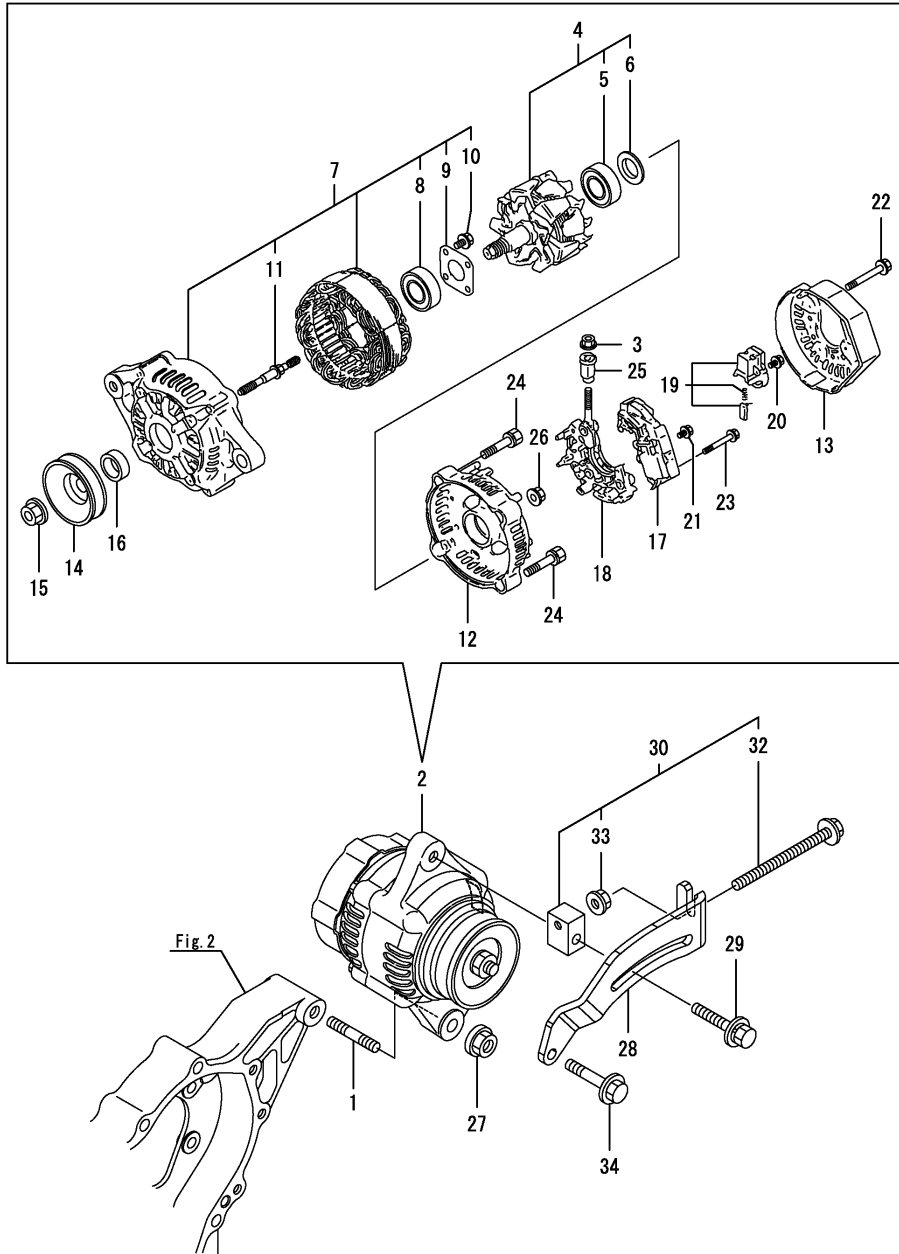
(A)=4TNV88C-PBV
(B)=
(C)=

(D)=
(E)=
(F)=



No.	Lev.	Parts No.	Description	Q'ty						I	R
				(A)	(B)	(C)	(D)	(E)	(F)		
1	1	129136-77011	STARTER	1							
2	2	129136-77310	SWITCH ASSY	1							
3	2	129900-77400	ARMATURE ASSY	1							
4	3	X2130350900	BEARING, BALL	1							
5	3	X2114255110	BEARING, BALL	1							
6	2	129900-77440	COIL ASSY, FIELD	1							
7	3	129900-77450	BRUSH	2							
8	3	171008-77450	SCREW	4							
9	2	129900-77460	COVER	1							
10	2	129900-77480	HOLDER ASSY, BRUSH	1							
11	3	129900-77450	BRUSH	2							
12	3	129400-77490	SPRING	4							
13	2	171008-77510	CASE, GEAR	1							
14	2	129136-77520	HOUSING	1							
15	2	171008-77540	LEVER SET	1							
18	2	129400-77571	COVER ASSY, DUST	1							
19	2	129900-77640	BOLT, THROUGH	2							
20	2	171008-77650	PINION ASSY	1							
21	3	X2114555500	CLUTCH ASSY	1							
22	4	X2114955020	BEARING, BALL	1							
23	4	X2240410100	BEARING, BALL	1							
24	3	171008-77660	SHAFT	1							
25	3	171008-77670	STOPPER SET	1							
29	2	26106-060322	BOLT, M6X 32 PLATED	2							
30	2	26106-060402	BOLT, M6X 40 PLATED	3							
31	2	171008-77750	COVER	1							
32	1	26106-120252	BOLT, M12X 25 PLATED	2							

Fig.16. GENERATOR



(A)=4TNV88C-PBV
(B)=
(C)=

(D)=
(E)=
(F)=

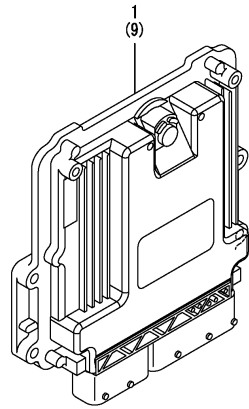
No.	Lev.	Parts No.	Description	Q'ty						I	R
				(A)	(B)	(C)	(D)	(E)	(F)		
1	1	129795-01900	STUD	1							
2	1	129052-77220	GENERATOR, 12V-55A	1							
3	2	X9490561001	NUT	1							
4	2	129052-77380	ROTOR ASSY	1							
5	3	123501-79240	BEARING, BALL	1							
6	3	119620-79250	COVER	1							
7	2	129052-77422	FRAME ASSY	1							
8	3	119620-79200	BEARING, BALL	1							
9	3	119620-79210	PLATE, RETAINER	1							
10	3	119620-79220	SCREW	4							
11	3	119620-79230	STUD	2							
12	2	128401-77440	FRAME	1							
13	2	128401-77450	COVER	1							
14	2	119620-77461	PULLEY	1							
15	2	119620-77471	NUT	1							
16	2	119620-77490	COLLAR	1							
17	2	119620-77710	REGULATOR ASSY	1							
18	2	129052-79260	HOLDER	1							
19	2	129052-79270	HOLDER, BRUSH	1							
20	2	119620-79290	SCREW	6							
21	2	119620-79300	SCREW	1							
22	2	119620-79310	BOLT	3							
23	2	119620-79320	SCREW	2							
24	2	119620-79330	BOLT	2							
25	2	119620-79340	BUSH, INSULATION	1							
26	2	119620-79350	NUT	2							
27	1	26306-100002	NUT, M10	1							
28	1	129017-77320	ADJUSTER, BELT	1							
29	1	129972-77341	BOLT, ADJUSTER L=50	1							
30	1	119624-77351	BLOCK ASSY, ADJUSTER	1							
32	2	26106-081004	BOLT, M8X100 PLATED	1							
33	2	26306-080002	NUT, M8	1							
34	1	26106-080452	BOLT, M8X 45 PLATED	1							

Fig.17. ELECTRONIC CONTROL UNIT(ECU)

(A)=4TNV88C-PBV
(B)=
(C)=

(D)=
(E)=
(F)=

No.	Lev.	Parts No.	Description	Q'ty						I	R
				(A)	(B)	(C)	(D)	(E)	(F)		
1	1	129C20-75070	ECU ASSY,4TNV88C-PBV	1							1
9	1	129A00-75910	ECU ASSY,SERVICE YMR	1							2



Remarks

(1)Eco ECU

This part cannot be ordered.

Replace the part using a Service ECU with the proper engine information installed.

(2)Service ECU

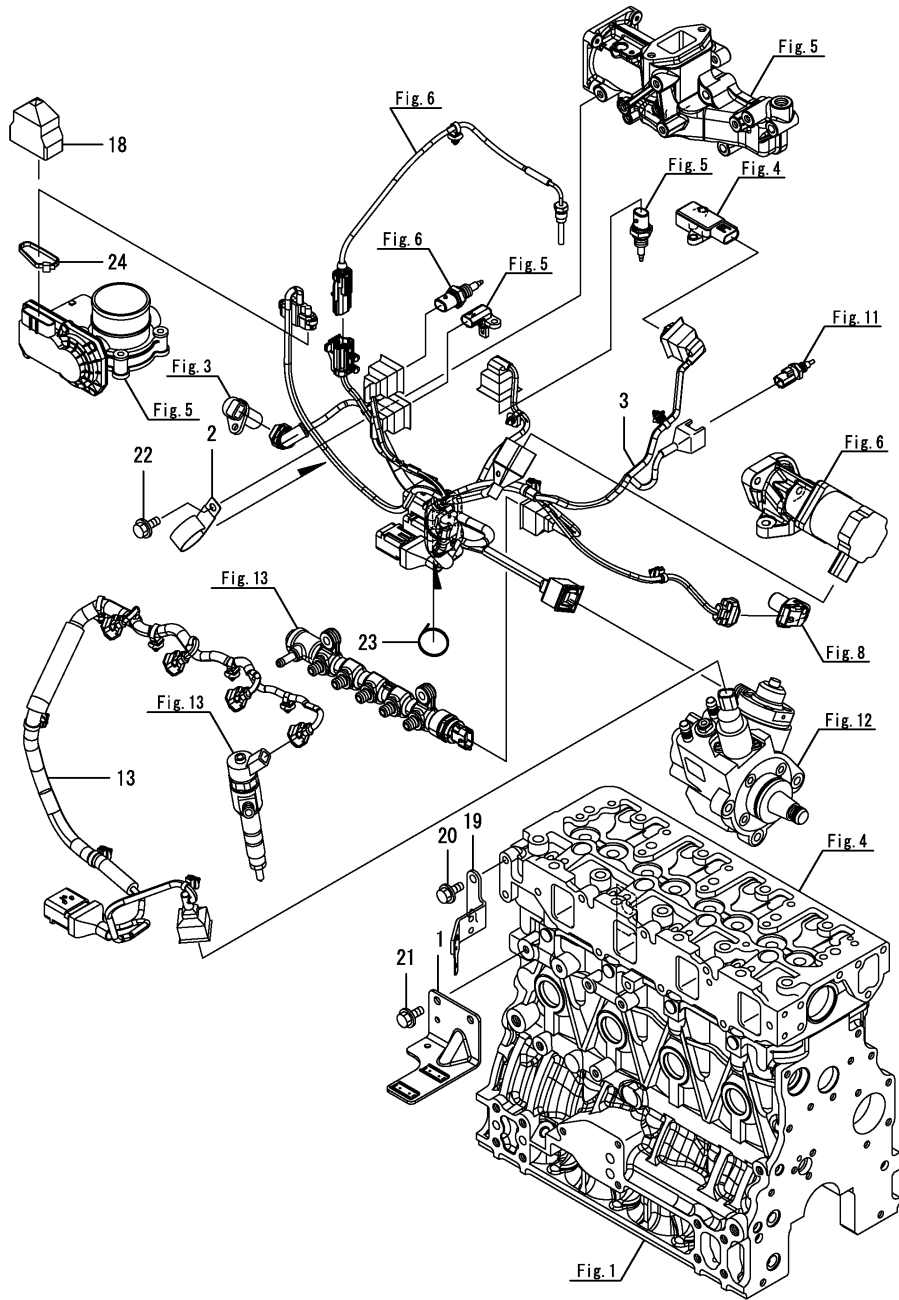
If the proper information is not installed, the engine will not operate.

To install proper information, go to an authorized distributor.

Fig.18. ELECTRIC PARTS

(A)=4TNV88C-PBV
(B)=
(C)=

(D)=
(E)=
(F)=

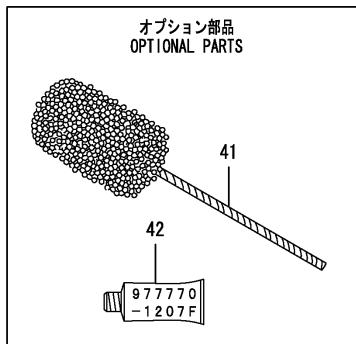
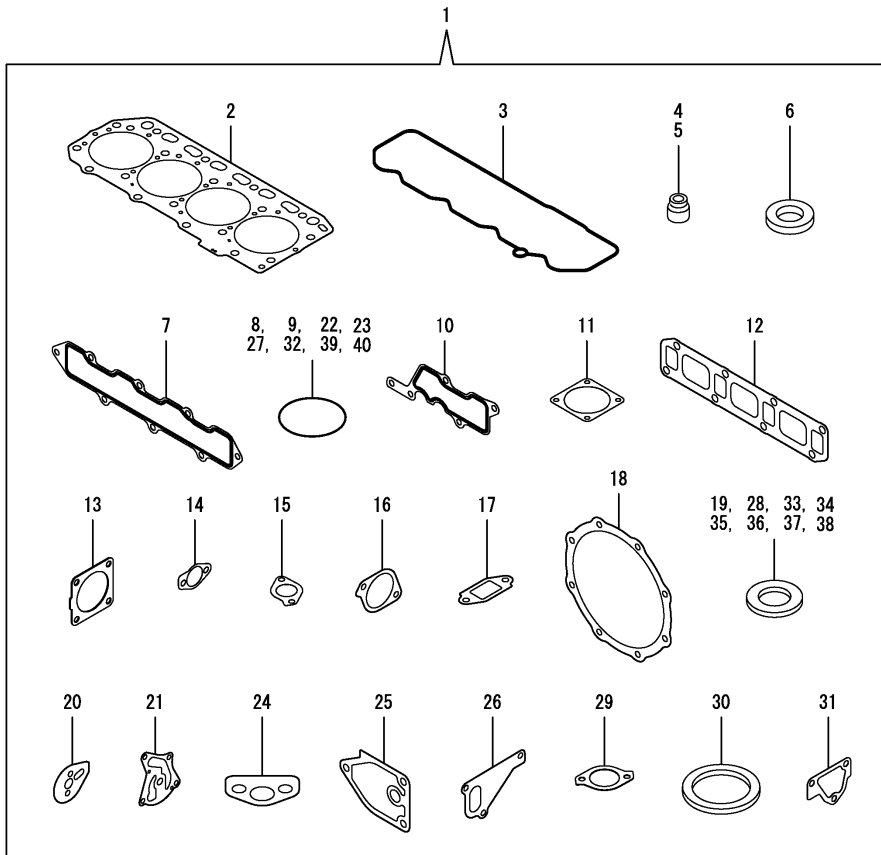


No.	Lev.	Parts No.	Description	Q'ty						I	R
				(A)	(B)	(C)	(D)	(E)	(F)		
1	1	129A00-77930	BRACKET,CONNECTOR	1							
2	1	129928-79700	CLIP	1							
3	1	129C00-91222	HARNESS,B ECO ENGINE	1							
13	1	129C00-91231	HARNESS C,ECO ENGINE	1							
18	1	129A00-91451	BOOT,CAP TYPE	1							
19	1	129C30-91600	BRACKET,HARNESS	1							
20	1	26106-080122	BOLT, M8X 12 PLATED	2							
21	1	26106-080122	BOLT, M8X 12 PLATED	2							
22	1	26106-080122	BOLT, M8X 12 PLATED	1							
23	1	29621-100000	BAND, TR100	1							
24	1	29621-200000	BAND	1							

Fig.19. GASKET SET

(A)=4TNV88C-PBV
(B)=
(C)=

(D)=
(E)=
(F)=



No.	Lev.	Parts No.	Description	Q'ty						I	R
				(A)	(B)	(C)	(D)	(E)	(F)		
1	1	129C20-92620	PACKING	1							1
2	2	129685-01350	GASKET, HEAD	1							
3	2	129C00-11310	GASKET, COVER	1							
4	2	124460-11340	SEAL, VALVE STEM	4							
5	2	129A00-11340	SEAL, VALVE STEM	4							
6	2	129978-11871	GASKET,INJECTOR	4							
7	2	129C00-12110	GASKET, INT MANIFOLD	1							
8	2	129A00-12780	O-RING,PRES SENSOR	2							
9	2	129A00-12790	O-RING,TEMP SENSOR	1							
10	2	129A00-12810	GASKET, COLLECTOR	1							
11	2	129A00-12910	GASKET,THROTTLE	2							
12	2	129C00-13110	GASKET, EXH MANIFOLD	1							
13	2	129930-13201	GASKET, SILENCER	1							
14	2	129A00-13410	GASKET, EGR COOLER	2							
15	2	129927-13810	GASKET	1							
16	2	129A00-13910	GASKET, EGR-V IN	1							
17	2	129A00-13920	GASKET(EGR-V OUT	1							
18	2	129A00-16600	GASKET, DPF	2							
19	2	129A00-17311	GASKET,SENSOR	4							
20	2	129A00-25210	GASKET, IDLE SHAFT B	1							
21	2	129486-32020	GASKET, PUMP	1							
22	2	119609-32040	O-RING, P16	2							
23	2	119624-32040	O-RING, P12.0	1							
24	2	129150-35042	GASKET	1							
25	2	129150-35111	GASKET	1							
26	2	129486-42021	GASKET, WATER PUMP	1							
27	2	129486-42140	O-RING, G30	1							
28	2	124465-44950	GASKET, 16	1							
29	2	129795-49551	GASKET	1							
30	2	129150-49811	GASKET, THERMOSTAT	1							
31	2	124395-49840	GASKET	1							
32	2	129A00-51900	O-RING, FUEL PUMP	1							
33	2	22190-080002	WASHER, SEAL 8	1							
34	2	22190-120002	WASHER, SEAL 12	1							
35	2	22190-140002	WASHER, SEAL 14	2							
36	2	22190-220002	WASHER, SEAL 22	1							
37	2	23414-080000	GASKET, 8X1.0	1							
38	2	23414-120000	GASKET, 12X1.0	2							
39	2	24311-000120	O-RING, 1AP12.0	3							
40	2	24311-000320	O-RING, 1AP32.0	3							
41	1	129400-92430	HONE	1							1
42	1	977770-1207F	GASKET.LIQUID	1							1

Remarks

(1)Optional parts.

N:Old $\xrightarrow{\text{Yes}}$ New, Q:Old $\xrightarrow{\text{No}}$ New, R:Old $\xrightarrow{\text{Yes}}$ New, S:Old $\xrightarrow{\text{No}}$ New, W:Add, Z:Discontinued, F:Interchangeable by set, K:Q'ty Change

Parts No. Index

Parts No.	Fig. No.	Ref. No.
114250-39450	10	29
114270-59010	14	21
		26
119131-18320	6	8
119609-32040	2	5
	19	22
119620-01750	3	3
119620-77461	16	14
119620-77471	16	15
119620-77490	16	16
119620-77710	16	17
119620-79200	16	8
119620-79210	16	9
119620-79220	16	10
119620-79230	16	11
119620-79250	16	6
119620-79290	16	20
119620-79300	16	21
119620-79310	16	22
119620-79320	16	23
119620-79330	16	24
119620-79340	16	25
119620-79350	16	26
119624-32040	2	6
	19	23
119624-77351	16	30
119640-01640	3	8
119640-61400	4	51
119660-01570	5	11
119802-11260	4	4
119802-11270	4	5
119802-13600	6	17
119802-21650	9	8
119802-25071	8	28
119802-35100	10	20
119803-21200	9	4
119865-21600	9	14
119934-01800	2	13
120130-11860	4	64
120270-54410	4	30
121111-21501	9	11
121450-42450	11	34
121520-34810	10	16
121550-23200	9	29
121750-59890	14	12
121850-21680	9	10
122780-59100	13	8
123501-79240	16	5
123907-03100	4	39
123907-03110	4	40

Parts No.	Fig. No.	Ref. No.
123907-03120	4	41
123907-03140	4	42
124060-01050	1	11
124160-01751	2	3
	4	35
124160-01910	1	12
		13
124160-11360	4	55
124240-01871	2	14
124395-49840	11	17
	19	31
124460-11340	4	24
	19	4
124465-44950	11	36
	19	28
128401-77440	16	12
128401-77450	16	13
129001-01250	1	4
129001-02931	1	29
129004-03010	4	37
129004-11650	4	7
129004-42040	11	2
129005-03080	5	1
129005-11100	4	20
129008-77800	4	61
129017-77320	16	28
129052-77220	16	2
129052-77380	16	4
129052-77422	16	7
129052-79260	16	18
129052-79270	16	19
129100-01580	2	2
	3	1
		15
	9	2
129100-11112	4	21
129100-23910	9	32
129100-35140	10	22
129100-42051	11	4
129100-42121	11	5
129136-77011	15	1
129136-77310	15	2
129136-77520	15	14
129150-01200	1	27
129150-02020	1	6
129150-02450	8	4
129150-02871	1	32
129150-02931	1	24
129150-02941	1	35
129150-03070	4	38

Parts No.	Fig. No.	Ref. No.
129150-11230	4	8
129150-11280	4	6
129150-11370	4	12
129150-11750	4	10
129150-11810	4	65
129150-14200	8	1
129150-14400	8	2
129150-23601	9	30
129150-23611	9	33
129150-35042	10	17
	19	24
129150-35111	10	23
	19	25
129150-35170	10	30
129150-49811	11	29
	19	30
129155-49801	11	28
129202-22300	9	24
129240-35800	10	25
129350-49530	11	30
129400-01730	3	6
129400-77490	15	12
129400-77571	15	18
129400-92430	19	41
129410-03990	5	2
129418-18320	6	21
129436-35070	10	18
129486-01670	3	19
129486-32020	10	13
	19	21
129486-42021	11	1
	19	26
129486-42140	11	16
	19	27
129601-11241	4	1
129601-11251	4	2
129604-21000	9	1
129612-42330	11	24
129612-44700	11	25
129642-34801	10	15
129648-01600	3	16
129648-01780	3	18
129652-42350	11	23
129685-01350	1	28
	19	2
129688-01780	3	7
129795-01900	16	1
129795-01950	2	4
129795-02412	1	9
129795-11120	4	22

Parts No.	Fig. No.	Ref. No.
129795-11180	4	23
129795-21661	9	9
129795-49551	11	31
	19	29
129900-77400	15	3
129900-77440	15	6
129900-77450	15	7
		11
129900-77460	15	9
129900-77480	15	10
129900-77640	15	19
129916-49740	11	12
129927-13810	6	25
	19	15
129927-44900	11	35
129928-49420	11	11
		38
129928-79700	18	2
129930-07910	4	59
129930-13201	7	1
	19	13
129960-03990	11	41
		44
		47
129972-77341	16	29
129978-11871	4	28
	19	6
129978-13600	6	3
129978-13700	6	18
129A00-01500	2	1
129A00-01550	2	11
129A00-01602	3	2
129A00-11330	4	45
129A00-11340	4	25
	19	5
129A00-11900	4	29
129A00-12703	4	46
129A00-12711	5	12
129A00-12720	5	7
129A00-12780	4	47
	19	8
129A00-12790	5	13
	19	9
129A00-12810	5	9
	19	10
129A00-12820	5	24
129A00-12830	5	14
129A00-12851	5	10
129A00-12900	5	25
129A00-12910	5	26

Parts No. Index

Parts No.	Fig. No.	Ref. No.
129A00-12910	19	11
129A00-13300	6	10
129A00-13350	6	12
	7	23
129A00-13360	4	48
129A00-13380	4	50
129A00-13400	6	15
129A00-13410	6	16
	19	14
129A00-13610	6	4
129A00-13751	6	23
129A00-13770	6	6
129A00-13851	6	19
129A00-13861	6	20
129A00-13910	6	29
	19	16
129A00-13920	6	30
	19	17
129A00-14100	8	6
129A00-14700	8	8
129A00-14710	8	11
129A00-16002	7	5
129A00-16201	7	6
129A00-16400	7	8
129A00-16500	7	10
129A00-16600	7	11
	19	18
129A00-16610	7	12
129A00-16700	7	14
129A00-16710	7	15
129A00-16730	7	16
129A00-16740	7	17
129A00-16801	7	18
129A00-17200	7	22
129A00-17300	7	24
129A00-17311	7	25
	19	19
129A00-17350	7	26
129A00-17520	7	29
129A00-17570	7	32
129A00-17600	7	27
129A00-17650	7	30
129A00-17702	7	33
129A00-17760	7	34
129A00-21710	3	21
129A00-22500	9	18
129A00-22950	9	37
129A00-25050	8	13
129A00-25060	8	21
129A00-25080	8	29

Parts No.	Fig. No.	Ref. No.
129A00-25110	8	14
129A00-25120	8	22
129A00-25200	8	25
129A00-25210	8	26
	19	20
129A00-25900	8	18
129A00-49610	11	39
129A00-51000	12	1
129A00-51100	12	2
129A00-51110	12	3
129A00-51120	12	4
129A00-51130	12	5
129A00-51200	12	6
129A00-51900	12	7
	19	32
129A00-53100	13	1
129A00-53200	13	2
129A00-55600	14	1
129A00-55610	14	2
129A00-55650	14	5
129A00-55800	14	3
129A00-57100	13	4
129A00-57200	13	5
129A00-57210	13	6
129A00-59010	14	8
129A00-59020	14	16
129A00-59040	14	25
129A00-59110	5	15
129A00-59120	5	16
129A00-59700	13	10
129A00-59820	13	13
129A00-59830	13	15
129A00-75910	17	9
129A00-77930	18	1
129A00-91200	6	7
	7	37
	14	24
129A00-91430	7	39
129A00-91451	18	18
129A01-13700	6	5
129C00-01560	1	1
129C00-11310	4	44
	19	3
129C00-11350	4	36
129C00-11710	4	13
129C00-12100	5	5
129C00-12110	5	3
	19	7
129C00-12150	5	4
129C00-13110	6	1

Parts No.	Fig. No.	Ref. No.
129C00-13110	19	12
129C00-13121	6	2
129C00-13800	6	24
129C00-13901	6	28
129C00-13940	7	3
129C00-13950	7	4
129C00-14580	8	3
129C00-21580	9	12
129C00-22080	9	16
129C00-22900	9	35
129C00-32000	10	1
129C00-49610	11	43
129C00-49620	11	46
129C00-49700	11	50
129C00-57000	13	3
129C00-59030	14	20
129C00-59500	14	13
129C00-59810	13	12
129C00-59820	13	14
129C00-77820	4	62
129C00-91200	7	38
129C00-91222	18	3
129C00-91231	18	13
129C01-16690	7	13
129C20-42120	11	3
129C20-75070	17	1
129C20-92620	19	1
129C30-07901	4	58
129C30-77830	4	63
129C30-91600	18	19
171008-77450	15	8
171008-77510	15	13
171008-77540	15	15
171008-77650	15	20
171008-77660	15	24
171008-77670	15	25
171008-77750	15	31
171031-11741	2	9
171051-01921	1	5
171056-49120	11	33
171353-44760	11	26
22190-080002	2	15
	19	33
22190-120002	11	37
	19	34
22190-140002	5	17
	19	35
22190-220002	3	10
	19	36
22217-180000	8	19

Parts No.	Fig. No.	Ref. No.
22252-000260	9	25
22351-030010	9	7
22351-060012	4	31
22512-070140	8	7
	9	5
22857-500100	4	52
		53
23065-120230	10	26
23080-007000	14	15
23080-014000	10	27
23080-015000	14	11
		19
23297-080061	6	11
23414-080000	11	18
	19	37
23414-120000	6	13
	19	38
23875-020000	11	13
23876-010000	11	14
24311-000120	4	56
	19	39
24311-000320	2	7
		10
	19	40
26106-060102	8	9
26106-060122	6	14
26106-060162	7	35
26106-060202	5	27
26106-060322	15	29
26106-060402	5	28
	11	27
	15	30
26106-060902	5	29
26106-080122	11	19
	18	20
		21
		22
26106-080142	7	19
	8	10
26106-080162	2	8
		16
	3	11
	4	60
	11	20
		51
26106-080182	14	6
26106-080202	7	36
	10	28
26106-080222	7	20

Parts No. Index

Parts No.	Fig. No.	Ref. No.
26106-080222	11	32
26106-080252	3	12
	4	32
	6	26
	13	7
	14	7
26106-080302	12	8
	14	4
26106-080352	2	17
	3	20
	4	33
26106-080402	2	18
	8	27
26106-080452	3	13
	8	17
	11	21
	16	34
26106-080502	3	14
	4	34
	5	8
		20
	6	22
26106-080552	10	19
26106-080602	2	19
	11	22
26106-080752	5	21
26106-080852	2	20
26106-081004	16	32
26106-100202	7	40
26106-120252	15	32
26206-100252	3	4
26206-100302	3	5
26216-060202	5	6
26216-080252	5	18
26216-081052	5	22
26226-080182	4	11
26306-080002	5	23
	6	27
		31
	7	21
		41
	16	33
26306-100002	6	9
	16	27
26366-060002	13	16
26450-060162	3	22
	4	54
	8	12
26450-060252	10	14
26577-060142	11	15

Parts No.	Fig. No.	Ref. No.
26716-060002	5	19
26776-180002	8	20
27241-120000	1	14
27241-300000	1	10
27241-400000	4	19
27310-080001	4	26
29621-100000	18	23
29621-200000	18	24
729402-23100	9	26
977770-1207F	19	42
X2114255110	15	5
X2114555500	15	21
X2114955020	15	22
X2130350900	15	4
X2240410100	15	23
X9490561001	16	3

Parts No.	Fig. No.	Ref. No.
-----------	----------	----------

Parts No.	Fig. No.	Ref. No.
-----------	----------	----------