

0CB10-M81000EN

Contents

OCB10-M81000

Fig. No. Fig. Name

Fig. No. Fig. Name

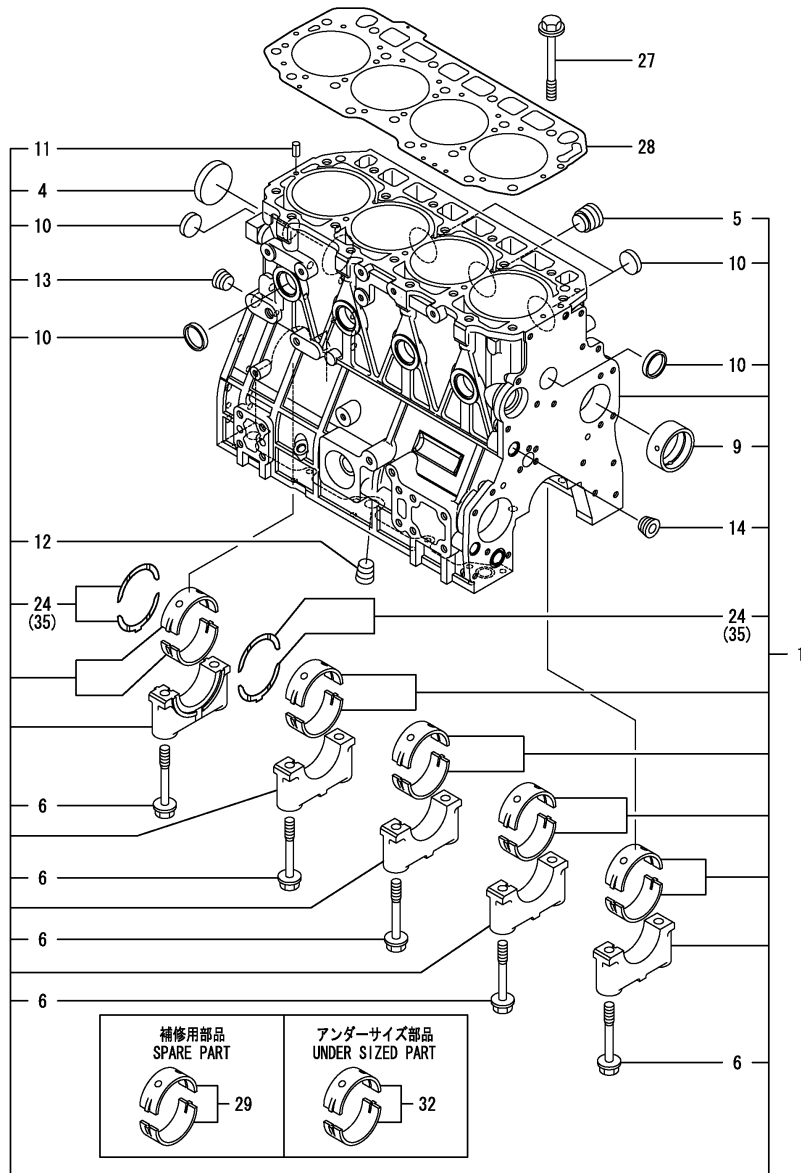
ENGINE

1. CYLINDER BLOCK
2. GEAR HOUSING
3. FLYWHEEL HOUSING & OIL SUMP
4. CYLINDER HEAD & BONNET
5. SUCTION MANIFOLD
6. EXHAUST MANIFOLD
7. DIESEL PARTICULATE FILTER(DPF)
8. CAMSHAFT & DRIVING GEAR
9. CRANKSHAFT & PISTON
10. LUB. OIL SYSTEM
11. COOLING WATER SYSTEM
12. FUEL SUPPLY PUMP
13. FUEL INJECTION VALVE
14. FUEL PIPE
15. STARTER MOTOR
16. GENERATOR
17. ELECTRONIC CONTROL UNIT(ECU)
18. ELECTRIC PARTS
19. GASKET SET

Fig.1. CYLINDER BLOCK

(A)=4TNV98C-WBV
(B)=
(C)=

(D)=
(E)=
(F)=



No.	Lev.	Parts No.	Description	Q'ty						I	R
				(A)	(B)	(C)	(D)	(E)	(F)		
1	1	129E00-01570	BLOCK ASSY, CYLINDER	1							
4	2	129900-01250	PLUG, 55	1							
5	2	171051-01921	PLUG, NPTF1	1							
6	2	129900-02020	BOLT, METAL CAP	10							
9	2	129900-02410	BUSH, CAMSHAFT	1							
10	2	27241-300000	PLUG 30	8							
11	2	22351-060012	PIN, SPRING 6.0X12	2							
12	2	23876-030000	PLUG, R03	1							
13	2	23876-030000	PLUG, R03	1							
14	2	23876-030000	PLUG, R03	1							
24	2	129900-02931	BEARING, THRUST	2							
27	1	129900-01200	BOLT, HEAD	18							
28	1	129E00-01330	GASKET, CYL. HEAD	1							
29	1	729900-02801	BEARING, MAIN	5							1
32	1	129900-02341	BEARING, 0.25 US	5							2
35	1	129900-02941	BEARING, THRUST 0.25	2							3

Remarks

- (1) Spare parts.
- (2) Under-sized (U.S.=0.25) parts.
- (3) Over-sized (O.S.=0.25) parts.

Fig.2. GEAR HOUSING

(A)=4TNV98C-WBV

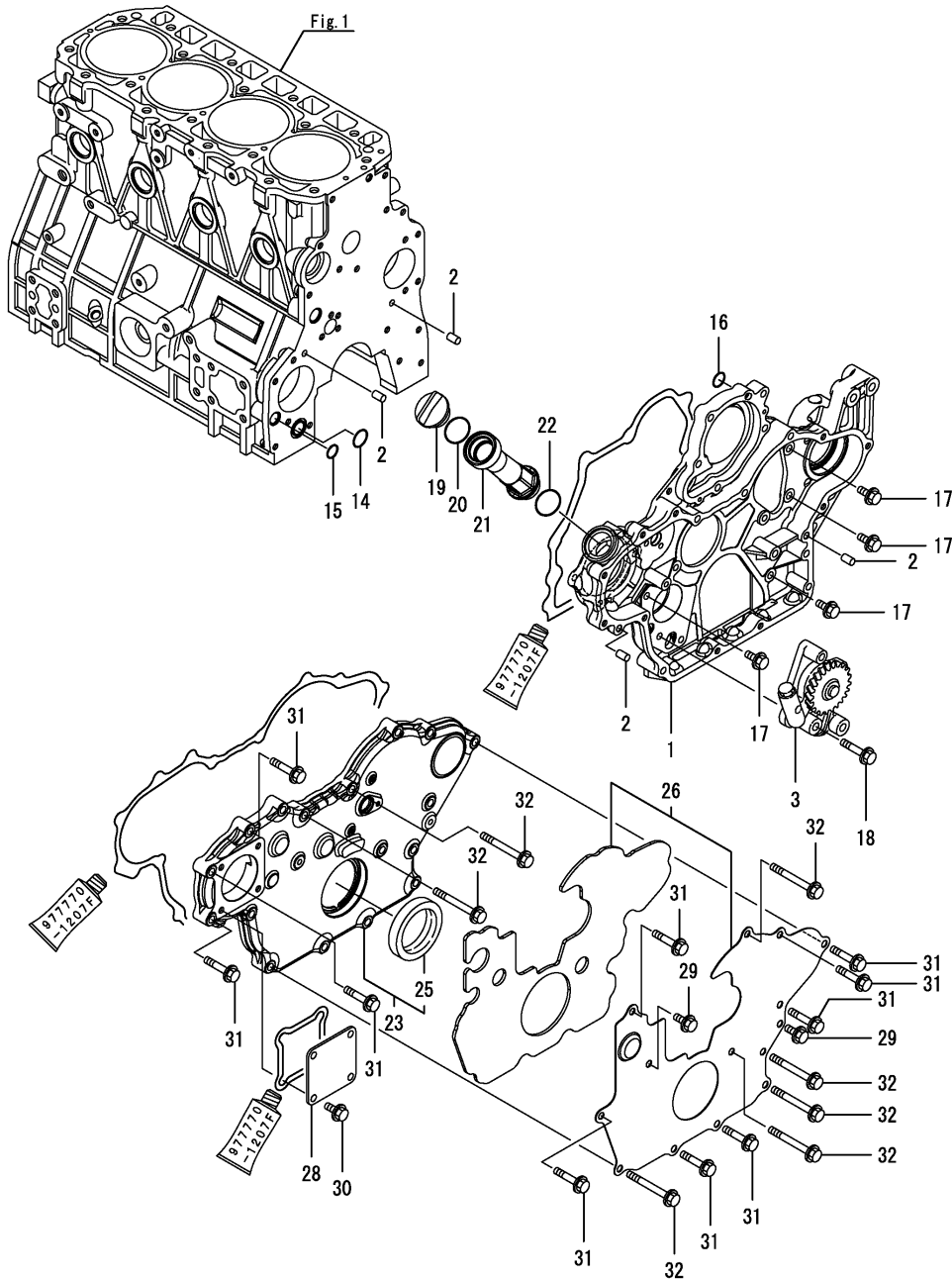
(B)=

(C)=

(D)=

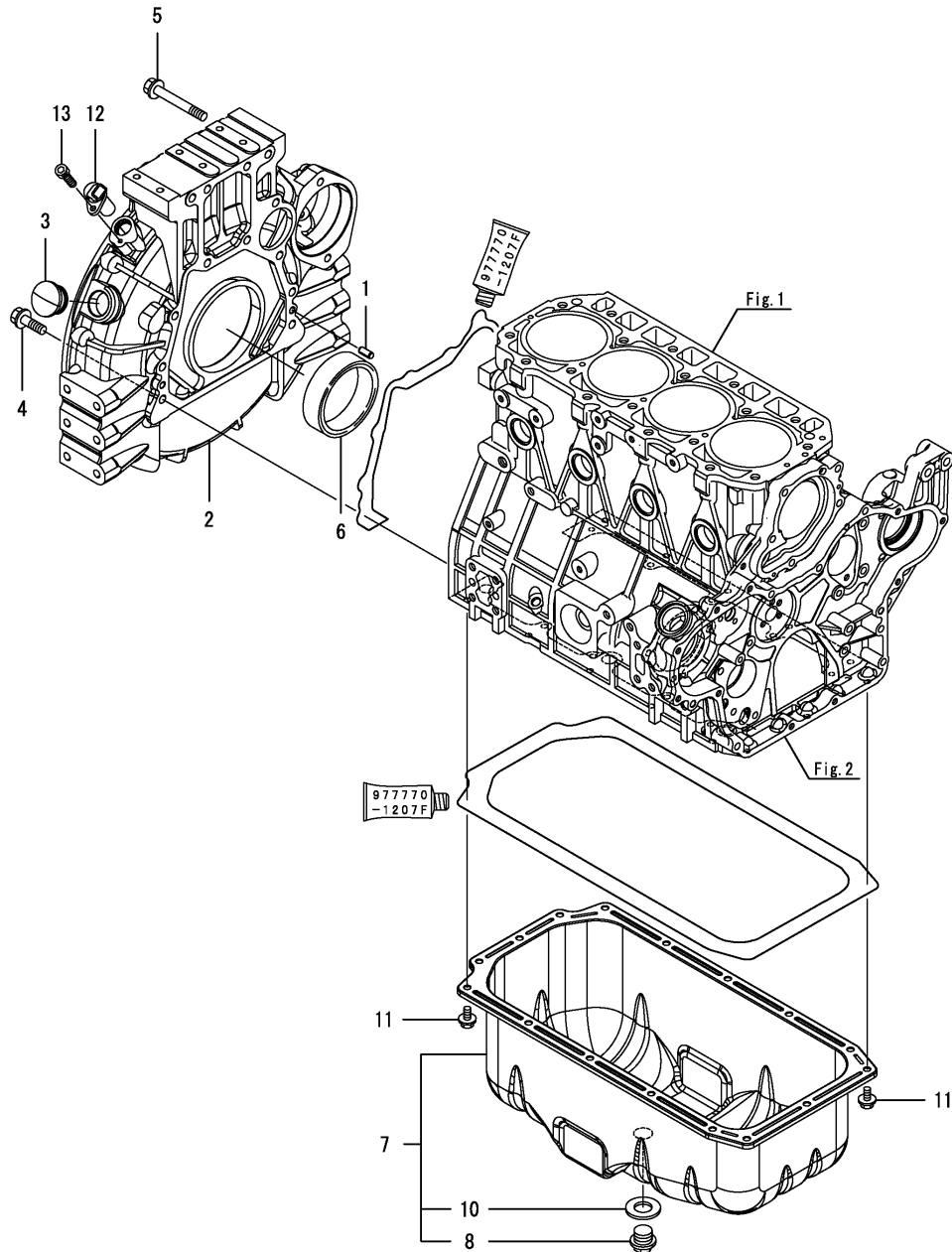
(E)=

(F)=



No.	Lev.	Parts No.	Description	Q'ty						I	R
				(A)	(B)	(C)	(D)	(E)	(F)		
1	1	129E00-01500	CASE, GEAR	1							
2	1	129100-01580	PIN, M8X16	4							
3	1	129900-32001	PUMP ASSY, OIL	1							
14	1	129900-32030	O-RING, P20	1							
15	1	129900-32040	O-RING, P14	1							
16	1	24311-000070	O-RING, 1AP7.0	1							
17	1	26106-080162	BOLT, M8X 16 PLATED	4							
18	1	26106-080452	BOLT, M8X 45 PLATED	3							
19	1	124160-01751	COVER, FILLER	1							
20	1	24311-000320	O-RING, 1AP32.0	1							
21	1	121027-11743	PIPE	1							
22	1	24311-000320	O-RING, 1AP32.0	1							
23	1	129E00-01580	COVER ASSY, GEARCASE	1							
25	2	129916-01800	SEAL, OIL	1							
26	1	129E00-01850	COVER ASSY,GEARCASE	1							
28	1	124240-01871	COVER	1							
29	1	26106-080162	BOLT, M8X 16 PLATED	2							
30	1	26106-080162	BOLT, M8X 16 PLATED	4							
31	1	26106-080402	BOLT, M8X 40 PLATED	10							
32	1	26106-080702	BOLT, M8X 70 PLATED	7							

Fig.3. FLYWHEEL HOUSING & OIL SUMP

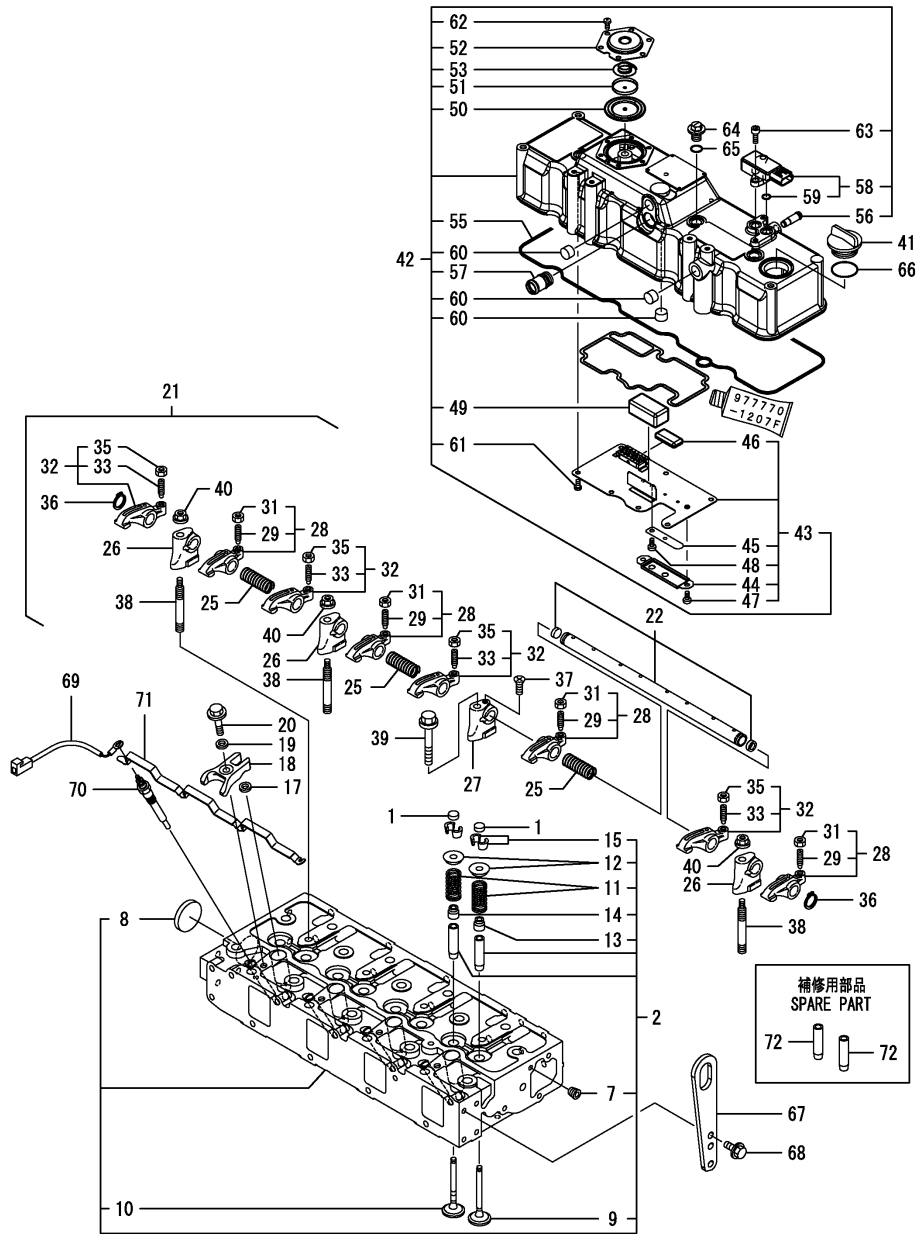


(A)=4TNV98C-WBV
(B)=
(C)=

(D)=
(E)=
(F)=

No.	Lev.	Parts No.	Description	Q'ty						I	R
				(A)	(B)	(C)	(D)	(E)	(F)		
1	1	129100-01580	PIN, M8X16	2							
2	1	129E20-01620	HOUSING, FLYWHEEL	1							
3	1	119620-01750	CAP	1							
4	1	26206-100352	BOLT, M10X 35 PLATED	9							
5	1	26206-100952	BOLT, M10X 95 PLATED	4							
6	1	129916-01790	SEAL, D115/95XT11	1							
7	1	129916-01710	SUMP ASSY, OIL	1							
8	2	119640-01640	PLUG, DRAIN M22	1							
10	2	22190-220002	WASHER, SEAL 22	1							
11	1	26106-080122	BOLT, M8X 12 PLATED	16							
12	1	129A00-21710	SENSOR, FLYWHEEL REV	1							
13	1	26450-060162	BOLT, M6X 16	1							

Fig.4. CYLINDER HEAD & BONNET



(A)=4TNV98C-WBV

(B)=

(C)=

(D)=

(E)=

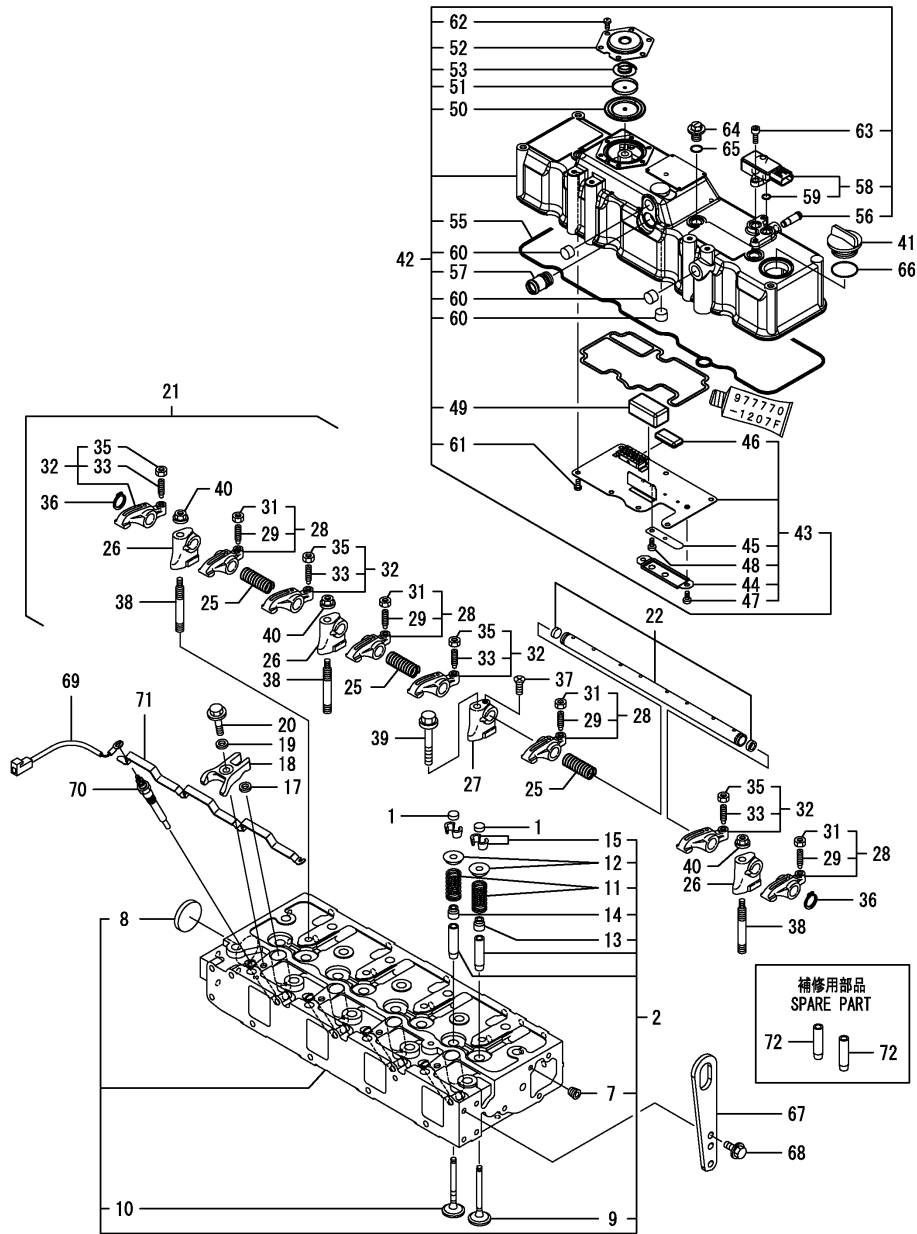
(F)=

No.	Lev.	Parts No.	Description	Q'ty						I	R
				(A)	(B)	(C)	(D)	(E)	(F)		
1	1	129150-11370	CAP, VALVE	8							
2	1	129E00-11710	HEAD ASSY, CYLINDER	1							
7	2	23876-005000	PLUG, R005	1							
8	2	27241-400000	PLUG, 40	1							
9	2	129900-11100	VALVE, INTAKE	4							
10	2	129900-11110	VALVE, EXHAUST	4							
11	2	129900-11120	SPRING, VALVE	8							
12	2	129795-11180	RETAINER, SPRING	8							
13	2	124460-11340	SEAL, VALVE STEM	4							
14	2	129A00-11340	SEAL, VALVE STEM	4							
15	2	27310-080001	COTTER, 8	8							
17	1	129978-11871	GASKET,INJECTOR	4							
18	1	129E00-11900	RETAINER, INJECTOR	4							
19	1	120270-54410	WASHER, INJECTOR	4							
20	1	26106-080352	BOLT, M8X 35 PLATED	4							
21	1	129900-11200	SUPPORT ASSY, ARM	1							
22	2	129900-11240	SHAFT ASSY, ROCKER	1							
25	2	129900-11280	SPRING	3							
26	2	129900-11510	SUPPORT, ROCKER ARM	3							
27	2	129900-11520	SUPPORT, ROCKER ARM	1							
28	2	129900-11650	ARM, ROCKER	4							
29	3	129150-11230	SCREW, VALVE ADJUST	4							
31	3	129150-11750	NUT, M8	4							
32	2	129900-11660	ARM, ROCKER	4							
33	3	129150-11230	SCREW, VALVE ADJUST	4							
35	3	129150-11750	NUT, M8	4							
36	2	22242-000180	RING, 18	2							
37	2	26577-040162	SCREW, M4X16	1							
38	1	129900-11530	STUD	3							
39	1	26106-100652	BOLT, M10X 65 PLATED	1							
40	1	26306-100002	NUT, M10	3							
41	1	124160-01751	COVER, FILLER	1							
42	1	129E00-11350	BONNET ASSY	1							
43	2	129E00-03010	PLATE, BAFFLE	1							
44	3	129E00-03020	COVER, PLATE SPRING	1							
45	3	129978-03030	SPRING,PLATE	1							
46	3	129907-03061	BAFFLE, BREATHER	1							
47	3	26557-050082	SCREW, M5X 8	2							
48	3	26587-050102	SCREW, M5X10	1							
49	2	129907-03070	BAFFLE, BREATHER	1							
50	2	123907-03100	DIAPHRAGM	1							
51	2	123907-03110	PLATE	1							
52	2	123907-03120	PLATE, BREATHER	1							
53	2	123907-03140	SPRING, DIAPHRAGM	1							
55	2	129E00-11310	PACKING, BONNET	1							
56	2	129A00-11330	JOINT	1							
57	2	129001-11340	PIPE , BREATHER	1							
58	2	129A00-12703	SENSOR,PRESSURE	1							
59	3	129A00-12780	O-RING,PRES SENSOR	2							
60	2	119640-61400	PLUG	3							
61	2	22857-500100	SCREW, 5X10	7							

Remarks

(1) Spare parts.

Fig.4. CYLINDER HEAD & BONNET



(A)=4TNV98C-WBV
(B)=
(C)=

(D)=
(E)=
(F)=

No.	Lev.	Parts No.	Description	Q'ty						I	R
				(A)	(B)	(C)	(D)	(E)	(F)		
62	2	22857-500100	SCREW, 5X10	6							
63	2	26450-060162	BOLT, M6X 16	2							
64	1	124160-11360	KNOB	3							
65	1	24311-000120	O-RING, 1AP12.0	3							
66	1	24311-000320	O-RING, 1AP32.0	1							
67	1	129900-07900	LIFTER	1							
68	1	26106-080162	BOLT, M8X 16 PLATED	2							
69	1	119803-77830	HARNES, WIRE	1							
70	1	129008-77800	PLUG, GLOW	4							
71	1	129E00-77820	CONNECTOR, GLOW PLUG	1							
72	1	129150-11810	GUIDE, VALVE	8							1

Remarks
(1) Spare parts.

Fig.5. SUCTION MANIFOLD

(A)=4TNV98C-WBV

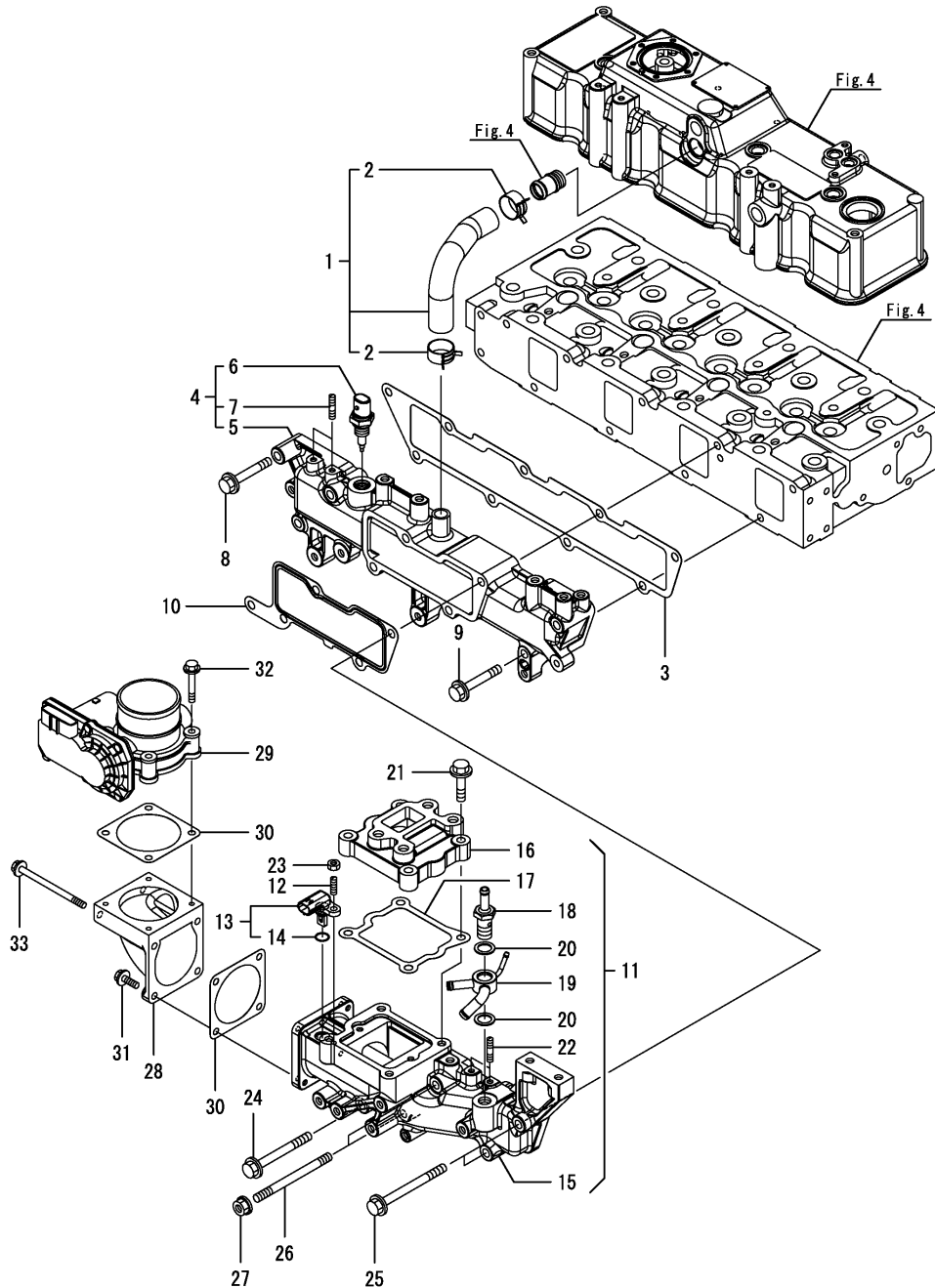
(B)=

(C)=

(D)=

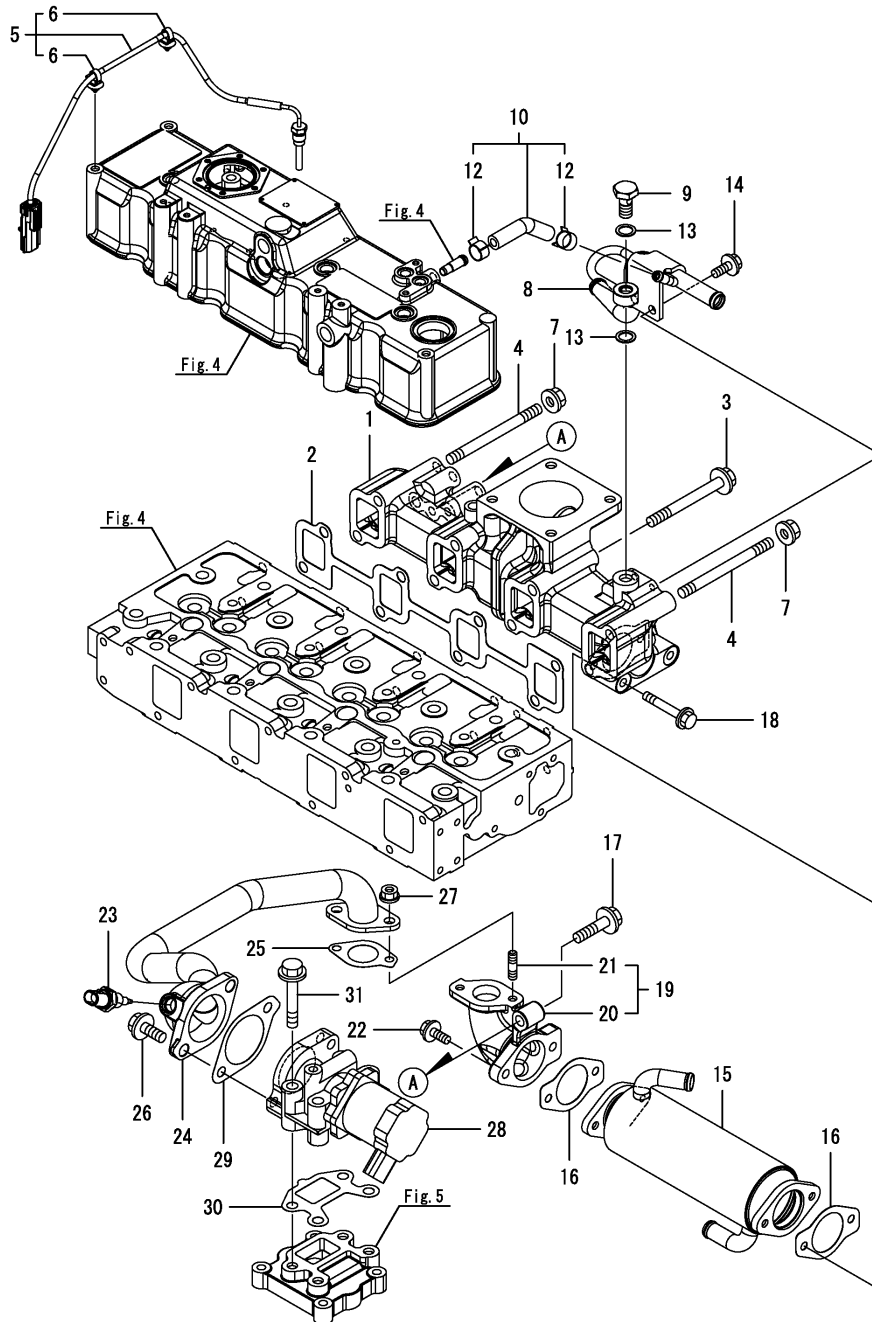
(E)=

(F)=



No.	Lev.	Parts No.	Description	Q'ty						I	R
				(A)	(B)	(C)	(D)	(E)	(F)		
1	1	129005-03080	PIPE , BREATHER	1							
2	2	129410-03990	CLIP	2							
3	1	129E00-12110	GASKET, MANIFOLD								
4	1	129E00-12151	MANIFOLD ASSY,INTAKE	1							
5	2	129E00-12101	MANIFOLD, AIR INTAKE	1							
6	2	129A00-12720	SENSOR,AIR TEMP	1							
7	2	26216-060202	STUD, M6X 20	2							
8	1	26106-080452	BOLT, M8X 45 PLATED	1							
9	1	26106-080552	BOLT, M8X 55 PLATED	4							
10	1	129E00-12810	GASKET, COLLECTOR	1							
11	1	129E00-12850	COLLECTOR ASSY	1							
12	2	119660-01570	STUD, M6X12	1							
13	2	129A00-12711	SENSOR,AIR TEMP	1							
14	3	129A00-12790	O-RING,TEMP SENSOR	1							
15	2	129E00-12800	COLLECTOR	1							
16	2	129E00-13710	SPACER, EGR VALVE	1							
17	2	129E00-13720	GASKET, EGR-V SPACER	1							
18	2	129A00-59110	JOINT, HOSE M14	1							
19	2	129E00-59120	JOINT, HOSE 14	1							
20	2	22190-140002	WASHER, SEAL 14	2							
21	2	26106-080352	BOLT, M8X 35 PLATED	4							
22	2	26216-060202	STUD, M6X 20	2							
23	2	26716-060002	NUT, M6	1							
24	1	26106-080752	BOLT, M8X 75 PLATED	1							
25	1	26106-080902	BOLT, M8X 90 PLATED	2							
26	1	26216-081002	STUD, M8X100	2							
27	1	26306-080002	NUT, M8	2							
28	1	129A00-12820	BEND, INLET	1							
29	1	129A00-12900	THROTTLE BODY(INT	1							
30	1	129A00-12910	GASKET,THROTTLE	2							
31	1	26106-060202	BOLT, M6X 20 PLATED	2							
32	1	26106-060402	BOLT, M6X 40 PLATED	4							
33	1	26106-060902	BOLT, M6X 90 PLATED	2							

Fig.6. EXHAUST MANIFOLD



(A)=4TNV98C-WBV

(B)=

(C)=

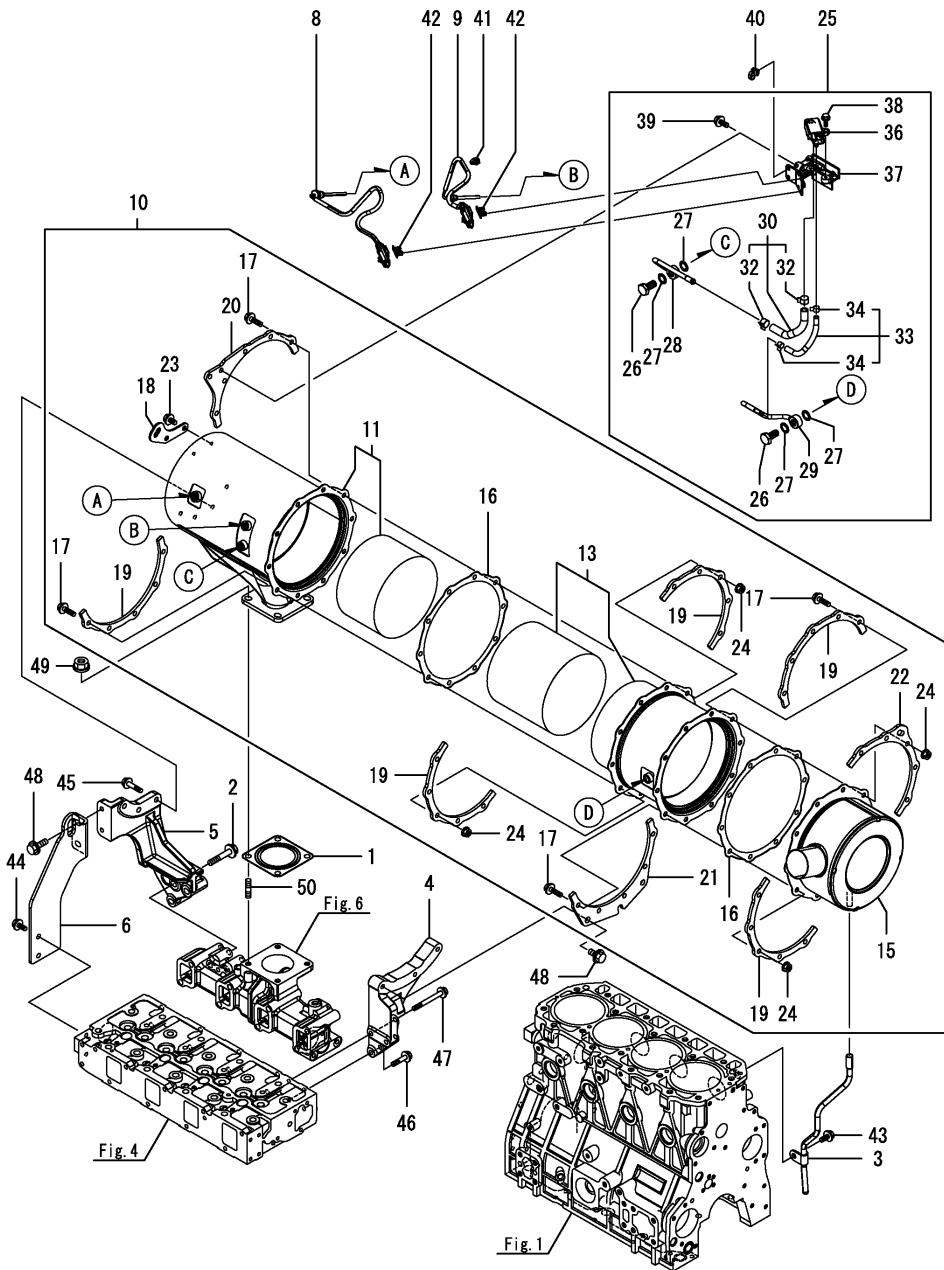
(D)=

(E)=

(F)=

No.	Lev.	Parts No.	Description	Q'ty						I	R
				(A)	(B)	(C)	(D)	(E)	(F)		
1	1	129E00-13101	MANIFOLD, EXHAUST	1							
2	1	129E00-13110	GASKET, MANIFOLD	1							
3	1	129A00-13620	BOLT, M10X95 10.9T	6							
4	1	129A01-13710	STUD, M10X95 10.9T	2							
5	1	129E00-13770	SENSOR, EXH TEMP.	1							
6	2	129A00-91200	BAND CLIP	2							
7	1	26306-100002	NUT, M10	2							
8	1	129E00-13300	PIPE, EXH PRESSURE	1							
9	1	129A00-13350	BOLT, PIPE JOINT	1							
10	1	129E00-13360	HOSE ASSY, PRES EXH	1							
12	2	129A00-13380	CLIP, HOSE 14	2							
13	1	23414-120000	GASKET, 12X1.0	2							
14	1	26106-080162	BOLT, M8X 16 PLATED	2							
15	1	129E00-13400	COOLER, EGR	1							
16	1	129E00-13410	GASKET, EGR COOLER	2							
17	1	129C01-13600	FLANGE BOLT, 10X40	1							
18	1	129E00-13610	BOLT, M8X50 10.9	2							
19	1	129E00-13851	BEND ASSY, EGR-C OUT	1							
20	2	129E00-13861	BEND, EGR-C OUT	1							
21	2	129418-18320	STUD, M8X20	2							
22	1	26106-080202	BOLT, M8X 20 PLATED	2							
23	1	129A00-13751	SENSOR, EGR GAS TEMP	1							
24	1	129E00-13800	PIPE ASSY, EGR	1							
25	1	129927-13810	GASKET	1							
26	1	26106-100252	BOLT, M10X 25 PLATED	2							
27	1	26306-080002	NUT, M8	2							
28	1	129E00-13901	VALVE, EGR	1							
29	1	129E00-13910	GASKET, EGR-V IN	1							
30	1	129E00-13920	GASKET, EGR-V OUT	1							
31	1	26106-100602	BOLT, M10X 60 PLATED	4							

Fig.7. DIESEL PARTICULATE FILTER(DPF)



(A)=4TNV98C-WBV

(B)=

(C)=

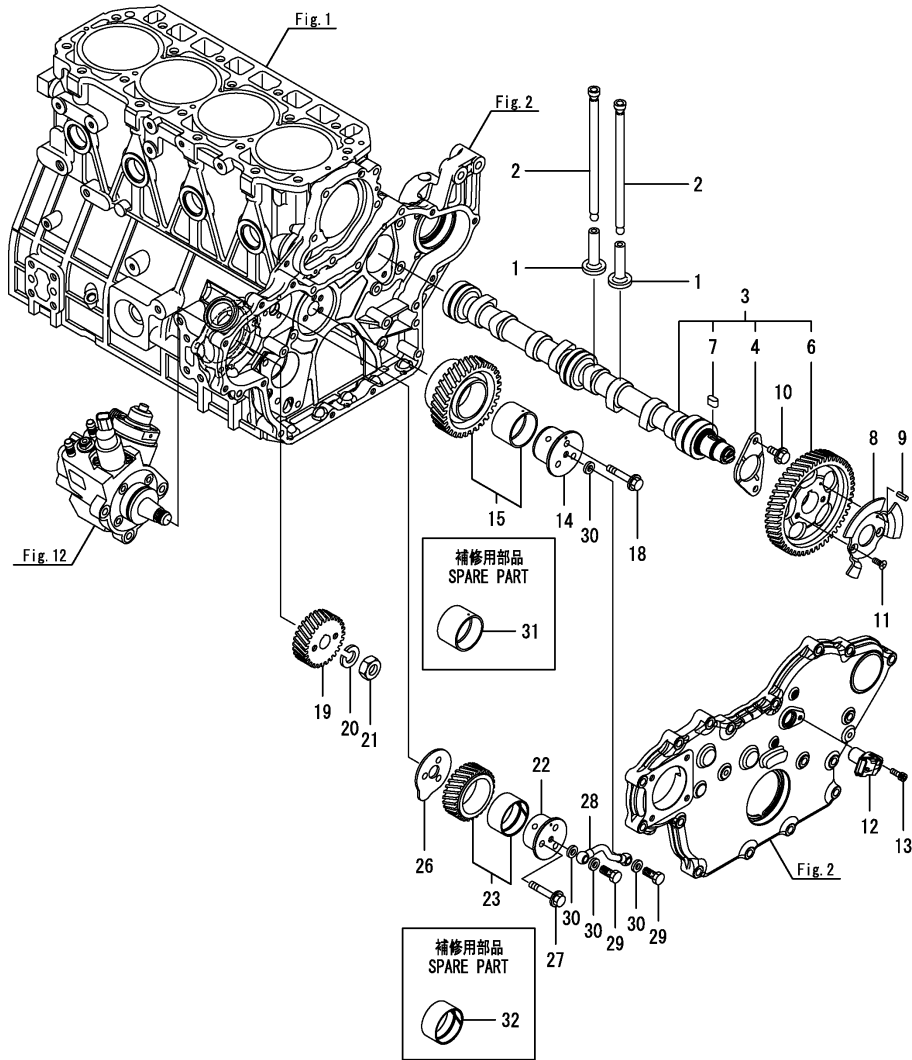
(D)=

(E)=

(F)=

No.	Lev.	Parts No.	Description	Q'ty						I	R
				(A)	(B)	(C)	(D)	(E)	(F)		
1	1	128300-13230	GASKET, SILENCER	1							
2	1	129E00-13600	BOLT, FLANGE 10X55	3							
3	1	129E20-13900	PIPE, CW DRAIN	1							
4	1	129E00-16810	STAY, DPF	1							
5	1	129E00-16820	STAY, DPF	1							
6	1	129E00-16830	STAY, DPF	1							
8	1	129C00-13940	SENSOR, EXH.TEMP	1							
9	1	129C00-13950	SENSOR, EXH.TEMP	1							
10	1	129E20-16070	DPF ASSY	1							
11	2	129E00-16210	CASE, DOC	1							
13	2	129E00-16410	CASE, SOOT FILTER	1							
15	2	129E20-16560	SILENCER,DPF	1							
16	2	129E00-16600	GASKET, DPF	2							
17	2	129A00-16610	BOLT, M8X28 10.9T	20							
18	2	129C01-16680	LIFTER, DPF	1							
19	2	129C01-16700	STIFFENER, DPF A	5							
20	2	129E00-16700	STIFFENER, DPF C	1							
21	2	129E00-16720	STIFFENER, DPF B	1							
22	2	129C01-16740	STIFFENER, DPF C	1							
23	2	26106-080142	BOLT, M8X 14 PLATED	2							
24	2	26306-080002	NUT, M8	20							
25	1	129E20-17210	SENSOR UNIT,PRESSURE	1							
26	2	129A00-13350	BOLT, PIPE JOINT	2							
27	2	129A00-17311	GASKET,SENSOR	4							
28	2	129E00-17310	PIPE ASSY, PRES EXH	1							
29	2	129E00-17360	PIPE ASSY, PRES EXH	1							
30	2	129A00-17610	HOSE ASSY,PRES EXH	1							
32	3	129A00-17520	CLIP, HOSE	2							
33	2	129A00-17670	HOSE ASSY,PRES EXH	1							
34	3	129A00-17570	CLIP, HOSE	2							
36	2	129A00-17702	SENSOR,PRESSURE	1							
37	2	129E20-17700	BRACKET, SENSOR	1							
38	2	26106-060162	BOLT, M6X 16 PLATED	2							
39	2	26106-080202	BOLT, M8X 20 PLATED	2							
40	1	129A00-91200	BAND CLIP	1							
41	1	129C00-91200	BAND	1							
42	1	129A00-91430	CLIP, CONNECTOR	2							
43	1	26106-080142	BOLT, M8X 14 PLATED	1							
44	1	26106-080162	BOLT, M8X 16 PLATED	2							
45	1	26106-080352	BOLT, M8X 35 PLATED	3							
46	1	26106-080352	BOLT, M8X 35 PLATED	2							
47	1	26106-080752	BOLT, M8X 75 PLATED	1							
48	1	26106-100182	BOLT, M10X 18 PLATED	5							
49	1	26306-100002	NUT, M10	4							
50	1	123900-13130	STUD, M10X22	4							

Fig.8. CAMSHAFT & DRIVING GEAR



(A)=4TNV98C-WBV
(B)=
(C)=

(D)=
(E)=
(F)=

No.	Lev.	Parts No.	Description	Q'ty						I	R
				(A)	(B)	(C)	(D)	(E)	(F)		
1	1	129150-14200	TAPPET	8							
2	1	129900-14400	ROD, PUSH	8							
3	1	129E00-14581	SHAFT ASSY, CAM	1							
4	2	129150-02450	BEARING, THRUST	1							
6	2	129E00-14101	GEAR, CAMSHAFT	1							
7	2	22512-070140	KEY, 7X 14	1							
8	1	129E00-14700	PULSER, CAM GEAR	1							
9	1	22351-030010	PIN, SPRING 3.0X10	1							
10	1	26106-080162	BOLT, M8X 16 PLATED	2							
11	1	26577-060122	SCREW, M6X12	2							
12	1	129A00-14710	SENSOR, GEAR REV	1							
13	1	26450-060162	BOLT, M6X 16	1							
14	1	129E00-25050	SHAFT, IDLE GEAR A	1							
15	1	129900-25110	GEAR ASSY, IDLE	1							
18	1	26106-080502	BOLT, M8X 50 PLATED	3							
19	1	129E00-25902	GEAR, SUPPLY PUMP	1							
20	1	22217-180000	WASHER, SPRING 18	1							
21	1	26776-180002	NUT, LOCK M18	1							
22	1	129E00-25060	SHAFT, IDLE GEAR B	1							
23	1	129E00-25121	GEAR ASSY, IDLE B	1							
26	1	129E00-25200	PLATE, IDLE SHAFT B	1							
27	1	26106-080452	BOLT, M8X 45 PLATED	3							
28	1	129E00-25400	PIPE ASSY, LO	1							
29	1	105010-39140	BOLT, PIPE JOINT	2							
30	1	22190-080002	WASHER, SEAL 6	4							
31	1	129150-25920	BUSH, IDLE GEAR	1							1
32	1	129E00-25080	BUSH	1							1

Remarks

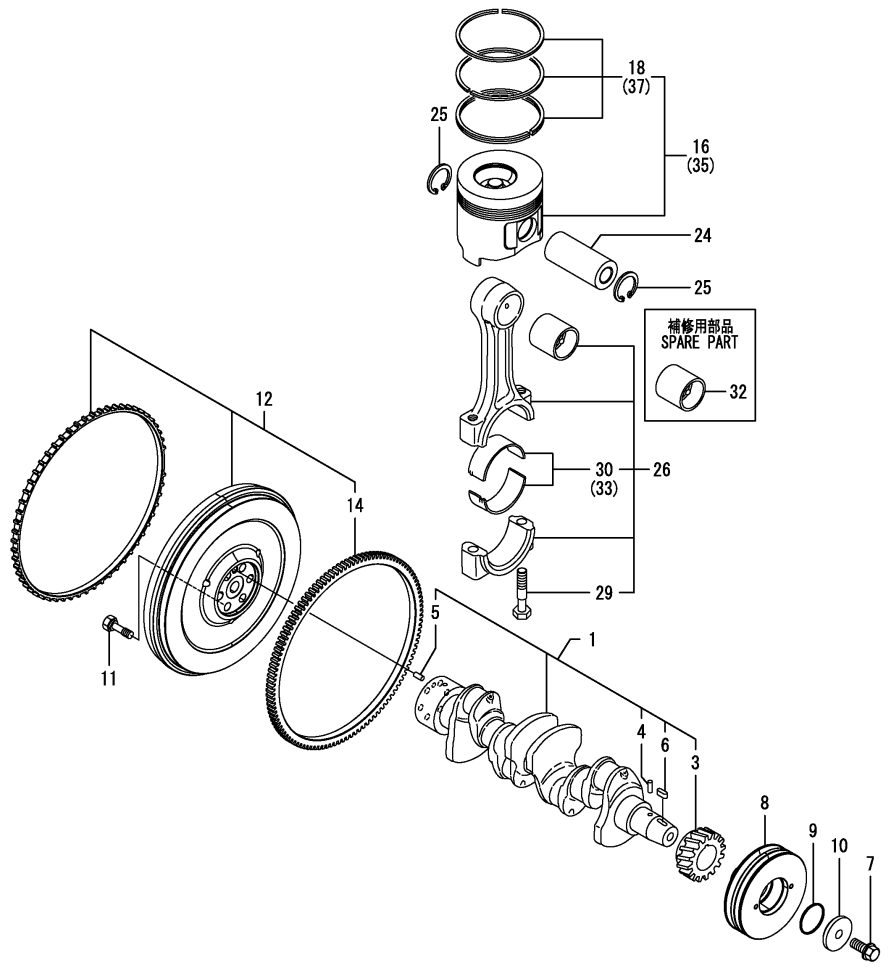
(1) Spare parts.

N:Old $\xrightarrow{\text{Yes}}$ New, Q:Old $\xrightarrow{\text{No}}$ New, R:Old $\xrightarrow{\text{Yes}}$ New, S:Old $\xrightarrow{\text{No}}$ New, W:Add, Z:Discontinued, F:Interchangeable by set, K:Q'ty Change

Fig.9. CRANKSHAFT & PISTON

(A)=4TNV98C-WBV
(B)=
(C)=

(D)=
(E)=
(F)=



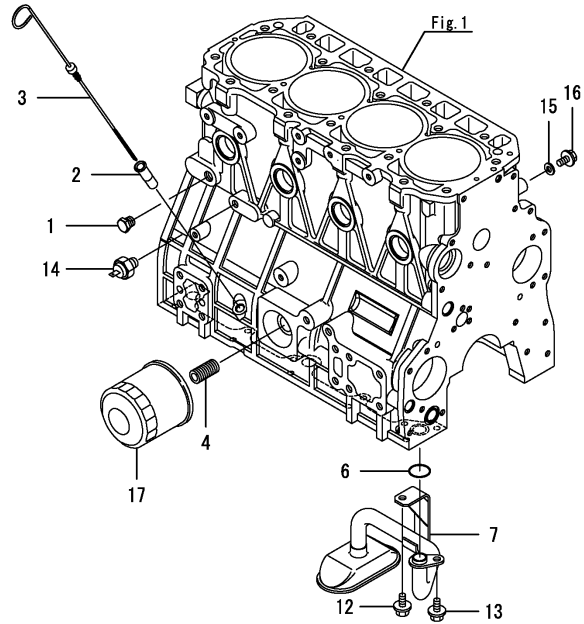
No.	Lev.	Parts No.	Description	Q'ty						I	R
				(A)	(B)	(C)	(D)	(E)	(F)		
1	1	129902-21050	CRANKSHAFT ASSY	1							
3	2	129900-21220	GEAR, CRANKSHAFT	1							
4	2	121850-21290	PIN	1							
5	2	121850-21920	PIN, M10X22	1							
6	2	22512-070140	KEY, 7X 14	1							
7	1	129916-21610	BOLT	1							
8	1	129938-21650	V-PULLEY	1							
9	1	129960-21930	PACKING, WASHER	1							
10	1	129960-21940	WASHER, V-PULLEY	1							
11	1	121850-21130	BOLT, FLYWHEEL	6							
12	1	129E20-21600	FLYWHEEL ASSY	1							
14	2	129900-21600	GEAR, RING	1							
16	1	129E00-22080	PISTON ASSY	4							
18	2	129E00-22050	RING ASSY	4							
24	1	120130-22301	PIN, PISTON	4							
25	1	22252-000300	RING, 30	8							
26	1	129900-23001	ROD ASSY, CONNECTING	4							
29	2	129900-23200	BOLT, CONNECTING ROD	8							
30	2	129900-23601	BEARING, CRANK PIN	4							
32	1	129900-23911	BEARING, PISTON PIN	4							1
33	1	129900-23611	BEARING, 0.25 US	4							2
35	1	129E00-22900	PISTON ASSY, 0.25 OS	4							3
37	2	129E00-22950	RING ASSY, 0.25OS	4							3

Remarks
 (1) Spare parts.
 (2) Under-sized (U.S.=0.25) parts.
 (3) Over-sized (O.S.=0.25) parts.

Fig.10. LUB. OIL SYSTEM

(A)=4TNV98C-WBV
(B)=
(C)=

(D)=
(E)=
(F)=



No.	Lev.	Parts No.	Description	Q'ty						I	R
				(A)	(B)	(C)	(D)	(E)	(F)		
1	1	171056-49120	PLUG, DRAIN	1							
2	1	121520-34810	GUIDE, DIPSTICK	1							
3	1	129938-34820	DIPSTICK, LUB.OIL	1							
4	1	119000-35140	BOLT, FILTER	1							
6	1	129900-32030	O-RING, P20	1							
7	1	129953-35000	PIPE ASSY, OIL INLET	1							
12	1	26106-080122	BOLT, M8X 12 PLATED	1							
13	1	26106-080162	BOLT, M8X 16 PLATED	1							
14	1	119761-39450	SWITCH, 0.5KG	1							
15	1	22190-080002	WASHER, SEAL 6	1							
16	1	26106-080122	BOLT, M8X 12 PLATED	1							
17	1	129150-35170	FILTER,LO	1							1

Remarks

(1)Spare parts.

N:Old $\xrightarrow{\text{Yes}}$ New, Q:Old $\xrightarrow{\text{No}}$ New, R:Old $\xrightarrow{\text{Yes}}$ New, S:Old $\xrightarrow{\text{No}}$ New, W:Add, Z:Discontinued, F:Interchangeable by set, K:Q'ty Change

Fig.11. COOLING WATER SYSTEM

(A)=4TNV98C-WBV

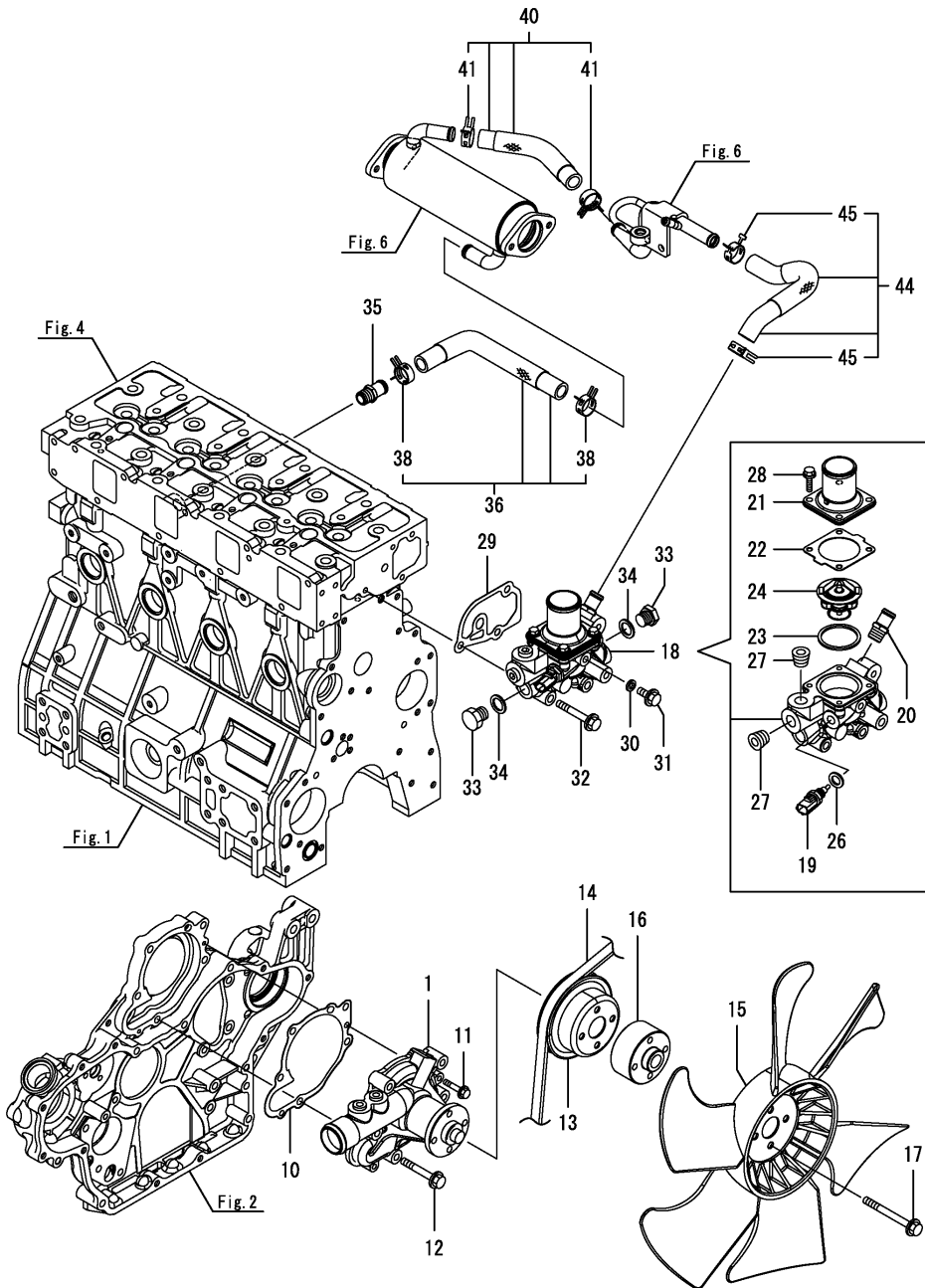
(B)=

(C)=

(D)=

(E)=

(F)=



No.	Lev.	Parts No.	Description	Q'ty						I	R
				(A)	(B)	(C)	(D)	(E)	(F)		
1	1	129900-42002	PUMP ASSY, WATER	1							
10	1	129900-42020	GASKET, WATER PUMP	1							
11	1	26106-060302	BOLT, M6X 30 PLATED	2							
12	1	26106-080552	BOLT, M8X 55 PLATED	5							
13	1	129900-42462	V-PULLEY, CW PUMP	1							
14	1	129940-42310	V-BELT, A44	1							
15	1	129916-44740	FAN, COOLING D=430	1							
16	1	119005-44761	SPACER, FAN	1							
17	1	26106-080452	BOLT, M8X 45 PLATED	4							
18	1	129E00-49800	CASE ASSY, THERMOSTAT	1							
19	2	129927-44900	SENSOR	1							
20	2	129928-49420	JOINT	1							
21	2	129916-49530	COVER, THERMOSTAT	1							
22	2	121850-49540	GASKET, THERMOSTAT	1							
23	2	121850-49550	GASKET, THERMOSTAT	1							
24	2	121850-49811	THERMOSTAT	1							
26	2	22190-120002	WASHER, SEAL 12	1							
27	2	23875-030000	PLUG, R03	2							
28	2	26106-060202	BOLT, M6X 20 PLATED	4							
29	1	129900-49870	GASKET	1							
30	1	23414-080000	GASKET, 8X1.0	1							
31	1	26106-080122	BOLT, M8X 12 PLATED	1							
32	1	26106-080602	BOLT, M8X 60 PLATED	3							
33	1	121450-42450	PLUG, M16	2							
34	1	124465-44950	GASKET, 16	2							
35	1	129928-49420	JOINT	1							
36	1	129E00-49610	HOSE ASSY, EGR-C IN	1							
38	2	129960-03990	CLIP, HOSE 22	2							
40	1	129E00-49620	HOSE ASSY, EGRC OUT A	1							
41	2	129960-03990	CLIP, HOSE 22	2							
44	1	129E20-49630	HOSE ASSY, EGRC OUT B	1							
45	2	129960-03990	CLIP, HOSE 22	2							

Fig.12. FUEL SUPPLY PUMP

(A)=4TNV98C-WBV
(B)=
(C)=

(D)=
(E)=
(F)=

No.	Lev.	Parts No.	Description	Q'ty						I	R
				(A)	(B)	(C)	(D)	(E)	(F)		
1	1	129A00-51000	PUMP ASSY, FUEL	1							
2	2	129A00-51100	VALVE ASSY, MPROP	1							
3	3	129A00-51110	RING, SEALING	1							
4	3	129A00-51120	O-RING, MPROP	1							
5	2	129A00-51130	BOLT, MPROP	2							
6	2	129A00-51200	SENSOR, TEMPERATURE	1							
7	2	129A00-51900	O-RING, FUEL PUMP	1							
8	1	26106-080302	BOLT, M8X 30 PLATED	3							

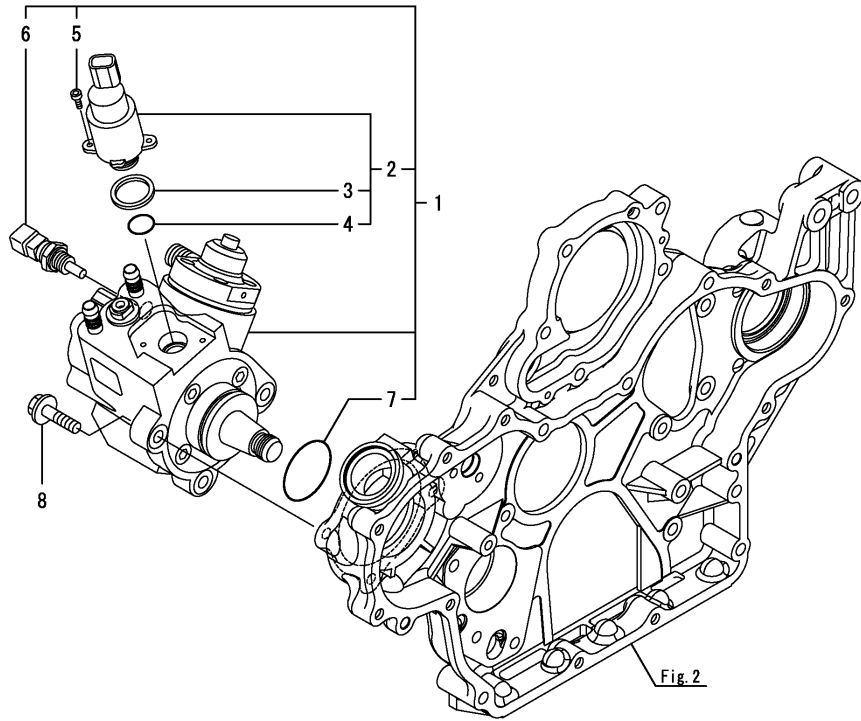
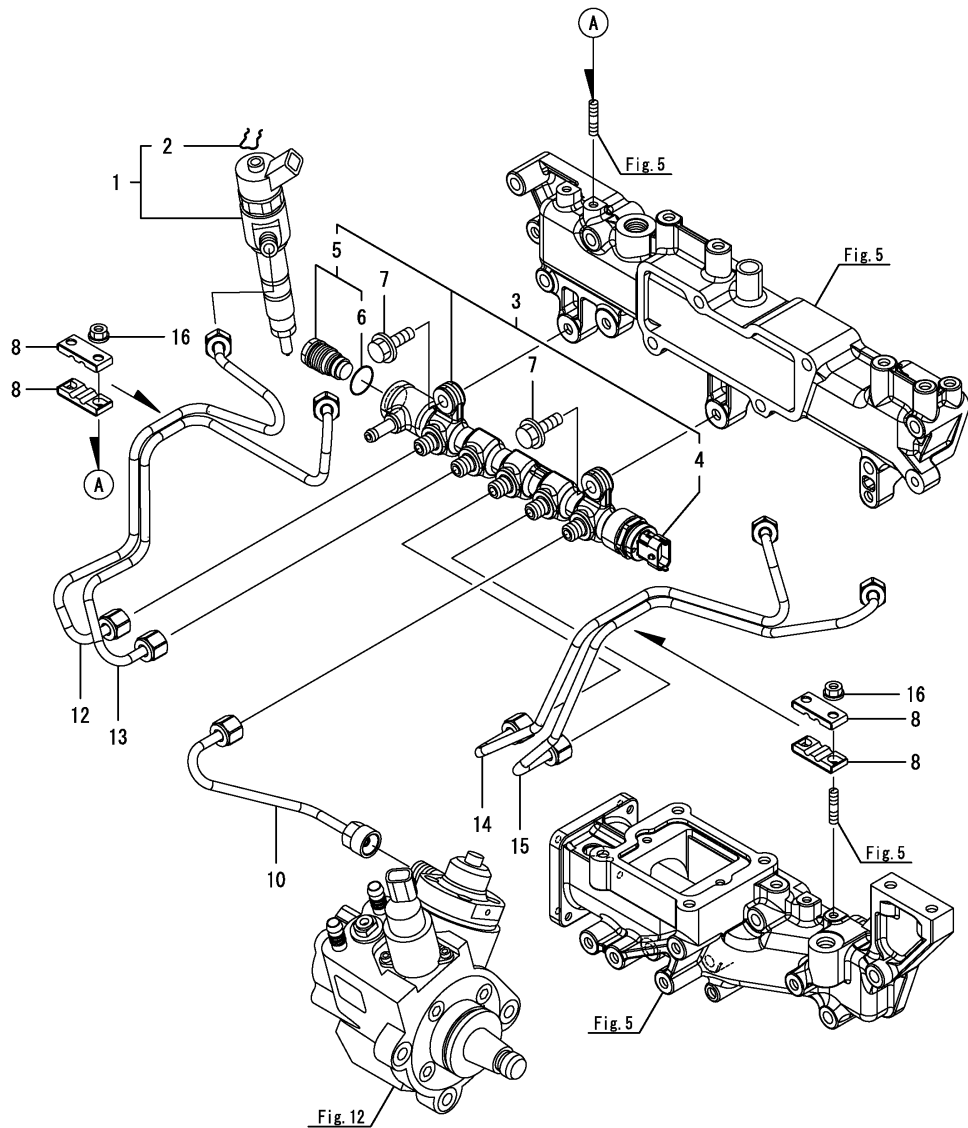


Fig.13. FUEL INJECTION VALVE

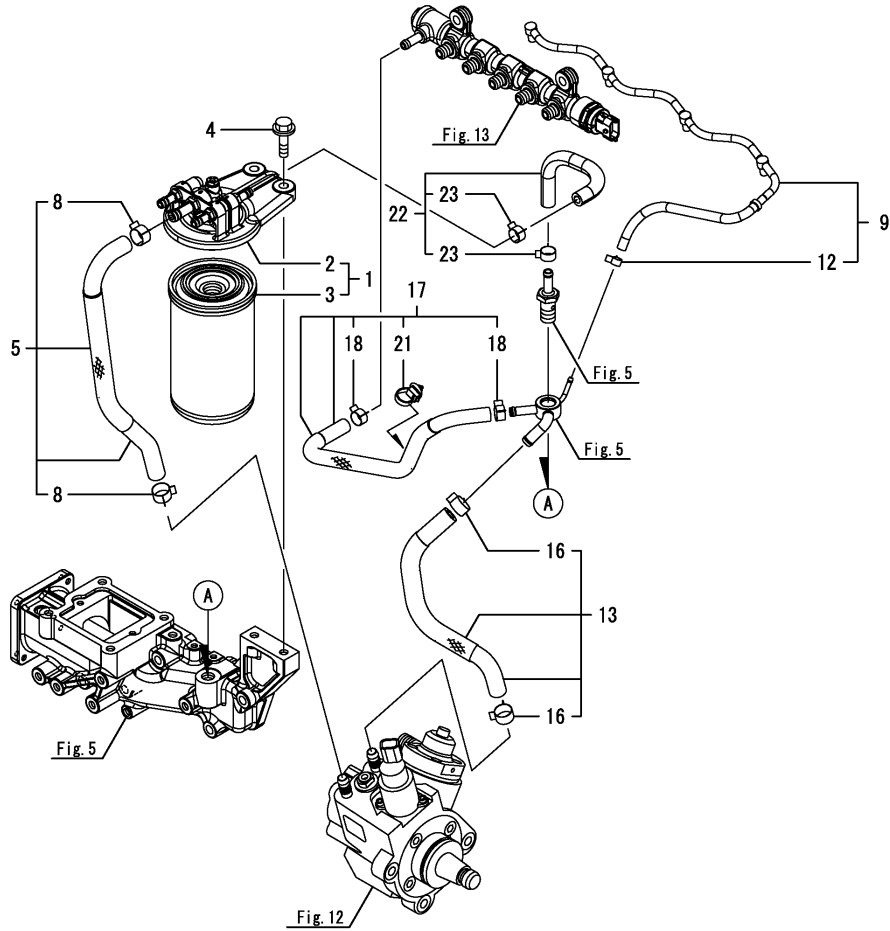
(A)=4TNV98C-WBV
(B)=
(C)=

(D)=
(E)=
(F)=



No.	Lev.	Parts No.	Description	Q'ty						I	R
				(A)	(B)	(C)	(D)	(E)	(F)		
1	1	129E00-53100	INJECTOR, CR	4							
2	2	129A00-53200	RING, RETAINING	4							
3	1	129C00-57000	RAIL ASSY	1							
4	2	129A00-57100	SENSOR, RAILPRESSURE	1							
5	2	129A00-57200	VALVE ASSY, PLV4	1							
6	3	129A00-57210	O-RING, PLV4	1							
7	1	26106-080252	BOLT, M8X 25 PLATED	2							
8	1	122780-59100	RETAINER	4							
10	1	129E00-59700	PIPE ASSY, RAIL IN	1							
12	1	129E00-59810	PIPE ASSY, INJ. NO1	1							
13	1	129E00-59820	PIPE ASSY, INJ. NO2	1							
14	1	129E00-59830	PIPE ASSY, INJ. NO3	1							
15	1	129E00-59840	PIPE ASSY, INJ. NO4	1							
16	1	26366-060002	NUT, M6	4							

Fig.14. FUEL PIPE

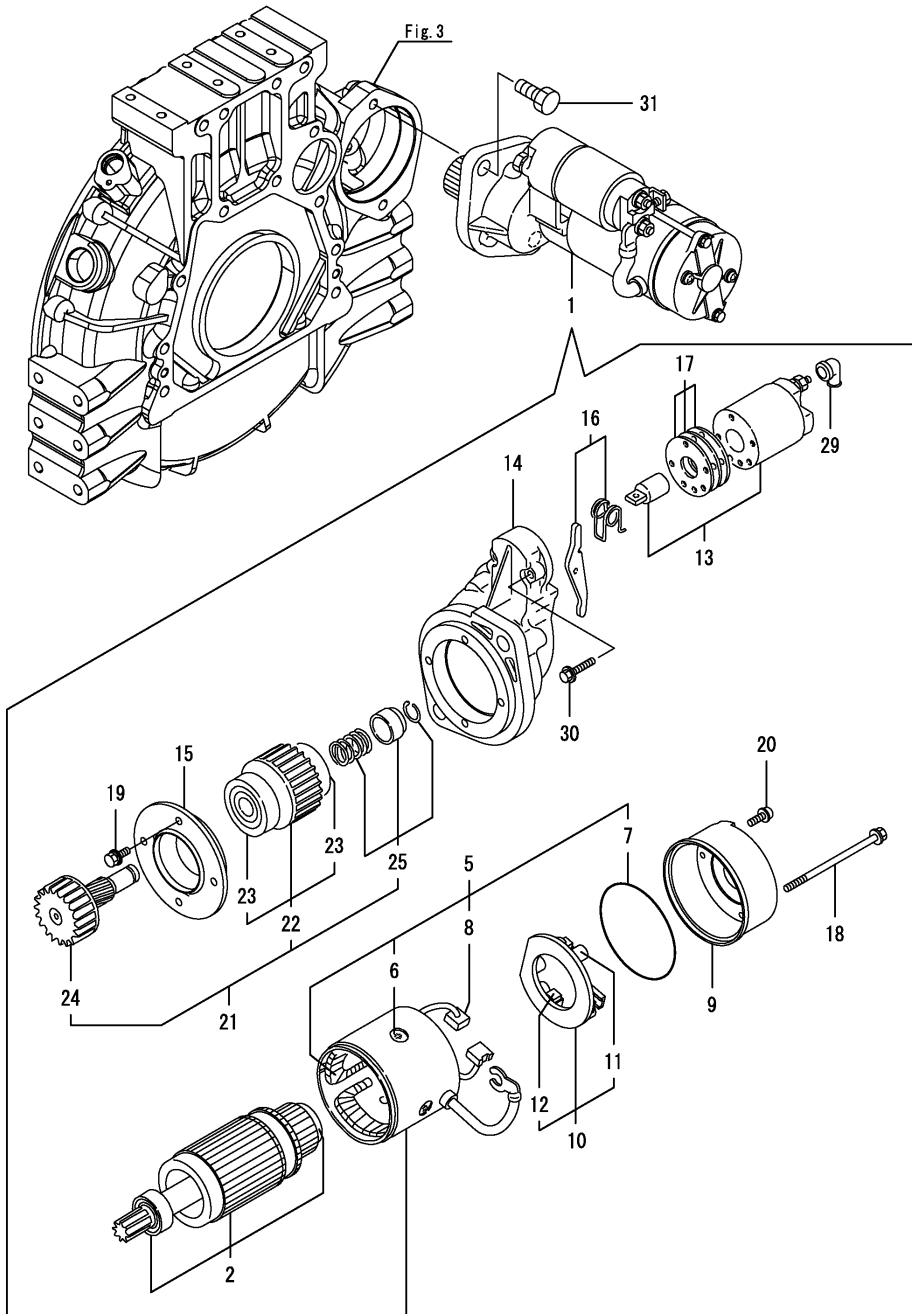


(A)=4TNV98C-WBV
(B)=
(C)=

(D)=
(E)=
(F)=

No.	Lev.	Parts No.	Description	Q'ty						I	R
				(A)	(B)	(C)	(D)	(E)	(F)		
1	1	129A00-55600	FILTE ASSY,FO	1							
2	2	129A00-55610	BRACKET ASSY,FO FILT	1							
3	2	129A00-55800	FILTER, FUEL OIL	1							
4	1	26106-080302	BOLT, M8X 30 PLATED	2							
5	1	129E00-59010	HOSE ASSY, FO	1							
8	2	23080-015000	CLAMP, 15	2							
9	1	129E00-59500	PIPE ASSY, FO RETURN	1							
12	2	23080-007000	CLAMP, 7	1							
13	1	129E00-59020	HOSE ASSY, FO RETURN	1							
16	2	23080-015000	CLAMP, 15	2							
17	1	129E00-59030	HOSE ASSY, FO RETURN	1							
18	2	114270-59010	CLIP, HOSE 12	2							
21	2	129A00-91200	BAND CLIP	1							
22	1	129E00-59040	HOSE ASSY, FO RETURN	1							
23	2	114270-59010	CLIP, HOSE 12	2							

Fig.15. STARTER MOTOR



(A)=4TNV98C-WBV
(B)=
(C)=

(D)=
(E)=
(F)=

No.	Lev.	Parts No.	Description	Q'ty						I	R
				(A)	(B)	(C)	(D)	(E)	(F)		
1	1	129940-77011	STARTER	1							
2	2	129940-77100	ARMATURE ASSY	1							
5	2	129940-77130	COIL ASSY, FIELD	1							
6	3	129940-77140	SCREW	4							
7	3	129940-77150	O-RING	1							
8	3	129940-77160	BRUSH	2							
9	2	129940-77171	COVER	1							
10	2	129940-77181	HOLDER ASSY, BRUSH	1							
11	3	129940-77190	SPRING	1							
12	3	129940-77200	BRUSH	2							
13	2	129940-77210	SWITCH ASSY	1							
14	2	129940-77221	CASE, GEAR	1							
15	2	129940-77230	RETAINER	1							
16	2	129940-77240	LEVER SET	1							
17	2	129940-77250	COVER ASSY, DUST	1							
18	2	129940-77260	BOLT, THROUGH	2							
19	2	129940-77270	BOLT	4							
20	2	129940-77280	SCREW	2							
21	2	123900-77510	PINION ASSY	1							
22	3	123900-77520	CLUTCH ASSY	1							
23	4	X2240610100	BEARING, BALL	2							
24	3	123900-77540	SHAFT	1							
25	3	119131-77550	STOPPER KIT	1							
29	2	121254-77810	COVER, TERMINAL	1							
30	2	114371-79070	BOLT	2							
31	1	26116-120302	BOLT, M12X 30 PLATED	2							

Fig.16. GENERATOR

(A)=4TNV98C-WBV
(B)=
(C)=

(D)=
(E)=
(F)=

No.	Lev.	Parts No.	Description	Q'ty						I	R
				(A)	(B)	(C)	(D)	(E)	(F)		
1	1	129908-77200	ALTERNATOR	1							
9	1	129908-77220	BOLT, STOPPER M10	1							
10	1	129908-77360	PIECE, DISTANCE	1							
11	1	26306-100002	NUT, M10	1							
12	1	129953-77300	ADJUSTER	1							
13	1	121236-77340	SPACER	1							
14	1	119624-77351	BLOCK ASSY, ADJUSTER	1							
16	2	26106-081004	BOLT, M8X100 PLATED	1							
17	2	26306-080002	NUT, M8	1							
18	1	26106-080452	BOLT, M8X 45 PLATED	1							

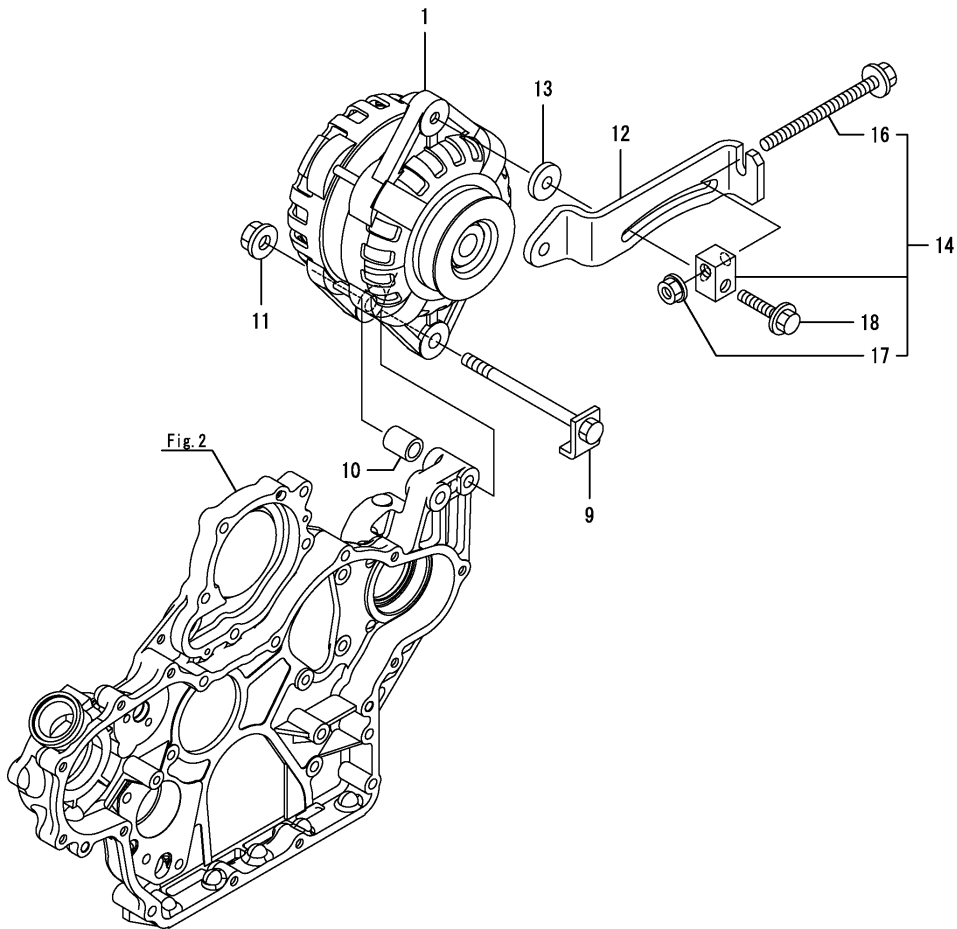
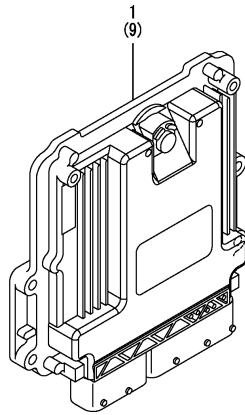


Fig.17. ELECTRONIC CONTROL UNIT(ECU)

(A)=4TNV98C-WBV
(B)=
(C)=

(D)=
(E)=
(F)=

No.	Lev.	Parts No.	Description	Q'ty						I	R
				(A)	(B)	(C)	(D)	(E)	(F)		
1	1	129E20-75040	ECU ASSY,98C-WBV	1							1
9	1	129A00-75910	ECU ASSY,SERVICE YMR	1							2



Remarks

(1)Eco ECU

This part cannot be ordered.

Replace the part using a Service ECU with the proper engine information installed.

(2)Service ECU

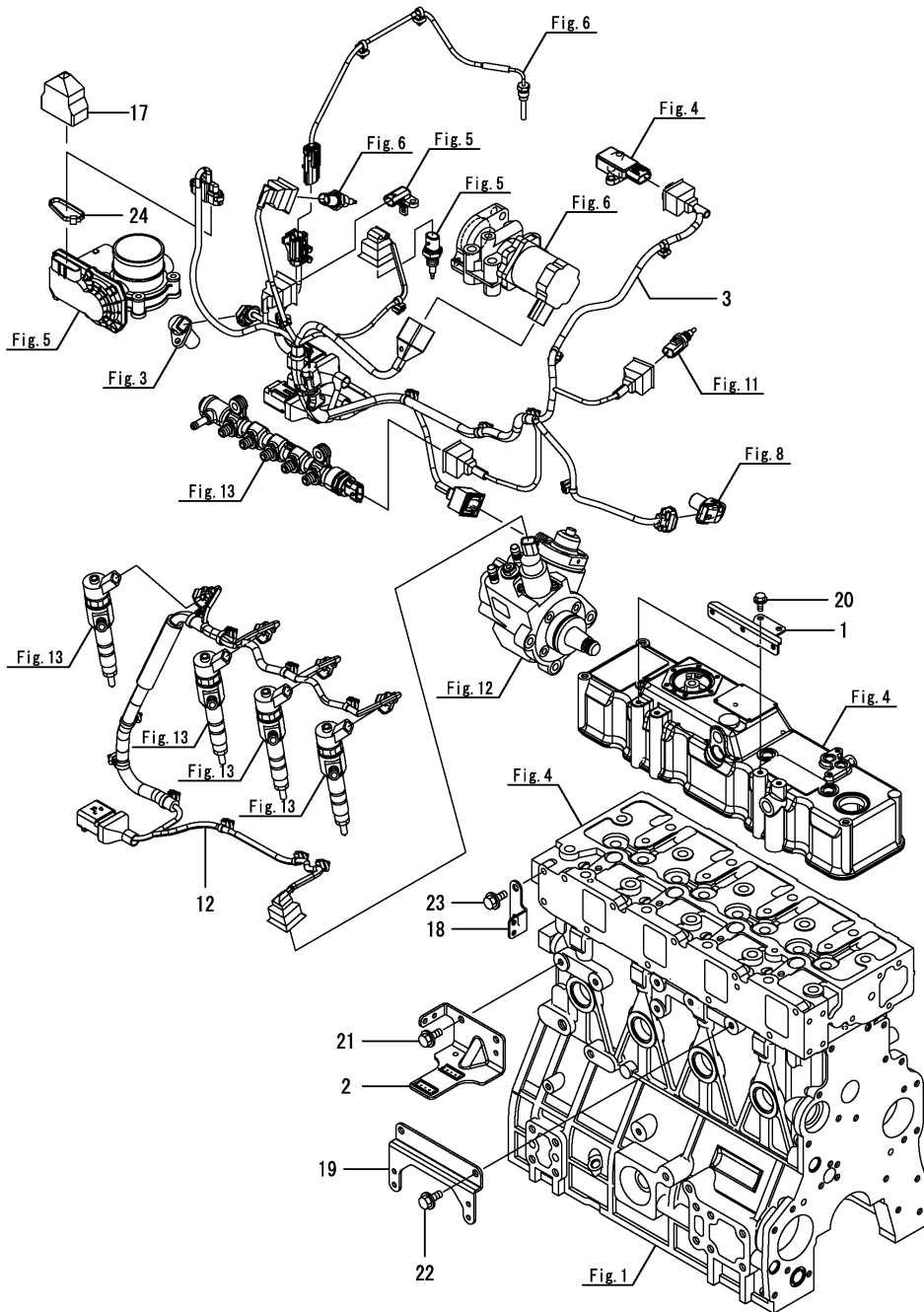
If the proper information is not installed, the engine will not operate.

To install proper information, go to an authorized distributor.

Fig.18. ELECTRIC PARTS

(A)=4TNV98C-WBV
(B)=
(C)=

(D)=
(E)=
(F)=

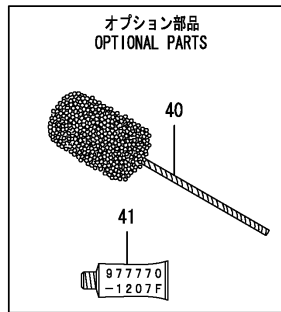
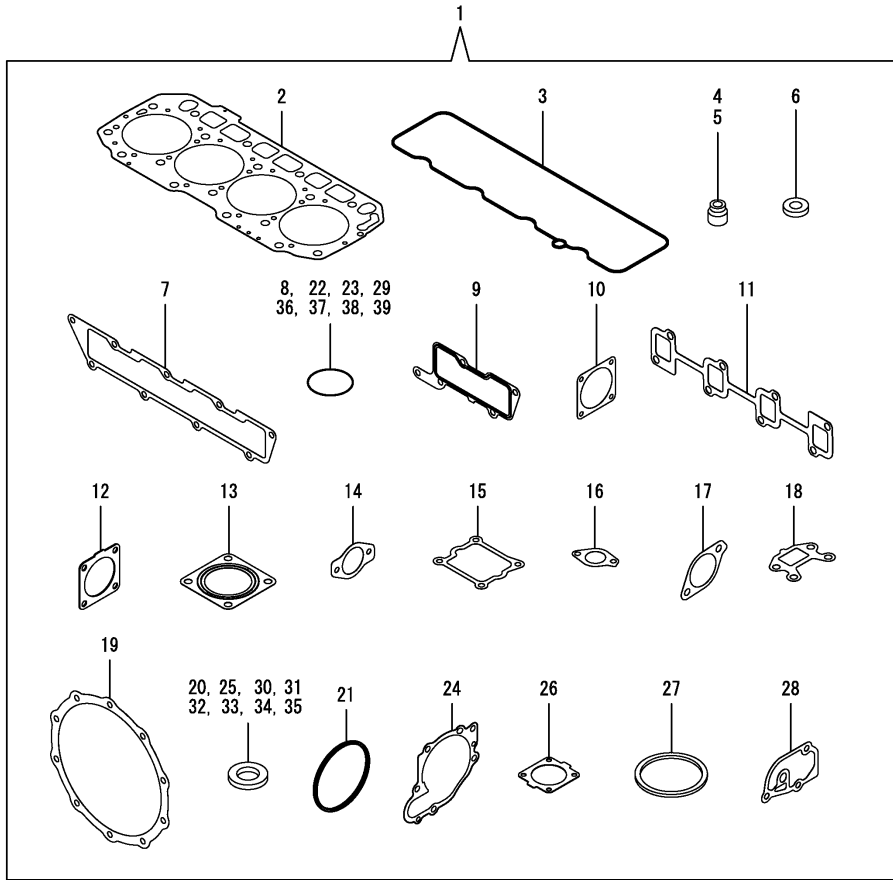


No.	Lev.	Parts No.	Description	Q'ty						I	R
				(A)	(B)	(C)	(D)	(E)	(F)		
1	1	129E00-11390	BRACKET,HAENESS	2							
2	1	129E00-77910	BRACKET,CONNECTOR	1							
3	1	129E00-91220	HARNESS,B ECO ENGINE	1							
12	1	129E00-91230	HARNESS,C ECO ENGINE	1							
17	1	129A00-91451	BOOT,CAP TYPE	1							
18	1	129A00-91600	BRACKET, HARNESS	1							
19	1	129E00-91600	BRACKET, HARNESS	1							
20	1	26106-060122	BOLT, M6X 12 PLATED	4							
21	1	26106-080122	BOLT, M8X 12 PLATED	2							
22	1	26106-080122	BOLT, M8X 12 PLATED	2							
23	1	26106-080122	BOLT, M8X 12 PLATED	2							
24	1	29621-200000	BAND	1							

Fig.19. GASKET SET

(A)=4TNV98C-WBV
(B)=
(C)=

(D)=
(E)=
(F)=



No.	Lev.	Parts No.	Description	Q'ty						I	R
				(A)	(B)	(C)	(D)	(E)	(F)		
1	1	129E22-92600	PACKING	1							1
2	2	129E00-01330	GASKET, CYL. HEAD	1							
3	2	129E00-11310	PACKING, BONNET	1							
4	2	124460-11340	SEAL, VALVE STEM	4							
5	2	129A00-11340	SEAL, VALVE STEM	4							
6	2	129978-11871	GASKET, INJECTOR	4							
7	2	129E00-12110	GASKET, MANIFOLD	1							
8	2	129A00-12790	O-RING, TEMP SENSOR	1							
9	2	129E00-12810	GASKET, COLLECTOR	1							
10	2	129A00-12910	GASKET, THROTTLE	2							
11	2	129E00-13110	GASKET, MANIFOLD	1							
12	2	129930-13201	GASKET, SILENCER	1							
13	2	128300-13230	GASKET, SILENCER	1							
14	2	129E00-13410	GASKET, EGR COOLER	2							
15	2	129E00-13720	GASKET, EGR-V SPACER	1							
16	2	129927-13810	GASKET	1							
17	2	129E00-13910	GASKET, EGR-V IN	1							
18	2	129E00-13920	GASKET, EGR-V OUT	1							
19	2	129E00-16600	GASKET, DPF	2							
20	2	129A00-17311	GASKET, SENSOR	4							
21	2	129960-21930	PACKING, WASHER	1							
22	2	129900-32030	O-RING, P20	2							
23	2	129900-32040	O-RING, P14	1							
24	2	129900-42020	GASKET, WATER PUMP	1							
25	2	124465-44950	GASKET, 16	2							
26	2	121850-49540	GASKET, THERMOSTAT	1							
27	2	121850-49550	GASKET, THERMOSTAT	1							
28	2	129900-49870	GASKET	1							
29	2	129A00-51900	O-RING, FUEL PUMP	1							
30	2	22190-080002	WASHER, SEAL 6	5							
31	2	22190-120002	WASHER, SEAL 12	1							
32	2	22190-140002	WASHER, SEAL 14	2							
33	2	22190-220002	WASHER, SEAL 22	1							
34	2	23414-080000	GASKET, 8X1.0	1							
35	2	23414-120000	GASKET, 12X1.0	2							
36	2	24311-000070	O-RING, 1AP7.0	1							
37	2	24311-000120	O-RING, 1AP12.0	3							
38	2	24311-000320	O-RING, 1AP32.0	2							
39	2	24321-000600	O-RING, 1AG60.0	1							
40	1	129400-92450	HONE	1							1
41	1	977770-1207F	GASKET, LIQUID	1							1

Remarks

(1) Optional parts.

N:Old $\xrightarrow{\text{Yes}}$ New, Q:Old $\xrightarrow{\text{No}}$ New, R:Old $\xrightarrow{\text{Yes}}$ New, S:Old $\xrightarrow{\text{No}}$ New, W:Add, Z:Discontinued, F:Interchangeable by set, K:Q'ty Change

Parts No. Index

Parts No.	Fig. No.	Ref. No.
105010-39140	8	29
114270-59010	14	18
		23
114371-79070	15	30
119000-35140	10	4
119005-44761	11	16
119131-77550	15	25
119620-01750	3	3
119624-77351	16	14
119640-01640	3	8
119640-61400	4	60
119660-01570	5	12
119761-39450	10	14
119803-77830	4	69
120130-22301	9	24
120270-54410	4	19
121027-11743	2	21
121236-77340	16	13
121254-77810	15	29
121450-42450	11	33
121520-34810	10	2
121850-21130	9	11
121850-21290	9	4
121850-21920	9	5
121850-49540	11	22
	19	26
121850-49550	11	23
	19	27
121850-49811	11	24
122780-59100	13	8
123900-13130	7	50
123900-77510	15	21
123900-77520	15	22
123900-77540	15	24
123907-03100	4	50
123907-03110	4	51
123907-03120	4	52
123907-03140	4	53
124160-01751	2	19
	4	41
124160-11360	4	64
124240-01871	2	28
124460-11340	4	13
	19	4
124465-44950	11	34
	19	25
128300-13230	7	1
	19	13
129001-11340	4	57
129005-03080	5	1

Parts No.	Fig. No.	Ref. No.
129008-77800	4	70
129100-01580	2	2
	3	1
129150-02450	8	4
129150-11230	4	29
		33
129150-11370	4	1
129150-11750	4	31
		35
129150-11810	4	72
129150-14200	8	1
129150-25920	8	31
129150-35170	10	17
129400-92450	19	40
129410-03990	5	2
129418-18320	6	21
129795-11180	4	12
129900-01200	1	27
129900-01250	1	4
129900-02020	1	6
129900-02341	1	32
129900-02410	1	9
129900-02931	1	24
129900-02941	1	35
129900-07900	4	67
129900-11100	4	9
129900-11110	4	10
129900-11120	4	11
129900-11200	4	21
129900-11240	4	22
129900-11280	4	25
129900-11510	4	26
129900-11520	4	27
129900-11530	4	38
129900-11650	4	28
129900-11660	4	32
129900-14400	8	2
129900-21220	9	3
129900-21600	9	14
129900-23001	9	26
129900-23200	9	29
129900-23601	9	30
129900-23611	9	33
129900-23911	9	32
129900-25110	8	15
129900-32001	2	3
129900-32030	2	14
	10	6
	19	22
129900-32040	2	15

Parts No.	Fig. No.	Ref. No.
129900-32040	19	23
129900-42002	11	1
129900-42020	11	10
	19	24
129900-42462	11	13
129900-49870	11	29
	19	28
129902-21050	9	1
129907-03061	4	46
129907-03070	4	49
129908-77200	16	1
129908-77220	16	9
129908-77360	16	10
129916-01710	3	7
129916-01790	3	6
129916-01800	2	25
129916-21610	9	7
129916-44740	11	15
129916-49530	11	21
129927-13810	6	25
	19	16
129927-44900	11	19
129928-49420	11	20
		35
129930-13201	19	12
129938-21650	9	8
129938-34820	10	3
129940-42310	11	14
129940-77011	15	1
129940-77100	15	2
129940-77130	15	5
129940-77140	15	6
129940-77150	15	7
129940-77160	15	8
129940-77171	15	9
129940-77181	15	10
129940-77190	15	11
129940-77200	15	12
129940-77210	15	13
129940-77221	15	14
129940-77230	15	15
129940-77240	15	16
129940-77250	15	17
129940-77260	15	18
129940-77270	15	19
129940-77280	15	20
129953-35000	10	7
129953-77300	16	12
129960-03990	11	38
		41

Parts No.	Fig. No.	Ref. No.
129960-03990	11	45
129960-21930	9	9
	19	21
129960-21940	9	10
129978-03030	4	45
129978-11871	4	17
	19	6
129A00-11330	4	56
129A00-11340	4	14
	19	5
129A00-12703	4	58
129A00-12711	5	13
129A00-12720	5	6
129A00-12780	4	59
129A00-12790	5	14
	19	8
129A00-12820	5	28
129A00-12900	5	29
129A00-12910	5	30
	19	10
129A00-13350	6	9
	7	26
129A00-13380	6	12
129A00-13620	6	3
129A00-13751	6	23
129A00-14710	8	12
129A00-16610	7	17
129A00-17311	7	27
	19	20
129A00-17520	7	32
129A00-17570	7	34
129A00-17610	7	30
129A00-17670	7	33
129A00-17702	7	36
129A00-21710	3	12
129A00-51000	12	1
129A00-51100	12	2
129A00-51110	12	3
129A00-51120	12	4
129A00-51130	12	5
129A00-51200	12	6
129A00-51900	12	7
	19	29
129A00-53200	13	2
129A00-55600	14	1
129A00-55610	14	2
129A00-55800	14	3
129A00-57100	13	4
129A00-57200	13	5
129A00-57210	13	6

Parts No. Index

Parts No.	Fig. No.	Ref. No.
129A00-59110	5	18
129A00-75910	17	9
129A00-91200	6	6
	7	40
	14	21
129A00-91430	7	42
129A00-91451	18	17
129A00-91600	18	18
129A01-13710	6	4
129C00-13940	7	8
129C00-13950	7	9
129C00-57000	13	3
129C00-91200	7	41
129C01-13600	6	17
129C01-16680	7	18
129C01-16700	7	19
129C01-16740	7	22
129E00-01330	1	28
	19	2
129E00-01500	2	1
129E00-01570	1	1
129E00-01580	2	23
129E00-01850	2	26
129E00-03010	4	43
129E00-03020	4	44
129E00-11310	4	55
	19	3
129E00-11350	4	42
129E00-11390	18	1
129E00-11710	4	2
129E00-11900	4	18
129E00-12101	5	5
129E00-12110	5	3
	19	7
129E00-12151	5	4
129E00-12800	5	15
129E00-12810	5	10
	19	9
129E00-12850	5	11
129E00-13101	6	1
129E00-13110	6	2
	19	11
129E00-13300	6	8
129E00-13360	6	10
129E00-13400	6	15
129E00-13410	6	16
	19	14
129E00-13600	7	2
129E00-13610	6	18
129E00-13710	5	16

Parts No.	Fig. No.	Ref. No.
129E00-13720	5	17
	19	15
129E00-13770	6	5
129E00-13800	6	24
129E00-13851	6	19
129E00-13861	6	20
129E00-13901	6	28
129E00-13910	6	29
	19	17
129E00-13920	6	30
	19	18
129E00-14101	8	6
129E00-14581	8	3
129E00-14700	8	8
129E00-16210	7	11
129E00-16410	7	13
129E00-16600	7	16
	19	19
129E00-16700	7	20
129E00-16720	7	21
129E00-16810	7	4
129E00-16820	7	5
129E00-16830	7	6
129E00-17310	7	28
129E00-17360	7	29
129E00-22050	9	18
129E00-22080	9	16
129E00-22900	9	35
129E00-22950	9	37
129E00-25050	8	14
129E00-25060	8	22
129E00-25080	8	32
129E00-25121	8	23
129E00-25200	8	26
129E00-25400	8	28
129E00-25902	8	19
129E00-49610	11	36
129E00-49620	11	40
129E00-49800	11	18
129E00-53100	13	1
129E00-59010	14	5
129E00-59020	14	13
129E00-59030	14	17
129E00-59040	14	22
129E00-59120	5	19
129E00-59500	14	9
129E00-59700	13	10
129E00-59810	13	12
129E00-59820	13	13
129E00-59830	13	14

Parts No.	Fig. No.	Ref. No.
129E00-59840	13	15
129E00-77820	4	71
129E00-77910	18	2
129E00-91220	18	3
129E00-91230	18	12
129E00-91600	18	19
129E20-01620	3	2
129E20-13900	7	3
129E20-16070	7	10
129E20-16560	7	15
129E20-17210	7	25
129E20-17700	7	37
129E20-21600	9	12
129E20-49630	11	44
129E20-75040	17	1
129E22-92600	19	1
171051-01921	1	5
171056-49120	10	1
22190-080002	8	30
	10	15
	19	30
22190-120002	11	26
	19	31
22190-140002	5	20
	19	32
22190-220002	3	10
	19	33
22217-180000	8	20
22242-000180	4	36
22252-000300	9	25
22351-030010	8	9
22351-060012	1	11
22512-070140	8	7
	9	6
22857-500100	4	61
		62
23080-007000	14	12
23080-015000	14	8
		16
23414-080000	11	30
	19	34
23414-120000	6	13
	19	35
23875-030000	11	27
23876-005000	4	7
23876-030000	1	12
		13
		14
24311-000070	2	16
	19	36

Parts No.	Fig. No.	Ref. No.
24311-000120	4	65
	19	37
24311-000320	2	20
		22
	4	66
	19	38
24321-000600	19	39
26106-060122	18	20
26106-060162	7	38
26106-060202	5	31
	11	28
26106-060302	11	11
26106-060402	5	32
26106-060902	5	33
26106-080122	3	11
	10	12
		16
	11	31
	18	21
		22
		23
26106-080142	7	23
		43
26106-080162	2	17
		29
		30
	4	68
	6	14
	7	44
	8	10
	10	13
26106-080202	6	22
	7	39
26106-080252	13	7
26106-080302	12	8
	14	4
26106-080352	4	20
	5	21
	7	45
		46
26106-080402	2	31
26106-080452	2	18
	5	8
	8	27
	11	17
	16	18
26106-080502	8	18
26106-080552	5	9
	11	12
26106-080602	11	32

Parts No. Index

Parts No.	Fig. No.	Ref. No.
26106-080702	2	32
26106-080752	5	24
	7	47
26106-080902	5	25
26106-081004	16	16
26106-100182	7	48
26106-100252	6	26
26106-100602	6	31
26106-100652	4	39
26116-120302	15	31
26206-100352	3	4
26206-100952	3	5
26216-060202	5	7
		22
26216-081002	5	26
26306-080002	5	27
	6	27
	7	24
	16	17
26306-100002	4	40
	6	7
	7	49
	16	11
26366-060002	13	16
26450-060162	3	13
	4	63
	8	13
26557-050082	4	47
26577-040162	4	37
26577-060122	8	11
26587-050102	4	48
26716-060002	5	23
26776-180002	8	21
27241-300000	1	10
27241-400000	4	8
27310-080001	4	15
29621-200000	18	24
729900-02801	1	29
977770-1207F	19	41
X2240610100	15	23

Parts No.	Fig. No.	Ref. No.
-----------	----------	----------

Parts No.	Fig. No.	Ref. No.
-----------	----------	----------

Parts No.	Fig. No.	Ref. No.
-----------	----------	----------