

0CB10-M75500EN

Contents

0CB10-M75500

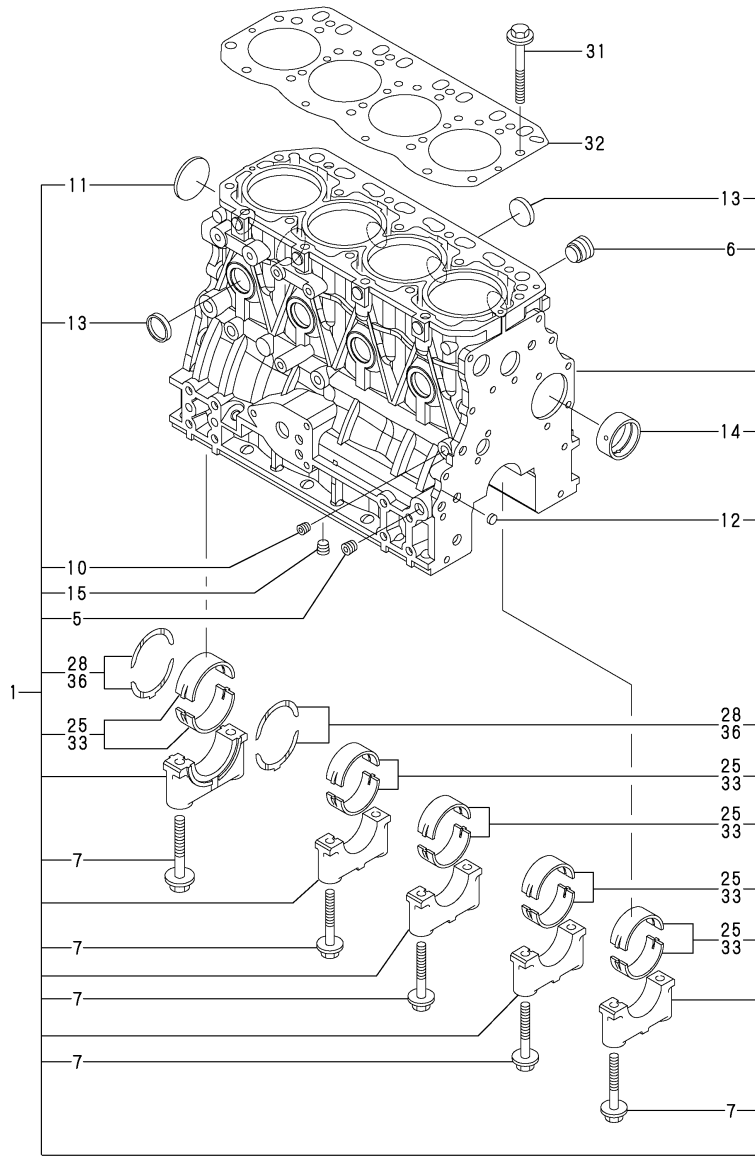
Fig. No. Fig. Name

Fig. No. Fig. Name

ENGINE

1. CYLINDER BLOCK
2. GEAR HOUSING
3. FLYWHEEL HOUSING & OIL SUMP
4. CYLINDER HEAD & BONNET
5. SUCTION MANIFOLD
6. EXHAUST MANIFOLD
7. CAMSHAFT & DRIVING GEAR
8. CRANKSHAFT & PISTON
9. LUB. OIL SYSTEM
10. COOLING WATER SYSTEM
11. FUEL INJECTION PUMP
12. GOVERNOR
13. FUEL INJECTION VALVE
14. STARTER MOTOR
15. GENERATOR
16. GASKET SET & TOOL

Fig.1. CYLINDER BLOCK



(A)=4TNV88-BNKAH
(B)=
(C)=

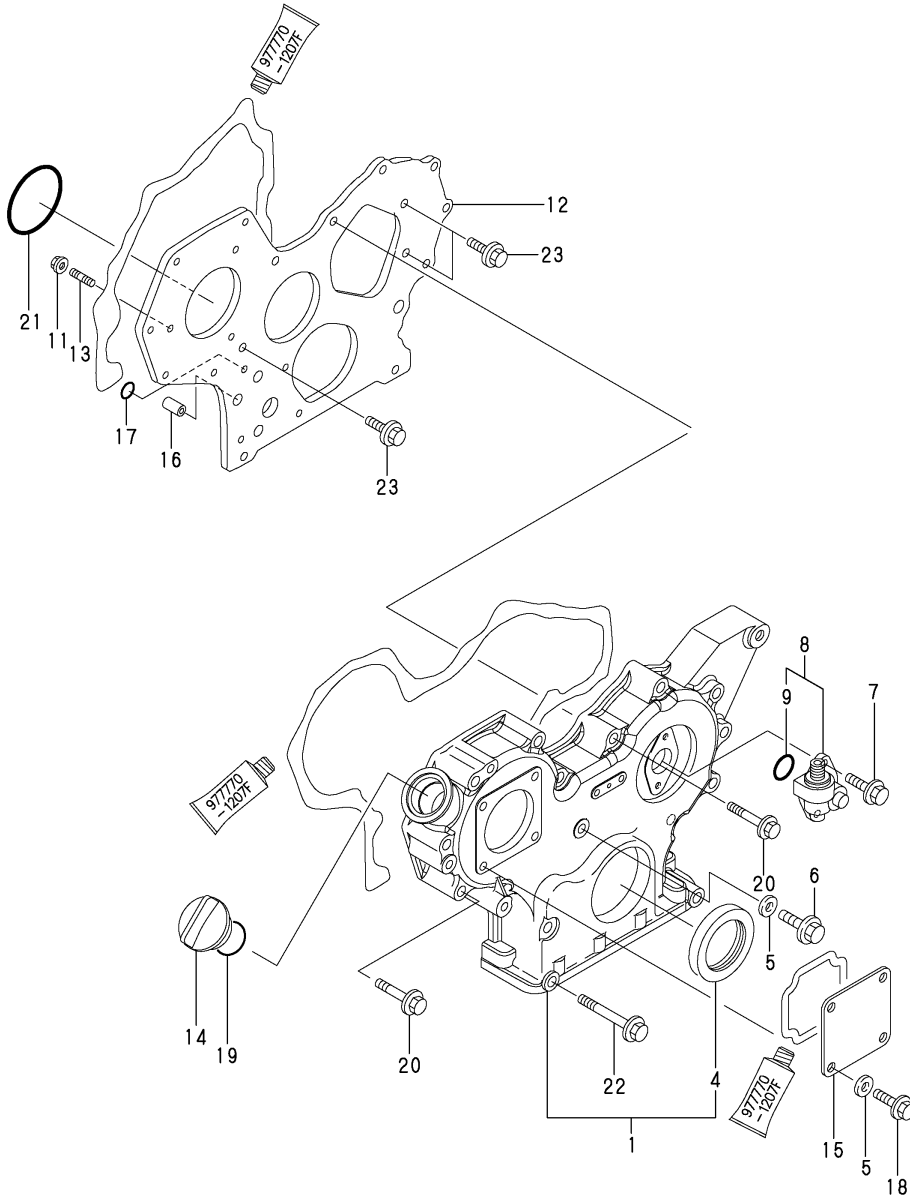
(D)=
(E)=
(F)=

No.	Lev.	Parts No.	Description	Q'ty						I	R
				(A)	(B)	(C)	(D)	(E)	(F)		
1	1	729602-01561	BLOCK ASSY, CYLINDER	1							
5	3	124160-01910	PLUG, PT1/4	2							
6	3	171051-01921	PLUG, NPTF1	1							
7	3	129150-02020	BOLT, METAL CAP	10							
10	3	124060-01050	PLUG, PT1/8	1							
11	3	129001-01250	PLUG, 50	1							
12	3	27241-120000	PLUG, 12	2							
13	3	27241-300000	PLUG 30	8							
14	3	129795-02412	BUSH, CAMSHAFT	1							
15	3	124160-01910	PLUG, PT1/4	1							
25	2	129001-02931	BEARING, MAIN	5							3
28	2	129150-02931	BEARING, THRUST	2							3
31	1	129150-01200	BOLT, HEAD	18							
32	1	129407-01340	GASKET, HEAD	1							
33	1	129150-02871	BEARING, 0.25 US	5							1
36	1	129150-02941	BEARING, THRUST 0.25	1							2

Remarks

- (1) Under-sized (U.S.=0.25) parts.
- (2) Over-sized (O.S.=0.25) parts.
- (3) Repair parts.

Fig.2. GEAR HOUSING

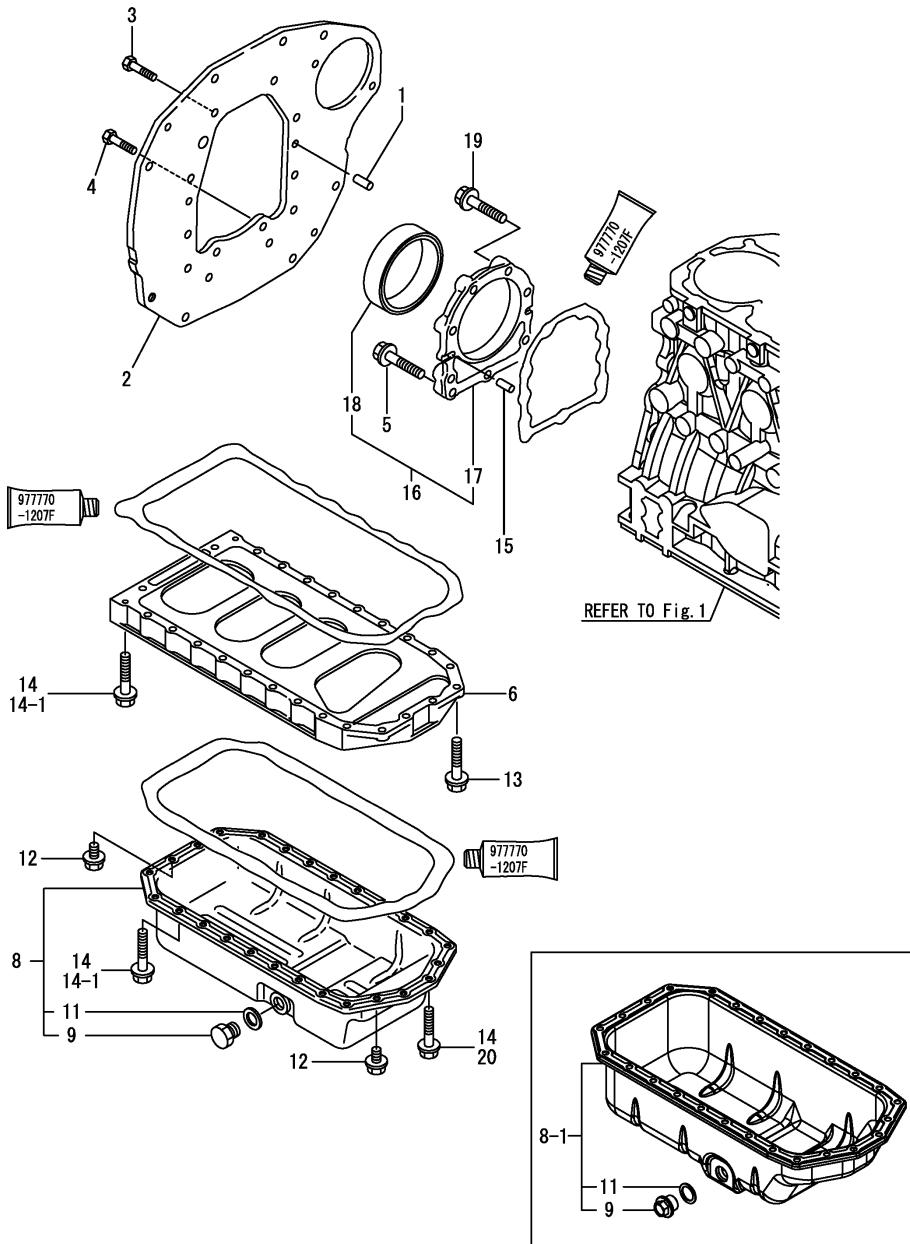


(A)=4TNV88-BNKAH
(B)=
(C)=

(D)=
(E)=
(F)=

No.	Lev.	Parts No.	Description	Q'ty						I	R
				(A)	(B)	(C)	(D)	(E)	(F)		
1	1	719980-01500	CASE ASSY, GEAR	1							
4	2	119934-01800	SEAL, OIL	1							
5	1	22190-080002	WASHER, SEAL 6	5							
6	1	26106-080302	BOLT, M8X 30 PLATED	1							
7	1	26106-060162	BOLT, M6X 16 PLATED	2							
8	1	129150-91400	GEAR	1							
9	2	24341-000240	O-RING, 1AS24.0	1							
11	1	26306-080002	NUT, M8	3							
12	1	119803-01520	FLANGE, GEAR CASE	1							
13	1	119802-01561	STUD, M8X25	3							
14	1	124160-01751	COVER, FILLER	1							
15	1	124240-01871	COVER	1							
16	1	129795-01950	PIPE, KNOCK L=18	2							
17	1	119609-32040	O-RING, P16	2							
18	1	26106-080162	BOLT, M8X 16 PLATED	4							
19	1	24311-000320	O-RING, 1AP32.0	1							
20	1	26106-080552	BOLT, M8X 55 PLATED	12							
21	1	121850-51960	O-RING	1							
22	1	129001-91841	BOLT, M8X85	3							
23	1	26106-080162	BOLT, M8X 16 PLATED	3							

Fig.3. FLYWHEEL HOUSING & OIL SUMP



(A)=4TNV88-BNKAH

(B)=

(C)=

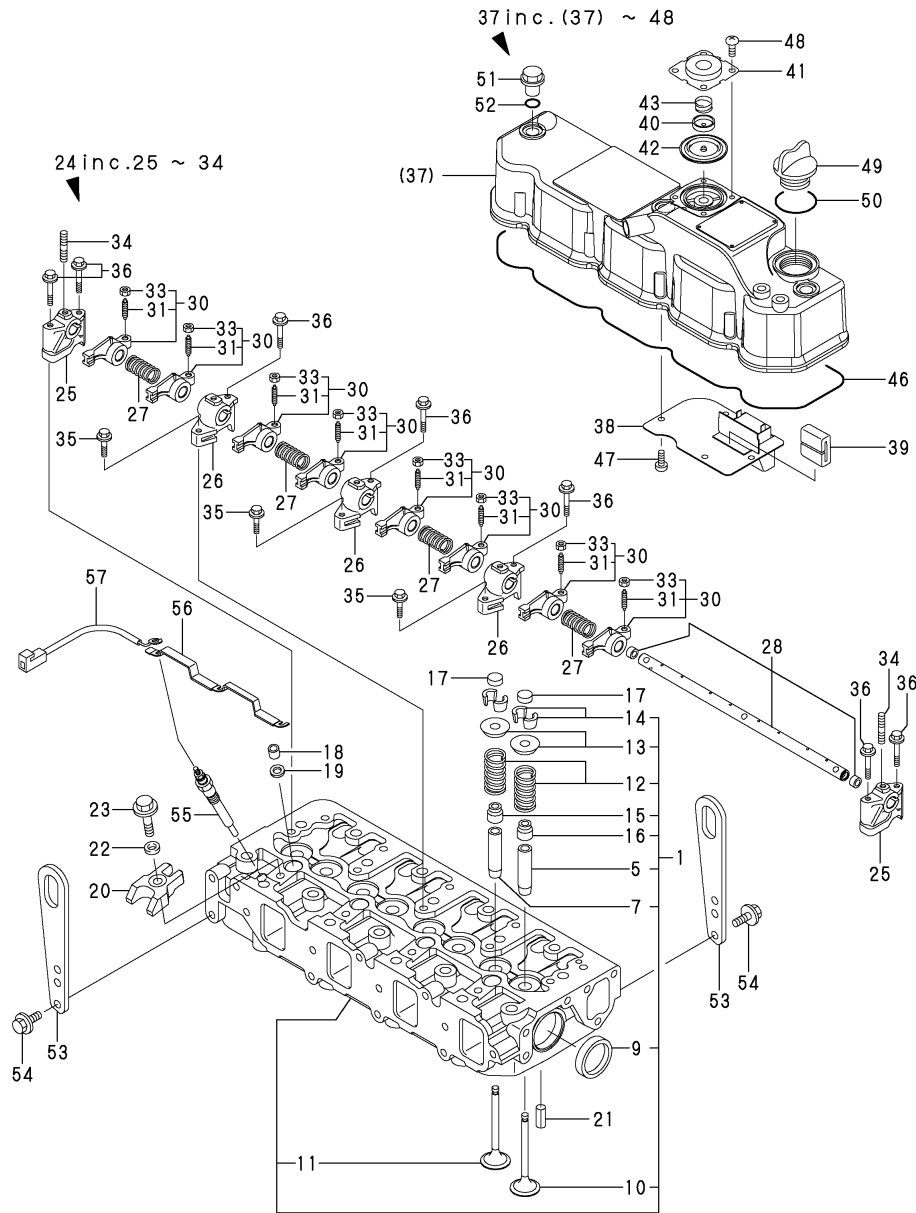
(D)=

(E)=

(F)=

No.	Lev.	Parts No.	Description	Q'ty						I	R
				(A)	(B)	(C)	(D)	(E)	(F)		
1	1	129100-01580	PIN, M8X16	2							
2	1	129150-01600	FLANGE, MOUNTING	1							
3	1	26206-100202	BOLT, M10X 20 PLATED	6							
4	1	26206-100252	BOLT, M10X 25 PLATED	4							
5	1	26106-080352	BOLT, M8X 35 PLATED	3							
6	1	129400-01730	SPACER, OIL SUMP	1							
8	1	129400-01770	SUMP ASSY, OIL	1							
8-1	1	129688-01780	OIL PAN ASSY, DEEP	1							S
(A=EK7619)											
9	2	119640-01640	PLUG, DRAIN M22	1							
11	2	22190-220002	WASHER, SEAL 22	1							
12	1	26106-080162	BOLT, M8X 16 PLATED	4							
13	1	26106-080252	BOLT, M8X 25 PLATED	2							
14	1	26106-080452	BOLT, M8X 45 PLATED	24							
14-1	1	26106-080452	BOLT, M8X 45 PLATED	20							K
(A=FROM 1ST)											
15	1	129100-01580	PIN, M8X16	2							
16	1	129100-01640	CASE ASSY, OIL SEAL	1							
17	2	129150-01650	CASE, OIL SEAL	1							
18	2	129795-01780	SEAL, OIL	1							
18-1	2	129648-01780	SEAL, OIL	1							N
(A=EN9100)											
19	1	129486-01670	BOLT, M8X30	6							
20	1	26106-080502	BOLT, M8X 50 PLATED	4							W
(A=FROM 1ST)											

Fig.4. CYLINDER HEAD & BONNET



(A)=4TNV88-BNKAH

(B)=

(C)=

(D)=

(E)=

(F)=

No.	Lev.	Parts No.	Description	Q'ty						I	R
				(A)	(B)	(C)	(D)	(E)	(F)		
1	1	129604-11700	HEAD ASSY, CYLINDER	1							
5	2	120130-11860	GUIDE, VALVE	4							1
7	2	129150-11810	GUIDE, VALVE	4							1
9	2	27241-400000	PLUG, 40	2							
10	2	129005-11100	VALVE, INTAKE	4							
11	2	129100-11112	VALVE, EXHAUST	4							
12	2	129795-11120	SPRING, VALVE	8							
13	2	129795-11180	RETAINER, SPRING	8							
14	2	27310-080001	COTTER, 8	8							
15	2	121400-11340	SEAL, VALVE STEM	4							
16	2	124460-11340	SEAL, VALVE STEM	4							
17	1	129150-11370	CAP, VALVE	8							
18	1	119802-11870	PROTECTOR, NOZZLE	4							
19	1	119625-11880	SEAT, NOZZLE	4							
20	1	129004-11900	RETAINER, NOZZLE	4							
21	1	22351-060012	PIN, SPRING 6.0X12	2							
22	1	120270-54410	WASHER, INJECTOR	4							
23	1	26106-080352	BOLT, M8X 35 PLATED	4							
24	1	129601-11241	SHAFT ASSY, ROCKER	1							
25	2	119802-11260	SUPPORT, ROCKER ARM	2							
26	2	119802-11270	SUPPORT, ROCKER ARM	3							
27	2	129150-11280	SPRING	4							
28	2	129601-11251	SHAFT, ROCKER ARM	1							
30	2	129004-11650	ARM, ROCKER	8							
31	3	129150-11230	SCREW, VALVE ADJUST	8							
33	3	129150-11750	NUT, M8	8							
34	2	26226-080182	STUD, M8X 18	3							
35	1	26106-080252	BOLT, M8X 25 PLATED	3							
36	1	26106-080502	BOLT, M8X 50 PLATED	7							
37	1	129601-11350	BONNET ASSY, HEAD	1							
38	2	129004-03010	PLATE	1							
39	2	129150-03070	BAFFLE, BREATHER	1							
40	2	119802-03110	PLATE	1							
41	2	119802-03121	COVER, DIAPHRAGM	1							
42	2	119802-03130	DIAPHRAGM	1							
43	2	119802-03141	SPRING, DIAPHRAGM	1							
46	2	129601-11310	GASKET, BONNET	1							
47	2	22857-500100	SCREW, 5X10	4							
48	2	22857-500100	SCREW, 5X10	4							
49	1	124160-01751	COVER, FILLER	1							
50	1	24311-000320	O-RING, 1AP32.0	1							
51	1	124160-11360	KNOB	3							
52	1	24311-000120	O-RING, 1AP12.0	3							
53	1	129900-07900	LIFTER	2							
54	1	26106-080162	BOLT, M8X 16 PLATED	2							
55	1	129008-77800	PLUG, GLOW	4							
56	1	129604-77821	CONNECTOR, GLOW PLUG	1							
57	1	119803-77830	HARNES, WIRE	1							

Remarks

(1)Repair parts.

N:Old $\begin{matrix} \leftarrow \text{Yes} \\ \text{No} \end{matrix}$ New, Q:Old $\begin{matrix} \leftarrow \text{No} \\ \text{Yes} \end{matrix}$ New, R:Old $\begin{matrix} \leftarrow \text{Yes} \\ \text{Yes} \end{matrix}$ New, S:Old $\begin{matrix} \leftarrow \text{No} \\ \text{No} \end{matrix}$ New, W:Add, Z:Discontinued, F:Interchangeable by set, K:Q'ty Change

Fig.5. SUCTION MANIFOLD

(A)=4TNV88-BNKAH
(B)=
(C)=

(D)=
(E)=
(F)=

No.	Lev.	Parts No.	Description	Q'ty						I	R
				(A)	(B)	(C)	(D)	(E)	(F)		
1	1	129005-03080	PIPE , BREATHER	1							
2	2	129410-03990	CLIP	2							
3	1	129602-12100	MANIFOLD, AIR INTAKE	1							
4	1	129407-12110	GASKET, MANIFOLD	1							
5	1	26106-080202	BOLT, M8X 20 PLATED	6							
6	1	26106-080802	BOLT, M8X 80 PLATED	1							
7	1	129486-12581	JOINT, MANIFOLD	1							
8	1	129150-77511	GASKET	1							
9	1	26106-080202	BOLT, M8X 20 PLATED	4							

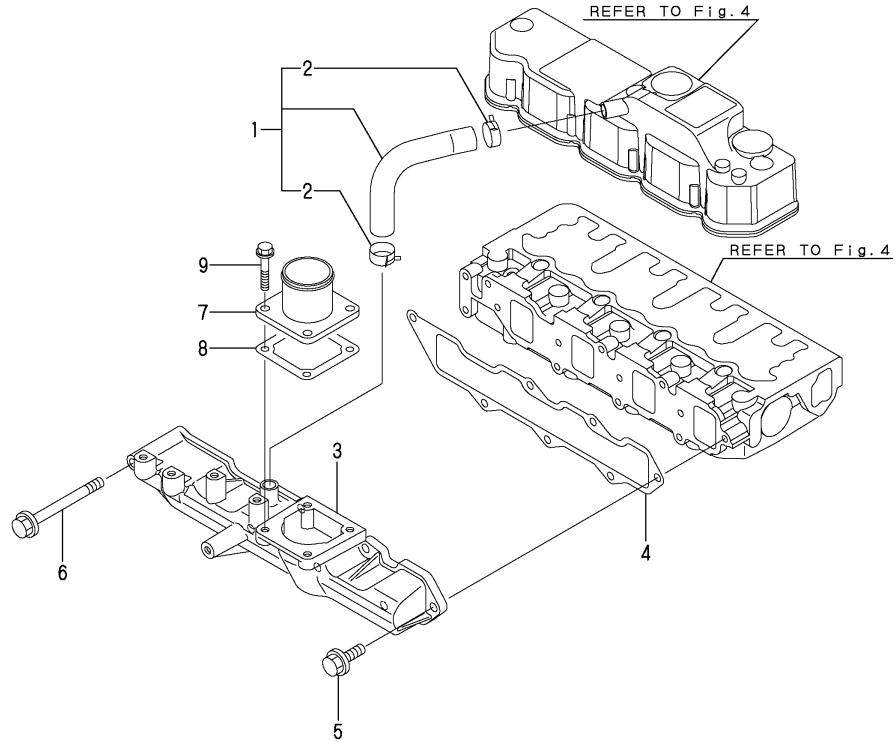


Fig.6. EXHAUST MANIFOLD

(A)=4TNV88-BNKAH
(B)=
(C)=

(D)=
(E)=
(F)=

No.	Lev.	Parts No.	Description	Q'ty						I	R
				(A)	(B)	(C)	(D)	(E)	(F)		
1	1	129411-13100	MANIFOLD, EXHAUST	1							
2	1	129550-13110	GASKET	1							
3	1	123900-13610	STUD, M8X80	2							
4	1	123900-13630	BOLT, M8X80	6							
5	1	119131-18320	STUD, M8X22	4							
6	1	26306-080002	NUT, M8	2							

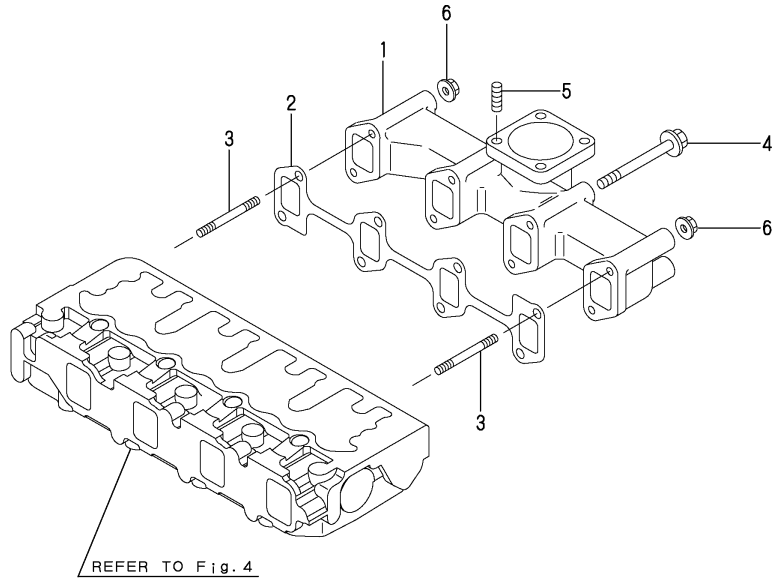
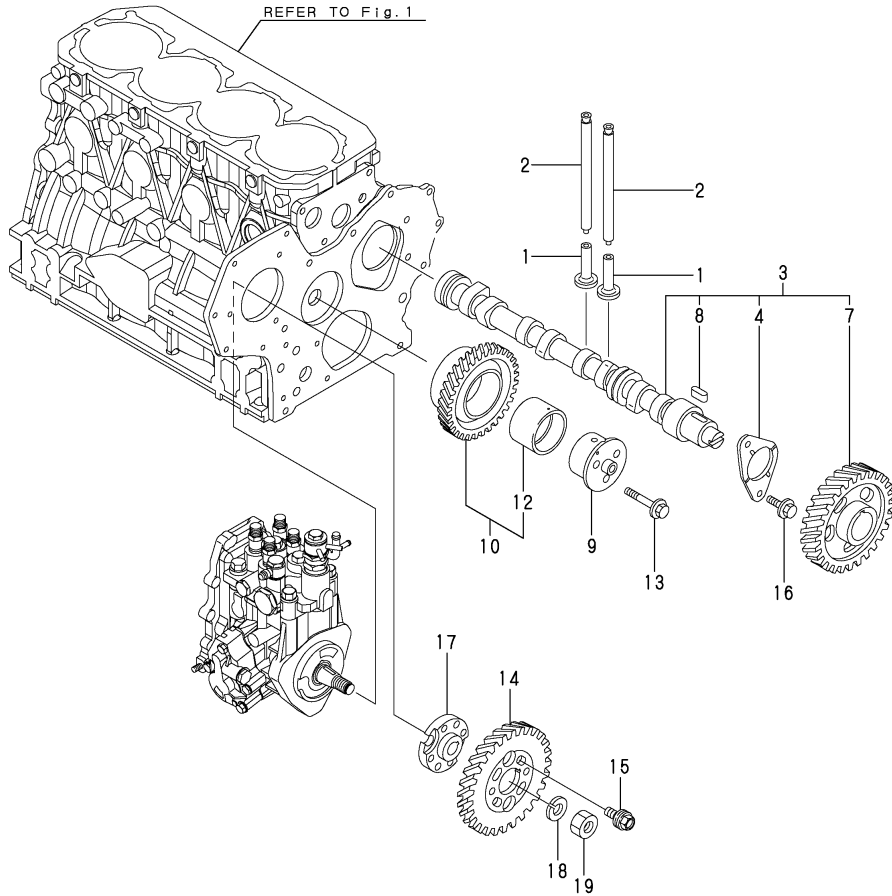


Fig.7. CAMSHAFT & DRIVING GEAR

(A)=4TNV88-BNKAH
(B)=
(C)=

(D)=
(E)=
(F)=



No.	Lev.	Parts No.	Description	Q'ty						I	R
				(A)	(B)	(C)	(D)	(E)	(F)		
1	1	129150-14200	TAPPET	8							
2	1	129150-14400	ROD, PUSH L=178	8							
3	1	729402-14580	CAMSHAFT ASSY	1							
4	2	129150-02450	BEARING, THRUST	1							
7	2	129150-14101	GEAR, CAMSHAFT	1							
8	2	22512-070140	KEY, 7X 14	1							
9	1	119803-25050	SHAFT, IDLE	1							
10	1	119802-25101	GEAR ASSY, IDLE	1							
12	2	119802-25071	BUSH, IDLE GEAR	1							1
13	1	26106-080402	BOLT, M8X 40 PLATED	3							
14	1	119802-25901	GEAR, PUMP	1							
15	1	129150-25301	BOLT	4							
16	1	26106-080142	BOLT, M8X 14 PLATED	2							
17	1	158552-51151	FLANGE	1							
18	1	22217-140000	WASHER, SPRING 14	1							
19	1	26776-140002	NUT, LOCK M14	1							

Remarks

(1)Repair parts.

Fig.8. CRANKSHAFT & PISTON

(A)=4TNV88-BNKAH

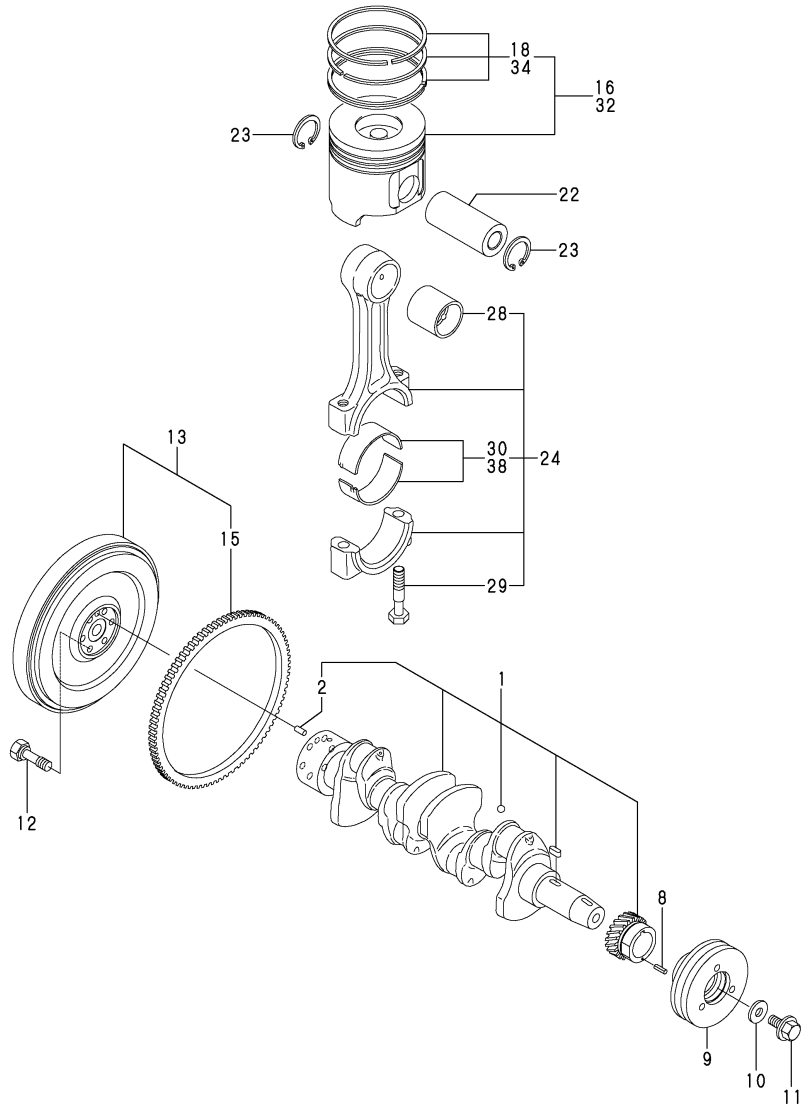
(B)=

(C)=

(D)=

(E)=

(F)=

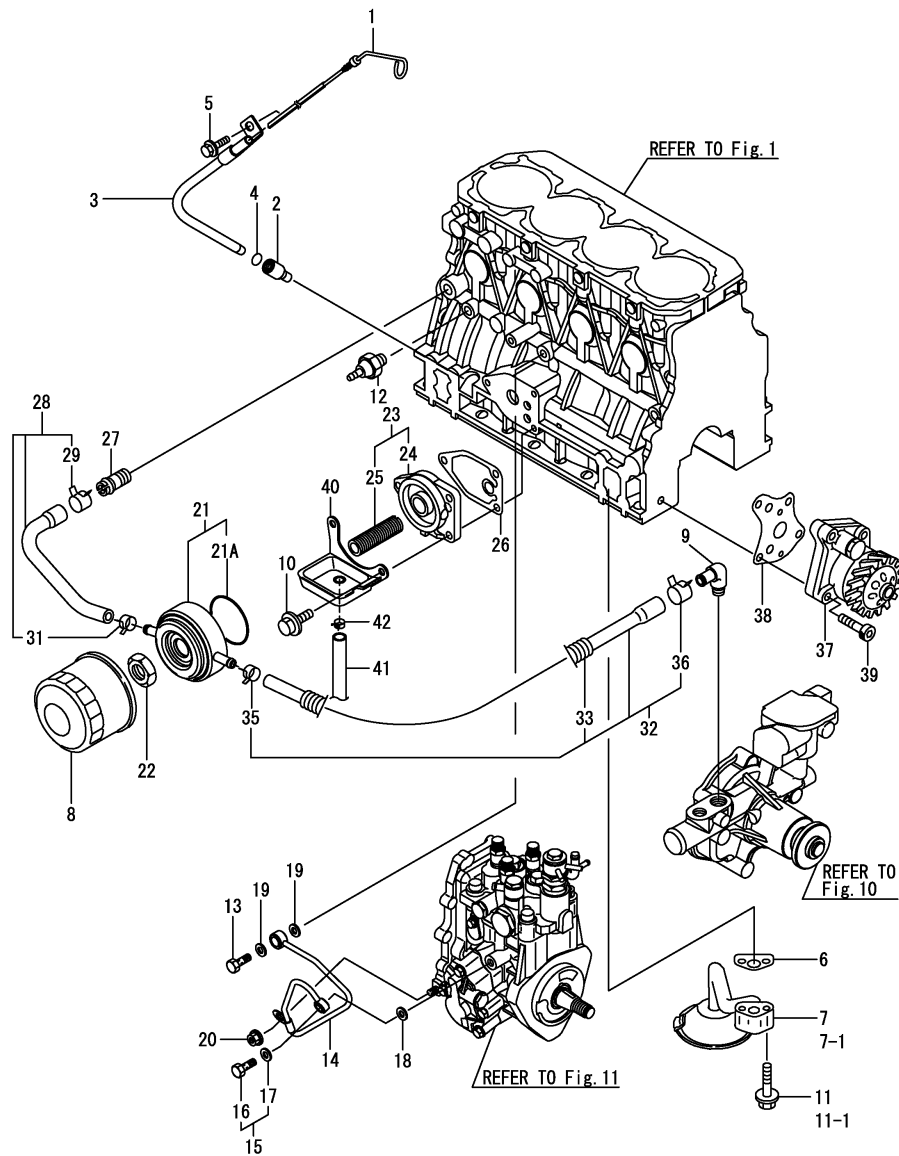


No.	Lev.	Parts No.	Description	Q'ty						I	R
				(A)	(B)	(C)	(D)	(E)	(F)		
1	1	129604-21000	CRANKSHAFT ASSY	1							
2	2	129100-01580	PIN, M8X16	1							
8	1	22351-030010	PIN, SPRING 3.0X10	1							
9	1	119802-21650	V-PULLEY, 110	1							
10	1	129795-21661	WASHER	1							
11	1	121850-21680	BOLT	1							
12	1	124160-21501	BOLT, FLYWHEEL	6							
13	1	129457-21580	FLYWHEEL ASSY	1							
15	2	124550-21600	GEAR, RING	1							
16	1	129005-22080	PISTON ASSY	4							
18	2	129005-22500	RING SET, PISTON	4							
22	1	129202-22300	PIN, PISTON D26 L70	4							
23	1	22252-000260	RING, 26	8							
24	1	729402-23100	ROD ASSY, CONNECTING	4							
28	2	129100-23910	BEARING, PISTON PIN	4							1
29	2	121550-23200	BOLT, CONNECTING ROD	8							
30	2	129150-23601	BEARING, CRANK PIN	4							1
32	1	129005-22900	PISTON ASSY, 0.25 OS	4							2
34	2	129005-22950	RING SET, 0.25 OS	4							2
38	1	129150-23611	BEARING, 0.25 US	4							3

Remarks

- (1) Repair parts.
- (2) Over-sized (O.S.=0.25) parts.
- (3) Under-sized (U.S.=0.25) parts.

Fig.9. LUB. OIL SYSTEM



(A)=4TNV88-BNKAH
(B)=
(C)=

(D)=
(E)=
(F)=

No.	Lev.	Parts No.	Description	Q'ty						I	R
				(A)	(B)	(C)	(D)	(E)	(F)		
1	1	129601-34801	DIPSTICK, OIL	1							
2	1	119260-34810	GUIDE, DIPSTICK	1							
3	1	119802-34850	GUIDE, DIPSTICK	1							
4	1	24311-240100	O-RING, 1AP10A	1							
5	1	26106-080162	BOLT, M8X 16 PLATED	1							
6	1	129150-35042	GASKET	1							
7	1	129436-35091	PIPE ASSY, OIL INLET	1							
7-1	1	129436-35070	PIPE ASSY	1							S
(A=EZZZZZ)											
8	1	129150-35170	FILTER, LO	1							1
9	1	129103-49301	ELBOW, PT1/4	1							
10	1	26106-080202	BOLT, M8X 20 PLATED	3							
11	1	26106-080352	BOLT, M8X 35 PLATED	2							
11-1	1	26106-080552	BOLT, M8X 55 PLATED	2							S
(A=EZZZZZ)											
12	1	114250-39450	SWITCH, 0.5KG	1							
13	1	124160-39140	BOLT, PIPE JOINT M10	1							
14	1	119802-39450	PIPE ASSY, OIL	1							
15	1	129005-59830	BOLT ASSY, JOINT M8	1							
16	2	23857-030000	BOLT, JOINT 3	1							
17	2	22190-080002	WASHER, SEAL 6	1							
18	1	22190-080002	WASHER, SEAL 6	1							
19	1	22190-100002	WASHER, SEAL 10	2							
20	1	26366-060002	NUT, M6	1							
21	1	129508-33010	COOLER ASSY, OIL	1							
21A	2	129508-33050	O-RING	1							
22	1	129417-33110	NUT	1							
23	1	129006-35100	BRACKET ASSY, FILTER	1							
24	2	119802-35110	BRACKET, FILTER	1							
25	2	129417-35150	STUD, L=67	1							
26	1	129150-35111	GASKET	1							
27	1	129122-44480	JOINT	1							
28	1	129508-49030	PIPE ASSY, WATER	1							
29	2	171008-03990	CLIP, HOSE 18.5	1							
31	2	23080-015000	CLAMP, 15	1							
32	1	129508-49040	PIPE ASSY, WATER	1							
33	2	119940-59130	TUBE, CORRUGATED	1							
35	2	23080-015000	CLAMP, 15	1							
36	2	171008-03990	CLIP, HOSE 18.5	1							
37	1	129407-32000	PUMP ASSY, OIL	1							
38	1	129150-32020	GASKET, PUMP	1							
39	1	26450-060252	BOLT, M6X 25	4							
40	1	129240-35800	OIL PAN	1							
41	1	23065-120230	PIPE, 12X 230	1							
42	1	23080-014000	CLAMP, 14	1							

Remarks

(1)Repair parts.

N:Old $\xrightarrow{\text{Yes}}$ New, Q:Old $\xrightarrow{\text{No}}$ New, R:Old $\xrightarrow{\text{Yes}}$ New, S:Old $\xrightarrow{\text{No}}$ New, W:Add, Z:Discontinued, F:Interchangeable by set, K:Q'ty Change

Fig.10. COOLING WATER SYSTEM

(A)=4TNV88-BNKAH

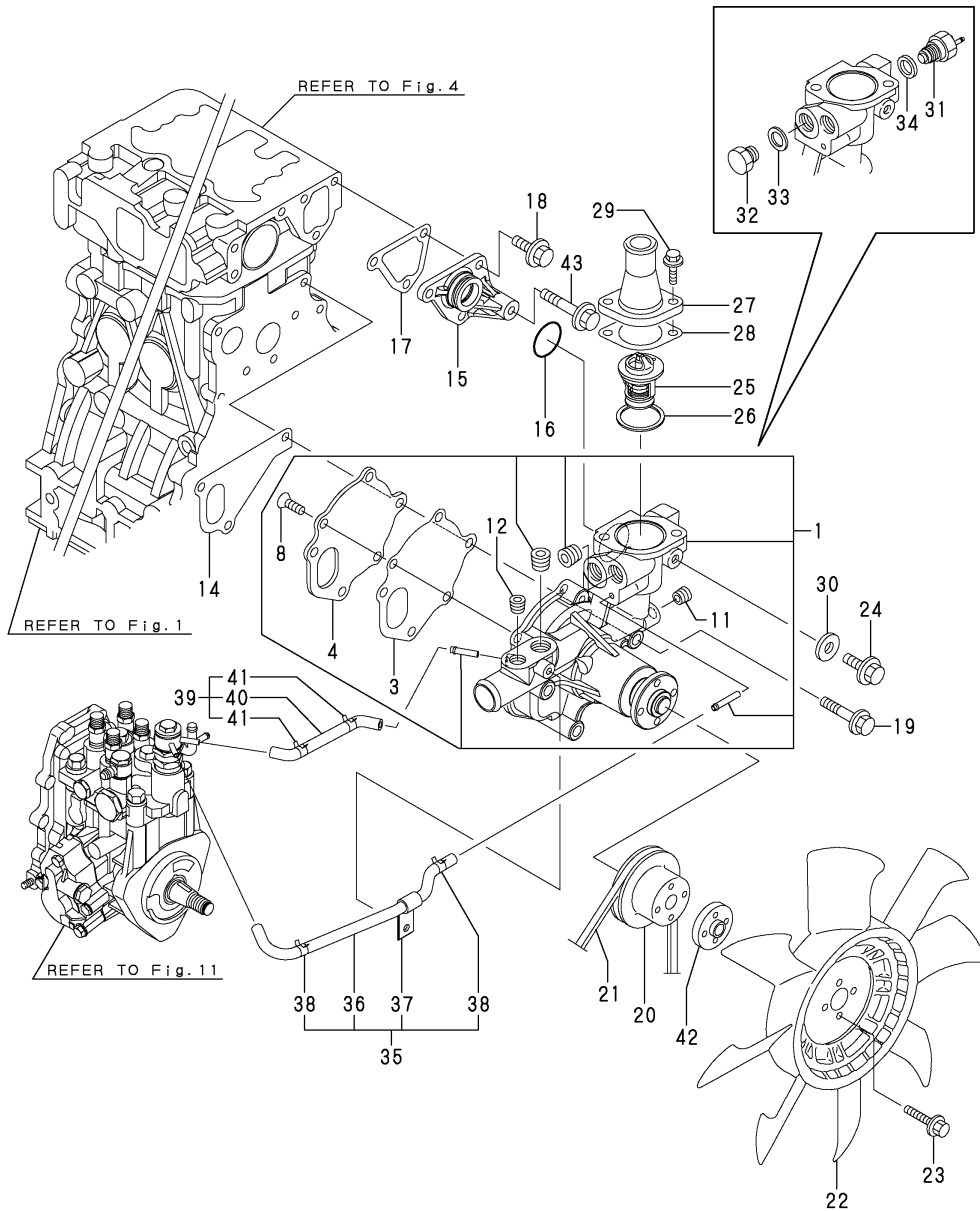
(B)=

(C)=

(D)=

(E)=

(F)=



No.	Lev.	Parts No.	Description	Q'ty						I	R
				(A)	(B)	(C)	(D)	(E)	(F)		
1	1	129004-42001	PUMP ASSY, WATER	1							
3	2	129100-42051	GASKET, WATER PUMP	1							
4	2	129100-42121	PLATE	1							
8	2	121850-42410	SCREW	3							
11	2	23876-010000	PLUG, R01	1							
12	2	23876-020000	PLUG, R02	1							
14	1	129486-42021	GASKET, WATER PUMP	1							
15	1	129004-42040	JOINT	1							
16	1	129486-42140	O-RING, G30	1							
17	1	124395-49840	GASKET	1							
18	1	26106-080162	BOLT, M8X 16 PLATED	3							
19	1	26106-080602	BOLT, M8X 60 PLATED	3							
20	1	129556-42350	V-PULLEY, 96	1							
21	1	25152-003800	V-BELT, A38	1							
22	1	171440-44740	FAN, COOLING D350XQF	1							
23	1	26106-060202	BOLT, M6X 20 PLATED	4							
24	1	26106-080122	BOLT, M8X 12 PLATED	1							
25	1	129457-49801	THERMOSTAT, 82	1							
26	1	129150-49811	GASKET, THERMOSTAT	1							
27	1	129350-49560	COVER, THERMOSTAT	1							
28	1	129795-49551	GASKET	1							
29	1	26106-080202	BOLT, M8X 20 PLATED	2							
30	1	23414-080000	GASKET, 8X1.0	1							
31	1	124250-49351	SENSOR	1							
32	1	121450-42450	PLUG, M16	1							
33	1	124465-44950	GASKET, 16	1							
34	1	129150-49360	GASKET	1							
35	1	129004-49610	PIPE ASSY, WATER	1							
36	2	129004-49711	PIPE ASSY, WATER	1							
37	2	119802-49730	RETAINER, PIPE	1							
38	2	124722-59050	CLIP, HOSE 9	2							
39	1	129004-49620	PIPE ASSY, WATER	1							
40	2	129004-49721	PIPE ASSY, WATER	1							
41	2	124722-59050	CLIP, HOSE 9	2							
42	1	124574-44761	SPACER, FAN	1							
43	1	26106-080452	BOLT, M8X 45 PLATED	1							

Fig.11. FUEL INJECTION PUMP

(A)=4TNV88-BNKAH

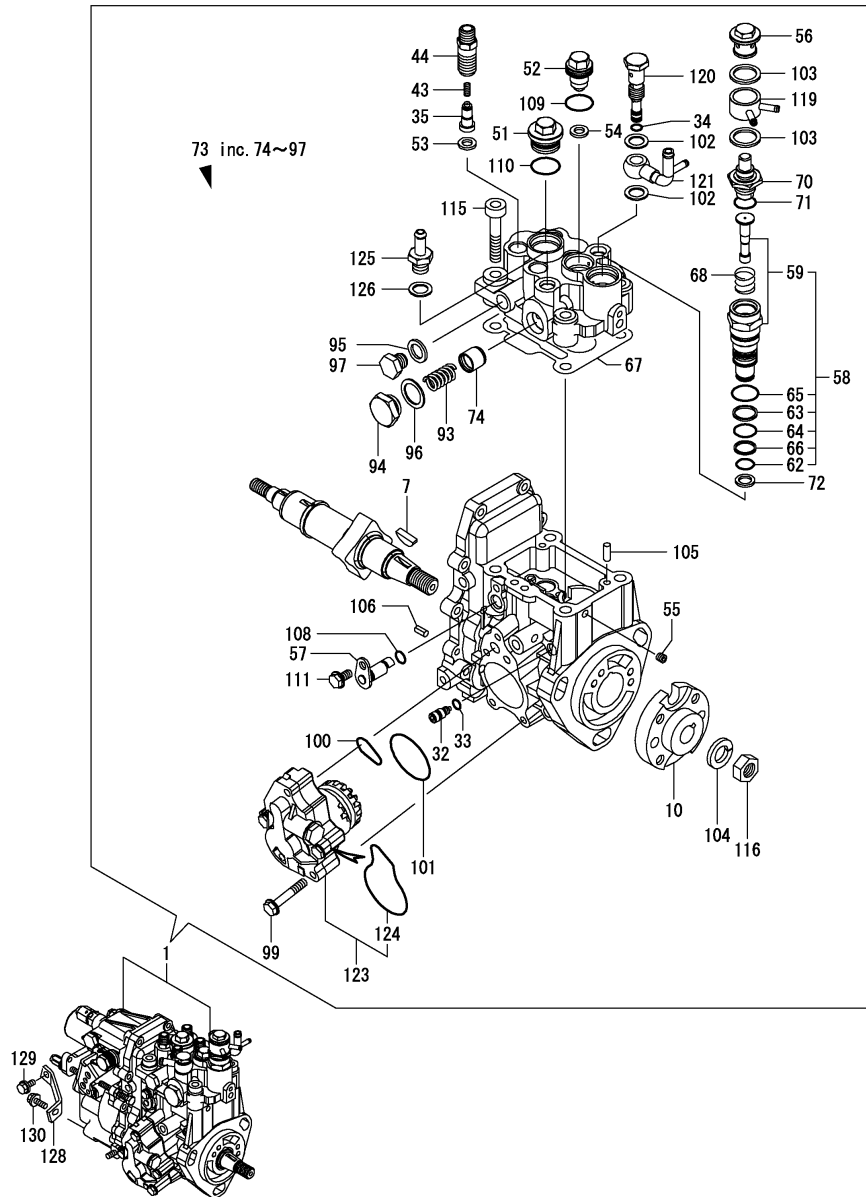
(B)=

(C)=

(D)=

(E)=

(F)=



No.	Lev.	Parts No.	Description	Q'ty						I	R
				(A)	(B)	(C)	(D)	(E)	(F)		
1	1	729632-51340	PUMP ASSY, INJECTION	1							1
1-1	1	729632-51341	PUMP ASSY, INJECTION	1							N 1
(A=*2008.11)											
1-2	1	729632-51510	PUMP ASSY, INJECTION	1							S 2
(A=E/#C2973)											
7	3	119802-51090	KEY, 4X16	1							
10	3	158552-51151	FLANGE	1							
32	3	158600-51270	STOPPER, TAPPET	1							
33	3	158563-51281	O-RING, 4D S6	1							
34	3	158563-51281	O-RING, 4D S6	1							
35	3	129008-51300	VALVE ASSY, DELIVERY	4							
43	3	158563-51330	SPRING, DELIVERY	4							
44	3	129008-51340	HOLDER, DELIVERY	4							
51	3	158601-51550	PLUG	1							
52	3	119802-51560	PLUG, BARREL	1							
53	3	158552-51570	GASKET	3							
54	3	158552-51570	GASKET	1							
55	3	158557-51570	PLUG	1							
56	3	158601-51570	PLUG	1							
57	3	158552-51580	LIFTER	1							
58	3	119802-51590	TIMER SET	1							
59	4	119802-51600	TIMER ASSY	1							
62	4	158553-51670	O-RING, 1011	1							
63	4	119802-51680	RING, BACK UP	1							
64	4	119802-51690	O-RING	1							
65	4	24356-010200	O-RING, 4D1020	1							
66	4	24372-000150	RING, BACK UP T2P15	1							
67	3	158552-51600	GASKET	1							
68	3	158553-51630	SPRING, TIMER	1							
70	3	158553-51640	ELEMENT	1							
70-1	3	158553-51650	ELEMENT	1							N
(A=*2008.11)											
71	3	158553-51660	O-RING, P14	1							
72	3	158553-51680	GASKET	1							
73	3	129604-51740	HEAD ASSY	1							
74	4	158601-51770	PISTON	1							
93	4	158552-51781	SPRING	1							
94	4	158601-51790	PLUG	1							
95	4	22190-120002	WASHER, SEAL 12	1							
96	4	22190-180002	WASHER, SEAL 18	1							
97	4	23887-120002	PLUG, 12	1							
99	3	158553-51770	BOLT	4							
100	3	158552-52310	O-RING	1							
101	3	158552-52400	O-RING, 4E S42	1							
102	3	22190-120002	WASHER, SEAL 12	2							
103	3	22190-180002	WASHER, SEAL 18	2							
104	3	22217-140000	WASHER, SPRING 14	1							
105	3	22312-050140	PIN, PARALLEL M5X14	2							
106	3	22351-050010	PIN, SPRING 5.0X10	2							
108	3	24311-000070	O-RING, 1AP7.0	1							
109	3	24356-010180	O-RING, 4D1018	1							

Remarks

(1)Governor(Fig.12) is incorporated in this Fuel Injection Pump(No.1).

(2)Interchangeable by simultaneous replacement with No.1-2 & Fig.13 No.1-1.

Fig.11. FUEL INJECTION PUMP

(A)=4TNV88-BNKAH

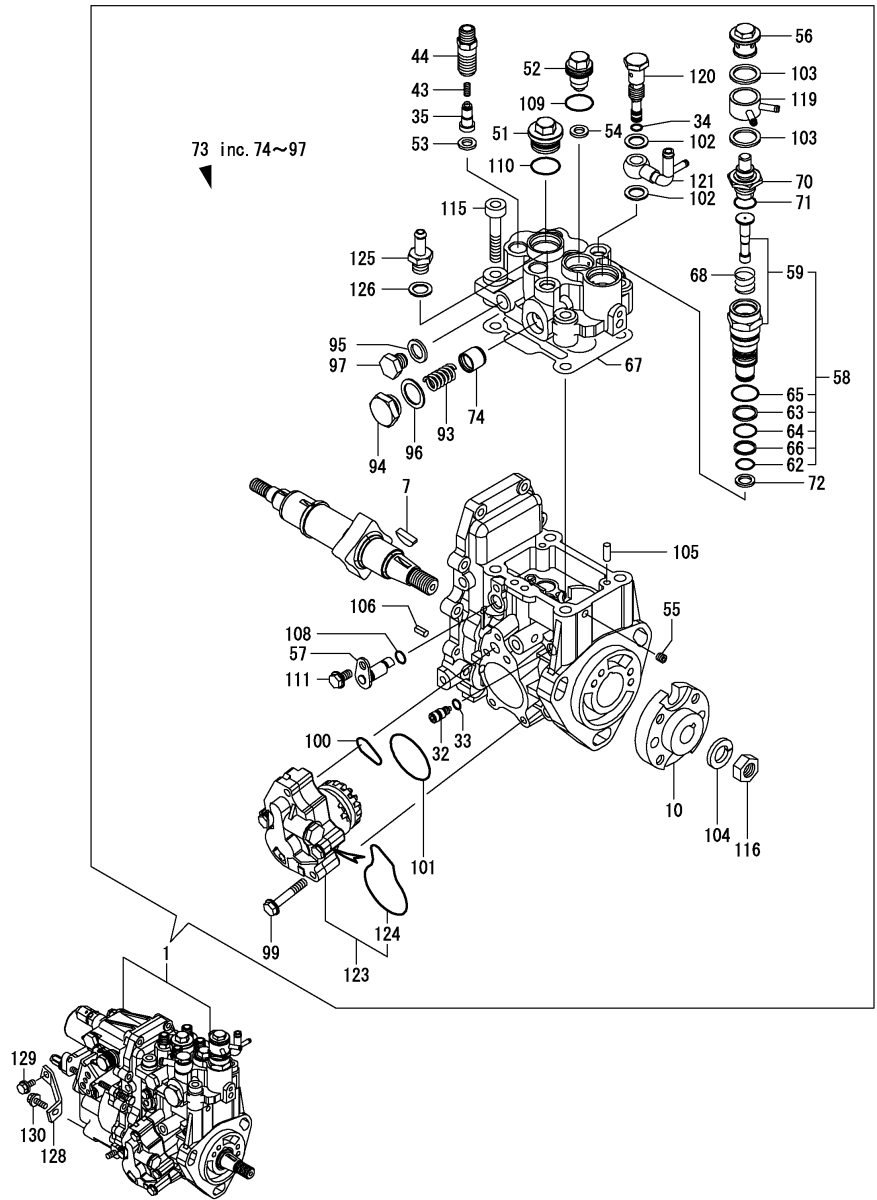
(B)=

(C)=

(D)=

(E)=

(F)=



No.	Lev.	Parts No.	Description	Q'ty						I	R
				(A)	(B)	(C)	(D)	(E)	(F)		
110	3	24356-010200	O-RING, 4D1020	1							
111	3	26106-060102	BOLT, M6X 10 PLATED	1							
115	3	26450-080452	BOLT, M8X 45	4							
116	3	26776-140002	NUT, LOCK M14	1							
119	2	158553-51551	JOINT	1							
120	2	158601-51650	JOINT, OVER FLOW	1							
121	2	158552-51670	JOINT, OVER FLOW	1							
123	2	158552-52100	PUMP ASSY, FUEL FEED	1							
124	3	158552-52500	O-RING	1							
125	2	119934-59910	JOINT, PIPE	1							
126	2	22190-120002	WASHER, SEAL 12	1							
128	1	129601-51250	RETAINER, PUMP	1							
129	1	26106-080162	BOLT, M8X 16 PLATED	1							
130	1	26106-080202	BOLT, M8X 20 PLATED	4							

Remarks

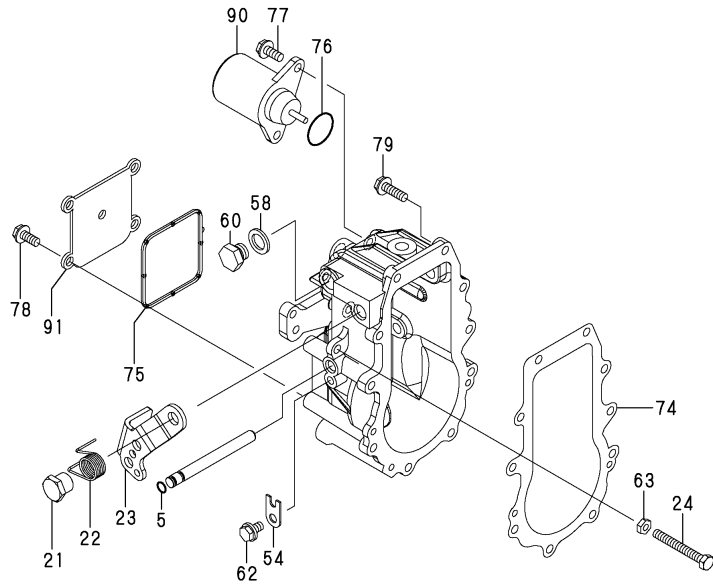
- (1)Governor(Fig.12) is incorporated in this Fuel Injection Pump(No.1).
- (2)Interchangeable by simultaneous replacement with No.1-2 & Fig.13 No.1-1.

N:Old $\xrightarrow{\text{Yes}}$ New, Q:Old $\xrightarrow{\text{No}}$ New, R:Old $\xrightarrow{\text{Yes}}$ New, S:Old $\xrightarrow{\text{No}}$ New, W:Add, Z:Discontinued, F:Interchangeable by set, K:Q'ty Change

Fig.12. GOVERNOR

(A)=4TNV88-BNKAH
(B)=
(C)=

(D)=
(E)=
(F)=



No.	Lev.	Parts No.	Description	Q'ty						I	R
				(A)	(B)	(C)	(D)	(E)	(F)		
5	4	129155-51280	O-RING, S6	1							
21	4	129255-61410	NUT, LOCK	1							
22	4	119807-61420	SPRING, RETURN	1							
23	4	158552-61441	LEVER, REGULATOR	1							
24	4	129155-61460	BOLT, IDLE	1							
54	4	119660-61901	RETAINER, SHAFT	1							
58	4	22190-120000	WASHER, SEAL 12	1							
60	4	23887-120002	PLUG, 12	1							
62	4	26106-060102	BOLT, M6X 10 PLATED	1							
63	4	26756-060002	NUT, LOCK M6	1							
74	3	158553-61050	GASKET	1							
75	3	158553-61070	GASKET	1							
76	3	158552-61900	O-RING	1							
77	3	26106-060142	BOLT, M6X 14 PLATED	2							
78	3	26106-060142	BOLT, M6X 14 PLATED	4							
79	3	26106-060202	BOLT, M6X 20 PLATED	10							
90	2	119233-77932	SOLENOID, STOP	1							
91	2	129642-61060	COVER, GOVERNOR CASE	1							

Remarks

* This figure(Governor) is incorporated in the Fuel Injection Pump(Fig.11).

Fig.13. FUEL INJECTION VALVE

(A)=4TNV88-BNKAH

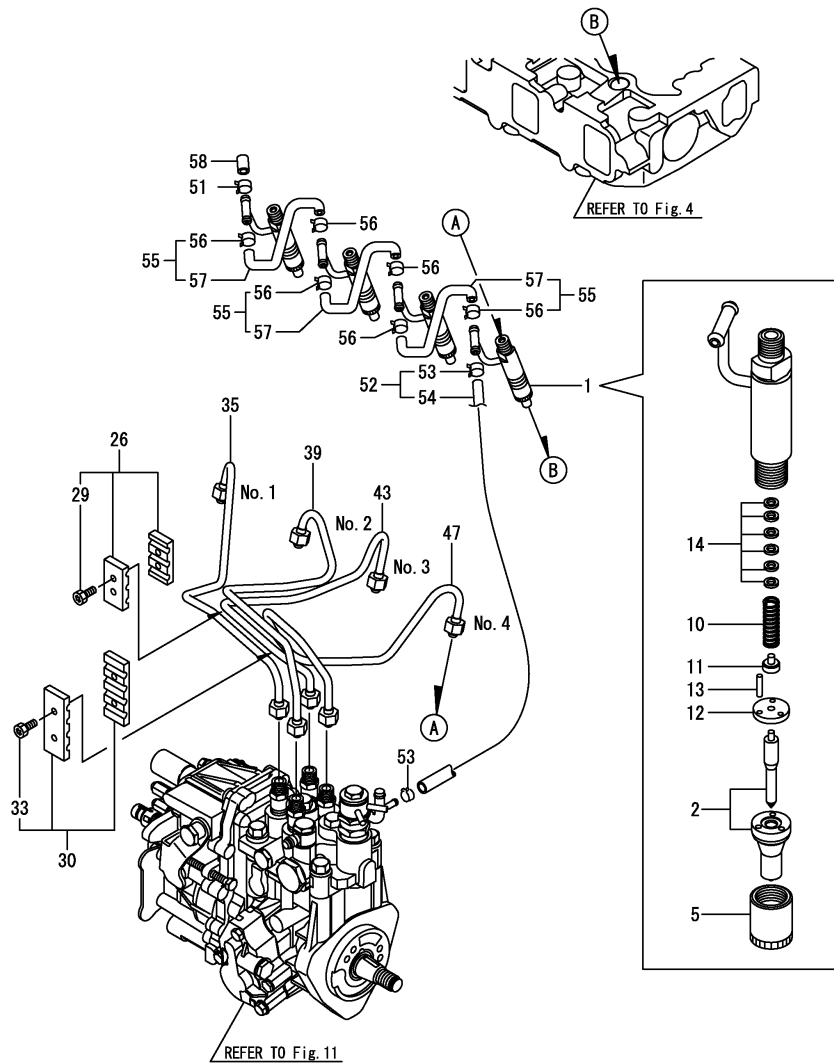
(B)=

(C)=

(D)=

(E)=

(F)=



No.	Lev.	Parts No.	Description	Q'ty						I	R
				(A)	(B)	(C)	(D)	(E)	(F)		
1	1	729008-53100	VALVE ASSY,INJECTION	4							
1-1	1	729008-53200	VALVE ASSY,INJECTION	4						S	1
(A=E/#C2973)											
2	2	129008-53000	VALVE ASSY,INJECTION	4							
2-1	2	129008-53200	VALVE ASSY,INJECTION	4							S
(A=E/#C2973)											
5	2	114250-53080	NUT, NOZZLE D16.95	4							
10	2	114250-53120	SPRING, NOZZLE	4							
11	2	114250-53130	SEAT, SPRING	4							
12	2	114250-53140	PLATE	4							
13	2	114250-53210	PIN	8							
14	2	119803-53400	SHIM SET	4							
26	1	129150-59120	RETAINER, PIPE	1							
29	2	129150-59131	BOLT, M4X14	2							
30	1	129550-59120	RETAINER, PIPE	1							
33	2	129150-59131	BOLT, M4X14	2							
35	1	129601-59810	PIPE ASSY, INJECTION	1							
39	1	129601-59820	PIPE ASSY, INJECTION	1							
43	1	129601-59830	PIPE ASSY, INJECTION	1							
47	1	129601-59840	PIPE ASSY, INJECTION	1							
51	1	124066-59100	CLIP, HOSE 8	2							
52	1	119802-59550	PIPE ASSY, RETURN	1							
53	2	124722-59050	CLIP, HOSE 9	2							
54	2	119802-59560	PIPE, FUEL RETURN	1							
55	1	129486-59551	PIPE ASSY, RETURN	3							
56	2	124722-59050	CLIP, HOSE 9	6							
57	2	129486-59510	PIPE, FUEL RETURN	3							
58	1	119593-59581	CAP	1							

Remarks

(1)Interchangeable by simultaneous replacement with No.1-1 & Fig.11 No.1-2.

N:Old $\xrightarrow{\text{Yes}}$ New, Q:Old $\xrightarrow{\text{No}}$ New, R:Old $\xrightarrow{\text{Yes}}$ New, S:Old $\xrightarrow{\text{No}}$ New, W:Add, Z:Discontinued, F:Interchangeable by set, K:Q'ty Change

Fig.14. STARTER MOTOR

(A)=4TNV88-BNKAH

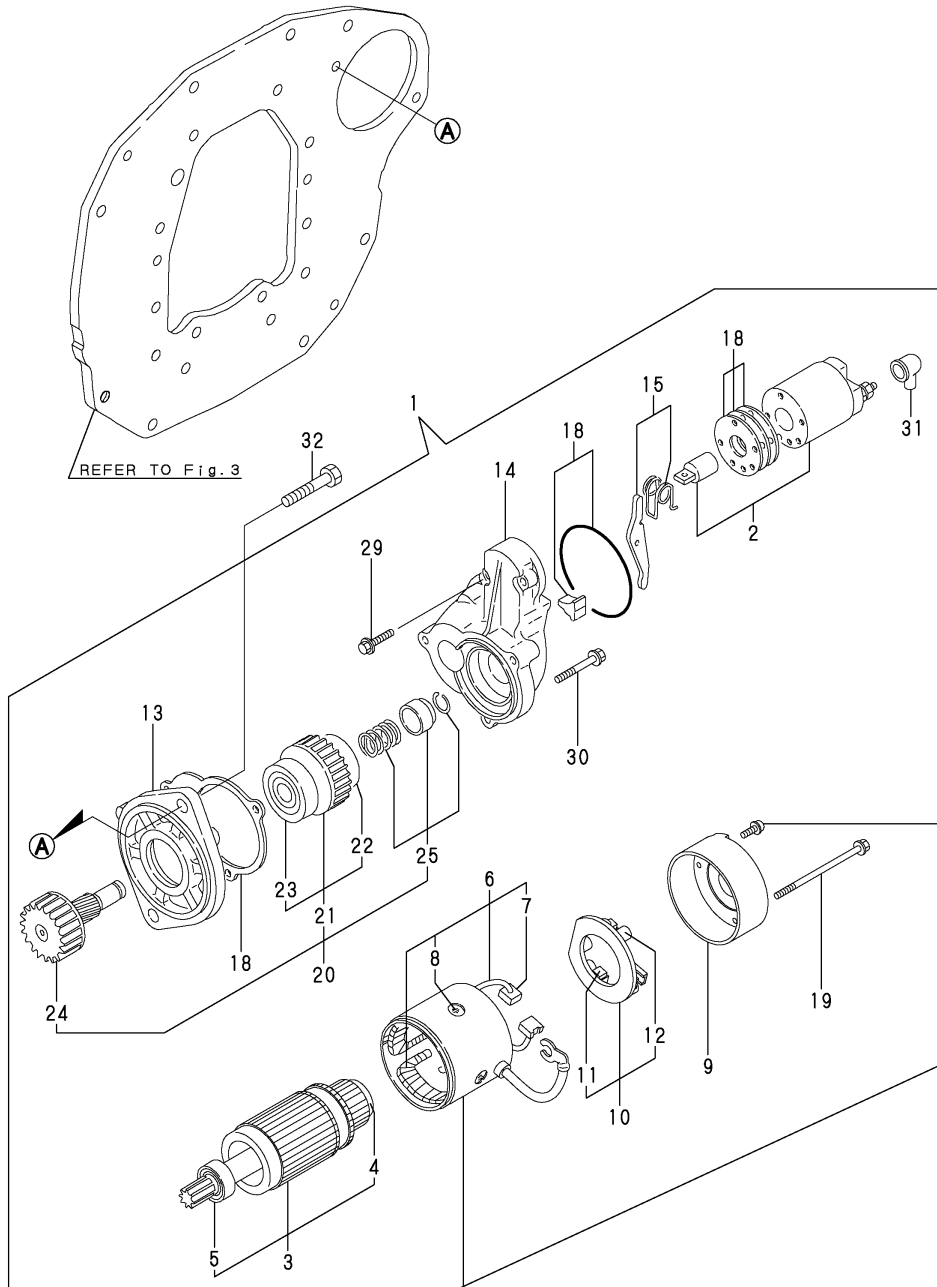
(B)=

(C)=

(D)=

(E)=

(F)=

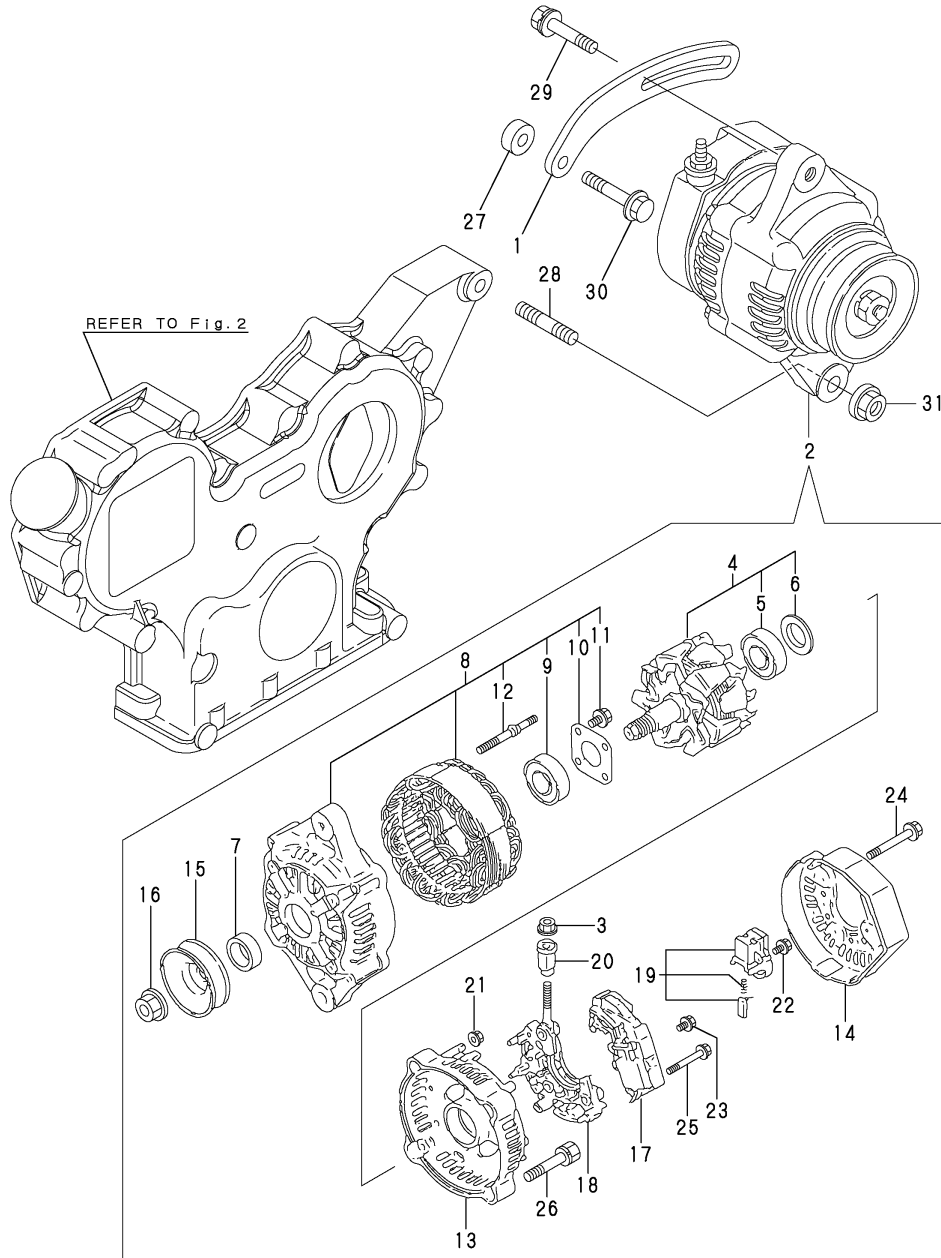


No.	Lev.	Parts No.	Description	Q'ty						I	R
				(A)	(B)	(C)	(D)	(E)	(F)		
1	1	129136-77011	STARTER	1							
2	2	129136-77310	SWITCH ASSY	1							
3	2	129900-77400	ARMATURE ASSY	1							
4	3	X2130350900	BEARING, BALL	1							
5	3	X2114255110	BEARING, BALL	1							
6	2	129900-77440	COIL ASSY, FIELD	1							
7	3	129900-77450	BRUSH	2							
8	3	171008-77450	SCREW	4							
9	2	129900-77460	COVER	1							
10	2	129900-77480	HOLDER ASSY, BRUSH	1							
11	3	129900-77450	BRUSH	2							
12	3	129400-77490	SPRING	4							
13	2	171008-77510	CASE, GEAR	1							
14	2	129136-77520	HOUSING	1							
15	2	171008-77540	LEVER SET	1							
18	2	129400-77571	COVER ASSY, DUST	1							
19	2	129900-77640	BOLT, THROUGH	2							
20	2	171008-77650	PINION ASSY	1							
21	3	X2114555500	CLUTCH ASSY	1							
22	4	X2114955020	BEARING, BALL	1							
23	4	X2240410100	BEARING, BALL	1							
24	3	171008-77660	SHAFT	1							
25	3	171008-77670	STOPPER SET	1							
29	2	26106-060322	BOLT, M6X 32 PLATED	2							
30	2	26106-060402	BOLT, M6X 40 PLATED	3							
31	2	171008-77750	COVER	1							
32	1	26116-120252	BOLT, M12X 25 PLATED	2							

Fig.15. GENERATOR

(A)=4TNV88-BNKAH
(B)=
(C)=

(D)=
(E)=
(F)=



No.	Lev.	Parts No.	Description	Q'ty						I	R
				(A)	(B)	(C)	(D)	(E)	(F)		
1	1	119802-77330	ADJUSTER	1							
2	1	129052-77220	GENERATOR, 12V-55A	1							
3	2	X9490561001	NUT	1							
4	2	129052-77380	ROTOR ASSY	1							
5	3	123501-79240	BEARING, BALL	1							
6	3	119620-79250	COVER	1							
7	2	119620-77490	COLLAR	1							
8	2	129052-77422	FRAME ASSY	1							
9	3	119620-79200	BEARING, BALL	1							
10	3	119620-79210	PLATE, RETAINER	1							
11	3	119620-79220	SCREW	4							
12	3	119620-79230	STUD	2							
13	2	128401-77440	FRAME	1							
14	2	128401-77450	COVER	1							
15	2	119620-77461	PULLEY	1							
16	2	119620-77471	NUT	1							
17	2	119620-77710	REGULATOR ASSY	1							
18	2	129052-79260	HOLDER	1							
19	2	129052-79270	HOLDER, BRUSH	1							
20	2	119620-79340	BUSH, INSULATION	1							
21	2	119620-79350	NUT	2							
22	2	119620-79290	SCREW	6							
23	2	119620-79300	SCREW	1							
24	2	119620-79310	BOLT	3							
25	2	119620-79320	SCREW	2							
26	2	119620-79330	BOLT	2							
27	1	119940-77270	SPACER, GENERATOR	1							
28	1	129795-01900	STUD	1							
29	1	129972-77341	BOLT, ADJUSTER L=50	1							
30	1	26106-080452	BOLT, M8X 45 PLATED	1							
31	1	26306-100002	NUT, M10	1							

Fig.16. GASKET SET & TOOL

(A)=4TNV88-BNKAH

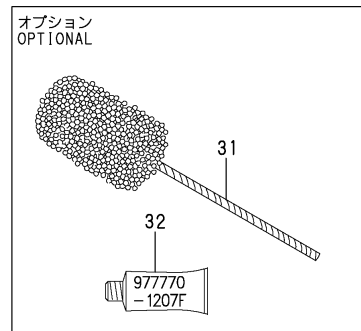
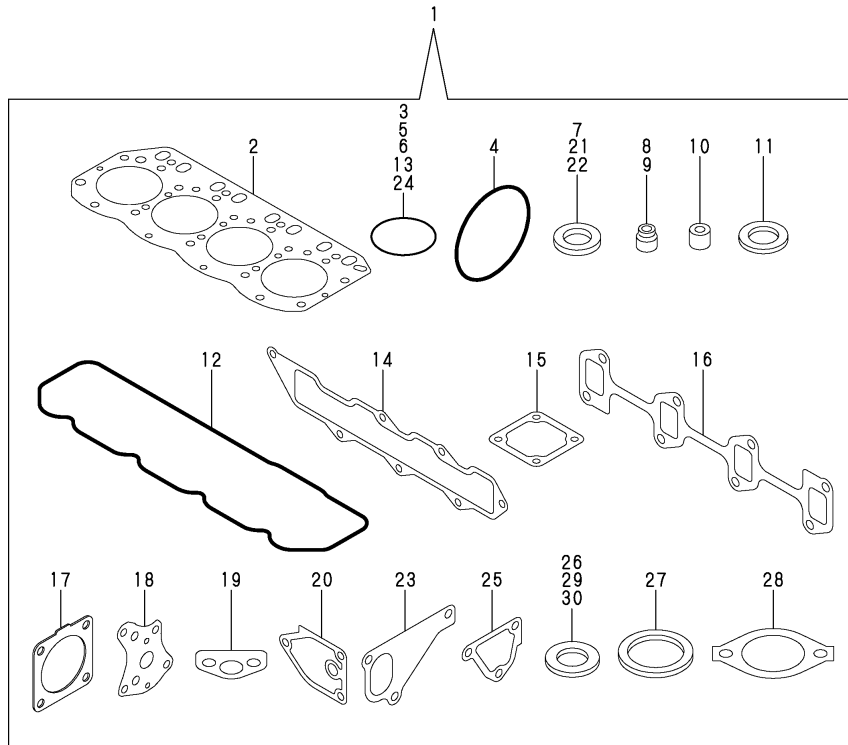
(B)=

(C)=

(D)=

(E)=

(F)=



No.	Lev.	Parts No.	Description	Q'ty						I	R
				(A)	(B)	(C)	(D)	(E)	(F)		
1	1	729602-92650	GASKET SET	1							1
2	2	129407-01340	GASKET, HEAD	1							
3	2	119609-32040	O-RING, P16	2							
4	2	121850-51960	O-RING	1							
5	2	24311-000320	O-RING, 1AP32.0	3							
6	2	24341-000240	O-RING, 1AS24.0	1							
7	2	22190-220002	WASHER, SEAL 22	1							
8	2	121400-11340	SEAL, VALVE STEM	4							
9	2	124460-11340	SEAL, VALVE STEM	4							
10	2	119802-11870	PROTECTOR, NOZZLE	4							
11	2	119625-11880	SEAT, NOZZLE	4							
12	2	129601-11310	GASKET, BONNET	1							
13	2	24311-000120	O-RING, 1AP12.0	3							
14	2	129407-12110	GASKET, MANIFOLD	1							
15	2	129150-77511	GASKET	1							
16	2	129550-13110	GASKET	1							
17	2	129930-13201	GASKET, SILENCER	1							
18	2	129150-32020	GASKET, PUMP	1							
19	2	129150-35042	GASKET	1							
20	2	129150-35111	GASKET	1							
21	2	22190-080002	WASHER, SEAL 6	2							
22	2	22190-100002	WASHER, SEAL 10	2							
23	2	129486-42021	GASKET, WATER PUMP	1							
24	2	129486-42140	O-RING, G30	1							
25	2	124395-49840	GASKET	1							
26	2	23414-080000	GASKET, 8X1.0	1							
27	2	129150-49811	GASKET, THERMOSTAT	1							
28	2	129795-49551	GASKET	1							
29	2	124465-44950	GASKET, 16	2							
30	2	129150-49360	GASKET	1							
31	1	129400-92430	HONE	1							1
32	1	977770-1207F	GASKET.LIQUID	1							1

Remarks

(1)Optional parts.

Parts No. Index

Parts No.	Fig. No.	Ref. No.
114250-39450	9	12
114250-53080	13	5
114250-53120	13	10
114250-53130	13	11
114250-53140	13	12
114250-53210	13	13
119131-18320	6	5
119233-77932	12	90
119260-34810	9	2
119593-59581	13	58
119609-32040	2	17
	16	3
119620-77461	15	15
119620-77471	15	16
119620-77490	15	7
119620-77710	15	17
119620-79200	15	9
119620-79210	15	10
119620-79220	15	11
119620-79230	15	12
119620-79250	15	6
119620-79290	15	22
119620-79300	15	23
119620-79310	15	24
119620-79320	15	25
119620-79330	15	26
119620-79340	15	20
119620-79350	15	21
119625-11880	4	19
	16	11
119640-01640	3	9
119660-61901	12	54
119802-01561	2	13
119802-03110	4	40
119802-03121	4	41
119802-03130	4	42
119802-03141	4	43
119802-11260	4	25
119802-11270	4	26
119802-11870	4	18
	16	10
119802-21650	8	9
119802-25071	7	12
119802-25101	7	10
119802-25901	7	14
119802-34850	9	3
119802-35110	9	24
119802-39450	9	14
119802-49730	10	37
119802-51090	11	7

Parts No.	Fig. No.	Ref. No.
119802-51560	11	52
119802-51590	11	58
119802-51600	11	59
119802-51680	11	63
119802-51690	11	64
119802-59550	13	52
119802-59560	13	54
119802-77330	15	1
119803-01520	2	12
119803-25050	7	9
119803-53400	13	14
119803-77830	4	57
119807-61420	12	22
119934-01800	2	4
119934-59910	11	125
119940-59130	9	33
119940-77270	15	27
120130-11860	4	5
120270-54410	4	22
121400-11340	4	15
	16	8
121450-42450	10	32
121550-23200	8	29
121850-21680	8	11
121850-42410	10	8
121850-51960	2	21
	16	4
123501-79240	15	5
123900-13610	6	3
123900-13630	6	4
124060-01050	1	10
124066-59100	13	51
124160-01751	2	14
	4	49
124160-01910	1	5
	15	15
124160-11360	4	51
124160-21501	8	12
124160-39140	9	13
124240-01871	2	15
124250-49351	10	31
124395-49840	10	17
	16	25
124460-11340	4	16
	16	9
124465-44950	10	33
	16	29
124550-21600	8	15
124574-44761	10	42
124722-59050	10	38

Parts No.	Fig. No.	Ref. No.
124722-59050	10	41
	13	53
		56
128401-77440	15	13
128401-77450	15	14
129001-01250	1	11
129001-02931	1	25
129001-91841	2	22
129004-03010	4	38
129004-11650	4	30
129004-11900	4	20
129004-42001	10	1
129004-42040	10	15
129004-49610	10	35
129004-49620	10	39
129004-49711	10	36
129004-49721	10	40
129005-03080	5	1
129005-11100	4	10
129005-22080	8	16
129005-22500	8	18
129005-22900	8	32
129005-22950	8	34
129005-59830	9	15
129006-35100	9	23
129008-51300	11	35
129008-51340	11	44
129008-53000	13	2
129008-53200	13	2 -1
129008-77800	4	55
129052-77220	15	2
129052-77380	15	4
129052-77422	15	8
129052-79260	15	18
129052-79270	15	19
129100-01580	3	1
		15
	8	2
129100-01640	3	16
129100-11112	4	11
129100-23910	8	28
129100-42051	10	3
129100-42121	10	4
129103-49301	9	9
129122-44480	9	27
129136-77011	14	1
129136-77310	14	2
129136-77520	14	14
129150-01200	1	31
129150-01600	3	2

Parts No.	Fig. No.	Ref. No.
129150-01650	3	17
129150-02020	1	7
129150-02450	7	4
129150-02871	1	33
129150-02931	1	28
129150-02941	1	36
129150-03070	4	39
129150-11230	4	31
129150-11280	4	27
129150-11370	4	17
129150-11750	4	33
129150-11810	4	7
129150-14101	7	7
129150-14200	7	1
129150-14400	7	2
129150-23601	8	30
129150-23611	8	38
129150-25301	7	15
129150-32020	9	38
	16	18
129150-35042	9	6
	16	19
129150-35111	9	26
	16	20
129150-35170	9	8
129150-49360	10	34
	16	30
129150-49811	10	26
	16	27
129150-59120	13	26
129150-59131	13	29
		33
129150-77511	5	8
	16	15
129150-91400	2	8
129155-51280	12	5
129155-61460	12	24
129202-22300	8	22
129240-35800	9	40
129255-61410	12	21
129350-49560	10	27
129400-01730	3	6
129400-01770	3	8
129400-77490	14	12
129400-77571	14	18
129400-92430	16	31
129407-01340	1	32
	16	2
129407-12110	5	4
	16	14

Parts No. Index

Parts No.	Fig. No.	Ref. No.
129407-32000	9	37
129410-03990	5	2
129411-13100	6	1
129417-33110	9	22
129417-35150	9	25
129436-35070	9	7 -1
129436-35091	9	7
129457-21580	8	13
129457-49801	10	25
129486-01670	3	19
129486-12581	5	7
129486-42021	10	14
	16	23
129486-42140	10	16
	16	24
129486-59510	13	57
129486-59551	13	55
129508-33010	9	21
129508-33050	9	21 A
129508-49030	9	28
129508-49040	9	32
129550-13110	6	2
	16	16
129550-59120	13	30
129556-42350	10	20
129601-11241	4	24
129601-11251	4	28
129601-11310	4	46
	16	12
129601-11350	4	37
129601-34801	9	1
129601-51250	11	128
129601-59810	13	35
129601-59820	13	39
129601-59830	13	43
129601-59840	13	47
129602-12100	5	3
129604-11700	4	1
129604-21000	8	1
129604-51740	11	73
129604-77821	4	56
129642-61060	12	91
129648-01780	3	18 -1
129688-01780	3	8 -1
129795-01780	3	18
129795-01900	15	28
129795-01950	2	16
129795-02412	1	14
129795-11120	4	12
129795-11180	4	13

Parts No.	Fig. No.	Ref. No.
129795-21661	8	10
129795-49551	10	28
	16	28
129900-07900	4	53
129900-77400	14	3
129900-77440	14	6
129900-77450	14	7
		11
129900-77460	14	9
129900-77480	14	10
129900-77640	14	19
129930-13201	16	17
129972-77341	15	29
158552-51151	7	17
	11	10
158552-51570	11	53
		54
158552-51580	11	57
158552-51600	11	67
158552-51670	11	121
158552-51781	11	93
158552-52100	11	123
158552-52310	11	100
158552-52400	11	101
158552-52500	11	124
158552-61441	12	23
158552-61900	12	76
158553-51551	11	119
158553-51630	11	68
158553-51640	11	70
158553-51650	11	70 -1
158553-51660	11	71
158553-51670	11	62
158553-51680	11	72
158553-51770	11	99
158553-61050	12	74
158553-61070	12	75
158557-51570	11	55
158563-51281	11	33
		34
158563-51330	11	43
158600-51270	11	32
158601-51550	11	51
158601-51570	11	56
158601-51650	11	120
158601-51770	11	74
158601-51790	11	94
171008-03990	9	29
		36
171008-77450	14	8

Parts No.	Fig. No.	Ref. No.
171008-77510	14	13
171008-77540	14	15
171008-77650	14	20
171008-77660	14	24
171008-77670	14	25
171008-77750	14	31
171051-01921	1	6
171440-44740	10	22
22190-080002	2	5
	9	17
		18
	16	21
22190-100002	9	19
	16	22
22190-120000	12	58
22190-120002	11	95
		102
		126
22190-180002	11	96
		103
22190-220002	3	11
	16	7
22217-140000	7	18
	11	104
22252-000260	8	23
22312-050140	11	105
22351-030010	8	8
22351-050010	11	106
22351-060012	4	21
22512-070140	7	8
22857-500100	4	47
		48
23065-120230	9	41
23080-014000	9	42
23080-015000	9	31
		35
23414-080000	10	30
	16	26
23857-030000	9	16
23876-010000	10	11
23876-020000	10	12
23887-120002	11	97
	12	60
24311-000070	11	108
24311-000120	4	52
	16	13
24311-000320	2	19
	4	50
	16	5
24311-240100	9	4

Parts No.	Fig. No.	Ref. No.
24341-000240	2	9
	16	6
24356-010180	11	109
24356-010200	11	65
		110
24372-000150	11	66
25152-003800	10	21
26106-060102	11	111
	12	62
26106-060142	12	77
		78
26106-060162	2	7
26106-060202	10	23
	12	79
26106-060322	14	29
26106-060402	14	30
26106-080122	10	24
26106-080142	7	16
26106-080162	2	18
		23
	3	12
	4	54
	9	5
	10	18
	11	129
26106-080202	5	5
		9
	9	10
	10	29
	11	130
26106-080252	3	13
	4	35
26106-080302	2	6
26106-080352	3	5
	4	23
	9	11
26106-080402	7	13
26106-080452	3	14
		14 -1
	10	43
	15	30
26106-080502	3	20
	4	36
26106-080552	2	20
	9	11 -1
26106-080602	10	19
26106-080802	5	6
26116-120252	14	32
26206-100202	3	3
26206-100252	3	4

Parts No. Index

Parts No.	Fig. No.	Ref. No.
26226-080182	4	34
26306-080002	2	11
	6	6
26306-100002	15	31
26366-060002	9	20
26450-060252	9	39
26450-080452	11	115
26756-060002	12	63
26776-140002	7	19
	11	116
27241-120000	1	12
27241-300000	1	13
27241-400000	4	9
27310-080001	4	14
719980-01500	2	1
729008-53100	13	1
729008-53200	13	1 -1
729402-14580	7	3
729402-23100	8	24
729602-01561	1	1
729602-92650	16	1
729632-51340	11	1
729632-51341	11	1 -1
729632-51510	11	1 -2
977770-1207F	16	32
X2114255110	14	5
X2114555500	14	21
X2114955020	14	22
X2130350900	14	4
X2240410100	14	23
X9490561001	15	3

Parts No.	Fig. No.	Ref. No.
-----------	----------	----------

Parts No.	Fig. No.	Ref. No.
-----------	----------	----------

Parts No.	Fig. No.	Ref. No.
-----------	----------	----------