

0CB10-M75300EN

# Contents

0CB10-M75300

Fig. No. Fig. Name

Fig. No. Fig. Name

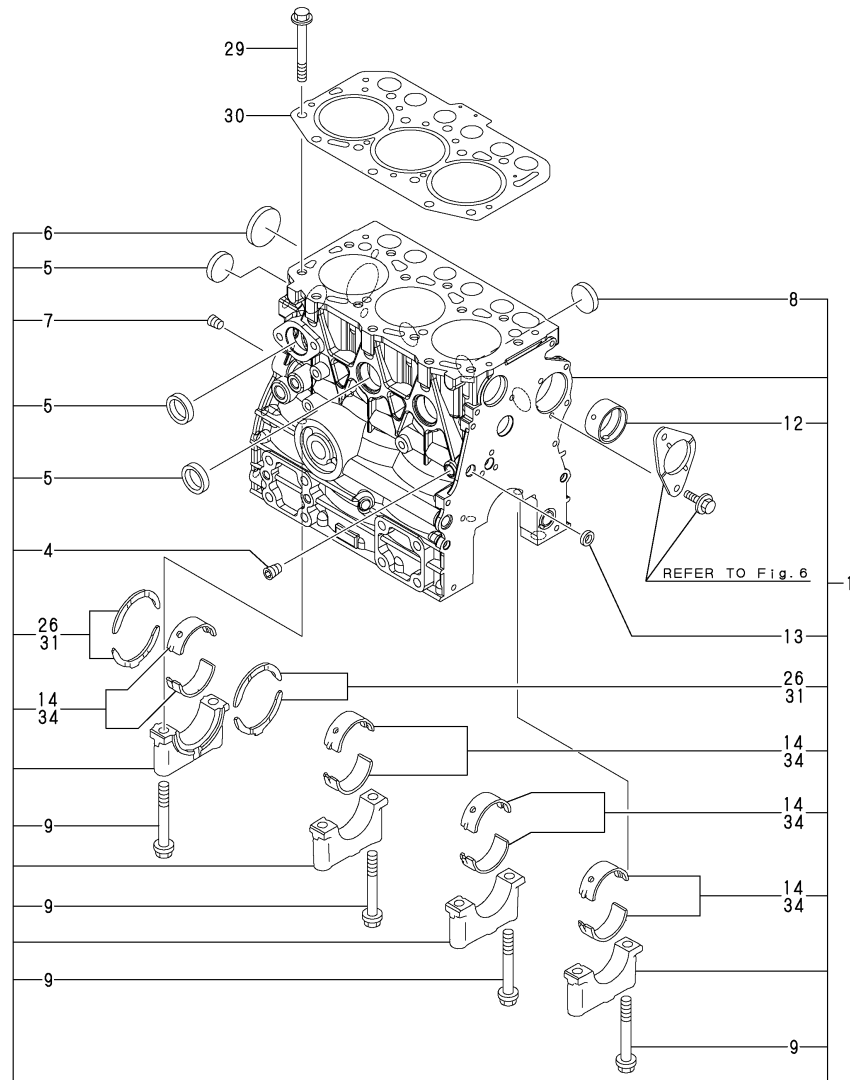
## ENGINE

1. CYLINDER BLOCK
2. GEAR HOUSING
3. FLYWHEEL HOUSING & OIL SUMP
4. CYLINDER HEAD & BONNET
5. EXHAUST MANIFOLD
6. CAMSHAFT & DRIVING GEAR
7. CRANKSHAFT & PISTON
8. LUB. OIL SYSTEM
9. COOLING WATER SYSTEM
10. FUEL INJECTION PUMP
11. GOVERNOR
12. FUEL INJECTION VALVE
13. STARTER MOTOR
14. GENERATOR
15. GASKET SET & TOOL

Fig.1. CYLINDER BLOCK

(A)=3TNV70-XBV  
(B)=  
(C)=

(D)=  
(E)=  
(F)=

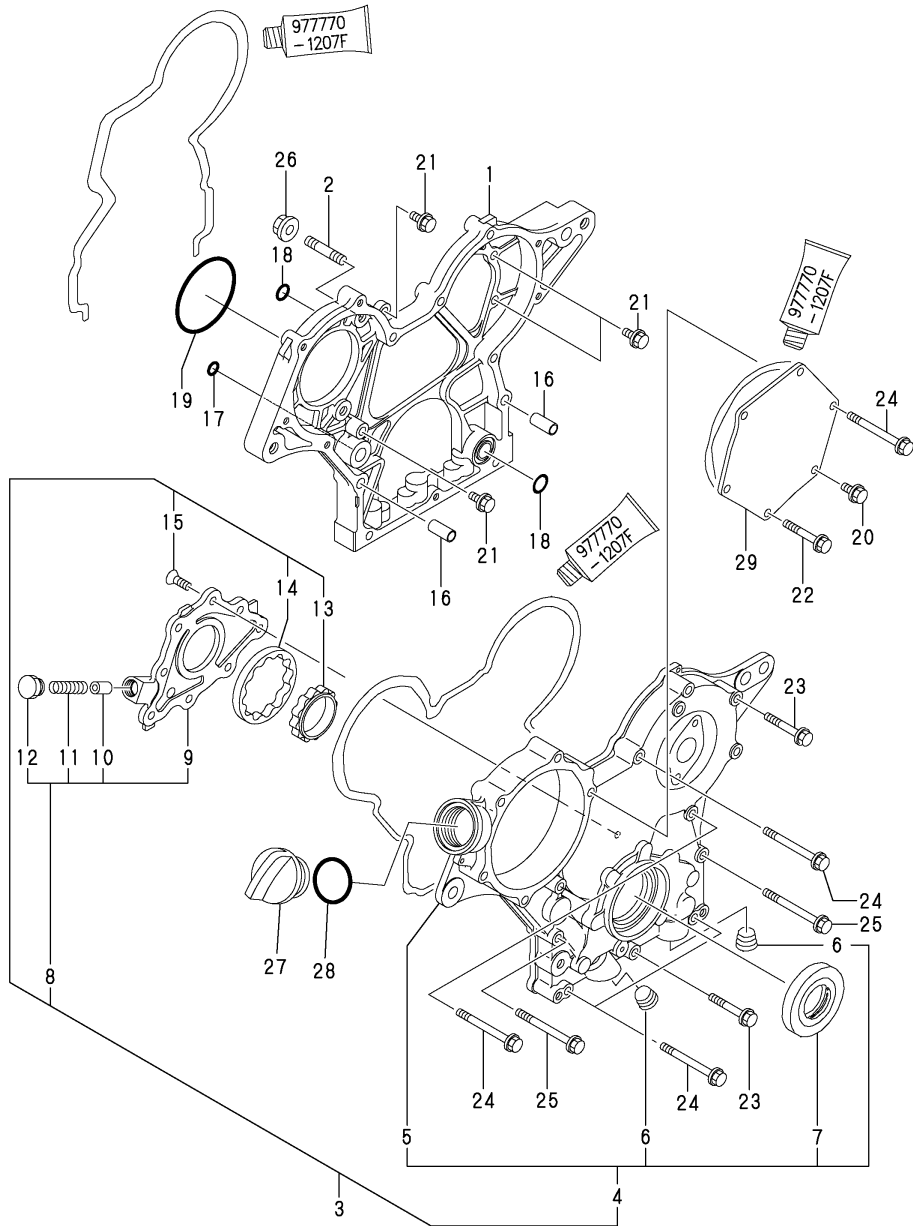


No.	Lev.	Parts No.	Description	Q'ty						I	R
				(A)	(B)	(C)	(D)	(E)	(F)		
1	1	719515-01560	BLOCK ASSY, CYLINDER	1							
4	3	124060-01050	PLUG, PT1/8	1							
5	3	105311-01090	PLUG, CUP TYPE 30	4							
6	3	119623-01250	PLUG, DISH TYPE 45	1							
7	3	124160-01910	PLUG, PT1/4	1							
8	3	119285-01990	PLUG, CUP TYPE 25	3							
9	3	119620-02020	BOLT, METAL CAP	8							
12	3	119717-02411	BUSH, CAMSHAFT	1							
13	3	27241-120000	PLUG, 12	1							
14	2	719717-02901	BEARING ASSY, MAIN	4							1
26	2	119810-02931	BEARING, THRUST	2							1
29	1	119515-01200	BOLT, CYLINDER HEAD	14							
30	1	119515-01330	GASKET, HEAD	1							
31	1	119810-02941	BEARING, THRUST 0.25	2							2
34	1	719717-02911	BEARING ASSY, MAIN	4							3

Remarks

- (1) Spare parts.
- (2) Over-sized (O.S.=0.25) parts.
- (3) Under-sized (U.S.=0.25) parts.

Fig.2. GEAR HOUSING

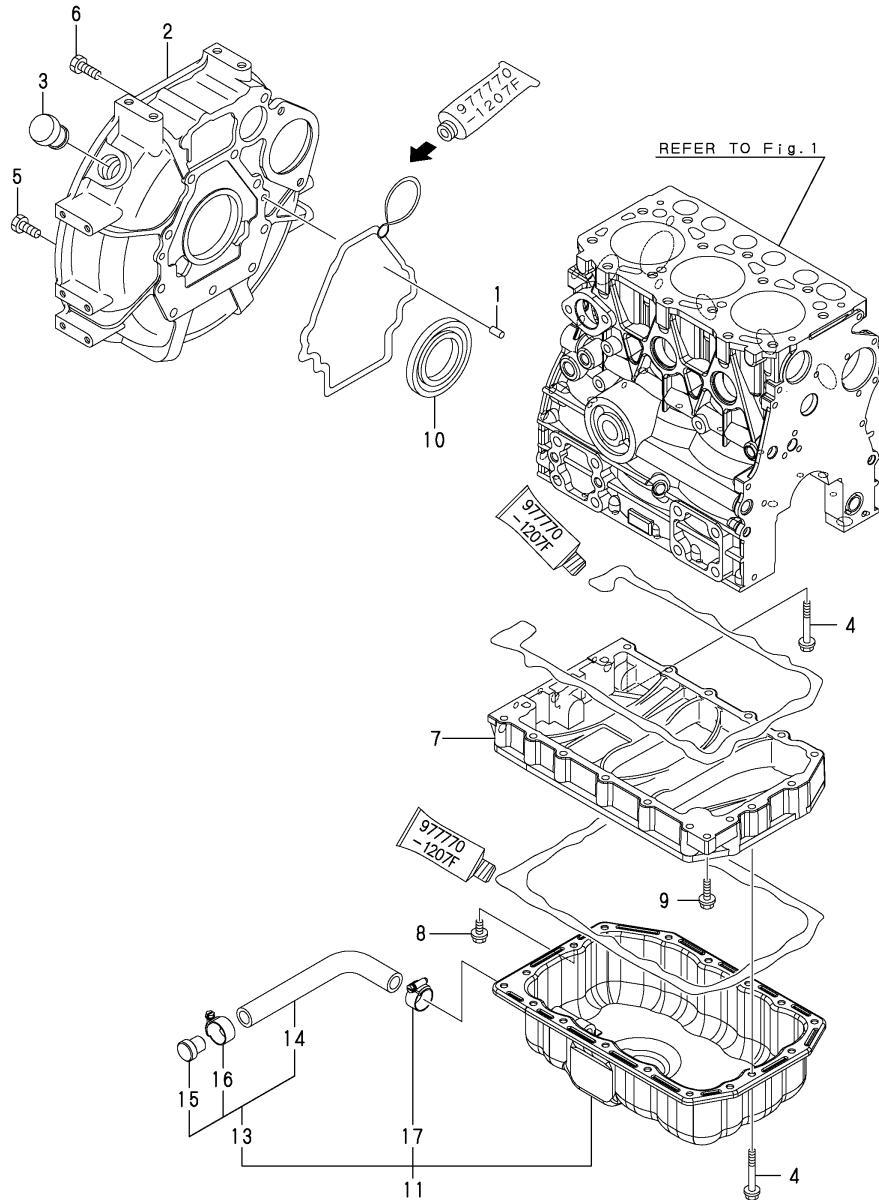


(A)=3TNV70-XBV  
(B)=  
(C)=

(D)=  
(E)=  
(F)=

No.	Lev.	Parts No.	Description	Q'ty						I	R
				(A)	(B)	(C)	(D)	(E)	(F)		
1	1	119717-01501	CASE, GEAR	1							
2	1	119717-01570	BOLT, STUD	3							
3	1	119734-01590	COVER ASSY,GEAR CASE	1							
4	2	719734-01500	COVER ASSY,GEAR CASE	1							
5	3	119717-01521	COVER, GEAR CASE	1							
6	3	23876-030000	PLUG, R03	2							
7	3	119717-01800	SEAL, OIL	1							
8	2	119717-32100	COVER ASSY	1							
9	3	119717-32080	COVER, PUMP	1							
10	3	129900-32130	VALVE, RELIEF	1							
11	3	129001-32320	SPRING	1							
12	3	129001-32330	PLUG	1							
13	2	119717-32110	ROTOR, INNER	1							
14	2	119717-32120	ROTOR, OUTER	1							
15	2	119802-32130	SCREW, M6X16	8							
16	1	119660-01911	PIPE, DOWEL 6X17	4							
17	1	119624-32040	O-RING, P12.0	1							
18	1	119717-32050	O-RING, P17.0	3							
19	1	121850-51960	O-RING	1							
20	1	26106-060122	BOLT, M6X 12 PLATED	1							
21	1	26106-060162	BOLT, M6X 16 PLATED	4							
22	1	26106-060402	BOLT, M6X 40 PLATED	4							
23	1	26106-060402	BOLT, M6X 40 PLATED	3							
24	1	26106-060602	BOLT, M6X 60 PLATED	7							
25	1	26106-060652	BOLT, M6X 65 PLATED	2							
26	1	26306-080002	NUT, M8	3							
27	1	124160-01751	CAP, FILLER	1							
28	1	24311-000320	O-RING, 1AP32.0	1							
29	1	119717-01750	COVER, PUMP	1							

Fig.3. FLYWHEEL HOUSING & OIL SUMP

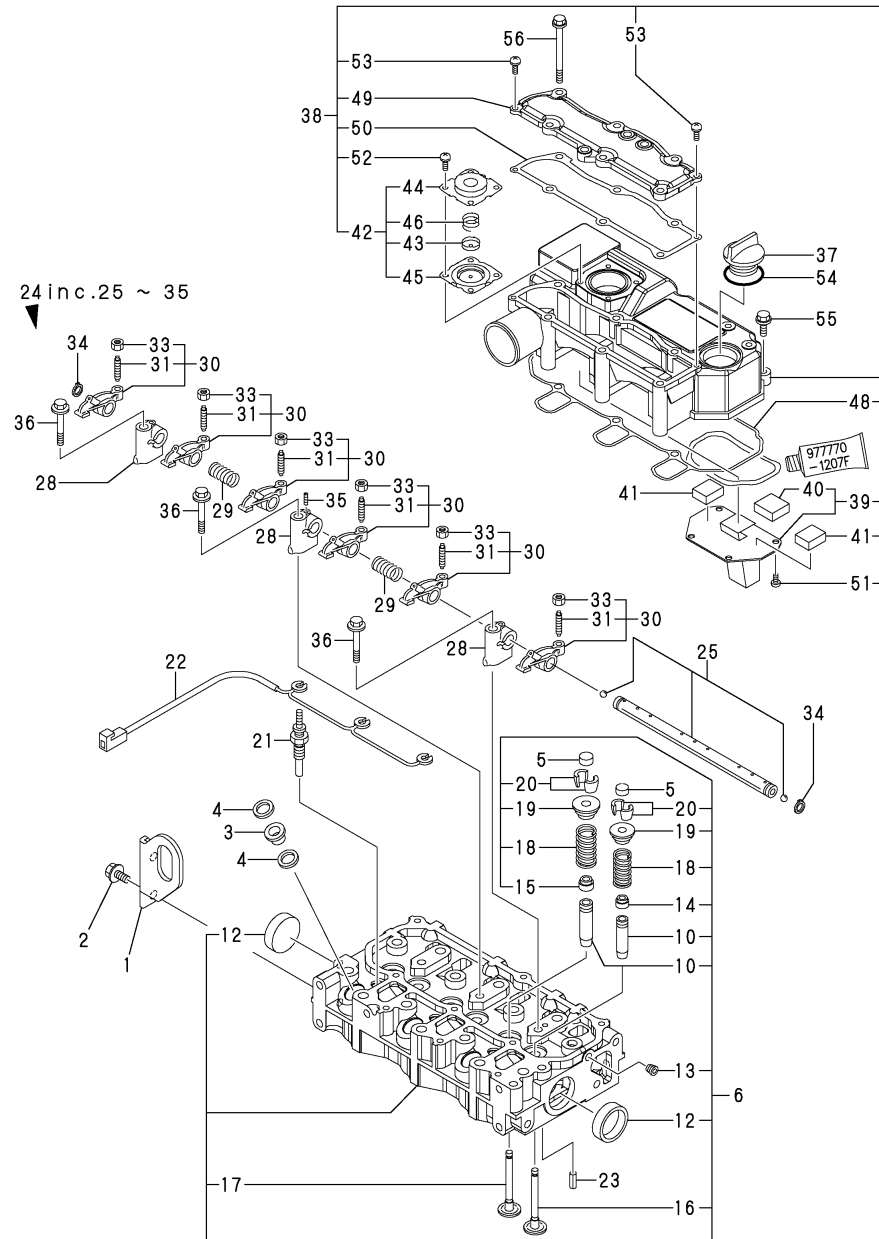


(A)=3TNV70-XBV  
(B)=  
(C)=

(D)=  
(E)=  
(F)=

No.	Lev.	Parts No.	Description	Q'ty						I	R
				(A)	(B)	(C)	(D)	(E)	(F)		
1	1	129100-01580	PIN, PARALLEL 8X16	2							
2	1	119515-01601	HOUSING, FLYWHEEL	1							
3	1	119620-01750	CAP	1							
4	1	26106-060452	BOLT, M6X 45 PLATED	17							
5	1	26206-100252	BOLT, M10X 25 PLATED	7							
6	1	121120-01620	BOLT, M10X28	3							
7	1	119515-01720	SPACER, OIL-PAN	1							
8	1	26106-060122	BOLT, M6X 12 PLATED	1							
9	1	26106-060252	BOLT, M6X 25 PLATED	1							
10	1	124085-02220	SEAL, OIL	1							
11	1	119540-01780	OIL PAN ASSY	1							
13	2	119540-39910	HOSE ASSY, OIL DRAIN	1							
14	3	119540-39930	HOSE, DRAIN	1							
15	3	119656-39930	PLUG, DRAIN M14	1							
16	3	23001-022000	CLAMP, HOSE 22	1							
17	2	23001-022000	CLAMP, HOSE 22	1							

Fig.4. CYLINDER HEAD & BONNET



(A)=3TNV70-XBV

(B)=

(C)=

(D)=

(E)=

(F)=

No.	Lev.	Parts No.	Description	Q'ty						I	R
				(A)	(B)	(C)	(D)	(E)	(F)		
1	1	119718-07910	LIFTER, ENGINE	1							
2	1	26106-080162	BOLT, M8X 16 PLATED	2							
3	1	129901-11450	PROTECTOR, NOZZLE	3							
4	1	119600-11460	GASKET, NOZZLE	6							
5	1	105010-11490	CAP, VALVE	6							
6	1	119515-11740	HEAD ASSY, CYLINDER	1							
10	3	119515-11800	GUIDE, VALVE	6							1
12	3	119285-11990	PLUG, CUP TYPE 35	2							
13	3	23876-005000	PLUG, R005	1							
14	2	119717-11340	SEAL, VALVE STEM	3							
15	2	119717-11350	SEAL, VALVE STEM	3							
16	2	119515-11101	VALVE, SUCTION	3							
17	2	119515-11110	VALVE, EXHAUST	3							
18	2	119717-11131	SPRING, VALVE	6							
19	2	129508-11180	RETAINER, SPRING	6							
20	2	119717-11190	COTTER, VALVE	12							
21	1	119717-77800	PLUG, GLOW	3							
22	1	119717-77820	CONNECTOR, GLOW PLUG	1							
23	1	22351-060012	PIN, SPRING 6.0X12	2							
24	1	119515-11200	SUPPORT ASSY, ROCKER	1							
25	2	119515-11240	SHAFT ASSY, ROCKER	1							
28	2	119717-11260	SUPPORT, ROCKER ARM	3							
29	2	119515-11280	SPRING, ROCKER	2							
30	2	119717-11650	ARM ASSY, ROCKER	6							
31	3	129150-11230	SCREW, VALVE ADJUST	6							
33	3	129150-11750	NUT, M8	6							
34	2	22242-000120	RING, 12	2							
35	2	26979-050162	SCREW, M5X16	1							
36	1	26106-080402	BOLT, M8X 40 PLATED	3							
37	1	124160-01751	CAP, FILLER	1							
38	1	119515-11380	BONNET ASSY, HEAD	1							
39	2	119717-03031	PLATE, BAFFLE	1							
40	3	119717-03070	BAFFLE, BREATHER	1							
41	2	119717-03070	BAFFLE, BREATHER	2							
42	2	119802-03100	DIAPHRAGM ASSY	1							
43	3	119802-03110	PLATE, DIAPHRAGM	1							
44	3	119802-03121	COVER, DIAPHRAGM	1							
45	3	119802-03131	DIAPHRAGM	1							
46	3	119802-03141	SPRING, DIAPHRAGM	1							
48	2	119515-11310	GASKET, BONNET	1							
49	2	119515-11320	COVER, BONNET	1							
50	2	119515-11330	GASKET	1							
51	2	22857-500100	SCREW, 5X10	4							
52	2	22857-500100	SCREW, 5X10	4							
53	2	22857-500160	SCREW, 5X16	2							
54	1	24311-000320	O-RING, 1AP32.0	1							
55	1	26106-060202	BOLT, M6X 20 PLATED	3							
56	1	26106-060752	BOLT, M6X 75 PLATED	6							

Remarks

(1) Spare parts.

N:Old  $\xrightarrow{\text{Yes}}$  New, Q:Old  $\xrightarrow{\text{No}}$  New, R:Old  $\xrightarrow{\text{Yes}}$  New, S:Old  $\xrightarrow{\text{No}}$  New, W:Add, Z:Discontinued, F:Interchangeable by set, K:Q'ty Change

Fig.5. EXHAUST MANIFOLD

(A)=3TNV70-XBV  
(B)=  
(C)=

(D)=  
(E)=  
(F)=

No.	Lev.	Parts No.	Description	Q'ty						I	R
				(A)	(B)	(C)	(D)	(E)	(F)		
1	1	119540-13100	MANIFOLD, EXHAUST	1							
2	1	119717-13110	GASKET, EXH MANIFOLD	1							
3	1	26306-080002	NUT, M8	2							
4	1	119717-13600	BOLT, STUD M8X50	2							
5	1	119802-13620	BOLT, M8X50	4							
6	1	119131-18320	BOLT, STUD M8X22	4							

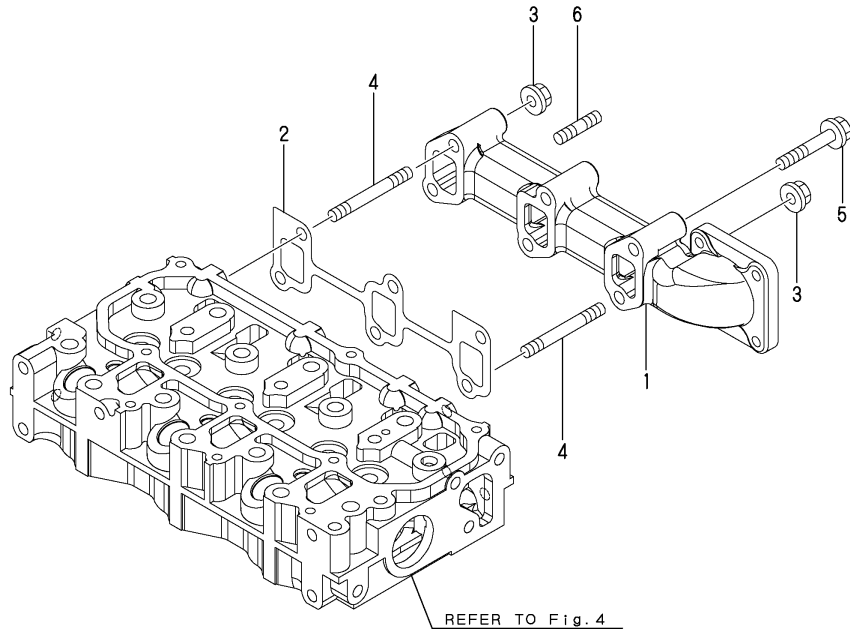
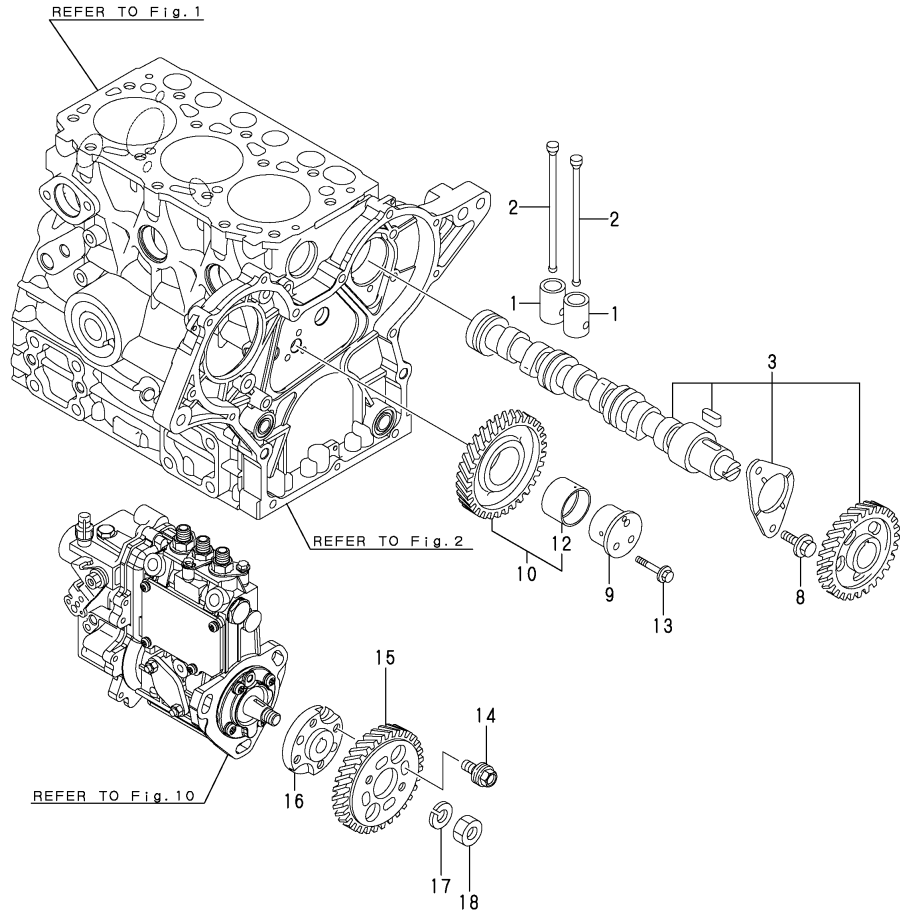


Fig.6. CAMSHAFT & DRIVING GEAR

(A)=3TNV70-XBV  
(B)=  
(C)=

(D)=  
(E)=  
(F)=

No.	Lev.	Parts No.	Description	Q'ty						I	R
				(A)	(B)	(C)	(D)	(E)	(F)		
1	1	119620-14200	TAPPET	6							
2	1	119515-14400	PUSH-ROD	6							
3	1	119515-14581	CAMSHAFT ASSY	1							
8	1	26106-060122	BOLT, M6X 12 PLATED	2							
9	1	119717-25050	SHAFT, IDLE	1							
10	1	119717-25101	GEAR ASSY, IDLE	1							
12	2	119717-25911	BUSH, IDLE GEAR	1							1
13	1	26106-060352	BOLT, M6X 35 PLATED	3							
14	1	129150-25301	BOLT	4							
15	1	119717-25930	GEAR, PUMP	1							
16	1	119717-51150	FLANGE	1							
17	1	22217-120000	WASHER, SPRING 12	1							
18	1	26716-120002	NUT, M12	1							



Remarks  
(1) Spare parts.



Fig.7. CRANKSHAFT & PISTON

(A)=3TNV70-XBV

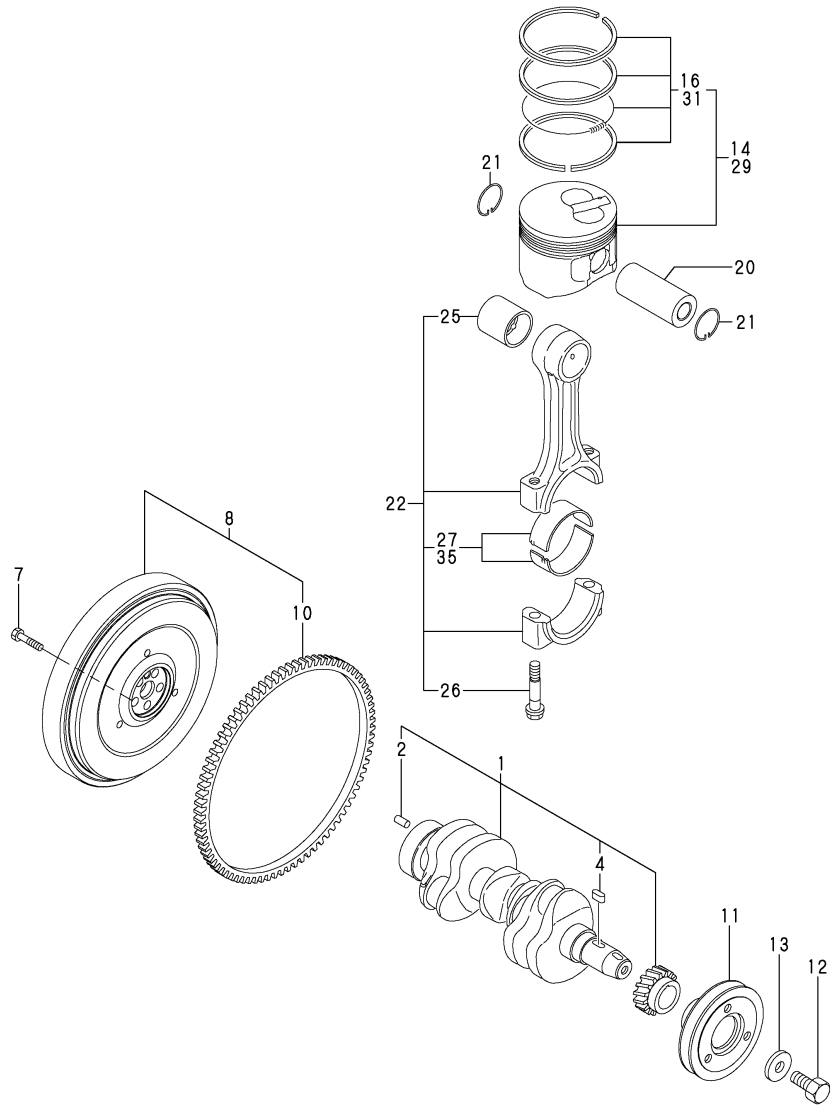
(B)=

(C)=

(D)=

(E)=

(F)=



No.	Lev.	Parts No.	Description	Q'ty						I	R
				(A)	(B)	(C)	(D)	(E)	(F)		
1	1	119515-21700	CRANKSHAFT ASSY	1							
2	2	129100-01580	PIN, PARALLEL 8X16	1							
4	2	22512-040120	KEY, 4X 12	1							
7	1	119620-21500	BOLT, FLYWHEEL	5							
8	1	119515-21590	FLYWHEEL ASSY	1							
10	2	124950-21600	GEAR, RING	1							
11	1	119717-21650	V-PULLEY, CRANKSHAFT	1							
12	1	119621-21680	BOLT, FLANGE 12X1.25	1							
13	1	119620-21941	WASHER	1							
14	1	119515-22080	PISTON ASSY	3							
16	2	119515-22500	RING SET, PISTON	3							
20	1	119515-22300	PIN, PISTON	3							
21	1	22252-000220	RING, 22	6							
22	1	119515-23000	ROD ASSY, CONNECTING	3							
25	2	119717-23910	BEARING, PISTON PIN	3							1
26	2	119717-23200	BOLT, CONNECTING ROD	6							
27	2	119515-23601	BEARING, CRANK PIN	3							1
29	1	119515-22900	PISTON ASSY, 0.25 OS	3							2
31	2	119515-22550	RING SET, 0.25 OS	3							2
35	1	119515-23611	BEARING ASSY, 0.25	3							3

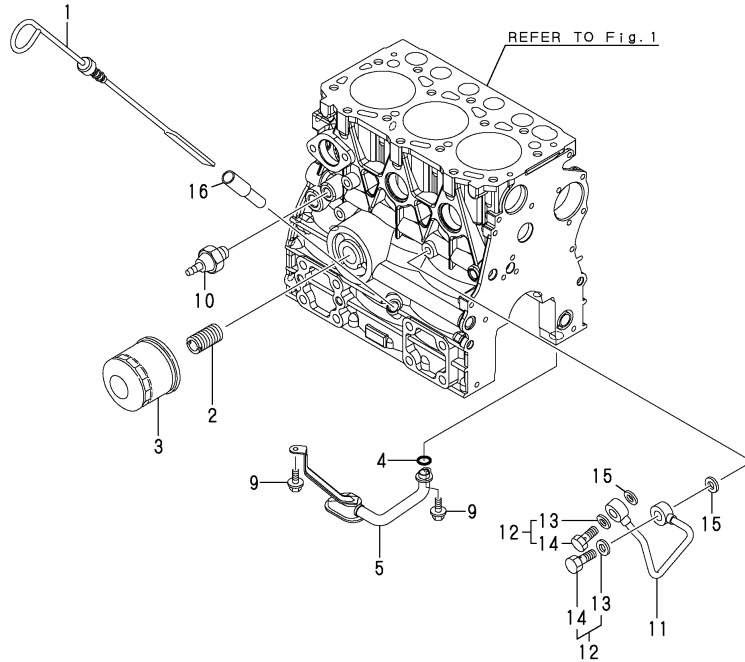
Remarks

- (1) Spare parts.
- (2) Over-sized (O.S.=0.25) parts.
- (3) Under-sized (U.S.=0.25) parts.

Fig.8. LUB. OIL SYSTEM

(A)=3TNV70-XBV  
(B)=  
(C)=

(D)=  
(E)=  
(F)=

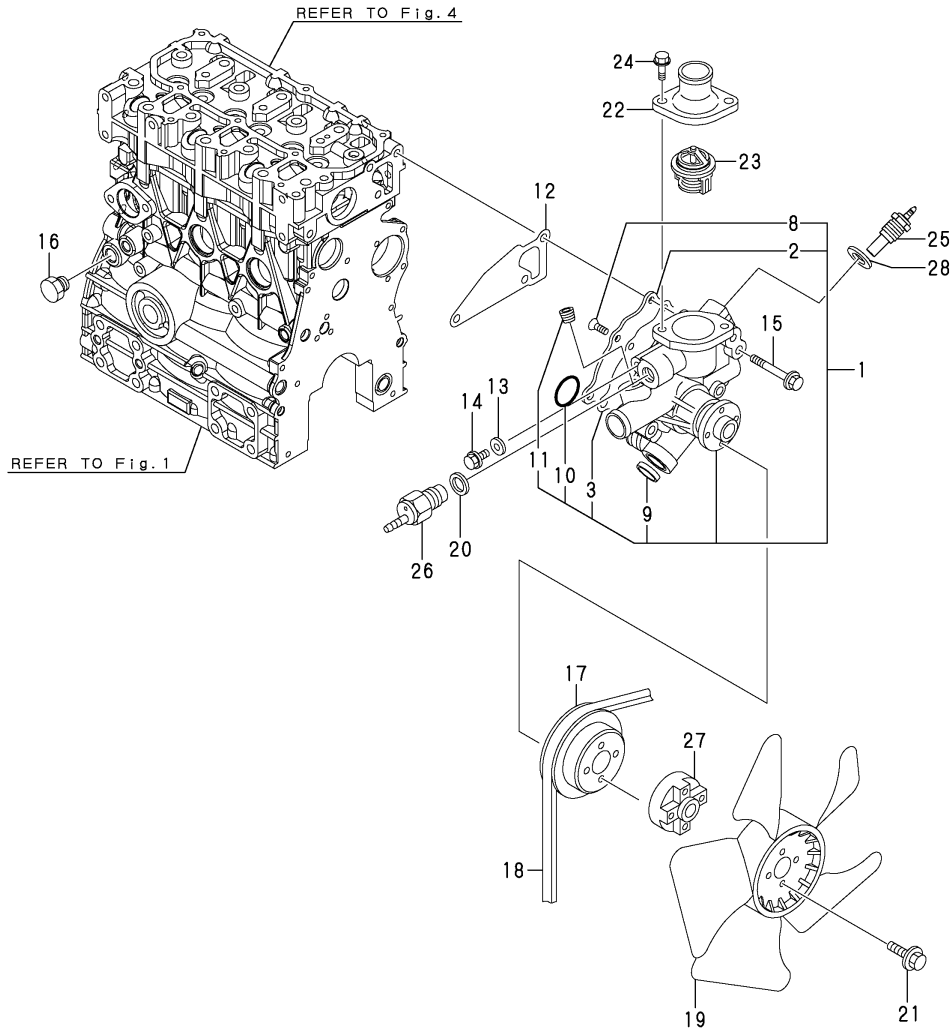


No.	Lev.	Parts No.	Description	Q'ty						I	R
				(A)	(B)	(C)	(D)	(E)	(F)		
1	1	119515-34801	DIPSTICK	1							
2	1	129100-35140	BOLT, STUD	1							
3	1	119305-35170	FILTER ASSY, D68XL65	1							
4	1	119717-32060	O-RING, P15.0	1							
5	1	119515-35080	PIPE ASSY, OIL INLET	1							
9	1	26106-060102	BOLT, M6X 10 PLATED	2							
10	1	114250-39450	SWITCH, HYDRAULIC	1							
11	1	119717-39210	PIPE, OIL	1							
12	1	129005-59830	BOLT ASSY, JOINT M8	2							
13	2	22190-080002	WASHER, SEAL 8	2							
14	2	23857-030000	BOLT, JOINT 3	2							
15	1	22190-080002	WASHER, SEAL 8	2							
16	1	121520-34810	GUIDE, DIPSTICK	1							

Remarks

(1) Spare parts.

Fig.9. COOLING WATER SYSTEM



(A)=3TNV70-XBV  
(B)=  
(C)=

(D)=  
(E)=  
(F)=

No.	Lev.	Parts No.	Description	Q'ty						I	R
				(A)	(B)	(C)	(D)	(E)	(F)		
1	1	119515-42001	PUMP ASSY, WATER	1							
1-1	1	119515-42002	PUMP ASSY, CW LOW	1							N
(A=E/ 85914)											
2	2	119515-42041	COVER	1							
3	2	119717-42031	GASKET	1							
8	2	26577-060122	SCREW, M6X12	4							
9	2	27241-250000	PLUG, 25	1							
10	2	119717-42320	O-RING, P26	1							
10-1	2	119C10-42320	O-RING, 2028	1							S
(A=E/ 85914)											
11	2	129916-49740	PLUG, R3/8	1							
12	1	119515-42020	GASKET, WATER PUMP	1							
13	1	23414-080000	GASKET, 8X1.0	1							
14	1	26106-080122	BOLT, M8X 12 PLATED	1							
15	1	26106-080502	BOLT, M8X 50 PLATED	3							
16	1	171056-49120	PLUG, DRAIN R1/4	1							
17	1	119717-42350	V-PULLEY, D=100	1							
18	1	25132-003500	V-BELT, A35	1							
18-1	1	119540-42290	V-BELT, A35.0	1							N
(A=E56003)											
19	1	119233-44740	FAN, D=290XUH	1							
20	1	124465-44950	GASKET, 16	1							
21	1	26106-060302	BOLT, M6X 30 PLATED	4							
22	1	129350-49530	COVER, THERMOSTAT	1							
23	1	119717-49800	THERMOSTAT, 71C	1							
24	1	26106-080202	BOLT, M8X 20 PLATED	2							
25	1	171056-49351	SENSOR, WATER TEMP.	1							
26	1	121250-44901	SWITCH, THERMO 110	1							
27	1	121267-44760	SPACER, FAN	1							
28	1	129150-49360	GASKET	1							

Fig.10. FUEL INJECTION PUMP

(A)=3TNV70-XBV

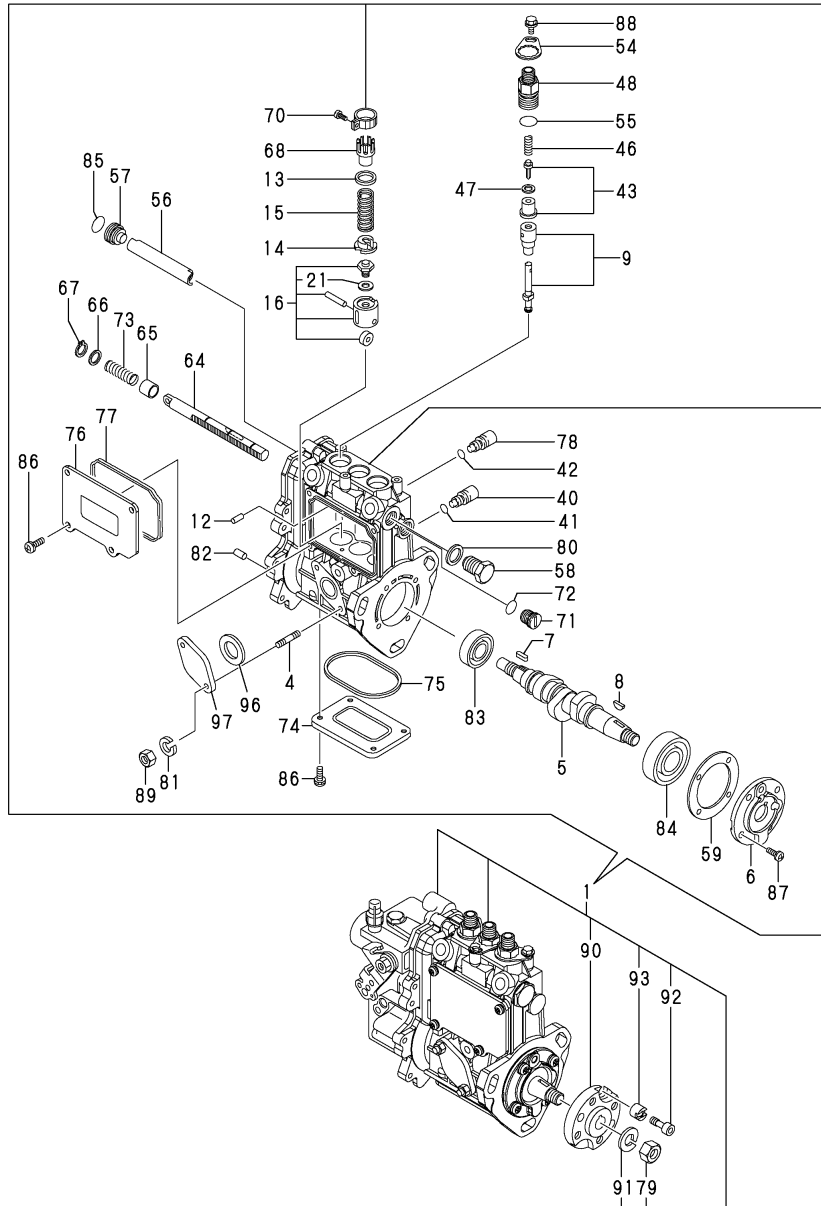
(B)=

(C)=

(D)=

(E)=

(F)=



No.	Lev.	Parts No.	Description	Q'ty						I	R
				(A)	(B)	(C)	(D)	(E)	(F)		
1	1	719540-51450	FIE ASSY	1							1
4	2	129155-51020	BOLT, STUD	2							
5	2	119717-51030	CAMSHAFT	1							
6	2	119717-51060	SUPPORT, CAMSHAFT	1							
7	2	119717-51070	FEATHER KEY,PARALLEL	1							
8	2	122710-51090	FEATHER KEY,WOODRUFF	1							
9	2	119515-51100	PLUNGER ASSY, FUEL	3							
12	2	129155-51140	PIN	3							
13	2	158600-51170	RETAINER, SPRING	3							
14	2	119717-51570	RETAINER, SPRING	3							
15	2	119717-51190	SPRING, PLUNGER	3							
16	2	119717-51200	TAPPET ASSY	3							
21	3	129155-51600	SHIM SET, ADJUSTING	3							
40	2	158600-51270	STOPPER, TAPPET	3							
41	2	129155-51280	O-RING, S6	3							
42	2	129155-51280	O-RING, S6	1							
43	2	119717-51300	VALVE ASSY, DELIVERY	3							
46	2	119717-51330	SPRING, DELIVERY	3							
47	2	124550-51350	GASKET, DELIVERY	3							
48	2	158600-51442	VALVE ASSY, DELIVERY	3							
54	2	118400-51370	PLATE, LOCKING	3							
55	2	24316-000150	O-RING, 4DP15.0	3							
56	2	129155-51400	DEFLECTOR	1							
57	2	158600-51410	PLUG, DEFLECTOR	1							
58	2	158600-51420	PLUG, DEFLECTOR	1							
59	2	129155-51450	SHIM SET, ADJUSTING	1							
64	2	119717-51500	RACK, CONTROL	1							
65	2	129155-51521	BUSH, RACK	1							
66	2	129155-51530	SPACER	1							
67	2	129155-51540	CIRCLIP	1							
68	2	129155-51550	PINION, CONTROL	3							
70	2	129100-51570	SCREW, PINION	3							
71	2	158600-51570	PLUG, RACK	1							
72	2	129155-51580	O-RING	1							
73	2	129155-51591	SPRING, RACK	1							
74	2	129155-51701	COVER	1							
75	2	119717-51711	GASKET	1							
76	2	119717-51750	COVER	1							
77	2	119717-51761	GASKET	1							
78	2	158600-51790	STOPPER, RACK	1							
79	2	26716-120002	NUT, M12	1							
80	2	22190-160002	WASHER, SEAL 16	1							
81	2	22217-060000	WASHER, SPRING 6	2							
82	2	22351-050010	PIN, SPRING 5.0X10	2							
83	2	24101-060034	BEARING, BALL 6003	1							
84	2	24101-063034	BEARING, BALL 6303	1							
85	2	119717-51420	O-RING	1							
86	2	26022-050122	SCREW, M5X12	8							
87	2	26022-060162	SCREW, M6X16	4							
88	2	26106-050102	BOLT, M5X 10 PLATED	3							
89	2	26716-060002	NUT, M6	2							

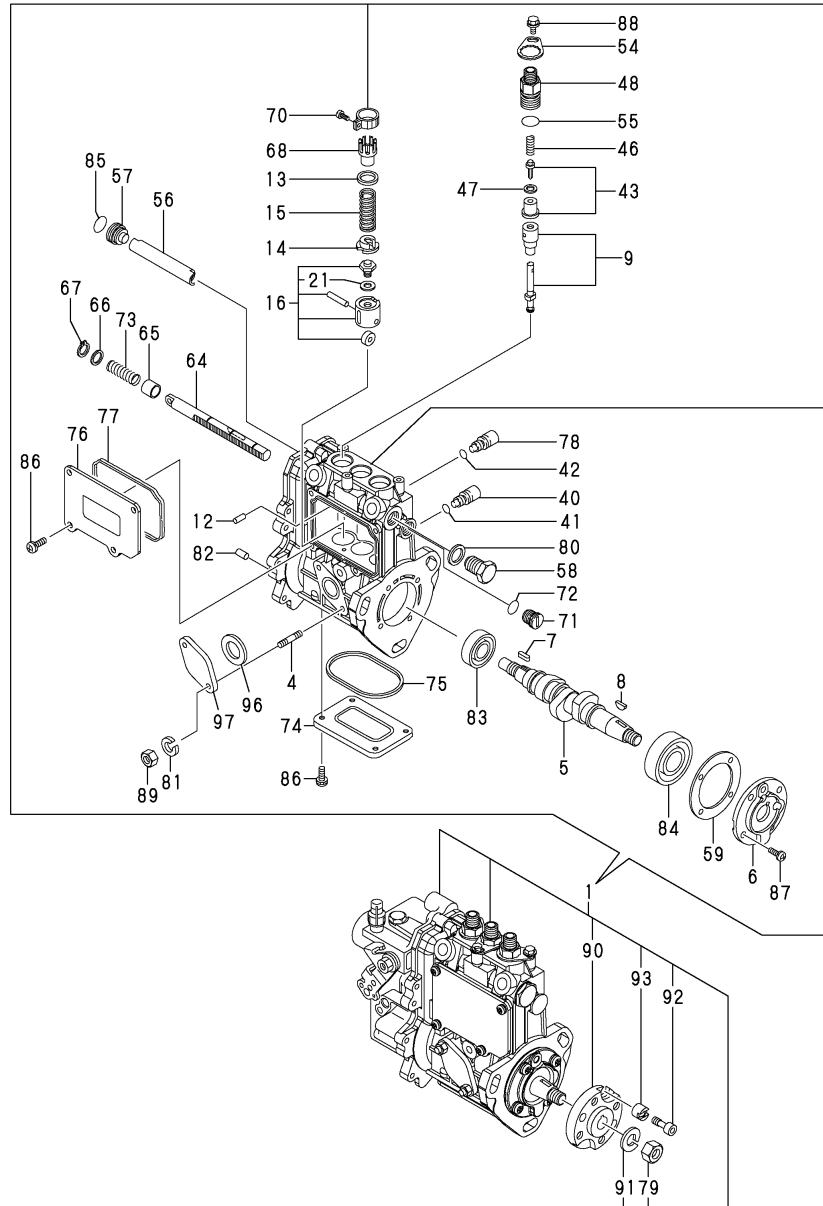
Remarks

(1)Governor(Fig.11) is incorporated in this Fuel Injection Pump(No.1).

Fig.10. FUEL INJECTION PUMP

(A)=3TNV70-XBV  
(B)=  
(C)=

(D)=  
(E)=  
(F)=

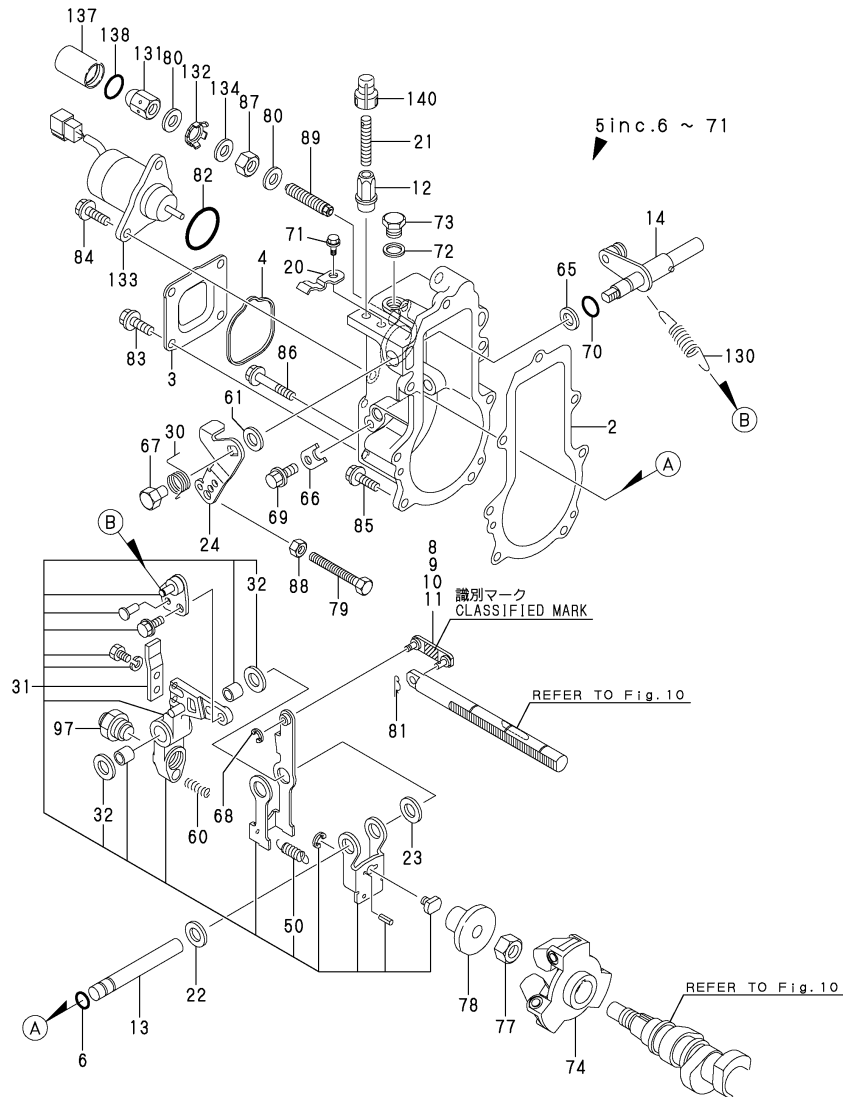


No.	Lev.	Parts No.	Description	Q'ty						I	R
				(A)	(B)	(C)	(D)	(E)	(F)		
90	2	119717-51150	FLANGE	1							
91	2	22217-120000	WASHER, SPRING 12	1							
92	2	119717-51490	BOLT	1							
93	2	119717-51480	COLLAR	1							
96	2	129155-52051	GASKET	1							
97	2	129100-52200	COVER, PUMP	1							

Remarks

(1)Governor(Fig.11) is incorporated in this Fuel Injection Pump(No.1).

Fig.11. GOVERNOR



(A)=3TNV70-XBV  
(B)=  
(C)=

(D)=  
(E)=  
(F)=

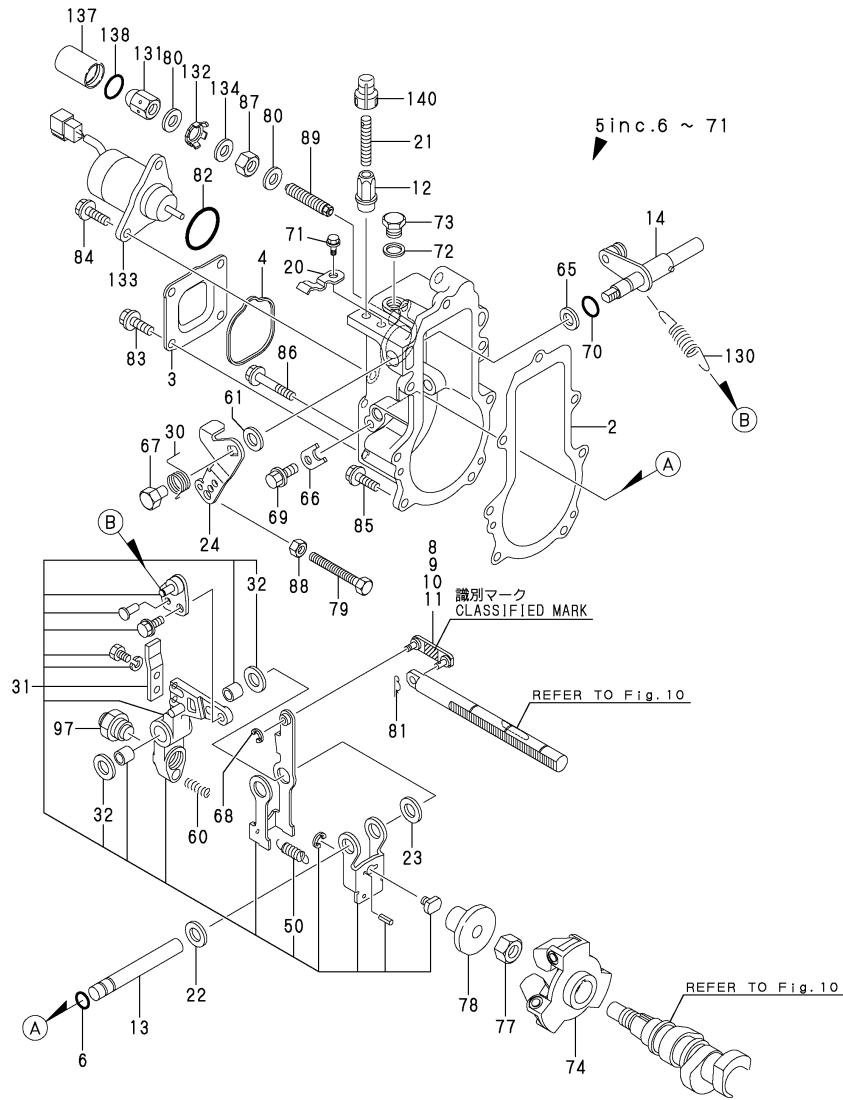
No.	Lev.	Parts No.	Description	Q'ty						I	R
				(A)	(B)	(C)	(D)	(E)	(F)		
2	3	119717-61050	GASKET	1							
3	3	119717-61060	COVER, GOVERNOR CASE	1							
4	3	119717-61070	GASKET	1							
5	3	119540-61100	CASE ASSY, GOVERNOR	1							
6	3	129155-51280	O-RING, S6	1							
8	3	119717-61120	LINK, MARK :3	1							1
9	3	119717-61130	LINK, MARK 98	1							1
10	3	119717-61140	LINK, MARK 88	1							1
11	3	119717-61150	LINK, MARK 03	1							1
12	3	129209-61370	NUT, ARB M6	1							
13	3	129052-61390	SHAFT, GOVERNOR LEVER	1							
14	3	119717-61400	SHAFT ASSY	1							
20	3	119534-61430	RETAINER	1							
21	3	129155-61450	BOLT, LIMITING	1							
22	3	129156-61460	SHIM, T=0.6	1							
23	3	129155-61480	SHIM ASSY	1							
24	3	119515-61440	LEVER, CONTROL	1							
30	3	119534-61420	SPRING, LEVER	1							
31	4	119761-61500	LEVER ASSY, GOVERNOR	2							
32	4	174307-51700	SHIM SET, PLUNGER	2							
50	4	129486-61540	SPRING, GOV.LEVER	1							
60	3	129486-61650	SPRING, STARTING	1							
61	3	158552-61700	SHIM SET	1							
65	3	158552-61710	SHIM, T=1.0	1							
66	3	119660-61901	STOPPER, SHAFT	1							
67	3	129255-61410	NUT, M8	1							
68	3	22272-000030	RING, E-3	1							
69	3	26106-060102	BOLT, M6X 10 PLATED	1							
70	3	24341-000070	O-RING, 1AS7.0	1							
71	3	26106-060102	BOLT, M6X 10 PLATED	1							
72	2	22190-100002	WASHER, SEAL 10	1							
73	2	23887-100002	PLUG, 10	1							
74	2	119717-61200	WEIGHT ASSY, GOVERNOR	1							
77	2	119660-61300	NUT	1							
78	2	129155-61341	SLEEVE	1							
79	2	129155-61460	BOLT, LIMITING	1							
80	2	22190-120002	WASHER, SEAL 12	2							
81	2	22372-040000	PIN, SNAP 4	1							
82	3	158552-61900	O-RING	1							
83	2	26106-060102	BOLT, M6X 10 PLATED	4							
84	2	26106-060142	BOLT, M6X 14 PLATED	2							
85	2	26106-060202	BOLT, M6X 20 PLATED	4							
86	2	26106-060452	BOLT, M6X 45 PLATED	3							
87	2	26736-120002	NUT, M12	1							
88	2	26756-060002	NUT, LOCK M6	1							
89	2	158601-61790	LIMITER ASSY, FUEL	1							
97	2	119761-61560	ANGLEICH ASSY	1							
130	2	129489-61700	SPRING, GOVERNOR	1							
131	2	129209-61930	NUT, CAP	1							
132	2	129209-61970	PLATE	1							
133	2	119233-77932	SOLENOID, STOP	1							

Remarks  
 (1) Selective parts.  
 Certain the classification mark, then place your order(Refer to illustration).  
 (2) Spare parts.  
 \* This figure(Governor) is incorporated in the Fuel Injection Pump(Fig.10).

Fig.11. GOVERNOR

(A)=3TNV70-XBV  
(B)=  
(C)=

(D)=  
(E)=  
(F)=



No.	Lev.	Parts No.	Description	Q'ty						I	R
				(A)	(B)	(C)	(D)	(E)	(F)		
134	2	23414-120016	GASKET, 12X1.0	1							
137	1	129209-61961	CASE	1							2
138	1	24311-000160	O-RING, 1AP16.0	1							
140	1	119285-66650	CAP, HIGH-IDLE	1							2

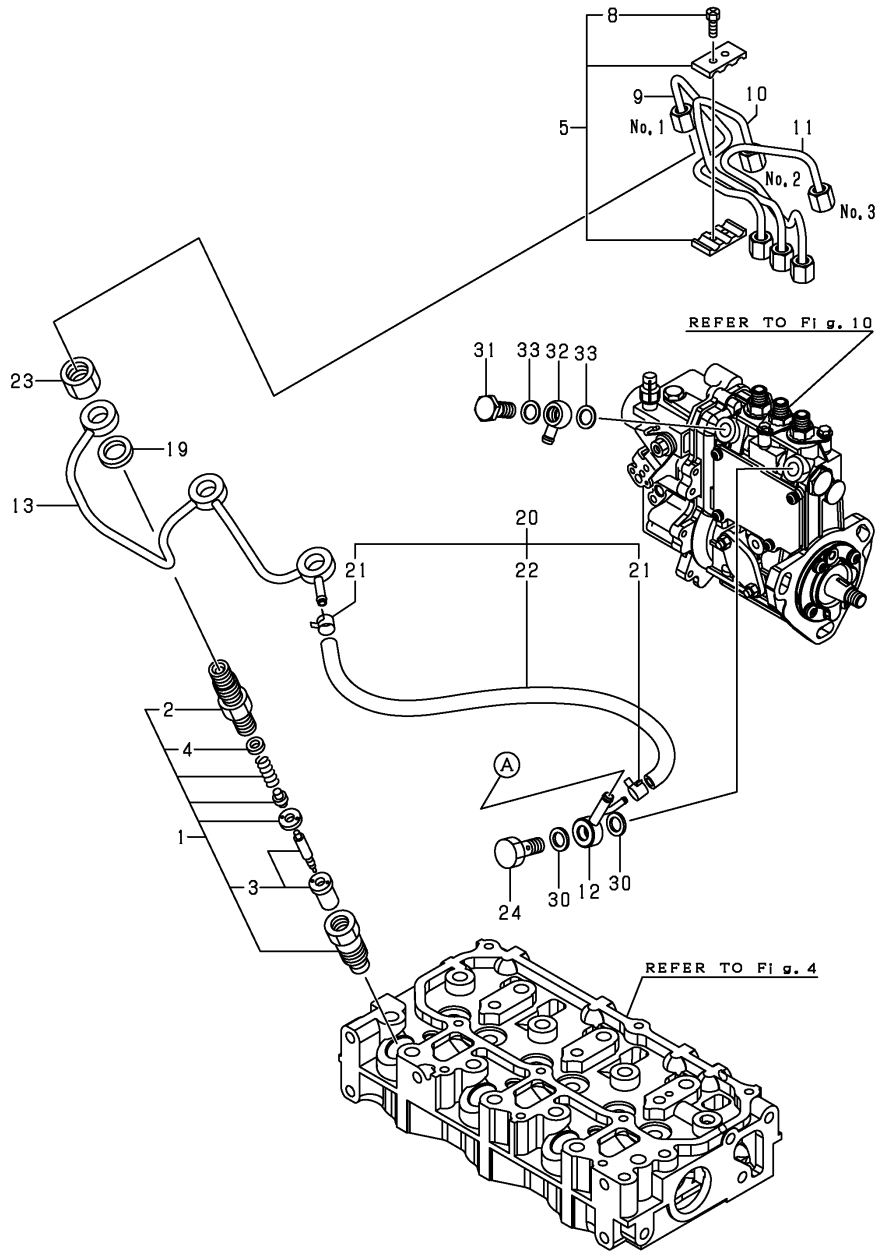
Remarks

- (1) Selective parts.  
Certain the classification mark, then place your order(Refer to illustration).
  - (2) Spare parts.
- \* This figure(Governor) is incorporated in the Fuel Injection Pump(Fig.10).

Fig.12. FUEL INJECTION VALVE

(A)=3TNV70-XBV  
(B)=  
(C)=

(D)=  
(E)=  
(F)=



No.	Lev.	Parts No.	Description	Q'ty						I	R
				(A)	(B)	(C)	(D)	(E)	(F)		
1	1	119517-53001	VALVE ASSY,INJECTION	3							
2	2	118200-53010	HOLDER, NOZZLE	3							
3	2	119517-53010	NOZZLE	3							
4	2	129901-53800	SHIM SET, ADJUSTING	3							
5	1	129150-59120	RETAINER, PIPE	1							
8	2	129150-59131	BOLT, M4X14	2							
9	1	119546-59810	PIPE ASSY, INJECTION	1							
10	1	119546-59820	PIPE ASSY, INJECTION	1							
11	1	119546-59830	PIPE ASSY, INJECTION	1							
12	1	119840-59570	JOINT	1							
13	1	119515-59540	PIPE ASSY, RETURN	1							
19	1	129901-59560	GASKET	3							
20	1	119540-59570	HOSE ASSY, RETURN	1							
21	2	124066-59100	CLAMP, HOSE 8	2							
22	2	119540-59560	HOSE ASSY, RETURN	1							
23	1	119620-59700	NUT, NOZZLE	3							
24	1	119813-59950	VALVE ASSY, CHECK	1							
30	1	22190-120002	WASHER, SEAL 12	2							
31	1	103854-39140	BOLT, PIPE JOINT	1							
32	1	101304-59020	JOINT, PIPE 12	1							
33	1	22190-120002	WASHER, SEAL 12	2							



Fig.13. STARTER MOTOR

(A)=3TNV70-XBV

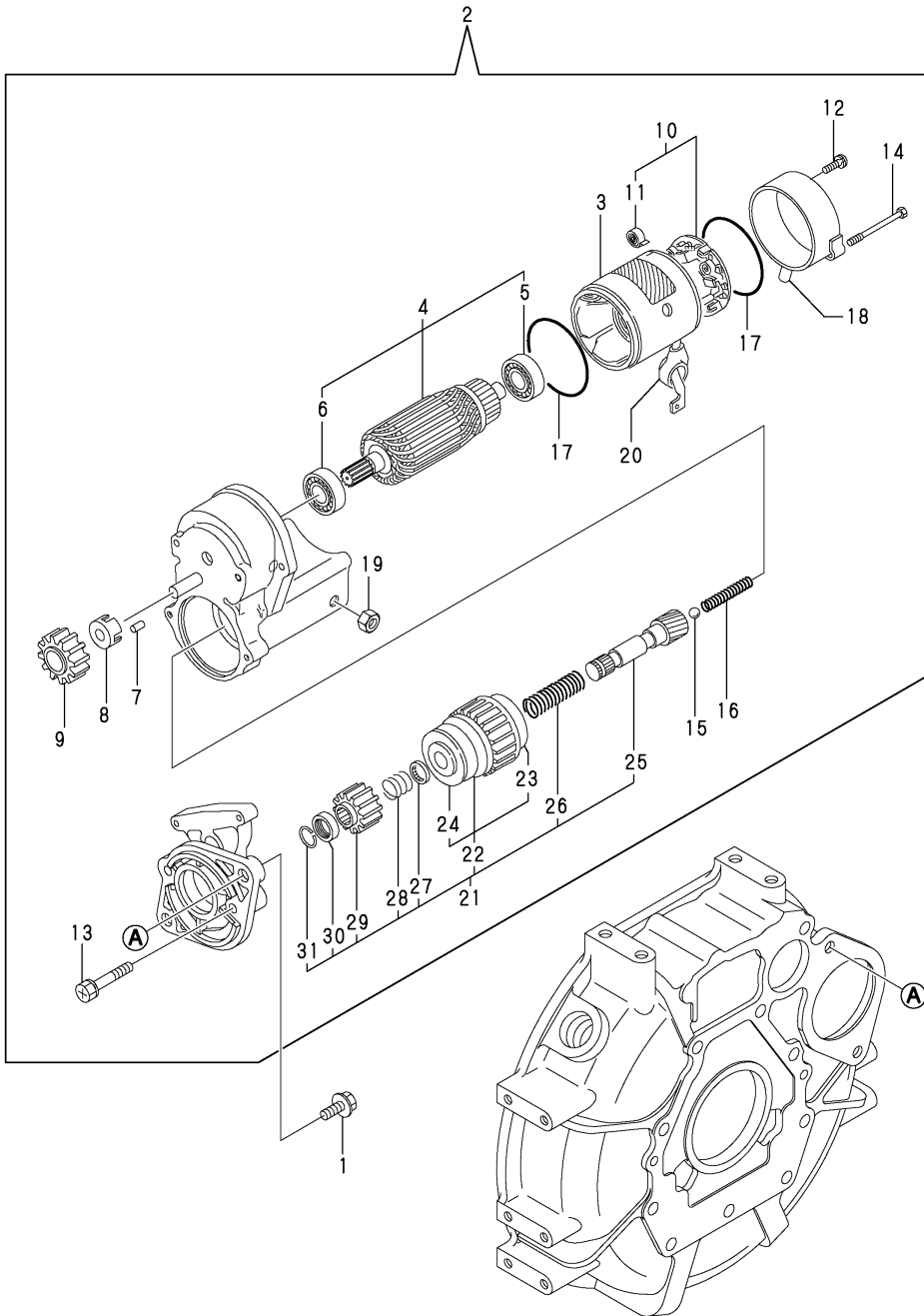
(B)=

(C)=

(D)=

(E)=

(F)=

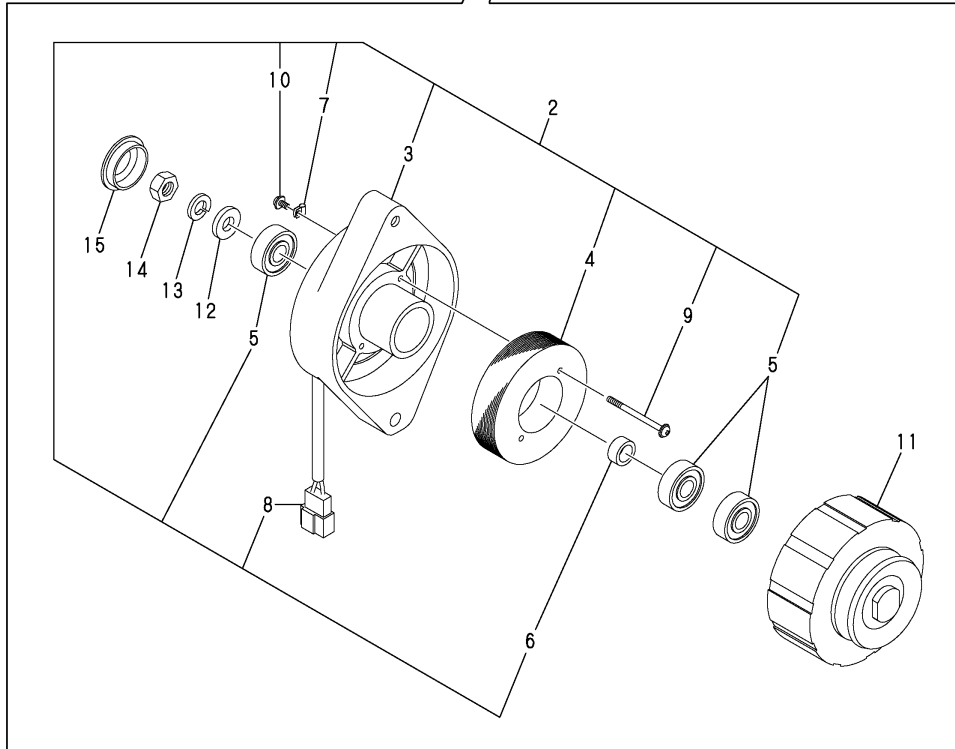
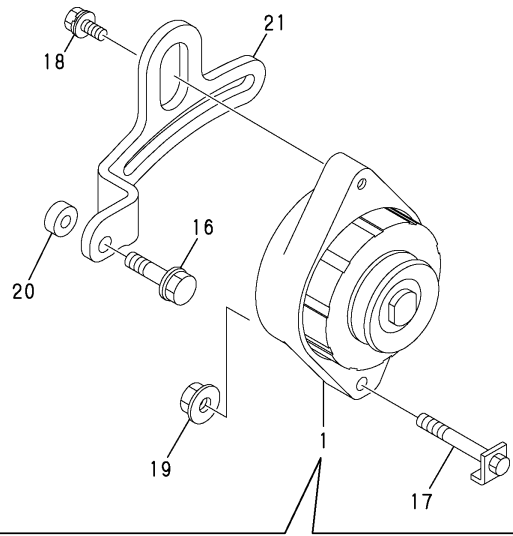


No.	Lev.	Parts No.	Description	Qty						I	R
				(A)	(B)	(C)	(D)	(E)	(F)		
1	1	26106-100252	BOLT, M10X 25 PLATED	2							
2	1	119540-77010	STARTER ASSY	1							
3	2	129407-77210	YOKE ASSY	1							
4	2	129407-77220	ARMATURE ASSY	1							
5	3	129129-77230	BEARING, BALL	1							
6	3	129129-77240	BEARING, BALL	1							
7	2	X0283060061	ROLLER	5							
8	2	129129-77260	RETAINER	1							
9	2	129129-77270	PINION	1							
10	2	129407-77300	HOLDER ASSY	1							
11	3	X9491730461	SPRING	4							
12	2	129129-77460	SCREW	2							
13	2	129129-77320	BOLT	2							
14	2	129407-77330	BOLT	2							
15	2	X9491200240	BALL, STEEL	1							
16	2	129129-77340	SPRING	1							
17	2	129129-77350	O-RING	2							
18	2	129129-77362	COVER	1							
19	2	X9490561370	NUT	1							
20	2	129129-77380	CAP	1							
21	2	X1280996600	STARTER KIT	1							
22	3	129129-77390	CLUTCH ASSY	1							
23	4	129129-77440	BEARING, BALL	1							
24	4	129129-77450	BEARING, BALL	1							
25	3	129129-77400	SHAFT, STATER	1							
26	3	129129-77410	SPRING	1							
27	3	X0283270140	RETAINER	1							
28	3	129407-77410	SPRING	1							
29	3	X0283712350	PINION, STARTER	1							
30	3	X0280210230	NUT	1							
31	3	129129-77430	RING, SNAP	1							

Fig.14. GENERATOR

(A)=3TNV70-XBV  
(B)=  
(C)=

(D)=  
(E)=  
(F)=

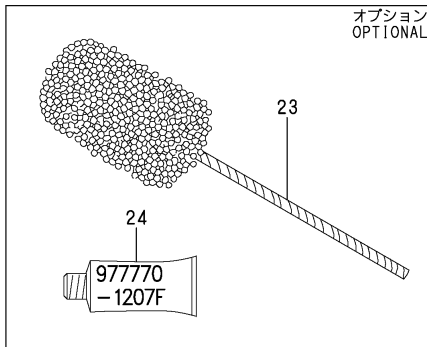
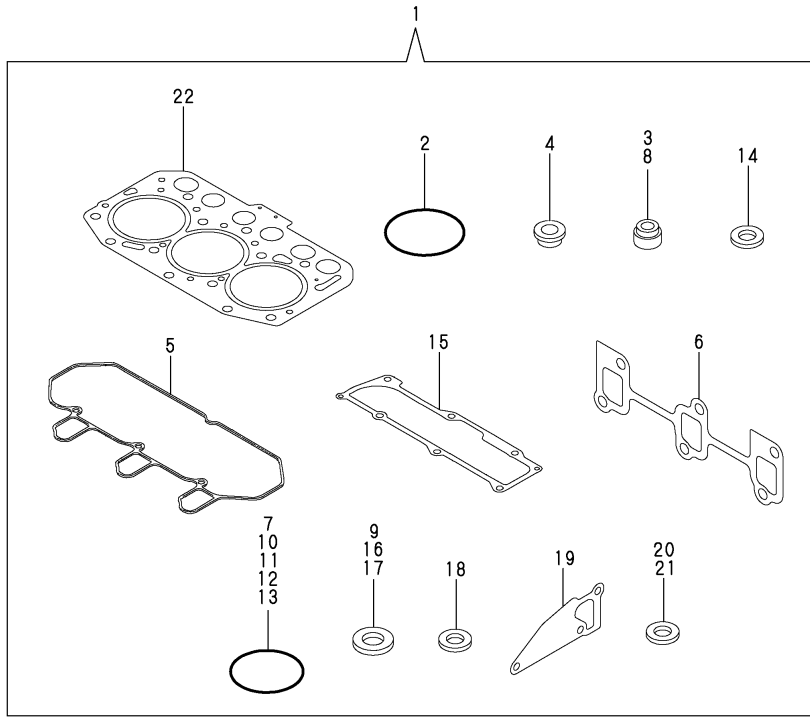


No.	Lev.	Parts No.	Description	Q'ty						I	R
				(A)	(B)	(C)	(D)	(E)	(F)		
1	1	119910-77200	DYNAMO ASSY	1							
2	2	X2A10592KA	PLATE ASSY	1							
3	3	X2A07075KB	PLATE, COIL	1							
4	3	X3A02982KC	STATOR ASSY	1							
5	3	24104-062010	BEARING, 6201UUC3	3							
6	3	X4A10092KA	COLLAR	1							
7	3	XM069000000	CLAMP	1							
8	3	XM771860000	COUPLER	1							
9	3	119259-77250	SCREW	2							
10	3	XYSPS400800	SCREW	1							
11	2	X3A08863KA	FLYWHEEL ASSY	1							
12	2	XM860250000	WASHER, 10	1							
13	2	XM219230000	WASHER, SPRING	1							
14	2	XM863720000	NUT	1							
15	2	XM771870000	CAP	1							
16	1	26106-080202	BOLT, M8X 20 PLATED	1							
17	1	119740-77250	BOLT, M10X75	1							
18	1	129972-77341	BOLT, ADJUST L=50	1							
19	1	26306-100002	NUT, M10	1							
20	1	119940-77270	SPACER	1							
21	1	119540-77300	ADJUSTER, BELT	1							

Fig.15. GASKET SET & TOOL

(A)=3TNV70-XBV  
(B)=  
(C)=

(D)=  
(E)=  
(F)=



No.	Lev.	Parts No.	Description	Q'ty						I	R
				(A)	(B)	(C)	(D)	(E)	(F)		
1	1	719544-92600	GASKET SET	1							1
2	2	121850-51960	O-RING	1							
3	2	119717-11340	SEAL, VALVE STEM	3							
4	2	129901-11450	PROTECTOR, NOZZLE	3							
5	2	119515-11310	GASKET, BONNET	1							
6	2	119717-13110	GASKET, EXH MANIFOLD	1							
7	2	24341-000240	O-RING, 1AS24.0	1							
8	2	119717-11350	SEAL, VALVE STEM	3							
9	2	22190-080002	WASHER, SEAL 8	4							
10	2	24311-000320	O-RING, 1AP32.0	2							
11	2	119717-32060	O-RING, P15.0	1							
12	2	119624-32040	O-RING, P12.0	1							
13	2	119717-32050	O-RING, P17.0	3							
14	2	119600-11460	GASKET, NOZZLE	6							
15	2	119515-11330	GASKET	1							
16	2	22190-160002	WASHER, SEAL 16	1							
17	2	22190-120002	WASHER, SEAL 12	4							
18	2	129901-59560	GASKET	3							
19	2	119515-42020	GASKET, WATER PUMP	1							
20	2	23414-080000	GASKET, 8X1.0	1							
21	2	124465-44950	GASKET, 16	2							
22	2	119515-01330	GASKET, HEAD	1							
23	1	129400-92410	HONE, FLEX	1							1
24	1	977770-1207F	GASKET.LIQUID	1							1

Remarks

(1)Optional parts.

N:Old  $\xrightarrow{\text{Yes}}$  New, Q:Old  $\xrightarrow{\text{No}}$  New, R:Old  $\xrightarrow{\text{Yes}}$  New, S:Old  $\xrightarrow{\text{No}}$  New, W:Add, Z:Discontinued, F:Interchangeable by set, K:Q'ty Change

## Parts No. Index

Parts No.	Fig. No.	Ref. No.
101304-59020	12	32
103854-39140	12	31
105010-11490	4	5
105311-01090	1	5
114250-39450	8	10
118200-53010	12	2
118400-51370	10	54
119131-18320	5	6
119233-44740	9	19
119233-77932	11	133
119259-77250	14	9
119285-01990	1	8
119285-11990	4	12
119285-66650	11	140
119305-35170	8	3
119515-01200	1	29
119515-01330	1	30
	15	22
119515-01601	3	2
119515-01720	3	7
119515-11101	4	16
119515-11110	4	17
119515-11200	4	24
119515-11240	4	25
119515-11280	4	29
119515-11310	4	48
	15	5
119515-11320	4	49
119515-11330	4	50
	15	15
119515-11380	4	38
119515-11740	4	6
119515-11800	4	10
119515-14400	6	2
119515-14581	6	3
119515-21590	7	8
119515-21700	7	1
119515-22080	7	14
119515-22300	7	20
119515-22500	7	16
119515-22550	7	31
119515-22900	7	29
119515-23000	7	22
119515-23601	7	27
119515-23611	7	35
119515-34801	8	1
119515-35080	8	5
119515-42001	9	1
119515-42002	9	1 -1
119515-42020	9	12

Parts No.	Fig. No.	Ref. No.
119515-42020	15	19
119515-42041	9	2
119515-51100	10	9
119515-59540	12	13
119515-61440	11	24
119517-53001	12	1
119517-53010	12	3
119534-61420	11	30
119534-61430	11	20
119540-01780	3	11
119540-13100	5	1
119540-39910	3	13
119540-39930	3	14
119540-42290	9	18 -1
119540-59560	12	22
119540-59570	12	20
119540-61100	11	5
119540-77010	13	2
119540-77300	14	21
119546-59810	12	9
119546-59820	12	10
119546-59830	12	11
119600-11460	4	4
	15	14
119620-01750	3	3
119620-02020	1	9
119620-14200	6	1
119620-21500	7	7
119620-21941	7	13
119620-59700	12	23
119621-21680	7	12
119623-01250	1	6
119624-32040	2	17
	15	12
119656-39930	3	15
119660-01911	2	16
119660-61300	11	77
119660-61901	11	66
119717-01501	2	1
119717-01521	2	5
119717-01570	2	2
119717-01750	2	29
119717-01800	2	7
119717-02411	1	12
119717-03031	4	39
119717-03070	4	40
		41
119717-11131	4	18
119717-11190	4	20
119717-11260	4	28

Parts No.	Fig. No.	Ref. No.
119717-11340	4	14
	15	3
119717-11350	4	15
	15	8
119717-11650	4	30
119717-13110	5	2
	15	6
119717-13600	5	4
119717-21650	7	11
119717-23200	7	26
119717-23910	7	25
119717-25050	6	9
119717-25101	6	10
119717-25911	6	12
119717-25930	6	15
119717-32050	2	18
	15	13
119717-32060	8	4
	15	11
119717-32080	2	9
119717-32100	2	8
119717-32110	2	13
119717-32120	2	14
119717-39210	8	11
119717-42031	9	3
119717-42320	9	10
119717-42350	9	17
119717-49800	9	23
119717-51030	10	5
119717-51060	10	6
119717-51070	10	7
119717-51150	6	16
	10	90
119717-51190	10	15
119717-51200	10	16
119717-51300	10	43
119717-51330	10	46
119717-51420	10	85
119717-51480	10	93
119717-51490	10	92
119717-51500	10	64
119717-51570	10	14
119717-51711	10	75
119717-51750	10	76
119717-51761	10	77
119717-61050	11	2
119717-61060	11	3
119717-61070	11	4
119717-61120	11	8
119717-61130	11	9

Parts No.	Fig. No.	Ref. No.
119717-61140	11	10
119717-61150	11	11
119717-61200	11	74
119717-61400	11	14
119717-77800	4	21
119717-77820	4	22
119718-07910	4	1
119734-01590	2	3
119740-77250	14	17
119761-61500	11	31
119761-61560	11	97
119802-03100	4	42
119802-03110	4	43
119802-03121	4	44
119802-03131	4	45
119802-03141	4	46
119802-13620	5	5
119802-32130	2	15
119810-02931	1	26
119810-02941	1	31
119813-59950	12	24
119840-59570	12	12
119910-77200	14	1
119940-77270	14	20
119C10-42320	9	10 -1
121120-01620	3	6
121250-44901	9	26
121267-44760	9	27
121520-34810	8	16
121850-51960	2	19
	15	2
122710-51090	10	8
124060-01050	1	4
124066-59100	12	21
124085-02220	3	10
124160-01751	2	27
	4	37
124160-01910	1	7
124465-44950	9	20
	15	21
124550-51350	10	47
124950-21600	7	10
129001-32320	2	11
129001-32330	2	12
129005-59830	8	12
129052-61390	11	13
129100-01580	3	1
	7	2
129100-35140	8	2
129100-51570	10	70

## Parts No. Index

Parts No.	Fig. No.	Ref. No.
129100-52200	10	97
129129-77230	13	5
129129-77240	13	6
129129-77260	13	8
129129-77270	13	9
129129-77320	13	13
129129-77340	13	16
129129-77350	13	17
129129-77362	13	18
129129-77380	13	20
129129-77390	13	22
129129-77400	13	25
129129-77410	13	26
129129-77430	13	31
129129-77440	13	23
129129-77450	13	24
129129-77460	13	12
129150-11230	4	31
129150-11750	4	33
129150-25301	6	14
129150-49360	9	28
129150-59120	12	5
129150-59131	12	8
129155-51020	10	4
129155-51140	10	12
129155-51280	10	41
		42
	11	6
129155-51400	10	56
129155-51450	10	59
129155-51521	10	65
129155-51530	10	66
129155-51540	10	67
129155-51550	10	68
129155-51580	10	72
129155-51591	10	73
129155-51600	10	21
129155-51701	10	74
129155-52051	10	96
129155-61341	11	78
129155-61450	11	21
129155-61460	11	79
129155-61480	11	23
129156-61460	11	22
129209-61370	11	12
129209-61930	11	131
129209-61961	11	137
129209-61970	11	132
129255-61410	11	67
129350-49530	9	22

Parts No.	Fig. No.	Ref. No.
129400-92410	15	23
129407-77210	13	3
129407-77220	13	4
129407-77300	13	10
129407-77330	13	14
129407-77410	13	28
129486-61540	11	50
129486-61650	11	60
129489-61700	11	130
129508-11180	4	19
129900-32130	2	10
129901-11450	4	3
	15	4
129901-53800	12	4
129901-59560	12	19
	15	18
129916-49740	9	11
129972-77341	14	18
158552-61700	11	61
158552-61710	11	65
158552-61900	11	82
158600-51170	10	13
158600-51270	10	40
158600-51410	10	57
158600-51420	10	58
158600-51442	10	48
158600-51570	10	71
158600-51790	10	78
158601-61790	11	89
171056-49120	9	16
171056-49351	9	25
174307-51700	11	32
22190-080002	8	13
		15
	15	9
22190-100002	11	72
22190-120002	11	80
	12	30
		33
	15	17
22190-160002	10	80
	15	16
22217-060000	10	81
22217-120000	6	17
	10	91
22242-000120	4	34
22252-000220	7	21
22272-000030	11	68
22351-050010	10	82
22351-060012	4	23

Parts No.	Fig. No.	Ref. No.
22372-040000	11	81
22512-040120	7	4
22857-500100	4	51
		52
22857-500160	4	53
23001-022000	3	16
		17
23414-080000	9	13
	15	20
23414-120016	11	134
23857-030000	8	14
23876-005000	4	13
23876-030000	2	6
23887-100002	11	73
24101-060034	10	83
24101-063034	10	84
24104-062010	14	5
24311-000160	11	138
24311-000320	2	28
	4	54
	15	10
24316-000150	10	55
24341-000070	11	70
24341-000240	15	7
25132-003500	9	18
26022-050122	10	86
26022-060162	10	87
26106-050102	10	88
26106-060102	8	9
	11	69
		71
		83
26106-060122	2	20
	3	8
	6	8
26106-060142	11	84
26106-060162	2	21
26106-060202	4	55
	11	85
26106-060252	3	9
26106-060302	9	21
26106-060352	6	13
26106-060402	2	22
		23
26106-060452	3	4
	11	86
26106-060602	2	24
26106-060652	2	25
26106-060752	4	56
26106-080122	9	14

Parts No.	Fig. No.	Ref. No.
26106-080162	4	2
26106-080202	9	24
	14	16
26106-080402	4	36
26106-080502	9	15
26106-100252	13	1
26206-100252	3	5
26306-080002	2	26
	5	3
26306-100002	14	19
26577-060122	9	8
26716-060002	10	89
26716-120002	6	18
	10	79
26736-120002	11	87
26756-060002	11	88
26979-050162	4	35
27241-120000	1	13
27241-250000	9	9
719515-01560	1	1
719540-51450	10	1
719544-92600	15	1
719717-02901	1	14
719717-02911	1	34
719734-01500	2	4
977770-1207F	15	24
X0280210230	13	30
X0283060061	13	7
X0283270140	13	27
X0283712350	13	29
X1280996600	13	21
X2A07075KB	14	3
X2A10592KA	14	2
X3A02982KC	14	4
X3A08863KA	14	11
X4A10092KA	14	6
X9490561370	13	19
X9491200240	13	15
X9491730461	13	11
XM069000000	14	7
XM219230000	14	13
XM771860000	14	8
XM771870000	14	15
XM860250000	14	12
XM863720000	14	14
XYSPS400800	14	10