

0CB10-M74401EN

Directions for the Parts Catalog.

1. This Parts Catalog shows both standard and optional parts.
2. Parts may change without prior notice.
3. The following is an example of the Parts Catalog format.

REF.	LEV.	PARTS NO.	DESCRIPTION	Q'TY						I	R
				(A)	(B)	(C)	(D)	(E)	(F)		
1	1	729595-51390	FUEL INJECTION PUMP	1	1	1	1	1			1
1-1	1	729595-51391	FUEL INJECTION PUMP	1	1	1	1	1		N	1
		(A=E00185) (B=E00200)									
3	2	26022-060162	SCREW M 6X 16	9	9	9	9	9			
3-1	2	26022-060162	SCREW M 6X 16	4	4	4	4	4		K	
		(A=E00156) (B=E00156) (C=E00156) (D=E00156) (E=E00156)									
4	2	129470-51040	CAMSHAFT	1	1	1	1	1			
5	2	122710-51050	BEARING, ROLLER	2	2	2	2	2			
6	2	129470-51060	RETAINER	1	1	1	1	1			

Remarks
(1) BOOST COMPEMSATOR TYPE. OPTIONAL PART, TO E00155,(4JH-DT, 4JH-DTZ

① Ref. No.

The Ref. No. listed may not be in accordance with the illustration Ref. No.

(Ex.) Illustration No.

List Ref No.

1

1

(Before change)

1-1

(After change)

For interchangeable symbols N, R and K, illustrations for new parts may be abbreviated.

② Lev. (Level)

Level indication

The numbers below indicate the level of relativity towards the main part.

1 ----- Main parts (Assembly parts)

2 ----- Sub component included in " 1 ".

3 ----- Sub component included in " 2 ".

Note) Parts that are not for sale are partially illustrated but not listed.

③ Interchangeability Symbol

When a part change takes place, one of the following interchangeability symbols is indicated beside the part.

Symbol	Interchangeability	Contents note
N	Old $\begin{matrix} \leftarrow \text{Yes} \\ \text{No} \rightarrow \end{matrix}$ New	New Part is interchangeable for Old Part but Old Part is not interchangeable for New Part.
Q	Old $\begin{matrix} \leftarrow \text{No} \\ \text{Yes} \rightarrow \end{matrix}$ New	New Part is not interchangeable for Old Part but Old Part is interchangeable for New Part.
R	Old $\begin{matrix} \leftarrow \text{Yes} \\ \text{Yes} \rightarrow \end{matrix}$ New	New/ Old Parts are both interchangeable.
S	Old $\begin{matrix} \leftarrow \text{No} \\ \text{No} \rightarrow \end{matrix}$ New	New/ Old Parts are both not interchangeable.
W		Part newly added.
Z		Part discontinued.
F		Not interchangeable by a single part but interchangeable together with related parts.
K		Changes only for used parts quantities.

④ Effective Machine No.

When a part changes, the effective Machine No. will be indicated in the (A)-(F) column.

Product Symbol	Product No.	Product Symbol	Product No.
C	Clutch No. Compressor No.	F	Machine No. (Agricultural Equip.)
D	Drive No.	M	Machine No.
E	Engine No.		

Note 1) A date may follow the symbol. (Ex.) 1996.01

Note 2) "XXXXX" and "ZZZZZ" are for parts that could not be predicted or for engine models that could not be identified.

Note 3) (A=E00185) is the E (Engine Serial Number) for the column (A) model (in this case 4JH-DT) after the parts design change.

⑤ Remarks

Figures or alphabets (symbols) are entered in the remarks column.

The comments (remarks) on parts that are indicated at the bottom of the illustration are the same symbols as those stated above.

Contents

0CB10-M74401

Fig. No. Fig. Name

3TNV82A-SBV

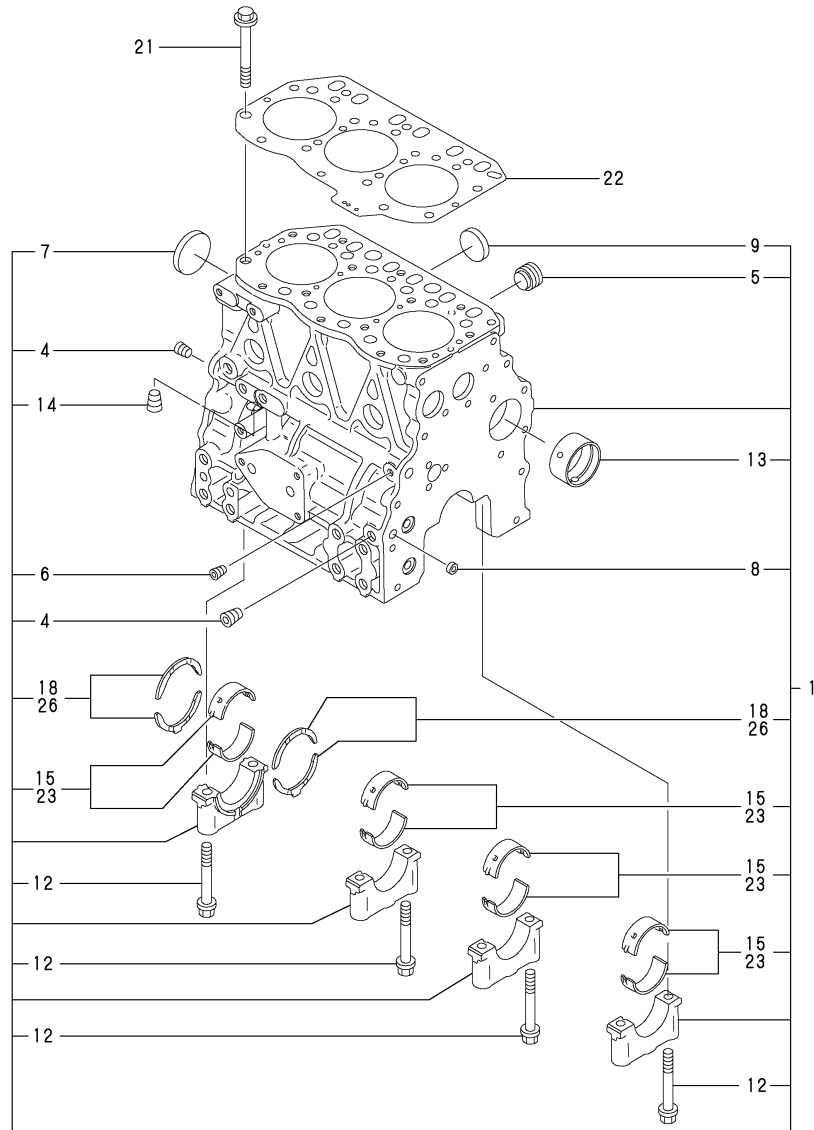
1. CYLINDER BLOCK
2. GEAR HOUSING
3. FLYWHEEL HOUSING & OIL SUMP
4. CYLINDER HEAD & BONNET
5. SUCTION MANIFOLD
6. EXHAUST MANIFOLD
7. CAMSHAFT & DRIVING GEAR
8. CRANKSHAFT & PISTON
9. LUB.OIL SYSTEM
10. COOLING WATER SYSTEM
11. FUEL INJECTION PUMP
12. GOVERNOR
13. FUEL INJECTION VALVE
14. FUEL LINE
15. STARTING MOTOR
16. GENERATOR
17. GASKET SET & TOOLS

Fig. No. Fig. Name

Fig.1. CYLINDER BLOCK

(A)=3TNV82A-SBV
(B)=
(C)=

(D)=
(E)=
(F)=

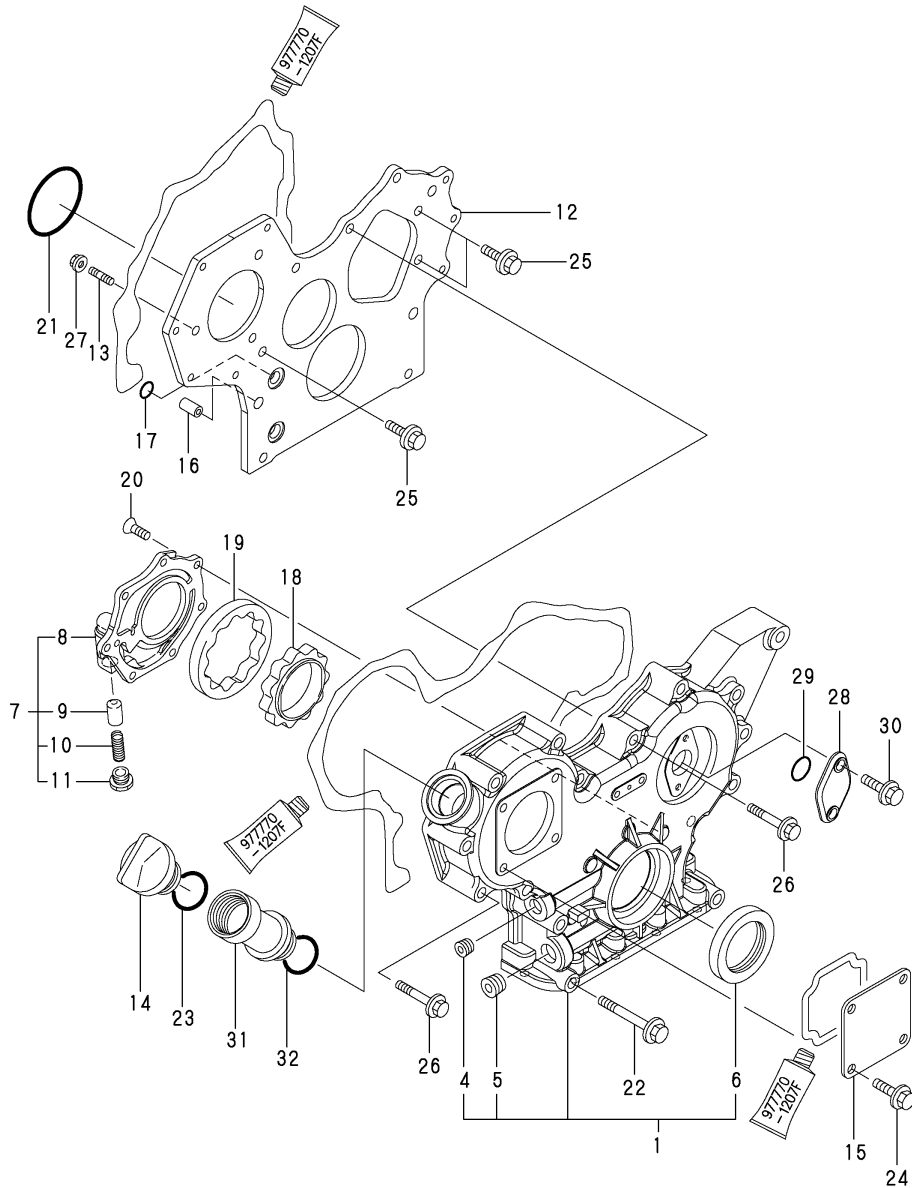


No.	Lev.	Parts No.	Description	Q'ty						I	R
				(A)	(B)	(C)	(D)	(E)	(F)		
1	1	719802-01560	BLOCK ASSY, CYLINDER	1							
4	3	124160-01910	PLUG, PT1/4	2							
5	3	171051-01921	PLUG, NPTF1	1							
6	3	124060-01050	PLUG, PT1/8	1							
7	3	129001-01250	PLUG, 50	1							
8	3	27241-120000	PLUG, 12	2							
9	3	27241-300000	PLUG 30	6							
12	3	119620-02020	BOLT, METAL CAP	8							
13	3	129795-02412	BUSH, CAMSHAFT	1							
14	3	124160-01910	PLUG, PT1/4	1							
15	2	719810-02981	BEARING, MAIN	4							3
18	2	119810-02931	BEARING, THRUST	1							3
21	1	119810-01200	BOLT, HEAD	14							
22	1	119812-01330	GASKET, HEAD	1							
23	1	119810-02871	BEARING, 0.25 US	4							1
26	1	119810-02941	BEARING, THRUST 0.25	2							2

Remarks

- (1) UNDER SIZED (U.S.=0.25) PART.
- (2) OVER SIZED (O.S.=0.25) PART.
- (3) REPAIR PART.

Fig.2. GEAR HOUSING

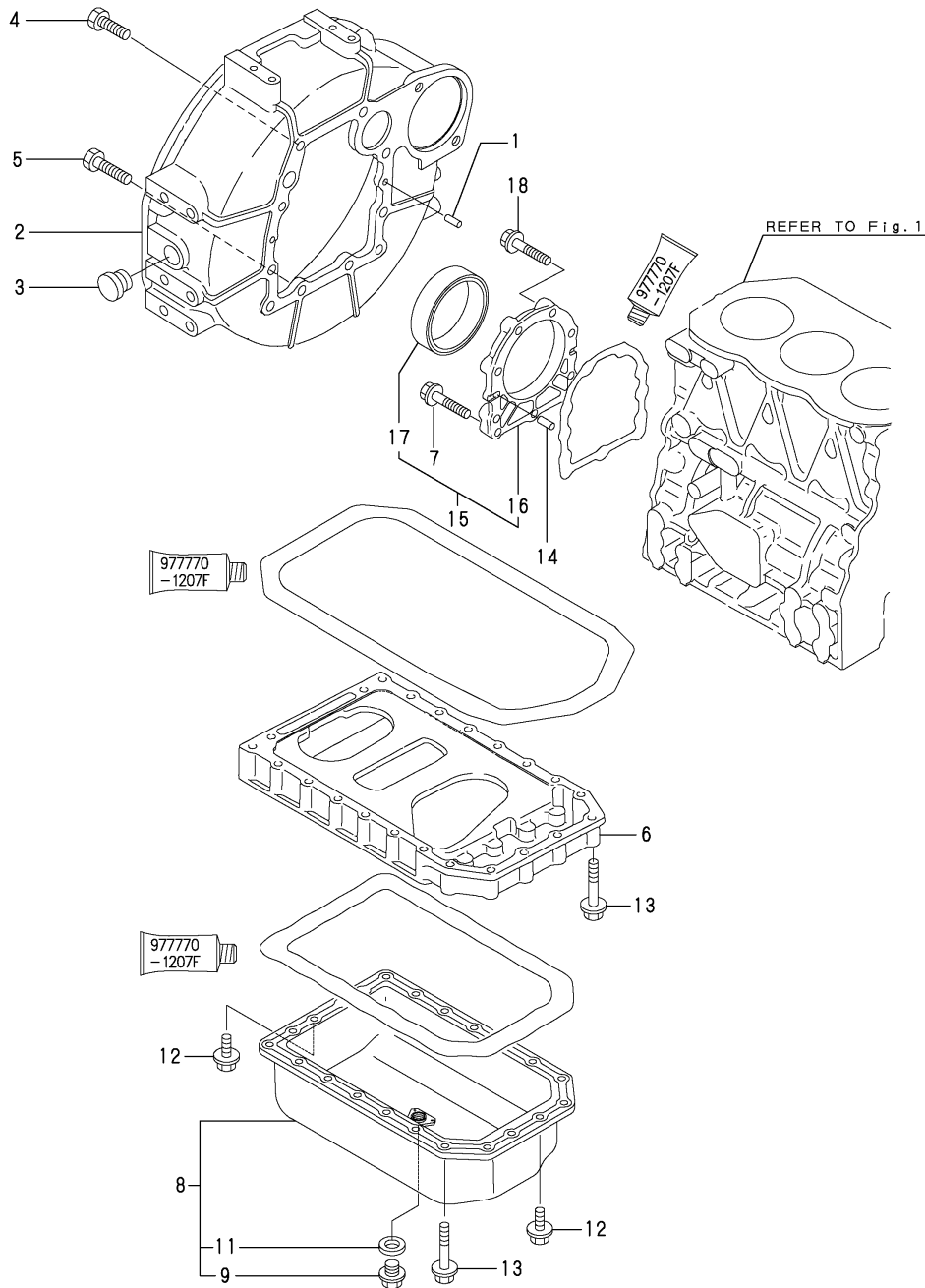


(A)=3TNV82A-SBV
(B)=
(C)=

(D)=
(E)=
(F)=

No.	Lev.	Parts No.	Description	Q'ty						I	R
				(A)	(B)	(C)	(D)	(E)	(F)		
1	1	719802-01500	CASE ASSY, GEAR	1							
4	2	23876-030000	PLUG, R03	1							
5	2	23876-040000	PLUG, R04	1							
6	2	129795-01800	SEAL, OIL	1							
6-1	2	119934-01800	SEAL, OIL	1							N
(A=FROM 1ST)											
7	1	119802-32100	COVER ASSY	1							
8	2	119802-32070	COVER	1							
9	2	129900-32130	VALVE, RELIEF	1							
10	2	129418-32320	SPRING	1							
11	2	129001-32330	PLUG	1							
12	1	119802-01520	FLANGE, GEAR CASE	1							
13	1	119802-01561	STUD, M8X25	3							
14	1	124160-01751	COVER, FILLER	1							
15	1	124240-01871	COVER	1							
16	1	129795-01950	PIPE, KNOCK L=18	2							
17	1	119609-32040	O-RING, P16	4							
18	1	119802-32111	ROTOR, INNER	1							
19	1	119802-32120	ROTOR, OUTER	1							
20	1	119802-32130	SCREW, M6X16	7							
21	1	121850-51960	O-RING	1							
22	1	129001-91841	BOLT, M8X85	3							
23	1	24311-000320	O-RING, 1AP32.0	1							
24	1	26106-080162	BOLT, M8X 16 PLATED	4							
25	1	26106-080162	BOLT, M8X 16 PLATED	3							
26	1	26106-080552	BOLT, M8X 55 PLATED	12							
27	1	26306-080002	NUT, M8	3							
28	1	121023-01551	COVER	1							
29	1	24341-000240	O-RING, 1AS24.0	1							
30	1	26106-060162	BOLT, M6X 16 PLATED	2							
31	1	171031-11741	PIPE	1							
32	1	24311-000320	O-RING, 1AP32.0	1							

Fig.3. FLYWHEEL HOUSING & OIL SUMP



(A)=3TNV82A-SBV
(B)=
(C)=

(D)=
(E)=
(F)=

No.	Lev.	Parts No.	Description	Q'ty						I	R
				(A)	(B)	(C)	(D)	(E)	(F)		
1	1	129100-01580	PIN, M8X16	2							
2	1	129612-01600	HOUSING, FLYWHEEL	1							
3	1	119620-01750	CAP	1							
4	1	26206-100252	BOLT, M10X 25 PLATED	6							
5	1	26206-100302	BOLT, M10X 30 PLATED	4							
6	1	119810-01730	SPACER, OIL SUMP	1							
7	1	26106-080352	BOLT, M8X 35 PLATED	3							
8	1	119823-01770	SUMP ASSY, OIL	1							
9	2	119640-01640	PLUG, DRAIN M22	1							
11	2	22190-220002	WASHER, SEAL 22	1							
12	1	26106-080162	BOLT, M8X 16 PLATED	6							
13	1	26106-080452	BOLT, M8X 45 PLATED	22							
14	1	129100-01580	PIN, M8X16	2							
15	1	129100-01640	CASE ASSY, OIL SEAL	1							
16	2	129150-01650	CASE, OIL SEAL	1							
17	2	129795-01780	SEAL, OIL	1							
18	1	129486-01670	BOLT, M8X30	6							

Fig.4. CYLINDER HEAD & BONNET

(A)=3TNV82A-SBV

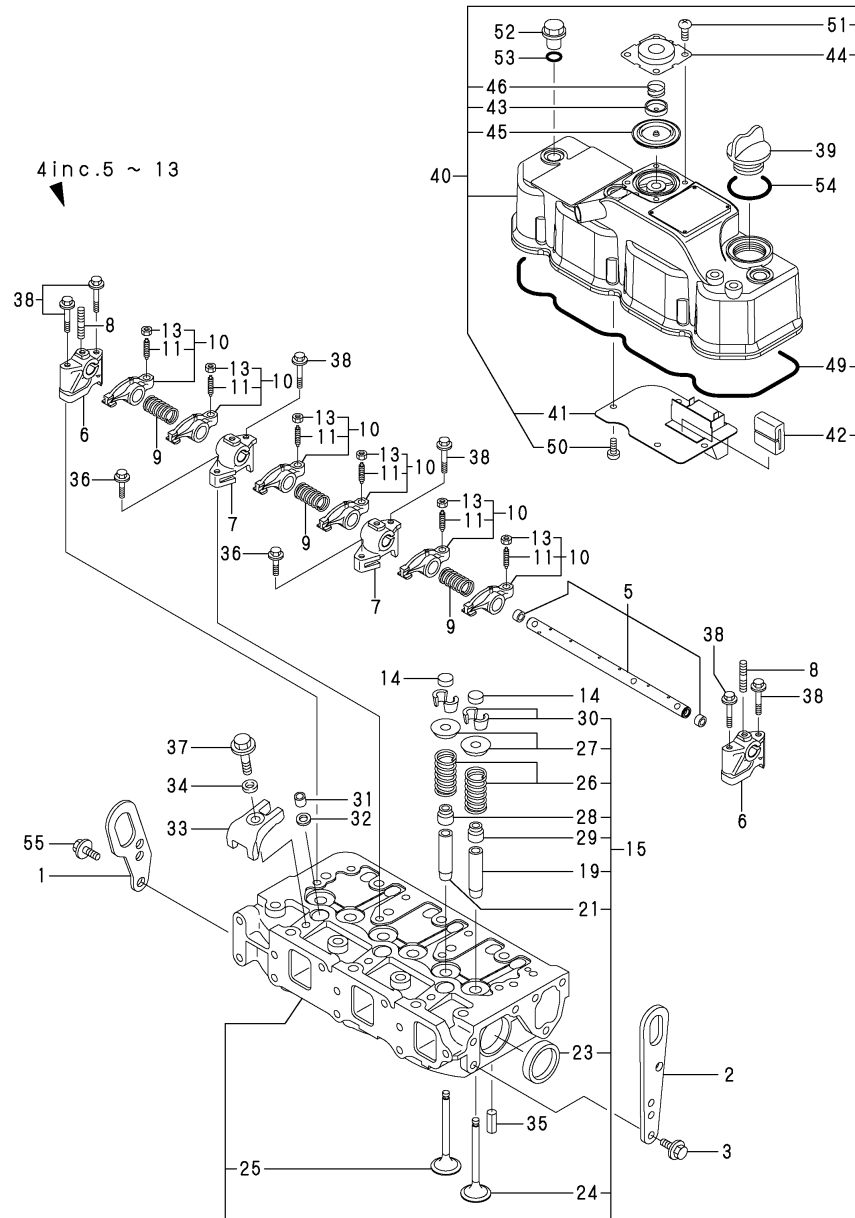
(B)=

(C)=

(D)=

(E)=

(F)=



No.	Lev.	Parts No.	Description	Qty						I	R
				(A)	(B)	(C)	(D)	(E)	(F)		
1	1	119626-07900	LIFTER	1							
2	1	119940-07900	LIFTER	1							
3	1	26106-080142	BOLT, M8X 14 PLATED	2							
4	1	119802-11241	SHAFT ASSY, ROCKER	1							
5	2	119802-11251	SHAFT, ROCKER ARM	1							
6	2	119802-11260	SUPPORT, ROCKER ARM	2							
7	2	119802-11270	SUPPORT, ROCKER ARM	2							
8	2	119802-11280	STUD	3							
9	2	129150-11280	SPRING	3							
10	2	119802-11650	ARM, ROCKER	6							
11	3	129150-11230	SCREW, VALVE ADJUST	6							
13	3	129150-11750	NUT, M8	6							
14	1	104211-11370	CAP, VALVE	6							
15	1	119802-11700	HEAD ASSY, CYLINDER	1							
15-1	1	119802-11730	HEAD ASSY, CYLINDER	1							N
(A=EZZZZZ)											
19	2	124060-11800	GUIDE, VALVE	3							1
21	2	119802-11810	GUIDE, VALVE	3							1
23	2	27241-400000	PLUG, 40	2							
24	2	119802-11100	VALVE, INTAKE	3							
25	2	119802-11110	VALVE, EXHAUST	3							
26	2	119810-11120	SPRING, VALVE	6							
27	2	104211-11180	RETAINER, SPRING	6							
28	2	124160-11340	SEAL, VALVE STEM	3							
29	2	124950-11340	SEAL, VALVE STEM	3							
29-1	2	119803-11340	SEAL, VALVE STEM	3							N
(A=E/#37491)											
30	2	27310-070001	COTTER, 7	6							
31	1	119802-11870	PROTECTOR, NOZZLE	3							
32	1	119625-11880	SEAT, NOZZLE	3							
33	1	119802-11900	RETAINER, NOZZLE	3							
34	1	120270-54410	WASHER, INJECTOR	3							
35	1	22351-060012	PIN, SPRING 6.0X12	2							
36	1	26106-080252	BOLT, M8X 25 PLATED	2							
37	1	26106-080452	BOLT, M8X 45 PLATED	3							
38	1	26106-080502	BOLT, M8X 50 PLATED	6							
39	1	124160-01751	COVER, FILLER	1							
40	1	119802-11350	BONNET ASSY, HEAD	1							
41	2	119802-03010	PLATE	1							
42	2	129150-03070	BAFFLE, BREATHER	1							
43	2	119802-03110	PLATE	1							
44	2	119802-03121	COVER, DIAPHRAGM	1							
45	2	119802-03130	DIAPHRAGM	1							
46	2	119802-03141	SPRING, DIAPHRAGM	1							
49	2	119802-11310	GASKET, BONNET	1							
50	2	22857-500100	SCREW, 5X10	4							
51	2	22857-500100	SCREW, 5X10	4							
52	1	124160-11360	KNOB	3							
53	1	24311-000120	O-RING, 1AP12.0	3							
54	1	24311-000320	O-RING, 1AP32.0	1							
55	1	26106-080162	BOLT, M8X 16 PLATED	2							

Remarks

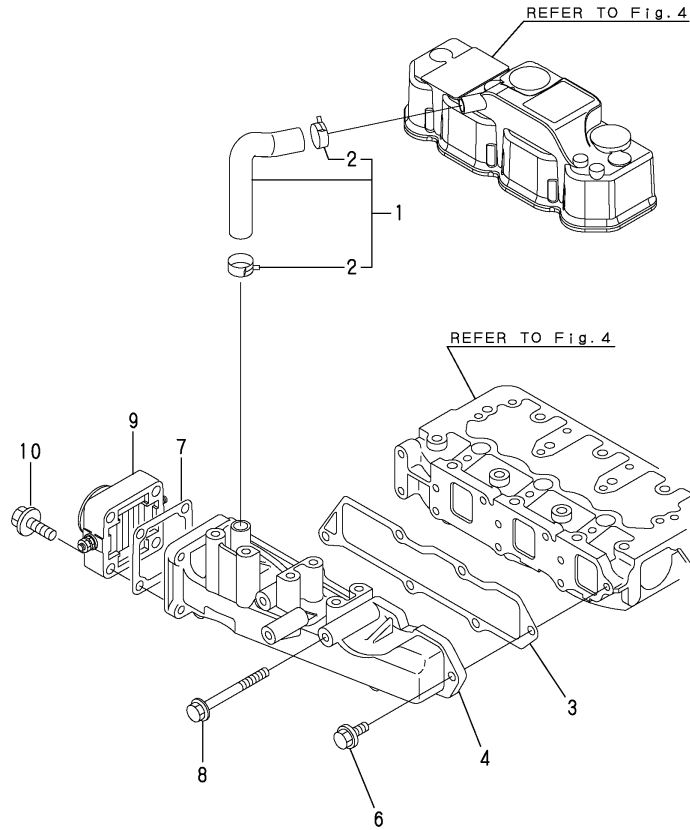
(1)REPAIR PART.

N:Old $\xrightarrow{\text{Yes}}$ New, Q:Old $\xrightarrow{\text{No}}$ New, R:Old $\xrightarrow{\text{Yes}}$ New, S:Old $\xrightarrow{\text{No}}$ New, W:Add, Z:Discontinued, F:Interchangeable by set, K:Q'ty Change

Fig.5. SUCTION MANIFOLD

(A)=3TNV82A-SBV
(B)=
(C)=

(D)=
(E)=
(F)=

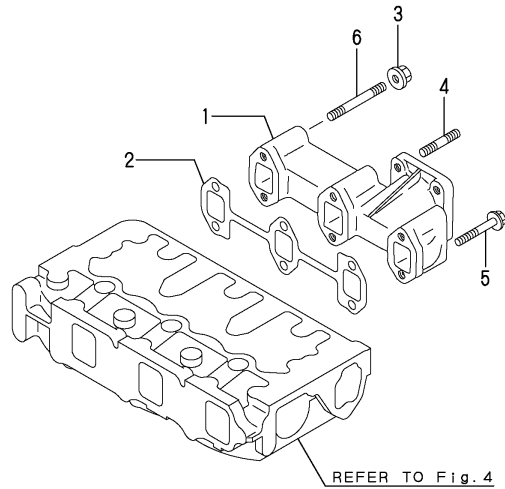


No.	Lev.	Parts No.	Description	Q'ty						I	R
				(A)	(B)	(C)	(D)	(E)	(F)		
1	1	119802-03080	PIPE , BREATHER	1							
2	2	129410-03990	CLIP	2							
3	1	119813-12110	GASKET, MANIFOLD	1							
4	1	119802-12100	MANIFOLD, AIR INTAKE	1							
6	1	26106-080202	BOLT, M8X 20 PLATED	4							
7	1	129150-77511	GASKET	1							
8	1	26106-080802	BOLT, M8X 80 PLATED	2							
9	1	129120-77501	HEATER	1							
9-1	1	129120-77502	HEATER	1							N
(A=E/#41933)											
10	1	26106-080352	BOLT, M8X 35 PLATED	4							

Fig.6. EXHAUST MANIFOLD

(A)=3TNV82A-SBV
(B)=
(C)=

(D)=
(E)=
(F)=

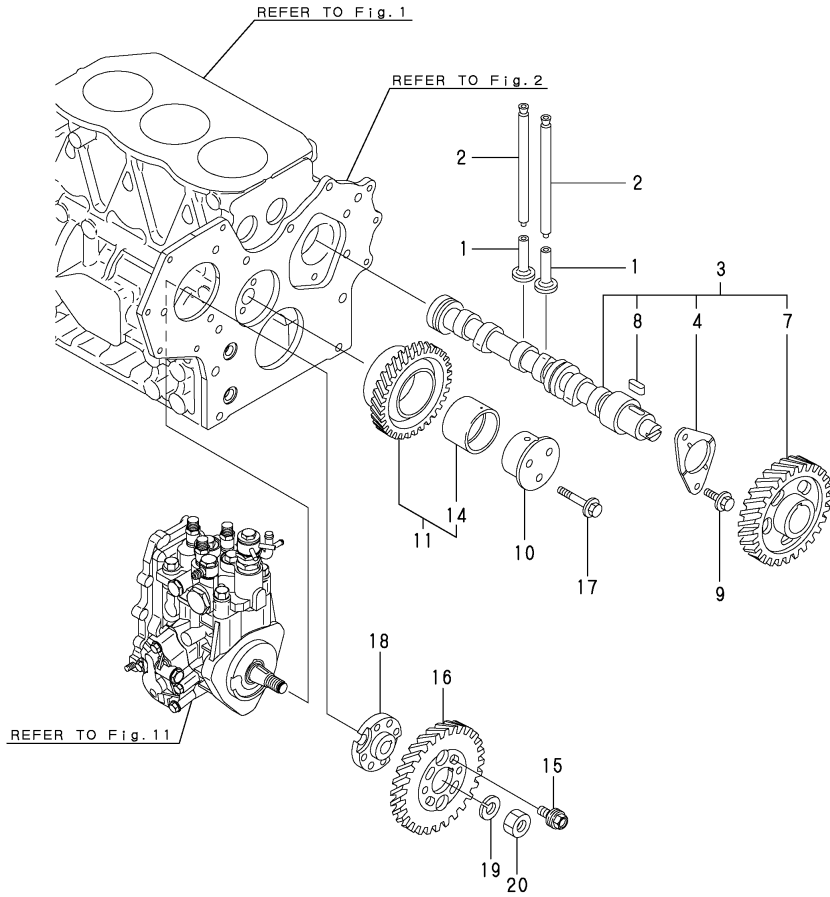


No.	Lev.	Parts No.	Description	Q'ty						I	R
				(A)	(B)	(C)	(D)	(E)	(F)		
1	1	119810-13100	MANIFOLD, EXHAUST	1							
2	1	119810-13110	GASKET	1							
3	1	26306-080002	NUT, M8	2							
4	1	119131-18320	STUD, M8X22	4							
5	1	119802-13640	BOLT, M8X60 10.9T	4							
6	1	119802-13740	STUD, M8X60	2							

Fig.7. CAMSHAFT & DRIVING GEAR

(A)=3TNV82A-SBV
(B)=
(C)=

(D)=
(E)=
(F)=



No.	Lev.	Parts No.	Description	Q'ty						I	R
				(A)	(B)	(C)	(D)	(E)	(F)		
1	1	129150-14200	TAPPET	6							
2	1	119810-14400	ROD, PUSH	6							
3	1	119802-14580	CAMSHAFT ASSY	1							
4	2	129150-02450	BEARING, THRUST	1							
7	2	129150-14101	GEAR, CAMSHAFT	1							
8	2	22512-070140	KEY, 7X 14	1							
9	1	26106-080142	BOLT, M8X 14 PLATED	2							
10	1	119802-25051	SHAFT, IDLE	1							
11	1	119802-25101	GEAR ASSY, IDLE	1							
14	2	119802-25071	BUSH, IDLE GEAR	1							1
15	1	129150-25301	BOLT	4							
16	1	119802-25901	GEAR, PUMP	1							
17	1	26106-080402	BOLT, M8X 40 PLATED	3							
18	1	158552-51151	FLANGE	1							
19	1	22217-140000	WASHER, SPRING 14	1							
20	1	26776-140002	NUT, LOCK M14	1							

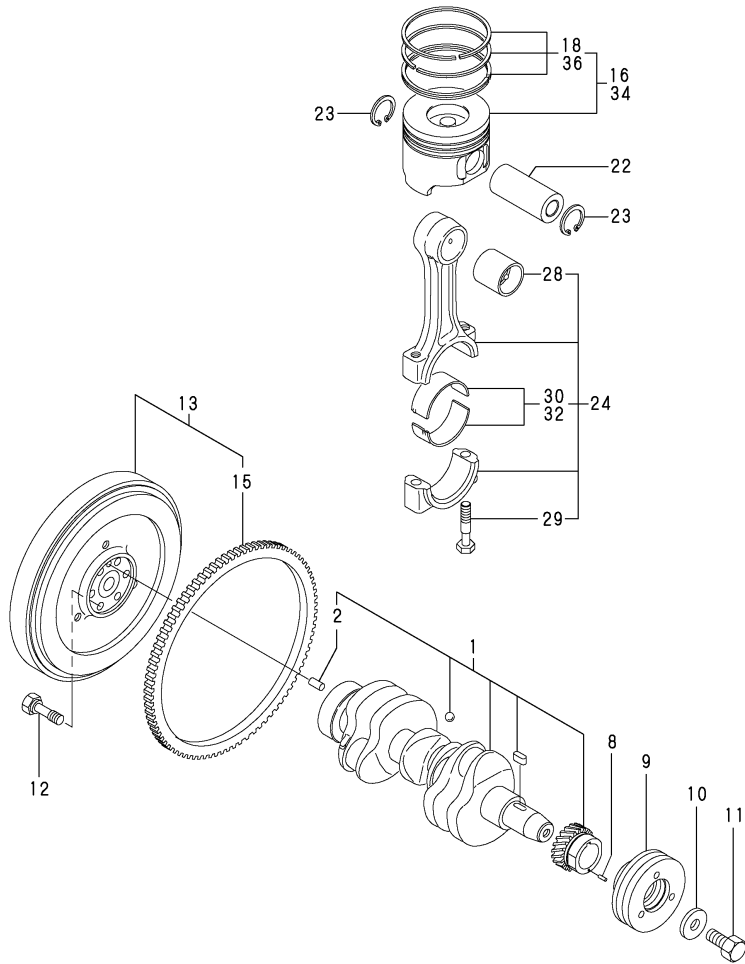
Remarks

(1)REPAIR PART.

Fig.8. CRANKSHAFT & PISTON

(A)=3TNV82A-SBV
(B)=
(C)=

(D)=
(E)=
(F)=

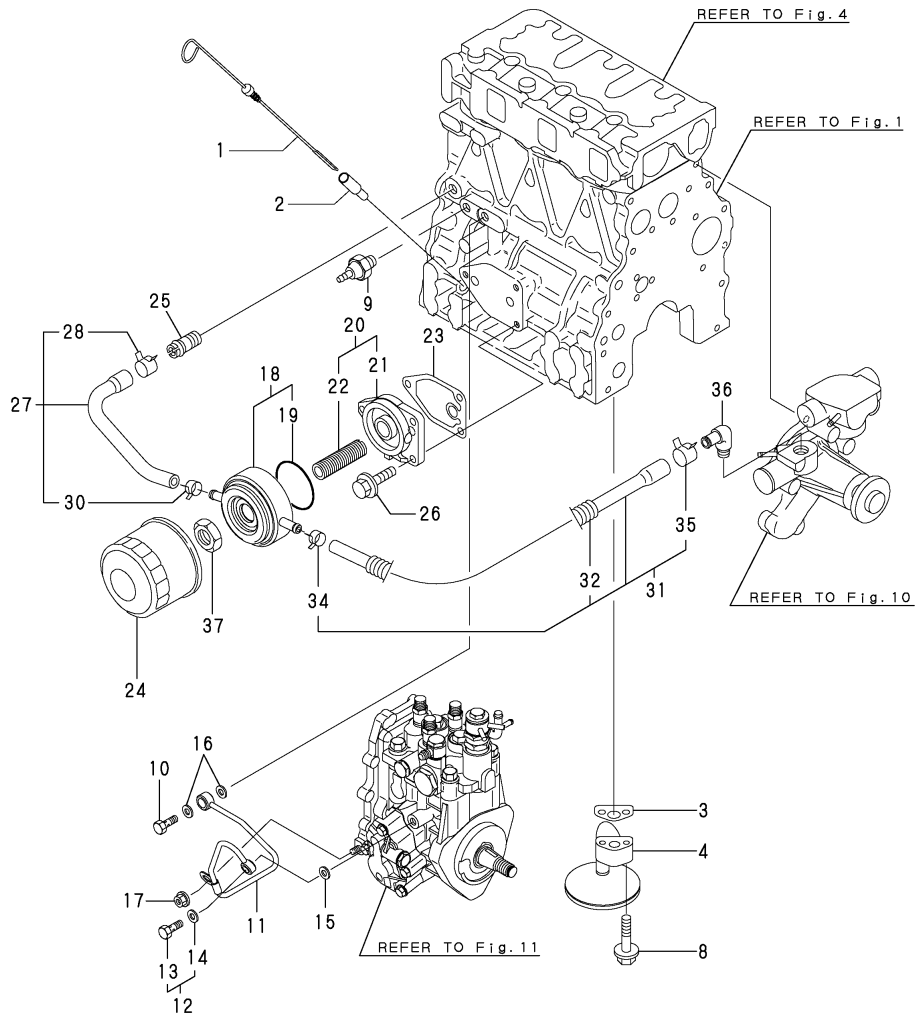


No.	Lev.	Parts No.	Description	Q'ty						I	R
				(A)	(B)	(C)	(D)	(E)	(F)		
1	1	119802-21002	CRANKSHAFT ASSY	1							
2	2	129100-01580	PIN, M8X16	1							
8	1	22351-030010	PIN, SPRING 3.0X10	1							
9	1	119802-21660	V-PULLEY, 120	1							
10	1	129795-21661	WASHER	1							
11	1	121850-21680	BOLT	1							
12	1	121111-21501	BOLT, FLYWHEEL	6							
13	1	119940-21590	FLYWHEEL ASSY	1							
15	2	119865-21600	GEAR, RING	1							
16	1	119802-22080	PISTON ASSY	3							
18	2	119802-22500	RING SET, PISTON	3							
22	1	119813-22300	PIN, PISTON	3							
23	1	129792-22400	CIRCLIP, 23	6							
24	1	719810-23100	ROD ASSY, CONNECTING	3							
28	2	119810-23910	BEARING, PISTON PIN	3							1
29	2	119810-23200	BOLT, CONNECTING ROD	6							
30	2	119810-23601	BEARING, CRANK PIN	3							1
32	1	119810-23611	BEARING, 0.25 US	3							2
34	1	119802-22900	PISTON ASSY, 0.25 OS	3							3
36	2	119802-22950	RING SET, 0.25 OS	3							3

Remarks

- (1)REPAIR PART.
- (2)UNDER SIZED(U.S.=0.25)PART.
- (3)OVER SIZED(O.S.=0.25)PART.

Fig.9. LUB.OIL SYSTEM



(A)=3TNV82A-SBV
(B)=
(C)=

(D)=
(E)=
(F)=

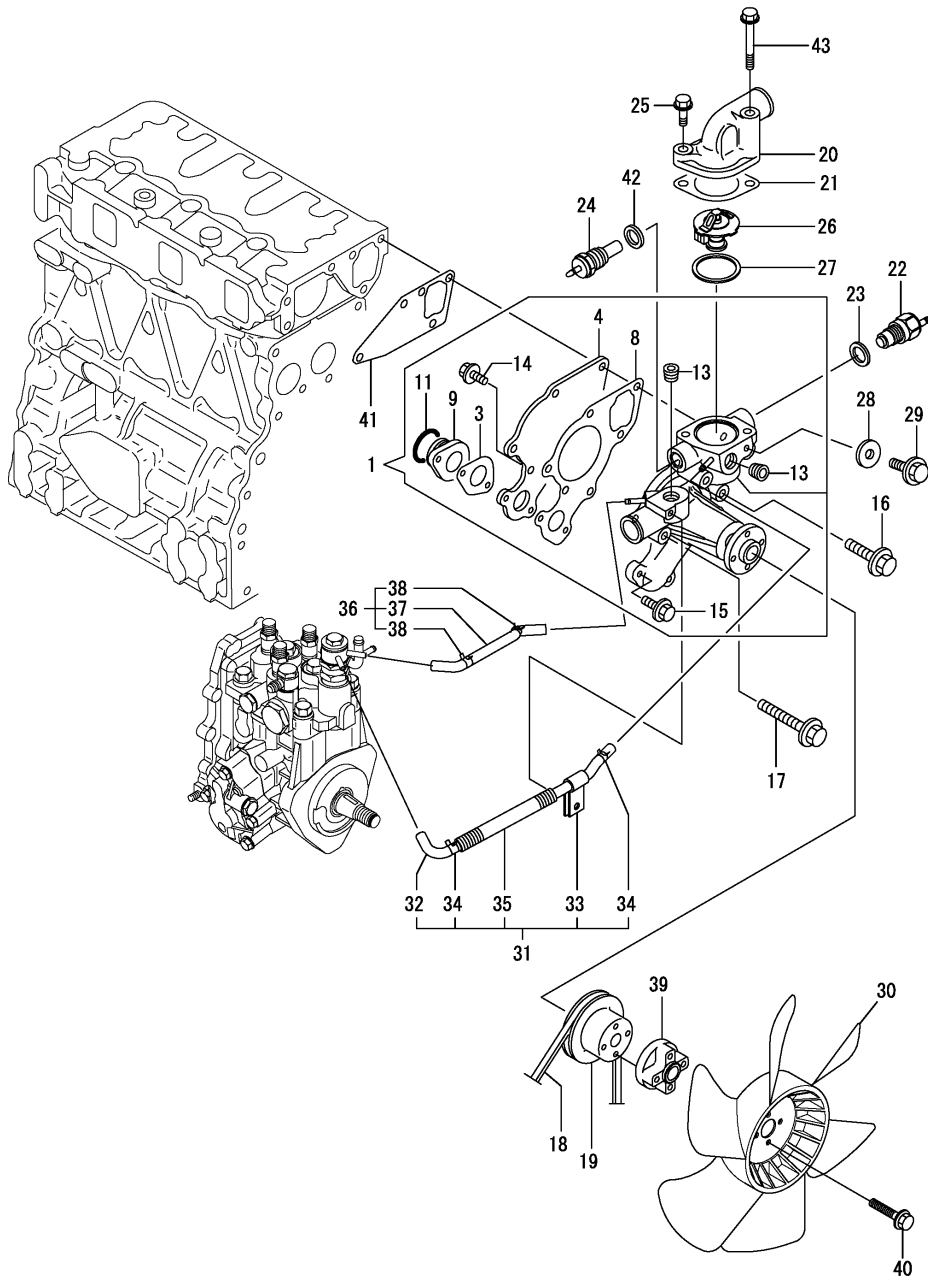
No.	Lev.	Parts No.	Description	Q'ty						I	R
				(A)	(B)	(C)	(D)	(E)	(F)		
1	1	119802-34802	DIPSTICK, OIL	1							
2	1	121520-34810	GUIDE, DIPSTICK	1							
3	1	129150-35042	GASKET	1							
4	1	119810-35300	PIPE ASSY, OIL INLET	1							
8	1	26106-080352	BOLT, M8X 35 PLATED	2							
9	1	114250-39450	SWITCH, 0.5KG	1							
10	1	124160-39140	BOLT, PIPE JOINT M10	1							
11	1	119802-39450	PIPE ASSY, OIL	1							
12	1	129005-59830	BOLT ASSY, JOINT M8	1							
13	2	23857-030000	BOLT, JOINT 3	1							
14	2	22190-080002	WASHER, SEAL 6	1							
15	1	22190-080002	WASHER, SEAL 6	1							
16	1	22190-100002	WASHER, SEAL 10	2							
17	1	26366-060002	NUT, M6	1							
18	1	129508-33010	COOLER ASSY, OIL	1							
19	2	129508-33050	O-RING	1							
20	1	129006-35100	BRACKET ASSY, FILTER	1							
21	2	119802-35110	BRACKET, FILTER	1							
22	2	129417-35150	STUD, L=67	1							
23	1	129150-35111	GASKET	1							
24	1	129150-35170	FILTER, LO	1							1
25	1	129122-44480	JOINT	1							
26	1	26106-080202	BOLT, M8X 20 PLATED	3							
27	1	129508-49030	PIPE ASSY, WATER	1							
28	2	171008-03990	CLIP, HOSE 18.5	1							
30	2	23080-015000	CLAMP, 15	1							
31	1	129508-49040	PIPE ASSY, WATER	1							
32	2	119940-59130	TUBE, CORRUGATED	1							
34	2	23080-015000	CLAMP, 15	1							
35	2	23080-018000	CLAMP, 18	1							
35-1	2	171008-03990	CLIP, HOSE 18.5	1							N
(A=E/#54080)											
36	1	119944-49300	ELBOW, PT3/8	1							
37	1	129417-33110	NUT	1							

Remarks

(1)REPAIR PART.

N:Old $\xrightarrow{\text{Yes}}$ New, Q:Old $\xrightarrow{\text{No}}$ New, R:Old $\xrightarrow{\text{Yes}}$ New, S:Old $\xrightarrow{\text{No}}$ New, W:Add, Z:Discontinued, F:Interchangeable by set, K:Q'ty Change

Fig.10. COOLING WATER SYSTEM



(A)=3TNV82A-SBV

(B)=

(C)=

(D)=

(E)=

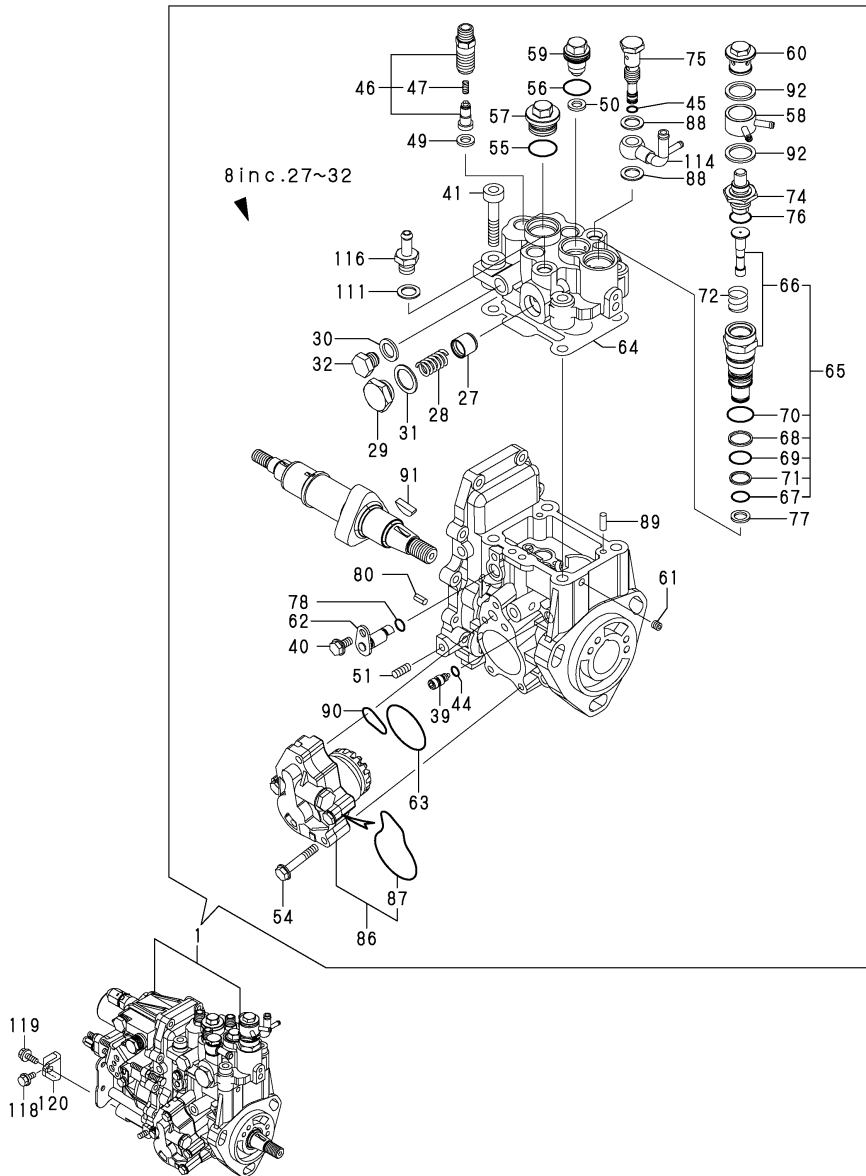
(F)=

No.	Lev.	Parts No.	Description	Q'ty						I	R
				(A)	(B)	(C)	(D)	(E)	(F)		
1	1	119802-42000	PUMP ASSY, WATER	1							
1-1	1	119802-42001	PUMP ASSY, WATER	1							S
(A=E/#45113)											
3	2	119810-42281	GASKET, WATER PUMP	1							
4	2	119810-42120	PLATE	1							
8	2	119810-42051	GASKET, WATER PUMP	1							
9	2	119810-42290	PIPE	1							
11	2	129054-42320	O-RING	1							
13	2	23871-030000	PLUG, R03	2							
14	2	26106-060142	BOLT, M6X 14 PLATED	2							
15	2	26106-060202	BOLT, M6X 20 PLATED	2							
16	1	26106-080352	BOLT, M8X 35 PLATED	1							
17	1	26106-080552	BOLT, M8X 55 PLATED	3							
18	1	128695-44780	V-BELT, A39.5	1							
19	1	129403-42380	V-PULLEY, D=110	1							
20	1	124101-49531	COVER, THERMOSTAT	1							
21	1	129795-49551	GASKET	1							
22	1	121250-44901	SWITCH, 110	1							
23	1	124465-44950	GASKET, 16	1							
24	1	171056-49351	SENSOR	1							
25	1	26106-080252	BOLT, M8X 25 PLATED	1							
26	1	129155-49801	THERMOSTAT, 71	1							
27	1	129150-49811	GASKET, THERMOSTAT	1							
28	1	23414-080000	GASKET, 8X1.0	1							
29	1	26106-080122	BOLT, M8X 12 PLATED	1							
30	1	119831-44740	FAN, COOLING D322XUC	1							
31	1	119802-49610	PIPE ASSY, WATER	1							
32	2	119802-49711	PIPE ASSY, WATER	1							
33	2	119802-49730	RETAINER, PIPE	1							
34	2	124722-59050	CLIP, HOSE 9	2							
35	2	119802-59320	TUBE, CORRUGATED	1							
36	1	119802-49620	PIPE ASSY, WATER	1							
37	2	119802-49721	PIPE ASSY, WATER	1							
38	2	124722-59050	CLIP, HOSE 9	2							
39	1	129457-44760	SPACER, FAN	1							
40	1	26106-060502	BOLT, M6X 50 PLATED	4							
41	1	129486-42050	GASKET, WATER PUMP	1							
42	1	129150-49360	GASKET	1							
43	1	26106-080652	BOLT, M8X 65 PLATED	1							

Fig.11. FUEL INJECTION PUMP

(A)=3TNV82A-SBV
(B)=
(C)=

(D)=
(E)=
(F)=



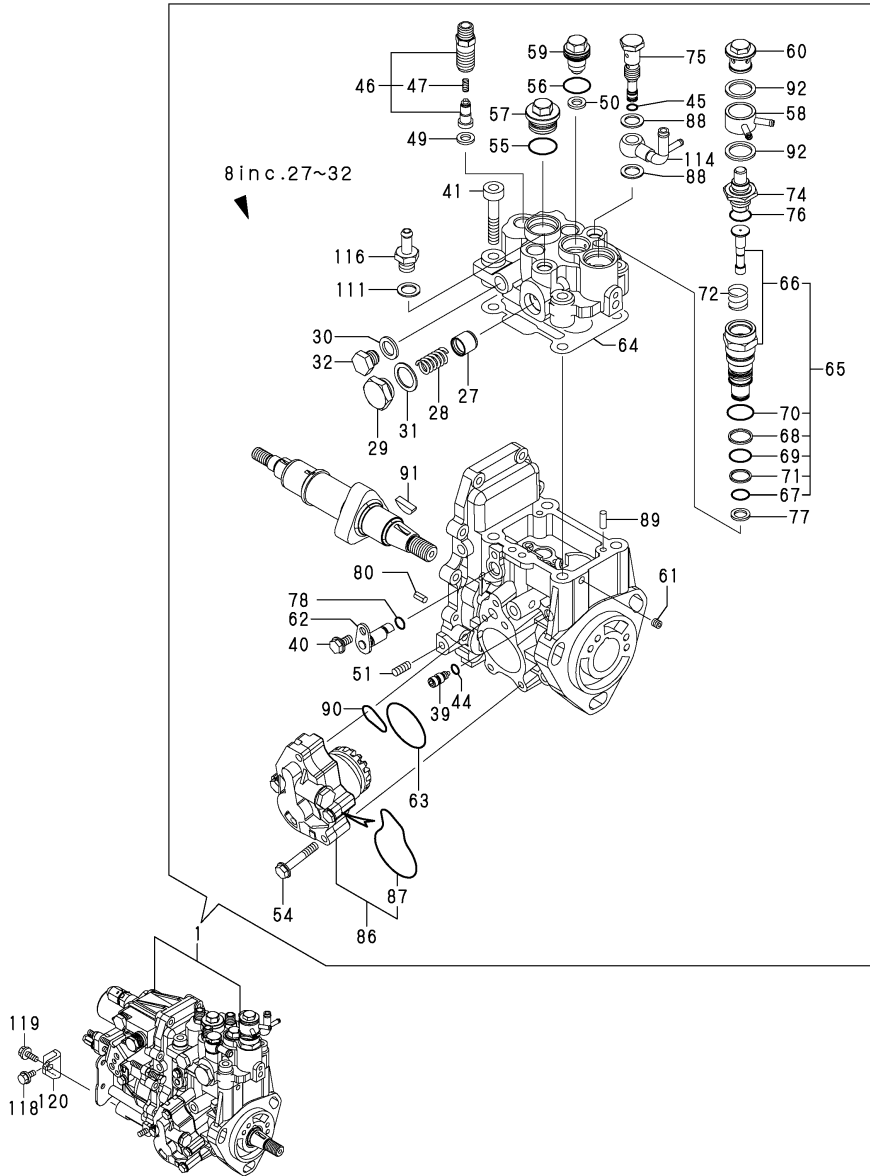
No.	Lev.	Parts No.	Description	Q'ty						I	R
				(A)	(B)	(C)	(D)	(E)	(F)		
1	1	719940-51440	PUMP ASSY, INJECTION	1							1
8	3	119940-51740	HEAD ASSY	1							
8-1	3	119940-51741	HEAD ASSY	1							R
(A=E/#36502)											
27	4	158601-51770	PISTON	1							
28	4	158552-51780	SPRING	1							
28-1	4	158552-51781	SPRING	1							N
(A=E/#39725)											
29	4	158601-51790	PLUG	1							
30	4	22190-120002	WASHER, SEAL 12	1							
31	4	22190-180002	WASHER, SEAL 18	1							
32	4	23887-120002	PLUG, 12	1							
39	3	158600-51270	STOPPER, TAPPET	1							
40	3	26106-060102	BOLT, M6X 10 PLATED	1							
41	3	26450-080452	BOLT, M8X 45	4							
44	3	158563-51281	O-RING, 4D S6	1							
45	3	158563-51281	O-RING, 4D S6	1							
46	3	129509-51390	VALVE ASSY, DELIVERY	3							W
(A=*2008.02.)											
47	4	158563-51330	SPRING, DELIVERY	3							
49	3	158552-51570	GASKET	3							
50	3	158552-51570	GASKET	1							
51	3	26216-060162	STUD, M6X 16	1							
54	3	158553-51770	BOLT	4							
55	3	24356-010200	O-RING, 4D1020	1							
56	3	24356-010180	O-RING, 4D1018	1							
57	3	158601-51550	PLUG	1							
58	3	158553-51551	JOINT	1							
59	3	119802-51560	PLUG, BARREL	1							
60	3	158601-51570	PLUG	1							
61	3	158557-51570	PLUG	1							
62	3	158552-51580	LIFTER	1							
63	3	158552-52400	O-RING, 4E S42	1							
64	3	158552-51600	GASKET	1							
65	3	119802-51590	TIMER SET	1							
66	4	119802-51600	TIMER ASSY	1							
67	4	158553-51670	O-RING, 1011	1							
68	4	119802-51680	RING, BACK UP	1							
69	4	119802-51690	O-RING	1							
70	4	24356-010200	O-RING, 4D1020	1							
71	4	24372-000150	RING, BACK UP T2P15	1							
72	3	158553-51630	SPRING, TIMER	1							
74	3	158553-51640	ELEMENT	1							
75	3	158601-51650	JOINT, OVER FLOW	1							
76	3	158553-51660	O-RING, P14	1							
77	3	158553-51680	GASKET	1							
78	3	24311-000070	O-RING, 1AP7.0	1							
80	3	22351-050010	PIN, SPRING 5.0X10	2							
86	3	158552-52100	PUMP ASSY, FUEL FEED	1							
87	4	158552-52500	O-RING	1							
88	3	22190-120002	WASHER, SEAL 12	2							

Remarks
(1)GOVERNOR ASSY(FIG.12)IS
INCORPORATED IN THIS FUEL
INJECTION PUMP.(REF.NO.1)

Fig.11. FUEL INJECTION PUMP

(A)=3TNV82A-SBV
(B)=
(C)=

(D)=
(E)=
(F)=



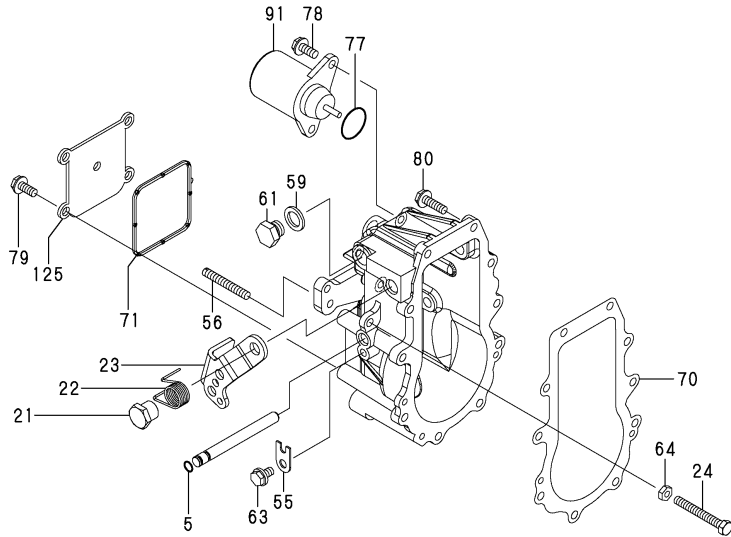
No.	Lev.	Parts No.	Description	Q'ty						I	R
				(A)	(B)	(C)	(D)	(E)	(F)		
89	3	22312-050140	PIN, PARALLEL M5X14	2							
90	3	158552-52310	O-RING	1							
91	3	119802-51090	KEY, 4X16	1							
92	3	22190-180002	WASHER, SEAL 18	2							
111	3	22190-120002	WASHER, SEAL 12	1							
114	2	158552-51670	JOINT, OVER FLOW	1							
116	2	119934-59910	JOINT, PIPE	1							
118	1	26106-080162	BOLT, M8X 16 PLATED	1							
119	1	26106-080202	BOLT, M8X 20 PLATED	1							
120	1	119802-51250	RETAINER, PUMP	1							

Remarks
(1)GOVERNOR ASSY(FIG.12)IS
INCORPORATED IN THIS FUEL
INJECTION PUMP.(REF.NO.1)

Fig.12. GOVERNOR

(A)=3TNV82A-SBV
(B)=
(C)=

(D)=
(E)=
(F)=



No.	Lev.	Parts No.	Description	Q'ty						I	R
				(A)	(B)	(C)	(D)	(E)	(F)		
5	4	129155-51280	O-RING, S6	1							
21	4	129255-61410	NUT, LOCK	1							
22	4	119807-61420	SPRING, RETURN	1							
23	4	158552-61441	LEVER, REGULATOR	1							
24	4	129155-61460	BOLT, IDLE	1							
55	4	119660-61901	RETAINER, SHAFT	1							
56	4	171002-66830	SCREW	1							
59	4	22190-120000	WASHER, SEAL 12	1							
61	4	23887-120002	PLUG, 12	1							
63	4	26106-060102	BOLT, M6X 10 PLATED	1							
64	4	26756-060002	NUT, LOCK M6	1							
70	3	158553-61050	GASKET	1							
71	3	158553-61070	GASKET	1							
77	3	158552-61900	O-RING	1							
78	3	26106-060142	BOLT, M6X 14 PLATED	2							
79	3	26106-060142	BOLT, M6X 14 PLATED	4							
80	3	26106-060202	BOLT, M6X 20 PLATED	10							
91	2	119233-77932	SOLENOID, STOP	1							
125	2	129642-61060	COVER, GOVERNOR CASE	1							

Remarks

* THIS FIGURE(GOVERNOR ASSY)IS INCORPORATED IN THE FUEL INJECTION PUMP ASSY(FIG.11).

Fig.13. FUEL INJECTION VALVE

(A)=3TNV82A-SBV
(B)=
(C)=

(D)=
(E)=
(F)=

No.	Lev.	Parts No.	Description	Q'ty						I	R
				(A)	(B)	(C)	(D)	(E)	(F)		
1	1	729646-53100	VALVE ASSY,INJECTION	3							
2	2	129646-53000	VALVE ASSY,INJECTION	3							
5	2	114250-53080	NUT, NOZZLE D16.95	3							
10	2	114250-53120	SPRING, NOZZLE	3							
11	2	114250-53130	SEAT, SPRING	3							
12	2	114250-53140	PLATE	3							
13	2	114250-53210	PIN	6							
14	2	114250-53400	SHIM SET	3							
14-1	2	119803-53400	SHIM SET	3							R
(A=E/#52739)											
26	1	119305-59120	RETAINER, PIPE	1							
29	2	129150-59131	BOLT, M4X14	1							
30	1	129150-59120	RETAINER, PIPE	1							
33	2	129150-59131	BOLT, M4X14	2							
35	1	119802-59810	PIPE ASSY, INJECTION	1							
39	1	119802-59820	PIPE ASSY, INJECTION	1							
43	1	119802-59830	PIPE ASSY, INJECTION	1							
47	1	124066-59100	CLIP, HOSE 8	2							
48	1	119802-59550	PIPE ASSY, RETURN	1							
49	2	124722-59050	CLIP, HOSE 9	2							
50	2	119802-59560	PIPE, FUEL RETURN	1							
51	1	129486-59551	PIPE ASSY, RETURN	2							
52	2	124722-59050	CLIP, HOSE 9	4							
53	2	129486-59510	PIPE, FUEL RETURN	2							
54	1	119593-59581	CAP	1							

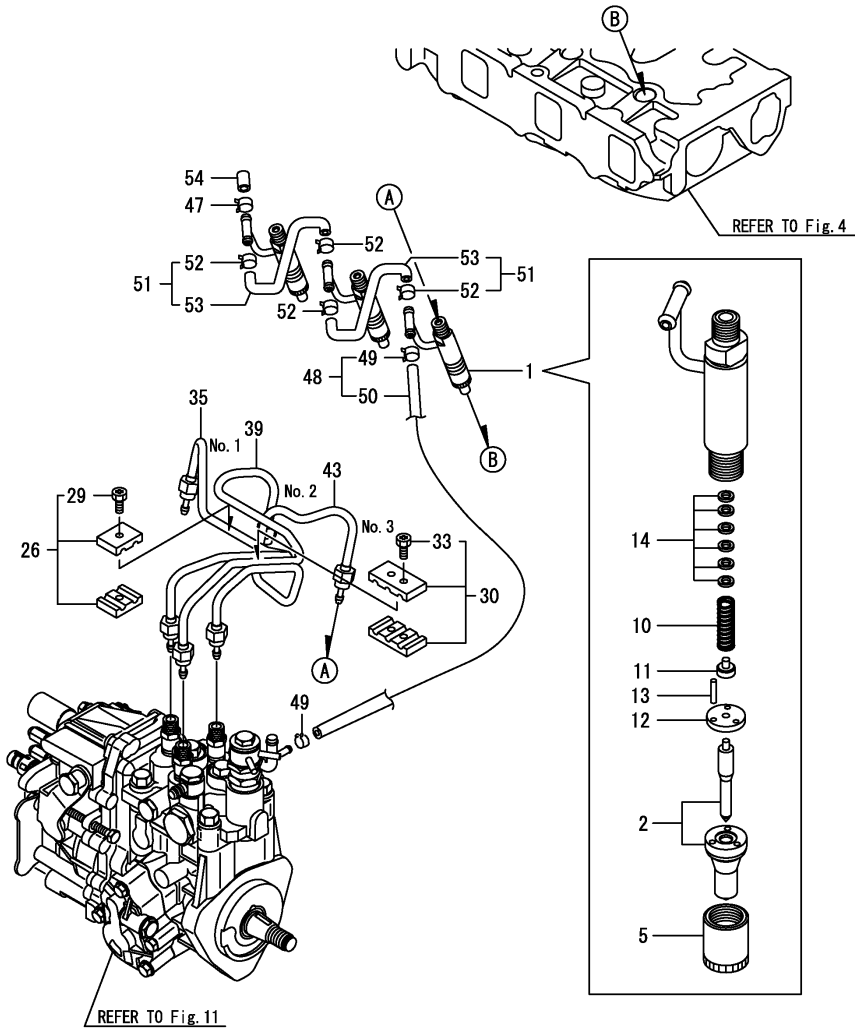
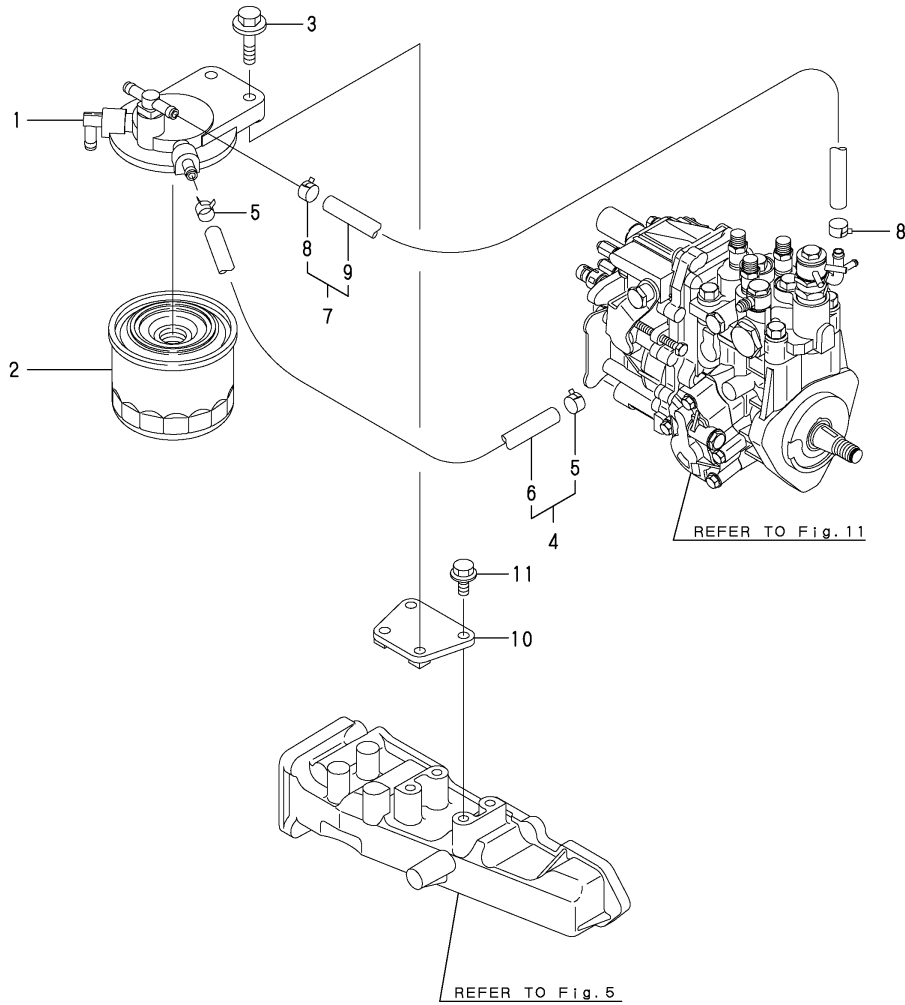


Fig.14. FUEL LINE

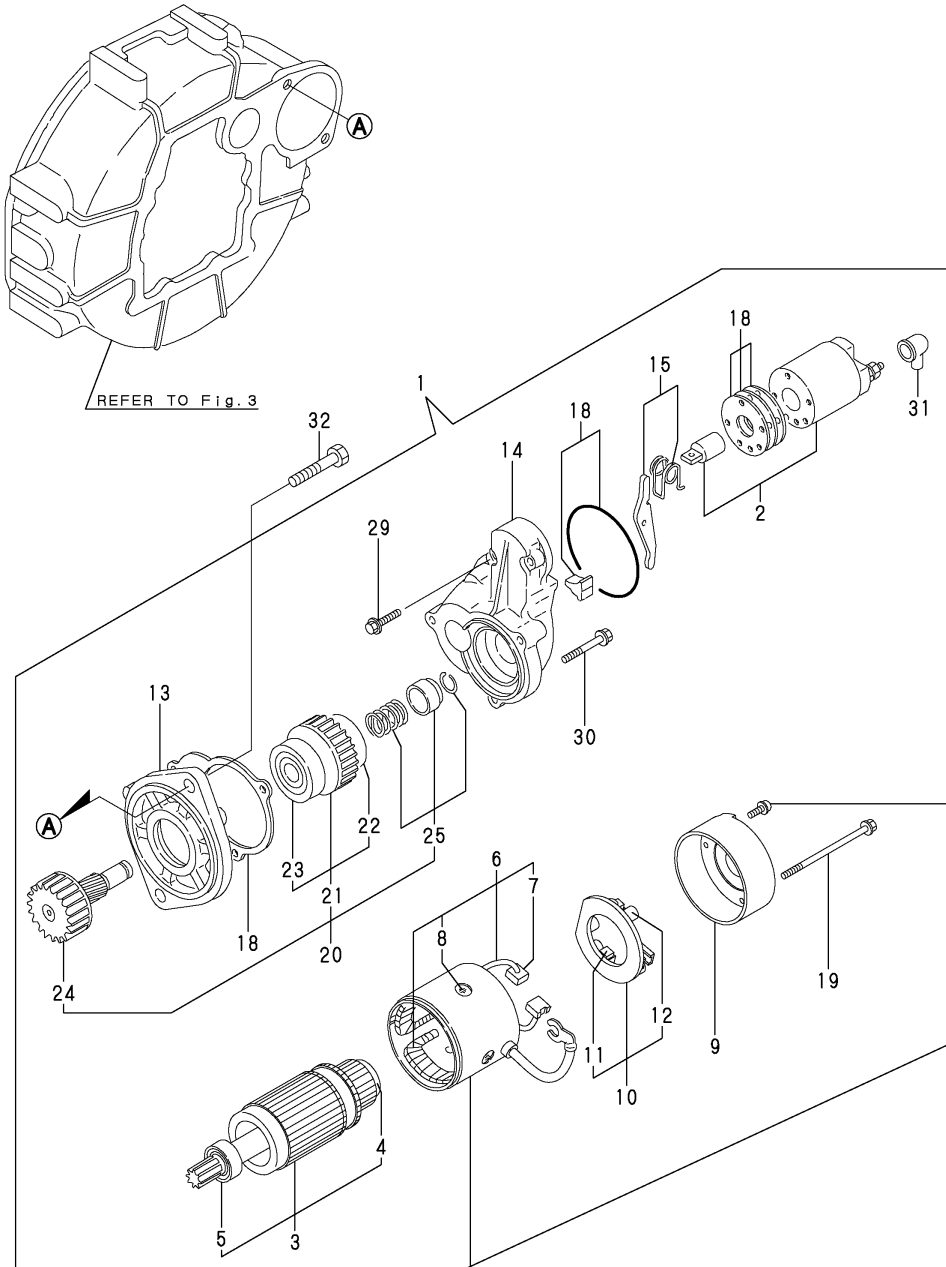


(A)=3TNV82A-SBV
(B)=
(C)=

(D)=
(E)=
(F)=

No.	Lev.	Parts No.	Description	Q'ty						I	R
				(A)	(B)	(C)	(D)	(E)	(F)		
1	1	129004-55612	BRACKET, FILTER	1							
2	1	119802-55810	FILTER,FO	1							
3	1	26106-080302	BOLT, M8X 30 PLATED	2							
4	1	129210-59040	PIPE ASSY, FUEL	1							
5	2	124766-59050	CLIP, HOSE 12	2							
6	2	129555-59510	PIPE, D13/7.5X180	1							
7	1	129210-59050	PIPE ASSY, FUEL	1							
8	2	124766-59050	CLIP, HOSE 12	2							
9	2	105312-59510	PIPE, FUEL	1							
10	1	119940-55620	BRACKET, FILTER	1							
11	1	26106-080202	BOLT, M8X 20 PLATED	2							

Fig.15. STARTING MOTOR



(A)=3TNV82A-SBV
(B)=
(C)=

(D)=
(E)=
(F)=

No.	Lev.	Parts No.	Description	Q'ty						I	R
				(A)	(B)	(C)	(D)	(E)	(F)		
1	1	129136-77011	STARTER	1							
2	2	129136-77310	SWITCH ASSY	1							
3	2	129900-77400	ARMATURE ASSY	1							
4	3	X2130350900	BEARING, BALL	1							
5	3	X2114255110	BEARING, BALL	1							
6	2	129900-77440	COIL ASSY, FIELD	1							
7	3	129900-77450	BRUSH	2							
8	3	171008-77450	SCREW	4							
9	2	129900-77460	COVER	1							
10	2	129900-77480	HOLDER ASSY, BRUSH	1							
11	3	129900-77450	BRUSH	2							
12	3	129400-77490	SPRING	4							
13	2	171008-77510	CASE, GEAR	1							
14	2	129136-77520	HOUSING	1							
15	2	171008-77540	LEVER SET	1							
18	2	129400-77571	COVER ASSY, DUST	1							
19	2	129900-77640	BOLT, THROUGH	2							
20	2	171008-77650	PINION ASSY	1							
21	3	X2114555500	CLUTCH ASSY	1							
22	4	X2114955020	BEARING, BALL	1							
23	4	X2240410100	BEARING, BALL	1							
24	3	171008-77660	SHAFT	1							
25	3	171008-77670	STOPPER SET	1							
29	2	26106-060322	BOLT, M6X 32 PLATED	2							
30	2	26106-060402	BOLT, M6X 40 PLATED	3							
31	2	171008-77750	COVER	1							
32	1	26116-120252	BOLT, M12X 25 PLATED	2							

Fig.16. GENERATOR

(A)=3TNV82A-SBV

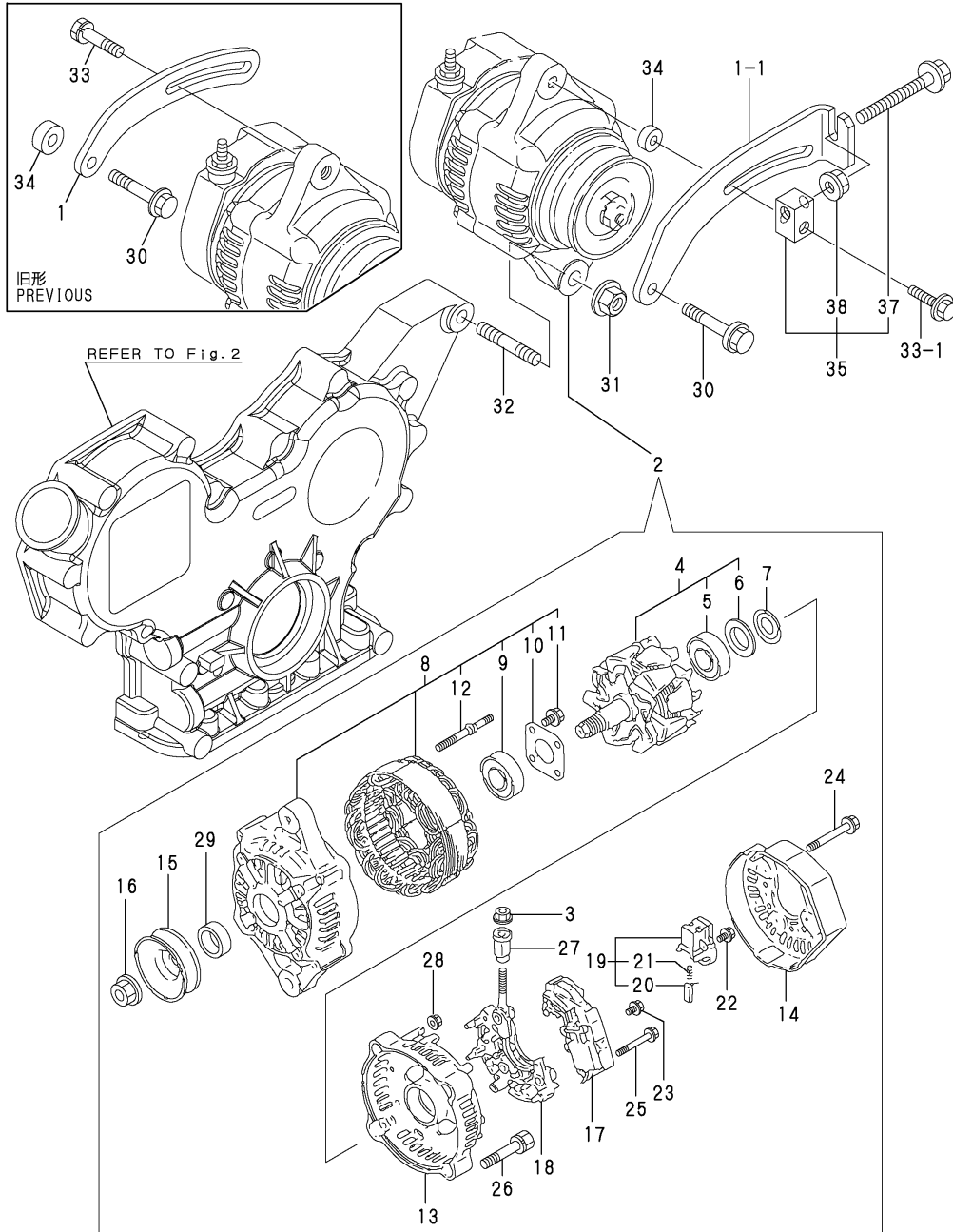
(B)=

(C)=

(D)=

(E)=

(F)=

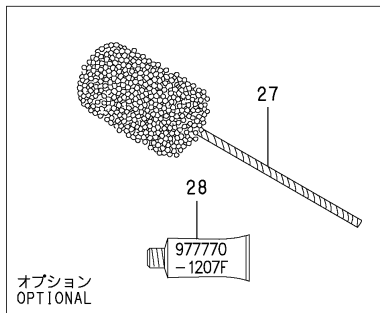
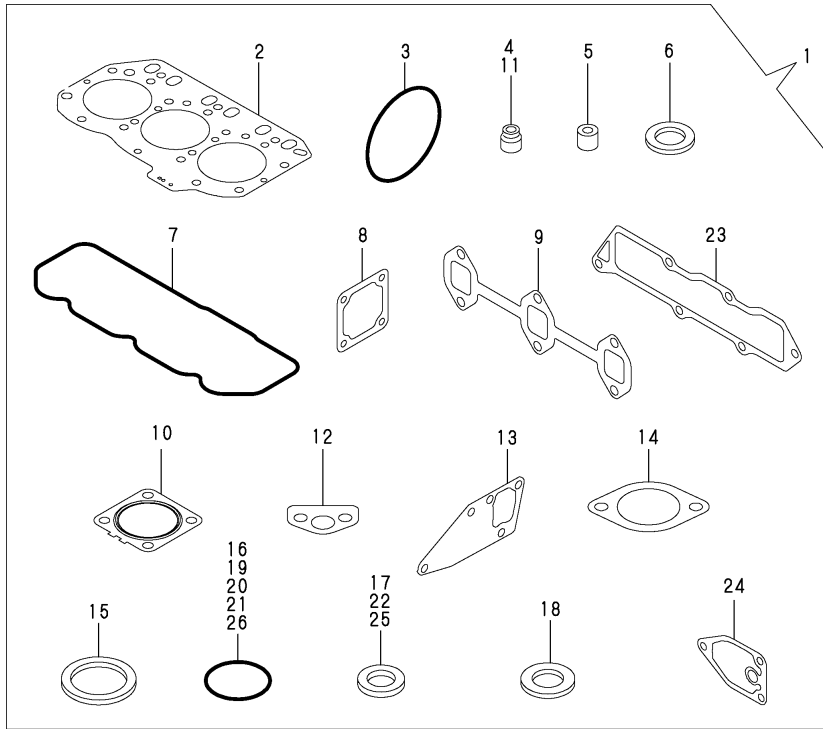


No.	Lev.	Parts No.	Description	Qty						I	R
				(A)	(B)	(C)	(D)	(E)	(F)		
1	1	119802-77330	ADJUSTER	1							
1-1	1	119940-77310	ADJUSTER	1							N
(A=E/#55553)											
2	1	129423-77200	GENERATOR, 12V-40A	1							
3	2	X9490561001	NUT	1							
4	2	119620-77380	ROTOR ASSY	1							
5	3	123501-79240	BEARING, BALL	1							
6	3	119620-79250	COVER	1							
7	2	119620-79360	WASHER, THRUST	1							
8	2	119620-77421	FRAME ASSY, DRIVE	1							
9	3	119620-79200	BEARING, BALL	1							
10	3	119620-79210	PLATE, RETAINER	1							
11	3	119620-79220	SCREW	4							
12	3	119620-79230	STUD	2							
13	2	119620-77440	FRAME ASSY	1							
14	2	129240-79300	COVER	1							
15	2	119620-77461	PULLEY	1							
16	2	119620-77471	NUT	1							
17	2	129423-77710	REGULATOR ASSY	1							
18	2	119620-79260	HOLDER	1							
19	2	129052-79270	HOLDER, BRUSH	1							
20	3	119620-77480	BRUSH ASSY	2							
21	3	119620-79280	SPRING	2							
22	2	119620-79290	SCREW	1							
23	2	119620-79300	SCREW	1							
24	2	119620-79310	BOLT	3							
25	2	119620-79320	SCREW	2							
26	2	119620-79330	BOLT	2							
27	2	119620-79340	BUSH, INSULATION	1							
28	2	119620-79350	NUT	2							
29	2	119620-77490	COLLAR	1							
30	1	26106-080452	BOLT, M8X 45 PLATED	1							
31	1	26306-100002	NUT, M10	1							
32	1	129795-01900	STUD	1							
33	1	129972-77341	BOLT, ADJUSTER L=50	1							
33-1	1	26106-080552	BOLT, M8X 55 PLATED	1							N
(A=E/#55553)											
34	1	119940-77270	SPACER, GENERATOR	1							
35	1	119624-77351	BLOCK ASSY, ADJUSTER	1							W
(A=E/#55553)											
37	2	26106-081004	BOLT, M8X100 PLATED	1							W
(A=E/#55553)											
38	2	26306-080002	NUT, M8	1							W
(A=E/#55553)											

Fig.17. GASKET SET & TOOLS

(A)=3TNV82A-SBV
(B)=
(C)=

(D)=
(E)=
(F)=



No.	Lev.	Parts No.	Description	Q'ty						I	R
				(A)	(B)	(C)	(D)	(E)	(F)		
1	1	719823-92940	GASKET SET	1							1
2	2	119812-01330	GASKET, HEAD	1							
3	2	121850-51960	O-RING	1							
4	2	124950-11340	SEAL, VALVE STEM	3							
4-1	2	119803-11340	SEAL, VALVE STEM	3							N
(A=E/#37491)											
5	2	119802-11870	PROTECTOR, NOZZLE	3							
6	2	119625-11880	SEAT, NOZZLE	3							
7	2	119802-11310	GASKET, BONNET	1							
8	2	129150-77511	GASKET	1							
9	2	119810-13110	GASKET	1							
10	2	129004-13200	GASKET, SILENCER	1							
11	2	124160-11340	SEAL, VALVE STEM	3							
12	2	129150-35042	GASKET	1							
13	2	129486-42050	GASKET, WATER PUMP	1							
14	2	129795-49551	GASKET	1							
15	2	129150-49811	GASKET, THERMOSTAT	1							
16	2	24311-240100	O-RING, 1AP10A	1							
17	2	22190-080002	WASHER, SEAL 6	2							
18	2	124465-44950	GASKET, 16	2							
19	2	24311-000120	O-RING, 1AP12.0	3							
20	2	24311-000320	O-RING, 1AP32.0	2							
21	2	24341-000240	O-RING, 1AS24.0	1							
22	2	22190-100002	WASHER, SEAL 10	2							
23	2	119813-12110	GASKET, MANIFOLD	1							
24	2	129150-35111	GASKET	1							
25	2	22190-220002	WASHER, SEAL 22	1							
26	2	119609-32040	O-RING, P16	4							
27	1	129400-92420	HONE	1							1
28	1	977770-1207F	GASKET.LIQUID	1							1

Remarks
(1)OPTIONAL PART.

Parts No. Index

Parts No.	Fig. No.	Ref. No.
104211-11180	4	27
104211-11370	4	14
105312-59510	14	9
114250-39450	9	9
114250-53080	13	5
114250-53120	13	10
114250-53130	13	11
114250-53140	13	12
114250-53210	13	13
114250-53400	13	14
119131-18320	6	4
119233-77932	12	91
119305-59120	13	26
119593-59581	13	54
119609-32040	2	17
	17	26
119620-01750	3	3
119620-02020	1	12
119620-77380	16	4
119620-77421	16	8
119620-77440	16	13
119620-77461	16	15
119620-77471	16	16
119620-77480	16	20
119620-77490	16	29
119620-79200	16	9
119620-79210	16	10
119620-79220	16	11
119620-79230	16	12
119620-79250	16	6
119620-79260	16	18
119620-79280	16	21
119620-79290	16	22
119620-79300	16	23
119620-79310	16	24
119620-79320	16	25
119620-79330	16	26
119620-79340	16	27
119620-79350	16	28
119620-79360	16	7
119624-77351	16	35
119625-11880	4	32
	17	6
119626-07900	4	1
119640-01640	3	9
119660-61901	12	55
119802-01520	2	12
119802-01561	2	13
119802-03010	4	41
119802-03080	5	1

Parts No.	Fig. No.	Ref. No.
119802-03110	4	43
119802-03121	4	44
119802-03130	4	45
119802-03141	4	46
119802-11100	4	24
119802-11110	4	25
119802-11241	4	4
119802-11251	4	5
119802-11260	4	6
119802-11270	4	7
119802-11280	4	8
119802-11310	4	49
	17	7
119802-11350	4	40
119802-11650	4	10
119802-11700	4	15
119802-11730	4	15 -1
119802-11810	4	21
119802-11870	4	31
	17	5
119802-11900	4	33
119802-12100	5	4
119802-13640	6	5
119802-13740	6	6
119802-14580	7	3
119802-21002	8	1
119802-21660	8	9
119802-22080	8	16
119802-22500	8	18
119802-22900	8	34
119802-22950	8	36
119802-25051	7	10
119802-25071	7	14
119802-25101	7	11
119802-25901	7	16
119802-32070	2	8
119802-32100	2	7
119802-32111	2	18
119802-32120	2	19
119802-32130	2	20
119802-34802	9	1
119802-35110	9	21
119802-39450	9	11
119802-42000	10	1
119802-42001	10	1 -1
119802-49610	10	31
119802-49620	10	36
119802-49711	10	32
119802-49721	10	37
119802-49730	10	33

Parts No.	Fig. No.	Ref. No.
119802-51090	11	91
119802-51250	11	120
119802-51560	11	59
119802-51590	11	65
119802-51600	11	66
119802-51680	11	68
119802-51690	11	69
119802-55810	14	2
119802-59320	10	35
119802-59550	13	48
119802-59560	13	50
119802-59810	13	35
119802-59820	13	39
119802-59830	13	43
119802-77330	16	1
119803-11340	4	29 -1
	17	4 -1
119803-53400	13	14 -1
119807-61420	12	22
119810-01200	1	21
119810-01730	3	6
119810-02871	1	23
119810-02931	1	18
119810-02941	1	26
119810-11120	4	26
119810-13100	6	1
119810-13110	6	2
	17	9
119810-14400	7	2
119810-23200	8	29
119810-23601	8	30
119810-23611	8	32
119810-23910	8	28
119810-35300	9	4
119810-42051	10	8
119810-42120	10	4
119810-42281	10	3
119810-42290	10	9
119812-01330	1	22
	17	2
119813-12110	5	3
	17	23
119813-22300	8	22
119823-01770	3	8
119831-44740	10	30
119865-21600	8	15
119934-01800	2	6 -1
119934-59910	11	116
119940-07900	4	2
119940-21590	8	13

Parts No.	Fig. No.	Ref. No.
119940-51740	11	8
119940-51741	11	8 -1
119940-55620	14	10
119940-59130	9	32
119940-77270	16	34
119940-77310	16	1 -1
119944-49300	9	36
120270-54410	4	34
121023-01551	2	28
121111-21501	8	12
121250-44901	10	22
121520-34810	9	2
121850-21680	8	11
121850-51960	2	21
	17	3
123501-79240	16	5
124060-01050	1	6
124060-11800	4	19
124066-59100	13	47
124101-49531	10	20
124160-01751	2	14
	4	39
124160-01910	1	4
		14
124160-11340	4	28
	17	11
124160-11360	4	52
124160-39140	9	10
124240-01871	2	15
124465-44950	10	23
	17	18
124722-59050	10	34
		38
	13	49
		52
124766-59050	14	5
		8
124950-11340	4	29
	17	4
128695-44780	10	18
129001-01250	1	7
129001-32330	2	11
129001-91841	2	22
129004-13200	17	10
129004-55612	14	1
129005-59830	9	12
129006-35100	9	20
129052-79270	16	19
129054-42320	10	11
129100-01580	3	1

Parts No. Index

Parts No.	Fig. No.	Ref. No.
129100-01580	3	14
	8	2
129100-01640	3	15
129120-77501	5	9
129120-77502	5	9 -1
129122-44480	9	25
129136-77011	15	1
129136-77310	15	2
129136-77520	15	14
129150-01650	3	16
129150-02450	7	4
129150-03070	4	42
129150-11230	4	11
129150-11280	4	9
129150-11750	4	13
129150-14101	7	7
129150-14200	7	1
129150-25301	7	15
129150-35042	9	3
	17	12
129150-35111	9	23
	17	24
129150-35170	9	24
129150-49360	10	42
129150-49811	10	27
	17	15
129150-59120	13	30
129150-59131	13	29
		33
129150-77511	5	7
	17	8
129155-49801	10	26
129155-51280	12	5
129155-61460	12	24
129210-59040	14	4
129210-59050	14	7
129240-79300	16	14
129255-61410	12	21
129400-77490	15	12
129400-77571	15	18
129400-92420	17	27
129403-42380	10	19
129410-03990	5	2
129417-33110	9	37
129417-35150	9	22
129418-32320	2	10
129423-77200	16	2
129423-77710	16	17
129457-44760	10	39
129486-01670	3	18

Parts No.	Fig. No.	Ref. No.
129486-42050	10	41
	17	13
129486-59510	13	53
129486-59551	13	51
129508-33010	9	18
129508-33050	9	19
129508-49030	9	27
129508-49040	9	31
129509-51390	11	46
129555-59510	14	6
129612-01600	3	2
129642-61060	12	125
129646-53000	13	2
129792-22400	8	23
129795-01780	3	17
129795-01800	2	6
129795-01900	16	32
129795-01950	2	16
129795-02412	1	13
129795-21661	8	10
129795-49551	10	21
	17	14
129900-32130	2	9
129900-77400	15	3
129900-77440	15	6
129900-77450	15	7
		11
129900-77460	15	9
129900-77480	15	10
129900-77640	15	19
129972-77341	16	33
158552-51151	7	18
158552-51570	11	49
		50
158552-51580	11	62
158552-51600	11	64
158552-51670	11	114
158552-51780	11	28
158552-51781	11	28 -1
158552-52100	11	86
158552-52310	11	90
158552-52400	11	63
158552-52500	11	87
158552-61441	12	23
158552-61900	12	77
158553-51551	11	58
158553-51630	11	72
158553-51640	11	74
158553-51660	11	76
158553-51670	11	67

Parts No.	Fig. No.	Ref. No.
158553-51680	11	77
158553-51770	11	54
158553-61050	12	70
158553-61070	12	71
158557-51570	11	61
158563-51281	11	44
		45
158563-51330	11	47
158600-51270	11	39
158601-51550	11	57
158601-51570	11	60
158601-51650	11	75
158601-51770	11	27
158601-51790	11	29
171002-66830	12	56
171008-03990	9	28
		35 -1
171008-77450	15	8
171008-77510	15	13
171008-77540	15	15
171008-77650	15	20
171008-77660	15	24
171008-77670	15	25
171008-77750	15	31
171031-11741	2	31
171051-01921	1	5
171056-49351	10	24
22190-080002	9	14
		15
	17	17
22190-100002	9	16
	17	22
22190-120000	12	59
22190-120002	11	30
		88
		111
22190-180002	11	31
		92
22190-220002	3	11
	17	25
22217-140000	7	19
22312-050140	11	89
22351-030010	8	8
22351-050010	11	80
22351-060012	4	35
22512-070140	7	8
22857-500100	4	50
		51
23080-015000	9	30
		34

Parts No.	Fig. No.	Ref. No.
23080-018000	9	35
23414-080000	10	28
23857-030000	9	13
23871-030000	10	13
23876-030000	2	4
23876-040000	2	5
23887-120002	11	32
	12	61
24311-000070	11	78
24311-000120	4	53
	17	19
24311-000320	2	23
		32
	4	54
	17	20
24311-240100	17	16
24341-000240	2	29
	17	21
24356-010180	11	56
24356-010200	11	55
		70
24372-000150	11	71
26106-060102	11	40
	12	63
26106-060142	10	14
	12	78
		79
26106-060162	2	30
26106-060202	10	15
	12	80
26106-060322	15	29
26106-060402	15	30
26106-060502	10	40
26106-080122	10	29
26106-080142	4	3
	7	9
26106-080162	2	24
		25
	3	12
	4	55
	11	118
26106-080202	5	6
	9	26
	11	119
	14	11
26106-080252	4	36
	10	25
26106-080302	14	3
26106-080352	3	7
	5	10

Parts No. Index

Parts No.	Fig. No.	Ref. No.
26106-080352	9	8
	10	16
26106-080402	7	17
26106-080452	3	13
	4	37
	16	30
26106-080502	4	38
26106-080552	2	26
	10	17
	16	33 -1
26106-080652	10	43
26106-080802	5	8
26106-081004	16	37
26116-120252	15	32
26206-100252	3	4
26206-100302	3	5
26216-060162	11	51
26306-080002	2	27
	6	3
	16	38
26306-100002	16	31
26366-060002	9	17
26450-080452	11	41
26756-060002	12	64
26776-140002	7	20
27241-120000	1	8
27241-300000	1	9
27241-400000	4	23
27310-070001	4	30
719802-01500	2	1
719802-01560	1	1
719810-02981	1	15
719810-23100	8	24
719823-92940	17	1
719940-51440	11	1
729646-53100	13	1
977770-1207F	17	28
X2114255110	15	5
X2114555500	15	21
X2114955020	15	22
X2130350900	15	4
X2240410100	15	23
X9490561001	16	3

Parts No.	Fig. No.	Ref. No.
-----------	----------	----------

Parts No.	Fig. No.	Ref. No.
-----------	----------	----------

Parts No.	Fig. No.	Ref. No.
-----------	----------	----------