

0CB10-M72501EN

Directions for the Parts Catalog.

1. This Parts Catalog shows both standard and optional parts.
2. Parts may change without prior notice.
3. The following is an example of the Parts Catalog format.

REF.	LEV.	PARTS NO.	DESCRIPTION	Q'TY						I	R
				(A)	(B)	(C)	(D)	(E)	(F)		
1	1	729595-51390	FUEL INJECTION PUMP	1	1	1	1	1			1
1-1	1	729595-51391	FUEL INJECTION PUMP	1	1	1	1	1		N	1
		(A=E00185) (B=E00200)									
3	2	26022-060162	SCREW M 6X 16	9	9	9	9	9			
3-1	2	26022-060162	SCREW M 6X 16	4	4	4	4	4		K	
		(A=E00156) (B=E00156) (C=E00156) (D=E00156) (E=E00156)									
4	2	129470-51040	CAMSHAFT	1	1	1	1	1			
5	2	122710-51050	BEARING, ROLLER	2	2	2	2	2			
6	2	129470-51060	RETAINER	1	1	1	1	1			

Remarks
(1) BOOST COMPEMSATOR TYPE. OPTIONAL PART, TO E00155,(4JH-DT, 4JH-DTZ

① Ref. No.

The Ref. No. listed may not be in accordance with the illustration Ref. No.

(Ex.) Illustration No.

List Ref No.

1

1

(Before change)

1-1

(After change)

For interchangeable symbols N, R and K, illustrations for new parts may be abbreviated.

② Lev. (Level)

Level indication

The numbers below indicate the level of relativity towards the main part.

1 ----- Main parts (Assembly parts)

2 ----- Sub component included in " 1 ".

3 ----- Sub component included in " 2 ".

Note) Parts that are not for sale are partially illustrated but not listed.

③ Interchangeability Symbol

When a part change takes place, one of the following interchangeability symbols is indicated beside the part.

Symbol	Interchangeability	Contents note
N	Old $\begin{matrix} \leftarrow \text{Yes} \\ \text{No} \rightarrow \end{matrix}$ New	New Part is interchangeable for Old Part but Old Part is not interchangeable for New Part.
Q	Old $\begin{matrix} \leftarrow \text{No} \\ \text{Yes} \rightarrow \end{matrix}$ New	New Part is not interchangeable for Old Part but Old Part is interchangeable for New Part.
R	Old $\begin{matrix} \leftarrow \text{Yes} \\ \text{Yes} \rightarrow \end{matrix}$ New	New/ Old Parts are both interchangeable.
S	Old $\begin{matrix} \leftarrow \text{No} \\ \text{No} \rightarrow \end{matrix}$ New	New/ Old Parts are both not interchangeable.
W		Part newly added.
Z		Part discontinued.
F		Not interchangeable by a single part but interchangeable together with related parts.
K		Changes only for used parts quantities.

④ Effective Machine No.

When a part changes, the effective Machine No. will be indicated in the (A)-(F) column.

Product Symbol	Product No.	Product Symbol	Product No.
C	Clutch No. Compressor No.	F	Machine No. (Agricultural Equip.)
D	Drive No.	M	Machine No.
E	Engine No.		

Note 1) A date may follow the symbol. (Ex.) 1996.01

Note 2) "XXXXX" and "ZZZZZ" are for parts that could not be predicted or for engine models that could not be identified.

Note 3) (A=E00185) is the E (Engine Serial Number) for the column (A) model (in this case 4JH-DT) after the parts design change.

⑤ Remarks

Figures or alphabets (symbols) are entered in the remarks column.

The comments (remarks) on parts that are indicated at the bottom of the illustration are the same symbols as those stated above.

Contents

0CB10-M72501

Fig. No. Fig. Name

Fig. No. Fig. Name

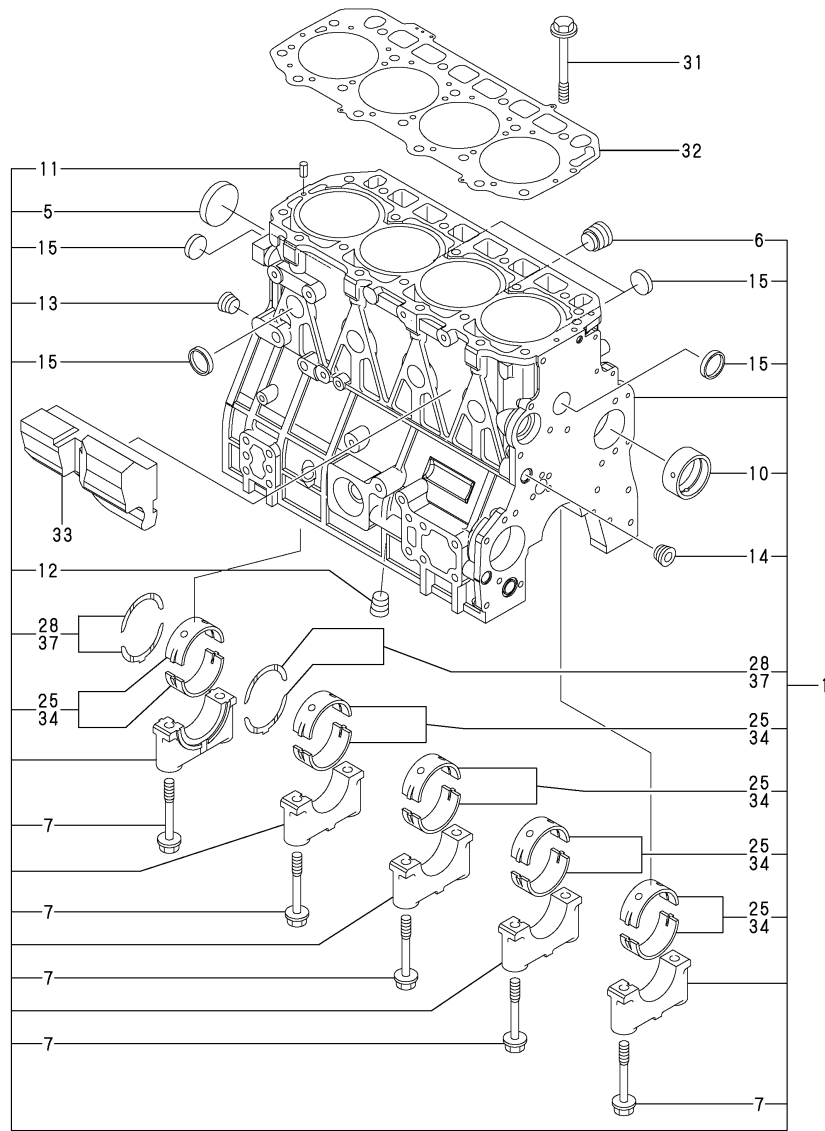
4TNV98T-SBV

1. CYLINDER BLOCK
2. GEAR HOUSING
3. FLYWHEEL HOUSING & L.O.SUMP
4. CYLINDER HEAD & BONNET
5. SUCTION MANIFOLD
6. EXHAUST MANIFOLD & SILENCER
7. CAMSHAFT & DRIVING GEAR
8. TURBINE
9. CRANKSHAFT & PISTON
10. LUB.OIL SYSTEM
11. LUB.OIL PIPE
12. COOLING WATER SYSTEM
13. FUEL INJECTION PUMP
14. GOVERNOR
15. FUEL INJECTION VALVE
16. FUEL LINE
17. STARTING MOTOR
18. GENERATOR
19. GASKET SET & TOOLS

Fig.1. CYLINDER BLOCK

(A)=4TNV98T-SBV
(B)=
(C)=

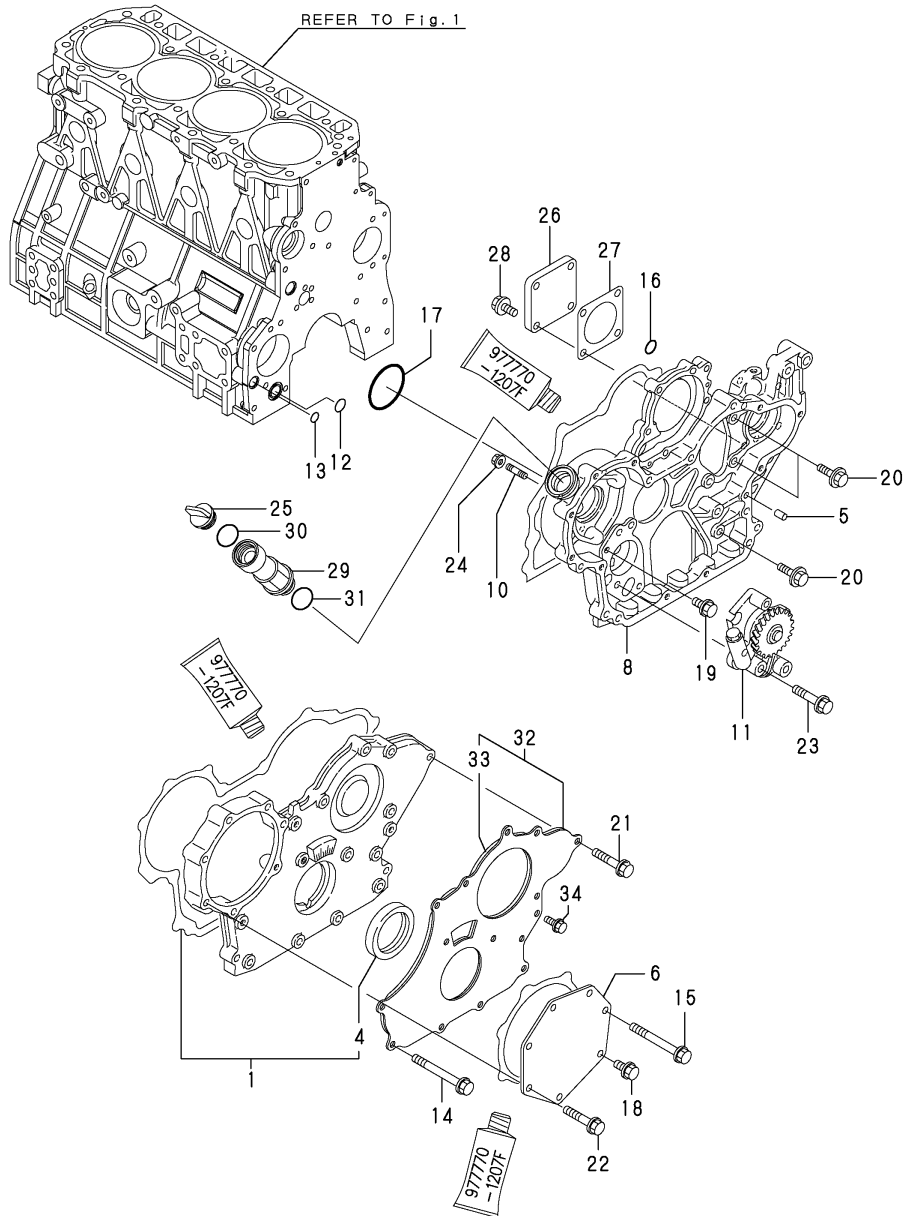
(D)=
(E)=
(F)=



No.	Lev.	Parts No.	Description	Q'ty						I	R
				(A)	(B)	(C)	(D)	(E)	(F)		
1	1	729908-01560	BLOCK ASSY, CYLINDER	1							
1-1	1	729908-01561	BLOCK ASSY, CYLINDER	1							S
(A=E/#28249)											
5	3	129900-01250	PLUG, 55	1							
6	3	171051-01921	PLUG, NPTF1	1							
7	3	129900-02020	BOLT, METAL CAP	10							
10	3	129900-02410	BUSH, CAMSHAFT	1							
11	3	22351-060012	PIN, SPRING 6.0X12	2							
12	3	23876-030000	PLUG, R03	1							
13	3	23876-030000	PLUG, R03	1							
14	3	23876-030000	PLUG, R03	1							
15	3	27241-300000	PLUG 30	8							
25	2	729900-02800	BEARING, MAIN	5							3
25-1	2	729900-02801	BEARING, MAIN	5							N 3
(A=E/#28249)											
28	2	129900-02930	BEARING, THRUST	2							3
28-1	2	129900-02931	BEARING, THRUST	2							N 3
(A=E/#28249)											
31	1	129900-01200	BOLT, HEAD	18							
32	1	129907-01331	GASKET, HEAD	1							
33	1	129907-01190	SPACER	1							
34	1	129900-02340	BEARING, 0.25 US	5							1
34-1	1	129900-02341	BEARING, 0.25 US	5							N 1
(A=E/#28249)											
37	1	129900-02940	BEARING, THRUST 0.25	2							2
37-1	1	129900-02941	BEARING, THRUST 0.25	2							N 2
(A=E/#28249)											

Remarks
 (1) UNDER SIZED (U.S.=0.25) PART.
 (2) OVER SIZED (O.S.=0.25) PART.
 (3) REPAIR PART.

Fig.2. GEAR HOUSING



(A)=4TNV98T-SBV
(B)=
(C)=

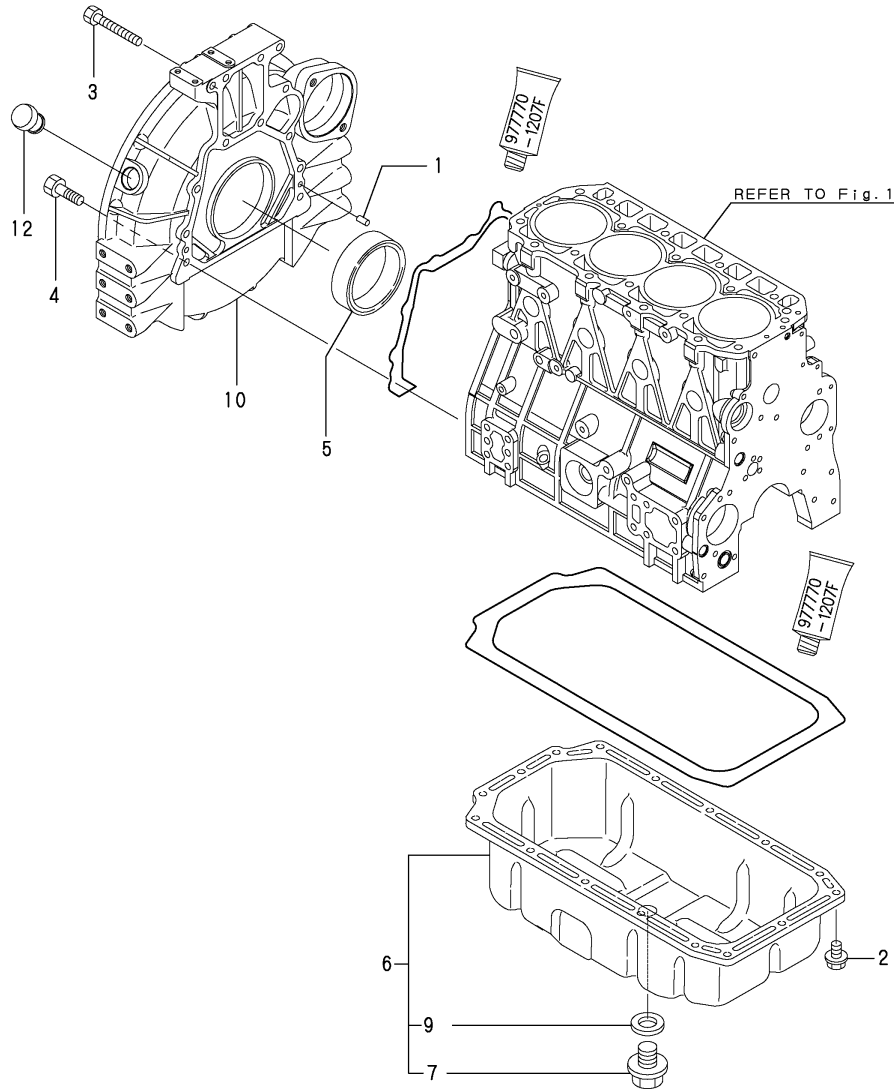
(D)=
(E)=
(F)=

No.	Lev.	Parts No.	Description	Q'ty						I	R
				(A)	(B)	(C)	(D)	(E)	(F)		
1	1	729907-01550	COVER ASSY,GEAR CASE	1							
4	2	129900-01780	SEAL, OIL	1							
4-1	2	129916-01800	SEAL, OIL	1							N
(A=*2008.12)											
5	1	129100-01580	PIN, M8X16	4							
6	1	129951-01740	COVER	1							
8	1	129908-01500	CASE, GEAR	1							
10	1	26216-100302	STUD, M10X 30	4							
11	1	129908-32060	PUMP ASSY, OIL	1							
12	1	129900-32030	O-RING, P20	1							
13	1	129900-32040	O-RING, P14	1							
14	1	129001-91810	BOLT, M8X70	6							
15	1	129001-91810	BOLT, M8X70	1							
16	1	24311-000070	O-RING, 1AP7.0	1							
17	1	24351-030750	O-RING, 1A3075	1							
18	1	26106-080162	BOLT, M8X 16 PLATED	1							
19	1	26106-080162	BOLT, M8X 16 PLATED	1							
20	1	26106-080202	BOLT, M8X 20 PLATED	3							
21	1	26106-080402	BOLT, M8X 40 PLATED	5							
22	1	26106-080402	BOLT, M8X 40 PLATED	5							
23	1	26106-080452	BOLT, M8X 45 PLATED	3							
24	1	26306-100002	NUT, M10	4							
25	1	124160-01751	COVER, FILLER	1							
26	1	124240-01871	COVER	1							
27	1	124240-01883	GASKET	1							
28	1	26106-080162	BOLT, M8X 16 PLATED	4							
29	1	171031-11741	PIPE	1							
30	1	24311-000320	O-RING, 1AP32.0	1							
31	1	24311-000320	O-RING, 1AP32.0	1							
32	1	129900-01850	COVER ASSY,GEAR CASE	1							
33	2	129900-01870	SPONGE	1							
34	1	26106-080162	BOLT, M8X 16 PLATED	3							

Fig.3. FLYWHEEL HOUSING & L.O.SUMP

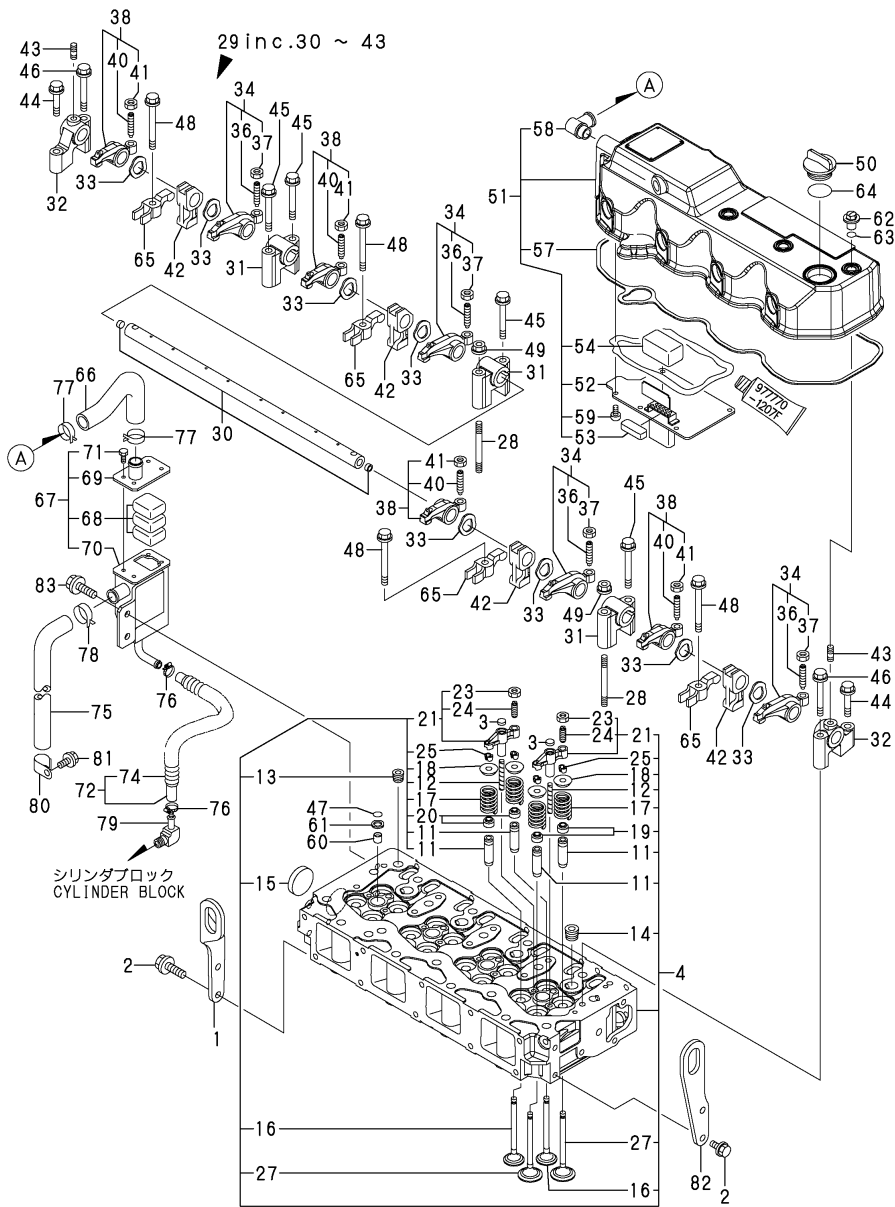
(A)=4TNV98T-SBV
(B)=
(C)=

(D)=
(E)=
(F)=



No.	Lev.	Parts No.	Description	Q'ty						I	R
				(A)	(B)	(C)	(D)	(E)	(F)		
1	1	129100-01580	PIN, M8X16	2							
2	1	26106-080122	BOLT, M8X 12 PLATED	16							
3	1	26206-100702	BOLT, M10X 70 PLATED	4							
4	1	26206-100352	BOLT, M10X 35 PLATED	9							
5	1	124411-01780	SEAL, HTC95X115X12	1							
6	1	129916-01710	SUMP ASSY, OIL	1							
7	2	119640-01640	PLUG, DRAIN M22	1							
9	2	22190-220002	WASHER, SEAL 22	1							
10	1	129953-01620	HOUSING, FLYWHEEL	1							
12	1	119620-01750	CAP	1							W
(A=FROM 1ST)											

Fig.4. CYLINDER HEAD & BONNET



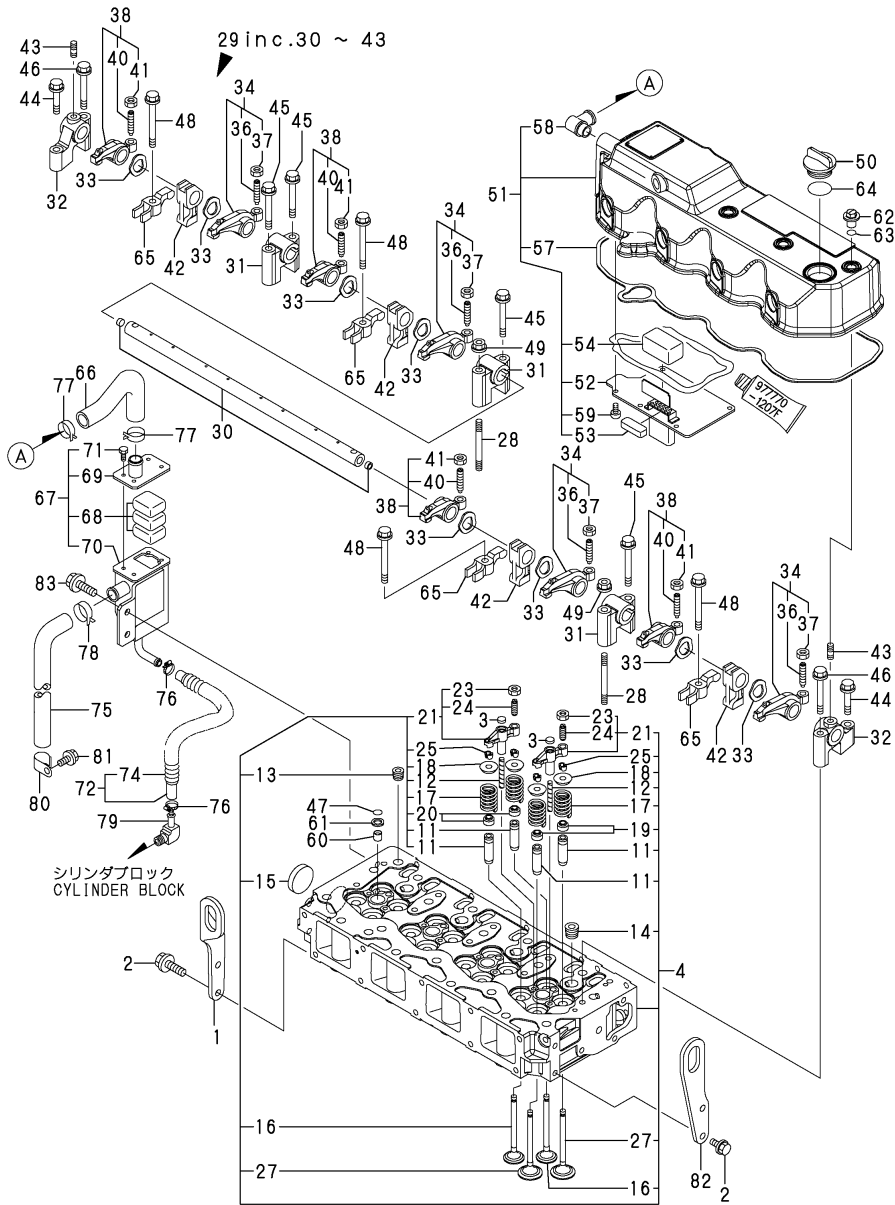
(A)=4TNV98T-SBV
(B)=
(C)=

(D)=
(E)=
(F)=

No.	Lev.	Parts No.	Description	Q'ty						I	R
				(A)	(B)	(C)	(D)	(E)	(F)		
1	1	129910-07900	LIFTER	1							
2	1	26106-080162	BOLT, M8X 16 PLATED	4							
3	1	123907-11550	SEAT, VALVE BRIDGE	8							
4	1	129908-11700	HEAD ASSY, CYLINDER	1							
11	3	129907-11800	GUIDE, VALVE	16							1
12	3	123907-11820	GUIDE	8							
13	3	23876-020000	PLUG, R02	1							
14	3	23876-030000	PLUG, R03	4							
15	3	27241-400000	PLUG, 40	1							
16	2	129907-11110	VALVE, EXHAUST	8							
17	2	129907-11120	SPRING, VALVE	16							
18	2	119620-11180	RETAINER, SPRING	16							
19	2	124160-11340	SEAL, VALVE STEM	8							
20	2	124950-11340	SEAL, VALVE STEM	8							
20-1	2	119803-11340	SEAL, VALVE STEM	8							N
(A=E/#32463)											
21	2	129907-11510	BRIDGE ASSY, VALVE	8							
23	3	129150-11750	NUT, M8	8							
24	3	123907-11830	ADJUSTER	8							
25	2	27310-070001	COTTER, 7	16							
27	2	129907-11100	VALVE, INTAKE	8							
28	1	119593-11301	STUD, M8X80	2							
29	1	129907-11341	SUPPORT ASSY, ARM	1							
30	2	129907-11250	SHAFT, ROCKER ARM	1							
31	2	129907-11260	SUPPORT, ROCKER ARM	3							
32	2	129907-11270	SUPPORT, ROCKER ARM	2							
33	2	123907-11280	WASHER	8							
34	2	129907-11650	ARM, ROCKER	4							
36	3	129150-11230	SCREW, VALVE ADJUST	4							
37	3	129150-11750	NUT, M8	4							
38	2	129907-11660	ARM, ROCKER	4							
40	3	129150-11230	SCREW, VALVE ADJUST	4							
41	3	129150-11750	NUT, M8	4							
42	2	129907-11920	RETAINER	4							
43	2	26226-080222	STUD, M8X 22	2							
44	1	26106-080402	BOLT, M8X 40 PLATED	2							
45	1	26106-080602	BOLT, M8X 60 PLATED	4							
46	1	26106-080602	BOLT, M8X 60 PLATED	2							
47	1	24311-000120	O-RING, 1AP12.0	4							
48	1	129907-11950	BOLT, M8X75	4							
49	1	26306-080002	NUT, M8	2							
50	1	124160-01751	COVER, FILLER	1							
51	1	129908-11320	BONNET ASSY, HEAD	1							
51-1	1	129933-11320	BONNET ASSY, HEAD	1							N
(A=E/#18226)											
52	2	129907-03011	PLATE	1							
53	2	129907-03061	BAFFLE, BREATHER	1							
54	2	129907-03070	BAFFLE, BREATHER	1							
57	2	129907-11310	GASKET, BONNET	1							
57-1	2	129933-11310	GASKET, BONNET	1							N
(A=E/#18226)											

Remarks
(1)REPAIR PART.

Fig.4. CYLINDER HEAD & BONNET



(A)=4TNV98T-SBV
(B)=
(C)=

(D)=
(E)=
(F)=

No.	Lev.	Parts No.	Description	Q'ty						I	R
				(A)	(B)	(C)	(D)	(E)	(F)		
58	2	119100-11330	ELBOW	1							
59	2	22857-500100	SCREW, 5X10	6							
60	1	119802-11870	PROTECTOR, NOZZLE	4							
61	1	119625-11880	SEAT, NOZZLE	4							
62	1	124160-11360	KNOB	4							
63	1	24311-000120	O-RING, 1AP12.0	4							
64	1	24311-000320	O-RING, 1AP32.0	1							
65	1	129907-11910	RETAINER, NOZZLE	4							
66	1	129908-03099	HOSE, BREATHER	1							
67	1	129908-03209	BREATHER ASSY	1							
68	2	123901-03240	FILTER	3							
69	2	129908-03219	COVER, BREATHER	1							
70	2	129908-03229	BREATHER	1							
71	2	26116-050102	BOLT, M5X 10 PLATED	4							
72	1	129935-03260	HOSE ASSY, RETURN	1							
74	2	129935-03270	TUBE, CORRUGATED	1							
75	1	119006-03090	HOSE, BREATHER	1							
76	1	23000-022000	CLAMP, 22	2							
77	1	129410-03990	CLIP	2							
78	1	129960-03990	CLIP, HOSE 22	1							
79	1	123901-03280	ELBOW, PT3/8-10	1							
80	1	129150-03100	RETAINER, PIPE	1							
81	1	26106-080122	BOLT, M8X 12 PLATED	1							
82	1	129953-07910	LIFTER	1							
83	1	26106-080142	BOLT, M8X 14 PLATED	2							

Remarks

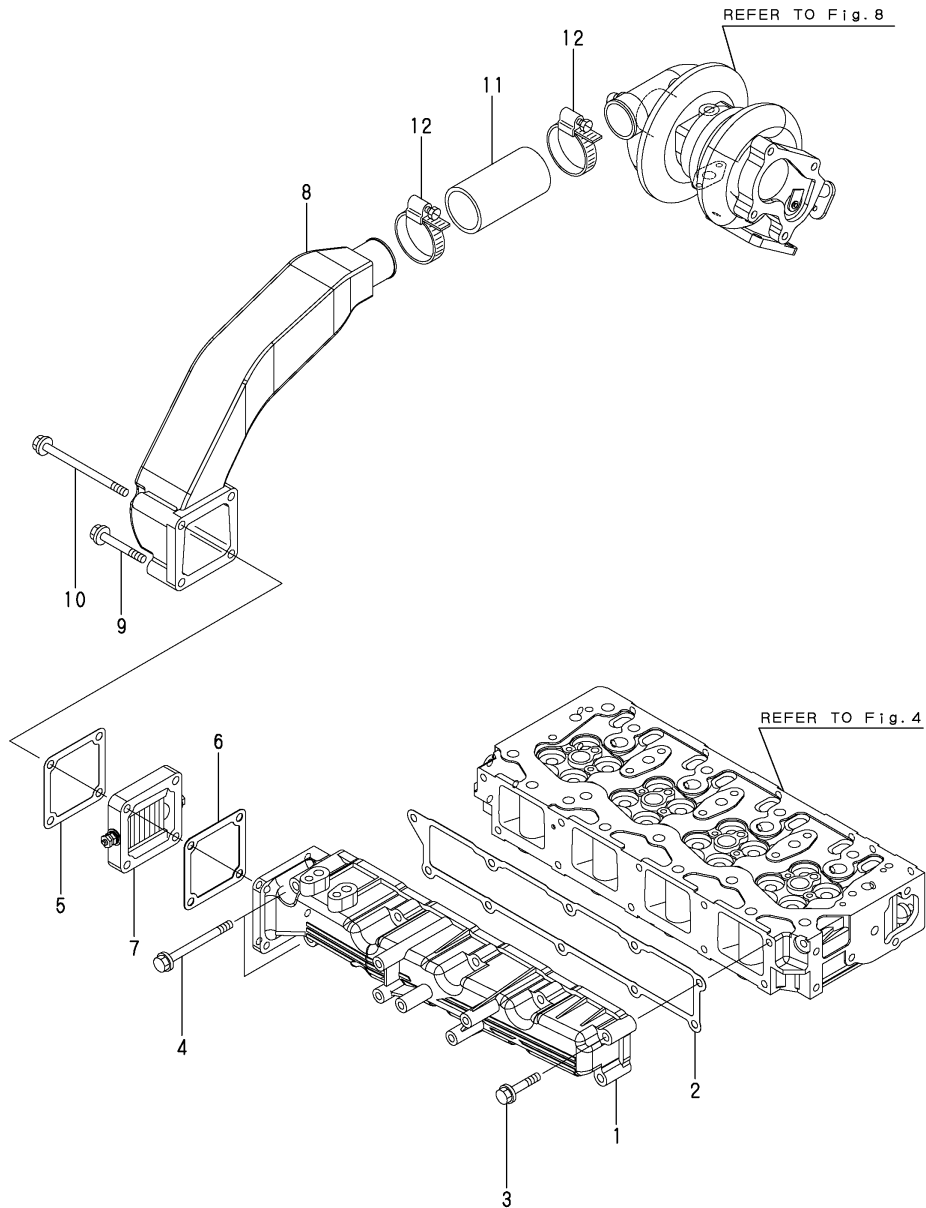
(1)REPAIR PART.

N:Old $\begin{matrix} \leftarrow \text{Yes} \\ \text{No} \end{matrix}$ New, Q:Old $\begin{matrix} \leftarrow \text{No} \\ \text{Yes} \end{matrix}$ New, R:Old $\begin{matrix} \leftarrow \text{Yes} \\ \text{Yes} \end{matrix}$ New, S:Old $\begin{matrix} \leftarrow \text{No} \\ \text{No} \end{matrix}$ New, W:Add, Z:Discontinued, F:Interchangeable by set, K:Q'ty Change

Fig.5. SUCTION MANIFOLD

(A)=4TNV98T-SBV
(B)=
(C)=

(D)=
(E)=
(F)=



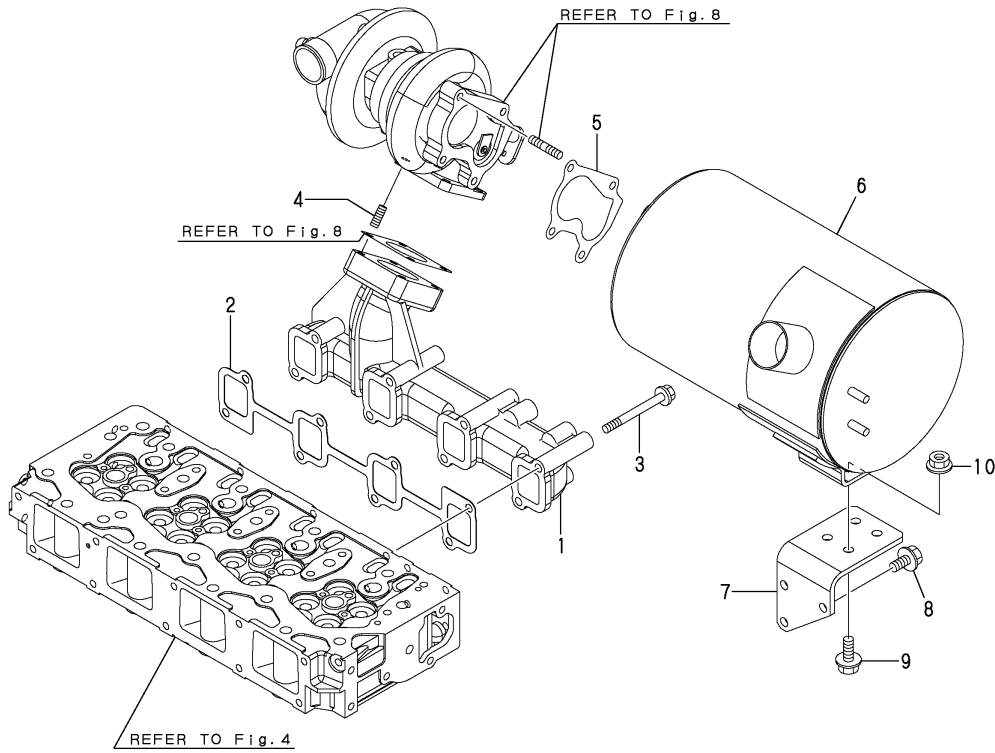
No.	Lev.	Parts No.	Description	Q'ty						I	R
				(A)	(B)	(C)	(D)	(E)	(F)		
1	1	129944-12110	MANIFOLD, AIR INTAKE	1							
2	1	129907-12110	GASKET, MANIFOLD	1							
3	1	26106-080452	BOLT, M8X 45 PLATED	8							
4	1	26106-080802	BOLT, M8X 80 PLATED	2							
5	1	119129-77020	GASKET	1							
6	1	121850-77021	GASKET	1							
7	1	119005-77050	HEATER	1							
8	1	129935-18350	DUCT, AIR	1							
9	1	26106-080702	BOLT, M8X 70 PLATED	2							
10	1	26106-080902	BOLT, M8X 90 PLATED	2							
11	1	123951-18220	JOINT, RUBBER	1							
12	1	23000-054000	CLAMP, 54	2							

Fig.6. EXHAUST MANIFOLD & SILENCER

P/C NEWS No. : Y00S4461-1
 PUBLISHED : 2007/6

(A)=4TNV98T-SBV
 (B)=
 (C)=

(D)=
 (E)=
 (F)=

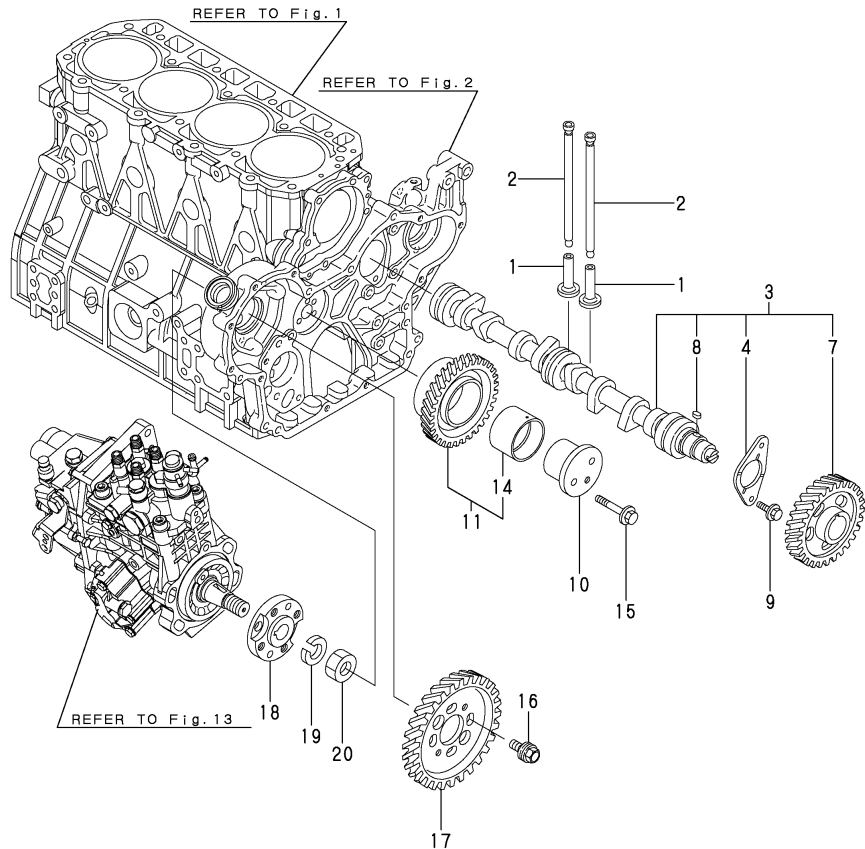


No.	Lev.	Parts No.	Description	Q'ty						I	R
				(A)	(B)	(C)	(D)	(E)	(F)		
1	1	129935-13100	MANIFOLD, EXHAUST	1							
2	1	129900-13251	GASKET	1							
3	1	123900-13630	BOLT, M8X80	8							
4	1	129418-18320	STUD, M8X20	4							
5	1	123901-18080	GASKET	1							
6	1	129933-13500	SILENCER	1							
6-1	1	129933-13501	SILENCER	1							N
		(A=E/#45064)									
7	1	129933-13600	STAY, SILENCER	1							
8	1	26106-080162	BOLT, M8X 16 PLATED	3							
9	1	26106-080202	BOLT, M8X 20 PLATED	4							
10	1	26306-080002	NUT, M8	4							

Fig.7. CAMSHAFT & DRIVING GEAR

(A)=4TNV98T-SBV
(B)=
(C)=

(D)=
(E)=
(F)=



No.	Lev.	Parts No.	Description	Q'ty						I	R
				(A)	(B)	(C)	(D)	(E)	(F)		
1	1	129150-14200	TAPPET	8							
2	1	129907-14400	ROD, PUSH	8							
3	1	129908-14581	CAMSHAFT ASSY	1							
4	2	129150-02450	BEARING, THRUST	1							
7	2	129900-14100	GEAR, CAMSHAFT	1							
8	2	22512-070140	KEY, 7X 14	1							
9	1	26106-080162	BOLT, M8X 16 PLATED	2							
10	1	123900-25060	SHAFT, IDLE GEAR	1							
11	1	129900-25100	GEAR ASSY, IDLE	1							
14	2	129150-25920	BUSH, IDLE GEAR	1							1
15	1	26106-080552	BOLT, M8X 55 PLATED	3							
16	1	129953-25300	BOLT	4							
17	1	129907-25900	GEAR, PUMP	1							
18	1	158563-51150	FLANGE	1							
19	1	22217-180000	WASHER, SPRING 18	1							
20	1	26776-180002	NUT, LOCK M18	1							

Remarks
(1)REPAIR PART.

Fig.8. TURBINE

(A)=4TNV98T-SBV
(B)=
(C)=

(D)=
(E)=
(F)=

No.	Lev.	Parts No.	Description	Q'ty						I	R
				(A)	(B)	(C)	(D)	(E)	(F)		
1	1	129472-18090	GASKET	1							
2	1	26306-080002	NUT, M8	4							
3	1	129935-18010	TURBINE, RHF5	1							
4	1	119131-18320	STUD, M8X22	4							

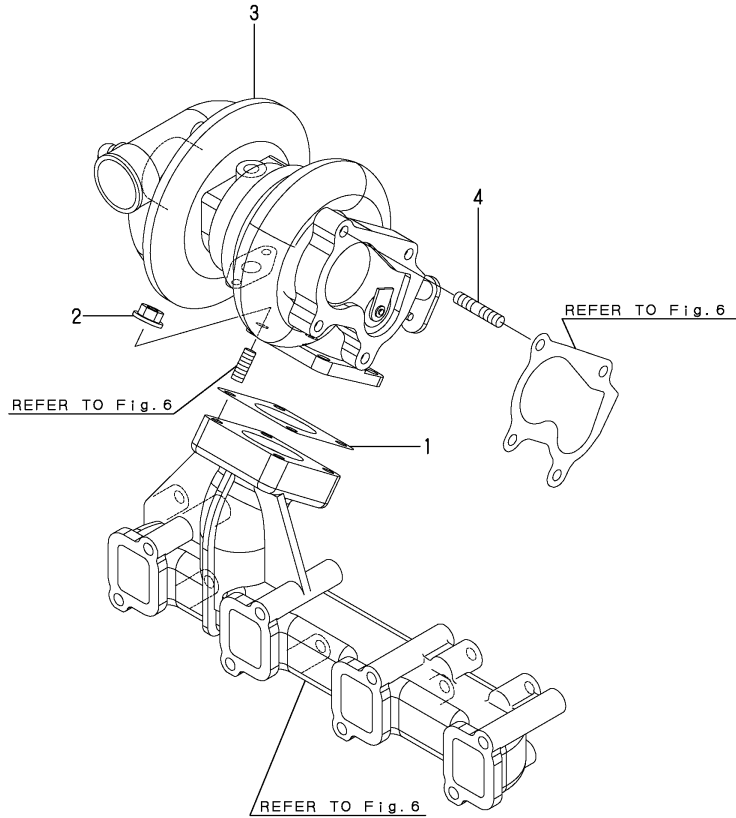
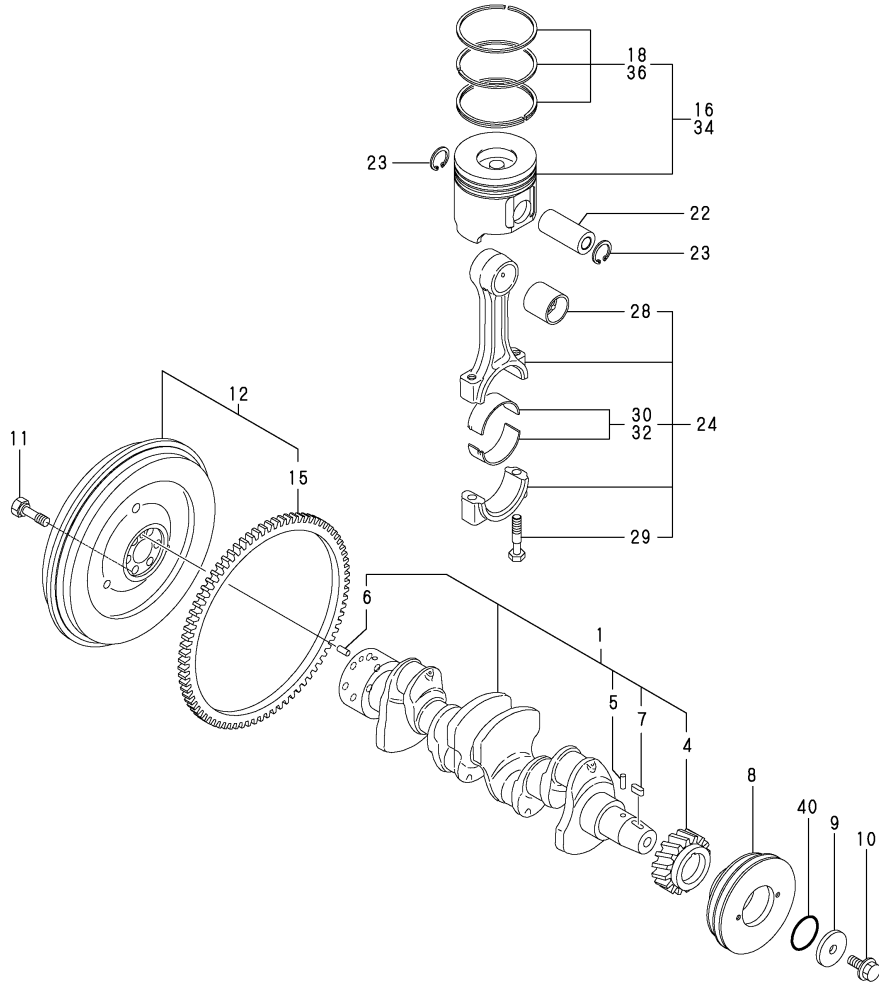


Fig.9. CRANKSHAFT & PISTON

(A)=4TNV98T-SBV
(B)=
(C)=

(D)=
(E)=
(F)=



No.	Lev.	Parts No.	Description	Q'ty						I	R
				(A)	(B)	(C)	(D)	(E)	(F)		
1	1	129908-21000	CRANKSHAFT ASSY	1							
4	2	129900-21200	GEAR, CRANKSHAFT	1							
5	2	121850-21290	PIN	1							
6	2	121850-21920	PIN, M10X22	1							
7	2	22512-070140	KEY, 7X 14	1							
8	1	129953-21610	V-PULLEY	1							
8-1	1	129953-21611	V-PULLEY	1							N
(A=E/XXXXX)											
9	1	129960-21640	WASHER	1							
10	1	121850-21680	BOLT	1							
11	1	121850-21130	BOLT, FLYWHEEL	6							
12	1	129953-21581	FLYWHEEL ASSY	1							
15	2	129900-21600	GEAR, RING	1							
16	1	129908-22080	PISTON ASSY	4							
18	2	129907-22050	RING SET, PISTON	4							
22	1	120130-22301	PIN, PISTON	4							
23	1	22252-000300	RING, 30	8							
24	1	129900-23001	ROD ASSY, CONNECTING	4							
28	2	129900-23911	BEARING, PISTON PIN	4							1
29	2	129900-23200	BOLT, CONNECTING ROD	8							
30	2	129900-23600	BEARING, CRANK PIN	4							1
30-1	2	129900-23601	BEARING, CRANK PIN	4							N 1
(A=E/#28249)											
32	1	129900-23610	BEARING, 0.25 US	4							2
32-1	1	129900-23611	BEARING, 0.25 US	4							N 2
(A=E/#28249)											
34	1	729908-22900	PISTON ASSY, 0.25 OS	4							3
36	2	729907-22950	RING SET, 0.25 OS	4							3
40	1	24341-000530	O-RING, 1AS53.0	1							

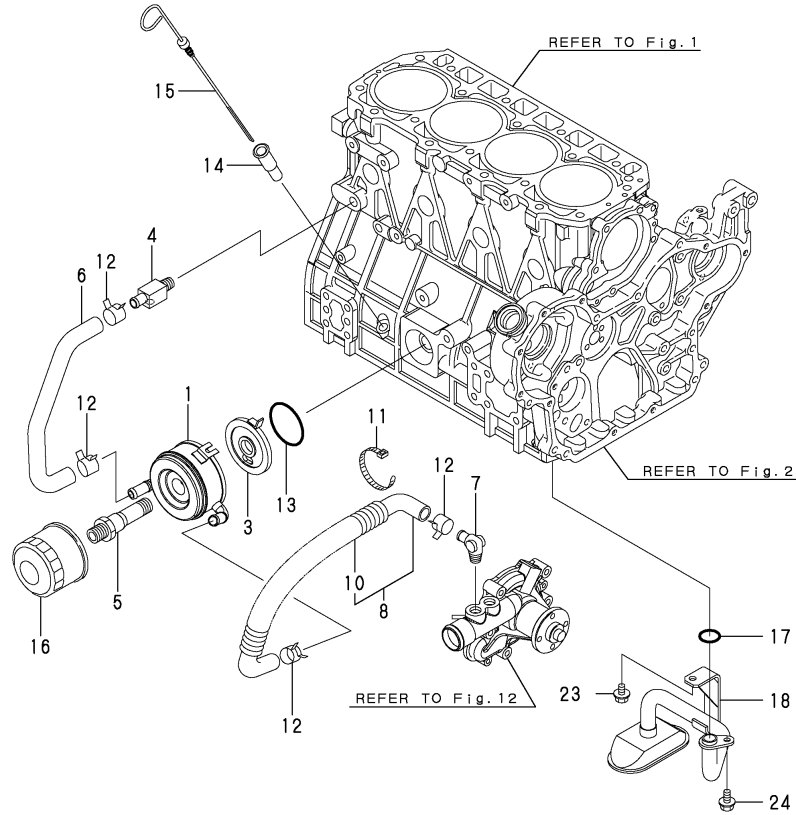
Remarks

- (1)REPAIR PART.
- (2)UNDER SIZED(U.S.=0.25)PART.
- (3)OVER SIZED(O.S.=0.25)PART.

Fig.10. LUB.OIL SYSTEM

(A)=4TNV98T-SBV
(B)=
(C)=

(D)=
(E)=
(F)=

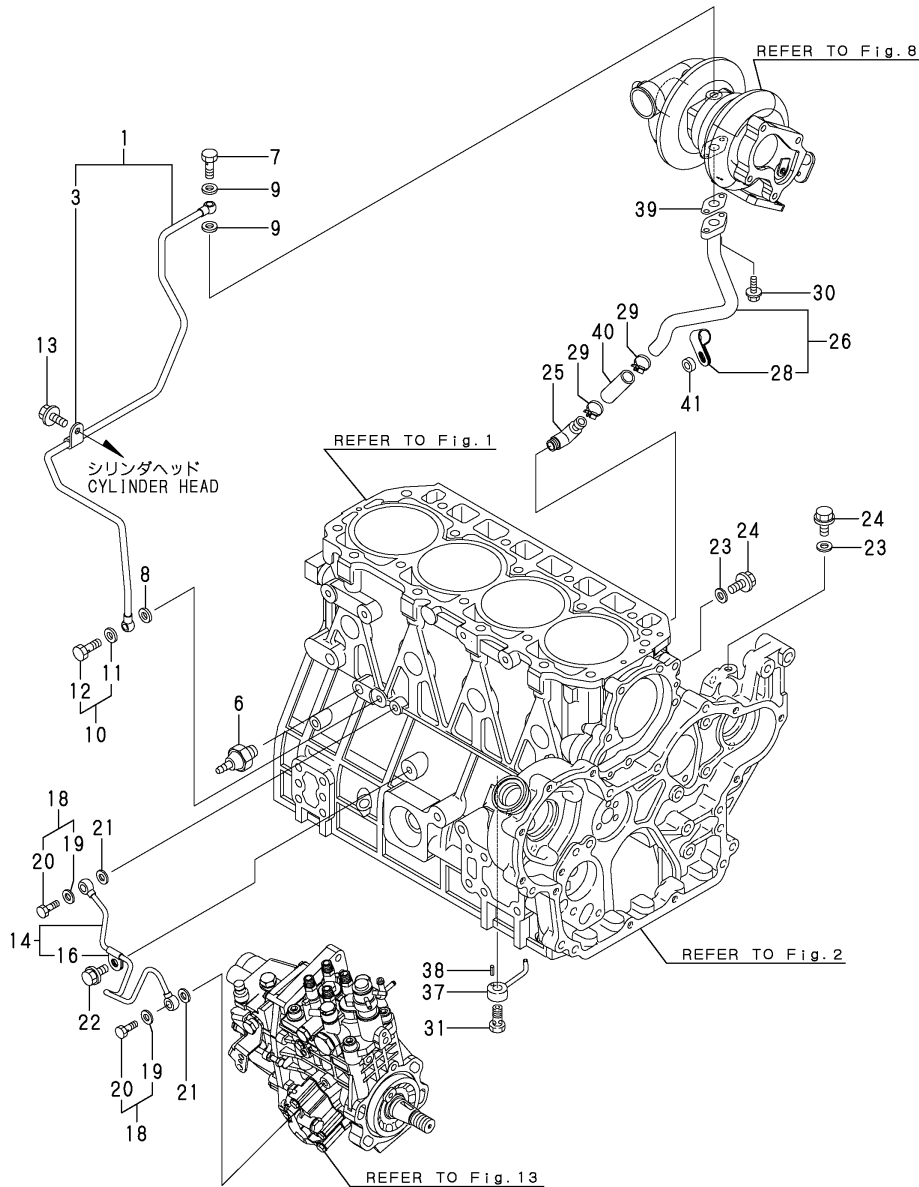


No.	Lev.	Parts No.	Description	Q'ty						I	R
				(A)	(B)	(C)	(D)	(E)	(F)		
1	1	129908-33010	COOLER ASSY, OIL	1							
3	1	129908-33101	BRACKET, COOLER	1							
4	1	129122-44480	JOINT	1							
5	1	123912-33100	BOLT, COOLER	1							
6	1	129908-49060	PIPE, WATER	1							
7	1	129466-49300	ELBOW, PT3/8	1							
8	1	123910-49600	PIPE, WATER	1							
10	2	123910-49610	TUBE, CORRUGATED	1							
11	1	121750-59890	BAND, 140	1							
12	1	23000-025000	CLAMP, 25	4							
13	1	24321-000600	O-RING, 1AG60.0	1							
14	1	121520-34810	GUIDE, DIPSTICK	1							
15	1	129953-34830	DIPSTICK, OIL	1							
16	1	129150-35170	FILTER, LO	1							1
17	1	129900-32030	O-RING, P20	1							
18	1	129953-35000	PIPE ASSY, OIL INLET	1							
23	1	26106-080122	BOLT, M8X 12 PLATED	1							
24	1	26106-080162	BOLT, M8X 16 PLATED	1							

Remarks

(1)REPAIR PART.

Fig.11. LUB.OIL PIPE



(A)=4TNV98T-SBV
(B)=
(C)=

(D)=
(E)=
(F)=

No.	Lev.	Parts No.	Description	Q'ty						I	R
				(A)	(B)	(C)	(D)	(E)	(F)		
1	1	129935-39040	PIPE ASSY, OIL	1							
3	2	124223-39900	RETAINER	1							
6	1	114250-39450	SWITCH, 0.5KG	1							
7	1	121252-39150	BOLT, JOINT M10X1.5	1							
8	1	22190-080002	WASHER, SEAL 6	1							
9	1	23414-100000	GASKET, 10X1.0	2							
10	1	129005-59830	BOLT ASSY, JOINT M8	1							
11	2	22190-080002	WASHER, SEAL 6	1							
12	2	23857-030000	BOLT, JOINT 3	1							
13	1	26106-080122	BOLT, M8X 12 PLATED	1							
14	1	129907-39061	PIPE ASSY, OIL	1							
16	2	123907-39500	RETAINER	1							
18	1	129005-59830	BOLT ASSY, JOINT M8	2							
19	2	22190-080002	WASHER, SEAL 6	2							
20	2	23857-030000	BOLT, JOINT 3	2							
21	1	22190-080002	WASHER, SEAL 6	2							
22	1	26106-080122	BOLT, M8X 12 PLATED	1							
23	1	22190-080002	WASHER, SEAL 6	2							
24	1	26106-080122	BOLT, M8X 12 PLATED	2							
25	1	124070-13300	ELBOW, PT3/8	1							
26	1	129935-39610	PIPE, OIL	1							
28	2	123910-39850	RETAINER	1							
29	1	23000-025000	CLAMP, 25	2							
30	1	26106-060162	BOLT, M6X 16 PLATED	2							
31	1	129908-39410	VALVE ASSY, CHECK	4							
37	1	119000-39650	NOZZLE	4							
38	1	22351-030010	PIN, SPRING 3.0X10	4							
39	1	129908-39690	GASKET	1							
40	1	123901-39820	HOSE	1							
41	1	106500-44810	SPACER	1							

Fig.12. COOLING WATER SYSTEM

(A)=4TNV98T-SBV

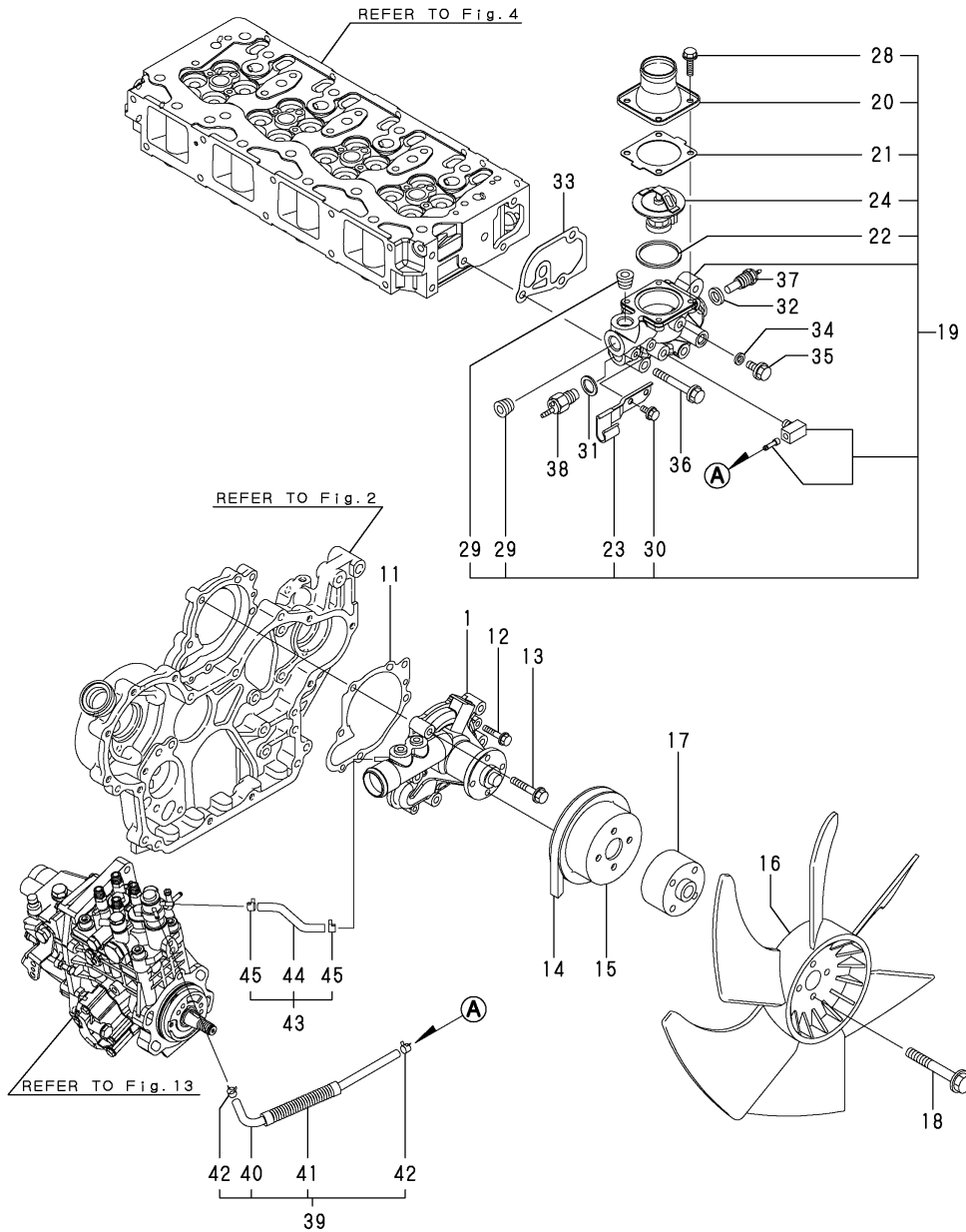
(B)=

(C)=

(D)=

(E)=

(F)=

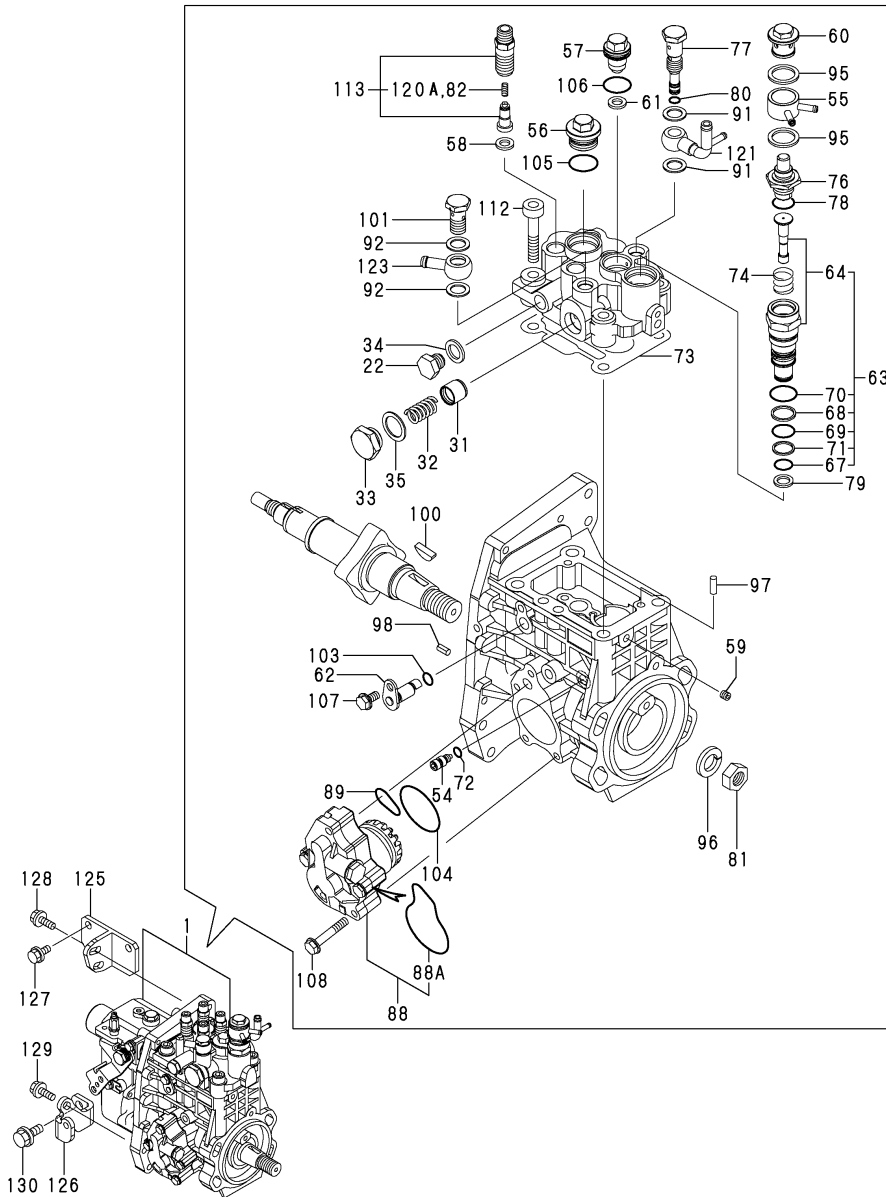


No.	Lev.	Parts No.	Description	Q'ty						I	R
				(A)	(B)	(C)	(D)	(E)	(F)		
1	1	129907-42000	PUMP ASSY, WATER	1							
11	1	129900-42020	GASKET, WATER PUMP	1							
12	1	26106-060302	BOLT, M6X 30 PLATED	2							
13	1	26106-080552	BOLT, M8X 55 PLATED	5							
14	1	25132-004200	V-BELT, A42	1							
14-1	1	25152-004200	V-BELT, A42	1							N
(A="08.03)											
15	1	129900-42461	V-PULLEY	1							
15-1	1	129930-42450	V-PULLEY	1							N
(A=E/#19178)											
16	1	129916-44740	FAN, COOLING D=430	1							
17	1	119005-44761	SPACER, FAN	1							
18	1	26106-080452	BOLT, M8X 45 PLATED	4							
19	1	129907-49800	CASE ASSY, THERMOSTAT	1							
20	2	129916-49530	COVER, THERMOSTAT	1							
21	2	121850-49540	GASKET, THERMOSTAT	1							
22	2	121850-49550	GASKET, THERMOSTAT	1							
23	2	129907-49730	RETAINER, PIPE	1							
24	2	121850-49810	THERMOSTAT, 71	1							
28	2	26106-060202	BOLT, M6X 20 PLATED	4							
29	2	23875-030000	PLUG, R03	2							
30	2	26106-060122	BOLT, M6X 12 PLATED	2							
31	1	124465-44950	GASKET, 16	1							
32	1	129150-49360	GASKET	1							
33	1	129900-49870	GASKET	1							
34	1	23414-080000	GASKET, 8X1.0	1							
35	1	26106-080122	BOLT, M8X 12 PLATED	1							
36	1	26106-080602	BOLT, M8X 60 PLATED	3							
37	1	171056-49351	SENSOR	1							
38	1	121250-44901	SWITCH, 110	1							
39	1	129907-49610	HOSE ASSY, WATER	1							
40	2	129907-49710	PIPE ASSY, WATER	1							
41	2	129907-49750	TUBE, CORRUGATED	1							
42	2	124722-59050	CLIP, HOSE 9	2							
43	1	129907-49620	HOSE ASSY, WATER	1							
44	2	129907-49720	PIPE ASSY, WATER	1							
45	2	124722-59050	CLIP, HOSE 9	2							

Fig.13. FUEL INJECTION PUMP

(A)=4TNV98T-SBV
(B)=
(C)=

(D)=
(E)=
(F)=



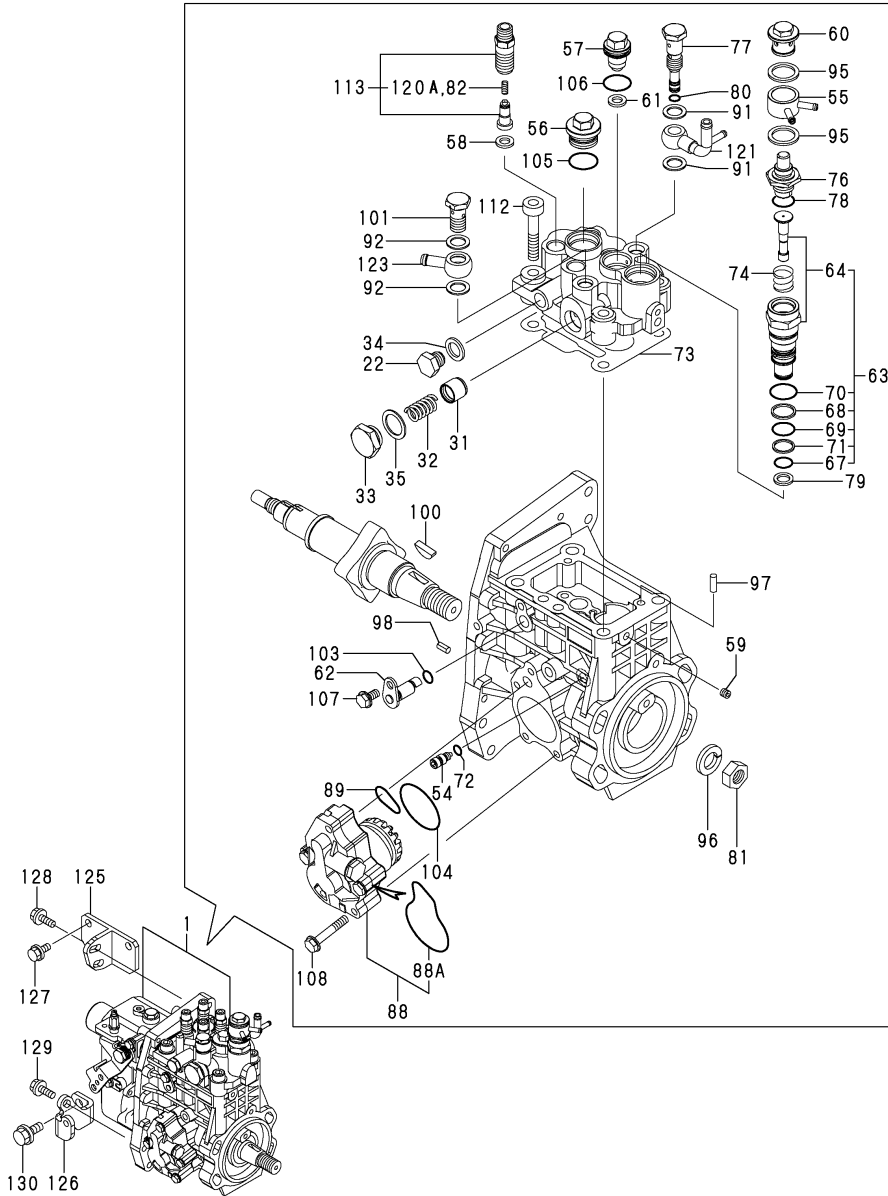
No.	Lev.	Parts No.	Description	Q'ty						I	R
				(A)	(B)	(C)	(D)	(E)	(F)		
1	1	729933-51320	PUMP ASSY, INJECTION	1							1
22	4	23887-120002	PLUG, 12	1							
31	4	158601-51770	PISTON	1							
32	4	158552-51780	SPRING	1							
32-1	4	158552-51781	SPRING	1							N
(A=E/#35431)											
33	4	158601-51790	PLUG	1							
34	4	22190-120002	WASHER, SEAL 12	1							
35	4	22190-180002	WASHER, SEAL 18	1							
54	3	158600-51270	STOPPER, TAPPET	1							
55	3	158553-51551	JOINT	1							
56	3	158601-51550	PLUG	1							
57	3	129907-51560	PLUG, BARREL	1							
58	3	158552-51570	GASKET	4							
59	3	158557-51570	PLUG	1							
60	3	158601-51570	PLUG	1							
61	3	129906-51580	GASKET	1							
62	3	158552-51580	LIFTER	1							
63	3	119802-51590	TIMER SET	1							
64	4	119802-51600	TIMER ASSY	1							
67	4	158553-51670	O-RING, 1011	1							
68	4	119802-51680	RING, BACK UP	1							
69	4	119802-51690	O-RING	1							
70	4	24356-010200	O-RING, 4D1020	1							
71	4	24372-000150	RING, BACK UP T2P15	1							
72	3	158563-51281	O-RING, 4D S6	1							
73	3	158560-51600	GASKET	1							
74	3	158553-51630	SPRING, TIMER	1							
76	3	158553-51640	ELEMENT	1							
77	3	158601-51650	JOINT, OVER FLOW	1							
78	3	158553-51660	O-RING, P14	1							
79	3	158553-51680	GASKET	1							
80	3	158563-51281	O-RING, 4D S6	1							
81	3	26776-180002	NUT, LOCK M18	1							
82	3	158563-51330	SPRING, DELIVERY	4							Z
(A=*2008.02.)											
88	3	158552-52100	PUMP ASSY, FUEL FEED	1							
88A	4	158552-52500	O-RING	1							W
(A=FROM 1ST)											
89	3	158552-52310	O-RING	1							
91	3	22190-120002	WASHER, SEAL 12	2							
92	3	22190-120002	WASHER, SEAL 12	2							
95	3	22190-180002	WASHER, SEAL 18	2							
96	3	22217-180000	WASHER, SPRING 18	1							
97	3	22312-050140	PIN, PARALLEL M5X14	2							
98	3	22351-050010	PIN, SPRING 5.0X10	2							
100	3	144626-51090	KEY, 5X19	1							
101	3	23857-060000	BOLT, JOINT 6	1							
103	3	24311-000070	O-RING, 1AP7.0	1							
104	3	158552-52400	O-RING, 4E S42	1							
105	3	24356-010200	O-RING, 4D1020	1							

Remarks
(1)GOVERNOR ASSY(FIG.14) IS
INCORPORATED IN THIS FUEL

Fig.13. FUEL INJECTION PUMP

(A)=4TNV98T-SBV
(B)=
(C)=

(D)=
(E)=
(F)=



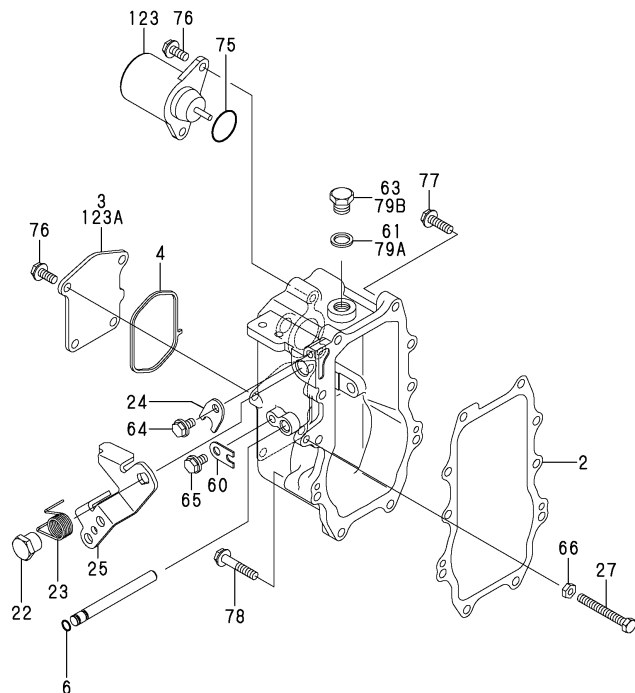
No.	Lev.	Parts No.	Description	Q'ty						I	R
				(A)	(B)	(C)	(D)	(E)	(F)		
106	3	24356-020210	O-RING, 4D2021	1							
107	3	26106-060102	BOLT, M6X 10 PLATED	1							
108	3	26106-060352	BOLT, M6X 35 PLATED	4							
112	3	26450-100452	BOLT, M10X 45	4							
113	3	129509-51390	VALVE ASSY, DELIVERY	4							W
(A=*2008.02.)											
120A	4	158563-51330	SPRING, DELIVERY	4							W
(A=*2008.02.)											
121	2	158552-51670	JOINT, OVER FLOW	1							
123	2	129916-59020	JOINT, PIPE 12	1							
125	1	129907-01950	RETAINER	1							
126	1	129907-01960	RETAINER	1							
127	1	26106-080162	BOLT, M8X 16 PLATED	2							
128	1	26106-080222	BOLT, M8X 22 PLATED	2							
129	1	26106-080222	BOLT, M8X 22 PLATED	1							
130	1	26106-100202	BOLT, M10X 20 PLATED	1							

Remarks
(1)GOVERNOR ASSY(FIG.14) IS
INCORPORATED IN THIS FUEL

Fig.14. GOVERNOR

(A)=4TNV98T-SBV
(B)=
(C)=

(D)=
(E)=
(F)=

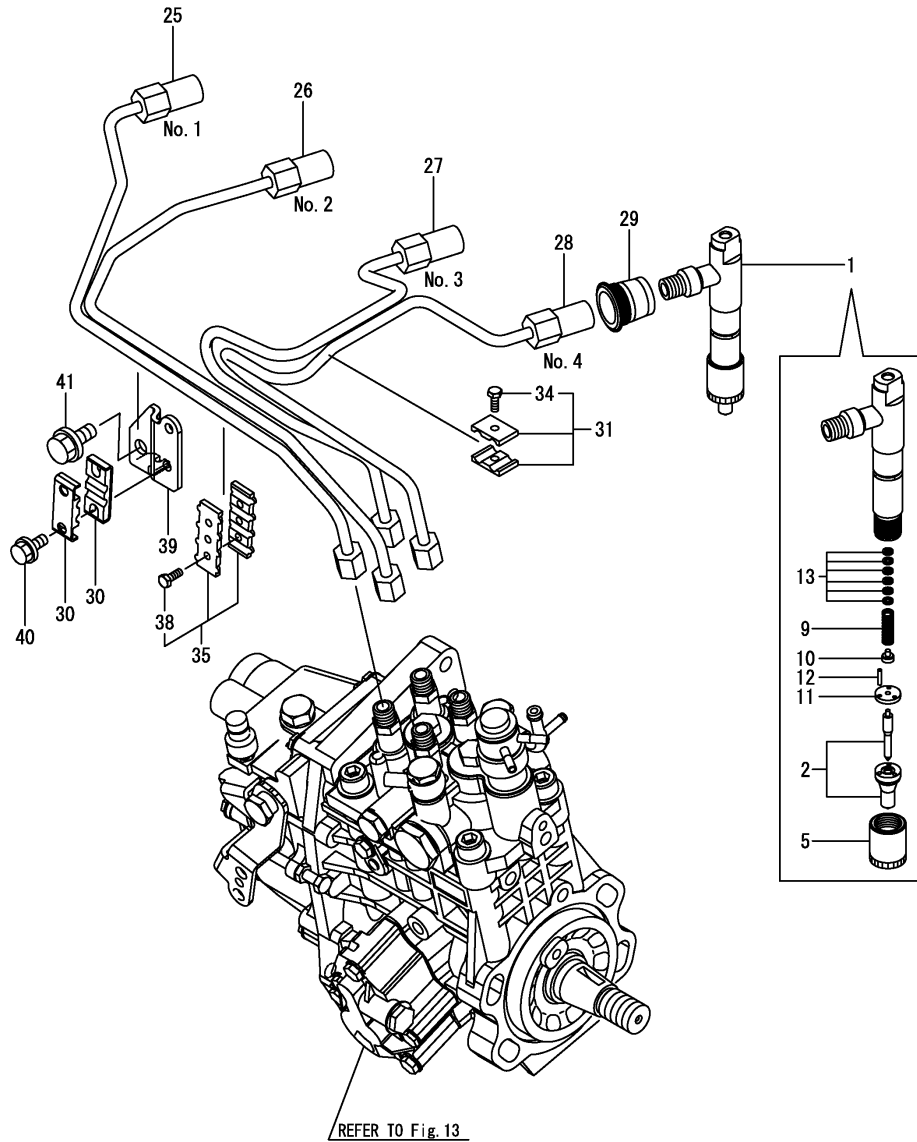


No.	Lev.	Parts No.	Description	Q'ty						I	R
				(A)	(B)	(C)	(D)	(E)	(F)		
2	3	158560-61050	GASKET	1							
3	3	158560-61061	COVER, GOVERNOR CASE	1							
3-1	3	158560-61061	COVER, GOVERNOR CASE	1							Z
(A=E/#29661)											
4	3	158560-61071	GASKET	1							
6	3	129155-51280	O-RING, S6	1							
22	3	129255-61410	NUT, LOCK	1							
23	3	119807-61420	SPRING, RETURN	1							
24	3	158560-61430	RETAINER, SHAFT	1							
25	3	158560-61441	LEVER, REGULATOR	1							
25-1	3	158560-61442	LEVER, REGULATOR	1							N
(A=E/#22804)											
27	3	129155-61460	BOLT, IDLE	1							
60	3	119660-61901	RETAINER, SHAFT	1							
61	3	22190-160002	WASHER, SEAL 16	1							
61-1	3	22190-160002	WASHER, SEAL 16	1							Z
(A=E/#20118)											
63	3	23887-160002	PLUG, 16	1							
63-1	3	23887-160002	PLUG, 16	1							Z
(A=E/#20118)											
64	3	26106-060102	BOLT, M6X 10 PLATED	1							
65	3	26106-060102	BOLT, M6X 10 PLATED	1							
66	3	26756-060002	NUT, LOCK M6	1							
75	3	24341-000280	O-RING, 1AS28.0	1							
75-1	3	158552-61900	O-RING	1							N
(A=EXXXXX)											
76	3	26106-060142	BOLT, M6X 14 PLATED	6							
77	3	26106-060252	BOLT, M6X 25 PLATED	8							
78	3	26106-060402	BOLT, M6X 40 PLATED	2							
79A	2	23887-160002	PLUG, 16	1							W
(A=E/#20118)											
79B	2	22190-160002	WASHER, SEAL 16	1							W
(A=E/#20118)											
123	2	119233-77932	SOLENOID, STOP	1							
123A	2	158560-61061	COVER, GOVERNOR CASE	1							W
(A=E/#29661)											

Remarks

* THIS FIGURE(GOVERNOR ASSY)IS INCORPORATED IN THE FUEL INJECTION PUMP ASSY(FIG.13).

Fig.15. FUEL INJECTION VALVE

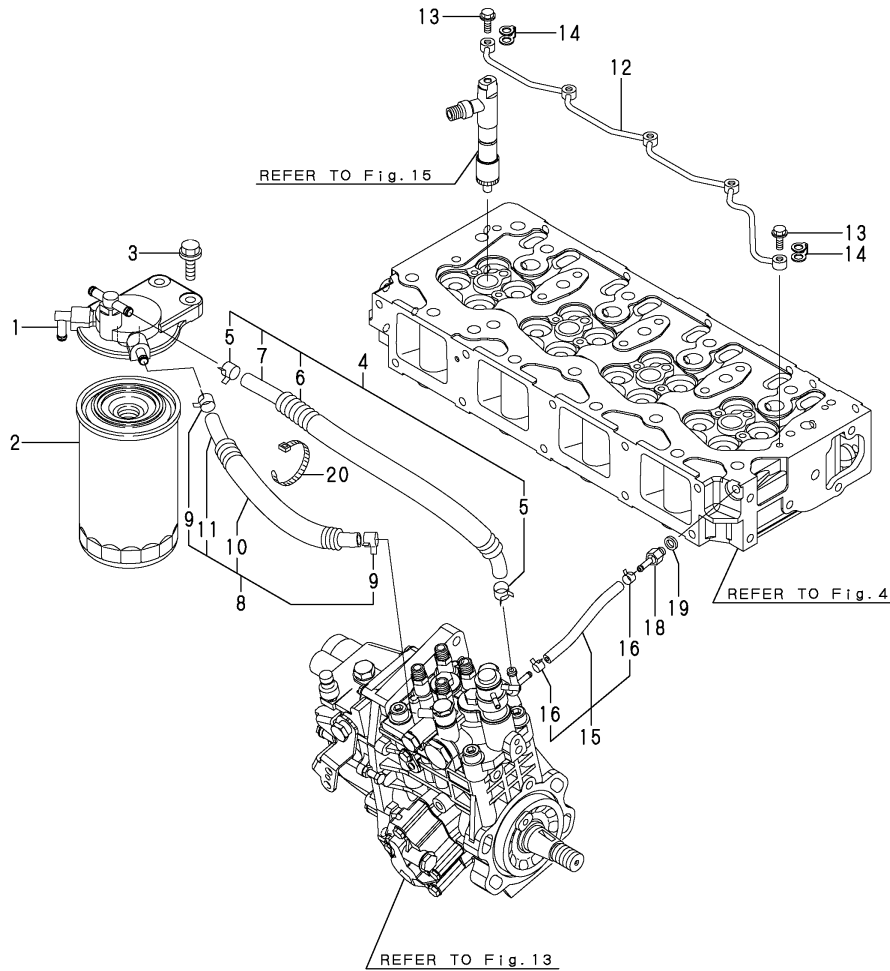


(A)=4TNV98T-SBV
(B)=
(C)=

(D)=
(E)=
(F)=

No.	Lev.	Parts No.	Description	Q'ty						I	R
				(A)	(B)	(C)	(D)	(E)	(F)		
1	1	729933-53100	VALVE ASSY,INJECTION	4							
2	2	129933-53000	VALVE ASSY,INJECTION	4							
5	2	114250-53080	NUT, NOZZLE D16.95	4							
9	2	114250-53120	SPRING, NOZZLE	4							
10	2	114250-53130	SEAT, SPRING	4							
11	2	114250-53140	PLATE	4							
12	2	114250-53210	PIN	8							
13	2	114250-53400	SHIM SET	4							
25	1	129908-59810	PIPE ASSY, INJECTION	1							
26	1	129908-59820	PIPE ASSY, INJECTION	1							
27	1	129908-59830	PIPE ASSY, INJECTION	1							
28	1	129908-59840	PIPE ASSY, INJECTION	1							
29	1	123907-11601	SEAL	4							
30	1	122780-59100	RETAINER	2							
31	1	119305-59120	RETAINER, PIPE	1							
34	2	129150-59131	BOLT, M4X14	1							
35	1	129550-59120	RETAINER, PIPE	1							
38	2	129150-59131	BOLT, M4X14	2							
39	1	129907-59710	SUPPORT	1							
40	1	26106-060162	BOLT, M6X 16 PLATED	2							
41	1	26106-080182	BOLT, M8X 18 PLATED	1							

Fig.16. FUEL LINE



(A)=4TNV98T-SBV
(B)=
(C)=

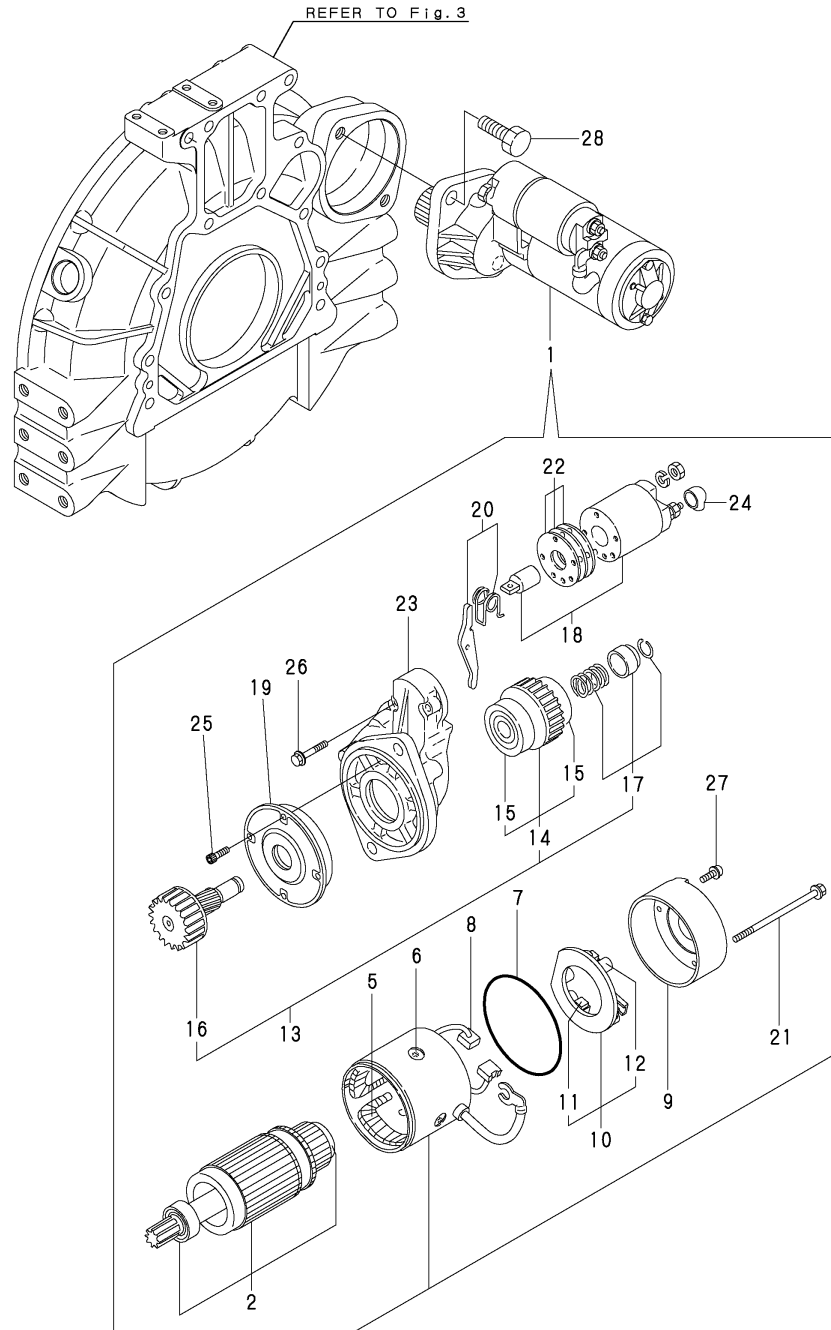
(D)=
(E)=
(F)=

No.	Lev.	Parts No.	Description	Q'ty						I	R
				(A)	(B)	(C)	(D)	(E)	(F)		
1	1	129004-55610	BRACKET, FILTER	1							
1-1	1	129004-55612	BRACKET, FILTER	1							R
(A=E/#25209)											
2	1	123907-55810	FILTER, FUEL	1							
3	1	26106-080302	BOLT, M8X 30 PLATED	2							
4	1	129457-59010	PIPE ASSY, FUEL	1							
5	2	124766-59050	CLIP, HOSE 12	2							
6	2	129957-59120	TUBE, CORRUGATED	1							
7	2	105025-59750	PIPE, FUEL	1							
8	1	129981-59010	PIPE ASSY, FUEL	1							
9	2	124766-59050	CLIP, HOSE 12	2							
10	2	129950-59221	TUBE, CORRUGATED	1							
11	2	129980-59510	PIPE, FUEL	1							
12	1	129907-59140	PIPE ASSY, RETURN	1							
13	1	123907-59540	BOLT, PIPE JOINT M6	5							
14	1	123907-59550	GASKET	5							
15	1	129486-59551	PIPE ASSY, RETURN	1							
16	2	124722-59050	CLIP, HOSE 9	2							
18	1	123907-59560	JOINT	1							
19	1	22190-080002	WASHER, SEAL 6	1							
20	1	121750-59890	BAND, 140	1							

Fig.17. STARTING MOTOR

(A)=4TNV98T-SBV
(B)=
(C)=

(D)=
(E)=
(F)=

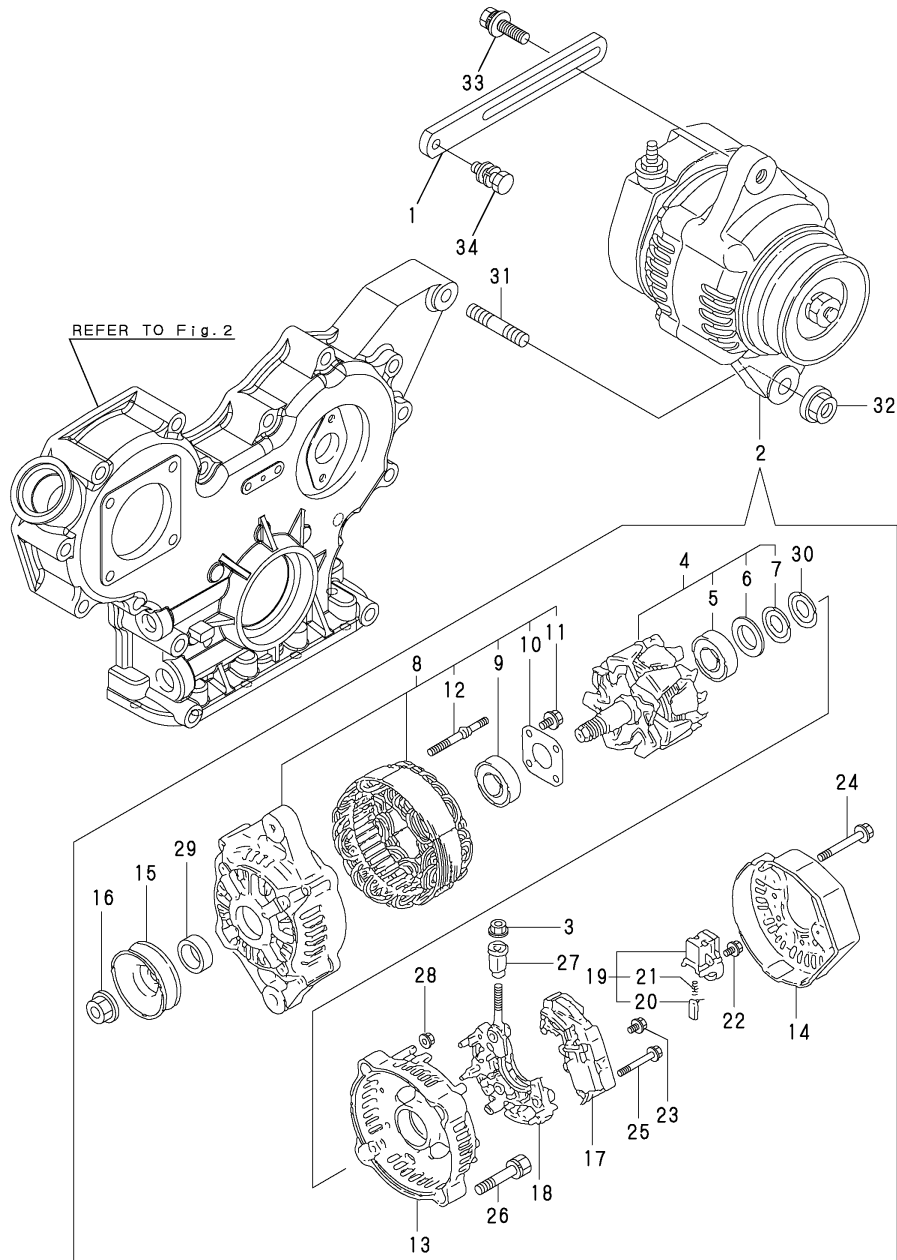


No.	Lev.	Parts No.	Description	Q'ty						I	R
				(A)	(B)	(C)	(D)	(E)	(F)		
1	1	129940-77010	STARTER	1							
2	2	129940-77100	ARMATURE ASSY	1							
5	2	129940-77130	COIL ASSY, FIELD	1							
6	2	129940-77140	SCREW	4							
7	2	129940-77150	O-RING	1							
8	2	129940-77160	BRUSH	2							
9	2	129940-77170	COVER	1							
10	2	129940-77180	HOLDER ASSY, BRUSH	1							
11	3	129940-77200	BRUSH	2							
12	3	129940-77190	SPRING	1							
13	2	123900-77510	PINION ASSY	1							
14	3	123900-77520	CLUTCH ASSY	1							
15	4	X2240610100	BEARING, BALL	2							
16	3	123900-77540	SHAFT	1							
17	3	119131-77550	STOPPER KIT	1							
18	2	129940-77210	SWITCH ASSY	1							
19	2	129940-77230	RETAINER	1							
20	2	129940-77240	LEVER SET	1							
21	2	129940-77260	BOLT, THROUGH	2							
22	2	129940-77250	COVER ASSY, DUST	1							
23	2	129940-77220	CASE, GEAR	1							
24	2	121254-77810	COVER, TERMINAL	1							
25	2	129940-77270	BOLT	4							
26	2	114371-79070	BOLT	2							
27	2	129940-77280	SCREW	2							
28	1	26116-120302	BOLT, M12X 30 PLATED	2							

Fig.18. GENERATOR

(A)=4TNV98T-SBV
(B)=
(C)=

(D)=
(E)=
(F)=

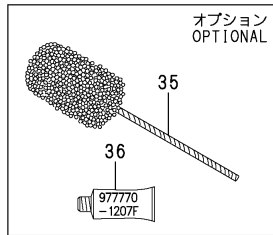
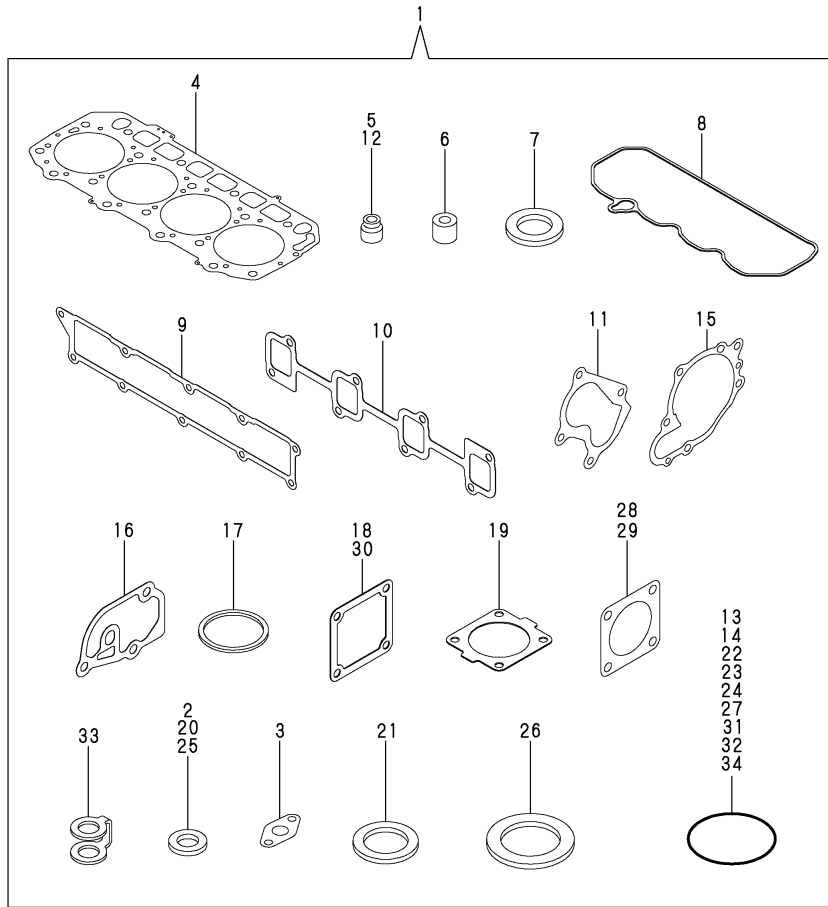


No.	Lev.	Parts No.	Description	Q'ty						I	R
				(A)	(B)	(C)	(D)	(E)	(F)		
1	1	129900-77330	ADJUSTER	1							
2	1	129423-77200	GENERATOR, 12V-40A	1							
3	2	X9490561001	NUT	1							
4	2	119620-77380	ROTOR ASSY	1							
5	3	123501-79240	BEARING, BALL	1							
6	3	119620-79250	COVER	1							
7	3	119620-79360	WASHER, THRUST	1							
8	2	119620-77421	FRAME ASSY, DRIVE	1							
9	3	119620-79200	BEARING, BALL	1							
10	3	119620-79210	PLATE, RETAINER	1							
11	3	119620-79220	SCREW	4							
12	3	119620-79230	STUD	2							
13	2	119620-77440	FRAME ASSY	1							
14	2	129240-79300	COVER	1							
15	2	119620-77461	PULLEY	1							
16	2	119620-77471	NUT	1							
17	2	129423-77710	REGULATOR ASSY	1							
18	2	119620-79260	HOLDER	1							
19	2	129052-79270	HOLDER, BRUSH	1							
20	3	119620-77480	BRUSH ASSY	2							
21	3	119620-79280	SPRING	2							
22	2	119620-79290	SCREW	1							
23	2	119620-79300	SCREW	1							
24	2	119620-79310	BOLT	3							
25	2	119620-79320	SCREW	2							
26	2	119620-79330	BOLT	2							
27	2	119620-79340	BUSH, INSULATION	1							
28	2	119620-79350	NUT	2							
29	2	119620-77490	COLLAR	1							
30	2	119620-79360	WASHER, THRUST	1							
31	1	129795-01900	STUD	1							
32	1	26306-100002	NUT, M10	1							
33	1	26014-080252	BOLT, M8X 25	1							
34	1	119810-77340	BOLT, ADJUSTER	1							

Fig.19. GASKET SET & TOOLS

(A)=4TNV98T-SBV
(B)=
(C)=

(D)=
(E)=
(F)=



No.	Lev.	Parts No.	Description	Q'ty						I	R
				(A)	(B)	(C)	(D)	(E)	(F)		
1	1	729907-92770	GASKET SET	1							1
2	2	23414-100000	GASKET, 10X1.0	2							
3	2	129908-39690	GASKET	1							
4	2	129907-01331	GASKET, HEAD	1							
5	2	124160-11340	SEAL, VALVE STEM	8							
6	2	119802-11870	PROTECTOR, NOZZLE	4							
7	2	119625-11880	SEAT, NOZZLE	4							
8	2	129907-11310	GASKET, BONNET	1							
9	2	129907-12110	GASKET, MANIFOLD	1							
10	2	129900-13251	GASKET	1							
11	2	123901-18080	GASKET	1							
12	2	124950-11340	SEAL, VALVE STEM	8							
12-1	2	119803-11340	SEAL, VALVE STEM	8							N
(A=E/#32463)											
13	2	129900-32030	O-RING, P20	2							
14	2	129900-32040	O-RING, P14	1							
15	2	129900-42020	GASKET, WATER PUMP	1							
16	2	129900-49870	GASKET	1							
17	2	121850-49550	GASKET, THERMOSTAT	1							
18	2	121850-77021	GASKET	1							
19	2	121850-49540	GASKET, THERMOSTAT	1							
20	2	23414-080000	GASKET, 8X1.0	3							
21	2	124465-44950	GASKET, 16	2							
22	2	24311-000070	O-RING, 1AP7.0	1							
23	2	24311-000120	O-RING, 1AP12.0	8							
24	2	24311-000320	O-RING, 1AP32.0	2							
25	2	22190-080002	WASHER, SEAL 6	11							
26	2	22190-220002	WASHER, SEAL 22	1							
27	2	24351-030750	O-RING, 1A3075	1							
28	2	129472-18090	GASKET	1							
29	2	124240-01883	GASKET	1							
30	2	119129-77020	GASKET	1							
31	2	24321-000600	O-RING, 1AG60.0	1							
32	2	24321-000850	O-RING, 1AG85.0	1							
33	2	123907-59550	GASKET	5							
34	2	24341-000240	O-RING, 1AS24.0	1							
35	1	129400-92450	HONE	1							1
36	1	977770-1207F	GASKET.LIQUID	1							1

Remarks
(1)OPTIONAL PART.

Parts No. Index

Parts No.	Fig. No.	Ref. No.
105025-59750	16	7
106500-44810	11	41
114250-39450	11	6
114250-53080	15	5
114250-53120	15	9
114250-53130	15	10
114250-53140	15	11
114250-53210	15	12
114250-53400	15	13
114371-79070	17	26
119000-39650	11	37
119005-44761	12	17
119005-77050	5	7
119006-03090	4	75
119100-11330	4	58
119129-77020	5	5
	19	30
119131-18320	8	4
119131-77550	17	17
119233-77932	14	123
119305-59120	15	31
119593-11301	4	28
119620-01750	3	12
119620-11180	4	18
119620-77380	18	4
119620-77421	18	8
119620-77440	18	13
119620-77461	18	15
119620-77471	18	16
119620-77480	18	20
119620-77490	18	29
119620-79200	18	9
119620-79210	18	10
119620-79220	18	11
119620-79230	18	12
119620-79250	18	6
119620-79260	18	18
119620-79280	18	21
119620-79290	18	22
119620-79300	18	23
119620-79310	18	24
119620-79320	18	25
119620-79330	18	26
119620-79340	18	27
119620-79350	18	28
119620-79360	18	7
		30
119625-11880	4	61
	19	7
119640-01640	3	7

Parts No.	Fig. No.	Ref. No.
119660-61901	14	60
119802-11870	4	60
	19	6
119802-51590	13	63
119802-51600	13	64
119802-51680	13	68
119802-51690	13	69
119803-11340	4	20 -1
	19	12 -1
119807-61420	14	23
119810-77340	18	34
120130-22301	9	22
121250-44901	12	38
121252-39150	11	7
121254-77810	17	24
121520-34810	10	14
121750-59890	10	11
	16	20
121850-21130	9	11
121850-21290	9	5
121850-21680	9	10
121850-21920	9	6
121850-49540	12	21
	19	19
121850-49550	12	22
	19	17
121850-49810	12	24
121850-77021	5	6
	19	18
122780-59100	15	30
123501-79240	18	5
123900-13630	6	3
123900-25060	7	10
123900-77510	17	13
123900-77520	17	14
123900-77540	17	16
123901-03240	4	68
123901-03280	4	79
123901-18080	6	5
	19	11
123901-39820	11	40
123907-11280	4	33
123907-11550	4	3
123907-11601	15	29
123907-11820	4	12
123907-11830	4	24
123907-39500	11	16
123907-55810	16	2
123907-59540	16	13
123907-59550	16	14

Parts No.	Fig. No.	Ref. No.
123907-59550	19	33
123907-59560	16	18
123910-39850	11	28
123910-49600	10	8
123910-49610	10	10
123912-33100	10	5
123951-18220	5	11
124070-13300	11	25
124160-01751	2	25
	4	50
124160-11340	4	19
	19	5
124160-11360	4	62
124223-39900	11	3
124240-01871	2	26
124240-01883	2	27
	19	29
124411-01780	3	5
124465-44950	12	31
	19	21
124722-59050	12	42
		45
	16	16
124766-59050	16	5
		9
124950-11340	4	20
	19	12
129001-91810	2	14
		15
129004-55610	16	1
129004-55612	16	1 -1
129005-59830	11	10
		18
129052-79270	18	19
129100-01580	2	5
	3	1
129122-44480	10	4
129150-02450	7	4
129150-03100	4	80
129150-11230	4	36
		40
129150-11750	4	23
		37
		41
129150-14200	7	1
129150-25920	7	14
129150-35170	10	16
129150-49360	12	32
129150-59131	15	34
		38

Parts No.	Fig. No.	Ref. No.
129155-51280	14	6
129155-61460	14	27
129240-79300	18	14
129255-61410	14	22
129400-92450	19	35
129410-03990	4	77
129418-18320	6	4
129423-77200	18	2
129423-77710	18	17
129457-59010	16	4
129466-49300	10	7
129472-18090	8	1
	19	28
129486-59551	16	15
129509-51390	13	113
129550-59120	15	35
129795-01900	18	31
129900-01200	1	31
129900-01250	1	5
129900-01780	2	4
129900-01850	2	32
129900-01870	2	33
129900-02020	1	7
129900-02340	1	34
129900-02341	1	34 -1
129900-02410	1	10
129900-02930	1	28
129900-02931	1	28 -1
129900-02940	1	37
129900-02941	1	37 -1
129900-13251	6	2
	19	10
129900-14100	7	7
129900-21200	9	4
129900-21600	9	15
129900-23001	9	24
129900-23200	9	29
129900-23600	9	30
129900-23601	9	30 -1
129900-23610	9	32
129900-23611	9	32 -1
129900-23911	9	28
129900-25100	7	11
129900-32030	2	12
	10	17
	19	13
129900-32040	2	13
	19	14
129900-42020	12	11
	19	15

Parts No. Index

Parts No.	Fig. No.	Ref. No.
129900-42461	12	15
129900-49870	12	33
	19	16
129900-77330	18	1
129906-51580	13	61
129907-01190	1	33
129907-01331	1	32
	19	4
129907-01950	13	125
129907-01960	13	126
129907-03011	4	52
129907-03061	4	53
129907-03070	4	54
129907-11100	4	27
129907-11110	4	16
129907-11120	4	17
129907-11250	4	30
129907-11260	4	31
129907-11270	4	32
129907-11310	4	57
	19	8
129907-11341	4	29
129907-11510	4	21
129907-11650	4	34
129907-11660	4	38
129907-11800	4	11
129907-11910	4	65
129907-11920	4	42
129907-11950	4	48
129907-12110	5	2
	19	9
129907-14400	7	2
129907-22050	9	18
129907-25900	7	17
129907-39061	11	14
129907-42000	12	1
129907-49610	12	39
129907-49620	12	43
129907-49710	12	40
129907-49720	12	44
129907-49730	12	23
129907-49750	12	41
129907-49800	12	19
129907-51560	13	57
129907-59140	16	12
129907-59710	15	39
129908-01500	2	8
129908-03099	4	66
129908-03209	4	67
129908-03219	4	69

Parts No.	Fig. No.	Ref. No.
129908-03229	4	70
129908-11320	4	51
129908-11700	4	4
129908-14581	7	3
129908-21000	9	1
129908-22080	9	16
129908-32060	2	11
129908-33010	10	1
129908-33101	10	3
129908-39410	11	31
129908-39690	11	39
	19	3
129908-49060	10	6
129908-59810	15	25
129908-59820	15	26
129908-59830	15	27
129908-59840	15	28
129910-07900	4	1
129916-01710	3	6
129916-01800	2	4 -1
129916-44740	12	16
129916-49530	12	20
129916-59020	13	123
129930-42450	12	15 -1
129933-11310	4	57 -1
129933-11320	4	51 -1
129933-13500	6	6
129933-13501	6	6 -1
129933-13600	6	7
129933-53000	15	2
129935-03260	4	72
129935-03270	4	74
129935-13100	6	1
129935-18010	8	3
129935-18350	5	8
129935-39040	11	1
129935-39610	11	26
129940-77010	17	1
129940-77100	17	2
129940-77130	17	5
129940-77140	17	6
129940-77150	17	7
129940-77160	17	8
129940-77170	17	9
129940-77180	17	10
129940-77190	17	12
129940-77200	17	11
129940-77210	17	18
129940-77220	17	23
129940-77230	17	19

Parts No.	Fig. No.	Ref. No.
129940-77240	17	20
129940-77250	17	22
129940-77260	17	21
129940-77270	17	25
129940-77280	17	27
129944-12110	5	1
129950-59221	16	10
129951-01740	2	6
129953-01620	3	10
129953-07910	4	82
129953-21581	9	12
129953-21610	9	8
129953-21611	9	8 -1
129953-25300	7	16
129953-34830	10	15
129953-35000	10	18
129957-59120	16	6
129960-03990	4	78
129960-21640	9	9
129980-59510	16	11
129981-59010	16	8
144626-51090	13	100
158552-51570	13	58
158552-51580	13	62
158552-51670	13	121
158552-51780	13	32
158552-51781	13	32 -1
158552-52100	13	88
158552-52310	13	89
158552-52400	13	104
158552-52500	13	88 A
158552-61900	14	75 -1
158553-51551	13	55
158553-51630	13	74
158553-51640	13	76
158553-51660	13	78
158553-51670	13	67
158553-51680	13	79
158557-51570	13	59
158560-51600	13	73
158560-61050	14	2
158560-61061	14	3
		3 -1
		123 A
158560-61071	14	4
158560-61430	14	24
158560-61441	14	25
158560-61442	14	25 -1
158563-51150	7	18
158563-51281	13	72

Parts No.	Fig. No.	Ref. No.
158563-51281	13	80
158563-51330	13	82
		120 A
158600-51270	13	54
158601-51550	13	56
158601-51570	13	60
158601-51650	13	77
158601-51770	13	31
158601-51790	13	33
171031-11741	2	29
171051-01921	1	6
171056-49351	12	37
22190-080002	11	8
		11
		19
		21
		23
	16	19
	19	25
22190-120002	13	34
		91
		92
22190-160002	14	61
		61 -1
		79 B
22190-180002	13	35
		95
22190-220002	3	9
	19	26
22217-180000	7	19
	13	96
22252-000300	9	23
22312-050140	13	97
22351-030010	11	38
22351-050010	13	98
22351-060012	1	11
22512-070140	7	8
	9	7
22857-500100	4	59
23000-022000	4	76
23000-025000	10	12
	11	29
23000-054000	5	12
23414-080000	12	34
	19	20
23414-100000	11	9
	19	2
23857-030000	11	12
		20
23857-060000	13	101

Parts No. Index

Parts No.	Fig. No.	Ref. No.
23875-030000	12	29
23876-020000	4	13
23876-030000	1	12
		13
		14
	4	14
23887-120002	13	22
23887-160002	14	63
		63 -1
		79 A
24311-000070	2	16
	13	103
	19	22
24311-000120	4	47
		63
	19	23
24311-000320	2	30
		31
	4	64
	19	24
24321-000600	10	13
	19	31
24321-000850	19	32
24341-000240	19	34
24341-000280	14	75
24341-000530	9	40
24351-030750	2	17
	19	27
24356-010200	13	70
		105
24356-020210	13	106
24372-000150	13	71
25132-004200	12	14
25152-004200	12	14 -1
26014-080252	18	33
26106-060102	13	107
	14	64
		65
26106-060122	12	30
26106-060142	14	76
26106-060162	11	30
	15	40
26106-060202	12	28
26106-060252	14	77
26106-060302	12	12
26106-060352	13	108
26106-060402	14	78
26106-080122	3	2
	4	81
	10	23

Parts No.	Fig. No.	Ref. No.
26106-080122	11	13
		22
		24
	12	35
26106-080142	4	83
26106-080162	2	18
		19
		28
		34
	4	2
	6	8
	7	9
	10	24
	13	127
26106-080182	15	41
26106-080202	2	20
	6	9
26106-080222	13	128
		129
26106-080302	16	3
26106-080402	2	21
		22
	4	44
26106-080452	2	23
	5	3
	12	18
26106-080552	7	15
	12	13
26106-080602	4	45
		46
	12	36
26106-080702	5	9
26106-080802	5	4
26106-080902	5	10
26106-100202	13	130
26116-050102	4	71
26116-120302	17	28
26206-100352	3	4
26206-100702	3	3
26216-100302	2	10
26226-080222	4	43
26306-080002	4	49
	6	10
	8	2
26306-100002	2	24
	18	32
26450-100452	13	112
26756-060002	14	66
26776-180002	7	20
	13	81

Parts No.	Fig. No.	Ref. No.
27241-300000	1	15
27241-400000	4	15
27310-070001	4	25
729900-02800	1	25
729900-02801	1	25 -1
729907-01550	2	1
729907-22950	9	36
729907-92770	19	1
729908-01560	1	1
729908-01561	1	1 -1
729908-22900	9	34
729933-51320	13	1
729933-53100	15	1
977770-1207F	19	36
X2240610100	17	15
X9490561001	18	3

Parts No.	Fig. No.	Ref. No.
-----------	----------	----------