

0CB10-M64902EN

Directions for the Parts Catalog.

1. This Parts Catalog shows both standard and optional parts.
2. Parts may change without prior notice.
3. The following is an example of the Parts Catalog format.

REF.	LEV.	PARTS NO.	DESCRIPTION	Q'TY						I	R
				(A)	(B)	(C)	(D)	(E)	(F)		
1	1	729595-51390	FUEL INJECTION PUMP	1	1	1	1	1			1
1-1	1	729595-51391	FUEL INJECTION PUMP	1	1	1	1	1		N	1
		(A=E00185) (B=E00200)									
3	2	26022-060162	SCREW M 6X 16	9	9	9	9	9			
3-1	2	26022-060162	SCREW M 6X 16	4	4	4	4	4		K	
		(A=E00156) (B=E00156) (C=E00156) (D=E00156) (E=E00156)									
4	2	129470-51040	CAMSHAFT	1	1	1	1	1			
5	2	122710-51050	BEARING, ROLLER	2	2	2	2	2			
6	2	129470-51060	RETAINER	1	1	1	1	1			

Remarks
(1) BOOST COMPEMSATOR TYPE. OPTIONAL PART, TO E00155,(4JH-DT, 4JH-DTZ

① Ref. No.

The Ref. No. listed may not be in accordance with the illustration Ref. No.

(Ex.) Illustration No.

List Ref No.

1

1

(Before change)

1-1

(After change)

For interchangeable symbols N, R and K, illustrations for new parts may be abbreviated.

② Lev. (Level)

Level indication

The numbers below indicate the level of relativity towards the main part.

1 ----- Main parts (Assembly parts)

2 ----- Sub component included in " 1 ".

3 ----- Sub component included in " 2 ".

Note) Parts that are not for sale are partially illustrated but not listed.

③ Interchangeability Symbol

When a part change takes place, one of the following interchangeability symbols is indicated beside the part.

Symbol	Interchangeability	Contents note
N	Old $\begin{matrix} \leftarrow \text{Yes} \\ \text{No} \rightarrow \end{matrix}$ New	New Part is interchangeable for Old Part but Old Part is not interchangeable for New Part.
Q	Old $\begin{matrix} \leftarrow \text{No} \\ \text{Yes} \rightarrow \end{matrix}$ New	New Part is not interchangeable for Old Part but Old Part is interchangeable for New Part.
R	Old $\begin{matrix} \leftarrow \text{Yes} \\ \text{Yes} \rightarrow \end{matrix}$ New	New/ Old Parts are both interchangeable.
S	Old $\begin{matrix} \leftarrow \text{No} \\ \text{No} \rightarrow \end{matrix}$ New	New/ Old Parts are both not interchangeable.
W		Part newly added.
Z		Part discontinued.
F		Not interchangeable by a single part but interchangeable together with related parts.
K		Changes only for used parts quantities.

④ Effective Machine No.

When a part changes, the effective Machine No. will be indicated in the (A)-(F) column.

Product Symbol	Product No.	Product Symbol	Product No.
C	Clutch No. Compressor No.	F	Machine No. (Agricultural Equip.)
D	Drive No.	M	Machine No.
E	Engine No.		

Note 1) A date may follow the symbol. (Ex.) 1996.01

Note 2) "XXXXX" and "ZZZZZ" are for parts that could not be predicted or for engine models that could not be identified.

Note 3) (A=E00185) is the E (Engine Serial Number) for the column (A) model (in this case 4JH-DT) after the parts design change.

⑤ Remarks

Figures or alphabets (symbols) are entered in the remarks column.

The comments (remarks) on parts that are indicated at the bottom of the illustration are the same symbols as those stated above.

Contents

OCB10-M64902

Fig. No. Fig. Name

Fig. No. Fig. Name

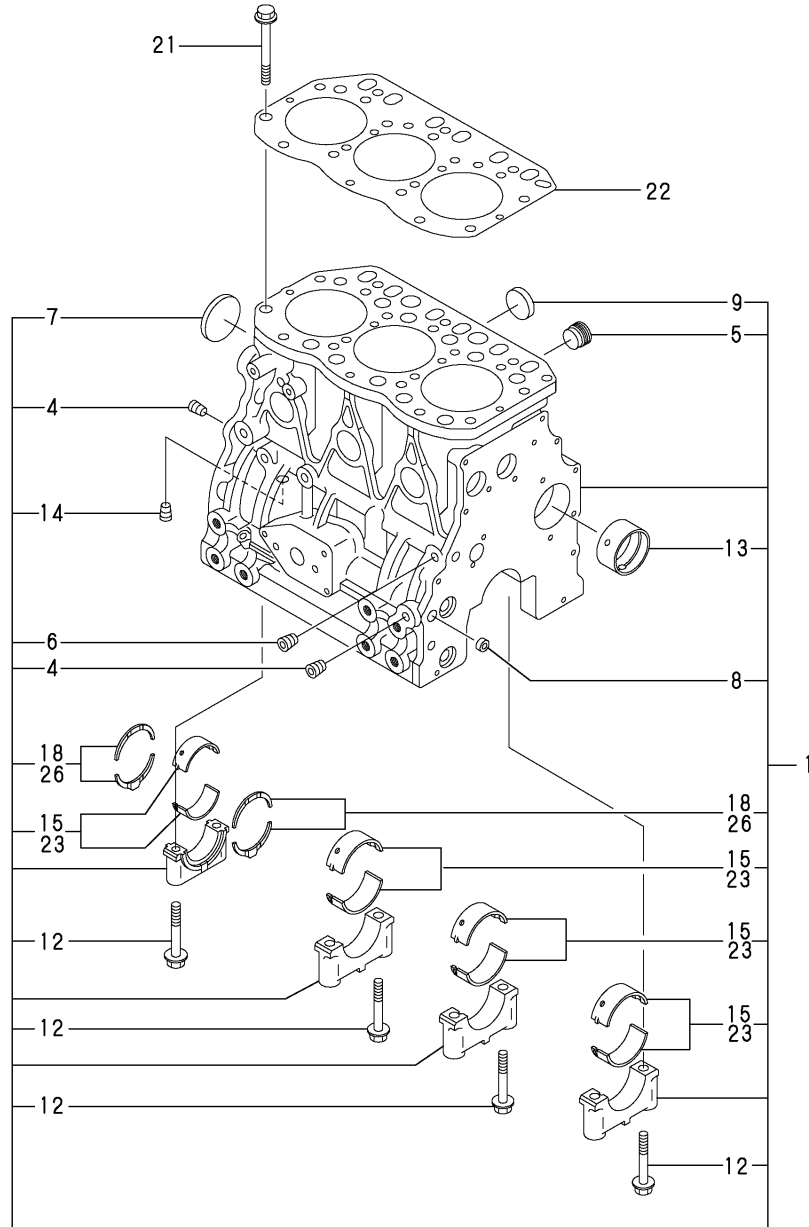
ENGINE 3TNE78A-EBV

1. CYLINDER BLOCK
2. GEAR HOUSING
3. FLYWHEEL HOUSING & L.O.SUMP
4. CYLINDER HEAD & BONNET
5. SUCTION MANIFOLD
6. EXH.MANIFOLD & SILENCER
7. CAMSHAFT & DRIVING GEAR
8. CRANKSHAFT & PISTON
9. LUB.OIL SYSTEM
10. COOLING WATER SYSTEM
11. FUEL INJECTION PUMP
12. GOVERNOR
13. FUEL INJECTION PIPE
14. FUEL PIPE
15. STARTING MOTOR
16. GENERATOR
17. GASKET SET & TOOLS

Fig.1. CYLINDER BLOCK

(A)=3TNE78A-EBV
(B)=
(C)=

(D)=
(E)=
(F)=

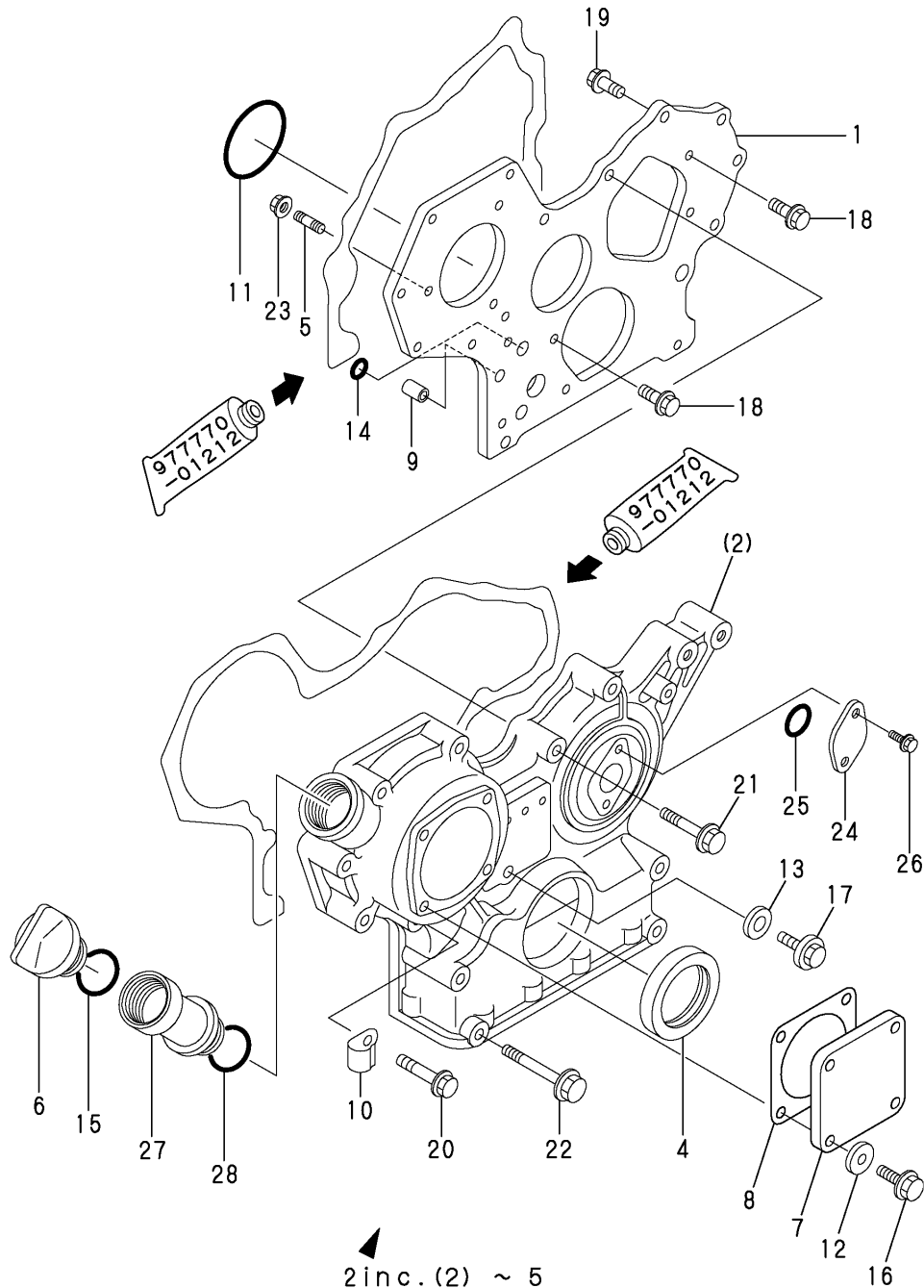


No.	Lev.	Parts No.	Description	Q'ty						I	R
				(A)	(B)	(C)	(D)	(E)	(F)		
1	1	719822-01560	BLOCK ASSY, CYLINDER	1							
4	3	124160-01910	PLUG, PT1/4	2							
5	3	171051-01921	PLUG, NPTF1	1							
6	3	23876-010000	PLUG, R01	1							
7	3	129001-01250	PLUG, 50	1							
8	3	27241-120000	PLUG, 12	2							
9	3	27241-300000	PLUG 30	6							
12	3	119620-02020	BOLT, METAL CAP	8							
13	3	129795-02411	BUSH, CAMSHAFT	1							
14	3	124160-01910	PLUG, PT1/4	1							
15	2	119810-02800	BEARING, MAIN	4							
18	2	119810-02930	BEARING, THRUST	1							
21	1	119810-01200	BOLT, HEAD	14							
22	1	119818-01330	GASKET, HEAD	1							
23	1	119810-02870	BEARING, 0.25 US	4							1
26	1	119810-02940	BEARING, THRUST 0.25	2							2

Remarks

- (1) UNDER SIZED (U.S.=0.25) PART.
- (2) OVER SIZED (O.S.=0.25) PART.

Fig.2. GEAR HOUSING



(A)=3TNE78A-EBV
(B)=
(C)=

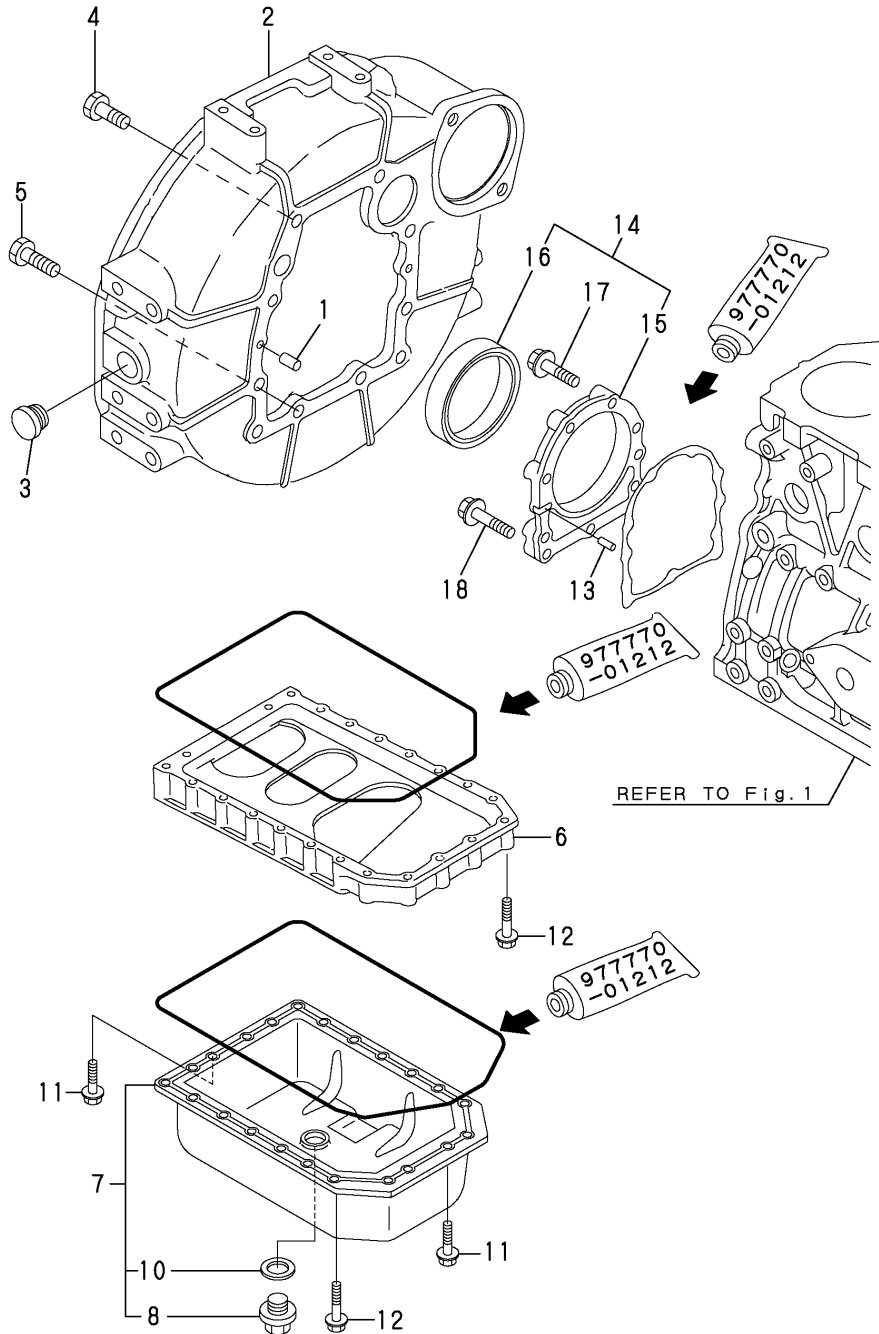
(D)=
(E)=
(F)=

No.	Lev.	Parts No.	Description	Q'ty						I	R
				(A)	(B)	(C)	(D)	(E)	(F)		
1	1	129400-01520	FLANGE, GEAR CASE	1							
2	1	719810-01500	CASE ASSY, GEAR	1							
4	2	129795-01800	SEAL, OIL	1							
5	2	121450-01560	STUD, M8X22	3							
6	1	124160-01751	COVER, FILLER	1							
7	1	124240-01871	COVER	1							
8	1	124240-01883	GASKET	1							
9	1	129795-01950	PIPE, KNOCK L=18	2							
10	1	129150-03100	RETAINER, PIPE	1							
11	1	121850-51960	O-RING	1							
12	1	22190-080002	WASHER, SEAL 6	4							
13	1	22190-080002	WASHER, SEAL 6	1							
14	1	24311-000160	O-RING, 1AP16.0	2							
14-1	1	119609-32040	O-RING, P16	2							R
(A=E/#52199)											
15	1	24311-000320	O-RING, 1AP32.0	1							
16	1	26106-080122	BOLT, M8X 12 PLATED	4							
17	1	26106-080162	BOLT, M8X 16 PLATED	1							
18	1	26106-080162	BOLT, M8X 16 PLATED	3							
19	1	26106-080202	BOLT, M8X 20 PLATED	2							
20	1	26106-080452	BOLT, M8X 45 PLATED	6							
21	1	26106-080552	BOLT, M8X 55 PLATED	3							
22	1	129001-91841	BOLT, M8X85	4							
23	1	26366-080002	NUT, M8	3							
23-1	1	26306-080002	NUT, M8	3							N
(A=E/#50586)											
24	1	121023-01550	COVER	1							
25	1	24341-000240	O-RING, 1AS24.0	1							
26	1	26106-060162	BOLT, M6X 16 PLATED	2							
27	1	171031-11741	PIPE	1							
28	1	24311-000320	O-RING, 1AP32.0	1							

Fig.3. FLYWHEEL HOUSING & L.O.SUMP

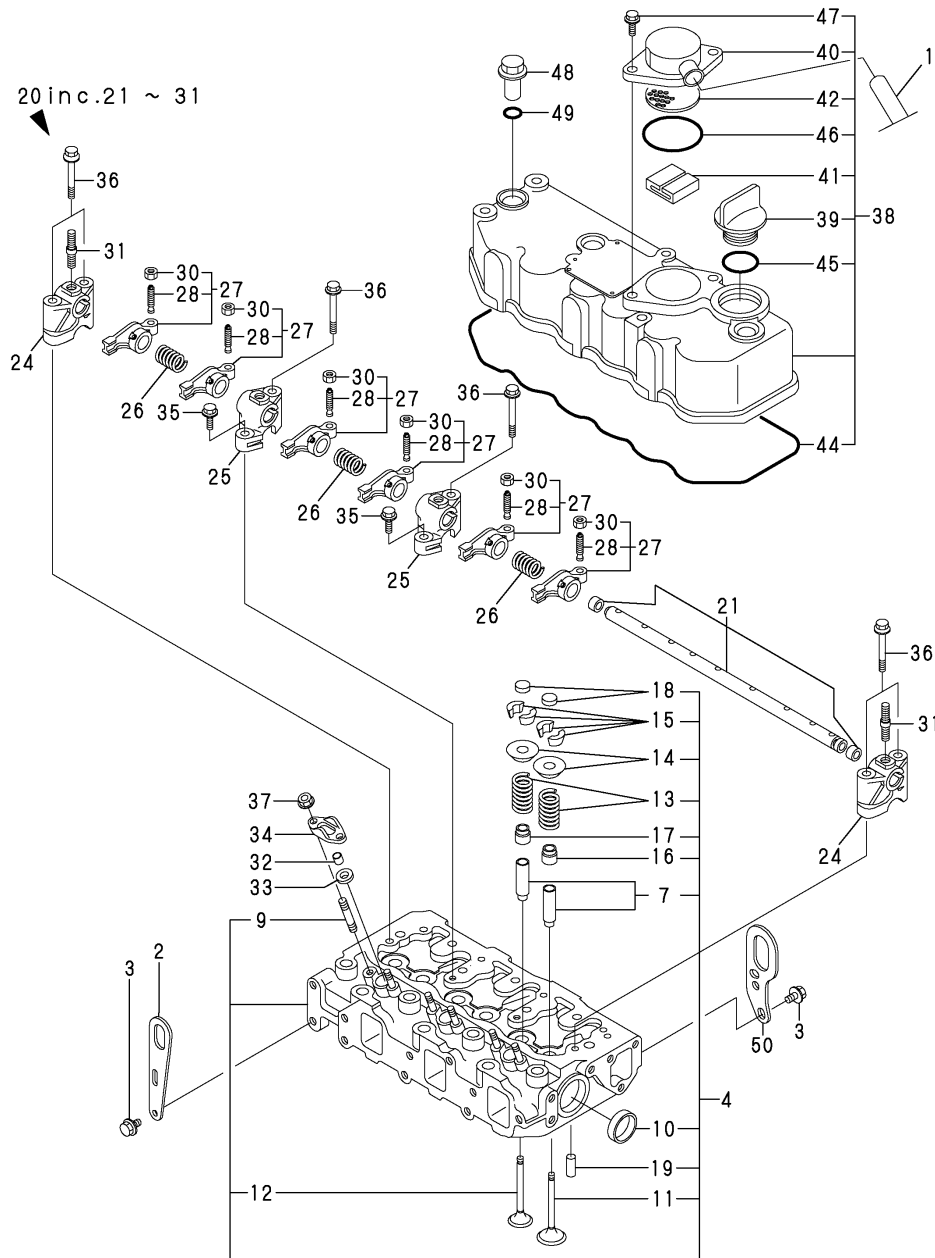
(A)=3TNE78A-EBV
(B)=
(C)=

(D)=
(E)=
(F)=



No.	Lev.	Parts No.	Description	Q'ty						I	R
				(A)	(B)	(C)	(D)	(E)	(F)		
1	1	129100-01580	PIN, M8X16	2							
2	1	129612-01600	HOUSING, FLYWHEEL	1							
3	1	119620-01750	CAP	1							
4	1	26206-100252	BOLT, M10X 25 PLATED	6							
5	1	26206-100302	BOLT, M10X 30 PLATED	4							
6	1	119810-01730	SPACER, OIL SUMP	1							
7	1	119810-01790	SUMP ASSY, OIL	1							
8	2	119640-01640	PLUG, DRAIN M22	1							
10	2	22190-220002	WASHER, SEAL 22	1							
11	1	26106-080162	BOLT, M8X 16 PLATED	6							
12	1	26106-080452	BOLT, M8X 45 PLATED	22							
13	1	129100-01580	PIN, M8X16	2							
14	1	719810-01650	CASE ASSY, OIL SEAL	1							
15	2	119860-01650	CASE, OIL SEAL	1							
16	2	119810-01780	SEAL, 769310	1							
17	1	129486-01670	BOLT, M8X30	6							
18	1	26106-080352	BOLT, M8X 35 PLATED	3							

Fig.4. CYLINDER HEAD & BONNET



(A)=3TNE78A-EBV

(B)=

(C)=

(D)=

(E)=

(F)=

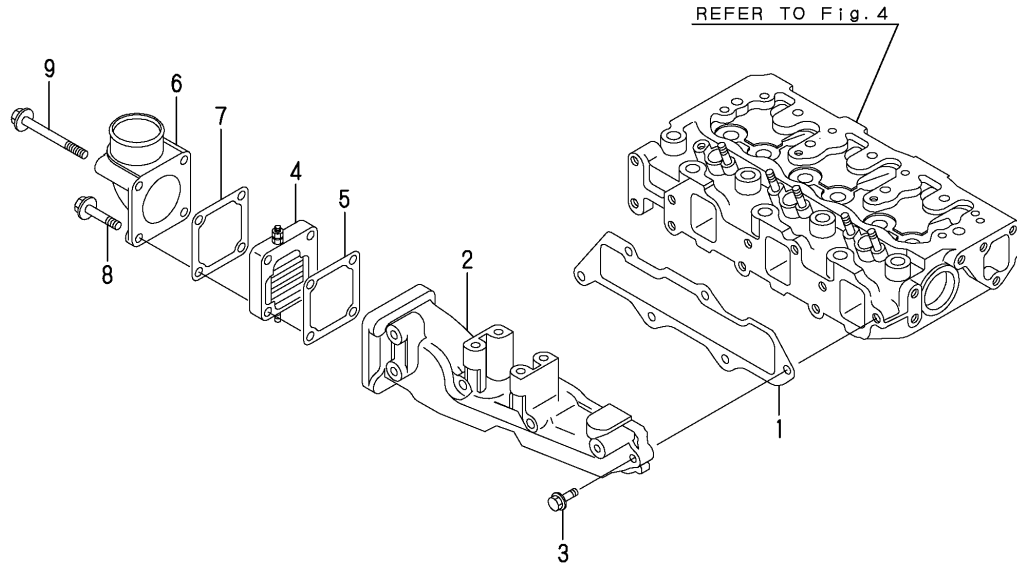
No.	Lev.	Parts No.	Description	Q'ty						I	R
				(A)	(B)	(C)	(D)	(E)	(F)		
1	1	23065-160800	PIPE, 16X 800	1							
2	1	124736-07900	LIFTER	1							
3	1	26106-080142	BOLT, M8X 14 PLATED	4							
4	1	719812-11700	HEAD ASSY, CYLINDER	1							
7	3	124060-11800	GUIDE, VALVE	6							1
9	3	26216-060302	STUD, M6X 30	6							
10	3	27241-400000	PLUG, 40	2							
11	2	119810-11100	VALVE, INTAKE	3							
12	2	119810-11110	VALVE, EXHAUST	3							
13	2	119810-11120	SPRING, VALVE	6							
14	2	104211-11180	RETAINER, SPRING	6							
15	2	27310-070001	COTTER, 7	6							
16	2	124160-11340	SEAL, VALVE STEM	3							
17	2	124950-11340	SEAL, VALVE STEM	3							
18	2	104211-11370	CAP, VALVE	6							
19	2	22351-060012	PIN, SPRING 6.0X12	2							
20	1	119865-11210	SUPPORT ASSY	1							
21	2	119810-11240	SHAFT ASSY, ROCKER	1							
24	2	129155-11260	SUPPORT, ROCKER ARM	2							
25	2	129155-11270	SUPPORT, ROCKER ARM	2							
26	2	129150-11280	SPRING	3							
27	2	719810-11660	ARM ASSY, ROCKER	6							
28	3	129150-11230	SCREW, VALVE ADJUST	6							
30	3	129150-11750	NUT, M8	6							
31	2	26226-080182	STUD, M8X 18	3							
31-1	2	119802-11280	STUD	3							R
(A=E/#52471)											
32	1	119625-11870	PROTECTOR, NOZZLE	3							
32-1	1	119625-11872	PROTECTOR, NOZZLE	3							R
(A=E/#53105)											
33	1	119625-11880	SEAT, NOZZLE	3							
34	1	119625-11900	RETAINER, NOZZLE	3							
35	1	26106-080252	BOLT, M8X 25 PLATED	2							
36	1	26106-080502	BOLT, M8X 50 PLATED	6							
37	1	26366-060002	NUT, M6	6							
38	1	719810-11521	BONNET ASSY, HEAD	1							
39	2	124160-01751	COVER, FILLER	1							
40	2	129150-03020	COVER, BREATHER	1							
41	2	129150-03070	BAFFLE, BREATHER	1							
42	2	129150-03080	PLATE, BAFFLE	1							
44	2	119865-11310	GASKET, BONNET	1							
45	2	24311-000320	O-RING, 1AP32.0	1							
46	2	24341-000500	O-RING, 1AS50.0	1							
47	2	26106-080162	BOLT, M8X 16 PLATED	2							
48	1	124160-11360	KNOB	3							
49	1	24311-000120	O-RING, 1AP12.0	3							
50	1	119260-07900	LIFTER	1							

Remarks

(1)REPAIR PART.

N:Old $\begin{matrix} \leftarrow \text{Yes} \\ \text{No} \end{matrix}$ New, Q:Old $\begin{matrix} \leftarrow \text{No} \\ \text{Yes} \end{matrix}$ New, R:Old $\begin{matrix} \leftarrow \text{Yes} \\ \text{Yes} \end{matrix}$ New, S:Old $\begin{matrix} \leftarrow \text{No} \\ \text{No} \end{matrix}$ New, W:Add, Z:Discontinued, F:Interchangeable by set, K:Q'ty Change

Fig.5. SUCTION MANIFOLD



(A)=3TNE78A-EBV
(B)=
(C)=

(D)=
(E)=
(F)=

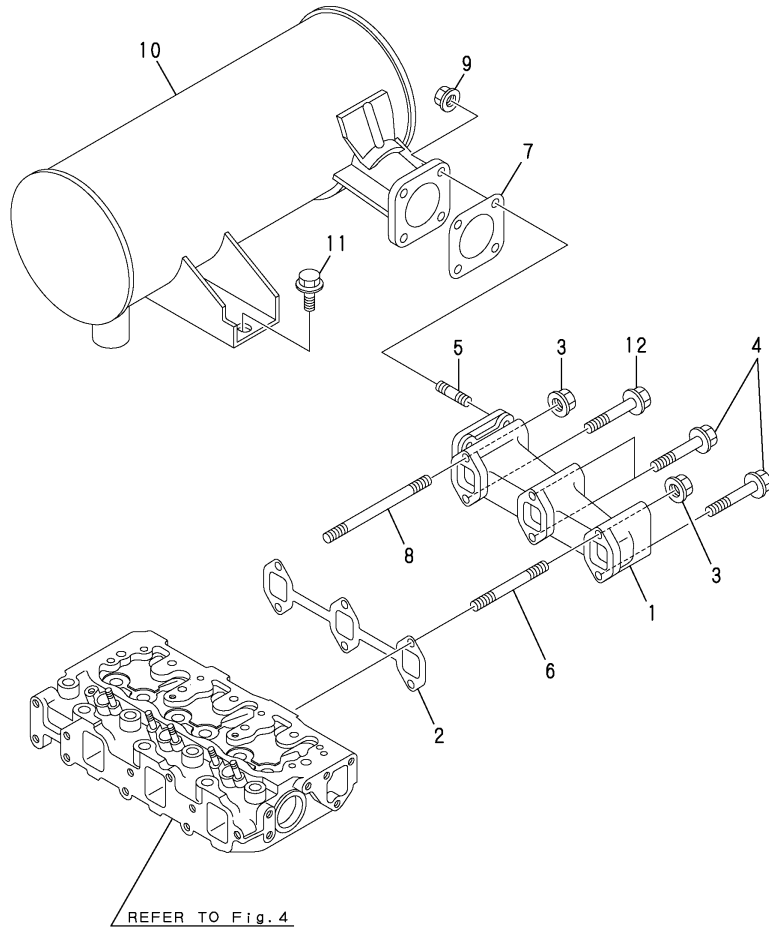
No.	Lev.	Parts No.	Description	Q'ty						I	R
				(A)	(B)	(C)	(D)	(E)	(F)		
1	1	119813-12110	GASKET, MANIFOLD	1							
2	1	119813-12100	MANIFOLD, AIR INTAKE	1							
3	1	26106-080252	BOLT, M8X 25 PLATED	6							
4	1	129100-77500	HEATER, AIR 12V	1							
5	1	129150-77511	GASKET	1							
6	1	171340-77520	BEND	1							
7	1	129100-77510	GASKET	1							
8	1	26106-080402	BOLT, M8X 40 PLATED	2							
9	1	26106-080802	BOLT, M8X 80 PLATED	2							

Fig.6. EXH.MANIFOLD & SILENCER

P/C NEWS No. : Y00S4112-1
 PUBLISHED : 2007/5

(A)=3TNE78A-EBV
 (B)=
 (C)=

(D)=
 (E)=
 (F)=

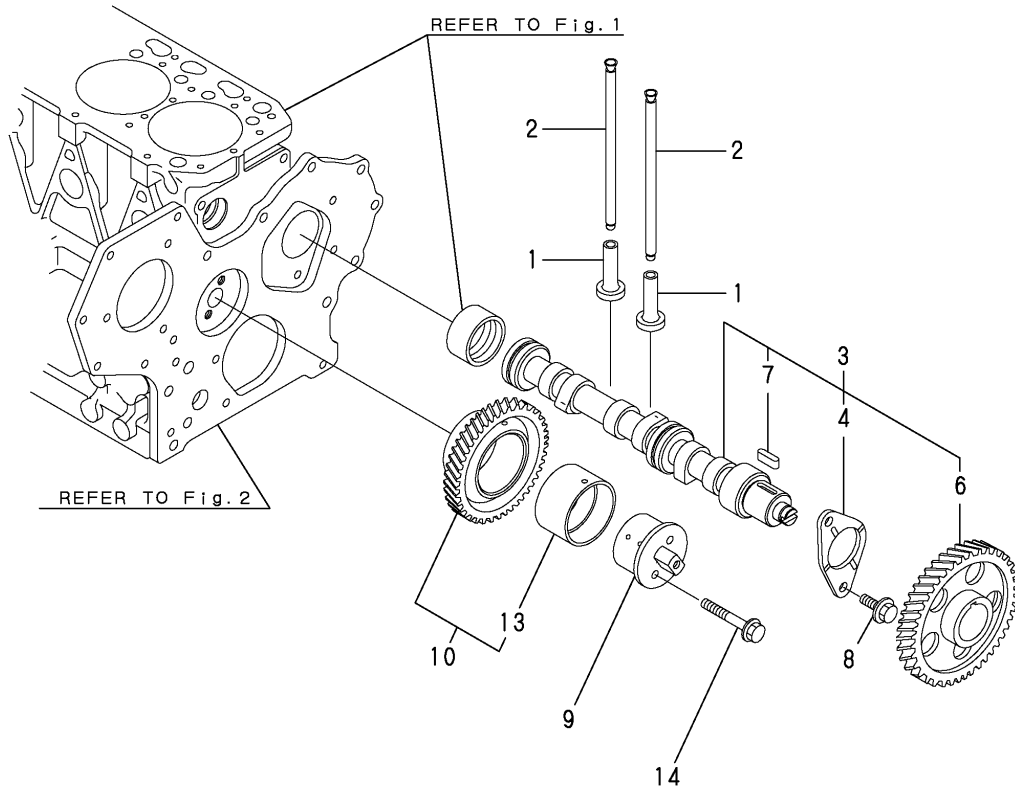


No.	Lev.	Parts No.	Description	Q'ty						I	R
				(A)	(B)	(C)	(D)	(E)	(F)		
1	1	119840-13100	MANIFOLD, EXHAUST	1							
2	1	119810-13110	GASKET	1							
3	1	26366-080002	NUT, M8	2							
3-1	1	26306-080002	NUT, M8	2							N
(A=E/#50586)											
4	1	26106-080602	BOLT, M8X 60 PLATED	3							
4-1	1	119802-13640	BOLT, M8X60 10.9T	3							N
(A=E/#54315)											
5	1	119131-18320	STUD, M8X22	4							
6	1	26216-080602	STUD, M8X 60	1							
6-1	1	123900-13610	STUD, M8X80	1							N
(A=E/#54315)											
7	1	124701-11911	GASKET, SILENCER	1							
8	1	26216-080802	STUD, M8X 80	1							
8-1	1	119802-13740	STUD, M8X60	1							N
(A=E/#54315)											
9	1	26366-080002	NUT, M8	4							
9-1	1	26306-080002	NUT, M8	4							N
(A=E/#50586)											
10	1	119813-13550	SILENCER	1							
10-1	1	119813-13551	SILENCER	1							N
(A=E/#61519)											
10-2	1	119813-13552	SILENCER	1							N
(A=E/#61519)											
11	1	26106-100182	BOLT, M10X 18 PLATED	2							
12	1	26106-080802	BOLT, M8X 80 PLATED	1							
12-1	1	123900-13630	BOLT, M8X80	1							N
(A=E/#54315)											

Fig.7. CAMSHAFT & DRIVING GEAR

(A)=3TNE78A-EBV
(B)=
(C)=

(D)=
(E)=
(F)=

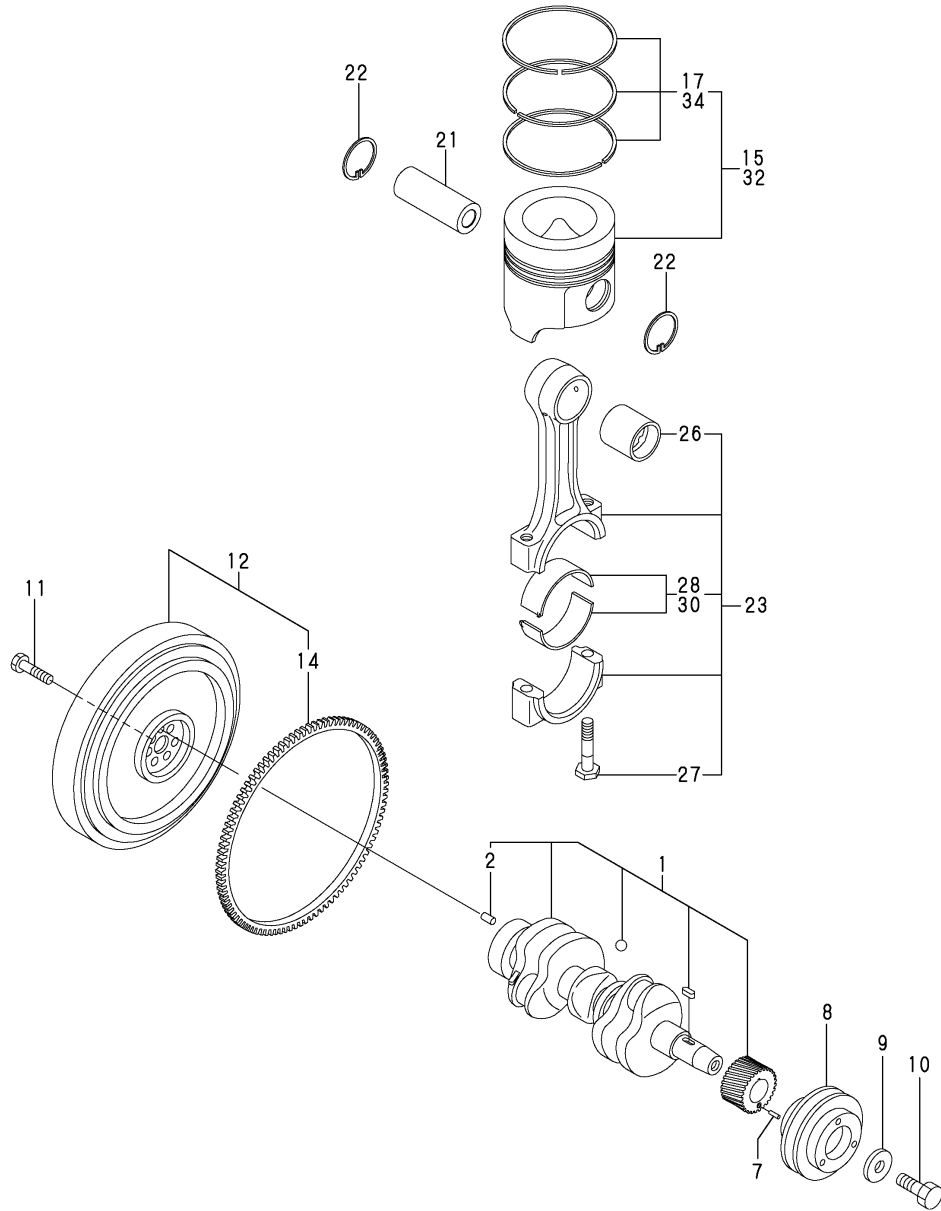


No.	Lev.	Parts No.	Description	Qty						I	R
				(A)	(B)	(C)	(D)	(E)	(F)		
1	1	129150-14200	TAPPET	6							
2	1	119810-14400	ROD, PUSH	6							
3	1	119810-14580	CAMSHAFT ASSY	1							
4	2	129150-02450	BEARING, THRUST	1							
6	2	129150-14101	GEAR, CAMSHAFT	1							
7	2	22512-070140	KEY, 7X 14	1							
8	1	26106-080142	BOLT, M8X 14 PLATED	2							
9	1	129100-25061	SHAFT, IDLE	1							
10	1	129150-25101	GEAR ASSY, IDLE	1							
13	2	129150-25920	BUSH, IDLE GEAR	1							1
14	1	26106-080452	BOLT, M8X 45 PLATED	2							

Remarks

(1)REPAIR PART.

Fig.8. CRANKSHAFT & PISTON



(A)=3TNE78A-EBV
(B)=
(C)=

(D)=
(E)=
(F)=

No.	Lev.	Parts No.	Description	Q'ty						I	R
				(A)	(B)	(C)	(D)	(E)	(F)		
1	1	119813-21000	CRANKSHAFT ASSY	1							
2	2	129100-01580	PIN, M8X16	1							
7	1	22351-040010	PIN, SPRING 4.0X10	1							
8	1	171301-21650	V-PULLEY	1							
9	1	129795-21661	WASHER	1							
10	1	121850-21680	BOLT	1							
11	1	121111-21501	BOLT, FLYWHEEL	6							
12	1	171325-21590	FLYWHEEL ASSY	1							
14	2	119865-21600	GEAR, RING	1							
15	1	119818-22080	PISTON ASSY	3							
17	2	119818-22500	RING SET, PISTON	3							
21	1	119813-22300	PIN, PISTON	3							
22	1	129792-22400	CIRCLIP, 23	6							
23	1	719810-23100	ROD ASSY, CONNECTING	3							
26	2	119810-23910	BEARING, PISTON PIN	3							1
27	2	119810-23200	BOLT, CONNECTING ROD	6							
28	2	119810-23600	BEARING, CRANK PIN	3							
30	1	119810-23610	BEARING, 0.25 US	3							2
32	1	119818-22900	PISTON ASSY, 0.25 OS	3							3
34	2	119818-22950	RING SET, 0.25 OS	3							3

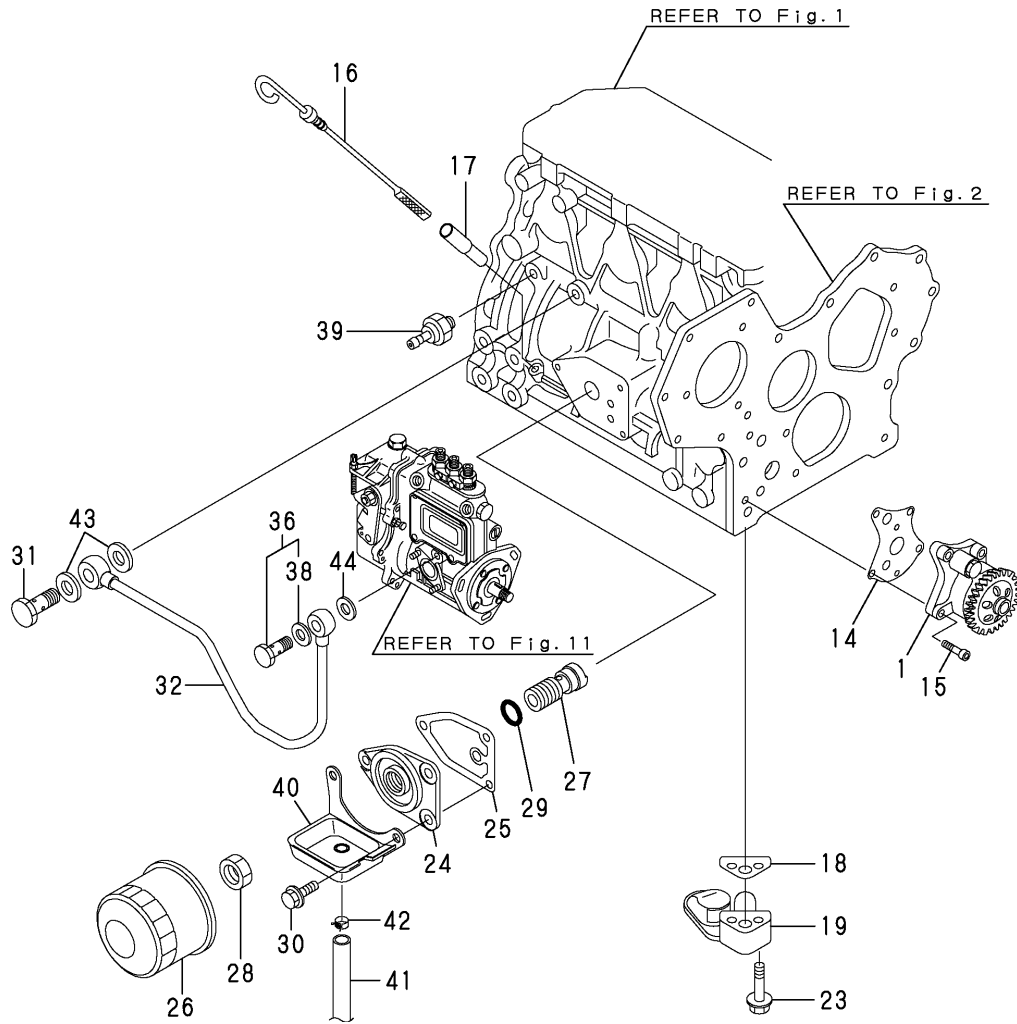
Remarks

- (1)REPAIR PART.
- (2)UNDER SIZED(U.S.=0.25)PART.
- (3)OVER SIZED(O.S.=0.25)PART.

Fig.9. LUB.OIL SYSTEM

(A)=3TNE78A-EBV
(B)=
(C)=

(D)=
(E)=
(F)=



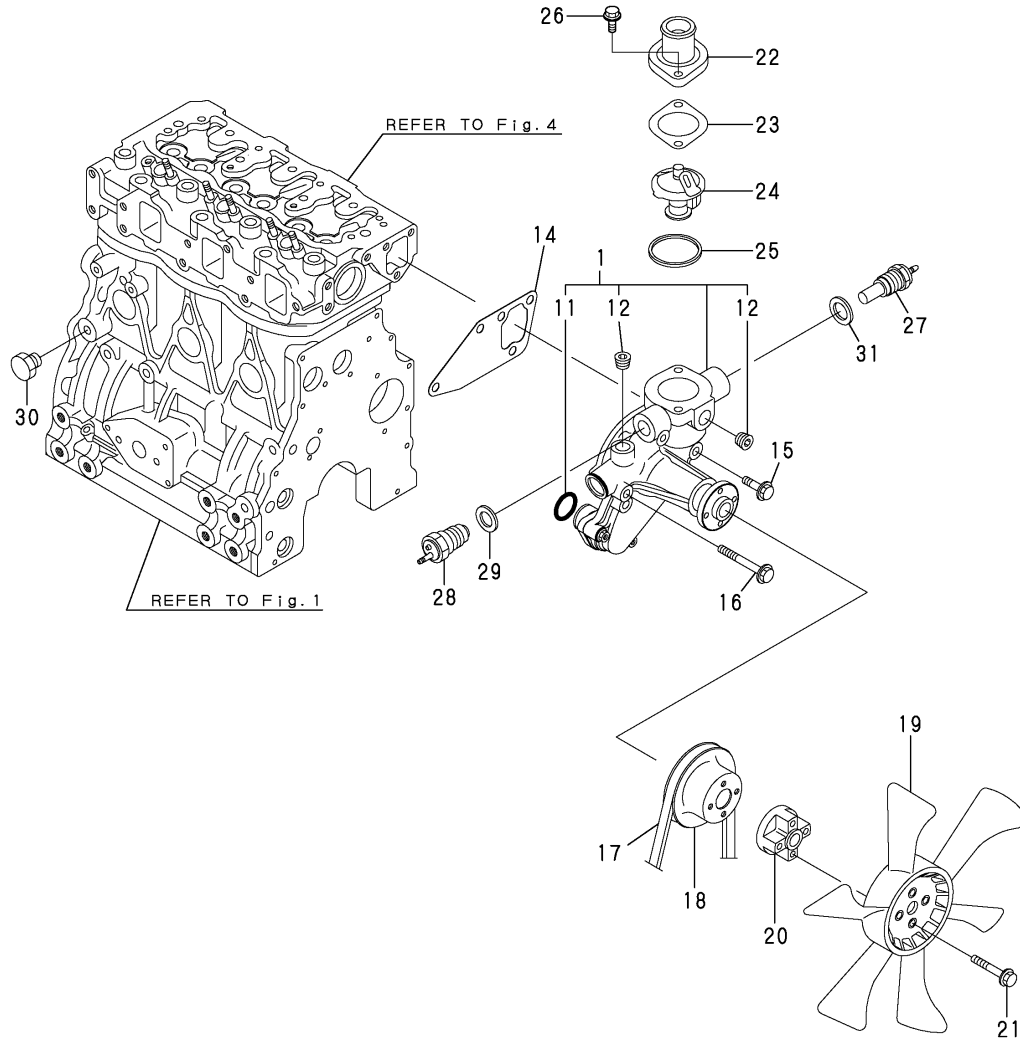
No.	Lev.	Parts No.	Description	Q'ty						I	R
				(A)	(B)	(C)	(D)	(E)	(F)		
1	1	129001-32001	PUMP ASSY, OIL	1							
14	1	129150-32020	GASKET, PUMP	1							
15	1	26450-060252	BOLT, M6X 25	4							
16	1	119640-34800	DIPSTICK, OIL	1							
17	1	121520-34810	GUIDE, DIPSTICK	1							
18	1	129150-35041	GASKET	1							
19	1	119810-35401	PIPE ASSY, OIL INLET	1							
23	1	26106-080352	BOLT, M8X 35 PLATED	2							
24	1	129150-35101	BRACKET, STRAINER	1							
25	1	129150-35111	GASKET	1							
26	1	129150-35170	FILTER, LO	1							1
27	1	129001-35300	BOLT, FILTER	1							
28	1	129150-35350	NUT	1							
29	1	24311-000160	O-RING, 1AP16.0	1							
30	1	26106-080222	BOLT, M8X 22 PLATED	3							
31	1	124160-39140	BOLT, PIPE JOINT M10	1							
32	1	119810-39200	PIPE ASSY, OIL	1							
36	1	124550-59830	BOLT ASSY, JOINT M8	1							
38	2	22190-080002	WASHER, SEAL 6	1							
39	1	114250-39450	SWITCH, 0.5KG	1							
40	1	129211-35802	OIL PAN	1							
41	1	23065-120250	PIPE, 12X 250	1							
42	1	23080-014000	CLAMP, 14	1							
43	1	22190-100002	WASHER, SEAL 10	2							
44	1	22190-080002	WASHER, SEAL 6	1							

Remarks
(1) REPAIR PART.

Fig.10. COOLING WATER SYSTEM

(A)=3TNE78A-EBV
(B)=
(C)=

(D)=
(E)=
(F)=



No.	Lev.	Parts No.	Description	Q'ty						I	R
				(A)	(B)	(C)	(D)	(E)	(F)		
1	1	119810-42001	PUMP ASSY, WATER	1							
11	2	129150-42320	O-RING	1							
12	2	23876-030000	PLUG, R03	2							
14	1	129486-42050	GASKET, WATER PUMP	1							
15	1	26106-080352	BOLT, M8X 35 PLATED	1							
16	1	26106-080552	BOLT, M8X 55 PLATED	3							
17	1	129211-42290	V-BELT, A38.5	1							
18	1	129403-42380	V-PULLEY, D=110	1							
19	1	171440-44740	FAN, COOLING D350XQF	1							
20	1	129030-44760	SPACER, FAN L38.5	1							
21	1	26106-060502	BOLT, M6X 50 PLATED	4							
22	1	129350-49530	COVER, THERMOSTAT	1							
23	1	129795-49551	GASKET	1							
24	1	129155-49800	THERMOSTAT, 71	1							
24-1	1	129155-49801	THERMOSTAT, 71	1							R
(A=E/#56491)											
25	1	129150-49811	GASKET, THERMOSTAT	1							
26	1	26106-080222	BOLT, M8X 22 PLATED	2							
27	1	171056-49351	SENSOR	1							
28	1	121250-44901	SWITCH, 110	1							
29	1	124465-44950	GASKET, 16	1							
30	1	171056-49120	PLUG, DRAIN	1							
31	1	129150-49360	GASKET	1							

Fig.11. FUEL INJECTION PUMP

(A)=3TNE78A-EBV

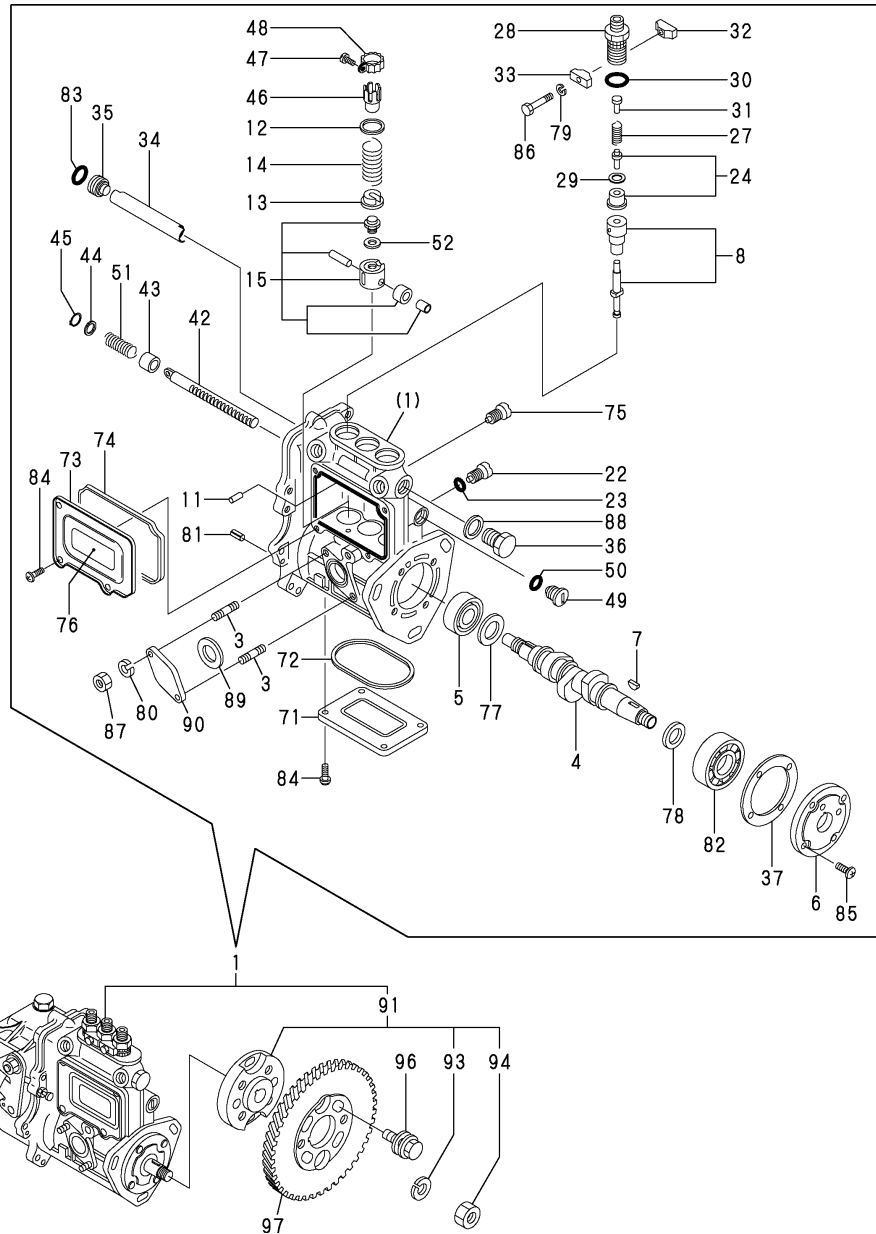
(B)=

(C)=

(D)=

(E)=

(F)=



No.	Lev.	Parts No.	Description	Q'ty						I	R
				(A)	(B)	(C)	(D)	(E)	(F)		
1	1	719818-51460	PUMP ASSY, INJECTION	1							1
3	2	129155-51020	STUD	2							
4	2	119810-51040	CAMSHAFT	1							
5	2	129155-51050	BEARING, 17BM001D	1							
5-1	2	129155-51051	BEARING	1							R
(A=E/#53105)											
6	2	129208-51060	SUPPORT	1							
7	2	122710-51090	KEY	1							
8	2	129108-51100	PLUNGER ASSY	3							
11	2	129155-51140	PIN	3							
12	2	174307-51170	RETAINER, SPRING A	3							
13	2	129155-51180	RETAINER, SPRING	3							
14	2	124950-51190	SPRING, PLUNGER	3							
15	2	129155-51200	TAPPET ASSY	3							
22	2	129155-51270	STOPPER, TAPPET	3							
23	2	129155-51280	O-RING, S6	3							
24	2	129505-51300	VALVE ASSY, DELIVERY	3							
27	2	129155-51320	SPRING, DELIVERY	3							
28	2	129155-51340	RETAINER	3							
29	2	124550-51350	GASKET, DELIVERY	3							
30	2	124550-51370	O-RING	3							
31	2	129155-51370	STOPPER, VALVE	3							
32	2	129155-51380	STOPPER	2							
33	2	129155-51390	STOPPER	2							
34	2	129155-51400	DEFLECTOR	1							
35	2	129155-51410	BOLT	1							
36	2	129155-51420	PLUG, M16	1							
37	2	129155-51450	SHIM SET, ADJUSTING	1							
42	2	129155-51500	RACK, CONTROL	1							
43	2	129155-51521	BUSH, RACK	1							
44	2	129155-51530	SPACER	1							
45	2	129155-51540	CIRCLIP	1							
46	2	129155-51550	PINION, CONTROL	3							
47	2	122117-51560	SCREW	3							
47-1	2	129100-51570	SCREW	3							N
(A=E/#49105)											
48	2	174307-51560	PINION	3							
49	2	129155-51570	PLUG, M12	1							
50	2	129155-51580	O-RING	1							
51	2	129155-51591	SPRING, RACK	1							
52	2	129155-51600	SHIM SET, ADJUSTING	3							
71	2	129155-51701	COVER	1							
72	2	129155-51711	GASKET	1							
73	2	129155-51751	COVER	1							
74	2	129155-51760	GASKET	1							
74-1	2	129155-51761	GASKET	1							N
(A=E/#58114)											
75	2	129155-51790	STOOPER, RACK	1							
76	2	129156-51910	LABEL, CAUTION	1							
77	2	129155-51930	SPACER, T=3.25	1							
78	2	129155-51940	SPACER, T=1.5	1							

Remarks

(1)GOVERNOR(FIG.12)IS INCORPORATED IN THIS FUEL INJECTION PUMP(REF.NO.1)

Fig.11. FUEL INJECTION PUMP

(A)=3TNE78A-EBV

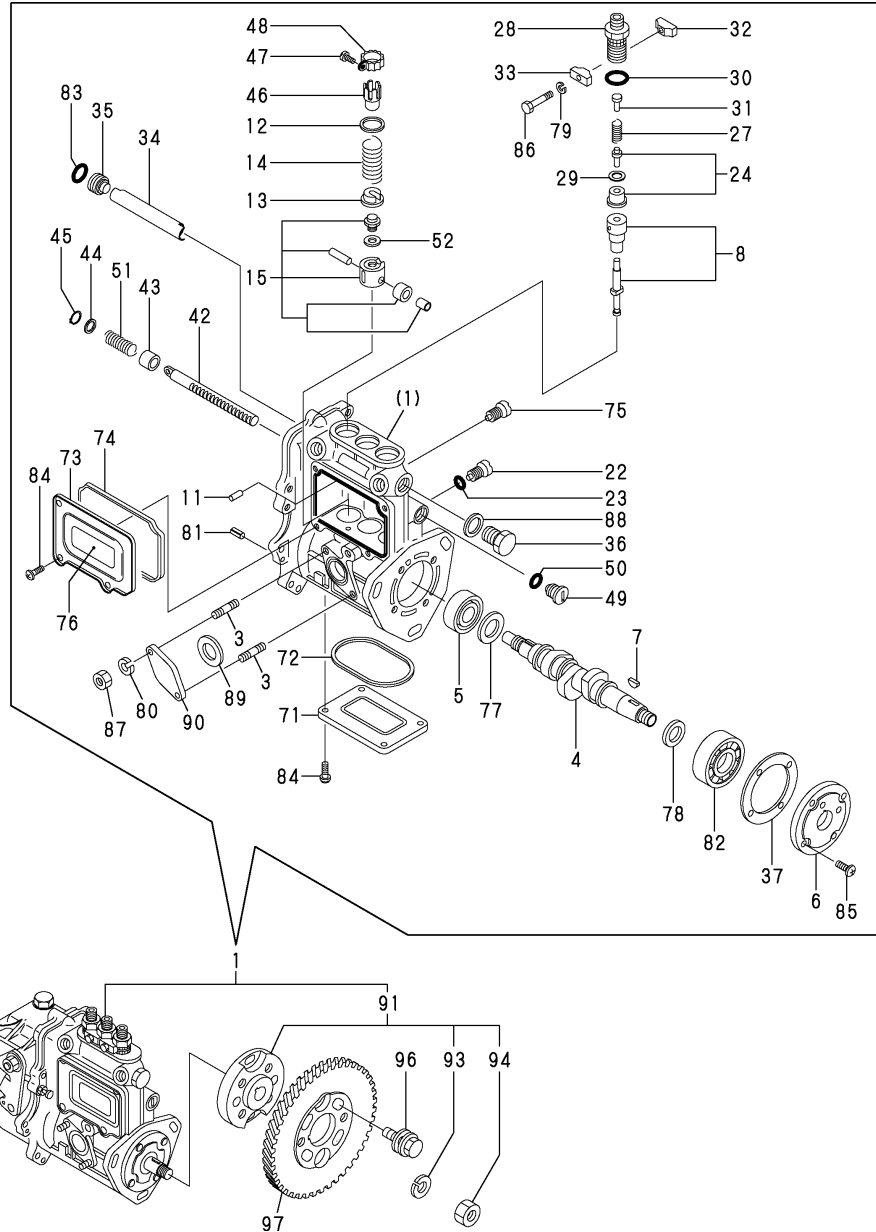
(B)=

(C)=

(D)=

(E)=

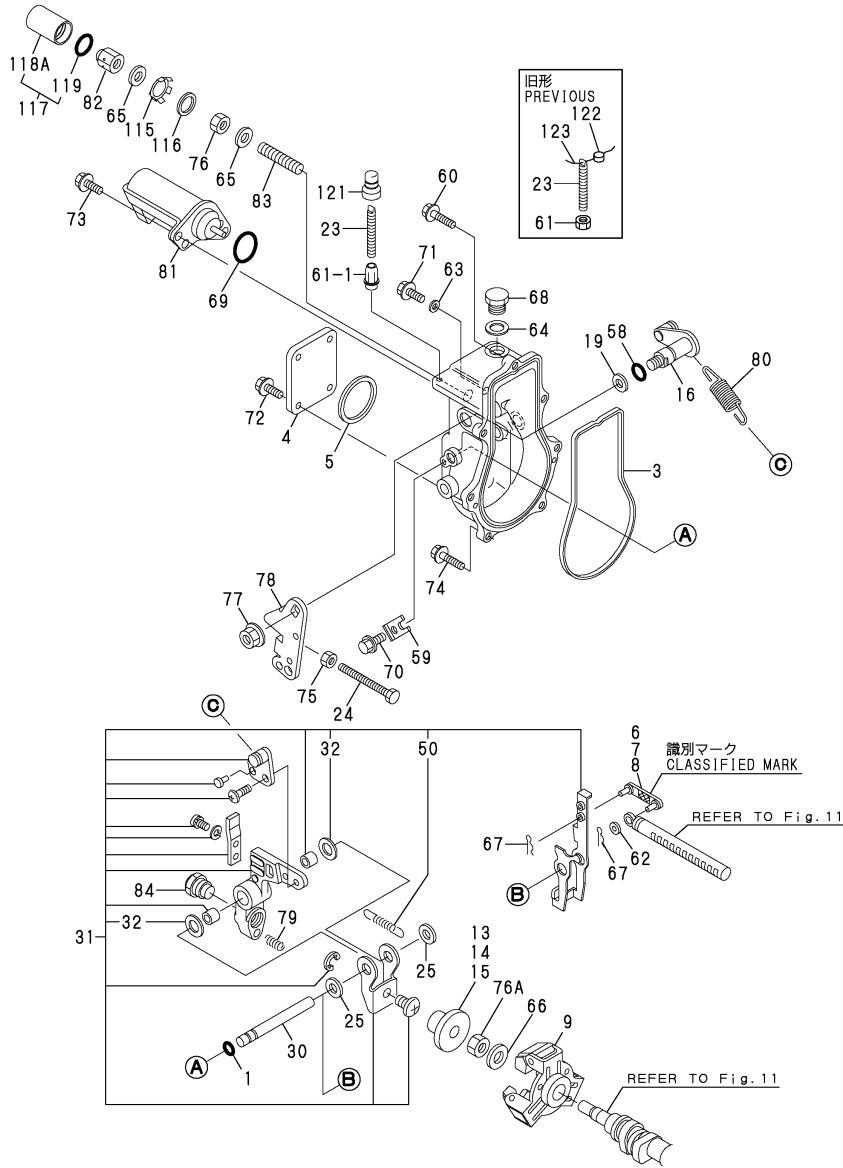
(F)=



No.	Lev.	Parts No.	Description	Q'ty						I	R
				(A)	(B)	(C)	(D)	(E)	(F)		
79	2	22217-050000	WASHER, SPRING 5	2							
80	2	22217-060000	WASHER, SPRING 6	2							
81	2	22351-050010	PIN, SPRING 5.0X10	2							
82	2	24101-063034	BEARING, BALL 6303	1							
83	2	24341-000160	O-RING, 1AS16.0	1							
84	2	26022-050122	SCREW, M5X12	8							
85	2	26022-060162	SCREW, M6X16	4							
86	2	26116-050302	BOLT, M5X 30 PLATED	2							
87	2	26716-060002	NUT, M6	2							
88	2	22190-160002	WASHER, SEAL 16	1							
89	2	129155-52050	GASKET	1							
89-1	2	129155-52051	GASKET	1							N
(A=E/#58114)											
90	2	129100-52200	COVER	1							
91	2	129208-54500	FLANGE ASSY	1							
93	3	22217-120000	WASHER, SPRING 12	1							
94	3	26716-120002	NUT, M12	1							
96	1	129150-25301	BOLT	4							
97	1	129150-25931	GEAR, PUMP	1							

Remarks
 (1)GOVERNOR(FIG.12)IS INCORPORATED IN THIS FUEL INJECTION PUMP(REF.NO.1)

Fig.12. GOVERNOR



(A)=3TNE78A-EBV
(B)=
(C)=

(D)=
(E)=
(F)=

No.	Lev.	Parts No.	Description	Q'ty						I	R
				(A)	(B)	(C)	(D)	(E)	(F)		
1	2	129155-51280	O-RING, S6	1							
3	2	129052-61050	GASKET	1							
3-1	2	129052-61051	GASKET	1							N
(A=E/#58114)											
4	2	129052-61060	COVER, GOVERNOR CASE	1							
5	2	129052-61070	GASKET	1							
5-1	2	129052-61071	GASKET	1							N
(A=E/#58114)											
6	2	129155-61120	LINK, L=30 MARK 0	1							1
7	2	129155-61130	LINK, L=31 MARK 1	1							1
8	2	129155-61140	LINK, L=30.5 MARK 05	1							1
9	2	129486-61201	WEIGHT ASSY,GOVERNOR	1							
13	2	129155-61341	SLEEVE	1							2
14	2	129155-61350	SLEEVE, L=24.9	1							2
15	2	129155-61360	SLEEVE, L=25.2	1							2
16	2	129100-61400	SHAFT ASSY	1							
19	2	129155-61430	SPACER	1							
23	2	129155-61450	BOLT, LIMITER	1							
24	2	129155-61460	BOLT, IDLE	1							
25	2	129155-61480	SPACER ASSY	2							
30	2	129052-61390	SHAFT	1							
31	2	119908-61501	LEVER ASSY, GOVERNOR	1							
32	3	174307-51700	SHIM SET	2							
50	3	129486-61540	SPRING, SET	1							
58	2	129155-61830	O-RING, S10	1							
59	2	119660-61901	RETAINER, SHAFT	1							
60	2	129155-61950	BOLT	1							
61	2	124550-66370	NUT, M6	1							
61-1	2	129209-61370	NUT, M6	1							S
(A=E/#52471)											
62	2	22117-04000	WASHER, 4	1							
63	2	22190-060003	SEAL WASER 6	1							
64	2	22190-100002	WASHER, SEAL 10	1							
65	2	22190-120002	WASHER, SEAL 12	2							
66	2	22287-120000	WASHER, 12	1							
67	2	22372-040000	PIN, SNAP 4	2							
68	2	23887-100002	PLUG, 10	1							
69	2	24341-000280	O-RING, 1AS28.0	1							
70	2	26106-060102	BOLT, M6X 10 PLATED	1							
71	2	26106-060102	BOLT, M6X 10 PLATED	1							
72	2	26106-060102	BOLT, M6X 10 PLATED	4							
73	2	26106-060142	BOLT, M6X 14 PLATED	2							
74	2	26106-060202	BOLT, M6X 20 PLATED	6							
75	2	26756-060002	NUT, LOCK M6	1							
76	2	26776-120002	NUT, LOCK M12	1							
76-1	2	26736-120002	NUT, M12	1							S
(A=E/#51804)											
76A	2	26776-120002	NUT, LOCK M12	1							
77	2	26366-080002	NUT, M8	1							
78	2	129100-61440	LEVER, CONTROL	1							
79	2	129100-61650	SPRING, CONTROLLER	1							

Remarks

- (1)SELECTION USE PARTS:CERTAIN THE CLASSIFICATION MARK, THEN PLACE YOUR ORDER.(REFER TO ILLUSTRATION)
- (2)SELECTION USE PARTS.
- (3)REPAIR PART.

Fig.12. GOVERNOR

(A)=3TNE78A-EBV

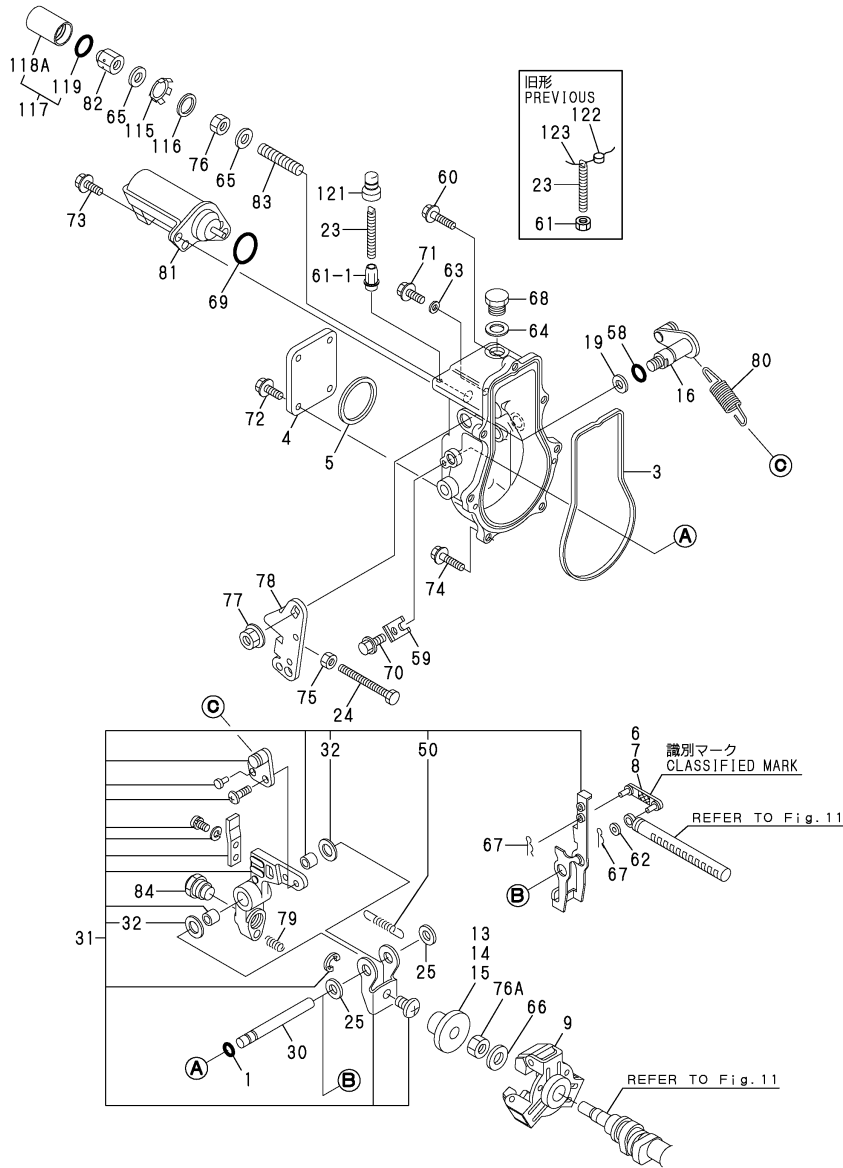
(B)=

(C)=

(D)=

(E)=

(F)=

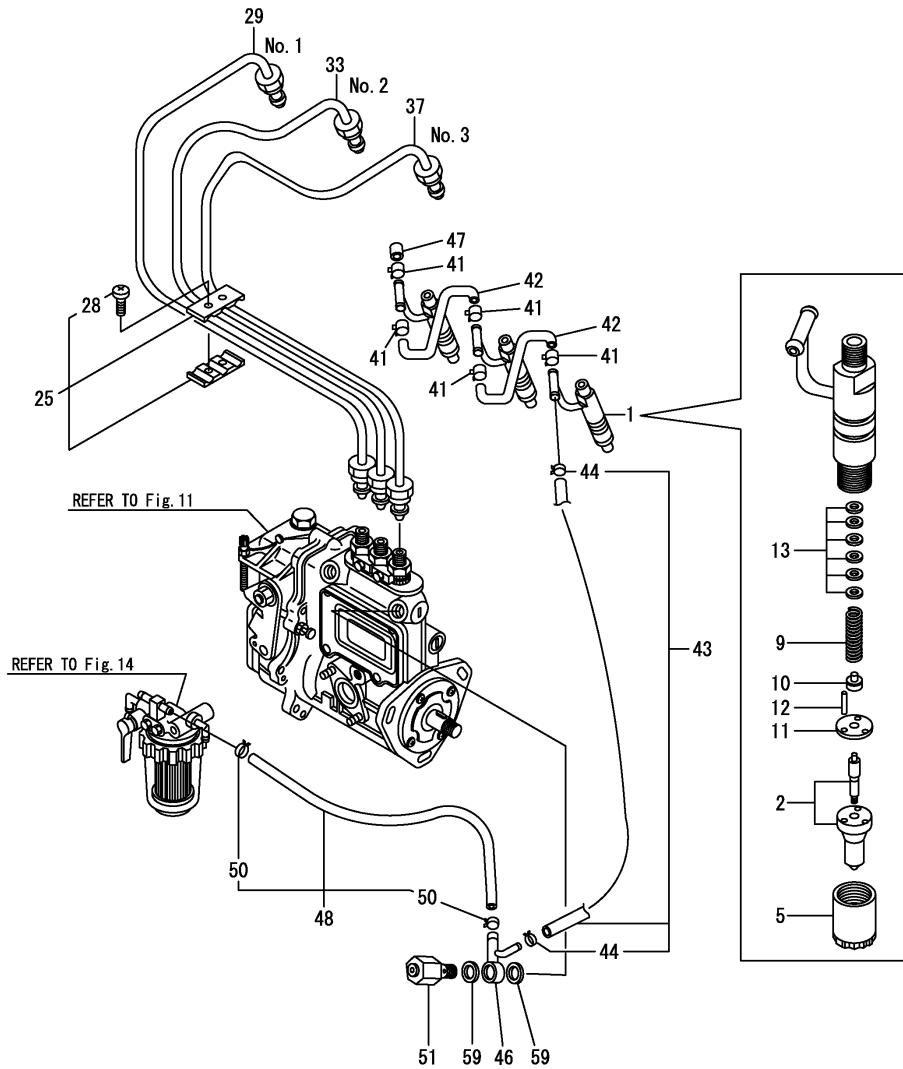


No.	Lev.	Parts No.	Description	Q'ty						I	R
				(A)	(B)	(C)	(D)	(E)	(F)		
80	2	129489-61700	SPRING, GOVERNOR	1							
81	2	119233-77931	SOLENOID, STOP	1							
81-1	2	119233-77932	SOLENOID, STOP	1							N
(A=E/#51715)											
82	2	129100-61930	NUT, CAP	1							
82-1	2	129209-61930	NUT, CAP	1							R
(A=E/#52471)											
83	2	120323-61470	BOLT, CONTROL	1							
84	2	171353-61550	ANGLEICH ASSY	1							
115	2	129209-61970	PLATE	1							W
(A=E/#52471)											
116	2	23414-120016	GASKET, 12X1.0	1							W
(A=E/#52471)											
117	1	129209-61940	CASE ASSY	1							W
(A=E/#52471)											
118A	2	129209-61960	CASE	1							W 3
(A=FROM 1ST)											
119	2	24311-000150	O-RING, 1AP15.0	1							W
(A=E/#52471)											
121	1	119285-66650	CAP, HIGH-IDLE	1							W 3
(A=E/#52471)											
122	1	135210-61090	LEAD	1							Z
(A=E/#52471)											
123	1	22451-060000	WIRE, 0.6	1							Z
(A=E/#52471)											

Remarks

- (1)SELECTION USE PARTS:CERTAIN THE CLASSIFICATION MARK, THEN PLACE YOUR ORDER.(REFER TO ILLUSTRATION)
- (2)SELECTION USE PARTS.
- (3)REPAIR PART.

Fig.13. FUEL INJECTION PIPE

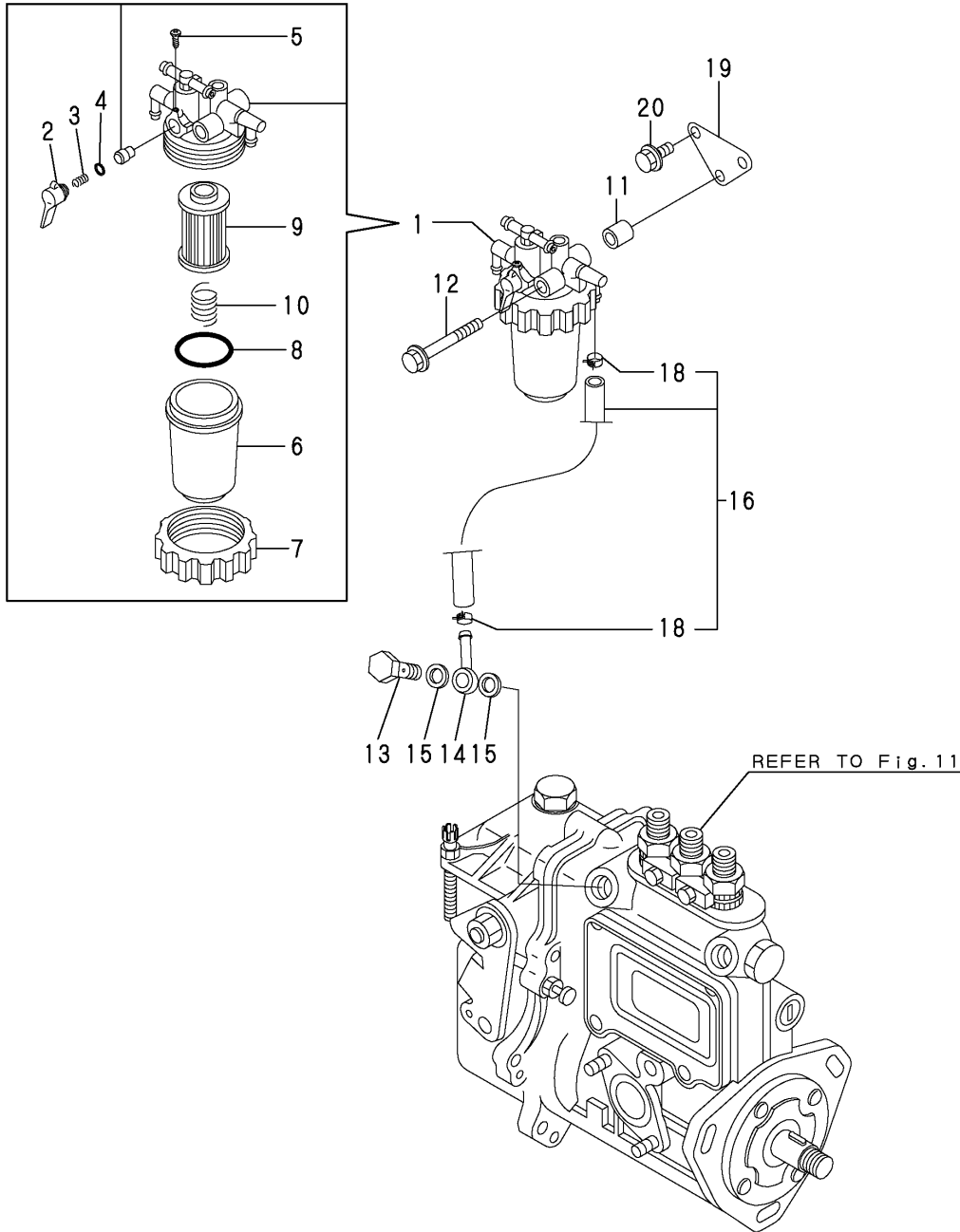


(A)=3TNE78A-EBV
(B)=
(C)=

(D)=
(E)=
(F)=

No.	Lev.	Parts No.	Description	Q'ty						I	R
				(A)	(B)	(C)	(D)	(E)	(F)		
1	1	719810-53100	VALVE ASSY,INJECTION	3							
2	2	119810-53000	VALVE ASSY,INJECTION	3							
5	2	114250-53080	NUT, NOZZLE D16.95	3							
9	2	114250-53120	SPRING, NOZZLE	3							
10	2	114250-53130	SEAT, SPRING	3							
11	2	114250-53140	PLATE	3							
12	2	114250-53210	PIN	6							
13	2	114250-53400	SHIM SET	3							
25	1	129150-59120	RETAINER, PIPE	1							
28	2	129150-59131	BOLT, M4X14	2							
29	1	119810-59810	PIPE ASSY, INJECTION	1							
33	1	119810-59820	PIPE ASSY, INJECTION	1							
37	1	119810-59830	PIPE ASSY, INJECTION	1							
41	1	124066-59100	CLIP, HOSE 8	5							
42	1	121250-59550	PIPE, FUEL D8X120	2							
43	1	119840-59500	PIPE ASSY, RETURN	1							
44	2	124066-59100	CLIP, HOSE 8	2							
46	1	119840-59570	JOINT	1							
47	1	129150-59580	CAP	1							
48	1	129210-59090	PIPE ASSY, FUEL	1							
50	2	124766-59050	CLIP, HOSE 12	2							
51	1	129100-59951	VALVE ASSY, CHECK	1							
51-1	1	119813-59950	VALVE ASSY, CHECK	1							N
(A=E/#58352)											
59	1	22190-120002	WASHER, SEAL 12	2							

Fig.14. FUEL PIPE



(A)=3TNE78A-EBV
(B)=
(C)=

(D)=
(E)=
(F)=

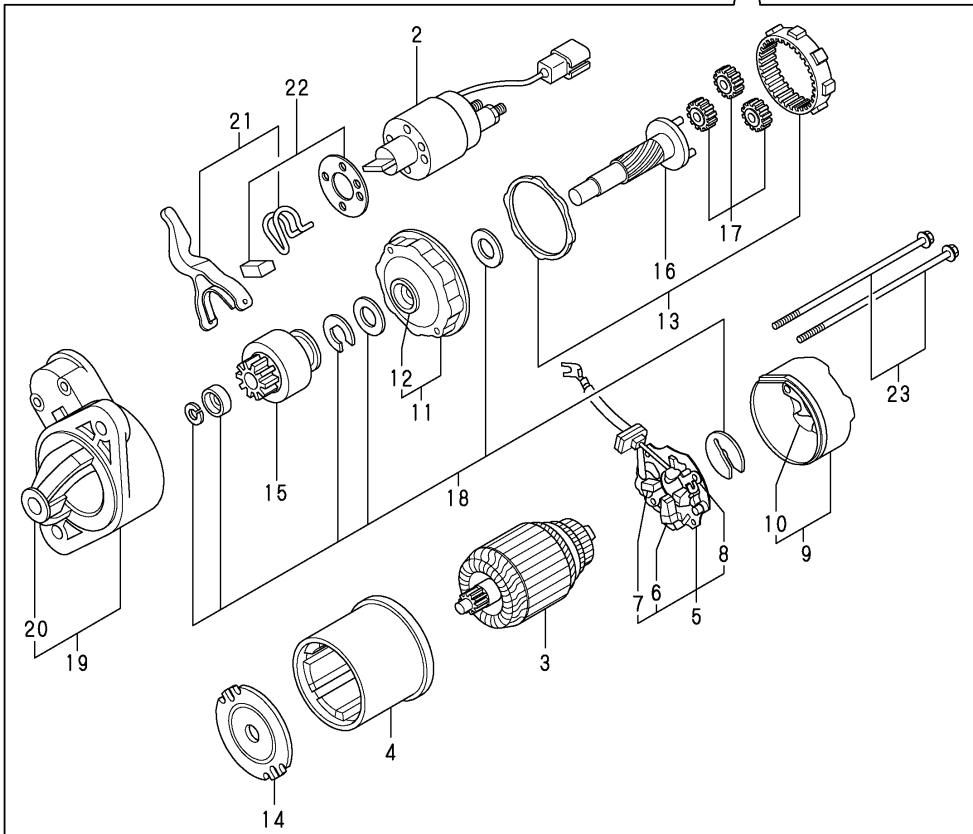
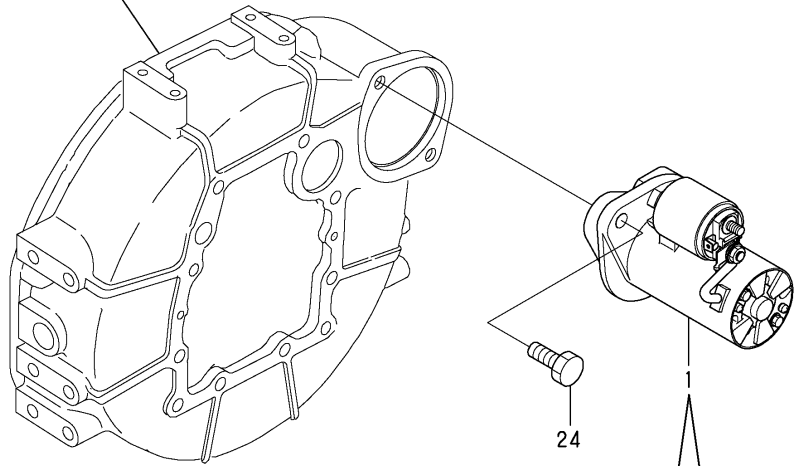
No.	Lev.	Parts No.	Description	Q'ty						I	R
				(A)	(B)	(C)	(D)	(E)	(F)		
1	1	119833-55620	FILTER ASSY, FUEL	1							
2	2	119810-55340	LEVER	1							
3	2	104200-55330	SPRING, VALVE	1							
4	2	24311-240100	O-RING, 1AP10A	1							
5	2	104200-55750	SCREW, M4	1							
6	2	121254-55510	COVER	1							
7	2	110250-55610	RING, RETAINING	1							
8	2	102103-55520	O-RING	1							
9	2	119810-55650	ELEMENT	1							
10	2	121250-55620	SPRING	1							
11	1	106500-44810	SPACER	1							
12	1	26014-080752	BOLT, M8X 75	1							
13	1	103854-39140	BOLT, PIPE JOINT	1							
14	1	101304-59020	JOINT, PIPE 12	1							
15	1	22190-120002	WASHER, SEAL 12	2							
16	1	129210-59030	PIPE ASSY, FUEL	1							
18	2	124766-59050	CLIP, HOSE 12	2							
19	1	119813-55900	BRACKET, FILTER	1							
20	1	26106-080202	BOLT, M8X 20 PLATED	2							

Fig.15. STARTING MOTOR

(A)=3TNE78A-EBV
(B)=
(C)=

(D)=
(E)=
(F)=

REFER TO Fig. 3

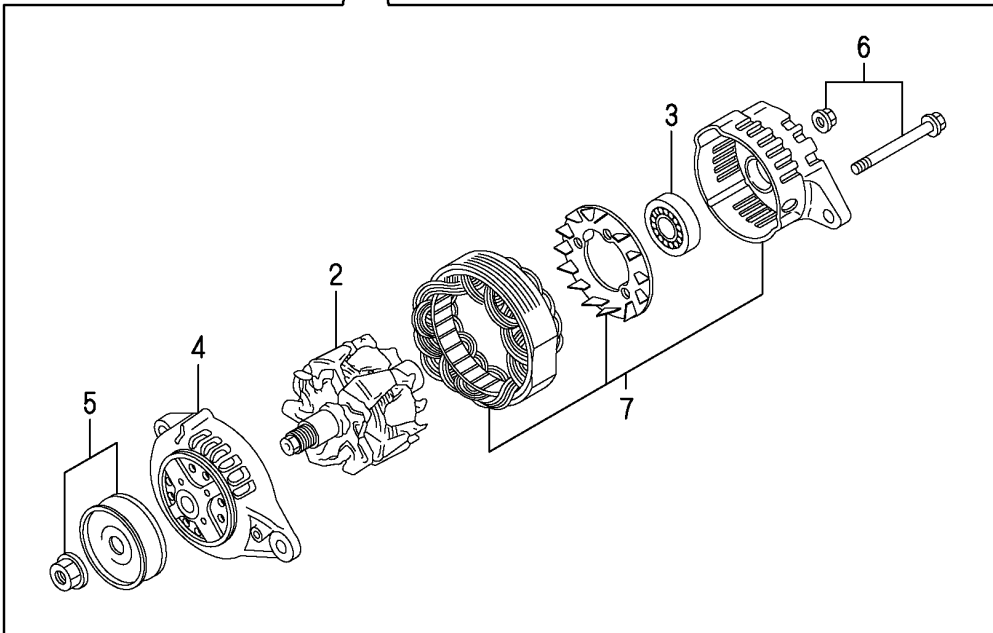
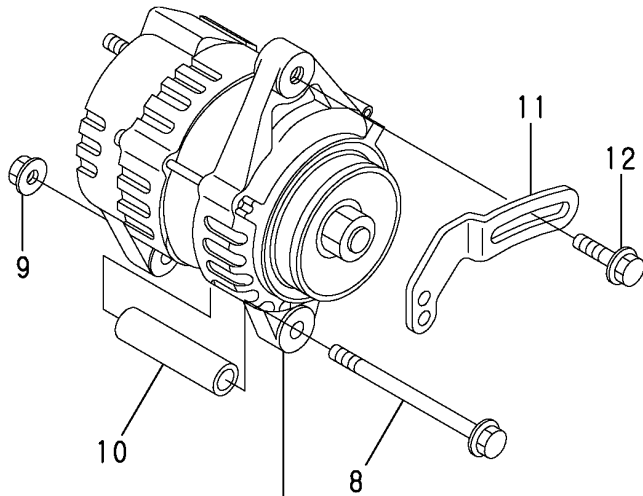


No.	Lev.	Parts No.	Description	Q'ty						I	R
				(A)	(B)	(C)	(D)	(E)	(F)		
1	1	129698-77010	STARTER, 12V1.2KW	1							
2	2	129698-77020	SWITCH ASSY	1							
3	2	129698-77100	ARMATURE ASSY	1							
4	2	129698-77110	YOKE ASSY	1							
5	2	129698-77120	HOLDER ASSY, BRUSH	1							
6	3	129698-77130	BRUSH	2							
7	3	129698-77140	BRUSH SET	1							
8	3	129698-77150	SPRING, BRUSH	4							
9	2	129698-77161	COVER ASSY	1							
10	3	129698-77170	BEARING	1							
11	2	129698-77180	BRACKET	1							
12	3	129698-77190	BRACKET	1							
13	2	129698-77200	GEAR, INTERNAL	1							
14	2	129698-77210	BRACKET	1							
15	2	129698-77220	PINION ASSY	1							
16	2	129698-77230	SHAFT	1							
17	2	129698-77240	GEAR	3							
18	2	129698-77250	WASHER SET	1							
19	2	129698-77260	CASE ASSY	1							
20	3	X2114535200	METAL, STARTER	1							
21	2	129698-77270	LEVER SET, SHIFT	1							
22	2	129698-77280	COVER KIT	1							
23	2	124195-77770	BOLT, THROUGH	2							
24	1	26116-120252	BOLT, M12X 25 PLATED	2							

Fig.16. GENERATOR

(A)=3TNE78A-EBV
(B)=
(C)=

(D)=
(E)=
(F)=



No.	Lev.	Parts No.	Description	Q'ty						I	R
				(A)	(B)	(C)	(D)	(E)	(F)		
1	1	119836-77201	GENERATOR	1							
2	2	129612-77700	ROTOR ASSY	1							
3	2	129612-77710	BEARING, BALL	1							
4	2	129612-77730	BRACKET ASSY, FILTER	1							
5	2	129612-77740	PULLEY	1							
6	2	129612-77750	SCREW KIT	1							
7	2	119836-77920	BRACKET ASSY	1							
8	1	129953-77201	BOLT	1							
8-1	1	129136-77251	BOLT, M8X110	1							R
(A=E/#50586)											
9	1	129612-77260	NUT, ALTERNATOR	1							
10	1	119820-77340	PIECE, DISTANCE	1							
11	1	119823-77330	ADJUSTER	1							
12	1	119810-77340	BOLT, ADJUSTER	1							

Fig.17. GASKET SET & TOOLS

(A)=3TNE78A-EBV

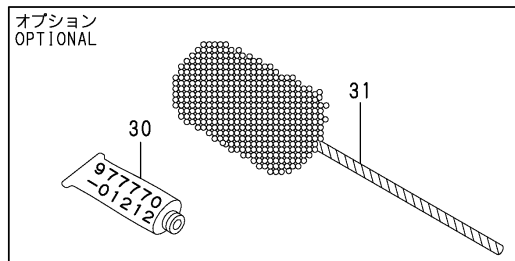
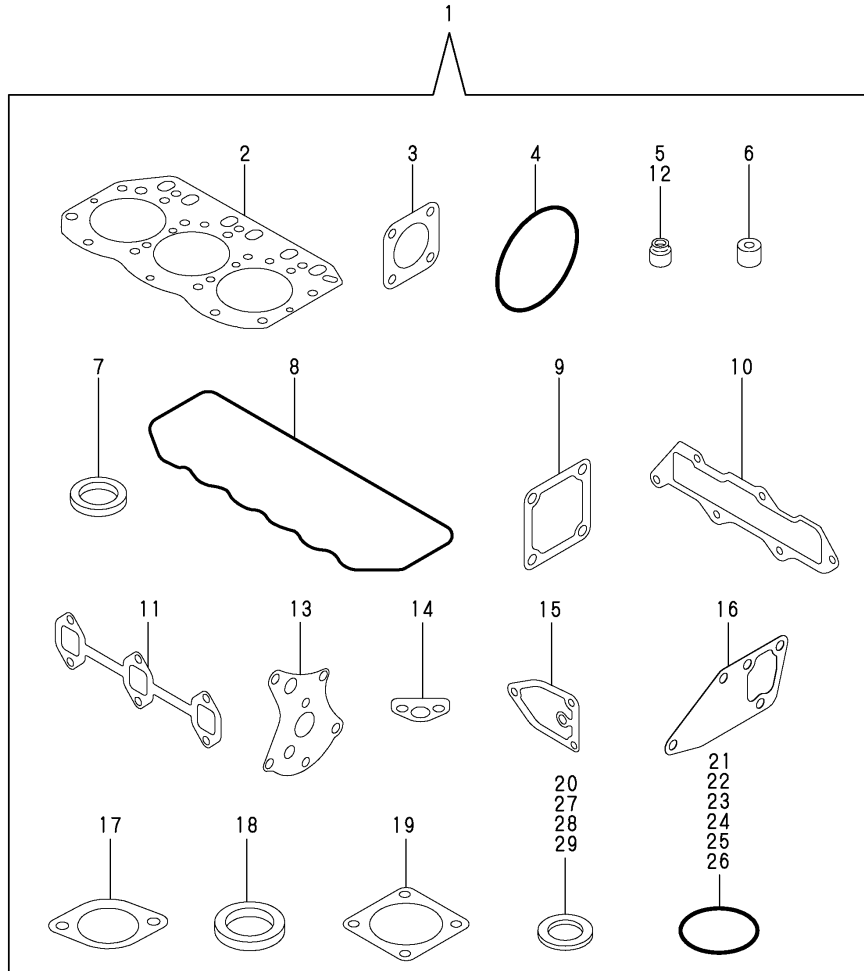
(B)=

(C)=

(D)=

(E)=

(F)=



No.	Lev.	Parts No.	Description	Q'ty						I	R
				(A)	(B)	(C)	(D)	(E)	(F)		
1	1	719813-92650	GASKET SET	1							1
2	2	119818-01330	GASKET, HEAD	1							
3	2	124240-01883	GASKET	1							
4	2	121850-51960	O-RING	1							
5	2	124160-11340	SEAL, VALVE STEM	3							
6	2	119625-11870	PROTECTOR, NOZZLE	3							
6-1	2	119625-11872	PROTECTOR, NOZZLE	3							R
(A=E/#53105)											
7	2	119625-11880	SEAT, NOZZLE	3							
8	2	119865-11310	GASKET, BONNET	1							
9	2	129150-77511	GASKET	1							
10	2	119813-12110	GASKET, MANIFOLD	1							
11	2	119810-13110	GASKET	1							
12	2	124950-11340	SEAL, VALVE STEM	3							
13	2	129150-32020	GASKET, PUMP	1							
14	2	129150-35041	GASKET	1							
15	2	129150-35111	GASKET	1							
16	2	129486-42050	GASKET, WATER PUMP	1							
17	2	129795-49551	GASKET	1							
18	2	129150-49811	GASKET, THERMOSTAT	1							
19	2	124701-11911	GASKET, SILENCER	1							
20	2	129155-52050	GASKET	1							
21	2	24311-000120	O-RING, 1AP12.0	3							
22	2	24311-000160	O-RING, 1AP16.0	1							
23	2	24311-000160	O-RING, 1AP16.0	2							
23-1	2	119609-32040	O-RING, P16	2							R
(A=E/#52199)											
24	2	24311-000320	O-RING, 1AP32.0	2							
25	2	24341-000500	O-RING, 1AS50.0	1							
26	2	24341-000240	O-RING, 1AS24.0	1							
27	2	22190-100002	WASHER, SEAL 10	2							
28	2	124465-44950	GASKET, 16	2							
29	2	22190-120002	WASHER, SEAL 12	2							
30	1	977770-01212	GASKET, LIQUID	1							1
31	1	129400-92420	HONE	1							1

Remarks
(1)OPTIONAL

Parts No. Index

Parts No.	Fig. No.	Ref. No.
101304-59020	14	14
102103-55520	14	8
103854-39140	14	13
104200-55330	14	3
104200-55750	14	5
104211-11180	4	14
104211-11370	4	18
106500-44810	14	11
110250-55610	14	7
114250-39450	9	39
114250-53080	13	5
114250-53120	13	9
114250-53130	13	10
114250-53140	13	11
114250-53210	13	12
114250-53400	13	13
119131-18320	6	5
119233-77931	12	81
119233-77932	12	81 -1
119260-07900	4	50
119285-66650	12	121
119609-32040	2	14 -1
	17	23 -1
119620-01750	3	3
119620-02020	1	12
119625-11870	4	32
	17	6
119625-11872	4	32 -1
	17	6 -1
119625-11880	4	33
	17	7
119625-11900	4	34
119640-01640	3	8
119640-34800	9	16
119660-61901	12	59
119802-11280	4	31 -1
119802-13640	6	4 -1
119802-13740	6	8 -1
119810-01200	1	21
119810-01730	3	6
119810-01780	3	16
119810-01790	3	7
119810-02800	1	15
119810-02870	1	23
119810-02930	1	18
119810-02940	1	26
119810-11100	4	11
119810-11110	4	12
119810-11120	4	13
119810-11240	4	21

Parts No.	Fig. No.	Ref. No.
119810-13110	6	2
	17	11
119810-14400	7	2
119810-14580	7	3
119810-23200	8	27
119810-23600	8	28
119810-23610	8	30
119810-23910	8	26
119810-35401	9	19
119810-39200	9	32
119810-42001	10	1
119810-51040	11	4
119810-53000	13	2
119810-55340	14	2
119810-55650	14	9
119810-59810	13	29
119810-59820	13	33
119810-59830	13	37
119810-77340	16	12
119813-12100	5	2
119813-12110	5	1
	17	10
119813-13550	6	10
119813-13551	6	10 -1
119813-13552	6	10 -2
119813-21000	8	1
119813-22300	8	21
119813-55900	14	19
119813-59950	13	51 -1
119818-01330	1	22
	17	2
119818-22080	8	15
119818-22500	8	17
119818-22900	8	32
119818-22950	8	34
119820-77340	16	10
119823-77330	16	11
119833-55620	14	1
119836-77201	16	1
119836-77920	16	7
119840-13100	6	1
119840-59500	13	43
119840-59570	13	46
119860-01650	3	15
119865-11210	4	20
119865-11310	4	44
	17	8
119865-21600	8	14
119908-61501	12	31
120323-61470	12	83

Parts No.	Fig. No.	Ref. No.
121023-01550	2	24
121111-21501	8	11
121250-44901	10	28
121250-55620	14	10
121250-59550	13	42
121254-55510	14	6
121450-01560	2	5
121520-34810	9	17
121850-21680	8	10
121850-51960	2	11
	17	4
122117-51560	11	47
122710-51090	11	7
123900-13610	6	6 -1
123900-13630	6	12 -1
124060-11800	4	7
124066-59100	13	41
		44
124160-01751	2	6
	4	39
124160-01910	1	4
		14
124160-11340	4	16
	17	5
124160-11360	4	48
124160-39140	9	31
124195-77770	15	23
124240-01871	2	7
124240-01883	2	8
	17	3
124465-44950	10	29
	17	28
124550-51350	11	29
124550-51370	11	30
124550-59830	9	36
124550-66370	12	61
124701-11911	6	7
	17	19
124736-07900	4	2
124766-59050	13	50
	14	18
124950-11340	4	17
	17	12
124950-51190	11	14
129001-01250	1	7
129001-32001	9	1
129001-35300	9	27
129001-91841	2	22
129030-44760	10	20
129052-61050	12	3

Parts No.	Fig. No.	Ref. No.
129052-61051	12	3 -1
129052-61060	12	4
129052-61070	12	5
129052-61071	12	5 -1
129052-61390	12	30
129100-01580	3	1
		13
	8	2
129100-25061	7	9
129100-51570	11	47 -1
129100-52200	11	90
129100-59951	13	51
129100-61400	12	16
129100-61440	12	78
129100-61650	12	79
129100-61930	12	82
129100-77500	5	4
129100-77510	5	7
129108-51100	11	8
129136-77251	16	8 -1
129150-02450	7	4
129150-03020	4	40
129150-03070	4	41
129150-03080	4	42
129150-03100	2	10
129150-11230	4	28
129150-11280	4	26
129150-11750	4	30
129150-14101	7	6
129150-14200	7	1
129150-25101	7	10
129150-25301	11	96
129150-25920	7	13
129150-25931	11	97
129150-32020	9	14
	17	13
129150-35041	9	18
	17	14
129150-35101	9	24
129150-35111	9	25
	17	15
129150-35170	9	26
129150-35350	9	28
129150-42320	10	11
129150-49360	10	31
129150-49811	10	25
	17	18
129150-59120	13	25
129150-59131	13	28
129150-59580	13	47

Parts No. Index

Parts No.	Fig. No.	Ref. No.
129150-77511	5	5
	17	9
129155-11260	4	24
129155-11270	4	25
129155-49800	10	24
129155-49801	10	24 -1
129155-51020	11	3
129155-51050	11	5
129155-51051	11	5 -1
129155-51140	11	11
129155-51180	11	13
129155-51200	11	15
129155-51270	11	22
129155-51280	11	23
	12	1
129155-51320	11	27
129155-51340	11	28
129155-51370	11	31
129155-51380	11	32
129155-51390	11	33
129155-51400	11	34
129155-51410	11	35
129155-51420	11	36
129155-51450	11	37
129155-51500	11	42
129155-51521	11	43
129155-51530	11	44
129155-51540	11	45
129155-51550	11	46
129155-51570	11	49
129155-51580	11	50
129155-51591	11	51
129155-51600	11	52
129155-51701	11	71
129155-51711	11	72
129155-51751	11	73
129155-51760	11	74
129155-51761	11	74 -1
129155-51790	11	75
129155-51930	11	77
129155-51940	11	78
129155-52050	11	89
	17	20
129155-52051	11	89 -1
129155-61120	12	6
129155-61130	12	7
129155-61140	12	8
129155-61341	12	13
129155-61350	12	14
129155-61360	12	15

Parts No.	Fig. No.	Ref. No.
129155-61430	12	19
129155-61450	12	23
129155-61460	12	24
129155-61480	12	25
129155-61830	12	58
129155-61950	12	60
129156-51910	11	76
129208-51060	11	6
129208-54500	11	91
129209-61370	12	61 -1
129209-61930	12	82 -1
129209-61940	12	117
129209-61960	12	118 A
129209-61970	12	115
129210-59030	14	16
129210-59090	13	48
129211-35802	9	40
129211-42290	10	17
129350-49530	10	22
129400-01520	2	1
129400-92420	17	31
129403-42380	10	18
129486-01670	3	17
129486-42050	10	14
	17	16
129486-61201	12	9
129486-61540	12	50
129489-61700	12	80
129505-51300	11	24
129612-01600	3	2
129612-77260	16	9
129612-77700	16	2
129612-77710	16	3
129612-77730	16	4
129612-77740	16	5
129612-77750	16	6
129698-77010	15	1
129698-77020	15	2
129698-77100	15	3
129698-77110	15	4
129698-77120	15	5
129698-77130	15	6
129698-77140	15	7
129698-77150	15	8
129698-77161	15	9
129698-77170	15	10
129698-77180	15	11
129698-77190	15	12
129698-77200	15	13
129698-77210	15	14

Parts No.	Fig. No.	Ref. No.
129698-77220	15	15
129698-77230	15	16
129698-77240	15	17
129698-77250	15	18
129698-77260	15	19
129698-77270	15	21
129698-77280	15	22
129792-22400	8	22
129795-01800	2	4
129795-01950	2	9
129795-02411	1	13
129795-21661	8	9
129795-49551	10	23
	17	17
129953-77201	16	8
135210-61090	12	122
171031-11741	2	27
171051-01921	1	5
171056-49120	10	30
171056-49351	10	27
171301-21650	8	8
171325-21590	8	12
171340-77520	5	6
171353-61550	12	84
171440-44740	10	19
174307-51170	11	12
174307-51560	11	48
174307-51700	12	32
22117-040000	12	62
22190-060003	12	63
22190-080002	2	12
		13
	9	38
		44
22190-100002	9	43
	12	64
	17	27
22190-120002	12	65
	13	59
	14	15
	17	29
22190-160002	11	88
22190-220002	3	10
22217-050000	11	79
22217-060000	11	80
22217-120000	11	93
22287-120000	12	66
22351-040010	8	7
22351-050010	11	81
22351-060012	4	19

Parts No.	Fig. No.	Ref. No.
22372-040000	12	67
22451-060000	12	123
22512-070140	7	7
23065-120250	9	41
23065-160800	4	1
23080-014000	9	42
23414-120016	12	116
23876-010000	1	6
23876-030000	10	12
23887-100002	12	68
24101-063034	11	82
24311-000120	4	49
	17	21
24311-000150	12	119
24311-000160	2	14
	9	29
	17	22
		23
24311-000320	2	15
		28
	4	45
	17	24
24311-240100	14	4
24341-000160	11	83
24341-000240	2	25
	17	26
24341-000280	12	69
24341-000500	4	46
	17	25
26014-080752	14	12
26022-050122	11	84
26022-060162	11	85
26106-060102	12	70
		71
		72
26106-060142	12	73
26106-060162	2	26
26106-060202	12	74
26106-060502	10	21
26106-080122	2	16
26106-080142	4	3
	7	8
26106-080162	2	17
		18
	3	11
	4	47
26106-080202	2	19
	14	20
26106-080222	9	30
	10	26

Parts No. Index

Parts No.	Fig. No.	Ref. No.
26106-080252	4	35
	5	3
26106-080352	3	18
	9	23
	10	15
26106-080402	5	8
26106-080452	2	20
	3	12
	7	14
26106-080502	4	36
26106-080552	2	21
	10	16
26106-080602	6	4
26106-080802	5	9
	6	12
26106-100182	6	11
26116-050302	11	86
26116-120252	15	24
26206-100252	3	4
26206-100302	3	5
26216-060302	4	9
26216-080602	6	6
26216-080802	6	8
26226-080182	4	31
26306-080002	2	23 -1
	6	3 -1
		9 -1
26366-060002	4	37
26366-080002	2	23
	6	3
		9
	12	77
26450-060252	9	15
26716-060002	11	87
26716-120002	11	94
26736-120002	12	76 -1
26756-060002	12	75
26776-120002	12	76
		76 A
27241-120000	1	8
27241-300000	1	9
27241-400000	4	10
27310-070001	4	15
719810-01500	2	2
719810-01650	3	14
719810-11521	4	38
719810-11660	4	27
719810-23100	8	23
719810-53100	13	1
719812-11700	4	4

Parts No.	Fig. No.	Ref. No.
719813-92650	17	1
719818-51460	11	1
719822-01560	1	1
977770-01212	17	30
X2114535200	15	20

Parts No.	Fig. No.	Ref. No.
-----------	----------	----------

Parts No.	Fig. No.	Ref. No.
-----------	----------	----------