

0CNP5-M52300EN

## Directions for the Parts Catalog.

1. This Parts Catalog shows both standard and optional parts.
2. Parts may change without prior notice.
3. The following is an example of the Parts Catalog format.

REF.	LEV.	PARTS NO.	DESCRIPTION	Q'TY						I	R
				(A)	(B)	(C)	(D)	(E)	(F)		
1	1	729595-51390	FUEL INJECTION PUMP	1	1	1	1	1			1
1-1	1	729595-51391	FUEL INJECTION PUMP	1	1	1	1	1		N	1
		(A=E00185) (B=E00200)									
3	2	26022-060162	SCREW M 6X 16	9	9	9	9	9			
3-1	2	26022-060162	SCREW M 6X 16	4	4	4	4	4		K	
		(A=E00156) (B=E00156) (C=E00156) (D=E00156) (E=E00156)									
4	2	129470-51040	CAMSHAFT	1	1	1	1	1			
5	2	122710-51050	BEARING, ROLLER	2	2	2	2	2			
6	2	129470-51060	RETAINER	1	1	1	1	1			

Remarks
(1) BOOST COMPEMSATOR TYPE. OPTIONAL PART, TO E00155,(4JH-DT, 4JH-DTZ

### ① Ref. No.

The Ref. No. listed may not be in accordance with the illustration Ref. No.

(Ex.) Illustration No.

List Ref No.

1

1

(Before change)

1-1

(After change)

For interchangeable symbols N, R and K, illustrations for new parts may be abbreviated.

### ② Lev. (Level)

Level indication

The numbers below indicate the level of relativity towards the main part.

1 ----- Main parts (Assembly parts)

2 ----- Sub component included in " 1 ".

3 ----- Sub component included in " 2 ".

Note) Parts that are not for sale are partially illustrated but not listed.

### ③ Interchangeability Symbol

When a part change takes place, one of the following interchangeability symbols is indicated beside the part.

Symbol	Interchangeability	Contents note
N	Old $\begin{matrix} \leftarrow \text{Yes} \\ \text{No} \rightarrow \end{matrix}$ New	New Part is interchangeable for Old Part but Old Part is not interchangeable for New Part.
Q	Old $\begin{matrix} \leftarrow \text{No} \\ \text{Yes} \rightarrow \end{matrix}$ New	New Part is not interchangeable for Old Part but Old Part is interchangeable for New Part.
R	Old $\begin{matrix} \leftarrow \text{Yes} \\ \text{Yes} \rightarrow \end{matrix}$ New	New/ Old Parts are both interchangeable.
S	Old $\begin{matrix} \leftarrow \text{No} \\ \text{No} \rightarrow \end{matrix}$ New	New/ Old Parts are both not interchangeable.
W		Part newly added.
Z		Part discontinued.
F		Not interchangeable by a single part but interchangeable together with related parts.
K		Changes only for used parts quantities.

### ④ Effective Machine No.

When a part changes, the effective Machine No. will be indicated in the (A)-(F) column.

Product Symbol	Product No.	Product Symbol	Product No.
C	Clutch No. Compressor No.	F	Machine No. (Agricultural Equip.)
D	Drive No.	M	Machine No.
E	Engine No.		

Note 1) A date may follow the symbol. (Ex.) 1996.01

Note 2) "XXXXX" and "ZZZZZ" are for parts that could not be predicted or for engine models that could not be identified.

Note 3) (A=E00185) is the E (Engine Serial Number) for the column (A) model (in this case 4JH-DT) after the parts design change.

### ⑤ Remarks

Figures or alphabets (symbols) are entered in the remarks column.

The comments (remarks) on parts that are indicated at the bottom of the illustration are the same symbols as those stated above.

## Instructions pour le catalogue de pièces.

1. Le catalogue contient des pièces standards et optionnelles.

2. Les pièces peuvent changer sans préavis.

3. Voici un exemple de format du catalogue de pièces.

REF.	LEV.	PARTS NO.	DESCRIPTION	Q'TY						I	R
				(A)	(B)	(C)	(D)	(E)	(F)		
1	1	729595-51390	FUEL INJECTION PUMP	1	1	1	1	1			1
1-1	1	729595-51391	FUEL INJECTION PUMP	1	1	1	1	1		N	1
		(A=E00185) (B=E00200)									
3	2	26022-060162	SCREW M 6X 16	9	9	9	9	9			
3-1	2	26022-060162	SCREW M 6X 16	4	4	4	4	4		K	
		(A=E00156) (B=E00156) (C=E00156) (D=E00156) (E=E00156)									
4	2	129470-51040	CAMSHAFT	1	1	1	1	1			
5	2	122710-51050	BEARING, ROLLER	2	2	2	2	2			
6	2	129470-51060	RETAINER	1	1	1	1	1			

Remarks
(1) BOOST COMPEMSATOR TYPE. OPTIONAL PART, TO E00155,(4JH-DT, 4JH-DTZ

### ① Réf.

Il se peut que la référence de la liste ne concorde pas avec la référence de l'illustration.

(Ex.) Réf. de l'illustration      Réf. de la liste  
1                                      1 (Avant le changement) → 1-1 (Après le changement)

Pour les symboles d'interchangeabilité N, R et K, les illustrations pour les nouvelles pièces peuvent être abrégées.

### ② Niv. (Niveau)

Indication du niveau

Les numéros ci-dessous indiquent le niveau par rapport à la pièce principale.

1 ----- Pièces principales (pièces d'assemblage)

2 ----- Sous-élément inclus dans « 1 ».

3 ----- Sous-élément inclus dans « 2 ».

Remarque : les pièces qui ne sont pas en vente sont partiellement illustrées, mais ne figurent pas dans la liste.

### ③ Symbole d'interchangeabilité

En cas de changement de pièce, l'un des symboles d'interchangeabilité suivants est indiqué à côté de la pièce.

Symbole	Interchangeabilité	Remarque sur le contenu
N	Ancienne $\xleftarrow{\text{Oui}}$ Nouvelle $\xrightarrow{\text{Non}}$	La nouvelle pièce peut être substituée à l'ancienne, mais l'ancienne pièce ne peut pas être substituée à la nouvelle.
Q	Ancienne $\xleftarrow{\text{Non}}$ Nouvelle $\xrightarrow{\text{Oui}}$	La nouvelle pièce ne peut pas être substituée à l'ancienne, mais l'ancienne pièce peut être substituée à la nouvelle.
R	Ancienne $\xleftarrow{\text{Oui}}$ Nouvelle $\xrightarrow{\text{Oui}}$	La nouvelle pièce et l'ancienne sont interchangeables.
S	Ancienne $\xleftarrow{\text{Non}}$ Nouvelle $\xrightarrow{\text{Non}}$	La nouvelle pièce et l'ancienne ne sont pas interchangeables.
W		Pièce nouvellement ajoutée.
Z		Pièce supprimée.
F		Non interchangeable avec une pièce unique, mais interchangeable avec des pièces connexes.
K		Changements uniquement aux quantités de pièces usagées.

### ④ N° de machine applicable

En cas de changement de pièce, le n° de machine applicable est indiqué dans la colonne (A)-(F).

Symbole de produit	N° de produit	Symbole de produit	N° de produit
C	N° d'embrayage, n° de compresseur	F	N° de machine (agroéquipement)
D	N° d'entraînement	M	N° de machine
E	N° de moteur		

Remarque 1 : une date peut suivre le symbole. (Ex.) 1996.01

Remarque 2 : « XXXXX » et « ZZZZZ » désignent des pièces impossibles à prédire ou des modèles de moteur non identifiables.

Remarque 3 : (A=E00185) est le E (numéro de série du moteur) pour le modèle de la colonne (A) (ici : 4JH-DT) après le changement à la conception des pièces.

### ⑤ Identification des remarques

Des chiffres ou des lettres (symboles) sont entrés dans la colonne des remarques.

Les commentaires (remarques) sur les pièces dans le bas de l'illustration sont les mêmes symboles que ceux mentionnés ci-dessus.

## DEPLOYMENT ENGINE MODEL TABLE

TRACTOR			ENGINE		
MODEL	PC-No.	POSITION	MODEL	PC-No.	POSITION
LX410(YANMAR)	0CNP5-G52300	A	4TNV88-ULRG1	0CNP5-G38200	A
LX450(YANMAR)		B	4TNV88-BLRG1		B
LX490(YANMAR)		C	4TNV84T-BMRG1	0CNP5-G38300	A

# Contents

0CNP5-M52300

Fig. No.	Fig. Name
ENGINE CONTROL SECTION	
1.	ENGINE RELATED
2.	ENGINE RELATED
3.	ENGINE ACCESSORIES
4.	ENGINE ACCESSORIES
5.	GROMMET
6.	ACCEL LEVER
7.	FOOT ACCEL
8.	EXHAUST
9.	FUEL TANK
10.	TANK PARTS
FRONT AXLE SECTION	
11.	FRONT AXLE BRACKET
12.	FRONT SUPPORT
13.	TIE ROD
14.	RING GEAR
15.	DIFFERENTIAL GEAR
16.	PROPELLER SHAFT
17.	FRONT SHAFT(1
18.	FRONT AXLE CASE
19.	FRONT GEAR CASE
20.	FRONT SHAFT(2
21.	FRONT SPINDLE
22.	FRONT WHEEL TIRE R1

Fig. No.	Fig. Name
23.	FRONT WHEEL TIRE R3
24.	FRONT WHEEL TIRE R3G
25.	FRONT WHEEL TIRE R4
26.	HUB BOLT
27.	HUB BOLT
28.	STEERING COLUMN
29.	STEERING WHEEL
30.	PST CYLINDER
31.	PST VALVE
32.	PST PIPING
33.	PST HOSE
TRANSMISSION SECTION	
34.	CLUTCH HOUSING
35.	DOCKING BOLT
36.	DAMPER DISC
37.	CLUTCH LINK
38.	TRANSMISSION CASE
39.	CENTER PLATE
40.	REVERSER VALVE
41.	P.T.O. VALVE
42.	FRONT COVER
43.	MAIN SHAFT
44.	DRIVEN SHAFT
45.	COUNTER SHAFT

# Contents

0CNP5-M52300

Fig. No. Fig. Name

- 46. REDUCTION SHAFT
- 47. POWER REVERSER
- 48. PTO CLUTCH
- 49. PTO DRIVE SHAFT
- 50. PTO SHAFT
- 51. MAIN LEVER
- 52. SLIDE PLATE
- 53. MAIN CHANGE SHIFT
- 54. REVERSER WIRE
- 55. RANGE SHIFT
- 56. SUB LEVER
- 57. FRONT DRIVE
- 58. CHANGE ARM
- 59. FRONT SHIFT

## REAR AXLE SECTION

- 60. RING GEAR
- 61. DIFFERENTIAL GEAR
- 62. DIFFERENTIAL CARRIER
- 63. REAR HOUSING
- 64. DIFFERENTIAL LOCK
- 65. DIFFERENTIAL LOCK PEDAL
- 66. FINAL PINION
- 67. FINAL GEAR
- 68. REAR AXLE SHAFT

Fig. No. Fig. Name

- 69. REAR WHEEL TIRE R1
- 70. REAR WHEEL TIRE R3
- 71. REAR WHEEL TIRE R3G
- 72. REAR WHEEL TIRE R4
- 73. HUB BOLT
- 74. HUB BOLT
- 75. BRAKE
- 76. PEDAL
- 77. BRAKE LINK

## HYD. CONTROL SECTION

- 78. HYDRAULIC PUMP
- 79. HYD.CYLINDER HOUSING
- 80. HYD.LIFT DOCKING
- 81. PISTON
- 82. LIFT CRANK
- 83. CONTROL VALVE
- 84. RELIEF VALVE
- 85. STOP VALVE
- 86. SAFETY VALVE
- 87. LOADER VALVE
- 88. BREATHER
- 89. SUPPORT( VALVE
- 90. LEVER(SCV
- 91. HYDRAULIC OPERATION(1

# Contents

OCNP5-M52300

Fig. No. Fig. Name

- 92. HYDRAULIC CONTROL
- 93. HYDRAULIC OPERATION(2
- 94. LIFT LEVER
- 95. HYDRAULIC LINE
- 96. HYDRAULIC FILTER
- 97. HYDRAULIC LINE(LOADER
- 98. HYDRAULIC LINE(LOADER(PBK/REAR

## ELECTRICAL PARTS SECTION

- 100. HARNESS
- 101. HARNESS
- 102. BATTERY
- 103. BATTERY
- 104. CLAMP(BATTERY
- 105. CLAMP(BATTERY
- 106. SWITCH
- 107. SWITCH
- 108. SWITCH
- 109. LAMP
- 110. FRONT LAMP
- 111. METER
- 112. RELAY

## FITTINGS SECTION

- 113. FRONT FRAME

Fig. No. Fig. Name

- 114. HOOD FRAME
- 115. HOOD
- 116. DASHBOARD
- 117. COLUMN COVER
- 118. FENDER
- 119. FENDER(REAR REMOTE
- 120. FENDER PARTS
- 121. FLOOR
- 122. STEP STAY(1
- 123. INSULATOR
- 124. STEP STAY(2
- 125. FLOOR ATTACHMENT
- 126. SEAT
- 127. LABEL
- 128. LABEL(LX410)
- 129. LABEL(LX450)
- 130. LABEL(LX490)
- 131. LABEL(PL)
- 132. SMV

## HITCH SECTION

- 133. 3P LINK KIT
- 134. TOP LINK
- 135. DRAWBAR HITCH
- 136. PTO GUARD

# Contents

0CNP5-M52300

Fig. No. Fig. Name

Fig. No. Fig. Name

## SAFETY FRAME SECTION

137. ROLL GUARD

## ACCESSORIES SECTION

138. MANUAL

## OPTIONAL SECTION

139. FRONT HITCH

140. HEATER(BLOCK

141. FRONT WEIGHT

142. HEATER(T/M

143. REAR REMOTE KIT

144. REAR COUPLER KIT

145. WORK LAMP

146. FUEL LINE(FAME

147. FUEL LINE(FAME

148. EXTRA HITCH

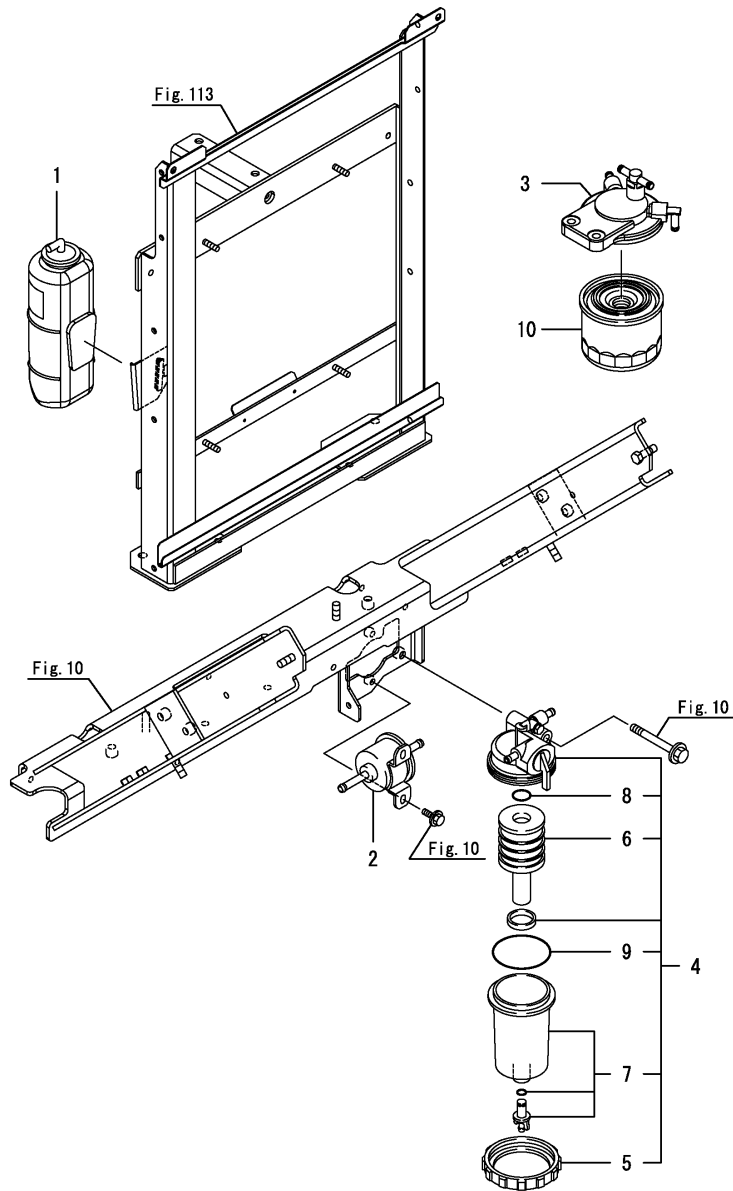
149. LABEL(FRENCH



Fig.1. ENGINE RELATED

(A)=LX410(YANMAR)  
 (B)=LX450(YANMAR)  
 (C)=LX490(YANMAR)

(D)=  
 (E)=  
 (F)=



No.	Lev.	Parts No.	Description	Qty						I	R
				(A)	(B)	(C)	(D)	(E)	(F)		
1	1	129263-44510	TANK ASSY, SUB	1	1						
2	1	119225-52102	PUMP ASSY, FUEL FEED	1	1						
3	1	129004-55612	BRACKET, FILTER	1	1						
4	1	119802-55700	SEPARATOR ASSY	1	1						
5	2	129100-55690	RING, RETAINING	1	1						
6	2	119802-55710	ELEMENT	1	1						
7	2	119802-55730	CUP ASSY	1	1						
8	2	24311-000160	O-RING, 1AP16.0	1	1						
9	2	24321-000650	O-RING, 1AG65.0	1	1						
10	1	119802-55810	FILTER,FO	1	1						

Fig.2. ENGINE RELATED

(A)=LX410(YANMAR)  
 (B)=LX450(YANMAR)  
 (C)=LX490(YANMAR)

(D)=  
 (E)=  
 (F)=

No.	Lev.	Parts No.	Description	Qty						I	R
				(A)	(B)	(C)	(D)	(E)	(F)		
1	1	129509-03080	HOSE ASSY, BREATHER			1					
2	2	129509-03090	HOSE, BREATHER			1					
3	2	129410-03990	CLAMP 22			2					
4	1	129263-44510	TANK ASSY, SUB			1					
5	1	119225-52102	PUMP ASSY, FUEL FEED			1					
6	1	129004-55612	BRACKET, FILTER			1					
7	1	119802-55700	SEPARATOR ASSY			1					
8	2	129100-55690	RING, RETAINING			1					
9	2	119802-55710	ELEMENT			1					
10	2	119802-55730	CUP ASSY			1					
11	2	24311-000160	O-RING, 1AP16.0			1					
12	2	24321-000650	O-RING, 1AG65.0			1					
13	1	119802-55810	FILTER,FO			1					

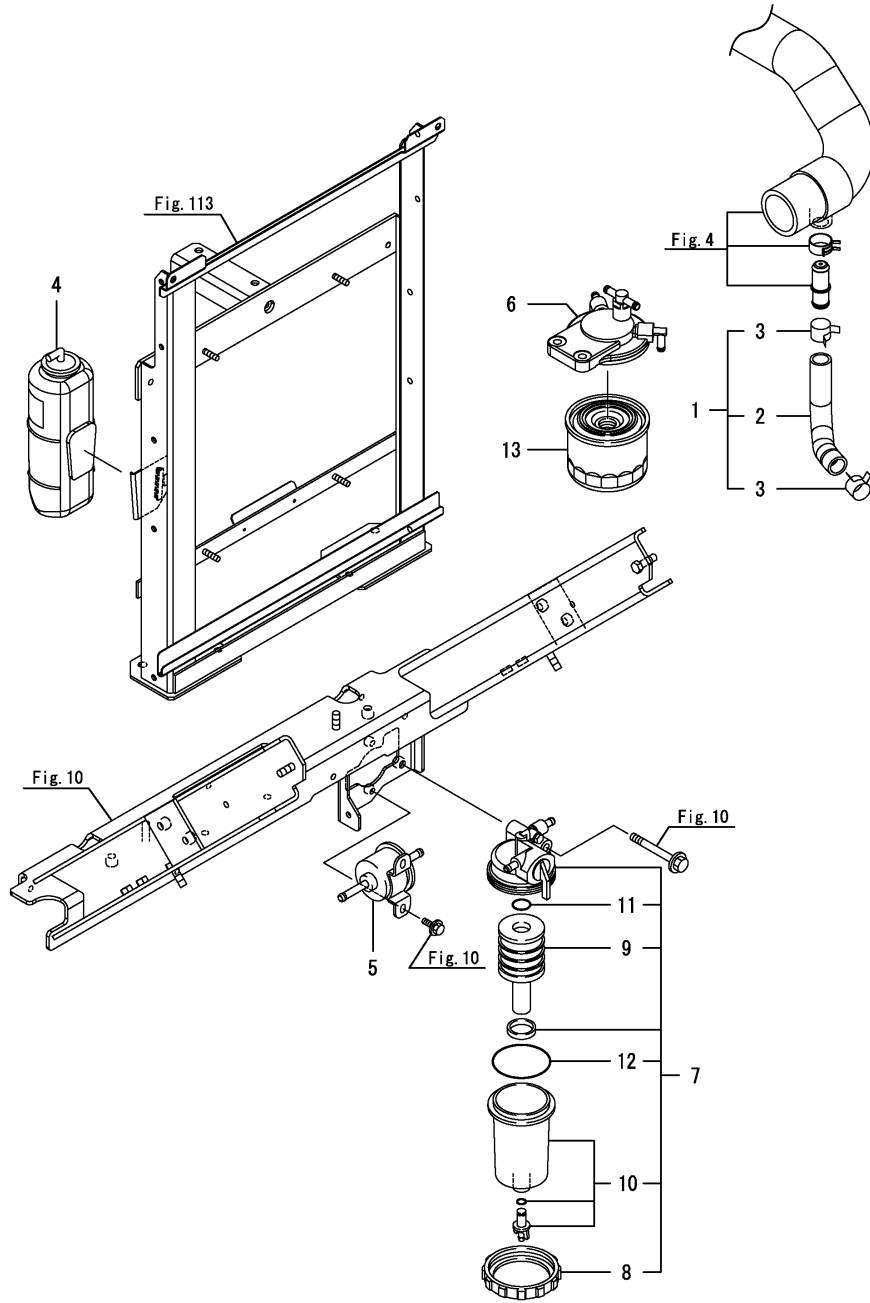
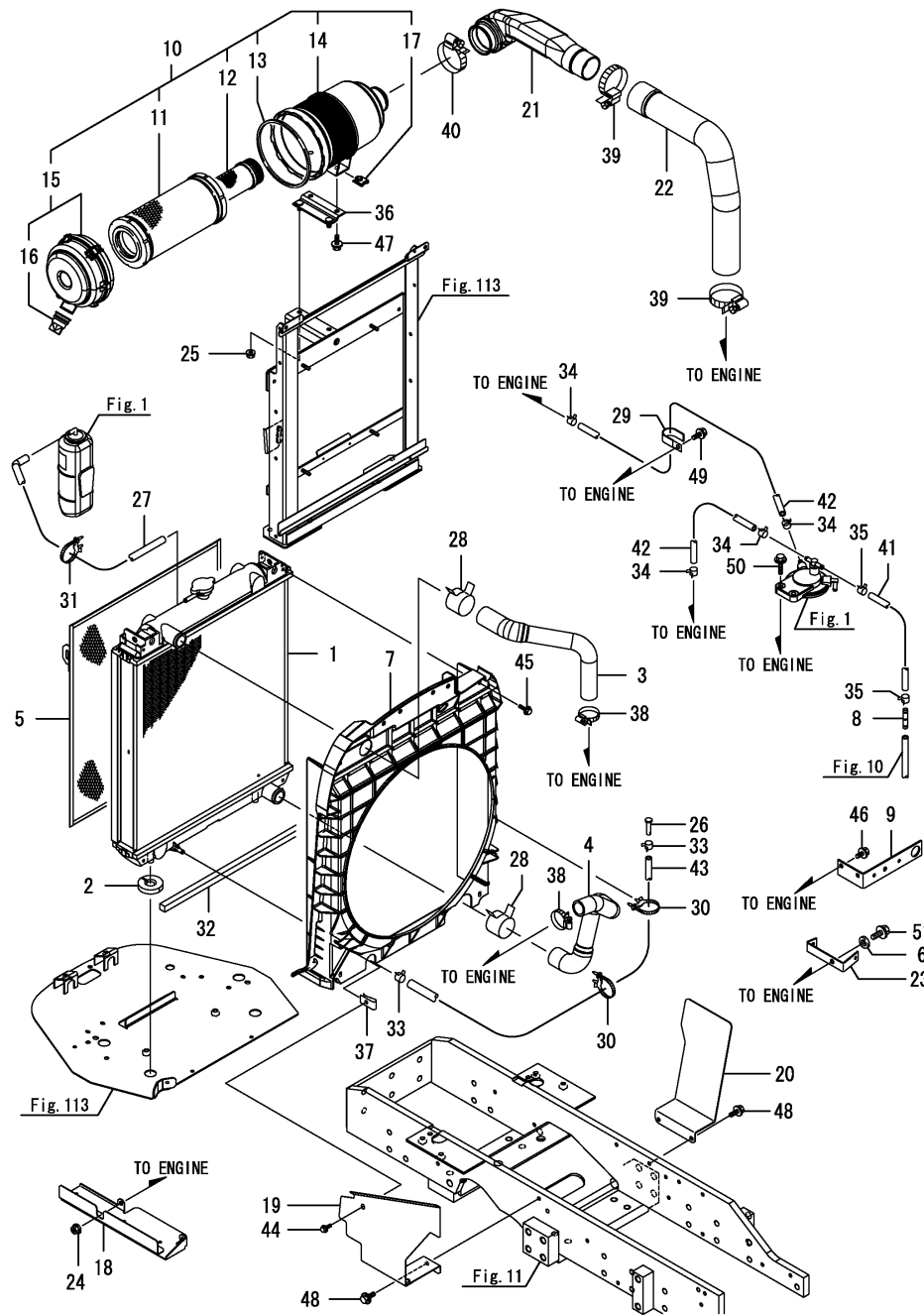


Fig.3. ENGINE ACCESSORIES

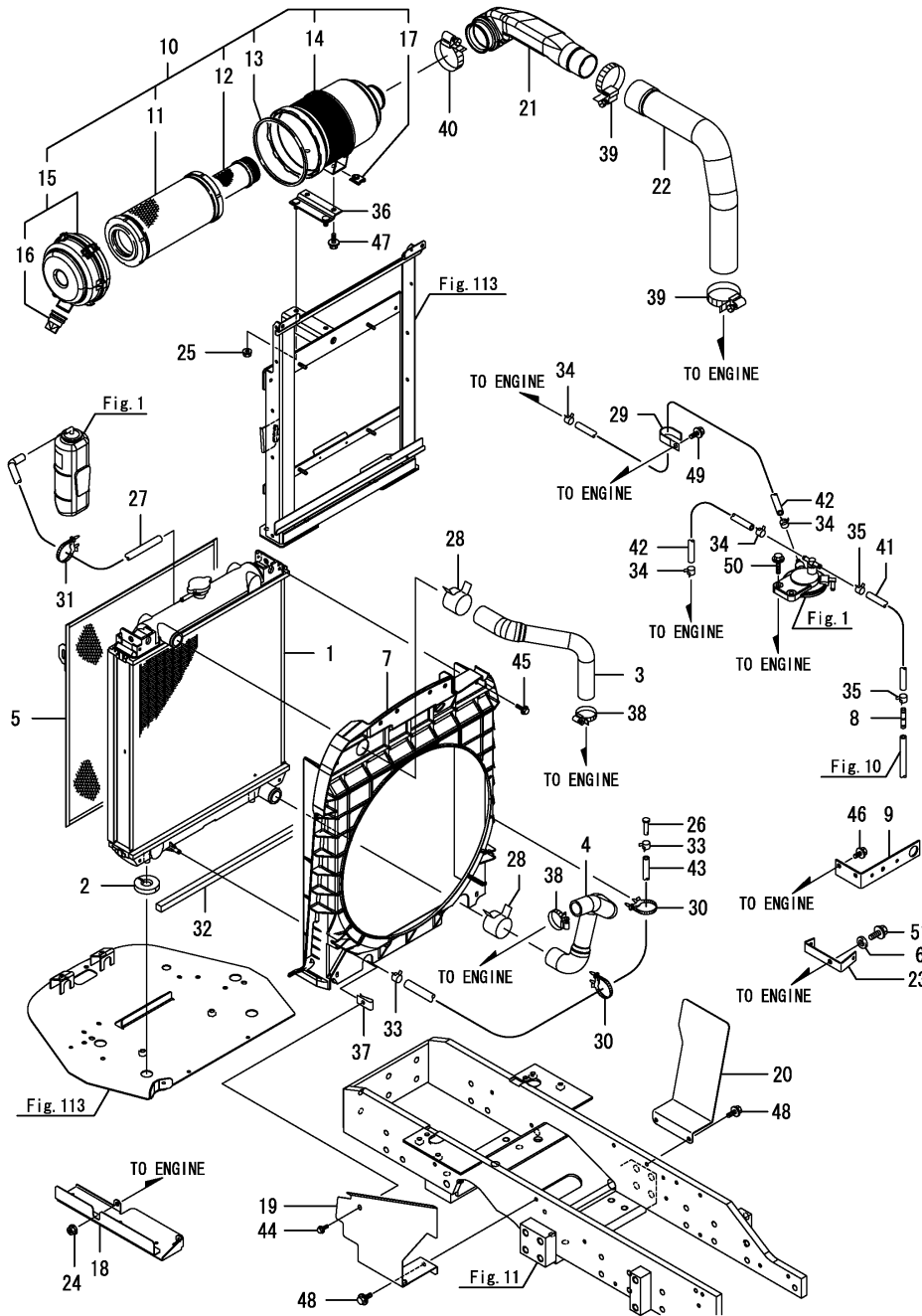


(A)=LX410(YANMAR)  
 (B)=LX450(YANMAR)  
 (C)=LX490(YANMAR)

(D)=  
 (E)=  
 (F)=

No.	Lev.	Parts No.	Description	Q'ty						I	R
				(A)	(B)	(C)	(D)	(E)	(F)		
1	1	1A7140-00600	RADIATOR ASSY	1	1						
2	1	1A7180-01050	RUBBER, ABSORBER	2	2						
3	1	1A8250-01210	TUBE, COOLING WATER A	1	1						
4	1	1A7260-01220	PIPE, WATER B	1	1						
5	1	1A8250-01250	SCREEN, RADIATOR	1	1						
6	1	194150-01270	SPACER, 20	1	1						Z
				(A=FXXXXX)	(B=FXXXXX)						
7	1	1A8250-01500	SHROUD M ASSY, FAN	1	1						
8	1	198280-04470	JOINT, HOSE	1	1						
8-1	1	1A7180-04850	JOINT, FO HOSE	1	1						R
				(A=FXXXXX)	(B=FXXXXX)						
9	1	1A8240-04620	CLAMP, FUEL HOSE	1	1						
10	1	1A8240-05100	CLEANER ASSY, 5.5IN,D	1	1						
11	2	1A8240-05110	ELEMENT ASSY, OUTER	1	1						
12	2	1A8240-05120	ELEMENT ASSY, INNER	1	1						
13	2	1A8240-05130	GASKET, AIR CLEANER	1	1						
14	2	1A8240-05150	BODY,	1	1						
15	2	1A8240-05160	COVER ASSY	1	1						
16	3	1A8240-05170	VALVE, UNLOADER	1	1						
17	2	1A8240-05180	CLIP NUT, M8	2	2						
18	1	1A8275-05510	PLATE, SHUTTER, 88 ASS	1	1						
19	1	1A8240-05810	COVER, BELT L	1	1						
20	1	1A8240-05820	COVER, BELT R	1	1						
21	1	1A8240-06200	PIPE A, INTAKE	1	1						
22	1	1A8240-06220	HOSE B, INTAKE	1	1						
23	1	1A8240-15460	BRACKET, CLAMP	1	1						
24	1	194990-22140	NUT, M8	2	2						
25	1	194990-22140	NUT, M8	2	2						
26	1	198220-37900	PIN, 8X24	1	1						
27	1	121750-49150	PIPE, WATER DRAIN	1	1						
28	1	175022-49750	CLIP 37, HOSE	2	2						
29	1	194440-51620	CLAMP	1	1						
30	1	194680-51670	BAND, CLIP	2	2						
31	1	194680-51670	BAND, CLIP	1	1						
32	1	1A7601-53920	URETHANE, SIDE LAMP	1	1						
33	1	114270-59010	CLIP, HOSE 12	2	2						
34	1	114270-59010	CLIP, HOSE 12	4	4						
35	1	114270-59010	CLIP, HOSE 12	2	2						
36	1	1A8240-60220	SUPPORT, CLEANER	1	1						
37	1	198071-61890	NUT, SPEED M6	1	1						
38	1	23000-035000	CLAMP, 35	2	2						
39	1	23000-070000	CLAMP, 70	2	2						
40	1	23000-070000	CLAMP, 70	1	1						
41	1	23980-730200	HOSE, 7.3X 200	1	1						
42	1	23980-730400	HOSE, 7.3X 400	2	2						
43	1	23980-730600	HOSE, 7.3X 600	1	1						
44	1	26106-060122	BOLT, M6X 12 PLATED	1	1						
45	1	26106-060202	BOLT, M6X 20 PLATED	4	4						
46	1	26106-080122	BOLT, M8X 12 PLATED	2	2						
47	1	26106-080162	BOLT, M8X 16 PLATED	2	2						
48	1	26106-080162	BOLT, M8X 16 PLATED	3	3						

Fig.3. ENGINE ACCESSORIES



(A)=LX410(YANMAR)  
 (B)=LX450(YANMAR)  
 (C)=LX490(YANMAR)

(D)=  
 (E)=  
 (F)=

No.	Lev.	Parts No.	Description	Q'ty						I	R
				(A)	(B)	(C)	(D)	(E)	(F)		
49	1	26106-080162	BOLT, M8X 16 PLATED	1	1						
50	1	26106-080302	BOLT, M8X 30 PLATED	2	2						
51	1	26106-100202	BOLT, M10X 20 PLATED	1	1						
51-1	1	26106-100162	BOLT, M10X 16 PLATED	1	1						N
		(A=FXXXXX) (B=FXXXXX)									

Fig.4. ENGINE ACCESSORIES

(A)=LX410(YANMAR)

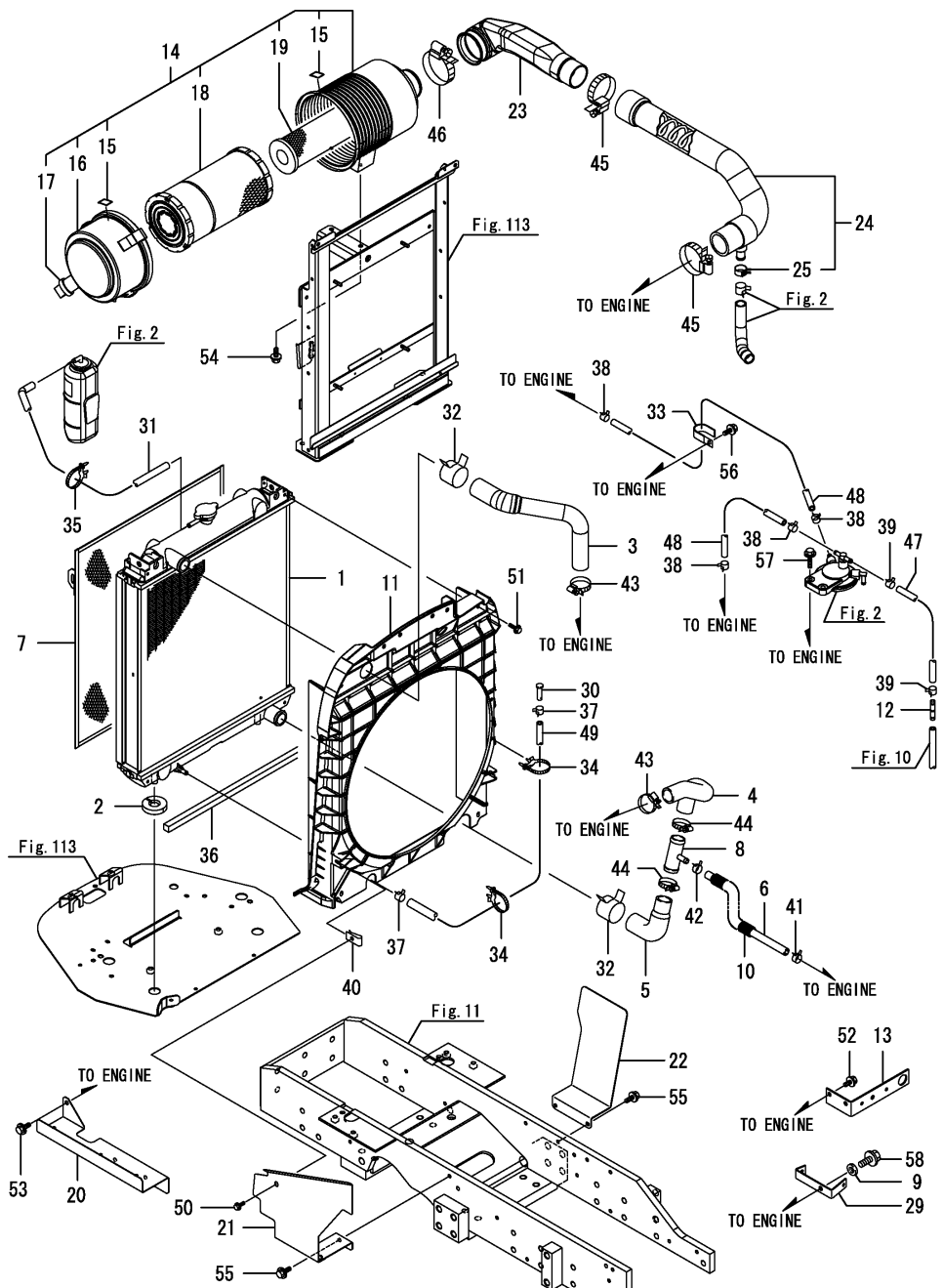
(B)=LX450(YANMAR)

(C)=LX490(YANMAR)

(D)=

(E)=

(F)=



No.	Lev.	Parts No.	Description	Qty						I	R
				(A)	(B)	(C)	(D)	(E)	(F)		
1	1	1A7140-00600	RADIATOR ASSY			1					
2	1	1A7180-01050	RUBBER, ABSORBER			2					
3	1	1A8250-01210	TUBE, COOLING WATER A			1					
4	1	1A7300-01220	PIPE, WATER B1			1					
5	1	1A7300-01230	PIPE, WATER B2			1					
6	1	1A8260-01241	CW-T, LO COOLER OUT			1					
7	1	1A8250-01250	SCREEN, RADIATOR			1					
8	1	1A8260-01260	JOINT, WATER COOLING			1					
9	1	194150-01270	SPACER, 20			1					Z
			(C=FXXXXX)								
10	1	1A8260-01270	TUBE, CORRUGATE 19			1					
11	1	1A8250-01500	SHROUD M ASSY, FAN			1					
12	1	198280-04470	JOINT, HOSE			1					
12-1	1	1A7180-04850	JOINT, FO HOSE			1					R
			(C=FXXXXX)								
13	1	1A8240-04620	CLAMP, FUEL HOSE			1					
14	1	1A8260-05100	CLEANER ASSY, 6IN D			1					
15	2	129418-12530	LABEL, MARK			2					
16	2	129900-12530	COVER ASSY			1					
17	2	119808-12540	VALVE, UNLOADER			1					
18	2	129062-12560	ELEMENT			1					
19	2	119005-12571	ELEMENT			1					
20	1	1A8275-05530	PLATE, SHUTTER, 84T			1					
21	1	1A8240-05810	COVER, BELT L			1					
22	1	1A8240-05820	COVER, BELT R			1					
23	1	1A7180-06201	PIPE, AIR INTAKE A			1					
24	1	1A8260-06210	HOSE ASSY, INTAKE B			1					
25	2	129410-03990	CLAMP 22			1					
29	1	1A8240-15460	BRACKET, CLAMP			1					
30	1	198220-37900	PIN, 8X24			1					
31	1	121750-49150	PIPE, WATER DRAIN			1					
32	1	175022-49750	CLIP 37, HOSE			2					
33	1	194440-51620	CLAMP			1					
34	1	194680-51670	BAND, CLIP			2					
35	1	194680-51670	BAND, CLIP			1					
36	1	1A7601-53920	URETHANE, SIDE LAMP			1					
37	1	114270-59010	CLIP, HOSE 12			2					
38	1	114270-59010	CLIP, HOSE 12			4					
39	1	114270-59010	CLIP, HOSE 12			2					
40	1	198071-61890	NUT, SPEED M6			1					
41	1	23000-019000	CLAMP, 19			1					
42	1	23000-019000	CLAMP, 19			1					
43	1	23000-035000	CLAMP, 35			2					
44	1	23000-035000	CLAMP, 35			2					
45	1	23000-070000	CLAMP, 70			2					
46	1	23000-080000	CLAMP, 80			1					
47	1	23980-730200	HOSE, 7.3X 200			1					
48	1	23980-730400	HOSE, 7.3X 400			2					
49	1	23980-730600	HOSE, 7.3X 600			1					
50	1	26106-060122	BOLT, M6X 12 PLATED			1					
51	1	26106-060202	BOLT, M6X 20 PLATED			4					

N:Old  $\begin{matrix} \text{Yes} \\ \text{No} \end{matrix}$  New, Q:Old  $\begin{matrix} \text{No} \\ \text{Yes} \end{matrix}$  New, R:Old  $\begin{matrix} \text{Yes} \\ \text{No} \end{matrix}$  New, S:Old  $\begin{matrix} \text{No} \\ \text{Yes} \end{matrix}$  New, W:Add, Z:Discontinued, F:Interchangeable by set, K:Qty Change  
 ++ CONTINUE ++  
 Copyright (C) YANMAR CO., LTD. All Rights Reserved.

Fig.4. ENGINE ACCESSORIES

(A)=LX410(YANMAR)

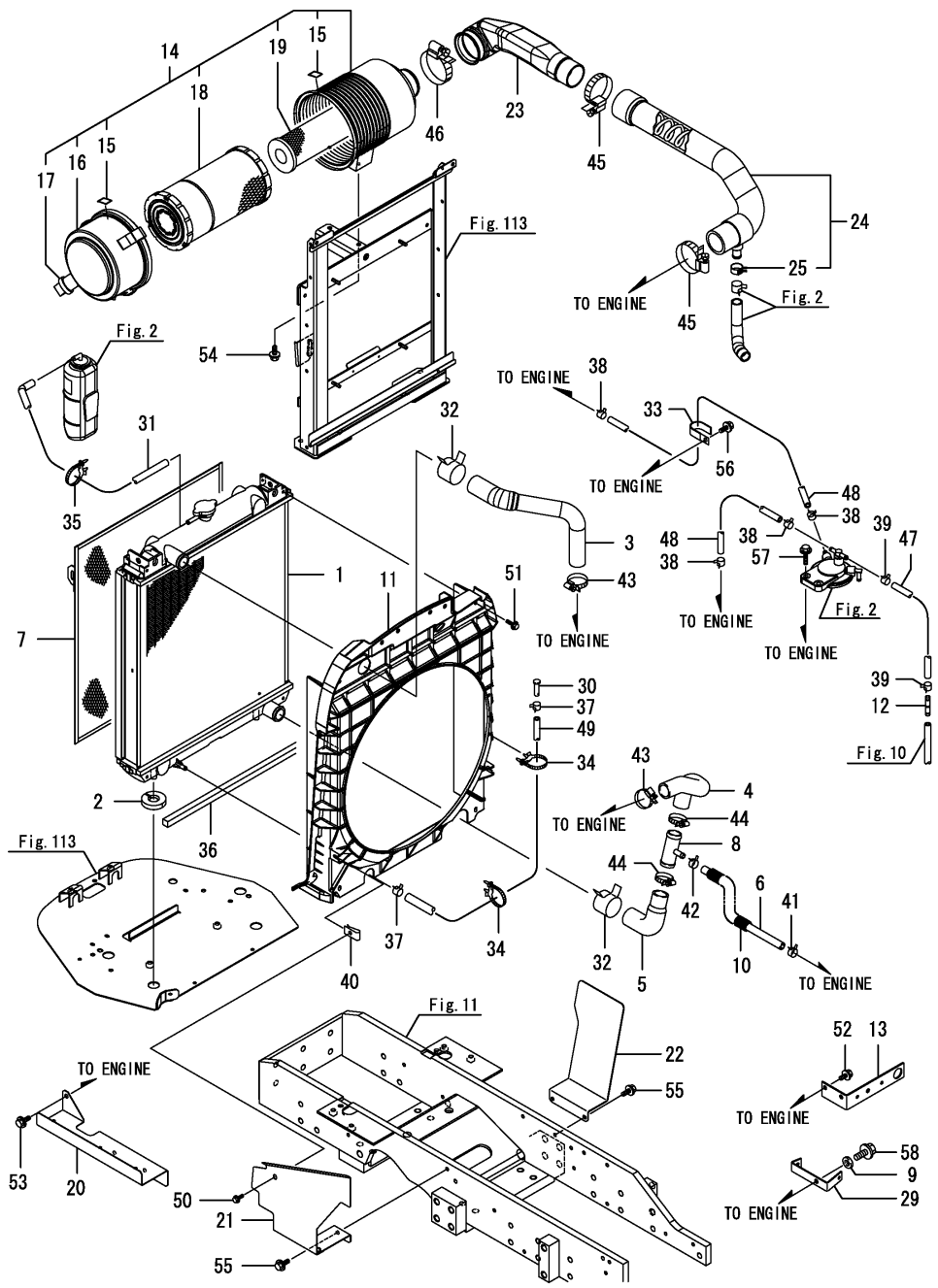
(B)=LX450(YANMAR)

(C)=LX490(YANMAR)

(D)=

(E)=

(F)=

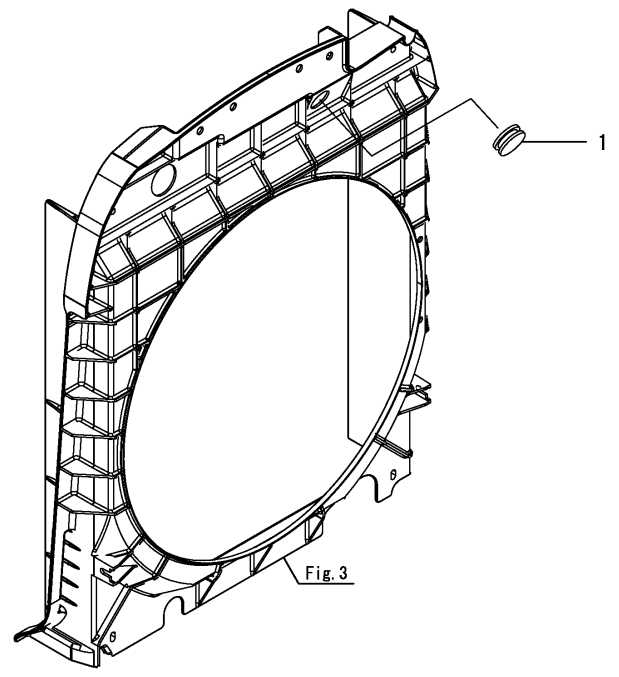


No.	Lev.	Parts No.	Description	Qty						I	R
				(A)	(B)	(C)	(D)	(E)	(F)		
52	1	26106-080122	BOLT, M8X 12 PLATED			2					
53	1	26106-080122	BOLT, M8X 12 PLATED			3					
54	1	26106-080162	BOLT, M8X 16 PLATED			2					
55	1	26106-080162	BOLT, M8X 16 PLATED			3					
56	1	26106-080162	BOLT, M8X 16 PLATED			1					
57	1	26106-080302	BOLT, M8X 30 PLATED			2					
58	1	26106-100202	BOLT, M10X 20 PLATED			1					
58-1	1	26106-100162	BOLT, M10X 16 PLATED (C=FXXXXX)			1					N

Fig.5. GROMMET

(A)=LX410(YANMAR)  
(B)=LX450(YANMAR)  
(C)=LX490(YANMAR)

(D)=  
(E)=  
(F)=



No.	Lev.	Parts No.	Description	Q'ty						I	R
				(A)	(B)	(C)	(D)	(E)	(F)		
1	1	194180-61980	GROMMET, 24	1	1	1					

---

---

---

---

---

---

---

---

---

---

---

---

---

---

---

---

---

---

---

---

---

---

---

---

Fig.6. ACCEL LEVER

(A)=LX410(YANMAR)  
 (B)=LX450(YANMAR)  
 (C)=LX490(YANMAR)

(D)=  
 (E)=  
 (F)=

No.	Lev.	Parts No.	Description	Qty						I	R
				(A)	(B)	(C)	(D)	(E)	(F)		
1	1	1A8250-01100	LEVER ASSY, ACCEL	1	1	1					
2	2	194740-00160	SPRING, 10	3	3	3					
3	2	1A8250-01110	LEVER, ACCEL	1	1	1					
4	2	198200-01260	PLATE, FRICTION	1	1	1					
5	2	1A8250-02150	SUPPORT ASSY, ACCEL	1	1	1					
6	2	22137-100000	WASHER, 10	1	1	1					
7	2	22157-100000	WASHER, 10	1	1	1					
8	2	26716-100002	NUT, M10	2	2	2					
9	1	1A8250-01150	CABLE ASSY, HAND	1	1	1					
10	1	198071-01160	RUBBER	1	1	1					
11	1	198253-01190	KNOB, LEVER	1	1	1					
12	1	194170-51210	GROMMET 25	1	1	1					
13	1	1C6281-52310	PIN, SNAP 6	1	1	1					
14	1	198071-58810	GROMMET, 8	1	1	1					
15	1	22137-060000	WASHER, 6	1	1	1					
16	1	26106-080162	BOLT, M8X 16 PLATED	2	2	2					

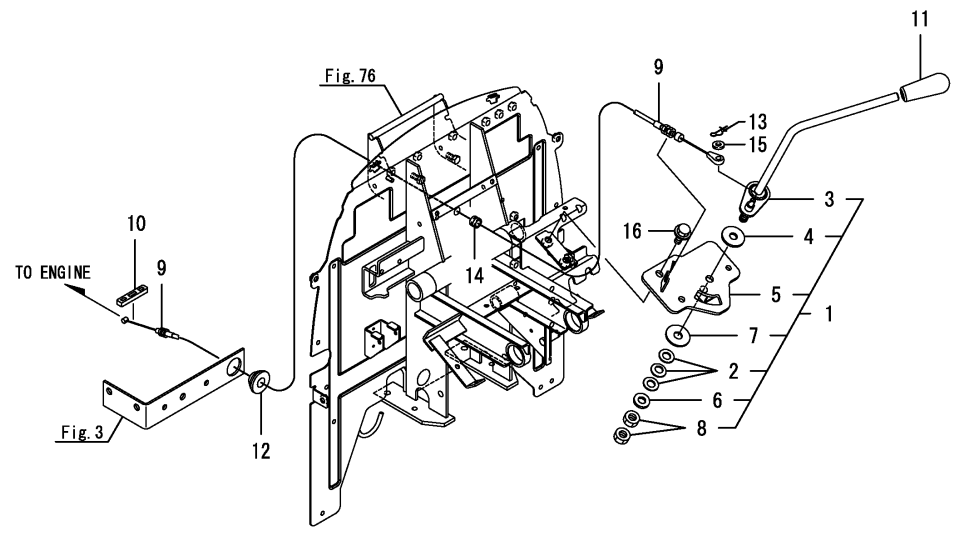




Fig.7. FOOT ACCEL

(A)=LX410(YANMAR)  
 (B)=LX450(YANMAR)  
 (C)=LX490(YANMAR)

(D)=  
 (E)=  
 (F)=

No.	Lev.	Parts No.	Description	Q'ty						I	R
				(A)	(B)	(C)	(D)	(E)	(F)		
1	1	198200-01210	WIRE ASSY	1	1	1					
2	1	1A8240-01300	CONTROL UNIT, FOOT	1	1	1					
3	1	1W3981-14050	RUBBER	1	1	1					
4	1	194990-22130	NUT, M6	1	1	1					
5	1	1A8300-51210	BAND, REPEAT	1	1	1					
6	1	194680-51670	BAND, CLIP	1	1	1					
7	1	198360-55630	SPRING, RETURN	1	1	1					
8	1	26106-060122	BOLT, M6X 12 PLATED	1	1	1					
9	1	26116-060404	BOLT, M6X 40 PLATED	1	1	1					

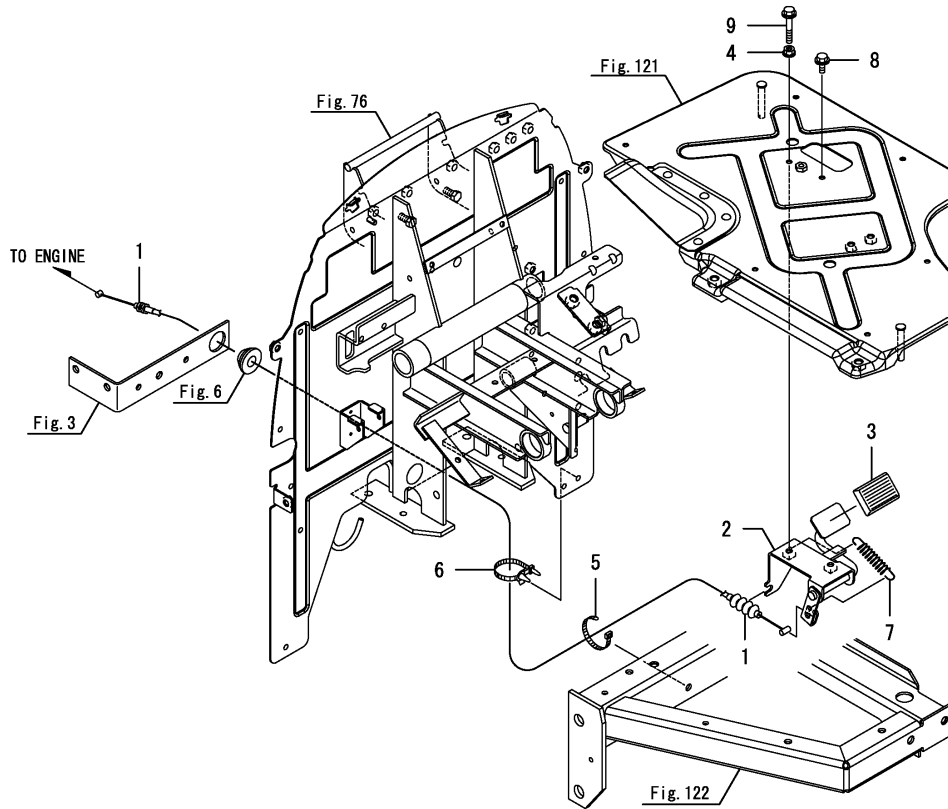


Fig.8. EXHAUST

(A)=LX410(YANMAR)  
 (B)=LX450(YANMAR)  
 (C)=LX490(YANMAR)

(D)=  
 (E)=  
 (F)=

No.	Lev.	Parts No.	Description	Qty						I	R
				(A)	(B)	(C)	(D)	(E)	(F)		
1	1	1A8250-03100	MUFFLER PIPE	1	1	1					
2	1	129052-13550	GASKET	1	1	1					
3	1	26106-080202	BOLT, M8X 20 PLATED	3	3	3					

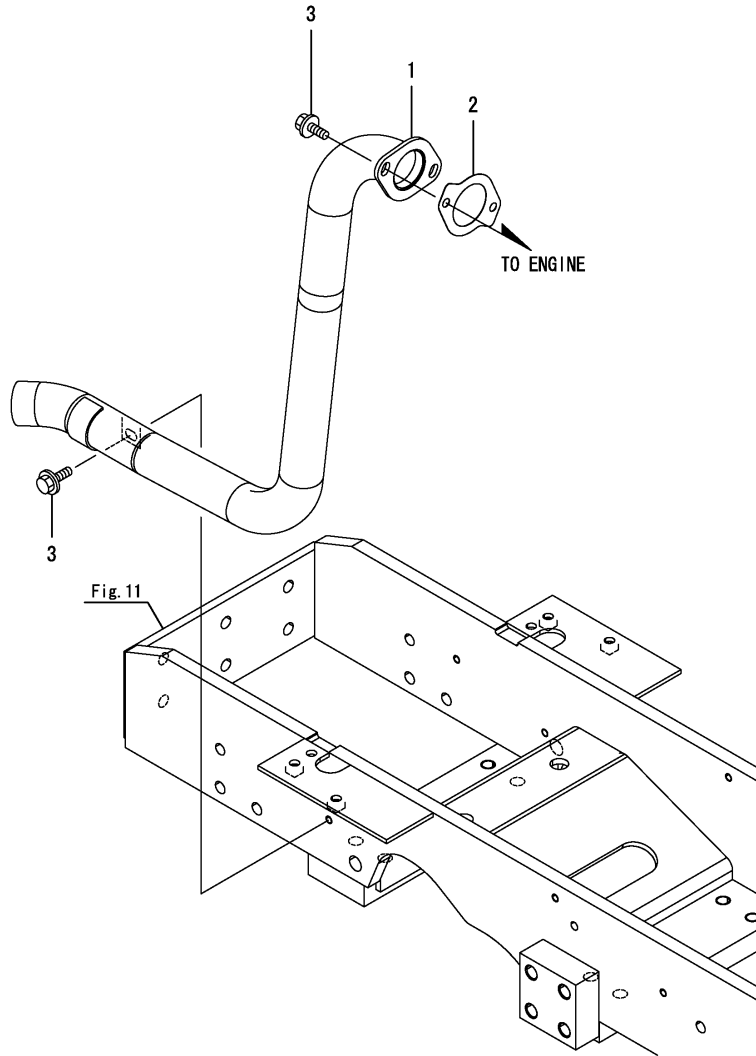
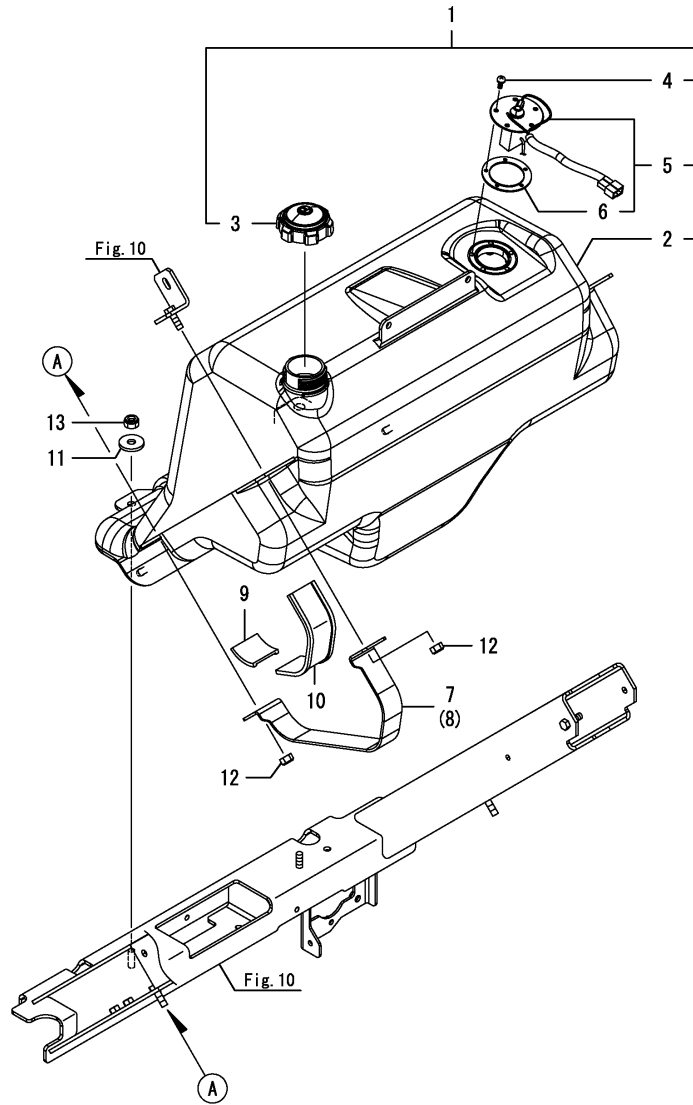


Fig.9. FUEL TANK

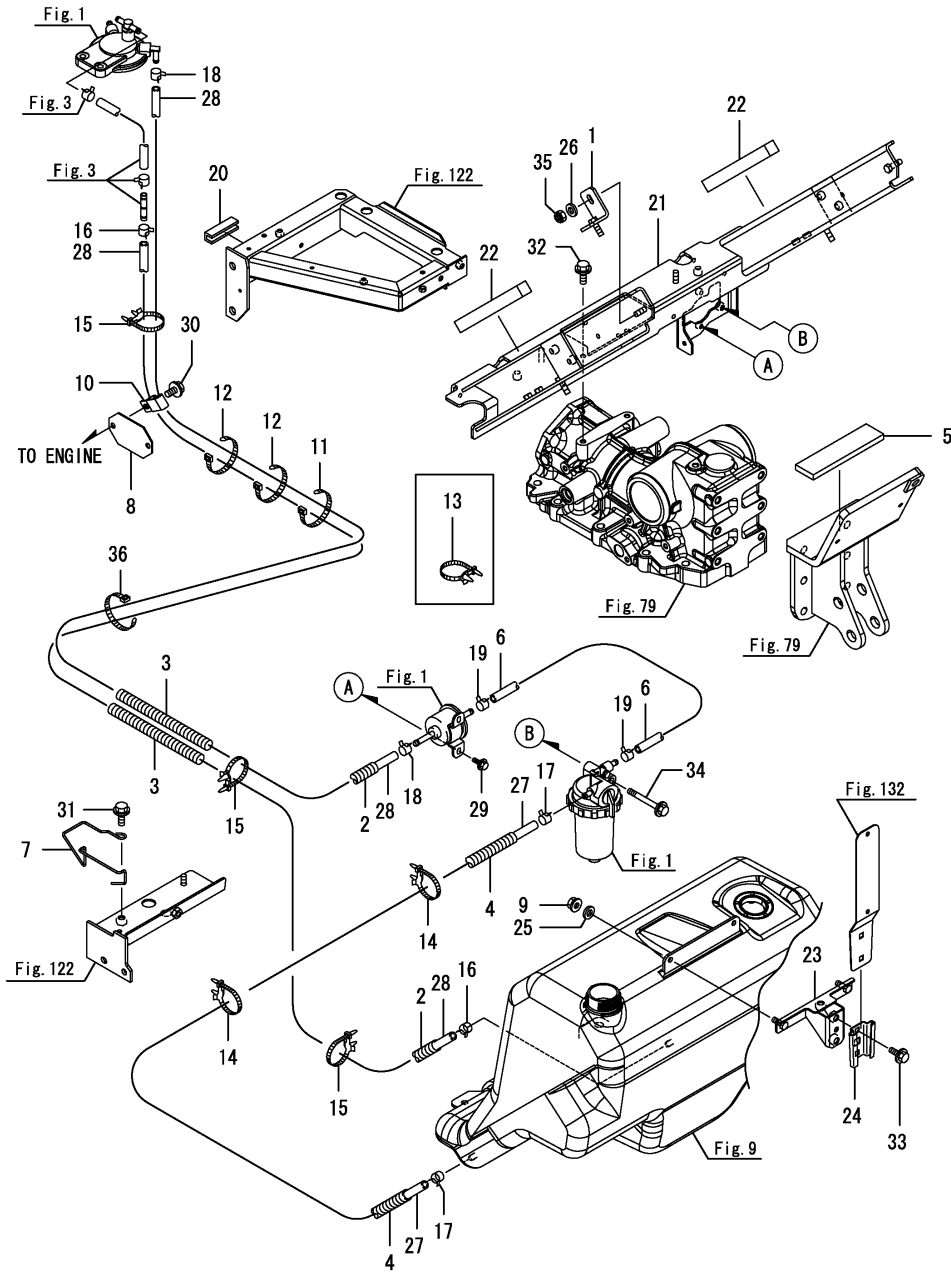
(A)=LX410(YANMAR)  
 (B)=LX450(YANMAR)  
 (C)=LX490(YANMAR)

(D)=  
 (E)=  
 (F)=



No.	Lev.	Parts No.	Description	Q'ty						I	R
				(A)	(B)	(C)	(D)	(E)	(F)		
1	1	1A8250-04100	TANK, FUEL ASSY	1	1	1					
2	2	1A8250-04110	TANK, FUEL	1	1	1					
3	2	1A8160-04130	CAP, FUEL TANK	1	1	1					
4	2	1A7180-04180	SCREW, M5X14	5	5	5					
5	2	1A8275-56600	FUEL SENDER ASSY	1	1	1					
6	3	194420-56620	GASKET	1	1	1					
7	1	1A8250-04210	BAND, TANK REAR L	1	1	1					
8	1	1A8250-04220	BAND, TANK REAR R	1	1	1					
9	1	1A8250-04230	BUFFER, BAND	2	2	2					
10	1	1A8250-04240	BUFFER, BAND	2	2	2					
11	1	22157-080000	WASHER, 8	2	2	2					
12	1	26347-080002	NUT, M8	4	4	4					
13	1	26347-080002	NUT, M8	2	2	2					

Fig.10. TANK PARTS



(A)=LX410(YANMAR)  
 (B)=LX450(YANMAR)  
 (C)=LX490(YANMAR)

(D)=  
 (E)=  
 (F)=

No.	Lev.	Parts No.	Description	Qty						I	R
				(A)	(B)	(C)	(D)	(E)	(F)		
1	1	1A8250-04250	ANGLE ASSY, TANK	2	2	2					
2	1	1A8250-04280	TUBE, CORRUGATE 13	2	2	2					
3	1	1A8250-04280	TUBE, CORRUGATE 13	2	2	2					
4	1	1A8250-04280	TUBE, CORRUGATE 13	1	1	1					
5	1	1A8250-04290	CUSHION, TANK	1	1	1					
6	1	1A8250-04430	HOSE, FUEL	1	1	1					
7	1	1A8250-04870	CLAMP, HOSE	1	1	1					
8	1	1A8250-21180	COVER, HOUSING	1	1	1					
9	1	194990-22140	NUT, M8	2	2	2					
10	1	1A7130-48110	CLAMP, PIPE	1	1	1					
11	1	1A8300-51210	BAND, REPEAT	1	1	1					
12	1	1A8300-51210	BAND, REPEAT	2	2	2					
13	1	194680-51670	BAND, CLIP	1	1	1					
14	1	1A8275-51670	CLIP, M8 HOLE	2	2	2					
15	1	1A8275-51670	CLIP, M8 HOLE	3	3	3					
16	1	114270-59010	CLIP, HOSE 12	2	2	2					
17	1	114270-59010	CLIP, HOSE 12	2	2	2					
18	1	114270-59010	CLIP, HOSE 12	2	2	2					
19	1	114270-59010	CLIP, HOSE 12	2	2	2					
20	1	1A8250-61560	TRIM,	1	1	1					
21	1	1A8250-63800	BRACKET ASSY, TANK	1	1	1					
22	1	1A8250-63890	SEAL, FENDER	2	2	2					
23	1	1A8250-65870	BRACKET, SMV ASSY	1	1	1					
24	1	1A7882-85630	HOLDER, SMV	1	1	1					
25	1	22157-080000	WASHER, 8	2	2	2					
26	1	22157-080000	WASHER, 8	2	2	2					
27	1	23980-730550	HOSE, 7.3X 550	1	1	1					
28	1	23980-731700	HOSE, 7.3X1700	2	2	2					
29	1	26106-060122	BOLT, M6X 12 PLATED	2	2	2					
30	1	26106-080162	BOLT, M8X 16 PLATED	2	2	2					
31	1	26106-080162	BOLT, M8X 16 PLATED	1	1	1					
32	1	26106-080202	BOLT, M8X 20 PLATED	2	2	2					
33	1	26106-080202	BOLT, M8X 20 PLATED	2	2	2					
34	1	26106-080702	BOLT, M8X 70 PLATED	1	1	1					
35	1	26347-080002	NUT, M8	2	2	2					
36	1	1A8300-51210	BAND, REPEAT	1	1	1					W

(A)=FXXXXX (B)=FXXXXX (C)=FXXXXX

Fig.11. FRONT AXLE BRACKET

(A)=LX410(YANMAR)  
 (B)=LX450(YANMAR)  
 (C)=LX490(YANMAR)

(D)=  
 (E)=  
 (F)=

No.	Lev.	Parts No.	Description	Q'ty						I	R
				(A)	(B)	(C)	(D)	(E)	(F)		
1	1	1A8250-11100	BRACKET ASSY, F AXLE	1	1	1					
2	1	1A8160-11520	BOLT, M12X34	14	14	14					
3	1	1A8275-17450	GUARD, PST CYLINDER	1	1	1					
4	1	1A6680-85980	BOLT, M14X45	8	8	8					
5	1	26106-080162	BOLT, M8X 16 PLATED	1	1	1					
6	1	26116-160604	BOLT, M16X 60 PLATED	1	1	1					
7	1	26716-160002	NUT, M16	1	1	1					

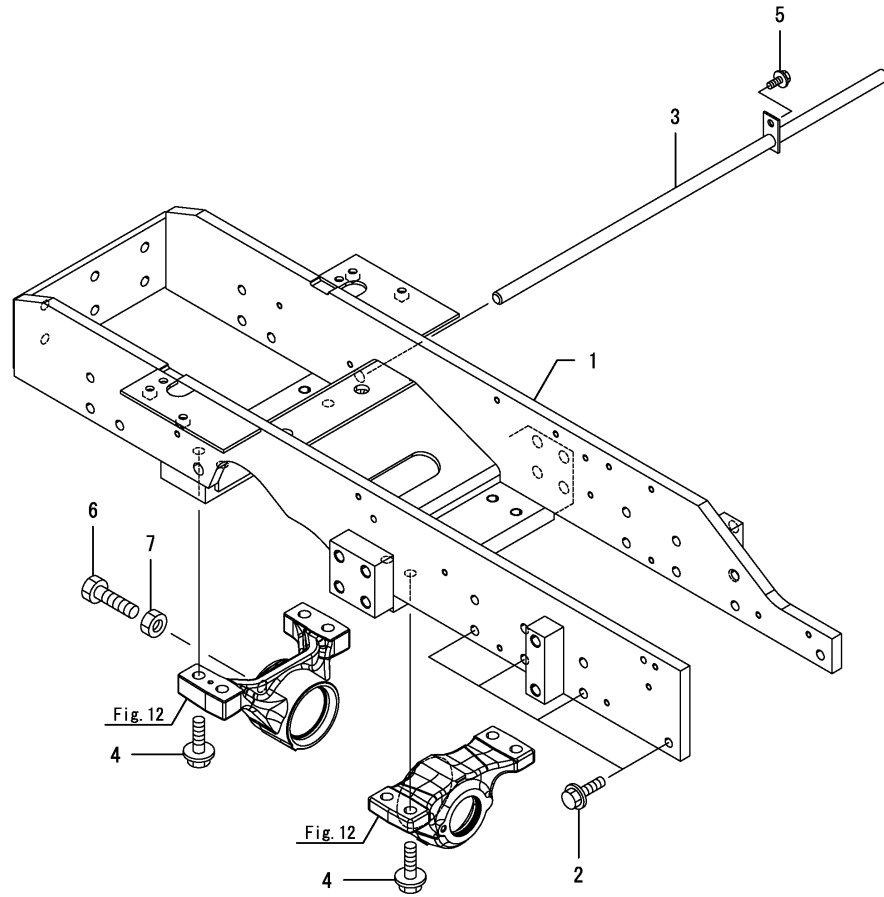


Fig.12. FRONT SUPPORT

(A)=LX410(YANMAR)  
 (B)=LX450(YANMAR)  
 (C)=LX490(YANMAR)

(D)=  
 (E)=  
 (F)=

No.	Lev.	Parts No.	Description	Qty						I	R
				(A)	(B)	(C)	(D)	(E)	(F)		
1	1	1A8275-11600	SUPPORT ASSY,FRONT F	1	1	1					
2	2	1A7180-11620	BUSH, 60X65X40	1	1	1					
3	2	1A7180-11630	SEAL, VB607005	1	1	1					
4	2	24761-010000	NIPPLE, GREASE M6F	1	1	1					
5	1	1A7180-11650	WASHER, 60X4	1	1	1					
6	1	1A8275-11700	SUPPORT ASSY,FRONT R	1	1	1					
7	2	194181-11560	SEAL, OIL VB75856.5	1	1	1					
8	2	194641-11630	BUSH, 75X80X25	1	1	1					
9	2	24761-010000	NIPPLE, GREASE M6F	1	1	1					
10	1	198283-13480	WASHER, 62X75X3	1	1	1					

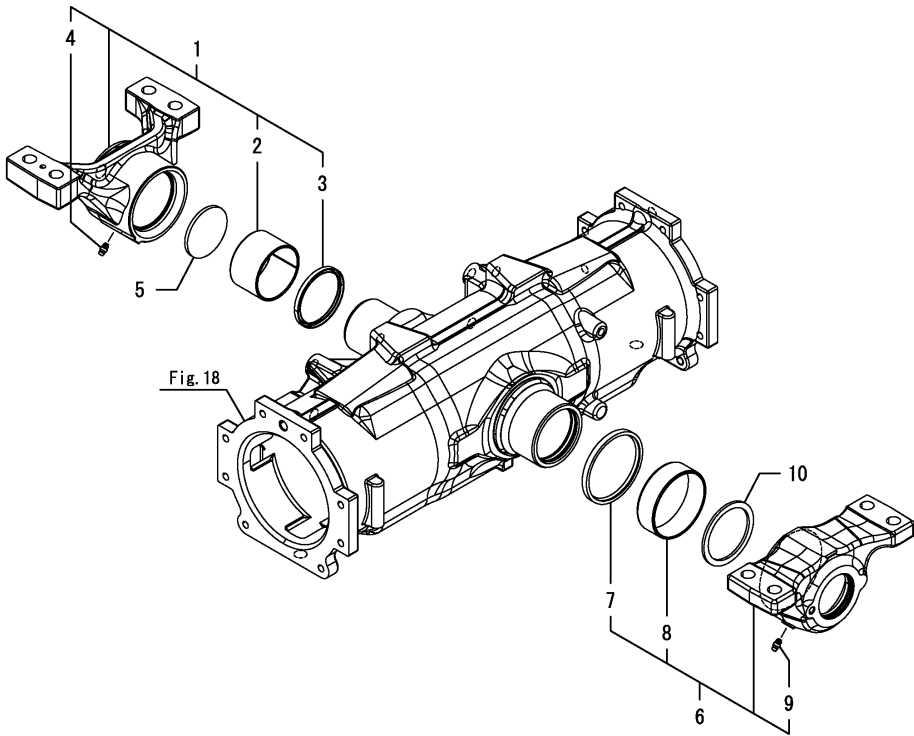
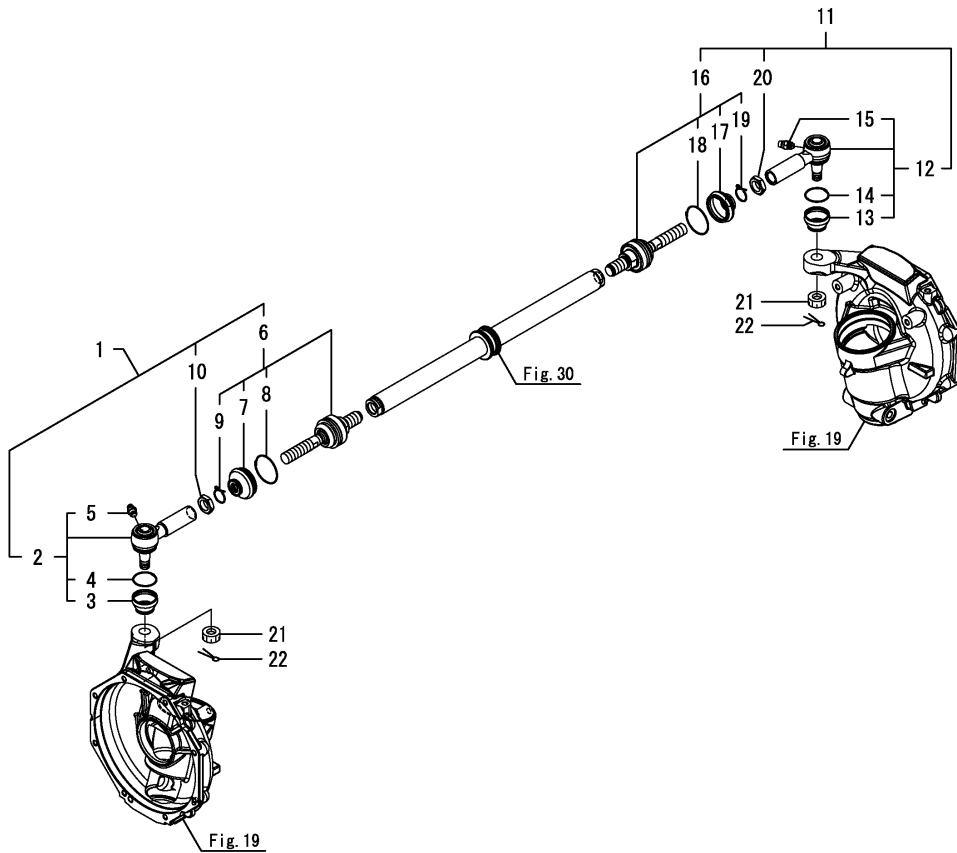


Fig.13. TIE ROD

(A)=LX410(YANMAR)  
 (B)=LX450(YANMAR)  
 (C)=LX490(YANMAR)

(D)=  
 (E)=  
 (F)=



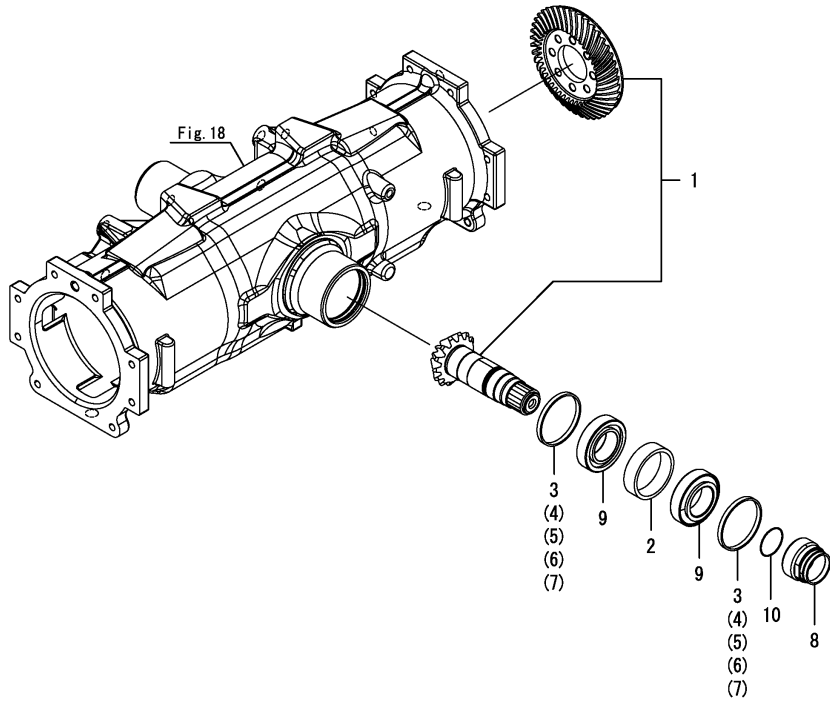
No.	Lev.	Parts No.	Description	Qty						I	R
				(A)	(B)	(C)	(D)	(E)	(F)		
1	1	1A8275-12310	TIE-ROD ASSY, L	1	1	1					
2	2	1A8275-12330	END ASSY, ROD L	1	1	1					
3	3	1A8275-12440	COVER, DUST	1	1	1					
4	3	1A8275-12450	RING, COVER	1	1	1					
5	3	1A8275-12460	GREASE NIPPLES	1	1	1					
6	2	1A8275-12510	END ASSY, RACK L	1	1	1					
7	3	1A8275-12580	COVER, DUST	1	1	1					
8	3	1A8275-12590	RING, COVER	1	1	1					
9	3	1A8275-12600	CLIP,	1	1	1					
10	2	1A8275-12610	NUT, M20	1	1	1					
11	1	1A8275-12320	TIE-ROD ASSY, R	1	1	1					
12	2	1A8275-12340	END ASSY, ROD R	1	1	1					
13	3	1A8275-12440	COVER, DUST	1	1	1					
14	3	1A8275-12450	RING, COVER	1	1	1					
15	3	1A8275-12460	GREASE NIPPLES	1	1	1					
16	2	1A8275-12520	END ASSY, RACK R	1	1	1					
17	3	1A8275-12580	COVER, DUST	1	1	1					
18	3	1A8275-12590	RING, COVER	1	1	1					
19	3	1A8275-12600	CLIP,	1	1	1					
20	2	1A8275-12610	NUT, M20	1	1	1					
21	1	1A8275-12470	NUT,CASTLE	2	2	2					
22	1	22417-400400	PIN, COTTER 4.0X40	2	2	2					

Fig.14. RING GEAR

(A)=LX410(YANMAR)  
 (B)=LX450(YANMAR)  
 (C)=LX490(YANMAR)

(D)=  
 (E)=  
 (F)=

No.	Lev.	Parts No.	Description	Q'ty						I	R
				(A)	(B)	(C)	(D)	(E)	(F)		
1	1	1A8275-13100	GEAR ASSY, RING	1	1	1					
2	1	1A7180-13150	COLLAR, 52.5X60.5X16	1	1	1					
3	1	1A7180-13380	COLLAR, 58X62X4.8	1	1	1					1
4	1	1A7180-13390	COLLAR, 58X62X4.9	1	1	1					1
5	1	1A7180-13400	COLLAR, 58X62X5.0	2	2	2					1
6	1	1A7180-13410	COLLAR, 58X62X5.1	1	1	1					1
7	1	1A7180-13420	COLLAR, 58X62X5.2	1	1	1					1
8	1	198251-13670	COLLAR, SEAL	1	1	1					
9	1	24141-320070	BEARING, 32007	2	2	2					
10	1	24341-000315	O-RING, 1AS31.5	1	1	1					



Remarks  
 (1) Select and use.



Fig.15. DIFFERENTIAL GEAR

(A)=LX410(YANMAR)  
 (B)=LX450(YANMAR)  
 (C)=LX490(YANMAR)

(D)=  
 (E)=  
 (F)=

No.	Lev.	Parts No.	Description	Q'ty						I	R
				(A)	(B)	(C)	(D)	(E)	(F)		
1	1	1A7180-13201	HOUSING ASSY	1	1	1					
2	2	1A7180-13211	CASE, DIFFERENTIAL	1	1	1					
3	2	194321-13230	PINION, DIFFERENTIAL	2	2	2					
4	2	194465-13240	LINER, DIFFERENTIAL	2	2	2					
5	2	194321-13250	GEAR, DIFFERENTIAL	2	2	2					
6	2	194465-13260	WASHER, DIFFERENTIAL	2	2	2					
7	2	194321-13270	SHAFT, DIFFERENTIAL	1	1	1					
8	2	22351-060040	PIN, SPRING 6.0X40	1	1	1					
9	1	1A7180-13250	COLLAR	1	1	1					
10	1	1A7180-13260	SHIM, DIFFERENTIAL A	2	2	2					
11	1	1A7180-13270	SHIM, DIFFERENTIAL B	3	3	3					
12	1	198165-21490	BOLT, M8X20	8	8	8					
13	1	24101-060174	BEARING, BALL 6017	2	2	2					

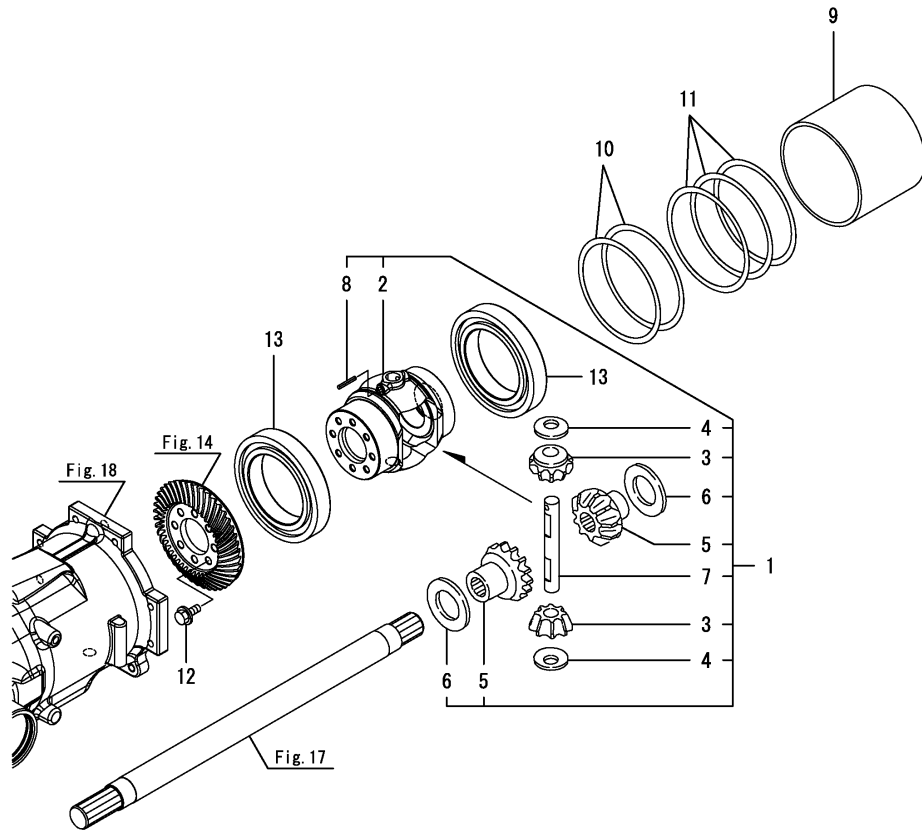
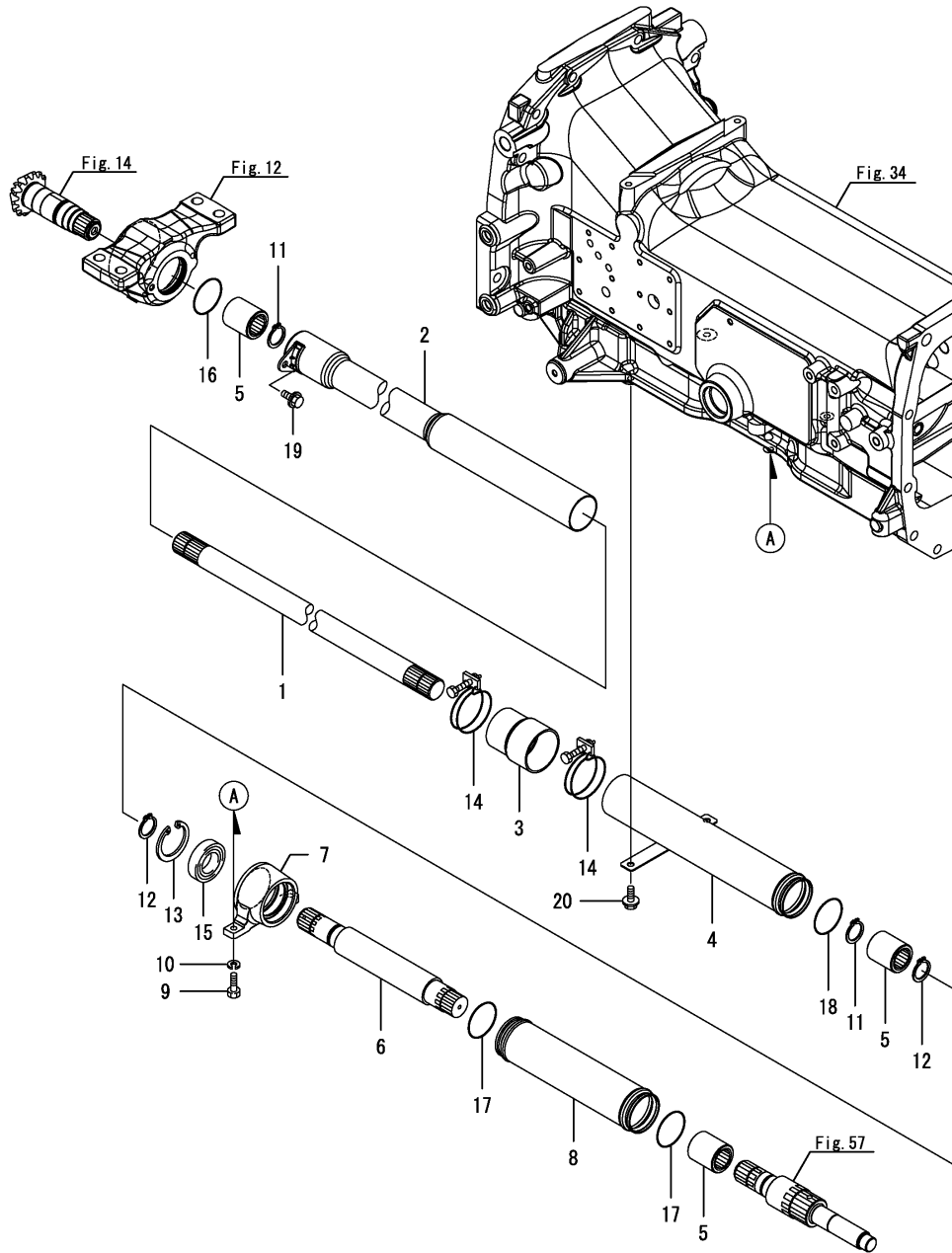


Fig.16. PROPELLER SHAFT

(A)=LX410(YANMAR)  
 (B)=LX450(YANMAR)  
 (C)=LX490(YANMAR)

(D)=  
 (E)=  
 (F)=



No.	Lev.	Parts No.	Description	Qty						I	R
				(A)	(B)	(C)	(D)	(E)	(F)		
1	1	1A7180-13300	SHAFT, PROPELLER	1	1	1					
2	1	1A7140-14610	COVER, SHAFT FRONT	1	1	1					
3	1	198241-14650	BOOT, SHAFT COVER	1	1	1					
4	1	1A8275-14650	COVER, SHAFT	1	1	1					
5	1	194640-26130	COUPLING, PTO	3	3	3					
6	1	1A8275-28410	SHAFT, DRIVE	1	1	1					
7	1	1A8275-28420	RETAINER, BEARING	1	1	1					
8	1	1A8275-28430	COVER, SHAFT REAR	1	1	1					
9	1	1E9170-54811	BOLT, REAMER M8X25	2	2	2					
10	1	22217-080000	WASHER, SPRING 8	2	2	2					
11	1	22242-000300	RING, 30	2	2	2					
12	1	22242-000300	RING, 30	2	2	2					
13	1	22252-000550	RING, 55	1	1	1					
14	1	23000-060000	CLAMP, 60	2	2	2					
15	1	24104-060064	BEARING, BALL 6006UU	1	1	1					
16	1	24321-000500	O-RING, 1AG50.0	1	1	1					
17	1	24321-000500	O-RING, 1AG50.0	2	2	2					
18	1	24321-000500	O-RING, 1AG50.0	1	1	1					
19	1	26106-080122	BOLT, M8X 12 PLATED	1	1	1					
20	1	26106-080122	BOLT, M8X 12 PLATED	2	2	2					

Fig.17. FRONT SHAFT(1)

(A)=LX410(YANMAR)  
 (B)=LX450(YANMAR)  
 (C)=LX490(YANMAR)

(D)=  
 (E)=  
 (F)=

No.	Lev.	Parts No.	Description	Qty						I	R
				(A)	(B)	(C)	(D)	(E)	(F)		
1	1	1A7180-13520	PINION, SHAFT Z=12	2	2	2					
2	1	1A7180-13560	SHAFT, FRONT 1ST L	1	1	1					
3	1	1A7180-13570	SHAFT, FRONT 1ST R	1	1	1					
4	1	1A7180-13580	BEARING, HR6209UR	4	4	4					

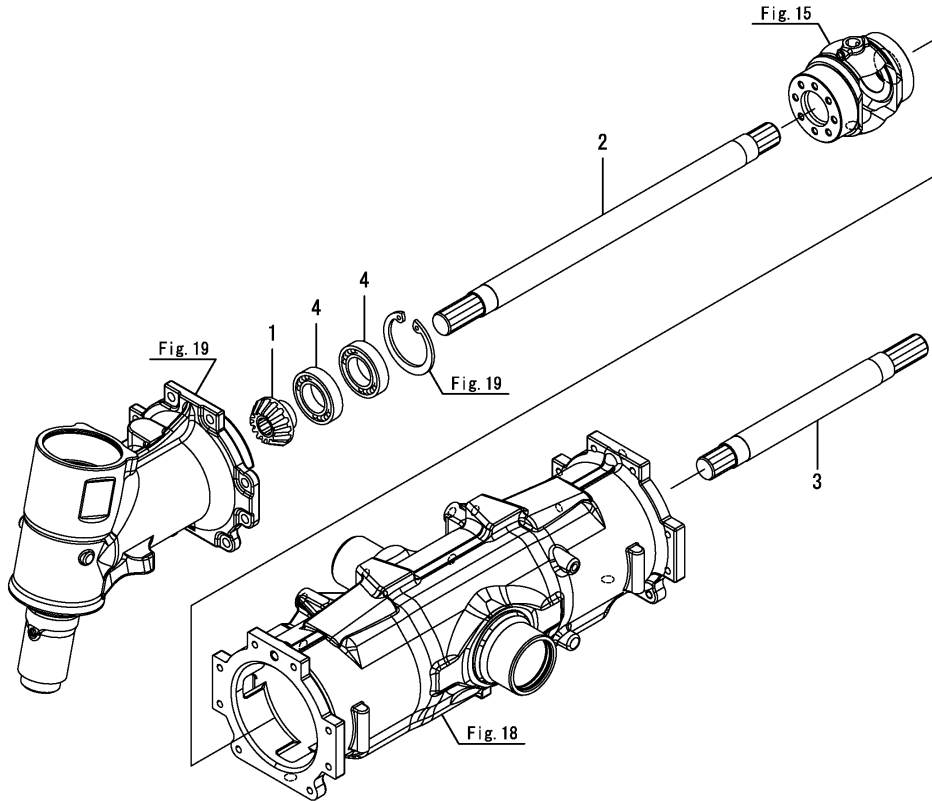
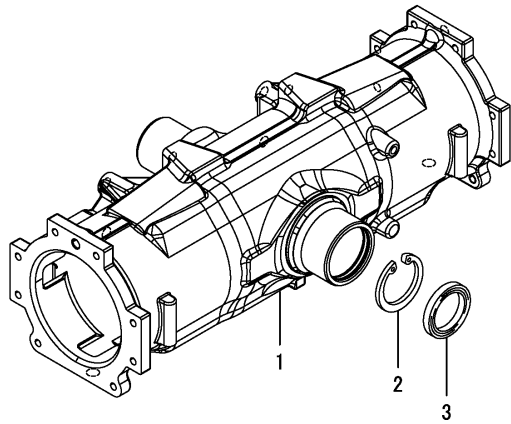


Fig.18. FRONT AXLE CASE

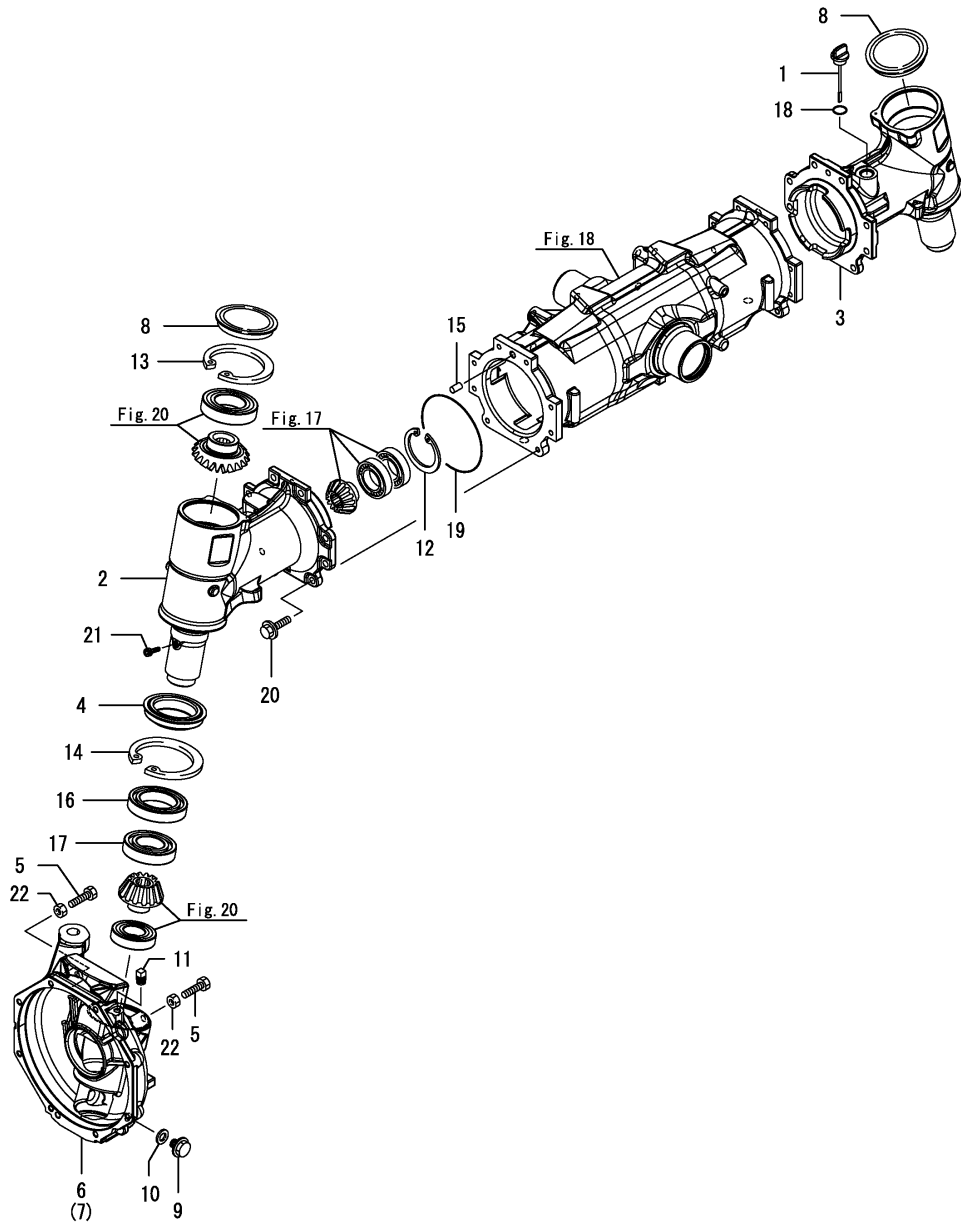
(A)=LX410(YANMAR)  
 (B)=LX450(YANMAR)  
 (C)=LX490(YANMAR)

(D)=  
 (E)=  
 (F)=



No.	Lev.	Parts No.	Description	Qty						I	R
				(A)	(B)	(C)	(D)	(E)	(F)		
1	1	1A8275-13610	CASE , FRONT AXLE	1	1	1					
2	1	22252-000620	RING, 62	1	1	1					
3	1	24421-456209	SEAL, OIL TC456209	1	1	1					

Fig.19. FRONT GEAR CASE



(A)=LX410(YANMAR)  
 (B)=LX450(YANMAR)  
 (C)=LX490(YANMAR)

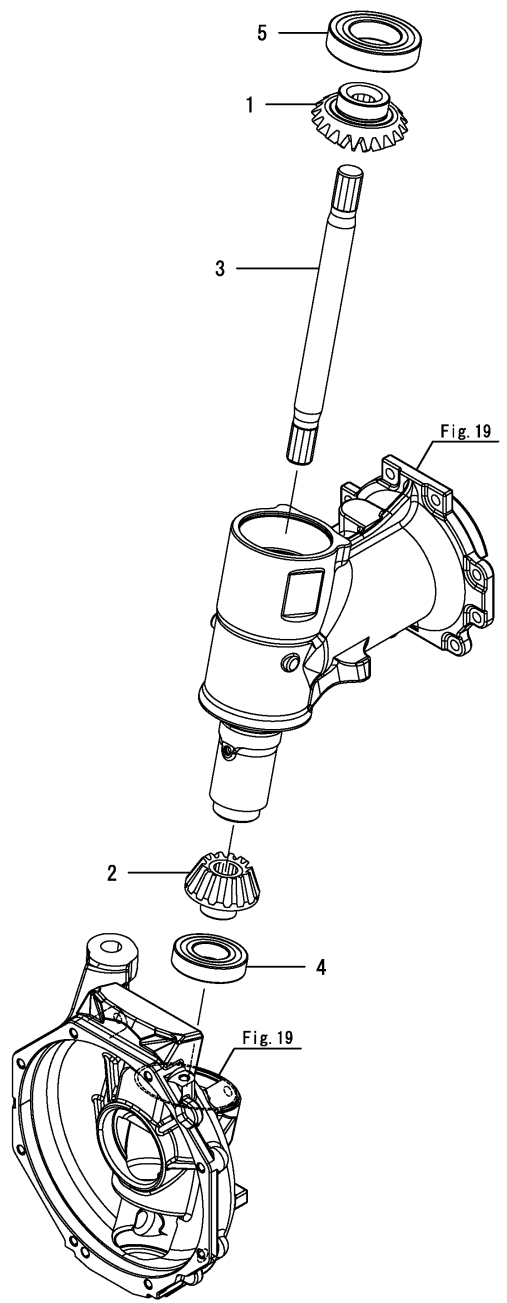
(D)=  
 (E)=  
 (F)=

No.	Lev.	Parts No.	Description	Qty						I	R
				(A)	(B)	(C)	(D)	(E)	(F)		
1	1	194066-13640	PLUG, 20	1	1	1					
2	1	1A7180-13710	HOUSING, FRONT GEAR	1	1	1					
3	1	1A8275-13720	HOUSING, FRONT GEAR	1	1	1					
4	1	198072-13760	SEAL, QLF709521.5	2	2	2					
5	1	1A8275-13760	BOLT, 10X28	4	4	4					
6	1	1A8275-13770	GEARBOX, FRONT L	1	1	1					
7	1	1A8275-13780	GEARBOX, FRONT R	1	1	1					
8	1	1C7100-15100	PLUG, BORE 90	2	2	2					
9	1	1C6900-23120	BOLT, DRAIN M14X10	2	2	2					
10	1	1C6900-23150	WASHER, PLUG	2	2	2					
11	1	194151-36670	PLUG, PF02	2	2	2					
12	1	22252-000850	RING, 85	2	2	2					
13	1	22252-000900	RING, 90	2	2	2					
14	1	22252-000950	RING, 95	2	2	2					
15	1	22312-100180	PIN, PARALLEL M10X18	2	2	2					
16	1	24101-060124	BEARING, BALL 6012	2	2	2					
17	1	24101-062094	BEARING, BALL 6209	2	2	2					
18	1	24311-000180	O-RING, 1AP18.0	1	1	1					
19	1	24321-001300	O-RING, 1AG130.0	2	2	2					
20	1	26106-100302	BOLT, M10X 30 PLATED	16	16	16					
21	1	26450-080122	BOLT, M8X 12	2	2	2					
22	1	26716-100002	NUT, M10	4	4	4					

Fig.20. FRONT SHAFT(2)

(A)=LX410(YANMAR)  
 (B)=LX450(YANMAR)  
 (C)=LX490(YANMAR)

(D)=  
 (E)=  
 (F)=



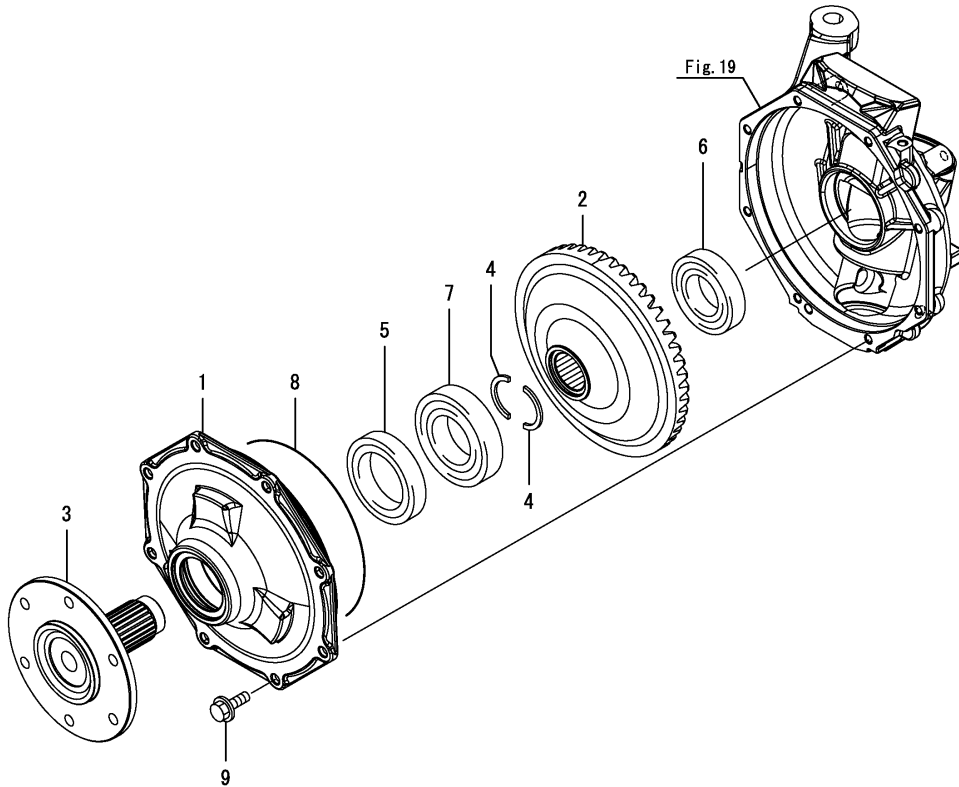
No.	Lev.	Parts No.	Description	Q'ty						I	R
				(A)	(B)	(C)	(D)	(E)	(F)		
1	1	1A7180-13820	GEAR, FRONT SHAFT 15	2	2	2					
2	1	1A7180-13830	PINION, FINAL Z=11	2	2	2					
3	1	1A7180-13870	SHAFT, FRONT 2ND	2	2	2					
4	1	1A7180-13880	BEARING, TM207UR	2	2	2					
5	1	24104-062104	BEARING, BALL 6210UU	2	2	2					

Fig.21. FRONT SPINDLE

(A)=LX410(YANMAR)  
 (B)=LX450(YANMAR)  
 (C)=LX490(YANMAR)

(D)=  
 (E)=  
 (F)=

No.	Lev.	Parts No.	Description	Q'ty						I	R
				(A)	(B)	(C)	(D)	(E)	(F)		
1	1	1A7180-13790	CASE, FRONT BEARING	2	2	2					
2	1	1A7180-13840	GEAR, FINAL 49	2	2	2					
3	1	1A7180-14110	SPINDLE, FRONT	2	2	2					
4	1	198200-14210	RING, HALF	4	4	4					
5	1	198475-32660	SEAL, QLNYS27514.5	2	2	2					
6	1	24101-062084	BEARING, BALL 6208	2	2	2					
7	1	24101-062094	BEARING, BALL 6209	2	2	2					
8	1	24321-002300	O-RING, 1AG230.0	2	2	2					
9	1	26106-100302	BOLT, M10X 30 PLATED	16	16	16					




---

---

---

---

---

---

---

---

---

---

---

---

---

---

---

---

---

---

---

---

---

---

---

---

---

Fig.22. FRONT WHEEL TIRE R1

(A)=LX410(YANMAR)  
 (B)=LX450(YANMAR)  
 (C)=LX490(YANMAR)

(D)=  
 (E)=  
 (F)=

No.	Lev.	Parts No.	Description	Q'ty						I	R
				(A)	(B)	(C)	(D)	(E)	(F)		
1	1	1A8170-14300	TIRE KIT, FRONT R1 L	1	1	1					
2	2	1A8170-14310	TIRE, FRONT R1 8X16	1	1	1					
3	2	1A8170-14330	WHEEL, R1 F	1	1	1					
4	2	1A8170-14350	VALVE, TIRE R1 F	1	1	1					
5	1	1A8170-14400	TIRE KIT, FRONT R1 R	1	1	1					
6	2	1A8170-14310	TIRE, FRONT R1 8X16	1	1	1					
7	2	1A8170-14330	WHEEL, R1 F	1	1	1					
8	2	1A8170-14350	VALVE, TIRE R1 F	1	1	1					

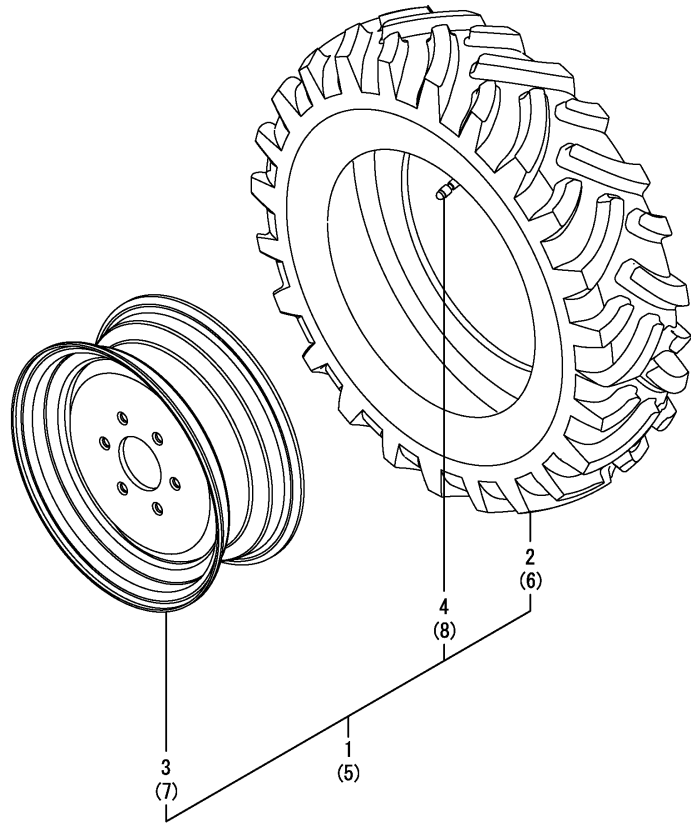




Fig.23. FRONT WHEEL TIRE R3

(A)=LX410(YANMAR)  
 (B)=LX450(YANMAR)  
 (C)=LX490(YANMAR)

(D)=  
 (E)=  
 (F)=

No.	Lev.	Parts No.	Description	Qty						I	R
				(A)	(B)	(C)	(D)	(E)	(F)		
1	1	1A8170-14500	TIRE KIT, FRONT R3	2	2	2					
2	2	1A8170-14350	VALVE, TIRE R1 F	2	2	2					
3	2	1A8170-14510	TIRE, R3 27X10.5-15	2	2	2					
4	2	1A8170-14530	WHEEL, R3 F	2	2	2					

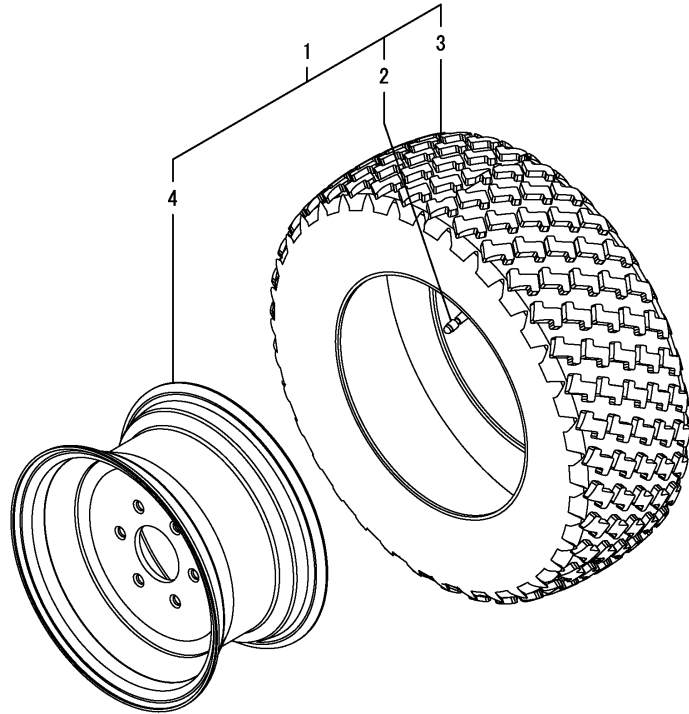


Fig.24. FRONT WHEEL TIRE R3G

(A)=LX410(YANMAR)  
 (B)=LX450(YANMAR)  
 (C)=LX490(YANMAR)

(D)=  
 (E)=  
 (F)=

No.	Lev.	Parts No.	Description	Qty						I	R
				(A)	(B)	(C)	(D)	(E)	(F)		
1	1	1A8170-14600	TIRE KIT, FRONT R3G	2	2	2					
2	2	1A8170-14610	TIRE, R3G 27/12LL-15	2	2	2					
3	2	1A8170-14630	WHEEL, R3G F	2	2	2					
4	2	1A8170-14650	VALVE, R3G F	2	2	2					

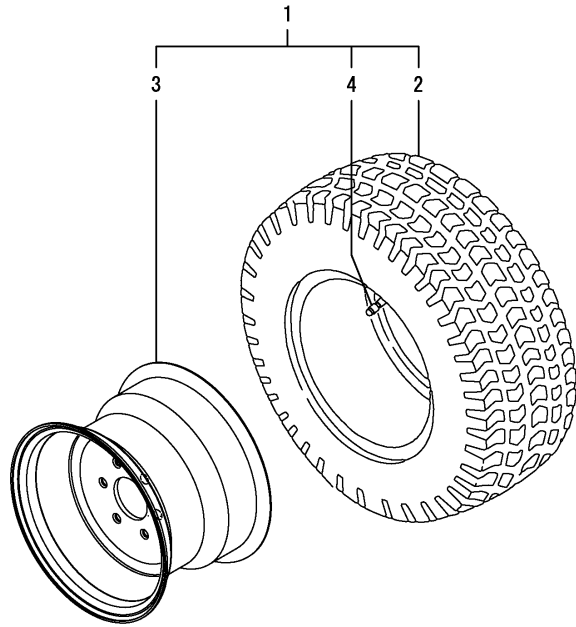
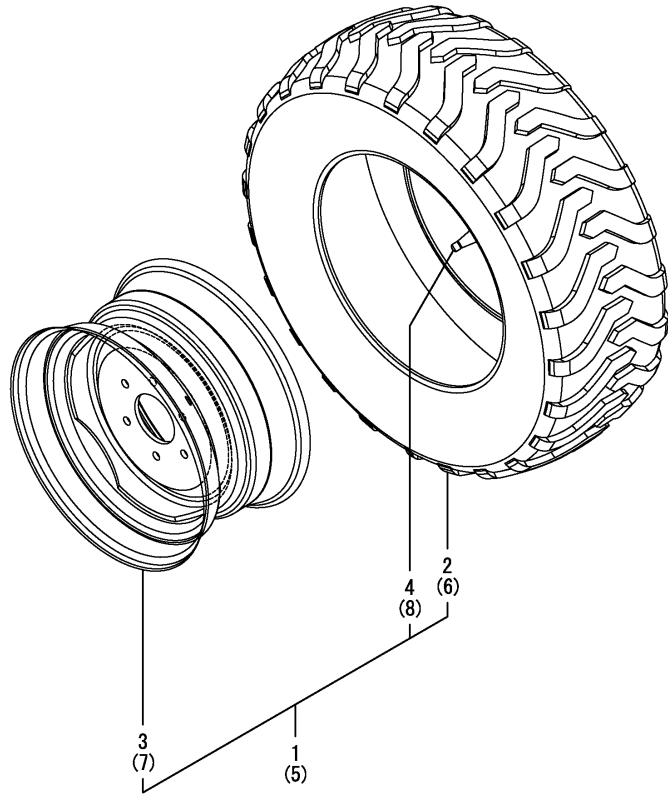


Fig.25. FRONT WHEEL TIRE R4

(A)=LX410(YANMAR)  
 (B)=LX450(YANMAR)  
 (C)=LX490(YANMAR)

(D)=  
 (E)=  
 (F)=



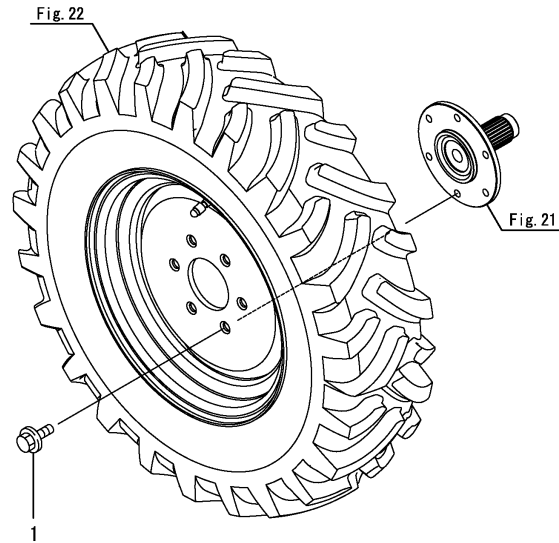
No.	Lev.	Parts No.	Description	Q'ty						I	R
				(A)	(B)	(C)	(D)	(E)	(F)		
1	1	1A8250-14700	TIRE KIT,L R4 FRONT	1	1	1					
2	2	1A8250-14710	TIRE,R4 10-16.5-6PR	1	1	1					
3	2	1A8250-14730	WHEEL,R4 16.5X8.25	1	1	1					
4	2	1A8250-14740	VALVE,TIRE R4 FRONT	1	1	1					
5	1	1A8250-14800	TIRE KIT,R R4 FRONT	1	1	1					
6	2	1A8250-14710	TIRE,R4 10-16.5-6PR	1	1	1					
7	2	1A8250-14730	WHEEL,R4 16.5X8.25	1	1	1					
8	2	1A8250-14740	VALVE,TIRE R4 FRONT	1	1	1					

Fig.26. HUB BOLT

(A)=LX410(YANMAR)  
 (B)=LX450(YANMAR)  
 (C)=LX490(YANMAR)

(D)=  
 (E)=  
 (F)=

No.	Lev.	Parts No.	Description	Qty						I	R
				(A)	(B)	(C)	(D)	(E)	(F)		
1	1	1A8170-14210	BOLT, HUB M14	12	12	12					



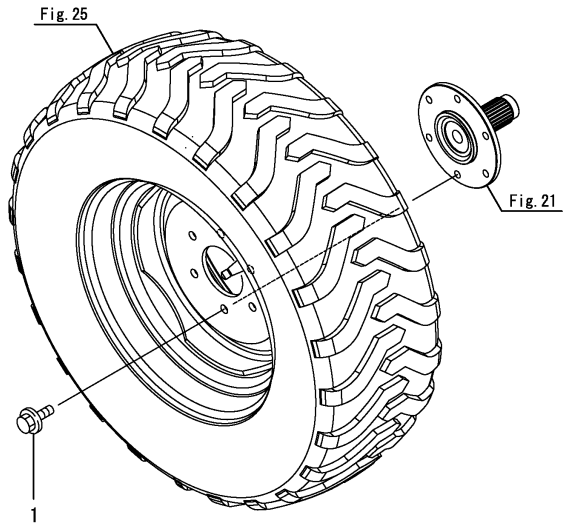
Remarks  
 \* R1,R3 & R3G use.

Fig.27. HUB BOLT

(A)=LX410(YANMAR)  
 (B)=LX450(YANMAR)  
 (C)=LX490(YANMAR)

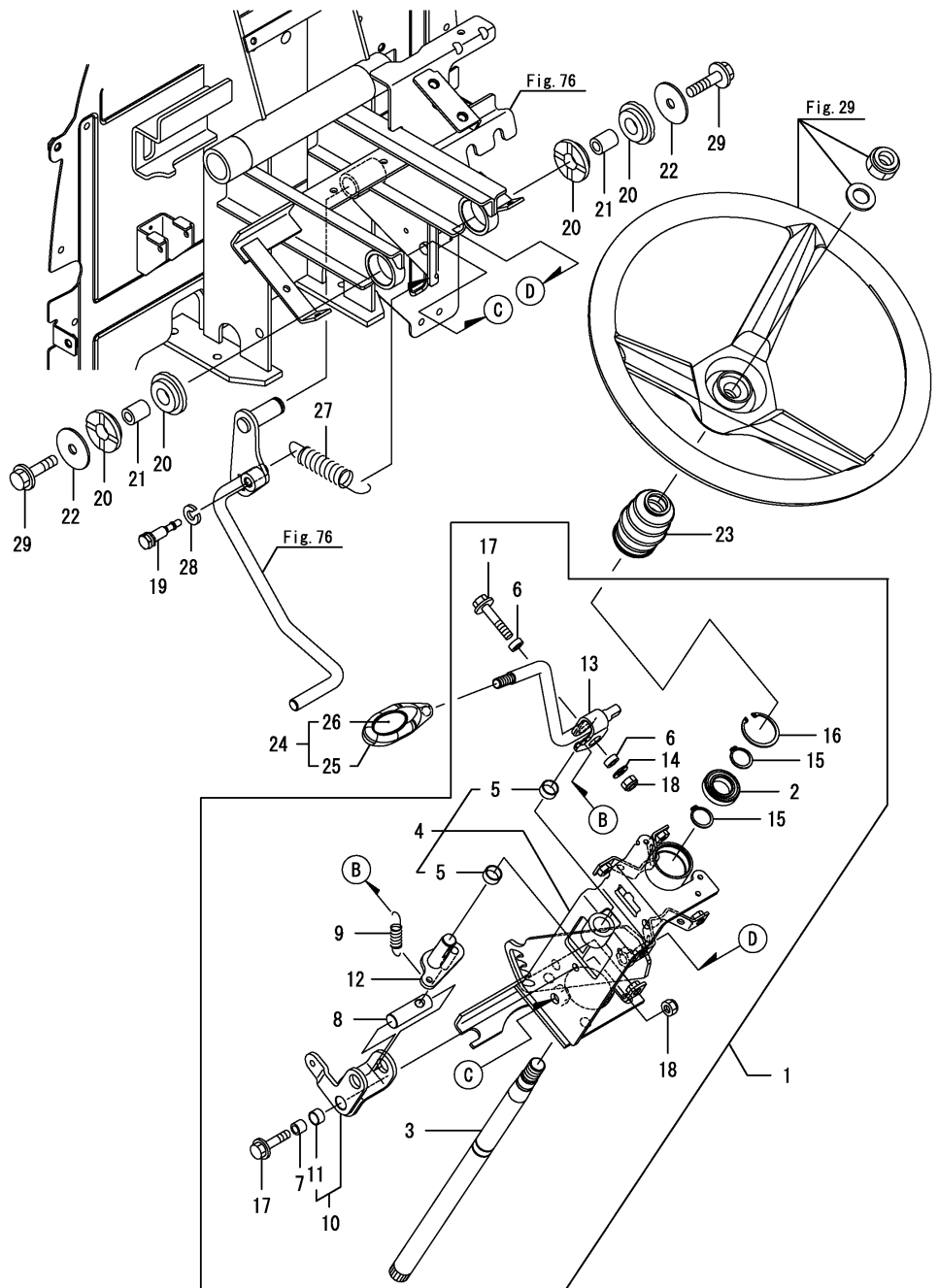
(D)=  
 (E)=  
 (F)=

No.	Lev.	Parts No.	Description	Qty						I	R
				(A)	(B)	(C)	(D)	(E)	(F)		
1	1	198133-34130	BOLT, M14X30	12	12	12					



Remarks  
 \* R4 use.

Fig.28. STEERING COLUMN



(A)=LX410(YANMAR)  
 (B)=LX450(YANMAR)  
 (C)=LX490(YANMAR)

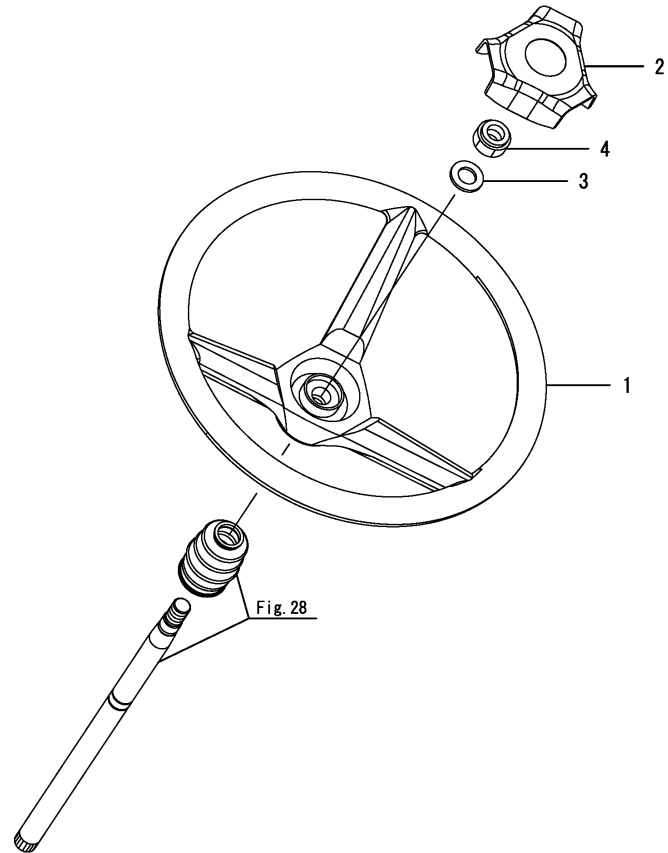
(D)=  
 (E)=  
 (F)=

No.	Lev.	Parts No.	Description	Qty						I	R
				(A)	(B)	(C)	(D)	(E)	(F)		
1	1	1A8240-15500	COLUMN UNIT,STEERING	1	1	1					
2	2	1A8240-15240	BEARING, 6904LLU	1	1	1					
3	2	1A8240-15320	SHAFT, STEERING	1	1	1					
4	2	1A8240-15600	COLUMN ASSY, STG	1	1	1					
5	3	24550-015080	BUSH, 15X 8	2	2	2					
6	2	1A8240-27030	COLLAR, 8.2X14X5.3	2	2	2					
7	2	1A8240-27050	COLLAR, 12X8X10	1	1	1					
8	2	1A8240-27090	PIN, CONNECTING	1	1	1					
9	2	198200-27240	SPRING, RETURN	1	1	1					
10	2	1A8240-27250	ARM ASSY, REVERSER	1	1	1					
11	3	24550-012080	BUSH, 12X 8	1	1	1					
12	2	1A8240-27400	SHAFT, REVERSER	1	1	1					
13	2	1A8240-27460	LEVER, REVERSER	1	1	1					
14	2	22137-080000	WASHER, 8	1	1	1					
15	2	22242-000200	RING, 20	2	2	2					
16	2	22252-000370	RING, 37	1	1	1					
17	2	26106-080352	BOLT, M8X 35 PLATED	2	2	2					
18	2	26346-080002	NUT, M8	2	2	2					
19	1	1A7180-15710	PIN, TILT LOCK	1	1	1					
20	1	1A7640-15710	BUSH, STEERING	4	4	4					
21	1	1A8240-15720	COLLAR, 17.3X10X22	2	2	2					
22	1	1A8240-15730	WASHER, 10.5X44X2.3	2	2	2					
23	1	1A8250-17470	BOOT, STEERING	1	1	1					
24	1	198200-18350	KNOB, LEVER	1	1	1					
25	2	198273-18360	KNOB, ORANGE	1	1	1					
26	2	198200-18370	LABEL,	1	1	1					
27	1	198290-37510	SPRING, RETURN	1	1	1					
28	1	22217-100000	WASHER, SPRING 10	1	1	1					
29	1	26106-100402	BOLT, M10X 40 PLATED	2	2	2					

Fig.29. STEERING WHEEL

(A)=LX410(YANMAR)  
 (B)=LX450(YANMAR)  
 (C)=LX490(YANMAR)

(D)=  
 (E)=  
 (F)=



No.	Lev.	Parts No.	Description	Qty						I	R
				(A)	(B)	(C)	(D)	(E)	(F)		
1	1	198133-15710	WHEEL, STEERING	1	1	1					
2	1	198133-15750	CAP, STEERING	1	1	1					
3	1	22137-160000	WASHER, 16	1	1	1					
4	1	26356-160002	NUT, M16	1	1	1					

---

---

---

---

---

---

---

---

---

---

---

---

---

---

---

---

---

---

---

---

---

---

---

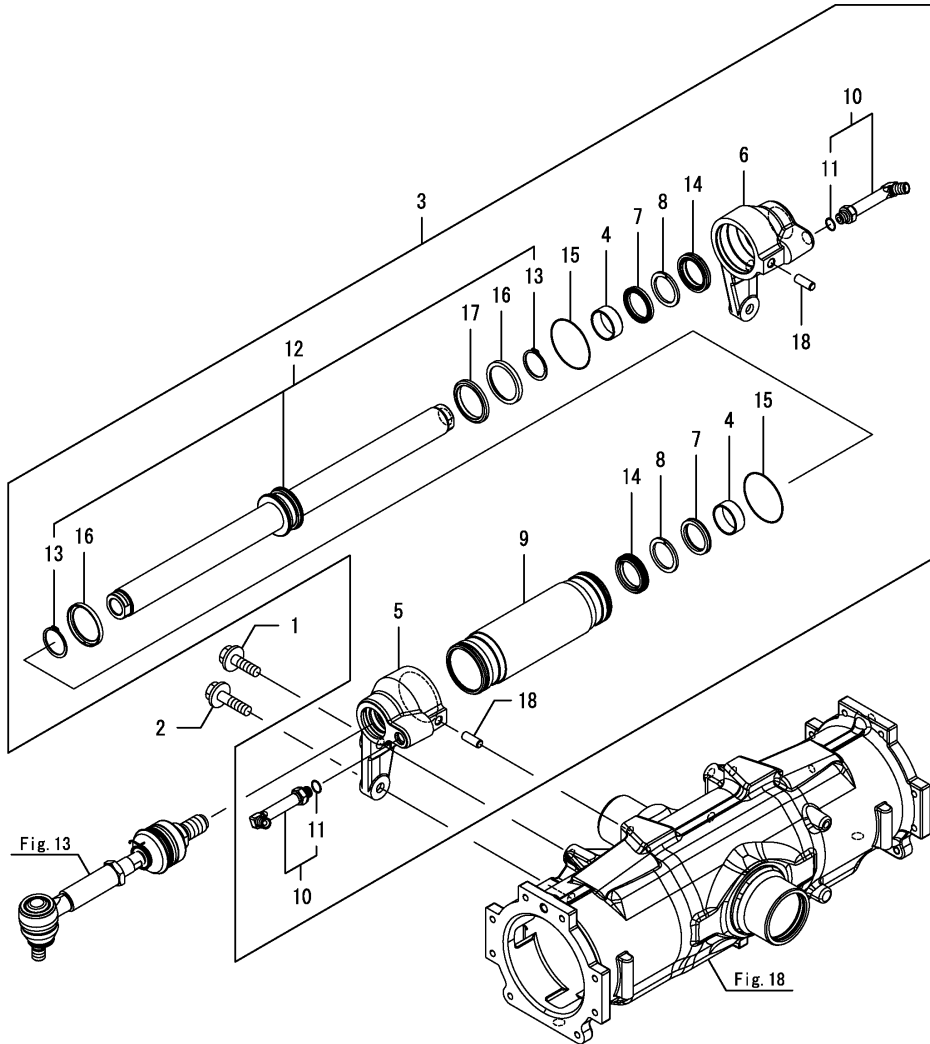
---

---

Fig.30. PST CYLINDER

(A)=LX410(YANMAR)  
 (B)=LX450(YANMAR)  
 (C)=LX490(YANMAR)

(D)=  
 (E)=  
 (F)=



No.	Lev.	Parts No.	Description	Qty						I	R
				(A)	(B)	(C)	(D)	(E)	(F)		
1	1	198220-11520	BOLT, M12X38	2	2	2					
2	1	198240-11640	BOLT, M12X46	2	2	2					
3	1	1A8275-17100	CYLINDER ASSY, PST	1	1	1					
4	2	1A8275-17260	BEARING, 35 X 15	2	2	2					
5	2	1A8275-17310	CAP, CYLINDER L	1	1	1					
6	2	1A8275-17320	CAP, CYLINDER R	1	1	1					
7	2	1A8275-17330	PACKING, 35	2	2	2					
8	2	1A8275-17340	RING, BACKUP	2	2	2					
9	2	1A8275-17350	TUBE, CYLINDER	1	1	1					
10	2	1A8275-17360	ELBOW ASSY	2	2	2					
11	3	24315-000110	O-RING, 1BP11.0	2	2	2					
12	2	1A8275-17400	ROD ASSY, PST	1	1	1					
13	3	22242-000300	RING, 30	2	2	2					
14	2	1A8275-17430	SCRAPER,35	2	2	2					
15	2	1A8275-17440	PACKING, 60	2	2	2					
16	2	1A8275-17480	RING, BACKUP 55	2	2	2					
17	2	1A8275-17490	PACKING,RGU 55	1	1	1					
18	2	22312-100250	PIN, PARALLEL M10X25	2	2	2					

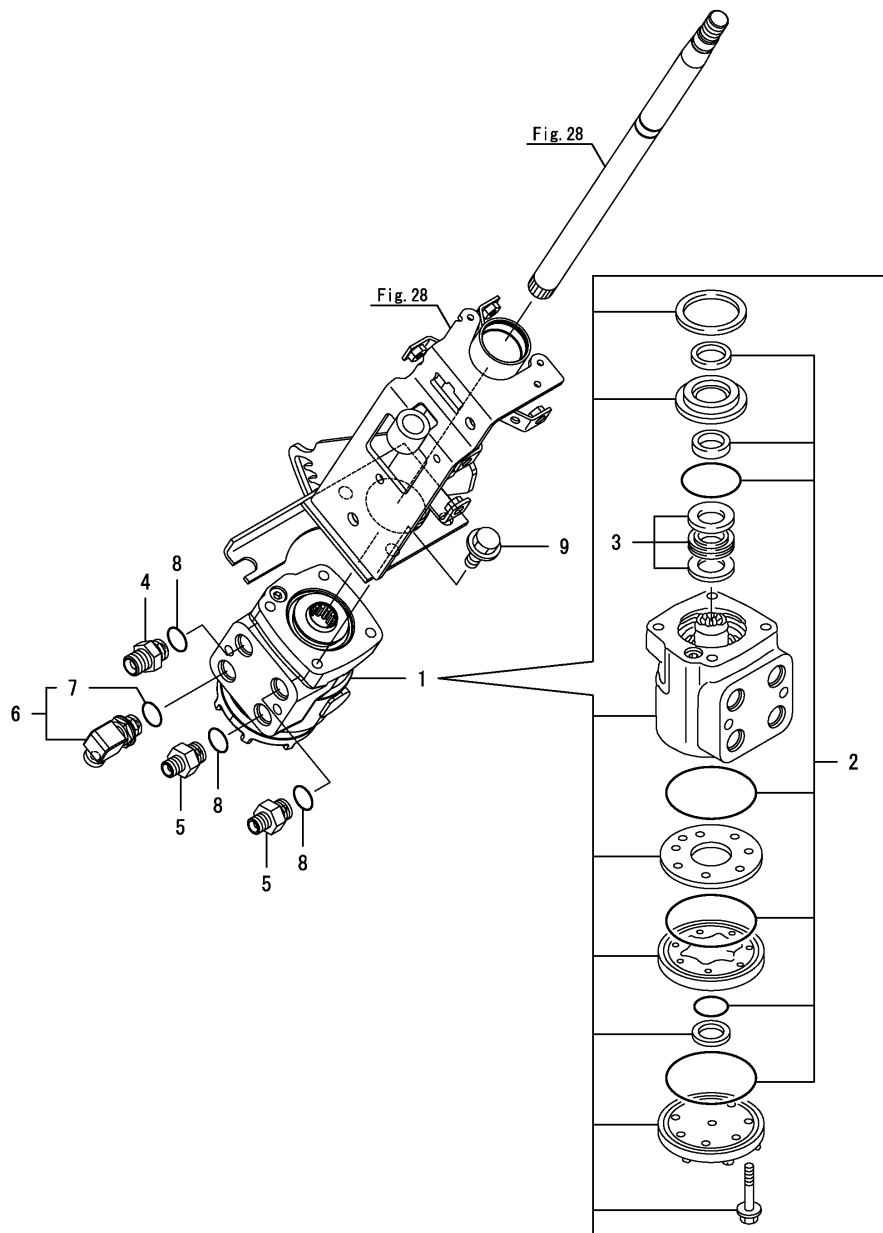


Fig.31. PST VALVE

(A)=LX410(YANMAR)  
 (B)=LX450(YANMAR)  
 (C)=LX490(YANMAR)

(D)=  
 (E)=  
 (F)=

No.	Lev.	Parts No.	Description	Q'ty						I	R
				(A)	(B)	(C)	(D)	(E)	(F)		
1	1	1A8275-17500	VALVE, PST	1	1	1					
2	2	1A8275-17510	SEAL KIT	1	1	1					
3	2	1A8275-17520	NEEDLE BEARING KIT	1	1	1					
4	1	172730-75141	ADAPTER	1	1	1					
5	1	172124-76160	CONNECTOR	2	2	2					
6	1	172142-76181	JOINT ASSY	1	1	1					
7	2	24315-000140	O-RING, 1BP14.0	1	1	1					
8	1	24315-000140	O-RING, 1BP14.0	3	3	3					
9	1	26106-100202	BOLT, M10X 20 PLATED	3	3	3					




---

---

---

---

---

---

---

---

---

---

---

---

---

---

---

---

---

---

---

---

---

---

---

---

---

Fig.32. PST PIPING

(A)=LX410(YANMAR)  
 (B)=LX450(YANMAR)  
 (C)=LX490(YANMAR)

(D)=  
 (E)=  
 (F)=

No.	Lev.	Parts No.	Description	Qty						I	R
				(A)	(B)	(C)	(D)	(E)	(F)		
1	1	1A8275-17820	HOSE,P	1	1	1					
2	1	1A8275-17840	HOSE,T	1	1	1					
3	1	1A8275-17890	CLAMP	1	1	1					
4	1	1A8275-49160	FLANGE ASSY	1	1	1					
5	1	194680-51670	BAND, CLIP	3	3	3					
6	1	194180-61980	GROMMET, 24	2	2	2					
7	1	24311-000180	O-RING, 1AP18.0	1	1	1					
8	1	24311-000220	O-RING, 1AP22.0	1	1	1					
9	1	26106-060122	BOLT, M6X 12 PLATED	1	1	1					
10	1	26106-060402	BOLT, M6X 40 PLATED	3	3	3					
11	1	933160-01370	CONNECTOR,PF1/2PF3/8	1	1	1					

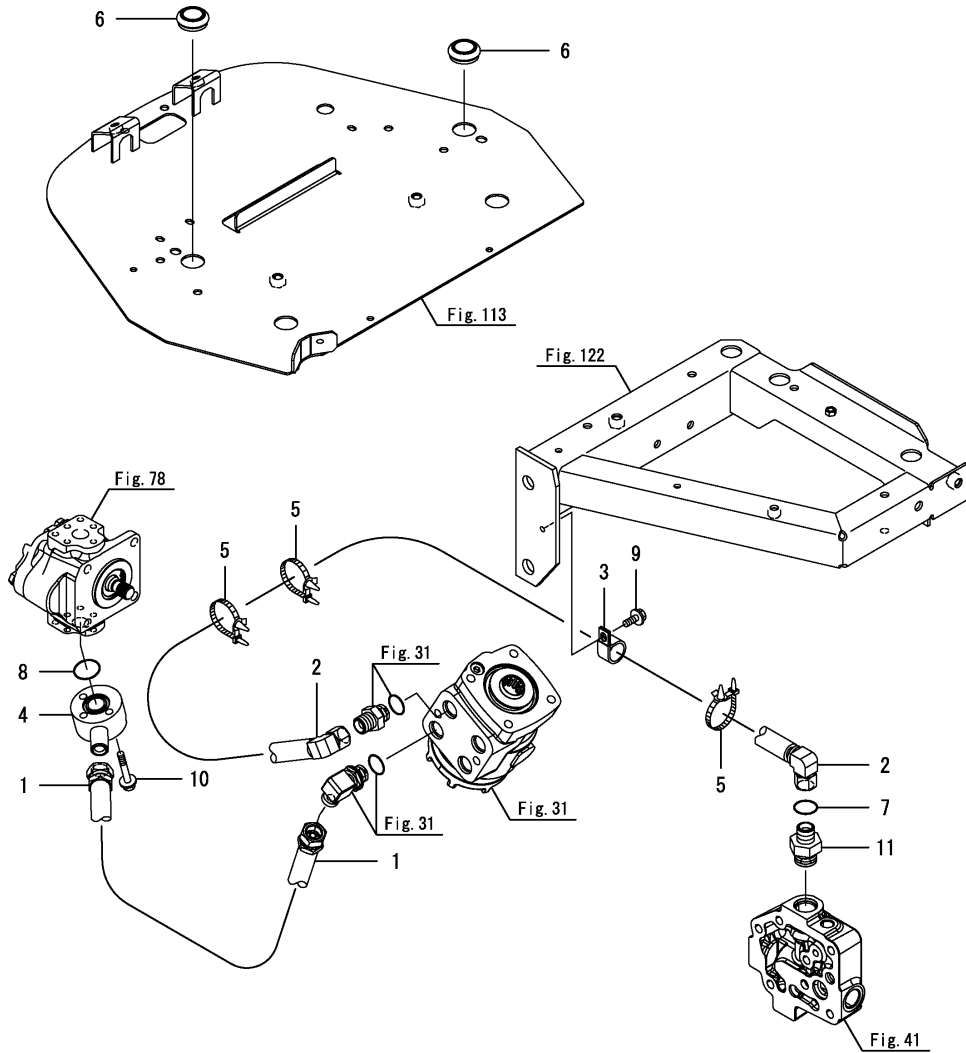


Fig.33. PST HOSE

(A)=LX410(YANMAR)  
 (B)=LX450(YANMAR)  
 (C)=LX490(YANMAR)

(D)=  
 (E)=  
 (F)=

No.	Lev.	Parts No.	Description	Q'ty						I	R
				(A)	(B)	(C)	(D)	(E)	(F)		
1	1	1A8275-17870	HOSE,CYLINDER	1	1	1					
2	1	1A8275-17880	HOSE,CYLINDER	1	1	1					
3	1	1A8240-17950	SUPPORT, HOSE	1	1	1					
4	1	194680-51670	BAND, CLIP	2	2	2					
5	1	1E6213-83410	CLIP, HARNESS 18	1	1	1					
6	1	26106-080162	BOLT, M8X 16 PLATED	1	1	1					
7	1	26106-080162	BOLT, M8X 16 PLATED	1	1	1					

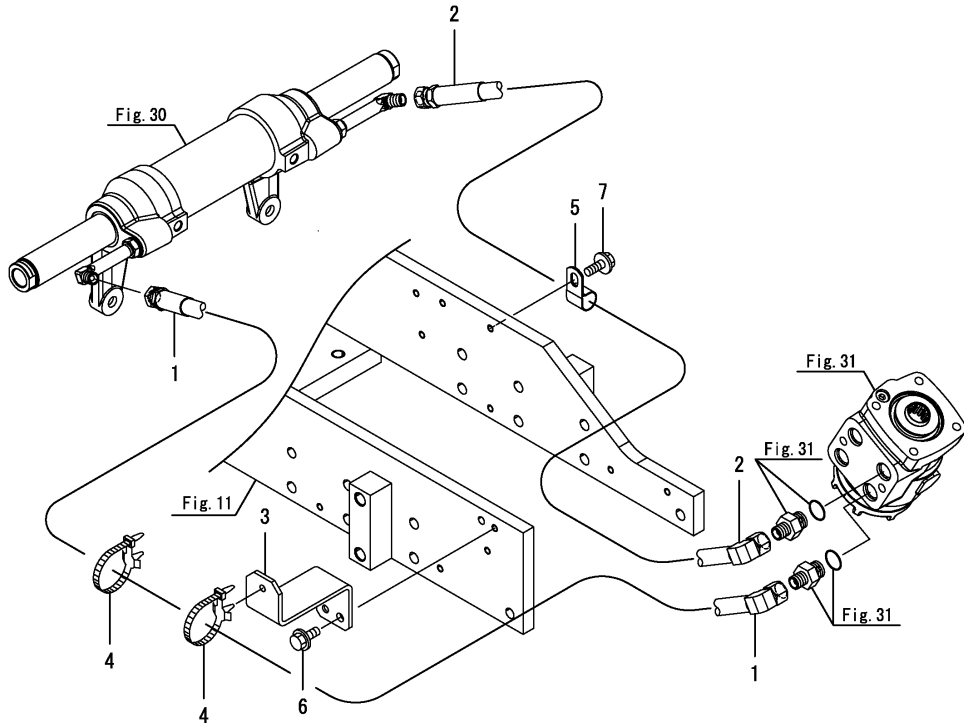


Fig.34. CLUTCH HOUSING

(A)=LX410(YANMAR)  
 (B)=LX450(YANMAR)  
 (C)=LX490(YANMAR)

(D)=  
 (E)=  
 (F)=

No.	Lev.	Parts No.	Description	Qty						I	R
				(A)	(B)	(C)	(D)	(E)	(F)		
1	1	1A8275-21130	HOUSING, CLUTCH	1	1	1					
2	1	194146-21150	COVER, SIDE	1	1	1					
3	1	194464-45920	PLUG, 3/4-16UNF	1	1	1					
4	1	194464-45930	O-RING, 8-1	1	1	1					
5	1	26106-080162	BOLT, M8X 16 PLATED	2	2	2					
6	1	26106-120402	BOLT, M12X 40 PLATED	5	5	5					
7	1	26106-120852	BOLT, M12X 85 PLATED	1	1	1					
8	1	27260-550000	PLUG, 55	1	1	1					

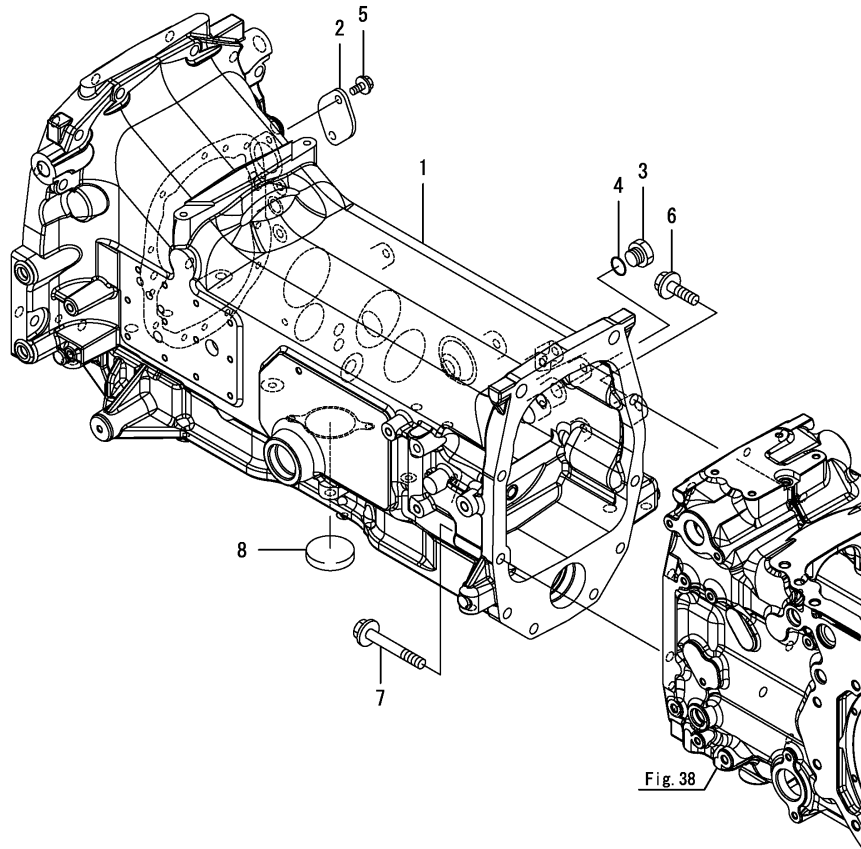


Fig.35. DOCKING BOLT

(A)=LX410(YANMAR)  
 (B)=LX450(YANMAR)  
 (C)=LX490(YANMAR)

(D)=  
 (E)=  
 (F)=

No.	Lev.	Parts No.	Description	Qty						I	R
				(A)	(B)	(C)	(D)	(E)	(F)		
1	1	198448-21280	BOLT, M12X50	1	1	1					
2	1	198442-21310	BOLT, M12X190	4	4	4					
3	1	198448-21320	BOLT, M12X60	4	4	4					
4	1	22312-100180	PIN, PARALLEL M10X18	2	2	2					

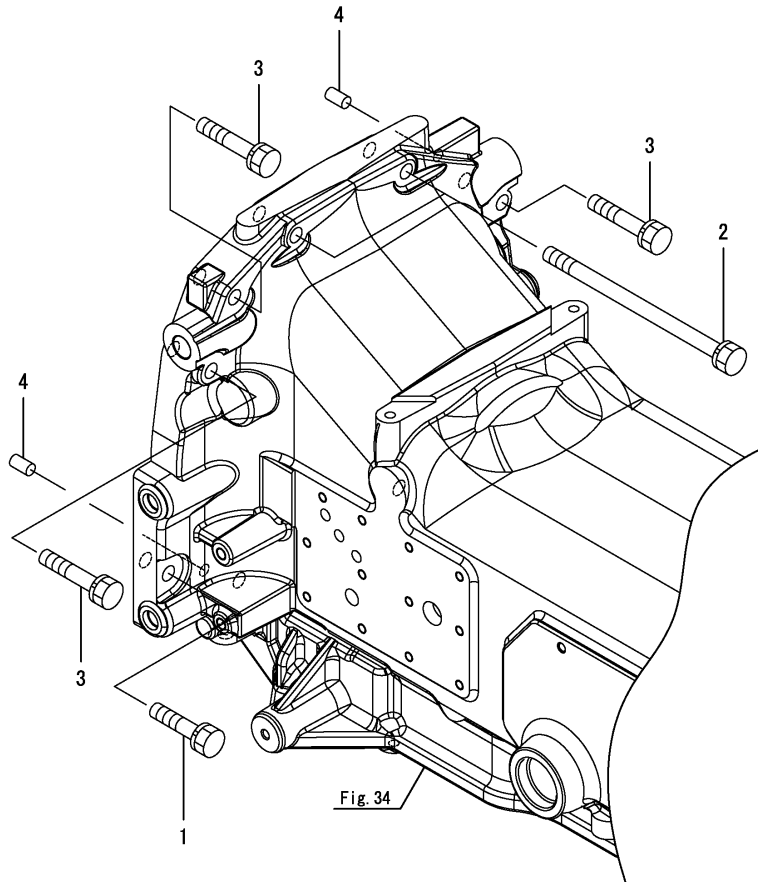


Fig.36. DAMPER DISC

(A)=LX410(YANMAR)  
 (B)=LX450(YANMAR)  
 (C)=LX490(YANMAR)

(D)=  
 (E)=  
 (F)=

No.	Lev.	Parts No.	Description	Qty						I	R
				(A)	(B)	(C)	(D)	(E)	(F)		
1	1	198448-22190	PIN, PARALLEL 10X18	3	3	3					
2	1	1A8275-22810	DAMPER, DISK	1	1	1					
3	1	26106-080162	BOLT, M8X 16 PLATED	6	6	6					

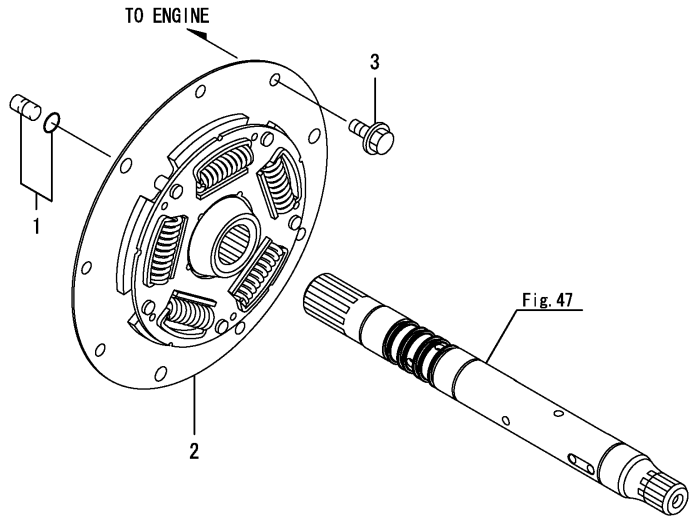
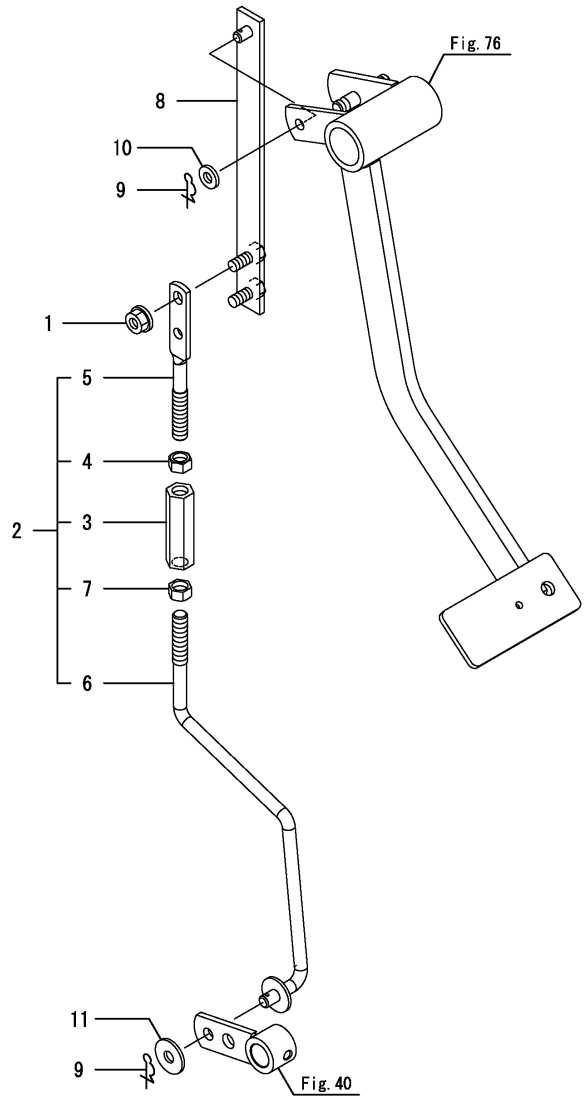


Fig.37. CLUTCH LINK

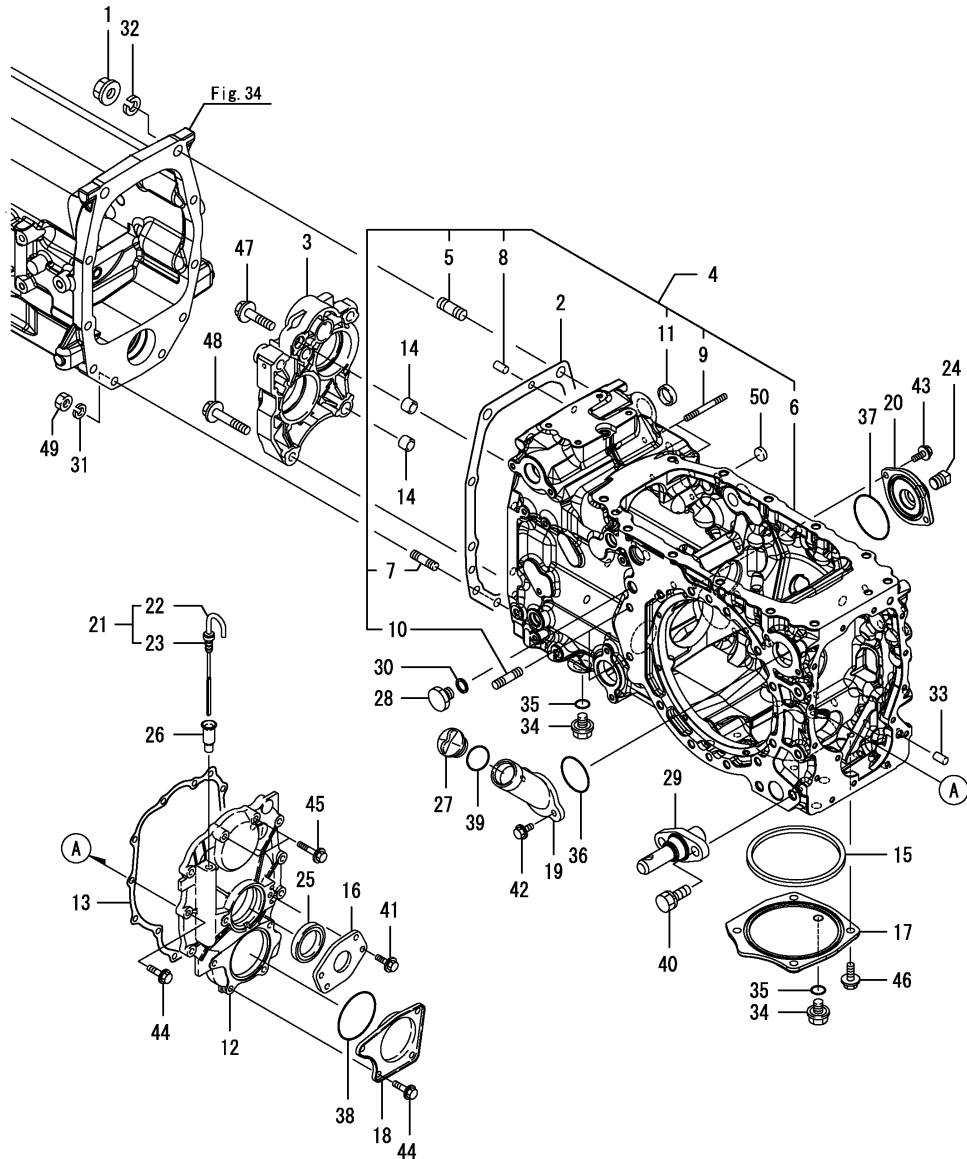
(A)=LX410(YANMAR)  
 (B)=LX450(YANMAR)  
 (C)=LX490(YANMAR)

(D)=  
 (E)=  
 (F)=



No.	Lev.	Parts No.	Description	Qty						I	R
				(A)	(B)	(C)	(D)	(E)	(F)		
1	1	194990-22140	NUT, M8	2	2	2					
2	1	1A8240-22500	TURNBUCKLE ASSY	1	1	1					
3	2	194300-22260	TURNBUCKLE, M10	1	1	1					
4	2	194150-22480	NUT, M10 L	1	1	1					
5	2	1A8240-22540	ROD, L.H. SCREW	1	1	1					
6	2	1A8240-22550	ROD ASSY, R SCREW	1	1	1					
7	2	26716-100002	NUT, M10	1	1	1					
8	1	1A8240-22520	LINK, CLUTCH	1	1	1					
9	1	1C6281-52320	PIN, SNAP 8	2	2	2					
10	1	22137-080000	WASHER, 8	1	1	1					
11	1	22157-080000	WASHER, 8	1	1	1					

Fig.38. TRANSMISSION CASE



(A)=LX410(YANMAR)  
 (B)=LX450(YANMAR)  
 (C)=LX490(YANMAR)

(D)=  
 (E)=  
 (F)=

No.	Lev.	Parts No.	Description	Q'ty						I	R
				(A)	(B)	(C)	(D)	(E)	(F)		
1	1	198535-24120	NUT, M16	2	2	2					
2	1	198212-24140	GASKET, MISSION CASE	1	1	1					
3	1	1A7350-24160	RETAINER, BEARING	1	1	1					
4	1	1A8275-24220	HOUSING ASSY, TRANS.	1	1	1					
5	2	198240-24120	STUD, M16X45	2	2	2					
6	2	1A8275-24231	HOUSING, TRANSMISSION	1	1	1					
7	2	198240-24530	STUD, M12X45	2	2	2					
8	2	22312-100180	PIN, PARALLEL M10X18	2	2	2					
9	2	26216-080802	STUD, M8X 80	2	2	2					
10	2	26218-120502	STUD, M12X 50	2	2	2					
11	2	27260-300000	PLUG, 30	1	1	1					
12	1	198218-24240	COVER, REAR	1	1	1					
13	1	198212-24320	GASKET, REAR COVER	1	1	1					
14	1	198071-24340	COLLAR, 13X17X14	2	2	2					
15	1	198133-24380	PACKING, 140X3	1	1	1					
16	1	198255-24460	PLATE, OIL SEAL	1	1	1					
17	1	198240-24480-1	COVER, PTO	1	1	1					
18	1	198212-24510	COVER, REAR COVER	1	1	1					
19	1	198240-24690-2	CAP ASSY	1	1	1					
20	1	198240-24900-1	COVER, STRAINER	1	1	1					
21	1	1A8275-24960	GAUGE ASSY, OIL	1	1	1					
22	2	1A8275-24980	GAUGE, OIL	1	1	1					
23	2	194850-24990	TUBE	1	1	1					
24	1	194322-24980	PLUG, 1-2NPT	1	1	1					
25	1	194130-26350	SEAL, OIL TC4 2609	1	1	1					
26	1	119860-34810	GUIDE, DIPSTICK	1	1	1					
27	1	194850-42500	CAP, OIL M33	1	1	1					
28	1	194312-46750	PLUG, PF3/8	1	1	1					
29	1	194640-73180	PIN, LOWER LINK	2	2	2					
30	1	194555-77910	GASKET, 17	1	1	1					
31	1	22217-120000	WASHER, SPRING 12	2	2	2					
32	1	22217-160000	WASHER, SPRING 16	2	2	2					
33	1	22312-100180	PIN, PARALLEL M10X18	2	2	2					
34	1	23491-140002	PLUG, 14	2	2	2					
35	1	24311-000160	O-RING, 1AP16.0	2	2	2					
36	1	24311-000500	O-RING, 1AP50.0	1	1	1					
37	1	24321-000650	O-RING, 1AG65.0	1	1	1					
38	1	24321-000750	O-RING, 1AG75.0	1	1	1					
39	1	24351-020300	O-RING 1A 2030	1	1	1					
40	1	26013-140352	BOLT, M14X 35	4	4	4					
41	1	26106-080162	BOLT, M8X 16 PLATED	2	2	2					
42	1	26106-080202	BOLT, M8X 20 PLATED	2	2	2					
43	1	26106-080202	BOLT, M8X 20 PLATED	2	2	2					
44	1	26106-080302	BOLT, M8X 30 PLATED	10	10	10					
45	1	26106-080402	BOLT, M8X 40 PLATED	2	2	2					
46	1	26106-100252	BOLT, M10X 25 PLATED	4	4	4					
47	1	26106-120502	BOLT, M12X 50 PLATED	2	2	2					
48	1	26106-120652	BOLT, M12X 65 PLATED	2	2	2					
49	1	26716-120002	NUT, M12	2	2	2					
50	1	27260-170000	PLUG, 17	1	1	1					



Fig.39. CENTER PLATE

(A)=LX410(YANMAR)  
 (B)=LX450(YANMAR)  
 (C)=LX490(YANMAR)

(D)=  
 (E)=  
 (F)=

No.	Lev.	Parts No.	Description	Qty						I	R
				(A)	(B)	(C)	(D)	(E)	(F)		
1	1	198071-24340	COLLAR, 13X17X14	2	2	2					
2	1	198212-24360	PLATE, CENTER	1	1	1					
3	1	26106-120502	BOLT, M12X 50 PLATED	3	3	3					

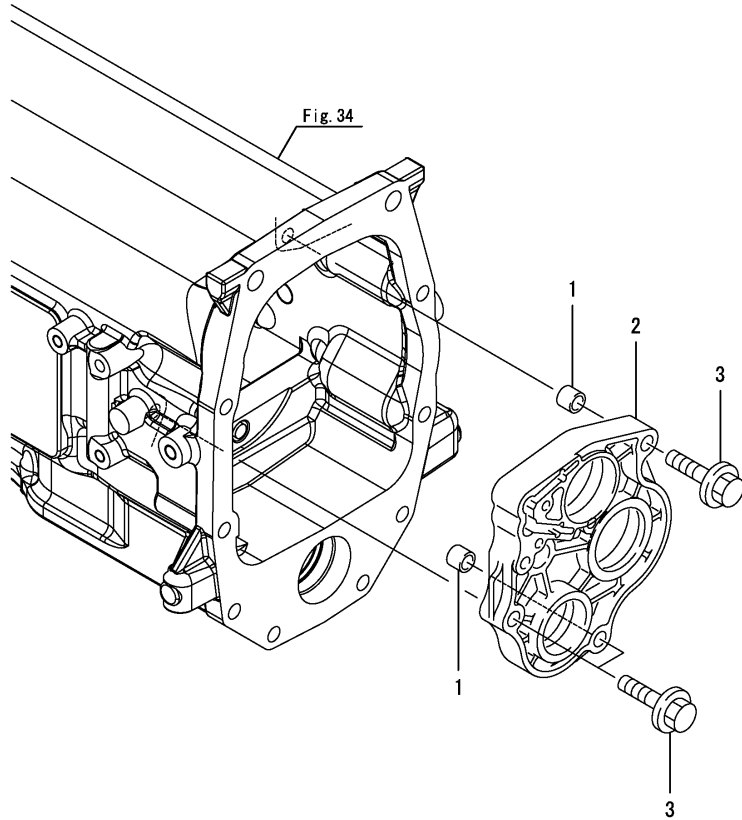


Fig.40. REVERSER VALVE

(A)=LX410(YANMAR)

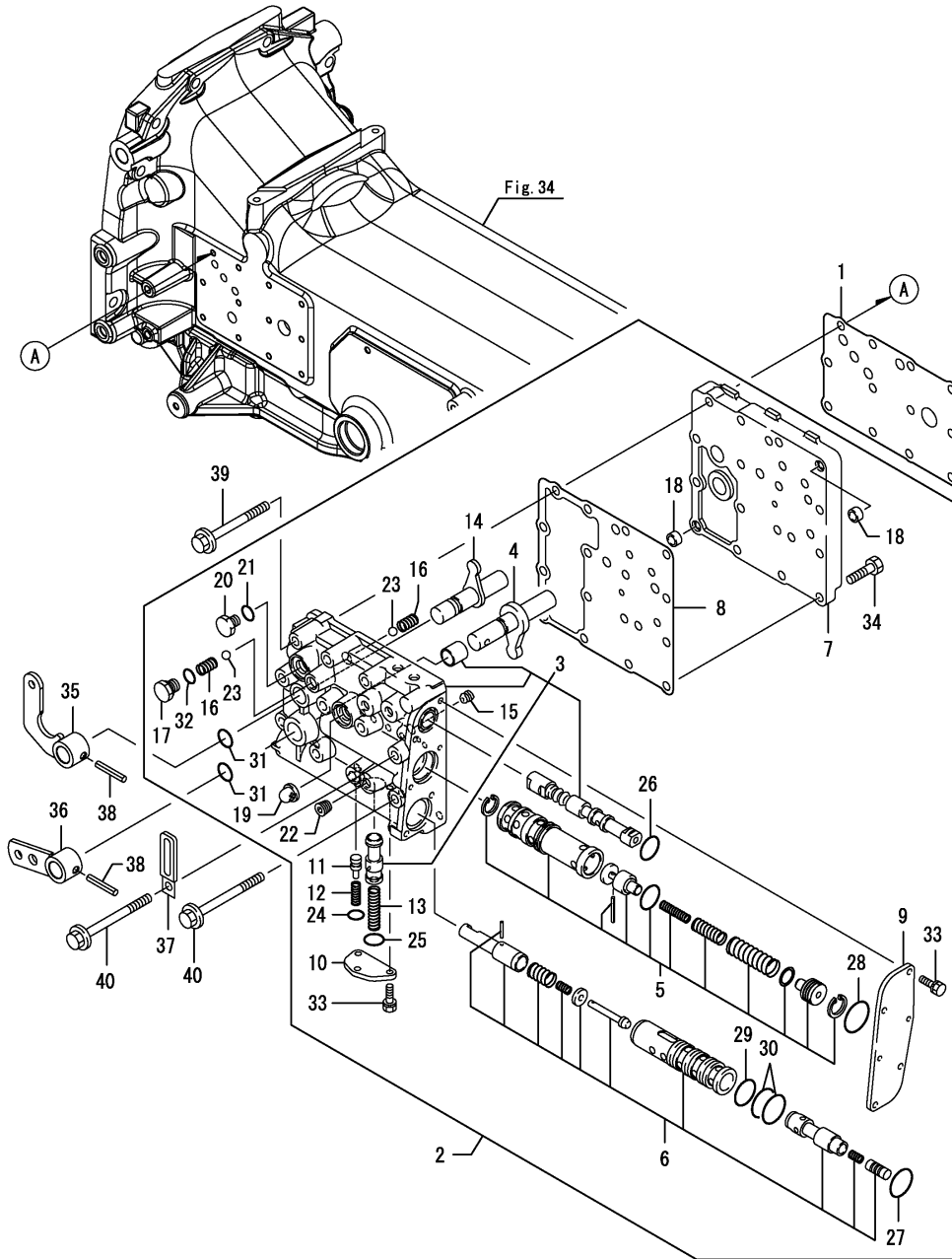
(B)=LX450(YANMAR)

(C)=LX490(YANMAR)

(D)=

(E)=

(F)=

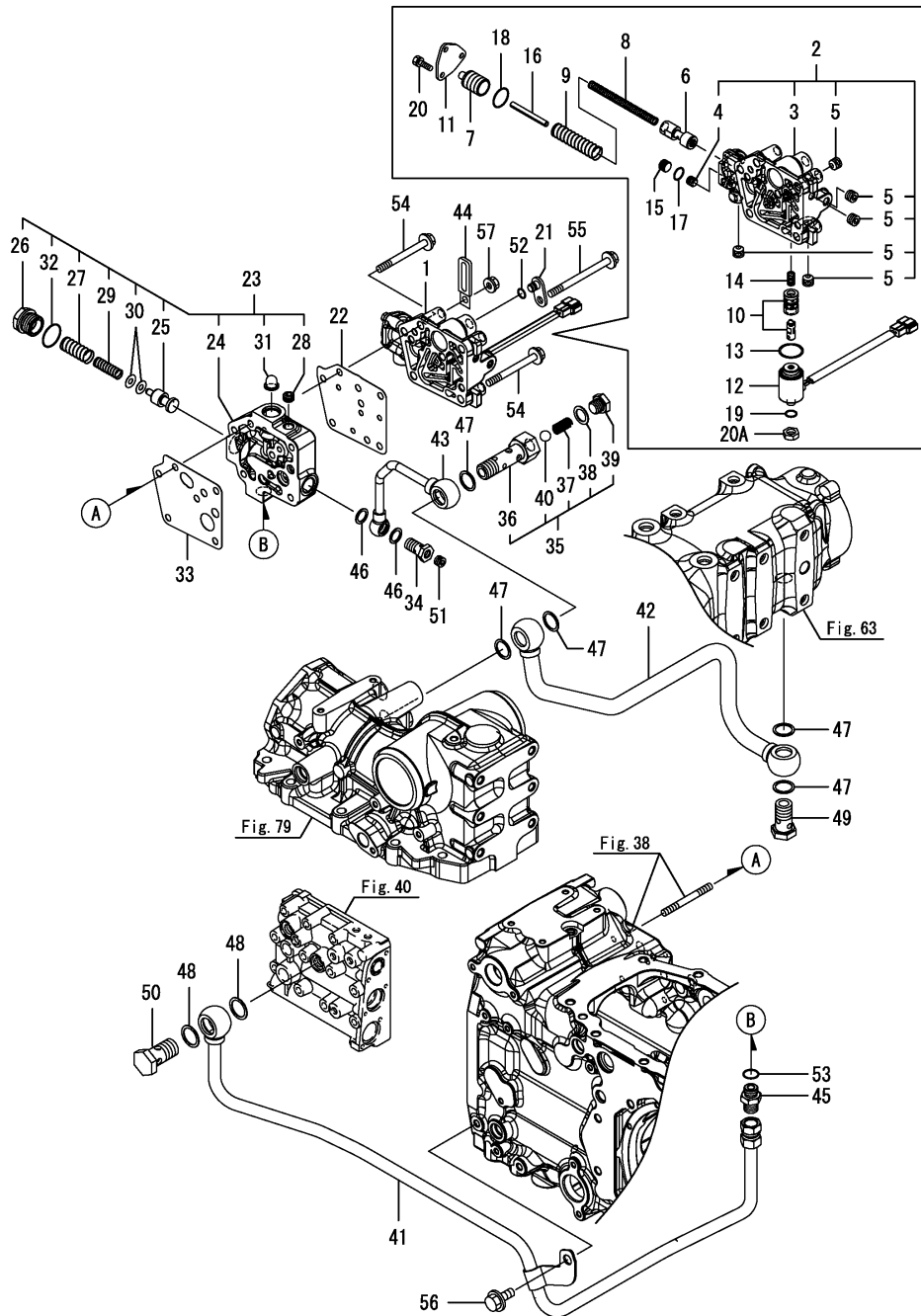


No.	Lev.	Parts No.	Description	Qty						I	R
				(A)	(B)	(C)	(D)	(E)	(F)		
1	1	198212-24281	GASKET, PR VALVE	1	1	1					
2	1	1A7450-24301	VALVE ASSY, REVERSER	1	1	1					
3	2	168201-01012	VALVECASE CMP	1	1	1					
4	2	168201-01350	ARM CLUTCH,CMP	1	1	1					
5	2	168201-01550	DRV CMP	1	1	1					
6	2	168201-01600	CLUTCH VALVE CMP	1	1	1					
7	2	198213-24341	PLATE, VALVE	1	1	1					
8	2	198213-24350	GASKET, CASE	1	1	1					
9	2	198213-24360	COVER, SPOOL	1	1	1					
10	2	198213-24370	COVER, RELIEF	1	1	1					
11	2	198213-24390	VALVE, RELIEF	1	1	1					
12	2	198213-24400	SPRING, RELIEF	1	1	1					
13	2	198213-24420	SPRING, CUT-OFF	1	1	1					
14	2	198213-24441	ARM ASSY, SHIFT	1	1	1					
15	2	192180-24730	ORIFICE	1	1	1					
16	2	192180-24740	SPRING	2	2	2					
17	2	192157-26460	PLUG 1/2-20 UNF	1	1	1					
18	2	194521-41570	PIN, 11X7	2	2	2					
19	2	194556-42220	STRAINER, A	1	1	1					
20	2	194850-49240	PLUG, 9/16-18	1	1	1					
21	2	194850-49290	PACKING, 6-1	1	1	1					
22	2	23871-010000	PLUG, R01	3	3	3					
23	2	24190-100001	BALL, STEEL 5/16	2	2	2					
24	2	24311-000125	O-RING, 1AP12.5	1	1	1					
25	2	24311-000180	O-RING, 1AP18.0	1	1	1					
26	2	24311-000220	O-RING, 1AP22.0	1	1	1					
27	2	24311-000290	O-RING, 1AP29.0	1	1	1					
28	2	24311-000320	O-RING, 1AP32.0	1	1	1					
29	2	24341-000220	O-RING, 1AS22.0	1	1	1					
30	2	24341-000224	O-RING, 1AS22.4	2	2	2					
31	2	24351-190140	O-RING, 1A19014	2	2	2					
32	2	24361-090500	O-RING, 1AAS905	1	1	1					
33	2	26016-060162	BOLT, M6X 16	9	9	9					
34	2	26016-080302	BOLT, M8X 30	4	4	4					
35	1	1A8275-24420	ARM, SHIFT	1	1	1					
36	1	1A8275-24470	ARM, SHIFT	1	1	1					
37	1	194440-51620	CLAMP	1	1	1					
38	1	22351-060036	PIN, SPRING 6.0X36	2	2	2					
39	1	26106-080802	BOLT, M8X 80 PLATED	10	10	10					
40	1	26106-080952	BOLT, M8X 95 PLATED	2	2	2					

Fig.41. P.T.O. VALVE

(A)=LX410(YANMAR)  
 (B)=LX450(YANMAR)  
 (C)=LX490(YANMAR)

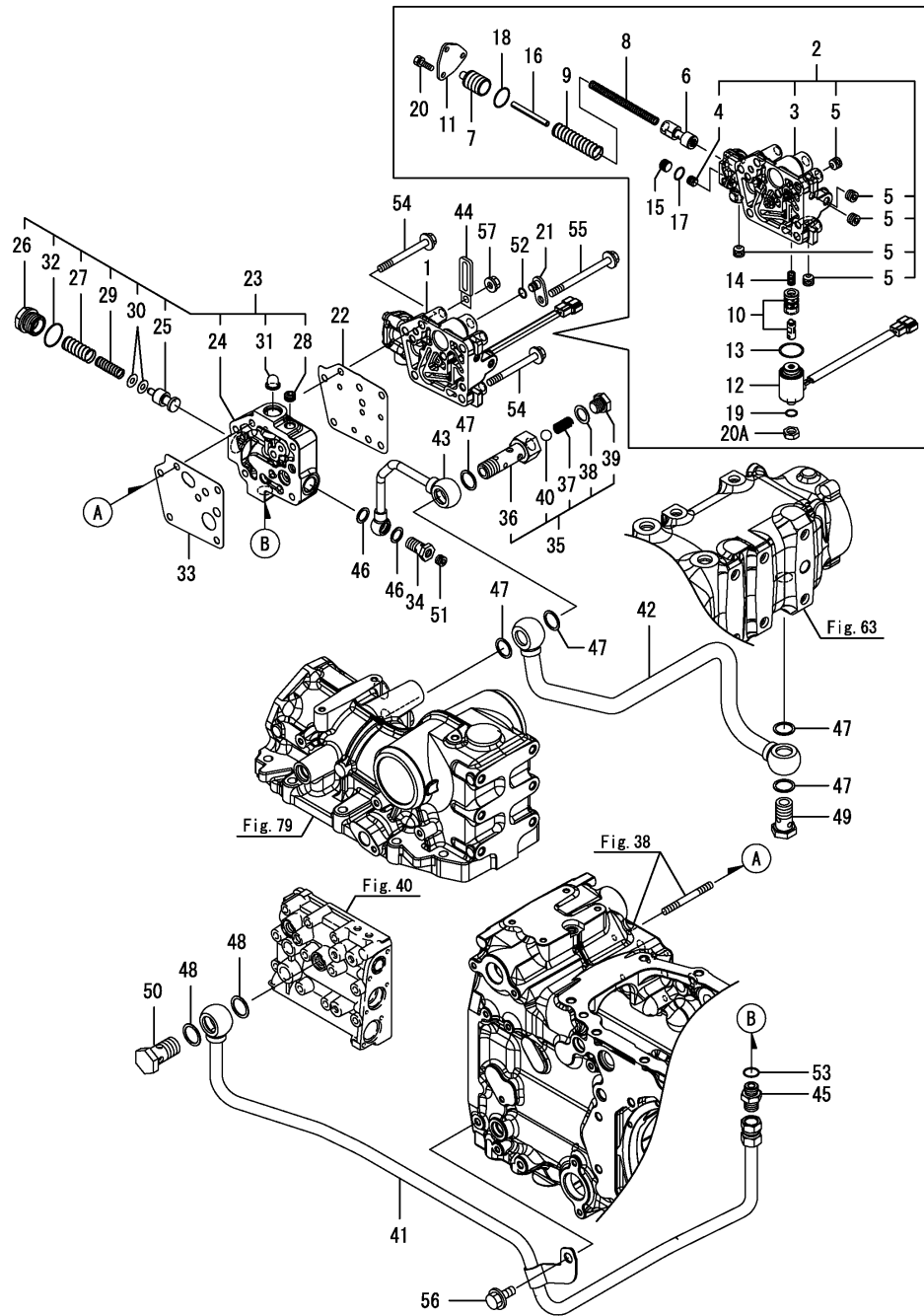
(D)=  
 (E)=  
 (F)=



No.	Lev.	Parts No.	Description	Qty						I	R
				(A)	(B)	(C)	(D)	(E)	(F)		
1	1	1682D2-00010	PTO VALVE CMP	1	1	1					
2	2	1682D2-01010	VALVEBODY(A CMP	1	1	1					
3	3	1682D2-01020	VALVEBODY(A	1	1	1					
4	3	1682D1-01100	ORIFICE	1	1	1					
5	3	23871-010000	PLUG, R01	5	5	5					
6	2	1682D1-01050	MODULATION VALVE	1	1	1					
7	2	1682D1-01060	PISTON(ACCUMULATOR	1	1	1					
8	2	1682D1-01070	SP(INNER	1	1	1					
9	2	1682D1-01080	SP(OUTER	1	1	1					
10	2	178076-02430	VALVE ASSY, SOLENOID	1	1	1					
11	2	198213-24750	COVER, DRV	1	1	1					
12	2	1A6770-26610	SOLENOID ASSY	1	1	1					
13	2	192159-27780	GASKET, SOLENOID	1	1	1					
14	2	192159-27830	SPRING,SOLENOID	1	1	1					
15	2	194170-45370	PLUG	1	1	1					
16	2	22351-060060	PIN, SPRING 6.0X60	1	1	1					
17	2	24311-000070	O-RING, 1AP7.0	1	1	1					
18	2	24311-000240	O-RING, 1AP24.0	1	1	1					
19	2	24341-000112	O-RING, 1AS11.2	1	1	1					
20	2	26016-060162	BOLT, M6X 16	3	3	3					
20A	2	192159-27790	PLASTIC NUT	1	1	1					
21	1	1A8275-24160	PLUG ASSY	1	1	1					
22	1	1A8275-24540	GASKET, PTO VALVE	1	1	1					
23	1	1A8275-24551	VALVE ASSY,	1	1	1					
24	2	1A8275-24571	CASE, PLATE PTO	1	1	1					
25	2	1A8275-24591	VALVE, RELIEF	1	1	1					
26	2	1A8275-24600	PLUG, RELIEF	1	1	1					
27	2	194555-24610	SPRING, RELIEF OUTER	1	1	1					
28	2	1A8275-24610	PLUG, R1/4	1	1	1					
29	2	194555-24620	SPRING, RELIEF INNER	1	1	1					
30	2	1A8275-24620	SHIM, 0.5	2	2	2					
31	2	1A7180-43730	STRAINER, A	1	1	1					
32	2	24351-240230	O-RING, 1A24023	1	1	1					
33	1	1A8275-24561	GASKET, VALVE PLATE	1	1	1					
34	1	198448-28430	BOLT, JOINT M14	1	1	1					
35	1	1A8275-48010	HOLDER,RELIEF ASSY	1	1	1					
36	2	1A8275-48020	HOLDER,RELIEF	1	1	1					
37	2	1A8275-48050	SPRING,CHECK	1	1	1					
38	2	23414-160000	GASKET, 16X1.0	1	1	1					
39	2	23887-160002	PLUG, 16	1	1	1					
40	2	24190-160001	BALL, STEEL 1/2	1	1	1					
41	1	1A8275-48260	HP PIPE	1	1	1					
42	1	1A8275-48540	LP PIPE,REAR HOUSING	1	1	1					
43	1	1A8275-48570	PIPE,PTO LUB	1	1	1					
44	1	194440-51620	CLAMP	1	1	1					
45	1	172730-75141	ADAPTER	1	1	1					
46	1	23414-140000	GASKET, 14X1.0	2	2	2					
47	1	23414-200026	GASKET, 20X1.0	5	5	5					
48	1	23414-220029	GASKET, 22X1.0	2	2	2					
49	1	23857-150000	BOLT, JOINT 15	1	1	1					
50	1	23857-180000	BOLT, JOINT 18	1	1	1					

N:Old  $\begin{matrix} \leftarrow \text{Yes} \\ \text{No} \end{matrix}$  New, Q:Old  $\begin{matrix} \leftarrow \text{No} \\ \text{Yes} \end{matrix}$  New, R:Old  $\begin{matrix} \leftarrow \text{Yes} \\ \text{No} \end{matrix}$  New, S:Old  $\begin{matrix} \leftarrow \text{No} \\ \text{Yes} \end{matrix}$  New, W:Add, Z:Discontinued, F:Interchangeable by set, K:Q'ty Change  
 ++ CONTINUE ++  
 Copyright (C) YANMAR CO., LTD. All Rights Reserved.

Fig.41. P.T.O. VALVE



(A)=LX410(YANMAR)  
 (B)=LX450(YANMAR)  
 (C)=LX490(YANMAR)

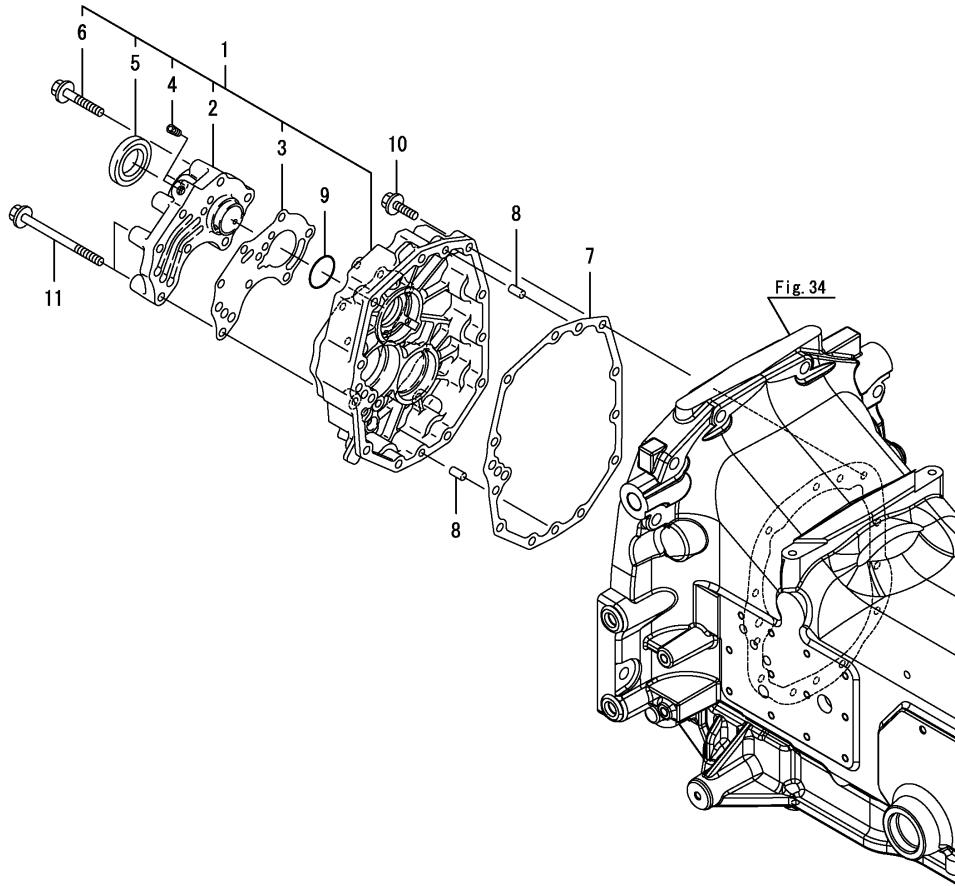
(D)=  
 (E)=  
 (F)=

No.	Lev.	Parts No.	Description	Qty						I	R
				(A)	(B)	(C)	(D)	(E)	(F)		
51	1	23871-010000	PLUG, R01	1	1	1					
52	1	24311-000070	O-RING, 1AP7.0	1	1	1					
53	1	24311-000140	O-RING, 1AP14.0	1	1	1					
54	1	26106-080802	BOLT, M8X 80 PLATED	3	3	3					
55	1	26106-081002	BOLT, M8X100 PLATED	1	1	1					
56	1	26106-100202	BOLT, M10X 20 PLATED	1	1	1					
57	1	26366-080002	NUT, M8	2	2	2					

Fig.42. FRONT COVER

(A)=LX410(YANMAR)  
 (B)=LX450(YANMAR)  
 (C)=LX490(YANMAR)

(D)=  
 (E)=  
 (F)=

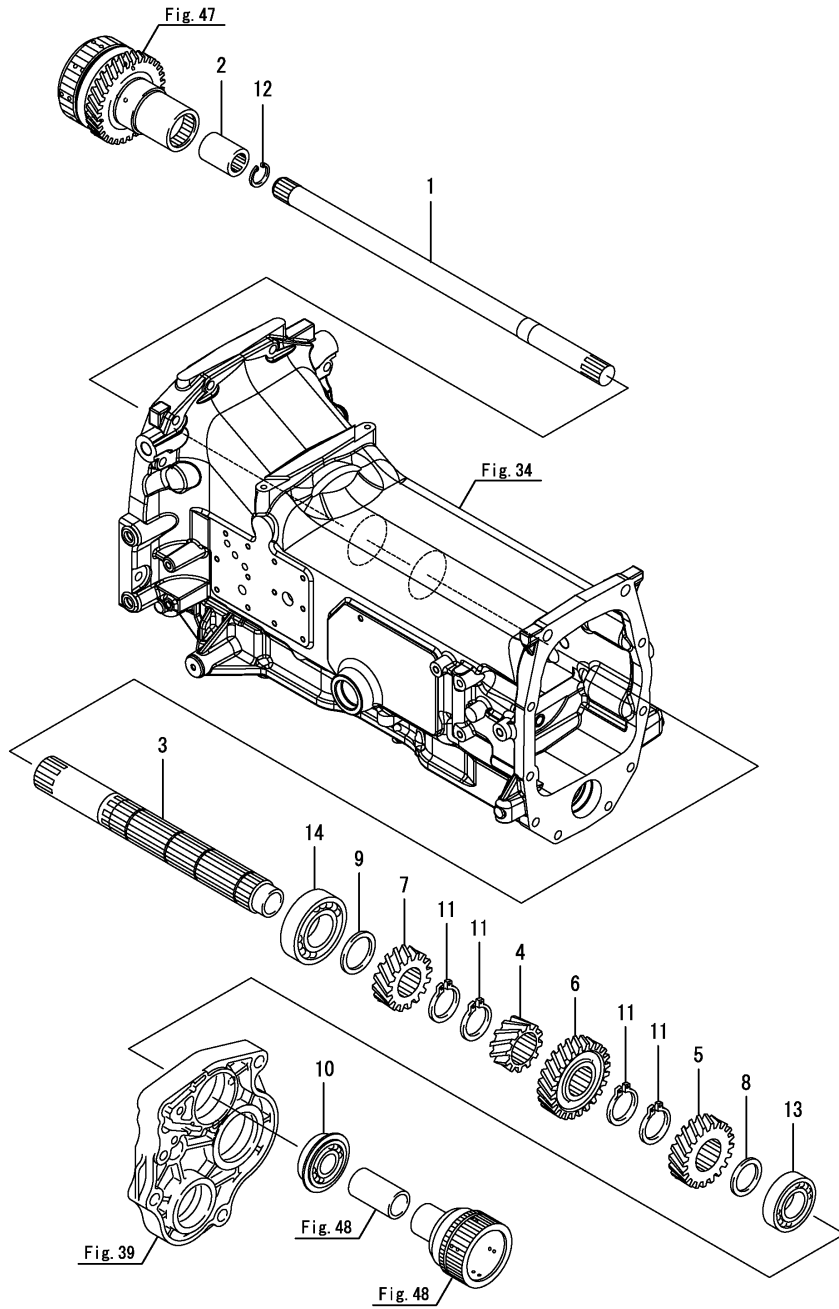


No.	Lev.	Parts No.	Description	Qty						I	R
				(A)	(B)	(C)	(D)	(E)	(F)		
1	1	1A8275-24700	COVER ASSY, FRONT	1	1	1					
2	2	198448-24740	CASE, REVERSE SEAL	1	1	1					
3	2	198212-24750	GASKET, SEAL CASE	1	1	1					
4	2	23871-010000	PLUG, R01	2	2	2					
5	2	24423-305208	SEAL, OIL TC305208	1	1	1					
6	2	26106-080502	BOLT, M8X 50 PLATED	5	5	5					
7	1	198212-25720	GASKET, FRONT COVER	1	1	1					
8	1	22312-080180	PIN, PARALLEL M8X18	2	2	2					
9	1	24341-000350	O-RING, 1AS35.0	1	1	1					
10	1	26106-080352	BOLT, M8X 35 PLATED	9	9	9					
11	1	26106-081102	BOLT, M8X110 PLATED	2	2	2					

Fig.43. MAIN SHAFT

(A)=LX410(YANMAR)  
 (B)=LX450(YANMAR)  
 (C)=LX490(YANMAR)

(D)=  
 (E)=  
 (F)=

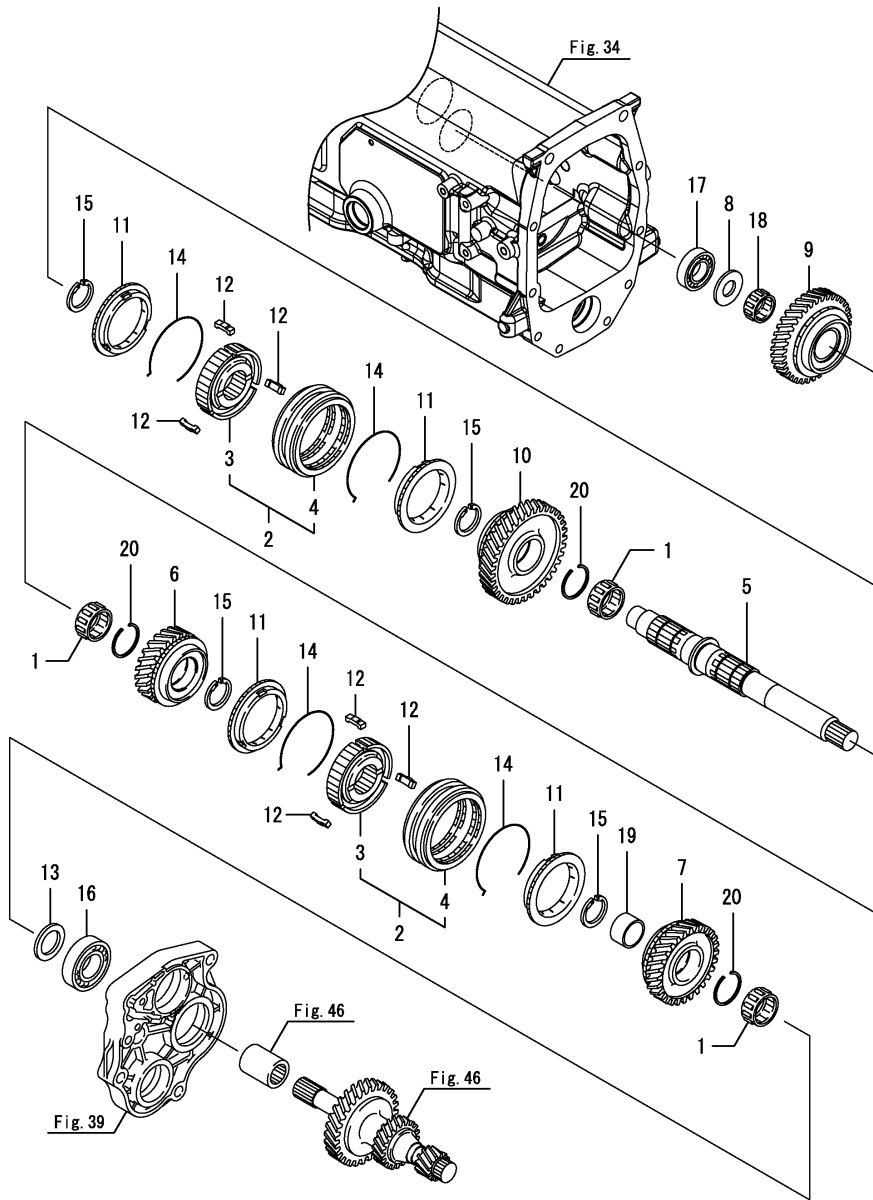


No.	Lev.	Parts No.	Description	Qty						I	R
				(A)	(B)	(C)	(D)	(E)	(F)		
1	1	1A8275-25130	SHAFT, PTO DRIVE	1	1	1					
2	1	198212-25150	COUPLING, 13X16/32	1	1	1					
3	1	198212-25210	SHAFT, MAIN	1	1	1					
4	1	198212-25220	GEAR, MAIN 21	1	1	1					
5	1	198212-25240	GEAR, MAIN 31R	1	1	1					
6	1	198535-25260	GEAR, MAIN 36	1	1	1					
7	1	198212-25290	GEAR, MAIN 27R	1	1	1					
8	1	194312-25470	SPACER, 30X40X2	1	1	1					
9	1	194250-25520	SPACER, 35X45X2	1	1	1					
10	1	198212-26090	BEARING, 63/22 NR	1	1	1					
11	1	22242-000340	RING, 34	4	4	4					
12	1	22252-000190	RING, 19	1	1	1					
13	1	24101-062064	BEARING, BALL 6206	1	1	1					
14	1	24101-062074	BEARING, BALL 6207	1	1	1					

Fig.44. DRIVEN SHAFT

(A)=LX410(YANMAR)  
 (B)=LX450(YANMAR)  
 (C)=LX490(YANMAR)

(D)=  
 (E)=  
 (F)=

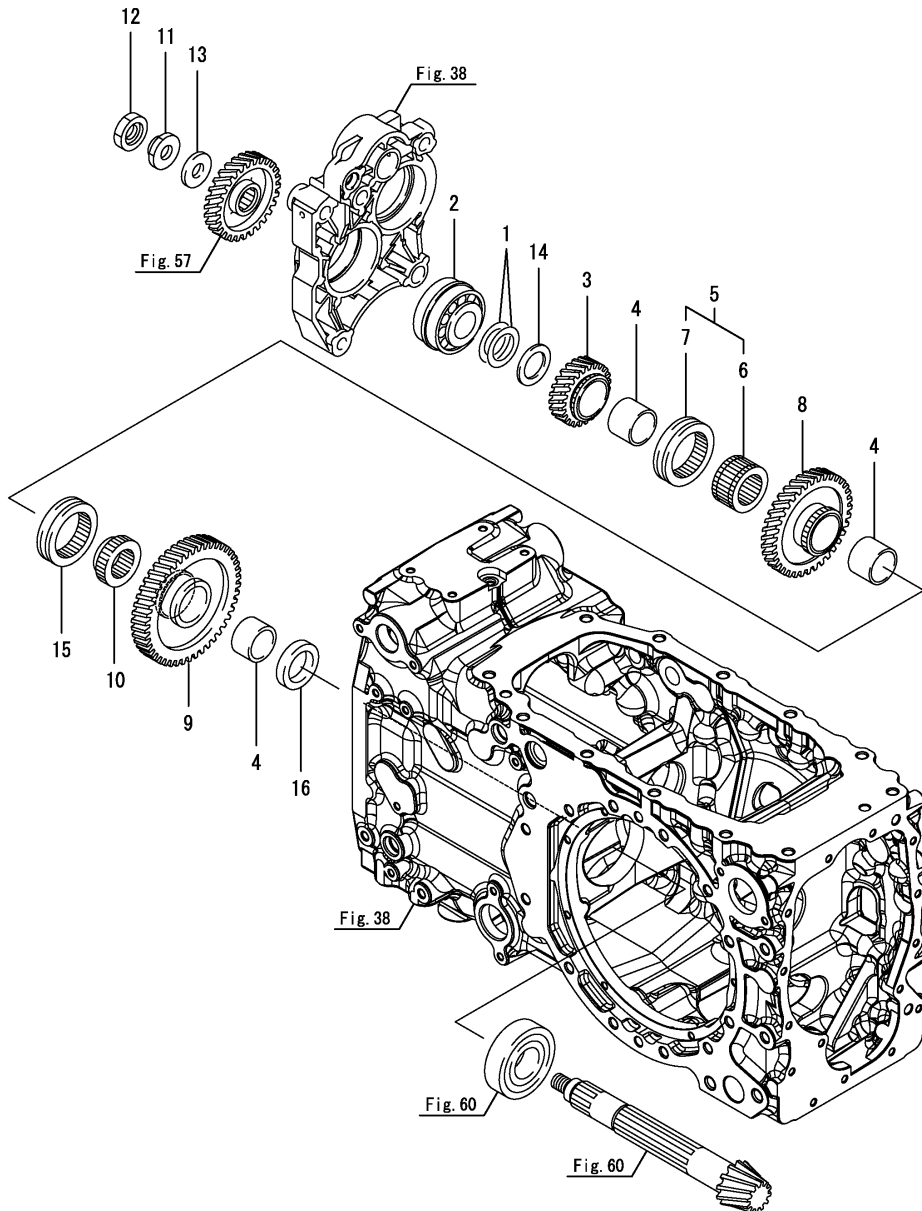


No.	Lev.	Parts No.	Description	Q'ty						I	R
				(A)	(B)	(C)	(D)	(E)	(F)		
1	1	194250-25240	BEARING, 354019	3	3	3					
2	1	198212-25400	HUB ASSY, SYNCHRO	2	2	2					
3	2	198212-25460	HUB, SYNCHRO	2	2	2					
4	2	198121-25830	SLIDER	2	2	2					
5	1	1A8275-25420	SHAFT, DRIVEN	1	1	1					
6	1	198535-25510	GEAR, DRIVEN 39	1	1	1					
7	1	198212-25520	GEAR, DRIVEN 44	1	1	1					
8	1	194150-25530	WASHER, 20X43X2.5	1	1	1					
9	1	198212-25530	GEAR, DRIVEN 49	1	1	1					
10	1	198212-25540	GEAR, DRIVEN 53	1	1	1					
11	1	198121-25840	RING, SYNCHRONIZER	4	4	4					
12	1	198121-25850	KEY, SYNCHRONIZER	6	6	6					
13	1	194640-25860	WASHER, 30X45X3	1	1	1					
14	1	198121-25870	SPRING, SYNCHRO	4	4	4					
15	1	22292-000340	RING, S-34	4	4	4					
16	1	24101-062064	BEARING, BALL 6206	1	1	1					
17	1	24101-063054	BEARING, BALL 6305	1	1	1					
18	1	24161-303520	BEARING, 303520	1	1	1					
19	1	24163-305200	RING, INNER 303520	1	1	1					
20	1	24165-000402	CIRCLIP, 40	3	3	3					

Fig.45. COUNTER SHAFT

(A)=LX410(YANMAR)  
 (B)=LX450(YANMAR)  
 (C)=LX490(YANMAR)

(D)=  
 (E)=  
 (F)=



No.	Lev.	Parts No.	Description	Qty						I	R
				(A)	(B)	(C)	(D)	(E)	(F)		
1	1	194301-12730	SHIM, 30X45X0.1	2	2	2					
2	1	1A7350-25600	BEARING ASSY,4T30306	1	1	1					
3	1	1A7350-25640	GEAR, COUNTER 19L	1	1	1					
4	1	198217-25680	BUSH, 34X40X28	3	3	3					
5	1	198149-25700	COLLAR ASSY, SPLINE	1	1	1					
6	2	198149-25780	COLLAR, SPLINE A	1	1	1					
7	2	198149-25890	SHIFTER	1	1	1					
8	1	1A8275-25750	GEAR 41, COUNTER	1	1	1					
9	1	1A8275-25770	GEAR 53,COUNTER	1	1	1					
10	1	1A7601-25790	COLLAR, SPLINE B	1	1	1					
11	1	198220-25830	NUT, LOCK M16	1	1	1					
12	1	198220-25840	NUT, LOCK M16	1	1	1					
13	1	198415-25840	SPACER, 16X38X4.5	1	1	1					
14	1	194640-25860	WASHER, 30X45X3	1	1	1					
15	1	198149-25890	SHIFTER	1	1	1					
16	1	1A8275-25980	COLLAR, 35	1	1	1					



Fig.46. REDUCTION SHAFT

(A)=LX410(YANMAR)  
(B)=LX450(YANMAR)  
(C)=LX490(YANMAR)

(D)=  
(E)=  
(F)=

No.	Lev.	Parts No.	Description	Q'ty						I	R
				(A)	(B)	(C)	(D)	(E)	(F)		
1	1	1A8275-25610	GEAR, REDUCTION	1	1	1					
2	1	1A7090-26050	COUPLING	1	1	1					
3	1	24101-063054	BEARING, BALL 6305	1	1	1					
4	1	24101-063064	BEARING, BALL 6306	1	1	1					

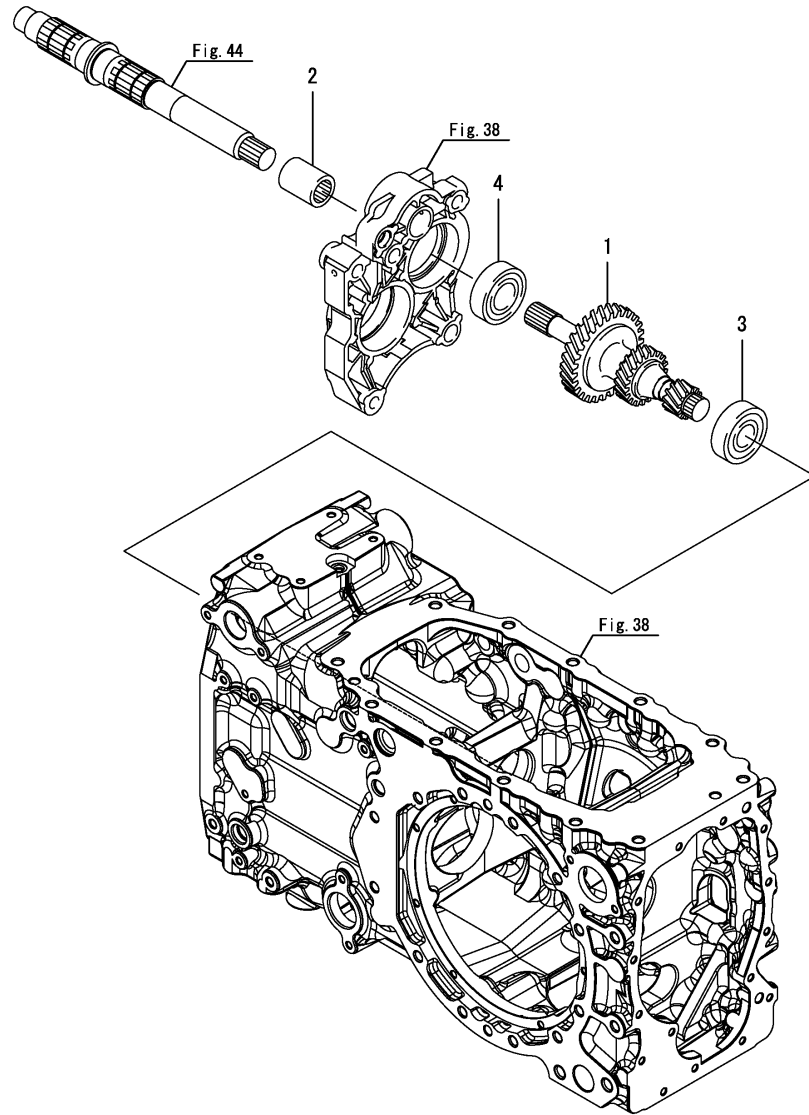


Fig.47. POWER REVERSER

(A)=LX410(YANMAR)

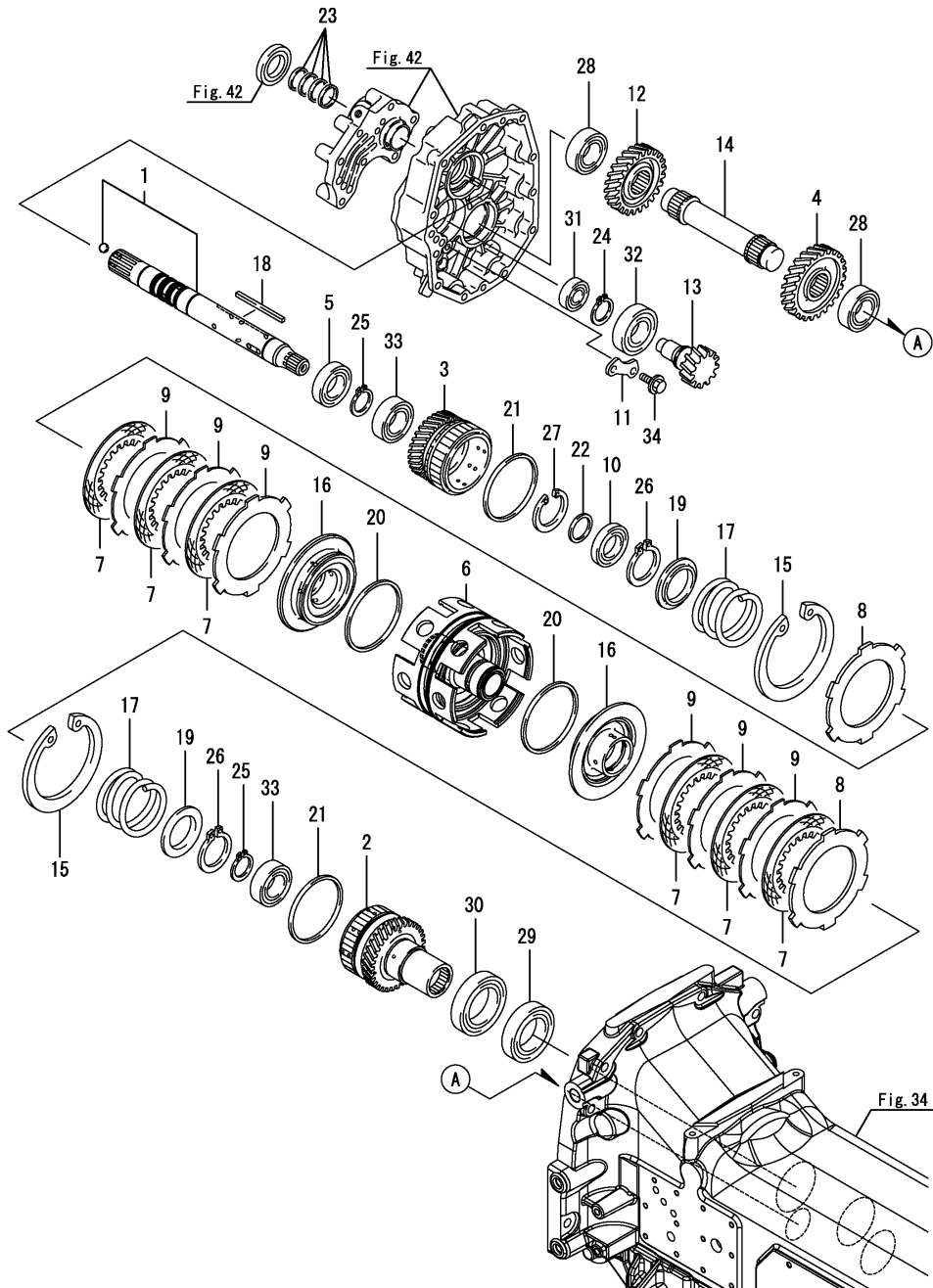
(B)=LX450(YANMAR)

(C)=LX490(YANMAR)

(D)=

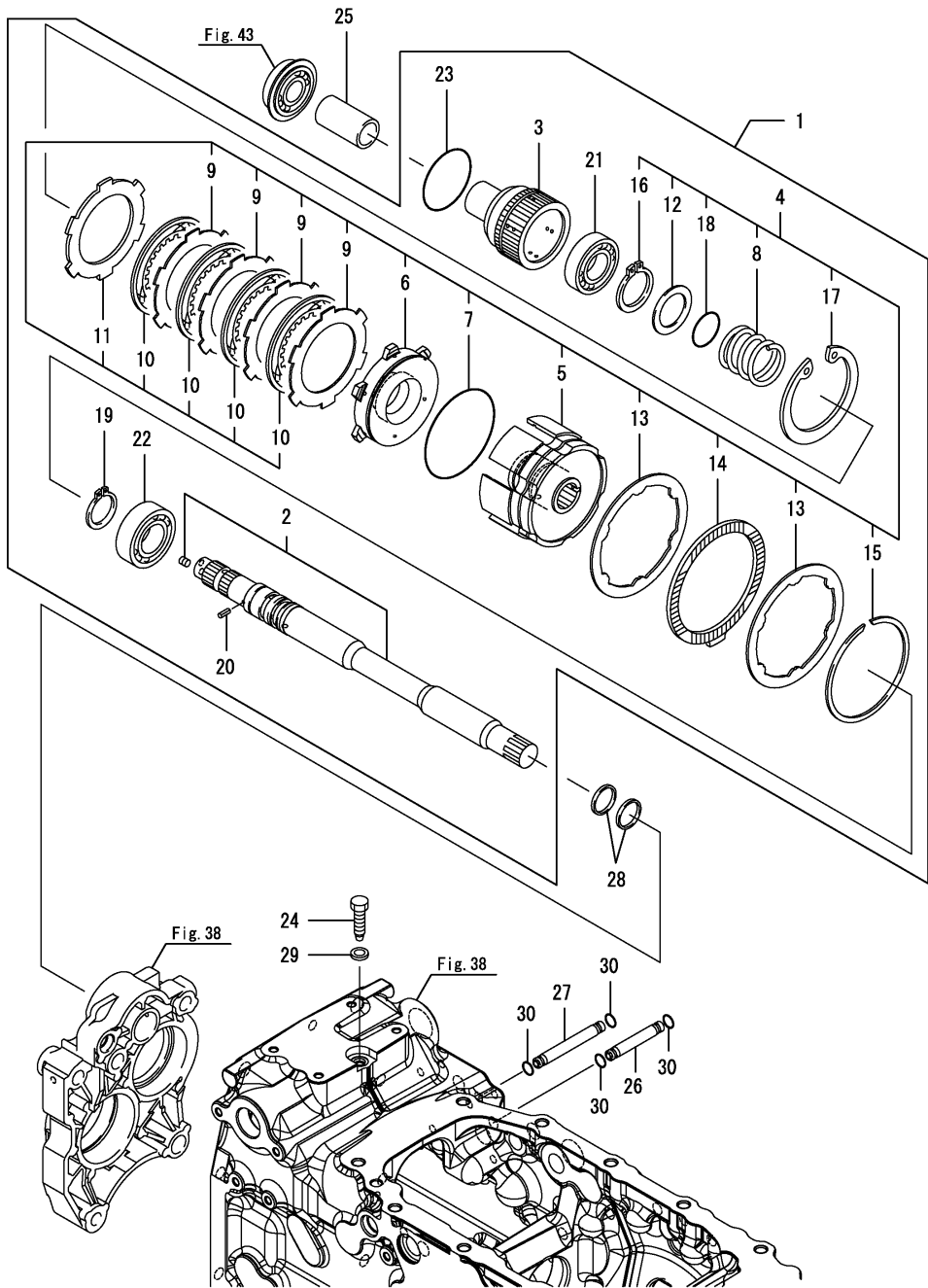
(E)=

(F)=



No.	Lev.	Parts No.	Description	Qty						I	R
				(A)	(B)	(C)	(D)	(E)	(F)		
1	1	1A8275-22100	SHAFT ASSY, INPUT	1	1	1					
2	1	1A8275-22150	GEAR,CLUTCH 36	1	1	1					
3	1	1A8275-22160	GEAR,CLUTCH 33	1	1	1					
4	1	1A8275-22420	GEAR 37F, DRIVEN	1	1	1					
5	1	198360-22550	BEARING, TMB006	1	1	1					
6	1	1A8275-22580	CYLINDER, CLUTCH	1	1	1					
7	1	1A8275-22820	DISC, CLUTCH 130	6	6	6					
8	1	1A8275-22830	PLATE, STEEL 5.0	2	2	2					
9	1	1A8275-22840	PLATE, STEEL 3.0	6	6	6					
10	1	194430-25460	BEARING, BALL 16006	1	1	1					
11	1	198212-25690	PLATE, KEEP	1	1	1					
12	1	198212-25750	GEAR, DRIVEN 34	1	1	1					
13	1	1A7351-25770	GEAR, IDLE 17	1	1	1					
14	1	198212-25780	SHAFT, DRIVEN P/R	1	1	1					
15	1	198212-25790	RING, C130	2	2	2					
16	1	198212-25810	PISTON, CLUTCH	2	2	2					
17	1	198212-25850	SPRING, RETURN	2	2	2					
18	1	198212-25860	KEY, 5X5X80	1	1	1					
19	1	198212-25870	HOOK, SPRING	2	2	2					
20	1	198212-25880	RING, 95	2	2	2					
21	1	198212-25891	RING, 90	2	2	2					
22	1	198212-25930	WASHER, 30X36X2	1	1	1					
23	1	198451-28750	RING, 26.27X30.07X3	4	4	4					
24	1	22242-000300	RING, 30	1	1	1					
25	1	22242-000300	RING, 30	2	2	2					
26	1	22242-000450	RING, 45	2	2	2					
27	1	22252-000550	RING, 55	1	1	1					
28	1	24101-060064	BEARING, BALL 6006	2	2	2					
29	1	24101-060094	BEARING, BALL 6009	1	1	1					
30	1	24101-060104	BEARING, BALL 6010	1	1	1					
31	1	24101-062034	BEARING, BALL 6203	1	1	1					
32	1	24101-062064	BEARING, BALL 6206	1	1	1					
33	1	24107-060064	BEARING, BALL 6006ZZ	2	2	2					
34	1	26106-080162	BOLT, M8X 16 PLATED	2	2	2					

Fig.48. PTO CLUTCH



(A)=LX410(YANMAR)  
 (B)=LX450(YANMAR)  
 (C)=LX490(YANMAR)

(D)=  
 (E)=  
 (F)=

No.	Lev.	Parts No.	Description	Q'ty						I	R
				(A)	(B)	(C)	(D)	(E)	(F)		
1	1	1A8275-26000	CLUTCH,PTO KIT	1	1	1					
2	2	1A8275-26200	SHAFT ASSY, CLUTCH	1	1	1					
3	2	1A8275-26220	HUB, SPLINE PTO	1	1	1					
4	2	1A8275-26700	CLUTCH CMP(PTO	1	1	1					
5	3	1A8275-26710	CASE,CLUTCH(PTO	1	1	1					
6	3	1A8275-26720	PISTON,HYDRAULIC	1	1	1					
7	3	1A8275-26730	D RING 92	1	1	1					
8	3	1A8275-26740	SPRING	1	1	1					
9	3	1A8275-26750	PLATE,SEPARATE	4	4	4					
10	3	1A8275-26760	DISC,CLUTCH 2.0	4	4	4					
11	3	1A8275-26770	PLATE,BACK 3.2	1	1	1					
12	3	1A8275-26790	COLLAR,	1	1	1					
13	3	1A8275-26800	DISC,BRAKE	2	2	2					
14	3	1A8275-26810	PLATE,BRAKE	1	1	1					
15	3	1A8275-26820	RING,105	1	1	1					
16	3	22242-100350	RING, 35	1	1	1					
17	3	22252-001000	RING, 100	1	1	1					
18	3	24341-000320	O-RING, 1AS32.0	1	1	1					
19	2	22242-100300	RING, 30	1	1	1					
20	2	22351-030008	PIN, SPRING 3.0X 8	1	1	1					
21	2	24101-062044	BEARING, BALL 6204	1	1	1					
22	2	24107-060064	BEARING, BALL 6006ZZ	1	1	1					
23	2	24321-000600	O-RING, 1AG60.0	1	1	1					
24	1	1A8275-26370	BOLT M10, STOPPER	1	1	1					
25	1	1A8275-26420	COLLAR, 23	1	1	1					
26	1	198212-26580	PIPE, OIL	1	1	1					
27	1	198212-26590	PIPE, OIL	1	1	1					
28	1	198451-28750	RING, 26.27X30.07X3	2	2	2					
29	1	23414-100000	GASKET, 10X1.0	1	1	1					
30	1	24341-000080	O-RING, 1AS8.0	4	4	4					

Fig.49. PTO DRIVE SHAFT

(A)=LX410(YANMAR)  
 (B)=LX450(YANMAR)  
 (C)=LX490(YANMAR)

(D)=  
 (E)=  
 (F)=

No.	Lev.	Parts No.	Description	Q'ty						I	R
				(A)	(B)	(C)	(D)	(E)	(F)		
1	1	194197-25810	BEARING, BALL TMB306	1	1	1					
2	1	1A7090-26050	COUPLING	1	1	1					
3	1	198218-26110	SHAFT, PTO PINION	1	1	1					
4	1	24101-063054	BEARING, BALL 6305	1	1	1					

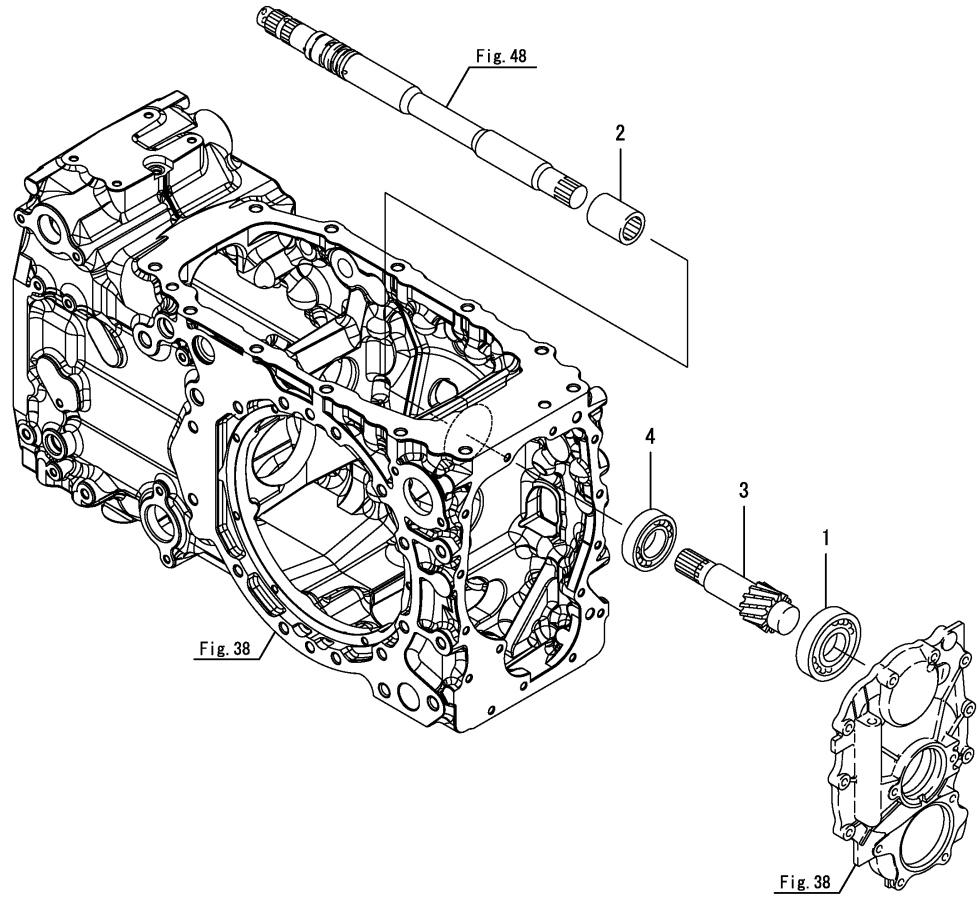


Fig.50. PTO SHAFT

(A)=LX410(YANMAR)  
 (B)=LX450(YANMAR)  
 (C)=LX490(YANMAR)

(D)=  
 (E)=  
 (F)=

No.	Lev.	Parts No.	Description	Q'ty						I	R
				(A)	(B)	(C)	(D)	(E)	(F)		
1	1	194430-25810	BEARING, BALL TMB207	1	1	1					
2	1	1A7351-26310	SHAFT, PTO	1	1	1					
3	1	198218-26350	GEAR, PTO 72	1	1	1					
4	1	194130-33452	COLLAR, 35X42X13	1	1	1					
5	1	22242-000340	RING, 34	1	1	1					
6	1	24101-063054	BEARING, BALL 6305	1	1	1					

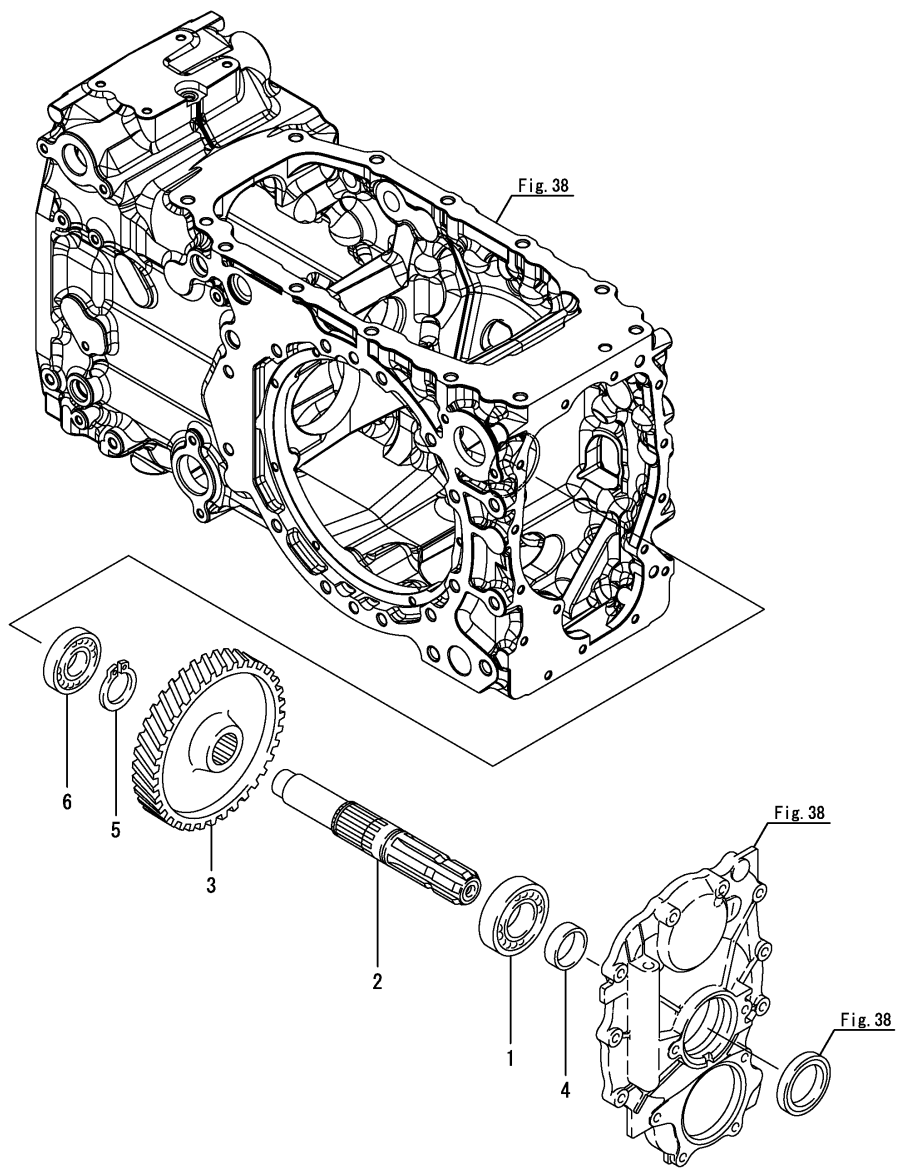


Fig.51. MAIN LEVER

(A)=LX410(YANMAR)  
 (B)=LX450(YANMAR)  
 (C)=LX490(YANMAR)

(D)=  
 (E)=  
 (F)=

No.	Lev.	Parts No.	Description	Q'ty						I	R
				(A)	(B)	(C)	(D)	(E)	(F)		
1	1	194990-22150	NUT, M10	1	1	1					
2	1	194990-22150	NUT, M10	1	1	1					
3	1	1A8240-27300	LEVER, MAIN SHIFT	1	1	1					
4	1	1A8240-27350	COLLAR, 11X16X8.5	2	2	2					
5	1	198253-27510	KNOB, LEVER	1	1	1					
6	1	26106-100402	BOLT, M10X 40 PLATED	1	1	1					

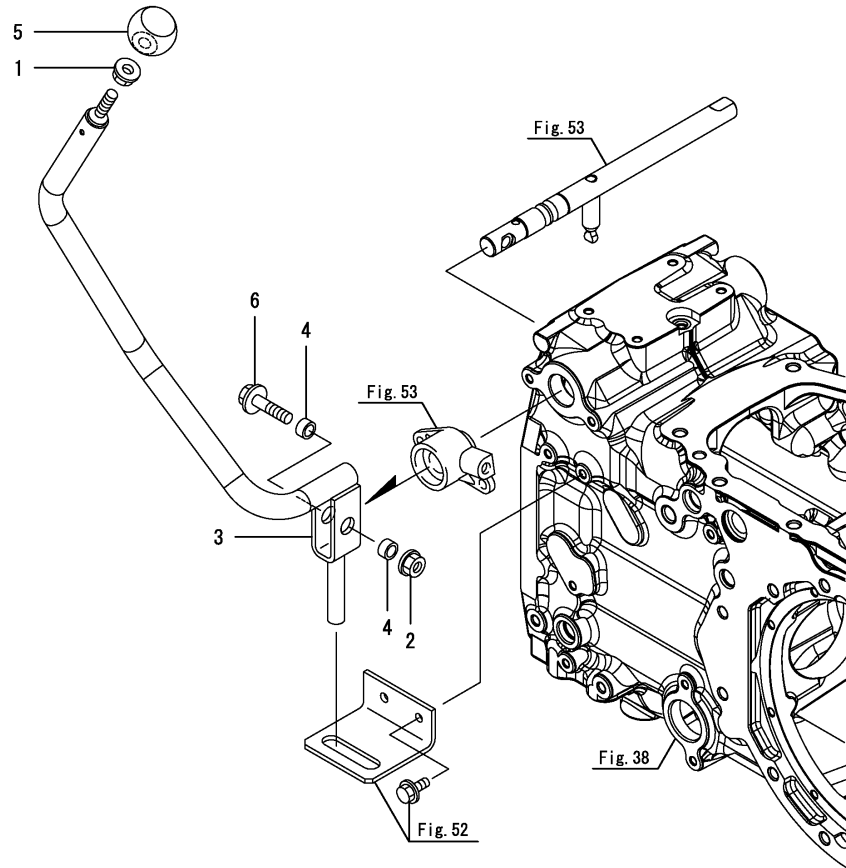


Fig.52. SLIDE PLATE

(A)=LX410(YANMAR)  
 (B)=LX450(YANMAR)  
 (C)=LX490(YANMAR)

(D)=  
 (E)=  
 (F)=

No.	Lev.	Parts No.	Description	Qty						I	R
				(A)	(B)	(C)	(D)	(E)	(F)		
1	1	1A8240-27390	PLATE, SLIDE	1	1	1					
2	1	26106-080162	BOLT, M8X 16 PLATED	2	2	2					

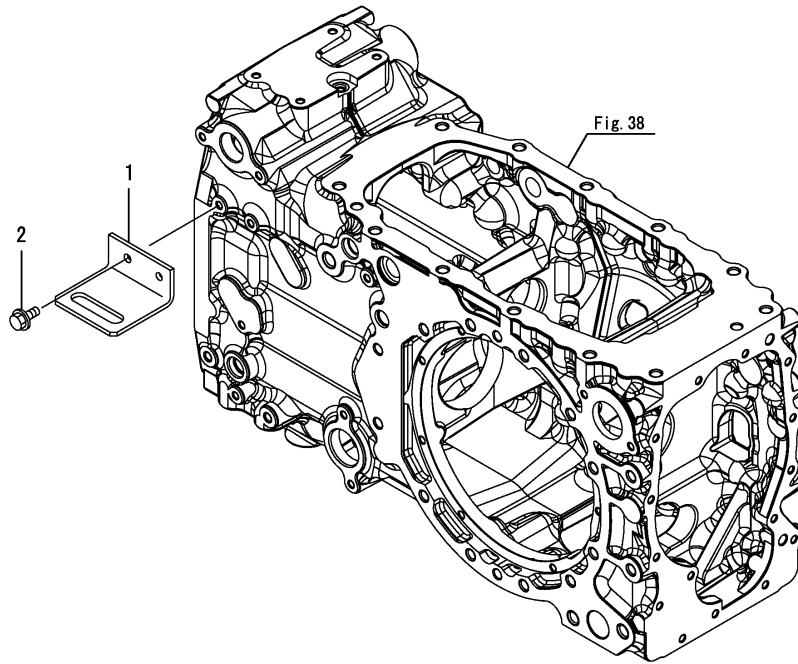
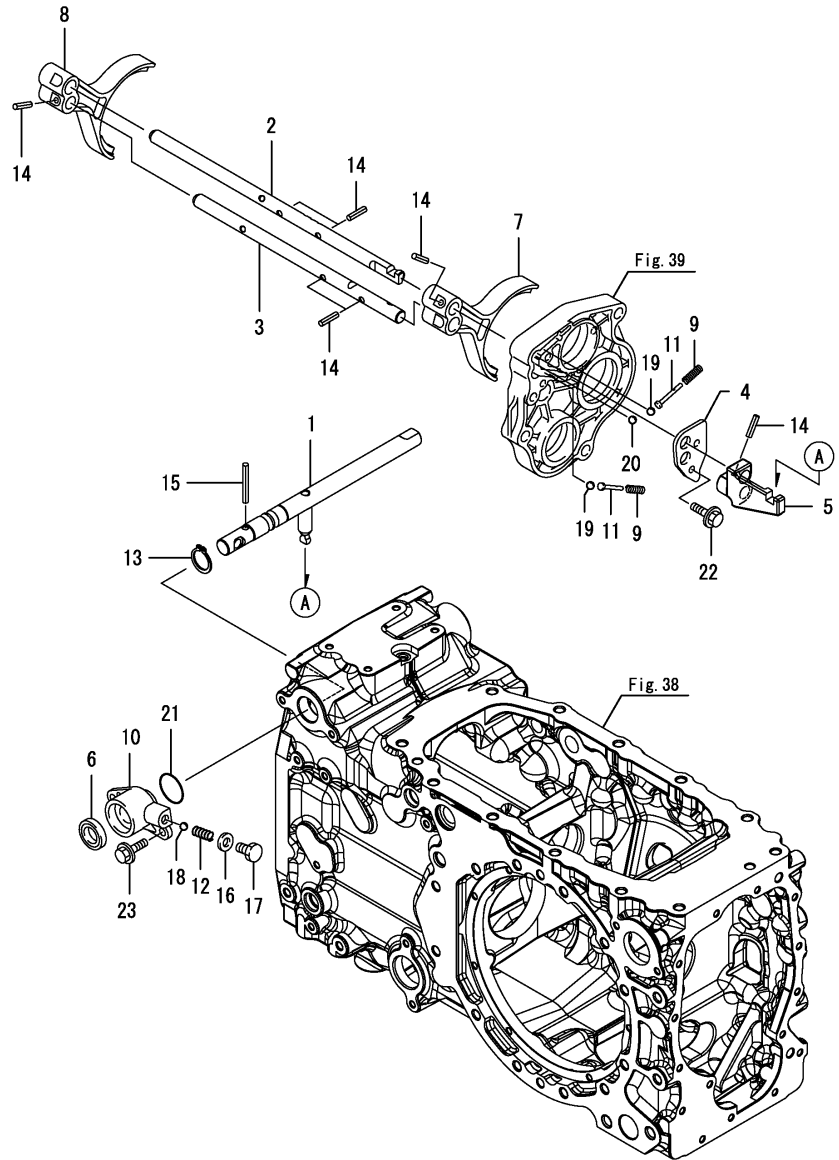


Fig.53. MAIN CHANGE SHIFT



(A)=LX410(YANMAR)  
 (B)=LX450(YANMAR)  
 (C)=LX490(YANMAR)

(D)=  
 (E)=  
 (F)=

No.	Lev.	Parts No.	Description	Qty						I	R
				(A)	(B)	(C)	(D)	(E)	(F)		
1	1	1A8275-27150	ARM, MAIN SHIFT	1	1	1					
2	1	1A8275-27250	SHAFT, FORK 3-4	1	1	1					
3	1	1A8275-27260	SHAFT, FORK 1-2	1	1	1					
4	1	198212-27280	PLATE, FORK LOCK	1	1	1					
5	1	1A8275-27330	SHIFTER, MAIN SHIFT	1	1	1					
6	1	198212-27350	SEAL, OIL TC4 203507	1	1	1					
7	1	198212-27371	FORK, SHIFT	1	1	1					
8	1	198218-27381	FORK, SHIFT	1	1	1					
9	1	194145-27450	SPRING	2	2	2					
10	1	198212-27470	HOLDER, SHIFT ARM	1	1	1					
11	1	198071-27860	PIN, 4X35	2	2	2					
12	1	1E6210-54920	SPRING 23	1	1	1					
13	1	22242-000200	RING, 20	1	1	1					
14	1	22351-060025	PIN, SPRING 6.0X25	7	7	7					
15	1	22351-060050	PIN, SPRING 6.0X50	1	1	1					
16	1	23414-100000	GASKET, 10X1.0	1	1	1					
17	1	23887-100002	PLUG, 10	1	1	1					
18	1	24190-100001	BALL, STEEL 5/16	1	1	1					
19	1	24190-100001	BALL, STEEL 5/16	2	2	2					
20	1	24190-100001	BALL, STEEL 5/16	1	1	1					
21	1	24321-000300	O-RING, 1AG30.0	1	1	1					
22	1	26106-080162	BOLT, M8X 16 PLATED	2	2	2					
23	1	26106-080202	BOLT, M8X 20 PLATED	2	2	2					



Fig.54. REVERSER WIRE

(A)=LX410(YANMAR)  
 (B)=LX450(YANMAR)  
 (C)=LX490(YANMAR)

(D)=  
 (E)=  
 (F)=

No.	Lev.	Parts No.	Description	Q'ty						I	R
				(A)	(B)	(C)	(D)	(E)	(F)		
1	1	1A8240-27530	CABLE, REVERSER	1	1	1					
2	1	1C6281-52310	PIN, SNAP 6	2	2	2					
3	1	22137-060000	WASHER, 6	2	2	2					
4	1	22487-060160	PIN, H 6X 16	2	2	2					

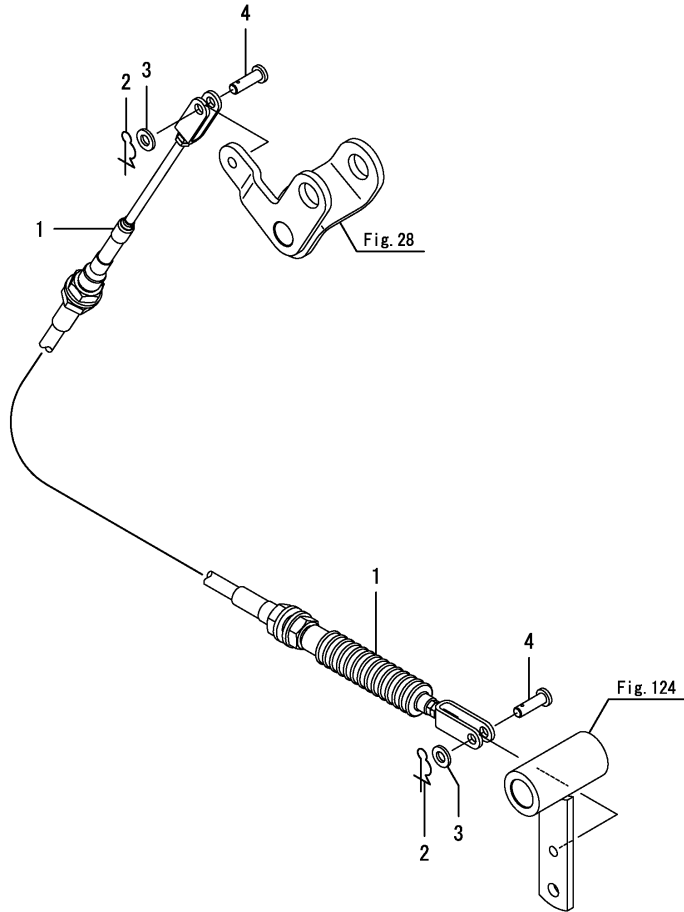


Fig.55. RANGE SHIFT

(A)=LX410(YANMAR)  
 (B)=LX450(YANMAR)  
 (C)=LX490(YANMAR)

(D)=  
 (E)=  
 (F)=

No.	Lev.	Parts No.	Description	Qty						I	R
				(A)	(B)	(C)	(D)	(E)	(F)		
1	1	198119-27150	COLLAR, ARM	1	1	1					
2	1	1A8275-27480	SHAFT, RANGE SHIFT	1	1	1					
3	1	1A8275-27490	SHAFT, FORK	1	1	1					
4	1	198212-27521	ARM, SHIFT	1	1	1					
5	1	194680-27540	SPRING, FORK LOCK	1	1	1					
6	1	198217-27570	FORK, SHIFT A	1	1	1					
7	1	198217-27580	FORK, SHIFT B	1	1	1					
8	1	1A8275-27990	PLATE, KEEP	1	1	1					
9	1	22351-035036	PIN, SPRING 3.5X36	1	1	1					
10	1	22351-060032	PIN, SPRING 6.0X32	2	2	2					
11	1	22351-060036	PIN, SPRING 6.0X36	1	1	1					
12	1	24190-080001	BALL, STEEL 1/4	1	1	1					
13	1	24311-000160	O-RING, 1AP16.0	1	1	1					
14	1	26106-080162	BOLT, M8X 16 PLATED	1	1	1					

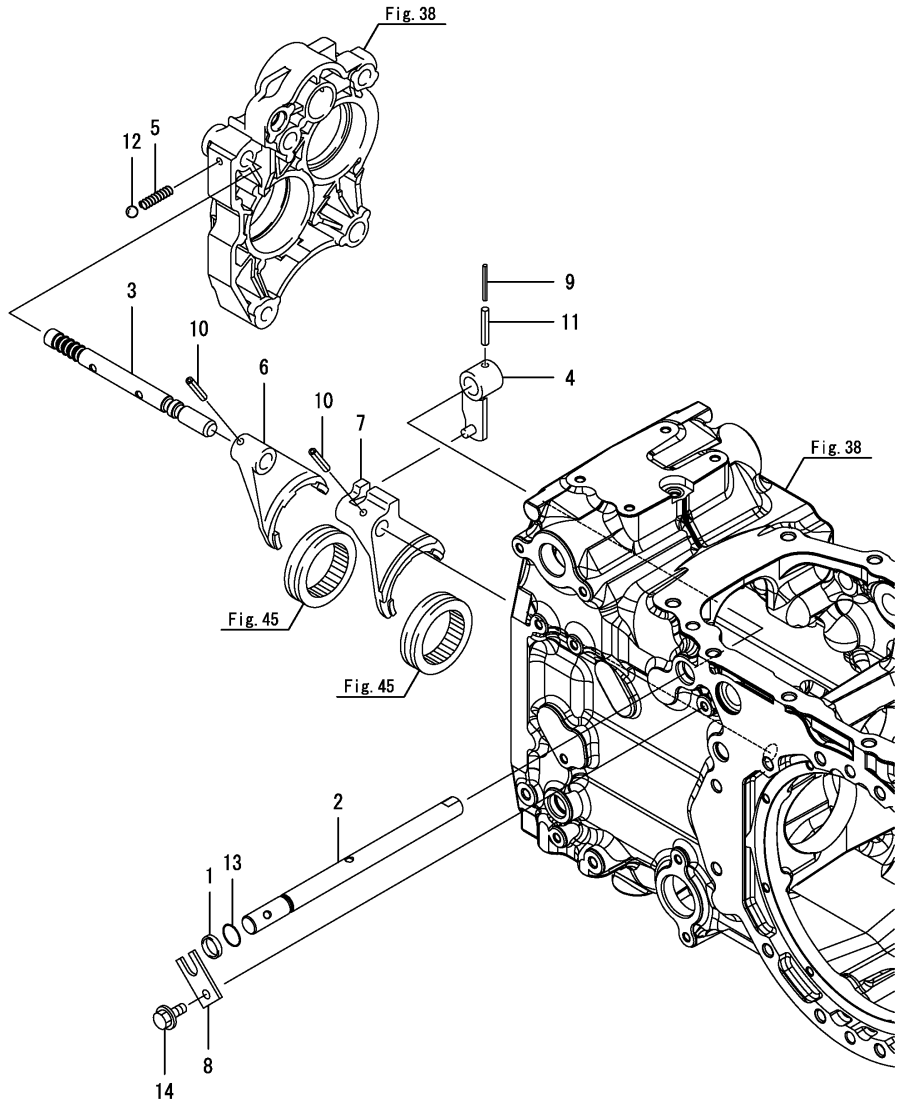


Fig.56. SUB LEVER

(A)=LX410(YANMAR)  
 (B)=LX450(YANMAR)  
 (C)=LX490(YANMAR)

(D)=  
 (E)=  
 (F)=

No.	Lev.	Parts No.	Description	Qty						I	R
				(A)	(B)	(C)	(D)	(E)	(F)		
1	1	194990-22150	NUT, M10	1	1	1					
2	1	198253-27510	KNOB, LEVER	1	1	1					
3	1	1A8240-27600	LEVER ASSY, RANGE	1	1	1					
4	1	22351-035040	PIN, SPRING 3.5X40	1	1	1					
5	1	22351-060040	PIN, SPRING 6.0X40	1	1	1					

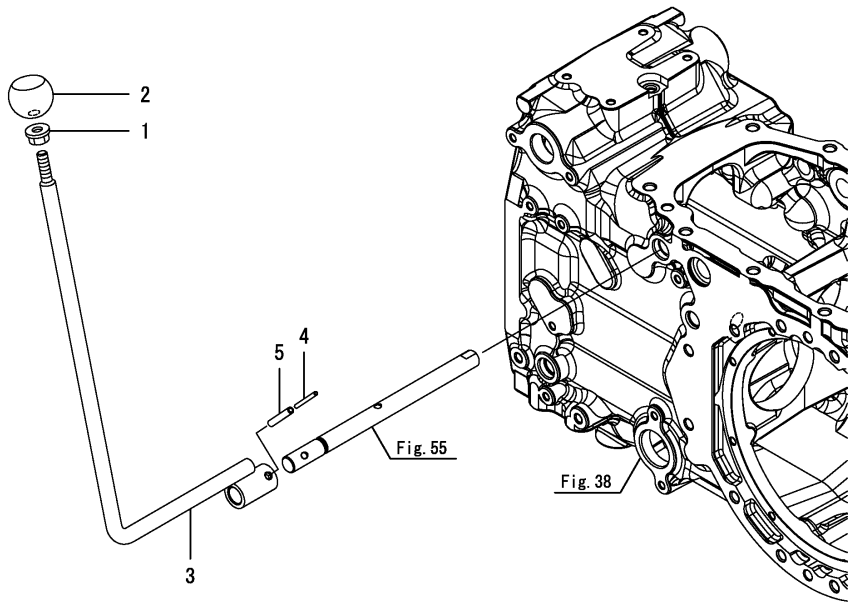
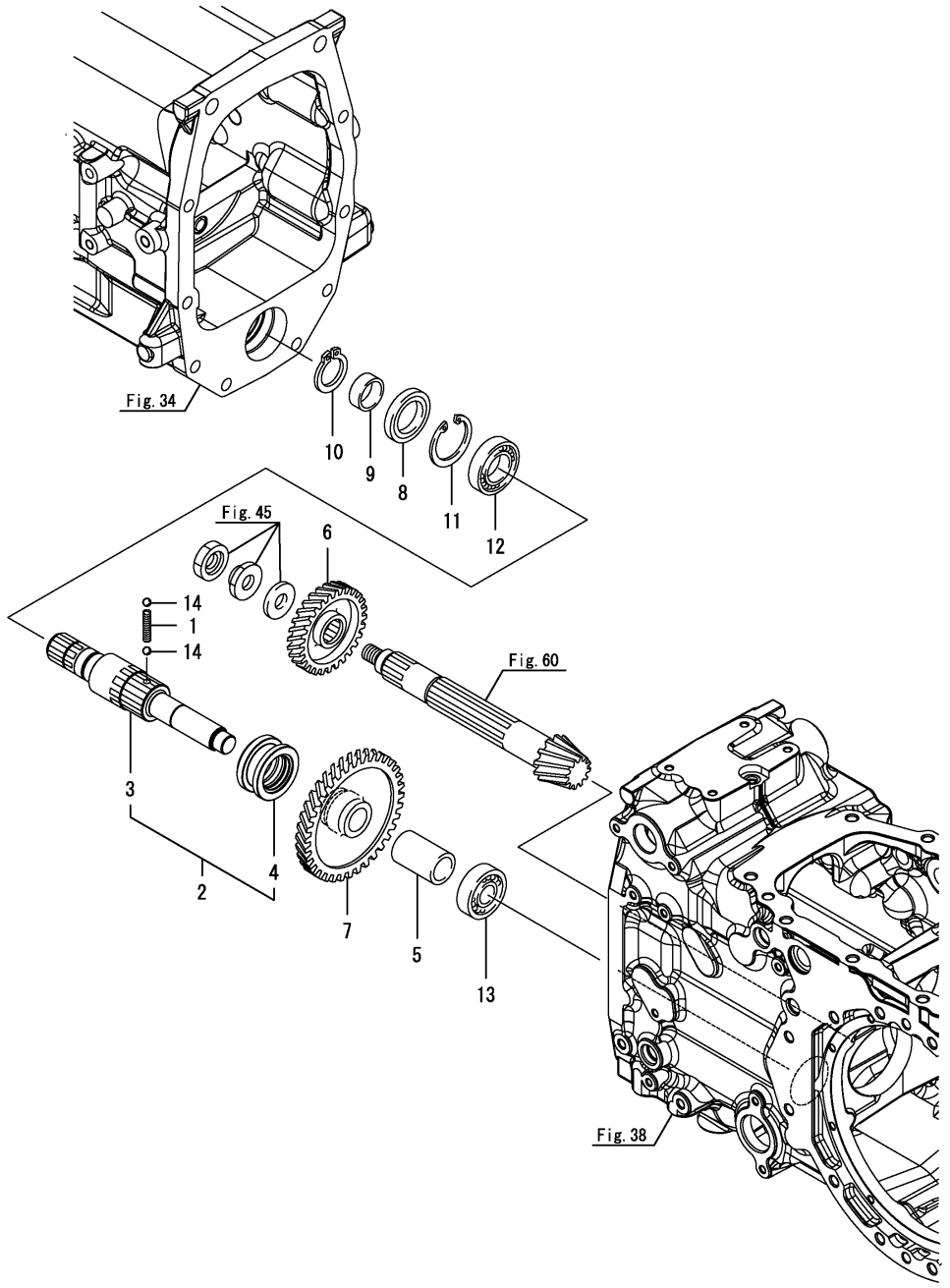


Fig.57. FRONT DRIVE

(A)=LX410(YANMAR)  
 (B)=LX450(YANMAR)  
 (C)=LX490(YANMAR)

(D)=  
 (E)=  
 (F)=



No.	Lev.	Parts No.	Description	Q'ty						I	R
				(A)	(B)	(C)	(D)	(E)	(F)		
1	1	198220-26910	SPRING, 30.2	1	1	1					
2	1	1A8275-28100	SHAFT ASSY, DRIVE	1	1	1					
3	2	1A8275-28110	SHAFT, FRONT DRIVE	1	1	1					
4	2	1A8275-28240	SLIDER, 4WD	1	1	1					
5	1	1A8275-28120	COLLAR, 25	1	1	1					
6	1	1A8275-28220	PINION 33, DRIVE	1	1	1					
7	1	1A8275-28230	GEAR, FRONT DRIVE 48	1	1	1					
8	1	194420-39360	SEAL, OIL TC355508	1	1	1					
9	1	194420-39370	SLEEVE, SI 30X35X13A	1	1	1					
10	1	22242-000300	RING, 30	1	1	1					
11	1	22252-000550	RING, 55	1	1	1					
12	1	24101-060064	BEARING, BALL 6006	1	1	1					
13	1	24101-063044	BEARING, BALL 6304	1	1	1					
14	1	24190-080001	BALL, STEEL 1/4	2	2	2					

Fig.58. CHANGE ARM

(A)=LX410(YANMAR)  
 (B)=LX450(YANMAR)  
 (C)=LX490(YANMAR)

(D)=  
 (E)=  
 (F)=

No.	Lev.	Parts No.	Description	Qty						I	R
				(A)	(B)	(C)	(D)	(E)	(F)		
1	1	194990-22150	NUT, M10	1	1	1					
2	1	198253-27510	KNOB, LEVER	1	1	1					
3	1	1A8240-28300	CHANGE ARM, FRONT	1	1	1					
4	1	22351-035040	PIN, SPRING 3.5X40	1	1	1					
5	1	22351-060040	PIN, SPRING 6.0X40	1	1	1					

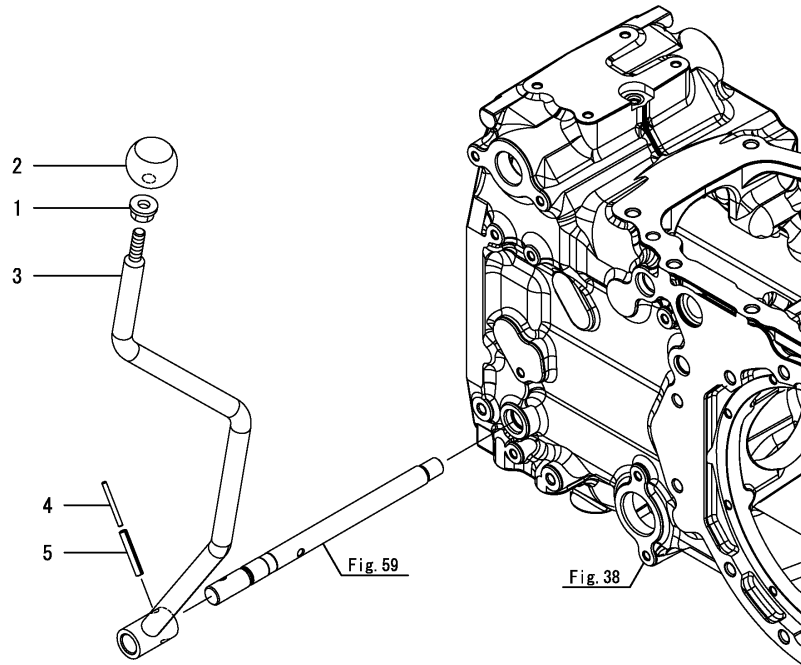


Fig.59. FRONT SHIFT

(A)=LX410(YANMAR)  
 (B)=LX450(YANMAR)  
 (C)=LX490(YANMAR)

(D)=  
 (E)=  
 (F)=

No.	Lev.	Parts No.	Description	Q'ty						I	R
				(A)	(B)	(C)	(D)	(E)	(F)		
1	1	198119-27150	COLLAR, ARM	1	1	1					
2	1	1A8275-27990	PLATE, KEEP	1	1	1					
3	1	1A8275-28290	SHAFT,MFWD	1	1	1					
4	1	1A8275-28350	ARM,FRONT SHIFT	1	1	1					
5	1	22351-035036	PIN, SPRING 3.5X36	1	1	1					
6	1	22351-060036	PIN, SPRING 6.0X36	1	1	1					
7	1	24311-000160	O-RING, 1AP16.0	1	1	1					
8	1	26106-080162	BOLT, M8X 16 PLATED	1	1	1					

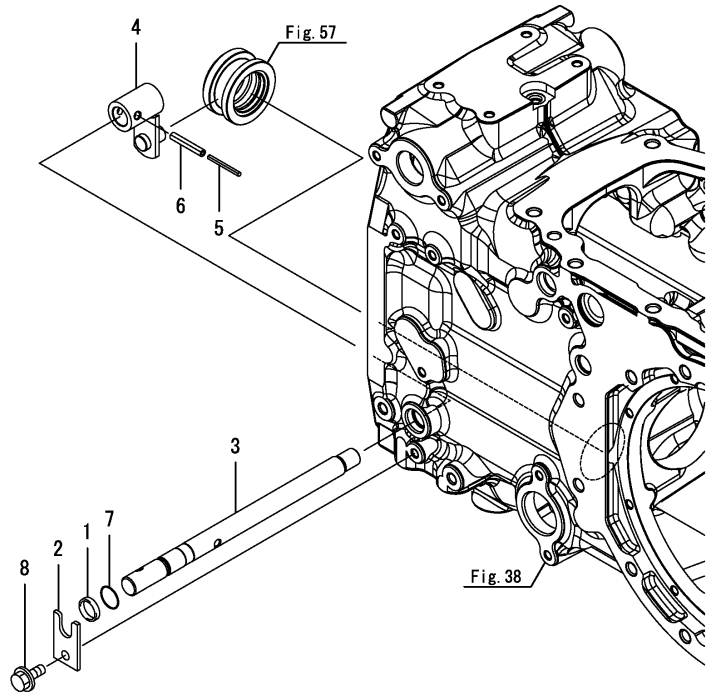


Fig.60. RING GEAR

(A)=LX410(YANMAR)  
 (B)=LX450(YANMAR)  
 (C)=LX490(YANMAR)

(D)=  
 (E)=  
 (F)=

No.	Lev.	Parts No.	Description	Qty						I	R
				(A)	(B)	(C)	(D)	(E)	(F)		
1	1	1A8275-25840	BEARING, HR6307UR	1	1	1					
2	1	198217-31400	GEAR ASSY, RING	1	1	1					

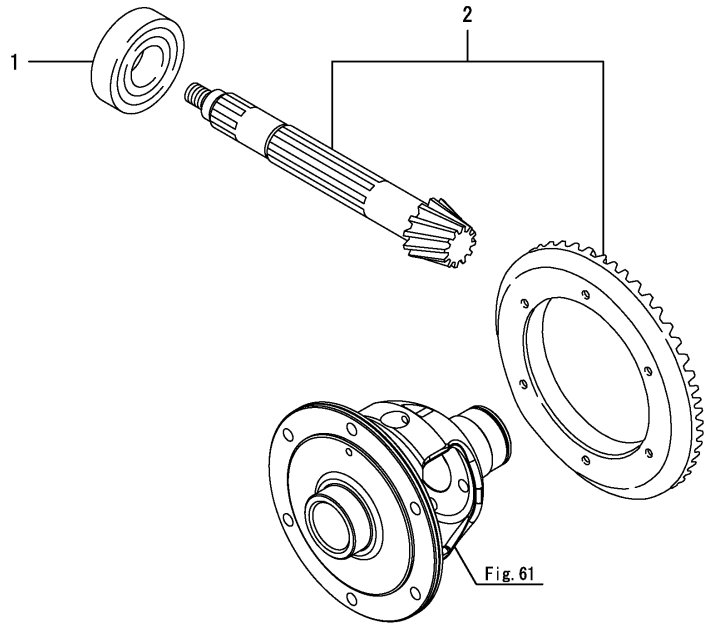
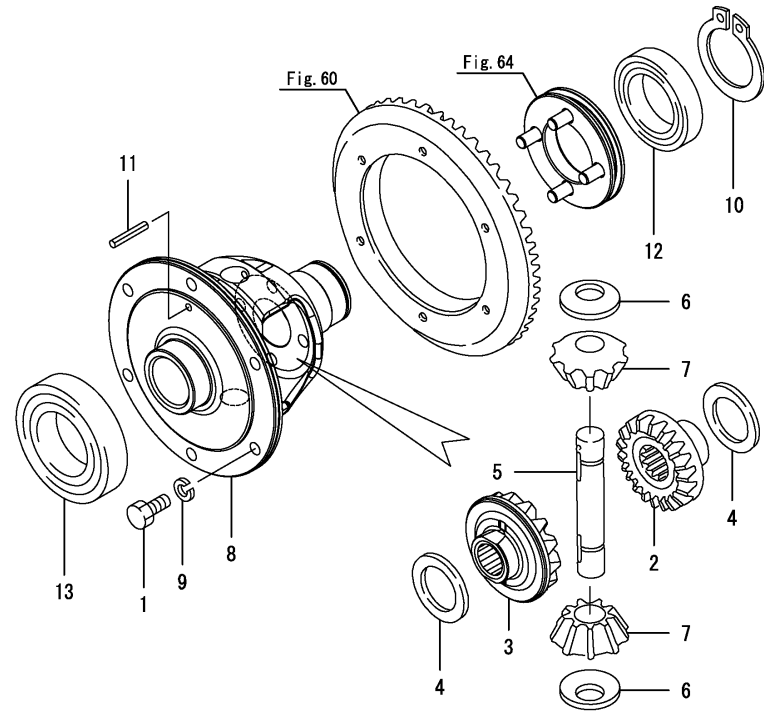


Fig.61. DIFFERENTIAL GEAR

(A)=LX410(YANMAR)  
 (B)=LX450(YANMAR)  
 (C)=LX490(YANMAR)

(D)=  
 (E)=  
 (F)=

No.	Lev.	Parts No.	Description	Q'ty						I	R
				(A)	(B)	(C)	(D)	(E)	(F)		
1	1	198213-31450	BOLT, M10X22	6	6	6					
2	1	1A8275-31510	GEAR, DIFFERENTIAL	1	1	1					
3	1	1A8275-31520	GEAR, DIFFERENTIAL	1	1	1					
4	1	198360-31530	LINER, PINION	2	2	2					
5	1	1A8275-31820	SHAFT, DIFF. PINION	1	1	1					
6	1	192180-31850	WASHER,DIFF PINION	2	2	2					
7	1	1A7090-31850	PINION, DIFFERENTIAL	2	2	2					
8	1	1A8275-32110	HOUSING, DIFF.	1	1	1					
9	1	22217-100000	WASHER, SPRING 10	6	6	6					
10	1	22242-000500	RING, 50	1	1	1					
11	1	22351-060036	PIN, SPRING 6.0X36	1	1	1					
12	1	24101-060104	BEARING, BALL 6010	1	1	1					
13	1	24101-062114	BEARING, BALL 6211	1	1	1					





# Fig.62. DIFFERENTIAL CARRIER

(A)=LX410(YANMAR)

(B)=LX450(YANMAR)

(C)=LX490(YANMAR)

(D)=

(E)=

(F)=

No.	Lev.	Parts No.	Description	Qty						I	R
				(A)	(B)	(C)	(D)	(E)	(F)		
1	1	794251-13910	SHIM SET	1	1	1					
2	1	1A7352-32310	CARRIER	1	1	1					
3	1	26106-080252	BOLT, M8X 25 PLATED	7	7	7					

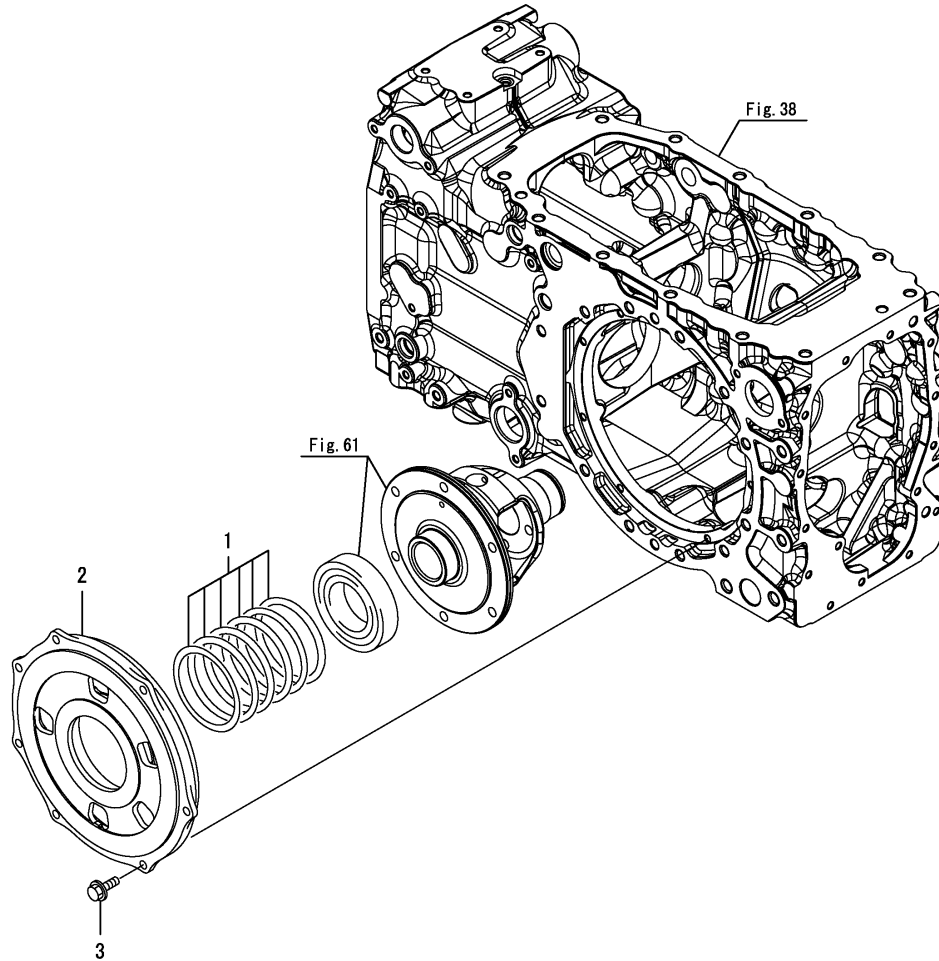


Fig.63. REAR HOUSING

(A)=LX410(YANMAR)  
 (B)=LX450(YANMAR)  
 (C)=LX490(YANMAR)

(D)=  
 (E)=  
 (F)=

No.	Lev.	Parts No.	Description	Qty						I	R
				(A)	(B)	(C)	(D)	(E)	(F)		
1	1	1A8275-32600	HOUSING, REAR AXLE	2	2	2					
2	1	1A8275-32650	PLATE, SEAL	2	2	2					
3	1	1A8275-32670	SEAL, AXLE SHAFT	2	2	2					
4	1	22312-100180	PIN, PARALLEL M10X18	4	4	4					
5	1	23414-200026	GASKET, 20X1.0	1	1	1					
6	1	23887-200002	PLUG, 20	1	1	1					
7	1	26106-080162	BOLT, M8X 16 PLATED	6	6	6					
8	1	26106-080162	BOLT, M8X 16 PLATED	2	2	2					
9	1	26106-120502	BOLT, M12X 50 PLATED	22	22	22					
10	1	26366-120002	NUT, M12	2	2	2					

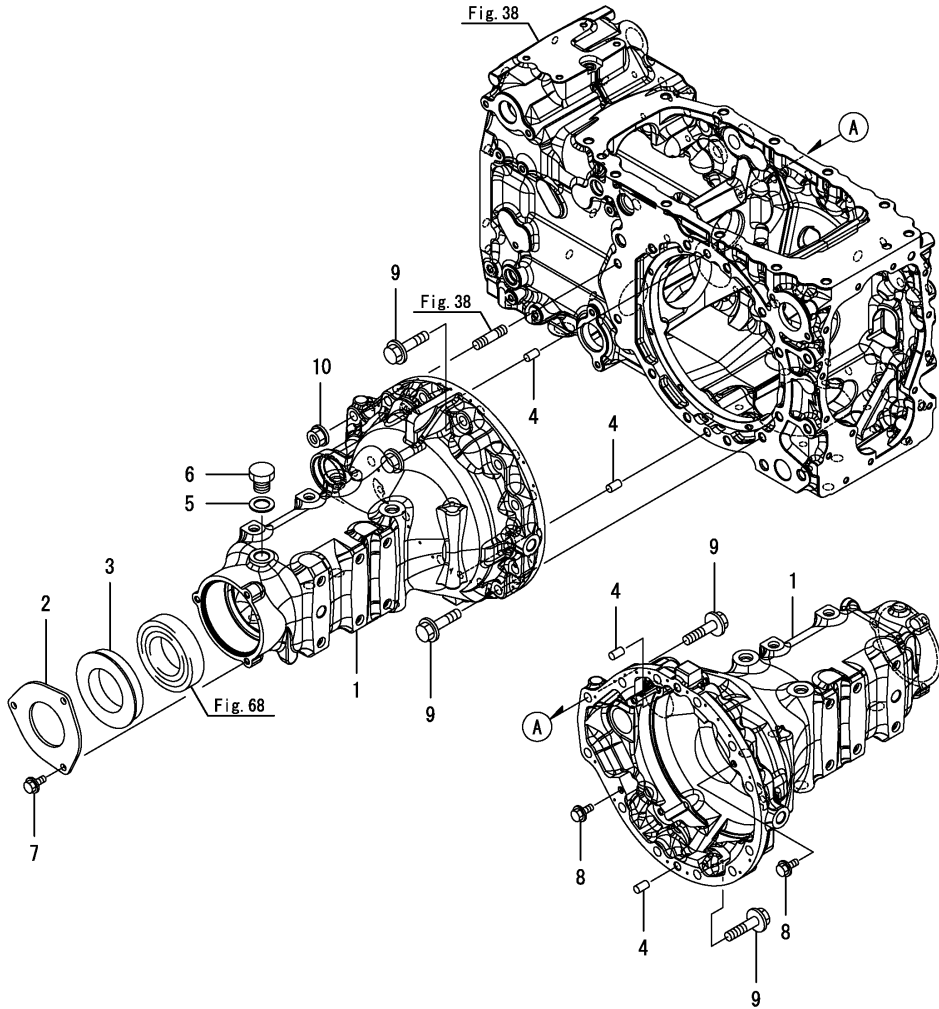
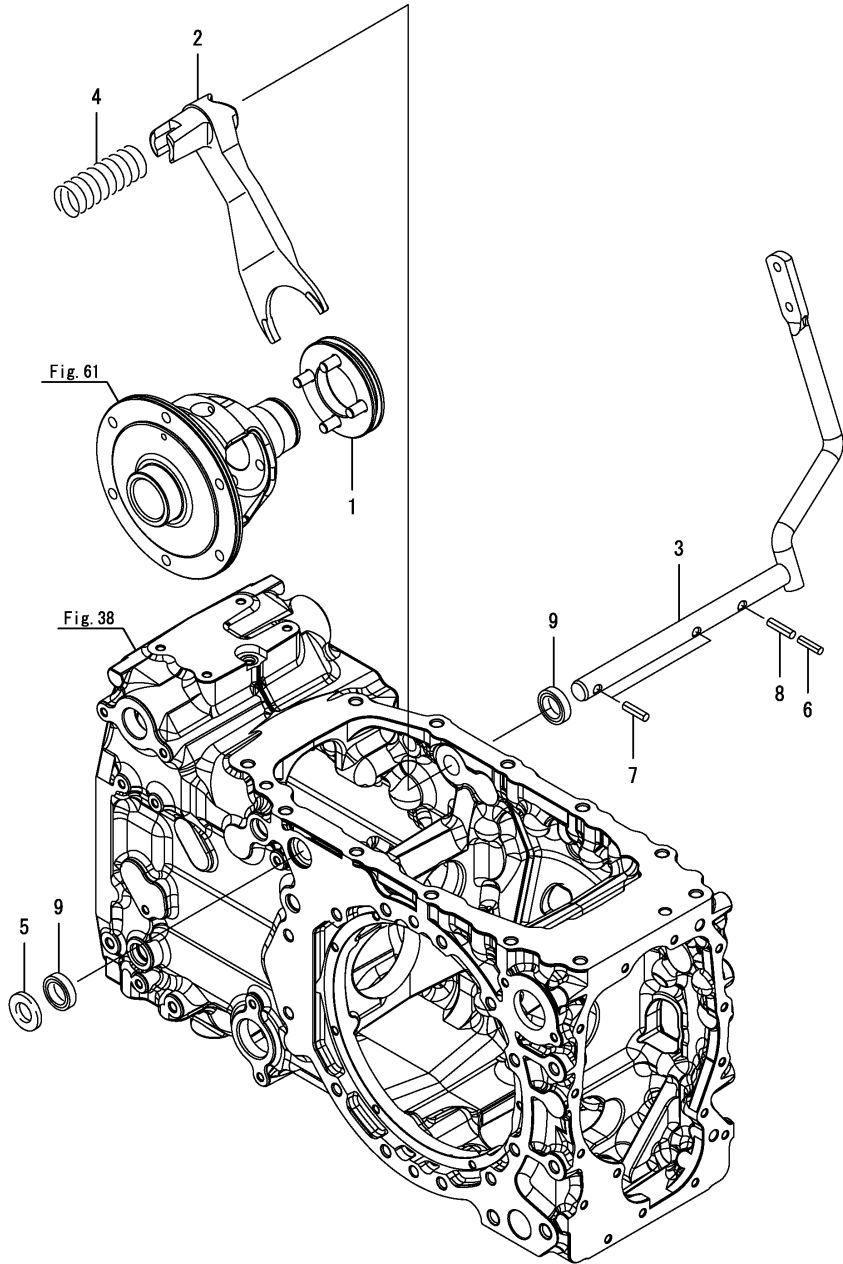


Fig.64. DIFFERENTIAL LOCK

(A)=LX410(YANMAR)  
 (B)=LX450(YANMAR)  
 (C)=LX490(YANMAR)

(D)=  
 (E)=  
 (F)=



No.	Lev.	Parts No.	Description	Q'ty						I	R
				(A)	(B)	(C)	(D)	(E)	(F)		
1	1	1A8275-33100	SLIDER, DIFFERENTIAL	1	1	1					
2	1	1A7350-33140	FORK, SHIFT	1	1	1					
3	1	1A8275-33140	SHAFT,DIFF LOCK ASSY	1	1	1					
4	1	198212-33150	SPRING, RETURN	1	1	1					
5	1	22137-200000	WASHER, 20	1	1	1					
6	1	22351-050040	PIN, SPRING 5.0X40	1	1	1					
7	1	22351-080032	PIN, SPRING 8.0X32	2	2	2					
8	1	22351-080040	PIN, SPRING 8.0X40	1	1	1					
9	1	24421-203007	SEAL, OIL TC203007	2	2	2					

N:Old  $\xrightarrow{\text{Yes}}$  New, Q:Old  $\xrightarrow{\text{No}}$  New, R:Old  $\xrightarrow{\text{Yes}}$  New, S:Old  $\xrightarrow{\text{No}}$  New, W:Add, Z:Discontinued, F:Interchangeable by set, K:Q'ty Change  
 Copyright (C) YANMAR CO., LTD. All RightsReserved.

Fig.65. DIFFERENTIAL LOCK PEDAL

(A)=LX410(YANMAR)  
 (B)=LX450(YANMAR)  
 (C)=LX490(YANMAR)

(D)=  
 (E)=  
 (F)=

No.	Lev.	Parts No.	Description	Q'ty						I	R
				(A)	(B)	(C)	(D)	(E)	(F)		
1	1	1A8240-33150	PEDAL, DIFF. LOCK	1	1	1					
2	1	26106-080202	BOLT, M8X 20 PLATED	2	2	2					

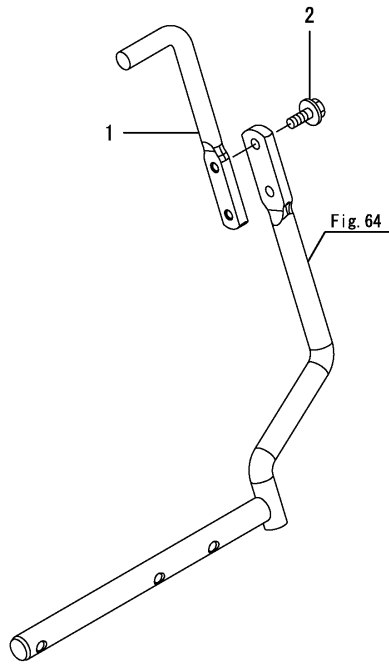


Fig.66. FINAL PINION

(A)=LX410(YANMAR)  
 (B)=LX450(YANMAR)  
 (C)=LX490(YANMAR)

(D)=  
 (E)=  
 (F)=

No.	Lev.	Parts No.	Description	Qty						I	R
				(A)	(B)	(C)	(D)	(E)	(F)		
1	1	1A8275-33410	PINION, FINAL L.H.	1	1	1					
2	1	1A8275-33420	PINION, FINAL R.H.	1	1	1					

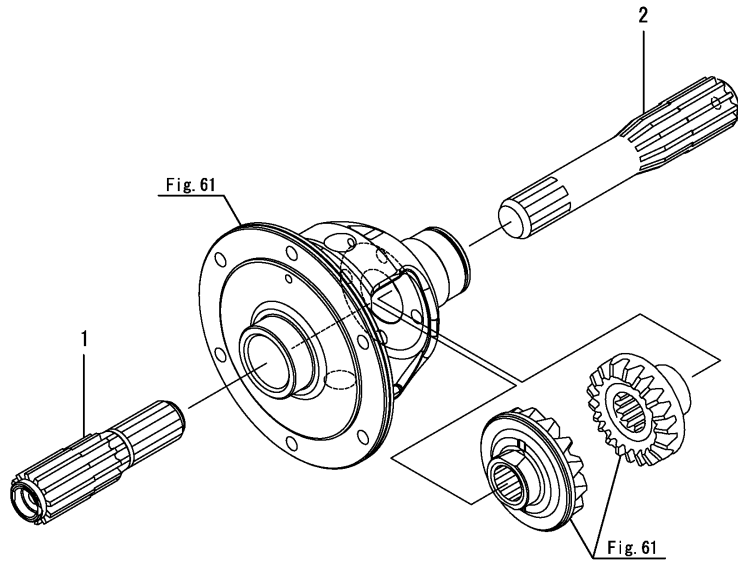


Fig.67. FINAL GEAR

(A)=LX410(YANMAR)  
 (B)=LX450(YANMAR)  
 (C)=LX490(YANMAR)

(D)=  
 (E)=  
 (F)=

No.	Lev.	Parts No.	Description	Qty						I	R
				(A)	(B)	(C)	(D)	(E)	(F)		
1	1	1A8275-33450	CARRIER ASSY, PLANET	2	2	2					
2	2	1A8275-33540	PINION, PLANETARY	6	6	6					
3	2	1A8275-33550	SHAFT, PLANETARY	6	6	6					
4	2	198320-33560	NEEDLE, 4.5X31.8	126	126	126					
5	2	1A8275-33570	CARRIER, PLANETARY	2	2	2					
6	2	1A8275-33580	WASHER, 26X44X4	12	12	12					
7	2	194640-34130	WASHER, 13X64X9	2	2	2					
8	2	22351-080040	PIN, SPRING 8.0X40	6	6	6					
9	1	1A8275-33490	WASHER, 9	6	6	6					
10	1	1A8275-33610	GEAR, INTERNAL	2	2	2					
11	1	22312-120320	PIN, PARALLEL M12X32	6	6	6					
12	1	26106-080162	BOLT, M8X 16 PLATED	6	6	6					

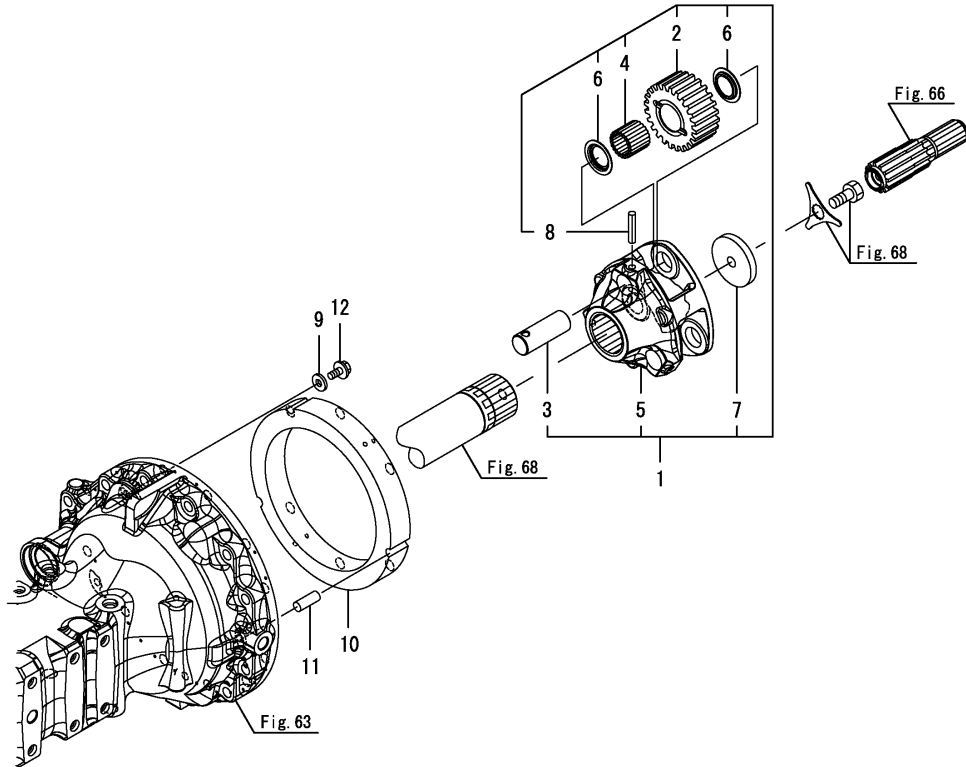


Fig.68. REAR AXLE SHAFT

(A)=LX410(YANMAR)  
 (B)=LX450(YANMAR)  
 (C)=LX490(YANMAR)

(D)=  
 (E)=  
 (F)=

No.	Lev.	Parts No.	Description	Qty						I	R
				(A)	(B)	(C)	(D)	(E)	(F)		
1	1	1A8275-34110	SHAFT, REAR AXLE	2	2	2					
2	1	194640-34140	BOLT, M12X30	2	2	2					
3	1	198212-34150	WASHER, THRUST	2	2	2					
4	1	24101-060114	BEARING, BALL 6011	2	2	2					
5	1	24101-062114	BEARING, BALL 6211	2	2	2					

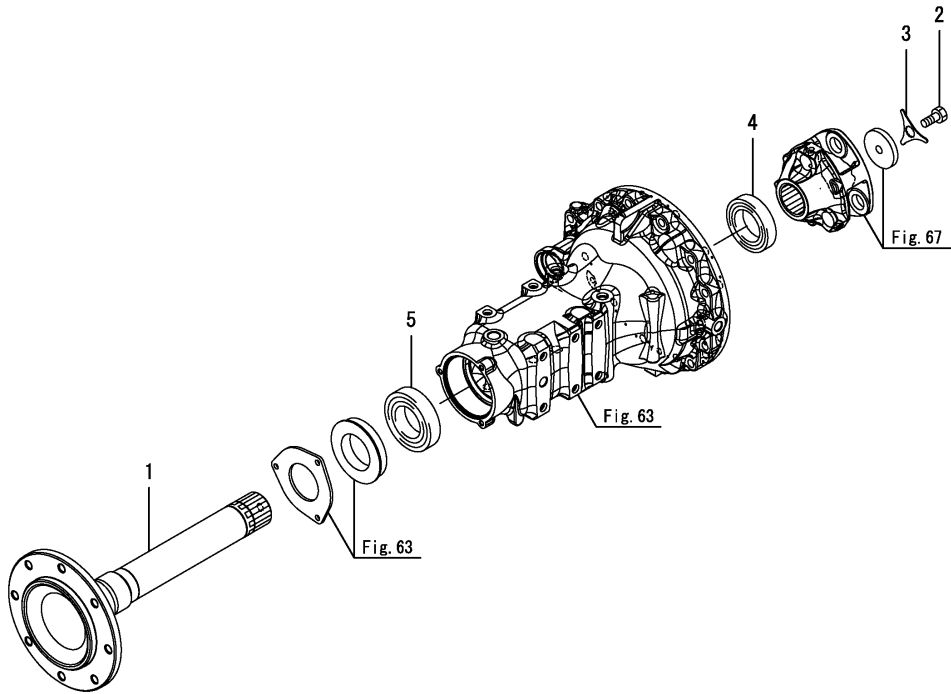
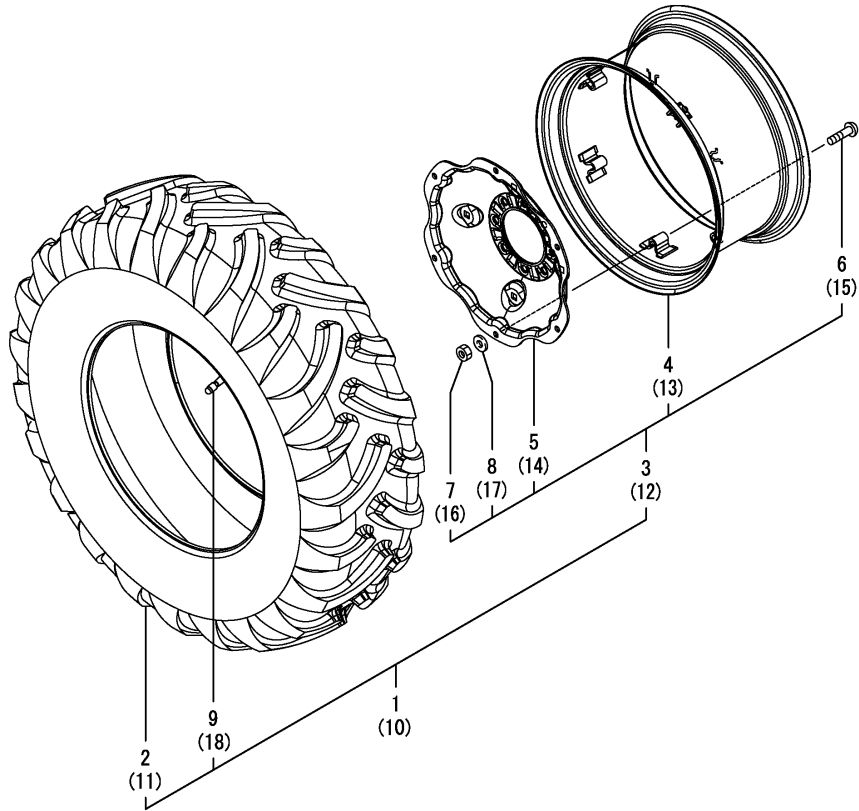


Fig.69. REAR WHEEL TIRE R1

(A)=LX410(YANMAR)  
 (B)=LX450(YANMAR)  
 (C)=LX490(YANMAR)

(D)=  
 (E)=  
 (F)=



No.	Lev.	Parts No.	Description	Qty						I	R
				(A)	(B)	(C)	(D)	(E)	(F)		
1	1	1A8170-34300	TIRE KIT, REAR R1 L	1	1	1					
2	2	1A8170-34310	TIRE, R1 14.9X24	1	1	1					
3	2	1A8170-34330	WHEEL, R1 R	1	1	1					
4	3	1A8170-34340	RIM ASSY, R1	1	1	1					
5	3	1A8170-34360	DISK ASSY, R1	1	1	1					
6	3	1A8170-34370	BOLT, R1	6	6	6					
7	3	1A8170-34380	NUT, R1	6	6	6					
8	3	1A8170-34390	WASHER, R1	6	6	6					
9	2	1A8170-34350	VALVE, TIRE R1 R	1	1	1					
10	1	1A8170-34400	TIRE KIT, REAR R1 R	1	1	1					
11	2	1A8170-34310	TIRE, R1 14.9X24	1	1	1					
12	2	1A8170-34330	WHEEL, R1 R	1	1	1					
13	3	1A8170-34340	RIM ASSY, R1	1	1	1					
14	3	1A8170-34360	DISK ASSY, R1	1	1	1					
15	3	1A8170-34370	BOLT, R1	6	6	6					
16	3	1A8170-34380	NUT, R1	6	6	6					
17	3	1A8170-34390	WASHER, R1	6	6	6					
18	2	1A8170-34350	VALVE, TIRE R1 R	1	1	1					



Fig.70. REAR WHEEL TIRE R3

(A)=LX410(YANMAR)  
 (B)=LX450(YANMAR)  
 (C)=LX490(YANMAR)

(D)=  
 (E)=  
 (F)=

No.	Lev.	Parts No.	Description	Qty						I	R
				(A)	(B)	(C)	(D)	(E)	(F)		
1	1	1A8170-34500	TIRE KIT, REAR R3	2	2	2					
2	2	1A8170-34350	VALVE, TIRE R1 R	2	2	2					
3	2	1A8170-34510	TIRE, R3 44X18.00-20	2	2	2					
4	2	1A8170-34530	WHEEL, R3 R	2	2	2					

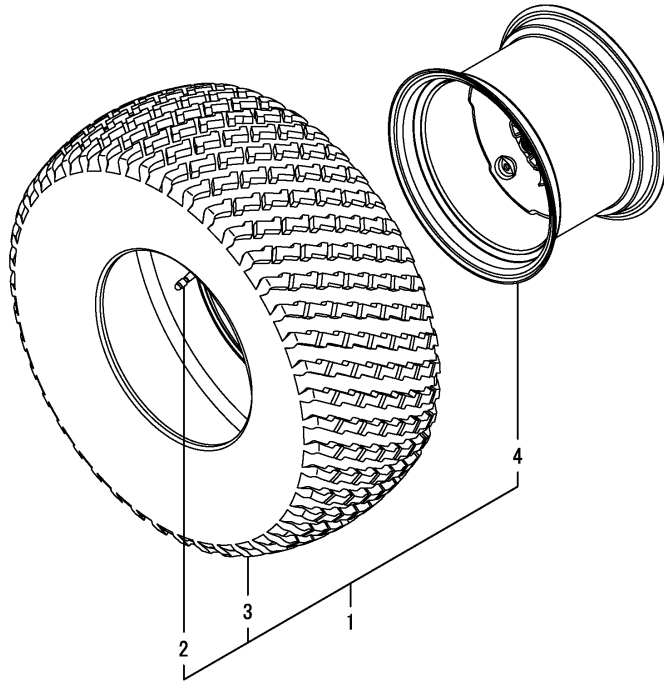


Fig.71. REAR WHEEL TIRE R3G

(A)=LX410(YANMAR)  
 (B)=LX450(YANMAR)  
 (C)=LX490(YANMAR)

(D)=  
 (E)=  
 (F)=

No.	Lev.	Parts No.	Description	Qty						I	R
				(A)	(B)	(C)	(D)	(E)	(F)		
1	1	1A8170-34600	TIRE KIT, REAR R3G	2	2	2					
2	2	1A8170-34610	TIRE, R3G22.5LL-16.1	2	2	2					
3	2	1A8170-34630	WHEEL, R3G R	2	2	2					
4	2	1A8170-34650	VALVE, R3G R	2	2	2					

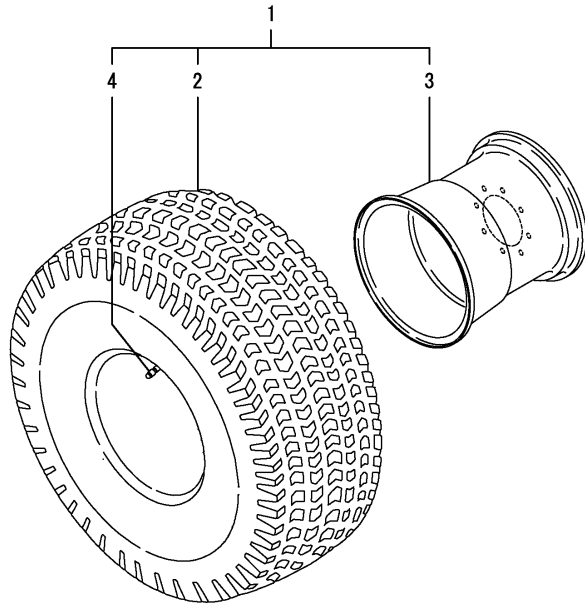
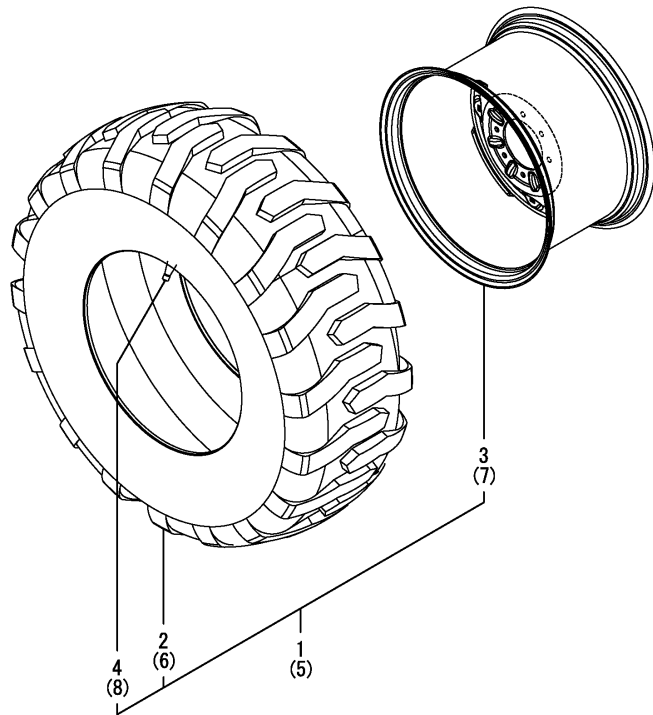


Fig.72. REAR WHEEL TIRE R4

(A)=LX410(YANMAR)  
 (B)=LX450(YANMAR)  
 (C)=LX490(YANMAR)

(D)=  
 (E)=  
 (F)=



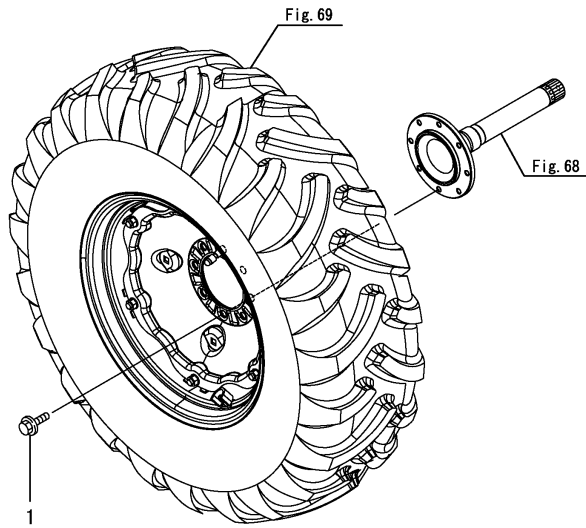
No.	Lev.	Parts No.	Description	Q'ty						I	R
				(A)	(B)	(C)	(D)	(E)	(F)		
1	1	1A8250-34700	TIRE KIT,L R4 REAR	1	1	1					
2	2	1A8250-34710	TIRE,R4 17.5L-24-6PR	1	1	1					
3	2	1A8250-34730	WHEEL,R4 24XW15L	1	1	1					
4	2	1A8250-34750	VALVE,TIRE R4 REAR	1	1	1					
5	1	1A8250-34800	TIRE KIT,R R4 REAR	1	1	1					
6	2	1A8250-34710	TIRE,R4 17.5L-24-6PR	1	1	1					
7	2	1A8250-34730	WHEEL,R4 24XW15L	1	1	1					
8	2	1A8250-34750	VALVE,TIRE R4 REAR	1	1	1					

Fig.73. HUB BOLT

(A)=LX410(YANMAR)  
 (B)=LX450(YANMAR)  
 (C)=LX490(YANMAR)

(D)=  
 (E)=  
 (F)=

No.	Lev.	Parts No.	Description	Qty						I	R
				(A)	(B)	(C)	(D)	(E)	(F)		
1	1	1A8170-14210	BOLT, HUB M14	16	16	16					



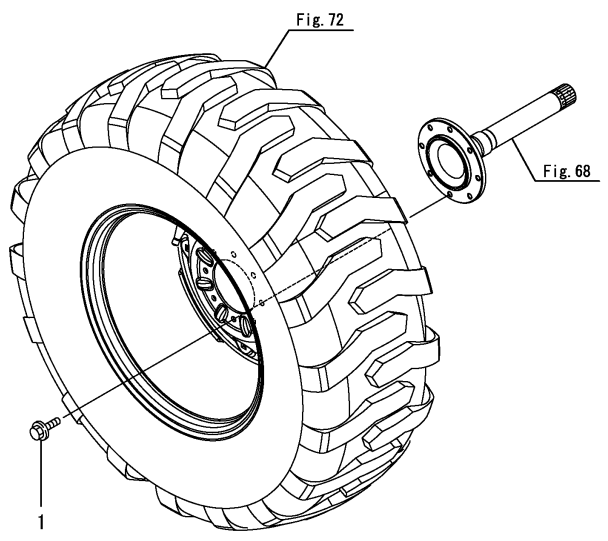
Remarks  
 \* R1,R3 & R3G use.

Fig.74. HUB BOLT

(A)=LX410(YANMAR)  
 (B)=LX450(YANMAR)  
 (C)=LX490(YANMAR)

(D)=  
 (E)=  
 (F)=

No.	Lev.	Parts No.	Description	Qty						I	R
				(A)	(B)	(C)	(D)	(E)	(F)		
1	1	198133-34130	BOLT, M14X30	16	16	16					

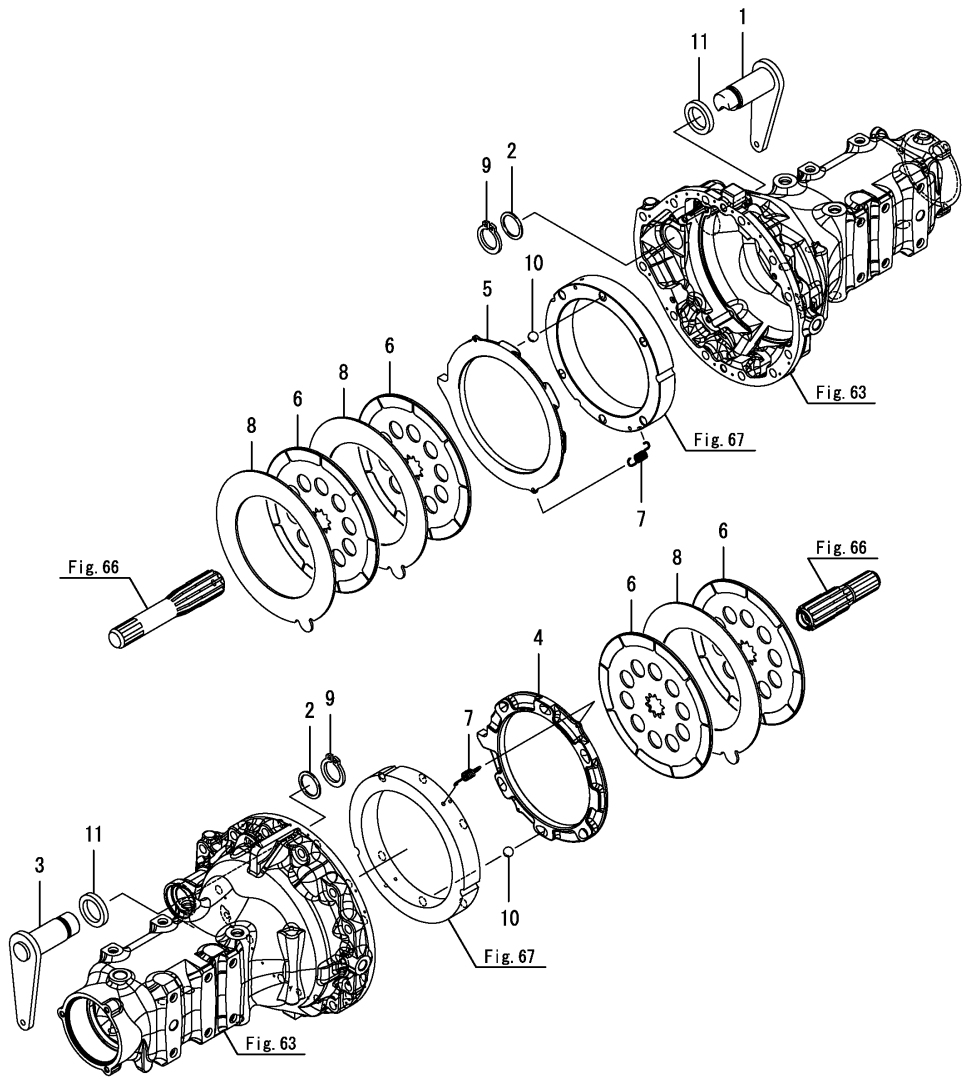


Remarks  
 \* R4 use.

Fig.75. BRAKE

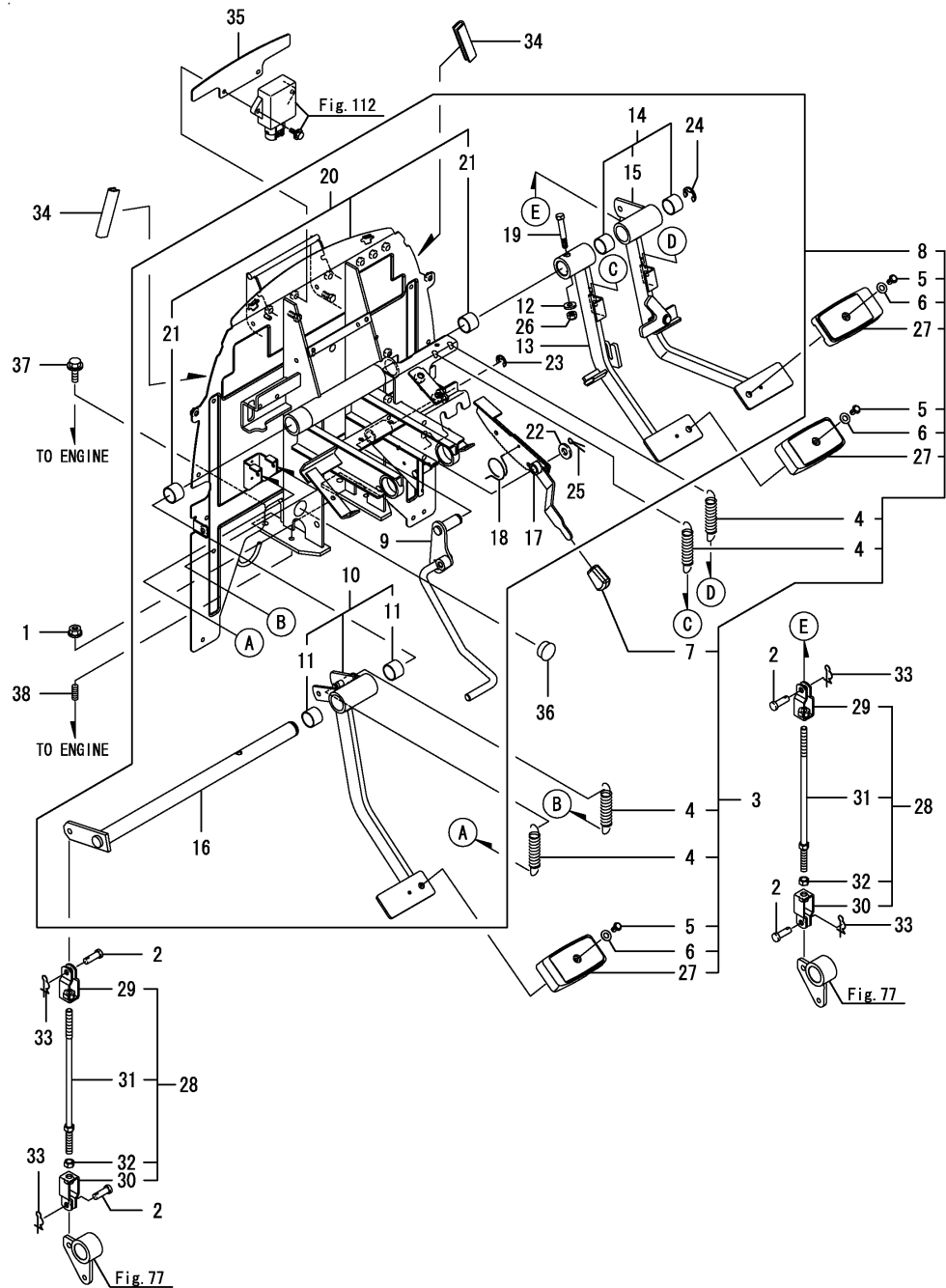
(A)=LX410(YANMAR)  
 (B)=LX450(YANMAR)  
 (C)=LX490(YANMAR)

(D)=  
 (E)=  
 (F)=



No.	Lev.	Parts No.	Description	Qty						I	R
				(A)	(B)	(C)	(D)	(E)	(F)		
1	1	1A8275-36210	CAM-LEVER, R ASSY	1	1	1					
2	1	1A7180-36240	WASHER, THRUST	2	2	2					
3	1	1A8275-36240	CAM-LEVER, L ASSY	1	1	1					
4	1	1A8275-36310	ACTUATOR, L.H.	1	1	1					
5	1	1A8275-36320	ACTUATOR, R.H.	1	1	1					
6	1	1A8275-36350	DISC, 226	4	4	4					
7	1	194850-36370	SPRING, RETURN	4	4	4					
8	1	1A8275-36520	PLATE, STEEL 3.2	3	3	3					
9	1	22242-000320	RING, 32	2	2	2					
10	1	24190-180001	BALL, STEEL 9/16	12	12	12					
11	1	24421-355008	SEAL, OIL TC355008	2	2	2					

Fig.76. PEDAL



(A)=LX410(YANMAR)

(B)=LX450(YANMAR)

(C)=LX490(YANMAR)

(D)=

(E)=

(F)=

No.	Lev.	Parts No.	Description	Qty						I	R
				(A)	(B)	(C)	(D)	(E)	(F)		
1	1	194990-22140	NUT, M8	2	2	2					
2	1	194312-27780	PIN, 8.9	4	4	4					
3	1	1A8240-37201	PEDAL UNIT	1	1	1					
4	2	1A8240-22240	SPRING, CLUTCH	4	4	4					
5	2	198133-22510	RIVET, PEDAL HEAD	3	3	3					
6	2	198133-22530	WASHER, RIVET	3	3	3					
7	2	198273-28521	KNOB, PARKING BRAKE	1	1	1					
8	2	1A8240-37211	PEDAL SUB UNIT	1	1	1					
9	3	1A8240-15750	PEDAL ASSY, TILT	1	1	1					
10	3	1A8240-22380	PEDAL ASSY, CLUTCH	1	1	1					
11	4	24550-025200	BUSH, 25X20	2	2	2					
12	3	1C6053-32020	WASHER, 8.5X20X3.2	1	1	1					
13	3	1A8240-37300	PEDAL ASSY, BRAKE L	1	1	1					
14	3	1A8240-37410	PEDAL ASSY, BRAKE R	1	1	1					
15	4	1A8240-37400	PEDAL ASSY, BRAKE R	1	1	1					
16	3	1A8240-37550	SHAFT, BRAKE	1	1	1					
17	3	1A8240-37650	LEVER, PARK LOCK	1	1	1					
18	3	198475-37690	SPRING, LOCK	1	1	1					
19	3	1A7130-37990	BOLT, REAMER M8X55	1	1	1					
20	3	1A8240-61401	FRAME ASSY, PEDAL	1	1	1					
21	4	24550-025200	BUSH, 25X20	2	2	2					
22	3	22137-120000	WASHER, 12	1	1	1					
23	3	22272-000150	RING, E-15	1	1	1					
24	3	22272-000190	RING, E-19	1	1	1					
25	3	22417-250300	PIN, COTTER 2.5X30	1	1	1					
26	3	26346-080002	NUT, M8	1	1	1					
27	2	198071-37510	COVER, HEAD	3	3	3					
28	1	1A8240-37600	ROD KIT, BRAKE F	2	2	2					
29	2	198310-27370	JOINT, 2-WAY	2	2	2					
30	2	194312-27770	JOINT, 2-WAY	2	2	2					
31	2	1A8240-37610	ROD ASSY, BRAKE	2	2	2					
32	2	26716-100002	NUT, M10	2	2	2					
33	1	1C6281-52320	PIN, SNAP 8	4	4	4					
34	1	1A8250-61560	TRIM,	2	2	2					
35	1	1A8240-61770	SUPPORT, DASHBOARD	1	1	1					
36	1	1A8240-61980	HOLE PLUG, 27.8	1	1	1					
37	1	26106-080162	BOLT, M8X 16 PLATED	2	2	2					
38	1	26216-080162	STUD, M8X 16	2	2	2					

Fig.77. BRAKE LINK

(A)=LX410(YANMAR)  
 (B)=LX450(YANMAR)  
 (C)=LX490(YANMAR)

(D)=  
 (E)=  
 (F)=

No.	Lev.	Parts No.	Description	Qty						I	R
				(A)	(B)	(C)	(D)	(E)	(F)		
1	1	1A8250-35300	ARM, BRAKE	2	2	2					
2	1	1A8250-37370	ROD, BRAKE ASSY	2	2	2					
3	1	1A8250-37780	BOLT, M20X95 RH	1	1	1					
4	1	1A8250-37790	BOLT, M20X95 LH	1	1	1					
5	1	1A8250-37820	SPACER, 20X29X61	2	2	2					
6	1	198220-37900	PIN, 8X24	4	4	4					
7	1	22137-200000	WASHER, 20	2	2	2					
8	1	22417-250300	PIN, COTTER 2.5X30	4	4	4					

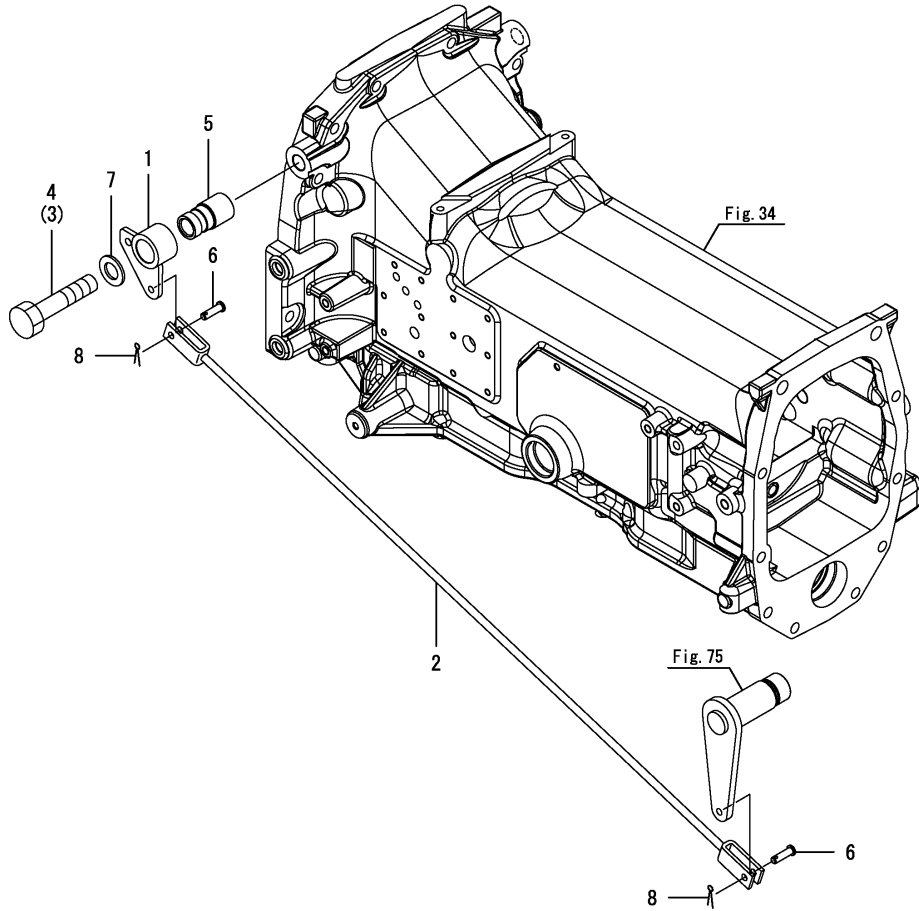
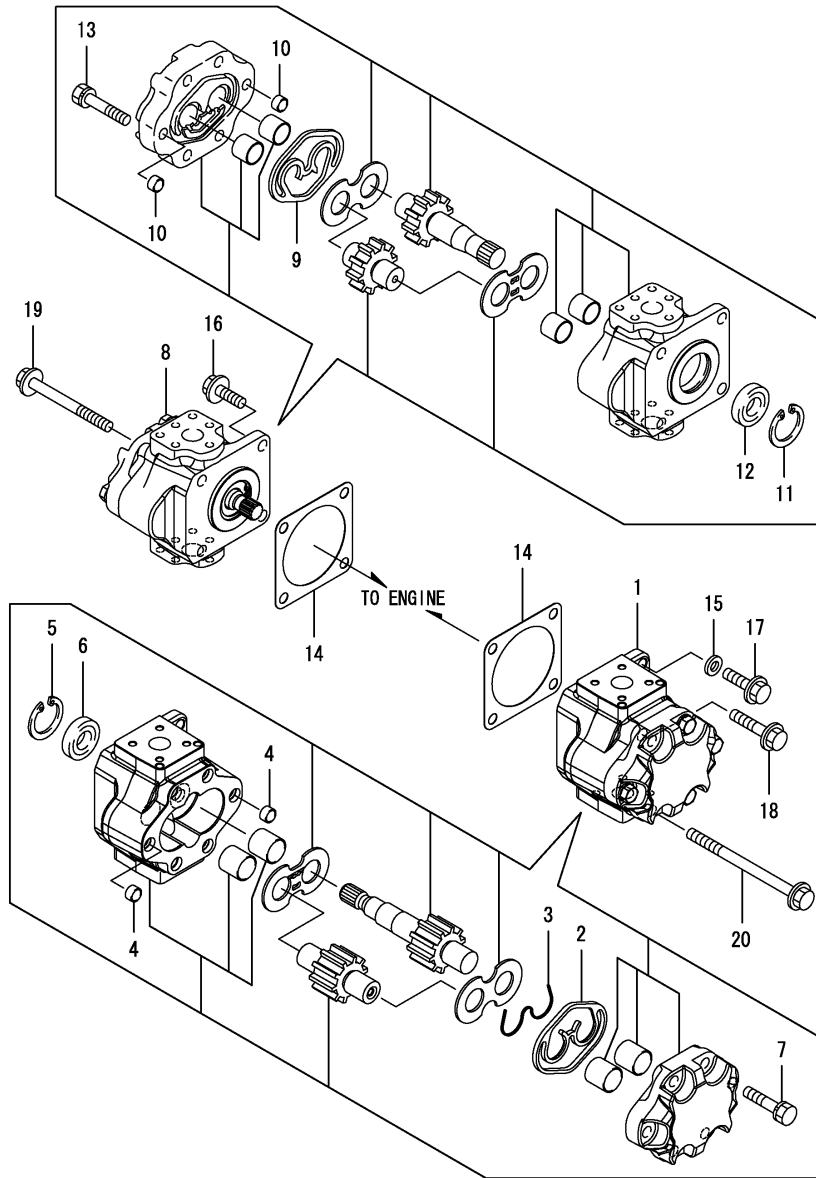




Fig.78. HYDRAULIC PUMP



(A)=LX410(YANMAR)  
 (B)=LX450(YANMAR)  
 (C)=LX490(YANMAR)

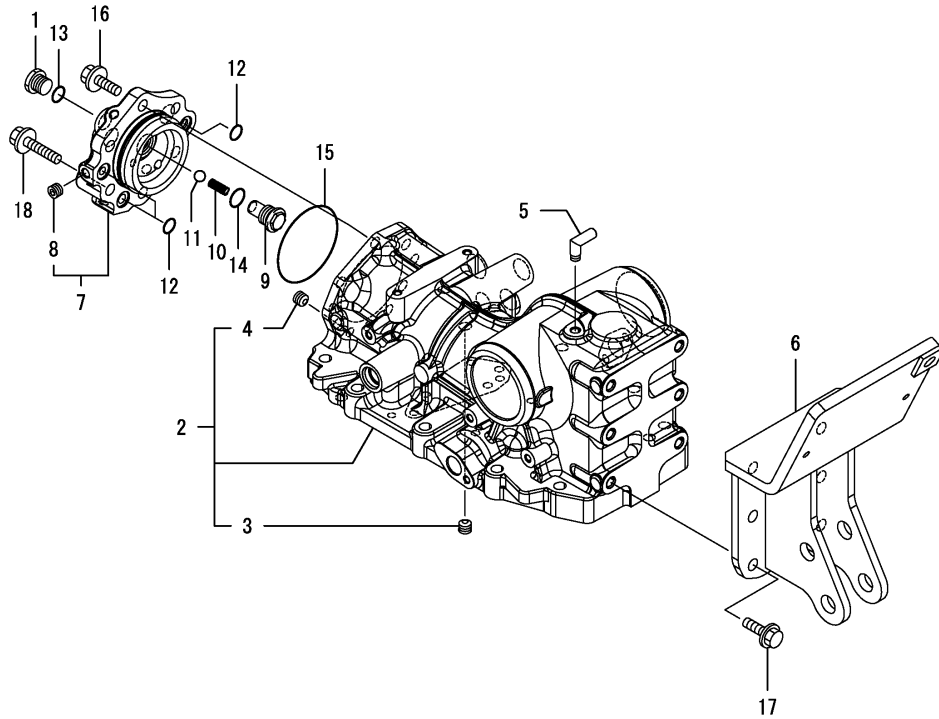
(D)=  
 (E)=  
 (F)=

No.	Lev.	Parts No.	Description	Qty						I	R
				(A)	(B)	(C)	(D)	(E)	(F)		
1	1	1680DE-00011	HO-P(PW2-D-14A	1	1	1					
2	2	178077-15400	SEAL RING	1	1	1					
3	2	178077-15410	BACKUP RING	1	1	1					
4	2	194521-41570	PIN, 11X7	2	2	2					
5	2	22252-000320	RING, 32	1	1	1					
6	2	24421-153207	SEAL, OIL TC153207	1	1	1					
7	2	26016-080352	BOLT, M8X 35	4	4	4					
8	1	16800A-00020	HO-P(PW1-C-10C	1	1	1					
9	2	178070-10401	RING	1	1	1					
10	2	194521-41570	PIN, 11X7	2	2	2					
11	2	22252-000320	RING, 32	1	1	1					
12	2	24421-153207	SEAL, OIL TC153207	1	1	1					
13	2	26016-080352	BOLT, M8X 35	4	4	4					
14	1	124240-01883	GASKET	2	2	2					
15	1	22190-080002	WASHER, SEAL 6	1	1	1					
16	1	26106-080252	BOLT, M8X 25 PLATED	2	2	2					
17	1	26106-080302	BOLT, M8X 30 PLATED	1	1	1					
18	1	26106-080402	BOLT, M8X 40 PLATED	1	1	1					
19	1	26106-080802	BOLT, M8X 80 PLATED	2	2	2					
20	1	26106-081152	BOLT, M8X115 PLATED	2	2	2					

Fig.79. HYD.CYLINDER HOUSING

(A)=LX410(YANMAR)  
 (B)=LX450(YANMAR)  
 (C)=LX490(YANMAR)

(D)=  
 (E)=  
 (F)=

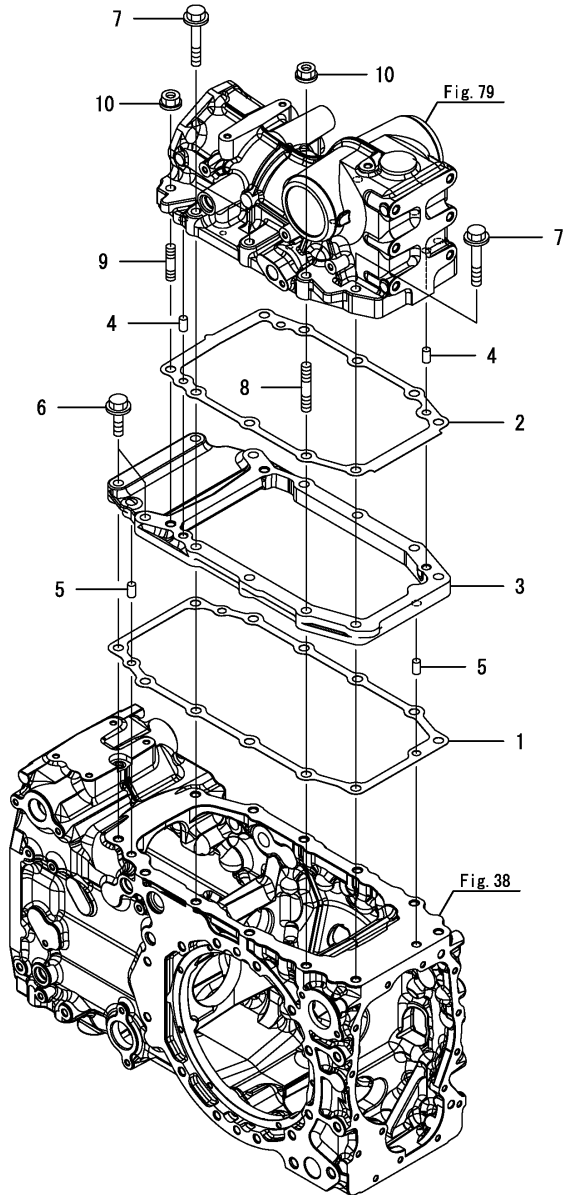


No.	Lev.	Parts No.	Description	Qty						I	R
				(A)	(B)	(C)	(D)	(E)	(F)		
1	1	192167-24600	PLUG	1	1	1					
2	1	1A8275-42100	HOUSING ASSY,	1	1	1					
3	2	23871-010000	PLUG, R01	1	1	1					
4	2	23871-020000	PLUG, R02	1	1	1					
5	1	1A7180-42281	PIPE, BREATHER	1	1	1					
6	1	1A8275-42811	HINGE, P TOP LINK	1	1	1					
7	1	1A8275-43100	HEAD ASSY,CYLINDER	1	1	1					
8	2	23871-010000	PLUG, R01	4	4	4					
9	1	1A7640-43450	PLUG, CHECK VALVE	1	1	1					
10	1	194555-46380	SPRING	1	1	1					
11	1	24190-130003	BALL, STEEL 13/32	1	1	1					
12	1	24315-000140	O-RING, 1BP14.0	3	3	3					
13	1	24315-000140	O-RING, 1BP14.0	1	1	1					
14	1	24315-000180	O-RING, 1BP18.0	1	1	1					
15	1	24325-000800	O-RING, 1BG80.0	1	1	1					
16	1	26106-120302	BOLT, M12X 30 PLATED	5	5	5					
17	1	26106-120302	BOLT, M12X 30 PLATED	6	6	6					
18	1	26106-120502	BOLT, M12X 50 PLATED	1	1	1					

Fig.80. HYD.LIFT DOCKING

(A)=LX410(YANMAR)  
 (B)=LX450(YANMAR)  
 (C)=LX490(YANMAR)

(D)=  
 (E)=  
 (F)=



No.	Lev.	Parts No.	Description	Qty						I	R
				(A)	(B)	(C)	(D)	(E)	(F)		
1	1	198240-42130	PACKING, HOUSING	1	1	1					
2	1	1A7180-42150	GASKET, HOUSING	1	1	1					
3	1	1A8275-42910	SPACER, LIFT	1	1	1					
4	1	22312-100180	PIN, PARALLEL M10X18	2	2	2					
5	1	22312-100180	PIN, PARALLEL M10X18	2	2	2					
6	1	26106-120402	BOLT, M12X 40 PLATED	4	4	4					
7	1	26106-120702	BOLT, M12X 70 PLATED	6	6	6					
8	1	26216-120702	STUD, M12X 70	2	2	2					
9	1	26218-120502	STUD, M12X 50	2	2	2					
10	1	26366-120002	NUT, M12	4	4	4					

Fig.81. PISTON

(A)=LX410(YANMAR)  
 (B)=LX450(YANMAR)  
 (C)=LX490(YANMAR)

(D)=  
 (E)=  
 (F)=

No.	Lev.	Parts No.	Description	Qty						I	R
				(A)	(B)	(C)	(D)	(E)	(F)		
1	1	1A7180-43280	PISTON ASSY	1	1	1					
2	2	198448-43260	PACKING, 85	1	1	1					
3	2	198448-43270	RING, BACK UP 85	1	1	1					
4	2	1A7180-43290	PISTON, HYDRAULIC	1	1	1					
5	2	198390-43360	WEARING, 85	2	2	2					

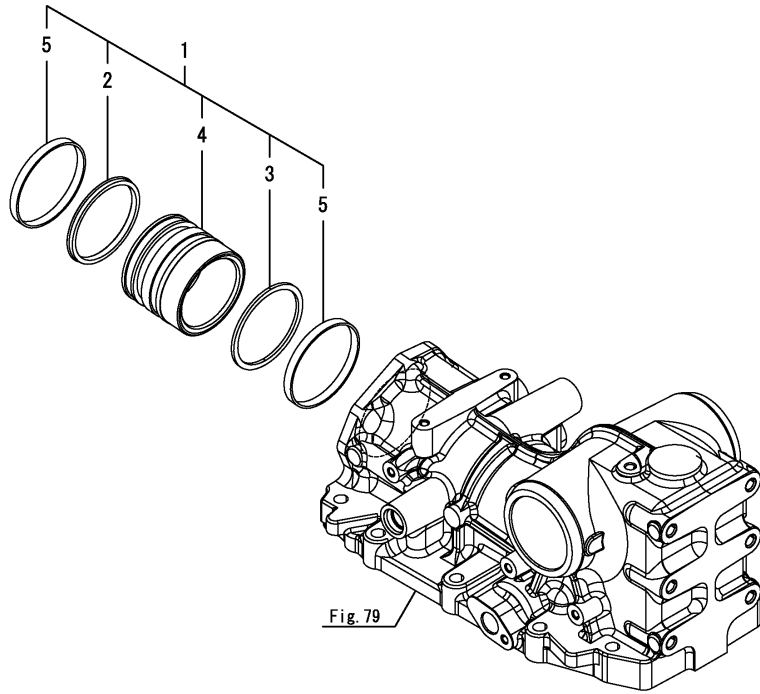
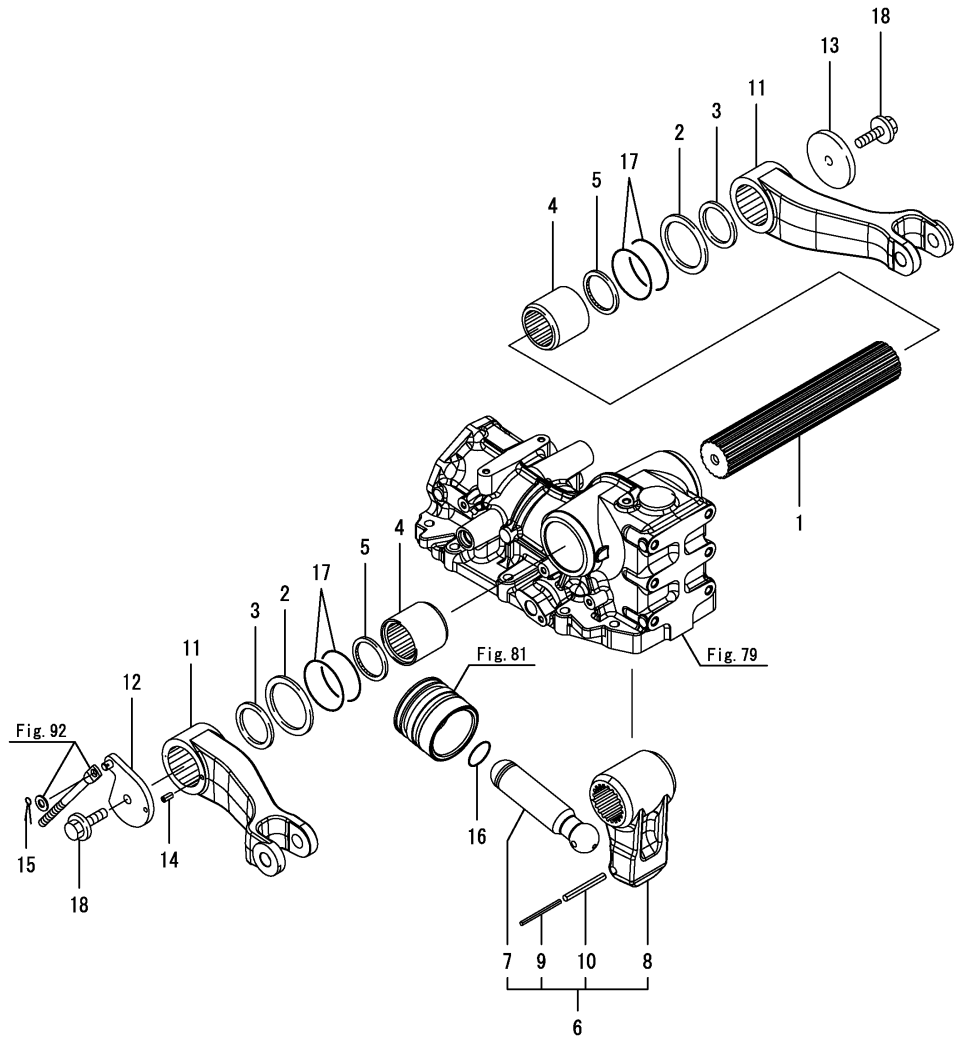


Fig.82. LIFT CRANK

(A)=LX410(YANMAR)  
 (B)=LX450(YANMAR)  
 (C)=LX490(YANMAR)

(D)=  
 (E)=  
 (F)=

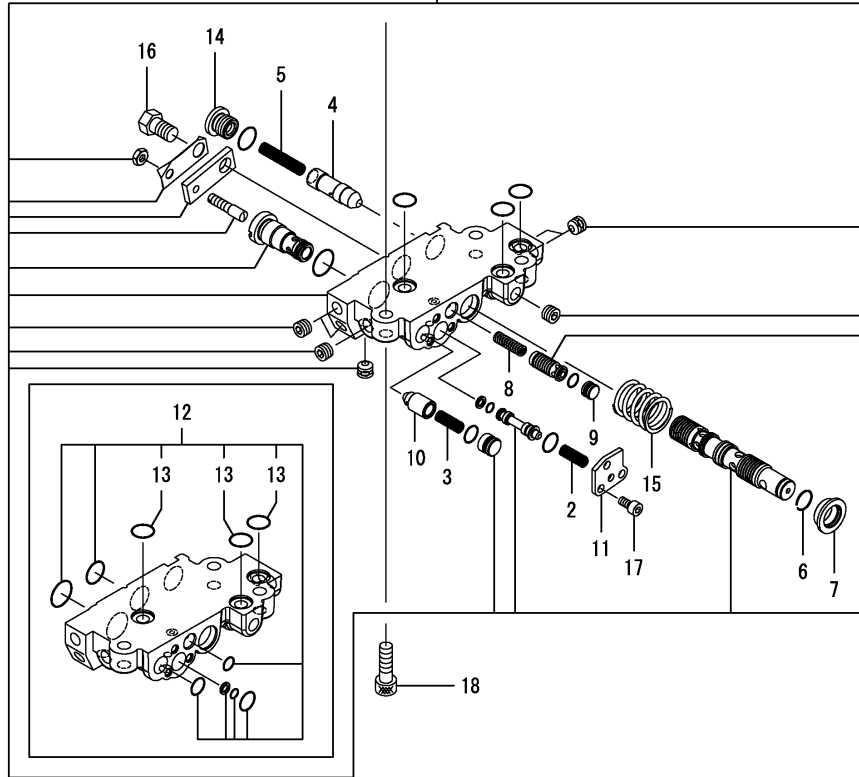
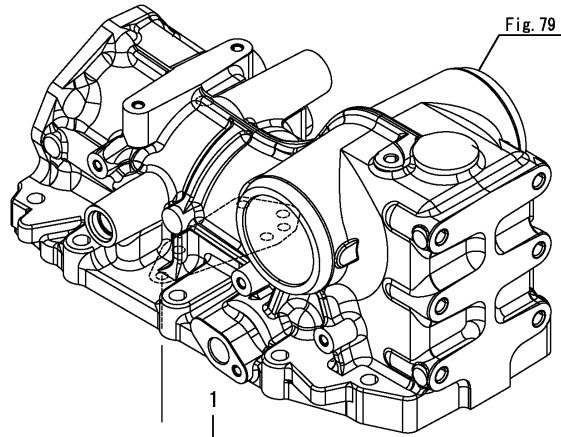


No.	Lev.	Parts No.	Description	Qty						I	R
				(A)	(B)	(C)	(D)	(E)	(F)		
1	1	1A7180-44210	SHAFT, LIFTING	1	1	1					
2	1	1A7640-44230	WASHER, 65X82X2	2	2	2					
3	1	1A7640-44240	PLATE, 50X64X2	2	2	2					
4	1	194640-44250	SLEEVE, LIFT SHAFT	2	2	2					
5	1	194640-44261	SEAL, SPLINE	2	2	2					
6	1	1A7180-44311	CRANK ASSY, LIFT	1	1	1					
7	2	1A7180-43410	ROD, PISTON	1	1	1					
8	2	1A7180-44110	CRANK, LIFT	1	1	1					
9	2	22351-050070	PIN, SPRING 5.0X70	1	1	1					
10	2	22351-080070	PIN, SPRING 8.0X70	1	1	1					
11	1	1A7180-44410	ARM, LIFT	2	2	2					
12	1	1A8275-44510	PLATE, P FEEDBACK	1	1	1					
13	1	194640-44540	RETAINER, SHAFT	1	1	1					
14	1	22351-060016	PIN, SPRING 6.0X16	1	1	1					
15	1	22417-200200	PIN, COTTER 2.0X20	1	1	1					
16	1	24311-000360	O-RING, 1AP36.0	1	1	1					
17	1	24321-000650	O-RING, 1AG65.0	4	4	4					
18	1	26106-120302	BOLT, M12X 30 PLATED	2	2	2					

Fig.83. CONTROL VALVE

(A)=LX410(YANMAR)  
 (B)=LX450(YANMAR)  
 (C)=LX490(YANMAR)

(D)=  
 (E)=  
 (F)=



No.	Lev.	Parts No.	Description	Qty						I	R
				(A)	(B)	(C)	(D)	(E)	(F)		
1	1	1A8275-45200	VALVE ASSY, CONTROL	1	1	1					
2	2	1A8275-45230	SPRING	1	1	1					
3	2	1A8275-45240	SPRING	1	1	1					
4	2	1A8275-45310	POPPET, UNLOAD	1	1	1					
5	2	1A8275-45320	SPRING	1	1	1					
6	2	1A8275-45330	RING, WIRY SNAP	1	1	1					
7	2	1A8275-45340	SEAT, SPRING	1	1	1					
8	2	1A8275-45360	SPRING	1	1	1					
9	2	1A8275-45370	PLUG	1	1	1					
10	2	1A8275-45420	POPPET, CHECK	1	1	1					
11	2	1A8275-45440	PLATE	1	1	1					
12	2	1A8275-45500	SEAL KIT, VALVE	1	1	1					
13	3	41851-000110	O-RING	3	3	3					
14	2	1A7880-45640	PLUG, LIFT VALVE	1	1	1					
15	2	1A8275-45980	SPRING	1	1	1					
16	2	26116-100162	BOLT, M10X 16 PLATED	1	1	1					
17	2	26450-050102	BOLT, M5X 10	3	3	3					
18	1	26450-080252	BOLT, M8X 25	3	3	3					

Fig.84. RELIEF VALVE

(A)=LX410(YANMAR)  
 (B)=LX450(YANMAR)  
 (C)=LX490(YANMAR)

(D)=  
 (E)=  
 (F)=

No.	Lev.	Parts No.	Description	Qty						I	R
				(A)	(B)	(C)	(D)	(E)	(F)		
1	1	1A7180-45700	VALVE, RELIEF	1	1	1					

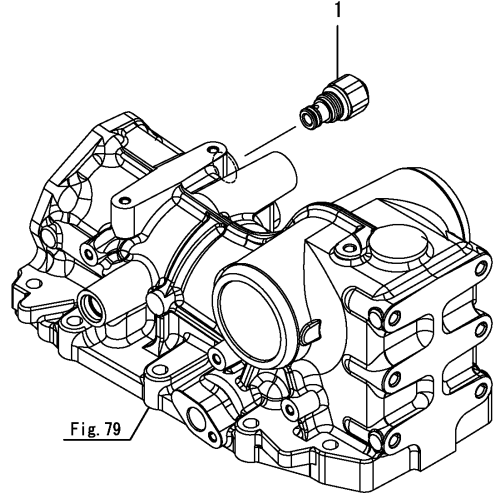


Fig. 79

Fig.85. STOP VALVE

(A)=LX410(YANMAR)  
 (B)=LX450(YANMAR)  
 (C)=LX490(YANMAR)

(D)=  
 (E)=  
 (F)=

No.	Lev.	Parts No.	Description	Qty						I	R
				(A)	(B)	(C)	(D)	(E)	(F)		
1	1	194555-46300	VALVE, STOP	1	1	1					
2	1	1A8275-46620	BOLT,STOP	1	1	1					
3	1	194312-46630	HOLDER, VALVE	1	1	1					
4	1	22117-080000	WASHER, 8	1	1	1					
5	1	22351-040012	PIN, SPRING 4.0X12	1	1	1					
6	1	24311-000110	O-RING, 1AP11.0	2	2	2					
7	1	24311-000120	O-RING, 1AP12.0	1	1	1					

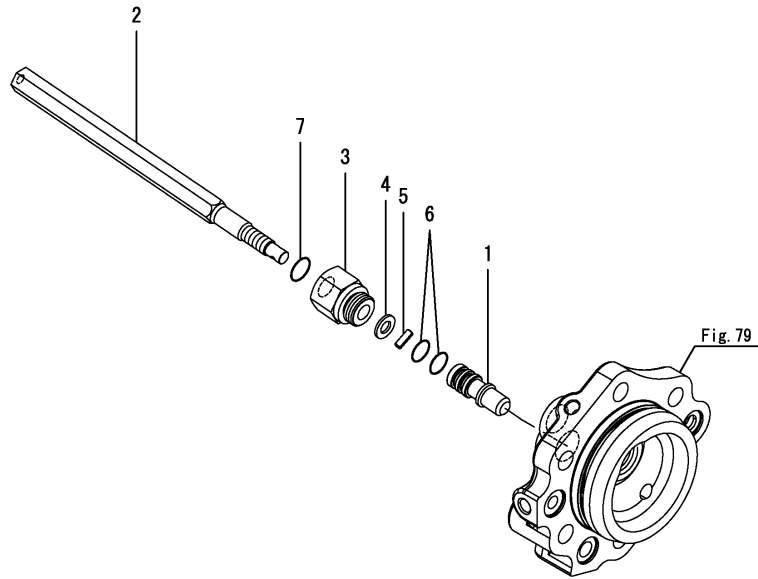




Fig.86. SAFETY VALVE

(A)=LX410(YANMAR)  
 (B)=LX450(YANMAR)  
 (C)=LX490(YANMAR)

(D)=  
 (E)=  
 (F)=

No.	Lev.	Parts No.	Description	Qty						I	R
				(A)	(B)	(C)	(D)	(E)	(F)		
1	1	1A7680-45320	SPRING	1	1	1					
2	1	1A7680-45370	PLUG, SAFETY VALVE	1	1	1					
3	1	198220-46400	SHIM SET	1	1	1					
4	1	1A7680-46410	SEAT, SAFETY VALVE	1	1	1					
5	1	194640-46420	POPPET	1	1	1					
6	1	22351-060030	PIN, SPRING 6.0X30	1	1	1					
7	1	24315-000120	O-RING, 1BP12.0	1	1	1					
8	1	24315-000180	O-RING, 1BP18.0	1	1	1					

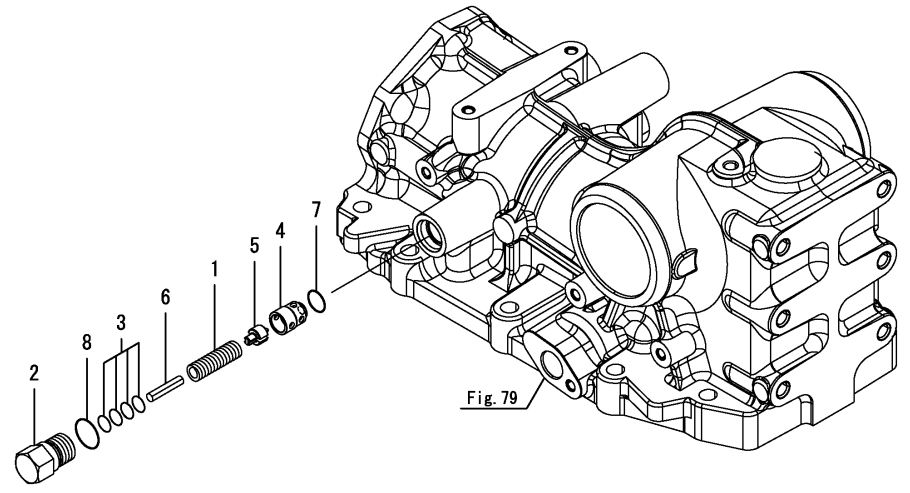
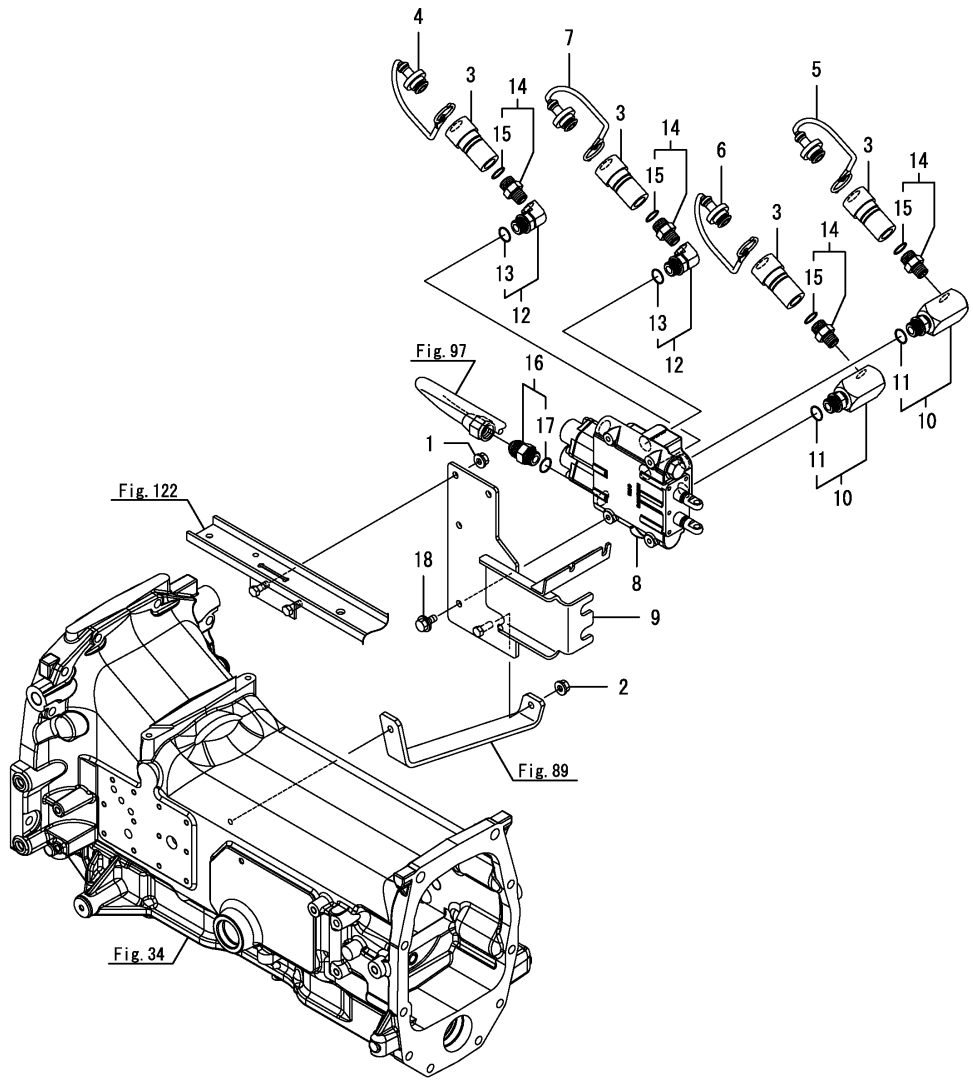


Fig. 79

Fig.87. LOADER VALVE

(A)=LX410(YANMAR)  
 (B)=LX450(YANMAR)  
 (C)=LX490(YANMAR)

(D)=  
 (E)=  
 (F)=



No.	Lev.	Parts No.	Description	Qty						I	R
				(A)	(B)	(C)	(D)	(E)	(F)		
1	1	194990-22140	NUT, M8	2	2	2					
2	1	194990-22140	NUT, M8	1	1	1					
3	1	1A8160-46250	COUPLER, QUICK 3/8	4	4	4					
4	1	1A8160-46280	PLUG, DUST RED	1	1	1					
5	1	1A8160-46290	PLUG, DUST BLUE	1	1	1					
6	1	1A8160-46300	PLUG, DUST YELLOW	1	1	1					
7	1	1A8160-46310	PLUG, DUST GREEN	1	1	1					
8	1	1A8250-46600	SCV ASSY,	1	1	1					
9	1	1A8250-46751	SUPPORT ASSY, VALVE	1	1	1					
10	1	1A8250-48200	ELBOW/HYD, 3/4UNF-L	2	2	2					
11	2	194464-45930	O-RING, 8-1	2	2	2					
12	1	1A8250-48210	ELBOW/HYD, 3/4UNF	2	2	2					
13	2	194464-45930	O-RING, 8-1	2	2	2					
14	1	1A8250-48220	JOINT/HYD,3/4UNF-3/8	4	4	4					
15	2	194464-45930	O-RING, 8-1	4	4	4					
16	1	1A8250-48350	FITTING/HYD, 3/4-7/8	1	1	1					
17	2	194464-45930	O-RING, 8-1	1	1	1					
18	1	26106-080122	BOLT, M8X 12 PLATED	3	3	3					



Fig.89. SUPPORT( VALVE

(A)=LX410(YANMAR)  
 (B)=LX450(YANMAR)  
 (C)=LX490(YANMAR)

(D)=  
 (E)=  
 (F)=

No.	Lev.	Parts No.	Description	Qty						I	R
				(A)	(B)	(C)	(D)	(E)	(F)		
1	1	1A8250-46801	SUPPORT,	1	1	1					
2	1	26106-080202	BOLT, M8X 20 PLATED	1	1	1					

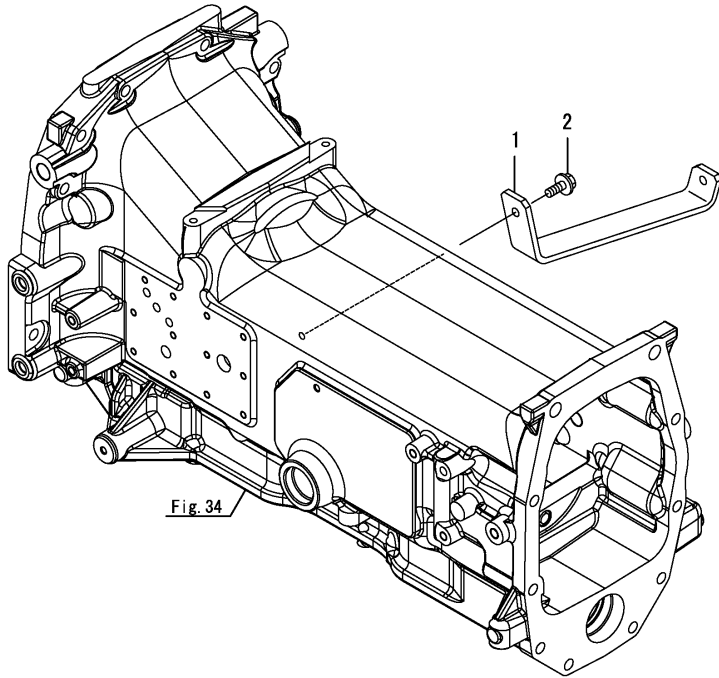


Fig.90. LEVER(SCV)

(A)=LX410(YANMAR)  
 (B)=LX450(YANMAR)  
 (C)=LX490(YANMAR)

(D)=  
 (E)=  
 (F)=

No.	Lev.	Parts No.	Description	Qty						I	R
				(A)	(B)	(C)	(D)	(E)	(F)		
1	1	1A8250-46890	JOYSTICK UNIT,	1	1	1					
2	2	1A8250-46900	JOYSTICK ASSY,	1	1	1					
3	2	1A8250-46920	WIRE, JOYSTICK	2	2	2					
4	1	1A8250-48101	CONNECTOR,	2	2	2					
5	1	1C6281-52320	PIN, SNAP 8	2	2	2					
6	1	22487-080200	PIN, H 8X 20	2	2	2					
7	1	26106-080852	BOLT, M8X 85 PLATED	2	2	2					
8	1	26716-060002	NUT, M6	2	2	2					
9	1	26776-160002	NUT, LOCK M16	2	2	2					

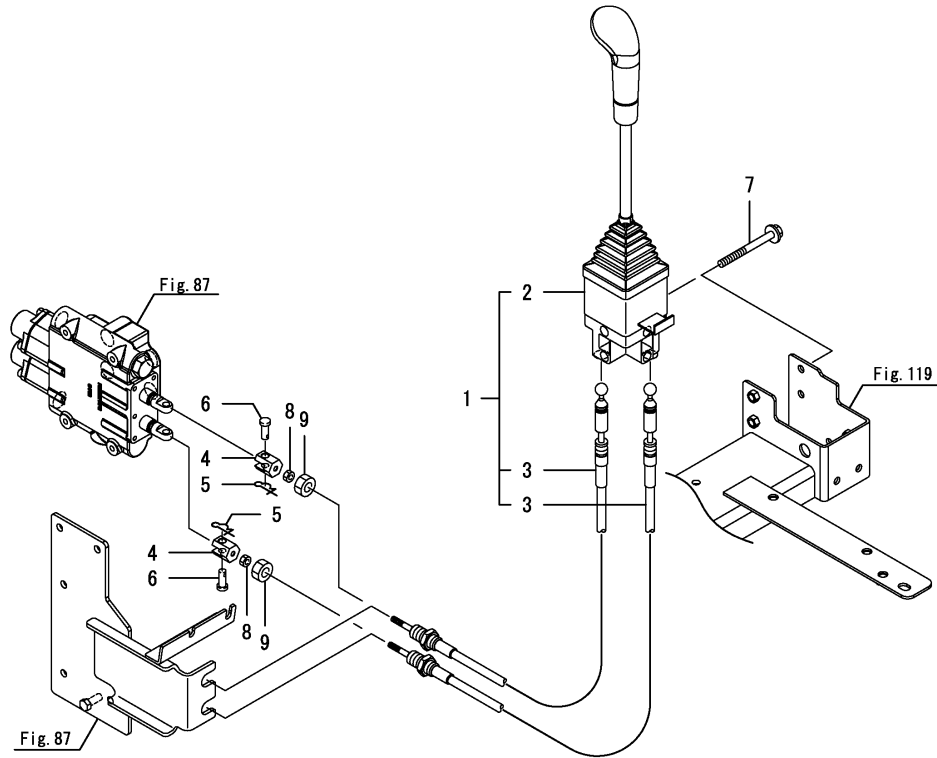


Fig.91. HYDRAULIC OPERATION(1)

(A)=LX410(YANMAR)  
 (B)=LX450(YANMAR)  
 (C)=LX490(YANMAR)

(D)=  
 (E)=  
 (F)=

No.	Lev.	Parts No.	Description	Qty						I	R
				(A)	(B)	(C)	(D)	(E)	(F)		
1	1	194300-37570	SPRING	1	1	1					
2	1	198165-47750	KNOB, CONTROL	1	1	1					
3	1	1A7510-47760	STOPPER, CONTROL	1	1	1					
4	1	22157-080000	WASHER, 8	1	1	1					
5	1	22417-200160	PIN, COTTER 2.0X16	1	1	1					

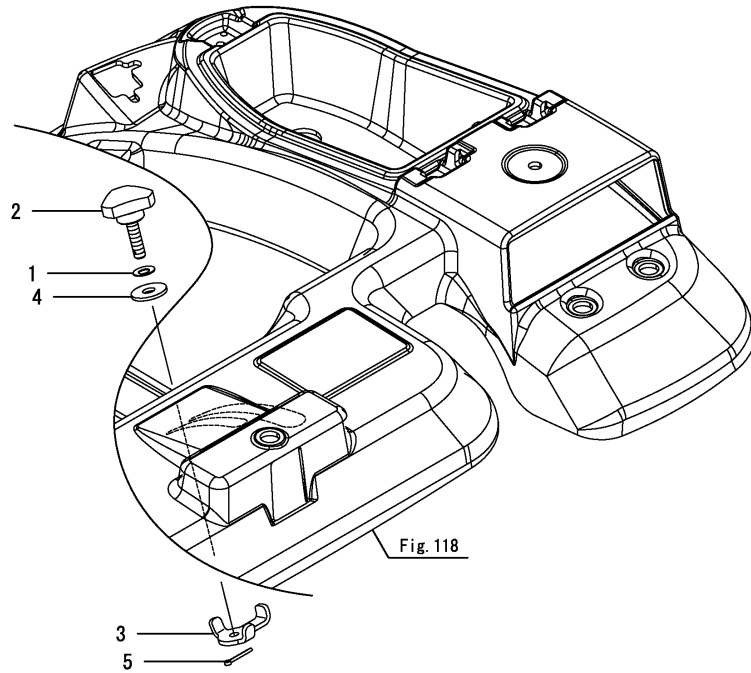
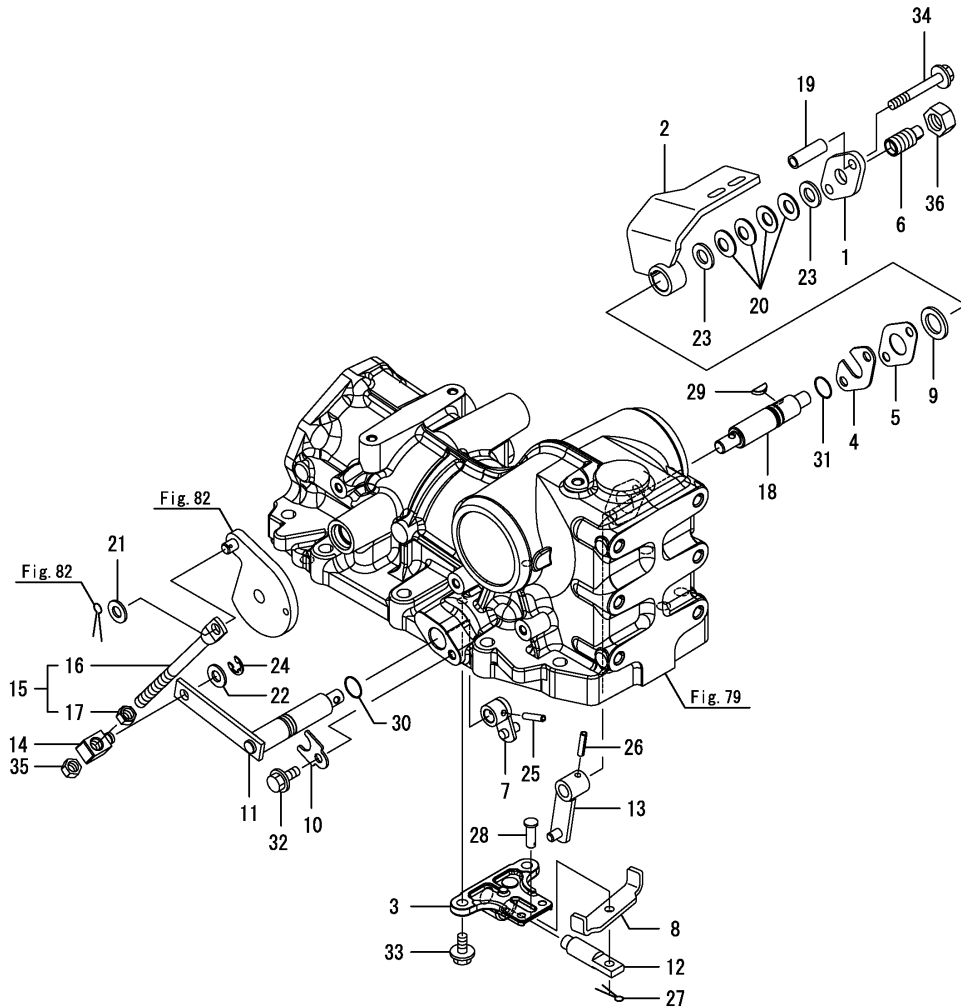


Fig.92. HYDRAULIC CONTROL



(A)=LX410(YANMAR)  
 (B)=LX450(YANMAR)  
 (C)=LX490(YANMAR)

(D)=  
 (E)=  
 (F)=

No.	Lev.	Parts No.	Description	Q'ty						I	R
				(A)	(B)	(C)	(D)	(E)	(F)		
1	1	1A8275-47160	PLATE	1	1	1					
2	1	1A8275-47250	ARM, LEVER P	1	1	1					
3	1	1A8275-47330	CONTROL PLATE	1	1	1					
4	1	194555-47340	PLATE, A	1	1	1					
5	1	194555-47350	PLATE, B	1	1	1					
6	1	1A8275-47350	BOLT, FRICTION	1	1	1					
7	1	1A8275-47370	ARM,P CONTROL F.BACK	1	1	1					
8	1	1A8275-47420	BAR, P CONTROL	1	1	1					
9	1	194170-47440	PLATE, FRICTION	1	1	1					
10	1	1A8275-47440	PLATE	1	1	1					
11	1	1A8275-47450	ARM,	1	1	1					
12	1	198200-47460	ROD, CONTROL	1	1	1					
13	1	1A8275-47500	ARM,P CONTROL	1	1	1					
14	1	194550-47530	ADJUSTER	1	1	1					
15	1	194640-47550	ROD ASSY, FEEDBACK	1	1	1					
16	2	194640-47560	ROD, FEEDBACK	1	1	1					
17	2	26716-100002	NUT, M10	1	1	1					
18	1	1A8275-47550	SHAFT, P LEVER	1	1	1					
19	1	1A8275-47630	COLLAR, P LEVER	2	2	2					
20	1	194151-47760	WASHER, 12	4	4	4					
21	1	22137-100000	WASHER, 10	1	1	1					
22	1	22137-100000	WASHER, 10	1	1	1					
23	1	22137-120000	WASHER, 12	2	2	2					
24	1	22272-000070	RING, E- 7	1	1	1					
25	1	22351-050025	PIN, SPRING 5.0X25	1	1	1					
26	1	22351-050025	PIN, SPRING 5.0X25	1	1	1					
27	1	22417-200200	PIN, COTTER 2.0X20	1	1	1					
28	1	22487-080200	PIN, H 8X 20	1	1	1					
29	1	22522-030130	KEY, WOODRUFF 3X13	1	1	1					
30	1	24311-000150	O-RING, 1AP15.0	1	1	1					
31	1	24311-000150	O-RING, 1AP15.0	1	1	1					
32	1	26106-080162	BOLT, M8X 16 PLATED	1	1	1					
33	1	26106-080162	BOLT, M8X 16 PLATED	2	2	2					
34	1	26106-080602	BOLT, M8X 60 PLATED	2	2	2					
35	1	26716-100002	NUT, M10	1	1	1					
36	1	26736-160002	NUT, M16	1	1	1					

Fig.93. HYDRAULIC OPERATION(2)

(A)=LX410(YANMAR)  
 (B)=LX450(YANMAR)  
 (C)=LX490(YANMAR)

(D)=  
 (E)=  
 (F)=

No.	Lev.	Parts No.	Description	Q'ty						I	R
				(A)	(B)	(C)	(D)	(E)	(F)		
1	1	1A8250-46640	KNOB, STOP VALVE	1	1	1					
2	1	26106-060402	BOLT, M6X 40 PLATED	1	1	1					

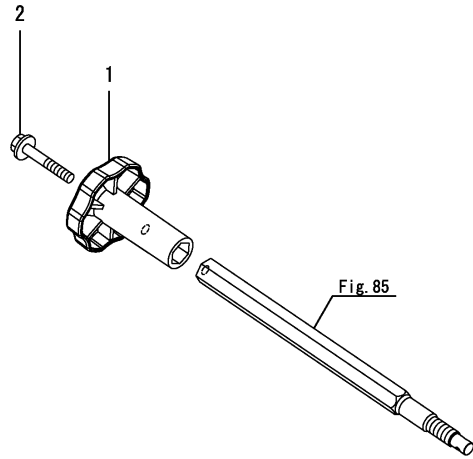




Fig.94. LIFT LEVER

(A)=LX410(YANMAR)  
 (B)=LX450(YANMAR)  
 (C)=LX490(YANMAR)

(D)=  
 (E)=  
 (F)=

No.	Lev.	Parts No.	Description	Q'ty						I	R
				(A)	(B)	(C)	(D)	(E)	(F)		
1	1	194990-22140	NUT, M8	2	2	2					
2	1	1A8240-47332	LEVER ASSY, LIFT	1	1	1					
3	1	198010-47340	PIPE, PROTECTOR	1	1	1					
4	1	198200-47810	KNOB, BLACK	1	1	1					

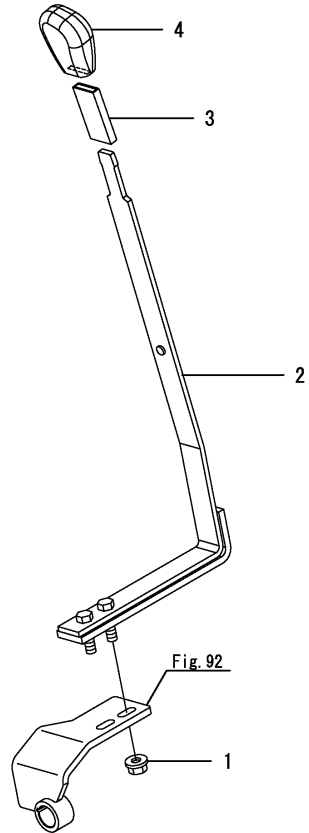


Fig.95. HYDRAULIC LINE

(A)=LX410(YANMAR)

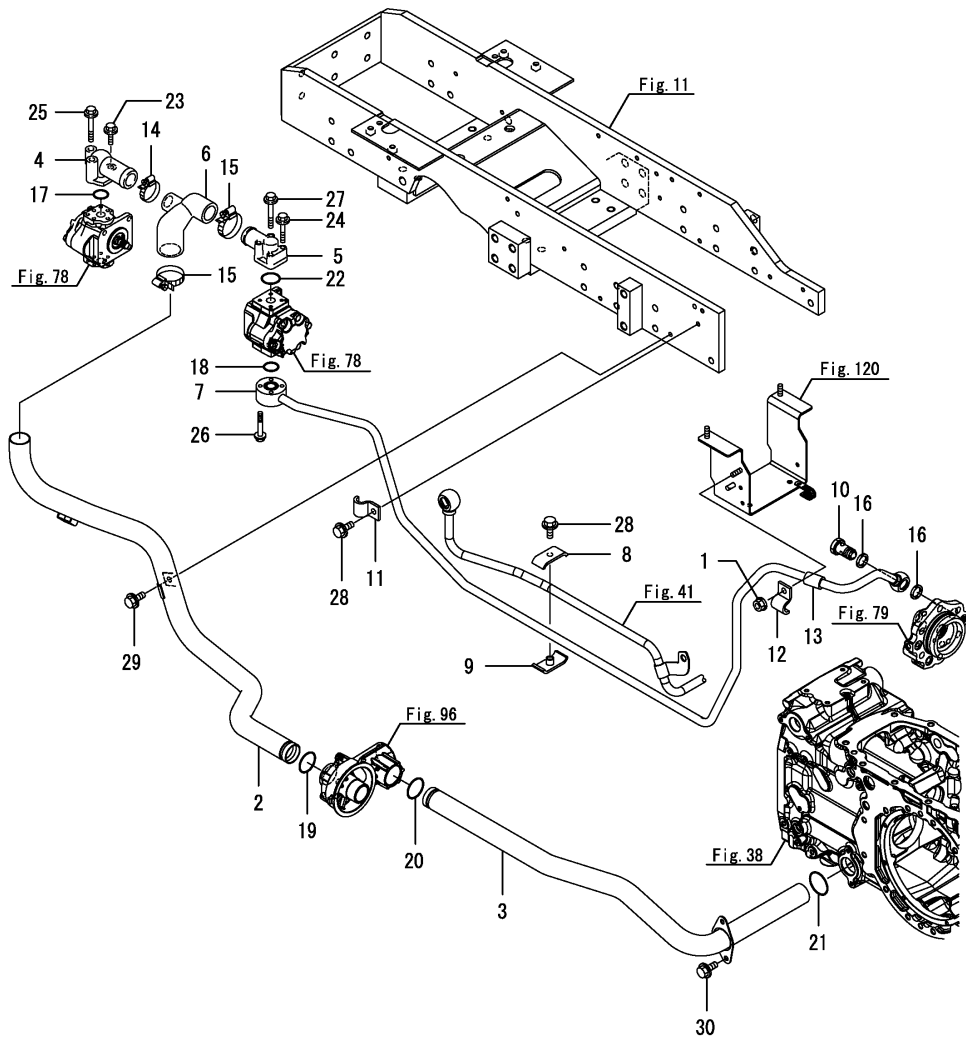
(B)=LX450(YANMAR)

(C)=LX490(YANMAR)

(D)=

(E)=

(F)=



No.	Lev.	Parts No.	Description	Qty						I	R
				(A)	(B)	(C)	(D)	(E)	(F)		
1	1	194990-22140	NUT, M8	1	1	1					
2	1	1A8250-48000	LP PIPE, FRONT	1	1	1					
3	1	1A8250-48050	LP PIPE, REAR	1	1	1					
4	1	198220-48140	FLANGE, PIPE P	1	1	1					
5	1	198240-48140	FLANGE, PIPE P	1	1	1					
6	1	1A8275-48340	HOSE, RUBBER LP P	1	1	1					
7	1	1A8250-48500	HP PIPE, LIFT	1	1	1					
8	1	194470-48630	CLAMP	1	1	1					
9	1	194470-48640	CLAMP, PIPE	1	1	1					
10	1	198361-48750	BOLT ASSY, JOINT	1	1	1					
11	1	194450-48830	CLAMP	1	1	1					
12	1	198240-48830	CLAMP	1	1	1					
13	1	198240-48850	CLAMP, ABSORBER	1	1	1					
14	1	23000-035000	CLAMP, 35	1	1	1					
15	1	23000-048000	CLAMP, 48	2	2	2					
16	1	23414-200026	GASKET, 20X1.0	2	2	2					
17	1	24311-000200	O-RING, 1AP20.0	1	1	1					
18	1	24311-000220	O-RING, 1AP22.0	1	1	1					
19	1	24311-000320	O-RING, 1AP32.0	1	1	1					
20	1	24311-000320	O-RING, 1AP32.0	1	1	1					
21	1	24311-000360	O-RING, 1AP36.0	1	1	1					
22	1	24341-000250	O-RING, 1AS25.0	1	1	1					
23	1	26106-060202	BOLT, M6X 20 PLATED	1	1	1					
24	1	26106-060352	BOLT, M6X 35 PLATED	2	2	2					
25	1	26106-060402	BOLT, M6X 40 PLATED	2	2	2					
26	1	26106-060402	BOLT, M6X 40 PLATED	4	4	4					
27	1	26106-060452	BOLT, M6X 45 PLATED	2	2	2					
28	1	26106-080162	BOLT, M8X 16 PLATED	2	2	2					
29	1	26106-080162	BOLT, M8X 16 PLATED	1	1	1					
30	1	26106-080162	BOLT, M8X 16 PLATED	2	2	2					

Fig.96. HYDRAULIC FILTER

(A)=LX410(YANMAR)  
 (B)=LX450(YANMAR)  
 (C)=LX490(YANMAR)

(D)=  
 (E)=  
 (F)=

No.	Lev.	Parts No.	Description	Qty						I	R
				(A)	(B)	(C)	(D)	(E)	(F)		
1	1	1A7640-48310	FILTER, HYDRAULIC	1	1	1					
2	1	1A8250-48430	COVER, FILTER	1	1	1					
3	1	26106-080162	BOLT, M8X 16 PLATED	2	2	2					
4	1	27260-470000	PLUG, 47	1	1	1					

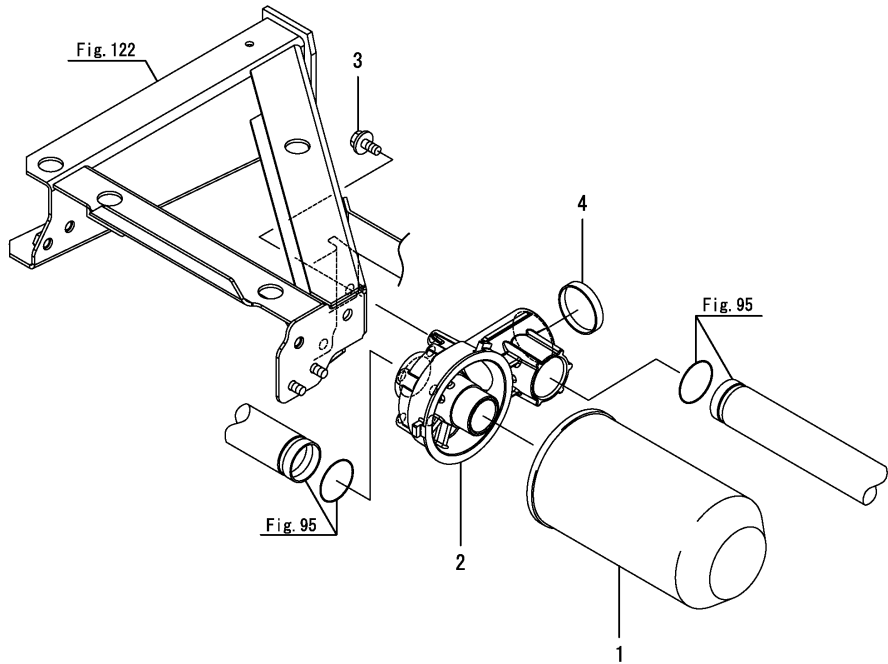
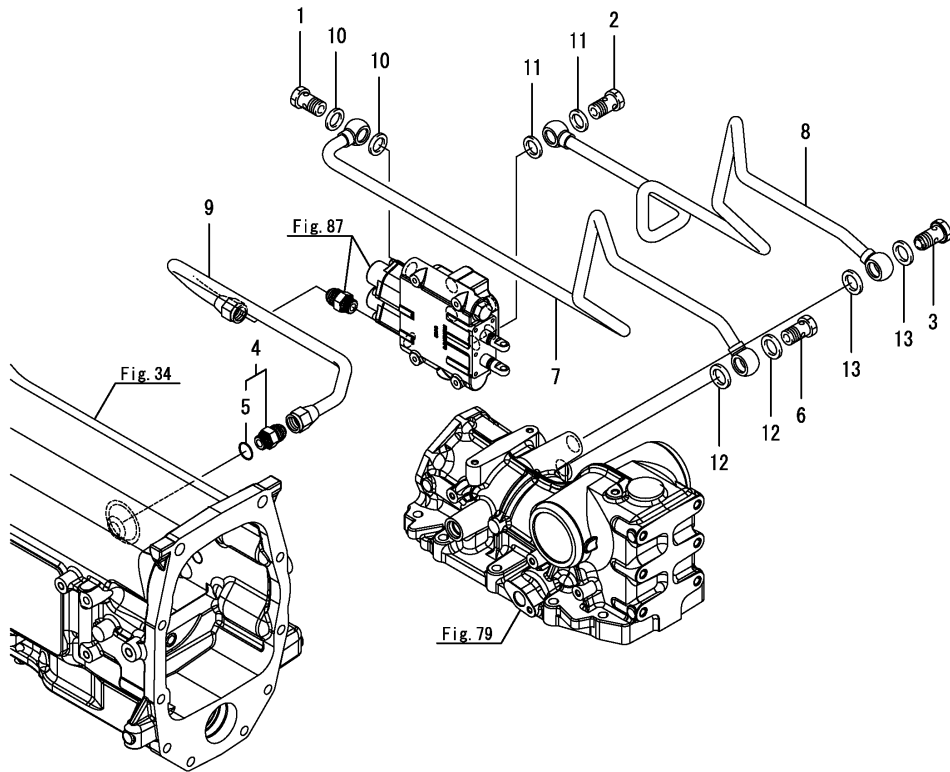


Fig.97. HYDRAULIC LINE(LOADER)

(A)=LX410(YANMAR)  
 (B)=LX450(YANMAR)  
 (C)=LX490(YANMAR)

(D)=  
 (E)=  
 (F)=



No.	Lev.	Parts No.	Description	Qty						I	R
				(A)	(B)	(C)	(D)	(E)	(F)		
1	1	198245-46680	BOLT, M3/4-16	1	1	1					
2	1	198245-46680	BOLT, M3/4-16	1	1	1					
3	1	1A8275-48030	BOLT, JOINT ASSY	1	1	1					
4	1	1A8250-48350	FITTING/HYD, 3/4-7/8	1	1	1					
5	2	194464-45930	O-RING, 8-1	1	1	1					
6	1	1A7610-48360	BOLT, JOINT G1/2	1	1	1					
7	1	1A8250-48600	HP PIPE, SCV-P	1	1	1					
8	1	1A8250-48650	HP PIPE, SCV-C	1	1	1					
9	1	1A8250-48700	HP PIPE, SCV-T	1	1	1					
10	1	23414-190000	GASKET, 19X1.0	2	2	2					
11	1	23414-190000	GASKET, 19X1.0	2	2	2					
12	1	23414-210027	GASKET, 21X1.0	2	2	2					
13	1	23414-210027	GASKET, 21X1.0	2	2	2					

Fig.98. HYDRAULIC LINE(LOADER(PBK/REAR

(A)=LX410(YANMAR)  
 (B)=LX450(YANMAR)  
 (C)=LX490(YANMAR)

(D)=  
 (E)=  
 (F)=

No.	Lev.	Parts No.	Description	Qty						I	R
				(A)	(B)	(C)	(D)	(E)	(F)		
1	1	198245-46680	BOLT, M3/4-16	1	1	1					
2	1	1A8250-48350	FITTING/HYD, 3/4-7/8	1	1	1					
3	2	194464-45930	O-RING, 8-1	1	1	1					
4	1	1A7610-48360	BOLT, JOINT G1/2	1	1	1					
5	1	1A8250-48600	HP PIPE, SCV-P	1	1	1					
6	1	1A8250-48700	HP PIPE, SCV-T	1	1	1					
7	1	23414-190000	GASKET, 19X1.0	2	2	2					
8	1	23414-210027	GASKET, 21X1.0	2	2	2					

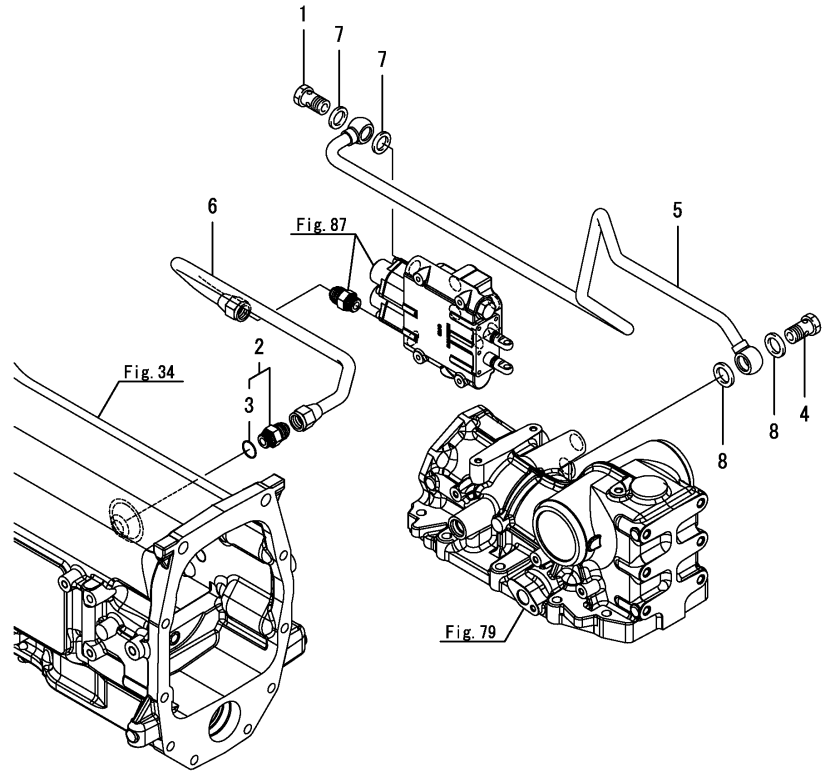
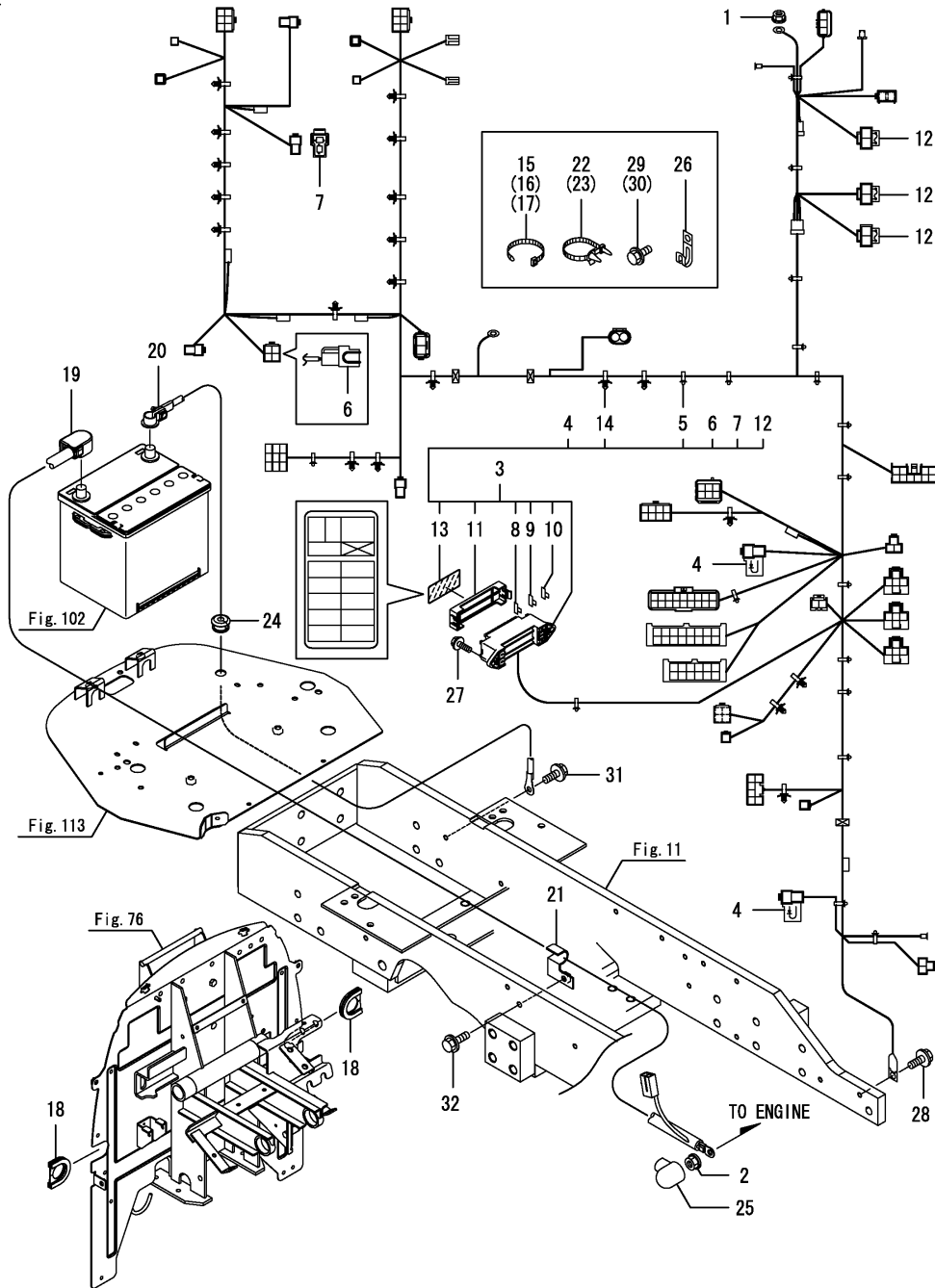


Fig.100. HARNESS

(A)=LX410(YANMAR)  
 (B)=LX450(YANMAR)  
 (C)=LX490(YANMAR)

(D)=  
 (E)=  
 (F)=



No.	Lev.	Parts No.	Description	Qty						I	R
				(A)	(B)	(C)	(D)	(E)	(F)		
1	1	194990-22130	NUT, M6	1	1	1					
2	1	194990-22140	NUT, M8	1	1	1					
3	1	1A8275-51113	HARNESS ASSY, A	1	1	1					
4	2	1A7500-51130	DIODE, 3.0A	2	2	2					
5	2	1A7500-51170	CLIP, HARNESS	17	17	17					
6	2	1A8275-51190	LEAD, M-PTO	1	1	1					
7	2	1A8300-51230	COUPLER, PROTECT	1	1	1					
8	2	198535-52110	FUSE, 5A	7	7	7					
9	2	198535-52130	FUSE, 15A	4	4	4					
10	2	198535-52140	FUSE, 20A	2	2	2					
11	2	1A7531-52420	COVER, FUSE BOX	1	1	1					
12	2	1A7000-52820	FUSE, SLOW BLOW 60A	3	3	3					
13	2	1A8275-65440	LABEL, FUSE	1	1	1					
14	2	1E8775-84120	CLAMP, BAND	20	20	20					
15	1	1A8300-51210	BAND, REPEAT	1	1	1					
16	1	1A8300-51210	BAND, REPEAT	1	1	1					
17	1	1A8300-51210	BAND, REPEAT	1	1	1					
18	1	198155-51290	GROMMET, D25	2	2	2					
19	1	1A7180-51350	CABLE, BATTERY	1	1	1					
20	1	194250-51420	CABLE, BATTERY EARTH	1	1	1					
21	1	198121-51430	CLAMP, CABLE B	1	1	1					
22	1	194680-51670	BAND, CLIP	3	3	3					
23	1	194680-51670	BAND, CLIP	1	1	1					
24	1	198200-61490	GROMMET, 8	1	1	1					
25	1	124550-77030	COVER, TERMINAL	1	1	1					
26	1	1E6102-83230	CLAMP, CABLE	1	1	1					
27	1	26106-060202	BOLT, M6X 20 PLATED	2	2	2					
28	1	26106-080162	BOLT, M8X 16 PLATED	1	1	1					
29	1	26106-080162	BOLT, M8X 16 PLATED	1	1	1					
30	1	26106-080162	BOLT, M8X 16 PLATED	1	1	1					
31	1	26106-080162	BOLT, M8X 16 PLATED	1	1	1					
32	1	26106-080252	BOLT, M8X 25 PLATED	1	1	1					

Fig.101. HARNESS

(A)=LX410(YANMAR)  
 (B)=LX450(YANMAR)  
 (C)=LX490(YANMAR)

(D)=  
 (E)=  
 (F)=

No.	Lev.	Parts No.	Description	Q'ty						I	R
				(A)	(B)	(C)	(D)	(E)	(F)		
1	1	1A8275-51250	LEAD,AIR HEATER			1					
2	1	124756-77040	COVER, TERMINAL			1					

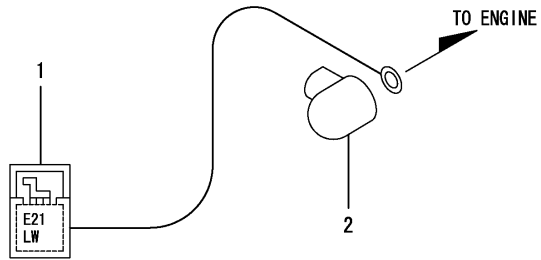
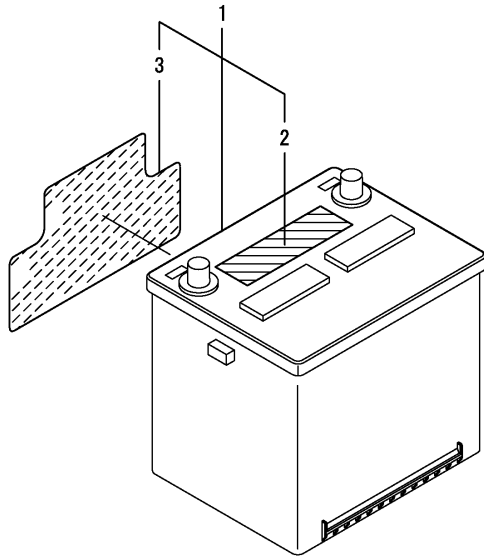


Fig.102. BATTERY

(A)=LX410(YANMAR)  
 (B)=LX450(YANMAR)  
 (C)=LX490(YANMAR)

(D)=  
 (E)=  
 (F)=



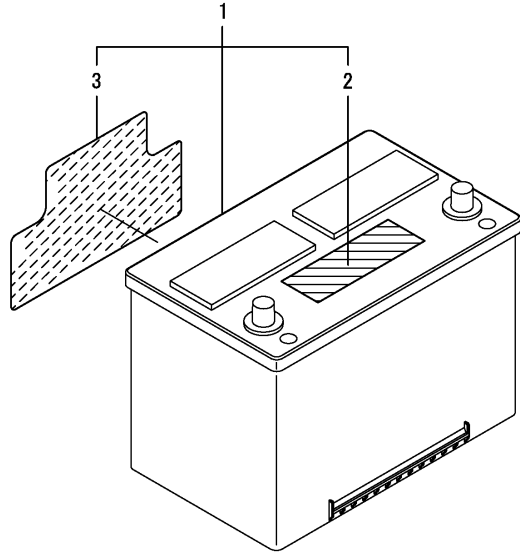
No.	Lev.	Parts No.	Description	Q'ty						I	R
				(A)	(B)	(C)	(D)	(E)	(F)		
1	1	1A8160-51550	BATTERY ASSY, DRY526R	1	1						
2	2	1A8160-51570	LABEL, BATTERY	1	1						
3	2	1A8160-51580	LABEL, BATTERY	1	1						



Fig.103. BATTERY

(A)=LX410(YANMAR)  
 (B)=LX450(YANMAR)  
 (C)=LX490(YANMAR)

(D)=  
 (E)=  
 (F)=



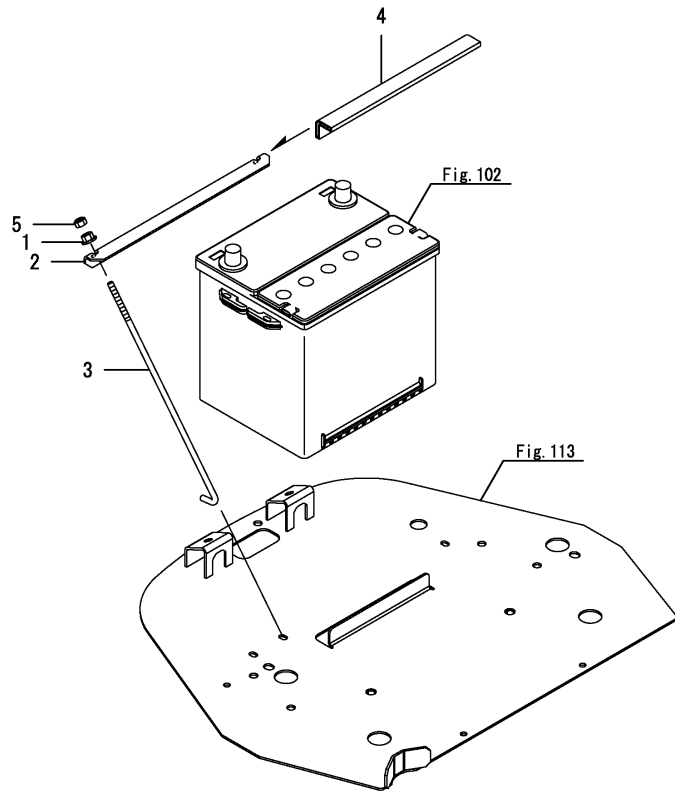
No.	Lev.	Parts No.	Description	Q'ty						I	R
				(A)	(B)	(C)	(D)	(E)	(F)		
1	1	1A8275-51550	BATTERY ASSY, DRY624			1					
2	2	1A8275-51570	LABEL, BATTERY			1					
3	2	1A8275-51580	LABEL, BATTERY			1					

Fig.104. CLAMP(BATTERY)

(A)=LX410(YANMAR)  
 (B)=LX450(YANMAR)  
 (C)=LX490(YANMAR)

(D)=  
 (E)=  
 (F)=

No.	Lev.	Parts No.	Description	Q'ty						I	R
				(A)	(B)	(C)	(D)	(E)	(F)		
1	1	194990-22130	NUT, M6	2	2						
2	1	1A8160-51600	CLAMP, BATTERY 6-245	1	1						
3	1	1A8275-51610	ROD,BATTERY	2	2						
4	1	1A8275-51620	COVER,PROTECT	1	1						
5	1	26716-060002	NUT, M6	2	2						




---

---

---

---

---

---

---

---

---

---

---

---

---

---

---

---

---

---

---

---

---

---

---

---

---

---

Fig.105. CLAMP(BATTERY)

(A)=LX410(YANMAR)  
 (B)=LX450(YANMAR)  
 (C)=LX490(YANMAR)

(D)=  
 (E)=  
 (F)=

No.	Lev.	Parts No.	Description	Qty						I	R
				(A)	(B)	(C)	(D)	(E)	(F)		
1	1	194990-22130	NUT, M6			2					
2	1	1A8275-51600	CLAMP,BATTERY,6-290			1					
3	1	1A8275-51610	ROD,BATTERY			2					
4	1	26716-060002	NUT, M6			2					

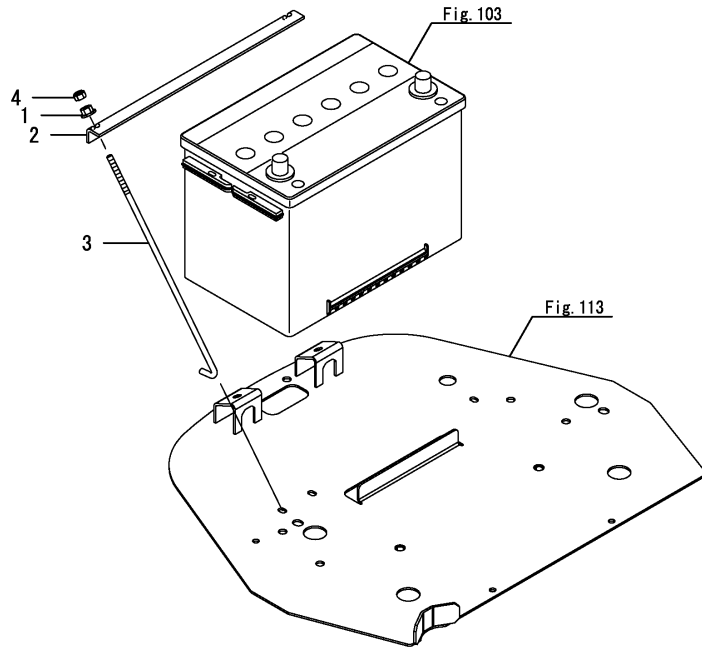
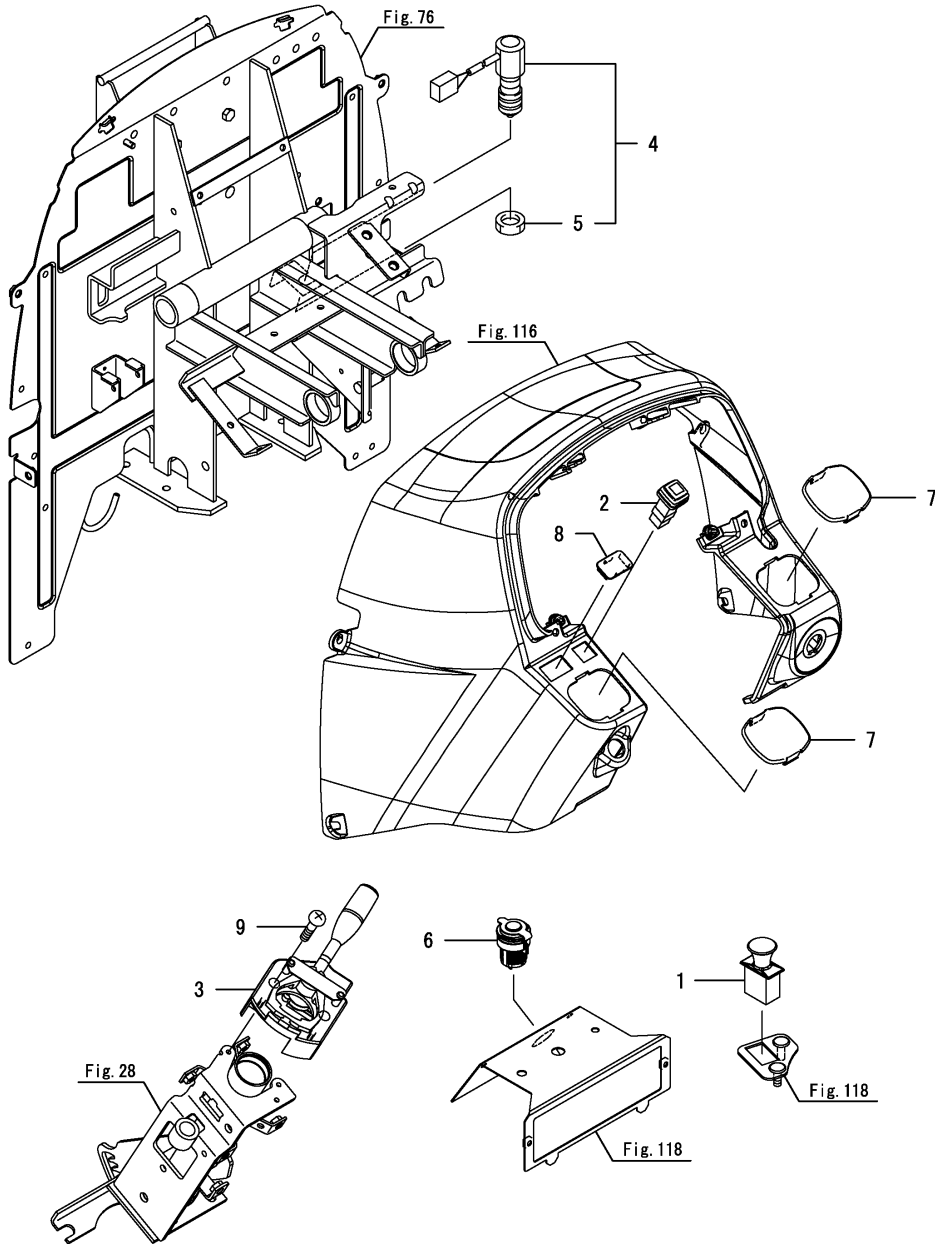


Fig.106. SWITCH

(A)=LX410(YANMAR)  
(B)=LX450(YANMAR)  
(C)=LX490(YANMAR)

(D)=  
(E)=  
(F)=



No.	Lev.	Parts No.	Description	Q'ty						I	R
				(A)	(B)	(C)	(D)	(E)	(F)		
1	1	172531-17300	SWITCH, PTO	1	1	1					
2	1	1A7335-52120	SWITCH, HAZARD	1	1	1					
3	1	1A7180-52140	SWITCH, COMBINATION	1	1	1					
4	1	198223-52150	SWITCH, STOP LAMP	1	1	1					
5	2	26776-120002	NUT, LOCK M12	1	1	1					
6	1	1A7880-57100	SOCKET, POWER SOURCE	1	1	1					
7	1	1A8275-60400	COVER, SW-NONE	2	2	2					
8	1	1A8275-60430	COVER, HAZARD	1	1	1					
9	1	26557-060162	SCREW M 6X 16	2	2	2					

Fig.107. SWITCH

(A)=LX410(YANMAR)  
 (B)=LX450(YANMAR)  
 (C)=LX490(YANMAR)

(D)=  
 (E)=  
 (F)=

No.	Lev.	Parts No.	Description	Qty						I	R
				(A)	(B)	(C)	(D)	(E)	(F)		
1	1	194850-49290	PACKING, 6-1	1	1	1					
2	1	1A8275-52190	SWITCH,SAFETY	1	1	1					

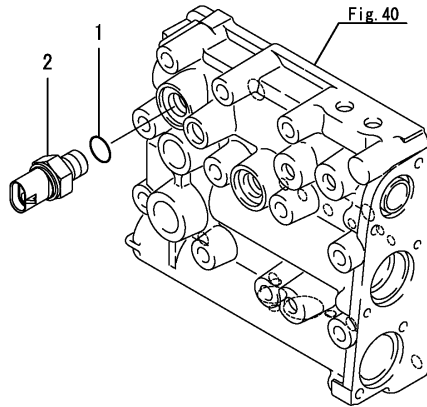


Fig.108. SWITCH

(A)=LX410(YANMAR)  
 (B)=LX450(YANMAR)  
 (C)=LX490(YANMAR)

(D)=  
 (E)=  
 (F)=

No.	Lev.	Parts No.	Description	Qty						I	R
				(A)	(B)	(C)	(D)	(E)	(F)		
1	1	198162-52110	SWITCH, STARTING	1	1	1					
2	2	198360-52320	NUT, RING	1	1	1					
3	2	198360-52330	WASHER	1	1	1					
4	2	198162-52150	KEY ASSY	1	1	1					
5	1	194448-61620	GROMMET, 20.5	1	1	1					

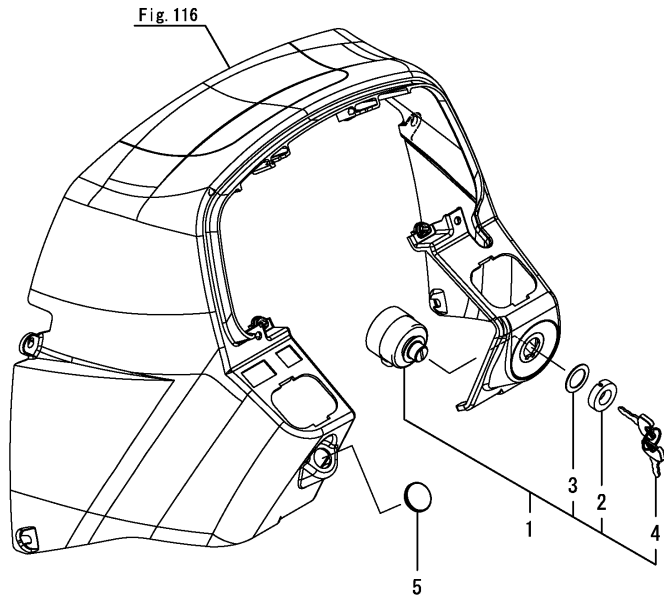
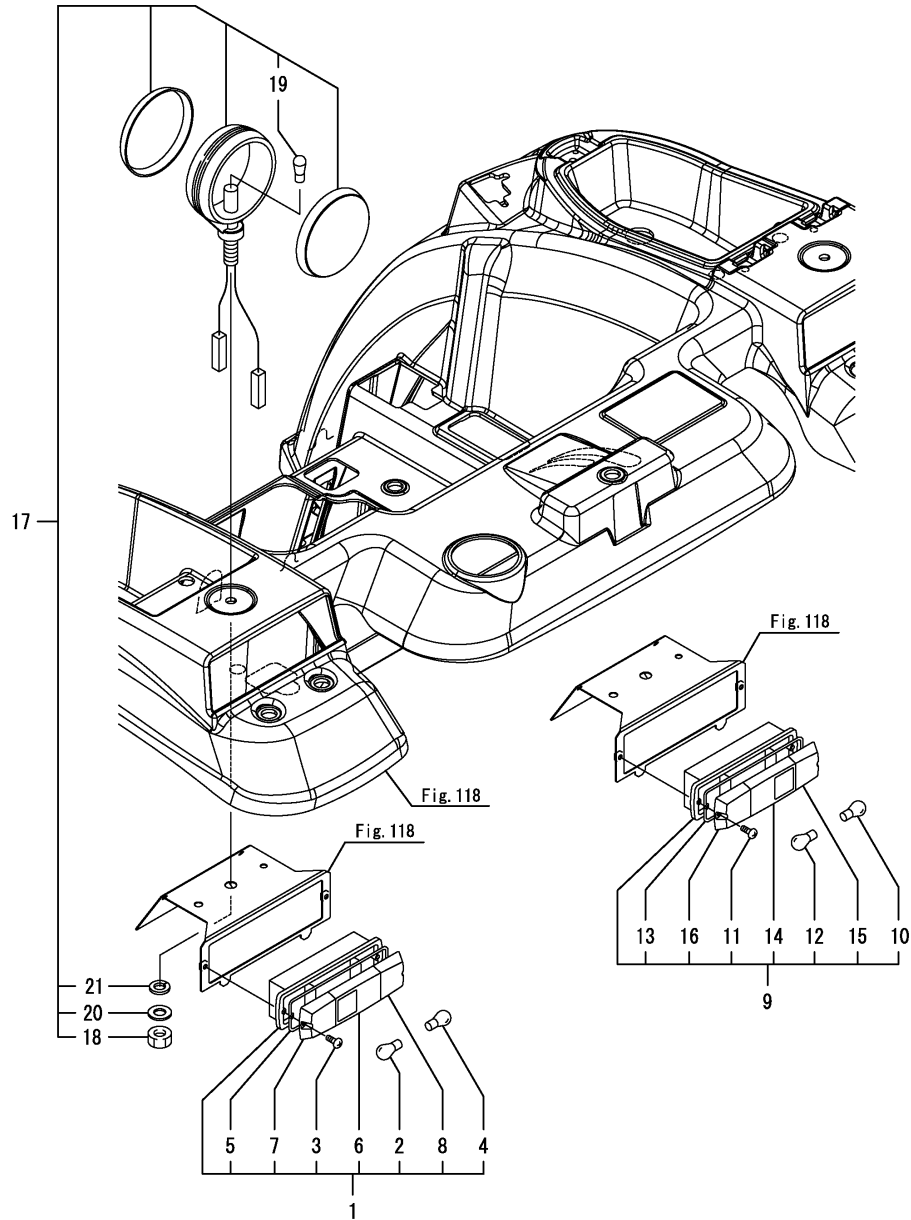


Fig.109. LAMP

(A)=LX410(YANMAR)  
 (B)=LX450(YANMAR)  
 (C)=LX490(YANMAR)

(D)=  
 (E)=  
 (F)=



No.	Lev.	Parts No.	Description	Qty						I	R
				(A)	(B)	(C)	(D)	(E)	(F)		
1	1	1A7400-53110	LAMP ASSY, L	1	1	1					
2	2	1A7890-53420	BULB, 12V21W	1	1	1					
3	2	198268-53450	SCREW, 5X16	2	2	2					
4	2	1A7400-53530	VALVE, 12V21/5W	1	1	1					
5	2	1A7400-53560	GASKET	1	1	1					
6	2	1A7400-53570	LENS, L	1	1	1					
7	2	1A7400-53590	LENS, L	1	1	1					
8	2	1A7400-53610	LENS, L	1	1	1					
9	1	1A7400-53120	LAMP ASSY, R	1	1	1					
10	2	1A7890-53420	BULB, 12V21W	1	1	1					
11	2	198268-53450	SCREW, 5X16	2	2	2					
12	2	1A7400-53530	VALVE, 12V21/5W	1	1	1					
13	2	1A7400-53560	GASKET	1	1	1					
14	2	1A7400-53580	LENS, R	1	1	1					
15	2	1A7400-53600	LENS, R	1	1	1					
16	2	1A7400-53620	LENS, R	1	1	1					
17	1	1A8275-53400	LAMP ASSY,FLASHER	2	2	2					
18	2	1A7880-53100	NUT	2	2	2					
19	2	1A7880-53430	BULB, 12.8V/27W	2	2	2					
20	2	22137-130000	WASHER, 13	2	2	2					
21	2	22217-130000	WASHER, SPRING 1/2	2	2	2					

Fig.110. FRONT LAMP

(A)=LX410(YANMAR)

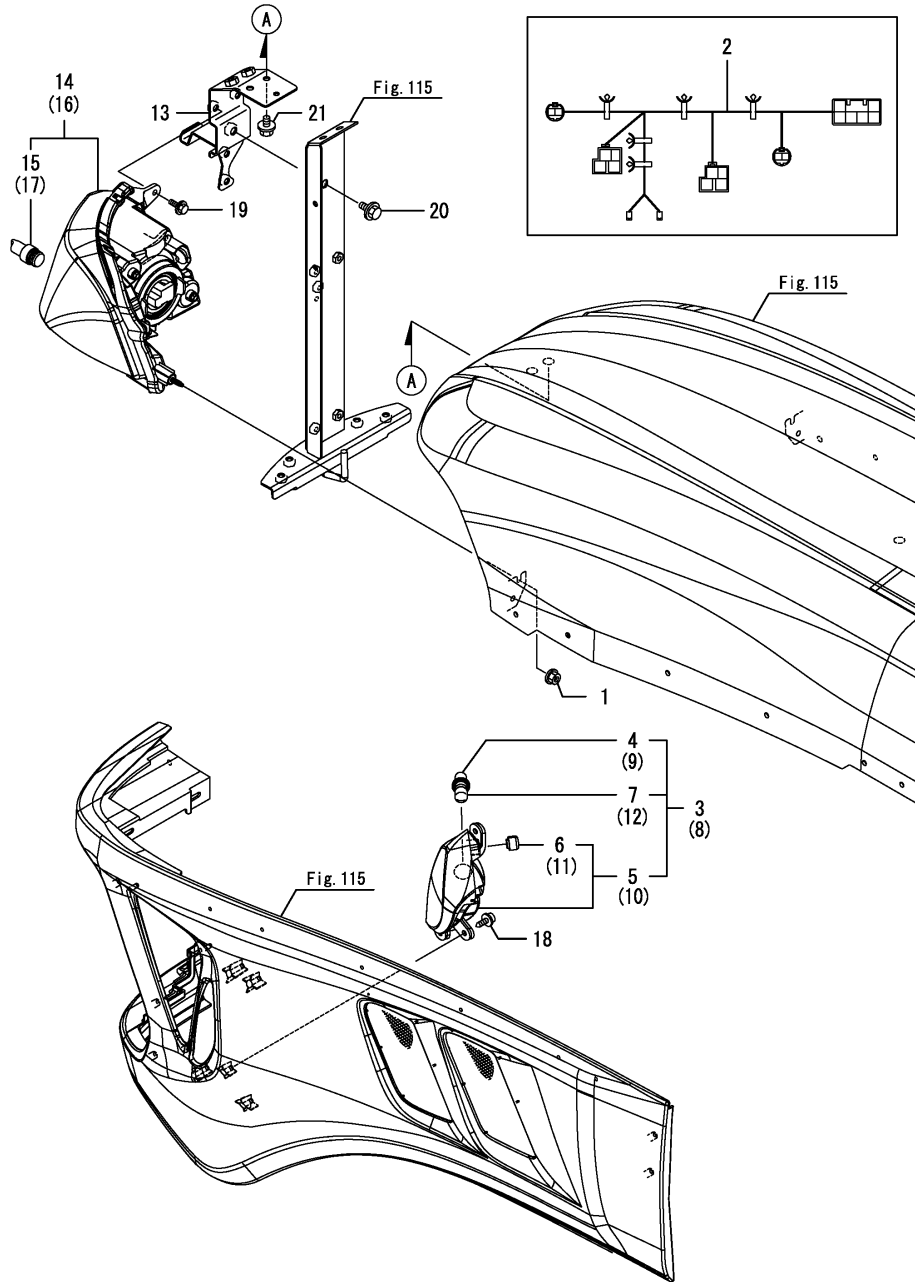
(B)=LX450(YANMAR)

(C)=LX490(YANMAR)

(D)=

(E)=

(F)=



No.	Lev.	Parts No.	Description	Qty						I	R
				(A)	(B)	(C)	(D)	(E)	(F)		
1	1	194990-22130	NUT, M6	2	2	2					
2	1	1A7180-51310	HARNESS, WIRE	1	1	1					
3	1	1A8070-53010	LAMP ASSY, SIDE L	1	1	1					
4	2	1C6860-08160	SOCKET ASSY	1	1	1					
5	2	1A8070-53030	CASE ASSY, SIDE LAMP	1	1	1					
6	3	1A7260-53220	CAP	1	1	1					
7	2	198072-53450	BULB,12V/18W	1	1	1					
8	1	1A8070-53020	LAMP ASSY, SIDE R	1	1	1					
9	2	1C6860-08160	SOCKET ASSY	1	1	1					
10	2	1A8070-53040	CASE ASSY, SIDE LAMP	1	1	1					
11	3	1A7260-53220	CAP	1	1	1					
12	2	198072-53450	BULB,12V/18W	1	1	1					
13	1	1A8265-53050	STAY ASSY, HEADLAMP	1	1	1					
14	1	1A8280-53200	LAMP ASSY, HEAD L	1	1	1					
15	2	1A8280-53220	BULB, 55W/60W	1	1	1					
16	1	1A8280-53300	LAMP ASSY, HEAD R	1	1	1					
17	2	1A8280-53220	BULB, 55W/60W	1	1	1					
18	1	194940-61790	SCREW, TAPPING M5X16	6	6	6					
19	1	26106-060202	BOLT, M6X 20 PLATED	4	4	4					
20	1	26106-080122	BOLT, M8X 12 PLATED	1	1	1					
21	1	26106-080162	BOLT, M8X 16 PLATED	2	2	2					



Fig.111. METER

(A)=LX410(YANMAR)  
 (B)=LX450(YANMAR)  
 (C)=LX490(YANMAR)

(D)=  
 (E)=  
 (F)=

No.	Lev.	Parts No.	Description	Qty						I	R
				(A)	(B)	(C)	(D)	(E)	(F)		
1	1	1A8275-56010	METER ASSY.	1	1	1					
2	2	1C6920-36260	LAMP ASSY, SOCKET	1	1	1					
3	2	198200-56050	BULB, 14V-1.7W	6	6	6					
4	2	198448-56150	BULB, 14V-1.4W	5	5	5					
5	2	198200-56080	SCREW, 3X16	6	6	6					
6	1	26557-050202	SCREW, M5X20	4	4	4					
7	1	26716-050002	NUT, M5	4	4	4					

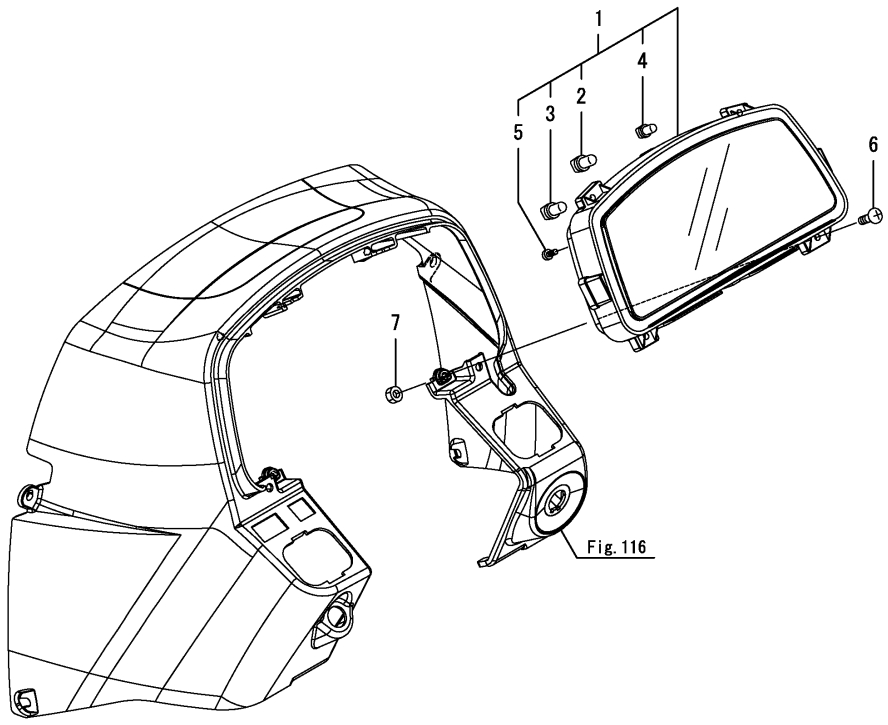
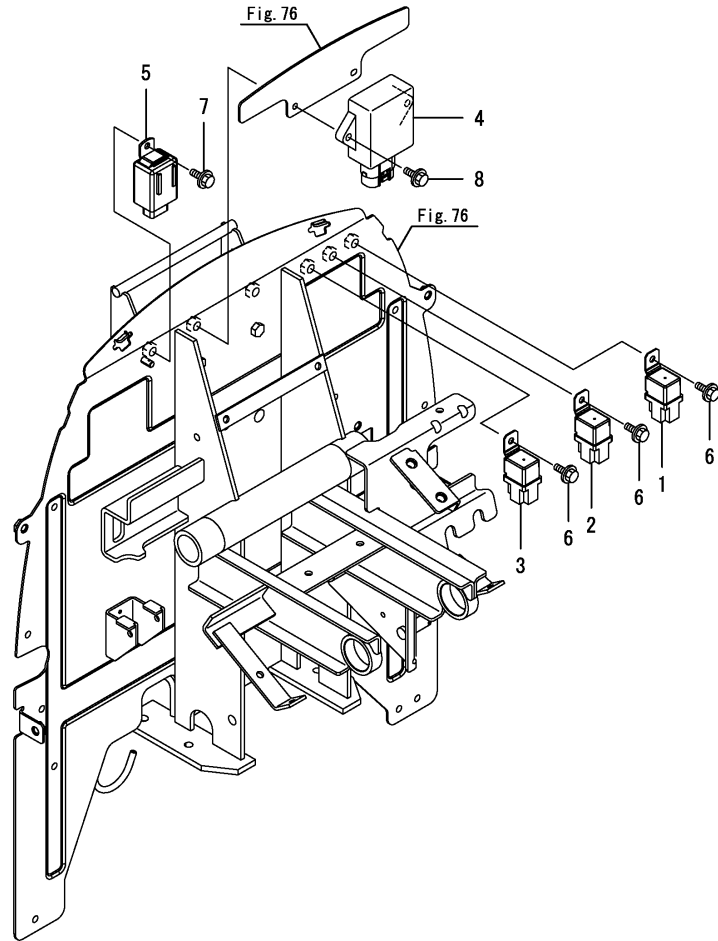


Fig. 116

Fig.112. RELAY

(A)=LX410(YANMAR)  
 (B)=LX450(YANMAR)  
 (C)=LX490(YANMAR)

(D)=  
 (E)=  
 (F)=

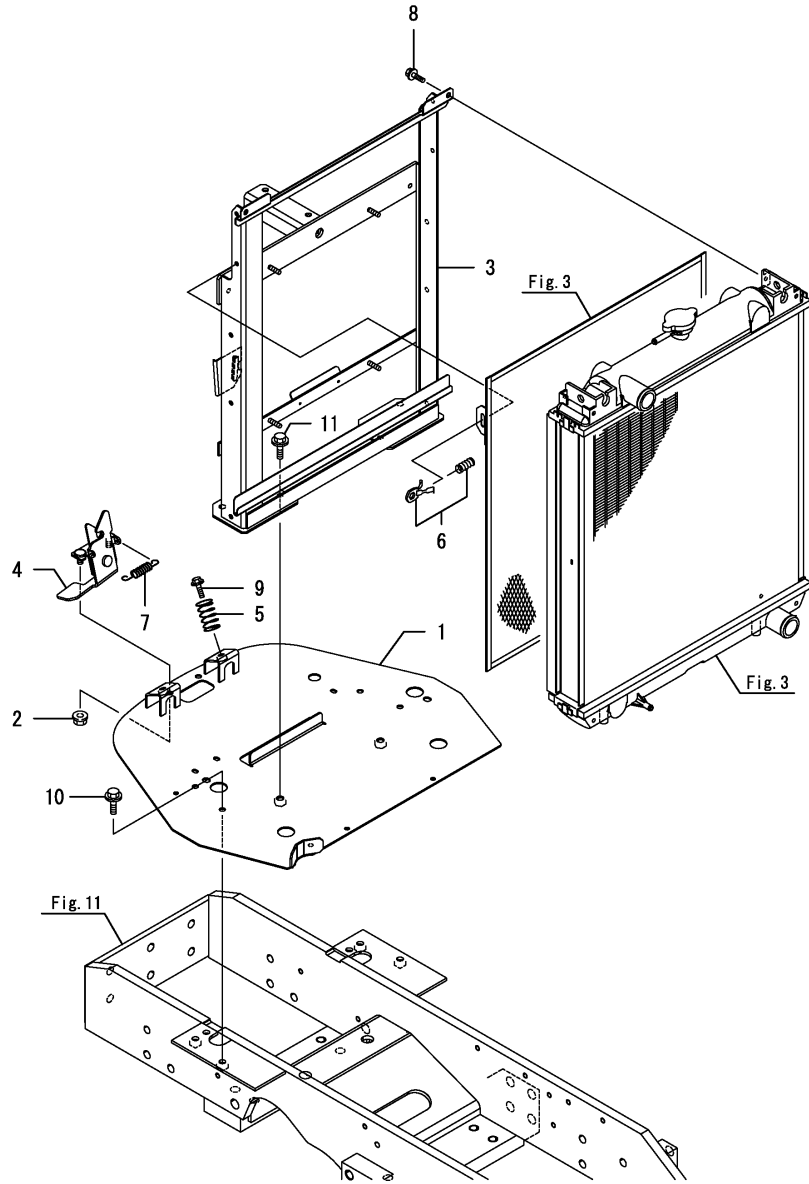


No.	Lev.	Parts No.	Description	Qty						I	R
				(A)	(B)	(C)	(D)	(E)	(F)		
1	1	1A7870-52950	RELAY, CB	1	1	1					
2	1	1A7870-52950	RELAY, CB	1	1	1					
3	1	1A7870-52950	RELAY, CB	1	1	1					
4	1	1A8275-57100	RELAY-UNIT	1	1	1					
5	1	1A6780-57200	FLASHER	1	1	1					
6	1	26106-060122	BOLT, M6X 12 PLATED	3	3	3					
7	1	26106-060122	BOLT, M6X 12 PLATED	1	1	1					
8	1	26106-060202	BOLT, M6X 20 PLATED	2	2	2					

Fig.113. FRONT FRAME

(A)=LX410(YANMAR)  
 (B)=LX450(YANMAR)  
 (C)=LX490(YANMAR)

(D)=  
 (E)=  
 (F)=



No.	Lev.	Parts No.	Description	Qty						I	R
				(A)	(B)	(C)	(D)	(E)	(F)		
1	1	1A8250-01601	BRACKET ASSY, RADI	1	1	1					
2	1	194990-22140	NUT, M8	2	2	2					
3	1	1A8240-60101	FRAME ASSY, FRONT	1	1	1					
4	1	1A7180-61250	LOCK ASSY, BONNET	1	1	1					
5	1	198220-61340	SPRING	2	2	2					
6	1	198220-61351	LOCK ASSY, CAM	1	1	1					
7	1	198230-61960	SPRING	1	1	1					
8	1	26106-060202	BOLT, M6X 20 PLATED	2	2	2					
9	1	26106-060202	BOLT, M6X 20 PLATED	2	2	2					
10	1	26106-080202	BOLT, M8X 20 PLATED	4	4	4					
11	1	26106-080202	BOLT, M8X 20 PLATED	2	2	2					

Fig.114. HOOD FRAME

(A)=LX410(YANMAR)  
(B)=LX450(YANMAR)  
(C)=LX490(YANMAR)

(D)=  
(E)=  
(F)=

No.	Lev.	Parts No.	Description	Qty						I	R
				(A)	(B)	(C)	(D)	(E)	(F)		
1	1	194990-22140	NUT, M8	2	2	2					
2	1	1A8240-60400	FRAME ASSY, CONNECT	1	1	1					
3	1	22137-100000	WASHER, 10	1	1	1					
4	1	22372-100000	PIN, SNAP 10	1	1	1					
5	1	26106-080162	BOLT, M8X 16 PLATED	2	2	2					

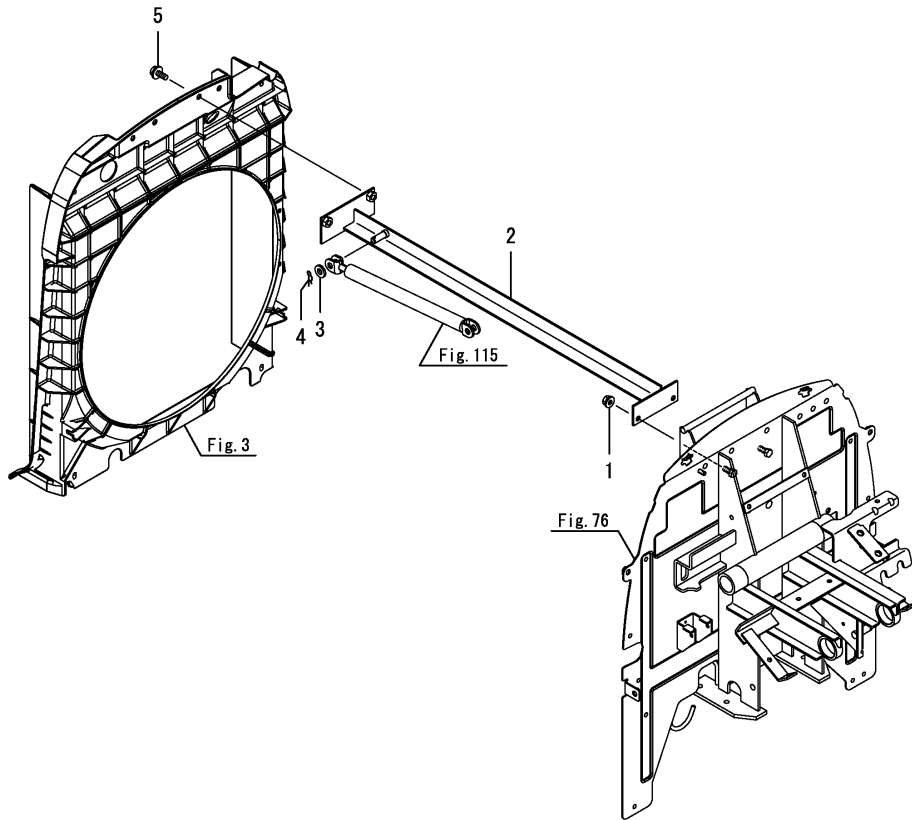


Fig.115. HOOD

(A)=LX410(YANMAR)

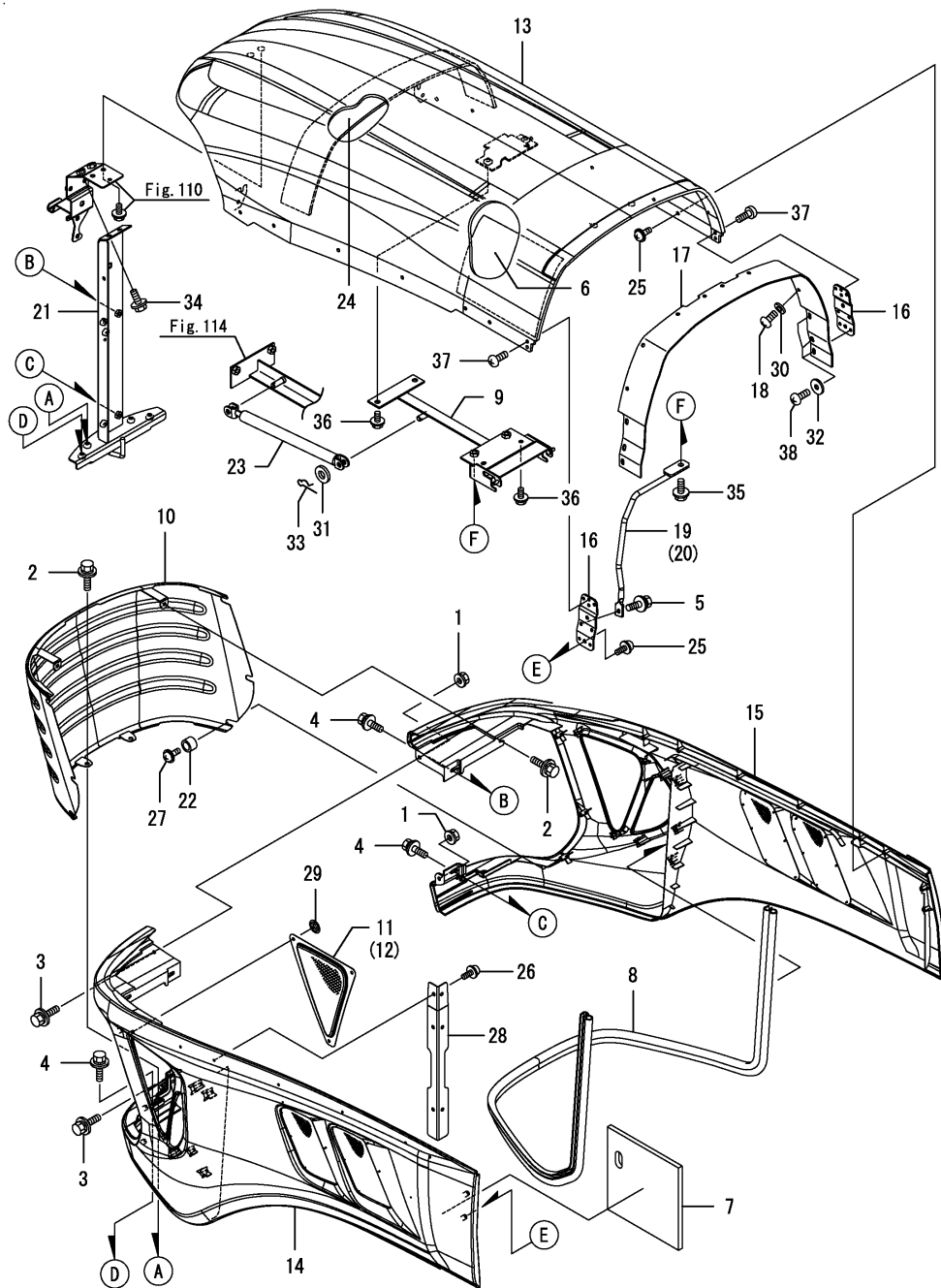
(B)=LX450(YANMAR)

(C)=LX490(YANMAR)

(D)=

(E)=

(F)=



No.	Lev.	Parts No.	Description	Qty						I	R
				(A)	(B)	(C)	(D)	(E)	(F)		
1	1	194990-22130	NUT, M6	2	2	2					
2	1	198072-60590	BOLT, M6X20	4	4	4					
3	1	198072-60590	BOLT, M6X20	2	2	2					
4	1	198072-60590	BOLT, M6X20	6	6	6					
5	1	198072-60590	BOLT, M6X20	2	2	2					
6	1	1A8250-60610	INSULATOR, HOOD	1	1	1					
7	1	1A8250-60621	INSULATOR,HOOD LOWER	1	1	1					
8	1	1A7180-60750	WEATHER-STRIP	1	1	1					
9	1	1A8240-60900	HINGE ASSY, HOOD	1	1	1					
10	1	1A7180-61050	NET ASSY, BONNET	1	1	1					
11	1	1A7180-61070	NET, GRILLE L	1	1	1					
12	1	1A7180-61080	NET, GRILLE R	1	1	1					
13	1	1A8265-61101	HOOD ASSY, TOP	1	1	1					
14	1	1A8250-61130	HOOD ASSY, LOWER L	1	1	1					
15	1	1A8250-61140	HOOD ASSY, LOWER R	1	1	1					
16	1	1A8265-61180	BRACKET, HOOD LOWER	2	2	2					
17	1	1A8265-61190	RUBBER, HOOD	1	1	1					
18	1	1A8265-61240	SCREW, #10-32X3/8	8	8	8					
19	1	1A8265-61250	ROD CMP, HOOD LH	1	1	1					
20	1	1A8265-61280	ROD CMP, HOOD RH	1	1	1					
21	1	1A8265-61300	STAY ASSY, LOCK	1	1	1					
22	1	1A8070-61330	COLLAR, 10X15X10	6	6	6					
23	1	1A8250-61400	SPRING, GAS 700	1	1	1					
24	1	1A7180-61410	URETHANE, BONNET U	1	1	1					
25	1	194940-61790	SCREW, TAPPING M5X16	14	14	14					
26	1	194940-61790	SCREW, TAPPING M5X16	6	6	6					
27	1	194940-61790	SCREW, TAPPING M5X16	6	6	6					
28	1	1A7180-61810	STAY, BONNET SIDE	2	2	2					
29	1	198071-65610	NUT, SPEED M5	6	6	6					
30	1	22137-050000	WASHER, 5	8	8	8					
31	1	22137-100000	WASHER, 10	1	1	1					
32	1	22157-060000	WASHER, 6	6	6	6					
33	1	22372-100000	PIN, SNAP 10	1	1	1					
34	1	26106-080122	BOLT, M8X 12 PLATED	2	2	2					
35	1	26106-080162	BOLT, M8X 16 PLATED	2	2	2					
36	1	26106-080162	BOLT, M8X 16 PLATED	4	4	4					
37	1	26589-060102	SCREW, M6	4	4	4					
38	1	26589-060102	SCREW, M6	6	6	6					

Fig.116. DASHBOARD

(A)=LX410(YANMAR)  
 (B)=LX450(YANMAR)  
 (C)=LX490(YANMAR)

(D)=  
 (E)=  
 (F)=

No.	Lev.	Parts No.	Description	Q'ty						I	R
				(A)	(B)	(C)	(D)	(E)	(F)		
1	1	198072-60590	BOLT, M6X20	6	6	6					
2	1	198072-60590	BOLT, M6X20	4	4	4					
3	1	1A7180-61500	COVER, DASHBOARD	1	1	1					
4	1	1A7180-61510	COVER, METER	1	1	1					
5	1	198071-61890	NUT, SPEED M6	4	4	4					

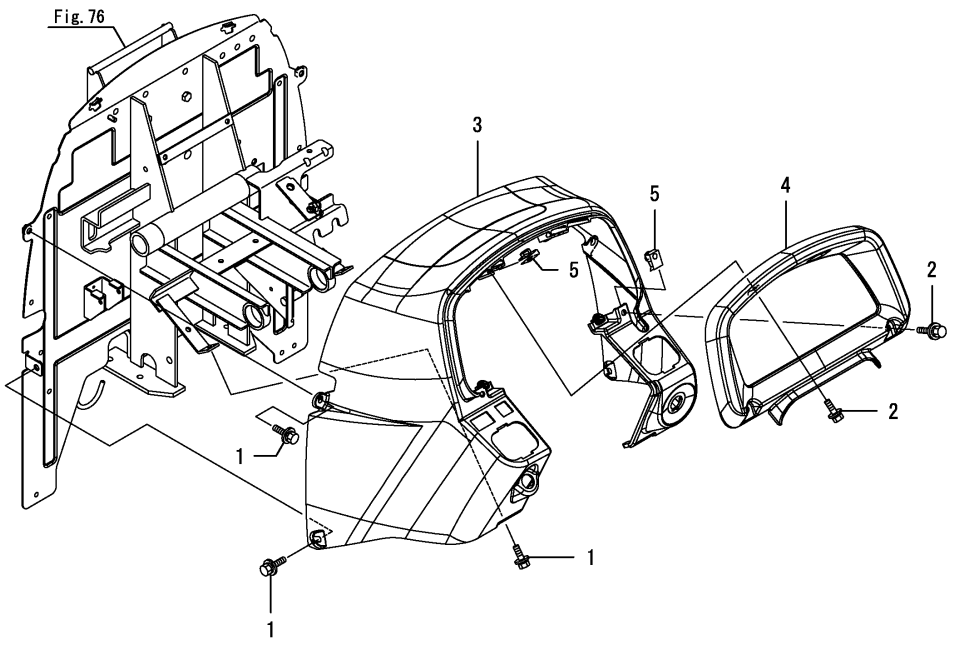


Fig.117. COLUMN COVER

(A)=LX410(YANMAR)  
 (B)=LX450(YANMAR)  
 (C)=LX490(YANMAR)

(D)=  
 (E)=  
 (F)=

No.	Lev.	Parts No.	Description	Q'ty						I	R
				(A)	(B)	(C)	(D)	(E)	(F)		
1	1	198072-60590	BOLT, M6X20	2	2	2					
2	1	198072-60590	BOLT, M6X20	3	3	3					
3	1	1A7180-61530	COVER, COLUMN REAR	1	1	1					
4	1	1A7180-61540	COVER, COLUMN FRONT	1	1	1					
5	1	194940-61790	SCREW, TAPPING M5X16	2	2	2					

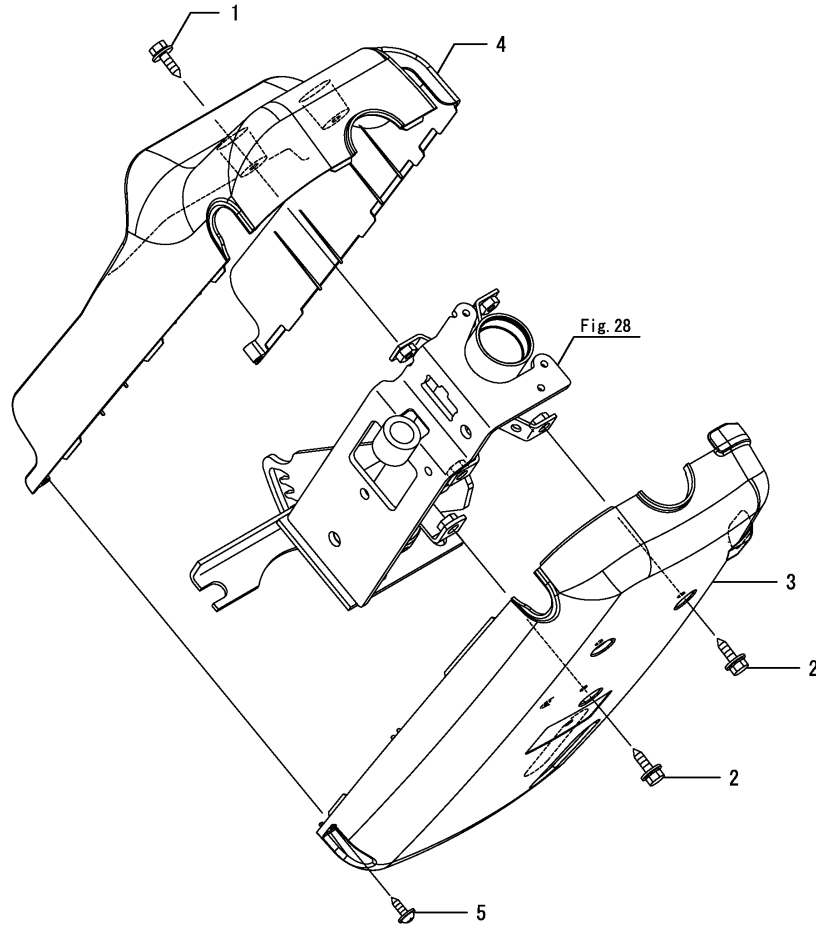
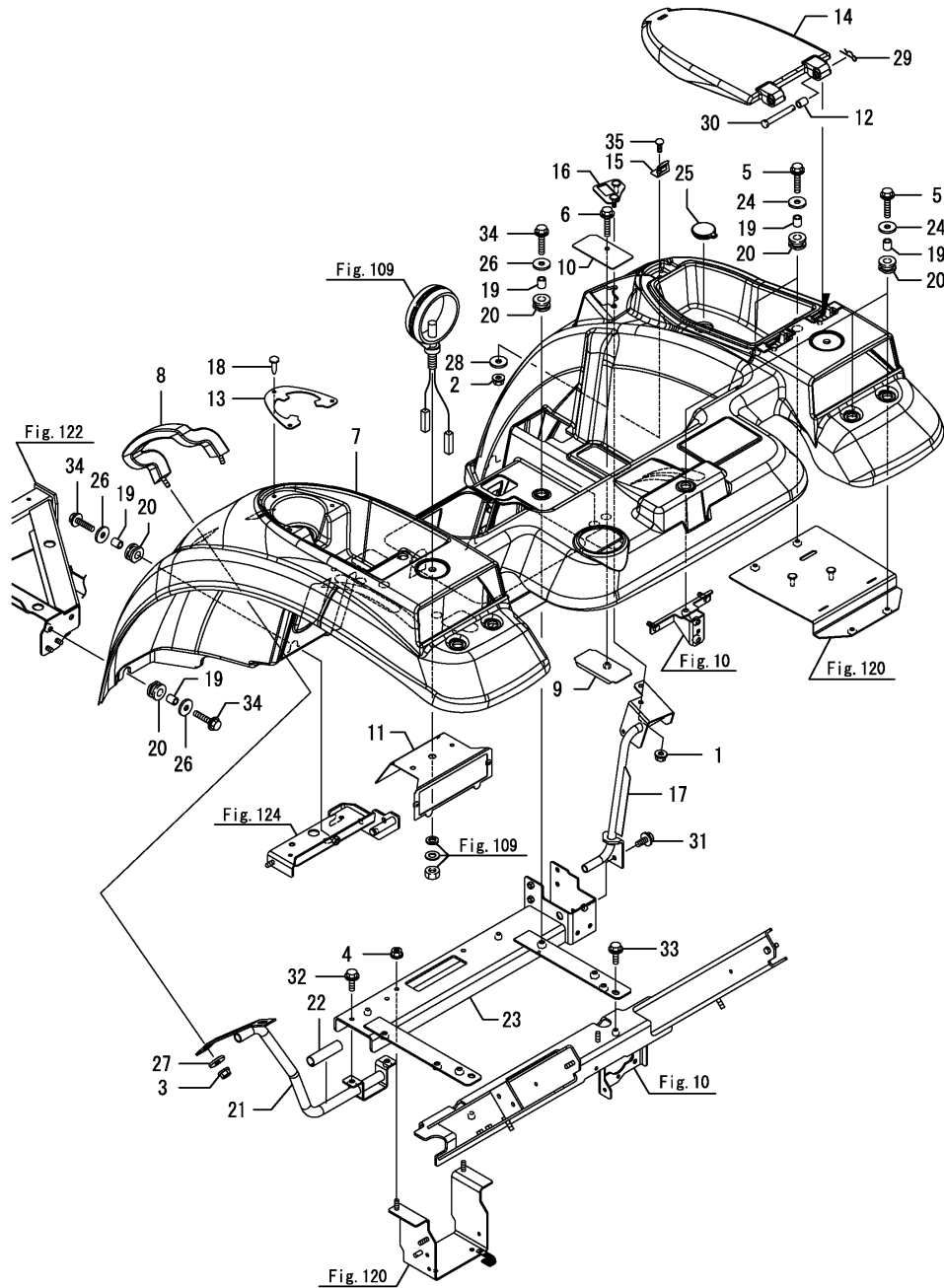


Fig.118. FENDER

(A)=LX410(YANMAR)  
 (B)=LX450(YANMAR)  
 (C)=LX490(YANMAR)

(D)=  
 (E)=  
 (F)=



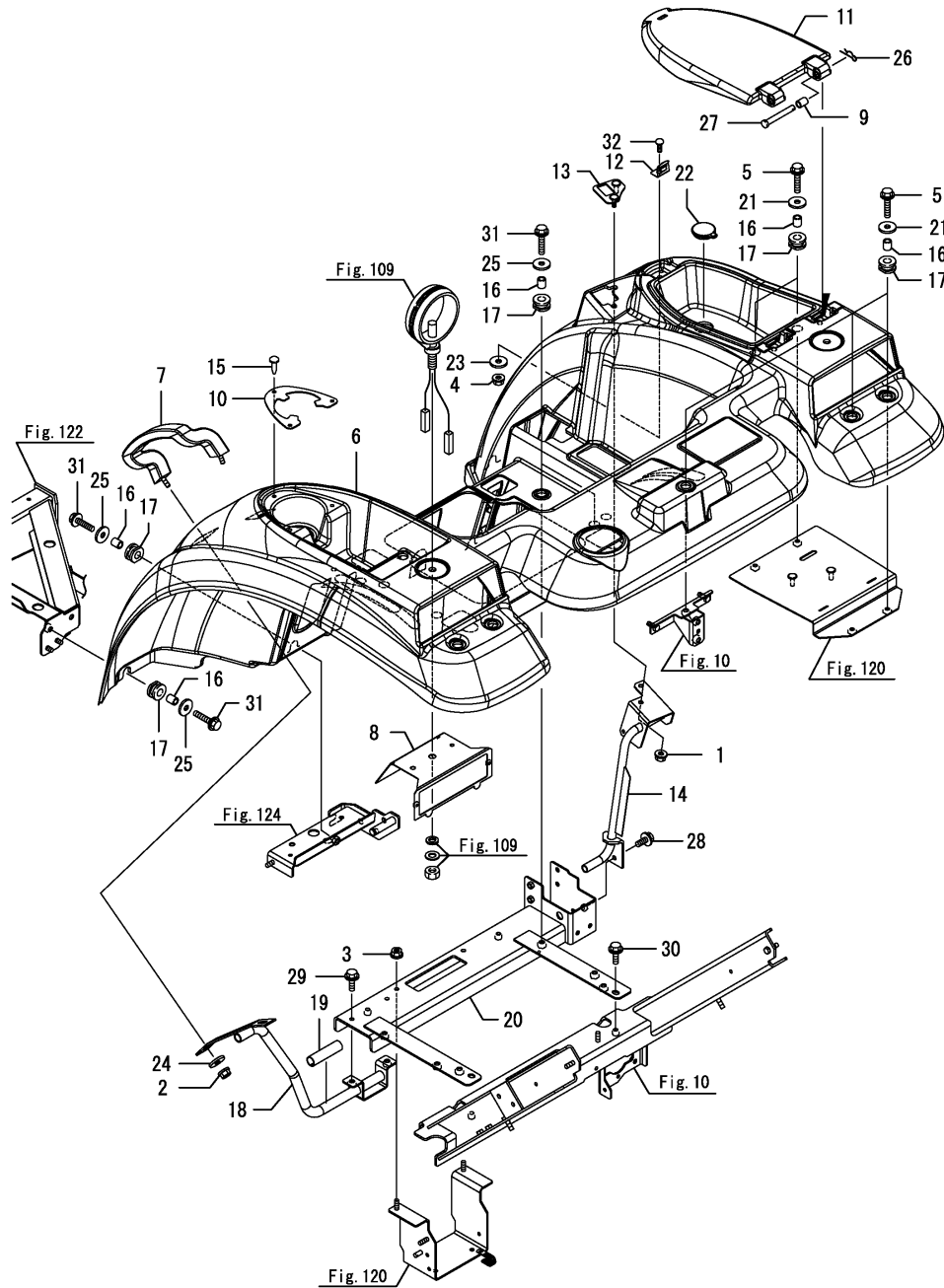
No.	Lev.	Parts No.	Description	Q'ty						I	R
				(A)	(B)	(C)	(D)	(E)	(F)		
1	1	194990-22140	NUT, M8	2	2	2					
2	1	194990-22140	NUT, M8	1	1	1					
3	1	194990-22140	NUT, M8	2	2	2					
4	1	194990-22140	NUT, M8	2	2	2					
5	1	194697-28270	BOLT, M8X35	9	9	9					
6	1	194697-28270	BOLT, M8X35	1	1	1					
7	1	1A8250-62090	FENDER MASSY,	1	1	1					
8	1	1A7510-62100	BAR, ASSIST	1	1	1					
9	1	1A8250-62120	SUPPORT ASSY, A	1	1	1					
10	1	1A8250-62150	SUPPORT B	1	1	1					
11	1	1A8250-62210	BRACKET ASSY, LAMP	2	2	2					
12	1	1A8250-62381	TUBE, 7X10X11	2	2	2					
13	1	1A8250-62390	COVER, CUP HOLDER	1	1	1					
14	1	1A8250-62410	CAP, TOOLBOX	1	1	1					
15	1	1A8250-62460	LOCK, TOOLBOX	1	1	1					
16	1	1A8250-62471	PLATE ASSY, PTO SW	1	1	1					
17	1	1A8250-62490	STAY ASSY, PTO SW	1	1	1					
18	1	194697-62560	CAP, HOLE	3	3	3					
19	1	198220-62920	COLLAR, ABSORBER	17	17	17					
20	1	1A8250-63470	GROMMET	17	17	17					
21	1	1A8250-63700	STAY ASSY, GRIP	1	1	1					
22	1	1A8250-63750	GUARD TUBE,	1	1	1					
23	1	1A8250-63920	BRACKET ASSY, FENDER	1	1	1					
24	1	198255-83550	WASHER, 8	9	9	9					
25	1	198094-85710	GROMMET, 38	1	1	1					
26	1	22157-080000	WASHER, 8	8	8	8					
27	1	22157-080000	WASHER, 8	2	2	2					
28	1	22157-080000	WASHER, 8	1	1	1					
29	1	22372-080000	PIN, SNAP 8	2	2	2					
30	1	22487-080600	PIN 8X 60	2	2	2					
31	1	26106-080202	BOLT, M8X 20 PLATED	1	1	1					
32	1	26106-080202	BOLT, M8X 20 PLATED	2	2	2					
33	1	26106-080202	BOLT, M8X 20 PLATED	2	2	2					
34	1	26106-080352	BOLT, M8X 35 PLATED	8	8	8					
35	1	26487-080203	BOLT, M8X20	1	1	1					



Fig.119. FENDER(REAR REMOTE

(A)=LX410(YANMAR)  
 (B)=LX450(YANMAR)  
 (C)=LX490(YANMAR)

(D)=  
 (E)=  
 (F)=



No.	Lev.	Parts No.	Description	Q'ty						I	R
				(A)	(B)	(C)	(D)	(E)	(F)		
1	1	194990-22140	NUT, M8	2	2	2					
2	1	194990-22140	NUT, M8	2	2	2					
3	1	194990-22140	NUT, M8	2	2	2					
4	1	194990-22140	NUT, M8	1	1	1					
5	1	194697-28270	BOLT, M8X35	9	9	9					
6	1	1A8250-62090	FENDER MASSY,	1	1	1					
7	1	1A7510-62100	BAR, ASSIST	1	1	1					
8	1	1A8250-62210	BRACKET ASSY, LAMP	2	2	2					
9	1	1A8250-62381	TUBE, 7X10X11	2	2	2					
10	1	1A8250-62390	COVER,CUP HOLDER	1	1	1					
11	1	1A8250-62410	CAP, TOOLBOX	1	1	1					
12	1	1A8250-62460	LOCK, TOOLBOX	1	1	1					
13	1	1A8250-62471	PLATE ASSY, PTO SW	1	1	1					
14	1	1A8250-62490	STAY ASSY, PTO SW	1	1	1					
15	1	194697-62560	CAP, HOLE	3	3	3					
16	1	198220-62920	COLLAR, ABSORBER	17	17	17					
17	1	1A8250-63470	GROMMET	17	17	17					
18	1	1A8250-63700	STAY ASSY, GRIP	1	1	1					
19	1	1A8250-63750	GUARD TUBE,	1	1	1					
20	1	1A8250-63920	BRACKET ASSY, FENDER	1	1	1					
21	1	198255-83550	WASHER, 8	9	9	9					
22	1	198094-85710	GROMMET, 38	1	1	1					
23	1	22157-080000	WASHER, 8	1	1	1					
24	1	22157-080000	WASHER, 8	2	2	2					
25	1	22157-080000	WASHER, 8	8	8	8					
26	1	22372-080000	PIN, SNAP 8	2	2	2					
27	1	22487-080600	PIN 8X 60	2	2	2					
28	1	26106-080202	BOLT, M8X 20 PLATED	1	1	1					
29	1	26106-080202	BOLT, M8X 20 PLATED	2	2	2					
30	1	26106-080202	BOLT, M8X 20 PLATED	2	2	2					
31	1	26106-080352	BOLT, M8X 35 PLATED	8	8	8					
32	1	26487-080203	BOLT, M8X20	1	1	1					

Fig.120. FENDER PARTS

(A)=LX410(YANMAR)  
 (B)=LX450(YANMAR)  
 (C)=LX490(YANMAR)

(D)=  
 (E)=  
 (F)=

No.	Lev.	Parts No.	Description	Q'ty						I	R
				(A)	(B)	(C)	(D)	(E)	(F)		
1	1	194990-22140	NUT, M8	4	4	4					
2	1	1A8250-62170	COVER, LAMP ASSY	2	2	2					
3	1	1A8250-62250	BRACKET ASSY, REAR	2	2	2					
4	1	1A8250-63050	BRACKET ASSY, F UNIT	1	1	1					
5	1	26106-080162	BOLT, M8X 16 PLATED	2	2	2					
6	1	26106-080202	BOLT, M8X 20 PLATED	4	4	4					

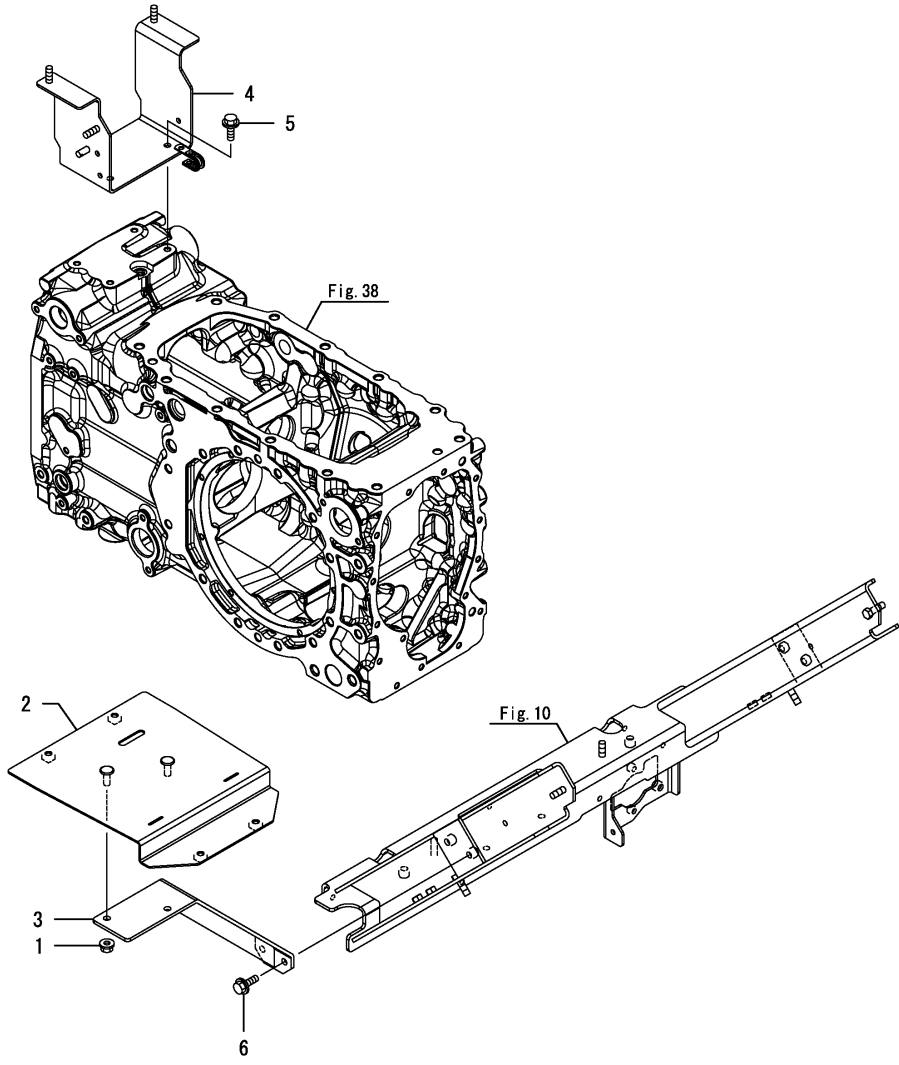
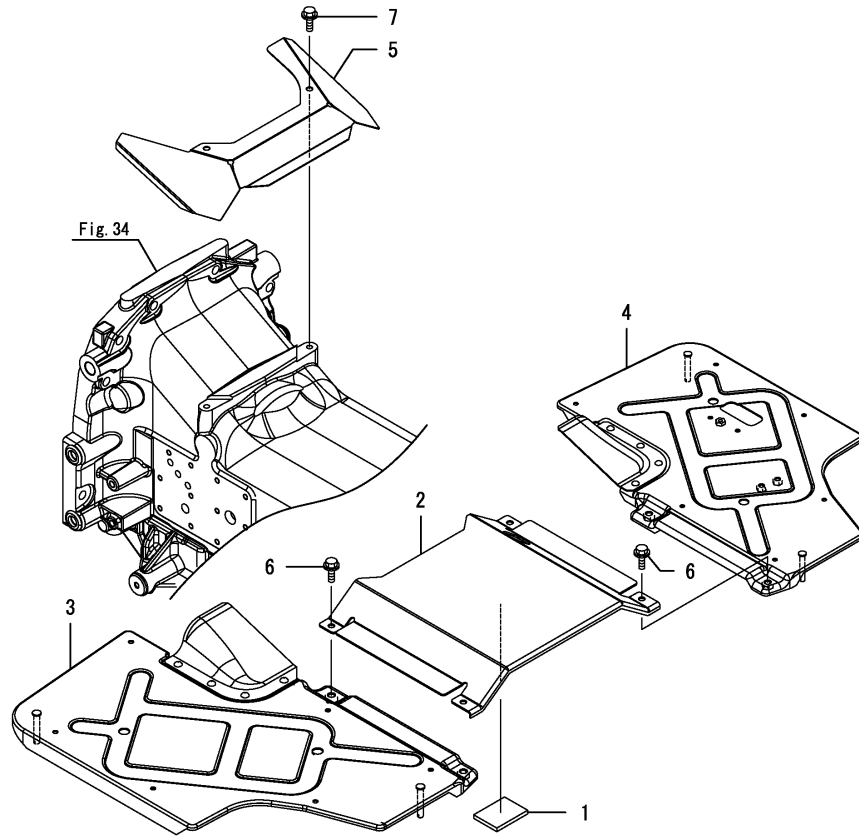


Fig.121. FLOOR

(A)=LX410(YANMAR)  
 (B)=LX450(YANMAR)  
 (C)=LX490(YANMAR)

(D)=  
 (E)=  
 (F)=

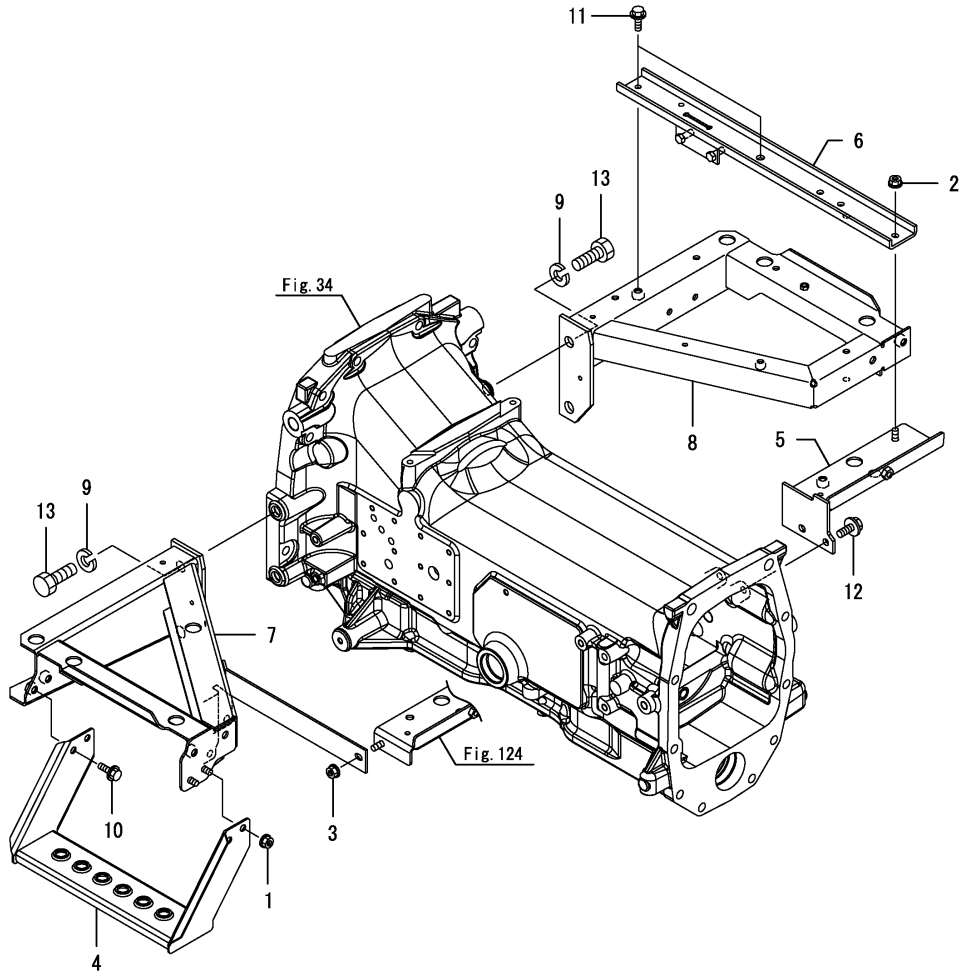


No.	Lev.	Parts No.	Description	Q'ty						I	R
				(A)	(B)	(C)	(D)	(E)	(F)		
1	1	194190-61761	RUBBER, CUSHION	1	1	1					
2	1	1A8250-62570	PLATE, FLOOR C	1	1	1					
3	1	1A8250-62580	PLATE ASSY, FLOOR L	1	1	1					
4	1	1A8250-62590	PLATE ASSY, FLOOR R	1	1	1					
5	1	1A8250-62620	COVER, FLOOR	1	1	1					
6	1	26106-080122	BOLT, M8X 12 PLATED	4	4	4					
7	1	26106-080162	BOLT, M8X 16 PLATED	2	2	2					

Fig.122. STEP STAY(1)

(A)=LX410(YANMAR)  
 (B)=LX450(YANMAR)  
 (C)=LX490(YANMAR)

(D)=  
 (E)=  
 (F)=



No.	Lev.	Parts No.	Description	Qty						I	R
				(A)	(B)	(C)	(D)	(E)	(F)		
1	1	194990-22140	NUT, M8	2	2	2					
2	1	194990-22140	NUT, M8	1	1	1					
3	1	194990-22140	NUT, M8	1	1	1					
4	1	1A8240-62561	SUB-STEP ASSY,	1	1	1					
5	1	1A8240-62660	SUPPORT ASSY, REAR R	1	1	1					
6	1	1A8240-62711	SUPPORT ASSY, SCV	1	1	1					
7	1	1A8240-62850	SUPPORT,FRONT L ASSY	1	1	1					
8	1	1A8240-62861	SUPPORT,FRONT R ASSY	1	1	1					
9	1	22217-160000	WASHER, SPRING 16	4	4	4					
10	1	26106-080162	BOLT, M8X 16 PLATED	2	2	2					
11	1	26106-080162	BOLT, M8X 16 PLATED	2	2	2					
12	1	26106-100202	BOLT, M10X 20 PLATED	2	2	2					
13	1	26116-160402	BOLT, M16X 40 PLATED	4	4	4					

### Fig.123. INSULATOR

(A)=LX410(YANMAR)  
 (B)=LX450(YANMAR)  
 (C)=LX490(YANMAR)

(D)=  
 (E)=  
 (F)=

No.	Lev.	Parts No.	Description	Qty						I	R
				(A)	(B)	(C)	(D)	(E)	(F)		
1	1	198220-62150	WASHER	4	4	4					
2	1	198240-62451	ABSORBER, STEP	7	7	7					
3	1	22372-080000	PIN, SNAP 8	4	4	4					

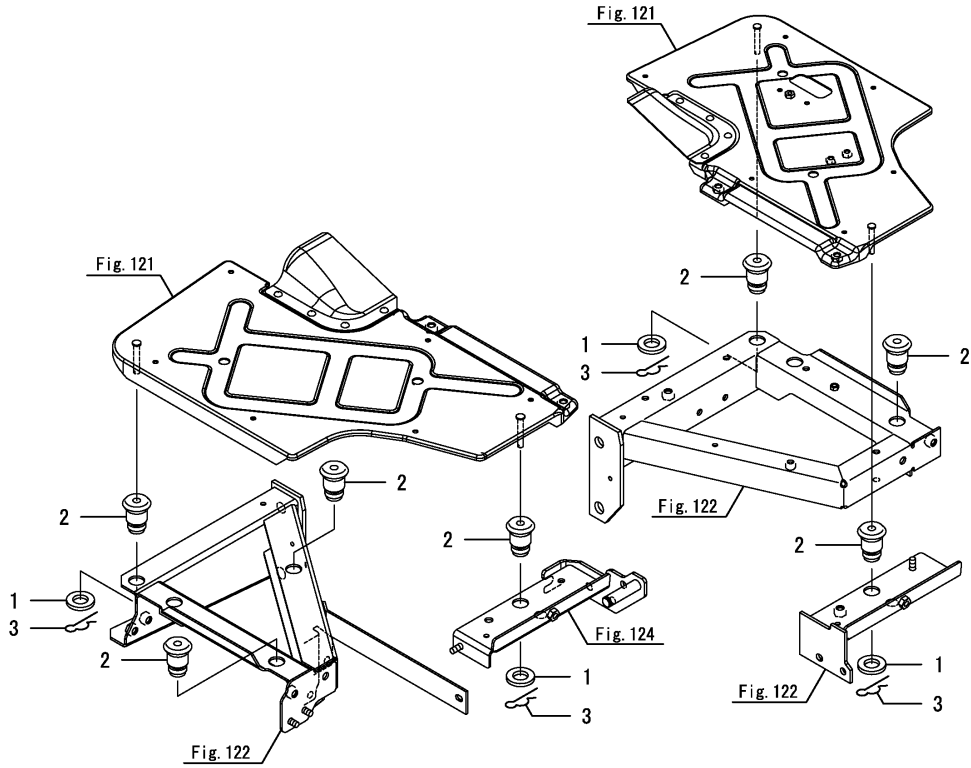


Fig.124. STEP STAY(2)

(A)=LX410(YANMAR)  
 (B)=LX450(YANMAR)  
 (C)=LX490(YANMAR)

(D)=  
 (E)=  
 (F)=

No.	Lev.	Parts No.	Description	Q'ty						I	R
				(A)	(B)	(C)	(D)	(E)	(F)		
1	1	1A8240-18510	ROD, REVERSER	1	1	1					
2	1	1C6281-52320	PIN, SNAP 8	2	2	2					
3	1	1A8240-62600	SUPPORT UNIT, REAR L	1	1	1					
4	2	1A8240-18400	LINK, REVERSER ASSY	1	1	1					
5	3	24550-015120	BUSH, 15X12	2	2	2					
6	2	1A8240-62650	SUPPORT ASSY, REAR L	1	1	1					
7	2	22137-140000	WASHER, 14	1	1	1					
8	2	22272-000120	RING, E-12	1	1	1					
9	1	22137-080000	WASHER, 8	2	2	2					
10	1	26106-100202	BOLT, M10X 20 PLATED	2	2	2					

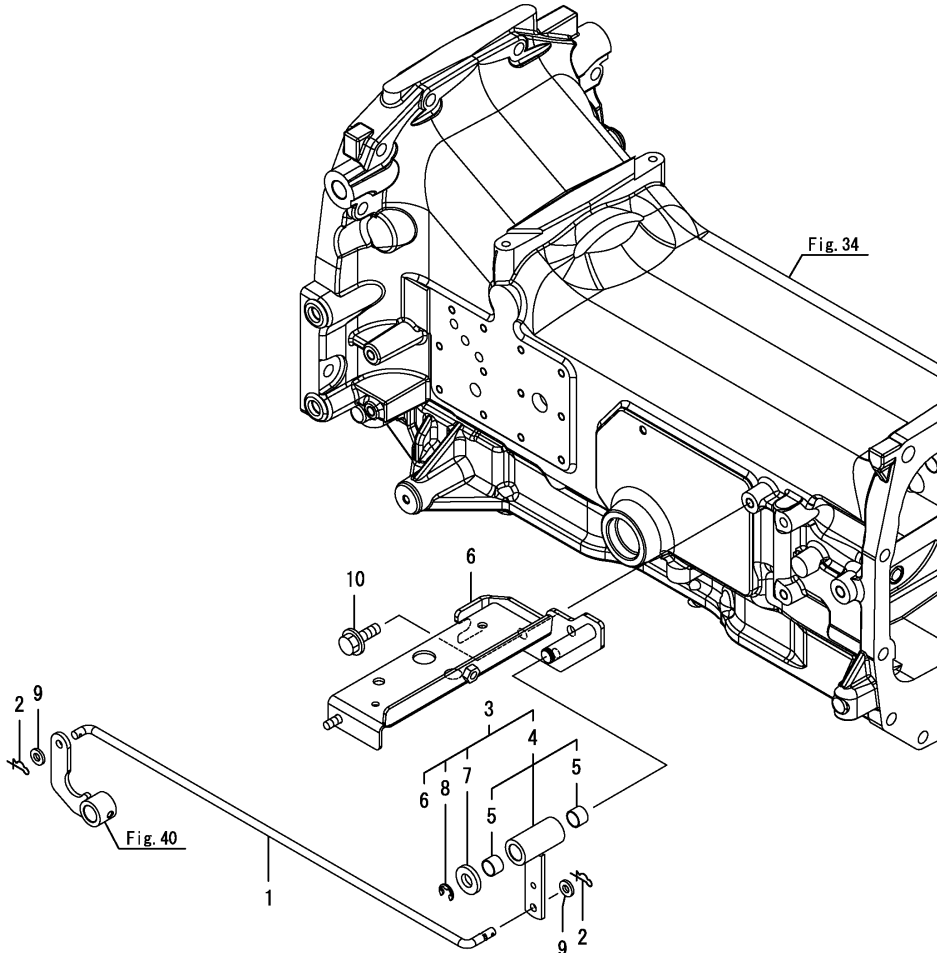


Fig.125. FLOOR ATTACHMENT

(A)=LX410(YANMAR)  
 (B)=LX450(YANMAR)  
 (C)=LX490(YANMAR)

(D)=  
 (E)=  
 (F)=

No.	Lev.	Parts No.	Description	Q'ty						I	R
				(A)	(B)	(C)	(D)	(E)	(F)		
1	1	1A8240-62360	MAT. FLOOR ROPS	1	1	1					
2	1	194697-62560	CAP. HOLE	12	12	12					

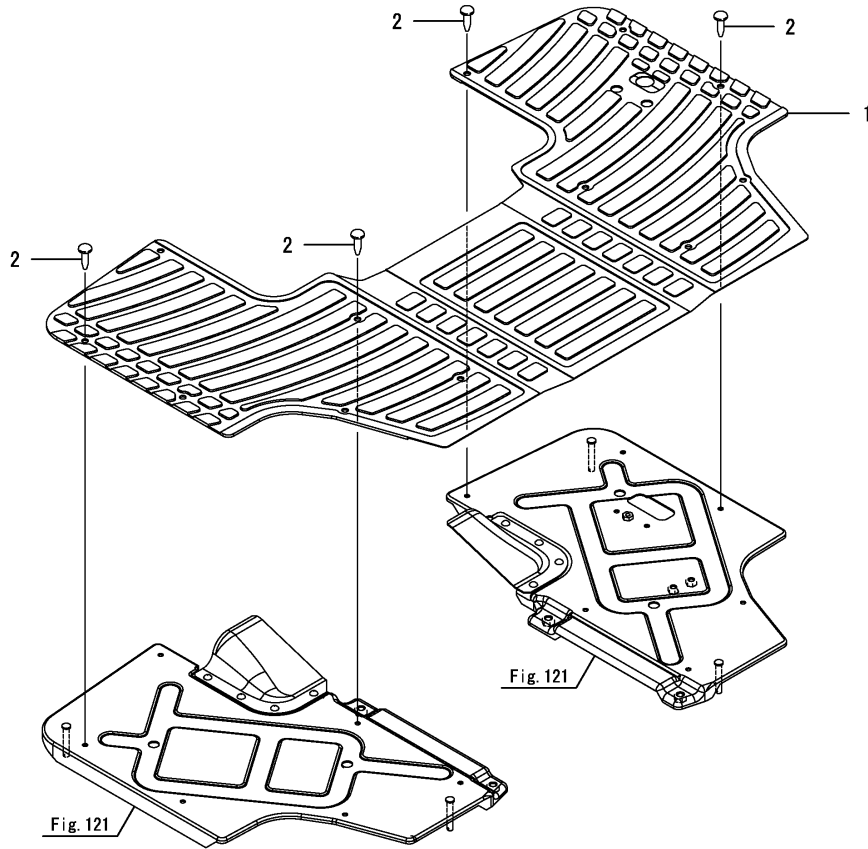


Fig.126. SEAT

(A)=LX410(YANMAR)  
 (B)=LX450(YANMAR)  
 (C)=LX490(YANMAR)

(D)=  
 (E)=  
 (F)=

No.	Lev.	Parts No.	Description	Qty						I	R
				(A)	(B)	(C)	(D)	(E)	(F)		
1	1	194990-22140	NUT, M8	4	4	4					
2	1	1A8240-63111	SEAT ASSY,	1	1	1					
3	2	1A8275-51281	HARNESS, SEAT	1	1	1					
4	2	1A8160-52310	SWITCH, SEAT DELTA	1	1	1					
5	2	1A8240-63120	SUSPENSION, SEAT	1	1	1					
6	2	1A8250-63240	SEAT RAIL L/R ASSY	1	1	1					
7	2	1A8250-63250	FRANGE BOLT	4	4	4					
8	2	1A8250-63300	ARM REST BODY ASSY L	1	1	1					
9	2	1A8250-63310	ARM REST BODY ASSY R	1	1	1					
10	2	1A8250-63320	PLANE WASHER	2	2	2					
11	2	1A8250-63330	HEXA HEAD CAP SCREWS	2	2	2					
12	2	1A8250-63340	SPRING WASHER	2	2	2					
13	2	1A8250-63520	SEATBELT ASSY, BELT	1	1	1					
14	2	1A8250-63530	HEX BOLT	2	2	2					
15	2	1A8250-63540	SPRING WASHER	3	3	3					
16	2	1A8250-63550	PLAIN WASHER	1	1	1					
17	2	1A8250-63560	BUSH	1	1	1					
17A	2	1A8240-63150	CUSHION, SEAT	1	1	1					
17B	2	1A8240-63160	CUSHION,B SEAT	1	1	1					
17C	2	1A8240-63170	KNOB, HIGHT ADJUST	1	1	1					
17D	2	1A8240-63180	KNOB, WEIGHT ADJUST	1	1	1					
18	1	1A8240-63200	BRACKET ASSY, SEAT	1	1	1					
19	1	26106-080202	BOLT, M8X 20 PLATED	4	4	4					

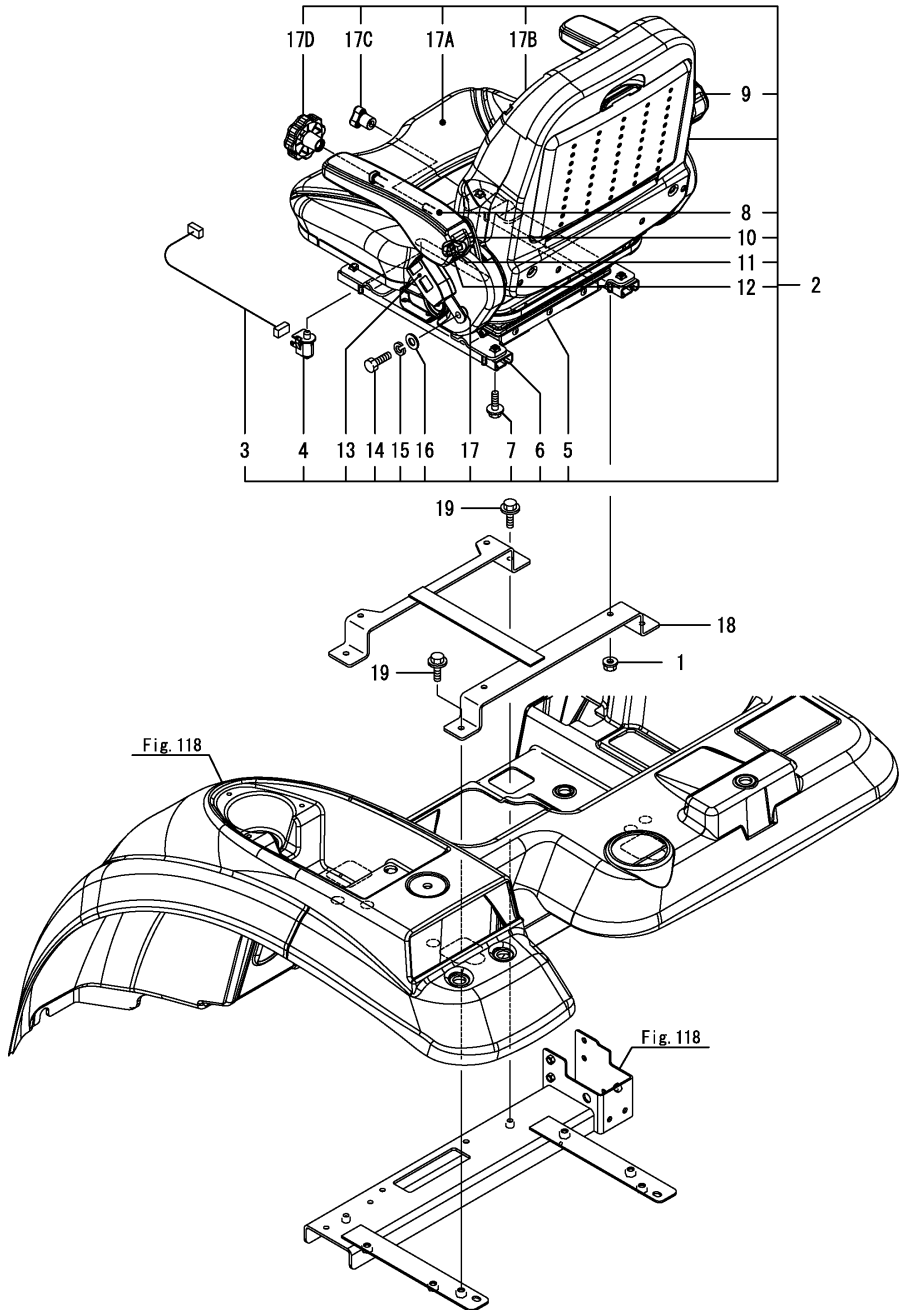




Fig.127. LABEL

(A)=LX410(YANMAR)  
 (B)=LX450(YANMAR)  
 (C)=LX490(YANMAR)

(D)=  
 (E)=  
 (F)=

No.	Lev.	Parts No.	Description	Qty						I	R
				(A)	(B)	(C)	(D)	(E)	(F)		
1	1	1A8250-15790	LABEL, STEERING	1	1	1					
2	1	1A8250-65370	LABEL,IMPORTANT,DIFF	1	1	1					
3	1	1A8250-65410	LABEL, SCV LEVER	1	1	1					
4	1	1A8250-65420	LABEL, SCV LOCK	1	1	1					
5	1	1A8300-65421	LABEL, START SWITCH	1	1	1					
6	1	1A8250-65430	LABEL, SCV COUPLER	1	1	1					
7	1	1A8250-65450	LABEL, DIFF. LOCK	1	1	1					
8	1	1A8250-65460	LABEL, RANGE	1	1	1					
9	1	1A8250-65470	LABEL, LIFT LEVER	1	1	1					
10	1	1A8240-65500	LABEL, PRIMARY SHIFT	1	1	1					
11	1	1A8250-65560	LABEL, SPEED	1	1	1					
12	1	1A8250-65580	LABEL, STOP VALVE	1	1	1					
13	1	1A8250-65610	LABEL, TILT-PARKING	1	1	1					
14	1	1A8250-65630	LABEL, SOCKET	1	1	1					
15	1	1A8250-65650	LABEL, FUEL OIL	1	1	1					
16	1	1A8250-65690	LABEL,ACCELERATOR	1	1	1					
17	1	1A8250-65750	LABEL, 4WD	1	1	1					
18	1	1A8250-65821	LABEL, ROPS STANDARD	1	1	1					
19	1	1A8160-65860	TAPE, 50X115	2	2	2					

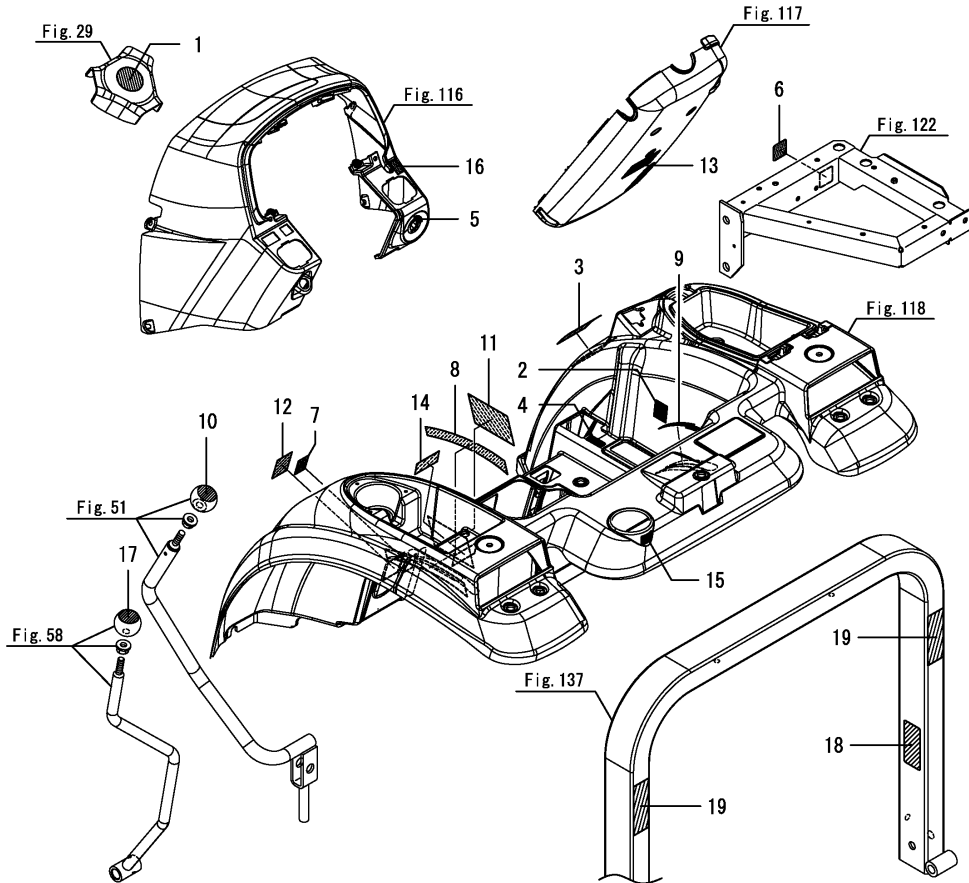
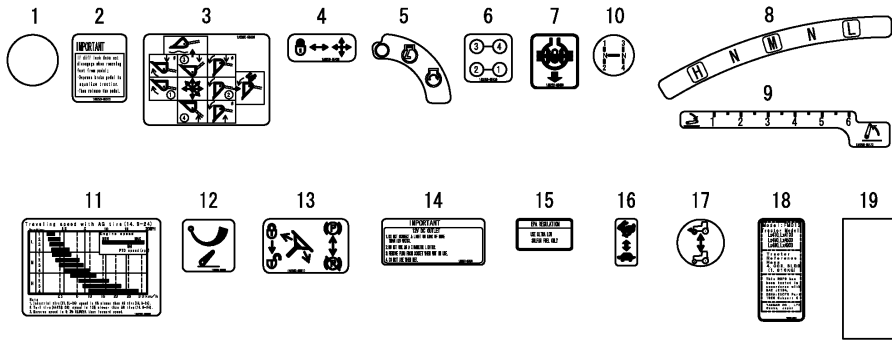
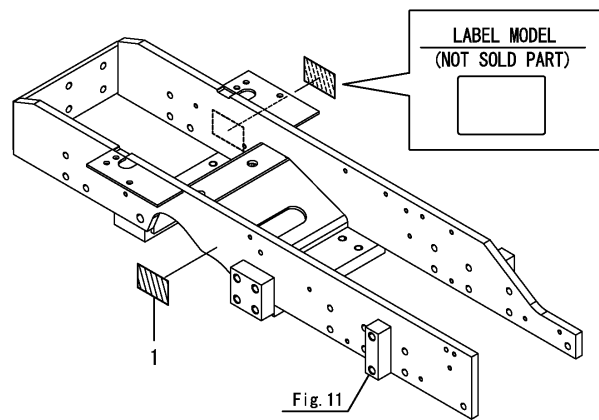
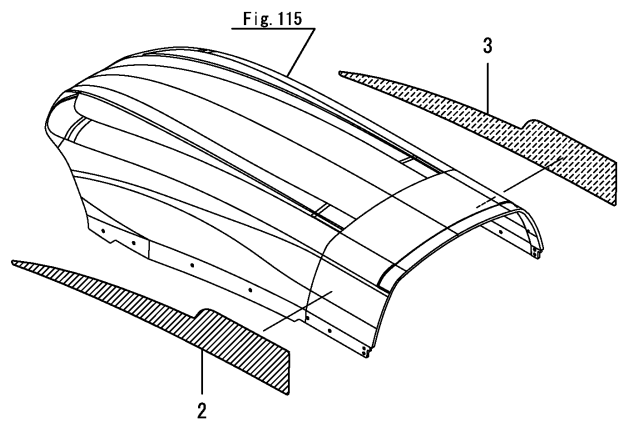


Fig.128. LABEL(LX410)



(A)=LX410(YANMAR)  
 (B)=LX450(YANMAR)  
 (C)=LX490(YANMAR)

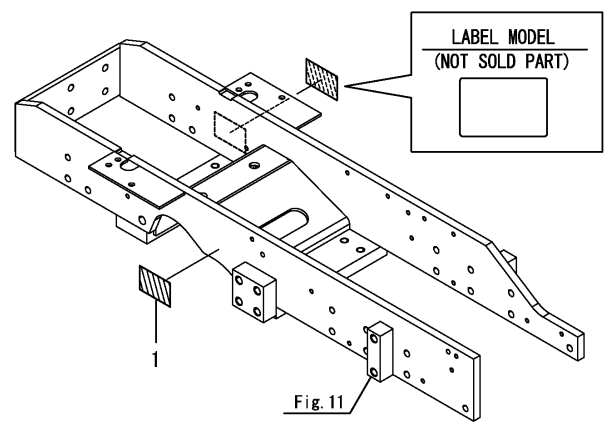
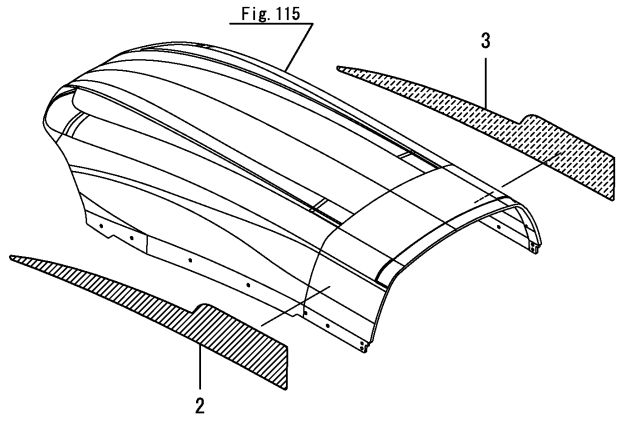
(D)=  
 (E)=  
 (F)=

No.	Lev.	Parts No.	Description	Qty						I	R
				(A)	(B)	(C)	(D)	(E)	(F)		
1	1	1A8250-65390	LABEL, SPARK ARRESTOR	1							
2	1	1A8240-65700	LABEL, LOGO LX410 L	1							
3	1	1A8240-65710	LABEL, LOGO LX410 R	1							

Fig.129. LABEL(LX450)

(A)=LX410(YANMAR)  
 (B)=LX450(YANMAR)  
 (C)=LX490(YANMAR)

(D)=  
 (E)=  
 (F)=

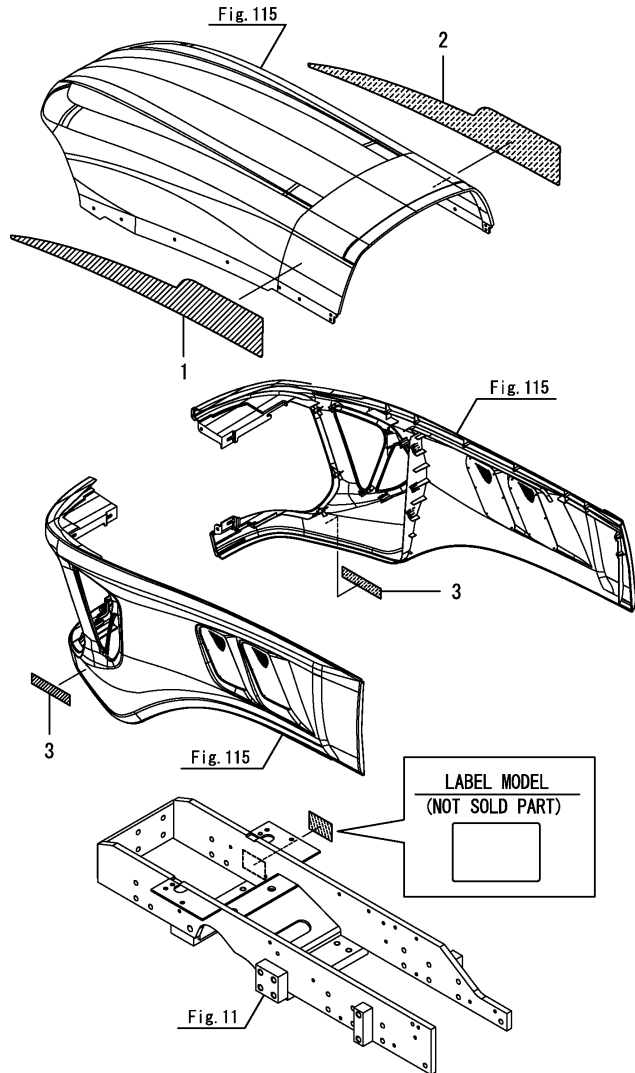
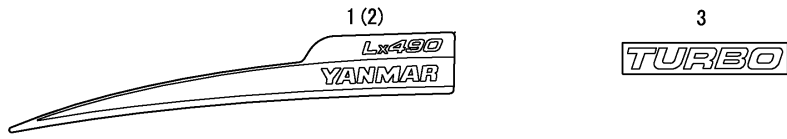


No.	Lev.	Parts No.	Description	Qty						I	R	
				(A)	(B)	(C)	(D)	(E)	(F)			
1	1	1A8250-65390	LABEL, SPARK ARRESTOR		1							
2	1	1A8250-65700	LABEL, LOGO LX450 L		1							
3	1	1A8250-65710	LABEL, LOGO LX450 R		1							

Fig.130. LABEL(LX490)

(A)=LX410(YANMAR)  
 (B)=LX450(YANMAR)  
 (C)=LX490(YANMAR)

(D)=  
 (E)=  
 (F)=



No.	Lev.	Parts No.	Description	Qty						I	R	
				(A)	(B)	(C)	(D)	(E)	(F)			
1	1	1A8260-65700	LABEL, LOGO LX490 L			1						
2	1	1A8260-65710	LABEL, LOGO LX490 R			1						
3	1	1A8260-65910	LABEL, TURBO			2						

Fig.131. LABEL(PL)

(A)=LX410(YANMAR)  
 (B)=LX450(YANMAR)  
 (C)=LX490(YANMAR)

(D)=  
 (E)=  
 (F)=

No.	Lev.	Parts No.	Description	Qty						I	R
				(A)	(B)	(C)	(D)	(E)	(F)		
1	1	1A8250-65300	LABEL, DANGER, START	1	1	1					
2	1	1A8250-65310	LABEL, WARNING, STOP	1	1	1					
3	1	1A8240-65320	LABEL, WARNING	1	1	1					
4	1	1A8250-65350	LABEL, WARNING, ROPS	1	1	1					
5	1	1A7880-65610	LABEL, WARNING, FAN	2	2	2					
6	1	198220-65621	LABEL, P.T.O.WARNING	1	1	1					
7	1	1A8250-65800	LABEL, WARNING ROPS	1	1	1					

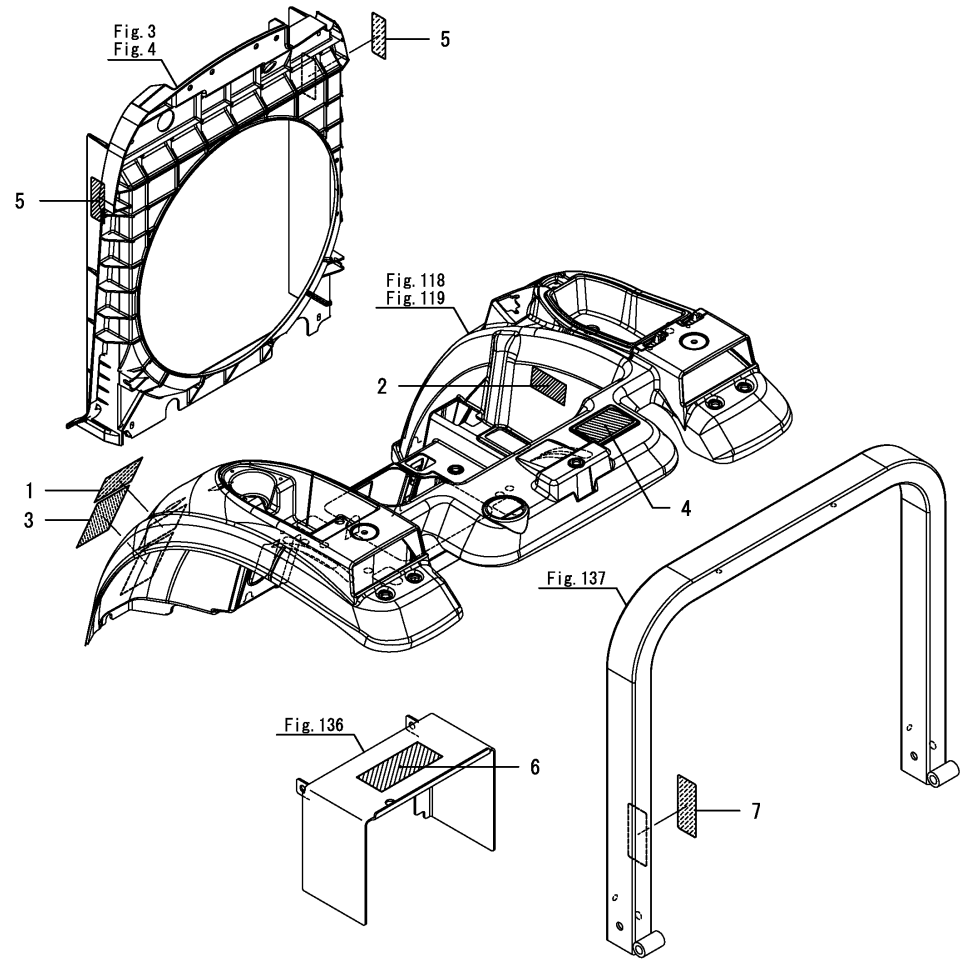
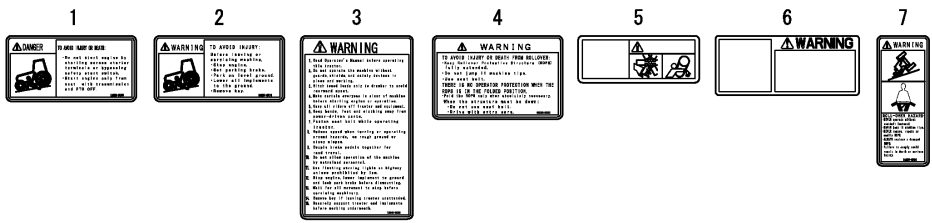


Fig.132. SMV

(A)=LX410(YANMAR)  
 (B)=LX450(YANMAR)  
 (C)=LX490(YANMAR)

(D)=  
 (E)=  
 (F)=

No.	Lev.	Parts No.	Description	Qty						I	R
				(A)	(B)	(C)	(D)	(E)	(F)		
1	1	194990-22130	NUT, M6	2	2	2					
2	1	1A8160-65800	EMBLEM, SMV	1	1	1					
3	1	1A7882-85620	STAY, SMV	1	1	1					
4	1	26106-060162	BOLT, M6X 16 PLATED	2	2	2					

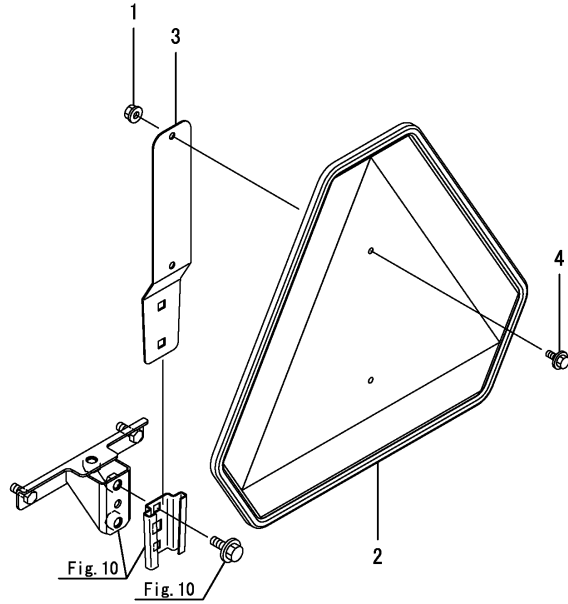
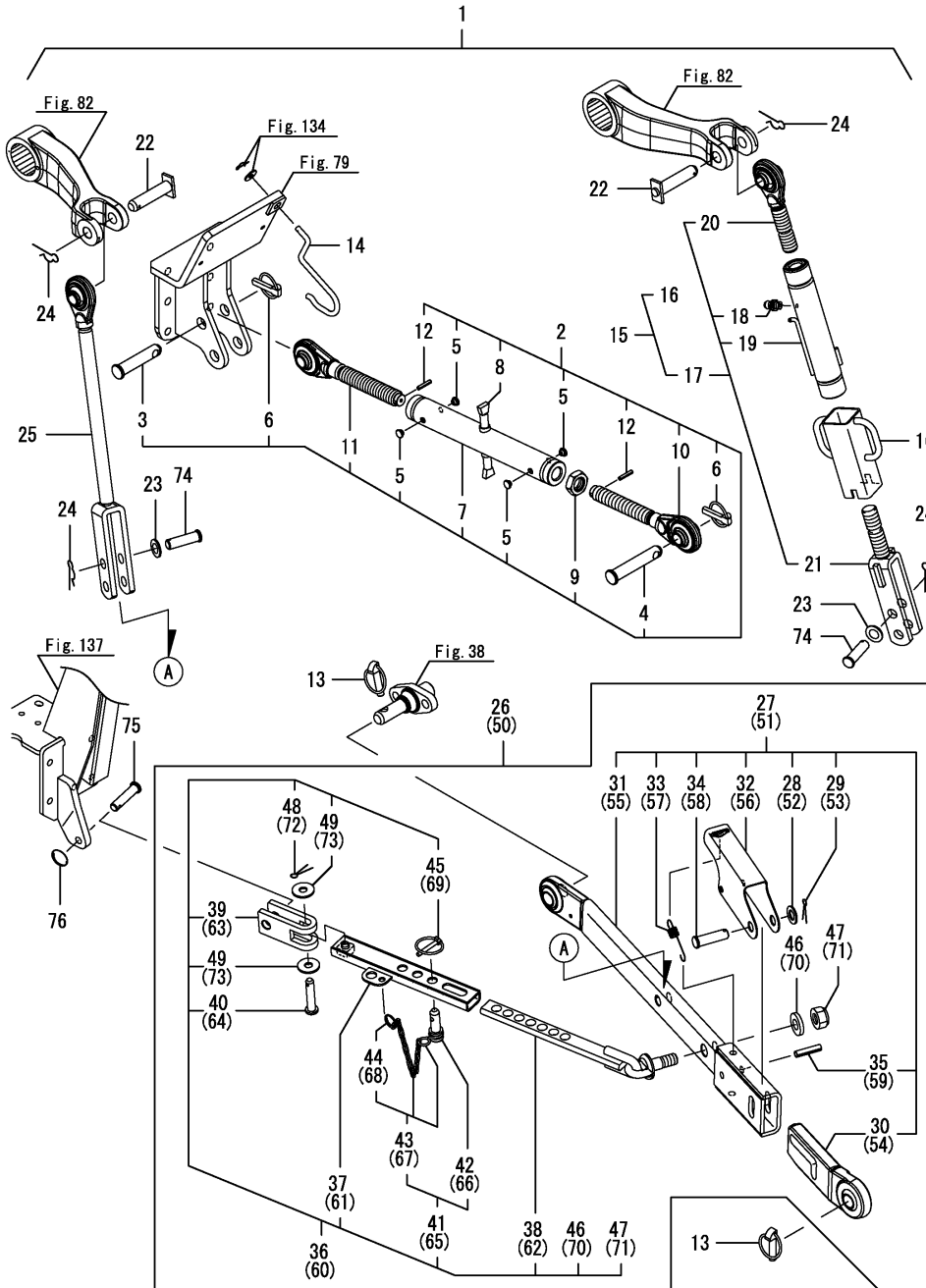


Fig.133. 3P LINK KIT

(A)=LX410(YANMAR)  
 (B)=LX450(YANMAR)  
 (C)=LX490(YANMAR)

(D)=  
 (E)=  
 (F)=



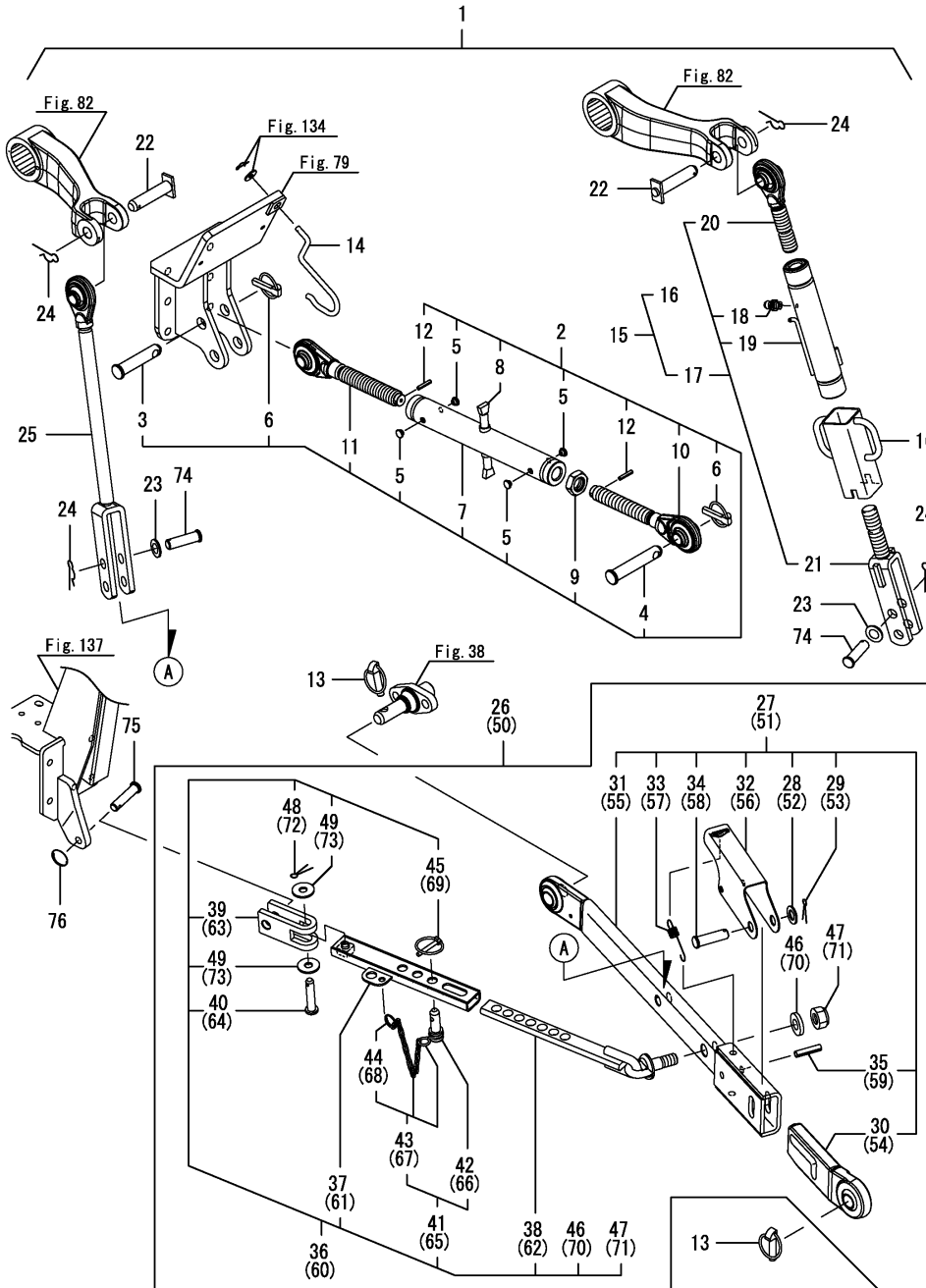
No.	Lev.	Parts No.	Description	Q'ty						I	R
				(A)	(B)	(C)	(D)	(E)	(F)		
1	1	1A8275-71000	3P LINK ASSY,	1	1	1					
2	2	1A8275-71100	LINK ASSY, TOP	1	1	1					
3	3	1A7335-71230	PIN, LINK	1	1	1					
4	3	1A7335-71240	PIN, HITCH	1	1	1					
5	3	1A7335-71250	CAP	4	4	4					
6	3	1A7335-71410	PIN ASSY, BALL	2	2	2					
7	3	1A8275-71500	TURNBACKLE ASSY,	1	1	1					
8	3	1A8275-71540	ROD,	1	1	1					
9	3	1A7880-71580	NUT, M24	1	1	1					
10	3	1A8275-71600	EYEBOLT ASSY, RH	1	1	1					
11	3	1A8275-71700	EYEBOLT ASSY, LH	1	1	1					
12	3	1A7335-71760	PIN, SPRING 5.0X25	2	2	2					
13	2	1A7335-71410	PIN ASSY, BALL	4	4	4					
14	2	1A8275-71550	SPRING,	1	1	1					
15	2	1A8275-72100	LINK ASSY, LIFT R.H.	1	1	1					
16	3	1A8275-72110	HANDLE CMP	1	1	1					
17	3	1A8275-72190	LINK ASY, LIFT R	1	1	1					
18	4	1A7450-43680	NIPPLE, GRESAE M6	1	1	1					
19	4	1A8275-72200	TURN BUCKLE CMP	1	1	1					
20	4	1A8275-72250	BOLT ASSY, EYE	1	1	1					
21	4	1A8275-72270	YOKE ASSY, LIFT R.H.	1	1	1					
22	2	1A8275-72150	PIN, LIFT ARM	2	2	2					
23	2	1A7500-72160	WASHER, 16	2	2	2					
24	2	1A8275-72180	SNAP PIN 13-19	4	4	4					
25	2	1A8275-72300	LIFT LINK L CMP	1	1	1					
26	2	1A8275-73030	LINK & CHAIN L ASY	1	1	1					
27	3	1A8275-73500	LINK ASSY, LOWER LH	1	1	1					
28	4	1A7500-72160	WASHER, 16	1	1	1					
29	4	1A7500-72180	PIN, 4.0X32	1	1	1					
30	4	1A8275-73510	LOWER MEMBER RL CMP	1	1	1					
31	4	1A8275-73600	LOWER MEMBER F ASSY	1	1	1					
32	4	1A8275-73700	LINK COVER	1	1	1					
33	4	1A8275-73710	SPRING	1	1	1					
34	4	1A8275-73720	PIN	1	1	1					
35	4	1A8275-73740	PIN 10X45	1	1	1					
36	3	1A8275-74200	STABILIZER ASSY	1	1	1					
37	4	1A8275-74260	TUBE CMP, OUTER	1	1	1					
38	4	1A8275-74340	PLATE CMP, INNER	1	1	1					
39	4	1A8275-74390	JOINT	1	1	1					
40	4	1A8275-74410	PIN 12.8X55	1	1	1					
41	4	1A8275-74430	PIN CMP	1	1	1					
42	5	1A8275-74440	PIN 15X27	1	1	1					
43	5	1A8275-74450	CHAIN ASSY	1	1	1					
44	6	1A8275-74470	RING	1	1	1					
45	4	1A8275-74490	LYNCH PIN ASSY	1	1	1					
46	4	1A8275-74520	WASHER 20	1	1	1					
47	4	1A8275-74530	NUT 18, NYLON LOCK	1	1	1					
48	4	1A8275-74540	PIN 4.0X32	1	1	1					
49	4	1A8275-74550	WASHER 13	2	2	2					
50	2	1A8275-73040	LINK & CHAIN R ASSY	1	1	1					
51	3	1A8275-73550	LINK ASSY, LOWER RH	1	1	1					

N:Old  $\xrightarrow{\text{Yes}}$  New, Q:Old  $\xrightarrow{\text{No}}$  New, R:Old  $\xrightarrow{\text{Yes}}$  New, S:Old  $\xrightarrow{\text{No}}$  New, W:Add, Z:Discontinued, F:Interchangeable by set, K:Q'ty Change  
 ++ CONTINUE ++  
 Copyright (C) YANMAR CO., LTD. All Rights Reserved.

Fig.133. 3P LINK KIT

(A)=LX410(YANMAR)  
 (B)=LX450(YANMAR)  
 (C)=LX490(YANMAR)

(D)=  
 (E)=  
 (F)=



No.	Lev.	Parts No.	Description	Qty						I	R
				(A)	(B)	(C)	(D)	(E)	(F)		
52	4	1A7500-72160	WASHER, 16	1	1	1					
53	4	1A7500-72180	PIN, 4.0X32	1	1	1					
54	4	1A8275-73560	LOWER MEMBER RR CMP	1	1	1					
55	4	1A8275-73600	LOWER MEMBER F ASSY	1	1	1					
56	4	1A8275-73700	LINK COVER	1	1	1					
57	4	1A8275-73710	SPRING	1	1	1					
58	4	1A8275-73720	PIN	1	1	1					
59	4	1A8275-73740	PIN 10X45	1	1	1					
60	3	1A8275-74200	STABILIZER ASSY	1	1	1					
61	4	1A8275-74260	TUBE CMP, OUTER	1	1	1					
62	4	1A8275-74340	PLATE CMP, INNER	1	1	1					
63	4	1A8275-74390	JOINT	1	1	1					
64	4	1A8275-74410	PIN 12.8X55	1	1	1					
65	4	1A8275-74430	PIN CMP	1	1	1					
66	5	1A8275-74440	PIN 15X27	1	1	1					
67	5	1A8275-74450	CHAIN ASSY	1	1	1					
68	6	1A8275-74470	RING	1	1	1					
69	4	1A8275-74490	LYNCH PIN ASSY	1	1	1					
70	4	1A8275-74520	WASHER 20	1	1	1					
71	4	1A8275-74530	NUT 18, NYLON LOCK	1	1	1					
72	4	1A8275-74540	PIN 4.0X32	1	1	1					
73	4	1A8275-74550	WASHER 13	2	2	2					
74	2	1A8275-73720	PIN	2	2	2					
75	2	1A8275-74240	PIN 14X53	2	2	2					
76	2	1A7500-74661	RING, 32	2	2	2					



Fig.134. TOP LINK

(A)=LX410(YANMAR)  
 (B)=LX450(YANMAR)  
 (C)=LX490(YANMAR)

(D)=  
 (E)=  
 (F)=

No.	Lev.	Parts No.	Description	Qty						I	R
				(A)	(B)	(C)	(D)	(E)	(F)		
1	1	1C6281-52320	PIN, SNAP 8	1	1	1					
2	1	22117-080000	WASHER, 8	1	1	1					

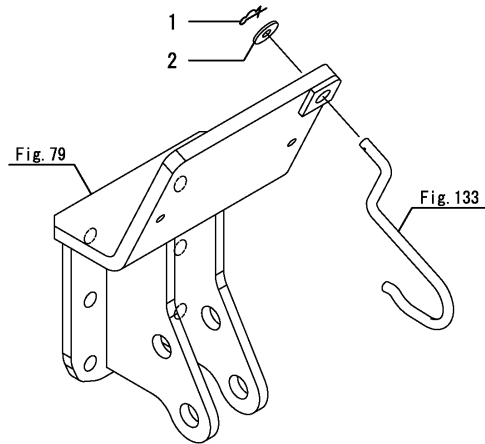


Fig.135. DRAWBAR HITCH

(A)=LX410(YANMAR)  
 (B)=LX450(YANMAR)  
 (C)=LX490(YANMAR)

(D)=  
 (E)=  
 (F)=

No.	Lev.	Parts No.	Description	Q'ty						I	R
				(A)	(B)	(C)	(D)	(E)	(F)		
1	1	198240-12650	BOLT, M14X28	4	4	4					
2	1	195230-17260	PIN, SNAP 22S	1	1	1					
3	1	1A8275-75110	HITCH,DRAWBAR	1	1	1					
4	1	1A8275-75430	PIN,HITCH	1	1	1					
5	1	1A8275-75530	BRACKET,DRAWBAR	1	1	1					
6	1	26106-120252	BOLT, M12X 25 PLATED	4	4	4					

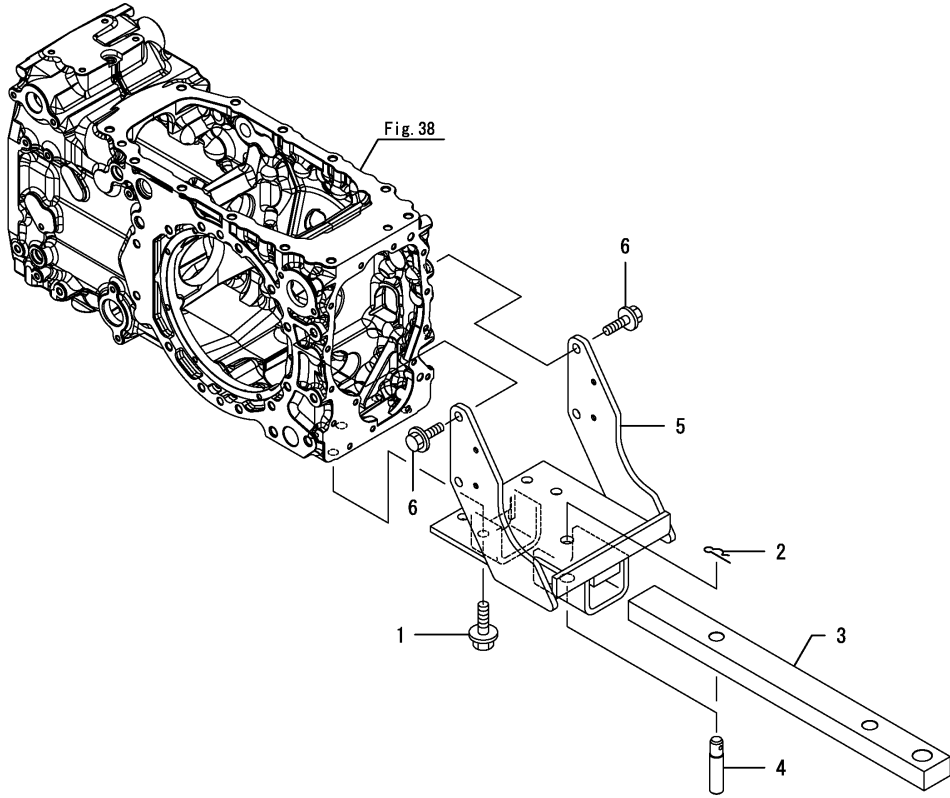


Fig.136. PTO GUARD

(A)=LX410(YANMAR)  
 (B)=LX450(YANMAR)  
 (C)=LX490(YANMAR)

(D)=  
 (E)=  
 (F)=

No.	Lev.	Parts No.	Description	Qty						I	R
				(A)	(B)	(C)	(D)	(E)	(F)		
1	1	198072-18320	SPRING, 12	6	6	6					
2	1	1A8275-26930	SHIELD M ASSY, PTO	1	1	1					
3	1	1A8275-26950	COLLAR	2	2	2					
4	1	1A8275-26960	PLATE ASSY	1	1	1					
5	1	22137-120000	WASHER, 12	2	2	2					
6	1	26106-080162	BOLT, M8X 16 PLATED	4	4	4					
7	1	26106-080252	BOLT, M8X 25 PLATED	2	2	2					
8	1	26756-080002	NUT, LOCK M8	2	2	2					

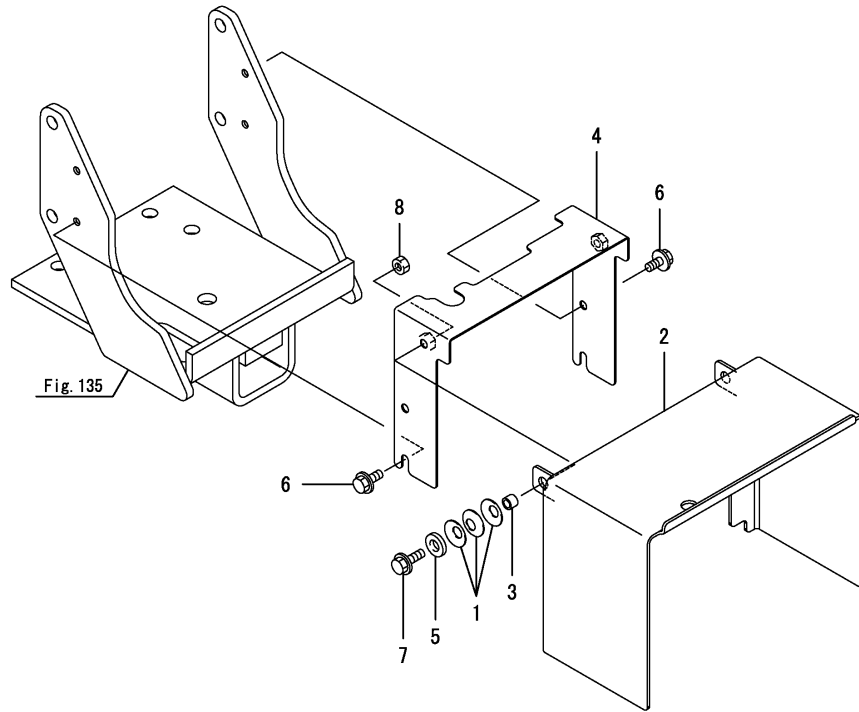
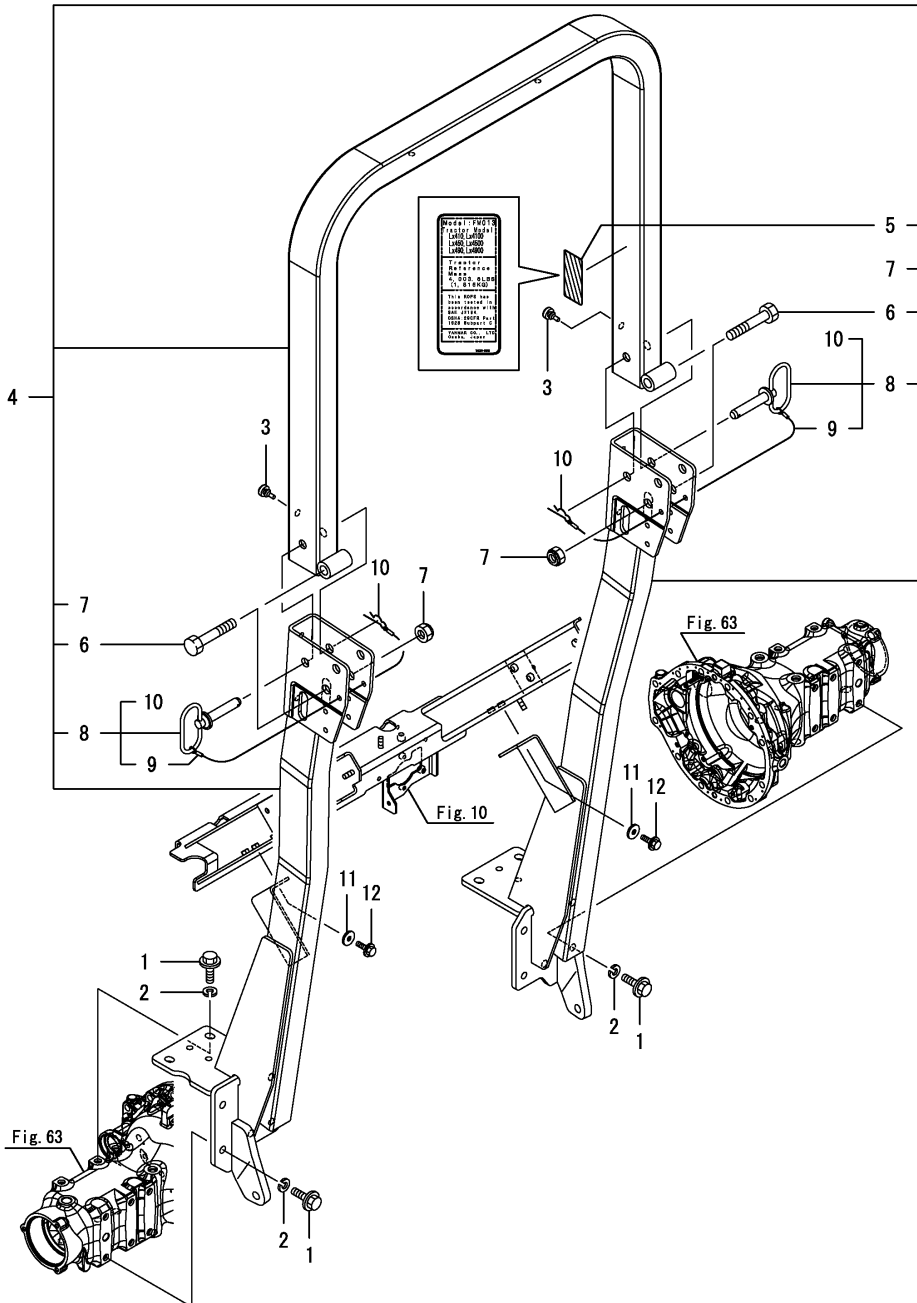


Fig.137. ROLL GUARD



(A)=LX410(YANMAR)  
 (B)=LX450(YANMAR)  
 (C)=LX490(YANMAR)

(D)=  
 (E)=  
 (F)=

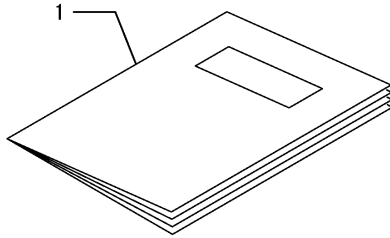
No.	Lev.	Parts No.	Description	Q'ty						I	R
				(A)	(B)	(C)	(D)	(E)	(F)		
1	1	198220-11520	BOLT, M12X38	14	14	14					
2	1	194274-13580	WASHER, SPRING 12	14	14	14					
3	1	194330-62530	STOPPER, PEDAL	2	2	2					
4	1	1A8250-85091	MASSY, ROPS FRAME	1	1	1					
5	2	1A8250-65821	LABEL, ROPS STANDARD	1	1	1					
6	2	1A8300-85430	BOLT, M16X90	2	2	2					
7	2	1A8300-85440	NUT, M16 NYLOCK	2	2	2					
8	2	1A8300-85910	PIN ASSY, STOPPER	2	2	2					
9	3	1A8300-85920	STOPPER ASSY, PIN	2	2	2					
10	3	1A8300-85930	CLIP, HITCH PIN	2	2	2					
11	1	22157-080000	WASHER, 8	4	4	4					
12	1	26106-080202	BOLT, M8X 20 PLATED	4	4	4					

# Fig.138. MANUAL

(A)=LX410(YANMAR)  
 (B)=LX450(YANMAR)  
 (C)=LX490(YANMAR)

(D)=  
 (E)=  
 (F)=

No.	Lev.	Parts No.	Description	Qty						I	R
				(A)	(B)	(C)	(D)	(E)	(F)		
1	1	0A042-U00400	OPERATION MANUAL	1	1	1					

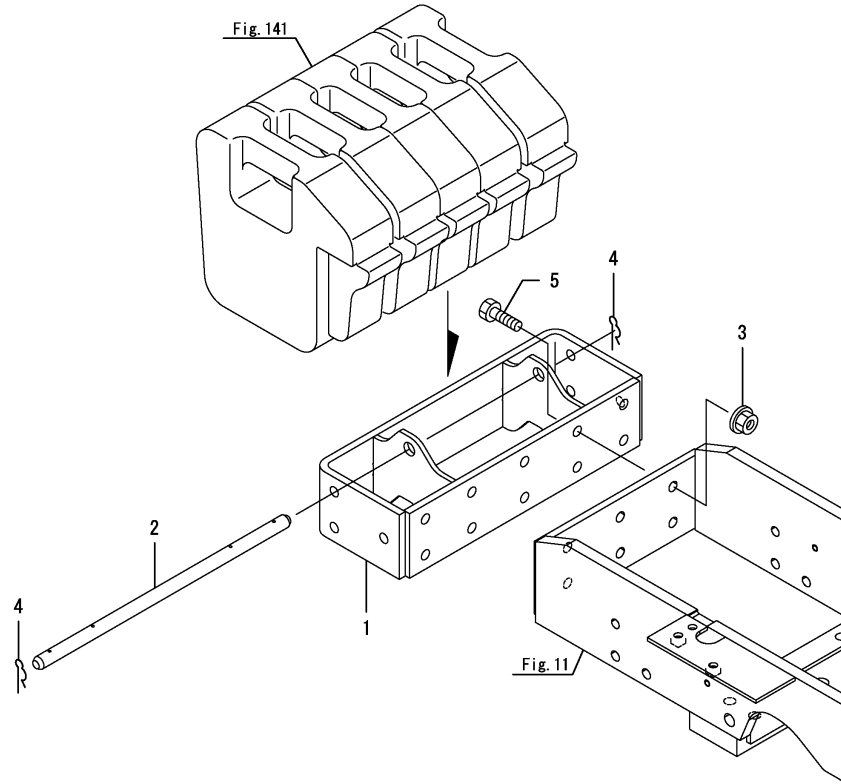


# Fig.139. FRONT HITCH

(A)=LX410(YANMAR)  
 (B)=LX450(YANMAR)  
 (C)=LX490(YANMAR)

(D)=  
 (E)=  
 (F)=

No.	Lev.	Parts No.	Description	Qty						I	R
				(A)	(B)	(C)	(D)	(E)	(F)		
1	1	1A8250-11120	HITCH, FRONT	1	1	1					
2	1	1A8250-11140	LOCK PIN, WEIGHT	1	1	1					
3	1	194990-22160	NUT, M12	6	6	6					
4	1	22372-160000	PIN, SNAP 16	2	2	2					
5	1	26116-120352	BOLT, M12X 35 PLATED	6	6	6					



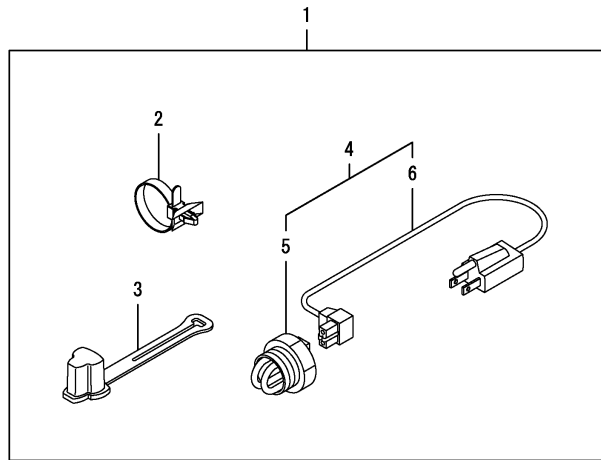
Remarks  
 \* Optional parts.

Fig.140. HEATER(BLOCK

(A)=LX410(YANMAR)  
 (B)=LX450(YANMAR)  
 (C)=LX490(YANMAR)

(D)=  
 (E)=  
 (F)=

No.	Lev.	Parts No.	Description	Q'ty						I	R
				(A)	(B)	(C)	(D)	(E)	(F)		
1	1	129652-95020	HEATER ASSY,BLOCK	1	1	1					
2	2	1A7500-51170	CLIP, HARNESS	1	1	1					
3	2	1A7880-57260	PROTECTOR, PLUG	1	1	1					
4	2	129269-95010	HEATER ASSY	1	1	1					
5	3	171015-77900	HEATER	1	1	1					
6	3	171015-77910	CORD, HEATER	1	1	1					



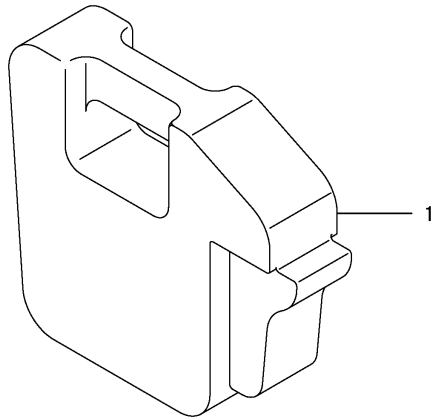
Remarks  
 \* Optional parts.

# Fig.141. FRONT WEIGHT

(A)=LX410(YANMAR)  
 (B)=LX450(YANMAR)  
 (C)=LX490(YANMAR)

(D)=  
 (E)=  
 (F)=

No.	Lev.	Parts No.	Description	Qty						I	R
				(A)	(B)	(C)	(D)	(E)	(F)		
1	1	1A8160-91000	WEIGHT, FRONT 20KG	1	1	1					



Remarks  
 \* Optional parts.

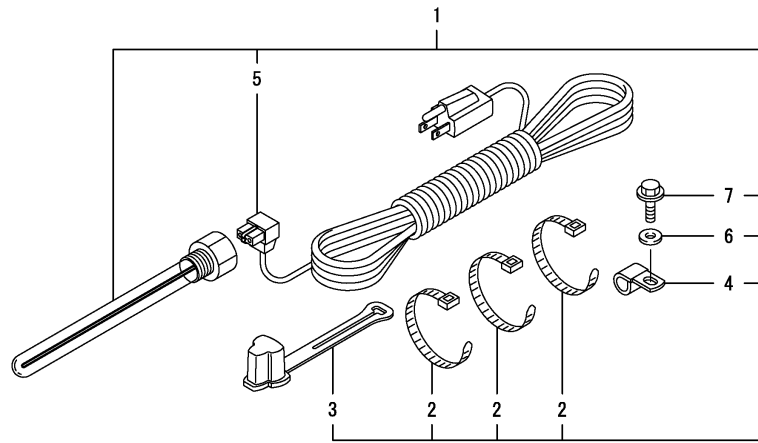


Fig.142. HEATER(T/M)

(A)=LX410(YANMAR)  
 (B)=LX450(YANMAR)  
 (C)=LX490(YANMAR)

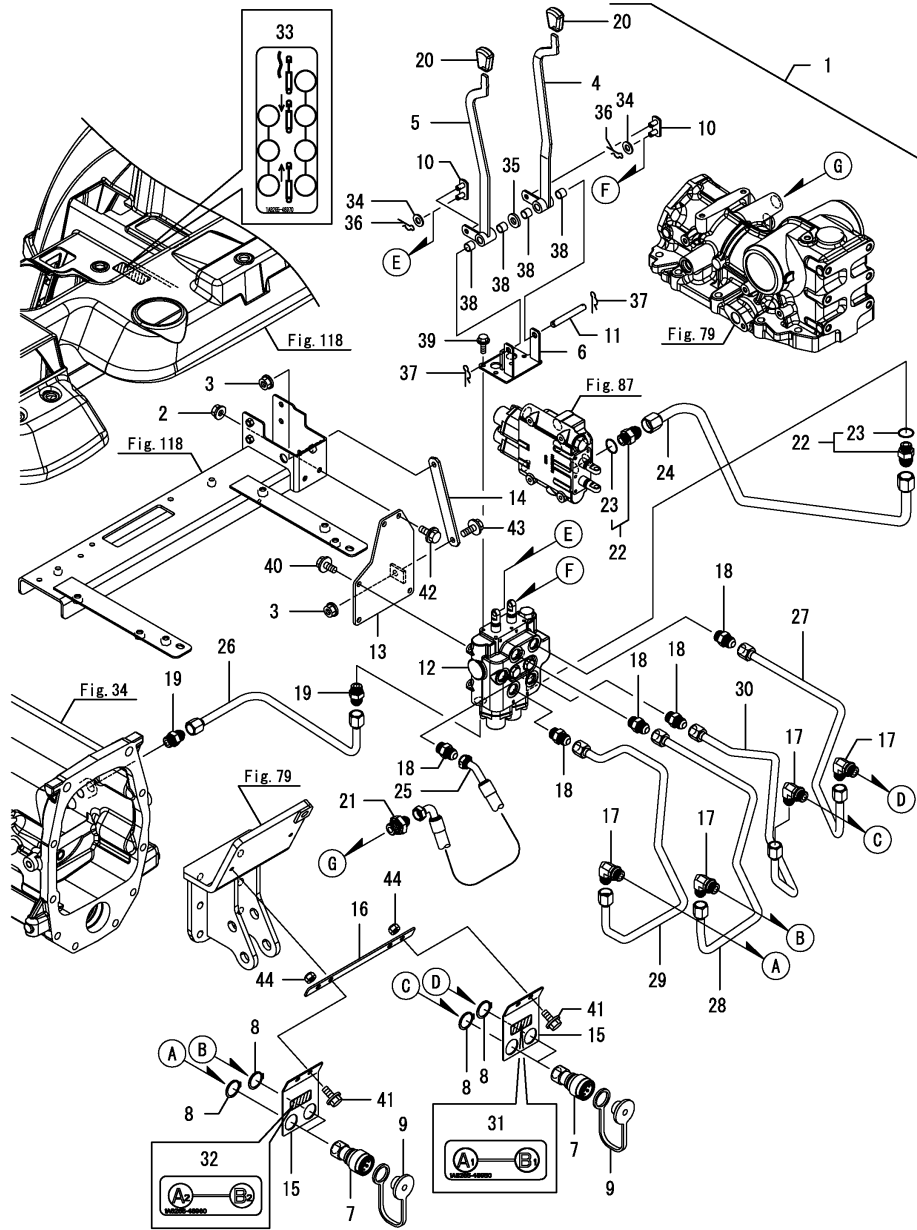
(D)=  
 (E)=  
 (F)=

No.	Lev.	Parts No.	Description	Q'ty						I	R
				(A)	(B)	(C)	(D)	(E)	(F)		
1	1	1A8170-99010	HEATER KIT, TM	1	1	1					
2	2	1A8300-51210	BAND, REPEAT	3	3	3					
3	2	1A7880-57260	PROTECTOR, PLUG	1	1	1					
4	2	1E6213-83410	CLIP, HARNESS 18	1	1	1					
5	2	1A8160-99020	CODE, POWER	1	1	1					
6	2	22157-060000	WASHER, 6	1	1	1					
7	2	26106-060202	BOLT, M6X 20 PLATED	1	1	1					



Remarks  
 \* Optional parts.

Fig.143. REAR REMOTE KIT



(A)=LX410(YANMAR)  
 (B)=LX450(YANMAR)  
 (C)=LX490(YANMAR)

(D)=  
 (E)=  
 (F)=

No.	Lev.	Parts No.	Description	Qty						I	R
				(A)	(B)	(C)	(D)	(E)	(F)		
1	1	1A8265-99120	VALVE KIT, R REMOTE	1	1	1					
2	2	194990-22140	NUT, M8	2	2	2					
3	2	194990-22140	NUT, M8	2	2	2					
4	2	1A8265-46110	LEVER ASSY 1	1	1	1					
5	2	1A8265-46160	LEVER ASSY 2	1	1	1					
6	2	1A8265-46200	STAY ASSY, LEVER	1	1	1					
7	2	1A8265-46250	COUPLER, QUICK 1/2F	4	4	4					
8	2	198240-46260	RING, SNAP	4	4	4					
9	2	1A8265-46270	DUST PLUG	4	4	4					
10	2	1A8265-46350	LINK ASSY	2	2	2					
11	2	1A8265-46390	PIN, LEVER	1	1	1					
12	2	1A8170-46600	CONTROL ASSY, SUB	1	1	1					
13	2	1A8265-46701	STAY ASSY, VALVE	1	1	1					
14	2	1A8265-46750	STAY A	1	1	1					
15	2	1A8265-46841	STAY, COUPLER	2	2	2					
16	2	1A8265-46880	PLATE,	1	1	1					
17	2	1A8160-46910	ELBOW, 8-8	4	4	4					
18	2	1A8160-46960	CONNECTOR, 8-8	5	5	5					
19	2	1A8160-46960	CONNECTOR, 8-8	2	2	2					
20	2	194273-47910	KNOB, LEVER	2	2	2					
21	2	1A8265-48290	CONNECTOR UNF8-G1/2	1	1	1					
22	2	1A8250-48350	FITTING/HYD, 3/4-7/8	2	2	2					
23	3	194464-45930	O-RING, 8-1	1	1	1					
24	2	1A8265-48460	HP PIPE(SCV-P)	1	1	1					
25	2	1A8265-48480	HP HOSE(C)	1	1	1					
26	2	1A8265-48500	HP PIPE(SCV-T)	1	1	1					
27	2	1A8265-48770	PIPE(SCV B1)	1	1	1					
28	2	1A8265-48790	PIPE(SCV B2)	1	1	1					
29	2	1A8265-48810	PIPE(SCV A2)	1	1	1					
30	2	1A8265-48830	PIPE(SCV A1)	1	1	1					
31	2	1A8265-48950	LABEL, SCV PORT 1	1	1	1					
32	2	1A8265-48960	LABEL, SCV PORT 2	1	1	1					
33	2	1A8265-48970	LABEL,R REMOTE LEVE	1	1	1					
34	2	22137-080000	WASHER, 8	2	2	2					
35	2	22137-100000	WASHER, 10	1	1	1					
36	2	22372-080000	PIN, SNAP 8	2	2	2					
37	2	22372-100000	PIN, SNAP 10	2	2	2					
38	2	24550-010100	BUSH, 10X10	4	4	4					
39	2	26106-060162	BOLT, M6X 16 PLATED	4	4	4					
40	2	26106-080122	BOLT, M8X 12 PLATED	3	3	3					
41	2	26106-080162	BOLT, M8X 16 PLATED	4	4	4					
42	2	26106-080202	BOLT, M8X 20 PLATED	2	2	2					
43	2	26106-080202	BOLT, M8X 20 PLATED	2	2	2					
44	2	26347-080002	NUT, M8	2	2	2					

Remarks  
 \* Optional parts.

Fig.144. REAR COUPLER KIT

(A)=LX410(YANMAR)

(B)=LX450(YANMAR)

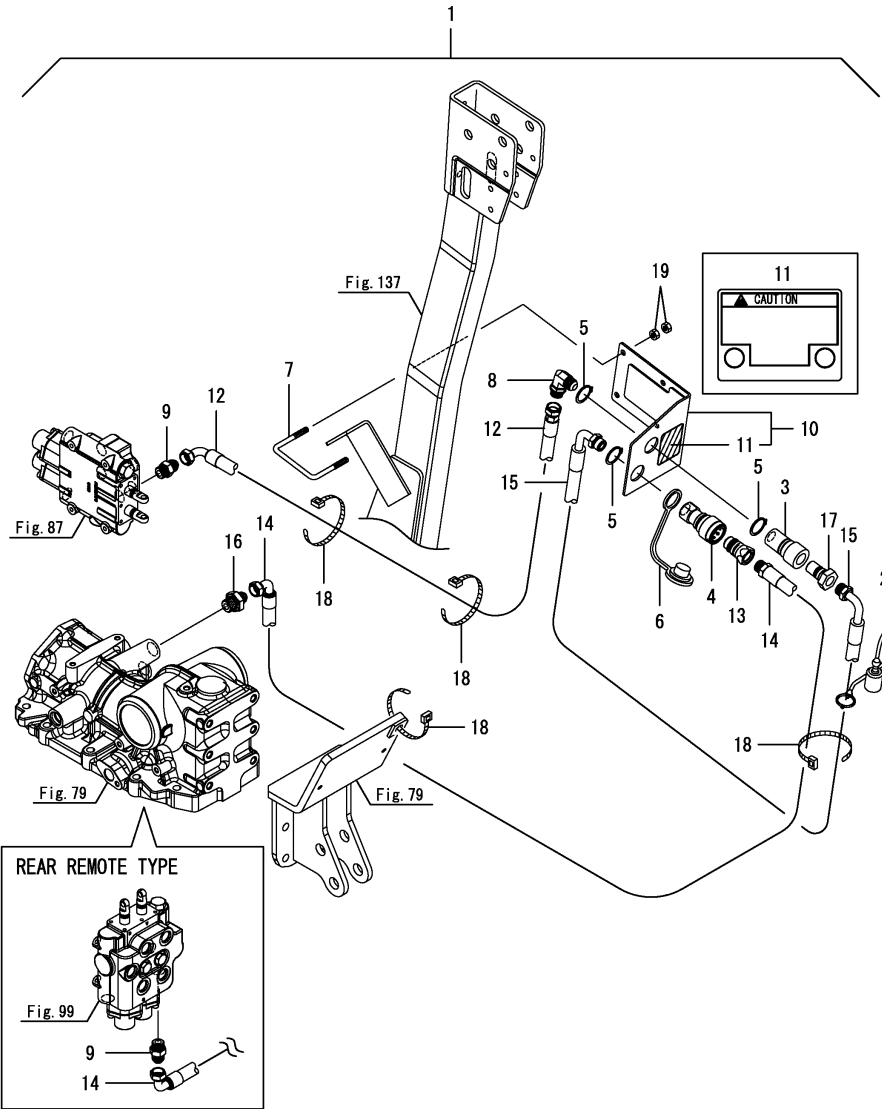
(C)=LX490(YANMAR)

(D)=

(E)=

(F)=

No.	Lev.	Parts No.	Description	Qty						I	R
				(A)	(B)	(C)	(D)	(E)	(F)		
1	1	1A8265-99210	COUPLER KIT, PBK85LX	1	1	1					
2	2	1TN322-41770	DUST PLUG,M YELLOW	1	1	1					
3	2	1A8160-46250	COUPLER, QUICK 3/8	1	1	1					
4	2	1A8265-46250	COUPLER,QUICK 1/2F	1	1	1					
5	2	198240-46260	RING, SNAP	3	3	3					
6	2	1A8265-46270	DUST PLUG	1	1	1					
7	2	1A8160-46560	BAND	2	2	2					
8	2	1A8160-46910	ELBOW, 8-8	1	1	1					
9	2	1A8160-46960	CONNECTOR, 8-8	2	2	2					
10	2	1A8265-48210	BRACKET ASSY,COUPLER	1	1	1					
11	3	1A8300-65400	LABEL, CAUTION	1	1	1					
12	2	1A8265-48240	HOSE A, PBK	1	1	1					
13	2	1A8265-48260	COUPLER, QUICK 1/2M	1	1	1					
14	2	1A8265-48270	HOSE B, PBK	1	1	1					
15	2	1A8265-48280	HOSE C, PBK	1	1	1					
16	2	1A8265-48290	CONNECTOR UNF8-G1/2	1	1	1					
17	2	1A8160-48820	COUPLER, QUICK 3/8	1	1	1					
18	2	1A8300-51210	BAND, REPEAT	4	4	4					
19	2	26716-080002	NUT, M8	8	8	8					

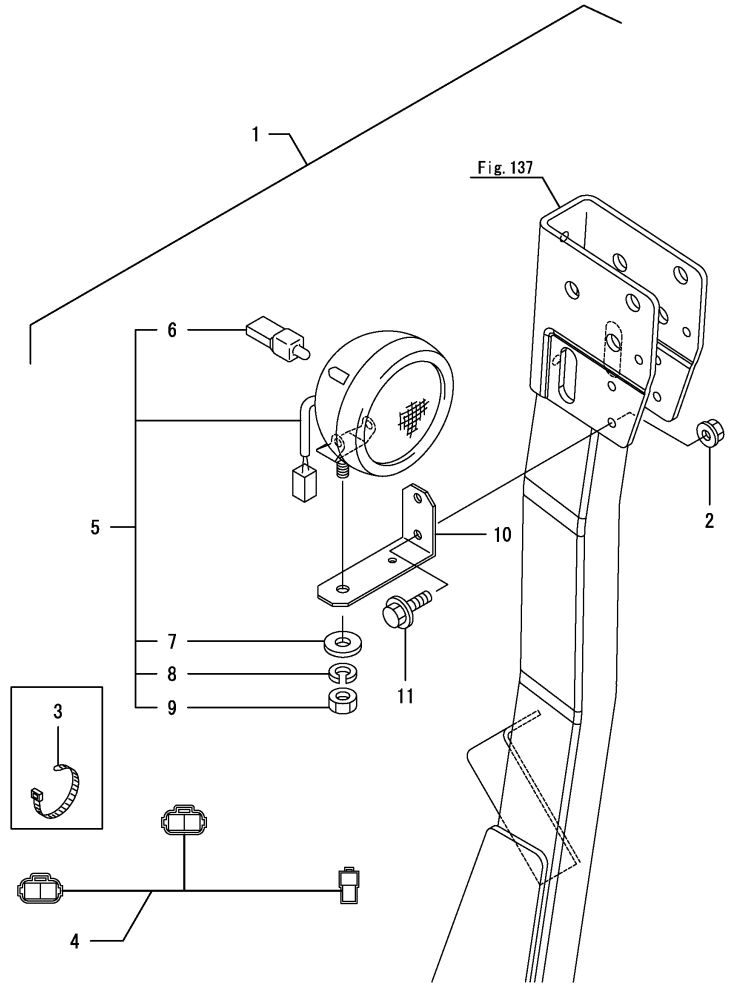


Remarks  
\* Optional parts.

Fig.145. WORK LAMP

(A)=LX410(YANMAR)  
 (B)=LX450(YANMAR)  
 (C)=LX490(YANMAR)

(D)=  
 (E)=  
 (F)=



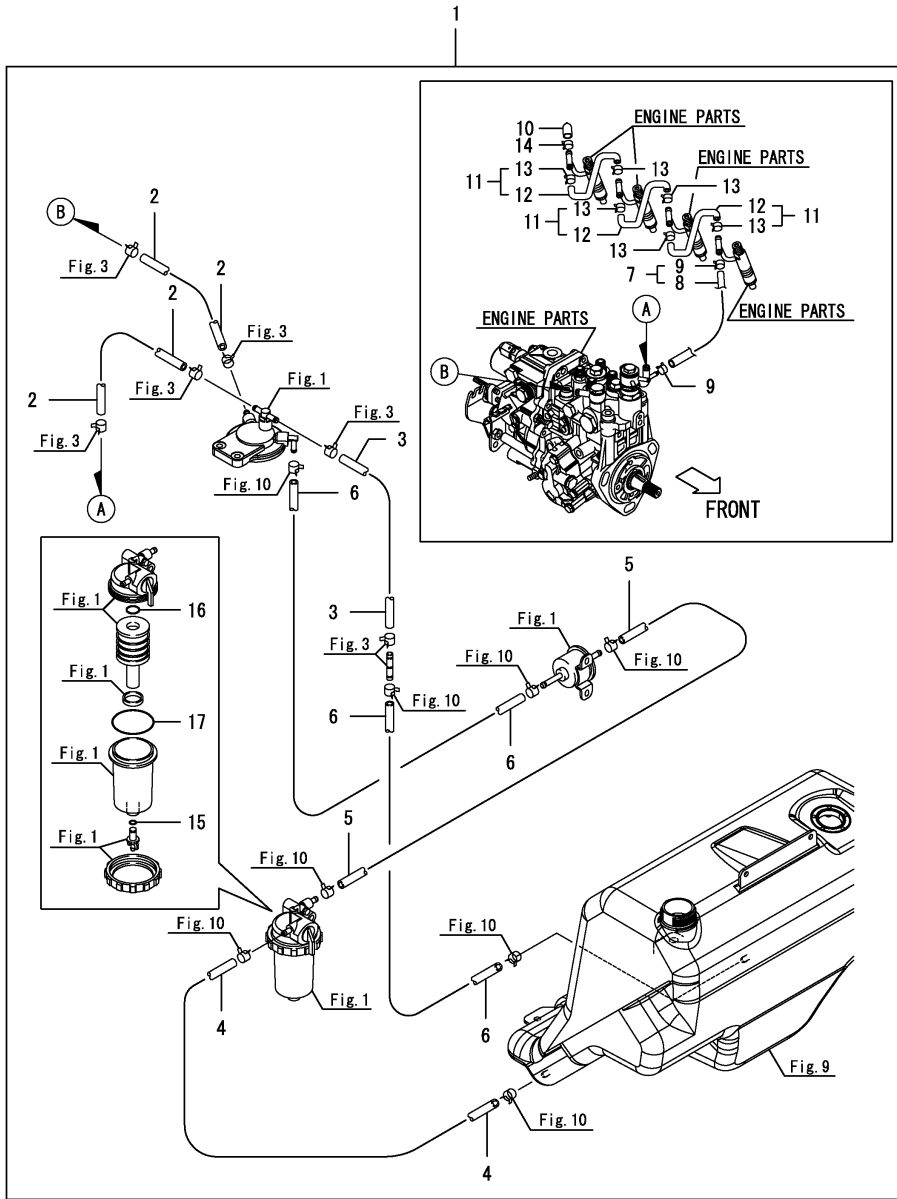
No.	Lev.	Parts No.	Description	Qty						I	R
				(A)	(B)	(C)	(D)	(E)	(F)		
1	1	1A8170-53300	LAMP KIT, WORK	1	1	1					
2	2	194990-22140	NUT, M8	4	4	4					
3	2	1A8300-51210	BAND, REPEAT	13	13	13					
4	2	1A8275-51260	LEAD, WORK LAMP	1	1	1					
5	2	1A7340-54100	LAMP ASSY, WORKING	2	2	2					
6	3	1A7470-86270	BULB, 12V-35W	2	2	2					
7	3	22137-100000	WASHER, 10	2	2	2					
8	3	22217-100000	WASHER, SPRING 10	2	2	2					
9	3	26736-100002	NUT, M10	2	2	2					
10	2	1A8250-99320	STAY, WORK LAMP	2	2	2					
11	2	26106-080202	BOLT, M8X 20 PLATED	4	4	4					

Remarks  
 \* Optional parts.

Fig.146. FUEL LINE(FAME)

(A)=LX410(YANMAR)  
 (B)=LX450(YANMAR)  
 (C)=LX490(YANMAR)

(D)=  
 (E)=  
 (F)=



No.	Lev.	Parts No.	Description	Q'ty						I	R
				(A)	(B)	(C)	(D)	(E)	(F)		
1	1	1A8240-04500	HOSE KIT, FUEL	1	1						
2	2	198280-04290	HOSE, FUEL	2	2						
3	2	1A8250-04510	HOSE, FUEL 200	1	1						
4	2	1A8250-04520	HOSE, FUEL 550	1	1						
5	2	1A8250-04530	HOSE, FUEL	1	1						
6	2	1A8250-04540	HOSE, FUEL 1700	2	2						
7	2	129268-59551	PIPE ASSY, RETURN	1	1						
8	3	129237-59120	PROTECTOR,HOSE	1	1						
9	3	124060-77680	CLIP, HOSE 10	2	2						
10	2	119593-59581	CAP	1	1						
11	2	129486-59581	HOSE, FUEL	3	3						
12	3	129486-59521	PIPE, FUEL RETURN	3	3						
13	3	124060-77680	CLIP, HOSE 10	6	6						
14	2	124060-77680	CLIP, HOSE 10	1	1						
15	2	24316-000070	O-RING, 4DP7.0	1	1						
16	2	24316-000160	O-RING, 4DP16.0	1	1						
17	2	24326-000650	O-RING, 4DG65.0	1	1						

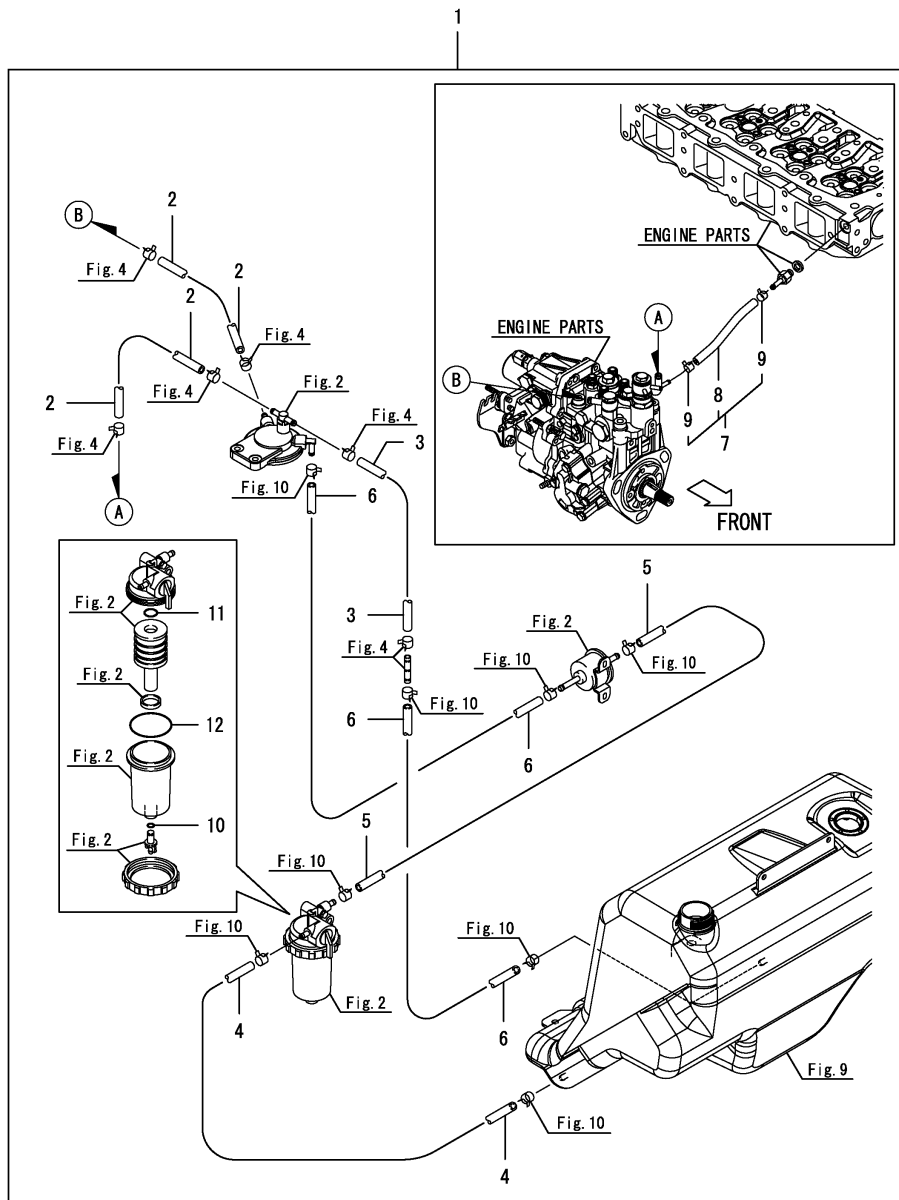
Remarks  
 \* Optional parts.

Fig.147. FUEL LINE(FAME)

(A)=LX410(YANMAR)  
 (B)=LX450(YANMAR)  
 (C)=LX490(YANMAR)

(D)=  
 (E)=  
 (F)=

No.	Lev.	Parts No.	Description	Qty						I	R
				(A)	(B)	(C)	(D)	(E)	(F)		
1	1	1A8260-04500	HOSE KIT, FUEL			1					
2	2	198280-04290	HOSE, FUEL			2					
3	2	1A8250-04510	HOSE, FUEL 200			1					
4	2	1A8250-04520	HOSE, FUEL 550			1					
5	2	1A8250-04530	HOSE, FUEL			1					
6	2	1A8250-04540	HOSE, FUEL 1700			2					
7	2	119946-59100	PIPE ASSY, FUEL			1					
8	3	119946-59600	PIPE, FUEL			1					
9	3	124060-77680	CLIP, HOSE 10			2					
10	2	24316-000070	O-RING, 4DP7.0			1					
11	2	24316-000160	O-RING, 4DP16.0			1					
12	2	24326-000650	O-RING, 4DG65.0			1					

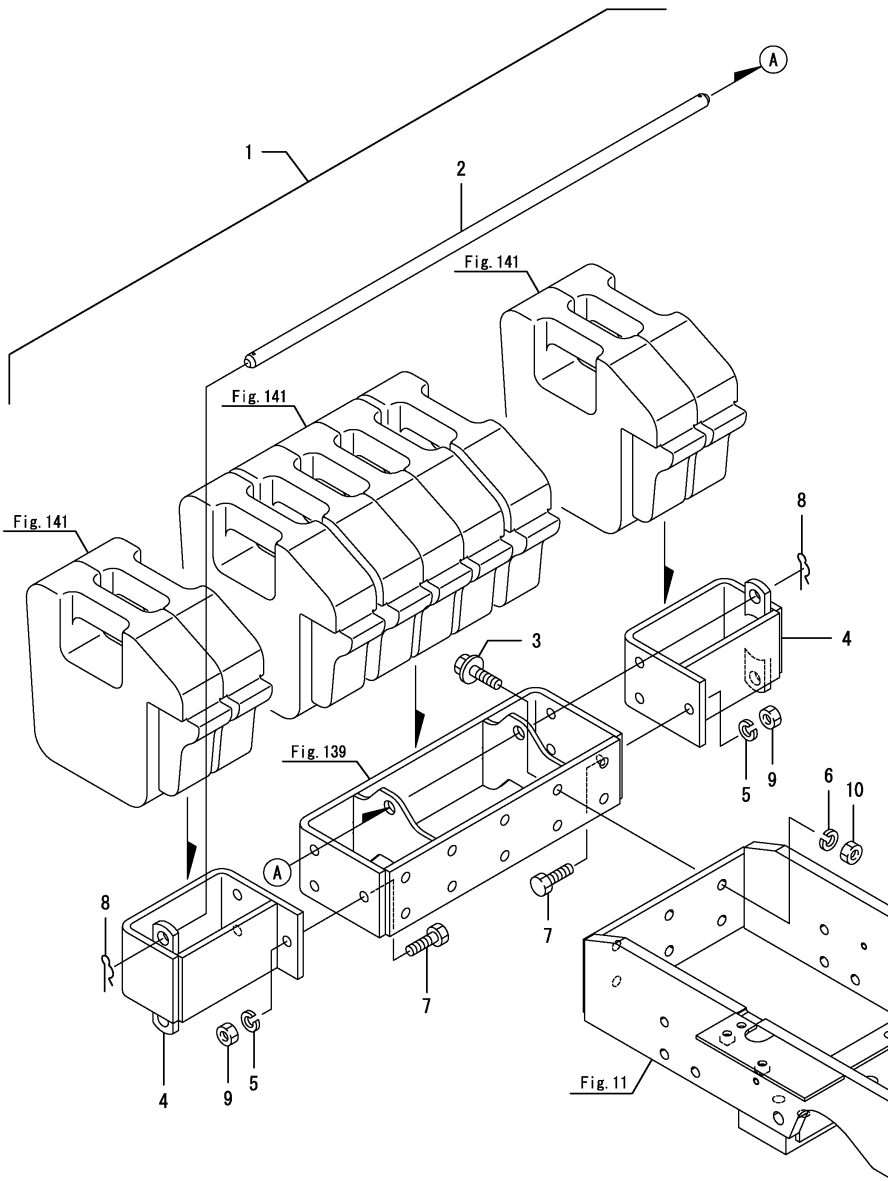


Remarks  
 \* Optional parts.

# Fig.148. EXTRA HITCH

(A)=LX410(YANMAR)  
 (B)=LX450(YANMAR)  
 (C)=LX490(YANMAR)

(D)=  
 (E)=  
 (F)=



No.	Lev.	Parts No.	Description	Qty						I	R
				(A)	(B)	(C)	(D)	(E)	(F)		
1	1	1A8160-11920	HITCH KIT, FRONT EXT	1	1	1					
2	2	198220-11350	PIN, WEIGHT LOCK	1	1	1					
3	2	198220-11520	BOLT, M12X38	6	6	6					
4	2	198220-11900	HITCH, EXTRA	2	2	2					
5	2	194274-13580	WASHER, SPRING 12	6	6	6					
6	2	194274-13580	WASHER, SPRING 12	6	6	6					
7	2	194465-13650	BOLT, M12X32	6	6	6					
8	2	22372-160000	PIN, SNAP 16	2	2	2					
9	2	26716-120002	NUT, M12	6	6	6					
10	2	26716-120002	NUT, M12	6	6	6					

Remarks  
 \* Optional parts.

Fig.149. LABEL(FRENCH

(A)=LX410(YANMAR)

(B)=LX450(YANMAR)

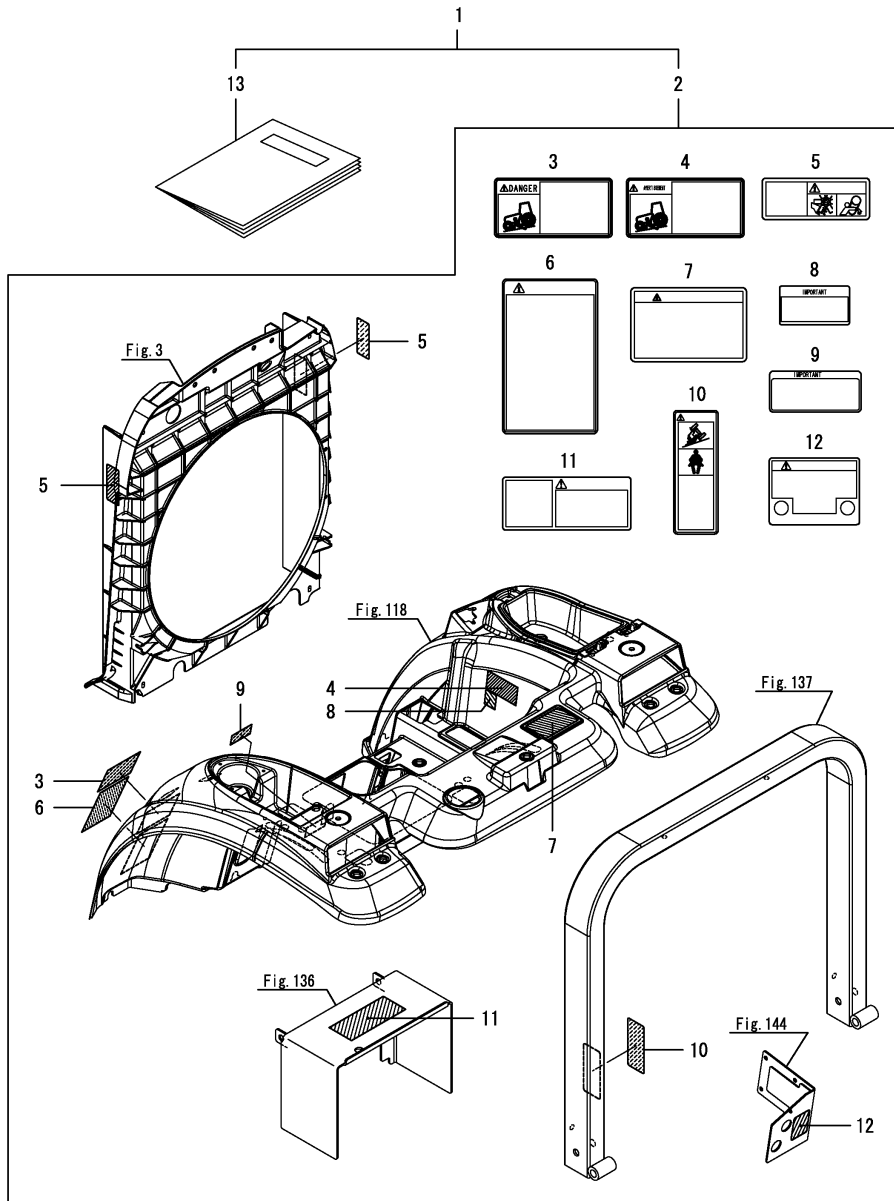
(C)=LX490(YANMAR)

(D)=

(E)=

(F)=

No.	Lev.	Parts No.	Description	Qty						I	R
				(A)	(B)	(C)	(D)	(E)	(F)		
1	1	1A8250-99200	OPTION KIT, FRENCH	1	1	1					
2	2	1A8250-65010	LABEL KIT, LX FR	1	1	1					
3	3	1A8250-65100	LABEL, DANGER START	1	1	1					
4	3	1A8250-65110	LABEL, WARNING STOP	1	1	1					
5	3	1A7880-65120	LABEL, WARNING FAN	2	2	2					
6	3	1A8250-65120	LABEL, WARNING	1	1	1					
7	3	1A8250-65130	LABEL, WARNING ROPS	1	1	1					
8	3	1A8250-65140	LABEL,IMPORTANT DIFF	1	1	1					
9	3	1A8250-65150	LABEL, SOCKET	1	1	1					
10	3	1A8250-65160	LABEL, WARNING ROPS	1	1	1					
11	3	1A8250-65180	LABEL, WARNING PTO	1	1	1					
12	3	1A8300-65410	LABEL, CAUTION	1	1	1					
13	2	0A042-F00400	OPERATION MANUAL	1	1	1					



Remarks  
\* Optional parts.



## Parts No. Index

Parts No.	Fig. No.	Ref. No.
0A042-F00400	149	13
0A042-U00400	138	1
114270-59010	3	33
		34
		35
	4	37
		38
		39
	10	16
		17
		18
		19
119005-12571	4	19
119225-52102	1	2
	2	5
119593-59581	146	10
119802-55700	1	4
	2	7
119802-55710	1	6
	2	9
119802-55730	1	7
	2	10
119802-55810	1	10
	2	13
119808-12540	4	17
119860-34810	38	26
119946-59100	147	7
119946-59600	147	8
121750-49150	3	27
	4	31
124060-77680	146	9
		13
		14
	147	9
124240-01883	78	14
124550-77030	100	25
124756-77040	101	2
129004-55612	1	3
	2	6
129052-13550	8	2
129062-12560	4	18
129100-55690	1	5
	2	8
129237-59120	146	8
129263-44510	1	1
	2	4
129268-59551	146	7
129269-95010	140	4
129410-03990	2	3
	4	25

Parts No.	Fig. No.	Ref. No.
129418-12530	4	15
129486-59521	146	12
129486-59581	146	11
129509-03080	2	1
129509-03090	2	2
129652-95020	140	1
129900-12530	4	16
16800A-00020	78	8
1680DE-00011	78	1
168201-01012	40	3
168201-01350	40	4
168201-01550	40	5
168201-01600	40	6
1682D1-01050	41	6
1682D1-01060	41	7
1682D1-01070	41	8
1682D1-01080	41	9
1682D1-01100	41	4
1682D2-00010	41	1
1682D2-01010	41	2
1682D2-01020	41	3
171015-77900	140	5
171015-77910	140	6
172124-76160	31	5
172142-76181	31	6
172531-17300	106	1
172730-75141	31	4
	41	45
175022-49750	3	28
	4	32
178070-10401	78	9
178076-02430	41	10
178077-15400	78	2
178077-15410	78	3
192157-26460	40	17
192159-27780	41	13
192159-27790	41	20 A
192159-27830	41	14
192167-24600	79	1
192180-24730	40	15
192180-24740	40	16
192180-31850	61	6
194066-13640	19	1
194130-26350	38	25
194130-33452	50	4
194145-27450	53	9
194146-21150	34	2
194150-01270	3	6
	4	9
194150-22480	37	4

Parts No.	Fig. No.	Ref. No.
194150-25530	44	8
194151-36670	19	11
194151-47760	92	20
194170-45370	41	15
194170-47440	92	9
194170-51210	6	12
194180-61980	5	1
	32	6
194181-11560	12	7
194190-61761	121	1
194197-25810	49	1
194250-25240	44	1
194250-25520	43	9
194250-51420	100	20
194273-47910	143	20
194274-13580	137	2
	148	5
		6
194300-22260	37	3
194300-37570	91	1
194301-12730	45	1
194312-25470	43	8
194312-27770	76	30
194312-27780	76	2
194312-46630	85	3
194312-46750	38	28
194321-13230	15	3
194321-13250	15	5
194321-13270	15	7
194322-24980	38	24
194330-62530	137	3
194420-39360	57	8
194420-39370	57	9
194420-56620	9	6
194430-25460	47	10
194430-25810	50	1
194440-51620	3	29
	4	33
	40	37
	41	44
	88	1
194448-61620	108	5
194450-48830	95	11
194464-45920	34	3
194464-45930	34	4
	87	11
		13
		15
		17
	97	5

Parts No.	Fig. No.	Ref. No.
194464-45930	98	3
	143	23
194465-13240	15	4
194465-13260	15	6
194465-13650	148	7
194470-48630	95	8
194470-48640	95	9
194521-41570	40	18
	78	4
		10
194550-47530	92	14
194555-24610	41	27
194555-24620	41	29
194555-46300	85	1
194555-46380	79	10
194555-47340	92	4
194555-47350	92	5
194555-77910	38	30
194556-42220	40	19
194640-25860	44	13
	45	14
194640-26130	16	5
194640-34130	67	7
194640-34140	68	2
194640-44250	82	4
194640-44261	82	5
194640-44540	82	13
194640-46420	86	5
194640-47550	92	15
194640-47560	92	16
194640-63560	88	2
194640-73180	38	29
194641-11630	12	8
194680-27540	55	5
194680-51670	3	30
		31
	4	34
		35
	7	6
	10	13
	32	5
	33	4
	100	22
		23
194697-28270	118	5
		6
	119	5
194697-62560	118	18
	119	15
	125	2

## Parts No. Index

Parts No.	Fig. No.	Ref. No.
194740-00160	6	2
194850-24990	38	23
194850-36370	75	7
194850-42500	38	27
194850-49240	40	20
194850-49290	40	21
	107	1
194940-61790	110	18
	115	25
		26
		27
	117	5
194990-22130	7	4
	100	1
	104	1
	105	1
	110	1
	115	1
	132	1
194990-22140	3	24
		25
	10	9
	37	1
	76	1
	87	1
		2
	94	1
	95	1
	100	2
	113	2
	114	1
	118	1
		2
		3
		4
	119	1
		2
		3
		4
	120	1
	122	1
		2
		3
	126	1
	143	2
		3
	145	2
194990-22150	51	1
		2
	56	1

Parts No.	Fig. No.	Ref. No.
194990-22150	58	1
194990-22160	139	3
195230-17260	135	2
198010-47340	94	3
198071-01160	6	10
198071-24340	38	14
	39	1
198071-27860	53	11
198071-37510	76	27
198071-58810	6	14
198071-61890	3	37
	4	40
	116	5
198071-65610	115	29
198072-13760	19	4
198072-18320	136	1
198072-53450	110	7
		12
198072-60590	115	2
		3
		4
		5
	116	1
		2
	117	1
		2
198094-85710	118	25
	119	22
198119-27150	55	1
	59	1
198121-25830	44	4
198121-25840	44	11
198121-25850	44	12
198121-25870	44	14
198121-51430	100	21
198133-15710	29	1
198133-15750	29	2
198133-22510	76	5
198133-22530	76	6
198133-24380	38	15
198133-34130	27	1
	74	1
198149-25700	45	5
198149-25780	45	6
198149-25890	45	7
		15
198155-51290	100	18
198162-52110	108	1
198162-52150	108	4
198165-21490	15	12

Parts No.	Fig. No.	Ref. No.
198165-47750	91	2
198200-01210	7	1
198200-01260	6	4
198200-14210	21	4
198200-18350	28	24
198200-18370	28	26
198200-27240	28	9
198200-47460	92	12
198200-47810	94	4
198200-56050	111	3
198200-56080	111	5
198200-61490	100	24
198212-24140	38	2
198212-24281	40	1
198212-24320	38	13
198212-24360	39	2
198212-24510	38	18
198212-24750	42	3
198212-25150	43	2
198212-25210	43	3
198212-25220	43	4
198212-25240	43	5
198212-25290	43	7
198212-25400	44	2
198212-25460	44	3
198212-25520	44	7
198212-25530	44	9
198212-25540	44	10
198212-25690	47	11
198212-25720	42	7
198212-25750	47	12
198212-25780	47	14
198212-25790	47	15
198212-25810	47	16
198212-25850	47	17
198212-25860	47	18
198212-25870	47	19
198212-25880	47	20
198212-25891	47	21
198212-25930	47	22
198212-26090	43	10
198212-26580	48	26
198212-26590	48	27
198212-27280	53	4
198212-27350	53	6
198212-27371	53	7
198212-27470	53	10
198212-27521	55	4
198212-33150	64	4
198212-34150	68	3

Parts No.	Fig. No.	Ref. No.
198213-24341	40	7
198213-24350	40	8
198213-24360	40	9
198213-24370	40	10
198213-24390	40	11
198213-24400	40	12
198213-24420	40	13
198213-24441	40	14
198213-24750	41	11
198213-31450	61	1
198217-25680	45	4
198217-27570	55	6
198217-27580	55	7
198217-31400	60	2
198218-24240	38	12
198218-26110	49	3
198218-26350	50	3
198218-27381	53	8
198220-11350	148	2
198220-11520	30	1
	137	1
	148	3
198220-11900	148	4
198220-25830	45	11
198220-25840	45	12
198220-26910	57	1
198220-37900	3	26
	4	30
	77	6
198220-46400	86	3
198220-48140	95	4
198220-61340	113	5
198220-61351	113	6
198220-62150	123	1
198220-62920	118	19
	119	16
198220-65621	131	6
198223-52150	106	4
198230-61960	113	7
198240-11640	30	2
198240-12650	135	1
198240-24120	38	5
198240-24480-1	38	17
198240-24530	38	7
198240-24690-2	38	19
198240-24900-1	38	20
198240-42130	80	1
198240-46260	143	8
	144	5
198240-48140	95	5

## Parts No. Index

Parts No.	Fig. No.	Ref. No.
198240-48830	95	12
198240-48850	95	13
198240-62451	123	2
198241-14650	16	3
198245-46680	97	1
		2
	98	1
198251-13670	14	8
198253-01190	6	11
198253-27510	51	5
	56	2
	58	2
198255-24460	38	16
198255-83550	118	24
	119	21
198268-53450	109	3
		11
198273-18360	28	25
198273-28521	76	7
198280-04290	146	2
	147	2
198280-04470	3	8
	4	12
198283-13480	12	10
198290-37510	28	27
198310-27370	76	29
198320-33560	67	4
198360-22550	47	5
198360-31530	61	4
198360-52320	108	2
198360-52330	108	3
198360-55630	7	7
198361-48750	95	10
198390-43360	81	5
198415-25840	45	13
198442-21310	35	2
198448-21280	35	1
198448-21320	35	3
198448-22190	36	1
198448-24740	42	2
198448-28430	41	34
198448-43260	81	2
198448-43270	81	3
198448-56150	111	4
198451-28750	47	23
	48	28
198475-32660	21	5
198475-37690	76	18
198535-24120	38	1
198535-25260	43	6

Parts No.	Fig. No.	Ref. No.
198535-25510	44	6
198535-52110	100	8
198535-52130	100	9
198535-52140	100	10
1A6680-85980	11	4
1A6770-26610	41	12
1A6780-57200	112	5
1A7000-52820	100	12
1A7090-26050	46	2
	49	2
1A7090-31850	61	7
1A7130-37990	76	19
1A7130-48110	10	10
1A7140-00600	3	1
	4	1
1A7140-14610	16	2
1A7180-01050	3	2
	4	2
1A7180-04180	9	4
1A7180-04850	3	8 -1
	4	12 -1
1A7180-06201	4	23
1A7180-11620	12	2
1A7180-11630	12	3
1A7180-11650	12	5
1A7180-13150	14	2
1A7180-13201	15	1
1A7180-13211	15	2
1A7180-13250	15	9
1A7180-13260	15	10
1A7180-13270	15	11
1A7180-13300	16	1
1A7180-13380	14	3
1A7180-13390	14	4
1A7180-13400	14	5
1A7180-13410	14	6
1A7180-13420	14	7
1A7180-13520	17	1
1A7180-13560	17	2
1A7180-13570	17	3
1A7180-13580	17	4
1A7180-13710	19	2
1A7180-13790	21	1
1A7180-13820	20	1
1A7180-13830	20	2
1A7180-13840	21	2
1A7180-13870	20	3
1A7180-13880	20	4
1A7180-14110	21	3
1A7180-15710	28	19

Parts No.	Fig. No.	Ref. No.
1A7180-36240	75	2
1A7180-42150	80	2
1A7180-42281	79	5
1A7180-43280	81	1
1A7180-43290	81	4
1A7180-43410	82	7
1A7180-43730	41	31
1A7180-44110	82	8
1A7180-44210	82	1
1A7180-44311	82	6
1A7180-44410	82	11
1A7180-45700	84	1
1A7180-51310	110	2
1A7180-51350	100	19
1A7180-52140	106	3
1A7180-60750	115	8
1A7180-61050	115	10
1A7180-61070	115	11
1A7180-61080	115	12
1A7180-61250	113	4
1A7180-61410	115	24
1A7180-61500	116	3
1A7180-61510	116	4
1A7180-61530	117	3
1A7180-61540	117	4
1A7180-61810	115	28
1A7260-01220	3	4
1A7260-53220	110	6
		11
1A7300-01220	4	4
1A7300-01230	4	5
1A7335-52120	106	2
1A7335-71230	133	3
1A7335-71240	133	4
1A7335-71250	133	5
1A7335-71410	133	6
		13
1A7335-71760	133	12
1A7340-54100	145	5
1A7350-24160	38	3
1A7350-25600	45	2
1A7350-25640	45	3
1A7350-33140	64	2
1A7351-25770	47	13
1A7351-26310	50	2
1A7352-32310	62	2
1A7400-53110	109	1
1A7400-53120	109	9
1A7400-53530	109	4
		12

Parts No.	Fig. No.	Ref. No.
1A7400-53560	109	5
		13
1A7400-53570	109	6
1A7400-53580	109	14
1A7400-53590	109	7
1A7400-53600	109	15
1A7400-53610	109	8
1A7400-53620	109	16
1A7450-24301	40	2
1A7450-43680	133	18
1A7470-86270	145	6
1A7500-51130	100	4
1A7500-51170	100	5
	140	2
1A7500-72160	133	23
		28
		52
1A7500-72180	133	29
		53
1A7500-74661	133	76
1A7510-47760	91	3
1A7510-62100	118	8
	119	7
1A7531-52420	100	11
1A7601-25790	45	10
1A7601-53920	3	32
	4	36
1A7610-48360	97	6
	98	4
1A7640-15710	28	20
1A7640-43450	79	9
1A7640-44230	82	2
1A7640-44240	82	3
1A7640-48310	96	1
1A7680-45320	86	1
1A7680-45370	86	2
1A7680-46410	86	4
1A7870-52950	112	1
		2
		3
1A7880-45640	83	14
1A7880-53100	109	18
1A7880-53430	109	19
1A7880-57100	106	6
1A7880-57260	140	3
	142	3
1A7880-65120	149	5
1A7880-65610	131	5
1A7880-71580	133	9
1A7882-85620	132	3

## Parts No. Index

Parts No.	Fig. No.	Ref. No.
1A7882-85630	10	24
1A7890-53420	109	2
		10
1A8070-53010	110	3
1A8070-53020	110	8
1A8070-53030	110	5
1A8070-53040	110	10
1A8070-61330	115	22
1A8160-04130	9	3
1A8160-11520	11	2
1A8160-11920	148	1
1A8160-46250	87	3
	144	3
1A8160-46280	87	4
1A8160-46290	87	5
1A8160-46300	87	6
1A8160-46310	87	7
1A8160-46560	144	7
1A8160-46910	143	17
	144	8
1A8160-46960	143	18
		19
	144	9
1A8160-48820	144	17
1A8160-51550	102	1
1A8160-51570	102	2
1A8160-51580	102	3
1A8160-51600	104	2
1A8160-52310	126	4
1A8160-65800	132	2
1A8160-65860	127	19
1A8160-91000	141	1
1A8160-99020	142	5
1A8170-14210	26	1
	73	1
1A8170-14300	22	1
1A8170-14310	22	2
		6
1A8170-14330	22	3
		7
1A8170-14350	22	4
		8
	23	2
1A8170-14400	22	5
1A8170-14500	23	1
1A8170-14510	23	3
1A8170-14530	23	4
1A8170-14600	24	1
1A8170-14610	24	2
1A8170-14630	24	3

Parts No.	Fig. No.	Ref. No.
1A8170-14650	24	4
1A8170-34300	69	1
1A8170-34310	69	2
		11
1A8170-34330	69	3
		12
1A8170-34340	69	4
		13
1A8170-34350	69	9
		18
	70	2
1A8170-34360	69	5
		14
1A8170-34370	69	6
		15
1A8170-34380	69	7
		16
1A8170-34390	69	8
		17
1A8170-34400	69	10
1A8170-34500	70	1
1A8170-34510	70	3
1A8170-34530	70	4
1A8170-34600	71	1
1A8170-34610	71	2
1A8170-34630	71	3
1A8170-34650	71	4
1A8170-46600	143	12
1A8170-53300	145	1
1A8170-99010	142	1
1A8240-01300	7	2
1A8240-04500	146	1
1A8240-04620	3	9
	4	13
1A8240-05100	3	10
1A8240-05110	3	11
1A8240-05120	3	12
1A8240-05130	3	13
1A8240-05150	3	14
1A8240-05160	3	15
1A8240-05170	3	16
1A8240-05180	3	17
1A8240-05810	3	19
	4	21
1A8240-05820	3	20
	4	22
1A8240-06200	3	21
1A8240-06220	3	22
1A8240-15240	28	2
1A8240-15320	28	3

Parts No.	Fig. No.	Ref. No.
1A8240-15460	3	23
	4	29
1A8240-15500	28	1
1A8240-15600	28	4
1A8240-15720	28	21
1A8240-15730	28	22
1A8240-15750	76	9
1A8240-17950	33	3
1A8240-18400	124	4
1A8240-18510	124	1
1A8240-22240	76	4
1A8240-22380	76	10
1A8240-22500	37	2
1A8240-22520	37	8
1A8240-22540	37	5
1A8240-22550	37	6
1A8240-27030	28	6
1A8240-27050	28	7
1A8240-27090	28	8
1A8240-27250	28	10
1A8240-27300	51	3
1A8240-27350	51	4
1A8240-27390	52	1
1A8240-27400	28	12
1A8240-27460	28	13
1A8240-27530	54	1
1A8240-27600	56	3
1A8240-28300	58	3
1A8240-33150	65	1
1A8240-37201	76	3
1A8240-37211	76	8
1A8240-37300	76	13
1A8240-37400	76	15
1A8240-37410	76	14
1A8240-37550	76	16
1A8240-37600	76	28
1A8240-37610	76	31
1A8240-37650	76	17
1A8240-47332	94	2
1A8240-60101	113	3
1A8240-60220	3	36
1A8240-60400	114	2
1A8240-60900	115	9
1A8240-61401	76	20
1A8240-61770	76	35
1A8240-61980	76	36
1A8240-62360	125	1
1A8240-62561	122	4
1A8240-62600	124	3
1A8240-62650	124	6

Parts No.	Fig. No.	Ref. No.
1A8240-62660	122	5
1A8240-62711	122	6
1A8240-62850	122	7
1A8240-62861	122	8
1A8240-63111	126	2
1A8240-63120	126	5
1A8240-63150	126	17 A
1A8240-63160	126	17 B
1A8240-63170	126	17 C
1A8240-63180	126	17 D
1A8240-63200	126	18
1A8240-65320	131	3
1A8240-65500	127	10
1A8240-65700	128	2
1A8240-65710	128	3
1A8250-01100	6	1
1A8250-01110	6	3
1A8250-01150	6	9
1A8250-01210	3	3
	4	3
1A8250-01250	3	5
	4	7
1A8250-01500	3	7
	4	11
1A8250-01601	113	1
1A8250-02150	6	5
1A8250-03100	8	1
1A8250-04100	9	1
1A8250-04110	9	2
1A8250-04210	9	7
1A8250-04220	9	8
1A8250-04230	9	9
1A8250-04240	9	10
1A8250-04250	10	1
1A8250-04280	10	2
		3
		4
1A8250-04290	10	5
1A8250-04430	10	6
1A8250-04510	146	3
	147	3
1A8250-04520	146	4
	147	4
1A8250-04530	146	5
	147	5
1A8250-04540	146	6
	147	6
1A8250-04870	10	7
1A8250-11100	11	1
1A8250-11120	139	1

## Parts No. Index

Parts No.	Fig. No.	Ref. No.
1A8250-11140	139	2
1A8250-14700	25	1
1A8250-14710	25	2
		6
1A8250-14730	25	3
		7
1A8250-14740	25	4
		8
1A8250-14800	25	5
1A8250-15790	127	1
1A8250-17470	28	23
1A8250-21180	10	8
1A8250-34700	72	1
1A8250-34710	72	2
		6
1A8250-34730	72	3
		7
1A8250-34750	72	4
		8
1A8250-34800	72	5
1A8250-35300	77	1
1A8250-37370	77	2
1A8250-37780	77	3
1A8250-37790	77	4
1A8250-37820	77	5
1A8250-46600	87	8
1A8250-46640	93	1
1A8250-46751	87	9
1A8250-46801	89	1
1A8250-46890	90	1
1A8250-46900	90	2
1A8250-46920	90	3
1A8250-48000	95	2
1A8250-48050	95	3
1A8250-48101	90	4
1A8250-48200	87	10
1A8250-48210	87	12
1A8250-48220	87	14
1A8250-48350	87	16
	97	4
	98	2
	143	22
1A8250-48430	96	2
1A8250-48500	95	7
1A8250-48600	97	7
	98	5
1A8250-48650	97	8
1A8250-48700	97	9
	98	6
1A8250-60610	115	6

Parts No.	Fig. No.	Ref. No.
1A8250-60621	115	7
1A8250-61130	115	14
1A8250-61140	115	15
1A8250-61400	115	23
1A8250-61560	10	20
	76	34
1A8250-62090	118	7
	119	6
1A8250-62120	118	9
1A8250-62150	118	10
1A8250-62170	120	2
1A8250-62210	118	11
	119	8
1A8250-62250	120	3
1A8250-62381	118	12
	119	9
1A8250-62390	118	13
	119	10
1A8250-62410	118	14
	119	11
1A8250-62460	118	15
	119	12
1A8250-62471	118	16
	119	13
1A8250-62490	118	17
	119	14
1A8250-62570	121	2
1A8250-62580	121	3
1A8250-62590	121	4
1A8250-62620	121	5
1A8250-63050	120	4
1A8250-63240	126	6
1A8250-63250	126	7
1A8250-63300	126	8
1A8250-63310	126	9
1A8250-63320	126	10
1A8250-63330	126	11
1A8250-63340	126	12
1A8250-63470	118	20
	119	17
1A8250-63520	126	13
1A8250-63530	126	14
1A8250-63540	126	15
1A8250-63550	126	16
1A8250-63560	126	17
1A8250-63700	118	21
	119	18
1A8250-63750	118	22
	119	19
1A8250-63800	10	21

Parts No.	Fig. No.	Ref. No.
1A8250-63890	10	22
1A8250-63920	118	23
	119	20
1A8250-65010	149	2
1A8250-65100	149	3
1A8250-65110	149	4
1A8250-65120	149	6
1A8250-65130	149	7
1A8250-65140	149	8
1A8250-65150	149	9
1A8250-65160	149	10
1A8250-65180	149	11
1A8250-65300	131	1
1A8250-65310	131	2
1A8250-65350	131	4
1A8250-65370	127	2
1A8250-65390	128	1
	129	1
1A8250-65410	127	3
1A8250-65420	127	4
1A8250-65430	127	6
1A8250-65450	127	7
1A8250-65460	127	8
1A8250-65470	127	9
1A8250-65560	127	11
1A8250-65580	127	12
1A8250-65610	127	13
1A8250-65630	127	14
1A8250-65650	127	15
1A8250-65690	127	16
1A8250-65700	129	2
1A8250-65710	129	3
1A8250-65750	127	17
1A8250-65800	131	7
1A8250-65821	127	18
	137	5
1A8250-65870	10	23
1A8250-85091	137	4
1A8250-99200	149	1
1A8250-99320	145	10
1A8260-01241	4	6
1A8260-01260	4	8
1A8260-01270	4	10
1A8260-04500	147	1
1A8260-05100	4	14
1A8260-06210	4	24
1A8260-65700	130	1
1A8260-65710	130	2
1A8260-65910	130	3
1A8265-46110	143	4

Parts No.	Fig. No.	Ref. No.
1A8265-46160	143	5
1A8265-46200	143	6
1A8265-46250	143	7
	144	4
1A8265-46270	143	9
	144	6
1A8265-46350	143	10
1A8265-46390	143	11
1A8265-46701	143	13
1A8265-46750	143	14
1A8265-46841	143	15
1A8265-46880	143	16
1A8265-48210	144	10
1A8265-48240	144	12
1A8265-48260	144	13
1A8265-48270	144	14
1A8265-48280	144	15
1A8265-48290	143	21
	144	16
1A8265-48460	143	24
1A8265-48480	143	25
1A8265-48500	143	26
1A8265-48770	143	27
1A8265-48790	143	28
1A8265-48810	143	29
1A8265-48830	143	30
1A8265-48950	143	31
1A8265-48960	143	32
1A8265-48970	143	33
1A8265-53050	110	13
1A8265-61101	115	13
1A8265-61180	115	16
1A8265-61190	115	17
1A8265-61240	115	18
1A8265-61250	115	19
1A8265-61280	115	20
1A8265-61300	115	21
1A8265-99120	143	1
1A8265-99210	144	1
1A8275-05510	3	18
1A8275-05530	4	20
1A8275-11600	12	1
1A8275-11700	12	6
1A8275-12310	13	1
1A8275-12320	13	11
1A8275-12330	13	2
1A8275-12340	13	12
1A8275-12440	13	3
		13
1A8275-12450	13	4

## Parts No. Index

Parts No.	Fig. No.	Ref. No.
1A8275-12450	13	14
1A8275-12460	13	5
		15
1A8275-12470	13	21
1A8275-12510	13	6
1A8275-12520	13	16
1A8275-12580	13	7
		17
1A8275-12590	13	8
		18
1A8275-12600	13	9
		19
1A8275-12610	13	10
		20
1A8275-13100	14	1
1A8275-13610	18	1
1A8275-13720	19	3
1A8275-13760	19	5
1A8275-13770	19	6
1A8275-13780	19	7
1A8275-14650	16	4
1A8275-17100	30	3
1A8275-17260	30	4
1A8275-17310	30	5
1A8275-17320	30	6
1A8275-17330	30	7
1A8275-17340	30	8
1A8275-17350	30	9
1A8275-17360	30	10
1A8275-17400	30	12
1A8275-17430	30	14
1A8275-17440	30	15
1A8275-17450	11	3
1A8275-17480	30	16
1A8275-17490	30	17
1A8275-17500	31	1
1A8275-17510	31	2
1A8275-17520	31	3
1A8275-17820	32	1
1A8275-17840	32	2
1A8275-17870	33	1
1A8275-17880	33	2
1A8275-17890	32	3
1A8275-21130	34	1
1A8275-22100	47	1
1A8275-22150	47	2
1A8275-22160	47	3
1A8275-22420	47	4
1A8275-22580	47	6
1A8275-22810	36	2

Parts No.	Fig. No.	Ref. No.
1A8275-22820	47	7
1A8275-22830	47	8
1A8275-22840	47	9
1A8275-24160	41	21
1A8275-24220	38	4
1A8275-24231	38	6
1A8275-24420	40	35
1A8275-24470	40	36
1A8275-24540	41	22
1A8275-24551	41	23
1A8275-24561	41	33
1A8275-24571	41	24
1A8275-24591	41	25
1A8275-24600	41	26
1A8275-24610	41	28
1A8275-24620	41	30
1A8275-24700	42	1
1A8275-24960	38	21
1A8275-24980	38	22
1A8275-25130	43	1
1A8275-25420	44	5
1A8275-25610	46	1
1A8275-25750	45	8
1A8275-25770	45	9
1A8275-25840	60	1
1A8275-25980	45	16
1A8275-26000	48	1
1A8275-26200	48	2
1A8275-26220	48	3
1A8275-26370	48	24
1A8275-26420	48	25
1A8275-26700	48	4
1A8275-26710	48	5
1A8275-26720	48	6
1A8275-26730	48	7
1A8275-26740	48	8
1A8275-26750	48	9
1A8275-26760	48	10
1A8275-26770	48	11
1A8275-26790	48	12
1A8275-26800	48	13
1A8275-26810	48	14
1A8275-26820	48	15
1A8275-26930	136	2
1A8275-26950	136	3
1A8275-26960	136	4
1A8275-27150	53	1
1A8275-27250	53	2
1A8275-27260	53	3
1A8275-27330	53	5

Parts No.	Fig. No.	Ref. No.
1A8275-27480	55	2
1A8275-27490	55	3
1A8275-27990	55	8
	59	2
1A8275-28100	57	2
1A8275-28110	57	3
1A8275-28120	57	5
1A8275-28220	57	6
1A8275-28230	57	7
1A8275-28240	57	4
1A8275-28290	59	3
1A8275-28350	59	4
1A8275-28410	16	6
1A8275-28420	16	7
1A8275-28430	16	8
1A8275-31510	61	2
1A8275-31520	61	3
1A8275-31820	61	5
1A8275-32110	61	8
1A8275-32600	63	1
1A8275-32650	63	2
1A8275-32670	63	3
1A8275-33100	64	1
1A8275-33140	64	3
1A8275-33410	66	1
1A8275-33420	66	2
1A8275-33450	67	1
1A8275-33490	67	9
1A8275-33540	67	2
1A8275-33550	67	3
1A8275-33570	67	5
1A8275-33580	67	6
1A8275-33610	67	10
1A8275-34110	68	1
1A8275-36210	75	1
1A8275-36240	75	3
1A8275-36310	75	4
1A8275-36320	75	5
1A8275-36350	75	6
1A8275-36520	75	8
1A8275-42100	79	2
1A8275-42811	79	6
1A8275-42910	80	3
1A8275-43100	79	7
1A8275-44510	82	12
1A8275-45200	83	1
1A8275-45230	83	2
1A8275-45240	83	3
1A8275-45310	83	4
1A8275-45320	83	5

Parts No.	Fig. No.	Ref. No.
1A8275-45330	83	6
1A8275-45340	83	7
1A8275-45360	83	8
1A8275-45370	83	9
1A8275-45420	83	10
1A8275-45440	83	11
1A8275-45500	83	12
1A8275-45980	83	15
1A8275-46620	85	2
1A8275-47160	92	1
1A8275-47250	92	2
1A8275-47330	92	3
1A8275-47350	92	6
1A8275-47370	92	7
1A8275-47420	92	8
1A8275-47440	92	10
1A8275-47450	92	11
1A8275-47500	92	13
1A8275-47550	92	18
1A8275-47630	92	19
1A8275-48010	41	35
1A8275-48020	41	36
1A8275-48030	97	3
1A8275-48050	41	37
1A8275-48260	41	41
1A8275-48340	95	6
1A8275-48540	41	42
1A8275-48570	41	43
1A8275-49160	32	4
1A8275-51113	100	3
1A8275-51190	100	6
1A8275-51250	101	1
1A8275-51260	145	4
1A8275-51281	126	3
1A8275-51550	103	1
1A8275-51570	103	2
1A8275-51580	103	3
1A8275-51600	105	2
1A8275-51610	104	3
	105	3
1A8275-51620	104	4
1A8275-51670	10	14
		15
1A8275-52190	107	2
1A8275-53400	109	17
1A8275-56010	111	1
1A8275-56600	9	5
1A8275-57100	112	4
1A8275-60400	106	7
1A8275-60430	106	8

## Parts No. Index

Parts No.	Fig. No.	Ref. No.
1A8275-65440	100	13
1A8275-71000	133	1
1A8275-71100	133	2
1A8275-71500	133	7
1A8275-71540	133	8
1A8275-71550	133	14
1A8275-71600	133	10
1A8275-71700	133	11
1A8275-72100	133	15
1A8275-72110	133	16
1A8275-72150	133	22
1A8275-72180	133	24
1A8275-72190	133	17
1A8275-72200	133	19
1A8275-72250	133	20
1A8275-72270	133	21
1A8275-72300	133	25
1A8275-73030	133	26
1A8275-73040	133	50
1A8275-73500	133	27
1A8275-73510	133	30
1A8275-73550	133	51
1A8275-73560	133	54
1A8275-73600	133	31
		55
1A8275-73700	133	32
		56
1A8275-73710	133	33
		57
1A8275-73720	133	34
		58
		74
1A8275-73740	133	35
		59
1A8275-74200	133	36
		60
1A8275-74240	133	75
1A8275-74260	133	37
		61
1A8275-74340	133	38
		62
1A8275-74390	133	39
		63
1A8275-74410	133	40
		64
1A8275-74430	133	41
		65
1A8275-74440	133	42
		66
1A8275-74450	133	43

Parts No.	Fig. No.	Ref. No.
1A8275-74450	133	67
1A8275-74470	133	44
		68
1A8275-74490	133	45
		69
1A8275-74520	133	46
		70
1A8275-74530	133	47
		71
1A8275-74540	133	48
		72
1A8275-74550	133	49
		73
1A8275-75110	135	3
1A8275-75430	135	4
1A8275-75530	135	5
1A8280-53200	110	14
1A8280-53220	110	15
		17
1A8280-53300	110	16
1A8300-51210	7	5
	10	11
		12
		36
	100	15
		16
		17
	142	2
	144	18
	145	3
1A8300-51230	100	7
1A8300-65400	144	11
1A8300-65410	149	12
1A8300-65421	127	5
1A8300-85430	137	6
1A8300-85440	137	7
1A8300-85910	137	8
1A8300-85920	137	9
1A8300-85930	137	10
1C6053-32020	76	12
1C6281-52310	6	13
	54	2
1C6281-52320	37	9
	76	33
	90	5
	124	2
	134	1
1C6860-08160	110	4
		9
1C6900-23120	19	9

Parts No.	Fig. No.	Ref. No.
1C6900-23150	19	10
1C6920-36260	111	2
1C7100-15100	19	8
1E6102-83230	100	26
1E6210-54920	53	12
1E6213-83410	33	5
	142	4
1E8775-84120	100	14
1E9170-54811	16	9
1TN322-41770	144	2
1W3981-14050	7	3
22117-080000	85	4
	134	2
22137-050000	115	30
22137-060000	6	15
	54	3
22137-080000	28	14
	37	10
	124	9
	143	34
22137-100000	6	6
	92	21
		22
	114	3
	115	31
	143	35
	145	7
22137-120000	76	22
	92	23
	136	5
22137-130000	109	20
22137-140000	124	7
22137-160000	29	3
22137-200000	64	5
	77	7
22157-060000	115	32
	142	6
22157-080000	9	11
	10	25
		26
	37	11
	91	4
	118	26
		27
		28
	119	23
		24
		25
	137	11
22157-100000	6	7

Parts No.	Fig. No.	Ref. No.
22190-080002	78	15
22217-080000	16	10
22217-100000	28	28
	61	9
	145	8
22217-120000	38	31
22217-130000	109	21
22217-160000	38	32
	122	9
22242-000200	28	15
	53	13
22242-000300	16	11
		12
	30	13
	47	24
		25
	57	10
22242-000320	75	9
22242-000340	43	11
	50	5
22242-000450	47	26
22242-000500	61	10
22242-100300	48	19
22242-100350	48	16
22252-000190	43	12
22252-000320	78	5
		11
22252-000370	28	16
22252-000550	16	13
	47	27
	57	11
22252-000620	18	2
22252-000850	19	12
22252-000900	19	13
22252-000950	19	14
22252-001000	48	17
22272-000070	92	24
22272-000120	124	8
22272-000150	76	23
22272-000190	76	24
22292-000340	44	15
22312-080180	42	8
22312-100180	19	15
	35	4
	38	8
		33
	63	4
	80	4
		5
22312-100250	30	18

## Parts No. Index

Parts No.	Fig. No.	Ref. No.
22312-120320	67	11
22351-030008	48	20
22351-035036	55	9
	59	5
22351-035040	56	4
	58	4
22351-040012	85	5
22351-050025	92	25
		26
22351-050040	64	6
22351-050070	82	9
22351-060016	82	14
22351-060025	53	14
22351-060030	86	6
22351-060032	55	10
22351-060036	40	38
	55	11
	59	6
	61	11
22351-060040	15	8
	56	5
	58	5
22351-060050	53	15
22351-060060	41	16
22351-080032	64	7
22351-080040	64	8
	67	8
22351-080070	82	10
22372-080000	118	29
	119	26
	123	3
	143	36
22372-100000	114	4
	115	33
	143	37
22372-160000	139	4
	148	8
22417-200160	91	5
22417-200200	82	15
	92	27
22417-250300	76	25
	77	8
22417-400400	13	22
22487-060160	54	4
22487-080200	90	6
	92	28
22487-080600	118	30
	119	27
22522-030130	92	29
23000-019000	4	41

Parts No.	Fig. No.	Ref. No.
23000-019000	4	42
23000-035000	3	38
	4	43
		44
	95	14
23000-048000	95	15
23000-060000	16	14
23000-070000	3	39
		40
	4	45
23000-080000	4	46
23414-100000	48	29
	53	16
23414-140000	41	46
23414-160000	41	38
23414-190000	97	10
		11
	98	7
23414-200026	41	47
	63	5
	95	16
23414-210027	97	12
		13
	98	8
23414-220029	41	48
23491-140002	38	34
23857-150000	41	49
23857-180000	41	50
23871-010000	40	22
	41	5
		51
	42	4
	79	3
		8
23871-020000	79	4
23887-100002	53	17
23887-160002	41	39
23887-200002	63	6
23980-730200	3	41
	4	47
23980-730400	3	42
	4	48
23980-730550	10	27
23980-730600	3	43
	4	49
23980-731700	10	28
24101-060064	47	28
	57	12
24101-060094	47	29
24101-060104	47	30

Parts No.	Fig. No.	Ref. No.
24101-060104	61	12
24101-060114	68	4
24101-060124	19	16
24101-060174	15	13
24101-062034	47	31
24101-062044	48	21
24101-062064	43	13
	44	16
	47	32
24101-062074	43	14
24101-062084	21	6
24101-062094	19	17
	21	7
24101-062114	61	13
	68	5
24101-063044	57	13
24101-063054	44	17
	46	3
	49	4
	50	6
24101-063064	46	4
24104-060064	16	15
24104-062104	20	5
24107-060064	47	33
	48	22
24141-320070	14	9
24161-303520	44	18
24163-305200	44	19
24165-000402	44	20
24190-080001	55	12
	57	14
24190-100001	40	23
	53	18
		19
		20
24190-130003	79	11
24190-160001	41	40
24190-180001	75	10
24311-000070	41	17
		52
24311-000110	85	6
24311-000120	85	7
24311-000125	40	24
24311-000140	41	53
24311-000150	92	30
		31
24311-000160	1	8
	2	11
	38	35
	55	13

Parts No.	Fig. No.	Ref. No.
24311-000160	59	7
24311-000180	19	18
	32	7
	40	25
24311-000200	95	17
24311-000220	32	8
	40	26
	95	18
24311-000240	41	18
24311-000290	40	27
24311-000320	40	28
	95	19
		20
24311-000360	82	16
	95	21
24311-000500	38	36
24315-000110	30	11
24315-000120	86	7
24315-000140	31	7
		8
	79	12
		13
24315-000180	79	14
	86	8
24316-000070	146	15
	147	10
24316-000160	146	16
	147	11
24321-000300	53	21
24321-000500	16	16
		17
		18
24321-000600	48	23
24321-000650	1	9
	2	12
	38	37
	82	17
24321-000750	38	38
24321-001300	19	19
24321-002300	21	8
24325-000800	79	15
24326-000650	146	17
	147	12
24341-000080	48	30
24341-000112	41	19
24341-000220	40	29
24341-000224	40	30
24341-000250	95	22
24341-000315	14	10
24341-000320	48	18



## Parts No. Index

Parts No.	Fig. No.	Ref. No.
24341-000350	42	9
24351-020300	38	39
24351-190140	40	31
24351-240230	41	32
24361-090500	40	32
24421-153207	78	6
		12
24421-203007	64	9
24421-355008	75	11
24421-456209	18	3
24423-305208	42	5
24550-010100	143	38
24550-012080	28	11
24550-015080	28	5
24550-015120	124	5
24550-025200	76	11
		21
24761-010000	12	4
		9
26013-140352	38	40
26016-060162	40	33
	41	20
26016-080302	40	34
26016-080352	78	7
		13
26106-060122	3	44
	4	50
	7	8
	10	29
	32	9
	112	6
		7
26106-060162	132	4
	143	39
26106-060202	3	45
	4	51
	95	23
	100	27
	110	19
	112	8
	113	8
		9
	142	7
26106-060352	95	24
26106-060402	32	10
	93	2
	95	25
		26
26106-060452	95	27
26106-080122	3	46

Parts No.	Fig. No.	Ref. No.
26106-080122	4	52
		53
	16	19
		20
	87	18
	110	20
	115	34
	121	6
	143	40
26106-080162	3	47
		48
		49
	4	54
		55
		56
	6	16
	10	30
		31
	11	5
	33	6
		7
	34	5
	36	3
	38	41
	47	34
	52	2
	53	22
	55	14
	59	8
	63	7
		8
	67	12
	76	37
	92	32
		33
	95	28
		29
		30
	96	3
	100	28
		29
		30
		31
	110	21
	114	5
	115	35
		36
	120	5
	121	7
	122	10

Parts No.	Fig. No.	Ref. No.
26106-080162	122	11
	136	6
	143	41
26106-080202	8	3
	10	32
		33
	38	42
		43
	53	23
	65	2
	89	2
	113	10
		11
	118	31
		32
		33
	119	28
		29
		30
	120	6
	126	19
	137	12
	143	42
		43
	145	11
26106-080252	62	3
	78	16
	100	32
	136	7
26106-080302	3	50
	4	57
	38	44
	78	17
26106-080352	28	17
	42	10
	118	34
	119	31
26106-080402	38	45
	78	18
26106-080502	42	6
26106-080602	92	34
26106-080702	10	34
26106-080802	40	39
	41	54
	78	19
26106-080852	90	7
26106-080952	40	40
26106-081002	41	55
26106-081102	42	11
26106-081152	78	20

Parts No.	Fig. No.	Ref. No.
26106-100162	3	51 -1
	4	58 -1
26106-100202	3	51
	4	58
		31
		9
		41
		56
	122	12
	124	10
26106-100252	38	46
26106-100302	19	20
	21	9
26106-100402	28	29
	51	6
26106-120252	135	6
26106-120302	79	16
		17
		18
	82	18
26106-120402	34	6
	80	6
26106-120502	38	47
	39	3
	63	9
	79	18
26106-120652	38	48
26106-120702	80	7
26106-120852	34	7
26116-060404	7	9
26116-100162	83	16
26116-120352	139	5
26116-160402	122	13
26116-160604	11	6
26216-080162	76	38
26216-080802	38	9
26216-120702	80	8
26218-120502	38	10
	80	9
26346-080002	28	18
	76	26
26347-080002	9	12
		13
	10	35
	143	44
26356-160002	29	4
26366-080002	41	57
26366-120002	63	10
	80	10
26450-050102	83	17
26450-080122	19	21
26450-080252	83	18
26487-080203	118	35

# Parts No. Index

Parts No.	Fig. No.	Ref. No.
26487-080203	119	32
26557-050202	111	6
26557-060162	106	9
26589-060102	115	37
		38
26716-050002	111	7
26716-060002	90	8
	104	5
	105	4
26716-080002	144	19
26716-100002	6	8
	19	22
	37	7
	76	32
	92	17
		35
26716-120002	38	49
	148	9
		10
26716-160002	11	7
26736-100002	145	9
26736-160002	92	36
26756-080002	136	8
26776-120002	106	5
26776-160002	90	9
27260-170000	38	50
27260-300000	38	11
27260-470000	96	4
27260-550000	34	8
41851-000110	83	13
794251-13910	62	1
933160-01370	32	11

Parts No.	Fig. No.	Ref. No.
-----------	----------	----------

Parts No.	Fig. No.	Ref. No.
-----------	----------	----------

Parts No.	Fig. No.	Ref. No.
-----------	----------	----------