

0CNP5-M37901EN

## Directions for the Parts Catalog.

1. This Parts Catalog shows both standard and optional parts.
2. Parts may change without prior notice.
3. The following is an example of the Parts Catalog format.

REF.	LEV.	PARTS NO.	DESCRIPTION	Q'TY						I	R
				(A)	(B)	(C)	(D)	(E)	(F)		
1	1	729595-51390	FUEL INJECTION PUMP	1	1	1	1	1			1
1-1	1	729595-51391	FUEL INJECTION PUMP	1	1	1	1	1		N	1
		(A=E00185) (B=E00200)									
3	2	26022-060162	SCREW M 6X 16	9	9	9	9	9			
3-1	2	26022-060162	SCREW M 6X 16	4	4	4	4	4		K	
		(A=E00156) (B=E00156) (C=E00156) (D=E00156) (E=E00156)									
4	2	129470-51040	CAMSHAFT	1	1	1	1	1			
5	2	122710-51050	BEARING, ROLLER	2	2	2	2	2			
6	2	129470-51060	RETAINER	1	1	1	1	1			

Remarks
(1) BOOST COMPEMSATOR TYPE. OPTIONAL PART, TO E00155,(4JH-DT, 4JH-DTZ

### ① Ref. No.

The Ref. No. listed may not be in accordance with the illustration Ref. No.

(Ex.) Illustration No.

List Ref No.

1

1

(Before change) → 1-1 (After change)

For interchangeable symbols N, R and K, illustrations for new parts may be abbreviated.

### ② Lev. (Level)

Level indication

The numbers below indicate the level of relativity towards the main part.

1 ----- Main parts (Assembly parts)

2 ----- Sub component included in " 1 ".

3 ----- Sub component included in " 2 ".

Note) Parts that are not for sale are partially illustrated but not listed.

### ③ Interchangeability Symbol

When a part change takes place, one of the following interchangeability symbols is indicated beside the part.

Symbol	Interchangeability	Contents note
N	Old $\begin{matrix} \leftarrow \text{Yes} \\ \text{No} \rightarrow \end{matrix}$ New	New Part is interchangeable for Old Part but Old Part is not interchangeable for New Part.
Q	Old $\begin{matrix} \leftarrow \text{No} \\ \text{Yes} \rightarrow \end{matrix}$ New	New Part is not interchangeable for Old Part but Old Part is interchangeable for New Part.
R	Old $\begin{matrix} \leftarrow \text{Yes} \\ \text{Yes} \rightarrow \end{matrix}$ New	New/ Old Parts are both interchangeable.
S	Old $\begin{matrix} \leftarrow \text{No} \\ \text{No} \rightarrow \end{matrix}$ New	New/ Old Parts are both not interchangeable.
W		Part newly added.
Z		Part discontinued.
F		Not interchangeable by a single part but interchangeable together with related parts.
K		Changes only for used parts quantities.

### ④ Effective Machine No.

When a part changes, the effective Machine No. will be indicated in the (A)-(F) column.

Product Symbol	Product No.	Product Symbol	Product No.
C	Clutch No. Compressor No.	F	Machine No. (Agricultural Equip.)
D	Drive No.	M	Machine No.
E	Engine No.		

Note 1) A date may follow the symbol. (Ex.) 1996.01

Note 2) "XXXXX" and "ZZZZZ" are for parts that could not be predicted or for engine models that could not be identified.

Note 3) (A=E00185) is the E (Engine Serial Number) for the column (A) model (in this case 4JH-DT) after the parts design change.

### ⑤ Remarks

Figures or alphabets (symbols) are entered in the remarks column.

The comments (remarks) on parts that are indicated at the bottom of the illustration are the same symbols as those stated above.

## Instructions pour le catalogue de pièces.

1. Le catalogue contient des pièces standards et optionnelles.

2. Les pièces peuvent changer sans préavis.

3. Voici un exemple de format du catalogue de pièces.

REF.	LEV.	PARTS NO.	DESCRIPTION	Q'TY						I	R
				(A)	(B)	(C)	(D)	(E)	(F)		
1	1	729595-51390	FUEL INJECTION PUMP	1	1	1	1	1			1
1-1	1	729595-51391	FUEL INJECTION PUMP	1	1	1	1	1		N	1
		(A=E00185) (B=E00200)									
3	2	26022-060162	SCREW M 6X 16	9	9	9	9	9			
3-1	2	26022-060162	SCREW M 6X 16	4	4	4	4	4		K	
		(A=E00156) (B=E00156) (C=E00156) (D=E00156) (E=E00156)									
4	2	129470-51040	CAMSHAFT	1	1	1	1	1			
5	2	122710-51050	BEARING, ROLLER	2	2	2	2	2			
6	2	129470-51060	RETAINER	1	1	1	1	1			

Remarks
(1) BOOST COMPEMSATOR TYPE. OPTIONAL PART, TO E00155,(4JH-DT, 4JH-DTZ

### ① Réf.

Il se peut que la référence de la liste ne concorde pas avec la référence de l'illustration.

(Ex.) Réf. de l'illustration      Réf. de la liste  
1                                      1 (Avant le changement) → 1-1 (Après le changement)

Pour les symboles d'interchangeabilité N, R et K, les illustrations pour les nouvelles pièces peuvent être abrégées.

### ② Niv. (Niveau)

Indication du niveau

Les numéros ci-dessous indiquent le niveau par rapport à la pièce principale.

1 ----- Pièces principales (pièces d'assemblage)

2 ----- Sous-élément inclus dans « 1 ».

3 ----- Sous-élément inclus dans « 2 ».

Remarque : les pièces qui ne sont pas en vente sont partiellement illustrées, mais ne figurent pas dans la liste.

### ③ Symbole d'interchangeabilité

En cas de changement de pièce, l'un des symboles d'interchangeabilité suivants est indiqué à côté de la pièce.

Symbole	Interchangeabilité	Remarque sur le contenu
N	Ancienne $\xleftarrow{\text{Oui}}$ Nouvelle $\xrightarrow{\text{Non}}$	La nouvelle pièce peut être substituée à l'ancienne, mais l'ancienne pièce ne peut pas être substituée à la nouvelle.
Q	Ancienne $\xleftarrow{\text{Non}}$ Nouvelle $\xrightarrow{\text{Oui}}$	La nouvelle pièce ne peut pas être substituée à l'ancienne, mais l'ancienne pièce peut être substituée à la nouvelle.
R	Ancienne $\xleftarrow{\text{Oui}}$ Nouvelle $\xrightarrow{\text{Oui}}$	La nouvelle pièce et l'ancienne sont interchangeables.
S	Ancienne $\xleftarrow{\text{Non}}$ Nouvelle $\xrightarrow{\text{Non}}$	La nouvelle pièce et l'ancienne ne sont pas interchangeables.
W		Pièce nouvellement ajoutée.
Z		Pièce supprimée.
F		Non interchangeable avec une pièce unique, mais interchangeable avec des pièces connexes.
K		Changements uniquement aux quantités de pièces usagées.

### ④ N° de machine applicable

En cas de changement de pièce, le n° de machine applicable est indiqué dans la colonne (A)-(F).

Symbole de produit	N° de produit	Symbole de produit	N° de produit
C	N° d'embrayage, n° de compresseur	F	N° de machine (agroéquipement)
D	N° d'entraînement	M	N° de machine
E	N° de moteur		

Remarque 1 : une date peut suivre le symbole. (Ex.) 1996.01

Remarque 2 : « XXXXX » et « ZZZZZ » désignent des pièces impossibles à prédire ou des modèles de moteur non identifiables.

Remarque 3 : (A=E00185) est le E (numéro de série du moteur) pour le modèle de la colonne (A) (ici : 4JH-DT) après le changement à la conception des pièces.

### ⑤ Identification des remarques

Des chiffres ou des lettres (symboles) sont entrés dans la colonne des remarques.

Les commentaires (remarques) sur les pièces dans le bas de l'illustration sont les mêmes symboles que ceux mentionnés ci-dessus.

## DEPLOYMENT ENGINE MODEL TABLE

TRACTOR			ENGINE			
MODEL	PC-No.	POSITION	MODEL	PC-No.	POSITION	REMARKS
LX410	0CNP5-G37901	A	4TNV88-ULRG1	0CNP5-G38200	A	ROPS TYPE
LX450		B	4TNV88-BLRG1		B	ROPS TYPE
LX490		C	4TNV84T-BMRG1	0CNP5-G38300	A	ROPS TYPE

# Contents

OCNP5-M37901

Fig. No.	Fig. Name
<b>ENGINE CONTROL SECTION</b>	
1.	ENGINE RELATED
2.	ENGINE RELATED
3.	ENGINE ACCESSORIES
4.	ENGINE ACCESSORIES
5.	GROMMET
6.	ACCEL LEVER
7.	FOOT ACCEL
8.	EXHAUST
9.	FUEL TANK
10.	TANK PARTS
<b>FRONT AXLE SECTION</b>	
11.	FRONT AXLE BRACKET
12.	FRONT SUPPORT
13.	TIE ROD
14.	RING GEAR
15.	DIFFERENTIAL GEAR
16.	PROPELLER SHAFT
17.	FRONT SHAFT(1
18.	FRONT AXLE CASE
19.	FRONT GEAR CASE
20.	FRONT SHAFT(2
21.	FRONT SPINDLE
22.	FRONT WHEEL TIRE R1

Fig. No.	Fig. Name
23.	FRONT WHEEL TIRE R3
24.	FRONT WHEEL TIRE R4
140.	FRONT WHEEL TIRE(R3G
25.	HUB BOLT
141.	HUB BOLT
26.	STEERING COLUMN
27.	STEERING WHEEL
28.	PST CYLINDER
29.	PST VALVE
30.	PST PIPING
31.	PST HOSE

<b>TRANSMISSION SECTION</b>	
32.	CLUTCH HOUSING
33.	DOCKING BOLT
34.	DAMPER DISC
35.	CLUTCH LINK
36.	TRANSMISSION CASE
37.	CENTER PLATE
38.	REVERSER VALVE
39.	P.T.O. VALVE
40.	FRONT COVER
41.	MAIN SHAFT
42.	DRIVEN SHAFT
43.	COUNTER SHAFT

# Contents

0CNP5-M37901

Fig. No. Fig. Name

- 44. REDUCTION SHAFT
- 45. POWER REVERSER
- 46. PTO CLUTCH
- 47. PTO DRIVE SHAFT
- 48. PTO SHAFT
- 49. MAIN LEVER
- 50. SLIDE PLATE
- 51. MAIN CHANGE SHIFT
- 52. REVERSER WIRE
- 53. RANGE SHIFT
- 54. SUB LEVER
- 55. FRONT DRIVE
- 56. CHANGE ARM
- 57. FRONT SHIFT

## REAR AXLE SECTION

- 58. RING GEAR
- 59. DIFFERENTIAL GEAR
- 60. DIFFERENTIAL CARRIER
- 61. REAR HOUSING
- 62. DIFFERENTIAL LOCK
- 63. DIFFERENTIAL LOCK PEDAL
- 64. FINAL PINION
- 65. FINAL GEAR
- 66. REAR AXLE SHAFT

Fig. No. Fig. Name

- 67. REAR WHEEL TIRE R1
- 68. REAR WHEEL TIRE R3
- 69. REAR WHEEL TIRE R4
- 142. REAR WHEEL TIRE(R3G)
- 70. HUB BOLT
- 143. HUB BOLT
- 71. BRAKE
- 72. PEDAL
- 73. BRAKE LINK

## HYD. CONTROL SECTION

- 74. HYDRAULIC PUMP
- 75. HYD.CYLINDER HOUSING
- 76. HYD.LIFT DOCKING
- 77. PISTON
- 78. LIFT CRANK
- 79. CONTROL VALVE
- 80. RELIEF VALVE
- 81. STOP VALVE
- 82. SAFETY VALVE
- 83. LOADER VALVE
- 84. BREATHER
- 85. LEVER(SCV
- 86. HYDRAULIC OPERATION(1
- 87. HYDRAULIC CONTROL

# Contents

OCNP5-M37901

Fig. No. Fig. Name

- 88. HYDRAULIC OPERATION(2
- 89. LIFT LEVER
- 90. HYDRAULIC LINE
- 91. HYDRAULIC FILTER
- 92. HYDRAULIC LINE(LOADER
- 93. HYDRAULIC LINE(LOADER(PBK/REAR REMOTE

## ELECTRICAL PARTS SECTION

- 94. HARNESS
- 95. HARNESS
- 96. BATTERY
- 97. BATTERY
- 98. CLAMP(BATTERY
- 99. CLAMP(BATTERY
- 100. SWITCH
- 101. SWITCH
- 102. SWITCH
- 103. LAMP
- 104. FRONT LAMP
- 105. METER
- 106. RELAY

## FITTINGS SECTION

- 107. FRONT FRAME
- 108. HOOD FRAME

Fig. No. Fig. Name

- 109. HOOD
- 110. DASHBOARD
- 111. COLUMN COVER
- 112. FENDER
- 113. FENDER PARTS
- 114. FLOOR
- 115. STEP STAY(1
- 116. INSULATOR
- 117. STEP STAY(2
- 118. FLOOR ATTACHMENT
- 119. SEAT
- 120. LABEL
- 121. LABEL(LX410)
- 122. LABEL(LX450)
- 123. LABEL(LX490)
- 124. LABEL(PL)
- 125. SMV

## HITCH SECTION

- 126. 3P LINK KIT
- 127. TOP LINK
- 128. DRAWBAR HITCH
- 129. PTO GUARD

# Contents

0CNP5-M37901

Fig. No. Fig. Name  
SAFETY FRAME SECTION

130. ROLL GUARD

ACCESSORIES SECTION

131. MANUAL

OPTIONAL SECTION

132. FRONT HITCH

133. HEATER(BLOCK

134. FRONT WEIGHT

135. EXTRA HITCH

136. HEATER(T/M

137. WORK LAMP

138. REAR REMOTE KIT

139. REAR COUPLER KIT

144. FUEL LINE(FAME

145. FUEL LINE(FAME

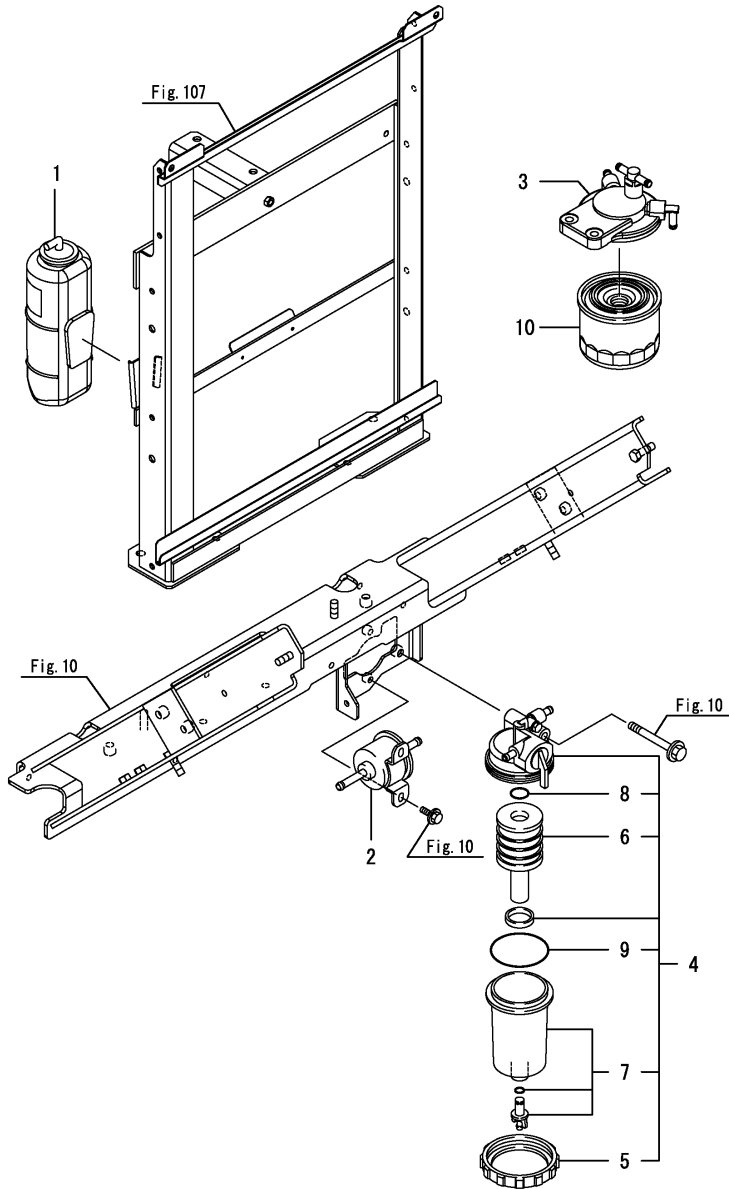
Fig. No. Fig. Name



Fig.1. ENGINE RELATED

(A)=LX410(CCY)  
 (B)=LX450(CCY)  
 (C)=LX490(CCY)

(D)=  
 (E)=  
 (F)=



No.	Lev.	Parts No.	Description	Q'ty						I	R
				(A)	(B)	(C)	(D)	(E)	(F)		
1	1	129263-44510	TANK ASSY, SUB	1	1						
2	1	119225-52102	PUMP ASSY, FUEL FEED	1	1						
3	1	129004-55612	BRACKET, FILTER	1	1						
4	1	119802-55700	SEPARATOR ASSY	1	1						
5	2	129100-55690	RING, RETAINING	1	1						
6	2	119802-55710	ELEMENT	1	1						
7	2	119802-55730	CUP ASSY	1	1						
8	2	24311-000160	O-RING, 1AP16.0	1	1						
9	2	24321-000650	O-RING, 1AG65.0	1	1						
10	1	119802-55810	FILTER,FO	1	1						

Fig.2. ENGINE RELATED

(A)=LX410(CCY)  
 (B)=LX450(CCY)  
 (C)=LX490(CCY)

(D)=  
 (E)=  
 (F)=

No.	Lev.	Parts No.	Description	Qty						I	R
				(A)	(B)	(C)	(D)	(E)	(F)		
1	1	129509-03080	HOSE ASSY, BREATHER			1					
2	2	129509-03090	HOSE, BREATHER			1					
3	2	129410-03990	CLAMP 22			2					
4	1	129263-44510	TANK ASSY, SUB			1					
5	1	119225-52102	PUMP ASSY, FUEL FEED			1					
6	1	129004-55612	BRACKET, FILTER			1					
7	1	119802-55700	SEPARATOR ASSY			1					
8	2	129100-55690	RING, RETAINING			1					
9	2	119802-55710	ELEMENT			1					
10	2	119802-55730	CUP ASSY			1					
11	2	24311-000160	O-RING, 1AP16.0			1					
12	2	24321-000650	O-RING, 1AG65.0			1					
13	1	119802-55810	FILTER,FO			1					

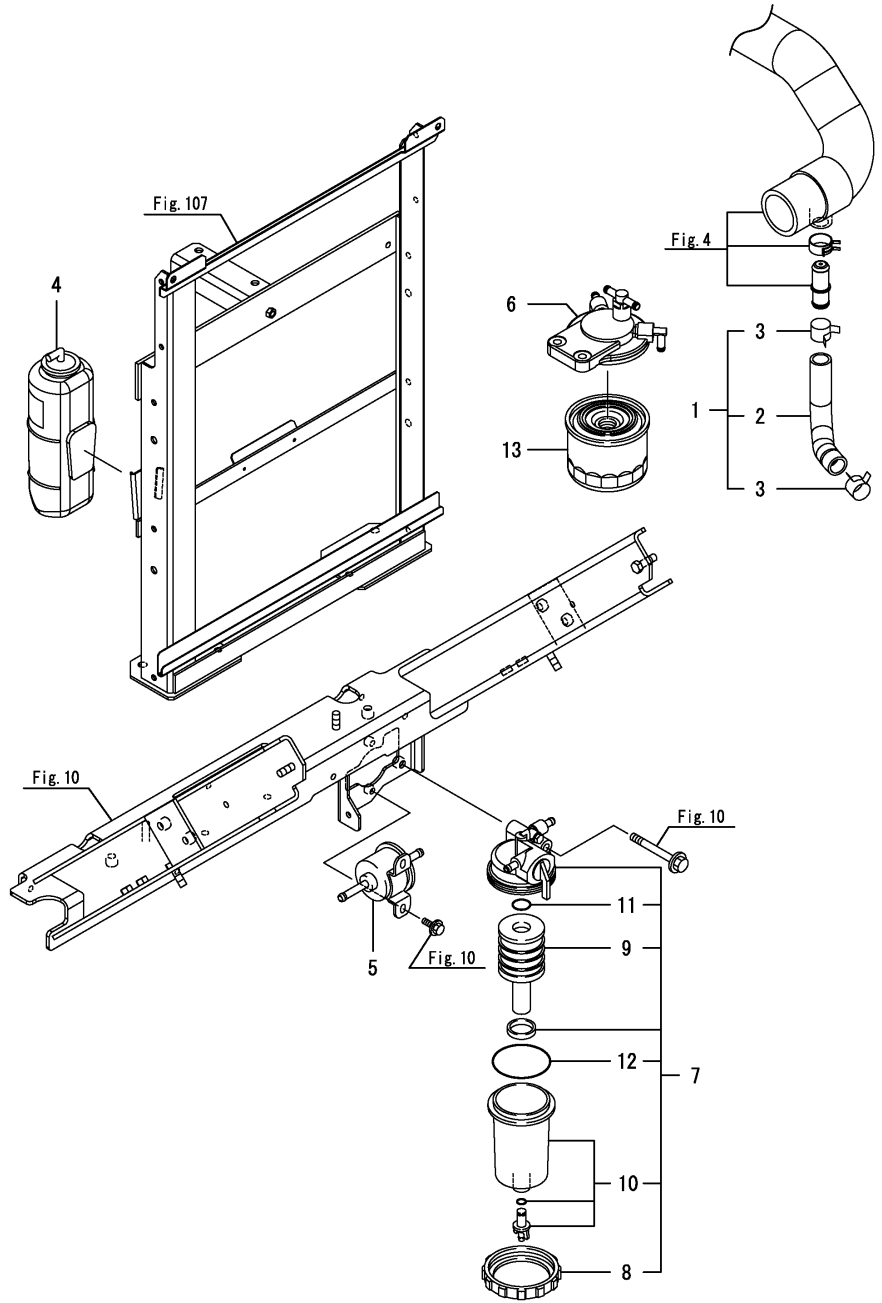
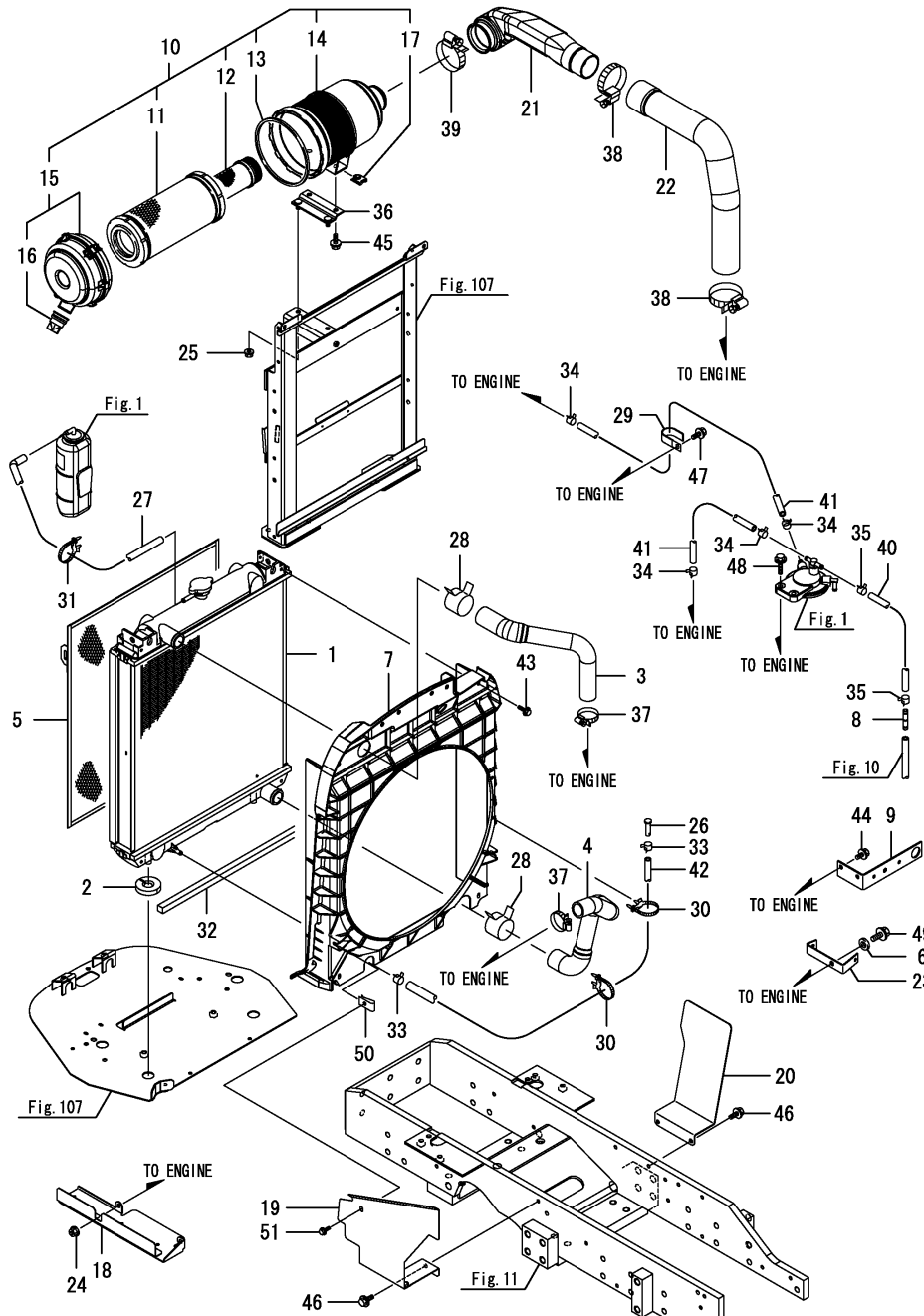


Fig.3. ENGINE ACCESSORIES



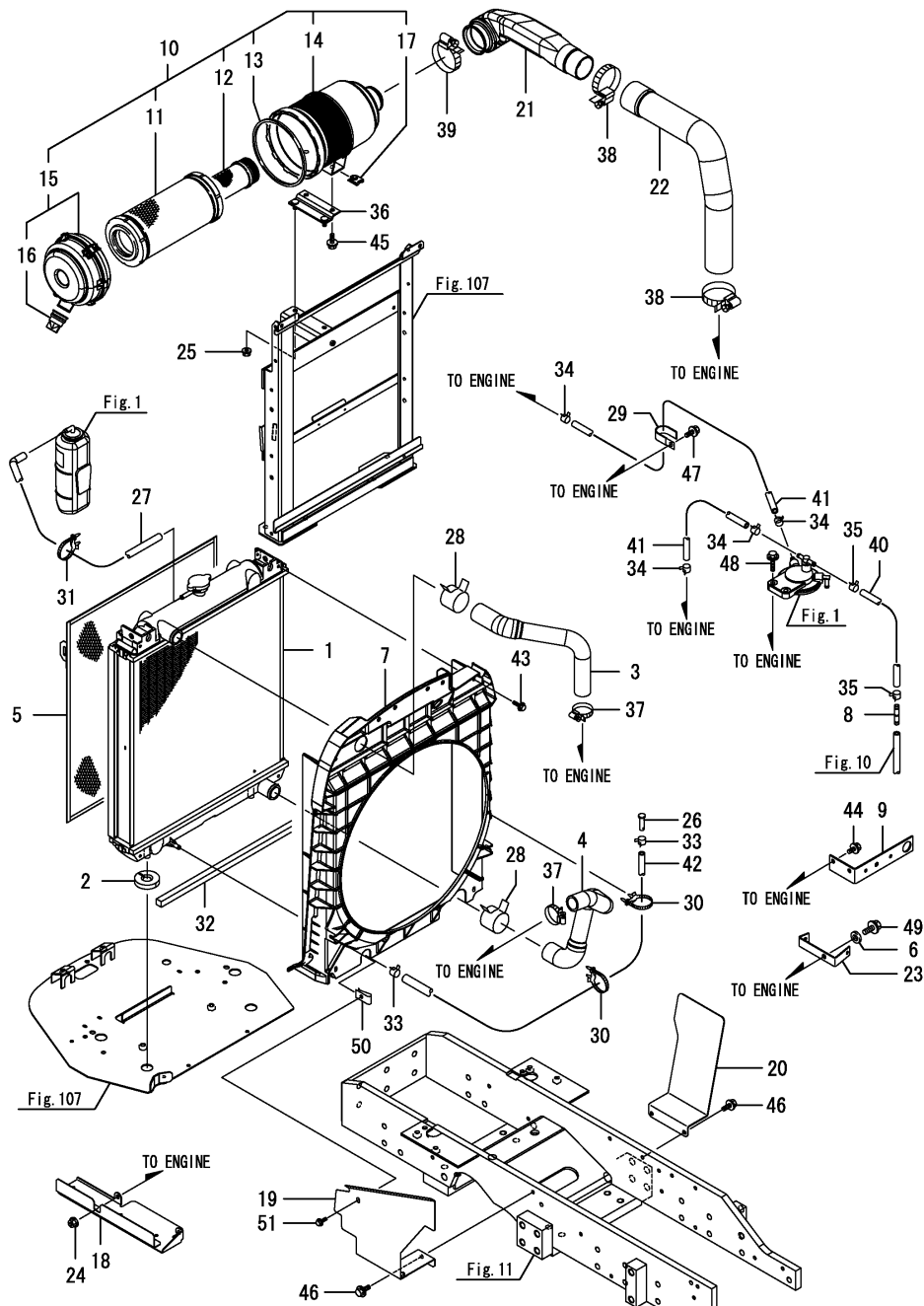
(A)=LX410(CCY)  
(B)=LX450(CCY)  
(C)=LX490(CCY)

(D)=  
(E)=  
(F)=

No.	Lev.	Parts No.	Description	Q'ty						I	R
				(A)	(B)	(C)	(D)	(E)	(F)		
1	1	1A7140-00600	RADIATOR ASSY	1	1						
2	1	1A7180-01050	RUBBER, ABSORBER	2	2						
3	1	1A8250-01210	TUBE, COOLING WATER A	1	1						
4	1	1A7260-01220	PIPE, WATER B	1	1						
5	1	1A8250-01250	SCREEN, RADIATOR	1	1						
6	1	194150-01270	SPACER, 20	1	1						Z
				(A=FXXXXX)	(B=FXXXXX)						
7	1	1A8250-01500	SHROUD M ASSY, FAN	1	1						
8	1	198280-04470	JOINT, HOSE	1	1						
8-1	1	1A7180-04850	JOINT, FO HOSE	1	1						R
				(A=FXXXXX)	(B=FXXXXX)						
9	1	1A8240-04620	CLAMP, FUEL HOSE	1	1						
10	1	1A8240-05100	CLEANER ASSY, 5.5IN,D	1	1						
11	2	1A8240-05110	ELEMENT ASSY, OUTER	1	1						
12	2	1A8240-05120	ELEMENT ASSY, INNER	1	1						
13	2	1A8240-05130	GASKET, AIR CLEANER	1	1						
14	2	1A8240-05150	BODY,	1	1						
15	2	1A8240-05160	COVER ASSY	1	1						
16	3	1A8240-05170	VALVE, UNLOADER	1	1						
17	2	1A8240-05180	CLIP NUT, M8	2	2						
18	1	1A8275-05510	PLATE, SHUTTER, 88 ASS	1	1						
19	1	1A8240-05810	COVER, BELT L	1	1						
20	1	1A8240-05820	COVER, BELT R	1	1						
21	1	1A8240-06200	PIPE A, INTAKE	1	1						
22	1	1A8240-06220	HOSE B, INTAKE	1	1						
23	1	1A8240-15460	BRACKET, CLAMP	1	1						
24	1	194990-22140	NUT, M8	2	2						
25	1	194990-22140	NUT, M8	2	2						
26	1	198220-37900	PIN, 8X24	1	1						
27	1	121750-49150	PIPE, WATER DRAIN	1	1						
28	1	175022-49750	CLIP 37, HOSE	2	2						
29	1	194440-51620	CLAMP	1	1						
30	1	194680-51670	BAND, CLIP	2	2						
31	1	194680-51670	BAND, CLIP	1	1						
32	1	1A7601-53920	URETHANE, SIDE LAMP	1	1						
33	1	114270-59010	CLIP, HOSE 12	2	2						
34	1	114270-59010	CLIP, HOSE 12	4	4						
35	1	114270-59010	CLIP, HOSE 12	2	2						
36	1	1A8240-60220	SUPPORT, CLEANER	1	1						
37	1	23000-035000	CLAMP, 35	2	2						
38	1	23000-070000	CLAMP, 70	2	2						
39	1	23000-070000	CLAMP, 70	1	1						
40	1	23980-730200	HOSE, 7.3X 200	1	1						
41	1	23980-730400	HOSE, 7.3X 400	2	2						
42	1	23980-730600	HOSE, 7.3X 600	1	1						
43	1	26106-060202	BOLT, M6X 20 PLATED	4	4						
44	1	26106-080122	BOLT, M8X 12 PLATED	2	2						
45	1	26106-080162	BOLT, M8X 16 PLATED	2	2						
46	1	26106-080162	BOLT, M8X 16 PLATED	3	3						
47	1	26106-080162	BOLT, M8X 16 PLATED	1	1						
48	1	26106-080302	BOLT, M8X 30 PLATED	2	2						

N:Old  $\xrightarrow{\text{Yes}}$  New, Q:Old  $\xrightarrow{\text{No}}$  New, R:Old  $\xrightarrow{\text{Yes}}$  New, S:Old  $\xrightarrow{\text{No}}$  New, W:Add, Z:Discontinued, F:Interchangeable by set, K:Q'ty Change  
 ++ CONTINUE ++  
 Copyright (C) YANMAR CO., LTD. All Rights Reserved.

Fig.3. ENGINE ACCESSORIES



(A)=LX410(CCY)  
 (B)=LX450(CCY)  
 (C)=LX490(CCY)

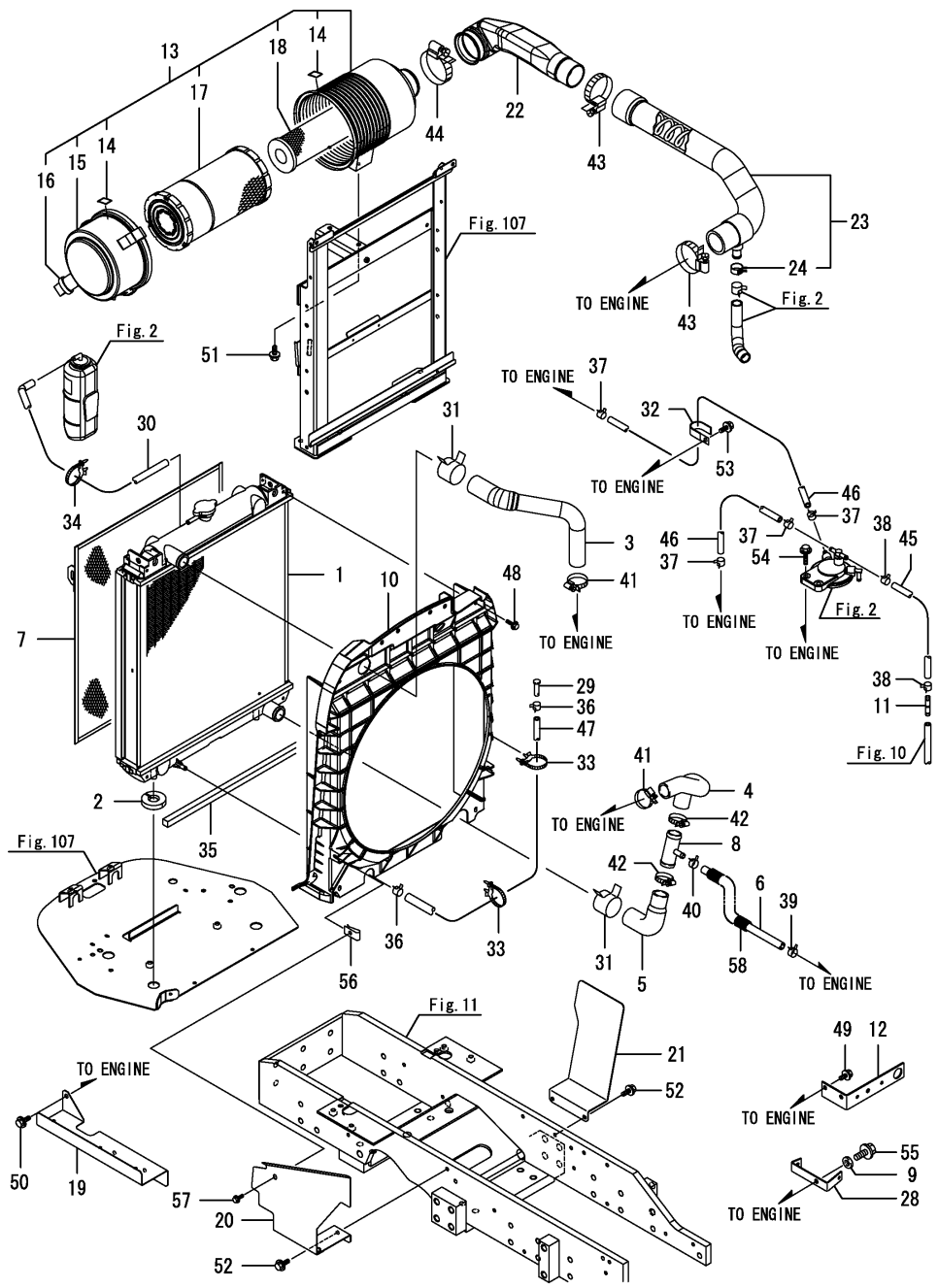
(D)=  
 (E)=  
 (F)=

No.	Lev.	Parts No.	Description	Q'ty						I	R
				(A)	(B)	(C)	(D)	(E)	(F)		
49	1	26106-100202	BOLT, M10X 20 PLATED	1	1						
49-1	1	26106-100162	BOLT, M10X 16 PLATED	1	1						N
		(A=FXXXXX) (B=FXXXXX)									
50	1	198071-61890	NUT, SPEED M6	1	1						
51	1	26106-060202	BOLT, M6X 20 PLATED	1	1						
51-1	1	26106-060122	BOLT, M6X 12 PLATED	1	1						R
		(A=FXXXXX) (B=FXXXXX)									

Fig.4. ENGINE ACCESSORIES

(A)=LX410(CCY)  
 (B)=LX450(CCY)  
 (C)=LX490(CCY)

(D)=  
 (E)=  
 (F)=



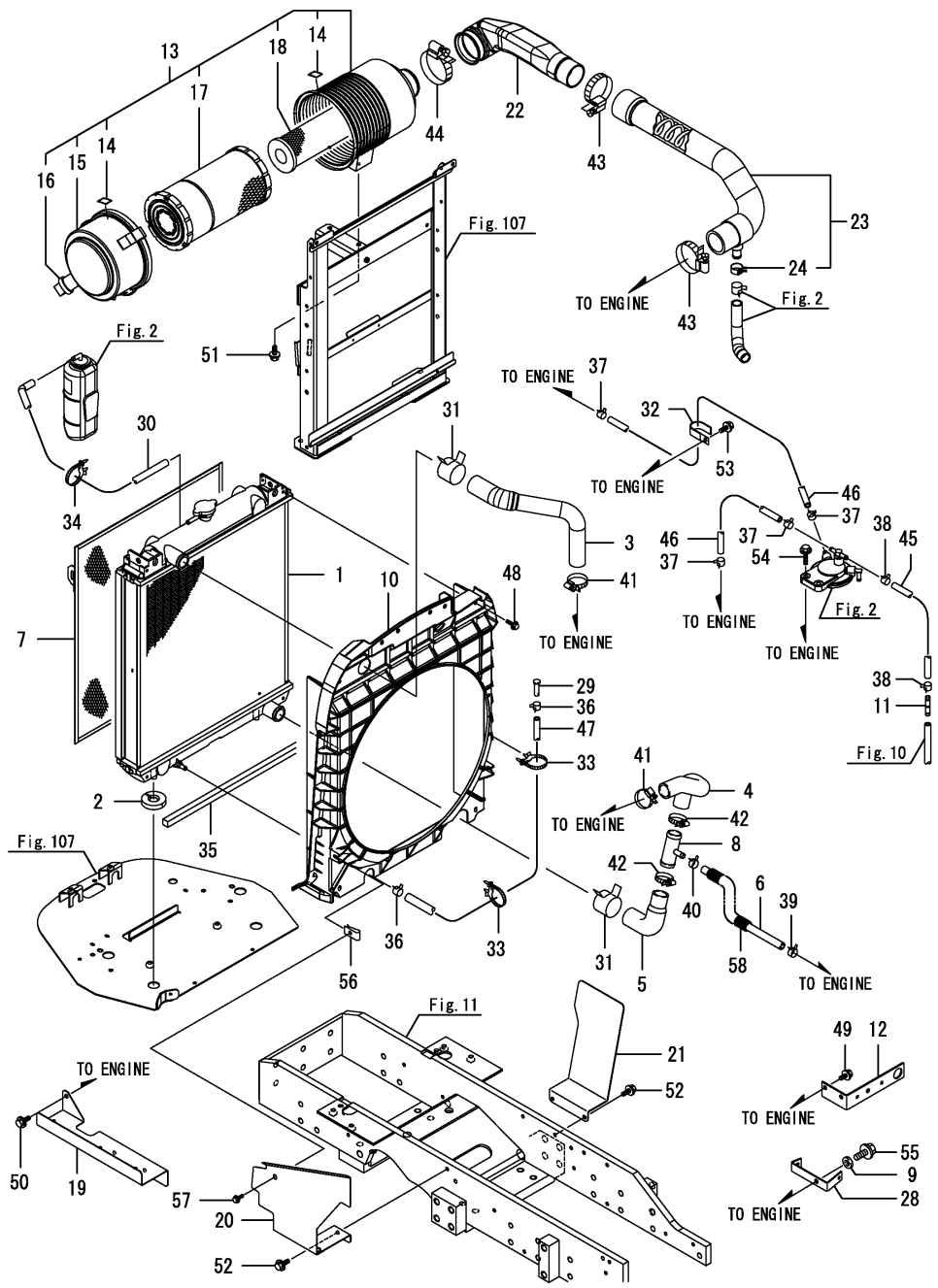
No.	Lev.	Parts No.	Description	Qty						I	R
				(A)	(B)	(C)	(D)	(E)	(F)		
1	1	1A7140-00600	RADIATOR ASSY			1					
2	1	1A7180-01050	RUBBER, ABSORBER			2					
3	1	1A8250-01210	TUBE, COOLING WATER A			1					
4	1	1A7300-01220	PIPE, WATER B1			1					
5	1	1A7300-01230	PIPE, WATER B2			1					
6	1	1A8260-01241	CW-T, LO COOLER OUT			1					
7	1	1A8250-01250	SCREEN, RADIATOR			1					
8	1	1A8260-01260	JOINT, WATER COOLING			1					
9	1	194150-01270	SPACER, 20			1					Z
				(C=FXXXXX)							
10	1	1A8250-01500	SHROUD M ASSY, FAN			1					
11	1	198280-04470	JOINT, HOSE			1					
11-1	1	1A7180-04850	JOINT, FO HOSE			1					R
				(C=FXXXXX)							
12	1	1A8240-04620	CLAMP, FUEL HOSE			1					
13	1	1A8260-05100	CLEANER ASSY, 6IN D			1					
14	2	129418-12530	LABEL, MARK			2					
15	2	129900-12530	COVER ASSY			1					
16	2	119808-12540	VALVE, UNLOADER			1					
17	2	129062-12560	ELEMENT			1					
18	2	119005-12571	ELEMENT			1					
19	1	1A8275-05530	PLATE, SHUTTER, 84T			1					
20	1	1A8240-05810	COVER, BELT L			1					
21	1	1A8240-05820	COVER, BELT R			1					
22	1	1A7180-06201	PIPE, AIR INTAKE A			1					
23	1	1A8260-06210	HOSE ASSY, INTAKE B			1					
24	2	129410-03990	CLAMP 22			1					
28	1	1A8240-15460	BRACKET, CLAMP			1					
29	1	198220-37900	PIN, 8X24			1					
30	1	121750-49150	PIPE, WATER DRAIN			1					
31	1	175022-49750	CLIP 37, HOSE			2					
32	1	194440-51620	CLAMP			1					
33	1	194680-51670	BAND, CLIP			2					
34	1	194680-51670	BAND, CLIP			1					
35	1	1A7601-53920	URETHANE, SIDE LAMP			1					
36	1	114270-59010	CLIP, HOSE 12			2					
37	1	114270-59010	CLIP, HOSE 12			4					
38	1	114270-59010	CLIP, HOSE 12			2					
39	1	23000-019000	CLAMP, 19			1					
40	1	23000-019000	CLAMP, 19			1					
41	1	23000-035000	CLAMP, 35			2					
42	1	23000-035000	CLAMP, 35			2					
43	1	23000-070000	CLAMP, 70			2					
44	1	23000-080000	CLAMP, 80			1					
45	1	23980-730200	HOSE, 7.3X 200			1					
46	1	23980-730400	HOSE, 7.3X 400			2					
47	1	23980-730600	HOSE, 7.3X 600			1					
48	1	26106-060202	BOLT, M6X 20 PLATED			4					
49	1	26106-080122	BOLT, M8X 12 PLATED			2					
50	1	26106-080122	BOLT, M8X 12 PLATED			3					
51	1	26106-080162	BOLT, M8X 16 PLATED			2					

N:Old  $\begin{matrix} \text{Yes} \\ \text{No} \end{matrix}$  New, Q:Old  $\begin{matrix} \text{No} \\ \text{Yes} \end{matrix}$  New, R:Old  $\begin{matrix} \text{Yes} \\ \text{Yes} \end{matrix}$  New, S:Old  $\begin{matrix} \text{No} \\ \text{No} \end{matrix}$  New, W:Add, Z:Discontinued, F:Interchangeable by set, K:Q'ty Change  
 ++ CONTINUE ++  
 Copyright (C) YANMAR CO., LTD. All Rights Reserved.

Fig.4. ENGINE ACCESSORIES

(A)=LX410(CCY)  
 (B)=LX450(CCY)  
 (C)=LX490(CCY)

(D)=  
 (E)=  
 (F)=



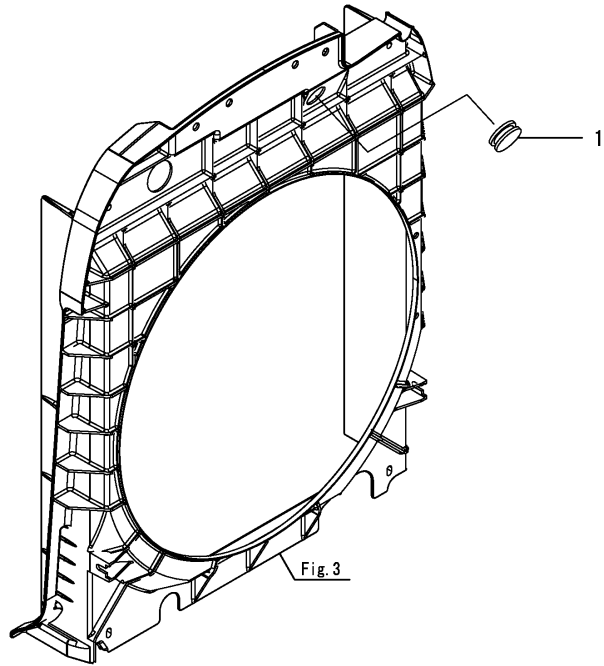
No.	Lev.	Parts No.	Description	Qty						I	R
				(A)	(B)	(C)	(D)	(E)	(F)		
52	1	26106-080162	BOLT, M8X 16 PLATED			3					
53	1	26106-080162	BOLT, M8X 16 PLATED			1					
54	1	26106-080302	BOLT, M8X 30 PLATED			2					
55	1	26106-100202	BOLT, M10X 20 PLATED			1					
55-1	1	26106-100162	BOLT, M10X 16 PLATED (C=FXXXXX)			1					N
56	1	198071-61890	NUT, SPEED M6			1					
57	1	26106-060202	BOLT, M6X 20 PLATED			1					
57-1	1	26106-060122	BOLT, M6X 12 PLATED (C=FXXXXX)			1					R
58	1	1A8260-01270	TUBE, CORRUGATE 19 (C=F000296)			1					W

Fig.5. GROMMET

(A)=LX410(CCY)  
(B)=LX450(CCY)  
(C)=LX490(CCY)

(D)=  
(E)=  
(F)=

No.	Lev.	Parts No.	Description	Q'ty						I	R
				(A)	(B)	(C)	(D)	(E)	(F)		
1	1	194180-61980	GROMMET, 24	1	1	1					




---

---

---

---

---

---

---

---

---

---

---

---

---

---

---

---

---

---

---

---

---

---

---

---

---

---

Fig.6. ACCEL LEVER

(A)=LX410(CCY)  
 (B)=LX450(CCY)  
 (C)=LX490(CCY)

(D)=  
 (E)=  
 (F)=

No.	Lev.	Parts No.	Description	Qty						I	R
				(A)	(B)	(C)	(D)	(E)	(F)		
1	1	1A8250-01100	LEVER ASSY, ACCEL	1	1	1					
2	2	194740-00160	SPRING, 10	3	3	3					
3	2	1A8250-01110	LEVER, ACCEL	1	1	1					
4	2	198200-01260	PLATE, FRICTION	1	1	1					
5	2	1A8250-02150	SUPPORT ASSY, ACCEL	1	1	1					
6	2	22137-100000	WASHER, 10	1	1	1					
7	2	22157-100000	WASHER, 10	1	1	1					
8	2	26716-100002	NUT, M10	2	2	2					
9	1	1A8250-01150	CABLE ASSY, HAND	1	1	1					
10	1	198071-01160	RUBBER	1	1	1					
11	1	198253-01190	KNOB, LEVER	1	1	1					
12	1	194170-51210	GROMMET 25	1	1	1					
13	1	1C6281-52310	PIN, SNAP 6	1	1	1					
14	1	198071-58810	GROMMET, 8	1	1	1					
15	1	22137-060000	WASHER, 6	1	1	1					
16	1	26106-080162	BOLT, M8X 16 PLATED	2	2	2					

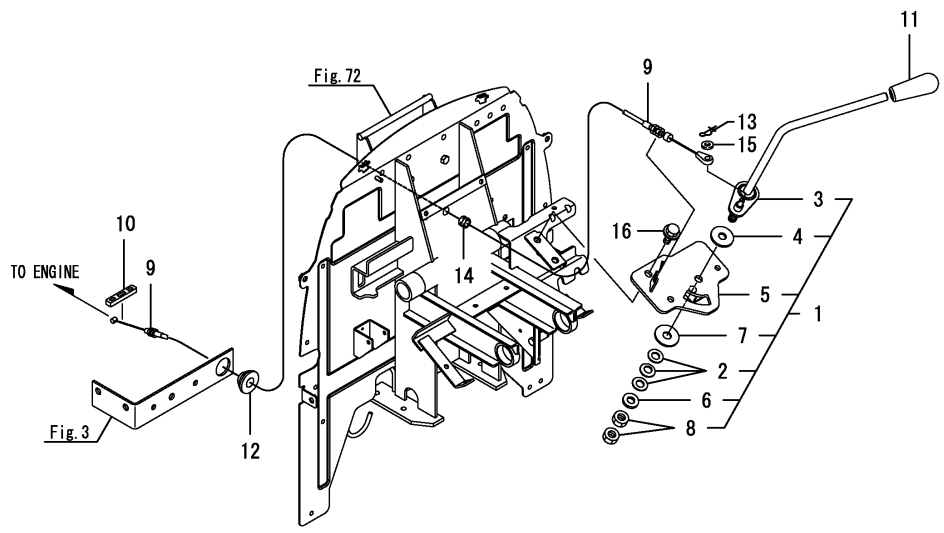




Fig.7. FOOT ACCEL

(A)=LX410(CCY)  
 (B)=LX450(CCY)  
 (C)=LX490(CCY)

(D)=  
 (E)=  
 (F)=

No.	Lev.	Parts No.	Description	Qty						I	R
				(A)	(B)	(C)	(D)	(E)	(F)		
1	1	198200-01210	WIRE ASSY	1	1	1					
2	1	1A8240-01300	CONTROL UNIT, FOOT	1	1	1					
3	1	1W3981-14050	RUBBER	1	1	1					
4	1	194990-22130	NUT, M6	1	1	1					
5	1	1A8300-51210	BAND, REPEAT	1	1	1					
6	1	194680-51670	BAND, CLIP	1	1	1					
7	1	198360-55630	SPRING, RETURN	1	1	1					
8	1	26106-060122	BOLT, M6X 12 PLATED	1	1	1					
9	1	26116-060404	BOLT, M6X 40 PLATED	1	1	1					

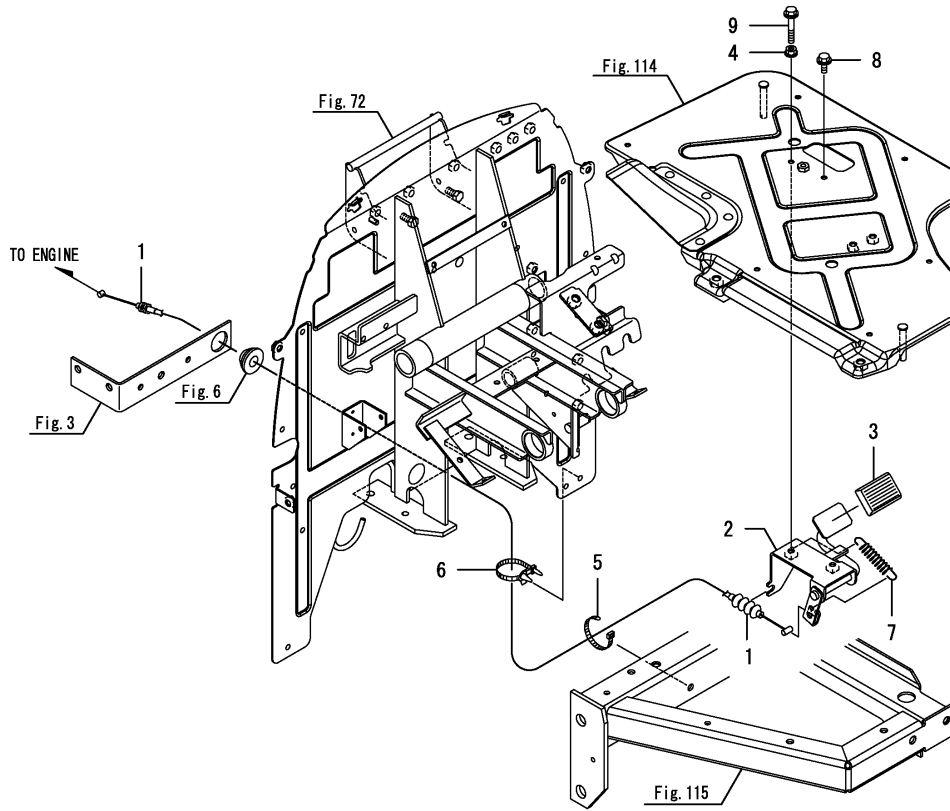
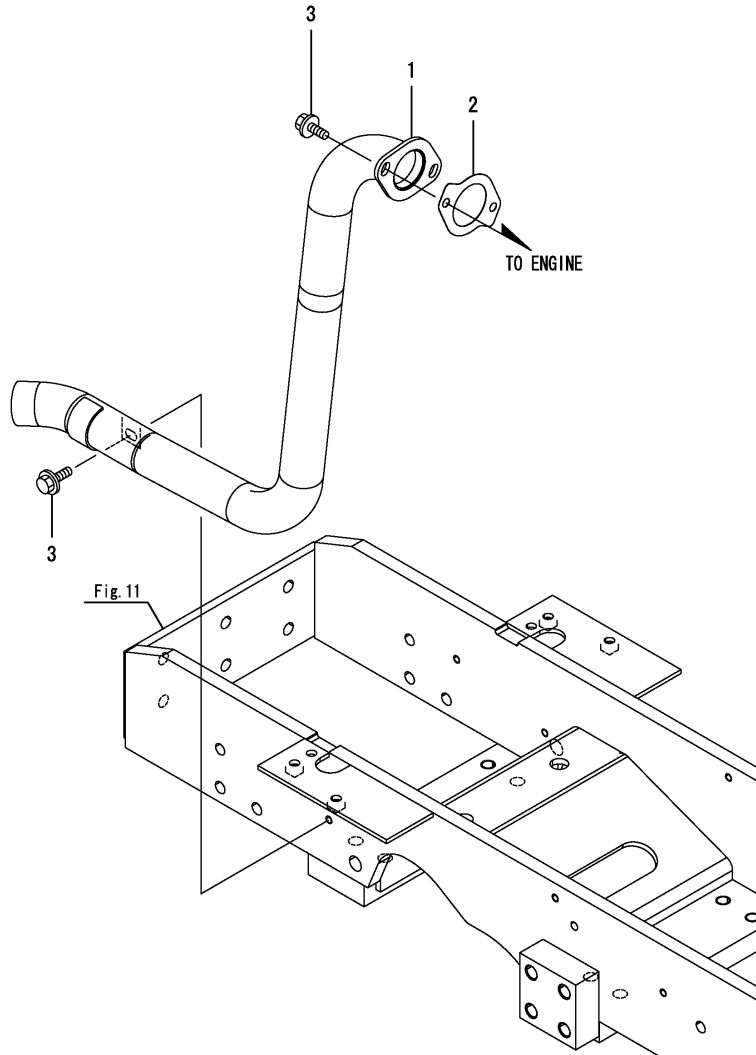


Fig.8. EXHAUST

(A)=LX410(CCY)  
 (B)=LX450(CCY)  
 (C)=LX490(CCY)

(D)=  
 (E)=  
 (F)=

No.	Lev.	Parts No.	Description	Q'ty						
				(A)	(B)	(C)	(D)	(E)	(F)	
1	1	1A8250-03100	MUFFLER PIPE	1	1	1				
2	1	129052-13550	GASKET	1	1	1				
3	1	26106-080202	BOLT, M8X 20 PLATED	3	3	3				




---

---

---

---

---

---

---

---

---

---

---

---

---

---

---

---

---

---

---

---

---

---

---

---

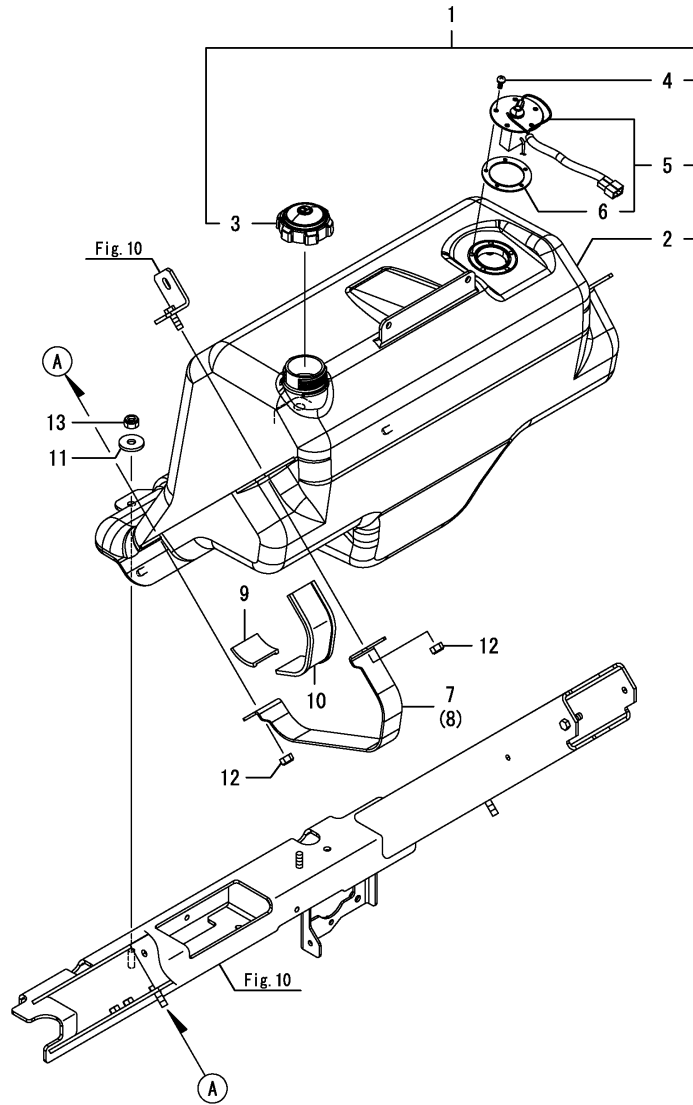
---

N:Old  $\begin{matrix} \leftarrow \text{Yes} \\ \text{No} \rightarrow \end{matrix}$  New, Q:Old  $\begin{matrix} \leftarrow \text{No} \\ \text{Yes} \rightarrow \end{matrix}$  New, R:Old  $\begin{matrix} \leftarrow \text{Yes} \\ \text{No} \rightarrow \end{matrix}$  New, S:Old  $\begin{matrix} \leftarrow \text{No} \\ \text{Yes} \rightarrow \end{matrix}$  New, W:Add, Z:Discontinued, F:Interchangeable by set, K:Q'ty Change  
 Copyright (C) YANMAR CO., LTD. All RightsReserved.

Fig.9. FUEL TANK

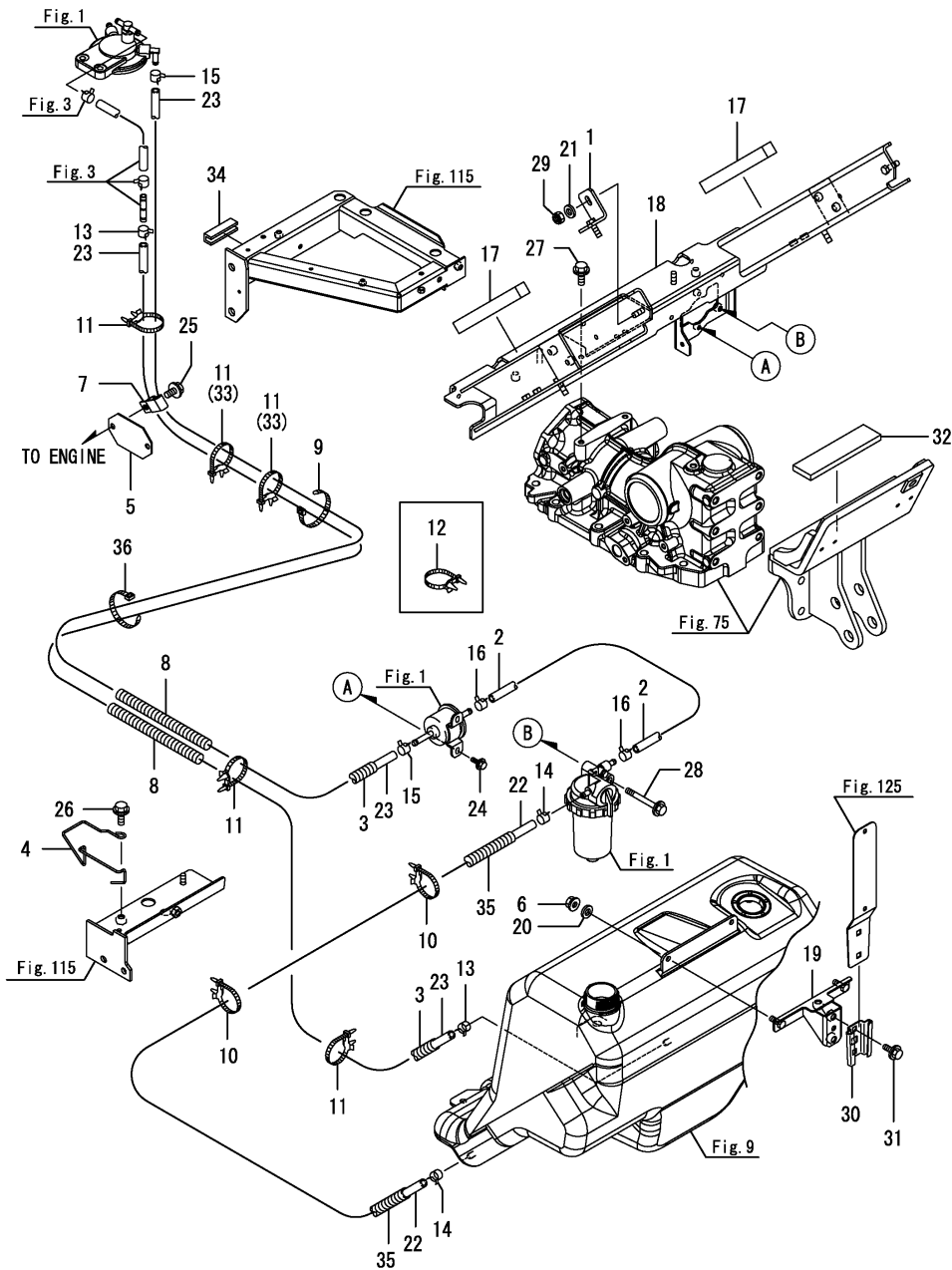
(A)=LX410(CCY)  
 (B)=LX450(CCY)  
 (C)=LX490(CCY)

(D)=  
 (E)=  
 (F)=



No.	Lev.	Parts No.	Description	Q'ty						I	R
				(A)	(B)	(C)	(D)	(E)	(F)		
1	1	1A8250-04100	TANK, FUEL ASSY	1	1	1					
2	2	1A8250-04110	TANK, FUEL	1	1	1					
3	2	1A8160-04130	CAP, FUEL TANK	1	1	1					
4	2	1A7180-04180	SCREW, M5X14	5	5	5					
5	2	1A8275-56600	FUEL SENDER ASSY	1	1	1					
6	3	194420-56620	GASKET	1	1	1					
7	1	1A8250-04210	BAND, TANK REAR L	1	1	1					
8	1	1A8250-04220	BAND, TANK REAR R	1	1	1					
9	1	1A8250-04230	BUFFER, BAND	2	2	2					
10	1	198153-04670	RETAINER, BAND	2	2	2					
10-1	1	1A8250-04240	BUFFER, BAND	2	2	2					R
		(A=FZZZZZ) (B=FZZZZZ) (C=FZZZZZ)									
11	1	22157-080000	WASHER, 8	2	2	2					
12	1	26347-080002	NUT, M8	4	4	4					
13	1	26347-080002	NUT, M8	2	2	2					

Fig.10. TANK PARTS



(A)=LX410(CCY)  
(B)=LX450(CCY)  
(C)=LX490(CCY)

(D)=  
(E)=  
(F)=

No.	Lev.	Parts No.	Description	Q'ty						I	R
				(A)	(B)	(C)	(D)	(E)	(F)		
1	1	1A8250-04250	ANGLE ASSY, TANK	2	2	2					
2	1	1A8250-04430	HOSE, FUEL	1	1	1					
3	1	1A8250-04280	TUBE, CORRUGATE 13	2	2	2					
4	1	1A8250-04870	CLAMP, HOSE	1	1	1					
5	1	1A8250-21180	COVER, HOUSING	1	1	1					
6	1	194990-22140	NUT, M8	2	2	2					
7	1	1A7130-48110	CLAMP, PIPE	1	1	1					
8	1	1A8250-04280	TUBE, CORRUGATE 13	2	2	2					
9	1	1A8300-51210	BAND, REPEAT	1	1	1					
10	1	194680-51670	BAND, CLIP	2	2	2					
10-1	1	1A8275-51670	CLIP, M8 HOLE	2	2	2					N
		(A=FXXXXX) (B=FXXXXX) (C=FXXXXX)									
11	1	194680-51670	BAND, CLIP	5	5	5					
11-1	1	1A8275-51670	CLIP, M8 HOLE	3	3	3					N
		(A=FXXXXX) (B=FXXXXX) (C=FXXXXX)									
12	1	194680-51670	BAND, CLIP	1	1	1					
13	1	114270-59010	CLIP, HOSE 12	2	2	2					
14	1	114270-59010	CLIP, HOSE 12	2	2	2					
15	1	114270-59010	CLIP, HOSE 12	2	2	2					
16	1	114270-59010	CLIP, HOSE 12	2	2	2					
17	1	1A8250-63890	SEAL, FENDER	2	2	2					
18	1	1A8250-63800	BRACKET ASSY, TANK	1	1	1					
19	1	1A8250-65870	BRACKET, SMV ASSY	1	1	1					
20	1	22157-080000	WASHER, 8	2	2	2					
21	1	22157-080000	WASHER, 8	2	2	2					
22	1	23980-730550	HOSE, 7.3X 550	1	1	1					
23	1	23980-731700	HOSE, 7.3X1700	2	2	2					
24	1	26106-060122	BOLT, M6X 12 PLATED	2	2	2					
25	1	26106-080162	BOLT, M8X 16 PLATED	2	2	2					
26	1	26106-080162	BOLT, M8X 16 PLATED	1	1	1					
27	1	26106-080202	BOLT, M8X 20 PLATED	2	2	2					
28	1	26106-080702	BOLT, M8X 70 PLATED	1	1	1					
29	1	26347-080002	NUT, M8	2	2	2					
30	1	1A7882-85630	HOLDER, SMV	1	1	1					
31	1	26106-080202	BOLT, M8X 20 PLATED	2	2	2					
32	1	1A8250-04290	CUSHION, TANK	1	1	1					
33	1	1A8300-51210	BAND, REPEAT	2	2	2					W
		(A=FXXXXX) (B=FXXXXX) (C=FXXXXX)									
34	1	1A8250-61560	TRIM,	1	1	1					W
		(A=FXXXXX) (B=FXXXXX) (C=FXXXXX)									
35	1	1A8250-04280	TUBE, CORRUGATE 13	1	1	1					W
		(A=FXXXXX) (B=FXXXXX) (C=FXXXXX)									
36	1	1A8300-51210	BAND, REPEAT	1	1	1					W
		(A=FXXXXX) (B=FXXXXX) (C=FXXXXX)									

Fig.11. FRONT AXLE BRACKET

(A)=LX410(CCY)  
 (B)=LX450(CCY)  
 (C)=LX490(CCY)

(D)=  
 (E)=  
 (F)=

No.	Lev.	Parts No.	Description	Q'ty						I	R
				(A)	(B)	(C)	(D)	(E)	(F)		
1	1	1A8250-11100	BRACKET ASSY, F AXLE	1	1	1					
2	1	1A8160-11520	BOLT, M12X34	14	14	14					
3	1	1A8275-17450	GUARD, PST CYLINDER	1	1	1					
4	1	1A6680-85980	BOLT, M14X45	8	8	8					
5	1	26106-080162	BOLT, M8X 16 PLATED	1	1	1					
6	1	26116-160604	BOLT, M16X 60 PLATED	1	1	1					
7	1	26716-160002	NUT, M16	1	1	1					

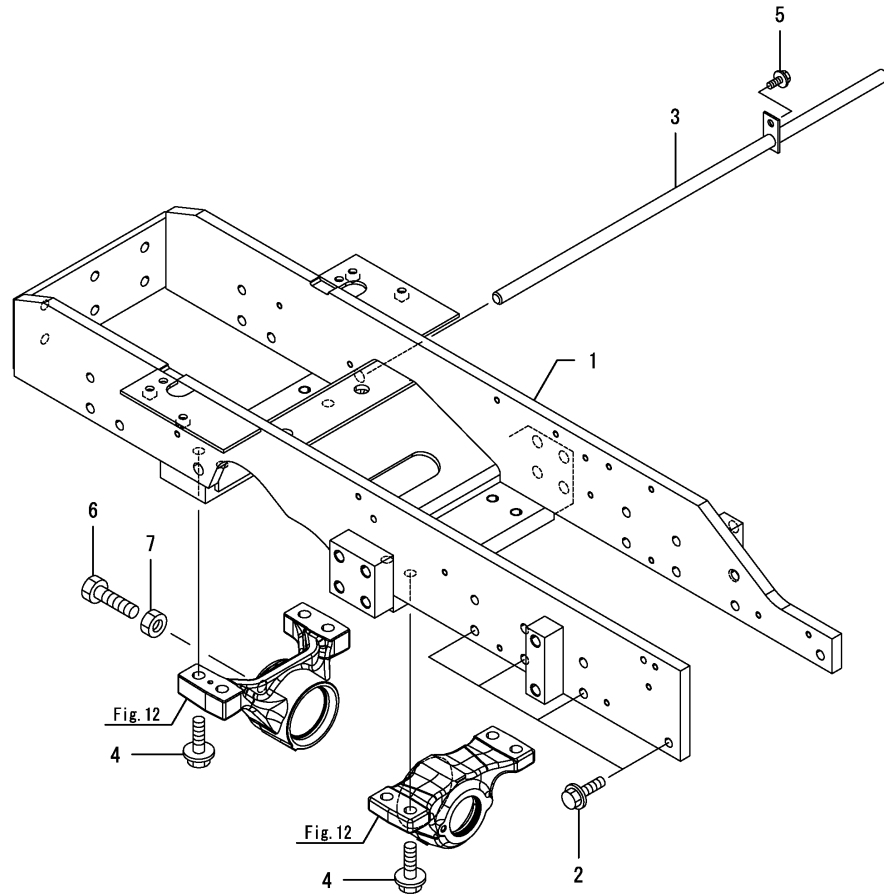


Fig.12. FRONT SUPPORT

(A)=LX410(CCY)  
 (B)=LX450(CCY)  
 (C)=LX490(CCY)

(D)=  
 (E)=  
 (F)=

No.	Lev.	Parts No.	Description	Qty						I	R
				(A)	(B)	(C)	(D)	(E)	(F)		
1	1	1A8275-11600	SUPPORT ASSY,FRONT F	1	1	1					
2	2	1A7180-11620	BUSH, 60X65X40	1	1	1					
3	2	1A7180-11630	SEAL, VB607005	1	1	1					
4	2	24761-010000	NIPPLE, GREASE M6F	1	1	1					
5	1	1A7180-11650	WASHER, 60X4	1	1	1					
6	1	1A8275-11700	SUPPORT ASSY,FRONT R	1	1	1					
7	2	194181-11560	SEAL, OIL VB75856.5	1	1	1					
8	2	194641-11630	BUSH, 75X80X25	1	1	1					
9	2	24761-010000	NIPPLE, GREASE M6F	1	1	1					
10	1	198283-13480	WASHER, 62X75X3	1	1	1					

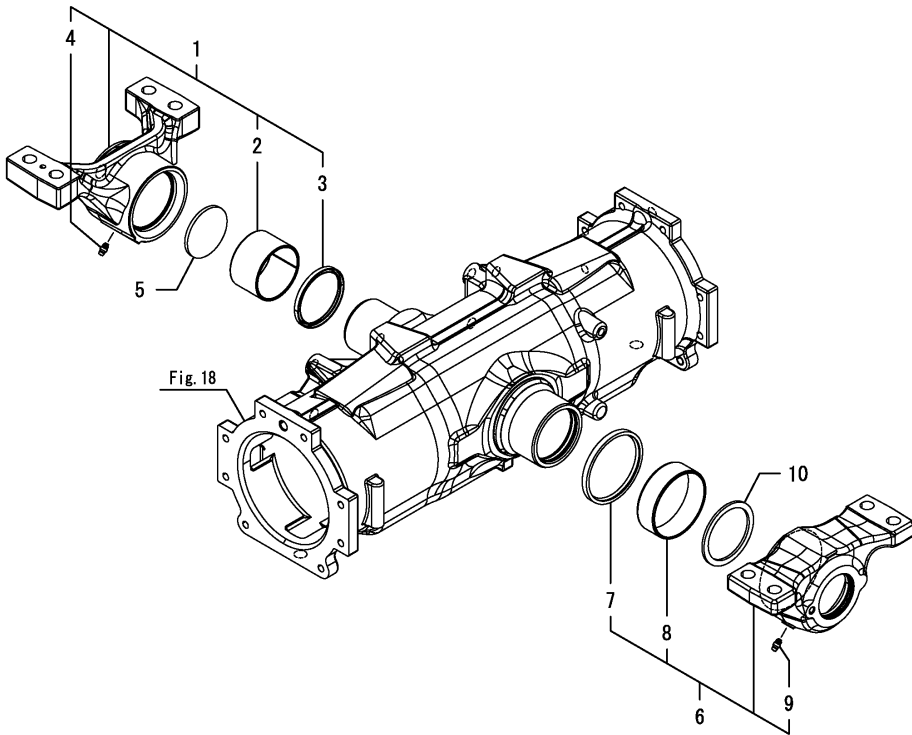
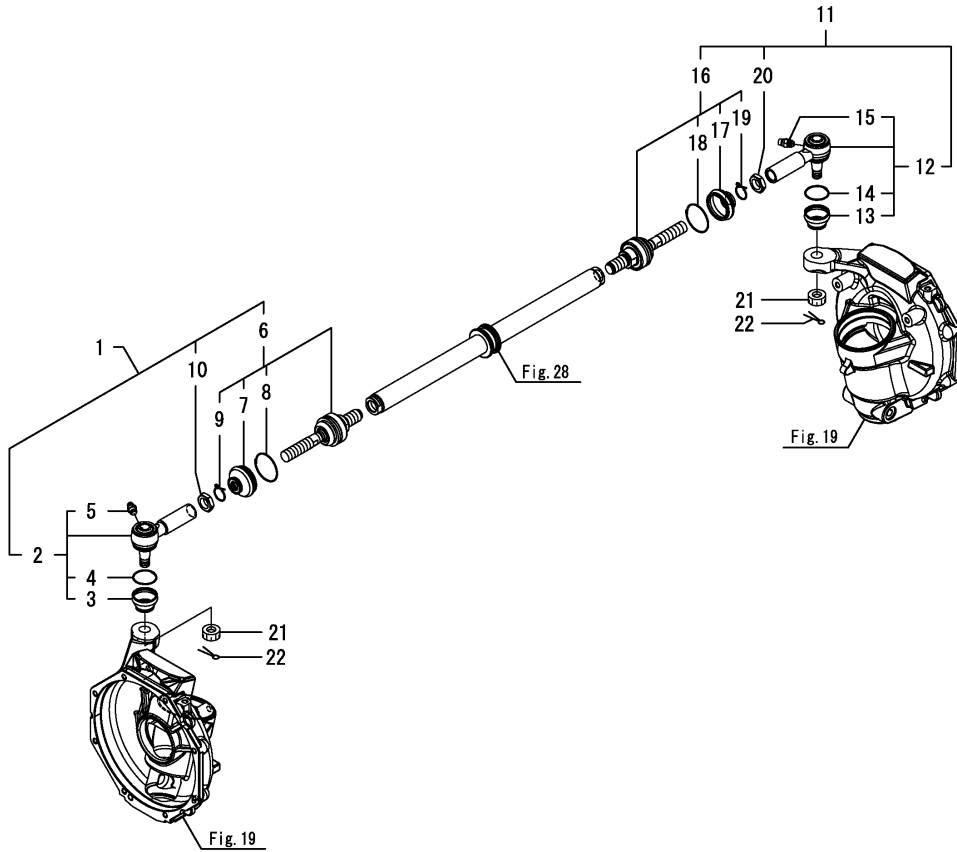


Fig.13. TIE ROD

(A)=LX410(CCY)  
 (B)=LX450(CCY)  
 (C)=LX490(CCY)

(D)=  
 (E)=  
 (F)=



No.	Lev.	Parts No.	Description	Qty						I	R
				(A)	(B)	(C)	(D)	(E)	(F)		
1	1	1A8275-12310	TIE-ROD ASSY, L	1	1	1					
2	2	1A8275-12330	END ASSY, ROD L	1	1	1					
3	3	1A8275-12440	COVER, DUST	1	1	1					
4	3	1A8275-12450	RING, COVER	1	1	1					
5	3	1A8275-12460	GREASE NIPPLES	1	1	1					
6	2	1A8275-12510	END ASSY, RACK L	1	1	1					
7	3	1A8275-12580	COVER, DUST	1	1	1					
8	3	1A8275-12590	RING, COVER	1	1	1					
9	3	1A8275-12600	CLIP,	1	1	1					
10	2	1A8275-12610	NUT, M20	1	1	1					
11	1	1A8275-12320	TIE-ROD ASSY, R	1	1	1					
12	2	1A8275-12340	END ASSY, ROD R	1	1	1					
13	3	1A8275-12440	COVER, DUST	1	1	1					
14	3	1A8275-12450	RING, COVER	1	1	1					
15	3	1A8275-12460	GREASE NIPPLES	1	1	1					
16	2	1A8275-12520	END ASSY, RACK R	1	1	1					
17	3	1A8275-12580	COVER, DUST	1	1	1					
18	3	1A8275-12590	RING, COVER	1	1	1					
19	3	1A8275-12600	CLIP,	1	1	1					
20	2	1A8275-12610	NUT, M20	1	1	1					
21	1	1A8275-12470	NUT,CASTLE	2	2	2					
22	1	22417-400400	PIN, COTTER 4.0X40	2	2	2					

Fig.14. RING GEAR

(A)=LX410(CCY)  
 (B)=LX450(CCY)  
 (C)=LX490(CCY)

(D)=  
 (E)=  
 (F)=

No.	Lev.	Parts No.	Description	Q'ty						I	R
				(A)	(B)	(C)	(D)	(E)	(F)		
1	1	1A8275-13100	GEAR ASSY, RING	1	1	1					
2	1	1A7180-13150	COLLAR, 52.5X60.5X16	1	1	1					
3	1	1A7180-13380	COLLAR, 58X62X4.8	1	1	1					
4	1	1A7180-13390	COLLAR, 58X62X4.9	1	1	1					
5	1	1A7180-13400	COLLAR, 58X62X5.0	2	2	2					
6	1	1A7180-13410	COLLAR, 58X62X5.1	1	1	1					
7	1	1A7180-13420	COLLAR, 58X62X5.2	1	1	1					
8	1	198251-13670	COLLAR, SEAL	1	1	1					
9	1	24141-320070	BEARING, 32007	2	2	2					
10	1	24341-000315	O-RING, 1AS31.5	1	1	1					

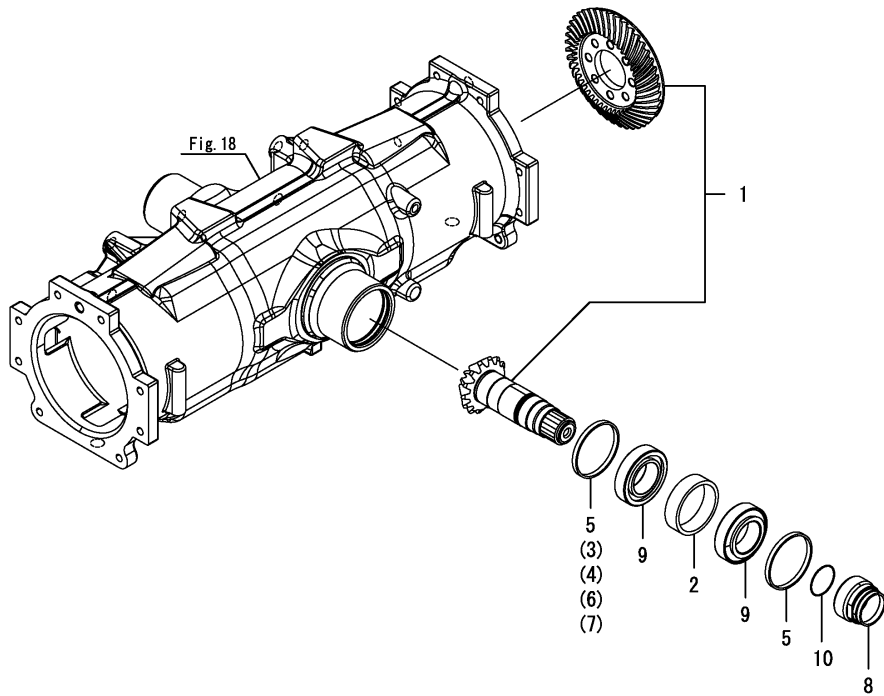




Fig.15. DIFFERENTIAL GEAR

(A)=LX410(CCY)  
 (B)=LX450(CCY)  
 (C)=LX490(CCY)

(D)=  
 (E)=  
 (F)=

No.	Lev.	Parts No.	Description	Q'ty						I	R
				(A)	(B)	(C)	(D)	(E)	(F)		
1	1	1A7180-13201	HOUSING ASSY	1	1	1					
2	2	1A7180-13211	CASE, DIFFERENTIAL	1	1	1					
3	2	194321-13230	PINION, DIFFERENTIAL	2	2	2					
4	2	194465-13240	LINER, DIFFERENTIAL	2	2	2					
5	2	194321-13250	GEAR, DIFFERENTIAL	2	2	2					
6	2	194465-13260	WASHER, DIFFERENTIAL	2	2	2					
7	2	194321-13270	SHAFT, DIFFERENTIAL	1	1	1					
8	2	22351-060040	PIN, SPRING 6.0X40	1	1	1					
9	1	1A7180-13250	COLLAR	1	1	1					
10	1	1A7180-13260	SHIM, DIFFERENTIAL A	2	2	2					
11	1	1A7180-13270	SHIM, DIFFERENTIAL B	3	3	3					
12	1	198165-21490	BOLT, M8X20	8	8	8					
13	1	24101-060174	BEARING, BALL 6017	2	2	2					

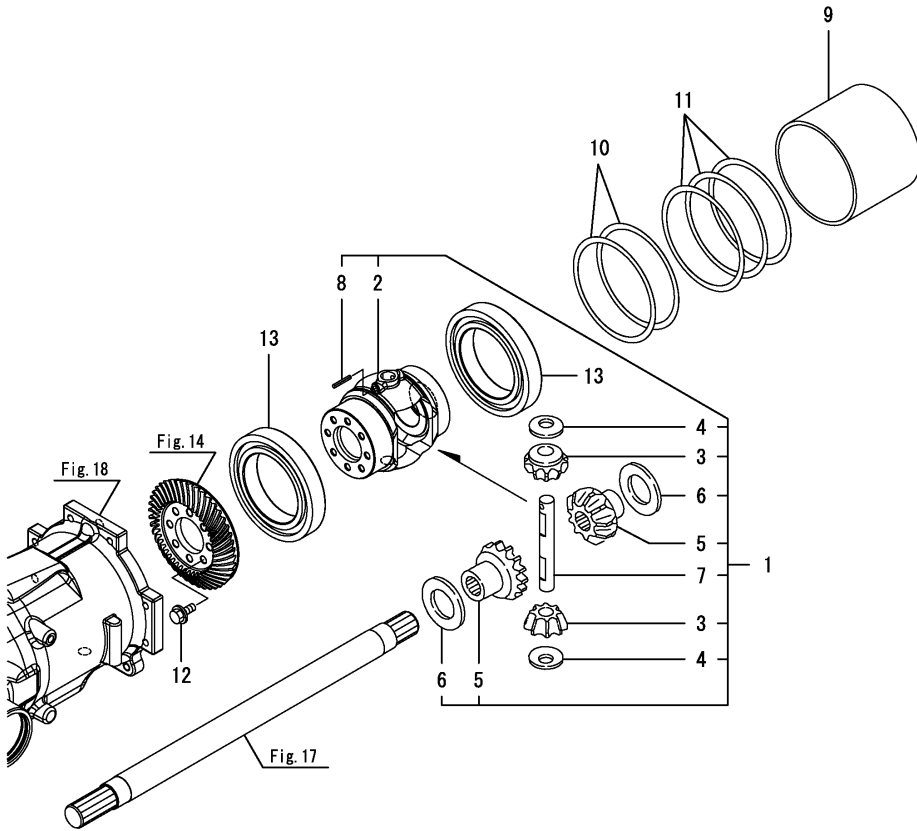
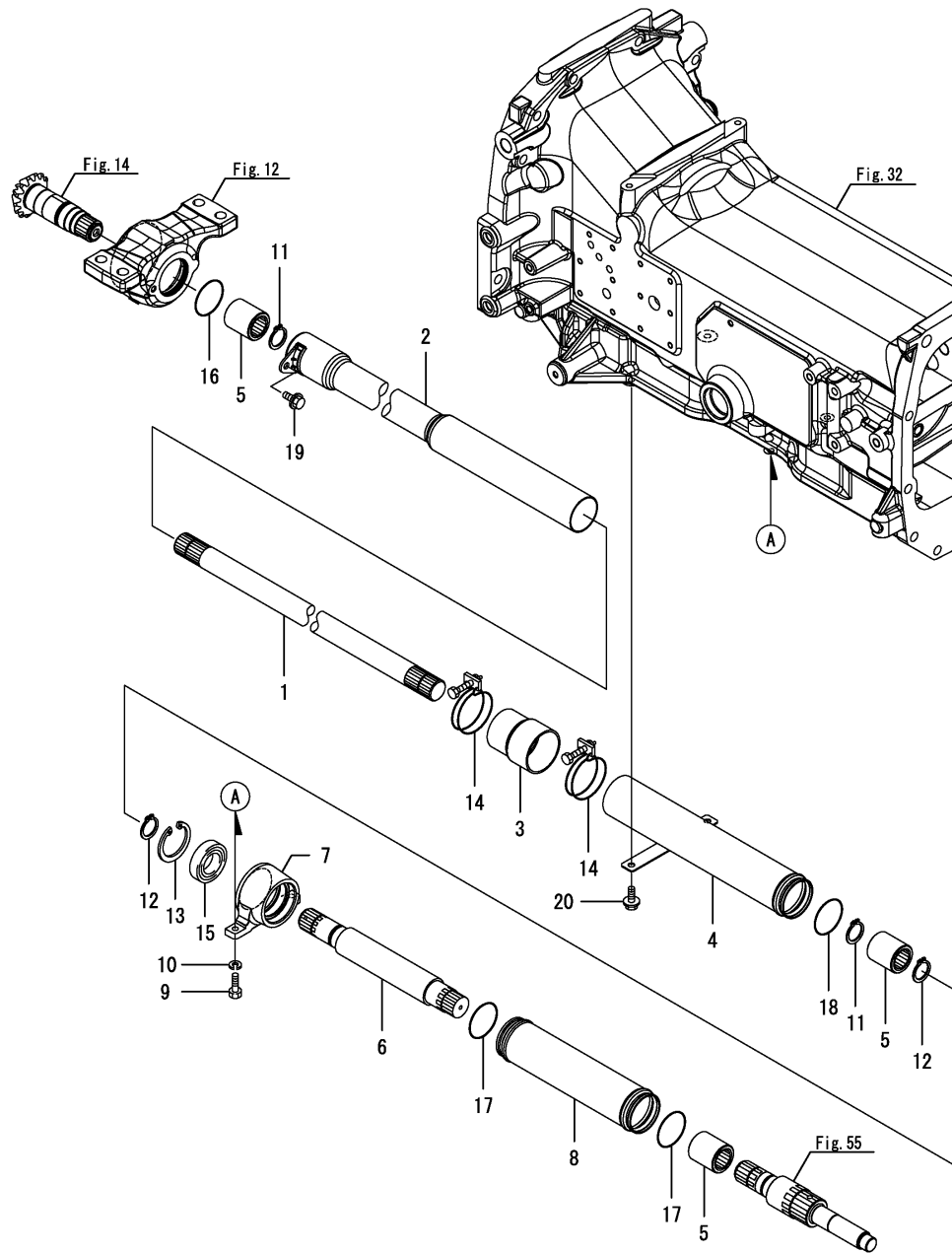


Fig.16. PROPELLER SHAFT



(A)=LX410(CCY)  
 (B)=LX450(CCY)  
 (C)=LX490(CCY)

(D)=  
 (E)=  
 (F)=

No.	Lev.	Parts No.	Description	Qty						I	R
				(A)	(B)	(C)	(D)	(E)	(F)		
1	1	1A7180-13300	SHAFT, PROPELLER	1	1	1					
2	1	1A7140-14610	COVER, SHAFT FRONT	1	1	1					
3	1	198241-14650	BOOT, SHAFT COVER	1	1	1					
4	1	1A8275-14650	COVER, SHAFT	1	1	1					
5	1	194640-26130	COUPLING, PTO	3	3	3					
6	1	1A8275-28410	SHAFT, DRIVE	1	1	1					
7	1	1A8275-28420	RETAINER, BEARING	1	1	1					
8	1	1A8275-28430	COVER, SHAFT REAR	1	1	1					
9	1	1E9170-54811	BOLT, REAMER M8X25	2	2	2					
10	1	22217-080000	WASHER, SPRING 8	2	2	2					
11	1	22242-000300	RING, 30	2	2	2					
12	1	22242-000300	RING, 30	2	2	2					
13	1	22252-000550	RING, 55	1	1	1					
14	1	23000-060000	CLAMP, 60	2	2	2					
15	1	24104-060064	BEARING, BALL 6006UU	1	1	1					
16	1	24321-000500	O-RING, 1AG50.0	1	1	1					
17	1	24321-000500	O-RING, 1AG50.0	2	2	2					
18	1	24321-000500	O-RING, 1AG50.0	1	1	1					
19	1	26106-080122	BOLT, M8X 12 PLATED	1	1	1					
20	1	26106-080122	BOLT, M8X 12 PLATED	2	2	2					

Fig.17. FRONT SHAFT(1)

(A)=LX410(CCY)  
 (B)=LX450(CCY)  
 (C)=LX490(CCY)

(D)=  
 (E)=  
 (F)=

No.	Lev.	Parts No.	Description	Qty						I	R
				(A)	(B)	(C)	(D)	(E)	(F)		
1	1	1A7180-13520	PINION, SHAFT Z=12	2	2	2					
2	1	1A7180-13560	SHAFT, FRONT 1ST L	1	1	1					
3	1	1A7180-13570	SHAFT, FRONT 1ST R	1	1	1					
4	1	1A7180-13580	BEARING, HR6209UR	4	4	4					

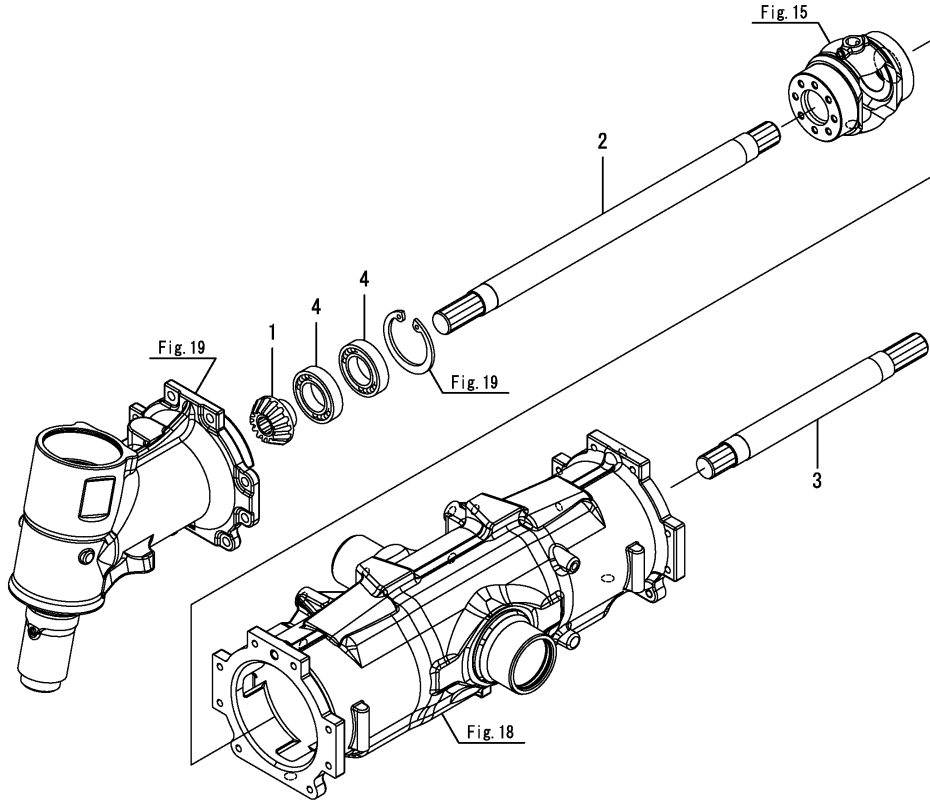
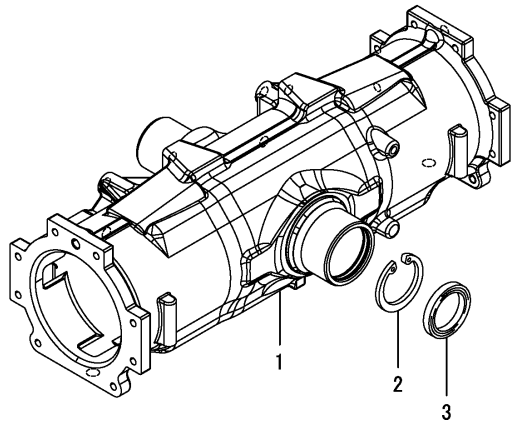


Fig.18. FRONT AXLE CASE

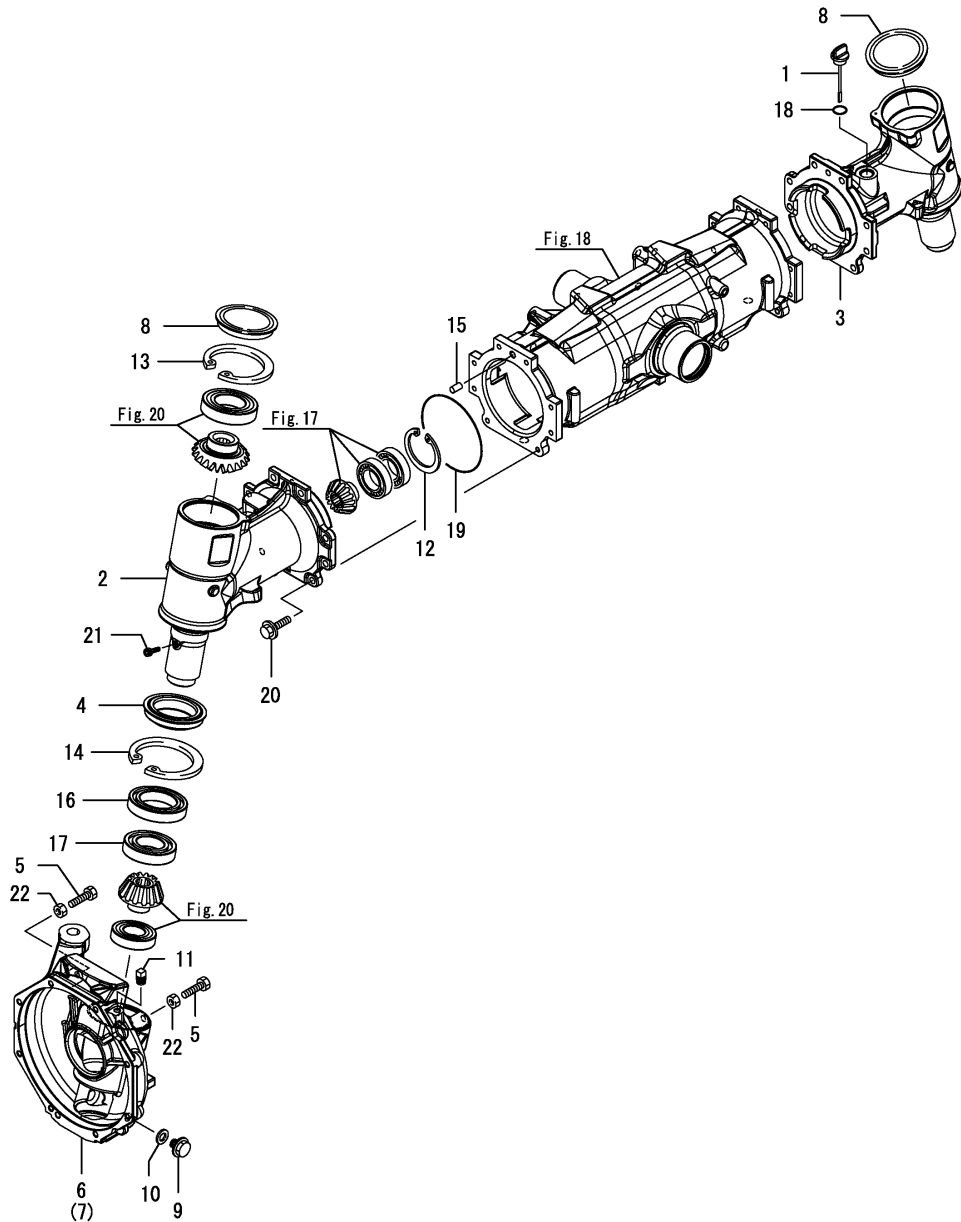


(A)=LX410(CCY)  
 (B)=LX450(CCY)  
 (C)=LX490(CCY)

(D)=  
 (E)=  
 (F)=

No.	Lev.	Parts No.	Description	Qty						I	R
				(A)	(B)	(C)	(D)	(E)	(F)		
1	1	1A8275-13610	CASE , FRONT AXLE	1	1	1					
2	1	22252-000620	RING, 62	1	1	1					
3	1	24421-456209	SEAL, OIL TC456209	1	1	1					

Fig.19. FRONT GEAR CASE

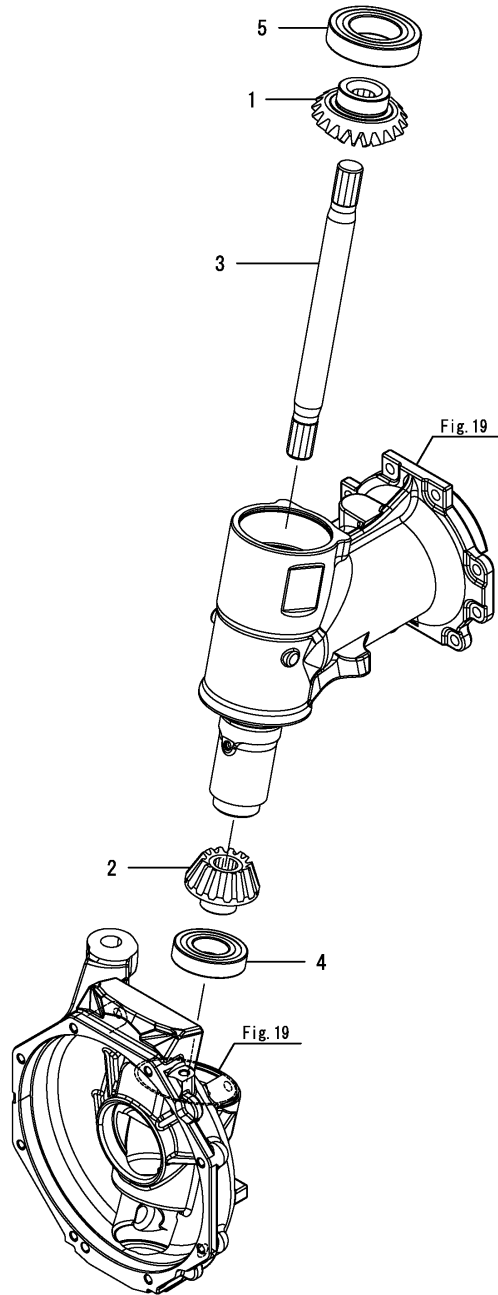


(A)=LX410(CCY)  
 (B)=LX450(CCY)  
 (C)=LX490(CCY)

(D)=  
 (E)=  
 (F)=

No.	Lev.	Parts No.	Description	Qty						I	R
				(A)	(B)	(C)	(D)	(E)	(F)		
1	1	194066-13640	PLUG, 20	1	1	1					
2	1	1A7180-13710	HOUSING, FRONT GEAR	1	1	1					
3	1	1A8275-13720	HOUSING, FRONT GEAR	1	1	1					
4	1	198072-13760	SEAL, QLF709521.5	2	2	2					
5	1	1A8275-13760	BOLT, 10X28	4	4	4					
6	1	1A8275-13770	GEARBOX, FRONT L	1	1	1					
7	1	1A8275-13780	GEARBOX, FRONT R	1	1	1					
8	1	1C7100-15100	PLUG, BORE 90	2	2	2					
9	1	1C6900-23120	BOLT, DRAIN M14X10	2	2	2					
10	1	1C6900-23150	WASHER, PLUG	2	2	2					
11	1	194151-36670	PLUG, PF02	2	2	2					
12	1	22252-000850	RING, 85	2	2	2					
13	1	22252-000900	RING, 90	2	2	2					
14	1	22252-000950	RING, 95	2	2	2					
15	1	22312-100180	PIN, PARALLEL M10X18	2	2	2					
16	1	24101-060124	BEARING, BALL 6012	2	2	2					
17	1	24101-062094	BEARING, BALL 6209	2	2	2					
18	1	24311-000180	O-RING, 1AP18.0	1	1	1					
19	1	24321-001300	O-RING, 1AG130.0	2	2	2					
20	1	26106-100302	BOLT, M10X 30 PLATED	16	16	16					
21	1	26450-080122	BOLT, M8X 12	2	2	2					
22	1	26756-100002	NUT, LOCK M10	4	4	4					
22-1	1	26716-100002	NUT, M10	4	4	4					N
(A=F000438) (B=F000438) (C=F000438)											

Fig.20. FRONT SHAFT(2)



(A)=LX410(CCY)  
 (B)=LX450(CCY)  
 (C)=LX490(CCY)

(D)=  
 (E)=  
 (F)=

No.	Lev.	Parts No.	Description	Q'ty						I	R
				(A)	(B)	(C)	(D)	(E)	(F)		
1	1	1A7180-13820	GEAR, FRONT SHAFT 15	2	2	2					
2	1	1A7180-13830	PINION, FINAL Z=11	2	2	2					
3	1	1A7180-13870	SHAFT, FRONT 2ND	2	2	2					
4	1	1A7180-13880	BEARING, TM207UR	2	2	2					
5	1	24104-062104	BEARING, BALL 6210UU	2	2	2					

Fig.21. FRONT SPINDLE

(A)=LX410(CCY)  
 (B)=LX450(CCY)  
 (C)=LX490(CCY)

(D)=  
 (E)=  
 (F)=

No.	Lev.	Parts No.	Description	Q'ty						I	R
				(A)	(B)	(C)	(D)	(E)	(F)		
1	1	1A7180-13790	CASE, FRONT BEARING	2	2	2					
2	1	1A7180-13840	GEAR, FINAL 49	2	2	2					
3	1	1A7180-14110	SPINDLE, FRONT	2	2	2					
4	1	198200-14210	RING, HALF	4	4	4					
5	1	198475-32660	SEAL, QLNYS27514.5	2	2	2					
6	1	24101-062084	BEARING, BALL 6208	2	2	2					
7	1	24101-062094	BEARING, BALL 6209	2	2	2					
8	1	24321-002300	O-RING, 1AG230.0	2	2	2					
9	1	26106-100302	BOLT, M10X 30 PLATED	16	16	16					

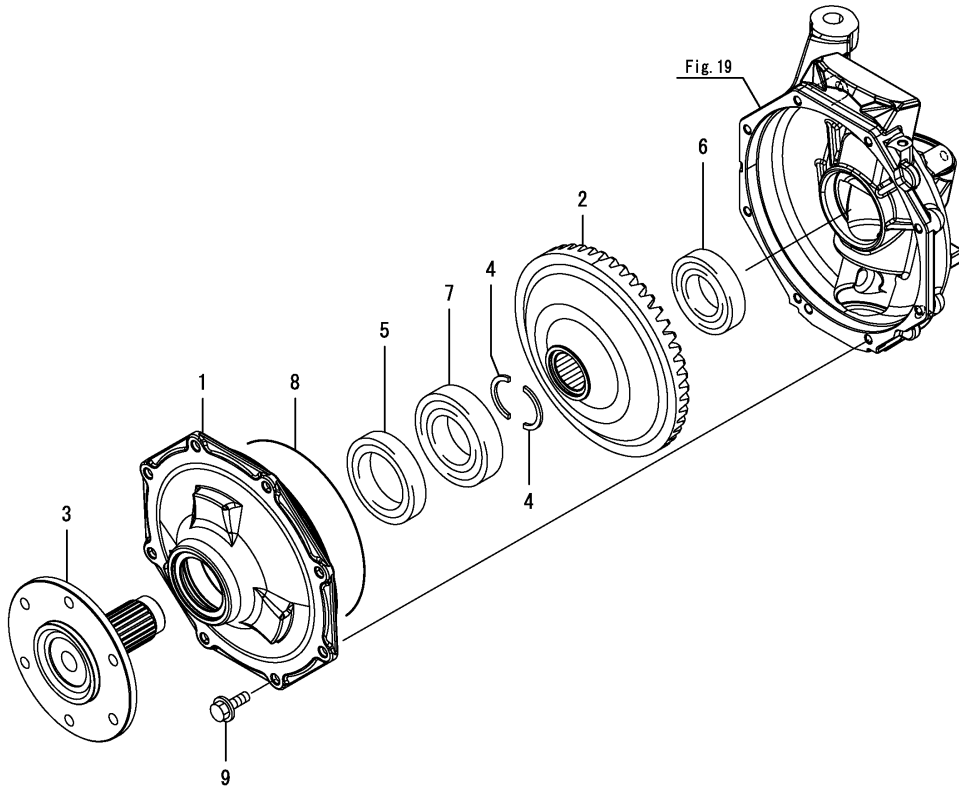


Fig.22. FRONT WHEEL TIRE R1

(A)=LX410(CCY)  
 (B)=LX450(CCY)  
 (C)=LX490(CCY)

(D)=  
 (E)=  
 (F)=

No.	Lev.	Parts No.	Description	Q'ty						I	R
				(A)	(B)	(C)	(D)	(E)	(F)		
1	1	1A8170-14300	TIRE KIT, FRONT R1 L	1	1	1					
2	2	1A8170-14310	TIRE, FRONT R1 8X16	1	1	1					
3	2	1A8170-14330	WHEEL, R1 F	1	1	1					
4	2	1A8170-14350	VALVE, TIRE R1 F	1	1	1					
5	1	1A8170-14400	TIRE KIT, FRONT R1 R	1	1	1					
6	2	1A8170-14310	TIRE, FRONT R1 8X16	1	1	1					
7	2	1A8170-14330	WHEEL, R1 F	1	1	1					
8	2	1A8170-14350	VALVE, TIRE R1 F	1	1	1					

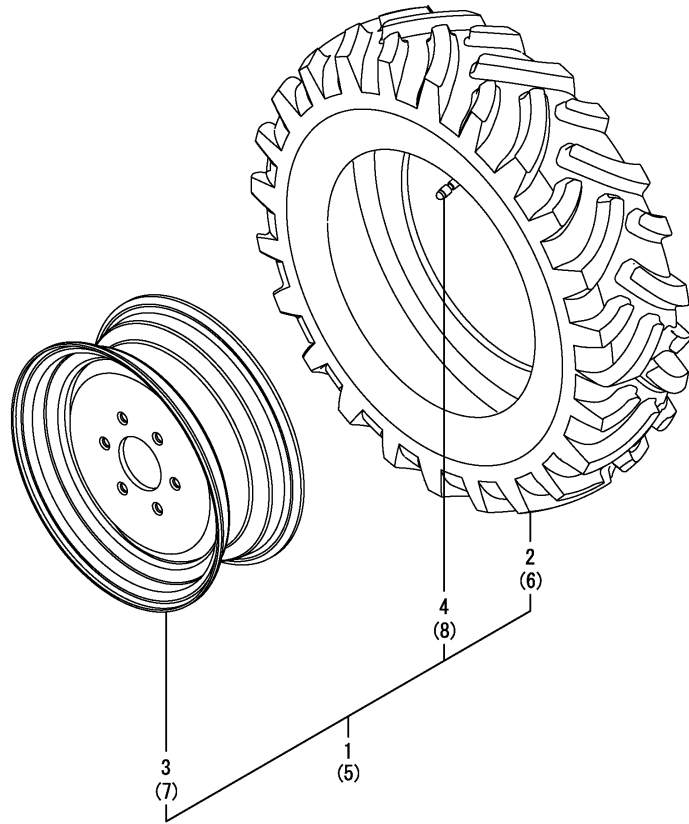




Fig.23. FRONT WHEEL TIRE R3

(A)=LX410(CCY)  
 (B)=LX450(CCY)  
 (C)=LX490(CCY)

(D)=  
 (E)=  
 (F)=

No.	Lev.	Parts No.	Description	Qty						I	R
				(A)	(B)	(C)	(D)	(E)	(F)		
1	1	1A8170-14500	TIRE KIT, FRONT R3	2	2	2					
2	2	1A8170-14350	VALVE, TIRE R1 F	2	2	2					
3	2	1A8170-14510	TIRE, R3 27X10.5-15	2	2	2					
4	2	1A8170-14530	WHEEL, R3 F	2	2	2					

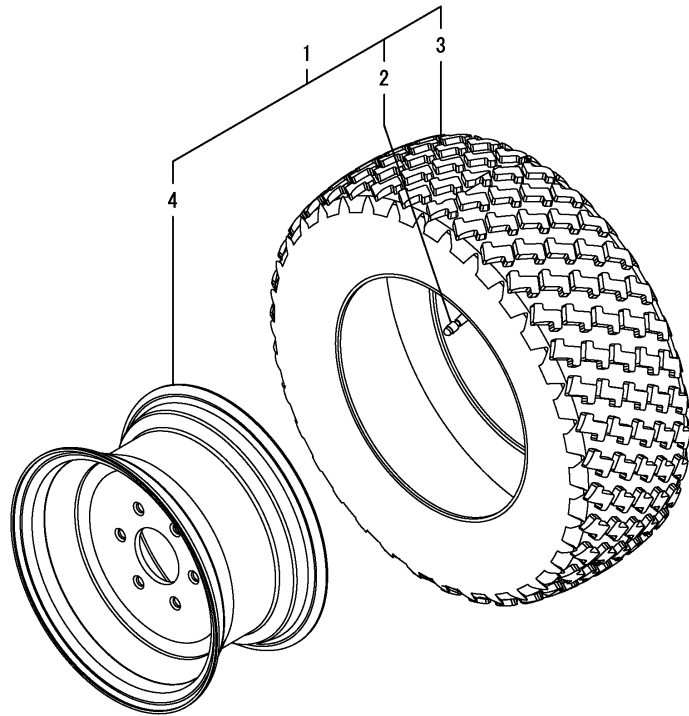
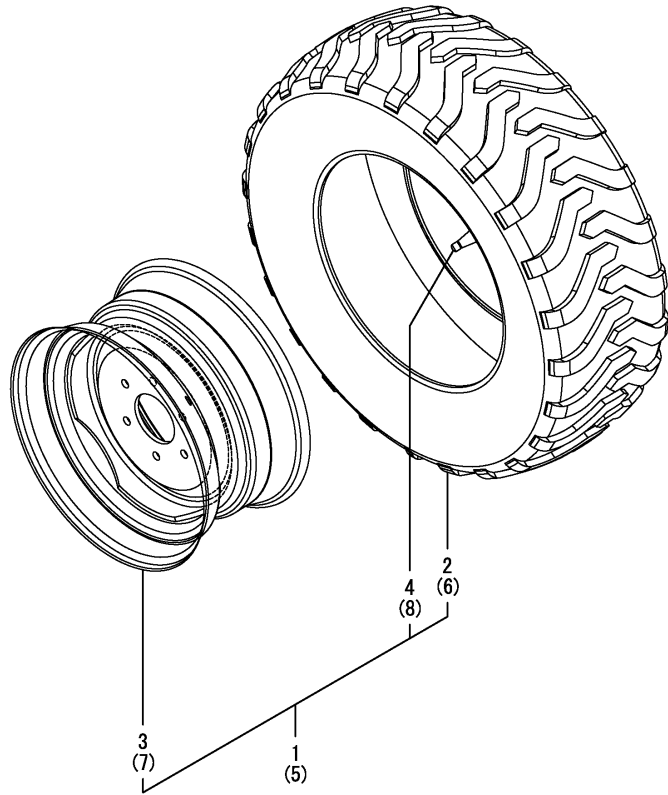


Fig.24. FRONT WHEEL TIRE R4

(A)=LX410(CCY)  
 (B)=LX450(CCY)  
 (C)=LX490(CCY)

(D)=  
 (E)=  
 (F)=



No.	Lev.	Parts No.	Description	Q'ty						I	R
				(A)	(B)	(C)	(D)	(E)	(F)		
1	1	1A8250-14700	TIRE KIT,L R4 FRONT	1	1	1					
2	2	1A8250-14710	TIRE,R4 10-16.5-6PR	1	1	1					
3	2	1A8250-14730	WHEEL,R4 16.5X8.25	1	1	1					
4	2	1A8250-14740	VALVE,TIRE R4 FRONT	1	1	1					
5	1	1A8250-14800	TIRE KIT,R R4 FRONT	1	1	1					
6	2	1A8250-14710	TIRE,R4 10-16.5-6PR	1	1	1					
7	2	1A8250-14730	WHEEL,R4 16.5X8.25	1	1	1					
8	2	1A8250-14740	VALVE,TIRE R4 FRONT	1	1	1					

Fig.140. FRONT WHEEL TIRE(R3G)

(A)=LX410(CCY)  
 (B)=LX450(CCY)  
 (C)=LX490(CCY)

(D)=  
 (E)=  
 (F)=

No.	Lev.	Parts No.	Description	Q'ty						I	R
				(A)	(B)	(C)	(D)	(E)	(F)		
1	1	1A8170-14600	TIRE KIT, FRONT R3G	2	2	2					
2	2	1A8170-14610	TIRE, R3G 27/12LL-15	2	2	2					
3	2	1A8170-14630	WHEEL, R3G F	2	2	2					
4	2	1A8170-14650	VALVE, R3G F	2	2	2					

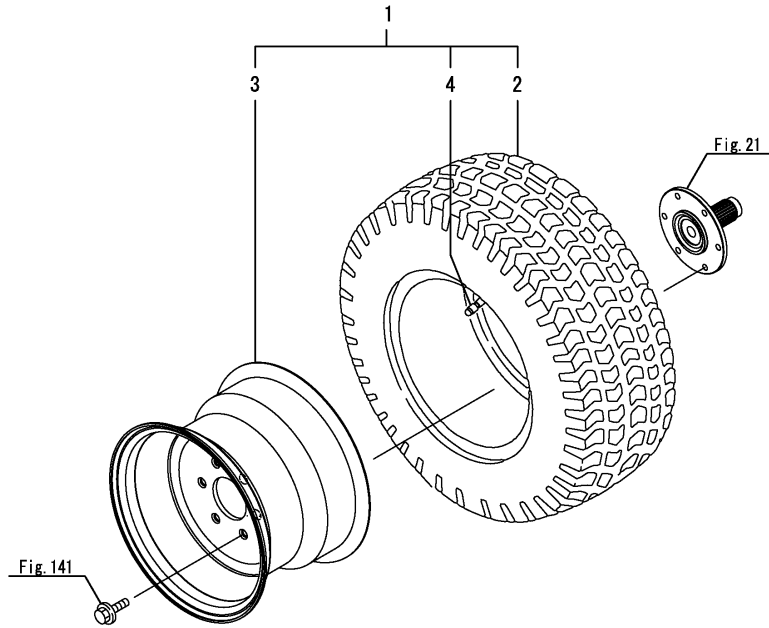
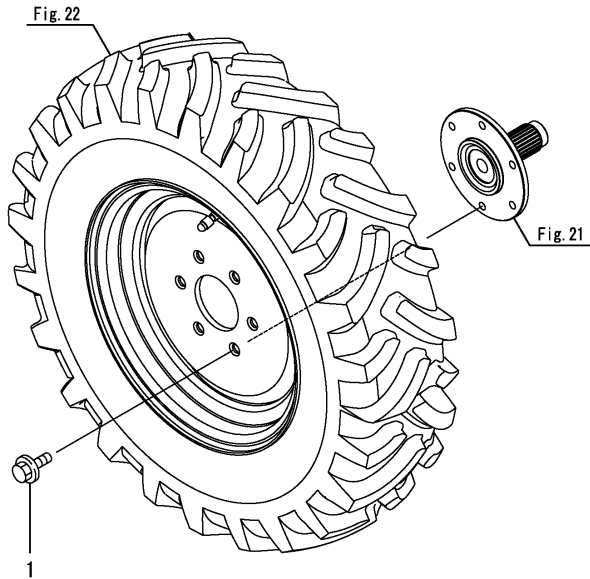


Fig.25. HUB BOLT

(A)=LX410(CCY)  
 (B)=LX450(CCY)  
 (C)=LX490(CCY)

(D)=  
 (E)=  
 (F)=

No.	Lev.	Parts No.	Description	Q'ty						I	R
				(A)	(B)	(C)	(D)	(E)	(F)		
1	1	198133-34130	BOLT, M14X30	12	12	12					

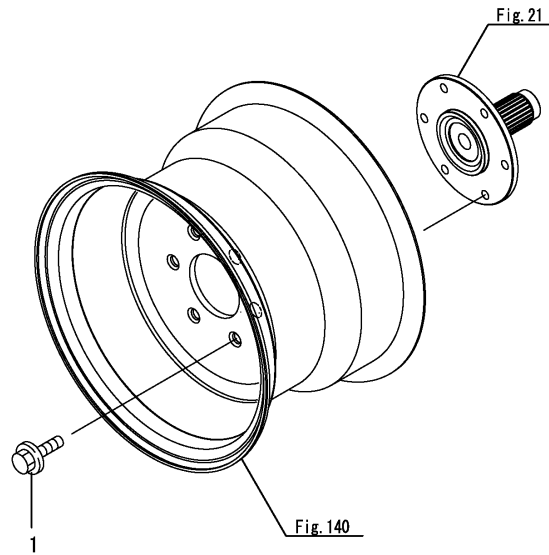


**Fig.141. HUB BOLT**

(A)=LX410(CCY)  
(B)=LX450(CCY)  
(C)=LX490(CCY)

(D)=  
(E)=  
(F)=

No.	Lev.	Parts No.	Description	Qty						I	R
				(A)	(B)	(C)	(D)	(E)	(F)		
1	1	1A8170-14210	BOLT, HUB M14	12	12	12					




---

---

---

---

---

---

---

---

---

---

---

---

---

---

---

---

---

---

---

---

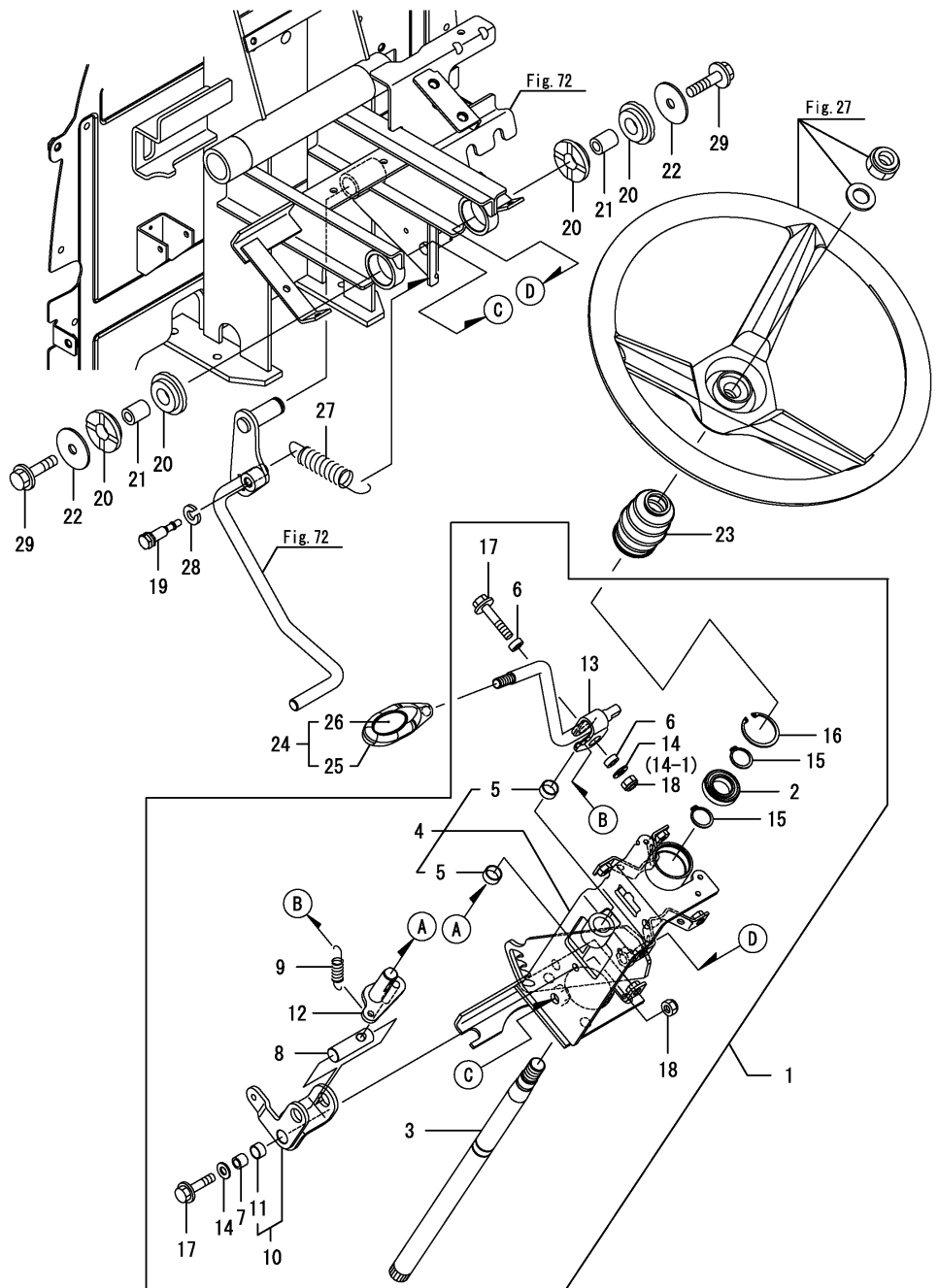
---

---

---

---

Fig.26. STEERING COLUMN



(A)=LX410(CCY)  
 (B)=LX450(CCY)  
 (C)=LX490(CCY)

(D)=  
 (E)=  
 (F)=

No.	Lev.	Parts No.	Description	Qty						I	R
				(A)	(B)	(C)	(D)	(E)	(F)		
1	1	1A8240-15500	COLUMN UNIT,STEERING	1	1	1					
2	2	1A8240-15240	BEARING, 6904LLU	1	1	1					
3	2	1A8240-15320	SHAFT, STEERING	1	1	1					
4	2	1A8240-15600	COLUMN ASSY, STG	1	1	1					
5	3	24550-015080	BUSH, 15X 8	2	2	2					
6	2	1A8240-27030	COLLAR, 8.2X14X5.3	2	2	2					
7	2	1A8240-27050	COLLAR, 12X8X10	1	1	1					
8	2	1A8240-27090	PIN, CONNECTING	1	1	1					
9	2	198200-27240	SPRING, RETURN	1	1	1					
10	2	1A8240-27250	ARM ASSY, REVERSER	1	1	1					
11	3	24550-012080	BUSH, 12X 8	1	1	1					
12	2	1A8240-27400	SHAFT, REVERSER	1	1	1					
13	2	1A8240-27460	LEVER, REVERSER	1	1	1					
14	2	22137-080000	WASHER, 8	2	2	2					
14-1	2	22137-080000	WASHER, 8	1	1	1					K
		(A=FXXXXX)	(B=FXXXXX)	(C=FXXXXX)							
15	2	22242-000200	RING, 20	2	2	2					
16	2	22252-000370	RING, 37	1	1	1					
17	2	26106-080352	BOLT, M8X 35 PLATED	2	2	2					
18	2	26346-080002	NUT, M8	2	2	2					
19	1	1A7180-15710	PIN, TILT LOCK	1	1	1					
20	1	1A7640-15710	BUSH, STEERING	4	4	4					
21	1	1A8240-15720	COLLAR, 17.3X10X22	2	2	2					
22	1	1A8240-15730	WASHER, 10.5X44X2.3	2	2	2					
23	1	1A8250-17470	BOOT, STEERING	1	1	1					
24	1	198200-18350	KNOB, LEVER	1	1	1					
25	2	198273-18360	KNOB, ORANGE	1	1	1					
26	2	198200-18370	LABEL,	1	1	1					
27	1	198290-37510	SPRING, RETURN	1	1	1					
28	1	22217-100000	WASHER, SPRING 10	1	1	1					
29	1	26106-100402	BOLT, M10X 40 PLATED	2	2	2					

Fig.27. STEERING WHEEL

(A)=LX410(CCY)  
 (B)=LX450(CCY)  
 (C)=LX490(CCY)

(D)=  
 (E)=  
 (F)=

No.	Lev.	Parts No.	Description	Qty						I	R
				(A)	(B)	(C)	(D)	(E)	(F)		
1	1	198133-15710	WHEEL, STEERING	1	1	1					
2	1	198133-15750	CAP, STEERING	1	1	1					
3	1	22137-160000	WASHER, 16	1	1	1					
4	1	26356-160002	NUT, M16	1	1	1					

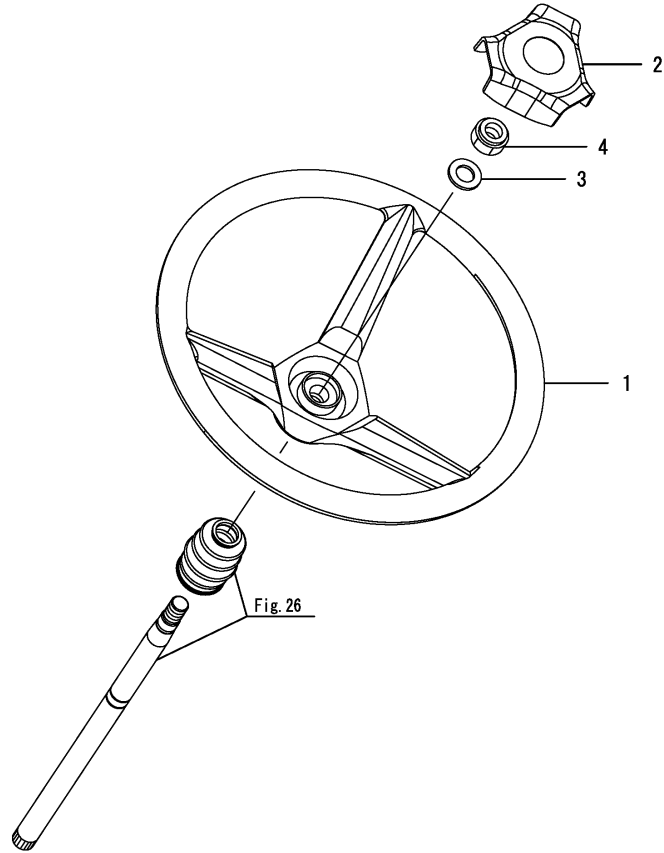
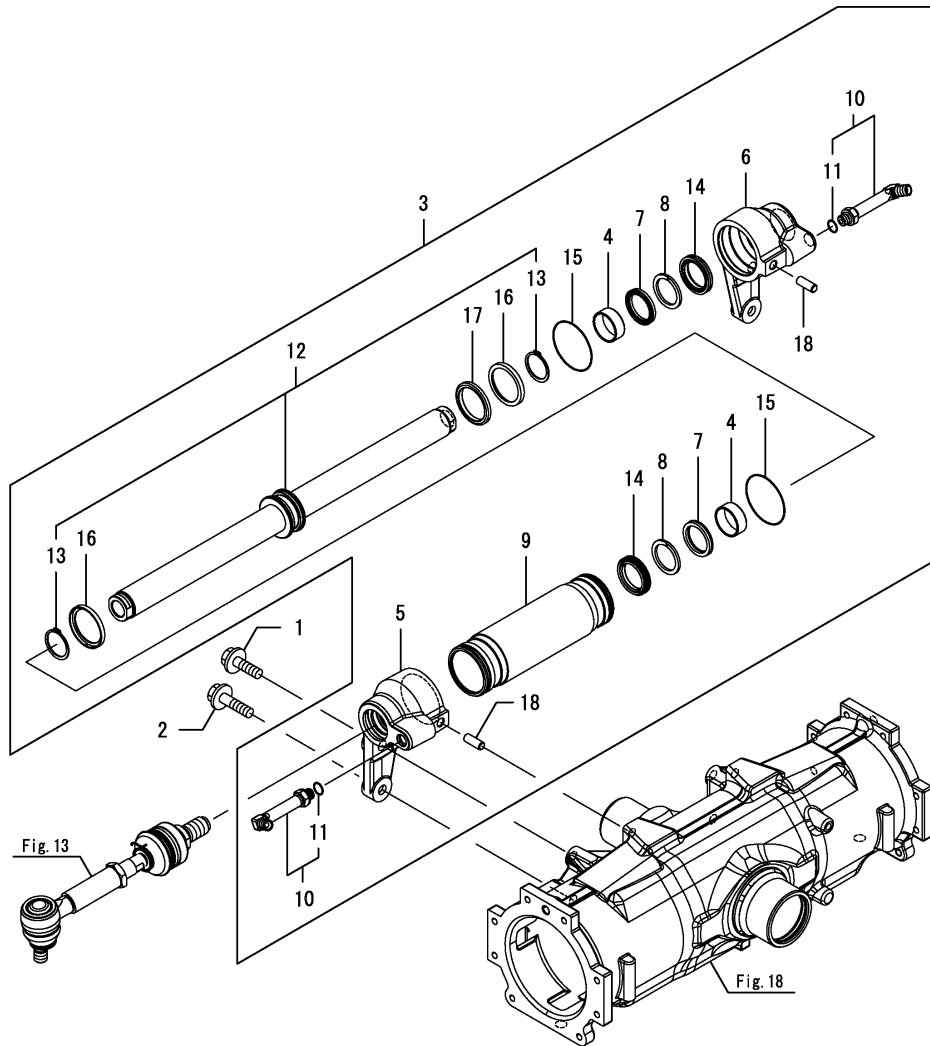


Fig.28. PST CYLINDER

(A)=LX410(CCY)  
 (B)=LX450(CCY)  
 (C)=LX490(CCY)

(D)=  
 (E)=  
 (F)=



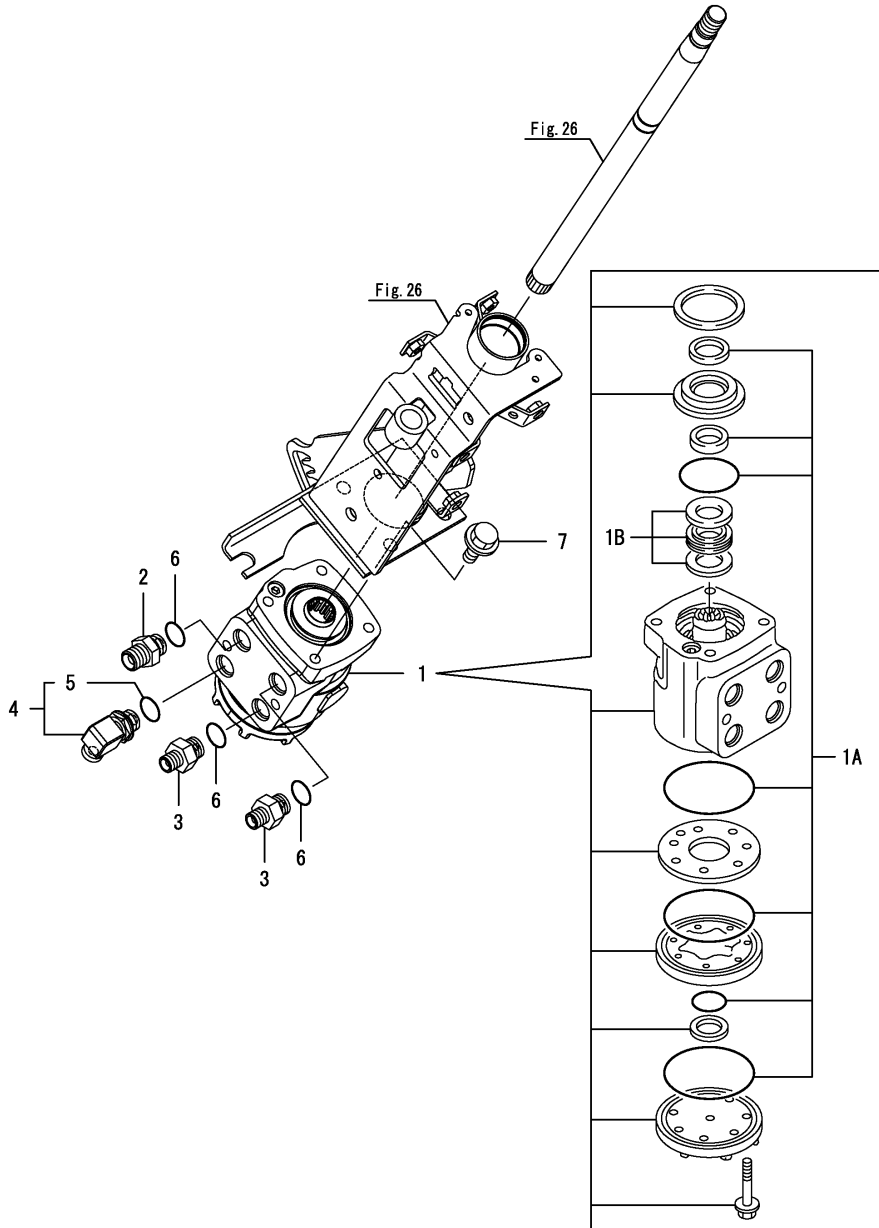
No.	Lev.	Parts No.	Description	Q'ty						I	R
				(A)	(B)	(C)	(D)	(E)	(F)		
1	1	198220-11520	BOLT, M12X38	2	2	2					
2	1	198240-11640	BOLT, M12X46	2	2	2					
3	1	1A8275-17100	CYLINDER ASSY, PST	1	1	1					
4	2	1A8275-17260	BEARING, 35 X 15	2	2	2					
5	2	1A8275-17310	CAP, CYLINDER L	1	1	1					
6	2	1A8275-17320	CAP, CYLINDER R	1	1	1					
7	2	1A8275-17330	PACKING, 35	2	2	2					
8	2	1A8275-17340	RING, BACKUP	2	2	2					
9	2	1A8275-17350	TUBE, CYLINDER	1	1	1					
10	2	1A8275-17360	ELBOW ASSY	2	2	2					
11	3	24315-000110	O-RING, 1BP11.0	2	2	2					
12	2	1A8275-17400	ROD ASSY, PST	1	1	1					
13	3	22242-000300	RING, 30	2	2	2					
14	2	1A8275-17430	SCRAPER,35	2	2	2					
15	2	1A8275-17440	PACKING, 60	2	2	2					
16	2	1A8275-17480	RING, BACKUP 55	2	2	2					
17	2	1A8275-17490	PACKING,RGU 55	1	1	1					
18	2	22312-100250	PIN, PARALLEL M10X25	2	2	2					



Fig.29. PST VALVE

(A)=LX410(CCY)  
 (B)=LX450(CCY)  
 (C)=LX490(CCY)

(D)=  
 (E)=  
 (F)=



No.	Lev.	Parts No.	Description	Qty						I	R
				(A)	(B)	(C)	(D)	(E)	(F)		
1	1	1A8275-17500	VALVE, PST	1	1	1					
1A	2	1A8275-17510	SEAL KIT	1	1	1					W
		(A=FXXXXX) (B=FXXXXX) (C=FXXXXX)									
1B	2	1A8275-17520	NEEDLE BEARING KIT	1	1	1					W
		(A=FXXXXX) (B=FXXXXX) (C=FXXXXX)									
2	1	172730-75141	ADAPTER	1	1	1					
3	1	172124-76160	CONNECTOR	2	2	2					
4	1	172142-76181	JOINT ASSY	1	1	1					
5	2	24315-000140	O-RING, 1BP14.0	1	1	1					
6	1	24315-000140	O-RING, 1BP14.0	3	3	3					
7	1	26106-100202	BOLT, M10X 20 PLATED	3	3	3					

Fig.30. PST PIPING

(A)=LX410(CCY)  
 (B)=LX450(CCY)  
 (C)=LX490(CCY)

(D)=  
 (E)=  
 (F)=

No.	Lev.	Parts No.	Description	Qty						I	R
				(A)	(B)	(C)	(D)	(E)	(F)		
1	1	1A8275-17820	HOSE,P	1	1	1					
2	1	1A8275-17840	HOSE,T	1	1	1					
3	1	1A8275-17890	CLAMP	1	1	1					
4	1	1A8275-49160	FLANGE ASSY	1	1	1					
5	1	194680-51670	BAND, CLIP	3	3	3					
6	1	194180-61980	GROMMET, 24	2	2	2					
7	1	24311-000180	O-RING, 1AP18.0	1	1	1					
8	1	24311-000220	O-RING, 1AP22.0	1	1	1					
9	1	26106-060122	BOLT, M6X 12 PLATED	1	1	1					
10	1	26106-060402	BOLT, M6X 40 PLATED	3	3	3					
11	1	933160-01370	CONNECTOR,PF1/2PF3/8	1	1	1					

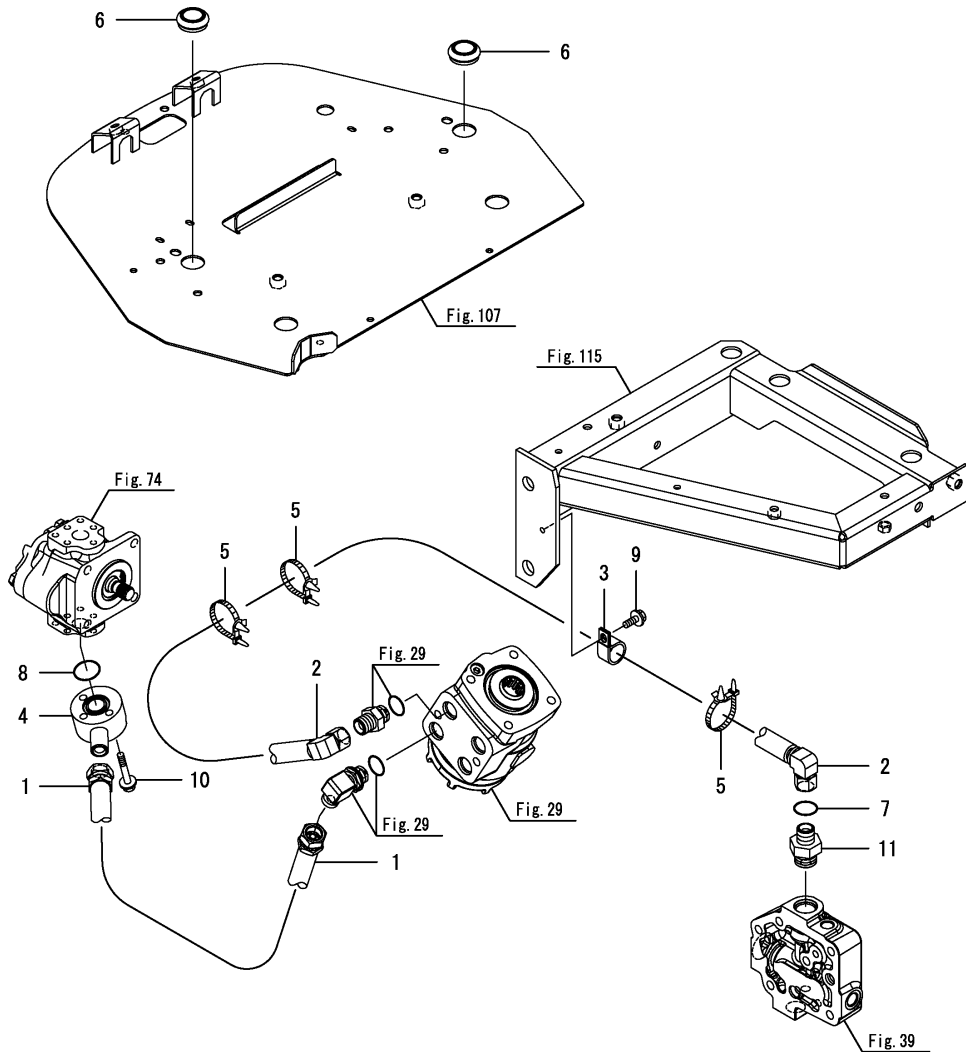
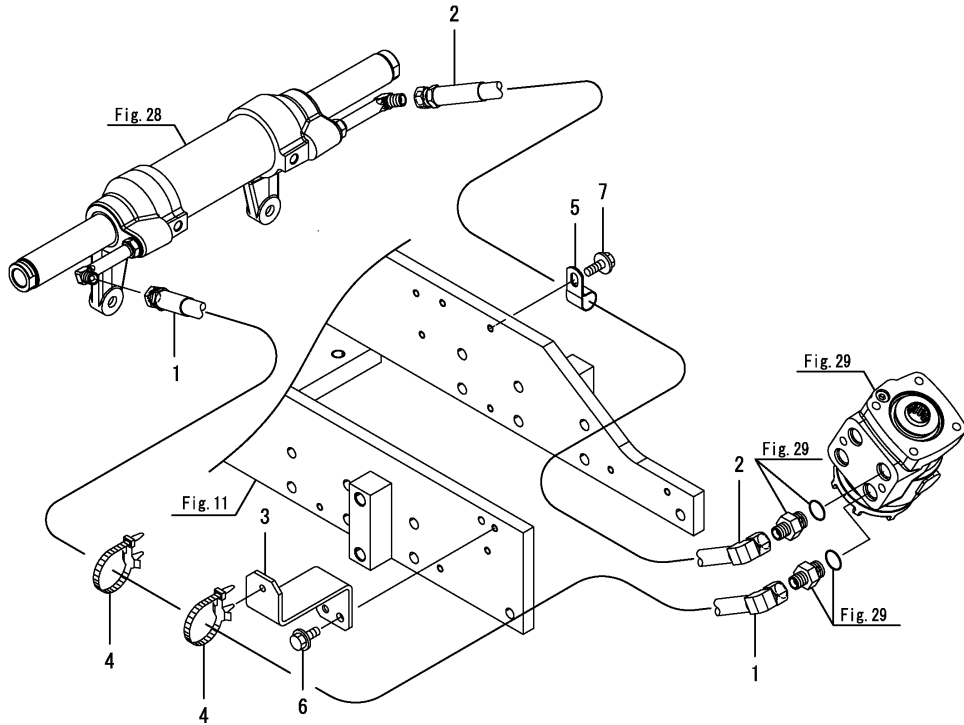


Fig.31. PST HOSE

(A)=LX410(CCY)  
 (B)=LX450(CCY)  
 (C)=LX490(CCY)

(D)=  
 (E)=  
 (F)=



No.	Lev.	Parts No.	Description	Q'ty						I	R
				(A)	(B)	(C)	(D)	(E)	(F)		
1	1	1A8275-17870	HOSE,CYLINDER	1	1	1					
2	1	1A8275-17880	HOSE,CYLINDER	1	1	1					
3	1	1A8240-17950	SUPPORT, HOSE	1	1	1					
4	1	194680-51670	BAND, CLIP	2	2	2					
5	1	1E6213-83410	CLIP, HARNESS 18	1	1	1					
6	1	26106-080162	BOLT, M8X 16 PLATED	1	1	1					
7	1	26106-080162	BOLT, M8X 16 PLATED	1	1	1					

Fig.32. CLUTCH HOUSING

(A)=LX410(CCY)  
 (B)=LX450(CCY)  
 (C)=LX490(CCY)

(D)=  
 (E)=  
 (F)=

No.	Lev.	Parts No.	Description	Qty						I	R
				(A)	(B)	(C)	(D)	(E)	(F)		
1	1	1A8275-21130	HOUSING, CLUTCH	1	1	1					
2	1	194146-21150	COVER, SIDE	1	1	1					
3	1	194464-45920	PLUG, 3/4-16UNF	1	1	1					
4	1	194464-45930	O-RING, 8-1	1	1	1					
5	1	26106-080162	BOLT, M8X 16 PLATED	2	2	2					
6	1	26106-120402	BOLT, M12X 40 PLATED	5	5	5					
7	1	26106-120852	BOLT, M12X 85 PLATED	1	1	1					
8	1	27260-550000	PLUG, 55	1	1	1					

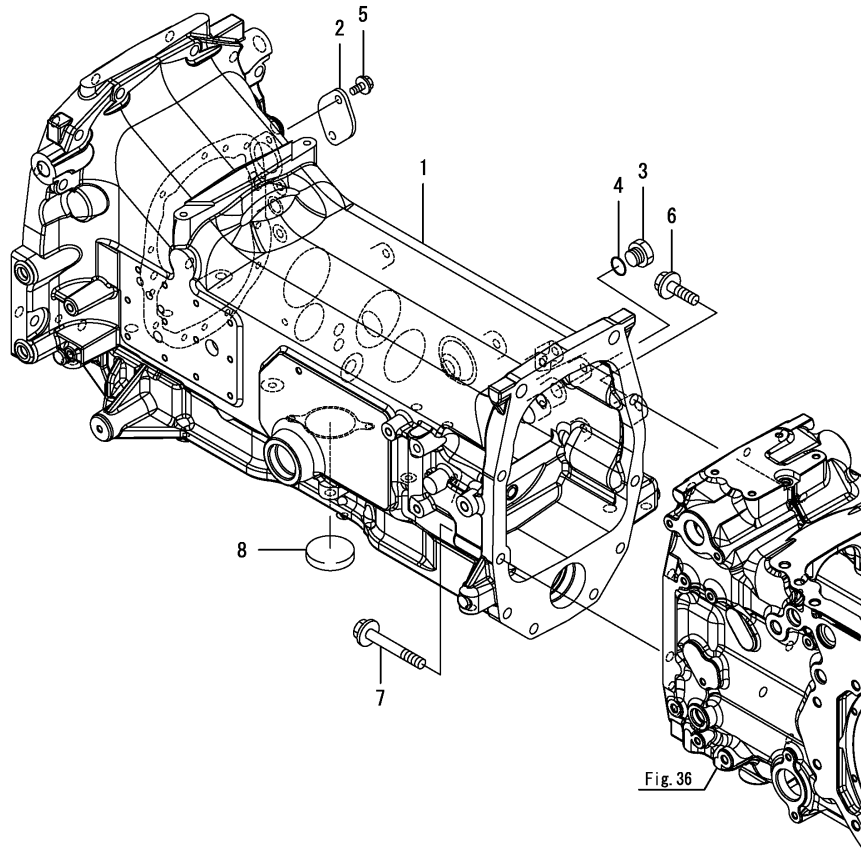


Fig.33. DOCKING BOLT

(A)=LX410(CCY)  
 (B)=LX450(CCY)  
 (C)=LX490(CCY)

(D)=  
 (E)=  
 (F)=

No.	Lev.	Parts No.	Description	Qty						I	R
				(A)	(B)	(C)	(D)	(E)	(F)		
1	1	198448-21280	BOLT, M12X50	1	1	1					
2	1	198442-21310	BOLT, M12X190	4	4	4					
3	1	198448-21320	BOLT, M12X60	4	4	4					
4	1	22312-100180	PIN, PARALLEL M10X18	2	2	2					

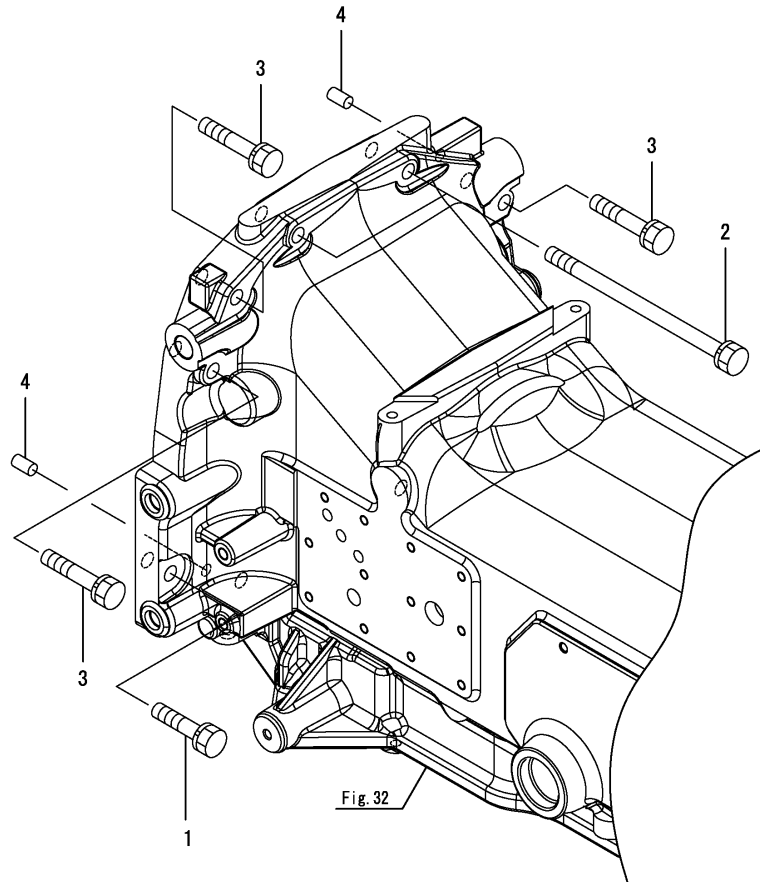


Fig.34. DAMPER DISC

(A)=LX410(CCY)  
 (B)=LX450(CCY)  
 (C)=LX490(CCY)

(D)=  
 (E)=  
 (F)=

No.	Lev.	Parts No.	Description	Qty						I	R
				(A)	(B)	(C)	(D)	(E)	(F)		
1	1	198448-22190	PIN, PARALLEL 10X18	3	3	3					
2	1	1A8275-22810	DAMPER, DISK	1	1	1					
3	1	26106-080162	BOLT, M8X 16 PLATED	6	6	6					

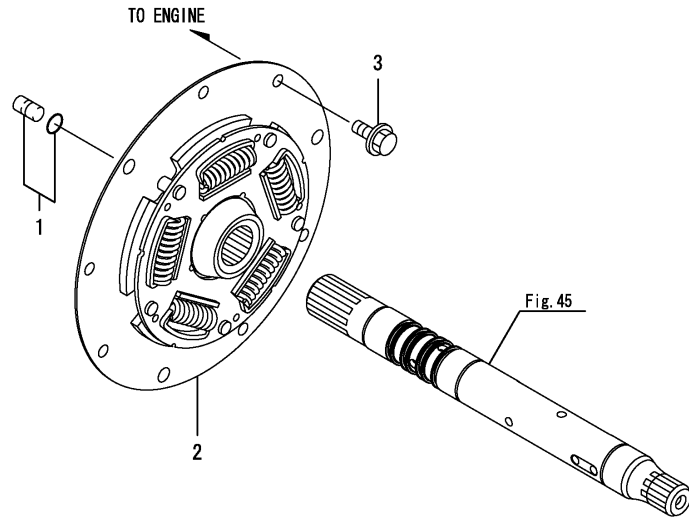
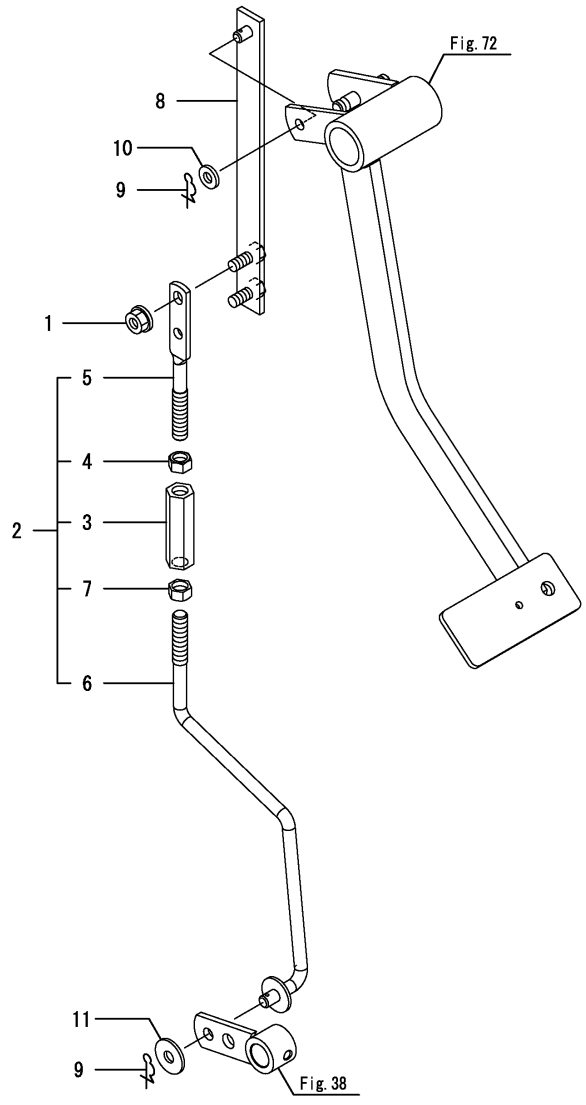


Fig.35. CLUTCH LINK

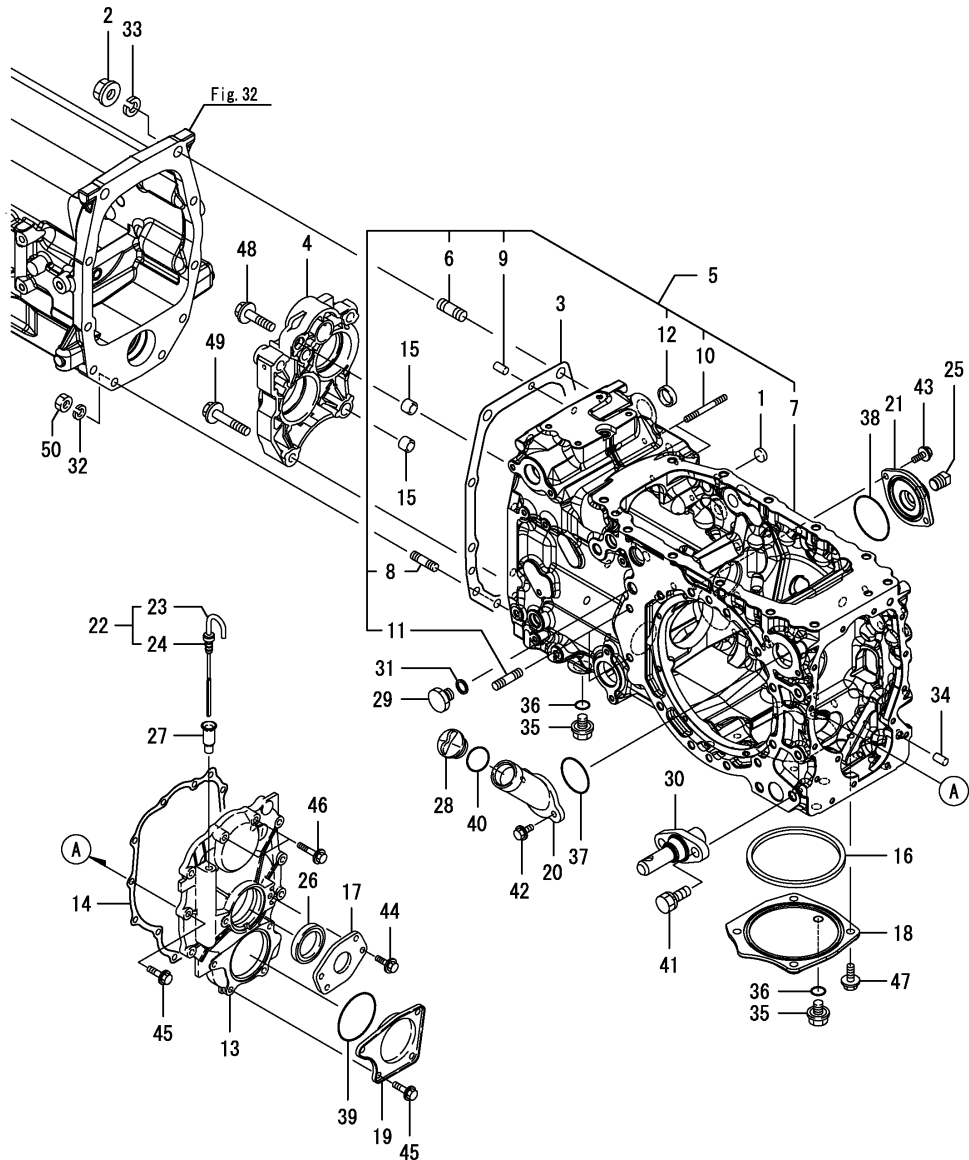
(A)=LX410(CCY)  
 (B)=LX450(CCY)  
 (C)=LX490(CCY)

(D)=  
 (E)=  
 (F)=



No.	Lev.	Parts No.	Description	Qty						I	R
				(A)	(B)	(C)	(D)	(E)	(F)		
1	1	194990-22140	NUT, M8	2	2	2					
2	1	1A8240-22500	TURNBUCKLE ASSY	1	1	1					
3	2	194300-22260	TURNBUCKLE, M10	1	1	1					
4	2	194150-22480	NUT, M10 L	1	1	1					
5	2	1A8240-22540	ROD, L.H. SCREW	1	1	1					
6	2	1A8240-22550	ROD ASSY, R SCREW	1	1	1					
7	2	26716-100002	NUT, M10	1	1	1					
8	1	1A8240-22520	LINK, CLUTCH	1	1	1					
9	1	1C6281-52320	PIN, SNAP 8	2	2	2					
10	1	22137-080000	WASHER, 8	1	1	1					
11	1	22157-080000	WASHER, 8	1	1	1					

Fig.36. TRANSMISSION CASE



(A)=LX410(CCY)  
 (B)=LX450(CCY)  
 (C)=LX490(CCY)

(D)=  
 (E)=  
 (F)=

No.	Lev.	Parts No.	Description	Q'ty						I	R
				(A)	(B)	(C)	(D)	(E)	(F)		
1	1	194197-21170	CAP, SEAL 17X4	1	1	1					
1-1	1	27260-170000	PLUG, 17	1	1	1					R
		(A=FZZZZZ) (B=FZZZZZ) (C=FZZZZZ)									
2	1	198535-24120	NUT, M16	2	2	2					
3	1	198212-24140	GASKET, MISSION CASE	1	1	1					
4	1	1A7350-24160	RETAINER, BEARING	1	1	1					
5	1	1A8275-24220	HOUSING ASSY, TRANS.	1	1	1					
6	2	198240-24120	STUD, M16X45	2	2	2					
7	2	1A8275-24230	HOUSING, TRANSMISSION	1	1	1					
7-1	1	1A8275-24231	HOUSING, TRANSMISSION	1	1	1					R
		(A=FZZZZZ) (B=FZZZZZ) (C=FZZZZZ)									
8	2	198240-24530	STUD, M12X45	2	2	2					
9	2	22312-100180	PIN, PARALLEL M10X18	2	2	2					
10	2	26216-080802	STUD, M8X 80	2	2	2					
11	2	26218-120502	STUD, M12X 50	2	2	2					
12	2	27260-300000	PLUG, 30	1	1	1					
13	1	198218-24240	COVER, REAR	1	1	1					
14	1	198212-24320	GASKET, REAR COVER	1	1	1					
15	1	198071-24340	COLLAR, 13X17X14	2	2	2					
16	1	198133-24380	PACKING, 140X3	1	1	1					
17	1	198255-24460	PLATE, OIL SEAL	1	1	1					
18	1	198240-24480-1	COVER, PTO	1	1	1					
19	1	198212-24510	COVER, REAR COVER	1	1	1					
20	1	198240-24690-2	CAP ASSY	1	1	1					
21	1	198240-24900-1	COVER, STRAINER	1	1	1					
22	1	1A8275-24960	GAUGE ASSY, OIL	1	1	1					
23	2	1A8275-24980	GAUGE, OIL	1	1	1					
24	2	194850-24990	TUBE	1	1	1					
25	1	194322-24980	PLUG, 1-2NPT	1	1	1					
26	1	194130-26350	SEAL, OIL TC4 2609	1	1	1					
27	1	119860-34810	GUIDE, DIPSTICK	1	1	1					
28	1	194850-42500	CAP, OIL M33	1	1	1					
29	1	194312-46750	PLUG, PF3/8	1	1	1					
30	1	194640-73180	PIN, LOWER LINK	2	2	2					
31	1	194555-77910	GASKET, 17	1	1	1					
32	1	22217-120000	WASHER, SPRING 12	2	2	2					
33	1	22217-160000	WASHER, SPRING 16	2	2	2					
34	1	22312-100180	PIN, PARALLEL M10X18	2	2	2					
35	1	23491-140002	PLUG, 14	2	2	2					
36	1	24311-000160	O-RING, 1AP16.0	2	2	2					
37	1	24311-000500	O-RING, 1AP50.0	1	1	1					
38	1	24321-000650	O-RING, 1AG65.0	1	1	1					
39	1	24321-000750	O-RING, 1AG75.0	1	1	1					
40	1	24351-020300	O-RING 1A 2030	1	1	1					
41	1	26013-140352	BOLT, M14X 35	4	4	4					
42	1	26106-080162	BOLT, M8X 16 PLATED	2	2	2					
43	1	26106-080202	BOLT, M8X 20 PLATED	2	2	2					
44	1	26106-080202	BOLT, M8X 20 PLATED	2	2	2					
45	1	26106-080302	BOLT, M8X 30 PLATED	10	10	10					
46	1	26106-080402	BOLT, M8X 40 PLATED	2	2	2					
47	1	26106-100252	BOLT, M10X 25 PLATED	4	4	4					

N:Old  $\xrightarrow{\text{Yes}}$  New, Q:Old  $\xrightarrow{\text{No}}$  New, R:Old  $\xrightarrow{\text{Yes}}$  New, S:Old  $\xrightarrow{\text{No}}$  New, W:Add, Z:Discontinued, F:Interchangeable by set, K:Q'ty Change  
 ++ CONTINUE ++  
 Copyright (C) YANMAR CO., LTD. All Rights Reserved.



Fig.36. TRANSMISSION CASE

(A)=LX410(CCY)  
 (B)=LX450(CCY)  
 (C)=LX490(CCY)

(D)=  
 (E)=  
 (F)=

No.	Lev.	Parts No.	Description	Qty						I	R
				(A)	(B)	(C)	(D)	(E)	(F)		
48	1	26106-120502	BOLT, M12X 50 PLATED	2	2	2					
49	1	26106-120652	BOLT, M12X 65 PLATED	2	2	2					
50	1	26716-120002	NUT, M12	2	2	2					

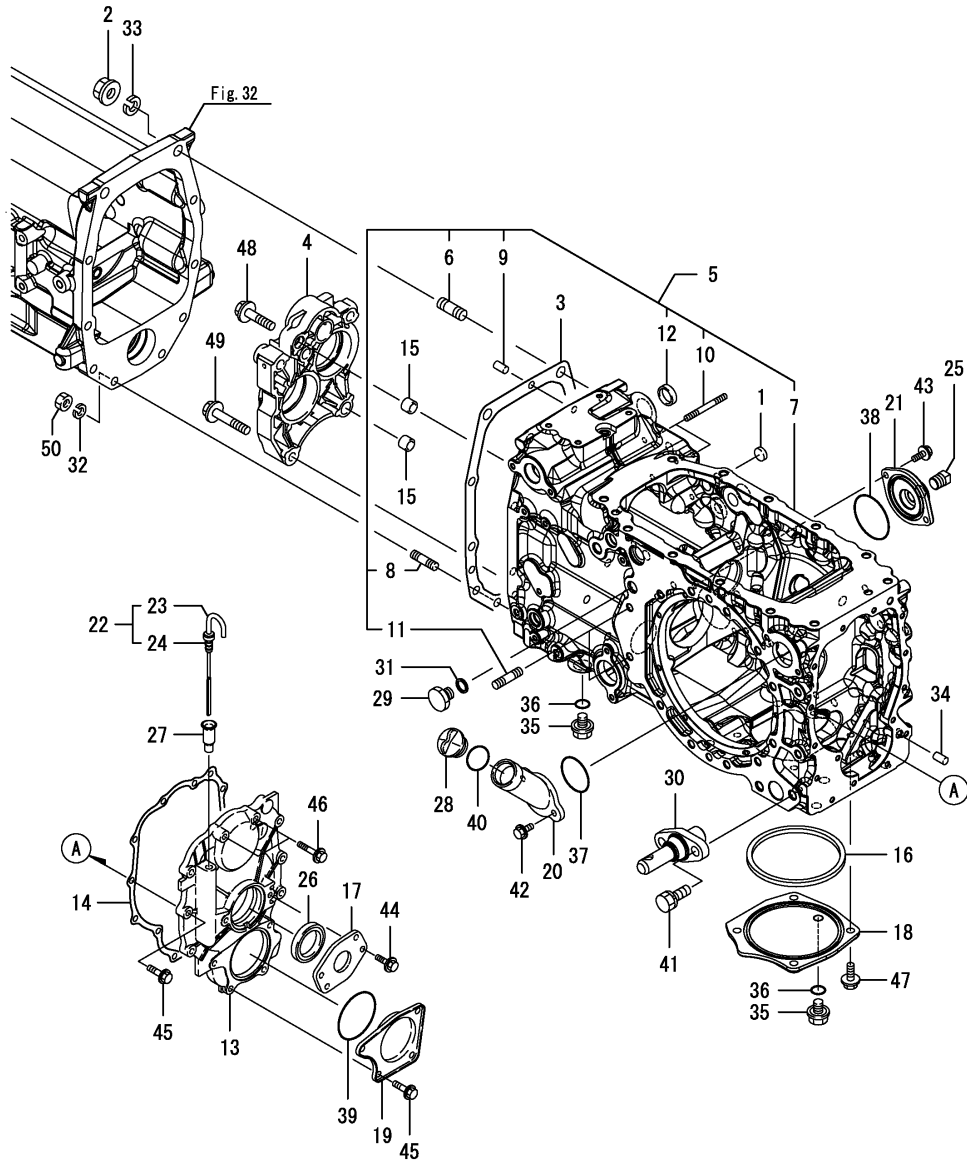


Fig.37. CENTER PLATE

(A)=LX410(CCY)  
 (B)=LX450(CCY)  
 (C)=LX490(CCY)

(D)=  
 (E)=  
 (F)=

No.	Lev.	Parts No.	Description	Qty						I	R
				(A)	(B)	(C)	(D)	(E)	(F)		
1	1	198071-24340	COLLAR, 13X17X14	2	2	2					
2	1	198212-24360	PLATE, CENTER	1	1	1					
3	1	26106-120502	BOLT, M12X 50 PLATED	3	3	3					

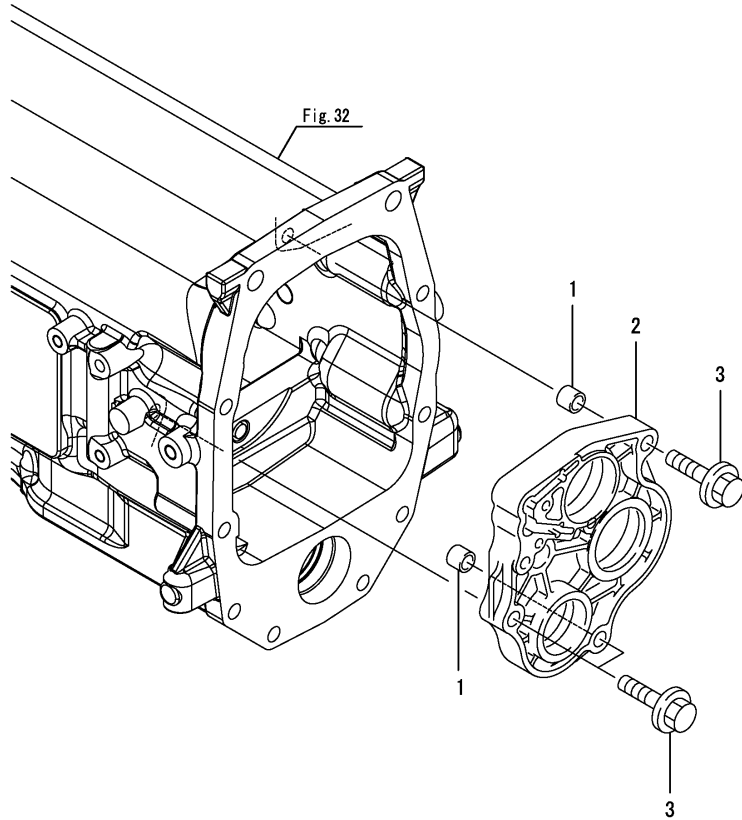
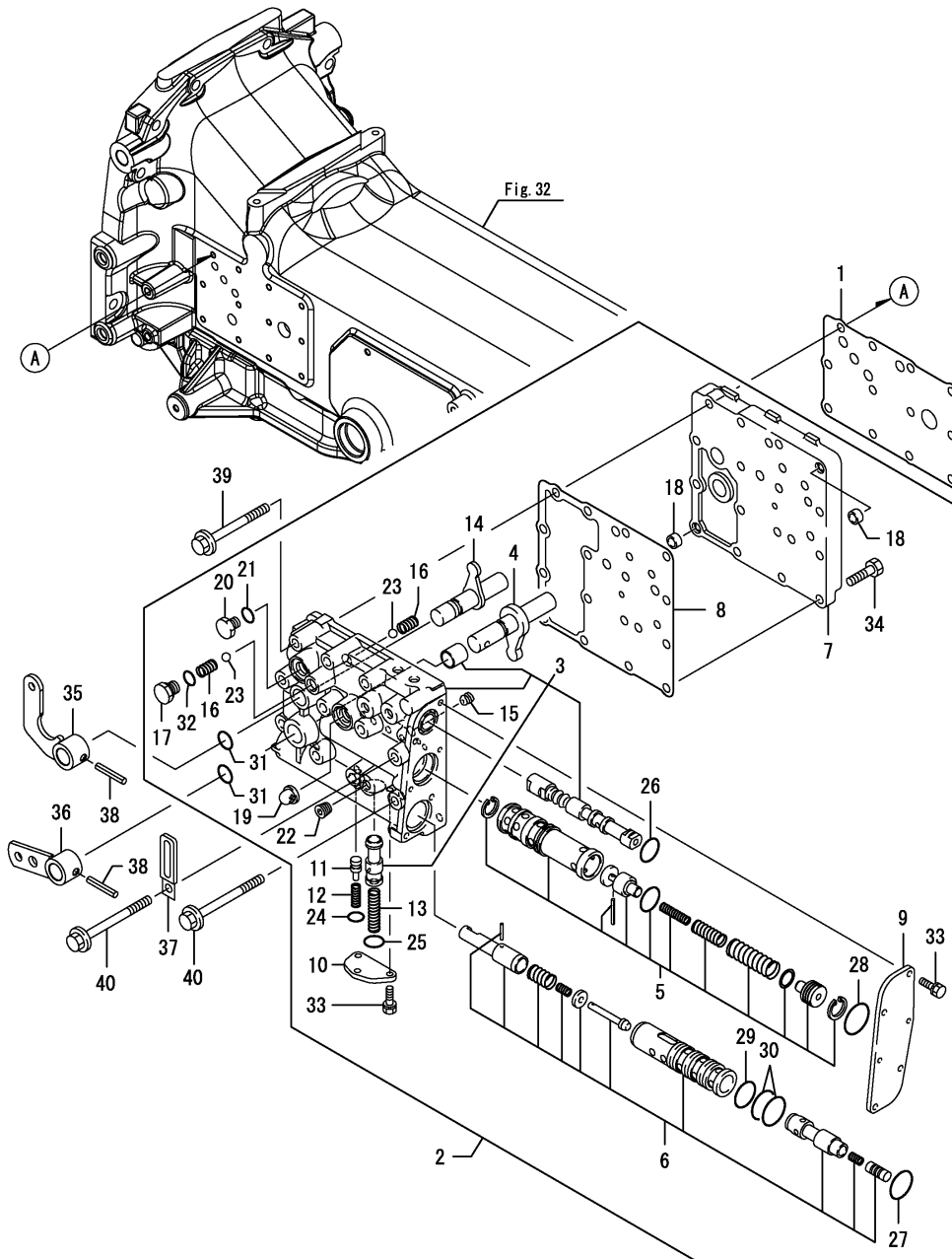


Fig.38. REVERSER VALVE

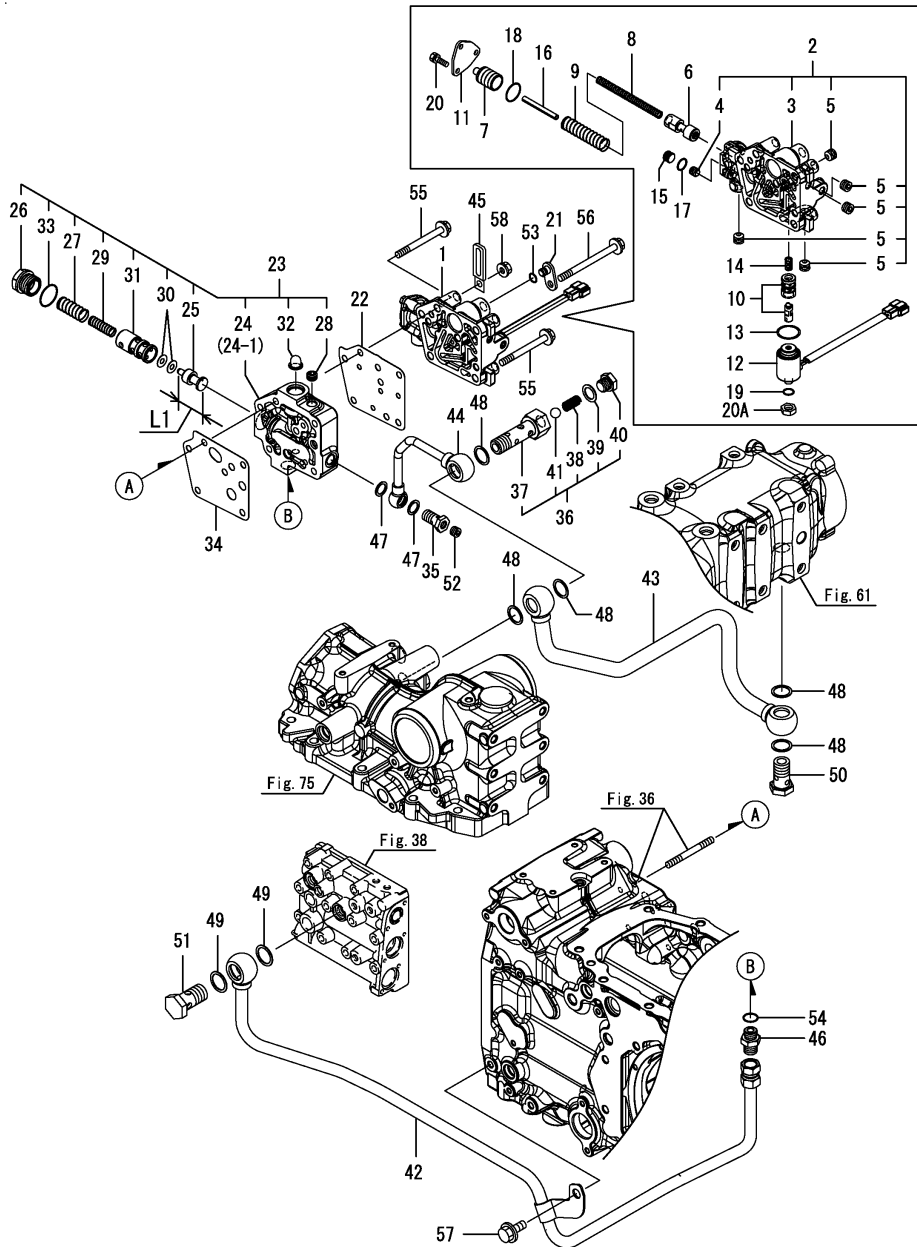
(A)=LX410(CCY)  
 (B)=LX450(CCY)  
 (C)=LX490(CCY)

(D)=  
 (E)=  
 (F)=



No.	Lev.	Parts No.	Description	Q'ty						I	R
				(A)	(B)	(C)	(D)	(E)	(F)		
1	1	198212-24281	GASKET, PR VALVE	1	1	1					
2	1	1A7450-24301	VALVE ASSY, REVERSER	1	1	1					
3	2	168201-01011	VALVE CASE CMP	1	1	1					
4	2	168201-01350	ARM CLUTCH, CMP	1	1	1					
5	2	168201-01550	DRV CMP	1	1	1					
6	2	168201-01600	CLUTCH VALVE CMP	1	1	1					
7	2	198213-24341	PLATE, VALVE	1	1	1					
8	2	198213-24350	GASKET, CASE	1	1	1					
9	2	198213-24360	COVER, SPOOL	1	1	1					
10	2	198213-24370	COVER, RELIEF	1	1	1					
11	2	198213-24390	VALVE, RELIEF	1	1	1					
12	2	198213-24400	SPRING, RELIEF	1	1	1					
13	2	198213-24420	SPRING, CUT-OFF	1	1	1					
14	2	198213-24441	ARM ASSY, SHIFT	1	1	1					
15	2	192180-24730	ORIFICE	1	1	1					
16	2	192180-24740	SPRING	2	2	2					
17	2	192157-26460	PLUG 1/2-20 UNF	1	1	1					
18	2	194521-41570	PIN, 11X7	2	2	2					
19	2	194556-42220	STRAINER, A	1	1	1					
20	2	194850-49240	PLUG, 9/16-18	1	1	1					
21	2	194850-49290	PACKING, 6-1	1	1	1					
22	2	23871-010000	PLUG, R01	3	3	3					
23	2	24190-100001	BALL, STEEL 5/16	2	2	2					
24	2	24311-000125	O-RING, 1AP12.5	1	1	1					
25	2	24311-000180	O-RING, 1AP18.0	1	1	1					
26	2	24311-000220	O-RING, 1AP22.0	1	1	1					
27	2	24311-000290	O-RING, 1AP29.0	1	1	1					
28	2	24311-000320	O-RING, 1AP32.0	1	1	1					
29	2	24341-000220	O-RING, 1AS22.0	1	1	1					
30	2	24341-000224	O-RING, 1AS22.4	2	2	2					
31	2	24351-190140	O-RING, 1A19014	2	2	2					
32	2	24361-090500	O-RING, 1AAS905	1	1	1					
33	2	26016-060162	BOLT, M6X 16	9	9	9					
34	2	26016-080302	BOLT, M8X 30	4	4	4					
35	1	1A8275-24420	ARM, SHIFT	1	1	1					
36	1	1A8275-24470	ARM, SHIFT	1	1	1					
37	1	194440-51620	CLAMP	1	1	1					
38	1	22351-060036	PIN, SPRING 6.0X36	2	2	2					
39	1	26106-080802	BOLT, M8X 80 PLATED	10	10	10					
40	1	26106-080952	BOLT, M8X 95 PLATED	2	2	2					

Fig.39. P.T.O. VALVE



(A)=LX410(CCY)  
 (B)=LX450(CCY)  
 (C)=LX490(CCY)

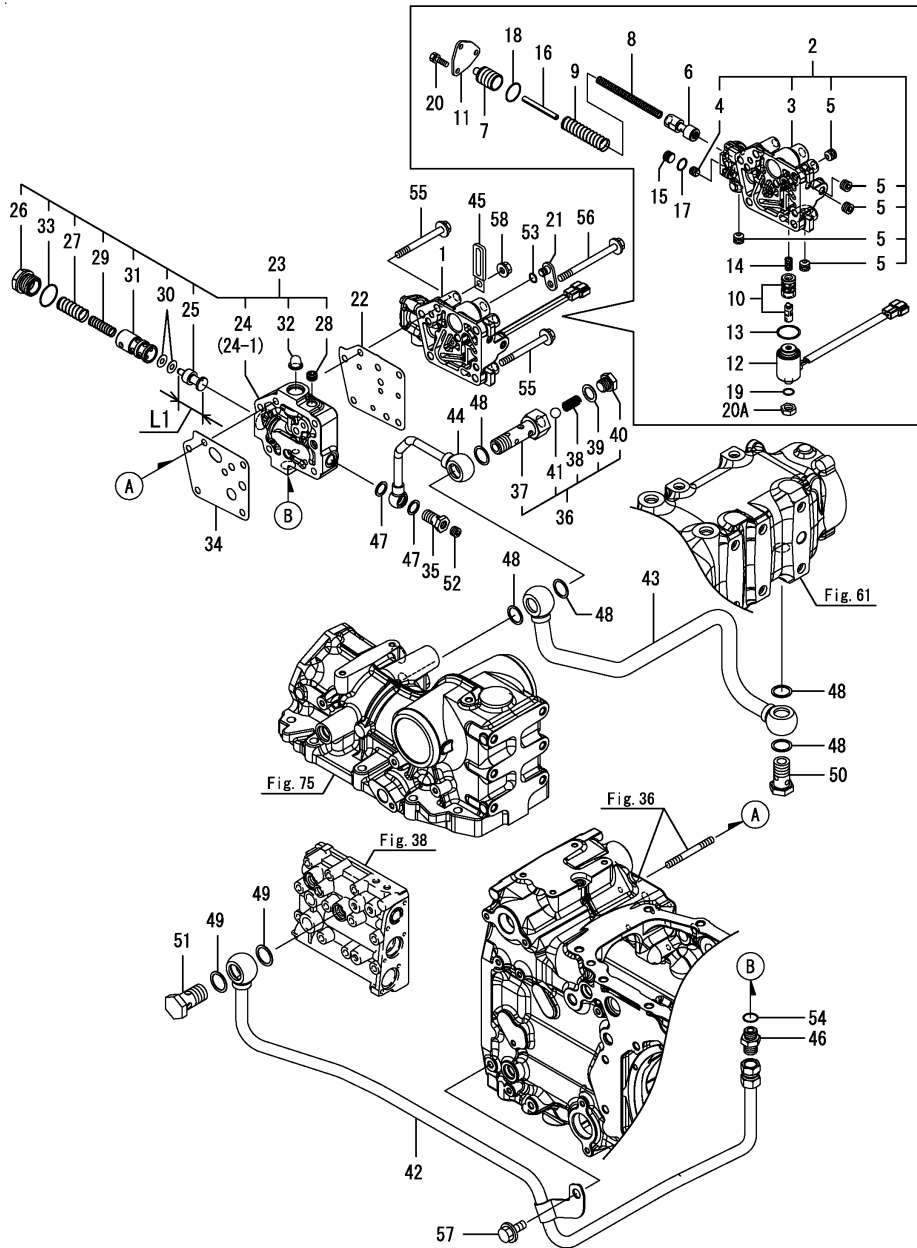
(D)=  
 (E)=  
 (F)=

No.	Lev.	Parts No.	Description	Qty						I	R
				(A)	(B)	(C)	(D)	(E)	(F)		
1	1	1682D2-00010	PTO VALVE CMP	1	1	1					
2	2	1682D2-01010	VALVEBODY(A CMP	1	1	1					
3	3	1682D2-01020	VALVEBODY(A	1	1	1					
4	3	1682D1-01100	ORIFICE	1	1	1					
5	3	23871-010000	PLUG, R01	5	5	5					
6	2	1682D1-01050	MODULATION VALVE	1	1	1					
7	2	1682D1-01060	PISTON(ACCUMULATOR	1	1	1					
8	2	1682D1-01070	SP(INNER	1	1	1					
9	2	1682D1-01080	SP(OUTER	1	1	1					
10	2	178076-02430	VALVE ASSY, SOLENOID	1	1	1					
11	2	198213-24750	COVER, DRV	1	1	1					
12	2	1A6770-26610	SOLENOID ASSY	1	1	1					
13	2	192159-27780	GASKET, SOLENOID	1	1	1					
14	2	192159-27830	SPRING,SOLENOID	1	1	1					
15	2	194170-45370	PLUG	1	1	1					
16	2	22351-060060	PIN, SPRING 6.0X60	1	1	1					
17	2	24311-000070	O-RING, 1AP7.0	1	1	1					
18	2	24311-000240	O-RING, 1AP24.0	1	1	1					
19	2	24341-000112	O-RING, 1AS11.2	1	1	1					
20	2	26016-060162	BOLT, M6X 16	3	3	3					
20A	2	192159-27790	PLASTIC NUT	1	1	1					
21	1	1A8275-24160	PLUG ASSY	1	1	1					
22	1	1A8275-24540	GASKET, PTO VALVE	1	1	1					
23	1	1A8275-24550	VALVE ASSY,	1	1	1					
23-1	1	1A8275-24551	VALVE ASSY,	1	1	1					N
		(A=F100120) (B=F100145) (C=F100112)									
24	2	1A8275-24570	CASE, PLATE PTO	1	1	1					
24-1	2	1A8275-24571	CASE, PLATE PTO	1	1	1					S
		(A=F100120) (B=F100145) (C=F100112)									
25	2	1A8275-24590	VALVE, RELIEF	1	1	1					
25-1	2	1A8275-24591	VALVE, RELIEF	1	1	1					S 1
		(A=F100120) (B=F100145) (C=F100112)									
26	2	1A8275-24600	PLUG, RELIEF	1	1	1					
27	2	194555-24610	SPRING, RELIEF OUTER	1	1	1					
28	2	1A8275-24610	PLUG, R1/4	1	1	1					
29	2	194555-24620	SPRING, RELIEF INNER	1	1	1					
30	2	1A8275-24620	SHIM, 0.5	2	2	2					
31	2	1A8275-24650	SLEEVE,	1	1	1					Z
		(A=F100120) (B=F100145) (C=F100112)									
32	2	194556-42220	STRAINER, A	1	1	1					
32-1	2	1A7180-43730	STRAINER, A	1	1	1					R
		(A=F100120) (B=F100145) (C=F100112)									
33	2	24351-240230	O-RING, 1A24023	1	1	1					
34	1	1A8275-24560	PK, VALVE PLATE	1	1	1					
34-1	1	1A8275-24561	GASKET, VALVE PLATE	1	1	1					R
		(A=F100120) (B=F100147) (C=F100103)									
35	1	198448-28430	BOLT, JOINT M14	1	1	1					
36	1	1A8275-48010	HOLDER,RELIEF ASSY	1	1	1					
37	2	1A8275-48020	HOLDER,RELIEF	1	1	1					
38	2	1A8275-48050	SPRING,CHECK	1	1	1					
39	2	23414-160000	GASKET, 16X1.0	1	1	1					

Remarks

(1)L=Ref.No.25 43mm, 25-1 45mm.

Fig.39. P.T.O. VALVE



(A)=LX410(CCY)  
 (B)=LX450(CCY)  
 (C)=LX490(CCY)

(D)=  
 (E)=  
 (F)=

No.	Lev.	Parts No.	Description	Q'ty						I	R
				(A)	(B)	(C)	(D)	(E)	(F)		
40	2	23887-160002	PLUG, 16	1	1	1					
41	2	24190-160001	BALL, STEEL 1/2	1	1	1					
42	1	1A8275-48260	HP PIPE	1	1	1					
43	1	1A8275-48540	LP PIPE,REAR HOUSING	1	1	1					
44	1	1A8275-48570	PIPE,PTO LUB	1	1	1					
45	1	194440-51620	CLAMP	1	1	1					
46	1	172730-75141	ADAPTER	1	1	1					
47	1	23414-140000	GASKET, 14X1.0	2	2	2					
48	1	23414-200026	GASKET, 20X1.0	5	5	5					
49	1	23414-220029	GASKET, 22X1.0	2	2	2					
50	1	23857-150000	BOLT, JOINT 15	1	1	1					
51	1	23857-180000	BOLT, JOINT 18	1	1	1					
52	1	23871-010000	PLUG, R01	1	1	1					
53	1	24311-000070	O-RING, 1AP7.0	1	1	1					
54	1	24311-000140	O-RING, 1AP14.0	1	1	1					
55	1	26106-080802	BOLT, M8X 80 PLATED	3	3	3					
56	1	26106-081002	BOLT, M8X100 PLATED	1	1	1					
57	1	26106-100202	BOLT, M10X 20 PLATED	1	1	1					
58	1	26366-080002	NUT, M8	2	2	2					

Remarks  
 (1)L=Ref.No.25 43mm, 25-1 45mm.

Fig.40. FRONT COVER

(A)=LX410(CCY)  
 (B)=LX450(CCY)  
 (C)=LX490(CCY)

(D)=  
 (E)=  
 (F)=

No.	Lev.	Parts No.	Description	Qty						I	R
				(A)	(B)	(C)	(D)	(E)	(F)		
1	1	1A8275-24700	COVER ASSY, FRONT	1	1	1					
2	2	198448-24740	CASE, REVERSE SEAL	1	1	1					
3	2	198212-24750	GASKET, SEAL CASE	1	1	1					
4	2	23871-010000	PLUG, R01	2	2	2					
5	2	24423-305208	SEAL, OIL TC305208	1	1	1					
6	2	26106-080502	BOLT, M8X 50 PLATED	5	5	5					
7	1	198212-25720	GASKET, FRONT COVER	1	1	1					
8	1	22312-080180	PIN, PARALLEL M8X18	2	2	2					
9	1	24341-000350	O-RING, 1AS35.0	1	1	1					
10	1	26106-080352	BOLT, M8X 35 PLATED	9	9	9					
11	1	26106-081102	BOLT, M8X110 PLATED	2	2	2					

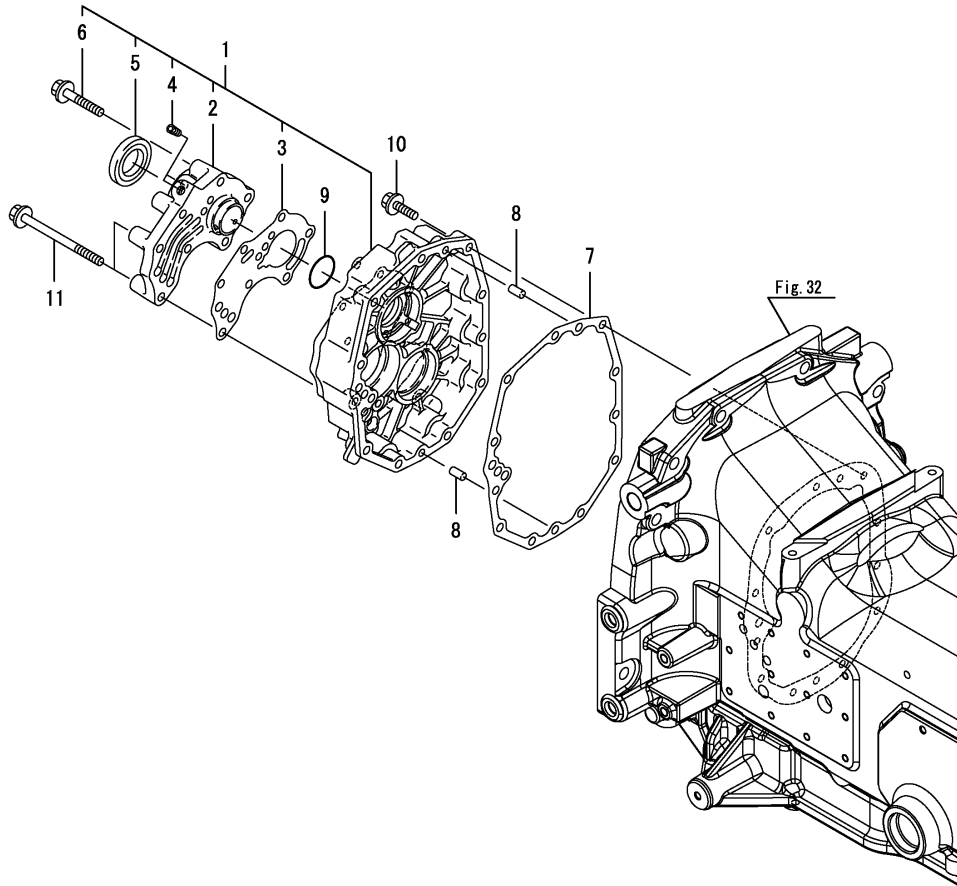
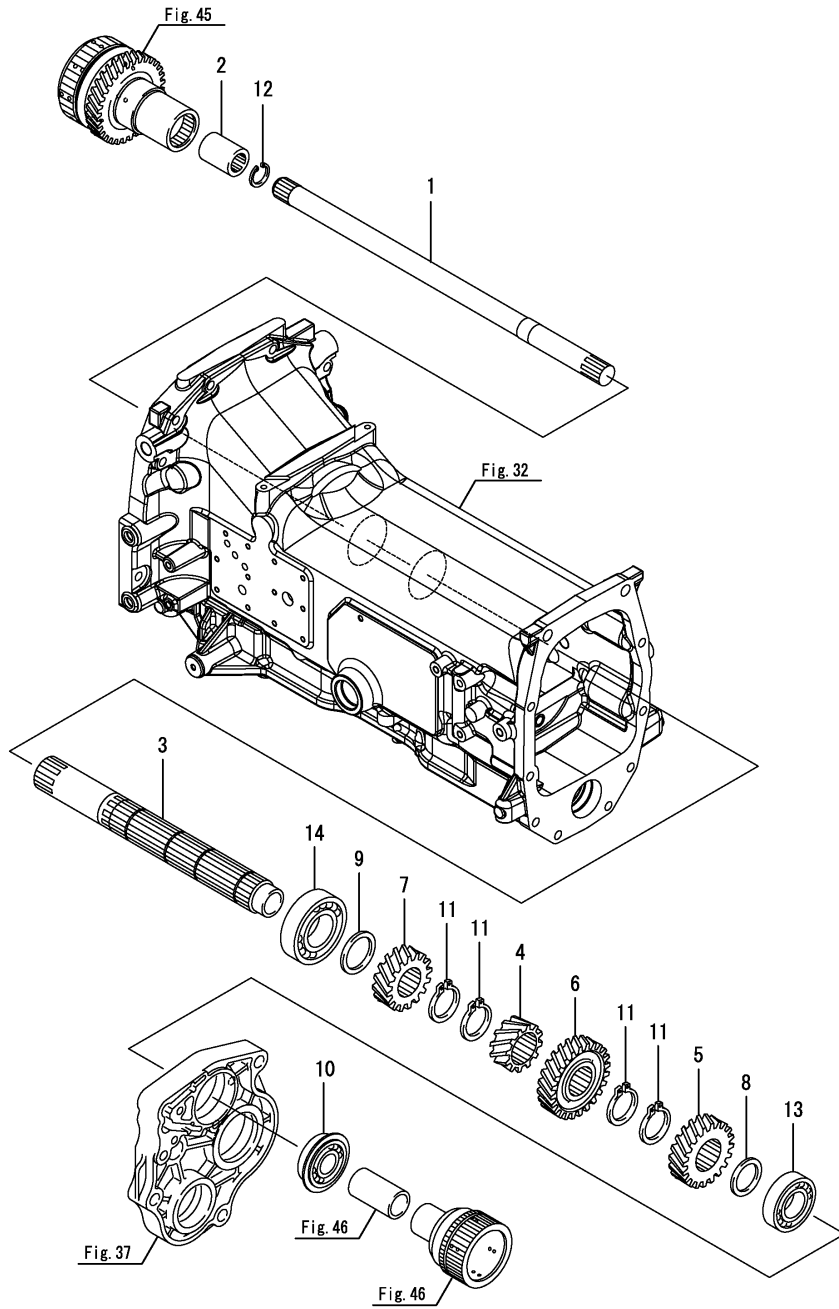


Fig.41. MAIN SHAFT

(A)=LX410(CCY)  
 (B)=LX450(CCY)  
 (C)=LX490(CCY)

(D)=  
 (E)=  
 (F)=

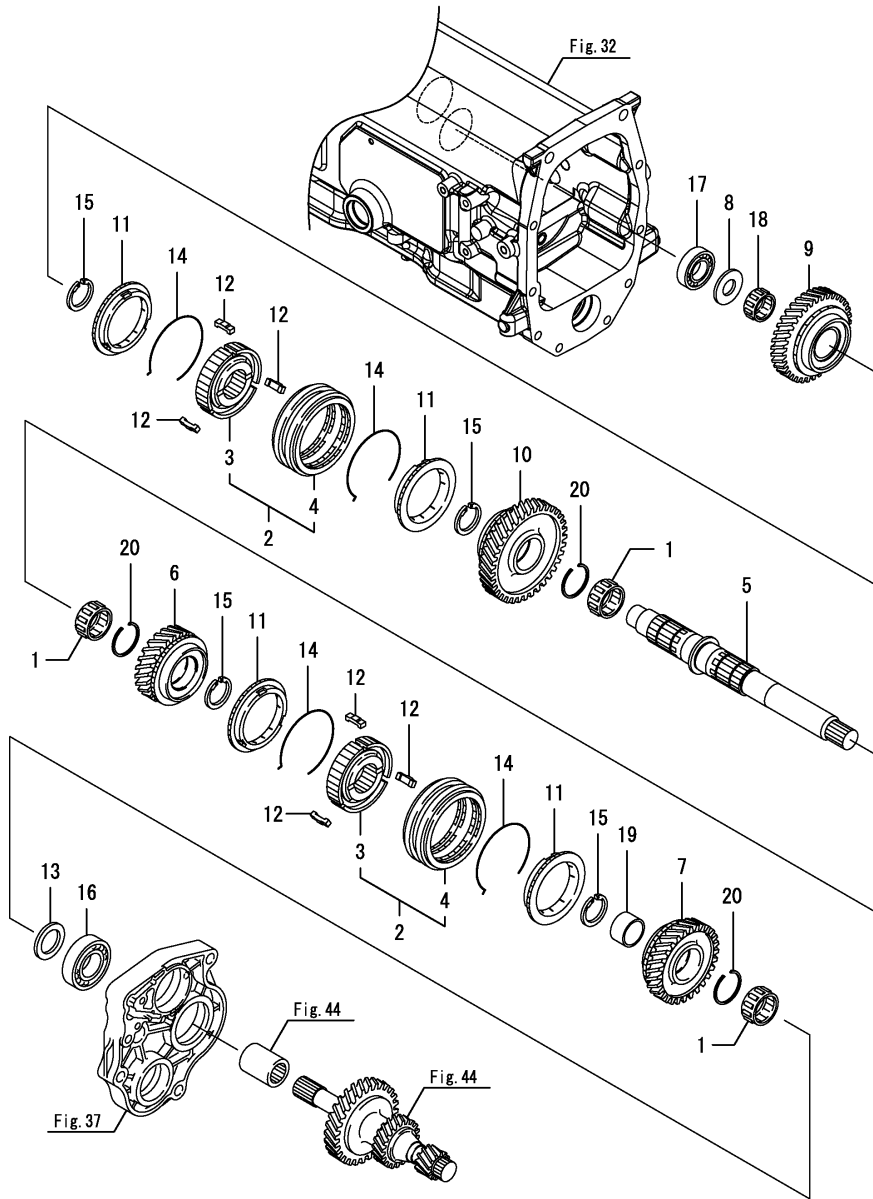


No.	Lev.	Parts No.	Description	Qty						I	R
				(A)	(B)	(C)	(D)	(E)	(F)		
1	1	1A8275-25130	SHAFT, PTO DRIVE	1	1	1					
2	1	198212-25150	COUPLING, 13X16/32	1	1	1					
3	1	198212-25210	SHAFT, MAIN	1	1	1					
4	1	198212-25220	GEAR, MAIN 21	1	1	1					
5	1	198212-25240	GEAR, MAIN 31R	1	1	1					
6	1	198535-25260	GEAR, MAIN 36	1	1	1					
7	1	198212-25290	GEAR, MAIN 27R	1	1	1					
8	1	194312-25470	SPACER, 30X40X2	1	1	1					
9	1	194250-25520	SPACER, 35X45X2	1	1	1					
10	1	198212-26090	BEARING, 63/22 NR	1	1	1					
11	1	22242-000340	RING, 34	4	4	4					
12	1	22252-000190	RING, 19	1	1	1					
13	1	24101-062064	BEARING, BALL 6206	1	1	1					
14	1	24101-062074	BEARING, BALL 6207	1	1	1					

Fig.42. DRIVEN SHAFT

(A)=LX410(CCY)  
 (B)=LX450(CCY)  
 (C)=LX490(CCY)

(D)=  
 (E)=  
 (F)=



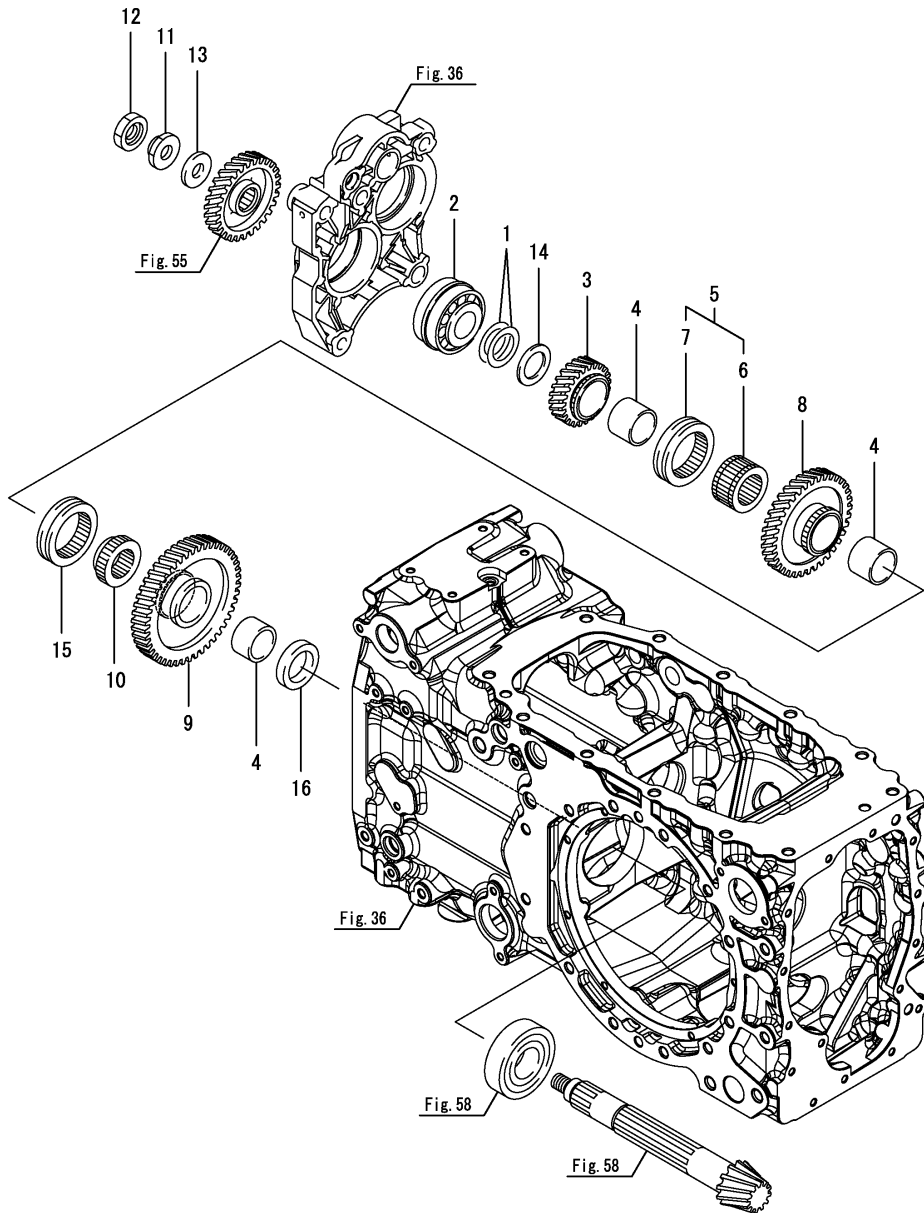
No.	Lev.	Parts No.	Description	Q'ty						I	R
				(A)	(B)	(C)	(D)	(E)	(F)		
1	1	194250-25240	BEARING, 354019	3	3	3					
2	1	198212-25400	HUB ASSY, SYNCHRO	2	2	2					
3	2	198212-25460	HUB, SYNCHRO	2	2	2					
4	2	198121-25830	SLIDER	2	2	2					
5	1	1A8275-25420	SHAFT, DRIVEN	1	1	1					
6	1	198535-25510	GEAR, DRIVEN 39	1	1	1					
7	1	198212-25520	GEAR, DRIVEN 44	1	1	1					
8	1	194150-25530	WASHER, 20X43X2.5	1	1	1					
9	1	198212-25530	GEAR, DRIVEN 49	1	1	1					
10	1	198212-25540	GEAR, DRIVEN 53	1	1	1					
11	1	198121-25840	RING, SYNCHRONIZER	4	4	4					
12	1	198121-25850	KEY, SYNCHRONIZER	6	6	6					
13	1	194640-25860	WASHER, 30X45X3	1	1	1					
14	1	198121-25870	SPRING, SYNCHRO	4	4	4					
15	1	22292-000340	RING, S-34	4	4	4					
16	1	24101-062064	BEARING, BALL 6206	1	1	1					
17	1	24101-063054	BEARING, BALL 6305	1	1	1					
18	1	24161-303520	BEARING, 303520	1	1	1					
19	1	24163-305200	RING, INNER 303520	1	1	1					
20	1	24165-000402	CIRCLIP, 40	3	3	3					



Fig.43. COUNTER SHAFT

(A)=LX410(CCY)  
 (B)=LX450(CCY)  
 (C)=LX490(CCY)

(D)=  
 (E)=  
 (F)=



No.	Lev.	Parts No.	Description	Qty						I	R
				(A)	(B)	(C)	(D)	(E)	(F)		
1	1	194301-12730	SHIM, 30X45X0.1	2	2	2					
2	1	1A7350-25600	BEARING ASSY,4T30306	1	1	1					
3	1	1A7350-25640	GEAR, COUNTER 19L	1	1	1					
4	1	198217-25680	BUSH, 34X40X28	3	3	3					
5	1	198149-25700	COLLAR ASSY, SPLINE	1	1	1					
6	2	198149-25780	COLLAR, SPLINE A	1	1	1					
7	2	198149-25890	SHIFTER	1	1	1					
8	1	1A8275-25750	GEAR 41, COUNTER	1	1	1					
9	1	1A8275-25770	GEAR 53,COUNTER	1	1	1					
10	1	1A7601-25790	COLLAR, SPLINE B	1	1	1					
11	1	198220-25830	NUT, LOCK M16	1	1	1					
12	1	198220-25840	NUT, LOCK M16	1	1	1					
13	1	198415-25840	SPACER, 16X38X4.5	1	1	1					
14	1	194640-25860	WASHER, 30X45X3	1	1	1					
15	1	198149-25890	SHIFTER	1	1	1					
16	1	1A8275-25980	COLLAR, 35	1	1	1					

Fig.44. REDUCTION SHAFT

(A)=LX410(CCY)  
 (B)=LX450(CCY)  
 (C)=LX490(CCY)

(D)=  
 (E)=  
 (F)=

No.	Lev.	Parts No.	Description	Q'ty						I	R
				(A)	(B)	(C)	(D)	(E)	(F)		
1	1	1A8275-25610	GEAR, REDUCTION	1	1	1					
2	1	1A7090-26050	COUPLING	1	1	1					
3	1	24101-063054	BEARING, BALL 6305	1	1	1					
4	1	24101-063064	BEARING, BALL 6306	1	1	1					

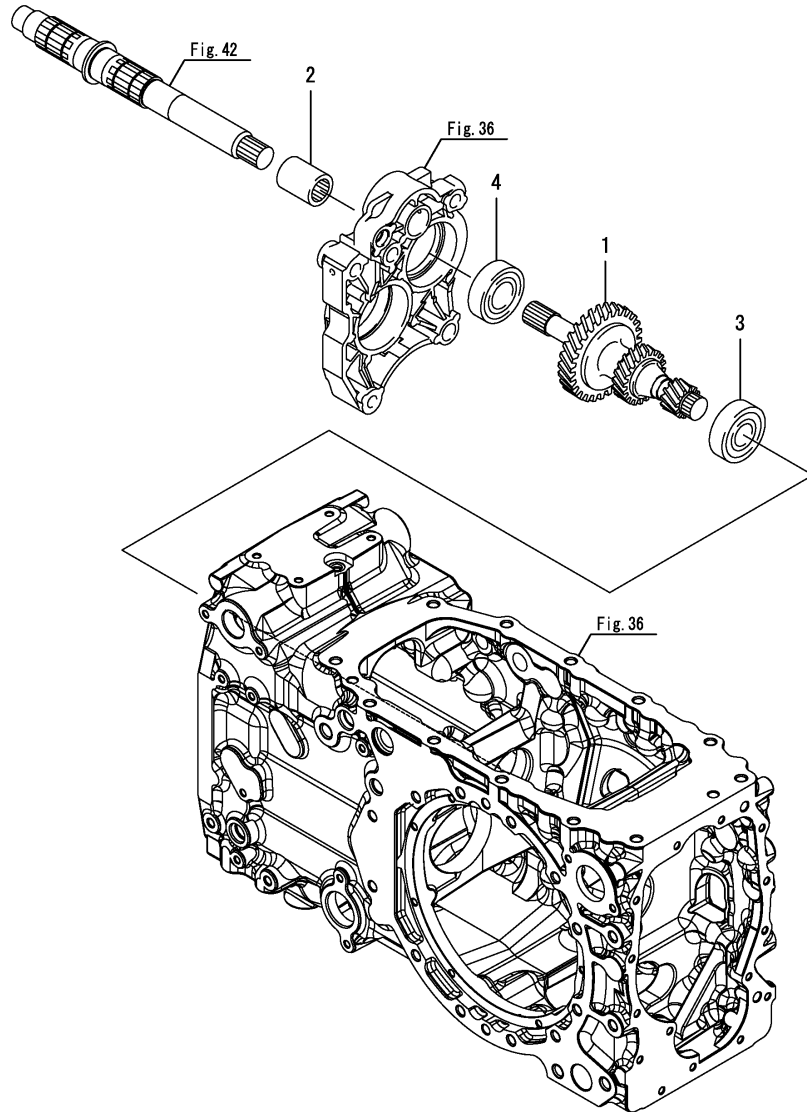
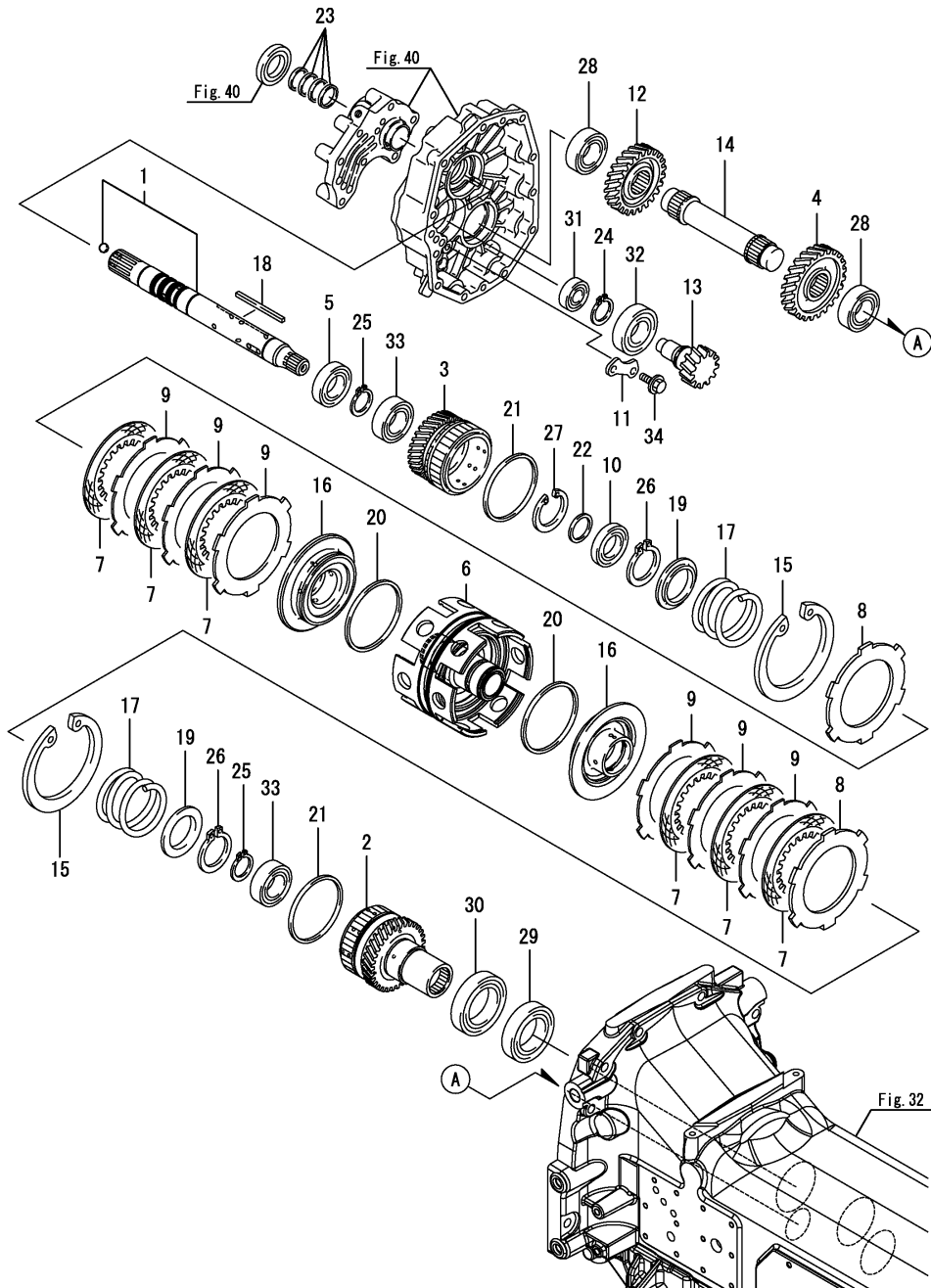


Fig.45. POWER REVERSER

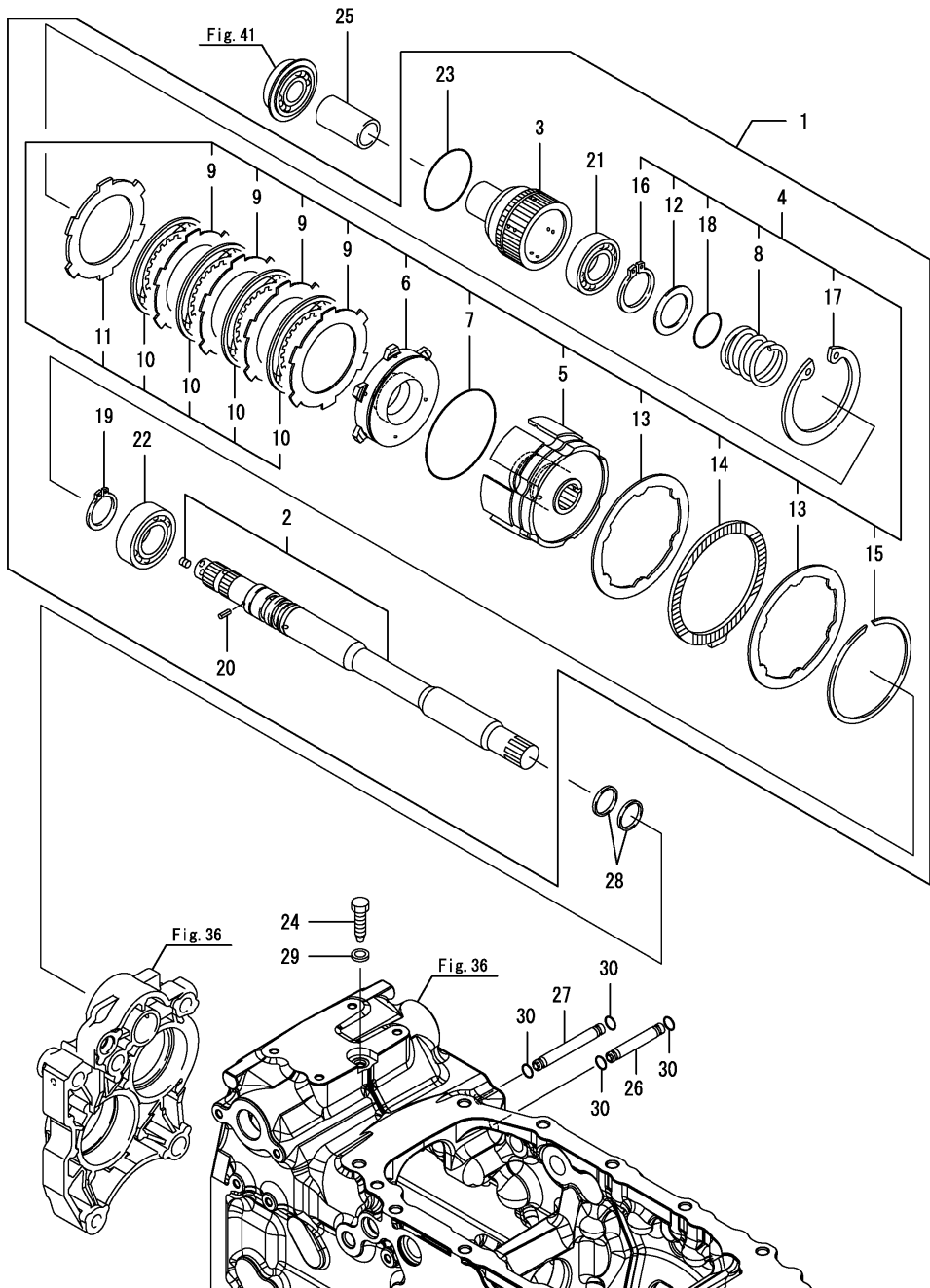
(A)=LX410(CCY)  
 (B)=LX450(CCY)  
 (C)=LX490(CCY)

(D)=  
 (E)=  
 (F)=



No.	Lev.	Parts No.	Description	Qty						I	R
				(A)	(B)	(C)	(D)	(E)	(F)		
1	1	1A8275-22100	SHAFT ASSY, INPUT	1	1	1					
2	1	1A8275-22150	GEAR, CLUTCH 36	1	1	1					
3	1	1A8275-22160	GEAR, CLUTCH 33	1	1	1					
4	1	1A8275-22420	GEAR 37F, DRIVEN	1	1	1					
5	1	198360-22550	BEARING, TMB006	1	1	1					
6	1	1A8275-22580	CYLINDER, CLUTCH	1	1	1					
7	1	1A8275-22820	DISC, CLUTCH 130	6	6	6					
8	1	1A8275-22830	PLATE, STEEL 5.0	2	2	2					
9	1	1A8275-22840	PLATE, STEEL 3.0	6	6	6					
10	1	194430-25460	BEARING, BALL 16006	1	1	1					
11	1	198212-25690	PLATE, KEEP	1	1	1					
12	1	198212-25750	GEAR, DRIVEN 34	1	1	1					
13	1	1A7351-25770	GEAR, IDLE 17	1	1	1					
14	1	198212-25780	SHAFT, DRIVEN P/R	1	1	1					
15	1	198212-25790	RING, C130	2	2	2					
16	1	198212-25810	PISTON, CLUTCH	2	2	2					
17	1	198212-25850	SPRING, RETURN	2	2	2					
18	1	198212-25860	KEY, 5X5X80	1	1	1					
19	1	198212-25870	HOOK, SPRING	2	2	2					
20	1	198212-25880	RING, 95	2	2	2					
21	1	198212-25891	RING, 90	2	2	2					
22	1	198212-25930	WASHER, 30X36X2	1	1	1					
23	1	198451-28750	RING, 26.27X30.07X3	4	4	4					
24	1	22242-000300	RING, 30	1	1	1					
25	1	22242-000300	RING, 30	2	2	2					
26	1	22242-000450	RING, 45	2	2	2					
27	1	22252-000550	RING, 55	1	1	1					
28	1	24101-060064	BEARING, BALL 6006	2	2	2					
29	1	24101-060094	BEARING, BALL 6009	1	1	1					
30	1	24101-060104	BEARING, BALL 6010	1	1	1					
31	1	24101-062034	BEARING, BALL 6203	1	1	1					
32	1	24101-062064	BEARING, BALL 6206	1	1	1					
33	1	24107-060064	BEARING, BALL 6006ZZ	2	2	2					
34	1	26106-080162	BOLT, M8X 16 PLATED	2	2	2					

Fig.46. PTO CLUTCH



(A)=LX410(CCY)  
 (B)=LX450(CCY)  
 (C)=LX490(CCY)

(D)=  
 (E)=  
 (F)=

No.	Lev.	Parts No.	Description	Qty						I	R
				(A)	(B)	(C)	(D)	(E)	(F)		
1	1	1A8275-26000	CLUTCH,PTO KIT	1	1	1					
2	2	1A8275-26200	SHAFT ASSY, CLUTCH	1	1	1					
3	2	1A8275-26220	HUB, SPLINE PTO	1	1	1					
4	2	1A8275-26700	CLUTCH CMP(PTO	1	1	1					
5	3	1A8275-26710	CASE,CLUTCH(PTO	1	1	1					
6	3	1A8275-26720	PISTON,HYDRAULIC	1	1	1					
7	3	1A8275-26730	D RING 92	1	1	1					
8	3	1A8275-26740	SPRING	1	1	1					
9	3	1A8275-26750	PLATE,SEPARATE	4	4	4					
10	3	1A8275-26760	DISC,CLUTCH 2.0	4	4	4					
11	3	1A8275-26770	PLATE,BACK 3.2	1	1	1					
12	3	1A8275-26790	COLLAR,	1	1	1					
13	3	1A8275-26800	DISC,BRAKE	2	2	2					
14	3	1A8275-26810	PLATE,BRAKE	1	1	1					
15	3	1A8275-26820	RING,105	1	1	1					
16	3	22242-100350	RING, 35	1	1	1					
17	3	22252-001000	RING, 100	1	1	1					
18	3	24341-000320	O-RING, 1AS32.0	1	1	1					
19	2	22242-100300	RING, 30	1	1	1					
20	2	22351-030008	PIN, SPRING 3.0X 8	1	1	1					
21	2	24101-062044	BEARING, BALL 6204	1	1	1					
22	2	24107-060064	BEARING, BALL 6006ZZ	1	1	1					
23	2	24321-000600	O-RING, 1AG60.0	1	1	1					
24	1	1A8275-26370	BOLT M10, STOPPER	1	1	1					
25	1	1A8275-26420	COLLAR, 23	1	1	1					
26	1	198212-26580	PIPE, OIL	1	1	1					
27	1	198212-26590	PIPE, OIL	1	1	1					
28	1	198451-28750	RING, 26.27X30.07X3	2	2	2					
29	1	23414-100000	GASKET, 10X1.0	1	1	1					
30	1	24341-000080	O-RING, 1AS8.0	4	4	4					

Fig.47. PTO DRIVE SHAFT

(A)=LX410(CCY)  
 (B)=LX450(CCY)  
 (C)=LX490(CCY)

(D)=  
 (E)=  
 (F)=

No.	Lev.	Parts No.	Description	Qty						I	R
				(A)	(B)	(C)	(D)	(E)	(F)		
1	1	194197-25810	BEARING, BALL TMB306	1	1	1					
2	1	1A7090-26050	COUPLING	1	1	1					
3	1	198218-26110	SHAFT, PTO PINION	1	1	1					
4	1	24101-063054	BEARING, BALL 6305	1	1	1					

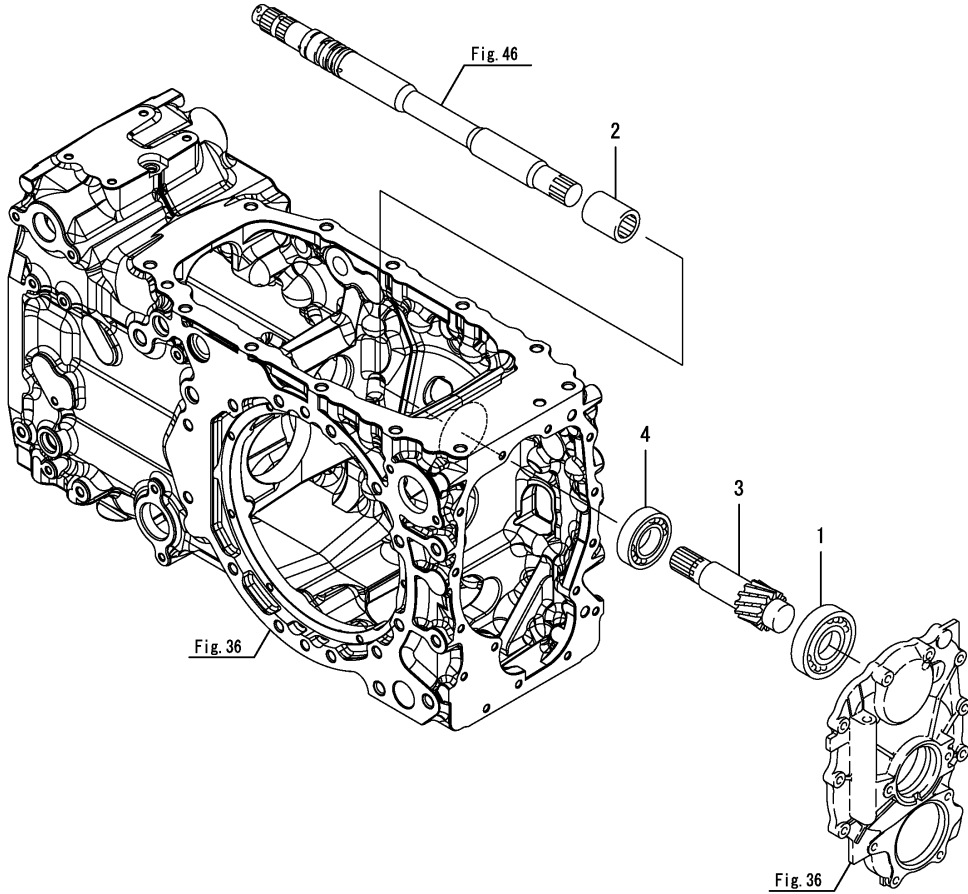


Fig.48. PTO SHAFT

(A)=LX410(CCY)  
 (B)=LX450(CCY)  
 (C)=LX490(CCY)

(D)=  
 (E)=  
 (F)=

No.	Lev.	Parts No.	Description	Q'ty						I	R
				(A)	(B)	(C)	(D)	(E)	(F)		
1	1	194430-25810	BEARING, BALL TMB207	1	1	1					
2	1	1A7351-26310	SHAFT, PTO	1	1	1					
3	1	198218-26350	GEAR, PTO 72	1	1	1					
4	1	194130-33452	COLLAR, 35X42X13	1	1	1					
5	1	22242-000340	RING, 34	1	1	1					
6	1	24101-063054	BEARING, BALL 6305	1	1	1					

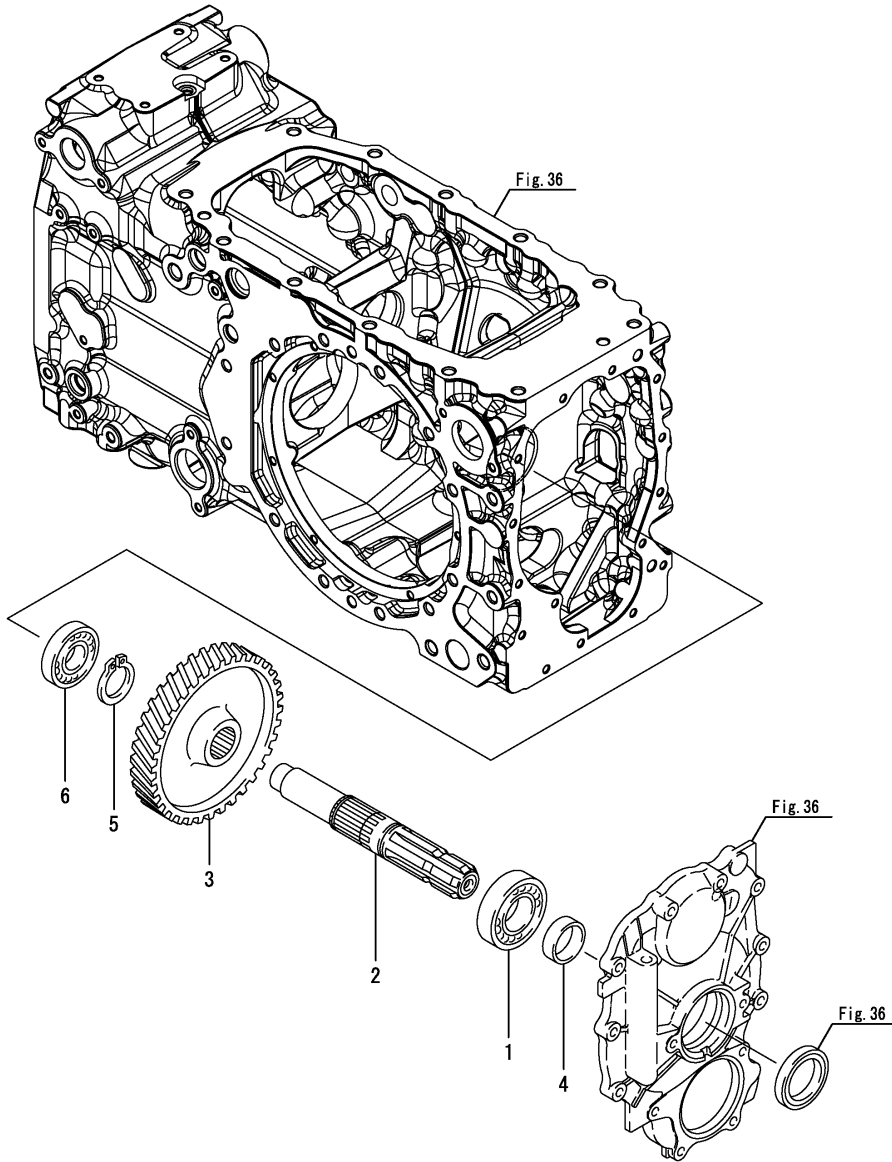


Fig.49. MAIN LEVER

(A)=LX410(CCY)  
 (B)=LX450(CCY)  
 (C)=LX490(CCY)

(D)=  
 (E)=  
 (F)=

No.	Lev.	Parts No.	Description	Q'ty						I	R
				(A)	(B)	(C)	(D)	(E)	(F)		
1	1	194990-22150	NUT, M10	1	1	1					
2	1	194990-22150	NUT, M10	1	1	1					
3	1	1A8240-27300	LEVER, MAIN SHIFT	1	1	1					
4	1	1A8240-27350	COLLAR, 11X16X8.5	2	2	2					
5	1	198253-27510	KNOB, LEVER	1	1	1					
6	1	26106-100402	BOLT, M10X 40 PLATED	1	1	1					

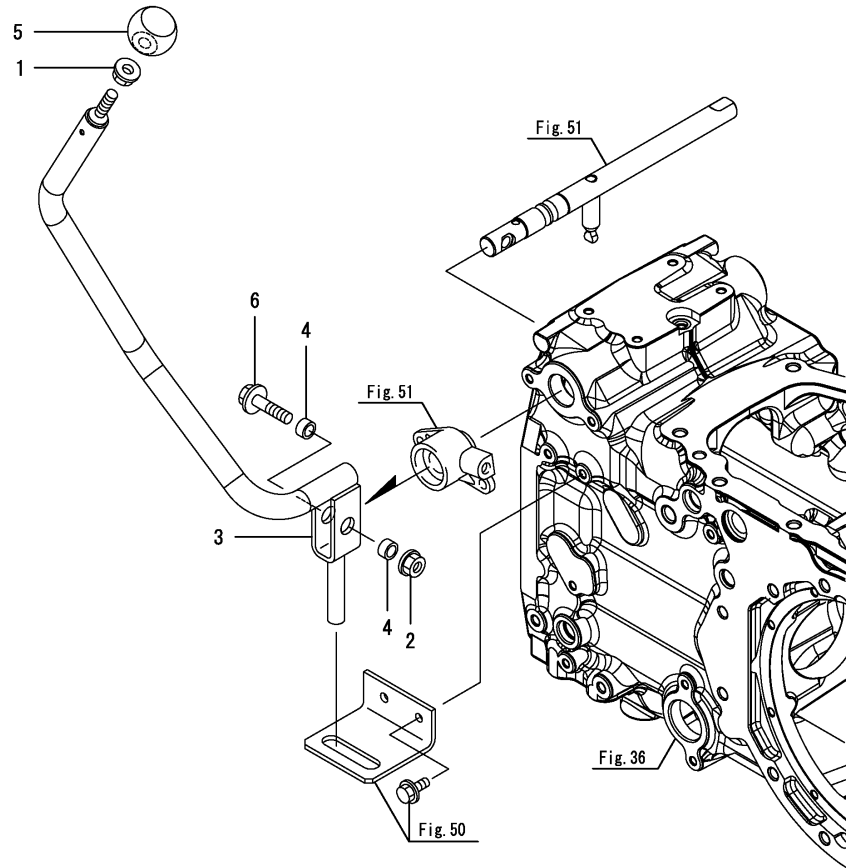


Fig.50. SLIDE PLATE

(A)=LX410(CCY)  
 (B)=LX450(CCY)  
 (C)=LX490(CCY)

(D)=  
 (E)=  
 (F)=

No.	Lev.	Parts No.	Description	Qty						I	R
				(A)	(B)	(C)	(D)	(E)	(F)		
1	1	1A8240-27390	PLATE, SLIDE	1	1	1					
2	1	26106-080162	BOLT, M8X 16 PLATED	2	2	2					

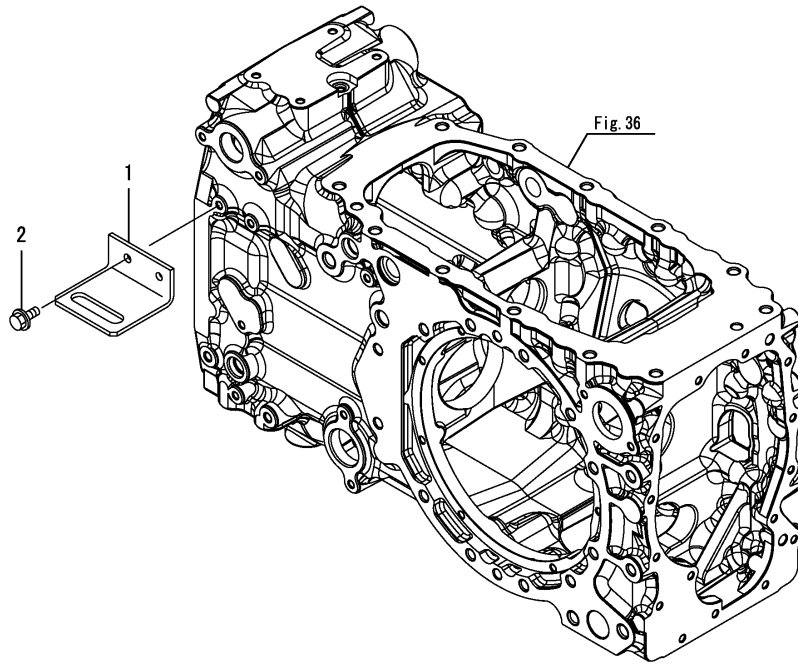
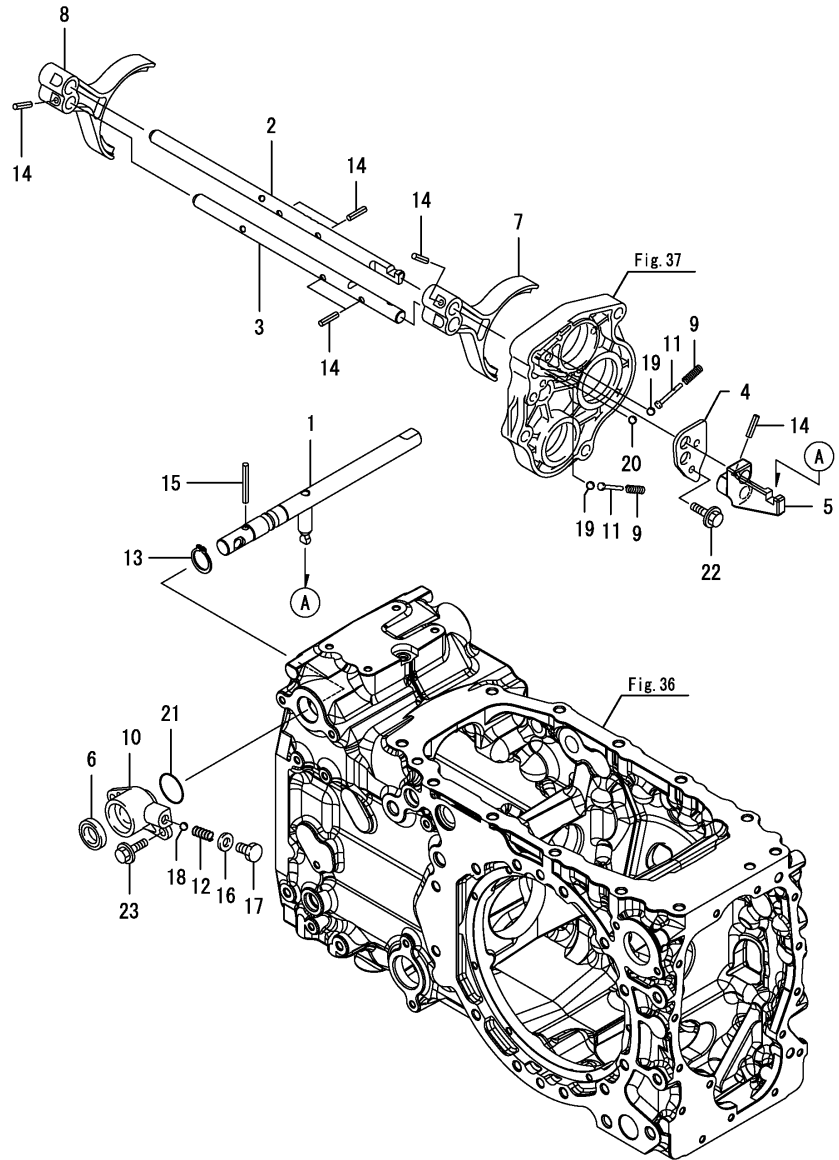




Fig.51. MAIN CHANGE SHIFT



(A)=LX410(CCY)  
 (B)=LX450(CCY)  
 (C)=LX490(CCY)

(D)=  
 (E)=  
 (F)=

No.	Lev.	Parts No.	Description	Qty						I	R
				(A)	(B)	(C)	(D)	(E)	(F)		
1	1	1A8275-27150	ARM, MAIN SHIFT	1	1	1					
2	1	1A8275-27250	SHAFT, FORK 3-4	1	1	1					
3	1	1A8275-27260	SHAFT, FORK 1-2	1	1	1					
4	1	198212-27280	PLATE, FORK LOCK	1	1	1					
5	1	1A8275-27330	SHIFTER, MAIN SHIFT	1	1	1					
6	1	198212-27350	SEAL, OIL TC4 203507	1	1	1					
7	1	198212-27371	FORK, SHIFT	1	1	1					
8	1	198218-27381	FORK, SHIFT	1	1	1					
9	1	194145-27450	SPRING	2	2	2					
10	1	198212-27470	HOLDER, SHIFT ARM	1	1	1					
11	1	198071-27860	PIN, 4X35	2	2	2					
12	1	1E6210-54920	SPRING 23	1	1	1					
13	1	22242-000200	RING, 20	1	1	1					
14	1	22351-060025	PIN, SPRING 6.0X25	7	7	7					
15	1	22351-060050	PIN, SPRING 6.0X50	1	1	1					
16	1	23414-100000	GASKET, 10X1.0	1	1	1					
17	1	23887-100002	PLUG, 10	1	1	1					
18	1	24190-100001	BALL, STEEL 5/16	1	1	1					
19	1	24190-100001	BALL, STEEL 5/16	2	2	2					
20	1	24190-100001	BALL, STEEL 5/16	1	1	1					
21	1	24321-000300	O-RING, 1AG30.0	1	1	1					
22	1	26106-080162	BOLT, M8X 16 PLATED	2	2	2					
23	1	26106-080202	BOLT, M8X 20 PLATED	2	2	2					

Fig.52. REVERSER WIRE

(A)=LX410(CCY)  
 (B)=LX450(CCY)  
 (C)=LX490(CCY)

(D)=  
 (E)=  
 (F)=

No.	Lev.	Parts No.	Description	Q'ty						I	R
				(A)	(B)	(C)	(D)	(E)	(F)		
1	1	1A8240-27530	CABLE, REVERSER	1	1	1					
2	1	1C6281-52310	PIN, SNAP 6	2	2	2					
3	1	22137-060000	WASHER, 6	2	2	2					
4	1	22487-060160	PIN, H 6X 16	2	2	2					

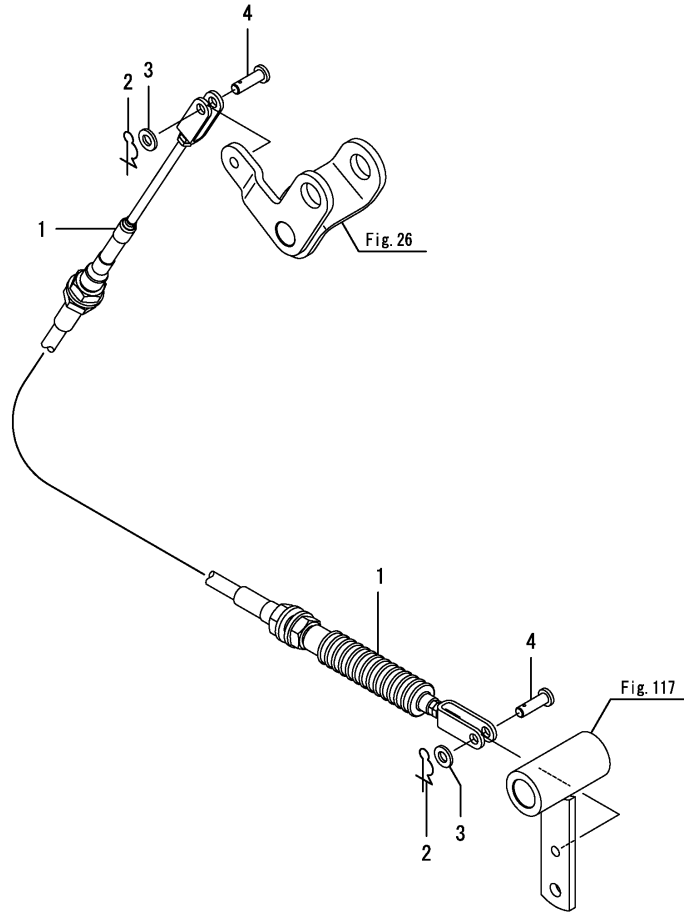


Fig.53. RANGE SHIFT

(A)=LX410(CCY)  
 (B)=LX450(CCY)  
 (C)=LX490(CCY)

(D)=  
 (E)=  
 (F)=

No.	Lev.	Parts No.	Description	Q'ty						I	R
				(A)	(B)	(C)	(D)	(E)	(F)		
1	1	198119-27150	COLLAR, ARM	1	1	1					
2	1	1A8275-27480	SHAFT, RANGE SHIFT	1	1	1					
3	1	1A8275-27490	SHAFT, FORK	1	1	1					
4	1	198212-27521	ARM, SHIFT	1	1	1					
5	1	194680-27540	SPRING, FORK LOCK	1	1	1					
6	1	198217-27570	FORK, SHIFT A	1	1	1					
7	1	198217-27580	FORK, SHIFT B	1	1	1					
8	1	1A8275-27990	PLATE, KEEP	1	1	1					
9	1	22351-035036	PIN, SPRING 3.5X36	1	1	1					
10	1	22351-060032	PIN, SPRING 6.0X32	2	2	2					
11	1	22351-060036	PIN, SPRING 6.0X36	1	1	1					
12	1	24190-080001	BALL, STEEL 1/4	1	1	1					
13	1	24311-000160	O-RING, 1AP16.0	1	1	1					
14	1	26106-080162	BOLT, M8X 16 PLATED	1	1	1					

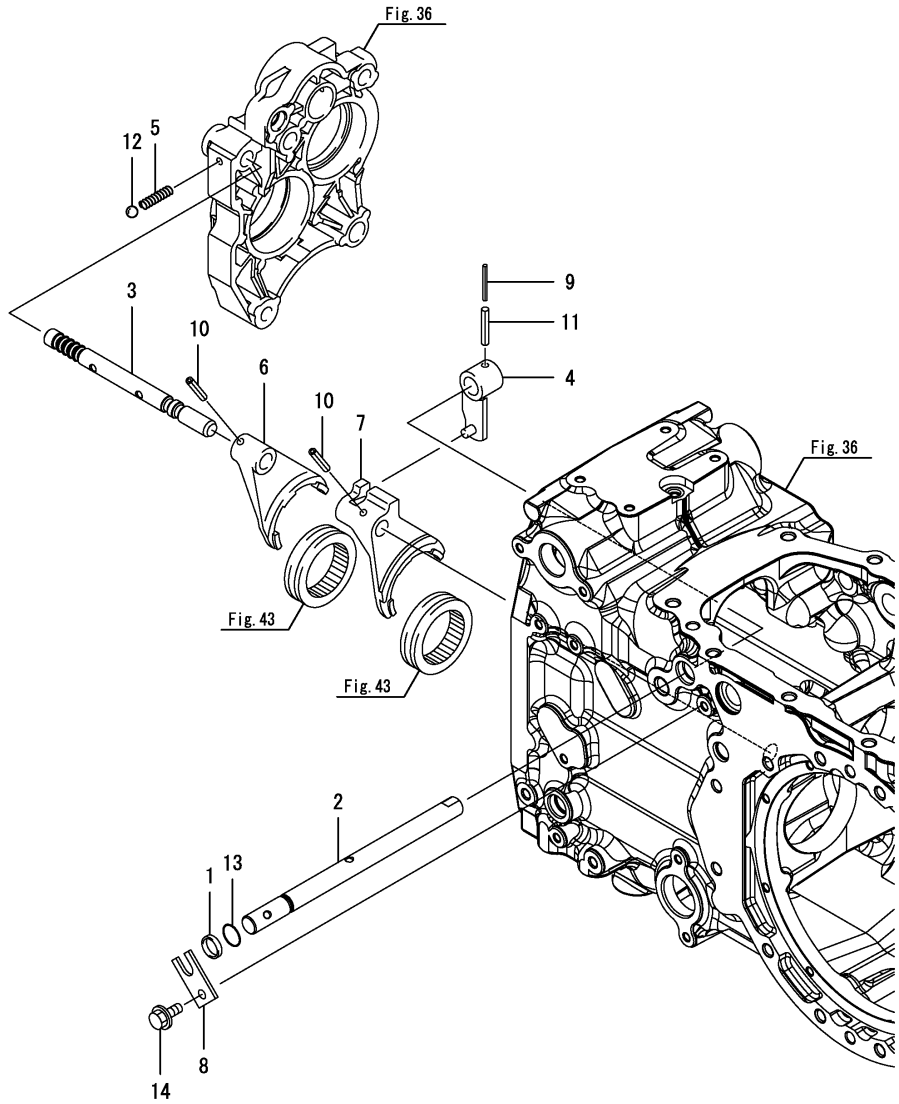
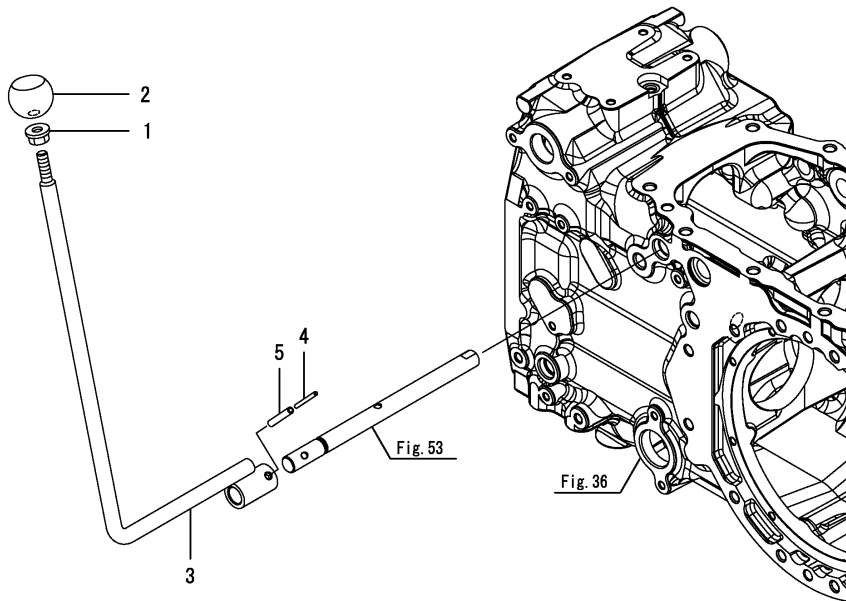


Fig.54. SUB LEVER

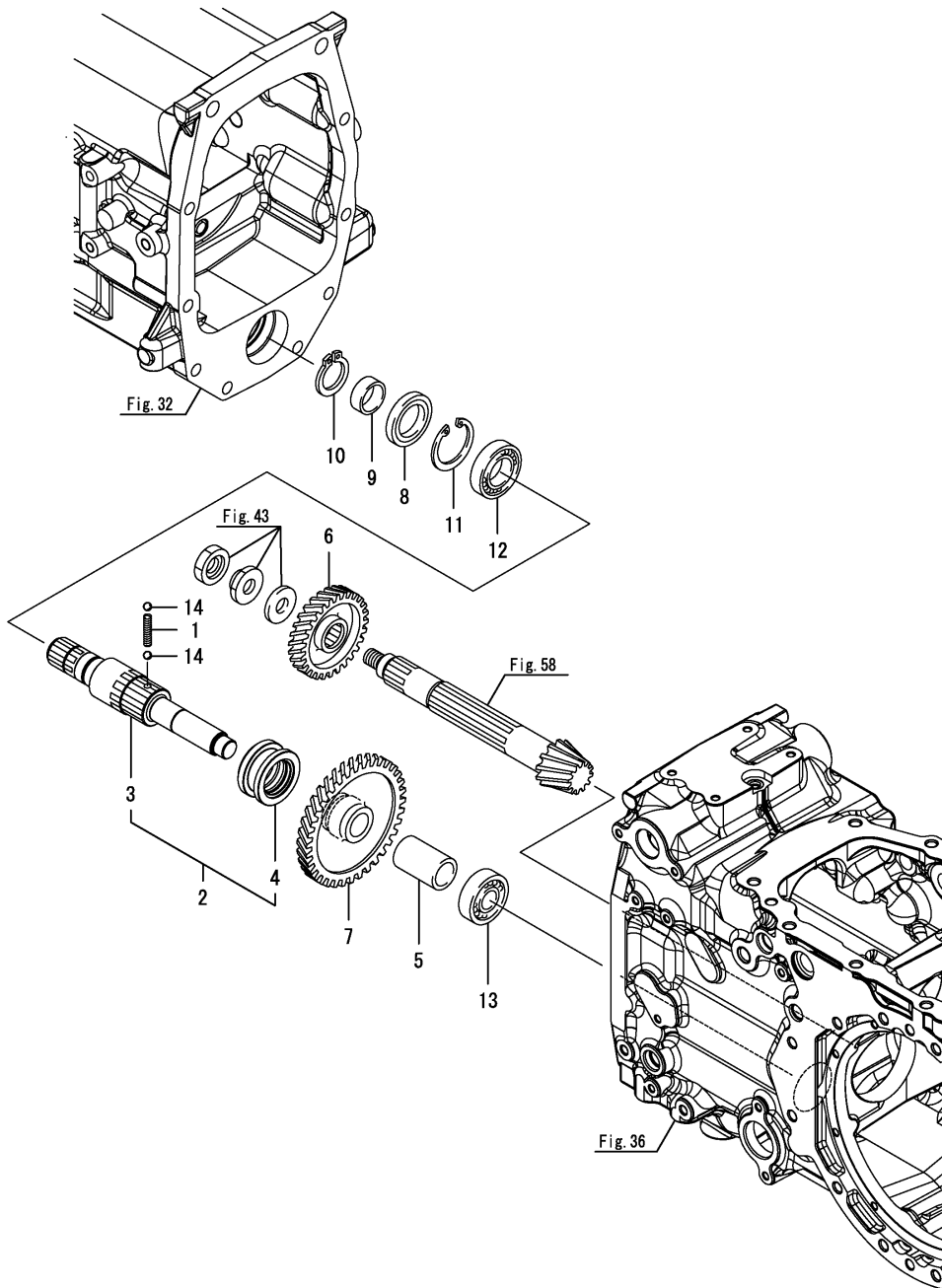
(A)=LX410(CCY)  
 (B)=LX450(CCY)  
 (C)=LX490(CCY)

(D)=  
 (E)=  
 (F)=



No.	Lev.	Parts No.	Description	Qty						I	R
				(A)	(B)	(C)	(D)	(E)	(F)		
1	1	194990-22150	NUT, M10	1	1	1					
2	1	198253-27510	KNOB, LEVER	1	1	1					
3	1	1A8240-27600	LEVER ASSY, RANGE	1	1	1					
4	1	22351-035040	PIN, SPRING 3.5X40	1	1	1					
5	1	22351-060040	PIN, SPRING 6.0X40	1	1	1					

Fig.55. FRONT DRIVE



(A)=LX410(CCY)  
 (B)=LX450(CCY)  
 (C)=LX490(CCY)

(D)=  
 (E)=  
 (F)=

No.	Lev.	Parts No.	Description	Q'ty						I	R
				(A)	(B)	(C)	(D)	(E)	(F)		
1	1	198220-26910	SPRING, 30.2	1	1	1					
2	1	1A8275-28100	SHAFT ASSY, DRIVE	1	1	1					
3	2	1A8275-28110	SHAFT, FRONT DRIVE	1	1	1					
4	2	1A8275-28240	SLIDER,4WD	1	1	1					
5	1	1A8275-28120	COLLAR, 25	1	1	1					
6	1	1A8275-28220	PINION 33, DRIVE	1	1	1					
7	1	1A8275-28230	GEAR,FRONT DRIVE 48	1	1	1					
8	1	194420-39360	SEAL, OIL TC355508	1	1	1					
9	1	194420-39370	SLEEVE, SI 30X35X13A	1	1	1					
10	1	22242-000300	RING, 30	1	1	1					
11	1	22252-000550	RING, 55	1	1	1					
12	1	24101-060064	BEARING, BALL 6006	1	1	1					
13	1	24101-063044	BEARING, BALL 6304	1	1	1					
14	1	24190-080001	BALL, STEEL 1/4	2	2	2					

Fig.56. CHANGE ARM

(A)=LX410(CCY)  
 (B)=LX450(CCY)  
 (C)=LX490(CCY)

(D)=  
 (E)=  
 (F)=

No.	Lev.	Parts No.	Description	Qty						I	R
				(A)	(B)	(C)	(D)	(E)	(F)		
1	1	194990-22150	NUT, M10	1	1	1					
2	1	198253-27510	KNOB, LEVER	1	1	1					
3	1	1A8240-28300	CHANGE ARM, FRONT	1	1	1					
4	1	22351-035040	PIN, SPRING 3.5X40	1	1	1					
5	1	22351-060040	PIN, SPRING 6.0X40	1	1	1					

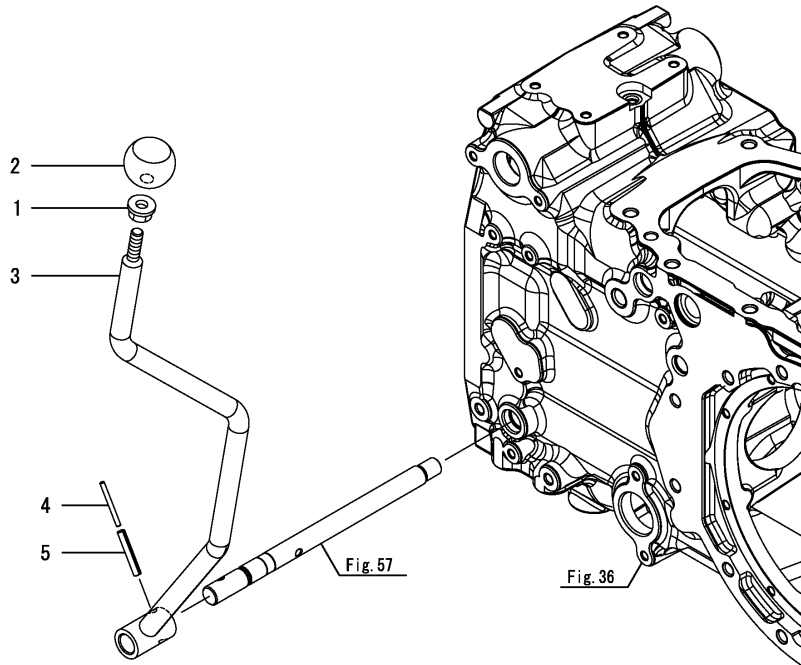


Fig.57. FRONT SHIFT

(A)=LX410(CCY)  
 (B)=LX450(CCY)  
 (C)=LX490(CCY)

(D)=  
 (E)=  
 (F)=

No.	Lev.	Parts No.	Description	Q'ty						I	R
				(A)	(B)	(C)	(D)	(E)	(F)		
1	1	198119-27150	COLLAR, ARM	1	1	1					
2	1	1A8275-27990	PLATE, KEEP	1	1	1					
3	1	1A8275-28290	SHAFT,MFWD	1	1	1					
4	1	1A8275-28350	ARM,FRONT SHIFT	1	1	1					
5	1	22351-035036	PIN, SPRING 3.5X36	1	1	1					
6	1	22351-060036	PIN, SPRING 6.0X36	1	1	1					
7	1	24311-000160	O-RING, 1AP16.0	1	1	1					
8	1	26106-080162	BOLT, M8X 16 PLATED	1	1	1					

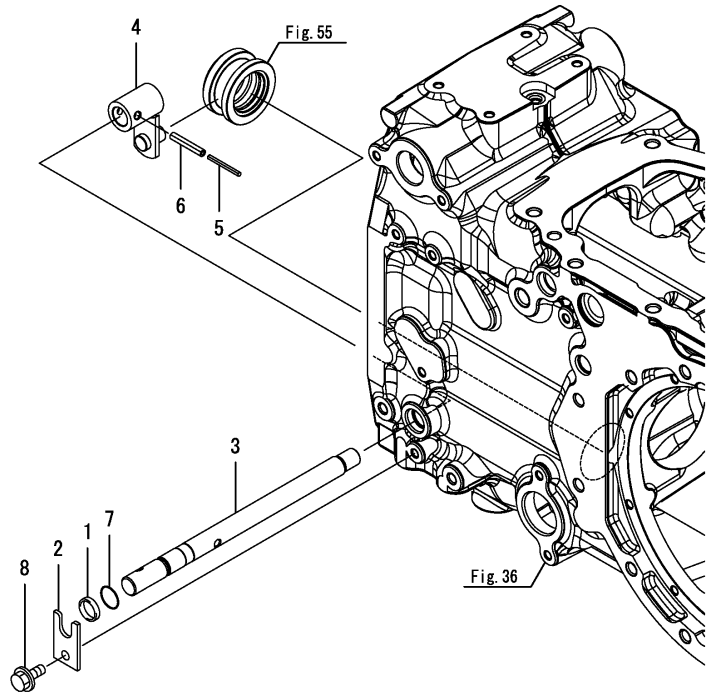


Fig.58. RING GEAR

(A)=LX410(CCY)  
 (B)=LX450(CCY)  
 (C)=LX490(CCY)

(D)=  
 (E)=  
 (F)=

No.	Lev.	Parts No.	Description	Qty						I	R
				(A)	(B)	(C)	(D)	(E)	(F)		
1	1	1A8275-25840	BEARING, HR6307UR	1	1	1					
2	1	198217-31400	GEAR ASSY, RING	1	1	1					

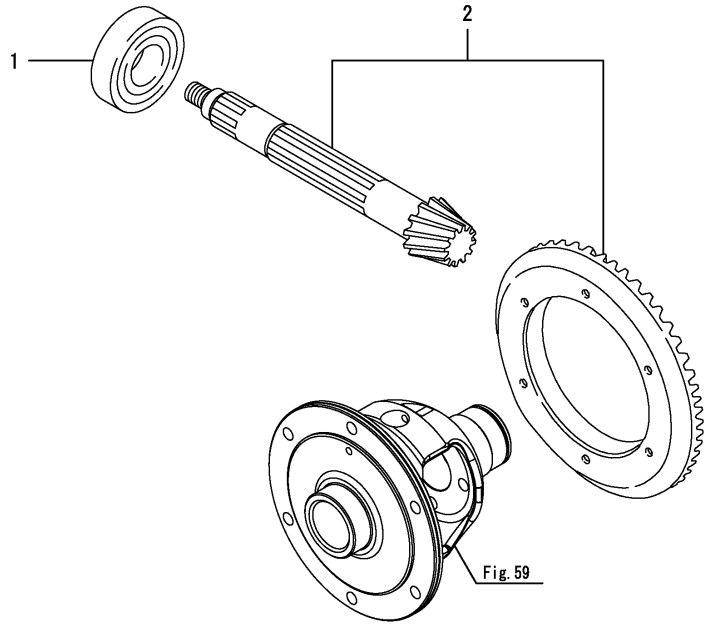


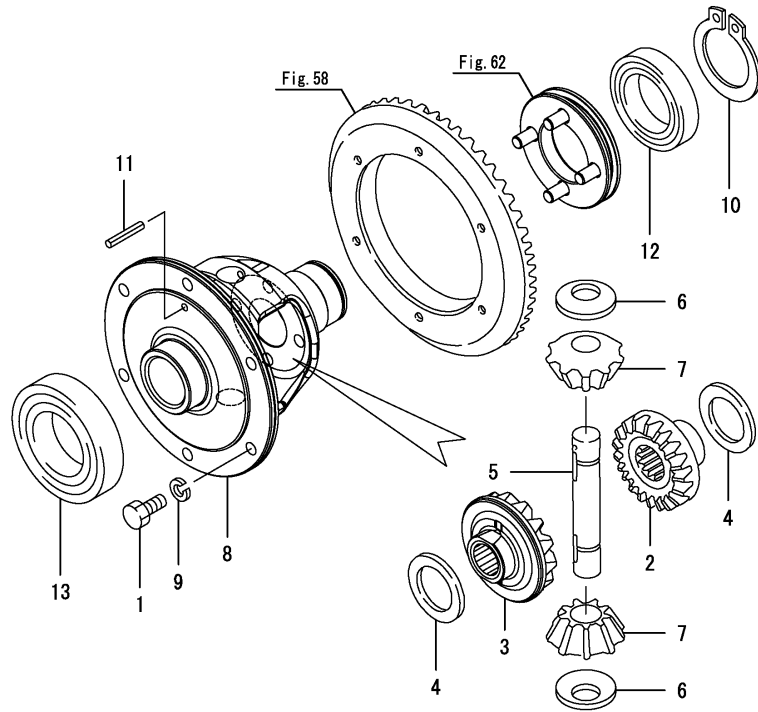


Fig.59. DIFFERENTIAL GEAR

(A)=LX410(CCY)  
 (B)=LX450(CCY)  
 (C)=LX490(CCY)

(D)=  
 (E)=  
 (F)=

No.	Lev.	Parts No.	Description	Q'ty						I	R
				(A)	(B)	(C)	(D)	(E)	(F)		
1	1	198213-31450	BOLT, M10X22	6	6	6					
2	1	1A8275-31510	GEAR, DIFFERENTIAL	1	1	1					
3	1	1A8275-31520	GEAR, DIFFERENTIAL	1	1	1					
4	1	198360-31530	LINER, PINION	2	2	2					
5	1	1A8275-31820	SHAFT, DIFF. PINION	1	1	1					
6	1	192180-31850	WASHER,DIFF PINION	2	2	2					
7	1	1A7090-31850	PINION, DIFFERENTIAL	2	2	2					
8	1	1A8275-32110	HOUSING, DIFF.	1	1	1					
9	1	22217-100000	WASHER, SPRING 10	6	6	6					
10	1	22242-000500	RING, 50	1	1	1					
11	1	22351-060036	PIN, SPRING 6.0X36	1	1	1					
12	1	24101-060104	BEARING, BALL 6010	1	1	1					
13	1	24101-062114	BEARING, BALL 6211	1	1	1					



### Fig.60. DIFFERENTIAL CARRIER

(A)=LX410(CCY)  
 (B)=LX450(CCY)  
 (C)=LX490(CCY)

(D)=  
 (E)=  
 (F)=

No.	Lev.	Parts No.	Description	Qty						I	R
				(A)	(B)	(C)	(D)	(E)	(F)		
1	1	794251-13910	SHIM SET	1	1	1					
2	1	1A7352-32310	CARRIER	1	1	1					
3	1	26106-080252	BOLT, M8X 25 PLATED	7	7	7					

---

---

---

---

---

---

---

---

---

---

---

---

---

---

---

---

---

---

---

---

---

---

---

---

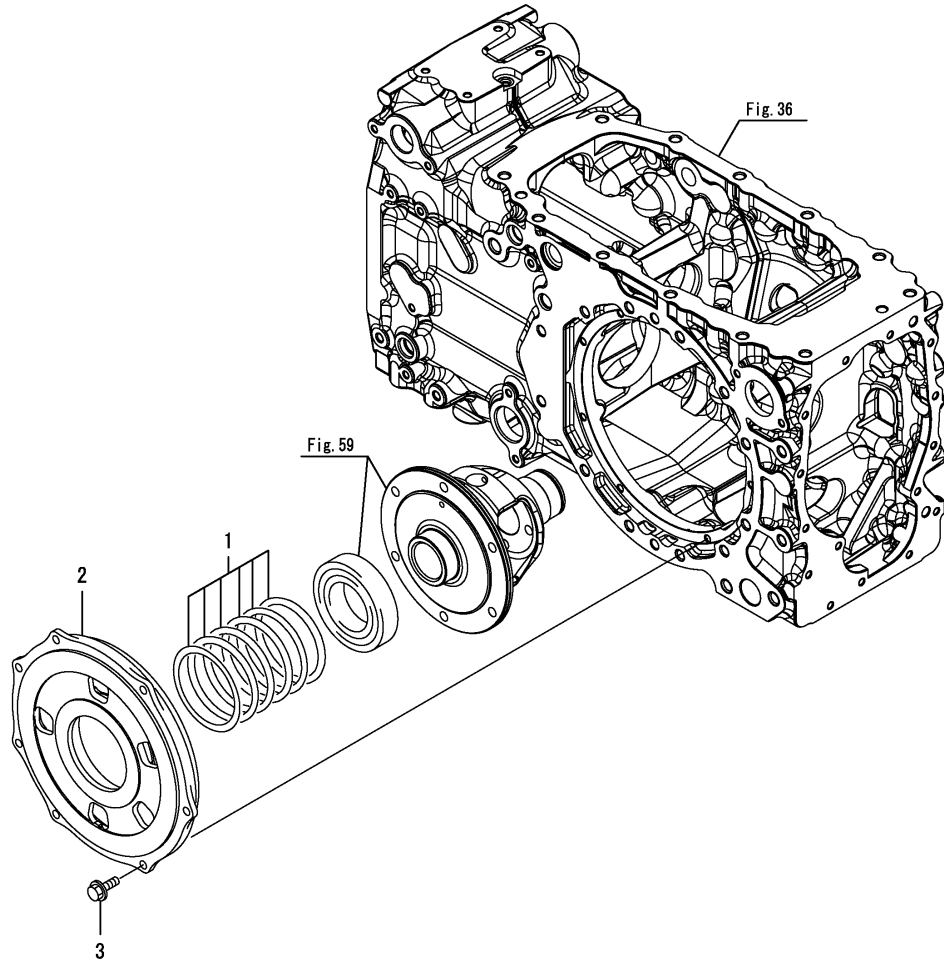


Fig.61. REAR HOUSING

(A)=LX410(CCY)  
 (B)=LX450(CCY)  
 (C)=LX490(CCY)

(D)=  
 (E)=  
 (F)=

No.	Lev.	Parts No.	Description	Qty						I	R
				(A)	(B)	(C)	(D)	(E)	(F)		
1	1	1A8275-32600	HOUSING, REAR AXLE	2	2	2					
2	1	1A8275-32650	PLATE, SEAL	2	2	2					
3	1	1A8275-32670	SEAL, AXLE SHAFT	2	2	2					
4	1	22312-100180	PIN, PARALLEL M10X18	4	4	4					
5	1	23414-200026	GASKET, 20X1.0	1	1	1					
6	1	23887-200002	PLUG, 20	1	1	1					
7	1	26106-080162	BOLT, M8X 16 PLATED	6	6	6					
8	1	26106-080162	BOLT, M8X 16 PLATED	2	2	2					
9	1	26106-120502	BOLT, M12X 50 PLATED	22	22	22					
10	1	26366-120002	NUT, M12	2	2	2					

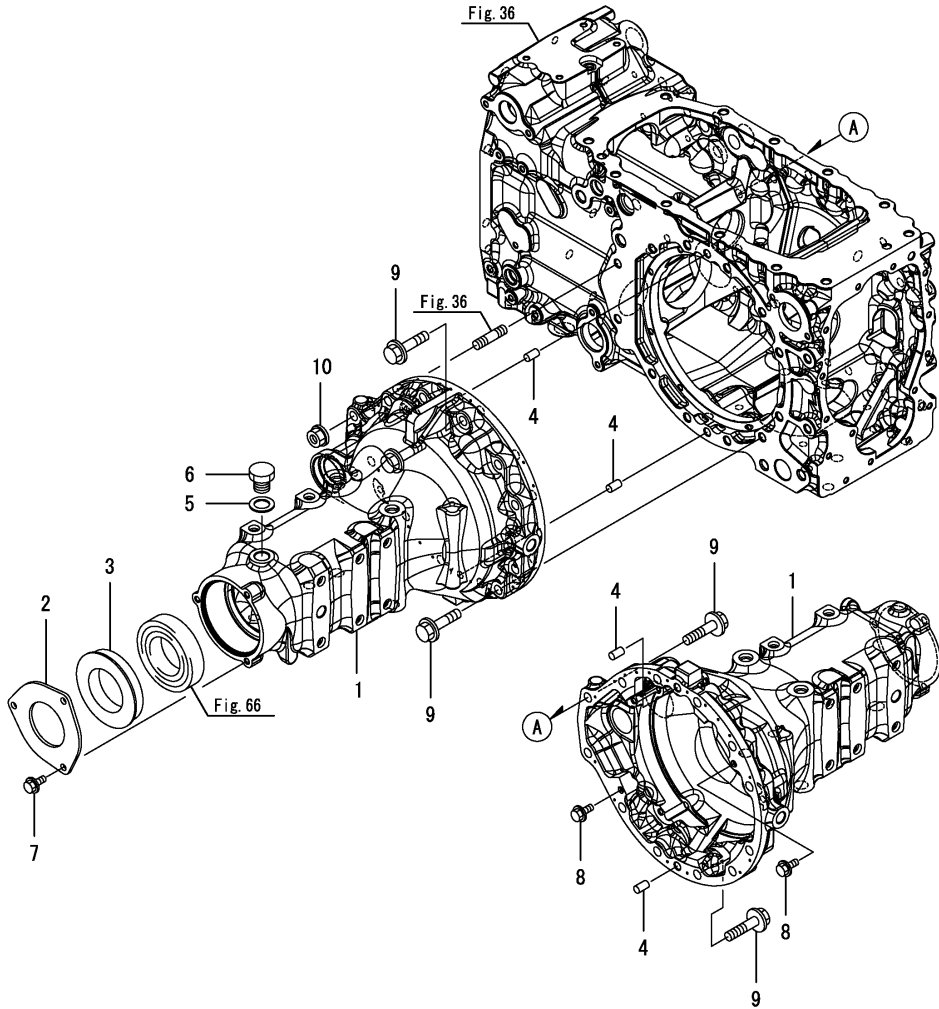




Fig.63. DIFFERENTIAL LOCK PEDAL

(A)=LX410(CCY)  
 (B)=LX450(CCY)  
 (C)=LX490(CCY)

(D)=  
 (E)=  
 (F)=

No.	Lev.	Parts No.	Description	Q'ty						I	R
				(A)	(B)	(C)	(D)	(E)	(F)		
1	1	1A8240-33150	PEDAL, DIFF. LOCK	1	1	1					
2	1	26106-080202	BOLT, M8X 20 PLATED	2	2	2					

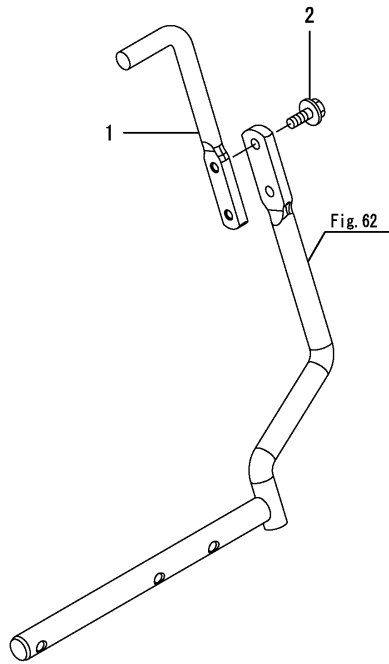


Fig.64. FINAL PINION

(A)=LX410(CCY)  
 (B)=LX450(CCY)  
 (C)=LX490(CCY)

(D)=  
 (E)=  
 (F)=

No.	Lev.	Parts No.	Description	Qty						I	R
				(A)	(B)	(C)	(D)	(E)	(F)		
1	1	1A8275-33410	PINION, FINAL L.H.	1	1	1					
2	1	1A8275-33420	PINION, FINAL R.H.	1	1	1					

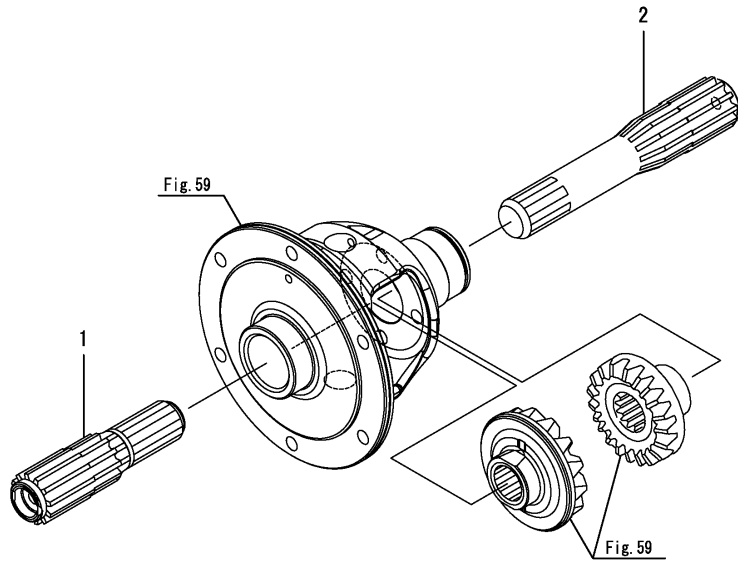


Fig.65. FINAL GEAR

(A)=LX410(CCY)  
 (B)=LX450(CCY)  
 (C)=LX490(CCY)

(D)=  
 (E)=  
 (F)=

No.	Lev.	Parts No.	Description	Qty						I	R
				(A)	(B)	(C)	(D)	(E)	(F)		
1	1	1A8275-33450	CARRIER ASSY, PLANET	2	2	2					
2	2	1A8275-33540	PINION, PLANETARY	6	6	6					
3	2	1A8275-33550	SHAFT, PLANETARY	6	6	6					
4	2	198320-33560	NEEDLE, 4.5X31.8	126	126	126					
5	2	1A8275-33570	CARRIER, PLANETARY	2	2	2					
6	2	1A8275-33580	WASHER, 26X44X4	12	12	12					
7	2	194640-34130	WASHER, 13X64X9	2	2	2					
8	2	22351-080040	PIN, SPRING 8.0X40	6	6	6					
9	1	1A8275-33490	WASHER, 9	6	6	6					
10	1	1A8275-33610	GEAR, INTERNAL	2	2	2					
11	1	22312-120320	PIN, PARALLEL M12X32	6	6	6					
12	1	26106-080162	BOLT, M8X 16 PLATED	6	6	6					

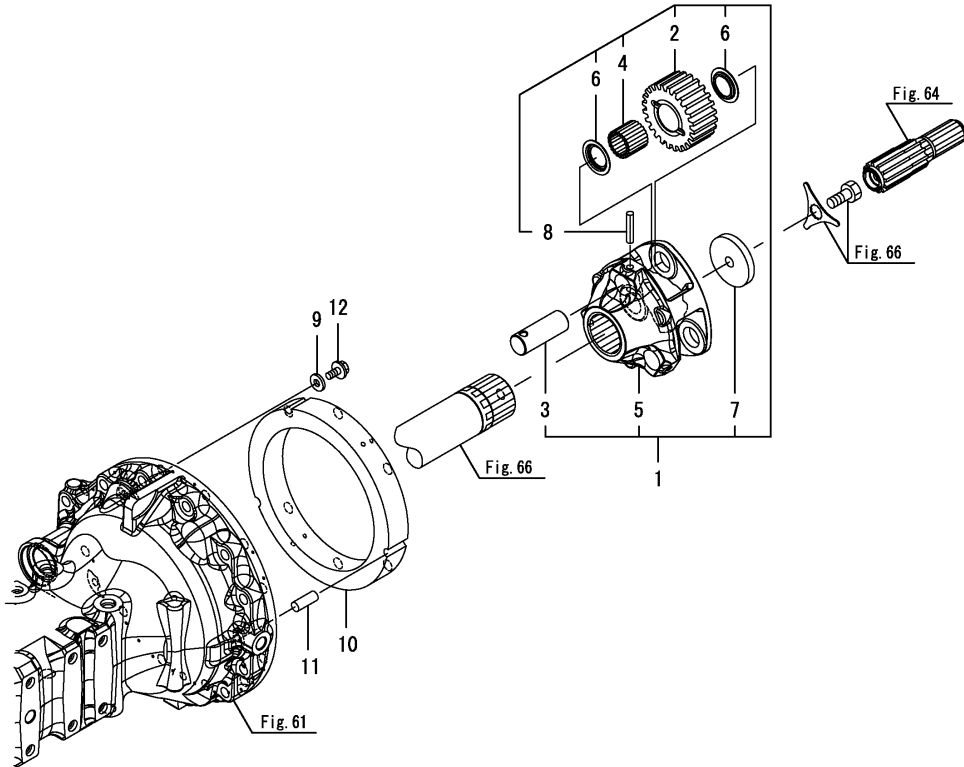


Fig.66. REAR AXLE SHAFT

(A)=LX410(CCY)  
 (B)=LX450(CCY)  
 (C)=LX490(CCY)

(D)=  
 (E)=  
 (F)=

No.	Lev.	Parts No.	Description	Qty						I	R
				(A)	(B)	(C)	(D)	(E)	(F)		
1	1	1A8275-34110	SHAFT, REAR AXLE	2	2	2					
2	1	194640-34140	BOLT, M12X30	2	2	2					
3	1	198212-34150	WASHER, THRUST	2	2	2					
4	1	24101-060114	BEARING, BALL 6011	2	2	2					
5	1	24101-062114	BEARING, BALL 6211	2	2	2					

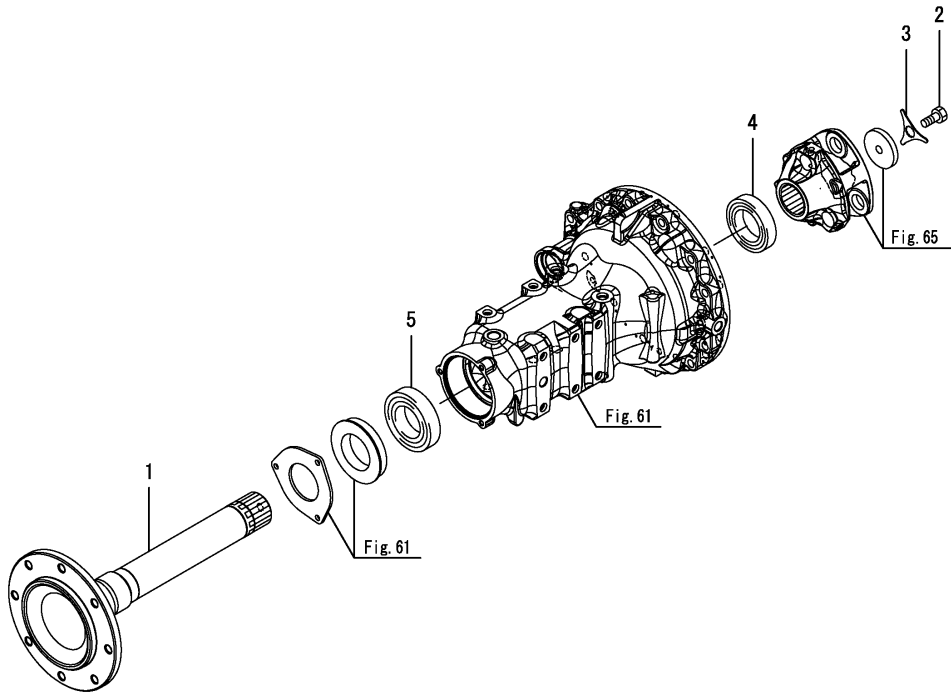
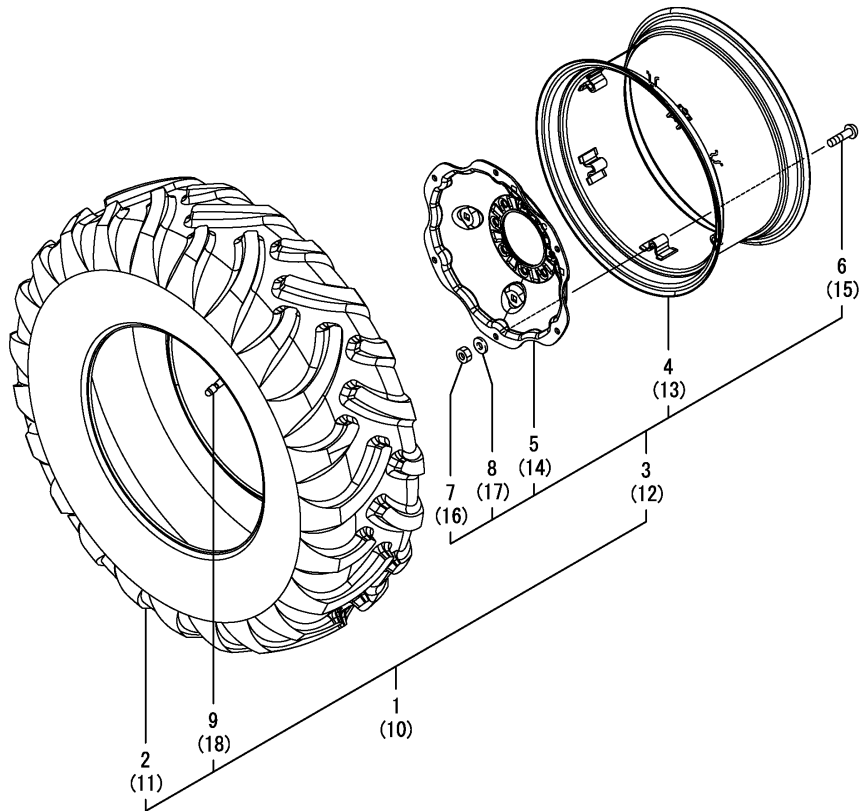




Fig.67. REAR WHEEL TIRE R1

(A)=LX410(CCY)  
 (B)=LX450(CCY)  
 (C)=LX490(CCY)

(D)=  
 (E)=  
 (F)=

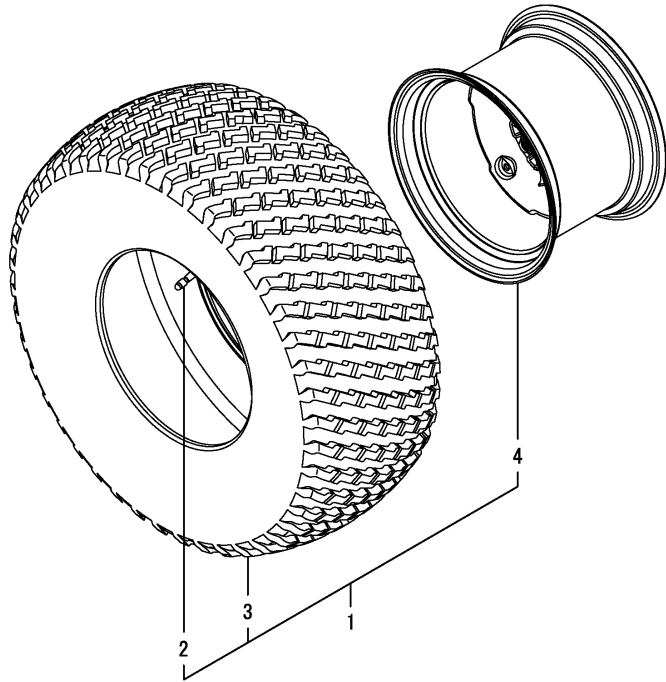


No.	Lev.	Parts No.	Description	Qty						I	R
				(A)	(B)	(C)	(D)	(E)	(F)		
1	1	1A8170-34300	TIRE KIT, REAR R1 L	1	1	1					
2	2	1A8170-34310	TIRE, R1 14.9X24	1	1	1					
3	2	1A8170-34330	WHEEL, R1 R	1	1	1					
4	3	1A8170-34340	RIM ASSY, R1	1	1	1					
5	3	1A8170-34360	DISK ASSY, R1	1	1	1					
6	3	1A8170-34370	BOLT, R1	6	6	6					
7	3	1A8170-34380	NUT, R1	6	6	6					
8	3	1A8170-34390	WASHER, R1	6	6	6					
9	2	1A8170-34350	VALVE, TIRE R1 R	1	1	1					
10	1	1A8170-34400	TIRE KIT, REAR R1 R	1	1	1					
11	2	1A8170-34310	TIRE, R1 14.9X24	1	1	1					
12	2	1A8170-34330	WHEEL, R1 R	1	1	1					
13	3	1A8170-34340	RIM ASSY, R1	1	1	1					
14	3	1A8170-34360	DISK ASSY, R1	1	1	1					
15	3	1A8170-34370	BOLT, R1	6	6	6					
16	3	1A8170-34380	NUT, R1	6	6	6					
17	3	1A8170-34390	WASHER, R1	6	6	6					
18	2	1A8170-34350	VALVE, TIRE R1 R	1	1	1					

Fig.68. REAR WHEEL TIRE R3

(A)=LX410(CCY)  
 (B)=LX450(CCY)  
 (C)=LX490(CCY)

(D)=  
 (E)=  
 (F)=

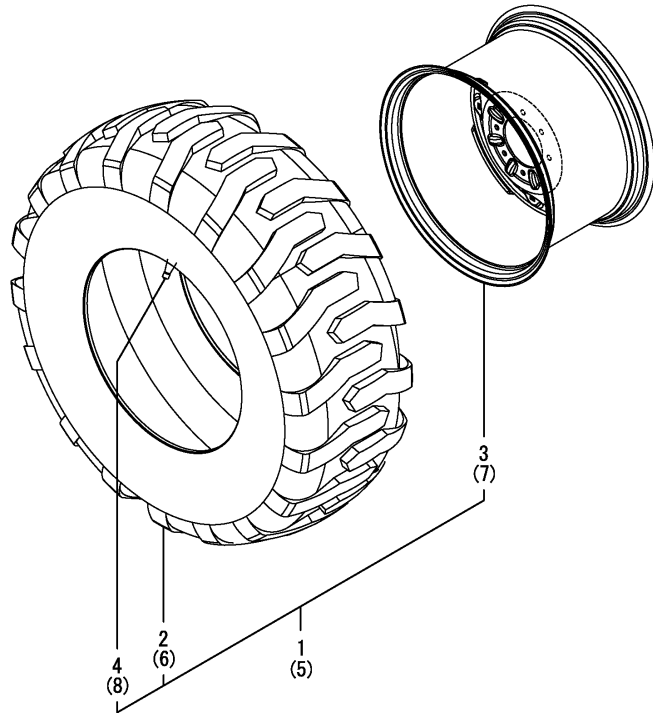


No.	Lev.	Parts No.	Description	Qty						I	R
				(A)	(B)	(C)	(D)	(E)	(F)		
1	1	1A8170-34500	TIRE KIT, REAR R3	2	2	2					
2	2	1A8170-34350	VALVE, TIRE R1 R	2	2	2					
3	2	1A8170-34510	TIRE, R3 44X18.00-20	2	2	2					
4	2	1A8170-34530	WHEEL, R3 R	2	2	2					

Fig.69. REAR WHEEL TIRE R4

(A)=LX410(CCY)  
 (B)=LX450(CCY)  
 (C)=LX490(CCY)

(D)=  
 (E)=  
 (F)=



No.	Lev.	Parts No.	Description	Qty						I	R
				(A)	(B)	(C)	(D)	(E)	(F)		
1	1	1A8250-34700	TIRE KIT,L R4 REAR	1	1	1					
2	2	1A8250-34710	TIRE,R4 17.5L-24-6PR	1	1	1					
3	2	1A8250-34730	WHEEL,R4 24XW15L	1	1	1					
4	2	1A8250-34750	VALVE,TIRE R4 REAR	1	1	1					
5	1	1A8250-34800	TIRE KIT,R R4 REAR	1	1	1					
6	2	1A8250-34710	TIRE,R4 17.5L-24-6PR	1	1	1					
7	2	1A8250-34730	WHEEL,R4 24XW15L	1	1	1					
8	2	1A8250-34750	VALVE,TIRE R4 REAR	1	1	1					

Fig.142. REAR WHEEL TIRE(R3G)

(A)=LX410(CCY)  
 (B)=LX450(CCY)  
 (C)=LX490(CCY)

(D)=  
 (E)=  
 (F)=

No.	Lev.	Parts No.	Description	Q'ty						I	R
				(A)	(B)	(C)	(D)	(E)	(F)		
1	1	1A8170-34600	TIRE KIT, REAR R3G	2	2	2					
2	2	1A8170-34610	TIRE, R3G22.5LL-16.1	2	2	2					
3	2	1A8170-34630	WHEEL, R3G R	2	2	2					
4	2	1A8170-34650	VALVE, R3G R	2	2	2					

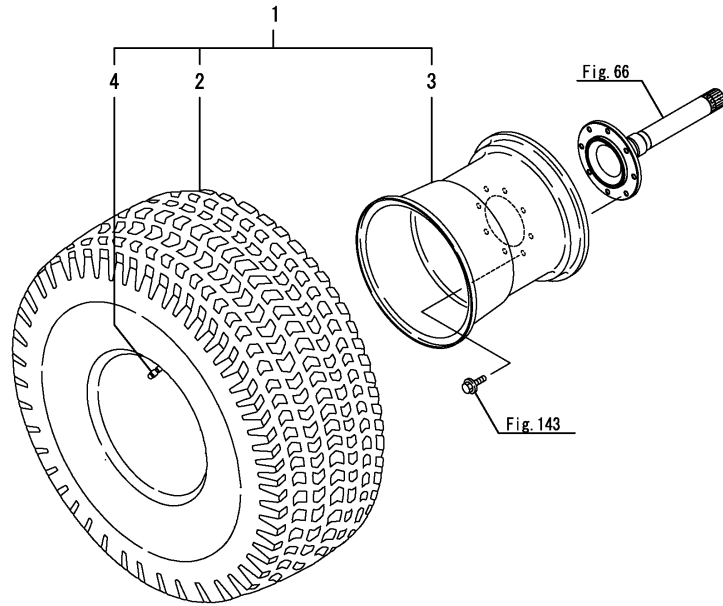


Fig.70. HUB BOLT

(A)=LX410(CCY)  
 (B)=LX450(CCY)  
 (C)=LX490(CCY)

(D)=  
 (E)=  
 (F)=

No.	Lev.	Parts No.	Description	Qty						I	R
				(A)	(B)	(C)	(D)	(E)	(F)		
1	1	198133-34130	BOLT, M14X30	16	16	16					

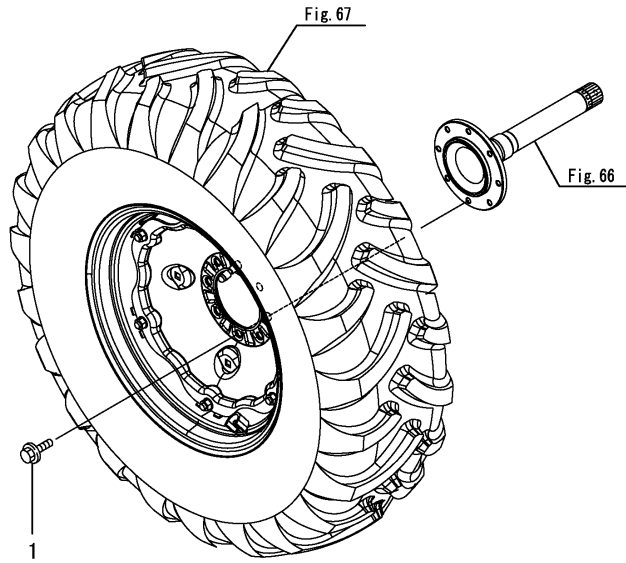
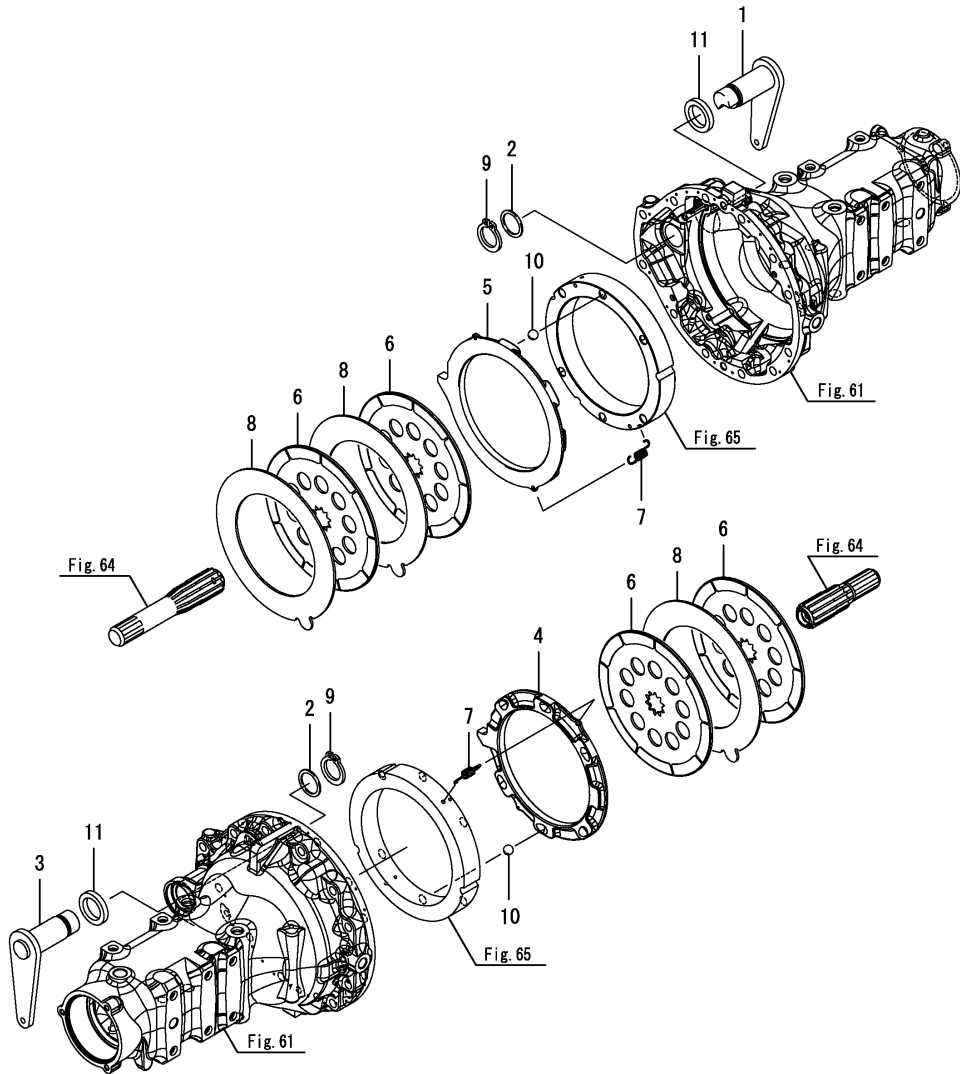




Fig.71. BRAKE

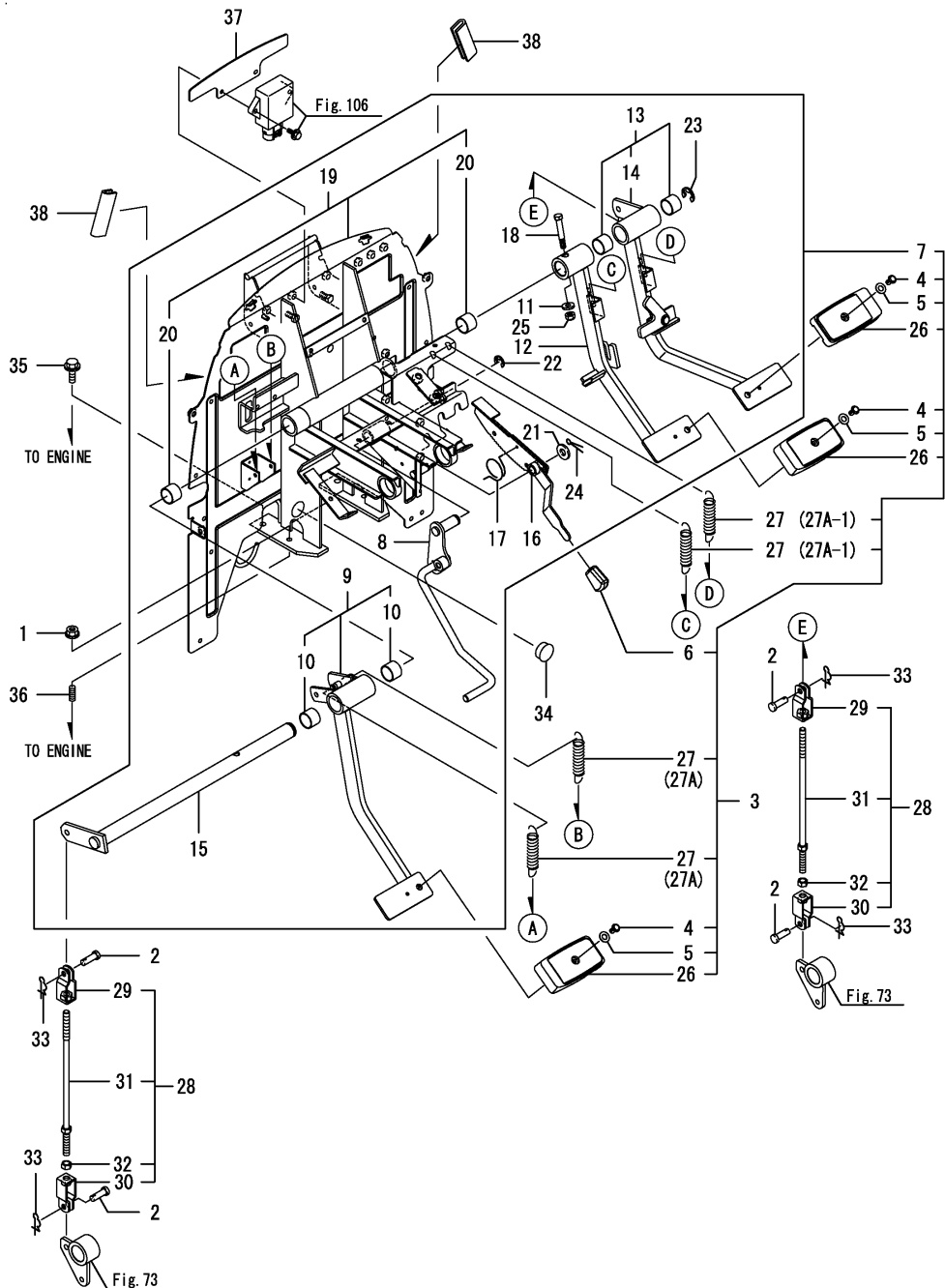
(A)=LX410(CCY)  
 (B)=LX450(CCY)  
 (C)=LX490(CCY)

(D)=  
 (E)=  
 (F)=



No.	Lev.	Parts No.	Description	Qty						I	R
				(A)	(B)	(C)	(D)	(E)	(F)		
1	1	1A8275-36210	CAM-LEVER, R ASSY	1	1	1					
2	1	1A7180-36240	WASHER, THRUST	2	2	2					
3	1	1A8275-36240	CAM-LEVER, L ASSY	1	1	1					
4	1	1A8275-36310	ACTUATOR, L.H.	1	1	1					
5	1	1A8275-36320	ACTUATOR, R.H.	1	1	1					
6	1	1A8275-36350	DISC, 226	4	4	4					
7	1	194850-36370	SPRING, RETURN	4	4	4					
8	1	1A8275-36520	PLATE, STEEL 3.2	3	3	3					
9	1	22242-000320	RING, 32	2	2	2					
10	1	24190-180001	BALL, STEEL 9/16	12	12	12					
11	1	24421-355008	SEAL, OIL TC355008	2	2	2					

Fig.72. PEDAL



(A)=LX410(CCY)  
 (B)=LX450(CCY)  
 (C)=LX490(CCY)

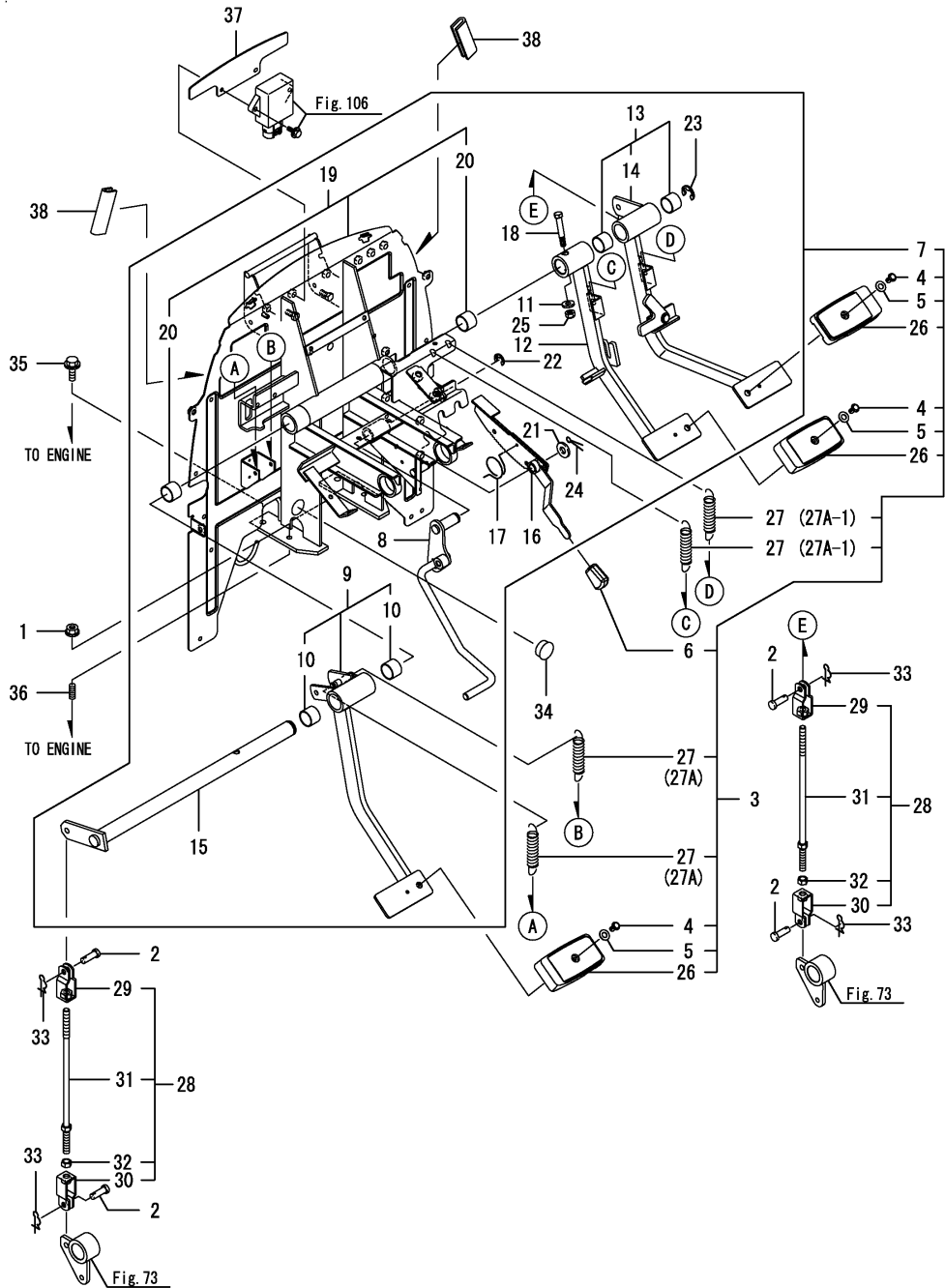
(D)=  
 (E)=  
 (F)=

No.	Lev.	Parts No.	Description	Qty						I	R
				(A)	(B)	(C)	(D)	(E)	(F)		
1	1	194990-22140	NUT, M8	2	2	2					
2	1	194312-27780	PIN, 8.9	4	4	4					
3	1	1A8240-37200	PEDAL UNIT	1	1	1					
3-1	1	1A8240-37201	PEDAL UNIT (A=F000296) (B=F000175) (C=F000327)	1	1	1					N
4	2	198133-22510	RIVET, PEDAL HEAD	3	3	3					
5	2	198133-22530	WASHER, RIVET	3	3	3					
6	2	198273-28521	KNOB, PARKING BRAKE	1	1	1					
7	2	1A8240-37210	PEDAL SUB UNIT	1	1	1					
7-1	2	1A8240-37211	PEDAL SUB UNIT (A=F000296) (B=F000175) (C=F000327)	1	1	1					N
8	3	1A8240-15750	PEDAL ASSY, TILT	1	1	1					
9	3	1A8240-22380	PEDAL ASSY, CLUTCH	1	1	1					
10	4	24550-025200	BUSH, 25X20	2	2	2					
11	3	1C6053-32020	WASHER, 8.5X20X3.2	1	1	1					
12	3	1A8240-37300	PEDAL ASSY, BRAKE L	1	1	1					
13	3	1A8240-37410	PEDAL ASSY, BRAKE R	1	1	1					
14	4	1A8240-37400	PEDAL ASSY, BRAKE R	1	1	1					
15	3	1A8240-37550	SHAFT, BRAKE	1	1	1					
16	3	1A8240-37650	LEVER, PARK LOCK	1	1	1					
17	3	198475-37690	SPRING, LOCK	1	1	1					
18	3	1A7130-37990	BOLT, REAMER M8X55	1	1	1					
19	3	1A8240-61400	FRAME ASSY, PEDAL	1	1	1					
19-1	3	1A8240-61401	FRAME ASSY, PEDAL (A=F000296) (B=F000175) (C=F000327)	1	1	1					N
20	4	24550-025200	BUSH, 25X20	2	2	2					
21	3	22137-120000	WASHER, 12	1	1	1					
22	3	22272-000150	RING, E-15	1	1	1					
23	3	22272-000190	RING, E-19	1	1	1					
24	3	22417-250300	PIN, COTTER 2.5X30	1	1	1					
25	3	26346-080002	NUT, M8	1	1	1					
26	2	198071-37510	COVER, HEAD	3	3	3					
27	2	198290-37510	SPRING, RETURN	4	4	4					
27-1	2	198290-37510	SPRING, RETURN (A=FXXXXX) (B=FXXXXX) (C=FXXXXX)	2	2	2					K
27-2	2	198290-37510	SPRING, RETURN	2	2	2					Z
27A	2	1A8240-22240	SPRING, CLUTCH (A=F000296) (B=F000175) (C=F000327) (A=FXXXXX) (B=FXXXXX) (C=FXXXXX)	2	2	2					W
27A-1	2	1A8240-22240	SPRING, CLUTCH (A=F000296) (B=F000175) (C=F000327)	4	4	4					K
28	1	1A8240-37600	ROD KIT, BRAKE F	2	2	2					
29	2	198310-27370	JOINT, 2-WAY	2	2	2					
30	2	194312-27770	JOINT, 2-WAY	2	2	2					
31	2	1A8240-37610	ROD ASSY, BRAKE	2	2	2					
32	2	26716-100002	NUT, M10	2	2	2					
33	1	1C6281-52320	PIN, SNAP 8	4	4	4					
34	1	1A8240-61980	HOLE PLUG, 27.8	1	1	1					
35	1	26106-080162	BOLT, M8X 16 PLATED	2	2	2					
36	1	26216-080162	STUD, M8X 16	2	2	2					
37	1	1A8240-61770	SUPPORT, DASHBOARD	1	1	1					

N:Old  $\begin{matrix} \text{Yes} \\ \text{No} \end{matrix}$  New, Q:Old  $\begin{matrix} \text{No} \\ \text{Yes} \end{matrix}$  New, R:Old  $\begin{matrix} \text{Yes} \\ \text{No} \end{matrix}$  New, S:Old  $\begin{matrix} \text{No} \\ \text{Yes} \end{matrix}$  New, W:Add, Z:Discontinued, F:Interchangeable by set, K:Q'ty Change  
 ++ CONTINUE ++  
 Copyright (C) YANMAR CO., LTD. All Rights Reserved.



Fig.72. PEDAL



(A)=LX410(CCY)  
 (B)=LX450(CCY)  
 (C)=LX490(CCY)

(D)=  
 (E)=  
 (F)=

No.	Lev.	Parts No.	Description	Q'ty						I	R
				(A)	(B)	(C)	(D)	(E)	(F)		
38	1	198291-77870	COVER, GUARD	2	2	2					
38-1	1	1A8250-61560	TRIM,	2	2	2					R
		(A=FXXXXX)	(B=FXXXXX)	(C=FXXXXX)							

Fig.73. BRAKE LINK

(A)=LX410(CCY)  
 (B)=LX450(CCY)  
 (C)=LX490(CCY)

(D)=  
 (E)=  
 (F)=

No.	Lev.	Parts No.	Description	Qty						I	R
				(A)	(B)	(C)	(D)	(E)	(F)		
1	1	1A8250-35300	ARM, BRAKE	2	2	2					
2	1	1A8250-37370	ROD, BRAKE ASSY	2	2	2					
3	1	1A8250-37780	BOLT, M20X95 RH	1	1	1					
4	1	1A8250-37790	BOLT, M20X95 LH	1	1	1					
5	1	1A8250-37820	SPACER, 20X29X61	2	2	2					
6	1	198220-37900	PIN, 8X24	4	4	4					
7	1	22137-200000	WASHER, 20	2	2	2					
8	1	22417-250300	PIN, COTTER 2.5X30	4	4	4					

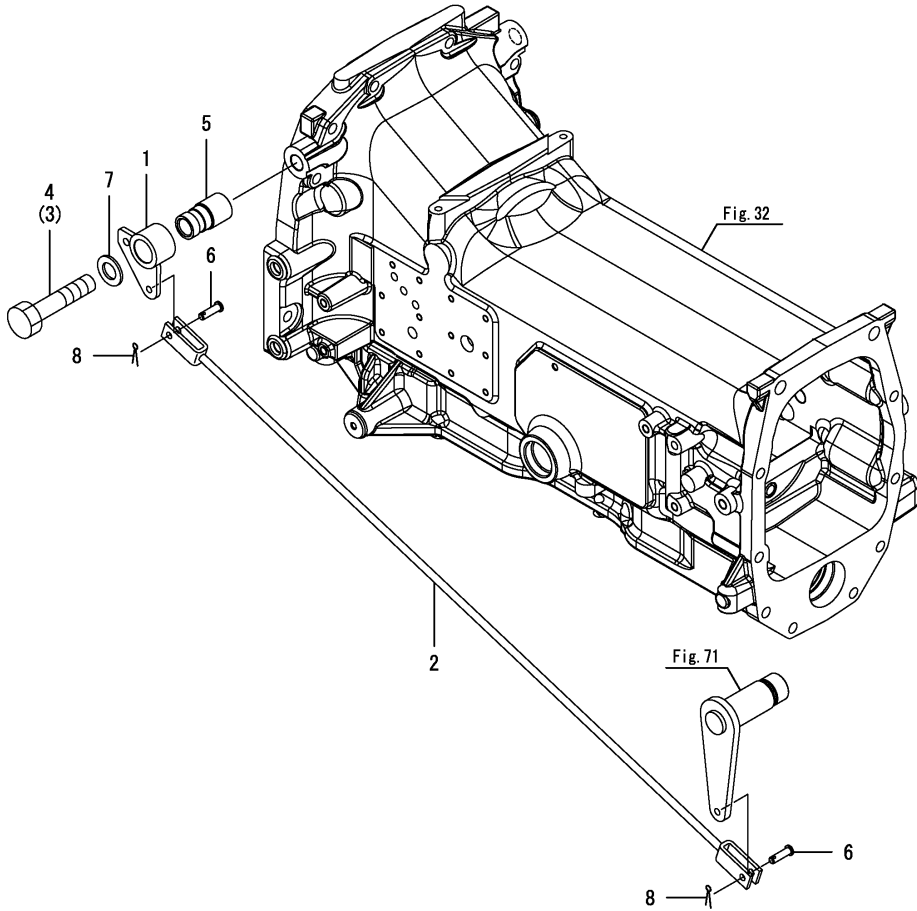
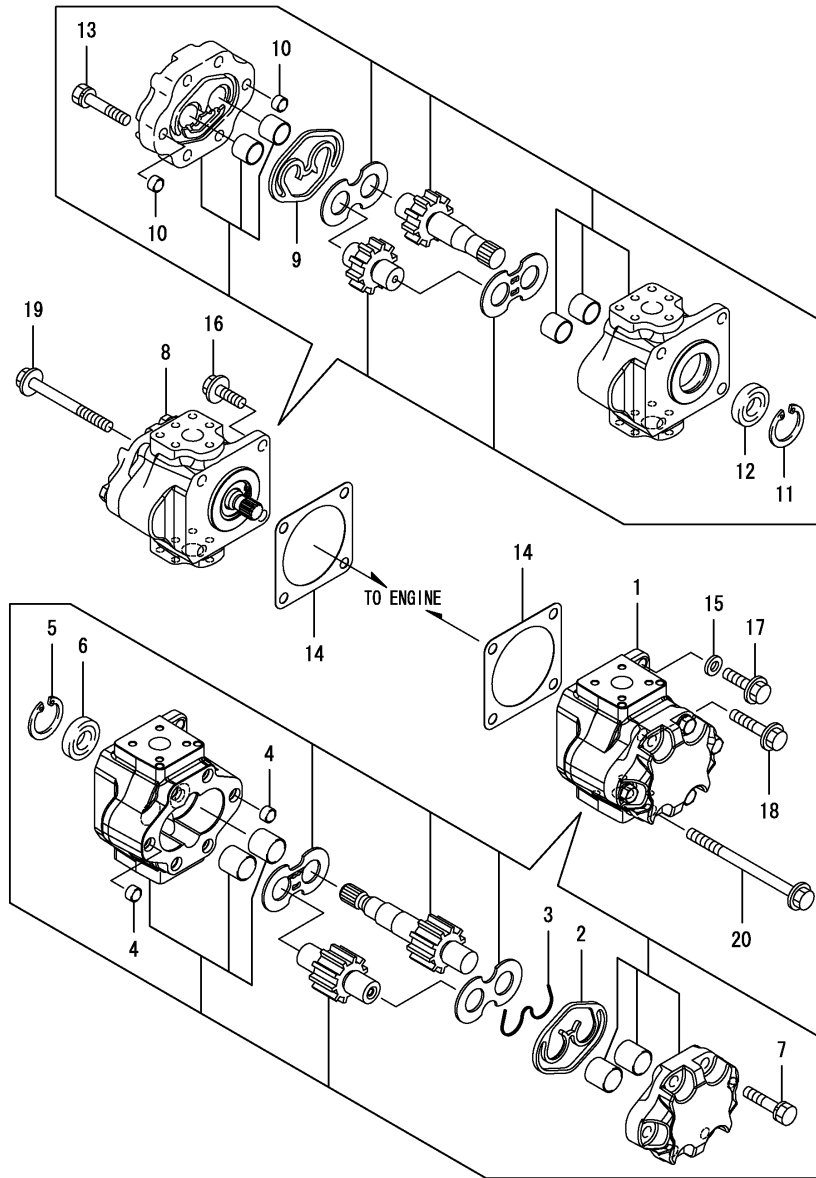


Fig.74. HYDRAULIC PUMP



(A)=LX410(CCY)  
 (B)=LX450(CCY)  
 (C)=LX490(CCY)

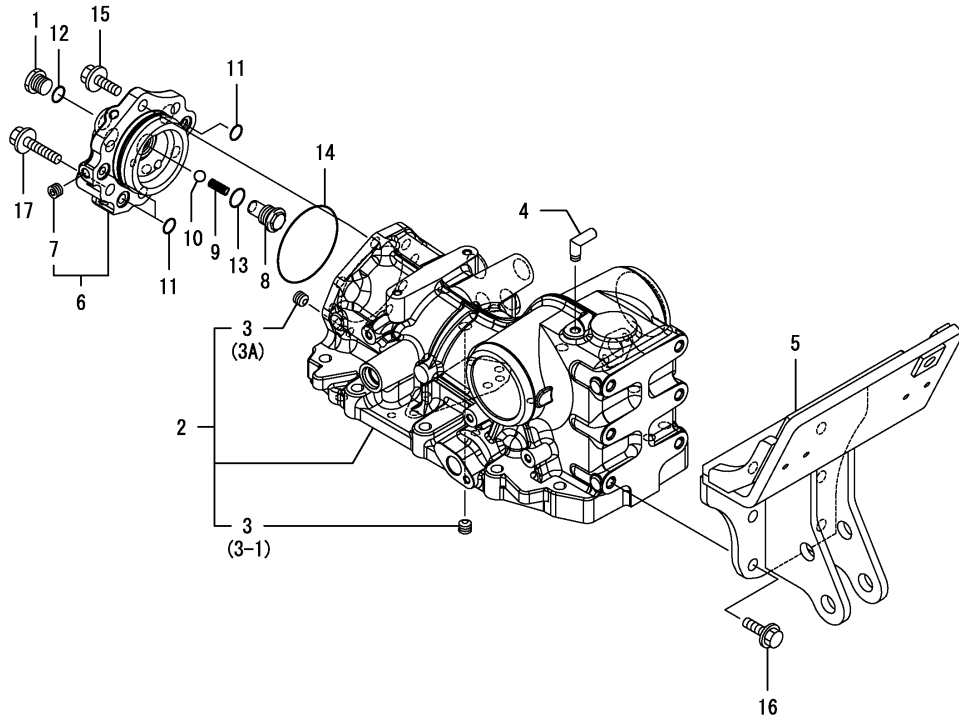
(D)=  
 (E)=  
 (F)=

No.	Lev.	Parts No.	Description	Qty						I	R
				(A)	(B)	(C)	(D)	(E)	(F)		
1	1	1680DE-00010	HO-P(PW2-D-14A	1	1	1					
1-1	1	1680DE-00011	HO-P(PW2-D-14A	1	1	1					R
		(A=FXXXXX) (B=FXXXXX) (C=FXXXXX)									
2	2	178077-15400	SEAL RING	1	1	1					
3	2	178077-15410	BACKUP RING	1	1	1					
4	2	194521-41570	PIN, 11X7	2	2	2					
5	2	22252-000320	RING, 32	1	1	1					
6	2	24421-153207	SEAL, OIL TC153207	1	1	1					
7	2	26016-080352	BOLT, M8X 35	4	4	4					
8	1	16800A-00020	HO-P(PW1-C-10C	1	1	1					
9	2	178070-10401	RING	1	1	1					
10	2	194521-41570	PIN, 11X7	2	2	2					
11	2	22252-000320	RING, 32	1	1	1					
12	2	24421-153207	SEAL, OIL TC153207	1	1	1					
13	2	26016-080352	BOLT, M8X 35	4	4	4					
14	1	124240-01883	GASKET	2	2	2					
15	1	22190-080002	WASHER, SEAL 6	1	1	1					
16	1	26106-080252	BOLT, M8X 25 PLATED	2	2	2					
17	1	26106-080302	BOLT, M8X 30 PLATED	1	1	1					
18	1	26106-080402	BOLT, M8X 40 PLATED	1	1	1					
19	1	26106-080802	BOLT, M8X 80 PLATED	2	2	2					
20	1	26106-081152	BOLT, M8X115 PLATED	2	2	2					

Fig.75. HYD.CYLINDER HOUSING

(A)=LX410(CCY)  
 (B)=LX450(CCY)  
 (C)=LX490(CCY)

(D)=  
 (E)=  
 (F)=

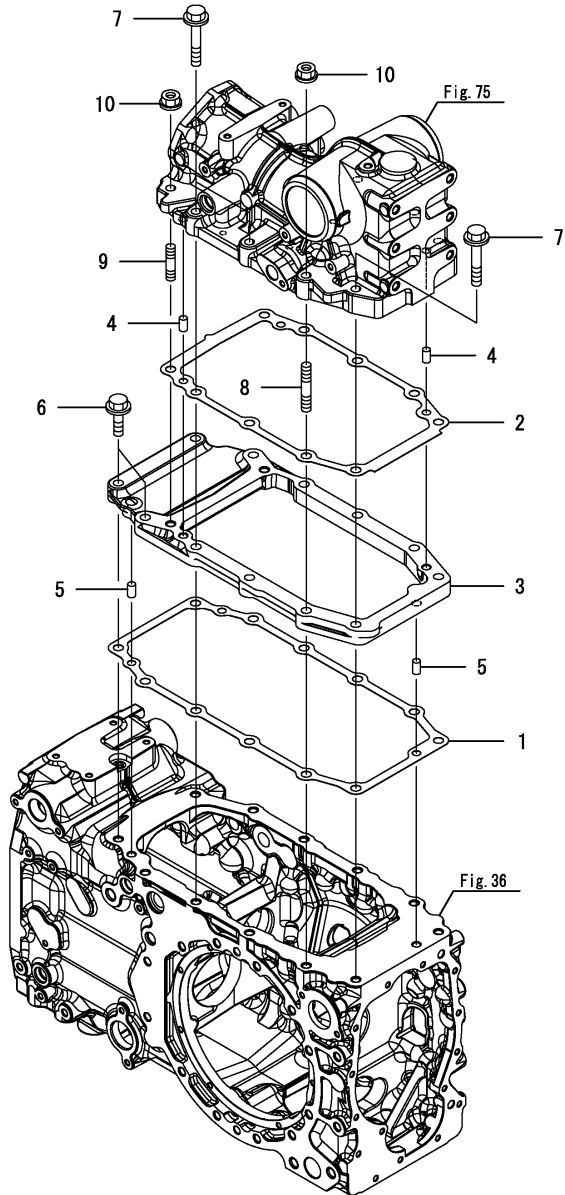


No.	Lev.	Parts No.	Description	Qty						I	R
				(A)	(B)	(C)	(D)	(E)	(F)		
1	1	192167-24600	PLUG	1	1	1					
2	1	1A8275-42100	HOUSING ASSY,	1	1	1					
3	2	23871-010000	PLUG, R01	2	2	2					
3-1	2	23871-010000	PLUG, R01 (A=FZZZZZ) (B=FZZZZZ) (C=FZZZZZ)	1	1	1					K
3A	2	23871-020000	PLUG, R02 (A=FZZZZZ) (B=FZZZZZ) (C=FZZZZZ)	1	1	1					W
4	1	1A7180-42281	PIPE, BREATHER	1	1	1					
5	1	1A8275-42810	HINGE, P TOP LINK	1	1	1					
5-1	1	1A8275-42811	HINGE, P TOP LINK (A=FZZZZZ) (B=FZZZZZ) (C=FZZZZZ)	1	1	1					N
6	1	1A8275-43100	HEAD ASSY,CYLINDER	1	1	1					
7	2	23871-010000	PLUG, R01	4	4	4					
8	1	1A7640-43450	PLUG, CHECK VALVE	1	1	1					
9	1	194555-46380	SPRING	1	1	1					
10	1	24190-130003	BALL, STEEL 13/32	1	1	1					
11	1	24315-000140	O-RING, 1BP14.0	3	3	3					
12	1	24315-000140	O-RING, 1BP14.0	1	1	1					
13	1	24315-000180	O-RING, 1BP18.0	1	1	1					
14	1	24325-000800	O-RING, 1BG80.0	1	1	1					
15	1	26106-120302	BOLT, M12X 30 PLATED	5	5	5					
16	1	26106-120302	BOLT, M12X 30 PLATED	6	6	6					
17	1	26106-120502	BOLT, M12X 50 PLATED	1	1	1					

Fig.76. HYD.LIFT DOCKING

(A)=LX410(CCY)  
 (B)=LX450(CCY)  
 (C)=LX490(CCY)

(D)=  
 (E)=  
 (F)=



No.	Lev.	Parts No.	Description	Qty						I	R
				(A)	(B)	(C)	(D)	(E)	(F)		
1	1	198240-42130	PACKING, HOUSING	1	1	1					
2	1	1A7180-42150	GASKET, HOUSING	1	1	1					
3	1	1A8275-42910	SPACER, LIFT	1	1	1					
4	1	22312-100180	PIN, PARALLEL M10X18	2	2	2					
5	1	22312-100180	PIN, PARALLEL M10X18	2	2	2					
6	1	26106-120402	BOLT, M12X 40 PLATED	4	4	4					
7	1	26106-120702	BOLT, M12X 70 PLATED	6	6	6					
8	1	26216-120702	STUD, M12X 70	2	2	2					
9	1	26218-120502	STUD, M12X 50	2	2	2					
10	1	26366-120002	NUT, M12	4	4	4					

Fig.77. PISTON

(A)=LX410(CCY)  
 (B)=LX450(CCY)  
 (C)=LX490(CCY)

(D)=  
 (E)=  
 (F)=

No.	Lev.	Parts No.	Description	Qty						I	R
				(A)	(B)	(C)	(D)	(E)	(F)		
1	1	1A7180-43280	PISTON ASSY	1	1	1					
2	2	198448-43260	PACKING, 85	1	1	1					
3	2	198448-43270	RING, BACK UP 85	1	1	1					
4	2	1A7180-43290	PISTON, HYDRAULIC	1	1	1					
5	2	198390-43360	WEARING, 85	2	2	2					

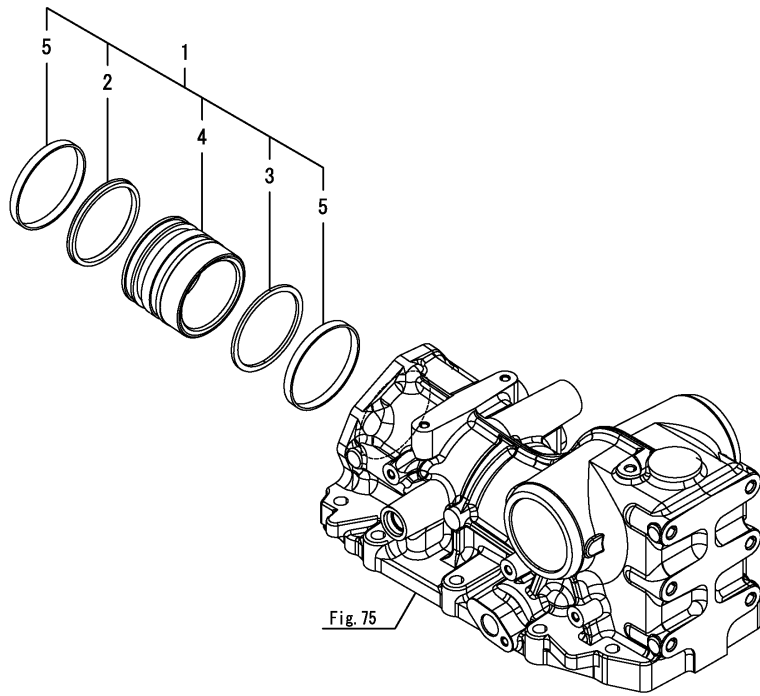
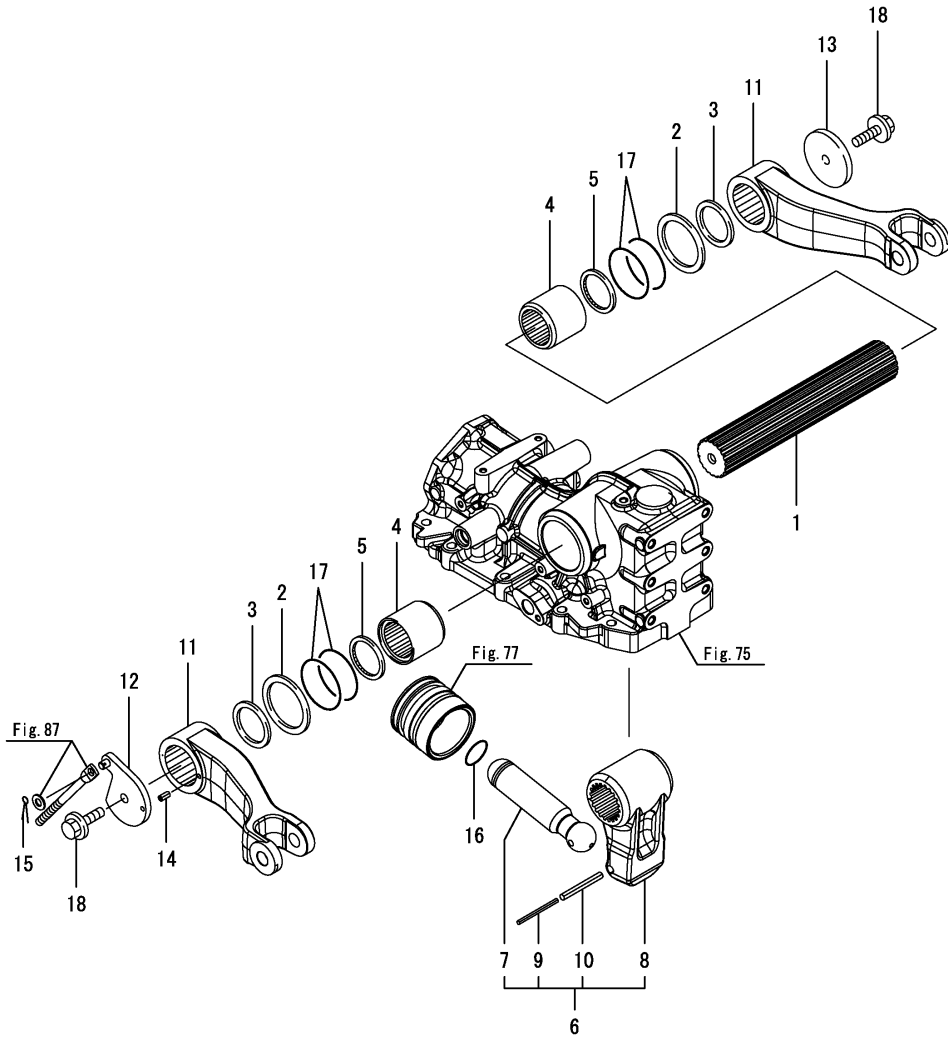


Fig.78. LIFT CRANK

(A)=LX410(CCY)  
 (B)=LX450(CCY)  
 (C)=LX490(CCY)

(D)=  
 (E)=  
 (F)=

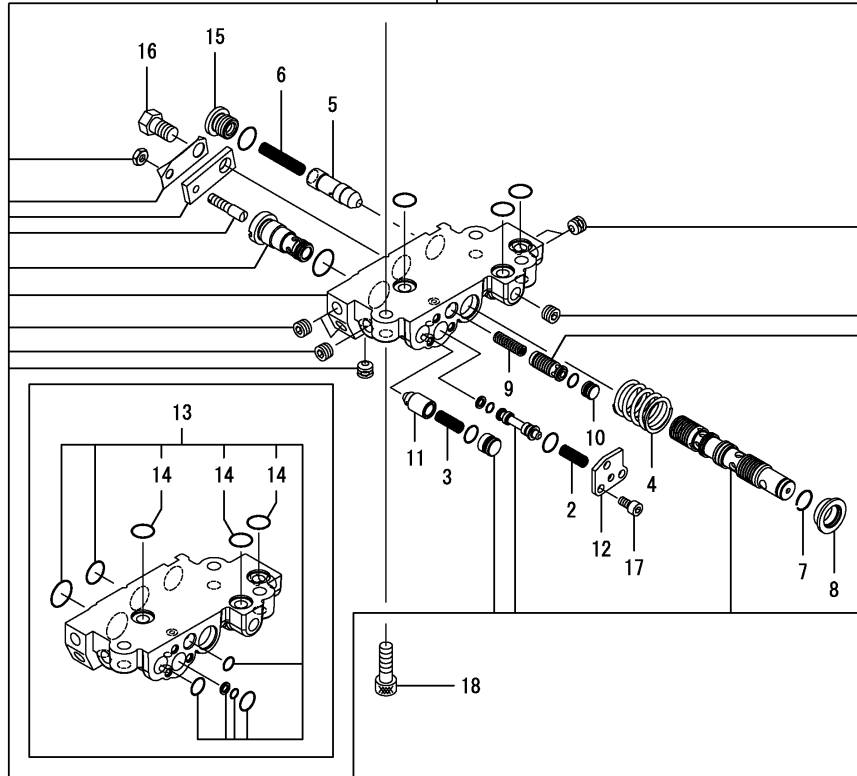
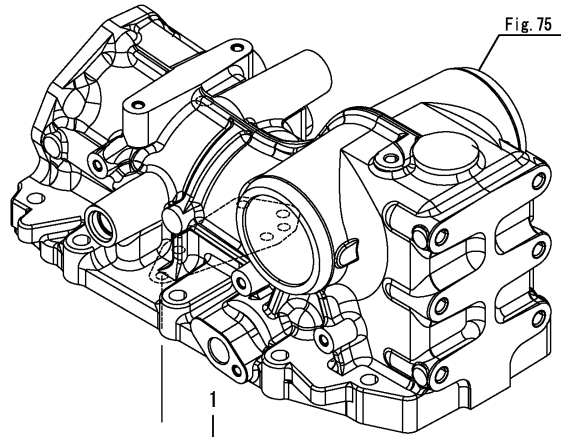


No.	Lev.	Parts No.	Description	Qty						I	R
				(A)	(B)	(C)	(D)	(E)	(F)		
1	1	1A7180-44210	SHAFT, LIFTING	1	1	1					
2	1	1A7640-44230	WASHER, 65X82X2	2	2	2					
3	1	1A7640-44240	PLATE, 50X64X2	2	2	2					
4	1	194640-44250	SLEEVE, LIFT SHAFT	2	2	2					
5	1	194640-44261	SEAL, SPLINE	2	2	2					
6	1	1A7180-44311	CRANK ASSY, LIFT	1	1	1					
7	2	1A7180-43410	ROD, PISTON	1	1	1					
8	2	1A7180-44110	CRANK, LIFT	1	1	1					
9	2	22351-050070	PIN, SPRING 5.0X70	1	1	1					
10	2	22351-080070	PIN, SPRING 8.0X70	1	1	1					
11	1	1A7180-44410	ARM, LIFT	2	2	2					
12	1	1A8275-44510	PLATE, P FEEDBACK	1	1	1					
13	1	194640-44540	RETAINER, SHAFT	1	1	1					
14	1	22351-060016	PIN, SPRING 6.0X16	1	1	1					
15	1	22417-200200	PIN, COTTER 2.0X20	1	1	1					
16	1	24311-000360	O-RING, 1AP36.0	1	1	1					
17	1	24321-000650	O-RING, 1AG65.0	4	4	4					
18	1	26106-120302	BOLT, M12X 30 PLATED	2	2	2					

Fig.79. CONTROL VALVE

(A)=LX410(CC)  
 (B)=LX450(CC)  
 (C)=LX490(CC)

(D)=  
 (E)=  
 (F)=



No.	Lev.	Parts No.	Description	Qty						I	R
				(A)	(B)	(C)	(D)	(E)	(F)		
1	1	1A8275-45200	VALVE ASSY, CONTROL	1	1	1					
2	2	1A8275-45230	SPRING	1	1	1					
3	2	1A8275-45240	SPRING	1	1	1					
4	2	1A8275-45980	SPRING	1	1	1					
5	2	1A8275-45310	POPPET, UNLOAD	1	1	1					
6	2	1A8275-45320	SPRING	1	1	1					
7	2	1A8275-45330	RING, WIRY SNAP	1	1	1					
8	2	1A8275-45340	SEAT, SPRING	1	1	1					
9	2	1A8275-45360	SPRING	1	1	1					
10	2	1A8275-45370	PLUG	1	1	1					
11	2	1A8275-45420	POPPET, CHECK	1	1	1					
12	2	1A8275-45440	PLATE	1	1	1					
13	2	1A8275-45500	SEAL KIT, VALVE	1	1	1					
14	3	41851-000110	O-RING	3	3	3					
15	2	1A7880-45640	PLUG, LIFT VALVE	1	1	1					
16	2	26116-100162	BOLT, M10X 16 PLATED	1	1	1					
17	2	26450-050102	BOLT, M5X 10	3	3	3					
18	1	26450-080252	BOLT, M8X 25	3	3	3					



Fig.80. RELIEF VALVE

(A)=LX410(CCY)  
 (B)=LX450(CCY)  
 (C)=LX490(CCY)

(D)=  
 (E)=  
 (F)=

No.	Lev.	Parts No.	Description	Qty						I	R
				(A)	(B)	(C)	(D)	(E)	(F)		
1	1	1A7180-45700	VALVE, RELIEF	1	1	1					

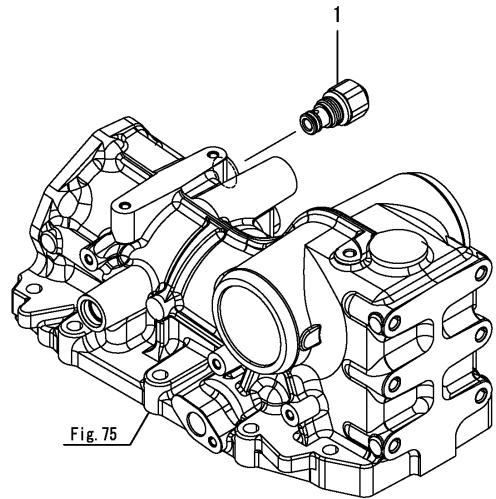


Fig. 75

Fig.81. STOP VALVE

(A)=LX410(CCY)  
 (B)=LX450(CCY)  
 (C)=LX490(CCY)

(D)=  
 (E)=  
 (F)=

No.	Lev.	Parts No.	Description	Qty						I	R
				(A)	(B)	(C)	(D)	(E)	(F)		
1	1	194555-46300	VALVE, STOP	1	1	1					
2	1	1A8275-46620	BOLT,STOP	1	1	1					
3	1	194312-46630	HOLDER, VALVE	1	1	1					
4	1	22117-080000	WASHER, 8	1	1	1					
5	1	22351-040012	PIN, SPRING 4.0X12	1	1	1					
6	1	24311-000110	O-RING, 1AP11.0	2	2	2					
7	1	24311-000120	O-RING, 1AP12.0	1	1	1					

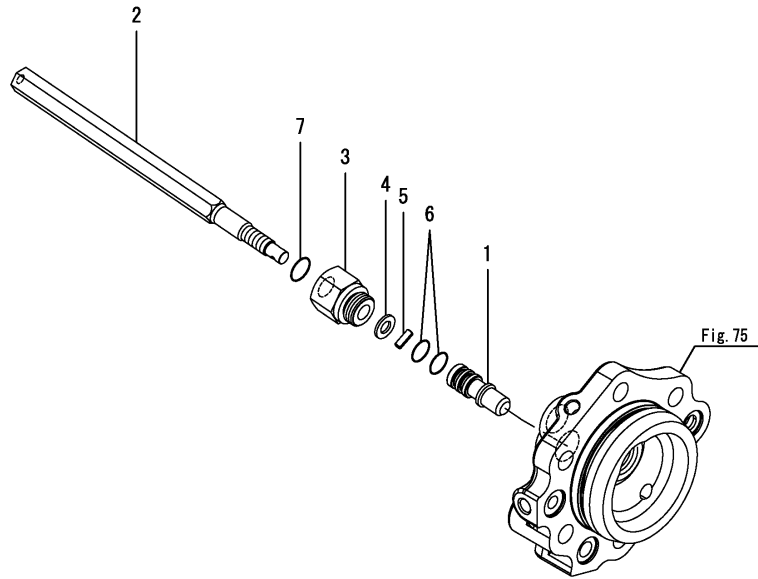


Fig.82. SAFETY VALVE

(A)=LX410(CCY)  
 (B)=LX450(CCY)  
 (C)=LX490(CCY)

(D)=  
 (E)=  
 (F)=

No.	Lev.	Parts No.	Description	Qty						I	R
				(A)	(B)	(C)	(D)	(E)	(F)		
1	1	1A7680-45320	SPRING	1	1	1					
2	1	1A7680-45370	PLUG, SAFETY VALVE	1	1	1					
3	1	198220-46400	SHIM SET	1	1	1					
4	1	1A7680-46410	SEAT, SAFETY VALVE	1	1	1					
5	1	194640-46420	POPPET	1	1	1					
6	1	22351-060030	PIN, SPRING 6.0X30	1	1	1					
7	1	24315-000120	O-RING, 1BP12.0	1	1	1					
8	1	24315-000180	O-RING, 1BP18.0	1	1	1					

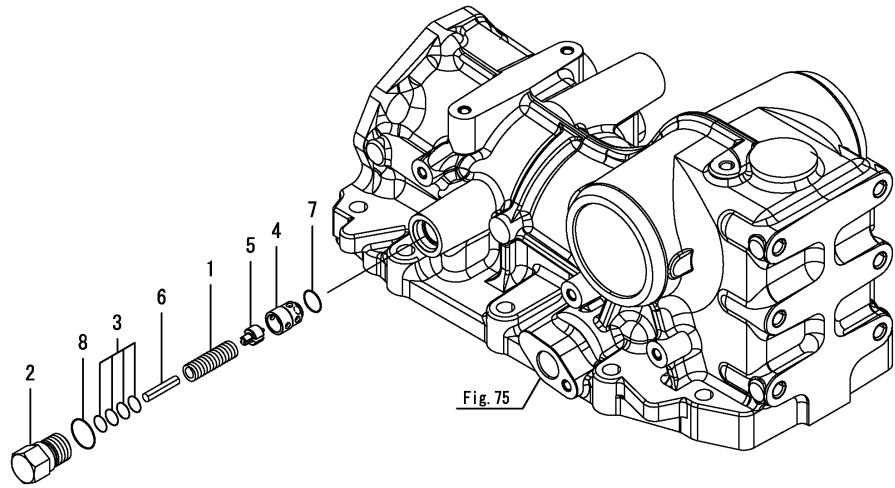
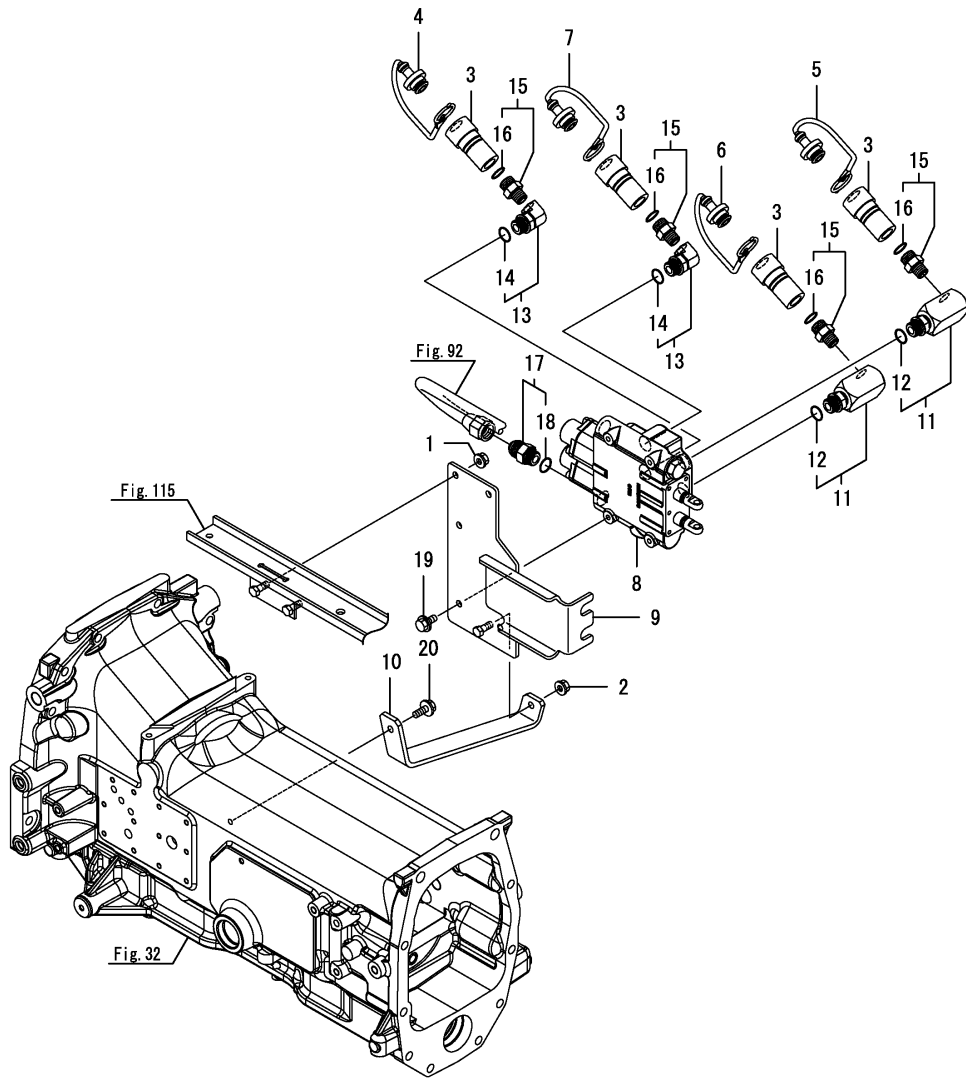


Fig.83. LOADER VALVE

(A)=LX410(CCY)  
 (B)=LX450(CCY)  
 (C)=LX490(CCY)

(D)=  
 (E)=  
 (F)=



No.	Lev.	Parts No.	Description	Qty						I	R
				(A)	(B)	(C)	(D)	(E)	(F)		
1	1	194990-22140	NUT, M8	2	2	2					
2	1	194990-22140	NUT, M8	1	1	1					
3	1	1A8160-46250	COUPLER, QUICK 3/8	4	4	4					
4	1	1A8160-46280	PLUG, DUST RED	1	1	1					
5	1	1A8160-46290	PLUG, DUST BLUE	1	1	1					
6	1	1A8160-46300	PLUG, DUST YELLOW	1	1	1					
7	1	1A8160-46310	PLUG, DUST GREEN	1	1	1					
8	1	1A8250-46600	SCV ASSY,	1	1	1					
9	1	1A8250-46750	SUPPORT ASSY, VALVE	1	1	1					
9-1	1	1A8250-46751	SUPPORT ASSY, VALVE	1	1	1					N
		(A=FZZZZZ) (B=FZZZZZ) (C=FZZZZZ)									
10	1	1A8250-46801	SUPPORT,	1	1	1					
11	1	1A8250-48200	ELBOW/HYD, 3/4UNF-L	2	2	2					
12	2	194464-45930	O-RING, 8-1	2	2	2					
13	1	1A8250-48210	ELBOW/HYD, 3/4UNF	2	2	2					
14	2	194464-45930	O-RING, 8-1	2	2	2					
15	1	1A8250-48220	JOINT/HYD,3/4UNF-3/8	4	4	4					
16	2	194464-45930	O-RING, 8-1	4	4	4					
17	1	1A8250-48350	FITTING/HYD, 3/4-7/8	1	1	1					
18	2	194464-45930	O-RING, 8-1	1	1	1					
19	1	26106-080122	BOLT, M8X 12 PLATED	3	3	3					
20	1	26106-080202	BOLT, M8X 20 PLATED	1	1	1					

Fig.84. BREATHER

(A)=LX410(CCY)  
 (B)=LX450(CCY)  
 (C)=LX490(CCY)

(D)=  
 (E)=  
 (F)=

No.	Lev.	Parts No.	Description	Qty						I	R
				(A)	(B)	(C)	(D)	(E)	(F)		
1	1	194440-51620	CLAMP	1	1	1					
2	1	194640-63560	PIPE, AIR BREATHER	1	1	1					

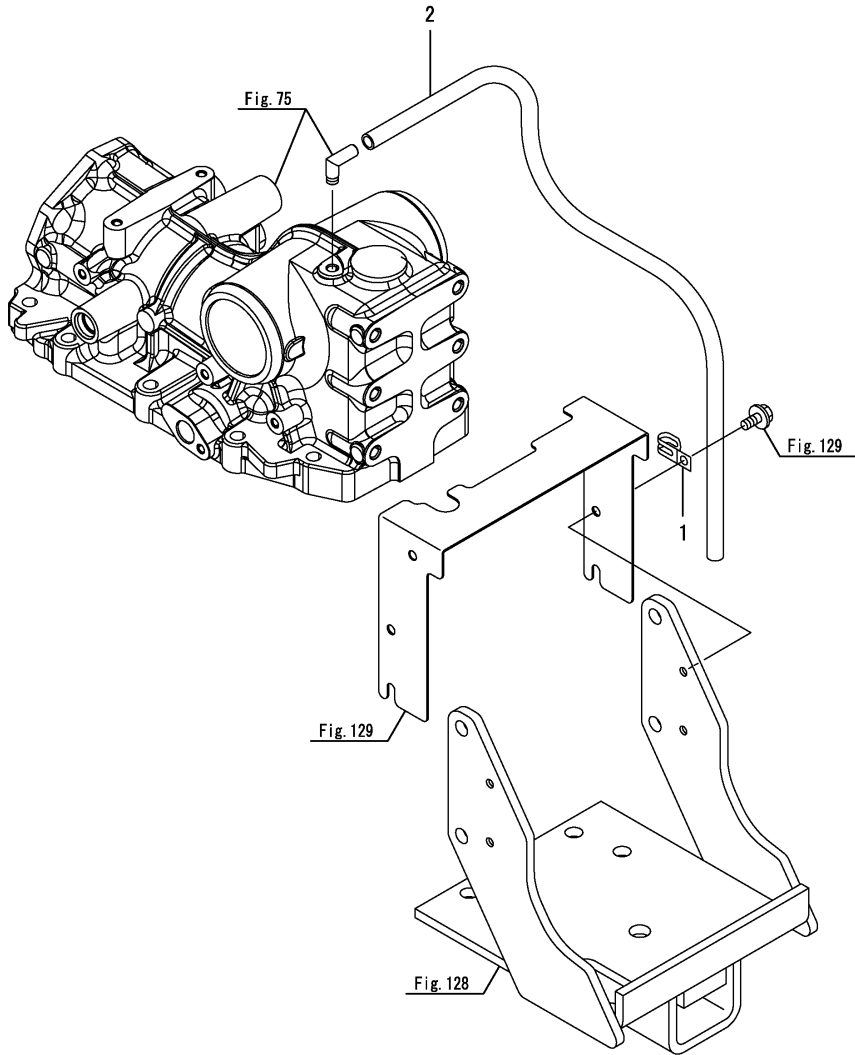


Fig.85. LEVER(SCV)

(A)=LX410(CCY)  
 (B)=LX450(CCY)  
 (C)=LX490(CCY)

(D)=  
 (E)=  
 (F)=

No.	Lev.	Parts No.	Description	Qty						I	R
				(A)	(B)	(C)	(D)	(E)	(F)		
1	1	1A8250-46890	JOYSTICK UNIT,	1	1	1					
2	2	1A8250-46900	JOYSTICK ASSY,	1	1	1					
3	2	1A8250-46920	WIRE, JOYSTICK	2	2	2					
4	1	1A8250-48100	CONNECTOR,	2	2	2					
4-1	1	1A8250-48101	CONNECTOR,	2	2	2					N
		(A=FXXXXX) (B=FXXXXX) (C=FXXXXX)									
5	1	1C6281-52320	PIN, SNAP 8	2	2	2					
6	1	22487-080200	PIN, H 8X 20	2	2	2					
7	1	26106-080852	BOLT, M8X 85 PLATED	2	2	2					
8	1	26716-060002	NUT, M6	2	2	2					
9	1	26776-160002	NUT, LOCK M16	2	2	2					

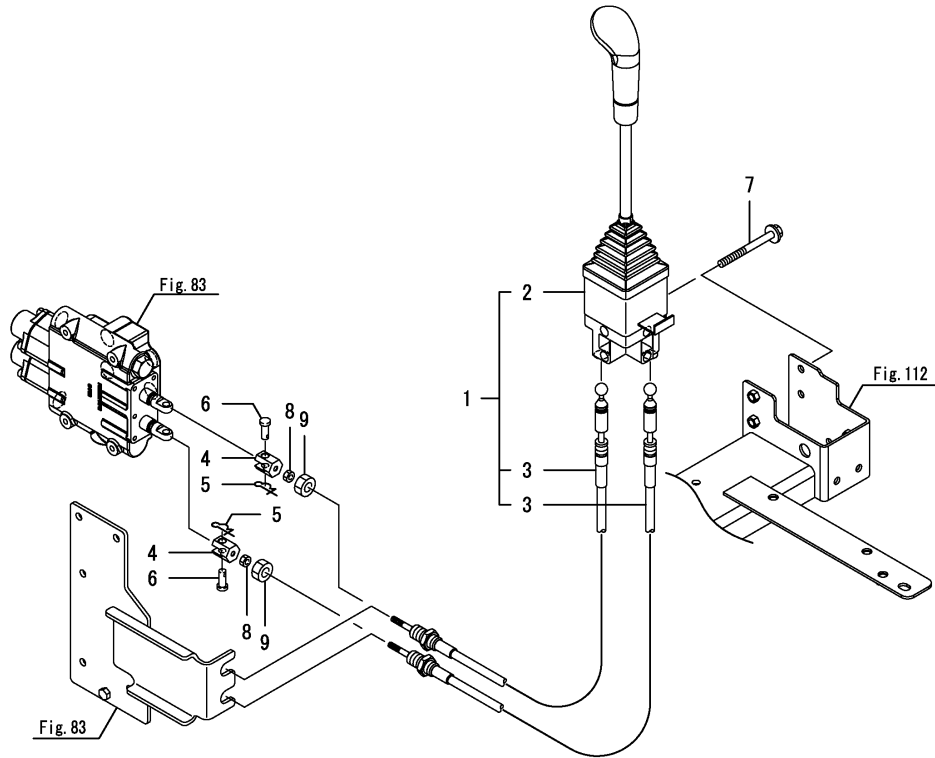


Fig.86. HYDRAULIC OPERATION(1)

(A)=LX410(CCY)  
 (B)=LX450(CCY)  
 (C)=LX490(CCY)

(D)=  
 (E)=  
 (F)=

No.	Lev.	Parts No.	Description	Qty						I	R
				(A)	(B)	(C)	(D)	(E)	(F)		
1	1	194300-37570	SPRING	1	1	1					
2	1	198165-47750	KNOB, CONTROL	1	1	1					
3	1	1A7510-47760	STOPPER, CONTROL	1	1	1					
4	1	22157-080000	WASHER, 8	1	1	1					
5	1	22417-200160	PIN, COTTER 2.0X16	1	1	1					

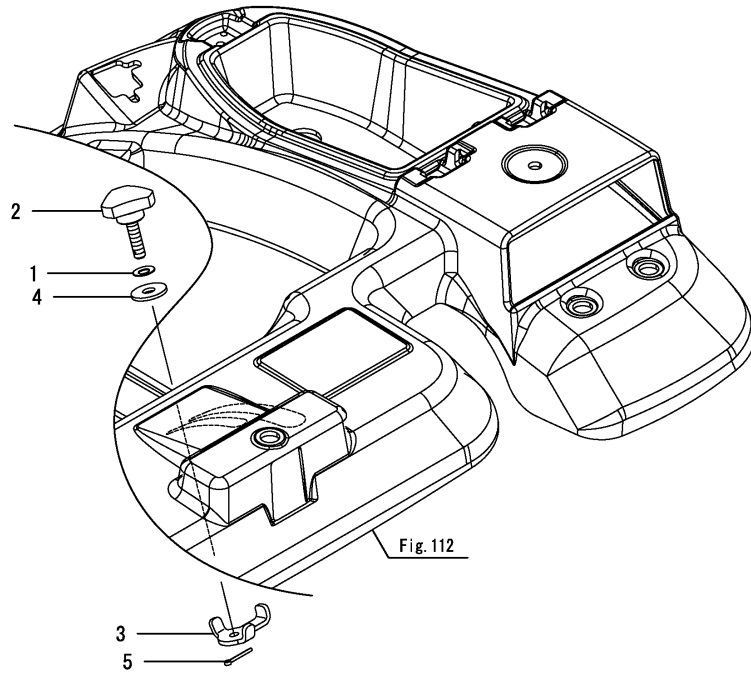
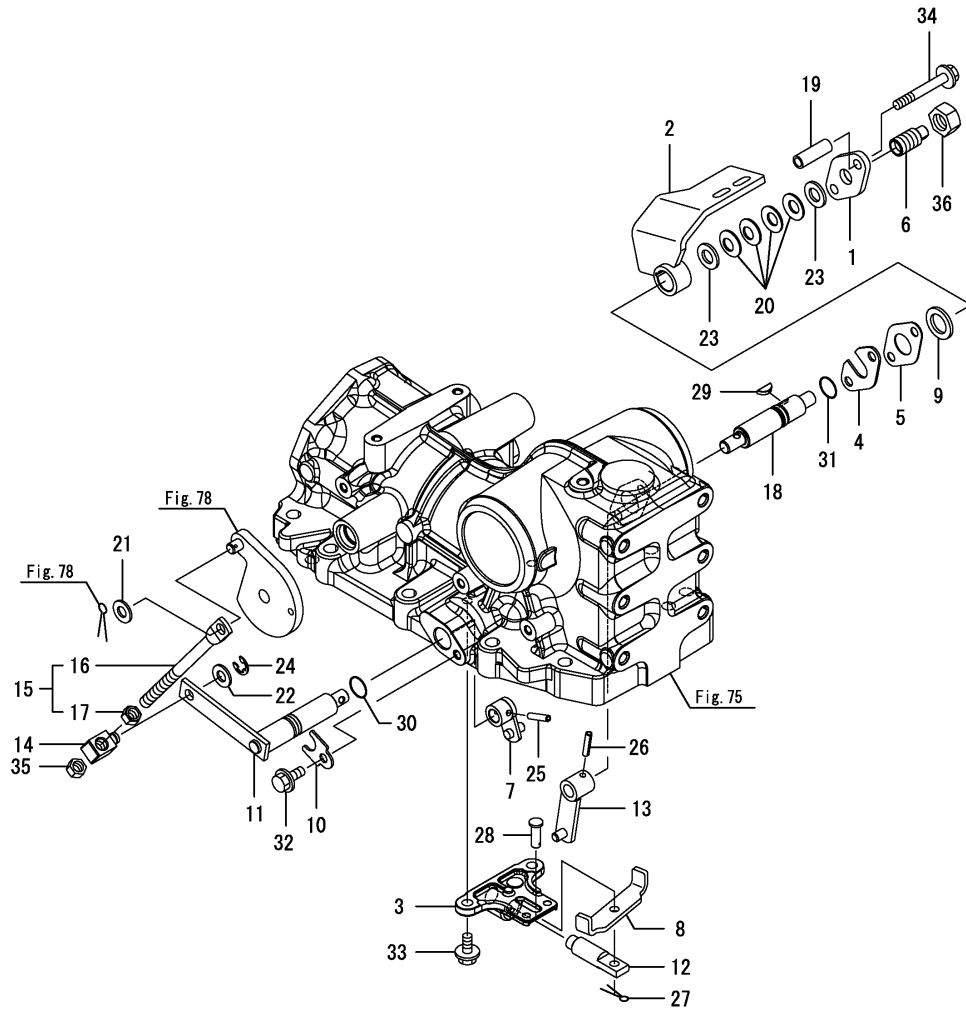


Fig.87. HYDRAULIC CONTROL

(A)=LX410(CCY)  
 (B)=LX450(CCY)  
 (C)=LX490(CCY)

(D)=  
 (E)=  
 (F)=



No.	Lev.	Parts No.	Description	Q'ty						I	R
				(A)	(B)	(C)	(D)	(E)	(F)		
1	1	1A8275-47160	PLATE	1	1	1					
2	1	1A8275-47250	ARM, LEVER P	1	1	1					
3	1	1A8275-47330	CONTROL PLATE	1	1	1					
4	1	194555-47340	PLATE, A	1	1	1					
5	1	194555-47350	PLATE, B	1	1	1					
6	1	1A8275-47350	BOLT, FRICTION	1	1	1					
7	1	1A8275-47370	ARM,P CONTROL F.BACK	1	1	1					
8	1	1A8275-47420	BAR, P CONTROL	1	1	1					
9	1	194170-47440	PLATE, FRICTION	1	1	1					
10	1	1A8275-47440	PLATE	1	1	1					
11	1	1A8275-47450	ARM,	1	1	1					
12	1	198200-47460	ROD, CONTROL	1	1	1					
13	1	1A8275-47500	ARM,P CONTROL	1	1	1					
14	1	194550-47530	ADJUSTER	1	1	1					
15	1	194640-47550	ROD ASSY, FEEDBACK	1	1	1					
16	2	194640-47560	ROD, FEEDBACK	1	1	1					
17	2	26716-100002	NUT, M10	1	1	1					
18	1	1A8275-47550	SHAFT, P LEVER	1	1	1					
19	1	1A8275-47630	COLLAR, P LEVER	2	2	2					
20	1	194151-47760	WASHER, 12	4	4	4					
21	1	22137-100000	WASHER, 10	1	1	1					
22	1	22137-100000	WASHER, 10	1	1	1					
23	1	22137-120000	WASHER, 12	2	2	2					
24	1	22272-000070	RING, E- 7	1	1	1					
25	1	22351-050025	PIN, SPRING 5.0X25	1	1	1					
26	1	22351-050025	PIN, SPRING 5.0X25	1	1	1					
27	1	22417-200200	PIN, COTTER 2.0X20	1	1	1					
28	1	22487-080200	PIN, H 8X 20	1	1	1					
29	1	22522-030130	KEY, WOODRUFF 3X13	1	1	1					
30	1	24311-000150	O-RING, 1AP15.0	1	1	1					
31	1	24311-000150	O-RING, 1AP15.0	1	1	1					
32	1	26106-080162	BOLT, M8X 16 PLATED	1	1	1					
33	1	26106-080162	BOLT, M8X 16 PLATED	2	2	2					
34	1	26106-080602	BOLT, M8X 60 PLATED	2	2	2					
35	1	26716-100002	NUT, M10	1	1	1					
36	1	26736-160002	NUT, M16	1	1	1					



Fig.88. HYDRAULIC OPERATION(2)

(A)=LX410(CCY)  
 (B)=LX450(CCY)  
 (C)=LX490(CCY)

(D)=  
 (E)=  
 (F)=

No.	Lev.	Parts No.	Description	Q'ty						I	R
				(A)	(B)	(C)	(D)	(E)	(F)		
1	1	1A8250-46640	KNOB, STOP VALVE	1	1	1					
2	1	26106-060402	BOLT, M6X 40 PLATED	1	1	1					

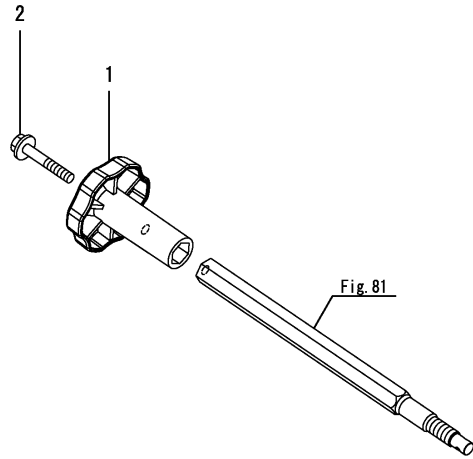


Fig.89. LIFT LEVER

(A)=LX410(CCY)  
 (B)=LX450(CCY)  
 (C)=LX490(CCY)

(D)=  
 (E)=  
 (F)=

No.	Lev.	Parts No.	Description	Qty						I	R
				(A)	(B)	(C)	(D)	(E)	(F)		
1	1	194990-22140	NUT, M8	2	2	2					
2	1	1A8240-47330	LEVER ASSY, LIFT	1	1	1					
2-1	1	1A8240-47331	LEVER ASSY, LIFT	1	1	1					N
3	1	(A=F000293) 198010-47340	(B=F000182) PIPE, PROTECTOR	1	1	1					
4	1	198200-47810	KNOB, BLACK	1	1	1					

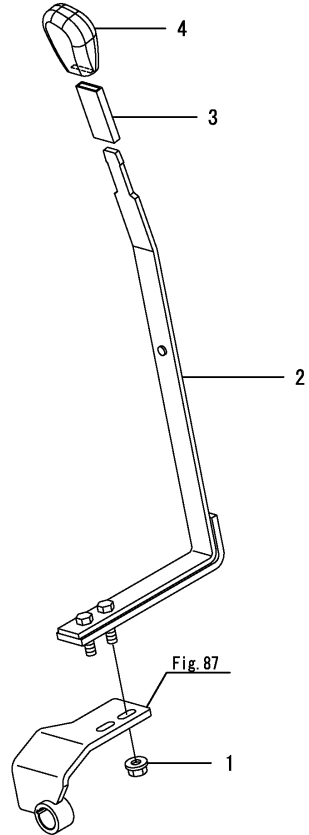
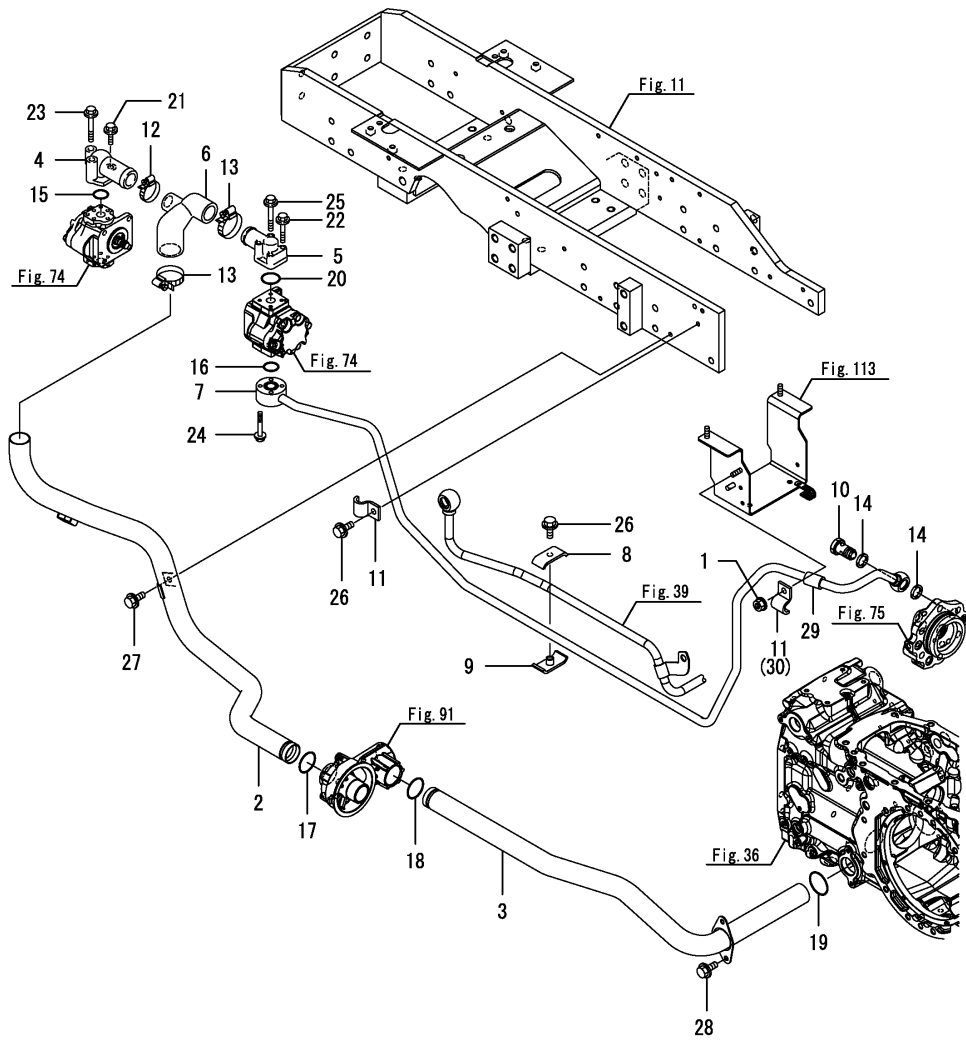


Fig.90. HYDRAULIC LINE

(A)=LX410(CCY)  
 (B)=LX450(CCY)  
 (C)=LX490(CCY)

(D)=  
 (E)=  
 (F)=



No.	Lev.	Parts No.	Description	Q'ty						I	R
				(A)	(B)	(C)	(D)	(E)	(F)		
1	1	194990-22140	NUT, M8	1	1	1					
2	1	1A8250-48000	LP PIPE, FRONT	1	1	1					
3	1	1A8250-48050	LP PIPE, REAR	1	1	1					
4	1	198220-48140	FLANGE, PIPE P	1	1	1					
5	1	198240-48140	FLANGE, PIPE P	1	1	1					
6	1	1A8275-48340	HOSE, RUBBER LP P	1	1	1					
7	1	1A8250-48500	HP PIPE, LIFT	1	1	1					
8	1	194470-48630	CLAMP	1	1	1					
9	1	194470-48640	CLAMP, PIPE	1	1	1					
10	1	198361-48750	BOLT ASSY, JOINT	1	1	1					
11	1	194450-48830	CLAMP	2	2	2					
11-1	1	194450-48830	CLAMP	1	1	1					K
(A=F000275) (B=F000174) (C=F000307)											
12	1	23000-035000	CLAMP, 35	1	1	1					
13	1	23000-048000	CLAMP, 48	2	2	2					
14	1	23414-200026	GASKET, 20X1.0	2	2	2					
15	1	24311-000200	O-RING, 1AP20.0	1	1	1					
16	1	24311-000220	O-RING, 1AP22.0	1	1	1					
17	1	24311-000320	O-RING, 1AP32.0	1	1	1					
18	1	24311-000320	O-RING, 1AP32.0	1	1	1					
19	1	24311-000360	O-RING, 1AP36.0	1	1	1					
20	1	24341-000250	O-RING, 1AS25.0	1	1	1					
21	1	26106-060202	BOLT, M6X 20 PLATED	1	1	1					
22	1	26106-060352	BOLT, M6X 35 PLATED	2	2	2					
23	1	26106-060402	BOLT, M6X 40 PLATED	2	2	2					
24	1	26106-060402	BOLT, M6X 40 PLATED	4	4	4					
25	1	26106-060452	BOLT, M6X 45 PLATED	2	2	2					
26	1	26106-080162	BOLT, M8X 16 PLATED	2	2	2					
27	1	26106-080162	BOLT, M8X 16 PLATED	1	1	1					
28	1	26106-080162	BOLT, M8X 16 PLATED	2	2	2					
29	1	198240-48850	CLAMP, ABSORBER	1	1	1					W
(A=F000275) (B=F000174) (C=F000307)											
30	1	198240-48830	CLAMP	1	1	1					W
(A=F000275) (B=F000174) (C=F000307)											

Fig.91. HYDRAULIC FILTER

(A)=LX410(CCY)  
 (B)=LX450(CCY)  
 (C)=LX490(CCY)

(D)=  
 (E)=  
 (F)=

No.	Lev.	Parts No.	Description	Q'ty						I	R
				(A)	(B)	(C)	(D)	(E)	(F)		
1	1	1A7640-48310	FILTER, HYDRAULIC	1	1	1					
2	1	1A8250-48430	COVER, FILTER	1	1	1					
3	1	26106-080162	BOLT, M8X 16 PLATED	2	2	2					
4	1	27260-470000	PLUG, 47	1	1	1					

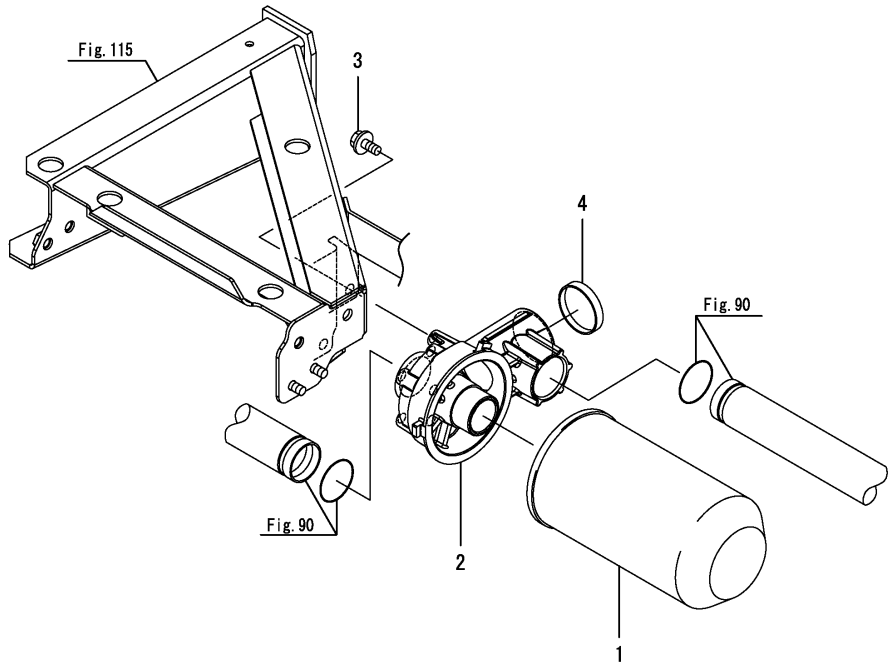
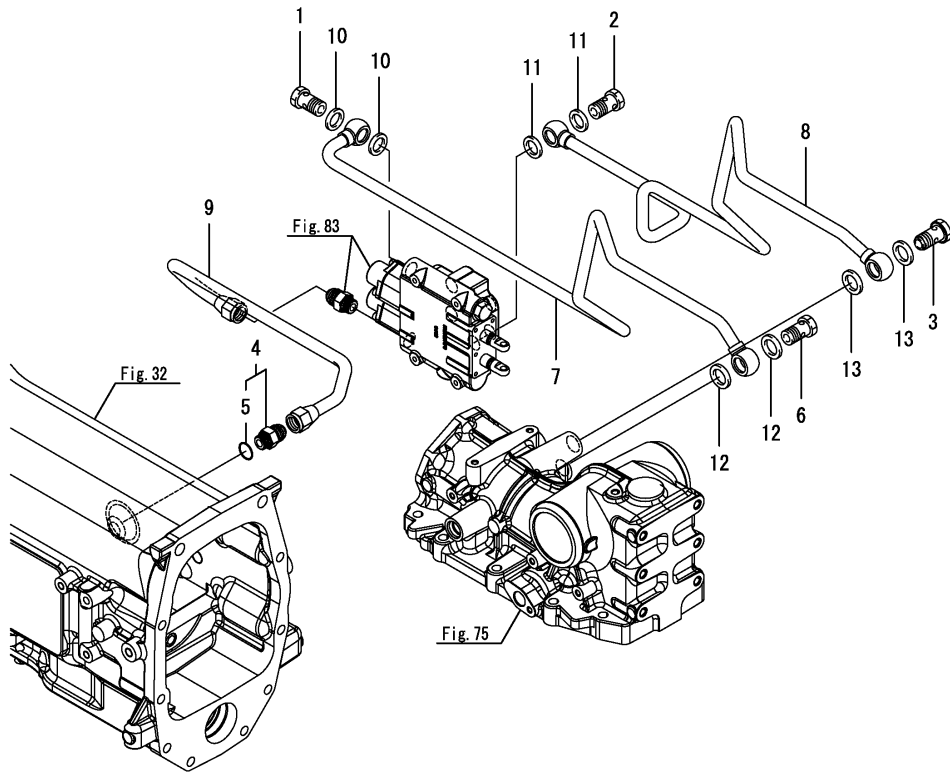


Fig.92. HYDRAULIC LINE(LOADER)

(A)=LX410(CCY)  
 (B)=LX450(CCY)  
 (C)=LX490(CCY)

(D)=  
 (E)=  
 (F)=



No.	Lev.	Parts No.	Description	Qty						I	R
				(A)	(B)	(C)	(D)	(E)	(F)		
1	1	198245-46680	BOLT, M3/4-16	1	1	1					
2	1	198245-46680	BOLT, M3/4-16	1	1	1					
3	1	1A8275-48030	BOLT,JOINT ASSY	1	1	1					
4	1	1A8250-48350	FITTING/HYD, 3/4-7/8	1	1	1					
5	2	194464-45930	O-RING, 8-1	1	1	1					
6	1	1A7610-48360	BOLT, JOINT G1/2	1	1	1					
7	1	1A8250-48600	HP PIPE, SCV-P	1	1	1					
8	1	1A8250-48650	HP PIPE, SCV-C	1	1	1					
9	1	1A8250-48700	HP PIPE, SCV-T	1	1	1					
10	1	23414-190000	GASKET, 19X1.0	2	2	2					
11	1	23414-190000	GASKET, 19X1.0	2	2	2					
12	1	23414-210027	GASKET, 21X1.0	2	2	2					
13	1	23414-210027	GASKET, 21X1.0	2	2	2					

Fig.93. HYDRAULIC LINE(LOADER(PBK/REAR REMOTE

(A)=LX410(CCY)  
 (B)=LX450(CCY)  
 (C)=LX490(CCY)

(D)=  
 (E)=  
 (F)=

No.	Lev.	Parts No.	Description	Qty						I	R
				(A)	(B)	(C)	(D)	(E)	(F)		
1	1	198245-46680	BOLT, M3/4-16	1	1	1					
2	1	1A8250-48350	FITTING/HYD, 3/4-7/8	1	1	1					
3	2	194464-45930	O-RING, 8-1	1	1	1					
4	1	1A7610-48360	BOLT, JOINT G1/2	1	1	1					
5	1	1A8250-48600	HP PIPE, SCV-P	1	1	1					
6	1	1A8250-48700	HP PIPE, SCV-T	1	1	1					
7	1	23414-190000	GASKET, 19X1.0	2	2	2					
8	1	23414-210027	GASKET, 21X1.0	2	2	2					

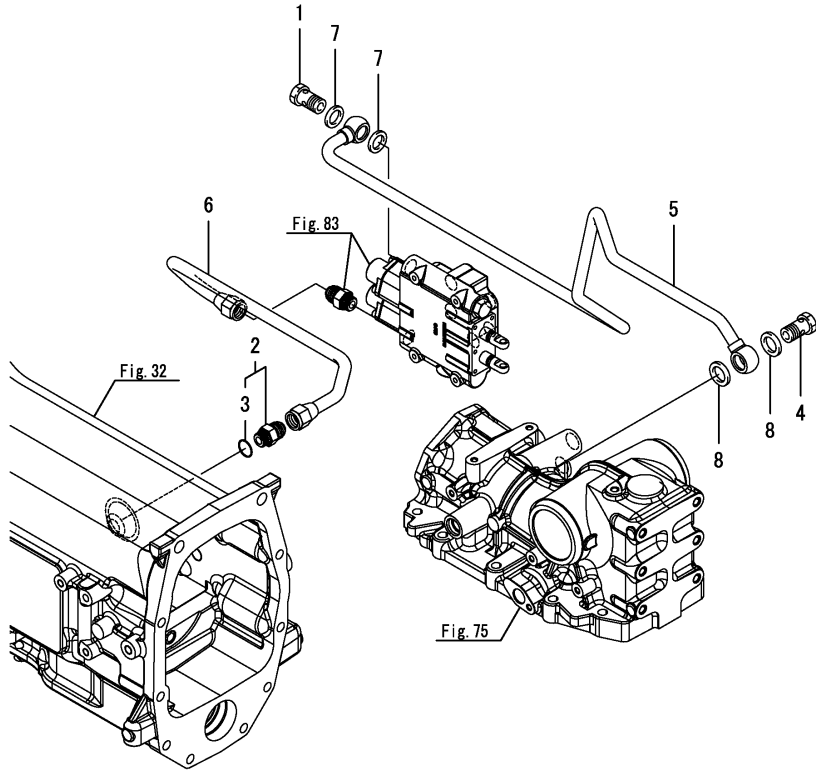
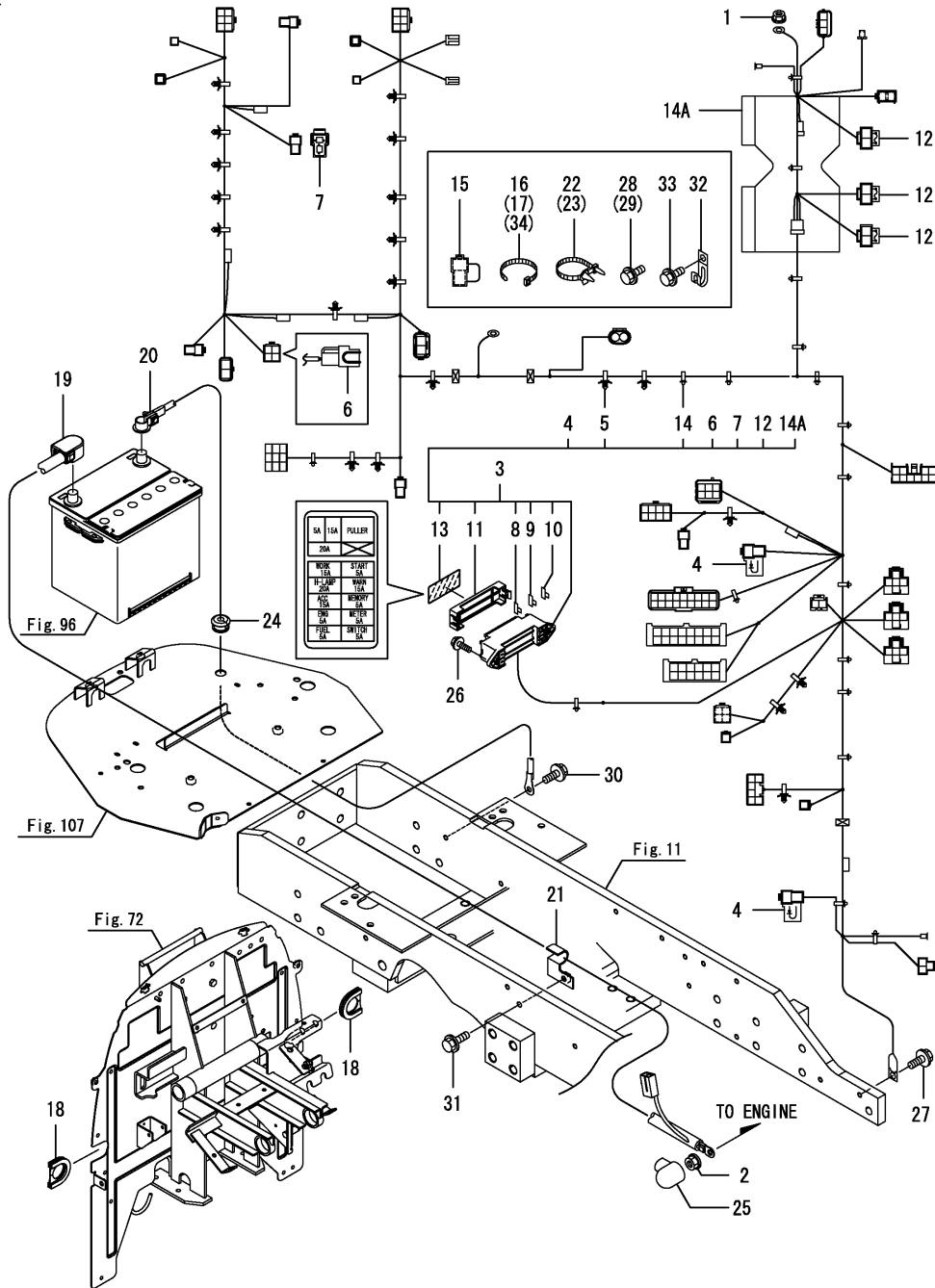


Fig.94. HARNESS



(A)=LX410(CCY)  
 (B)=LX450(CCY)  
 (C)=LX490(CCY)

(D)=  
 (E)=  
 (F)=

No.	Lev.	Parts No.	Description	Q'ty						I	R
				(A)	(B)	(C)	(D)	(E)	(F)		
1	1	194990-22130	NUT, M6	1	1	1					
2	1	194990-22140	NUT, M8	1	1	1					
3	1	1A8275-51110	HARNESS A,ROPS(CMP)	1	1	1					
3-1	1	1A8275-51111 (A=F000101)	WIRE HARNESS ASSY, A (B=F000101) (C=F000101)	1	1	1					N
3-2	1	1A8275-51112 (A=FXXXXX)	WIRE HARNESS ASSY, A (B=FXXXXX) (C=FXXXXX)	1	1	1					R
4	2	1A7500-51130	DIODE, 3.0A	2	2	2					
5	2	1A7500-51170	CLIP, HARNESS	17	17	17					
6	2	1A8275-51190	LEAD,M-PTO	1	1	1					
7	2	1A8300-51230	COUPLER,PROTECT	1	1	1					
8	2	198535-52110	FUSE, 5A	7	7	7					
9	2	198535-52130	FUSE, 15A	4	4	4					
10	2	198535-52140	FUSE, 20A	2	2	2					
11	2	1A7531-52420	COVER, FUSE BOX	1	1	1					
12	2	1A7000-52820	FUSE, SLOW BLOW 60A	3	3	3					
13	2	1A8275-65440	LABEL,FUSE	1	1	1					
14	2	1E8775-84120	CLAMP, BAND	20	20	20					
14A	2	1A8275-00370 (A=F000101)	GLASS MAT (B=F000101) (C=F000101)	1	1	1					W
14A-1	2	1A8275-00370 (A=FXXXXX)	GLASS MAT (B=FXXXXX) (C=FXXXXX)	1	1	1					Z
15	1	1A8275-51180	LEAD	1	1	1					
16	1	1A8300-51210	BAND, REPEAT	1	1	1					
17	1	1A8300-51210	BAND, REPEAT	1	1	1					
18	1	198155-51290	GROMMET, D25	2	2	2					
19	1	1A7180-51350	CABLE, BATTERY	1	1	1					
20	1	194250-51420	CABLE, BATTERY EARTH	1	1	1					
21	1	198121-51430	CLAMP, CABLE B	1	1	1					
22	1	194680-51670	BAND, CLIP	3	3	3					
23	1	194680-51670	BAND, CLIP	1	1	1					
24	1	198200-61490	GROMMET, 8	1	1	1					
25	1	124550-77030	COVER, TERMINAL	1	1	1					
26	1	26106-06020	BOLT, M6X 20 PLATED	2	2	2					
27	1	26106-080162	BOLT, M8X 16 PLATED	1	1	1					
28	1	26106-080162	BOLT, M8X 16 PLATED	1	1	1					
29	1	26106-080162	BOLT, M8X 16 PLATED	1	1	1					
30	1	26106-080162	BOLT, M8X 16 PLATED	1	1	1					
31	1	26106-080252	BOLT, M8X 25 PLATED	1	1	1					
32	1	194440-51620	CLAMP	1	1	1					
32-1	1	1E6102-83230 (A=FXXXXX)	CLAMP, CABLE (B=FXXXXX) (C=FXXXXX)	1	1	1					N
33	1	26106-080162	BOLT, M8X 16 PLATED	1	1	1					
34	1	1A8300-51210 (A=FXXXXX)	BAND, REPEAT (B=FXXXXX) (C=FXXXXX)	1	1	1					W

Fig.95. HARNESS

(A)=LX410(CCY)  
 (B)=LX450(CCY)  
 (C)=LX490(CCY)

(D)=  
 (E)=  
 (F)=

No.	Lev.	Parts No.	Description	Q'ty						I	R
				(A)	(B)	(C)	(D)	(E)	(F)		
1	1	1A8275-51250	LEAD,AIR HEATER			1					
2	1	124756-77040	COVER, TERMINAL			1					

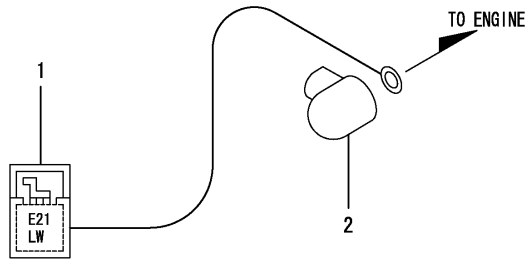
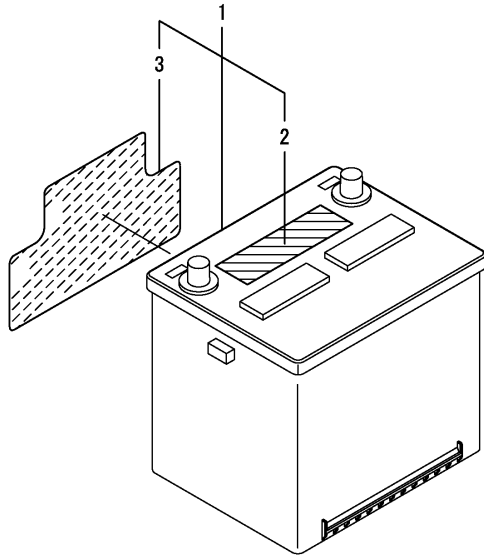




Fig.96. BATTERY

(A)=LX410(CCY)  
 (B)=LX450(CCY)  
 (C)=LX490(CCY)

(D)=  
 (E)=  
 (F)=



No.	Lev.	Parts No.	Description	Q'ty						I	R
				(A)	(B)	(C)	(D)	(E)	(F)		
1	1	1A8160-51550	BATTERY ASSY, DRY526R	1	1						
2	2	1A8160-51570	LABEL, BATTERY	1	1						
3	2	1A8160-51580	LABEL, BATTERY	1	1						



Fig.98. CLAMP(BATTERY

(A)=LX410(CCY)  
 (B)=LX450(CCY)  
 (C)=LX490(CCY)

(D)=  
 (E)=  
 (F)=

No.	Lev.	Parts No.	Description	Q'ty						I	R
				(A)	(B)	(C)	(D)	(E)	(F)		
1	1	194990-22130	NUT, M6	2	2						
2	1	1A8160-51600	CLAMP, BATTERY 6-245	1	1						
3	1	1A8275-51610	ROD,BATTERY	2	2						
4	1	1A8275-51620	COVER,PROTECT	1	1						
5	1	26716-060002	NUT, M6	2	2						

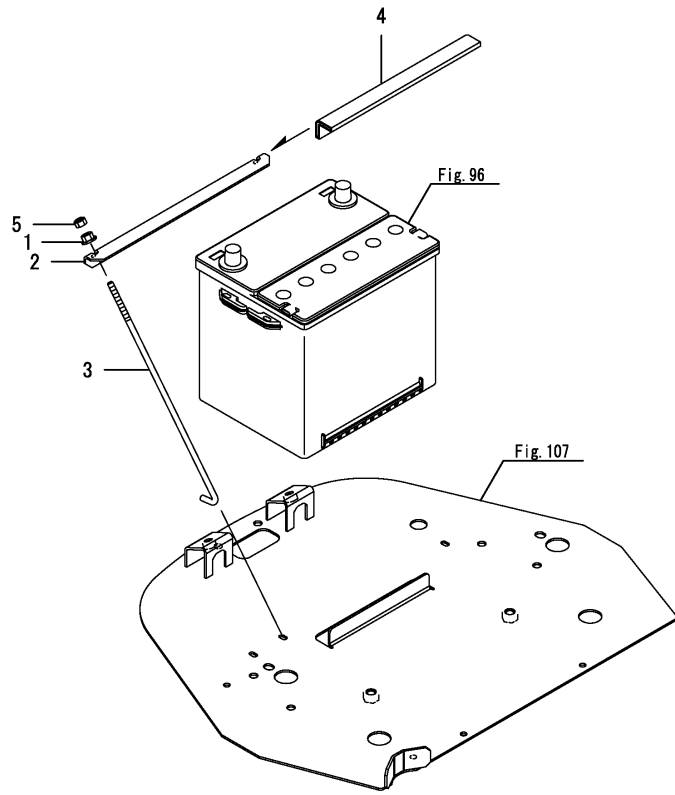


Fig.99. CLAMP(BATTERY

(A)=LX410(CCY)  
 (B)=LX450(CCY)  
 (C)=LX490(CCY)

(D)=  
 (E)=  
 (F)=

No.	Lev.	Parts No.	Description	Qty						I	R
				(A)	(B)	(C)	(D)	(E)	(F)		
1	1	194990-22130	NUT, M6			2					
2	1	1A8275-51600	CLAMP,BATTERY,6-290			1					
3	1	1A8275-51610	ROD,BATTERY			2					
4	1	26716-060002	NUT, M6			2					

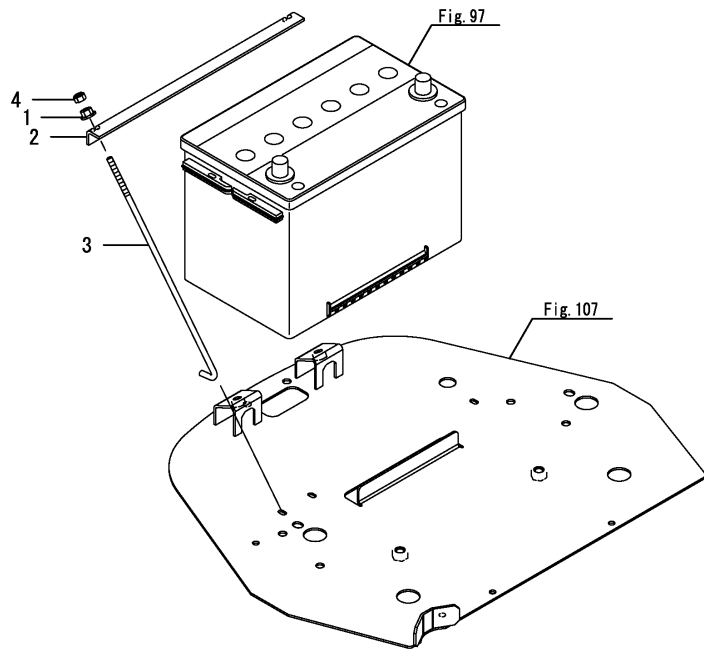




Fig.101. SWITCH

(A)=LX410(CCY)  
 (B)=LX450(CCY)  
 (C)=LX490(CCY)

(D)=  
 (E)=  
 (F)=

No.	Lev.	Parts No.	Description	Q'ty						I	R
				(A)	(B)	(C)	(D)	(E)	(F)		
1	1	194850-49290	PACKING, 6-1	1	1	1					
2	1	1A8275-52190	SWITCH,SAFETY	1	1	1					

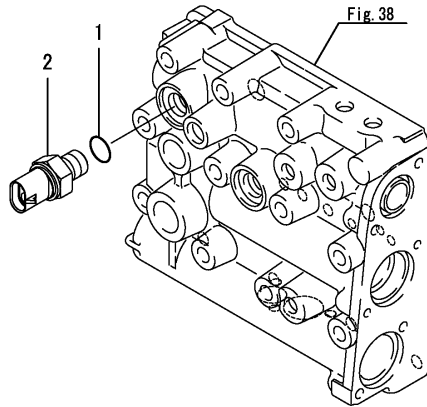


Fig.102. SWITCH

(A)=LX410(CCY)  
 (B)=LX450(CCY)  
 (C)=LX490(CCY)

(D)=  
 (E)=  
 (F)=

No.	Lev.	Parts No.	Description	Qty						I	R
				(A)	(B)	(C)	(D)	(E)	(F)		
1	1	198162-52110	SWITCH, STARTING	1	1	1					
2	2	198360-52320	NUT, RING	1	1	1					
3	2	198360-52330	WASHER	1	1	1					
4	2	198162-52150	KEY ASSY	1	1	1					
5	1	194448-61620	GROMMET, 20.5	1	1	1					

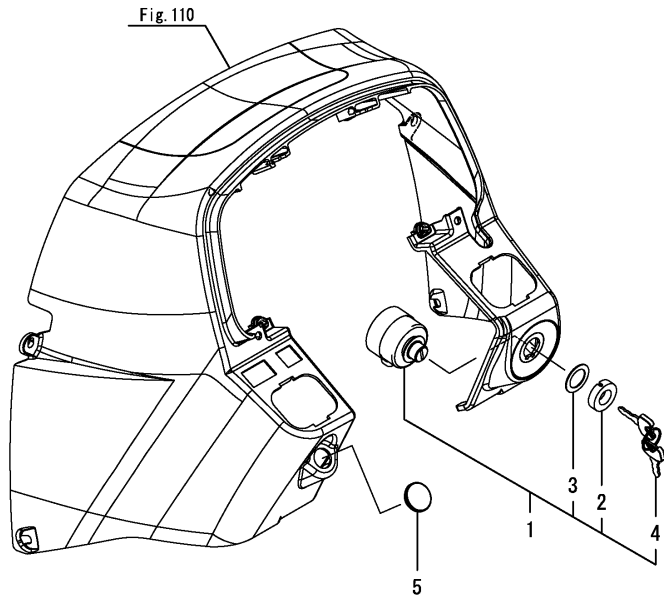
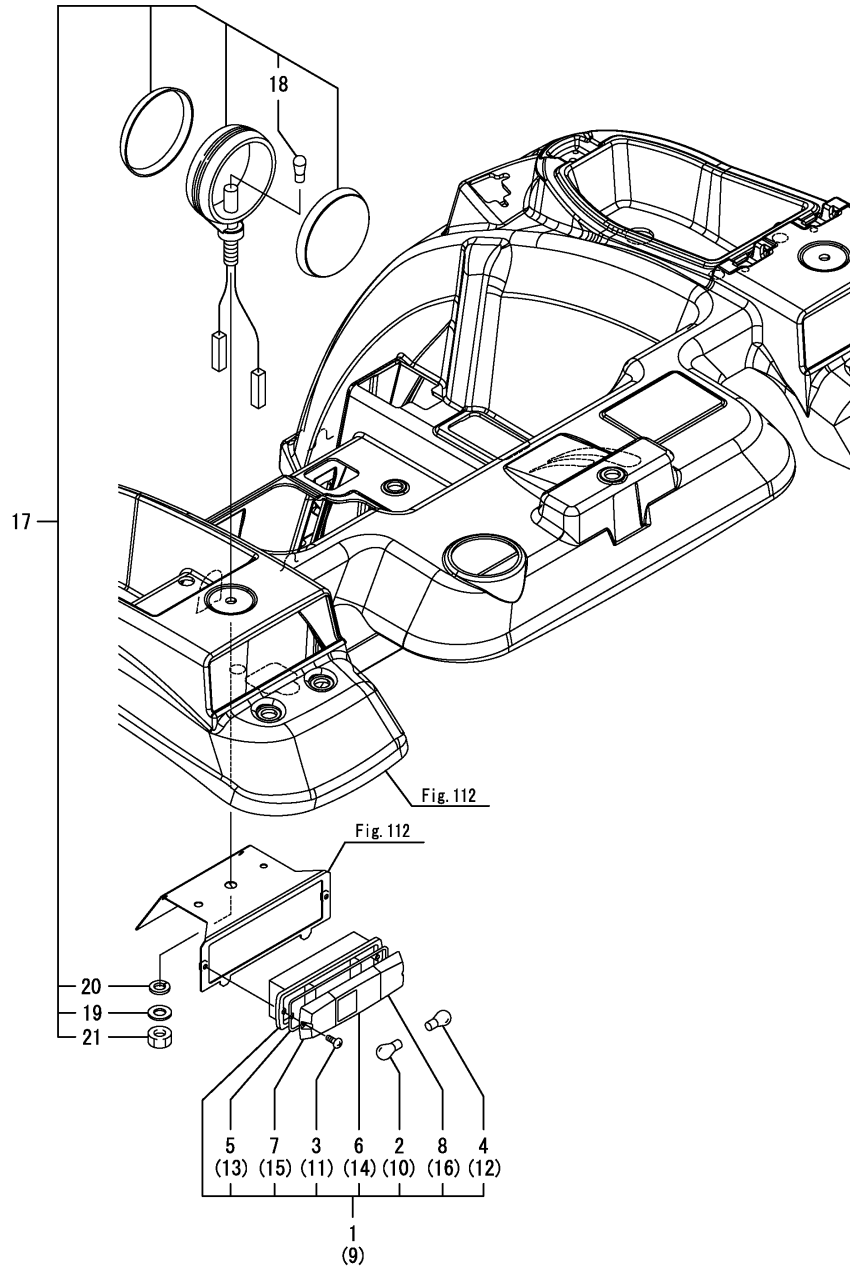


Fig.103. LAMP

(A)=LX410(CCY)  
 (B)=LX450(CCY)  
 (C)=LX490(CCY)

(D)=  
 (E)=  
 (F)=



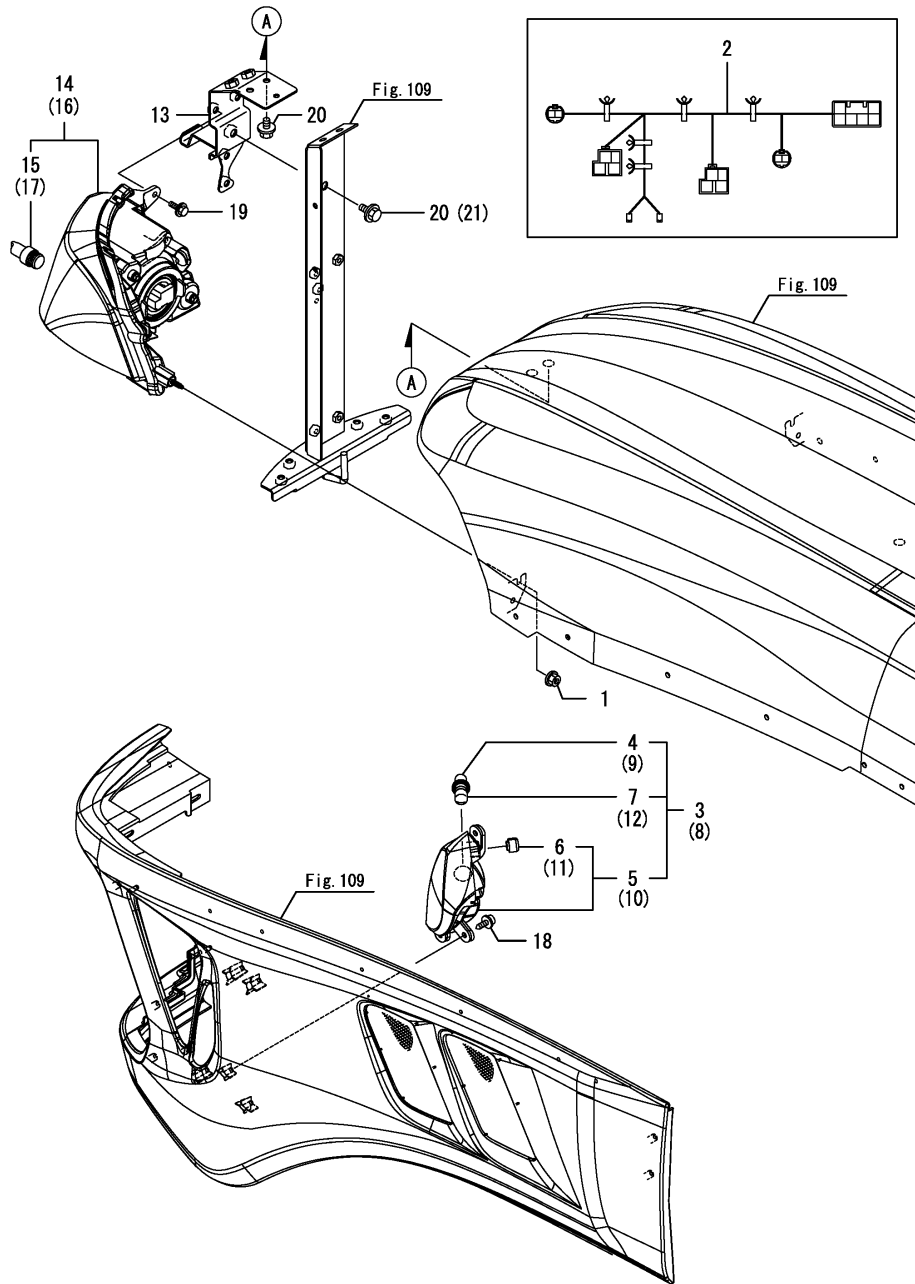
No.	Lev.	Parts No.	Description	Qty						I	R
				(A)	(B)	(C)	(D)	(E)	(F)		
1	1	1A7400-53110	LAMP ASSY, L	1	1	1					
2	2	1A7890-53420	BULB, 12V21W	1	1	1					
3	2	198268-53450	SCREW, 5X16	2	2	2					
4	2	1A7400-53530	VALVE, 12V21/5W	1	1	1					
5	2	1A7400-53560	GASKET	1	1	1					
6	2	1A7400-53570	LENS, L	1	1	1					
7	2	1A7400-53590	LENS, L	1	1	1					
8	2	1A7400-53610	LENS, L	1	1	1					
9	1	1A7400-53120	LAMP ASSY, R	1	1	1					
10	2	1A7890-53420	BULB, 12V21W	1	1	1					
11	2	198268-53450	SCREW, 5X16	2	2	2					
12	2	1A7400-53530	VALVE, 12V21/5W	1	1	1					
13	2	1A7400-53560	GASKET	1	1	1					
14	2	1A7400-53580	LENS, R	1	1	1					
15	2	1A7400-53600	LENS, R	1	1	1					
16	2	1A7400-53620	LENS, R	1	1	1					
17	1	1A8275-53400	LAMP ASSY,FLASHER	2	2	2					
18	2	1A7880-53430	BULB, 12.8V/27W	2	2	2					
19	2	22137-130000	WASHER, 13	2	2	2					
20	2	22217-130000	WASHER, SPRING 1/2	2	2	2					
21	2	1A7880-53100	NUT	2	2	2					



Fig.104. FRONT LAMP

(A)=LX410(CCY)  
 (B)=LX450(CCY)  
 (C)=LX490(CCY)

(D)=  
 (E)=  
 (F)=



No.	Lev.	Parts No.	Description	Qty						I	R
				(A)	(B)	(C)	(D)	(E)	(F)		
1	1	194990-22130	NUT, M6	2	2	2					
2	1	1A7180-51310	HARNESS, WIRE	1	1	1					
3	1	1A8070-53010	LAMP ASSY, SIDE L	1	1	1					
4	2	1C6860-08160	SOCKET ASSY	1	1	1					
5	2	1A8070-53030	CASE ASSY, SIDE LAMP	1	1	1					
6	3	1A7260-53220	CAP	1	1	1					
7	2	198072-53450	BULB,12V/18W	1	1	1					
8	1	1A8070-53020	LAMP ASSY, SIDE R	1	1	1					
9	2	1C6860-08160	SOCKET ASSY	1	1	1					
10	2	1A8070-53040	CASE ASSY, SIDE LAMP	1	1	1					
11	3	1A7260-53220	CAP	1	1	1					
12	2	198072-53450	BULB,12V/18W	1	1	1					
13	1	1A8265-53050	STAY ASSY, HEADLAMP	1	1	1					
14	1	1A8280-53200	LAMP ASSY, HEAD L	1	1	1					
15	2	1A8280-53220	BULB, 55W/60W	1	1	1					
16	1	1A8280-53300	LAMP ASSY, HEAD R	1	1	1					
17	2	1A8280-53220	BULB, 55W/60W	1	1	1					
18	1	194940-61790	SCREW, TAPPING M5X16	6	6	6					
19	1	26106-060202	BOLT, M6X 20 PLATED	4	4	4					
20	1	26106-080122	BOLT, M8X 12 PLATED	3	3	3					
20-1	1	26106-080162	BOLT, M8X 16 PLATED	3	3	3					N
		(A=FXXXXX) (B=FXXXXX) (C=FXXXXX)									
20-2	1	26106-080162	BOLT, M8X 16 PLATED	2	2	2					K
		(A=FXXXXX) (B=FXXXXX) (C=FXXXXX)									
21	1	26106-080122	BOLT, M8X 12 PLATED	1	1	1					W
		(A=FXXXXX) (B=FXXXXX) (C=FXXXXX)									

Fig.105. METER

(A)=LX410(CCY)  
 (B)=LX450(CCY)  
 (C)=LX490(CCY)

(D)=  
 (E)=  
 (F)=

No.	Lev.	Parts No.	Description	Qty						I	R
				(A)	(B)	(C)	(D)	(E)	(F)		
1	1	1A8275-56010	METER ASSY.	1	1	1					
2	2	1C6920-36260	LAMP ASSY, SOCKET	1	1	1					
3	2	198200-56050	BULB, 14V-1.7W	6	6	6					
4	2	198448-56150	BULB, 14V-1.4W	5	5	5					
5	2	198200-56080	SCREW, 3X16	6	6	6					
6	1	26557-050202	SCREW, M5X20	4	4	4					
7	1	26716-050002	NUT, M5	4	4	4					

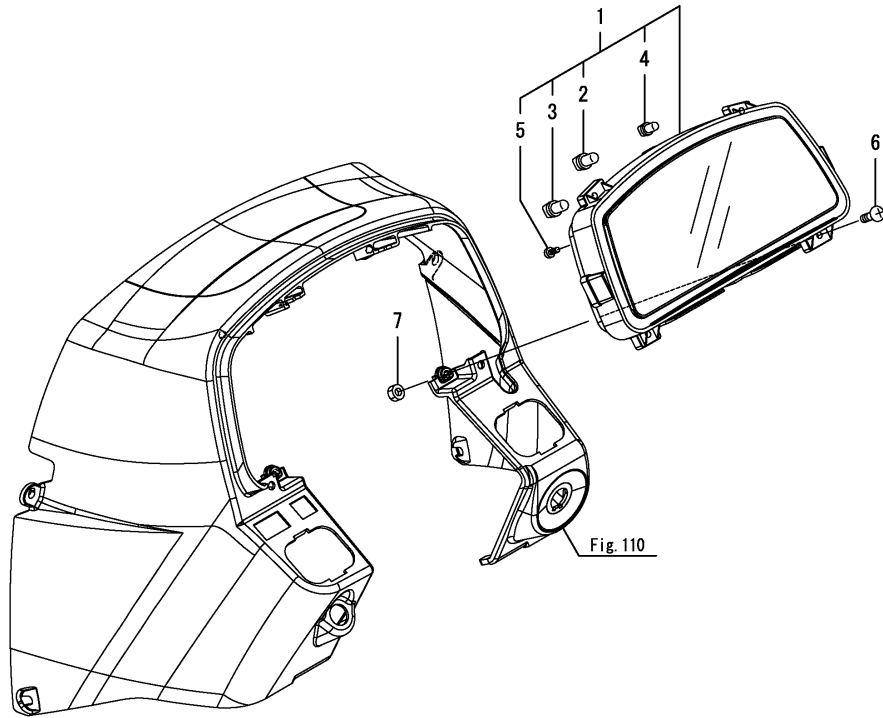
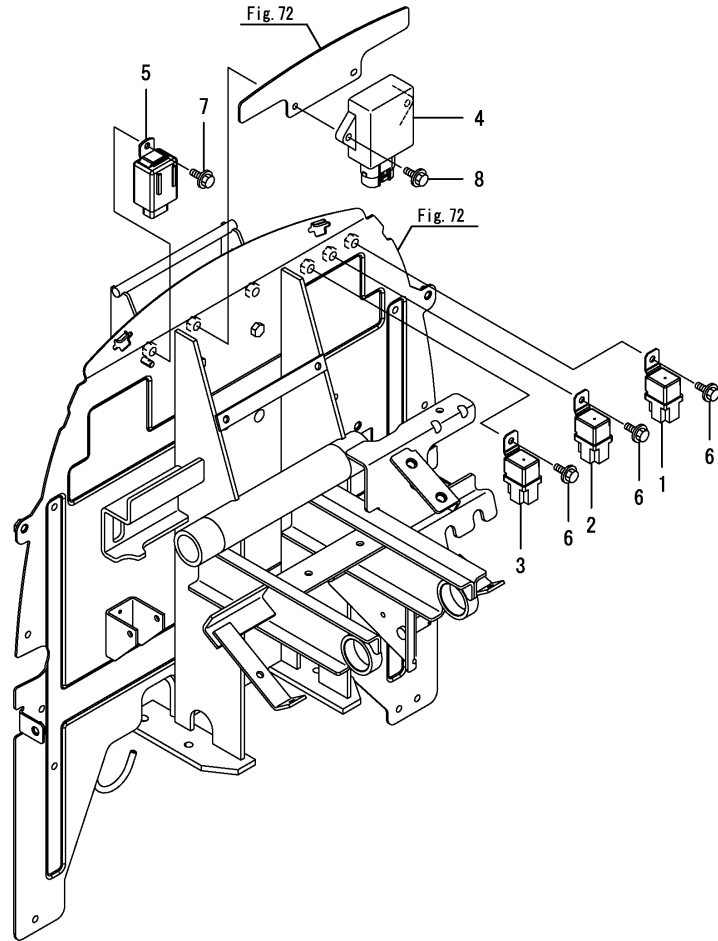


Fig.106. RELAY

(A)=LX410(CCY)  
 (B)=LX450(CCY)  
 (C)=LX490(CCY)

(D)=  
 (E)=  
 (F)=

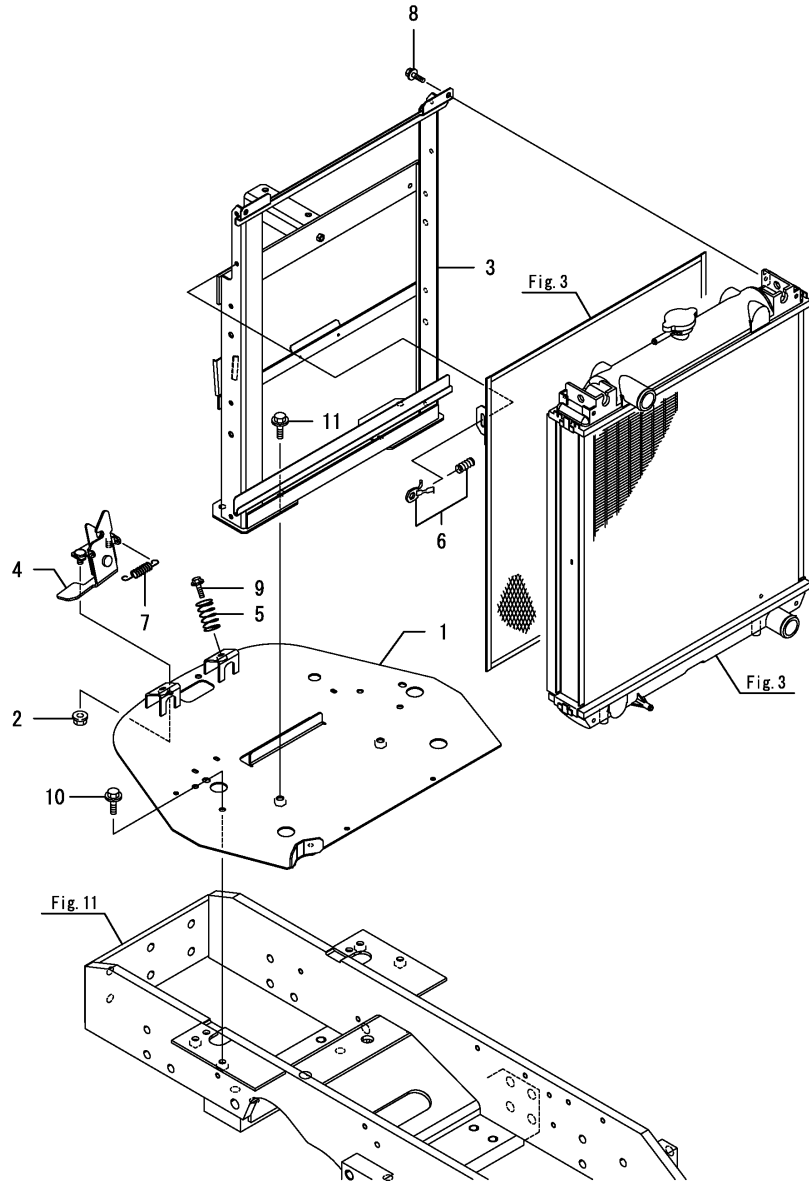


No.	Lev.	Parts No.	Description	Qty						I	R
				(A)	(B)	(C)	(D)	(E)	(F)		
1	1	1A7870-52950	RELAY, CB	1	1	1					
2	1	1A7870-52950	RELAY, CB	1	1	1					
3	1	1A7870-52950	RELAY, CB	1	1	1					
4	1	1A8275-57100	RELAY-UNIT	1	1	1					
5	1	1A6780-57200	FLASHER	1	1	1					
6	1	26106-060122	BOLT, M6X 12 PLATED	3	3	3					
7	1	26106-060122	BOLT, M6X 12 PLATED	1	1	1					
8	1	26106-060202	BOLT, M6X 20 PLATED	2	2	2					

Fig.107. FRONT FRAME

(A)=LX410(CCY)  
 (B)=LX450(CCY)  
 (C)=LX490(CCY)

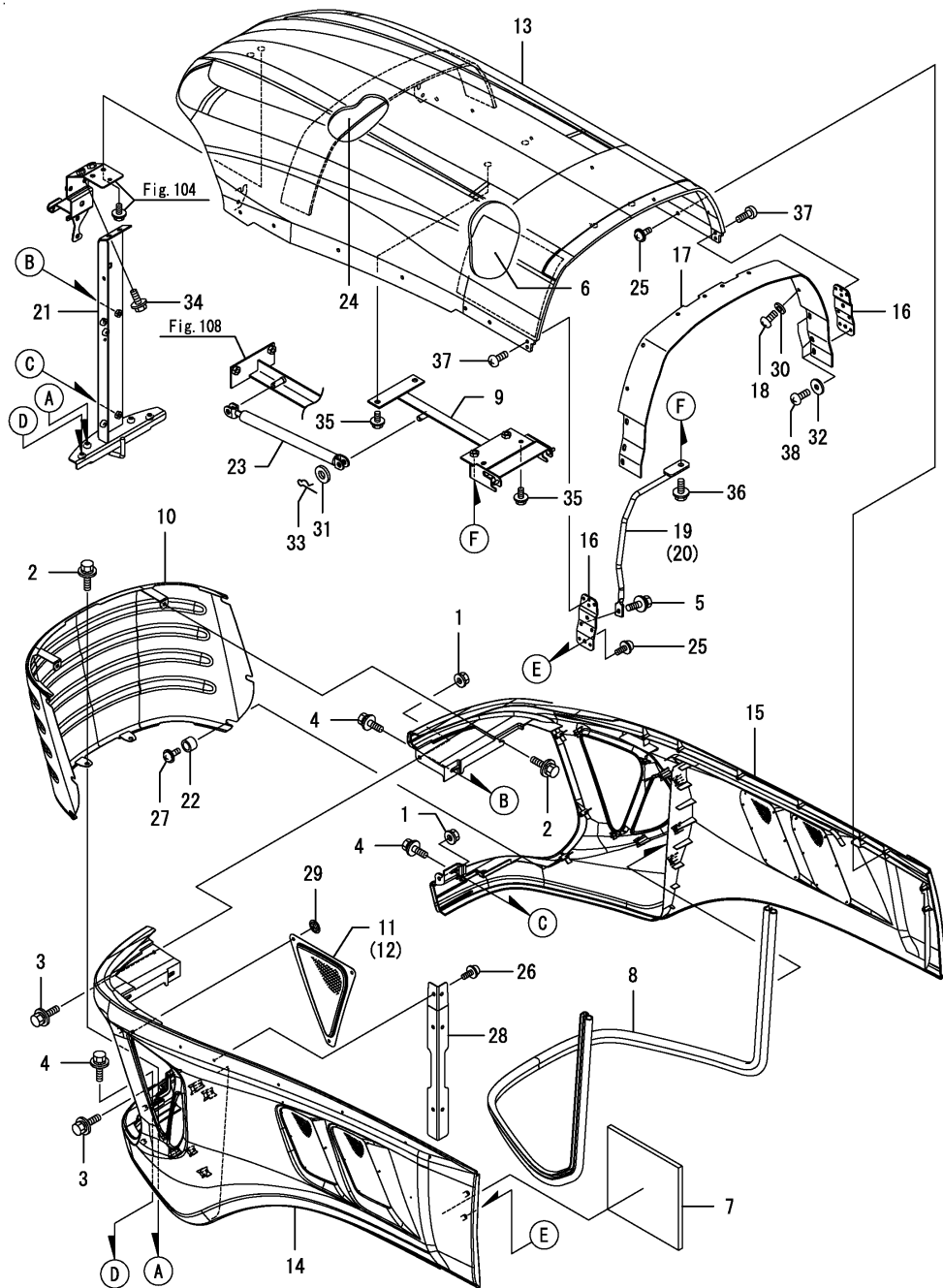
(D)=  
 (E)=  
 (F)=



No.	Lev.	Parts No.	Description	Q'ty						I	R
				(A)	(B)	(C)	(D)	(E)	(F)		
1	1	1A8250-01600	BRACKET ASSY, RADI	1	1	1					
1-1	1	1A8250-01601	BRACKET ASSY, RADI	1	1	1					N
		(A=FXXXXX) (B=FXXXXX) (C=FXXXXX)									
2	1	194990-22140	NUT, M8	2	2	2					
3	1	1A8240-60100	FRAME ASSY, FRONT	1	1	1					
3-1	1	1A8240-60101	FRAME ASSY, FRONT	1	1	1					N
		(A=FZZZZZ) (B=FZZZZZ) (C=FZZZZZ)									
4	1	1A7180-61250	LOCK ASSY, BONNET	1	1	1					
5	1	198220-61340	SPRING	2	2	2					
6	1	198220-61351	LOCK ASSY, CAM	1	1	1					
7	1	198230-61960	SPRING	1	1	1					
8	1	26106-060202	BOLT, M6X 20 PLATED	2	2	2					
9	1	26106-060202	BOLT, M6X 20 PLATED	2	2	2					
10	1	26106-080202	BOLT, M8X 20 PLATED	4	4	4					
11	1	26106-080202	BOLT, M8X 20 PLATED	2	2	2					



Fig.109. HOOD



No.	Lev.	Parts No.	Description	Qty						I	R
				(A)	(B)	(C)	(D)	(E)	(F)		
1	1	194990-22130	NUT, M6	2	2	2					
2	1	198072-60590	BOLT, M6X20	4	4	4					
3	1	198072-60590	BOLT, M6X20	2	2	2					
4	1	198072-60590	BOLT, M6X20	6	6	6					
5	1	198072-60590	BOLT, M6X20	2	2	2					
6	1	1A8250-60610	INSULATOR, HOOD	1	1	1					
7	1	1A8250-60620	INSULATOR, HOOD LOWER	1	1	1					
7-1	1	1A8250-60621	INSULATOR, HOOD LOWER	1	1	1					N
		(A=FXXXXX) (B=FXXXXX) (C=FXXXXX)									
8	1	1A7180-60750	WEATHER-STRIP	1	1	1					
9	1	1A8240-60900	HINGE ASSY, HOOD	1	1	1					
10	1	1A7180-61050	NET ASSY, BONNET	1	1	1					
11	1	1A7180-61070	NET, GRILLE L	1	1	1					
12	1	1A7180-61080	NET, GRILLE R	1	1	1					
13	1	1A8265-61100	HOOD ASSY, TOP	1	1	1					
13-1	1	1A8265-61101	HOOD ASSY, TOP	1	1	1					N
		(A=F000157) (B=F000134) (C=F000179)									
14	1	1A8250-61130	HOOD ASSY, LOWER L	1	1	1					
15	1	1A8250-61140	HOOD ASSY, LOWER R	1	1	1					
16	1	1A8265-61180	BRACKET, HOOD LOWER	2	2	2					
17	1	1A8265-61190	RUBBER, HOOD	1	1	1					
18	1	1A8265-61240	SCREW, #10-32X3/8	8	8	8					
19	1	1A8265-61250	ROD CMP, HOOD LH	1	1	1					
20	1	1A8265-61280	ROD CMP, HOOD RH	1	1	1					
21	1	1A8265-61300	STAY ASSY, LOCK	1	1	1					
22	1	1A8070-61330	COLLAR, 10X15X10	6	6	6					
23	1	1A8250-61400	SPRING, GAS 700	1	1	1					
24	1	1A7180-61410	URETHANE, BONNET U	1	1	1					
25	1	194940-61790	SCREW, TAPPING M5X16	14	14	14					
26	1	194940-61790	SCREW, TAPPING M5X16	6	6	6					
27	1	194940-61790	SCREW, TAPPING M5X16	6	6	6					
28	1	1A7180-61810	STAY, BONNET SIDE	2	2	2					
29	1	198071-65610	NUT, SPEED M5	6	6	6					
30	1	22137-050000	WASHER, 5	8	8	8					
31	1	22137-100000	WASHER, 10	1	1	1					
32	1	22157-060000	WASHER, 6	6	6	6					
33	1	22372-100000	PIN, SNAP 10	1	1	1					
34	1	26106-080122	BOLT, M8X 12 PLATED	2	2	2					
35	1	26106-080122	BOLT, M8X 12 PLATED	4	4	4					
35-1	1	26106-080162	BOLT, M8X 16 PLATED	4	4	4					N
		(A=FXXXXX) (B=FXXXXX) (C=FXXXXX)									
36	1	26106-080162	BOLT, M8X 16 PLATED	2	2	2					
37	1	26589-060102	SCREW, M6	4	4	4					
38	1	26589-060102	SCREW, M6	6	6	6					

Fig.110. DASHBOARD

(A)=LX410(CCY)  
 (B)=LX450(CCY)  
 (C)=LX490(CCY)

(D)=  
 (E)=  
 (F)=

No.	Lev.	Parts No.	Description	Qty						I	R
				(A)	(B)	(C)	(D)	(E)	(F)		
1	1	198072-60590	BOLT, M6X20	6	6	6					
2	1	198072-60590	BOLT, M6X20	4	4	4					
3	1	1A7180-61500	COVER, DASHBOARD	1	1	1					
4	1	1A7180-61510	COVER, METER	1	1	1					
5	1	198071-61890	NUT, SPEED M6	4	4	4					

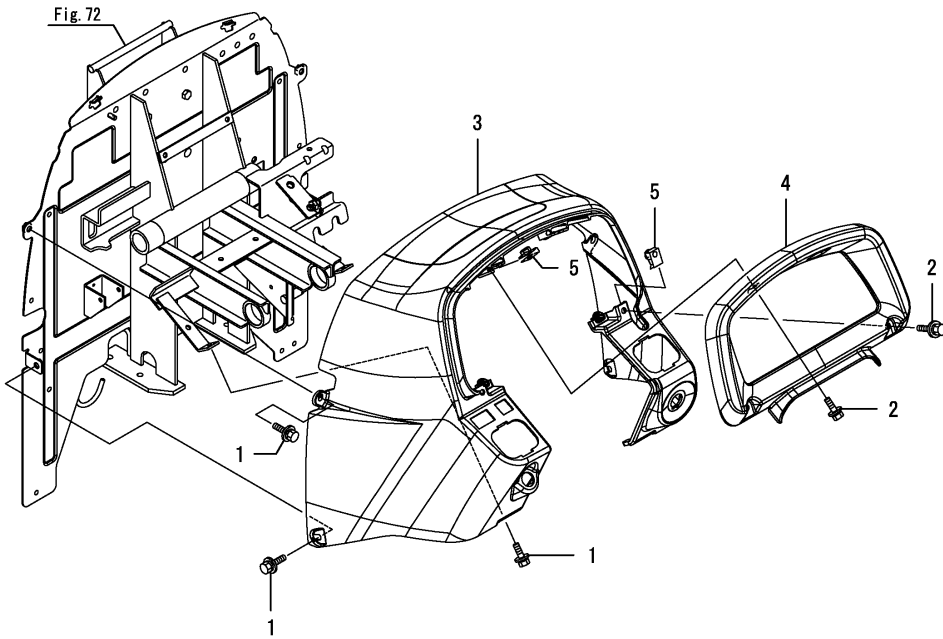


Fig.111. COLUMN COVER

(A)=LX410(CCY)  
 (B)=LX450(CCY)  
 (C)=LX490(CCY)

(D)=  
 (E)=  
 (F)=

No.	Lev.	Parts No.	Description	Qty						I	R
				(A)	(B)	(C)	(D)	(E)	(F)		
1	1	198072-60590	BOLT, M6X20	2	2	2					
2	1	198072-60590	BOLT, M6X20	3	3	3					
3	1	1A7180-61530	COVER, COLUMN REAR	1	1	1					
4	1	1A7180-61540	COVER, COLUMN FRONT	1	1	1					
5	1	194940-61790	SCREW, TAPPING M5X16	2	2	2					

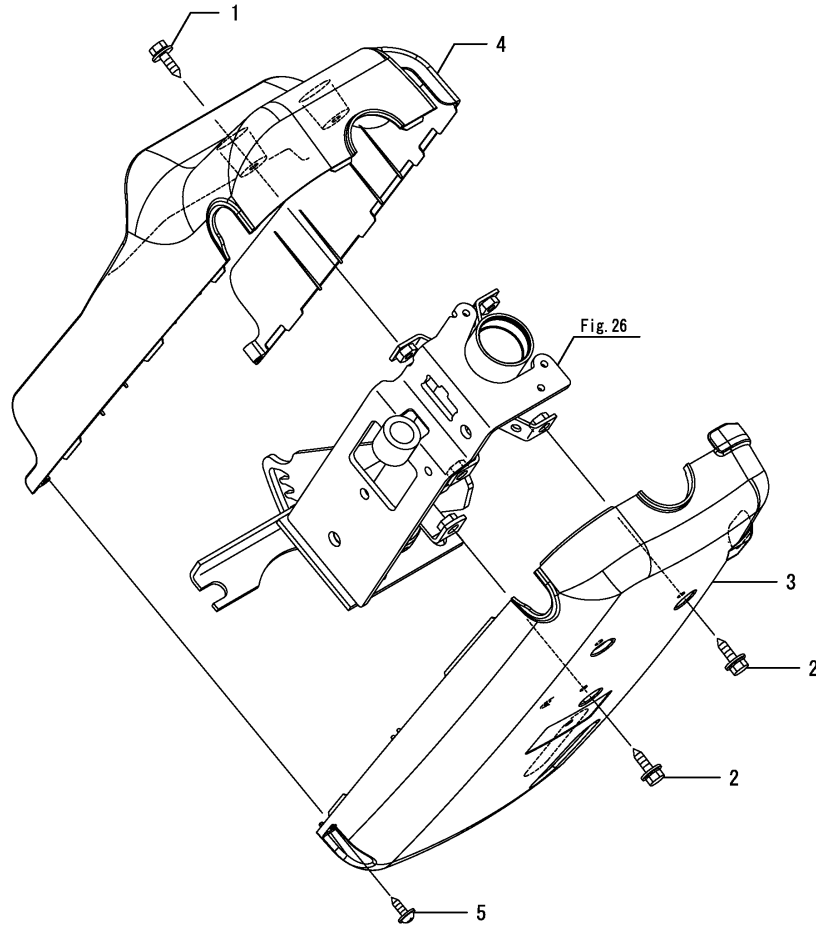
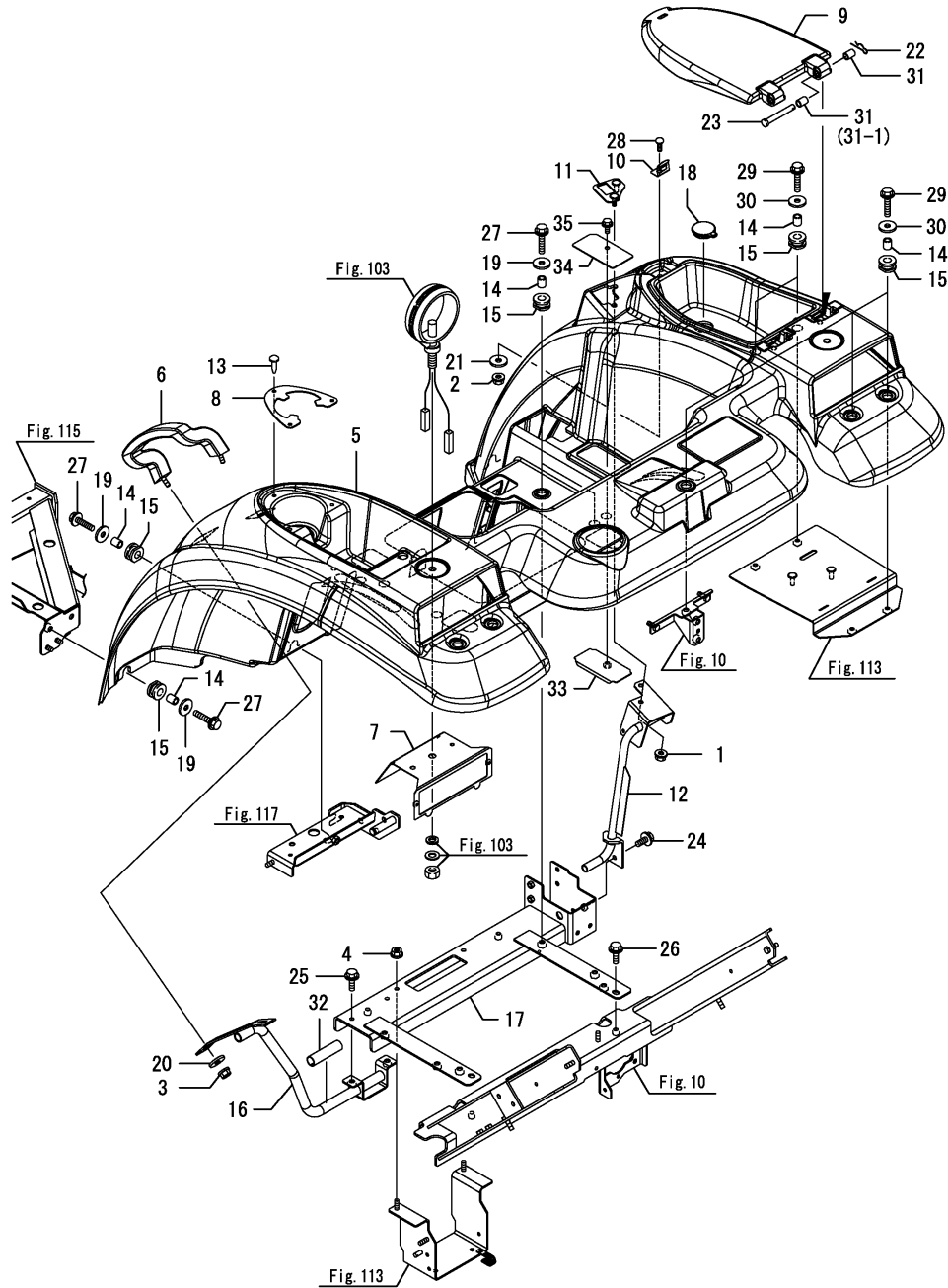




Fig.112. FENDER

(A)=LX410(CCY)  
 (B)=LX450(CCY)  
 (C)=LX490(CCY)

(D)=  
 (E)=  
 (F)=



No.	Lev.	Parts No.	Description	Qty						I	R
				(A)	(B)	(C)	(D)	(E)	(F)		
1	1	194990-22140	NUT, M8	2	2	2					
2	1	194990-22140	NUT, M8	1	1	1					
3	1	194990-22140	NUT, M8	2	2	2					
4	1	194990-22140	NUT, M8	2	2	2					
5	1	1A8250-62090	FENDER M ASSY,	1	1	1					
6	1	1A7510-62100	BAR, ASSIST	1	1	1					
7	1	1A8250-62210	BRACKET ASSY, LAMP	2	2	2					
8	1	1A8250-62390	COVER, CUP HOLDER	1	1	1					
9	1	1A8250-62410	CAP, TOOLBOX	1	1	1					
10	1	1A8250-62460	LOCK, TOOLBOX	1	1	1					
11	1	1A8250-62471	PLATE ASSY, PTO SW	1	1	1					
12	1	1A8250-62490	STAY ASSY, PTO SW	1	1	1					
13	1	194697-62560	CAP, HOLE	3	3	3					
14	1	198220-62920	COLLAR, ABSORBER	17	17	17					
15	1	1A8250-63470	GROMMET	17	17	17					
16	1	1A8250-63700	STAY ASSY, GRIP	1	1	1					
17	1	1A8250-63920	BRACKET ASSY, FENDER	1	1	1					
18	1	198094-85710	GROMMET, 38	1	1	1					
19	1	22157-080000	WASHER, 8	8	8	8					
20	1	22157-080000	WASHER, 8	2	2	2					
21	1	22157-080000	WASHER, 8	1	1	1					
22	1	22372-080000	PIN, SNAP 8	2	2	2					
23	1	22487-080600	PIN 8X 60	2	2	2					
24	1	26106-080202	BOLT, M8X 20 PLATED	1	1	1					
25	1	26106-080202	BOLT, M8X 20 PLATED	2	2	2					
26	1	26106-080202	BOLT, M8X 20 PLATED	2	2	2					
27	1	26106-080352	BOLT, M8X 35 PLATED	8	8	8					
28	1	26487-080203	BOLT, M8X20	1	1	1					
29	1	194697-28270	BOLT, M8X35	9	9	9					
30	1	198255-83550	WASHER, 8	9	9	9					
31	1	1A8250-62380	TUBE, 7X12X15	4	4	4					
31-1	1	1A8250-62381	TUBE, 7X10X11	2	2	2					S
		(A=FXXXXX) (B=FXXXXX) (C=FXXXXX)									
32	1	1A8250-63750	GUARD TUBE,	1	1	1					
33	1	1A8250-62120	SUPPORT ASSY, A	1	1	1					
34	1	1A8250-62150	SUPPORT B	1	1	1					
35	1	194697-28270	BOLT, M8X35	1	1	1					

Fig.113. FENDER PARTS

(A)=LX410(CCY)  
 (B)=LX450(CCY)  
 (C)=LX490(CCY)

(D)=  
 (E)=  
 (F)=

No.	Lev.	Parts No.	Description	Qty						I	R
				(A)	(B)	(C)	(D)	(E)	(F)		
1	1	194990-22140	NUT, M8	4	4	4					
2	1	1A8250-62170	COVER, LAMP ASSY	2	2	2					
3	1	1A8250-62250	BRACKET ASSY, REAR	2	2	2					
4	1	1A8250-63050	BRACKET ASSY, F UNIT	1	1	1					
5	1	26106-080162	BOLT, M8X 16 PLATED	2	2	2					
6	1	26106-080202	BOLT, M8X 20 PLATED	4	4	4					

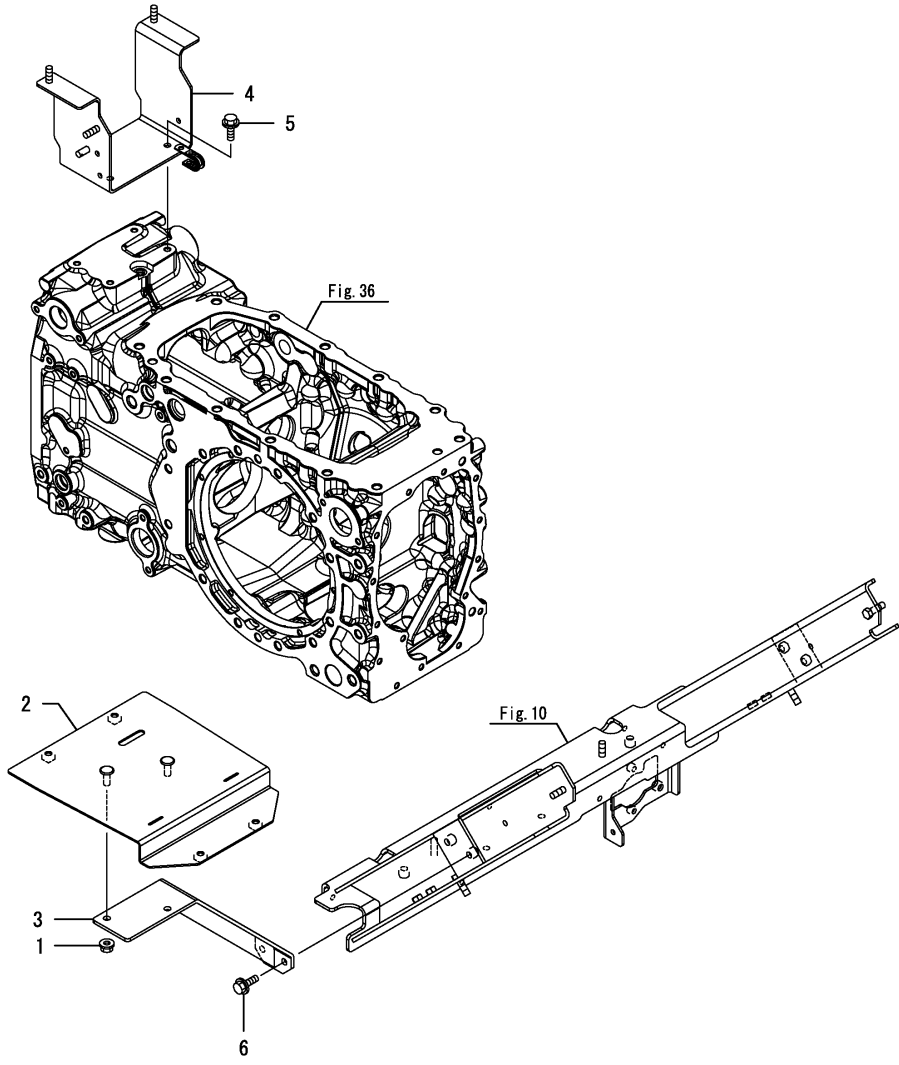
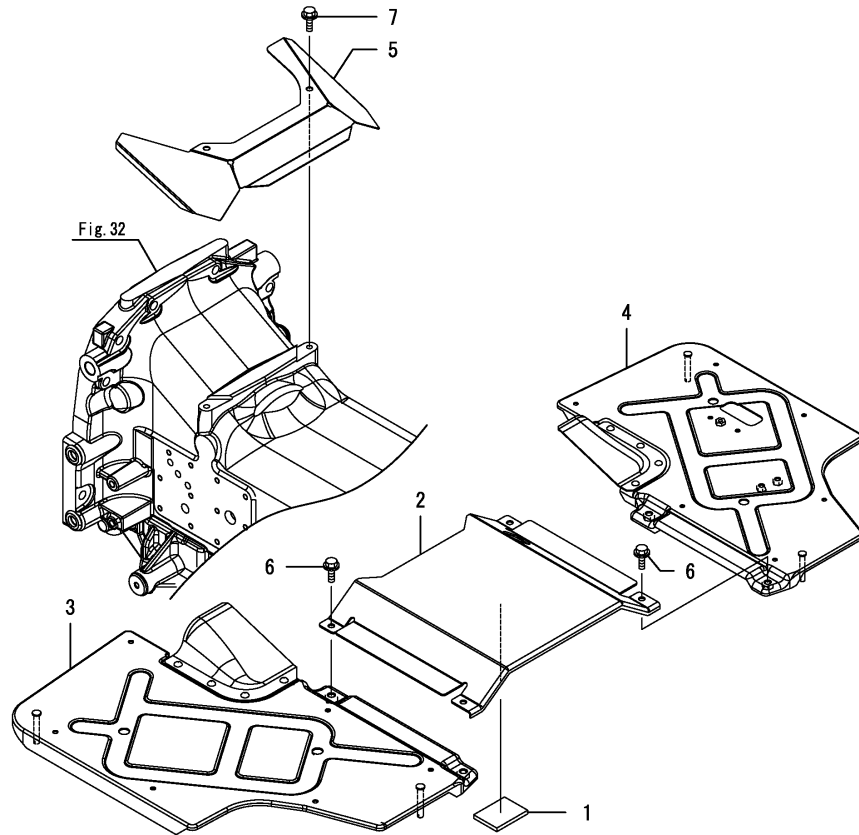


Fig.114. FLOOR

(A)=LX410(CCY)  
 (B)=LX450(CCY)  
 (C)=LX490(CCY)

(D)=  
 (E)=  
 (F)=

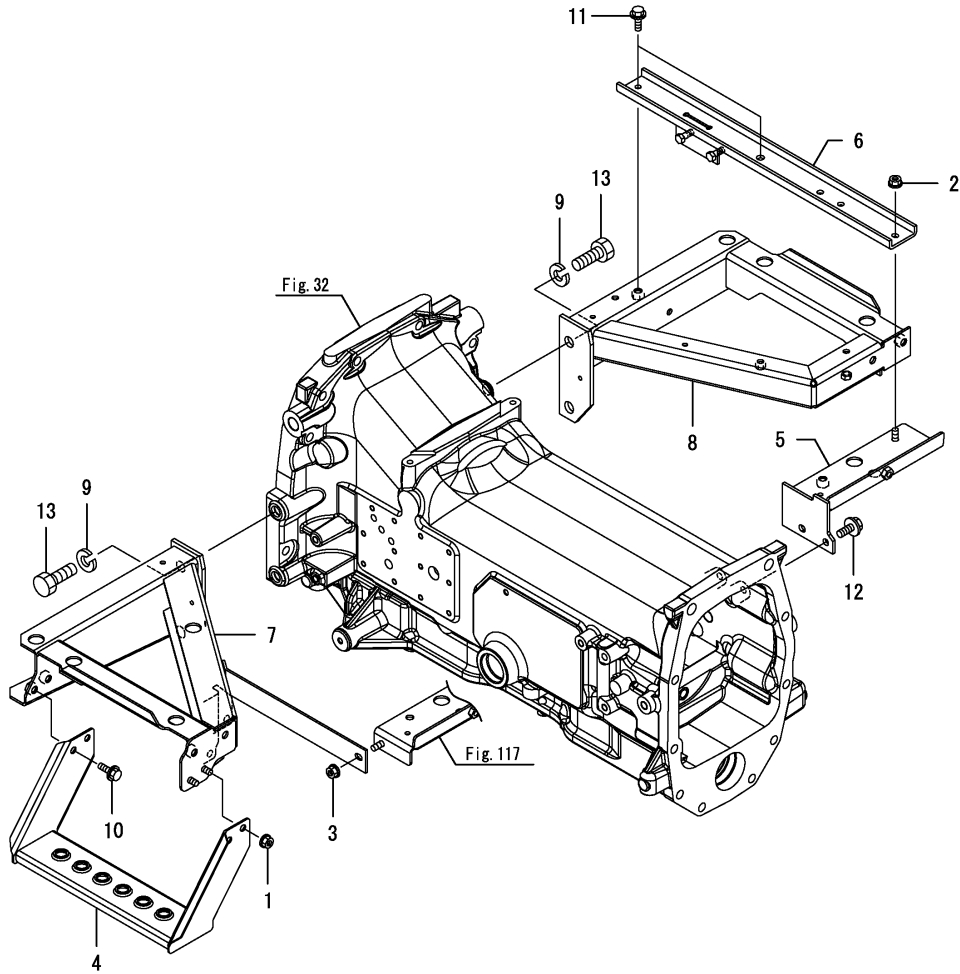


No.	Lev.	Parts No.	Description	Q'ty						I	R
				(A)	(B)	(C)	(D)	(E)	(F)		
1	1	194190-61761	RUBBER, CUSHION	1	1	1					
2	1	1A8250-62570	PLATE, FLOOR C	1	1	1					
3	1	1A8250-62580	PLATE ASSY, FLOOR L	1	1	1					
4	1	1A8250-62590	PLATE ASSY, FLOOR R	1	1	1					
5	1	1A8250-62620	COVER, FLOOR	1	1	1					
6	1	26106-080122	BOLT, M8X 12 PLATED	4	4	4					
7	1	26106-080162	BOLT, M8X 16 PLATED	2	2	2					

Fig.115. STEP STAY(1)

(A)=LX410(CCY)  
 (B)=LX450(CCY)  
 (C)=LX490(CCY)

(D)=  
 (E)=  
 (F)=



No.	Lev.	Parts No.	Description	Qty						I	R
				(A)	(B)	(C)	(D)	(E)	(F)		
1	1	194990-22140	NUT, M8	2	2	2					
2	1	194990-22140	NUT, M8	1	1	1					
3	1	194990-22140	NUT, M8	1	1	1					
4	1	1A8240-62561	SUB-STEP ASSY,	1	1	1					
5	1	1A8240-62660	SUPPORT ASSY, REAR R	1	1	1					
6	1	1A8240-62710	SUPPORT ASSY, SCV	1	1	1					
6-1	1	1A8240-62711	SUPPORT ASSY, SCV	1	1	1					N
		(A=FZZZZZ) (B=FZZZZZ) (C=FZZZZZ)									
7	1	1A8240-62850	SUPPORT,FRONT L ASSY	1	1	1					
8	1	1A8240-62860	SUPPORT,FRONT R ASSY	1	1	1					
8-1	1	1A8240-62861	SUPPORT,FRONT R ASSY	1	1	1					N
		(A=FZZZZZ) (B=FZZZZZ) (C=FZZZZZ)									
9	1	22217-160000	WASHER, SPRING 16	4	4	4					
10	1	26106-080162	BOLT, M8X 16 PLATED	2	2	2					
11	1	26106-080162	BOLT, M8X 16 PLATED	2	2	2					
12	1	26106-100202	BOLT, M10X 20 PLATED	2	2	2					
13	1	26116-160402	BOLT, M16X 40 PLATED	4	4	4					

Fig.116. INSULATOR

(A)=LX410(CCY)  
 (B)=LX450(CCY)  
 (C)=LX490(CCY)

(D)=  
 (E)=  
 (F)=

No.	Lev.	Parts No.	Description	Qty						I	R
				(A)	(B)	(C)	(D)	(E)	(F)		
1	1	198220-62150	WASHER	4	4	4					
2	1	198240-62451	ABSORBER, STEP	7	7	7					
3	1	22372-080000	PIN, SNAP 8	4	4	4					

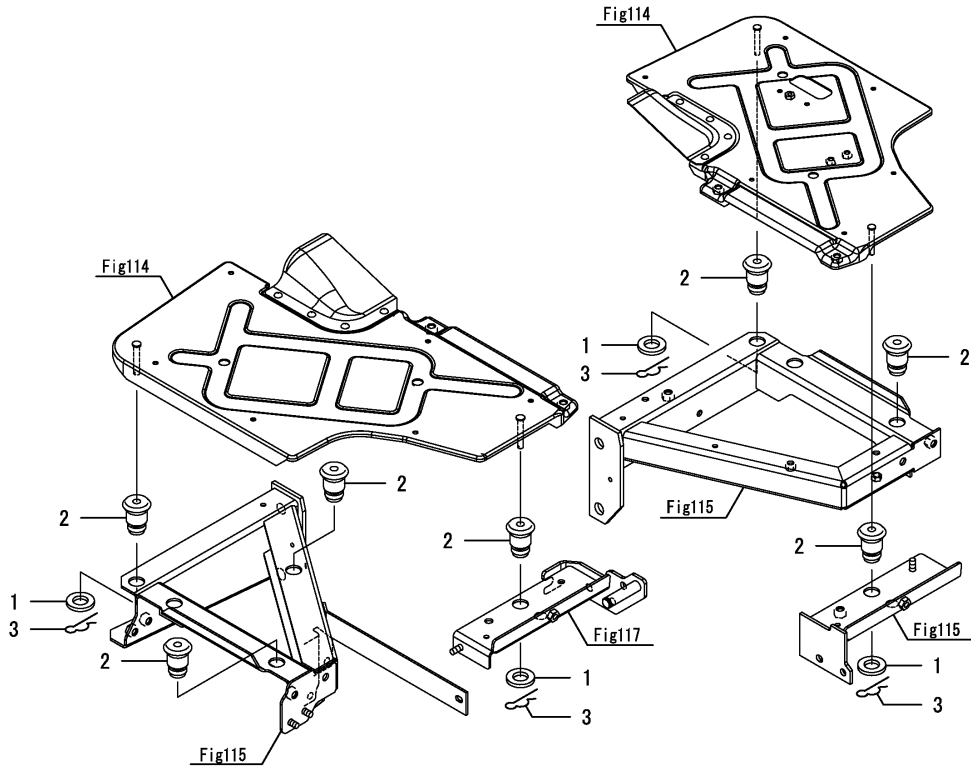


Fig.117. STEP STAY(2)

(A)=LX410(CCY)  
 (B)=LX450(CCY)  
 (C)=LX490(CCY)

(D)=  
 (E)=  
 (F)=

No.	Lev.	Parts No.	Description	Qty						I	R
				(A)	(B)	(C)	(D)	(E)	(F)		
1	1	1A8240-18510	ROD, REVERSER	1	1	1					
2	1	1C6281-52320	PIN, SNAP 8	2	2	2					
3	1	1A8240-62600	SUPPORT UNIT, REAR L	1	1	1					
4	2	1A8240-18400	LINK, REVERSER ASSY	1	1	1					
5	3	24550-015120	BUSH, 15X12	2	2	2					
6	2	1A8240-62650	SUPPORT ASSY, REAR L	1	1	1					
7	2	22137-140000	WASHER, 14	1	1	1					
8	2	22272-000120	RING, E-12	1	1	1					
9	1	22137-080000	WASHER, 8	2	2	2					
10	1	26106-100202	BOLT, M10X 20 PLATED	2	2	2					

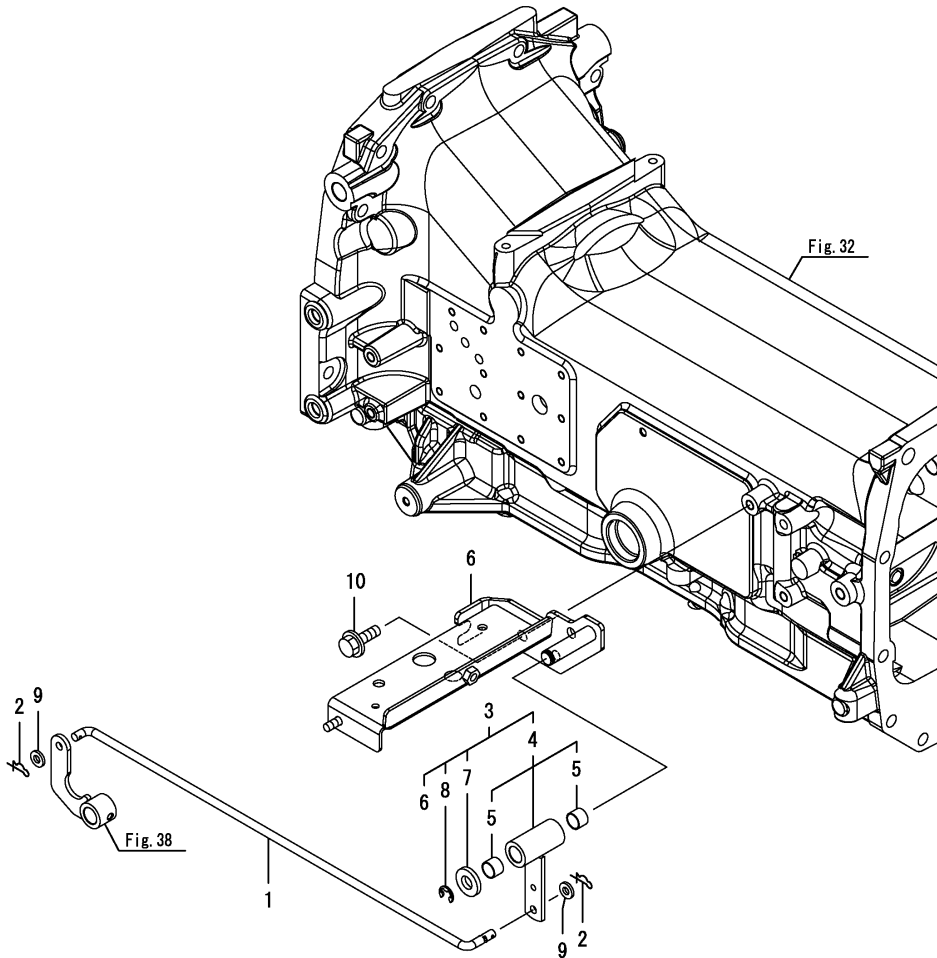


Fig.118. FLOOR ATTACHMENT

(A)=LX410(CCY)  
 (B)=LX450(CCY)  
 (C)=LX490(CCY)

(D)=  
 (E)=  
 (F)=

No.	Lev.	Parts No.	Description	Q'ty						I	R
				(A)	(B)	(C)	(D)	(E)	(F)		
1	1	1A8240-62360	MAT. FLOOR ROPS	1	1	1					
2	1	194697-62560	CAP. HOLE	12	12	12					

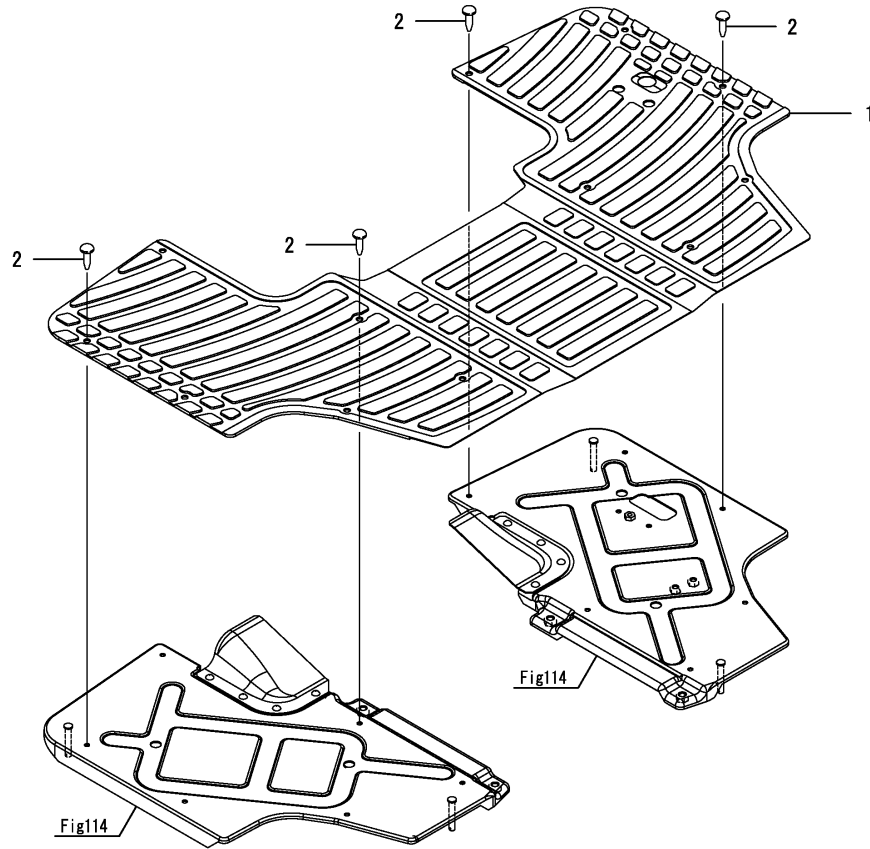
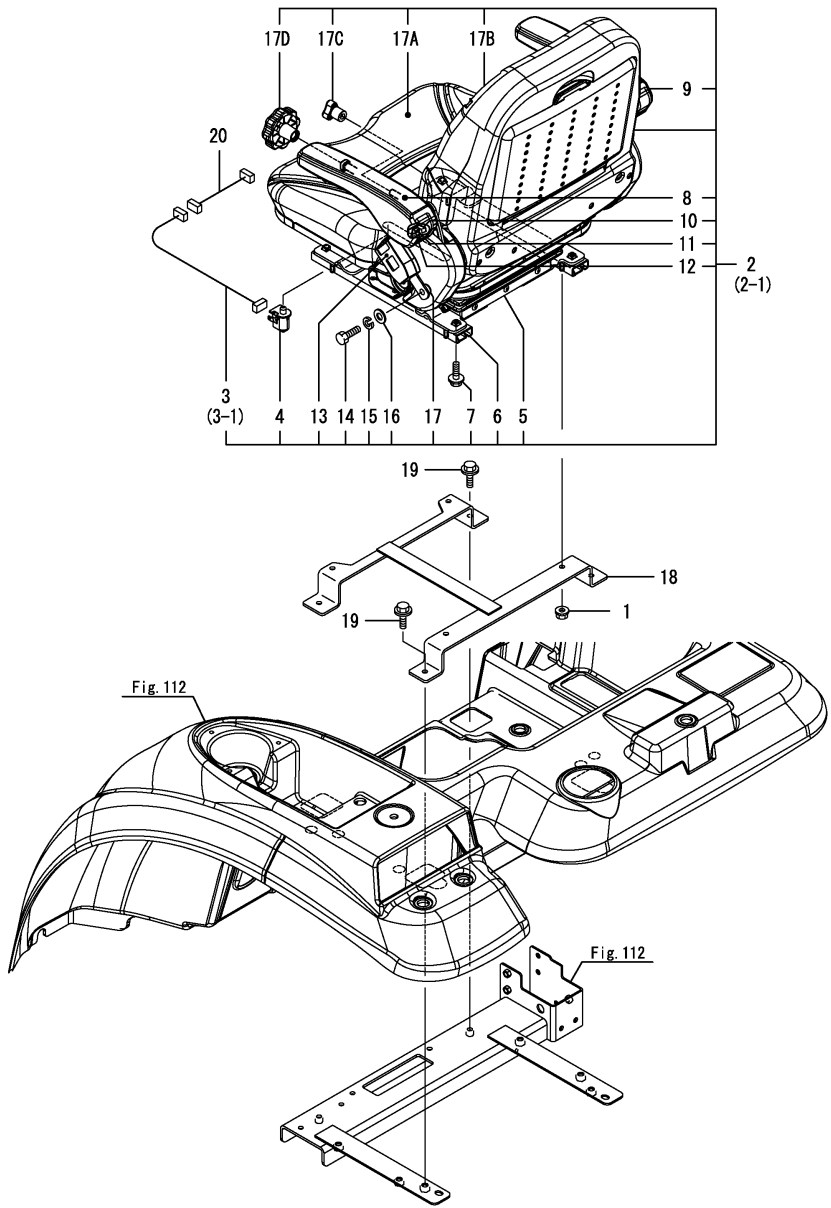


Fig.119. SEAT



(A)=LX410(CCY)  
 (B)=LX450(CCY)  
 (C)=LX490(CCY)

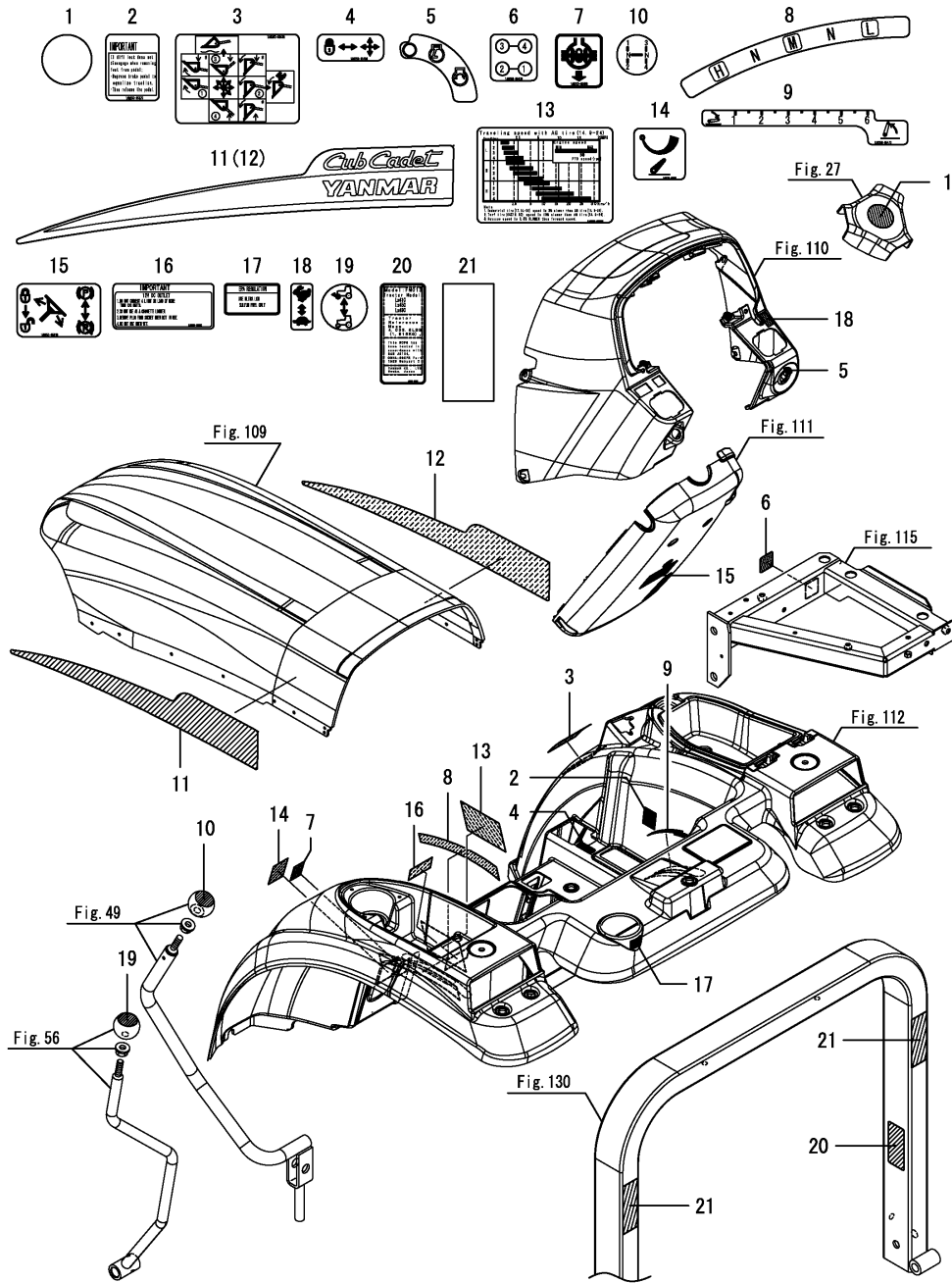
(D)=  
 (E)=  
 (F)=

No.	Lev.	Parts No.	Description	Q'ty						I	R
				(A)	(B)	(C)	(D)	(E)	(F)		
1	1	194990-22140	NUT, M8	4	4	4					
2	1	1A8240-63110	SEAT,ASSY	1	1	1					
2-1	1	1A8240-63111	SEAT ASSY,	1	1	1					S 1
3	2	1A8275-51280	HARNES, SEAT	1	1	1					
3-1	2	1A8275-51281	HARNES, SEAT	1	1	1					S
4	2	1A8160-52310	SWITCH, SEAT DELTA	1	1	1					
5	2	1A8240-63120	SUSPENSION, SEAT	1	1	1					
6	2	1A8250-63240	SEAT RAIL L/R ASSY	1	1	1					
7	2	1A8250-63250	FRANGE BOLT	4	4	4					
8	2	1A8250-63300	ARM REST BODY ASSY L	1	1	1					
9	2	1A8250-63310	ARM REST BODY ASSY R	1	1	1					
10	2	1A8250-63320	PLANE WASHER	2	2	2					
11	2	1A8250-63330	HEXA HEAD CAP SCREWS	2	2	2					
12	2	1A8250-63340	SPRING WASHER	2	2	2					
13	2	1A8250-63520	SEATBELT ASSY, BELT	1	1	1					
14	2	1A8250-63530	HEX BOLT	2	2	2					
15	2	1A8250-63540	SPRING WASHER	3	3	3					
16	2	1A8250-63550	PLAIN WASHER	1	1	1					
17	2	1A8250-63560	BUSH	1	1	1					
17A	2	1A8240-63150	CUSHION, SEAT	1	1	1					
17B	2	1A8240-63160	CUSHION,B SEAT	1	1	1					
17C	2	1A8240-63170	KNOB, HIGHT ADJUST	1	1	1					
17D	2	1A8240-63180	KNOB, WEIGHT ADJUST	1	1	1					
18	1	1A8240-63200	BRACKET ASSY, SEAT	1	1	1					
19	1	26106-080202	BOLT, M8X 20 PLATED	4	4	4					
20	1	1A8250-63390	LEAD, SEAT	1	1	1					Z

Remarks  
 (1)Ref.No.2 & 20 Interchangeable by set.



Fig.120. LABEL



(A)=LX410(CCY)  
 (B)=LX450(CCY)  
 (C)=LX490(CCY)

(D)=  
 (E)=  
 (F)=

No.	Lev.	Parts No.	Description	Q'ty						I	R
				(A)	(B)	(C)	(D)	(E)	(F)		
1	1	1A8250-15790	LABEL, STEERING	1	1	1					
2	1	1A8250-65370	LABEL,IMPORTANT,DIFF	1	1	1					
3	1	1A8250-65410	LABEL, SCV LEVER	1	1	1					
4	1	1A8250-65420	LABEL, SCV LOCK	1	1	1					
5	1	1A8300-65421	LABEL, START SWITCH	1	1	1					
6	1	1A8250-65430	LABEL, SCV COUPLER	1	1	1					
7	1	1A8250-65450	LABEL, DIFF. LOCK	1	1	1					
8	1	1A8250-65460	LABEL, RANGE	1	1	1					
9	1	1A8250-65470	LABEL, LIFT LEVER	1	1	1					
10	1	1A8240-65500	LABEL, PRIMARY SHIFT	1	1	1					
11	1	1A8250-65510	LABEL, LOGO L.	1	1	1					
12	1	1A8250-65520	LABEL, LOGO R	1	1	1					
13	1	1A8250-65560	LABEL, SPEED	1	1	1					
14	1	1A8250-65580	LABEL, STOP VALVE	1	1	1					
15	1	1A8250-65610	LABEL, TILT-PARKING	1	1	1					
16	1	1A8250-65630	LABEL, SOCKET	1	1	1					
17	1	1A8250-65650	LABEL, FUEL OIL	1	1	1					
18	1	1A8250-65690	LABEL,ACCELERATOR	1	1	1					
19	1	1A8250-65750	LABEL, 4WD	1	1	1					
20	1	1A8250-65820	LABEL,ROPS STANDARD	1	1	1					
21	1	1A8160-65860	TAPE, 50X115	2	2	2					

Fig.121. LABEL(LX410)

(A)=LX410(CCY)  
 (B)=LX450(CCY)  
 (C)=LX490(CCY)

(D)=  
 (E)=  
 (F)=

No.	Lev.	Parts No.	Description	Q'ty						I	R
				(A)	(B)	(C)	(D)	(E)	(F)		
1	1	1A8240-64710	LABEL, MODEL LX410	2							
2	1	1A8250-65390	LABEL, SPARK ARRESTOR	1							

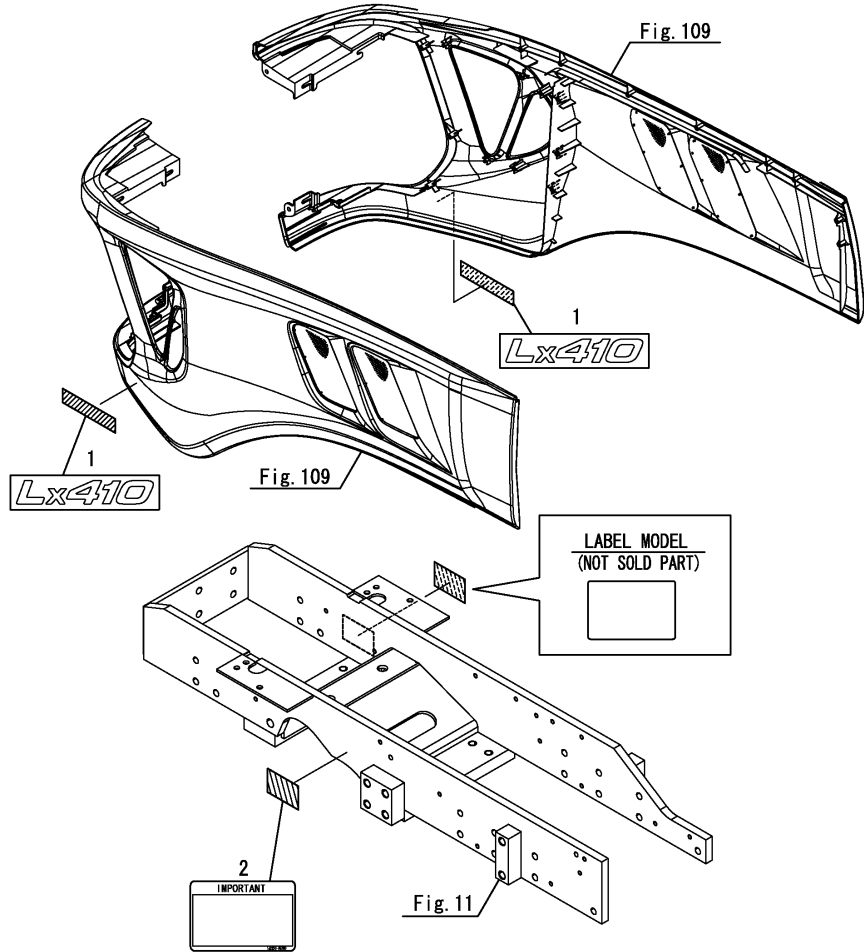


Fig.122. LABEL(LX450)

(A)=LX410(CCY)  
 (B)=LX450(CCY)  
 (C)=LX490(CCY)

(D)=  
 (E)=  
 (F)=

No.	Lev.	Parts No.	Description	Qty						I	R
				(A)	(B)	(C)	(D)	(E)	(F)		
1	1	1A8250-64710	LABEL, MODEL LX450		2						
2	1	1A8250-65390	LABEL, SPARK ARRESTOR		1						

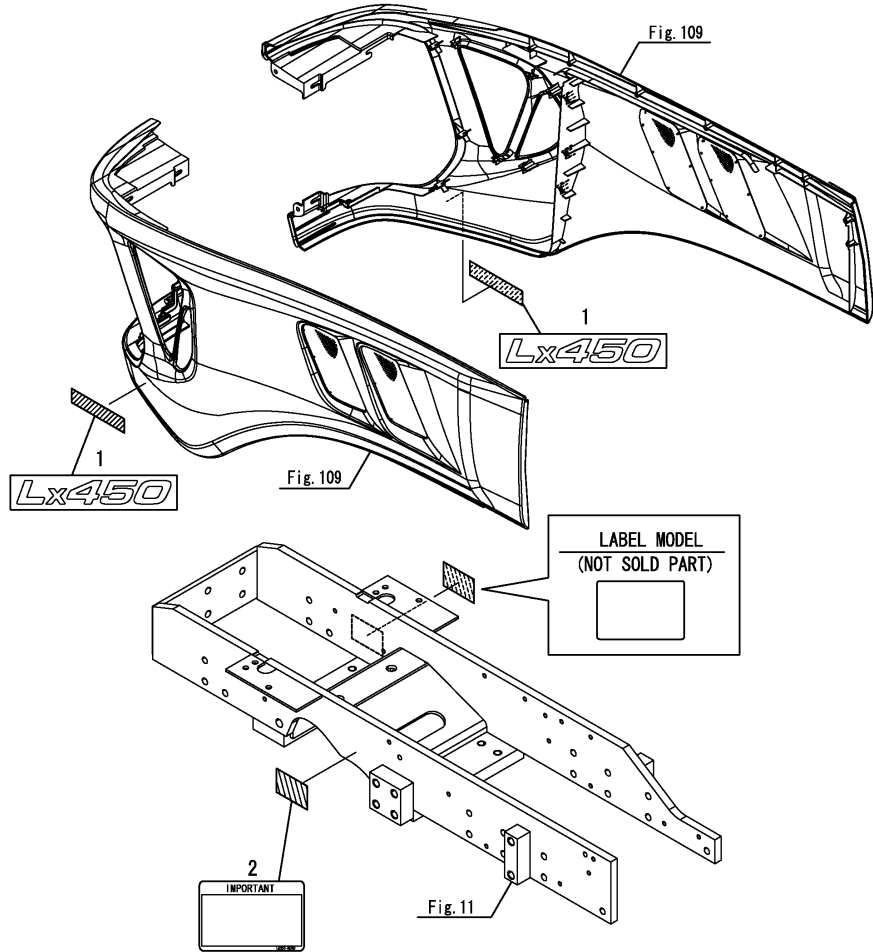


Fig.123. LABEL(LX490)

(A)=LX410(CCY)  
 (B)=LX450(CCY)  
 (C)=LX490(CCY)

(D)=  
 (E)=  
 (F)=

No.	Lev.	Parts No.	Description	Qty						I	R
				(A)	(B)	(C)	(D)	(E)	(F)		
1	1	1A8260-64710	LABEL, MODEL LX490			2					
2	1	1A8260-65910	LABEL, TURBO (C=FXXXXX)			2					W

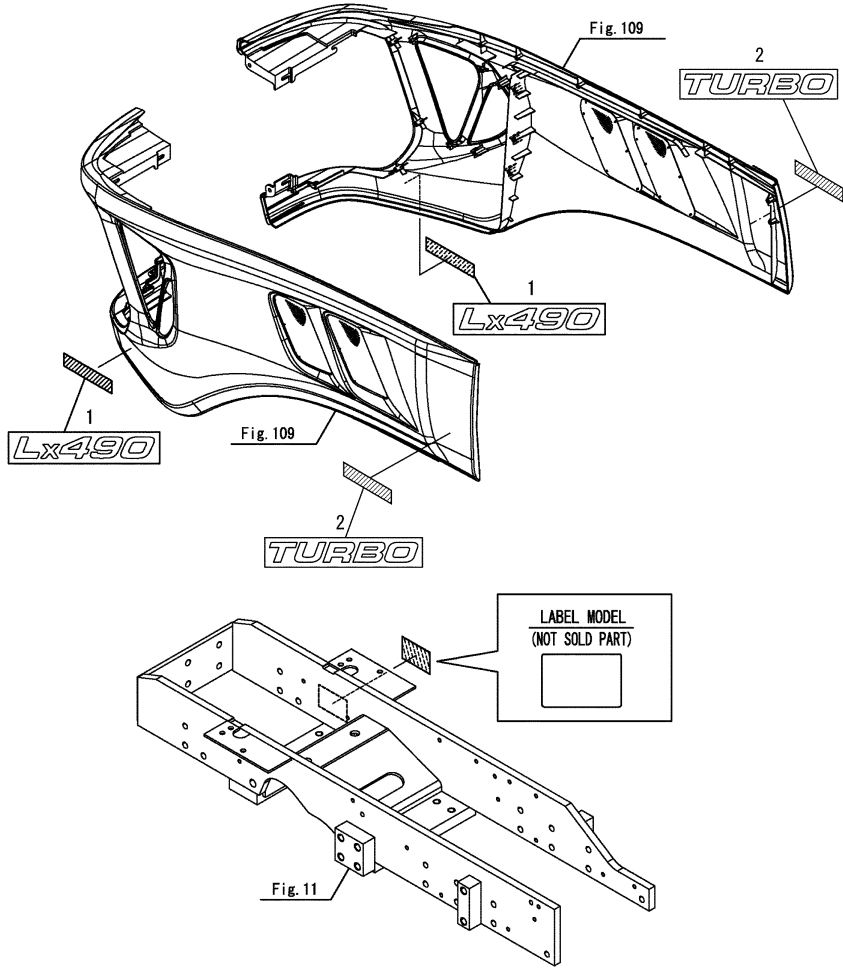


Fig.124. LABEL(PL)

(A)=LX410(CCY)  
 (B)=LX450(CCY)  
 (C)=LX490(CCY)

(D)=  
 (E)=  
 (F)=

No.	Lev.	Parts No.	Description	Qty						I	R
				(A)	(B)	(C)	(D)	(E)	(F)		
1	1	1A8250-65300	LABEL, DANGER, START	1	1	1					
2	1	1A8250-65310	LABEL, WARNING, STOP	1	1	1					
3	1	1A8240-65320	LABEL, WARNING	1	1	1					
4	1	1A8250-65350	LABEL, WARNING, ROPS	1	1	1					
5	1	1A7880-65610	LABEL, WARNING, FAN	2	2	2					
6	1	198220-65621	LABEL, P.T.O.WARNING	1	1	1					
7	1	1A8250-65800	LABEL, WARNING ROPS	1	1	1					

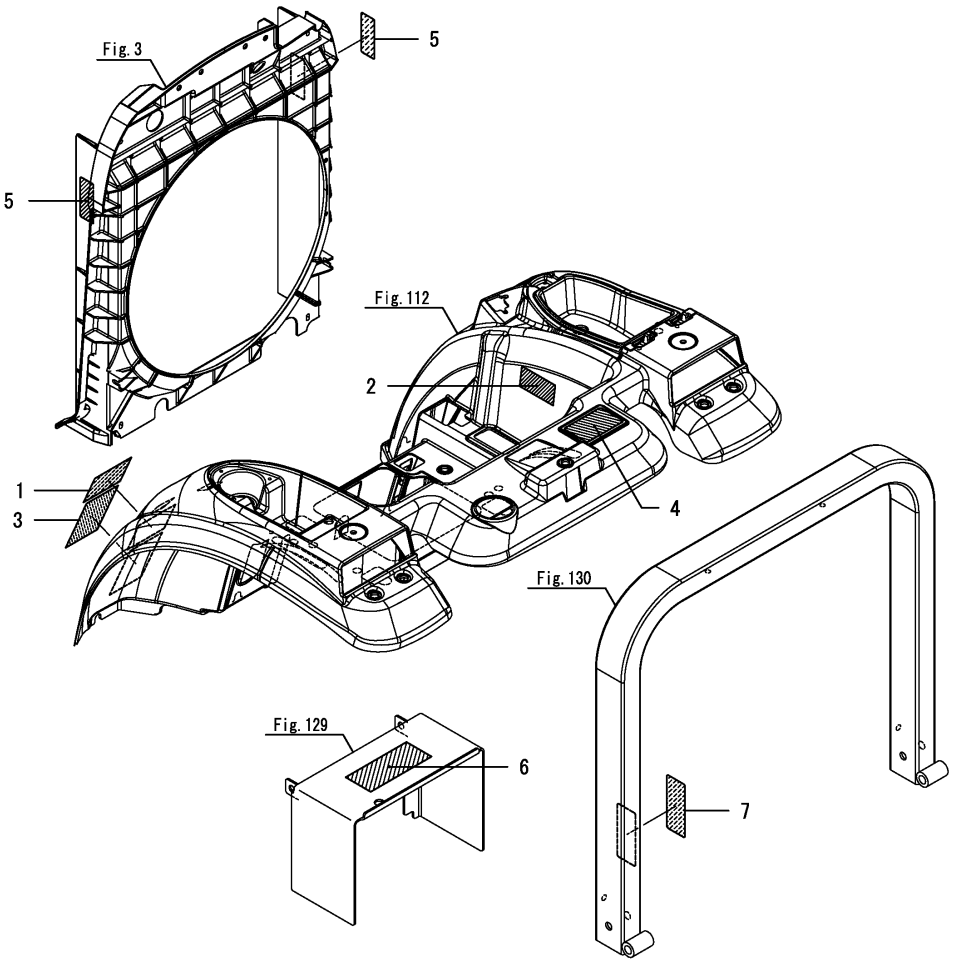
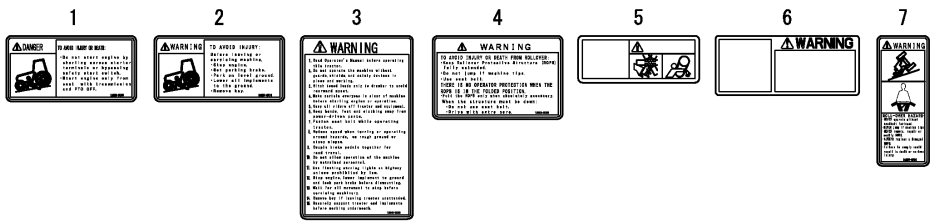
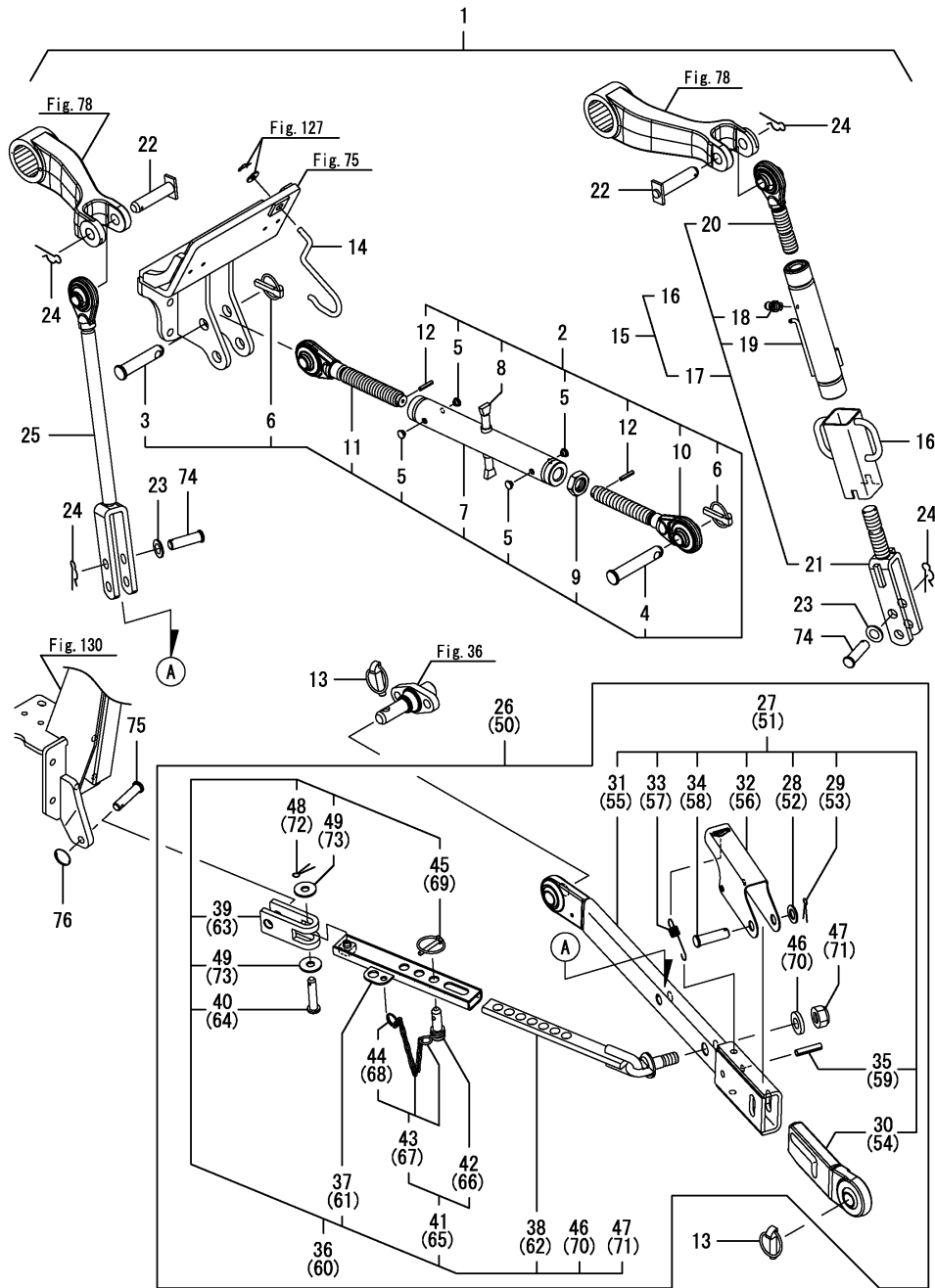




Fig.126. 3P LINK KIT

(A)=LX410(CCY)  
 (B)=LX450(CCY)  
 (C)=LX490(CCY)

(D)=  
 (E)=  
 (F)=



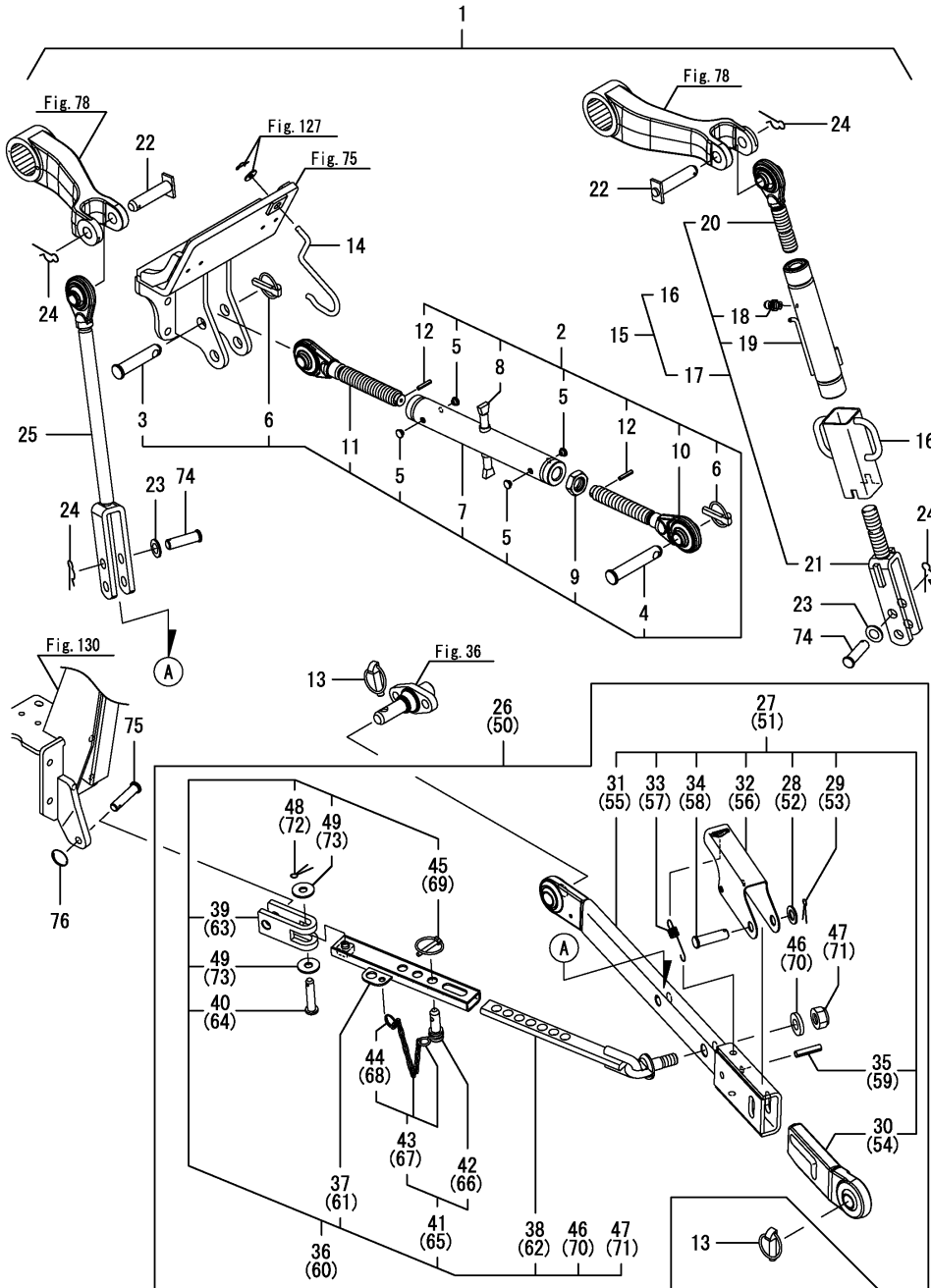
No.	Lev.	Parts No.	Description	Q'ty						I	R
				(A)	(B)	(C)	(D)	(E)	(F)		
1	1	1A8275-71000	3P LINK ASSY,	1	1	1					
2	2	1A8275-71100	LINK ASSY, TOP	1	1	1					
3	3	1A7335-71230	PIN, LINK	1	1	1					
4	3	1A7335-71240	PIN, HITCH	1	1	1					
5	3	1A7335-71250	CAP	4	4	4					
6	3	1A7335-71410	PIN ASSY, BALL	2	2	2					
7	3	1A8275-71500	TURNBACKLE ASSY,	1	1	1					
8	3	1A8275-71540	ROD,	1	1	1					
9	3	1A7880-71580	NUT, M24	1	1	1					
10	3	1A8275-71600	EYEBOLT ASSY, RH	1	1	1					
11	3	1A8275-71700	EYEBOLT ASSY, LH	1	1	1					
12	3	1A7335-71760	PIN, SPRING 5.0X25	2	2	2					
13	2	1A7335-71410	PIN ASSY, BALL	4	4	4					
14	2	1A8275-71550	SPRING,	1	1	1					
15	2	1A8275-72100	LINK ASSY, LIFT R.H.	1	1	1					
16	3	1A8275-72110	HANDLE CMP	1	1	1					
17	3	1A8275-72190	LINK ASY, LIFT R	1	1	1					
18	4	1A7450-43680	NIPPLE, GRESAE M6	1	1	1					
19	4	1A8275-72200	TURN BUCKLE CMP	1	1	1					
20	4	1A8275-72250	BOLT ASSY, EYE	1	1	1					
21	4	1A8275-72270	YOKE ASSY, LIFT R.H.	1	1	1					
22	2	1A8275-72150	PIN, LIFT ARM	2	2	2					
23	2	1A7500-72160	WASHER, 16	2	2	2					
24	2	1A8275-72180	SNAP PIN 13-19	4	4	4					
25	2	1A8275-72300	LIFT LINK L CMP	1	1	1					
26	2	1A8275-73030	LINK & CHAIN L ASY	1	1	1					
27	3	1A8275-73500	LINK ASSY, LOWER LH	1	1	1					
28	4	1A7500-72160	WASHER, 16	1	1	1					
29	4	1A7500-72180	PIN, 4.0X32	1	1	1					
30	4	1A8275-73510	LOWER MEMBER RL CMP	1	1	1					
31	4	1A8275-73600	LOWER MEMBER F ASSY	1	1	1					
32	4	1A8275-73700	LINK COVER	1	1	1					
33	4	1A8275-73710	SPRING	1	1	1					
34	4	1A8275-73720	PIN	1	1	1					
35	4	1A8275-73740	PIN 10X45	1	1	1					
36	3	1A8275-74200	STABILIZER ASSY	1	1	1					
37	4	1A8275-74260	TUBE CMP, OUTER	1	1	1					
38	4	1A8275-74340	PLATE CMP, INNER	1	1	1					
39	4	1A8275-74390	JOINT	1	1	1					
40	4	1A8275-74410	PIN 12.8X55	1	1	1					
41	4	1A8275-74430	PIN CMP	1	1	1					
42	5	1A8275-74440	PIN 15X27	1	1	1					
43	5	1A8275-74450	CHAIN ASSY	1	1	1					
44	6	1A8275-74470	RING	1	1	1					
45	4	1A8275-74490	LYNCH PIN ASSY	1	1	1					
46	4	1A8275-74520	WASHER 20	1	1	1					
47	4	1A8275-74530	NUT 18, NYLON LOCK	1	1	1					
48	4	1A8275-74540	PIN 4.0X32	1	1	1					
49	4	1A8275-74550	WASHER 13	2	2	2					
50	2	1A8275-73040	LINK & CHAIN R ASSY	1	1	1					
51	3	1A8275-73550	LINK ASSY, LOWER RH	1	1	1					

N:Old  $\xrightarrow{\text{Yes}}$  New, Q:Old  $\xrightarrow{\text{No}}$  New, R:Old  $\xrightarrow{\text{Yes}}$  New, S:Old  $\xrightarrow{\text{No}}$  New, W:Add, Z:Discontinued, F:Interchangeable by set, K:Q'ty Change  
 ++ CONTINUE ++  
 Copyright (C) YANMAR CO., LTD. All Rights Reserved.

Fig.126. 3P LINK KIT

(A)=LX410(CCY)  
 (B)=LX450(CCY)  
 (C)=LX490(CCY)

(D)=  
 (E)=  
 (F)=



No.	Lev.	Parts No.	Description	Q'ty						I	R
				(A)	(B)	(C)	(D)	(E)	(F)		
52	4	1A7500-72160	WASHER, 16	1	1	1					
53	4	1A7500-72180	PIN, 4.0X32	1	1	1					
54	4	1A8275-73560	LOWER MEMBER RR CMP	1	1	1					
55	4	1A8275-73600	LOWER MEMBER F ASSY	1	1	1					
56	4	1A8275-73700	LINK COVER	1	1	1					
57	4	1A8275-73710	SPRING	1	1	1					
58	4	1A8275-73720	PIN	1	1	1					
59	4	1A8275-73740	PIN 10X45	1	1	1					
60	3	1A8275-74200	STABILIZER ASSY	1	1	1					
61	4	1A8275-74260	TUBE CMP, OUTER	1	1	1					
62	4	1A8275-74340	PLATE CMP, INNER	1	1	1					
63	4	1A8275-74390	JOINT	1	1	1					
64	4	1A8275-74410	PIN 12.8X55	1	1	1					
65	4	1A8275-74430	PIN CMP	1	1	1					
66	5	1A8275-74440	PIN 15X27	1	1	1					
67	5	1A8275-74450	CHAIN ASSY	1	1	1					
68	6	1A8275-74470	RING	1	1	1					
69	4	1A8275-74490	LYNCH PIN ASSY	1	1	1					
70	4	1A8275-74520	WASHER 20	1	1	1					
71	4	1A8275-74530	NUT 18, NYLON LOCK	1	1	1					
72	4	1A8275-74540	PIN 4.0X32	1	1	1					
73	4	1A8275-74550	WASHER 13	2	2	2					
74	2	1A8275-73720	PIN	2	2	2					
75	2	1A8275-74240	PIN 14X53	2	2	2					
76	2	1A7500-74661	RING, 32	2	2	2					



Fig.127. TOP LINK

(A)=LX410(CCY)  
 (B)=LX450(CCY)  
 (C)=LX490(CCY)

(D)=  
 (E)=  
 (F)=

No.	Lev.	Parts No.	Description	Q'ty						I	R
				(A)	(B)	(C)	(D)	(E)	(F)		
1	1	1C6281-52320	PIN, SNAP 8	1	1	1					
2	1	22117-080000	WASHER, 8	1	1	1					

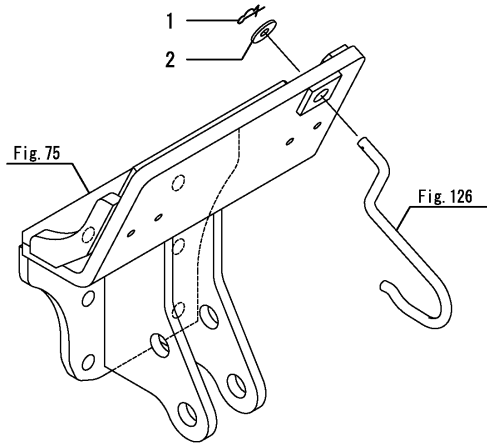


Fig.128. DRAWBAR HITCH

(A)=LX410(CCY)  
 (B)=LX450(CCY)  
 (C)=LX490(CCY)

(D)=  
 (E)=  
 (F)=

No.	Lev.	Parts No.	Description	Q'ty						I	R
				(A)	(B)	(C)	(D)	(E)	(F)		
1	1	198240-12650	BOLT, M14X28	4	4	4					
2	1	195230-17260	PIN, SNAP 22S	1	1	1					
3	1	1A8275-75110	HITCH,DRAWBAR	1	1	1					
4	1	1A8275-75430	PIN,HITCH	1	1	1					
5	1	1A8275-75530	BRACKET,DRAWBAR	1	1	1					
6	1	26106-120252	BOLT, M12X 25 PLATED	4	4	4					

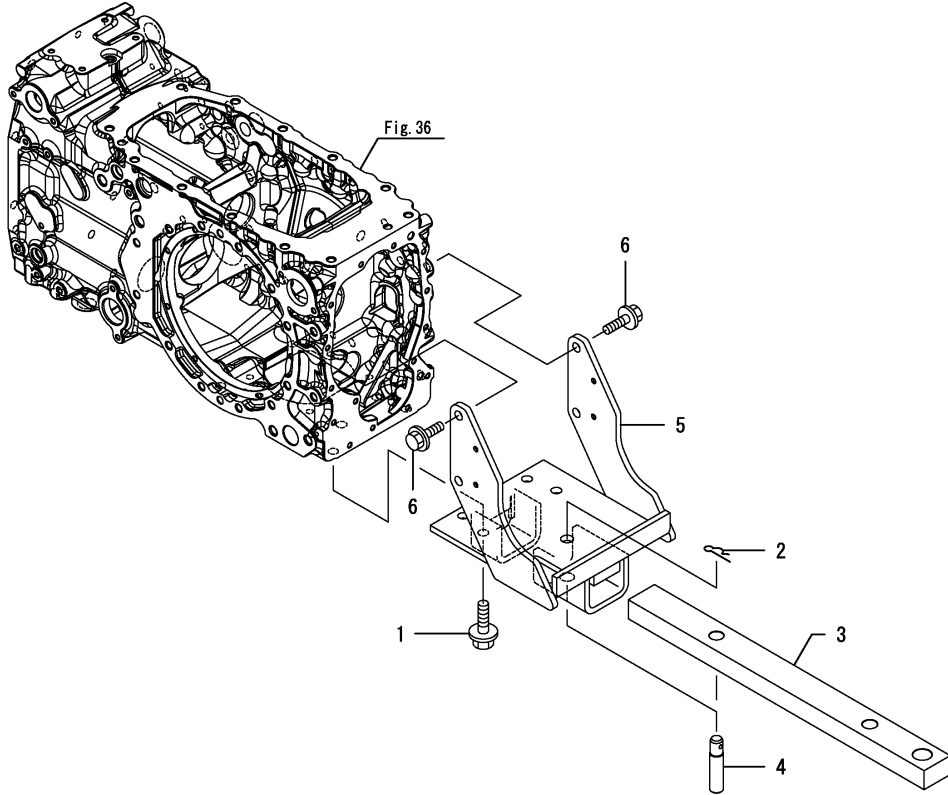


Fig.129. PTO GUARD

(A)=LX410(CCY)  
 (B)=LX450(CCY)  
 (C)=LX490(CCY)

(D)=  
 (E)=  
 (F)=

No.	Lev.	Parts No.	Description	Qty						I	R
				(A)	(B)	(C)	(D)	(E)	(F)		
1	1	198072-18320	SPRING, 12	6	6	6					
2	1	1A8275-26930	SHIELD M ASSY, PTO	1	1	1					
3	1	1A8275-26950	COLLAR	2	2	2					
4	1	1A8275-26960	PLATE ASSY	1	1	1					
5	1	22137-120000	WASHER, 12	2	2	2					
6	1	26106-080162	BOLT, M8X 16 PLATED	4	4	4					
7	1	26106-080252	BOLT, M8X 25 PLATED	2	2	2					
8	1	26756-080002	NUT, LOCK M8	2	2	2					

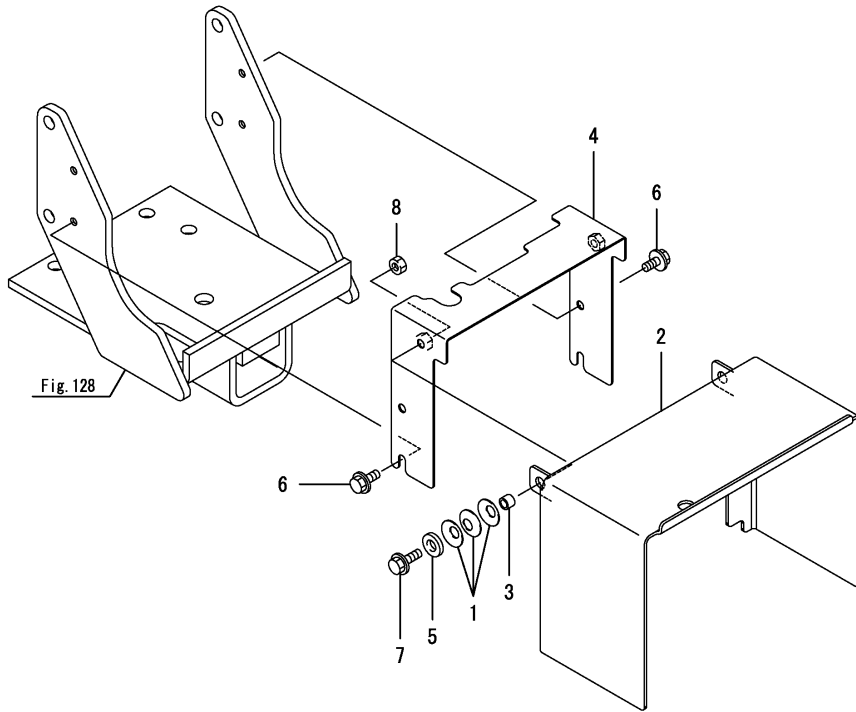
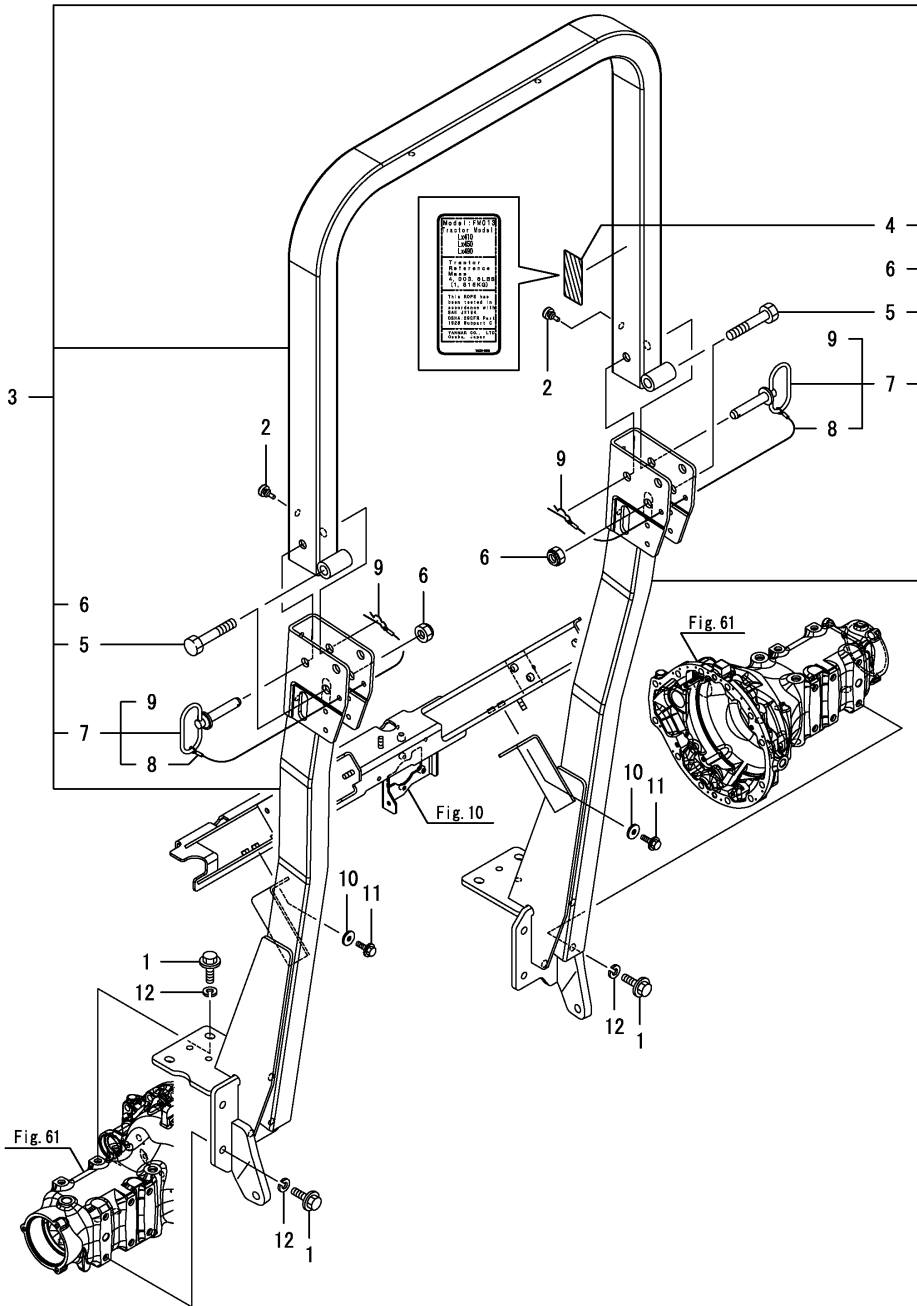


Fig.130. ROLL GUARD



(A)=LX410(CCY)  
 (B)=LX450(CCY)  
 (C)=LX490(CCY)

(D)=  
 (E)=  
 (F)=

No.	Lev.	Parts No.	Description	Q'ty						I	R
				(A)	(B)	(C)	(D)	(E)	(F)		
1	1	198220-11520	BOLT, M12X38	14	14	14					
2	1	194330-62530	STOPPER, PEDAL	2	2	2					
3	1	1A8250-85090	ROPS M ASSY,	1	1	1					
4	2	1A8250-65820	LABEL,ROPS STANDARD	1	1	1					
5	2	1A8300-85430	BOLT, M16X90	2	2	2					
6	2	1A8300-85440	NUT, M16 NYLOCK	2	2	2					
7	2	1A8300-85910	PIN ASSY, STOPPER	2	2	2					
8	3	1A8300-85920	STOPPER ASSY, PIN	2	2	2					
9	3	1A8300-85930	CLIP, HITCH PIN	2	2	2					
10	1	22157-080000	WASHER, 8	4	4	4					
11	1	26106-080202	BOLT, M8X 20 PLATED	4	4	4					
12	1	194274-13580	WASHER, SPRING 12	14	14	14					





Fig.133. HEATER(BLOCK

(A)=LX410(CCY)  
 (B)=LX450(CCY)  
 (C)=LX490(CCY)

(D)=  
 (E)=  
 (F)=

No.	Lev.	Parts No.	Description	Q'ty						I	R
				(A)	(B)	(C)	(D)	(E)	(F)		
1	1	129652-95010	HEATER EX450, KIT	1	1	1					
1-1	1	129652-95011	HEATER KIT, EX450	1	1	1					N
		(A=FXXXXX) (B=FXXXXX) (C=FXXXXX)									
2	2	1A7500-51170	CLIP, HARNESS	1	1	1					
3	2	1A7880-57260	PROTECTOR, PLUG	1	1	1					
4	2	129269-95010	HEATER ASSY	1	1	1					
5	3	171015-77900	HEATER	1	1	1					
6	3	171015-77910	CORD, HEATER	1	1	1					

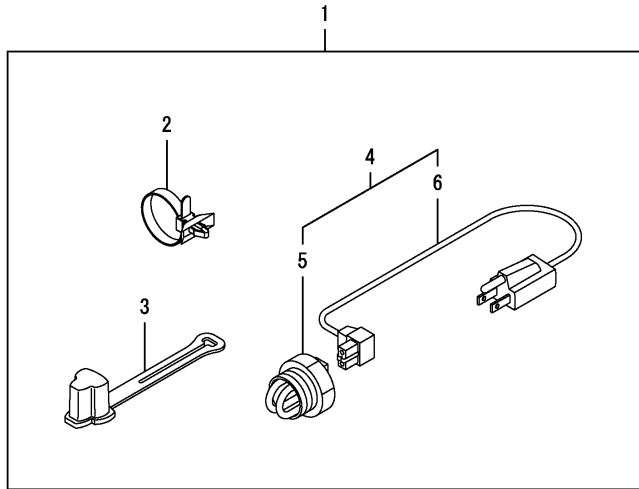


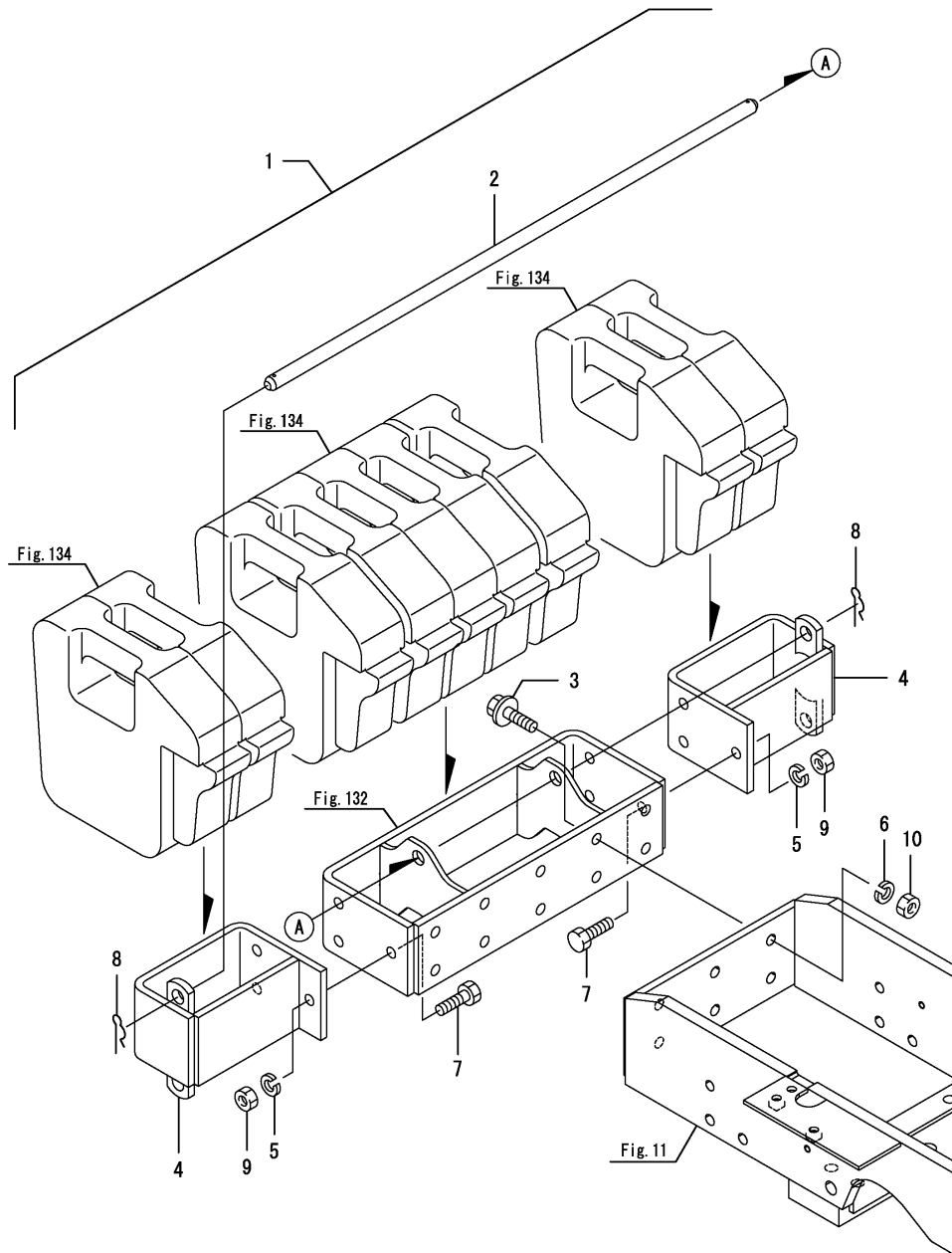




Fig.135. EXTRA HITCH

(A)=LX410(CCY)  
 (B)=LX450(CCY)  
 (C)=LX490(CCY)

(D)=  
 (E)=  
 (F)=



No.	Lev.	Parts No.	Description	Qty						I	R
				(A)	(B)	(C)	(D)	(E)	(F)		
1	1	1A8160-11900	HITCH KIT, EXTRA	1	1	1					
2	2	198220-11350	PIN, WEIGHT LOCK	1	1	1					
3	2	198220-11520	BOLT, M12X38	6	6	6					
4	2	198220-11900	HITCH, EXTRA	2	2	2					
5	2	194274-13580	WASHER, SPRING 12	6	6	6					
6	2	194274-13580	WASHER, SPRING 12	6	6	6					
7	2	194465-13650	BOLT, M12X32	6	6	6					
8	2	22372-160000	PIN, SNAP 16	2	2	2					
9	2	26716-120002	NUT, M12	6	6	6					
10	2	26716-120002	NUT, M12	6	6	6					

Fig.136. HEATER(T/M

(A)=LX410(CCY)  
 (B)=LX450(CCY)  
 (C)=LX490(CCY)

(D)=  
 (E)=  
 (F)=

No.	Lev.	Parts No.	Description	Q'ty						I	R
				(A)	(B)	(C)	(D)	(E)	(F)		
1	1	1A8170-99000	HEATER, TM	1	1	1					
1-1	1	1A8170-99001	HEATER, TM KIT	1	1	1					N
		(A=FXXXXX) (B=FXXXXX) (C=FXXXXX)									
2	2	1A7880-57260	PROTECTOR, PLUG	1	1	1					
3	2	1E6213-83410	CLIP, HARNESS 18	1	1	1					
4	2	1A8160-99020	CODE, POWER	1	1	1					
5	2	22157-060000	WASHER, 6	1	1	1					
6	2	26106-060202	BOLT, M6X 20 PLATED	1	1	1					
7	2	29622-250001	BAND, RF250	1	1	1					
7-1	2	1A8300-51210	BAND, REPEAT	3	3	3					N
		(A=FXXXXX) (B=FXXXXX) (C=FXXXXX)									

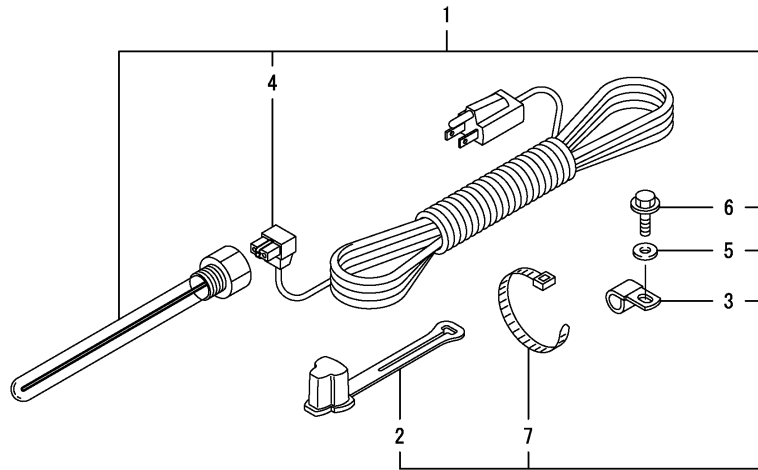


Fig.137. WORK LAMP

(A)=LX410(CCY)  
 (B)=LX450(CCY)  
 (C)=LX490(CCY)

(D)=  
 (E)=  
 (F)=

No.	Lev.	Parts No.	Description	Qty						I	R
				(A)	(B)	(C)	(D)	(E)	(F)		
1	1	1A8240-53300	WORK LAMP KIT	1	1	1					
2	2	194990-22140	NUT, M8	4	4	4					
3	2	1A7340-54100	LAMP ASSY, WORKING	2	2	2					
4	3	1A7470-86270	BULB, 12V-35W	2	2	2					
5	3	22137-100000	WASHER, 10	2	2	2					
6	3	22217-100000	WASHER, SPRING 10	2	2	2					
7	3	26736-100002	NUT, M10	2	2	2					
8	2	1A8250-99320	STAY, WORK LAMP	2	2	2					
9	2	26106-080202	BOLT, M8X 20 PLATED	4	4	4					
10	2	1A8300-51210	BAND, REPEAT	13	13	13					
11	2	1A8275-51260	LEAD,WORK LAMP	1	1	1					

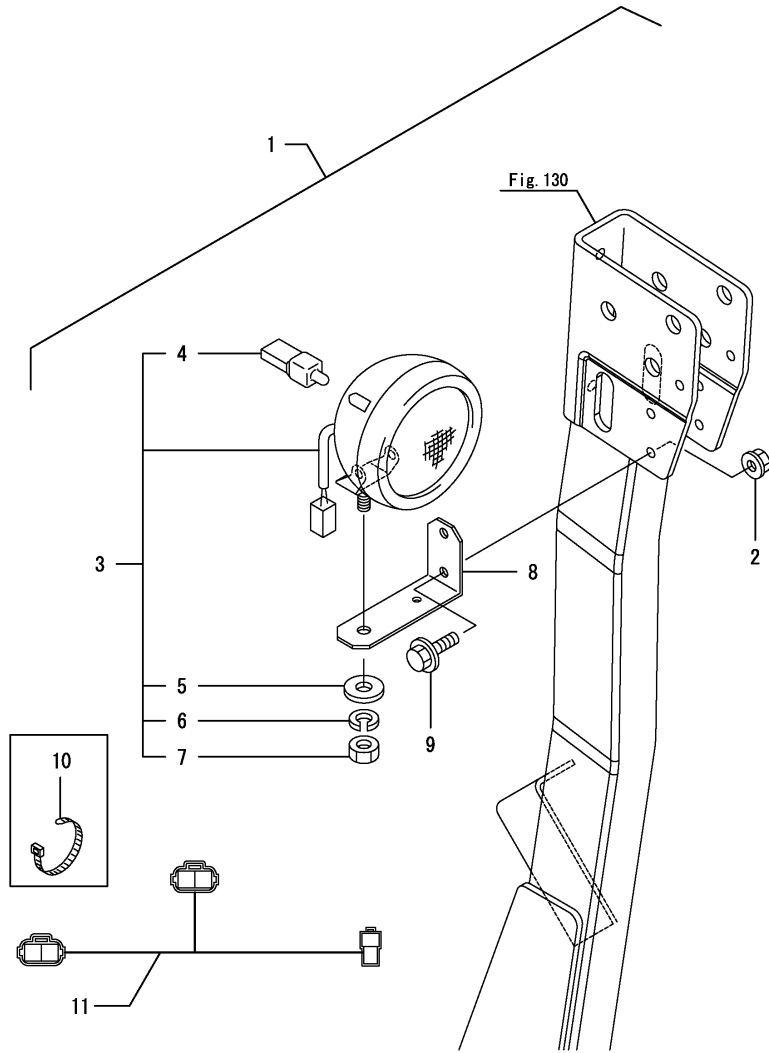
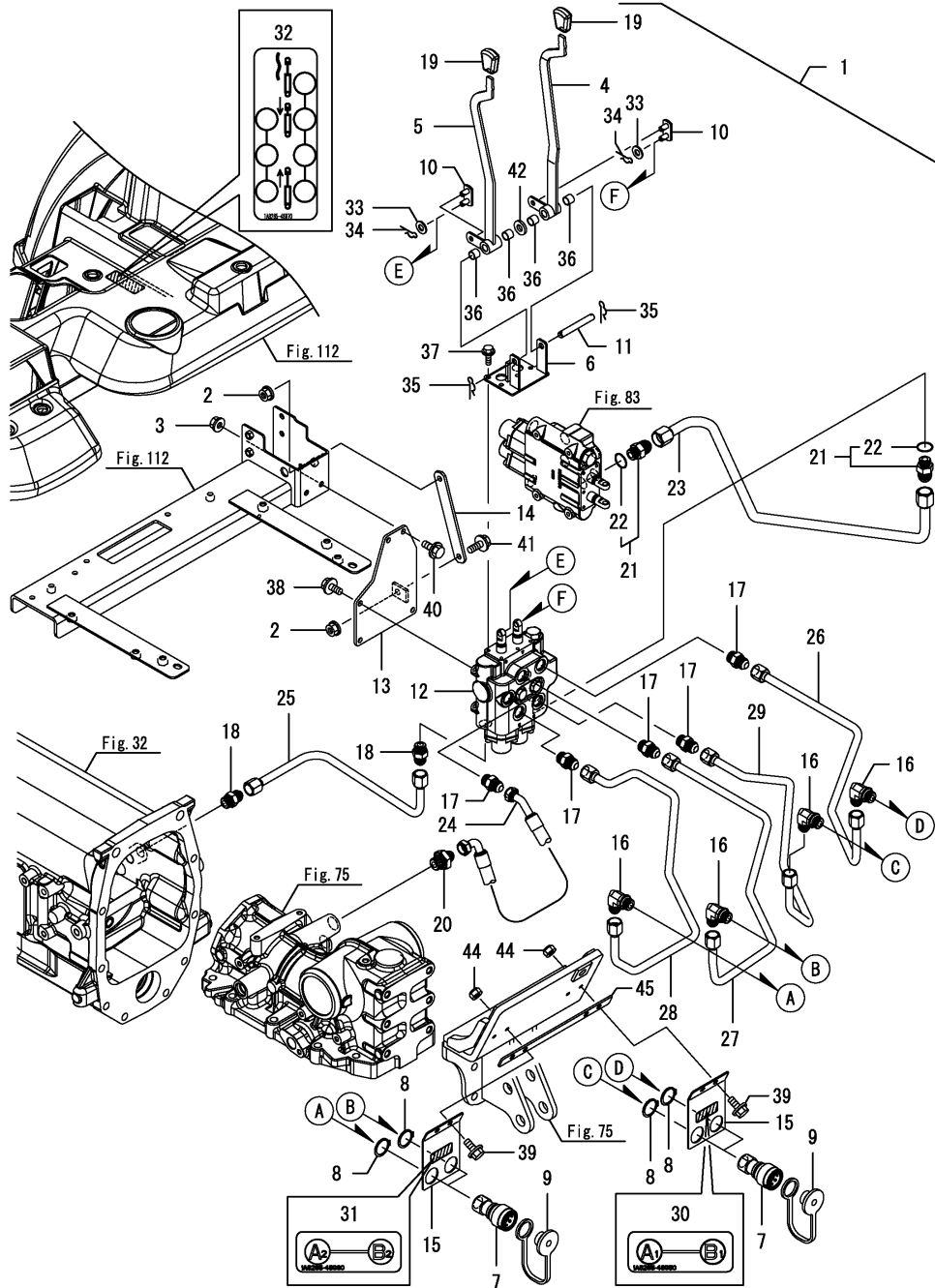


Fig.138. REAR REMOTE KIT



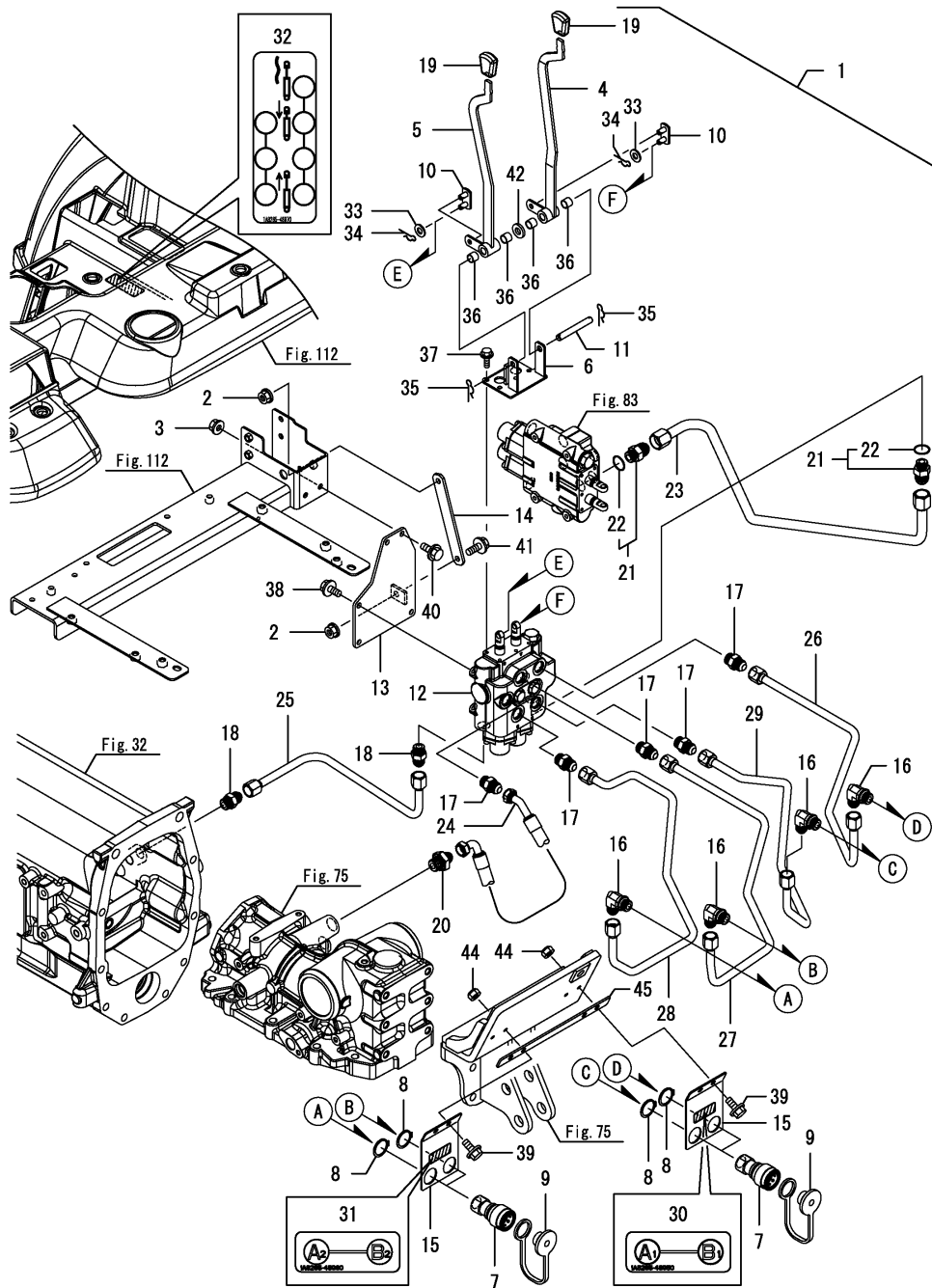
(A)=LX410(CCY)  
(B)=LX450(CCY)  
(C)=LX490(CCY)

(D)=  
(E)=  
(F)=

No.	Lev.	Parts No.	Description	Qty						I	R
				(A)	(B)	(C)	(D)	(E)	(F)		
1	1	1A8265-46000	REMOTE KIT, REAR	1	1	1					
1-1	1	1A8265-46001	VALVE KIT, R REMOTE	1	1	1					N
		(A=FXXXXX) (B=FXXXXX) (C=FXXXXX)									
2	2	194990-22140	NUT, M8	2	2	2					
3	2	194990-22140	NUT, M8	2	2	2					
4	2	1A8265-46110	LEVER ASSY 1	1	1	1					
5	2	1A8265-46160	LEVER ASSY 2	1	1	1					
6	2	1A8265-46200	STAY ASSY, LEVER	1	1	1					
7	2	1A8265-46250	COUPLER, QUICK 1/2F	4	4	4					
8	2	198240-46260	RING, SNAP	4	4	4					
9	2	1A8265-46270	DUST PLUG	4	4	4					
10	2	1A8265-46350	LINK ASSY	2	2	2					
11	2	1A8265-46390	PIN, LEVER	1	1	1					
12	2	1A8250-46600	SCV ASSY,	1	1	1					
12-1	2	1A8170-46600	CONTROL ASSY, SUB	1	1	1					N
		(A=FXXXXX) (B=FXXXXX) (C=FXXXXX)									
13	2	1A8265-46700	STAY ASSY, VALVE	1	1	1					
13-1	2	1A8265-46701	STAY ASSY, VALVE	1	1	1					N
		(A=F000301) (B=F000183) (C=F000340)									
14	2	1A8265-46750	STAY A	1	1	1					
15	2	1A8265-46840	STAY, COUPLER	2	2	2					
15-1	2	1A8265-46841	STAY, COUPLER	2	2	2					N
		(A=FXXXXX) (B=FXXXXX) (C=FXXXXX)									
16	2	1A8160-46910	ELBOW, 8-8	4	4	4					
17	2	1A8160-46960	CONNECTOR, 8-8	5	5	5					
18	2	1A8160-46960	CONNECTOR, 8-8	2	2	2					
19	2	194273-47910	KNOB, LEVER	2	2	2					
20	2	1A8265-48290	CONNECTOR UNF8-G1/2	1	1	1					
21	2	1A8250-48350	FITTING/HYD, 3/4-7/8	2	2	2					
22	3	194464-45930	O-RING, 8-1	2	2	2					
23	2	1A8265-48460	HP PIPE(SCV-P)	1	1	1					
24	2	1A8265-48480	HP HOSE(C)	1	1	1					
25	2	1A8265-48500	HP PIPE(SCV-T)	1	1	1					
26	2	1A8265-48770	PIPE(SCV B1)	1	1	1					
27	2	1A8265-48790	PIPE(SCV B2)	1	1	1					
28	2	1A8265-48810	PIPE(SCV A2)	1	1	1					
29	2	1A8265-48830	PIPE(SCV A1)	1	1	1					
30	2	1A8265-48950	LABEL, SCV PORT 1	1	1	1					
31	2	1A8265-48960	LABEL, SCV PORT 2	1	1	1					
32	2	1A8265-48970	LABEL, R REMOTE LEVE	1	1	1					
33	2	22137-080000	WASHER, 8	2	2	2					
34	2	22372-080000	PIN, SNAP 8	2	2	2					
35	2	22372-100000	PIN, SNAP 10	2	2	2					
36	2	24550-010100	BUSH, 10X10	4	4	4					
37	2	26106-060162	BOLT, M6X 16 PLATED	4	4	4					
38	2	26106-080122	BOLT, M8X 12 PLATED	3	3	3					
39	2	26106-080162	BOLT, M8X 16 PLATED	4	4	4					
40	2	26106-080202	BOLT, M8X 20 PLATED	2	2	2					
41	2	26106-080202	BOLT, M8X 20 PLATED	2	2	2					
42	2	22137-100000	WASHER, 10	1	1	1					W
		(A=FXXXXX) (B=FXXXXX) (C=FXXXXX)									

N:Old  $\xrightarrow{\text{Yes}}$  New, Q:Old  $\xrightarrow{\text{No}}$  New, R:Old  $\xrightarrow{\text{Yes}}$  New, S:Old  $\xrightarrow{\text{No}}$  New, W:Add, Z:Discontinued, F:Interchangeable by set, K:Qty Change  
 ++ CONTINUE ++  
 Copyright (C) YANMAR CO., LTD. All Rights Reserved.

Fig.138. REAR REMOTE KIT



(A)=LX410(CCY)  
 (B)=LX450(CCY)  
 (C)=LX490(CCY)

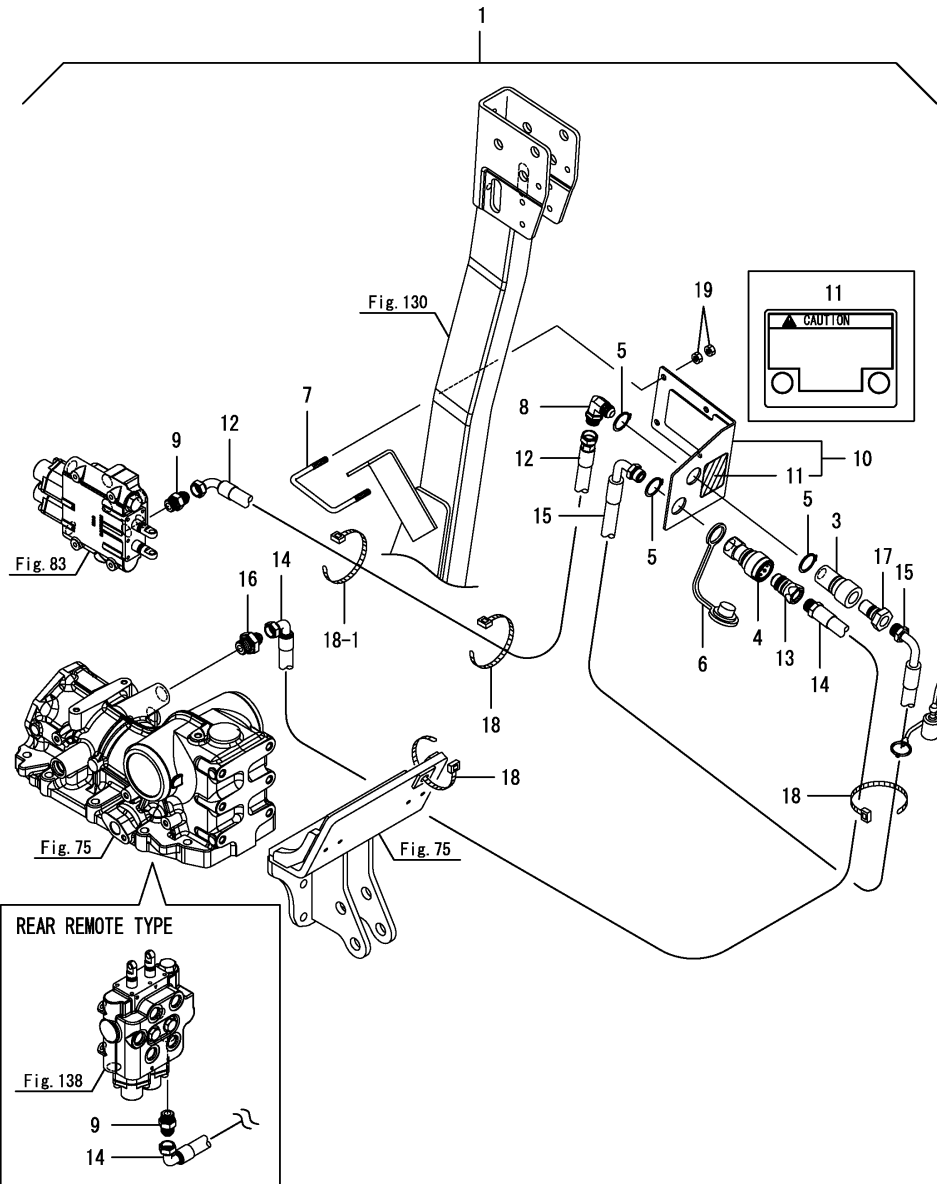
(D)=  
 (E)=  
 (F)=

No.	Lev.	Parts No.	Description	Q'ty						I	R
				(A)	(B)	(C)	(D)	(E)	(F)		
43	2	1A8265-46880	PLATE, (A=FXXXXX) (B=FXXXXX) (C=FXXXXX)	1	1	1					W
44	2	26347-080002	NUT, M8 (A=FXXXXX) (B=FXXXXX) (C=FXXXXX)	2	2	2					W

Fig.139. REAR COUPLER KIT

(A)=LX410(CCY)  
 (B)=LX450(CCY)  
 (C)=LX490(CCY)

(D)=  
 (E)=  
 (F)=

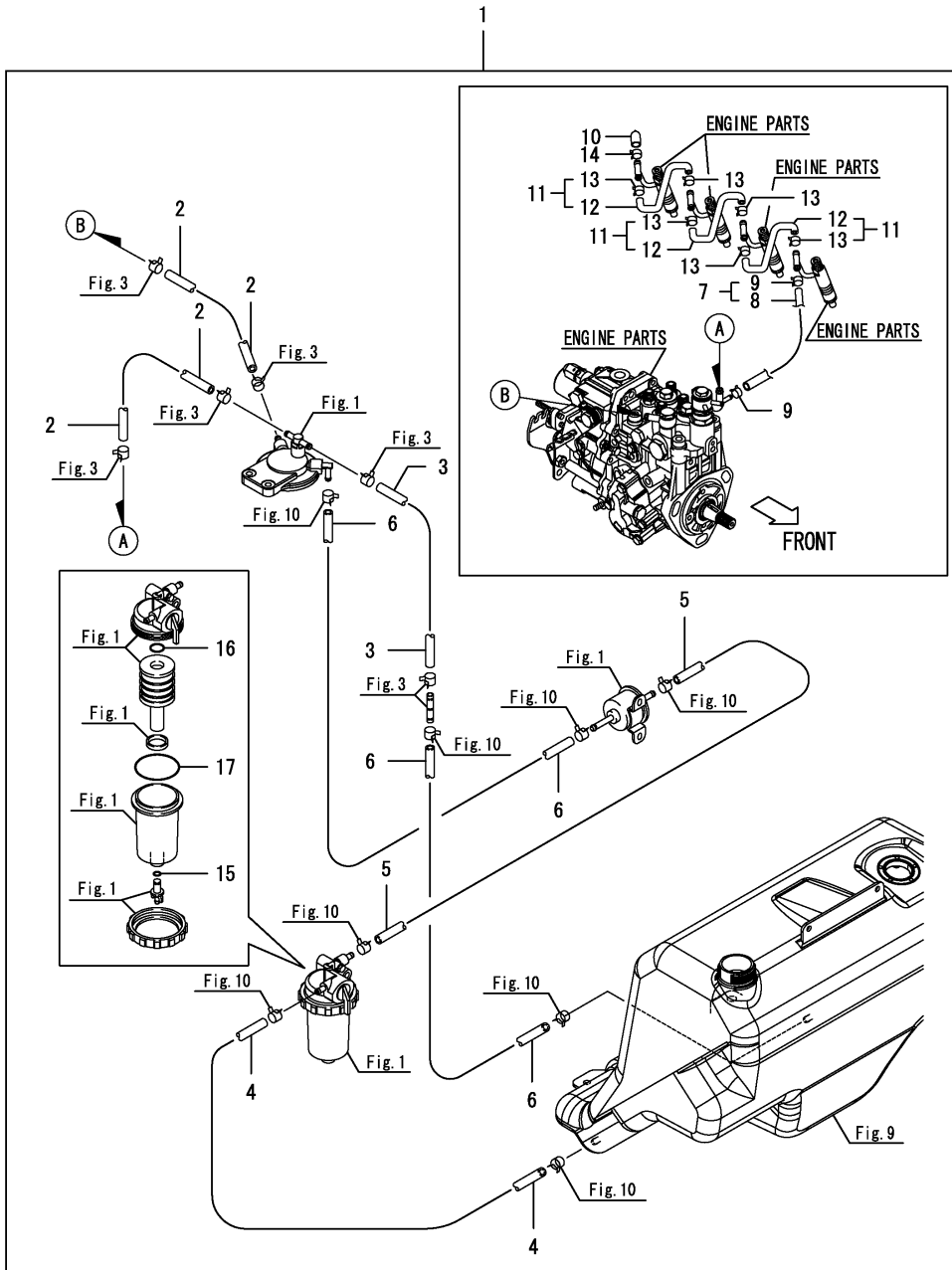


No.	Lev.	Parts No.	Description	Qty						I	R
				(A)	(B)	(C)	(D)	(E)	(F)		
1	1	1A8265-48200	AUX. KIT, REAR HYD.	1	1	1					
2	2	1TN322-41770	DUST PLUG,M YELLOW	1	1	1					
3	2	1A8160-46250	COUPLER, QUICK 3/8	1	1	1					
4	2	1A8265-46250	COUPLER,QUICK 1/2F	1	1	1					
5	2	198240-46260	RING, SNAP	3	3	3					
6	2	1A8265-46270	DUST PLUG	1	1	1					
7	2	1A8160-46560	BAND	2	2	2					
8	2	1A8160-46910	ELBOW, 8-8	1	1	1					
9	2	1A8160-46960	CONNECTOR, 8-8	2	2	2					
10	2	1A8265-48210	BRACKET ASSY,COUPLER	1	1	1					
11	3	1A8300-65400	LABEL, CAUTION	1	1	1					
12	2	1A8265-48240	HOSE A, PBK	1	1	1					
13	2	1A8265-48260	COUPLER, QUICK 1/2M	1	1	1					
14	2	1A8265-48270	HOSE B, PBK	1	1	1					
15	2	1A8265-48280	HOSE C, PBK	1	1	1					
16	2	1A8265-48290	CONNECTOR UNF8-G1/2	1	1	1					
17	2	1A8160-48820	COUPLER, QUICK 3/8	1	1	1					
18	2	1A8300-51210	BAND, REPEAT	3	3	3					
18-1	2	1A8300-51210	BAND, REPEAT	4	4	4					K
		(A=FXXXXX) (B=FXXXXX) (C=FXXXXX)									
19	2	26716-080002	NUT, M8	8	8	8					

Fig.144. FUEL LINE(FAME)

(A)=LX410(CCY)  
 (B)=LX450(CCY)  
 (C)=LX490(CCY)

(D)=  
 (E)=  
 (F)=

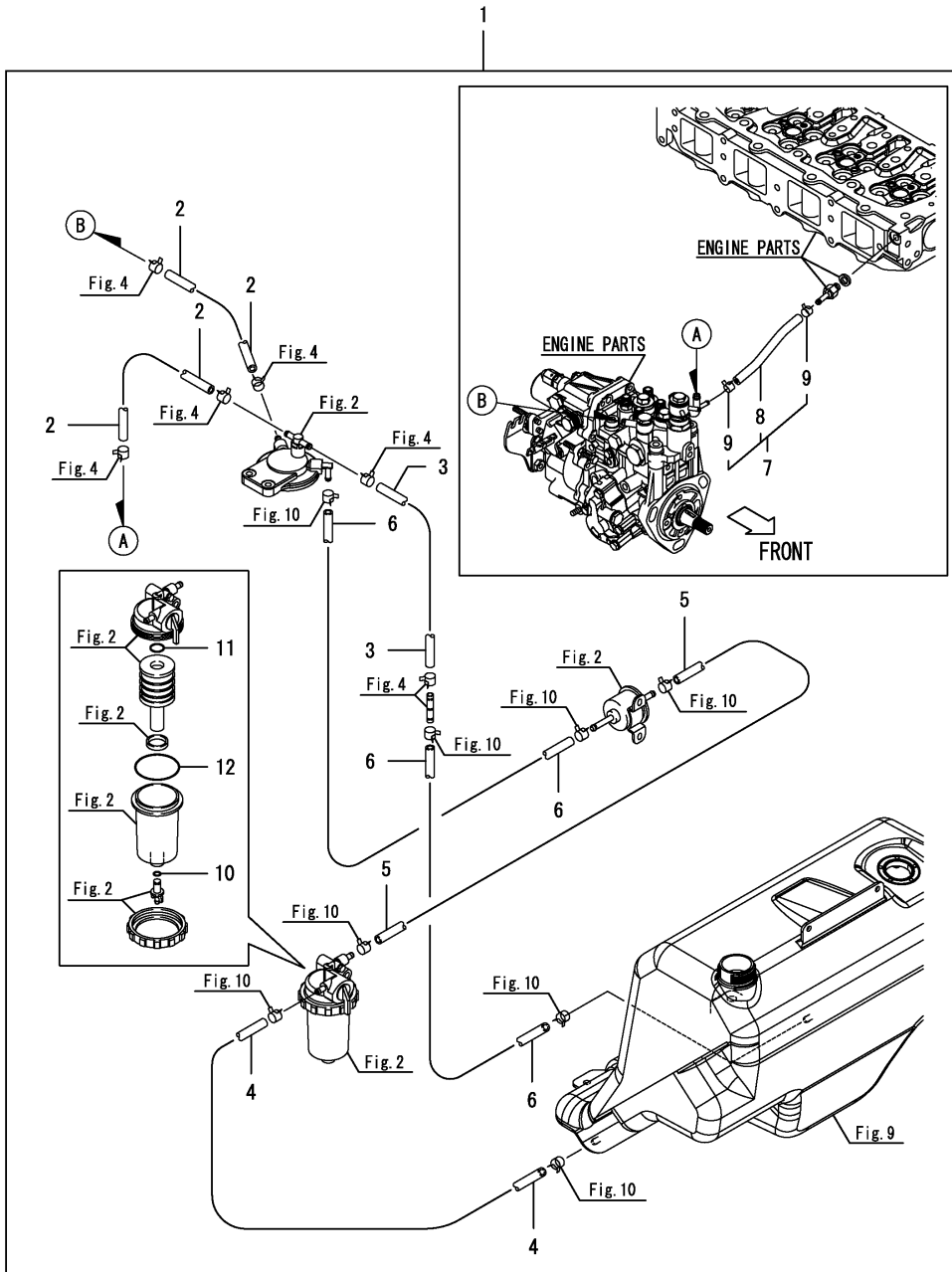


No.	Lev.	Parts No.	Description	Q'ty						I	R
				(A)	(B)	(C)	(D)	(E)	(F)		
1	1	1A8240-04500	HOSE KIT, FUEL	1	1						
2	2	198280-04290	HOSE, FUEL	2	2						
3	2	1A8250-04510	HOSE, FUEL 200	1	1						
4	2	1A8250-04520	HOSE, FUEL 550	1	1						
5	2	1A8250-04530	HOSE, FUEL	1	1						
6	2	1A8250-04540	HOSE, FUEL 1700	2	2						
7	2	129268-59551	PIPE ASSY, RETURN	1	1						
8	3	129237-59120	PROTECTOR, HOSE	1	1						
9	3	124060-77680	CLIP, HOSE 10	2	2						
10	2	119593-59581	CAP	1	1						
11	2	129486-59581	HOSE, FUEL	3	3						
12	3	129486-59521	PIPE, FUEL RETURN	3	3						
13	3	124060-77680	CLIP, HOSE 10	6	6						
14	2	124060-77680	CLIP, HOSE 10	1	1						
15	2	24316-000070	O-RING, 4DP7.0	1	1						
16	2	24316-000160	O-RING, 4DP16.0	1	1						
17	2	24326-000650	O-RING, 4DG65.0	1	1						

Fig.145. FUEL LINE(FAME)

(A)=LX410(CCY)  
 (B)=LX450(CCY)  
 (C)=LX490(CCY)

(D)=  
 (E)=  
 (F)=



No.	Lev.	Parts No.	Description	Qty						I	R
				(A)	(B)	(C)	(D)	(E)	(F)		
1	1	1A8260-04500	HOSE KIT, FUEL			1					
2	2	198280-04290	HOSE, FUEL			2					
3	2	1A8250-04510	HOSE, FUEL 200			1					
4	2	1A8250-04520	HOSE, FUEL 550			1					
5	2	1A8250-04530	HOSE, FUEL			1					
6	2	1A8250-04540	HOSE, FUEL 1700			2					
7	2	119946-59100	PIPE ASSY, FUEL			1					
8	3	119946-59600	PIPE, FUEL			1					
9	3	124060-77680	CLIP, HOSE 10			2					
10	2	24316-000070	O-RING, 4DP7.0			1					
11	2	24316-000160	O-RING, 4DP16.0			1					
12	2	24326-000650	O-RING, 4DG65.0			1					



## Parts No. Index

Parts No.	Fig. No.	Ref. No.
0A042-U00200	131	1
114270-59010	3	33
		34
		35
	4	36
		37
		38
	10	13
		14
		15
		16
119005-12571	4	18
119225-52102	1	2
	2	5
119593-59581	144	10
119802-55700	1	4
	2	7
119802-55710	1	6
	2	9
119802-55730	1	7
	2	10
119802-55810	1	10
	2	13
119808-12540	4	16
119860-34810	36	27
119946-59100	145	7
119946-59600	145	8
121750-49150	3	27
	4	30
124060-77680	144	9
		13
		14
	145	9
124240-01883	74	14
124550-77030	94	25
124756-77040	95	2
129004-55612	1	3
	2	6
129052-13550	8	2
129062-12560	4	17
129100-55690	1	5
	2	8
129237-59120	144	8
129263-44510	1	1
	2	4
129268-59551	144	7
129269-95010	133	4
129410-03990	2	3
	4	24
129418-12530	4	14

Parts No.	Fig. No.	Ref. No.
129486-59521	144	12
129486-59581	144	11
129509-03080	2	1
129509-03090	2	2
129652-95010	133	1
129652-95011	133	1 -1
129900-12530	4	15
16800A-00020	74	8
1680DE-00010	74	1
1680DE-00011	74	1 -1
168201-01011	38	3
168201-01350	38	4
168201-01550	38	5
168201-01600	38	6
1682D1-01050	39	6
1682D1-01060	39	7
1682D1-01070	39	8
1682D1-01080	39	9
1682D1-01100	39	4
1682D2-00010	39	1
1682D2-01010	39	2
1682D2-01020	39	3
171015-77900	133	5
171015-77910	133	6
172124-76160	29	3
172142-76181	29	4
172531-17300	100	1
172730-75141	29	2
	39	46
175022-49750	3	28
	4	31
178070-10401	74	9
178076-02430	39	10
178077-15400	74	2
178077-15410	74	3
192157-26460	38	17
192159-27780	39	13
192159-27790	39	20 A
192159-27830	39	14
192167-24600	75	1
192180-24730	38	15
192180-24740	38	16
192180-31850	59	6
194066-13640	19	1
194130-26350	36	26
194130-33452	48	4
194145-27450	51	9
194146-21150	32	2
194150-01270	3	6
	4	9

Parts No.	Fig. No.	Ref. No.
194150-22480	35	4
194150-25530	42	8
194151-36670	19	11
194151-47760	87	20
194170-45370	39	15
194170-47440	87	9
194170-51210	6	12
194180-61980	5	1
	30	6
194181-11560	12	7
194190-61761	114	1
194197-21170	36	1
194197-25810	47	1
194250-25240	42	1
194250-25520	41	9
194250-51420	94	20
194273-47910	138	19
194274-13580	130	12
	135	5
		6
194300-22260	35	3
194300-37570	86	1
194301-12730	43	1
194312-25470	41	8
194312-27770	72	30
194312-27780	72	2
194312-46630	81	3
194312-46750	36	29
194321-13230	15	3
194321-13250	15	5
194321-13270	15	7
194322-24980	36	25
194330-62530	130	2
194420-39360	55	8
194420-39370	55	9
194420-56620	9	6
194430-25460	45	10
194430-25810	48	1
194440-51620	3	29
	4	32
	38	37
	39	45
	84	1
	94	32
194448-61620	102	5
194450-48830	90	11
		11 -1
194464-45920	32	3
194464-45930	32	4
	83	12

Parts No.	Fig. No.	Ref. No.
194464-45930	83	14
		16
		18
		92 5
		93 3
	138	22
194465-13240	15	4
194465-13260	15	6
194465-13650	135	7
194470-48630	90	8
194470-48640	90	9
194521-41570	38	18
	74	4
		10
194550-47530	87	14
194555-24610	39	27
194555-24620	39	29
194555-46300	81	1
194555-46380	75	9
194555-47340	87	4
194555-47350	87	5
194555-77910	36	31
194556-42220	38	19
	39	32
194640-25860	42	13
	43	14
194640-26130	16	5
194640-34130	65	7
194640-34140	66	2
194640-44250	78	4
194640-44261	78	5
194640-44540	78	13
194640-46420	82	5
194640-47550	87	15
194640-47560	87	16
194640-63560	84	2
194640-73180	36	30
194641-11630	12	8
194680-27540	53	5
194680-51670	3	30
		31
	4	33
		34
	7	6
	10	10
		11
		12
	30	5
	31	4
	94	22

## Parts No. Index

Parts No.	Fig. No.	Ref. No.
194680-51670	94	23
194697-28270	112	29
		35
194697-62560	112	13
	118	2
194740-00160	6	2
194850-24990	36	24
194850-36370	71	7
194850-42500	36	28
194850-49240	38	20
194850-49290	38	21
	101	1
194940-61790	104	18
	109	25
		26
		27
	111	5
194990-22130	7	4
	94	1
	98	1
	99	1
	104	1
	109	1
	125	1
194990-22140	3	24
		25
	10	6
	35	1
	72	1
	83	1
		2
	89	1
	90	1
	94	2
	107	2
	108	1
	112	1
		2
		3
		4
	113	1
	115	1
		2
		3
	119	1
	137	2
	138	2
		3
194990-22150	49	1
		2

Parts No.	Fig. No.	Ref. No.
194990-22150	54	1
	56	1
194990-22160	132	3
195230-17260	128	2
198010-47340	89	3
198071-01160	6	10
198071-24340	36	15
	37	1
198071-27860	51	11
198071-37510	72	26
198071-58810	6	14
198071-61890	3	50
	4	56
	110	5
198071-65610	109	29
198072-13760	19	4
198072-18320	129	1
198072-53450	104	7
		12
198072-60590	109	2
		3
		4
		5
	110	1
		2
	111	1
		2
198094-85710	112	18
198119-27150	53	1
	57	1
198121-25830	42	4
198121-25840	42	11
198121-25850	42	12
198121-25870	42	14
198121-51430	94	21
198133-15710	27	1
198133-15750	27	2
198133-22510	72	4
198133-22530	72	5
198133-24380	36	16
198133-34130	25	1
	70	1
198149-25700	43	5
198149-25780	43	6
198149-25890	43	7
		15
198153-04670	9	10
198155-51290	94	18
198162-52110	102	1
198162-52150	102	4

Parts No.	Fig. No.	Ref. No.
198165-21490	15	12
198165-47750	86	2
198200-01210	7	1
198200-01260	6	4
198200-14210	21	4
198200-18350	26	24
198200-18370	26	26
198200-27240	26	9
198200-47460	87	12
198200-47810	89	4
198200-56050	105	3
198200-56080	105	5
198200-61490	94	24
198212-24140	36	3
198212-24281	38	1
198212-24320	36	14
198212-24360	37	2
198212-24510	36	19
198212-24750	40	3
198212-25150	41	2
198212-25210	41	3
198212-25220	41	4
198212-25240	41	5
198212-25290	41	7
198212-25400	42	2
198212-25460	42	3
198212-25520	42	7
198212-25530	42	9
198212-25540	42	10
198212-25690	45	11
198212-25720	40	7
198212-25750	45	12
198212-25780	45	14
198212-25790	45	15
198212-25810	45	16
198212-25850	45	17
198212-25860	45	18
198212-25870	45	19
198212-25880	45	20
198212-25891	45	21
198212-25930	45	22
198212-26090	41	10
198212-26580	46	26
198212-26590	46	27
198212-27280	51	4
198212-27350	51	6
198212-27371	51	7
198212-27470	51	10
198212-27521	53	4
198212-33150	62	4

Parts No.	Fig. No.	Ref. No.
198212-34150	66	3
198213-24341	38	7
198213-24350	38	8
198213-24360	38	9
198213-24370	38	10
198213-24390	38	11
198213-24400	38	12
198213-24420	38	13
198213-24441	38	14
198213-24750	39	11
198213-31450	59	1
198217-25680	43	4
198217-27570	53	6
198217-27580	53	7
198217-31400	58	2
198218-24240	36	13
198218-26110	47	3
198218-26350	48	3
198218-27381	51	8
198220-11350	135	2
198220-11520	28	1
	130	1
	135	3
198220-11900	135	4
198220-25830	43	11
198220-25840	43	12
198220-26910	55	1
198220-37900	3	26
	4	29
	73	6
198220-46400	82	3
198220-48140	90	4
198220-61340	107	5
198220-61351	107	6
198220-62150	116	1
198220-62920	112	14
198220-65621	124	6
198223-52150	100	4
198230-61960	107	7
198240-11640	28	2
198240-12650	128	1
198240-24120	36	6
198240-24480-1	36	18
198240-24530	36	8
198240-24690-2	36	20
198240-24900-1	36	21
198240-42130	76	1
198240-46260	138	8
	139	5
198240-48140	90	5

## Parts No. Index

Parts No.	Fig. No.	Ref. No.
198240-48830	90	30
198240-48850	90	29
198240-62451	116	2
198241-14650	16	3
198245-46680	92	1
		2
	93	1
198251-13670	14	8
198253-01190	6	11
198253-27510	49	5
	54	2
	56	2
198255-24460	36	17
198255-83550	112	30
198268-53450	103	3
		11
198273-18360	26	25
198273-28521	72	6
198280-04290	144	2
	145	2
198280-04470	3	8
	4	11
198283-13480	12	10
198290-37510	26	27
	72	27
		27 -1
		27 -2
198291-77870	72	38
198310-27370	72	29
198320-33560	65	4
198360-22550	45	5
198360-31530	59	4
198360-52320	102	2
198360-52330	102	3
198360-55630	7	7
198361-48750	90	10
198390-43360	77	5
198415-25840	43	13
198442-21310	33	2
198448-21280	33	1
198448-21320	33	3
198448-22190	34	1
198448-24740	40	2
198448-28430	39	35
198448-43260	77	2
198448-43270	77	3
198448-56150	105	4
198451-28750	45	23
	46	28
198475-32660	21	5

Parts No.	Fig. No.	Ref. No.
198475-37690	72	17
198535-24120	36	2
198535-25260	41	6
198535-25510	42	6
198535-52110	94	8
198535-52130	94	9
198535-52140	94	10
1A6680-85980	11	4
1A6770-26610	39	12
1A6780-57200	106	5
1A7000-52820	94	12
1A7090-26050	44	2
	47	2
1A7090-31850	59	7
1A7130-37990	72	18
1A7130-48110	10	7
1A7140-00600	3	1
	4	1
1A7140-14610	16	2
1A7180-01050	3	2
	4	2
1A7180-04180	9	4
1A7180-04850	3	8 -1
	4	11 -1
1A7180-06201	4	22
1A7180-11620	12	2
1A7180-11630	12	3
1A7180-11650	12	5
1A7180-13150	14	2
1A7180-13201	15	1
1A7180-13211	15	2
1A7180-13250	15	9
1A7180-13260	15	10
1A7180-13270	15	11
1A7180-13300	16	1
1A7180-13380	14	3
1A7180-13390	14	4
1A7180-13400	14	5
1A7180-13410	14	6
1A7180-13420	14	7
1A7180-13520	17	1
1A7180-13560	17	2
1A7180-13570	17	3
1A7180-13580	17	4
1A7180-13710	19	2
1A7180-13790	21	1
1A7180-13820	20	1
1A7180-13830	20	2
1A7180-13840	21	2
1A7180-13870	20	3

Parts No.	Fig. No.	Ref. No.
1A7180-13880	20	4
1A7180-14110	21	3
1A7180-15710	26	19
1A7180-36240	71	2
1A7180-42150	76	2
1A7180-42281	75	4
1A7180-43280	77	1
1A7180-43290	77	4
1A7180-43410	78	7
1A7180-43730	39	32 -1
1A7180-44110	78	8
1A7180-44210	78	1
1A7180-44311	78	6
1A7180-44410	78	11
1A7180-45700	80	1
1A7180-51310	104	2
1A7180-51350	94	19
1A7180-52140	100	3
1A7180-60750	109	8
1A7180-61050	109	10
1A7180-61070	109	11
1A7180-61080	109	12
1A7180-61250	107	4
1A7180-61410	109	24
1A7180-61500	110	3
1A7180-61510	110	4
1A7180-61530	111	3
1A7180-61540	111	4
1A7180-61810	109	28
1A7260-01220	3	4
1A7260-53220	104	6
		11
1A7300-01220	4	4
1A7300-01230	4	5
1A7335-52120	100	2
1A7335-71230	126	3
1A7335-71240	126	4
1A7335-71250	126	5
1A7335-71410	126	6
		13
1A7335-71760	126	12
1A7340-54100	137	3
1A7350-24160	36	4
1A7350-25600	43	2
1A7350-25640	43	3
1A7350-33140	62	2
1A7351-25770	45	13
1A7351-26310	48	2
1A7352-32310	60	2
1A7400-53110	103	1

Parts No.	Fig. No.	Ref. No.
1A7400-53120	103	9
1A7400-53530	103	4
		12
1A7400-53560	103	5
		13
1A7400-53570	103	6
1A7400-53580	103	14
1A7400-53590	103	7
1A7400-53600	103	15
1A7400-53610	103	8
1A7400-53620	103	16
1A7450-24301	38	2
1A7450-43680	126	18
1A7470-86270	137	4
1A7500-51130	94	4
1A7500-51170	94	5
	133	2
1A7500-72160	126	23
		28
		52
1A7500-72180	126	29
		53
1A7500-74661	126	76
1A7510-47760	86	3
1A7510-62100	112	6
1A7531-52420	94	11
1A7601-25790	43	10
1A7601-53920	3	32
	4	35
1A7610-48360	92	6
	93	4
1A7640-15710	26	20
1A7640-43450	75	8
1A7640-44230	78	2
1A7640-44240	78	3
1A7640-48310	91	1
1A7680-45320	82	1
1A7680-45370	82	2
1A7680-46410	82	4
1A7870-52950	106	1
		2
		3
1A7880-45640	79	15
1A7880-53100	103	21
1A7880-53430	103	18
1A7880-57100	100	6
1A7880-57260	133	3
	136	2
1A7880-65610	124	5
1A7880-71580	126	9

## Parts No. Index

Parts No.	Fig. No.	Ref. No.
1A7882-85620	125	3
1A7882-85630	10	30
1A7890-53420	103	2
		10
1A8070-53010	104	3
1A8070-53020	104	8
1A8070-53030	104	5
1A8070-53040	104	10
1A8070-61330	109	22
1A8160-04130	9	3
1A8160-11520	11	2
1A8160-11900	135	1
1A8160-46250	83	3
	139	3
1A8160-46280	83	4
1A8160-46290	83	5
1A8160-46300	83	6
1A8160-46310	83	7
1A8160-46560	139	7
1A8160-46910	138	16
	139	8
1A8160-46960	138	17
		18
	139	9
1A8160-48820	139	17
1A8160-51550	96	1
1A8160-51570	96	2
1A8160-51580	96	3
1A8160-51600	98	2
1A8160-52310	119	4
1A8160-65800	125	2
1A8160-65860	120	21
1A8160-91000	134	1
1A8160-99020	136	4
1A8170-14210	141	1
	143	1
1A8170-14300	22	1
1A8170-14310	22	2
		6
1A8170-14330	22	3
		7
1A8170-14350	22	4
		8
	23	2
1A8170-14400	22	5
1A8170-14500	23	1
1A8170-14510	23	3
1A8170-14530	23	4
1A8170-14600	140	1
1A8170-14610	140	2

Parts No.	Fig. No.	Ref. No.
1A8170-14630	140	3
1A8170-14650	140	4
1A8170-34300	67	1
1A8170-34310	67	2
		11
1A8170-34330	67	3
		12
1A8170-34340	67	4
		13
1A8170-34350	67	9
		18
	68	2
1A8170-34360	67	5
		14
1A8170-34370	67	6
		15
1A8170-34380	67	7
		16
1A8170-34390	67	8
		17
1A8170-34400	67	10
1A8170-34500	68	1
1A8170-34510	68	3
1A8170-34530	68	4
1A8170-34600	142	1
1A8170-34610	142	2
1A8170-34630	142	3
1A8170-34650	142	4
1A8170-46600	138	12 -1
1A8170-99000	136	1
1A8170-99001	136	1 -1
1A8240-01300	7	2
1A8240-04500	144	1
1A8240-04620	3	9
	4	12
1A8240-05100	3	10
1A8240-05110	3	11
1A8240-05120	3	12
1A8240-05130	3	13
1A8240-05150	3	14
1A8240-05160	3	15
1A8240-05170	3	16
1A8240-05180	3	17
1A8240-05810	3	19
	4	20
1A8240-05820	3	20
	4	21
1A8240-06200	3	21
1A8240-06220	3	22
1A8240-15240	26	2

Parts No.	Fig. No.	Ref. No.
1A8240-15320	26	3
1A8240-15460	3	23
	4	28
1A8240-15500	26	1
1A8240-15600	26	4
1A8240-15720	26	21
1A8240-15730	26	22
1A8240-15750	72	8
1A8240-17950	31	3
1A8240-18400	117	4
1A8240-18510	117	1
1A8240-22240	72	27 A
		27 A-1
1A8240-22380	72	9
1A8240-22500	35	2
1A8240-22520	35	8
1A8240-22540	35	5
1A8240-22550	35	6
1A8240-27030	26	6
1A8240-27050	26	7
1A8240-27090	26	8
1A8240-27250	26	10
1A8240-27300	49	3
1A8240-27350	49	4
1A8240-27390	50	1
1A8240-27400	26	12
1A8240-27460	26	13
1A8240-27530	52	1
1A8240-27600	54	3
1A8240-28300	56	3
1A8240-33150	63	1
1A8240-37200	72	3
1A8240-37201	72	3 -1
1A8240-37210	72	7
1A8240-37211	72	7 -1
1A8240-37300	72	12
1A8240-37400	72	14
1A8240-37410	72	13
1A8240-37550	72	15
1A8240-37600	72	28
1A8240-37610	72	31
1A8240-37650	72	16
1A8240-47330	89	2
1A8240-47331	89	2 -1
1A8240-53300	137	1
1A8240-60100	107	3
1A8240-60101	107	3 -1
1A8240-60220	3	36
1A8240-60400	108	2
1A8240-60900	109	9

Parts No.	Fig. No.	Ref. No.
1A8240-61400	72	19
1A8240-61401	72	19 -1
1A8240-61770	72	37
1A8240-61980	72	34
1A8240-62360	118	1
1A8240-62561	115	4
1A8240-62600	117	3
1A8240-62650	117	6
1A8240-62660	115	5
1A8240-62710	115	6
1A8240-62711	115	6 -1
1A8240-62850	115	7
1A8240-62860	115	8
1A8240-62861	115	8 -1
1A8240-63110	119	2
1A8240-63111	119	2 -1
1A8240-63120	119	5
1A8240-63150	119	17 A
1A8240-63160	119	17 B
1A8240-63170	119	17 C
1A8240-63180	119	17 D
1A8240-63200	119	18
1A8240-64710	121	1
1A8240-65320	124	3
1A8240-65500	120	10
1A8250-01100	6	1
1A8250-01110	6	3
1A8250-01150	6	9
1A8250-01210	3	3
	4	3
1A8250-01250	3	5
	4	7
1A8250-01500	3	7
	4	10
1A8250-01600	107	1
1A8250-01601	107	1 -1
1A8250-02150	6	5
1A8250-03100	8	1
1A8250-04100	9	1
1A8250-04110	9	2
1A8250-04210	9	7
1A8250-04220	9	8
1A8250-04230	9	9
1A8250-04240	9	10 -1
1A8250-04250	10	1
1A8250-04280	10	3
		8
		35
1A8250-04290	10	32
1A8250-04430	10	2

## Parts No. Index

Parts No.	Fig. No.	Ref. No.
1A8250-04510	144	3
	145	3
1A8250-04520	144	4
	145	4
1A8250-04530	144	5
	145	5
1A8250-04540	144	6
	145	6
1A8250-04870	10	4
1A8250-11100	11	1
1A8250-11120	132	1
1A8250-11140	132	2
1A8250-14700	24	1
1A8250-14710	24	2
		6
1A8250-14730	24	3
		7
1A8250-14740	24	4
		8
1A8250-14800	24	5
1A8250-15790	120	1
1A8250-17470	26	23
1A8250-21180	10	5
1A8250-34700	69	1
1A8250-34710	69	2
		6
1A8250-34730	69	3
		7
1A8250-34750	69	4
		8
1A8250-34800	69	5
1A8250-35300	73	1
1A8250-37370	73	2
1A8250-37780	73	3
1A8250-37790	73	4
1A8250-37820	73	5
1A8250-46600	83	8
	138	12
1A8250-46640	88	1
1A8250-46750	83	9
1A8250-46751	83	9 -1
1A8250-46801	83	10
1A8250-46890	85	1
1A8250-46900	85	2
1A8250-46920	85	3
1A8250-48000	90	2
1A8250-48050	90	3
1A8250-48100	85	4
1A8250-48101	85	4 -1
1A8250-48200	83	11

Parts No.	Fig. No.	Ref. No.
1A8250-48210	83	13
1A8250-48220	83	15
1A8250-48350	83	17
	92	4
	93	2
	138	21
1A8250-48430	91	2
1A8250-48500	90	7
1A8250-48600	92	7
	93	5
1A8250-48650	92	8
1A8250-48700	92	9
	93	6
1A8250-60610	109	6
1A8250-60620	109	7
1A8250-60621	109	7 -1
1A8250-61130	109	14
1A8250-61140	109	15
1A8250-61400	109	23
1A8250-61560	10	34
	72	38 -1
1A8250-62090	112	5
1A8250-62120	112	33
1A8250-62150	112	34
1A8250-62170	113	2
1A8250-62210	112	7
1A8250-62250	113	3
1A8250-62380	112	31
1A8250-62381	112	31 -1
1A8250-62390	112	8
1A8250-62410	112	9
1A8250-62460	112	10
1A8250-62471	112	11
1A8250-62490	112	12
1A8250-62570	114	2
1A8250-62580	114	3
1A8250-62590	114	4
1A8250-62620	114	5
1A8250-63050	113	4
1A8250-63240	119	6
1A8250-63250	119	7
1A8250-63300	119	8
1A8250-63310	119	9
1A8250-63320	119	10
1A8250-63330	119	11
1A8250-63340	119	12
1A8250-63390	119	20
1A8250-63470	112	15
1A8250-63520	119	13
1A8250-63530	119	14

Parts No.	Fig. No.	Ref. No.
1A8250-63540	119	15
1A8250-63550	119	16
1A8250-63560	119	17
1A8250-63700	112	16
1A8250-63750	112	32
1A8250-63800	10	18
1A8250-63890	10	17
1A8250-63920	112	17
1A8250-64710	122	1
1A8250-65300	124	1
1A8250-65310	124	2
1A8250-65350	124	4
1A8250-65370	120	2
1A8250-65390	121	2
	122	2
1A8250-65410	120	3
1A8250-65420	120	4
1A8250-65430	120	6
1A8250-65450	120	7
1A8250-65460	120	8
1A8250-65470	120	9
1A8250-65510	120	11
1A8250-65520	120	12
1A8250-65560	120	13
1A8250-65580	120	14
1A8250-65610	120	15
1A8250-65630	120	16
1A8250-65650	120	17
1A8250-65690	120	18
1A8250-65750	120	19
1A8250-65800	124	7
1A8250-65820	120	20
	130	4
1A8250-65870	10	19
1A8250-85090	130	3
1A8250-99320	137	8
1A8260-01241	4	6
1A8260-01260	4	8
1A8260-01270	4	58
1A8260-04500	145	1
1A8260-05100	4	13
1A8260-06210	4	23
1A8260-64710	123	1
1A8260-65910	123	2
1A8265-46000	138	1
1A8265-46001	138	1 -1
1A8265-46110	138	4
1A8265-46160	138	5
1A8265-46200	138	6
1A8265-46250	138	7

Parts No.	Fig. No.	Ref. No.
1A8265-46250	139	4
1A8265-46270	138	9
	139	6
1A8265-46350	138	10
1A8265-46390	138	11
1A8265-46700	138	13
1A8265-46701	138	13 -1
1A8265-46750	138	14
1A8265-46840	138	15
1A8265-46841	138	15 -1
1A8265-46880	138	43
1A8265-48200	139	1
1A8265-48210	139	10
1A8265-48240	139	12
1A8265-48260	139	13
1A8265-48270	139	14
1A8265-48280	139	15
1A8265-48290	138	20
	139	16
1A8265-48460	138	23
1A8265-48480	138	24
1A8265-48500	138	25
1A8265-48770	138	26
1A8265-48790	138	27
1A8265-48810	138	28
1A8265-48830	138	29
1A8265-48950	138	30
1A8265-48960	138	31
1A8265-48970	138	32
1A8265-53050	104	13
1A8265-61100	109	13
1A8265-61101	109	13 -1
1A8265-61180	109	16
1A8265-61190	109	17
1A8265-61240	109	18
1A8265-61250	109	19
1A8265-61280	109	20
1A8265-61300	109	21
1A8275-00370	94	14 A
		14 A-1
1A8275-05510	3	18
1A8275-05530	4	19
1A8275-11600	12	1
1A8275-11700	12	6
1A8275-12310	13	1
1A8275-12320	13	11
1A8275-12330	13	2
1A8275-12340	13	12
1A8275-12440	13	3
		13

# Parts No. Index

Parts No.	Fig. No.	Ref. No.
1A8275-12450	13	4
		14
1A8275-12460	13	5
		15
1A8275-12470	13	21
1A8275-12510	13	6
1A8275-12520	13	16
1A8275-12580	13	7
		17
1A8275-12590	13	8
		18
1A8275-12600	13	9
		19
1A8275-12610	13	10
		20
1A8275-13100	14	1
1A8275-13610	18	1
1A8275-13720	19	3
1A8275-13760	19	5
1A8275-13770	19	6
1A8275-13780	19	7
1A8275-14650	16	4
1A8275-17100	28	3
1A8275-17260	28	4
1A8275-17310	28	5
1A8275-17320	28	6
1A8275-17330	28	7
1A8275-17340	28	8
1A8275-17350	28	9
1A8275-17360	28	10
1A8275-17400	28	12
1A8275-17430	28	14
1A8275-17440	28	15
1A8275-17450	11	3
1A8275-17480	28	16
1A8275-17490	28	17
1A8275-17500	29	1
1A8275-17510	29	1 A
1A8275-17520	29	1 B
1A8275-17820	30	1
1A8275-17840	30	2
1A8275-17870	31	1
1A8275-17880	31	2
1A8275-17890	30	3
1A8275-21130	32	1
1A8275-22100	45	1
1A8275-22150	45	2
1A8275-22160	45	3
1A8275-22420	45	4
1A8275-22580	45	6

Parts No.	Fig. No.	Ref. No.
1A8275-22810	34	2
1A8275-22820	45	7
1A8275-22830	45	8
1A8275-22840	45	9
1A8275-24160	39	21
1A8275-24220	36	5
1A8275-24230	36	7
1A8275-24231	36	7 -1
1A8275-24420	38	35
1A8275-24470	38	36
1A8275-24540	39	22
1A8275-24550	39	23
1A8275-24551	39	23 -1
1A8275-24560	39	34
1A8275-24561	39	34 -1
1A8275-24570	39	24
1A8275-24571	39	24 -1
1A8275-24590	39	25
1A8275-24591	39	25 -1
1A8275-24600	39	26
1A8275-24610	39	28
1A8275-24620	39	30
1A8275-24650	39	31
1A8275-24700	40	1
1A8275-24960	36	22
1A8275-24980	36	23
1A8275-25130	41	1
1A8275-25420	42	5
1A8275-25610	44	1
1A8275-25750	43	8
1A8275-25770	43	9
1A8275-25840	58	1
1A8275-25980	43	16
1A8275-26000	46	1
1A8275-26200	46	2
1A8275-26220	46	3
1A8275-26370	46	24
1A8275-26420	46	25
1A8275-26700	46	4
1A8275-26710	46	5
1A8275-26720	46	6
1A8275-26730	46	7
1A8275-26740	46	8
1A8275-26750	46	9
1A8275-26760	46	10
1A8275-26770	46	11
1A8275-26790	46	12
1A8275-26800	46	13
1A8275-26810	46	14
1A8275-26820	46	15

Parts No.	Fig. No.	Ref. No.
1A8275-26930	129	2
1A8275-26950	129	3
1A8275-26960	129	4
1A8275-27150	51	1
1A8275-27250	51	2
1A8275-27260	51	3
1A8275-27330	51	5
1A8275-27480	53	2
1A8275-27490	53	3
1A8275-27990	53	8
	57	2
1A8275-28100	55	2
1A8275-28110	55	3
1A8275-28120	55	5
1A8275-28220	55	6
1A8275-28230	55	7
1A8275-28240	55	4
1A8275-28290	57	3
1A8275-28350	57	4
1A8275-28410	16	6
1A8275-28420	16	7
1A8275-28430	16	8
1A8275-31510	59	2
1A8275-31520	59	3
1A8275-31820	59	5
1A8275-32110	59	8
1A8275-32600	61	1
1A8275-32650	61	2
1A8275-32670	61	3
1A8275-33100	62	1
1A8275-33140	62	3
1A8275-33410	64	1
1A8275-33420	64	2
1A8275-33450	65	1
1A8275-33490	65	9
1A8275-33540	65	2
1A8275-33550	65	3
1A8275-33570	65	5
1A8275-33580	65	6
1A8275-33610	65	10
1A8275-34110	66	1
1A8275-36210	71	1
1A8275-36240	71	3
1A8275-36310	71	4
1A8275-36320	71	5
1A8275-36350	71	6
1A8275-36520	71	8
1A8275-42100	75	2
1A8275-42810	75	5
1A8275-42811	75	5 -1

Parts No.	Fig. No.	Ref. No.
1A8275-42910	76	3
1A8275-43100	75	6
1A8275-44510	78	12
1A8275-45200	79	1
1A8275-45230	79	2
1A8275-45240	79	3
1A8275-45310	79	5
1A8275-45320	79	6
1A8275-45330	79	7
1A8275-45340	79	8
1A8275-45360	79	9
1A8275-45370	79	10
1A8275-45420	79	11
1A8275-45440	79	12
1A8275-45500	79	13
1A8275-45980	79	4
1A8275-46620	81	2
1A8275-47160	87	1
1A8275-47250	87	2
1A8275-47330	87	3
1A8275-47350	87	6
1A8275-47370	87	7
1A8275-47420	87	8
1A8275-47440	87	10
1A8275-47450	87	11
1A8275-47500	87	13
1A8275-47550	87	18
1A8275-47630	87	19
1A8275-48010	39	36
1A8275-48020	39	37
1A8275-48030	92	3
1A8275-48050	39	38
1A8275-48260	39	42
1A8275-48340	90	6
1A8275-48540	39	43
1A8275-48570	39	44
1A8275-49160	30	4
1A8275-51110	94	3
1A8275-51111	94	3 -1
1A8275-51112	94	3 -2
1A8275-51180	94	15
1A8275-51190	94	6
1A8275-51250	95	1
1A8275-51260	137	11
1A8275-51280	119	3
1A8275-51281	119	3 -1
1A8275-51550	97	1
1A8275-51570	97	2
1A8275-51580	97	3
1A8275-51600	99	2

## Parts No. Index

Parts No.	Fig. No.	Ref. No.
1A8275-51610	98	3
	99	3
1A8275-51620	98	4
1A8275-51670	10	10 -1
		11 -1
1A8275-52190	101	2
1A8275-53400	103	17
1A8275-56010	105	1
1A8275-56600	9	5
1A8275-57100	106	4
1A8275-60400	100	7
1A8275-60430	100	8
1A8275-65440	94	13
1A8275-71000	126	1
1A8275-71100	126	2
1A8275-71500	126	7
1A8275-71540	126	8
1A8275-71550	126	14
1A8275-71600	126	10
1A8275-71700	126	11
1A8275-72100	126	15
1A8275-72110	126	16
1A8275-72150	126	22
1A8275-72180	126	24
1A8275-72190	126	17
1A8275-72200	126	19
1A8275-72250	126	20
1A8275-72270	126	21
1A8275-72300	126	25
1A8275-73030	126	26
1A8275-73040	126	50
1A8275-73500	126	27
1A8275-73510	126	30
1A8275-73550	126	51
1A8275-73560	126	54
1A8275-73600	126	31
		55
1A8275-73700	126	32
		56
1A8275-73710	126	33
		57
1A8275-73720	126	34
		58
		74
1A8275-73740	126	35
		59
1A8275-74200	126	36
		60
1A8275-74240	126	75
1A8275-74260	126	37

Parts No.	Fig. No.	Ref. No.
1A8275-74260	126	61
1A8275-74340	126	38
		62
1A8275-74390	126	39
		63
1A8275-74410	126	40
		64
1A8275-74430	126	41
		65
1A8275-74440	126	42
		66
1A8275-74450	126	43
		67
1A8275-74470	126	44
		68
1A8275-74490	126	45
		69
1A8275-74520	126	46
		70
1A8275-74530	126	47
		71
1A8275-74540	126	48
		72
1A8275-74550	126	49
		73
1A8275-75110	128	3
1A8275-75430	128	4
1A8275-75530	128	5
1A8280-53200	104	14
1A8280-53220	104	15
		17
1A8280-53300	104	16
1A8300-51210	7	5
		10
		9
		33
		36
	94	16
		17
		34
	136	7 -1
	137	10
	139	18
		18 -1
1A8300-51230	94	7
1A8300-65400	139	11
1A8300-65421	120	5
1A8300-85430	130	5
1A8300-85440	130	6
1A8300-85910	130	7
1A8300-85920	130	8

Parts No.	Fig. No.	Ref. No.
1A8300-85930	130	9
1C6053-32020	72	11
1C6281-52310	6	13
	52	2
1C6281-52320	35	9
	72	33
	85	5
	117	2
	127	1
1C6860-08160	104	4
		9
1C6900-23120	19	9
1C6900-23150	19	10
1C6920-36260	105	2
1C7100-15100	19	8
1E6102-83230	94	32 -1
1E6210-54920	51	12
1E6213-83410	31	5
	136	3
1E8775-84120	94	14
1E9170-54811	16	9
1TN322-41770	139	2
1W3981-14050	7	3
22117-080000	81	4
	127	2
22137-050000	109	30
22137-060000	6	15
	52	3
22137-080000	26	14
		14 -1
	35	10
	117	9
	138	33
22137-100000	6	6
	87	21
	22	22
	108	3
	109	31
	137	5
	138	42
22137-120000	72	21
	87	23
	129	5
22137-130000	103	19
22137-140000	117	7
22137-160000	27	3
22137-200000	62	5
	73	7
22157-060000	109	32
	136	5

Parts No.	Fig. No.	Ref. No.
22157-080000	9	11
	10	20
		21
	35	11
	86	4
	112	19
		20
		21
	130	10
22157-100000	6	7
22190-080002	74	15
22217-080000	16	10
22217-100000	26	28
	59	9
	137	6
22217-120000	36	32
22217-130000	103	20
22217-160000	36	33
	115	9
22242-000200	26	15
	51	13
22242-000300	16	11
		12
	28	13
	45	24
		25
	55	10
22242-000320	71	9
22242-000340	41	11
	48	5
22242-000450	45	26
22242-000500	59	10
22242-100300	46	19
22242-100350	46	16
22252-000190	41	12
22252-000320	74	5
		11
22252-000370	26	16
22252-000550	16	13
	45	27
	55	11
22252-000620	18	2
22252-000850	19	12
22252-000900	19	13
22252-000950	19	14
22252-001000	46	17
22272-000070	87	24
22272-000120	117	8
22272-000150	72	22
22272-000190	72	23

## Parts No. Index

Parts No.	Fig. No.	Ref. No.
22292-000340	42	15
22312-080180	40	8
22312-100180	19	15
	33	4
	36	9
		34
	61	4
	76	4
		5
22312-100250	28	18
22312-120320	65	11
22351-030008	46	20
22351-035036	53	9
	57	5
22351-035040	54	4
	56	4
22351-040012	81	5
22351-050025	87	25
		26
22351-050040	62	6
22351-050070	78	9
22351-060016	78	14
22351-060025	51	14
22351-060030	82	6
22351-060032	53	10
22351-060036	38	38
	53	11
	57	6
	59	11
22351-060040	15	8
	54	5
	56	5
22351-060050	51	15
22351-060060	39	16
22351-080032	62	7
22351-080040	62	8
	65	8
22351-080070	78	10
22372-080000	112	22
	116	3
	138	34
22372-100000	108	4
	109	33
	138	35
22372-160000	132	4
	135	8
22417-200160	86	5
22417-200200	78	15
	87	27
22417-250300	72	24

Parts No.	Fig. No.	Ref. No.
22417-250300	73	8
22417-400400	13	22
22487-060160	52	4
22487-080200	85	6
	87	28
22487-080600	112	23
22522-030130	87	29
23000-019000	4	39
		40
23000-035000	3	37
	4	41
		42
	90	12
23000-048000	90	13
23000-060000	16	14
23000-070000	3	38
		39
	4	43
23000-080000	4	44
23414-100000	46	29
	51	16
23414-140000	39	47
23414-160000	39	39
23414-190000	92	10
		11
	93	7
23414-200026	39	48
	61	5
	90	14
23414-210027	92	12
		13
	93	8
23414-220029	39	49
23491-140002	36	35
23857-150000	39	50
23857-180000	39	51
23871-010000	38	22
	39	5
		52
	40	4
	75	3
		3 -1
		7
23871-020000	75	3 A
23887-100002	51	17
23887-160002	39	40
23887-200002	61	6
23980-730200	3	40
	4	45
23980-730400	3	41

Parts No.	Fig. No.	Ref. No.
23980-730400	4	46
23980-730550	10	22
23980-730600	3	42
	4	47
23980-731700	10	23
24101-060064	45	28
	55	12
24101-060094	45	29
24101-060104	45	30
	59	12
24101-060114	66	4
24101-060124	19	16
24101-060174	15	13
24101-062034	45	31
24101-062044	46	21
24101-062064	41	13
	42	16
	45	32
24101-062074	41	14
24101-062084	21	6
24101-062094	19	17
	21	7
24101-062114	59	13
	66	5
24101-063044	55	13
24101-063054	42	17
	44	3
	47	4
	48	6
24101-063064	44	4
24104-060064	16	15
24104-062104	20	5
24107-060064	45	33
	46	22
24141-320070	14	9
24161-303520	42	18
24163-305200	42	19
24165-000402	42	20
24190-080001	53	12
	55	14
24190-100001	38	23
	51	18
		19
		20
24190-130003	75	10
24190-160001	39	41
24190-180001	71	10
24311-000070	39	17
		53
		53
24311-000110	81	6

Parts No.	Fig. No.	Ref. No.
24311-000120	81	7
24311-000125	38	24
24311-000140	39	54
24311-000150	87	30
		31
24311-000160	1	8
	2	11
	36	36
	53	13
	57	7
24311-000180	19	18
	30	7
	38	25
24311-000200	90	15
24311-000220	30	8
	38	26
	90	16
24311-000240	39	18
24311-000290	38	27
24311-000320	38	28
	90	17
		18
24311-000360	78	16
	90	19
24311-000500	36	37
24315-000110	28	11
24315-000120	82	7
24315-000140	29	5
		6
	75	11
		12
24315-000180	75	13
	82	8
24316-000070	144	15
	145	10
24316-000160	144	16
	145	11
24321-000300	51	21
24321-000500	16	16
		17
		18
24321-000600	46	23
24321-000650	1	9
	2	12
	36	38
	78	17
24321-000750	36	39
24321-001300	19	19
24321-002300	21	8
24325-000800	75	14



## Parts No. Index

Parts No.	Fig. No.	Ref. No.
24326-000650	144	17
	145	12
24341-000080	46	30
24341-000112	39	19
24341-000220	38	29
24341-000224	38	30
24341-000250	90	20
24341-000315	14	10
24341-000320	46	18
24341-000350	40	9
24351-020300	36	40
24351-190140	38	31
24351-240230	39	33
24361-090500	38	32
24421-153207	74	6
		12
24421-203007	62	9
24421-355008	71	11
24421-456209	18	3
24423-305208	40	5
24550-010100	138	36
24550-012080	26	11
24550-015080	26	5
24550-015120	117	5
24550-025200	72	10
		20
24761-010000	12	4
		9
26013-140352	36	41
26016-060162	38	33
	39	20
26016-080302	38	34
26016-080352	74	7
		13
26106-060122	3	51 -1
	4	57 -1
	7	8
	10	24
	30	9
	106	6
		7
26106-060162	125	4
	138	37
26106-060202	3	43
		51
	4	48
		57
	90	21
	94	26
	104	19

Parts No.	Fig. No.	Ref. No.
26106-060202	106	8
	107	8
		9
	136	6
26106-060352	90	22
26106-060402	30	10
	88	2
	90	23
		24
26106-060452	90	25
26106-080122	3	44
	4	49
		50
	16	19
		20
	83	19
	104	20
		21
	109	34
		35
	114	6
	138	38
26106-080162	3	45
		46
		47
	4	51
		52
		53
	6	16
	10	25
		26
	11	5
	31	6
		7
	32	5
	34	3
	36	42
	45	34
	50	2
	51	22
	53	14
	57	8
	61	7
		8
	65	12
	72	35
	87	32
		33
	90	26
		27

Parts No.	Fig. No.	Ref. No.
26106-080162	90	28
	91	3
	94	27
		28
		29
		30
		33
	104	20 -1
		20 -2
	108	5
	109	35 -1
		36
	113	5
	114	7
	115	10
		11
	129	6
	138	39
26106-080202	8	3
	10	27
		31
	36	43
		44
	51	23
	63	2
	83	20
	107	10
		11
	112	24
		25
		26
	113	6
	119	19
	130	11
	137	9
	138	40
		41
26106-080252	60	3
	74	16
	94	31
	129	7
26106-080302	3	48
	4	54
	36	45
	74	17
26106-080352	26	17
	40	10
	112	27
26106-080402	36	46
	74	18

Parts No.	Fig. No.	Ref. No.
26106-080502	40	6
26106-080602	87	34
26106-080702	10	28
26106-080802	38	39
	39	55
	74	19
26106-080852	85	7
26106-080952	38	40
26106-081002	39	56
26106-081102	40	11
26106-081152	74	20
26106-100162	3	49 -1
	4	55 -1
26106-100202	3	49
	4	55
	29	7
	39	57
	115	12
	117	10
26106-100252	36	47
26106-100302	19	20
	21	9
26106-100402	26	29
	49	6
26106-120252	128	6
26106-120302	75	15
		16
	78	18
26106-120402	32	6
	76	6
26106-120502	36	48
	37	3
	61	9
	75	17
26106-120652	36	49
26106-120702	76	7
26106-120852	32	7
26116-060404	7	9
26116-100162	79	16
26116-120352	132	5
26116-160402	115	13
26116-160604	11	6
26216-080162	72	36
26216-080802	36	10
26216-120702	76	8
26218-120502	36	11
	76	9
26346-080002	26	18
	72	25
26347-080002	9	12

# Parts No. Index

Parts No.	Fig. No.	Ref. No.
26347-080002	9	13
	10	29
	138	44
26356-160002	27	4
26366-080002	39	58
26366-120002	61	10
	76	10
26450-050102	79	17
26450-080122	19	21
26450-080252	79	18
26487-080203	112	28
26557-050202	105	6
26557-060162	100	9
26589-060102	109	37
		38
26716-050002	105	7
26716-060002	85	8
	98	5
	99	4
26716-080002	139	19
26716-100002	6	8
	19	22 -1
	35	7
	72	32
	87	17
		35
26716-120002	36	50
	135	9
		10
26716-160002	11	7
26736-100002	137	7
26736-160002	87	36
26756-080002	129	8
26756-100002	19	22
26776-120002	100	5
26776-160002	85	9
27260-170000	36	1 -1
27260-300000	36	12
27260-470000	91	4
27260-550000	32	8
29622-250001	136	7
41851-000110	79	14
794251-13910	60	1
933160-01370	30	11

Parts No.	Fig. No.	Ref. No.
-----------	----------	----------

Parts No.	Fig. No.	Ref. No.
-----------	----------	----------

Parts No.	Fig. No.	Ref. No.
-----------	----------	----------