

0CNP5-M53600EN

DEPLOYMENT ENGINE MODEL TABLE

TRACTOR			ENGINE		
MODEL	PARTS CATALOG No.	POSITION	MODEL	PARTS CATALOG No.	POSITION
EX2900(YANMAR)	0CNP5-G53600	A	3TNV88-UMRGH	0CNP4-G83300	B
EX3200(YANMAR)		B	3TNV88-BMRGH		A

Contents

0CNP5-M53600

Fig. No.	Fig. Name
ENGINE CONTROL SECTION	
1.	ENGINE RELATED
2.	ENGINE ACCESSORIES MOUNTING
3.	ACCELERATOR LEVER
4.	EXHAUST
5.	FUEL TANK
6.	TANK BRACKET
7.	SHUTTER PLATE

FRONT AXLE SECTION	
8.	FRONT BRACKET
9.	CENTER PIN
10.	TIE ROD
11.	RING GEAR
12.	DIFFERENTIAL GEAR
13.	PROPELLER SHAFT
14.	FRONT SHAFT(1)
15.	FRONT AXLE CASE
16.	FRONT GEAR CASE
17.	FRONT SHAFT(2)
18.	FRONT SPINDLE
19.	SHAFT COVER
20.	FRONT WHEEL TIRE R1
21.	FRONT WHEEL TIRE R3
22.	FRONT WHEEL TIRE R4

Fig. No.	Fig. Name
23.	HUB BOLT
24.	STEERING WHEEL
25.	P.S.T CYLINDER
26.	P.S.T VALVE
27.	P.S.T PIPING
28.	P.S.T PIPING
TRANSMISSION SECTION	
29.	CLUTCH HOUSING
30.	DOCKING BOLT
31.	SINGLE CLUTCH
32.	CLUTCH SHAFT
33.	CLUTCH RELEASE
34.	BEARING SLEEVE
35.	CLUTCH PEDAL
36.	TRANSMISSION CASE
37.	CENTER PLATE
38.	BEARING RETAINER
39.	OIL STRAINER
40.	INPUT GEAR
41.	REDUCTION SHAFT
42.	COUNTER SHAFT
43.	P.T.O DRIVE SHAFT
44.	P.T.O SHAFT
45.	P.T.O SHAFT GUARD

Contents

0CNP5-M53600

Fig. No.	Fig. Name
46.	SUB CHANGE LEVER
47.	SUB CHANGE
48.	CRUISE CONTROL
49.	P.T.O CHANGE
50.	P.T.O LEVER
51.	FRONT DRIVE
52.	FRONT SHIFT KNOB
53.	HST
54.	HST LINKAGE

REAR AXLE SECTION

55.	RING GEAR
56.	DIFFERENTIAL GEAR
57.	DIFFERENTIAL CARRIER
58.	REAR HOUSING
59.	DIFFERENTIAL LOCK
60.	FINAL PINION
61.	FINAL GEAR
62.	REAR AXLE SHAFT
63.	REAR WHEEL TIRE R1
64.	REAR WHEEL TIRE R3
65.	REAR WHEEL TIRE R4
66.	HUB BOLT
67.	HYDRAULIC PEDAL
68.	SHOCK ABSORBER

Fig. No.	Fig. Name
69.	BRAKE
70.	BRAKE PEDAL

HYDRAULIC CONTROL SECTION

71.	HYDRAULIC CYLINDER CASE
72.	PLUG W/O SCV
73.	BREATHER
74.	PISTON
75.	LIFT CRANK
76.	CONTROL VALVE
77.	RELIEF VALVE
78.	STOP VALVE
79.	STOP VALVE CONTROL
80.	SAFETY VALVE
81.	SUB CONTROL VALVE
82.	HYDRAULIC CONTROL
83.	HYDRAULIC CONTROL(KNOB
84.	HYDRAULIC PIPING
85.	HYDRAULIC FILTER
86.	OIL COOLER LESS
87.	OIL COOLER
88.	HST PIPING
89.	HST PIPING

Contents

OCNP5-M53600

Fig. No.	Fig. Name
ELECTRICAL PARTS SECTION	
90.	WIRE HARNESS
91.	BATTERY
92.	SWITCHES
93.	SEAT SWITCH
94.	LAMPS
95.	FRONT LAMP
96.	METER
97.	RELAY
FITTING SECTION	
98.	FRONT FRAME
99.	HOOD
100.	FRONT GRILLE
101.	SIDE COVER
102.	HOOD FRAME
103.	DASHBOARD
104.	FENDER
105.	FENDER STAY
106.	STEP
107.	STEP STAY
108.	SUB STEP
109.	SEAT
110.	SEAT BELT
111.	LABELS

Fig. No.	Fig. Name
112.	LABELS(EX2900)
113.	LABELS(EX3200)
114.	LABELS(SAFETY)
115.	SMV
HITCH SECTION	
116.	THREE POINT LINK
117.	LOWER HINGE & TOP HOOK
118.	LOWER LINK HINGE
119.	CHECK CHAIN BRACKET
120.	DRAWBAR HITCH(1)
121.	DRAWBAR HITCH(2)
SAFETY FRAME SECTION	
122.	ROPS
123.	REAR BRACKET
ACCESSORIES SECTION	
124.	MANUAL
OPTIONAL SECTION	
125.	MID P.T.O(1)
126.	MID P.T.O(2)
127.	FRONT WEIGHT
128.	BLOCK HEATER

Contents

0CNP5-M53600

Fig. No. Fig. Name

129. FRONT HITCH

130. T/M HEATER

131. REAR COUPLER

132. REAR REMOTE

133. WORK LAMP

134. FO HOSE(FAME

135. EXTRA HITCH

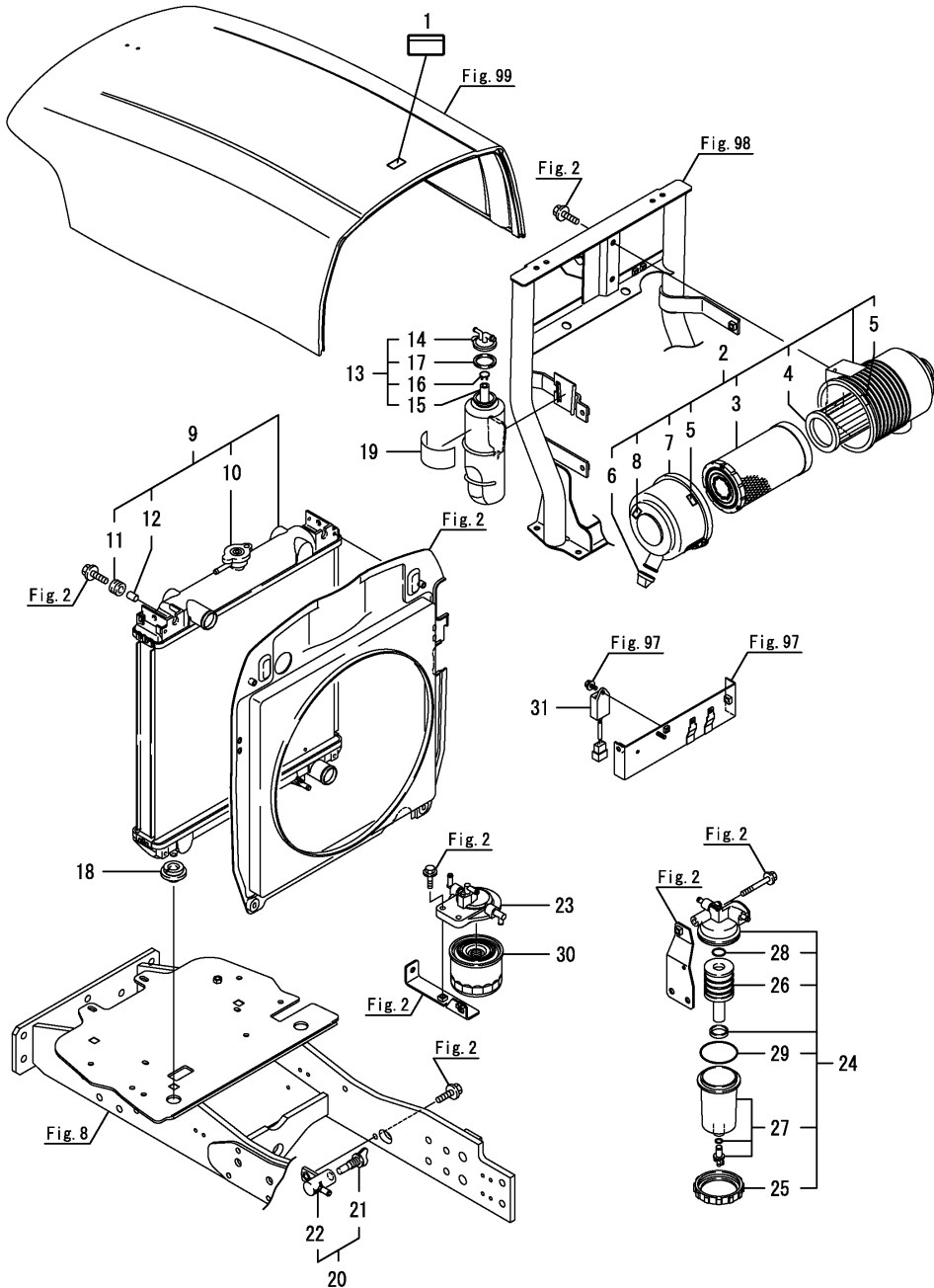
136. LABEL(FRENCH

Fig. No. Fig. Name

Fig.1. ENGINE RELATED

(A)=EX2900(YANMAR)
 (B)=EX3200(YANMAR)
 (C)=

(D)=
 (E)=
 (F)=

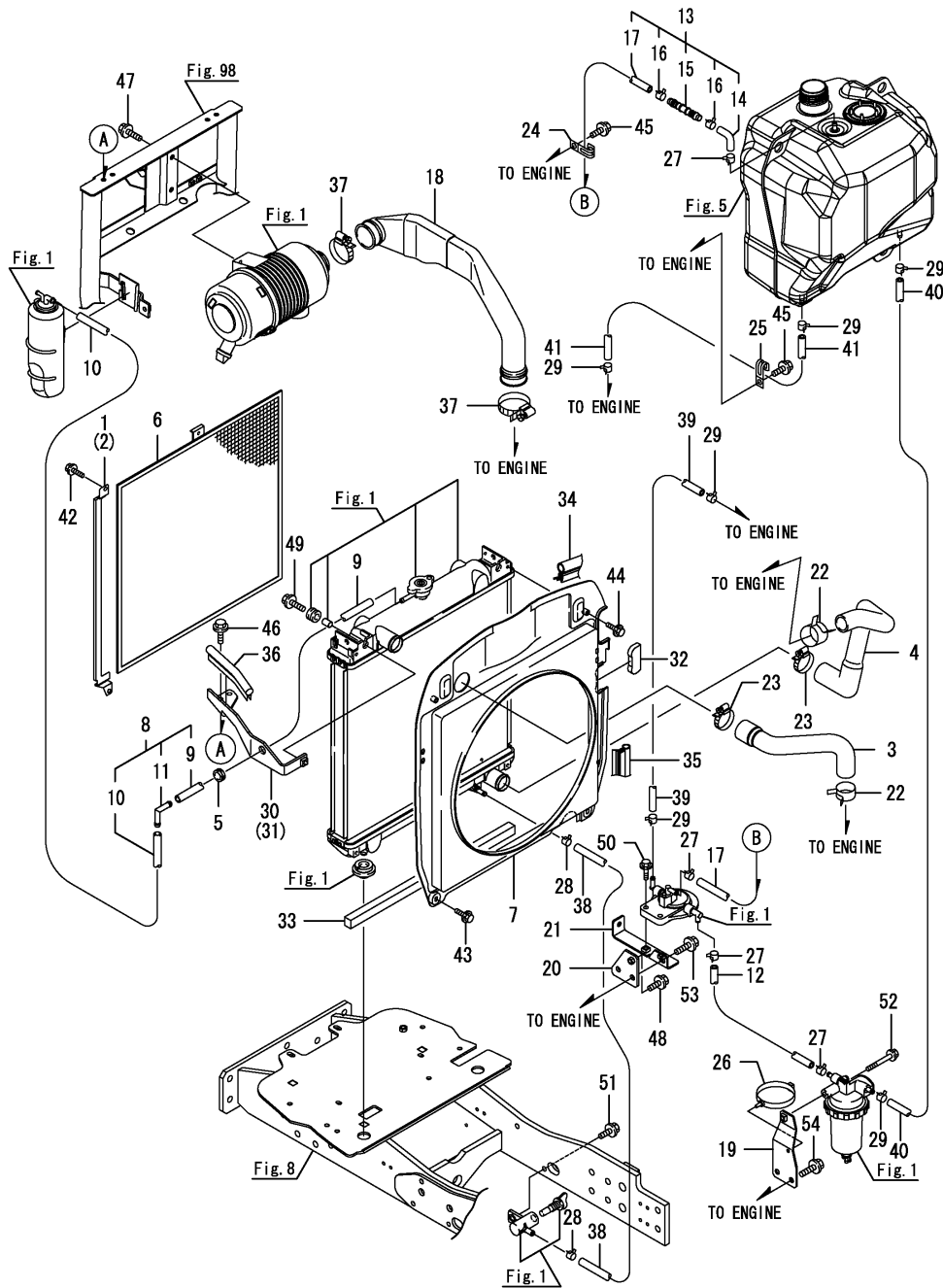


No.	Lev.	Parts No.	Description	Qty						I	R
				(A)	(B)	(C)	(D)	(E)	(F)		
1	1	114110-07761	LABEL, FUEL OIL CAUT	1	1						
2	1	129269-12500	CLEANER ASSY, AIR	1	1						
3	2	119808-12520	ELEMENT	1	1						
4	2	129051-12530	ELEMENT	1	1						
5	2	129418-12530	LABEL, MARK	2	2						
6	2	119808-12540	VALVE, UNLOADER	1	1						
7	2	119866-12540	COVER ASSY	1	1						
8	2	129612-12650	LABEL, MARKING	1	1						
9	1	129263-44500	RADIATOR T=36 CMP	1	1						
10	2	129107-44590	CAP, RADIATOR	1	1						
11	2	129467-44580	MOUNT, RUBBER	2	2						
12	2	129467-44590	COLLAR	2	2						
13	1	129263-44510	TANK ASSY, SUB	1	1						
14	2	121450-44531	CAP	1	1						
15	2	23065-070180	PIPE, 7X 180	1	1						
16	2	124450-44560	RETAINER	1	1						
17	2	121470-44581	GASKET	1	1						
18	1	119255-44660	ABSORBER	2	2						
19	1	124764-44810	LABEL, SUB-TANK	1	1						
20	1	129550-49101	COCK ASSY, 2-WAY	1	1						
21	2	129150-49081	COCK, DRAIN	1	1						
22	2	129550-49090	BODY, 2-WAY COCK	1	1						
23	1	119852-55612	BRACKET, FILTER	1	1						
24	1	119802-55700	SEPARATOR ASSY	1	1						
25	2	129100-55690	RING, RETAINING	1	1						
26	2	119802-55710	ELEMENT	1	1						
27	2	119802-55730	CUP ASSY	1	1						
28	2	24311-000160	O-RING, 1AP16.0	1	1						
29	2	24321-000650	O-RING, 1AG65.0	1	1						
30	1	119802-55810	FILTER, FO	1	1						
31	1	129211-77920	TIMER	1	1						

Fig.2. ENGINE ACCESSORIES MOUNTING

(A)=EX2900(YANMAR)
 (B)=EX3200(YANMAR)
 (C)=

(D)=
 (E)=
 (F)=



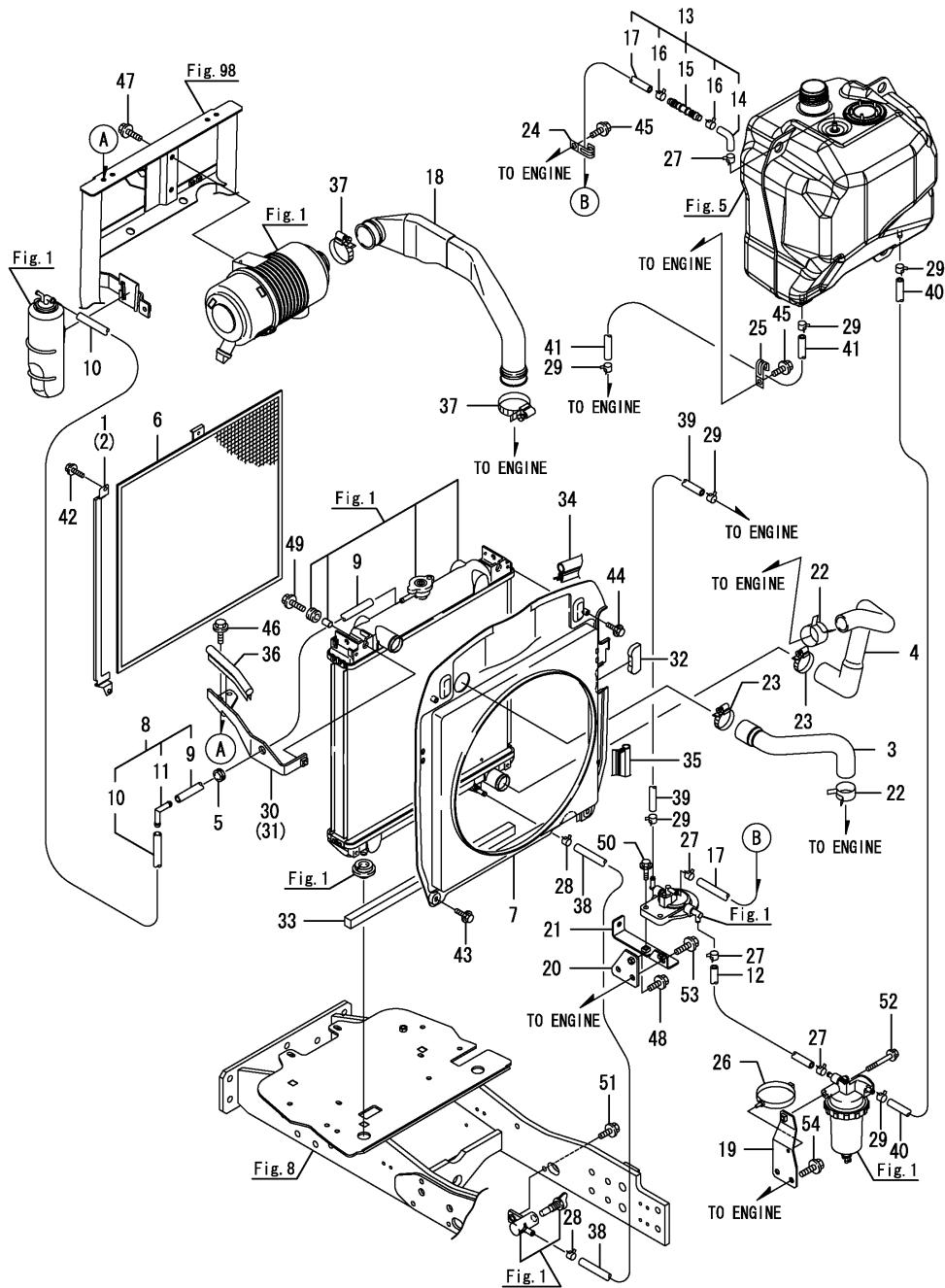
No.	Lev.	Parts No.	Description	Qty						I	R
				(A)	(B)	(C)	(D)	(E)	(F)		
1	1	1A7260-01030	RAIL, RADIATOR L	1	1						
2	1	1A7260-01040	RAIL, RADIATOR R	1	1						
3	1	1A8160-01210	PIPE, WATER A	1	1						
4	1	1A7260-01220	PIPE, WATER B	1	1						
5	1	194180-01240	GROMMET, 13	1	1						
6	1	1A7260-01250	SCREEN, RADIATOR	1	1						
7	1	1A8160-01300	SHROUD ASSY, FAN M	1	1						
8	1	1A7780-03150	HOSE ASSY, OVERFLOW	1	1						
9	2	1A7260-03160	PIPE, OVERFLOW A	1	1						
10	2	1A7260-03170	PIPE, OVERFLOW B	1	1						
11	2	1A7260-03180	ELBOW	1	1						
12	1	1A8160-04430	HOSE, FUEL A	1	1						
13	1	1A8160-04470	HOSE ASSY, FUEL	1	1						
14	2	198448-04270	HOSE, RETURN	1	1						
15	2	1A8160-04480	JOINT, HOSE	1	1						
16	2	114270-59010	CLIP, HOSE 12	2	2						
17	2	23980-731060	HOSE, 7.3X1060	1	1						
18	1	1A8160-06200	PIPE, AIR INTAKE	1	1						
19	1	1A8160-11240	BRACKET, SEPARATOR	1	1						
20	1	1A8160-11270	BRACKET, FILTER A	1	1						
21	1	1A8160-11290	BRACKET, FILTER B	1	1						
22	1	121267-49500	BAND, 38	2	2						
23	1	175022-49750	CLIP 37, HOSE	2	2						
24	1	194440-51620	CLAMP	1	1						
25	1	194440-51620	CLAMP	1	1						
26	1	194680-51670	BAND, CLIP	1	1						
27	1	114270-59010	CLIP, HOSE 12	4	4						
28	1	124766-59050	CLIP, HOSE 12	2	2						
29	1	124766-59050	CLIP, HOSE 12	6	6						
30	1	1A7260-60211	STAY ASSY, RADIATOR	1	1						
31	1	1A7260-60221	STAY ASSY, RADIATOR	1	1						
32	1	1A8160-60720	GROMMET	1	1						
33	1	1A7780-60860	URETHANE, RADIATOR	1	1						
34	1	1A7260-61860	WEATHER-STRIP, 1130	1	1						
35	1	1A7260-61970	WEATHER-STRIP, 390	1	1						
36	1	174570-63620	WEATHER-STRIP, 195	2	2						
37	1	23000-070000	CLAMP, 70	2	2						
38	1	23980-730250	HOSE, 7.3X 250	1	1						
39	1	23980-730270	HOSE, 7.3X 270	1	1						
40	1	23980-730340	HOSE, 7.3X 340	1	1						
41	1	23980-730890	HOSE, 7.3X 890	1	1						
42	1	26106-060122	BOLT, M6X 12 PLATED	4	4						
43	1	26106-060122	BOLT, M6X 12 PLATED	2	2						
44	1	26106-060252	BOLT, M6X 25 PLATED	2	2						
45	1	26106-080122	BOLT, M8X 12 PLATED	2	2						
46	1	26106-080162	BOLT, M8X 16 PLATED	4	4						
47	1	26106-080162	BOLT, M8X 16 PLATED	2	2						
48	1	26106-080162	BOLT, M8X 16 PLATED	2	2						
49	1	26106-080252	BOLT, M8X 25 PLATED	2	2						
50	1	26106-080252	BOLT, M8X 25 PLATED	2	2						
51	1	26106-080302	BOLT, M8X 30 PLATED	1	1						

N:Old $\begin{matrix} \text{Yes} \\ \text{No} \end{matrix}$ New, Q:Old $\begin{matrix} \text{No} \\ \text{Yes} \end{matrix}$ New, R:Old $\begin{matrix} \text{Yes} \\ \text{No} \end{matrix}$ New, S:Old $\begin{matrix} \text{No} \\ \text{Yes} \end{matrix}$ New, W:Add, Z:Discontinued, F:Interchangeable by set, K:Q'ty Change
 ++ CONTINUE ++
 Copyright (C) YANMAR CO., LTD. All Rights Reserved.

Fig.2. ENGINE ACCESSORIES MOUNTING

(A)=EX2900(YANMAR)
 (B)=EX3200(YANMAR)
 (C)=

(D)=
 (E)=
 (F)=

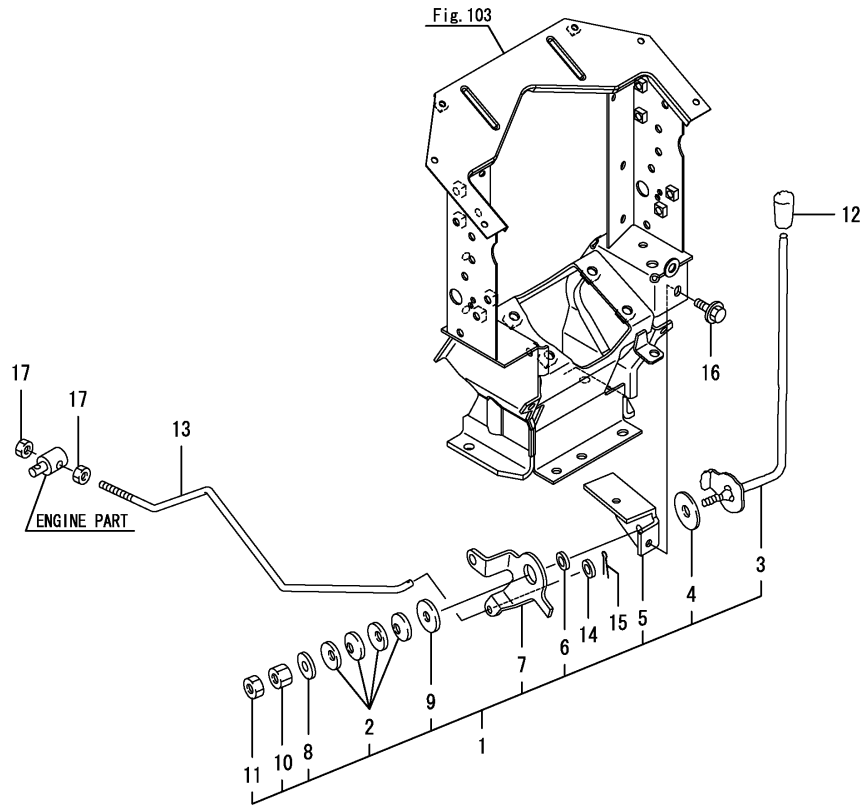


No.	Lev.	Parts No.	Description	Q'ty						I	R
				(A)	(B)	(C)	(D)	(E)	(F)		
52	1	26106-080702	BOLT, M8X 70 PLATED	1	1						
53	1	26106-100202	BOLT, M10X 20 PLATED	2	2						
54	1	26106-100202	BOLT, M10X 20 PLATED	2	2						

Fig.3. ACCELERATOR LEVER

(A)=EX2900(YANMAR)
 (B)=EX3200(YANMAR)
 (C)=

(D)=
 (E)=
 (F)=



No.	Lev.	Parts No.	Description	Q'ty						I	R
				(A)	(B)	(C)	(D)	(E)	(F)		
1	1	798220-01111	LEVER KIT	1	1						
2	2	194740-00160	SPRING, 10	4	4						
3	2	198220-01110	LEVER, ACCELERATOR	1	1						
4	2	198165-01130	PLATE, FRICTION	1	1						
5	2	198220-01140	BRACKET, LEVER	1	1						
6	2	194150-01270	SPACER, 20	1	1						
7	2	198220-01350	LEVER, LINK	1	1						
8	2	194145-61570	WASHER, 10	1	1						
9	2	22157-100000	WASHER, 10	1	1						
10	2	26716-100002	NUT, M10	1	1						
11	2	26756-100002	NUT, LOCK M10	1	1						
12	1	198253-01190	KNOB, LEVER	1	1						
13	1	1A8160-01320	ROD, LINK	1	1						
14	1	22137-080000	WASHER, 8	1	1						
15	1	22417-250300	PIN, COTTER 2.5X30	1	1						
16	1	26106-080162	BOLT, M8X 16 PLATED	2	2						
17	1	26716-080002	NUT, M8	2	2						

Fig.4. EXHAUST

(A)=EX2900(YANMAR)
 (B)=EX3200(YANMAR)
 (C)=

(D)=
 (E)=
 (F)=

No.	Lev.	Parts No.	Description	Qty						I	R
				(A)	(B)	(C)	(D)	(E)	(F)		
1	1	1A8160-03100	PIPE, EXHAUST	1	1						
2	1	129052-13550	GASKET	1	1						
3	1	26106-080202	BOLT, M8X 20 PLATED	2	2						
4	1	26106-080252	BOLT, M8X 25 PLATED	1	1						

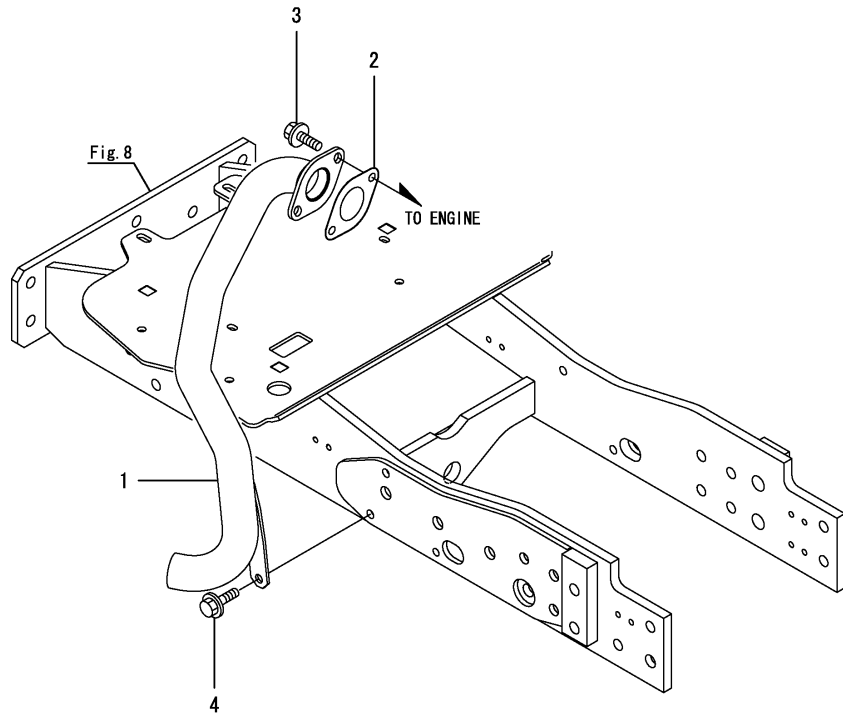
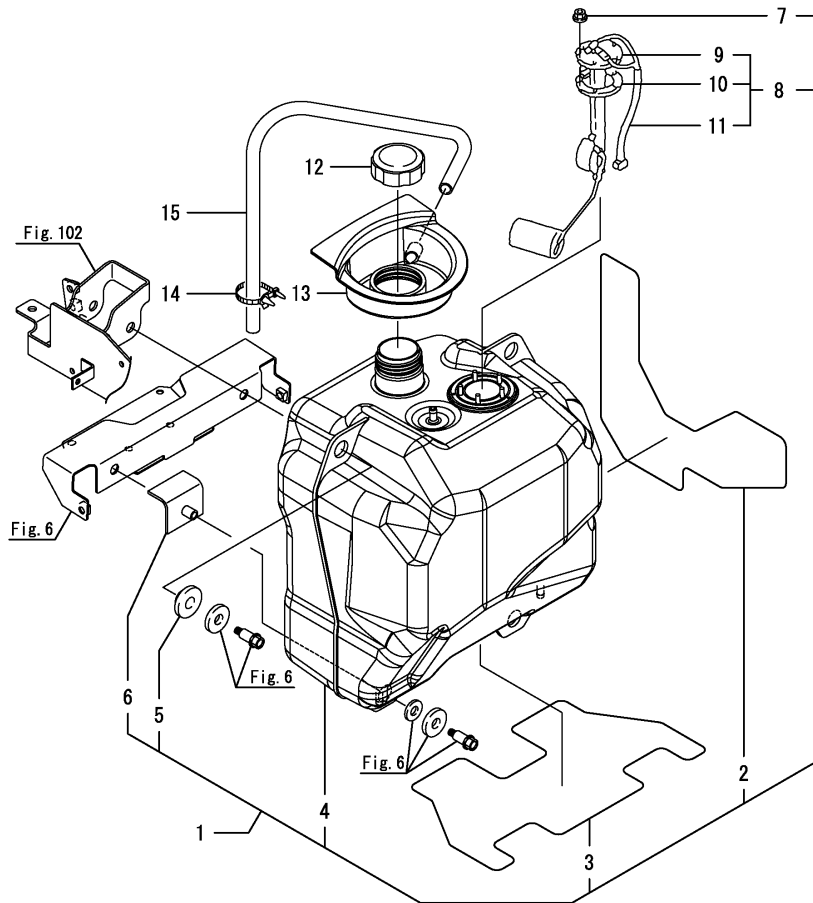


Fig.5. FUEL TANK

(A)=EX2900(YANMAR)
 (B)=EX3200(YANMAR)
 (C)=

(D)=
 (E)=
 (F)=

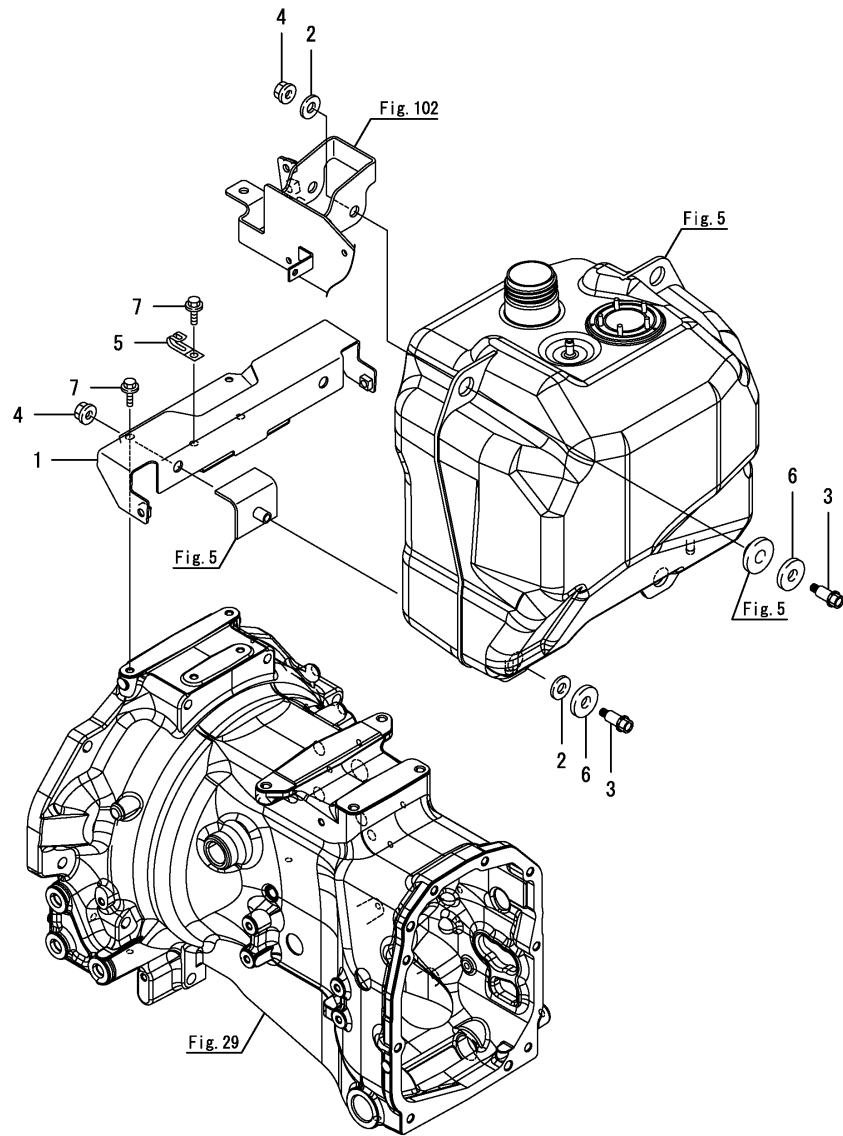


No.	Lev.	Parts No.	Description	Qty						I	R
				(A)	(B)	(C)	(D)	(E)	(F)		
1	1	1A8160-04100	TANK ASSY, FUEL	1	1						
2	2	1A7335-04071	INSULATOR, TANK R	1	1						
3	2	1A7335-04081	INSULATOR, TANK	1	1						
4	2	1A7335-04110	TANK, FUEL	1	1						
5	2	1A8160-04260	PACKING, TANK A	2	2						
6	2	198220-04290	GASKET, TANK	2	2						
7	2	194990-22120	NUT, M5	5	5						
8	2	198220-56600	SENDER, FUEL GAUGE	1	1						
9	3	198220-56610	SENDER, FUEL GAUGE	1	1						
10	3	194420-56620	GASKET	1	1						
11	3	198220-56630	WIRE	1	1						
12	1	1A8160-04130	CAP, FUEL TANK	1	1						
13	1	1A8160-04150	TRAY, TANK	1	1						
14	1	194680-51670	BAND, CLIP	2	2						
15	1	23065-160850	PIPE, 16X 850	1	1						

Fig.6. TANK BRACKET

(A)=EX2900(YANMAR)
 (B)=EX3200(YANMAR)
 (C)=

(D)=
 (E)=
 (F)=



No.	Lev.	Parts No.	Description	Q'ty						I	R
				(A)	(B)	(C)	(D)	(E)	(F)		
1	1	1A8160-04210	SUPPORT, TANK	1	1						
2	1	194555-04270	PACKING, TANK B	4	4						
3	1	1A7335-04280	BOLT, M8X30	4	4						
4	1	194990-22140	NUT, M8	4	4						
5	1	1E6102-83230	CLAMP, CABLE	1	1						
6	1	22157-120000	WASHER, 12	4	4						
7	1	26106-080162	BOLT, M8X 16 PLATED	4	4						

Fig.7. SHUTTER PLATE

(A)=EX2900(YANMAR)
 (B)=EX3200(YANMAR)
 (C)=

(D)=
 (E)=
 (F)=

No.	Lev.	Parts No.	Description	Q'ty						I	R
				(A)	(B)	(C)	(D)	(E)	(F)		
1	1	1A8160-05510	PLATE, SHUTTER	1	1						
2	1	194990-22140	NUT, M8	2	2						

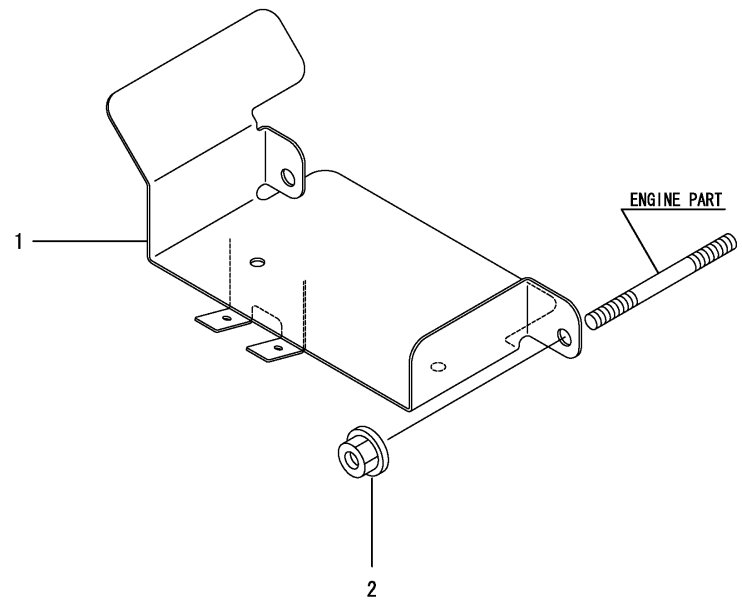


Fig.8. FRONT BRACKET

(A)=EX2900(YANMAR)
 (B)=EX3200(YANMAR)
 (C)=

(D)=
 (E)=
 (F)=

No.	Lev.	Parts No.	Description	Q'ty						I	R
				(A)	(B)	(C)	(D)	(E)	(F)		
1	1	1A8160-11110	BRACKET ASSY, AXLE	1	1						
2	1	194450-11190	PLUG, 15.0	4	4						
3	1	198220-11510	BOLT, M12X27	4	4						
4	1	1A8160-11520	BOLT, M12X34	6	6						
5	1	198220-11530	BOLT, M12X38	2	2						
6	1	1A7260-60661	GASKET	1	1						
7	1	1A7260-60750	WEATHER-STRIP, 365	2	2						

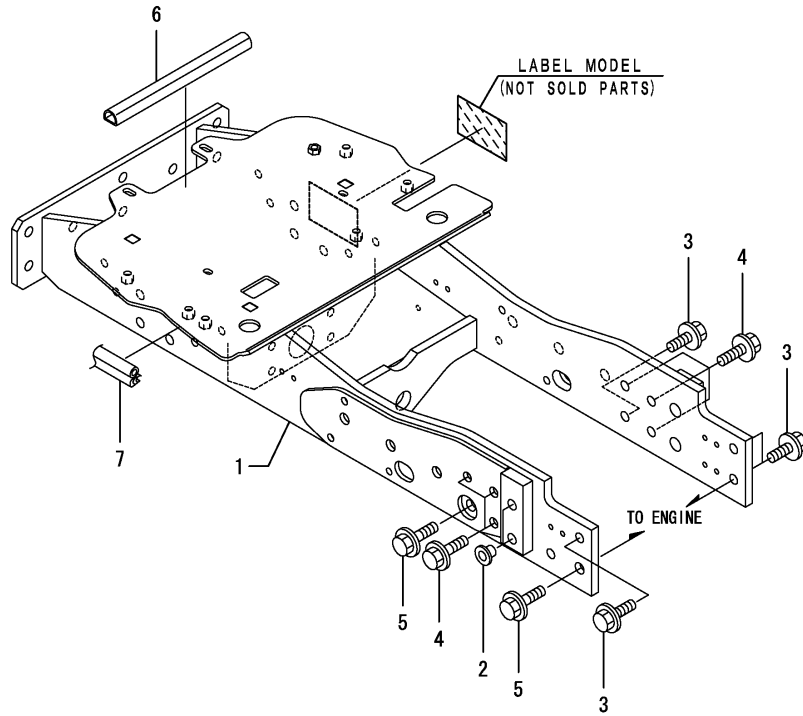
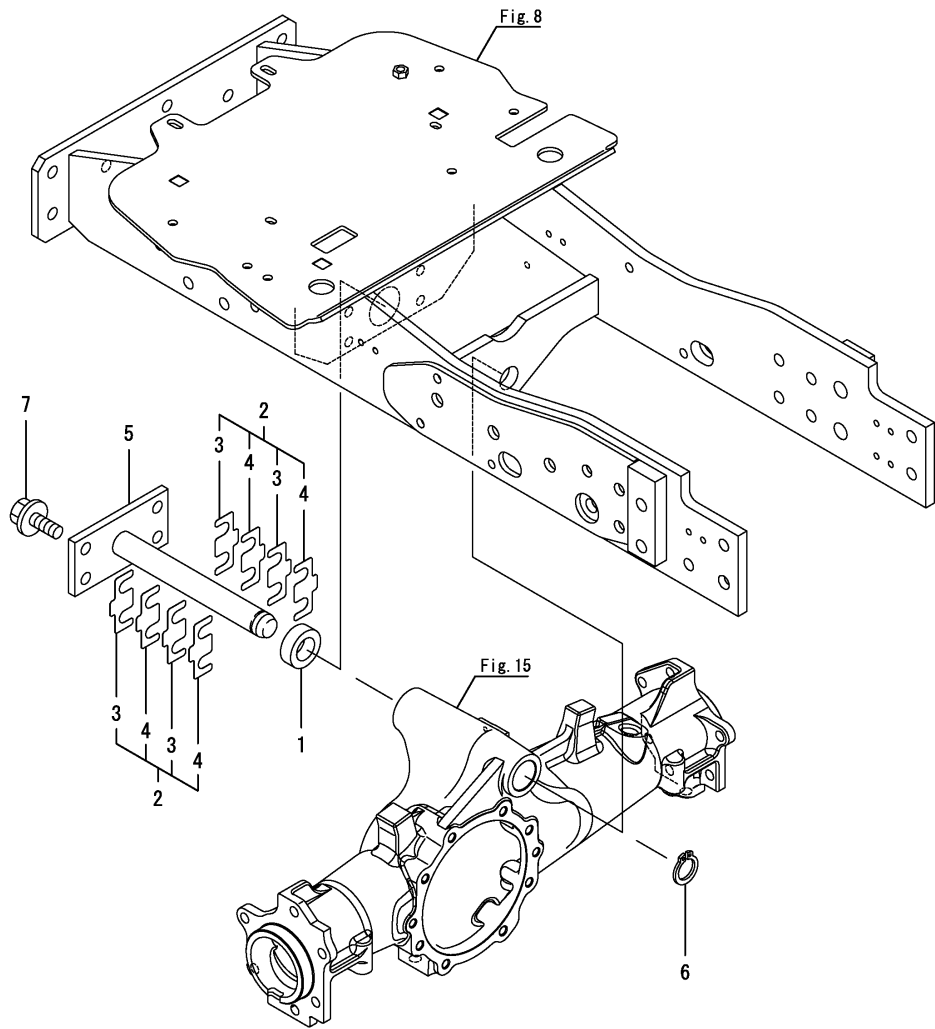


Fig.9. CENTER PIN



(A)=EX2900(YANMAR)
 (B)=EX3200(YANMAR)
 (C)=

(D)=
 (E)=
 (F)=

No.	Lev.	Parts No.	Description	Qty						I	R
				(A)	(B)	(C)	(D)	(E)	(F)		
1	1	194515-13220	SPACER, 25X42X14	1	1						
2	1	1A8160-13230	SHIM, CENTER PIN	1	1						
3	2	1A7450-13230	SHIM, T=0.5	4	4						
4	2	1A8160-13270	SHIM, T=0.25	4	4						
5	1	1A8160-13241	PIN, CENTER	1	1						
6	1	22242-000250	RING, 25	1	1						
7	1	26108-120252	BOLT, M12X 25 PLATED	4	4						

Fig.10. TIE ROD

(A)=EX2900(YANMAR)
 (B)=EX3200(YANMAR)
 (C)=

(D)=
 (E)=
 (F)=

No.	Lev.	Parts No.	Description	Q'ty						I	R
				(A)	(B)	(C)	(D)	(E)	(F)		
1	1	1A8070-12310	TIE-ROD	1	1						
2	1	198291-18120	END KIT, TIE-ROD LR	1	1						
3	2	194990-22831	NUT, LOCK M17 L	1	1						
4	2	194730-57220	COVER, DUCT	1	1						
5	2	24761-060000	NIPPLE, GREASE MT6X1	1	1						
6	2	194730-57242	NUT, CASTLE M12	1	1						
7	2	22417-300250	PIN, COTTER 3.0X25	1	1						
8	1	198291-18130	END KIT, TIE-ROD RL	1	1						
9	2	194990-22841	NUT, M17	1	1						
10	2	194730-57220	COVER, DUCT	1	1						
11	2	24761-060000	NIPPLE, GREASE MT6X1	1	1						
12	2	194730-57242	NUT, CASTLE M12	1	1						
13	2	22417-300250	PIN, COTTER 3.0X25	1	1						

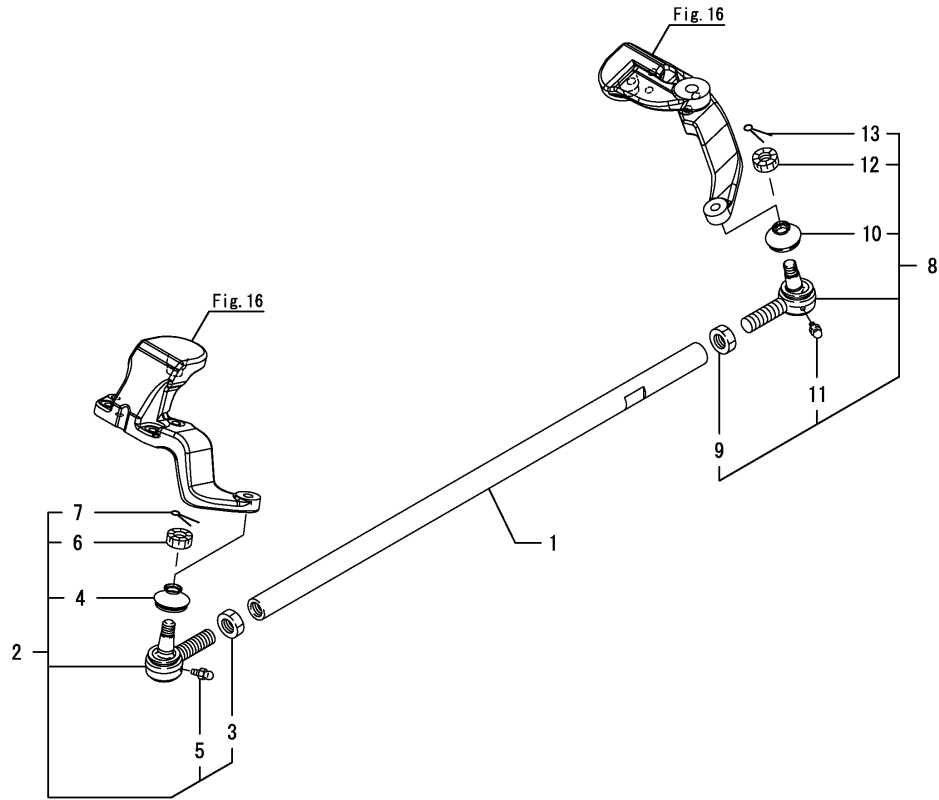


Fig.11. RING GEAR

(A)=EX2900(YANMAR)
 (B)=EX3200(YANMAR)
 (C)=

(D)=
 (E)=
 (F)=

No.	Lev.	Parts No.	Description	Q'ty						I	R
				(A)	(B)	(C)	(D)	(E)	(F)		
1	1	1A8160-13100	GEAR ASSY, RING	1	1						
2	1	198221-13130	COLLAR, 25X34X4.5	1	1						
3	1	194306-13140	CIRCLIP, C24-S	1	1						
4	1	194855-25290	SLEEVE, SI 202513	1	1						
5	1	194850-31380	BEARING, 6305RSH2	1	1						
6	1	22242-000200	RING, 20	1	1						
7	1	24101-060044	BEARING, BALL 6004	1	1						

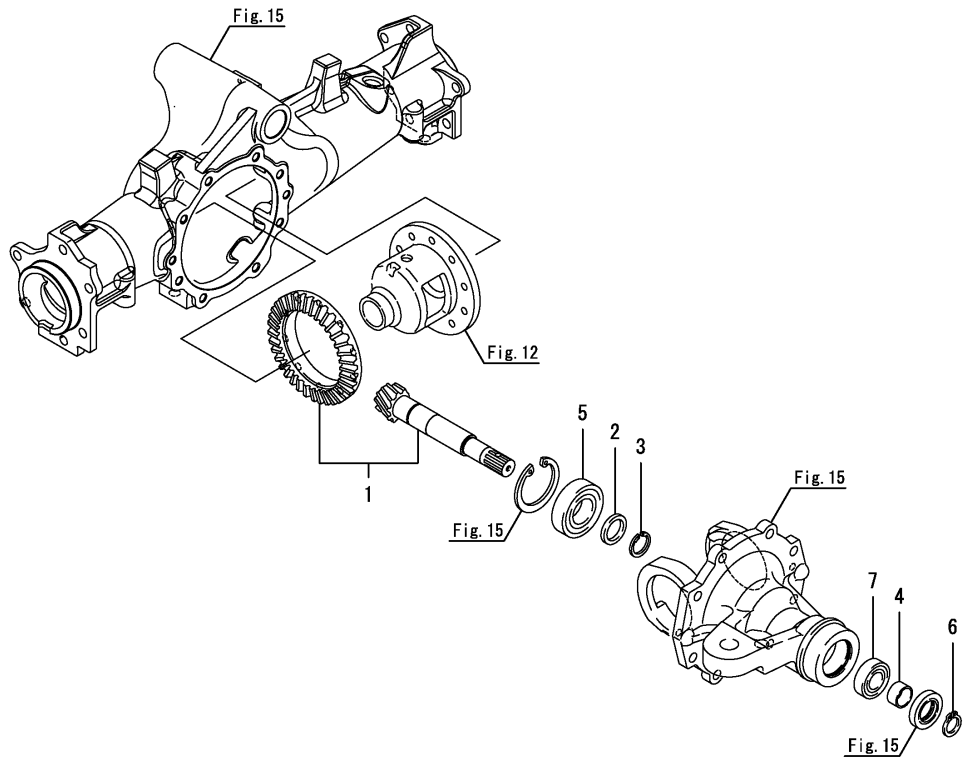
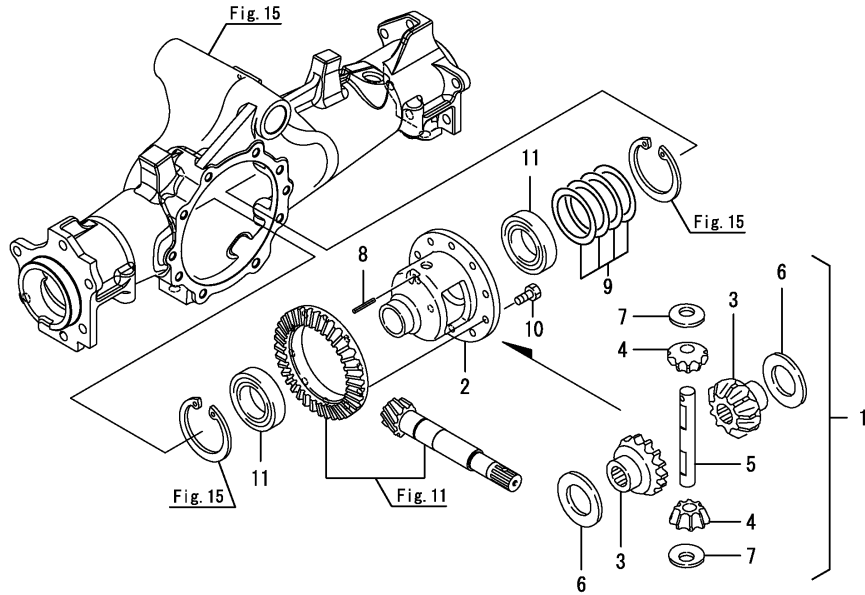


Fig.12. DIFFERENTIAL GEAR

(A)=EX2900(YANMAR)
 (B)=EX3200(YANMAR)
 (C)=

(D)=
 (E)=
 (F)=



No.	Lev.	Parts No.	Description	Q'ty						I	R
				(A)	(B)	(C)	(D)	(E)	(F)		
1	1	1A8160-13200	HOUSING ASSY	1	1						
2	2	1A8160-13210	CASE, DIFFERENTIAL	1	1						
3	2	194300-31550	GEAR, DIFFERENTIAL	2	2						
4	2	194300-31560	GEAR, PINION	2	2						
5	2	194300-31570	SHAFT, DIFFERENTIAL	1	1						
6	2	194300-31610	WASHER, DIFFERENTIAL	2	2						
7	2	194300-31620	WASHER, DIFFERENTIAL	2	2						
8	2	22351-040030	PIN, SPRING 4.0X30	1	1						
9	1	794447-13570	SHIM SET	1	1						
10	1	1D4110-36430	BOLT, M8X12	10	10						
11	1	24101-060084	BEARING, BALL 6008	2	2						

Fig.13. PROPELLER SHAFT

(A)=EX2900(YANMAR)
 (B)=EX3200(YANMAR)
 (C)=

(D)=
 (E)=
 (F)=

No.	Lev.	Parts No.	Description	Q'ty						I	R
				(A)	(B)	(C)	(D)	(E)	(F)		
1	1	1A8160-13341	SHAFT ASSY,PROPELLER	1	1						
2	1	198221-13410	BOLT, M8	1	1						
3	1	22217-080000	WASHER, SPRING 8	1	1						

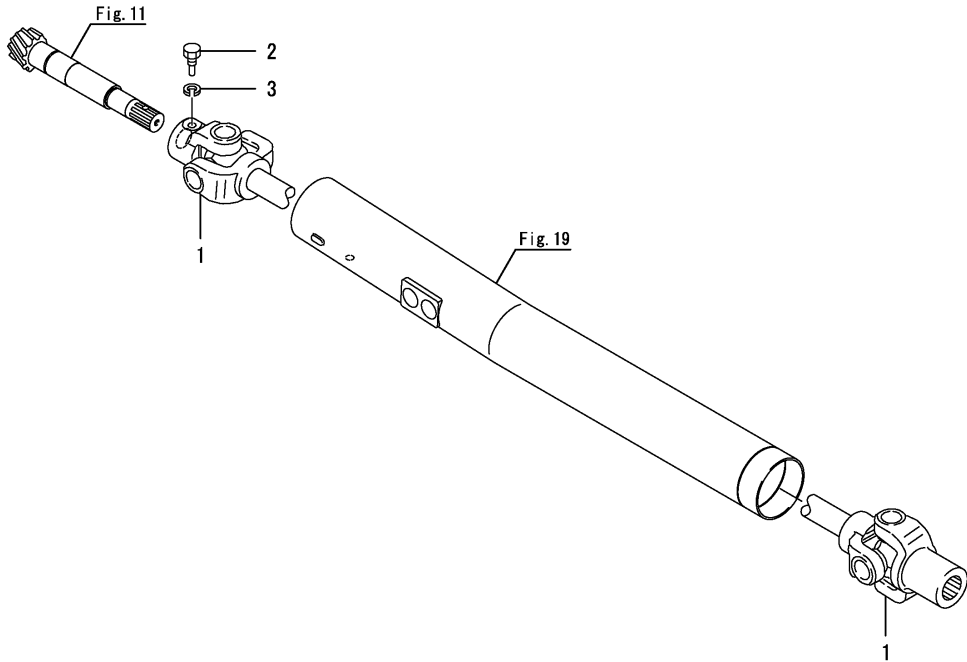


Fig.14. FRONT SHAFT(1)

(A)=EX2900(YANMAR)
 (B)=EX3200(YANMAR)
 (C)=

(D)=
 (E)=
 (F)=

No.	Lev.	Parts No.	Description	Q'ty						I	R
				(A)	(B)	(C)	(D)	(E)	(F)		
1	1	1A8160-13510	SHAFT, FRONT 1ST L	1	1						
2	1	1A8160-13520	SHAFT, FRONT 1ST R	1	1						
3	1	1A8160-13561	PINION, SHAFT	2	2						
4	1	24101-062084	BEARING, BALL 6208	2	2						

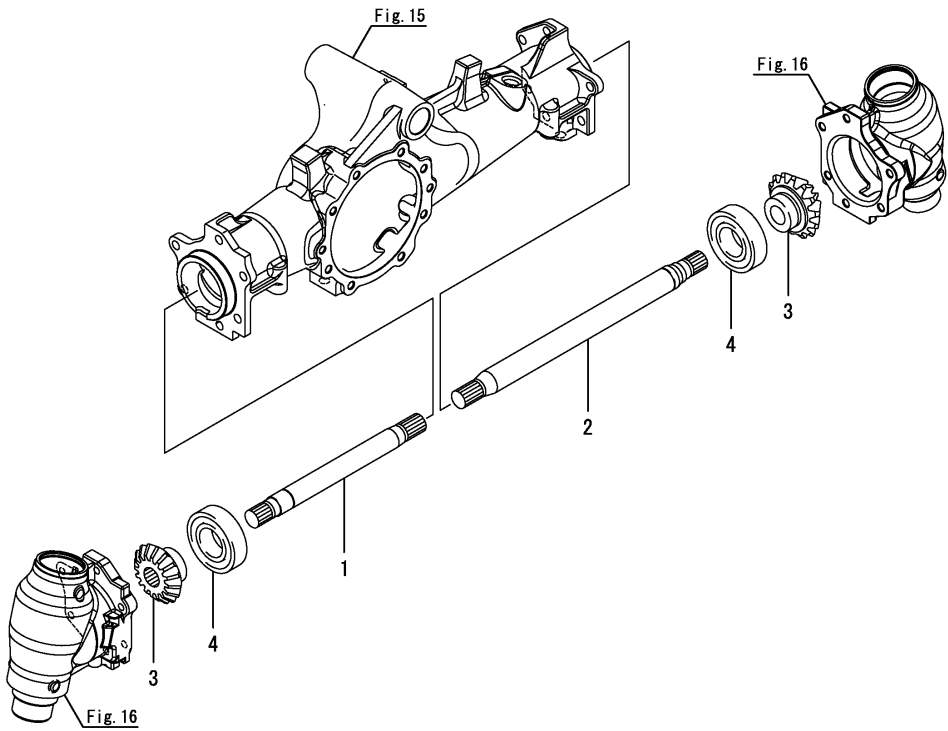
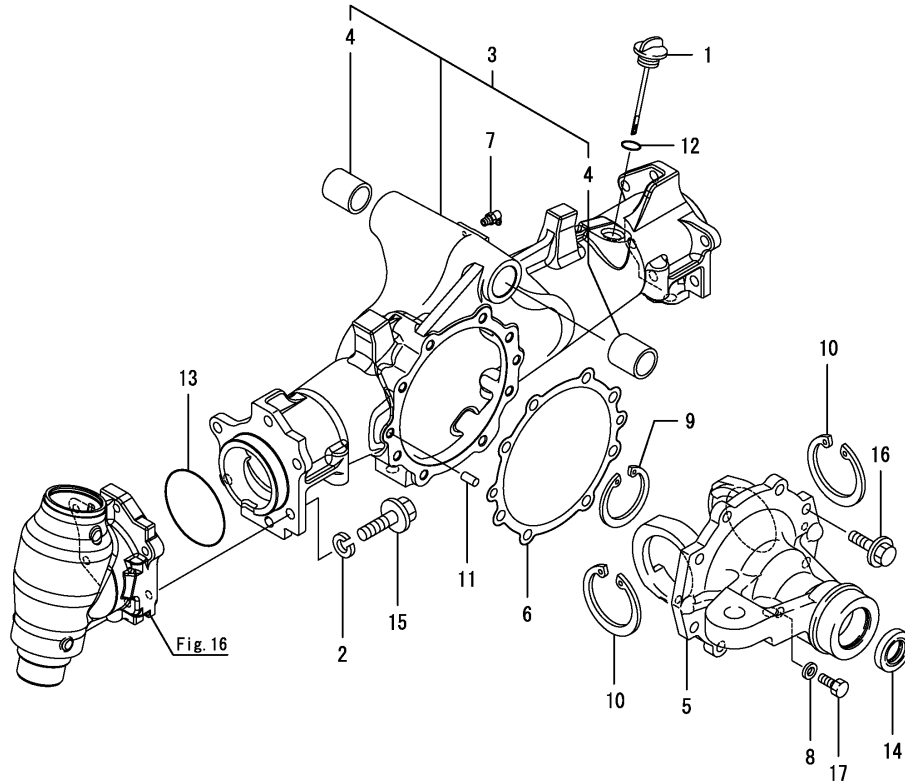


Fig.15. FRONT AXLE CASE

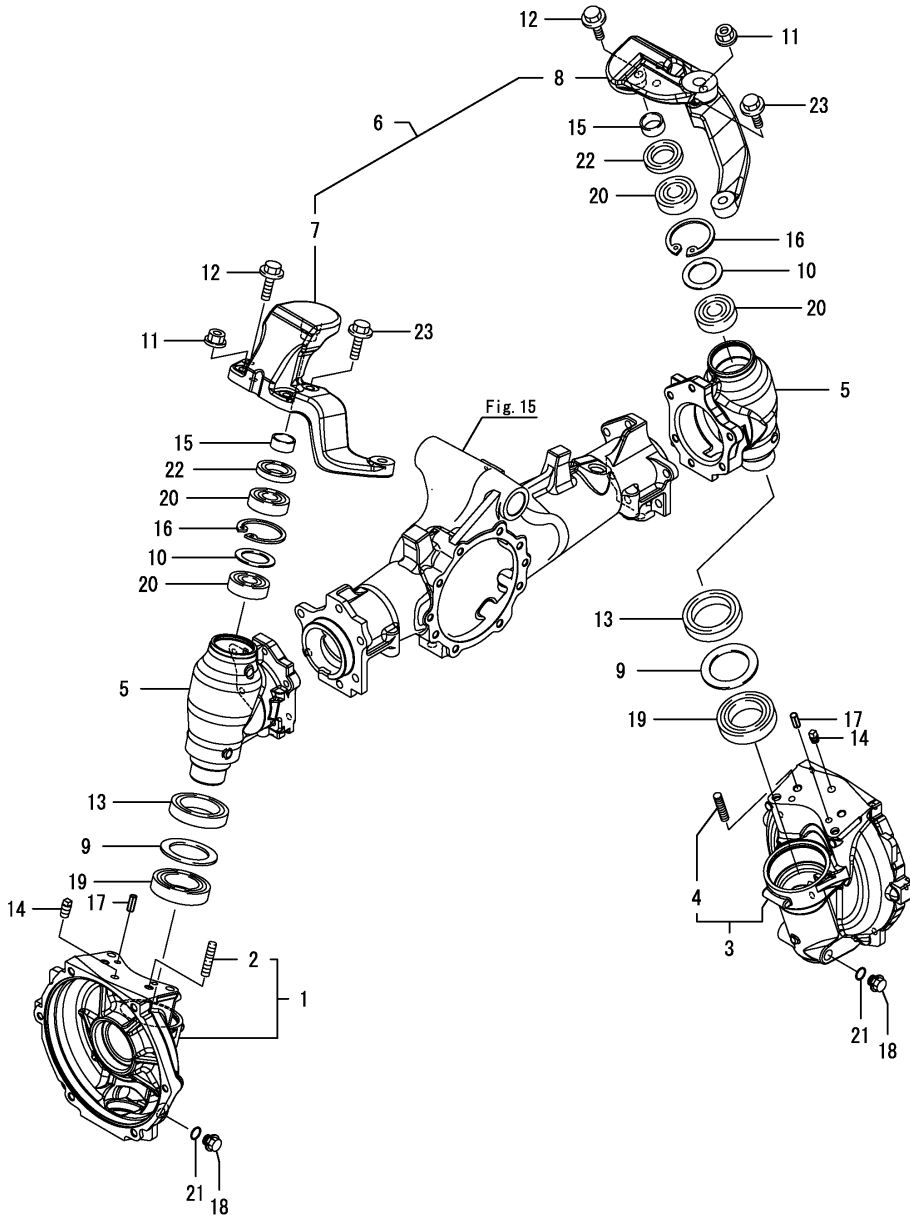
(A)=EX2900(YANMAR)
 (B)=EX3200(YANMAR)
 (C)=

(D)=
 (E)=
 (F)=



No.	Lev.	Parts No.	Description	Q'ty						I	R
				(A)	(B)	(C)	(D)	(E)	(F)		
1	1	194447-13490	GAUGE, OIL LEVEL	1	1						
2	1	194274-13570	WASHER, SPRING 10	12	12						
3	1	1A8160-13600	HOUSING ASSY, AXLE	1	1						
4	2	194850-13660	BUSH, 25X32X35	2	2						
5	1	1A8160-13650	CARRIER	1	1						
6	1	1A8160-13660	GASKET, CARRIER	1	1						
7	1	194850-13690	NIPPLE, GRESAE M6F45	1	1						
8	1	22190-080000	WASHER, SEAL 8	1	1						
9	1	22252-000621	RING, 62	1	1						
10	1	22252-000680	RING, 68	2	2						
11	1	22312-080160	PIN, PARALLEL M8X16	2	2						
12	1	24311-000180	O-RING, 1AP18.0	1	1						
13	1	24321-000800	O-RING, 1AG80.0	2	2						
14	1	24421-254208	SEAL, OIL TC254208	1	1						
15	1	26108-100302	BOLT, M10X 30 PLATED	12	12						
16	1	26108-100302	BOLT, M10X 30 PLATED	8	8						
17	1	26116-080122	BOLT, M8X 12 PLATED	1	1						

Fig.16. FRONT GEAR CASE



(A)=EX2900(YANMAR)
 (B)=EX3200(YANMAR)
 (C)=

(D)=
 (E)=
 (F)=

No.	Lev.	Parts No.	Description	Q'ty						I	R
				(A)	(B)	(C)	(D)	(E)	(F)		
1	1	1A8160-13720	BOX ASSY, GEAR L	1	1						
2	2	1A8160-13920	STUD, M10X30	2	2						
3	1	1A8160-13730	BOX ASSY, GEAR R	1	1						
4	2	1A8160-13920	STUD, M10X30	2	2						
5	1	1A8160-13750	CASE, FRONT GEAR	2	2						
6	1	1A8160-13800	SUPPORT ASSY, PIN	1	1						
7	2	1A8160-13820	SUPPORT, KING PIN L	1	1						
8	2	1A8160-13861	SUPPORT, KING PIN R	1	1						
9	1	1A8160-13880	WASHER, 52X75X3	2	2						
10	1	1A8160-13890	WASHER, 36X52X2	2	2						
11	1	1A8160-13930	NUT, M10	4	4						
12	1	198266-28390	BOLT, M10X35	2	2						
13	1	198475-32660	SEAL, QLNYS27514.5	2	2						
14	1	194151-36670	PLUG, PF02	2	2						
15	1	1E6190-54080	SLEEVE SI25X30X13	2	2						
16	1	22252-000520	RING, 52	2	2						
17	1	22351-080020	PIN, SPRING 8.0X20	4	4						
18	1	23491-140002	PLUG, 14	2	2						
19	1	24101-060094	BEARING, BALL 6009	2	2						
20	1	24104-063044	BEARING, BALL 6304UU	4	4						
21	1	24311-000160	O-RING, 1AP16.0	2	2						
22	1	24421-305208	SEAL, OIL TC305208	2	2						
23	1	26108-100452	BOLT, M10X 45 PLATED	2	2						

Fig.17. FRONT SHAFT(2)

(A)=EX2900(YANMAR)
 (B)=EX3200(YANMAR)
 (C)=

(D)=
 (E)=
 (F)=

No.	Lev.	Parts No.	Description	Q'ty						I	R
				(A)	(B)	(C)	(D)	(E)	(F)		
1	1	1A8160-13830	PINION, FINAL Z=11	2	2						
2	1	1A8160-13870	SHAFT, FRONT 2ND	2	2						
3	1	1A8160-13981	GEAR, FRONT SHAFT	2	2						
4	1	192180-25980	BEARING 304RSH2	2	2						

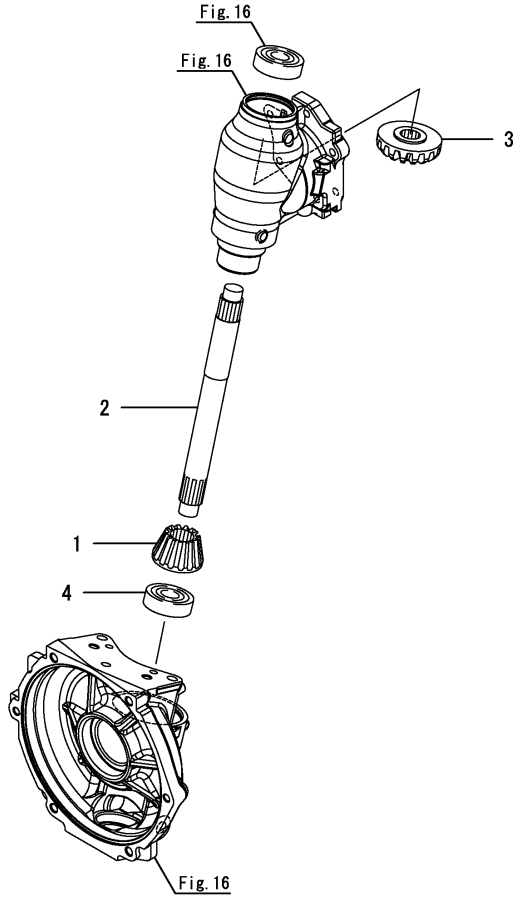


Fig.20. FRONT WHEEL TIRE R1

(A)=EX2900(YANMAR)
 (B)=EX3200(YANMAR)
 (C)=

(D)=
 (E)=
 (F)=

No.	Lev.	Parts No.	Description	Q'ty						I	R
				(A)	(B)	(C)	(D)	(E)	(F)		
1	1	1A8160-14300	TIRE KIT, FRONT R1 L	1	1						
2	2	1A8160-14310	TIRE, FRONT R1 7X14	1	1						
3	2	1A8160-14330	WHEEL, R1 F	1	1						
4	2	1A8160-14350	VALVE, R1	1	1						
5	1	1A8160-14400	TIRE KIT, FRONT R1 R	1	1						
6	2	1A8160-14310	TIRE, FRONT R1 7X14	1	1						
7	2	1A8160-14330	WHEEL, R1 F	1	1						
8	2	1A8160-14350	VALVE, R1	1	1						

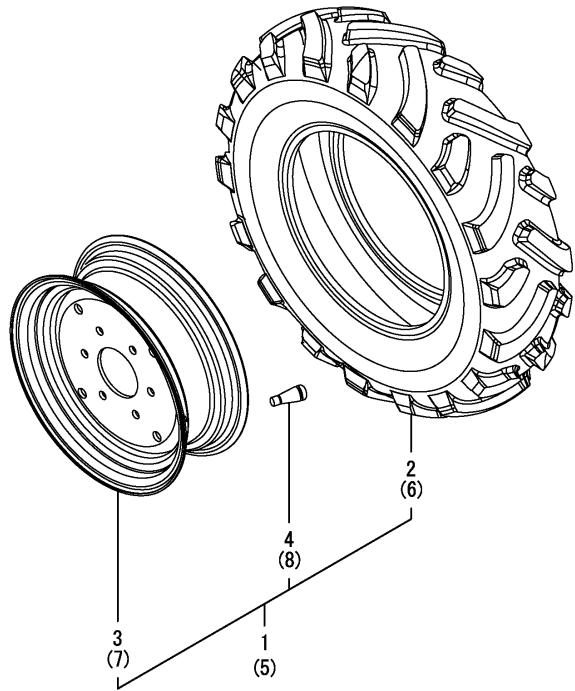


Fig.21. FRONT WHEEL TIRE R3

(A)=EX2900(YANMAR)
 (B)=EX3200(YANMAR)
 (C)=

(D)=
 (E)=
 (F)=

No.	Lev.	Parts No.	Description	Q'ty						I	R
				(A)	(B)	(C)	(D)	(E)	(F)		
1	1	1A8160-14500	TIRE KIT, FRONT R3	2	2						
2	2	1A8160-14350	VALVE, R1	2	2						
3	2	1A8160-14510	TIRE, 25X8.50-14	2	2						
4	2	1A8160-14530	WHEEL, R3 F	2	2						

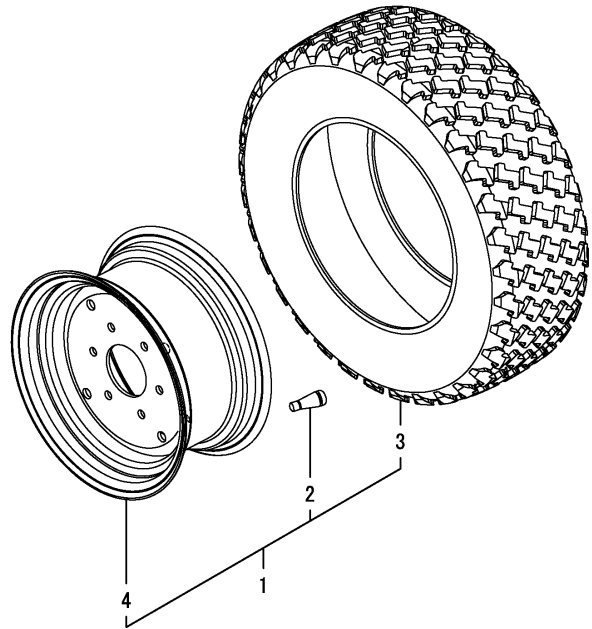


Fig.22. FRONT WHEEL TIRE R4

(A)=EX2900(YANMAR)
 (B)=EX3200(YANMAR)
 (C)=

(D)=
 (E)=
 (F)=

No.	Lev.	Parts No.	Description	Q'ty						I	R
				(A)	(B)	(C)	(D)	(E)	(F)		
1	1	1A8160-14700	TIRE KIT, FRONT R4 L	1	1						
2	2	1A8160-14530	WHEEL, R3 F	1	1						
3	2	1A8160-14710	TIRE, R4 25X8.50-14	1	1						
4	2	1A8160-14750	VALVE, TIRE	1	1						
5	1	1A8160-14800	TIRE KIT, FRONT R4 R	1	1						
6	2	1A8160-14530	WHEEL, R3 F	1	1						
7	2	1A8160-14710	TIRE, R4 25X8.50-14	1	1						
8	2	1A8160-14750	VALVE, TIRE	1	1						

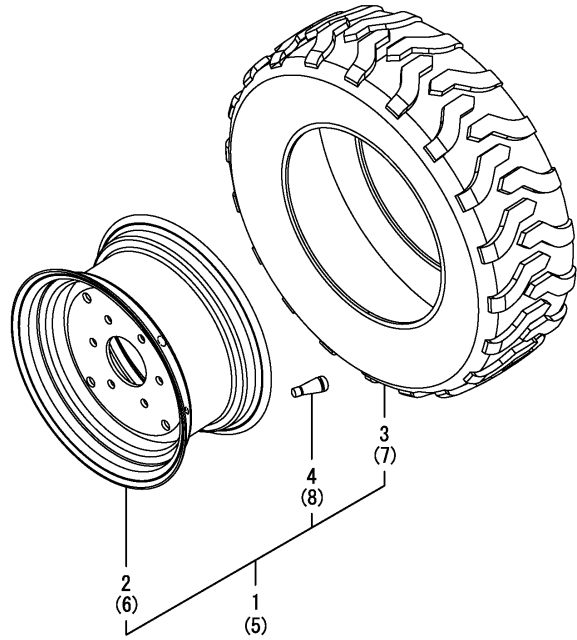


Fig.23. HUB BOLT

(A)=EX2900(YANMAR)
 (B)=EX3200(YANMAR)
 (C)=

(D)=
 (E)=
 (F)=

No.	Lev.	Parts No.	Description	Q'ty						I	R
				(A)	(B)	(C)	(D)	(E)	(F)		
1	1	194881-12650	BOLT, M14X24	12	12						

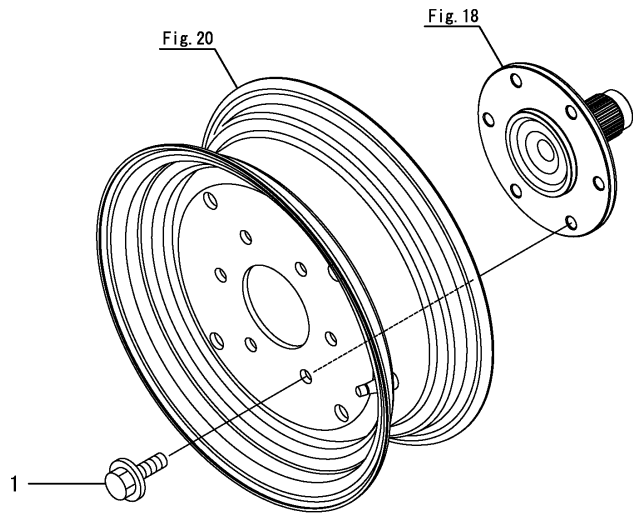
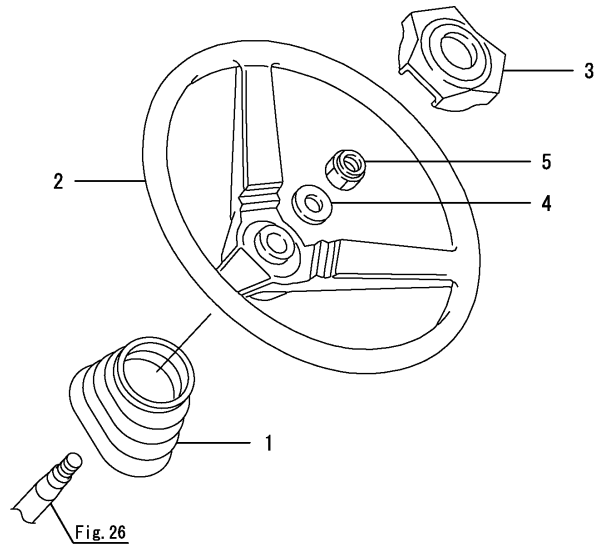


Fig.24. STEERING WHEEL

(A)=EX2900(YANMAR)
 (B)=EX3200(YANMAR)
 (C)=

(D)=
 (E)=
 (F)=

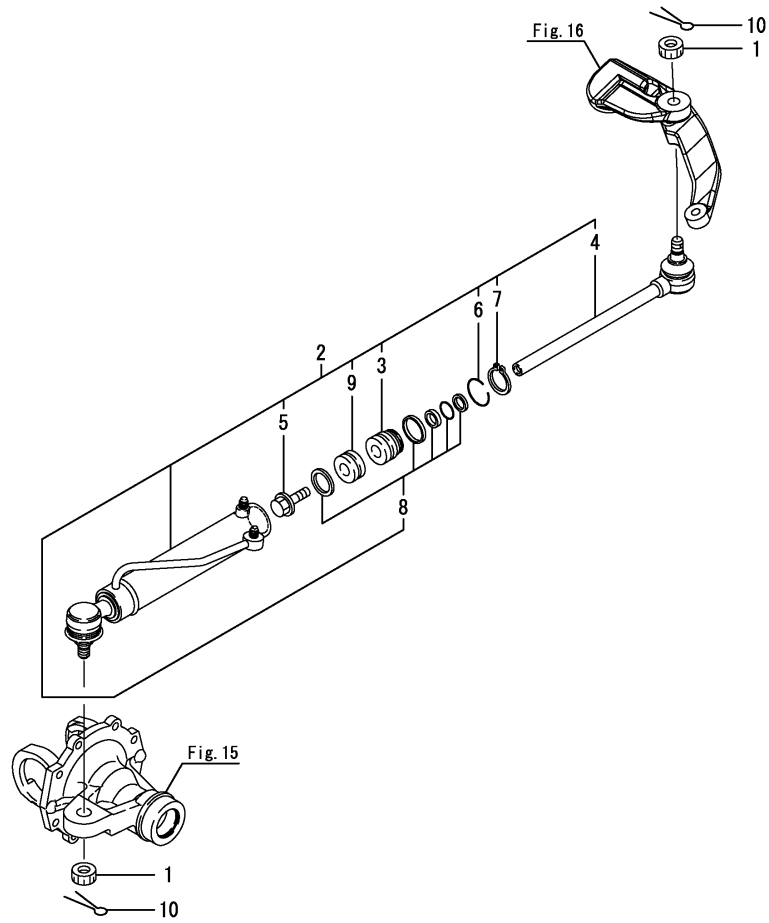


No.	Lev.	Parts No.	Description	Q'ty						I	R
				(A)	(B)	(C)	(D)	(E)	(F)		
1	1	198220-15650	COVER, COLUMN	1	1						
2	1	198133-15710	WHEEL, STEERING	1	1						
3	1	198133-15750	CAP, STEERING	1	1						
4	1	22137-160000	WASHER, 16	1	1						
5	1	26356-160002	NUT, M16	1	1						

Fig.25. P.S.T CYLINDER

(A)=EX2900(YANMAR)
 (B)=EX3200(YANMAR)
 (C)=

(D)=
 (E)=
 (F)=

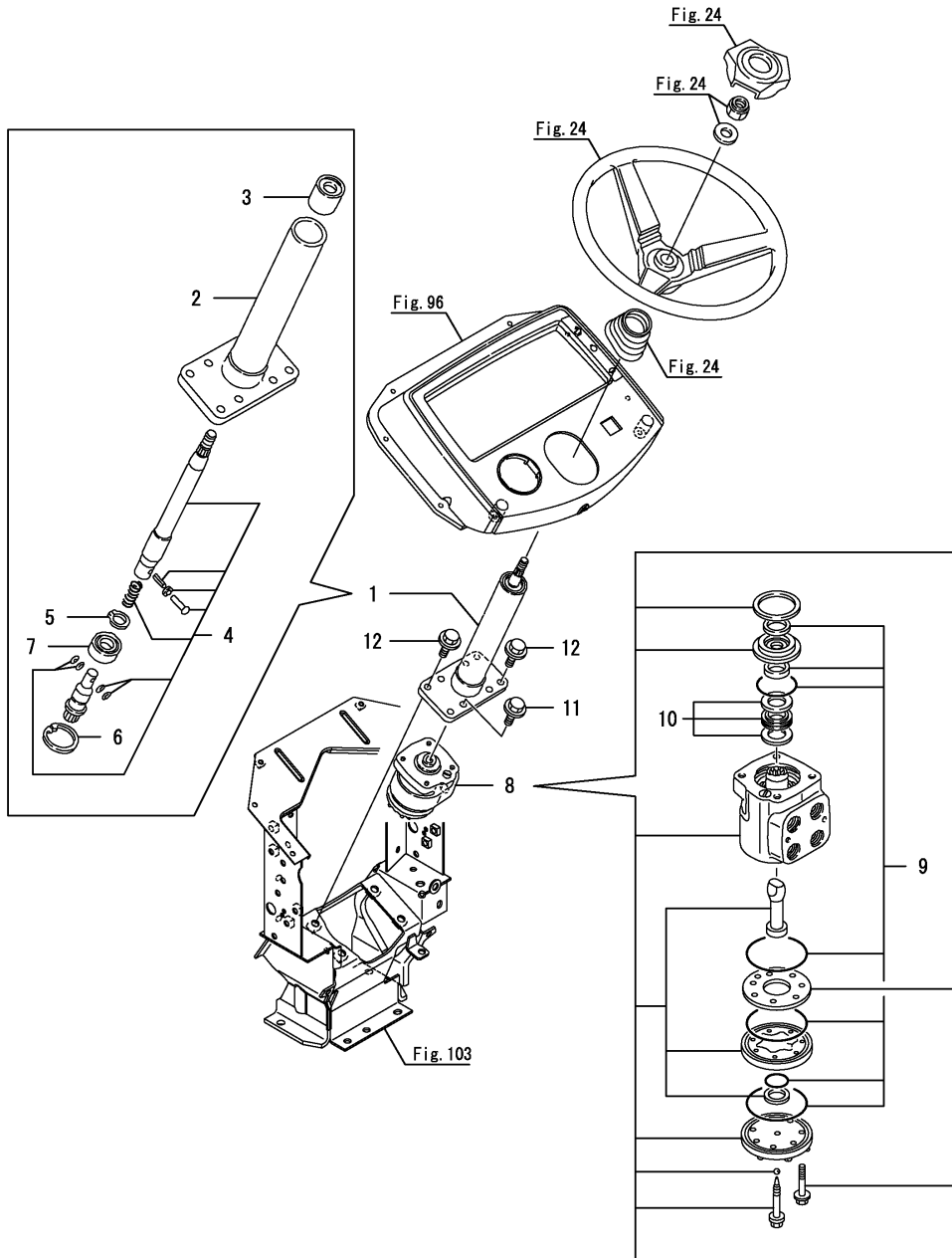


No.	Lev.	Parts No.	Description	Q'ty						I	R
				(A)	(B)	(C)	(D)	(E)	(F)		
1	1	194180-12471	NUT, CASTLE M16	2	2						
2	1	1A8160-17401	CYLINDER ASSY	1	1						
3	2	1A7335-17310	CAP, CYLINDER	1	1						
4	2	1A7335-17410	ROD ASSY, STEERING	1	1						
5	2	1A7335-17500	BOLT, M12X1.25	1	1						
6	2	1A7335-17520	CIRCLIP	1	1						
7	2	1A7335-17530	CIRCLIP	1	1						
8	2	1A7335-17551	SEAL KIT	1	1						
9	2	1A7335-17750	PISTON	1	1						
10	1	22417-400250	PIN, COTTER 4.0X25	2	2						

Fig.26. P.S.T VALVE

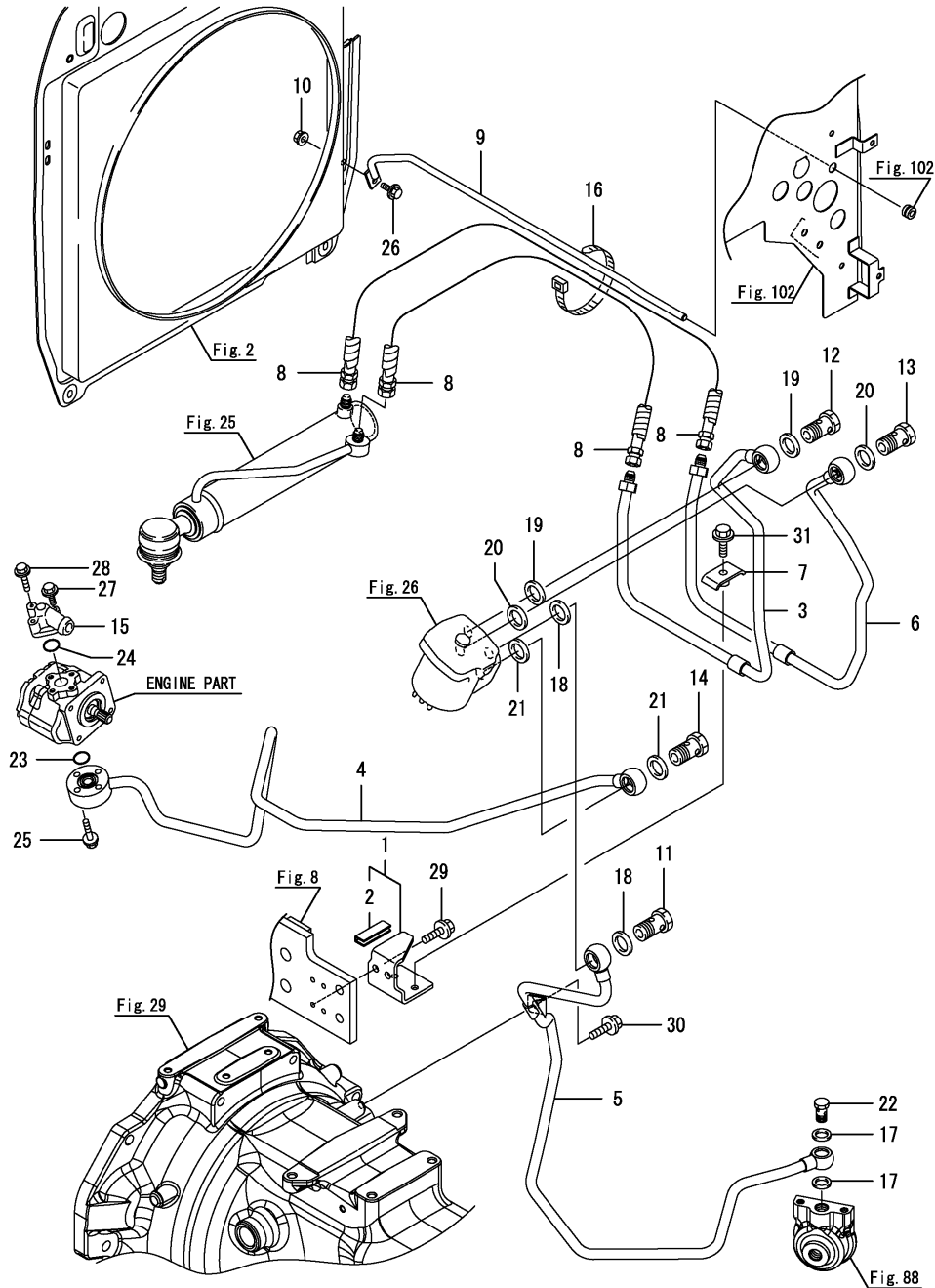
(A)=EX2900(YANMAR)
 (B)=EX3200(YANMAR)
 (C)=

(D)=
 (E)=
 (F)=



No.	Lev.	Parts No.	Description	Q'ty						I	R
				(A)	(B)	(C)	(D)	(E)	(F)		
1	1	198230-17301	COLUMN ASSY,STEERING	1	1						
2	2	198230-17311	COLUMN ASSY,STEERING	1	1						
3	2	194640-17340	BUSH, COLUMN	1	1						
4	2	198230-17340	SHAFT ASSY	1	1						
5	2	22252-000420	RING, 42	1	1						
6	2	22252-000420	RING, 42	1	1						
7	2	24104-060040	BEARING, 6004UUC3	1	1						
8	1	1A8160-17500	VALVE ASSY, STEERING	1	1						
9	2	1A8160-17510	SEAL KIT	1	1						
10	2	198153-17630	BEARING ASSY, NEEDLE	1	1						
11	1	26106-100202	BOLT, M10X 20 PLATED	4	4						
12	1	26106-100202	BOLT, M10X 20 PLATED	4	4						

Fig.27. P.S.T PIPING

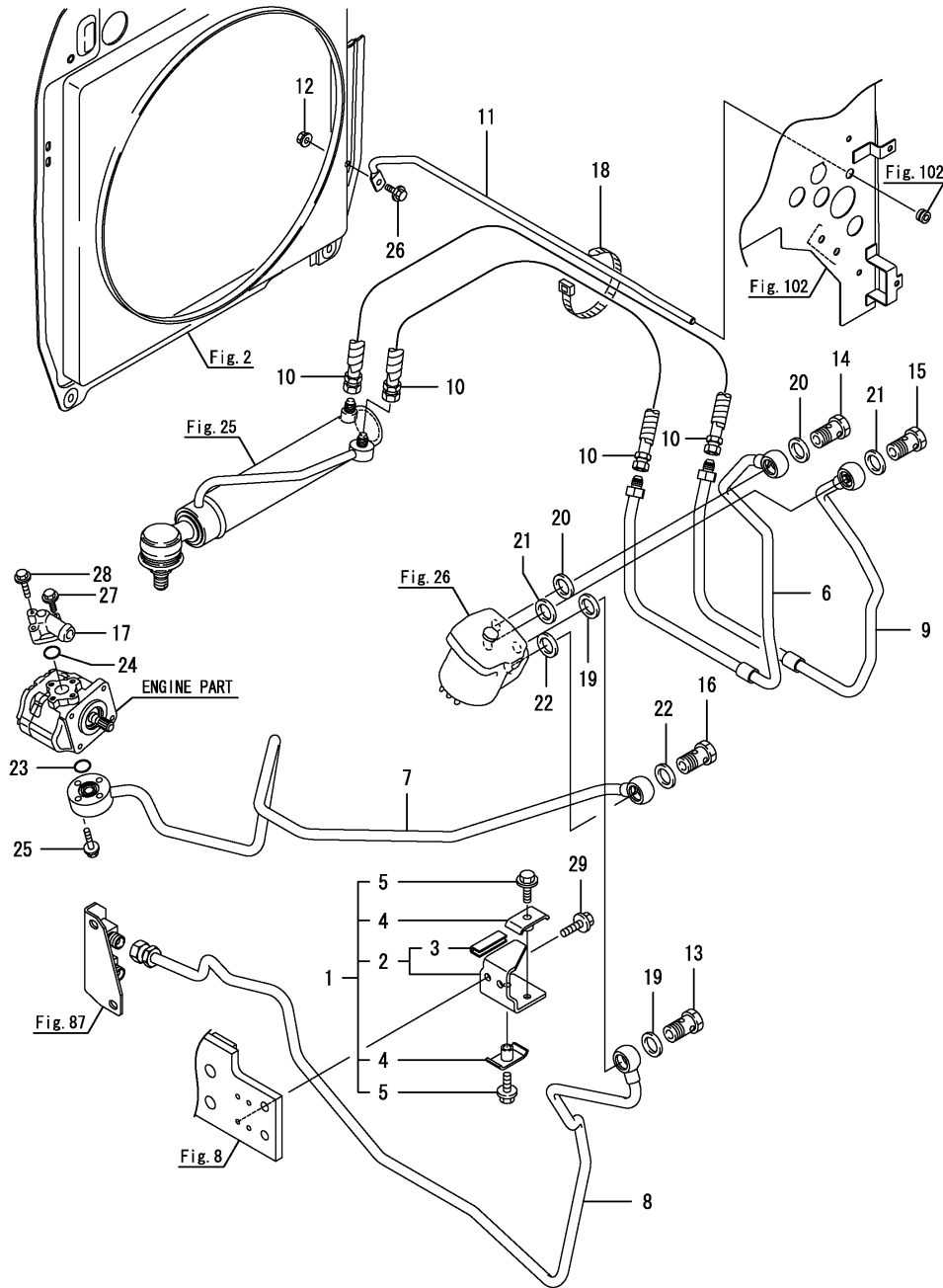


(A)=EX2900(YANMAR)
 (B)=EX3200(YANMAR)
 (C)=

(D)=
 (E)=
 (F)=

No.	Lev.	Parts No.	Description	Q'ty						I	R
				(A)	(B)	(C)	(D)	(E)	(F)		
1	1	1A8160-17450	BRACKET ASSY	1							
2	2	195616-24930	TRIM	1							
3	1	1A8160-17702	PIPE, PRESSURE L	1							
4	1	1A8160-17721	PIPE, PRESSURE	1							
5	1	1A8150-17750	PIPE, PRESSURE	1							
6	1	1A8160-17782	PIPE, PRESSURE P	1							
7	1	198268-17790	CLAMP, PIPE 12	1							
8	1	198230-17850	HOSE, 650	2							
9	1	1A8160-17950	BAR, CLAMP	1							
10	1	194990-22130	NUT, M6	1							
11	1	198245-46680	BOLT, M3/4-16	1							
12	1	198245-46680	BOLT, M3/4-16	1							
13	1	198245-46680	BOLT, M3/4-16	1							
14	1	198245-46680	BOLT, M3/4-16	1							
15	1	198220-48140	FLANGE, PIPE P	1							
16	1	1E6102-84970	BAND 140,WIRE LOCK	1							
17	1	23414-160021	GASKET, 16X1.0	2							
18	1	23414-190000	GASKET, 19X1.0	2							
19	1	23414-190000	GASKET, 19X1.0	2							
20	1	23414-190000	GASKET, 19X1.0	2							
21	1	23414-190000	GASKET, 19X1.0	2							
22	1	23857-100000	BOLT, JOINT 10	1							
23	1	24311-000200	O-RING, 1AP20.0	1							
24	1	24311-000200	O-RING, 1AP20.0	1							
25	1	26018-060352	BOLT, M6X 35	4							
26	1	26106-060122	BOLT, M6X 12 PLATED	1							
27	1	26106-060202	BOLT, M6X 20 PLATED	1							
28	1	26106-060402	BOLT, M6X 40 PLATED	2							
29	1	26106-080122	BOLT, M8X 12 PLATED	2							
30	1	26106-080162	BOLT, M8X 16 PLATED	1							
31	1	26106-080252	BOLT, M8X 25 PLATED	1							

Fig.28. P.S.T PIPING



(A)=EX2900(YANMAR)
 (B)=EX3200(YANMAR)
 (C)=

(D)=
 (E)=
 (F)=

No.	Lev.	Parts No.	Description	Q'ty						I	R
				(A)	(B)	(C)	(D)	(E)	(F)		
1	1	1A8160-17440	BRACKET		1						
2	2	1A8160-17450	BRACKET ASSY		1						
3	3	195616-24930	TRIM		1						
4	2	198268-17790	CLAMP, PIPE 12		2						
5	2	26106-080252	BOLT, M8X 25 PLATED		2						
6	1	1A8160-17702	PIPE, PRESSURE L		1						
7	1	1A8160-17721	PIPE, PRESSURE		1						
8	1	1A8160-17741	PIPE, PRESSURE		1						
9	1	1A8160-17782	PIPE, PRESSURE P		1						
10	1	198230-17850	HOSE, 650		2						
11	1	1A8160-17950	BAR, CLAMP		1						
12	1	194990-22130	NUT, M6		1						
13	1	198245-46680	BOLT, M3/4-16		1						
14	1	198245-46680	BOLT, M3/4-16		1						
15	1	198245-46680	BOLT, M3/4-16		1						
16	1	198245-46680	BOLT, M3/4-16		1						
17	1	198220-48140	FLANGE, PIPE P		1						
18	1	1E6102-84970	BAND 140,WIRE LOCK		1						
19	1	23414-190000	GASKET, 19X1.0		2						
20	1	23414-190000	GASKET, 19X1.0		2						
21	1	23414-190000	GASKET, 19X1.0		2						
22	1	23414-190000	GASKET, 19X1.0		2						
23	1	24311-000200	O-RING, 1AP20.0		1						
24	1	24311-000200	O-RING, 1AP20.0		1						
25	1	26018-060352	BOLT, M6X 35		4						
26	1	26106-060122	BOLT, M6X 12 PLATED		1						
27	1	26106-060202	BOLT, M6X 20 PLATED		1						
28	1	26106-060402	BOLT, M6X 40 PLATED		2						
29	1	26106-080122	BOLT, M8X 12 PLATED		2						

Fig.29. CLUTCH HOUSING

(A)=EX2900(YANMAR)
 (B)=EX3200(YANMAR)
 (C)=

(D)=
 (E)=
 (F)=

No.	Lev.	Parts No.	Description	Q'ty						I	R
				(A)	(B)	(C)	(D)	(E)	(F)		
1	1	194450-11190	PLUG, 15.0	6	6						
2	1	1A8160-21101	HOUSING ASSY, CLUTCH	1	1						
3	2	194740-06080	BUSH, 25X30X18	4	4						
4	2	194190-22250	PIN, HOOK	2	2						
5	2	194130-22280	BUSH, 20X25X25	2	2						
6	2	26216-100802	STUD, M10X 80	2	2						
7	1	22217-100000	WASHER, SPRING 10	2	2						
8	1	26716-100002	NUT, M10	2	2						

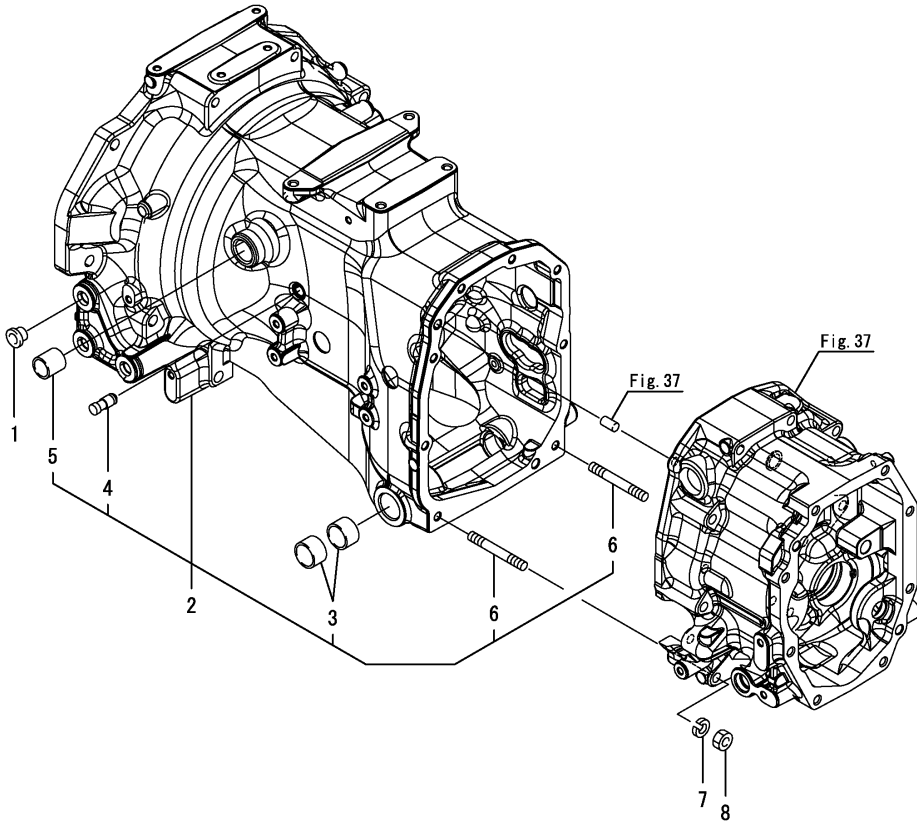
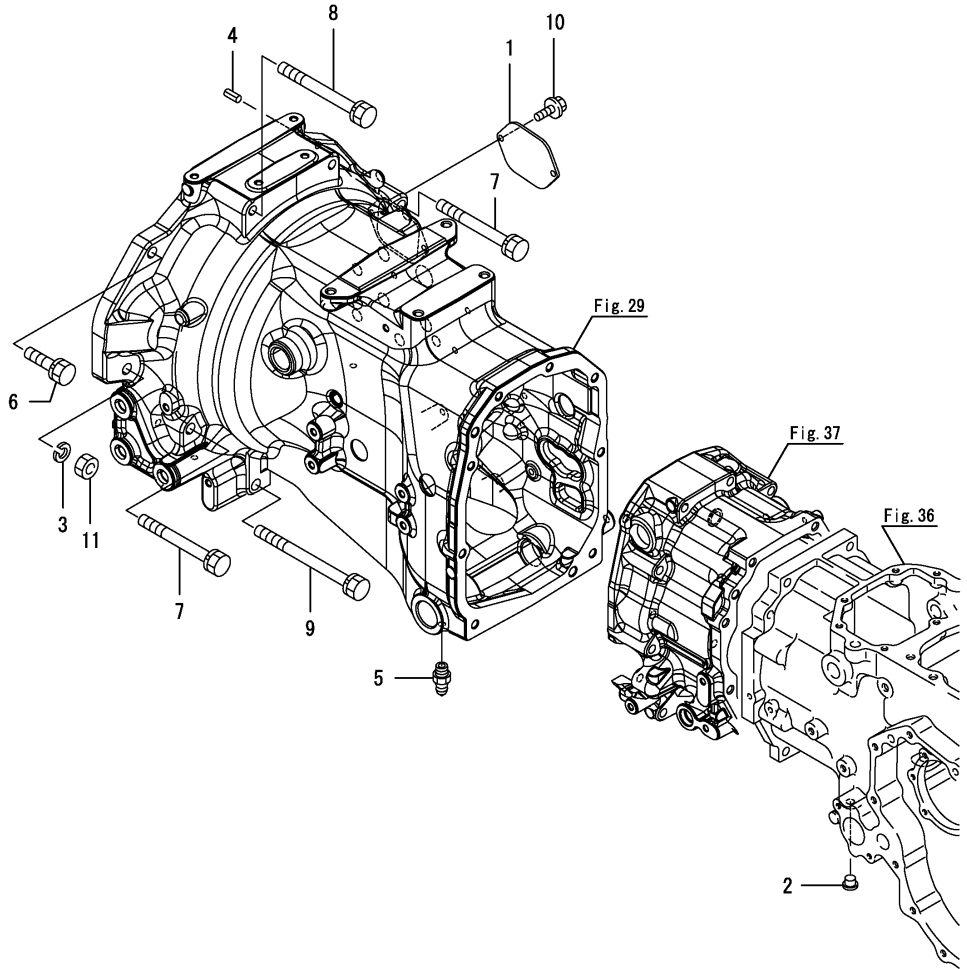


Fig.30. DOCKING BOLT

(A)=EX2900(YANMAR)
 (B)=EX3200(YANMAR)
 (C)=

(D)=
 (E)=
 (F)=



No.	Lev.	Parts No.	Description	Q'ty						I	R
				(A)	(B)	(C)	(D)	(E)	(F)		
1	1	198240-21180	COVER, HOUSING B	1	1						
2	1	194150-21910	PLUG, 11.2	2	2						
3	1	22217-120000	WASHER, SPRING 12	1	1						
4	1	22351-080018	PIN, SPRING 8.0X18	2	2						
5	1	24761-020000	NIPPLE, GREASE PT1/8	2	2						
6	1	26013-120352	BOLT, M12X 35	1	1						
7	1	26013-121052	BOLT, M12X105	3	3						
8	1	26013-121152	BOLT, M12X115	2	2						
9	1	26013-121402	BOLT, M12X140	2	2						
10	1	26106-080162	BOLT, M8X 16 PLATED	2	2						
11	1	26716-120002	NUT, M12	1	1						

Fig.31. SINGLE CLUTCH

(A)=EX2900(YANMAR)
 (B)=EX3200(YANMAR)
 (C)=

(D)=
 (E)=
 (F)=

No.	Lev.	Parts No.	Description	Qty						I	R
				(A)	(B)	(C)	(D)	(E)	(F)		
1	1	198287-21510	DISK, CLUTCH 225	1	1						
2	1	198287-21700	PLATE, PRESSURE	1	1						
3	1	22351-080018	PIN, SPRING 8.0X18	3	3						
4	1	26106-080162	BOLT, M8X 16 PLATED	6	6						

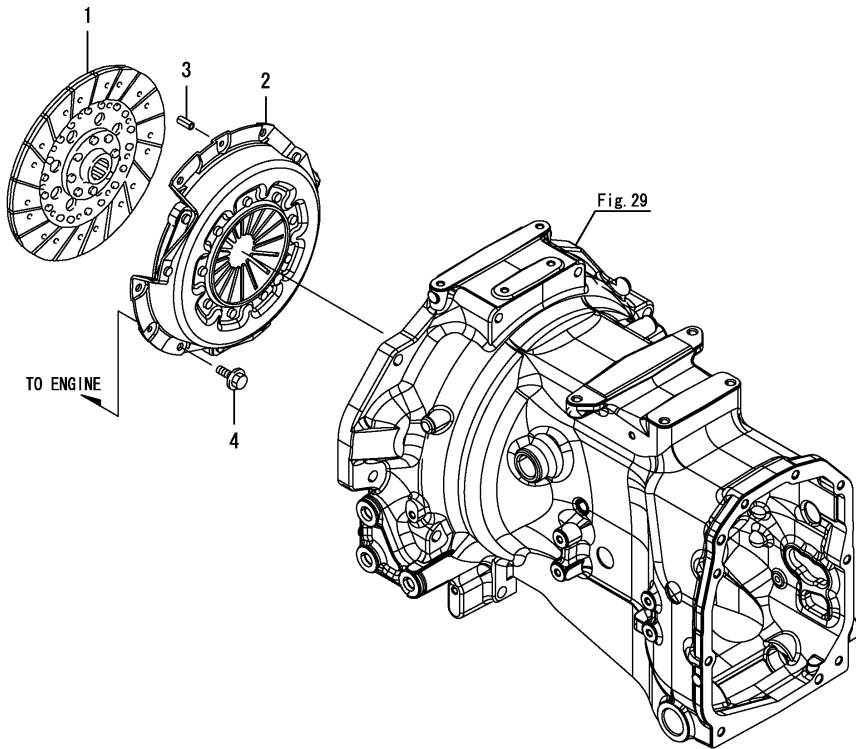


Fig.32. CLUTCH SHAFT

(A)=EX2900(YANMAR)
 (B)=EX3200(YANMAR)
 (C)=

(D)=
 (E)=
 (F)=

No.	Lev.	Parts No.	Description	Q'ty						I	R
				(A)	(B)	(C)	(D)	(E)	(F)		
1	1	1A8160-22110	SHAFT, MAIN DRIVE	1	1						
2	1	1A8160-22120	JOINT, 25X50	1	1						
3	1	22242-000240	RING, 24	1	1						
4	1	22252-000220	RING, 22	1	1						

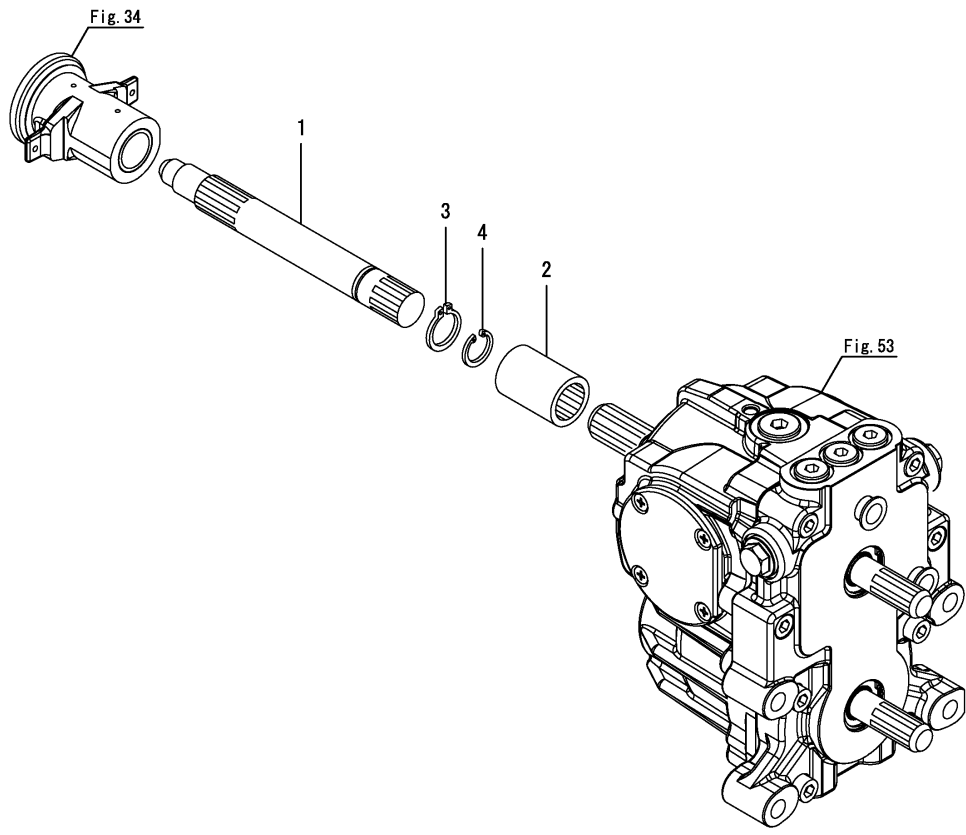


Fig.33. CLUTCH RELEASE

(A)=EX2900(YANMAR)
 (B)=EX3200(YANMAR)
 (C)=

(D)=
 (E)=
 (F)=

No.	Lev.	Parts No.	Description	Q'ty						I	R
				(A)	(B)	(C)	(D)	(E)	(F)		
1	1	1A8160-22240	SHAFT,CLUTCH RELEASE	1	1						
2	1	198220-22310	YOKE, CLUTCH SHIFT	1	1						
3	1	1A8160-27400	PLATE ASSY, CRUISE	1	1						
4	2	24550-020200	BUSH, 20X20	1	1						
5	1	22272-000150	RING, E-15	1	1						
6	1	22351-035040	PIN, SPRING 3.5X40	1	1						
7	1	22351-060040	PIN, SPRING 6.0X40	1	1						

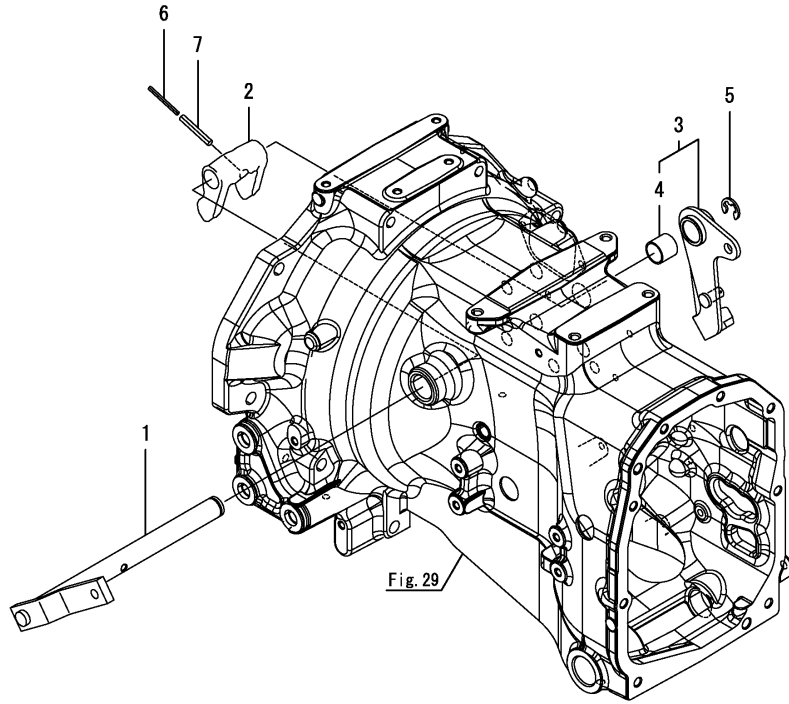


Fig.34. BEARING SLEEVE

(A)=EX2900(YANMAR)
 (B)=EX3200(YANMAR)
 (C)=

(D)=
 (E)=
 (F)=

No.	Lev.	Parts No.	Description	Qty						I	R
				(A)	(B)	(C)	(D)	(E)	(F)		
1	1	1A8160-21200	COVER ASSY, HOUSING	1	1						
2	1	1A8160-22150	SLEEVE ASSY, BEARING	1	1						
3	2	194130-22160	BUSH, 25X30X31	2	2						
4	2	194130-22170	FELT	2	2						
5	2	194990-42710	BEARING, TK40-14	1	1						
6	1	198327-22230	SPRING, RETURN	2	2						
7	1	26106-080162	BOLT, M8X 16 PLATED	2	2						

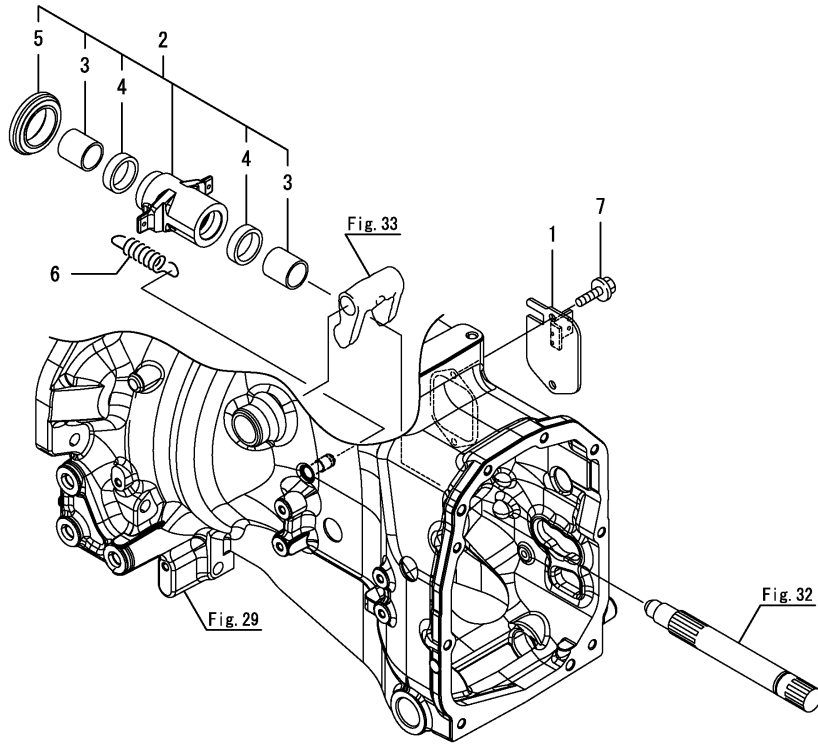
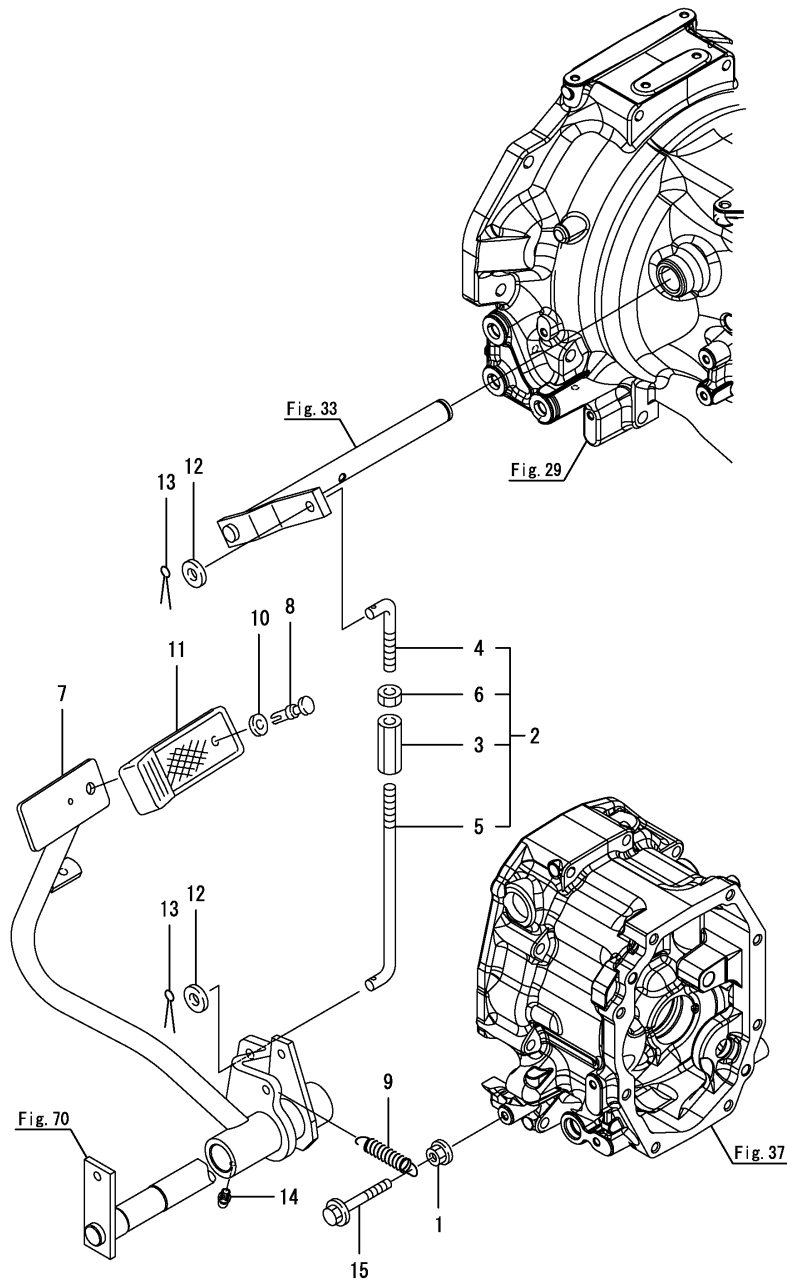


Fig.35. CLUTCH PEDAL

(A)=EX2900(YANMAR)
 (B)=EX3200(YANMAR)
 (C)=

(D)=
 (E)=
 (F)=

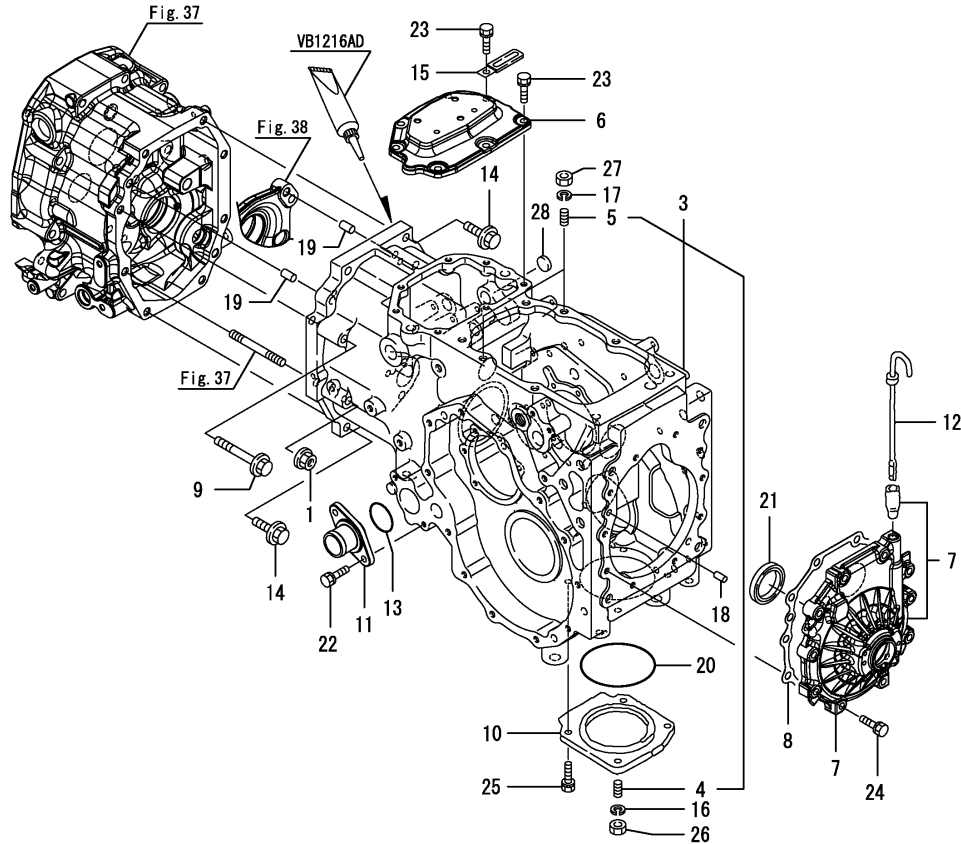


No.	Lev.	Parts No.	Description	Q'ty						I	R
				(A)	(B)	(C)	(D)	(E)	(F)		
1	1	194990-22140	NUT, M8	1	1						
2	1	798220-22350	ROD KIT, CLUTCH	1	1						
3	2	194300-22260	TURNBUCKLE, M10	1	1						
4	2	198220-22350	ROD	1	1						
5	2	198220-22470	ROD, CLUTCH	1	1						
6	2	194150-22480	NUT, M10 L	1	1						
7	1	1A8160-22410	PEDAL, CLUTCH	1	1						
8	1	198133-22510	RIVET, PEDAL HEAD	1	1						
9	1	198220-22520	SPRING, CLUTCH	1	1						
10	1	198133-22530	WASHER, RIVET	1	1						
11	1	198071-37510	COVER, HEAD	1	1						
12	1	22137-100000	WASHER, 10	2	2						
13	1	22417-250300	PIN, COTTER 2.5X30	2	2						
14	1	24761-010000	NIPPLE, GREASE M6F	1	1						
15	1	26106-080502	BOLT, M8X 50 PLATED	1	1						

Fig.36. TRANSMISSION CASE

(A)=EX2900(YANMAR)
 (B)=EX3200(YANMAR)
 (C)=

(D)=
 (E)=
 (F)=



No.	Lev.	Parts No.	Description	Q'ty						I	R
				(A)	(B)	(C)	(D)	(E)	(F)		
1	1	1A8160-13930	NUT, M10	2	2						
3	1	1A8160-24100	HOUSING ASSY	1	1						
3-1	1	1A8160-24101	TRANSMISSION ASSY	1	1						N
				(A=F100139)	(B=F100101)						
4	2	26216-100252	STUD, M10X 25	1	1						
5	2	26216-100252	STUD, M10X 25	2	2						
6	1	198220-24211	COVER, MISSION CASE	1	1						
7	1	198220-24341	COVER ASSY, REAR	1	1						
8	1	198220-24360	GASKET, REAR COVER	1	1						
9	1	1A8160-24390	BOLT, M10X75	2	2						
10	1	198220-24480	COVER, BOTTOM	1	1						
11	1	1A8160-24920	FLANGE, PIPE	1	1						
12	1	194850-24960	GAUGE ASSY, LEVEL	1	1						
13	1	194180-26690	O-RING, 2035	1	1						
14	1	198266-28390	BOLT, M10X35	4	4						
15	1	194440-51620	CLAMP	1	1						
16	1	22217-100000	WASHER, SPRING 10	1	1						
17	1	22217-100000	WASHER, SPRING 10	2	2						
18	1	22312-080160	PIN, PARALLEL M8X16	2	2						
19	1	22312-100180	PIN, PARALLEL M10X18	4	4						
20	1	24321-000950	O-RING, 1AG95.0	1	1						
21	1	24421-405508	SEAL, OIL TC405508	1	1						
22	1	26013-080202	BOLT, M8X 20	2	2						
23	1	26013-080202	BOLT, M8X 20	7	7						
24	1	26013-080352	BOLT, M8X 35	10	10						
25	1	26013-100302	BOLT, M10X 30	3	3						
26	1	26716-100002	NUT, M10	1	1						
27	1	26716-100002	NUT, M10	2	2						
28	1	27260-200000	PLUG, 20	1	1						

Fig.37. CENTER PLATE

(A)=EX2900(YANMAR)
 (B)=EX3200(YANMAR)
 (C)=

(D)=
 (E)=
 (F)=

No.	Lev.	Parts No.	Description	Q'ty						I	R
				(A)	(B)	(C)	(D)	(E)	(F)		
1	1	1A8160-24300	PLATE ASSY, CENTER	1	1						
2	2	1A8160-24400	STUD, M10X75	2	2						
3	2	26216-120552	STUD, M12X 55	1	1						
4	1	22312-100180	PIN, PARALLEL M10X18	2	2						
5	1	26013-100802	BOLT, M10X 80	6	6						
6	1	26366-120002	NUT, M12	1	1						
7	1	27260-170000	PLUG, 17	1	1						

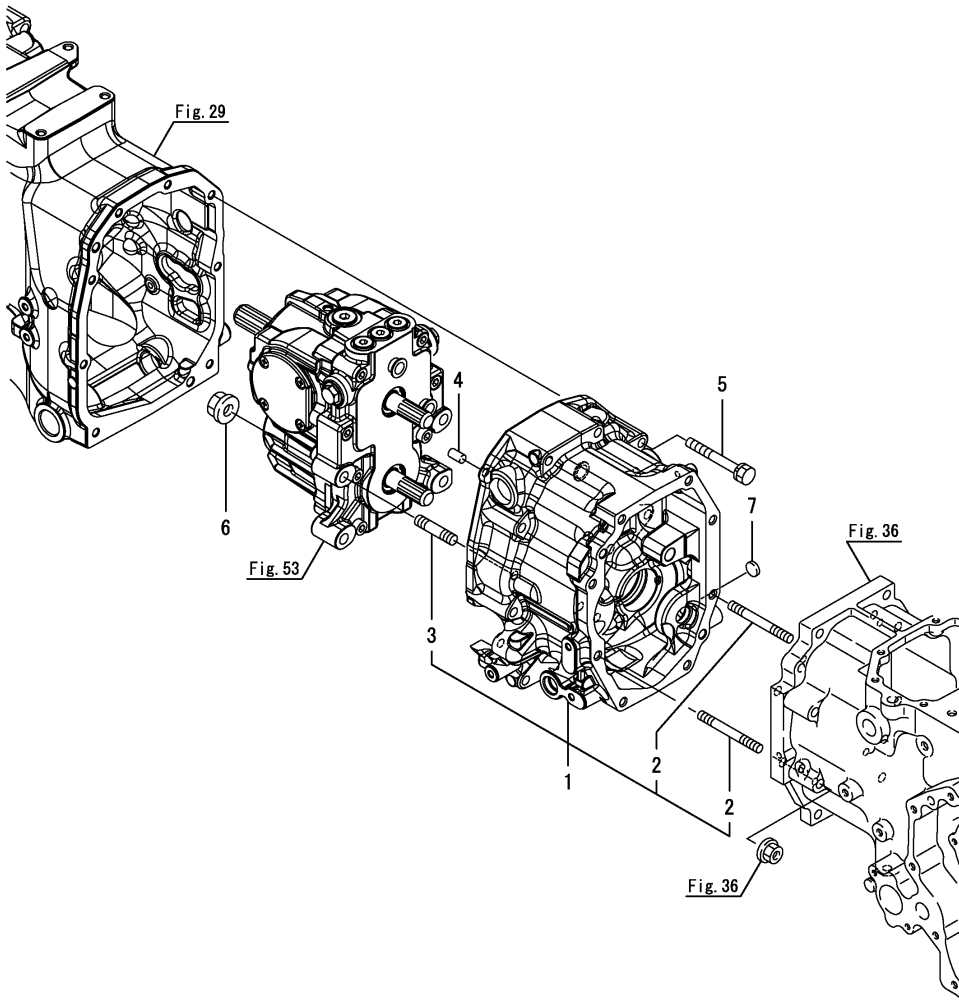


Fig.38. BEARING RETAINER

(A)=EX2900(YANMAR)
 (B)=EX3200(YANMAR)
 (C)=

(D)=
 (E)=
 (F)=

No.	Lev.	Parts No.	Description	Q'ty						I	R
				(A)	(B)	(C)	(D)	(E)	(F)		
1	1	1A8160-24160	RETAINER, BEARING	1	1						
2	1	1A8160-24200	SHIM SET, A	1	1						
3	1	1A8160-24250	SHIM SET, B	1	1						
4	1	22252-000470	RING, 47	1	1						
5	1	26013-100252	BOLT, M10X 25	1	1						
6	1	26013-100352	BOLT, M10X 35	3	3						

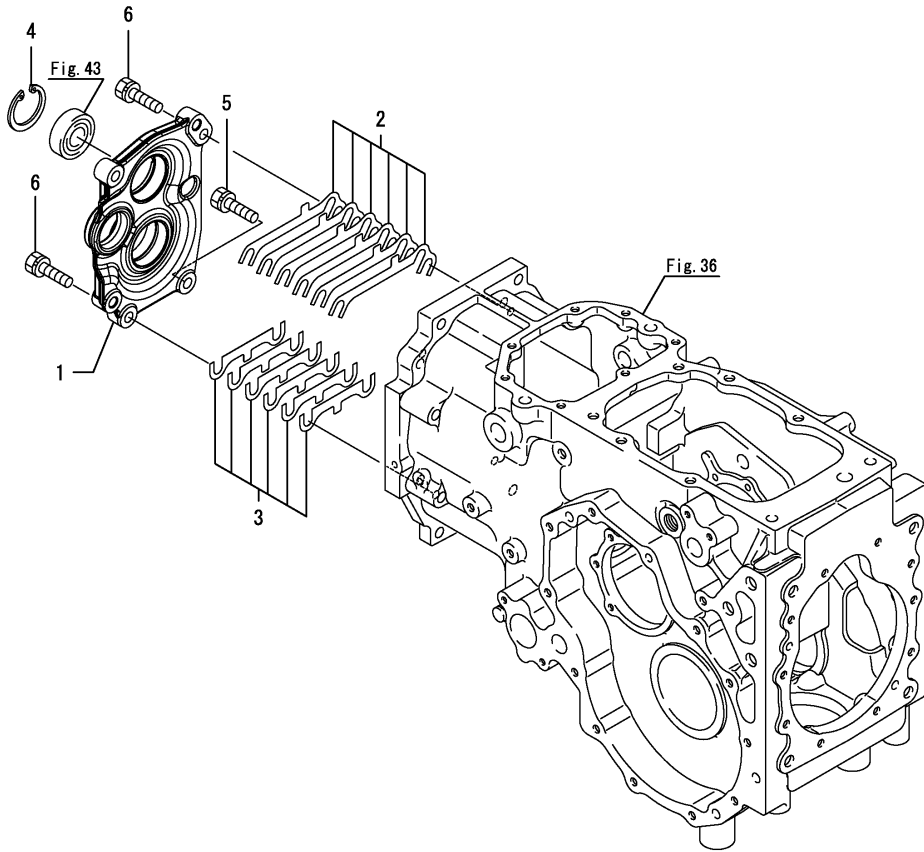


Fig.39. OIL STRAINER

(A)=EX2900(YANMAR)
 (B)=EX3200(YANMAR)
 (C)=

(D)=
 (E)=
 (F)=

No.	Lev.	Parts No.	Description	Q'ty						I	R
				(A)	(B)	(C)	(D)	(E)	(F)		
1	1	194515-24930	FILTER, SUCTION	1	1						
2	1	198220-24970	COVER, STRAINER	1	1						
3	1	194322-24980	PLUG, 1-2NPT	1	1						
4	1	24321-000500	O-RING, 1AG50.0	1	1						
5	1	26013-080202	BOLT, M8X 20	3	3						

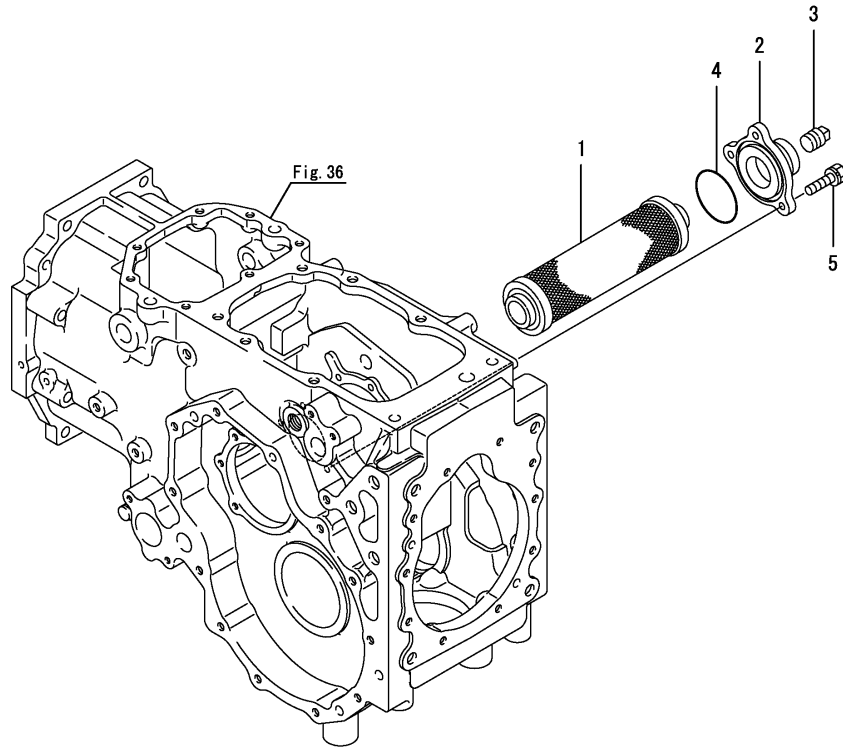


Fig.40. INPUT GEAR

(A)=EX2900(YANMAR)
 (B)=EX3200(YANMAR)
 (C)=

(D)=
 (E)=
 (F)=

No.	Lev.	Parts No.	Description	Q'ty						I	R
				(A)	(B)	(C)	(D)	(E)	(F)		
1	1	1A8160-24330	RETAINER, A	1	1						
2	1	1A8160-25310	PINION, Z=33	1	1						
3	1	24101-060064	BEARING, BALL 6006	2	2						
4	1	24311-000380	O-RING, 1AP38.0	1	1						
5	1	24351-310750	O-RING, 1A31075	1	1						

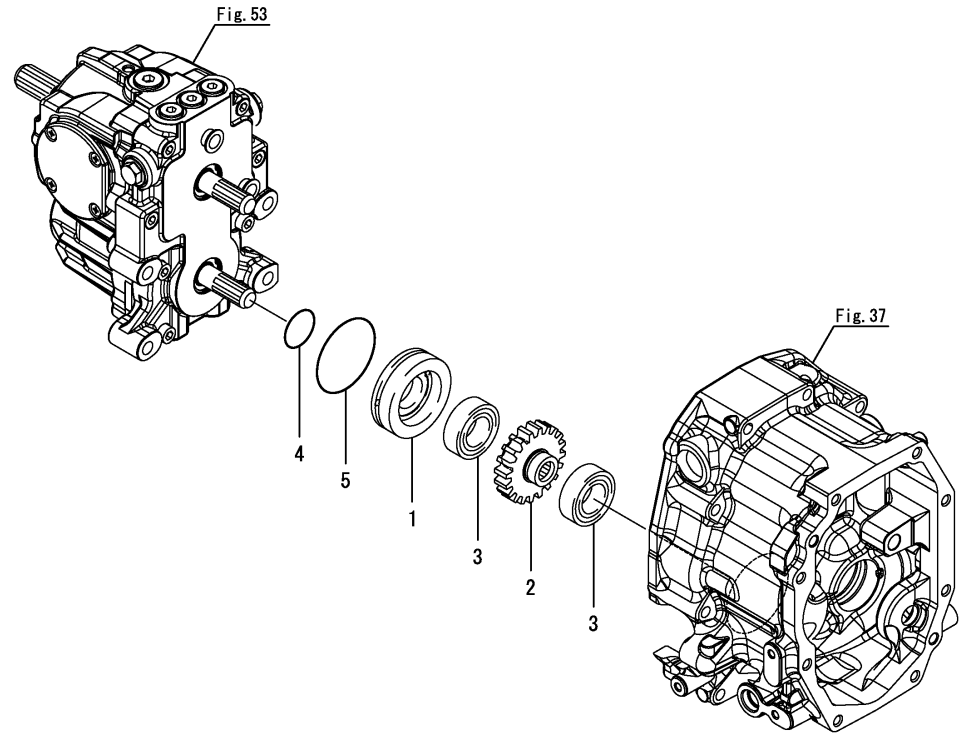
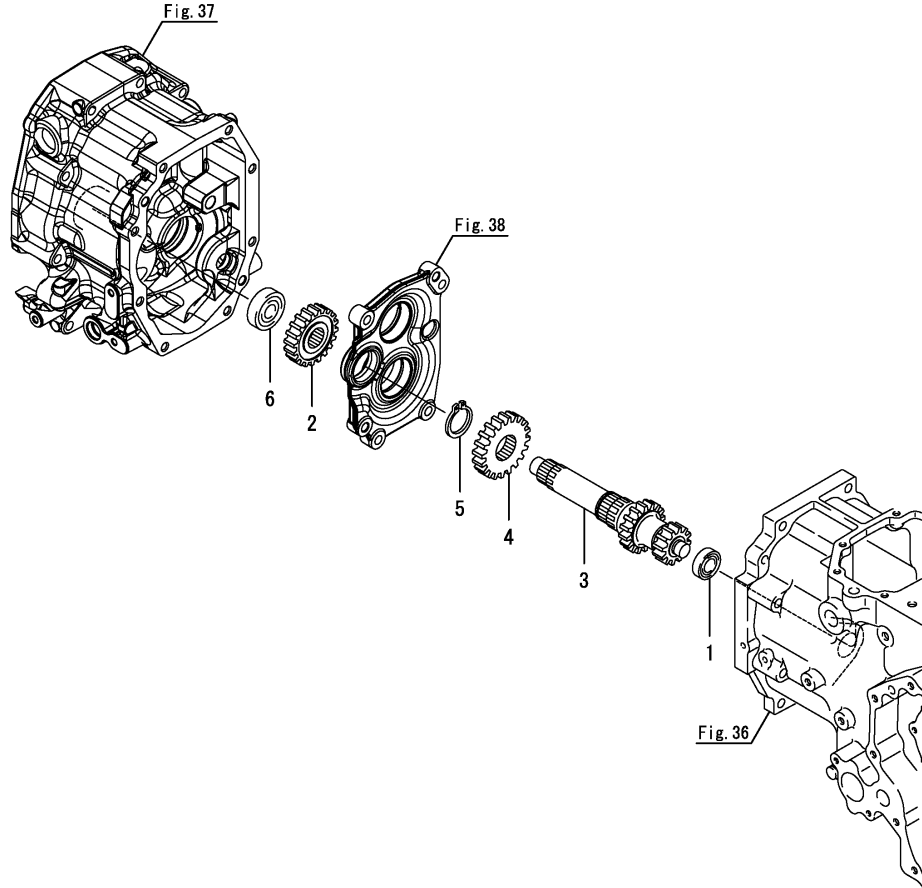
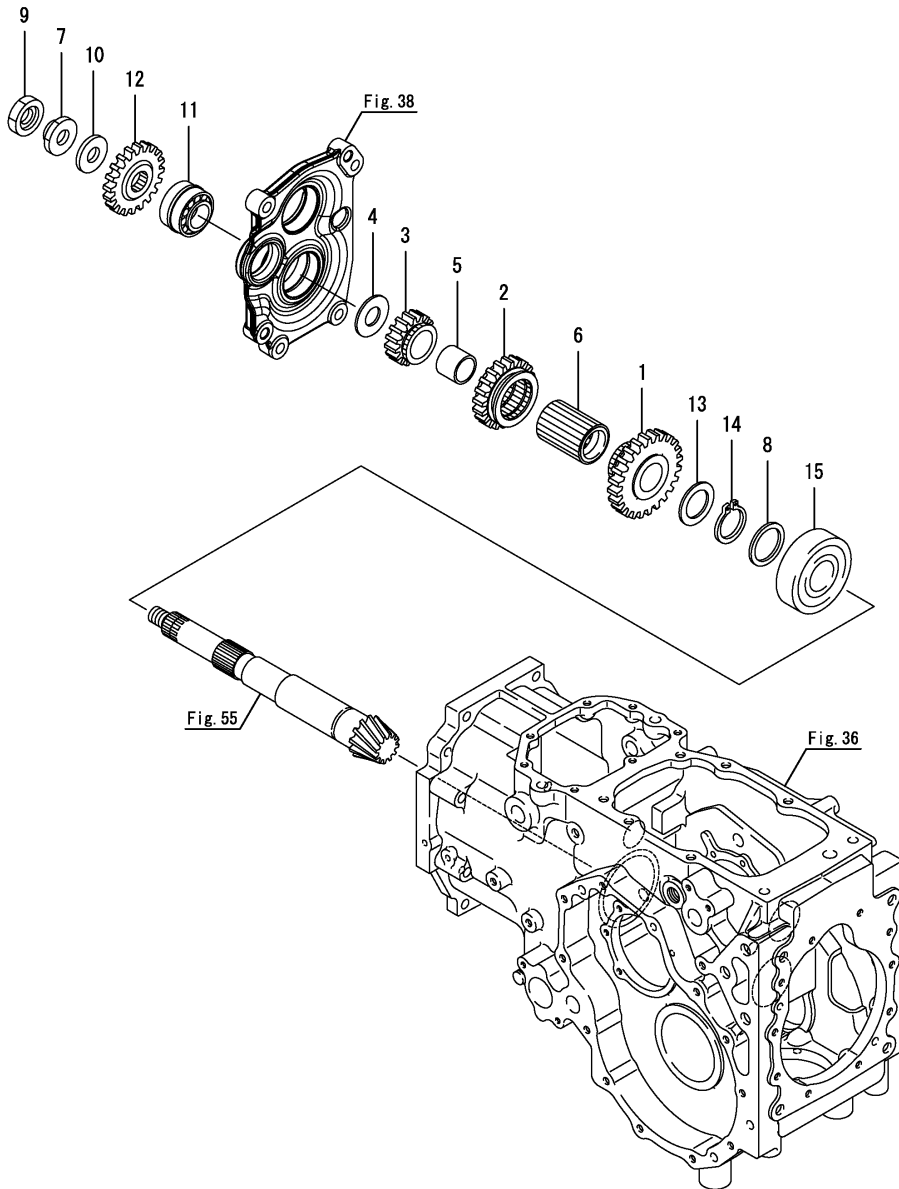


Fig.41. REDUCTION SHAFT



No.	Lev.	Parts No.	Description	Q'ty						I	R
				(A)	(B)	(C)	(D)	(E)	(F)		
1	1	194305-25160	BEARING, BALL TMB203	1	1						
2	1	1A8160-25320	GEAR, 30	1	1						
3	1	1A8160-25350	SHAFT, REDUCTION	1	1						
4	1	1A8160-25380	PINION, Z=33	1	1						
5	1	22242-000340	RING, 34	1	1						
6	1	24101-063044	BEARING, BALL 6304	1	1						

Fig.42. COUNTER SHAFT

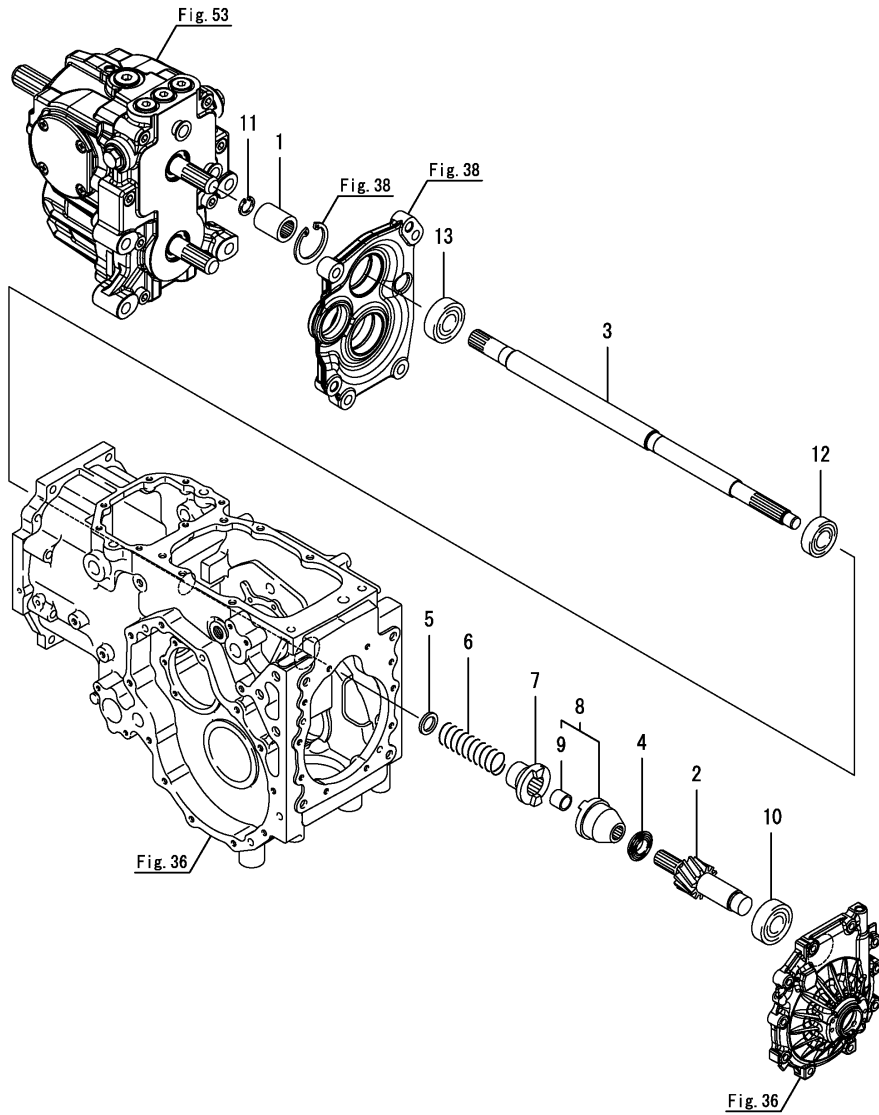


(A)=EX2900(YANMAR)
 (B)=EX3200(YANMAR)
 (C)=

(D)=
 (E)=
 (F)=

No.	Lev.	Parts No.	Description	Q'ty						I	R
				(A)	(B)	(C)	(D)	(E)	(F)		
1	1	1A8160-25360	GEAR, 27	1	1						
2	1	1A8160-25370	GEAR, SLIDE 22	1	1						
3	1	1A8160-25390	GEAR, 21	1	1						
4	1	194150-25530	WASHER, 20X43X2.5	1	1						
5	1	1A8160-25650	BUSH, 25X30X25	1	1						
6	1	1A8160-25810	COLLAR, SPLINE	1	1						
7	1	198220-25830	NUT, LOCK M16	1	1						
8	1	194515-25840	WASHER, 35X45X3	1	1						
9	1	198220-25840	NUT, LOCK M16	1	1						
10	1	198415-25840	SPACER, 16X38X4.5	1	1						
11	1	1A8160-25990	BEARING, 4T-32005X	1	1						
12	1	1A8160-28190	PINION, DRIVE Z=27	1	1						
13	1	194191-28350	WASHER, 30X45X2.5	1	1						
14	1	22242-000340	RING, 34	1	1						
15	1	24101-063074	BEARING, BALL 6307	1	1						

Fig.43. P.T.O DRIVE SHAFT

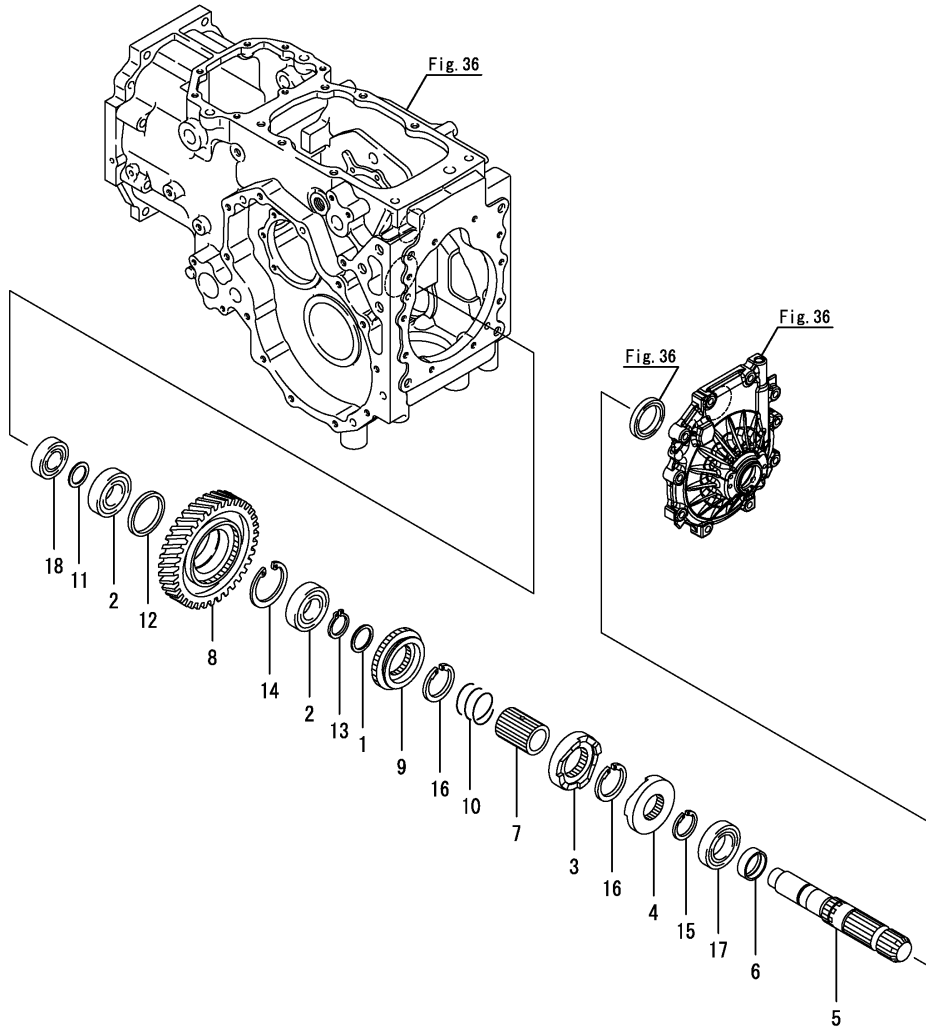


(A)=EX2900(YANMAR)
 (B)=EX3200(YANMAR)
 (C)=

(D)=
 (E)=
 (F)=

No.	Lev.	Parts No.	Description	Q'ty						I	R
				(A)	(B)	(C)	(D)	(E)	(F)		
1	1	194310-25100	JOINT	1	1						
2	1	198220-26110	GEAR, PTO PINION	1	1						
3	1	1A8160-26110	SHAFT, CONNECTING	1	1						
4	1	198220-26130	BEARING, 3TM-6303NR	1	1						
5	1	1A8160-26300	WASHER, 17X25X3	1	1						
6	1	198220-26380	SPRING	1	1						
7	1	198220-26410	CAM, CLUTCH A	1	1						
8	1	198220-26430	CAM KIT, CLUTCH	1	1						
9	2	194446-26280	BUSH, 14X18X15	1	1						
10	1	194405-83910	BEARING, TMB204	1	1						
11	1	22252-000170	RING, 17	1	1						
12	1	24101-060044	BEARING, BALL 6004	1	1						
13	1	24101-062044	BEARING, BALL 6204	1	1						

Fig.44. P.T.O SHAFT



(A)=EX2900(YANMAR)
 (B)=EX3200(YANMAR)
 (C)=

(D)=
 (E)=
 (F)=

No.	Lev.	Parts No.	Description	Q'ty						I	R
				(A)	(B)	(C)	(D)	(E)	(F)		
1	1	194515-25780	WASHER, 30X38X2.3	1	1						
2	1	194555-25870	BEARING, TMB206CC3	2	2						
3	1	198220-26460	CAM, C	1	1						
4	1	198220-26470	CAM, D	1	1						
5	1	198220-26500	SHAFT, PTO	1	1						
6	1	198220-26510	SLEEVE, SI 35X40X13	1	1						
7	1	198220-26530	COLLAR, SLIDER	1	1						
8	1	198220-26560	GEAR, PTO 33	1	1						
9	1	194197-26680	SLIDER	1	1						
10	1	194197-26710	SPRING, 23	1	1						
11	1	194190-26840	SPACER, 25X35X1.6	1	1						
12	1	198220-26920	COLLAR, 51.5X60.5X6	1	1						
13	1	22242-000300	RING, 30	1	1						
14	1	22252-000620	RING, 62	1	1						
15	1	22292-000350	RING, S-35	1	1						
16	1	22292-000450	RING, S-45	2	2						
17	1	24101-060074	BEARING, BALL 6007	1	1						
18	1	24101-062054	BEARING, BALL 6205	1	1						

Fig.45. P.T.O SHAFT GUARD

(A)=EX2900(YANMAR)
 (B)=EX3200(YANMAR)
 (C)=

(D)=
 (E)=
 (F)=

No.	Lev.	Parts No.	Description	Q'ty						I	R
				(A)	(B)	(C)	(D)	(E)	(F)		
1	1	198220-26582	GUARD KIT, PTO	1	1						
2	1	1A8160-26630	BRACKET, PTO	1	1						
3	1	1A8160-26640	BRACKET, PTO	1	1						
4	1	26013-120202	BOLT, M12X 20	4	4						

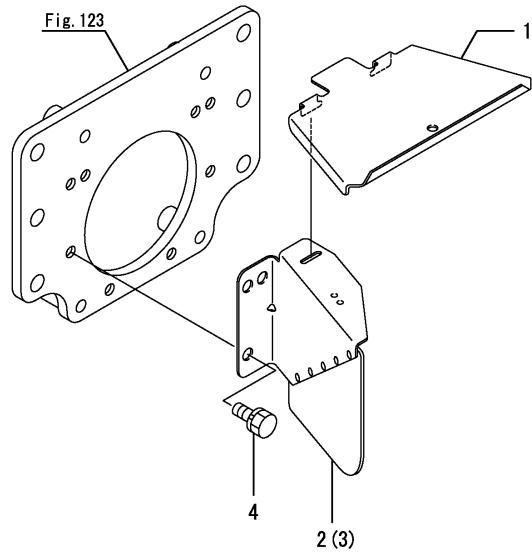


Fig.46. SUB CHANGE LEVER

(A)=EX2900(YANMAR)
 (B)=EX3200(YANMAR)
 (C)=

(D)=
 (E)=
 (F)=

No.	Lev.	Parts No.	Description	Q'ty						I	R
				(A)	(B)	(C)	(D)	(E)	(F)		
1	1	194990-22150	NUT, M10	1	1						
2	1	198253-27510	KNOB, LEVER	1	1						
3	1	22351-035040	PIN, SPRING 3.5X40	1	1						
4	1	22351-060040	PIN, SPRING 6.0X40	1	1						

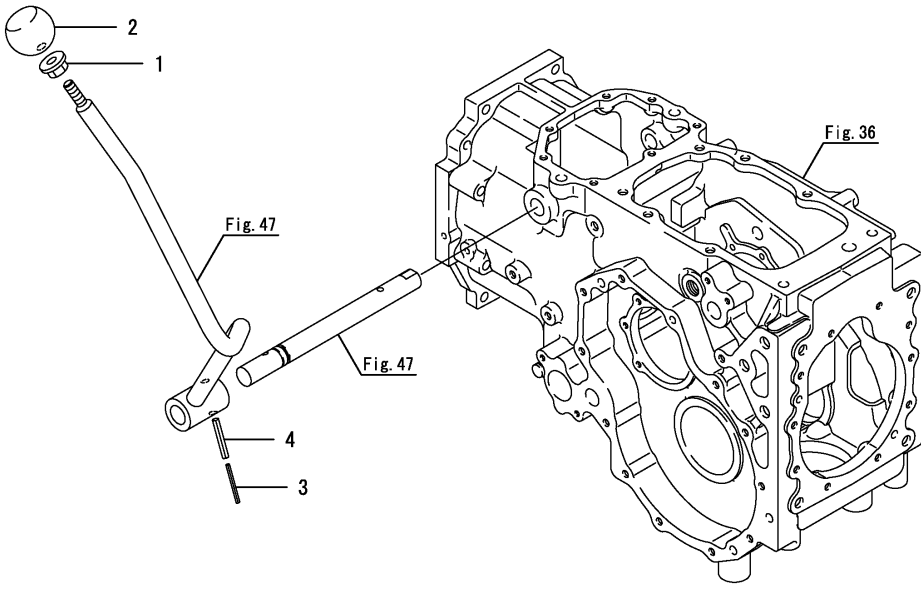
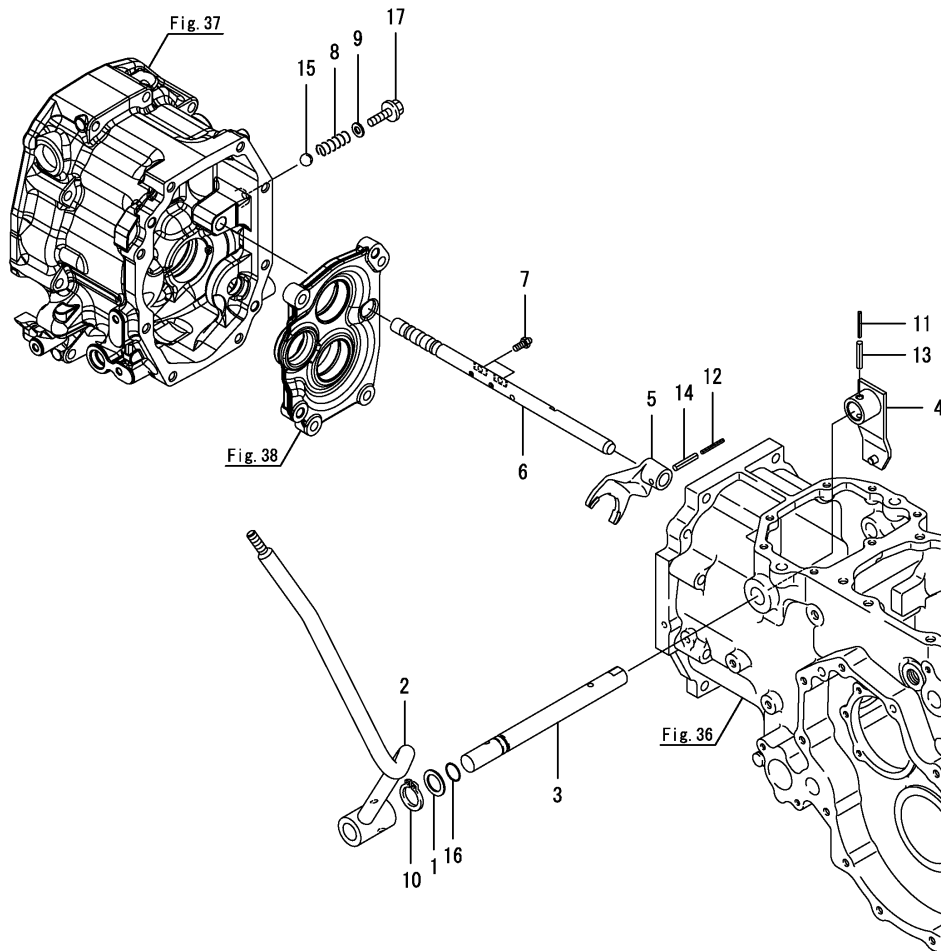


Fig.47. SUB CHANGE

(A)=EX2900(YANMAR)
 (B)=EX3200(YANMAR)
 (C)=

(D)=
 (E)=
 (F)=



No.	Lev.	Parts No.	Description	Q'ty						I	R
				(A)	(B)	(C)	(D)	(E)	(F)		
1	1	194191-13350	SPACER, 20X30X1.6	1	1						
2	1	1A8160-27350	LEVER, RANGE	1	1						
3	1	1A8160-27360	SHAFT, RANGE SHIFT	1	1						
4	1	1A8160-27380	ARM, SHIFT	1	1						
5	1	1A8160-27430	FORK, SHIFT	1	1						
6	1	1A8160-27440	SHAFT, FORK	1	1						
7	1	1A8160-27450	BOLT, SWITCH	2	2						
8	1	194680-27540	SPRING, FORK LOCK	1	1						
9	1	22190-080002	WASHER, SEAL 6	1	1						
10	1	22242-000200	RING, 20	1	1						
11	1	22351-035032	PIN, SPRING 3.5X32	1	1						
12	1	22351-035032	PIN, SPRING 3.5X32	1	1						
13	1	22351-060032	PIN, SPRING 6.0X32	1	1						
14	1	22351-060032	PIN, SPRING 6.0X32	1	1						
15	1	24190-080001	BALL, STEEL 1/4	1	1						
16	1	24311-000150	O-RING, 1AP15.0	1	1						
17	1	26106-080162	BOLT, M8X 16 PLATED	1	1						

Fig.48. CRUISE CONTROL

(A)=EX2900(YANMAR)
 (B)=EX3200(YANMAR)
 (C)=

(D)=
 (E)=
 (F)=

No.	Lev.	Parts No.	Description	Q'ty						I	R
				(A)	(B)	(C)	(D)	(E)	(F)		
1	1	198220-22230	SPRING, RETURN	1	1						
2	1	1A8160-27650	LEVER ASSY, CRUISE	1	1						
3	1	1C6980-56250	GRIP, 10X25	1	1						
4	1	22137-100000	WASHER, 10	1	1						
5	1	22417-250300	PIN, COTTER 2.5X30	1	1						

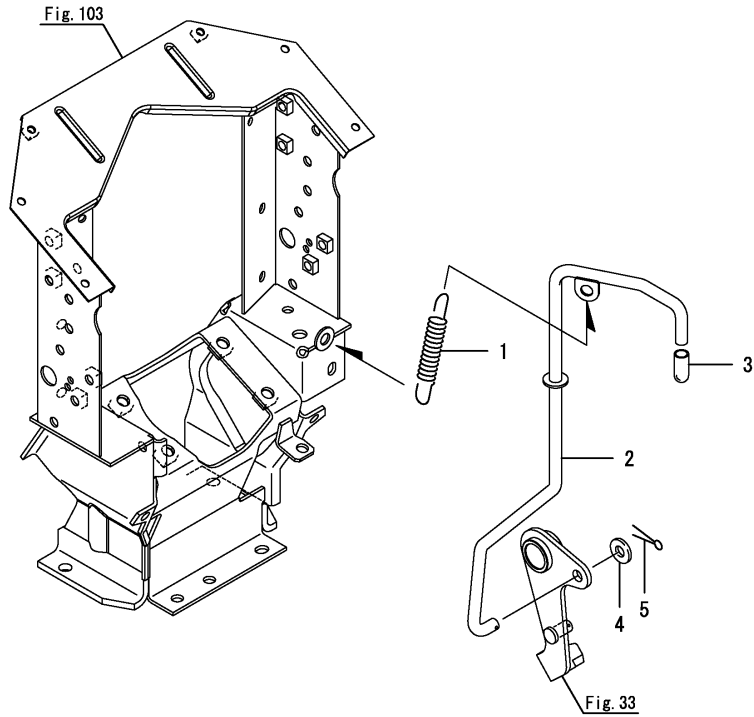


Fig.49. P.T.O CHANGE

(A)=EX2900(YANMAR)
 (B)=EX3200(YANMAR)
 (C)=

(D)=
 (E)=
 (F)=

No.	Lev.	Parts No.	Description	Q'ty						I	R
				(A)	(B)	(C)	(D)	(E)	(F)		
1	1	194145-27450	SPRING	1	1						
2	1	198220-27630	FORK, PTO SHIFT	1	1						
3	1	198220-27640	SHAFT, PTO FORK	1	1						
4	1	198220-27650	ARM, SHIFT	1	1						
5	1	198220-27700	SHAFT, PTO SHIFT	1	1						
6	1	198220-27990	PLATE, KEEP	1	1						
7	1	22190-100000	WASHER, SEAL 10	1	1						
8	1	22351-060032	PIN, SPRING 6.0X32	1	1						
9	1	22351-060032	PIN, SPRING 6.0X32	1	1						
10	1	24190-100001	BALL, STEEL 5/16	1	1						
11	1	24311-000150	O-RING, 1AP15.0	2	2						
12	1	26106-080162	BOLT, M8X 16 PLATED	1	1						
13	1	26106-100252	BOLT, M10X 25 PLATED	1	1						

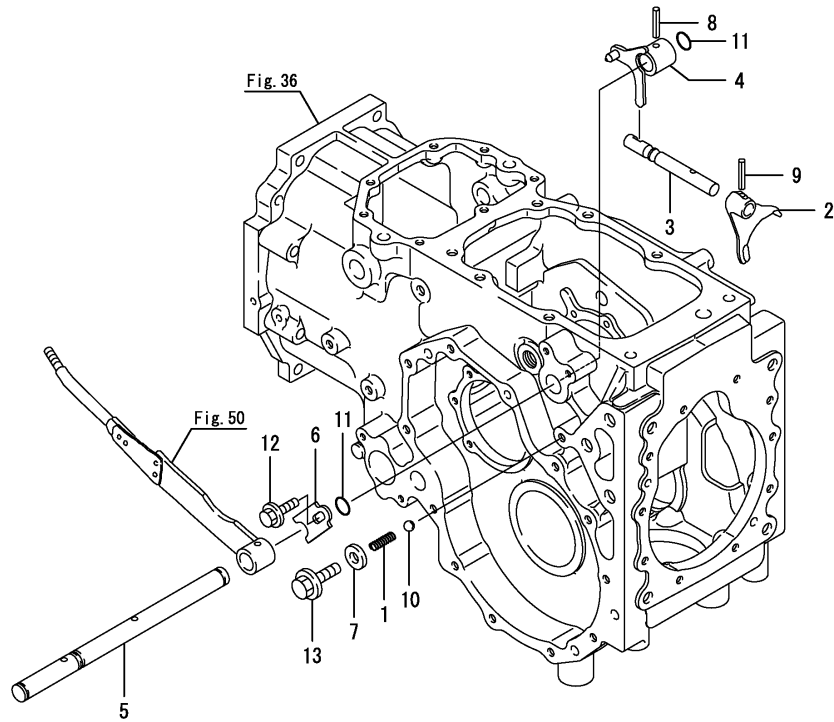


Fig.50. P.T.O LEVER

(A)=EX2900(YANMAR)
 (B)=EX3200(YANMAR)
 (C)=

(D)=
 (E)=
 (F)=

No.	Lev.	Parts No.	Description	Q'ty						I	R
				(A)	(B)	(C)	(D)	(E)	(F)		
1	1	194990-22150	NUT, M10	1	1						
2	1	198220-26990	HOSE, PROTECTION	1	1						
3	1	198220-27290	KNOB, LEVER	1	1						
4	1	198220-27810-1	LEVER, P.T.O.SHIFT	1	1						
5	1	22351-060032	PIN, SPRING 6.0X32	1	1						

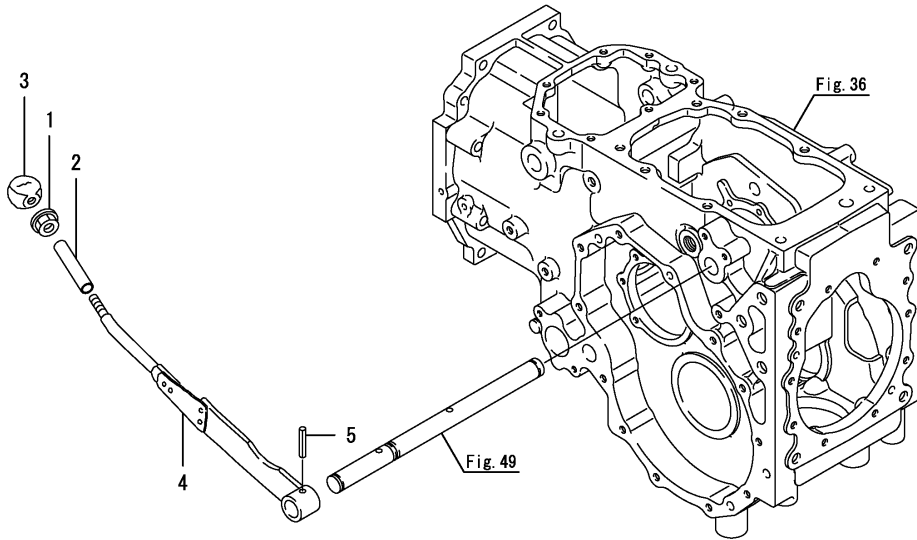
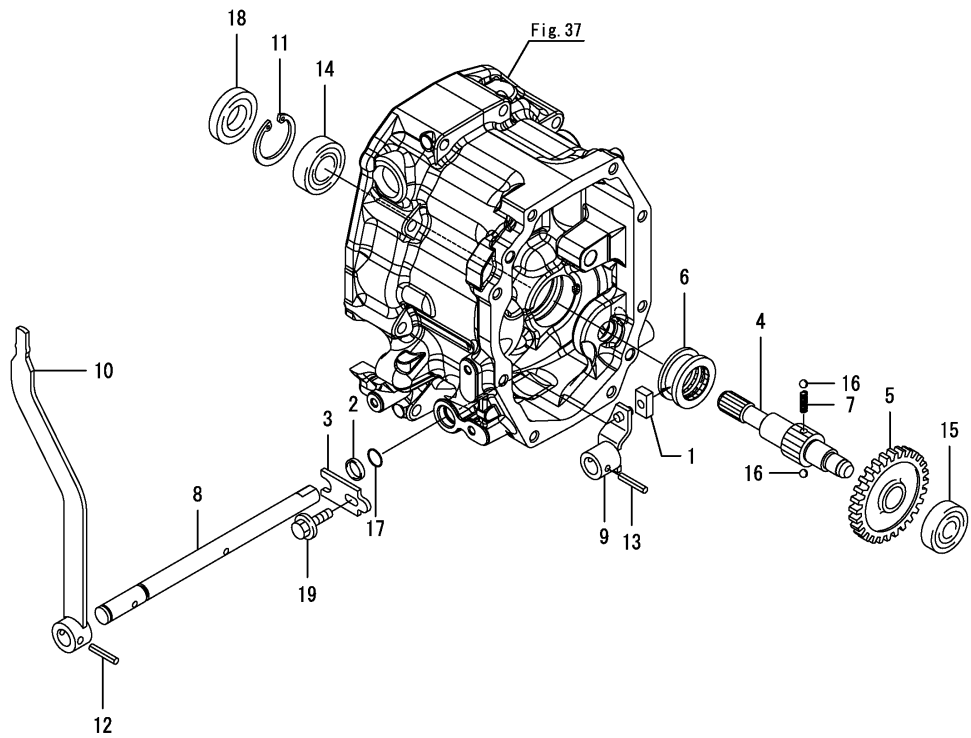


Fig.51. FRONT DRIVE

(A)=EX2900(YANMAR)
 (B)=EX3200(YANMAR)
 (C)=

(D)=
 (E)=
 (F)=



No.	Lev.	Parts No.	Description	Q'ty						I	R
				(A)	(B)	(C)	(D)	(E)	(F)		
1	1	198220-26790	BLOCK, SHIFT	1	1						
2	1	198119-27150	COLLAR, ARM	1	1						
3	1	198212-27990	PLATE, KEEP	1	1						
4	1	1A8160-28210	SHAFT, MFWD	1	1						
5	1	1A8160-28220	GEAR, FRONT 35	1	1						
6	1	1A8160-28230	SHIFTER, FRONT	1	1						
7	1	194301-28280	SPRING, 25.8	1	1						
8	1	1A8160-28310	SHAFT, MFWD SHIFT	1	1						
9	1	1A8160-28320	ARM, SHIFT	1	1						
10	1	1A8160-28360	ARM, CHANGE	1	1						
11	1	22252-000520	RING, 52	1	1						
12	1	22351-060032	PIN, SPRING 6.0X32	1	1						
13	1	22351-060032	PIN, SPRING 6.0X32	1	1						
14	1	24101-062054	BEARING, BALL 6205	1	1						
15	1	24101-063034	BEARING, BALL 6303	1	1						
16	1	24190-080001	BALL, STEEL 1/4	2	2						
17	1	24311-000160	O-RING, 1AP16.0	1	1						
18	1	24421-255210	SEAL, OIL TC255210	1	1						
19	1	26106-080162	BOLT, M8X 16 PLATED	1	1						

Fig.52. FRONT SHIFT KNOB

(A)=EX2900(YANMAR)
(B)=EX3200(YANMAR)
(C)=

(D)=
(E)=
(F)=

No.	Lev.	Parts No.	Description	Q'ty						I	R		
				(A)	(B)	(C)	(D)	(E)	(F)				
1	1	198273-28521	KNOB, PARKING BRAKE	1	1								

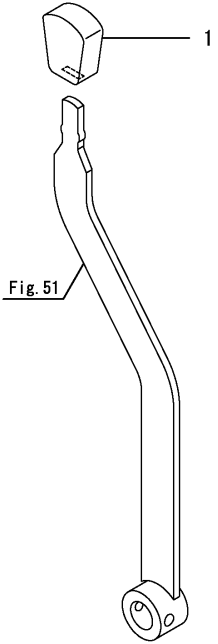
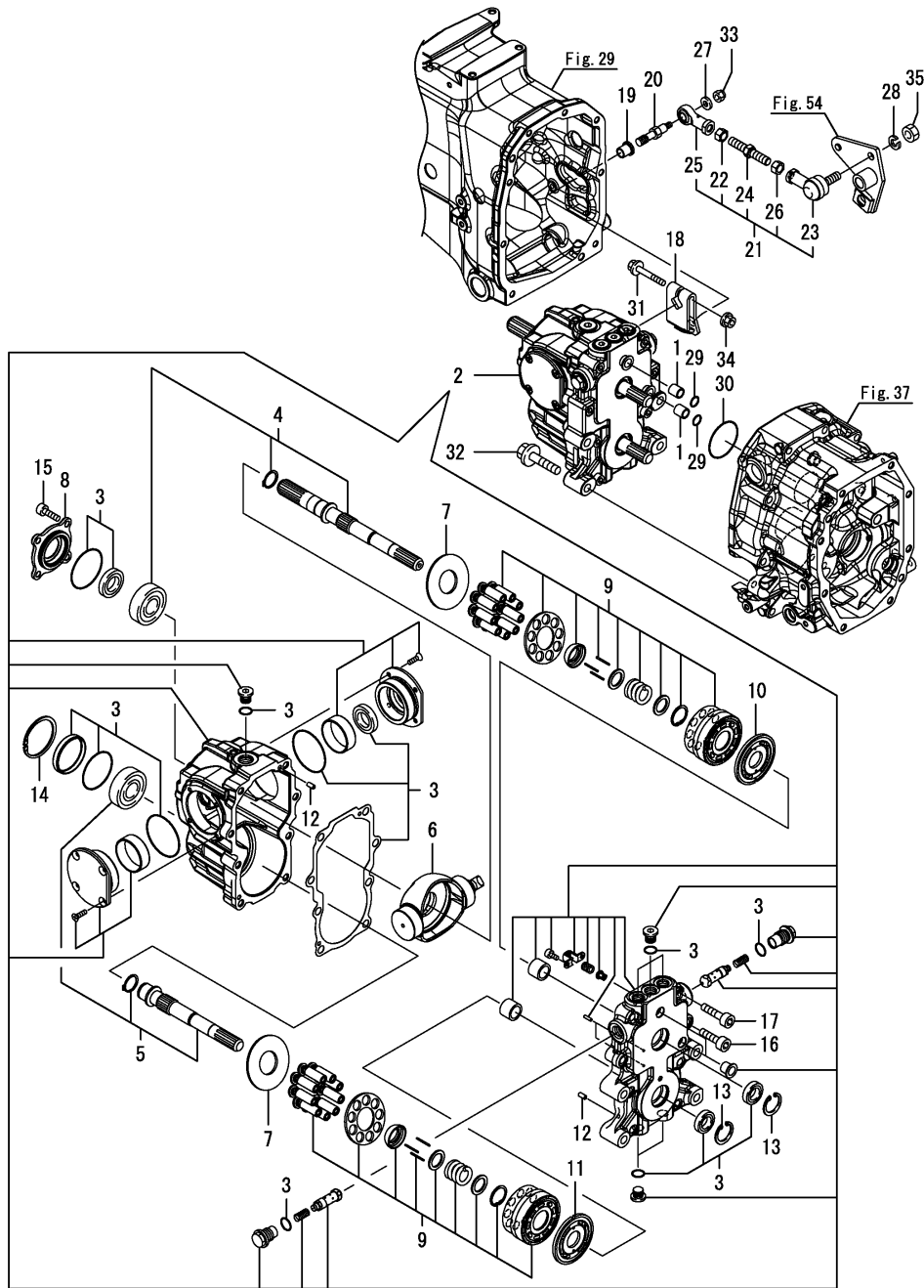


Fig.53. HST



(A)=EX2900(YANMAR)
 (B)=EX3200(YANMAR)
 (C)=

(D)=
 (E)=
 (F)=

No.	Lev.	Parts No.	Description	Q'ty						I	R
				(A)	(B)	(C)	(D)	(E)	(F)		
1	1	198280-24340	COLLAR, 12X16X17	2	2						
2	1	1A8160-25151	MT-23UE HST ASSY	1	1						
3	2	168HJ1-29060	SEAL KIT	1	1						
4	2	168HJ1-29070	INPUT SHAFT KIT	1	1						
5	2	168HJ1-29080	OUTPUT SHAFT KIT	1	1						
6	2	168HM6-29410	PLATE(SWASH	1	1						
7	2	168HM6-29420	THRUST PLATE	2	2						
8	2	168HJ5-29510	COVER, SEAL	1	1						
9	2	158810-85140	PLUNGER BLOCK	2	2						
10	2	158805-85211	VALVE PLATE	1	1						
11	2	158805-85221	VALVE PLATE	1	1						
12	2	158802-85880	PIN,PARALLEL(6X12	2	2						
13	2	22252-000360	RING, 36	2	2						
14	2	22252-000650	RING, 65	1	1						
15	2	26450-080202	BOLT, M8X 20	4	4						
16	2	26450-100402	BOLT, M10X 40	2	2						
17	2	26450-100452	BOLT, M10X 45	6	6						
18	1	1A8160-27200	ARM ASSY, TRUNNION	1	1						
19	1	1A8160-29541	COLLAR	1	1						
20	1	1A8160-29551	PIN, TRUNNION	1	1						
21	1	1A8160-29560	END ASSY, ROD HST	1	1						
22	2	194250-22370	NUT, M12 L	1	1						
23	2	198280-29570	END, ROD 12	1	1						
24	2	1A8160-29580	BOLT, ROD END	1	1						
25	2	1E8080-64710	END, ROD 12	1	1						
26	2	26716-120002	NUT, M12	1	1						
27	1	22137-080000	WASHER, 8	1	1						
28	1	22217-120000	WASHER, SPRING 12	1	1						
29	1	24311-000160	O-RING, 1AP16.0	2	2						
30	1	24321-000600	O-RING, 1AG60.0	1	1						
31	1	26106-080552	BOLT, M8X 55 PLATED	1	1						
32	1	26106-120552	BOLT, M12X 55 PLATED	3	3						
33	1	26346-080002	NUT, M8	1	1						
34	1	26366-080002	NUT, M8	1	1						
35	1	26716-120002	NUT, M12	1	1						

Fig.54. HST LINKAGE

(A)=EX2900(YANMAR)
 (B)=EX3200(YANMAR)
 (C)=

(D)=
 (E)=
 (F)=

No.	Lev.	Parts No.	Description	Q'ty						I	R
				(A)	(B)	(C)	(D)	(E)	(F)		
1	1	1A8160-29000	NEUTRAL ASSY, HST	1	1						
2	2	194990-22140	NUT, M8	2	2						
3	2	1A8160-29150	BRACKET ASSY	1	1						
4	2	1A8160-29270	BOLT, STOPPER	2	2						
5	2	1A8160-29280	TURNBUCKLE	1	1						
6	2	1A8160-29300	ARM ASSY, RETURN	1	1						
7	3	24550-015120	BUSH, 15X12	2	2						
8	2	1A8160-29440	BRACKET ASSY	1	1						
9	3	22272-000070	RING, E- 7	1	1						
10	3	24104-060000	BEARING, 6000UUC3	1	1						
11	3	24550-015120	BUSH, 15X12	2	2						
12	2	198280-29490	SPRING	1	1						
13	2	1A8160-29800	PLATE ASSY	1	1						
14	2	22137-140000	WASHER, 14	2	2						
15	2	22272-000120	RING, E-12	2	2						
16	1	26106-100302	BOLT, M10X 30 PLATED	2	2						

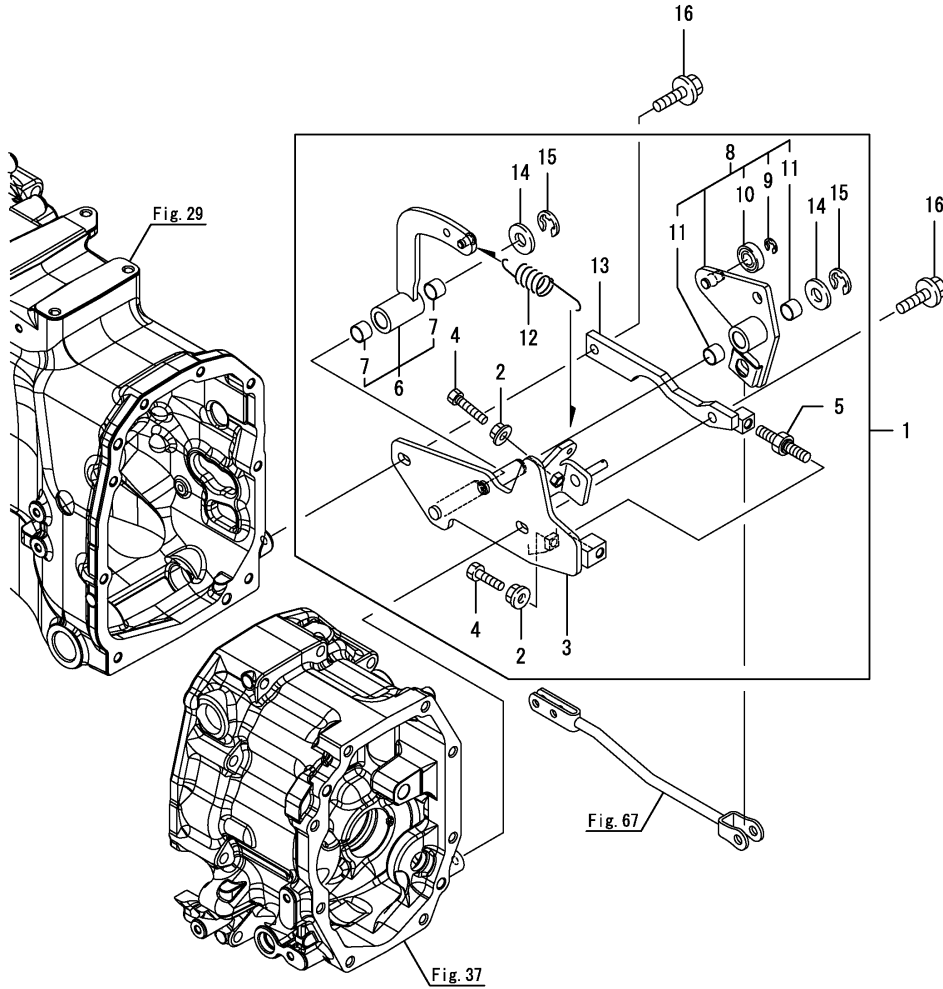


Fig.55. RING GEAR

(A)=EX2900(YANMAR)
(B)=EX3200(YANMAR)
(C)=

(D)=
(E)=
(F)=

No.	Lev.	Parts No.	Description	Q'ty						I	R
				(A)	(B)	(C)	(D)	(E)	(F)		
1	1	1A8160-31300	GEAR ASSY, RING	1	1						

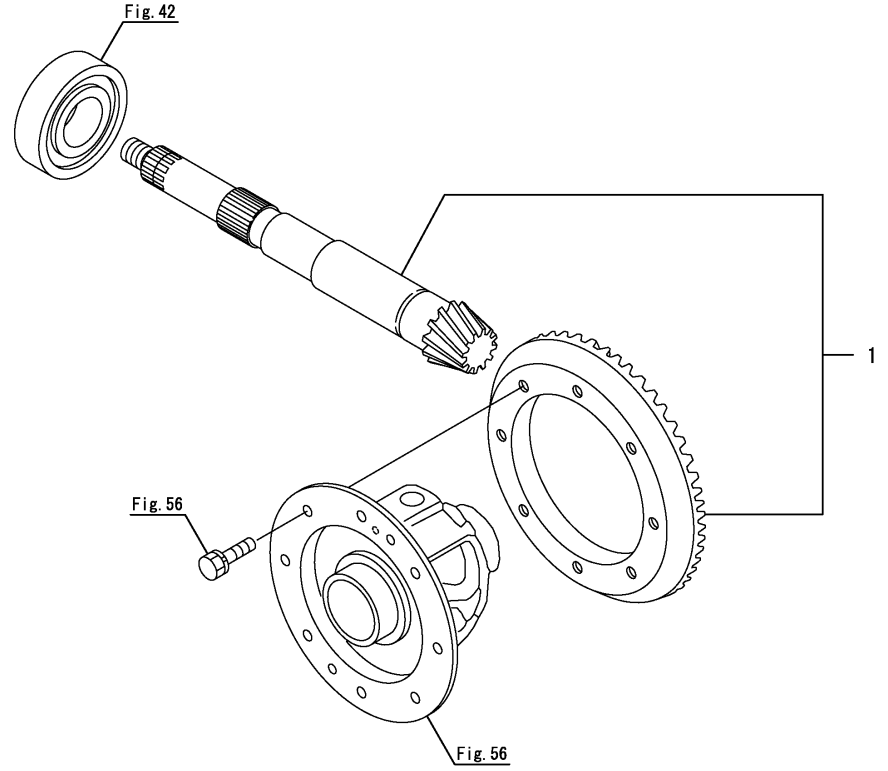


Fig.56. DIFFERENTIAL GEAR

(A)=EX2900(YANMAR)
 (B)=EX3200(YANMAR)
 (C)=

(D)=
 (E)=
 (F)=

No.	Lev.	Parts No.	Description	Q'ty						I	R
				(A)	(B)	(C)	(D)	(E)	(F)		
1	1	194321-13230	PINION, DIFFERENTIAL	2	2						
2	1	198230-31510	GEAR, DIFFERENTIAL	2	2						
3	1	194430-31610	WASHER, DIFFERENTIAL	2	2						
4	1	194430-31820	SHAFT, DIFFERENTIAL	1	1						
5	1	194430-31850	WASHER, DIFFERENTIAL	2	2						
6	1	198230-32110	CASE, DIFFERENTIAL	1	1						
7	1	22351-050030	PIN, SPRING 5.0X30	1	1						
8	1	24101-060104	BEARING, BALL 6010	2	2						
9	1	26013-080202	BOLT, M8X 20	8	8						

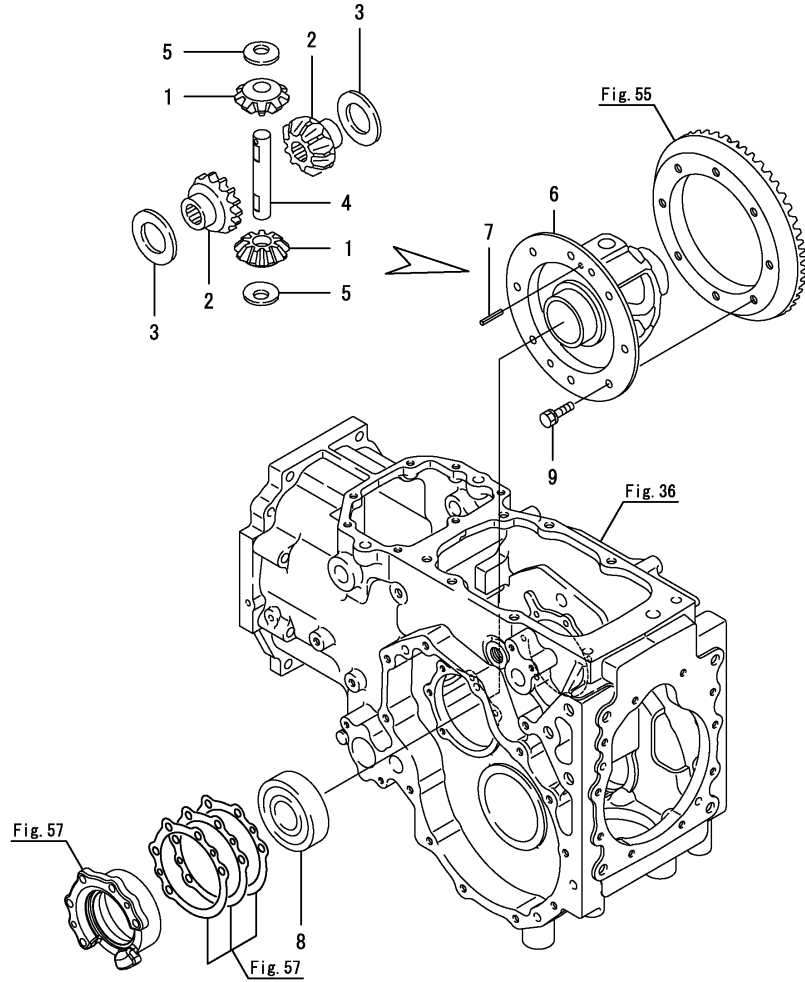


Fig.57. DIFFERENTIAL CARRIER

(A)=EX2900(YANMAR)
 (B)=EX3200(YANMAR)
 (C)=

(D)=
 (E)=
 (F)=

No.	Lev.	Parts No.	Description	Qty						I	R
				(A)	(B)	(C)	(D)	(E)	(F)		
1	1	1A8160-32300	RETAINER	2	2						
2	1	794197-32350	SHIM SET	1	1						
3	1	26013-080252	BOLT, M8X 25	10	10						

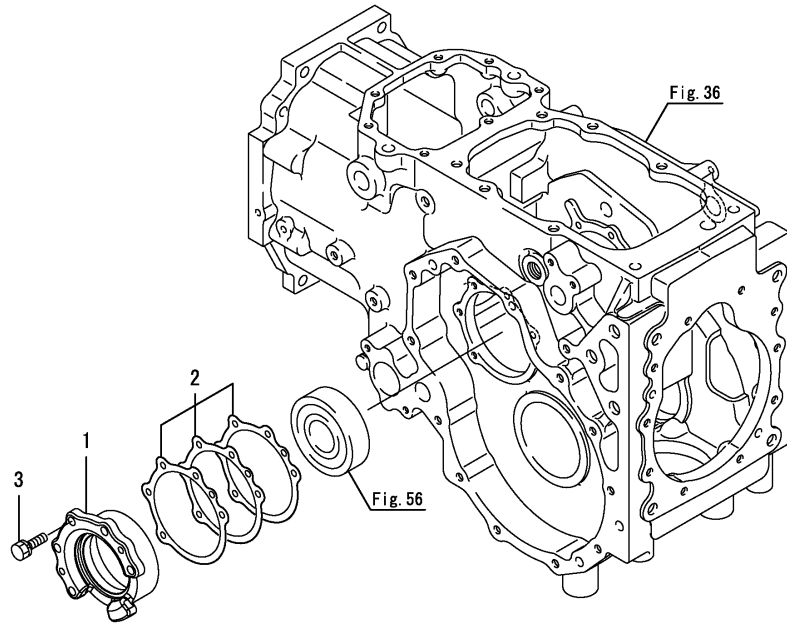


Fig.58. REAR HOUSING

(A)=EX2900(YANMAR)
 (B)=EX3200(YANMAR)
 (C)=

(D)=
 (E)=
 (F)=

No.	Lev.	Parts No.	Description	Q'ty						I	R
				(A)	(B)	(C)	(D)	(E)	(F)		
1	1	194465-11920	BOLT, M10X40	12	12						
2	1	194447-14140	SEAL, OIL TC6Y577512	2	2						
3	1	194447-14180	SLEEVE, SL 52X57X18	2	2						
4	1	1A8160-24390	BOLT, M10X75	4	4						
5	1	1A8160-32601	REAR AXLE HOUSING,LH	1	1						
6	1	1A8160-32611	REAR AXLE HOUSING RH	1	1						
7	1	198290-32750	SEAL, OIL TC253506	2	2						
8	1	1A8160-32810	BOLT, M10X55	8	8						
9	1	194197-34310-1	CASE, OIL SEAL	2	2						
10	1	194197-34320-1	COVER, OIL SEAL	2	2						
11	1	198220-34340	GASKET, SEAL CASE	2	2						
12	1	22252-000750	RING, 75	2	2						
13	1	22312-100180	PIN, PARALLEL M10X18	4	4						
14	1	23491-140002	PLUG, 14	2	2						
15	1	24311-000160	O-RING, 1AP16.0	2	2						
16	1	26013-080402	BOLT, M8X 40	6	6						

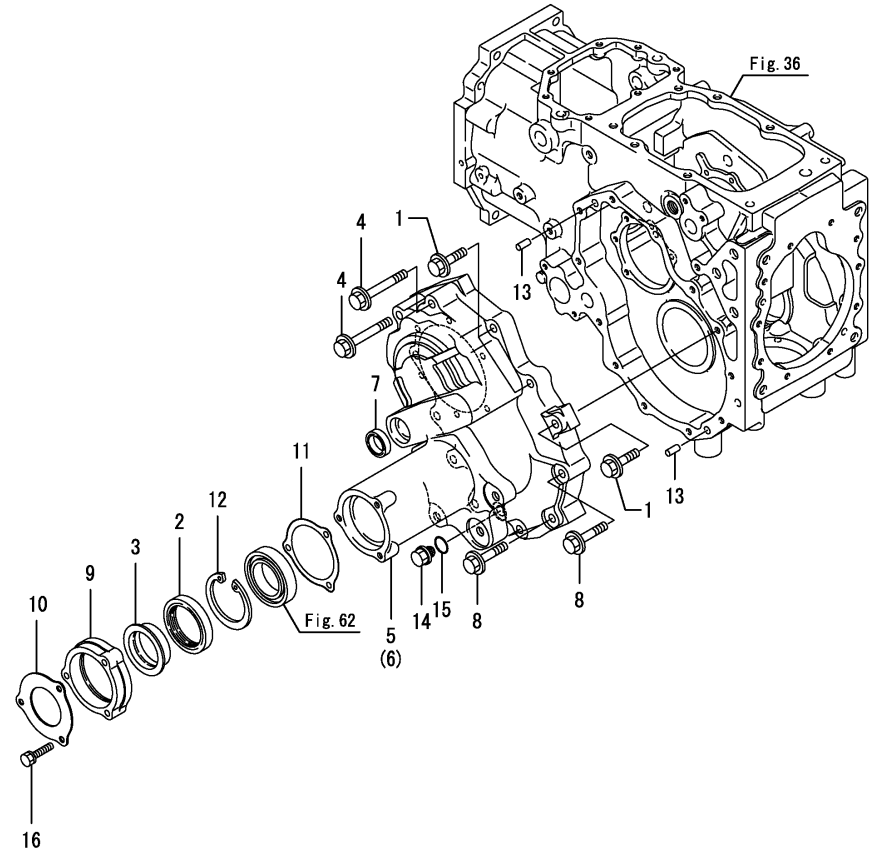
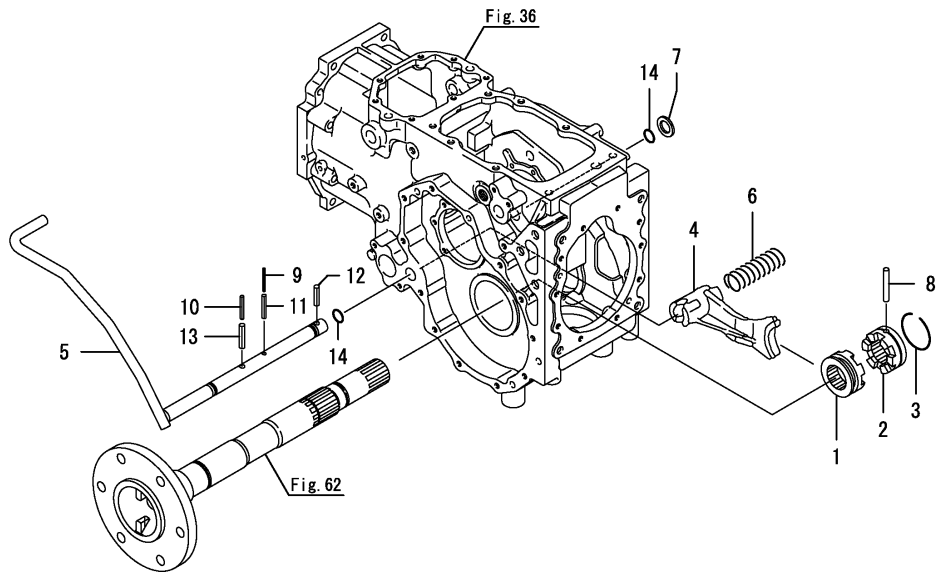


Fig.59. DIFFERENTIAL LOCK

(A)=EX2900(YANMAR)
 (B)=EX3200(YANMAR)
 (C)=

(D)=
 (E)=
 (F)=



No.	Lev.	Parts No.	Description	Q'ty						I	R
				(A)	(B)	(C)	(D)	(E)	(F)		
1	1	194197-33100	SLIDER, DIFFERENTIAL	1	1						
2	1	194197-33110	SLIDER, DIFFERENTIAL	1	1						
3	1	194197-33120	RING, SNAP 58	1	1						
4	1	198220-33140	FORK, SHIFT	1	1						
5	1	1A8160-33160	PEDAL, LOCK	1	1						
6	1	194300-33190	SPRING	1	1						
7	1	194300-33200	SPACER, 20X32X3.2	1	1						
8	1	198220-33210	PIN, 8X56	1	1						
9	1	22351-035040	PIN, SPRING 3.5X40	1	1						
10	1	22351-050040	PIN, SPRING 5.0X40	1	1						
11	1	22351-060040	PIN, SPRING 6.0X40	1	1						
12	1	22351-080032	PIN, SPRING 8.0X32	1	1						
13	1	22351-080040	PIN, SPRING 8.0X40	1	1						
14	1	24311-000150	O-RING, 1AP15.0	2	2						

Fig.60. FINAL PINION

(A)=EX2900(YANMAR)
 (B)=EX3200(YANMAR)
 (C)=

(D)=
 (E)=
 (F)=

No.	Lev.	Parts No.	Description	Qty						I	R
				(A)	(B)	(C)	(D)	(E)	(F)		
1	1	1A8160-33400	PINION, FINAL	2	2						
2	1	24101-063064	BEARING, BALL 6306	2	2						
3	1	24121-062064	BEARING, BALL 6206NR	2	2						

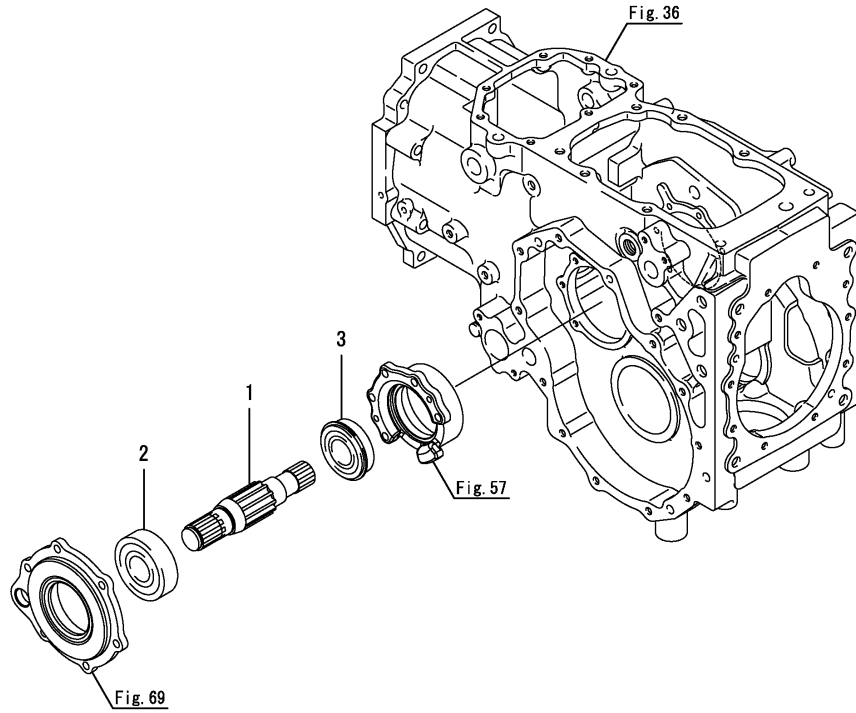


Fig.61. FINAL GEAR

(A)=EX2900(YANMAR)
 (B)=EX3200(YANMAR)
 (C)=

(D)=
 (E)=
 (F)=

No.	Lev.	Parts No.	Description	Qty						I	R
				(A)	(B)	(C)	(D)	(E)	(F)		
1	1	198230-33500	GEAR, FINAL	2	2						

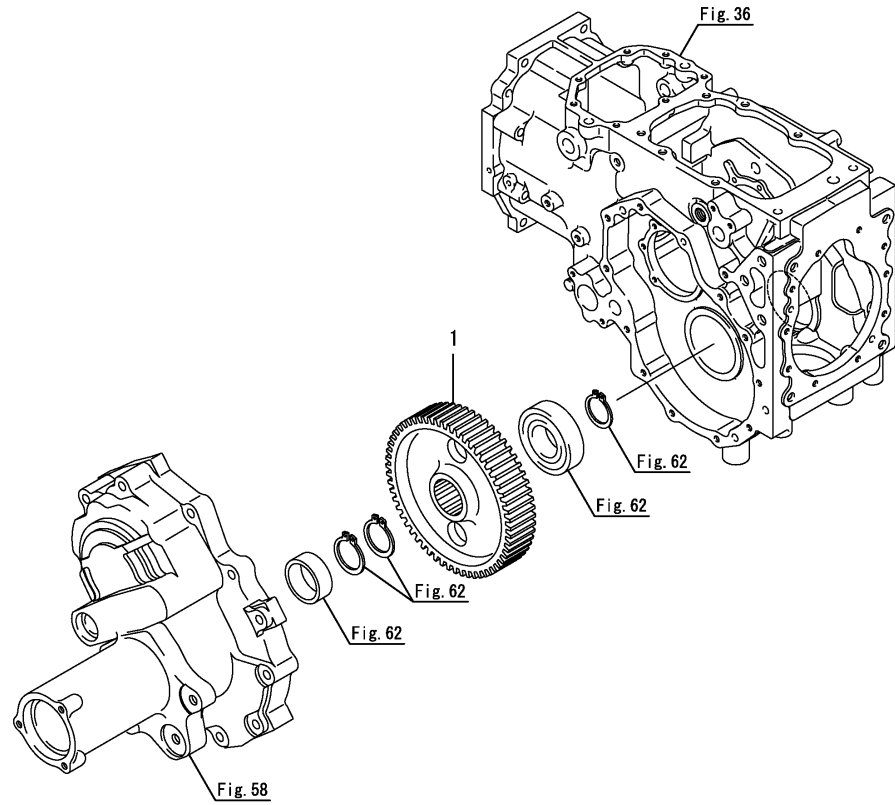


Fig.62. REAR AXLE SHAFT

(A)=EX2900(YANMAR)
 (B)=EX3200(YANMAR)
 (C)=

(D)=
 (E)=
 (F)=

No.	Lev.	Parts No.	Description	Q'ty						I	R
				(A)	(B)	(C)	(D)	(E)	(F)		
1	1	194440-32580	COLLAR, 45X55X20	2	2						
2	1	198230-34050	SHAFT ASSY, AXLE	1	1						
3	2	198230-34101	SHAFT, REAR AXLE L	1	1						
4	2	198230-34111	SHAFT, REAR AXLE R	1	1						
5	1	22242-000400	RING, 40	2	2						
6	1	22242-000450	RING, 45	4	4						
7	1	24101-060094	BEARING, BALL 6009	2	2						
8	1	24101-062084	BEARING, BALL 6208	2	2						

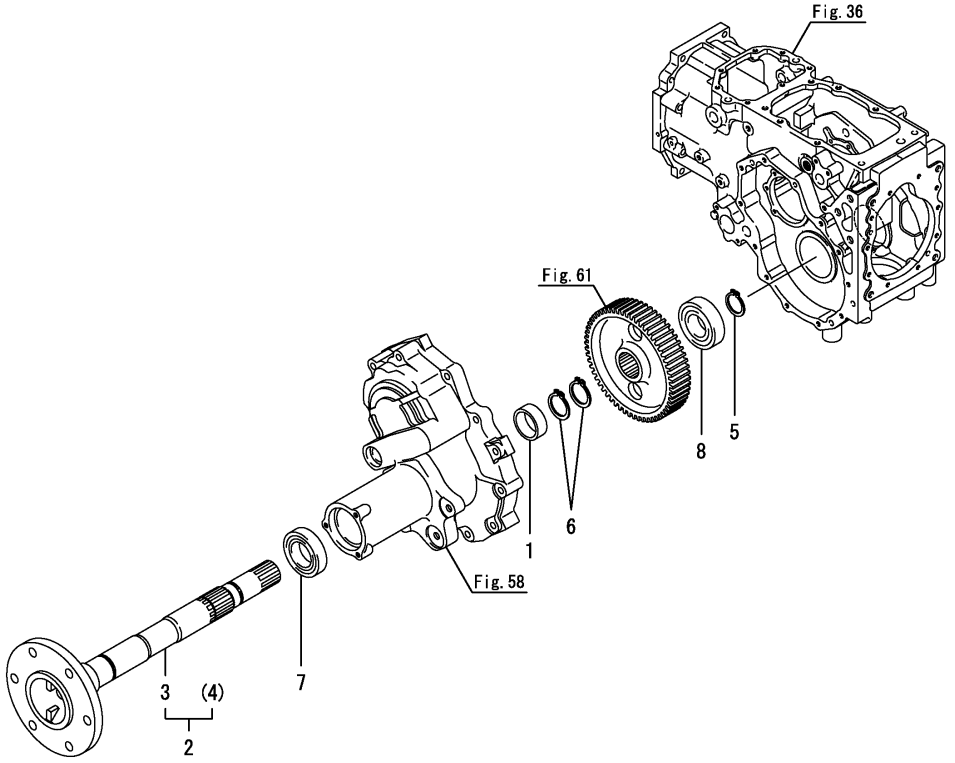
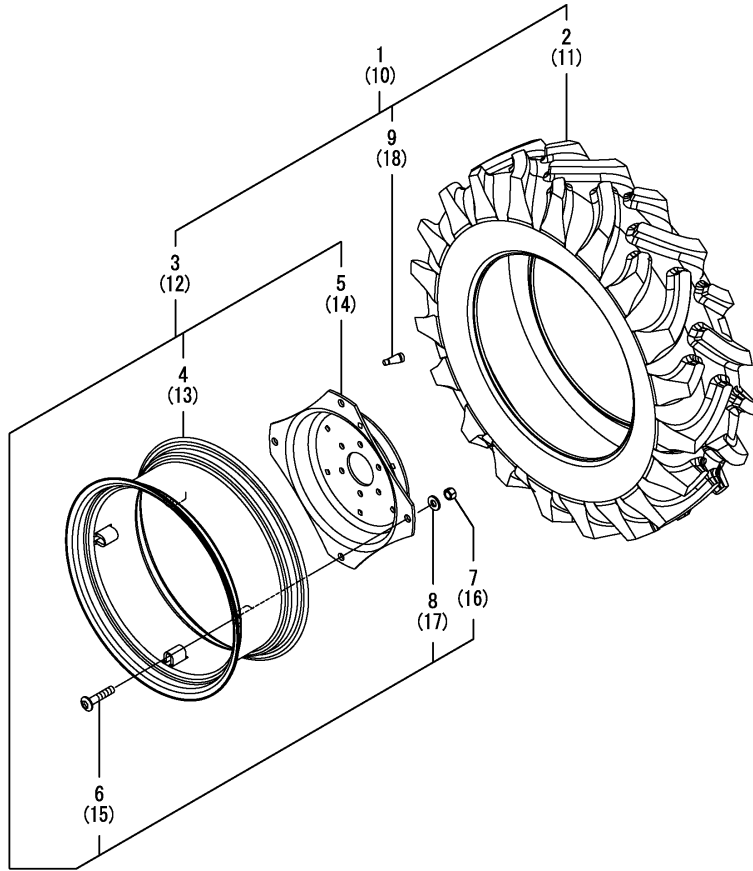


Fig.63. REAR WHEEL TIRE R1

(A)=EX2900(YANMAR)
 (B)=EX3200(YANMAR)
 (C)=

(D)=
 (E)=
 (F)=



No.	Lev.	Parts No.	Description	Q'ty						I	R
				(A)	(B)	(C)	(D)	(E)	(F)		
1	1	1A8160-34300	TIRE KIT, REAR R1 L	1	1						
2	2	1A8160-34310	TIRE, R1 11.2X24	1	1						
3	2	1A8160-34330	WHEEL, R1 R	1	1						
4	3	1A8160-34340	RIM ASSY, R1	1	1						
5	3	1A8160-34360	DISK ASSY, R1	1	1						
6	3	1A8160-34370	BOLT, R1	4	4						
7	3	1A8160-34380	NUT, R1	4	4						
8	3	1A8160-34390	WASHER, R1	4	4						
9	2	1A8160-34350	VALVE, R1	1	1						
10	1	1A8160-34400	TIRE KIT, REAR R1 R	1	1						
11	2	1A8160-34310	TIRE, R1 11.2X24	1	1						
12	2	1A8160-34330	WHEEL, R1 R	1	1						
13	3	1A8160-34340	RIM ASSY, R1	1	1						
14	3	1A8160-34360	DISK ASSY, R1	1	1						
15	3	1A8160-34370	BOLT, R1	4	4						
16	3	1A8160-34380	NUT, R1	4	4						
17	3	1A8160-34390	WASHER, R1	4	4						
18	2	1A8160-34350	VALVE, R1	1	1						

Fig.64. REAR WHEEL TIRE R3

(A)=EX2900(YANMAR)
(B)=EX3200(YANMAR)
(C)=

(D)=
(E)=
(F)=

No.	Lev.	Parts No.	Description	Qty						I	R
				(A)	(B)	(C)	(D)	(E)	(F)		
1	1	1A8160-34501	TIRE KIT, REAR R3	2	2						
2	2	1A8160-34350	VALVE, R1	2	2						
3	2	1A8160-34510	TIRE, R3 13.6X16	2	2						
4	2	1A8160-34531	WHEEL, R3 R	2	2						

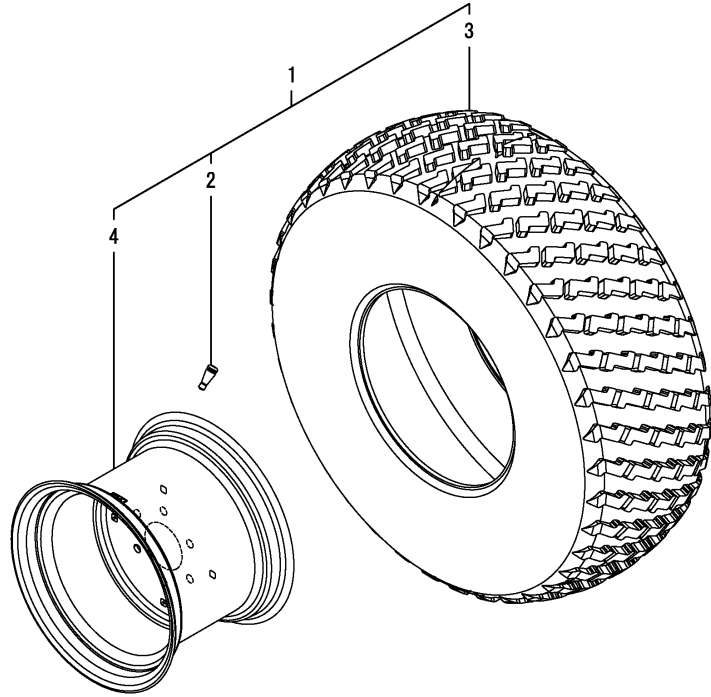


Fig.65. REAR WHEEL TIRE R4

(A)=EX2900(YANMAR)
 (B)=EX3200(YANMAR)
 (C)=

(D)=
 (E)=
 (F)=

No.	Lev.	Parts No.	Description	Q'ty						I	R
				(A)	(B)	(C)	(D)	(E)	(F)		
1	1	1A8160-34700	TIRE KIT, REAR R4 L	1	1						
2	2	1A8160-34710	TIRE, REAR 15X19.5	1	1						
3	2	1A8160-34730	WHEEL, R4 R	1	1						
4	2	1A8160-34750	VALVE, TIRE	1	1						
5	1	1A8160-34800	TIRE KIT, REAR R4 R	1	1						
6	2	1A8160-34710	TIRE, REAR 15X19.5	1	1						
7	2	1A8160-34730	WHEEL, R4 R	1	1						
8	2	1A8160-34750	VALVE, TIRE	1	1						

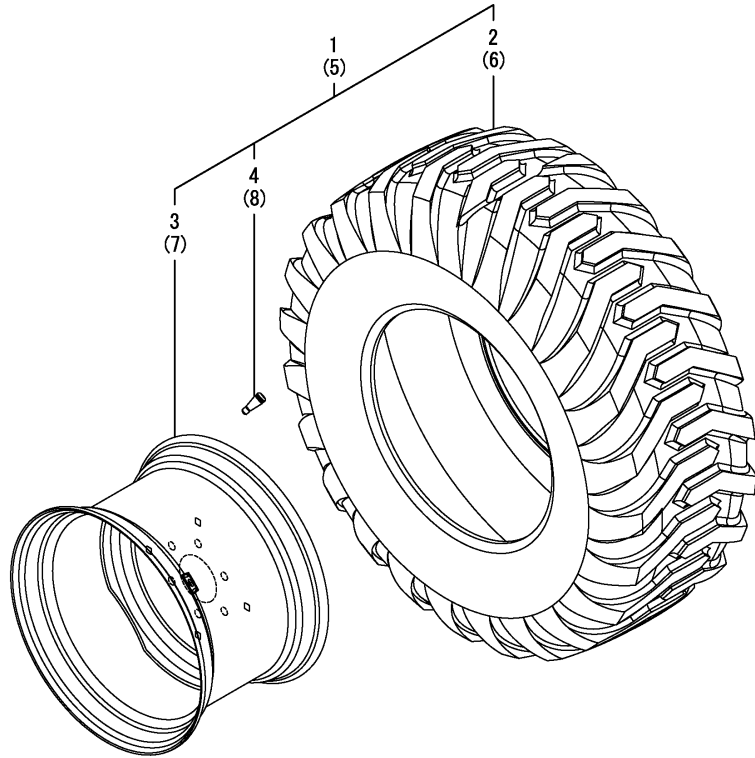


Fig.66. HUB BOLT

(A)=EX2900(YANMAR)
 (B)=EX3200(YANMAR)
 (C)=

(D)=
 (E)=
 (F)=

No.	Lev.	Parts No.	Description	Q'ty						I	R
				(A)	(B)	(C)	(D)	(E)	(F)		
1	1	194555-34180	BOLT, M16X30	12	12						
2	1	194555-34190	WASHER, SPRING 16	12	12						

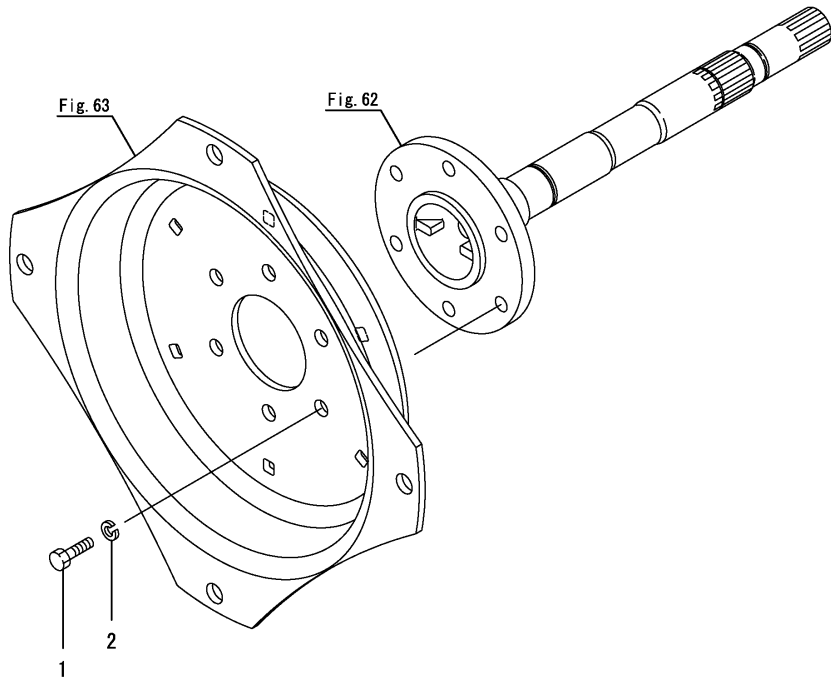
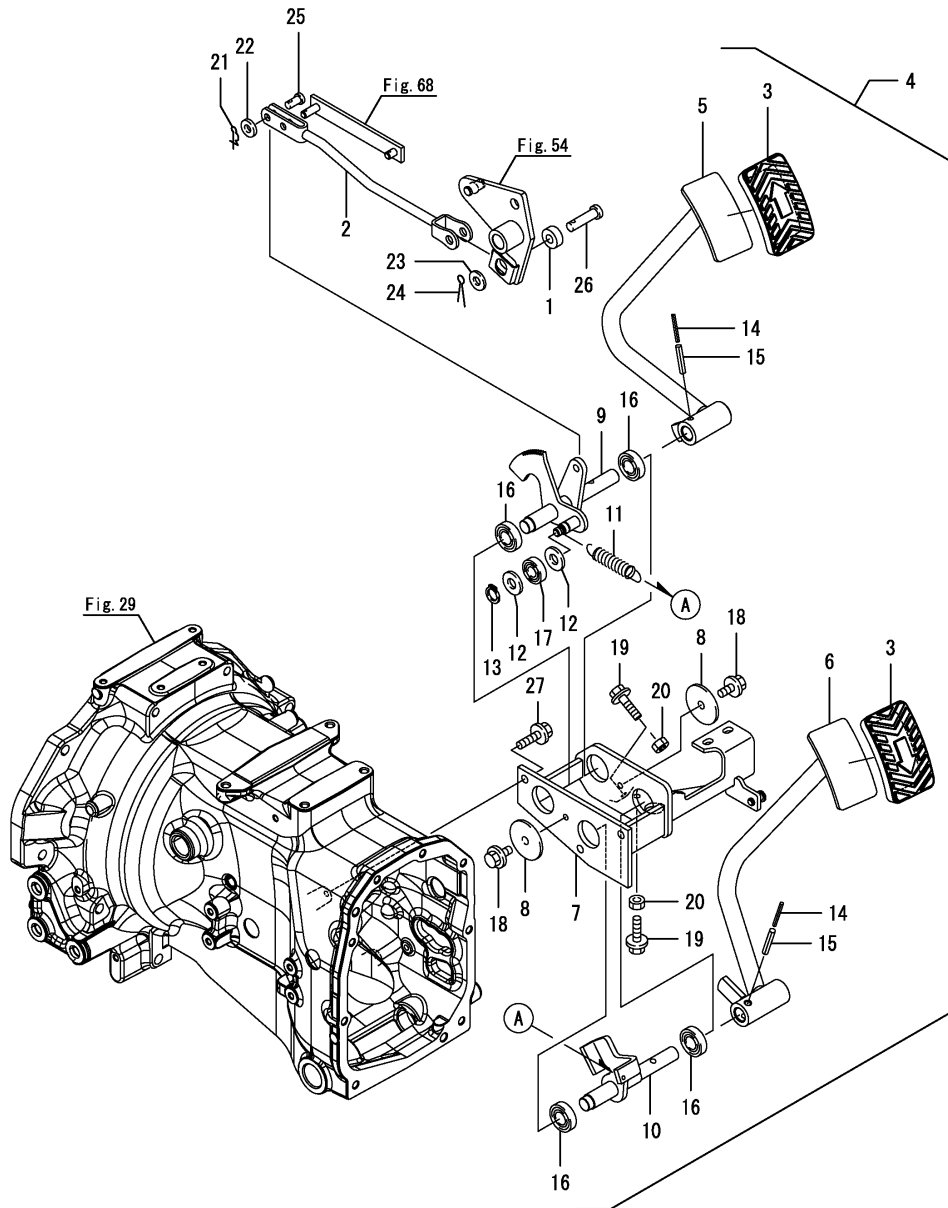


Fig.67. HYDRAULIC PEDAL

(A)=EX2900(YANMAR)
 (B)=EX3200(YANMAR)
 (C)=

(D)=
 (E)=
 (F)=



No.	Lev.	Parts No.	Description	Q'ty						I	R
				(A)	(B)	(C)	(D)	(E)	(F)		
1	1	198129-27281	ROLLER, CAM	1	1						
2	1	1A8160-29040	ROD, HYDRAULIC	1	1						
3	1	1A8160-35080	HEAD, PEDAL	2	2						
4	1	1A8160-35100	PEDAL KIT, HST	1	1						
5	2	1A8160-35110	PEDAL ASSY, HST F	1	1						
6	2	1A8160-35210	PEDAL ASSY, HST R	1	1						
7	2	1A8160-35240	BRACKET ASSY, PEDAL	1	1						
8	2	198167-35311	PLATE, KEEP	2	2						
9	2	1A8160-35310	SHAFT ASSY, PEDAL F	1	1						
10	2	1A8160-35360	SHAFT ASSY, PEDAL R	1	1						
11	2	198167-35411	SPRING, PEDAL	1	1						
12	2	22137-120000	WASHER, 12	2	2						
13	2	22242-000120	RING, 12	1	1						
14	2	22351-035036	PIN, SPRING 3.5X36	2	2						
15	2	22351-060036	PIN, SPRING 6.0X36	2	2						
16	2	24104-060024	BEARING, BALL 6002UU	4	4						
17	2	24104-062014	BEARING, BALL 6201UU	1	1						
18	2	26106-080122	BOLT, M8X 12 PLATED	2	2						
19	2	26106-080252	BOLT, M8X 25 PLATED	2	2						
20	2	26716-080002	NUT, M8	2	2						
21	1	1C6281-52320	PIN, SNAP 8	1	1						
22	1	22137-080000	WASHER, 8	1	1						
23	1	22137-100000	WASHER, 10	1	1						
24	1	22417-200300	PIN, COTTER 2.0X30	1	1						
25	1	22487-080160	PIN, H 8X 16	1	1						
26	1	22487-100280	PIN, H10X 28	1	1						
27	1	26106-080202	BOLT, M8X 20 PLATED	3	3						

Fig.68. SHOCK ABSORBER

(A)=EX2900(YANMAR)
 (B)=EX3200(YANMAR)
 (C)=

(D)=
 (E)=
 (F)=

No.	Lev.	Parts No.	Description	Q'ty						I	R
				(A)	(B)	(C)	(D)	(E)	(F)		
1	1	192154-29610	SHOCK ABSORBER	1	1						
2	1	1A8160-35300	CRANK, BELL	1	1						
3	2	194740-06080	BUSH, 25X30X18	2	2						
4	1	1A8160-35450	BAR, DAMPER	1	1						
5	1	1C6281-52320	PIN, SNAP 8	2	2						
6	1	1C6281-52320	PIN, SNAP 8	2	2						
7	1	22137-080000	WASHER, 8	2	2						
8	1	22137-080000	WASHER, 8	2	2						

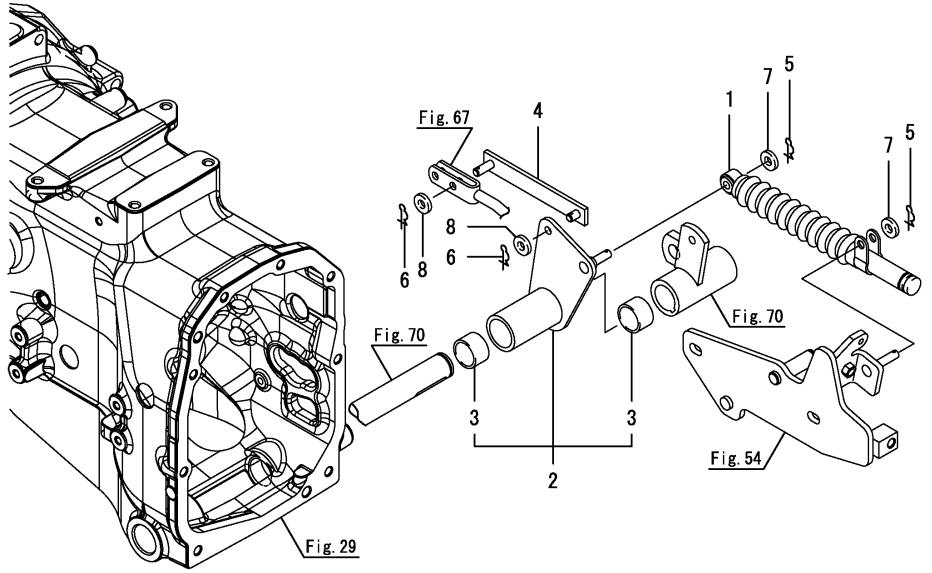


Fig.69. BRAKE

(A)=EX2900(YANMAR)
 (B)=EX3200(YANMAR)
 (C)=

(D)=
 (E)=
 (F)=

No.	Lev.	Parts No.	Description	Q'ty						I	R
				(A)	(B)	(C)	(D)	(E)	(F)		
1	1	194274-13580	WASHER, SPRING 12	2	2						
2	1	198200-36310	ACTUATOR	1	1						
3	1	198200-36341	CAMSHAFT	2	2						
4	1	198200-36350-1	ARM, BRAKE	2	2						
5	1	198200-36380	PLATE, FRICTION 114	6	6						
6	1	198200-36390	PLATE, STEEL	6	6						
7	1	198200-36410	ACTUATOR	1	1						
8	1	198200-36422	HOLDER, BEARING	2	2						
9	1	22242-000260	RING, 26	2	2						
10	1	24190-170001	BALL, STEEL 17/32	6	6						
11	1	26106-080252	BOLT, M8X 25 PLATED	12	12						
12	1	26376-120002	NUT, M12	2	2						

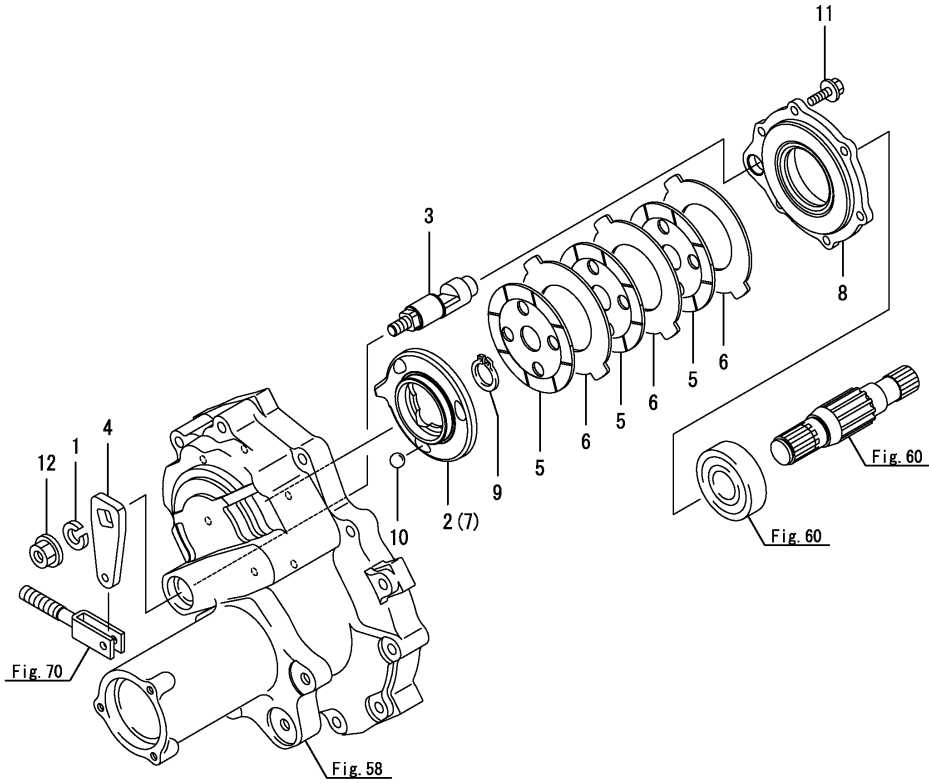
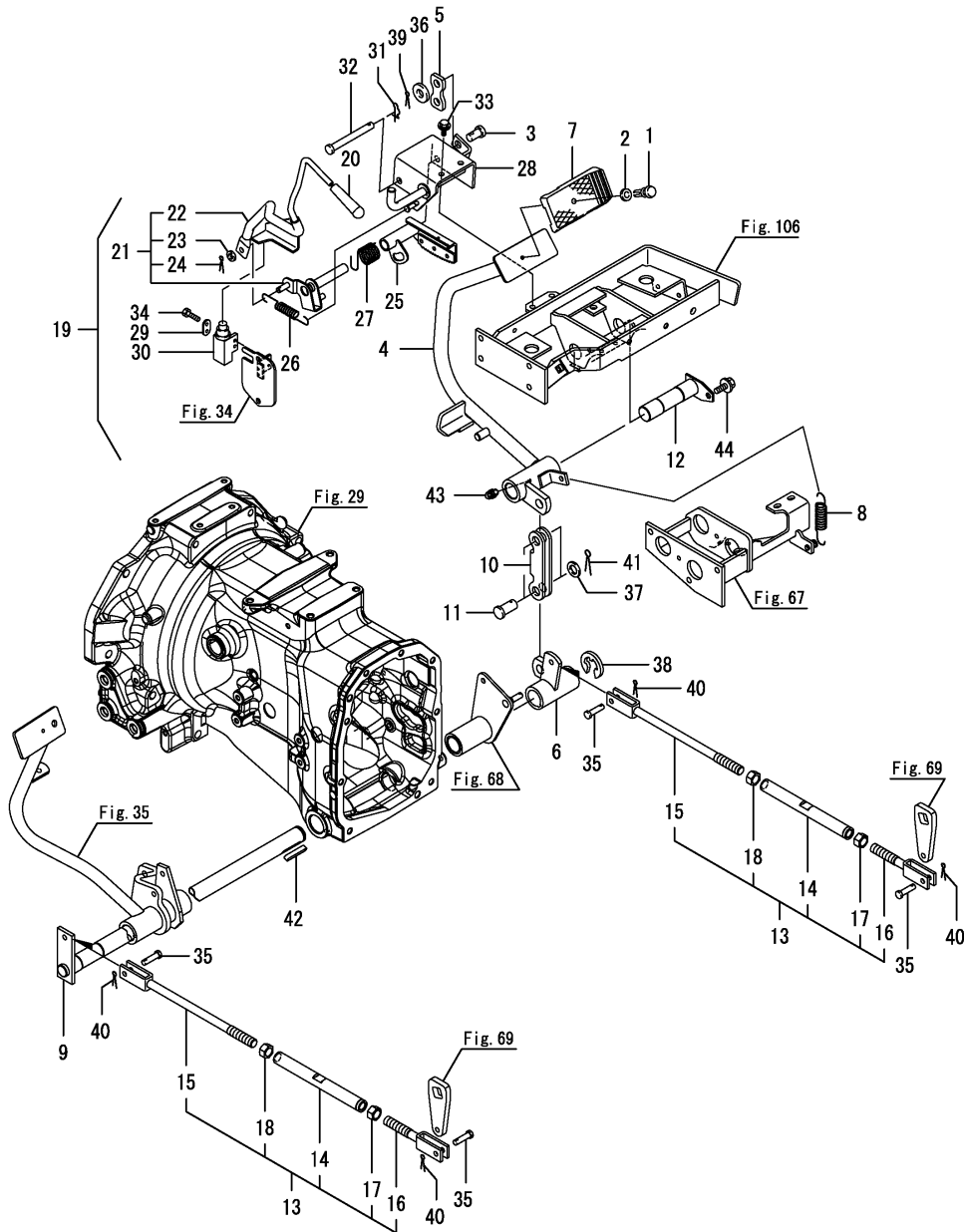


Fig.70. BRAKE PEDAL

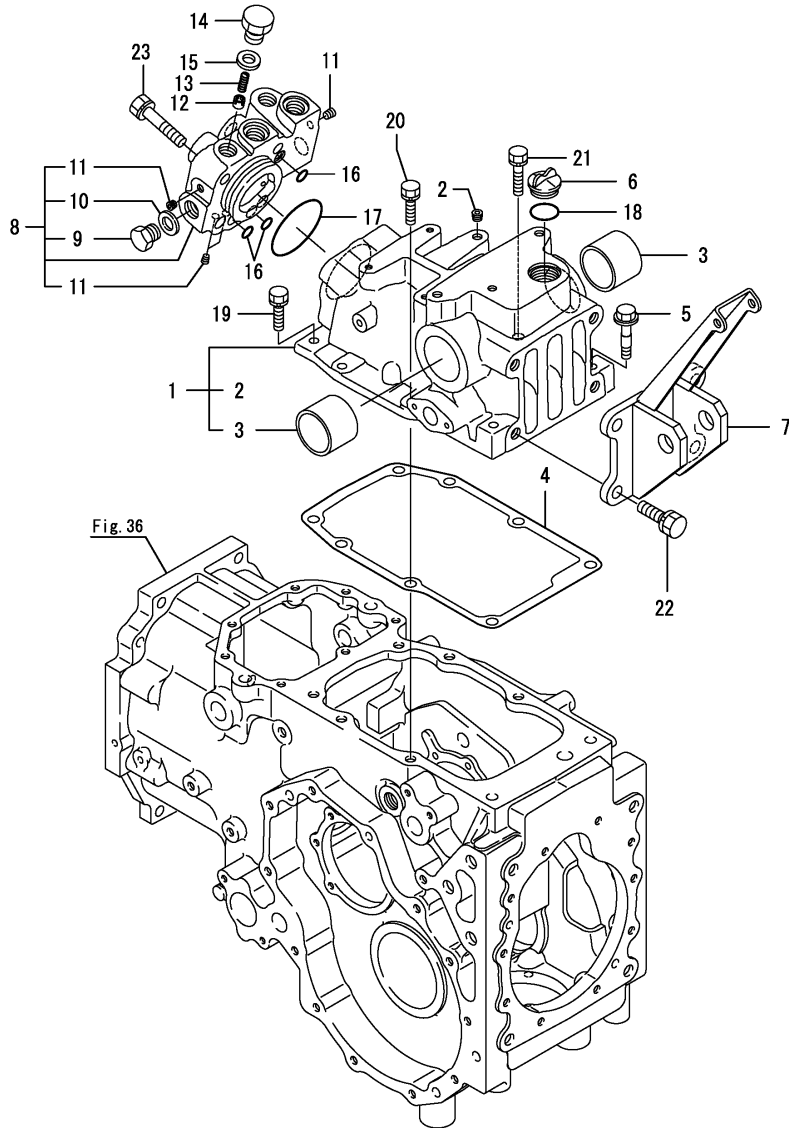


(A)=EX2900(YANMAR)
 (B)=EX3200(YANMAR)
 (C)=

(D)=
 (E)=
 (F)=

No.	Lev.	Parts No.	Description	Q'ty						I	R
				(A)	(B)	(C)	(D)	(E)	(F)		
1	1	198133-22510	RIVET, PEDAL HEAD	1	1						
2	1	198133-22530	WASHER, RIVET	1	1						
3	1	198165-36190	PIN, 12X16	1	1						
4	1	1A8160-37420	PEDAL, BRAKE	1	1						
5	1	1A8160-37491	PLATE, CRUISE RELEASE	1	1						
6	1	1A8160-37500	CRANK, BRAKE	1	1						
7	1	198071-37510	COVER, HEAD	1	1						
8	1	198290-37510	SPRING, RETURN	1	1						
9	1	1A8160-37550	SHAFT, BRAKE PEDAL	1	1						
10	1	1A8160-37570	LINK, BRAKE	1	1						
11	1	1A8160-37590	PIN, 15X30	2	2						
12	1	1A8160-37600	SHAFT, BRAKE	1	1						
13	1	1A8160-37730	ROD ASSY, BRAKE	2	2						
14	2	198220-37730	TURNBUCKLE	2	2						
15	2	1A8160-37740	ROD, BRAKE R	2	2						
16	2	198220-37770	ROD, BRAKE L	2	2						
17	2	198220-37790	NUT, M14	2	2						
18	2	26716-140002	NUT, M14	2	2						
19	1	1A8160-37810	BRAKE KIT, PARKING	1	1						
20	2	198253-37610	KNOB, PARKING BRAKE	1	1						
21	2	1A8160-37650	LEVER KIT, PARKING	1	1						
22	3	1A8160-37622	ROD ASSY, PARKING	1	1						
23	3	22137-080000	WASHER, 8	1	1						
24	3	22417-250300	PIN, COTTER 2.5X30	1	1						
25	2	1A8160-37660	LEVER, BRAKE LOCK	1	1						
26	2	198220-37700	SPRING, RETURN	1	1						
27	2	198220-37720	SPRING	1	1						
28	2	1A8160-37950	SUPPORT, BRAKE	1	1						
29	2	1A7510-52120	WASHER, SWITCH	1	1						
30	2	1A7335-52150	SWITCH, STOP LAMP	1	1						
31	2	1C6360-65700	PIN, SNAP 10	1	1						
32	2	22487-100900	PIN, H10X 90	1	1						
33	2	26106-080162	BOLT, M8X 16 PLATED	2	2						
34	2	26117-040162	BOLT, M4X 16 PLATED	2	2						
35	1	198220-37900	PIN, 8X24	4	4						
36	1	22137-120000	WASHER, 12	1	1						
37	1	22137-140000	WASHER, 14	2	2						
38	1	22272-000190	RING, E-19	1	1						
39	1	22417-250300	PIN, COTTER 2.5X30	1	1						
40	1	22417-250300	PIN, COTTER 2.5X30	4	4						
41	1	22417-250300	PIN, COTTER 2.5X30	2	2						
42	1	22512-070400	KEY, 7X 40	1	1						
43	1	24761-010000	NIPPLE, GREASE M6F	1	1						
44	1	26106-080162	BOLT, M8X 16 PLATED	1	1						

Fig.71. HYDRAULIC CYLINDER CASE



(A)=EX2900(YANMAR)
 (B)=EX3200(YANMAR)
 (C)=

(D)=
 (E)=
 (F)=

No.	Lev.	Parts No.	Description	Q'ty						I	R
				(A)	(B)	(C)	(D)	(E)	(F)		
1	1	198220-42101	HOUSING ASSY	1	1						
2	2	23876-010000	PLUG, R01	1	1						
3	2	24550-045300	BUSH, 45X30	2	2						
4	1	1A8160-42150	PACKING	1	1						
5	1	1A8160-42190	BOLT, REAMER M10X50	2	2						
6	1	194850-42500	CAP, OIL M33	1	1						
7	1	1A7335-42810	HINGE, TOP LINK	1	1						
8	1	198223-43200	HEAD ASSY, CYLINDER	1	1						
9	2	198220-45920	PLUG, 3/4-16UNF	1	1						
10	2	23414-190000	GASKET, 19X1.0	1	1						
11	2	23876-010000	PLUG, R01	5	5						
12	1	194310-46350	POPPET, CHECK	1	1						
13	1	194310-46380	SPRING	1	1						
14	1	194310-46730	PLUG, 14	1	1						
15	1	23414-140018	GASKET, 14X1.0	1	1						
16	1	24315-000110	O-RING, 1BP11.0	3	3						
17	1	24325-000600	O-RING, 1BG60.0	1	1						
18	1	24351-020300	O-RING 1A 2030	1	1						
19	1	26013-100302	BOLT, M10X 30	2	2						
20	1	26013-100352	BOLT, M10X 35	1	1						
21	1	26013-100452	BOLT, M10X 45	1	1						
22	1	26013-120302	BOLT, M12X 30	4	4						
23	1	26013-120502	BOLT, M12X 50	4	4						

Fig.72. PLUG W/O SCV

(A)=EX2900(YANMAR)
 (B)=EX3200(YANMAR)
 (C)=

(D)=
 (E)=
 (F)=

No.	Lev.	Parts No.	Description	Q'ty						I	R
				(A)	(B)	(C)	(D)	(E)	(F)		
1	1	198220-45920	PLUG, 3/4-16UNF	2	2						
2	1	198220-45920	PLUG, 3/4-16UNF	1	1						
3	1	23414-190000	GASKET, 19X1.0	2	2						
4	1	23414-190000	GASKET, 19X1.0	1	1						

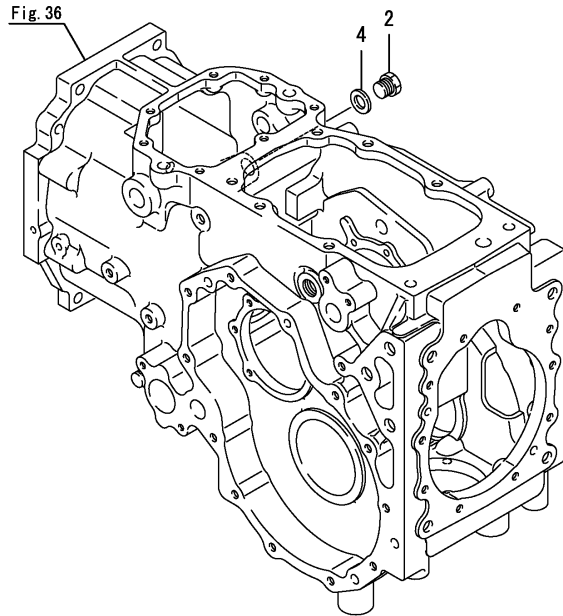
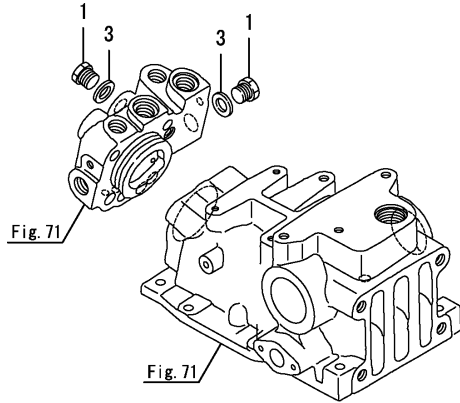


Fig.73. BREATHER

(A)=EX2900(YANMAR)
 (B)=EX3200(YANMAR)
 (C)=

(D)=
 (E)=
 (F)=

No.	Lev.	Parts No.	Description	Q'ty						I	R
				(A)	(B)	(C)	(D)	(E)	(F)		
1	1	198223-42270	BREATHER KIT	1	1						

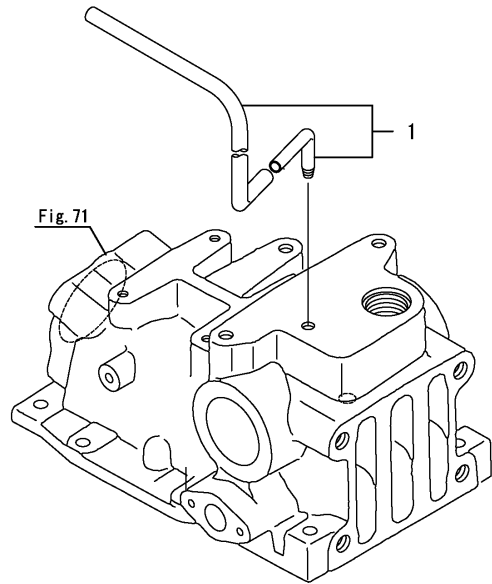


Fig.74. PISTON

(A)=EX2900(YANMAR)
 (B)=EX3200(YANMAR)
 (C)=

(D)=
 (E)=
 (F)=

No.	Lev.	Parts No.	Description	Qty						I	R
				(A)	(B)	(C)	(D)	(E)	(F)		
1	1	194193-43310	PISTON, HYDRAULIC	1	1						
2	1	194150-43350	RING, BACK UP P55	1	1						
3	1	24311-000550	O-RING, 1AP55.0	1	1						

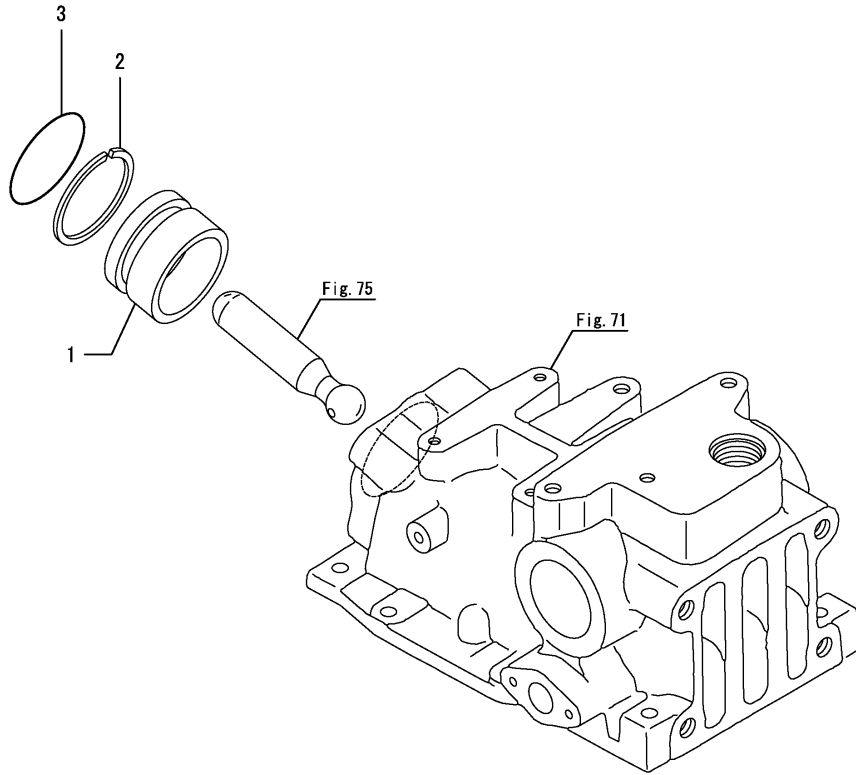
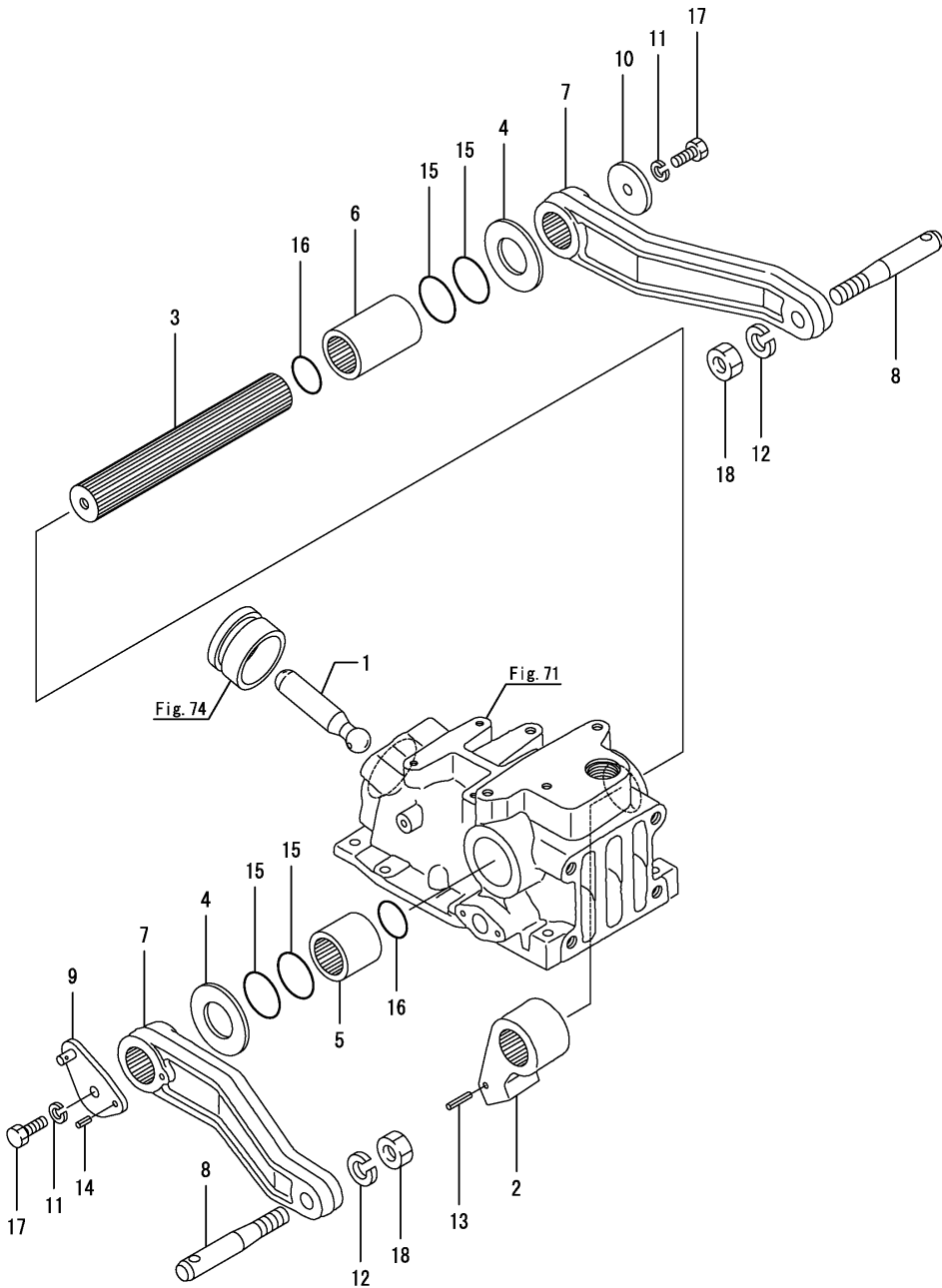


Fig.75. LIFT CRANK

(A)=EX2900(YANMAR)
 (B)=EX3200(YANMAR)
 (C)=

(D)=
 (E)=
 (F)=



No.	Lev.	Parts No.	Description	Q'ty						I	R
				(A)	(B)	(C)	(D)	(E)	(F)		
1	1	194197-43410	ROD, PISTON	1	1						
2	1	194440-44112	CRANK, LIFT	1	1						
3	1	194195-44210	SHAFT, LIFT	1	1						
4	1	194195-44230	LINER, 35X73X3	2	2						
5	1	194195-44250	SLEEVE, LIFT SHAFT L	1	1						
6	1	194195-44260	SLEEVE, LIFT SHAFT R	1	1						
7	1	194195-44411	ARM, LIFT L	2	2						
8	1	194130-44480	PIN, LIFT ARM	2	2						
9	1	198220-44510	PLATE, FEEDBACK	1	1						
10	1	194197-44610-1	WASHER, 10X50X6	1	1						
11	1	22217-100000	WASHER, SPRING 10	2	2						
12	1	22217-160000	WASHER, SPRING 16	2	2						
13	1	22351-050040	PIN, SPRING 5.0X40	1	1						
14	1	22351-060016	PIN, SPRING 6.0X16	1	1						
15	1	24321-000450	O-RING, 1AG45.0	4	4						
16	1	24341-000360	O-RING, 1AS36.0	2	2						
17	1	26116-100202	BOLT, M10X 20 PLATED	2	2						
18	1	26736-160002	NUT, M16	2	2						

Fig.76. CONTROL VALVE

(A)=EX2900(YANMAR)
(B)=EX3200(YANMAR)
(C)=

(D)=
(E)=
(F)=

No.	Lev.	Parts No.	Description	Qty						I	R
				(A)	(B)	(C)	(D)	(E)	(F)		
1	1	178071-01010	VALVE,ROCKSHAFT COMP	1	1						
2	2	24315-000110	O-RING, 1BP11.0	3	3						
3	1	26450-080202	BOLT, M8X 20	3	3						

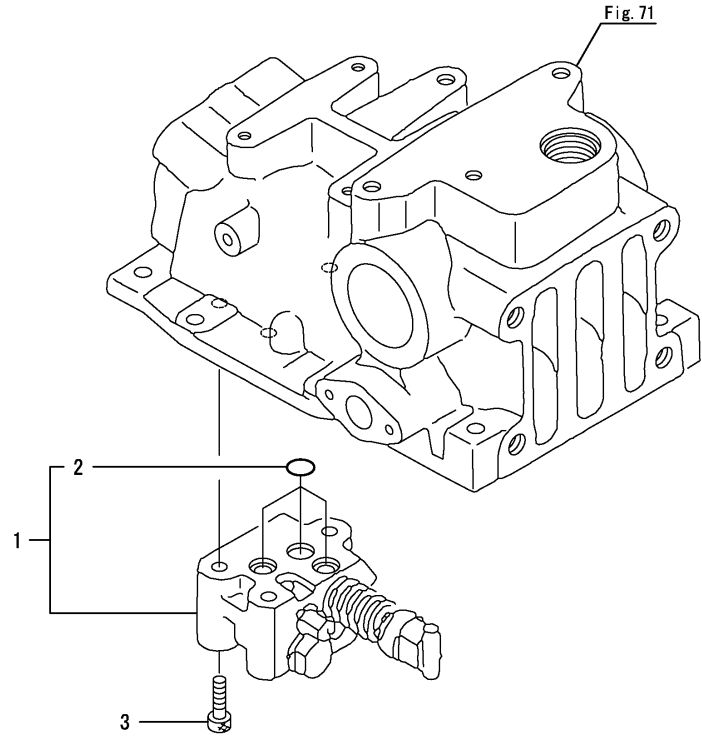
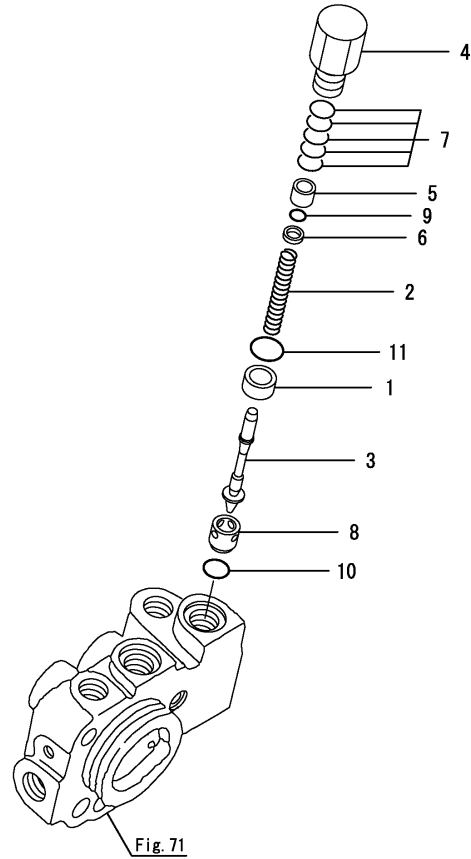


Fig.77. RELIEF VALVE

(A)=EX2900(YANMAR)
 (B)=EX3200(YANMAR)
 (C)=

(D)=
 (E)=
 (F)=



No.	Lev.	Parts No.	Description	Q'ty						I	R
				(A)	(B)	(C)	(D)	(E)	(F)		
1	1	198220-45340	COLLAR, VALVE	1	1						
2	1	194170-45610	SPRING, RELIEF VALVE	1	1						
3	1	194195-45620	POPPET	1	1						
4	1	198220-45630	PLUG, RELIEF VALVE	1	1						
5	1	194195-45640	SEAT, 6.6X13X12.5	1	1						
6	1	194195-45650	WASHER, 6.6X13X3,2	1	1						
7	1	194850-45700	SHIM SET	1	1						
8	1	194195-46260	SEAT, RELIEF VALVE	1	1						
9	1	194850-49230	O-RING, 6X1.8 70	1	1						
10	1	24311-000120	O-RING, 1AP12.0	1	1						
11	1	24311-000180	O-RING, 1AP18.0	1	1						

Fig.78. STOP VALVE

(A)=EX2900(YANMAR)
 (B)=EX3200(YANMAR)
 (C)=

(D)=
 (E)=
 (F)=

No.	Lev.	Parts No.	Description	Q'ty						I	R
				(A)	(B)	(C)	(D)	(E)	(F)		
1	1	194550-46300	VALVE, STOP	1	1						
2	1	194640-46620	BOLT, STOP	1	1						
3	1	194312-46630	HOLDER, VALVE	1	1						
4	1	22117-080000	WASHER, 8	1	1						
5	1	22351-040010	PIN, SPRING 4.0X10	1	1						
6	1	24311-000120	O-RING, 1AP12.0	1	1						
7	1	24315-000090	O-RING, 1BP9.0	1	1						

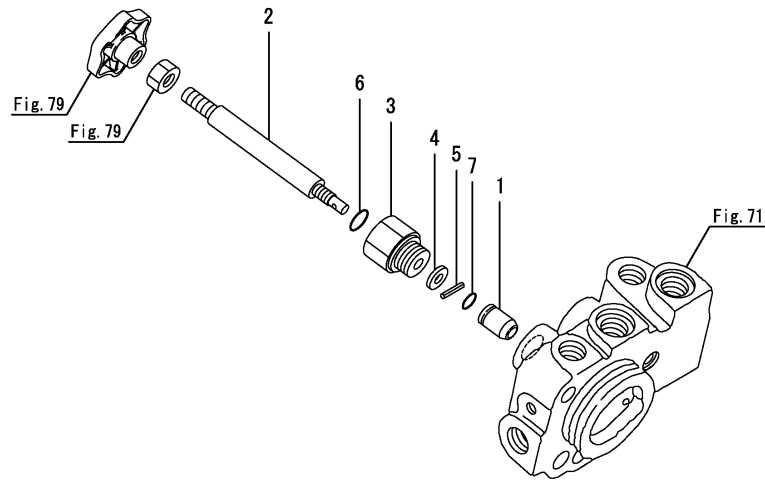


Fig.79. STOP VALVE CONTROL

(A)=EX2900(YANMAR)
 (B)=EX3200(YANMAR)
 (C)=

(D)=
 (E)=
 (F)=

No.	Lev.	Parts No.	Description	Q'ty						I	R
				(A)	(B)	(C)	(D)	(E)	(F)		
1	1	1A8160-46670	KNOB, VALVE	1	1						
2	1	26716-100002	NUT, M10	1	1						

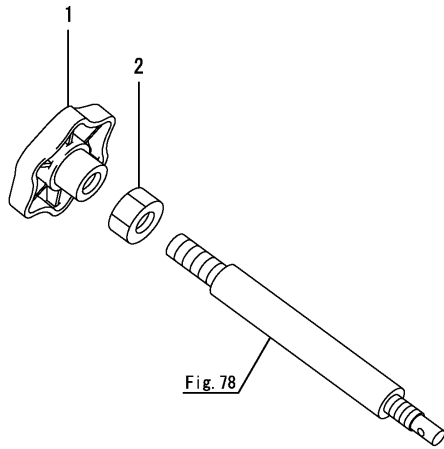
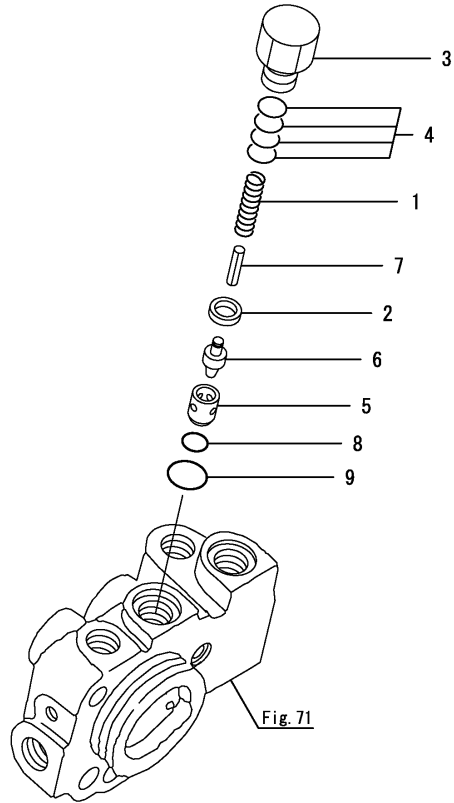


Fig.80. SAFETY VALVE

(A)=EX2900(YANMAR)
 (B)=EX3200(YANMAR)
 (C)=

(D)=
 (E)=
 (F)=

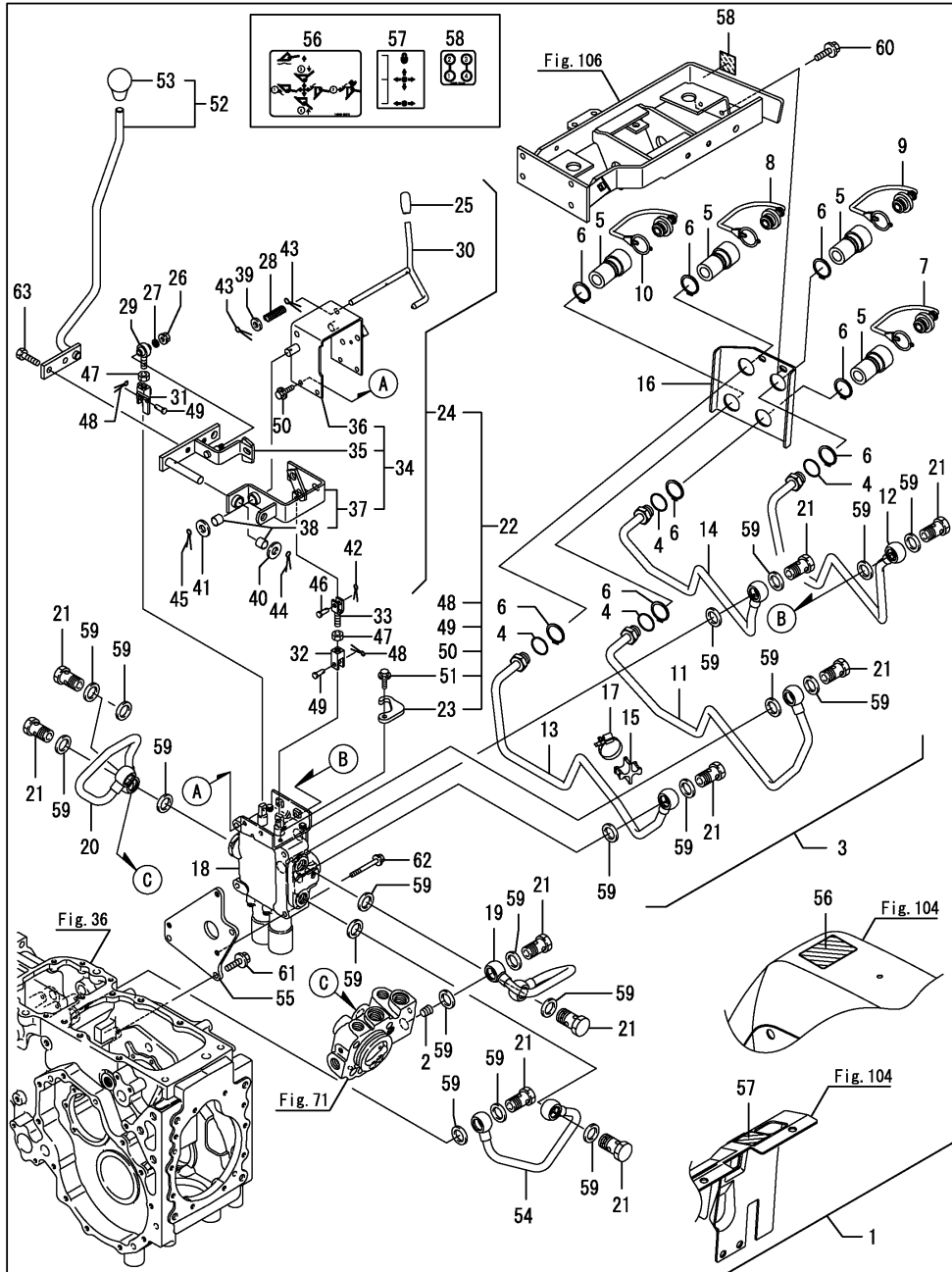


No.	Lev.	Parts No.	Description	Q'ty						I	R
				(A)	(B)	(C)	(D)	(E)	(F)		
1	1	194150-45320	SPRING, RELIEF VALVE	1	1						
2	1	198220-45350	COLLAR, VALVE	1	1						
3	1	198220-45370	PLUG, SAFETY VALVE	1	1						
4	1	198220-46400	SHIM SET	1	1						
5	1	194640-46410	SEAT, SAFETY VALVE	1	1						
6	1	194640-46420	POPPET	1	1						
7	1	22351-060028	PIN, SPRING 6.0X28	1	1						
8	1	24311-000120	O-RING, 1AP12.0	1	1						
9	1	24311-000180	O-RING, 1AP18.0	1	1						

Fig.81. SUB CONTROL VALVE

(A)=EX2900(YANMAR)
 (B)=EX3200(YANMAR)
 (C)=

(D)=
 (E)=
 (F)=



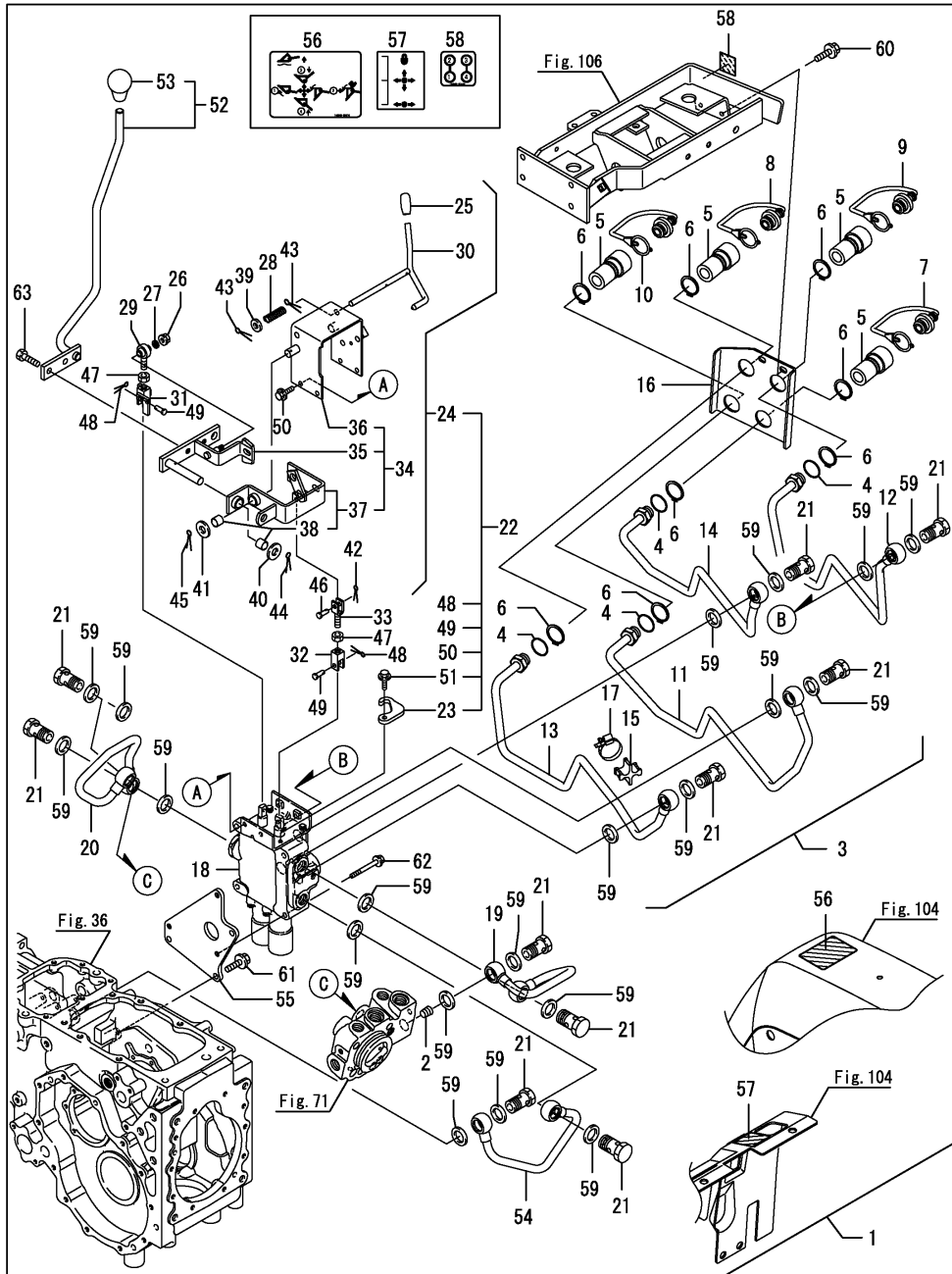
No.	Lev.	Parts No.	Description	Q'ty						I	R
				(A)	(B)	(C)	(D)	(E)	(F)		
1	1	1A8160-46760	VALVE KIT,SUB	1	1						
2	2	198245-42160	PLUG, 1/4	1	1						
3	2	1A8160-46411	PIPE, SCV	1	1						
4	3	194464-45930	O-RING, 8-1	4	4						
5	3	1A8160-46250	COUPLER, QUICK 3/8	4	4						
6	3	198240-46260	RING, SNAP	8	8						
7	3	1A8160-46280	PLUG, DUST RED	1	1						
8	3	1A8160-46290	PLUG, DUST BLUE	1	1						
9	3	1A8160-46300	PLUG, DUST YELLOW	1	1						
10	3	1A8160-46310	PLUG, DUST GREEN	1	1						
11	3	1A8160-46421	PIPE, PRESSURE B1	1	1						
12	3	1A8160-46441	PIPE, PRESSURE B2	1	1						
13	3	1A8160-46461	PIPE, PRESSURE A1	1	1						
14	3	1A8160-46481	PIPE, PRESSURE A2	1	1						
15	3	198220-46500	CLAMP	1	1						
16	3	1A8160-46930	SUPPORT, SCV COUPLER	1	1						
17	3	23000-035000	CLAMP, 35	1	1						
18	2	198220-46603	SCV ASSY	1	1						
19	2	1A8160-46611	PIPE, PRESSURE P	1	1						
20	2	1A8160-46631	PIPE, PRESSURE C	1	1						
21	2	198245-46680	BOLT, M3/4-16	10	10						
22	2	198220-46701	LINK KIT	1	1						
23	3	198220-46220	PLATE, STOPPER	1	1						
24	3	198234-46701	LINK, SCV	1	1						
25	4	194080-01121	KNOB 8X17X30	1	1						
26	4	194990-22130	NUT, M6	1	1						
27	4	172516-22370	WASHER, 6X10X2	1	1						
28	4	198220-46200	SPRING	1	1						
29	4	198220-46210	BALL, PILLOW	1	1						
30	4	198220-46710	STOPPER, SCV LEVER	1	1						
31	4	198220-46910	CLEVIS ASSY	1	1						
32	4	198220-46920	CLEVIS	1	1						
33	4	198220-46970	CLEVIS	1	1						
34	4	798220-46991	ARM ASSY, LINK	1	1						
35	5	198220-46300	ARM, CONTROL	1	1						
36	5	198220-46860	STAY, SCV LINK	1	1						
37	5	198220-46991	ARM ASSY, LINK	1	1						
38	6	24550-01210	BUSH, 12X12	2	2						
39	4	22117-080000	WASHER, 8	1	1						
40	4	22117-120000	WASHER, 12	1	1						
41	4	22117-120000	WASHER, 12	1	1						
42	4	22417-160180	PIN, COTTER 1.6X18	1	1						
43	4	22417-250300	PIN, COTTER 2.5X30	2	2						
44	4	22417-250300	PIN, COTTER 2.5X30	1	1						
45	4	22417-250300	PIN, COTTER 2.5X30	1	1						
46	4	22486-060160	PIN, H 6X 16	1	1						
47	4	26716-080002	NUT, M8	2	2						
48	3	22417-160180	PIN, COTTER 1.6X18	2	2						
49	3	22486-060160	PIN, H 6X 16	2	2						
50	3	26106-060162	BOLT, M6X 16 PLATED	4	4						
51	3	26106-060162	BOLT, M6X 16 PLATED	1	1						

N:Old $\xrightarrow{\text{Yes}}$ New, Q:Old $\xrightarrow{\text{No}}$ New, R:Old $\xrightarrow{\text{Yes}}$ New, S:Old $\xrightarrow{\text{No}}$ New, W:Add, Z:Discontinued, F:Interchangeable by set, K:Q'ty Change
 ++ CONTINUE ++
 Copyright (C) YANMAR CO., LTD. All Rights Reserved.

Fig.81. SUB CONTROL VALVE

(A)=EX2900(YANMAR)
 (B)=EX3200(YANMAR)
 (C)=

(D)=
 (E)=
 (F)=

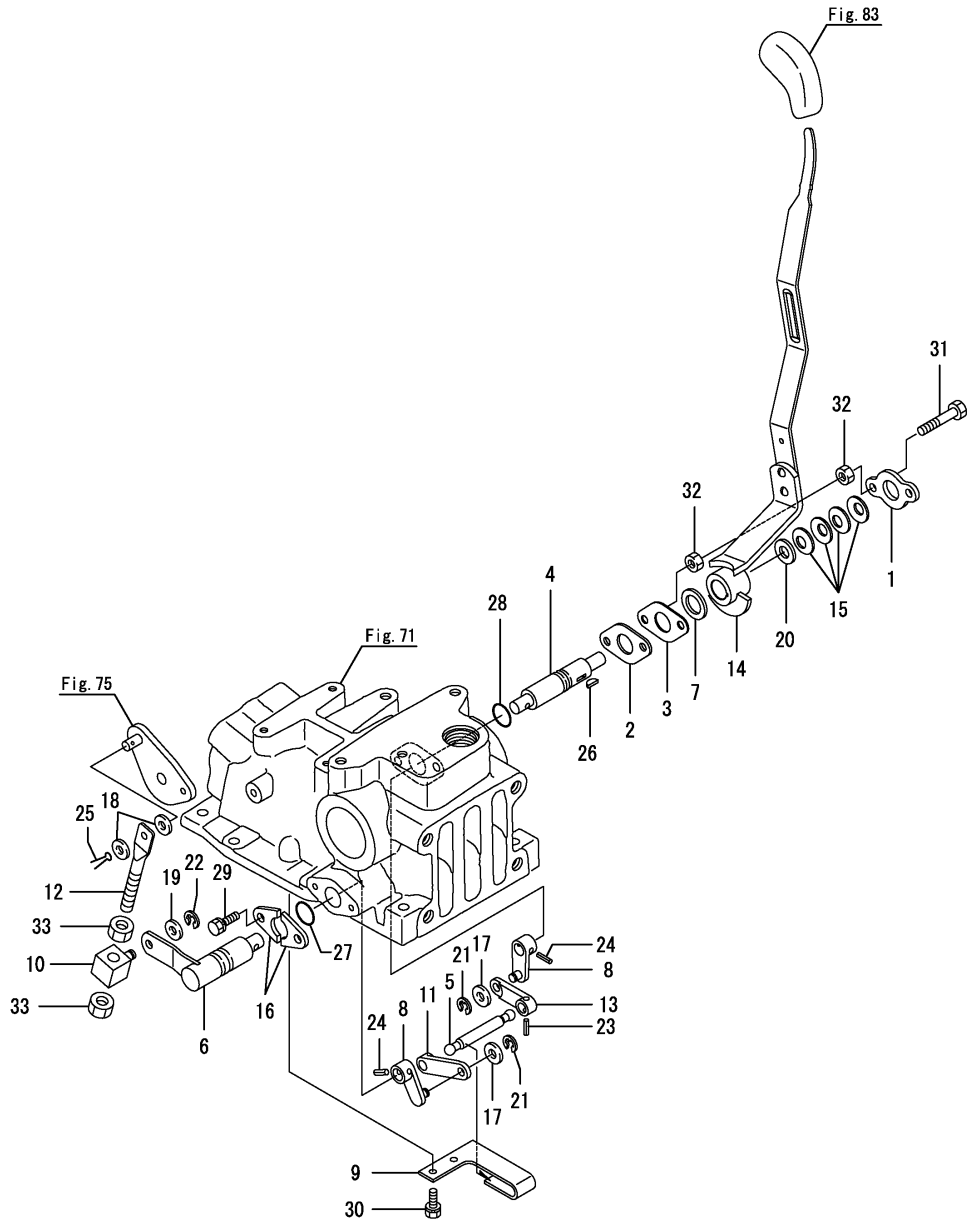


No.	Lev.	Parts No.	Description	Q'ty						I	R
				(A)	(B)	(C)	(D)	(E)	(F)		
52	2	1A8160-46750	LEVER ASSY, SCV	1	1						
53	3	194990-85561	KNOB, HIGH/LOW	1	1						
54	2	1A8160-46781	PIPE, PRESSURE T	1	1						
55	2	198220-46851	BRACKET, SCV	1	1						
56	2	1A8160-65410	LABEL,SCV LEVER	1	1						
57	2	198220-65420	LABEL, SCV LOCK	1	1						
58	2	1A8160-65430	LABEL,SCV COUPLER	1	1						
59	2	23414-190000	GASKET, 19X1.0	20	20						
60	2	26106-080122	BOLT, M8X 12 PLATED	2	2						
61	2	26106-080202	BOLT, M8X 20 PLATED	3	3						
62	2	26106-080552	BOLT, M8X 55 PLATED	3	3						
63	2	26116-080202	BOLT, M8X 20 PLATED	2	2						

Fig.82. HYDRAULIC CONTROL

(A)=EX2900(YANMAR)
 (B)=EX3200(YANMAR)
 (C)=

(D)=
 (E)=
 (F)=



No.	Lev.	Parts No.	Description	Q'ty						I	R
				(A)	(B)	(C)	(D)	(E)	(F)		
1	1	194170-47320	PLATE	1	1						
2	1	194555-47340	PLATE, A	1	1						
3	1	194555-47350	PLATE, B	1	1						
4	1	198220-47380	SHAFT, CONTROL	1	1						
5	1	194208-47420	BAR, CONTROL	1	1						
6	1	198220-47430	SHAFT, PF	1	1						
7	1	194170-47440	PLATE, FRICTION	1	1						
8	1	194208-47440	LEVER, FEEDBACK	2	2						
9	1	198220-47490	GUIDE, BAR	1	1						
10	1	194550-47530	ADJUSTER	1	1						
11	1	194208-47550	BAR, CONNECT	1	1						
12	1	198220-47560	ROD, FEEDBACK	1	1						
13	1	198220-47570	BAR, CONNECT	1	1						
14	1	1A8160-47610	LEVER, CONTROL	1	1						
15	1	194151-47760	WASHER, 12	4	4						
16	1	194208-47860	HOLDER, SHAFT	2	2						
17	1	22117-080000	WASHER, 8	2	2						
18	1	22137-100000	WASHER, 10	2	2						
19	1	22137-100000	WASHER, 10	1	1						
20	1	22137-120000	WASHER, 12	1	1						
21	1	22272-000060	RING, E- 6	2	2						
22	1	22272-000070	RING, E- 7	1	1						
23	1	22351-040016	PIN, SPRING 4.0X16	1	1						
24	1	22351-050020	PIN, SPRING 5.0X20	2	2						
25	1	22417-300200	PIN, COTTER 3.0X20	1	1						
26	1	22522-030130	KEY, WOODRUFF 3X13	1	1						
27	1	24311-000150	O-RING, 1AP15.0	1	1						
28	1	24311-000150	O-RING, 1AP15.0	1	1						
29	1	26013-080162	BOLT, M8X 16	2	2						
30	1	26013-080162	BOLT, M8X 16	2	2						
31	1	26116-080554	BOLT, M8X 55 PLATED	2	2						
32	1	26716-080002	NUT, M8	4	4						
33	1	26716-100002	NUT, M10	2	2						

Fig.83. HYDRAULIC CONTROL(KNOB

(A)=EX2900(YANMAR)
 (B)=EX3200(YANMAR)
 (C)=

(D)=
 (E)=
 (F)=

No.	Lev.	Parts No.	Description	Q'ty						I	R
				(A)	(B)	(C)	(D)	(E)	(F)		
1	1	198220-47370	KNOB, LEVER	1	1						

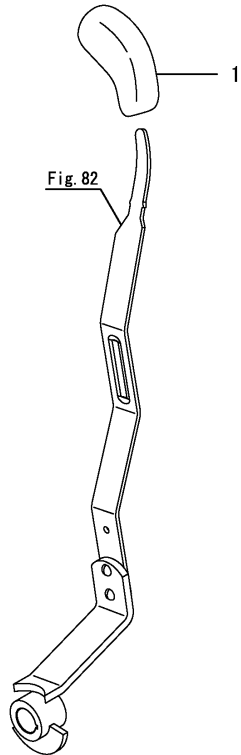
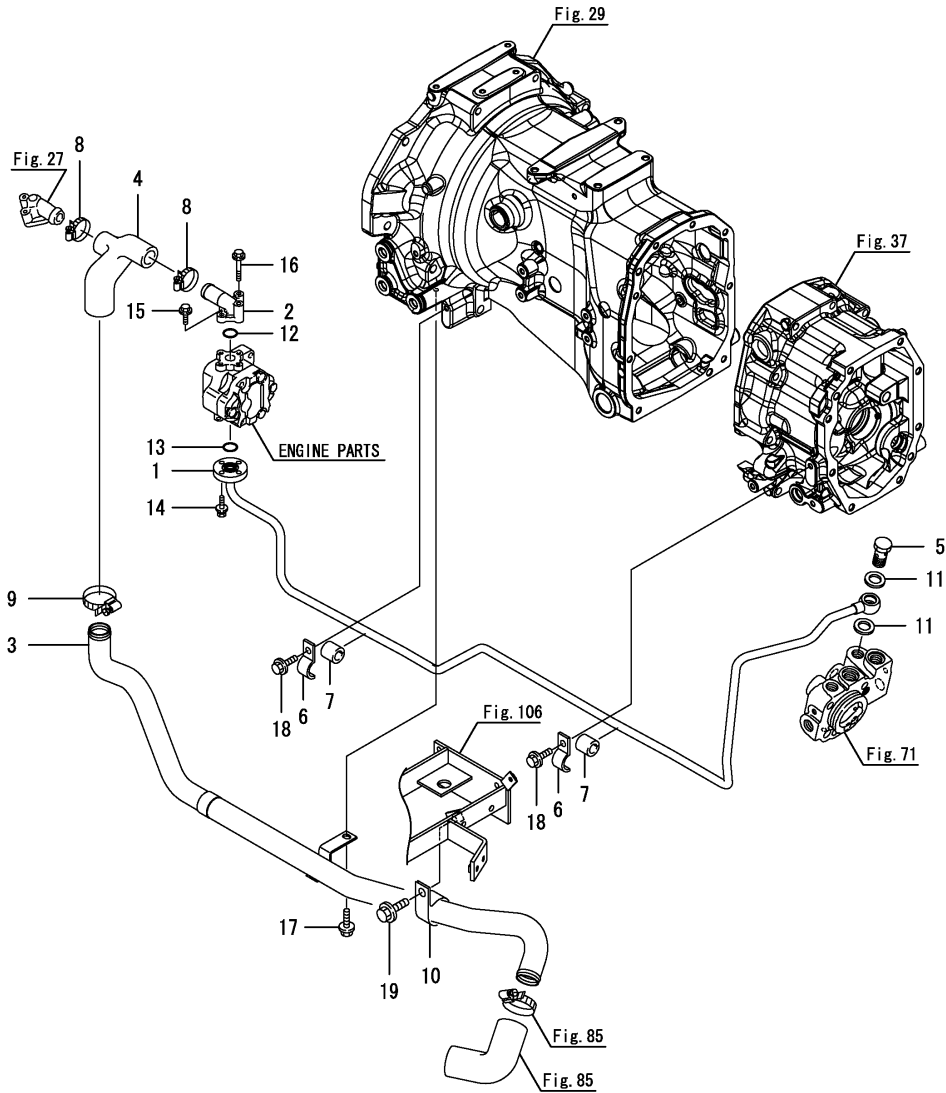


Fig.84. HYDRAULIC PIPING

(A)=EX2900(YANMAR)
 (B)=EX3200(YANMAR)
 (C)=

(D)=
 (E)=
 (F)=

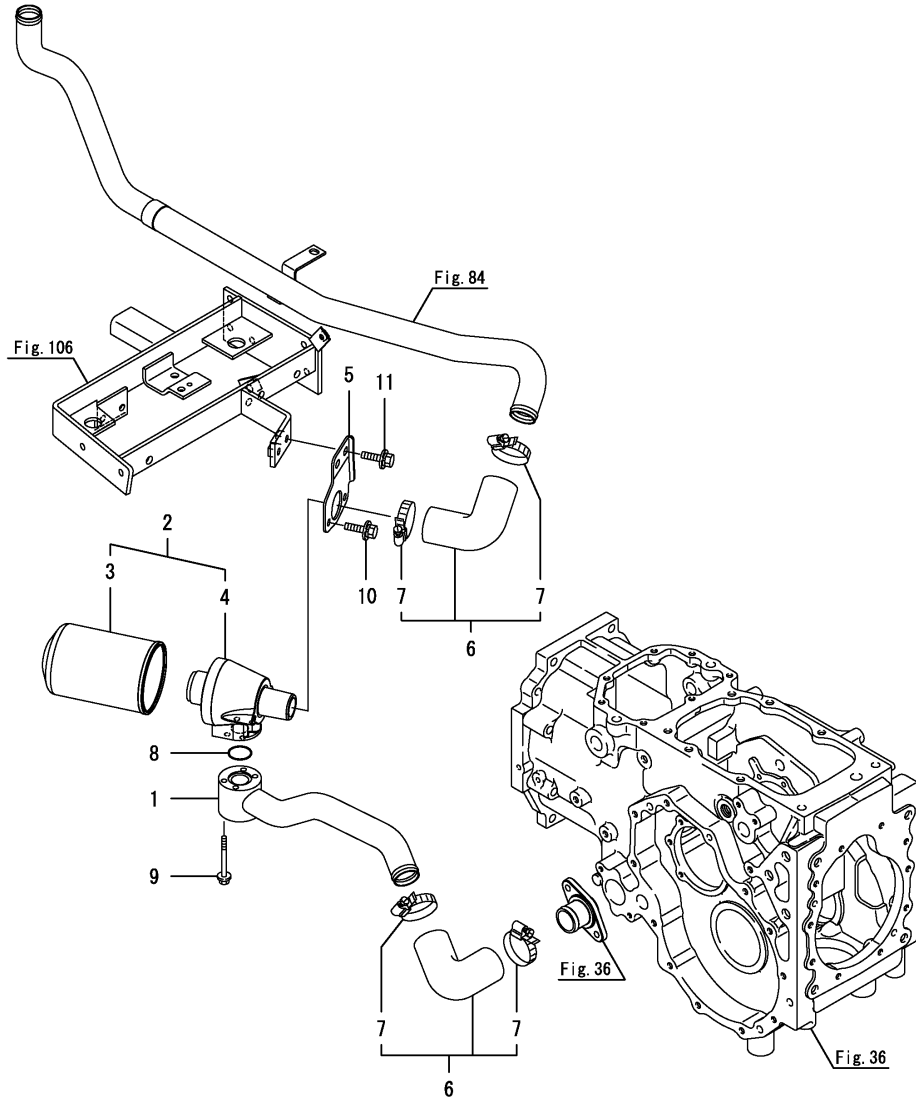


No.	Lev.	Parts No.	Description	Q'ty						I	R
				(A)	(B)	(C)	(D)	(E)	(F)		
1	1	1A8160-48101	PIPE, PRESSURE	1	1						
2	1	198220-48140	FLANGE, PIPE P	1	1						
3	1	1A8160-48161	PIPE, PRESSURE	1	1						
4	1	198230-48220	HOSE, PRESSURE	1	1						
5	1	198220-48750	BOLT ASSY, JOINT	1	1						
6	1	194450-48830	CLAMP	2	2						
7	1	194464-48850	RUBBER, ABSORBER	2	2						
8	1	23000-035000	CLAMP, 35	2	2						
9	1	23000-048000	CLAMP, 48	1	1						
10	1	23297-350121	CLAMP, A35X12	1	1						
11	1	23414-180023	GASKET, 18X1.0	2	2						
12	1	24311-000200	O-RING, 1AP20.0	1	1						
13	1	24311-000200	O-RING, 1AP20.0	1	1						
14	1	26018-060252	BOLT, M6X 25	4	4						
15	1	26106-060202	BOLT, M6X 20 PLATED	1	1						
16	1	26106-060402	BOLT, M6X 40 PLATED	2	2						
17	1	26106-080162	BOLT, M8X 16 PLATED	1	1						
18	1	26106-080162	BOLT, M8X 16 PLATED	2	2						
19	1	26106-100202	BOLT, M10X 20 PLATED	1	1						

Fig.85. HYDRAULIC FILTER

(A)=EX2900(YANMAR)
 (B)=EX3200(YANMAR)
 (C)=

(D)=
 (E)=
 (F)=

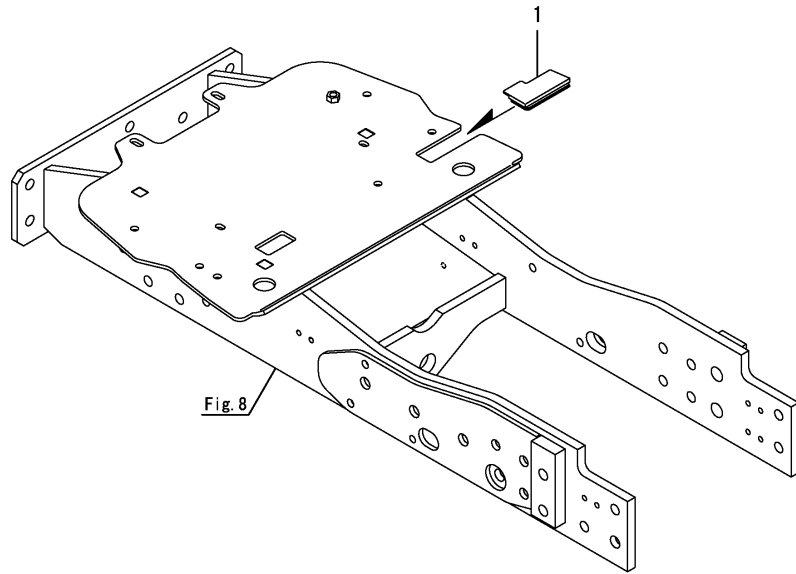


No.	Lev.	Parts No.	Description	Q'ty						I	R
				(A)	(B)	(C)	(D)	(E)	(F)		
1	1	1A8160-48311	PIPE, PRESSURE	1	1						
2	1	1A8160-48400	FILTER KIT	1	1						
3	2	198119-48310	FILTER	1	1						
4	2	194555-48350	COVER ASSY, FILTER	1	1						
5	1	198220-48420	BRACKET, FILTER	1	1						
6	1	198240-48500	HOSE, PRESSURE S	2	2						
7	2	23000-048000	CLAMP, 48	4	4						
8	1	24321-000250	O-RING, 1AG25.0	1	1						
9	1	26106-060602	BOLT, M6X 60 PLATED	4	4						
10	1	26106-080162	BOLT, M8X 16 PLATED	2	2						
11	1	26106-080202	BOLT, M8X 20 PLATED	2	2						

Fig.86. OIL COOLER LESS

(A)=EX2900(YANMAR)
 (B)=EX3200(YANMAR)
 (C)=

(D)=
 (E)=
 (F)=



No.	Lev.	Parts No.	Description	Q'ty						I	R
				(A)	(B)	(C)	(D)	(E)	(F)		
1	1	1A8150-51710	GROMMET, 2900	1							

N:Old $\begin{matrix} \leftarrow \text{Yes} \\ \text{No} \rightarrow \end{matrix}$ New, Q:Old $\begin{matrix} \leftarrow \text{No} \\ \text{Yes} \rightarrow \end{matrix}$ New, R:Old $\begin{matrix} \text{Yes} \\ \leftarrow \end{matrix}$ New, S:Old $\begin{matrix} \text{No} \\ \leftarrow \end{matrix}$ New, W:Add, Z:Discontinued, F:Interchangeable by set, K:Q'ty Change
 Copyright (C) YANMAR CO., LTD. All Rights Reserved.

Fig.87. OIL COOLER

(A)=EX2900(YANMAR)
 (B)=EX3200(YANMAR)
 (C)=

(D)=
 (E)=
 (F)=

No.	Lev.	Parts No.	Description	Q'ty						I	R
				(A)	(B)	(C)	(D)	(E)	(F)		
1	1	1A8160-49200	BRACKET,OIL COOLER		1						
2	1	1A8150-51710	GROMMET, 2900		1						
3	1	26106-080162	BOLT, M8X 16 PLATED		2						

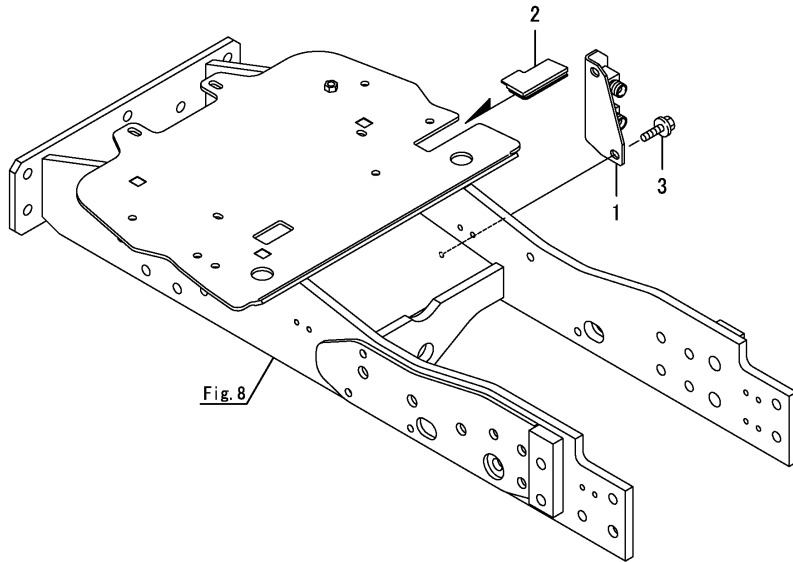


Fig.88. HST PIPING

(A)=EX2900(YANMAR)
 (B)=EX3200(YANMAR)
 (C)=

(D)=
 (E)=
 (F)=

No.	Lev.	Parts No.	Description	Q'ty						I	R
				(A)	(B)	(C)	(D)	(E)	(F)		
1	1	1A8160-24950	FILTER, OIL	1							
2	1	1A8160-48300	COVER, FILTER	1							
3	1	1A8160-48652	PIPE, HST CHARGE	1							
4	1	198220-48750	BOLT ASSY, JOINT	1							
5	1	1A8160-62480	BRACKET, FILTER	1							
6	1	23414-160021	GASKET, 16X1.0	2							
7	1	23414-180023	GASKET, 18X1.0	2							
8	1	23857-100000	BOLT, JOINT 10	1							
9	1	26106-080122	BOLT, M8X 12 PLATED	2							
10	1	26106-080162	BOLT, M8X 16 PLATED	2							

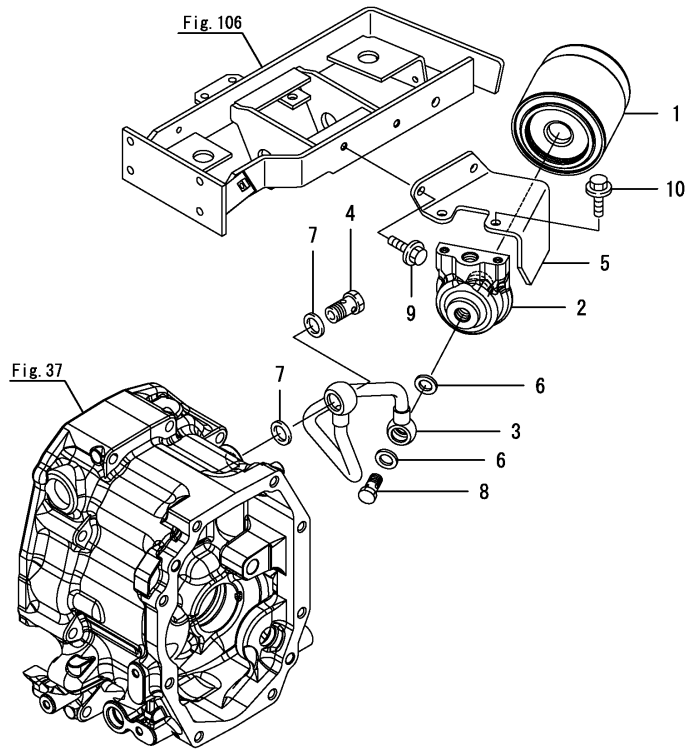
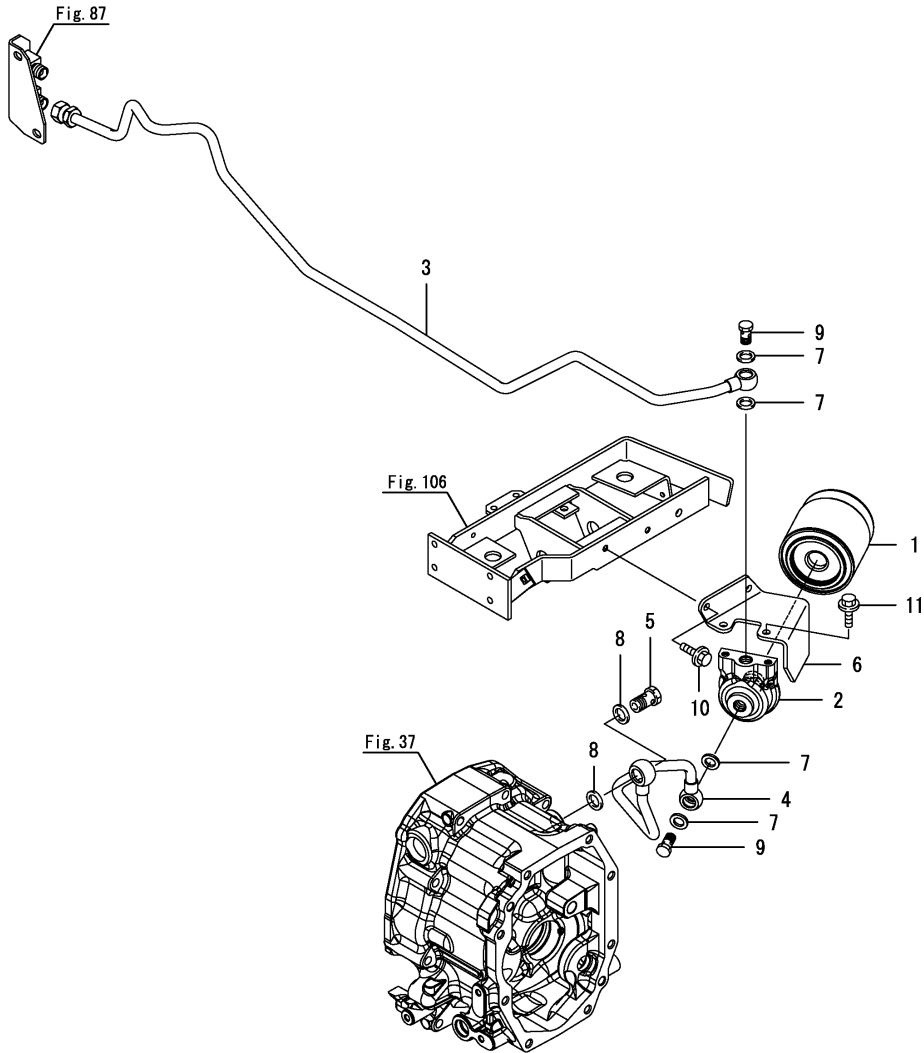


Fig.89. HST PIPING



(A)=EX2900(YANMAR)
 (B)=EX3200(YANMAR)
 (C)=

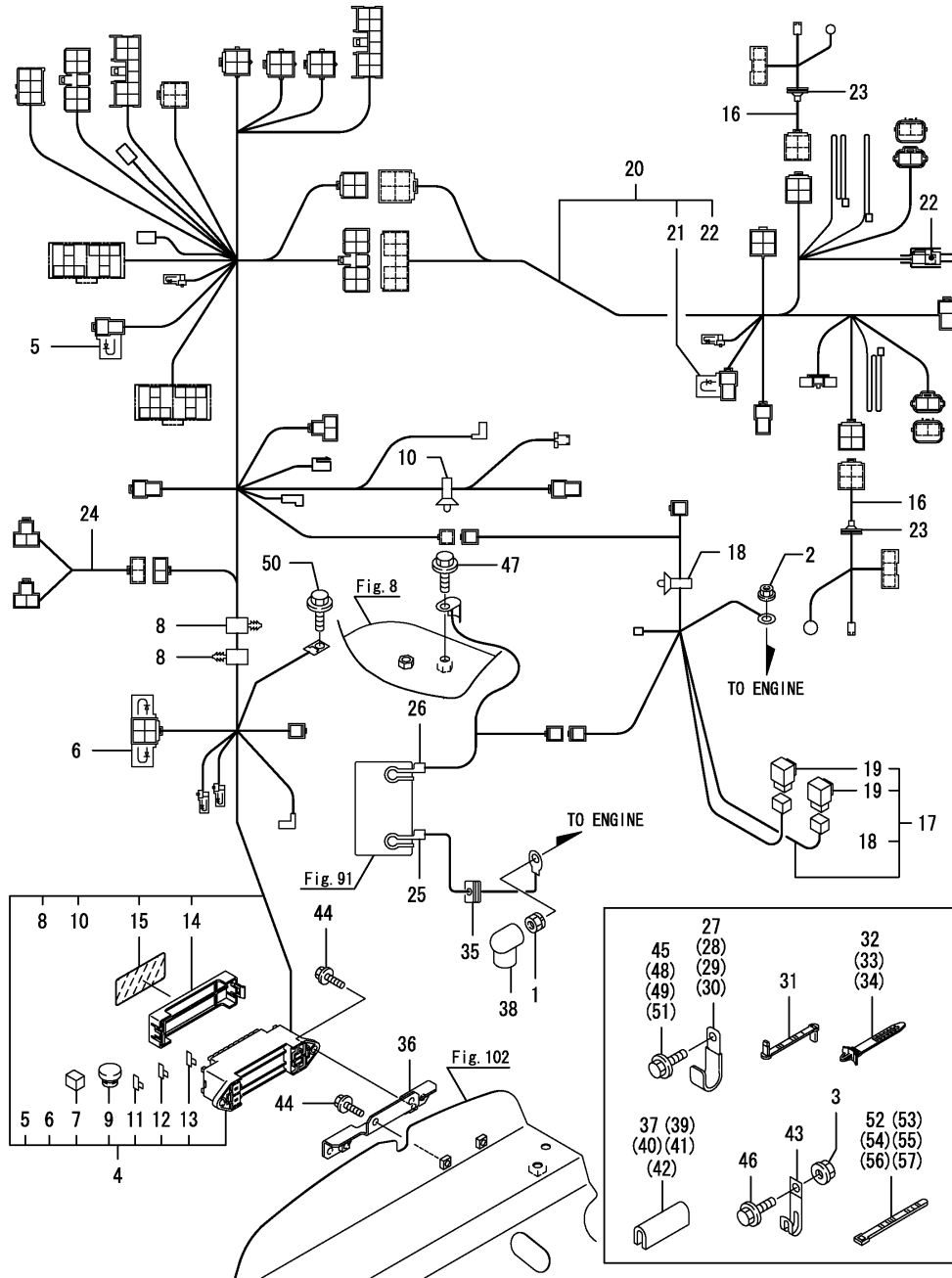
(D)=
 (E)=
 (F)=

No.	Lev.	Parts No.	Description	Qty						I	R
				(A)	(B)	(C)	(D)	(E)	(F)		
1	1	1A8160-24950	FILTER, OIL		1						
2	1	1A8160-48300	COVER, FILTER		1						
3	1	1A8160-48611	PIPE, FILTER		1						
4	1	1A8160-48652	PIPE, HST CHARGE		1						
5	1	198220-48750	BOLT ASSY, JOINT		1						
6	1	1A8160-62480	BRACKET, FILTER		1						
7	1	23414-160021	GASKET, 16X1.0		4						
8	1	23414-180023	GASKET, 18X1.0		2						
9	1	23857-100000	BOLT, JOINT 10		2						
10	1	26106-080122	BOLT, M8X 12 PLATED		2						
11	1	26106-080162	BOLT, M8X 16 PLATED		2						

Fig.90. WIRE HARNESS

(A)=EX2900(YANMAR)
 (B)=EX3200(YANMAR)
 (C)=

(D)=
 (E)=
 (F)=

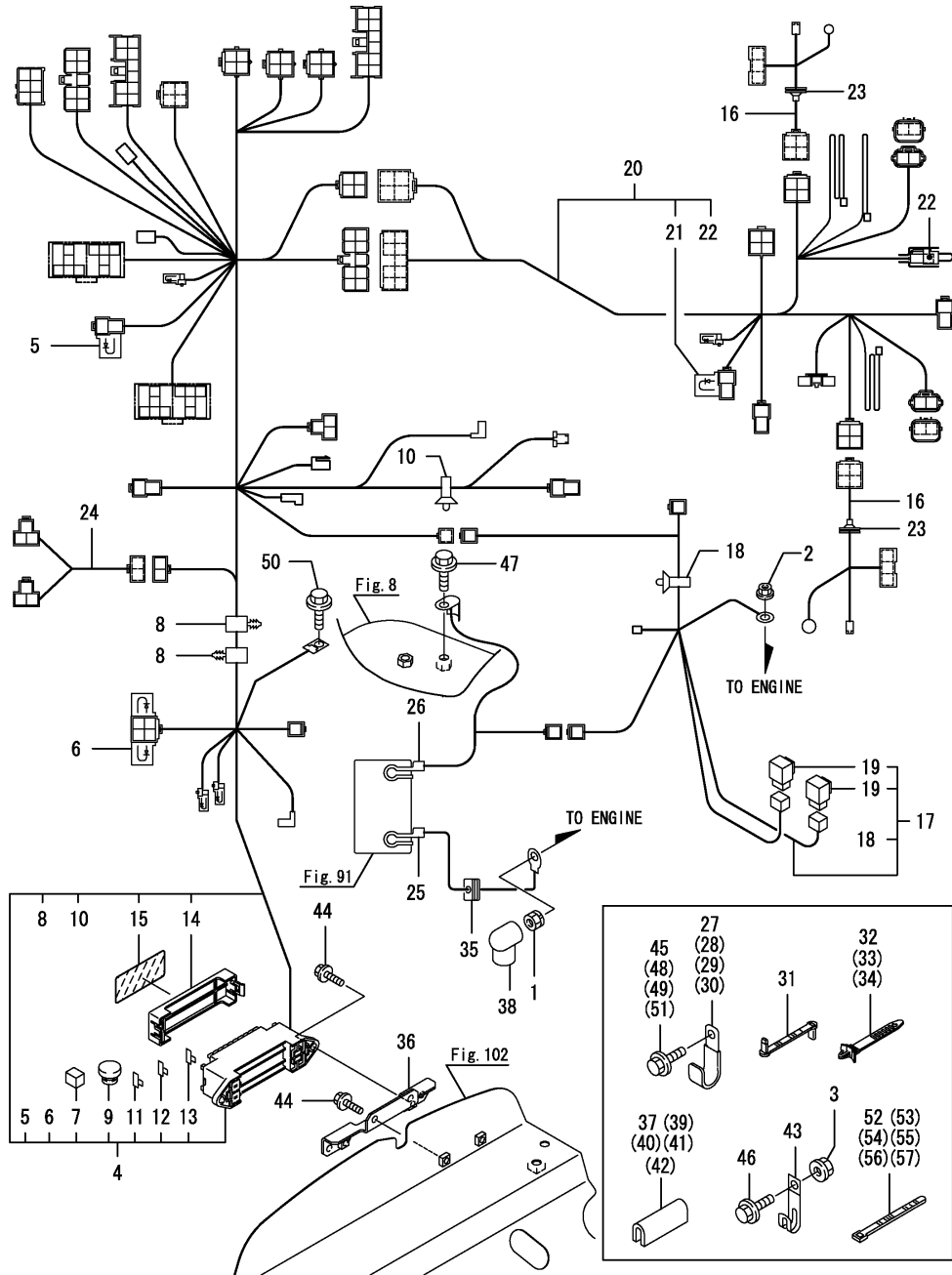


No.	Lev.	Parts No.	Description	Qty						I	R
				(A)	(B)	(C)	(D)	(E)	(F)		
1	1	194990-22050	NUT, M8	1	1						
2	1	194990-22130	NUT, M6	1	1						
3	1	194990-22140	NUT, M8	1	1						
4	1	1A8160-51100	HARNESS ASSY, WIRE A	1	1						
5	2	1A7500-51130	DIODE, 3.0A	1	1						
6	2	1A8160-51130	DIODE, 3.0AX2	1	1						
7	2	194275-51160	COUPLER	1	1						
8	2	1A7500-51160	CLIP, HARNESS	2	2						
9	2	194275-51170	PLUG	1	1						
10	2	1A7500-51170	CLIP, HARNESS	1	1						
11	2	198535-52110	FUSE, 5A	4	4						
12	2	198535-52120	FUSE, 10A	4	4						
13	2	198535-52130	FUSE, 15A	2	2						
14	2	1A7260-52410	COVER, FUSE BOX	1	1						
15	2	1A8160-65440	LABEL,FUSE	1	1						
16	1	1A7330-51130	HARNESS, WIRE	2	2						
17	1	1A8160-51180	HARNESS ASSY, WIRE	1	1						
18	2	1A7500-51170	CLIP, HARNESS	1	1						
19	2	198153-51700	FUSE, SLOW BLOW 80A	2	2						
20	1	1A8160-51200	HARNESS ASSY, WIRE B	1	1						
21	2	1A7500-51130	DIODE, 3.0A	1	1						
22	2	198220-51170	WIRE, LEAD	1	1						
23	1	194170-51210	GROMMET 25	2	2						
24	1	1A8160-51310	HARNESS, WIRE	1	1						
25	1	198253-51410	CABLE, BATTERY 1000	1	1						
26	1	1A8160-51420	CABLE, BATTERY EARTH	1	1						
27	1	194440-51620	CLAMP	2	2						
28	1	194440-51620	CLAMP	4	4						
29	1	194440-51620	CLAMP	1	1						
30	1	194440-51620	CLAMP	1	1						
31	1	194250-51650	CLAMP, SPEED 63	4	4						
32	1	194680-51670	BAND, CLIP	1	1						
33	1	194680-51670	BAND, CLIP	1	1						
34	1	194680-51670	BAND, CLIP	1	1						
35	1	1A7260-51710	GROMMET, CABLE	1	1						
36	1	1A7780-52510	STAY, FUSE BOX	1	1						
37	1	1A7000-61490	TRIM, 120	1	1						
38	1	124550-77030	COVER, TERMINAL	1	1						
39	1	198291-77870	COVER, GUARD	2	2						
40	1	198291-77870	COVER, GUARD	1	1						
41	1	198291-77870	COVER, GUARD	1	1						
42	1	198291-77870	COVER, GUARD	1	1						
43	1	1E6102-83230	CLAMP, CABLE	1	1						
44	1	26106-060162	BOLT, M6X 16 PLATED	4	4						
45	1	26106-080122	BOLT, M8X 12 PLATED	4	4						
46	1	26106-080122	BOLT, M8X 12 PLATED	1	1						
47	1	26106-080122	BOLT, M8X 12 PLATED	1	1						
48	1	26106-080122	BOLT, M8X 12 PLATED	1	1						
49	1	26106-080122	BOLT, M8X 12 PLATED	2	2						
50	1	26106-080122	BOLT, M8X 12 PLATED	1	1						
51	1	26106-080302	BOLT, M8X 30 PLATED	1	1						

Fig.90. WIRE HARNESS

(A)=EX2900(YANMAR)
 (B)=EX3200(YANMAR)
 (C)=

(D)=
 (E)=
 (F)=



No.	Lev.	Parts No.	Description	Q'ty						I	R
				(A)	(B)	(C)	(D)	(E)	(F)		
52	1	29622-140001	BAND, RF140	1	1						
53	1	29622-140001	BAND, RF140	2	2						
54	1	29622-140001	BAND, RF140	2	2						
55	1	29622-140001	BAND, RF140	4	4						
56	1	29622-250001	BAND, RF250	1	1						
57	1	29622-250001	BAND, RF250	1	1						

Fig.91. BATTERY

(A)=EX2900(YANMAR)
 (B)=EX3200(YANMAR)
 (C)=

(D)=
 (E)=
 (F)=

No.	Lev.	Parts No.	Description	Q'ty						I	R
				(A)	(B)	(C)	(D)	(E)	(F)		
1	1	194990-22130	NUT, M6	2	2						
2	1	1A8160-51550	BATTERY ASSY, DRY526R	1	1						
3	2	1A8160-51570	LABEL, BATTERY	1	1						
3A	2	1A8160-51580	LABEL, BATTERY	1	1						
4	1	1A8160-51600	CLAMP, BATTERY 6-245	1	1						
5	1	1A8160-51610	ROD, BATTERY CLAMP A	2	2						
6	1	26716-060002	NUT, M6	2	2						

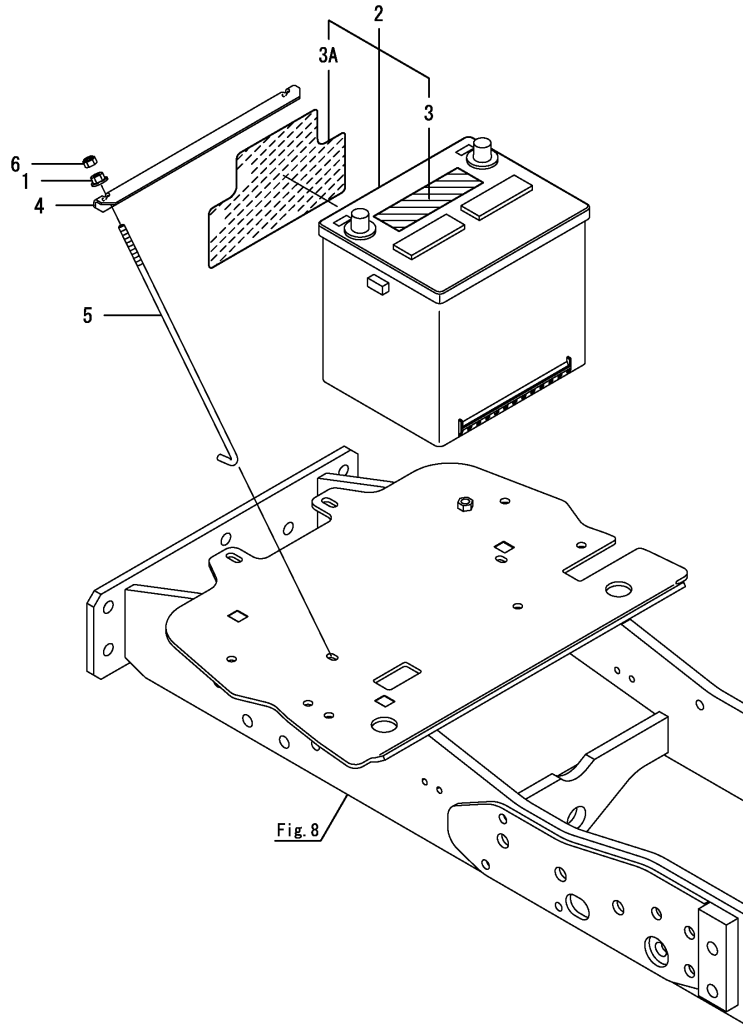


Fig.92. SWITCHES

(A)=EX2900(YANMAR)
 (B)=EX3200(YANMAR)
 (C)=

(D)=
 (E)=
 (F)=

No.	Lev.	Parts No.	Description	Q'ty						I	R
				(A)	(B)	(C)	(D)	(E)	(F)		
1	1	198226-52100	SWITCH ASSY, STARTER	1	1						
2	2	194155-52160	KEY ASSY	1	1						
3	3	194155-52190	KEY	2	2						
4	1	1A7335-52110	SWITCH, COMBINATION	1	1						
5	1	1A7335-52120	SWITCH, HAZARD	1	1						
6	1	194464-52190	SWITCH, SAFETY START	1	1						
7	1	194464-52190	SWITCH, SAFETY START	1	1						
8	1	24311-000180	O-RING, 1AP18.0	2	2						

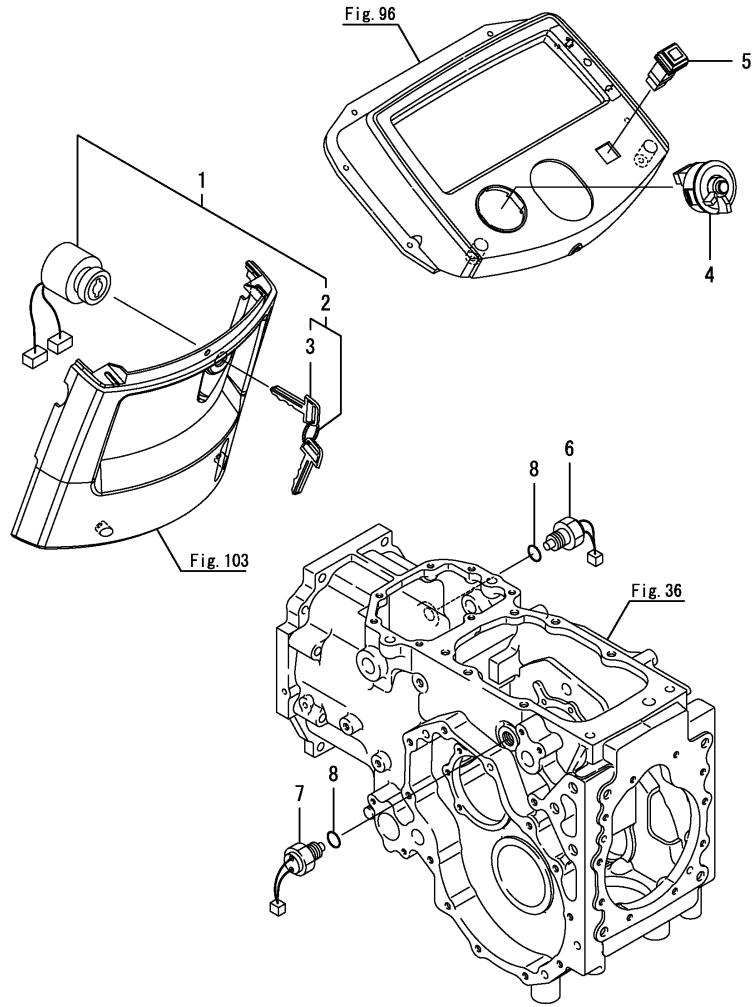


Fig.93. SEAT SWITCH

(A)=EX2900(YANMAR)
 (B)=EX3200(YANMAR)
 (C)=

(D)=
 (E)=
 (F)=

No.	Lev.	Parts No.	Description	Q'ty						I	R
				(A)	(B)	(C)	(D)	(E)	(F)		
1	1	1A8160-52300	SWITCH, SEAT DELTA	1	1						
2	2	1A8160-52310	SWITCH, SEAT DELTA	1	1						
3	2	1A8160-52330	COVER, GUARD	1	1						

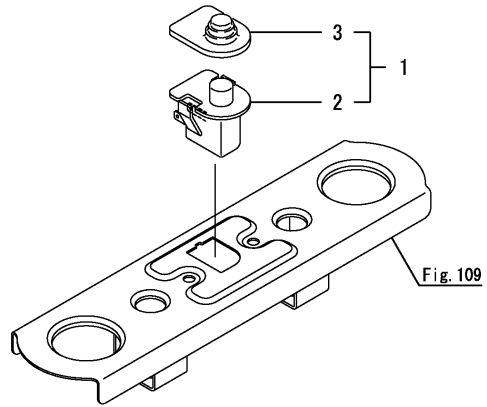


Fig.94. LAMPS

(A)=EX2900(YANMAR)
 (B)=EX3200(YANMAR)
 (C)=

(D)=
 (E)=
 (F)=

No.	Lev.	Parts No.	Description	Q'ty						I	R
				(A)	(B)	(C)	(D)	(E)	(F)		
1	1	194990-22130	NUT, M6	4	4						
2	1	194440-51630	CLAMP, HARNESS	4	4						
3	1	7A7330-53400	LAMP KIT, WARNING	2	2						
4	2	1A7330-53430	BULB, 12V27W	2	2						
5	2	22137-120000	WASHER, 12	2	2						
6	2	22217-120000	WASHER, SPRING 12	2	2						
7	2	26776-120002	NUT, LOCK M12	2	2						
8	1	1A7335-53600	LAMP, TAIL	2	2						
9	2	1A7335-53610	BULB, 12V-21/5W	2	2						
10	2	1A7335-53620	LENS ASSY	2	2						
11	2	1A7335-53630	HOUSING ASSY, SEMI	2	2						
12	2	1A7335-53640	GASKET	2	2						
13	2	1A7335-53650	SCREW, TAPPING M6X32	4	4						

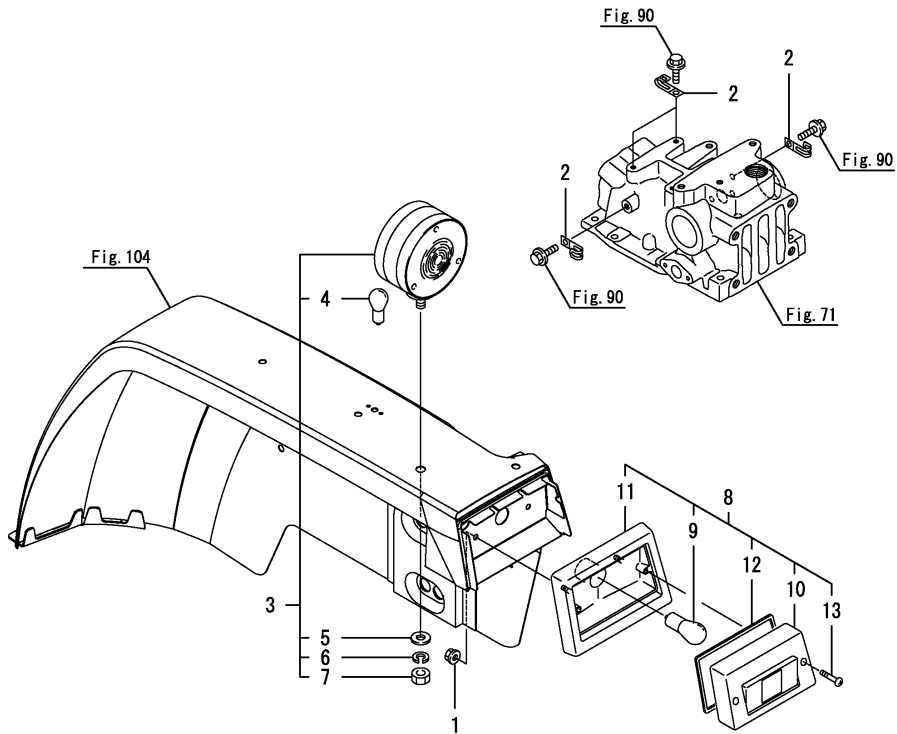
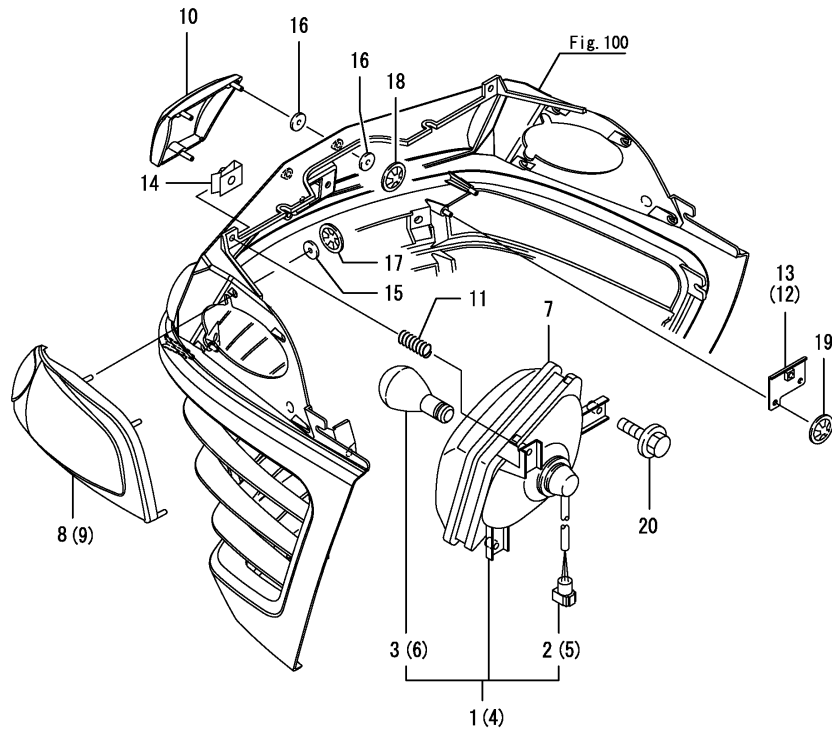


Fig.95. FRONT LAMP

(A)=EX2900(YANMAR)
 (B)=EX3200(YANMAR)
 (C)=

(D)=
 (E)=
 (F)=

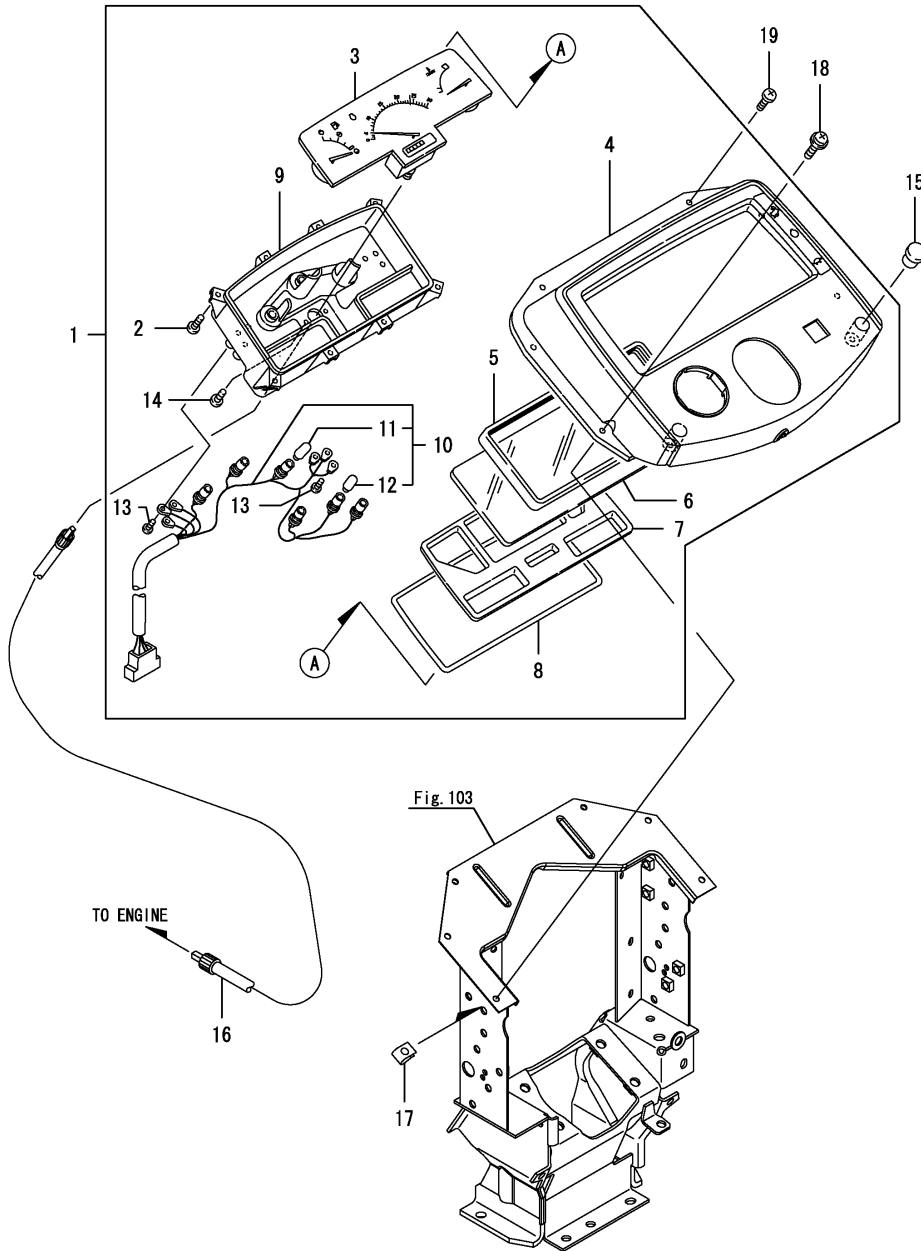


No.	Lev.	Parts No.	Description	Q'ty						I	R
				(A)	(B)	(C)	(D)	(E)	(F)		
1	1	1A7780-53200	LAMP ASSY, HEAD L	1	1						
2	2	1A7000-53230	WIRE ASSY, LEAD	1	1						
3	2	198448-53320	BULB, 12V45/45W	1	1						
4	1	1A7780-53300	LAMP ASSY, HEAD R	1	1						
5	2	1A7000-53230	WIRE ASSY, LEAD	1	1						
6	2	198448-53320	BULB, 12V45/45W	1	1						
7	1	1A7260-53350	SEAL, HEAD LAMP	2	2						
8	1	1A7780-53350	LENS, SIDE L	1	1						
9	1	1A7780-53360	LENS, SIDE R	1	1						
10	1	1A7780-53370	LENS, CENTER	1	1						
11	1	198153-53410	SPRING, ADJUST	6	6						
12	1	1A7260-61250	BRACKET ASSY, GRILLE	1	1						
13	1	1A7260-61260	BRACKET ASSY, GRILLE	1	1						
14	1	198071-61890	NUT, SPEED M6	4	4						
15	1	198475-65030	CUSHION	8	8						
16	1	198475-65030	CUSHION	6	6						
17	1	198071-65610	NUT, SPEED M5	8	8						
18	1	198071-65610	NUT, SPEED M5	3	3						
19	1	198071-65610	NUT, SPEED M5	4	4						
20	1	26106-060352	BOLT, M6X 35 PLATED	6	6						

Fig.96. METER

(A)=EX2900(YANMAR)
 (B)=EX3200(YANMAR)
 (C)=

(D)=
 (E)=
 (F)=



No.	Lev.	Parts No.	Description	Q'ty						I	R
				(A)	(B)	(C)	(D)	(E)	(F)		
1	1	1A8160-56100	PANEL, INSTRUMENT	1	1						
2	2	198220-53170	SCREW	8	8						
3	2	1A8160-56110	METER ASSY	1	1						
4	2	1A7335-56120	VISOR	1	1						
5	2	198220-56130	PACKING	1	1						
6	2	198220-56140	GLASS	1	1						
7	2	198220-56150	REFLECTOR	1	1						
8	2	198220-56160	PACKING	1	1						
9	2	1A8160-56200	CASE ASSY	1	1						
10	2	1A8160-56211	HARNES, WIRE	1	1						
11	3	198220-56220	BULB, 12V-3.4W	3	3						
12	3	124617-91920	BULB, 12V-3W	3	3						
13	2	198220-56230	SCREW, M3X22	6	6						
14	2	26022-030062	SCREW, M3X 6	2	2						
15	1	194555-56890	GROMMET, 15	2	2						
16	1	194275-56900	CABLE ASSY, METER	1	1						
17	1	194145-61651	NUT, SPEED M5	4	4						
18	1	194940-61790	SCREW, TAPPING M5X16	4	4						
19	1	26589-060162	SCREW, M6	2	2						

Fig.97. RELAY

(A)=EX2900(YANMAR)
 (B)=EX3200(YANMAR)
 (C)=

(D)=
 (E)=
 (F)=

No.	Lev.	Parts No.	Description	Q'ty						I	R
				(A)	(B)	(C)	(D)	(E)	(F)		
1	1	194990-22130	NUT, M6	1	1						
2	1	198220-52180	RELAY, STARTER	1	1						
3	1	198220-52180	RELAY, STARTER	1	1						
4	1	1A8160-52510	SUPPORT, RELAY	1	1						
5	1	1A6780-57200	FLASHER	1	1						
6	1	1K1140-82500	RELAY(ACM13211M01	1	1						
7	1	1K1140-82500	RELAY(ACM13211M01	1	1						
8	1	1K1140-82500	RELAY(ACM13211M01	1	1						
9	1	22137-060000	WASHER, 6	1	1						
10	1	26106-060162	BOLT, M6X 16 PLATED	1	1						
11	1	26106-060162	BOLT, M6X 16 PLATED	1	1						
12	1	26106-080122	BOLT, M8X 12 PLATED	2	2						
13	1	26347-060002	NUT, M6	1	1						

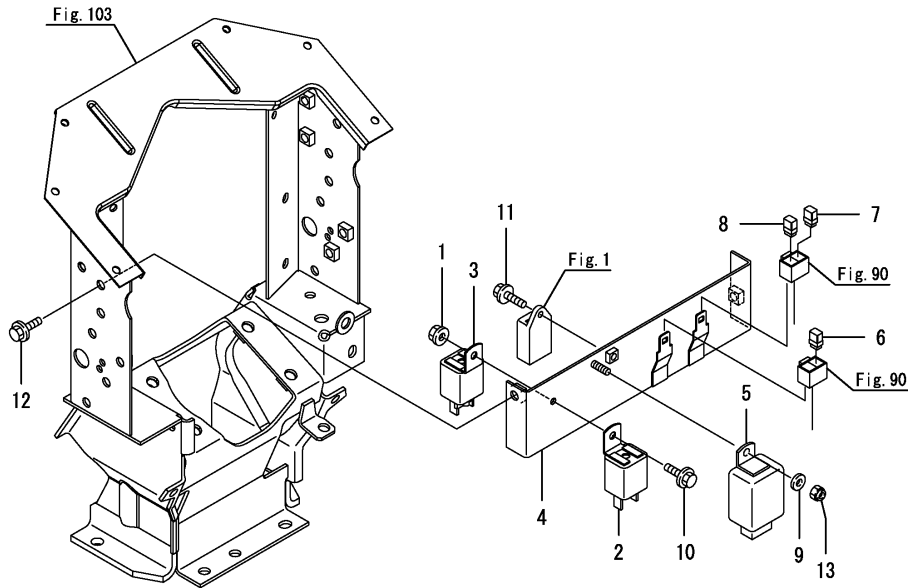


Fig.98. FRONT FRAME

(A)=EX2900(YANMAR)
 (B)=EX3200(YANMAR)
 (C)=

(D)=
 (E)=
 (F)=

No.	Lev.	Parts No.	Description	Q'ty						I	R
				(A)	(B)	(C)	(D)	(E)	(F)		
1	1	1A8160-60100	FRAME ASSY, FRONT	1	1						
2	1	26106-080162	BOLT, M8X 16 PLATED	4	4						

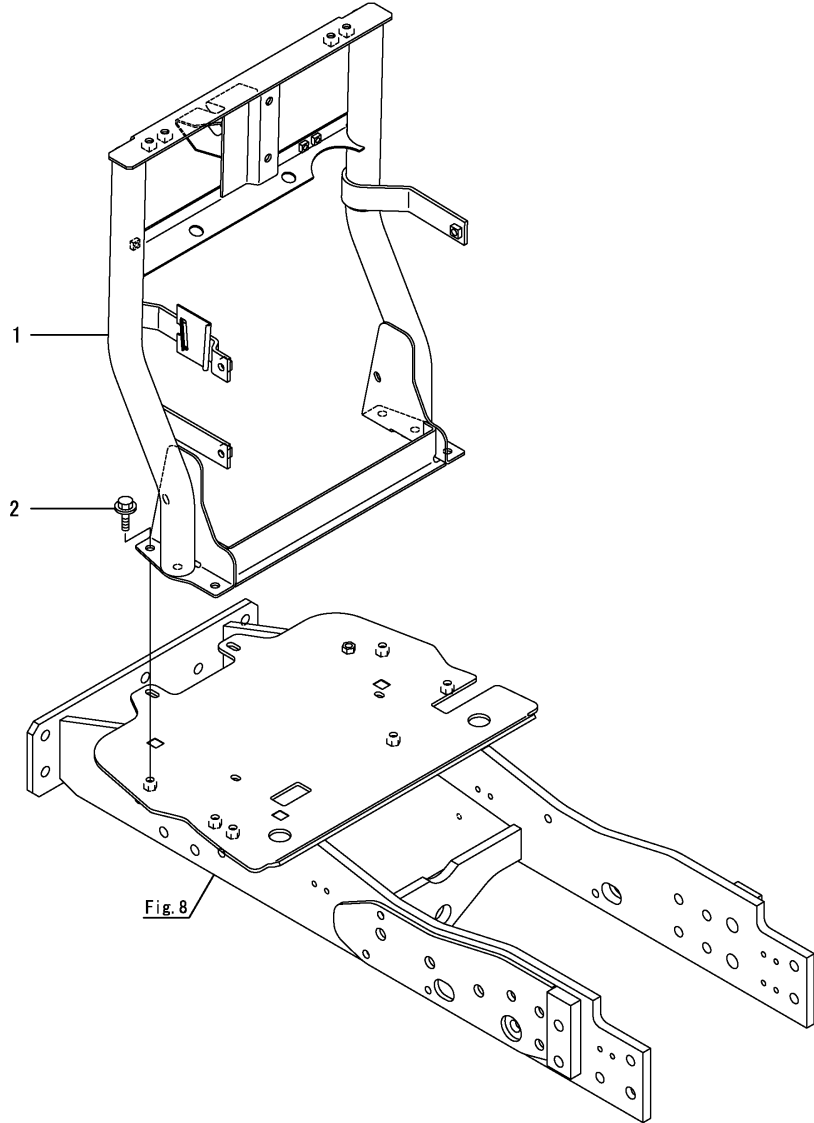
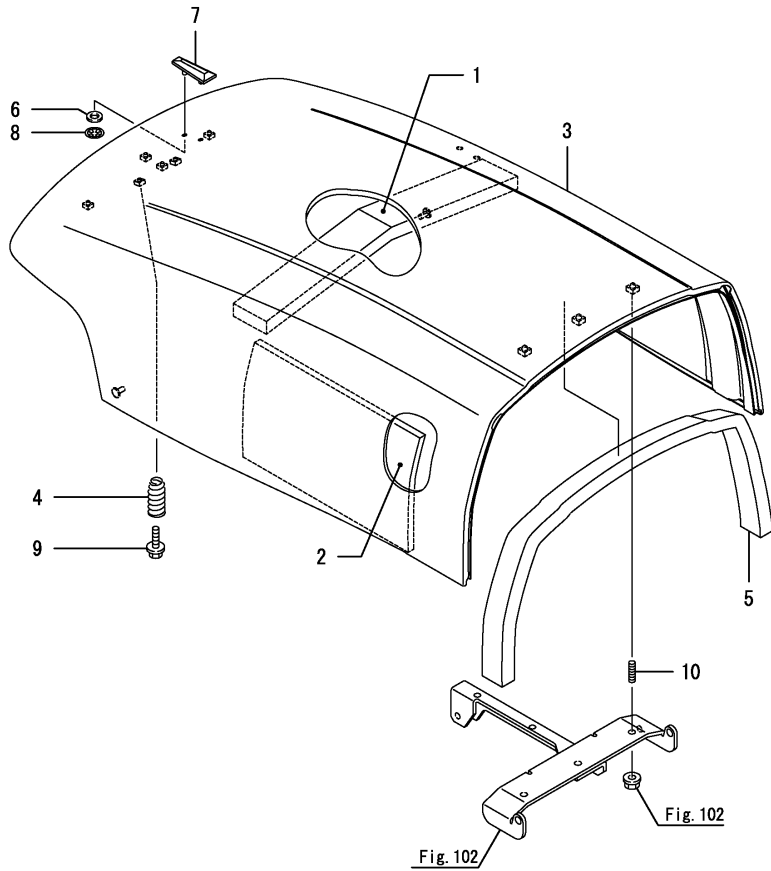


Fig.99. HOOD

(A)=EX2900(YANMAR)
 (B)=EX3200(YANMAR)
 (C)=

(D)=
 (E)=
 (F)=

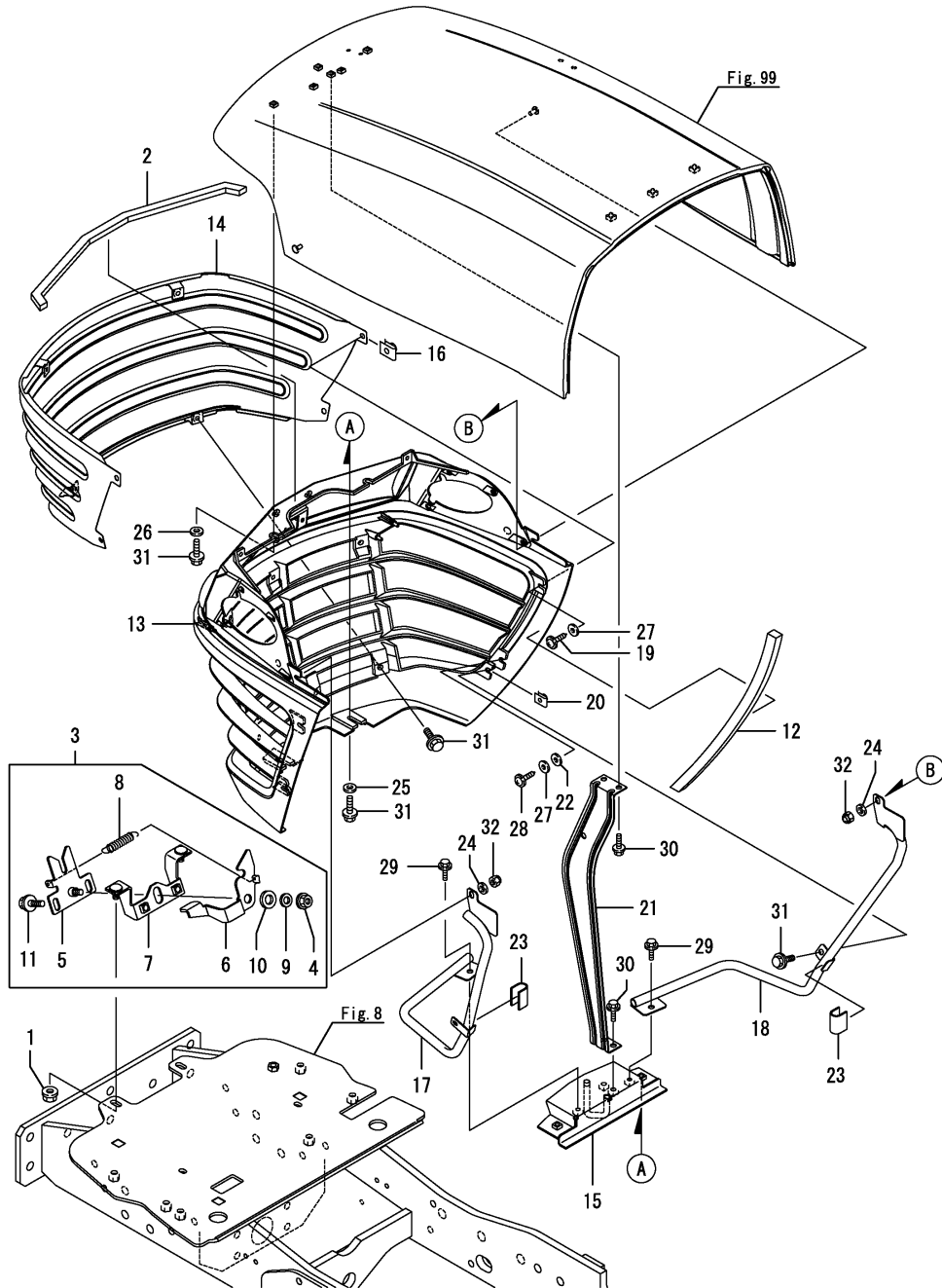


No.	Lev.	Parts No.	Description	Q'ty						I	R
				(A)	(B)	(C)	(D)	(E)	(F)		
1	1	1A7260-60610	URETHANE, BONNET U	1	1						
2	1	1A7260-60890	URETHANE, BONNET UL	1	1						
3	1	1A7260-61100-2	BONNET ASSY, UPPER	1	1						
4	1	198220-61340	SPRING	2	2						
5	1	1A8160-61900	FORM, BONNET	1	1						
6	1	198475-65030	CUSHION	2	2						
7	1	194940-65590	MARK, TOP	1	1						
8	1	198071-65610	NUT, SPEED M5	2	2						
9	1	26106-060162	BOLT, M6X 16 PLATED	2	2						
10	1	26216-080142	STUD, M8X 14	3	3						

Fig.100. FRONT GRILLE

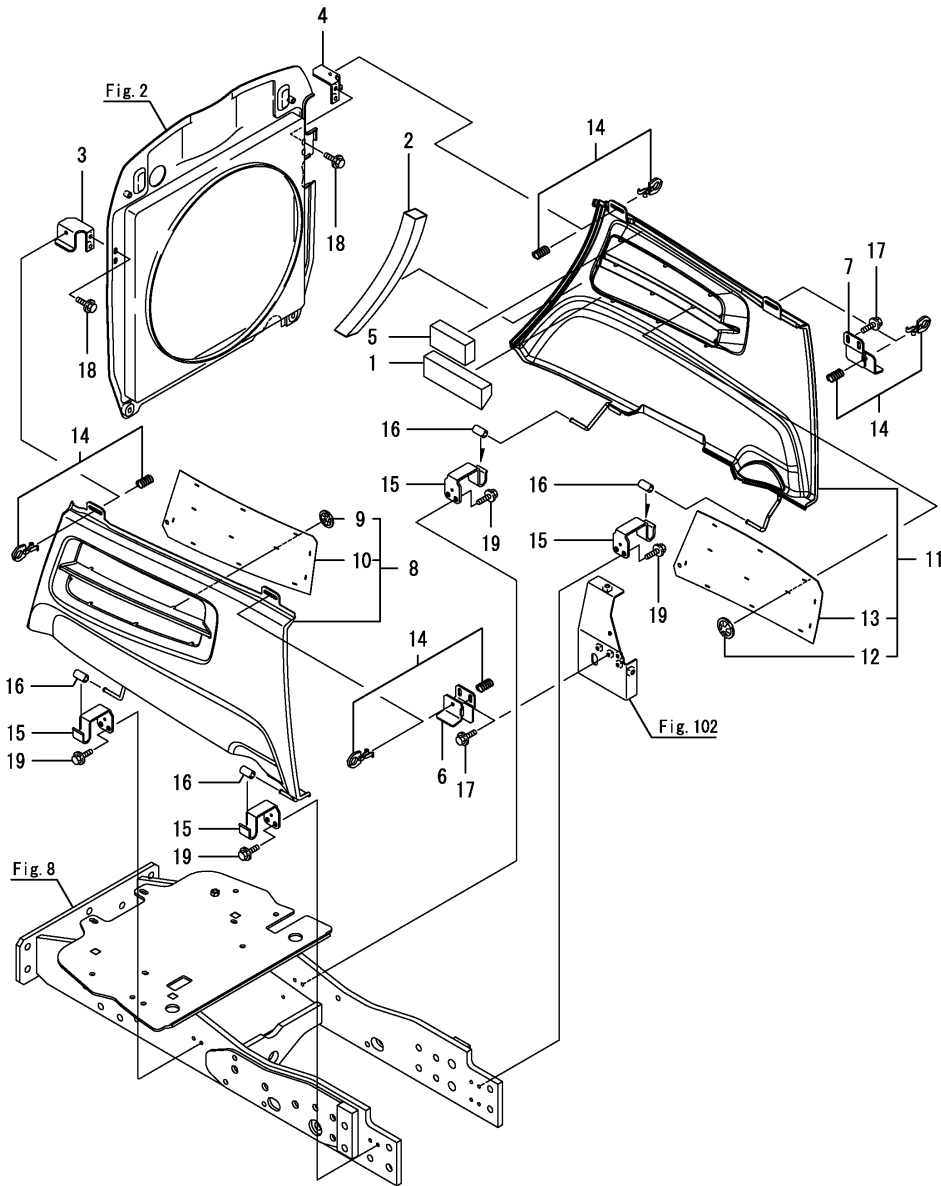
(A)=EX2900(YANMAR)
 (B)=EX3200(YANMAR)
 (C)=

(D)=
 (E)=
 (F)=



No.	Lev.	Parts No.	Description	Q'ty						I	R
				(A)	(B)	(C)	(D)	(E)	(F)		
1	1	194990-22140	NUT, M8	2	2						
2	1	1A7260-60680	URETHANE, GRILLE	1	1						
3	1	1A7780-60800	CATCH ASSY, LOCK	1	1						
4	2	194990-22140	NUT, M8	1	1						
5	2	1A7260-60800	CATCH, LOCK	1	1						
6	2	1A7260-60810	LEVER, LOCK	1	1						
7	2	1A7260-60820	PLATE, BASE	1	1						
8	2	198230-61960	SPRING	1	1						
9	2	22137-080000	WASHER, 8	1	1						
10	2	22137-120000	WASHER, 12	1	1						
11	2	26106-080122	BOLT, M8X 12 PLATED	2	2						
12	1	1A7260-60870	SEAL, GRILLE SIDE	2	2						
13	1	1A8160-61300	GRILLE, FRONT	1	1						
14	1	1A7260-61310-1	NET ASSY, GRILLE	1	1						
15	1	1A7260-61550	STAY ASSY, LOCK	1	1						
16	1	194145-61651	NUT, SPEED M5	4	4						
17	1	1A7260-61650	FRAME ASSY, GRILLE L	1	1						
18	1	1A7260-61660	FRAME ASSY, GRILLE R	1	1						
19	1	194940-61790	SCREW, TAPPING M5X16	2	2						
20	1	198071-61890	NUT, SPEED M6	2	2						
21	1	1A7260-61920	STAY, FRONT GRILLE	1	1						
22	1	198220-62150	WASHER	2	2						
23	1	198093-84810	SEAL, FENDER	2	2						
24	1	22137-060000	WASHER, 6	2	2						
25	1	22157-060000	WASHER, 6	2	2						
26	1	22157-060000	WASHER, 6	2	2						
27	1	22157-060000	WASHER, 6	4	4						
28	1	22859-500202	SCREW, 5X20	2	2						
29	1	26106-060122	BOLT, M6X 12 PLATED	2	2						
30	1	26106-060122	BOLT, M6X 12 PLATED	4	4						
31	1	26106-060162	BOLT, M6X 16 PLATED	10	10						
32	1	26346-060002	NUT, M6	2	2						

Fig.101. SIDE COVER

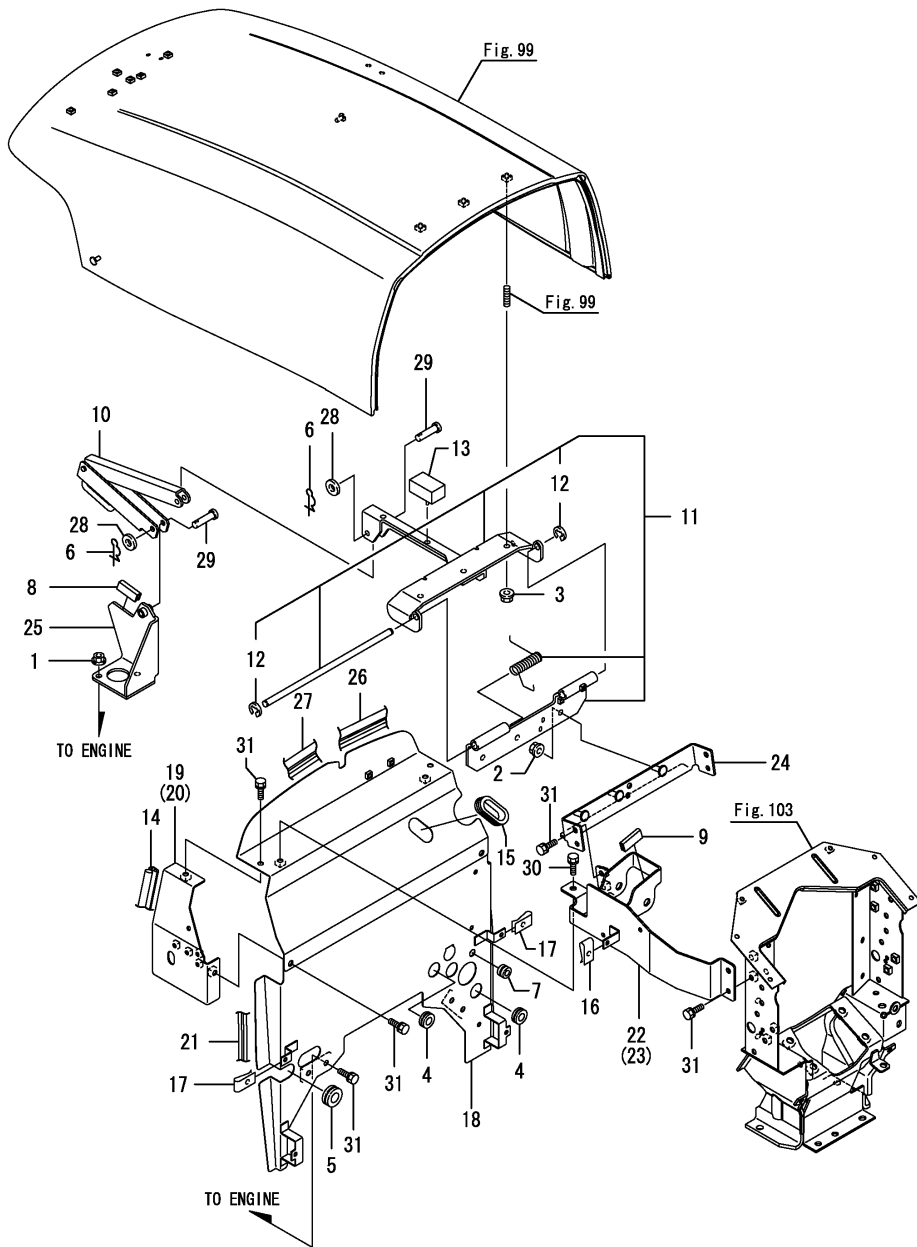


(A)=EX2900(YANMAR)
 (B)=EX3200(YANMAR)
 (C)=

(D)=
 (E)=
 (F)=

No.	Lev.	Parts No.	Description	Q'ty						I	R
				(A)	(B)	(C)	(D)	(E)	(F)		
1	1	1A7260-60640	URETHANE, COVER A	2	2						
2	1	1A7260-60670	URETHANE, COVER B	2	2						
3	1	1A7260-60780	BRACKET, GUIDE	1	1						
4	1	1A7260-60790	BRACKET, GUIDE	1	1						
5	1	1A7260-60900	URETHANE, COVER C	2	2						
6	1	1A7260-60920	BRACKET, COVER	1	1						
7	1	1A7260-60930	BRACKET, COVER	1	1						
8	1	1A8160-61000	COVER ASSY, SIDE L M	1	1						
9	2	198129-05190	NUT, PUSH M6	12	12						
10	2	1A7260-61150-1	NET, SIDE COVER	1	1						
11	1	1A8160-61010	COVER ASSY, SIDE R M	1	1						
12	2	198129-05190	NUT, PUSH M6	12	12						
13	2	1A7260-61150-1	NET, SIDE COVER	1	1						
14	1	198220-61351	LOCK ASSY, CAM	4	4						
15	1	1A8160-61400	STAY, SIDE COVER	4	4						
16	1	198220-61800	RUBBER, CUSHION	4	4						
17	1	26106-060122	BOLT, M6X 12 PLATED	4	4						
18	1	26106-060122	BOLT, M6X 12 PLATED	4	4						
19	1	26106-080122	BOLT, M8X 12 PLATED	8	8						

Fig.102. HOOD FRAME



(A)=EX2900(YANMAR)
 (B)=EX3200(YANMAR)
 (C)=

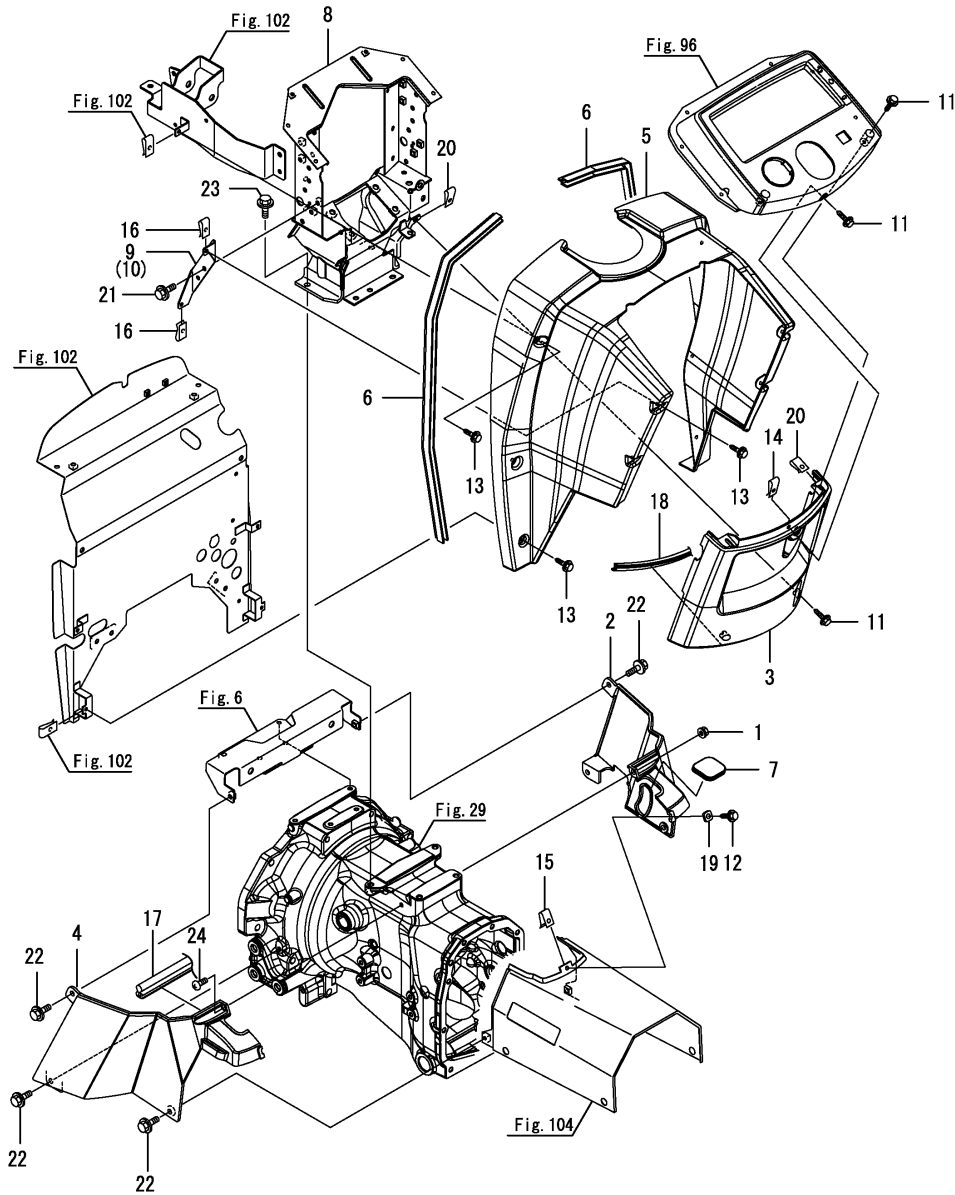
(D)=
 (E)=
 (F)=

No.	Lev.	Parts No.	Description	Qty						I	R
				(A)	(B)	(C)	(D)	(E)	(F)		
1	1	194990-22140	NUT, M8	2	2						
2	1	194990-22140	NUT, M8	3	3						
3	1	194990-22140	NUT, M8	3	3						
4	1	194170-51210	GROMMET 25	4	4						
5	1	198245-51210	GROMMET, 25/18	1	1						
6	1	1C6281-52320	PIN, SNAP 8	2	2						
7	1	198071-58810	GROMMET, 8	1	1						
8	1	198448-60080	TRIM, 40	1	1						
9	1	198448-60080	TRIM, 40	2	2						
10	1	1A7780-60550	STAND ASSY, HOOD	1	1						
11	1	1A7891-60910	HINGE ASSY, BONNET	1	1						
12	2	22272-000080	RING, E- 8	2	2						
13	1	1A7890-60980	RUBBER, CUSHION	1	1						
14	1	1A7340-61560	WEATHER-STRIP, 180	2	2						
15	1	194440-61580	GROMMET 21X46	2	2						
16	1	194167-61650	NUT 5008	2	2						
17	1	194167-61650	NUT 5008	4	4						
18	1	1A8160-61700	PLATE ASSY, AIR CUT	1	1						
19	1	1A8160-61730	STAY ASSY, COVER L	1	1						
20	1	1A8160-61740	STAY ASSY, COVER R	1	1						
21	1	194555-61970	WEATHER-STRIP, 370	2	2						
22	1	1A8160-62030	BRACKET ASSY, TANK L	1	1						
23	1	1A8160-62040	BRACKET ASSY, TANK R	1	1						
24	1	1A8160-62050	STAY ASSY, BONNET	1	1						
25	1	1A8160-62540	STAY ASSY, STAND	1	1						
26	1	174570-63620	WEATHER-STRIP, 195	1	1						
27	1	198146-63660	WEATHER-STRIP, 250	1	1						
28	1	22137-080000	WASHER, 8	2	2						
29	1	22487-080300	PIN, H 8X 30	2	2						
30	1	26106-080122	BOLT, M8X 12 PLATED	2	2						
31	1	26106-080162	BOLT, M8X 16 PLATED	16	16						

Fig.103. DASHBOARD

(A)=EX2900(YANMAR)
 (B)=EX3200(YANMAR)
 (C)=

(D)=
 (E)=
 (F)=

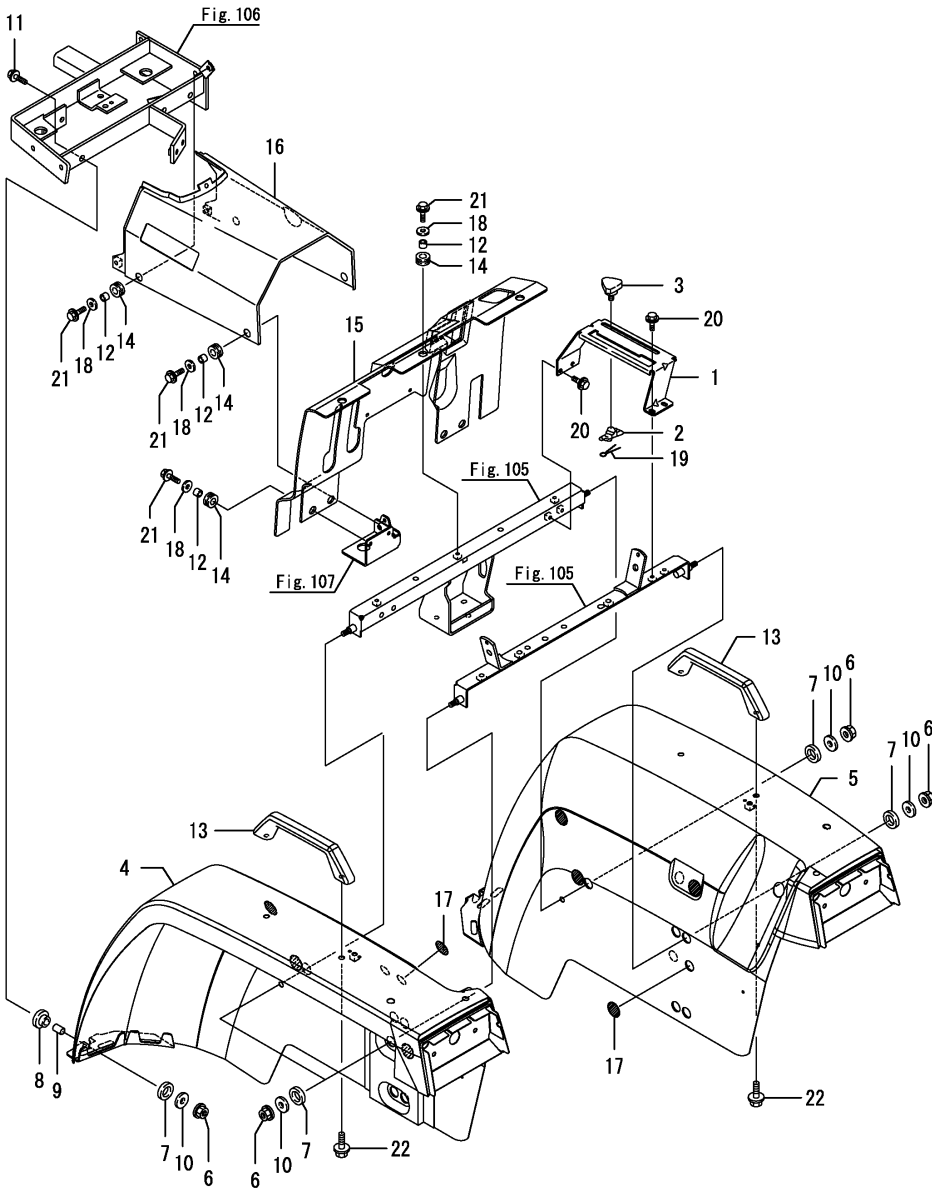


No.	Lev.	Parts No.	Description	Q'ty						I	R
				(A)	(B)	(C)	(D)	(E)	(F)		
1	1	194990-22130	NUT, M6	1	1						
2	1	1A8160-61520	COVER, DASHBOARD R	1	1						
3	1	1A8160-61530	COVER, DASHBOARD	1	1						
4	1	198220-61540	COVER, DASHBOARD L	1	1						
5	1	1A8160-61550	COVER, CENTER	1	1						
6	1	1A8160-61560	TRIM, 750	2	2						
7	1	1A8160-61570	GROMMET, LOWER COVER	1	1						
8	1	1A8160-61600	STAY, DASHBOARD	1	1						
9	1	1A8160-61610	SUPPORT, COVER L.H.	1	1						
10	1	1A8160-61620	SUPPORT, COVER R.H.	1	1						
11	1	194555-61640	SCREW, TAPPING M5X25	5	5						
12	1	194555-61640	SCREW, TAPPING M5X25	1	1						
13	1	194555-61640	SCREW, TAPPING M5X25	10	10						
14	1	194167-61650	NUT 5008	1	1						
15	1	194167-61650	NUT 5008	1	1						
16	1	194167-61650	NUT 5008	4	4						
17	1	198268-61690	WEATHER-STRIP, 550	1	1						
18	1	1A8160-61880	SEAL, COVER	1	1						
19	1	198220-62030	WASHER	1	1						
20	1	198220-63850	NUT, M5	4	4						
21	1	26106-080122	BOLT, M8X 12 PLATED	4	4						
22	1	26106-080162	BOLT, M8X 16 PLATED	6	6						
23	1	26106-100202	BOLT, M10X 20 PLATED	4	4						
24	1	26587-060202	SCREW, M6X20	1	1						

Fig.104. FENDER

(A)=EX2900(YANMAR)
 (B)=EX3200(YANMAR)
 (C)=

(D)=
 (E)=
 (F)=

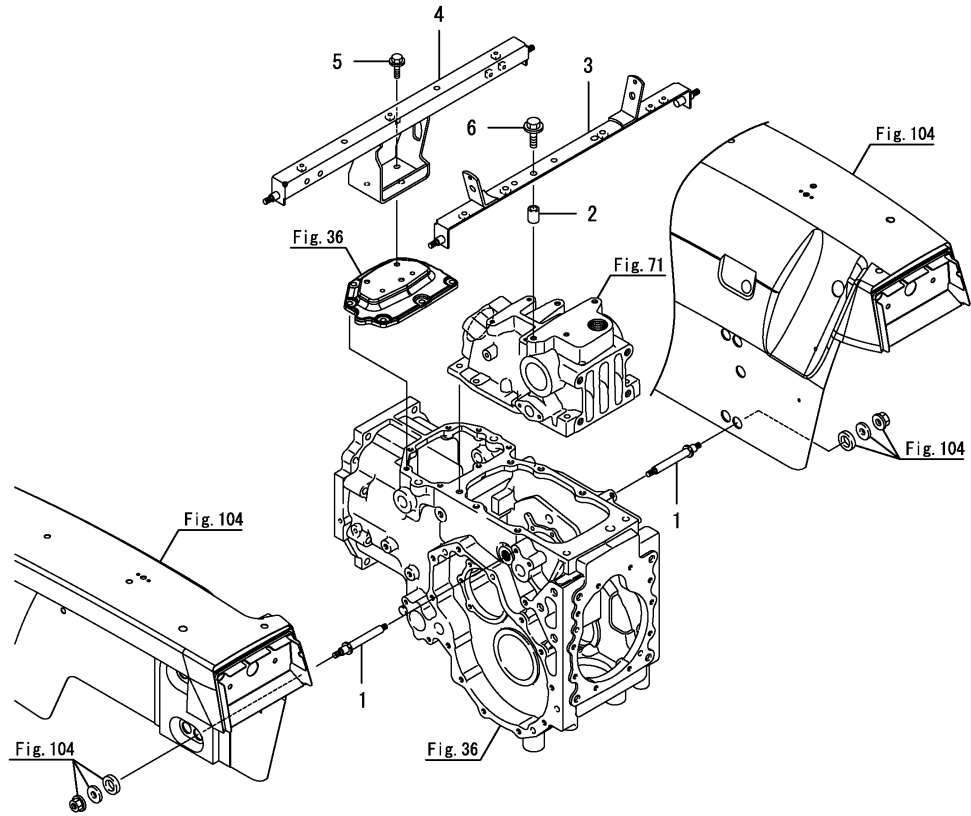


No.	Lev.	Parts No.	Description	Qty						I	R
				(A)	(B)	(C)	(D)	(E)	(F)		
1	1	198220-47710-1	GUIDE, LEVER	1	1						
2	1	198220-47750	STOPPER, LEVER	1	1						
3	1	194130-47851	BOLT, M6X15		1	1					
4	1	1A8160-62010	FENDER ASSY, L M	1	1						
5	1	1A8160-62020	FENDER ASSY, R M	1	1						
6	1	194990-22140	NUT, M8	8	8						
7	1	198220-62260	CUSHION, RUBBER	8	8						
8	1	198220-62270	CUSHION, RUBBER	8	8						
9	1	198220-62920	COLLAR, ABSORBER	2	2						
10	1	22157-080000	WASHER, 8	8	8						
11	1	26106-080302	BOLT, M8X 30 PLATED	2	2						
12	1	198220-62220	COLLAR	11	11						
13	1	198220-62410	BAR, ASSIST	2	2						
14	1	198220-62440	GROMMET	11	11						
15	1	1A8160-62600	COVER, HYDRAULIC	1	1						
16	1	1A8160-62640	COVER ASSY, CLUTCH M	1	1						
17	1	1A8160-65760	LABEL,FENDER	16	16						
18	1	22157-060000	WASHER, 6	11	11						
19	1	22417-200200	PIN, COTTER 2.0X20	1	1						
20	1	26106-060122	BOLT, M6X 12 PLATED	4	4						
21	1	26106-060202	BOLT, M6X 20 PLATED	11	11						
22	1	26106-080162	BOLT, M8X 16 PLATED	4	4						

Fig.105. FENDER STAY

(A)=EX2900(YANMAR)
 (B)=EX3200(YANMAR)
 (C)=

(D)=
 (E)=
 (F)=

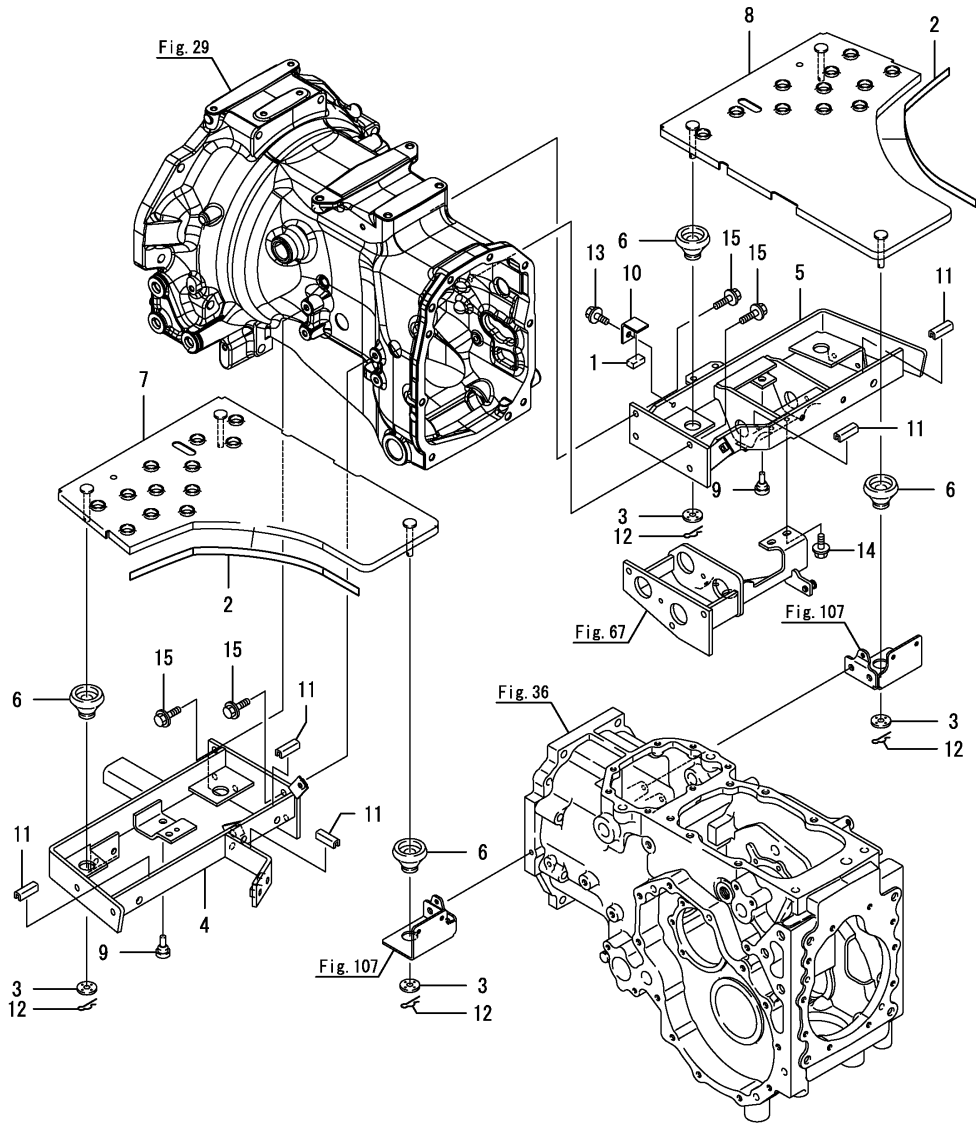


No.	Lev.	Parts No.	Description	Q'ty						I	R
				(A)	(B)	(C)	(D)	(E)	(F)		
1	1	198230-62250	STAY, FENDER A	2	2						
2	1	198220-62690	COLLAR, STAY	2	2						
3	1	1A7335-62700	STAY, FENDER R	1	1						
4	1	198230-62950	STAY, FENDER F	1	1						
5	1	26106-080162	BOLT, M8X 16 PLATED	3	3						
6	1	26106-100402	BOLT, M10X 40 PLATED	2	2						

Fig.106. STEP

(A)=EX2900(YANMAR)
 (B)=EX3200(YANMAR)
 (C)=

(D)=
 (E)=
 (F)=



No.	Lev.	Parts No.	Description	Q'ty						I	R
				(A)	(B)	(C)	(D)	(E)	(F)		
1	1	1A7510-60980	STOPPER	1	1						
2	1	1A6150-61870	SEAL, 3X10X345	2	2						
3	1	198220-62150	WASHER	5	5						
4	1	1A8160-62290	STAY, STEP FL	1	1						
5	1	1A8160-62301	STAY, STEP FR	1	1						
6	1	198240-62451	ABSORBER, STEP	6	6						
7	1	198230-62510-1	STEP, L	1	1						
8	1	198230-62520-1	STEP, R	1	1						
9	1	194330-62530	STOPPER, PEDAL	2	2						
10	1	1A8160-62760	STOPPER, STEP	1	1						
11	1	198220-62890	RUBBER, STOPPER	5	5						
12	1	22372-080000	PIN, SNAP 8	5	5						
13	1	26106-080102	BOLT, M8X 10 PLATED	1	1						
14	1	26106-080122	BOLT, M8X 12 PLATED	2	2						
15	1	26106-080202	BOLT, M8X 20 PLATED	8	8						

Fig.107. STEP STAY

(A)=EX2900(YANMAR)
 (B)=EX3200(YANMAR)
 (C)=

(D)=
 (E)=
 (F)=

No.	Lev.	Parts No.	Description	Q'ty						I	R
				(A)	(B)	(C)	(D)	(E)	(F)		
1	1	1A7335-62550	STAY, STEP RL	1	1						
2	1	1A7335-62560	STAY, STEP RR	1	1						
3	1	26106-080162	BOLT, M8X 16 PLATED	4	4						

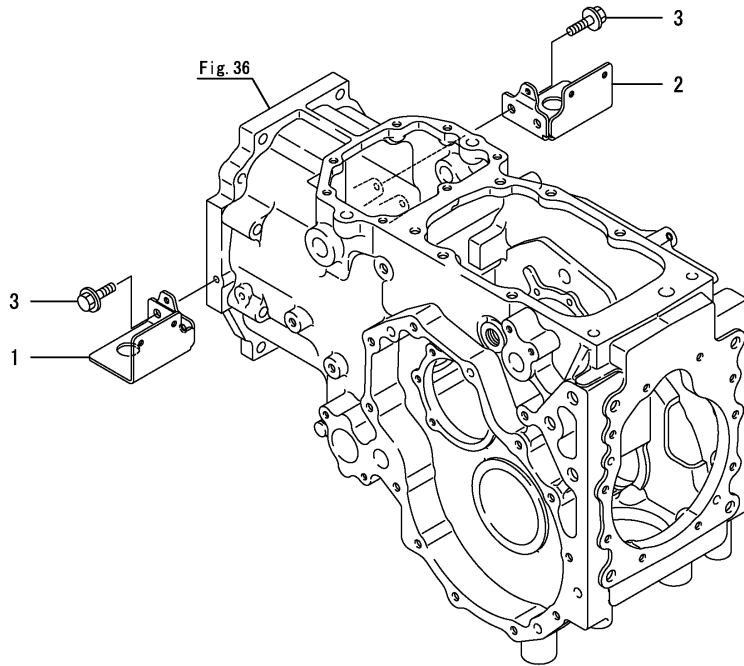


Fig.108. SUB STEP

(A)=EX2900(YANMAR)
 (B)=EX3200(YANMAR)
 (C)=

(D)=
 (E)=
 (F)=

No.	Lev.	Parts No.	Description	Q'ty						I	R
				(A)	(B)	(C)	(D)	(E)	(F)		
1	1	198234-62600	STEP ASSY, AUXILIARY	1	1						
2	1	194990-22140	NUT, M8	4	4						
3	1	26106-080252	BOLT, M8X 25 PLATED	4	4						

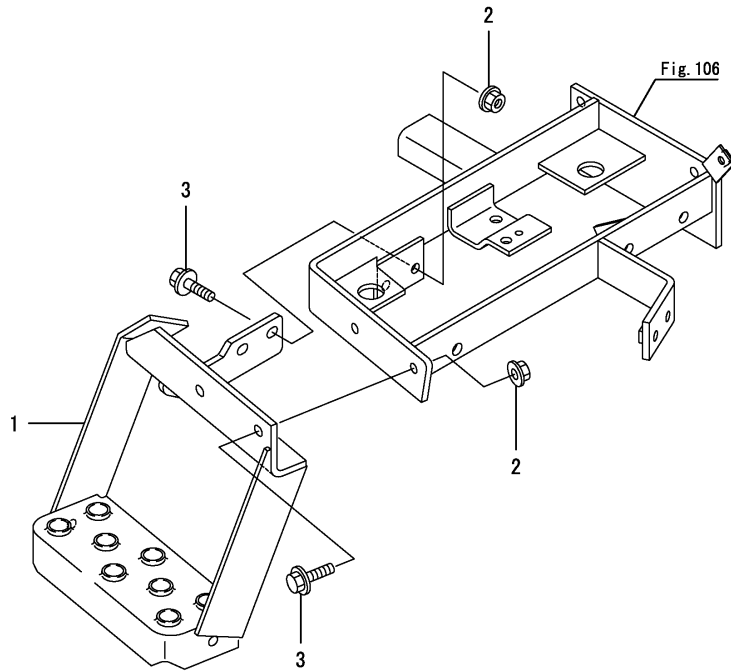
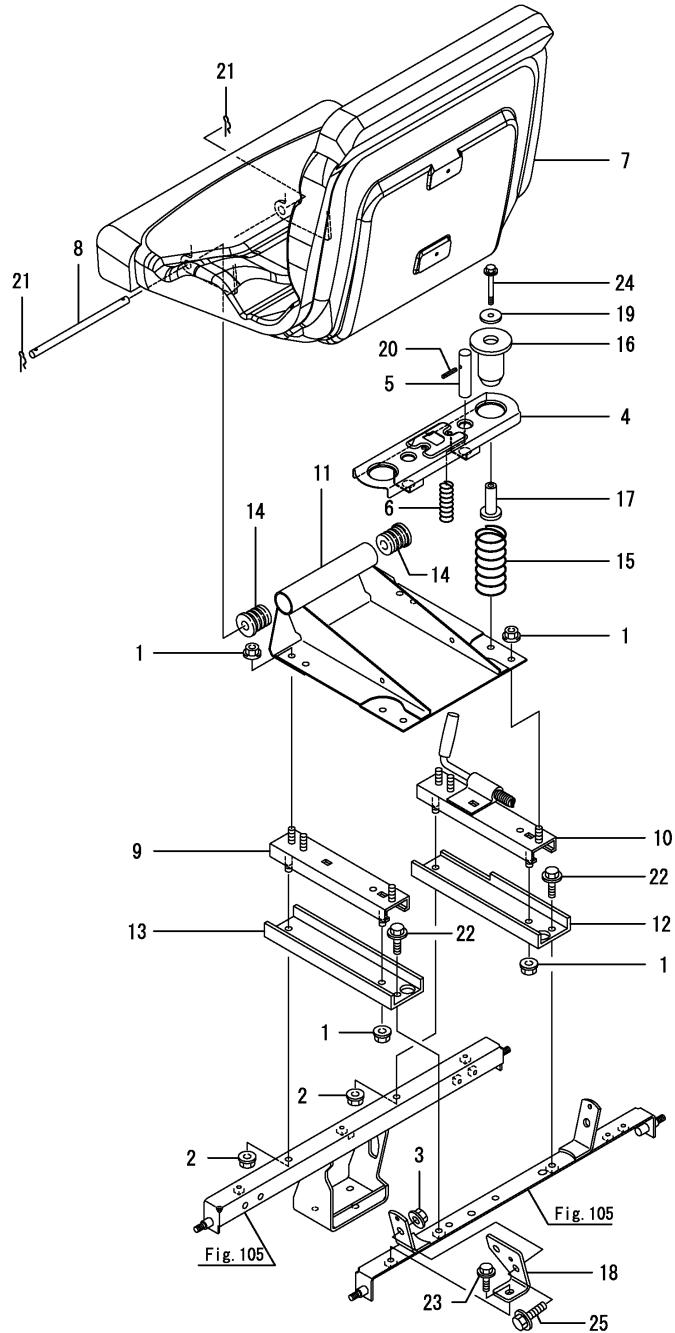


Fig.109. SEAT

(A)=EX2900(YANMAR)
 (B)=EX3200(YANMAR)
 (C)=

(D)=
 (E)=
 (F)=



No.	Lev.	Parts No.	Description	Q'ty						I	R
				(A)	(B)	(C)	(D)	(E)	(F)		
1	1	194990-22140	NUT, M8	8	8						
2	1	194990-22140	NUT, M8	2	2						
3	1	194990-22150	NUT, M10	1	1						
4	1	1A8160-52320	BRACKET, SPRING	1	1						
5	1	198220-52410	PIN, 16X77.5	2	2						
6	1	198220-52420	SPRING, 17X60	2	2						
7	1	198240-63110	SEAT ASSY, OPERATOR	1	1						
8	1	198220-63120	PIN, HINGE	1	1						
9	1	198220-63150	ADJUSTER, SEAT	1	1						
10	1	198220-63160	ADJUSTER, SEAT	1	1						
11	1	1A8160-63200	BRACKET, SEAT LOWER	1	1						
12	1	198220-63220-1	PLATE, R	1	1						
13	1	198220-63230-1	PLATE, L	1	1						
14	1	198220-63240	DAMPER	2	2						
15	1	198220-63260	SPRING, CUSHION	2	2						
16	1	198220-63270	RUBBER, CUSHION	2	2						
17	1	198220-63280	COLLAR, SPRING	2	2						
18	1	1A8160-63430	STAY, SEAT BELT L	1	1						
19	1	1E6213-64490	WASHER, 8.5X22X2.3	2	2						
20	1	22351-030025	PIN, SPRING 3.0X25	2	2						
21	1	22372-120000	PIN, SNAP 12	2	2						
22	1	26106-080162	BOLT, M8X 16 PLATED	2	2						
23	1	26106-080202	BOLT, M8X 20 PLATED	1	1						
24	1	26106-080702	BOLT, M8X 70 PLATED	2	2						
25	1	26106-100252	BOLT, M10X 25 PLATED	1	1						

Fig.110. SEAT BELT

(A)=EX2900(YANMAR)
 (B)=EX3200(YANMAR)
 (C)=

(D)=
 (E)=
 (F)=

No.	Lev.	Parts No.	Description	Q'ty						I	R
				(A)	(B)	(C)	(D)	(E)	(F)		
1	1	1A8160-63400	BELT ASSY, SEAT	1	1						
2	2	1A8160-63410	BELT ASSY, SEAT	1	1						
3	2	1A8160-63420	BELT ASSY, SEAT	1	1						
4	1	1A8160-63440	COLLAR, SEAT BELT	2	2						
5	1	26106-100352	BOLT, M10X 35 PLATED	2	2						
6	1	26346-100002	NUT, M10	2	2						

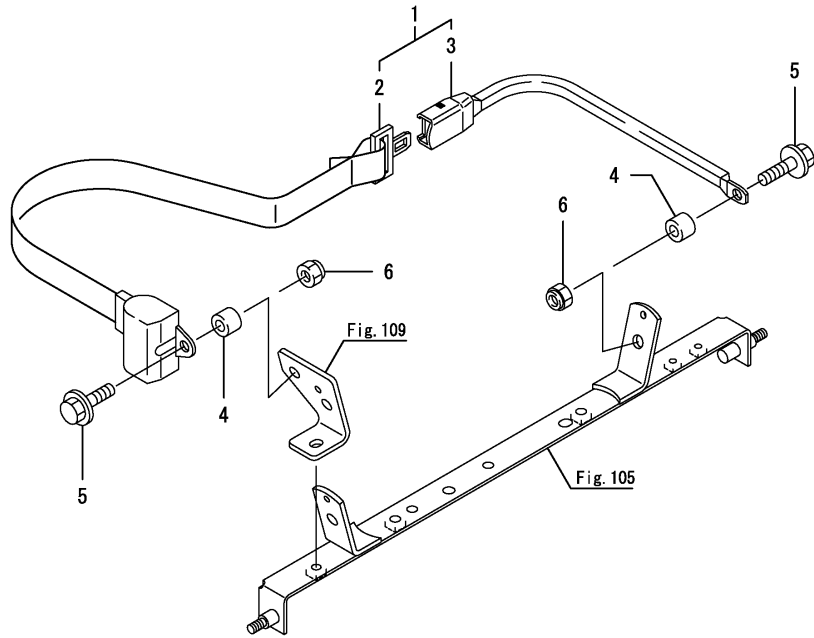
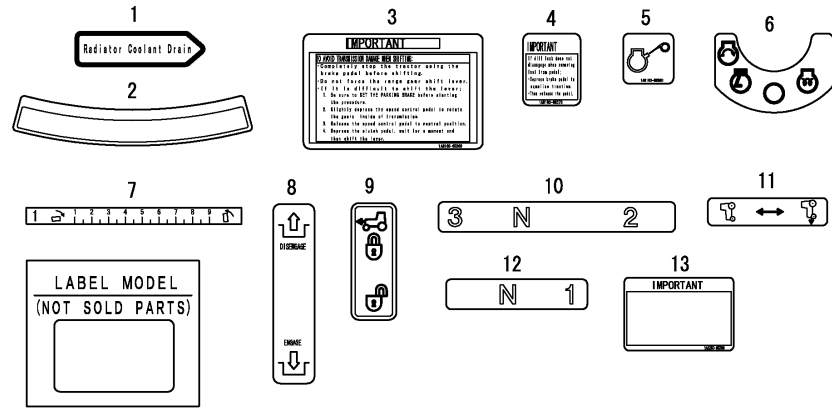


Fig.111. LABELS

(A)=EX2900(YANMAR)
 (B)=EX3200(YANMAR)
 (C)=

(D)=
 (E)=
 (F)=



No.	Lev.	Parts No.	Description	Q'ty						I	R
				(A)	(B)	(C)	(D)	(E)	(F)		
1	1	1A7340-65080	LABEL,DRAIN	1	1						
2	1	198220-65350	DECAL,COLD START	1	1						
3	1	1A8160-65360	LABEL,IMPORTANT,SHIF	1	1						
4	1	1A8160-65370	LABEL,IMPORTANT,DIFF	1	1						
5	1	1A8160-65380	LABEL	1	1						
6	1	1A8160-65421	LABEL,START SWITCH	1	1						
7	1	198220-65470	LABEL, LEVER	1	1						
8	1	1A8160-65610	LABEL,PTO	1	1						
9	1	1A8160-65630	LABEL,CRUISE	1	1						
10	1	1A8160-65740	LABEL,RANGE2-3	1	1						
11	1	1A8160-65750	LABEL,4WD	1	1						
12	1	1A8160-65770	LABEL,RANGE1	1	1						
13	1	1A8250-65390	LABEL,SPARK ARRESTOR	1	1						

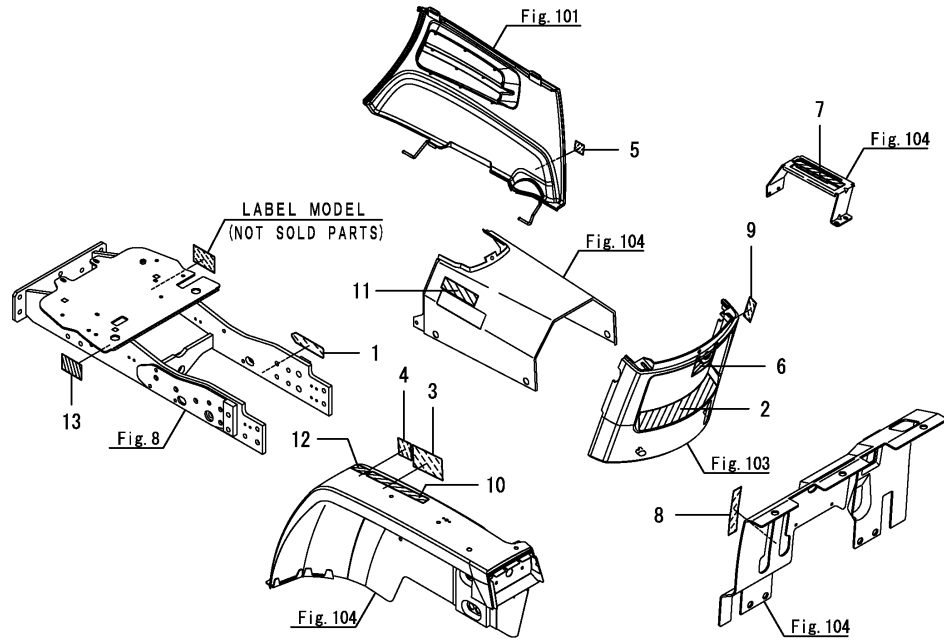


Fig.112. LABELS(EX2900)

(A)=EX2900(YANMAR)
 (B)=EX3200(YANMAR)
 (C)=

(D)=
 (E)=
 (F)=

No.	Lev.	Parts No.	Description	Q'ty						I	R
				(A)	(B)	(C)	(D)	(E)	(F)		
1	1	1A8250-15790	LABEL, STEERING	1							
2	1	1A8150-65780	LABEL, SIDE L	1							
3	1	1A8150-65790	LABEL, SIDE R	1							

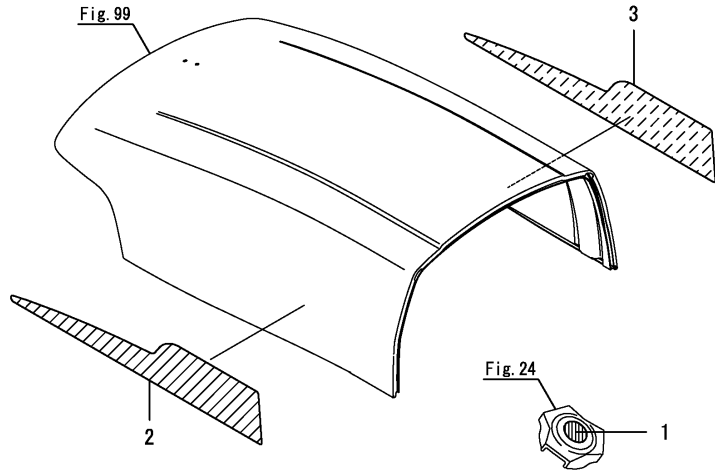
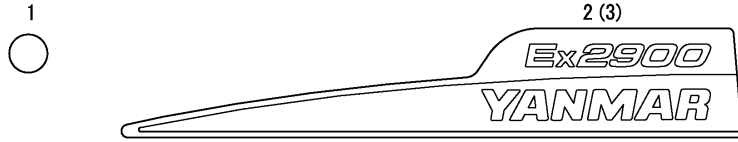


Fig.113. LABELS(EX3200)

(A)=EX2900(YANMAR)
 (B)=EX3200(YANMAR)
 (C)=

(D)=
 (E)=
 (F)=

No.	Lev.	Parts No.	Description	Q'ty						I	R
				(A)	(B)	(C)	(D)	(E)	(F)		
1	1	1A8250-15790	LABEL, STEERING		1						
2	1	1A8160-65780	LABEL, SIDE L		1						
3	1	1A8160-65790	LABEL, SIDE R		1						

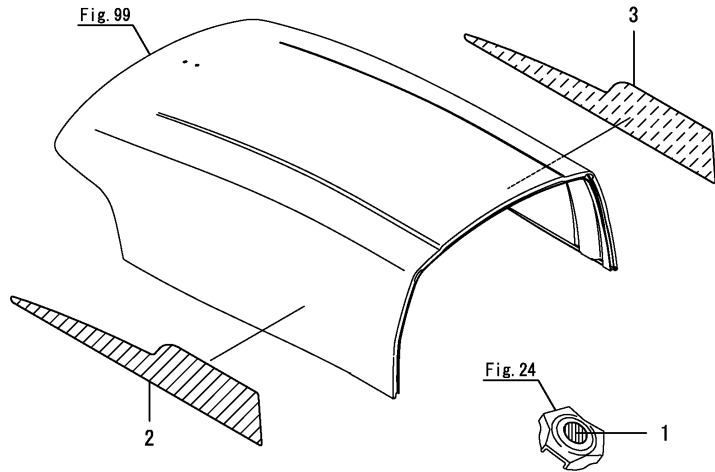
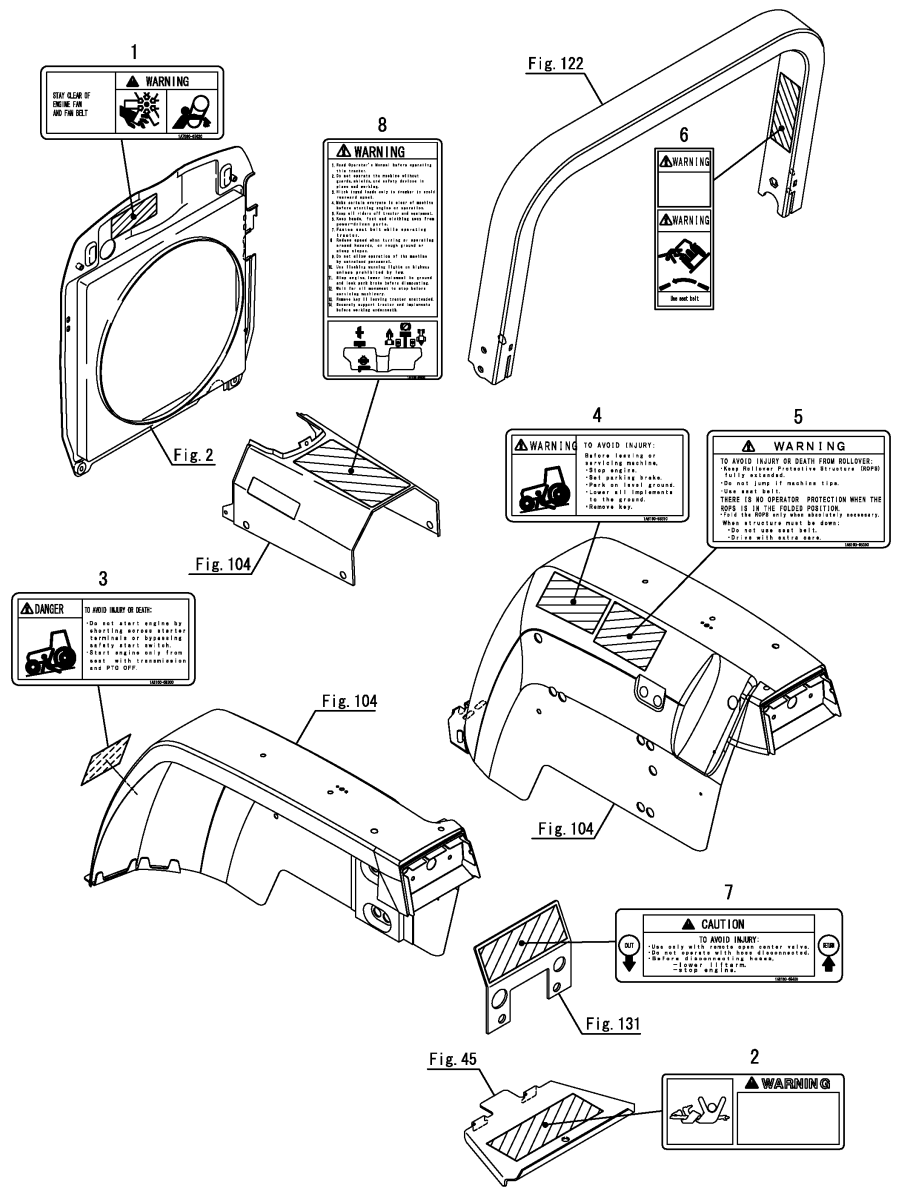


Fig.114. LABELS(SAFETY)

(A)=EX2900(YANMAR)
 (B)=EX3200(YANMAR)
 (C)=

(D)=
 (E)=
 (F)=

No.	Lev.	Parts No.	Description	Qty						I	R
				(A)	(B)	(C)	(D)	(E)	(F)		
1	1	1A7880-65620	LABEL,WARNING,FAN	1	1						
2	1	198220-65621	LABEL, P.T.O.WARNING	1	1						
3	1	1A8160-65300	LABEL,DANGER,START	1	1						
4	1	1A8160-65310	LABEL,WARNING,STOP	1	1						
5	1	1A8160-65350	LABEL,WARNING,ROPS	1	1						
6	1	1A8170-85170	SAFETY DECAL	1	1						
7	1	1A8160-65400	LABEL,CAUTION,REAR	1	1						1
8	1	1A8160-65321	LABEL,WARNING	1	1						



Remarks
 (1) Optional parts.

Fig.115. SMV

(A)=EX2900(YANMAR)
 (B)=EX3200(YANMAR)
 (C)=

(D)=
 (E)=
 (F)=

No.	Lev.	Parts No.	Description	Q'ty						I	R
				(A)	(B)	(C)	(D)	(E)	(F)		
1	1	1A8160-65800	EMBLEM, SMV	1	1						
2	1	26589-060202	SCREW, M6X20	2	2						

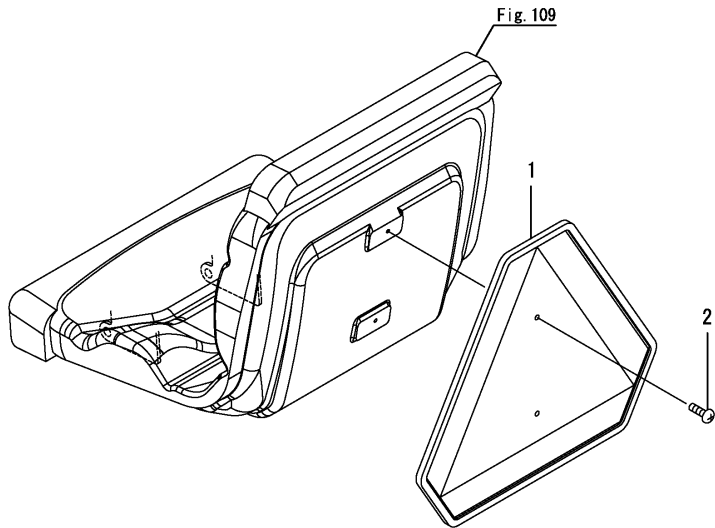
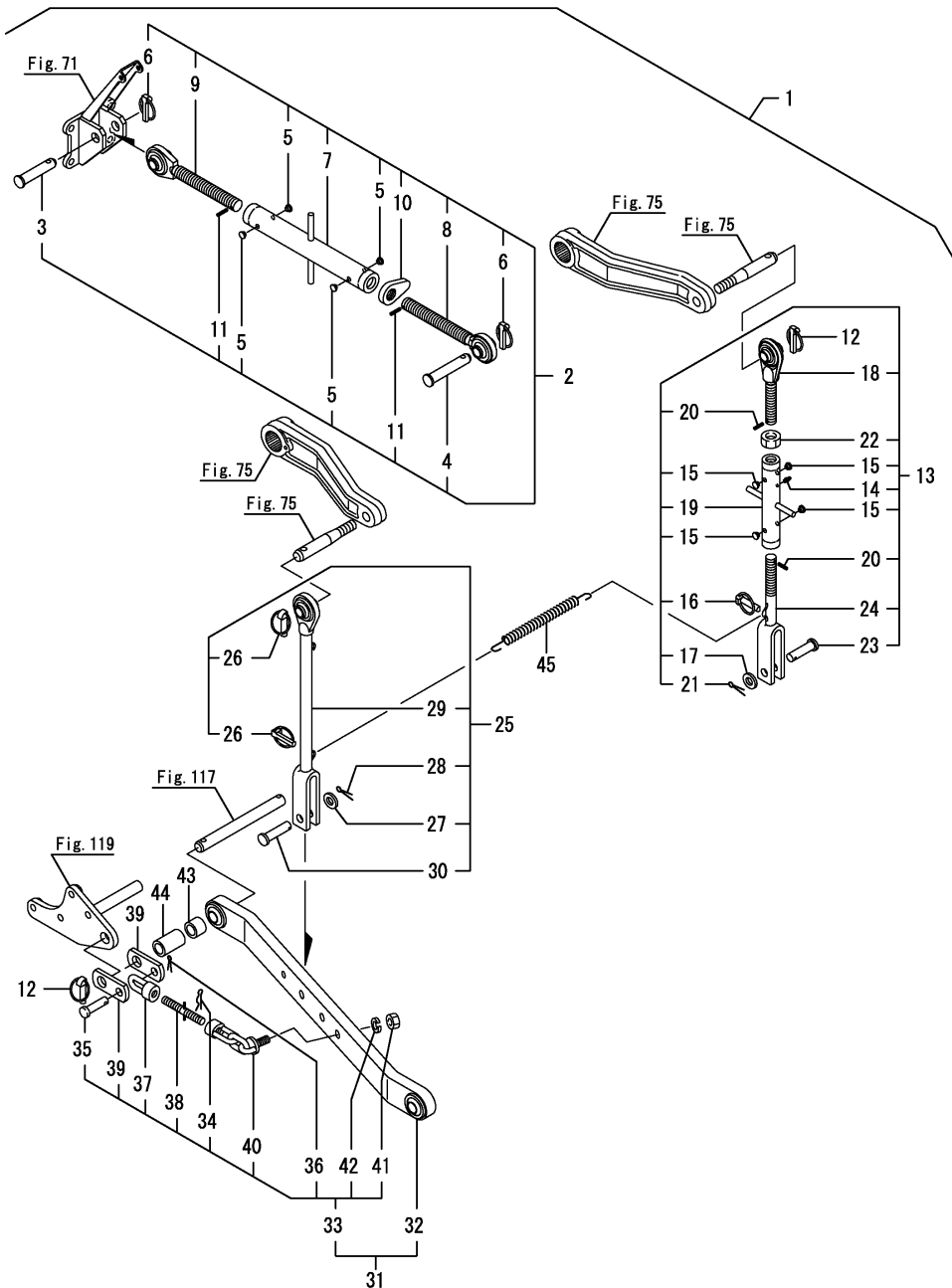


Fig.116. THREE POINT LINK

(A)=EX2900(YANMAR)
 (B)=EX3200(YANMAR)
 (C)=

(D)=
 (E)=
 (F)=

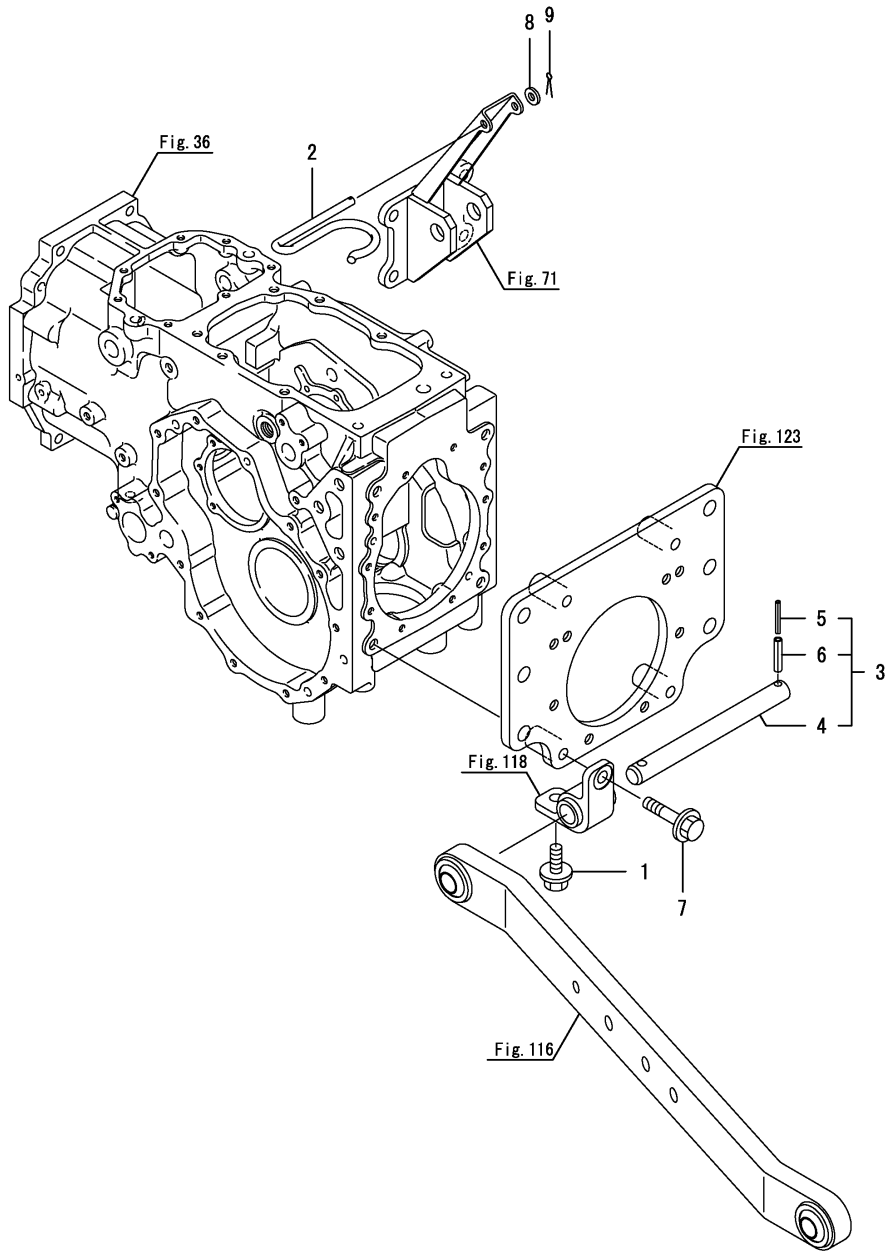


No.	Lev.	Parts No.	Description	Q'ty						I	R
				(A)	(B)	(C)	(D)	(E)	(F)		
1	1	1A8160-71000	HITCH KIT, 3 POINT	1	1						
2	2	1A7335-71100	LINK KIT, TOP	1	1						
3	3	1A7335-71230	PIN, LINK	1	1						
4	3	1A7335-71240	PIN, HITCH	1	1						
5	3	1A7335-71250	CAP	4	4						
6	3	1A7335-71410	PIN ASSY, BALL	2	2						
7	3	1A7335-71500	TURNBUCKLE ASSY	1	1						
8	3	1A7335-71600	LINK ASSY, TOP R	1	1						
9	3	1A7335-71700	LINK ASSY, TOP L	1	1						
10	3	1A7335-71750	NUT, LOCK M24	1	1						
11	3	1A7335-71760	PIN, SPRING 5.0X25	2	2						
12	2	1A7335-71410	PIN ASSY, BALL	3	3						
13	2	1A7335-72100	LINK KIT, LIFT R	1	1						
14	3	1A7450-43680	NIPPLE, GRESAE M6	1	1						
15	3	1A7335-71250	CAP	4	4						
16	3	1A7335-71410	PIN ASSY, BALL	1	1						
17	3	1A7500-72160	WASHER, 16	1	1						
18	3	1A7335-72200	BOLT ASSY, EYE	1	1						
19	3	1A7335-72230	TURNBUCKLE	1	1						
20	3	1A7335-72360	PIN, SPRING 5.0X22	2	2						
21	3	1A7335-72370	PIN, 3.2X32	1	1						
22	3	1A7335-72390	NUT, LOCK M20	1	1						
23	3	198234-72550	PIN, 16X44	1	1						
24	3	1A7335-72800	YOKE ASSY, LINK R	1	1						
25	2	1A7335-72500	LINK KIT, LIFT L	1	1						
26	3	1A7335-71410	PIN ASSY, BALL	2	2						
27	3	1A7500-72160	WASHER, 16	1	1						
28	3	1A7335-72370	PIN, 3.2X32	1	1						
29	3	1A7335-72530	LINK ASSY, LIFT L	1	1						
30	3	198234-72550	PIN, 16X44	1	1						
31	2	1A7335-73400	LINK KIT, LOWER	2	2						
32	3	1A7335-73100	LINK ASSY, LOWER	2	2						
33	3	1A7335-74600	CHAIN KIT, CHECK	2	2						
34	4	1A7335-74610	PIN, SNAP 18	2	2						
35	4	1A7335-74620	PIN, SHACKLE	2	2						
36	4	1A7335-74630	PIN, 4.0X25	2	2						
37	4	1A7335-74640	NUT, CHAIN	2	2						
38	4	1A7335-74670	BOLT ASSY, CHAIN	2	2						
39	4	1A7335-74680	PLATE, CHAIN	4	4						
40	4	1A7335-74800	CHAIN ASSY, CHECK R	2	2						
41	4	1A7335-74810	NUT, M14	2	2						
42	4	1A7335-74820	WASHER, SPRING 14	2	2						
43	1	198220-73140	COLLAR, HINGE	2	2						
44	1	198220-73240	COLLAR, HINGE	2	2						
45	1	198220-73250	SPRING	1	1						

Fig.117. LOWER HINGE & TOP HOOK

(A)=EX2900(YANMAR)
 (B)=EX3200(YANMAR)
 (C)=

(D)=
 (E)=
 (F)=



No.	Lev.	Parts No.	Description	Q'ty						I	R
				(A)	(B)	(C)	(D)	(E)	(F)		
1	1	198220-11510	BOLT, M12X27	2	2						
2	1	1A7880-71550	SPRING	1	1						
3	1	1A7336-73150	PIN ASSY, HINGE	2	2						
4	2	1A7336-73160	PIN, HINGE	2	2						
5	2	22351-050040	PIN, SPRING 5.0X40	2	2						
6	2	22351-080040	PIN, SPRING 8.0X40	2	2						
7	1	198220-85390	BOLT, M12X75	2	2						
8	1	22137-080000	WASHER, 8	1	1						
9	1	22417-300250	PIN, COTTER 3.0X25	1	1						

Fig.118. LOWER LINK HINGE

(A)=EX2900(YANMAR)
 (B)=EX3200(YANMAR)
 (C)=

(D)=
 (E)=
 (F)=

No.	Lev.	Parts No.	Description	Qty						I	R
				(A)	(B)	(C)	(D)	(E)	(F)		
1	1	1A7335-73160	SUPPORT, LOWER HINGE	2	2						

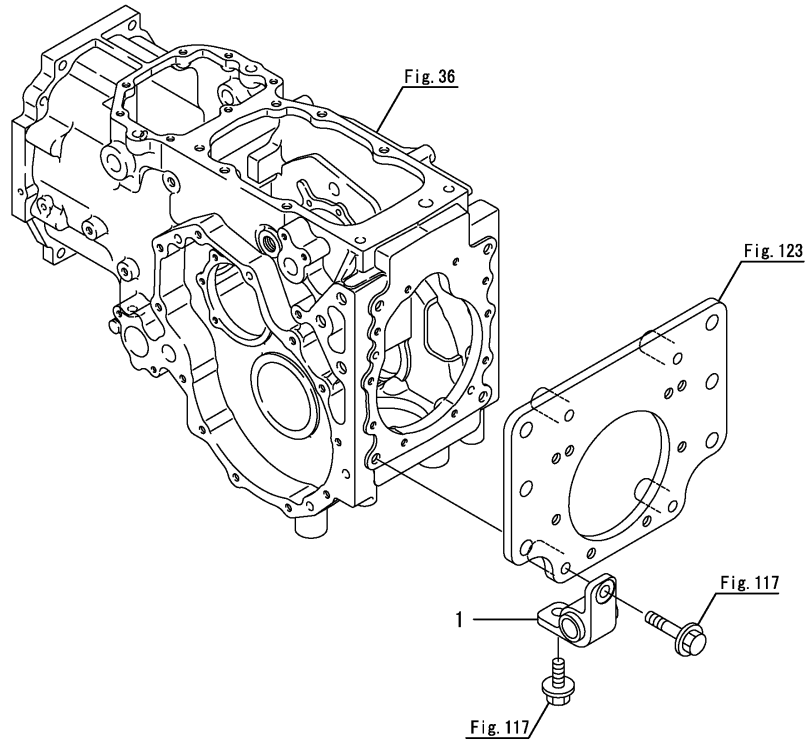


Fig.119. CHECK CHAIN BRACKET

(A)=EX2900(YANMAR)
 (B)=EX3200(YANMAR)
 (C)=

(D)=
 (E)=
 (F)=

No.	Lev.	Parts No.	Description	Q'ty						I	R
				(A)	(B)	(C)	(D)	(E)	(F)		
1	1	1A7335-74760	BRACKET ASSY, CHAIN	1	1						
2	1	1A7335-74770	BRACKET ASSY, CHAIN	1	1						
3	1	26013-120402	BOLT, M12X 40	6	6						
4	1	26013-121602	BOLT, M12X160	2	2						

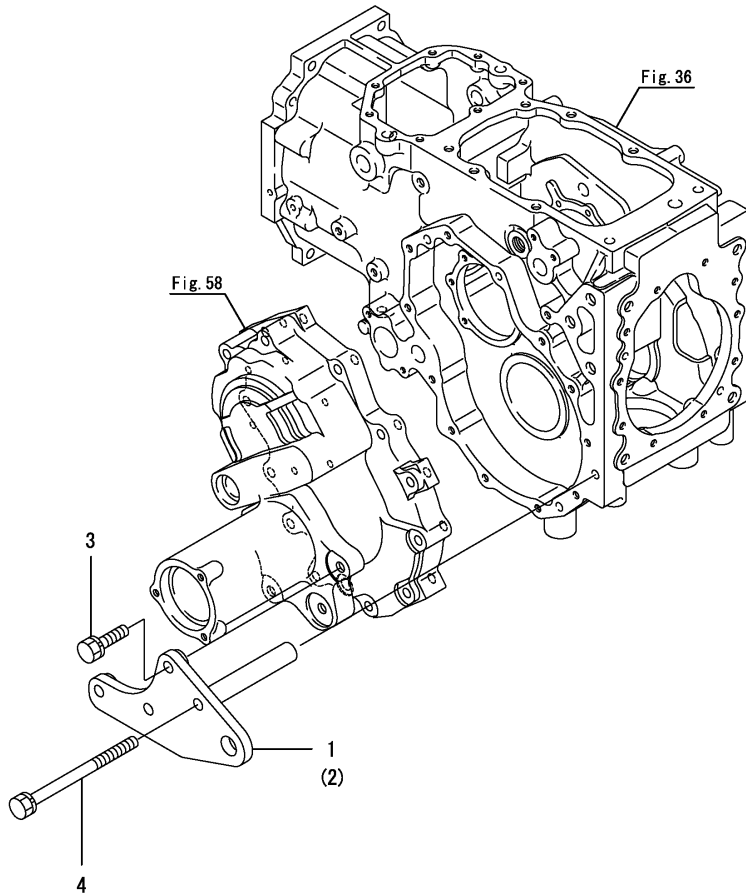


Fig.120. DRAWBAR HITCH(1)

(A)=EX2900(YANMAR)
 (B)=EX3200(YANMAR)
 (C)=

(D)=
 (E)=
 (F)=

No.	Lev.	Parts No.	Description	Q'ty						I	R
				(A)	(B)	(C)	(D)	(E)	(F)		
1	1	195230-17260	PIN, SNAP 22S	1	1						
2	1	198253-75430	PIN, HITCH	1	1						
3	1	198220-75800	BOLT, M16X33	2	2						
4	1	26013-120252	BOLT, M12X 25	2	2						

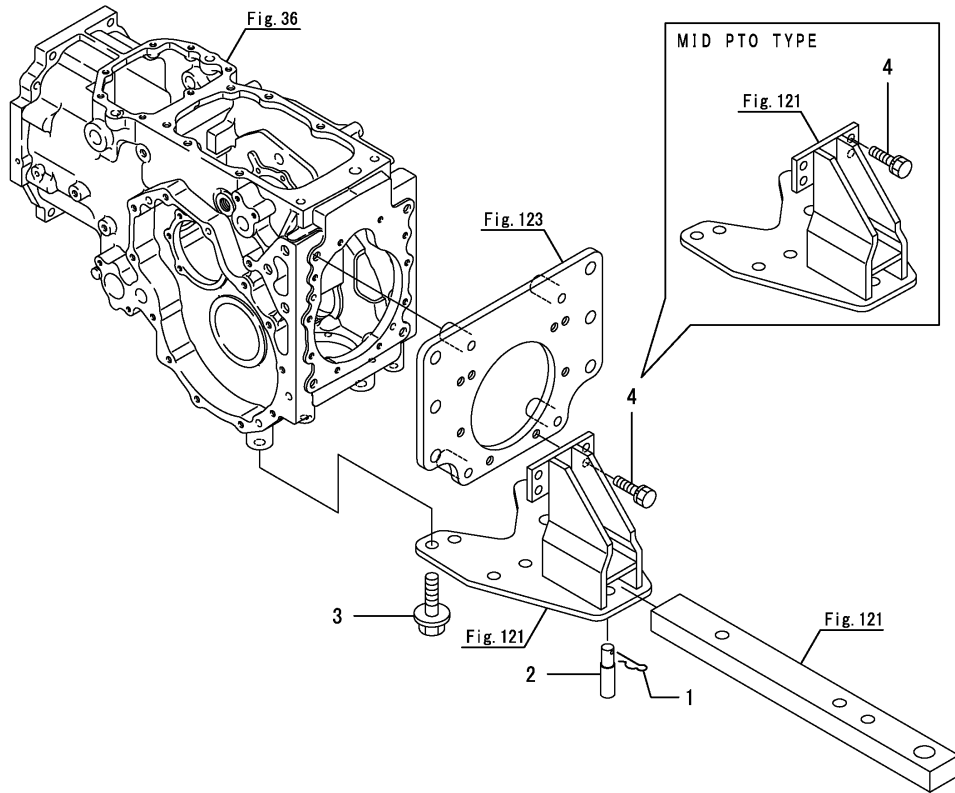


Fig.121. DRAWBAR HITCH(2)

(A)=EX2900(YANMAR)
 (B)=EX3200(YANMAR)
 (C)=

(D)=
 (E)=
 (F)=

No.	Lev.	Parts No.	Description	Q'ty						I	R
				(A)	(B)	(C)	(D)	(E)	(F)		
1	1	198220-75210-1	DRAWBAR	1	1						
2	1	198220-75700-1	BRACKET ASSY	1	1						

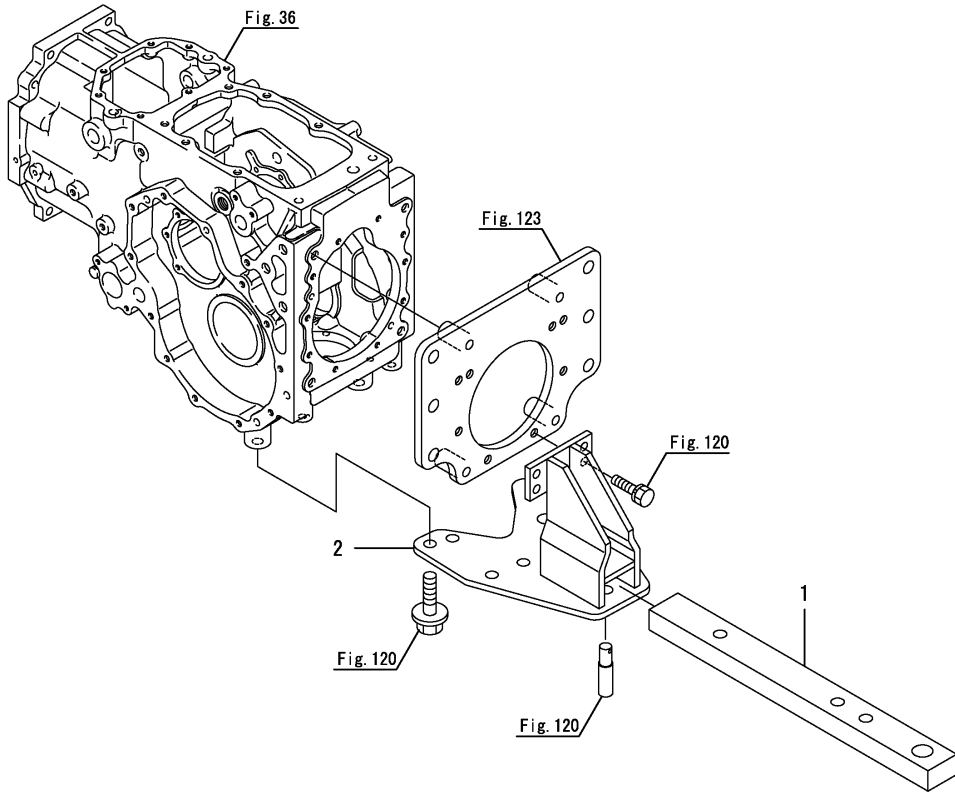
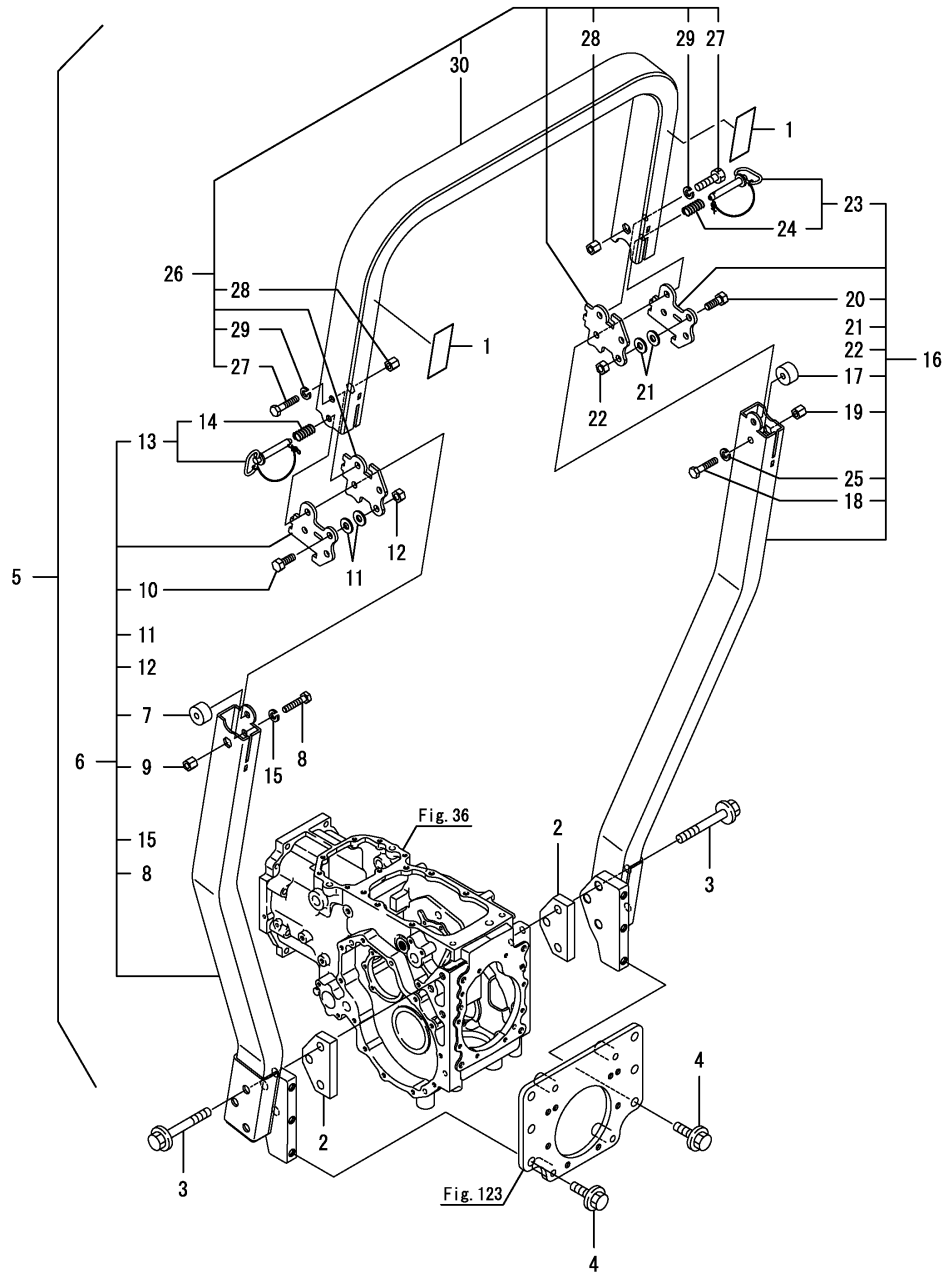


Fig.122. ROPS

(A)=EX2900(YANMAR)
 (B)=EX3200(YANMAR)
 (C)=

(D)=
 (E)=
 (F)=



No.	Lev.	Parts No.	Description	Qty						I	R
				(A)	(B)	(C)	(D)	(E)	(F)		
1	1	1A8160-65860	TAPE, 50X115	2	2						
2	1	1A8160-85140	PLATE, SPACER	2	2						
3	1	198220-85270	BOLT, M16X120	6	6						
4	1	198220-85290	BOLT, M16X40	6	6						
5	1	1A8160-85410	ROPS ASSY	1	1						
6	2	1A8160-85270	FRAME ASSY, LOWER L	1	1						
7	3	1A8160-85060	COLLAR, HINGE	1	1						
8	3	1A8160-85070	BOLT, 1/2-20X2.25	1	1						
9	3	1A8160-85080	NUT, 1/2-20	1	1						
10	3	1A8160-85090	BOLT, 1/2-13X1.25	1	1						
11	3	1A8160-85100	WASHER	2	2						
12	3	1A8160-85110	NUT, 1/2-13	1	1						
13	3	1A8160-85120	PIN ASSY, HITCH	1	1						
14	4	1A8160-85130	SPRING	1	1						
15	3	1A8160-85200	WASHER, 1/2	1	1						
16	2	1A8160-85280	FRAME ASSY, LOWER R	1	1						
17	3	1A8160-85060	COLLAR, HINGE	1	1						
18	3	1A8160-85070	BOLT, 1/2-20X2.25	1	1						
19	3	1A8160-85080	NUT, 1/2-20	1	1						
20	3	1A8160-85090	BOLT, 1/2-13X1.25	1	1						
21	3	1A8160-85100	WASHER	2	2						
22	3	1A8160-85110	NUT, 1/2-13	1	1						
23	3	1A8160-85120	PIN ASSY, HITCH	1	1						
24	4	1A8160-85130	SPRING	1	1						
25	3	1A8160-85200	WASHER, 1/2	1	1						
26	2	1A8160-85360	FRAME ASSY, UPPER	1	1						
27	3	1A8160-85070	BOLT, 1/2-20X2.25	2	2						
28	3	1A8160-85080	NUT, 1/2-20	2	2						
29	3	1A8160-85200	WASHER, 1/2	2	2						
30	3	1A8160-85350	FRAME ASSY, UPPER	1	1						

Fig.123. REAR BRACKET

(A)=EX2900(YANMAR)
 (B)=EX3200(YANMAR)
 (C)=

(D)=
 (E)=
 (F)=

No.	Lev.	Parts No.	Description	Q'ty						I	R
				(A)	(B)	(C)	(D)	(E)	(F)		
1	1	198220-85301-1	PLATE REAR COMP.	1	1						
2	1	198220-85330	BOLT, M12X65	2	2						

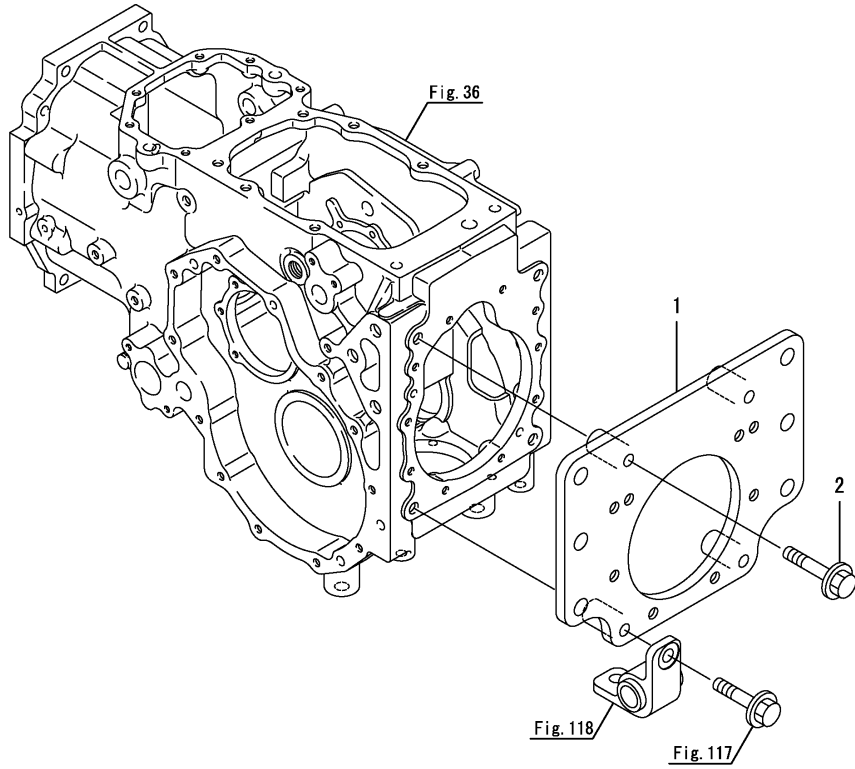


Fig.124. MANUAL

(A)=EX2900(YANMAR)
 (B)=EX3200(YANMAR)
 (C)=

(D)=
 (E)=
 (F)=

No.	Lev.	Parts No.	Description	Q'ty						I	R
				(A)	(B)	(C)	(D)	(E)	(F)		
1	1	0A041-U01000	OPERATION MANUAL	1	1						

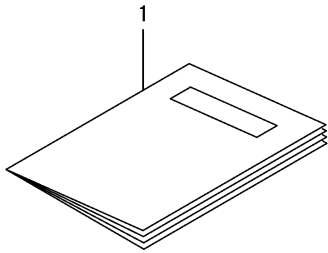
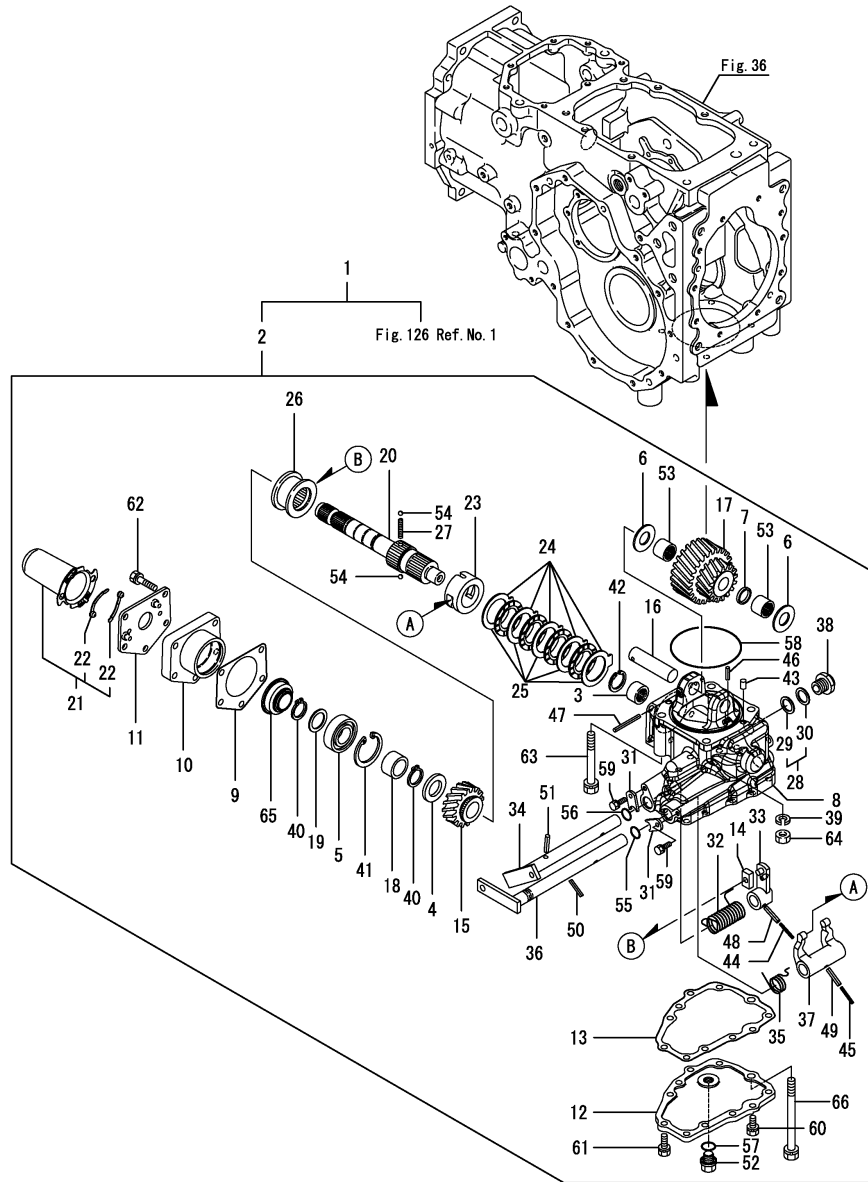


Fig.125. MID P.T.O(1)

(A)=EX2900(YANMAR)
 (B)=EX3200(YANMAR)
 (C)=

(D)=
 (E)=
 (F)=



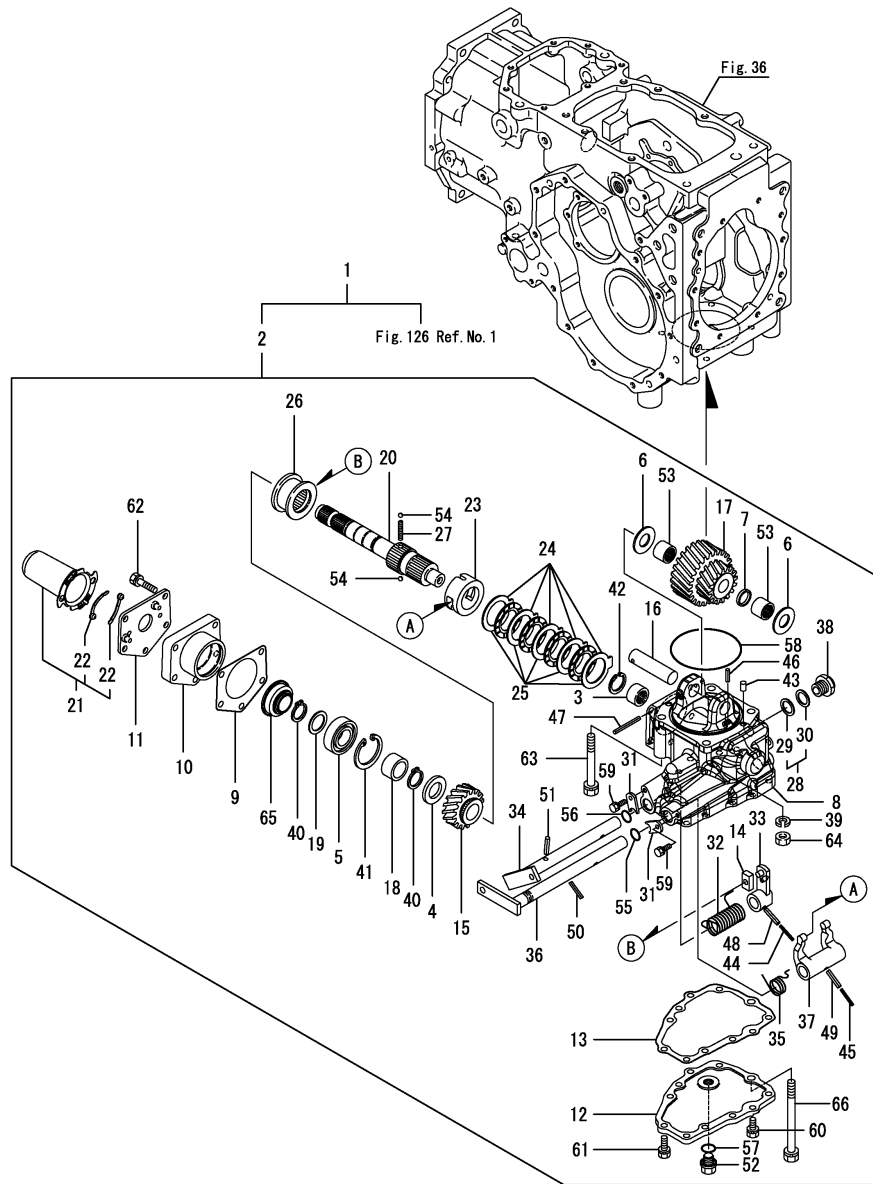
No.	Lev.	Parts No.	Description	Q'ty						I	R
				(A)	(B)	(C)	(D)	(E)	(F)		
1	1	1A8160-26650	PTO KIT, MID	1	1						1
2	2	1A8160-26610	PTO KIT, MID	1	1						
3	3	194505-24160	BEARING, NK20/16RCT	1	1						
4	3	194065-25340	WASHER, 25X42X4.8	1	1						
5	3	194640-25390	BEARING, BALL TMB205	1	1						
6	3	194190-26351	WASHER, 20X41X2.5	2	2						
7	3	198220-26570	WASHER, 20.5X25X4	1	1						
8	3	198220-26711	CASE, MID DRIVE	1	1						
9	3	198220-26730	GASKET, SEAL CASE	1	1						
10	3	198220-26740	CASE, SEAL	1	1						
11	3	198220-26750	COVER, SEAL CASE	1	1						
12	3	198220-26761	COVER, CASE	1	1						
13	3	198220-26771	GASKET, COVER	1	1						
14	3	198220-26790	BLOCK, SHIFT	1	1						
15	3	198220-26800	GEAR, DRIVE	1	1						
16	3	198220-26810	SHAFT, MID IDLE	1	1						
17	3	198220-26820	GEAR, IDLE	1	1						
18	3	198220-26830	COLLAR, 25X34X19.4	1	1						
19	3	194190-26840	SPACER, 25X35X1.6	1	1						
20	3	198220-26840	SHAFT, MID DRIVE	1	1						
21	3	194850-26850	COVER ASSY, SHAFT	1	1						
22	4	194850-26870	SPRING, PLATE	2	2						
23	3	198220-26850	ACTUATOR	1	1						
24	3	198220-26860	PLATE, STEEL 55X1.2	5	5						
25	3	198220-26870	PLATE, 54X2.7	4	4						
26	3	198220-26890	SLIDER, MID PTO	1	1						
27	3	198220-26910	SPRING, 30.2	1	1						
28	3	198220-26930	GASKET SET	1	1						
29	4	198220-26940	PACKING, 18	1	1						
30	4	23414-180000	GASKET, 18X1.0	1	1						
31	3	198230-27540	PLATE, KEEP	2	2						
32	3	198220-27600	SPRING, A	1	1						
33	3	198220-27690	ARM, SHIFT	1	1						
34	3	198220-27720-1	SHAFT, PTO SHIFT	1	1						
35	3	198220-27840	SPRING, B	1	1						
36	3	198220-27850	SHAFT, PTO BRAKE	1	1						
37	3	198220-27860	LEVER, PTO BRAKE	1	1						
38	3	194464-52190	SWITCH, SAFETY START	1	1						
39	3	22217-100000	WASHER, SPRING 10	1	1						
40	3	22242-000250	RING, 25	2	2						
41	3	22252-000520	RING, 52	1	1						
42	3	22262-000280	RING, R-28	1	1						
43	3	22312-080120	PIN, PARALLEL M8X12	2	2						
44	3	22351-035028	PIN, SPRING 3.5X28	1	1						
45	3	22351-035028	PIN, SPRING 3.5X28	1	1						
46	3	22351-050020	PIN, SPRING 5.0X20	1	1						
47	3	22351-050050	PIN, SPRING 5.0X50	1	1						
48	3	22351-060028	PIN, SPRING 6.0X28	1	1						
49	3	22351-060028	PIN, SPRING 6.0X28	1	1						
50	3	22351-060028	PIN, SPRING 6.0X28	1	1						
51	3	22351-060028	PIN, SPRING 6.0X28	1	1						

Remarks
 * Optional parts.
 Fig.126 is incorporated in this
 MID P.T.O KIT(Ref.No.1)

Fig.125. MID P.T.O(1)

(A)=EX2900(YANMAR)
 (B)=EX3200(YANMAR)
 (C)=

(D)=
 (E)=
 (F)=



No.	Lev.	Parts No.	Description	Q'ty						I	R
				(A)	(B)	(C)	(D)	(E)	(F)		
52	3	23491-140002	PLUG, 14	1	1						
53	3	24161-202620	BEARING, 202620	2	2						
54	3	24190-080001	BALL, STEEL 1/4	2	2						
55	3	24311-000125	O-RING, 1AP12.5	1	1						
56	3	24311-000125	O-RING, 1AP12.5	1	1						
57	3	24311-000160	O-RING, 1AP16.0	1	1						
58	3	24321-001000	O-RING, 1AG100.0	1	1						
59	3	26013-060122	BOLT, M6X 12	2	2						
60	3	26013-080162	BOLT, M8X 16	1	1						
61	3	26013-080202	BOLT, M8X 20	6	6						
62	3	26013-080352	BOLT, M8X 35	5	5						
63	3	26013-100852	BOLT, M10X 85	2	2						
64	3	26716-100002	NUT, M10	1	1						
65	3	933147-10350	SEAL, QLF25471121	1	1						
66	3	26013-101202	BOLT, M10X120	1	1						

Remarks

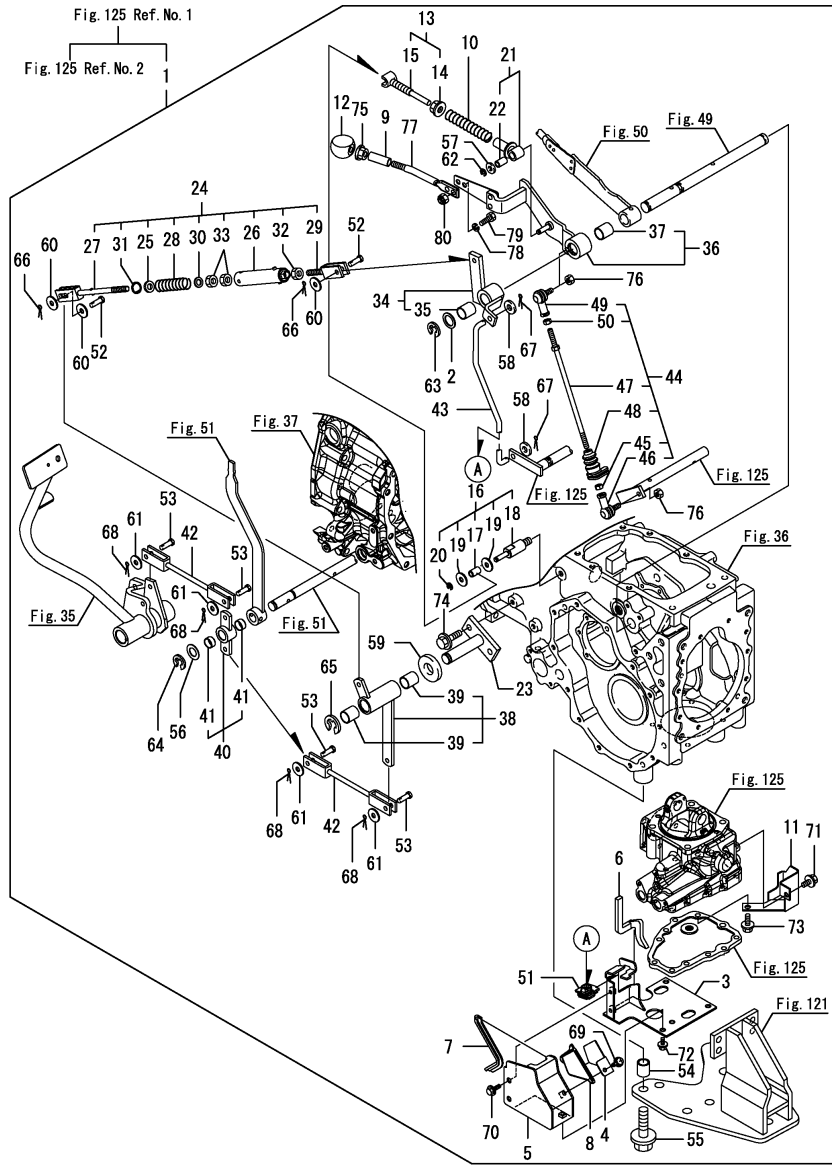
* Optional parts.

Fig.126 is incorporated in this
 MID P.T.O KIT(Ref.No.1)

Fig.126. MID P.T.O(2)

(A)=EX2900(YANMAR)
 (B)=EX3200(YANMAR)
 (C)=

(D)=
 (E)=
 (F)=



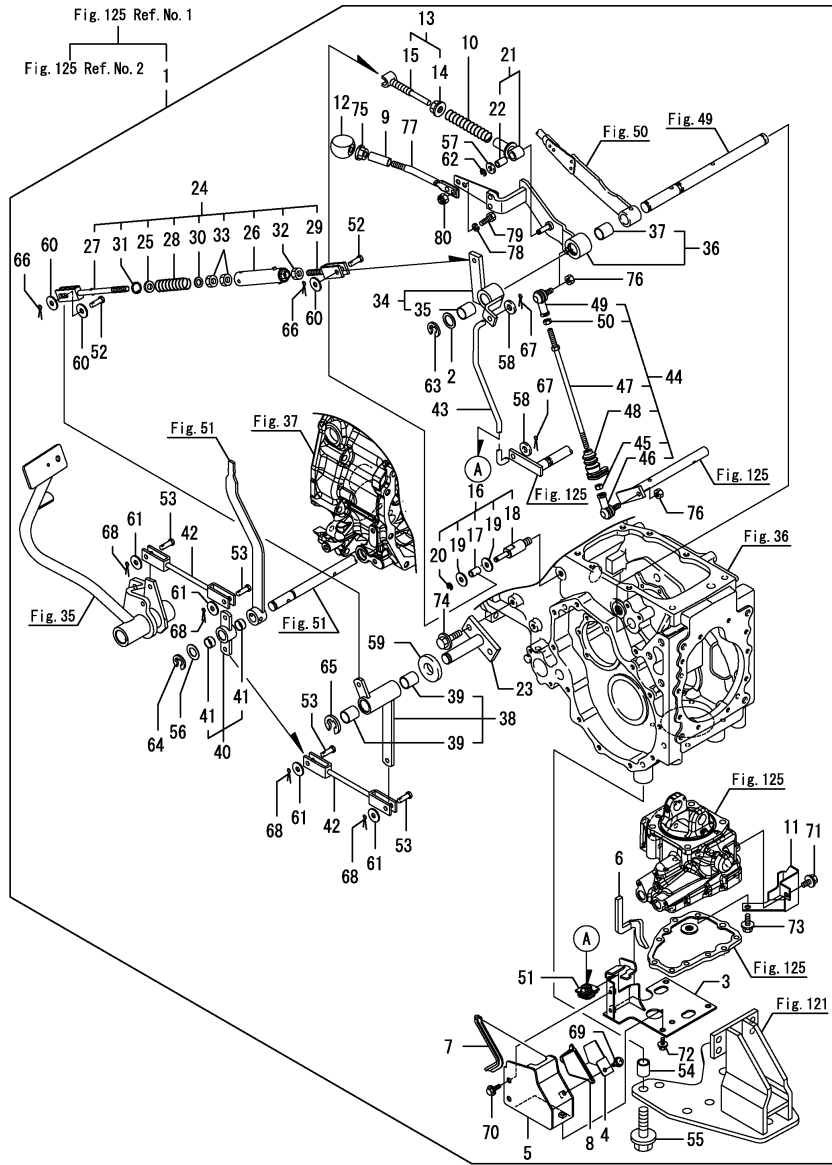
No.	Lev.	Parts No.	Description	Qty						I	R
				(A)	(B)	(C)	(D)	(E)	(F)		
1	2	1A8160-26620	PTO KIT, MID	1	1						
2	3	194191-13350	SPACER, 20X30X1.6	1	1						
3	3	198230-26600	COVER, PTO	1	1						
4	3	198230-26630	COVER, PTO	1	1						
5	3	198230-26650	COVER, PTO	1	1						
6	3	198230-26710	RUBBER, SEAL A	1	1						
7	3	198230-26720	RUBBER, SEAL B	1	1						
8	3	198230-26730	RUBBER, SEAL C	1	1						
9	3	198220-26990	HOSE, PROTECTION	1	1						
10	3	198220-27230	SPRING, MID PTO	1	1						
11	3	1A8160-27250	COVER, SWITCH	1	1						
12	3	198220-27390	KNOB, LEVER	1	1						
13	3	198220-27400	SUPPORT ASSY, SPRING	1	1						
14	4	194065-23140	SEAT, SPRING B	1	1						
15	4	198220-27240	ROD, SPRING	1	1						
16	3	198220-27460	SPRING ASSY, PIVOT	1	1						
17	4	194180-05270	BUSH, 8X12X20	1	1						
18	4	198220-27790	BOLT, STEPPED	1	1						
19	4	22157-080000	WASHER, 8	2	2						
20	4	22272-000070	RING, E- 7	1	1						
21	3	198220-27470	END ASSY, SPRING	1	1						
22	4	194180-05270	BUSH, 8X12X20	1	1						
23	3	198220-27580	SHAFT, BELL CRANK	1	1						
24	3	198220-27620	SPRING ASSY	1	1						
25	4	194150-01270	SPACER, 20	1	1						
26	4	198220-27610	HOLDER, SPRING	1	1						
27	4	198220-27770	ROD, BRAKE B	1	1						
28	4	198220-27880	SPRING, C	1	1						
29	4	194130-37750	JOINT, 2-WAY	1	1						
30	4	22117-100000	WASHER, 10	1	1						
31	4	22252-000200	RING, 20	1	1						
32	4	26716-100002	NUT, M10	1	1						
33	4	26716-100002	NUT, M10	2	2						
34	3	198220-27710	CRANK ASSY, BELL	1	1						
35	4	24550-020250	BUSH, 20X25	1	1						
36	3	1A8160-27760	LEVER, PTO CHANGE M	1	1						
37	4	24550-020250	BUSH, 20X25	1	1						
38	3	1A8160-27800	CRANK KIT, BELL	1	1						
39	4	24550-020250	BUSH, 20X25	2	2						
40	3	1A8160-27840	ARM ASSY, PTO	1	1						
41	4	1E4440-24050	BUSH, 17X19X10	2	2						
42	3	1A8160-27900	ROD, MID PTO BRAKE	2	2						
43	3	198220-27940	ROD, BRAKE C	1	1						
44	3	198234-27980	END ASSY, ROD	1	1						
45	4	194990-20170	NUT, M8	1	1						
46	4	194820-27370	END, ROD L	1	1						
47	4	198220-27750	ROD, MID	1	1						
48	4	198220-28260	BELLOWS, MID PTO	1	1						
49	4	172112-41980	BEARING, ROD-END	1	1						
50	4	26716-080002	NUT, M8	1	1						
51	3	198220-28250	BELLOWS, MID PTO	1	1						

Remarks
 * Optional parts.
 * This Figure MID P.T.O(2) is
 Incorporated in the MID P.T.O KIT
 (Fig.125)

Fig.126. MID P.T.O(2)

(A)=EX2900(YANMAR)
 (B)=EX3200(YANMAR)
 (C)=

(D)=
 (E)=
 (F)=



No.	Lev.	Parts No.	Description	Q'ty						I	R
				(A)	(B)	(C)	(D)	(E)	(F)		
52	3	198220-37900	PIN, 8X24	2	2						
53	3	198220-37900	PIN, 8X24	4	4						
54	3	198220-75120	COLLAR, 17X25X22	2	2						
55	3	198220-75810	BOLT, M16X55	2	2						
56	3	1E4132-99600	LINER 17.2X30X1	1	1						
57	3	22137-080000	WASHER, 8	1	1						
58	3	22137-100000	WASHER, 10	2	2						
59	3	22137-200000	WASHER, 20	1	1						
60	3	22157-080000	WASHER, 8	3	3						
61	3	22157-080000	WASHER, 8	4	4						
62	3	22272-000070	RING, E- 7	1	1						
63	3	22272-000150	RING, E-15	1	1						
64	3	22272-000150	RING, E-15	1	1						
65	3	22272-000190	RING, E-19	1	1						
66	3	22417-250300	PIN, COTTER 2.5X30	2	2						
67	3	22417-250300	PIN, COTTER 2.5X30	2	2						
68	3	22417-250300	PIN, COTTER 2.5X30	4	4						
69	3	26023-060122	SCREW, M6X12	1	1						
70	3	26106-060122	BOLT, M6X 12 PLATED	3	3						
71	3	26106-080162	BOLT, M8X 16 PLATED	1	1						
72	3	26106-080202	BOLT, M8X 20 PLATED	3	3						
73	3	26106-080202	BOLT, M8X 20 PLATED	1	1						
74	3	26106-100252	BOLT, M10X 25 PLATED	2	2						
75	3	194990-22150	NUT, M10	1	1						
76	3	26986-080002	NUT, LOCK M8	2	2						
77	3	198220-27910	LEVER, B	1	1						
78	3	22217-050000	WASHER, SPRING 5	2	2						
79	3	26116-050162	BOLT, M5X 16 PLATED	2	2						
80	3	26346-050002	NUT, M5	2	2						

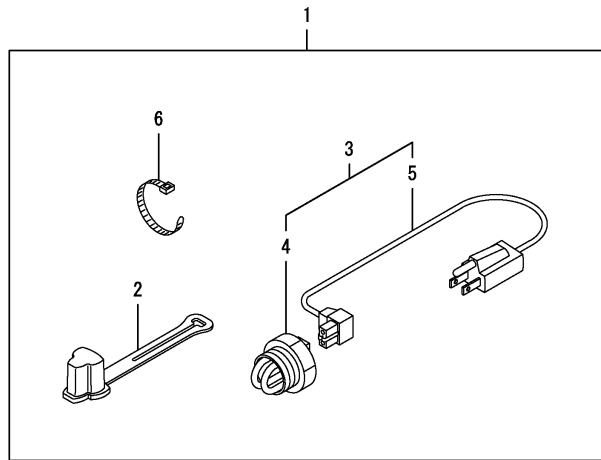
Remarks
 * Optional parts.
 * This Figure MID P.T.O(2) is
 Incorporated in the MID P.T.O KIT
 (Fig.125)

Fig.128. BLOCK HEATER

(A)=EX2900(YANMAR)
 (B)=EX3200(YANMAR)
 (C)=

(D)=
 (E)=
 (F)=

No.	Lev.	Parts No.	Description	Q'ty						I	R
				(A)	(B)	(C)	(D)	(E)	(F)		
1	1	129269-95040	HEATER ASSY,BLOCK	1	1						
2	2	1A7880-57260	PROTECTOR, PLUG	1	1						
3	2	129269-95010	HEATER ASSY	1	1						
4	3	171015-77900	HEATER	1	1						
5	3	171015-77910	CORD, HEATER	1	1						
6	2	29622-140001	BAND, RF140	1	1						



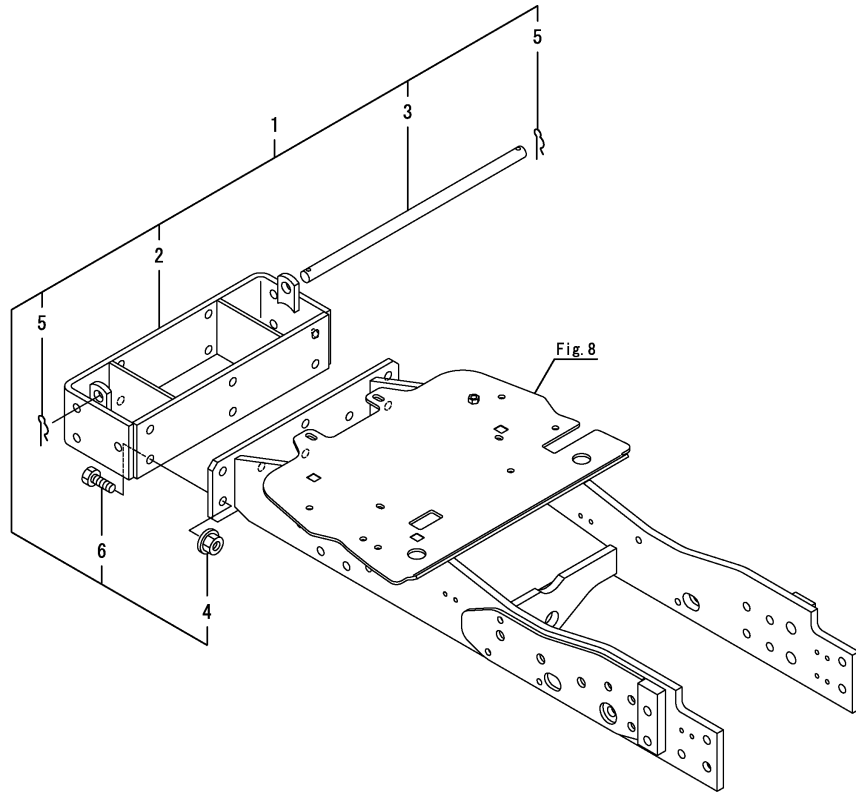
Remarks
 * Optional parts.

Fig.129. FRONT HITCH

(A)=EX2900(YANMAR)
 (B)=EX3200(YANMAR)
 (C)=

(D)=
 (E)=
 (F)=

No.	Lev.	Parts No.	Description	Q'ty						I	R
				(A)	(B)	(C)	(D)	(E)	(F)		
1	1	1A8160-11050	HITCH KIT, FRONT	1	1						
2	2	1A8160-11120	HITCH, FRONT	1	1						
3	2	194197-11140	PIN, WEIGHT LOCK	1	1						
4	2	194990-22160	NUT, M12	6	6						
5	2	22372-160000	PIN, SNAP 16	2	2						
6	2	26116-120352	BOLT, M12X 35 PLATED	6	6						



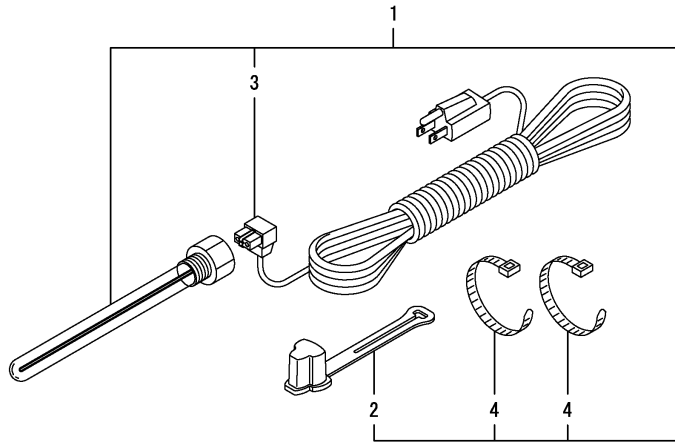
Remarks
 * Optional parts.

Fig.130. T/M HEATER

(A)=EX2900(YANMAR)
 (B)=EX3200(YANMAR)
 (C)=

(D)=
 (E)=
 (F)=

No.	Lev.	Parts No.	Description	Q'ty						I	R
				(A)	(B)	(C)	(D)	(E)	(F)		
1	1	1A8160-99100	HEATER KIT,TM	1	1						
2	2	1A7880-57260	PROTECTOR, PLUG	1	1						
3	2	1A8160-99020	CODE, POWER	1	1						
4	2	29622-250001	BAND, RF250	2	2						

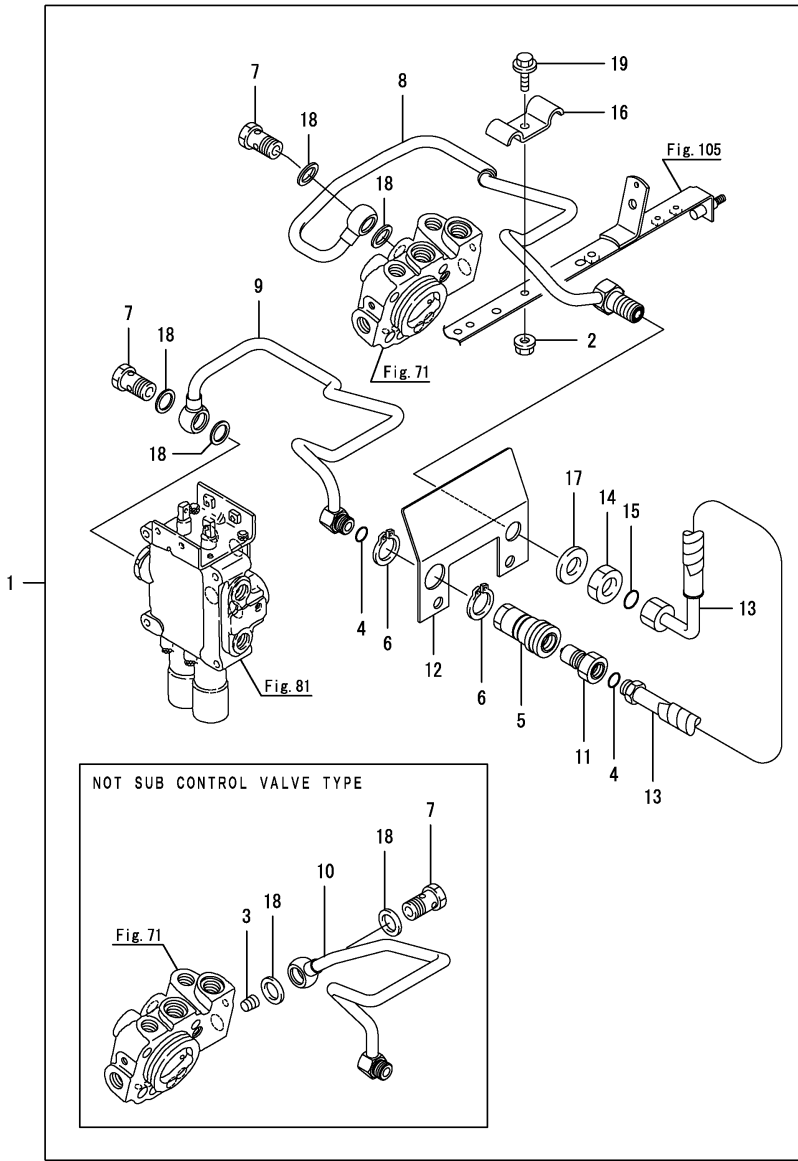


Remarks
 * Optional parts.

Fig.131. REAR COUPLER

(A)=EX2900(YANMAR)
 (B)=EX3200(YANMAR)
 (C)=

(D)=
 (E)=
 (F)=



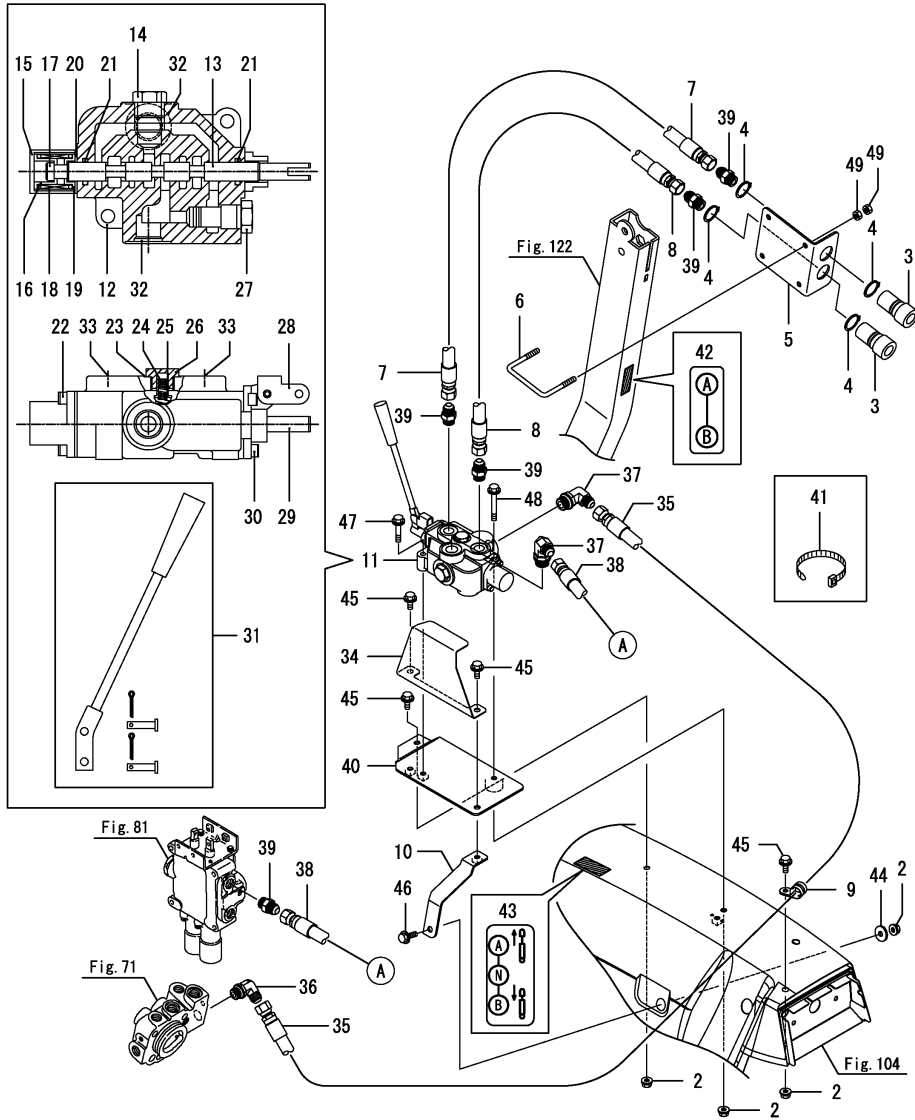
No.	Lev.	Parts No.	Description	Q'ty						I	R
				(A)	(B)	(C)	(D)	(E)	(F)		
1	1	1A8160-48810	HYDRAULIC KIT,OUTLET	1	1						
2	2	194990-22140	NUT, M8	1	1						
3	2	198245-42160	PLUG, 1/4	1	1						1
4	2	194464-45930	O-RING, 8-1	2	2						
5	2	1A8160-46250	COUPLER, QUICK 3/8	1	1						
6	2	198240-46260	RING, SNAP	2	2						
7	2	198245-46680	BOLT, M3/4-16	2	2						
8	2	1A8160-48511	PIPE, PRESSURE C	1	1						
9	2	1A8160-48541	PIPE, PRESSURE	1	1						
10	2	1A8160-48571	PIPE, PRESSURE P	1	1						1
11	2	1A8160-48820	COUPLER, QUICK 3/8	1	1						
12	2	1A8160-48890	BRACKET ASSY	1	1						
13	2	1A8160-48911	HOSE, HYDRAULIC	1	1						
14	2	198165-48920	NUT, 13/16	1	1						
15	2	1A8160-48920	PACKING, CH178X0124H	1	1						
16	2	198220-48950	CLAMP	1	1						
17	2	22137-200000	WASHER, 20	1	1						
18	2	23414-190000	GASKET, 19X1.0	4	4						
19	2	26106-080202	BOLT, M8X 20 PLATED	1	1						

Remarks
 * Optional parts.
 (1)For not sub control valve type.

Fig.132. REAR REMOTE

(A)=EX2900(YANMAR)
 (B)=EX3200(YANMAR)
 (C)=

(D)=
 (E)=
 (F)=



No.	Lev.	Parts No.	Description	Qty						I	R
				(A)	(B)	(C)	(D)	(E)	(F)		
2	1	194990-22140	NUT, M8	4	4						
3	1	1A8160-46250	COUPLER, QUICK 3/8	2	2						
4	1	198240-46260	RING, SNAP	4	4						
5	1	1A8160-46550	BRACKET, COUPLER	1	1						
6	1	1A8160-46560	BAND	2	2						
7	1	1A8160-46570	HOSE, VALVE PORT A	1	1						
8	1	1A8160-46580	HOSE, VALVE PORT B	1	1						
9	1	1A8160-46590	CLAMP, HOSE	1	1						
10	1	1A8160-46730	SUPPORT, BRACKET	1	1						
11	1	1A8160-46850	VALVE ASSY, REMOTE	1	1						
12	2	1A8160-47710	VALVE BODY	1	1						
13	2	1A8160-47720	SPOOL	1	1						
14	2	1A8160-47730	PLUG, PORT	1	1						
15	2	1A8160-47740	CAP, END	1	1						
16	2	1A8160-47750	CUP, STOP	1	1						
17	2	1A8160-47760	ADAPTER, SPOOL	1	1						
18	2	1A8160-47770	SPRING	1	1						
19	2	1A8160-47780	CUP, STOP	1	1						
20	2	1A8160-47790	PLATE, RETAINER	1	1						
21	2	1A8160-47800	SEAL, SPOOL	2	2						
22	2	1A8160-47810	SCREW, CAP	2	2						
23	2	1A8160-47820	O-RING	1	1						
24	2	1A8160-47830	SPRING, CHECK	1	1						
25	2	1A8160-47840	VALVE, CHECK	1	1						
26	2	1A8160-47850	PLUG, CHECK	1	1						
27	2	1A8160-47860	PLUG, RELIEF	1	1						
28	2	1A8160-47870	CLEVIS ASSY	1	1						
29	2	1A8160-47880	ADAPTER, SPOOL	1	1						
30	2	1A8160-47890	SCREW, CAP	2	2						
31	2	1A8160-47900	HANDLE KIT	1	1						
32	2	1A8160-47910	PLUG, PORT	2	2						
33	2	1A8160-47920	PLUG, PORT	2	2						
34	1	1A8160-46890	COVER, VALVE	1	1						
35	1	1A8160-46900	HOSE, VALVE	1	1						
36	1	1A8160-46910	ELBOW, 8-8	1	1						
37	1	1A8160-46920	ELBOW, 8-10	2	2						
38	1	1A8160-46950	HOSE, VALVE	1	1						
39	1	1A8160-46960	CONNECTOR, 8-8	5	5						
40	1	1A8160-46970	BRACKET, REMOTE	1	1						
41	1	1A8300-51210	BAND, REPEAT	4	4						
42	1	1A8160-65670	LABEL, SCV PORT 1	1	1						
43	1	1A8160-65680	LABEL, SCV LEVER 1	1	1						
44	1	22157-080000	WASHER, 8	1	1						
45	1	26106-080162	BOLT, M8X 16 PLATED	4	4						
46	1	26106-080252	BOLT, M8X 25 PLATED	1	1						
47	1	26106-080402	BOLT, M8X 40 PLATED	1	1						
48	1	26106-080602	BOLT, M8X 60 PLATED	1	1						
49	1	26717-080002	NUT, M8	8	8						

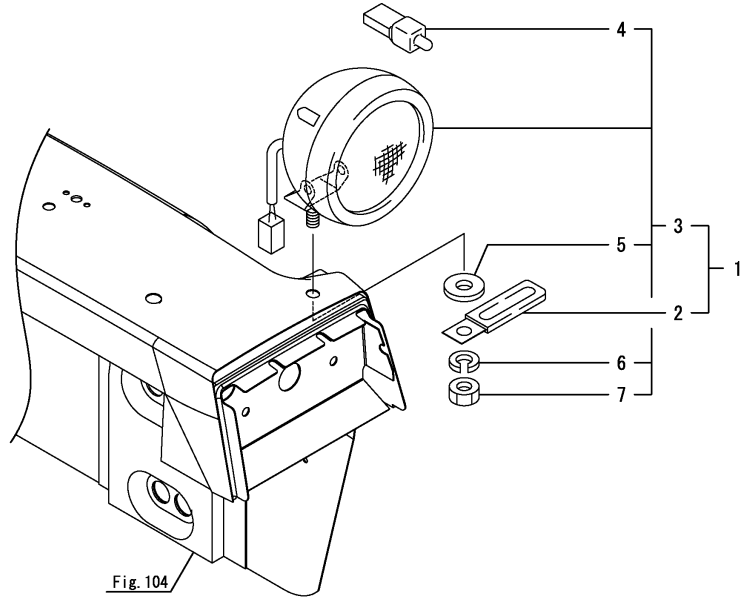
Remarks
 * Optional parts.

Fig.133. WORK LAMP

(A)=EX2900(YANMAR)
 (B)=EX3200(YANMAR)
 (C)=

(D)=
 (E)=
 (F)=

No.	Lev.	Parts No.	Description	Q'ty						I	R
				(A)	(B)	(C)	(D)	(E)	(F)		
1	1	1A8160-53310	LAMP KIT, WORK	1	1						
2	2	194180-51640	CLAMP, HARNESS	1	1						
3	2	1A7340-54100	LAMP ASSY, WORKING	1	1						
4	3	1A7470-86270	BULB, 12V-35W	1	1						
5	3	22137-100000	WASHER, 10	1	1						
6	3	22217-100000	WASHER, SPRING 10	1	1						
7	3	26736-100002	NUT, M10	1	1						

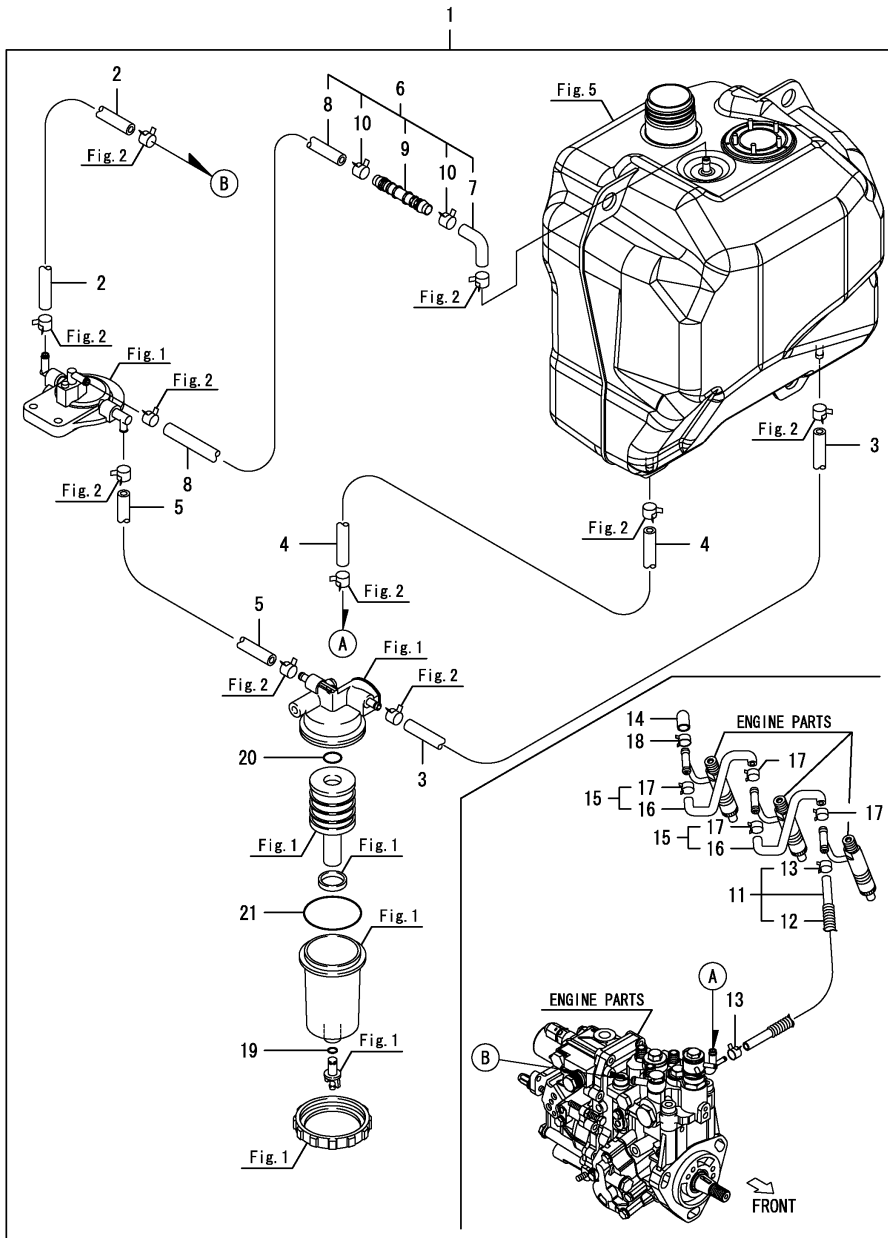


Remarks
 * Optional parts.

Fig.134. FO HOSE(FAME

(A)=EX2900(YANMAR)
 (B)=EX3200(YANMAR)
 (C)=

(D)=
 (E)=
 (F)=



No.	Lev.	Parts No.	Description	Q'ty						I	R
				(A)	(B)	(C)	(D)	(E)	(F)		
1	1	1A8160-04250	HOSE KIT, FUEL	1	1						
2	2	1A8160-04500	HOSE, FUEL 270	1	1						
3	2	1A8160-04510	HOSE, FUEL 330	1	1						
4	2	1A8160-04520	HOSE, FUEL 900	1	1						
5	2	1A8160-04530	HOSE, FUEL A	1	1						
6	2	1A8160-04570	HOSE ASSY	1	1						
7	3	1A8160-04270	HOSE, RETURN	1	1						
8	3	1A8160-04280	HOSE, FUEL 1060	1	1						
9	3	1A8160-04480	JOINT, HOSE	1	1						
10	3	114270-59010	CLIP, HOSE 12	2	2						
11	2	129268-59551	PIPE ASSY, RETURN	1	1						
12	3	129237-59120	PROTECTOR,HOSE	1	1						
13	3	124060-77680	CLIP, HOSE 10	2	2						
14	2	119593-59581	CAP	1	1						
15	2	129486-59581	HOSE, FUEL	2	2						
16	3	129486-59521	PIPE, FUEL RETURN	2	2						
17	3	124060-77680	CLIP, HOSE 10	4	4						
18	2	124060-77680	CLIP, HOSE 10	1	1						
19	2	24316-000070	O-RING, 4DP7.0	1	1						
20	2	24316-000160	O-RING, 4DP16.0	1	1						
21	2	24326-000650	O-RING, 4DG65.0	1	1						

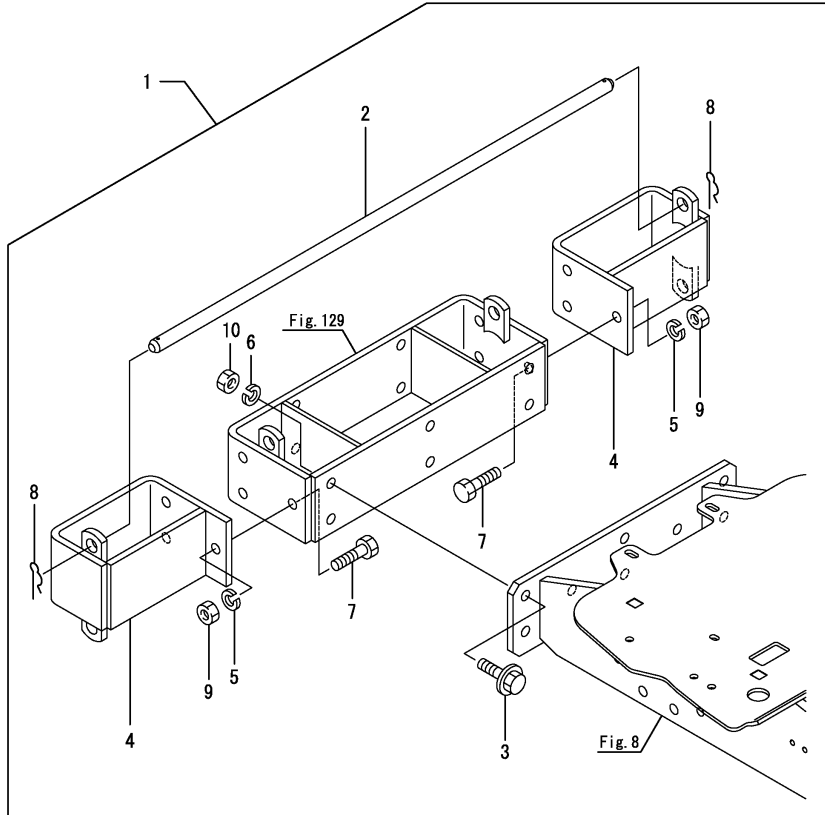
Remarks
 * Optional parts.

Fig.135. EXTRA HITCH

(A)=EX2900(YANMAR)
 (B)=EX3200(YANMAR)
 (C)=

(D)=
 (E)=
 (F)=

No.	Lev.	Parts No.	Description	Q'ty						I	R
				(A)	(B)	(C)	(D)	(E)	(F)		
1	1	1A8160-11920	HITCH KIT, FRONT EXT	1	1						
2	2	198220-11350	PIN, WEIGHT LOCK	1	1						
3	2	198220-11520	BOLT, M12X38	6	6						
4	2	198220-11900	HITCH, EXTRA	2	2						
5	2	194274-13580	WASHER, SPRING 12	6	6						
6	2	194274-13580	WASHER, SPRING 12	6	6						
7	2	194465-13650	BOLT, M12X32	6	6						
8	2	22372-160000	PIN, SNAP 16	2	2						
9	2	26716-120002	NUT, M12	6	6						
10	2	26716-120002	NUT, M12	6	6						



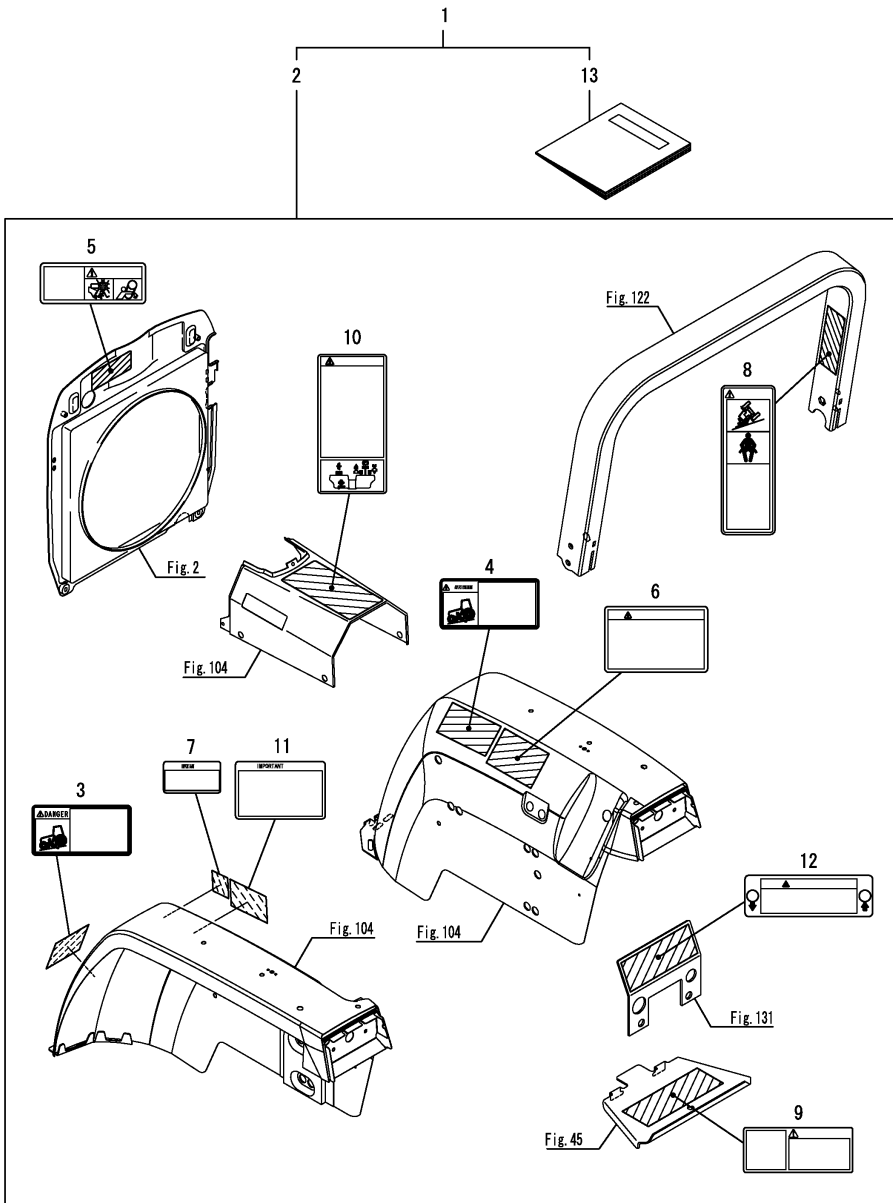
Remarks
 * Optional parts.

Fig.136. LABEL(FRENCH

(A)=EX2900(YANMAR)
 (B)=EX3200(YANMAR)
 (C)=

(D)=
 (E)=
 (F)=

No.	Lev.	Parts No.	Description	Q'ty						I	R
				(A)	(B)	(C)	(D)	(E)	(F)		
1	1	1A8160-99200	OPTION KIT, FRENCH	1	1						
2	2	1A8160-65010	LABEL KIT,EX29/32 FR	1	1						
3	3	1A8250-65100	LABEL, DANGER START	1	1						
4	3	1A8250-65110	LABEL, WARNING STOP	1	1						
5	3	1A7880-65120	LABEL, WARNING FAN	1	1						
6	3	1A8250-65130	LABEL, WARNING ROPS	1	1						
7	3	1A8250-65140	LABEL,IMPORTANT DIFF	1	1						
8	3	1A8250-65160	LABEL, WARNING ROPS	1	1						
9	3	1A8250-65180	LABEL, WARNING PTO	1	1						
10	3	1A8160-65330	LABEL, WARNING	1	1						
11	3	1A8160-65460	LABEL, SHIFT	1	1						
12	3	1A8160-65500	LABEL, CAUTION	1	1						
13	2	0A041-F01000	OPERATION MANUAL	1	1						



Remarks
 * Optional parts.

Parts No. Index

Parts No.	Fig. No.	Ref. No.
0A041-F01000	136	13
0A041-U01000	124	1
114110-07761	1	1
114270-59010	2	16
		27
	134	10
119255-44660	1	18
119593-59581	134	14
119802-55700	1	24
119802-55710	1	26
119802-55730	1	27
119802-55810	1	30
119808-12520	1	3
119808-12540	1	6
119852-55612	1	23
119866-12540	1	7
121267-49500	2	22
121450-44531	1	14
121470-44581	1	17
124060-77680	134	13
		17
		18
124450-44560	1	16
124550-77030	90	38
124617-91920	96	12
124764-44810	1	19
124766-59050	2	28
		29
129051-12530	1	4
129052-13550	4	2
129100-55690	1	25
129107-44590	1	10
129150-49081	1	21
129211-77920	1	31
129237-59120	134	12
129263-44500	1	9
129263-44510	1	13
129268-59551	134	11
129269-12500	1	2
129269-95010	128	3
129269-95040	128	1
129418-12530	1	5
129467-44580	1	11
129467-44590	1	12
129486-59521	134	16
129486-59581	134	15
129550-49090	1	22
129550-49101	1	20
129612-12650	1	8
158802-85880	53	12

Parts No.	Fig. No.	Ref. No.
158805-85211	53	10
158805-85221	53	11
158810-85140	53	9
168HJ1-29060	53	3
168HJ1-29070	53	4
168HJ1-29080	53	5
168HJ5-29510	53	8
168HM6-29410	53	6
168HM6-29420	53	7
171015-77900	128	4
171015-77910	128	5
172112-41980	126	49
172516-22370	81	27
174570-63620	2	36
	102	26
175022-49750	2	23
178071-01010	76	1
192154-29610	68	1
192180-25980	17	4
194065-23140	126	14
194065-25340	125	4
194080-01121	81	25
194130-22160	34	3
194130-22170	34	4
194130-22280	29	5
194130-37750	126	29
194130-44480	75	8
194130-47851	104	3
194145-27450	49	1
194145-61570	3	8
194145-61651	96	17
	100	16
194150-01270	3	6
	126	25
194150-21910	30	2
194150-22480	35	6
194150-25530	42	4
194150-43350	74	2
194150-45320	80	1
194151-36670	16	14
194151-47760	82	15
194155-52160	92	2
194155-52190	92	3
194167-61650	102	16
		17
	103	14
		15
		16
194170-45610	77	2
194170-47320	82	1

Parts No.	Fig. No.	Ref. No.
194170-47440	82	7
194170-51210	90	23
	102	4
194180-01240	2	5
194180-05270	126	17
		22
194180-12471	25	1
194180-26690	36	13
194180-51640	133	2
194190-22250	29	4
194190-26351	125	6
194190-26840	44	11
	125	19
194191-13350	47	1
	126	2
194191-28350	42	13
194193-43310	74	1
194195-44210	75	3
194195-44230	75	4
194195-44250	75	5
194195-44260	75	6
194195-44411	75	7
194195-45620	77	3
194195-45640	77	5
194195-45650	77	6
194195-46260	77	8
194197-11140	129	3
194197-26680	44	9
194197-26710	44	10
194197-33100	59	1
194197-33110	59	2
194197-33120	59	3
194197-34310-1	58	9
194197-34320-1	58	10
194197-43410	75	1
194197-44610-1	75	10
194208-47420	82	5
194208-47440	82	8
194208-47550	82	11
194208-47860	82	16
194250-22370	53	22
194250-51650	90	31
194274-13570	15	2
194274-13580	69	1
	135	5
		6
194275-51160	90	7
194275-51170	90	9
194275-56900	96	16
194300-22260	35	3

Parts No.	Fig. No.	Ref. No.
194300-31550	12	3
194300-31560	12	4
194300-31570	12	5
194300-31610	12	6
194300-31620	12	7
194300-33190	59	6
194300-33200	59	7
194301-28280	51	7
194305-25160	41	1
194306-13140	11	3
194310-25100	43	1
194310-46350	71	12
194310-46380	71	13
194310-46730	71	14
194312-46630	78	3
194321-13230	56	1
194322-24980	39	3
194330-62530	106	9
194405-83910	43	10
194420-56620	5	10
194430-31610	56	3
194430-31820	56	4
194430-31850	56	5
194440-32580	62	1
194440-44112	75	2
194440-51620	2	24
		25
		36
		90
		27
		28
		29
		30
194440-51630	94	2
194440-61580	102	15
194446-26280	43	9
194447-13490	15	1
194447-14140	18	5
	58	2
194447-14180	58	3
194450-11190	8	2
	29	1
194450-48830	84	6
194464-45930	81	4
	131	4
194464-48850	84	7
194464-52190	92	6
		7
	125	38
194465-11920	58	1
194465-13650	135	7

Parts No. Index

Parts No.	Fig. No.	Ref. No.
194505-24160	125	3
194515-13220	9	1
194515-24930	39	1
194515-25780	44	1
194515-25840	42	8
194550-46300	78	1
194550-47530	82	10
194555-04270	6	2
194555-25870	44	2
194555-34180	66	1
194555-34190	66	2
194555-47340	82	2
194555-47350	82	3
194555-48350	85	4
194555-56890	96	15
194555-61640	103	11
		12
		13
194555-61970	102	21
194556-13790	18	1
194640-17340	26	3
194640-25390	125	5
194640-46410	80	5
194640-46420	80	6
194640-46620	78	2
194680-27540	47	8
194680-51670	2	26
	5	14
	90	32
		33
		34
194730-57220	10	4
		10
194730-57242	10	6
		12
194740-00160	3	2
194740-06080	29	3
	68	3
194820-27370	126	46
194850-13660	15	4
194850-13690	15	7
194850-24960	36	12
194850-26850	125	21
194850-26870	125	22
194850-31380	11	5
194850-42500	71	6
194850-45700	77	7
194850-49230	77	9
194855-25290	11	4
194881-12650	23	1

Parts No.	Fig. No.	Ref. No.
194940-61790	96	18
	100	19
194940-65590	99	7
194990-20170	126	45
194990-22050	90	1
194990-22120	5	7
194990-22130	27	10
	28	12
	81	26
	90	2
	91	1
	94	1
	97	1
	103	1
194990-22140	6	4
	7	2
	35	1
	54	2
	90	3
	100	1
		4
	102	1
		2
		3
	104	6
	108	2
	109	1
		2
	131	2
	132	2
194990-22150	46	1
	50	1
	109	3
	126	75
194990-22160	129	4
194990-22831	10	3
194990-22841	10	9
194990-42710	34	5
194990-85561	81	53
195230-17260	120	1
195616-24930	27	2
	28	3
198071-37510	35	11
	70	7
198071-58810	102	7
198071-61890	95	14
	100	20
198071-65610	95	17
		18
		19

Parts No.	Fig. No.	Ref. No.
198071-65610	99	8
198093-84810	100	23
198119-27150	51	2
198119-48310	85	3
198129-05190	101	9
		12
198129-27281	67	1
198133-15710	24	2
198133-15750	24	3
198133-22510	35	8
	70	1
198133-22530	35	10
	70	2
198146-63660	102	27
198153-17630	26	10
198153-51700	90	19
198153-53410	95	11
198165-01130	3	4
198165-36190	70	3
198165-48920	131	14
198167-35311	67	8
198167-35411	67	11
198200-14110-1	18	2
198200-14120	18	3
198200-14210	18	7
198200-36310	69	2
198200-36341	69	3
198200-36350-1	69	4
198200-36380	69	5
198200-36390	69	6
198200-36410	69	7
198200-36422	69	8
198212-27990	51	3
198220-01110	3	3
198220-01140	3	5
198220-01350	3	7
198220-04290	5	6
198220-11350	135	2
198220-11510	8	3
	117	1
198220-11520	135	3
198220-11530	8	5
198220-11900	135	4
198220-15650	24	1
198220-22230	48	1
198220-22310	33	2
198220-22350	35	4
198220-22470	35	5
198220-22520	35	9
198220-24211	36	6

Parts No.	Fig. No.	Ref. No.
198220-24341	36	7
198220-24360	36	8
198220-24480	36	10
198220-24970	39	2
198220-25830	42	7
198220-25840	42	9
198220-26110	43	2
198220-26130	43	4
198220-26380	43	6
198220-26410	43	7
198220-26430	43	8
198220-26460	44	3
198220-26470	44	4
198220-26500	44	5
198220-26510	44	6
198220-26530	44	7
198220-26560	44	8
198220-26570	125	7
198220-26582	45	1
198220-26711	125	8
198220-26730	125	9
198220-26740	125	10
198220-26750	125	11
198220-26761	125	12
198220-26771	125	13
198220-26790	51	1
	125	14
198220-26800	125	15
198220-26810	125	16
198220-26820	125	17
198220-26830	125	18
198220-26840	125	20
198220-26850	125	23
198220-26860	125	24
198220-26870	125	25
198220-26890	125	26
198220-26910	125	27
198220-26920	44	12
198220-26930	125	28
198220-26940	125	29
198220-26990	50	2
	126	9
198220-27230	126	10
198220-27240	126	15
198220-27290	50	3
198220-27390	126	12
198220-27400	126	13
198220-27460	126	16
198220-27470	126	21
198220-27580	126	23

Parts No. Index

Parts No.	Fig. No.	Ref. No.
198220-27600	125	32
198220-27610	126	26
198220-27620	126	24
198220-27630	49	2
198220-27640	49	3
198220-27650	49	4
198220-27690	125	33
198220-27700	49	5
198220-27710	126	34
198220-27720-1	125	34
198220-27750	126	47
198220-27770	126	27
198220-27790	126	18
198220-27810-1	50	4
198220-27840	125	35
198220-27850	125	36
198220-27860	125	37
198220-27880	126	28
198220-27910	126	77
198220-27940	126	43
198220-27990	49	6
198220-28250	126	51
198220-28260	126	48
198220-33140	59	4
198220-33210	59	8
198220-34340	58	11
198220-37700	70	26
198220-37720	70	27
198220-37730	70	14
198220-37770	70	16
198220-37790	70	17
198220-37900	70	35
	126	52
		53
198220-42101	71	1
198220-44510	75	9
198220-45340	77	1
198220-45350	80	2
198220-45370	80	3
198220-45630	77	4
198220-45920	71	9
	72	1
		2
198220-46200	81	28
198220-46210	81	29
198220-46220	81	23
198220-46300	81	35
198220-46400	80	4
198220-46500	81	15
198220-46603	81	18

Parts No.	Fig. No.	Ref. No.
198220-46701	81	22
198220-46710	81	30
198220-46851	81	55
198220-46860	81	36
198220-46910	81	31
198220-46920	81	32
198220-46970	81	33
198220-46991	81	37
198220-47370	83	1
198220-47380	82	4
198220-47430	82	6
198220-47490	82	9
198220-47560	82	12
198220-47570	82	13
198220-47710-1	104	1
198220-47750	104	2
198220-48140	27	15
	28	17
	84	2
198220-48420	85	5
198220-48750	84	5
	88	4
	89	5
198220-48950	131	16
198220-51170	90	22
198220-52180	97	2
		3
198220-52410	109	5
198220-52420	109	6
198220-53170	96	2
198220-56130	96	5
198220-56140	96	6
198220-56150	96	7
198220-56160	96	8
198220-56220	96	11
198220-56230	96	13
198220-56600	5	8
198220-56610	5	9
198220-56630	5	11
198220-61340	99	4
198220-61351	101	14
198220-61540	103	4
198220-61800	101	16
198220-62030	103	19
198220-62150	100	22
	106	3
198220-62220	104	12
198220-62260	104	7
198220-62270	104	8
198220-62410	104	13

Parts No.	Fig. No.	Ref. No.
198220-62440	104	14
198220-62690	105	2
198220-62890	106	11
198220-62920	104	9
198220-63120	109	8
198220-63150	109	9
198220-63160	109	10
198220-63220-1	109	12
198220-63230-1	109	13
198220-63240	109	14
198220-63260	109	15
198220-63270	109	16
198220-63280	109	17
198220-63850	103	20
198220-65350	111	2
198220-65420	81	57
198220-65470	111	7
198220-65621	114	2
198220-73140	116	43
198220-73240	116	44
198220-73250	116	45
198220-75120	126	54
198220-75210-1	121	1
198220-75700-1	121	2
198220-75800	120	3
198220-75810	126	55
198220-85270	122	3
198220-85290	122	4
198220-85301-1	123	1
198220-85330	123	2
198220-85390	117	7
198221-13130	11	2
198221-13410	13	2
198221-14650	19	2
198223-42270	73	1
198223-43200	71	8
198226-52100	92	1
198230-17301	26	1
198230-17311	26	2
198230-17340	26	4
198230-17850	27	8
	28	10
198230-26600	126	3
198230-26630	126	4
198230-26650	126	5
198230-26710	126	6
198230-26720	126	7
198230-26730	126	8
198230-27540	125	31
198230-31510	56	2

Parts No.	Fig. No.	Ref. No.
198230-32110	56	6
198230-33500	61	1
198230-34050	62	2
198230-34101	62	3
198230-34111	62	4
198230-48220	84	4
198230-61960	100	8
198230-62250	105	1
198230-62510-1	106	7
198230-62520-1	106	8
198230-62950	105	4
198234-27980	126	44
198234-46701	81	24
198234-62600	108	1
198234-72550	116	23
		30
198240-21180	30	1
198240-46260	81	6
	131	6
	132	4
198240-48500	85	6
198240-62451	106	6
198240-63110	109	7
198245-42160	81	2
	131	3
198245-46680	27	11
		12
		13
		14
	28	13
		14
		15
		16
	81	21
	131	7
198245-51210	102	5
198253-01190	3	12
198253-27510	46	2
198253-37610	70	20
198253-51410	90	25
198253-75430	120	2
198266-28390	16	12
	36	14
198268-17790	27	7
	28	4
198268-61690	103	17
198273-28521	52	1
198280-24340	53	1
198280-29490	54	12
198280-29570	53	23

Parts No. Index

Parts No.	Fig. No.	Ref. No.
198287-21510	31	1
198287-21700	31	2
198290-32750	58	7
198290-37510	70	8
198291-18120	10	2
198291-18130	10	8
198291-77870	90	39
		40
		41
		42
198327-22230	34	6
198415-25840	42	10
198448-04270	2	14
198448-53320	95	3
		6
198448-60080	102	8
		9
198475-32660	16	13
198475-65030	95	15
		16
		99
		6
198535-52110	90	11
198535-52120	90	12
198535-52130	90	13
1A6150-61870	106	2
1A6780-57200	97	5
1A7000-53230	95	2
		5
1A7000-61490	90	37
1A7260-01030	2	1
1A7260-01040	2	2
1A7260-01220	2	4
1A7260-01250	2	6
1A7260-03160	2	9
1A7260-03170	2	10
1A7260-03180	2	11
1A7260-51710	90	35
1A7260-52410	90	14
1A7260-53350	95	7
1A7260-60211	2	30
1A7260-60221	2	31
1A7260-60610	99	1
1A7260-60640	101	1
1A7260-60661	8	6
1A7260-60670	101	2
1A7260-60680	100	2
1A7260-60750	8	7
1A7260-60780	101	3
1A7260-60790	101	4
1A7260-60800	100	5

Parts No.	Fig. No.	Ref. No.
1A7260-60810	100	6
1A7260-60820	100	7
1A7260-60870	100	12
1A7260-60890	99	2
1A7260-60900	101	5
1A7260-60920	101	6
1A7260-60930	101	7
1A7260-61100-2	99	3
1A7260-61150-1	101	10
		13
1A7260-61250	95	12
1A7260-61260	95	13
1A7260-61310-1	100	14
1A7260-61550	100	15
1A7260-61650	100	17
1A7260-61660	100	18
1A7260-61860	2	34
1A7260-61920	100	21
1A7260-61970	2	35
1A7330-51130	90	16
1A7330-53430	94	4
1A7335-04071	5	2
1A7335-04081	5	3
1A7335-04110	5	4
1A7335-04280	6	3
1A7335-17310	25	3
1A7335-17410	25	4
1A7335-17500	25	5
1A7335-17520	25	6
1A7335-17530	25	7
1A7335-17551	25	8
1A7335-17750	25	9
1A7335-42810	71	7
1A7335-52110	92	4
1A7335-52120	92	5
1A7335-52150	70	30
1A7335-53600	94	8
1A7335-53610	94	9
1A7335-53620	94	10
1A7335-53630	94	11
1A7335-53640	94	12
1A7335-53650	94	13
1A7335-56120	96	4
1A7335-62550	107	1
1A7335-62560	107	2
1A7335-62700	105	3
1A7335-71100	116	2
1A7335-71230	116	3
1A7335-71240	116	4
1A7335-71250	116	5

Parts No.	Fig. No.	Ref. No.
1A7335-71250	116	15
1A7335-71410	116	6
		12
		16
		26
1A7335-71500	116	7
1A7335-71600	116	8
1A7335-71700	116	9
1A7335-71750	116	10
1A7335-71760	116	11
1A7335-72100	116	13
1A7335-72200	116	18
1A7335-72230	116	19
1A7335-72360	116	20
1A7335-72370	116	21
		28
1A7335-72390	116	22
1A7335-72500	116	25
1A7335-72530	116	29
1A7335-72800	116	24
1A7335-73100	116	32
1A7335-73160	118	1
1A7335-73400	116	31
1A7335-74600	116	33
1A7335-74610	116	34
1A7335-74620	116	35
1A7335-74630	116	36
1A7335-74640	116	37
1A7335-74670	116	38
1A7335-74680	116	39
1A7335-74760	119	1
1A7335-74770	119	2
1A7335-74800	116	40
1A7335-74810	116	41
1A7335-74820	116	42
1A7336-73150	117	3
1A7336-73160	117	4
1A7340-54100	133	3
1A7340-61560	102	14
1A7340-65080	111	1
1A7450-13230	9	3
1A7450-43680	116	14
1A7470-86270	133	4
1A7500-51130	90	5
		21
1A7500-51160	90	8
1A7500-51170	90	10
		18
1A7500-72160	116	17
		27

Parts No.	Fig. No.	Ref. No.
1A7510-52120	70	29
1A7510-60980	106	1
1A7780-03150	2	8
1A7780-52510	90	36
1A7780-53200	95	1
1A7780-53300	95	4
1A7780-53350	95	8
1A7780-53360	95	9
1A7780-53370	95	10
1A7780-60550	102	10
1A7780-60800	100	3
1A7780-60860	2	33
1A7880-57260	128	2
	130	2
1A7880-65120	136	5
1A7880-65620	114	1
1A7880-71550	117	2
1A7890-60980	102	13
1A7891-60910	102	11
1A8070-12310	10	1
1A8150-17750	27	5
1A8150-51710	86	1
	87	2
1A8150-65780	112	2
1A8150-65790	112	3
1A8160-01210	2	3
1A8160-01300	2	7
1A8160-01320	3	13
1A8160-03100	4	1
1A8160-04100	5	1
1A8160-04130	5	12
1A8160-04150	5	13
1A8160-04210	6	1
1A8160-04250	134	1
1A8160-04260	5	5
1A8160-04270	134	7
1A8160-04280	134	8
1A8160-04430	2	12
1A8160-04470	2	13
1A8160-04480	2	15
	134	9
1A8160-04500	134	2
1A8160-04510	134	3
1A8160-04520	134	4
1A8160-04530	134	5
1A8160-04570	134	6
1A8160-05510	7	1
1A8160-06200	2	18
1A8160-11050	129	1
1A8160-11110	8	1

Parts No. Index

Parts No.	Fig. No.	Ref. No.
1A8160-11120	129	2
1A8160-11240	2	19
1A8160-11270	2	20
1A8160-11290	2	21
1A8160-11520	8	4
1A8160-11920	135	1
1A8160-13100	11	1
1A8160-13200	12	1
1A8160-13210	12	2
1A8160-13230	9	2
1A8160-13241	9	5
1A8160-13270	9	4
1A8160-13341	13	1
1A8160-13510	14	1
1A8160-13520	14	2
1A8160-13561	14	3
1A8160-13600	15	3
1A8160-13650	15	5
1A8160-13660	15	6
1A8160-13720	16	1
1A8160-13730	16	3
1A8160-13750	16	5
1A8160-13800	16	6
1A8160-13820	16	7
1A8160-13830	17	1
1A8160-13861	16	8
1A8160-13870	17	2
1A8160-13880	16	9
1A8160-13890	16	10
1A8160-13920	16	2
		4
1A8160-13930	16	11
		36
		1
1A8160-13981	17	3
1A8160-14130	18	4
1A8160-14180	18	6
1A8160-14300	20	1
1A8160-14310	20	2
		6
1A8160-14330	20	3
		7
1A8160-14350	20	4
		8
		21
		2
1A8160-14400	20	5
1A8160-14500	21	1
1A8160-14510	21	3
1A8160-14530	21	4
		22
		2
		6

Parts No.	Fig. No.	Ref. No.
1A8160-14610	19	1
1A8160-14700	22	1
1A8160-14710	22	3
		7
1A8160-14750	22	4
		8
1A8160-14800	22	5
1A8160-17401	25	2
1A8160-17440	28	1
1A8160-17450	27	1
		28
		2
1A8160-17500	26	8
1A8160-17510	26	9
1A8160-17702	27	3
		28
		6
1A8160-17721	27	4
		28
		7
1A8160-17741	28	8
1A8160-17782	27	6
		28
		9
1A8160-17950	27	9
		28
		11
1A8160-21101	29	2
1A8160-21200	34	1
1A8160-22110	32	1
1A8160-22120	32	2
1A8160-22150	34	2
1A8160-22240	33	1
1A8160-22410	35	7
1A8160-24100	36	3
1A8160-24101	36	3 -1
1A8160-24160	38	1
1A8160-24200	38	2
1A8160-24250	38	3
1A8160-24300	37	1
1A8160-24330	40	1
1A8160-24390	36	9
		58
		4
1A8160-24400	37	2
1A8160-24920	36	11
1A8160-24950	88	1
		89
		1
1A8160-25151	53	2
1A8160-25310	40	2
1A8160-25320	41	2
1A8160-25350	41	3
1A8160-25360	42	1
1A8160-25370	42	2
1A8160-25380	41	4
1A8160-25390	42	3

Parts No.	Fig. No.	Ref. No.
1A8160-25650	42	5
1A8160-25810	42	6
1A8160-25990	42	11
1A8160-26110	43	3
1A8160-26300	43	5
1A8160-26610	125	2
1A8160-26620	126	1
1A8160-26630	45	2
1A8160-26640	45	3
1A8160-26650	125	1
1A8160-27200	53	18
1A8160-27250	126	11
1A8160-27350	47	2
1A8160-27360	47	3
1A8160-27380	47	4
1A8160-27400	33	3
1A8160-27430	47	5
1A8160-27440	47	6
1A8160-27450	47	7
1A8160-27650	48	2
1A8160-27760	126	36
1A8160-27800	126	38
1A8160-27840	126	40
1A8160-27900	126	42
1A8160-28190	42	12
1A8160-28210	51	4
1A8160-28220	51	5
1A8160-28230	51	6
1A8160-28310	51	8
1A8160-28320	51	9
1A8160-28360	51	10
1A8160-29000	54	1
1A8160-29040	67	2
1A8160-29150	54	3
1A8160-29270	54	4
1A8160-29280	54	5
1A8160-29300	54	6
1A8160-29440	54	8
1A8160-29541	53	19
1A8160-29551	53	20
1A8160-29560	53	21
1A8160-29580	53	24
1A8160-29800	54	13
1A8160-31300	55	1
1A8160-32300	57	1
1A8160-32601	58	5
1A8160-32611	58	6
1A8160-32810	58	8
1A8160-33160	59	5
1A8160-33400	60	1

Parts No.	Fig. No.	Ref. No.
1A8160-34300	63	1
1A8160-34310	63	2
		11
1A8160-34330	63	3
		12
1A8160-34340	63	4
		13
1A8160-34350	63	9
		18
		64
		2
1A8160-34360	63	5
		14
1A8160-34370	63	6
		15
1A8160-34380	63	7
		16
1A8160-34390	63	8
		17
1A8160-34400	63	10
1A8160-34501	64	1
1A8160-34510	64	3
1A8160-34531	64	4
1A8160-34700	65	1
1A8160-34710	65	2
		6
1A8160-34730	65	3
		7
1A8160-34750	65	4
		8
1A8160-34800	65	5
1A8160-35080	67	3
1A8160-35100	67	4
1A8160-35110	67	5
1A8160-35210	67	6
1A8160-35240	67	7
1A8160-35300	68	2
1A8160-35310	67	9
1A8160-35360	67	10
1A8160-35450	68	4
1A8160-37420	70	4
1A8160-37491	70	5
1A8160-37500	70	6
1A8160-37550	70	9
1A8160-37570	70	10
1A8160-37590	70	11
1A8160-37600	70	12
1A8160-37622	70	22
1A8160-37650	70	21
1A8160-37660	70	25
1A8160-37730	70	13

Parts No. Index

Parts No.	Fig. No.	Ref. No.
1A8160-37740	70	15
1A8160-37810	70	19
1A8160-37950	70	28
1A8160-42150	71	4
1A8160-42190	71	5
1A8160-46250	81	5
	131	5
	132	3
1A8160-46280	81	7
1A8160-46290	81	8
1A8160-46300	81	9
1A8160-46310	81	10
1A8160-46411	81	3
1A8160-46421	81	11
1A8160-46441	81	12
1A8160-46461	81	13
1A8160-46481	81	14
1A8160-46550	132	5
1A8160-46560	132	6
1A8160-46570	132	7
1A8160-46580	132	8
1A8160-46590	132	9
1A8160-46611	81	19
1A8160-46631	81	20
1A8160-46670	79	1
1A8160-46730	132	10
1A8160-46750	81	52
1A8160-46760	81	1
1A8160-46781	81	54
1A8160-46850	132	11
1A8160-46890	132	34
1A8160-46900	132	35
1A8160-46910	132	36
1A8160-46920	132	37
1A8160-46930	81	16
1A8160-46950	132	38
1A8160-46960	132	39
1A8160-46970	132	40
1A8160-47610	82	14
1A8160-47710	132	12
1A8160-47720	132	13
1A8160-47730	132	14
1A8160-47740	132	15
1A8160-47750	132	16
1A8160-47760	132	17
1A8160-47770	132	18
1A8160-47780	132	19
1A8160-47790	132	20
1A8160-47800	132	21
1A8160-47810	132	22

Parts No.	Fig. No.	Ref. No.
1A8160-47820	132	23
1A8160-47830	132	24
1A8160-47840	132	25
1A8160-47850	132	26
1A8160-47860	132	27
1A8160-47870	132	28
1A8160-47880	132	29
1A8160-47890	132	30
1A8160-47900	132	31
1A8160-47910	132	32
1A8160-47920	132	33
1A8160-48101	84	1
1A8160-48161	84	3
1A8160-48300	88	2
	89	2
1A8160-48311	85	1
1A8160-48400	85	2
1A8160-48511	131	8
1A8160-48541	131	9
1A8160-48571	131	10
1A8160-48611	89	3
1A8160-48652	88	3
	89	4
1A8160-48810	131	1
1A8160-48820	131	11
1A8160-48890	131	12
1A8160-48911	131	13
1A8160-48920	131	15
1A8160-49200	87	1
1A8160-51100	90	4
1A8160-51130	90	6
1A8160-51180	90	17
1A8160-51200	90	20
1A8160-51310	90	24
1A8160-51420	90	26
1A8160-51550	91	2
1A8160-51570	91	3
1A8160-51580	91	3 A
1A8160-51600	91	4
1A8160-51610	91	5
1A8160-52300	93	1
1A8160-52310	93	2
1A8160-52320	109	4
1A8160-52330	93	3
1A8160-52510	97	4
1A8160-53310	133	1
1A8160-56100	96	1
1A8160-56110	96	3
1A8160-56200	96	9
1A8160-56211	96	10

Parts No.	Fig. No.	Ref. No.
1A8160-60100	98	1
1A8160-60720	2	32
1A8160-61000	101	8
1A8160-61010	101	11
1A8160-61300	100	13
1A8160-61400	101	15
1A8160-61520	103	2
1A8160-61530	103	3
1A8160-61550	103	5
1A8160-61560	103	6
1A8160-61570	103	7
1A8160-61600	103	8
1A8160-61610	103	9
1A8160-61620	103	10
1A8160-61700	102	18
1A8160-61730	102	19
1A8160-61740	102	20
1A8160-61880	103	18
1A8160-61900	99	5
1A8160-62010	104	4
1A8160-62020	104	5
1A8160-62030	102	22
1A8160-62040	102	23
1A8160-62050	102	24
1A8160-62290	106	4
1A8160-62301	106	5
1A8160-62480	88	5
	89	6
1A8160-62540	102	25
1A8160-62600	104	15
1A8160-62640	104	16
1A8160-62760	106	10
1A8160-63200	109	11
1A8160-63400	110	1
1A8160-63410	110	2
1A8160-63420	110	3
1A8160-63430	109	18
1A8160-63440	110	4
1A8160-65010	136	2
1A8160-65300	114	3
1A8160-65310	114	4
1A8160-65321	114	8
1A8160-65330	136	10
1A8160-65350	114	5
1A8160-65360	111	3
1A8160-65370	111	4
1A8160-65380	111	5
1A8160-65400	114	7
1A8160-65410	81	56
1A8160-65421	111	6

Parts No.	Fig. No.	Ref. No.
1A8160-65430	81	58
1A8160-65440	90	15
1A8160-65460	136	11
1A8160-65500	136	12
1A8160-65610	111	8
1A8160-65630	111	9
1A8160-65670	132	42
1A8160-65680	132	43
1A8160-65740	111	10
1A8160-65750	111	11
1A8160-65760	104	17
1A8160-65770	111	12
1A8160-65780	113	2
1A8160-65790	113	3
1A8160-65800	115	1
1A8160-65860	122	1
1A8160-71000	116	1
1A8160-85060	122	7
		17
1A8160-85070	122	8
		18
		27
1A8160-85080	122	9
		19
		28
1A8160-85090	122	10
		20
1A8160-85100	122	11
		21
1A8160-85110	122	12
		22
1A8160-85120	122	13
		23
1A8160-85130	122	14
		24
1A8160-85140	122	2
1A8160-85200	122	15
		25
		29
1A8160-85270	122	6
1A8160-85280	122	16
1A8160-85350	122	30
1A8160-85360	122	26
1A8160-85410	122	5
1A8160-91000	127	1
1A8160-99020	130	3
1A8160-99100	130	1
1A8160-99200	136	1
1A8170-85170	114	6
1A8250-15790	112	1

Parts No. Index

Parts No.	Fig. No.	Ref. No.
1A8250-15790	113	1
1A8250-65100	136	3
1A8250-65110	136	4
1A8250-65130	136	6
1A8250-65140	136	7
1A8250-65160	136	8
1A8250-65180	136	9
1A8250-65390	111	13
1A8300-51210	132	41
1C6281-52320	67	21
	68	5
		6
	102	6
1C6360-65700	70	31
1C6980-56250	48	3
1D4110-36430	12	10
1E4132-99600	126	56
1E4440-24050	126	41
1E6102-83230	6	5
	90	43
1E6102-84970	27	16
	28	18
	16	15
1E6213-64490	109	19
1E8080-64710	53	25
1K1140-82500	97	6
		7
		8
22117-080000	78	4
	81	39
	82	17
22117-100000	126	30
22117-120000	81	40
		41
22137-060000	97	9
	100	24
22137-080000	3	14
	53	27
	67	22
	68	7
		8
	70	23
	100	9
	102	28
	117	8
	126	57
22137-100000	35	12
	48	4
	67	23
	82	18

Parts No.	Fig. No.	Ref. No.	
22137-100000	82	19	
	126	58	
	133	5	
22137-120000	67	12	
	70	36	
	82	20	
	94	5	
	100	10	
22137-140000	54	14	
	70	37	
	24	4	
22137-160000	126	59	
22137-200000	131	17	
	100	25	
22157-060000		26	
		27	
		104	18
22157-080000	104	10	
	126	19	
		60	
		61	
	132	44	
22157-100000	3	9	
22157-120000	6	6	
22190-080000	15	8	
22190-080002	47	9	
22190-100000	49	7	
22217-050000	126	78	
22217-080000	13	3	
22217-100000	29	7	
	36	16	
		17	
	75	11	
	125	39	
	133	6	
22217-120000	30	3	
	53	28	
	94	6	
22217-160000	75	12	
22242-000120	67	13	
22242-000200	11	6	
	47	10	
22242-000240	32	3	
22242-000250	9	6	
	125	40	
22242-000260	69	9	
22242-000300	44	13	
22242-000340	41	5	
	42	14	
22242-000400	62	5	

Parts No.	Fig. No.	Ref. No.
22242-000450	62	6
22252-000170	43	11
22252-000200	126	31
22252-000220	32	4
22252-000360	53	13
22252-000420	26	5
		6
22252-000470	38	4
22252-000520	16	16
	51	11
	125	41
22252-000620	44	14
22252-000621	15	9
22252-000650	53	14
22252-000680	15	10
22252-000750	58	12
22262-000280	125	42
22272-000060	82	21
22272-000070	54	9
	82	22
	126	20
		62
22272-000080	102	12
22272-000120	54	15
22272-000150	33	5
	126	63
		64
22272-000190	70	38
	126	65
22292-000350	44	15
22292-000450	44	16
22312-080120	125	43
22312-080160	15	11
	36	18
22312-100180	36	19
	37	4
	58	13
22351-030025	109	20
22351-035028	125	44
		45
22351-035032	47	11
		12
22351-035036	67	14
22351-035040	33	6
	46	3
	59	9
22351-040010	78	5
22351-040016	82	23
22351-040030	12	8
22351-050020	82	24

Parts No.	Fig. No.	Ref. No.
22351-050020	125	46
22351-050030	56	7
22351-050040	59	10
	75	13
	117	5
22351-050050	125	47
22351-060016	75	14
22351-060028	80	7
	125	48
		49
		50
		51
22351-060032	47	13
		14
	49	8
		9
	50	5
	51	12
		13
22351-060036	67	15
22351-060040	33	7
	46	4
	59	11
22351-080018	30	4
	31	3
22351-080020	16	17
22351-080032	59	12
22351-080040	59	13
	117	6
22372-080000	106	12
22372-120000	109	21
22372-160000	129	5
	135	8
22417-160180	81	42
		48
22417-200200	104	19
22417-200300	67	24
22417-250300	3	15
	35	13
	48	5
	70	24
		39
		40
		41
	81	43
		44
		45
	126	66
		67
		68

Parts No. Index

Parts No.	Fig. No.	Ref. No.
22417-300200	82	25
22417-300250	10	7
		13
	117	9
22417-400250	25	10
22486-060160	81	46
		49
22487-080160	67	25
22487-080300	102	29
22487-100280	67	26
22487-100900	70	32
22512-070400	70	42
22522-030130	82	26
22859-500202	100	28
23000-035000	81	17
	84	8
23000-048000	84	9
	85	7
23000-070000	2	37
23000-080000	19	3
23065-070180	1	15
23065-160850	5	15
23297-350121	84	10
23414-140018	71	15
23414-160021	27	17
	88	6
	89	7
23414-180000	125	30
23414-180023	84	11
	88	7
	89	8
23414-190000	27	18
		19
		20
		21
	28	19
		20
		21
		22
	71	10
	72	3
		4
	81	59
	131	18
23491-140002	16	18
	58	14
	125	52
23857-100000	27	22
	88	8
	89	9

Parts No.	Fig. No.	Ref. No.
23876-010000	71	2
		11
23980-730250	2	38
23980-730270	2	39
23980-730340	2	40
23980-730890	2	41
23980-731060	2	17
24101-060044	11	7
	43	12
24101-060064	40	3
24101-060074	44	17
24101-060084	12	11
	18	8
24101-060094	16	19
	62	7
24101-060104	56	8
24101-062044	43	13
24101-062054	44	18
	51	14
24101-062084	14	4
	62	8
24101-062094	18	9
24101-063034	51	15
24101-063044	41	6
24101-063064	60	2
24101-063074	42	15
24104-060000	54	10
24104-060024	67	16
24104-060040	26	7
24104-062014	67	17
24104-063044	16	20
24121-062064	60	3
24161-202620	125	53
24190-080001	47	15
	51	16
	125	54
24190-100001	49	10
24190-170001	69	10
24311-000120	77	10
	78	6
	80	8
24311-000125	125	55
		56
24311-000150	47	16
	49	11
	59	14
	82	27
		28
24311-000160	1	28
	16	21

Parts No.	Fig. No.	Ref. No.
24311-000160	51	17
	53	29
	58	15
	125	57
24311-000180	15	12
	77	11
	80	9
	92	8
24311-000200	27	23
		24
	28	23
		24
	84	12
		13
24311-000380	40	4
24311-000550	74	3
24315-000090	78	7
24315-000110	71	16
	76	2
24316-000070	134	19
24316-000160	134	20
24321-000250	85	8
24321-000450	75	15
24321-000500	39	4
24321-000600	53	30
24321-000650	1	29
24321-000800	15	13
24321-000950	36	20
24321-001000	125	58
24325-000600	71	17
24326-000650	134	21
24341-000360	75	16
24351-020300	71	18
24351-310750	40	5
24421-254208	15	14
24421-255210	51	18
24421-305208	16	22
24421-405508	36	21
24550-012120	81	38
24550-015120	54	7
		11
24550-020200	33	4
24550-020250	126	35
		37
		39
24550-045300	71	3
24761-010000	35	14
	70	43
24761-020000	30	5
24761-060000	10	5

Parts No.	Fig. No.	Ref. No.
24761-060000	10	11
26013-060122	125	59
26013-080162	82	29
		30
	125	60
26013-080202	36	22
		23
	39	5
	56	9
	125	61
26013-080252	57	3
26013-080352	36	24
	125	62
26013-080402	58	16
26013-100252	38	5
26013-100302	36	25
	71	19
26013-100352	38	6
	71	20
26013-100452	71	21
26013-100802	37	5
26013-100852	125	63
26013-101202	125	66
26013-120202	45	4
26013-120252	120	4
26013-120302	71	22
26013-120352	30	6
26013-120402	119	3
26013-120502	71	23
26013-121052	30	7
26013-121152	30	8
26013-121402	30	9
26013-121602	119	4
26018-060252	84	14
26018-060352	27	25
	28	25
26022-030062	96	14
26023-060122	126	69
26106-060122	2	42
		43
	27	26
	28	26
	100	29
		30
	101	17
		18
	104	20
	126	70
26106-060162	81	50
		51

Parts No. Index

Parts No.	Fig. No.	Ref. No.
26106-060162	90	44
	97	10
		11
	99	9
	100	31
26106-060202	27	27
	28	27
	84	15
	104	21
26106-060252	2	44
26106-060352	95	20
26106-060402	27	28
	28	28
	84	16
26106-060602	85	9
26106-080102	106	13
26106-080122	2	45
	27	29
	28	29
	67	18
	81	60
	88	9
	89	10
	90	45
		46
		47
		48
		49
		50
	97	12
	100	11
	101	19
	102	30
	103	21
	106	14
26106-080162	2	46
		47
	48	
	3	16
	6	7
	27	30
	30	10
	31	4
	34	7
	47	17
	49	12
	51	19
	70	33
		44
	84	17

Parts No.	Fig. No.	Ref. No.	
26106-080162	84	18	
	85	10	
	87	3	
	88	10	
	89	11	
	98	2	
	102	31	
	103	22	
	104	22	
	105	5	
	107	3	
	109	22	
	126	71	
	132	45	
26106-080202	4	3	
	67	27	
	81	61	
	85	11	
	106	15	
	109	23	
	126	72	
		73	
		131	19
	26106-080252	2	49
			50
4		4	
27		31	
28		5	
67		19	
69		11	
108		3	
132		46	
26106-080302		2	51
		90	51
	104	11	
26106-080402	132	47	
26106-080502	35	15	
26106-080552	53	31	
	81	62	
26106-080602	132	48	
26106-080702	2	52	
	109	24	
26106-100202	2	53	
		54	
	26	11	
	12		
	84	19	
	103	23	
26106-100252	18	10	
	49	13	

Parts No.	Fig. No.	Ref. No.
26106-100252	109	25
	126	74
26106-100302	54	16
26106-100352	110	5
26106-100402	105	6
26106-120552	53	32
26108-100302	15	15
		16
26108-100452	16	23
26108-120252	9	7
26116-050162	126	79
26116-080122	15	17
26116-080202	81	63
26116-080554	82	31
26116-100202	75	17
26116-120352	129	6
26117-040162	70	34
26216-080142	99	10
26216-100252	36	4
		5
26216-100802	29	6
26216-120552	37	3
26346-050002	126	80
26346-060002	100	32
26346-080002	53	33
26346-100002	110	6
26347-060002	97	13
26356-160002	24	5
26366-080002	53	34
26366-120002	37	6
26376-120002	69	12
26450-080202	53	15
	76	3
26450-100402	53	16
26450-100452	53	17
26587-060202	103	24
26589-060162	96	19
26589-060202	115	2
26716-060002	91	6
26716-080002	3	17
	67	20
	81	47
	82	32
	126	50
26716-100002	3	10
	29	8
	36	26
	27	
	79	2
	82	33

Parts No.	Fig. No.	Ref. No.
26716-100002	125	64
	126	32
		33
26716-120002	30	11
	53	26
		35
	135	9
		10
26716-140002	70	18
26717-080002	132	49
26736-100002	133	7
26736-160002	75	18
26756-100002	3	11
26776-120002	94	7
26986-080002	126	76
27260-170000	37	7
27260-200000	36	28
29622-140001	90	52
		53
		54
		55
	128	6
29622-250001	90	56
		57
	130	4
794197-32350	57	2
794447-13570	12	9
798220-01111	3	1
798220-22350	35	2
798220-46991	81	34
7A7330-53400	94	3
933147-10350	125	65