

0CNP4-M83201EN

DEPLOYMENT ENGINE MODEL TABLE

TRACTOR			ENGINE		
MODEL	PARTS CATALOG No.	POSITION	MODEL	PARTS CATALOG No.	POSITION
EX3200	0CNP4-G83201	A	3TNV88-BMRGH	0CNP4-G83300	A
EX2900		B	3TNV88-UMRGH		B

# Contents

OCNP4-M83201

Fig. No.	Fig. Name
ENGINE CONTROL SECTION	
1.	ENGINE ACCESSORIES
2.	ENGINE ACCESSORIES MOUNTING
3.	ACCELERATOR LEVER
4.	EXHAUST
5.	FUEL TANK
6.	TANK BRACKET
7.	SHUTTER PLATE

FRONT AXLE SECTION	
8.	FRONT BRACKET
9.	FRONT HITCH
10.	CENTER PIN
11.	TIE ROD
12.	RING GEAR
13.	DIFFERENTIAL GEAR
14.	PROPELLER SHAFT
15.	FRONT SHAFT (1)
16.	FRONT AXLE CASE
17.	FRONT GEAR CASE
18.	FRONT SHAFT (2)
19.	FRONT SPINDLE
20.	SHAFT COVER
21.	FRONT WHEEL TIRE
22.	FRONT WHEEL TIRE(TURF)

Fig. No.	Fig. Name
23.	FRONT WHEEL TIRE
24.	HUB BOLT(FRONT)
25.	STEERING WHEEL
26.	P.S.T CYLINDER
27.	P.S.T VALVE
28.	P.S.T PIPING
116.	P.S.T PIPING

TRANSMISSION SECTION	
29.	CLUTCH HOUSING
30.	DOCKING BOLT
31.	SINGLE CLUTCH
32.	CLUTCH SHAFT
33.	CLUTCH RELEASE
34.	BEARING SLEEVE
35.	CLUTCH PEDAL
36.	TRANSMISSION CASE
37.	CENTER PLATE
38.	BEARING RETAINER
39.	OIL STRAINER
40.	INPUT GEAR
41.	REDUCTION SHAFT
42.	COUNTER SHAFT
43.	P.T.O DRIVE SHAFT
44.	P.T.O SHAFT

# Contents

OCNP4-M83201

Fig. No.	Fig. Name
45.	P.T.O SHAFT GUARD
46.	SUB CHANGE LEVER
47.	SUB CHANGE
48.	CRUISE CONTROL
49.	P.T.O CHANGE
50.	P.T.O LEVER
51.	FRONT DRIVE
52.	HST
117.	H.S.T. UNIT
53.	HST LINK

## REAR AXLE SECTION

54.	RING GEAR
55.	DIFFERENTIAL GEAR
56.	DIFFERENTIAL CARRIER
57.	REAR HOUSING
58.	DIFFERENTIAL LOCK
59.	FINAL PINION
60.	FINAL GEAR & REAR AXLE SHAFT
61.	REAR WHEEL TIRE
62.	REAR WHEEL TIRE(TURF)
63.	REAR WHEEL TIRE
64.	HUB BOLT(REAR)
65.	HYDRAULIC PEDAL
66.	SHOCK ABSORBER

Fig. No.	Fig. Name
67.	BRAKE
68.	BRAKE PEDAL

## HYDRAULIC CONTROL SECTION

69.	HYDRAULIC CYLINDER CASE
70.	PISTON
71.	LIFT CRANK
72.	CONTROL VALVE
73.	RELIEF VALVE
74.	STOP VALVE
75.	SAFETY VALVE
76.	SUB CONTROL VALVE
77.	HYDRAULIC CONTROL
78.	HYDRAULIC PIPING
79.	OIL FILTER
80.	OIL COOLER
81.	HST PIPING

## ELECTRICAL PARTS SECTION

82.	WIRE HARNESS
83.	BATTERY
84.	SWITCHES
85.	SEAT SWITCH
86.	LAMPS
87.	FRONT LAMPS

# Contents

OCNP4-M83201

Fig. No. Fig. Name

88. METER

89. RELAY

## FITTING SECTION

90. FRONT FRAME

91. HOOD

92. FRONT GRILLE

93. SIDE COVER

94. HOOD FRAME

95. DASHBOARD

96. FENDER

97. FENDER STAY

98. STEP

99. SUB STEP

100. SEAT

101. SEAT BELT

102. LABELS

103. LABELS(SAFETY)

## HITCH SECTION

104. THREE POINT LINK

105. LOWER HINGE & TOP HOOK

106. CHECK CHAIN BRACKET

107. DRAW BAR HITCH

108. SAFETY FRAME

Fig. No. Fig. Name

109. REAR BRACKET

## OPTIONAL SECTION

110. MID P.T.O (1)(OPTIONAL PARTS)

111. MID P.T.O (2)(OPTIONAL PARTS)

112. FRONT WEIGHT(OPTION)

113. EXTRA HITCH(OPTION)

114. REAR COUPLER(OPTION)

115. WORK LAMP(OPTION)

118. BLOCK HEATER(OPTION)

119. T/M HEATER(OPTION)

120. FO HOSE(FAME(OPTION)

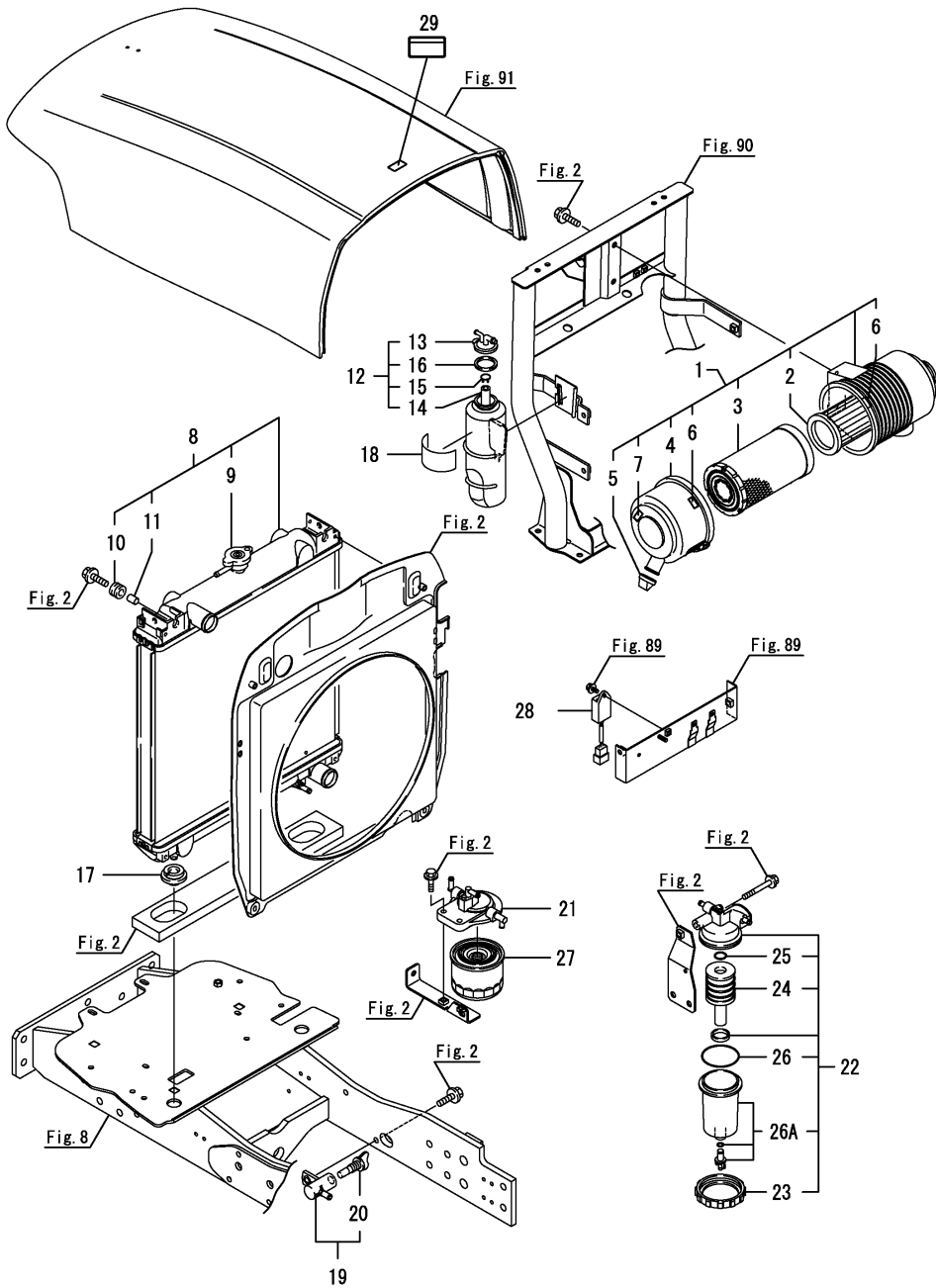
121. FRONT HITCH(OPTION)

122. REAR REMOTE(OPTION)

Fig.1. ENGINE ACCESSORIES

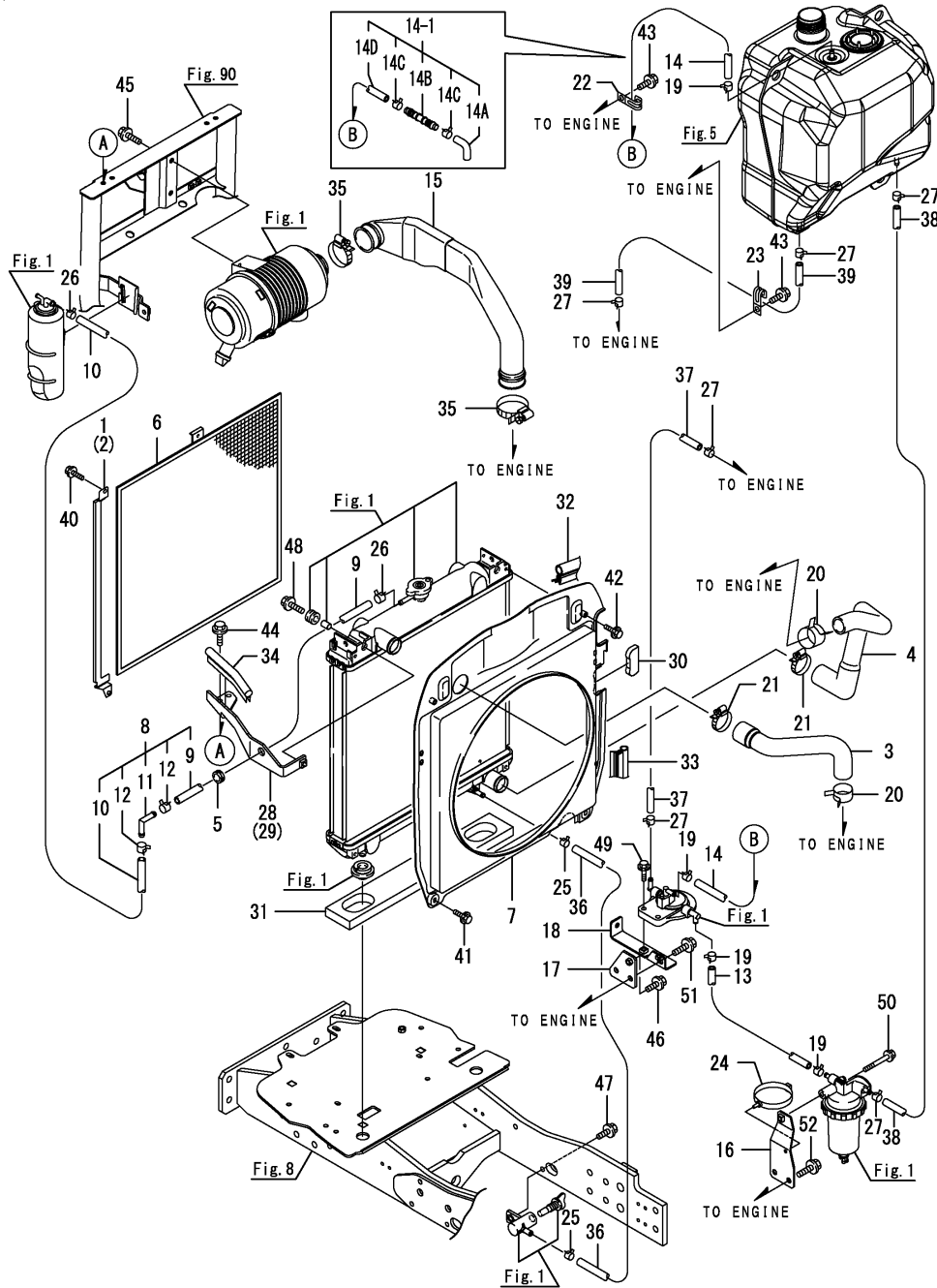
(A)=EX3200(CCY)  
(B)=EX2900(CCY)  
(C)=

(D)=  
(E)=  
(F)=



No.	Lev.	Parts No.	Description	Qty						I	R
				(A)	(B)	(C)	(D)	(E)	(F)		
1	1	129269-12500	CLEANER ASSY, AIR	1	1						
2	2	129051-12530	ELEMENT	1	1						
3	2	129004-12520	ELEMENT, AIR CLEANER	1	1						
3-1	2	119808-12520	ELEMENT	1	1						R
		(A=FXXXXX) (B=FXXXXX)									
4	2	119866-12540	COVER ASSY	1	1						
5	2	119808-12540	VALVE, UNLOADER	1	1						
6	2	129418-12530	LABEL, MARK	2	2						
7	2	129612-12650	LABEL, MARKING	1	1						
8	1	129263-44500	RADIATOR T=36 CMP	1	1						
9	2	129107-44590	CAP, RADIATOR	1	1						
10	2	129467-44580	MOUNT, RUBBER	2	2						
11	2	129467-44590	COLLAR	2	2						
12	1	129263-44510	TANK ASSY, SUB	1	1						
13	2	121450-44531	CAP	1	1						
14	2	23065-070180	PIPE, 7X 180	1	1						
15	2	124450-44560	RETAINER	1	1						
16	2	121470-44581	GASKET	1	1						
17	1	119255-44660	ABSORBER	2	2						
18	1	124764-44810	LABEL, SUB-TANK	1	1						
19	1	129550-49101	COCK ASSY, 2-WAY	1	1						
20	2	129150-49081	COCK, DRAIN	1	1						
21	1	119852-55611	BRACKET, FILTER	1	1						
21-1	1	119852-55612	BRACKET, FILTER	1	1						N
		(A=FXXXXX) (B=FXXXXX)									
22	1	119802-55700	SEPARATOR ASSY	1	1						
23	2	129100-55690	RING, RETAINING	1	1						
24	2	119802-55710	ELEMENT	1	1						
25	2	24311-000160	O-RING, 1AP16.0	1	1						
26	2	24321-000650	O-RING, 1AG65.0	1	1						
26A	2	119802-55730	CUP ASSY	1	1						
27	1	119802-55810	FILTER, FO	1	1						
28	1	129211-77920	TIMER	1	1						
29	1	114110-07761	LABEL, FUEL OIL CAUT	1	1						W
		(A=FXXXXX) (B=FXXXXX)									

Fig.2. ENGINE ACCESSORIES MOUNTING



(A)=EX3200(CCY)  
(B)=EX2900(CCY)  
(C)=

(D)=  
(E)=  
(F)=

No.	Lev.	Parts No.	Description	Q'ty						I	R
				(A)	(B)	(C)	(D)	(E)	(F)		
1	1	1A7260-01030	RAIL, RADIATOR L	1	1						
2	1	1A7260-01040	RAIL, RADIATOR R	1	1						
3	1	1A8160-01210	PIPE, WATER A	1	1						
4	1	1A7260-01220	PIPE, WATER B	1	1						
5	1	194180-01240	GROMMET, 13	1	1						
6	1	1A7260-01250	SCREEN, RADIATOR	1	1						
7	1	1A8160-01300	SHROUD ASSY, FAN M	1	1						
8	1	1A7260-03151	HOSE ASSY, OVERFLOW	1	1						
8-1	1	1A7780-03150	HOSE ASSY, OVERFLOW	1	1						R
		(A=F003429) (B=F001091)									
9	2	1A7260-03160	PIPE, OVERFLOW A	1	1						
10	2	1A7260-03170	PIPE, OVERFLOW B	1	1						
11	2	1A7260-03180	ELBOW	1	1						
12	2	124766-59050	CLIP, HOSE 12	2	2						Z
		(A=F003429) (B=F001091)									
13	1	1A8160-04430	HOSE, FUEL A	1	1						
14	1	1A8160-04440	HOSE, FUEL B	1	1						
14-1	1	1A8160-04470	HOSE ASSY, FUEL	1	1						R
		(A=F003285) (B=F001091)									
14A	2	198448-04270	HOSE, RETURN	1	1						W
		(A=F003285) (B=F001091)									
14B	2	1A8160-04480	JOINT, HOSE	1	1						W
		(A=F003285) (B=F001091)									
14C	2	114270-59010	CLIP, HOSE 12	2	2						W
		(A=F003285) (B=F001091)									
14D	2	23980-731060	HOSE, 7.3X1060	1	1						W
		(A=F003285) (B=F001091)									
15	1	1A8160-06200	PIPE, AIR INTAKE	1	1						
16	1	1A8160-11240	BRACKET, SEPARATOR	1	1						
17	1	1A8160-11270	BRACKET, FILTER A	1	1						
18	1	1A8160-11290	BRACKET, FILTER B	1	1						
19	1	124766-59050	CLIP, HOSE 12	4	4						
19-1	1	114270-59010	CLIP, HOSE 12	4	4						N
		(A=F001342) (B=F000101)									
20	1	121267-49500	BAND, 38	2	2						
21	1	175022-49750	CLIP 37, HOSE	2	2						
22	1	194440-51620	CLAMP	1	1						
23	1	194440-51620	CLAMP	1	1						
24	1	194680-51670	BAND, CLIP	1	1						
25	1	124766-59050	CLIP, HOSE 12	2	2						
26	1	124766-59050	CLIP, HOSE 12	2	2						Z
		(A=F003429) (B=F001091)									
27	1	124766-59050	CLIP, HOSE 12	8	8						
28	1	1A7260-60211	STAY ASSY, RADIATOR	1	1						
29	1	1A7260-60221	STAY ASSY, RADIATOR	1	1						
30	1	1A8160-60720	GROMMET	1	1						
31	1	1A7260-60860	URETHANE, RADIATOR	1	1						
31-1	1	1A7780-60860	URETHANE, RADIATOR	1	1						R
		(A=F003429) (B=F001091)									
32	1	1A7260-61860	WEATHER-STRIP, 1130	1	1						
33	1	1A7260-61970	WEATHER-STRIP, 390	1	1						

N:Old  $\begin{matrix} \text{Yes} \\ \text{No} \end{matrix}$  New, Q:Old  $\begin{matrix} \text{No} \\ \text{Yes} \end{matrix}$  New, R:Old  $\begin{matrix} \text{Yes} \\ \text{No} \end{matrix}$  New, S:Old  $\begin{matrix} \text{No} \\ \text{Yes} \end{matrix}$  New, W:Add, Z:Discontinued, F:Interchangeable by set, K:Q'ty Change  
++ CONTINUE ++  
Copyright (C) YANMAR CO., LTD. All Rights Reserved.

Fig.2. ENGINE ACCESSORIES MOUNTING

(A)=EX3200(CCY)

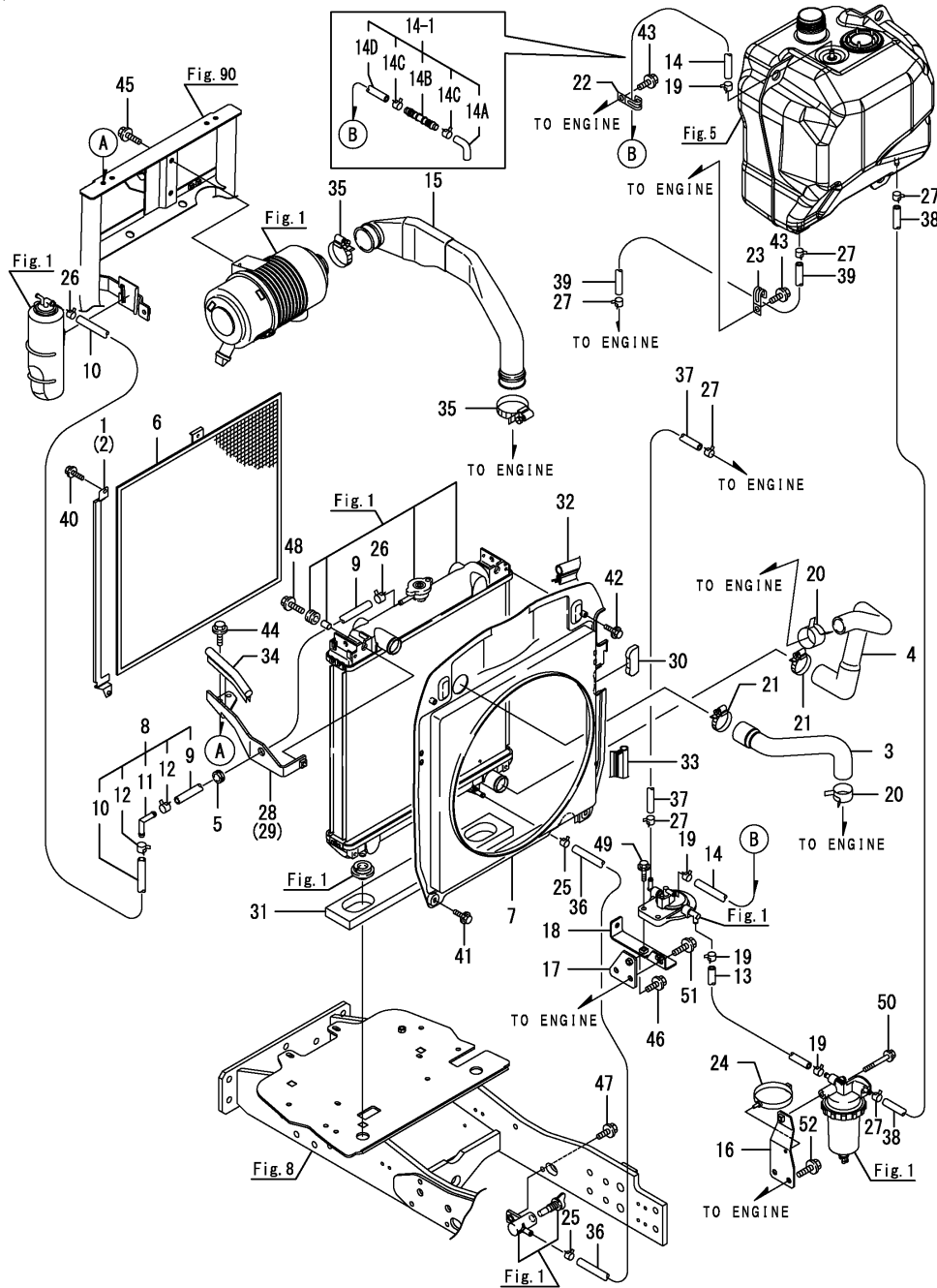
(B)=EX2900(CCY)

(C)=

(D)=

(E)=

(F)=



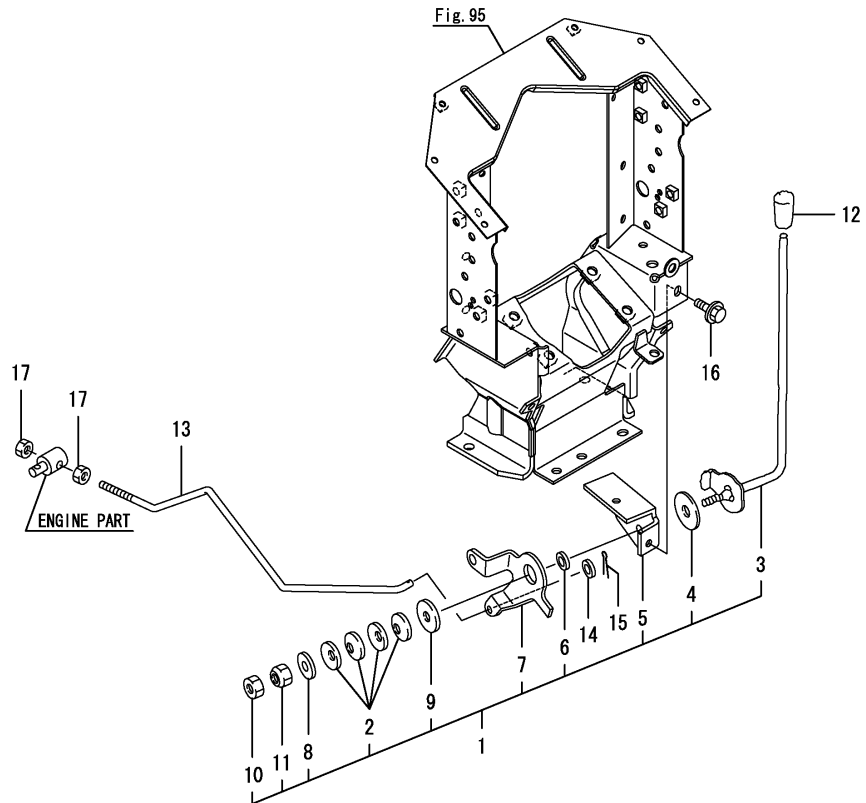
No.	Lev.	Parts No.	Description	Q'ty						I	R
				(A)	(B)	(C)	(D)	(E)	(F)		
34	1	174570-63620	WEATHER-STRIP, 195	2	2						
35	1	23000-070000	CLAMP, 70	2	2						
36	1	23980-730270	HOSE, 7.3X 270	1							
36-1	1	23980-730250	HOSE, 7.3X 250	1	1						N
		(A=F000156)									
37	1	23980-730270	HOSE, 7.3X 270	1	1						
38	1	23980-730330	HOSE, 7.3X 330	1	1						
38-1	1	23980-730340	HOSE, 7.3X 340	1	1						R
		(A=FXXXXX) (B=FXXXXX)									
39	1	23980-730850	HOSE, 7.3X 850	1							
39-1	1	23980-730890	HOSE, 7.3X 890	1	1						N
		(A=F000156)									
40	1	26106-060122	BOLT, M6X 12 PLATED	4	4						
41	1	26106-060122	BOLT, M6X 12 PLATED	2	2						
42	1	26106-060252	BOLT, M6X 25 PLATED	2	2						
43	1	26106-080122	BOLT, M8X 12 PLATED	2	2						
44	1	26106-080162	BOLT, M8X 16 PLATED	4	4						
45	1	26106-080162	BOLT, M8X 16 PLATED	2	2						
46	1	26106-080162	BOLT, M8X 16 PLATED	2	2						
47	1	26106-080252	BOLT, M8X 25 PLATED	1							
47-1	1	26106-080302	BOLT, M8X 30 PLATED	1	1						N
		(A=F000156)									
48	1	26106-080252	BOLT, M8X 25 PLATED	2	2						
49	1	26106-080252	BOLT, M8X 25 PLATED	2	2						
50	1	26106-080702	BOLT, M8X 70 PLATED	1	1						
51	1	26106-100202	BOLT, M10X 20 PLATED	2	2						
52	1	26106-100202	BOLT, M10X 20 PLATED	2	2						



Fig.3. ACCELERATOR LEVER

(A)=EX3200(CCY)  
 (B)=EX2900(CCY)  
 (C)=

(D)=  
 (E)=  
 (F)=



No.	Lev.	Parts No.	Description	Q'ty						I	R
				(A)	(B)	(C)	(D)	(E)	(F)		
1	1	798220-01111	LEVER KIT	1	1						
2	2	194740-00160	SPRING, 10	4	4						
3	2	198220-01110	LEVER, ACCELERATOR	1	1						
4	2	198165-01130	PLATE, FRICTION	1	1						
5	2	198220-01140	BRACKET, LEVER	1	1						
6	2	194150-01270	SPACER, 20	1	1						
7	2	198220-01350	LEVER, LINK	1	1						
8	2	194145-61570	WASHER, 10	1	1						
9	2	22157-100000	WASHER, 10	1	1						
10	2	26756-100002	NUT, LOCK M10	1	1						
11	2	26986-100002	NUT, LOCK M10	1	1						
11-1	2	26716-100002	NUT, M10	1	1						R
(A=FZZZZZ) (B=FZZZZZ)											
12	1	198253-01190	KNOB, LEVER	1	1						
13	1	1A8160-01320	ROD, LINK	1	1						
14	1	22137-080000	WASHER, 8	1	1						
15	1	22417-250300	PIN, COTTER 2.5X30	1	1						
16	1	26106-080162	BOLT, M8X 16 PLATED	2	2						
17	1	26716-080002	NUT, M8	2	2						

Fig.4. EXHAUST

(A)=EX3200(CCY)  
 (B)=EX2900(CCY)  
 (C)=

(D)=  
 (E)=  
 (F)=

No.	Lev.	Parts No.	Description	Qty						I	R
				(A)	(B)	(C)	(D)	(E)	(F)		
1	1	1A8160-03100	PIPE, EXHAUST	1	1						
2	1	129052-13550	GASKET	1	1						
3	1	26106-080202	BOLT, M8X 20 PLATED	2	2						
4	1	26106-080252	BOLT, M8X 25 PLATED	1	1						

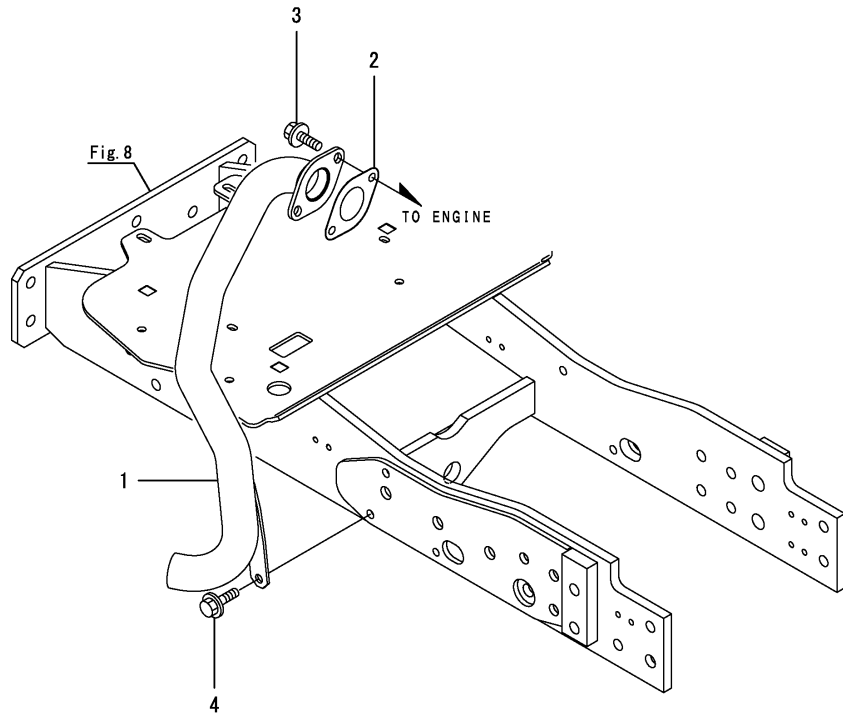
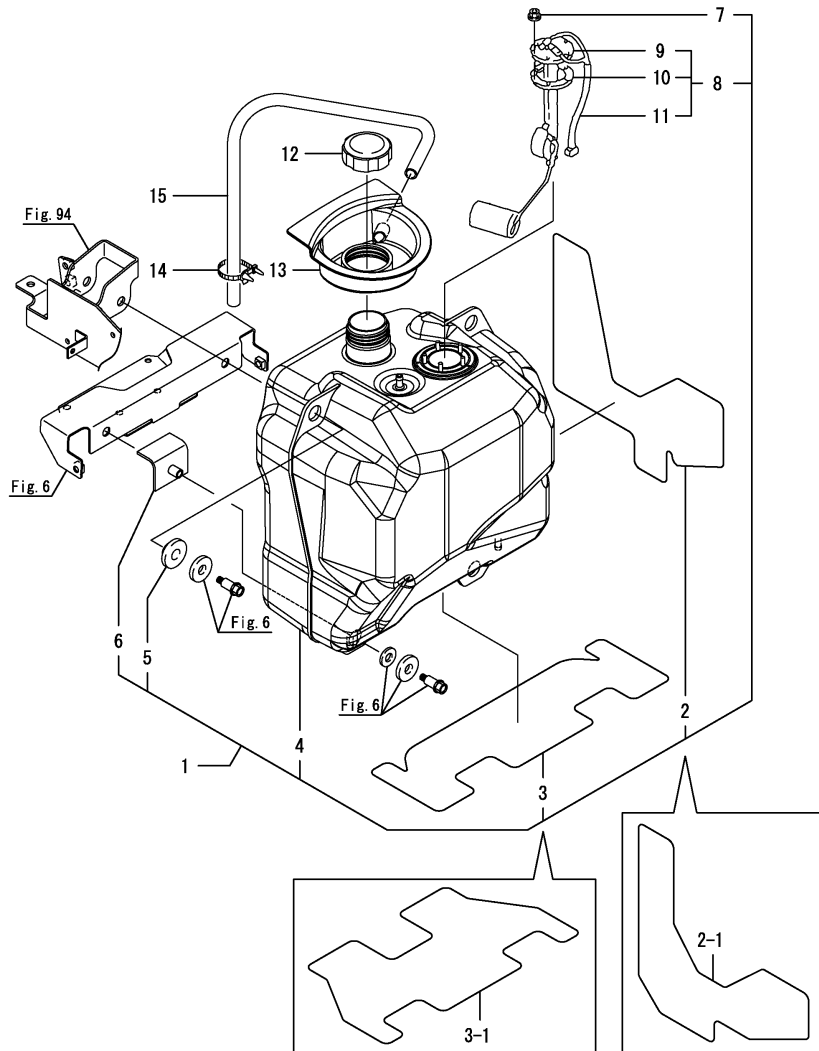


Fig.5. FUEL TANK

(A)=EX3200(CCY)  
 (B)=EX2900(CCY)  
 (C)=

(D)=  
 (E)=  
 (F)=



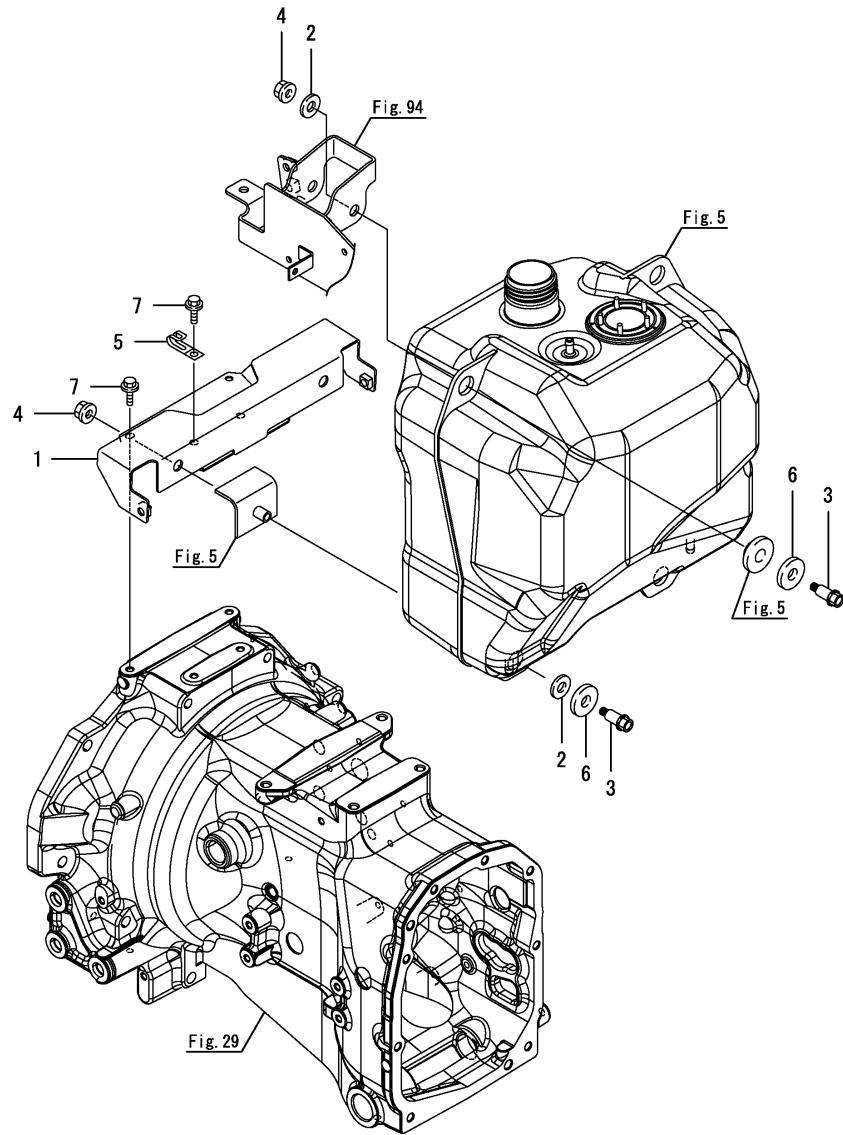
No.	Lev.	Parts No.	Description	Qty						I	R
				(A)	(B)	(C)	(D)	(E)	(F)		
1	1	1A8160-04100	TANK ASSY, FUEL	1	1						
2	2	1A7335-04070	INSULATOR, TANK R	1	1						
2-1	2	1A7335-04071	INSULATOR, TANK R	1	1					F	1
3	2	1A7335-04080	INSULATOR, TANK	1	1						
3-1	2	1A7335-04081	INSULATOR, TANK	1	1					F	1
4	2	1A7335-04110	TANK, FUEL	1	1						
5	2	1A8160-04260	PACKING, TANK A	2	2						
6	2	198220-04290	GASKET, TANK	2	2						
7	2	194990-22120	NUT, M5	5	5						
8	2	198220-56600	SENDER, FUEL GAUGE	1	1						
9	3	198220-56610	SENDER, FUEL GAUGE	1	1						
10	3	194420-56620	GASKET	1	1						
11	3	198220-56630	WIRE	1	1						
12	1	1A8160-04130	CAP, FUEL TANK	1	1						
13	1	1A8160-04150	TRAY, TANK	1	1						
14	1	194680-51670	BAND, CLIP	2	2						
15	1	23065-160850	PIPE, 16X 850	1	1						

Remarks  
 (1)Ref.No.2 & 3 is interchangeable  
 with a set of 2-1 & 3-1.

Fig.6. TANK BRACKET

(A)=EX3200(CCY)  
 (B)=EX2900(CCY)  
 (C)=

(D)=  
 (E)=  
 (F)=



No.	Lev.	Parts No.	Description	Q'ty						I	R
				(A)	(B)	(C)	(D)	(E)	(F)		
1	1	1A8160-04210	SUPPORT, TANK	1	1						
2	1	194555-04270	PACKING, TANK B	4	4						
3	1	1A7335-04280	BOLT, M8X30	4	4						
4	1	194990-22140	NUT, M8	4	4						
5	1	1E6102-83230	CLAMP, CABLE	1	1						
6	1	22157-120000	WASHER, 12	4	4						
7	1	26106-080162	BOLT, M8X 16 PLATED	4	4						

Fig.7. SHUTTER PLATE

(A)=EX3200(CCY)  
 (B)=EX2900(CCY)  
 (C)=

(D)=  
 (E)=  
 (F)=

No.	Lev.	Parts No.	Description	Q'ty						I	R
				(A)	(B)	(C)	(D)	(E)	(F)		
1	1	1A8160-05510	PLATE, SHUTTER	1	1						
2	1	194990-22140	NUT, M8	2	2						

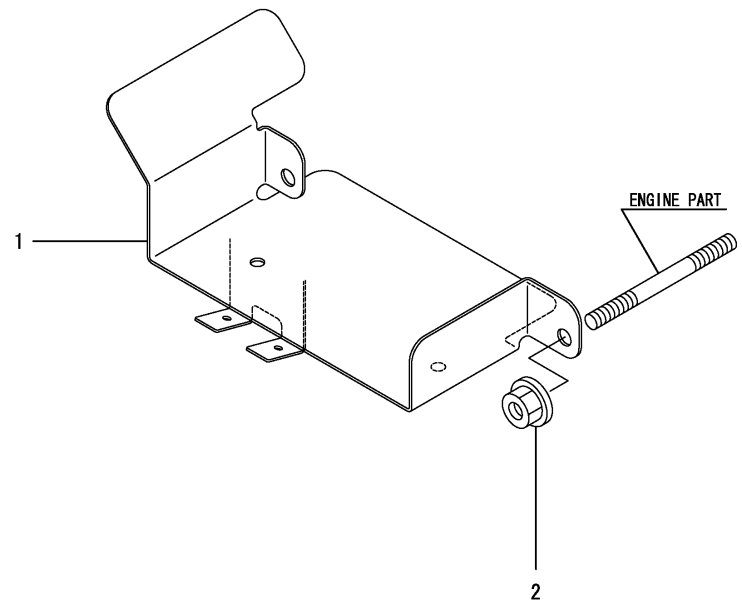


Fig.8. FRONT BRACKET

(A)=EX3200(CCY)  
 (B)=EX2900(CCY)  
 (C)=

(D)=  
 (E)=  
 (F)=

No.	Lev.	Parts No.	Description	Q'ty						I	R
				(A)	(B)	(C)	(D)	(E)	(F)		
1	1	1A8160-11110	BRACKET ASSY, AXLE	1	1						
2	1	194450-11190	PLUG, 15.0	4	4						
3	1	198220-11510	BOLT, M12X27	4	4						
4	1	1A8160-11520	BOLT, M12X34	6	6						
5	1	198220-11530	BOLT, M12X38	2	2						
6	1	1A7260-60750	WEATHER-STRIP, 365	2	2						
7	1	1A7260-60661	GASKET	1	1						

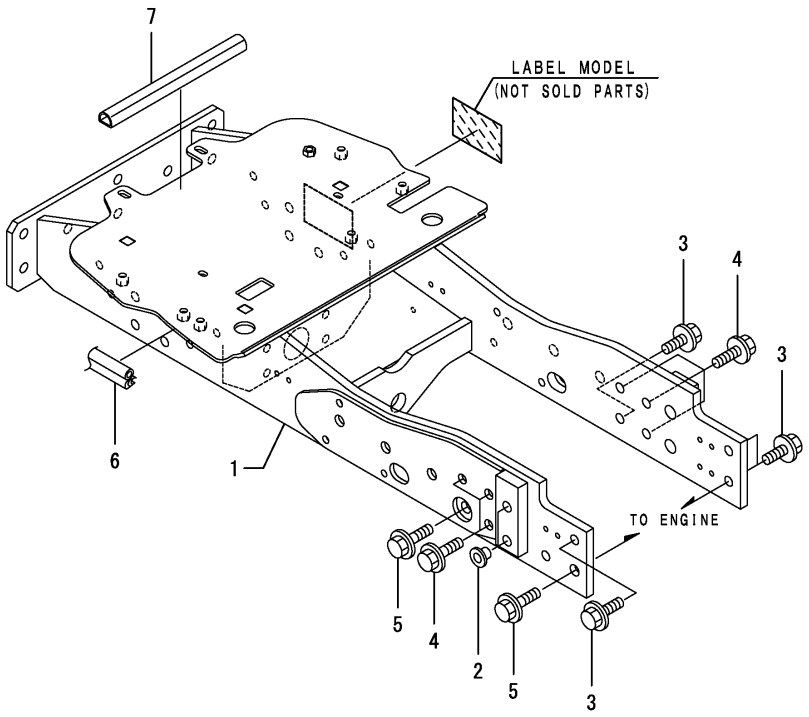
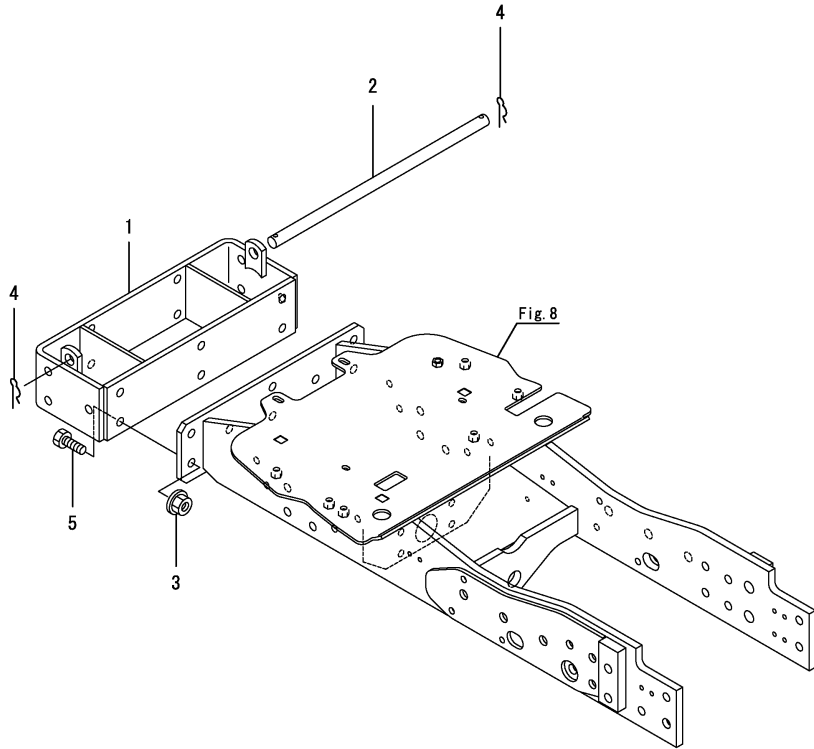


Fig.9. FRONT HITCH

(A)=EX3200(CCY)  
 (B)=EX2900(CCY)  
 (C)=

(D)=  
 (E)=  
 (F)=

No.	Lev.	Parts No.	Description	Q'ty						I	R
				(A)	(B)	(C)	(D)	(E)	(F)		
1	1	1A8160-11120 (A=F004508) (B=F001382)	HITCH, FRONT	1	1						Z
2	1	194197-11140 (A=F004508) (B=F001382)	PIN, WEIGHT LOCK	1	1						Z
3	1	194990-22160 (A=F004508) (B=F001382)	NUT, M12	6	6						Z
4	1	22372-160000 (A=F004508) (B=F001382)	PIN, SNAP 16	2	2						Z
5	1	26116-120352 (A=F004508) (B=F001382)	BOLT, M12X 35 PLATED	6	6						Z

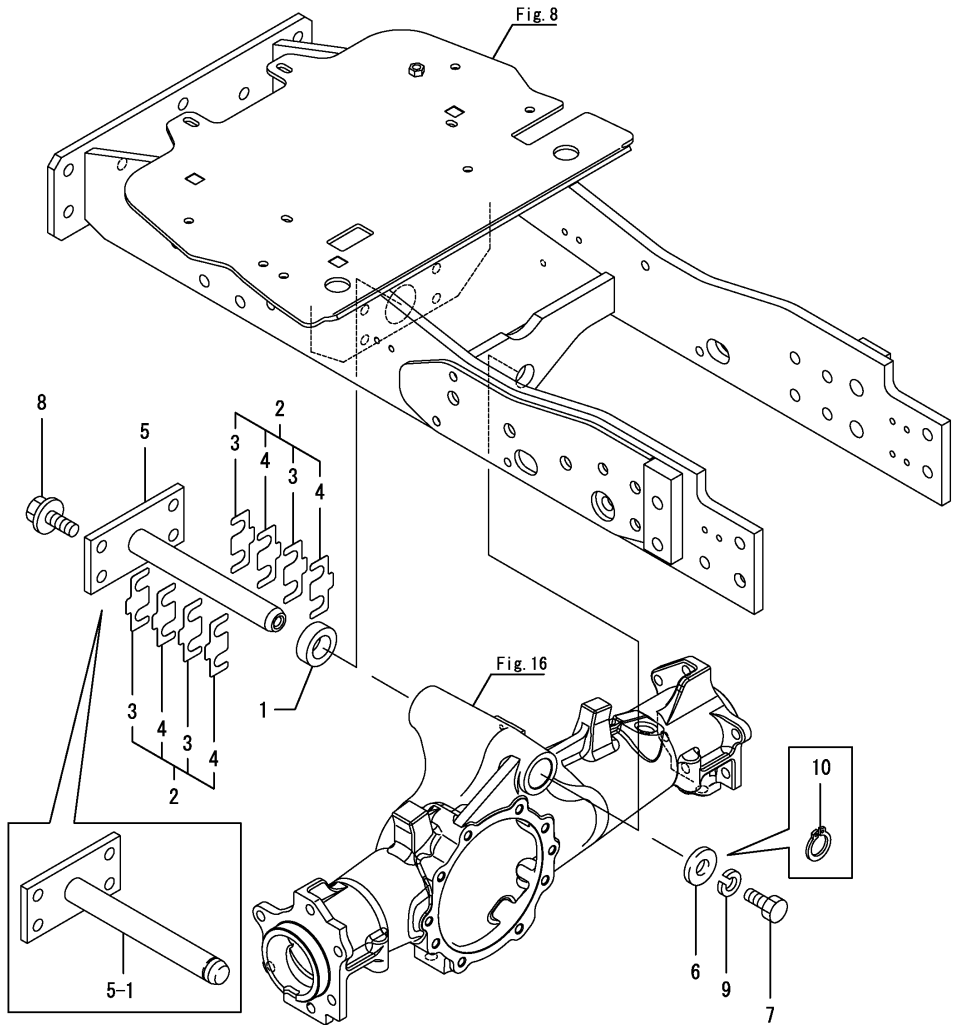


Remarks  
 \*Referred to Fig.121 by a design change.

Fig.10. CENTER PIN

(A)=EX3200(CCY)  
 (B)=EX2900(CCY)  
 (C)=

(D)=  
 (E)=  
 (F)=



No.	Lev.	Parts No.	Description	Q'ty						I	R
				(A)	(B)	(C)	(D)	(E)	(F)		
1	1	194515-13220	SPACER, 25X42X14	1	1						
2	1	1A8160-13230	SHIM, CENTER PIN	1	1						
3	2	1A7450-13230	SHIM, T=0.5	4	4						
4	2	1A8160-13270	SHIM, T=0.25	4	4						
5	1	1A8160-13240	PIN, CENTER	1	1						
5-1	1	1A8160-13241	PIN, CENTER	1	1						S
6	1	22157-140000	WASHER, 14	1	1						Z
7	1	26116-140302	BOLT, M14X 30 PLATED	1	1						Z
8	1	26108-120252	BOLT, M12X 25 PLATED	4	4						
9	1	22217-140000	WASHER, SPRING 14	1	1						Z
10	1	22242-000250	RING, 25	1	1						W



Fig.11. TIE ROD

(A)=EX3200(CCY)  
 (B)=EX2900(CCY)  
 (C)=

(D)=  
 (E)=  
 (F)=

No.	Lev.	Parts No.	Description	Q'ty						I	R
				(A)	(B)	(C)	(D)	(E)	(F)		
1	1	198220-12310	TIE-ROD	1	1						
1-1	1	1A8070-12310	TIE-ROD	1	1						R
		(A=F003430) (B=F001091)									
2	1	198291-18120	END KIT, TIE-ROD LR	1	1						
3	2	194990-22831	NUT, LOCK M17 L	1	1						
4	2	194730-57220	COVER, DUCT	1	1						
5	2	24761-060000	NIPPLE, GREASE MT6X1	1	1						
6	2	194730-57242	NUT, CASTLE M12	1	1						
7	2	22417-300250	PIN, COTTER 3.0X25	1	1						
8	1	198291-18130	END KIT, TIE-ROD RL	1	1						
9	2	194990-22841	NUT, M17	1	1						
10	2	194730-57220	COVER, DUCT	1	1						
11	2	24761-060000	NIPPLE, GREASE MT6X1	1	1						
12	2	194730-57242	NUT, CASTLE M12	1	1						
13	2	22417-300250	PIN, COTTER 3.0X25	1	1						

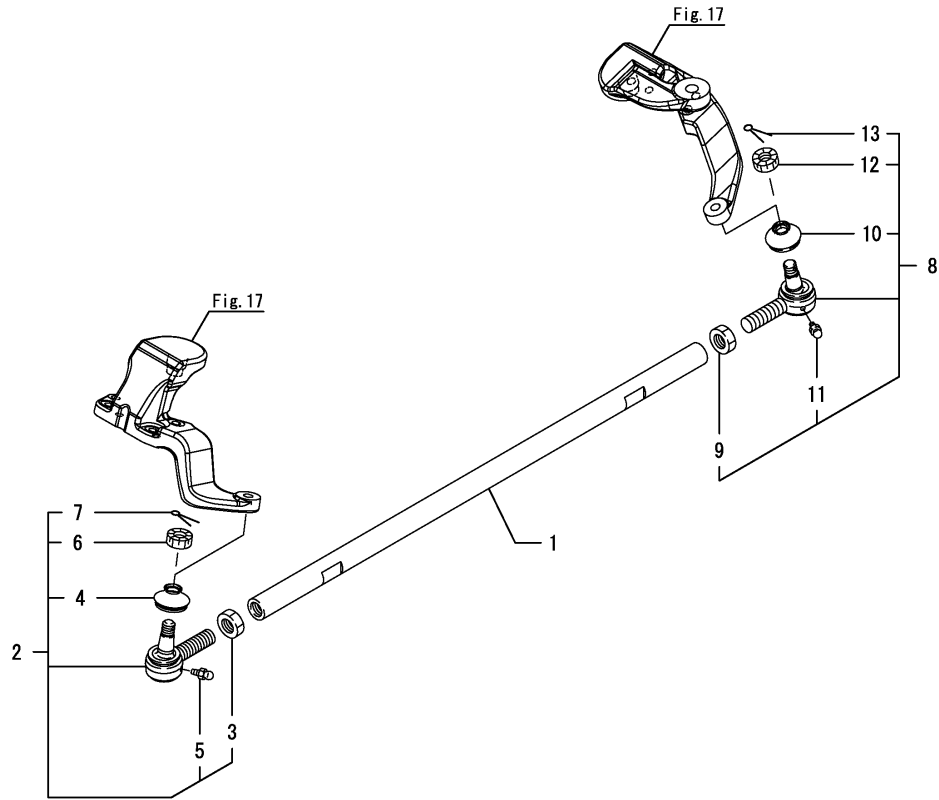


Fig.12. RING GEAR

(A)=EX3200(CCY)  
 (B)=EX2900(CCY)  
 (C)=

(D)=  
 (E)=  
 (F)=

No.	Lev.	Parts No.	Description	Q'ty						I	R
				(A)	(B)	(C)	(D)	(E)	(F)		
1	1	1A8160-13100	GEAR ASSY, RING	1	1						
2	1	198221-13130	COLLAR, 25X34X4.5	1	1						
3	1	194306-13140	CIRCLIP, C24-S	1	1						
4	1	194855-25290	SLEEVE, SI 202513	1	1						
5	1	194850-31380	BEARING, 6305RSH2	1	1						
6	1	22242-000200	RING, 20	1	1						
7	1	24101-060044	BEARING, BALL 6004	1	1						

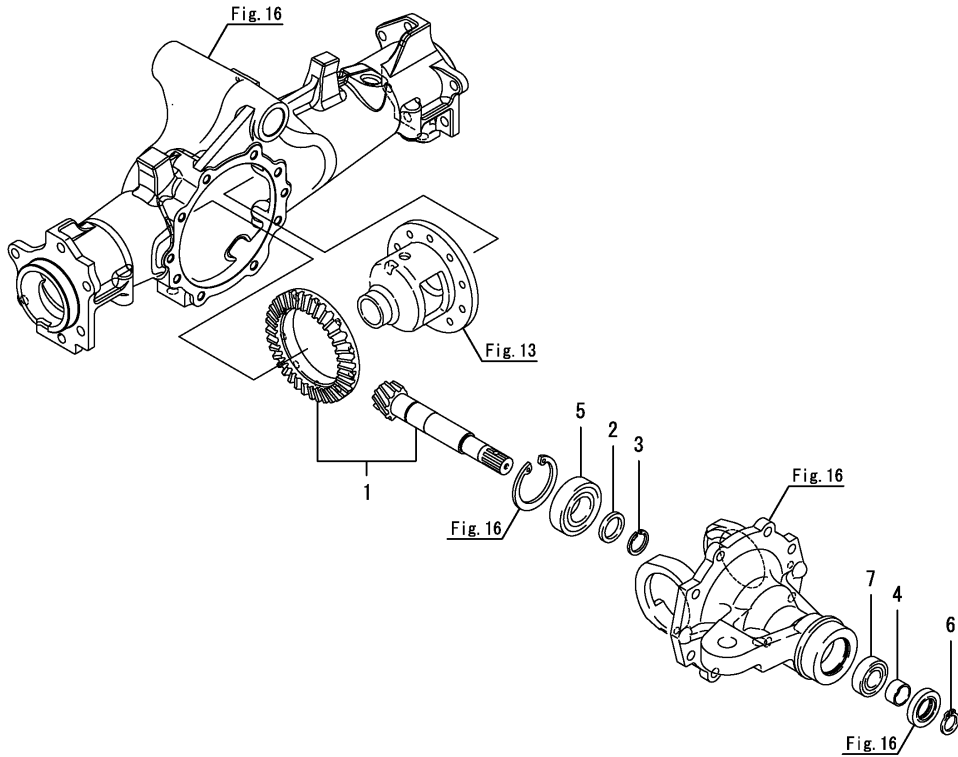
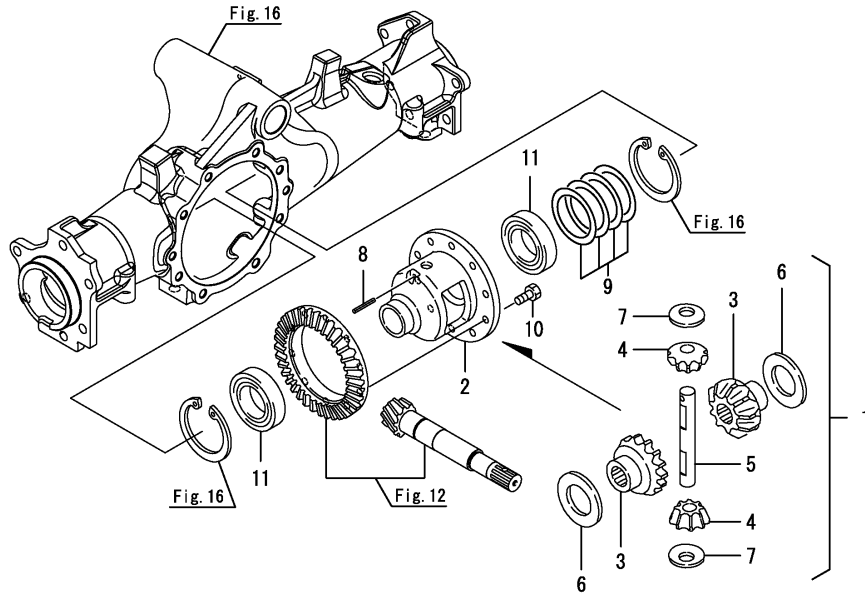


Fig.13. DIFFERENTIAL GEAR

(A)=EX3200(CCY)  
 (B)=EX2900(CCY)  
 (C)=

(D)=  
 (E)=  
 (F)=



No.	Lev.	Parts No.	Description	Q'ty						I	R
				(A)	(B)	(C)	(D)	(E)	(F)		
1	1	1A8160-13200	HOUSING ASSY	1	1						
2	2	1A8160-13210	CASE, DIFFERENTIAL	1	1						
3	2	194300-31550	GEAR, DIFFERENTIAL	2	2						
4	2	194300-31560	GEAR, PINION	2	2						
5	2	194300-31570	SHAFT, DIFFERENTIAL	1	1						
6	2	194300-31610	WASHER, DIFFERENTIAL	2	2						
7	2	194300-31620	WASHER, DIFFERENTIAL	2	2						
8	2	22351-040030	PIN, SPRING 4.0X30	1	1						
9	1	794447-13570	SHIM SET	1	1						
10	1	1D4110-36430	BOLT, M8X12	10	10						
11	1	24101-060084	BEARING, BALL 6008	2	2						

Fig.14. PROPELLER SHAFT

(A)=EX3200(CCY)  
 (B)=EX2900(CCY)  
 (C)=

(D)=  
 (E)=  
 (F)=

No.	Lev.	Parts No.	Description	Q'ty						I	R
				(A)	(B)	(C)	(D)	(E)	(F)		
1	1	1A8160-13340	PROPELLER SHAFT CMP	1	1						
1-1	1	1A8160-13341	SHAFT ASSY,PROPELLER	1	1						N
		(A=F003429) (B=F001091)									
2	1	198221-13410	BOLT, M8	1	1						
3	1	22217-080000	WASHER, SPRING 8	1	1						

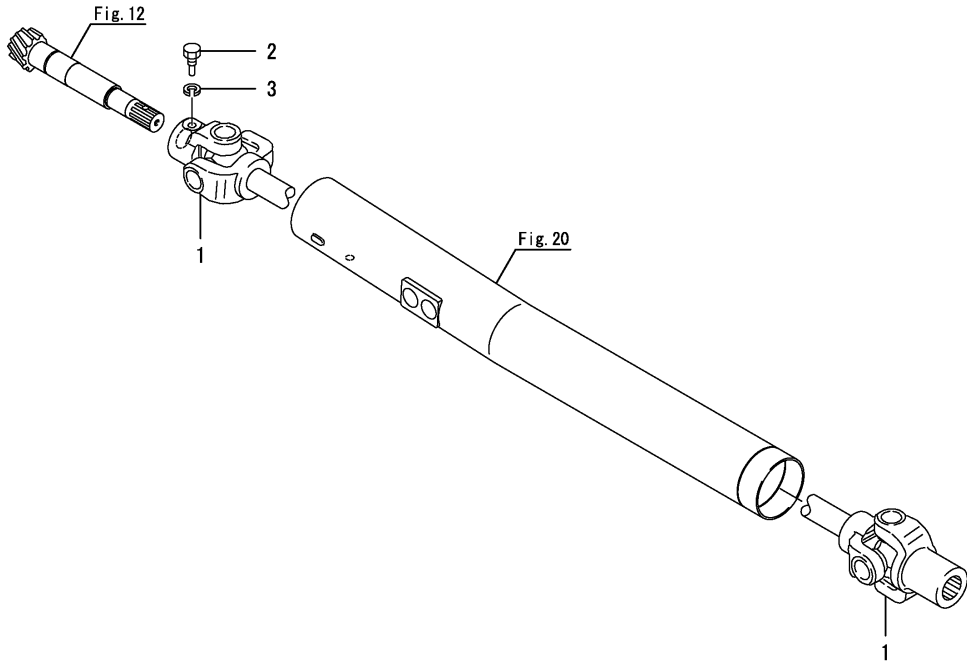
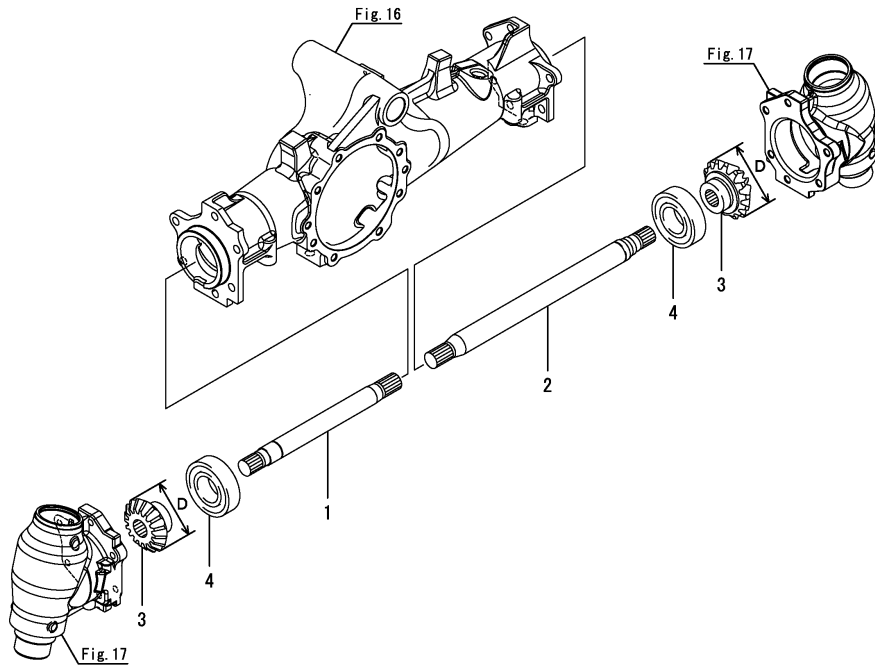


Fig.15. FRONT SHAFT (1)

(A)=EX3200(CCY)  
 (B)=EX2900(CCY)  
 (C)=

(D)=  
 (E)=  
 (F)=

No.	Lev.	Parts No.	Description	Q'ty						I	R
				(A)	(B)	(C)	(D)	(E)	(F)		
1	1	1A8160-13510	SHAFT, FRONT 1ST L	1	1						
2	1	1A8160-13520	SHAFT, FRONT 1ST R	1	1						
3	1	1A8160-13560	PINION, FRONT 1ST	2							
3-1	1	1A8160-13561 (A=F002645)	PINION, SHAFT	2	2						F 1
4	1	24101-062084	BEARING, BALL 6208	2	2						

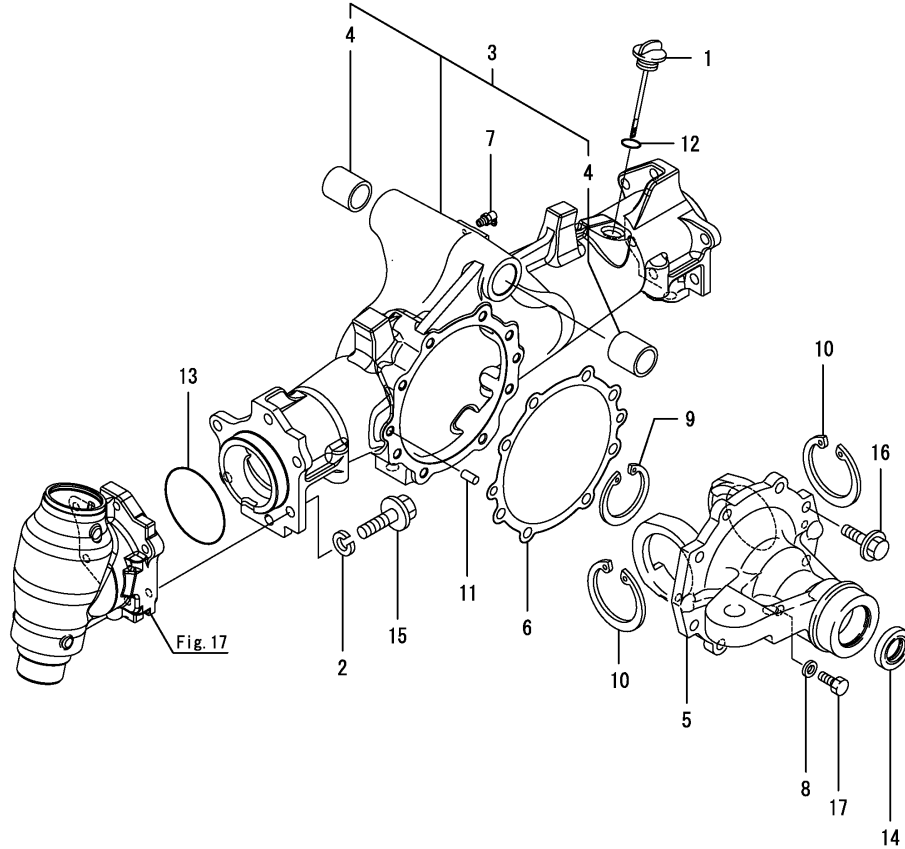


Remarks  
 (1)D=Ref.No.3 72mm,3-1 70mm.  
 Ref.No.3 is interchangeable with  
 a set of 3-1 & Fig.18,Ref.No.3-1.

Fig.16. FRONT AXLE CASE

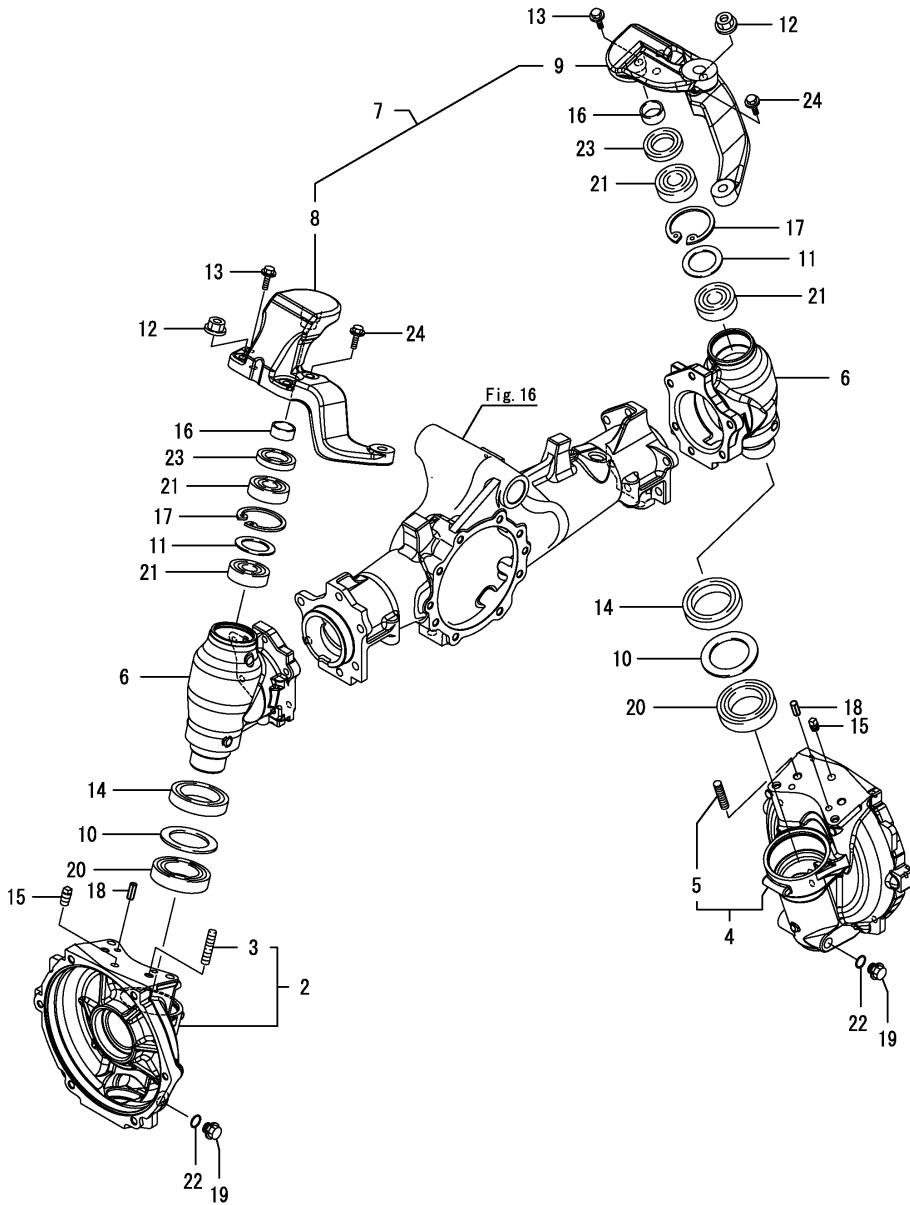
(A)=EX3200(CCY)  
 (B)=EX2900(CCY)  
 (C)=

(D)=  
 (E)=  
 (F)=



No.	Lev.	Parts No.	Description	Q'ty						I	R
				(A)	(B)	(C)	(D)	(E)	(F)		
1	1	194447-13490	GAUGE, OIL LEVEL	1	1						
2	1	194274-13570	WASHER, SPRING 10	12	12						
3	1	1A8160-13600	HOUSING ASSY, AXLE	1	1						
4	2	194850-13660	BUSH, 25X32X35	2	2						
5	1	1A8160-13650	CARRIER	1	1						
6	1	1A8160-13660	GASKET, CARRIER	1	1						
7	1	194850-13690	NIPPLE, GRESAE M6F45	1	1						
8	1	22190-080000	WASHER, SEAL 8	1	1						
9	1	22252-000621	RING, 62	1	1						
10	1	22252-000680	RING, 68	2	2						
11	1	22312-080160	PIN, PARALLEL M8X16	2	2						
12	1	24311-000180	O-RING, 1AP18.0	1	1						
13	1	24321-000800	O-RING, 1AG80.0	2	2						
14	1	24421-254208	SEAL, OIL TC254208	1	1						
15	1	26108-100302	BOLT, M10X 30 PLATED	12	12						
16	1	26108-100302	BOLT, M10X 30 PLATED	8	8						
17	1	26116-080122	BOLT, M8X 12 PLATED	1	1						

Fig.17. FRONT GEAR CASE



(A)=EX3200(CCY)  
 (B)=EX2900(CCY)  
 (C)=

(D)=  
 (E)=  
 (F)=

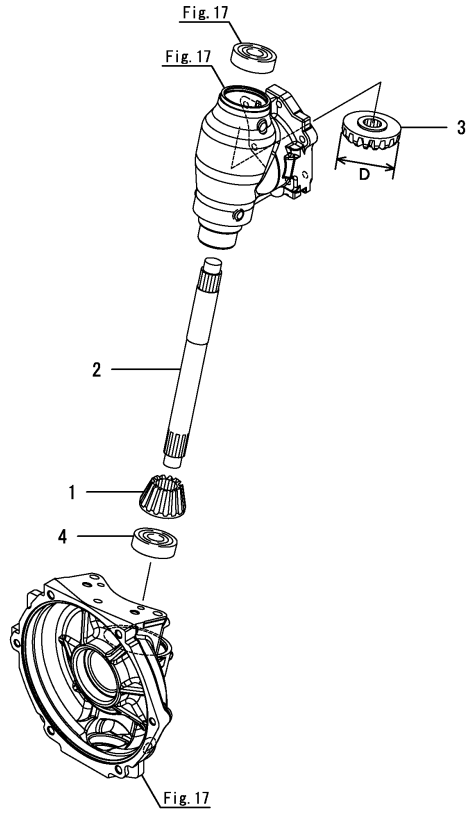
No.	Lev.	Parts No.	Description	Q'ty						I	R
				(A)	(B)	(C)	(D)	(E)	(F)		
2	1	1A8160-13720	BOX ASSY, GEAR L	1	1						
3	2	1A8160-13920	STUD, M10X30	2	2						
4	1	1A8160-13730	BOX ASSY, GEAR R	1	1						
5	2	1A8160-13920	STUD, M10X30	2	2						
6	1	1A8160-13750	CASE, FRONT GEAR	2	2						
7	1	1A8160-13800	SUPPORT ASSY, PIN	1	1						
8	2	1A8160-13820	SUPPORT, KING PIN L	1	1						
9	2	1A8160-13861	SUPPORT, KING PIN R	1	1						
10	1	1A8160-13880	WASHER, 52X75X3	2	2						
11	1	1A8160-13890	WASHER, 36X52X2	2	2						
12	1	1A8160-13930	NUT, M10	4	4						
13	1	198266-28390	BOLT, M10X35	2	2						
14	1	198475-32660	SEAL, QLNYS27514.5	2	2						
15	1	194151-36670	PLUG, PF02	2	2						
16	1	1E6190-54080	SLEEVE SI25X30X13	2	2						
17	1	22252-000520	RING, 52	2	2						
18	1	22351-080020	PIN, SPRING 8.0X20	4	4						
19	1	23491-140002	PLUG, 14	2	2						
20	1	24101-060094	BEARING, BALL 6009	2	2						
21	1	24104-063044	BEARING, BALL 6304UU	4	4						
22	1	24311-000160	O-RING, 1AP16.0	2	2						
23	1	24421-305208	SEAL, OIL TC305208	2	2						
24	1	26108-100452	BOLT, M10X 45 PLATED	2	2						

Fig.18. FRONT SHAFT (2)

(A)=EX3200(CCY)  
 (B)=EX2900(CCY)  
 (C)=

(D)=  
 (E)=  
 (F)=

No.	Lev.	Parts No.	Description	Q'ty						I	R
				(A)	(B)	(C)	(D)	(E)	(F)		
1	1	1A8160-13830	PINION, FINAL Z=11	2	2						
2	1	1A8160-13870	SHAFT, FRONT 2ND	2	2						
3	1	1A8160-13980	GEAR FRONT 2ND	2							
3-1	1	1A8160-13981 (A=F002645)	GEAR, FRONT SHAFT	2	2						F 1
4	1	192180-25980	BEARING 304RSH2	2	2						



Remarks  
 (1)D=Ref.No.3 69mm,3-1 66mm.  
 Ref.No.3 is interchangeable with  
 a set of 3-1 & Fig.15,Ref.No.3-1.



Fig.19. FRONT SPINDLE

(A)=EX3200(CCY)  
 (B)=EX2900(CCY)  
 (C)=

(D)=  
 (E)=  
 (F)=

No.	Lev.	Parts No.	Description	Q'ty						I	R
				(A)	(B)	(C)	(D)	(E)	(F)		
1	1	194556-13790	O-RING, 190X2.7	2	2						
2	1	198200-14110-1	SPINDLE, FRONT	2	2						
3	1	198200-14120	GEAR, FINAL 48	2	2						
4	1	1A8160-14130	COVER, GEAR BOX	2	2						
5	1	194447-14140	SEAL, OIL TC6Y577512	2	2						
6	1	1A8160-14180	SLEEVE, SL 52X57X15	2	2						
7	1	198200-14210	RING, HALF	4	4						
8	1	24101-060084	BEARING, BALL 6008	2	2						
9	1	24101-062094	BEARING, BALL 6209	2	2						
10	1	26106-100252	BOLT, M10X 25 PLATED	12	12						

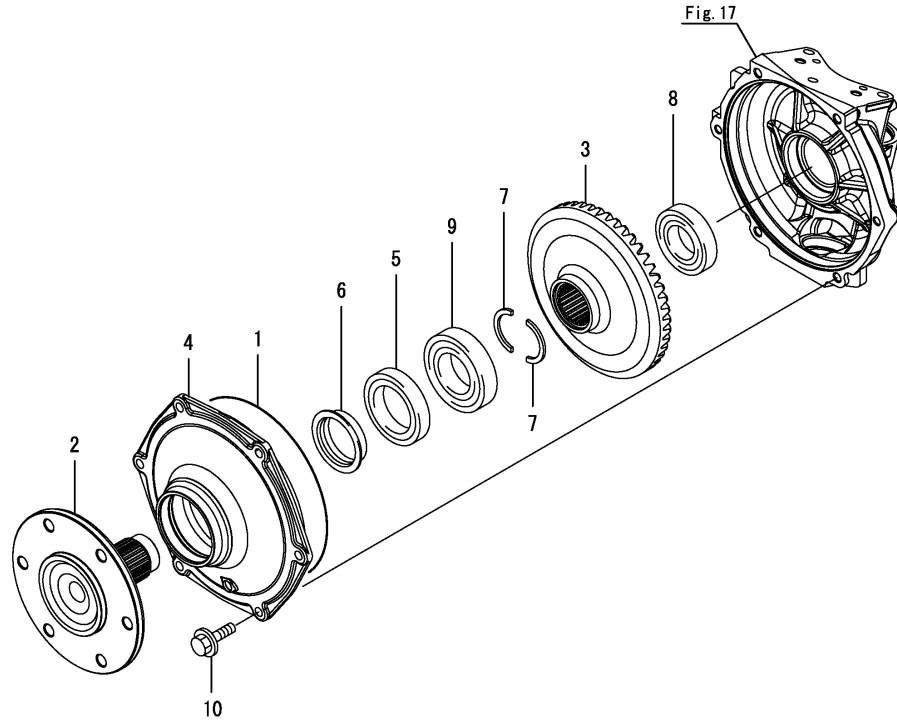


Fig.20. SHAFT COVER

(A)=EX3200(CCY)  
 (B)=EX2900(CCY)  
 (C)=

(D)=  
 (E)=  
 (F)=

No.	Lev.	Parts No.	Description	Q'ty						I	R
				(A)	(B)	(C)	(D)	(E)	(F)		
1	1	1A8160-14610	COVER, SHAFT	1	1						
2	1	198221-14650	BOOT, RUBBER	1	1						
3	1	23000-080000	CLAMP, 80	2	2						

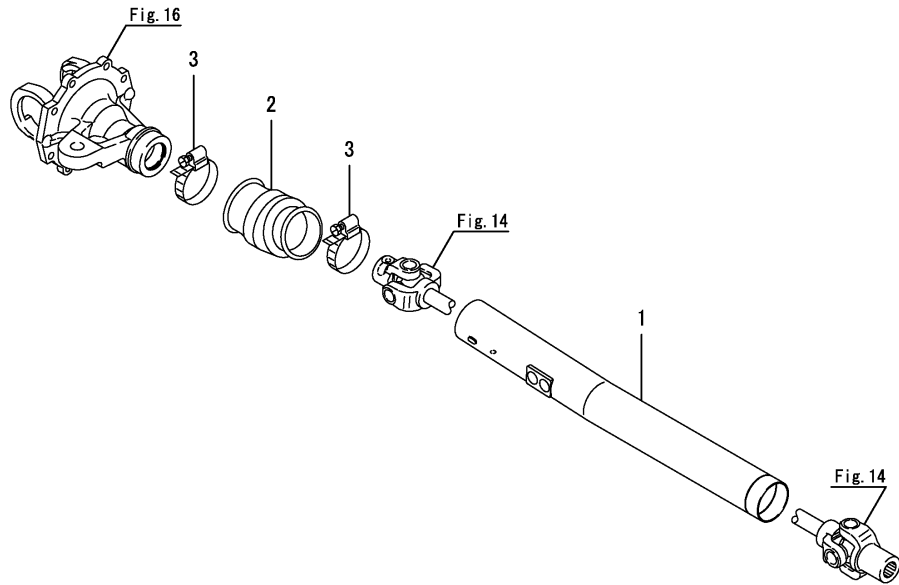


Fig.21. FRONT WHEEL TIRE

(A)=EX3200(CCY)  
 (B)=EX2900(CCY)  
 (C)=

(D)=  
 (E)=  
 (F)=

No.	Lev.	Parts No.	Description	Q'ty						I	R
				(A)	(B)	(C)	(D)	(E)	(F)		
1	1	1A8160-14300	TIRE KIT, FRONT R1 L	1	1						
2	2	1A8160-14310	TIRE, FRONT R1 7X14	1	1						
3	2	1A8160-14330	WHEEL, R1 F	1	1						
4	2	1A8160-14350	VALVE, R1	1	1						
5	1	1A8160-14400	TIRE KIT, FRONT R1 R	1	1						
6	2	1A8160-14310	TIRE, FRONT R1 7X14	1	1						
7	2	1A8160-14330	WHEEL, R1 F	1	1						
8	2	1A8160-14350	VALVE, R1	1	1						

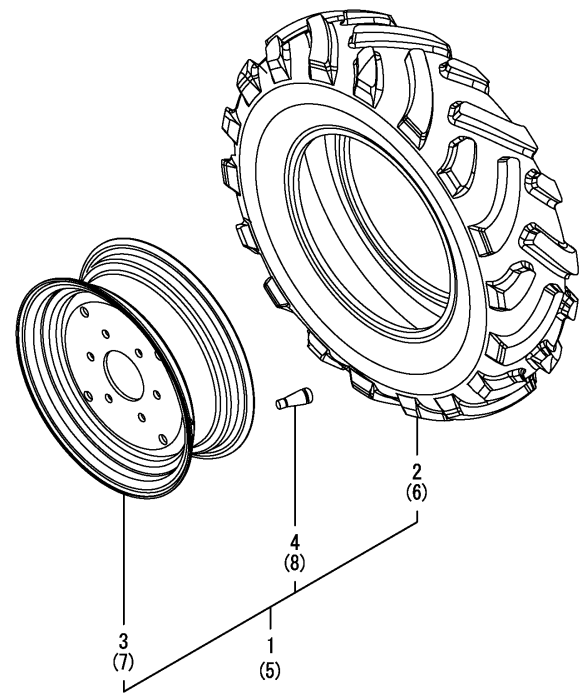


Fig.22. FRONT WHEEL TIRE(TURF)

(A)=EX3200(CCY)  
 (B)=EX2900(CCY)  
 (C)=

(D)=  
 (E)=  
 (F)=

No.	Lev.	Parts No.	Description	Q'ty						I	R
				(A)	(B)	(C)	(D)	(E)	(F)		
1	1	1A8160-14500	TIRE KIT, FRONT R3	2	2						
2	2	1A8160-14350	VALVE, R1	2	2						
3	2	1A8160-14510	TIRE, 25X8.50-14	2	2						
4	2	1A8160-14530	WHEEL, R3 F	2	2						

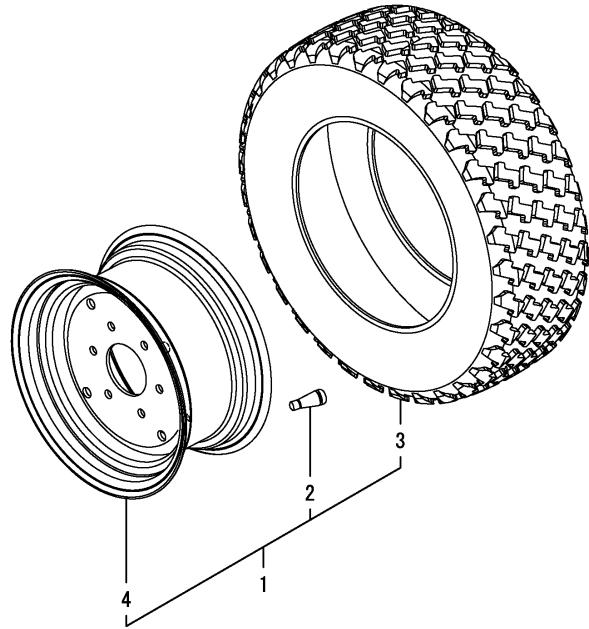


Fig.23. FRONT WHEEL TIRE

(A)=EX3200(CCY)  
 (B)=EX2900(CCY)  
 (C)=

(D)=  
 (E)=  
 (F)=

No.	Lev.	Parts No.	Description	Q'ty						I	R
				(A)	(B)	(C)	(D)	(E)	(F)		
1	1	1A8160-14700	TIRE KIT, FRONT R4 L	1	1						
2	2	1A8160-14530	WHEEL, R3 F	1	1						
3	2	1A8160-14710	TIRE, R4 25X8.50-14	1	1						
4	2	1A8160-14750	VALVE, TIRE	1	1						
5	1	1A8160-14800	TIRE KIT, FRONT R4 R	1	1						
6	2	1A8160-14530	WHEEL, R3 F	1	1						
7	2	1A8160-14710	TIRE, R4 25X8.50-14	1	1						
8	2	1A8160-14750	VALVE, TIRE	1	1						

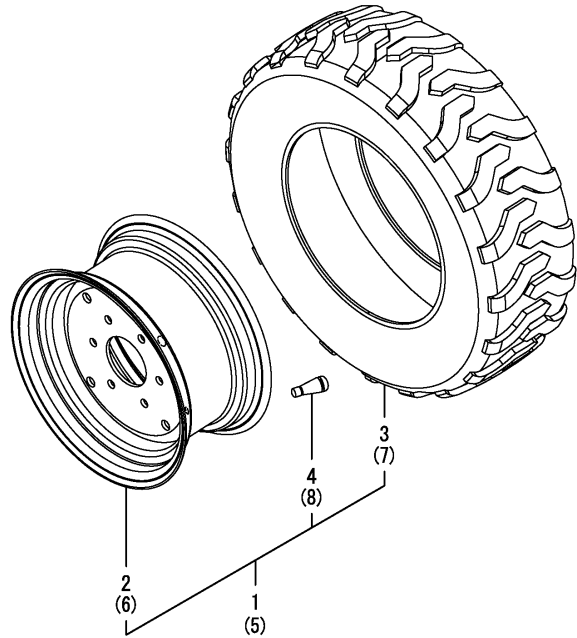
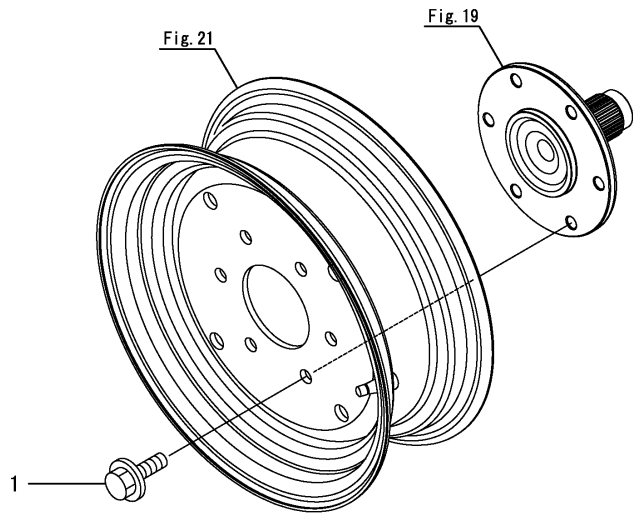


Fig.24. HUB BOLT(FRONT)

(A)=EX3200(CCY)  
 (B)=EX2900(CCY)  
 (C)=

(D)=  
 (E)=  
 (F)=



No.	Lev.	Parts No.	Description	Q'ty						I	R
				(A)	(B)	(C)	(D)	(E)	(F)		
1	1	194881-12650	BOLT, M14X24	12	12						

Fig.25. STEERING WHEEL

(A)=EX3200(CCY)  
 (B)=EX2900(CCY)  
 (C)=

(D)=  
 (E)=  
 (F)=

No.	Lev.	Parts No.	Description	Q'ty						I	R
				(A)	(B)	(C)	(D)	(E)	(F)		
1	1	198220-15650	COVER, COLUMN	1	1						
2	1	1A8160-15700	WHEEL ASSY, STEERING	1	1						
3	2	198133-15710	WHEEL, STEERING	1	1						
4	2	1A8160-15740	CAP ASSY, STEERING	1	1						
5	3	198133-15750	CAP, STEERING	1	1						
6	1	22137-160000	WASHER, 16	1	1						
7	1	26356-160002	NUT, M16	1	1						

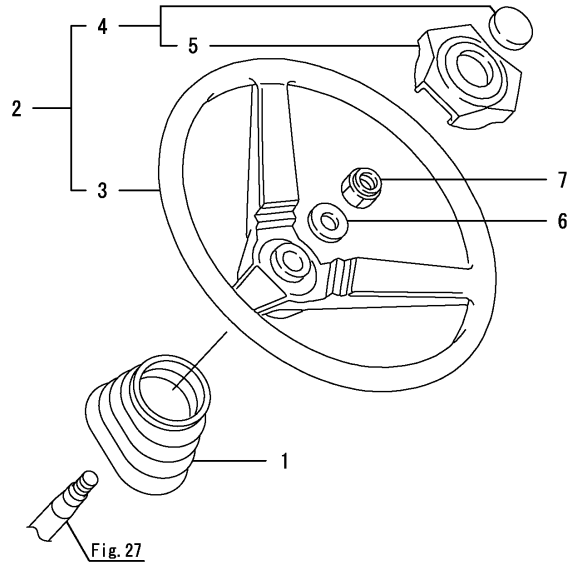
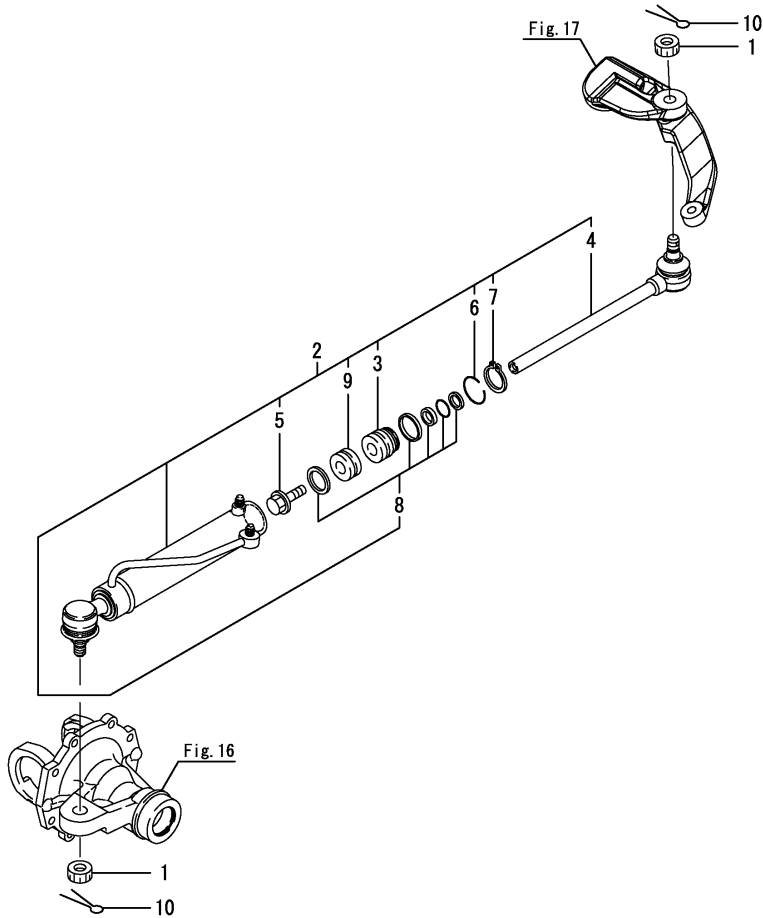


Fig.26. P.S.T CYLINDER

(A)=EX3200(CCY)  
 (B)=EX2900(CCY)  
 (C)=

(D)=  
 (E)=  
 (F)=



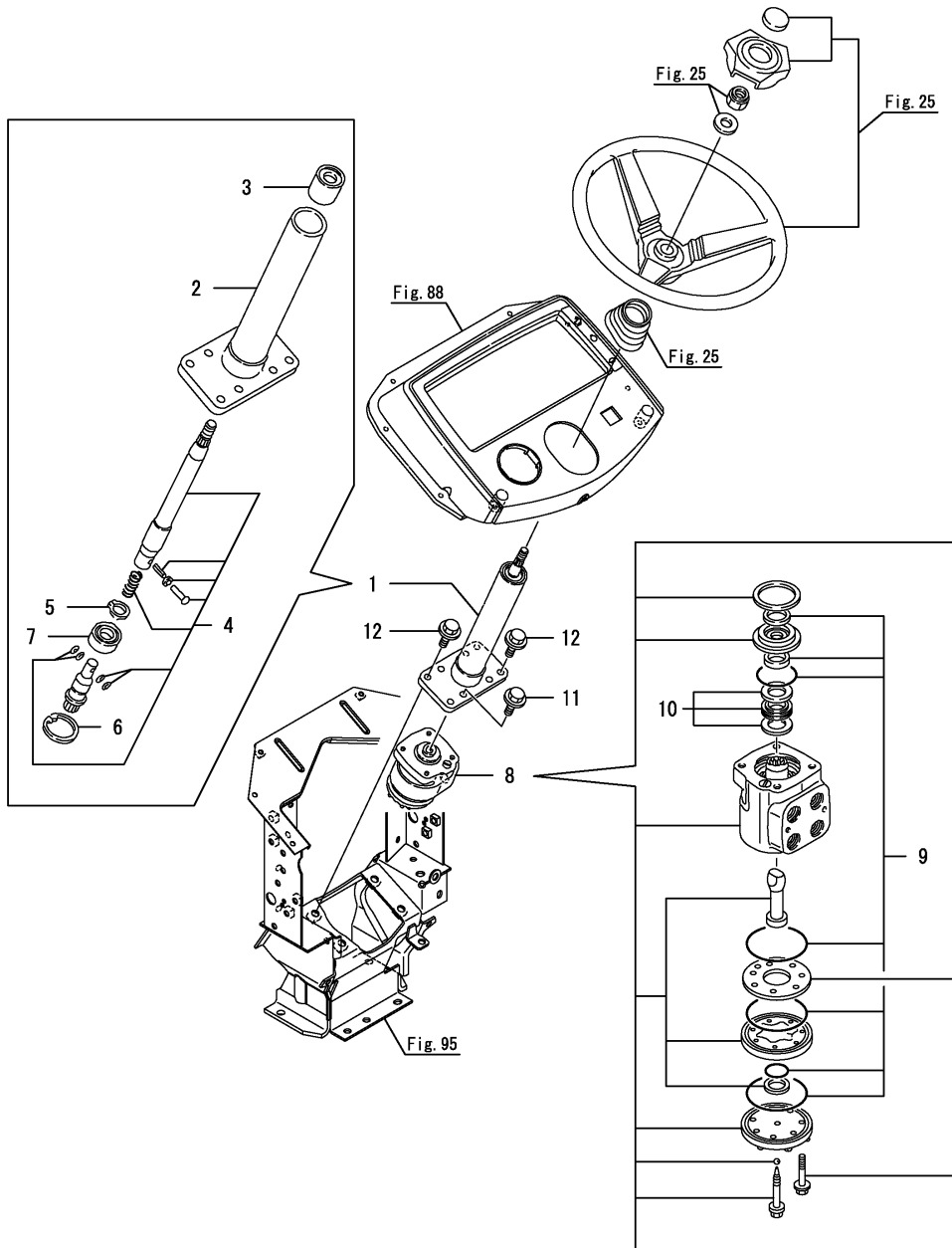
No.	Lev.	Parts No.	Description	Q'ty						I	R
				(A)	(B)	(C)	(D)	(E)	(F)		
1	1	194180-12471	NUT, CASTLE M16	2	2						
2	1	1A8160-17400	CYLINDER ASSY	1	1						
2-1	1	1A8160-17401	CYLINDER ASSY	1	1						S
		(A=F003340) (B=F001091)									
3	2	1A7335-17310	CAP, CYLINDER	1	1						
4	2	1A7335-17410	ROD ASSY, STEERING	1	1						
5	2	1A7335-17500	BOLT, M12X1.25	1	1						
6	2	1A7335-17520	CIRCLIP	1	1						
7	2	1A7335-17530	CIRCLIP	1	1						
8	2	1A7335-17550	SEAL KIT	1	1						
8-1	2	1A7335-17551	SEAL KIT	1	1						N
		(A=F003340) (B=F001091)									
9	2	1A7335-17750	PISTON	1	1						
10	1	22417-400250	PIN, COTTER 4.0X25	2	2						



Fig.27. P.S.T VALVE

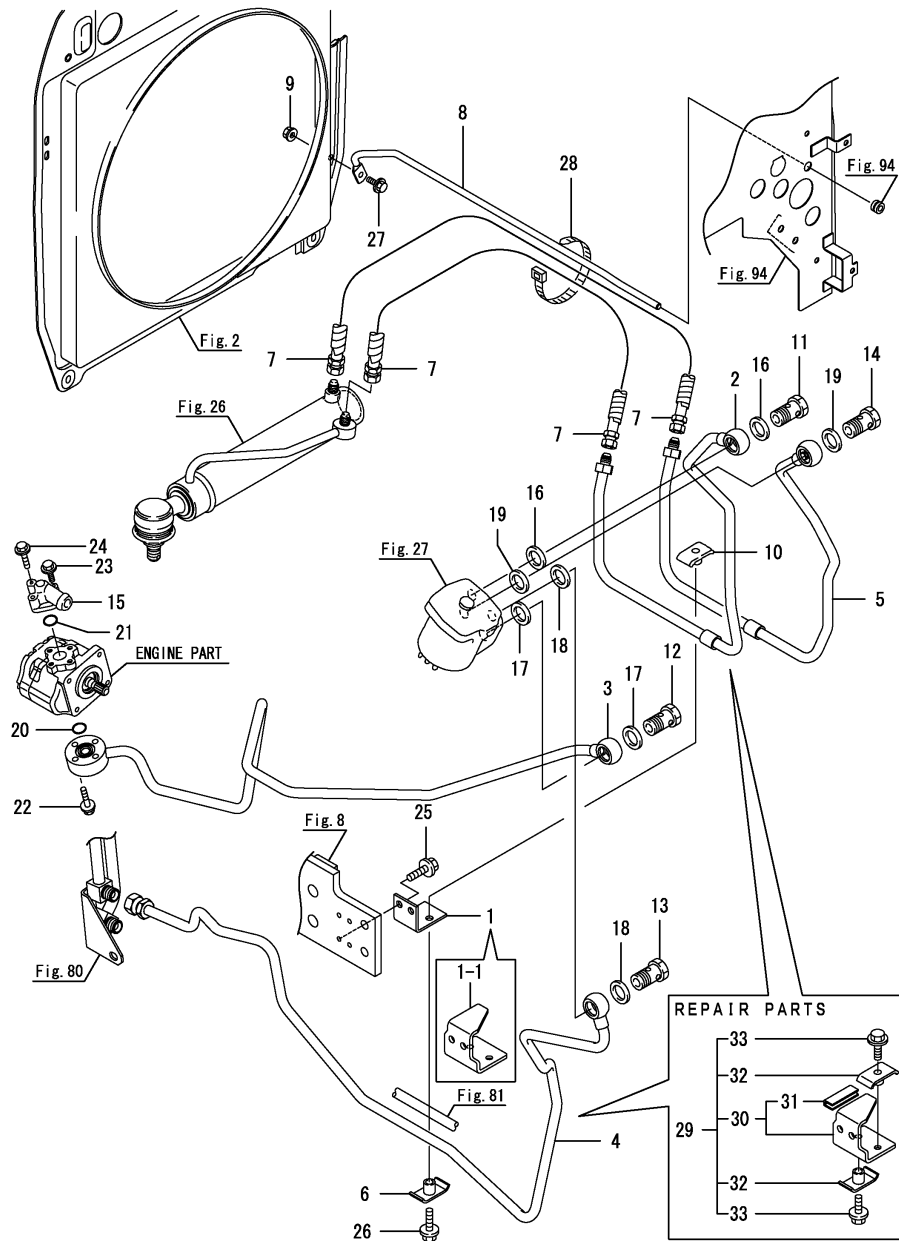
(A)=EX3200(CCY)  
 (B)=EX2900(CCY)  
 (C)=

(D)=  
 (E)=  
 (F)=



No.	Lev.	Parts No.	Description	Q'ty						I	R
				(A)	(B)	(C)	(D)	(E)	(F)		
1	1	198230-17301	COLUMN ASSY,STEERING	1	1						
2	2	198230-17311	COLUMN ASSY,STEERING	1	1						
3	2	194640-17340	BUSH, COLUMN	1	1						
4	2	198230-17340	SHAFT ASSY	1	1						
5	2	22242-000200	RING, 20	1	1						
6	2	22252-000420	RING, 42	1	1						
7	2	24104-060040	BEARING, 6004UUC3	1	1						
8	1	1A8160-17500	VALVE ASSY, STEERING	1	1						
9	2	1A8160-17510	SEAL KIT	1	1						
10	2	198153-17630	BEARING ASSY, NEEDLE	1	1						
11	1	26106-100202	BOLT, M10X 20 PLATED	4	4						
12	1	26106-100202	BOLT, M10X 20 PLATED	4	4						

Fig.28. P.S.T PIPING



(A)=EX3200(CCY)  
(B)=EX2900(CCY)  
(C)=

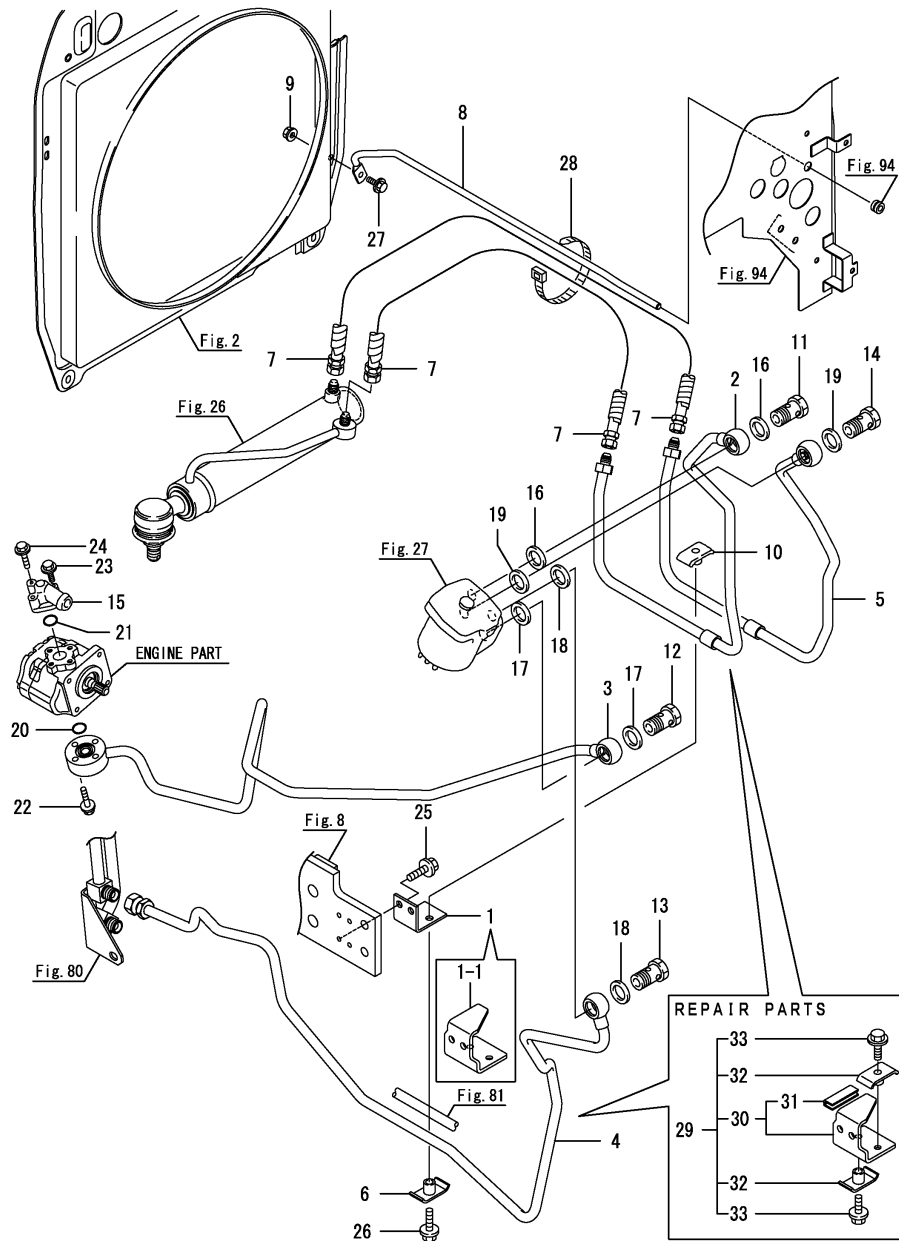
(D)=  
(E)=  
(F)=

No.	Lev.	Parts No.	Description	Q'ty						I	R
				(A)	(B)	(C)	(D)	(E)	(F)		
1	1	1A8160-17460	BRACKET(PIPE CLAMP	1							
1-1	1	1A8160-17461	BRACKET	1							S
(A=F000156)											
2	1	1A8160-17700	PIPE, PRESSURE L	1							
2-1	1	1A8160-17701	PIPE, PRESSURE L	1							N
(A=F002245)											
2-2	1	1A8160-17702	PIPE, PRESSURE L	1							N
(A=F003740)											
3	1	1A8160-17720	LINE,PST PUMP	1							
3-1	1	1A8160-17721	PIPE, PRESSURE	1							N
(A=F002245)											
4	1	1A8160-17740	PIPE, PRESSURE	1							
4-1	1	1A8160-17741	PIPE, PRESSURE	1							N
(A=F002245)											
5	1	1A8160-17780	PIPE, PRESSURE P	1							
5-1	1	1A8160-17781	PIPE, PRESSURE P	1							N
(A=F002245)											
5-2	1	1A8160-17782	PIPE, PRESSURE P	1							N
(A=F003740)											
6	1	198268-17790	CLAMP, PIPE 12	1							Z
(A=F000156)											
7	1	198230-17850	HOSE, 650	2							
8	1	1A8160-17950	BAR, CLAMP	1							
9	1	194990-22130	NUT, M6	1							
10	1	198220-46560	CLAMP, PIPE 12	1							Z
(A=F000156)											
11	1	198245-46680	BOLT, M3/4-16	1							
12	1	198245-46680	BOLT, M3/4-16	1							
13	1	198245-46680	BOLT, M3/4-16	1							
14	1	198245-46680	BOLT, M3/4-16	1							
15	1	198220-48140	FLANGE, PIPE P	1							
16	1	23414-190000	GASKET, 19X1.0	2							
17	1	23414-190000	GASKET, 19X1.0	2							
18	1	23414-190000	GASKET, 19X1.0	2							
19	1	23414-190000	GASKET, 19X1.0	2							
20	1	24311-000200	O-RING, 1AP20.0	1							
21	1	24311-000200	O-RING, 1AP20.0	1							
22	1	26018-060352	BOLT, M6X 35	4							
23	1	26106-060202	BOLT, M6X 20 PLATED	1							
24	1	26106-060402	BOLT, M6X 40 PLATED	2							
25	1	26106-080122	BOLT, M8X 12 PLATED	2							
26	1	26106-080352	BOLT, M8X 35 PLATED	1							Z
(A=F000156)											
27	1	26106-060122	BOLT, M6X 12 PLATED	1							
28	1	1E6102-84970	BAND 140,WIRE LOCK	1							
29	1	1A8160-17440	BRACKET	1							W 1
(A=F000156)											
30	2	1A8160-17450	BRACKET ASSY	1							W 1
(A=F000156)											
31	3	195616-24930	TRIM	1							W 1
(A=F000156)											

Remarks

(1) Spare parts.

Fig.28. P.S.T PIPING



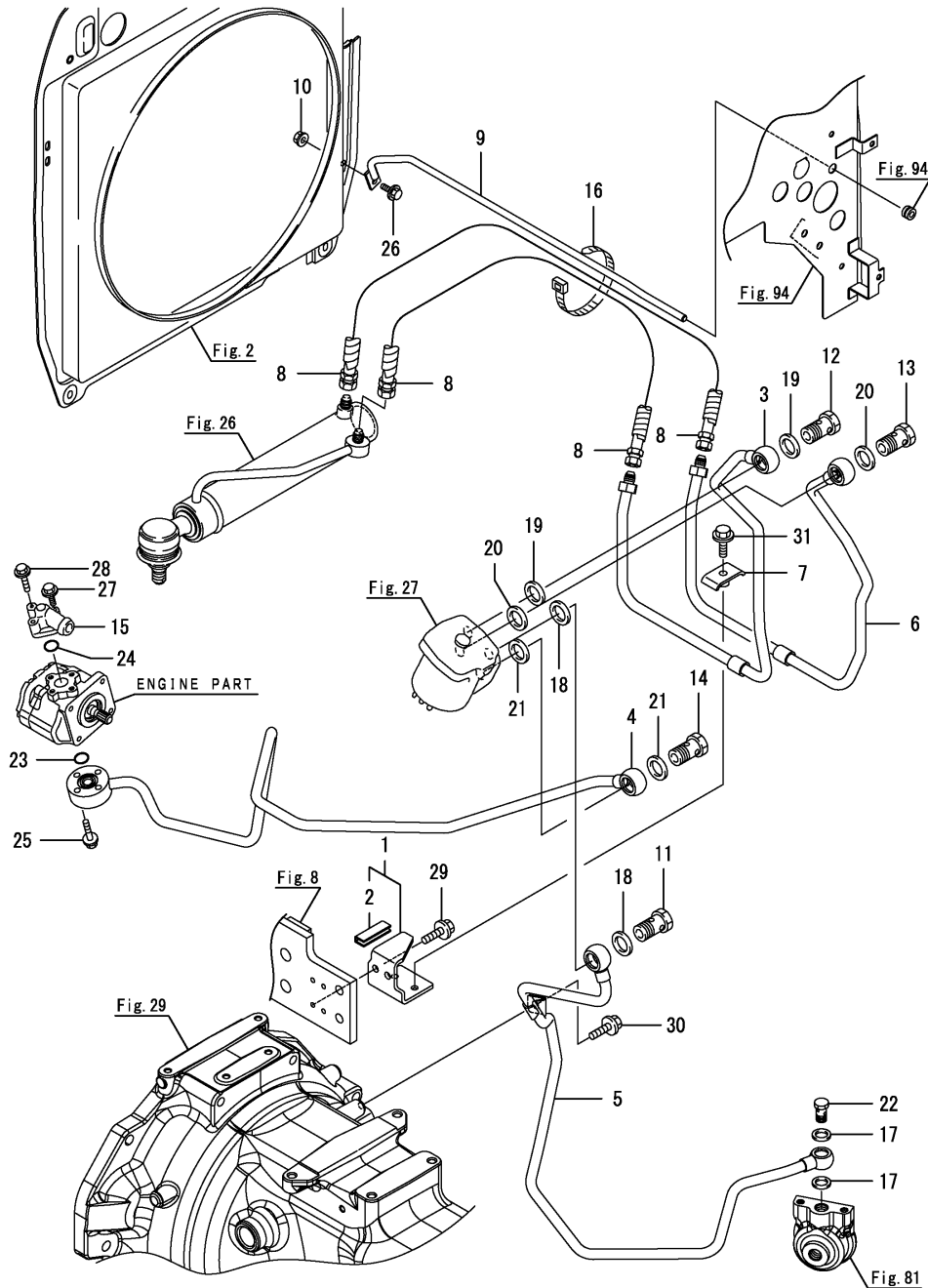
(A)=EX3200(CCY)  
 (B)=EX2900(CCY)  
 (C)=

(D)=  
 (E)=  
 (F)=

No.	Lev.	Parts No.	Description	Qty						I	R	
				(A)	(B)	(C)	(D)	(E)	(F)			
32	2	198268-17790	CLAMP, PIPE 12	2							W	1
		(A=F000156)										
33	2	26106-080252	BOLT, M8X 25 PLATED	2							W	1
		(A=F000156)										

Remarks  
 (1) Spare parts.

Fig.116. P.S.T PIPING



(A)=EX3200(CCY)  
 (B)=EX2900(CCY)  
 (C)=

(D)=  
 (E)=  
 (F)=

No.	Lev.	Parts No.	Description	Qty						I	R
				(A)	(B)	(C)	(D)	(E)	(F)		
1	1	1A8160-17450	BRACKET ASSY		1						
2	2	195616-24930	TRIM		1						
3	1	1A8160-17700	PIPE, PRESSURE L		1						
3-1	1	1A8160-17701 (B=F000640)	PIPE, PRESSURE L		1						N
3-2	1	1A8160-17702 (B=F001203)	PIPE, PRESSURE L		1						N
4	1	1A8160-17720	LINE,PST PUMP		1						
4-1	1	1A8160-17721 (B=F000640)	PIPE, PRESSURE		1						N
5	1	1A8150-17750	PIPE, PRESSURE		1						
6	1	1A8160-17780	PIPE, PRESSURE P		1						
6-1	1	1A8160-17781 (B=F000640)	PIPE, PRESSURE P		1						N
6-2	1	1A8160-17782 (B=F001203)	PIPE, PRESSURE P		1						N
7	1	198268-17790	CLAMP, PIPE 12		1						
8	1	198230-17850	HOSE, 650		2						
9	1	1A8160-17950	BAR, CLAMP		1						
10	1	194990-22130	NUT, M6		1						
11	1	198245-46680	BOLT, M3/4-16		1						
12	1	198245-46680	BOLT, M3/4-16		1						
13	1	198245-46680	BOLT, M3/4-16		1						
14	1	198245-46680	BOLT, M3/4-16		1						
15	1	198220-48140	FLANGE, PIPE P		1						
16	1	1E6102-84970	BAND 140,WIRE LOCK		1						
17	1	23414-160021	GASKET, 16X1.0		2						
18	1	23414-190000	GASKET, 19X1.0		2						
19	1	23414-190000	GASKET, 19X1.0		2						
20	1	23414-190000	GASKET, 19X1.0		2						
21	1	23414-190000	GASKET, 19X1.0		2						
22	1	23857-100000	BOLT, JOINT 10		1						
23	1	24311-000200	O-RING, 1AP20.0		1						
24	1	24311-000200	O-RING, 1AP20.0		1						
25	1	26018-060352	BOLT, M6X 35		4						
26	1	26106-060122	BOLT, M6X 12 PLATED		1						
27	1	26106-060202	BOLT, M6X 20 PLATED		1						
28	1	26106-060402	BOLT, M6X 40 PLATED		2						
29	1	26106-080122	BOLT, M8X 12 PLATED		2						
30	1	26106-080162	BOLT, M8X 16 PLATED		1						
31	1	26106-080252	BOLT, M8X 25 PLATED		1						

Fig.29. CLUTCH HOUSING

(A)=EX3200(CCY)  
 (B)=EX2900(CCY)  
 (C)=

(D)=  
 (E)=  
 (F)=

No.	Lev.	Parts No.	Description	Q'ty						I	R
				(A)	(B)	(C)	(D)	(E)	(F)		
1	1	194450-11190	PLUG, 15.0	6	6						
2	1	1A8160-21100	HOUSING, CLUTCH CMP	1							
2-1	1	1A8160-21101	HOUSING ASSY, CLUTCH	1	1						N
(A=FXXXXX)											
3	2	194740-06080	BUSH, 25X30X18	4	4						
4	2	194190-22250	PIN, HOOK	2	2						
5	2	194130-22280	BUSH, 20X25X25	2	2						
6	2	26216-100802	STUD, M10X 80	2	2						
7	1	26716-100002	NUT, M10	2	2						
8	1	22217-100000	WASHER, SPRING 10	2	2						

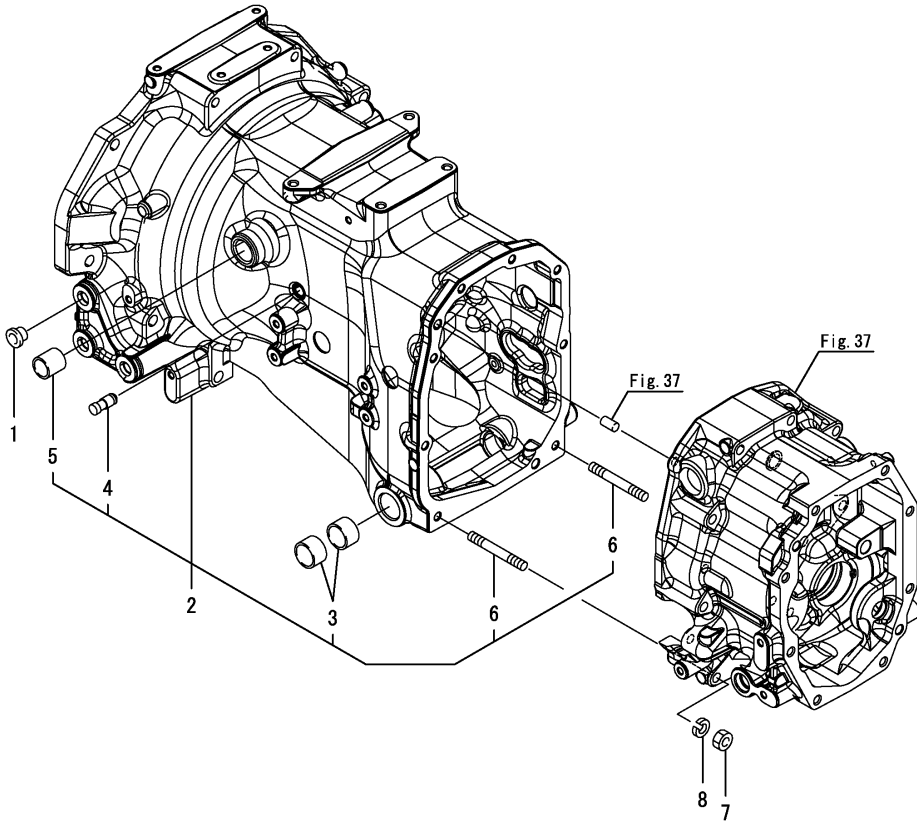
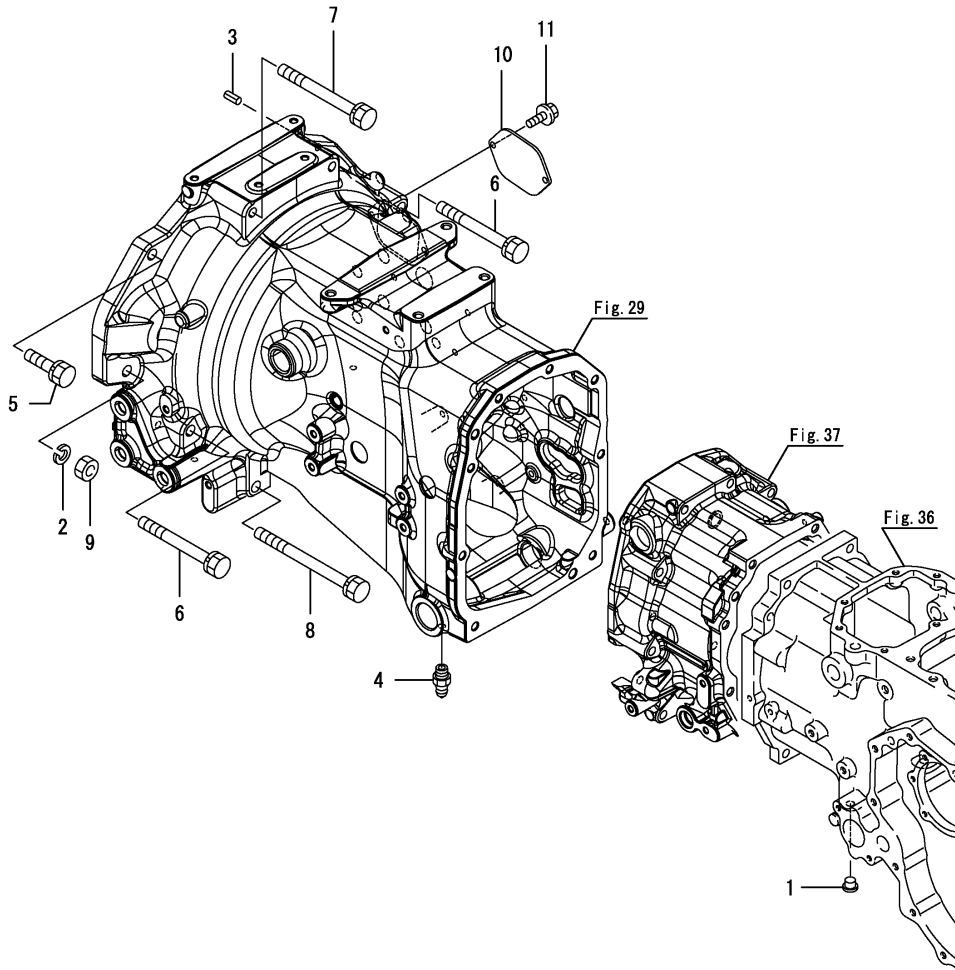


Fig.30. DOCKING BOLT

(A)=EX3200(CCY)  
 (B)=EX2900(CCY)  
 (C)=

(D)=  
 (E)=  
 (F)=



No.	Lev.	Parts No.	Description	Q'ty						I	R
				(A)	(B)	(C)	(D)	(E)	(F)		
1	1	194150-21910	PLUG, 11.2	2	2						
2	1	22217-120000	WASHER, SPRING 12	1	1						
3	1	22351-080018	PIN, SPRING 8.0X18	2	2						
4	1	24761-020000	NIPPLE, GREASE PT1/8	2	2						
5	1	26013-120352	BOLT, M12X 35	1	1						
6	1	26013-121052	BOLT, M12X105	3	3						
7	1	26013-121152	BOLT, M12X115	2	2						
8	1	26013-121402	BOLT, M12X140	2	2						
9	1	26716-120002	NUT, M12	1	1						
10	1	198240-21180	COVER, HOUSING B	1	1						
11	1	26106-080162	BOLT, M8X 16 PLATED	2	2						

Fig.31. SINGLE CLUTCH

(A)=EX3200(CCY)  
 (B)=EX2900(CCY)  
 (C)=

(D)=  
 (E)=  
 (F)=

No.	Lev.	Parts No.	Description	Qty						I	R
				(A)	(B)	(C)	(D)	(E)	(F)		
1	1	198287-21510	DISK, CLUTCH 225	1	1						
2	1	198287-21700	PLATE, PRESSURE	1	1						
3	1	22351-080018	PIN, SPRING 8.0X18	3	3						
4	1	26106-080162	BOLT, M8X 16 PLATED	6	6						

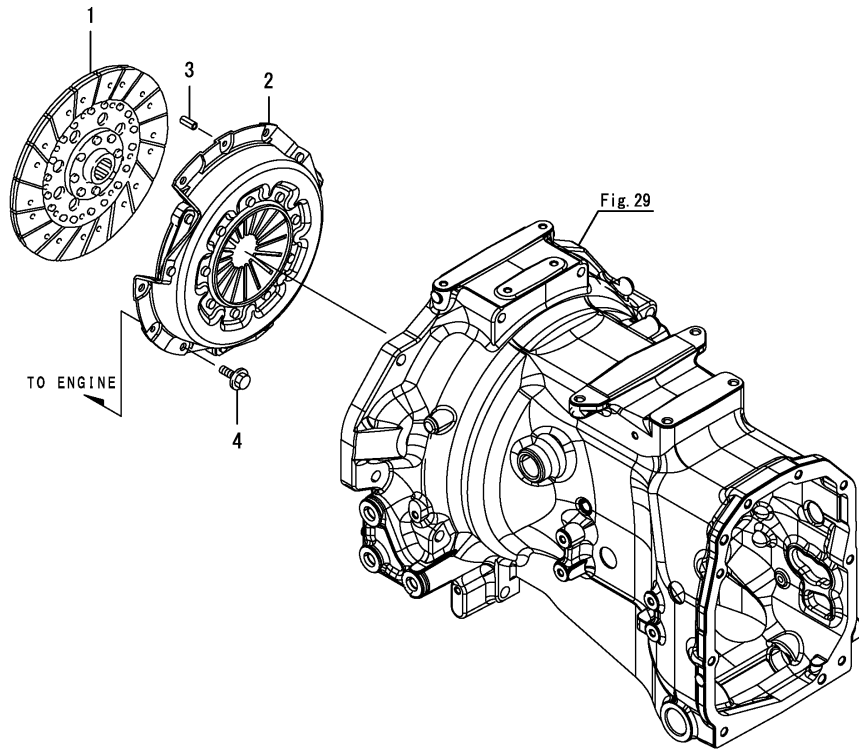


Fig.32. CLUTCH SHAFT

(A)=EX3200(CCY)  
 (B)=EX2900(CCY)  
 (C)=

(D)=  
 (E)=  
 (F)=

No.	Lev.	Parts No.	Description	Q'ty						I	R
				(A)	(B)	(C)	(D)	(E)	(F)		
1	1	1A8160-22110	SHAFT, MAIN DRIVE	1	1						
2	1	1A8160-22120	JOINT, 25X50	1	1						
3	1	22242-000240	RING, 24	1	1						
4	1	22252-000220	RING, 22	1	1						

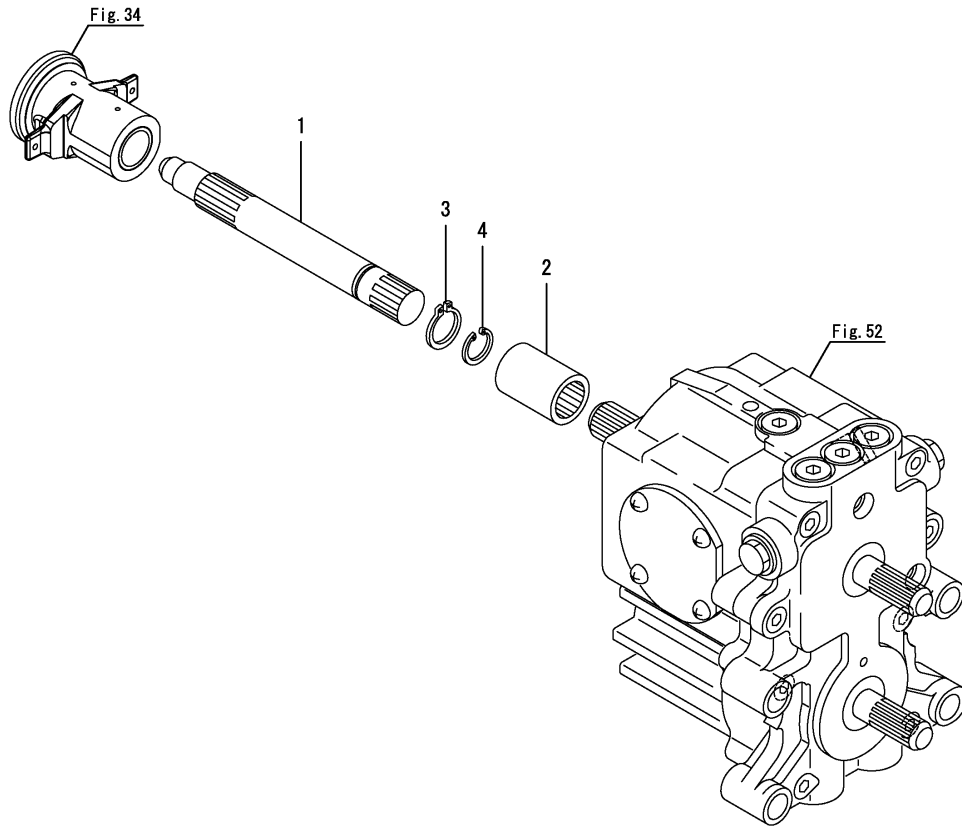




Fig.33. CLUTCH RELEASE

(A)=EX3200(CCY)  
 (B)=EX2900(CCY)  
 (C)=

(D)=  
 (E)=  
 (F)=

No.	Lev.	Parts No.	Description	Q'ty						I	R
				(A)	(B)	(C)	(D)	(E)	(F)		
1	1	1A8160-22240	SHAFT,CLUTCH RELEASE	1	1						
2	1	198220-22310	YOKE, CLUTCH SHIFT	1	1						
3	1	1A8160-27400	PLATE ASSY, CRUISE	1	1						
4	2	24550-020200	BUSH, 20X20	1	1						
5	1	22272-000150	RING, E-15	1	1						
6	1	22351-035040	PIN, SPRING 3.5X40	1	1						
7	1	22351-060040	PIN, SPRING 6.0X40	1	1						

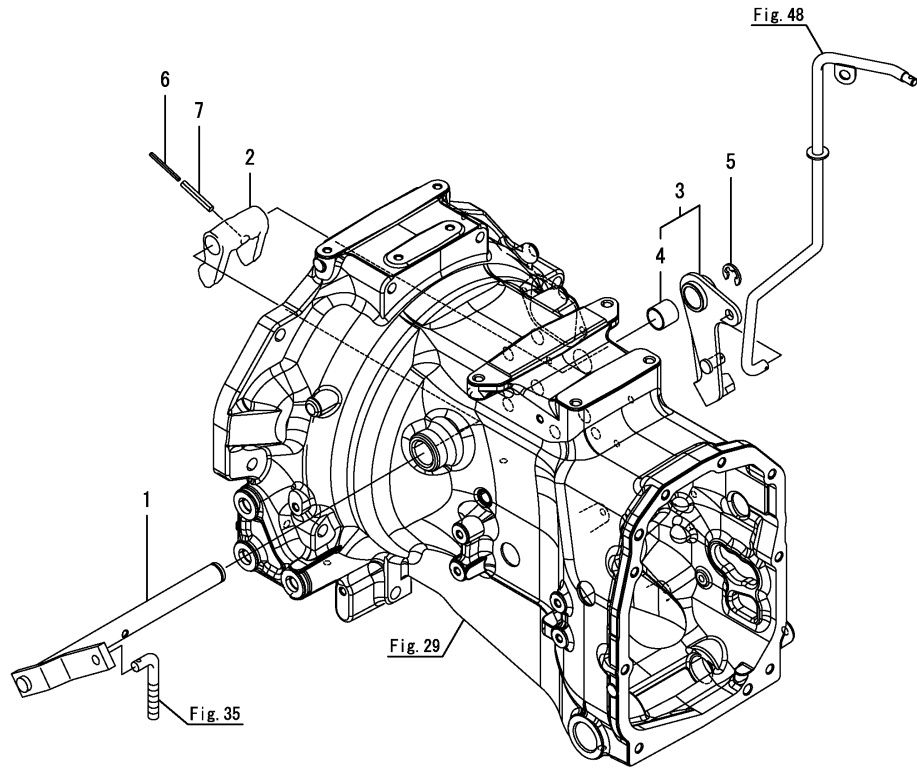
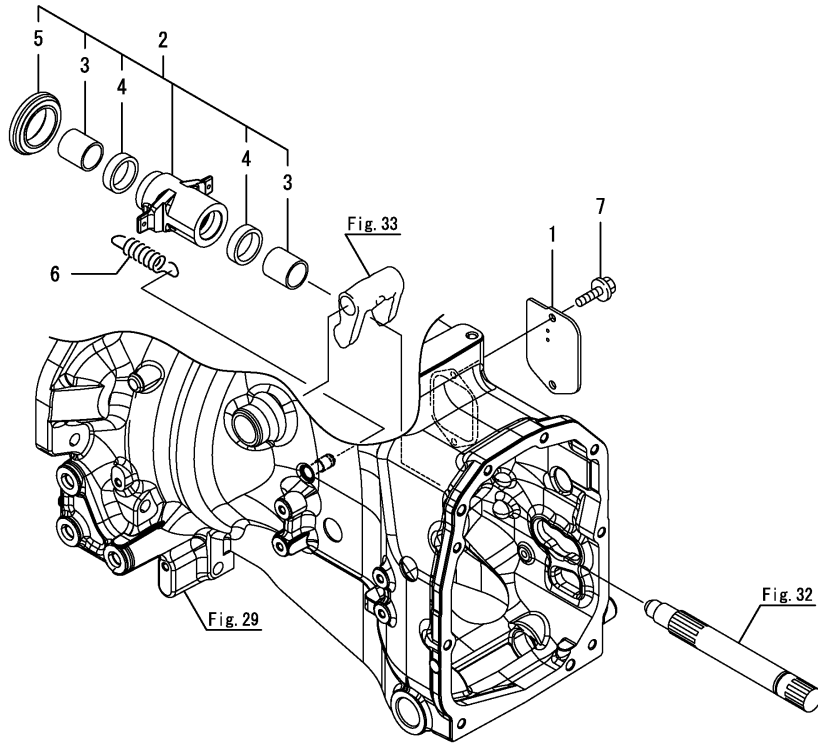


Fig.34. BEARING SLEEVE

(A)=EX3200(CCY)  
 (B)=EX2900(CCY)  
 (C)=

(D)=  
 (E)=  
 (F)=

No.	Lev.	Parts No.	Description	Qty						I	R
				(A)	(B)	(C)	(D)	(E)	(F)		
1	1	1A8160-21180	COVER, HOUSING	1	1						
1-1	1	1A8160-21200	COVER ASSY, HOUSING	1	1						N
				(A=F001711)		(B=F000448)					
2	1	1A8160-22150	SLEEVE ASSY, BEARING	1	1						
3	2	194130-22160	BUSH, 25X30X31	2	2						
4	2	194130-22170	FELT	2	2						
5	2	194990-42710	BEARING, TK40-14	1	1						
6	1	198327-22230	SPRING, RETURN	2	2						
7	1	26106-080162	BOLT, M8X 16 PLATED	2	2						




---

---

---

---

---

---

---

---

---

---

---

---

---

---

---

---

---

---

---

---

---

---

---

---

Fig.35. CLUTCH PEDAL

(A)=EX3200(CCY)  
 (B)=EX2900(CCY)  
 (C)=

(D)=  
 (E)=  
 (F)=

No.	Lev.	Parts No.	Description	Q'ty						I	R
				(A)	(B)	(C)	(D)	(E)	(F)		
1	1	194990-22140	NUT, M8	1	1						
2	1	798220-22350	ROD KIT, CLUTCH	1	1						
3	2	198220-22350	ROD	1	1						
4	2	198220-22470	ROD, CLUTCH	1	1						
5	2	194150-22480	NUT, M10 L	1	1						
6	2	194300-22260	TURNBUCKLE, M10	1	1						
7	1	1A8160-22410	PEDAL, CLUTCH	1	1						
8	1	198133-22510	RIVET, PEDAL HEAD	1	1						
9	1	198220-22520	SPRING, CLUTCH	1	1						
10	1	198133-22530	WASHER, RIVET	1	1						
11	1	198071-37510	COVER, HEAD	1	1						
12	1	22137-100000	WASHER, 10	2	2						
13	1	22417-250300	PIN, COTTER 2.5X30	2	2						
14	1	24761-010000	NIPPLE, GREASE M6F	1	1						
15	1	26106-080502	BOLT, M8X 50 PLATED	1	1						

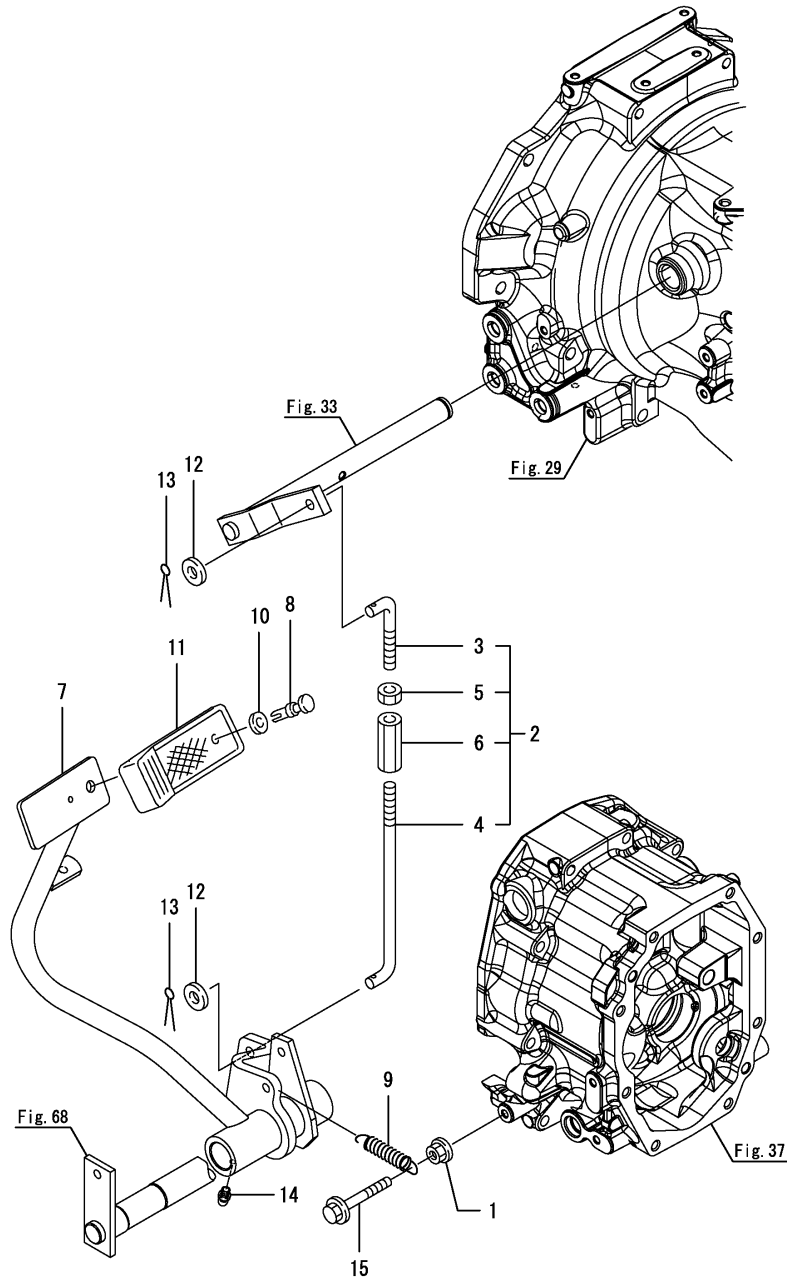
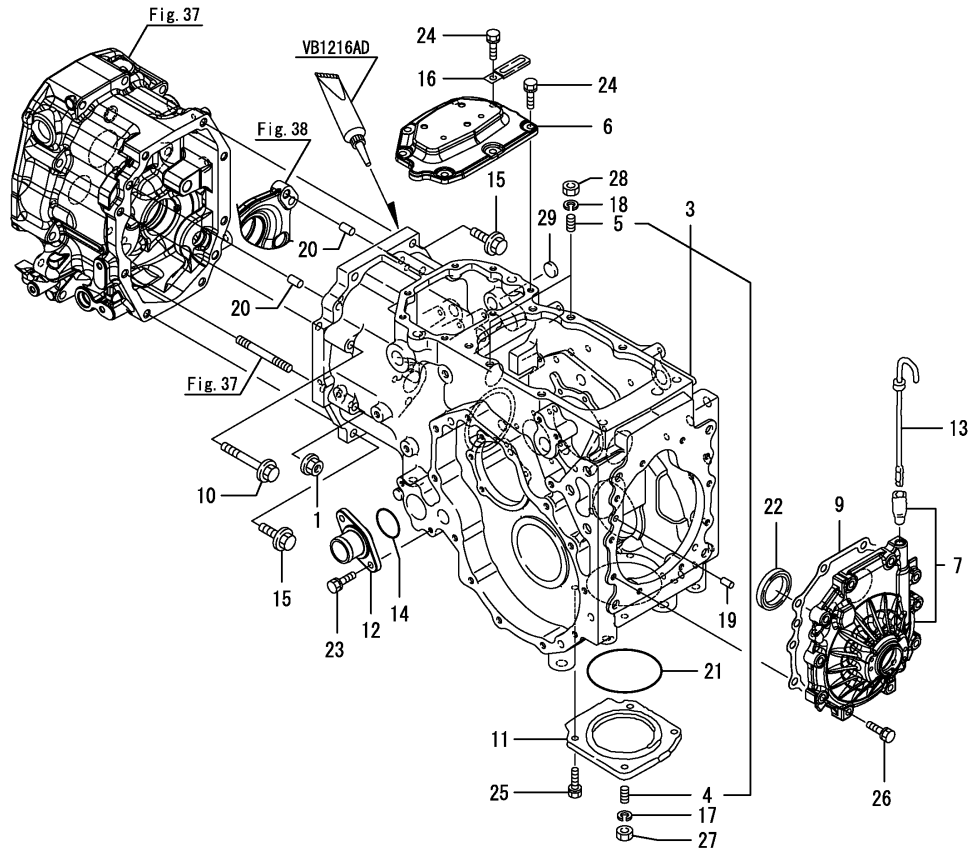


Fig.36. TRANSMISSION CASE

(A)=EX3200(CCY)  
 (B)=EX2900(CCY)  
 (C)=

(D)=  
 (E)=  
 (F)=



No.	Lev.	Parts No.	Description	Q'ty						I	R
				(A)	(B)	(C)	(D)	(E)	(F)		
1	1	1A8160-13930	NUT, M10	2	2						
3	1	1A8160-24100	HOUSING ASSY	1	1						
3-1	1	1A8160-24101	TRANSMISSION ASSY	1	1						N
		(A=FXXXXX) (B=FXXXXX)									
4	2	26216-100252	STUD, M10X 25	1	1						
5	2	26216-100252	STUD, M10X 25	2	2						
6	1	198220-24211	COVER, MISSION CASE	1	1						
7	1	198220-24341	COVER ASSY, REAR	1	1						
9	1	198220-24360	GASKET, REAR COVER	1	1						
10	1	1A8160-24390	BOLT, M10X75	2	2						
11	1	198220-24480	COVER, BOTTOM	1	1						
12	1	1A8160-24920	FLANGE, PIPE	1	1						
13	1	194850-24960	GAUGE ASSY, LEVEL	1	1						
14	1	194180-26690	O-RING, 2035	1	1						
15	1	198266-28390	BOLT, M10X35	4	4						
16	1	194440-51620	CLAMP	1	1						
17	1	22217-100000	WASHER, SPRING 10	1	1						
18	1	22217-100000	WASHER, SPRING 10	2	2						
19	1	22312-080160	PIN, PARALLEL M8X16	2	2						
20	1	22312-100180	PIN, PARALLEL M10X18	4	4						
21	1	24321-000950	O-RING, 1AG95.0	1	1						
22	1	24421-405508	SEAL, OIL TC405508	1	1						
23	1	26013-080202	BOLT, M8X 20	2	2						
24	1	26013-080202	BOLT, M8X 20	7	7						
25	1	26013-100302	BOLT, M10X 30	3	3						
26	1	26013-080352	BOLT, M8X 35	10	10						
27	1	26716-100002	NUT, M10	1	1						
28	1	26716-100002	NUT, M10	2	2						
29	1	27260-200000	PLUG, 20	1	1						



Fig.38. BEARING RETAINER

(A)=EX3200(CCY)  
 (B)=EX2900(CCY)  
 (C)=

(D)=  
 (E)=  
 (F)=

No.	Lev.	Parts No.	Description	Q'ty						I	R
				(A)	(B)	(C)	(D)	(E)	(F)		
1	1	1A8160-24160	RETAINER, BEARING	1	1						
2	1	1A8160-24200	SHIM SET, A	1	1						
3	1	1A8160-24250	SHIM SET, B	1	1						
4	1	22252-000470	RING, 47	1	1						
5	1	26013-100252	BOLT, M10X 25	1	1						
6	1	26013-100352	BOLT, M10X 35	3	3						

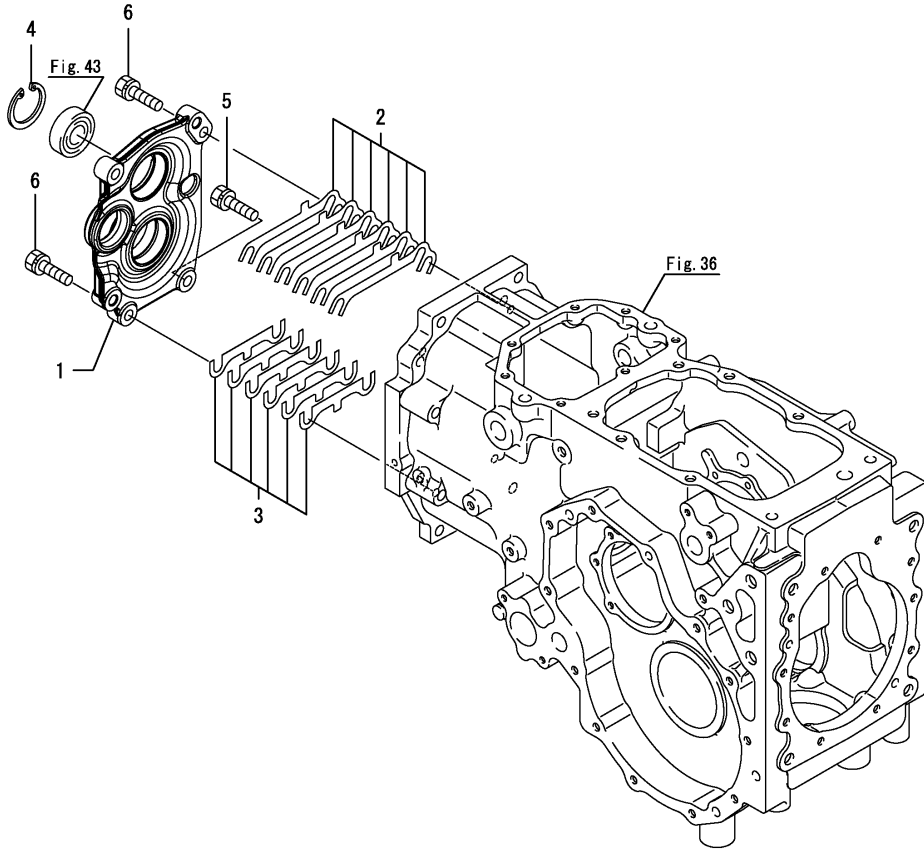


Fig.39. OIL STRAINER

(A)=EX3200(CCY)  
 (B)=EX2900(CCY)  
 (C)=

(D)=  
 (E)=  
 (F)=

No.	Lev.	Parts No.	Description	Q'ty						I	R
				(A)	(B)	(C)	(D)	(E)	(F)		
1	1	194515-24930	FILTER, SUCTION	1	1						
2	1	198220-24970	COVER, STRAINER	1	1						
3	1	194322-24980	PLUG, 1-2NPT	1	1						
4	1	26013-080202	BOLT, M8X 20	3	3						
5	1	24321-000500	O-RING, 1AG50.0	1	1						

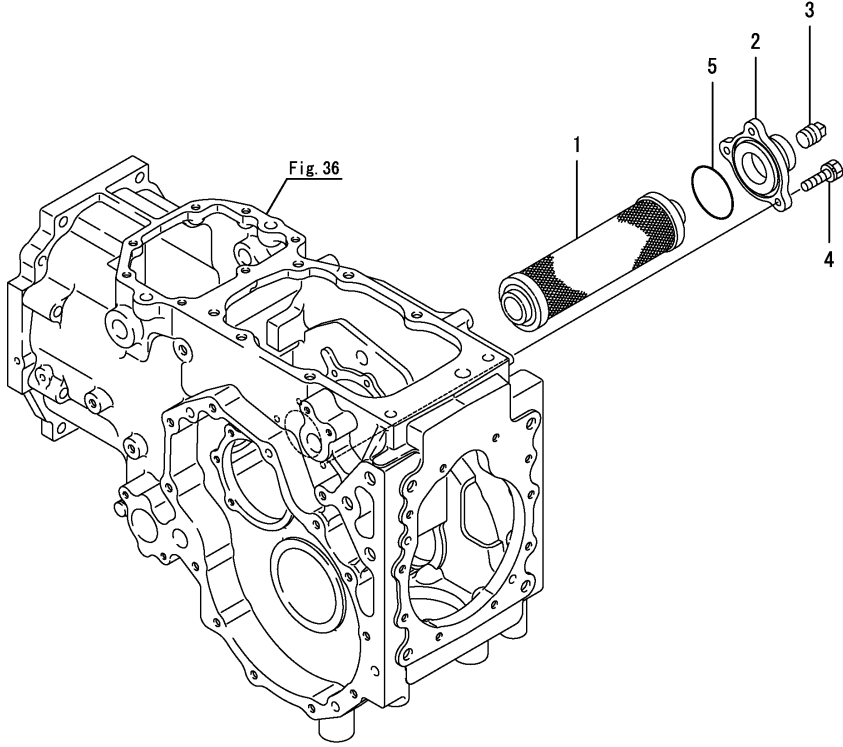


Fig.40. INPUT GEAR

(A)=EX3200(CCY)  
 (B)=EX2900(CCY)  
 (C)=

(D)=  
 (E)=  
 (F)=

No.	Lev.	Parts No.	Description	Q'ty						I	R
				(A)	(B)	(C)	(D)	(E)	(F)		
1	1	1A8160-24330	RETAINER, A	1	1						
2	1	1A8160-25310	PINION, Z=33	1	1						
3	1	24101-060064	BEARING, BALL 6006	2	2						
4	1	24311-000380	O-RING, 1AP38.0	1	1						
5	1	24351-310750	O-RING, 1A31075	1	1						

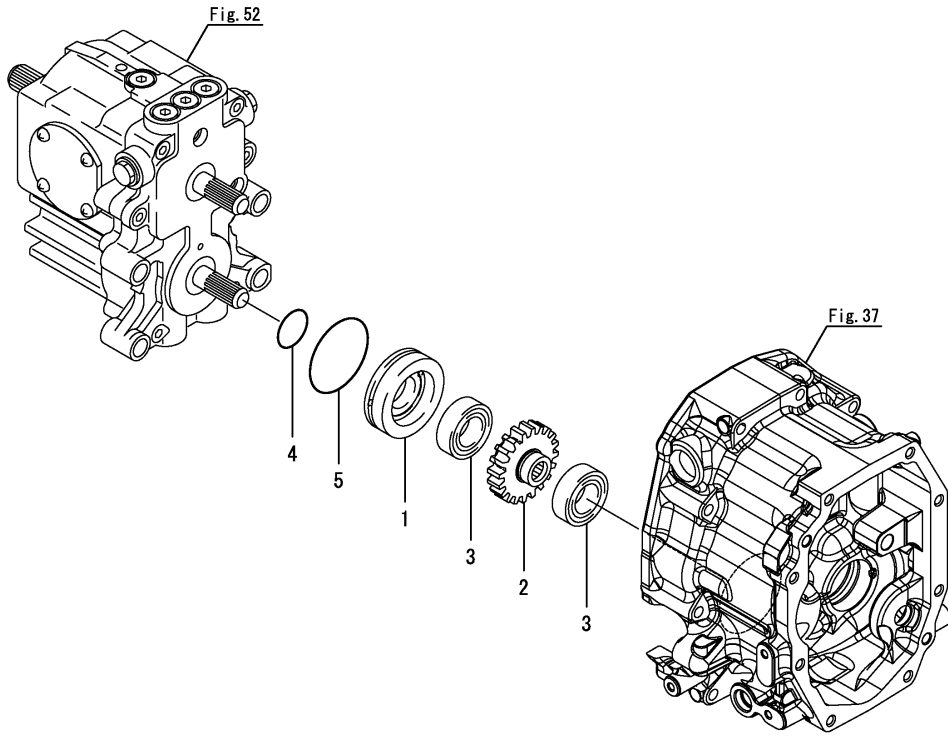




Fig.41. REDUCTION SHAFT

(A)=EX3200(CCY)  
 (B)=EX2900(CCY)  
 (C)=

(D)=  
 (E)=  
 (F)=

No.	Lev.	Parts No.	Description	Q'ty						I	R
				(A)	(B)	(C)	(D)	(E)	(F)		
1	1	194305-25160	BEARING, BALL TMB203	1	1						
2	1	1A8160-25320	GEAR, 30	1	1						
3	1	1A8160-25350	SHAFT, REDUCTION	1	1						
4	1	1A8160-25380	PINION, Z=33	1	1						
5	1	22242-000340	RING, 34	1	1						
6	1	24101-063044	BEARING, BALL 6304	1	1						

---



---



---



---



---



---



---



---



---



---



---



---



---



---



---

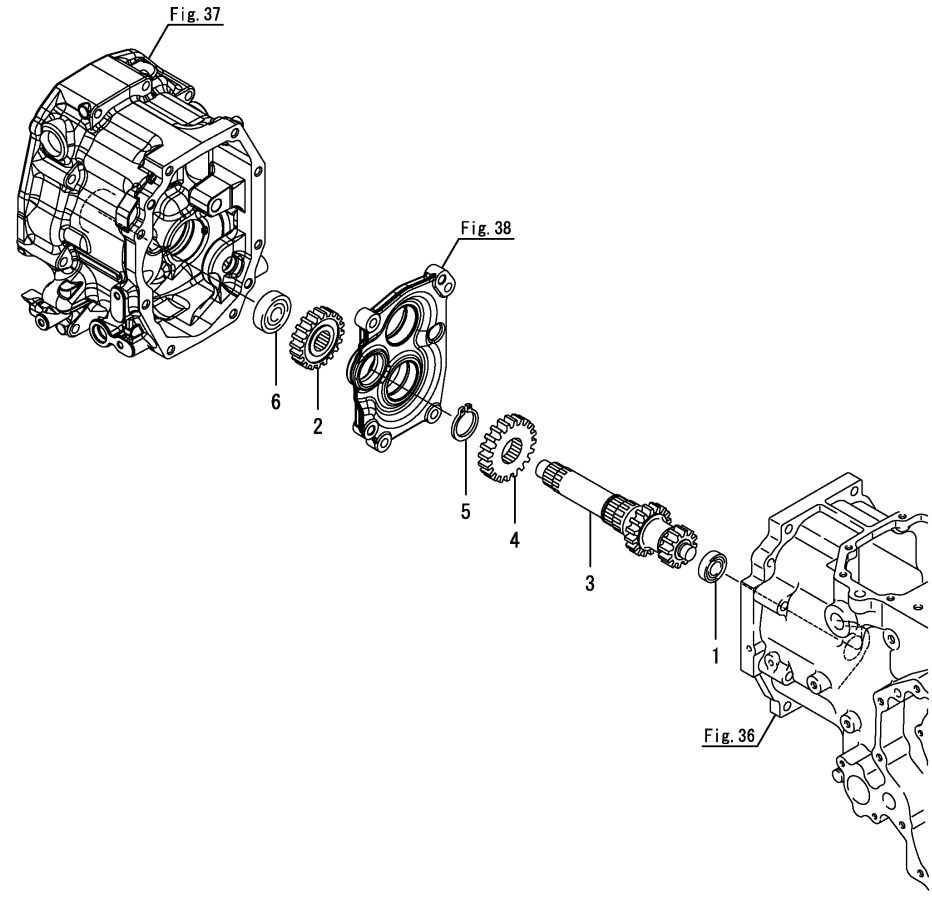
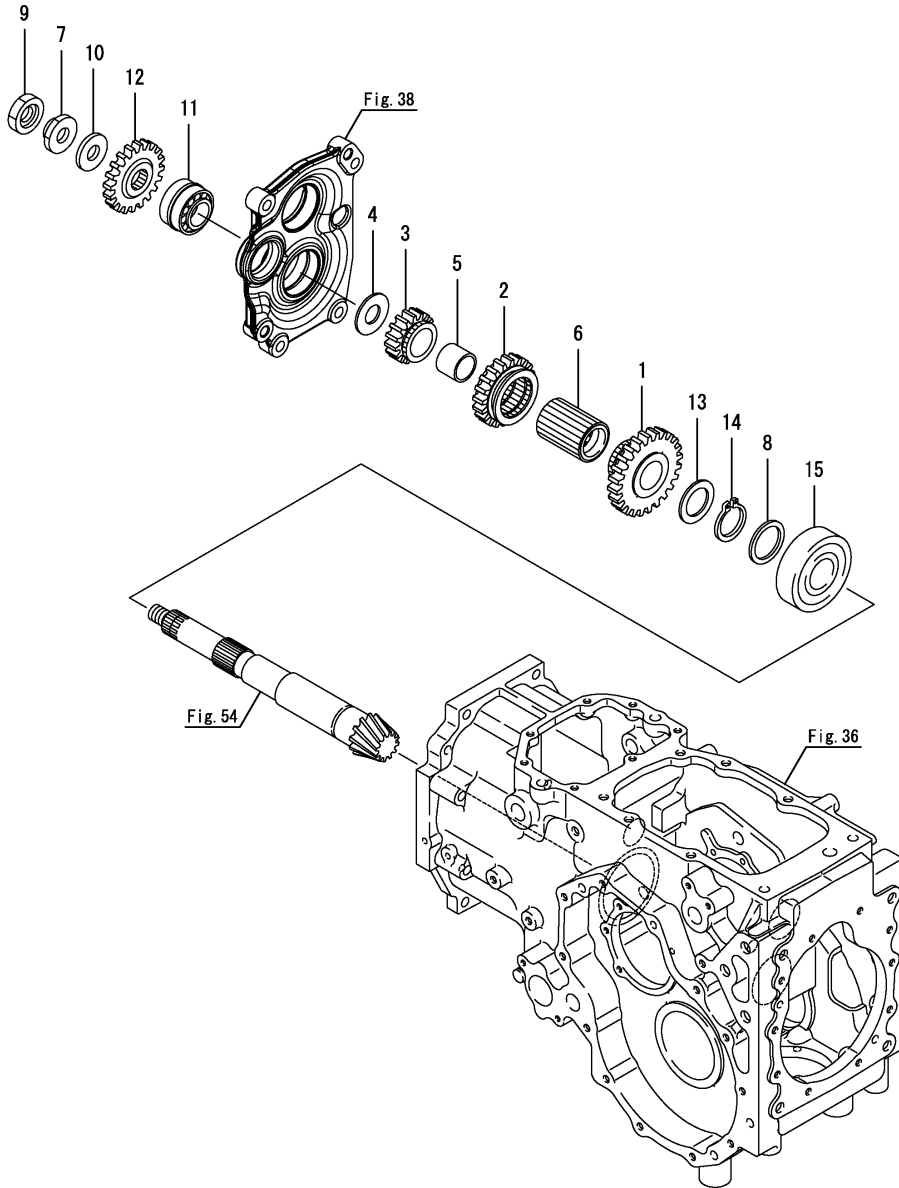


Fig.42. COUNTER SHAFT



(A)=EX3200(CCY)  
 (B)=EX2900(CCY)  
 (C)=

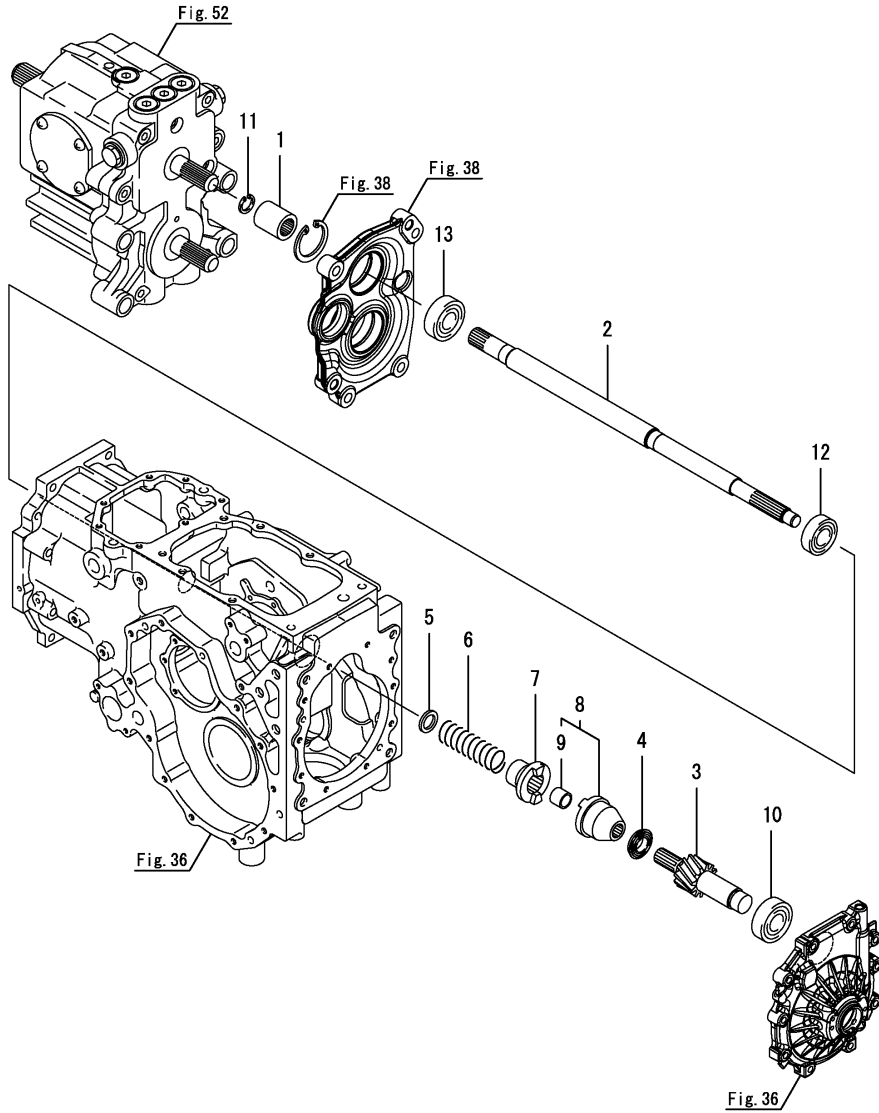
(D)=  
 (E)=  
 (F)=

No.	Lev.	Parts No.	Description	Q'ty						I	R
				(A)	(B)	(C)	(D)	(E)	(F)		
1	1	1A8160-25360	GEAR, 27	1	1						
2	1	1A8160-25370	GEAR, SLIDE 22	1	1						
3	1	1A8160-25390	GEAR, 21	1	1						
4	1	194150-25530	WASHER, 20X43X2.5	1	1						
5	1	1A8160-25650	BUSH, 25X30X25	1	1						
6	1	1A8160-25810	COLLAR, SPLINE	1	1						
7	1	198220-25830	NUT, LOCK M16	1	1						
8	1	194515-25840	WASHER, 35X45X3	1	1						
9	1	198220-25840	NUT, LOCK M16	1	1						
10	1	198415-25840	SPACER, 16X38X4.5	1	1						
11	1	1A8160-25990	BEARING, 4T-32005X	1	1						
12	1	1A8160-28190	PINION, DRIVE Z=27	1	1						
13	1	194191-28350	WASHER, 30X45X2.5	1	1						
14	1	22242-000340	RING, 34	1	1						
15	1	24101-063074	BEARING, BALL 6307	1	1						

Fig.43. P.T.O DRIVE SHAFT

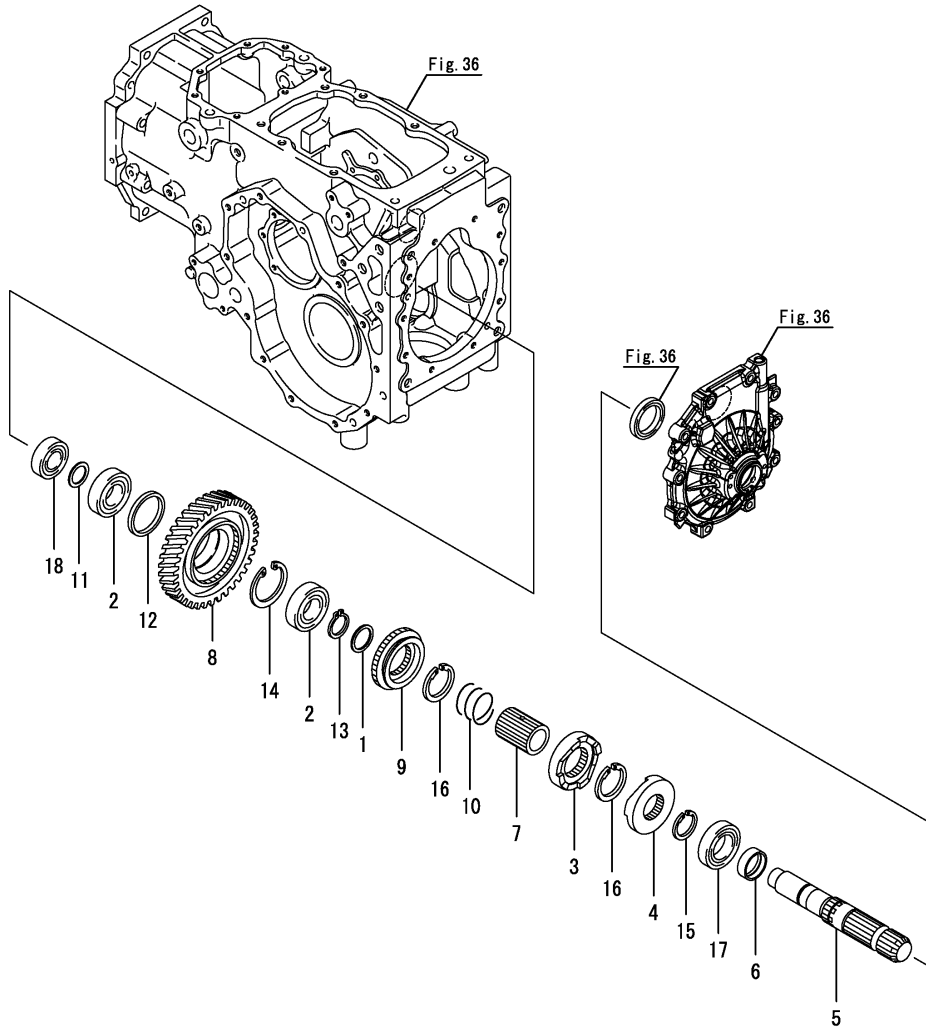
(A)=EX3200(CCY)  
 (B)=EX2900(CCY)  
 (C)=

(D)=  
 (E)=  
 (F)=



No.	Lev.	Parts No.	Description	Q'ty						I	R
				(A)	(B)	(C)	(D)	(E)	(F)		
1	1	194310-25100	JOINT	1	1						
2	1	1A8160-26110	SHAFT, CONNECTING	1	1						
3	1	198220-26110	GEAR, PTO PINION	1	1						
4	1	198220-26130	BEARING, 3TM-6303NR	1	1						
5	1	1A8160-26300	WASHER, 17X25X3	1	1						
6	1	198220-26380	SPRING	1	1						
7	1	198220-26410	CAM, CLUTCH A	1	1						
8	1	198220-26430	CAM KIT, CLUTCH	1	1						
9	2	194446-26280	BUSH, 14X18X15	1	1						
10	1	194405-83910	BEARING, TMB204	1	1						
11	1	22252-000170	RING, 17	1	1						
12	1	24101-060044	BEARING, BALL 6004	1	1						
13	1	24101-062044	BEARING, BALL 6204	1	1						

Fig.44. P.T.O SHAFT



(A)=EX3200(CCY)  
 (B)=EX2900(CCY)  
 (C)=

(D)=  
 (E)=  
 (F)=

No.	Lev.	Parts No.	Description	Q'ty						I	R
				(A)	(B)	(C)	(D)	(E)	(F)		
1	1	194515-25780	WASHER, 30X38X2.3	1	1						
2	1	194555-25870	BEARING, TMB206CC3	2	2						
3	1	198220-26460	CAM, C	1	1						
4	1	198220-26470	CAM, D	1	1						
5	1	198220-26500	SHAFT, PTO	1	1						
6	1	198220-26510	SLEEVE, SI 35X40X13	1	1						
7	1	198220-26530	COLLAR, SLIDER	1	1						
8	1	198220-26560	GEAR, PTO 33	1	1						
9	1	194197-26680	SLIDER	1	1						
10	1	194197-26710	SPRING, 23	1	1						
11	1	194190-26840	SPACER, 25X35X1.6	1	1						
12	1	198220-26920	COLLAR, 51.5X60.5X6	1	1						
13	1	22242-000300	RING, 30	1	1						
14	1	22252-000620	RING, 62	1	1						
15	1	22292-000350	RING, S-35	1	1						
16	1	22292-000450	RING, S-45	2	2						
17	1	24101-060074	BEARING, BALL 6007	1	1						
18	1	24101-062054	BEARING, BALL 6205	1	1						

Fig.45. P.T.O SHAFT GUARD

(A)=EX3200(CCY)  
 (B)=EX2900(CCY)  
 (C)=

(D)=  
 (E)=  
 (F)=

No.	Lev.	Parts No.	Description	Q'ty						I	R
				(A)	(B)	(C)	(D)	(E)	(F)		
1	1	198220-26582	GUARD KIT, PTO	1	1						
2	1	1A8160-26630	BRACKET, PTO	1	1						
3	1	1A8160-26640	BRACKET, PTO	1	1						
4	1	26013-120202	BOLT, M12X 20	4	4						

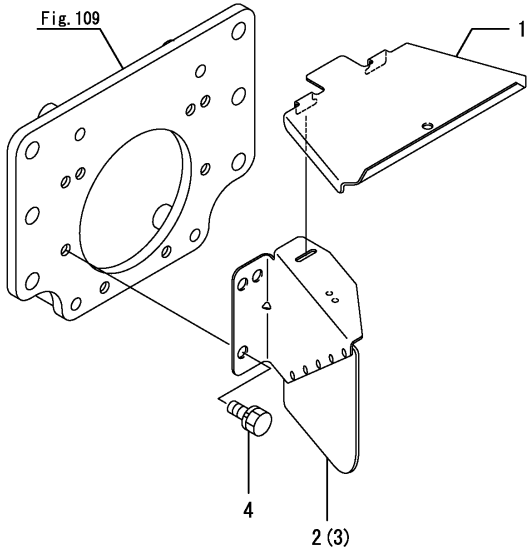


Fig.46. SUB CHANGE LEVER

(A)=EX3200(CCY)  
 (B)=EX2900(CCY)  
 (C)=

(D)=  
 (E)=  
 (F)=

No.	Lev.	Parts No.	Description	Q'ty						I	R
				(A)	(B)	(C)	(D)	(E)	(F)		
1	1	26716-100002	NUT, M10	1							
1-1	1	194990-22150	NUT, M10	1	1						N
(A=FXXXXX)											
2	1	198253-27510	KNOB, LEVER	1	1						
3	1	22351-035040	PIN, SPRING 3.5X40	1	1						
4	1	22351-060040	PIN, SPRING 6.0X40	1	1						

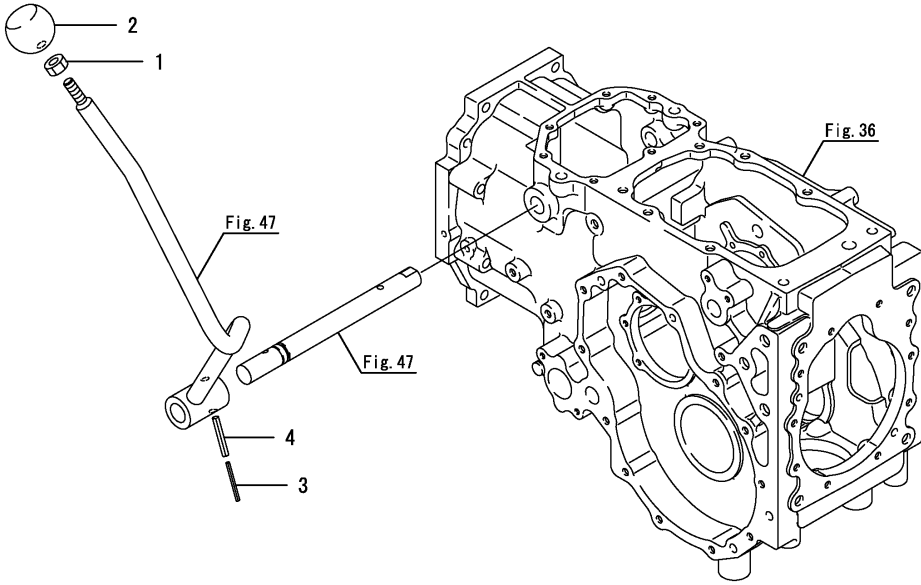
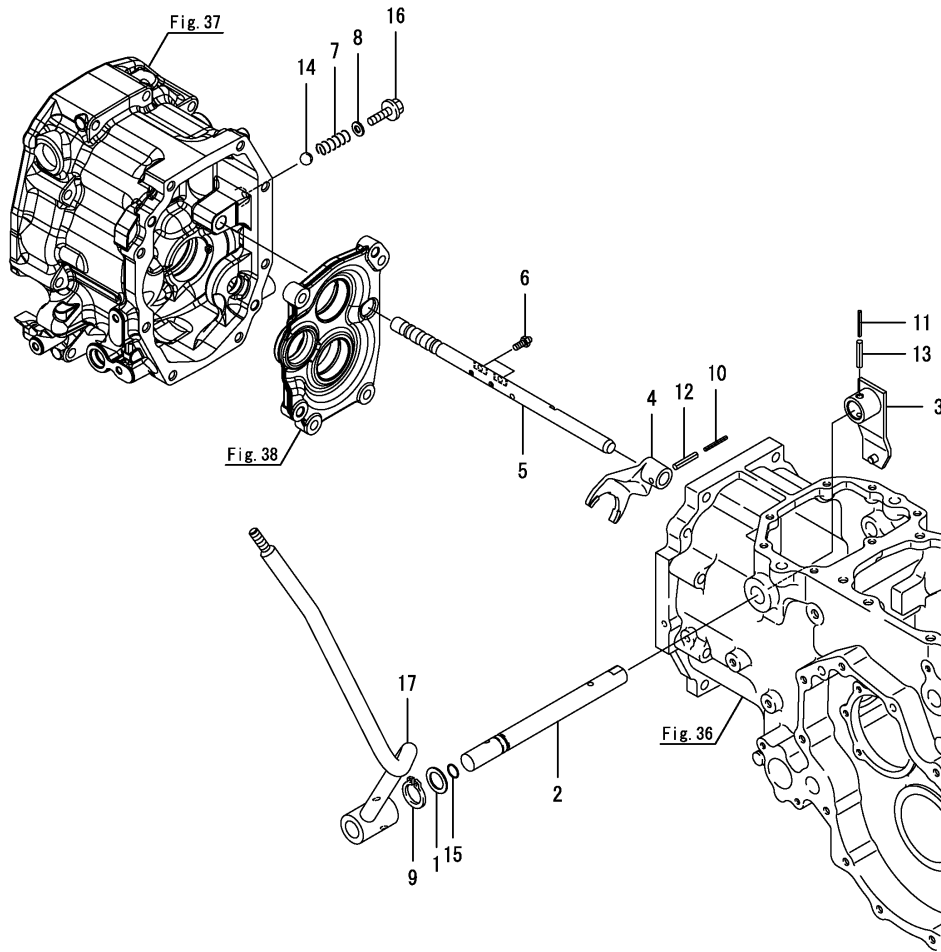


Fig.47. SUB CHANGE

(A)=EX3200(CCY)  
 (B)=EX2900(CCY)  
 (C)=

(D)=  
 (E)=  
 (F)=



No.	Lev.	Parts No.	Description	Q'ty						I	R
				(A)	(B)	(C)	(D)	(E)	(F)		
1	1	194191-13350	SPACER, 20X30X1.6	1	1						
2	1	1A8160-27360	SHAFT, RANGE SHIFT	1	1						
3	1	1A8160-27380	ARM, SHIFT	1	1						
4	1	1A8160-27430	FORK, SHIFT	1	1						
5	1	1A8160-27440	SHAFT, FORK	1	1						
6	1	1A8160-27450	BOLT, SWITCH	2	2						
7	1	194680-27540	SPRING, FORK LOCK	1	1						
8	1	22190-080002	WASHER, SEAL 6	1	1						
9	1	22242-000200	RING, 20	1	1						
10	1	22351-035032	PIN, SPRING 3.5X32	1	1						
11	1	22351-035032	PIN, SPRING 3.5X32	1	1						
12	1	22351-060032	PIN, SPRING 6.0X32	1	1						
13	1	22351-060032	PIN, SPRING 6.0X32	1	1						
14	1	24190-080001	BALL, STEEL 1/4	1	1						
15	1	24311-000150	O-RING, 1AP15.0	1	1						
16	1	26106-080162	BOLT, M8X 16 PLATED	1	1						
17	1	1A8160-27350	LEVER, RANGE	1	1						

Fig.48. CRUISE CONTROL

(A)=EX3200(CCY)  
 (B)=EX2900(CCY)  
 (C)=

(D)=  
 (E)=  
 (F)=

No.	Lev.	Parts No.	Description	Q'ty						I	R
				(A)	(B)	(C)	(D)	(E)	(F)		
1	1	198220-22230	SPRING, RETURN	1	1						
2	1	1A8160-27500	LEVER ASSY, CRUISE	1	1						
2-1	1	1A8160-27650	LEVER ASSY, CRUISE	1	1						N
3	1	(A=F003398) 1A8160-27520 (B=F001091) (A=F003398) (B=F001091)	LEVER, CRUISE B	1	1						Z
4	1	1A8160-27530	NUT, CAP M5	1	1						Z
5	1	(A=F003398) 1C6980-56250 (B=F001091)	GRIP, 10X25	1	1						
6	1	22137-100000	WASHER, 10	1	1						
7	1	22417-250300	PIN, COTTER 2.5X30	1	1						
8	1	26559-050162	SCREW, M5X16	1	1						Z
		(A=F003398) (B=F001091)									

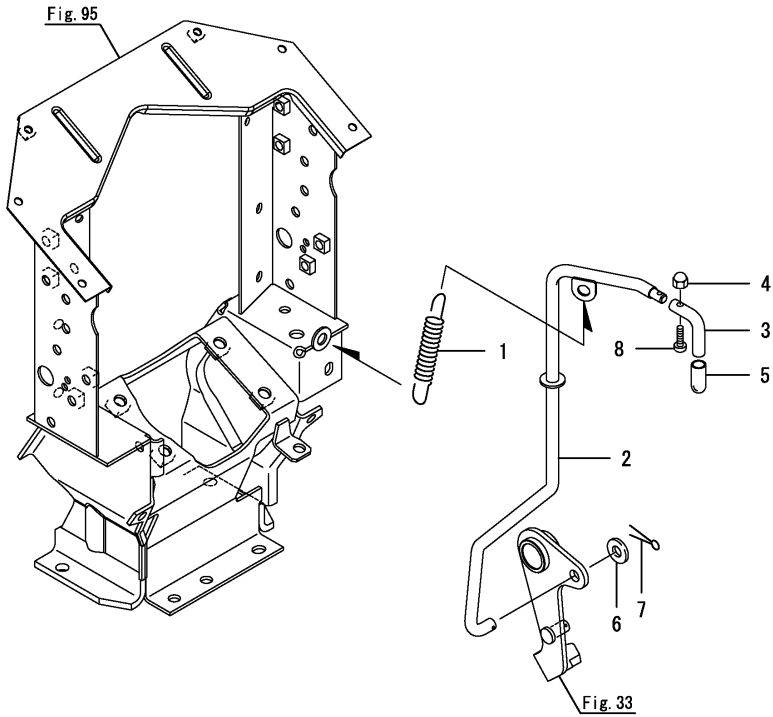




Fig.49. P.T.O CHANGE

(A)=EX3200(CCY)  
 (B)=EX2900(CCY)  
 (C)=

(D)=  
 (E)=  
 (F)=

No.	Lev.	Parts No.	Description	Qty						I	R
				(A)	(B)	(C)	(D)	(E)	(F)		
1	1	194145-27450	SPRING	1	1						
2	1	198220-27630	FORK, PTO SHIFT	1	1						
3	1	198220-27640	SHAFT, PTO FORK	1	1						
4	1	198220-27650	ARM, SHIFT	1	1						
5	1	198220-27700	SHAFT, PTO SHIFT	1	1						
6	1	198220-27990	PLATE, KEEP	1	1						
7	1	22190-100000	WASHER, SEAL 10	1	1						
8	1	22351-060032	PIN, SPRING 6.0X32	1	1						
9	1	22351-060032	PIN, SPRING 6.0X32	1	1						
10	1	24190-100001	BALL, STEEL 5/16	1	1						
11	1	24311-000150	O-RING, 1AP15.0	2	2						
12	1	26106-080162	BOLT, M8X 16 PLATED	1	1						
13	1	26106-100252	BOLT, M10X 25 PLATED	1	1						

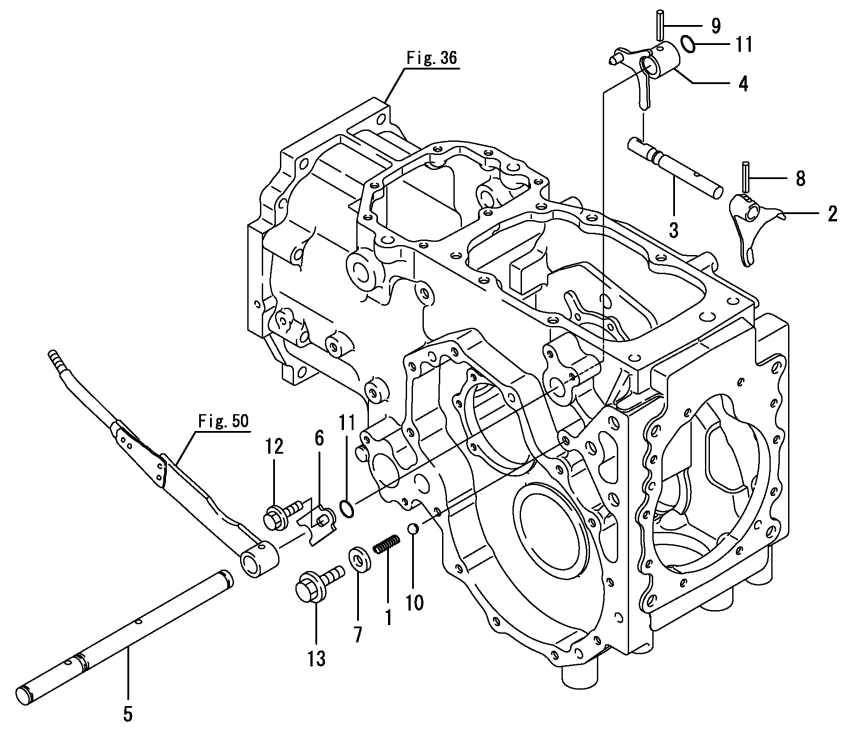
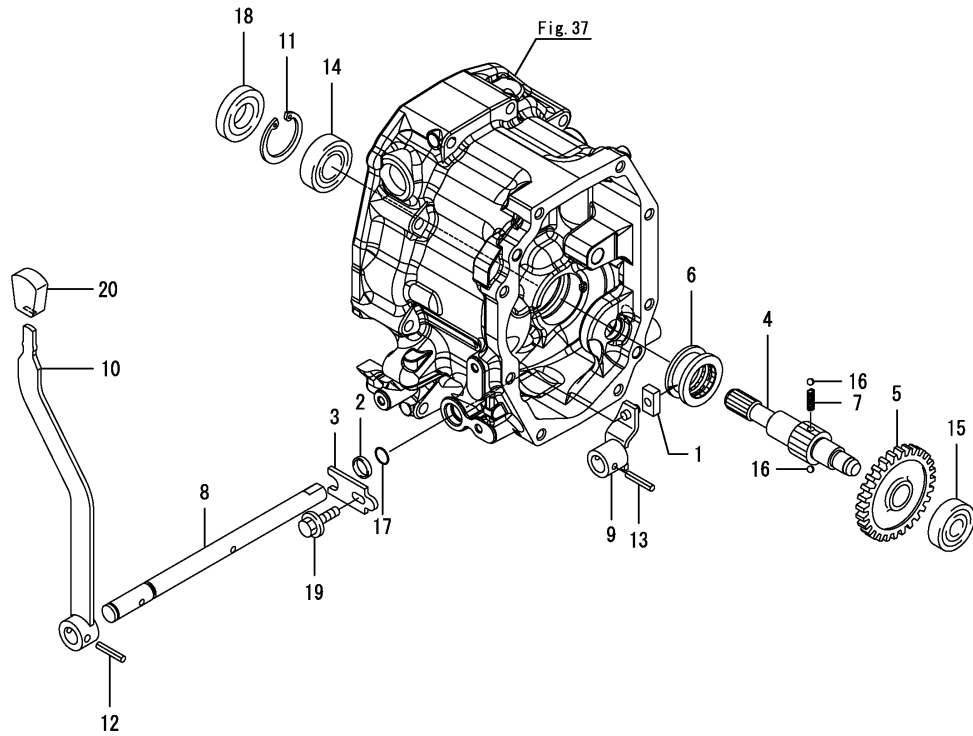




Fig.51. FRONT DRIVE

(A)=EX3200(CCY)  
 (B)=EX2900(CCY)  
 (C)=

(D)=  
 (E)=  
 (F)=



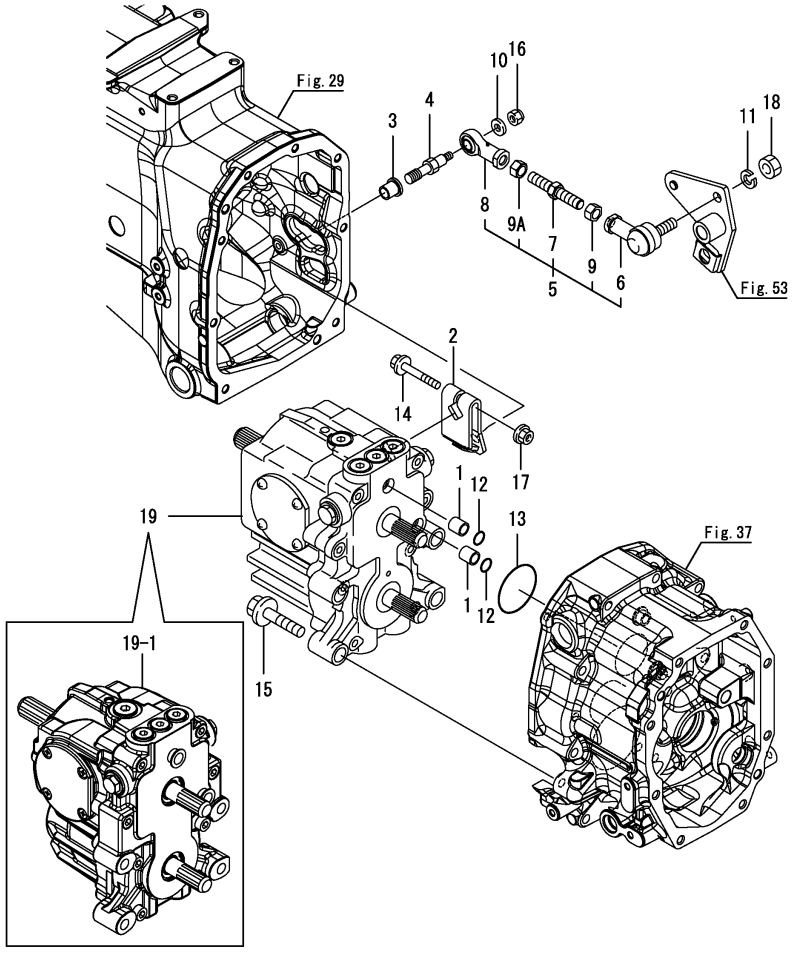
No.	Lev.	Parts No.	Description	Q'ty						I	R
				(A)	(B)	(C)	(D)	(E)	(F)		
1	1	198220-26790	BLOCK, SHIFT	1	1						
2	1	198119-27150	COLLAR, ARM	1	1						
3	1	198212-27990	PLATE, KEEP	1	1						
4	1	1A8160-28210	SHAFT, MFWD	1	1						
5	1	1A8160-28220	GEAR, FRONT 35	1	1						
6	1	1A8160-28230	SHIFTER, FRONT	1	1						
7	1	194301-28280	SPRING, 25.8	1	1						
8	1	1A8160-28310	SHAFT, MFWD SHIFT	1	1						
9	1	1A8160-28320	ARM, SHIFT	1	1						
10	1	1A8160-28360	ARM, CHANGE	1	1						
11	1	22252-000520	RING, 52	1	1						
12	1	22351-060032	PIN, SPRING 6.0X32	1	1						
13	1	22351-060032	PIN, SPRING 6.0X32	1	1						
14	1	24101-062054	BEARING, BALL 6205	1	1						
15	1	24101-063034	BEARING, BALL 6303	1	1						
16	1	24190-080001	BALL, STEEL 1/4	2	2						
17	1	24311-000160	O-RING, 1AP16.0	1	1						
18	1	24421-255210	SEAL, OIL TC255210	1	1						
19	1	26106-080162	BOLT, M8X 16 PLATED	1	1						
20	1	198273-28520	KNOB, PARKING BRAKE	1	1						
20-1	1	198273-28521	KNOB, PARKING BRAKE	1	1						N

(A=F003429) (B=F001091)

Fig.52. HST

(A)=EX3200(CCY)  
 (B)=EX2900(CCY)  
 (C)=

(D)=  
 (E)=  
 (F)=



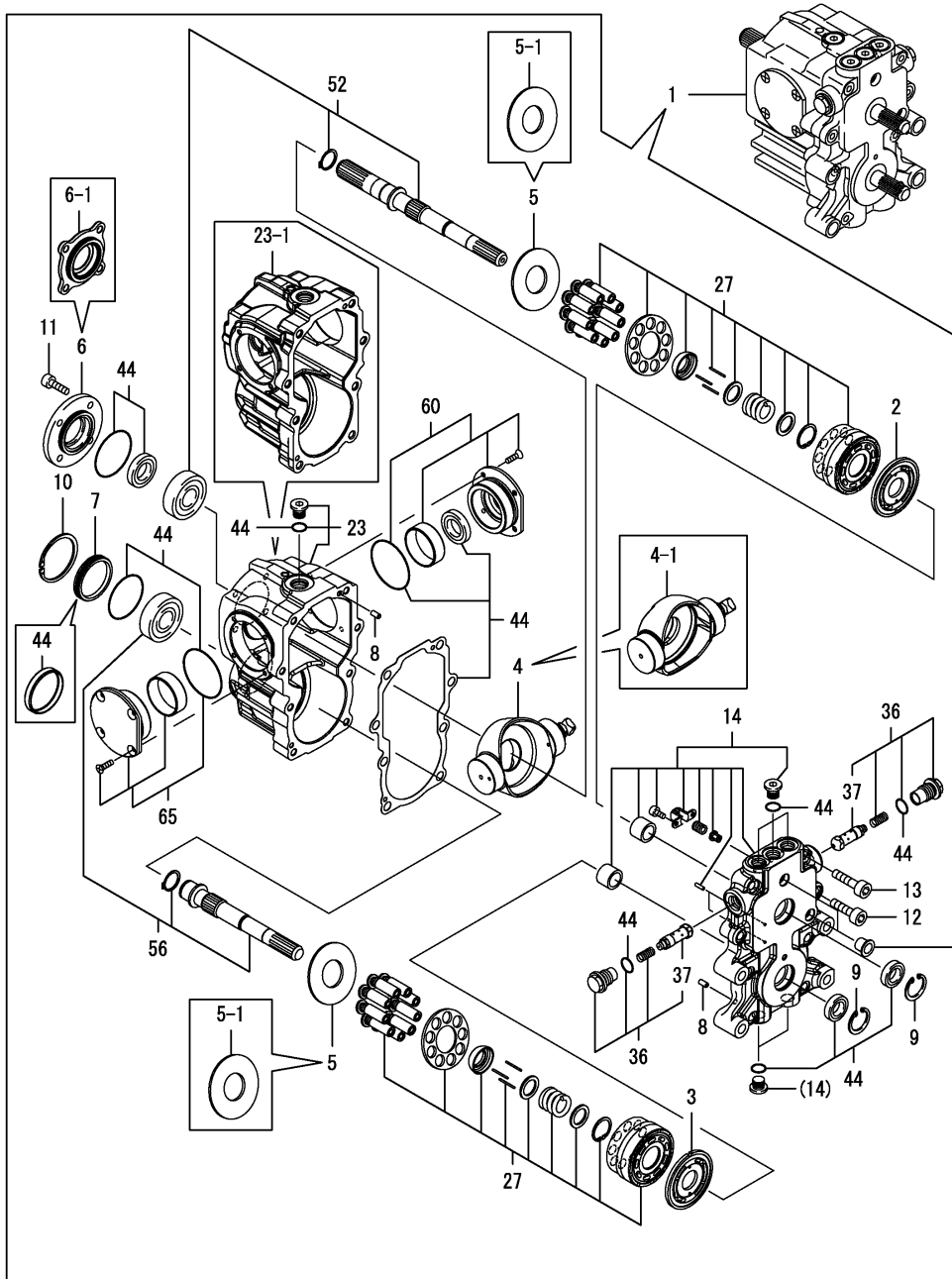
No.	Lev.	Parts No.	Description	Q'ty						I	R
				(A)	(B)	(C)	(D)	(E)	(F)		
1	1	198280-24340	COLLAR, 12X16X17	2	2						
2	1	1A8160-27200	ARM ASSY, TRUNNION	1	1						
3	1	1A8160-29540	COLLAR	1	1						
3-1	1	1A8160-29541 (A=F001450) (B=F000448)	COLLAR	1	1						N
4	1	1A8160-29550	PIN,TRUNNION	1							
4-1	1	1A8160-29551 (A=F000860)	PIN, TRUNNION	1	1						N
5	1	1A8160-29560	END ASSY, ROD HST	1	1						
6	2	198280-29570	END, ROD 12	1	1						
7	2	1A8160-29580	BOLT, ROD END	1	1						
8	2	1E8080-64710	END, ROD 12	1	1						
9	2	26716-120002	NUT, M12	1	1						
9A	2	194250-22370	NUT, M12 L	1	1						
10	1	22137-080000	WASHER, 8	1	1						
11	1	22217-120000	WASHER, SPRING 12	1	1						
12	1	24311-000160	O-RING, 1AP16.0	2	2						
13	1	24321-000600	O-RING, 1AG60.0	1	1						
14	1	26106-080552	BOLT, M8X 55 PLATED	1	1						
15	1	26106-120552	BOLT, M12X 55 PLATED	3	3						
16	1	26346-080002	NUT, M8	1	1						
17	1	26366-080002	NUT, M8	1	1						
18	1	26716-120002	NUT, M12	1	1						
19	1	1A8160-25150	HST, MT-23UE	1	1						1
19-1	1	1A8160-25151 (A=FXXXXX) (B=FXXXXX)	MT-23UE HST ASSY	1	1						S 1

Remarks  
 (1) Inner parts is refer to Fig.117.

Fig.117. H.S.T. UNIT

(A)=EX3200(CCY)  
 (B)=EX2900(CCY)  
 (C)=

(D)=  
 (E)=  
 (F)=

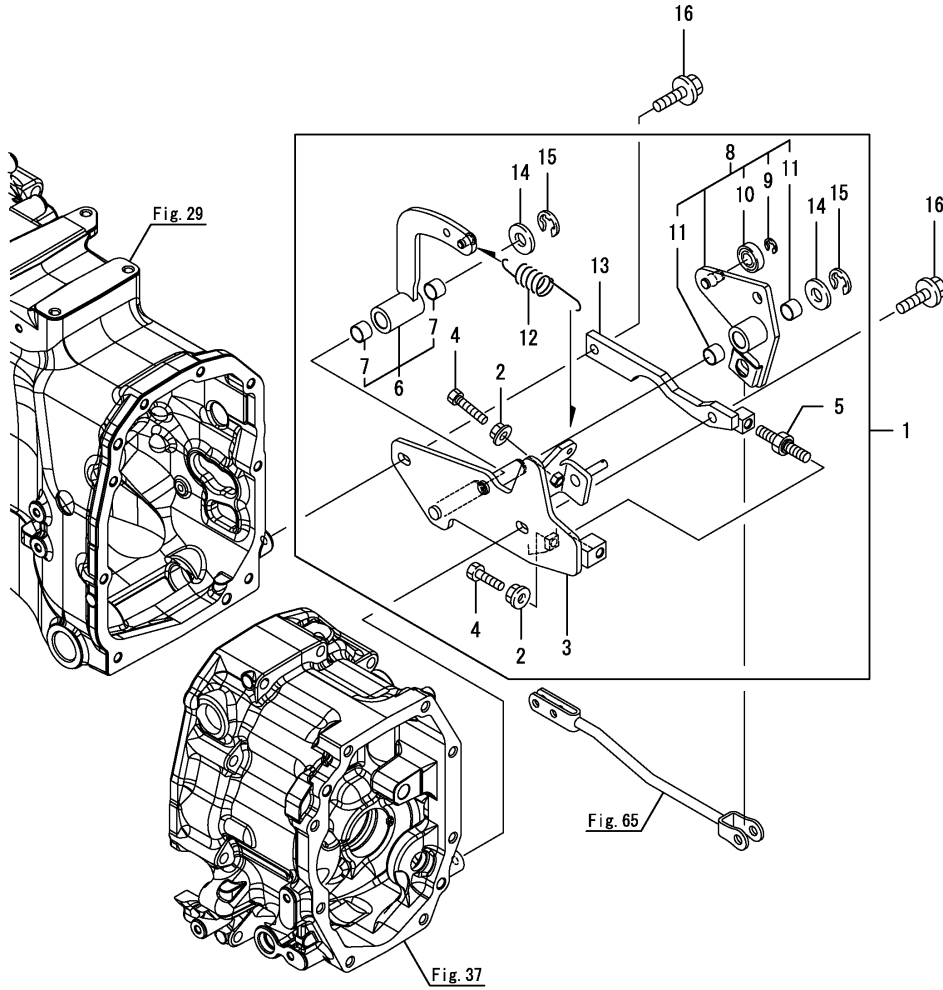


No.	Lev.	Parts No.	Description	Q'ty						I	R
				(A)	(B)	(C)	(D)	(E)	(F)		
1	1	1A8160-25150	HST, MT-23UE	1	1						
1-1	1	1A8160-25151	MT-23UE HST ASSY	1	1						S
		(A=F004017) (B=F001258)									
2	2	158805-85211	VALVE PLATE	1	1						
3	2	158805-85221	VALVE PLATE	1	1						
4	2	158805-85300	PLATE	1	1						
4-1	2	168HM6-29410	PLATE(SWASH	1	1						S
		(A=F004017) (B=F001258)									
5	2	158800-85320	PLATE	2	2						
5-1	2	168HM6-29420	THRUST PLATE	2	2						S
		(A=F004017) (B=F001258)									
6	2	168HJ1-85460	COVER, SEAL	1	1						
6-1	2	168HJ5-29510	COVER, SEAL	1	1						S
		(A=F004017) (B=F001258)									
7	2	168HJ1-85480	CAP	1	1						Z
		(A=F004017) (B=F001258)									
8	2	158802-85880	PIN,PARALLEL(6X12	2	2						
9	2	22252-000360	RING, 36	2	2						
10	2	22252-000650	RING, 65	1	1						
11	2	26450-080202	BOLT, M8X 20	4	4						
12	2	26450-100402	BOLT, M10X 40	2	2						
13	2	26450-100452	BOLT, M10X 45	6	6						
14	2	168HJ1-29030	CENTERSECTION KIT	1	1						
23	2	168HJ1-29040	HOUSING KIT	1	1						
23-1	2	168HJ1-29041	HOUSING KIT	1	1						S
		(A=F004017) (B=F001258)									
27	2	158810-85140	PLUNGER BLOCK	2	2						
36	2	168HJ1-29050	VALVE KIT	1	1						
37	3	168HJ1-85500	NCR, VALVE+0.7	2	2						
44	2	168HJ1-29060	SEAL KIT	1	1						
52	2	168HJ1-29070	INPUT SHAFT KIT	1	1						
56	2	168HJ1-29080	OUTPUT SHAFT KIT	1	1						
60	2	168HJ1-29090	COVER ASSY	1	1						
65	2	168HJ1-29100	COVER ASSY	1	1						

Fig.53. HST LINK

(A)=EX3200(CCY)  
 (B)=EX2900(CCY)  
 (C)=

(D)=  
 (E)=  
 (F)=



No.	Lev.	Parts No.	Description	Q'ty						I	R
				(A)	(B)	(C)	(D)	(E)	(F)		
1	1	1A8160-29000	NEUTRAL ASSY, HST	1	1						
2	2	194990-22140	NUT, M8	2	2						
3	2	1A8160-29150	BRACKET ASSY	1	1						
4	2	1A8160-29270	BOLT, STOPPER	2	2						
5	2	1A8160-29280	TURNBUCKLE	1	1						
6	2	1A8160-29300	ARM ASSY, RETURN	1	1						
7	3	24550-015120	BUSH, 15X12	2	2						
8	2	1A8160-29440	BRACKET ASSY	1	1						
9	3	22272-000070	RING, E- 7	1	1						
10	3	24104-060000	BEARING, 6000UUC3	1	1						
11	3	24550-015120	BUSH, 15X12	2	2						
12	2	198280-29490	SPRING	1	1						
13	2	1A8160-29800	PLATE ASSY	1	1						
14	2	22137-140000	WASHER, 14	2	2						
15	2	22272-000120	RING, E-12	2	2						
16	1	26106-100302	BOLT, M10X 30 PLATED	2	2						







Fig.56. DIFFERENTIAL CARRIER

(A)=EX3200(CCY)  
 (B)=EX2900(CCY)  
 (C)=

(D)=  
 (E)=  
 (F)=

No.	Lev.	Parts No.	Description	Qty						I	R
				(A)	(B)	(C)	(D)	(E)	(F)		
1	1	1A8160-32300	RETAINER	2	2						
2	1	794197-32350	SHIM SET	1	1						
3	1	26013-080252	BOLT, M8X 25	10	10						

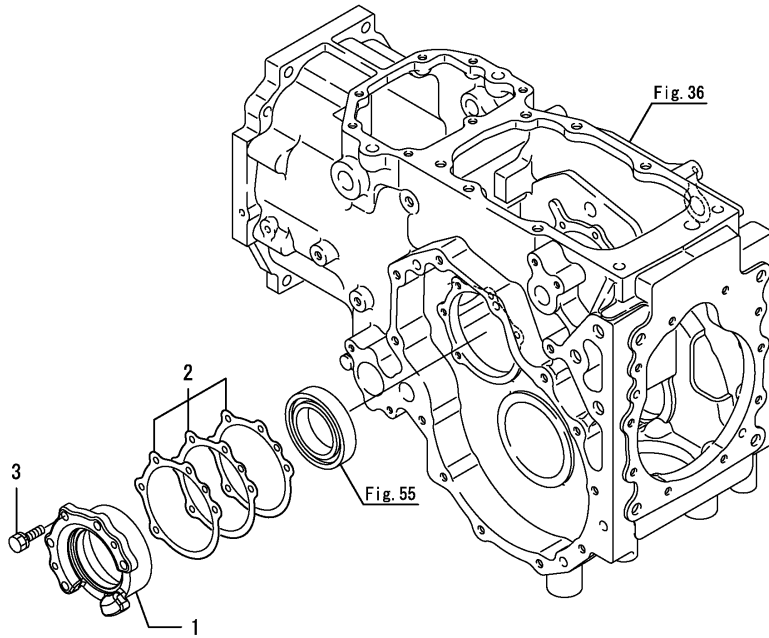
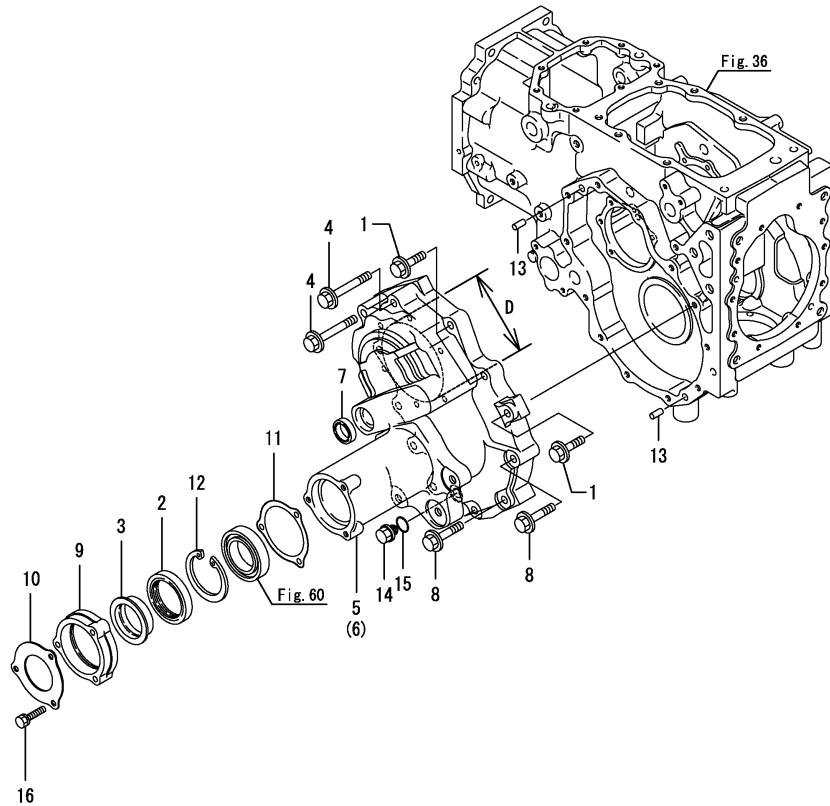


Fig.57. REAR HOUSING

(A)=EX3200(CCY)  
 (B)=EX2900(CCY)  
 (C)=

(D)=  
 (E)=  
 (F)=

No.	Lev.	Parts No.	Description	Q'ty						I	R
				(A)	(B)	(C)	(D)	(E)	(F)		
1	1	194465-11920	BOLT, M10X40	12	12						
2	1	194447-14140	SEAL, OIL TC6Y577512	2	2						
3	1	194447-14180	SLEEVE, SL 52X57X18	2	2						
4	1	1A8160-24390	BOLT, M10X75	4	4						
5	1	1A8160-32600	HOUSING, REAR AXLE L	1	1						
5-1	1	1A8160-32601	REAR AXLE HOUSING,LH	1	1					S	1
(A=F003429) (B=F001091)											
6	1	1A8160-32610	HOUSING, REAR AXLE R	1	1						
6-1	1	1A8160-32611	REAR AXLE HOUSING RH	1	1					S	1
(A=F003429) (B=F001091)											
7	1	198290-32750	SEAL, OIL TC253506	2	2						
8	1	1A8160-32810	BOLT, M10X55	8	8						
9	1	194197-34310-1	CASE, OIL SEAL	2	2						
10	1	194197-34320-1	COVER, OIL SEAL	2	2						
11	1	198220-34340	GASKET, SEAL CASE	2	2						
12	1	22252-000750	RING, 75	2	2						
13	1	22312-100180	PIN, PARALLEL M10X18	4	4						
14	1	23491-140002	PLUG, 14	2	2						
15	1	24311-000160	O-RING, 1AP16.0	2	2						
16	1	26013-080402	BOLT, M8X 40	6	6						



Remarks

(1) D=Ref.No.5,6 118.5mm,  
 5-1,6-1 120.4mm.

Fig.58. DIFFERENTIAL LOCK

(A)=EX3200(CCY)  
 (B)=EX2900(CCY)  
 (C)=

(D)=  
 (E)=  
 (F)=

No.	Lev.	Parts No.	Description	Q'ty						I	R
				(A)	(B)	(C)	(D)	(E)	(F)		
1	1	194197-33100	SLIDER, DIFFERENTIAL	1	1						
2	1	194197-33110	SLIDER, DIFFERENTIAL	1	1						
3	1	194197-33120	RING, SNAP 58	1	1						
4	1	198220-33140	FORK, SHIFT	1	1						
5	1	1A8160-33160	PEDAL, LOCK	1	1						
6	1	194300-33190	SPRING	1	1						
7	1	194300-33200	SPACER, 20X32X3.2	1	1						
8	1	198220-33210	PIN, 8X56	1	1						
9	1	22351-035040	PIN, SPRING 3.5X40	1	1						
10	1	22351-050040	PIN, SPRING 5.0X40	1	1						
11	1	22351-060040	PIN, SPRING 6.0X40	1	1						
12	1	22351-080032	PIN, SPRING 8.0X32	1	1						
13	1	22351-080040	PIN, SPRING 8.0X40	1	1						
14	1	24311-000150	O-RING, 1AP15.0	2	2						

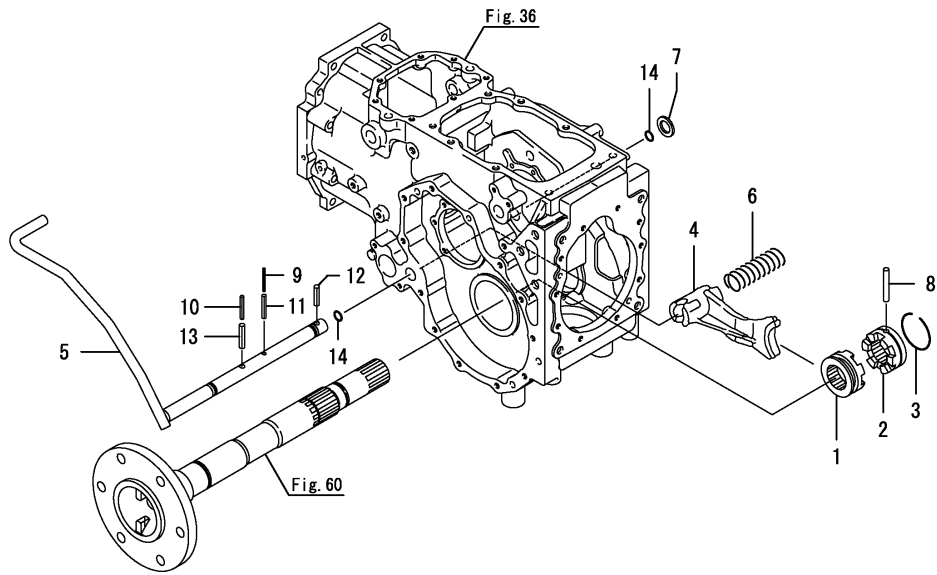


Fig.59. FINAL PINION

(A)=EX3200(CCY)  
 (B)=EX2900(CCY)  
 (C)=

(D)=  
 (E)=  
 (F)=

No.	Lev.	Parts No.	Description	Qty						I	R
				(A)	(B)	(C)	(D)	(E)	(F)		
1	1	1A8160-33400	PINION, FINAL	2	2						
2	1	24101-063064	BEARING, BALL 6306	2	2						
3	1	24121-062064	BEARING, BALL 6206NR	2	2						

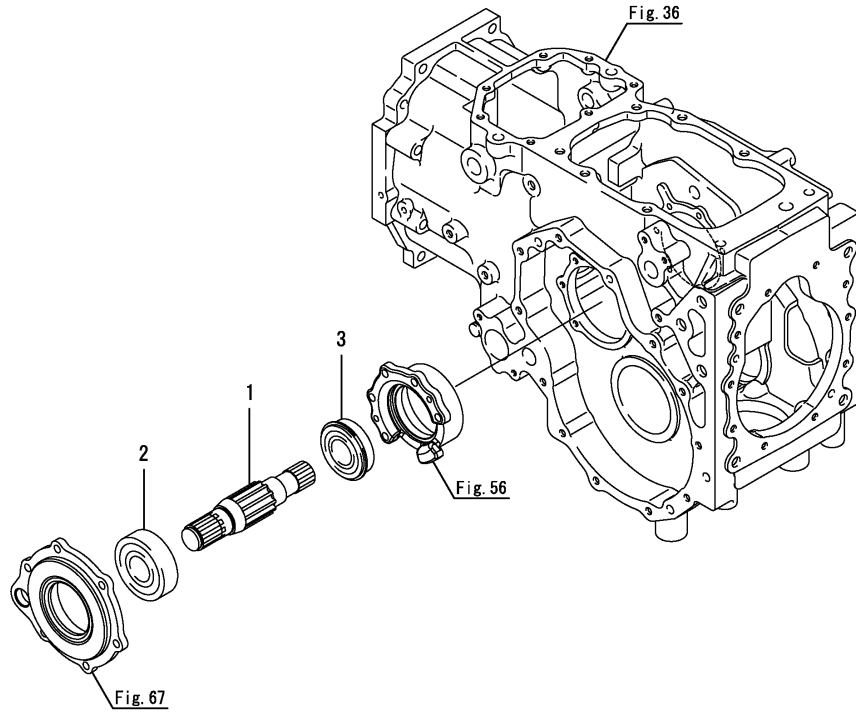


Fig.60. FINAL GEAR & REAR AXLE SHAFT

(A)=EX3200(CCY)  
 (B)=EX2900(CCY)  
 (C)=

(D)=  
 (E)=  
 (F)=

No.	Lev.	Parts No.	Description	Q'ty						I	R
				(A)	(B)	(C)	(D)	(E)	(F)		
1	1	198230-33500	GEAR, FINAL	2	2						
2	1	194440-32580	COLLAR, 45X55X20	2	2						
3	1	198230-34050	SHAFT ASSY, AXLE	1	1						
4	2	198230-34101	SHAFT, REAR AXLE L	1	1						
5	2	198230-34111	SHAFT, REAR AXLE R	1	1						
6	1	22242-000400	RING, 40	2	2						
7	1	22242-000450	RING, 45	4	4						
8	1	24101-060094	BEARING, BALL 6009	2	2						
9	1	24101-062084	BEARING, BALL 6208	2	2						

---

---

---

---

---

---

---

---

---

---

---

---

---

---

---

---

---

---

---

---

---

---

---

---

---

---

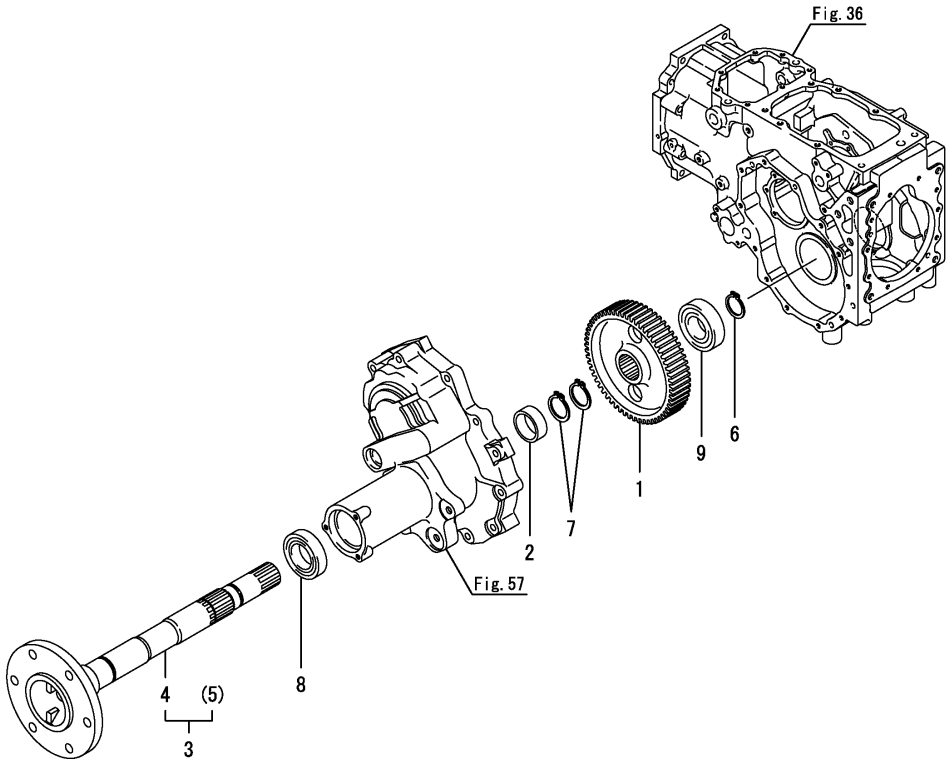
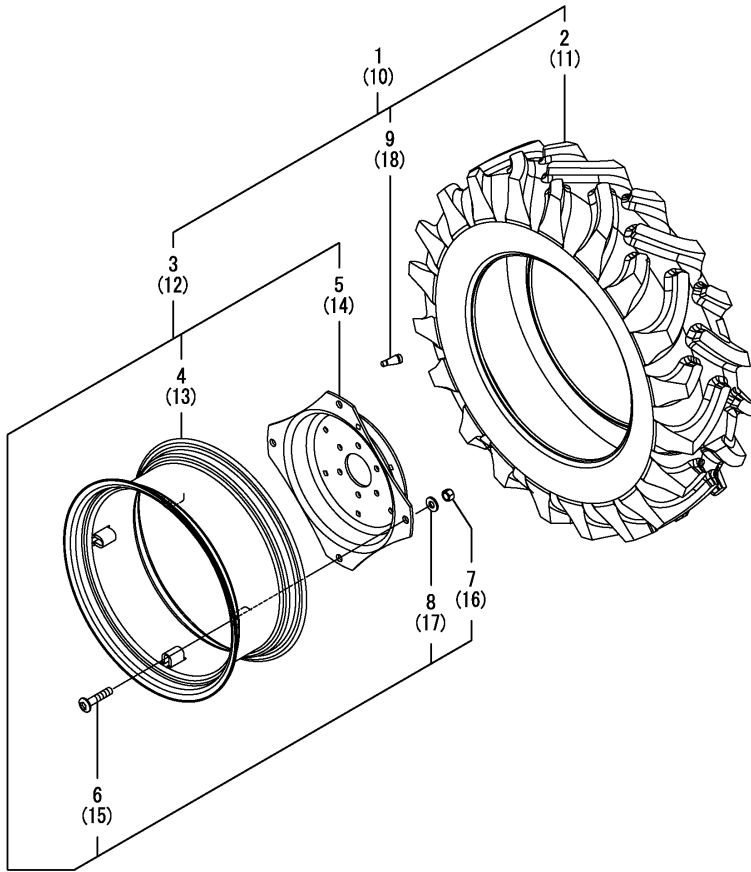


Fig.61. REAR WHEEL TIRE

(A)=EX3200(CCY)  
 (B)=EX2900(CCY)  
 (C)=

(D)=  
 (E)=  
 (F)=



No.	Lev.	Parts No.	Description	Q'ty						I	R
				(A)	(B)	(C)	(D)	(E)	(F)		
1	1	1A8160-34300	TIRE KIT, REAR R1 L	1	1						
2	2	1A8160-34310	TIRE, R1 11.2X24	1	1						
3	2	1A8160-34330	WHEEL, R1 R	1	1						
4	3	1A8160-34340	RIM ASSY, R1	1	1						
5	3	1A8160-34360	DISK ASSY, R1	1	1						
6	3	1A8160-34370	BOLT, R1	4	4						
7	3	1A8160-34380	NUT, R1	4	4						
8	3	1A8160-34390	WASHER, R1	4	4						
9	2	1A8160-34350	VALVE, R1	1	1						
10	1	1A8160-34400	TIRE KIT, REAR R1 R	1	1						
11	2	1A8160-34310	TIRE, R1 11.2X24	1	1						
12	2	1A8160-34330	WHEEL, R1 R	1	1						
13	3	1A8160-34340	RIM ASSY, R1	1	1						
14	3	1A8160-34360	DISK ASSY, R1	1	1						
15	3	1A8160-34370	BOLT, R1	4	4						
16	3	1A8160-34380	NUT, R1	4	4						
17	3	1A8160-34390	WASHER, R1	4	4						
18	2	1A8160-34350	VALVE, R1	1	1						

Fig.62. REAR WHEEL TIRE(TURF)

(A)=EX3200(CCY)  
 (B)=EX2900(CCY)  
 (C)=

(D)=  
 (E)=  
 (F)=

No.	Lev.	Parts No.	Description	Q'ty						I	R
				(A)	(B)	(C)	(D)	(E)	(F)		
1	1	1A8160-34500	TIRE KIT, REAR R3	2	2						
1-1	1	1A8160-34501	TIRE KIT, REAR R3	2	2						N
		(A=F001764)	(B=F000322)								
2	2	1A8160-34350	VALVE, R1	2	2						
3	2	1A8160-34510	TIRE, R3 13.6X16	2	2						
4	2	1A8160-34530	WHEEL, R3 R	2	2						
4-1	2	1A8160-34531	WHEEL, R3 R	2	2						N
		(A=F001764)	(B=F000322)								

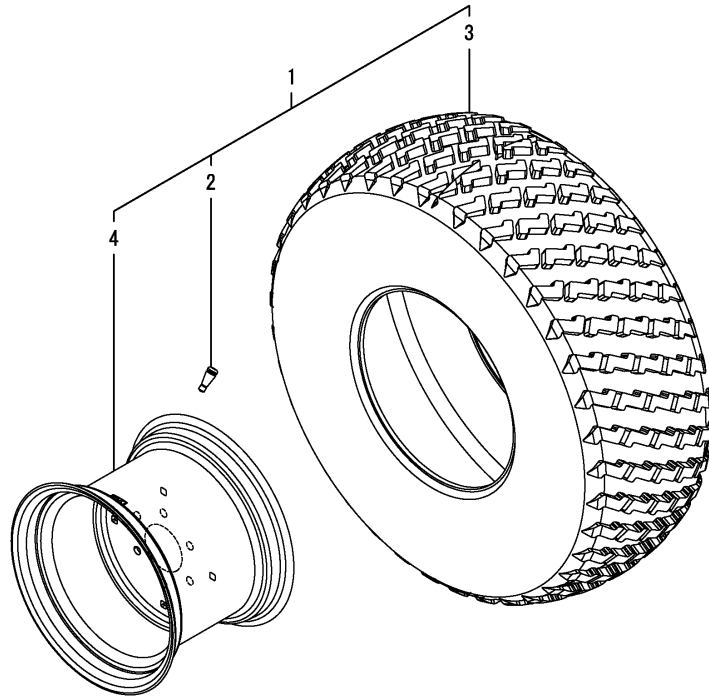


Fig.63. REAR WHEEL TIRE

(A)=EX3200(CCY)  
 (B)=EX2900(CCY)  
 (C)=

(D)=  
 (E)=  
 (F)=

No.	Lev.	Parts No.	Description	Q'ty						I	R
				(A)	(B)	(C)	(D)	(E)	(F)		
1	1	1A8160-34700	TIRE KIT, REAR R4 L	1	1						
2	2	1A8160-34710	TIRE, REAR 15X19.5	1	1						
3	2	1A8160-34730	WHEEL, R4 R	1	1						
4	2	1A8160-34750	VALVE, TIRE	1	1						
5	1	1A8160-34800	TIRE KIT, REAR R4 R	1	1						
6	2	1A8160-34710	TIRE, REAR 15X19.5	1	1						
7	2	1A8160-34730	WHEEL, R4 R	1	1						
8	2	1A8160-34750	VALVE, TIRE	1	1						

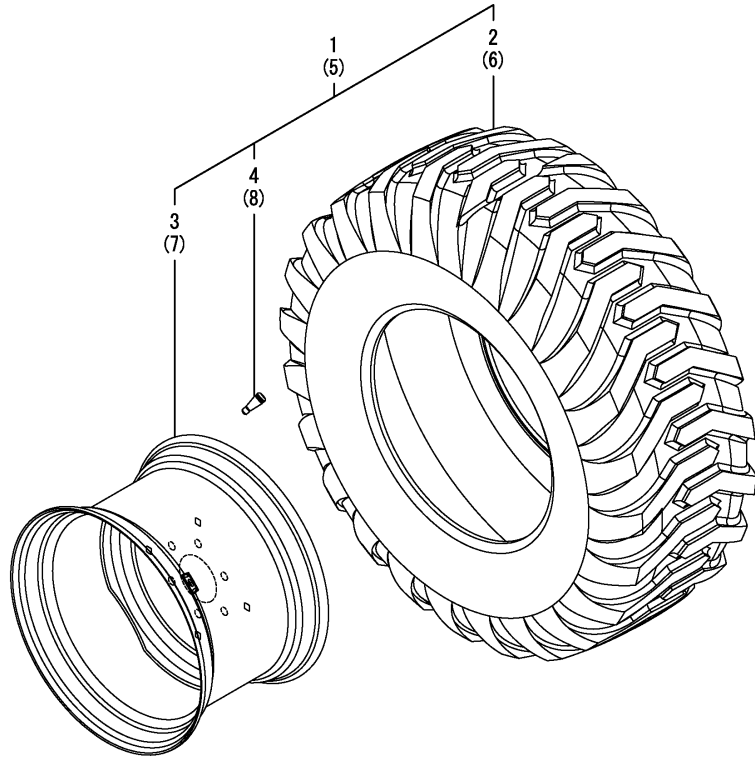




Fig.64. HUB BOLT(REAR)

(A)=EX3200(CCY)  
 (B)=EX2900(CCY)  
 (C)=

(D)=  
 (E)=  
 (F)=

No.	Lev.	Parts No.	Description	Q'ty						I	R
				(A)	(B)	(C)	(D)	(E)	(F)		
1	1	194555-34180	BOLT, M16X30	12	12						
2	1	194555-34190	WASHER, SPRING 16	12	12						

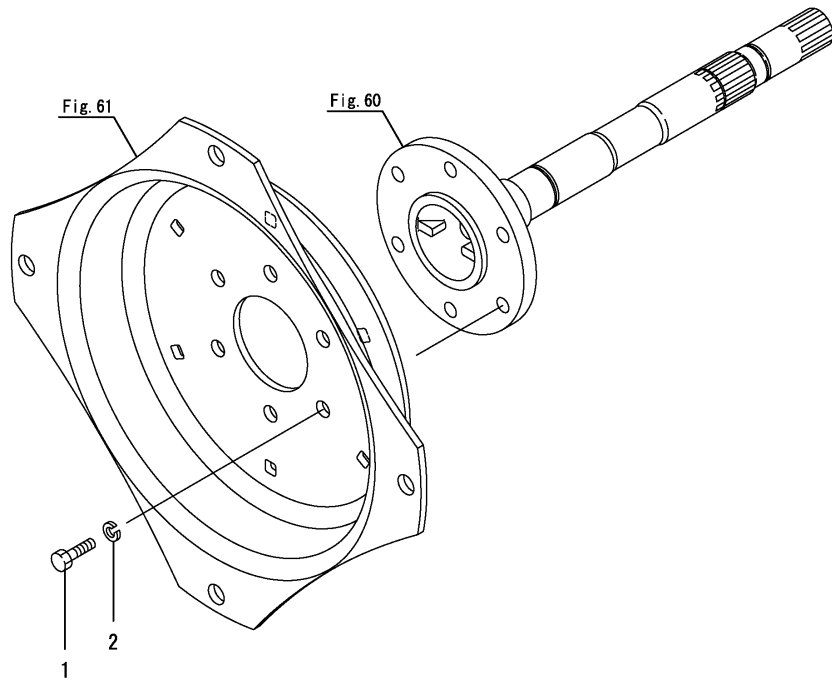
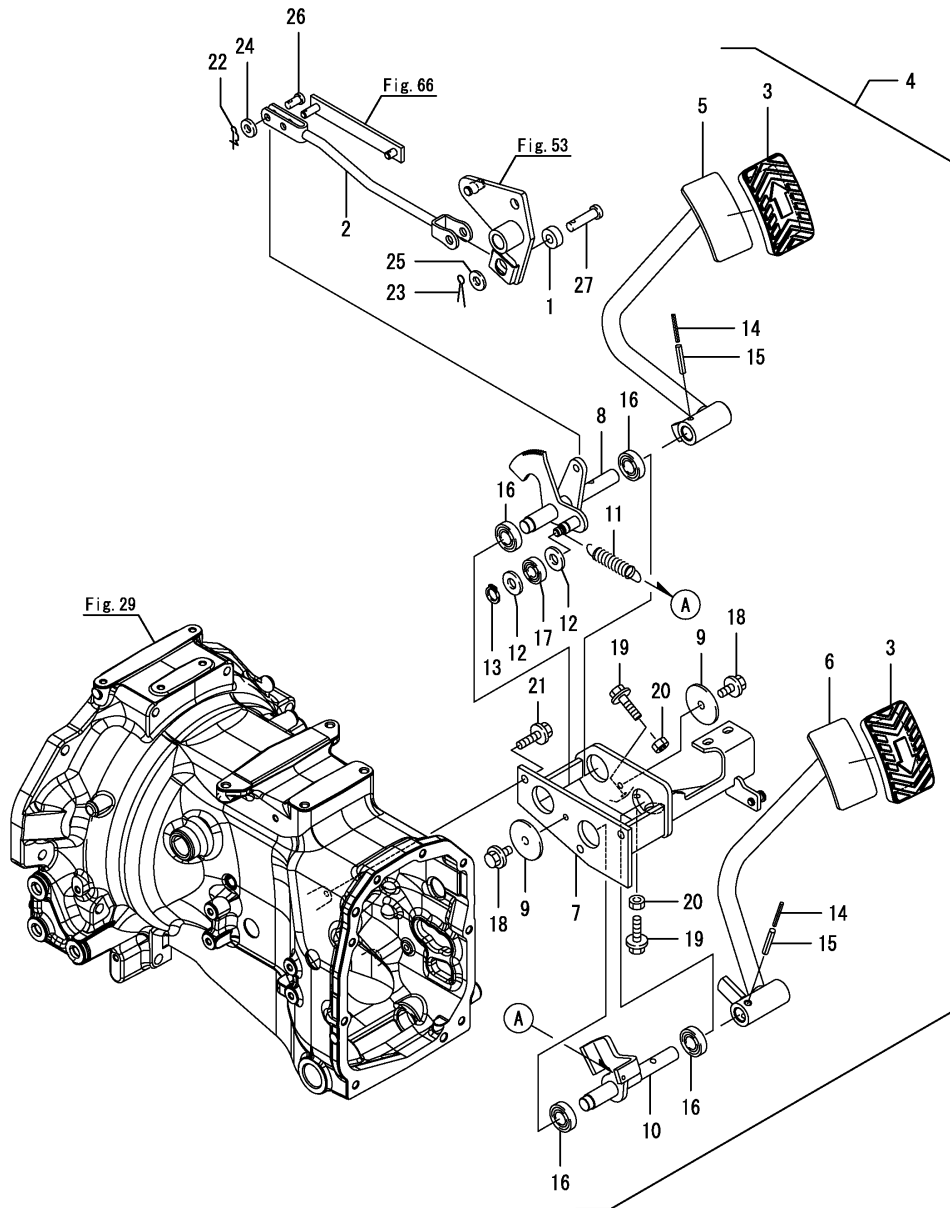


Fig.65. HYDRAULIC PEDAL

(A)=EX3200(CCY)  
 (B)=EX2900(CCY)  
 (C)=

(D)=  
 (E)=  
 (F)=



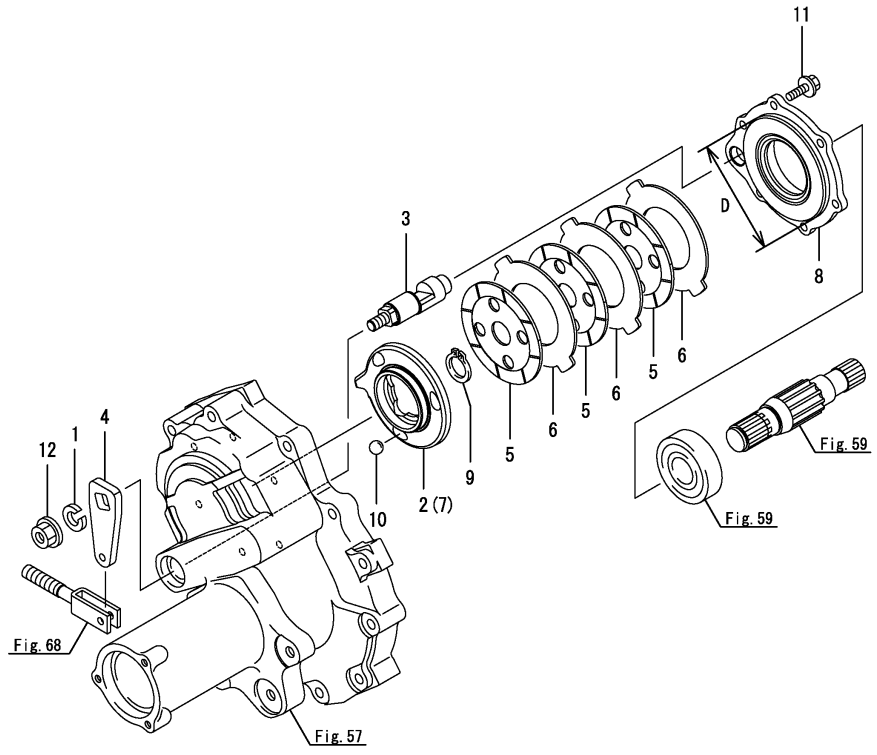
No.	Lev.	Parts No.	Description	Q'ty						I	R
				(A)	(B)	(C)	(D)	(E)	(F)		
1	1	198129-27281	ROLLER, CAM	1	1						
2	1	1A8160-29040	ROD, HYDRAULIC	1	1						
3	1	1A8160-35080	HEAD, PEDAL	2	2						
4	1	1A8160-35100	PEDAL KIT, HST	1	1						
5	2	1A8160-35110	PEDAL ASSY, HST F	1	1						
6	2	1A8160-35210	PEDAL ASSY, HST R	1	1						
7	2	1A8160-35240	BRACKET ASSY, PEDAL	1	1						
8	2	1A8160-35310	SHAFT ASSY, PEDAL F	1	1						
9	2	198167-35311	PLATE, KEEP	2	2						
10	2	1A8160-35360	SHAFT ASSY, PEDAL R	1	1						
11	2	198167-35411	SPRING, PEDAL	1	1						
12	2	22137-120000	WASHER, 12	2	2						
13	2	22242-000120	RING, 12	1	1						
14	2	22351-035036	PIN, SPRING 3.5X36	2	2						
15	2	22351-060036	PIN, SPRING 6.0X36	2	2						
16	2	24104-060024	BEARING, BALL 6002UU	4	4						
17	2	24104-062014	BEARING, BALL 6201UU	1	1						
18	2	26106-080122	BOLT, M8X 12 PLATED	2	2						
19	2	26106-080252	BOLT, M8X 25 PLATED	2	2						
20	2	26716-080002	NUT, M8	2	2						
21	1	26106-080202	BOLT, M8X 20 PLATED	3	3						
22	1	1C6281-52320	PIN, SNAP 8	1	1						
23	1	22417-200300	PIN, COTTER 2.0X30	1	1						
24	1	22137-080000	WASHER, 8	1	1						
25	1	22137-100000	WASHER, 10	1	1						
26	1	22487-080160	PIN, H 8X 16	1	1						
27	1	22487-100280	PIN, H10X 28	1	1						



Fig.67. BRAKE

(A)=EX3200(CCY)  
 (B)=EX2900(CCY)  
 (C)=

(D)=  
 (E)=  
 (F)=



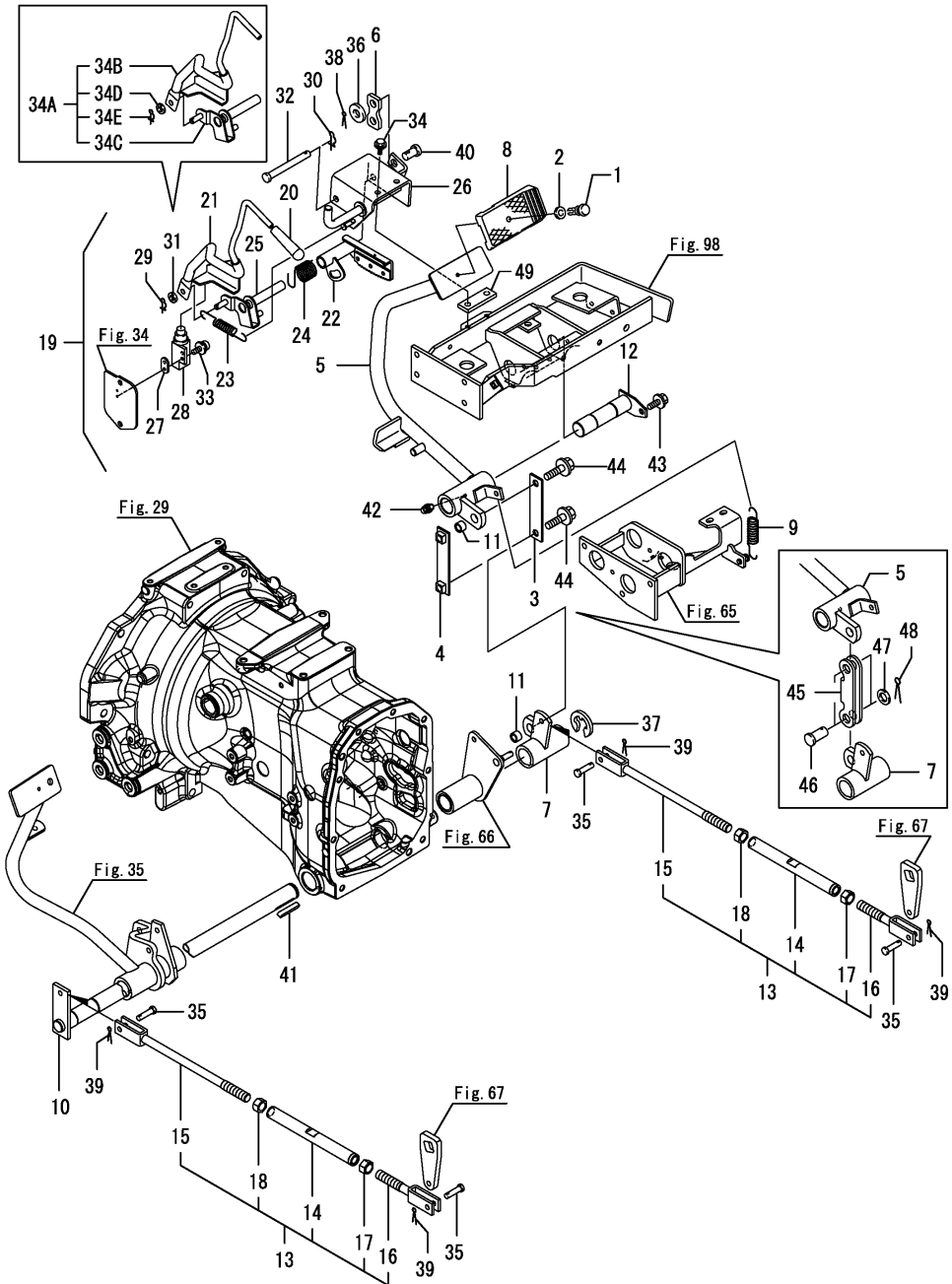
No.	Lev.	Parts No.	Description	Q'ty						I	R
				(A)	(B)	(C)	(D)	(E)	(F)		
1	1	194274-13580	WASHER, SPRING 12	2	2						
2	1	198200-36310	ACTUATOR	1	1						
3	1	198200-36341	CAMSHAFT	2	2						
4	1	198200-36350-1	ARM, BRAKE	2	2						
5	1	198200-36380	PLATE, FRICTION 114	6	6						
6	1	198200-36390	PLATE, STEEL	6	6						
7	1	198200-36410	ACTUATOR	1	1						
8	1	198200-36421	HOLDER, BEARING	2	2						
8-1	1	198200-36422	HOLDER, BEARING	2	2						S 1
		(A=F003429)	(B=F001091)								
9	1	22242-000260	RING, 26	2	2						
10	1	24190-170001	BALL, STEEL 17/32	6	6						
11	1	26106-080252	BOLT, M8X 25 PLATED	12	12						
12	1	26376-120002	NUT, M12	2	2						

Remarks  
 (1) D=Ref.No.8 118.5mm, 8-1 120.4mm.

Fig.68. BRAKE PEDAL

(A)=EX3200(CCY)  
 (B)=EX2900(CCY)  
 (C)=

(D)=  
 (E)=  
 (F)=



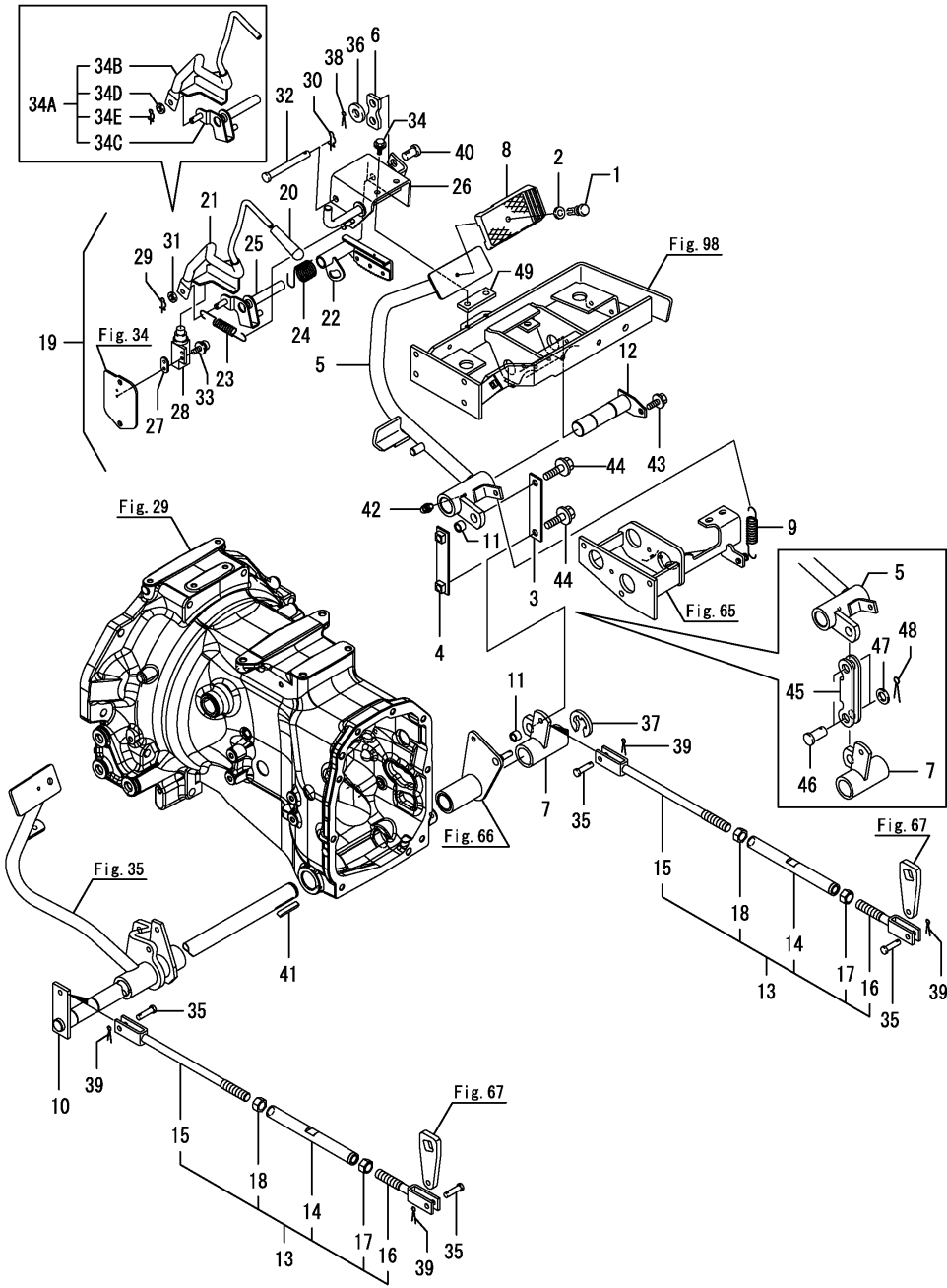
No.	Lev.	Parts No.	Description	(A)	(B)	Q'ty	(D)	(E)	(F)	I	R
1	1	198133-22510	RIVET, PEDAL HEAD	1	1						
2	1	198133-22530	WASHER, RIVET	1	1						
3	1	1A8160-37360	PLATE, BRAKE	1	1						Z
4	1	1A8160-37400	LINK, BRAKE	1	1						Z
5	1	1A8160-37420	PEDAL, BRAKE	1	1						
6	1	1A8160-37490	PLATE, RELEASE	1	1						
6-1	1	1A8160-37491	PLATE, CRUISE RELEASE	1	1						N
7	1	1A8160-37500	CRANK, BRAKE	1	1						
8	1	198071-37510	COVER, HEAD	1	1						
9	1	198290-37510	SPRING, RETURN	1	1						
10	1	1A8160-37550	SHAFT, BRAKE PEDAL	1	1						
11	1	1A8160-37580	COLLAR, 15X10X10	2	2						Z
12	1	1A8160-37600	SHAFT, BRAKE	1	1						
13	1	1A8160-37730	ROD ASSY, BRAKE	2	2						
14	2	198220-37730	TURNBUCKLE	2	2						
15	2	1A8160-37740	ROD, BRAKE R	2	2						
16	2	198220-37770	ROD, BRAKE L	2	2						
17	2	198220-37790	NUT, M14	2	2						
18	2	26716-140002	NUT, M14	2	2						
19	1	1A8160-37810	BRAKE KIT, PARKING	1	1						
20	2	198253-37610	KNOB, PARKING BRAKE	1	1						
21	2	1A8160-37621	ROD ASSY, PARKING	1	1						
21-1	2	1A8160-37622	ROD ASSY, PARKING	1	1						N
21-2	2	1A8160-37622	ROD ASSY, PARKING	1	1						Z
22	2	1A8160-37660	LEVER, BRAKE LOCK	1	1						
23	2	198220-37700	SPRING, RETURN	1	1						
24	2	198220-37720	SPRING	1	1						
25	2	1A8160-37850	LEVER, B PARKING	1	1						
25-1	2	1A8160-37851	LEVER, PARKING B	1	1						N
25-2	2	1A8160-37851	LEVER, PARKING B	1	1						Z
26	2	1A8160-37950	SUPPORT, BRAKE	1	1						
27	2	1A7510-52120	WASHER, SWITCH	1	1						
28	2	1A7335-52150	SWITCH, STOP LAMP	1	1						
29	2	1C6281-52320	PIN, SNAP 8	1							
29-1	2	22417-250300	PIN, COTTER 2.5X30	1	1						N
29-2	2	22417-250300	PIN, COTTER 2.5X30	1	1						Z
30	2	1C6360-65700	PIN, SNAP 10	1	1						
31	2	22137-080000	WASHER, 8	1	1						Z
32	2	22487-100900	PIN, H10X 90	1	1						
33	2	26023-040162	SCREW, M4X16	2	2						

N:Old  $\frac{Yes}{No}$  New, Q:Old  $\frac{No}{Yes}$  New, R:Old  $\frac{Yes}{Yes}$  New, S:Old  $\frac{No}{No}$  New, W:Add, Z:Discontinued, F:Interchangeable by set, K:Q'ty Change  
 ++ CONTINUE ++  
 Copyright (C) YANMAR CO., LTD. All Rights Reserved.

Fig.68. BRAKE PEDAL

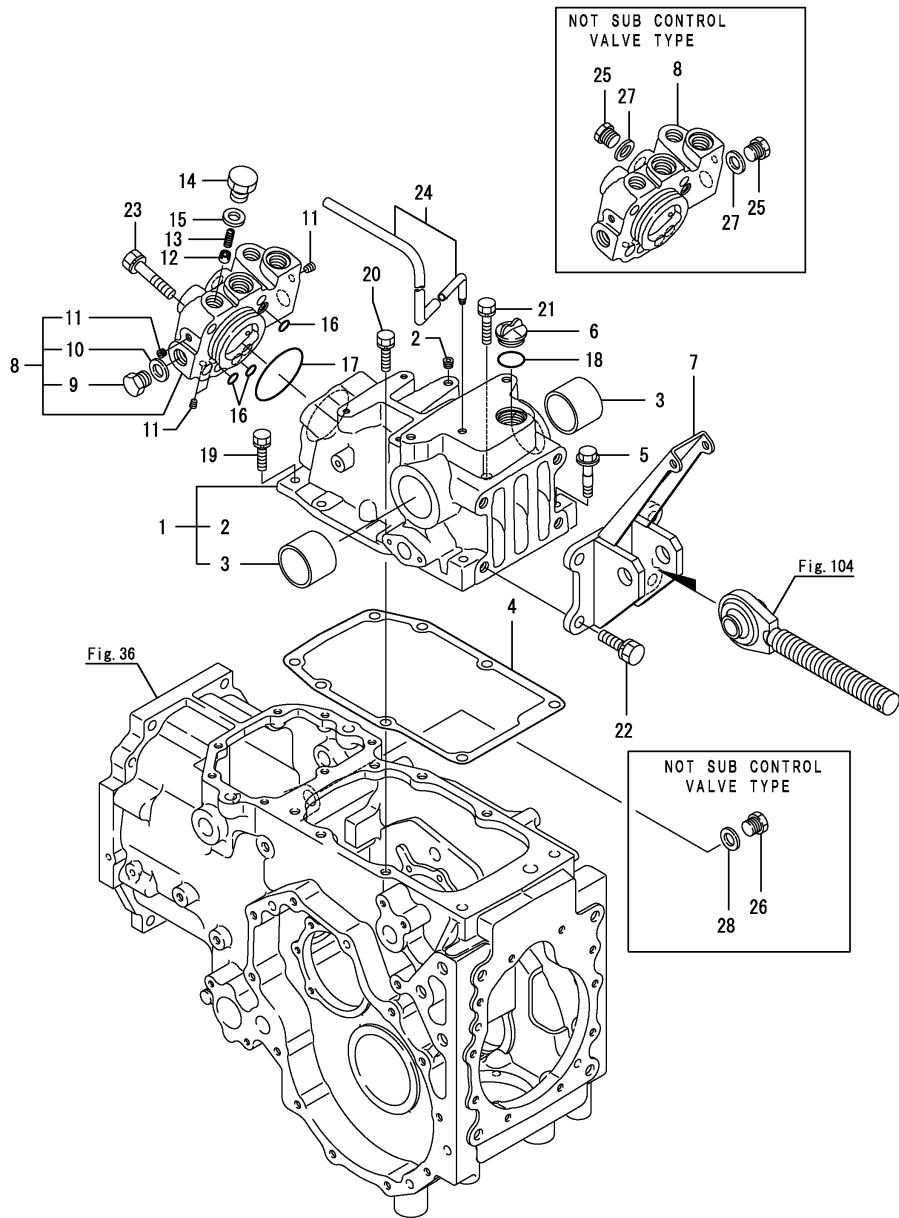
(A)=EX3200(CCY)  
 (B)=EX2900(CCY)  
 (C)=

(D)=  
 (E)=  
 (F)=



No.	Lev.	Parts No.	Description	Q'ty						I	R
				(A)	(B)	(C)	(D)	(E)	(F)		
33-1	2	26117-040162 (A=F001711)	BOLT, M4X 16 PLATED (B=F000448)	2	2						N
34	2	26106-080162	BOLT, M8X 16 PLATED	2	2						
34-1	2	26106-080202 (A=F001564)	BOLT, M8X 20 PLATED (B=F000448)	2	2						N
34-2	2	26106-080162 (A=F002034)	BOLT, M8X 16 PLATED (B=F000565)	2	2						N
34A	2	1A8160-37650 (A=F001884)	LEVER KIT, PARKING (B=F000474)	1	1						W
34B	3	1A8160-37622 (A=F001884)	ROD ASSY, PARKING (B=F000474)	1	1						W
34C	3	1A8160-37851 (A=F001884)	LEVER, PARKING B (B=F000474)	1	1						W
34D	3	22137-080000 (A=F001884)	WASHER, 8 (B=F000474)	1	1						W
34E	3	22417-250300 (A=F001884)	PIN, COTTER 2.5X30 (B=F000474)	1	1						W
35	1	198220-37900	PIN, 8X24	4	4						
36	1	22137-120000	WASHER, 12	1	1						
37	1	22272-000190	RING, E-19	1	1						
38	1	22417-250300	PIN, COTTER 2.5X30	1	1						
39	1	22417-250300	PIN, COTTER 2.5X30	4	4						
40	1	198165-36190	PIN, 12X16	1	1						
41	1	22512-070400	KEY, 7X 40	1	1						
42	1	24761-010000	NIPPLE, GREASE M6F	1	1						
43	1	26106-080162	BOLT, M8X 16 PLATED	1	1						
44	1	26106-100252 (A=F002041)	BOLT, M10X 25 PLATED (B=F000568)	2	2						Z
45	1	1A8160-37570 (A=F002041)	LINK, BRAKE (B=F000568)	1	1						W
46	1	1A8160-37590 (A=F002041)	PIN, 15X30 (B=F000568)	2	2						W
47	1	22137-140000 (A=F002041)	WASHER, 14 (B=F000568)	2	2						W
48	1	22417-250300 (A=F002041)	PIN, COTTER 2.5X30 (B=F000568)	2	2						W
49	1	1A8160-37970 (A=F001564)	PLATE, SUPPORT (B=F000448)	1	1						W
49-1	1	1A8160-37970 (A=F002367)	PLATE, SUPPORT (B=F000676)	1	1						Z

OCNP4-M83201 HYDRAULIC CONTROL SECTION  
**Fig.69. HYDRAULIC CYLINDER CASE**



(A)=EX3200(CCY)  
 (B)=EX2900(CCY)  
 (C)=

(D)=  
 (E)=  
 (F)=

No.	Lev.	Parts No.	Description	Q'ty						I	R
				(A)	(B)	(C)	(D)	(E)	(F)		
1	1	198220-42101	HOUSING ASSY	1	1						
2	2	23876-010000	PLUG, R01	1	1						
3	2	24550-045300	BUSH, 45X30	2	2						
4	1	1A8160-42150	PACKING	1	1						
5	1	1A8160-42190	BOLT, REAMER M10X50	2	2						
6	1	194850-42500	CAP, OIL M33	1	1						
7	1	1A7335-42810	HINGE, TOP LINK	1	1						
8	1	198223-43200	HEAD ASSY, CYLINDER	1	1						
9	2	198220-45920	PLUG, 3/4-16UNF	1	1						
10	2	23414-190000	GASKET, 19X1.0	1	1						
11	2	23876-010000	PLUG, R01	5	5						
12	1	194310-46350	POPPET, CHECK	1	1						
13	1	194310-46380	SPRING	1	1						
14	1	194310-46730	PLUG, 14	1	1						
15	1	23414-140018	GASKET, 14X1.0	1	1						
16	1	24315-000110	O-RING, 1BP11.0	3	3						
17	1	24325-000600	O-RING, 1BG60.0	1	1						
18	1	24351-020300	O-RING 1A 2030	1	1						
19	1	26013-100302	BOLT, M10X 30	2	2						
20	1	26013-100352	BOLT, M10X 35	1	1						
21	1	26013-100452	BOLT, M10X 45	1	1						
22	1	26013-120302	BOLT, M12X 30	4	4						
23	1	26013-120502	BOLT, M12X 50	4	4						
24	1	198223-42270	BREATHER KIT	1	1						
25	1	198220-45920	PLUG, 3/4-16UNF	2	2						1
26	1	198220-45920	PLUG, 3/4-16UNF	1	1						1
27	1	23414-190000	GASKET, 19X1.0	2	2						1
28	1	23414-190000	GASKET, 19X1.0	1	1						1

Remarks  
 (1) For not sub control valve type.

Fig.70. PISTON

(A)=EX3200(CCY)  
 (B)=EX2900(CCY)  
 (C)=

(D)=  
 (E)=  
 (F)=

No.	Lev.	Parts No.	Description	Qty						I	R
				(A)	(B)	(C)	(D)	(E)	(F)		
1	1	194193-43310	PISTON, HYDRAULIC	1	1						
2	1	194150-43350	RING, BACK UP P55	1	1						
3	1	24311-000550	O-RING, 1AP55.0	1	1						

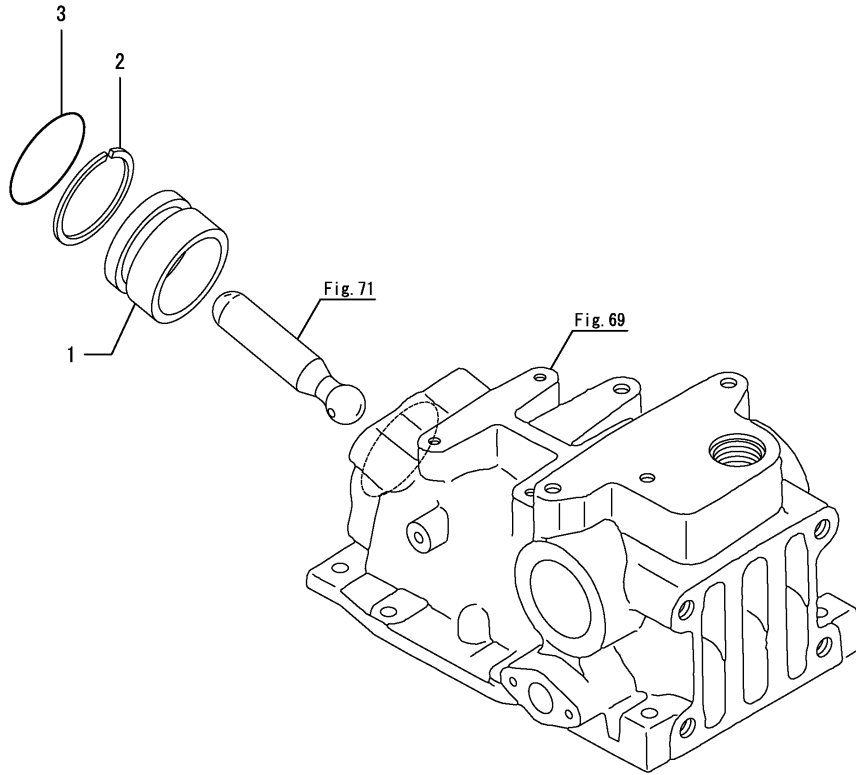




Fig.71. LIFT CRANK

(A)=EX3200(CCY)  
 (B)=EX2900(CCY)  
 (C)=

(D)=  
 (E)=  
 (F)=

No.	Lev.	Parts No.	Description	Q'ty						I	R
				(A)	(B)	(C)	(D)	(E)	(F)		
1	1	194197-43410	ROD, PISTON	1	1						
2	1	194440-44112	CRANK, LIFT	1	1						
3	1	194195-44210	SHAFT, LIFT	1	1						
4	1	194195-44230	LINER, 35X73X3	2	2						
5	1	194195-44250	SLEEVE, LIFT SHAFT L	1	1						
6	1	194195-44260	SLEEVE, LIFT SHAFT R	1	1						
7	1	194195-44411	ARM, LIFT L	2	2						
8	1	194130-44480	PIN, LIFT ARM	2	2						
9	1	198220-44510	PLATE, FEEDBACK	1	1						
10	1	194197-44610-1	WASHER, 10X50X6	1	1						
11	1	22217-100000	WASHER, SPRING 10	2	2						
12	1	22217-160000	WASHER, SPRING 16	2	2						
13	1	22351-050040	PIN, SPRING 5.0X40	1	1						
14	1	22351-060016	PIN, SPRING 6.0X16	1	1						
15	1	24321-000450	O-RING, 1AG45.0	4	4						
16	1	24341-000360	O-RING, 1AS36.0	2	2						
17	1	26116-100202	BOLT, M10X 20 PLATED	2	2						
18	1	26736-160002	NUT, M16	2	2						

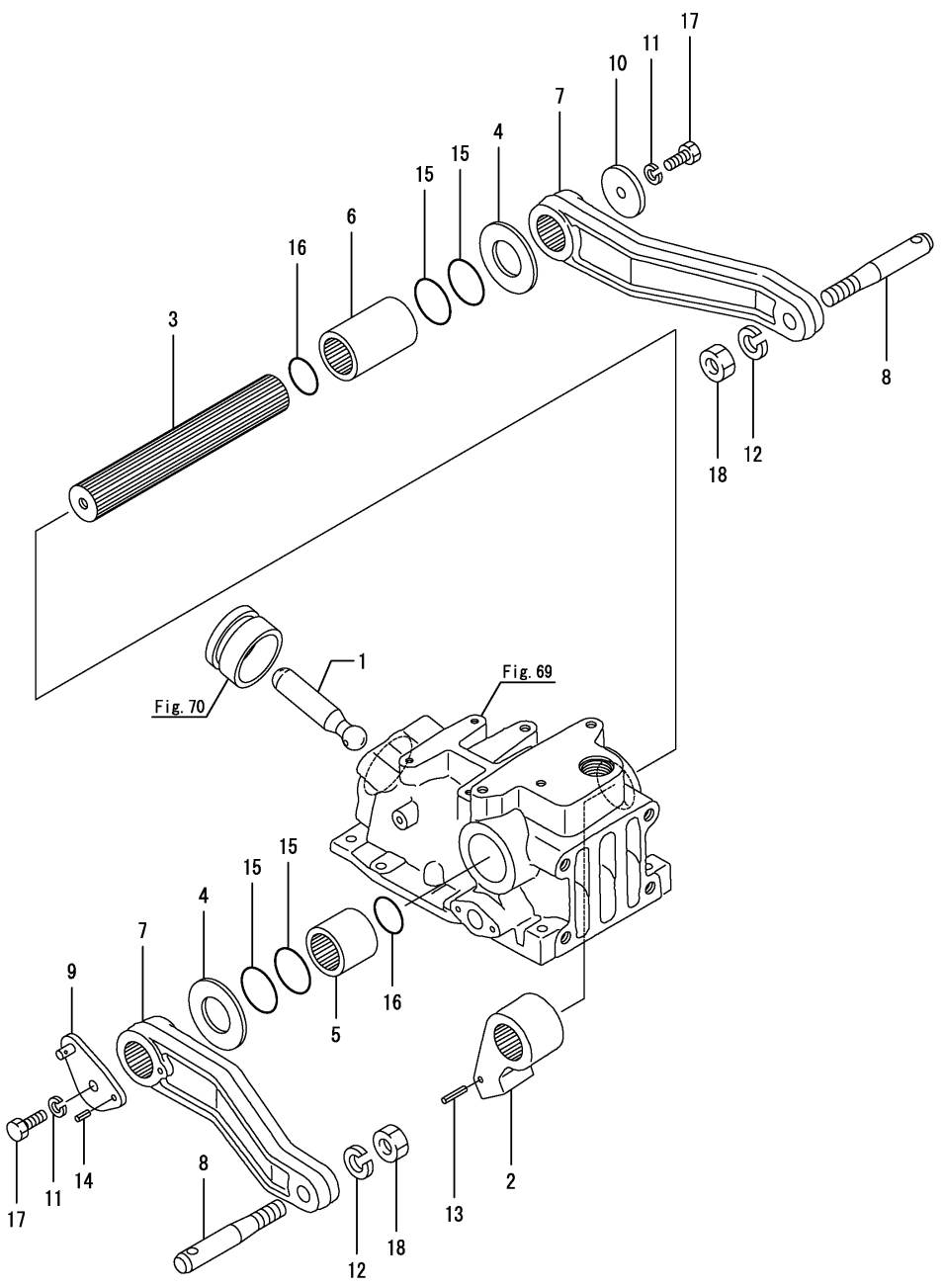


Fig.72. CONTROL VALVE

(A)=EX3200(CCY)  
 (B)=EX2900(CCY)  
 (C)=

(D)=  
 (E)=  
 (F)=

No.	Lev.	Parts No.	Description	Q'ty						I	R
				(A)	(B)	(C)	(D)	(E)	(F)		
1	1	178071-01010	VALVE,ROCKSHAFT COMP	1	1						
16	2	24315-000110	O-RING, 1BP11.0	3	3						
30	1	26450-080202	BOLT, M8X 20	3	3						

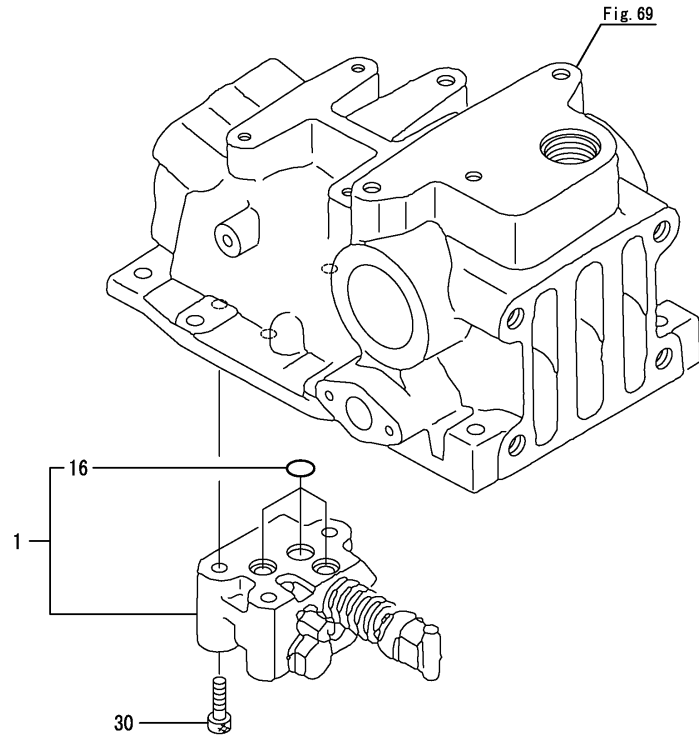
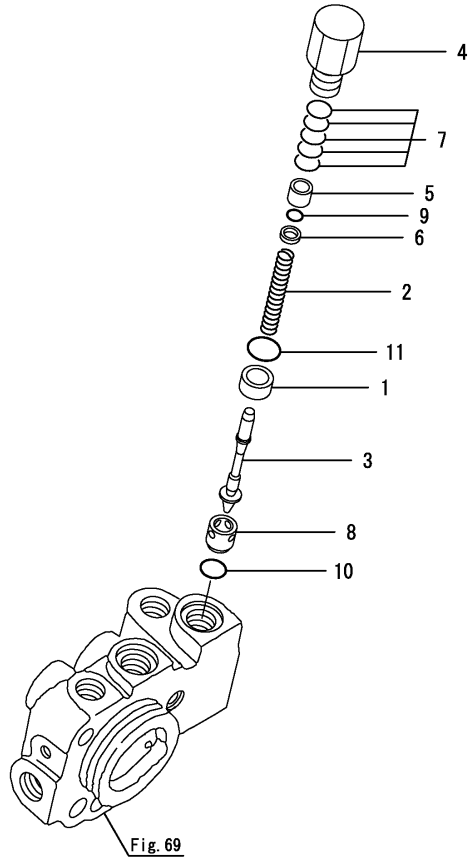


Fig.73. RELIEF VALVE

(A)=EX3200(CCY)  
 (B)=EX2900(CCY)  
 (C)=

(D)=  
 (E)=  
 (F)=



No.	Lev.	Parts No.	Description	Q'ty						I	R
				(A)	(B)	(C)	(D)	(E)	(F)		
1	1	198220-45340	COLLAR, VALVE	1	1						
2	1	194170-45610	SPRING, RELIEF VALVE	1	1						
3	1	194195-45620	POPPET	1	1						
4	1	198220-45630	PLUG, RELIEF VALVE	1	1						
5	1	194195-45640	SEAT, 6.6X13X12.5	1	1						
6	1	194195-45650	WASHER, 6.6X13X3,2	1	1						
7	1	194850-45700	SHIM SET	1	1						
8	1	194195-46260	SEAT, RELIEF VALVE	1	1						
9	1	194850-49230	O-RING, 6X1.8 70	1	1						
10	1	24311-000120	O-RING, 1AP12.0	1	1						
11	1	24311-000180	O-RING, 1AP18.0	1	1						

Fig.74. STOP VALVE

(A)=EX3200(CCY)  
 (B)=EX2900(CCY)  
 (C)=

(D)=  
 (E)=  
 (F)=

No.	Lev.	Parts No.	Description	Q'ty						I	R
				(A)	(B)	(C)	(D)	(E)	(F)		
1	1	194550-46300	VALVE, STOP	1	1						
2	1	194640-46620	BOLT, STOP	1	1						
3	1	194312-46630	HOLDER, VALVE	1	1						
4	1	22117-080000	WASHER, 8	1	1						
5	1	22351-040010	PIN, SPRING 4.0X10	1	1						
6	1	24311-000120	O-RING, 1AP12.0	1	1						
7	1	24315-000090	O-RING, 1BP9.0	1	1						
8	1	1A8160-46670	KNOB, VALVE	1	1						
9	1	26716-100002	NUT, M10	1	1						

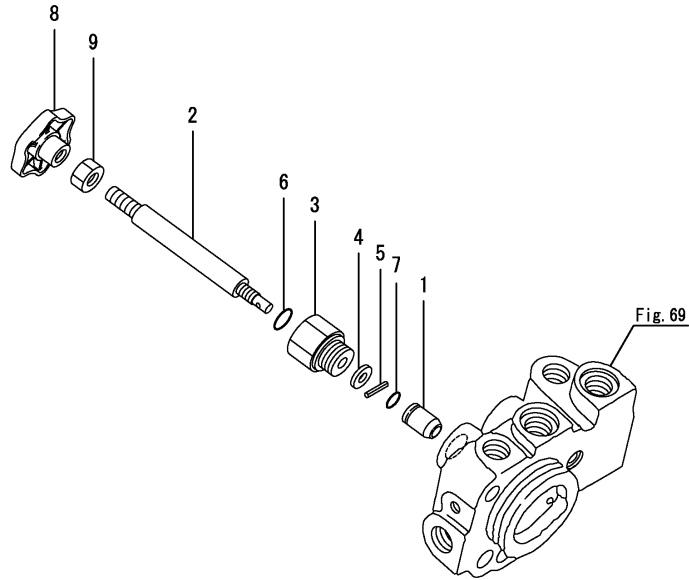
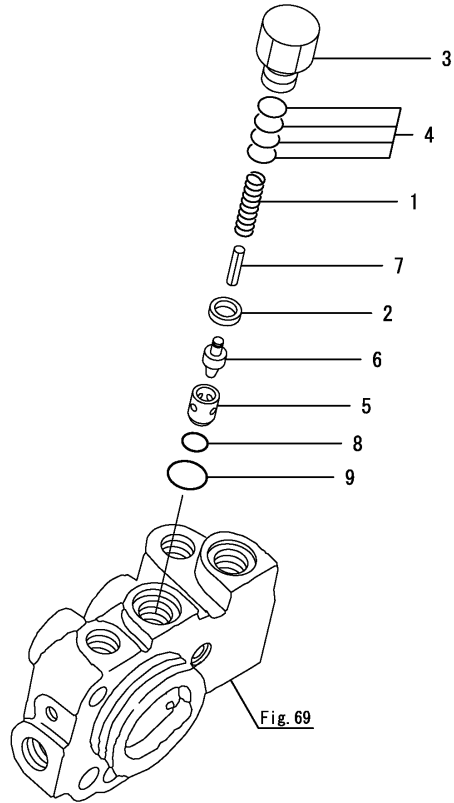


Fig.75. SAFETY VALVE

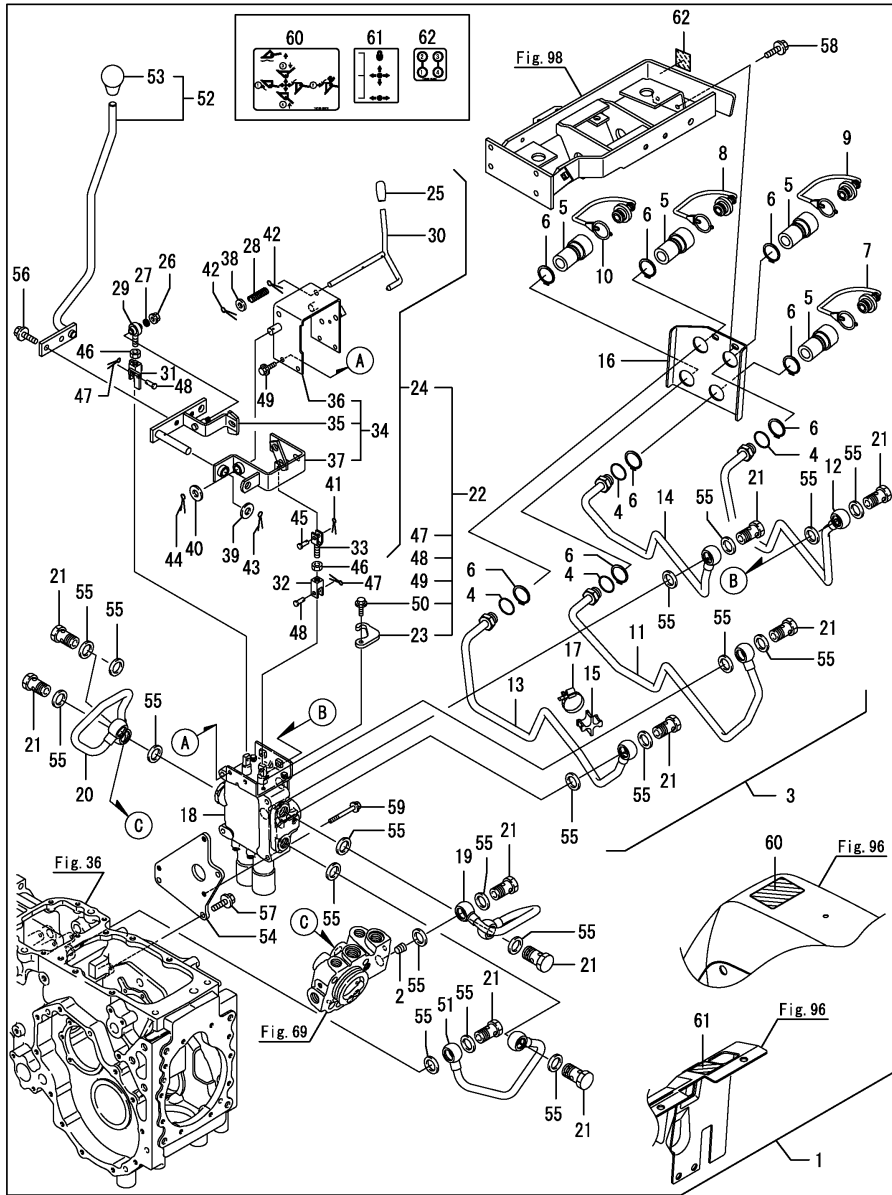
(A)=EX3200(CCY)  
 (B)=EX2900(CCY)  
 (C)=

(D)=  
 (E)=  
 (F)=



No.	Lev.	Parts No.	Description	Q'ty						I	R
				(A)	(B)	(C)	(D)	(E)	(F)		
1	1	194150-45320	SPRING, RELIEF VALVE	1	1						
2	1	198220-45350	COLLAR, VALVE	1	1						
3	1	198220-45370	PLUG, SAFETY VALVE	1	1						
4	1	198220-46400	SHIM SET	1	1						
5	1	194640-46410	SEAT, SAFETY VALVE	1	1						
6	1	194640-46420	POPPET	1	1						
7	1	22351-060028	PIN, SPRING 6.0X28	1	1						
8	1	24311-000120	O-RING, 1AP12.0	1	1						
9	1	24311-000180	O-RING, 1AP18.0	1	1						

Fig.76. SUB CONTROL VALVE



(A)=EX3200(CCY)  
 (B)=EX2900(CCY)  
 (C)=

(D)=  
 (E)=  
 (F)=

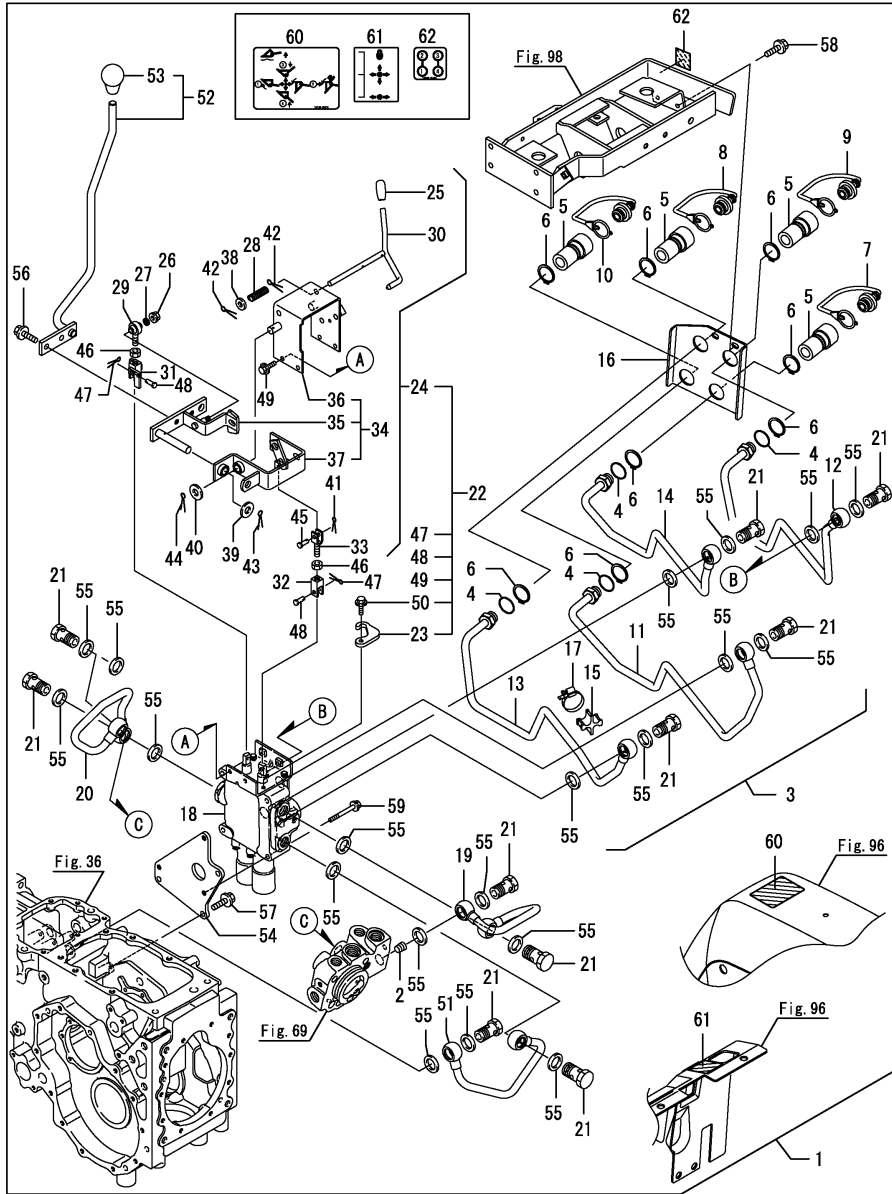
No.	Lev.	Parts No.	Description	Q'ty						I	R
				(A)	(B)	(C)	(D)	(E)	(F)		
1	1	1A8160-46700	VALVE KIT, SUB	1	1						
2	2	198245-42160	PLUG, 1/4	1	1						
3	2	1A8160-46410	SCV LINE ASSY	1	1						
3-1	2	1A8160-46411	PIPE, SCV	1	1						N
		(A=F002245) (B=F000640)									
4	3	194464-45930	O-RING, 8-1	4	4						
5	3	1A8160-46250	COUPLER, QUICK 3/8	4	4						
6	3	198240-46260	RING, SNAP	8	8						
7	3	1A8160-46280	PLUG, DUST RED	1	1						
8	3	1A8160-46290	PLUG, DUST BLUE	1	1						
9	3	1A8160-46300	PLUG, DUST YELLOW	1	1						
10	3	1A8160-46310	PLUG, DUST GREEN	1	1						
11	3	1A8160-46420	PIPE, PRESSURE B1	1	1						
11-1	3	1A8160-46421	PIPE, PRESSURE B1	1	1						N
		(A=F002245) (B=F000640)									
12	3	1A8160-46440	PIPE, PRESSURE B2	1	1						
12-1	3	1A8160-46441	PIPE, PRESSURE B2	1	1						N
		(A=F002245) (B=F000640)									
13	3	1A8160-46460	PIPE, PRESSURE A1	1	1						
13-1	3	1A8160-46461	PIPE, PRESSURE A1	1	1						N
		(A=F002245) (B=F000640)									
14	3	1A8160-46480	PIPE, PRESSURE A2	1	1						
14-1	3	1A8160-46481	PIPE, PRESSURE A2	1	1						N
		(A=F002245) (B=F000640)									
15	3	198220-46500	CLAMP	1	1						
16	3	1A8160-46930	SUPPORT, SCV COUPLER	1	1						
17	3	23000-035000	CLAMP, 35	1	1						
18	2	198220-46602	SCV ASSY	1	1						
18-1	2	198220-46603	SCV ASSY	1	1						S 1
		(A=F003796) (B=F001240)									
19	2	1A8160-46610	PIPE, PRESSURE P	1	1						
19-1	2	1A8160-46611	PIPE, PRESSURE P	1	1						N
		(A=F002245) (B=F000640)									
20	2	1A8160-46630	PIPE, PRESSURE C	1	1						
20-1	2	1A8160-46631	PIPE, PRESSURE C	1	1						N
		(A=F002245) (B=F000640)									
21	2	198245-46680	BOLT, M3/4-16	10	10						
22	2	198220-46700	LINK KIT	1	1						
22-1	2	198220-46701	LINK KIT	1	1						N
		(A=F002150) (B=F000600)									
23	3	198220-46220	PLATE, STOPPER	1	1						
24	3	198234-46700	LINK, SCV	1	1						
24-1	3	198234-46701	LINK, SCV	1	1						N
		(A=F002150) (B=F000600)									
25	4	194080-01121	KNOB 8X17X30	1	1						
26	4	194990-22130	NUT, M6	1	1						
27	4	172516-22370	WASHER, 6X10X2	1	1						
28	4	198220-46200	SPRING	1	1						
29	4	198220-46210	BALL, PILLOW	1	1						
30	4	198220-46710	STOPPER, SCV LEVER	1	1						
31	4	198220-46910	CLEVIS ASSY	1	1						

Remarks  
 (1)Ref.No.18 product made in Danfoss,  
 Ref.No.18-1 product made in QCC.

Fig.76. SUB CONTROL VALVE

(A)=EX3200(CCY)  
 (B)=EX2900(CCY)  
 (C)=

(D)=  
 (E)=  
 (F)=



No.	Lev.	Parts No.	Description	Qty						I	R
				(A)	(B)	(C)	(D)	(E)	(F)		
32	4	198220-46920	CLEVIS	1	1						
33	4	198220-46970	CLEVIS	1	1						
34	4	798220-46990	ARM ASSY, LINK	1	1						
34-1	4	798220-46991	ARM ASSY, LINK	1	1						N
		(A=F002150) (B=F000600)									
35	5	198220-46300	ARM, CONTROL	1	1						
36	5	198220-46860	STAY, SCV LINK	2	2						
37	5	198220-46990	ARM ASSY, LINK	1	1						
37-1	5	198220-46991	ARM ASSY, LINK	1	1						N
		(A=F002150) (B=F000600)									
38	4	22117-080000	WASHER, 8	1	1						
39	4	22117-120000	WASHER, 12	1	1						
40	4	22117-120000	WASHER, 12	1	1						
41	4	22417-160180	PIN, COTTER 1.6X18	1	1						
42	4	22417-250300	PIN, COTTER 2.5X30	2	2						
43	4	22417-250300	PIN, COTTER 2.5X30	1	1						
44	4	22417-250300	PIN, COTTER 2.5X30	1	1						
45	4	22486-060160	PIN, H 6X 16	1	1						
46	4	26716-080002	NUT, M8	2	2						
47	3	22417-160180	PIN, COTTER 1.6X18	2	2						
48	3	22486-060160	PIN, H 6X 16	2	2						
49	3	26106-060162	BOLT, M6X 16 PLATED	4	4						
50	3	26106-060162	BOLT, M6X 16 PLATED	1	1						
51	2	1A8160-46780	PIPE, PRESSURE T	1	1						
51-1	2	1A8160-46781	PIPE, PRESSURE T	1	1						N
		(A=F002245) (B=F000640)									
52	2	1A8160-46750	LEVER ASSY, SCV	1	1						
53	3	194990-85561	KNOB, HIGH/LOW	1	1						
54	2	198220-46851	BRACKET, SCV	1	1						
55	2	23414-190000	GASKET, 19X1.0	20	20						
56	2	26106-080202	BOLT, M8X 20 PLATED	2	2						
56-1	2	26116-080202	BOLT, M8X 20 PLATED	2	2						N
		(A=F001342) (B=F000101)									
57	2	26106-080202	BOLT, M8X 20 PLATED	3	3						
58	2	26106-080122	BOLT, M8X 12 PLATED	2	2						
59	2	26106-080552	BOLT, M8X 55 PLATED	3	3						
60	2	1A8160-65410	LABEL,SCV LEVER	1	1						
61	2	198220-65420	LABEL, SCV LOCK	1	1						
62	2	1A8160-65430	LABEL,SCV COUPLER	1	1						

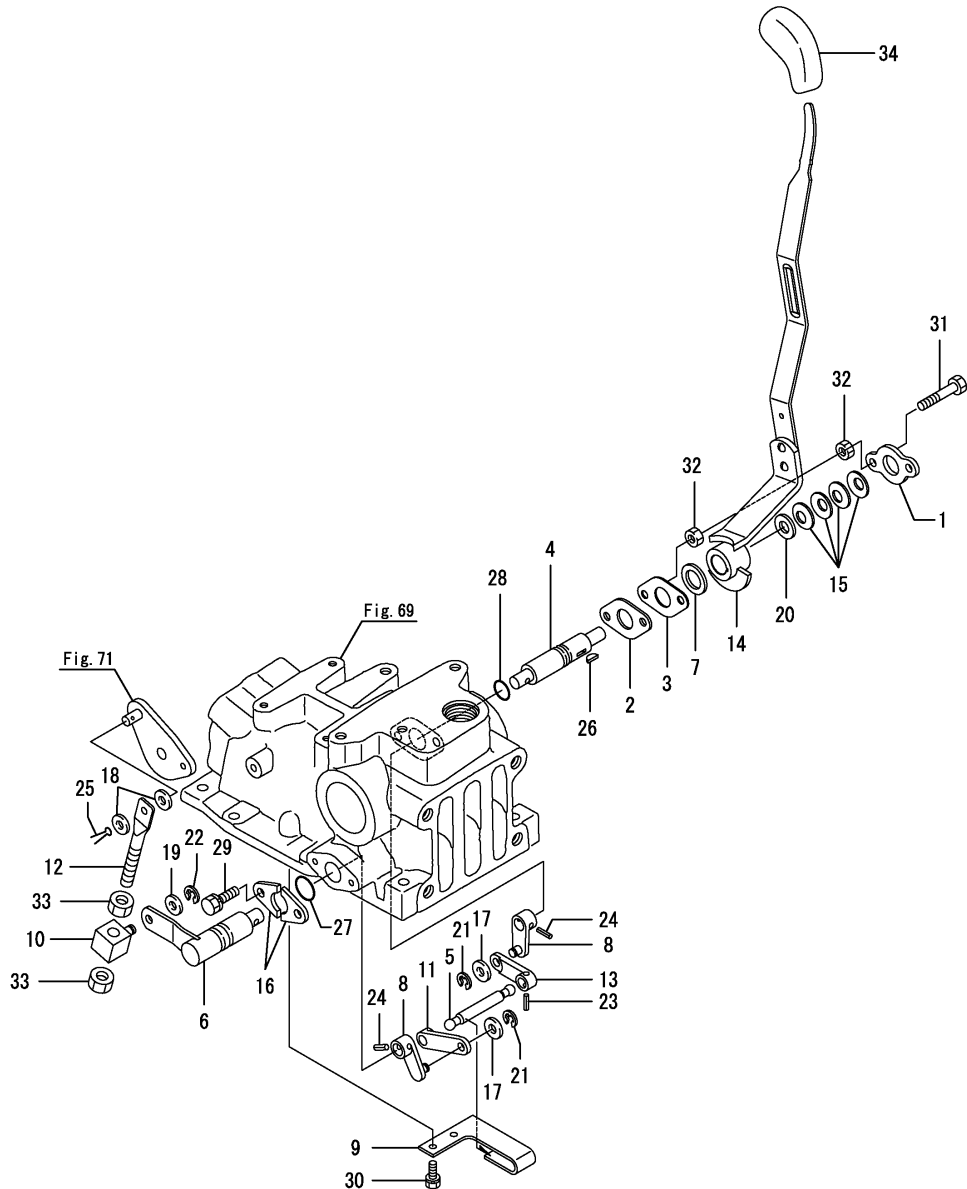
Remarks

(1)Ref.No.18 product made in Danfoss,  
 Ref.No.18-1 product made in QCC.

Fig.77. HYDRAULIC CONTROL

(A)=EX3200(CCY)  
 (B)=EX2900(CCY)  
 (C)=

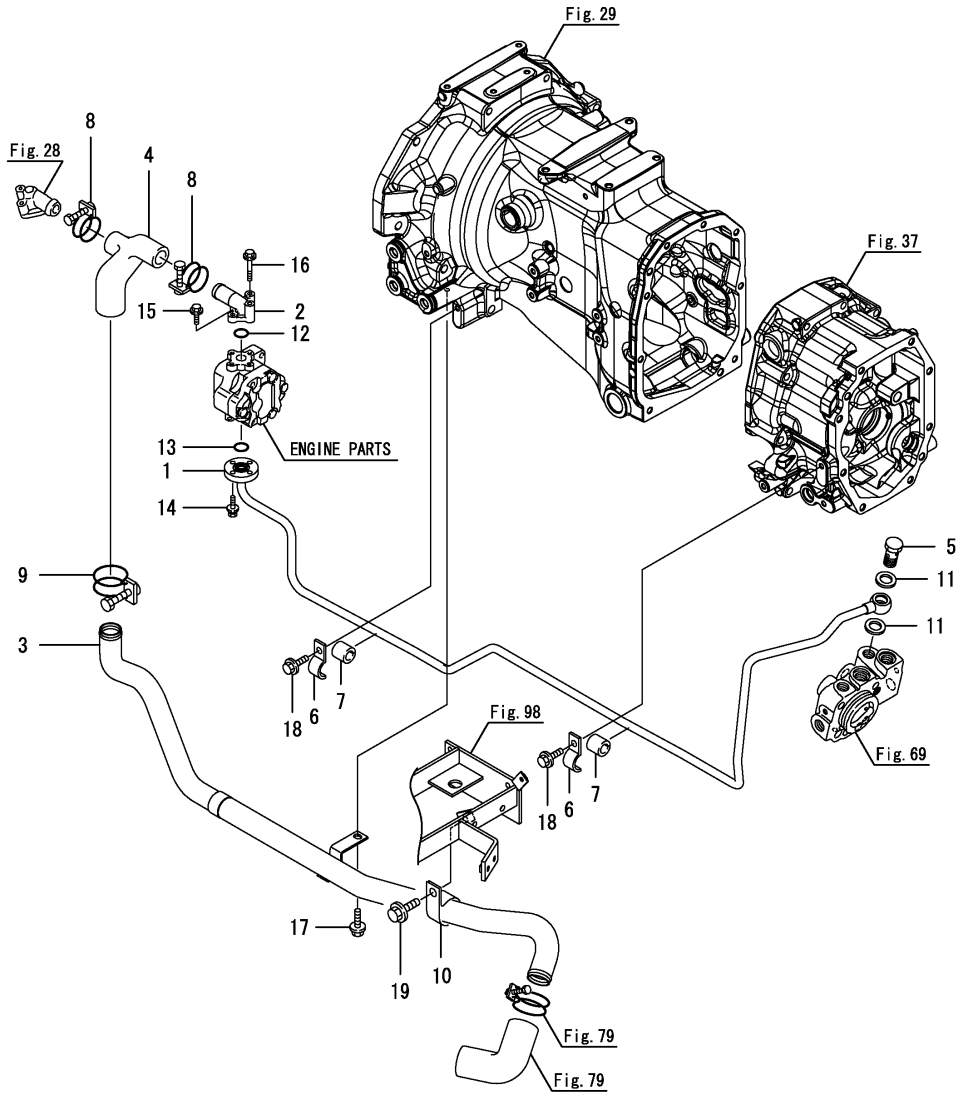
(D)=  
 (E)=  
 (F)=



No.	Lev.	Parts No.	Description	Q'ty						I	R
				(A)	(B)	(C)	(D)	(E)	(F)		
1	1	194170-47320	PLATE	1	1						
2	1	194555-47340	PLATE, A	1	1						
3	1	194555-47350	PLATE, B	1	1						
4	1	198220-47380	SHAFT, CONTROL	1	1						
5	1	194208-47420	BAR, CONTROL	1	1						
6	1	198220-47430	SHAFT, PF	1	1						
7	1	194170-47440	PLATE, FRICTION	1	1						
8	1	194208-47440	LEVER, FEEDBACK	2	2						
9	1	198220-47490	GUIDE, BAR	1	1						
10	1	194550-47530	ADJUSTER	1	1						
11	1	194208-47550	BAR, CONNECT	1	1						
12	1	198220-47560	ROD, FEEDBACK	1	1						
13	1	198220-47570	BAR, CONNECT	1	1						
14	1	1A8160-47610	LEVER, CONTROL	1	1						
15	1	194151-47760	WASHER, 12	4	4						
16	1	194208-47860	HOLDER, SHAFT	2	2						
17	1	22117-080000	WASHER, 8	2	2						
18	1	22137-100000	WASHER, 10	2	2						
19	1	22137-100000	WASHER, 10	1	1						
20	1	22137-120000	WASHER, 12	1	1						
21	1	22272-000060	RING, E- 6	2	2						
22	1	22272-000070	RING, E- 7	1	1						
23	1	22351-040016	PIN, SPRING 4.0X16	1	1						
24	1	22351-050020	PIN, SPRING 5.0X20	2	2						
25	1	22417-300200	PIN, COTTER 3.0X20	1	1						
26	1	22522-030130	KEY, WOODRUFF 3X13	1	1						
27	1	24311-000150	O-RING, 1AP15.0	1	1						
28	1	24311-000150	O-RING, 1AP15.0	1	1						
29	1	26013-080162	BOLT, M8X 16	2	2						
30	1	26013-080162	BOLT, M8X 16	2	2						
31	1	26116-080554	BOLT, M8X 55 PLATED	2	2						
32	1	26716-080002	NUT, M8	4	4						
33	1	26716-100002	NUT, M10	2	2						
34	1	198220-47370	KNOB, LEVER	1	1						



Fig.78. HYDRAULIC PIPING



(A)=EX3200(CCY)  
 (B)=EX2900(CCY)  
 (C)=

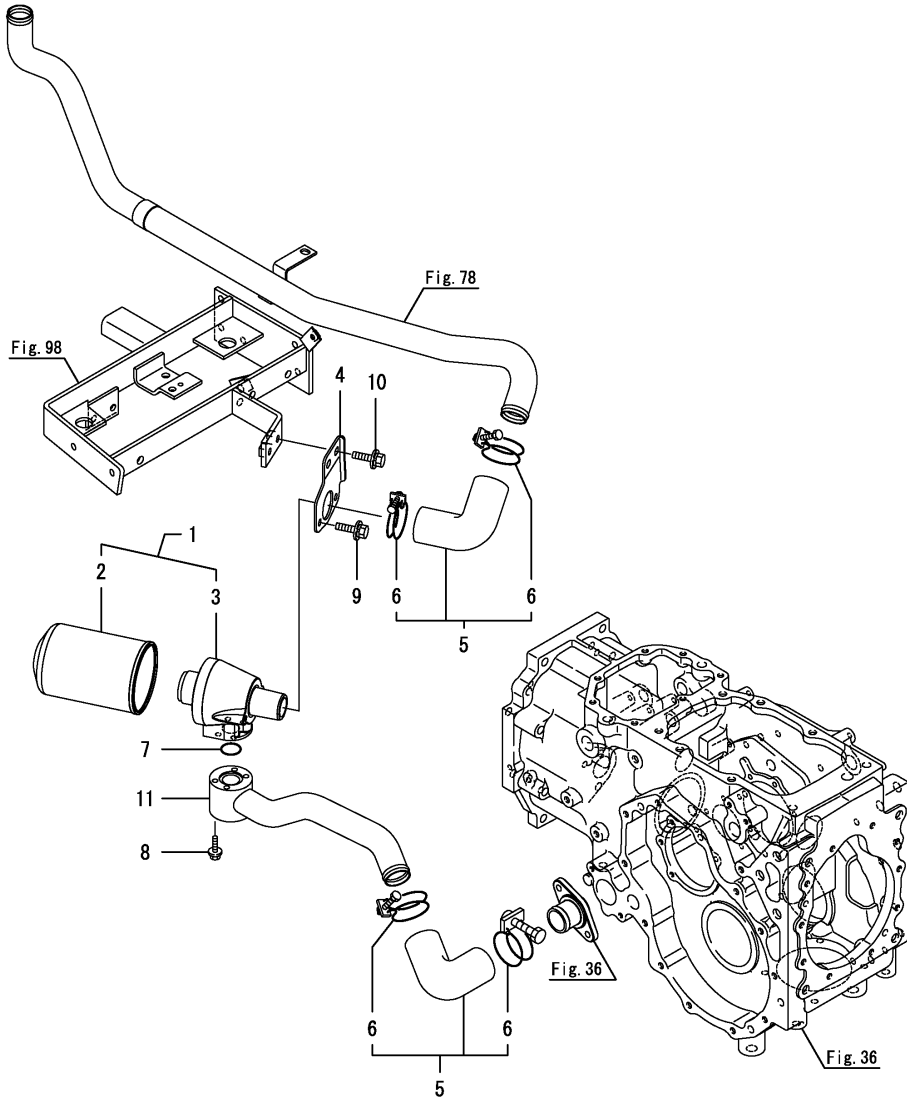
(D)=  
 (E)=  
 (F)=

No.	Lev.	Parts No.	Description	Q'ty						I	R
				(A)	(B)	(C)	(D)	(E)	(F)		
1	1	1A8160-48100	PIPE, PRESSURE	1	1						
1-1	1	1A8160-48101	PIPE, PRESSURE	1	1						N
		(A=F002245) (B=F000640)									
2	1	198220-48140	FLANGE, PIPE P	1	1						
3	1	1A8160-48160	PIPE, PRESSURE	1	1						
3-1	1	1A8160-48161	PIPE, PRESSURE	1	1						N
		(A=F002245) (B=F000640)									
4	1	198230-48220	HOSE, PRESSURE	1	1						
5	1	198220-48750	BOLT ASSY, JOINT	1	1						
6	1	194450-48830	CLAMP	2	2						
7	1	194464-48850	RUBBER, ABSORBER	2	2						
8	1	23010-035000	CLAMP, 35	2	2						
8-1	1	23000-035000	CLAMP, 35	2	2						N
		(A=F003263) (B=F001091)									
9	1	23010-044000	CLAMP, 44	1	1						
9-1	1	23000-048000	CLAMP, 48	1	1						N
		(A=F003263) (B=F001091)									
10	1	23297-350121	CLAMP, A35X12	1	1						
11	1	23414-180023	GASKET, 18X1.0	2	2						
12	1	24311-000200	O-RING, 1AP20.0	1	1						
13	1	24311-000200	O-RING, 1AP20.0	1	1						
14	1	26018-060252	BOLT, M6X 25	4	4						
15	1	26106-060202	BOLT, M6X 20 PLATED	1	1						
16	1	26106-060402	BOLT, M6X 40 PLATED	2	2						
17	1	26106-080162	BOLT, M8X 16 PLATED	1	1						
18	1	26106-080162	BOLT, M8X 16 PLATED	2	2						
19	1	26106-100202	BOLT, M10X 20 PLATED	1	1						

Fig.79. OIL FILTER

(A)=EX3200(CCY)  
 (B)=EX2900(CCY)  
 (C)=

(D)=  
 (E)=  
 (F)=



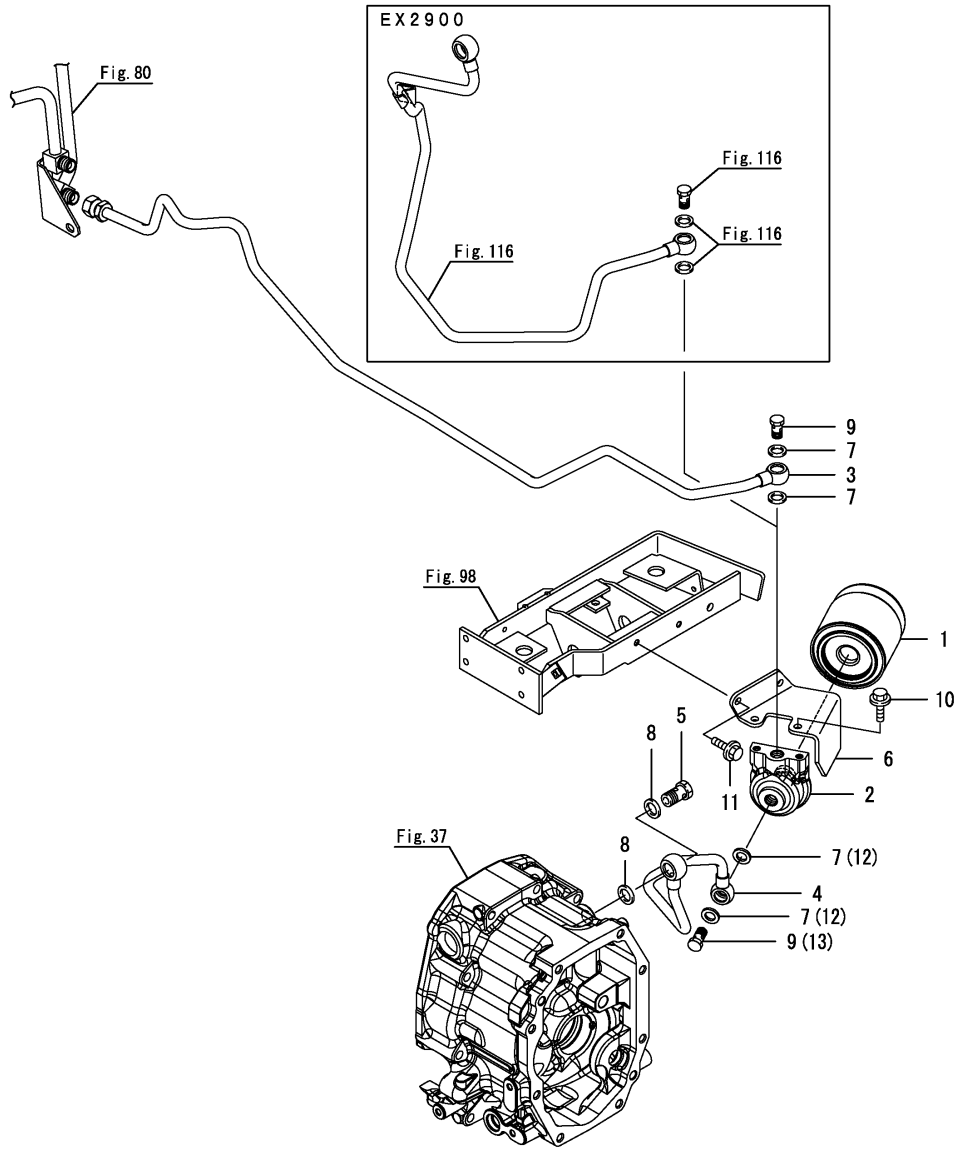
No.	Lev.	Parts No.	Description	Q'ty						I	R
				(A)	(B)	(C)	(D)	(E)	(F)		
1	1	1A8160-48400	FILTER KIT	1	1						
2	2	198119-48310	FILTER	1	1						
3	2	194555-48350	COVER ASSY, FILTER	1	1						
4	1	198220-48420	BRACKET, FILTER	1	1						
5	1	198240-48500	HOSE, PRESSURE S	2	2						
6	2	23010-048000	CLAMP, 48	4	4						
6-1	2	23000-048000	CLAMP, 48	4	4						N
		(A=F003263) (B=F001091)									
7	1	24321-000250	O-RING, 1AG25.0	1	1						
8	1	26106-060602	BOLT, M6X 60 PLATED	4	4						
9	1	26106-080162	BOLT, M8X 16 PLATED	2	2						
10	1	26106-080202	BOLT, M8X 20 PLATED	2	2						
11	1	1A8160-48310	PIPE, PRESSURE	1	1						
11-1	1	1A8160-48311	PIPE, PRESSURE	1	1						N
		(A=F002245) (B=F000640)									



Fig.81. HST PIPING

(A)=EX3200(CCY)  
 (B)=EX2900(CCY)  
 (C)=

(D)=  
 (E)=  
 (F)=

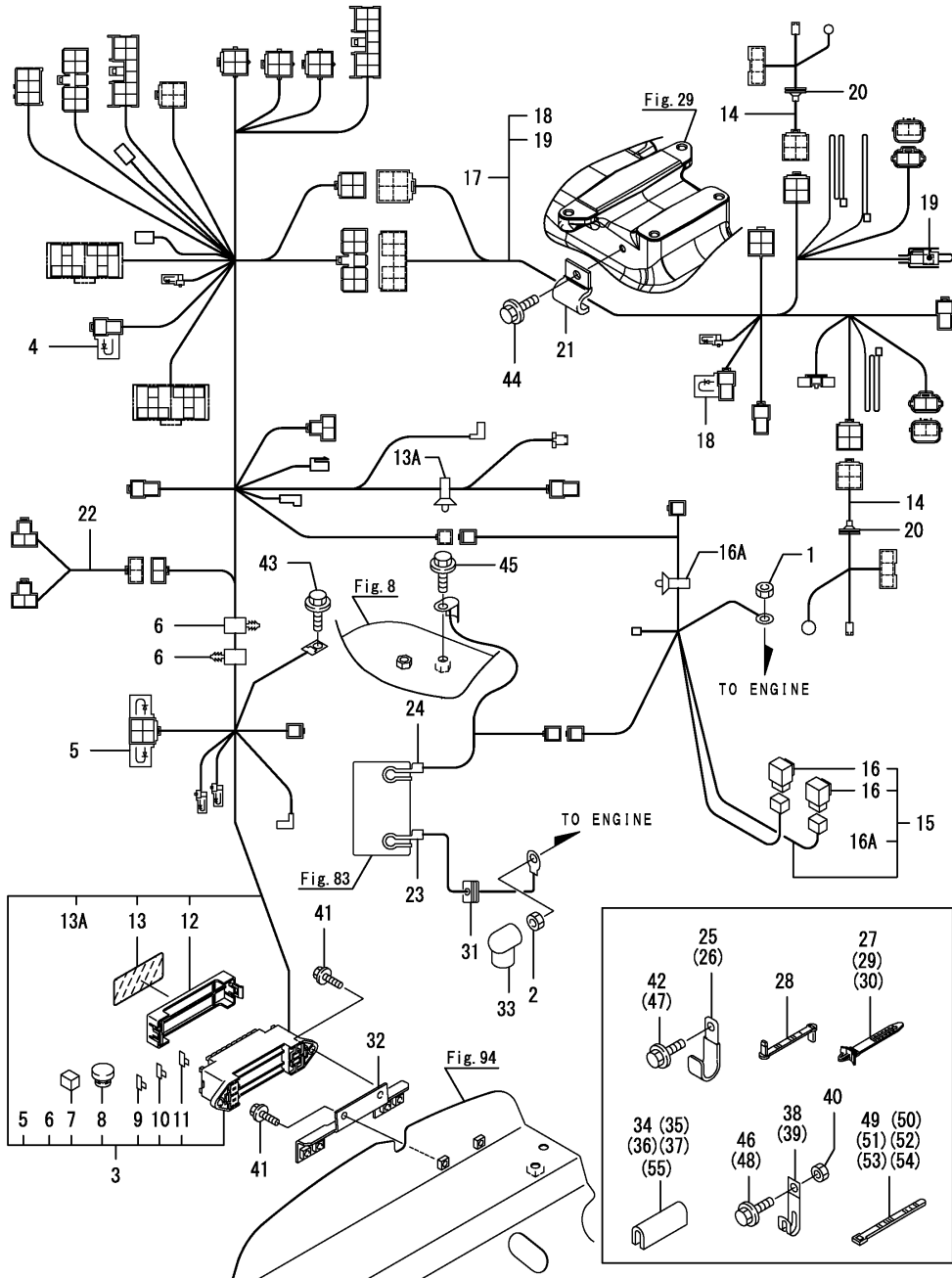


No.	Lev.	Parts No.	Description	Q'ty						I	R
				(A)	(B)	(C)	(D)	(E)	(F)		
1	1	1A8160-24950	FILTER, OIL	1	1						
2	1	1A8160-48300	COVER, FILTER	1	1						
3	1	1A8160-48610	PIPE, FILTER	1							
3-1	1	1A8160-48611 (A=F002245)	PIPE, FILTER	1							N
4	1	1A8160-48650	LINE ASSY, FILTER-HST	1							
4-1	1	1A8160-48651 (A=F000156)	LINE ASSY, FILTER-HST	1	1						N
4-2	1	1A8160-48652 (A=F002245) (B=F000640)	PIPE, HST CHARGE	1	1						N
5	1	198220-48750	BOLT ASSY, JOINT	1	1						
6	1	1A8160-62480	BRACKET, FILTER	1	1						
7	1	23414-160021	GASKET, 16X1.0	4							
8	1	23414-180023	GASKET, 18X1.0	2	2						
9	1	23857-100000	BOLT, JOINT 10	2							
10	1	26106-080162	BOLT, M8X 16 PLATED	2	2						
11	1	26106-080122	BOLT, M8X 12 PLATED	2	2						
12	1	23414-160021	GASKET, 16X1.0	2							
13	1	23857-100000	BOLT, JOINT 10		1						

Fig.82. WIRE HARNESS

(A)=EX3200(CCY)  
 (B)=EX2900(CCY)  
 (C)=

(D)=  
 (E)=  
 (F)=



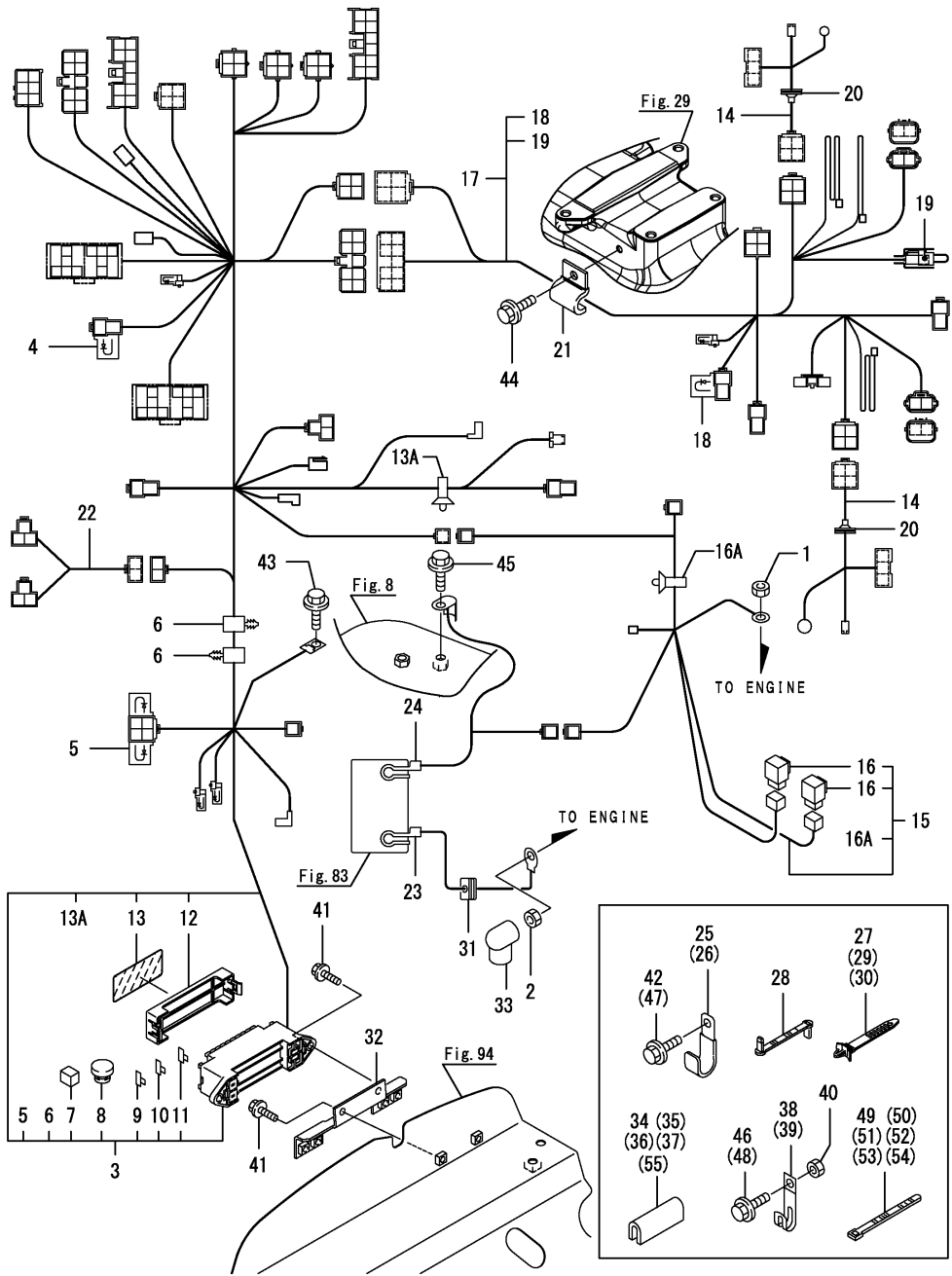
No.	Lev.	Parts No.	Description	Q'ty						I	R
				(A)	(B)	(C)	(D)	(E)	(F)		
1	1	194990-22130	NUT, M6	1	1						
2	1	194990-22140	NUT, M8	1							
2-1	1	194990-22050	NUT, M8	1	1						N
(A=F000156)											
3	1	1A8160-51100	HARNESS ASSY, WIRE A	1	1						
4	2	1A7500-51130	DIODE, 3.0A	1	1						
5	2	1A8160-51130	DIODE, 3.0AX2	1	1						
6	2	1A7500-51160	CLIP, HARNESS	2	2						
7	2	194275-51160	COUPLER	1	1						
8	2	194275-51170	PLUG	1	1						
9	2	198535-52110	FUSE, 5A	4	4						
10	2	198535-52120	FUSE, 10A	4	4						
11	2	198535-52130	FUSE, 15A	2	2						
12	2	1A7260-52410	COVER, FUSE BOX	1	1						
13	2	1A8160-65440	LABEL,FUSE	1	1						
13A	2	1A7500-51170	CLIP, HARNESS	1	1						
14	1	1A7330-51130	HARNESS, WIRE	2	2						
15	1	1A8160-51180	HARNESS ASSY, WIRE	1	1						
16	2	198153-51700	FUSE, SLOW BLOW 80A	2	2						
16A	2	1A7500-51170	CLIP, HARNESS	1	1						
17	1	1A8160-51200	HARNESS ASSY, WIRE B	1	1						
18	2	1A7500-51130	DIODE, 3.0A	1	1						
19	2	198220-51170	WIRE, LEAD	1	1						
20	1	194170-51210	GROMMET 25	2	2						
21	1	198220-51250	CLAMP, HARNESS	1							
21-1	1	194440-51620	CLAMP	1	1						N
(A=F000156)											
22	1	1A8160-51310	HARNESS, WIRE	1	1						
23	1	198253-51410	CABLE, BATTERY 1000	1	1						
24	1	1A8160-51420	CABLE, BATTERY EARTH	1	1						
25	1	194440-51620	CLAMP	2	2						
26	1	194440-51620	CLAMP	4	4						
27	1	194680-51670	BAND, CLIP	1	1						
28	1	194250-51650	CLAMP, SPEED 63	4	4						
29	1	194680-51670	BAND, CLIP	1	1						
30	1	194680-51670	BAND, CLIP	1	1						
31	1	1A7260-51710	GROMMET, CABLE	1	1						
32	1	1A7260-52510	STAY, FUSE BOX	1	1						
32-1	1	1A7780-52510	STAY, FUSE BOX	1	1						R
(A=F003665) (B=F001182)											
33	1	124550-77030	COVER, TERMINAL	1	1						
34	1	198291-77870	COVER, GUARD	2	2						
35	1	198291-77870	COVER, GUARD	1	1						
36	1	198291-77870	COVER, GUARD	1	1						
37	1	198291-77870	COVER, GUARD	1	1						
38	1	1E6102-83230	CLAMP, CABLE	1	1						
39	1	194440-51620	CLAMP	1	1						
40	1	194990-22140	NUT, M8	1	1						
41	1	26106-060162	BOLT, M6X 16 PLATED	4	4						
42	1	26106-080122	BOLT, M8X 12 PLATED	4	4						
43	1	1C6560-06300	BOLT, EARTH M8X16	1	1						

N:Old  $\begin{matrix} \text{Yes} \\ \text{No} \end{matrix}$  New, Q:Old  $\begin{matrix} \text{No} \\ \text{Yes} \end{matrix}$  New, R:Old  $\begin{matrix} \text{Yes} \\ \text{No} \end{matrix}$  New, S:Old  $\begin{matrix} \text{No} \\ \text{Yes} \end{matrix}$  New, W:Add, Z:Discontinued, F:Interchangeable by set, K:Q'ty Change  
 ++ CONTINUE ++  
 Copyright (C) YANMAR CO., LTD. All Rights Reserved.

Fig.82. WIRE HARNESS

(A)=EX3200(CCY)  
 (B)=EX2900(CCY)  
 (C)=

(D)=  
 (E)=  
 (F)=



No.	Lev.	Parts No.	Description	Q'ty						I	R
				(A)	(B)	(C)	(D)	(E)	(F)		
43-1	1	26106-080122 (A=F003084) (B=F000983)	BOLT, M8X 12 PLATED	1	1						R
44	1	26106-080122	BOLT, M8X 12 PLATED	1	1						
45	1	26106-080122	BOLT, M8X 12 PLATED	1	1						
46	1	26106-080122	BOLT, M8X 12 PLATED	1	1						
47	1	26106-080122	BOLT, M8X 12 PLATED	2	2						
48	1	26106-080302	BOLT, M8X 30 PLATED	1	1						
49	1	29622-140001	BAND, RF140	1	1						
50	1	29622-140001	BAND, RF140	2	2						
51	1	29622-140001	BAND, RF140	2	2						
52	1	29622-140001	BAND, RF140	4	4						
53	1	29622-250001	BAND, RF250	1	1						
54	1	29622-250001	BAND, RF250	1	1						
55	1	1A7000-61490	TRIM, 120	1	1						

Fig.83. BATTERY

(A)=EX3200(CCY)  
 (B)=EX2900(CCY)  
 (C)=

(D)=  
 (E)=  
 (F)=

No.	Lev.	Parts No.	Description	Q'ty						I	R
				(A)	(B)	(C)	(D)	(E)	(F)		
1	1	194990-22130	NUT, M6	2	2						
2	1	1A8160-51550	BATTERY ASSY, DRY526R	1	1						
3	2	1A8160-51570	LABEL, BATTERY	1	1						
4	2	1A8160-51580	LABEL, BATTERY	1	1						
5	1	1A8160-51600	CLAMP, BATTERY 6-245	1	1						
6	1	1A8160-51610	ROD, BATTERY CLAMP A	2	2						
7	1	26716-060002	NUT, M6	2	2						

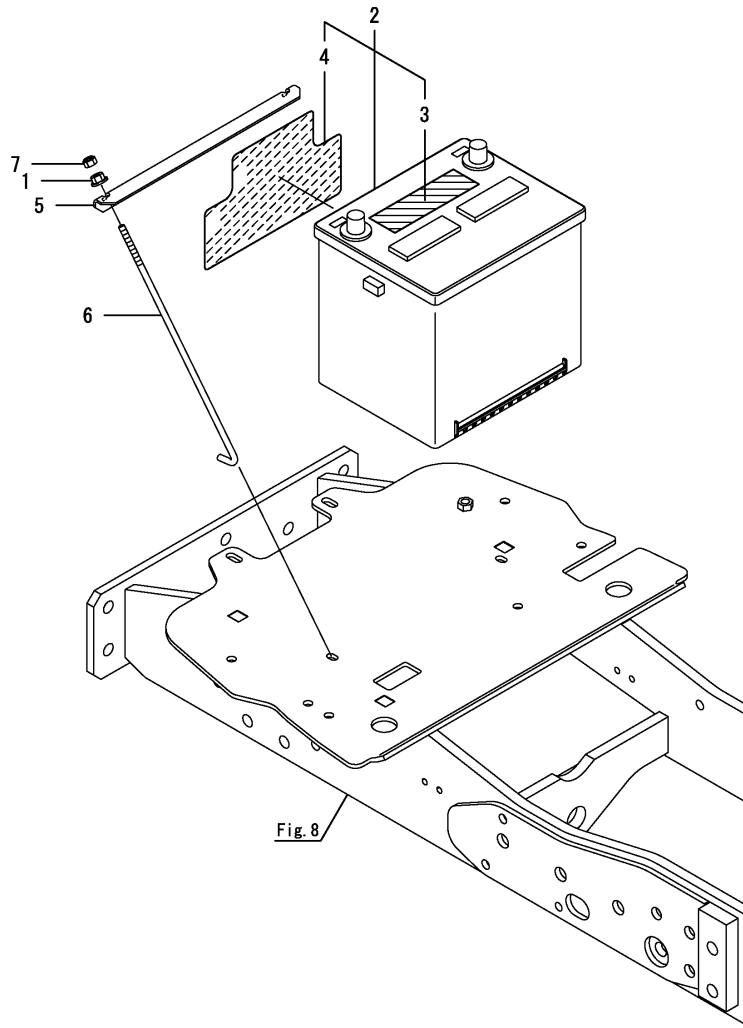


Fig. 8

# Fig.84. SWITCHES

(A)=EX3200(CCY)  
 (B)=EX2900(CCY)  
 (C)=

(D)=  
 (E)=  
 (F)=

No.	Lev.	Parts No.	Description	Q'ty						I	R
				(A)	(B)	(C)	(D)	(E)	(F)		
1	1	198226-52100	SWITCH ASSY, STARTER	1	1						
1-1	1	1A7880-52110	SWITCH ASSY, STARTER	1	1						N
		(A=F001634)	(B=F000448)								
2	2	1A7880-52100	KEY ASSY	1	1						
3	1	1A7335-52110	SWITCH, COMBINATION	1	1						
4	1	1A7335-52120	SWITCH, HAZARD	1	1						
5	1	194464-52190	SWITCH, SAFETY START	1	1						
6	1	194464-52190	SWITCH, SAFETY START	1	1						
7	1	24311-000180	O-RING, 1AP18.0	2	2						

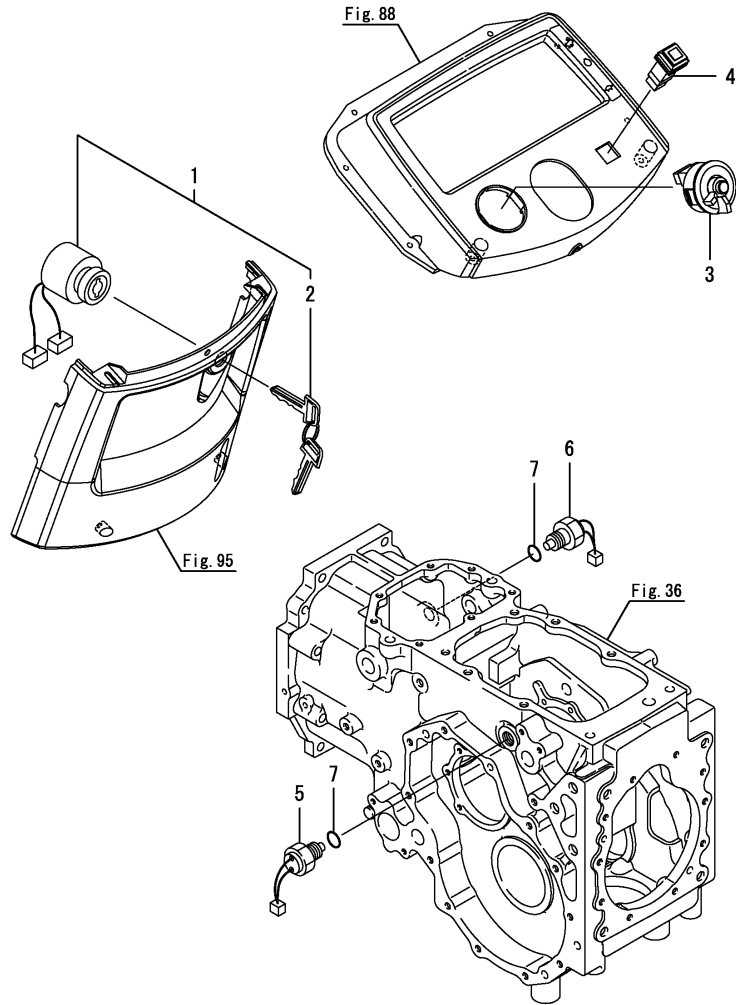




Fig.85. SEAT SWITCH

(A)=EX3200(CCY)  
 (B)=EX2900(CCY)  
 (C)=

(D)=  
 (E)=  
 (F)=

No.	Lev.	Parts No.	Description	Q'ty						I	R
				(A)	(B)	(C)	(D)	(E)	(F)		
1	1	1A8160-52300	SWITCH, SEAT DELTA	1	1						
2	2	1A8160-52310	SWITCH, SEAT DELTA	1	1						
3	2	1A8160-52330	COVER, GUARD	1	1						

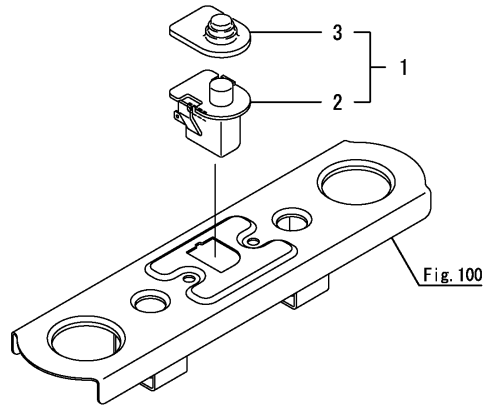


Fig.86. LAMPS

(A)=EX3200(CCY)  
 (B)=EX2900(CCY)  
 (C)=

(D)=  
 (E)=  
 (F)=

No.	Lev.	Parts No.	Description	Q'ty						I	R
				(A)	(B)	(C)	(D)	(E)	(F)		
1	1	194990-22130	NUT, M6	4	4						
2	1	194440-51630	CLAMP, HARNESS	4	4						
3	1	7A7330-53400	LAMP KIT, WARNING	2	2						
4	2	1A7330-53430	BULB, 12V27W	2	2						
5	2	22137-120000	WASHER, 12	2	2						
6	2	22217-120000	WASHER, SPRING 12	2	2						
7	2	26776-120002	NUT, LOCK M12	2	2						
8	1	1A7335-53600	LAMP, TAIL	2	2						
9	2	1A7335-53610	BULB, 12V-21/5W	2	2						
10	2	1A7335-53620	LENS ASSY	2	2						
11	2	1A7335-53640	GASKET	2	2						
12	2	1A7335-53650	SCREW, TAPPING M6X32	4	4						

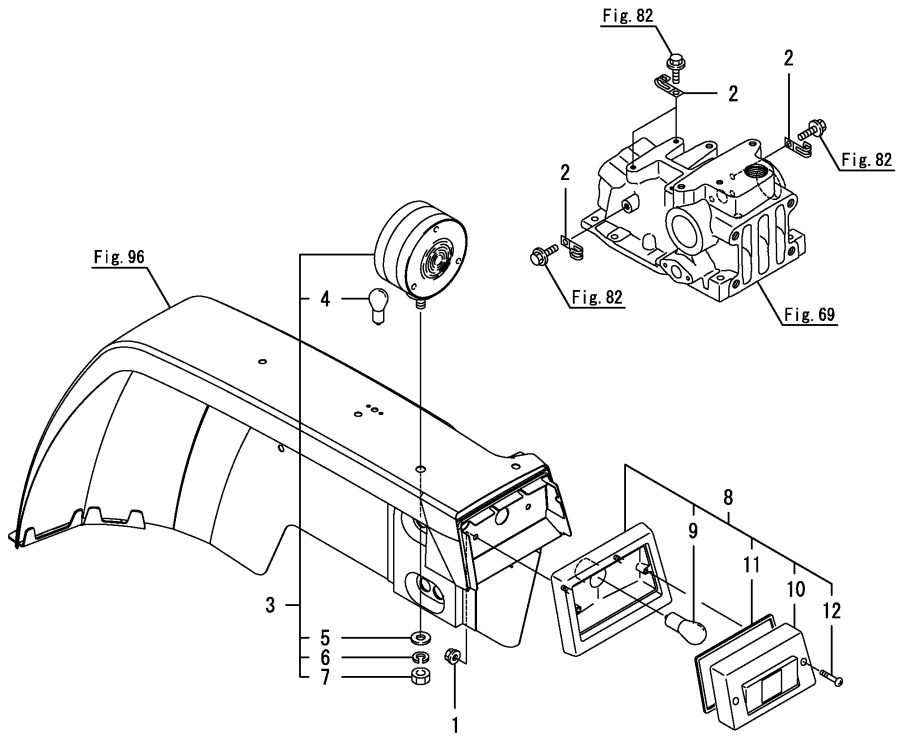
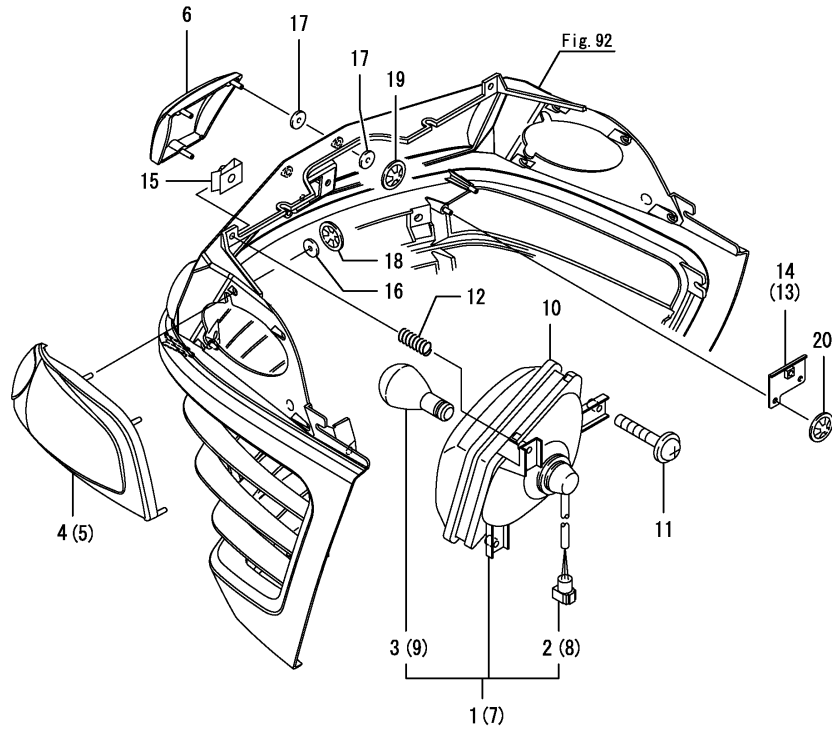


Fig.87. FRONT LAMPS

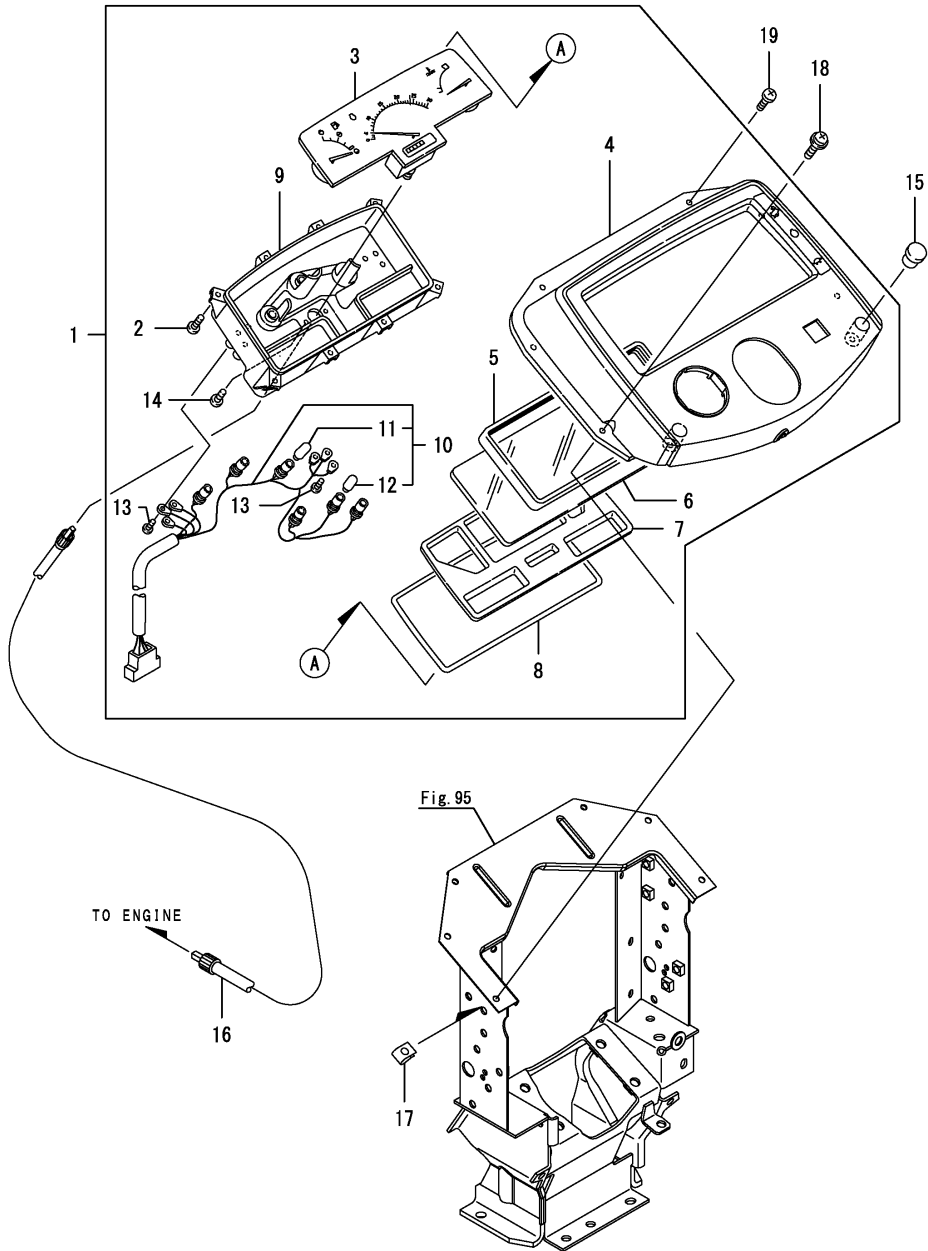
(A)=EX3200(CCY)  
 (B)=EX2900(CCY)  
 (C)=

(D)=  
 (E)=  
 (F)=



No.	Lev.	Parts No.	Description	Q'ty						I	R
				(A)	(B)	(C)	(D)	(E)	(F)		
1	1	1A7780-53200	LAMP ASSY, HEAD L	1	1						
2	2	1A7000-53230	WIRE ASSY, LEAD	1	1						
3	2	198448-53320	BULB, 12V45/45W	1	1						
4	1	1A7780-53250	LENS, SIDE L	1	1						
4-1	1	1A7780-53350	LENS, SIDE L	1	1						R
		(A=FZZZZZ) (B=FZZZZZ)									
5	1	1A7780-53260	LENS, SIDE R	1	1						
5-1	1	1A7780-53360	LENS, SIDE R	1	1						R
		(A=FZZZZZ) (B=FZZZZZ)									
6	1	1A7890-53270	LENS, CENTER	1	1						
6-1	1	1A7780-53370	LENS, CENTER	1	1						R
		(A=F003429) (B=F001091)									
7	1	1A7780-53300	LAMP ASSY, HEAD R	1	1						
8	2	1A7000-53230	WIRE ASSY, LEAD	1	1						
9	2	198448-53320	BULB, 12V45/45W	1	1						
10	1	1A7260-53350	SEAL, HEAD LAMP	2	2						
11	1	26557-060352	SCREW, M6X35	6	6						
11-1	1	26106-060352	BOLT, M6X 35 PLATED	6	6						R
		(A=F003429) (B=F001091)									
12	1	198153-53410	SPRING, ADJUST	6	6						
13	1	1A7260-61250	BRACKET ASSY, GRILLE	1	1						
14	1	1A7260-61260	BRACKET ASSY, GRILLE	1	1						
15	1	198071-61890	NUT, SPEED M6	4	4						
16	1	198475-65030	CUSHION	8	8						
17	1	198475-65030	CUSHION	6	6						
18	1	198071-65610	NUT, SPEED M5	8	8						
19	1	198071-65610	NUT, SPEED M5	3	3						
20	1	198071-65610	NUT, SPEED M5	4	4						

Fig.88. METER



(A)=EX3200(CCY)  
 (B)=EX2900(CCY)  
 (C)=

(D)=  
 (E)=  
 (F)=

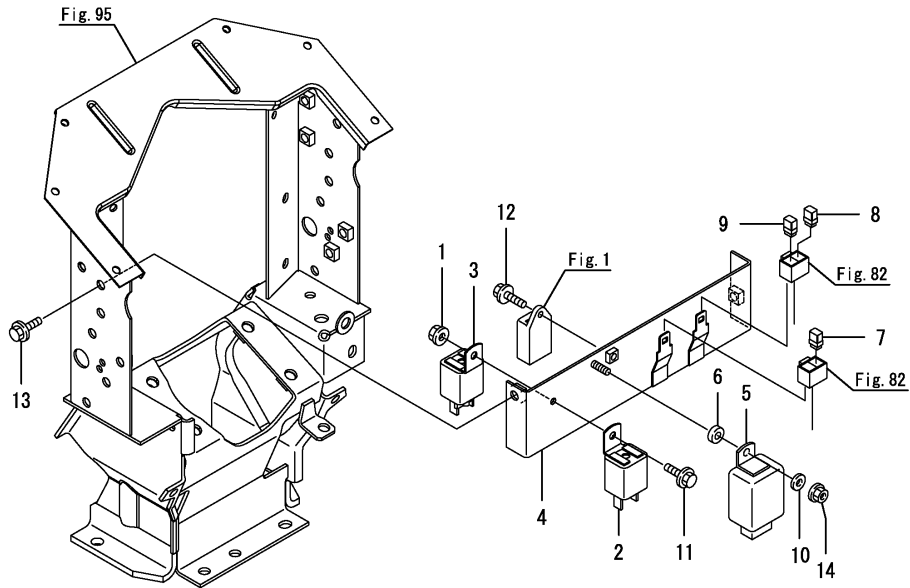
No.	Lev.	Parts No.	Description	Qty						I	R
				(A)	(B)	(C)	(D)	(E)	(F)		
1	1	1A8160-56100	PANEL, INSTRUMENT	1	1						
2	2	198220-53170	SCREW	8	8						
3	2	1A8160-56110	METER ASSY	1	1						
4	2	1A7335-56120	VISOR	1	1						
5	2	198220-56130	PACKING	1	1						
6	2	198220-56140	GLASS	1	1						
7	2	198220-56150	REFLECTOR	1	1						
8	2	198220-56160	PACKING	1	1						
9	2	1A8160-56200	CASE ASSY	1	1						
10	2	1A8160-56210	HARNESS, WIRE	1	1						
10-1	2	1A8160-56211	HARNESS, WIRE	1	1						R
		(A=FROM 1ST) (B=FROM 1ST)									
11	3	198220-56220	BULB, 12V-3.4W	3	3						
12	3	124617-91920	BULB, 12V-3W	3	3						
13	2	198220-56230	SCREW, M3X22	6	6						
14	2	26022-030062	SCREW, M3X 6	2	2						
15	1	194555-56890	GROMMET, 15	2	2						
16	1	194275-56900	CABLE ASSY, METER	1	1						
17	1	194145-61651	NUT, SPEED M5	4	4						
18	1	194940-61790	SCREW, TAPPING M5X16	4	4						
19	1	26589-060162	SCREW, M6	2	2						

# Fig.89. RELAY

(A)=EX3200(CCY)  
(B)=EX2900(CCY)  
(C)=

(D)=  
(E)=  
(F)=

No.	Lev.	Parts No.	Description	Qty						I	R
				(A)	(B)	(C)	(D)	(E)	(F)		
1	1	194990-22130	NUT, M6	1	1						
2	1	198220-52180	RELAY, STARTER	1	1						
3	1	198220-52180	RELAY, STARTER	1	1						
4	1	1A8160-52510	SUPPORT, RELAY	1	1						
5	1	1A6780-57200	FLASHER	1	1						
6	1	194151-57210	SPACER	1	1						Z
		(A=F003253)	(B=F001082)								
7	1	1K1140-82500	RELAY(ACM13211M01	1	1						
8	1	1K1140-82500	RELAY(ACM13211M01	1	1						
9	1	1K1140-82500	RELAY(ACM13211M01	1	1						
10	1	22137-060000	WASHER, 6	1	1						
11	1	26106-060162	BOLT, M6X 16 PLATED	1	1						
12	1	26106-060162	BOLT, M6X 16 PLATED	1	1						
13	1	26106-080122	BOLT, M8X 12 PLATED	2	2						
14	1	26347-060002	NUT, M6	1	1						




---

---

---

---

---

---

---

---

---

---

---

---

---

---

---

---

---

---

---

---

---

---

---

---

Fig.90. FRONT FRAME

(A)=EX3200(CCY)  
 (B)=EX2900(CCY)  
 (C)=

(D)=  
 (E)=  
 (F)=

No.	Lev.	Parts No.	Description	Q'ty						I	R
				(A)	(B)	(C)	(D)	(E)	(F)		
1	1	1A8160-60100	FRAME ASSY, FRONT	1	1						
2	1	26106-080162	BOLT, M8X 16 PLATED	4	4						

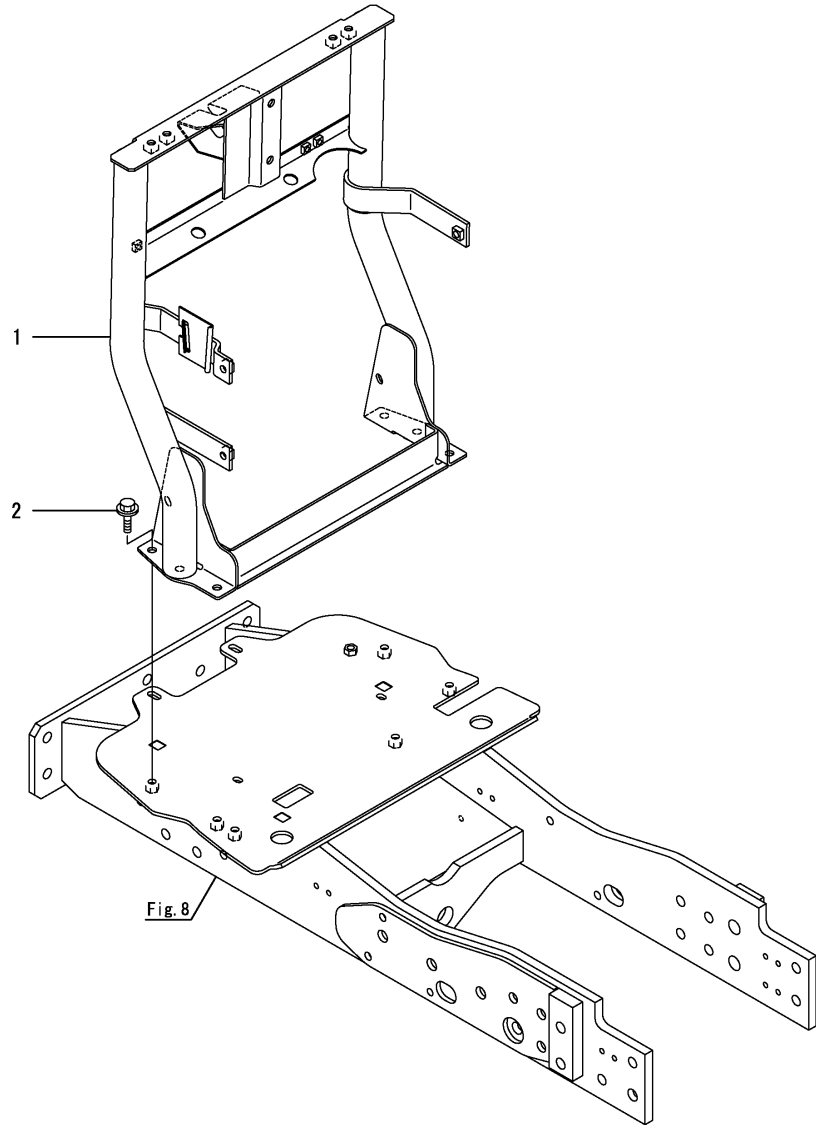
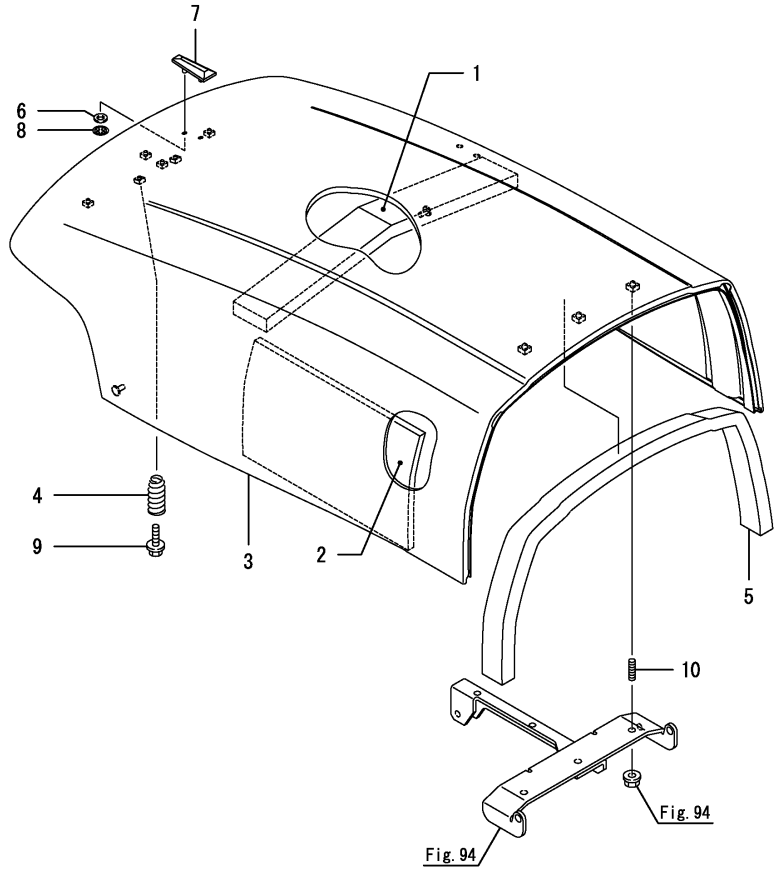


Fig.91. HOOD

(A)=EX3200(CCY)  
 (B)=EX2900(CCY)  
 (C)=

(D)=  
 (E)=  
 (F)=

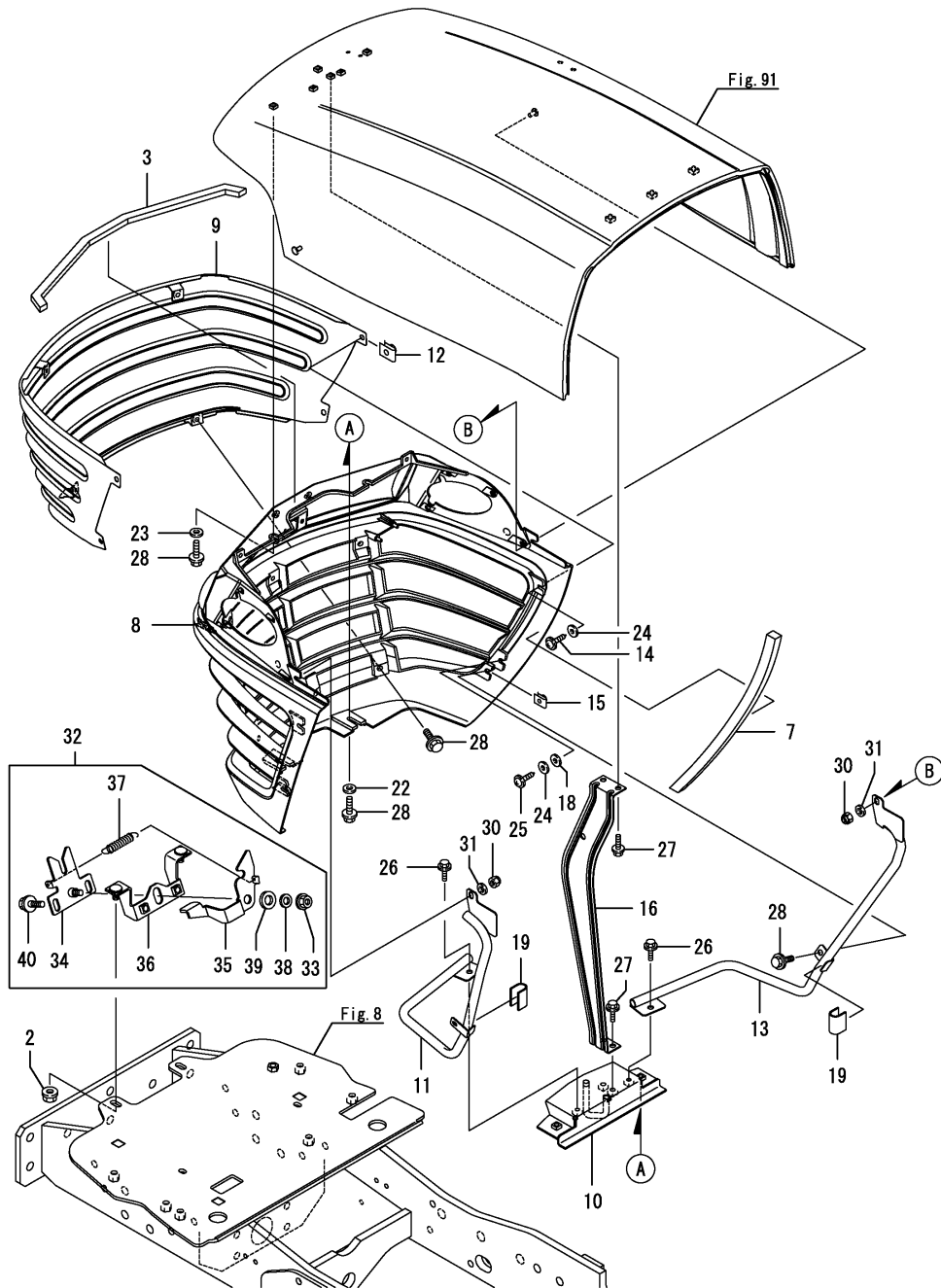


No.	Lev.	Parts No.	Description	Q'ty						I	R
				(A)	(B)	(C)	(D)	(E)	(F)		
1	1	1A7260-60610	URETHANE, BONNET U	1	1						
2	1	1A7260-60890	URETHANE, BONNET UL	1	1						
3	1	1A7260-61100-2	BONNET ASSY, UPPER	1	1						
4	1	198220-61340	SPRING	2	2						
5	1	1A8160-61900	FORM, BONNET	1	1						
6	1	198475-65030	CUSHION	2	2						
7	1	194940-65590	MARK, TOP	1	1						
8	1	198071-65610	NUT, SPEED M5	2	2						
9	1	26106-060162	BOLT, M6X 16 PLATED	2	2						
10	1	26216-080142	STUD, M8X 14	3	3						

Fig.92. FRONT GRILLE

(A)=EX3200(CCY)  
 (B)=EX2900(CCY)  
 (C)=

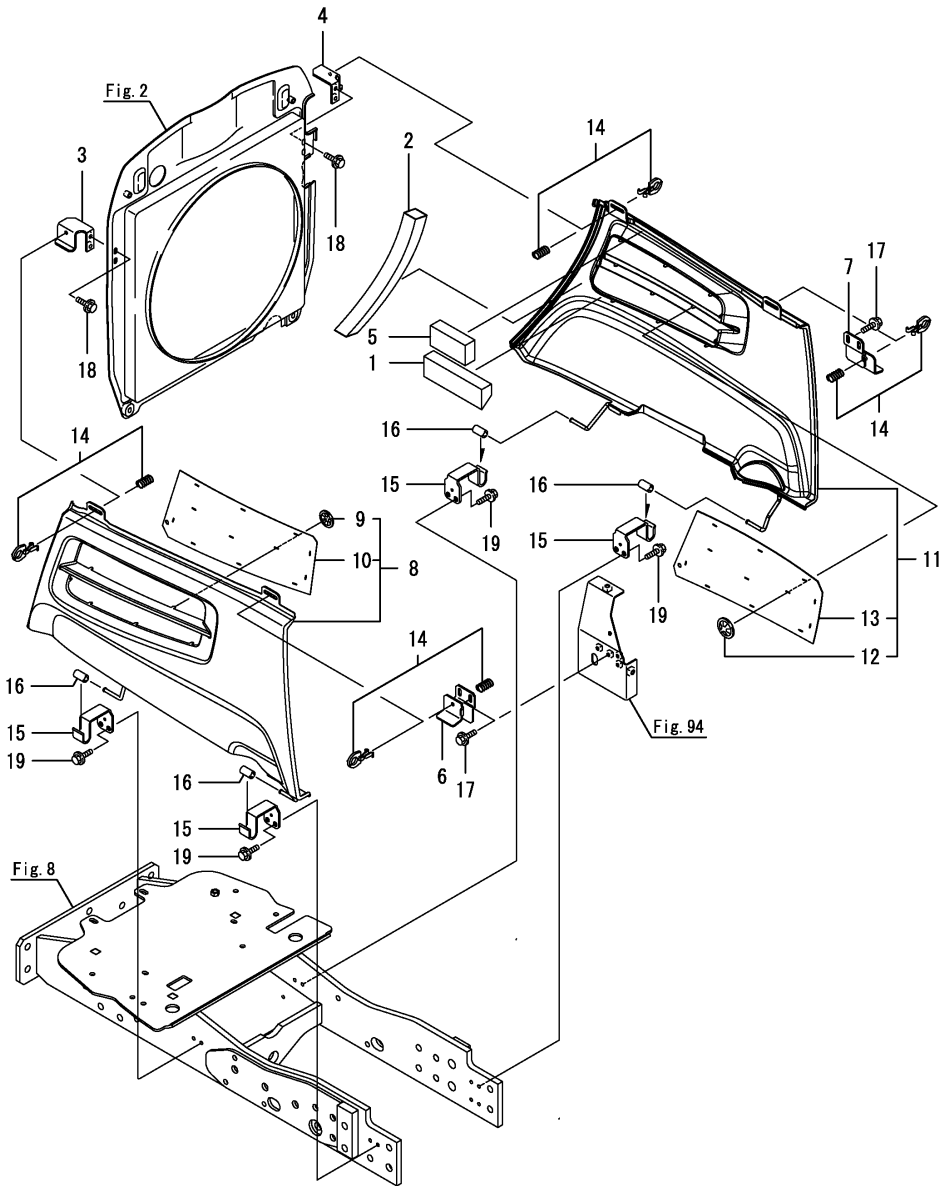
(D)=  
 (E)=  
 (F)=



No.	Lev.	Parts No.	Description	Q'ty						I	R
				(A)	(B)	(C)	(D)	(E)	(F)		
2	1	194990-22140	NUT, M8	2	2						
3	1	1A7260-60680	URETHANE, GRILLE	1	1						
7	1	1A7260-60870	SEAL, GRILLE SIDE	2	2						
8	1	1A8160-61300	GRILLE, FRONT	1	1						
9	1	1A7260-61310-1	NET ASSY, GRILLE	1	1						
10	1	1A7260-61550	STAY ASSY, LOCK	1	1						
11	1	1A7260-61650	FRAME ASSY, GRILLE L	1	1						
12	1	194145-61651	NUT, SPEED M5	4	4						
13	1	1A7260-61660	FRAME ASSY, GRILLE R	1	1						
14	1	194940-61790	SCREW, TAPPING M5X16	2	2						
15	1	198071-61890	NUT, SPEED M6	2	2						
16	1	1A7260-61920	STAY, FRONT GRILLE	1	1						
18	1	198220-62150	WASHER	2	2						
19	1	198093-84810	SEAL, FENDER	2	2						
22	1	22157-060000	WASHER, 6	2	2						
23	1	22157-060000	WASHER, 6	2	2						
24	1	22157-060000	WASHER, 6	4	4						
25	1	22859-500202	SCREW, 5X20	2	2						
26	1	26106-060122	BOLT, M6X 12 PLATED	2	2						
27	1	26106-060122	BOLT, M6X 12 PLATED	4	4						
28	1	26106-060162	BOLT, M6X 16 PLATED	10	10						
30	1	26346-060002	NUT, M6	2	2						
31	1	22137-060000	WASHER, 6	2	2						W
(A=F000156)											
32	1	1A7780-60800	CATCH ASSY, LOCK	1	1						
33	2	194990-22140	NUT, M8	1	1						
34	2	1A7260-60800	CATCH, LOCK	1	1						
35	2	1A7260-60810	LEVER, LOCK	1	1						
36	2	1A7260-60820	PLATE, BASE	1	1						
37	2	198230-61960	SPRING	1	1						
38	2	22137-080000	WASHER, 8	1	1						
39	2	22137-120000	WASHER, 12	1	1						
40	2	26106-080122	BOLT, M8X 12 PLATED	2	2						



Fig.93. SIDE COVER



(A)=EX3200(CCY)  
 (B)=EX2900(CCY)  
 (C)=

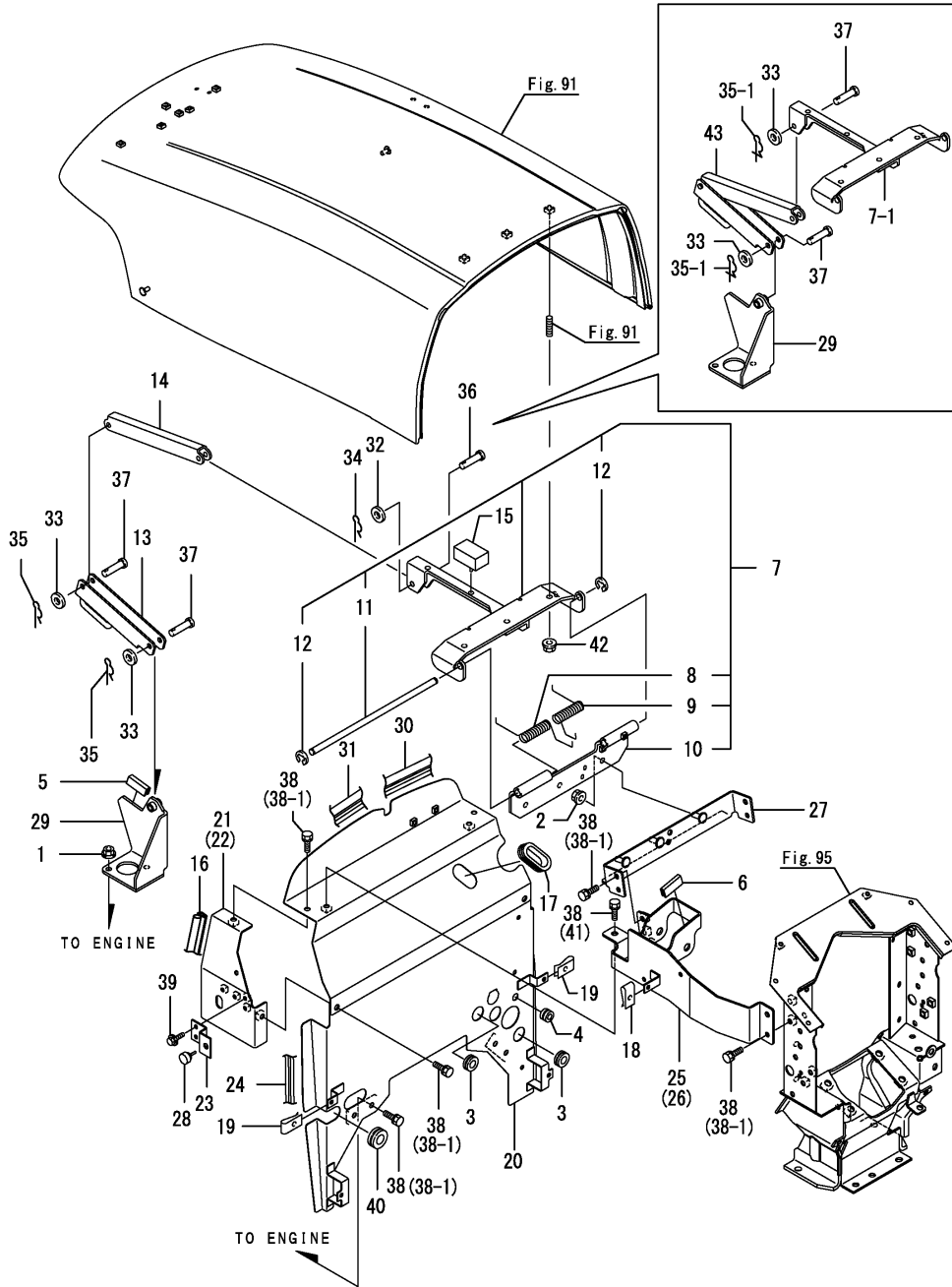
(D)=  
 (E)=  
 (F)=

No.	Lev.	Parts No.	Description	Q'ty						I	R
				(A)	(B)	(C)	(D)	(E)	(F)		
1	1	1A7260-60640	URETHANE, COVER A	2	2						
2	1	1A7260-60670	URETHANE, COVER B	2	2						
3	1	1A7260-60780	BRACKET, GUIDE	1	1						
4	1	1A7260-60790	BRACKET, GUIDE	1	1						
5	1	1A7260-60900	URETHANE, COVER C	2	2						
6	1	1A7260-60920	BRACKET, COVER	1	1						
7	1	1A7260-60930	BRACKET, COVER	1	1						
8	1	1A8160-61000	COVER ASSY, SIDE L M	1	1						
9	2	198129-05190	NUT, PUSH M6	12	12						
10	2	1A7260-61060-1	NET, SIDE COVER L	1	1						
10-1	2	1A7260-61150-1	NET, SIDE COVER	1	1						R
		(A=F003398) (B=F001091)									
11	1	1A8160-61010	COVER ASSY, SIDE R M	1	1						
12	2	198129-05190	NUT, PUSH M6	12	12						
13	2	1A7260-61070-1	NET, SIDE COVER R	1	1						
13-1	2	1A7260-61150-1	NET, SIDE COVER	1	1						R
		(A=F003398) (B=F001091)									
14	1	198220-61351	LOCK ASSY, CAM	4	4						
15	1	1A8160-61400	STAY, SIDE COVER	4	4						
16	1	198220-61800	RUBBER, CUSHION	4	4						
17	1	26106-060122	BOLT, M6X 12 PLATED	4	4						
18	1	26106-060122	BOLT, M6X 12 PLATED	4	4						
19	1	26106-080122	BOLT, M8X 12 PLATED	8	8						

Fig.94. HOOD FRAME

(A)=EX3200(CCY)  
(B)=EX2900(CCY)  
(C)=

(D)=  
(E)=  
(F)=

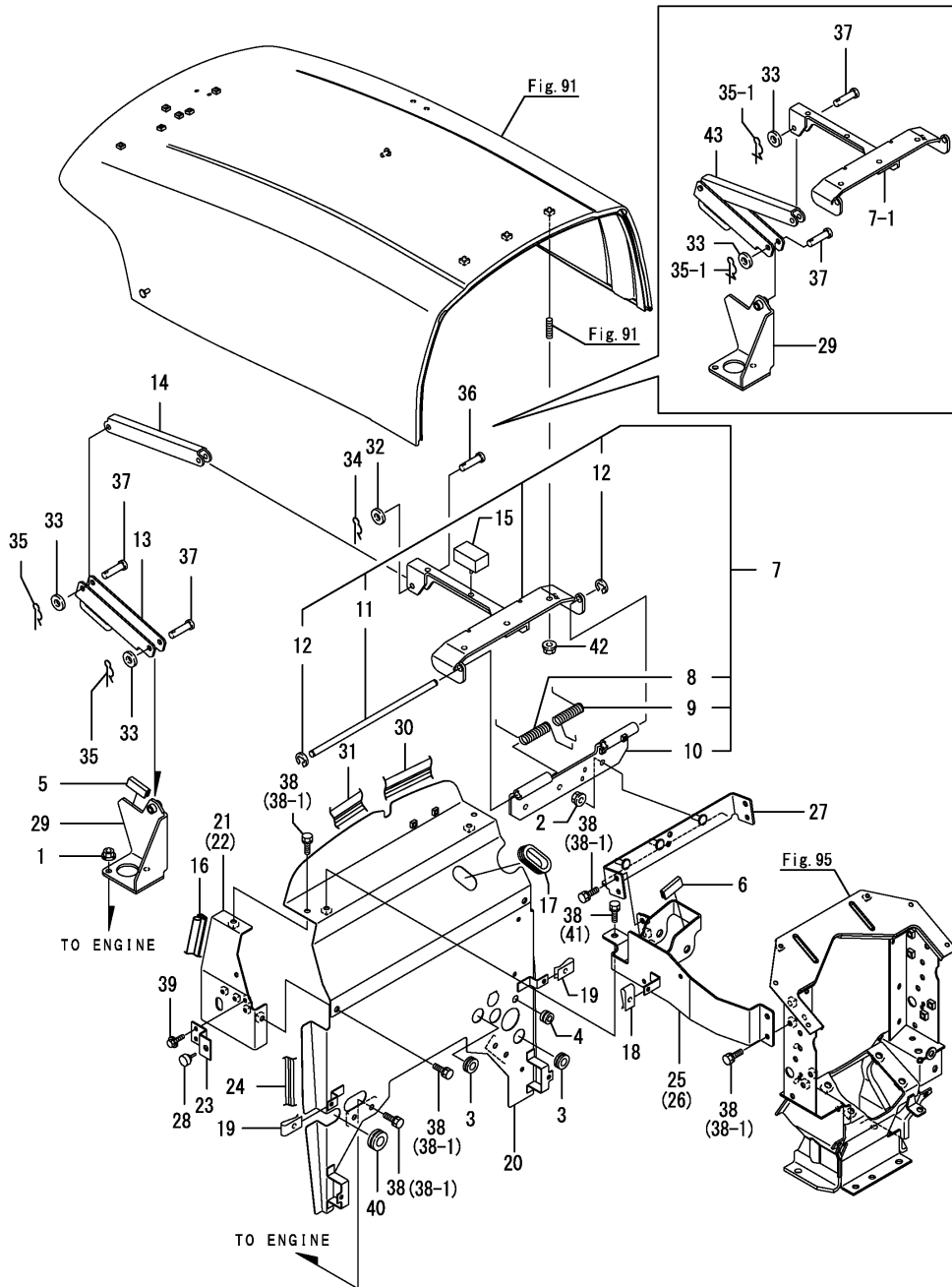


No.	Lev.	Parts No.	Description	Q'ty						I	R
				(A)	(B)	(C)	(D)	(E)	(F)		
1	1	194990-22140	NUT, M8	2	2						
2	1	194990-22140	NUT, M8	3	3						
3	1	194170-51210	GROMMET 25	4	4						
4	1	198071-58810	GROMMET, 8	1	1						
5	1	198448-60080	TRIM, 40	1	1						
6	1	198448-60080	TRIM, 40	2	2						
7	1	1A7260-60911	HINGE ASSY, BONNET	1	1						
7-1	1	1A7891-60910	HINGE ASSY, BONNET	1	1						R
		(A=F003253) (B=F001082)									
8	2	1A7260-60580	SPRING, L	1	1						Z
		(A=F003253) (B=F001082)									
9	2	1A7260-60590	SPRING, R	1	1						
10	2	1A7260-61080	PLATE, LOWER	1	1						
11	2	1A7260-61190	PIN, 10X286	1	1						
12	2	22272-000080	RING, E- 8	2	2						
13	1	1A7260-60950	STAND, BONNET A	1	1						Z
		(A=F003253) (B=F001082)									
14	1	1A7260-60960	STAND, BONNET B	1	1						Z
		(A=F003253) (B=F001082)									
15	1	1A7890-60980	RUBBER, CUSHION	1	1						
16	1	1A7340-61560	WEATHER-STRIP, 180	2	2						
17	1	194440-61580	GROMMET 21X46	2	2						
18	1	194167-61650	NUT 5008	2	2						
19	1	194167-61650	NUT 5008	4	4						
20	1	1A8160-61700	PLATE ASSY, AIR CUT	1	1						
21	1	1A8160-61730	STAY ASSY, COVER L	1	1						
22	1	1A8160-61740	STAY ASSY, COVER R	1	1						
23	1	1A8160-61810	STAY, DB SIDE	2	2						Z
		(A=F003253) (B=F001082)									
24	1	194555-61970	WEATHER-STRIP, 370	2	2						
25	1	1A8160-62030	BRACKET ASSY, TANK L	1	1						
26	1	1A8160-62040	BRACKET ASSY, TANK R	1	1						
27	1	1A8160-62050	STAY ASSY, BONNET	1	1						
28	1	194330-62530	STOPPER, PEDAL	2	2						Z
		(A=FXXXXX) (B=FXXXXX)									
29	1	1A8160-62540	STAY ASSY, STAND	1	1						
30	1	174570-63620	WEATHER-STRIP, 195	1	1						
31	1	198146-63660	WEATHER-STRIP, 250	1	1						
32	1	22137-080000	WASHER, 8	1	1						Z
		(A=F003253) (B=F001082)									
33	1	22137-080000	WASHER, 8	2	2						
34	1	22372-080000	PIN, SNAP 8	1							
34-1	1	1C6281-52320	PIN, SNAP 8	1	1						N
		(A=F001342) (B=F000101)									
34-2	1	1C6281-52320	PIN, SNAP 8	1	1						Z
		(A=F003253) (B=F001082)									
35	1	22372-080000	PIN, SNAP 8	2							
35-1	1	1C6281-52320	PIN, SNAP 8	2	2						N
		(A=F001342) (B=F000101)									
36	1	22487-080300	PIN, H 8X 30	1	1						Z
		(A=F003253) (B=F001082)									

Fig.94. HOOD FRAME

(A)=EX3200(CCY)  
 (B)=EX2900(CCY)  
 (C)=

(D)=  
 (E)=  
 (F)=

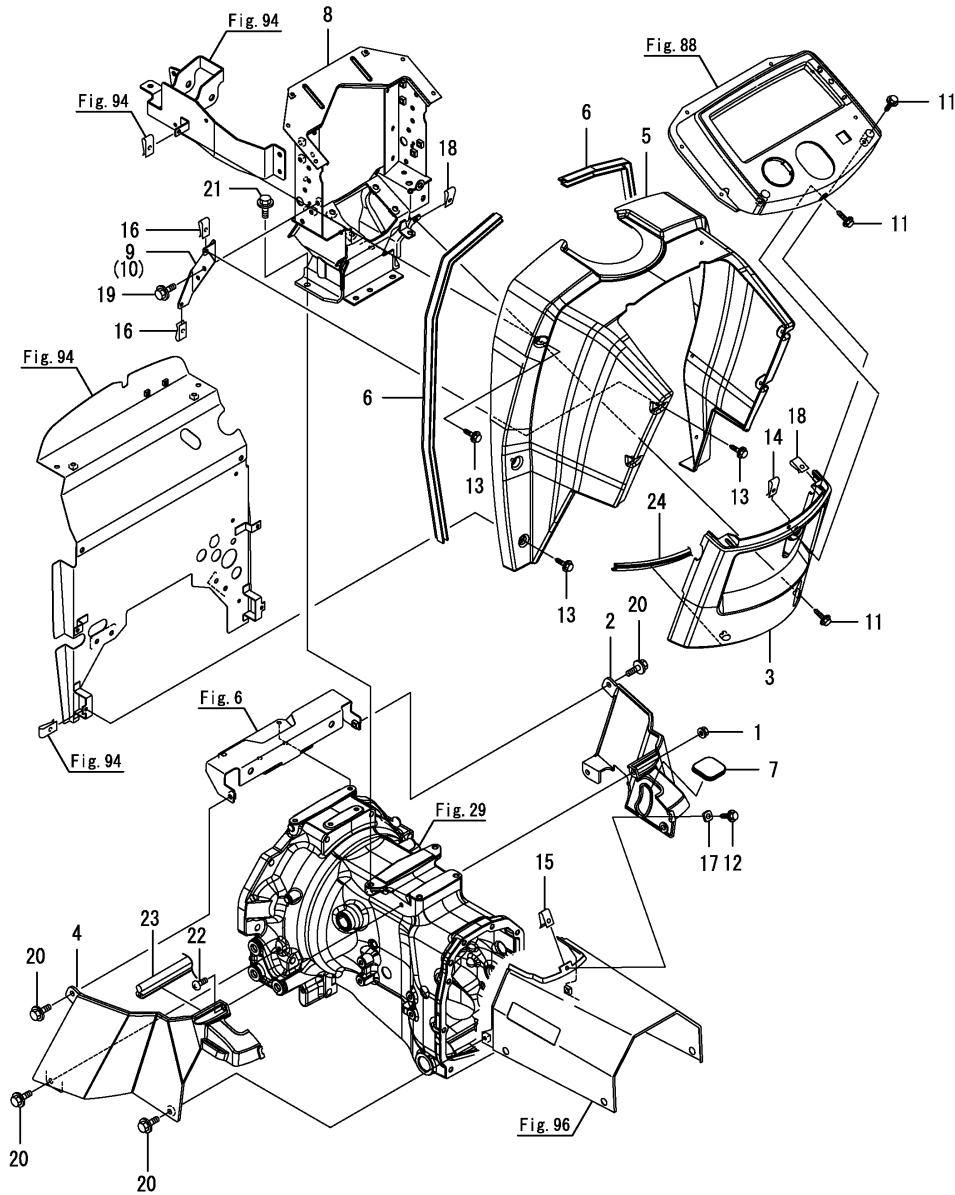


No.	Lev.	Parts No.	Description	Q'ty						I	R
				(A)	(B)	(C)	(D)	(E)	(F)		
37	1	22487-080300	PIN, H 8X 30	2	2						
38	1	26106-080162	BOLT, M8X 16 PLATED	19							
38-1	1	26106-080162	BOLT, M8X 16 PLATED	16	16						K
(A=F000156)											
39	1	26106-060122	BOLT, M6X 12 PLATED	4	4						Z
(A=FXXXXX) (B=FXXXXX)											
40	1	198245-51210	GROMMET, 25/18	1	1						
41	1	26106-080122	BOLT, M8X 12 PLATED	2	2						W
(A=F000156)											
42	1	194990-22140	NUT, M8	3	3						
43	1	1A7780-60550	STAND ASSY, HOOD	1	1						W
(A=F003253) (B=F001082)											

Fig.95. DASHBOARD

(A)=EX3200(CCY)  
 (B)=EX2900(CCY)  
 (C)=

(D)=  
 (E)=  
 (F)=

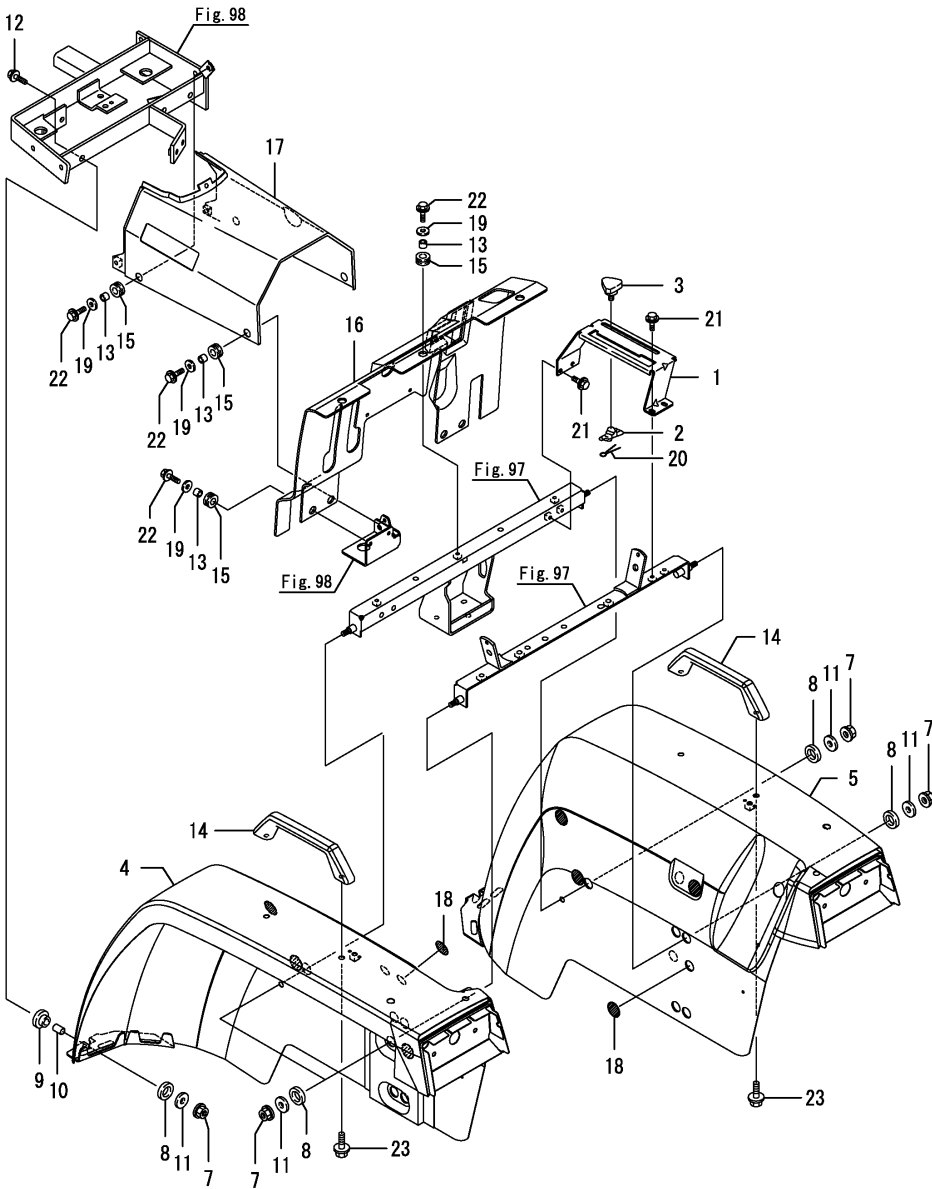


No.	Lev.	Parts No.	Description	Q'ty						I	R
				(A)	(B)	(C)	(D)	(E)	(F)		
1	1	194990-22130	NUT, M6	1	1						
2	1	1A8160-61520	COVER, DASHBOARD R	1	1						
3	1	1A8160-61530	COVER, DASHBOARD	1	1						
4	1	198220-61540	COVER, DASHBOARD L	1	1						
5	1	1A8160-61550	COVER, CENTER	1	1						
6	1	1A8160-61560	TRIM, 750	2	2						
7	1	1A8160-61570	GROMMET, LOWER COVER	1	1						
8	1	1A8160-61600	STAY, DASHBOARD	1	1						
9	1	1A8160-61610	SUPPORT, COVER L.H.	1	1						
10	1	1A8160-61620	SUPPORT, COVER R.H.	1	1						
11	1	194555-61640	SCREW, TAPPING M5X25	5	5						
12	1	194555-61640	SCREW, TAPPING M5X25	1	1						
13	1	194555-61640	SCREW, TAPPING M5X25	10	10						
14	1	194167-61650	NUT 5008	1	1						
15	1	194167-61650	NUT 5008	1	1						
16	1	194167-61650	NUT 5008	4	4						
17	1	198220-62030	WASHER	1	1						
18	1	198220-63850	NUT, M5	4	4						
19	1	26106-080122	BOLT, M8X 12 PLATED	4	4						
20	1	26106-080162	BOLT, M8X 16 PLATED	6	6						
21	1	26106-100202	BOLT, M10X 20 PLATED	4	4						
22	1	26587-060202	SCREW, M6X20	1	1						
23	1	198268-61690	WEATHER-STRIP, 550	1	1						
24	1	1A8160-61880	SEAL, COVER	1	1						

Fig.96. FENDER

(A)=EX3200(CCY)  
 (B)=EX2900(CCY)  
 (C)=

(D)=  
 (E)=  
 (F)=



No.	Lev.	Parts No.	Description	Q'ty						I	R
				(A)	(B)	(C)	(D)	(E)	(F)		
1	1	198220-47710-1	GUIDE, LEVER	1	1						
2	1	198220-47750	STOPPER, LEVER	1	1						
3	1	194130-47851	BOLT, M6X15								
4	1	1A8160-62010	FENDER ASSY, L M	1	1						
5	1	1A8160-62020	FENDER ASSY, R M	1	1						
7	1	194990-22140	NUT, M8	8	8						
8	1	198220-62260	CUSHION, RUBBER	8	8						
9	1	198220-62270	CUSHION, RUBBER	8	8						
10	1	198220-62920	COLLAR, ABSORBER	2	2						
11	1	22157-080000	WASHER, 8	8	8						
12	1	26106-080302	BOLT, M8X 30 PLATED	2	2						
13	1	198220-62220	COLLAR	11	11						
14	1	198220-62410	BAR, ASSIST	2	2						
15	1	198220-62440	GROMMET	11	11						
16	1	1A8160-62600	COVER, HYDRAULIC	1	1						
17	1	1A8160-62640	COVER ASSY, CLUTCH M	1	1						
18	1	1A8160-65760	LABEL, FENDER	16	16						
19	1	22157-060000	WASHER, 6	11	11						
20	1	22417-200200	PIN, COTTER 2.0X20	1	1						
21	1	26106-060122	BOLT, M6X 12 PLATED	4	4						
22	1	26106-060202	BOLT, M6X 20 PLATED	11	11						
23	1	26106-080122	BOLT, M8X 12 PLATED	4	4						
23-1	1	26106-080162	BOLT, M8X 16 PLATED	4	4						R

(A)=F002046) (B)=F000569)

Fig.97. FENDER STAY

(A)=EX3200(CCY)  
 (B)=EX2900(CCY)  
 (C)=

(D)=  
 (E)=  
 (F)=

No.	Lev.	Parts No.	Description	Q'ty						I	R
				(A)	(B)	(C)	(D)	(E)	(F)		
1	1	198230-62250	STAY, FENDER A	2	2						
2	1	198220-62690	COLLAR, STAY	2	2						
3	1	1A7335-62700	STAY, FENDER R	1	1						
4	1	198230-62950	STAY, FENDER F	1	1						
5	1	26106-080162	BOLT, M8X 16 PLATED	3	3						
6	1	26106-100402	BOLT, M10X 40 PLATED	2	2						

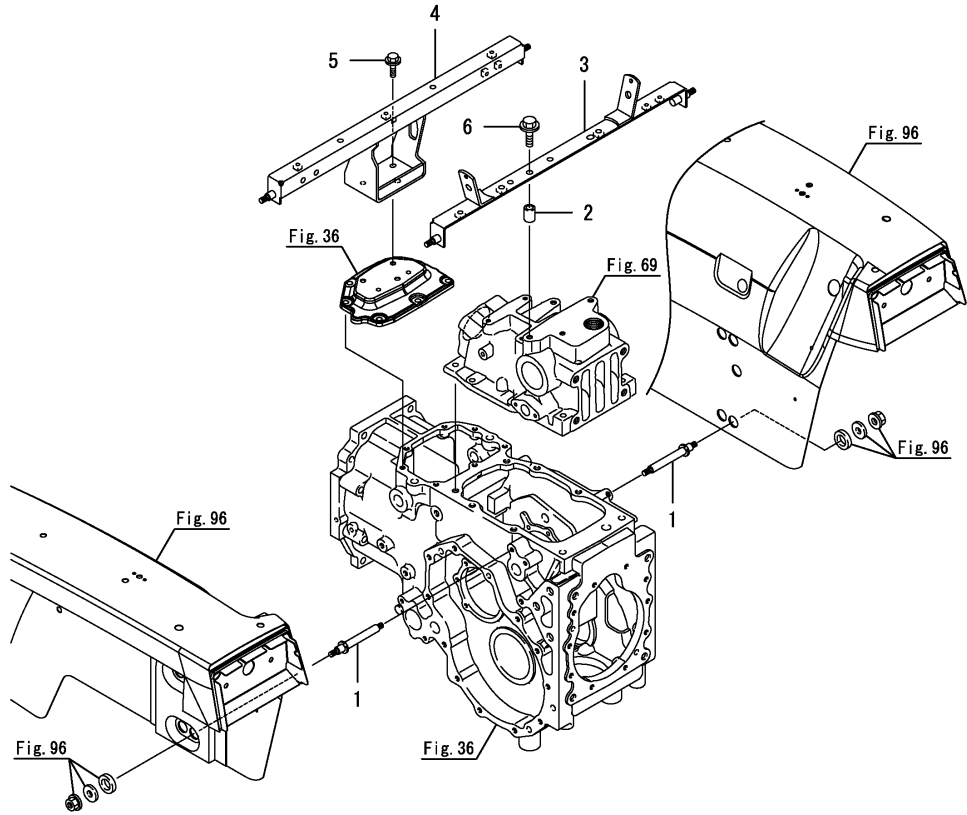
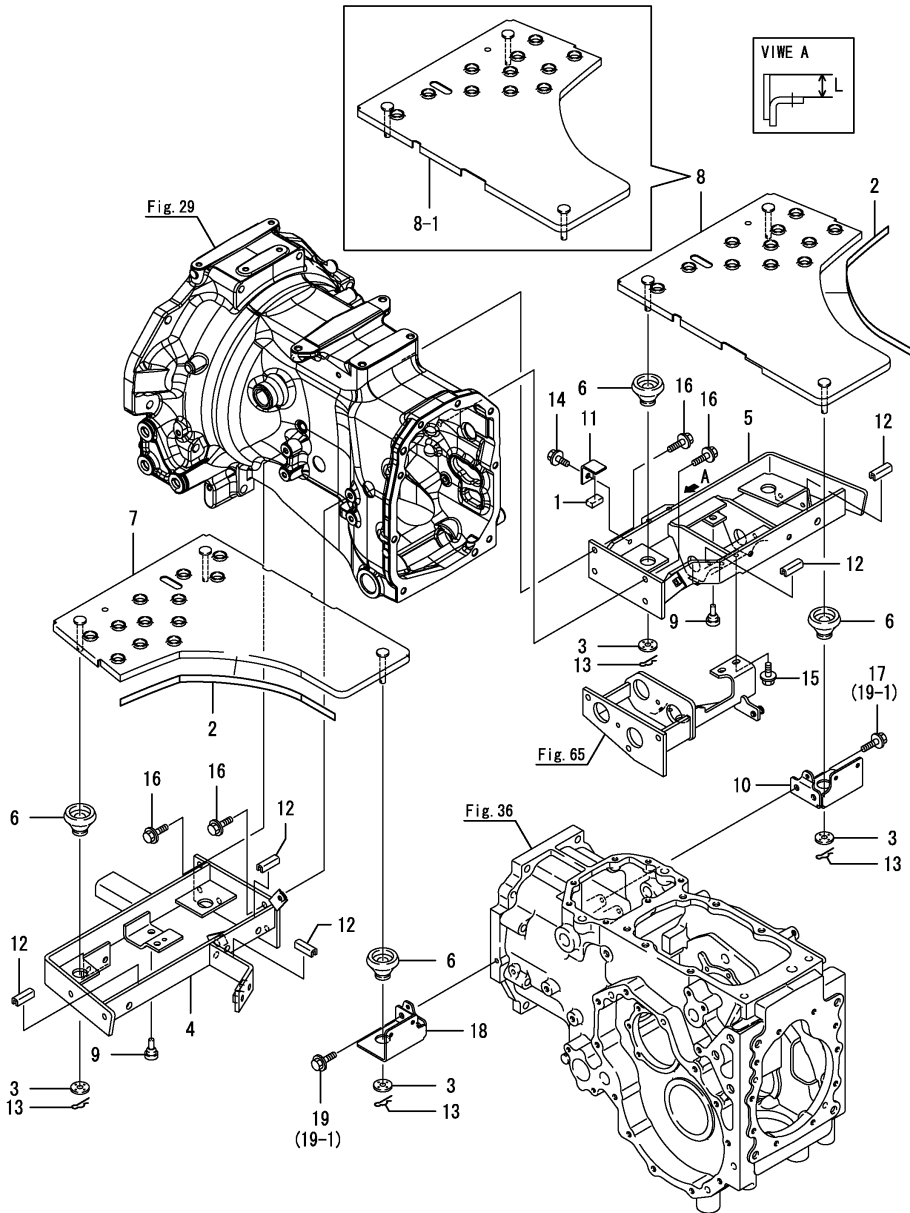


Fig.98. STEP

(A)=EX3200(CCY)  
 (B)=EX2900(CCY)  
 (C)=

(D)=  
 (E)=  
 (F)=



No.	Lev.	Parts No.	Description	Q'ty						I	R
				(A)	(B)	(C)	(D)	(E)	(F)		
1	1	1A7510-60980	STOPPER	1	1						
2	1	1A6150-61870	SEAL, 3X10X345	2	2						
3	1	198220-62150	WASHER	5	5						
4	1	1A8160-62290	STAY, STEP FL	1	1						
5	1	1A8160-62300	STAY, STEP FR	1	1						
5-1	1	1A8160-62301	STAY, STEP FR	1	1					S	1
(A=F002034) (B=F000565)											
6	1	198240-62451	ABSORBER, STEP	6	6						
7	1	198230-62510-1	STEP, L	1	1						
8	1	1A8160-62530	STEP, R	1							
8-1	1	198230-62520-1	STEP, R	1	1					S	
(A=F000156)											
9	1	194330-62530	STOPPER, PEDAL	2	2						
10	1	1A7335-62560	STAY, STEP RR	1	1						
11	1	1A8160-62760	STOPPER, STEP	1	1						
12	1	198220-62890	RUBBER, STOPPER	5	5						
13	1	22372-080000	PIN, SNAP 8	5	5						
14	1	26106-080102	BOLT, M8X 10 PLATED	1	1						
15	1	26106-080122	BOLT, M8X 12 PLATED	2	2						
16	1	26106-080202	BOLT, M8X 20 PLATED	8	8						
17	1	26106-080202	BOLT, M8X 20 PLATED	2							Z
(A=F000156)											
18	1	1A7335-62550	STAY, STEP RL	1	1						
19	1	26106-080202	BOLT, M8X 20 PLATED	2							
19-1	1	26106-080162	BOLT, M8X 16 PLATED	4	4						N
(A=F000156)											

Remarks  
 (1) L=Ref.No.5 22mm,5-1 16mm.

Fig.99. SUB STEP

(A)=EX3200(CCY)  
 (B)=EX2900(CCY)  
 (C)=

(D)=  
 (E)=  
 (F)=

No.	Lev.	Parts No.	Description	Q'ty						I	R
				(A)	(B)	(C)	(D)	(E)	(F)		
1	1	198234-62600	STEP ASSY, AUXILIARY	1	1						
3	1	194990-22140	NUT, M8	4	4						
4	1	26106-080252	BOLT, M8X 25 PLATED	4	4						

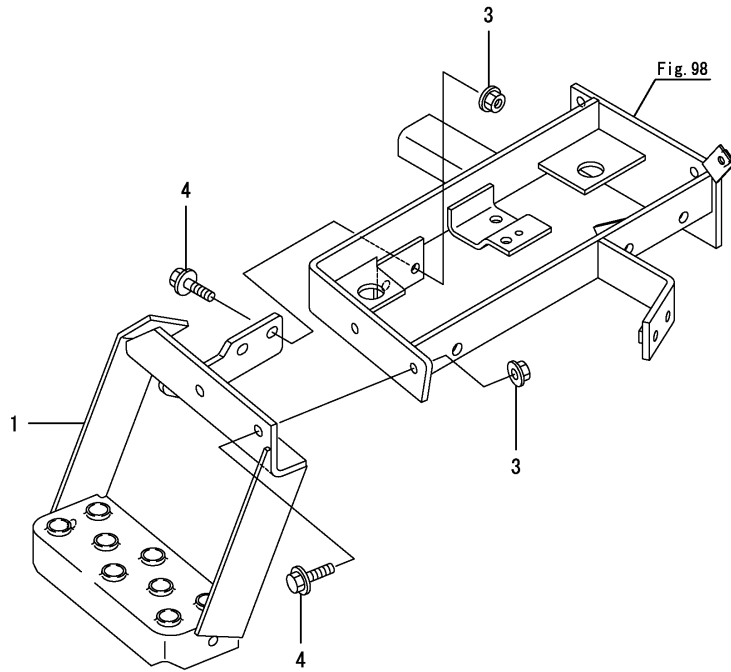
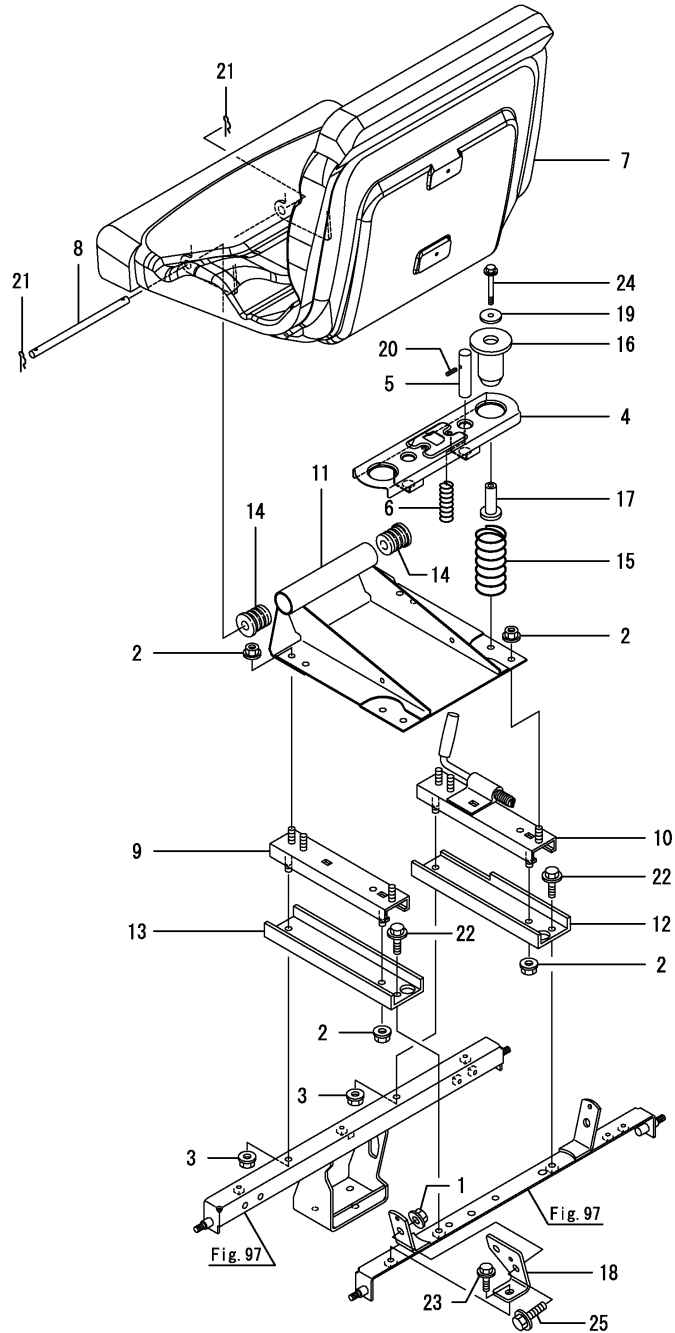




Fig.100. SEAT

(A)=EX3200(CCY)  
 (B)=EX2900(CCY)  
 (C)=

(D)=  
 (E)=  
 (F)=



No.	Lev.	Parts No.	Description	Q'ty						I	R
				(A)	(B)	(C)	(D)	(E)	(F)		
1	1	194990-22060	NUT W/WASHER 10	1							
1-1	1	194990-22150	NUT, M10	1	1						N
(A=F000156)											
2	1	194990-22140	NUT, M8	8	8						
3	1	194990-22140	NUT, M8	2	2						
4	1	1A8160-52320	BRACKET, SPRING	1	1						
5	1	198220-52410	PIN, 16X77.5	2	2						
6	1	198220-52420	SPRING, 17X60	2	2						
7	1	198240-63110	SEAT ASSY, OPERATOR	1	1						
8	1	198220-63120	PIN, HINGE	1	1						
9	1	198220-63150	ADJUSTER, SEAT	1	1						
10	1	198220-63160	ADJUSTER, SEAT	1	1						
11	1	1A8160-63200	BRACKET, SEAT LOWER	1	1						
12	1	198220-63220-1	PLATE, R	1	1						
13	1	198220-63230-1	PLATE, L	1	1						
14	1	198220-63240	DAMPER	2	2						
15	1	198220-63260	SPRING, CUSHION	2	2						
16	1	198220-63270	RUBBER, CUSHION	2	2						
17	1	198220-63280	COLLAR, SPRING	2	2						
18	1	1A8160-63430	STAY, SEAT BELT L	1	1						
19	1	1E6213-64490	WASHER, 8.5X22X2.3	2	2						
20	1	22351-030025	PIN, SPRING 3.0X25	2	2						
21	1	22372-120000	PIN, SNAP 12	2	2						
22	1	26106-080162	BOLT, M8X 16 PLATED	2	2						
23	1	26106-080202	BOLT, M8X 20 PLATED	1	1						
24	1	26106-080702	BOLT, M8X 70 PLATED	2	2						
25	1	26106-100252	BOLT, M10X 25 PLATED	1	1						

Fig.101. SEAT BELT

(A)=EX3200(CCY)  
 (B)=EX2900(CCY)  
 (C)=

(D)=  
 (E)=  
 (F)=

No.	Lev.	Parts No.	Description	Q'ty						I	R
				(A)	(B)	(C)	(D)	(E)	(F)		
1	1	1A8160-63440	COLLAR, SEAT BELT	2	2						
2	1	26106-100352	BOLT, M10X 35 PLATED	2	2						
3	1	26346-100002	NUT, M10	2	2						
4	1	1A8160-63400	BELT ASSY, SEAT	1	1						
5	2	1A8160-63410	BELT ASSY, SEAT	1	1						
6	2	1A8160-63420	BELT ASSY, SEAT	1	1						

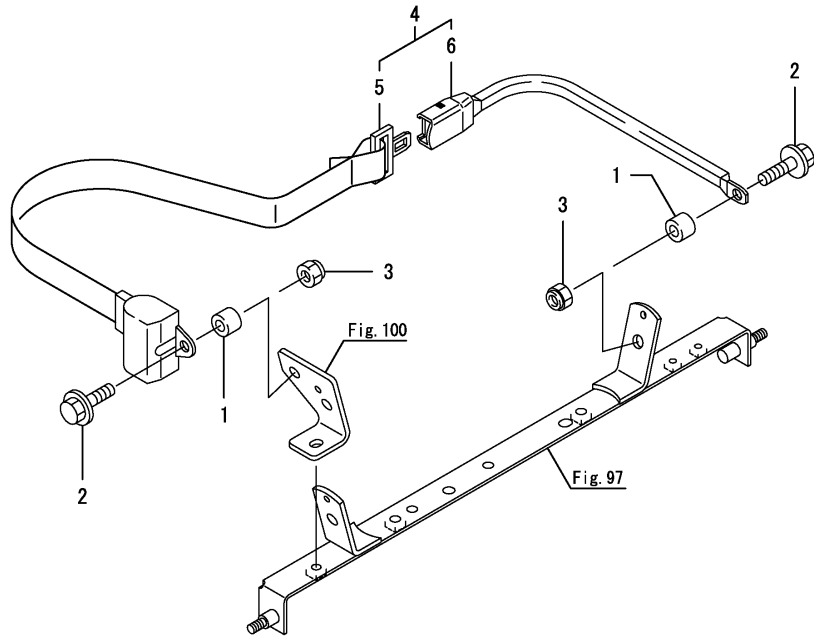
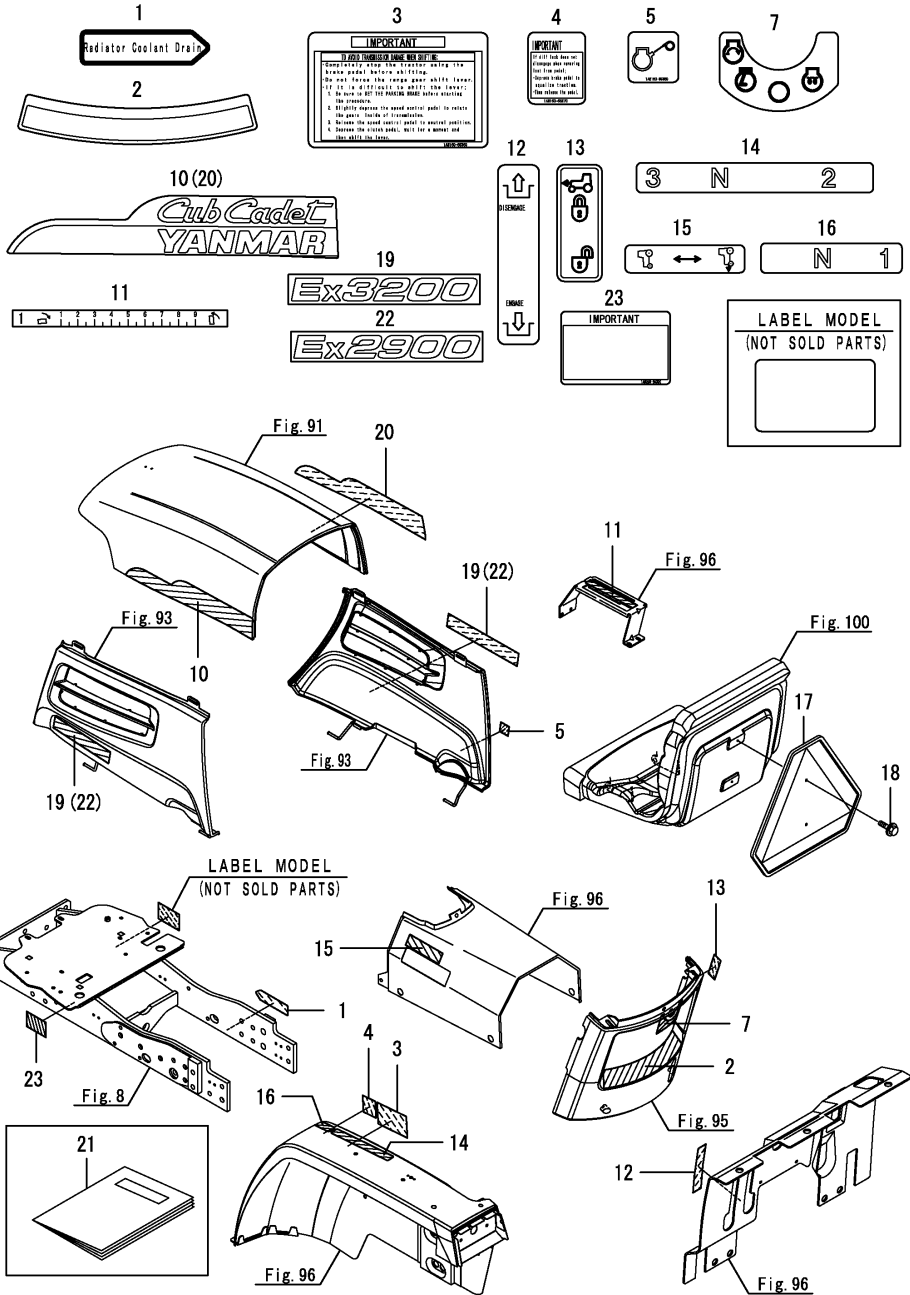


Fig.102. LABELS



(A)=EX3200(CCY)  
 (B)=EX2900(CCY)  
 (C)=

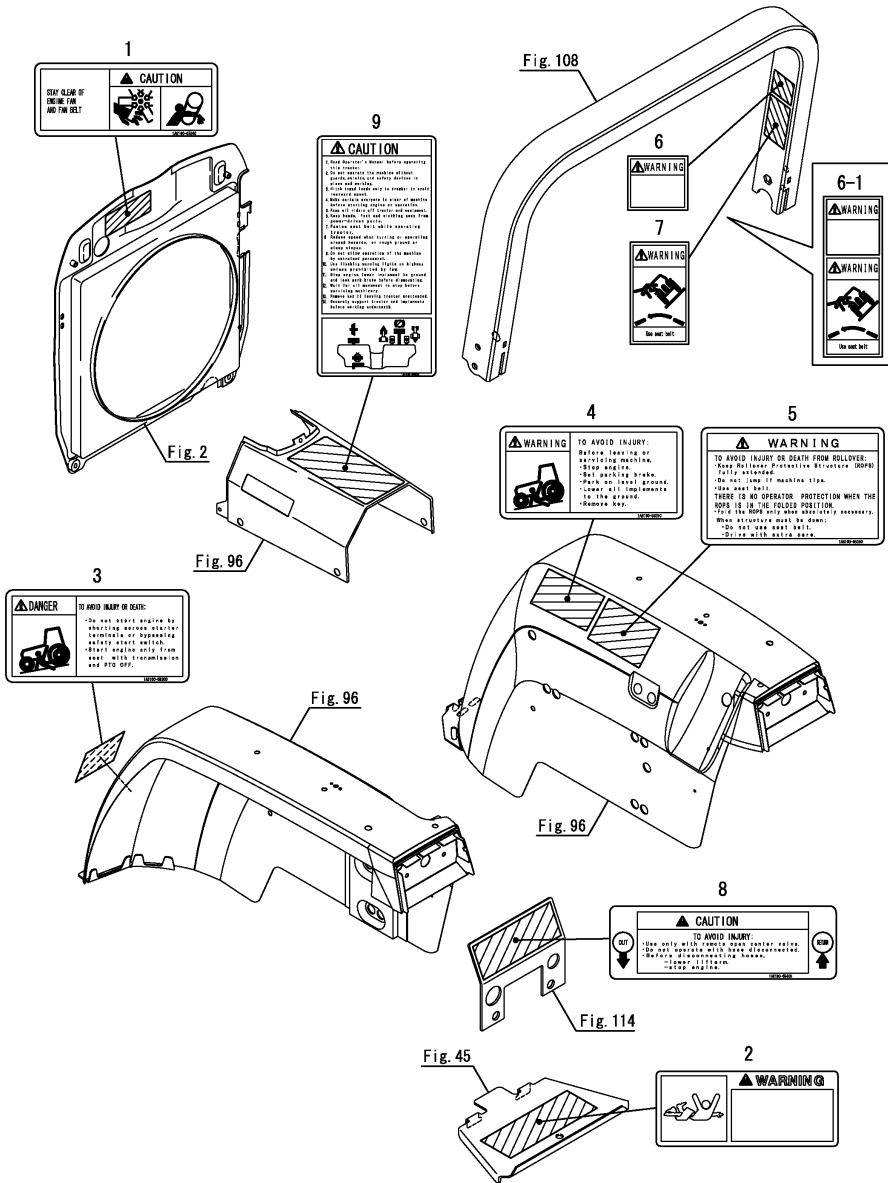
(D)=  
 (E)=  
 (F)=

No.	Lev.	Parts No.	Description	Q'ty						I	R
				(A)	(B)	(C)	(D)	(E)	(F)		
1	1	1A7340-65080	LABEL,DRAIN	1	1						
2	1	198220-65350	DECAL,COLD START	1	1						
3	1	1A8160-65360	LABEL,IMPORTANT,SHIF	1	1						
4	1	1A8160-65370	LABEL,IMPORTANT,DIFF	1	1						
5	1	1A8160-65380	LABEL	1	1						
7	1	1A8160-65420	LABEL,START SWITCH	1	1						
7-1	1	1A8160-65421	LABEL,START SWITCH	1	1						N
		(A=F003803) (B=F001247)									
10	1	1A8160-65580	LABEL L	1	1						
11	1	198220-65470	LABEL, LEVER	1	1						
12	1	1A8160-65610	LABEL,PTO	1	1						
13	1	1A8160-65630	LABEL,CRUISE	1	1						
14	1	1A8160-65740	LABEL,RANGE2-3	1	1						
15	1	1A8160-65750	LABEL,4WD	1	1						
16	1	1A8160-65770	LABEL,RANGE1	1	1						
17	1	1A8160-65800	EMBLEM, SMV	1	1						
18	1	26106-060202	BOLT, M6X 20 PLATED	2	2						
18-1	1	26589-060202	SCREW, M6X20	2	2						N
		(A=F001634) (B=F000448)									
19	1	1A8160-64710	LABEL NAME EX3200	2							
20	1	1A8160-65590	LABEL M	1	1						
21	1	0A041-U00100	OPERATION MANUAL	1							
21-1	1	0A041-U00101	OPERATION MANUAL	1	1						N
		(A=FXXXXXX)									
22	1	1A8150-64710	LABEL,MODEL		2						
23	1	1A8250-65390	LABEL,SPARK ARRESTOR	1	1						W
		(A=F003748) (B=F001199)									

Fig.103. LABELS(SAFETY)

(A)=EX3200(CCY)  
(B)=EX2900(CCY)  
(C)=

(D)=  
(E)=  
(F)=



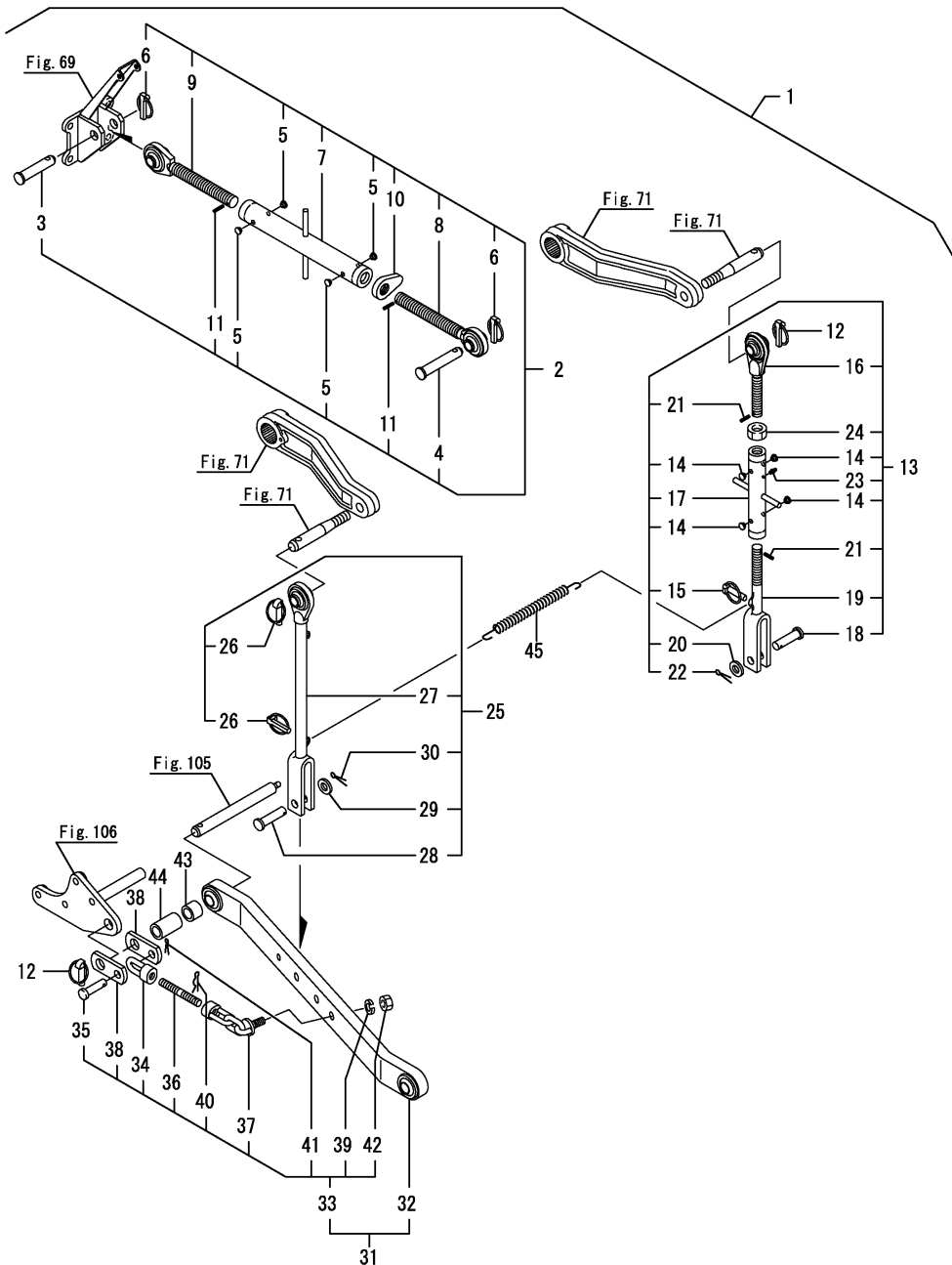
No.	Lev.	Parts No.	Description	Q'ty						I	R
				(A)	(B)	(C)	(D)	(E)	(F)		
1	1	1A8160-65340	LABEL,CAUTION,FAN	1							
1-1	1	1A7880-65620	LABEL,WARNING,FAN	1	1						N
(A=FXXXXX)											
2	1	198220-65621	LABEL, P.T.O. WARNING	1	1						
3	1	1A8160-65300	LABEL,DANGER,START	1	1						
4	1	1A8160-65310	LABEL,WARNING,STOP	1	1						
5	1	1A8160-65350	LABEL,WARNING,ROPS	1	1						
6	1	1A8160-85170	SAFETY DECAL	1	1						
6-1	1	1A8170-85170	SAFETY DECAL	1	1						S
(A=F002596) (B=F000730)											
7	1	1A8160-85180	SAFETY DECAL (BELT	1	1						Z
(A=F002596) (B=F000730)											
8	1	1A8160-65400	LABEL,CAUTION,REAR	1	1						
9	1	1A8160-65320	LABEL,CAUTION	1							
9-1	1	1A8160-65321	LABEL,WARNING	1	1						N
(A=FXXXXX)											

Remarks  
(1) Optional parts.

Fig.104. THREE POINT LINK

(A)=EX3200(CCY)  
 (B)=EX2900(CCY)  
 (C)=

(D)=  
 (E)=  
 (F)=

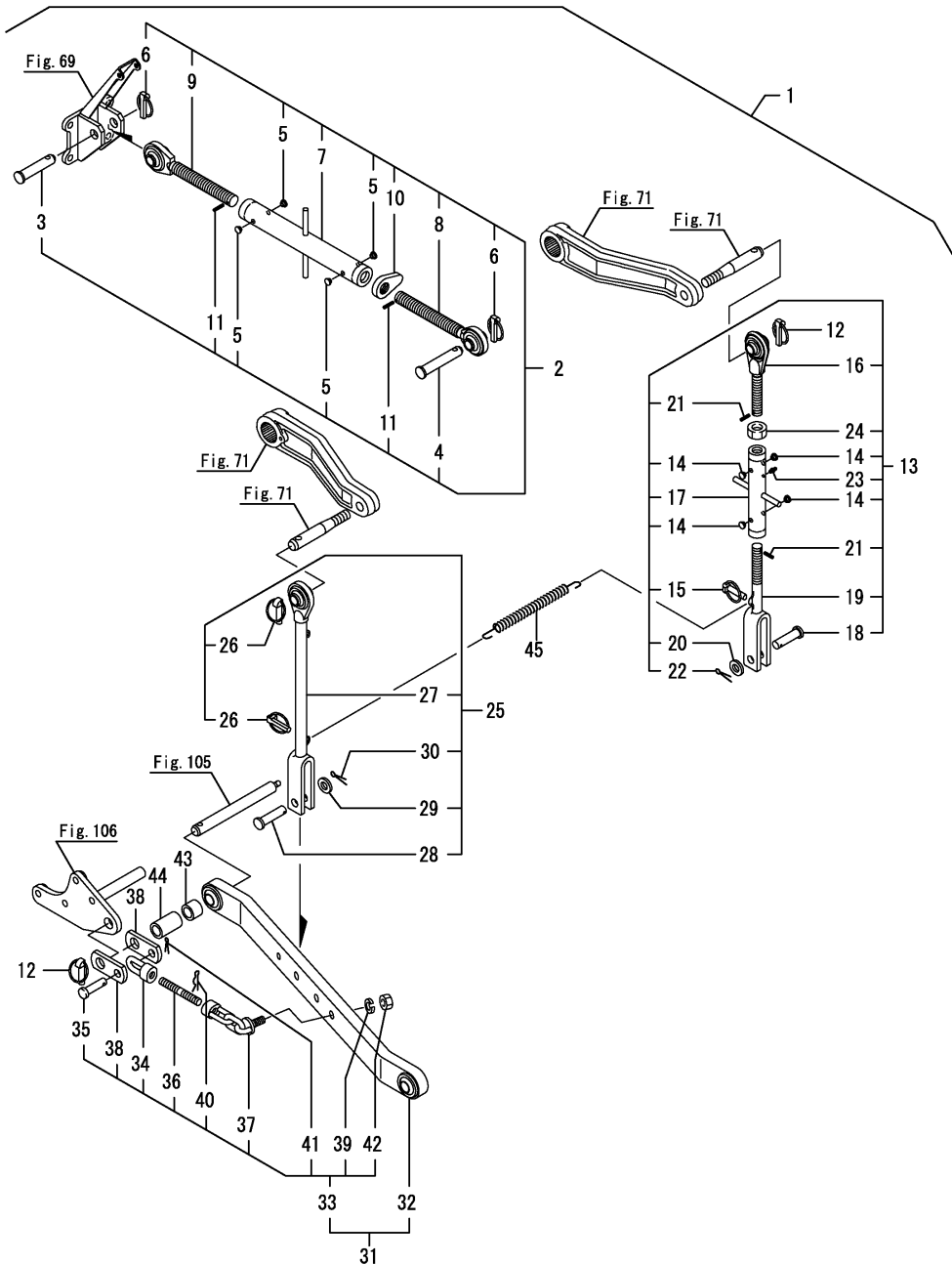


No.	Lev.	Parts No.	Description	Qty						I	R
				(A)	(B)	(C)	(D)	(E)	(F)		
1	1	1A8160-71000	HITCH KIT, 3 POINT	1	1						
2	2	1A7335-71100	LINK KIT, TOP	1	1						
3	3	1A7335-71230	PIN, LINK	1	1						
4	3	1A7335-71240	PIN, HITCH	1	1						
5	3	1A7335-71250	CAP	4	4						
6	3	1A7335-71410	PIN ASSY, BALL	2	2						
7	3	1A7335-71500	TURNBUCKLE ASSY	1	1						
8	3	1A7335-71600	LINK ASSY, TOP R	1	1						
9	3	1A7335-71700	LINK ASSY, TOP L	1	1						
10	3	1A7335-71750	NUT, LOCK M24	1	1						
11	3	22351-050025	PIN, SPRING 5.0X25	2	2						
11-1	3	1A7335-71760	PIN, SPRING 5.0X25	2	2						R
(A=FXXXXX) (B=FXXXXX)											
12	2	1A7335-71410	PIN ASSY, BALL	3	3						
13	2	1A7335-72100	LINK KIT, LIFT R	1	1						
14	3	1A7335-71250	CAP	4	4						
15	3	1A7335-71410	PIN ASSY, BALL	1	1						
16	3	1A7335-72200	BOLT ASSY, EYE	1	1						
17	3	1A7335-72230	TURNBUCKLE	1	1						
18	3	198234-72550	PIN, 16X44	1	1						
19	3	1A7335-72800	YOKE ASSY, LINK R	1	1						
20	3	22137-160000	WASHER, 16	1	1						
20-1	3	1A7500-72160	WASHER, 16	1	1						R
(A=FXXXXX) (B=FXXXXX)											
21	3	22351-050022	PIN, SPRING 5.0X22	2	2						
21-1	3	1A7335-72360	PIN, SPRING 5.0X22	2	2						R
(A=FXXXXX) (B=FXXXXX)											
22	3	22417-320320	PIN, COTTER 3.2X32	1	1						
22-1	3	1A7335-72370	PIN, 3.2X32	1	1						R
(A=FXXXXX) (B=FXXXXX)											
23	3	24761-060000	NIPPLE, GREASE MT6X1	1	1						
23-1	3	1A7450-43680	NIPPLE, GRESAE M6	1	1						R
(A=FXXXXX) (B=FXXXXX)											
24	3	26756-200002	NUT, LOCK M20	1	1						
24-1	3	1A7335-72390	NUT, LOCK M20	1	1						R
(A=FXXXXX) (B=FXXXXX)											
25	2	1A7335-72500	LINK KIT, LIFT L	1	1						
26	3	1A7335-71410	PIN ASSY, BALL	2	2						
27	3	1A7335-72530	LINK ASSY, LIFT L	1	1						
28	3	198234-72550	PIN, 16X44	1	1						
29	3	22137-160000	WASHER, 16	1	1						
29-1	3	1A7500-72160	WASHER, 16	1	1						R
(A=FXXXXX) (B=FXXXXX)											
30	3	22417-320320	PIN, COTTER 3.2X32	1	1						
30-1	3	1A7335-72370	PIN, 3.2X32	1	1						R
(A=FXXXXX) (B=FXXXXX)											
31	2	1A7335-73400	LINK KIT, LOWER	2	2						
32	3	1A7335-73100	LINK ASSY, LOWER	2	2						
33	3	1A7335-74600	CHAIN KIT, CHECK	2	2						
34	4	194197-74641	NUT	2	2						
34-1	4	1A7335-74640	NUT, CHAIN	2	2						N

Fig.104. THREE POINT LINK

(A)=EX3200(CCY)  
 (B)=EX2900(CCY)  
 (C)=

(D)=  
 (E)=  
 (F)=

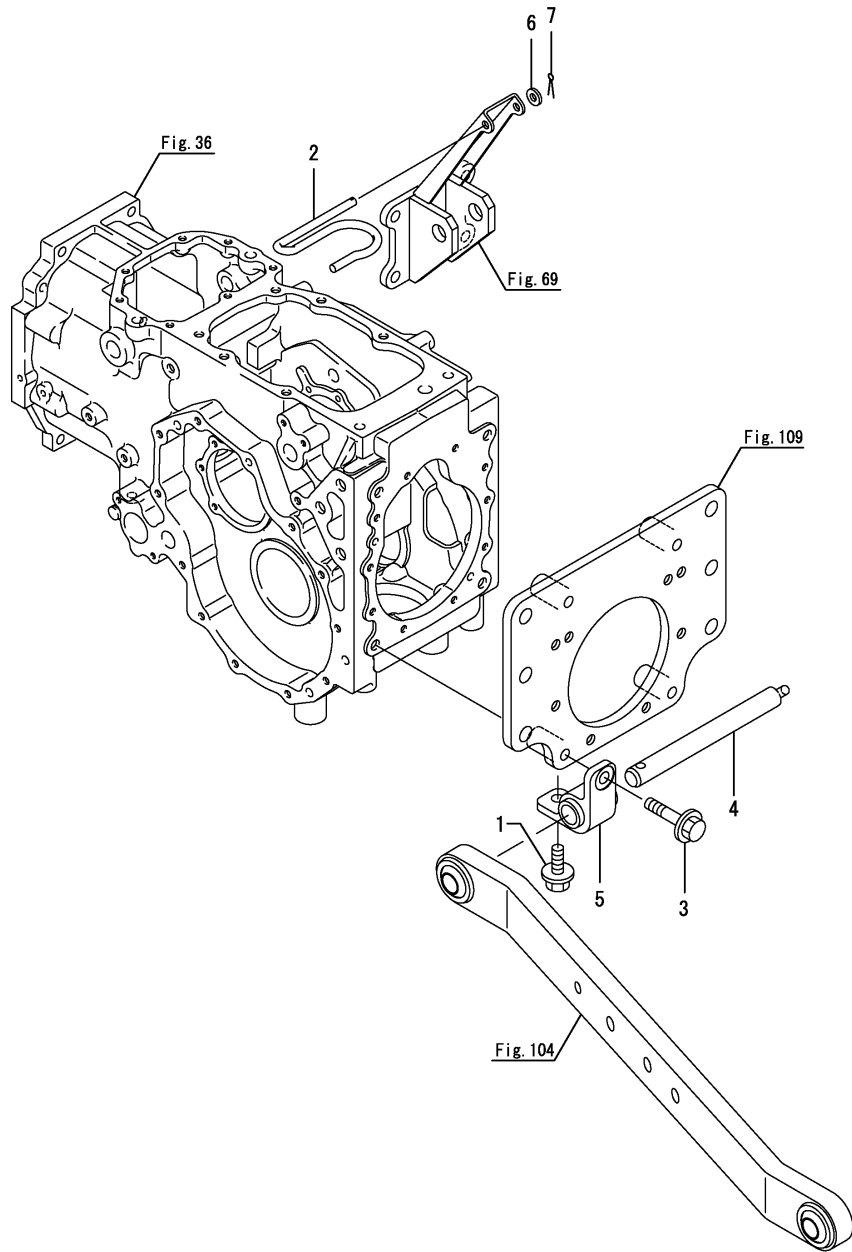


No.	Lev.	Parts No.	Description	Q'ty						I	R
				(A)	(B)	(C)	(D)	(E)	(F)		
		(A=FXXXXX) (B=FXXXXX)									
35	4	198240-74641	PIN, SHACKLE	2	2						
35-1	4	1A7335-74620	PIN, SHACKLE	2	2						N
		(A=FXXXXX) (B=FXXXXX)									
36	4	198220-74670	BOLT ASSY, CHAIN	2	2						
36-1	4	1A7335-74670	BOLT ASSY, CHAIN	2	2						N
		(A=FXXXXX) (B=FXXXXX)									
37	4	198220-74800	CHAIN ASSY, CHECK R	2	2						
37-1	4	1A7335-74800	CHAIN ASSY, CHECK R	2	2						N
		(A=FXXXXX) (B=FXXXXX)									
38	4	198220-75850	PLATE, CHAIN	4	4						
38-1	4	1A7335-74680	PLATE, CHAIN	4	4						N
		(A=FXXXXX) (B=FXXXXX)									
39	4	22217-140000	WASHER, SPRING 14	2	2						
39-1	4	1A7335-74820	WASHER, SPRING 14	2	2						R
		(A=FXXXXX) (B=FXXXXX)									
40	4	22360-180000	PIN, SNAP 18	2	2						
40-1	4	1A7335-74610	PIN, SNAP 18	2	2						R
		(A=FXXXXX) (B=FXXXXX)									
41	4	22417-400250	PIN, COTTER 4.0X25	2	2						
41-1	4	1A7335-74630	PIN, 4.0X25	2	2						R
		(A=FXXXXX) (B=FXXXXX)									
42	4	26716-140002	NUT, M14	2	2						
42-1	4	1A7335-74810	NUT, M14	2	2						R
		(A=FXXXXX) (B=FXXXXX)									
43	1	198220-73140	COLLAR, HINGE	2	2						
44	1	198220-73240	COLLAR, HINGE	2	2						
45	1	198220-73250	SPRING	1	1						

Fig.105. LOWER HINGE & TOP HOOK

(A)=EX3200(CCY)  
 (B)=EX2900(CCY)  
 (C)=

(D)=  
 (E)=  
 (F)=



No.	Lev.	Parts No.	Description	Q'ty						I	R
				(A)	(B)	(C)	(D)	(E)	(F)		
1	1	198220-11510	BOLT, M12X27	2	2						
2	1	1A7335-71550	SPRING	1	1						
2-1	1	1A7880-71550	SPRING	1	1						R
		(A=F003429)	(B=F001091)								
3	1	198220-85390	BOLT, M12X75	2	2						
4	1	198220-73151	PIN, HINGE	2							
4-1	1	1A7336-73150	PIN ASSY, HINGE	2	2						N
		(A=F003179)									
5	1	1A7335-73160	SUPPORT, LOWER HINGE	2	2						
6	1	22137-080000	WASHER, 8	1	1						
7	1	22417-300250	PIN, COTTER 3.0X25	1	1						

# Fig.106. CHECK CHAIN BRACKET

(A)=EX3200(CCY)  
 (B)=EX2900(CCY)  
 (C)=

(D)=  
 (E)=  
 (F)=

No.	Lev.	Parts No.	Description	Qty						I	R
				(A)	(B)	(C)	(D)	(E)	(F)		
1	1	1A7335-74760	BRACKET ASSY, CHAIN	1	1						
2	1	1A7335-74770	BRACKET ASSY, CHAIN	1	1						
3	1	26013-120402	BOLT, M12X 40	6	6						
4	1	26013-121602	BOLT, M12X160	2	2						

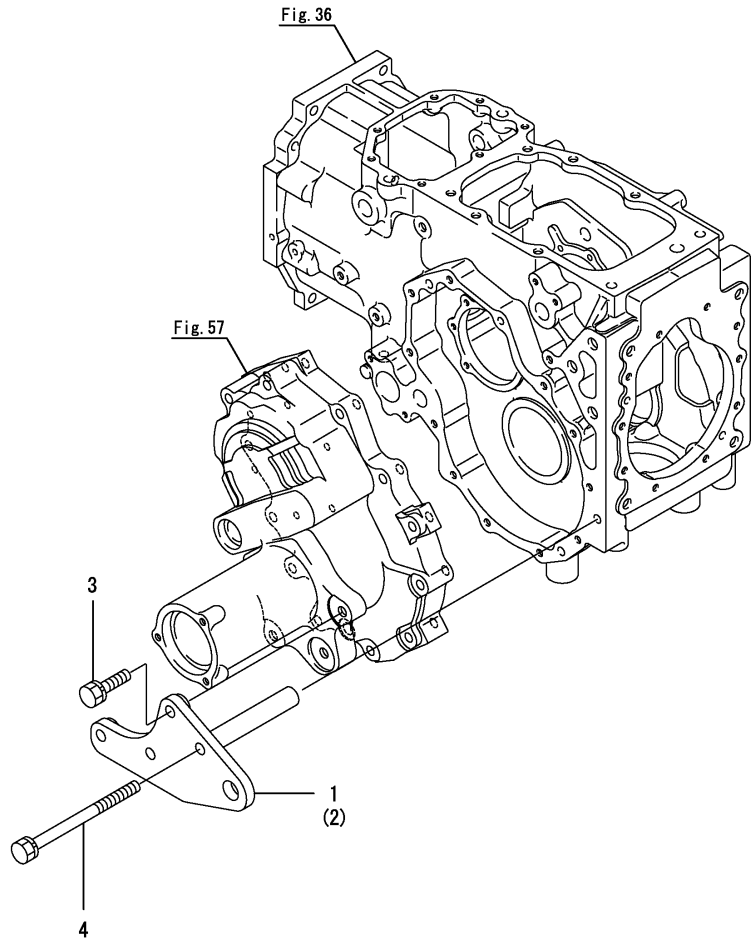




Fig.107. DRAW BAR HITCH

(A)=EX3200(CCY)  
 (B)=EX2900(CCY)  
 (C)=

(D)=  
 (E)=  
 (F)=

No.	Lev.	Parts No.	Description	Q'ty						I	R
				(A)	(B)	(C)	(D)	(E)	(F)		
1	1	195230-17260	PIN, SNAP 22S	1	1						
2	1	198220-75210-1	DRAWBAR	1	1						
3	1	198253-75430	PIN, HITCH	1	1						
4	1	198220-75700-1	BRACKET ASSY	1	1						
5	1	198220-75800	BOLT, M16X33	2	2						
6	1	26013-120252	BOLT, M12X 25	2	2						

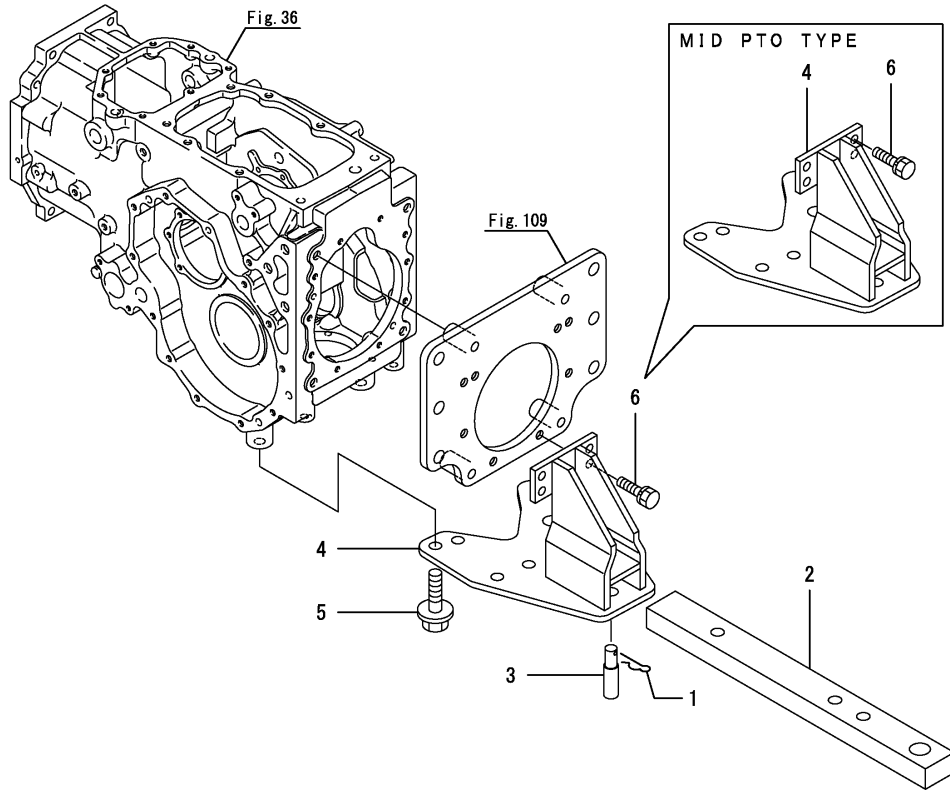
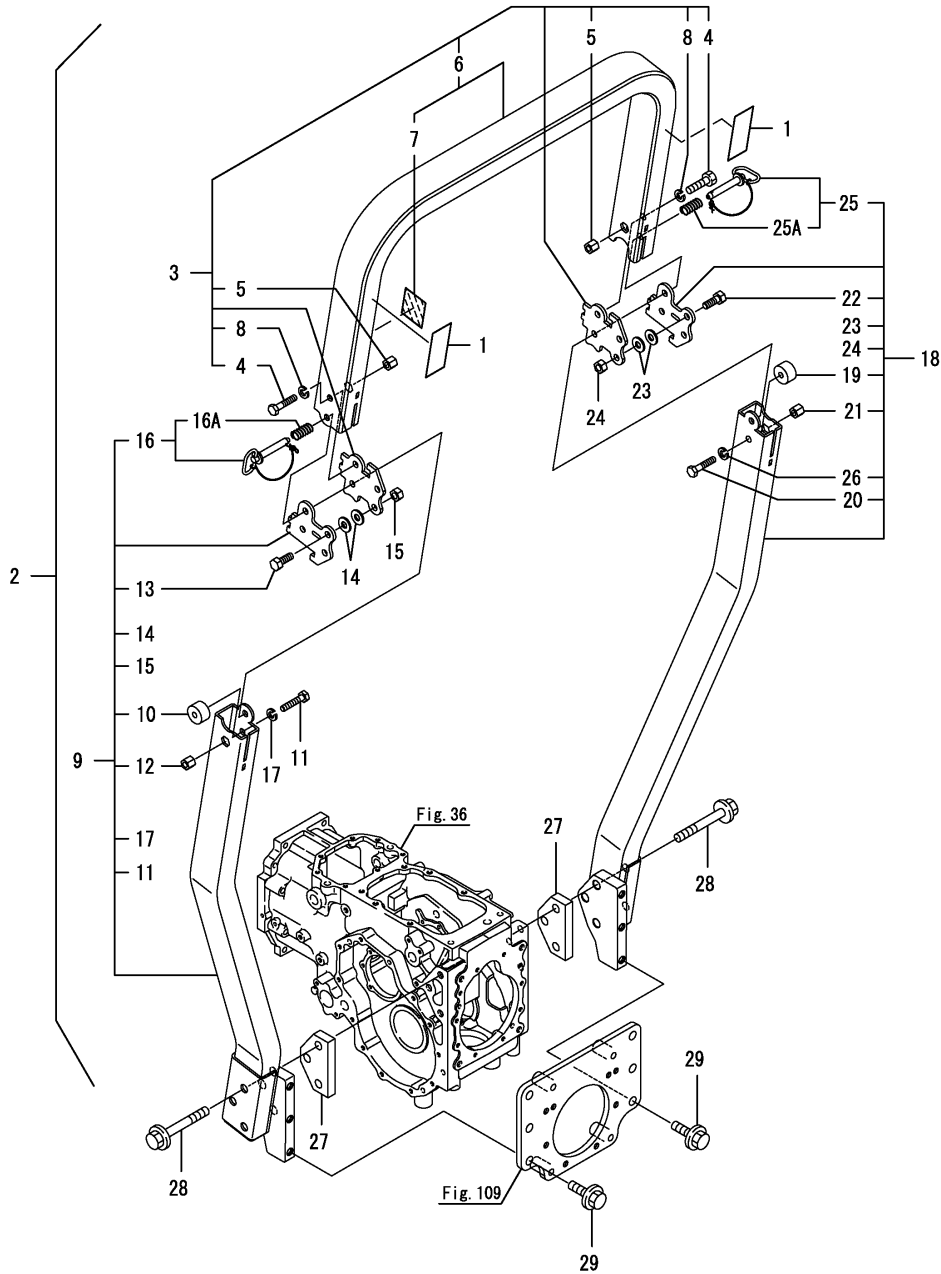


Fig.108. SAFETY FRAME

(A)=EX3200(CCY)  
 (B)=EX2900(CCY)  
 (C)=

(D)=  
 (E)=  
 (F)=



No.	Lev.	Parts No.	Description	Qty						I	R
				(A)	(B)	(C)	(D)	(E)	(F)		
1	1	1A8160-65860	TAPE, 50X115	2	2						
2	1	1A8160-85010	ROPS ASSY	1	1						
3	2	1A8160-85260	FRAME ASSY, UPPER	1	1						
4	3	1A8160-85070	BOLT, 1/2-20X2.25	2	2						
5	3	1A8160-85080	NUT, 1/2-20	2	2						
6	3	1A8160-85150	FRAME ASSY, UPPER	1	1						
7	4	1A8160-85190	ROPS DECAL	1	1						
8	3	1A8160-85200	WASHER, 1/2	2	2						
9	2	1A8160-85270	FRAME ASSY, LOWER L	1	1						
10	3	1A8160-85060	COLLAR, HINGE	1	1						
11	3	1A8160-85070	BOLT, 1/2-20X2.25	1	1						
12	3	1A8160-85080	NUT, 1/2-20	1	1						
13	3	1A8160-85090	BOLT, 1/2-13X1.25	1	1						
14	3	1A8160-85100	WASHER	2	2						
15	3	1A8160-85110	NUT, 1/2-13	1	1						
16	3	1A8160-85121	PIN ASSY, HITCH	1	1						
16A	4	1A8160-85130	SPRING	1	1						W
		(A=F002027) (B=F000471)									
17	3	1A8160-85200	WASHER, 1/2	1	1						
18	2	1A8160-85280	FRAME ASSY, LOWER R	1	1						
19	3	1A8160-85060	COLLAR, HINGE	1	1						
20	3	1A8160-85070	BOLT, 1/2-20X2.25	1	1						
21	3	1A8160-85080	NUT, 1/2-20	1	1						
22	3	1A8160-85090	BOLT, 1/2-13X1.25	1	1						
23	3	1A8160-85100	WASHER	2	2						
24	3	1A8160-85110	NUT, 1/2-13	1	1						
25	3	1A8160-85121	PIN ASSY, HITCH	1	1						
25A	4	1A8160-85130	SPRING	1	1						W
		(A=F002027) (B=F000471)									
26	3	1A8160-85200	WASHER, 1/2	1	1						
27	1	1A8160-85140	PLATE, SPACER	2	2						
28	1	198220-85270	BOLT, M16X120	6	6						
29	1	198220-85290	BOLT, M16X40	6	6						

Fig.109. REAR BRACKET

(A)=EX3200(CCY)  
 (B)=EX2900(CCY)  
 (C)=

(D)=  
 (E)=  
 (F)=

No.	Lev.	Parts No.	Description	Qty						I	R
				(A)	(B)	(C)	(D)	(E)	(F)		
1	1	198220-85301-1	PLATE REAR COMP.	1	1						
2	1	198220-85330	BOLT, M12X65	2	2						

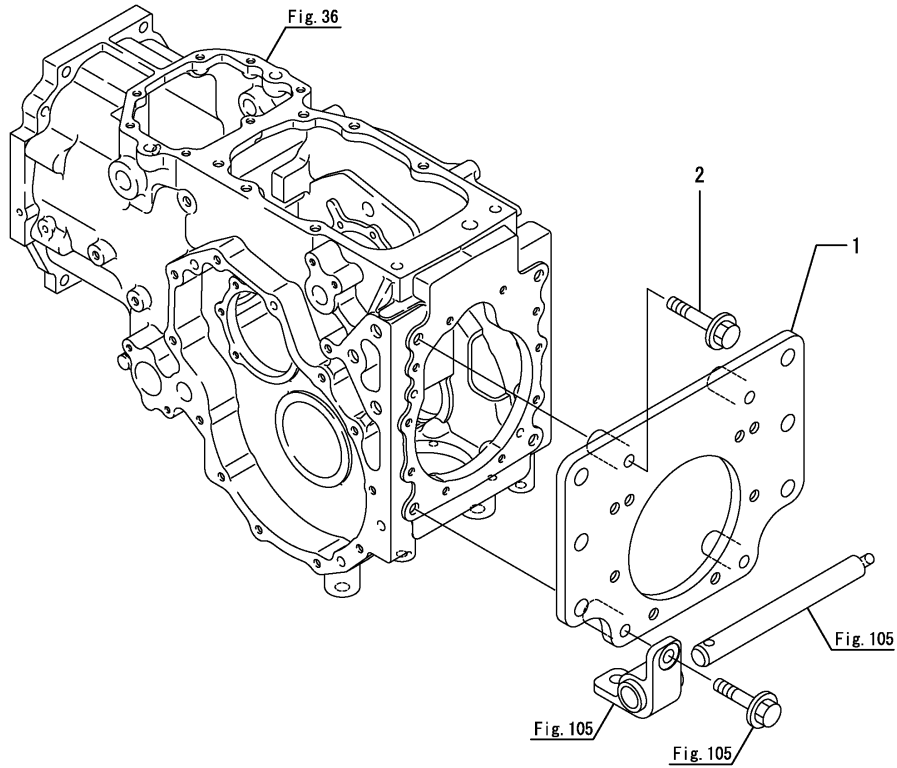
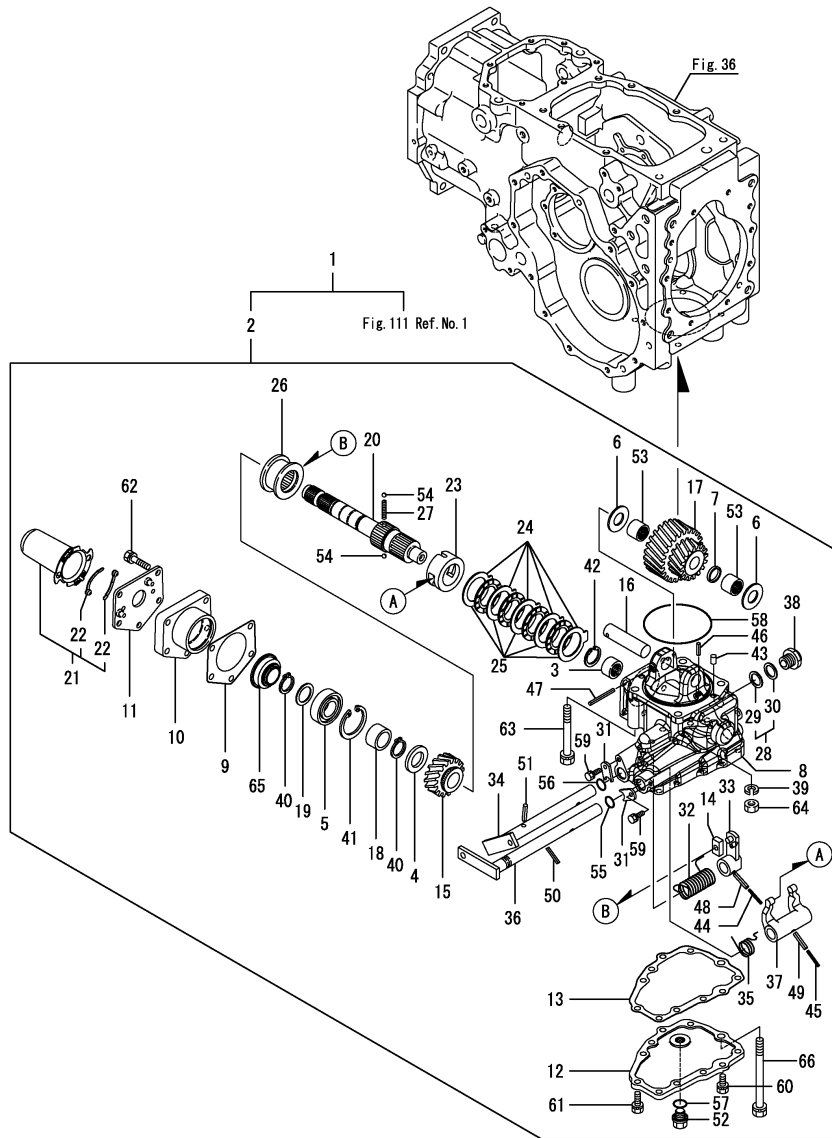


Fig.110. MID P.T.O (1)(OPTIONAL PARTS)

(A)=EX3200(CCY)  
(B)=EX2900(CCY)  
(C)=

(D)=  
(E)=  
(F)=



No.	Lev.	Parts No.	Description	Q'ty						I	R
				(A)	(B)	(C)	(D)	(E)	(F)		
1	1	MID-PTO,EX3200	MID PTO KIT	1	1						1
2	2	1A8160-26610	PTO KIT, MID	1	1						
3	3	194505-24160	BEARING, NK20/16RCT	1	1						
4	3	194065-25340	WASHER, 25X42X4.8	1	1						
5	3	194640-25390	BEARING, BALL TMB205	1	1						
6	3	194190-26351	WASHER, 20X41X2.5	2	2						
7	3	198220-26570	WASHER, 20.5X25X4	1	1						
8	3	198220-26711	CASE, MID DRIVE	1	1						
9	3	198220-26730	GASKET, SEAL CASE	1	1						
10	3	198220-26740	CASE, SEAL	1	1						
11	3	198220-26750	COVER, SEAL CASE	1	1						
12	3	198220-26761	COVER, CASE	1	1						
13	3	198220-26771	GASKET, COVER	1	1						
14	3	198220-26790	BLOCK, SHIFT	1	1						
15	3	198220-26800	GEAR, DRIVE	1	1						
16	3	198220-26810	SHAFT, MID IDLE	1	1						
17	3	198220-26820	GEAR, IDLE	1	1						
18	3	198220-26830	COLLAR, 25X34X19.4	1	1						
19	3	194190-26840	SPACER, 25X35X1.6	1	1						
20	3	198220-26840	SHAFT, MID DRIVE	1	1						
21	3	194850-26850	COVER ASSY, SHAFT	1	1						
22	4	194850-26870	SPRING, PLATE	2	2						
23	3	198220-26850	ACTUATOR	1	1						
24	3	198220-26860	PLATE, STEEL 55X1.2	5	5						
25	3	198220-26870	PLATE, 54X2.7	4	4						
26	3	198220-26890	SLIDER, MID PTO	1	1						
27	3	198220-26910	SPRING, 30.2	1	1						
28	3	198220-26930	GASKET SET	1	1						
29	4	198220-26940	PACKING, 18	1	1						
30	4	23414-180000	GASKET, 18X1.0	1	1						
31	3	198230-27540	PLATE, KEEP	2	2						
32	3	198220-27600	SPRING, A	1	1						
33	3	198220-27690	ARM, SHIFT	1	1						
34	3	198220-27720-1	SHAFT, PTO SHIFT	1	1						
35	3	198220-27840	SPRING, B	1	1						
36	3	198220-27850	SHAFT, PTO BRAKE	1	1						
37	3	198220-27860	LEVER, PTO BRAKE	1	1						
38	3	194464-52190	SWITCH, SAFETY START	1	1						
39	3	22217-100000	WASHER, SPRING 10	1	1						
40	3	22242-000250	RING, 25	2	2						
41	3	22252-000520	RING, 52	1	1						
42	3	22262-000280	RING, R-28	1	1						
43	3	22312-080120	PIN, PARALLEL M8X12	2	2						
44	3	22351-035028	PIN, SPRING 3.5X28	1	1						
45	3	22351-035028	PIN, SPRING 3.5X28	1	1						
46	3	22351-050020	PIN, SPRING 5.0X20	1	1						
47	3	22351-050050	PIN, SPRING 5.0X50	1	1						
48	3	22351-060028	PIN, SPRING 6.0X28	1	1						
49	3	22351-060028	PIN, SPRING 6.0X28	1	1						
50	3	22351-060028	PIN, SPRING 6.0X28	1	1						
51	3	22351-060028	PIN, SPRING 6.0X28	1	1						

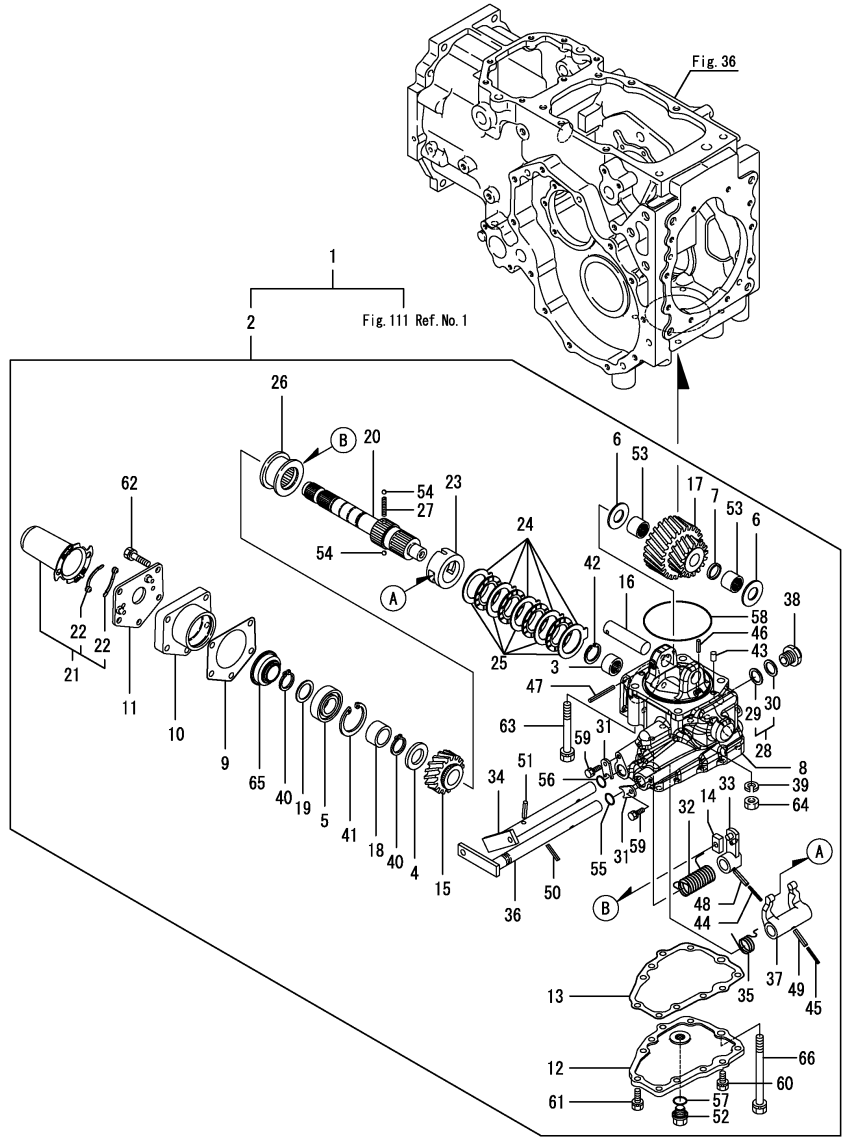
Remarks  
\* Optional parts.  
(1) Dealer option.  
to be ordered as whole sale goods.  
Fig.111 is incorporated in this  
MID P.T.O KIT(Ref.No.1)

Fig.110. MID P.T.O (1)(OPTIONAL PARTS)

(A)=EX3200(CCY)  
 (B)=EX2900(CCY)  
 (C)=

(D)=  
 (E)=  
 (F)=

No.	Lev.	Parts No.	Description	Qty						I	R
				(A)	(B)	(C)	(D)	(E)	(F)		
52	3	23491-140002	PLUG, 14	1	1						
53	3	24161-202620	BEARING, 202620	2	2						
54	3	24190-080001	BALL, STEEL 1/4	2	2						
55	3	24311-000125	O-RING, 1AP12.5	1	1						
56	3	24311-000125	O-RING, 1AP12.5	1	1						
57	3	24311-000160	O-RING, 1AP16.0	1	1						
58	3	24321-001000	O-RING, 1AG100.0	1	1						
59	3	26013-060122	BOLT, M6X 12	2	2						
60	3	26013-080162	BOLT, M8X 16	1	1						
61	3	26013-080202	BOLT, M8X 20	6	6						
62	3	26013-080352	BOLT, M8X 35	5	5						
63	3	26013-100852	BOLT, M10X 85	2	2						
64	3	26716-100002	NUT, M10	1	1						
65	3	933147-10350	SEAL, QLF25471121	1	1						
66	3	26013-101202	BOLT, M10X120	1	1						

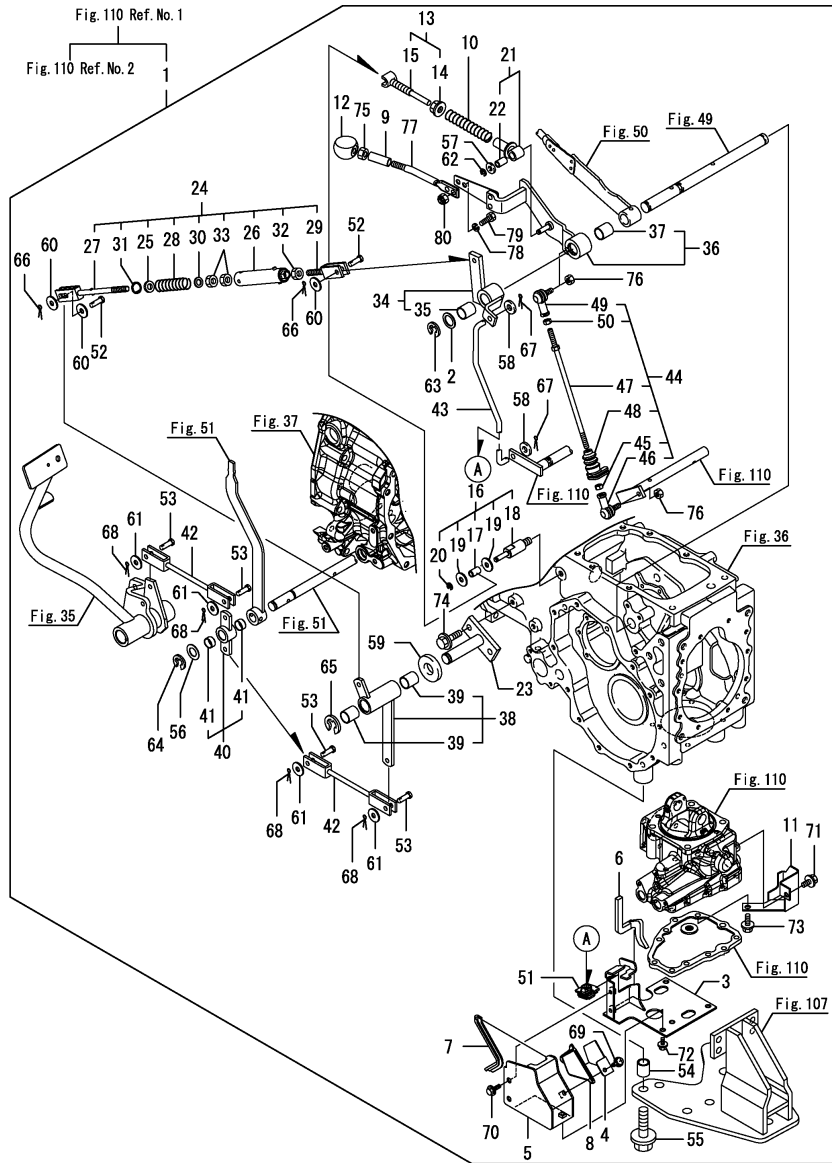


Remarks  
 \* Optional parts.  
 (1) Dealer option.  
 to be ordered as whole sale goods.  
 Fig.111 is incorporated in this  
 MID P.T.O KIT(Ref.No.1)

Fig.111. MID P.T.O (2)(OPTIONAL PARTS)

(A)=EX3200(CCY)  
 (B)=EX2900(CCY)  
 (C)=

(D)=  
 (E)=  
 (F)=



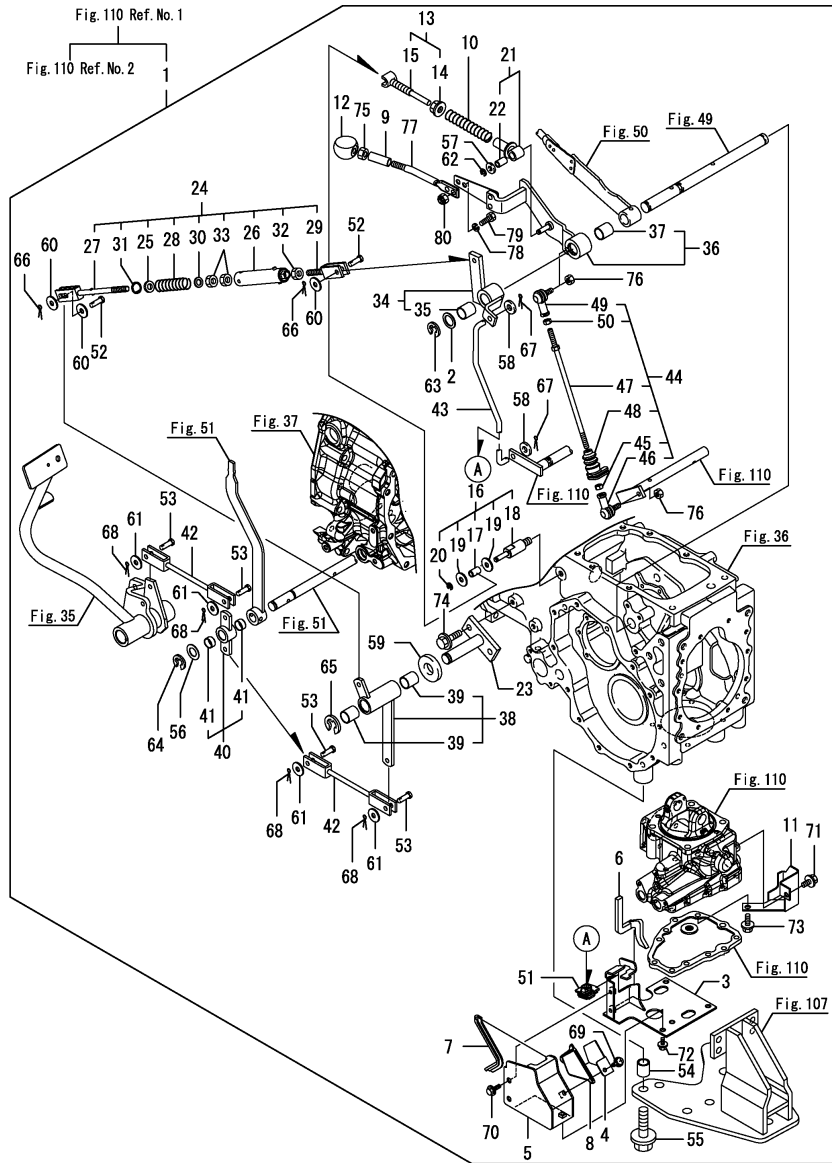
No.	Lev.	Parts No.	Description	Qty						I	R
				(A)	(B)	(C)	(D)	(E)	(F)		
1	2	1A8160-26620	PTO KIT, MID	1	1						
2	3	194191-13350	SPACER, 20X30X1.6	1	1						
3	3	198230-26600	COVER, PTO	1	1						
4	3	198230-26630	COVER, PTO	1	1						
5	3	198230-26650	COVER, PTO	1	1						
6	3	198230-26710	RUBBER, SEAL A	1	1						
7	3	198230-26720	RUBBER, SEAL B	1	1						
8	3	198230-26730	RUBBER, SEAL C	1	1						
9	3	198220-26990	HOSE, PROTECTION	1	1						
10	3	198220-27230	SPRING, MID PTO	1	1						
11	3	1A8160-27250	COVER, SWITCH	1	1						
12	3	198220-27390	KNOB, LEVER	1	1						
13	3	198220-27400	SUPPORT ASSY, SPRING	1	1						
14	4	194065-23140	SEAT, SPRING B	1	1						
15	4	198220-27240	ROD, SPRING	1	1						
16	3	198220-27460	SPRING ASSY, PIVOT	1	1						
17	4	194180-05270	BUSH, 8X12X20	1	1						
18	4	198220-27790	BOLT, STEPPED	1	1						
19	4	22157-080000	WASHER, 8	2	2						
20	4	22272-000070	RING, E- 7	1	1						
21	3	198220-27470	END ASSY, SPRING	1	1						
22	4	194180-05270	BUSH, 8X12X20	1	1						
23	3	198220-27580	SHAFT, BELL CRANK	1	1						
24	3	198220-27620	SPRING ASSY	1	1						
25	4	194150-01270	SPACER, 20	1	1						
26	4	198220-27610	HOLDER, SPRING	1	1						
27	4	198220-27770	ROD, BRAKE B	1	1						
28	4	198220-27880	SPRING, C	1	1						
29	4	194130-37750	JOINT, 2-WAY	1	1						
30	4	22117-100000	WASHER, 10	1	1						
31	4	22252-000200	RING, 20	1	1						
32	4	26716-100002	NUT, M10	1	1						
33	4	26716-100002	NUT, M10	2	2						
34	3	198220-27710	CRANK ASSY, BELL	1	1						
35	4	24550-020250	BUSH, 20X25	1	1						
36	3	1A8160-27760	LEVER, PTO CHANGE M	1	1						
37	4	24550-020250	BUSH, 20X25	1	1						
38	3	1A8160-27800	CRANK KIT, BELL	1	1						
39	4	24550-020250	BUSH, 20X25	2	2						
40	3	1A8160-27840	ARM ASSY, PTO	1	1						
41	4	1E4440-24050	BUSH, 17X19X10	2	2						
42	3	1A8160-27900	ROD, MID PTO BRAKE	2	2						
43	3	198220-27940	ROD, BRAKE C	1	1						
44	3	198234-27980	END ASSY, ROD	1	1						
45	4	194990-20170	NUT, M8	1	1						
46	4	194820-27370	END, ROD L	1	1						
47	4	198220-27750	ROD, MID	1	1						
48	4	198220-28260	BELLOWS, MID PTO	1	1						
49	4	172112-41980	BEARING, ROD-END	1	1						
50	4	26716-080002	NUT, M8	1	1						
51	3	198220-28250	BELLOWS, MID PTO	1	1						

Remarks  
 \* Optional parts.  
 \* This Figure MID P.T.O(2) is  
 Incorporated in the MID P.T.O KIT  
 (Fig.110)

Fig.111. MID P.T.O (2)(OPTIONAL PARTS)

(A)=EX3200(CCY)  
 (B)=EX2900(CCY)  
 (C)=

(D)=  
 (E)=  
 (F)=



No.	Lev.	Parts No.	Description	Q'ty						I	R
				(A)	(B)	(C)	(D)	(E)	(F)		
52	3	198220-37900	PIN, 8X24	2	2						
53	3	198220-37900	PIN, 8X24	4	4						
54	3	198220-75120	COLLAR, 17X25X22	2	2						
55	3	198220-75810	BOLT, M16X55	2	2						
56	3	1E4132-99600	LINER 17.2X30X1	1	1						
57	3	22137-080000	WASHER, 8	1	1						
58	3	22137-100000	WASHER, 10	2	2						
59	3	22137-200000	WASHER, 20	1	1						
60	3	22157-080000	WASHER, 8	3	3						
61	3	22157-080000	WASHER, 8	4	4						
62	3	22272-000070	RING, E- 7	1	1						
63	3	22272-000150	RING, E-15	1	1						
64	3	22272-000150	RING, E-15	1	1						
65	3	22272-000190	RING, E-19	1	1						
66	3	22417-250300	PIN, COTTER 2.5X30	2	2						
67	3	22417-250300	PIN, COTTER 2.5X30	2	2						
68	3	22417-250300	PIN, COTTER 2.5X30	4	4						
69	3	26023-060122	SCREW, M6X12	1	1						
70	3	26106-060122	BOLT, M6X 12 PLATED	3	3						
71	3	26106-080162	BOLT, M8X 16 PLATED	1	1						
72	3	26106-080202	BOLT, M8X 20 PLATED	3	3						
73	3	26106-080202	BOLT, M8X 20 PLATED	1	1						
74	3	26106-100252	BOLT, M10X 25 PLATED	2	2						
75	3	26716-100002	NUT, M10	1							
75-1	3	194990-22150	NUT, M10	1	1						N
(A=FXXXXX)											
76	3	26986-080002	NUT, LOCK M8	2	2						
77	3	198220-27910	LEVER, B	1	1						
78	3	22217-050000	WASHER, SPRING 5	2	2						
79	3	26116-050162	BOLT, M5X 16 PLATED	2	2						
80	3	26346-050002	NUT, M5	2	2						

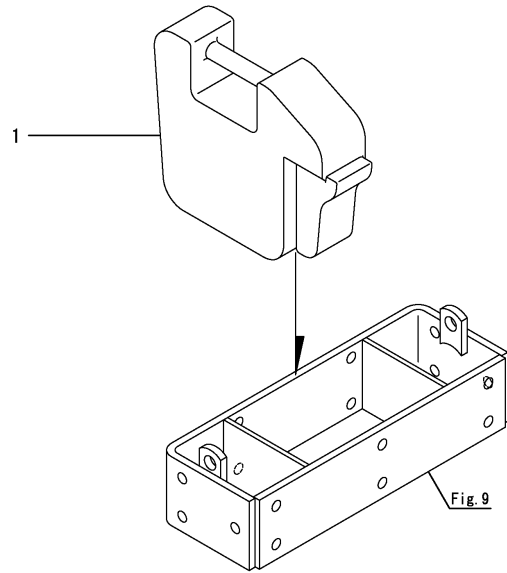
Remarks  
 \* Optional parts.  
 \* This Figure MID P.T.O(2) is  
 Incorporated in the MID P.T.O KIT  
 (Fig.110)

Fig.112. FRONT WEIGHT(OPTION)

(A)=EX3200(CCY)  
 (B)=EX2900(CCY)  
 (C)=

(D)=  
 (E)=  
 (F)=

No.	Lev.	Parts No.	Description	Q'ty						I	R
				(A)	(B)	(C)	(D)	(E)	(F)		
1	1	WET-20	FRONT WEIGHT 20	1	1						1



Remarks

\* Optional parts.  
 (1) Dealer option.  
 to be ordered as whole sale goods.

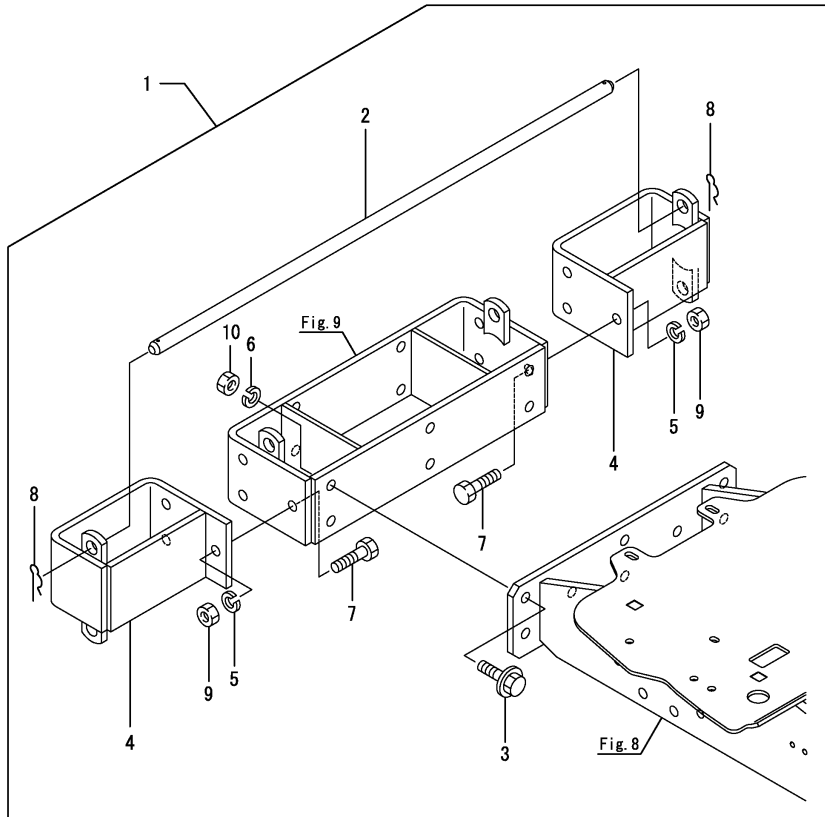


Fig.113. EXTRA HITCH(OPTION)

(A)=EX3200(CCY)  
 (B)=EX2900(CCY)  
 (C)=

(D)=  
 (E)=  
 (F)=

No.	Lev.	Parts No.	Description	Q'ty						I	R
				(A)	(B)	(C)	(D)	(E)	(F)		
1	1	1A8160-11900	HITCH KIT, EXTRA	1	1						
2	2	198220-11350	PIN, WEIGHT LOCK	1	1						
3	2	198220-11520	BOLT, M12X38	6	6						
4	2	198220-11900	HITCH, EXTRA	2	2						
5	2	194274-13580	WASHER, SPRING 12	6	6						
6	2	194274-13580	WASHER, SPRING 12	6	6						
7	2	194465-13650	BOLT, M12X32	6	6						
8	2	22372-160000	PIN, SNAP 16	2	2						
9	2	26716-120002	NUT, M12	6	6						
10	2	26716-120002	NUT, M12	6	6						

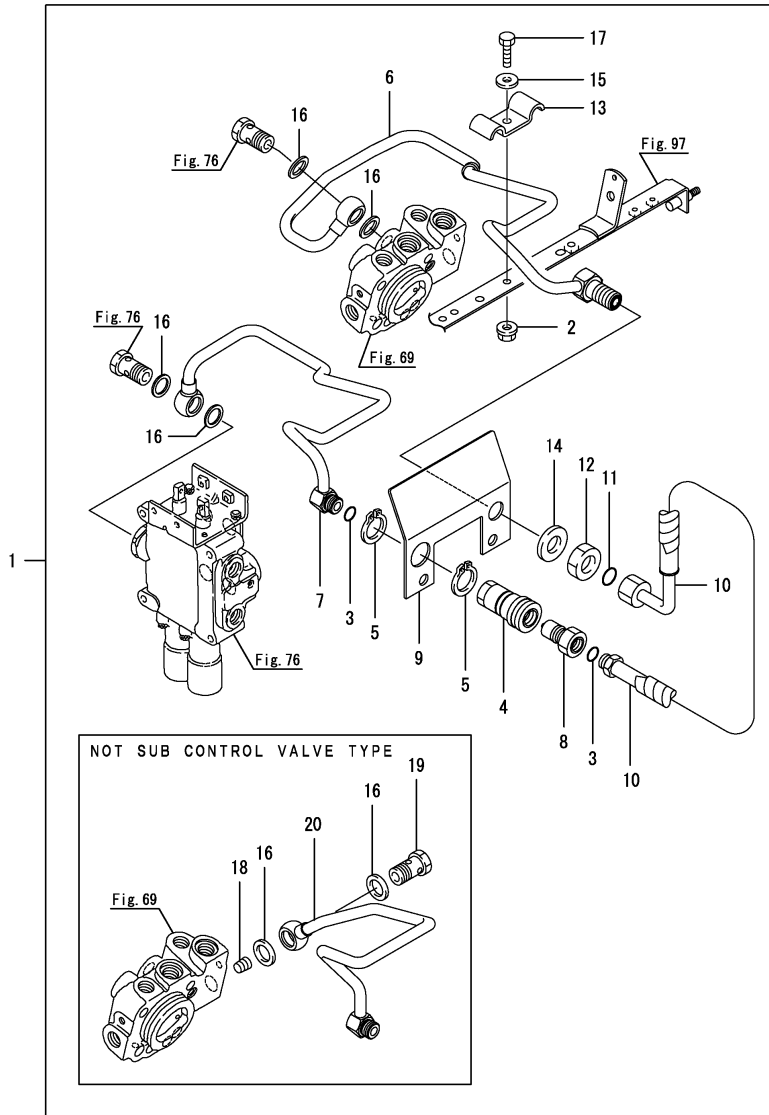


Remarks  
 \* Optional parts.

Fig.114. REAR COUPLER(OPTION)

(A)=EX3200(CCY)  
 (B)=EX2900(CCY)  
 (C)=

(D)=  
 (E)=  
 (F)=



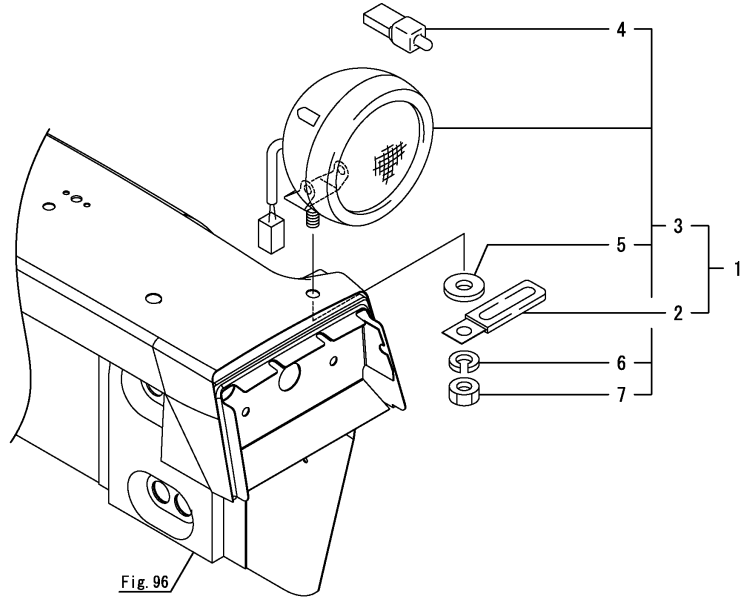
No.	Lev.	Parts No.	Description	Q'ty						I	R
				(A)	(B)	(C)	(D)	(E)	(F)		
1	1	REAR-AUX,EX320	REAR AUX.HYD. KIT	1	1						1
2	2	194990-22140	NUT, M8	1	1						
3	2	194464-45930	O-RING, 8-1	2	2						
4	2	1A8160-46250	COUPLER, QUICK 3/8	1	1						
5	2	198240-46260	RING, SNAP	2	2						
6	2	1A8160-48510	LINE,PRESSURE	1	1						
6-1	2	1A8160-48511	PIPE, PRESSURE C	1	1						N
		(A=F002245)	(B=F000640)								
7	2	1A8160-48540	PIPE, PRESSURE	1	1						
7-1	2	1A8160-48541	PIPE, PRESSURE	1	1						N
		(A=F002245)	(B=F000640)								
8	2	1A8160-48820	COUPLER, QUICK 3/8	1	1						
9	2	1A8160-48890	BRACKET ASSY	1	1						
10	2	1A8160-48910	HOSE, HYDRAULIC	1	1						
10-1	2	1A8160-48911	HOSE, HYDRAULIC	1	1						R
		(A=FZZZZZ)	(B=FZZZZZ)								
11	2	1A8160-48920	PACKING, CH178X0124H	1	1						
12	2	198165-48920	NUT, 13/16	1	1						
13	2	198220-48950	CLAMP	1	1						
14	2	22137-200000	WASHER, 20	1	1						
15	2	22157-080000	WASHER, 8	1	1						Z
		(A=FZZZZZ)	(B=FZZZZZ)								
16	2	23414-190000	GASKET, 19X1.0	4	4						
17	2	26116-080202	BOLT, M8X 20 PLATED	1	1						
17-1	2	26106-080202	BOLT, M8X 20 PLATED	1	1						R
		(A=FZZZZZ)	(B=FZZZZZ)								
18	2	198245-42160	PLUG, 1/4	1	1						2
19	2	198245-46680	BOLT, M3/4-16	2	2						2
20	2	1A8160-48570	LINE,PRESSURE	1	1						2
20-1	2	1A8160-48571	PIPE, PRESSURE P	1	1						N 2
		(A=F002245)	(B=F000640)								

Remarks  
 \* Optional part.  
 (1) Dealer option.  
 to be ordered as whole sale goods.  
 (2) For not sub control valve type.

Fig.115. WORK LAMP(OPTION)

(A)=EX3200(CCY)  
 (B)=EX2900(CCY)  
 (C)=

(D)=  
 (E)=  
 (F)=



No.	Lev.	Parts No.	Description	Q'ty						I	R
				(A)	(B)	(C)	(D)	(E)	(F)		
1	1	1A8160-53300	LAMP KIT, WORKING	1	1						
2	2	194180-51640	CLAMP, HARNESS	1	1						
3	2	1A7340-54100	LAMP ASSY, WORKING	1	1						
4	3	1A7470-86270	BULB, 12V-35W	1	1						
5	3	22137-100000	WASHER, 10	1	1						
6	3	22217-100000	WASHER, SPRING 10	1	1						
7	3	26736-100002	NUT, M10	1	1						

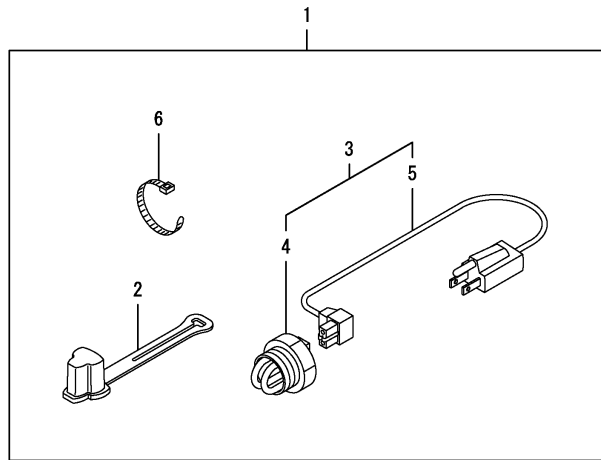
Remarks  
 \* Optional parts.

Fig.118. BLOCK HEATER(OPTION)

(A)=EX3200(CCY)  
 (B)=EX2900(CCY)  
 (C)=

(D)=  
 (E)=  
 (F)=

No.	Lev.	Parts No.	Description	Q'ty						I	R
				(A)	(B)	(C)	(D)	(E)	(F)		
1	1	129269-95020	HEATER EX3200, KIT	1	1						
2	2	1A7880-57260	PROTECTOR, PLUG	1	1						
3	2	129269-95010	HEATER ASSY	1	1						
4	3	171015-77900	HEATER	1	1						
5	3	171015-77910	CORD, HEATER	1	1						
6	2	29622-140001	BAND, RF140	1	1						



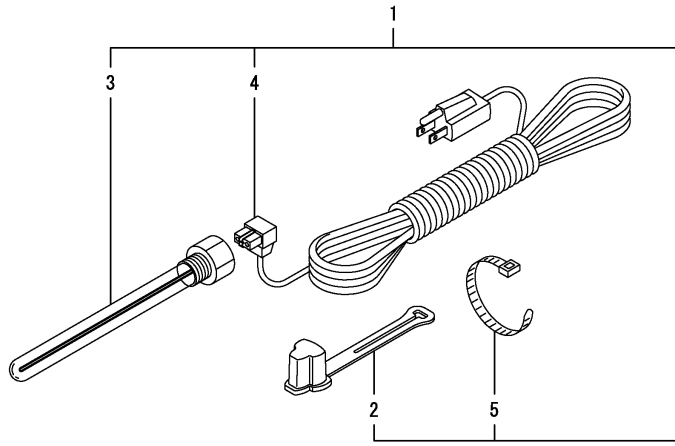
Remarks  
 \* Optional parts.

Fig.119. T/M HEATER(OPTION)

(A)=EX3200(CCY)  
 (B)=EX2900(CCY)  
 (C)=

(D)=  
 (E)=  
 (F)=

No.	Lev.	Parts No.	Description	Q'ty						I	R
				(A)	(B)	(C)	(D)	(E)	(F)		
1	1	1A8160-99000	HEATER, TM	1	1						
2	2	1A7880-57260	PROTECTOR, PLUG	1	1						
3	2	1A8160-99010	HEATER, TRANSMISSION	1	1						
4	2	1A8160-99020	CODE, POWER	1	1						
5	2	29622-250001	BAND, RF250	2	2						

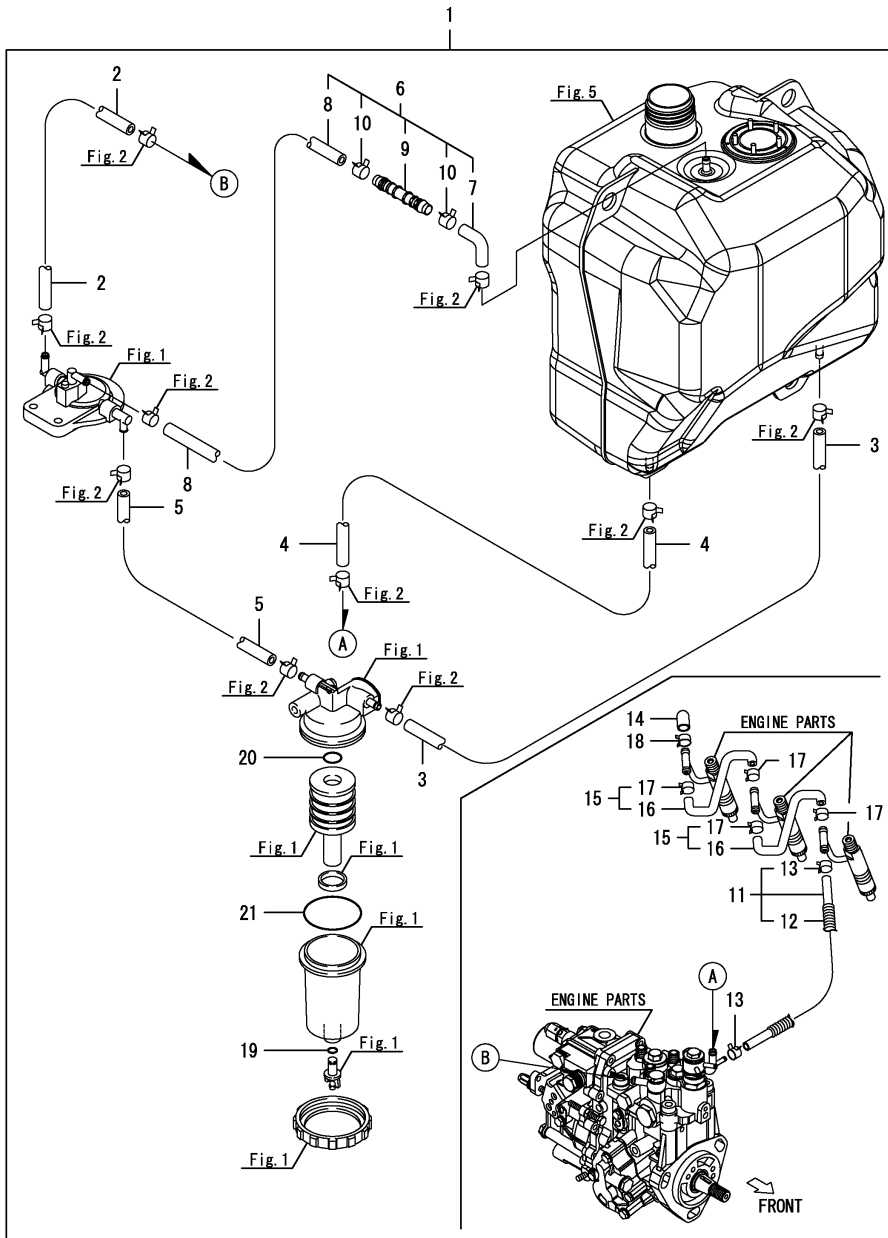


Remarks  
 \* Optional parts.

Fig.120. FO HOSE(FAME(OPTION)

(A)=EX3200(CCY)  
 (B)=EX2900(CCY)  
 (C)=

(D)=  
 (E)=  
 (F)=



No.	Lev.	Parts No.	Description	Q'ty						I	R
				(A)	(B)	(C)	(D)	(E)	(F)		
1	1	1A8160-04250	HOSE KIT, FUEL	1	1						
2	2	1A8160-04500	HOSE, FUEL 270	1	1						
3	2	1A8160-04510	HOSE, FUEL 330	1	1						
4	2	1A8160-04520	HOSE, FUEL 900	1	1						
5	2	1A8160-04530	HOSE, FUEL A	1	1						
6	2	1A8160-04570	HOSE ASSY	1	1						
7	3	1A8160-04270	HOSE, RETURN	1	1						
8	3	1A8160-04280	HOSE, FUEL 1060	1	1						
9	3	1A8160-04480	JOINT, HOSE	1	1						
10	3	114270-59010	CLIP, HOSE 12	2	2						
11	2	129268-59551	PIPE ASSY, RETURN	1	1						
12	3	129237-59120	PROTECTOR,HOSE	1	1						
13	3	124060-77680	CLIP, HOSE 10	2	2						
14	2	119593-59581	CAP	1	1						
15	2	129486-59581	HOSE, FUEL	2	2						
16	3	129486-59521	PIPE, FUEL RETURN	2	2						
17	3	124060-77680	CLIP, HOSE 10	4	4						
18	2	124060-77680	CLIP, HOSE 10	1	1						
19	2	24316-000070	O-RING, 4DP7.0	1	1						
20	2	24316-000160	O-RING, 4DP16.0	1	1						
21	2	24326-000650	O-RING, 4DG65.0	1	1						

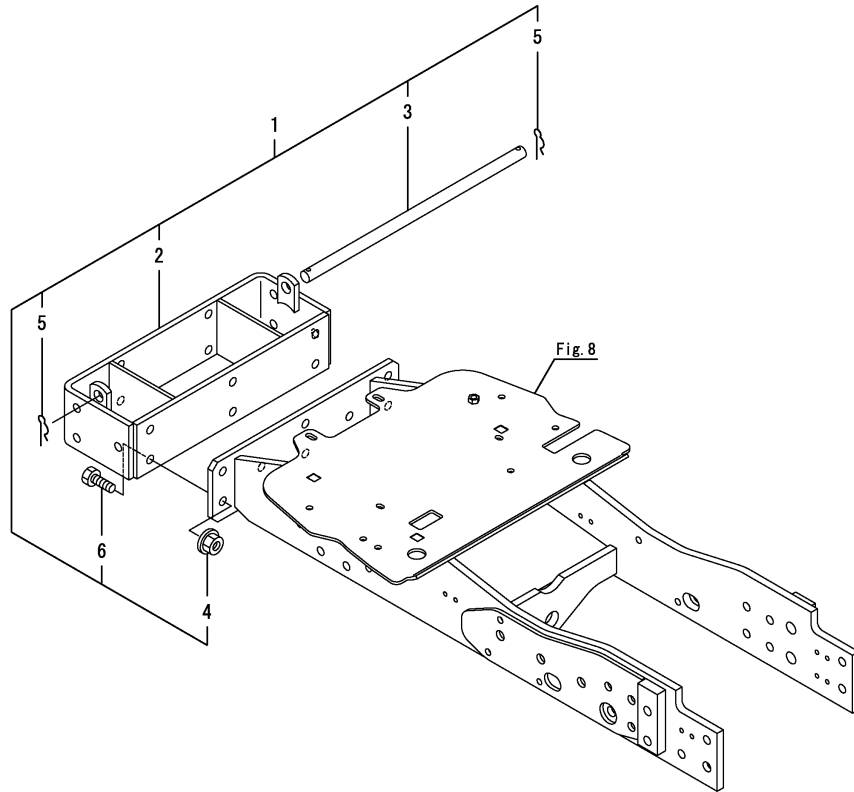
Remarks  
 \* Optional parts.

Fig.121. FRONT HITCH(OPTION)

(A)=EX3200(CCY)  
 (B)=EX2900(CCY)  
 (C)=

(D)=  
 (E)=  
 (F)=

No.	Lev.	Parts No.	Description	Q'ty						I	R
				(A)	(B)	(C)	(D)	(E)	(F)		
1	1	1A8160-11050	HITCH KIT, FRONT	1	1						
2	2	1A8160-11120	HITCH, FRONT	1	1						
3	2	194197-11140	PIN, WEIGHT LOCK	1	1						
4	2	194990-22160	NUT, M12	6	6						
5	2	22372-160000	PIN, SNAP 16	2	2						
6	2	26116-120352	BOLT, M12X 35 PLATED	6	6						



Remarks  
 \* Optional parts.

Fig.122. REAR REMOTE(OPTION)

(A)=EX3200(CCY)

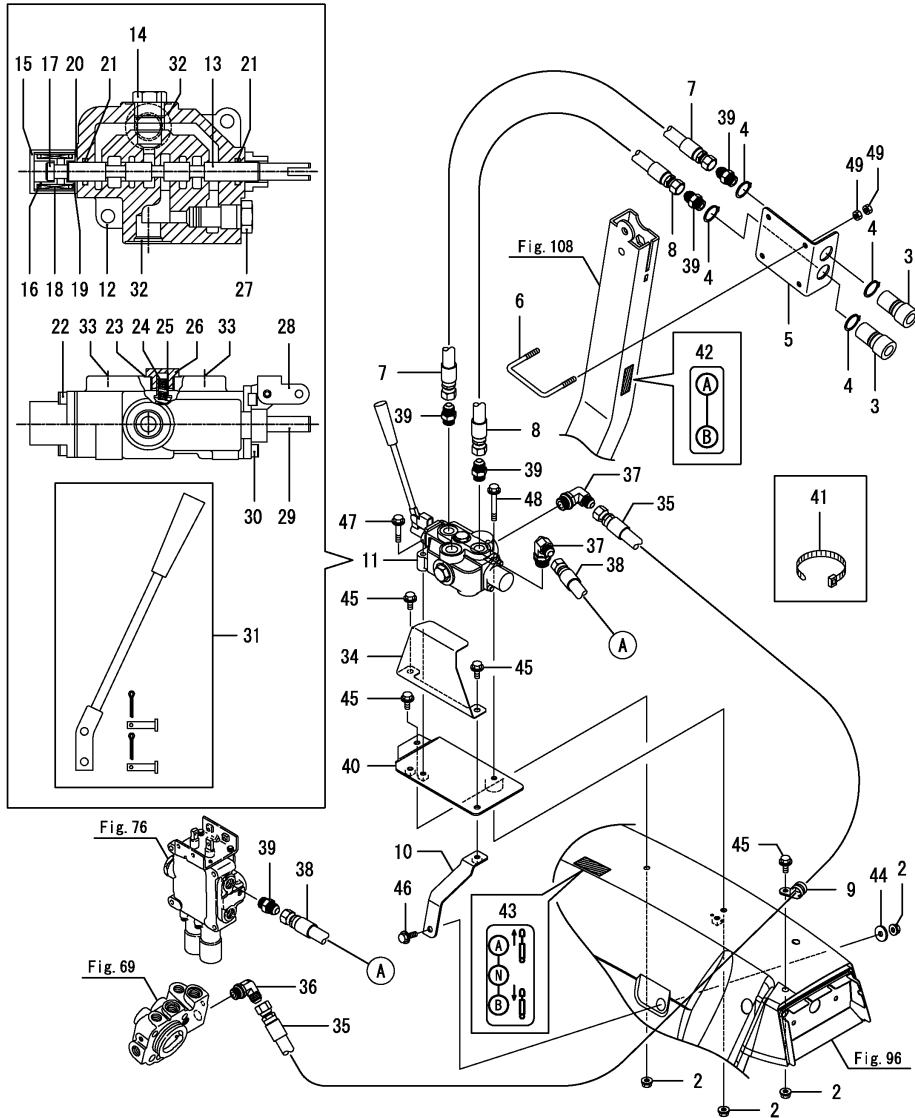
(B)=EX2900(CCY)

(C)=

(D)=

(E)=

(F)=



No.	Lev.	Parts No.	Description	Q'ty						I	R
				(A)	(B)	(C)	(D)	(E)	(F)		
2	1	194990-22140	NUT, M8	4	4						
3	1	1A8160-46250	COUPLER, QUICK 3/8	2	2						
4	1	198240-46260	RING, SNAP	4	4						
5	1	1A8160-46550	BRACKET, COUPLER	1	1						
6	1	1A8160-46560	BAND	2	2						
7	1	1A8160-46570	HOSE, VALVE PORT A	1	1						
8	1	1A8160-46580	HOSE, VALVE PORT B	1	1						
9	1	1A8160-46590	CLAMP, HOSE	1	1						
10	1	1A8160-46730	SUPPORT, BRACKET	1	1						
11	1	1A8160-46850	VALVE ASSY, REMOTE	1	1						
12	2	1A8160-47710	VALVE BODY	1	1						
13	2	1A8160-47720	SPOOL	1	1						
14	2	1A8160-47730	PLUG, PORT	1	1						
15	2	1A8160-47740	CAP, END	1	1						
16	2	1A8160-47750	CUP, STOP	1	1						
17	2	1A8160-47760	ADAPTER, SPOOL	1	1						
18	2	1A8160-47770	SPRING	1	1						
19	2	1A8160-47780	CUP, STOP	1	1						
20	2	1A8160-47790	PLATE, RETAINER	1	1						
21	2	1A8160-47800	SEAL, SPOOL	2	2						
22	2	1A8160-47810	SCREW, CAP	2	2						
23	2	1A8160-47820	O-RING	1	1						
24	2	1A8160-47830	SPRING, CHECK	1	1						
25	2	1A8160-47840	VALVE, CHECK	1	1						
26	2	1A8160-47850	PLUG, CHECK	1	1						
27	2	1A8160-47860	PLUG, RELIEF	1	1						
28	2	1A8160-47870	CLEVIS ASSY	1	1						
29	2	1A8160-47880	ADAPTER, SPOOL	1	1						
30	2	1A8160-47890	SCREW, CAP	2	2						
31	2	1A8160-47900	HANDLE KIT	1	1						
32	2	1A8160-47910	PLUG, PORT	2	2						
33	2	1A8160-47920	PLUG, PORT	2	2						
34	1	1A8160-46890	COVER, VALVE	1	1						
35	1	1A8160-46900	HOSE, VALVE	1	1						
36	1	1A8160-46910	ELBOW, 8-8	1	1						
37	1	1A8160-46920	ELBOW, 8-10	2	2						
38	1	1A8160-46950	HOSE, VALVE	1	1						
39	1	1A8160-46960	CONNECTOR, 8-8	5	5						
40	1	1A8160-46970	BRACKET, REMOTE	1	1						
41	1	1A8300-51210	BAND, REPEAT	4	4						
42	1	1A8160-65670	LABEL, SCV PORT 1	1	1						
43	1	1A8160-65680	LABEL, SCV LEVER 1	1	1						
44	1	22157-080000	WASHER, 8	1	1						
45	1	26106-080162	BOLT, M8X 16 PLATED	4	4						
46	1	26106-080252	BOLT, M8X 25 PLATED	1	1						
47	1	26106-080402	BOLT, M8X 40 PLATED	1	1						
48	1	26106-080602	BOLT, M8X 60 PLATED	1	1						
49	1	26717-080002	NUT, M8	8	8						

Remarks  
\* Optional parts.



## Parts No. Index

Parts No.	Fig. No.	Ref. No.
0A041-U00100	102	21
0A041-U00101	102	21 -1
114110-07761	1	29
114270-59010	2	14 C
		19 -1
	120	10
119255-44660	1	17
119593-59581	120	14
119802-55700	1	22
119802-55710	1	24
119802-55730	1	26 A
119802-55810	1	27
119808-12520	1	3 -1
119808-12540	1	5
119852-55611	1	21
119852-55612	1	21 -1
119866-12540	1	4
121267-49500	2	20
121450-44531	1	13
121470-44581	1	16
124060-77680	120	13
		17
		18
124450-44560	1	15
124550-77030	82	33
124617-91920	88	12
124764-44810	1	18
124766-59050	2	12
		19
		25
		26
		27
129004-12520	1	3
129051-12530	1	2
129052-13550	4	2
129100-55690	1	23
129107-44590	1	9
129150-49081	1	20
129211-77920	1	28
129237-59120	120	12
129263-44500	1	8
129263-44510	1	12
129268-59551	120	11
129269-12500	1	1
129269-95010	118	3
129269-95020	118	1
129418-12530	1	6
129467-44580	1	10
129467-44590	1	11
129486-59521	120	16

Parts No.	Fig. No.	Ref. No.
129486-59581	120	15
129550-49101	1	19
129612-12650	1	7
158800-85320	117	5
158802-85880	117	8
158805-85211	117	2
158805-85221	117	3
158805-85300	117	4
158810-85140	117	27
168HJ1-29030	117	14
168HJ1-29040	117	23
168HJ1-29041	117	23 -1
168HJ1-29050	117	36
168HJ1-29060	117	44
168HJ1-29070	117	52
168HJ1-29080	117	56
168HJ1-29090	117	60
168HJ1-29100	117	65
168HJ1-85460	117	6
168HJ1-85480	117	7
168HJ1-85500	117	37
168HJ5-29510	117	6 -1
168HM6-29410	117	4 -1
168HM6-29420	117	5 -1
171015-77900	118	4
171015-77910	118	5
172112-41980	111	49
172516-22370	76	27
174570-63620	2	34
	94	30
175022-49750	2	21
178071-01010	72	1
192154-29610	66	1
192180-25980	18	4
194065-23140	111	14
194065-25340	110	4
194080-01121	76	25
194130-22160	34	3
194130-22170	34	4
194130-22280	29	5
194130-37750	111	29
194130-44480	71	8
194130-47851	96	3
194145-27450	49	1
194145-61570	3	8
194145-61651	88	17
	92	12
194150-01270	3	6
	111	25
194150-21910	30	1

Parts No.	Fig. No.	Ref. No.
194150-22480	35	5
194150-25530	42	4
194150-43350	70	2
194150-45320	75	1
194151-36670	17	15
194151-47760	77	15
194151-57210	89	6
194167-61650	94	18
		19
	95	14
		15
		16
194170-45610	73	2
194170-47320	77	1
194170-47440	77	7
194170-51210	82	20
	94	3
194180-01240	2	5
194180-05270	111	17
		22
194180-12471	26	1
194180-26690	36	14
194180-51640	115	2
194190-22250	29	4
194190-26351	110	6
194190-26840	44	11
	110	19
194191-13350	47	1
	111	2
194191-28350	42	13
194193-43310	70	1
194195-44210	71	3
194195-44230	71	4
194195-44250	71	5
194195-44260	71	6
194195-44411	71	7
194195-45620	73	3
194195-45640	73	5
194195-45650	73	6
194195-46260	73	8
194197-11140	9	2
	121	3
194197-21170	37	1
194197-26680	44	9
194197-26710	44	10
194197-33100	58	1
194197-33110	58	2
194197-33120	58	3
194197-34310-1	57	9
194197-34320-1	57	10

Parts No.	Fig. No.	Ref. No.
194197-43410	71	1
194197-44610-1	71	10
194197-74641	104	34
194208-47420	77	5
194208-47440	77	8
194208-47550	77	11
194208-47860	77	16
194250-22370	52	9 A
194250-51650	82	28
194274-13570	16	2
194274-13580	67	1
	113	5
		6
194275-51160	82	7
194275-51170	82	8
194275-56900	88	16
194300-22260	35	6
194300-31550	13	3
194300-31560	13	4
194300-31570	13	5
194300-31610	13	6
194300-31620	13	7
194300-33190	58	6
194300-33200	58	7
194301-28280	51	7
194305-25160	41	1
194306-13140	12	3
194310-25100	43	1
194310-46350	69	12
194310-46380	69	13
194310-46730	69	14
194312-46630	74	3
194321-13230	55	1
194322-24980	39	3
194330-62530	94	28
	98	9
194405-83910	43	10
194420-56620	5	10
194430-31610	55	3
194430-31820	55	4
194430-31850	55	5
194440-32580	60	2
194440-44112	71	2
194440-51620	2	22
		23
	36	16
	82	21 -1
		25
		26
		39

## Parts No. Index

Parts No.	Fig. No.	Ref. No.
194440-51630	86	2
194440-61580	94	17
194446-26280	43	9
194447-13490	16	1
194447-14140	19	5
	57	2
194447-14180	57	3
194450-11190	8	2
	29	1
194450-48830	78	6
194464-45930	76	4
	114	3
194464-48850	78	7
194464-52190	84	5
		6
	110	38
194465-11920	57	1
194465-13650	113	7
194505-24160	110	3
194515-13220	10	1
194515-24930	39	1
194515-25780	44	1
194515-25840	42	8
194550-46300	74	1
194550-47530	77	10
194555-04270	6	2
194555-25870	44	2
194555-34180	64	1
194555-34190	64	2
194555-47340	77	2
194555-47350	77	3
194555-48350	79	3
194555-56890	88	15
194555-61640	95	11
		12
		13
194555-61970	94	24
194556-13790	19	1
194640-17340	27	3
194640-25390	110	5
194640-46410	75	5
194640-46420	75	6
194640-46620	74	2
194680-27540	47	7
194680-51670	2	24
	5	14
	82	27
		29
		30
194730-57220	11	4

Parts No.	Fig. No.	Ref. No.
194730-57220	11	10
194730-57242	11	6
		12
194740-00160	3	2
194740-06080	29	3
194820-27370	111	46
194850-13660	16	4
194850-13690	16	7
194850-24960	36	13
194850-26850	110	21
194850-26870	110	22
194850-31380	12	5
194850-42500	69	6
194850-45700	73	7
194850-49230	73	9
194855-25290	12	4
194881-12650	24	1
194940-61790	88	18
	92	14
194940-65590	91	7
194990-20170	111	45
194990-22050	82	2 -1
194990-22060	100	1
194990-22120	5	7
194990-22130	28	9
	76	26
	82	1
	83	1
	86	1
	89	1
	95	1
	116	10
194990-22140	6	4
	7	2
	35	1
	53	2
	82	2
		40
	92	2
		33
	94	1
		2
		42
	96	7
	99	3
	100	2
		3
	114	2
	122	2
194990-22150	46	1 -1

Parts No.	Fig. No.	Ref. No.
194990-22150	50	5 -2
	100	1 -1
	111	75 -1
194990-22160	9	3
	121	4
194990-22831	11	3
194990-22841	11	9
194990-42710	34	5
194990-85561	76	53
195230-17260	107	1
195616-24930	28	31
	116	2
198071-37510	35	11
	68	8
198071-58810	94	4
198071-61890	87	15
	92	15
198071-65610	87	18
		19
		20
	91	8
198093-84810	92	19
198119-27150	51	2
198119-48310	79	2
198129-05190	93	9
		12
198129-27281	65	1
198133-15710	25	3
198133-15750	25	5
198133-22510	35	8
	68	1
198133-22530	35	10
	68	2
198146-63660	94	31
198153-17630	27	10
198153-51700	82	16
198153-53410	87	12
198165-01130	3	4
198165-36190	68	40
198165-48920	114	12
198167-35311	65	9
198167-35411	65	11
198200-14110-1	19	2
198200-14120	19	3
198200-14210	19	7
198200-36310	67	2
198200-36341	67	3
198200-36350-1	67	4
198200-36380	67	5
198200-36390	67	6

Parts No.	Fig. No.	Ref. No.
198200-36410	67	7
198200-36421	67	8
198200-36422	67	8 -1
198212-27990	51	3
198220-01110	3	3
198220-01140	3	5
198220-01350	3	7
198220-04290	5	6
198220-11350	113	2
198220-11510	8	3
	105	1
198220-11520	113	3
198220-11530	8	5
198220-11900	113	4
198220-12310	11	1
198220-15650	25	1
198220-22230	48	1
198220-22310	33	2
198220-22350	35	3
198220-22470	35	4
198220-22520	35	9
198220-24211	36	6
198220-24341	36	7
198220-24360	36	9
198220-24480	36	11
198220-24970	39	2
198220-25830	42	7
198220-25840	42	9
198220-26110	43	3
198220-26130	43	4
198220-26380	43	6
198220-26410	43	7
198220-26430	43	8
198220-26460	44	3
198220-26470	44	4
198220-26500	44	5
198220-26510	44	6
198220-26530	44	7
198220-26560	44	8
198220-26570	110	7
198220-26582	45	1
198220-26711	110	8
198220-26730	110	9
198220-26740	110	10
198220-26750	110	11
198220-26761	110	12
198220-26771	110	13
198220-26790	51	1
	110	14
198220-26800	110	15

## Parts No. Index

Parts No.	Fig. No.	Ref. No.
198220-26810	110	16
198220-26820	110	17
198220-26830	110	18
198220-26840	110	20
198220-26850	110	23
198220-26860	110	24
198220-26870	110	25
198220-26890	110	26
198220-26910	110	27
198220-26920	44	12
198220-26930	110	28
198220-26940	110	29
198220-26990	50	1
	111	9
198220-27230	111	10
198220-27240	111	15
198220-27290	50	2
198220-27390	111	12
198220-27400	111	13
198220-27460	111	16
198220-27470	111	21
198220-27580	111	23
198220-27600	110	32
198220-27610	111	26
198220-27620	111	24
198220-27630	49	2
198220-27640	49	3
198220-27650	49	4
198220-27690	110	33
198220-27700	49	5
198220-27710	111	34
198220-27720-1	110	34
198220-27750	111	47
198220-27770	111	27
198220-27790	111	18
198220-27810-1	50	3
198220-27840	110	35
198220-27850	110	36
198220-27860	110	37
198220-27880	111	28
198220-27910	111	77
198220-27940	111	43
198220-27990	49	6
198220-28250	111	51
198220-28260	111	48
198220-33140	58	4
198220-33210	58	8
198220-34340	57	11
198220-37700	68	23
198220-37720	68	24

Parts No.	Fig. No.	Ref. No.
198220-37730	68	14
198220-37770	68	16
198220-37790	68	17
198220-37900	68	35
	111	52
		53
198220-42101	69	1
198220-44510	71	9
198220-45340	73	1
198220-45350	75	2
198220-45370	75	3
198220-45630	73	4
198220-45920	69	9
		25
		26
198220-46200	76	28
198220-46210	76	29
198220-46220	76	23
198220-46300	76	35
198220-46400	75	4
198220-46500	76	15
198220-46560	28	10
198220-46602	76	18
198220-46603	76	18 -1
198220-46700	76	22
198220-46701	76	22 -1
198220-46710	76	30
198220-46851	76	54
198220-46860	76	36
198220-46910	76	31
198220-46920	76	32
198220-46970	76	33
198220-46990	76	37
198220-46991	76	37 -1
198220-47370	77	34
198220-47380	77	4
198220-47430	77	6
198220-47490	77	9
198220-47560	77	12
198220-47570	77	13
198220-47710-1	96	1
198220-47750	96	2
198220-48140	28	15
	78	2
	116	15
198220-48420	79	4
198220-48750	78	5
	81	5
198220-48950	114	13
198220-51170	82	19

Parts No.	Fig. No.	Ref. No.
198220-51250	82	21
198220-52180	89	2
		3
198220-52410	100	5
198220-52420	100	6
198220-53170	88	2
198220-56130	88	5
198220-56140	88	6
198220-56150	88	7
198220-56160	88	8
198220-56220	88	11
198220-56230	88	13
198220-56600	5	8
198220-56610	5	9
198220-56630	5	11
198220-61340	91	4
198220-61351	93	14
198220-61540	95	4
198220-61800	93	16
198220-62030	95	17
198220-62150	92	18
	98	3
198220-62220	96	13
198220-62260	96	8
198220-62270	96	9
198220-62410	96	14
198220-62440	96	15
198220-62690	97	2
198220-62890	98	12
198220-62920	96	10
198220-63120	100	8
198220-63150	100	9
198220-63160	100	10
198220-63220-1	100	12
198220-63230-1	100	13
198220-63240	100	14
198220-63260	100	15
198220-63270	100	16
198220-63280	100	17
198220-63850	95	18
198220-65350	102	2
198220-65420	76	61
198220-65470	102	11
198220-65621	103	2
198220-73140	104	43
198220-73151	105	4
198220-73240	104	44
198220-73250	104	45
198220-74670	104	36
198220-74800	104	37

Parts No.	Fig. No.	Ref. No.
198220-75120	111	54
198220-75210-1	107	2
198220-75700-1	107	4
198220-75800	107	5
198220-75810	111	55
198220-75850	104	38
198220-85270	108	28
198220-85290	108	29
198220-85301-1	109	1
198220-85330	109	2
198220-85390	105	3
198221-13130	12	2
198221-13410	14	2
198221-14650	20	2
198223-42270	69	24
198223-43200	69	8
198226-52100	84	1
198230-17301	27	1
198230-17311	27	2
198230-17340	27	4
198230-17850	28	7
	116	8
198230-26600	111	3
198230-26630	111	4
198230-26650	111	5
198230-26710	111	6
198230-26720	111	7
198230-26730	111	8
198230-27540	110	31
198230-31510	55	2
198230-32110	55	6
198230-33500	60	1
198230-34050	60	3
198230-34101	60	4
198230-34111	60	5
198230-48220	78	4
198230-61960	92	37
198230-62250	97	1
198230-62510-1	98	7
198230-62520-1	98	8 -1
198230-62950	97	4
198234-27980	111	44
198234-46700	76	24
198234-46701	76	24 -1
198234-62600	99	1
198234-72550	104	18
		28
198240-21180	30	10
198240-46260	76	6
	114	5

## Parts No. Index

Parts No.	Fig. No.	Ref. No.
198240-46260	122	4
198240-48500	79	5
198240-62451	98	6
198240-63110	100	7
198240-74641	104	35
198245-42160	76	2
	114	18
198245-46680	28	11
		12
		13
		14
	76	21
	114	19
	116	11
		12
		13
		14
198245-51210	94	40
198253-01190	3	12
198253-27510	46	2
198253-37610	68	20
198253-51410	82	23
198253-75430	107	3
198266-28390	17	13
	36	15
198268-17790	28	6
		32
	116	7
198268-61690	95	23
198273-28520	51	20
198273-28521	51	20 -1
198280-24340	52	1
198280-29490	53	12
198280-29570	52	6
198287-21510	31	1
198287-21700	31	2
198290-32750	57	7
198290-37510	68	9
198291-18120	11	2
198291-18130	11	8
198291-77870	82	34
		35
		36
		37
198327-22230	34	6
198415-25840	42	10
198448-04270	2	14 A
198448-53320	87	3
		9
198448-60080	94	5

Parts No.	Fig. No.	Ref. No.
198448-60080	94	6
198475-32660	17	14
198475-65030	87	16
		17
	91	6
198535-52110	82	9
198535-52120	82	10
198535-52130	82	11
1A6150-61870	98	2
1A6780-57200	89	5
1A7000-53230	87	2
		8
1A7000-61490	82	55
1A7260-01030	2	1
1A7260-01040	2	2
1A7260-01220	2	4
1A7260-01250	2	6
1A7260-03151	2	8
1A7260-03160	2	9
1A7260-03170	2	10
1A7260-03180	2	11
1A7260-51710	82	31
1A7260-52410	82	12
1A7260-52510	82	32
1A7260-53350	87	10
1A7260-60211	2	28
1A7260-60221	2	29
1A7260-60580	94	8
1A7260-60590	94	9
1A7260-60610	91	1
1A7260-60640	93	1
1A7260-60661	8	7
1A7260-60670	93	2
1A7260-60680	92	3
1A7260-60750	8	6
1A7260-60780	93	3
1A7260-60790	93	4
1A7260-60800	92	34
1A7260-60810	92	35
1A7260-60820	92	36
1A7260-60860	2	31
1A7260-60870	92	7
1A7260-60890	91	2
1A7260-60900	93	5
1A7260-60911	94	7
1A7260-60920	93	6
1A7260-60930	93	7
1A7260-60950	94	13
1A7260-60960	94	14
1A7260-61060-1	93	10

Parts No.	Fig. No.	Ref. No.
1A7260-61070-1	93	13
1A7260-61080	94	10
1A7260-61100-2	91	3
1A7260-61150-1	93	10 -1
		13 -1
1A7260-61190	94	11
1A7260-61250	87	13
1A7260-61260	87	14
1A7260-61310-1	92	9
1A7260-61550	92	10
1A7260-61650	92	11
1A7260-61660	92	13
1A7260-61860	2	32
1A7260-61920	92	16
1A7260-61970	2	33
1A7330-51130	82	14
1A7330-53430	86	4
1A7335-04070	5	2
1A7335-04071	5	2 -1
1A7335-04080	5	3
1A7335-04081	5	3 -1
1A7335-04110	5	4
1A7335-04280	6	3
1A7335-17310	26	3
1A7335-17410	26	4
1A7335-17500	26	5
1A7335-17520	26	6
1A7335-17530	26	7
1A7335-17550	26	8
1A7335-17551	26	8 -1
1A7335-17750	26	9
1A7335-42810	69	7
1A7335-52110	84	3
1A7335-52120	84	4
1A7335-52150	68	28
1A7335-53600	86	8
1A7335-53610	86	9
1A7335-53620	86	10
1A7335-53640	86	11
1A7335-53650	86	12
1A7335-56120	88	4
1A7335-62550	98	18
1A7335-62560	98	10
1A7335-62700	97	3
1A7335-71100	104	2
1A7335-71230	104	3
1A7335-71240	104	4
1A7335-71250	104	5
		14
1A7335-71410	104	6

Parts No.	Fig. No.	Ref. No.
1A7335-71410	104	12
		15
		26
1A7335-71500	104	7
1A7335-71550	105	2
1A7335-71600	104	8
1A7335-71700	104	9
1A7335-71750	104	10
1A7335-71760	104	11 -1
1A7335-72100	104	13
1A7335-72200	104	16
1A7335-72230	104	17
1A7335-72360	104	21 -1
1A7335-72370	104	22 -1
		30 -1
1A7335-72390	104	24 -1
1A7335-72500	104	25
1A7335-72530	104	27
1A7335-72800	104	19
1A7335-73100	104	32
1A7335-73160	105	5
1A7335-73400	104	31
1A7335-74600	104	33
1A7335-74610	104	40 -1
1A7335-74620	104	35 -1
1A7335-74630	104	41 -1
1A7335-74640	104	34 -1
1A7335-74670	104	36 -1
1A7335-74680	104	38 -1
1A7335-74760	106	1
1A7335-74770	106	2
1A7335-74800	104	37 -1
1A7335-74810	104	42 -1
1A7335-74820	104	39 -1
1A7336-73150	105	4 -1
1A7340-54100	115	3
1A7340-61560	94	16
1A7340-65080	102	1
1A7450-13230	10	3
1A7450-43680	104	23 -1
1A7470-86270	115	4
1A7500-51130	82	4
		18
1A7500-51160	82	6
1A7500-51170	82	13 A
		16 A
1A7500-72160	104	20 -1
		29 -1
1A7510-52120	68	27
1A7510-60980	98	1

## Parts No. Index

Parts No.	Fig. No.	Ref. No.
1A7780-03150	2	8 -1
1A7780-52510	82	32 -1
1A7780-53200	87	1
1A7780-53250	87	4
1A7780-53260	87	5
1A7780-53300	87	7
1A7780-53350	87	4 -1
1A7780-53360	87	5 -1
1A7780-53370	87	6 -1
1A7780-60550	94	43
1A7780-60800	92	32
1A7780-60860	2	31 -1
1A7880-52100	84	2
1A7880-52110	84	1 -1
1A7880-57260	118	2
	119	2
1A7880-65620	103	1 -1
1A7880-71550	105	2 -1
1A7890-53270	87	6
1A7890-60980	94	15
1A7891-60910	94	7 -1
1A8070-12310	11	1 -1
1A8150-17750	116	5
1A8150-51710	80	2 -1
		4
1A8150-64710	102	22
1A8160-01210	2	3
1A8160-01300	2	7
1A8160-01320	3	13
1A8160-03100	4	1
1A8160-04100	5	1
1A8160-04130	5	12
1A8160-04150	5	13
1A8160-04210	6	1
1A8160-04250	120	1
1A8160-04260	5	5
1A8160-04270	120	7
1A8160-04280	120	8
1A8160-04430	2	13
1A8160-04440	2	14
1A8160-04470	2	14 -1
1A8160-04480	2	14 B
	120	9
1A8160-04500	120	2
1A8160-04510	120	3
1A8160-04520	120	4
1A8160-04530	120	5
1A8160-04570	120	6
1A8160-05510	7	1
1A8160-06200	2	15

Parts No.	Fig. No.	Ref. No.
1A8160-11050	121	1
1A8160-11110	8	1
1A8160-11120	9	1
	121	2
1A8160-11240	2	16
1A8160-11270	2	17
1A8160-11290	2	18
1A8160-11520	8	4
1A8160-11900	113	1
1A8160-13100	12	1
1A8160-13200	13	1
1A8160-13210	13	2
1A8160-13230	10	2
1A8160-13240	10	5
1A8160-13241	10	5 -1
1A8160-13270	10	4
1A8160-13340	14	1
1A8160-13341	14	1 -1
1A8160-13510	15	1
1A8160-13520	15	2
1A8160-13560	15	3
1A8160-13561	15	3 -1
1A8160-13600	16	3
1A8160-13650	16	5
1A8160-13660	16	6
1A8160-13720	17	2
1A8160-13730	17	4
1A8160-13750	17	6
1A8160-13800	17	7
1A8160-13820	17	8
1A8160-13830	18	1
1A8160-13861	17	9
1A8160-13870	18	2
1A8160-13880	17	10
1A8160-13890	17	11
1A8160-13920	17	3
		5
1A8160-13930	17	12
	36	1
1A8160-13980	18	3
1A8160-13981	18	3 -1
1A8160-14130	19	4
1A8160-14180	19	6
1A8160-14300	21	1
1A8160-14310	21	2
		6
1A8160-14330	21	3
		7
1A8160-14350	21	4
		8

Parts No.	Fig. No.	Ref. No.
1A8160-14350	22	2
1A8160-14400	21	5
1A8160-14500	22	1
1A8160-14510	22	3
1A8160-14530	22	4
	23	2
		6
1A8160-14610	20	1
1A8160-14700	23	1
1A8160-14710	23	3
		7
1A8160-14750	23	4
		8
1A8160-14800	23	5
1A8160-15700	25	2
1A8160-15740	25	4
1A8160-17400	26	2
1A8160-17401	26	2 -1
1A8160-17440	28	29
1A8160-17450	28	30
	116	1
1A8160-17460	28	1
1A8160-17461	28	1 -1
1A8160-17500	27	8
1A8160-17510	27	9
1A8160-17700	28	2
	116	3
1A8160-17701	28	2 -1
	116	3 -1
1A8160-17702	28	2 -2
	116	3 -2
1A8160-17720	28	3
	116	4
1A8160-17721	28	3 -1
	116	4 -1
1A8160-17740	28	4
1A8160-17741	28	4 -1
1A8160-17780	28	5
	116	6
1A8160-17781	28	5 -1
	116	6 -1
1A8160-17782	28	5 -2
	116	6 -2
1A8160-17950	28	8
	116	9
1A8160-21100	29	2
1A8160-21101	29	2 -1
1A8160-21180	34	1
1A8160-21200	34	1 -1
1A8160-22110	32	1

Parts No.	Fig. No.	Ref. No.
1A8160-22120	32	2
1A8160-22150	34	2
1A8160-22240	33	1
1A8160-22410	35	7
1A8160-24100	36	3
1A8160-24101	36	3 -1
1A8160-24160	38	1
1A8160-24200	38	2
1A8160-24250	38	3
1A8160-24300	37	2
1A8160-24330	40	1
1A8160-24390	36	10
	57	4
1A8160-24400	37	3
1A8160-24920	36	12
1A8160-24950	81	1
1A8160-25150	52	19
	117	1
1A8160-25151	52	19 -1
	117	1 -1
1A8160-25310	40	2
1A8160-25320	41	2
1A8160-25350	41	3
1A8160-25360	42	1
1A8160-25370	42	2
1A8160-25380	41	4
1A8160-25390	42	3
1A8160-25650	42	5
1A8160-25810	42	6
1A8160-25990	42	11
1A8160-26110	43	2
1A8160-26300	43	5
1A8160-26610	110	2
1A8160-26620	111	1
1A8160-26630	45	2
1A8160-26640	45	3
1A8160-27200	52	2
1A8160-27250	111	11
1A8160-27350	47	17
1A8160-27360	47	2
1A8160-27380	47	3
1A8160-27400	33	3
1A8160-27430	47	4
1A8160-27440	47	5
1A8160-27450	47	6
1A8160-27500	48	2
1A8160-27520	48	3
1A8160-27530	48	4
1A8160-27650	48	2 -1
1A8160-27760	111	36

## Parts No. Index

Parts No.	Fig. No.	Ref. No.
1A8160-27800	111	38
1A8160-27840	111	40
1A8160-27900	111	42
1A8160-28190	42	12
1A8160-28210	51	4
1A8160-28220	51	5
1A8160-28230	51	6
1A8160-28310	51	8
1A8160-28320	51	9
1A8160-28360	51	10
1A8160-29000	53	1
1A8160-29040	65	2
1A8160-29150	53	3
1A8160-29270	53	4
1A8160-29280	53	5
1A8160-29300	53	6
1A8160-29440	53	8
1A8160-29540	52	3
1A8160-29541	52	3 -1
1A8160-29550	52	4
1A8160-29551	52	4 -1
1A8160-29560	52	5
1A8160-29580	52	7
1A8160-29800	53	13
1A8160-31300	54	1
1A8160-32300	56	1
1A8160-32600	57	5
1A8160-32601	57	5 -1
1A8160-32610	57	6
1A8160-32611	57	6 -1
1A8160-32810	57	8
1A8160-33160	58	5
1A8160-33400	59	1
1A8160-34300	61	1
1A8160-34310	61	2
		11
1A8160-34330	61	3
		12
1A8160-34340	61	4
		13
1A8160-34350	61	9
		18
		2
1A8160-34360	61	5
		14
1A8160-34370	61	6
		15
1A8160-34380	61	7
		16
1A8160-34390	61	8

Parts No.	Fig. No.	Ref. No.
1A8160-34390	61	17
1A8160-34400	61	10
1A8160-34500	62	1
1A8160-34501	62	1 -1
1A8160-34510	62	3
1A8160-34530	62	4
1A8160-34531	62	4 -1
1A8160-34700	63	1
1A8160-34710	63	2
		6
1A8160-34730	63	3
		7
1A8160-34750	63	4
		8
1A8160-34800	63	5
1A8160-35080	65	3
1A8160-35100	65	4
1A8160-35110	65	5
1A8160-35210	65	6
1A8160-35240	65	7
1A8160-35300	66	2
1A8160-35310	65	8
1A8160-35360	65	10
1A8160-35450	66	3
1A8160-37360	68	3
1A8160-37400	68	4
1A8160-37420	68	5
1A8160-37490	68	6
1A8160-37491	68	6 -1
1A8160-37500	68	7
1A8160-37550	68	10
1A8160-37570	68	45
1A8160-37580	68	11
1A8160-37590	68	46
1A8160-37600	68	12
1A8160-37621	68	21
1A8160-37622	68	21 -1
		21 -2
		34 B
1A8160-37650	68	34 A
1A8160-37660	68	22
1A8160-37730	68	13
1A8160-37740	68	15
1A8160-37810	68	19
1A8160-37850	68	25
1A8160-37851	68	25 -1
		25 -2
		34 C
1A8160-37950	68	26
1A8160-37970	68	49

Parts No.	Fig. No.	Ref. No.
1A8160-37970	68	49 -1
1A8160-42150	69	4
1A8160-42190	69	5
1A8160-46250	76	5
	114	4
	122	3
1A8160-46280	76	7
1A8160-46290	76	8
1A8160-46300	76	9
1A8160-46310	76	10
1A8160-46410	76	3
1A8160-46411	76	3 -1
1A8160-46420	76	11
1A8160-46421	76	11 -1
1A8160-46440	76	12
1A8160-46441	76	12 -1
1A8160-46460	76	13
1A8160-46461	76	13 -1
1A8160-46480	76	14
1A8160-46481	76	14 -1
1A8160-46550	122	5
1A8160-46560	122	6
1A8160-46570	122	7
1A8160-46580	122	8
1A8160-46590	122	9
1A8160-46610	76	19
1A8160-46611	76	19 -1
1A8160-46630	76	20
1A8160-46631	76	20 -1
1A8160-46670	74	8
1A8160-46700	76	1
1A8160-46730	122	10
1A8160-46750	76	52
1A8160-46780	76	51
1A8160-46781	76	51 -1
1A8160-46850	122	11
1A8160-46890	122	34
1A8160-46900	122	35
1A8160-46910	122	36
1A8160-46920	122	37
1A8160-46930	76	16
1A8160-46950	122	38
1A8160-46960	122	39
1A8160-46970	122	40
1A8160-47610	77	14
1A8160-47710	122	12
1A8160-47720	122	13
1A8160-47730	122	14
1A8160-47740	122	15
1A8160-47750	122	16

Parts No.	Fig. No.	Ref. No.
1A8160-47760	122	17
1A8160-47770	122	18
1A8160-47780	122	19
1A8160-47790	122	20
1A8160-47800	122	21
1A8160-47810	122	22
1A8160-47820	122	23
1A8160-47830	122	24
1A8160-47840	122	25
1A8160-47850	122	26
1A8160-47860	122	27
1A8160-47870	122	28
1A8160-47880	122	29
1A8160-47890	122	30
1A8160-47900	122	31
1A8160-47910	122	32
1A8160-47920	122	33
1A8160-48100	78	1
1A8160-48101	78	1 -1
1A8160-48160	78	3
1A8160-48161	78	3 -1
1A8160-48300	81	2
1A8160-48310	79	11
1A8160-48311	79	11 -1
1A8160-48400	79	1
1A8160-48510	114	6
1A8160-48511	114	6 -1
1A8160-48540	114	7
1A8160-48541	114	7 -1
1A8160-48570	114	20
1A8160-48571	114	20 -1
1A8160-48610	81	3
1A8160-48611	81	3 -1
1A8160-48650	81	4
1A8160-48651	81	4 -1
1A8160-48652	81	4 -2
1A8160-48820	114	8
1A8160-48890	114	9
1A8160-48910	114	10
1A8160-48911	114	10 -1
1A8160-48920	114	11
1A8160-49100	80	1
1A8160-49101	80	1 -1
1A8160-49200	80	1 -2
1A8160-51100	82	3
1A8160-51130	82	5
1A8160-51180	82	15
1A8160-51200	82	17
1A8160-51310	82	22
1A8160-51420	82	24

## Parts No. Index

Parts No.	Fig. No.	Ref. No.
1A8160-51550	83	2
1A8160-51570	83	3
1A8160-51580	83	4
1A8160-51600	83	5
1A8160-51610	83	6
1A8160-51710	80	2
1A8160-52300	85	1
1A8160-52310	85	2
1A8160-52320	100	4
1A8160-52330	85	3
1A8160-52510	89	4
1A8160-53300	115	1
1A8160-56100	88	1
1A8160-56110	88	3
1A8160-56200	88	9
1A8160-56210	88	10
1A8160-56211	88	10 -1
1A8160-60100	90	1
1A8160-60720	2	30
1A8160-61000	93	8
1A8160-61010	93	11
1A8160-61300	92	8
1A8160-61400	93	15
1A8160-61520	95	2
1A8160-61530	95	3
1A8160-61550	95	5
1A8160-61560	95	6
1A8160-61570	95	7
1A8160-61600	95	8
1A8160-61610	95	9
1A8160-61620	95	10
1A8160-61700	94	20
1A8160-61730	94	21
1A8160-61740	94	22
1A8160-61810	94	23
1A8160-61880	95	24
1A8160-61900	91	5
1A8160-62010	96	4
1A8160-62020	96	5
1A8160-62030	94	25
1A8160-62040	94	26
1A8160-62050	94	27
1A8160-62290	98	4
1A8160-62300	98	5
1A8160-62301	98	5 -1
1A8160-62480	81	6
1A8160-62530	98	8
1A8160-62540	94	29
1A8160-62600	96	16
1A8160-62640	96	17

Parts No.	Fig. No.	Ref. No.
1A8160-62760	98	11
1A8160-63200	100	11
1A8160-63400	101	4
1A8160-63410	101	5
1A8160-63420	101	6
1A8160-63430	100	18
1A8160-63440	101	1
1A8160-64710	102	19
1A8160-65300	103	3
1A8160-65310	103	4
1A8160-65320	103	9
1A8160-65321	103	9 -1
1A8160-65340	103	1
1A8160-65350	103	5
1A8160-65360	102	3
1A8160-65370	102	4
1A8160-65380	102	5
1A8160-65400	103	8
1A8160-65410	76	60
1A8160-65420	102	7
1A8160-65421	102	7 -1
1A8160-65430	76	62
1A8160-65440	82	13
1A8160-65580	102	10
1A8160-65590	102	20
1A8160-65610	102	12
1A8160-65630	102	13
1A8160-65670	122	42
1A8160-65680	122	43
1A8160-65740	102	14
1A8160-65750	102	15
1A8160-65760	96	18
1A8160-65770	102	16
1A8160-65800	102	17
1A8160-65860	108	1
1A8160-71000	104	1
1A8160-85010	108	2
1A8160-85060	108	10
		19
1A8160-85070	108	4
		11
		20
1A8160-85080	108	5
		12
		21
1A8160-85090	108	13
		22
1A8160-85100	108	14
		23
1A8160-85110	108	15

Parts No.	Fig. No.	Ref. No.
1A8160-85110	108	24
1A8160-85121	108	16
		25
1A8160-85130	108	16 A
		25 A
		27
1A8160-85140	108	27
1A8160-85150	108	6
1A8160-85170	103	6
1A8160-85180	103	7
1A8160-85190	108	7
1A8160-85200	108	8
		17
		26
1A8160-85260	108	3
1A8160-85270	108	9
1A8160-85280	108	18
1A8160-99000	119	1
1A8160-99010	119	3
1A8160-99020	119	4
1A8170-85170	103	6 -1
1A8250-65390	102	23
1A8300-51210	122	41
1C6281-52320	65	22
	66	4
		5
	68	29
	94	34 -1
		34 -2
		35 -1
1C6360-65700	68	30
1C6560-06300	82	43
1C6980-56250	48	5
1D4110-36430	13	10
1E4132-99600	111	56
1E4440-24050	111	41
1E6102-83230	6	5
	82	38
1E6102-84970	28	28
	116	16
1E6190-54080	17	16
1E6213-64490	100	19
1E8080-64710	52	8
1K1140-82500	89	7
		8
		9
22117-080000	74	4
	76	38
	77	17
22117-100000	111	30
22117-120000	76	39

Parts No.	Fig. No.	Ref. No.
22117-120000	76	40
22137-060000	89	10
	92	31
22137-080000	3	14
	52	10
	65	24
	66	6
		7
	68	31
		34 D
	92	38
	94	32
		33
	105	6
	111	57
22137-100000	35	12
	48	6
	65	25
	77	18
		19
	111	58
	115	5
22137-120000	65	12
	68	36
	77	20
	86	5
	92	39
22137-140000	53	14
	68	47
22137-160000	25	6
	104	20
		29
22137-200000	111	59
	114	14
22157-060000	92	22
		23
		24
	96	19
22157-080000	96	11
	111	19
		60
		61
	114	15
	122	44
22157-100000	3	9
22157-120000	6	6
22157-140000	10	6
22190-080000	16	8
22190-080002	47	8
22190-100000	49	7

## Parts No. Index

Parts No.	Fig. No.	Ref. No.
22217-050000	111	78
22217-080000	14	3
22217-100000	29	8
	36	17
		18
	71	11
	110	39
	115	6
22217-120000	30	2
	52	11
	86	6
22217-140000	10	9
	104	39
22217-160000	71	12
22242-000120	65	13
22242-000200	12	6
	27	5
	47	9
22242-000240	32	3
22242-000250	10	10
	110	40
22242-000260	67	9
22242-000300	44	13
22242-000340	41	5
	42	14
22242-000400	60	6
22242-000450	60	7
22252-000170	43	11
22252-000200	111	31
22252-000220	32	4
22252-000360	117	9
22252-000420	27	6
22252-000470	38	4
22252-000520	17	17
	51	11
	110	41
22252-000620	44	14
22252-000621	16	9
22252-000650	117	10
22252-000680	16	10
22252-000750	57	12
22262-000280	110	42
22272-000060	77	21
22272-000070	53	9
	77	22
	111	20
		62
22272-000080	94	12
22272-000120	53	15
22272-000150	33	5

Parts No.	Fig. No.	Ref. No.
22272-000150	111	63
		64
22272-000190	68	37
	111	65
22292-000350	44	15
22292-000450	44	16
22312-080120	110	43
22312-080160	16	11
	36	19
22312-100180	36	20
	37	7
	57	13
22351-030025	100	20
22351-035028	110	44
		45
22351-035032	47	10
		11
22351-035036	65	14
22351-035040	33	6
	46	3
	58	9
22351-040010	74	5
22351-040016	77	23
22351-040030	13	8
22351-050020	77	24
	110	46
22351-050022	104	21
22351-050025	104	11
22351-050030	55	7
22351-050040	58	10
	71	13
22351-050050	110	47
22351-060016	71	14
22351-060028	75	7
	110	48
		49
		50
		51
22351-060032	47	12
		13
	49	8
		9
	50	4
	51	12
		13
22351-060036	65	15
22351-060040	33	7
	46	4
	58	11
		11
22351-080018	30	3

Parts No.	Fig. No.	Ref. No.
22351-080018	31	3
22351-080020	17	18
22351-080032	58	12
22351-080040	58	13
22360-180000	104	40
22372-080000	94	34
		35
	98	13
22372-120000	100	21
22372-160000	9	4
	113	8
	121	5
22417-160180	76	41
		47
22417-200200	96	20
22417-200300	65	23
22417-250300	3	15
	35	13
	48	7
	68	29 -1
		29 -2
		34 E
		38
		39
		48
	76	42
		43
		44
	111	66
		67
		68
22417-300200	77	25
22417-300250	11	7
		13
	105	7
22417-320320	104	22
		30
22417-400250	26	10
	104	41
22486-060160	76	45
		48
22487-080160	65	26
22487-080300	94	36
		37
22487-100280	65	27
22487-100900	68	32
22512-070400	68	41
22522-030130	77	26
22859-500202	92	25
23000-035000	76	17

Parts No.	Fig. No.	Ref. No.
23000-035000	78	8 -1
23000-048000	78	9 -1
	79	6 -1
23000-070000	2	35
23000-080000	20	3
23010-035000	78	8
23010-044000	78	9
23010-048000	79	6
23065-070180	1	14
23065-160850	5	15
23297-350121	78	10
23414-140018	69	15
23414-160021	81	7
		12
	116	17
23414-180000	110	30
23414-180023	78	11
	81	8
23414-190000	28	16
		17
		18
		19
	69	10
		27
		28
	76	55
	114	16
	116	18
		19
		20
		21
23491-140002	17	19
	57	14
	110	52
23857-100000	81	9
		13
	116	22
23876-010000	69	2
		11
23980-730250	2	36 -1
23980-730270	2	36
		37
23980-730330	2	38
23980-730340	2	38 -1
23980-730850	2	39
23980-730890	2	39 -1
23980-731060	2	14 D
24101-060044	12	7
	43	12
24101-060064	40	3



## Parts No. Index

Parts No.	Fig. No.	Ref. No.
24101-060074	44	17
24101-060084	13	11
	19	8
24101-060094	17	20
	60	8
24101-060104	55	8
24101-062044	43	13
24101-062054	44	18
	51	14
24101-062084	15	4
	60	9
24101-062094	19	9
24101-063034	51	15
24101-063044	41	6
24101-063064	59	2
24101-063074	42	15
24104-060000	53	10
24104-060024	65	16
24104-060040	27	7
24104-062014	65	17
24104-063044	17	21
24121-062064	59	3
24161-202620	110	53
24190-080001	47	14
	51	16
	110	54
24190-100001	49	10
24190-170001	67	10
24311-000120	73	10
	74	6
	75	8
24311-000125	110	55
		56
24311-000150	47	15
	49	11
	58	14
	77	27
		28
24311-000160	1	25
	17	22
	51	17
	52	12
	57	15
	110	57
24311-000180	16	12
	73	11
	75	9
	84	7
24311-000200	28	20
		21

Parts No.	Fig. No.	Ref. No.
24311-000200	78	12
		13
	116	23
		24
24311-000380	40	4
24311-000550	70	3
24315-000090	74	7
24315-000110	69	16
	72	16
24316-000070	120	19
24316-000160	120	20
24321-000250	79	7
24321-000450	71	15
24321-000500	39	5
24321-000600	52	13
24321-000650	1	26
24321-000800	16	13
24321-000950	36	21
24321-001000	110	58
24325-000600	69	17
24326-000650	120	21
24341-000360	71	16
24351-020300	69	18
24351-310750	40	5
24421-254208	16	14
24421-255210	51	18
24421-305208	17	23
24421-405508	36	22
24550-015120	53	7
		11
24550-020200	33	4
24550-020250	111	35
		37
		39
24550-045300	69	3
24761-010000	35	14
	68	42
24761-020000	30	4
24761-060000	11	5
		11
		104
		23
26013-060122	110	59
26013-080162	77	29
		30
		60
26013-080202	36	23
		24
		39
		4
		55
		9
		110
		61

Parts No.	Fig. No.	Ref. No.
26013-080252	56	3
26013-080352	36	26
	110	62
26013-080402	57	16
26013-100252	38	5
26013-100302	36	25
	69	19
26013-100352	38	6
	69	20
26013-100452	69	21
26013-100802	37	5
26013-100852	110	63
26013-101202	110	66
26013-120202	45	4
26013-120252	107	6
26013-120302	69	22
26013-120352	30	5
26013-120402	106	3
26013-120502	69	23
26013-121052	30	6
26013-121152	30	7
26013-121402	30	8
26013-121602	106	4
26018-060252	78	14
26018-060352	28	22
	116	25
26022-030062	88	14
26023-040162	68	33
26023-060122	111	69
26106-060122	2	40
		41
		28
		27
		92
		26
		27
		93
		17
		18
		94
		39
		96
		21
		111
		70
		116
		26
26106-060162	76	49
		50
		82
		41
		89
		11
		12
		91
		9
26106-060202	92	28
		28
		23
		78
		15
		96
		22

Parts No.	Fig. No.	Ref. No.
26106-060202	102	18
	116	27
26106-060252	2	42
26106-060352	87	11 -1
26106-060402	28	24
	78	16
	116	28
26106-060602	79	8
26106-080102	98	14
26106-080122	2	43
	28	25
	65	18
	76	58
	81	11
	82	42
		43 -1
		44
		45
		46
		47
	89	13
	92	40
	93	19
	94	41
	95	19
	96	23
	98	15
	116	29
26106-080162	2	44
		45
		46
		3
		16
		6
		7
		30
		11
		31
		4
		34
		7
		47
		16
		49
		12
		51
		19
		68
		34
		34 -2
		43
		78
		17
		18
		79
		9
		80
		3
		3 -1
		10
		81
		2
		90
		2
		94
		38

## Parts No. Index

Parts No.	Fig. No.	Ref. No.
26106-080162	94	38 -1
	95	20
	96	23 -1
	97	5
	98	19 -1
	100	22
	111	71
	116	30
	122	45
26106-080202	4	3
	65	21
	68	34 -1
	76	56
		57
	79	10
	98	16
		17
		19
	100	23
	111	72
		73
	114	17 -1
26106-080252	2	47
		48
		49
	4	4
	28	33
	65	19
	67	11
	99	4
	116	31
	122	46
26106-080302	2	47 -1
	82	48
	96	12
26106-080352	28	26
26106-080402	122	47
26106-080502	35	15
26106-080552	52	14
	76	59
26106-080602	122	48
26106-080702	2	50
	100	24
26106-100202	2	51
		52
	27	11
		12
	78	19
	95	21
26106-100252	19	10

Parts No.	Fig. No.	Ref. No.
26106-100252	49	13
	68	44
	100	25
	111	74
26106-100302	53	16
26106-100352	101	2
26106-100402	97	6
26106-120552	52	15
26108-100302	16	15
		16
26108-100452	17	24
26108-120252	10	8
26116-050162	111	79
26116-080122	16	17
26116-080202	76	56 -1
	114	17
26116-080554	77	31
26116-100202	71	17
26116-120352	9	5
	121	6
26116-140302	10	7
26117-040162	68	33 -1
26216-080142	91	10
26216-100252	36	4
		5
26216-100802	29	6
26216-120552	37	4
26346-050002	111	80
26346-060002	92	30
26346-080002	52	16
26346-100002	101	3
26347-060002	89	14
26356-160002	25	7
26366-080002	52	17
26366-120002	37	6
26376-120002	67	12
26450-080202	72	30
	117	11
26450-100402	117	12
26450-100452	117	13
26557-060352	87	11
26559-050162	48	8
26587-060202	95	22
26589-060162	88	19
26589-060202	102	18 -1
26716-060002	83	7
26716-080002	3	17
	65	20
	76	46
	77	32

Parts No.	Fig. No.	Ref. No.
26716-080002	111	50
26716-100002	3	11 -1
	29	7
	36	27
		28
	46	1
	50	5 -1
	74	9
	77	33
	110	64
	111	32
		33
		75
26716-120002	30	9
	52	9
		18
	113	9
		10
26716-140002	68	18
	104	42
26717-080002	122	49
26736-100002	115	7
26736-160002	71	18
26756-100002	3	10
	50	5
26756-200002	104	24
26776-120002	86	7
26986-080002	111	76
26986-100002	3	11
27260-170000	37	1 -1
27260-200000	36	29
29622-140001	82	49
		50
		51
		52
	118	6
29622-250001	82	53
		54
	119	5
794197-32350	56	2
794447-13570	13	9
798220-01111	3	1
798220-22350	35	2
798220-46990	76	34
798220-46991	76	34 -1
7A7330-53400	86	3
933147-10350	110	65
MID-PTO,EX3200	110	1
REAR-AUX,EX320	114	1
WET-20	112	1

Parts No.	Fig. No.	Ref. No.
-----------	----------	----------