

# **FX850V**

**4-Stroke Air-Cooled V-Twin Gasoline Engine**

**Motor gasolina de 4 tiempos, V-gemelo y refrigerado por aire**

---

# **OWNER'S MANUAL**

# **MANUAL DEL PROPIETARIO**

---

**Kawasaki**



**ENGLISH**

# **General-purpose Engine Owner's Manual**

Original instructions



# SAFETY AWARENESS

Whenever you see the symbols shown below, heed their instructions! Always follow safe operating and maintenance practices.

## **DANGER**

**DANGER** indicates a hazardous situation which, if not avoided, will result in death or serious injury.

## **WARNING**

**WARNING** indicates a hazardous situation which, if not avoided, could result in death or serious injury.

## **NOTICE**

**NOTICE** is used to address practices not related to personal injury.

## **NOTE**

- *NOTE* indicates information that may help or guide you in the operation or service of the vehicle.

# READ THIS FIRST

For your safety, read this Owner's Manual and understand it thoroughly before operating this ENGINE.

## DANGER

Exhaust gas contains carbon monoxide, a colorless, odorless poisonous gas. Inhaling carbon monoxide can cause serious brain injury or death.

**DO NOT** run the engine in enclosed areas. Operate only in a well-ventilated area. Gasoline is extremely flammable and can be explosive under certain conditions, creating the potential for serious burns. When refueling, servicing fuel system, draining gasoline and/or adjusting the carburetor:

Stop engine and allow it to cool before refueling.

**DO NOT** smoke.

Make sure the area is well-ventilated and free from any source of flame or sparks, including the pilot light of any appliance.

**DO NOT** fill the tank so the fuel level rises into the filler neck or level surface of level gauge. If the tank is overfilled, heat may cause the fuel to expand and overflow through the vents in the tank cap.

Wipe off any spilled gasoline immediately.

Engines can become extremely hot during normal operation.

To prevent fire hazard:

Keep the engine at least 1 m (3.3 ft) away from buildings, obstructions and other flammable objects.

**DO NOT** place flammable objects close to the engine.

**DO NOT** expose combustible materials to the engine exhaust.

**DO NOT** use the engine on any forest covered, brush covered or grass covered unimproved land unless spark arrester is installed on the muffler.

To avoid getting an electric shock, **DO NOT** touch spark plugs, plug caps or spark plug leads during engine running. To avoid a serious burn, **DO NOT** touch a hot engine or muffler. The engine becomes hot during operation. Before you service or remove parts, stop engine and allow the engine to cool.

**DO NOT** place hands or feet near moving or rotating parts. Place a protective cover over pulley, V belt or coupling.

**DO NOT** run engine at excessive speeds. This may result in injury.

Always remove the spark plug caps from spark plugs when servicing the engine to prevent accidental starting.

Read warning labels which are on the engine and understand them. If any label is missing, damaged, or worn get a replacement from an authorized Kawasaki engine dealer and install it in the correct position.

# EMISSION CONTROL INFORMATION

## **Fuel Information**

THIS ENGINE IS CERTIFIED TO OPERATE ON UNLEADED REGULAR GRADE GASOLINE ONLY. A minimum of 87 octane of the antiknock index is recommended. The antiknock index is posted on service station pumps in the U.S.A.

## **Emission Control Information**

To protect the environment in which we all live, Kawasaki has incorporated an exhaust emission control system in compliance with applicable regulations of the United States Environmental Protection Agency. Also, depending on when your engine was produced, it may have an assigned emissions durability period.

\* See below for the engine emissions durability period that may apply to your engine.

## **Exhaust Emission Control System**

The exhaust emission control system applied to this engine consists of a carburetor and an ignition system having optimum ignition timing characteristics. The carburetor has been calibrated to provide specific air/fuel mixture characteristics and optimum fuel economy with a suitable air cleaner and exhaust system.

A sealed-type crankcase emission control system is also used to eliminate blow-by gasses. The blow-by gasses are led to a breather chamber through the crankcase and from there to the air cleaner.

## **Engine Emission Compliance Period**

### **Engines Greater Than or Equal To 225 cc**

Durability Period-1000 hours (Category A)

**\* If your engine has an assigned emissions durability period it will be located on the certification label attached to the engine (IMPORTANT ENGINE INFORMATION).**

## **High Altitude Performance Adjustment Information**

To improve the EMISSIONS CONTROL PERFORMANCE of engines operated above 1000 meters (3300 feet), Kawasaki requires the following Environmental Protection Agency (EPA) approved modifications. High altitude adjustment requires replacement of carburetor main jets. Installation of these optional parts may be performed by an authorized Kawasaki engine dealer or equally qualified service facility, following repair recommendations specified in the appropriate Kawasaki Service document or parts catalog.

Operating with the wrong configuration at a given altitude may increase its emissions and decrease fuel efficiency and performance.

### **NOTE**

○ *When properly performed, these specified modifications only are not considered to be emissions system “tampering” and engine performance is generally unchanged as a result.*

## **Maintenance and Warranty**

Proper maintenance is necessary to ensure that your engine will continue to have low emission levels. This Owner’s Manual contains those maintenance recommendations for your engine. Those items identified by the Periodic Maintenance Chart are necessary to ensure compliance with the applicable standards.

As the owner of the engine, you have the responsibility to make sure that the recommended maintenance is carried out according to the instructions in this Owner’s Manual at your own expense.

The Kawasaki Limited Emission Control System Warranty requires that you return your engine to an authorized Kawasaki engine dealer for remedy under warranty. Please read the warranty carefully, and keep it valid by complying with the owner’s obligations it contains.



## **Tampering with Emission Control System Prohibited**

Federal law prohibit the following acts or the causing thereof: (1) the removal or rendering inoperative by any person other than for purposes of maintenance, repair, or replacement, of any device or element of design incorporated into any new engine for the purposes of emission control prior to its sale or delivery to the ultimate purchaser or while it is in use, or (2) the use of the engine after such device or element of design has been removed or rendered inoperative by any person.

Among those acts presumed to constitute tampering, do not tamper with the original emission related parts below:

- Carburetor and their internal parts
- Spark Plug
- Magneto system
- Fuel filter element
- Air cleaner element
- Crankcase
- Cylinder head
- Breather chamber and internal parts
- Intake pipe and tube

# FOREWORD

We wish to thank you for purchasing this Kawasaki engine.

**Please read this Owner's Manual carefully before starting your new engine** so that you will be thoroughly familiar with the proper operation of your engine's control, its features, capabilities and limitations.

Also read the manual of the equipment to which this engine is attached.

To ensure a long, trouble-free life for your engine, give it the proper care and maintenance described in this manual. Always keep this manual at your fingertip so that you can refer to it whenever you need information. This manual should be considered a permanent part of the engine and should remain with the engine when it is sold.

All rights reserved. No part of this publication may be reproduced without our prior written permission.

This publication includes the latest information available at the time of printing. However, there may be minor differences between the actual product and illustrations and text in this manual.

All products are subject to change without prior notice or obligation.

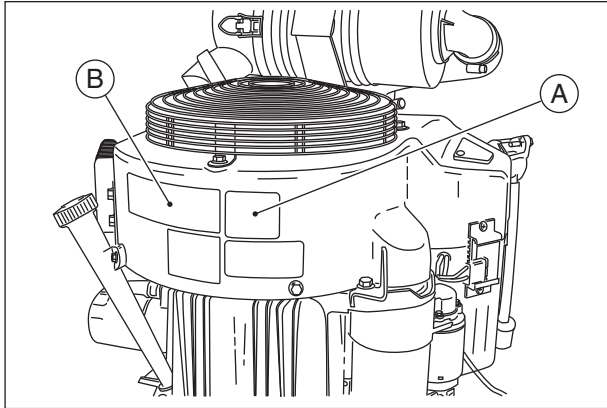
**KAWASAKI HEAVY INDUSTRIES, LTD.**  
**Motorcycle & Engine Company**

# TABLE OF CONTENTS

|  |    |   |    |
|--|----|---|----|
| <b>GENERAL INFORMATION</b> .....             | 8  | Choke Cable Installation, Adjustment..... | 22 |
| Location of Safety Related Labels.....       | 8  | Engine Speed Adjustment .....             | 23 |
| Location of Parts .....                      | 9  | <b>MAINTENANCE</b> .....                  | 24 |
| Engine Serial Number .....                   | 10 | Periodic Maintenance Chart .....          | 24 |
| Tune-up Specifications .....                 | 10 | Oil Level Check .....                     | 26 |
| Engine Oil Capacity .....                    | 11 | Oil Cooler Service .....                  | 26 |
| <b>FUEL AND OIL RECOMMENDATIONS</b> .....    | 12 | Oil Change .....                          | 27 |
| Fuel .....                                   | 12 | Oil Filter Change .....                   | 28 |
| Engine Oil.....                              | 13 | Air Cleaner Service .....                 | 29 |
| <b>PREPARATION</b> .....                     | 14 | Air Cleaner .....                         | 29 |
| Fuel .....                                   | 14 | Primary Element.....                      | 29 |
| Engine Oil.....                              | 15 | Secondary Element.....                    | 29 |
| <b>STARTING</b> .....                        | 16 | Cap (Dust Ejector Valve).....             | 29 |
| Start Engine.....                            | 16 | Fuel Filter and Fuel Pump Service .....   | 31 |
| <b>OPERATING</b> .....                       | 19 | Spark Plug Service.....                   | 32 |
| Warming Up.....                              | 19 | Cooling System Cleaning .....             | 33 |
| Engine Inclination .....                     | 20 | <b>STORAGE</b> .....                      | 34 |
| <b>STOPPING</b> .....                        | 21 | Engine Storage Procedure .....            | 34 |
| Stopping the Engine .....                    | 21 | <b>TROUBLESHOOTING GUIDE</b> .....        | 36 |
| Ordinary Stop .....                          | 21 | <b>ENVIRONMENTAL PROTECTION</b> .....     | 38 |
| Emergency Stop.....                          | 21 | <b>SPECIFICATIONS</b> .....               | 39 |
| <b>ADJUSTMENT</b> .....                      | 22 | <b>WIRING DIAGRAM</b> .....               | 40 |
| Separate Choke Type.....                     | 22 | Wiring Diagram                            |    |
| Throttle Cable Installation, Adjustment..... | 22 | (With 12 V - 15 A Charging Coil) .....    | 40 |

# GENERAL INFORMATION

## Location of Safety Related Labels

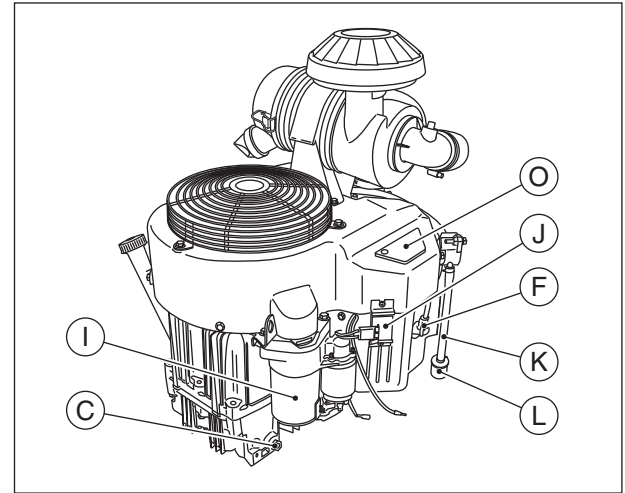
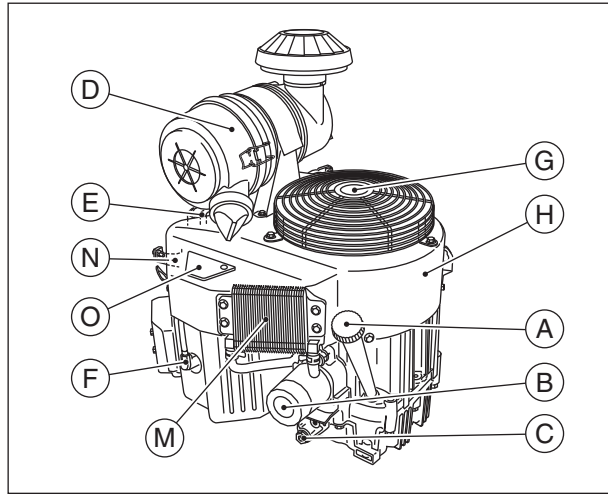


- A. Warning Label
- B. Engine Maintenance



| ENGINE MAINTENANCE  | CHECK OIL BEFORE STARTING  |
|---|--|
| <ol style="list-style-type: none"><li>1. CHECK OIL LEVEL</li><li>2. CHECK &amp; CLEAN AIR CLEANER</li><li>3. CLEAN FINS &amp; SCREEN</li><li>4. CHANGE OIL &amp; OIL FILTER</li></ol> | <p>DO NOT TURN CAP ON THREADS WHEN CHECKING OIL LEVEL.</p> <p>(TIGHTEN CAP WHEN FINISHED CHECKING)</p> |
| REFER TO OWNER'S MANUAL FOR FURTHER INFORMATION   |  |

**Location of Parts**



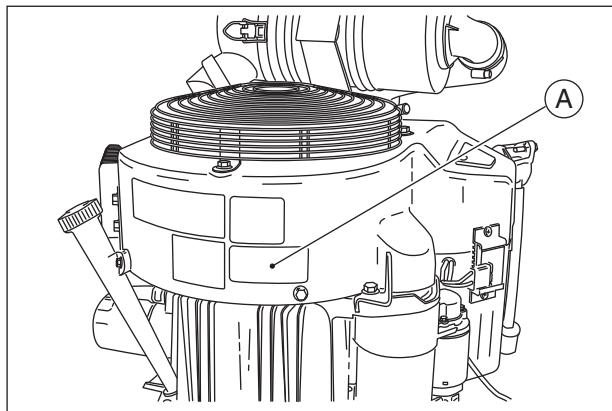
- |  |  |
|--|--|
| <b>A. Oil Gauge Filler</b>               | <b>I. Electric Starter</b>                 |
| <b>B. Oil Filter</b>                     | <b>J. Voltage Regulator</b>                |
| <b>C. Oil Drain Plug</b>                 | <b>K. Fuel Tube</b>                        |
| <b>D. Air Cleaner</b>                    | <b>L. Fuel Filter</b>                      |
| <b>E. Carburetor</b>                     | <b>M. Oil Cooler</b>                       |
| <b>F. Spark Plug Cap/<br/>Spark Plug</b> | <b>N. Control Panel</b>                    |
| <b>G. Guard</b>                          | <b>O. Cleanout Cover<br/>(if equipped)</b> |
| <b>H. Fan Housing</b>                    |  |

## 10 GENERAL INFORMATION

### Engine Serial Number

The engine serial number is your only means of identifying your particular engine from others of the same model type.

This engine serial number is needed by an authorized Kawasaki engine dealer or equally qualified service facility when ordering parts.



**A. Engine Serial Number**

### Tune-up Specifications

| ITEM                 | Specifications   |
|----------------------|--|
| Ignition Timing      | Unadjustable   |
| Spark Plugs:<br>Gap  | NGK BPR4ES<br>0.75 mm (0.030 in)   |
| Low Idle Speed       | 1550 r/min (rpm)   |
| High Idle Speed      | 3600 r/min (rpm)   |
| Valve Clearance      | In 0.10 - 0.15 mm<br>(0.004 - 0.006 in.)<br>Ex 0.10 - 0.15 mm<br>(0.004 - 0.006 in.) |
| Other Specifications | No other adjustment<br>needed  |

#### NOTE

- *High and low idle speeds may vary depending on the equipment on which the engine is used. Refer to the equipment specification.*

---

**Engine Oil Capacity**

---

**Engine Oil Capacity**

|        |   |
|--------|---|
| FX850V | 2.1 L (2.2 US·qt)<br>[when oil filter is not removed] |
|        | 2.3 L (2.4 US·qt)<br>[when oil filter is removed]     |

# FUEL AND OIL RECOMMENDATIONS

## Fuel

Use only clean, fresh, unleaded regular grade gasoline.

### **NOTICE**

**Do not mix oil with gasoline.**

## Octane Rating

The octane rating of a gasoline is a measure of its resistance to “knocking”. **Using a minimum of 87 octane by the antiknock index is recommended.** The antiknock index is posted on service station pumps in the U.S.A.

### **NOTE**

- If “knocking” or “pinging” occurs, use a different brand of gasoline or higher octane rating.
- When not operating your kawasaki engine more than once per month, you can mix a fuel stabilizer with gasoline in the fuel tank. Fuel stabilizer additive could inhibit oxidation of fuel.

## Oxygenated Fuel

Oxygenates (either ethanol or MTBE) are added to the gasoline. If you use the oxygenates, be sure it is unleaded and meets the minimum octane rating requirement.

The followings are the EPA approved percentages of fuel oxygenates.

ETHANOL: (Ethyl or Grain Alcohol)

You may use gasoline containing up to 10% ethanol by volume.

MTBE: (Methyl Tertiary Butyl Ether)

You may use gasoline containing up to 15% MTBE by volume.

METHANOL: (Methyl or Wood Alcohol)

You may use gasoline containing up to 5% methanol by volume, as long as it also contains cosolvents and corrosion inhibitors to protect the fuel system. Gasoline containing more than 5% methanol by volume may cause starting and/or performance problems. It may also damage metal, rubber, and plastic parts of your fuel system.

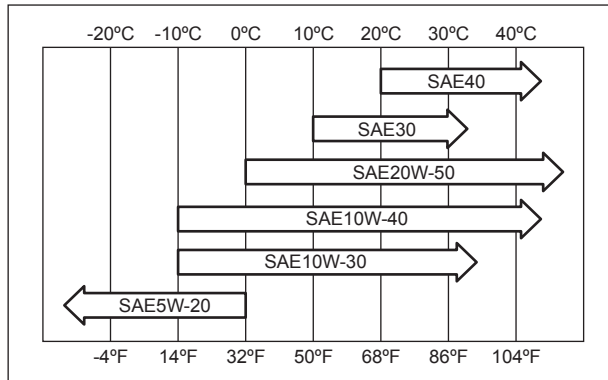


## Engine Oil

The following engine oils are recommended.  
 API Service Classification: SJ or SL.

### Oil Viscosity

Choose the viscosity according to the temperature as follows:



### NOTE

- *Although 10W-40 engine oil is the recommended oil for most conditions, the oil viscosity may need to be changed to accommodate atmospheric conditions. Using 20W-50 oil in higher ambient temperatures may reduce oil consumption.*

---

## PREPARATION

---

---

### Fuel

---

 **WARNING**

Gasoline is extremely flammable and can be explosive under certain conditions, creating the potential for serious burns. Turn the ignition switch to “OFF”. Do not smoke.

Make sure the area is well-ventilated and free from any source of flame or sparks; this includes any appliance with a pilot light. Never fill the tank completely to the top. If the tank is filled completely to the top, heat may cause the fuel to expand and overflow through the vents in the tank cap. After refueling, make sure the tank cap is closed securely. If gasoline is spilled on the fuel tank, wipe it off immediately.

- Place the engine on level surface before fueling.
- Remove the fuel tank cap.
- Slowly pour fuel into the tank through the fuel strainer.
- Close the tank cap securely.

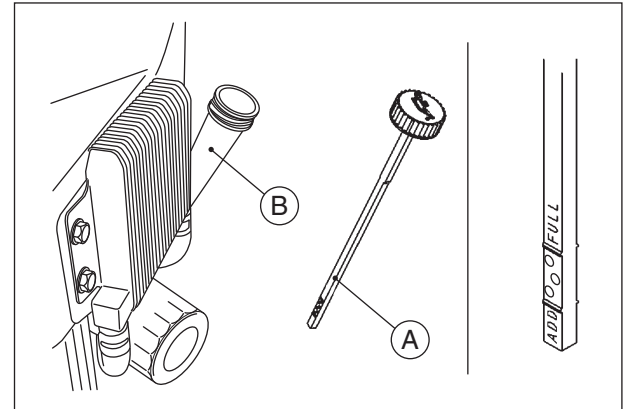
## Engine Oil

Check the engine oil daily before starting the engine otherwise shortage of the engine oil may cause serious damage to the engine such as seizure.

- Place the engine on level surface. Clean area around the oil gauge before removing it.
- Remove the oil gauge and wipe it with a clean cloth.
- Pour the oil slowly to “FULL” mark on the oil gauge.
- Insert the oil gauge into tube WITHOUT SCREWING IT IN.
- Remove the oil gauge to check the oil level. The level should be between “ADD” and “FULL” marks. Do not overfill.
- Install and tighten the oil gauge.

### Engine Oil Capacity

|        |   |
|--------|---|
| FX850V | 2.1 L (2.2 US·qt)<br>[when oil filter is not removed] |
|        | 2.3 L (2.4 US·qt)<br>[when oil filter is removed]     |



**A. Oil Gauge**  
**B. Tube**

### **NOTICE**

**The engine is shipped without engine oil.**

---

## STARTING

---

---

### Start Engine

---

#### DANGER

Exhaust gas contains carbon monoxide, a colorless, odorless poisonous gas. Inhaling carbon monoxide can cause serious brain injury or death. **DO NOT** run the engine in enclosed areas. Operate only in a well-ventilated area.

#### WARNING

Engine exhaust may ignite combustible materials and cause a fire. Keep the area around the exhaust outlet clear. Locate the unit so that the exhaust outlet points toward an open area and is located at least one meter (3.3 feet) from any obstructions.

#### NOTE

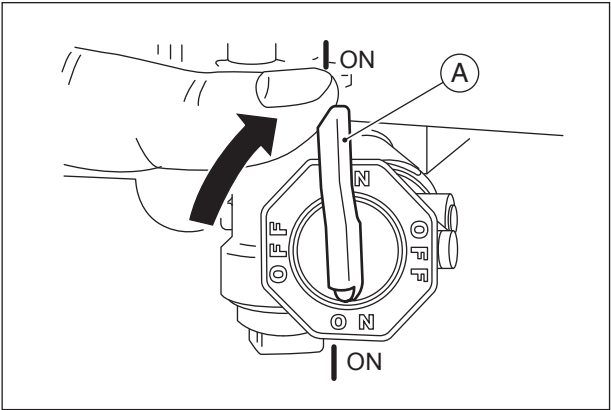
- *Be aware of the following in order to start the engine easily in cold weather.*

- *Use proper oil for expected temperature (See FUEL AND OIL RECOMMENDATIONS chapter). Use fresh gasoline.*
- *Protect the engine or the equipment from direct exposure to weather when not in operation.*
- *Before starting the engine, disconnect all possible external loads.*
- Open the fuel valve on the equipment.
- Put the key into the ignition switch. For Control Panel Switch Type, move the throttle lever on the equipment to its halfway position between “SLOW” speed and “FAST” speed. Moving the lever away from its low speed end turns ignition on.

**[Separate Choke type]**

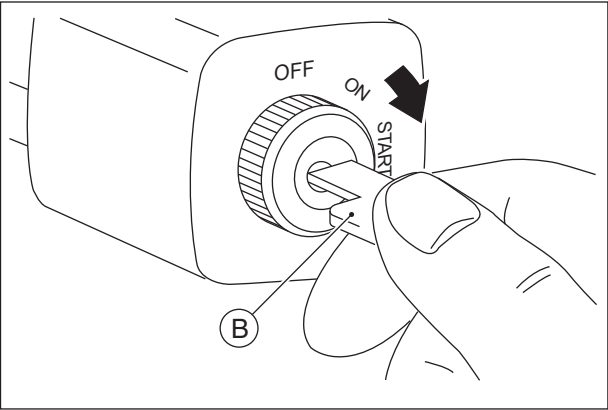
**For a Cold Engine** - Place the choke control lever into "CHOKE" position.

- After starting the engine, gradually return the choke control lever to the fully open position.



**A. Fuel Valve**

- Put the key into the ignition switch.
- Turn the key to the START position on the equipment. Normally the engine will start within 3 seconds.



**B. Ignition Switch Key**

## 18 STARTING

### ***NOTICE***

**Do not run the electric starter continuously for more than 5 seconds, otherwise the battery may discharge quickly. If the engine does not start right away, wait 15 seconds and try again.**

### ***NOTICE***

**Whenever you start engine, make sure warning light is not illuminated after engine starts.  
If warning light comes on, stop engine immediately and check oil level (If equipped).**

---

# OPERATING

---

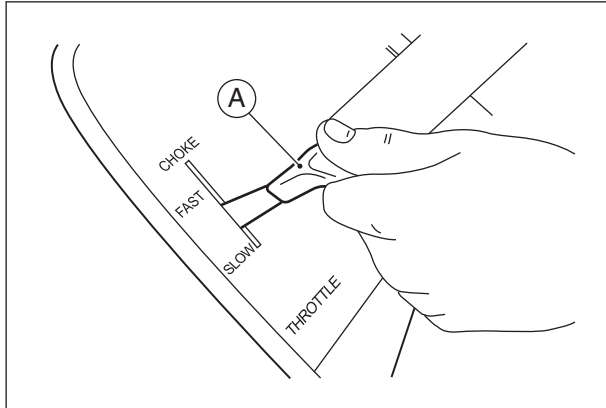
---

## Warming Up

---

After the engine starts, move the throttle lever on the equipment to halfway between “FAST” and “SLOW”.

To warm up the engine, run it for 3 to 5 minutes with the throttle lever in the same load position (halfway) before putting the equipment under load. Then, move the throttle lever on the equipment to its “FAST” position.



**A. Throttle Lever**

### **NOTICE**

**Allow engine to warm up sufficiently (3 to 5 minutes at idle) before applying a load. This will allow oil to reach all engine parts, and allow piston clearance to reach design specifications.**

### **NOTICE**

**While warming up the engine, make sure the warning light (oil pressure) on dash is not on. The warning light must not be illuminated during engine operation (if equipped).**

## 20 OPERATING

---

### Engine Inclination

---

This engine will operate continuously at angles up to 25° in any direction.

Refer to the operating instructions of the equipment this engine powers. Because of equipment design or application, there may be more stringent restrictions regarding the angle of operation.

|                      |
|----------------------|
| <b><i>NOTICE</i></b> |
|----------------------|

|   |
|---|
| <p><b>Do not operate this engine continuously at angles exceeding 25° in any direction. Engine damage could result from insufficient lubrication.</b></p> |
|---|



# STOPPING

## Stopping the Engine

### Ordinary Stop

- Move throttle lever to “SLOW” position.
- Keep running at the “SLOW” speed for about one minute.

### NOTICE

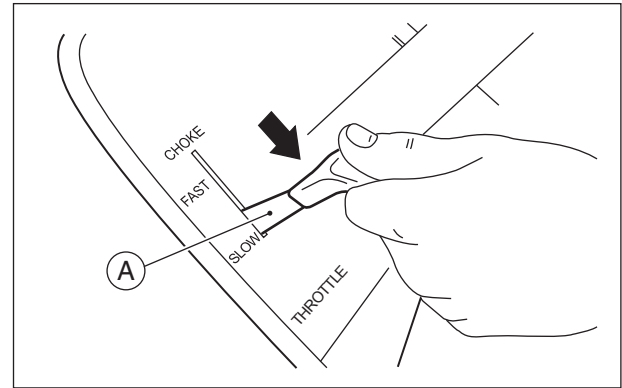
Engine damage can occur from run-on or after-burning if engine is stopped suddenly from high speed loaded operation. Reduce engine speed to idle for one minute before shutting engine off.

- Turn the ignition switch to “OFF” position.

### Emergency Stop

- Immediately turn the ignition switch to “OFF” position.

- Close the fuel valve on the equipment.



A. Throttle Lever

### ⚠ WARNING

Leaving the equipment with the key hanging in the ignition can allow operation by someone who does not know how to operate it. It may cause serious accident with injury. Always remove the key from unattended equipment.

# ADJUSTMENT

## Separate Choke Type

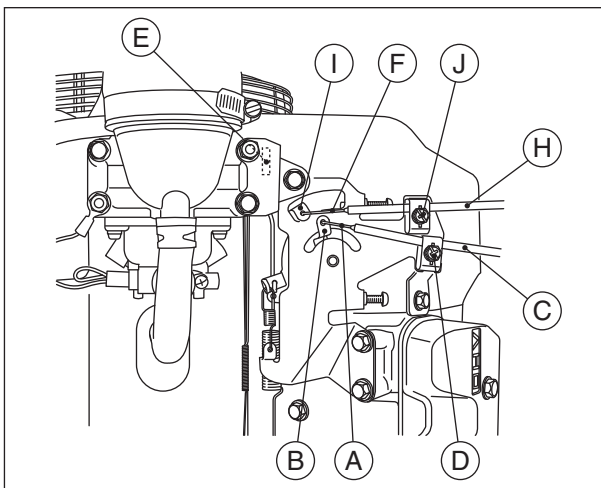
### Throttle Cable Installation, Adjustment

- Link the throttle cable to the speed control lever and loosely clamp the throttle cable outer housing with the cable clamp bolt.
- Move the throttle lever to “FAST” position.
- Pull up the outer housing of the throttle cable until the inner wire has almost no slack, and tighten the cable clamp bolt.
- Move the throttle lever to “SLOW” position. Make sure that the carburetor throttle valve pivot arm is moved smoothly.

### Choke Cable Installation, Adjustment

- Link the choke cable to the choke lever, and loosely clamp the choke cable outer housing with the cable clamp bolt.
- Move the equipment choke control to “OPEN” position. Make sure that the carburetor choke valve (pivot arm) is fully opened.
- Pull up the outer housing of the choke cable until the inner wire has almost no slack, and tighten the cable clamp bolt.

- Move the equipment choke control to “CHOKE” position. Make sure that the carburetor choke valve (pivot arm) is completely closed.
- Make sure that the choke valve turns from fully close position to fully open position when actuating the equipment choke control.

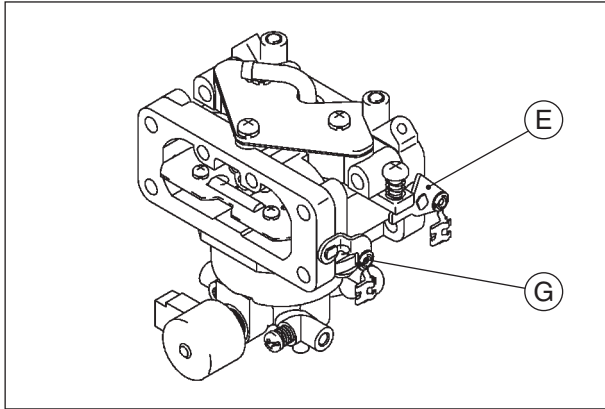


- |                                 |                       |
|---------------------------------|-----------------------|
| <b>A. Throttle Cable</b>        | <b>E. Pivot Arm</b>   |
| <b>B. Speed Control Lever</b>   | <b>F. Choke Cable</b> |
| <b>C.H. Cable Outer Housing</b> | <b>I. Choke Lever</b> |
| <b>D.J. Cable Clamp Bolt</b>    |                       |

---

## Engine Speed Adjustment

---



**E. Throttle Valve Pivot Arm**

**G. Choke Valve Pivot Arm**

### NOTE

- *Do not tamper with the governor setting or the carburetor setting to increase the engine speed. Every carburetor is adjusted at the factory and cap or stop plate is installed on each mixture screw.*
- *If any adjustment is necessary, see an authorized Kawasaki engine dealer or equally qualified service facility to perform the adjustment.*

---

## MAINTENANCE

---

Maintenance, replacement, or repair of the emission control devices and systems may be performed by any nonroad engine repair establishment or individual.

---

### Periodic Maintenance Chart

---

|  |
|--|
| <b> WARNING</b> |
|--|

|   |
|---|
| <b>Prevent accidental starting during engine service by removing the spark plug caps.</b> |
|---|

**NOTE**

○ *The service intervals can be used as a guide. Service more frequently as necessary by operating conditions.*

| MAINTENANCE  | INTERVAL |              |               |               |               |               |               |
|--|----------|--------------|---------------|---------------|---------------|---------------|---------------|
|  | Daily    | Every 50 hr. | Every 100 hr. | Every 200 hr. | Every 250 hr. | Every 300 hr. | Every 500 hr. |
| Check and add engine oil.  | ●        |              |               |               |               |               |               |
| Check for loose or lost nuts and screws.                         | ●        |              |               |               |               |               |               |
| Check for fuel and oil leakage.                                  | ●        |              |               |               |               |               |               |
| Check battery electrolyte level.                                 | ●        |              |               |               |               |               |               |
| ◆ Check or clean air inlet screen.                               | ●        |              |               |               |               |               |               |
| Check cleanout cover.  |          | ●            |               |               |               |               |               |
| ◆ Clean dust and dirt from cylinder and cylinder<br>◇ head fins. |          |              | ●             |               |               |               |               |
| Tighten nuts and screws.   |          |              | ●             |               |               |               |               |
| Change engine oil.   |          |              | ●             |               |               |               |               |
| ◆ Check and clean oil cooler fins.                               |          |              | ●             |               |               |               |               |
| Clean and regap spark plugs.                                     |          |              | ●             |               |               |               |               |
| Change oil filter.   |          |              |               | ●             |               |               |               |
| ◆ Replace air cleaner primary element.                           |          |              |               |               | ●             |               |               |
| ◆ Check air cleaner secondary element.                           |          |              |               |               | ●             |               |               |
| ◇ Clean combustion chamber.                                      |          |              |               |               |               | ●             |               |
| ◇ Check and adjust valve clearance.                              |          |              |               |               |               | ●             |               |
| ◇ Clean and lap valve seating surface.                           |          |              |               |               |               | ●             |               |
| ◆ Replace air cleaner secondary element.                         |          |              |               |               |               |               | ●             |

◆: Service more frequently under dusty conditions.

◇: Service to be performed by an authorized Kawasaki engine dealer or equally qualified service facility.

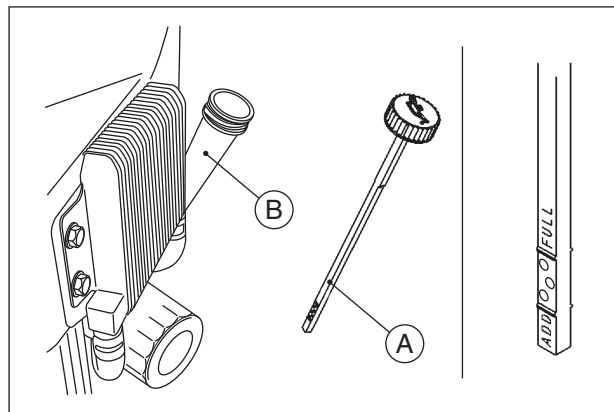
## 26 MAINTENANCE

### Oil Level Check

Check the oil level daily and before each time of operation. Be sure the oil level is maintained. See PREPARATION chapter.

### Engine Oil Capacity

|        |   |
|--------|---|
| FX850V | 2.1 L (2.2 US·qt)<br>[when oil filter is not removed] |
|        | 2.3 L (2.4 US·qt)<br>[when oil filter is removed]     |

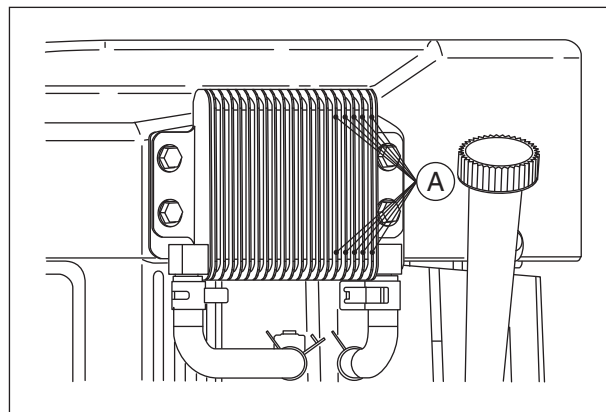


- A. Oil Gauge
- B. Tube

### Oil Cooler Service

Check and clean oil cooler fins every 100 hours.

- Clean dirt off the outside fins with a brush or compressed air.



A. Oil Cooler Fins

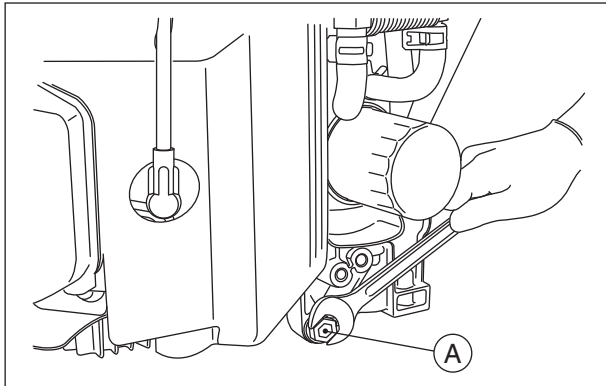
## **Oil Change**

Change oil every 100 hours.

- Run the engine to warm oil.
- Be sure the engine (equipment) is on level surface.
- Stop the engine.
- Remove the oil drain plug and drain the oil into a suitable container while engine is warm.

### **⚠ WARNING**

**Hot engine oil can cause severe burns. Allow engine temperature to drop from hot to warm level before draining and handling oil.**



**A. Oil Drain Plug**

- Install the oil drain plug.
- Remove the oil gauge and refill with fresh oil (See FUEL AND OIL RECOMMENDATIONS chapter).
- Check the oil level (see PREPARATION chapter).

### **⚠ WARNING**

**Engine oil is a toxic substance. Dispose of used oil properly. Contact your local authorities for approved disposal methods or possible recycling.**

## 28 MAINTENANCE

### Oil Filter Change

- Change the oil filter every 200 hours of operation.

#### **⚠ WARNING**

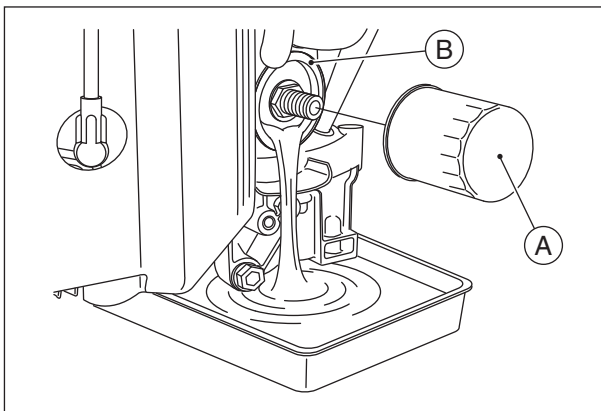
**Hot engine oil can cause severe burns. Allow engine temperature to drop from hot to warm level before attempting to remove oil filter.**

- Drain the engine oil into a suitable container.

#### **NOTICE**

**Before removing the oil filter, place suitable pan under filter connection.**

- Rotate the oil filter counterclockwise to remove it.
- Coat a film of clean engine oil on the seal of new filter.
- Install new filter rotating it clockwise until the seal contacts the mounting surface. Then rotate the filter 2/3 turn more by hand.
- Supply engine oil as specified.
- Run the engine for about 3 minutes, stop the engine, and check any oil leakage around the filter.
- Add oil to compensate for oil level drop due to oil filter capacity (see PREPARATION chapter).



- A. Oil Filter
- B. Mounting Surface

#### **⚠ WARNING**

**Engine oil is a toxic substance. Dispose of used oil properly. Contact your local authorities for approved disposal methods or possible recycling.**



---

**Air Cleaner Service**

---

***NOTICE***

**Do not run the engine with the air cleaner removed.**

**Air Cleaner**

These air cleaner elements are not recommended to be cleaned. Replace each air cleaner element with a new one at the maintenance time as shown in the maintenance chart.

***NOTICE***

**To prevent excessive engine wear, do not run the engine with the air cleaner removed.**

***NOTICE***

**Do not wash air cleaner elements.  
Do not oil air cleaner elements.  
Do not use pressurized air to clean air cleaner elements.**

**NOTE**

- *Operating in dusty or dirty condition may require more frequent maintenance.*

**Primary Element**

Replace the primary element every 250 hrs.

**Secondary Element**

- Replace the secondary element with a new one, if the secondary element is dirty when the primary element is checked.
- Replace the secondary element with a new one every 500 hrs.

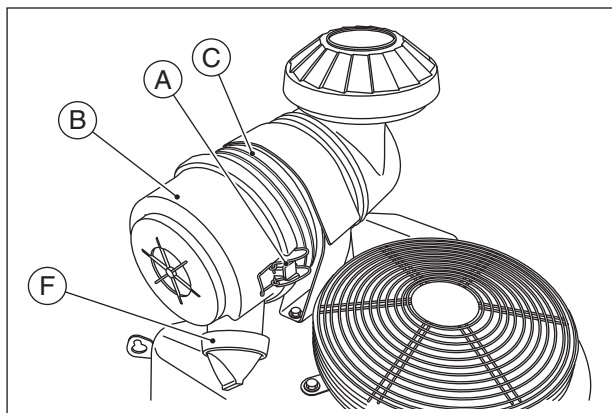
**Cap (Dust Ejector Valve)**

Push and open the cap on the case of the air cleaner body to expel dust and/or water accumulated inside.

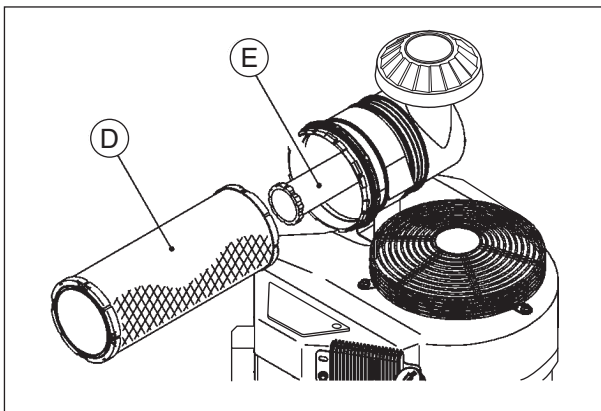
- Unfasten the two retaining clamps and remove the case from the air cleaner body.
- Remove the primary element and the secondary element from the air cleaner body by pulling them out.

## 30 MAINTENANCE

- Install the new air cleaner elements into the air cleaner body.
- Reinstall the case and the cap then securely fasten the two retaining clamps.



- A. Retaining Clamps
- B. Case
- C. Air Cleaner Body
- F. Cap (Dust Ejector Valve)



- D. Primary Element
- E. Secondary Element

## Fuel Filter and Fuel Pump Service

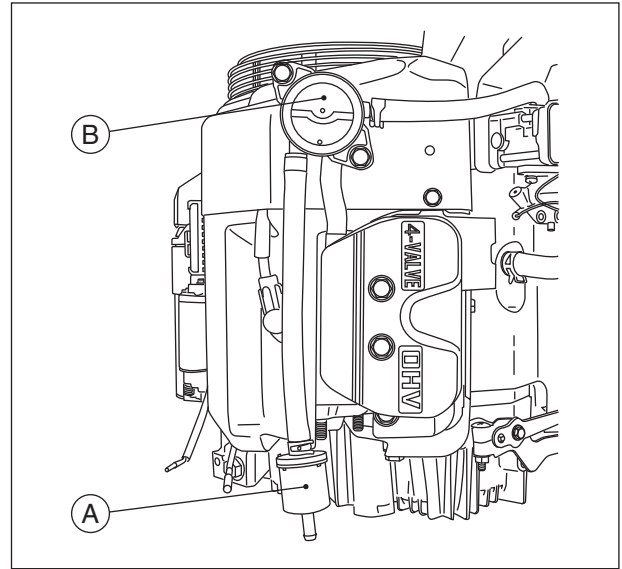
### **⚠ WARNING**

Improper use of solvents can result in fire or an explosion.

Do not use gasoline or low flash-point solvents to clean the fuel filter and/or the fuel pump.

Clean only in a well ventilated area away from sources of sparks or flame, including any appliances with a pilot light.

- The fuel filter can not be disassembled. If the fuel filter gets clogged, replace it with a new one.
- The fuel pump can not be disassembled. If the fuel pump fails, replace it with a new one.



**A. Fuel Filter**  
**B. Fuel Pump**

## 32 MAINTENANCE

### Spark Plug Service

#### **⚠ WARNING**

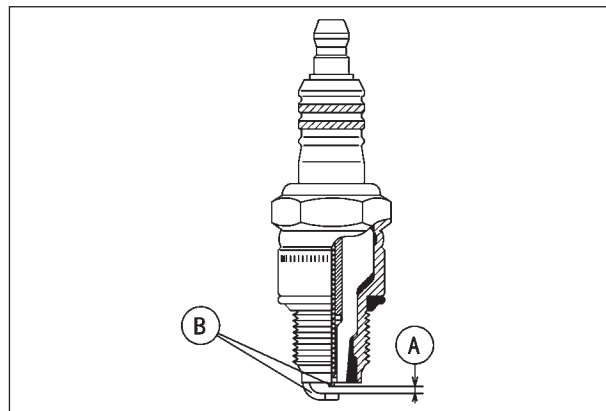
**Engines can become extremely hot during normal operation. Hot engine components can cause severe burns. Stop the engine and allow it to cool before checking spark plugs.**

Clean or replace the spark plugs and reset the gap every 100 hours of operation.

- Disconnect the spark plug caps from the spark plugs and remove the spark plugs.
- Clean the electrodes by scraping or using a wire brush to remove carbon deposits.
- Inspect for cracked porcelain, other wear or damage. Replace the spark plug with a new one if necessary.
- Check the spark plug gap and reset it if necessary. The gap must be 0.75 mm (0.030 in). To change the gap, bend only the side electrode, using a spark plug tool.
- Install and tighten the spark plugs to 22 N·m (2.2 kgf·m, 16 ft·lb).
- Fit the spark plug caps on the spark plugs securely.
- Pull up the spark plug caps lightly to make sure of the installation of the spark plug caps.

#### RECOMMENDED SPARK PLUG

NGK.....BPR4ES



**A. Spark Plug Gap**  
**B. Electrodes**

## Cooling System Cleaning

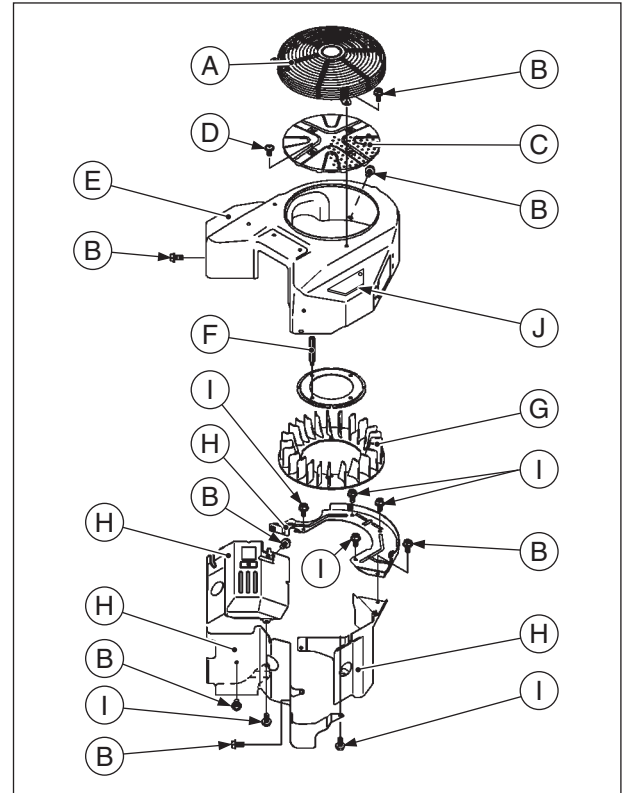
Before each operation, check that the air inlet (rotary) screen is free from grass and debris. Clean the screen if necessary. Every 50 hours of operation, check the inside fan housing from the cleanout covers. To inspect the inside, loosen bolts of the cleanout covers and remove them. Every 100 hours of operation, check and clean the cooling fins and the inside of engine shrouds to remove grass, chaff or dirt clogging the cooling system and causing overheating. When cleaning, remove the guard and air inlet screen, then remove the fan housing and engine shrouds (includes removing the air cleaner, fuel pump, oil cooler and the voltage regulator parts) if necessary.

### NOTICE

**Do not run engine before all cooling system parts are reinstalled to keep cooling and carburetion as intended.**

### [Bolts Size, Tightening Torque]

| Bolts | Size | Length | Tightening torque              |
|-------|------|--------|--------------------------------|
| B     | M6   | 12 mm  | 5.9 N·m (0.6 kgf·m, 4.3 ft·lb) |
| D     | M6   | 10 mm  | 5.9 N·m (0.6 kgf·m, 4.3 ft·lb) |
| F     | M6   | 81 mm  | 5.9 N·m (0.6 kgf·m, 4.3 ft·lb) |
| I     | M6   | 12 mm  | 8.8 N·m (0.9 kgf·m, 6.5 ft·lb) |



**A. Guard**  
**B.D.F.I. Bolt**  
**C. Air Inlet Screen**  
**E. Fan Housing**

**G. Cooling Fan**  
**H. Shroud**  
**J. Cleanout Cover**

# STORAGE

## Engine Storage Procedure

When not operating your Kawasaki engine more than 30 days, add fuel stabilizer to fuel tank and run engine for 5 minutes then drain the fuel tank.

After draining the fuel tank, run the engine at low idle until engine stalls.

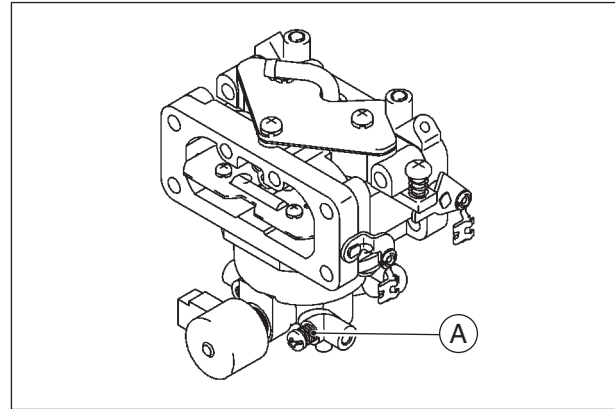
### **⚠ WARNING**

**Gasoline is extremely flammable and can be explosive under certain conditions. Drain fuel before storing the equipment for extended periods. Drain gasoline in a well ventilated area away from any source of flame or sparks, including any appliances with a pilot light. Store gasoline in an approved container in safe location.**

- Clean every part of the engine.
- Be sure that the engine switch or switch key is positioned at "OFF" position.
- Close the fuel valve and remove the sediment bowl.
- Put a pan under the fuel valve to receive the drained gasoline and open the fuel valve to drain

the gasoline from fuel tank completely.

- Install the sediment bowl.
- Put a pan under the carburetor and loosen the drain screw of the carburetor to drain the gasoline completely.
- Tighten the drain screw.

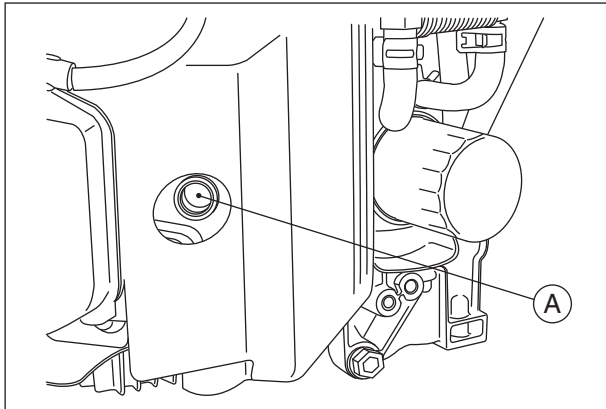


**A. Fuel Drain Screw**

### **⚠ WARNING**

**Gasoline is a toxic substance. Dispose of gasoline properly. Contact your local authorities for approved disposal methods.**

- Remove the spark plugs and pour approx 1-2 mL (1/2 teaspoon) of engine oil through the spark plug holes then screw the spark plugs in after turning the engine a few times. Slowly turn the engine until you feel the compression then leave it there. This traps the air inside the cylinders and prevents rust inside the engine.
- Wipe the body with oily cloth.
- Wrap the engine with plastic sheeting and store it in a dry place.
- Change engine oil for next use after period of storage. (Refer to MAINTENANCE chapter for Oil Change section).



**A. Spark Plug Hole**

# TROUBLESHOOTING GUIDE

If the engine malfunctions, carefully examine the symptoms and the operating conditions, and use the table below as a guide to troubleshooting.

| Symptom                             |                               | Probable Cause  | Remedy                          |
|-------------------------------------|-------------------------------|---|---------------------------------|
| Engine won't start or output is low | Insufficient compression      | Loose spark plugs                                       | Tighten properly                |
|                                     |                               | Faulty pistons, cylinders, piston rings or head gaskets | ◇                               |
|                                     |                               | Faulty valves   |                                 |
|                                     |                               | Loose cylinder head bolts                               |                                 |
|                                     | No fuel to combustion chamber | No fuel in fuel tank                                    | Fill fuel tank                  |
|                                     |                               | Fuel valve is not in "ON" position.                     | Open fuel valve lever.          |
|                                     |                               | Clogged fuel filter or tube                             | Change fuel filter or fuel tube |
|                                     |                               | Clogged air vent in tank cap                            | Clean fuel tank cap             |
|                                     |                               | Faulty fuel system                                      | ◇                               |
|                                     | Spark plugs fouled by fuel    | Clogged air cleaner                                     | Replace                         |
|                                     |                               | Incorrect grade/type of fuel                            | Change fuel                     |
|                                     |                               | Water in fuel   |                                 |
|                                     |                               | Over-rich fuel/air mixture                              | ◇                               |
|                                     |                               | Faulty fuel system                                      |                                 |



## TROUBLESHOOTING GUIDE 37

| Symptom                             |                             | Probable Cause   | Remedy   |
|-------------------------------------|-----------------------------|--|--|
| Engine won't start or output is low | No spark or weak spark      | Faulty spark plugs                                     | Replace spark plugs                                    |
|                                     |                             | Engine switch is in "OFF" position                     | Turn engine switch to "START" position (See <b>M</b> ) |
|                                     |                             | Faulty ignition coils                                  | ◇  |
| Low output                          | Engine overheats            | Clogged air cleaner                                    | Replace  |
|                                     |                             | Air inlet screen or cooling air path clogged with dirt | Clean  |
|                                     |                             | Insufficient engine oil                                | Replenish or change oil                                |
|                                     |                             | Carbon build-up in combustion chamber                  | ◇  |
|                                     | Engine speed won't increase | Faulty E-governor                                      | ◇  |

◇ : Service to be performed by an authorized Kawasaki engine dealer or equally qualified service facility.

**M** : For Control Panel Switch Type, move the throttle lever on the equipment away from it slow speed end to turn the engine switch to "START" position.

---

# **ENVIRONMENTAL PROTECTION**

---

To help preserve the environment, properly discard used batteries, oils and fluids, or other engine components.

Consult an authorized Kawasaki engine dealer or equally qualified service facility or local environmental waste agency for their proper disposal procedure. This also applies to disposal of the entire engine at the end of its life.

---

## SPECIFICATIONS

---

|                       |  |
|-----------------------|--|
|                       | FX850V   |
| Type                  | Air-cooled, 4-stroke OHV 4Valves, V-twin cylinder, gasoline engine |
| Bore × Stroke         | 84.5 × 76 mm (3.33 × 2.99 in.)                                     |
| Displacement          | 852 mL (52 cu.in.)   |
| Ignition System       | Solid-state ignition   |
| Direction of rotation | Counterclockwise facing the PTO Shaft                              |
| Starting system       | Electric starter   |
| Dry weight : kg (lbs) | 56.4 kg (124 lbs)  |

### NOTE

- *Specifications are subject to change without notice.*
- *Dry weight excludes that of the fuel tank and the muffler.*

# WIRING DIAGRAM

## Wiring Diagram (With 12 V - 15 A Charging Coil)

### ⚠ WARNING

For electrical safety, always remove cable from negative (-) side of battery before attempting any repair or maintenance.

### Battery Capacity Recommended

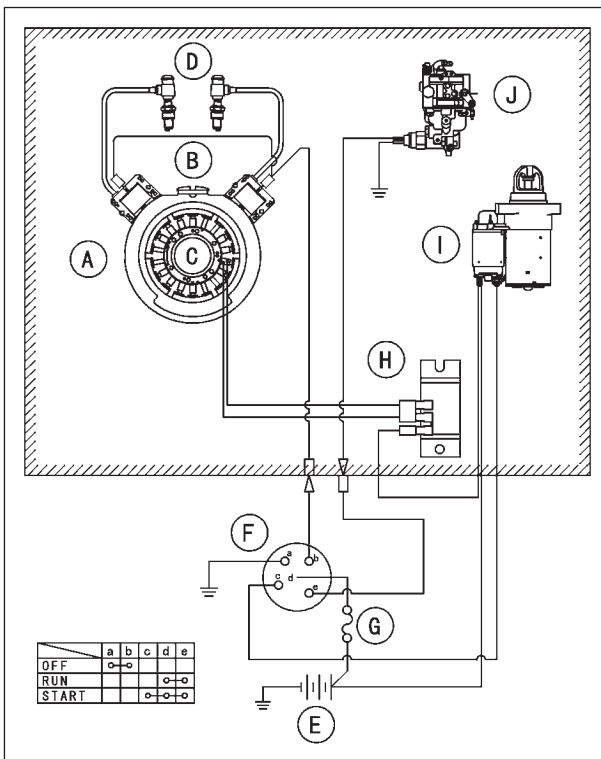
Minimum Recommended Battery Capacity

12 V 550 CCA Class

### NOTE

○ Portion surrounded by hatching shows Kawasaki procurement parts.

- |                   |                      |
|-------------------|----------------------|
| A. Flywheel       | F. Key Switch        |
| B. Ignition Coils | G. Fuse              |
| C. Charging Coil  | H. Voltage Regulator |
| D. Spark Plugs    | I. Electric Starter  |
| E. Battery        | J. Carburetor        |



# **Motor de propósito general Manual del propietario**



# PRECAUCIONES DE SEGURIDAD

Siempre que vea los símbolos que se muestran a continuación, preste atención a las instrucciones. Siga siempre prácticas seguras de funcionamiento y mantenimiento.

## PELIGRO

**PELIGRO** indica una situación peligrosa que, de no evitarse, provocará daños personales graves o un accidente mortal.

## ADVERTENCIA

**ADVERTENCIA** indica una situación peligrosa que, de no evitarse, puede provocar daños personales graves o un accidente mortal.

## **AVISO**

Los **AVISOS** se utilizan para aquellas prácticas en las que no hay riesgo de daños personales.

## **NOTA**

- *NOTA* indica que contiene información de ayuda o guía para la operación o el mantenimiento de la motocicleta.

# LÉAME PRIMERO

Por su seguridad, asegúrese de leer y comprender este manual del propietario antes de utilizar este MOTOR.

## PELIGRO

Los gases del tubo de escape contienen monóxido de carbono, un gas tóxico, incoloro e inodoro. La inhalación de monóxido de carbono puede provocar lesiones cerebrales graves o la muerte.

**NO ponga en marcha el motor en espacios cerrados. Póngalo en marcha únicamente en lugares bien ventilados. La gasolina es muy inflamable y puede explotar en determinadas condiciones, con el consiguiente riesgo de quemaduras graves. Al realizar el repostaje, revisión del sistema de combustible, vaciado de gasolina y/o ajuste del carburador:**

**Antes de repostar, pare el motor y deje que se enfríe.**

**NO fume.**

**Asegúrese de que el área esté bien ventilada y que no haya ninguna fuente de llamas o chispas, incluidos aparatos con llama piloto.**

**NO rellene el depósito de forma que el nivel de combustible sobrepase la boca de llenado o la superficie de nivel del indicador de nivel. Si se sobrepasa, el calor puede hacer que el combustible salga y desborde por los orificios de ventilación de la tapa del depósito. Limpie inmediatamente la gasolina que se haya derramado.**

Los motores pueden calentarse considerablemente durante el normal funcionamiento.

Para evitar el riesgo de incendio:

**Separe el motor al menos 1 m (3,3 pies) de cualquier edificio, obstrucción u otro tipo de objeto inflamable.**

**NO coloque objetos inflamables cerca del motor.**

**NO deje expuesto el tubo de escape del motor a materiales combustibles.**

**NO utilice el motor en ningún terreno no construido en el que haya árboles, maleza o pastos, a menos que haya instalado un apagachispas en el silenciador.**

Para evitar el riesgo de descarga eléctrica, **NO toque las bujías de encendido, sus capuchones o cables cuando el motor esté funcionando. Para evitar quemaduras graves, NO toque el motor o el silenciador cuando estén calientes.**

**El motor se calienta con el uso. Antes de reparar o extraer piezas, pare el motor y deje que se enfríe.**

**NO ponga las manos ni los pies cerca de las piezas que se mueven o giran. Coloque una cubierta de protección sobre la polea, la correa trapezoidal o el acoplamiento.**

**NO utilice el motor a velocidades excesivas. Ya que se podrían causar heridas graves.**

**Retire siempre los capuchones de las bujías de encendido al realizar el mantenimiento del motor para evitar que éste se encienda por accidente.**

Asegúrese de leer y comprender las etiquetas de advertencia situadas en el motor. Si falta alguna etiqueta, está rota o desgastada, obtenga una de recambio en un distribuidor autorizado de motores Kawasaki y colóquela en el lugar correcto.



# INFORMACIÓN SOBRE CONTROL DE EMISIONES

## **Información sobre el combustible**

ESTE MOTOR ESTÁ CERTIFICADO PARA FUNCIONAR ÚNICAMENTE CON GASOLINA NORMAL SIN PLOMO. Se recomienda el uso de un mínimo de 87 octanos del índice antidetonante. El índice antidetonante se anuncia en los surtidores de las estaciones de servicio de Estados Unidos.

## **Información sobre control de emisiones**

A fin de proteger el medio ambiente en el que todos vivimos, Kawasaki ha incorporado un sistema de control de emisiones de escape que cumple todas las normas de la Agencia Estadounidense para la Protección Medioambiental. Asimismo, dependiendo de la fecha de fabricación del motor, puede tener asignado un periodo de durabilidad de las emisiones.

\* Consulte a continuación el periodo de durabilidad de las emisiones del motor que puede aplicarse a su motor.

## **Sistema de control de emisiones de escape**

El sistema de control de emisiones de escape aplicado a este motor consta de un carburador y un sistema de encendido que disponen de características óptimas de reglaje del encendido. La calibración del carburador permite proporcionar características específicas de mezcla de aire/combustible y un ahorro óptimo de combustible con un filtro de aire y sistema de escape adecuados.

Con el propósito de eliminar los gases de combustión, también se incorpora un sistema de control de emisiones del cárter sellado. Los gases de combustión se dirigen hacia una cámara con respiradero a través del cárter y, desde allí, al filtro de aire.

## **Periodo de conformidad de las emisiones del motor**

### **Motores mayores o iguales que 225 cc**

Periodo de durabilidad: 1.000 horas (Categoría A)

\* Si su motor tiene asignado un periodo de durabilidad de las emisiones, figurará en la etiqueta de certificación fijada en el motor (INFORMACIÓN IMPORTANTE DEL MOTOR).

## **Información de ajuste del rendimiento a gran altitud**

Para mejorar el RENDIMIENTO DEL CONTROL DE EMISIONES de los motores que funcionan a altitudes superiores a 1000 metros (3300 pies), Kawasaki requiere las siguientes modificaciones aprobadas por la Agencia Estadounidense para la Protección Medioambiental (EPA). El ajuste para gran altitud requiere la sustitución de las toberas principales del carburador. La instalación de estas piezas opcionales puede realizarse a través de un distribuidor autorizado de motores Kawasaki o centro de servicio de similar cualificación siguiendo las recomendaciones de reparación que se especifican en el documento de mantenimiento o el catálogo de piezas correspondiente de Kawasaki.

El funcionamiento con una configuración incorrecta a una altitud determinada puede aumentar las emisiones y disminuir la eficiencia y el rendimiento del combustible.

### **NOTA**

○ *Cuando se realizan correctamente, estas modificaciones especificadas no se consideran una “alteración” del sistema de emisiones y, normalmente, el rendimiento del motor no varía.*

## **Mantenimiento y garantía**

Resulta necesario realizar un mantenimiento adecuado para asegurar que el motor mantenga niveles bajos de emisiones. Este Manual del propietario incluye las recomendaciones de mantenimiento para su motor. Los elementos identificados por el Gráfico de mantenimiento periódico resultan necesarios para garantizar el cumplimiento de las normas aplicables.

El propietario del motor es responsable de garantizar la realización del mantenimiento recomendado de conformidad con las instrucciones indicadas en este Manual del propietario, y asumirá el coste correspondiente.

La Garantía limitada del sistema de control de emisiones de Kawasaki requiere la devolución del motor a un distribuidor autorizado de motores Kawasaki para realizar las medidas de subsanación necesarias bajo la garantía. Lea la garantía atentamente y mantenga su validez mediante el cumplimiento de las obligaciones estipuladas del propietario.

## **Alteración prohibida con el sistema de control de emisiones**

La legislación federal prohíben los siguientes actos o la inducción a realizarlos: (1) la retirada o desactivación por parte de cualquier persona, excepto que se realice por motivos de mantenimiento, reparación o sustitución, de cualquier dispositivo o elemento de diseño incorporado en cualquier motor nuevo para fines de control de emisiones antes de su venta o entrega al comprador final o mientras se encuentre en uso, o (2) el uso del motor después de que cualquier persona haya retirado o desactivado dicho dispositivo o elemento de diseño.

La manipulación de las siguientes piezas originales relacionadas con la emisión se encuentra entre los actos considerados como manipulación indebida.

- Carburador y sus piezas internas
- Bujía de encendido
- Sistema magnético
- Elemento del filtro de combustible
- Elemento del filtro de aire
- Cáster
- Cabeza del cilindro
- Cámara con respiradero y piezas internas
- Conducto y tubo de admisión

# PRÓLOGO

Gracias por la compra de este motor Kawasaki.

**Lea atentamente este manual antes de estrenar su nuevo motor** a fin de familiarizarse bien con el funcionamiento correcto y el control del motor, sus características, capacidades y limitaciones.

Asimismo, lea también el manual de los equipos incluidos en este motor.

Para garantizar una vida larga y sin problemas de su motor, siga las instrucciones sobre cuidados y mantenimiento que se describen en este manual. Tenga siempre este manual a mano para consultarlo cuando sea necesario. Este manual debe considerarse una parte permanente del motor y deberá entregarlo con el motor cuando lo venda.

Todos los derechos reservados. Ninguna parte de este documento puede ser reproducida sin el previo consentimiento por escrito de Kawasaki.

Toda la información contenida en esta publicación está basada en la información más reciente que está disponible en el momento de la publicación. No obstante, pueden existir diferencias leves entre el producto real y las ilustraciones y el texto del manual.

Todos los productos están sujetos a cambios sin previo aviso u obligación.

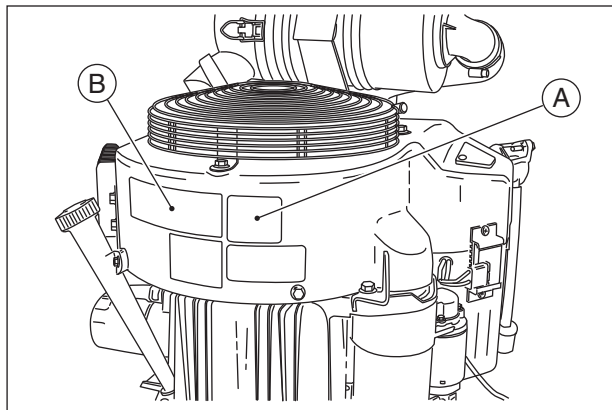
**KAWASAKI HEAVY INDUSTRIES, LTD.**  
**Motorcycle & Engine Company**

# ÍNDICE

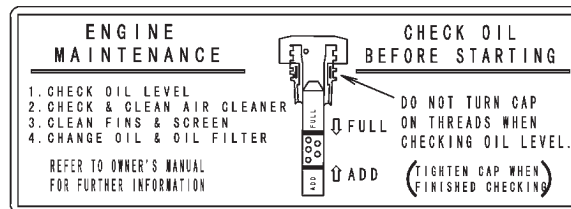
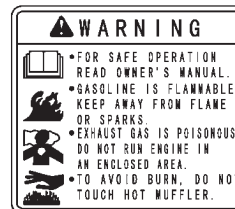
|  |    |   |    |
|--|----|---|----|
| <b>INFORMACIÓN GENERAL</b> .....                               | 8  | Instalación y ajuste del cable del estrangulador .....          | 21 |
| Ubicación de las etiquetas relacionadas con la seguridad ..... | 8  | Ajuste de la velocidad del motor .....                          | 23 |
| Ubicación de las piezas .....                                  | 9  | <b>MANTENIMIENTO</b> .....                                      | 24 |
| Número de serie del motor .....                                | 10 | Tabla de mantenimiento periódico .....                          | 24 |
| Especificaciones de puesta a punto .....                       | 10 | Comprobación del nivel de aceite .....                          | 26 |
| Capacidad de aceite del motor .....                            | 11 | Mantenimiento del enfriador de aceite .....                     | 26 |
| <b>RECOMENDACIONES DE COMBUSTIBLE Y ACEITE</b> .....           | 12 | Cambio de aceite .....  | 27 |
| Combustible .....  | 12 | Cambio del filtro de aceite .....                               | 28 |
| Aceite del motor .....   | 13 | Mantenimiento del filtro de aire .....                          | 30 |
| <b>PREPARACIÓN</b> .....                                       | 14 | Filtro de aire .....  | 30 |
| Combustible .....  | 14 | Elemento primario .....   | 30 |
| Aceite del motor .....   | 15 | Elemento secundario .....                                       | 30 |
| <b>ARRANQUE</b> .....  | 16 | Tapa (válvula del eyector de polvo) .....                       | 30 |
| Puesta en marcha del motor .....                               | 16 | Mantenimiento del filtro y la bomba de combustible .....        | 32 |
| <b>FUNCIONAMIENTO</b> .....                                    | 18 | Mantenimiento de la bujía de encendido .....                    | 33 |
| Calentamiento .....  | 18 | Limpieza del sistema de refrigeración .....                     | 34 |
| Inclinación del motor .....                                    | 19 | <b>ALMACENAMIENTO</b> .....                                     | 36 |
| <b>PARADA</b> .....  | 20 | Procedimiento de almacenamiento del motor .....                 | 36 |
| Parada del motor .....   | 20 | <b>SOLUCIÓN DE AVERÍAS</b> .....                                | 38 |
| Parada normal .....  | 20 | <b>PROTECCIÓN MEDIOAMBIENTAL</b> .....                          | 40 |
| Parada de emergencia .....                                     | 20 | <b>ESPECIFICACIONES</b> .....                                   | 41 |
| <b>AJUSTE</b> .....  | 21 | <b>DIAGRAMA DE CABLEADO</b> .....                               | 42 |
| Estrangulador de tipo independiente .....                      | 21 | Diagrama de cableado (con bobina de carga de 12 V - 15 A) ..... | 42 |
| Instalación y ajuste del cable del acelerador .....            | 21 |   |    |

# INFORMACIÓN GENERAL

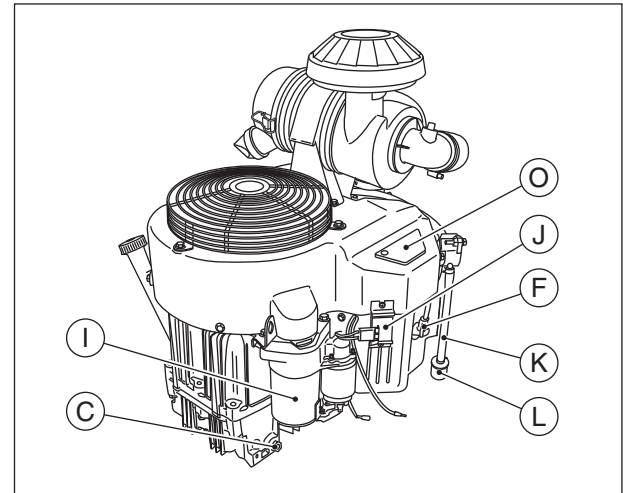
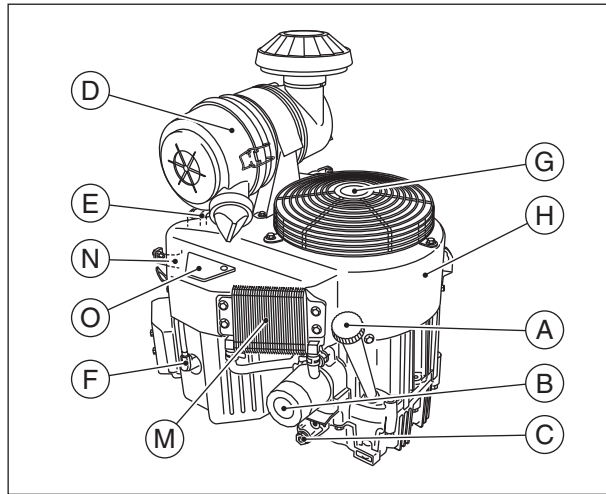
## Ubicación de las etiquetas relacionadas con la seguridad



- A. Etiqueta de advertencia
- B. Mantenimiento del motor



**Ubicación de las piezas**



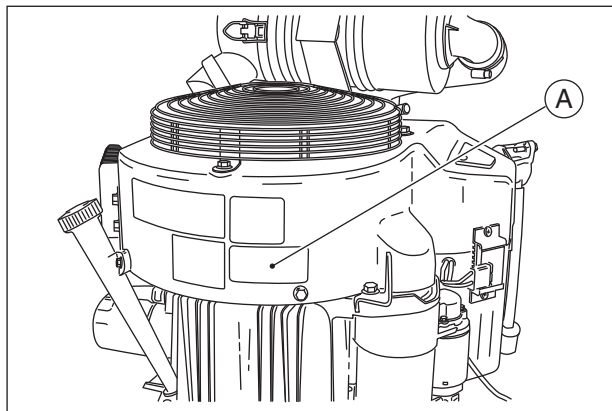
- |  |   |
|--|---|
| <b>A. Llenador del indicador de nivel del aceite</b> | <b>I. Motor de arranque eléctrico</b>           |
| <b>B. Filtro de aceite</b>                           | <b>J. Regulador de voltaje</b>                  |
| <b>C. Tapón de drenaje de aceite</b>                 | <b>K. Tubo de combustible</b>                   |
| <b>D. Filtro de aire</b>                             | <b>L. Filtro de combustible</b>                 |
| <b>E. Carburador</b>                                 | <b>M. Enfriador de aceite</b>                   |
| <b>F. Tapa de la bujía/bujía</b>                     | <b>N. Panel de control</b>                      |
| <b>G. Protector</b>                                  | <b>O. Cubierta para limpieza (de equiparse)</b> |
| <b>H. Carcasa del ventilador</b>                     |   |

## 10 INFORMACIÓN GENERAL

### Número de serie del motor

El número de serie del motor es el único medio para identificar específicamente su motor con respecto de otros del mismo tipo de modelo.

Necesitará el número de serie del motor cuando realice un pedido de piezas al distribuidor autorizado de motores Kawasaki o centro de servicio de similar cualificación.



A. Número de serie del motor

### Especificaciones de puesta a punto

| ELEMENTO   | Especificaciones   |
|--|--|
| Reglaje del encendido                                      | No permite ajuste  |
| Bujías de encendido:<br>Separación entre los<br>electrodos | NGK BPR4ES<br>0,75 mm (0,030 pulg.)  |
| Ralentí mínimo   | 1.550 rpm  |
| Ralentí máximo   | 3.600 rpm  |
| Holgura de las válvulas                                    | IN 0,10 a 0,15 mm<br>(0,004 a 0,006 pulg.)<br>EX 0,10 a 0,15 mm<br>(0,004 a 0,006 pulg.) |
| Otras especificaciones                                     | No se necesitan otros<br>ajustes   |

#### NOTA

- *El ralentí máximo y mínimo pueden variar en función del equipo en el que se utilice el motor. Consulte la especificación del equipo.*



---

**Capacidad de aceite del motor**

---

**Capacidad de aceite del motor**

|        |   |
|--------|---|
| FX850V | 2,1 L<br>[cuando no se ha retirado el filtro de aceite] |
|        | 2,3 L<br>[cuando se ha retirado el filtro de aceite]    |

## — RECOMENDACIONES DE COMBUSTIBLE Y ACEITE —

### Combustible

Utilice sólo gasolina de tipo normal sin plomo, limpia y sin reciclar.

#### **AVISO**

**No mezcle aceite con gasolina.**

### Octanaje

El octanaje de una gasolina es una medida de sus resistencia ante la “detonación”. **El índice antidetonante recomienda el uso de un mínimo de 87 octanos.** El índice antidetonante se anuncia en los surtidores de las estaciones de servicio de Estados Unidos.

#### **NOTA**

- *Si se producen “detonaciones o golpeteo”, utilice otra marca de gasolina o un octanaje superior.*
- *Cuando el motor Kawasaki no se utilice más de una vez al mes, podrá mezclar un estabilizador de combustible en la gasolina del depósito de combustible. Los aditivos del estabilizador de combustible pueden evitar la oxidación de combustible.*

### Compuestos oxigenados

A la gasolina se le añaden compuestos oxigenados (etanol o MTBE). Si utiliza combustible oxigenado, asegúrese de que no contenga plomo y de que cumpla los requisitos mínimos de octanaje.

A continuación se detallan los porcentajes aprobados por EPA de compuestos oxigenados en el combustible.

ETANOL: (Alcohol etílico o de grano)

Puede utilizar gasolina que contenga un volumen de hasta un 10% de etanol.

MTBE: (Metilterbutil éter)

Puede utilizar gasolina que contenga un volumen de hasta un 15% de MTBE.

METANOL: (Alcohol de metilo o de madera)

Puede utilizar gasolina que contenga un volumen de hasta un 5% de metanol, siempre que también contenga codisolventes e inhibidores de corrosión para proteger el sistema de combustible. La gasolina que contenga más de un 5% de volumen de metanol puede producir problemas de arranque o rendimiento. También puede dañar las piezas de metal, goma y plástico del sistema de combustible.

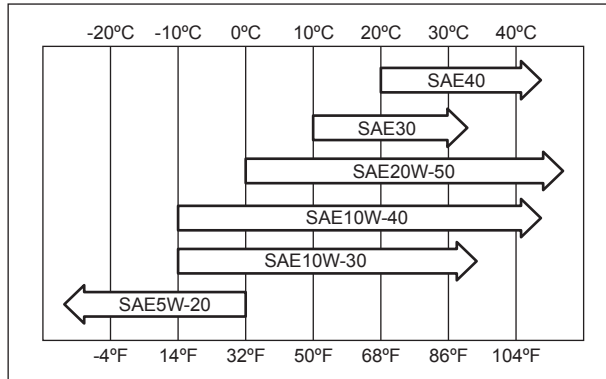
### Aceite del motor

Se recomiendan los siguientes aceites para el motor.

Clasificación del servicio API: SJ o SL.

### Viscosidad del aceite

Seleccione la viscosidad en función de la temperatura, como sigue:



### NOTA

- *A pesar de que se recomienda utilizar el aceite de motor 10W-40 para la mayoría de las condiciones, puede que resulte necesario utilizar un aceite de viscosidad diferente según las condiciones atmosféricas. El uso de aceite 20W-50 a temperaturas ambiente más altas puede reducir el consumo de aceite.*

## PREPARACIÓN

### Combustible

#### ADVERTENCIA

La gasolina es muy inflamable y puede explotar en determinadas condiciones, con el consiguiente riesgo de quemaduras graves. Desactive el interruptor de contacto. No fume.

Asegúrese de que el área esté bien ventilada y de que no exista riesgo alguno de que se produzcan llamas o chispas; esto incluye cualquier dispositivo con llama piloto. Nunca llene el depósito completamente hasta el vértice superior. Si el depósito se llena completamente hasta arriba, el calor puede hacer que el combustible se expanda y se derrame a través de los respiros del tapón del depósito. Después de haber llenado el depósito, asegúrese que el tapón del depósito está bien cerrado. Si la gasolina se derrama sobre el depósito de combustible, límpielo inmediatamente.

- Antes del repostaje, coloque el motor en una superficie nivelada.
- Retire el tapón del depósito de combustible.
- Vierta el combustible lentamente en el depósito, a través del colador de combustible.
- Cierre firmemente la tapa del depósito.

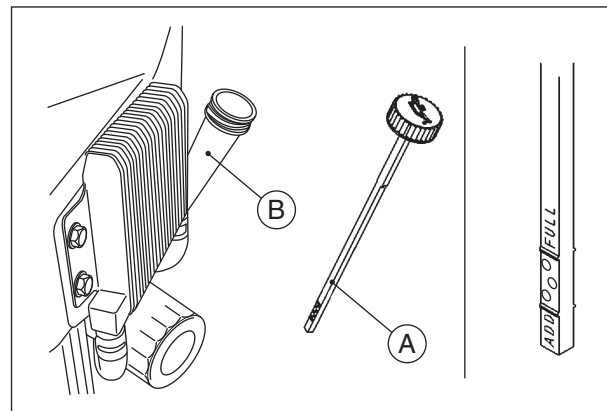
## Aceite del motor

Revise el aceite del motor diariamente antes de poner en marcha el motor, de lo contrario, la escasez de aceite del motor podría causar daños graves al motor, como por ejemplo, el agarrotamiento.

- Coloque el motor sobre una superficie nivelada.  
Limpie el área alrededor del indicador de aceite antes de extraerlo.
- Extraiga el indicador de aceite y límpielo con un paño limpio.
- Vierta el aceite lentamente hasta la marca “FULL” (Lleno) del indicador.
- Inserte el indicador de aceite en el tubo SIN ENROSCARLO.
- Extraiga el indicador de aceite y compruebe el nivel de aceite. El nivel debe encontrarse entre las marcas “ADD” (Añadir) y “FULL” (Lleno). No sobrepase la marca FULL.
- Instale y apriete el indicador de aceite.

### Capacidad de aceite del motor

|        |   |
|--------|---|
| FX850V | 2,1 L<br>[cuando no se ha retirado el filtro de aceite] |
|        | 2,3 L<br>[cuando se ha retirado el filtro de aceite]    |



**A. Indicador de aceite**  
**B. Tubo**

## AVISO

**El motor se entrega sin aceite.**

# ARRANQUE

## Puesta en marcha del motor

### PELIGRO

Los gases del tubo de escape contienen monóxido de carbono, un gas tóxico, incoloro e inodoro. La inhalación de monóxido de carbono puede provocar lesiones cerebrales graves o la muerte. **NO** ponga en marcha el motor en espacios cerrados. Póngalo en marcha únicamente en lugares bien ventilados.

### ADVERTENCIA

El escape del motor puede inflamar los materiales combustibles y provocar un incendio.

Mantenga despejada la zona cercana a la salida de escape. Coloque la unidad de forma que dicha salida esté orientada hacia un área despejada y en una ubicación con una distancia de al menos un metro de cualquier obstrucción.

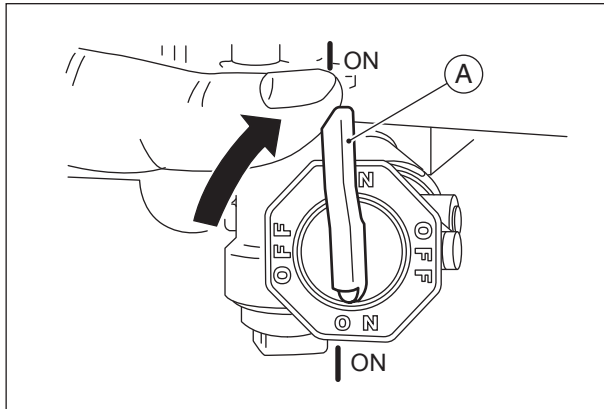
### NOTA

- *Tenga en cuenta lo siguiente para arrancar el motor sin problemas cuando las temperaturas sean bajas.*
- *Utilice el aceite adecuado para la temperatura prevista (consulte el capítulo RECOMENDACIONES DE COMBUSTIBLE Y ACEITE). Utilice gasolina nueva.*
- *No deje el motor ni el equipo a la intemperie cuando no se esté utilizando.*
- *Antes de arrancar el motor, desconecte todas las posibles cargas exteriores.*
- **Abra la válvula de combustible del equipo.**
- **Ponga la llave en el interruptor de encendido. En el caso del tipo de interruptor mediante panel de control, mueva la palanca del acelerador del equipo hasta su posición intermedia entre la velocidad "SLOW" (Lento) y la velocidad "FAST" (Rápido).**  
El motor se enciende al alejar la palanca del extremo de baja velocidad.

**[Estrangulador de tipo independiente]**

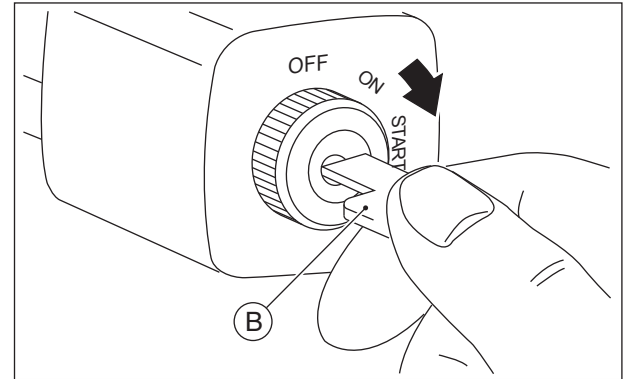
**Para un motor frío** - Coloque la palanca de control del estrangulador en la posición “CHOKE” (Estrangulador).

- Justo después de arrancar el motor, lleve gradualmente la palanca de control del estrangulador hasta la posición de apertura completa.



**A. Válvula de combustible**

- Ponga la llave en el interruptor de encendido.
- Gire la llave hasta la posición START (Arranque) del equipo. Normalmente el motor se pone en marcha en menos de 3 segundos.



**B. Llave de contacto**

**AVISO**

No accione continuamente el motor de arranque eléctrico durante más de 5 segundos, de lo contrario, la batería se podrá descargar rápidamente. Si el motor no arranca enseguida, espere 15 segundos y vuelva a intentarlo.

**AVISO**

Siempre que arranque el motor, compruebe que la luz de aviso no se encienda después del arranque.

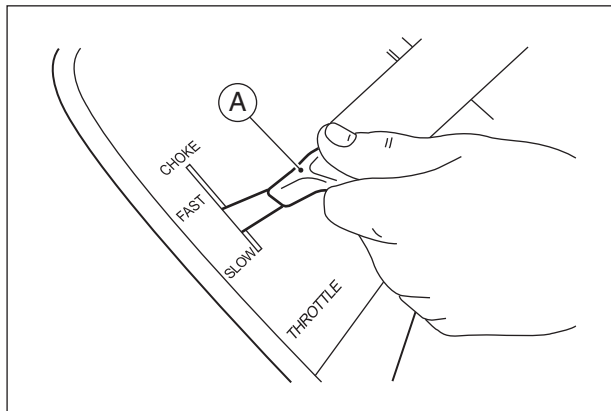
Si la luz se enciende, pare el motor inmediatamente y compruebe el nivel de aceite (de equiparse).

# FUNCIONAMIENTO

## Calentamiento

Justo después de arrancar el motor, mueva la palanca del acelerador del equipo hasta la posición intermedia entre “FAST” (Rápido) y “SLOW” (Lento).

Para calentar el motor, manténgalo arrancado de 3 a 5 minutos con la palanca del acelerador en la misma posición de aceleración (intermedia) antes de utilizar el equipo. A continuación, mueva la palanca del acelerador del equipo hasta su posición “FAST” (Rápido).



A. Palanca del acelerador

## AVISO

Deje que el equipo se caliente lo suficiente (de 3 a 5 minutos al ralentí) antes de acelerarlo. De esta forma el aceite llega a todas las partes del motor y permite que la holgura del pistón alcance las especificaciones de diseño.

## AVISO

Mientras se calienta el motor, asegúrese de que la luz de aviso (presión de aceite) no esté encendida en el tablero de instrumentos. La luz de aviso no debe estar iluminada (de equiparse) durante la operación del motor.



---

## **Inclinación del motor**

---

Este motor funcionará de forma continuada con inclinaciones de hasta 25° en cualquier dirección.

Lea las instrucciones de funcionamiento del equipo en el que se utilice este motor. Debido al diseño o a la aplicación de dicho equipo, pueden existir restricciones más estrictas respecto al ángulo de funcionamiento.

### ***AVISO***

**No utilice este motor de forma continuada con inclinaciones superiores a 25° en cualquier dirección, ya que se podrían producir daños en el mismo debido a una falta de lubricación.**

# PARADA

## Parada del motor

### Parada normal

- Mueva la palanca del acelerador hasta la posición “SLOW” (Lento).
- Déjelo funcionar a la velocidad “SLOW” (Lento) durante aproximadamente un minuto.

### AVISO

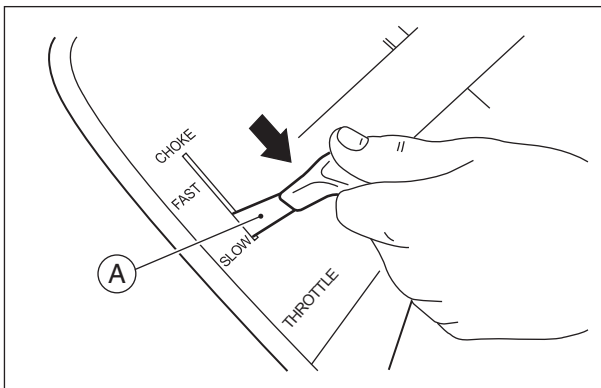
Si el motor se estaba utilizando a alta velocidad y se para de repente, se pueden producir daños en el mismo debido al funcionamiento en vacío o a la persistencia de la combustión durante el periodo de expansión. Reduzca la velocidad del motor hasta el ralentí durante un minuto antes de pararlo.

- Ponga el interruptor de encendido en la posición “OFF” (Apagado).

### Parada de emergencia

- Ponga inmediatamente el interruptor de encendido en la posición “OFF” (Apagado).

- Cierre la válvula de combustible del equipo.



A. Palanca del acelerador

### ⚠ ADVERTENCIA

Dejar el equipo con la llave colgada en el encendido podría dar lugar a la operación por parte de personal inexperto. Podría provocar un accidente grave y lesiones. Siempre retire la llave del equipo desatendido.

---

# AJUSTE

---

---

## **Estrangulador de tipo independiente**

---

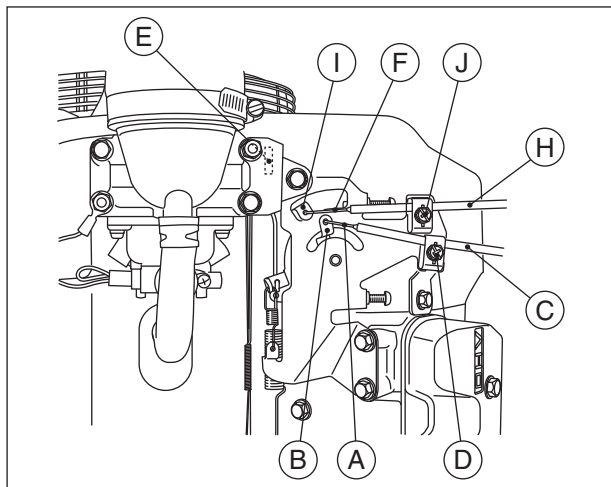
### **Instalación y ajuste del cable del acelerador**

- Conecte el cable del acelerador a la palanca de control de velocidad y ajuste sin forzarla la abrazadera sobre el revestimiento exterior del cable del acelerador con el tornillo correspondiente.
- Mueva la palanca del acelerador hasta la posición “FAST” (Rápido).
- Tire del revestimiento externo del cable del acelerador hasta que el cable interior casi no tenga juego y apriete el tornillo de la abrazadera del cable.
- Mueva la palanca del acelerador hasta la posición “SLOW” (Lento). Asegúrese de que el brazo del pivote de la válvula de mariposa del carburador se mueva suavemente.

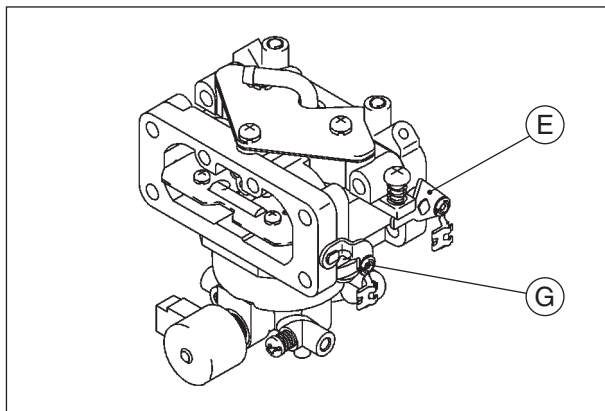
### **Instalación y ajuste del cable del estrangulador**

- Conecte el cable del estrangulador a la palanca de control del estrangulador y ajuste sin forzarla la abrazadera sobre el revestimiento exterior del cable del estrangulador con el tornillo correspondiente.
- Mueva el control del estrangulador del equipo hasta la posición “OPEN” (Abierto). Asegúrese de que la válvula del estrangulador del carburador (brazo del pivote) esté totalmente abierta.
- Tire del revestimiento exterior del cable del estrangulador hasta que el cable interior casi no tenga juego y apriete el tornillo de la abrazadera del cable.
- Mueva el control del estrangulador del equipo hasta la posición “CHOKE” (Estrangulador). Asegúrese de que la válvula del estrangulador del carburador (brazo del pivote) esté totalmente cerrada.
- Asegúrese de que la válvula del estrangulador gire desde la posición de cierre completo hasta la de apertura completa cuando accione el control de estrangulador del equipo.

## 22 AJUSTE



- A. Cable del acelerador
- B. Palanca de control de velocidad
- C.H. Revestimiento exterior del cable
- D.J. Tornillo de la abrazadera del cable
- E. Brazo del pivote
- F. Cable del estrangulador
- I. Palanca del estrangulador
- J. Tornillo de la abrazadera del cable



- E. Brazo del pivote de la válvula de mariposa
- G. Brazo del pivote de la válvula del estrangulador

---

## Ajuste de la velocidad del motor

---

### NOTA

- *No trate de forzar el ajuste del regulador o del carburador para aumentar la velocidad del motor. Los carburadores vienen ajustados de fábrica y con un tapón o una placa de tope en cada tornillo de mezcla.*
- *En caso de que sea necesario un ajuste, consulte con un distribuidor autorizado de motores Kawasaki o con un centro de servicio de similar cualificación para que le realicen el ajuste.*

# MANTENIMIENTO

El mantenimiento, sustitución o reparación de los dispositivos y sistemas de control de emisiones pueden realizarse a través de cualquier taller o técnico de motores no diseñados para vehículos.

## Tabla de mantenimiento periódico

### ADVERTENCIA

**Evite el arranque accidental durante el servicio del motor retirando las tapas de las bujías.**

### NOTA

○ *Los intervalos de mantenimiento se pueden utilizar como guía. El mantenimiento se deberá realizar con mayor frecuencia dependiendo de las condiciones de funcionamiento.*

| MANTENIMIENTO  | INTERVALO |           |            |            |            |            |            |
|--|-----------|-----------|------------|------------|------------|------------|------------|
|  | Diario    | Cada 50 h | Cada 100 h | Cada 200 h | Cada 250 h | Cada 300 h | Cada 500 h |
| Comprobar y añadir aceite de motor.  | ●         |           |            |            |            |            |            |
| Comprobar si hay tuercas o tornillos flojos o falta alguno de estos elementos. | ●         |           |            |            |            |            |            |
| Comprobar si hay fugas de combustible o de aceite.                             | ●         |           |            |            |            |            |            |
| Comprobar el nivel de electrolito de la batería.                               | ●         |           |            |            |            |            |            |
| ◆ Comprobar o limpiar la rejilla filtradora de entrada de aire.                | ●         |           |            |            |            |            |            |

| MANTENIMIENTO  | INTERVALO |           |            |            |            |            |            |
|--|-----------|-----------|------------|------------|------------|------------|------------|
|  | Diario    | Cada 50 h | Cada 100 h | Cada 200 h | Cada 250 h | Cada 300 h | Cada 500 h |
| Comprobar la cubierta de limpieza.   |           | ●         |            |            |            |            |            |
| ◆ Limpiar el polvo y la suciedad del cilindro y aletas de la cabeza del cilindro.    |           |           | ●          |            |            |            |            |
| ◇ Apretar las tuercas y tornillos.   |           |           | ●          |            |            |            |            |
| ◇ Cambiar el aceite del motor.   |           |           | ●          |            |            |            |            |
| ◆ Revisar y limpiar las aletas del enfriador de aceite.                              |           |           | ●          |            |            |            |            |
| ◇ Limpiar y reajustar la separación entre los electrodos de las bujías de encendido. |           |           | ●          |            |            |            |            |
| ◇ Cambiar el filtro de aceite.   |           |           |            | ●          |            |            |            |
| ◆ Sustituir el elemento de papel del filtro de aire.                                 |           |           |            |            | ●          |            |            |
| ◆ Comprobar el elemento secundario del filtro de aire.                               |           |           |            |            | ●          |            |            |
| ◇ Limpiar la cámara de combustión.   |           |           |            |            |            | ●          |            |
| ◇ Comprobar y ajustar la holgura de las válvulas.                                    |           |           |            |            |            | ●          |            |
| ◇ Limpiar y rectificar la superficie de asiento de la válvula.                       |           |           |            |            |            | ●          |            |
| ◆ Sustituir el elemento secundario del filtro de aire.                               |           |           |            |            |            |            | ●          |

◆: Es necesario realizar operaciones de mantenimiento con mayor frecuencia cuando hay mucho polvo.

◇: El mantenimiento se realizará a través de un distribuidor autorizado de motores Kawasaki o centro de servicio de similar cualificación.

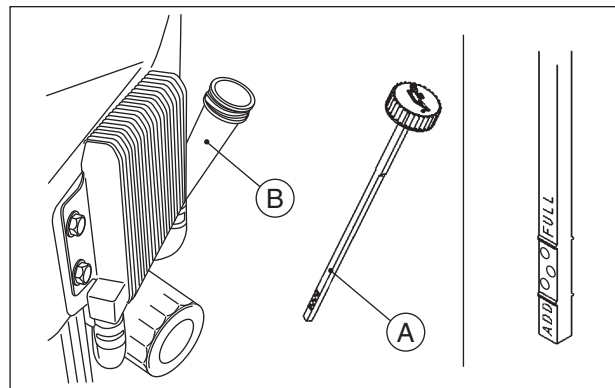
## 26 MANTENIMIENTO

### Comprobación del nivel de aceite

Compruebe el nivel de aceite a diario y antes de cada uso. Asegúrese de que el nivel de aceite sea constante. Consulte el capítulo “PREPARACIÓN”.

### Capacidad de aceite del motor

|        |   |
|--------|---|
| FX850V | 2,1 L<br>[cuando no se ha retirado el filtro de aceite] |
|        | 2,3 L<br>[cuando se ha retirado el filtro de aceite]    |



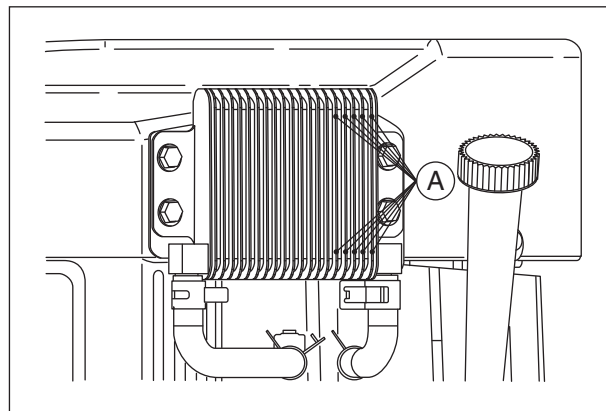
A. Indicador de aceite

B. Tubo

### Mantenimiento del enfriador de aceite

Revise y limpie las aletas del enfriador de aceite cada 100 horas.

- Limpie la suciedad adherida a la superficie de las aletas con un cepillo o aire comprimido.



A. Aletas del enfriador de aceite



## Cambio de aceite

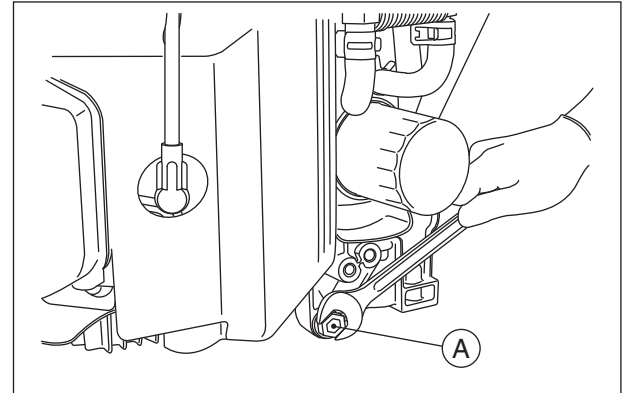
Cambie el aceite cada 100 horas.

- Arranque el motor para calentar el aceite.
- Asegúrese de que el motor (equipo) se encuentre sobre una superficie nivelada.
- Pare el motor.
- Quite el tapón de drenaje de aceite y extraiga el aceite a un contenedor adecuado mientras el motor está caliente.

### ⚠ ADVERTENCIA

**El aceite caliente del motor puede provocar quemaduras graves.**

**Deje que la temperatura del motor descienda de caliente a templada antes de extraer y manejar el aceite.**



#### A. Tapón de drenaje de aceite

- Instale el tapón de drenaje de aceite.
- Extraiga el indicador de nivel del aceite y rellene con aceite nuevo (Consulte el capítulo “RECOMENDACIONES DE COMBUSTIBLE Y ACEITE”).
- Verifique el nivel de aceite (consulte el capítulo “PREPARACIÓN”).

### ⚠ ADVERTENCIA

**El aceite del motor es una sustancia tóxica. Deshágase del aceite utilizado de la forma más adecuada. Póngase en contacto con las autoridades locales para obtener información sobre los métodos autorizados de eliminación de residuos o el posible reciclaje.**

## 28 MANTENIMIENTO

### Cambio del filtro de aceite

- Cambie el filtro de aceite cada 200 horas de uso.

#### **⚠ ADVERTENCIA**

**El aceite caliente del motor puede provocar quemaduras graves. Deje que la temperatura del motor descienda de caliente a templada antes de intentar quitar el filtro de aceite.**

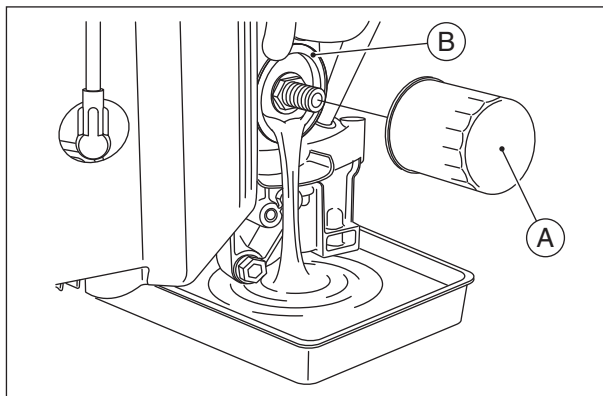
- Drene el aceite de motor en un recipiente adecuado.

#### **AVISO**

**Antes de extraer el filtro de aceite, coloque una bandeja adecuada debajo de la conexión del filtro.**

- Gire el filtro de aceite en el sentido contrario a las agujas del reloj y extráigalo.
- Extienda una película de aceite de motor limpio en el sello del nuevo filtro.
- Instale el nuevo filtro girándolo en el sentido de las agujas del reloj hasta que haga contacto con la superficie de montaje. A continuación, gire adicionalmente el filtro 2/3 de vuelta con la mano.

- Añada el aceite del motor según las especificaciones.
- Mantenga el motor en funcionamiento durante aproximadamente 3 minutos, párelo y compruebe si hay fugas de aceite alrededor del filtro.
- Añada aceite para compensar la bajada del nivel debido a la capacidad del filtro de aceite (consulte en el capítulo “PREPARACIÓN”).



- A. Filtro de aceite**
- B. Superficie de montaje**

 **ADVERTENCIA**

**El aceite del motor es una sustancia tóxica. Deshágase del aceite utilizado de la forma más adecuada. Póngase en contacto con las autoridades locales para obtener información sobre los métodos autorizados de eliminación de residuos o el posible reciclaje.**

## 30 MANTENIMIENTO

### Mantenimiento del filtro de aire

#### **AVISO**

**No haga funcionar el motor con el filtro de aceite desmontado.**

#### **Filtro de aire**

No se recomienda limpiar los elementos del filtro de aire. Reemplace cada elemento del filtro de aire por uno nuevo cuando realice el mantenimiento, tal y como se muestra en el gráfico de mantenimiento.

#### **AVISO**

**Para evitar el desgaste excesivo del motor, evite que el motor funcione sin filtro de aire.**

#### **AVISO**

**No lave el elemento de papel.  
No aplique aceite al elemento de papel o de espuma.  
No utilice aire a presión para limpiar el elemento de papel.**

#### **NOTA**

- *El funcionamiento en condiciones de polvo o suciedad podría requerir un mantenimiento más frecuente.*

#### **Elemento primario**

Reemplace el elemento primario cada 250 horas.

#### **Elemento secundario**

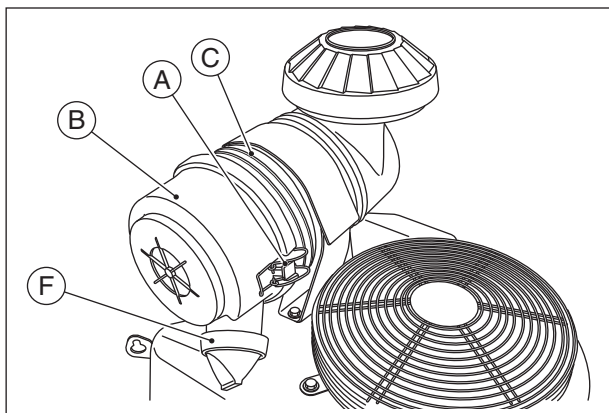
- Reemplace el elemento secundario por uno nuevo si el elemento secundario está sucio al comprobar el elemento primario.
- Reemplace el elemento secundario por uno nuevo cada 500 horas.

#### **Tapa (válvula del eyector de polvo)**

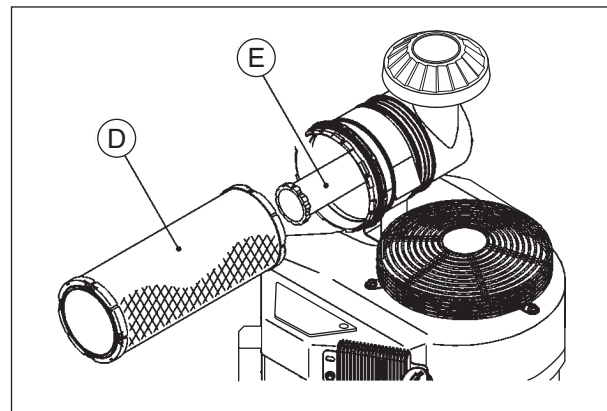
Empuje y abra la tapa de la caja del cuerpo del filtro de aire para expulsar el polvo y/o agua acumulados en el interior.

- Suelte las dos abrazaderas de retención y retire la caja del cuerpo del filtro de aire.
- Tire del elemento primario y del elemento secundario del cuerpo del filtro de aire para retirarlos.

- Instale los nuevos elementos del filtro de aire en el cuerpo del filtro de aire.
- Vuelva a colocar la caja y la tapa y fije con firmeza las dos abrazaderas de retención.



- A. Abrazaderas de retención**
- B. Caja**
- C. Cuerpo del filtro de aire**
- F. Tapa (válvula del eyector de polvo)**



- D. Elemento primario**
- E. Elemento secundario**

### Mantenimiento del filtro y la bomba de combustible

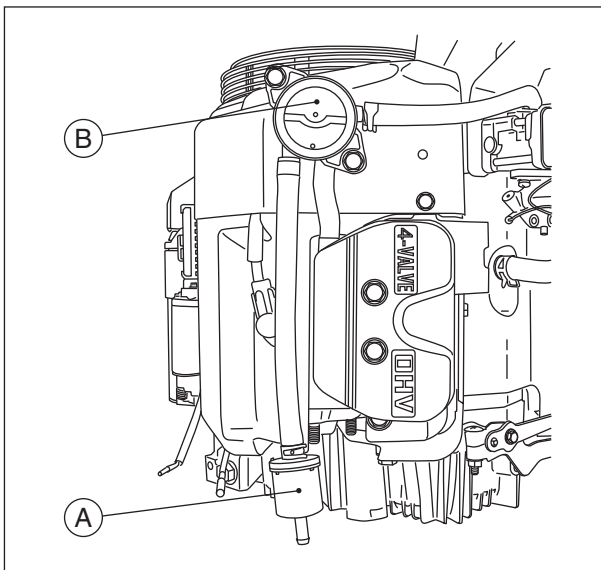
#### **⚠ ADVERTENCIA**

El uso incorrecto de disolventes puede causar un incendio o una explosión.

No utilice gasolina ni disolventes con baja temperatura de inflamación para limpiar el filtro de combustible o la bomba de combustible.

La limpieza se debe realizar siempre en un lugar bien ventilado, lejos de fuentes de chispas o llamas, incluyendo cualquier aparato con luz piloto.

- El filtro de combustible no se puede desmontar. Si se obstruye, sustitúyalo por uno nuevo.
- La bomba de combustible no se puede desmontar. Si ésta falla, sustitúyala por una nueva.



**A. Filtro de combustible**  
**B. Bomba de combustible**

## Mantenimiento de la bujía de encendido

### ⚠ ADVERTENCIA

Los motores pueden calentarse considerablemente durante el normal funcionamiento. Los componentes calientes del motor pueden provocar quemaduras graves. Pare el motor y deje que se enfríe antes de comprobar las bujías de encendido.

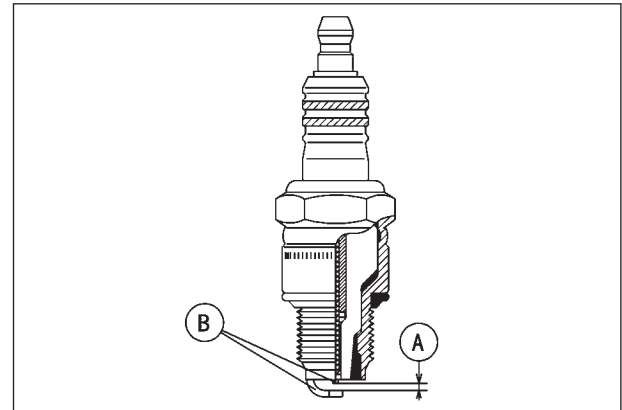
Limpie o reemplace las bujías y ajuste la separación cada 100 horas de funcionamiento.

- Retire los capuchones de las bujías de encendido y extraiga las bujías.
- Para limpiar los electrodos, frótelos o utilice un cepillo de alambre a fin de eliminar los depósitos de carbonilla.
- Inspeccione si presenta porcelana agrietada u otros daños o desgaste. Si es necesario, sustituya la bujía de encendido por una nueva.
- Compruebe la separación entre los electrodos de la bujía de encendido y reajústela si fuera necesario. La separación debe ser de 0,75 mm (0,030 pulg.). Para cambiar la separación, doble sólo el electrodo lateral con una herramienta específica para tal fin.

- Instale y apriete las bujías de encendido hasta 22 N·m (2,2 kgf·m, 16 pies·lb).
- Coloque firmemente las tapas de las bujías en las bujías.
- Levante ligeramente las tapas de las bujías y asegúrese de que estén instaladas.

### BUJÍA RECOMENDADA

NGK.....BPR4ES



- A. Distancia mínima entre electrodos
- B. Electrodos

## 34 MANTENIMIENTO

### Limpieza del sistema de refrigeración

Antes de cada operación, verifique que la rejilla de entrada de aire (giratoria) esté libre de hierbas y suciedad. Limpie la rejilla según se requiera. Cada 50 horas de funcionamiento, compruebe el interior de la carcasa del ventilador a través de las cubiertas para la limpieza. Para revisar el interior, afloje los pernos de las cubiertas para la limpieza y retírelos. Cada 100 horas de funcionamiento, revise y limpie las aletas de refrigeración y el interior de las cubiertas del motor para eliminar las hierbas, matas o suciedad que obstruyen el sistema de refrigeración y causan el sobrecalentamiento. Cuando realice la limpieza, retire el protector y la rejilla de entrada de aire y, a continuación, retire la carcasa del ventilador y las cubiertas del motor (incluye la retirada del filtro de aire, la bomba de combustible, el enfriador de aceite y las piezas del regulador de voltaje) si fuera necesario.

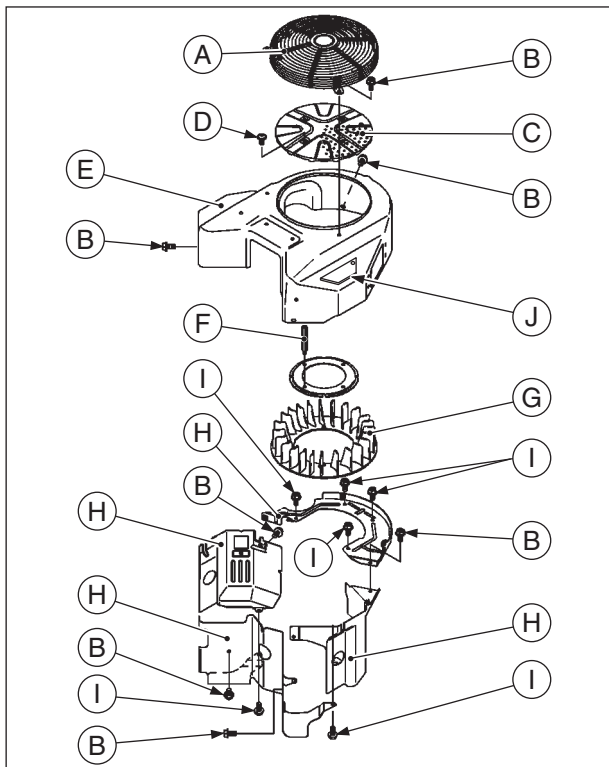
### **AVISO**

**Antes de arrancar el motor de nuevo, debe reinstalar todas las piezas del sistema de refrigeración para que tanto la refrigeración como la carburación funcionen según lo previsto.**

### **[Tamaño de tornillos y par de apriete]**

| Tornillos | Tamaño | Longitud | Par de apriete                    |
|-----------|--------|----------|-----------------------------------|
| B         | M6     | 12 mm    | 5,9 N·m<br>(0,6 kgf·m, 4,3 ft·lb) |
| D         | M6     | 10 mm    | 5,9 N·m<br>(0,6 kgf·m, 4,3 ft·lb) |
| F         | M6     | 81 mm    | 5,9 N·m<br>(0,6 kgf·m, 4,3 ft·lb) |
| I         | M6     | 12 mm    | 8,8 N·m<br>(0,9 kgf·m, 6,5 ft·lb) |





- |                                      |                                       |
|--------------------------------------|---------------------------------------|
| <b>A. Protector</b>                  | <b>E. Ventilador de refrigeración</b> |
| <b>B.D.F.I. Tornillo</b>             | <b>F. Cubierta</b>                    |
| <b>C. Rejilla de entrada de aire</b> | <b>J. Cubierta para limpieza</b>      |
| <b>D. Carcasa del ventilador</b>     |                                       |

# ALMACENAMIENTO

## Procedimiento de almacenamiento del motor

Cuando deje su motor Kawasaki sin usar durante más de 30 días, añada estabilizador de combustible al depósito de combustible y hágalo funcionar durante 5 minutos, a continuación, drene el depósito de combustible.

Después de drenar el depósito de combustible, haga funcionar el motor a ralentí bajo hasta que el motor se pare.

### **⚠ ADVERTENCIA**

**La gasolina es sumamente inflamable y, en determinadas condiciones, podría explotar.**

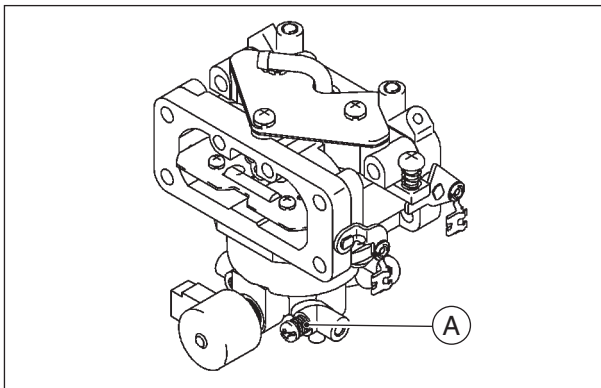
**Drene el combustible antes de almacenar el equipo durante períodos de tiempo prolongados.**

**Drene la gasolina en un lugar bien ventilado, lejos de fuentes de chispas o llamas, incluyendo cualquier aparato con luz piloto.**

**Guarde la gasolina en un lugar seguro, dentro de un recipiente aprobado.**

- Limpie todas las piezas del motor.

- Asegúrese de que la llave de contacto del motor esté situada en la posición "OFF" (Apagado).
- Cierre la válvula de combustible y retire el compartimento de sedimentos.
- Coloque un recipiente debajo de la válvula de combustible para que recoja la gasolina drenada y abra la válvula para vaciar completamente la gasolina del depósito.
- Coloque el compartimento de sedimentos.
- Coloque un recipiente debajo del carburador y afloje el tornillo de drenaje del carburador para vaciar la gasolina completamente.
- Apriete el tornillo de drenaje.

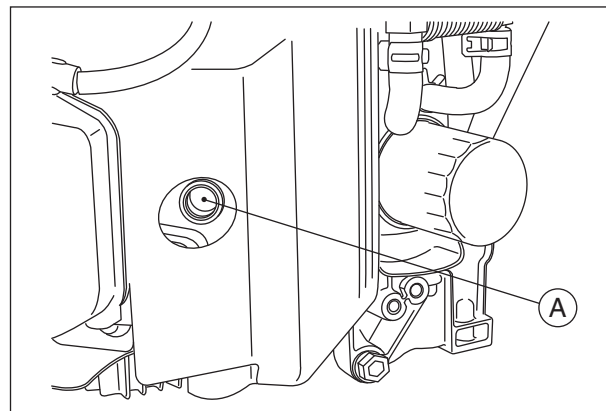


**A. Tornillo de drenaje de combustible**

**⚠ ADVERTENCIA**

**La gasolina es una sustancia tóxica. Deseche la gasolina de la manera adecuada. Póngase en contacto con las autoridades locales para disponer de métodos de desecho aprobados.**

- Retire las bujías y vierta aproximadamente de 1 a 2 ml (1/2 cucharadita) de aceite de motor a través de los orificios de las bujías y luego enrosque las bujías después de hacer girar el motor unas cuantas veces. Gire el motor lentamente hasta notar que hay compresión y déjelo en ese punto. Con esto, el aire queda atrapado dentro de los cilindros e impide la oxidación dentro del motor.
- Limpie el cuerpo con un paño aceitoso.
- Envuelva el motor con un plástico y guárdelo en un lugar seco.
- Después del almacenamiento, cambie el aceite del motor antes del siguiente uso. (Consulte el capítulo MANTENIMIENTO para la sección Cambio de aceite).



**A. Orificio de la bujía**

# SOLUCIÓN DE AVERÍAS

Si el motor no funciona correctamente, compruebe con atención los síntomas y las condiciones de funcionamiento y consulte la siguiente tabla como guía para reparar las averías.

| Síntoma                                   | Causa probable                                 | Solución  |   |
|---|--|---|---|
| El motor no arranca o la potencia es baja | Compresión insuficiente                        | Las bujías de encendido están flojas                                  | Apriételas correctamente                      |
|   |  | Pistones, cilindros, aros de pistón o juntas de la culata defectuosos | ◇   |
|   |  | Las válvulas fallan   |   |
|   |  | Las bujías de encendido están flojas                                  |   |
|   | No hay combustible en la cámara de combustión  | No hay combustible en el depósito                                     | Rellene el depósito                           |
|   |  | La válvula de combustible no está en la posición "ON".                | Abra la palanca de la válvula de combustible. |
|   |  | Filtro o tubo de combustible obstruido                                | Cambie el filtro o el tubo de combustible     |
|   |  | Orificio de ventilación de aire obstruido en el tapón del depósito    | Limpie la tapa del depósito de combustible    |
|   |  | Sistema de combustible defectuoso                                     | ◇   |
|   | Las bujías de encendido están llenas de aceite | El filtro de aire está obstruido                                      | Sustituir                                     |
|   |  | Grado/tipo de combustible incorrecto                                  | Cambie el combustible                         |
|   |  | Agua en el combustible  |   |
|   |  | Mezcla de aire/combustible excesivamente rica                         | ◇   |
|   |  | Sistema de combustible defectuoso                                     |   |

| Síntoma                                   |                                     | Causa probable   | Solución   |
|---|-------------------------------------|--|--|
| El motor no arranca o la potencia es baja | No enciende o el encendido es débil | Fallan las bujías de encendido   | Sustitúyalas   |
|   |                                     | El interruptor del motor está en la posición "OFF"                                     | Gire la llave de contacto del motor hasta la posición "START" (Arranque). (Consulte <b>M</b> ) |
|   |                                     | Fallan las bobinas de encendido  | ◇  |
| Poca potencia                             | El motor se sobrecalienta           | El filtro de aire está obstruido   | Sustituir  |
|   |                                     | Rejilla de entrada de aire o conducto del aire de refrigeración obstruido con suciedad | Limpio   |
|   |                                     | No hay suficiente aceite   | Rellénelo o cambie el aceite   |
|   |                                     | Se ha acumulado carbonilla en la cámara de combustión                                  | ◇  |
|   | La velocidad del motor no aumenta   | Regulador E defectuoso.  | ◇  |

◇ : El mantenimiento se realizará a través de un distribuidor autorizado de motores Kawasaki o centro de servicio de similar cualificación.

**M** : En el caso del tipo de interruptor mediante panel de control, aleje la palanca del acelerador del equipo del extremo de baja velocidad antes de girar el interruptor de encendido hasta la posición "START".

---

# PROTECCIÓN MEDIOAMBIENTAL

---

Para ayudar a preservar el medio ambiente, descarte correctamente las baterías, aceites y líquidos usados u otros componentes del motor.

Consulte a un distribuidor autorizado de motores Kawasaki o centro de servicio de similar cualificación o a la agencia de residuos medioambientales sobre el procedimiento que debe seguirse para realizar una correcta eliminación. Esto también se aplica a la eliminación del motor en sí cuando llegue al final de su vida de servicio.

# ESPECIFICACIONES

|                            |   |
|----------------------------|---|
|                            | FX850V  |
| Tipo                       | Motor de gasolina OHV de 4 tiempos y 4 válvulas, refrigerado por aire, cilindros gemelos en V |
| Calibre × carrera          | 84,5 × 76 mm (3,33 × 2,99 pulg.)  |
| Cilindrada                 | 852 mL (52.0 pulg. cúbicas)   |
| Sistema de encendido       | Encendido de estado sólido  |
| Dirección de rotación      | Contraria a las agujas del reloj, mirando al eje de toma de fuerza                            |
| Sistema de arranque        | Motor de arranque eléctrico   |
| Peso en seco : kg (libras) | 56,4 kg (124 libras)  |

## NOTA

- *Las especificaciones pueden modificarse sin previo aviso.*
- *El peso sin combustible no incluye el del depósito de combustible ni el del silenciador.*

# DIAGRAMA DE CABLEADO

## Diagrama de cableado (con bobina de carga de 12 V - 15 A)

### ⚠ ADVERTENCIA

Por seguridad eléctrica, retire siempre el cable del borne negativo (-) de la batería antes de intentar realizar cualquier reparación o labor de mantenimiento.

### Capacidad de batería recomendada

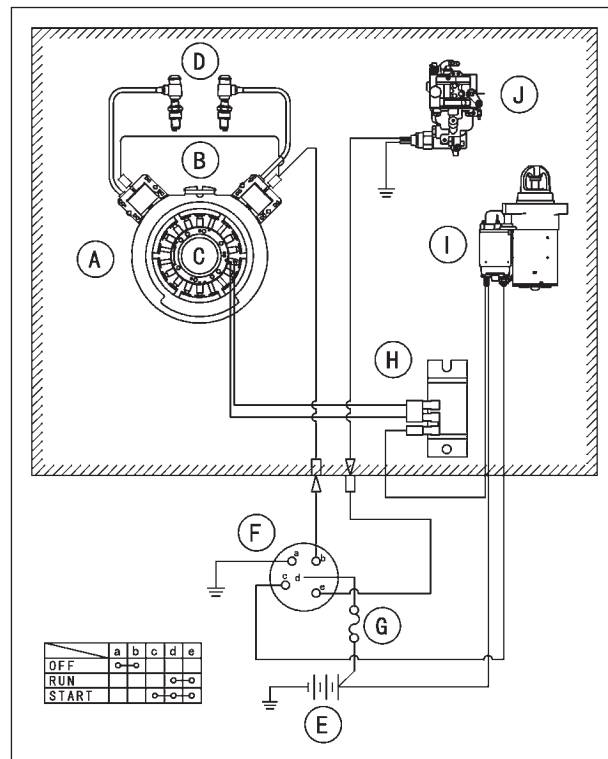
Capacidad mínima recomendada para la batería

Clase 12 V 550 CCA

### NOTA

○ La parte rodeada por sombreado muestra las piezas que se obtienen de Kawasaki.

- |                         |                                |
|-------------------------|--------------------------------|
| A. Volante              | G. Fusible                     |
| B. Bobinas de encendido | H. Regulador de voltaje        |
| C. Bobina de carga      | I. Motor de arranque eléctrico |
| D. Bujías de encendido  | J. Carburador                  |
| E. Batería              |                                |
| F. Llave de contacto    |                                |







**Part No. 99920-2297-01**

For repair or maintenance assistance contact an authorized Kawasaki engine dealer or equally qualified service facility.

For warranty assistance please contact an authorized Kawasaki engine dealer.

Kawasaki engine dealer locator can be found on our website: [www.kawasakienginesusa.com](http://www.kawasakienginesusa.com)

For further assistance email:

[kawasakienginesupport@kmc-usa.com](mailto:kawasakienginesupport@kmc-usa.com)

or call 877-364-6404

Para obtener asistencia en la reparación y mantenimiento, póngase en contacto con un distribuidor autorizado de motores Kawasaki o con un centro de servicio de similar cualificación.

Para obtener asistencia respecto a la garantía, póngase en contacto con un distribuidor autorizado de motores Kawasaki. El localizador de distribuidores de motores Kawasaki se encuentra disponible en nuestro sitio

web: [www.kawasakienginesusa.com](http://www.kawasakienginesusa.com)

Si necesita más asistencia, envíe un correo electrónico a

[kawasakienginesupport@kmc-usa.com](mailto:kawasakienginesupport@kmc-usa.com)

o llame al 877-364-6404



**Kawasaki Heavy Industries, Ltd.** Motorcycle & Engine Company

Printed in Japan

GB

ES