

Form No.
917086

Revision B
12/06

YANMAR

4TNV98-YTBL,

4TNV106T-XTBL

Engines

(P/N 186104, 185469)

Gehl CTL60/80 and Mustang

MTL16/25 Track Loaders



ENGINE PARTS MANUAL

Introduction

This manual covers the Yanmar 4TNV98-YTBL and 4TNV106T-XTBL engines (P/N 186104 and 185469, respectively), used in Gehl CTL60/80 and Mustang MTL16/25 track loaders, respectively.

When ordering service parts, specify the correct part number, full description, quantity required, and the engine model number and serial number.

Items shown that do not have a part number are shown for reference purposes only and are not available for purchase. Part numbers may change. Your Gehl or Mustang dealer will have the latest part number.

Gehl® Company and the Mustang® Manufacturing Co., Inc., reserve the right to make changes or improvements in the design or construction of any part of the unit without incurring the obligation to install such changes on any previously delivered units.

TABLE OF CONTENTS

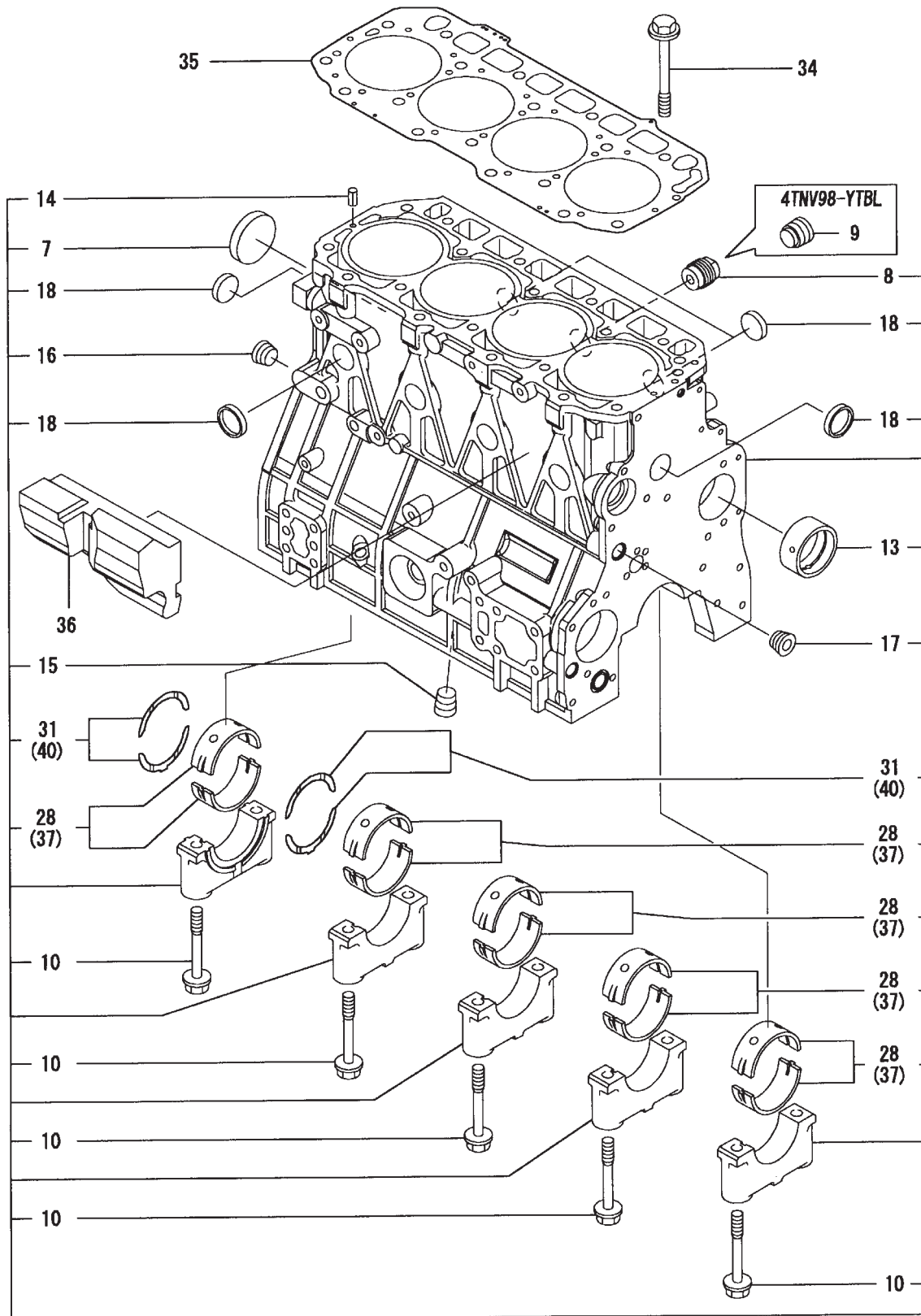
DESCRIPTION

PAGE

ENGINE SERVICE PARTS

Cylinder Block	1
Gear Housing	5
Flywheel Housing and Oil Sump	9
Cylinder Head and Bonnet	13
Suction Manifold and Air Cleaner	19
Exhaust Manifold and Silencer.	23
Camshaft and Driving Gear	27
Crankshaft and Piston	31
Lubrication Oil System.	35
Cooling Water System	39
Fuel Injection Pump	43
Governor	47
Fuel Injection Valve	49
Fuel Line	53
Starting Motor	57
Generator	61
Tool and Gasket Set	65
Turbine (4TNV106T-XTBL only)	69
Lubrication Oil Line (4TNV106T-XTBL only).	71
Numerical Index	74

CYLINDER BLOCK

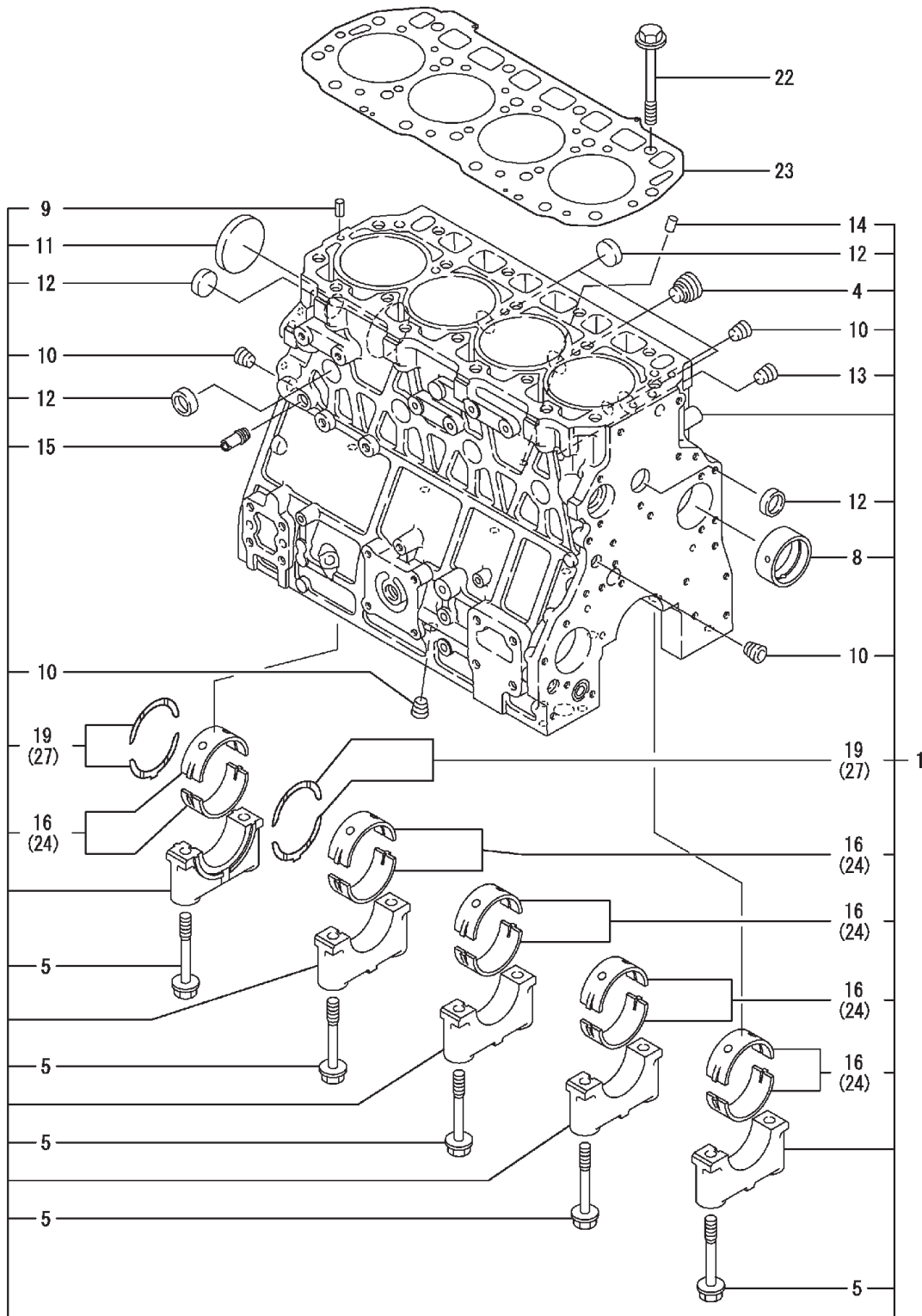


Y00D9020	001. CYLINDER BLOCK				
4TNV98-VTBZ, XT8W, YTBL		1:2003.11			PLUS

CYLINDER BLOCK

Ref. No.	Part No.	Description	4TNV98-YTBL Quantity
2	186637	BLOCK ASSY/CYLINDER	1
7	186486	PLUG 55	1
9	425-34722	PLUG	1
10	186491	BOLT/METAL CAP	10
13	186493	BUSH/CAMSHAFT	1
14	425-34783	SPRING PIN 6 X12	2
15	425-36260	PLUG PT 3/8 SCREW	1
16	425-36260	PLUG PT 3/8 SCREW	1
17	425-36260	PLUG PT 3/8 SCREW	1
18	138147	PLUG 30	8
28	186635	MAIN BEARING SET	5
31	186494	BEARING ASSY/THRUST	2
34	186485	BOLT/HEAD	18
35	186513	GASKET/CYLINDER HEAD	1
36	186512	SPACER	1
37	186492	MAIN BEARING	5
40	186495	BEARING/THRUST	2

CYLINDER BLOCK

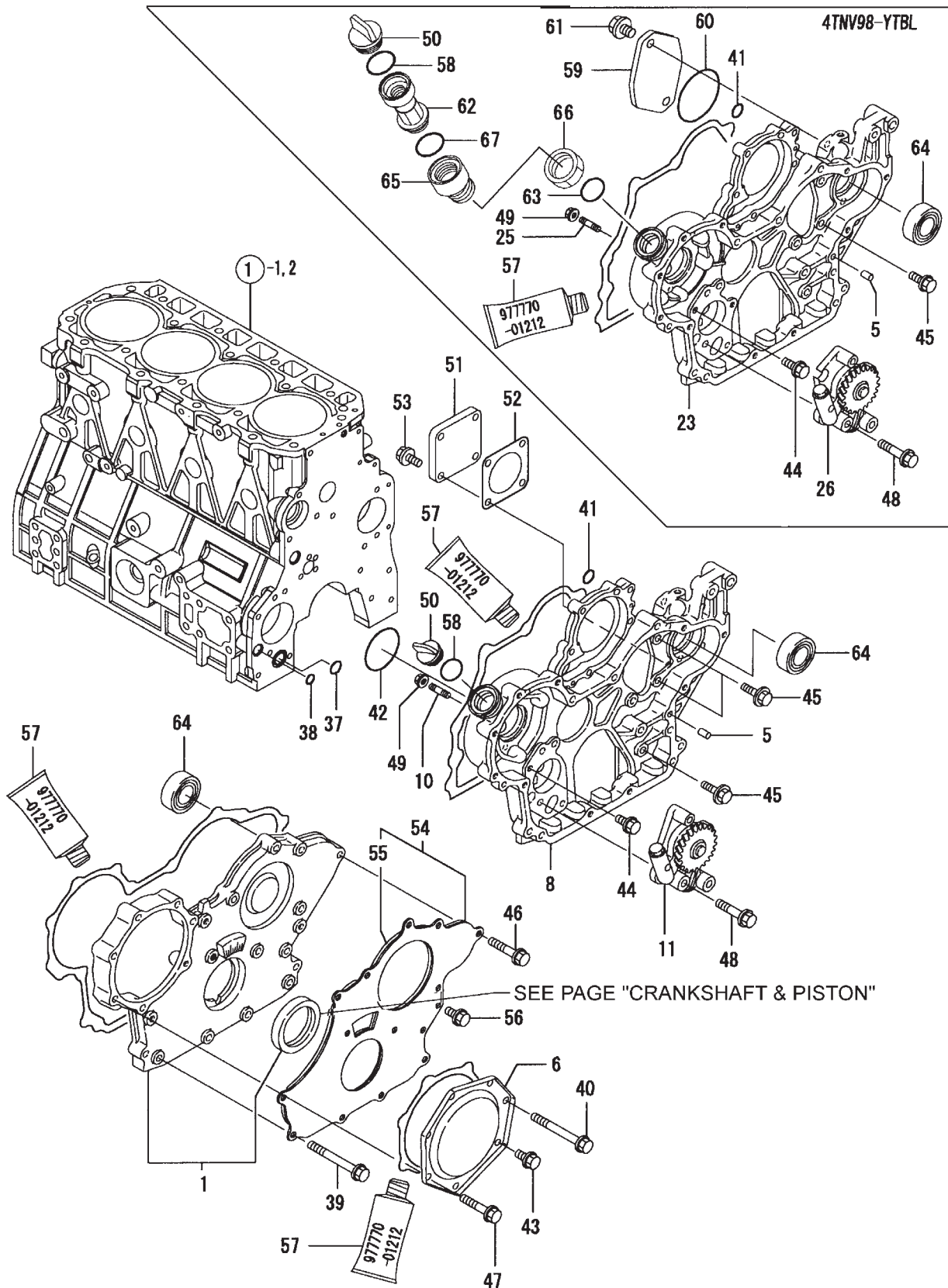


Y00D7840	001. CYLINDER BLOCK			
41NV106T-XTBL		2003.02		PLUS

CYLINDER BLOCK

Ref. No.	Part No.	Description	4TNV106T-XTBL Quantity
1	186628	BLOCK ASSY/CYLINDER	1
4	425-34722	PLUG	1
5	137972	BOLT/CAP/MAIN-BEARING	10
8	137974	BUSH	1
9	425-34783	SPRING PIN 6 X12	2
10	138123	PLUG PT 3/8 STEEL	4
11	138146	PLUG 70	1
12	138147	PLUG 30	8
13	138123	PLUG PT 3/8 STEEL	1
14	138145	PLUG 12*16	1
15	137960	JOINT/PIPE	1
16	137975	BEARING ASSY/MAIN	5
19	137976	BEARING ASSY/THRUST	2
22	137933	BOLT/CYLINDER HEAD	18
23	186380	GASKET/HEAD	1
24	137973	MAIN BEARING	5
27	137977	BEARING/THRUST	2

GEAR HOUSING

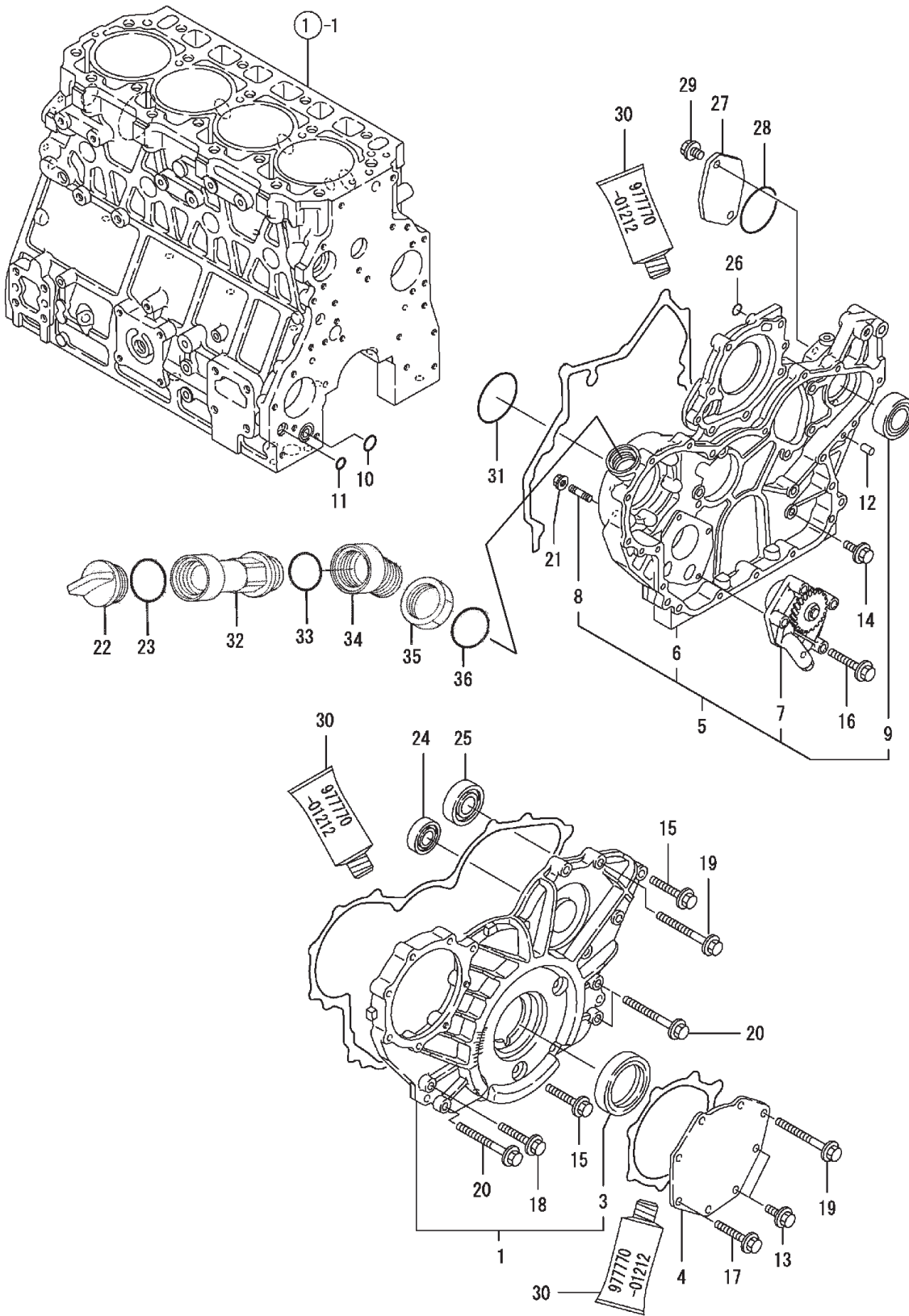


Y0008020	002. GEAR HOUSING			
4TNV98-YTBZ, XTBI, YTBL		1.2003.11		PLUS

GEAR HOUSING

Ref. No.	Part No.	Description	4TNV98-YTBL Quantity
1	186636	HOUSING ASSY/COVER/G	1
5	425-34695	PARALLEL PIN 8 X16	4
6	186487	COVER/F.I. PUMP	1
10	186365	STUD M10 X 32	4
23	186586	CASE/GEAR	1
25	138139	STUD BOLT	4
26	186543	PUMP ASSY/LUB. OIL	1
37	138100	O-RING P20	1
38	138101	O-RING P14	1
39	186466	BOLT M8 X 70 PLATED	6
40	186466	BOLT M8 X 70 PLATED	1
41	186607	O-RING 1A P-7.0	1
42	186612	PACKING 3075	1
43	425-34733	BOLT M8 X 16 PLATED	1
44	425-34733	BOLT M8 X 16 PLATED	1
45	425-34746	BOLT M8 X 20 PLATED	3
46	425-34805	BOLT M8 X 40 PLATED	5
47	425-34805	BOLT M8 X 40 PLATED	5
48	425-34747	BOLT M8 X 45 PLATED	3
49	138141	NUT	4
50	138639	COVER/FILLER	1
54	186489	COVER ASSY	1
55	186490	SPONGE	1
56	425-34733	BOLT M8 X 16 PLATED	3
57	138154	GASKET/LIQUID	1
58	425-34745	O-RING 1A P-32.0	1
59	137948	COVER/HO-P	1
60	138127	O-RING 1A G-85.0	1
61	138133	BOLT M10 X 20 PLATED	2
62	186592	PIPE	1
63	425-34745	O-RING 1A P-32.0	1
64	186507	BALL BEARING	2
65	185643	ADAPTOR/OIL FILLER	1
66	185644	NUT/OIL FILLER	1
67	185645	O-RING 1A P-30.0	1

GEAR HOUSING

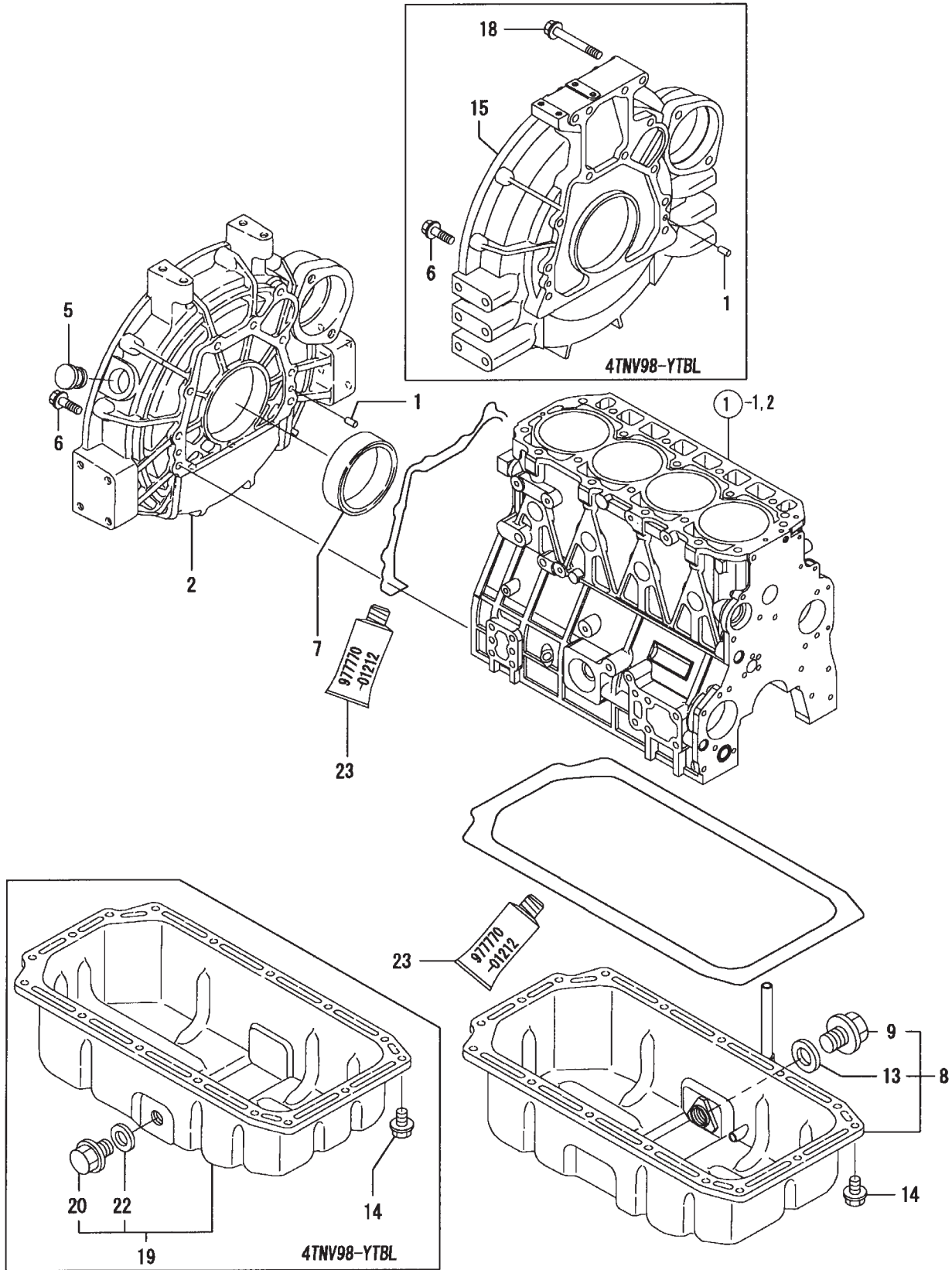


Y00D7840	002. GEAR HOUSING			
4TNV106T-XTBL		2003.02		PLUS

GEAR HOUSING

Ref. No.	Part No.	Description	4TNV106T-XTBL Quantity
1	186627	HOUSING ASSY/COVER/G	1
3	137969	OIL SEAL	1
4	137968	COVER/FIP	1
5	186382	GEAR CASE ASSY (NON-HIGH FLOW)	1
6	186381	GEAR CASE	1
7	138022	PUMP ASSY/L.O.	1
8	186365	STUD M10 X 32	4
	186648	STUD M10 X 32 PLATED (HIGH FLOW)	4
9	186605	BALL BEARING	1
10	138100	O-RING P20	1
11	138101	O-RING P14	1
12	138116	PARALLEL PIN 8 X 16	4
13	425-34746	BOLT M8 X 20 PLATED	2
14	425-34746	BOLT M8 X 20 PLATED	5
15	425-34805	BOLT M8 X 40 PLATED	6
16	425-34747	BOLT M8 X 45 PLATED	4
17	425-34747	BOLT M8 X 45 PLATED	5
18	425-34766	BOLT M8 X 50 PLATED	1
19	138130	BOLT M8 X 70 PLATED	5
20	425-34800	BOLT M8 X 80 PLATED	3
21	138141	NUT	4
22	138639	COVER/FILLER	1
23	425-34745	O-RING 1A P-32.0	1
24	186604	BEARING #6205	1
25	186605	BALL BEARING	1
26	138125	O-RING 1A P-11.0	1
27	137948	COVER/HO-P	1
28	138127	O-RING 1A G-85.0	1
29	138134	BOLT M10 X 22 PLATED	2
30	138154	GASKET/LIQUID	1
31	186612	PACKING 3075	1
32	186592	PIPE	1
33	425-34745	O-RING 1A P-32.0	1
34	185643	ADAPTOR/OIL FILLER	1
35	185644	NUT/OIL FILLER	1
36	185645	O-RING 1A P-30.0	1

FLYWHEEL HOUSING AND OIL SUMP

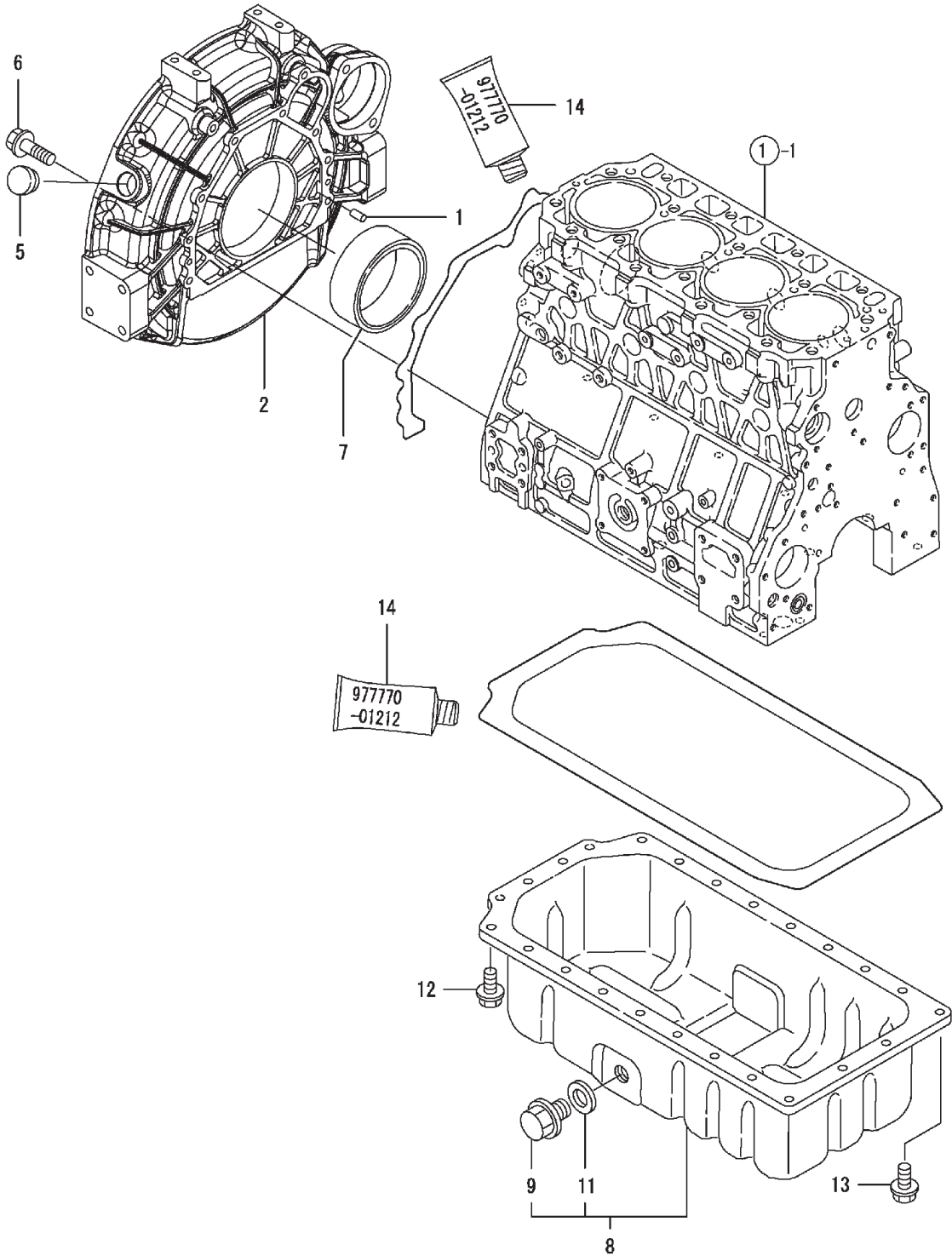


Y0008020	003. FLYWHEEL HOUSING & OIL SUMP		
4TNV98-YTBZ, XTBW, YTBL	1:2003.11		PLUS

FLYWHEEL HOUSING AND OIL SUMP

Ref. No.	Part No.	Description	4TNV98-YTBL Quantity
1	425-34695	PARALLEL PIN 8 X16	2
6	186622	BOLT M10 X 35 PLATED	9
7	186460	SEAL HTC95/115/12	1
14	425-34729	BOLT M8 X 12 PLATED	16
15	186576	HOUSING/FLYWHEEL	1
18	186623	BOLT M10 X 70 PLATED	4
19	425-36120	SUMP ASSY/OIL	1
20	425-36121	DRAIN PLUG M22	1
22	138113	SEAL WASHER 22S	1
23	138154	GASKET/LIQUID	1

FLYWHEEL HOUSING AND OIL SUMP

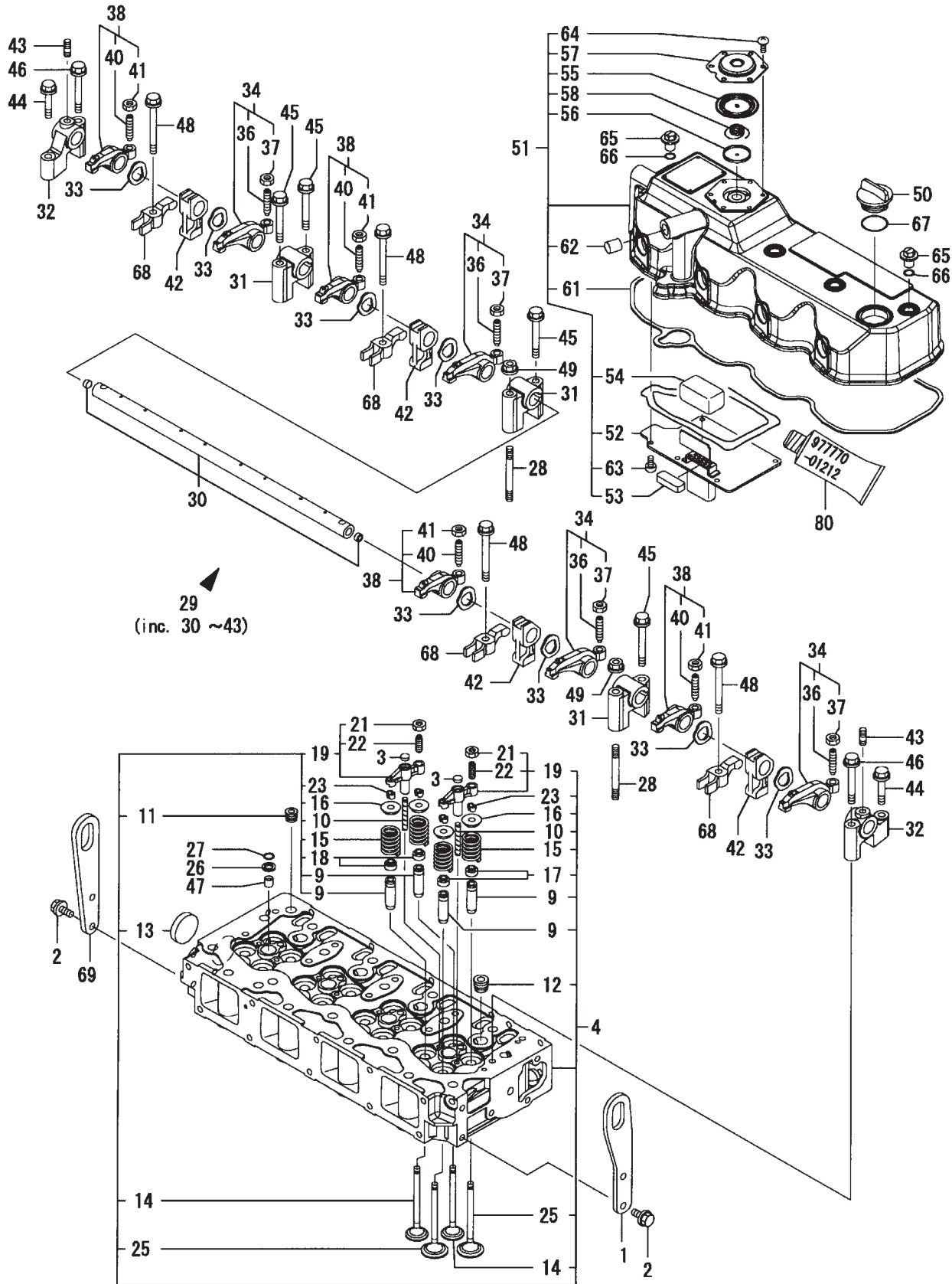


Y00D784Q	003. FLYWHEEL HOUSING & OIL SUMP			
4TNV106T-XTBL	2003.02			PLUS

FLYWHEEL HOUSING AND OIL SUMP

Ref. No.	Part No.	Description	4TNV106T-XTBL Quantity
1	425-34695	PARALLEL PIN 8 X16	2
2	186373	COVER ASSY/FLYWHEEL	1
5	186313	CAP	1
6	138135	BOLT M10 X 35 PLATED	10
7	137964	SEAL/OIL	1
8	137967	PAN COMP/LUB.OIL	1
9	425-36121	DRAIN PLUG M22	1
11	138113	SEAL WASHER 22S	1
12	425-34729	BOLT M8 X 12 PLATED	22
13	425-34733	BOLT M8 X 16 PLATED	4
14	138154	GASKET/LIQUID	1

CYLINDER HEAD AND BONNET

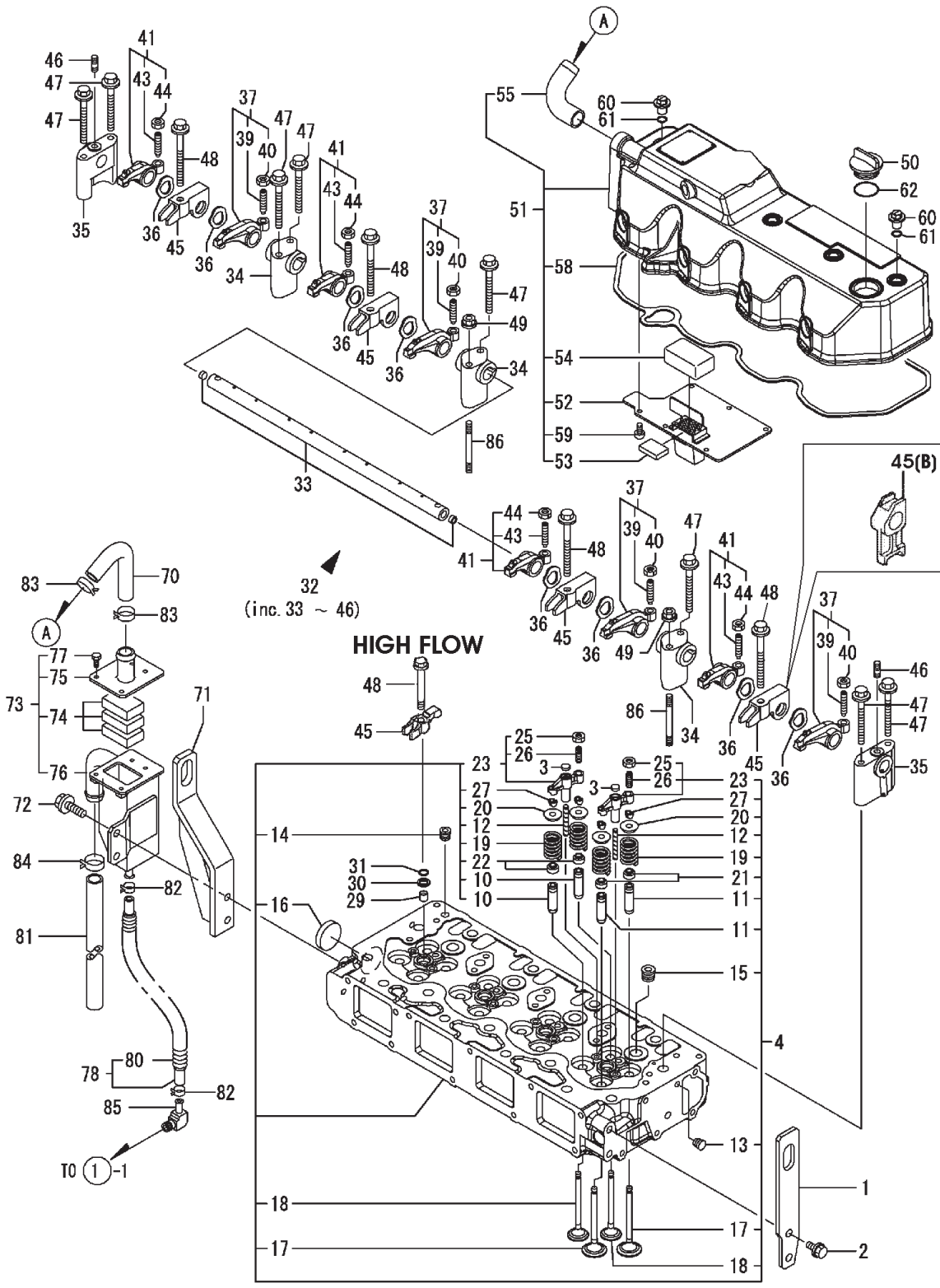


Y00D8020	004. CYLINDER HEAD & BONNET		
4TNV98-VTBZ, XTBW, YTBZ	1. 2003. 11		PLUS

CYLINDER HEAD AND BONNET

Ref. No.	Part No.	Description	4TNV98-YTBL Quantity
1	186519	LIFTER/ENGINE	1
2	425-34733	BOLT M8 X 16 PLATED	4
3	186406	SEAT A/VALVE BRIDGE	8
4	186532	HEAD ASSY/CYLINDER	1
9	186533	GUIDE/VALVE	16
10	186410	GUIDE/VALVE BRIDGE	8
11	186602	PLUG 1/4	1
12	425-36260	PLUG PT 3/8 SCREW	4
13	425-34779	PLUG 40	1
14	186521	VALVE/EXHAUST	8
15	186522	VALVE SPRING	16
16	425-35188	RETAINER/SPRING	16
17	425-35191	SEAL/VALVE STEM	8
18	425-35190	SEAL/VALVE STEM	8
19	186529	BRIDGE ASSY/VALVE	8
21	425-34791	NUT M8 X P1.0	8
22	186411	SCREW/VALVE BRIDGE	8
23	425-35189	COTTER ASSY	16
25	186520	VALVE/INTAKE	8
26	425-34796	SEAT/NOZZLE	4
27	425-34776	O-RING 1A P 12.0	4
28	186314	BOLT 8X80	2
29	186528	SUPPORT CMP	1
30	186523	SHAFT/ROCKER ARM	1
31	186524	SUPPORT A	3
32	186525	SUPPORT B	2
33	186401	WAVE WASHER	8
34	186530	ARM ASSY/ROCKER	4
36	425-36244	SCREW/VALVE	4
37	425-34791	NUT M8 X P1.0	4
38	186531	ARM ASSY/ROCKER	4
40	425-36244	SCREW/VALVE	4
41	425-34791	NUT M8 X P1.0	4
42	186535	PEDESTAL/RETAINER	4
43	186624	STUD M8 X 22 PLATED	2
44	425-34805	BOLT M8 X 40 PLATED	2
45	425-34838	BOLT M8 X 60 PLATED	4
46	425-34838	BOLT M8 X 60 PLATED	2
47	186337	PROTECTOR/NOZZLE	4
48	186536	FLANGE BOLT/RETAINER	4
49	138140	NUT	2
50	138639	COVER/FILLER	1
51	186527	BONNET ASSY	1
52	186516	BAFFLE PLATE	1
53	186517	BAFFLE	1
54	186518	BAFFLE	1
55	186388	DIAPHRAGM/BREATHER	1
56	186389	CENTER PLATE	1
57	186390	PLATE/BREATHER	1
58	186391	SPRING/DIAPHRAGM	1
61	186526	PACKING/BONNET	1
62	186335	PLUG	1
63	186598	SCREW/TAPPING 5 X 10	6
64	186598	SCREW/TAPPING 5 X 10	6
65	425-34775	KNOB	4
66	425-34776	O-RING 1A P 12.0	4
67	425-34745	O-RING 1A P-32.0	1
68	186534	RETAINER/F.I. VALVE	4
69	186560	LIFTER/ENGINE	1
80	138154	GASKET/LIQUID	1

CYLINDER HEAD AND BONNET

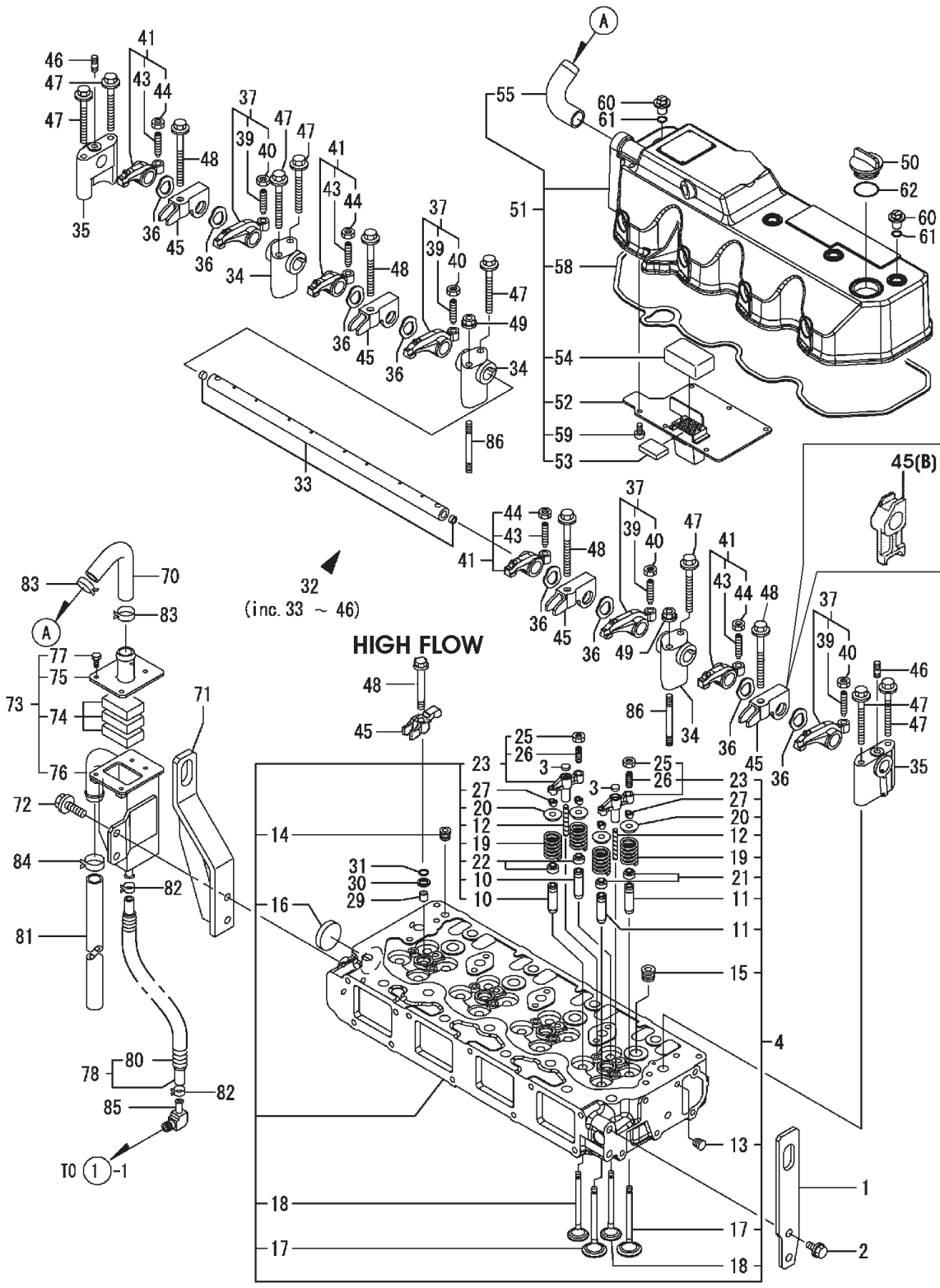


CYLINDER HEAD AND BONNET

Ref. No.	Part No.	Description	4TNV106T-XTBL Quantity
1	186392	LIFTER/ENGINE	1
2	138133	BOLT M10 X 20 PLATED	2
3	186406	SEAT A/VALVE BRIDGE	8
4	186629	HEAD ASSY/CYLINDER	1
10	186345	GUIDE/VALVE	8
	186649	GUIDE/VALVE (HIGH FLOW)	8
11	186396	GUIDE/VALVE	8
	186650	GUIDE/VALVE (HIGH FLOW)	8
12	186410	GUIDE/VALVE BRIDGE	8
13	138124	PLUG PT 1/16 SCREW	1
14	186602	PLUG 1/4	1
15	425-36260	PLUG PT 3/8 SCREW	4
16	425-34779	PLUG 40	1
17	186393	VALVE/INTAKE	8
18	186394	VALVE/EXHAUST	8
19	186395	VALVE SPRING	16
20	186397	RETAINER/SPRING	16
21	425-35191	SEAL/VALVE STEM	8
22	425-35190	SEAL/VALVE STEM	8
23	186405	BRIDGE ASSY/VALVE	8
25	425-34791	NUT M8 X P1.0	8
26	186411	SCREW/VALVE BRIDGE	8
27	425-35189	COTTER ASSY	16
29	186337	PROTECTOR/NOZZLE	4
30	425-34796	SEAT/NOZZLE	4
31	425-34776	O-RING 1A P 12.0	4
32	186403	SUPPORT CMP	1
	186651	SUPPORT ASSY/ARM	1
33	186398	SHAFT/ROCKER ARM	1
34	186399	SUPPORT A	3
35	186400	SUPPORT B	2
36	186401	WAVE WASHER	8
37	186408	ARM ASSY/ROCKER	4
39	425-36244	SCREW/VALVE	4
40	425-34791	NUT M8 X P1.0	4
41	186409	ARM ASSY/ROCKER	4
43	425-36244	SCREW/VALVE	4
44	425-34791	NUT M8 X P1.0	4
45	186412	RETAINER/F.I. VALVE	4
	186652	RETAINER/F.I. VALVE (HIGH FLOW)	4
45(B)	186653	RETAINER/F.I. VALVE (HIGH FLOW)	4
46	186625	STUD M8 X 30 PLATED	2
47	186616	BOLT M8 X 75 PLATED	8
48	186618	BOLT M8 X 90 PLATED	4
	186654	FLANGE BOLT/RETAINER (HIGH FLOW)	4
49	138140	NUT	2
50	138639	COVER/FILLER	1
51	186434	BONNET ASSY	1
52	186385	BAFFLE PLATE	1
53	186386	BAFFLE	1

Parts List Continued On Next Page

CYLINDER HEAD AND BONNET

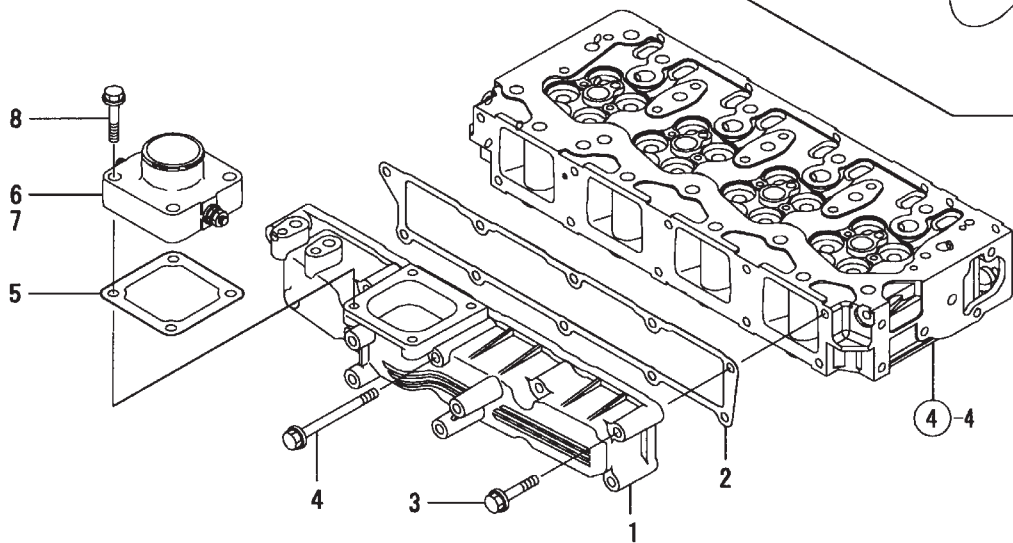
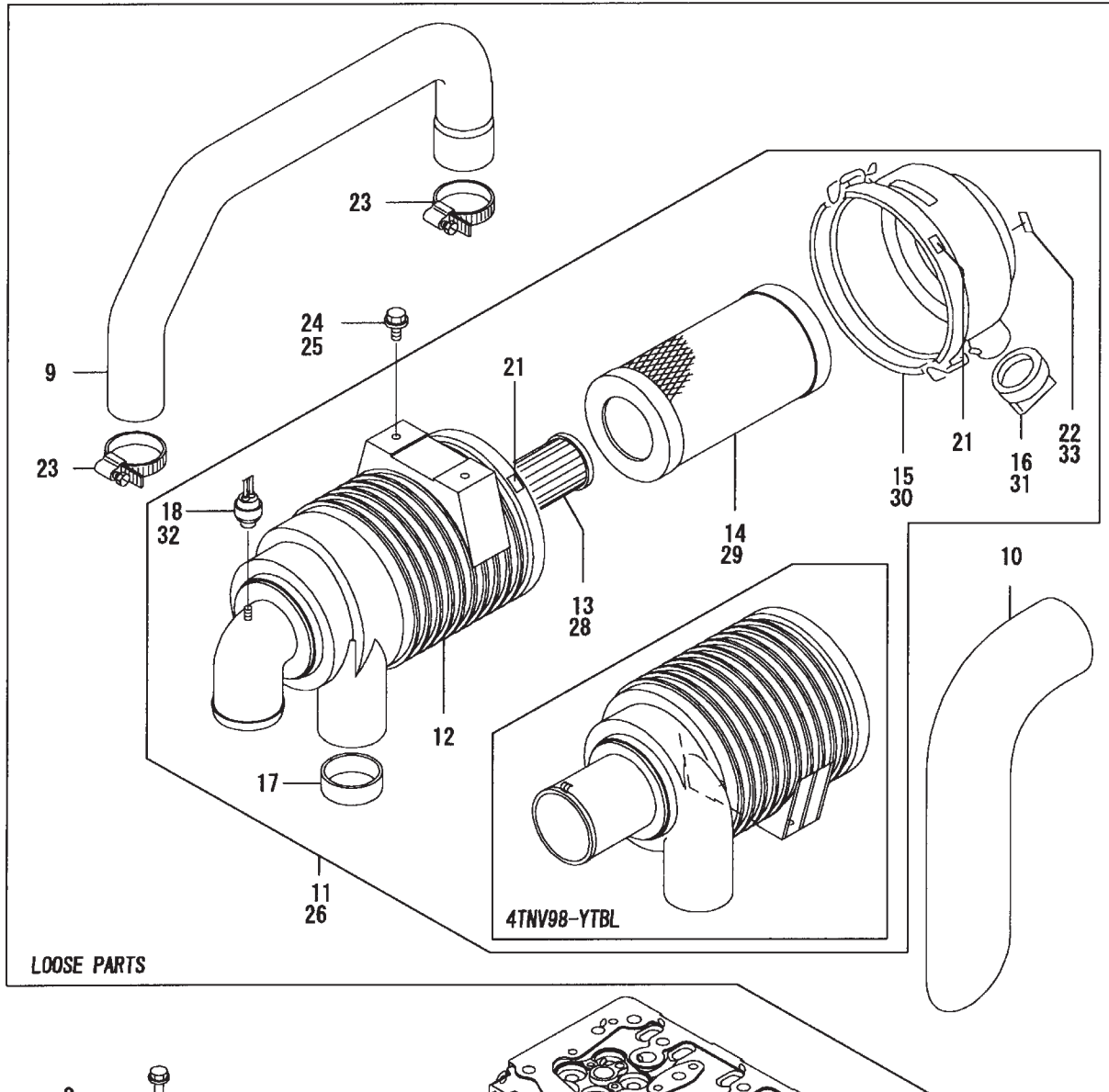


CYLINDER HEAD AND BONNET

(continued from previous page)

Ref. No.	Part No.	Description	4TNV106T-XTBL Quantity
54	186387	BAFFLE	1
55	138472	JOINT	1
58	186402	PACKING/BONNET	1
59	186598	SCREW/TAPPING 5 X 10	6
60	425-34775	KNOB	4
61	425-34776	O-RING 1A P 12.0	4
62	425-34745	O-RING 1A P-32.0	1
70	138478	HOSE/RUBBER	1
71	138503	LIFTING	1
72	425-35772	BOLT M10 X 25 PLATED	2
73	138482	BREATHER ASSY	1
74	138479	WOOL/STEEL	3
75	138480	COVER	1
76	138481	BREATHER	1
77	425-35356	BOLT M5 X 10 PLATED	4
78	186445	HOSE CMP/BREAKER OUT	1
80	138501	PROTECTOR/FUEL PIPE	1
81	186459	HOSE B/BREATHER	1
82	425-34850	CLAMP 16	2
83	138517	CLAMP 41	2
	186655	CLAMP 35 (HIGH FLOW)	2
84	138517	CLAMP 41	1
	186655	CLAMP 35 (HIGH FLOW)	1
85	138483	ELBOW	1
86	186404	STUD 8 X 95	2

SUCTION MANIFOLD AND AIR CLEANER

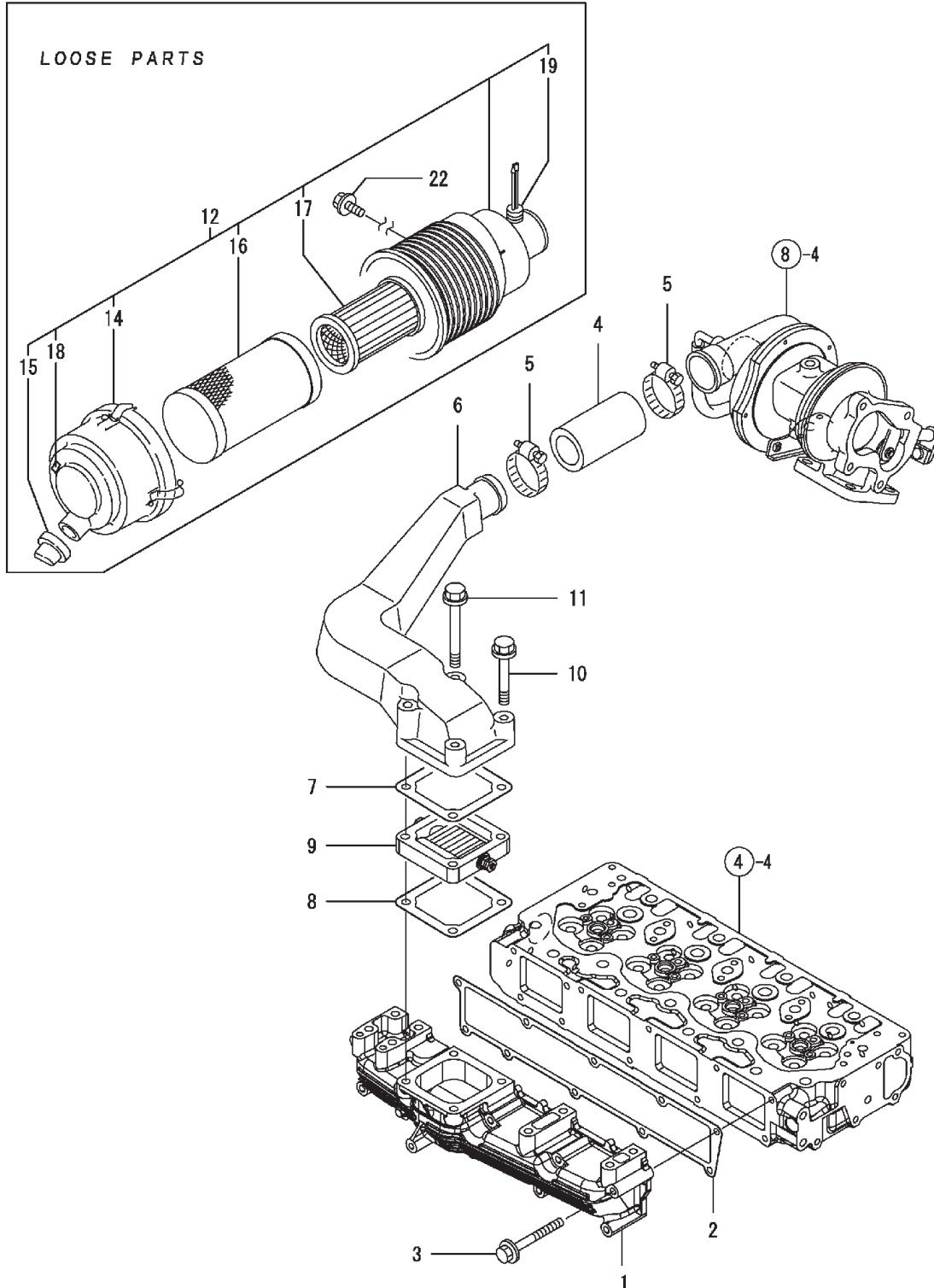


Y0008020	005 SUCTION MANIFOLD & AIR CLEANER		
4TNV98-YTBZ, XTBR, YTBL	f. 2003. 11		PLUS

SUCTION MANIFOLD AND AIR CLEANER

Ref. No.	Part No.	Description	4TNV98-YTBL Quantity
1	186537	MANIFOLD/AIR INTAKE	1
2	186538	PACKING/INT. MANIFOLD	1
3	425-34748	BOLT M8 X 55 PLATED	9
4	186617	BOLT M8 X 85 PLATED	1
5	425-36318	GASKET/NON-ASB.	1
7	186561	AIR HEATER	1
8	425-34761	BOLT M8 X 35 PLATED	4
25	425-34746	BOLT M8 X 20 PLATED	2
26	186566	CLEANER ASSY/AIR	1
28	182133	ELEMENT/INNER	1
29	182132	ELEMENT/OUTER	1
30	186305	COVER-ASSY	1
31	186306	VALVE	1
32	186304	INDICATOR	1
33	186482	MARKING/(W)	1

SUCTION MANIFOLD AND AIR CLEANER

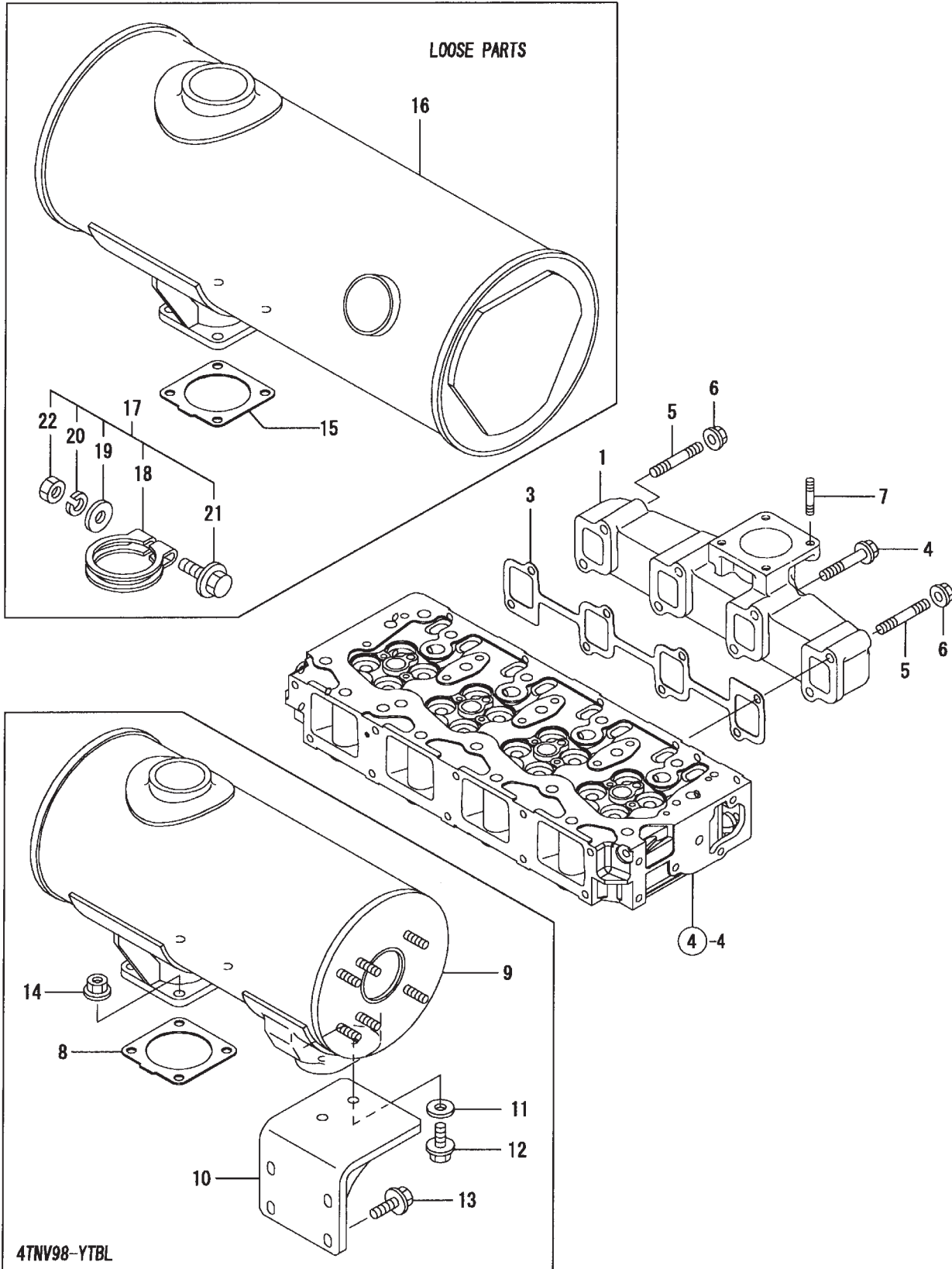


Y00D7840	005. SUCTION MANIFOLD & AIR CLEANER			
4TNV106T-X7BL	2003.02			PLUS

SUCTION MANIFOLD AND AIR CLEANER

Ref. No.	Part No.	Description	4TNV106T-XTBL Quantity
1	186413	MANIFOLD/AIR INTAKE	1
2	186414	PACKING/INT. MANIFOLD	1
3	138130	BOLT M8 X 70 PLATED	10
4	138513	HOSE/RUBBER	1
5	425-36131	CLAMP 54	2
6	138506	BEND	1
7	138045	GASKET/AIR HEATER	1
8	138046	GASKET/AIR HEATER	1
9	138055	HEATER AIR	1
10	138521	BOLT M10 X 75 PLATED	2
11	138522	BOLT M10 X 95 PLATED	2
12	186450	CLEANER ASSY/AIR	1
14	186457	COVER	1
15	186306	VALVE	1
16	181879	ELEMENT/OUTER	1
17	181881	ELEMENT/INNER	1
18	186482	MARKING/(W)	1
19	186577	INDICATOR ASSY	1
22	425-34733	BOLT M8 X 16 PLATED	4
	425-34746	BOLT M8 X 20 PLATED (HIGH FLOW)	4

EXHAUST MANIFOLD AND SILENCER

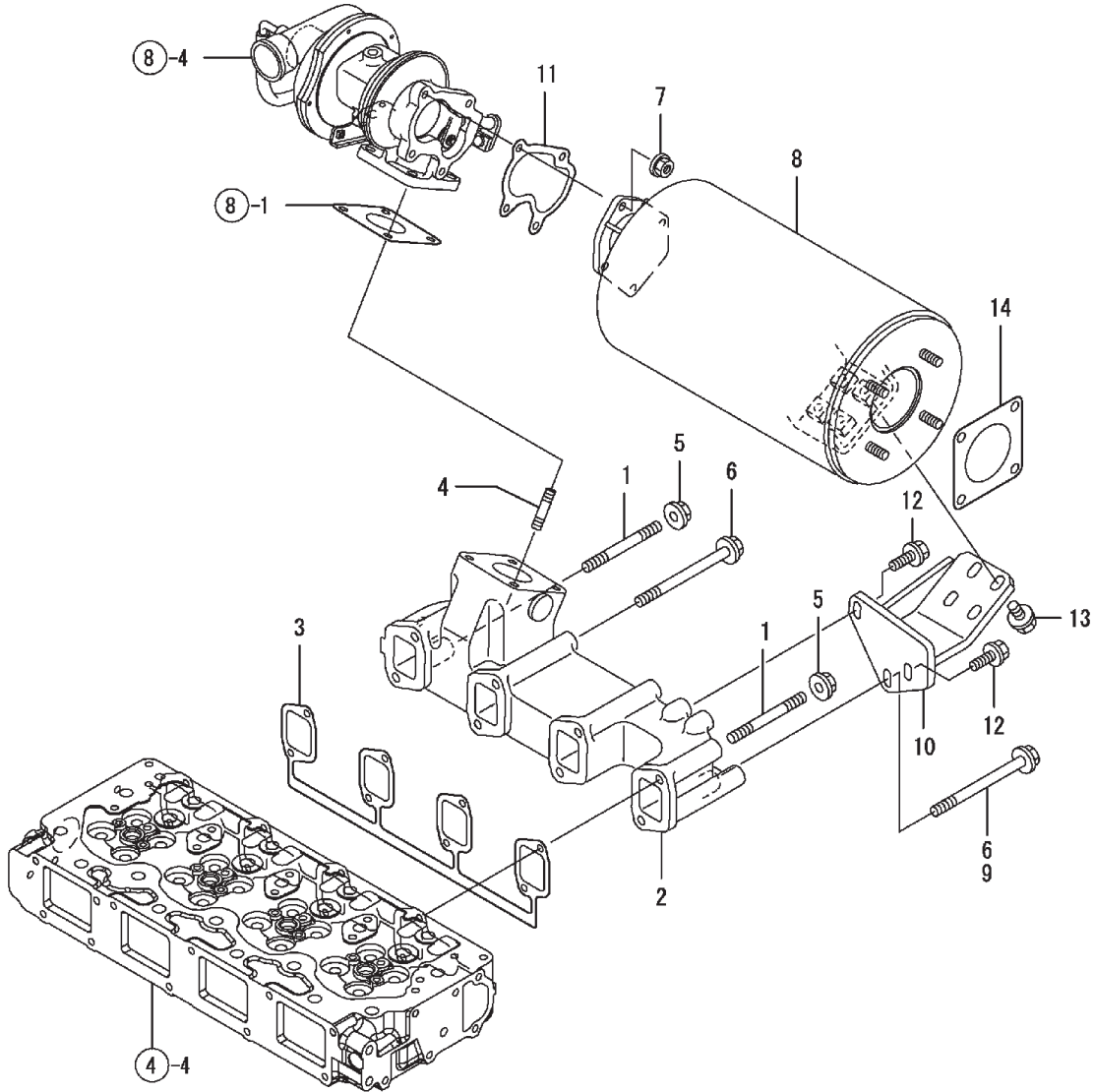


Y0008020	006 EXHAUST MANIFOLD & SILENCER		
47NV98-YTBZ, XTBW, YTBL	1:2003.11		PLUS

EXHAUST MANIFOLD AND SILENCER

Ref. No.	Part No.	Description	4TNV98-YTBL Quantity
1	186496	MANIFOLD/EXHAUST	1
3	425-36128	GASKET	1
4	186375	BOLT 8 X 80	6
5	138474	STUD BOLT M8 X 80	2
6	138140	NUT	2
7	425-36249	BOLT M8 X 22	4
8	138104	GASKET/SILENCER	1
9	186567	SILENCER	1
10	186568	STAY/SILENCER	1
11	186593	WASHER 8	2
12	425-34733	BOLT M8 X 16 PLATED	2
13	425-34746	BOLT M8 X 20 PLATED	4
14	138140	NUT	4

EXHAUST MANIFOLD AND SILENCER

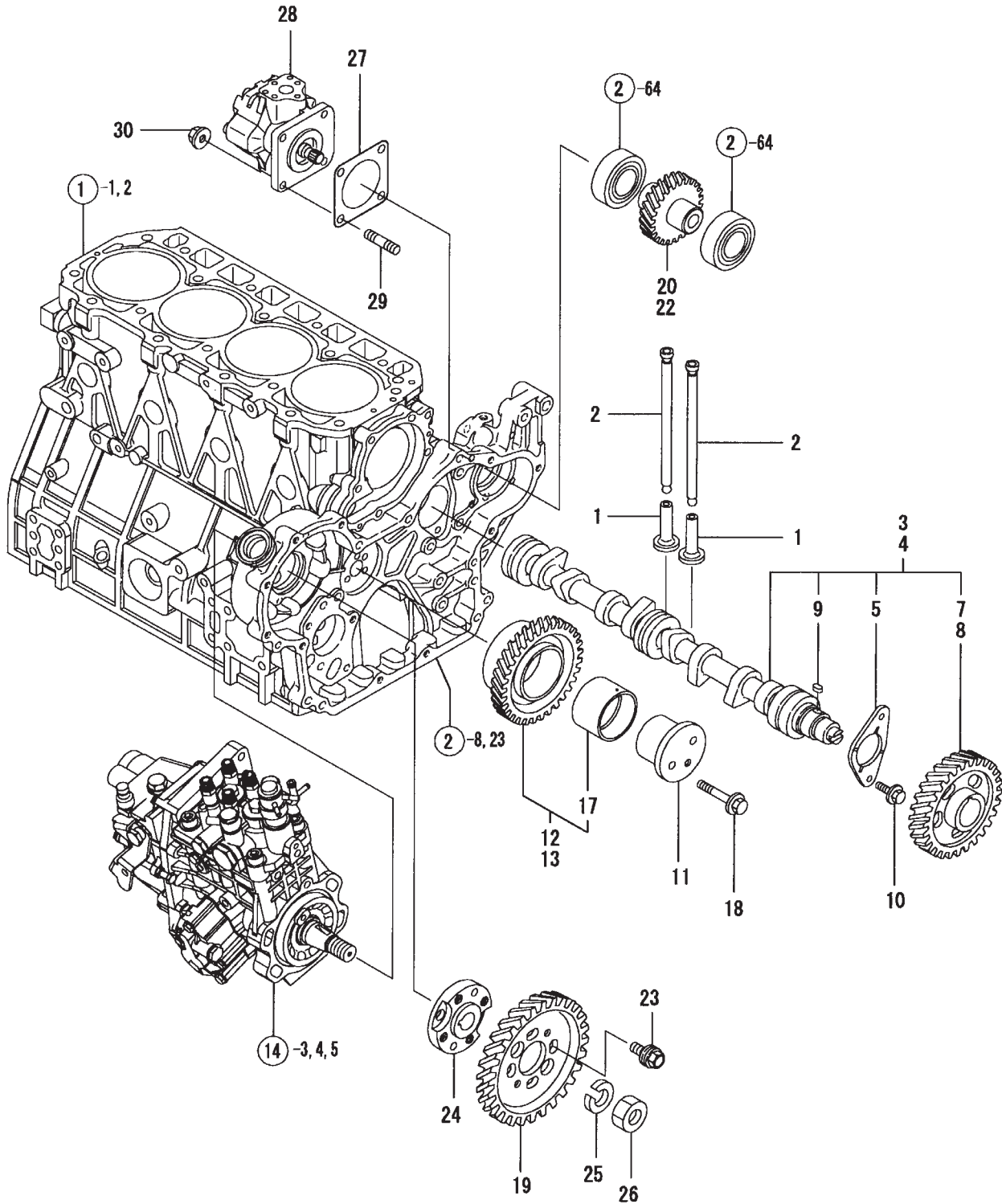


Y00D784Q	006. EXHAUST MANIFOLD & SILENCER			
4TNV106T-XTBL	2003.02			PLUS

EXHAUST MANIFOLD AND SILENCER

Ref. No.	Part No.	Description	4TNV106T-XTBL Quantity
1	138474	STUD BOLT M8 X 80	2
	186656	STUD BOLT M10 X 85 (HIGH FLOW)	2
2	138485	MANIFOLD/AIR EXHAUST	1
	186657	MANIFOLD/AIR EXHAUST (HIGH FLOW)	1
3	186374	GASKET	1
	186658	GASKET (HIGH FLOW)	1
4	138512	STUD BOLT M8 X 20	4
5	138140	NUT	2
	138141	NUT (HIGH FLOW)	2
6	138514	BOLT/CFW COOLER	6
	186659	BOLT M10 X 105 (HIGH FLOW)	6
7	138140	NUT	4
8	186435	SILENCER	1
9	138475	BOLT M8 X 110	1
	186660	BOLT M10 X 110 (HIGH FLOW)	1
10	138504	STAY	1
	186661	STAY (HIGH FLOW)	1
11	138488	PK T/C OUT	1
12	138520	BOLT M8 X 22 PLATED	2
13	138520	BOLT M8 X 22 PLATED	4
14	138082	PACKING	1

CAMSHAFT AND DRIVING GEAR

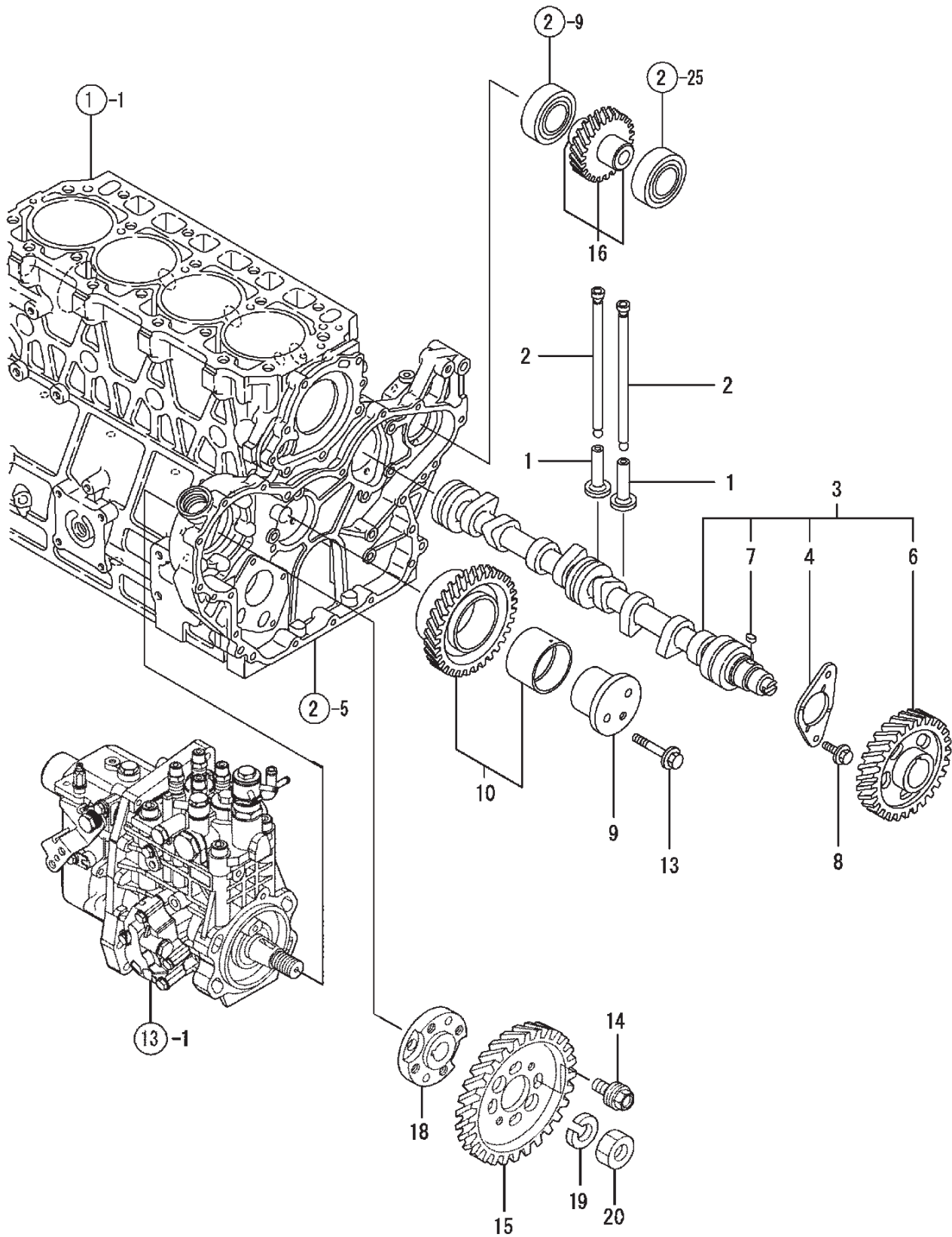


Y00B020	007. CAMSHAFT & DRIVING GEAR		
4TNV98-VTBZ, XTBW, YTBZ	1-2003.11		PLUS

CAMSHAFT AND DRIVING GEAR

Ref. No.	Part No.	Description	4TNV98-YTBL Quantity
1	186471	TAPPET	8
2	186539	PUSH ROD	8
4	186540	CAMSHAFT ASSY	1
5	425-34656	METAL/THRUST/CAM	1
8	186497	GEAR/CAMSHAFT	1
9	425-34810	KEY 7 X 14	1
10	425-34733	BOLT M8 X 16 PLATED	2
11	138020	SHAFT/GEAR/IDLE	1
13	186505	GEAR ASSY/IDLE	1
17	425-34813	BUSH/IDLE GEAR	1
18	425-34748	BOLT M8 X 55 PLATED	3
19	186419	GEAR/F.I. PUMP	1
20	186506	GEAR ASSY/HYDR. PUMP	1
23	186579	BOLT	4
24	186590	FLANGE	1
25	186596	SPRING WASHER 18	1
26	186626	NUT/LOCK M18	1

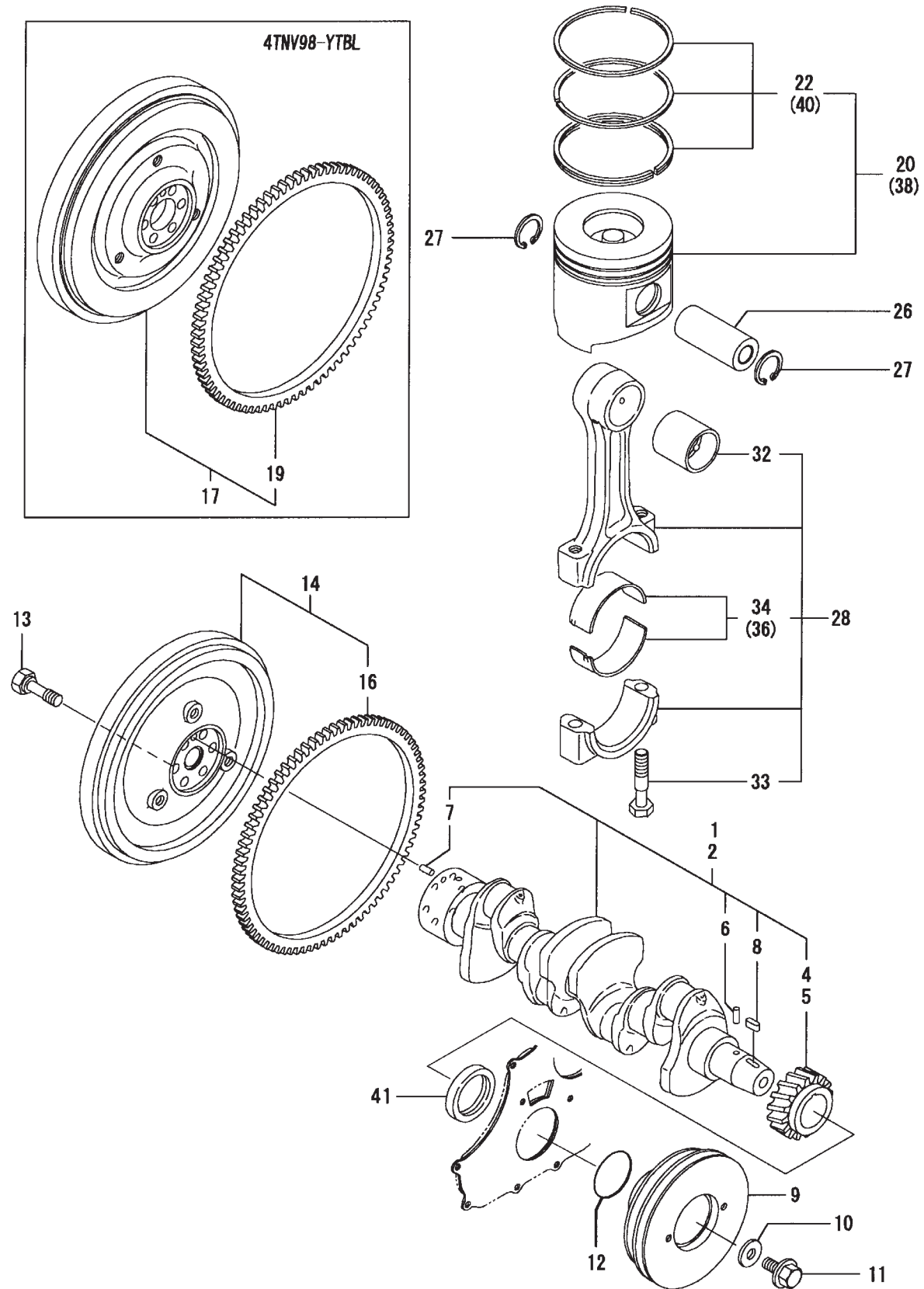
CAMSHAFT AND DRIVING GEAR



CAMSHAFT AND DRIVING GEAR

Ref. No.	Part No.	Description	4TNV106T-XTBL Quantity
1	138005	TAPPET	8
2	186415	PUSH ROD	8
3	186416	CAMSHAFT ASSY	1
4	425-34656	METAL/THRUST/CAM	1
6	186497	GEAR/CAMSHAFT	1
7	425-34810	KEY 7 X 14	1
8	425-34797	BOLT M8 X 14 PLATED	2
9	138020	SHAFT/GEAR/IDLE	1
10	186377	GEAR/IDLE CMP	1
13	425-34748	BOLT M8 X 55 PLATED	3
14	186579	BOLT	4
15	186419	GEAR/F.I. PUMP	1
16	186506	GEAR ASSY/HYDR. PUMP	1
18	186590	FLANGE (HIGH FLOW)	1
19	186596	WASHER/SPRING 18 (HIGH FLOW)	1
20	186626	NUT/LOCK M18 (HIGH FLOW)	1

CRANKSHAFT AND PISTON



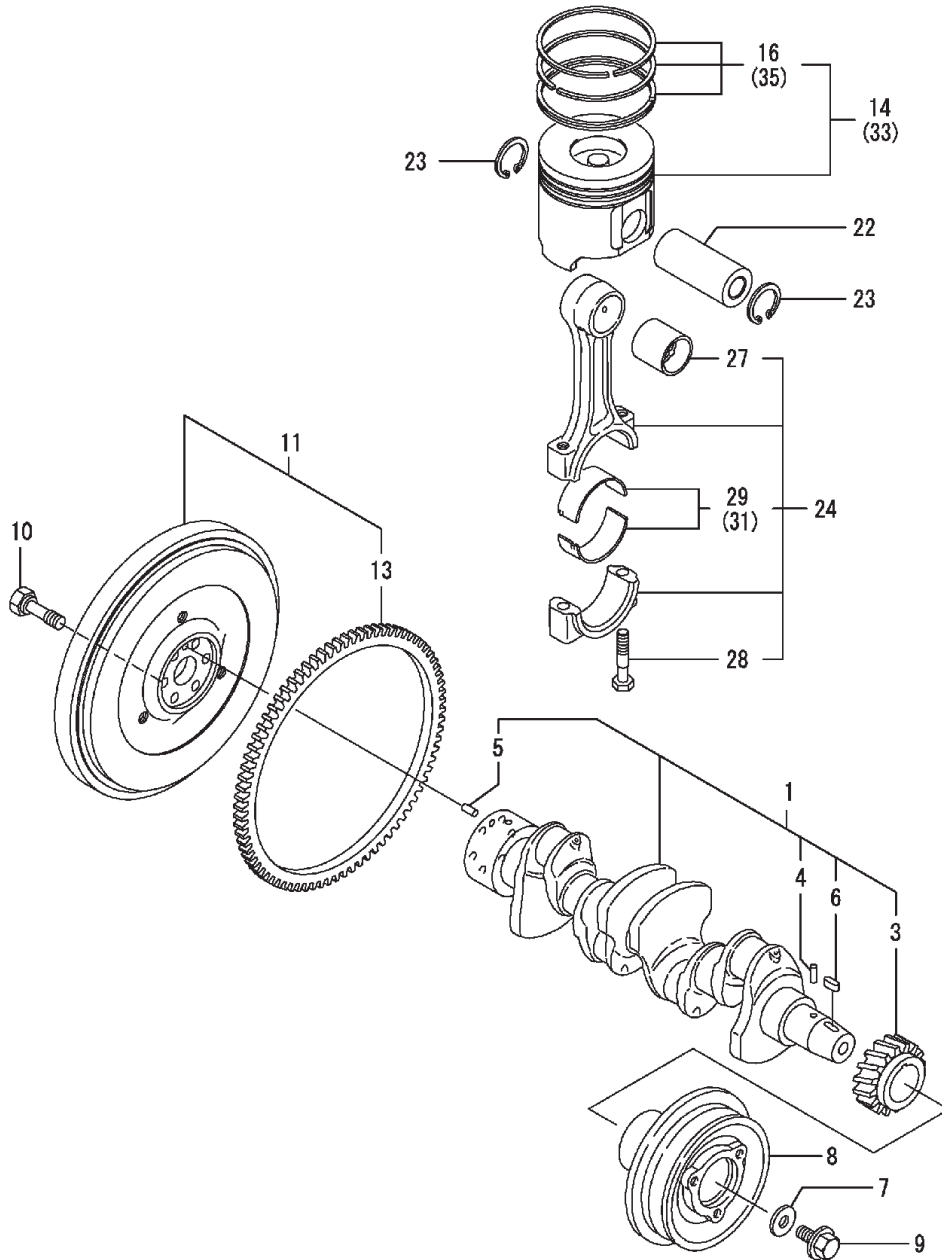
Y00B020	008. CRANKSHAFT & PISTON		
4TNV98-VTBZ, XTBW, YTBL	1-2003.11		PLUS

CRANKSHAFT AND PISTON

Ref. No.	Part No.	Description	4TNV98-YTBL Quantity
2	186510	CRANKSHAFT COMP	1
5	186498	GEAR/CRANKSHAFT	1
6	137957	PARALLEL PIN	1
7	137958	PARALLEL PIN 10 X 22	1
8	425-34810	KEY 7 X 14	1
9	186562	V-PULLEY/CRANKSHAFT	1
	186662a	V-PULLEY/CRANKSHAFT	1
10	186585	WASHER	1
11	425-34818	BOLT/V-PULLEY 30 MM	1
	186663a	BOLT/V-PULLEY 35 MM	1
12	186611	O-RING 1A S-53.0	1
13	137956	BOLT/FLYWHEEL	6
17	186578	FLYWHEEL ASSY	1
19	186499	GEAR/RING	1
20	186542	PISTON W/ RING	4
22	186541	RING SET/PISTON	4
26	186343	PIN/PISTON	4
27	186597	CIRCLIP 30	8
28	186500	ROD ASSY/CONNECTING	4
32	186504	BUSH/PISTON PIN	4
33	186501	BOLT/ROD	8
34	186502	METAL ASSY/CRANKPIN	4
36	186503	BEARING/PIN	4
38	186638	PISTON W/ RING	4
40	186639	RING SET	4
41	186488	SEAL/OIL SINGLE STRIP	1
	186664a	SEAL/OIL DOUBLE STRIP	1

a) CTL60/MTL16 Models: SN 21301933 ~

CRANKSHAFT AND PISTON

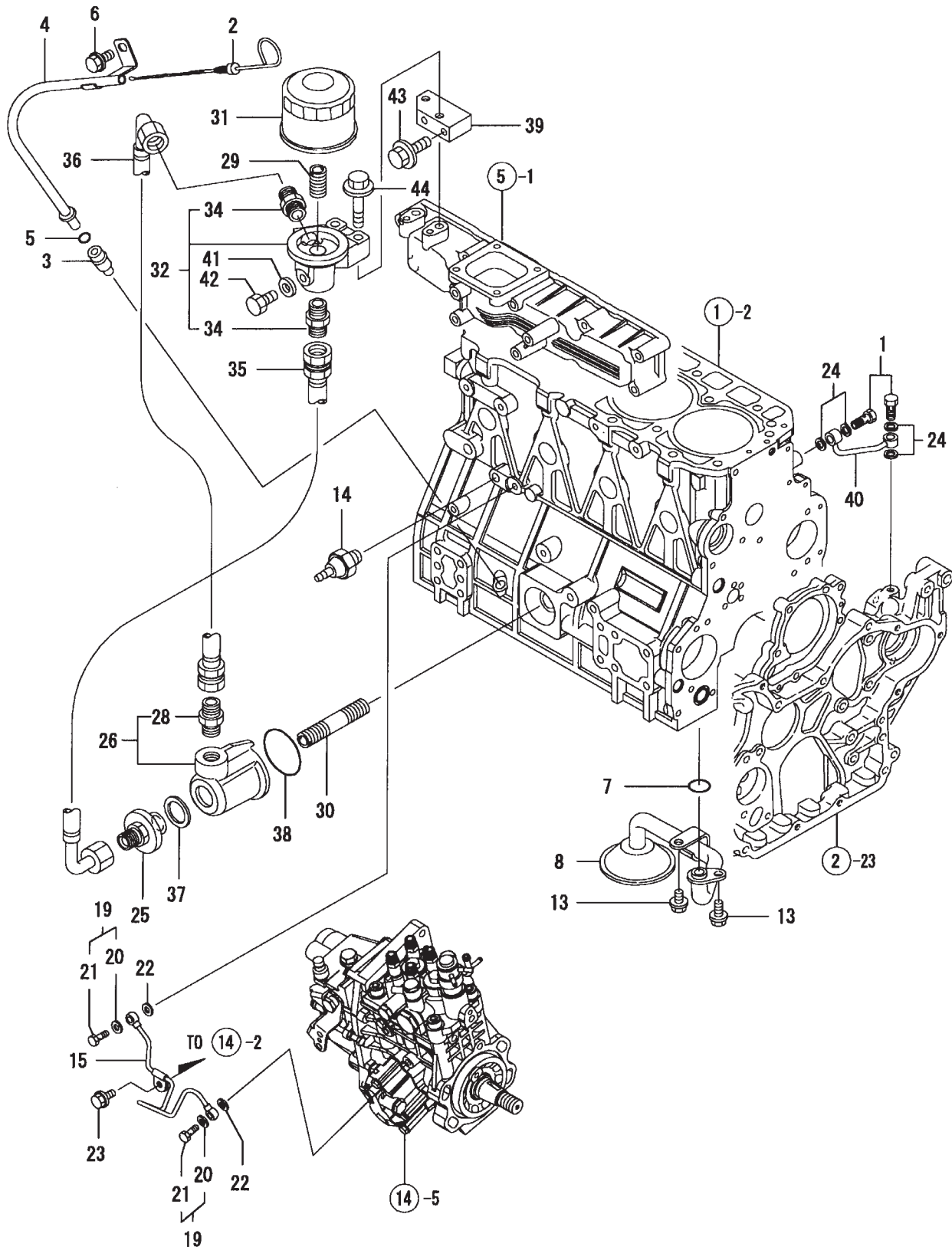


Y00D784Q	009. CRANKSHAFT & PISTON			
4TNV106T-XTBL	2003.02			PLUS

CRANKSHAFT AND PISTON

Ref. No.	Part No.	Description	4TNV106T-XTBL Quantity
1	186376	CRANKSHAFT ASSY	1
3	186498	GEAR/CRANKSHAFT	1
4	137957	PARALLEL PIN	1
5	137958	PARALLEL PIN 10 X 22	1
6	425-34810	KEY 7 X 14	1
7	138099	WASHER	1
8	138010	V-PULLEY/CRANK	1
9	425-34818	BOLT/V-PULLEY	1
10	137956	BOLT/FLYWHEEL	6
11	138009	FLYWHEEL ASSY	1
13	138081	RING GEAR Z=129	1
14	186418	PISTON W/ RING	4
16	186417	RING SET/PISTON	4
22	137932	PIN/PISTON	4
23	138115	CIRCLIP 37	8
24	138015	ROD ASSY/CONNECTING	4
27	138019	METAL/PISTON PIN	4
28	138016	BOLT/ROD	8
29	138017	METAL ASSY/CRANKPIN	4
31	138018	BEARING/PIN	4
33	186630	PISTON W/ RING	4
35	186631	RING SET	4

LUBRICATION OIL SYSTEM

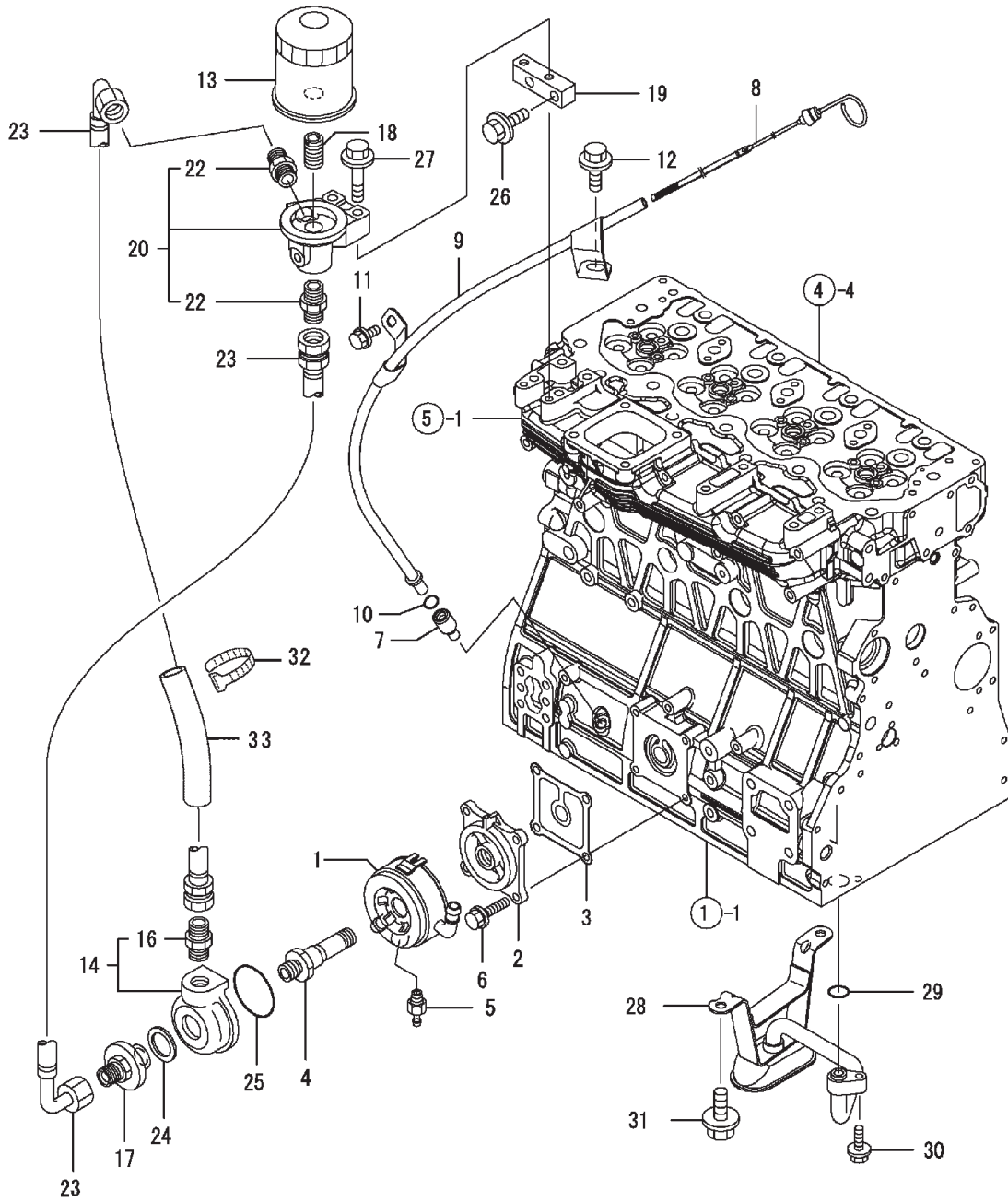


Y00D8020	OIL LUB. OIL SYSTEM			
4TNV98-VTBZ, XTBW, YTBZ	1-2003.11			PLUS

LUBRICATION OIL SYSTEM

Ref. No.	Part No.	Description	4TNV98-YTBL Quantity
1	186300	BOLT/PIPE JOINT	2
2	186574	DIPSTICK	1
3	425-34825	GUIDE/DIPSTICK	1
4	186575	GUIDE	1
5	425-34827	O-RING 1A P-10A	1
6	425-34733	BOLT M8 X 16 PLATED	1
7	138100	O-RING P20	1
8	186508	PIPE ASSY/LUB. OIL	1
13	425-34729	BOLT M8 X 12 PLATED	2
14	425-34684	SWITCH/0.5KG/L.O.	1
15	186544	PIPE ASSY/LUB. OIL	1
19	186468	BOLT ASSY/JOINT	2
20	425-34750	SEAL WASHER 8S	2
21	186600	JOINT BOLT 3	2
22	425-34750	SEAL WASHER 8S	2
23	425-34729	BOLT M8 X 12 PLATED	1
24	425-34750	SEAL WASHER 8S	4
25	186580	COVER	1
26	186569	CASE ASSY/LUB.OIL	1
28	186582	ADAPTER	1
29	186302	STUD/LUB.OIL FILTER	1
30	186587	STUD/LUB.OIL FILTER	1
31	137500	FILTER/OIL 80 X 80L	1
32	186453	BRACKET/L.O. CMP	1
34	186582	ADAPTER	2
35	186581	PIPE/LUB.OIL	1
36	186455	LO-T	1
37	186595	SEAL WASHER 30S	1
38	186609	O-RING 1A G-60.0	1
39	186570	SPACER/LO/FILTER	1
40	186565	PIPE	1
41	186594	SEAL WASHER 10S	1
42	186603	PLUG 10	1
43	425-34761	BOLT M8 X 35 PLATED	2
44	138136	BOLT M10 X 45 PLATED	2

LUBRICATION OIL SYSTEM

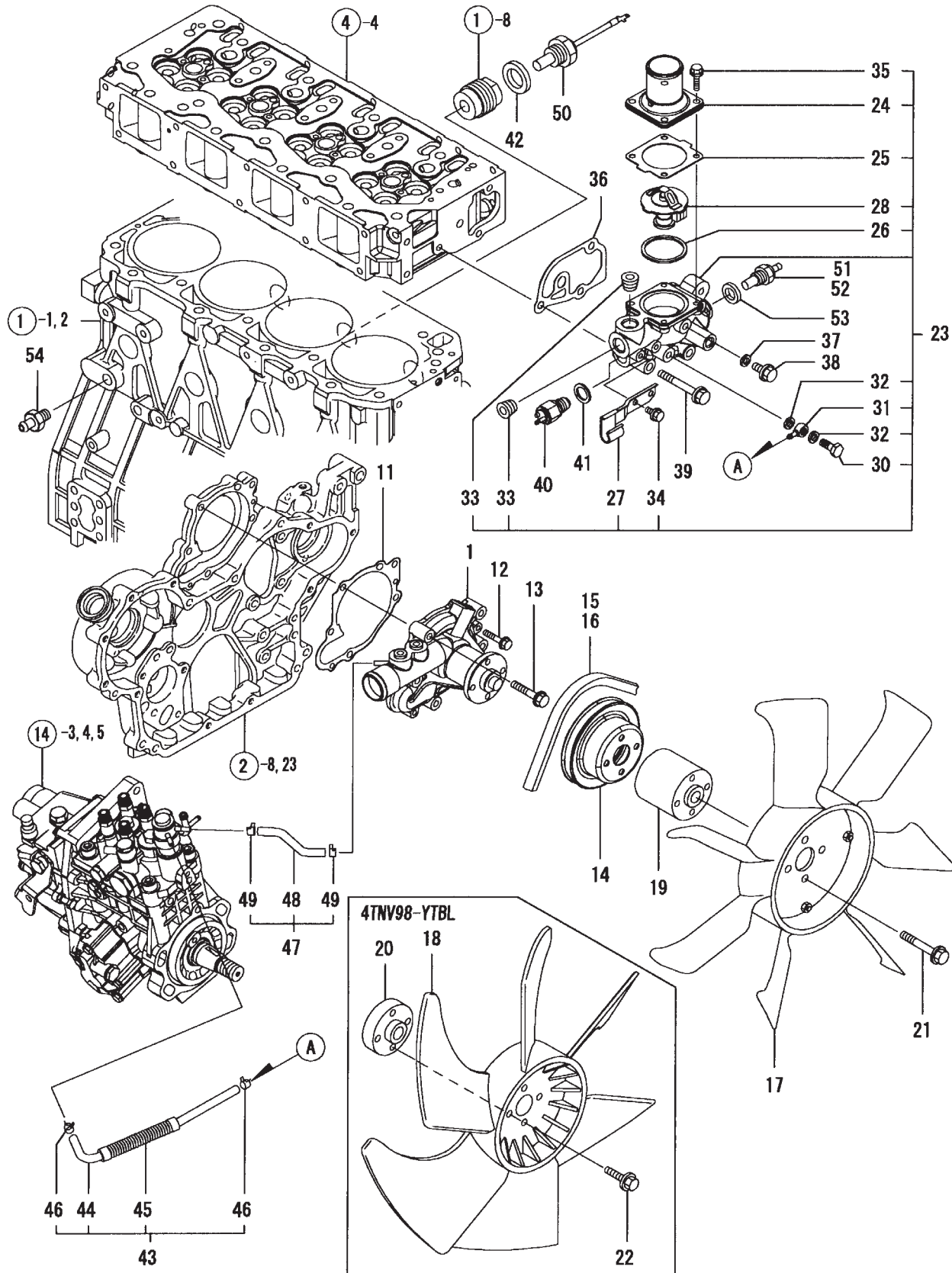


Y00D7840	010. LUB. OIL SYSTEM			
4TNV106T-XTBL		2003.02		PLUS

LUBRICATION OIL SYSTEM

Ref. No.	Part No.	Description	4TNV106T-XTBL Quantity
1	138070	COOLER ASSY/L.O.	1
2	138071	BRACKET COMP/COOLER	1
3	138023	PACKING	1
4	138072	BOLT/L.O. COOLER	1
5	425-34736	JOINT PT 1/4	1
6	425-34746	BOLT M8 X 20 PLATED	4
7	425-34825	GUIDE/DIPSTICK	1
8	138024	DIPSTICK/LUB.OIL	1
9	138025	GUIDE/DIP STICK	1
10	425-34827	O-RING 1A P-10A	1
11	138129	BOLT M8 X 18 PLATED	1
12	138132	BOLT M10 X 18 PLATED	1
13	137500	FILTER/OIL 80 X 80L	1
14	186451	CASE/L.O. CMP	1
16	186582	ADAPTER	1
17	186580	COVER	1
18	186302	STUD/LUB.OIL FILTER	1
19	186452	SPACER/LO/FILTER	1
20	186453	BRACKET/L.O. CMP	1
22	186582	ADAPTER	2
23	186455	LO-T	2
24	186595	SEAL WASHER 30S	1
25	186610	O-RING 1A G70.0/NBR	1
26	138135	BOLT M10 X 35 PLATED	2
27	138136	BOLT M10 X 45 PLATED	2
28	186378	PIPE ASSY/L.O. INTAKE	1
29	138126	O-RING 4C P-18.0	1
30	425-34760	BOLT M8 X 30 PLATED	1
31	186621	BOLT M12 X 16 PLATED	2
32	186665	CLAMP 200 (HIGH FLOW)	1
33	186666	PROTECTOR (HIGH FLOW)	1

COOLING WATER SYSTEM

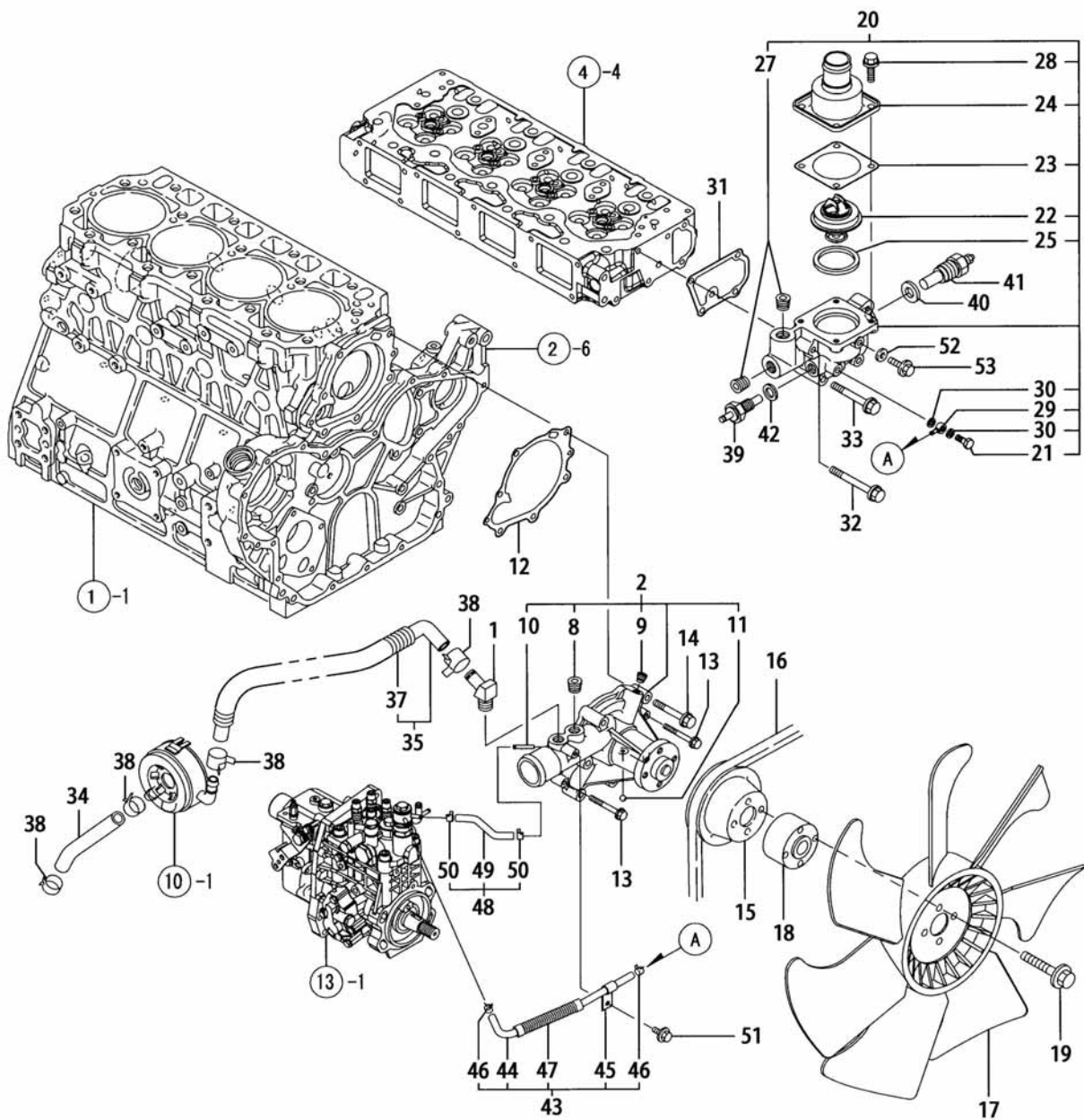


Y00D8020	D12. COOLING WATER SYSTEM		
4TNV98-VTBZ, XTBR, YTBL	1. 2003. 11		PLUS

COOLING WATER SYSTEM

Ref. No.	Part No.	Description	4TNV98-YTBL Quantity
1	186545	PUMP ASSY/WATER	1
11	425-36113	GASKET/CW-P	1
12	425-35165	BOLT M6 X 30 PLATED	2
13	425-34748	BOLT M8 X 55 PLATED	5
14	183543	PULLEY	1
16	184405	V-BELT A41	1
18	186563	FAN	1
20	186303	SPACER/FAN	1
22	425-34761	BOLT M8 X 35 PLATED	4
23	186572	CASE ASSY/THERMOSTAT	1
24	186564	COVER/THERMOSTAT	1
25	425-36114	GASKET/THERMOSTAT	1
26	186370	GASKET/THERMOSTAT	1
27	186550	PIPE ASSY/INJECTION	1
28	186371	THERMOSTAT	1
30	425-35334	BOLT/PIPE JOINT	1
31	186599	JOINT 4- 8	1
32	425-34727	GASKET/ROUND 8	2
33	138123	PLUG PT 3/8 STEEL	2
34	186615	BOLT M6 X 12 PLATED	2
35	425-34977	BOLT M6 X 20 PLATED	4
36	425-36319	GASKET/CASE	1
37	425-34727	GASKET/ROUND 8	1
38	425-34729	BOLT M8 X 12 PLATED	1
39	425-34838	BOLT M8 X 60 PLATED	3
40	425-34683	SWITCH/THERMO 110° C	1
41	425-34707	GASKET 16	1
43	186546	HOSE A ASSY/WATER	1
44	186548	PIPE A/COOLING WATER	1
45	186551	PROTECTOR/PIPE 10.7	1
46	186464	CLAMP 9	2
47	186547	HOSE B ASSY/WATER	1
48	186549	PIPE B/COOLING WATER	1
49	186464	CLAMP 9	2
52	186311	SENSOR/THERMO.	1
53	138088	GASKET 10	1
54	425-34736	JOINT PT 1/4	1

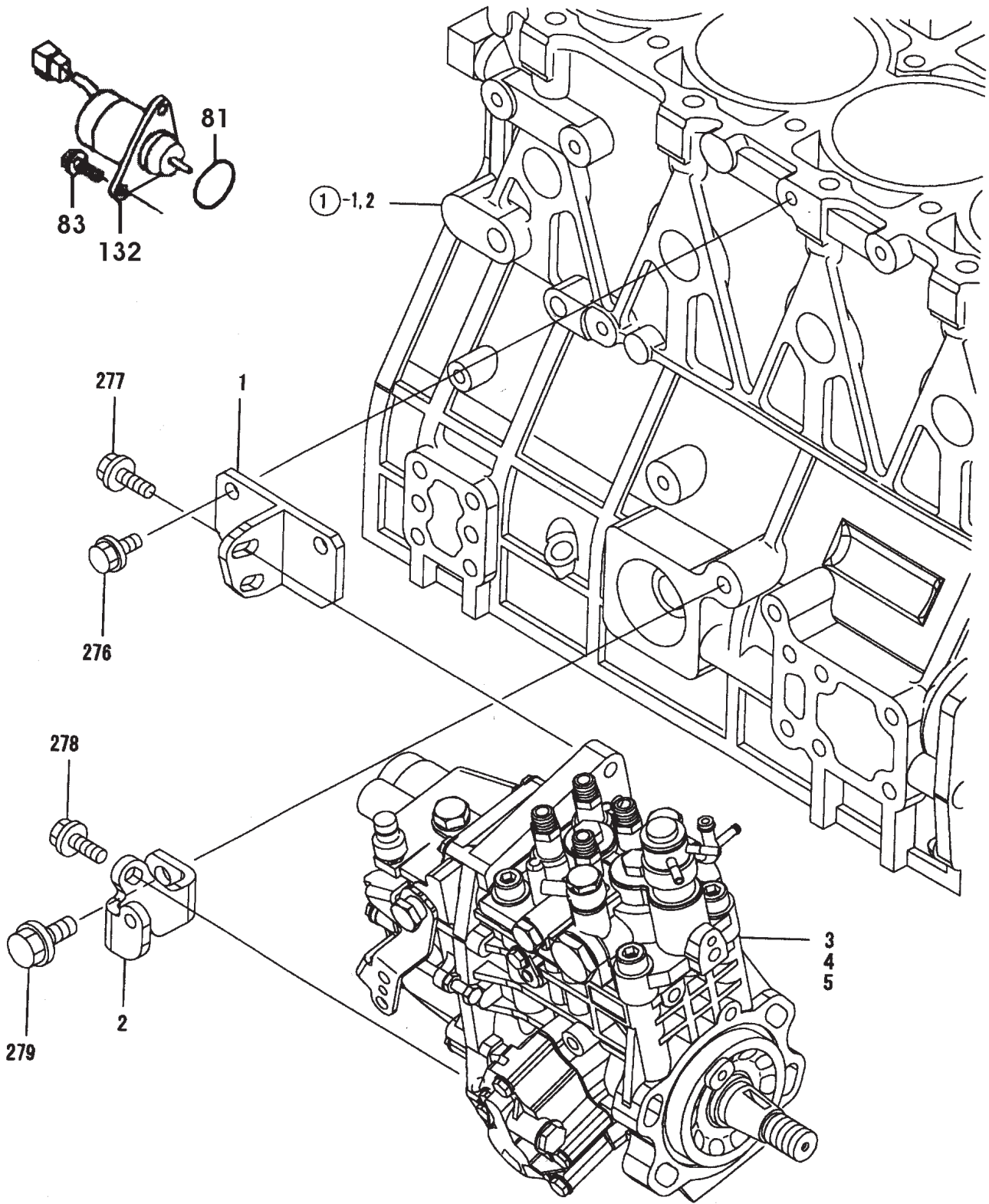
COOLING WATER SYSTEM



COOLING WATER SYSTEM

Ref. No.	Part No.	Description	4TNV106T-XTBL Quantity
1	186423	ELBOW R3/8	1
	186667	ELBOW R3/8 (HIGH FLOW)	1
2	186422	PUMP ASSY/WATER	1
	186668	PUMP ASSY/WATER (HIGH FLOW)	1
8	138123	PLUG PT 3/8 STEEL	1
	188686	PLUG/DRAIN R03 (HIGH FLOW)	1
9	186601	PLUG PT 1/4 STEEL	1
10	186338	PIPE/COOLING WATER	1
	188488	JOINT (HIGH FLOW)	1
11	186606	BALL 1/4 STEEL	1
12	138030	PACKING	1
13	425-35672	BOLT M6 X 50 PLATED	2
14	425-34748	BOLT M8 X 55 PLATED	4
15	186379	V-PULLEY	1
16	186165	V-BELT	1
17	186449	FAN/C.W.	1
18	186444	SPACER	1
19	186620	BOLT M10 X 60 PLATED	4
20	186456	CASE ASSY/THERMOSTAT	1
21	186300	BOLT/PIPE JOINT	1
22	138078	THERMOSTAT	1
23	138079	GASKET	1
24	138074	COVER	1
25	137963	GASKET	1
27	425-36260	PLUG PT 3/8 SCREW	2
28	425-34765	BOLT M8 X 25 PLATED	4
29	186599	JOINT 4- 8	1
30	425-34727	GASKET/ROUND 8	2
31	138033	GASKET	1
32	425-34838	BOLT M8 X 60 PLATED	4
33	138130	BOLT M8 X 70 PLATED	2
34	138073	PIPE/C.W.	1
35	186442	PIPE/C.W.	1
37	186443	PROTECTOR/CW-T	1
38	138118	CLAMP 25	4
39	425-34683	SWITCH/THERMO 110° C	1
40	425-34707	GASKET 16	1
41	186311	SENSOR/THERMO.	1
42	138088	GASKET 10	1
43	186424	PIPE/C.W. A/MP4	1
	186669	PIPE/C.W. A/MP4 (HIGH FLOW)	1
44	186426	PIPE A/COOLING WATER	1
45	186339	CLAMP/CW-T	1
	186670	CLAMP/CW-T	1
46	186464	CLAMP 9	2
47	186480	CORRUGATED TUBE	1
48	186425	PIPE/C.W. B/MP4	1
49	186427	PIPE B/COOLING WATER	1
50	186464	CLAMP 9	2
51	186615	BOLT M6 X 12 PLATED	1
52	425-34727	GASKET/ROUND 8	1
53	425-34729	BOLT M8 X 12 PLATED	1

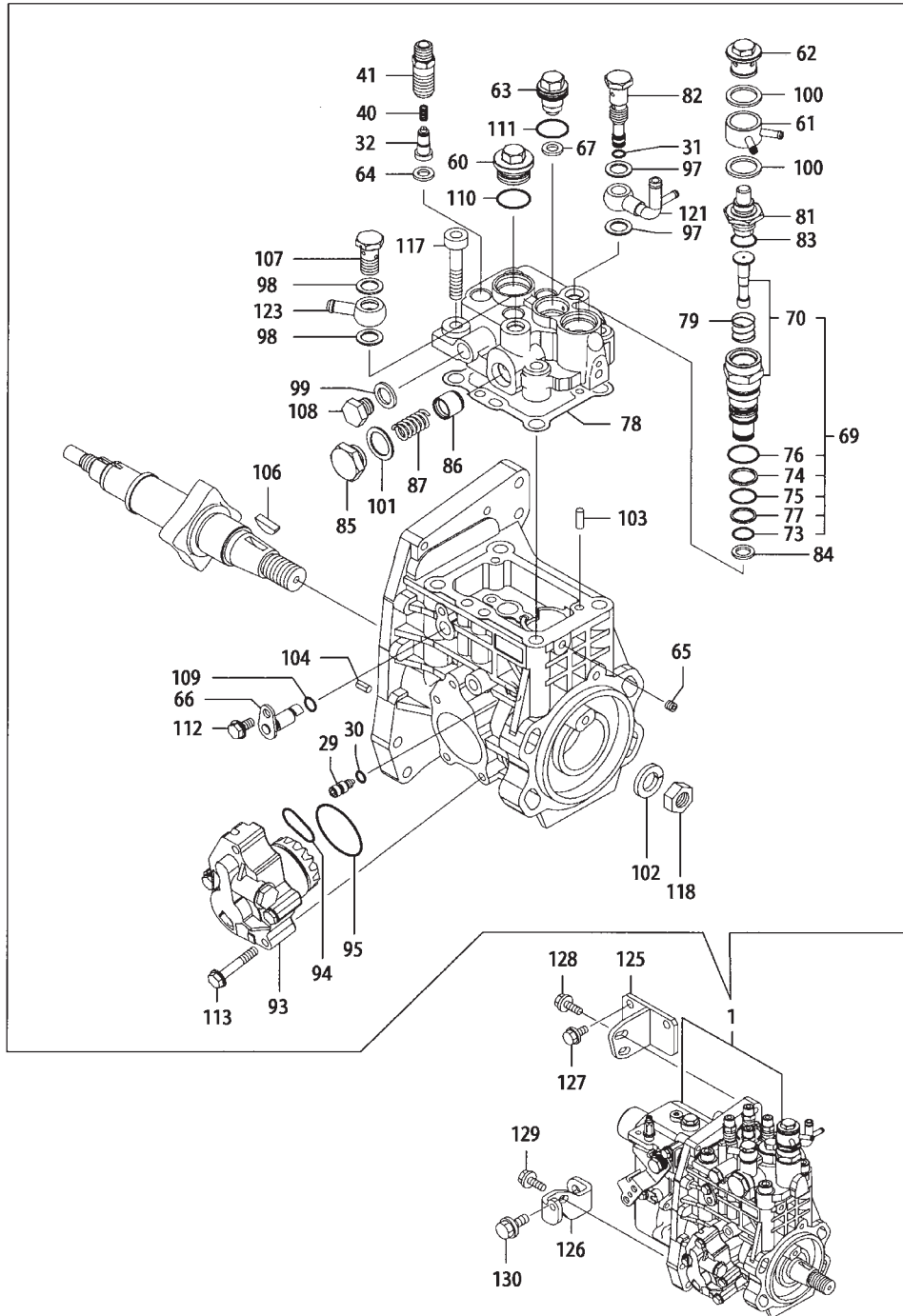
FUEL INJECTION PUMP



FUEL INJECTION PUMP

Ref. No.	Part No.	Description	4TNV98-YTBL Quantity
1	186514	RETAINER/MP4	1
2	186515	RETAINER/MP4	1
5	186642	PUMP ASSY/F. INJECT	1
81	189577	O-RING 1A S28.01	1
83	425-35962	BOLT	2
132	189575	SOLENOID/STOP	1
276	425-34733	BOLT M8 X 16 PLATED	2
277	138520	BOLT M8 X 22 PLATED	2
278	138520	BOLT M8 X 22 PLATED	1
279	138133	BOLT M10 X 20 PLATED	1

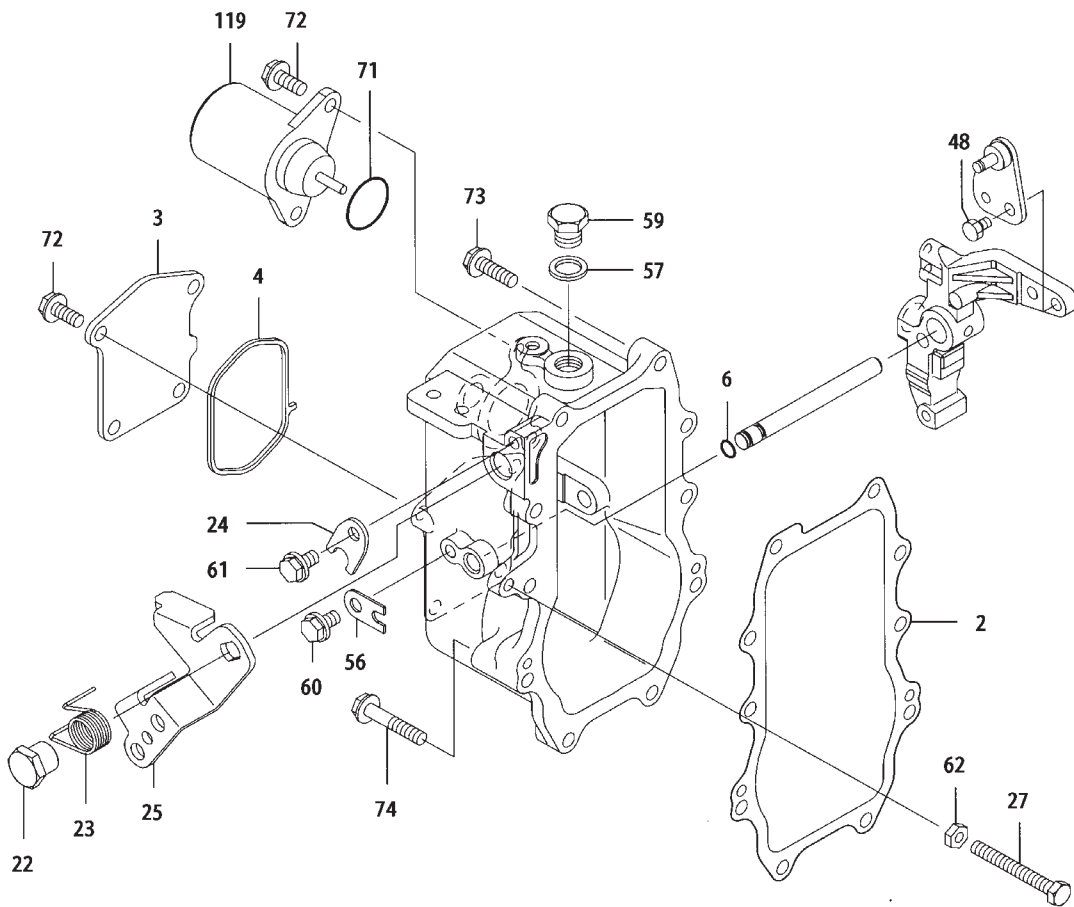
FUEL INJECTION PUMP



FUEL INJECTION PUMP

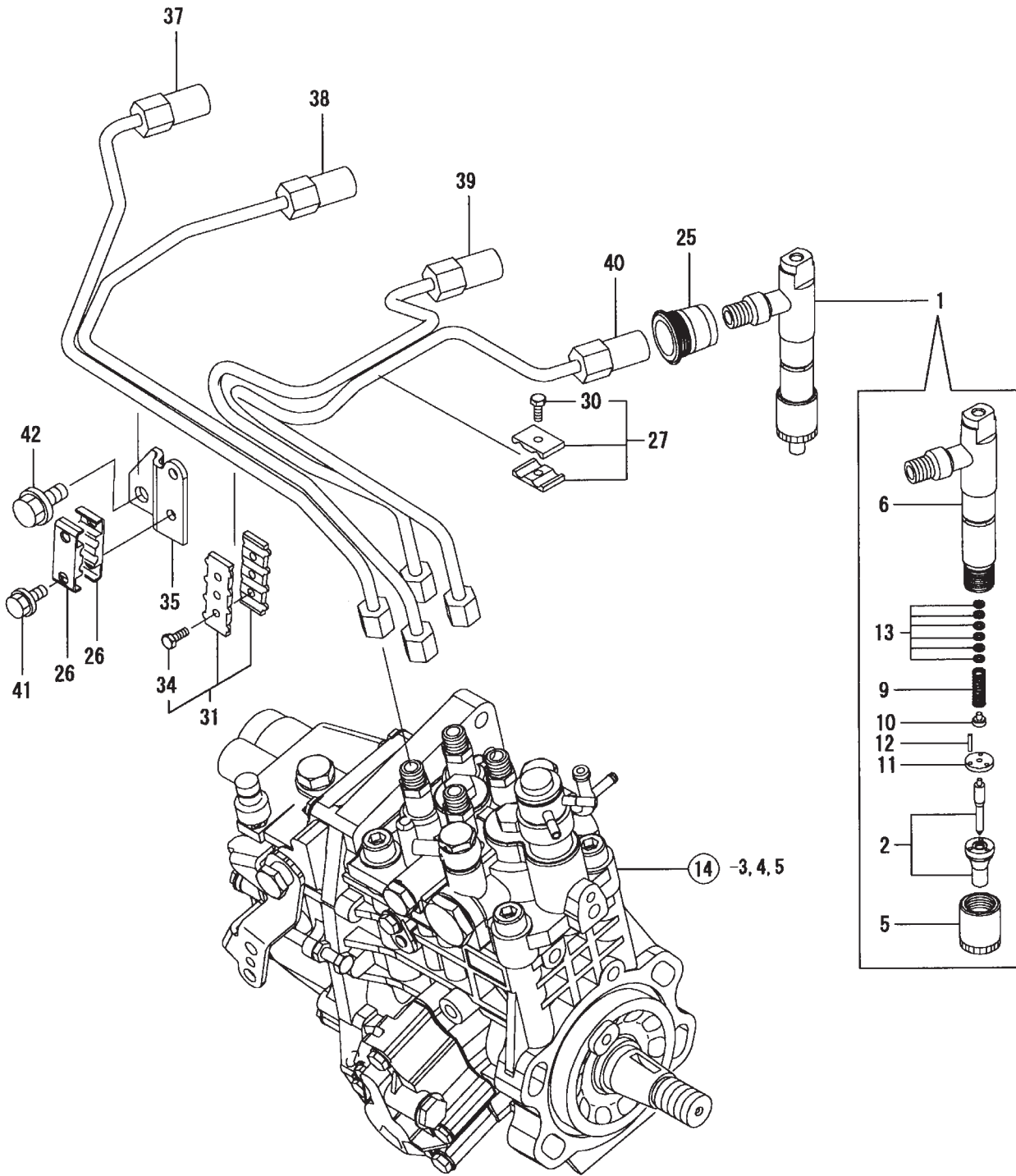
Ref. No.	Part No.	Description	4TNV106T-XTBL Quantity
1	186634	PUMP ASSY/F. INJECT	1
29		STOPPER	1
30		O-RING	1
31		O-RING	1
32		VALVE ASSY/DELIVERY	4
40		SPRING	4
41		HOLDER/DELIVERY	4
60		PLUG	1
61	192291	JOINT/COOLING WATER	1
62		PLUG/WATER PUMP	1
63		PLUG	1
64		PK (BARREL PLUG)	4
65		PLUG	1
66		LIFTER	1
67		PACKING/PLUG	1
69		TIMER SET	1
70		TIMER CMP	1
73		O-RING 1011	1
74		RING/BACKUP	1
75		O-RING	1
76		O-RING	1
77		RING/BACKUP	1
78		PACKING/HEAD	1
79		SPRING/TIMER	1
81		ELEMENT/THERMO	1
82	192292	JOINT	1
83		O-RING P14	1
84		PACKING/TIMER	1
85		PLUG	1
86		PISTON	1
87		ASSY/DAMPER	1
93	192295	PUMP ASSY/FEED	1
94	192297	O-RING	1
95	192299	O-RING 4E S42	1
97	425-35959	SEAL WASHER 12	2
98	425-35959	SEAL WASHER 12	2
99	425-35959	SEAL WASHER 12	1
100	192294	SEAL WASHER 18	2
101	192294	SEAL WASHER 18	1
102	186596	SPRING WASHER 18	1
103		PIN/PARALLEL 5 X 14	2
104	425-34892	PIN/SPRING 5 X 10	2
106		KEY 5 X 19	1
107	138120	BOLT/JOINT 6 PIPE	1
108	425-35174	PLUG/HEX M12	1
109	186607	O-RING 1A P-7.0	1
110		PACKING 1020	1
111		PACKING 2021	1
112	425-35263	BOLT M6 X 10 PLATED	1
113	425-35705	BOLT M6 X 35 PLATED	4
117		BOLT M10 X 45	4
118	186626	NUT/LOCK M18	1
121	192290	JOINT	1
123		JOINT 12, PIPE	1
125	186383	RETAINER/MP4	1
126	186384	RETAINER/MP4	1
127	425-34733	BOLT M8 X 16 PLATED	2
128	425-34746	BOLT M8 X 20 PLATED	2
129	425-34746	BOLT M8 X 20 PLATED	1
130	186619	BOLT M10 X 16 PLATED	1

GOVERNOR



Ref. No.	Part No.	Description	4TNV106T-XTBL Quantity
2		PACKING/CASE	1
3		COVER/CASE	1
4		PACKING	1
6	192282	O-RING S6	1
22	192283	NUT	1
23	192284	SPRING	1
24		RETAINER	1
25		LEVER/REGULATOR	1
27	425-34981	BOLT/IDLE LIMIT	1
48		BOLT M6 X 10 PLATED	1
56	425-35352	RETAINER/SHAFT	1
57	425-35959	SEAL WASHER 12	1
59	425-35174	PLUG/HEX M12	1
60	425-35263	BOLT M6 X 10 PLATED	1
61	425-35263	BOLT M6 X 10 PLATED	1
62	425-34984	NUT/LOCK 6	1
71	189577	O-RING 1A S-28.0	1
72	425-35962	BOLT M6 X 14 PLATED	6
73		BOLT M6 X 25 PLATED	8
74	425-34998	BOLT M6 X 40 PLATED	2
119	189575	SOLENOID/STOP	1

FUEL INJECTION VALVE

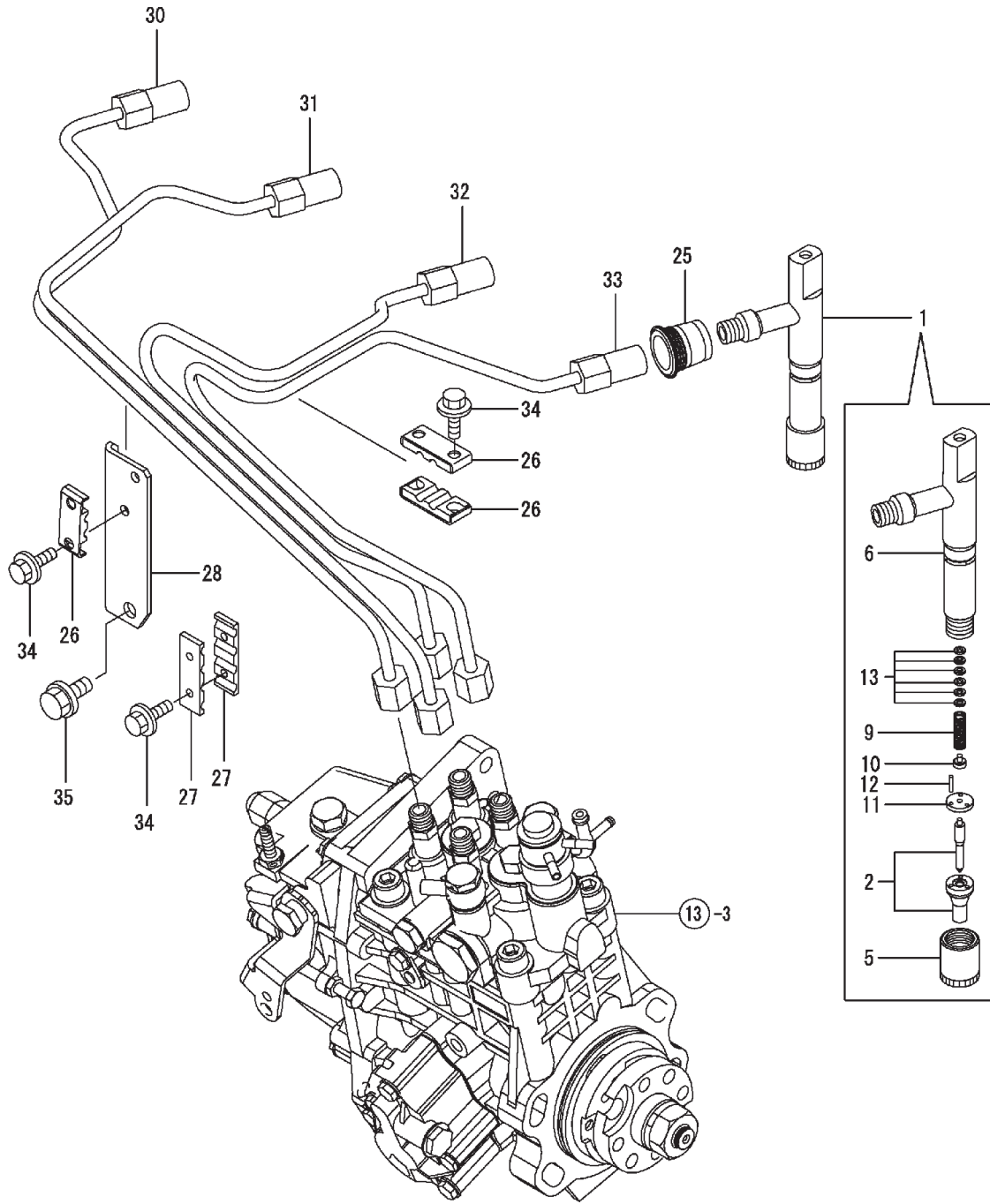


Y00D6020	D15. FUEL INJECTION VALVE		
4TNV98-VTBZ, XTBW, YTB.		1:2003.11	PLUS

FUEL INJECTION VALVE

Ref. No.	Part No.	Description	4TNV98-YTBL Quantity
1	186640	VALVE ASSY/F. INJECT	4
2	186552	NOZZLE ASSY	4
5	425-34903	NUT/NOZZLE CASE	4
6	186553	HOLDER ASSY/NOZZLE	4
9	425-34666	SPRING/NOZZLE	4
10	425-34905	SEAT/NOZZLE SPRING	4
11	425-34906	PLATE/STOP	4
12	425-34907	PIN	8
13	425-34667	SHIM PACK	4
25	186407	PIPE SEAL	4
26	186372	RETAINER	2
27	186312	RETAINER	1
30	186473	BOLT/HEX SOCKET M4 X 14	1
31	425-34908	RETAINER	1
34	186473	BOLT/HEX SOCKET M4 X 14	2
35	186555	PIPE ASSY/INJECTION	1
37	186556	PIPE ASSY/INJECTION	1
38	186557	PIPE ASSY/INJECTION	1
39	186558	PIPE ASSY/INJECTION	1
40	186559	PIPE ASSY/INJECTION	1
41	425-35164	BOLT M6 X 16 PLATED	2
42	138129	BOLT M8 X 18 PLATED	1

FUEL INJECTION VALVE

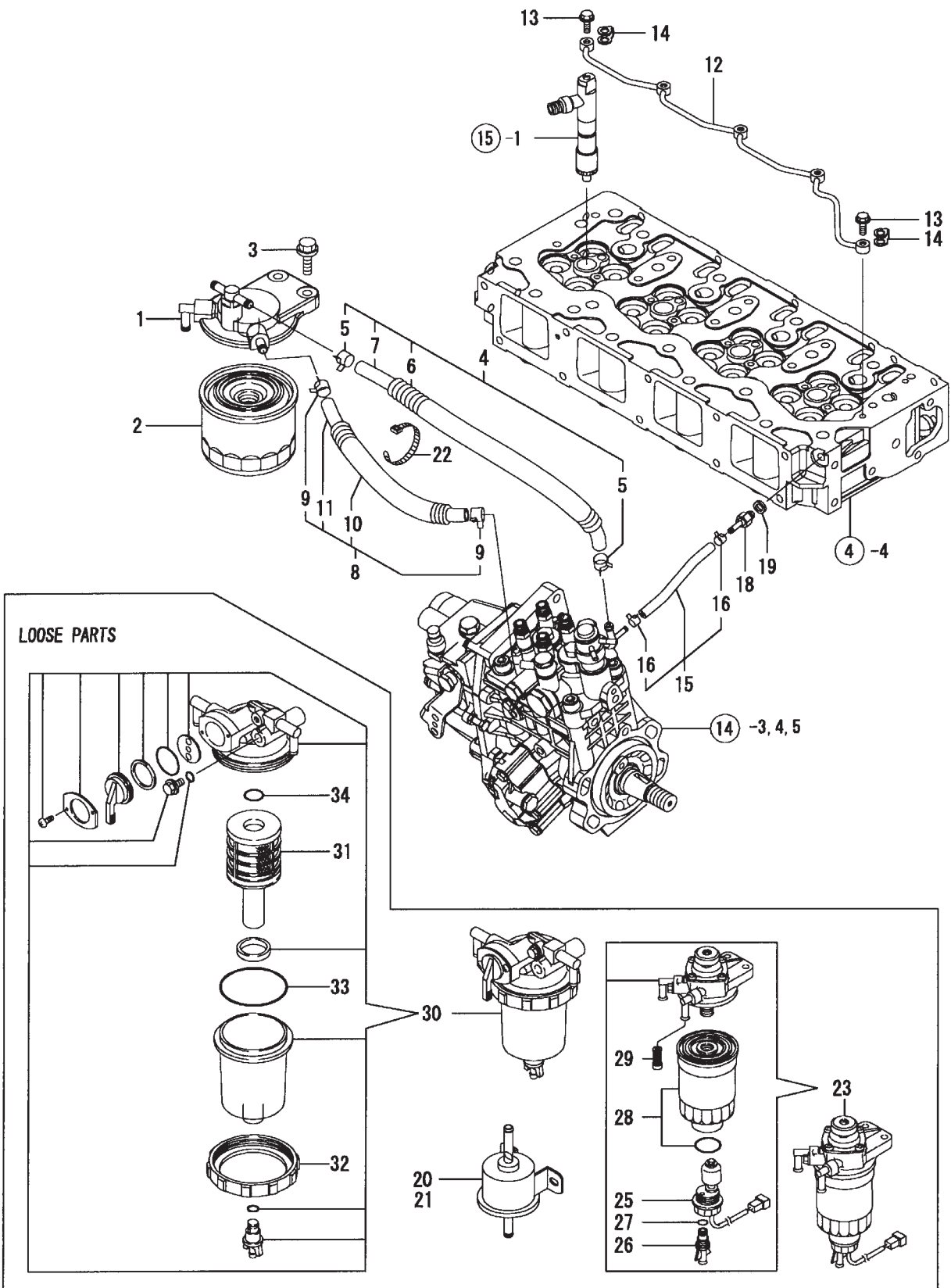


Y00D7840	D14. FUEL INJECTION VALVE			
4TNV106T-XTBL		2003.02		PLUS

FUEL INJECTION VALVE

Ref. No.	Part No.	Description	4TNV106T-XTBL Quantity
1	186633	VALVE ASSY/F. INJECT	4
2	186437	NOZZLE ASSY	4
5	425-34903	NUT/NOZZLE CASE	4
6	186428	HOLDER ASSY/NOZZLE	4
9	425-34666	SPRING/NOZZLE	4
10	425-34905	SEAT/NOZZLE SPRING	4
11	425-34906	PLATE/STOP	4
12	425-34907	PIN	8
13	425-34667	SHIM PACK	4
25	186407	PIPE SEAL	4
26	186372	RETAINER	4
27	137962	BRACKET	2
28	186433	SUPPORT/F.I. PIPE	1
30	186438	PIPE ASSY//INJECTION	1
31	186439	PIPE ASSY//INJECTION	1
32	186440	PIPE ASSY//INJECTION	1
33	186441	PIPE ASSY//INJECTION	1
34	425-34977	BOLT M6 X 20 PLATED	6
35	425-34746	BOLT M8 X 20 PLATED	1

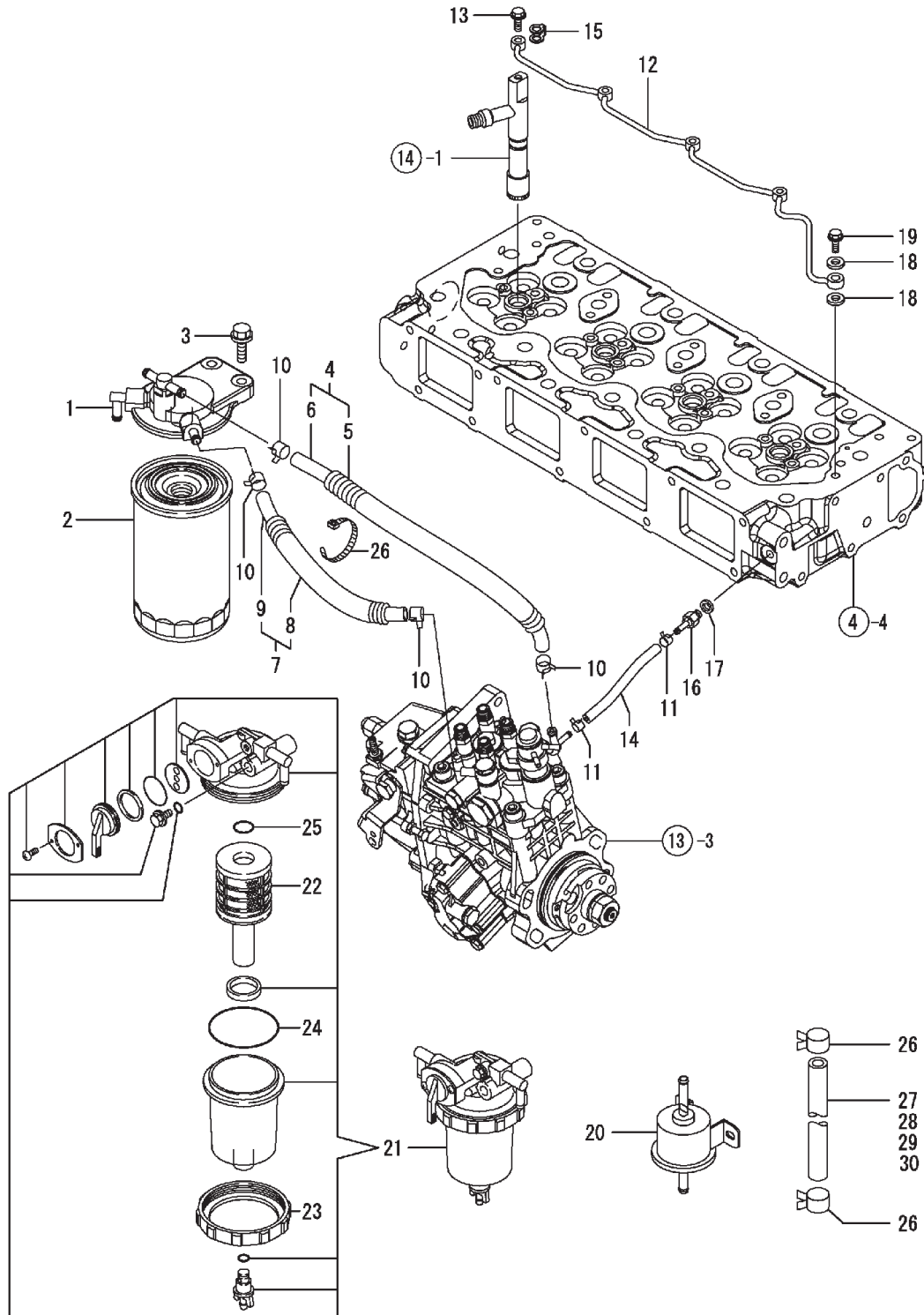
FUEL LINE



Y00B020	016. FUEL LINE			
41N/98-VTBZ, XTBR, YTBL		1-2003.11		PLUS

Ref. No.	Part No.	Description	4TNV98-YTBL Quantity
1	186467	BRACKET/FILTER	1
2	182130	FILTER/FUEL	1
3	425-34760	BOLT M8 X 30 PLATED	2
4	186478	PIPE ASSY/FUEL	1
5	425-34916	CLAMP 12	2
6	138107	PROTECTOR/FUEL PIPE	1
7	425-35451	PIPE/FUEL OIL	1
8	186589	PIPE ASSY/FUEL	1
9	425-34916	CLAMP 12	2
10	186573	TUBE	1
11	186588	PIPE/FUEL OIL	1
12	186554	PIPE ASSY/F.O. RETURN	1
13	186430	JOINT BOLT M6	5
14	186431	PACKING/FUEL RETURN	5
15	186481	PIPE/FUEL RETURN	1
16	186464	CLAMP 9	2
18	186432	HOSE JOINT 4	1
19	425-34750	SEAL WASHER 8S	1
21	186483	FUEL PUMP	1
22	137953	CLAMP 140	1
30	185466	SEPARATOR ASSY	1
31	186340	ELEMENT	1
32	425-34924	RING/RETAINING	1
33	425-34927	O-RING 1A G-65.0	1
34	425-34744	O-RING 1A P-16.0	1

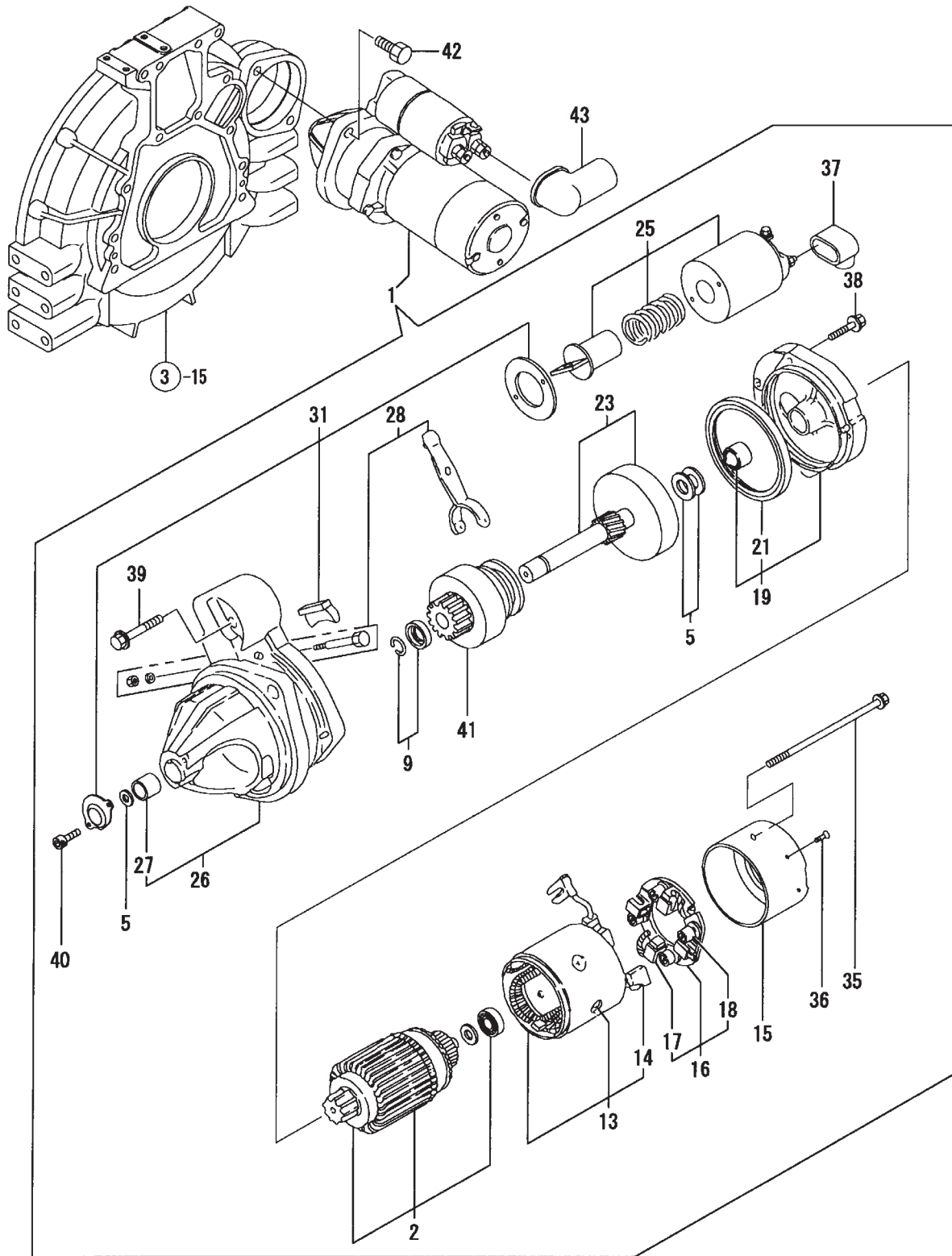
FUEL LINE



Y00D7840	015. FUEL LINE			
4TNV106T-XTBL		2003.02		PLUS

Ref. No.	Part No.	Description	4TNV106T-XTBL Quantity
1	186467	BRACKET/FILTER	1
2	182088	FILTER/FUEL OIL	1
3	425-34760	BOLT M8 X 30 PLATED	2
4	186307	PIPE ASSY/FUEL OIL	1
5	186573	TUBE	1
6	425-34931	PIPE/FUEL (D13 X L400)	1
7	138105	PIPE/FUEL	1
8	137935	PROTECTOR/FUEL PIPE	1
9	138090	PIPE/FUEL (D13 X L500)	1
10	425-34918	CLAMP 13	4
11	425-34928	CLAMP 8	2
12	186429	PIPE ASSY/F.O. RETURN	1
13	186430	JOINT BOLT M6	4
14	425-34674	PIPE/FUEL	1
	186671	PIPE/FUEL RETURN (HIGH FLOW)	1
15	186431	PACKING/FUEL RETURN	4
16	186432	HOSE JOINT 4	1
17	425-34750	SEAL WASHER 8S	1
18	425-34727	GASKET/ROUND 8	2
19	186600	JOINT BOLT 3	1
20	186308	PUMP ASSY/FUEL FEED	1
21	185466	SEPARATOR ASSY	1
22	186340	ELEMENT	1
23	425-34924	RING/RETAINING	1
24	425-34927	O-RING 1A G-65.0	1
25	425-34744	O-RING 1A P-16.0	1
26	186464	CLAMP 9	6
27	186346	PIPE/FUEL	1
28	186362	PIPE D12 X L1350	1
29	186462	PIPE/FUEL OIL	1
30	186363	PIPE (L=900) / FUEL	1

STARTING MOTOR

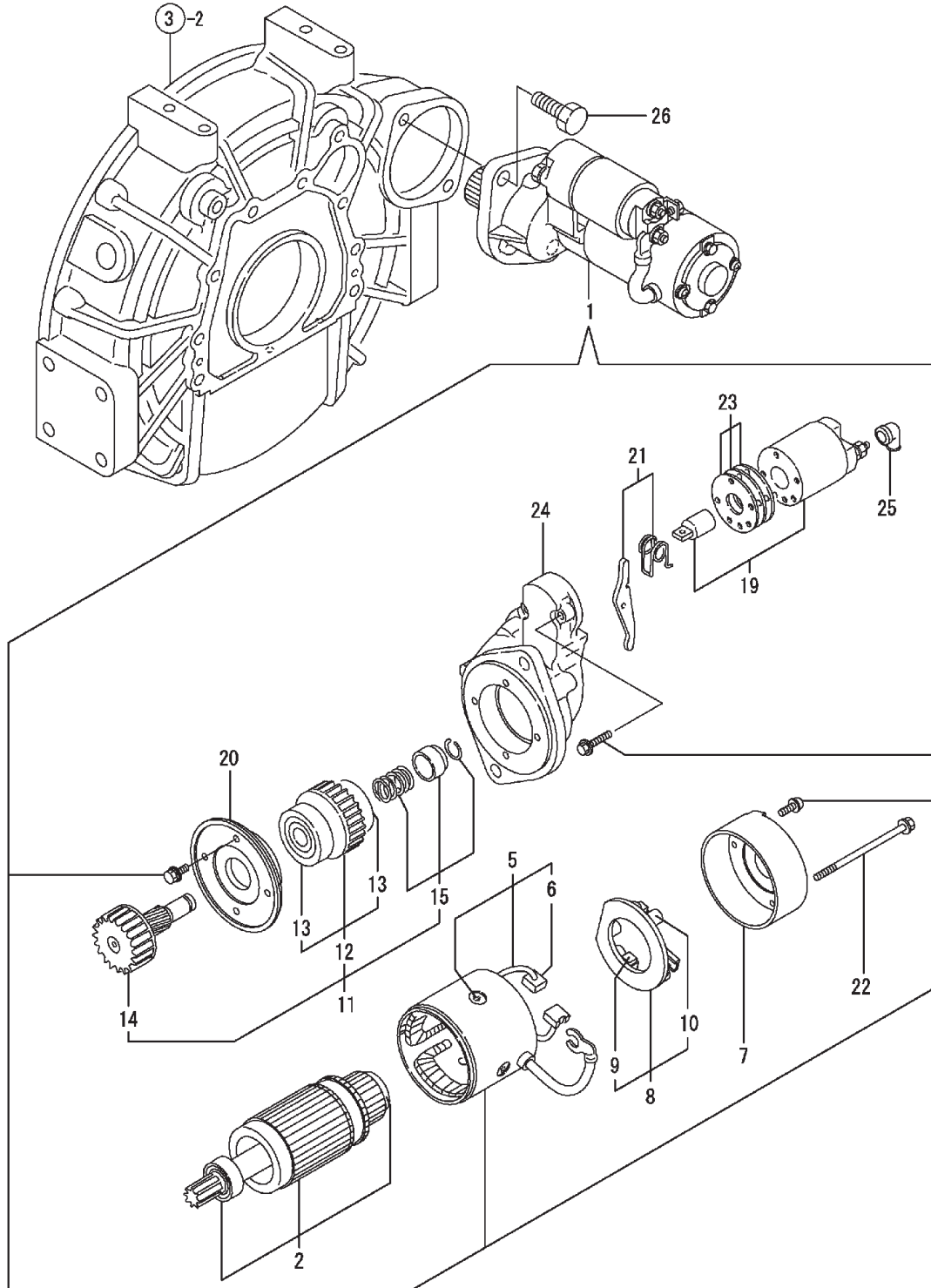


Y0008020	018. STARTING MOTOR		
4TNV98-VTBZ, XTBW, YTB.		1.2003.11	PLUS

STARTING MOTOR

Ref. No.	Part No.	Description	4TNV98-YTBL Quantity
1	140566	STARTING MOTOR	1
2	186348	ARMATURE ASSY	1
5	186349	WASHER KIT/THRUST	1
9	186350	STOPPER KIT/PINION	1
13	186351	COIL ASSY/FIELD	1
14	186352	BRUSH (+)	2
15	425-35899	COVER ASSY/REAR	1
16	425-35901	HOLDER	1
17	186353	BRUSH	2
18	137952	SPRING/BRUSH	4
19	186354	BEARING ASSY/CENTER	1
21	186355	SEAL/OIL	1
23	425-35906	SHAFT ASSY/GEAR	1
25	186584	SWITCH	1
26	425-35909	CASE ASSY/GEAR	1
27	425-35910	METAL/GEAR CASE	1
28	425-35911	LEVER SET/SHIFT	1
31	186356	DUST COVER SET	1
35	425-35913	BOLT/THROUGH	2
36	425-35915	SCREW 4	2
37	425-35488	TERMINAL COVER	1
38	425-35165	BOLT M6 X 30 PLATED	3
39	425-35176	BOLT M6 X 45 PLATED	2
40	186357	SCREW 5	2
41	186583	PINION ASSY	1
42	188748	BOLT M12 X 25 PLATED	2
43	186463	COVER/TERMINAL	1

STARTING MOTOR

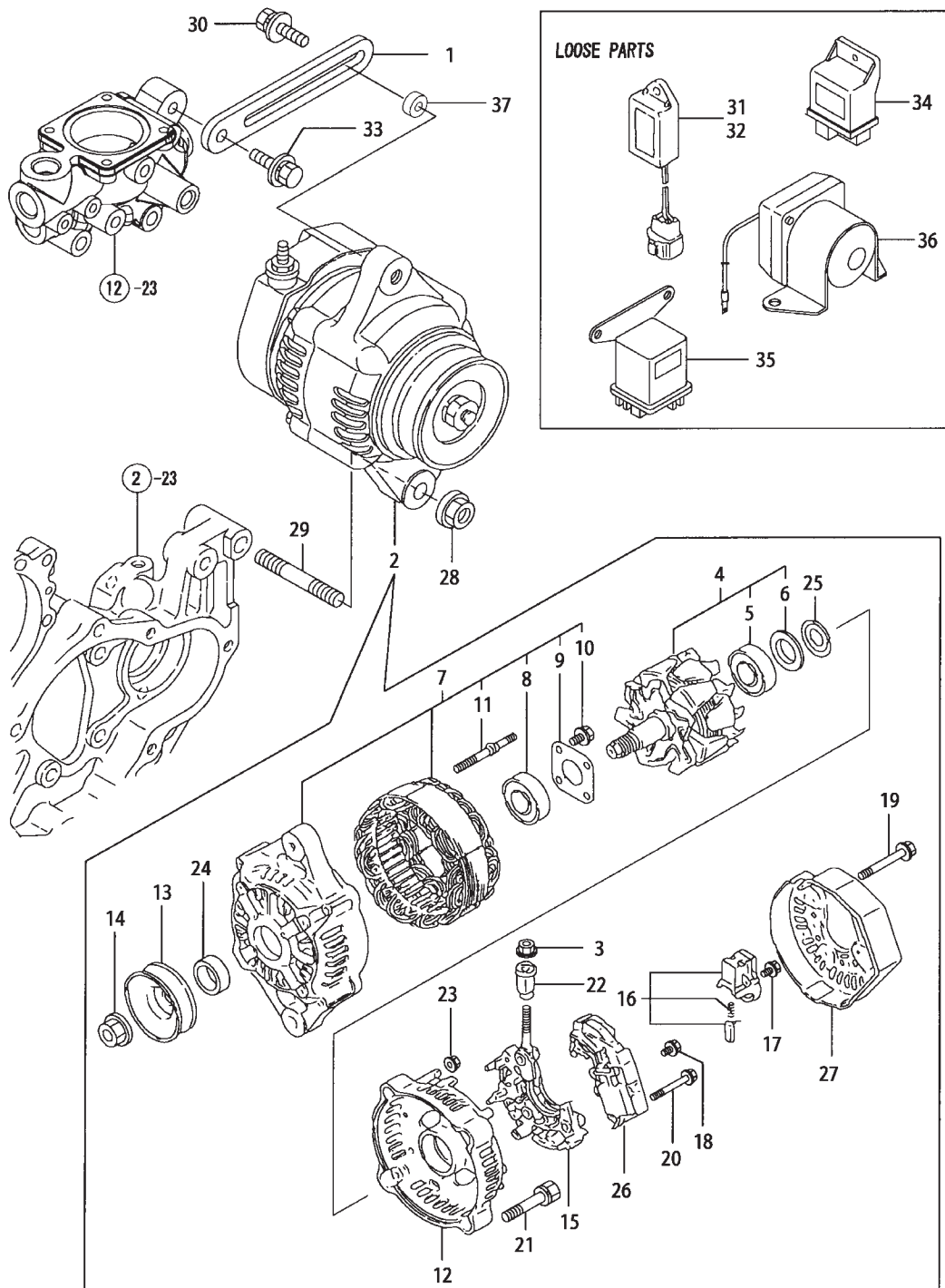


Y00D7840	D16. STARTING MOTOR			
4TNV106T-XTBL		2003.02		PLUS

STARTING MOTOR

Ref. No.	Part No.	Description	4TNV106T-XTBL Quantity
1	138044	STARTER	1
2	138050	ARMATURE ASSY	1
5	138051	COIL ASSY/FIELD	1
6	138052	BRUSH (+)	2
7	138053	COVER/REAR	1
8	138054	HOLDER/BRUSH	1
9	138052	BRUSH (+)	2
10	137952	SPRING/BRUSH	4
11	138056	PINION ASSY	1
12	138057	CLUTCH ASSY	1
13	REF	BALL BEARING	2
14	138058	SHAFT/PINION	1
15	137930	STOPPER KIT/PINION	1
19	138102	SWITCH ASSY/MAGNETIC	1
20	138059	RETAINER/BEARING	1
21	138103	SHIFT LEVER SET	1
22	138060	THROUGH BOLT	2
23	138061	COVER ASSY/DUST	1
24	138063	HOUSING/GEARS	1
25	186591	COVER/M TERMINAL	1
26	188748	BOLT M12 X 25 PLATED	2

GENERATOR



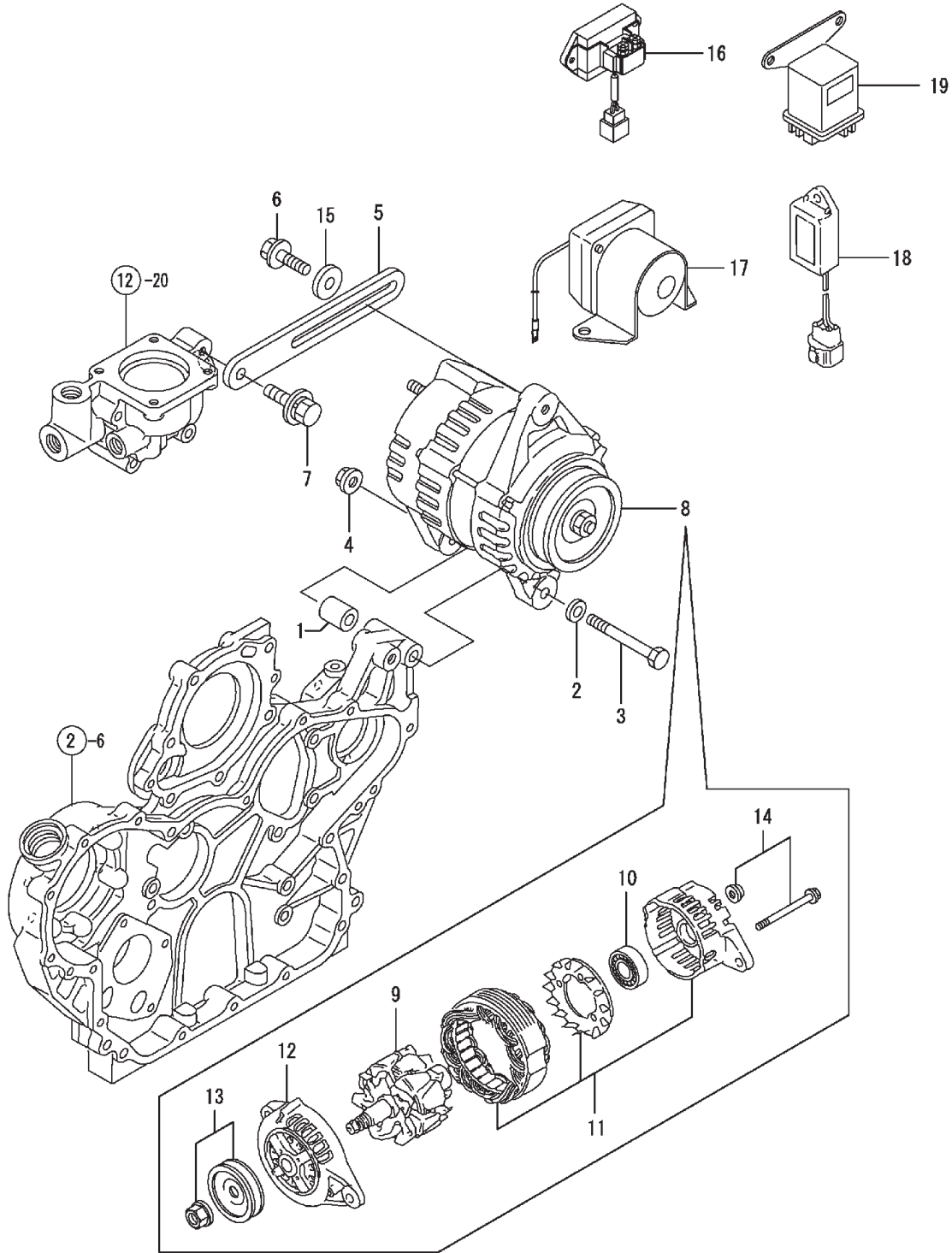
Y00D8020	020. GENERATOR			
4TNV98-VTBZ, XTBN, YTBZ		1.2003.11		PLUS

GENERATOR

Ref. No.	Part No.	Description	4TNV98-YTBL Quantity
1	186509	ADJUSTER/BELT	1
	186672a	ADJUSTER/BELT	1
2	184401	ALTERNATOR	1
3	186477	NUT	1
4	186315	ROTOR ASSY	1
5	186465	BALL BEARING	1
6	186325	COVER/BEARING	1
7	186316	FLAME ASSY/DRIVE	1
8	186321	BALL BEARING	1
9	186322	PLATE	1
10	186323	SCREW	4
11	186324	BOLT/STUD	2
12	186317	FLAME ASSY/REAR	1
13	186318	PULLEY	1
14	186319	NUT	1
15	186326	HOLDER	1
16	186469	HOLDER/BRUSH	1
17	186327	SCREW	6
18	186328	SCREW	1
19	186329	BOLT	3
20	186330	SCREW W/WASHER	2
21	186331	BOLT	2
22	186332	INSULATION BUSH	1
23	186333	NUT	2
24	186320	COLLAR	1
25	186334	THRUST WASHER	1
26	186475	REGULATOR ASSY	1
27	186476	COVER	1
28	138141	NUT	1
29	186484	STUD	1
30	186342	BOLT	1
	188496a	BOLT	1
31	138089	TIMER	1
32	160891	TIMER	1
33	425-35026	BOLT M8 X 25	1
34	186341	RELAY/SAFETY	1
35	186336	RELAY/POWER	2
36	160888	RELAY/MAGNETIC	1
37	188500a	ADJUST/ERBELT	1

a) CTL60/MTL16 Models: SN 21301933 ~

GENERATOR



Y00D784Q	017. GENERATOR			
4TNV106T-XTBL		2003.02		PLUS

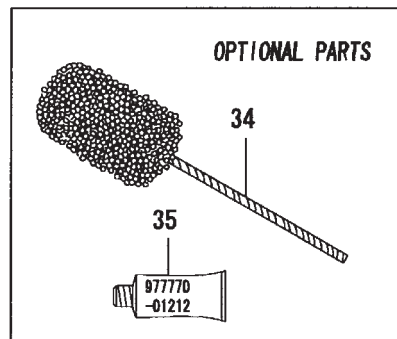
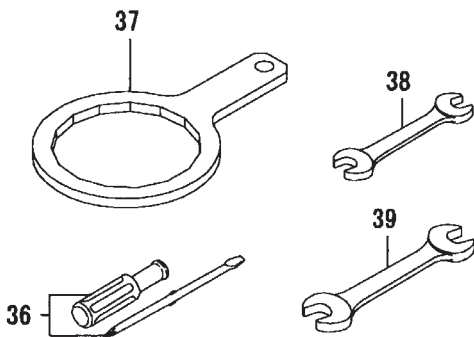
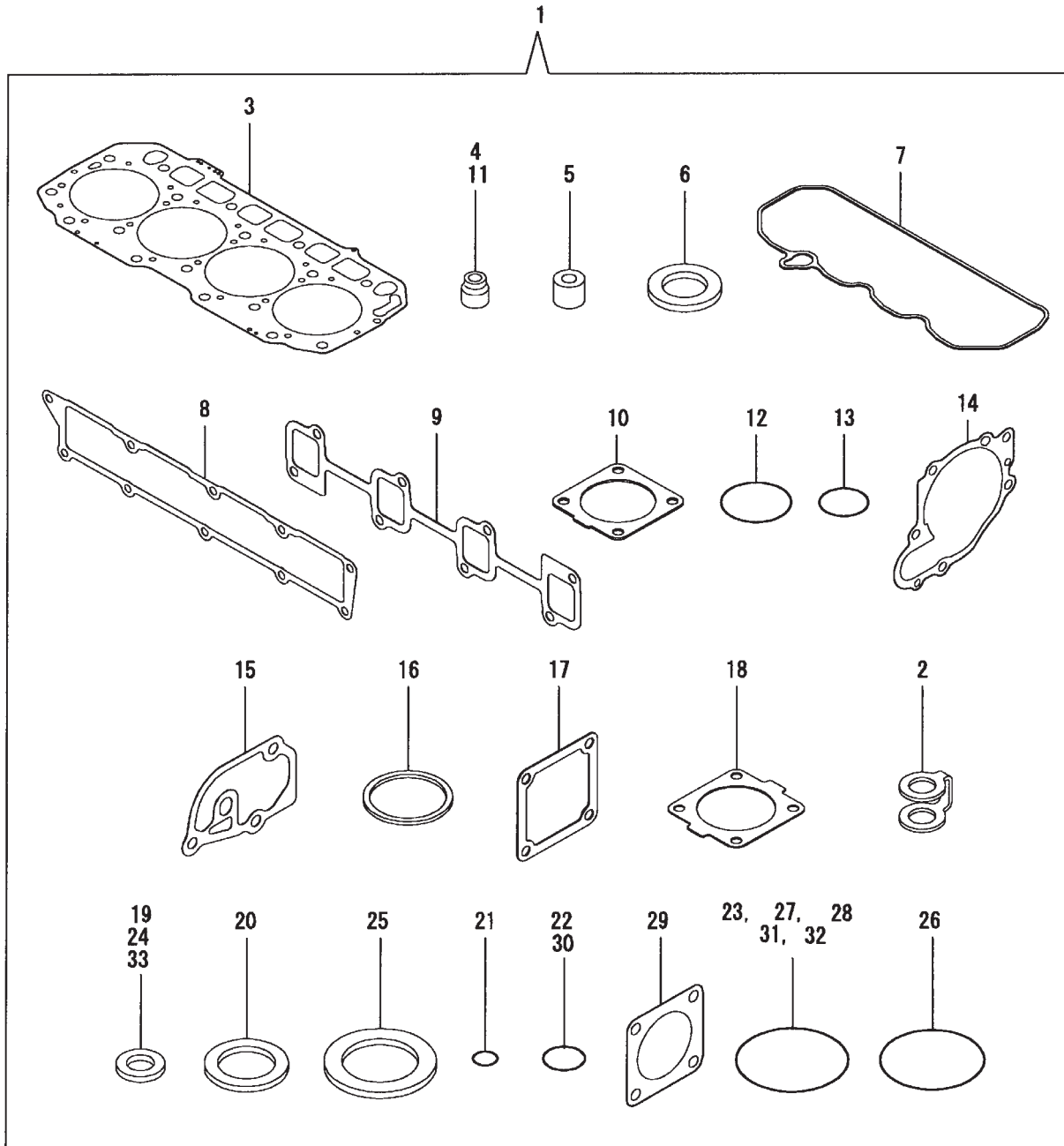
GENERATOR

Ref. No.	Part No.	Description	4TNV106T-XTBL Quantity
1	138049	DISTANCE PIECE	1
2	138111	WASHER/POLISHED 10	1
3	138137	BOLT M10 X 120 PLATED	1
	186673a	BOLT M10 X 120 PLATED	1
4	138141	NUT	1
5	138048	ADJUSTER/BELT	1
6	137929	BOLT M8 X L25	1
	425-36204a	BOLT	1
7	425-35026	BOLT M8 X 25	1
8	138047	GENERATOR 12V-60A	1
9	138062	ROTOR ASSY	1
10	425-36303	BALL BEARING	1
11	138064	REAR BRACKET ASSY	1
12	138065	FRONT BRACKET ASSY	1
13	138066	PULLEY	1
14	138067	SCREW KIT	1
15	137950b	SPACER	1
16	138087	RELAY/SAFETY	1
17	160888	RELAY/MAGNETIC	1
18	160891	TIMER	1
	138089	TIMER (HIGH FLOW)	1
19	186336	RELAY/POWER	3

a) CTL80/MTL25 Models: SN 21500628 ~

b) CTL80/MTL25 Models: SN ~ 21500628

TOOL AND GASKET SET

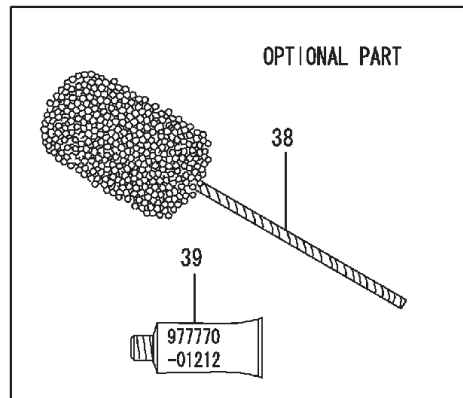
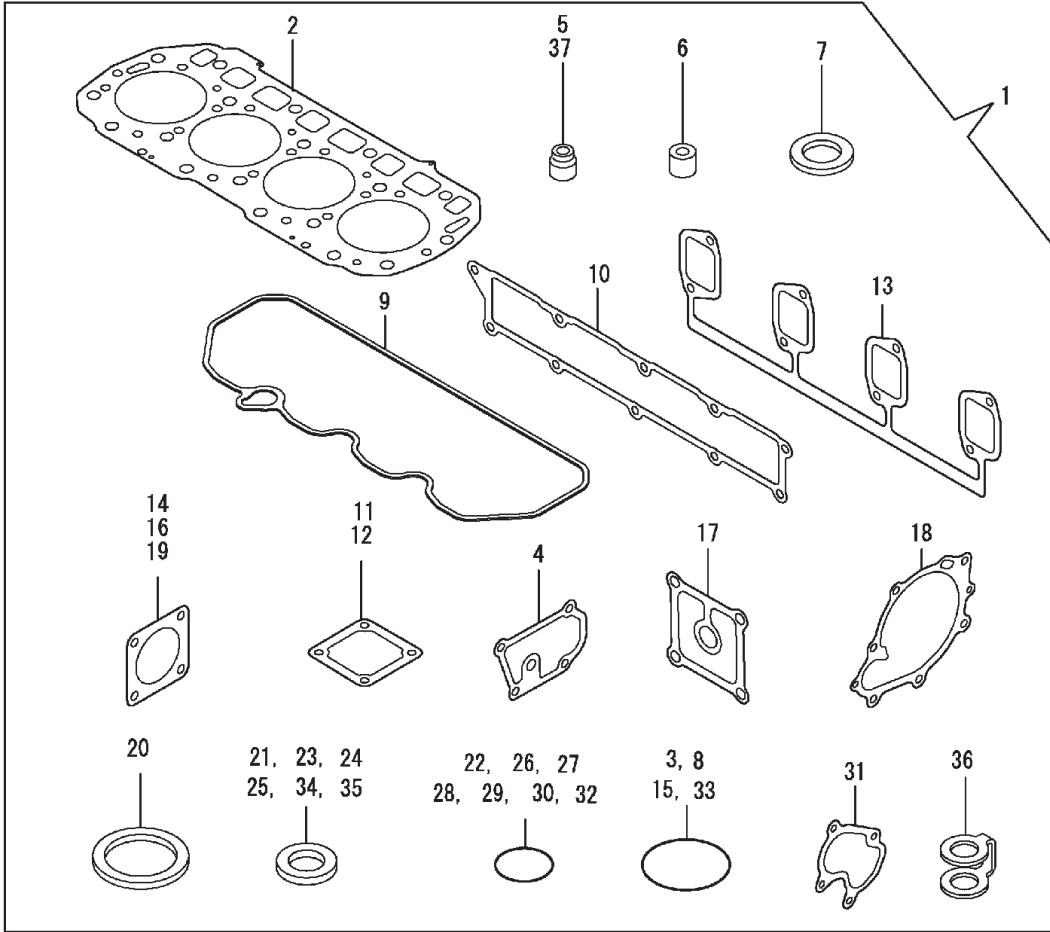


Y00D8020	021. TOOL & GASKET SET		
4TNV98-VTBZ, XTBW, YTB1	1:2003.11		PLUS

TOOL AND GASKET SET

Ref. No.	Part No.	Description	4TNV98-YTBL Quantity
1	186641	GASKET SET/NON-ASB.	1
2	186431	PACKING/FUEL RETURN	5
3	186513	GASKET/CYLINDER HEAD	1
4	425-35191	SEAL/VALVE STEM	8
5	186337	PROTECTOR/NOZZLE	4
6	425-34796	SEAT/NOZZLE	4
7	186526	PACKING/BONNET	1
8	186538	PACKING/INT. MANIFOLD	1
9	425-36128	GASKET	1
10	138104	GASKET/SILENCER	2
11	425-35190	SEAL/VALVE STEM	8
12	138100	O-RING P20	2
13	138101	O-RING P14	1
14	425-36113	GASKET/CW-P	1
15	425-36319	GASKET/CASE	1
16	186370	GASKET/THERMOSTAT	1
17	425-36318	GASKET/NON-ASB.	1
18	425-36114	GASKET/THERMOSTAT	1
19	425-34727	GASKET/ROUND 8	3
20	425-34707	GASKET 16	2
21	186607	O-RING 1A P-7.0	1
22	425-34776	O-RING 1A P 12.0	8
23	425-34745	O-RING 1A P-32.0	3
24	425-34750	SEAL WASHER 8S	9
25	138113	SEAL WASHER 22S	1
26	186612	PACKING 3075	1
27	138127	O-RING 1A G-85.0	1
28	186611	O-RING 1A S-53.0	1
29	425-34742	GASKET/NON-ASB.	1
30	425-34827	O-RING 1A P-10A	1
31	186609	O-RING 1A G-60.0	2
32	186610	O-RING 1A G70.0/NBR	1
33	138088	GASKET 10	1
34	138091	FLEX HONE	1
35	138154	GASKET/LIQUID	1

TOOL AND GASKET SET

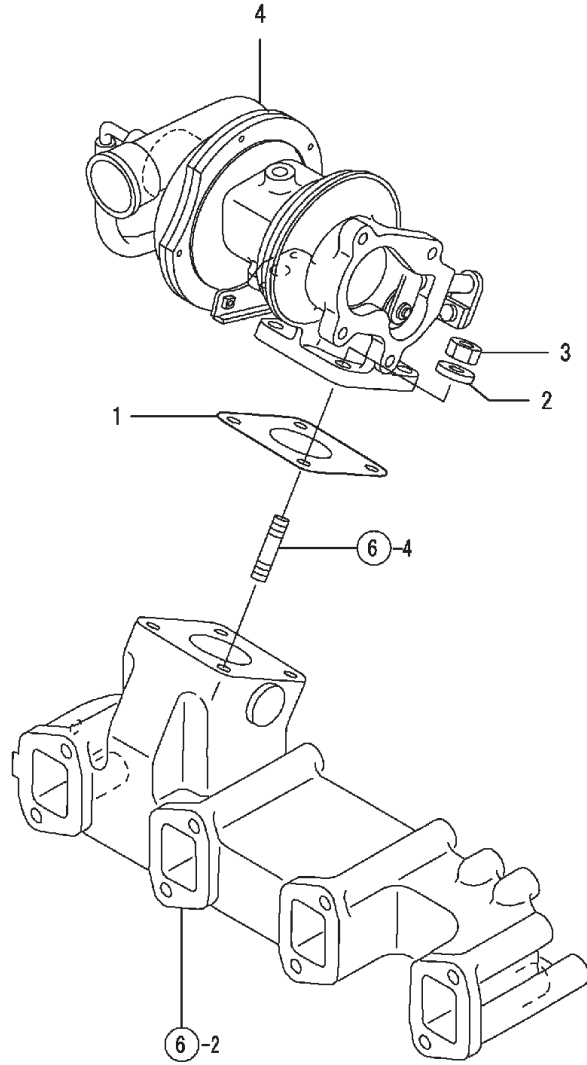


Y00D7840	D18. GASKET SET			
4TNV106T-XTBL		2003.02		PLUS

TOOL AND GASKET SET

Ref. No.	Part No.	Description	4TNV106T-XTBL Quantity
1	186632	GASKET SET/NON-ASB.	1
2	186380	GASKET/HEAD	1
3	425-34745	O-RING 1A P-32.0	3
4	138033	GASKET	1
5	425-35191	SEAL/VALVE STEM	8
6	186337	PROTECTOR/NOZZLE	4
7	425-34796	SEAT/NOZZLE	4
8	186612	PACKING 3075	1
9	186402	PACKING/BONNET	1
10	186414	PACKING/INT. MANIFOLD	1
11	138045	GASKET/AIR HEATER	1
12	138046	GASKET/AIR HEATER	1
13	186374	GASKET	1
14	138082	PACKING	1
15	138127	O-RING 1A G-85.0	1
16	138489	PK T/C IN	1
17	138023	PACKING	1
18	138030	PACKING	1
19	138079	GASKET	1
20	137963	GASKET	1
21	425-34750	SEAL WASHER 8S	5
22	425-34827	O-RING 1A P-10A	1
23	186595	SEAL WASHER 30S	1
24	425-34837	GASKET/ROUND 10	6
25	425-34707	GASKET 16	1
26	138100	O-RING P20	1
27	138101	O-RING P14	1
28	138125	O-RING 1A P-11.0	1
29	425-34776	O-RING 1A P 12.0	8
30	138126	O-RING 4C P-18.0	1
31	138488	PK T/C OUT	1
32	186608	O-RING 4D P-18.0	1
33	186610	O-RING 1A G70.0/NBR	1
34	425-34727	GASKET/ROUND 8	6
35	138088	GASKET 10	1
36	186431	PACKING/FUEL RETURN	4
37	425-35190	SEAL/VALVE STEM	8
38	138091	HORN/FLEX	1
39	138154	GASKET/LIQUID	1

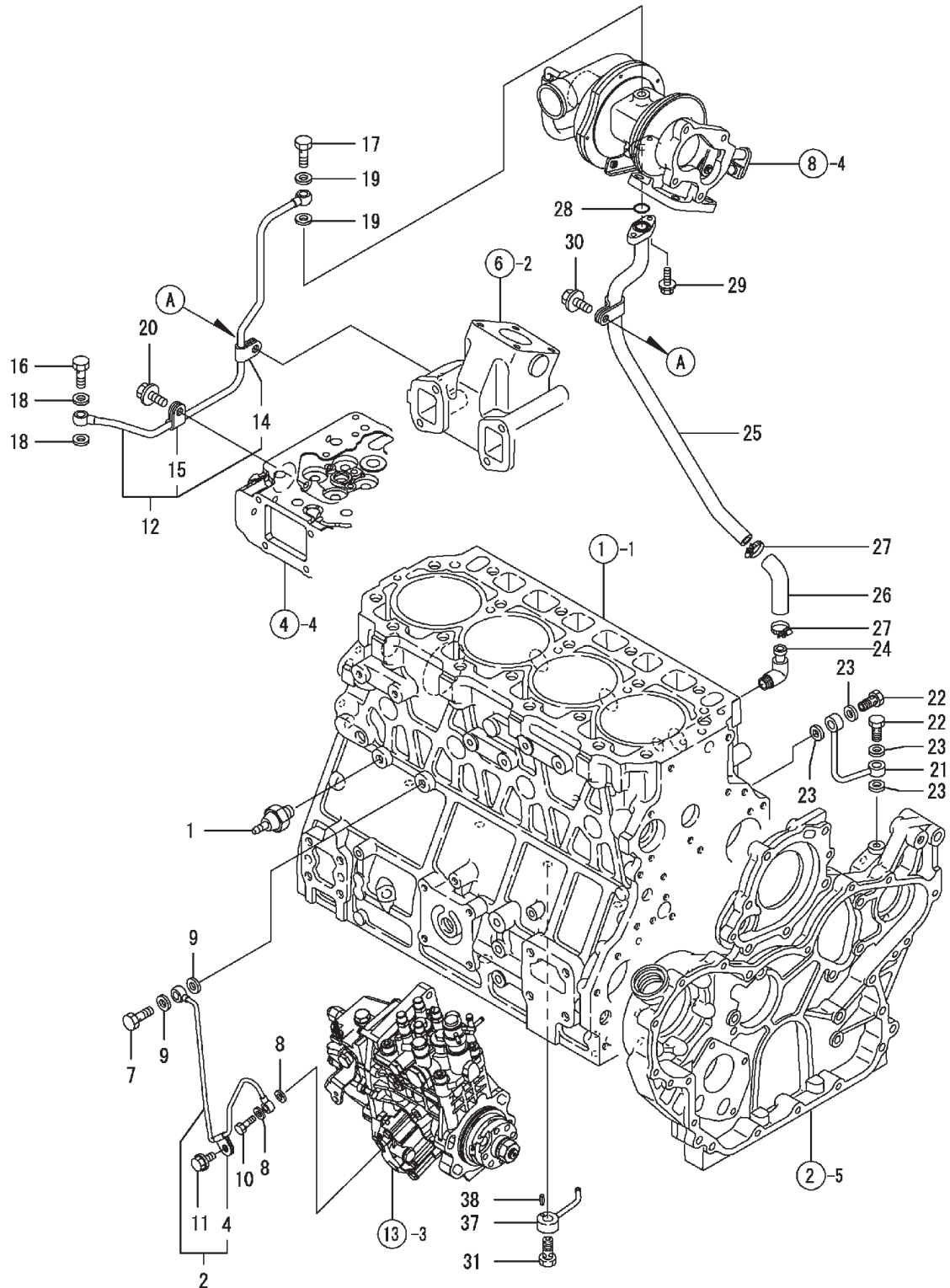
TURBINE



Y00D7840	008. TURBINE			
4TNV106T-XTBL		2003. 02		PLUS

Ref. No.	Part No.	Description	4TNV106T-XTBL Quantity
1	138489	PK T/C IN	1
2	138515	WASHER 8	4
3	138525	NUT M8	4
4	186436	TURBO	1

LUBRICATION OIL LINE



Y00D7840	Oil. LUB. OIL LINE			
4TNV106T-XTBL		2003.02		PLUS

LUBRICATION OIL LINE

Ref. No.	Part No.	Description	4TNV106T-XTBL Quantity
1	425-34684	SWITCH/0.5KG/L.O.	1
2	186420	LO-T/MP4 CMP	1
4	186421	SUPPORT/PIPE	1
7	425-34835	BOLT/PIPE JOINT 10	1
8	425-34727	GASKET/ROUND 8	2
9	425-34837	GASKET/ROUND 10	2
10	186600	JOINT BOLT 3	1
11	425-34729	BOLT M8 X 12 PLATED	1
12	186454	PIPE ASSY/LUB. OIL	1
14	186446	RETAINER	1
15	138510	RETAINER	1
16	425-34835	BOLT/PIPE JOINT 10	1
17	138471	BOLT/PIPE JOINT	1
18	425-34837	GASKET/ROUND 10	2
19	425-34837	GASKET/ROUND 10	2
20	425-34729	BOLT M8 X 12 PLATED	1
21	186458	PIPE ASSY/L.O.	1
22	186300	BOLT/PIPE JOINT	2
23	425-34750	SEAL WASHER 8S	4
24	138509	ELBOW PT 3/8	1
25	138508	PIPE/L.O.	1
26	138492	HOSE	1
27	138118	CLAMP 25	2
28	186608	O-RING 4D P-18.0	1
29	425-35164	BOLT M6 X 16 PLATED	2
30	425-34797	BOLT M8 X 14 PLATED	1
31	138096	VALVE ASSY/CHECK	4
37	138028	NOZZLE	4
38	138117	SPRING PIN 3 X 10	4

SECTION NOTES

Part No.	Page No.	Ref. No.	Part No.	Page No.	Ref. No.	Part No.	Page No.	Ref. No.	Part No.	Page No.	Ref. No.
137500	36	31	138024	38	8	138088	40	53	138127	66	27
137500	38	13	138025	38	9	138088	42	42	138127	68	15
137929	64	6	138028	72	37	138088	66	33	138129	38	11
137930	60	15	138030	42	12	138088	68	35	138129	50	42
137932	34	22	138030	68	18	138089	62	31	138130	8	19
137933	4	22	138033	42	31	138089	64	18	138130	22	3
137935	56	8	138033	68	4	138090	56	9	138130	42	33
137948	6	59	138044	60	1	138091	66	34	138132	38	12
137948	8	27	138045	22	7	138091	68	38	138133	6	61
137950	64	15	138045	68	11	138096	72	31	138133	16	2
137952	58	18	138046	22	8	138099	34	7	138133	44	279
137952	60	10	138046	68	12	138100	6	37	138134	8	29
137953	54	22	138047	64	8	138100	8	10	138135	12	6
137956	32	13	138048	64	5	138100	36	7	138135	38	26
137956	34	10	138049	64	1	138100	66	12	138136	36	44
137957	32	6	138050	60	2	138100	68	26	138136	38	27
137957	34	4	138051	60	5	138101	6	38	138137	64	3
137958	32	7	138052	60	6	138101	8	11	138139	6	25
137958	34	5	138052	60	9	138101	66	13	138140	14	49
137960	4	15	138053	60	7	138101	68	27	138140	16	49
137962	52	27	138054	60	8	138102	60	19	138140	24	6
137963	42	25	138055	22	9	138103	60	21	138140	24	14
137963	68	20	138056	60	11	138104	24	8	138140	26	5
137964	12	7	138057	60	12	138104	66	10	138140	26	7
137967	12	8	138058	60	14	138105	56	7	138141	6	49
137968	8	4	138059	60	20	138107	54	6	138141	8	21
137969	8	3	138060	60	22	138111	64	2	138141	26	5
137972	4	5	138061	60	23	138113	10	22	138141	62	28
137973	4	24	138062	64	9	138113	12	11	138141	64	4
137974	4	8	138063	60	24	138113	66	25	138145	4	14
137975	4	16	138064	64	11	138115	34	23	138146	4	11
137976	4	19	138065	64	12	138116	8	12	138147	2	18
137977	4	27	138066	64	13	138117	72	38	138147	4	12
138005	30	1	138067	64	14	138118	42	38	138154	6	57
138009	34	11	138070	38	1	138118	72	27	138154	8	30
138010	34	8	138071	38	2	138123	4	10	138154	10	23
138015	34	24	138072	38	4	138123	4	13	138154	12	14
138016	34	28	138073	42	34	138123	40	33	138154	14	80
138017	34	29	138074	42	24	138123	42	8	138154	66	35
138018	34	31	138078	42	22	138124	16	13	138154	68	39
138019	34	27	138079	42	23	138125	8	26	138471	72	17
138020	28	11	138079	68	19	138125	68	28	138472	18	55
138020	30	9	138081	34	13	138126	38	29	138474	24	5
138022	8	7	138082	26	14	138126	68	30	138474	26	1
138023	38	3	138082	68	14	138127	6	60	138475	26	9
138023	68	17	138087	64	16	138127	8	28	138478	18	70

NUMERICAL INDEX

Part No.	Page No.	Ref. No.	Part No.	Page No.	Ref. No.	Part No.	Page No.	Ref. No.	Part No.	Page No.	Ref. No.
138479	18	74	183543	40	14	186332	62	22	186380	4	23
138480	18	75	184401	62	2	186333	62	23	186380	68	2
138481	18	76	184405	40	16	186334	62	25	186381	8	6
138482	18	73	185466	54	30	186335	14	62	186382	8	5
138483	18	85	185466	56	21	186336	62	35	186385	16	52
138485	26	2	185643	6	65	186336	64	19	186386	16	53
138488	26	11	185643	8	34	186337	14	47	186387	18	54
138488	68	31	185644	6	66	186337	16	29	186388	14	55
138489	68	16	185644	8	35	186337	66	5	186389	14	56
138489	70	1	185645	6	67	186337	68	6	186390	14	57
138492	72	26	185645	8	36	186338	42	10	186391	14	58
138501	18	80	186165	42	16	186339	42	45	186392	16	1
138503	18	71	186300	36	1	186340	54	31	186393	16	17
138504	26	10	186300	42	21	186340	56	22	186394	16	18
138506	22	6	186300	72	22	186341	62	34	186395	16	19
138508	72	25	186302	36	29	186342	62	30	186396	16	11
138509	72	24	186302	38	18	186343	32	26	186397	16	20
138510	72	15	186303	40	20	186345	16	10	186398	16	33
138512	26	4	186304	20	32	186346	56	27	186399	16	34
138513	22	4	186305	20	30	186348	58	2	186400	16	35
138514	26	6	186306	20	31	186349	58	5	186401	14	33
138515	70	2	186306	22	15	186350	58	9	186401	16	36
138517	18	83	186307	56	4	186351	58	13	186402	18	58
138517	18	84	186308	56	20	186352	58	14	186402	68	9
138520	26	12	186311	40	52	186353	58	17	186403	16	32
138520	26	13	186311	42	41	186354	58	19	186404	18	86
138520	44	277	186312	50	27	186355	58	21	186405	16	23
138520	44	278	186313	12	5	186356	58	31	186406	14	3
138521	22	10	186314	14	28	186357	58	40	186406	16	3
138522	22	11	186315	62	4	186362	56	28	186407	50	25
138525	70	3	186316	62	7	186363	56	30	186407	52	25
138639	6	50	186317	62	12	186365	6	10	186408	16	37
138639	8	22	186318	62	13	186365	8	8	186409	16	41
138639	14	50	186319	62	14	186370	40	26	186410	14	10
138639	16	50	186320	62	24	186370	66	16	186410	16	12
140566	58	1	186321	62	8	186371	40	28	186411	14	22
160888	62	36	186322	62	9	186372	50	26	186411	16	26
160888	64	17	186323	62	10	186372	52	26	186412	16	45
160891	62	32	186324	62	11	186373	12	2	186413	22	1
160891	64	18	186325	62	6	186374	26	3	186414	22	2
181879	22	16	186326	62	15	186374	68	13	186414	68	10
181881	22	17	186327	62	17	186375	24	4	186415	30	2
182088	56	2	186328	62	18	186376	34	1	186416	30	3
182130	54	2	186329	62	19	186377	30	10	186417	34	16
182132	20	29	186330	62	20	186378	38	28	186418	34	14
182133	20	28	186331	62	21	186379	42	15	186419	28	19

Part No.	Page No.	Ref. No.	Part No.	Page No.	Ref. No.	Part No.	Page No.	Ref. No.	Part No.	Page No.	Ref. No.
186419	30	15	186460	10	7	186500	32	28	186543	6	26
186420	72	2	186462	56	29	186501	32	33	186544	36	15
186421	72	4	186463	58	43	186502	32	34	186545	40	1
186422	42	2	186464	40	46	186503	32	36	186546	40	43
186423	42	1	186464	40	49	186504	32	32	186547	40	47
186424	42	43	186464	42	46	186505	28	13	186548	40	44
186425	42	48	186464	42	50	186506	28	20	186549	40	48
186426	42	44	186464	54	16	186506	30	16	186550	40	27
186427	42	49	186464	56	26	186507	6	64	186551	40	45
186428	52	6	186465	62	5	186508	36	8	186552	50	2
186429	56	12	186466	6	39	186509	62	1	186553	50	6
186430	54	13	186466	6	40	186510	32	2	186554	54	12
186430	56	13	186467	54	1	186512	2	36	186555	50	35
186431	54	14	186467	56	1	186513	2	35	186556	50	37
186431	56	15	186468	36	19	186513	66	3	186557	50	38
186431	66	2	186469	62	16	186514	44	1	186558	50	39
186431	68	36	186471	28	1	186515	44	2	186559	50	40
186432	54	18	186473	50	30	186516	14	52	186560	14	69
186432	56	16	186473	50	34	186517	14	53	186561	20	7
186433	52	28	186475	62	26	186518	14	54	186562	32	9
186434	16	51	186476	62	27	186519	14	1	186563	40	18
186435	26	8	186477	62	3	186520	14	25	186564	40	24
186436	70	4	186478	54	4	186521	14	14	186565	36	40
186437	52	2	186480	42	47	186522	14	15	186566	20	26
186438	52	30	186481	54	15	186523	14	30	186567	24	9
186439	52	31	186482	20	33	186524	14	31	186568	24	10
186440	52	32	186482	22	18	186525	14	32	186569	36	26
186441	52	33	186483	54	21	186526	14	61	186570	36	39
186442	42	35	186484	62	29	186526	66	7	186572	40	23
186443	42	37	186485	2	34	186527	14	51	186573	54	10
186444	42	18	186486	2	7	186528	14	29	186573	56	5
186445	18	78	186487	6	6	186529	14	19	186574	36	2
186446	72	14	186488	32	41	186530	14	34	186575	36	4
186449	42	17	186489	6	54	186531	14	38	186576	10	15
186450	22	12	186490	6	55	186532	14	4	186577	22	19
186451	38	14	186491	2	10	186533	14	9	186578	32	17
186452	38	19	186492	2	37	186534	14	68	186579	28	23
186453	36	32	186493	2	13	186535	14	42	186579	30	14
186453	38	20	186494	2	31	186536	14	48	186580	36	25
186454	72	12	186495	2	40	186537	20	1	186580	38	17
186455	36	36	186496	24	1	186538	20	2	186581	36	35
186455	38	23	186497	28	8	186538	66	8	186582	36	28
186456	42	20	186497	30	6	186539	28	2	186582	36	34
186457	22	14	186498	32	5	186540	28	4	186582	38	16
186458	72	21	186498	34	3	186541	32	22	186582	38	22
186459	18	81	186499	32	19	186542	32	20	186583	58	41

Part No.	Page No.	Ref. No.	Part No.	Page No.	Ref. No.	Part No.	Page No.	Ref. No.	Part No.	Page No.	Ref. No.
186584	58	25	186612	6	42	186660	26	9	425-34722	2	9
186585	32	10	186612	8	31	186661	26	10	425-34722	4	4
186586	6	23	186612	66	26	186662	32	9	425-34727	40	32
186587	36	30	186612	68	8	186663	32	11	425-34727	40	37
186588	54	11	186615	40	34	186664	32	41	425-34727	42	30
186589	54	8	186615	42	51	186665	38	32	425-34727	42	52
186590	28	24	186616	16	47	186666	38	33	425-34727	56	18
186590	30	18	186617	20	4	186667	42	1	425-34727	66	19
186591	60	25	186618	16	48	186668	42	2	425-34727	68	34
186592	6	62	186620	42	19	186669	42	43	425-34727	72	8
186592	8	32	186621	38	31	186670	42	45	425-34729	10	14
186593	24	11	186622	10	6	186671	56	14	425-34729	12	12
186594	36	41	186623	10	18	186672	62	1	425-34729	36	13
186595	36	37	186624	14	43	186673	64	3	425-34729	36	23
186595	38	24	186625	16	46	188488	42	10	425-34729	40	38
186595	68	23	186626	28	26	188496	62	30	425-34729	42	53
186596	28	25	186626	30	20	188500	62	37	425-34729	72	11
186596	30	19	186627	8	1	188686	42	8	425-34729	72	20
186597	32	27	186628	4	1	188748	58	42	425-34733	6	43
186598	14	63	186629	16	4	188748	60	26	425-34733	6	44
186598	14	64	186630	34	33	189575	44	132	425-34733	6	56
186598	18	59	186631	34	35	189575	48	119	425-34733	12	13
186599	40	31	186632	68	1	189577	44	81	425-34733	14	2
186599	42	29	186633	52	1	189577	48	71	425-34733	22	22
186600	36	21	186634	46	1	192282	48	6	425-34733	24	12
186600	56	19	186635	2	28	192283	48	22	425-34733	28	10
186600	72	10	186636	6	1	192284	48	23	425-34733	36	6
186601	42	9	186637	2	2	192291	46	61	425-34733	44	276
186602	14	11	186638	32	38	425-34656	28	5	425-34736	38	5
186602	16	14	186639	32	40	425-34656	30	4	425-34736	40	54
186603	36	42	186640	50	1	425-34666	50	9	425-34742	66	29
186604	8	24	186641	66	1	425-34666	52	9	425-34744	54	34
186605	8	9	186642	44	5	425-34667	50	13	425-34744	56	25
186605	8	25	186648	8	8	425-34667	52	13	425-34745	6	58
186606	42	11	186649	16	10	425-34674	56	14	425-34745	6	63
186607	6	41	186650	16	11	425-34683	40	40	425-34745	8	23
186607	66	21	186651	16	32	425-34683	42	39	425-34745	8	33
186608	68	32	186652	16	45	425-34684	36	14	425-34745	14	67
186608	72	28	186653	16	45	425-34684	72	1	425-34745	18	62
186609	36	38	186654	16	48	425-34695	6	5	425-34745	66	23
186609	66	31	186655	18	83	425-34695	10	1	425-34745	68	3
186610	38	25	186655	18	84	425-34695	12	1	425-34746	6	45
186610	66	32	186656	26	1	425-34707	40	41	425-34746	8	13
186610	68	33	186657	26	2	425-34707	42	40	425-34746	8	14
186611	32	12	186658	26	3	425-34707	66	20	425-34746	20	25
186611	66	28	186659	26	6	425-34707	68	25	425-34746	22	22

Part No.	Page No.	Ref. No.	Part No.	Page No.	Ref. No.	Part No.	Page No.	Ref. No.	Part No.	Page No.	Ref. No.
425-34746	24	13	425-34796	16	30	425-34924	54	32	425-35915	58	36
425-34746	38	6	425-34796	66	6	425-34924	56	23	425-35959	48	57
425-34746	52	35	425-34796	68	7	425-34927	54	33	425-35962	44	83
425-34747	6	48	425-34797	30	8	425-34927	56	24	425-35962	48	72
425-34747	8	16	425-34797	72	30	425-34928	56	11	425-36113	40	11
425-34747	8	17	425-34800	8	20	425-34931	56	6	425-36113	66	14
425-34748	20	3	425-34805	6	46	425-34977	40	35	425-36114	40	25
425-34748	28	18	425-34805	6	47	425-34977	52	34	425-36114	66	18
425-34748	30	13	425-34805	8	15	425-34981	48	27	425-36120	10	19
425-34748	40	13	425-34805	14	44	425-34984	48	62	425-36121	10	20
425-34748	42	14	425-34810	28	9	425-34998	48	74	425-36121	12	9
425-34750	36	20	425-34810	30	7	425-35026	62	33	425-36128	24	3
425-34750	36	22	425-34810	32	8	425-35026	64	7	425-36128	66	9
425-34750	36	24	425-34810	34	6	425-35164	50	41	425-36131	22	5
425-34750	54	19	425-34813	28	17	425-35164	72	29	425-36204	64	6
425-34750	56	17	425-34818	32	11	425-35165	40	12	425-36244	14	36
425-34750	66	24	425-34818	34	9	425-35165	58	38	425-36244	14	40
425-34750	68	21	425-34825	36	3	425-35174	48	59	425-36244	16	39
425-34750	72	23	425-34825	38	7	425-35176	58	39	425-36244	16	43
425-34760	38	30	425-34827	36	5	425-35188	14	16	425-36249	24	7
425-34760	54	3	425-34827	38	10	425-35189	14	23	425-36260	2	15
425-34760	56	3	425-34827	66	30	425-35189	16	27	425-36260	2	16
425-34761	20	8	425-34827	68	22	425-35190	14	18	425-36260	2	17
425-34761	36	43	425-34835	72	7	425-35190	16	22	425-36260	14	12
425-34761	40	22	425-34835	72	16	425-35190	66	11	425-36260	16	15
425-34765	42	28	425-34837	68	24	425-35190	68	37	425-36260	42	27
425-34766	8	18	425-34837	72	9	425-35191	14	17	425-36303	64	10
425-34775	14	65	425-34837	72	18	425-35191	16	21	425-36318	20	5
425-34775	18	60	425-34837	72	19	425-35191	66	4	425-36318	66	17
425-34776	14	27	425-34838	14	45	425-35191	68	5	425-36319	40	36
425-34776	14	66	425-34838	14	46	425-35263	48	60	425-36319	66	15
425-34776	16	31	425-34838	40	39	425-35263	48	61			
425-34776	18	61	425-34838	42	32	425-35334	40	30			
425-34776	66	22	425-34850	18	82	425-35352	48	56			
425-34776	68	29	425-34903	50	5	425-35356	18	77			
425-34779	14	13	425-34903	52	5	425-35451	54	7			
425-34779	16	16	425-34905	50	10	425-35488	58	37			
425-34783	2	14	425-34905	52	10	425-35672	42	13			
425-34783	4	9	425-34906	50	11	425-35772	18	72			
425-34791	14	21	425-34906	52	11	425-35899	58	15			
425-34791	14	37	425-34907	50	12	425-35901	58	16			
425-34791	14	41	425-34907	52	12	425-35906	58	23			
425-34791	16	25	425-34908	50	31	425-35909	58	26			
425-34791	16	40	425-34916	54	5	425-35910	58	27			
425-34791	16	44	425-34916	54	9	425-35911	58	28			
425-34796	14	26	425-34918	56	10	425-35913	58	35			

NUMERICAL INDEX

SECTION NOTES

**Gehl Company, 143 Water Street, P.O. Box 179, West Bend, WI 53095-0179 USA
www.gehl.com**

California Proposition 65 Warning

Diesel engine exhaust and some of its constituents are known to the State of California to cause cancer and birth defects or other reproductive harm.

Battery posts, terminals and related accessories contain lead and lead compounds, chemicals known to the State of California to cause cancer and birth defects or other reproductive harm. Wash hands after handling battery.