

0CD11-M09800EN

# P R E F A C E

1. This parts catalog is the 1st edition of 4TNV98T-ZGNE1 for NIPPON SHARYO, LTD.

Pub.No. : OCD11-G09800  
Published : January, 2010

2. Model name

Engine model	Vehicle	Vehicle made by
4TNV98T-ZGNE1	GENERATOR	NIPPON SHARYO, LTD.

## Directions for the Parts Catalog.

1. This Parts Catalog shows both standard and optional parts.
2. Parts may change without prior notice.
3. The following is an example of the Parts Catalog format.

REF.	LEV.	PARTS NO.	DESCRIPTION	Q'TY						I	R
				(A)	(B)	(C)	(D)	(E)	(F)		
1	1	729595-51390	FUEL INJECTION PUMP	1	1	1	1	1			1
1-1	1	729595-51391	FUEL INJECTION PUMP	1	1	1	1	1		N	1
		(A=E00185) (B=E00200)									
3	2	26022-060162	SCREW M 6X 16	9	9	9	9	9			
3-1	2	26022-060162	SCREW M 6X 16	4	4	4	4	4		K	
		(A=E00156) (B=E00156) (C=E00156) (D=E00156) (E=E00156)									
4	2	129470-51040	CAMSHAFT	1	1	1	1	1			
5	2	122710-51050	BEARING, ROLLER	2	2	2	2	2			
6	2	129470-51060	RETAINER	1	1	1	1	1			

Remarks
(1) BOOST COMPEMSATOR TYPE. OPTIONAL PART, TO E00155,(4JH-DT, 4JH-DTZ

### ① Ref. No.

The Ref. No. listed may not be in accordance with the illustration Ref. No.

(Ex.) Illustration No.

List Ref No.

1

1

(Before change)

1-1

(After change)

For interchangeable symbols N, R and K, illustrations for new parts may be abbreviated.

### ② Lev. (Level)

Level indication

The numbers below indicate the level of relativity towards the main part.

1 ----- Main parts (Assembly parts)

2 ----- Sub component included in " 1 ".

3 ----- Sub component included in " 2 ".

Note) Parts that are not for sale are partially illustrated but not listed.

### ③ Interchangeability Symbol

When a part change takes place, one of the following interchangeability symbols is indicated beside the part.

Symbol	Interchangeability	Contents note
N	Old $\begin{matrix} \leftarrow \text{Yes} \\ \text{No} \rightarrow \end{matrix}$ New	New Part is interchangeable for Old Part but Old Part is not interchangeable for New Part.
Q	Old $\begin{matrix} \leftarrow \text{No} \\ \text{Yes} \rightarrow \end{matrix}$ New	New Part is not interchangeable for Old Part but Old Part is interchangeable for New Part.
R	Old $\begin{matrix} \leftarrow \text{Yes} \\ \text{Yes} \rightarrow \end{matrix}$ New	New/ Old Parts are both interchangeable.
S	Old $\begin{matrix} \leftarrow \text{No} \\ \text{No} \rightarrow \end{matrix}$ New	New/ Old Parts are both not interchangeable.
W		Part newly added.
Z		Part discontinued.
F		Not interchangeable by a single part but interchangeable together with related parts.
K		Changes only for used parts quantities.

### ④ Effective Machine No.

When a part changes, the effective Machine No. will be indicated in the (A)-(F) column.

Product Symbol	Product No.	Product Symbol	Product No.
C	Clutch No. Compressor No.	F	Machine No. (Agricultural Equip.)
D	Drive No.	M	Machine No.
E	Engine No.		

Note 1) A date may follow the symbol. (Ex.) 1996.01

Note 2) "XXXXX" and "ZZZZZ" are for parts that could not be predicted or for engine models that could not be identified.

Note 3) (A=E00185) is the E (Engine Serial Number) for the column (A) model (in this case 4JH-DT) after the parts design change.

### ⑤ Remarks

Figures or alphabets (symbols) are entered in the remarks column.

The comments (remarks) on parts that are indicated at the bottom of the illustration are the same symbols as those stated above.

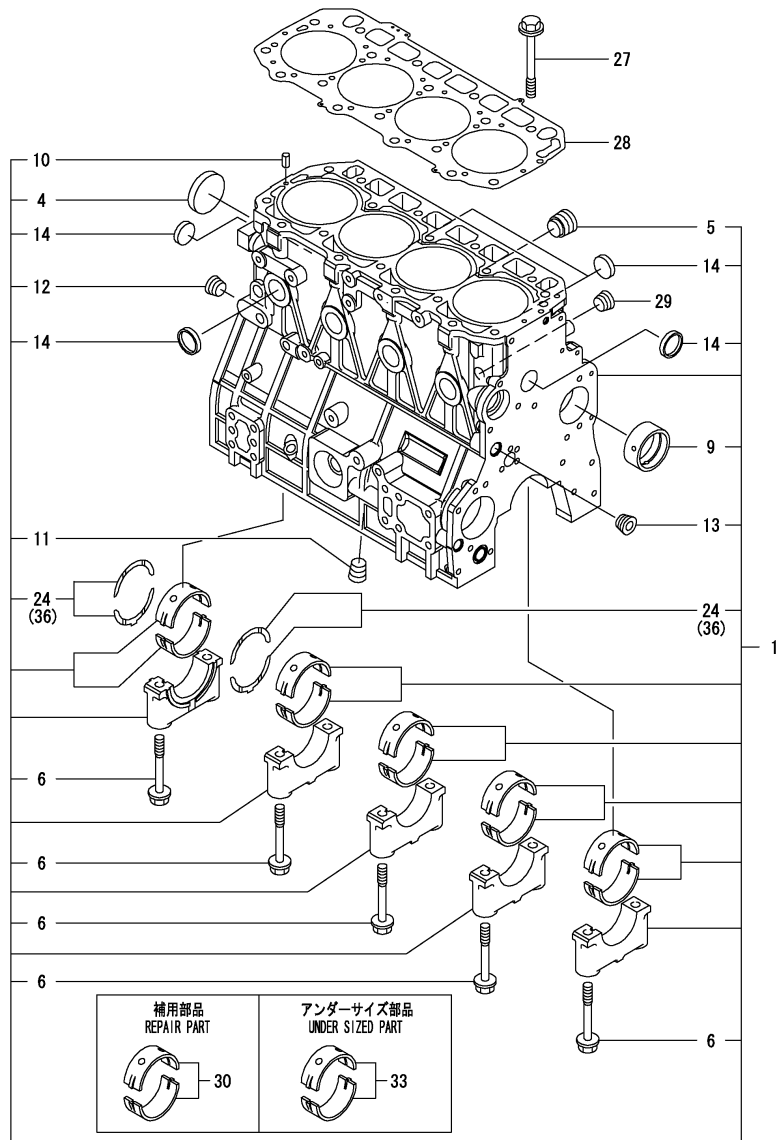
# Contents

Fig. No.	Fig. Name	Fig. No.	Fig. Name
4	TNV98T-ZGNE1		
1.	CYLINDER BLOCK		
2.	GEAR HOUSING		
3.	FLYWHEEL HOUSING & OIL SUMP		
4.	CYLINDER HEAD & BONNET		
5.	SUCTION MANIFOLD & AIR CLEANER		
6.	EXHAUST MANIFOLD		
7.	CAMSHAFT & DRIVING GEAR		
8.	TURBINE		
9.	CRANKSHAFT & PISTON		
10.	LUB.OIL SYSTEM		
11.	LUB.OIL LINE		
12.	COOLING WATER SYSTEM		
13.	FUEL INJECTION PUMP		
14.	GOVERNOR		
15.	FUEL INJECTION VALVE		
16.	FUEL LINE		
17.	STARTING MOTOR		
18.	GENERATOR		
19.	ELECTRONIC CONTROL UNIT (ECU)		
20.	GASKET SET & TOOLS		

# Fig.1. CYLINDER BLOCK

(A)=4TNV98T-ZGNE1  
(B)=  
(C)=

(D)=  
(E)=  
(F)=

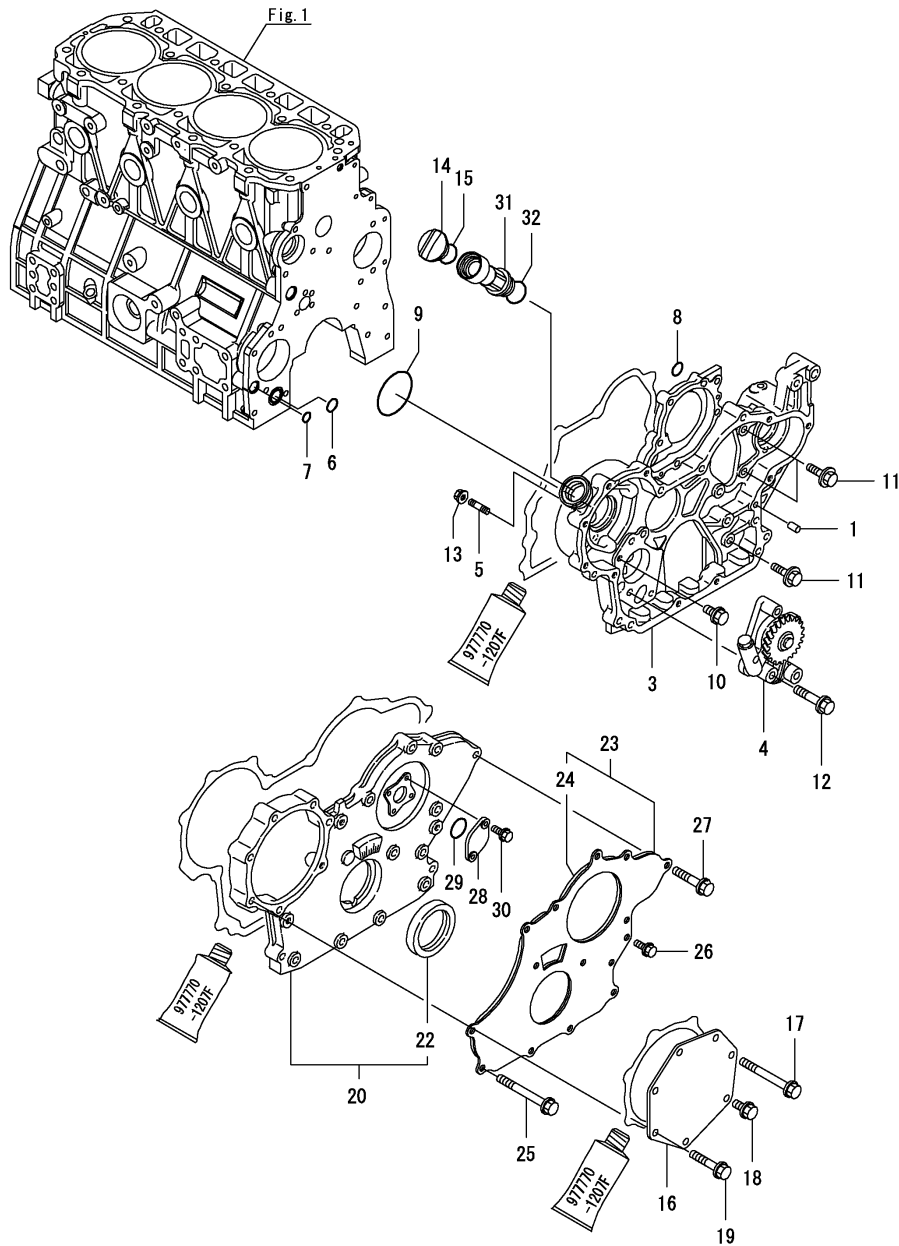


No.	Lev.	Parts No.	Description	Q'ty						I	R
				(A)	(B)	(C)	(D)	(E)	(F)		
1	1	729928-01560	BLOCK ASSY, CYLINDER	1							
4	2	129900-01250	PLUG, 55	1							
5	2	171051-01921	PLUG, NPTF1	1							
6	2	129900-02020	BOLT, METAL CAP	10							
9	2	129900-02410	BUSH, CAMSHAFT	1							
10	2	22351-060012	PIN, SPRING 6.0X12	2							
11	2	23876-030000	PLUG, R03	1							
12	2	23876-030000	PLUG, R03	1							
13	2	23876-030000	PLUG, R03	1							
14	2	27241-300000	PLUG 30	8							
24	2	129900-02931	BEARING, THRUST	2							
27	1	129900-01200	BOLT, HEAD	18							
28	1	129907-01331	GASKET, HEAD	1							
29	1	23876-030000	PLUG, R03	1							
30	1	729900-02801	BEARING, MAIN	5							1
33	1	129900-02341	BEARING, 0.25 US	5							2
36	1	129900-02941	BEARING, THRUST 0.25	2							3

Remarks

- (1) Repair part.
- (2) Under sized(U.S.=0.25)part.
- (3) Over sized(O.S.=0.25)part.

Fig.2. GEAR HOUSING



(A)=4TNV98T-ZGNE1

(B)=

(C)=

(D)=

(E)=

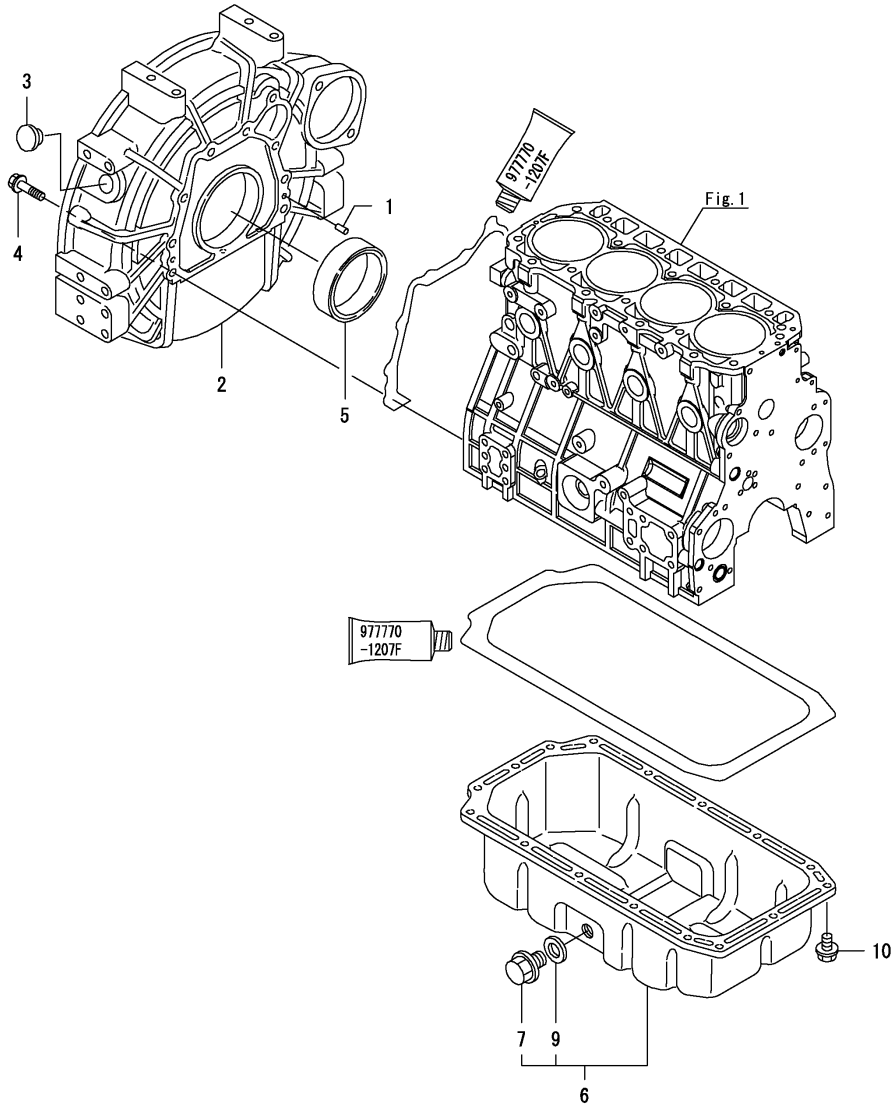
(F)=

No.	Lev.	Parts No.	Description	Q'ty						I	R
				(A)	(B)	(C)	(D)	(E)	(F)		
1	1	129100-01580	PIN, M8X16	4							
3	1	129935-01500	CASE, GEAR	1							
4	1	129908-32060	PUMP ASSY, OIL	1							
5	1	26216-100302	STUD, M10X 30	4							
6	1	129900-32030	O-RING, P20	1							
7	1	129900-32040	O-RING, P14	1							
8	1	24311-000070	O-RING, 1AP7.0	1							
9	1	24351-030750	O-RING, 1A3075	1							
10	1	26106-080162	BOLT, M8X 16 PLATED	1							
11	1	26106-080202	BOLT, M8X 20 PLATED	3							
12	1	26106-080452	BOLT, M8X 45 PLATED	3							
13	1	26306-100002	NUT, M10	4							
14	1	124160-01751	COVER, FILLER	1							
15	1	24311-000320	O-RING, 1AP32.0	1							
16	1	129900-01740	COVER	1							
17	1	26106-080702	BOLT, M8X 70 PLATED	1							
18	1	26106-080162	BOLT, M8X 16 PLATED	1							
19	1	26106-080402	BOLT, M8X 40 PLATED	5							
20	1	129907-01579	COVER, GEAR CASE	1							
22	2	129916-01800	SEAL, OIL	1							
23	1	129900-01850	COVER ASSY,GEAR CASE	1							
24	2	129900-01870	SPONGE	1							
25	1	26106-080702	BOLT, M8X 70 PLATED	6							
26	1	26106-080162	BOLT, M8X 16 PLATED	3							
27	1	26106-080402	BOLT, M8X 40 PLATED	5							
28	1	121023-01551	COVER	1							
29	1	24341-000240	O-RING, 1AS24.0	1							
30	1	26106-060162	BOLT, M6X 16 PLATED	2							
31	1	171031-11741	PIPE	1							
32	1	24311-000320	O-RING, 1AP32.0	1							

Fig.3. FLYWHEEL HOUSING & OIL SUMP

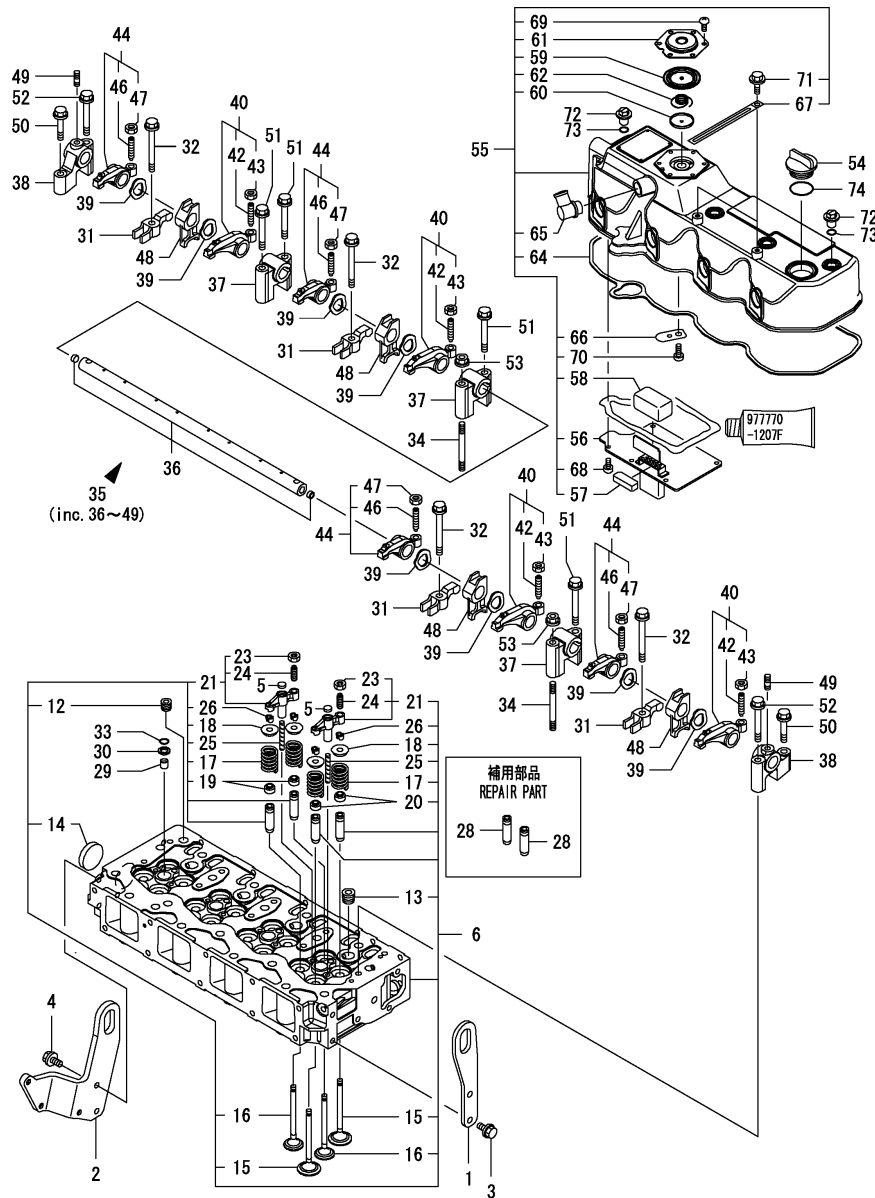
(A)=4TNV98T-ZGNE1  
(B)=  
(C)=

(D)=  
(E)=  
(F)=



No.	Lev.	Parts No.	Description	Q'ty						I	R
				(A)	(B)	(C)	(D)	(E)	(F)		
1	1	129100-01580	PIN, M8X16	2							
2	1	129915-01610	HOUSING, FLYWHEEL	1							
3	1	119000-01840	PLUG, RUBBER	1							
4	1	26206-100352	BOLT, M10X 35 PLATED	9							
5	1	129916-01790	SEAL, D115/95XT11	1							
6	1	129982-01710	SUMP ASSY, OIL	1							
7	2	119640-01640	PLUG, DRAIN M22	1							
9	2	22190-220002	WASHER, SEAL 22	1							
10	1	26106-080122	BOLT, M8X 12 PLATED	16							

Fig.4. CYLINDER HEAD & BONNET



(A)=4TNV98T-ZGNE1

(B)=

(C)=

(D)=

(E)=

(F)=

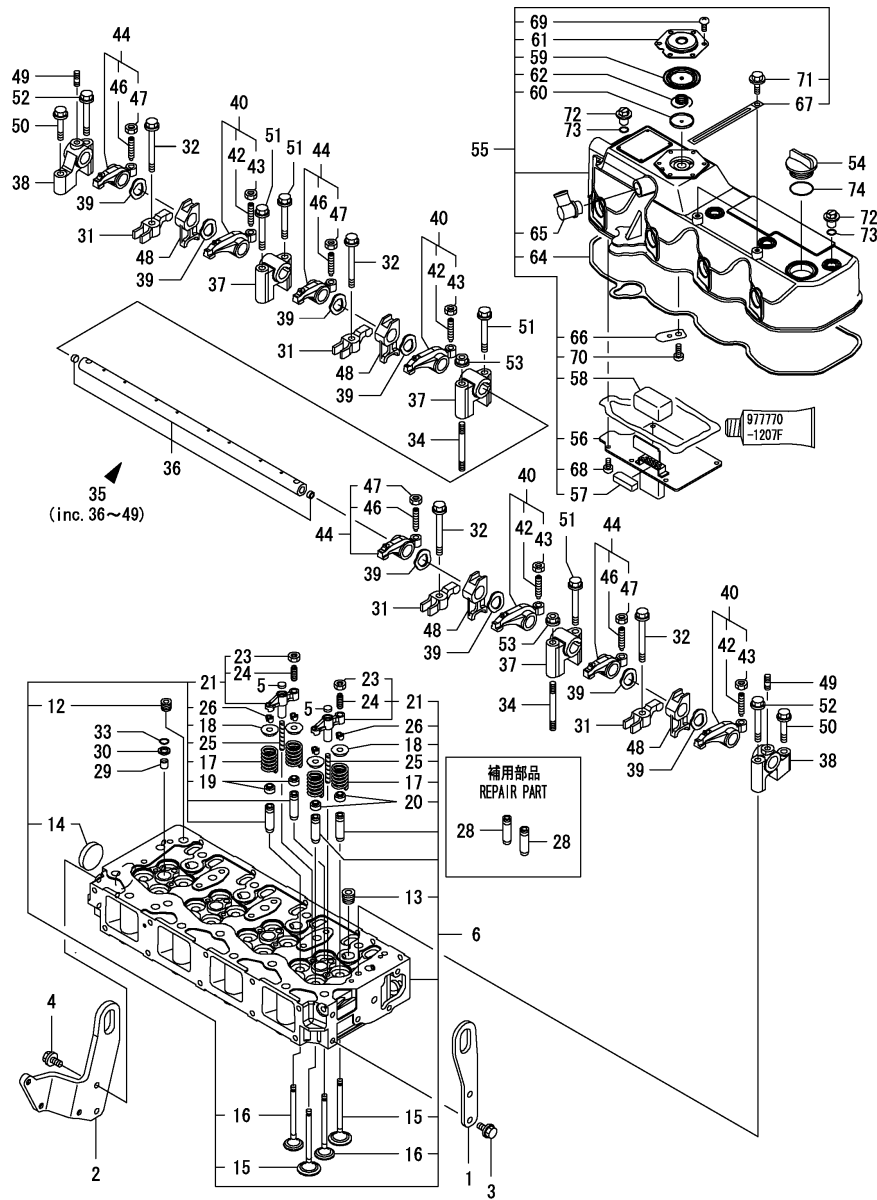
No.	Lev.	Parts No.	Description	Q'ty						I	R
				(A)	(B)	(C)	(D)	(E)	(F)		
1	1	129907-07900	LIFTER	1							
2	1	129948-07900	LIFTER	1							
3	1	26106-080162	BOLT, M8X 16 PLATED	2							
4	1	26106-080202	BOLT, M8X 20 PLATED	2							
5	1	123907-11550	SEAT, VALVE BRIDGE	8							
6	1	129928-11700	HEAD ASSY, CYLINDER	1							
12	2	23876-020000	PLUG, R02	1							
13	2	23876-030000	PLUG, R03	4							
14	2	27241-400000	PLUG, 40	1							
15	2	129907-11100	VALVE, INTAKE	8							
16	2	129907-11110	VALVE, EXHAUST	8							
17	2	129907-11120	SPRING, VALVE	16							
18	2	119620-11180	RETAINER, SPRING	16							
19	2	119803-11340	SEAL, VALVE STEM	8							
20	2	124160-11340	SEAL, VALVE STEM	8							
21	2	129907-11510	BRIDGE ASSY, VALVE	8							
23	3	129150-11750	NUT, M8	8							
24	3	123907-11830	ADJUSTER	8							
25	2	123907-11820	GUIDE	8							
26	2	27310-070001	COTTER, 7	16							
28	1	129907-11800	GUIDE, VALVE	16							1
29	1	119802-11870	PROTECTOR, NOZZLE	4							
30	1	119625-11880	SEAT, NOZZLE	4							
31	1	129907-11910	RETAINER, NOZZLE	4							
32	1	129907-11950	BOLT, M8X75	4							
33	1	24311-000120	O-RING, 1AP12.0	4							
34	1	119593-11301	STUD, M8X80	2							
35	1	129907-11341	SHAFT ASSY, ROCKER	1							
36	2	129907-11250	SHAFT, ROCKER ARM	1							
37	2	129907-11260	SUPPORT, ROCKER ARM	3							
38	2	129907-11270	SUPPORT, ROCKER ARM	2							
39	2	123907-11280	WASHER	8							
40	2	129907-11650	ARM, ROCKER	4							
42	3	129150-11230	SCREW, VALVE ADJUST	4							
43	3	129150-11750	NUT, M8	4							
44	2	129907-11660	ARM, ROCKER	4							
46	3	129150-11230	SCREW, VALVE ADJUST	4							
47	3	129150-11750	NUT, M8	4							
48	2	129907-11920	RETAINER	4							
49	2	26226-080222	STUD, M8X 22	2							
50	1	26106-080402	BOLT, M8X 40 PLATED	2							
51	1	26106-080602	BOLT, M8X 60 PLATED	4							
52	1	26106-080602	BOLT, M8X 60 PLATED	2							
53	1	26306-080002	NUT, M8	2							
54	1	124160-01751	COVER, FILLER	1							
55	1	129945-11320	BONNET ASSY, HEAD	1							
56	2	129907-03011	PLATE	1							
57	2	129907-03061	BAFFLE, BREATHER	1							
58	2	129907-03070	BAFFLE, BREATHER	1							
59	2	123907-03100	DIAPHRAGM	1							
60	2	123907-03110	PLATE	1							

Remarks

(1)Repair part.



Fig.4. CYLINDER HEAD & BONNET



(A)=4TNV98T-ZGNE1  
(B)=  
(C)=

(D)=  
(E)=  
(F)=

No.	Lev.	Parts No.	Description	Q'ty						I	R
				(A)	(B)	(C)	(D)	(E)	(F)		
61	2	123907-03120	PLATE, BREATHER	1							
62	2	123907-03140	SPRING, DIAPHRAGM	1							
64	2	129933-11310	GASKET, BONNET	1							
65	2	119100-11330	ELBOW	1							
66	2	129009-11340	SPRING	1							
67	2	129509-79700	CLIP	2							
68	2	22857-500100	SCREW, 5X10	6							
69	2	22857-500100	SCREW, 5X10	6							
70	2	22857-500100	SCREW, 5X10	1							
71	2	26106-060122	BOLT, M6X 12 PLATED	2							
72	1	124160-11360	KNOB	4							
73	1	24311-000120	O-RING, 1AP12.0	4							
74	1	24311-000320	O-RING, 1AP32.0	1							

Remarks  
(1)Repair part.

Fig.5. SUCTION MANIFOLD & AIR CLEANER

(A)=4TNV98T-ZGNE1

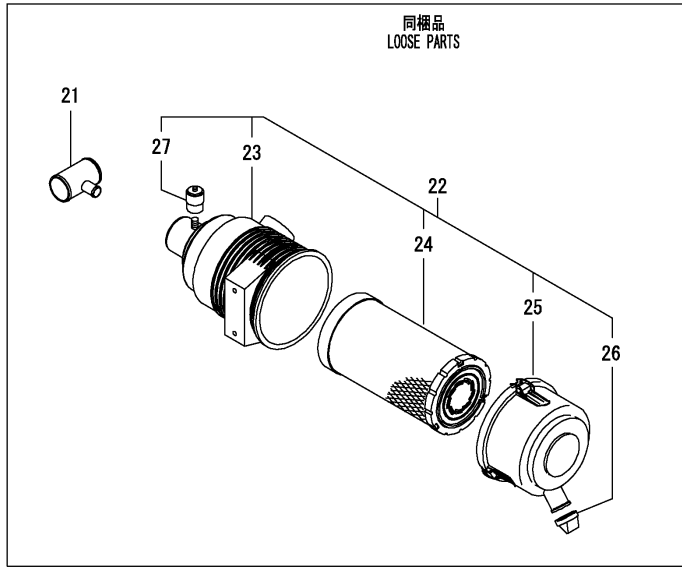
(B)=

(C)=

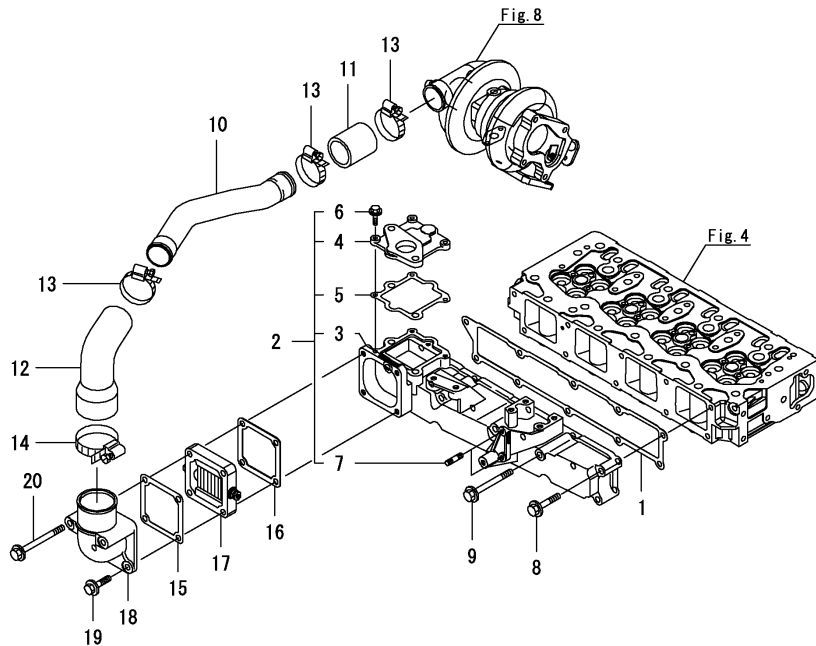
(D)=

(E)=

(F)=



No.	Lev.	Parts No.	Description	Q'ty						I	R
				(A)	(B)	(C)	(D)	(E)	(F)		
1	1	129907-12110	GASKET, MANIFOLD	1							
2	1	129945-12150	MANIFOLD ASSY,INTAKE	1							
3	2	129928-12100	MANIFOLD, AIR INTAKE	1							
4	2	129928-13710	SPACER	1							
5	2	129928-13720	GASKET	1							
6	2	26106-060202	BOLT, M6X 20 PLATED	3							
7	2	26216-060202	STUD, M6X 20	2							
8	1	26106-080452	BOLT, M8X 45 PLATED	6							
9	1	26106-080802	BOLT, M8X 80 PLATED	4							
10	1	129928-18200	DUCT, AIR	1							
11	1	129945-18210	JOINT, RUBBER	1							
12	1	129945-18220	JOINT, RUBBER	1							
13	1	23000-054000	CLAMP, 54	3							
14	1	23000-080000	CLAMP, 80	1							
15	1	119129-77020	GASKET	1							
16	1	121850-77021	GASKET	1							
17	1	119005-77051	HEATER	1							
18	1	119129-77520	BEND	1							
19	1	26106-080402	BOLT, M8X 40 PLATED	2							
20	1	26106-080902	BOLT, M8X 90 PLATED	2							
21	1	129509-03050	JOINT, BREATHER	1							
22	1	129933-12510	CLEANER ASSY, AIR	1							
23	2	129935-12510	BODY	1							
24	2	129935-12520	ELEMENT	1							
25	2	119160-12530	COVER ASSY	1							
26	2	119160-12540	VALVE	1							
27	2	126650-12680	INDICATOR	1							



# Fig.6. EXHAUST MANIFOLD

(A)=4TNV98T-ZGNE1

(B)=

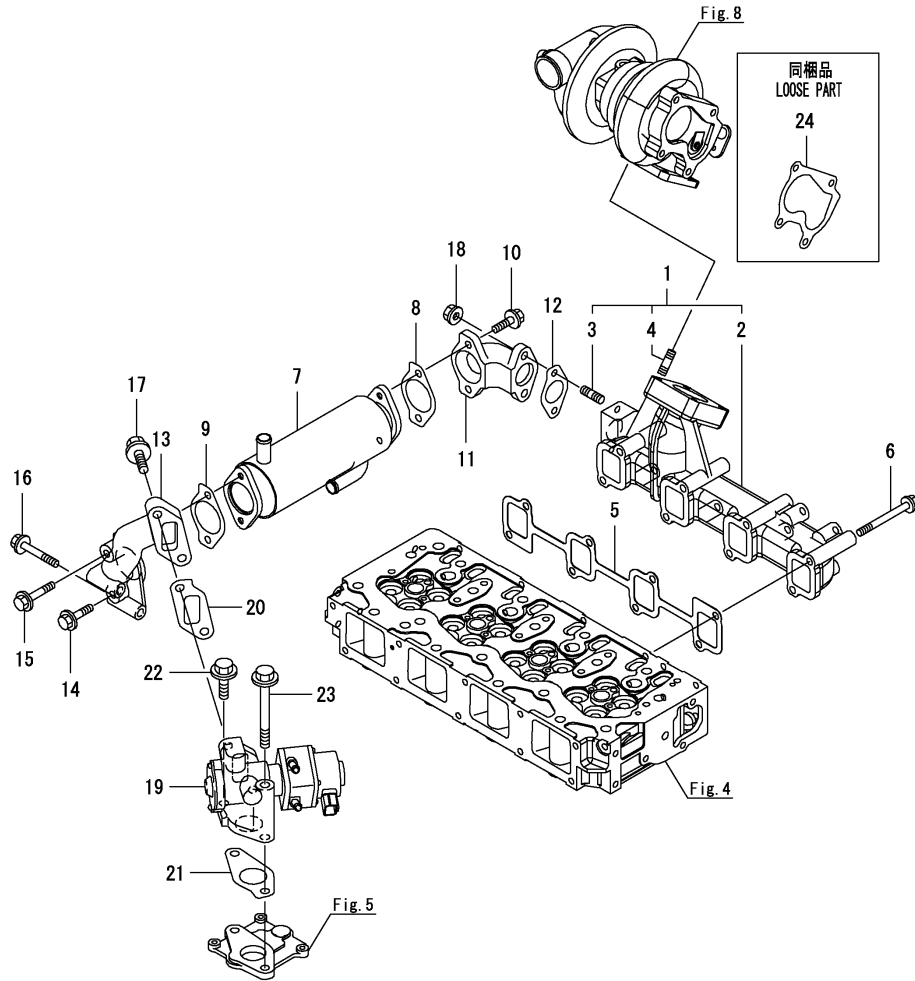
(C)=

(D)=

(E)=

(F)=

No.	Lev.	Parts No.	Description	Q'ty						I	R
				(A)	(B)	(C)	(D)	(E)	(F)		
1	1	129928-13150	MANIFOLD ASSY	1							
2	2	129928-13100	MANIFOLD, EXHAUST	1							
3	2	129418-18320	STUD, M8X20				2				
4	2	129418-18320	STUD, M8X20				4				
5	1	129900-13251	GASKET	1							
6	1	123900-13630	BOLT, M8X80				8				
7	1	129928-13400	COOLER, EGR	1							
8	1	129928-13410	GASKET	1							
9	1	129928-13410	GASKET	1							
10	1	119802-13790	BOLT, M8X25 10.9T	2							
11	1	129948-13800	PIPE	1							
12	1	129927-13810	GASKET	1							
13	1	129948-13810	PIPE	1							
14	1	26106-080352	BOLT, M8X 35 PLATED	1							
15	1	26106-080452	BOLT, M8X 45 PLATED	1							
16	1	26106-080552	BOLT, M8X 55 PLATED	2							
17	1	26106-100252	BOLT, M10X 25 PLATED	2							
18	1	26306-080002	NUT, M8	2							
19	1	129928-13900	VALVE	1							
20	1	129927-13910	GASKET	1							
21	1	129927-13920	GASKET	1							
22	1	26106-100402	BOLT, M10X 40 PLATED	1							
23	1	26106-101052	BOLT, M10X105 PLATED	1							
24	1	123901-18080	GASKET	1							



# Fig.7. CAMSHAFT & DRIVING GEAR

(A)=4TNV98T-ZGNE1

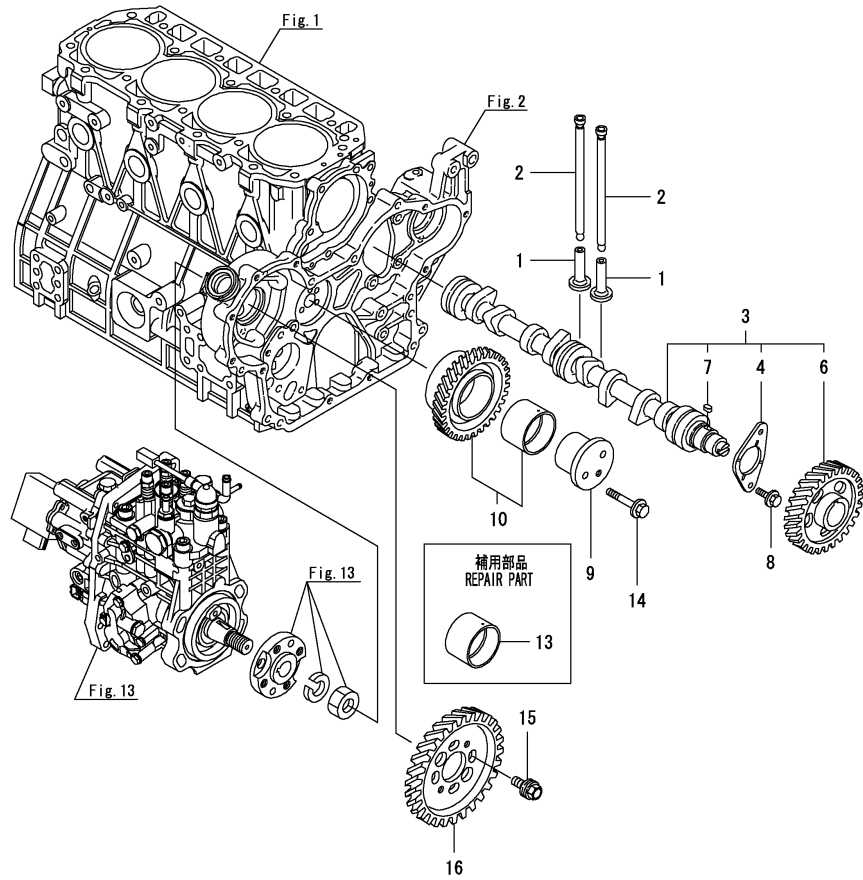
(B)=

(C)=

(D)=

(E)=

(F)=



No.	Lev.	Parts No.	Description	Q'ty						I	R
				(A)	(B)	(C)	(D)	(E)	(F)		
1	1	129150-14200	TAPPET	8							
2	1	129907-14400	ROD, PUSH	8							
3	1	129908-14581	CAMSHAFT ASSY	1							
4	2	129150-02450	BEARING, THRUST	1							
6	2	129900-14100	GEAR, CAMSHAFT	1							
7	2	22512-070140	KEY, 7X 14	1							
8	1	26106-080162	BOLT, M8X 16 PLATED	2							
9	1	123900-25060	SHAFT, IDLE GEAR	1							
10	1	129900-25100	GEAR ASSY, IDLE	1							
13	1	129150-25920	BUSH, IDLE GEAR	1							1
14	1	26106-080552	BOLT, M8X 55 PLATED	3							
15	1	129953-25300	BOLT	4							
16	1	129907-25900	GEAR, PUMP	1							

Remarks

(1)Repair part.

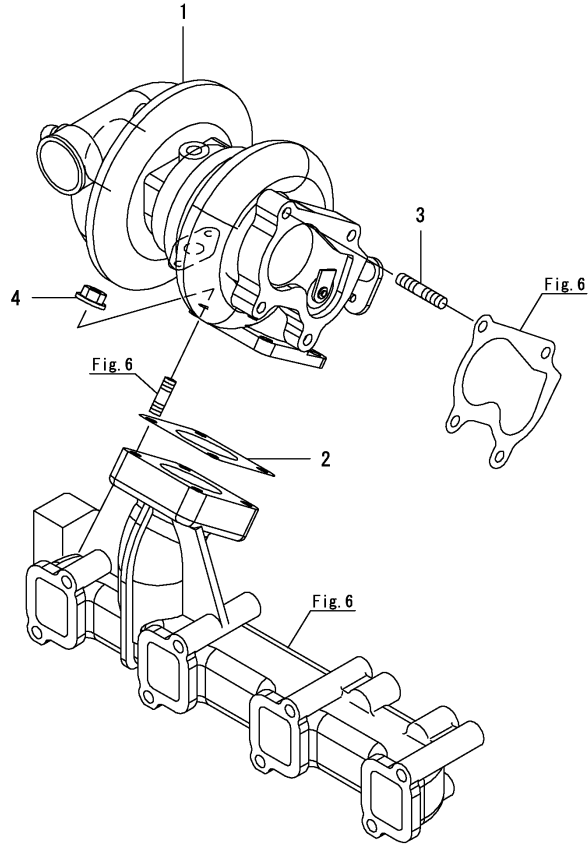
N:Old  $\xrightarrow{\text{Yes}}$  New, Q:Old  $\xrightarrow{\text{No}}$  New, R:Old  $\xrightarrow{\text{Yes}}$  New, S:Old  $\xrightarrow{\text{No}}$  New, W:Add, Z:Discontinued, F:Interchangeable by set, K:Q'ty Change

Fig.8. TURBINE

(A)=4TNV98T-ZGNE1  
(B)=  
(C)=

(D)=  
(E)=  
(F)=

No.	Lev.	Parts No.	Description	Q'ty						I	R
				(A)	(B)	(C)	(D)	(E)	(F)		
1	1	129945-18010	TURBINE, RHF5	1							
2	1	129472-18090	GASKET	1							
3	1	119131-18320	STUD, M8X22	4							
4	1	26306-080002	NUT, M8	4							



# Fig.9. CRANKSHAFT & PISTON

(A)=4TNV98T-ZGNE1

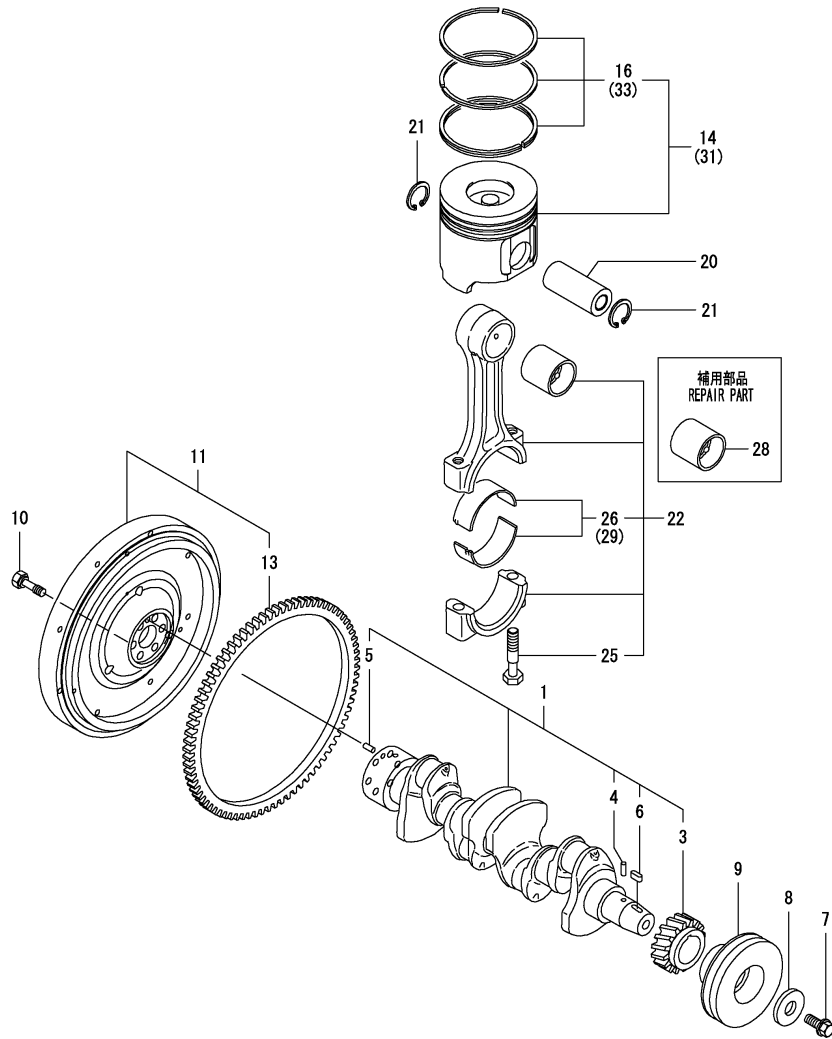
(B)=

(C)=

(D)=

(E)=

(F)=



No.	Lev.	Parts No.	Description	Q'ty						I	R
				(A)	(B)	(C)	(D)	(E)	(F)		
1	1	129908-21000	CRANKSHAFT ASSY	1							
3	2	129900-21200	GEAR, CRANKSHAFT	1							
4	2	121850-21290	PIN	1							
5	2	121850-21920	PIN, M10X22	1							
6	2	22512-070140	KEY, 7X 14	1							
7	1	129916-21610	BOLT	1							
8	1	129900-21640	WASHER	1							
9	1	129907-21660	V-PULLEY, 130	1							
10	1	121850-21130	BOLT, FLYWHEEL	6							
11	1	129920-21580	FLYWHEEL	1							
13	2	127410-21480	GEAR, RING Z=129	1							
14	1	129928-22080	PISTON ASSY	4							
16	2	129927-22050	RING SET, PISTON	4							
20	1	120130-22301	PIN, PISTON	4							
21	1	22252-000300	RING, 30	8							
22	1	129900-23001	ROD ASSY, CONNECTING	4							
25	2	129900-23200	BOLT, CONNECTING ROD	8							
26	2	129900-23601	BEARING, CRANK PIN	4							
28	1	129900-23911	BEARING, PISTON PIN	4							1
29	1	129900-23611	BEARING, 0.25 US	4							2
31	1	729928-22900	PISTON ASSY, 0.25 OS	4							3
33	2	729927-22950	RING SET, 0.25 OS	4							3

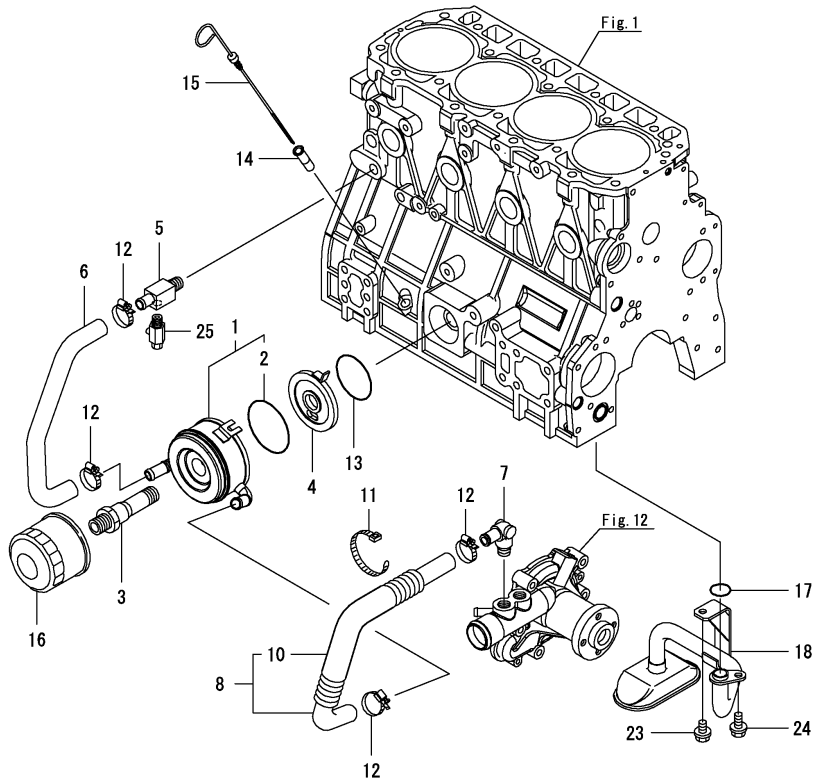
Remarks

- (1)Repair part.
- (2)Under sized(U.S.=0.25)part.
- (3)Over sized(O.S.=0.25)part.

# Fig.10. LUB.OIL SYSTEM

(A)=4TNV98T-ZGNE1  
(B)=  
(C)=

(D)=  
(E)=  
(F)=



No.	Lev.	Parts No.	Description	Q'ty						I	R
				(A)	(B)	(C)	(D)	(E)	(F)		
1	1	129908-33010	COOLER ASSY, OIL	1							
2	2	123912-33050	O-RING	1							
3	1	123912-33100	BOLT, COOLER	1							
4	1	129908-33101	BRACKET, COOLER	1							
5	1	129006-44480	JOINT	1							
6	1	129908-49060	PIPE, WATER	1							
7	1	129466-49300	ELBOW, PT3/8	1							
8	1	123910-49600	PIPE, WATER	1							
10	2	123910-49610	TUBE, CORRUGATED	1							
11	1	121750-59890	BAND, 140	1							
12	1	23000-025000	CLAMP, 25	4							
13	1	24321-000600	O-RING, 1AG60.0	1							
14	1	121520-34810	GUIDE, DIPSTICK	1							
15	1	129953-34830	DIPSTICK, OIL	1							
16	1	129150-35153	FILTER	1							1
17	1	129900-32030	O-RING, P20	1							
18	1	129953-35000	PIPE ASSY, OIL INLET	1							
23	1	26106-080122	BOLT, M8X 12 PLATED	1							
24	1	26106-080162	BOLT, M8X 16 PLATED	1							
25	1	119620-49290	COCK ASSY, 1/4	1							

Remarks

(1)Repair part.

Fig.11. LUB.OIL LINE

(A)=4TNV98T-ZGNE1

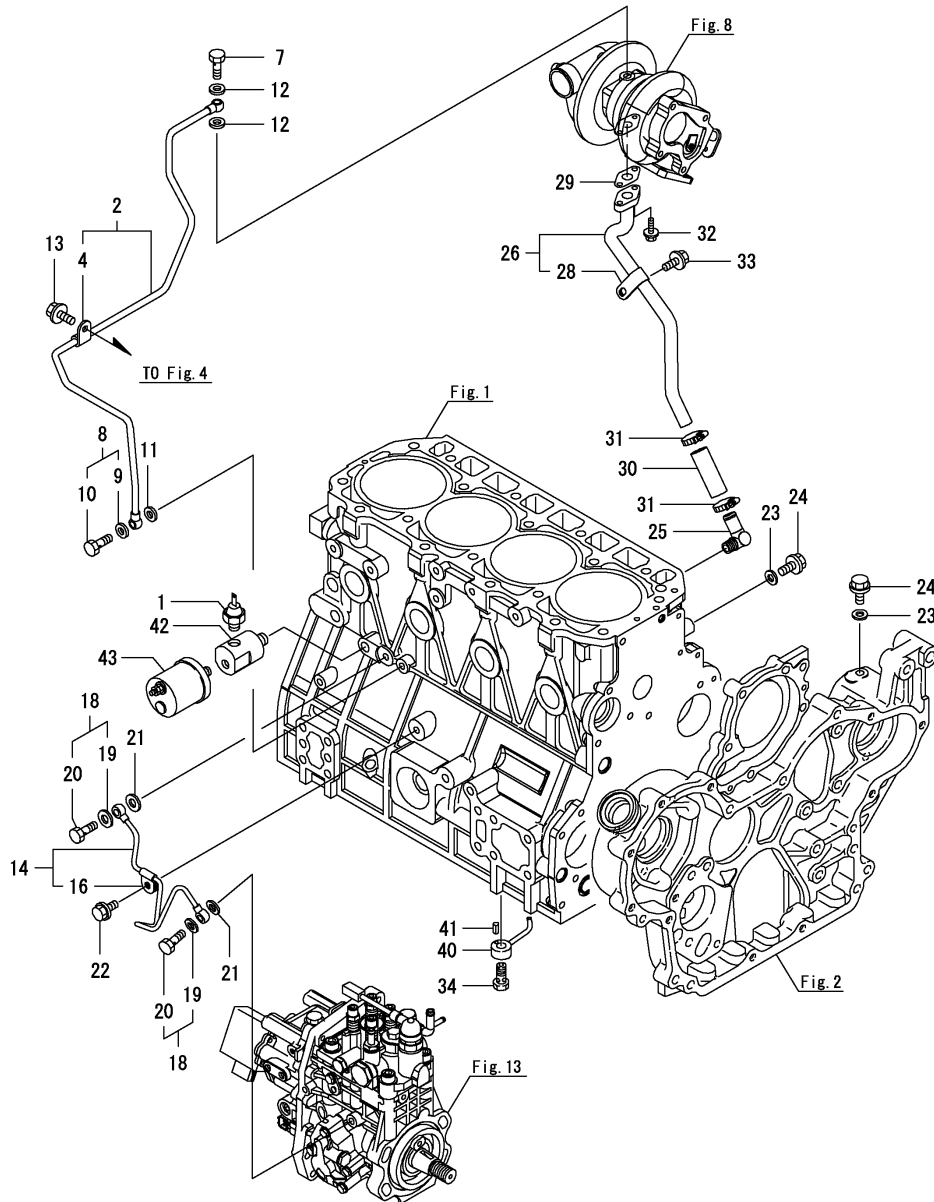
(B)=

(C)=

(D)=

(E)=

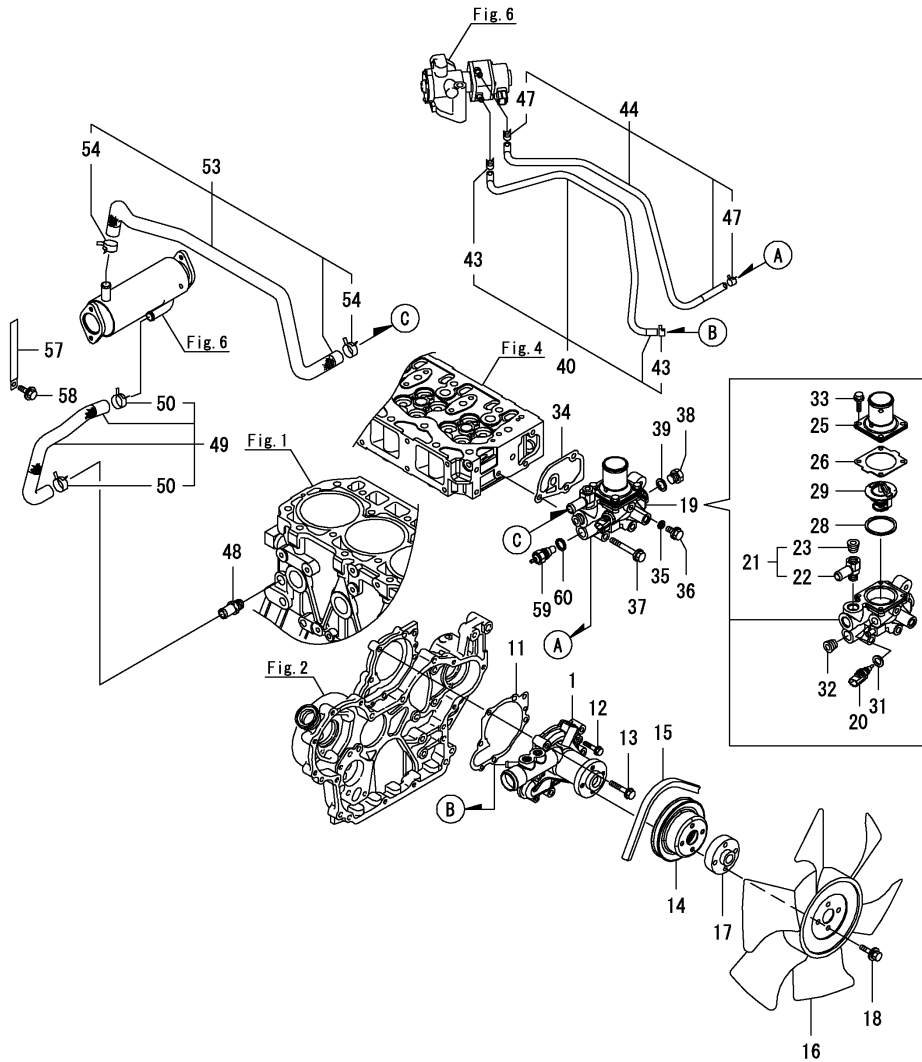
(F)=



No.	Lev.	Parts No.	Description	Q'ty						I	R
				(A)	(B)	(C)	(D)	(E)	(F)		
1	1	119761-39450	SWITCH, 0.5KG	1							
2	1	129935-39040	PIPE ASSY, OIL	1							
4	2	124223-39900	RETAINER	1							
7	1	121252-39150	BOLT, JOINT M10X1.5	1							
8	1	129005-59830	BOLT ASSY, JOINT M8	1							
9	2	22190-080002	WASHER, SEAL 6	1							
10	2	23857-030000	BOLT, JOINT 3	1							
11	1	22190-080002	WASHER, SEAL 6	1							
12	1	23414-100000	GASKET, 10X1.0	2							
13	1	26106-080122	BOLT, M8X 12 PLATED	1							
14	1	129927-39060	PIPE ASSY, OIL	1							
16	2	123907-39500	RETAINER	1							
18	1	129005-59830	BOLT ASSY, JOINT M8	2							
19	2	22190-080002	WASHER, SEAL 6	2							
20	2	23857-030000	BOLT, JOINT 3	2							
21	1	22190-080002	WASHER, SEAL 6	2							
22	1	26106-080122	BOLT, M8X 12 PLATED	1							
23	1	22190-080002	WASHER, SEAL 6	2							
24	1	26106-080122	BOLT, M8X 12 PLATED	2							
25	1	124070-13300	ELBOW, PT3/8	1							
26	1	129935-39610	PIPE, OIL	1							
28	2	123910-39850	RETAINER	1							
29	1	129908-39690	GASKET	1							
30	1	123901-39820	HOSE	1							
31	1	23000-025000	CLAMP, 25	2							
32	1	26106-060162	BOLT, M6X 16 PLATED	2							
33	1	26106-080122	BOLT, M8X 12 PLATED	1							
34	1	129908-39410	VALVE ASSY, CHECK	4							
40	1	119000-39650	NOZZLE	4							
41	1	22351-030010	PIN, SPRING 3.0X10	4							
42	1	171375-39601	DAMPER, 1/8	1							
43	1	119773-91501	SENSOR	1							



# Fig.12. COOLING WATER SYSTEM



(A)=4TNV98T-ZGNE1

(B)=

(C)=

(D)=

(E)=

(F)=

No.	Lev.	Parts No.	Description	Q'ty						I	R
				(A)	(B)	(C)	(D)	(E)	(F)		
1	1	129927-42000	PUMP ASSY, WATER	1							
11	1	129900-42020	GASKET, WATER PUMP	1							
12	1	26106-060302	BOLT, M6X 30 PLATED	2							
13	1	26106-080552	BOLT, M8X 55 PLATED	5							
14	1	129900-42461	V-PULLEY	1							
15	1	129940-42320	V-BELT, A41	1							
16	1	129916-44740	FAN, COOLING D=430	1							
17	1	119130-44760	SPACER, FAN	1							
18	1	26106-080302	BOLT, M8X 30 PLATED	4							
19	1	129928-49800	CASE ASSY, THERMOSTAT	1							
20	2	129927-44900	SENSOR	1							
21	2	129928-49400	JOINT ASSY	1							
22	3	129928-49410	JOINT	1							
23	3	23875-030000	PLUG, R03	1							
25	2	129916-49530	COVER, THERMOSTAT	1							
26	2	121850-49540	GASKET, THERMOSTAT	1							
28	2	121850-49550	GASKET, THERMOSTAT	1							
29	2	121850-49810	THERMOSTAT, 71	1							
31	2	22190-120002	WASHER, SEAL 12	1							
32	2	23875-030000	PLUG, R03	1							
33	2	26106-060202	BOLT, M6X 20 PLATED	4							
34	1	129900-49870	GASKET	1							
35	1	23414-080000	GASKET, 8X1.0	1							
36	1	26106-080122	BOLT, M8X 12 PLATED	1							
37	1	26106-080602	BOLT, M8X 60 PLATED	3							
38	1	121450-42450	PLUG, M16	1							
39	1	124465-44950	GASKET, 16	1							
40	1	129927-49610	PIPE, WATER	1							
43	2	23080-012000	CLAMP, 12	2							
44	1	129927-49620	PIPE ASSY, WATER	1							
47	2	23080-012000	CLAMP, 12	2							
48	1	129928-49420	JOINT	1							
49	1	129948-49610	PIPE ASSY, WATER	1							
50	2	129960-03990	CLIP, HOSE 22	2							
53	1	129948-49620	PIPE ASSY, WATER	1							
54	2	129960-03990	CLIP, HOSE 22	2							
57	1	129928-79700	CLIP	1							
58	1	26106-080122	BOLT, M8X 12 PLATED	1							
59	1	124250-49351	SENSOR	1							
60	1	129150-49360	GASKET	1							

Fig.13. FUEL INJECTION PUMP

(A)=4TNV98T-ZGNE1

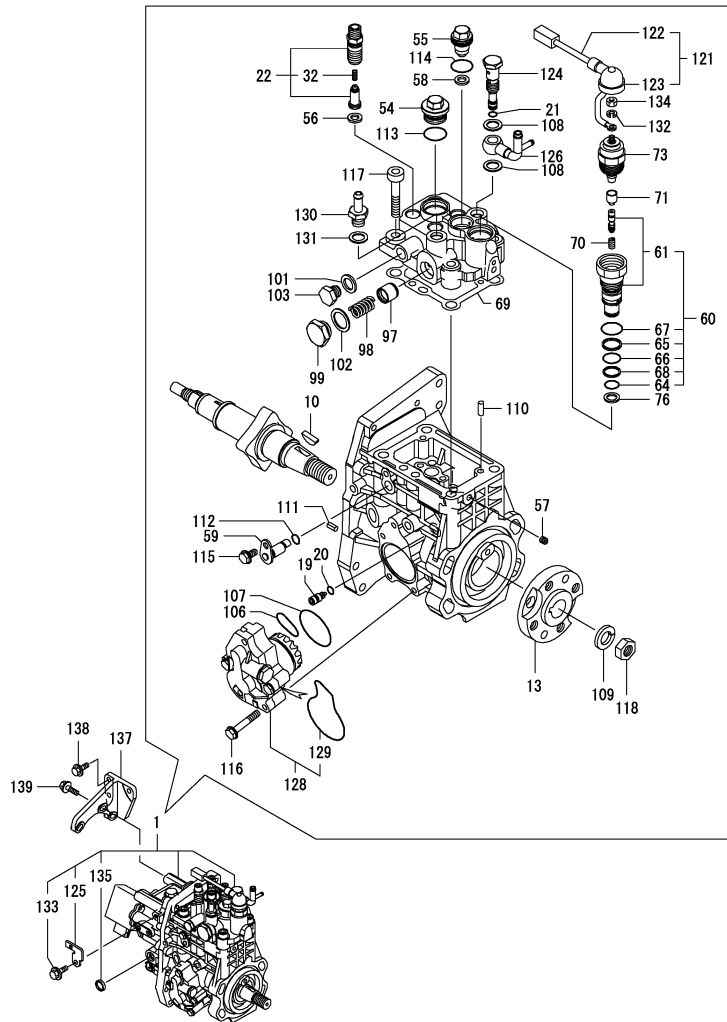
(B)=

(C)=

(D)=

(E)=

(F)=



No.	Lev.	Parts No.	Description	Q'ty						I	R
				(A)	(B)	(C)	(D)	(E)	(F)		
1	1	729945-51390	PUMP ASSY, INJECTION	1							1
10	2	144626-51090	KEY, 5X19	1							
13	2	158563-51150	FLANGE	1							
19	2	158600-51270	STOPPER, TAPPET	1							
20	2	158563-51281	O-RING, 4D S6	1							
21	2	158563-51281	O-RING, 4D S6	1							
22	2	129928-51390	VALVE ASSY, DELIVERY	4							
32	3	158563-51330	SPRING, DELIVERY	4							
54	2	158601-51550	PLUG	1							
55	2	129907-51560	PLUG, BARREL	1							
56	2	158552-51571	GASKET	4							
57	2	158557-51570	PLUG	1							
58	2	129906-51580	GASKET	1							
59	2	158552-51580	LIFTER	1							
60	2	129657-51590	TIMER SET	1							
61	3	129657-51600	TIMER ASSY	1							
64	3	158553-51670	O-RING, 1011	1							
65	3	119802-51680	RING, BACK UP	1							
66	3	119802-51690	O-RING	1							
67	3	24356-190200	O-RING, 4D19020	1							
68	3	24372-000150	RING, BACK UP T2P15	1							
69	2	158560-51600	GASKET	1							
70	2	119852-51630	SPRING, TIMER	1							
71	2	119852-51640	CAP	1							
73	2	119852-51650	VALVE ASSY	1							
76	2	158553-51680	GASKET	1							
97	2	158601-51770	PISTON	1							
98	2	158552-51781	SPRING	1							
99	2	158601-51790	PLUG	1							
101	2	22190-120002	WASHER, SEAL 12	1							
102	2	22190-180002	WASHER, SEAL 18	1							
103	2	158553-51930	PLUG, M12	1							
106	2	158552-52311	O-RING	1							
107	2	158552-52400	O-RING, 4E S42	1							
108	2	22190-120002	WASHER, SEAL 12	2							
109	2	22217-180000	WASHER, SPRING 18	1							
110	2	22312-050140	PIN, PARALLEL M5X14	2							
111	2	22351-050010	PIN, SPRING 5.0X10	2							
112	2	24311-000070	O-RING, 1AP7.0	1							
113	2	24356-190200	O-RING, 4D19020	1							
114	2	24356-240210	O-RING, 4D24021	1							
115	2	26106-060102	BOLT, M6X 10 PLATED	1							
116	2	26106-060352	BOLT, M6X 35 PLATED	4							
117	2	26450-100452	BOLT, M10X 45	4							
118	2	26776-180002	NUT, LOCK M18	1							
121	2	129927-51650	HARNASS ASSY, WIRE	1							
122	3	129927-51660	HARNASS	1							
123	3	129263-77941	CAP, RUBBER	1							
124	2	158601-51650	JOINT, OVER FLOW	1							
125	2	129927-51670	BRACKET	1							
126	2	158552-51670	JOINT, OVER FLOW	1							

Remarks

(1)Governor ASSY(Fig.14) is incorporated in this FOP CMP. (Ref.No.1).

\* ECO pump

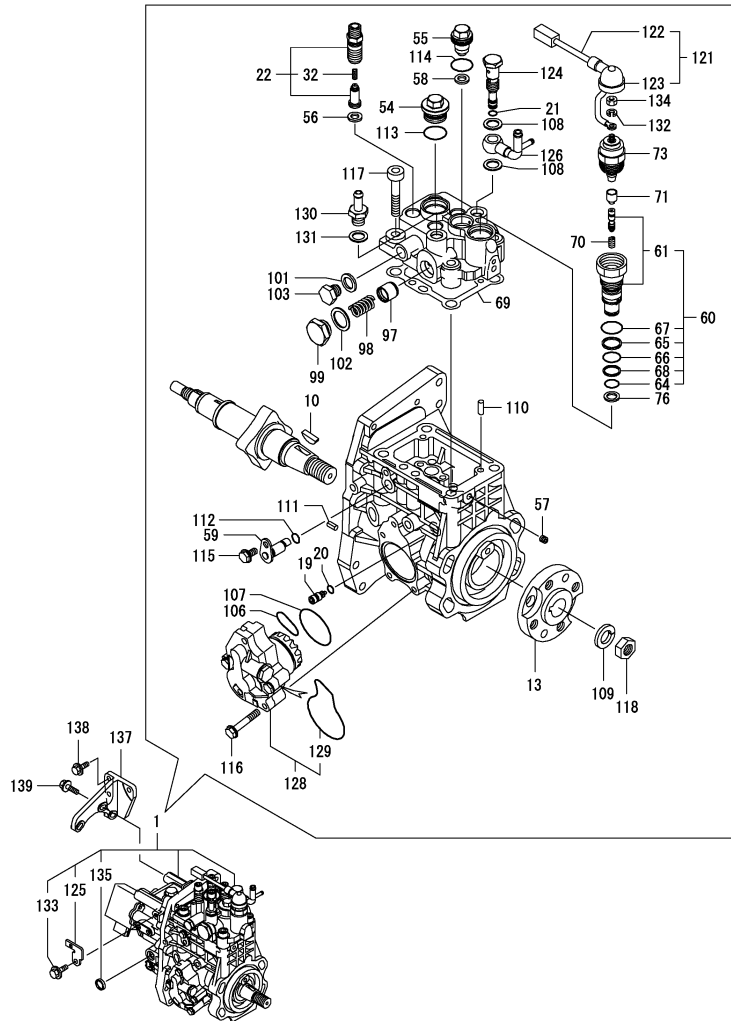
Make sure to update the engines ECU information when replacing the ECO pump.

Failing to do so wil result in engines malfunction.

Fig.13. FUEL INJECTION PUMP

(A)=4TNV98T-ZGNE1  
(B)=  
(C)=

(D)=  
(E)=  
(F)=



No.	Lev.	Parts No.	Description	Q'ty						I	R
				(A)	(B)	(C)	(D)	(E)	(F)		
128	2	158552-52100	PUMP ASSY, FUEL FEED	1							
129	3	158552-52500	O-RING	1							
130	2	119934-59910	JOINT, PIPE	1							
131	2	22190-120002	WASHER, SEAL 12	1							
132	2	22217-050000	WASHER, SPRING 5	1							
133	2	26106-060122	BOLT, M6X 12 PLATED	1							
134	2	26716-050002	NUT, M5	1							
135	2	27241-160000	PLUG, 16	1							
137	1	129927-51250	RETAINER, PUMP	1							
138	1	26106-080202	BOLT, M8X 20 PLATED	3							
139	1	26106-080302	BOLT, M8X 30 PLATED	3							

Remarks

(1)Governor ASSY(Fig.14) is incorporated in this FOP CMP. (Ref.No.1).

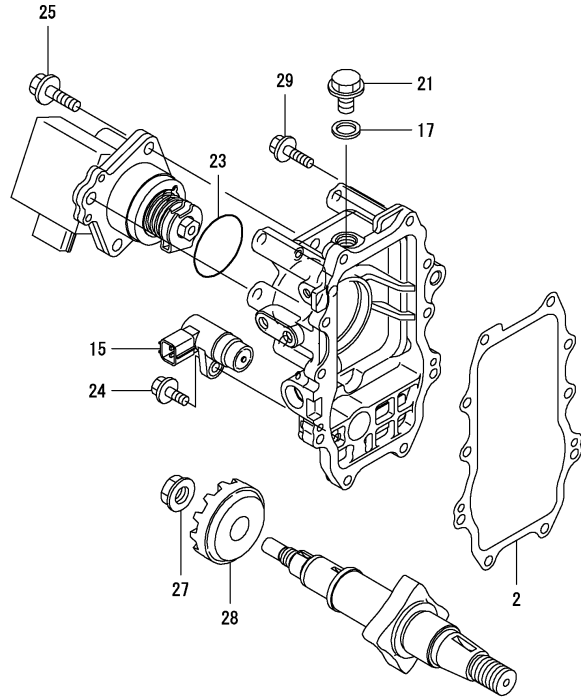
\* ECO pump

Make sure to update the engines ECU information when replacing the ECO pump. Failing to do so wil result in engines malfunction.

Fig.14. GOVERNOR

(A)=4TNV98T-ZGNE1  
(B)=  
(C)=

(D)=  
(E)=  
(F)=



No.	Lev.	Parts No.	Description	Q'ty						I	R
				(A)	(B)	(C)	(D)	(E)	(F)		
2	2	158560-61050	GASKET	1							
15	2	158557-61720	SENSOR	1							
17	2	22190-120000	WASHER, SEAL 12	1							
21	2	158553-51930	PLUG, M12	1							
23	2	24341-000480	O-RING, 1AS48.0	1							
24	2	26106-060162	BOLT, M6X 16 PLATED	1							
25	2	26106-080252	BOLT, M8X 25 PLATED	3							
27	2	129008-61301	NUT	1							
28	2	158553-61780	GEAR, SENSOR	1							
29	2	26106-060252	BOLT, M6X 25 PLATED	10							

Remarks

\* This figure(governor ASSY) is incorporated in the fuel injection pump ASSY(Fig.13).

# Fig.15. FUEL INJECTION VALVE

(A)=4TNV98T-ZGNE1

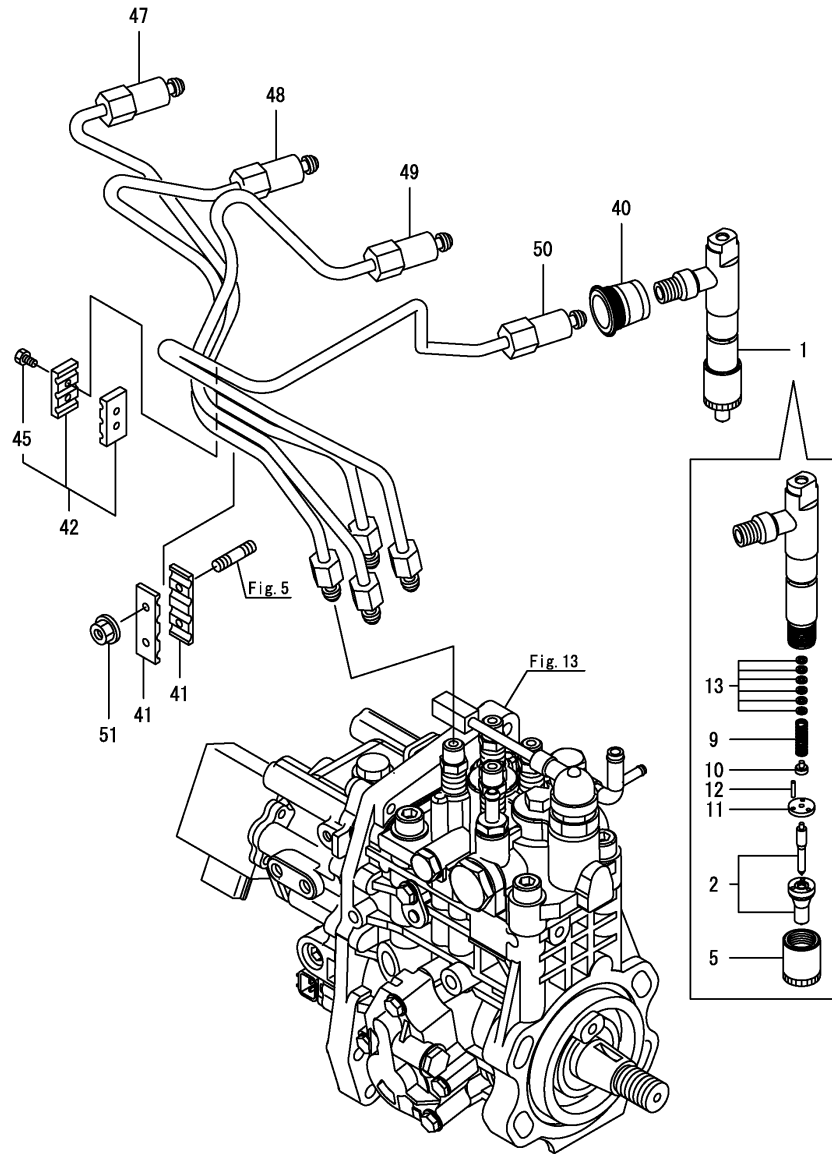
(B)=

(C)=

(D)=

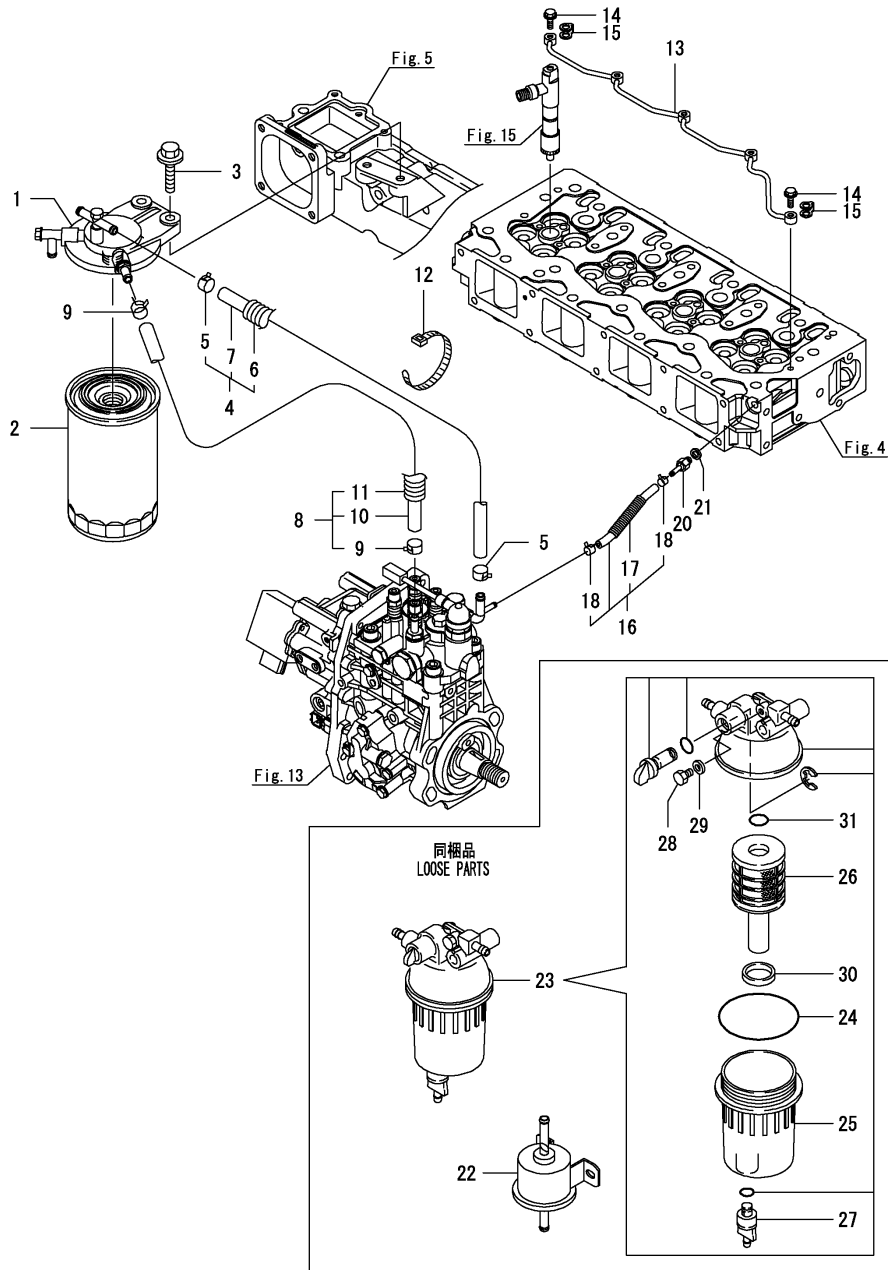
(E)=

(F)=



No.	Lev.	Parts No.	Description	Q'ty						I	R
				(A)	(B)	(C)	(D)	(E)	(F)		
1	1	729928-53200	VALVE ASSY,INJECTION	4							
2	2	129509-53000	VALVE ASSY,INJECTION	4							
5	2	114250-53080	NUT, NOZZLE D16.95	4							
9	2	114250-53120	SPRING, NOZZLE	4							
10	2	114250-53130	SEAT, SPRING	4							
11	2	114250-53140	PLATE	4							
12	2	114250-53210	PIN	8							
13	2	119803-53400	SHIM SET	4							
40	1	123907-11601	SEAL	4							
41	1	123472-59120	RETAINER, PIPE	2							
42	1	129150-59120	RETAINER, PIPE	1							
45	2	129150-59131	BOLT, M4X14	2							
47	1	129927-59810	PIPE ASSY, INJECTION	1							
48	1	129927-59820	PIPE ASSY, INJECTION	1							
49	1	129927-59830	PIPE ASSY, INJECTION	1							
50	1	129927-59840	PIPE ASSY, INJECTION	1							
51	1	26366-060002	NUT, M6	2							

Fig.16. FUEL LINE



(A)=4TNV98T-ZGNE1

(B)=

(C)=

(D)=

(E)=

(F)=

No.	Lev.	Parts No.	Description	Q'ty						I	R
				(A)	(B)	(C)	(D)	(E)	(F)		
1	1	129004-55612	BRACKET, FILTER	1							
2	1	123907-55801	FILTER, FUEL	1							
3	1	26106-080302	BOLT, M8X 30 PLATED	2							
4	1	129457-59010	PIPE ASSY, FUEL	1							
5	2	124766-59050	CLIP, HOSE 12	2							
6	2	129957-59120	TUBE, CORRUGATED	1							
7	2	105025-59750	PIPE, FUEL	1							
8	1	129961-59310	PIPE ASSY, FUEL	1							
9	2	124766-59050	CLIP, HOSE 12	2							
10	2	129136-59110	PIPE, D13/7.5X270	1							
11	2	129961-59110	TUBE, CORRUGATED	1							
12	1	121750-59890	BAND, 140	1							
13	1	129907-59140	PIPE ASSY, RETURN	1							
14	1	123907-59540	BOLT, PIPE JOINT M6	5							
15	1	123907-59550	GASKET	5							
16	1	129927-59550	PIPE ASSY, RETURN	1							
17	2	129263-49750	TUBE, CORRUGATED	1							
18	2	124722-59050	CLIP, HOSE 9	2							
20	1	123907-59560	JOINT	1							
21	1	22190-080002	WASHER, SEAL 6	1							
22	1	119225-52102	PUMP ASSY, FUEL FEED	1							
23	1	129242-55700	SEPARATOR ASSY	1							
24	2	24321-000750	O-RING, 1AG75.0	1							
25	2	129242-55720	CUP	1							
26	2	129242-55730	ELEMENT	1							
27	2	129242-55740	PLUG, DRAIN	1							
28	2	129242-55750	VALVE, AIR VENT	1							
29	2	129242-55760	GASKET	1							
30	2	129242-55770	FLOAT	1							
31	2	24311-000160	O-RING, 1AP16.0	1							

Fig.17. STARTING MOTOR

(A)=4TNV98T-ZGNE1

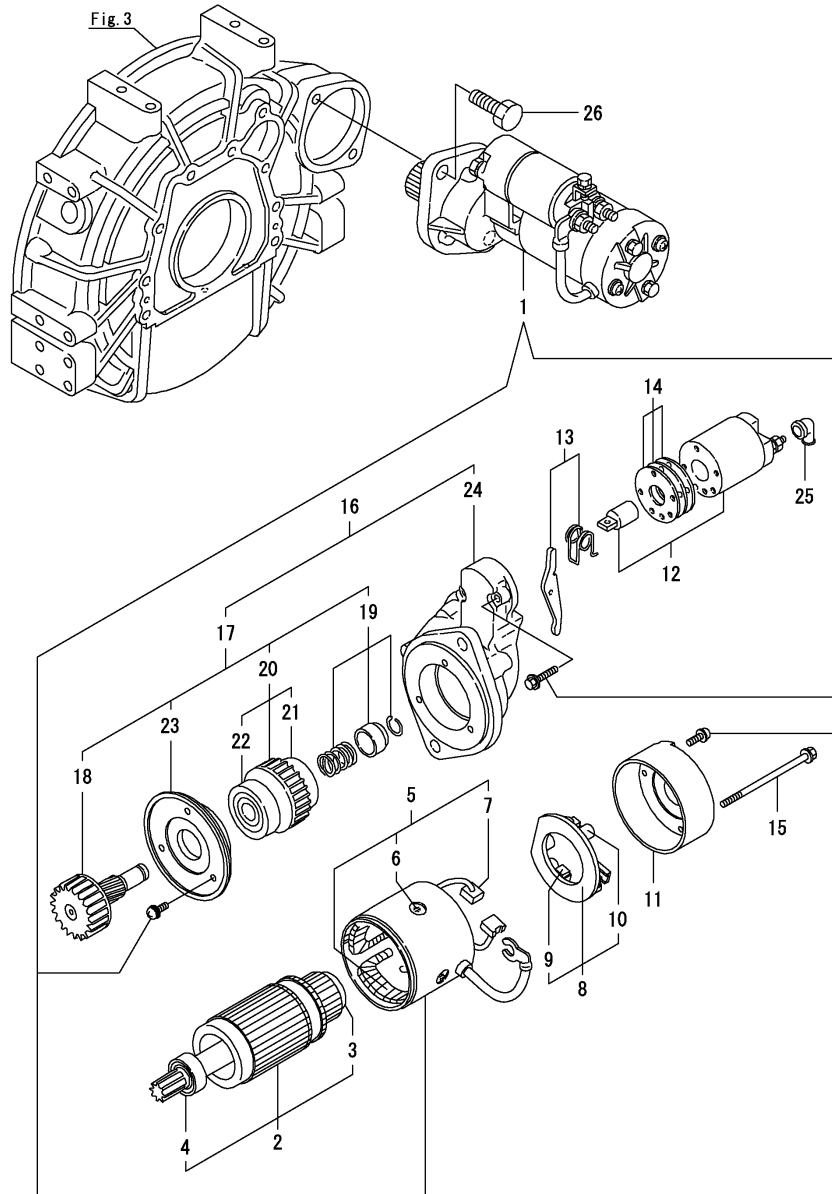
(B)=

(C)=

(D)=

(E)=

(F)=



No.	Lev.	Parts No.	Description	Q'ty						I	R
				(A)	(B)	(C)	(D)	(E)	(F)		
1	1	129900-77010	STARTER	1							
2	2	129900-77400	ARMATURE ASSY	1							
3	3	X2114155110	BEARING, BALL	1							
4	3	X2114255110	BEARING, BALL	1							
5	2	129900-77440	COIL ASSY, FIELD	1							
6	3	171008-77450	SCREW	4							
7	3	129900-77450	BRUSH	2							
8	2	129900-77480	HOLDER ASSY, BRUSH	1							
9	3	129900-77450	BRUSH	2							
10	3	X2130631300	SPRING, BRUSH	4							
11	2	129900-77460	COVER	1							
12	2	129900-77591	SWITCH ASSY	1							
13	2	129900-77620	LEVER SET	1							
14	2	129900-77650	COVER ASSY, DUST	1							
15	2	129900-77640	BOLT, THROUGH	2							
16	2	129900-77700	CASE ASSY	1							
17	3	129900-77510	PINION ASSY	1							
18	4	129900-77540	SHAFT	1							
19	4	129900-77550	STOPPER SET	1							
20	4	129900-77520	CLUTCH ASSY	1							
21	5	171008-77730	BEARING, BALL	1							
22	5	171008-77740	BEARING	1							
23	4	129900-77610	RETAINER	1							
24	3	129900-77710	CASE, GEAR	1							
25	2	171008-77750	COVER	1							
26	1	26116-120302	BOLT, M12X 30 PLATED	2							

# Fig.18. GENERATOR

(A)=4TNV98T-ZGNE1

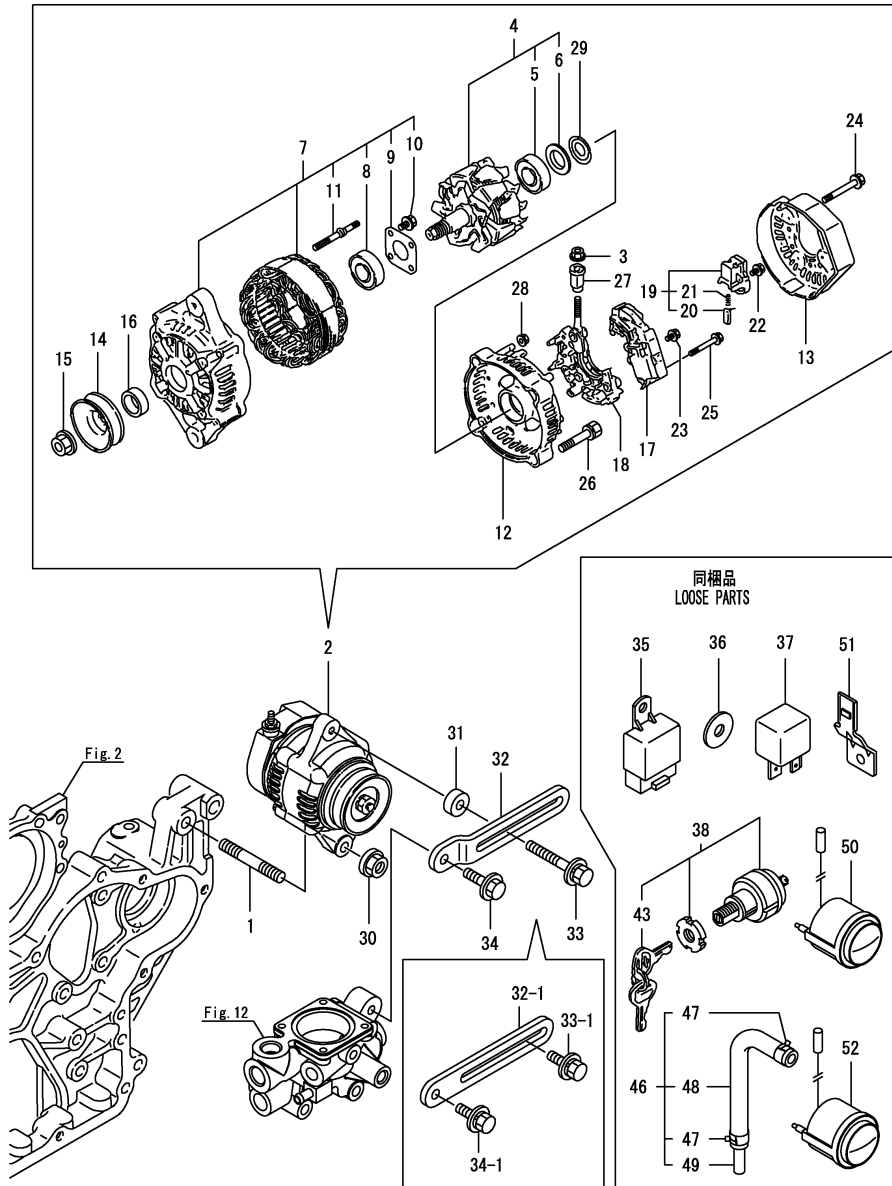
(B)=

(C)=

(D)=

(E)=

(F)=



No.	Lev.	Parts No.	Description	Q'ty						I	R
				(A)	(B)	(C)	(D)	(E)	(F)		
1	1	129795-01900	STUD	1							
2	1	129423-77200	GENERATOR, 12V-40A	1							
3	2	X9490561001	NUT	1							
4	2	119620-77380	ROTOR ASSY	1							
5	3	123501-79240	BEARING, BALL	1							
6	3	119620-79250	COVER	1							
7	2	119620-77421	FRAME ASSY, DRIVE	1							
8	3	119620-79200	BEARING, BALL	1							
9	3	119620-79210	PLATE, RETAINER	1							
10	3	119620-79220	SCREW	4							
11	3	119620-79230	STUD	2							
12	2	119620-77440	FRAME ASSY	1							
13	2	129240-79300	COVER	1							
14	2	119620-77461	PULLEY	1							
15	2	119620-77471	NUT	1							
16	2	119620-77490	COLLAR	1							
17	2	129423-77710	REGULATOR ASSY	1							
18	2	119620-79260	HOLDER	1							
19	2	129052-79270	HOLDER, BRUSH	1							
20	3	119620-77480	BRUSH ASSY	2							
21	3	119620-79280	SPRING	2							
22	2	119620-79290	SCREW	6							
23	2	119620-79300	SCREW	1							
24	2	119620-79310	BOLT	3							
25	2	119620-79320	SCREW	2							
26	2	119620-79330	BOLT	2							
27	2	119620-79340	BUSH, INSULATION	1							
28	2	119620-79350	NUT	2							
29	2	119620-79360	WASHER, THRUST	1							
30	1	26306-100002	NUT, M10	1							
31	1	119940-77270	SPACER, GENERATOR	1							Z
		(A=EXXXXX)									
32	1	129972-77330	ADJUSTER	1							
32-1	1	129988-77330	ADJUSTER	1							S 1
		(A=EXXXXX)									
33	1	129972-77341	BOLT, ADJUSTER L=50	1							
33-1	1	119810-77340	BOLT, ADJUSTER	1							S 1
		(A=EXXXXX)									
34	1	26106-080222	BOLT, M8X 22 PLATED	1							
34-1	1	26014-080252	BOLT, M8X 25	1							S 1
		(A=EXXXXX)									
35	1	198461-52950	RELAY, CA TYPE C	3							
36	1	129927-77690	WASHER	3							
37	1	129927-77920	RELAY	2							
38	1	194215-52110	SWITCH, STARTING	1							
43	2	194155-52160	KEY ASSY	1							
46	1	119840-59601	BEND	1							
47	2	124766-59050	CLIP, HOSE 12	2							
48	2	119840-59611	BEND	1							
49	2	119840-59621	JOINT	1							
50	1	171010-77850	THERMOSTAT	1							

Remarks

(1) Interchangeable by simultaneous replacement with Ref.32-1, 33-1 and 34-1.

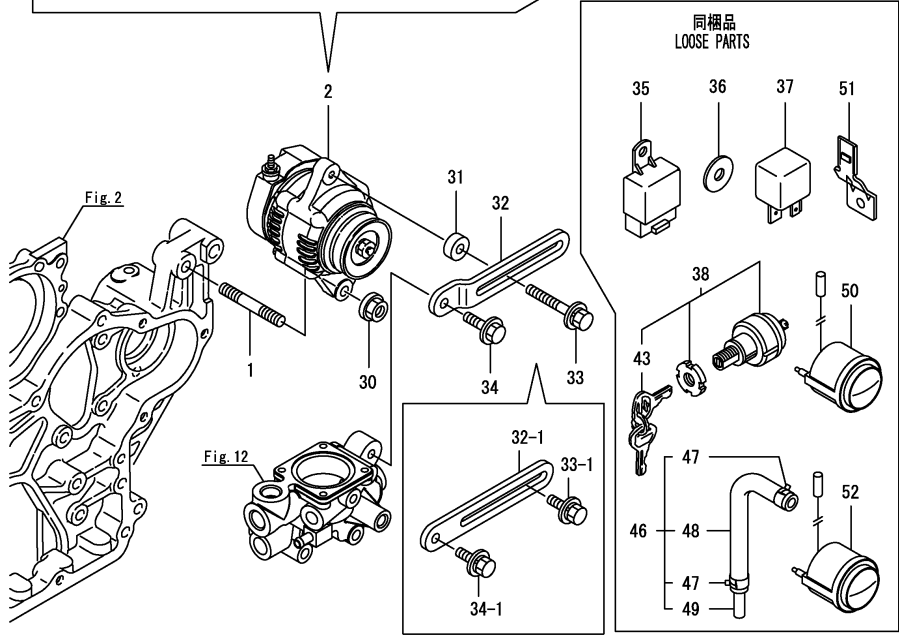
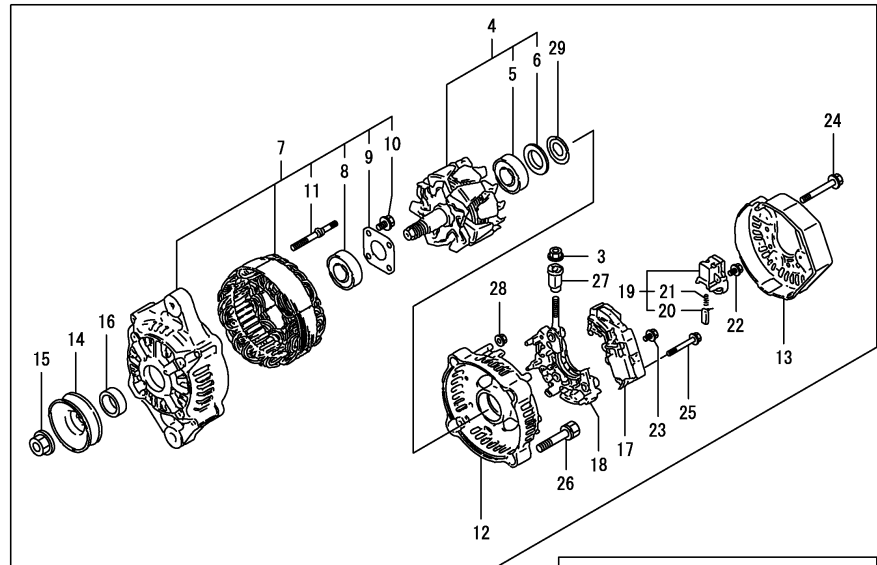


# Fig.18. GENERATOR

(A)=4TNV98T-ZGNE1  
(B)=  
(C)=

(D)=  
(E)=  
(F)=

No.	Lev.	Parts No.	Description	Q'ty						I	R
				(A)	(B)	(C)	(D)	(E)	(F)		
51	1	129927-77910	BRACKET, CONNECTOR	2							
52	1	46150-513400	GAUGE	1							



Remarks  
(1) Interchangeable by simultaneous replacement with Ref.32-1, 33-1 and 34-1.

# Fig.19. ELECTRONIC CONTROL UNIT (ECU)

(A)=4TNV98T-ZGNE1

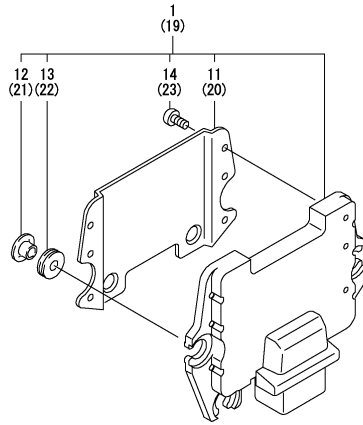
(B)=

(C)=

(D)=

(E)=

(F)=



No.	Lev.	Parts No.	Description	Q'ty						I	R
				(A)	(B)	(C)	(D)	(E)	(F)		
1	1	129945-75080	CONTROLLER ASSY, EUC	1							1
11	2	129927-77600	SHIELD	1							
12	2	129927-77680	COLLAR	3							
13	2	119578-91351	ABSORBER	3							
14	2	22877-500080	SCREW, 5X 8	6							
19	1	129927-75900	CONTROLLER ASSY, EUC	1							2
20	2	129927-77600	SHIELD	1							
21	2	129927-77680	COLLAR	3							
22	2	119578-91351	ABSORBER	3							
23	2	22877-500080	SCREW, 5X 8	6							

**Remarks**

(1)ECO ECU

This part cannot be ordered.  
 Replace the part using a service ECU with the proper engine information installed.

(2)Service ECU

If the proper information is not installed, the engine will not operate.

To install proper information, go to an authorize distributor.

Fig.20. GASKET SET & TOOLS

(A)=4TNV98T-ZGNE1

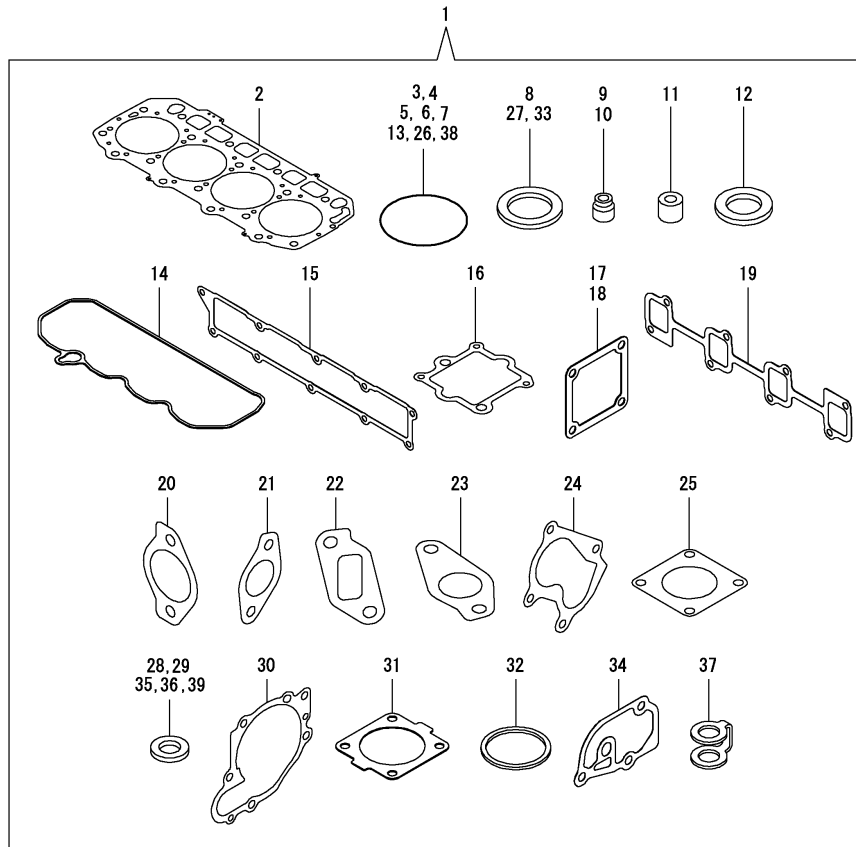
(B)=

(C)=

(D)=

(E)=

(F)=



No.	Lev.	Parts No.	Description	Q'ty						I	R
				(A)	(B)	(C)	(D)	(E)	(F)		
1	1	129921-92600	GASKET SET	1							1
2	2	129907-01331	GASKET, HEAD	1							
3	2	129900-32030	O-RING, P20	2							
4	2	129900-32040	O-RING, P14	1							
5	2	24311-000070	O-RING, 1AP7.0	1							
6	2	24351-030750	O-RING, 1A3075	1							
7	2	24311-000320	O-RING, 1AP32.0	3							
8	2	22190-220002	WASHER, SEAL 22	1							
9	2	119803-11340	SEAL, VALVE STEM	8							
10	2	124160-11340	SEAL, VALVE STEM	8							
11	2	119802-11870	PROTECTOR, NOZZLE	4							
12	2	119625-11880	SEAT, NOZZLE	4							
13	2	24311-000120	O-RING, 1AP12.0	8							
14	2	129933-11310	GASKET, BONNET	1							
15	2	129907-12110	GASKET, MANIFOLD	1							
16	2	129928-13720	GASKET	1							
17	2	119129-77020	GASKET	1							
18	2	121850-77021	GASKET	1							
19	2	129900-13251	GASKET	1							
20	2	129928-13410	GASKET	2							
21	2	129927-13810	GASKET	1							
22	2	129927-13910	GASKET	1							
23	2	129927-13920	GASKET	1							
24	2	123901-18080	GASKET	1							
25	2	129472-18090	GASKET	1							
26	2	24321-000600	O-RING, 1AG60.0	1							
27	2	22190-080002	WASHER, SEAL 6	9							
28	2	23414-100000	GASKET, 10X1.0	2							
29	2	129908-39690	GASKET	1							
30	2	129900-42020	GASKET, WATER PUMP	1							
31	2	121850-49540	GASKET, THERMOSTAT	1							
32	2	121850-49550	GASKET, THERMOSTAT	1							
33	2	22190-120002	WASHER, SEAL 12	1							
34	2	129900-49870	GASKET	1							
35	2	23414-080000	GASKET, 8X1.0	1							
36	2	124465-44950	GASKET, 16	1							
37	2	123907-59550	GASKET	5							
38	2	24341-000240	O-RING, 1AS24.0	1							
39	2	129150-49360	GASKET	1							
40	1	129400-92450	HONE	1							1
41	1	977770-1207F	GASKET.LIQUID	1							1

Remarks  
(1)Optional part.

## Parts No. Index

Parts No.	Fig. No.	Ref. No.
105025-59750	16	7
114250-53080	15	5
114250-53120	15	9
114250-53130	15	10
114250-53140	15	11
114250-53210	15	12
119000-01840	3	3
119000-39650	11	40
119005-77051	5	17
119100-11330	4	65
119129-77020	5	15
	20	17
119129-77520	5	18
119130-44760	12	17
119131-18320	8	3
119160-12530	5	25
119160-12540	5	26
119225-52102	16	22
119578-91351	19	13
		22
119593-11301	4	34
119620-11180	4	18
119620-49290	10	25
119620-77380	18	4
119620-77421	18	7
119620-77440	18	12
119620-77461	18	14
119620-77471	18	15
119620-77480	18	20
119620-77490	18	16
119620-79200	18	8
119620-79210	18	9
119620-79220	18	10
119620-79230	18	11
119620-79250	18	6
119620-79260	18	18
119620-79280	18	21
119620-79290	18	22
119620-79300	18	23
119620-79310	18	24
119620-79320	18	25
119620-79330	18	26
119620-79340	18	27
119620-79350	18	28
119620-79360	18	29
119625-11880	4	30
	20	12
119640-01640	3	7
119761-39450	11	1
119773-91501	11	43

Parts No.	Fig. No.	Ref. No.
119802-11870	4	29
	20	11
119802-13790	6	10
119802-51680	13	65
119802-51690	13	66
119803-11340	4	19
	20	9
119803-53400	15	13
119810-77340	18	33 -1
119840-59601	18	46
119840-59611	18	48
119840-59621	18	49
119852-51630	13	70
119852-51640	13	71
119852-51650	13	73
119934-59910	13	130
119940-77270	18	31
120130-22301	9	20
121023-01551	2	28
121252-39150	11	7
121450-42450	12	38
121520-34810	10	14
121750-59890	10	11
	16	12
121850-21130	9	10
121850-21290	9	4
121850-21920	9	5
121850-49540	12	26
	20	31
121850-49550	12	28
	20	32
121850-49810	12	29
121850-77021	5	16
	20	18
123472-59120	15	41
123501-79240	18	5
123900-13630	6	6
123900-25060	7	9
123901-18080	6	24
	20	24
123901-39820	11	30
123907-03100	4	59
123907-03110	4	60
123907-03120	4	61
123907-03140	4	62
123907-11280	4	39
123907-11550	4	5
123907-11601	15	40
123907-11820	4	25
123907-11830	4	24

Parts No.	Fig. No.	Ref. No.
123907-39500	11	16
123907-55801	16	2
123907-59540	16	14
123907-59550	16	15
	20	37
123907-59560	16	20
123910-39850	11	28
123910-49600	10	8
123910-49610	10	10
123912-33050	10	2
123912-33100	10	3
124070-13300	11	25
124160-01751	2	14
	4	54
124160-11340	4	20
	20	10
124160-11360	4	72
124223-39900	11	4
124250-49351	12	59
124465-44950	12	39
	20	36
124722-59050	16	18
124766-59050	16	5
		9
	18	47
126650-12680	5	27
127410-21480	9	13
129004-55612	16	1
129005-59830	11	8
		18
129006-44480	10	5
129008-61301	14	27
129009-11340	4	66
129052-79270	18	19
129100-01580	2	1
	3	1
129136-59110	16	10
129150-02450	7	4
129150-11230	4	42
		46
129150-11750	4	23
		43
		47
129150-14200	7	1
129150-25920	7	13
129150-35153	10	16
129150-49360	12	60
	20	39
129150-59120	15	42
129150-59131	15	45

Parts No.	Fig. No.	Ref. No.
129240-79300	18	13
129242-55700	16	23
129242-55720	16	25
129242-55730	16	26
129242-55740	16	27
129242-55750	16	28
129242-55760	16	29
129242-55770	16	30
129263-49750	16	17
129263-77941	13	123
129400-92450	20	40
129418-18320	6	3
		4
129423-77200	18	2
129423-77710	18	17
129457-59010	16	4
129466-49300	10	7
129472-18090	8	2
	20	25
129509-03050	5	21
129509-53000	15	2
129509-79700	4	67
129657-51590	13	60
129657-51600	13	61
129795-01900	18	1
129900-01200	1	27
129900-01250	1	4
129900-01740	2	16
129900-01850	2	23
129900-01870	2	24
129900-02020	1	6
129900-02341	1	33
129900-02410	1	9
129900-02931	1	24
129900-02941	1	36
129900-13251	6	5
	20	19
129900-14100	7	6
129900-21200	9	3
129900-21640	9	8
129900-23001	9	22
129900-23200	9	25
129900-23601	9	26
129900-23611	9	29
129900-23911	9	28
129900-25100	7	10
129900-32030	2	6
	10	17
	20	3
129900-32040	2	7

## Parts No. Index

Parts No.	Fig. No.	Ref. No.
129900-32040	20	4
129900-42020	12	11
	20	30
129900-42461	12	14
129900-49870	12	34
	20	34
129900-77010	17	1
129900-77400	17	2
129900-77440	17	5
129900-77450	17	7
		9
		11
129900-77460	17	11
129900-77480	17	8
129900-77510	17	17
129900-77520	17	20
129900-77540	17	18
129900-77550	17	19
129900-77591	17	12
129900-77610	17	23
129900-77620	17	13
129900-77640	17	15
129900-77650	17	14
129900-77700	17	16
129900-77710	17	24
129906-51580	13	58
129907-01331	1	28
	20	2
129907-01579	2	20
129907-03011	4	56
129907-03061	4	57
129907-03070	4	58
129907-07900	4	1
129907-11100	4	15
129907-11110	4	16
129907-11120	4	17
129907-11250	4	36
129907-11260	4	37
129907-11270	4	38
129907-11341	4	35
129907-11510	4	21
129907-11650	4	40
129907-11660	4	44
129907-11800	4	28
129907-11910	4	31
129907-11920	4	48
129907-11950	4	32
129907-12110	5	1
	20	15
129907-14400	7	2
129907-21660	9	9

Parts No.	Fig. No.	Ref. No.
129907-25900	7	16
129907-51560	13	55
129907-59140	16	13
129908-14581	7	3
129908-21000	9	1
129908-32060	2	4
129908-33010	10	1
129908-33101	10	4
129908-39410	11	34
129908-39690	11	29
	20	29
	10	6
129908-49060	10	6
129915-01610	3	2
129916-01790	3	5
129916-01800	2	22
129916-21610	9	7
129916-44740	12	16
129916-49530	12	25
129920-21580	9	11
129921-92600	20	1
129927-13810	6	12
	20	21
129927-13910	6	20
	20	22
129927-13920	6	21
	20	23
129927-22050	9	16
129927-39060	11	14
129927-42000	12	1
129927-44900	12	20
129927-49610	12	40
129927-49620	12	44
129927-51250	13	137
129927-51650	13	121
129927-51660	13	122
129927-51670	13	125
129927-59550	16	16
129927-59810	15	47
129927-59820	15	48
129927-59830	15	49
129927-59840	15	50
129927-75900	19	19
129927-77600	19	11
		20
129927-77680	19	12
		21
129927-77690	18	36
129927-77910	18	51
129927-77920	18	37
129928-11700	4	6

Parts No.	Fig. No.	Ref. No.
129928-12100	5	3
129928-13100	6	2
129928-13150	6	1
129928-13400	6	7
129928-13410	6	8
		9
	20	20
129928-13710	5	4
129928-13720	5	5
	20	16
129928-13900	6	19
129928-18200	5	10
129928-22080	9	14
129928-49400	12	21
129928-49410	12	22
129928-49420	12	48
129928-49800	12	19
129928-51390	13	22
129928-79700	12	57
129933-11310	4	64
	20	14
129933-12510	5	22
129935-01500	2	3
129935-12510	5	23
129935-12520	5	24
129935-39040	11	2
129935-39610	11	26
129940-42320	12	15
129945-11320	4	55
129945-12150	5	2
129945-18010	8	1
129945-18210	5	11
129945-18220	5	12
129945-75080	19	1
129948-07900	4	2
129948-13800	6	11
129948-13810	6	13
129948-49610	12	49
129948-49620	12	53
129953-25300	7	15
129953-34830	10	15
129953-35000	10	18
129957-59120	16	6
129960-03990	12	50
		54
129961-59110	16	11
129961-59310	16	8
129972-77330	18	32
129972-77341	18	33
129982-01710	3	6

Parts No.	Fig. No.	Ref. No.
129988-77330	18	32 -1
144626-51090	13	10
158552-51571	13	56
158552-51580	13	59
158552-51670	13	126
158552-51781	13	98
158552-52100	13	128
158552-52311	13	106
158552-52400	13	107
158552-52500	13	129
158553-51670	13	64
158553-51680	13	76
158553-51930	13	103
	14	21
158553-61780	14	28
158557-51570	13	57
158557-61720	14	15
158560-51600	13	69
158560-61050	14	2
158563-51150	13	13
158563-51281	13	20
		21
158563-51330	13	32
158600-51270	13	19
158601-51550	13	54
158601-51650	13	124
158601-51770	13	97
158601-51790	13	99
171008-77450	17	6
171008-77730	17	21
171008-77740	17	22
171008-77750	17	25
171010-77850	18	50
171031-11741	2	31
171051-01921	1	5
171375-39601	11	42
194155-52160	18	43
194215-52110	18	38
198461-52950	18	35
22190-080002	11	9
		11
		19
		21
		23
	16	21
	20	27
22190-120000	14	17
22190-120002	12	31
	13	101
		108

## Parts No. Index

Parts No.	Fig. No.	Ref. No.
22190-120002	13	131
	20	33
22190-180002	13	102
22190-220002	3	9
	20	8
22217-050000	13	132
22217-180000	13	109
22252-000300	9	21
22312-050140	13	110
22351-030010	11	41
22351-050010	13	111
22351-060012	1	10
22512-070140	7	7
	9	6
22857-500100	4	68
		69
		70
22877-500080	19	14
		23
23000-025000	10	12
	11	31
23000-054000	5	13
23000-080000	5	14
23080-012000	12	43
		47
23414-080000	12	35
	20	35
23414-100000	11	12
	20	28
23857-030000	11	10
		20
23875-030000	12	23
		32
23876-020000	4	12
23876-030000	1	11
		12
		13
		29
	4	13
24311-000070	2	8
	13	112
	20	5
24311-000120	4	33
		73
	20	13
24311-000160	16	31
24311-000320	2	15
		32
	4	74
	20	7

Parts No.	Fig. No.	Ref. No.
24321-000600	10	13
	20	26
24321-000750	16	24
24341-000240	2	29
	20	38
24341-000480	14	23
24351-030750	2	9
	20	6
24356-190200	13	67
		113
24356-240210	13	114
24372-000150	13	68
26014-080252	18	34 -1
26106-060102	13	115
26106-060122	4	71
	13	133
26106-060162	2	30
	11	32
	14	24
26106-060202	5	6
	12	33
26106-060252	14	29
26106-060302	12	12
26106-060352	13	116
26106-080122	3	10
	10	23
	11	13
		22
		24
		33
	12	36
		58
26106-080162	2	10
		18
		26
	4	3
	7	8
	10	24
26106-080202	2	11
	4	4
	13	138
26106-080222	18	34
26106-080252	14	25
26106-080302	12	18
	13	139
	16	3
26106-080352	6	14
26106-080402	2	19
		27
	4	50

Parts No.	Fig. No.	Ref. No.
26106-080402	5	19
26106-080452	2	12
	5	8
	6	15
26106-080552	6	16
	7	14
	12	13
26106-080602	4	51
		52
	12	37
26106-080702	2	17
		25
26106-080802	5	9
26106-080902	5	20
26106-100252	6	17
26106-100402	6	22
26106-101052	6	23
26116-120302	17	26
26206-100352	3	4
26216-060202	5	7
26216-100302	2	5
26226-080222	4	49
26306-080002	4	53
	6	18
	8	4
26306-100002	2	13
	18	30
26366-060002	15	51
26450-100452	13	117
26716-050002	13	134
26776-180002	13	118
27241-160000	13	135
27241-300000	1	14
27241-400000	4	14
27310-070001	4	26
46150-513400	18	52
729900-02801	1	30
729927-22950	9	33
729928-01560	1	1
729928-22900	9	31
729928-53200	15	1
729945-51390	13	1
977770-1207F	20	41
X2114155110	17	3
X2114255110	17	4
X2130631300	17	10
X9490561001	18	3

Parts No.	Fig. No.	Ref. No.
-----------	----------	----------