

OCR10-M56800EN

PREFACE

- 1.This Parts Catalog carries all parts incorporated in YANMAR Model 4TNV98T-NSA, 4TNV98T-NSA2 and 4TNV98T-GGE engine manufactured since January, 2004.
- 2.Each illustration corresponds to the parts list on the following page.
- 3.When ordering parts,clearly write down the engine model and serial number,as well as the name and number of each part in your order sheet. This will help insure reliable delivery of the parts you have ordered.

Directions for the Parts Catalog.

1. The parts stipulated in this Parts Catalog are not necessarily standard equipped parts.
2. Parts may change without prior notice.
3. The following is an example of the Parts Catalog format.

OCF10-G21601		29. FUEL INJECTION PUMP(W/BOOST)									
REF.	LEV.	PARTS NO.	DESCRIPTION	(A)	(B)	(C)	(D)	(E)	(F)	I	R
1	1	729595-51390	FUEL INJECTION PUMP	1	1	1	1	1			1
1-1	1	729595-51391	FUEL INJECTION PUMP	1	1	1	1	1		N	1
		(A=E00185)	(B=E00200)								
3	2	26022-060162	SCREW M 6X 16	9	9	9	9	9			
3-1	2	26022-060162	SCREW M 6X 16	4	4	4	4	4		K	
		(A=E00156)	(B=E00156)	(C=E00156)	(D=E00156)	(E=E00156)					
4	2	129470-51040	CAMSHAFT	1	1	1	1	1			
5	2	122710-51050	BEARING, ROLLER	2	2	2	2	2			
6	2	129470-51060	RETAINER	1	1	1	1	1			

Remarks
(1) BOOST COMPEMSATOR TYPE. OPTIONAL PART, TO E00155,(4JH-DT, 4JH-DTZ

① Ref. No.

The Ref. No. listed may not be in accordance with the illustration Ref. No.

(Ex.) Illustration No.

List Ref No.

1

1

(Before change)

1-1

(After change)

For interchangeable symbols N, R and K, illustrations for new parts may be abbreviated.

② Lev. (Level)

Level indication

The numbers below indicate the level of relativity towards the main part.

1 ----- Main parts (Assembly parts)

2 ----- Sub component included in " 1 ".

3 ----- Sub component included in " 2 ".

Note) Parts that are not for sale are partially illustrated but not listed.

③ Interchangeability Mark

When a part change takes place, one of the following interchangeability symbols is indicated beside the part.

Symbol	Interchangeability	Contents note
N	Old $\begin{matrix} \leftarrow \text{Yes} \\ \text{No} \rightarrow \end{matrix}$ New	New Part is interchangeable for Old Part but Old Part is not interchangeable for New Part.
Q	Old $\begin{matrix} \leftarrow \text{No} \\ \text{Yes} \rightarrow \end{matrix}$ New	New Part is not interchangeable for Old Part but Old Part is interchangeable for New Part.
R	Old $\begin{matrix} \leftarrow \text{Yes} \\ \text{Yes} \rightarrow \end{matrix}$ New	New/ Old Parts are both interchangeable.
S	Old $\begin{matrix} \leftarrow \text{No} \\ \text{No} \rightarrow \end{matrix}$ New	New/ Old Parts are both not interchangeable.
W		Part newly added.
Z		Part discontinued.
F		Not interchangeable by a single part but interchangeable together with related parts.
K		Changes only for used parts quantities.

④ Effective Machine No.

When a part changes, the effective Machine No. will be indicated in the (A)-(F) column.

Product Symbol	Product No.	Product Symbol	Product No.
C	Clutch No. Compressor No.	F	Machine No. (Agricultural Equip.)
D	Drive No.	M	Machine No.
E	Engine No.		

Note 1) A date may follow the symbol. (Ex.) 1996.01

Note 2) "XXXXX" and "ZZZZZ" are for parts that could not be predicted or for engine models that could not be identified.

Note 3) (A=E00185) is the E (Engine Serial Number) for the column (A) model (in this case 4JH-DT) after the parts design change.

⑤ Remarks Mark

Figures or alphabets (symbols) are entered in the remarks column.

The comments (remarks) on parts that are indicated at the bottom of the illustration are the same symbols as those stated above.

Contents

OCR10-M56800

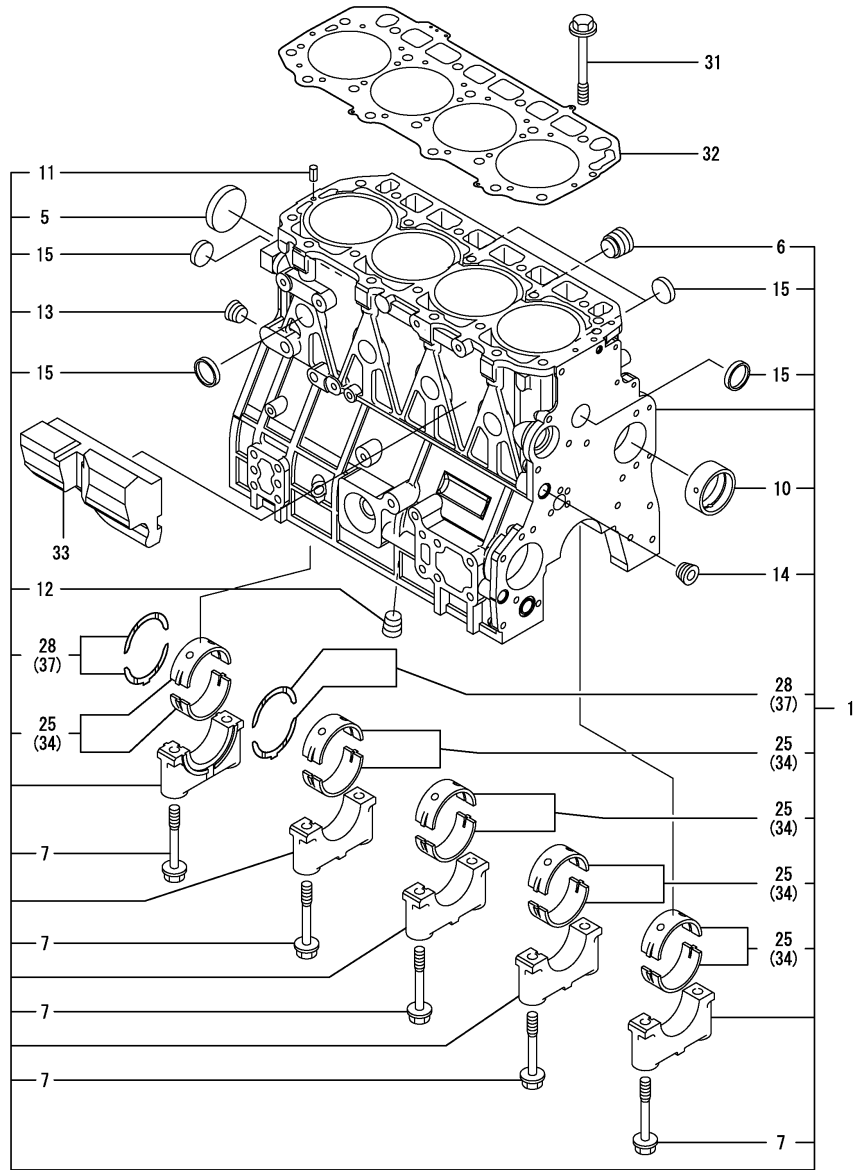
Fig. No.	Fig. Name
ENGINE	
1.	CYLINDER BLOCK
2.	GEAR HOUSING
3.	GEAR HOUSING
4.	FLYWHEEL HOUSING & OIL SUMP
5.	FLYWHEEL HOUSING & OIL SUMP
6.	CYLINDER HEAD & BONNET
7.	SUCTION MANIFOLD
8.	EXHAUST MANIFOLD
9.	CAMSHAFT & DRIVING GEAR
10.	TURBINE
11.	CRANKSHAFT & PISTON
12.	LUB. OIL SYSTEM
13.	LUB. OIL PIPING
14.	COOLING WATER SYSTEM
15.	FUEL INJECTION PUMP
16.	FUEL INJECTION VALVE
17.	FUEL PIPING
18.	STARTER MOTOR
25.	(18A)STARTER MOTOR
19.	GENERATOR
20.	GASKET SET
21.	FUEL INJECTION PUMP(INNER PARTS)
22.	GOVERNOR(INNER PARTS)
23.	FUEL INJECTION PUMP(INNER PARTS)

Fig. No.	Fig. Name
24.	GOVERNOR(INNER PARTS)

Fig.1. CYLINDER BLOCK

(A)=4TNV98T-NSA
 (B)=4TNV98T-NSA2
 (C)=4TNV98T-GGE

(D)=
 (E)=
 (F)=



No.	Lev.	Parts No.	Description	Qty						I	R
				(A)	(B)	(C)	(D)	(E)	(F)		
1	1	729908-01560	BLOCK ASSY, CYLINDER	1	1	1					
5	2	129900-01250	PLUG, 55	1	1	1					
6	2	171051-01921	PLUG, NPTF1	1	1	1					
7	2	129900-02020	BOLT, METAL CAP	10	10	10					
10	2	129900-02410	BUSH, CAMSHAFT	1	1	1					
11	2	22351-060012	PIN, SPRING 6.0X12	2	2	2					
12	2	23876-030000	PLUG, R03	1	1	1					
13	2	23876-030000	PLUG, R03	1	1	1					
14	2	23876-030000	PLUG, R03	1	1	1					
15	2	27241-300000	PLUG 30	8	8	8					
25	2	729900-02800	BEARING, MAIN	5	5	5					3
28	2	129900-02930	BEARING, THRUST	2	2	2					
31	1	129900-01200	BOLT, HEAD	18	18	18					
32	1	129907-01331	GASKET, HEAD	1	1	1					
33	1	129907-01190	SPACER	1	1	1					
34	1	129900-02340	BEARING, 0.25 US	5	5	5					1
37	1	129900-02940	BEARING, THRUST 0.25	2	2	2					2

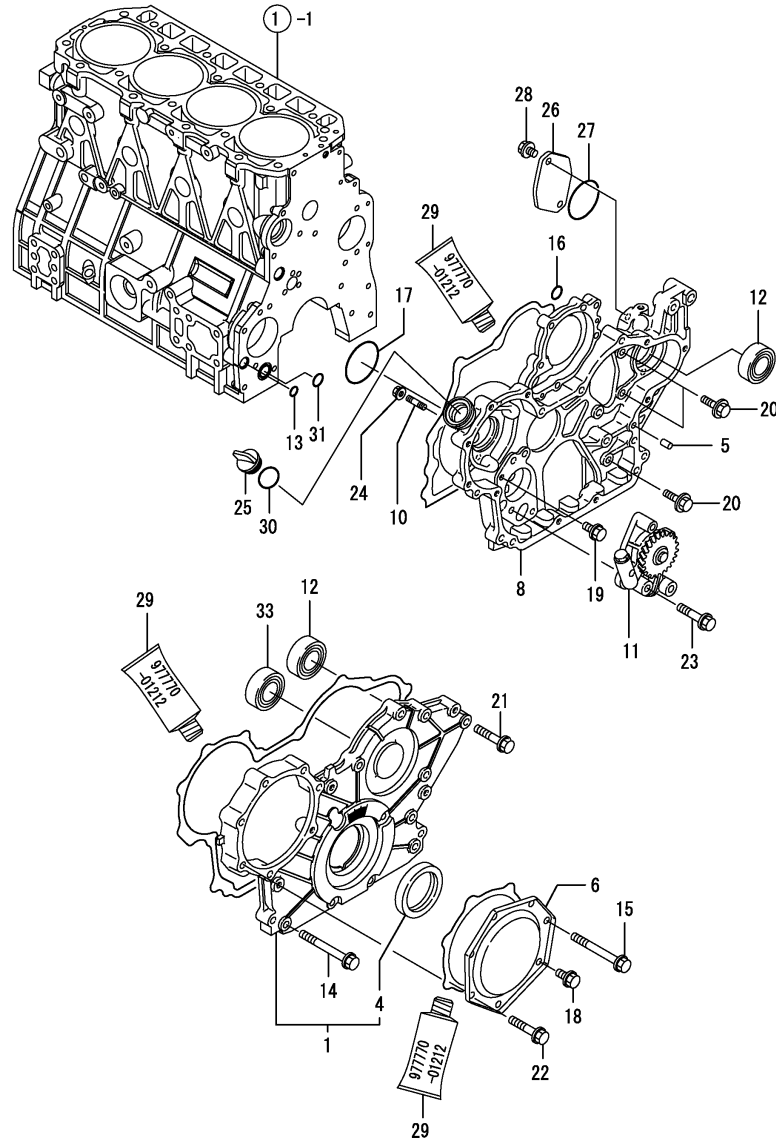
Remarks

- (1) Under-sized (U.S.=0.25) parts.
- (2) Over-sized (O.S.=0.25) parts.
- (3) Repair parts.

Fig.2. GEAR HOUSING

(A)=4TNV98T-NSA
 (B)=4TNV98T-NSA2
 (C)=4TNV98T-GGE

(D)=
 (E)=
 (F)=



No.	Lev.	Parts No.	Description	Q'ty						I	R
				(A)	(B)	(C)	(D)	(E)	(F)		
1	1	729907-01540	COVER ASSY,GEAR CASE	1	1						
4	2	129900-01780	SEAL, OIL	1	1						
5	1	129100-01580	PIN, M8X16	4	4						
6	1	129900-01740	COVER	1	1						
8	1	129933-01500	CASE, GEAR	1	1						
10	1	26216-100302	STUD, M10X 30	4	4						
11	1	129908-32060	PUMP ASSY, OIL	1	1						
12	1	129900-26250	BEARING, BALL 6206C3	2	2						
13	1	129900-32040	O-RING, P14	1	1						
14	1	129001-91810	BOLT, M8X70	6	6						
15	1	129001-91810	BOLT, M8X70	1	1						
16	1	24311-000070	O-RING, 1AP7.0	1	1						
17	1	24351-030750	O-RING, 1A3075	1	1						
18	1	26106-080162	BOLT, M8X 16 PLATED	1	1						
19	1	26106-080162	BOLT, M8X 16 PLATED	1	1						
20	1	26106-080202	BOLT, M8X 20 PLATED	3	3						
21	1	26106-080402	BOLT, M8X 40 PLATED	5	5						
22	1	26106-080402	BOLT, M8X 40 PLATED	5	5						
23	1	26106-080452	BOLT, M8X 45 PLATED	3	3						
24	1	26306-100002	NUT, M10	4	4						
25	1	124160-01751	COVER, FILLER	1	1						
26	1	121023-26070	COVER	1	1						
27	1	24321-000850	O-RING, 1AG85.0	1	1						
28	1	26106-100202	BOLT, M10X 20 PLATED	2	2						
29	1	977770-01212	GASKET, LIQUID	1	1						1
30	1	24311-000320	O-RING, 1AP32.0	1	1						
31	1	129900-32030	O-RING, P20	1	1						
33	1	129900-14140	BEARING, BALL 6205	1	1						

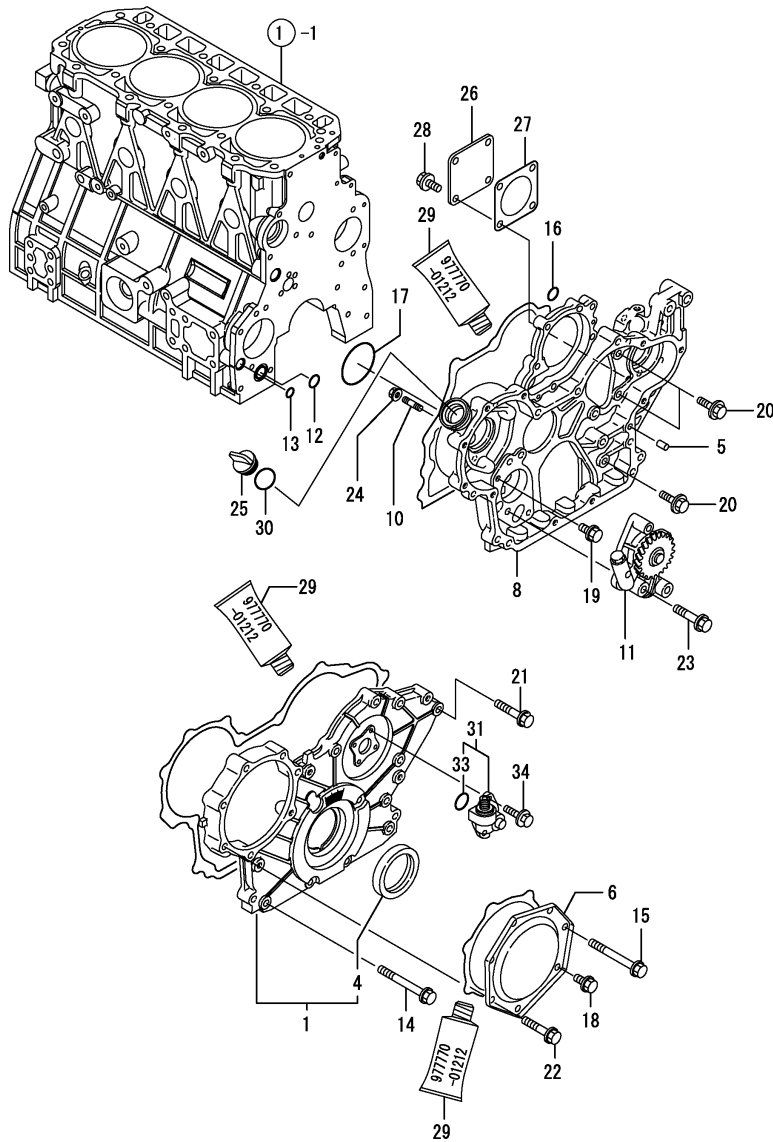
Remarks

(1)Optional parts.

N:Old $\begin{matrix} \leftarrow \text{Yes} \\ \text{No} \end{matrix}$ New, Q:Old $\begin{matrix} \leftarrow \text{No} \\ \text{Yes} \end{matrix}$ New, R:Old $\begin{matrix} \leftarrow \text{Yes} \\ \text{Yes} \end{matrix}$ New, S:Old $\begin{matrix} \leftarrow \text{No} \\ \text{No} \end{matrix}$ New, W:Add, Z:Discontinued, F:Interchangeable by set, K:Q'ty Change

Fig.3. GEAR HOUSING

4TNV98T-GGE



(A)=4TNV98T-NSA
(B)=4TNV98T-NSA2
(C)=4TNV98T-GGE

(D)=
(E)=
(F)=

No.	Lev.	Parts No.	Description	Qty						I	R
				(A)	(B)	(C)	(D)	(E)	(F)		
1	1	729907-01580	COVER ASSY,GEAR CASE			1					
4	2	129900-01780	SEAL, OIL			1					
5	1	129100-01580	PIN, M8X16			4					
6	1	129900-01740	COVER			1					
8	1	129908-01500	CASE, GEAR			1					
10	1	26216-100302	STUD, M10X 30			4					
11	1	129908-32060	PUMP ASSY, OIL			1					
12	1	129900-32030	O-RING, P20			1					
13	1	129900-32040	O-RING, P14			1					
14	1	129001-91810	BOLT, M8X70			6					
15	1	129001-91810	BOLT, M8X70			1					
16	1	24311-000070	O-RING, 1AP7.0			1					
17	1	24351-030750	O-RING, 1A3075			1					
18	1	26106-080162	BOLT, M8X 16 PLATED			1					
19	1	26106-080162	BOLT, M8X 16 PLATED			1					
20	1	26106-080202	BOLT, M8X 20 PLATED			3					
21	1	26106-080402	BOLT, M8X 40 PLATED			5					
22	1	26106-080402	BOLT, M8X 40 PLATED			5					
23	1	26106-080452	BOLT, M8X 45 PLATED			3					
24	1	26306-100002	NUT, M10			4					
25	1	124160-01751	COVER, FILLER			1					
26	1	124240-01871	COVER			1					
27	1	124240-01883	GASKET			1					
28	1	26106-080162	BOLT, M8X 16 PLATED			4					
29	1	977770-01212	GASKET, LIQUID			1					1
30	1	24311-000320	O-RING, 1AP32.0			1					
31	1	129150-91400	GEAR			1					
33	2	24341-000240	O-RING, 1AS24.0			1					
34	1	26106-060162	BOLT, M6X 16 PLATED			2					

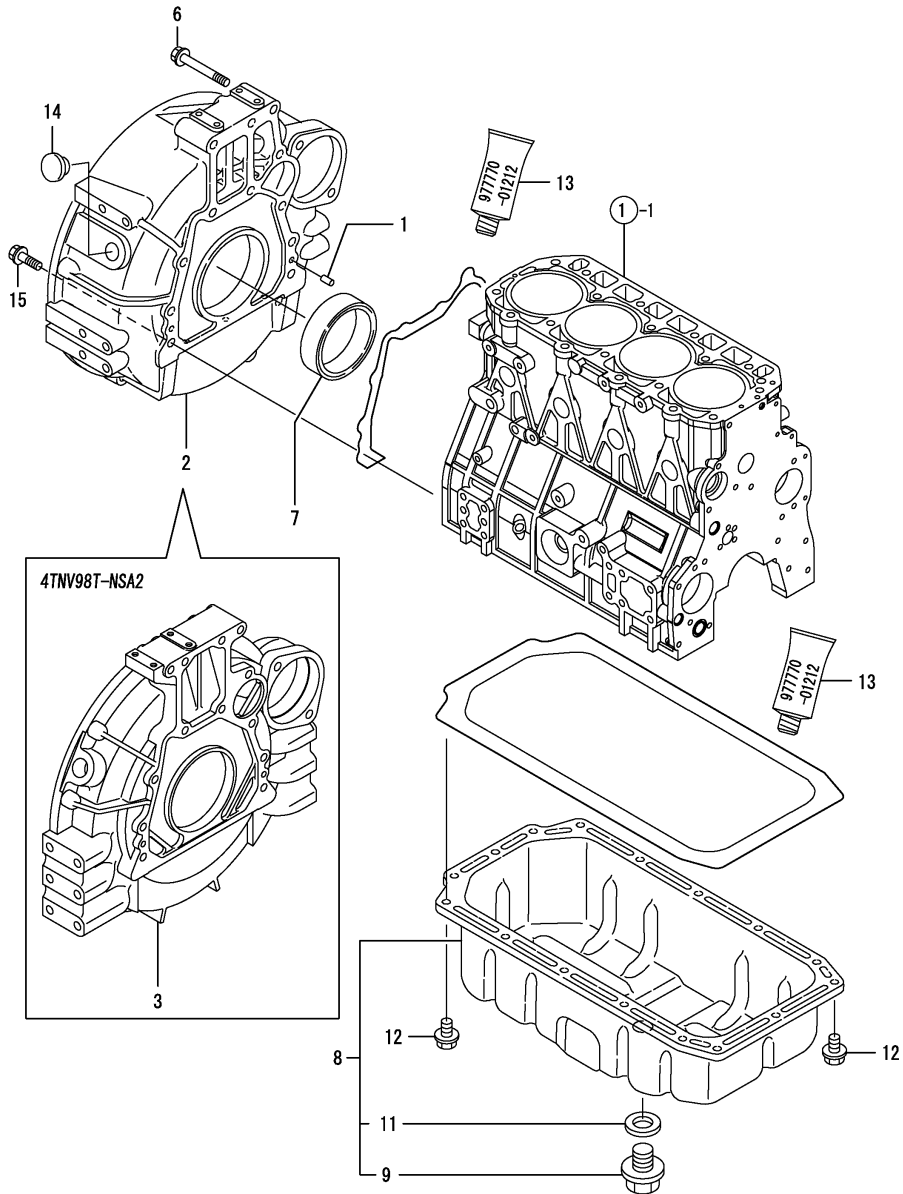
Remarks

(1)Optional parts.

Fig.4. FLYWHEEL HOUSING & OIL SUMP

(A)=4TNV98T-NSA
 (B)=4TNV98T-NSA2
 (C)=4TNV98T-GGE

(D)=
 (E)=
 (F)=



No.	Lev.	Parts No.	Description	Q'ty						I	R
				(A)	(B)	(C)	(D)	(E)	(F)		
1	1	129100-01580	PIN, M8X16	2	2						
2	1	129955-01600	HOUSING, FLYWHEEL	1							
3	1	129900-01620	HOUSING, FLYWHEEL		1						
6	1	26206-100702	BOLT, M10X 70 PLATED	3	4						
7	1	124411-01780	SEAL, HTC95X115X12	1	1						
8	1	129916-01710	SUMP ASSY, OIL	1	1						
9	2	119640-01640	PLUG, DRAIN M22	1	1						
11	2	22190-220002	WASHER, SEAL 22	1	1						
12	1	26106-080122	BOLT, M8X 12 PLATED	16	16						
13	1	977770-01212	GASKET, LIQUID	1	1						1
14	1	119620-01750	CAP	1	1						
15	1	26206-100352	BOLT, M10X 35 PLATED	9	9						

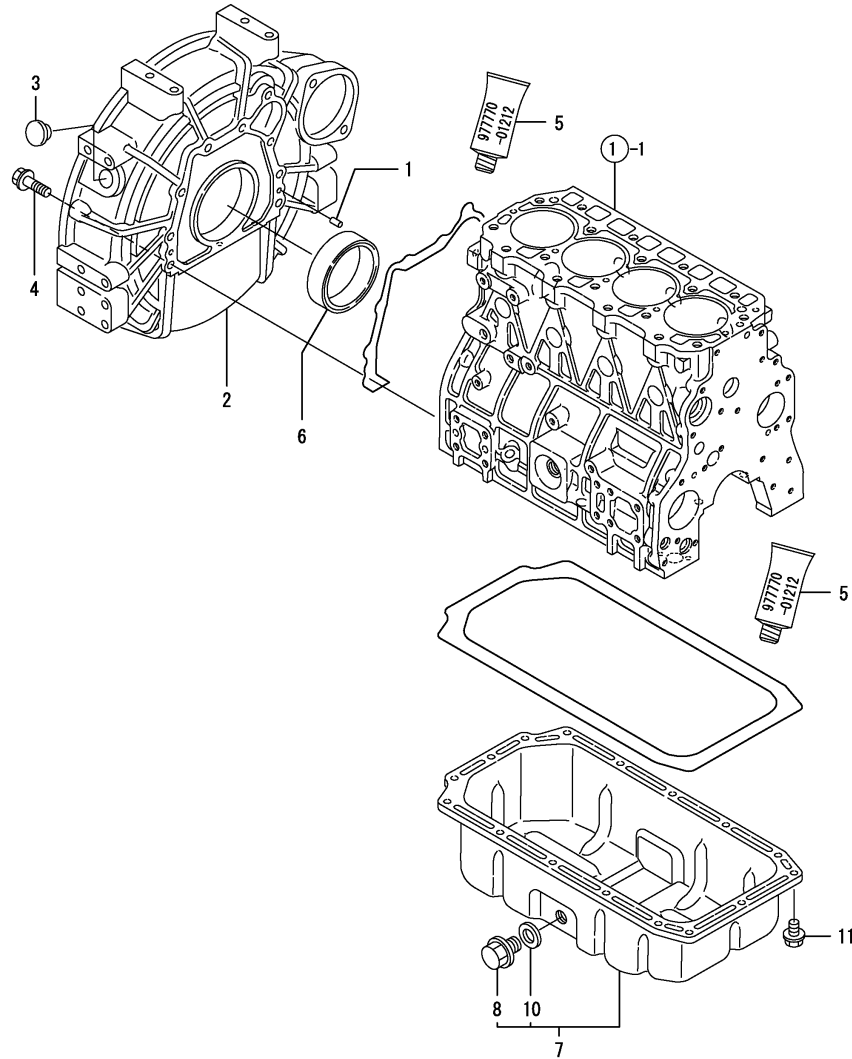
Remarks

(1)Optional parts.

N:Old $\xrightarrow{\text{Yes}}$ New, Q:Old $\xrightarrow{\text{No}}$ New, R:Old $\xrightarrow{\text{Yes}}$ New, S:Old $\xrightarrow{\text{No}}$ New, W:Add, Z:Discontinued, F:Interchangeable by set, K:Q'ty Change

Fig.5. FLYWHEEL HOUSING & OIL SUMP

4TNV98T-GGE



(A)=4TNV98T-NSA
(B)=4TNV98T-NSA2
(C)=4TNV98T-GGE

(D)=
(E)=
(F)=

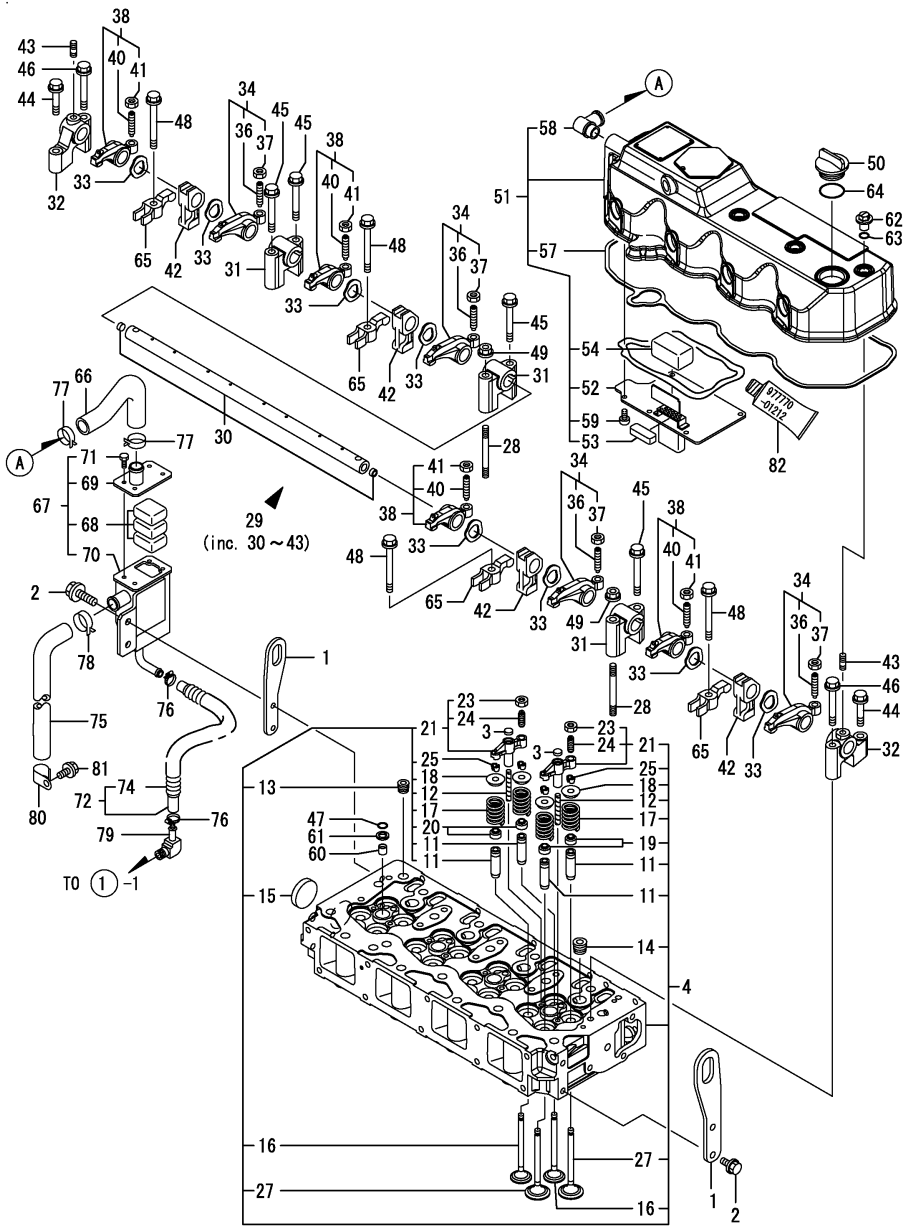
No.	Lev.	Parts No.	Description	Qty						I	R	
				(A)	(B)	(C)	(D)	(E)	(F)			
1	1	129100-01580	PIN, M8X16			2						
2	1	129915-01610	HOUSING, FLYWHEEL			1						
3	1	119000-01840	PLUG, RUBBER			1						
4	1	26206-100352	BOLT, M10X 35 PLATED			9						
5	1	977770-01212	GASKET, LIQUID			1						1
6	1	124411-01780	SEAL, HTC95X115X12			1						
7	1	129982-01710	SUMP ASSY, OIL			1						
8	2	119640-01640	PLUG, DRAIN M22			1						
10	2	22190-220002	WASHER, SEAL 22			1						
11	1	26106-080122	BOLT, M8X 12 PLATED			16						

Remarks

(1)Optional parts.

N:Old $\xrightarrow{\text{Yes}}$ New, Q:Old $\xrightarrow{\text{No}}$ New, R:Old $\xrightarrow{\text{Yes}}$ New, S:Old $\xrightarrow{\text{No}}$ New, W:Add, Z:Discontinued, F:Interchangeable by set, K:Qty Change

Fig.6. CYLINDER HEAD & BONNET



(A)=4TNV98T-NSA
(B)=4TNV98T-NSA2
(C)=4TNV98T-GGE

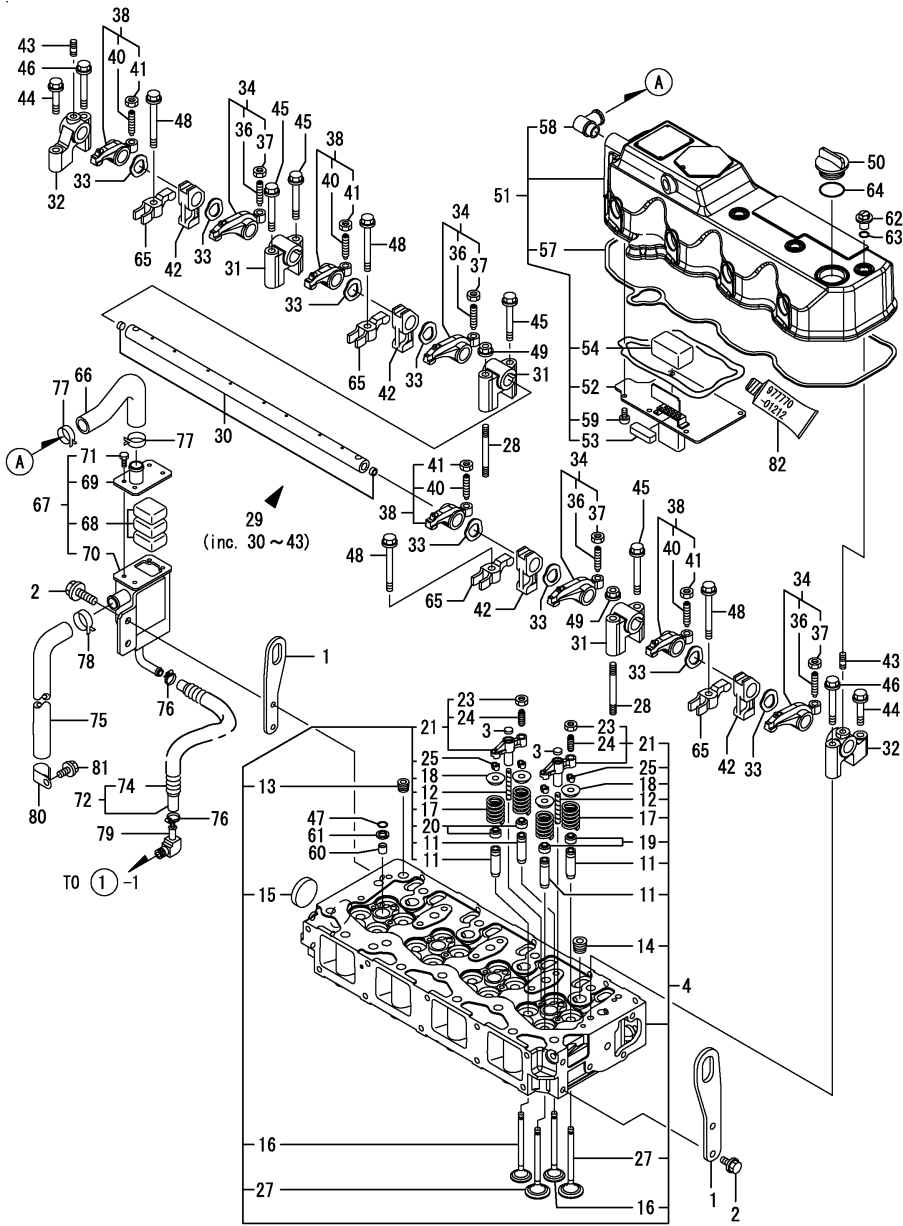
(D)=
(E)=
(F)=

No.	Lev.	Parts No.	Description	Q'ty						I	R
				(A)	(B)	(C)	(D)	(E)	(F)		
1	1	129907-07900	LIFTER	2	2	2					
2	1	26106-080162	BOLT, M8X 16 PLATED	4	4	4					
3	1	123907-11550	SEAT, VALVE BRIDGE	8	8	8					
4	1	129908-11700	HEAD ASSY, CYLINDER	1	1	1					1
11	2	129907-11800	GUIDE, VALVE	16	16	16					
12	2	123907-11820	GUIDE	8	8	8					
13	2	23876-020000	PLUG, R02	1	1	1					
14	2	23876-030000	PLUG, R03	4	4	4					
15	2	27241-400000	PLUG, 40	1	1	1					
16	2	129907-11110	VALVE, EXHAUST	8	8	8					
17	2	129907-11120	SPRING, VALVE	16	16	16					
18	2	119620-11180	RETAINER, SPRING	16	16	16					
19	2	124160-11340	SEAL, VALVE STEM	8	8	8					
20	2	124950-11340	SEAL, VALVE STEM	8	8	8					
21	2	129907-11510	BRIDGE ASSY, VALVE	8	8	8					
23	3	129150-11750	NUT, M8	8	8	8					
24	3	123907-11830	ADJUSTER	8	8	8					
25	2	27310-070001	COTTER, 7	16	16	16					
27	2	129907-11100	VALVE, INTAKE	8	8	8					
28	1	119593-11301	STUD, M8X80	2	2	2					
29	1	129907-11341	SHAFT ASSY, ROCKER	1	1	1					
30	2	129907-11250	SHAFT, ROCKER ARM	1	1	1					
31	2	129907-11260	SUPPORT, ROCKER ARM	3	3	3					
32	2	129907-11270	SUPPORT, ROCKER ARM	2	2	2					
33	2	123907-11280	WASHER	8	8	8					
34	2	129907-11650	ARM, ROCKER	4	4	4					
36	3	129150-11230	SCREW, VALVE ADJUST	4	4	4					
37	3	129150-11750	NUT, M8	4	4	4					
38	2	129907-11660	ARM, ROCKER	4	4	4					
40	3	129150-11230	SCREW, VALVE ADJUST	4	4	4					
41	3	129150-11750	NUT, M8	4	4	4					
42	2	129907-11920	RETAINER	4	4	4					
43	2	26226-080222	STUD, M8X 22	2	2	2					
44	1	26106-080402	BOLT, M8X 40 PLATED	2	2	2					
45	1	26106-080602	BOLT, M8X 60 PLATED	4	4	4					
46	1	26106-080602	BOLT, M8X 60 PLATED	2	2	2					
47	1	24311-000120	O-RING, 1AP12.0	4	4	4					
48	1	129907-11950	BOLT, M8X75	4	4	4					
49	1	26306-080002	NUT, M8	2	2	2					
50	1	124160-01751	COVER, FILLER	1	1	1					
51	1	129908-11320	BONNET ASSY, HEAD	1	1	1					
52	2	129907-03010	PLATE	1	1	1					
53	2	129907-03060	BAFFLE, BREATHER	1	1	1					
54	2	129907-03070	BAFFLE, BREATHER	1	1	1					
57	2	129907-11310	GASKET, BONNET	1	1	1					
58	2	119100-11330	ELBOW	1	1	1					
59	2	22857-500100	SCREW, 5X10	6	6	6					
60	1	119802-11870	PROTECTOR, NOZZLE	4	4	4					
61	1	119625-11880	SEAT, NOZZLE	4	4	4					
62	1	124160-11360	KNOB	4	4	4					
63	1	24311-000120	O-RING, 1AP12.0	4	4	4					

Remarks

- (1)Repair parts.
- (2)Optional parts.

Fig.6. CYLINDER HEAD & BONNET



(A)=4TNV98T-NSA
(B)=4TNV98T-NSA2
(C)=4TNV98T-GGE

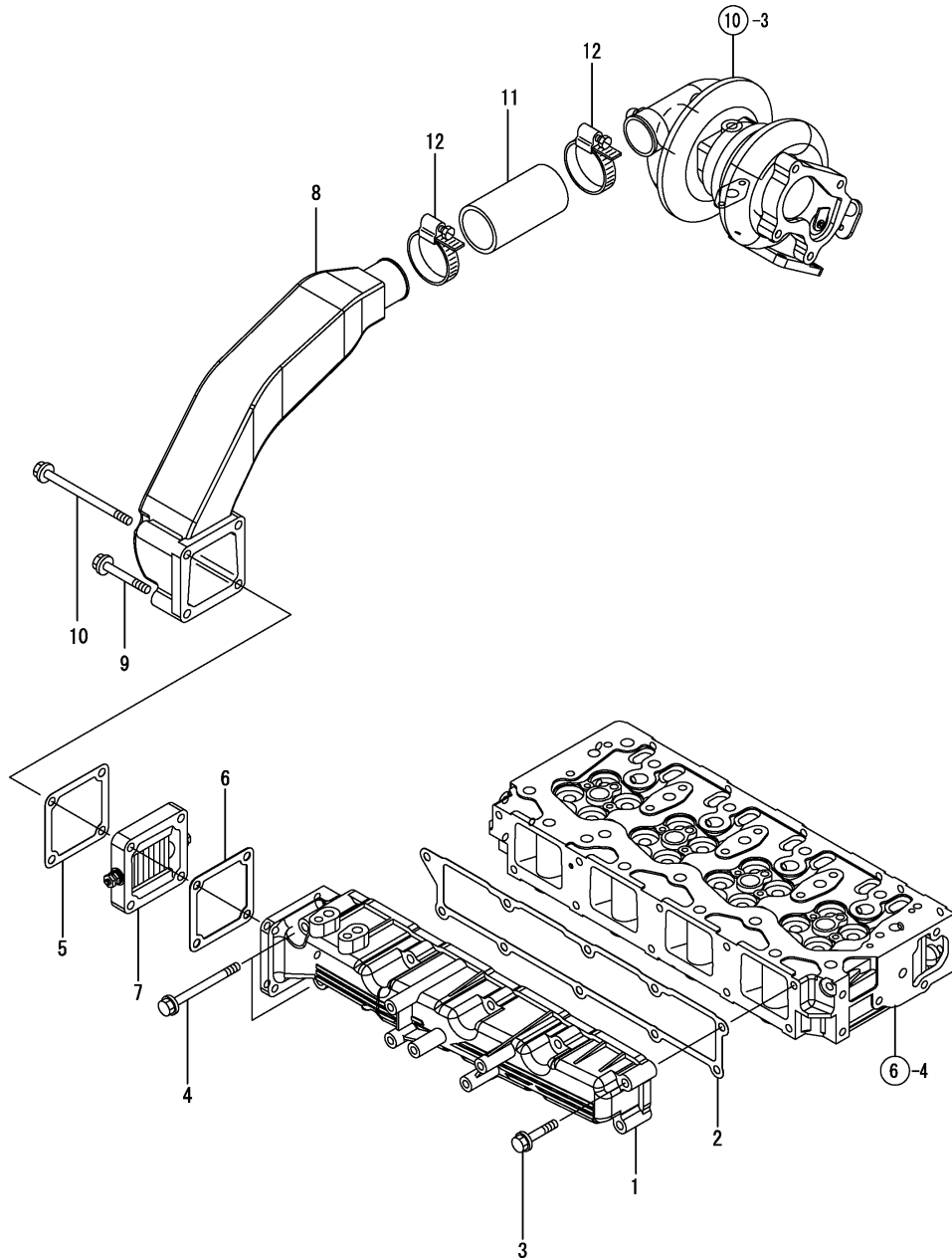
(D)=
(E)=
(F)=

No.	Lev.	Parts No.	Description	Qty						I	R
				(A)	(B)	(C)	(D)	(E)	(F)		
64	1	24311-000320	O-RING, 1AP32.0	1	1	1					
65	1	129907-11910	RETAINER, NOZZLE	4	4	4					
66	1	129908-03099	HOSE, BREATHER	1	1	1					
67	1	129908-03209	BREATHER ASSY	1	1	1					
68	2	123901-03240	FILTER	3	3	3					
69	2	129908-03219	COVER, BREATHER	1	1	1					
70	2	129908-03229	BREATHER	1	1	1					
71	2	26116-050102	BOLT, M5X 10 PLATED	4	4	4					
72	1	129935-03260	HOSE ASSY, RETURN	1	1	1					
74	2	129935-03270	TUBE, CORRUGATED	1	1	1					
75	1	119006-03090	HOSE, BREATHER	1	1	1					
76	1	23000-022000	CLAMP, 22	2	2	2					
77	1	129410-03990	CLIP	2	2	2					
78	1	129960-03990	CLIP, HOSE 22	1	1	1					
79	1	123901-03280	ELBOW, PT3/8-10	1	1	1					
80	1	129150-03100	RETAINER, PIPE	1	1	1					
81	1	26106-080122	BOLT, M8X 12 PLATED	1	1	1					
82	1	977770-01212	GASKET, LIQUID	1	1	1					2

Remarks

- (1)Repair parts.
- (2)Optional parts.

Fig.7. SUCTION MANIFOLD



(A)=4TNV98T-NSA
 (B)=4TNV98T-NSA2
 (C)=4TNV98T-GGE

(D)=
 (E)=
 (F)=

No.	Lev.	Parts No.	Description	Qty						I	R
				(A)	(B)	(C)	(D)	(E)	(F)		
1	1	129944-12110	MANIFOLD, AIR INTAKE	1	1	1					
2	1	129907-12110	GASKET, MANIFOLD	1	1	1					
3	1	26106-080452	BOLT, M8X 45 PLATED	8	8	8					
4	1	26106-080802	BOLT, M8X 80 PLATED	2	2	2					
5	1	119129-77020	GASKET	1	1	1					
6	1	121850-77021	GASKET	1	1	1					
7	1	119005-77050	HEATER	1	1	1					
8	1	129935-18350	DUCT, AIR	1	1	1					
9	1	26106-080702	BOLT, M8X 70 PLATED	2	2	2					
10	1	26106-080902	BOLT, M8X 90 PLATED	2	2	2					
11	1	123951-18220	JOINT, RUBBER	1	1	1					
12	1	23000-054000	CLAMP, 54	2	2	2					

Fig.8. EXHAUST MANIFOLD

(A)=4TNV98T-NSA
 (B)=4TNV98T-NSA2
 (C)=4TNV98T-GGE

(D)=
 (E)=
 (F)=

No.	Lev.	Parts No.	Description	Q'ty						I	R
				(A)	(B)	(C)	(D)	(E)	(F)		
1	1	129935-13100	MANIFOLD, EXHAUST	1	1	1					
2	1	129900-13251	GASKET	1	1	1					
3	1	123900-13630	BOLT, M8X80	8	8	8					
4	1	129418-18320	STUD, M8X20	4	4	4					
5	1	123901-18080	GASKET	1	1	1					

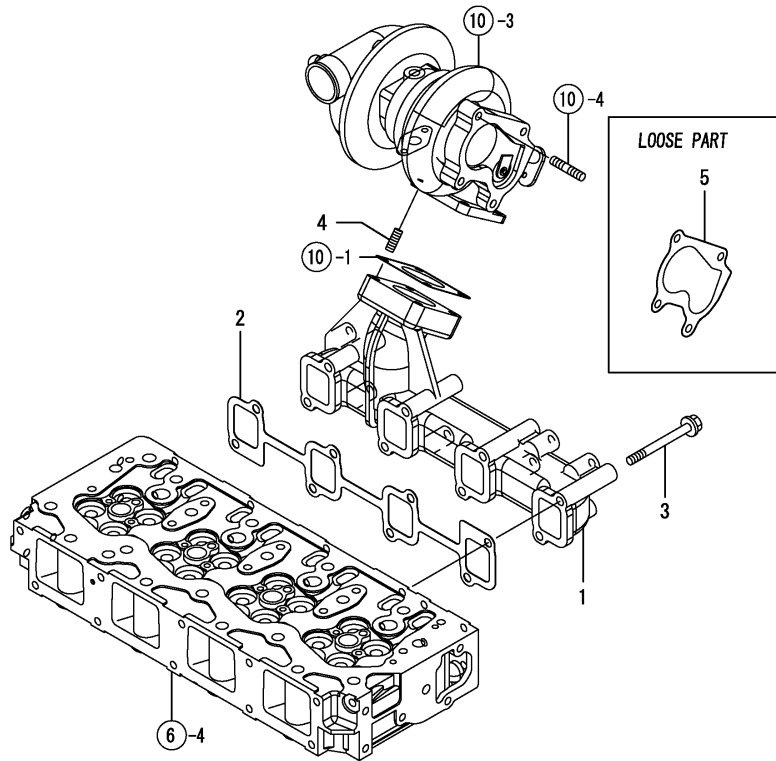
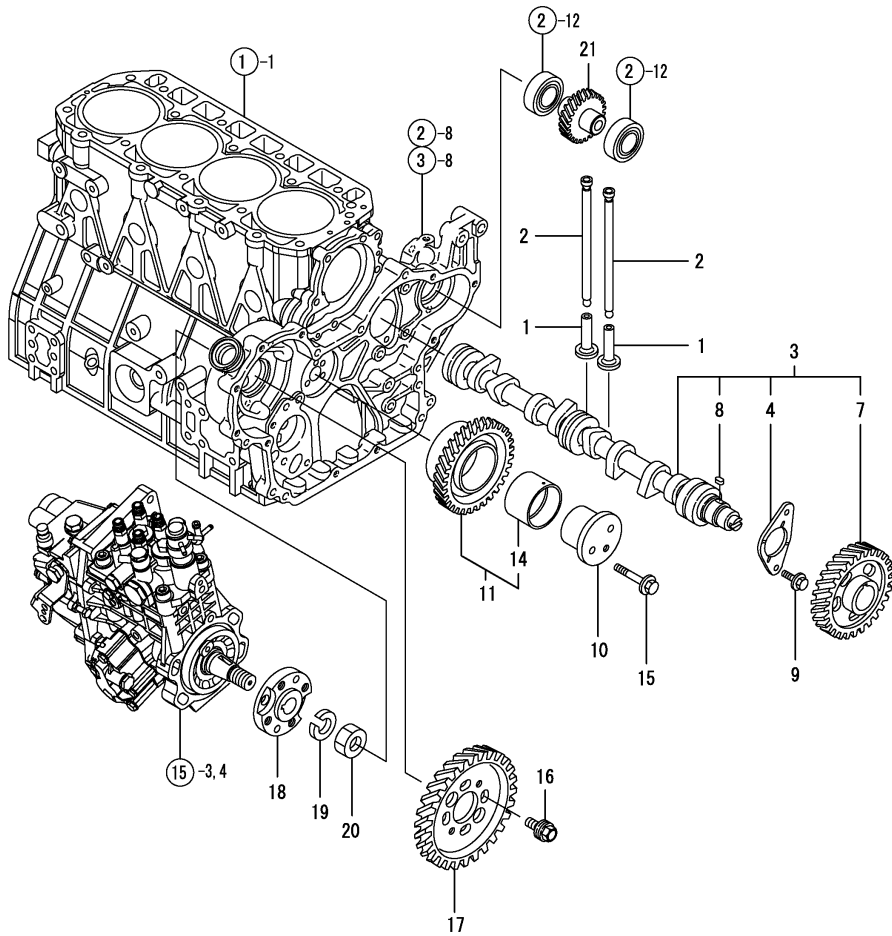


Fig.9. CAMSHAFT & DRIVING GEAR



(A)=4TNV98T-NSA
 (B)=4TNV98T-NSA2
 (C)=4TNV98T-GGE

(D)=
 (E)=
 (F)=

No.	Lev.	Parts No.	Description	Q'ty						I	R
				(A)	(B)	(C)	(D)	(E)	(F)		
1	1	129150-14200	TAPPET	8	8	8					
2	1	129907-14400	ROD, PUSH	8	8	8					
3	1	129908-14581	CAMSHAFT ASSY	1	1	1					
4	2	129150-02450	BEARING, THRUST	1	1	1					
7	2	129900-14100	GEAR, CAMSHAFT	1	1	1					
8	2	22512-070140	KEY, 7X 14	1	1	1					
9	1	26106-080162	BOLT, M8X 16 PLATED	2	2	2					
10	1	123900-25060	SHAFT, IDLE GEAR	1	1	1					
11	1	129900-25100	GEAR ASSY, IDLE	1	1	1					
14	2	129150-25920	BUSH, IDLE GEAR	1	1	1					1
15	1	26106-080552	BOLT, M8X 55 PLATED	3	3	3					
16	1	129953-25300	BOLT	4	4	4					
17	1	123907-25909	GEAR, PUMP	1	1	1					
18	1	158563-51150	FLANGE	1	1	1					
19	1	22217-180000	WASHER, SPRING 18	1	1	1					
20	1	26776-180002	NUT, LOCK M18	1	1	1					
21	1	129980-26200	GEAR, PUMP	1	1						

Remarks
 (1)Repair parts.

Fig.10. TURBINE

(A)=4TNV98T-NSA
 (B)=4TNV98T-NSA2
 (C)=4TNV98T-GGE

(D)=
 (E)=
 (F)=

No.	Lev.	Parts No.	Description	Q'ty						I	R
				(A)	(B)	(C)	(D)	(E)	(F)		
1	1	129472-18090	GASKET	1	1	1					
2	1	26306-080002	NUT, M8	4	4	4					
3	1	129935-18010	TURBINE, RHF5	1	1	1					
4	1	119131-18320	STUD, M8X22	4	4	4					

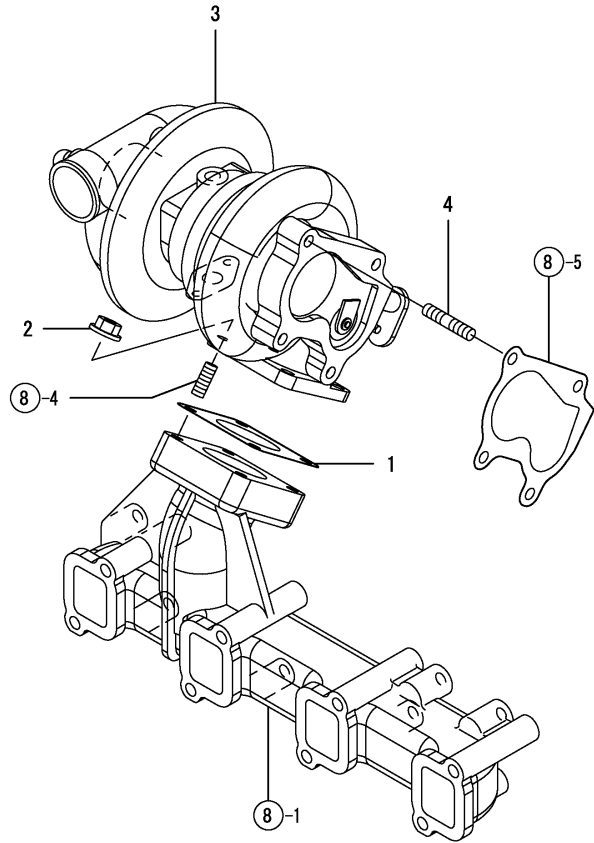
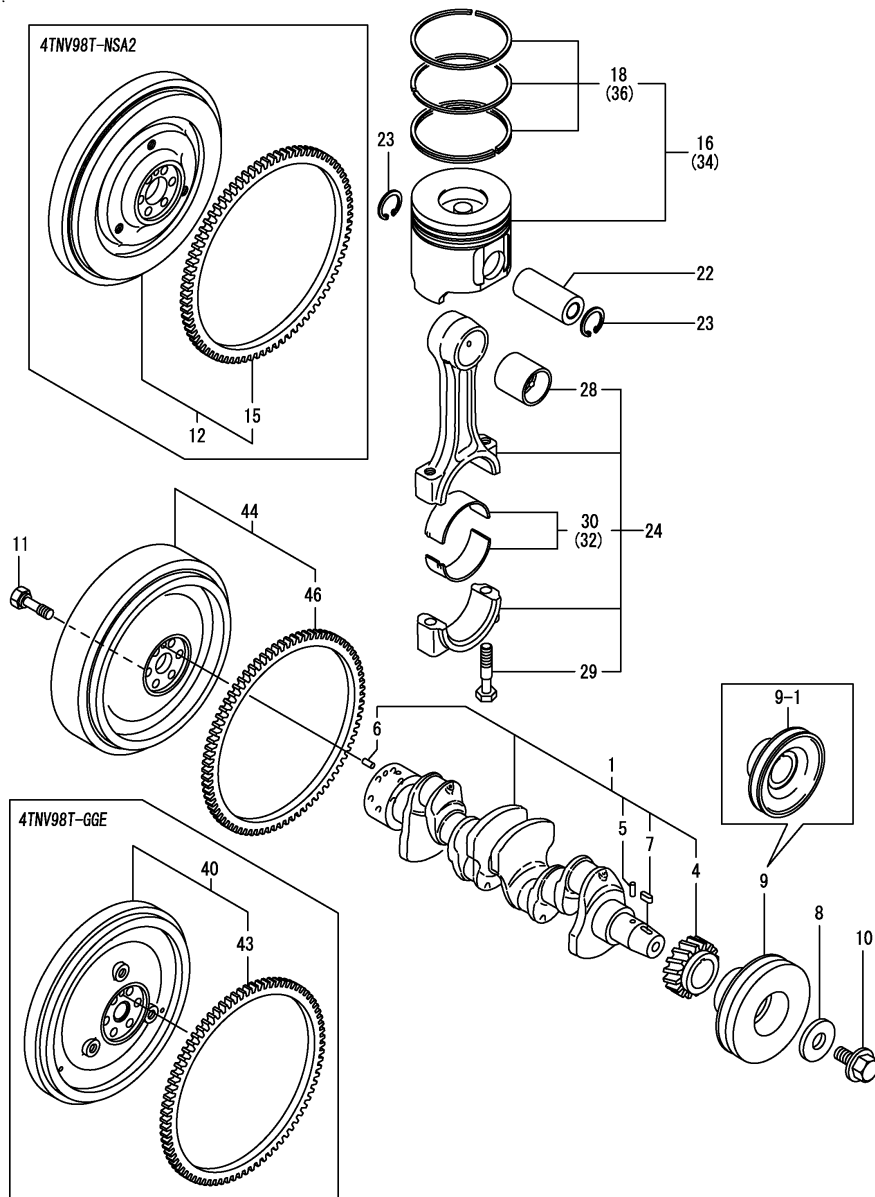


Fig.11. CRANKSHAFT & PISTON

(A)=4TNV98T-NSA
(B)=4TNV98T-NSA2
(C)=4TNV98T-GGE

(D)=
(E)=
(F)=



No.	Lev.	Parts No.	Description	Qty						I	R
				(A)	(B)	(C)	(D)	(E)	(F)		
1	1	129908-21000	CRANKSHAFT ASSY	1	1	1					
4	2	129900-21200	GEAR, CRANKSHAFT	1	1	1					
5	2	121850-21290	PIN	1	1	1					
6	2	121850-21920	PIN, M10X22	1	1	1					
7	2	22512-070140	KEY, 7X 14	1	1	1					
8	1	129900-21640	WASHER	1	1	1					
9	1	129907-21660	V-PULLEY, 130	1	1	1					
9-1	1	129900-21660	V-PULLEY, 130	1	1	1					R
		(A=EXXXXX) (B=EXXXXX) (C=EXXXXX)									
10	1	121850-21680	BOLT	1	1	1					
11	1	121850-21130	BOLT, FLYWHEEL	6	6	6					
12	1	129953-21570	FLYWHEEL ASSY		1						
15	2	129900-21600	GEAR, RING		1						
16	1	129908-22080	PISTON ASSY	4	4	4					
18	2	129907-22050	RING SET, PISTON	4	4	4					
22	1	120130-22301	PIN, PISTON	4	4	4					
23	1	22252-000300	RING, 30	8	8	8					
24	1	129900-23000	ROD ASSY, CONNECTING	4	4	4					
28	2	129900-23910	BEARING, PISTON PIN	4	4	4					1
29	2	129900-23200	BOLT, CONNECTING ROD	8	8	8					
30	2	129900-23600	BEARING, CRANK PIN	4	4	4					
32	1	129900-23610	BEARING, 0.25 US	4	4	4					2
34	1	729908-22900	PISTON ASSY, 0.25 OS	4	4	4					3
36	2	729907-22950	RING SET, 0.25 OS	4	4	4					3
40	1	129920-21580	FLYWHEEL			1					
43	2	127410-21480	GEAR, RING Z=129			1					
44	1	129955-21590	FLYWHEEL ASSY	1							
46	2	129900-21600	GEAR, RING	1							

Remarks

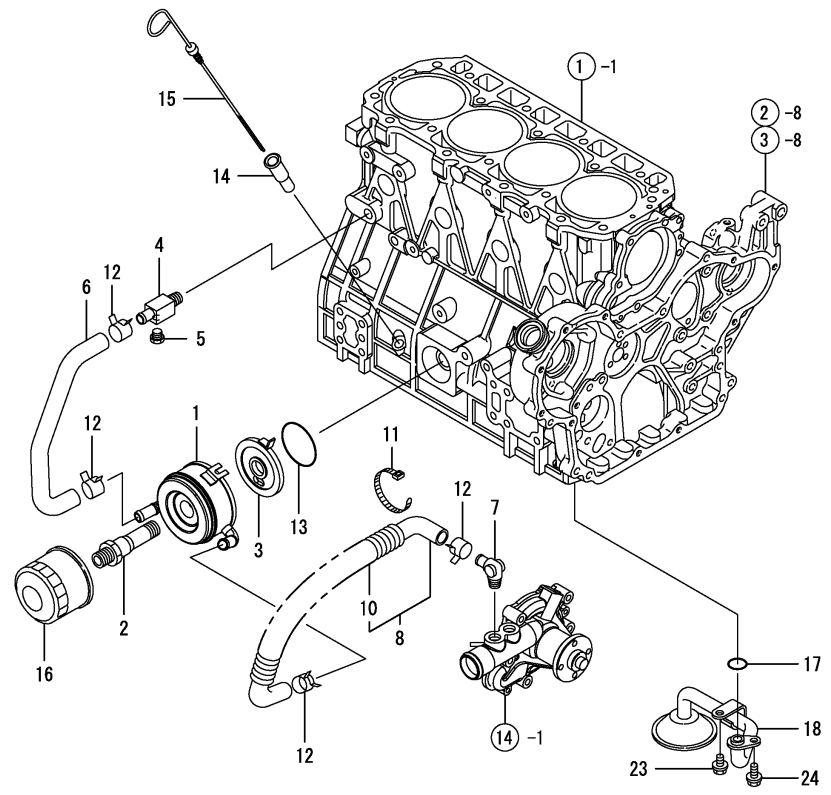
- (1) Repair parts.
- (2) Under-sized (U.S.=0.25) parts.
- (3) Over-sized (O.S.=0.25) parts.

Fig.12. LUB. OIL SYSTEM

(A)=4TNV98T-NSA
 (B)=4TNV98T-NSA2
 (C)=4TNV98T-GGE

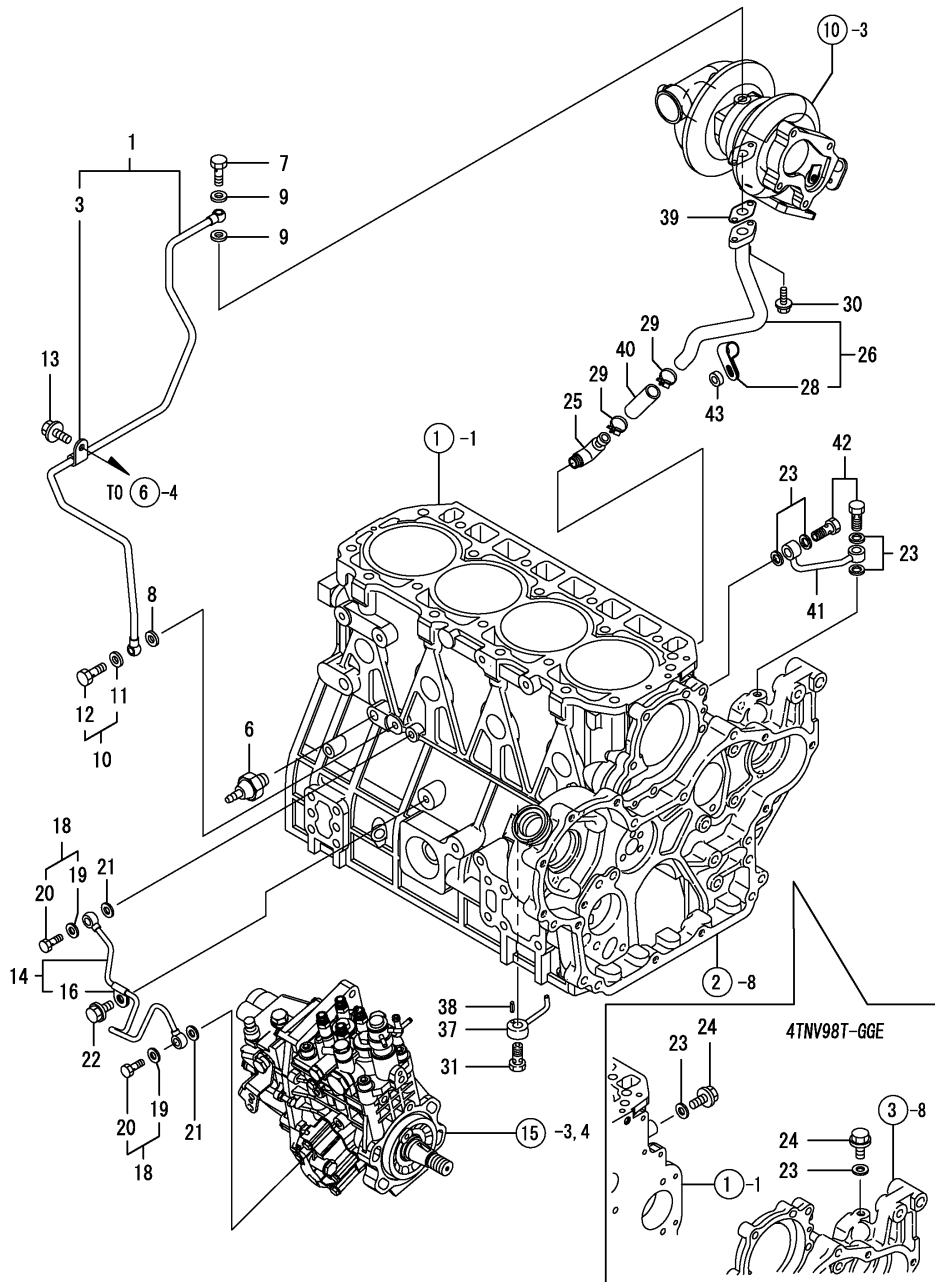
(D)=
 (E)=
 (F)=

No.	Lev.	Parts No.	Description	Qty						I	R
				(A)	(B)	(C)	(D)	(E)	(F)		
1	1	129908-33010	COOLER ASSY, OIL	1	1	1					
2	1	123912-33100	BOLT, COOLER	1	1	1					
3	1	129908-33100	BRACKET	1	1	1					
4	1	129006-44480	JOINT	1	1	1					
5	1	171056-49120	PLUG, DRAIN	1	1	1					
6	1	129908-49060	PIPE, WATER	1	1	1					
7	1	129466-49300	ELBOW, PT3/8	1	1	1					
8	1	123910-49600	PIPE, WATER	1	1	1					
10	2	123910-49610	TUBE, CORRUGATED	1	1	1					
11	1	121750-59890	BAND, 140	1	1	1					
12	1	23000-025000	CLAMP, 25	4	4	4					
13	1	24321-000600	O-RING, 1AG60.0	1	1	1					
14	1	121520-34810	GUIDE, DIPSTICK	1	1	1					
15	1	129953-34830	DIPSTICK, OIL	1	1	1					
16	1	129150-35170	FILTER, LO	1	1	1					1
17	1	129900-32030	O-RING, P20	1	1	1					
18	1	129900-35000	PIPE ASSY, OIL INLET	1	1	1					
23	1	26106-080122	BOLT, M8X 12 PLATED	1	1	1					
24	1	26106-080162	BOLT, M8X 16 PLATED	1	1	1					



Remarks
 (1)Repair parts.

Fig.13. LUB. OIL PIPING

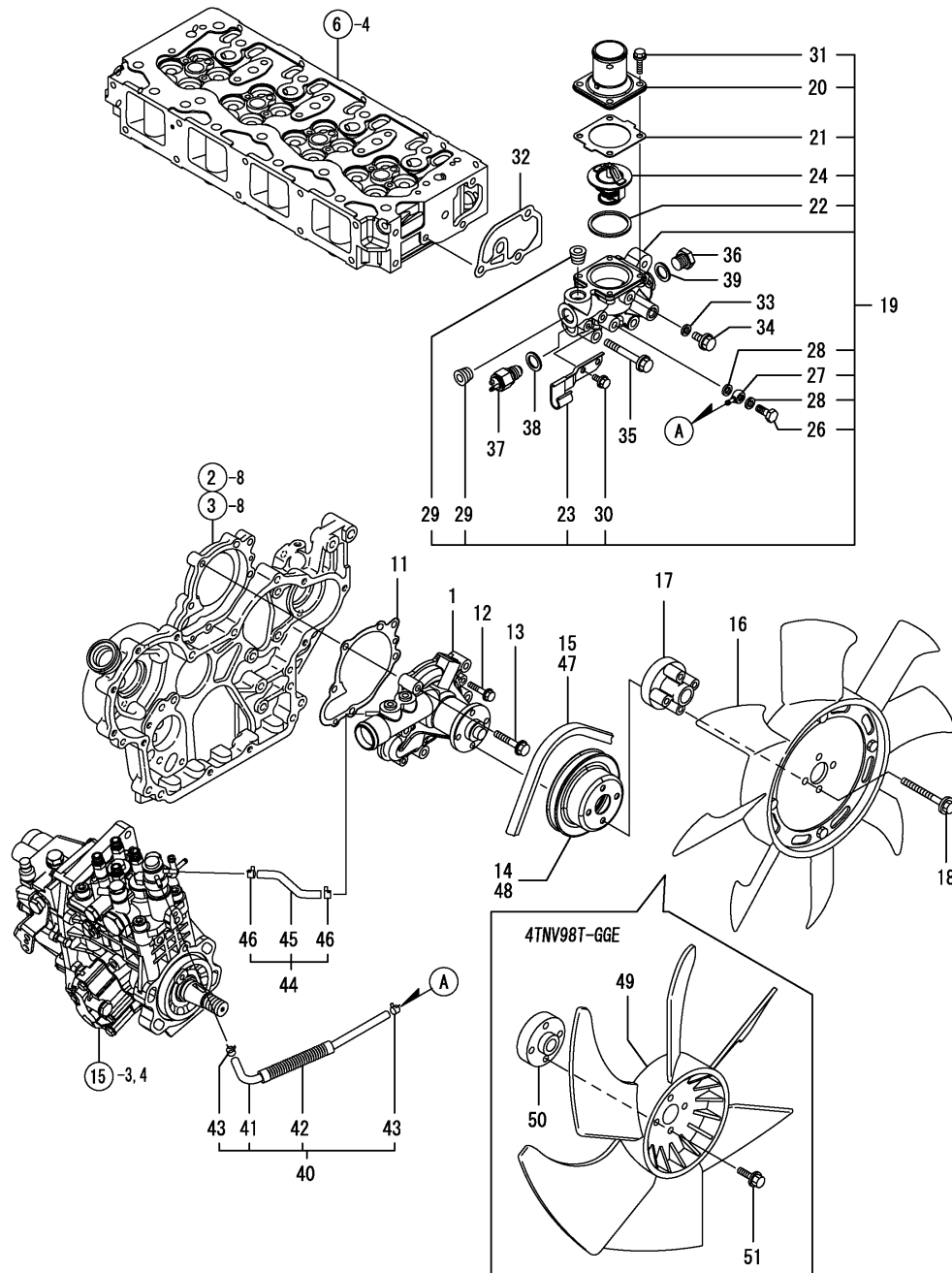


(A)=4TNV98T-NSA
 (B)=4TNV98T-NSA2
 (C)=4TNV98T-GGE

(D)=
 (E)=
 (F)=

No.	Lev.	Parts No.	Description	Qty						I	R
				(A)	(B)	(C)	(D)	(E)	(F)		
1	1	129935-39040	PIPE ASSY, OIL	1	1	1					
3	2	124223-39900	RETAINER	1	1	1					
6	1	114250-39450	SWITCH, 0.5KG	1	1	1					
7	1	121252-39150	BOLT, JOINT M10X1.5	1	1	1					
8	1	22190-080002	WASHER, SEAL 6	1	1	1					
9	1	23414-100000	GASKET, 10X1.0	2	2	2					
10	1	129005-59830	BOLT ASSY, JOINT M8	1	1	1					
11	2	22190-080002	WASHER, SEAL 6	1	1	1					
12	2	23857-030000	BOLT, JOINT 3	1	1	1					
13	1	26106-080122	BOLT, M8X 12 PLATED	1	1	1					
14	1	129907-39061	PIPE ASSY, OIL	1	1	1					
16	2	123907-39500	RETAINER	1	1	1					
18	1	129005-59830	BOLT ASSY, JOINT M8	2	2	2					
19	2	22190-080002	WASHER, SEAL 6	2	2	2					
20	2	23857-030000	BOLT, JOINT 3	2	2	2					
21	1	22190-080002	WASHER, SEAL 6	2	2	2					
22	1	26106-080122	BOLT, M8X 12 PLATED	1	1	1					
23	1	22190-080002	WASHER, SEAL 6	4	4	2					
24	1	26106-080122	BOLT, M8X 12 PLATED				2				
25	1	124070-13300	ELBOW, PT3/8	1	1	1					
26	1	129935-39610	PIPE, OIL	1	1	1					
28	2	123910-39850	RETAINER	1	1	1					
29	1	23000-025000	CLAMP, 25	2	2	2					
30	1	26106-060162	BOLT, M6X 16 PLATED	2	2	2					
31	1	129908-39410	VALVE ASSY, CHECK	4	4	4					
37	1	119000-39650	NOZZLE	4	4	4					
38	1	22351-030010	PIN, SPRING 3.0X10	4	4	4					
39	1	129908-39690	GASKET	1	1	1					
40	1	123901-39820	HOSE	1	1	1					
41	1	129930-39050	PIPE, OIL	1	1						
42	1	105010-39140	BOLT, PIPE JOINT	2	2						
43	1	106500-44810	SPACER	1	1	1					

Fig.14. COOLING WATER SYSTEM



(A)=4TNV98T-NSA
(B)=4TNV98T-NSA2
(C)=4TNV98T-GGE

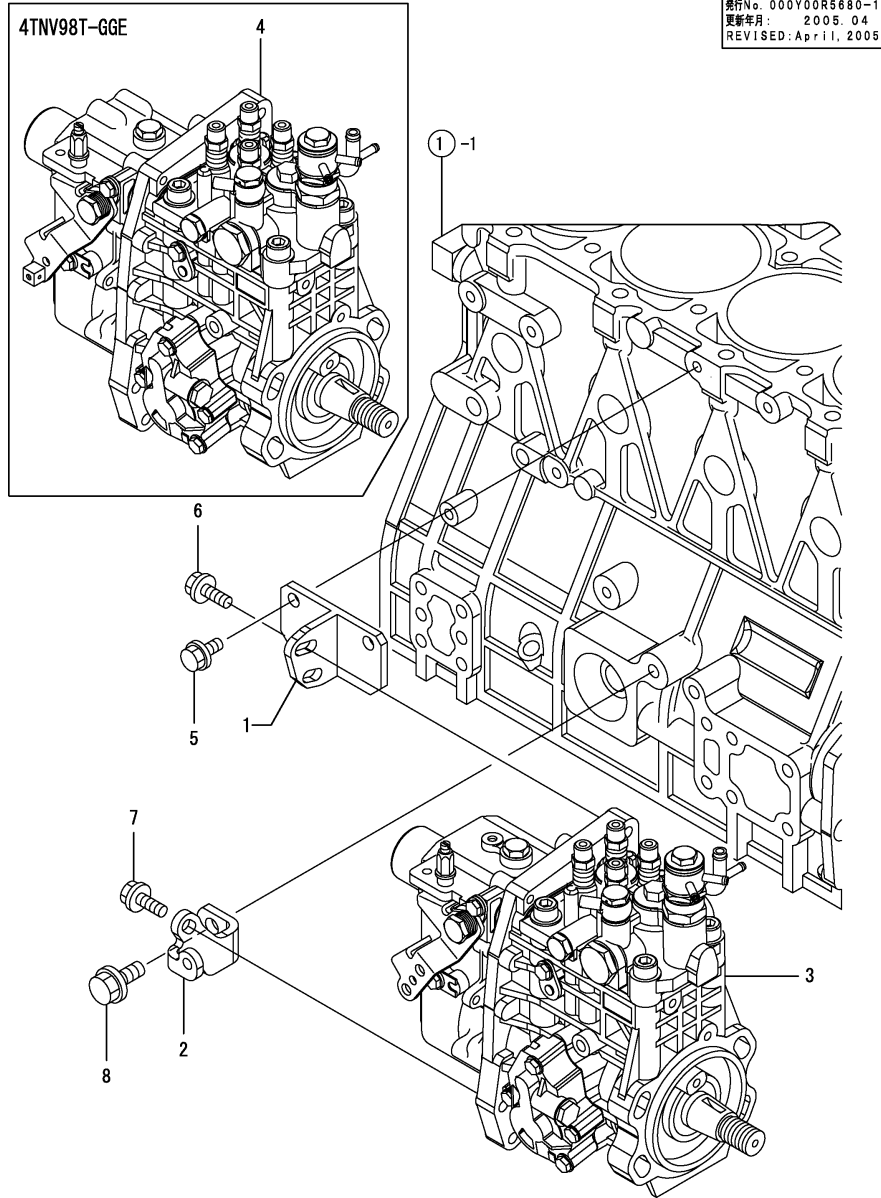
(D)=
(E)=
(F)=

No.	Lev.	Parts No.	Description	Qty						I	R
				(A)	(B)	(C)	(D)	(E)	(F)		
1	1	129907-42000	PUMP ASSY, WATER	1	1	1					
11	1	129900-42020	GASKET, WATER PUMP	1	1	1					
12	1	26106-060302	BOLT, M6X 30 PLATED	2	2	2					
13	1	26106-080552	BOLT, M8X 55 PLATED	5	5	5					
14	1	129900-42450	V-PULLEY	1	1						
15	1	25132-004150	V-BELT, A41.5	1	1						
16	1	129920-44740	FAN, COOLING	1	1						
17	1	119141-44760	SPACER, FAN	1	1						
18	1	26106-080552	BOLT, M8X 55 PLATED	4	4						
19	1	129907-49800	CASE ASSY, THERMOSTAT	1	1	1					
20	2	129916-49530	COVER, THERMOSTAT	1	1	1					
21	2	121850-49540	GASKET, THERMOSTAT	1	1	1					
22	2	121850-49550	GASKET, THERMOSTAT	1	1	1					
23	2	129907-49730	RETAINER, PIPE	1	1	1					
24	2	121850-49810	THERMOSTAT, 71	1	1	1					
26	2	105582-59150	BOLT, PIPE JOINT	1	1	1					
27	2	23387-040800	JOINT, HOSE 4-8	1	1	1					
28	2	23414-080000	GASKET, 8X1.0	2	2	2					
29	2	23875-030000	PLUG, R03	2	2	2					
30	2	26106-060122	BOLT, M6X 12 PLATED	2	2	2					
31	2	26106-060202	BOLT, M6X 20 PLATED	4	4	4					
32	1	129900-49870	GASKET	1	1	1					
33	1	23414-080000	GASKET, 8X1.0	1	1	1					
34	1	26106-080122	BOLT, M8X 12 PLATED	1	1	1					
35	1	26106-080602	BOLT, M8X 60 PLATED	3	3	3					
36	1	121450-42450	PLUG, M16	1	1	1					
37	1	121250-44901	SWITCH, 110	1	1	1					
38	1	124465-44950	GASKET, 16	1	1	1					
39	1	124465-44950	GASKET, 16	1	1	1					
40	1	129907-49610	HOSE ASSY, WATER	1	1	1					
41	2	129907-49710	PIPE ASSY, WATER	1	1	1					
42	2	129907-49750	TUBE, CORRUGATED	1	1	1					
43	2	124722-59050	CLIP, HOSE 9	2	2	2					
44	1	129907-49620	HOSE ASSY, WATER	1	1	1					
45	2	129907-49720	PIPE ASSY, WATER	1	1	1					
46	2	124722-59050	CLIP, HOSE 9	2	2	2					
47	1	129052-42290	V-BELT, A40.5			1					
48	1	129900-42461	V-PULLEY			1					
49	1	129916-44740	FAN, COOLING D=430			1					
50	1	119130-44760	SPACER, FAN			1					
51	1	26106-080302	BOLT, M8X 30 PLATED			4					

Fig.15. FUEL INJECTION PUMP

(A)=4TNV98T-NSA
 (B)=4TNV98T-NSA2
 (C)=4TNV98T-GGE

(D)=
 (E)=
 (F)=

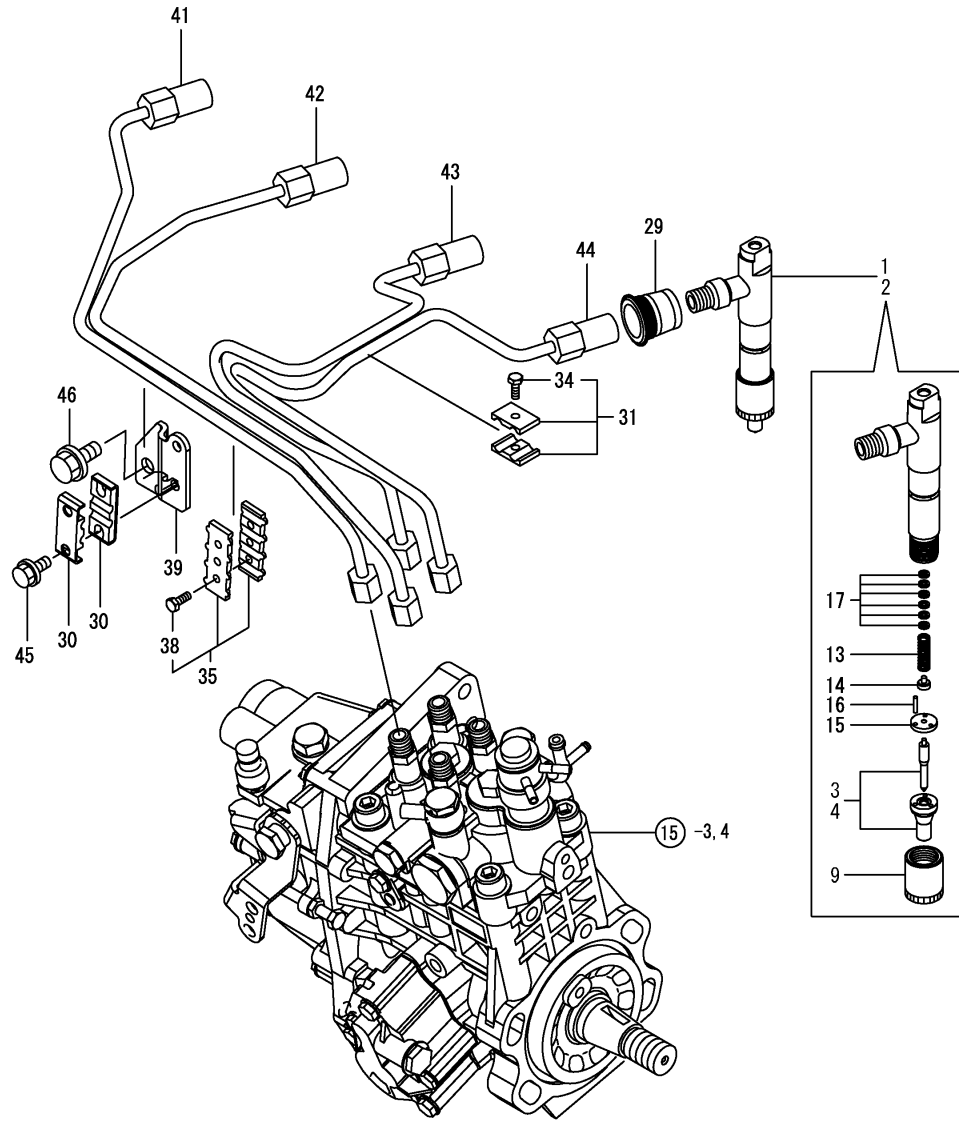


No.	Lev.	Parts No.	Description	Qty						I	R
				(A)	(B)	(C)	(D)	(E)	(F)		
1	1	129907-01950	RETAINER	1	1	1					
2	1	129907-01960	RETAINER	1	1	1					
3	1	729908-51310	PUMP ASSY, INJECTION	1	1						1
4	1	729937-51390	PUMP ASSY, INJECTION				1				2
5	1	26106-080162	BOLT, M8X 16 PLATED	2	2	2					
6	1	26106-080222	BOLT, M8X 22 PLATED	2	2	2					
7	1	26106-080222	BOLT, M8X 22 PLATED	1	1	1					
8	1	26106-100202	BOLT, M10X 20 PLATED	1	1	1					

Remarks

- (1) Inner parts are shown in Fig.21 & 22.
- (2) Inner parts are shown in Fig.23 & 24.

Fig.16. FUEL INJECTION VALVE

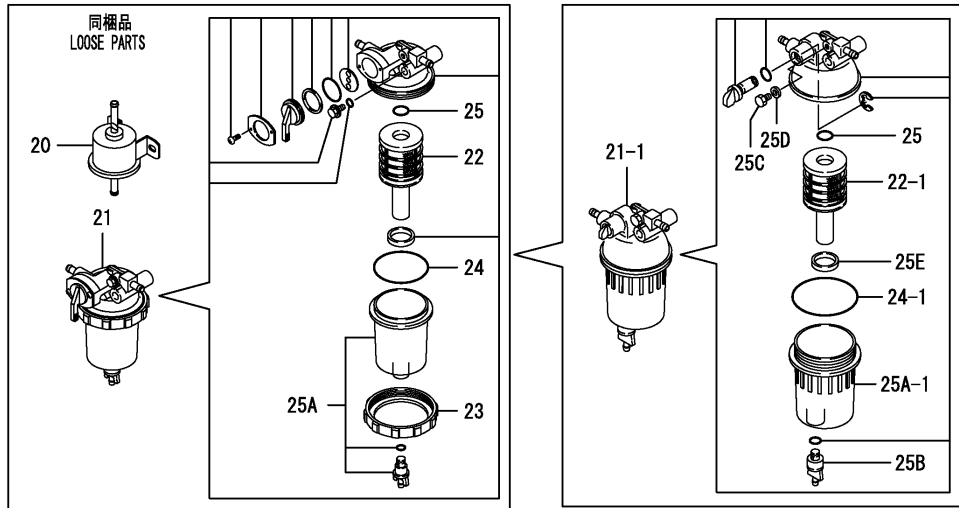
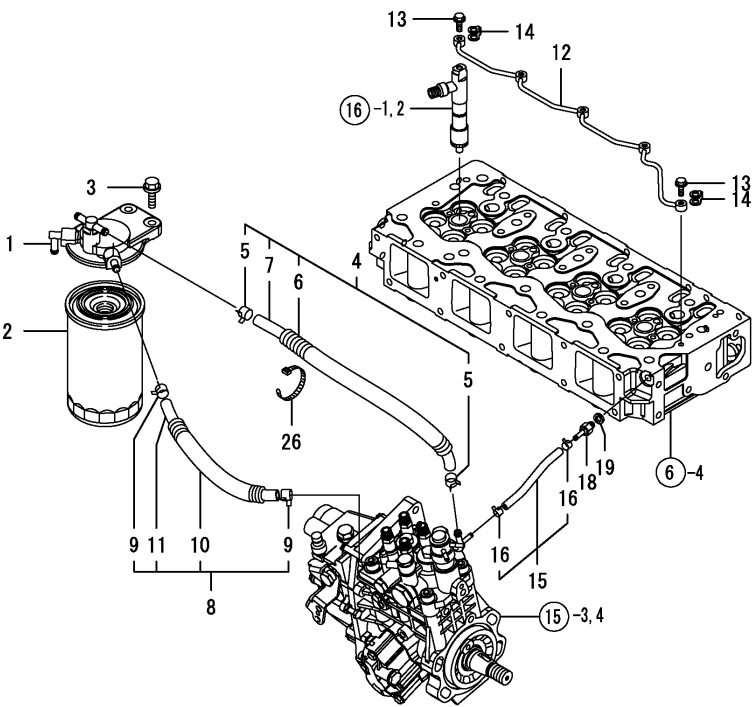


(A)=4TNV98T-NSA
(B)=4TNV98T-NSA2
(C)=4TNV98T-GGE

(D)=
(E)=
(F)=

No.	Lev.	Parts No.	Description	Q'ty						I	R
				(A)	(B)	(C)	(D)	(E)	(F)		
1	1	729908-53100	VALVE ASSY,INJECTION	4	4						
2	1	729906-53100	VALVE ASSY,INJECTION			4					
3	2	129908-53000	VALVE ASSY,INJECTION	4	4						
4	2	129906-53000	VALVE ASSY,INJECTION			4					
9	2	114250-53080	NUT, NOZZLE D16.95	4	4	4					
13	2	114250-53120	SPRING, NOZZLE	4	4	4					
14	2	114250-53130	SEAT, SPRING	4	4	4					
15	2	114250-53140	PLATE	4	4	4					
16	2	114250-53210	PIN	8	8	8					
17	2	114250-53400	SHIM SET	4	4	4					
29	1	123907-11601	SEAL	4	4	4					
30	1	122780-59100	RETAINER	2	2	2					
31	1	119305-59120	RETAINER, PIPE	1	1	1					
34	2	129150-59131	BOLT, M4X14	1	1	1					
35	1	129550-59120	RETAINER, PIPE	1	1	1					
38	2	129150-59131	BOLT, M4X14	2	2	2					
39	1	129907-59710	SUPPORT	1	1	1					
41	1	129908-59810	PIPE ASSY, INJECTION	1	1	1					
42	1	129908-59820	PIPE ASSY, INJECTION	1	1	1					
43	1	129908-59830	PIPE ASSY, INJECTION	1	1	1					
44	1	129908-59840	PIPE ASSY, INJECTION	1	1	1					
45	1	26106-060162	BOLT, M6X 16 PLATED	2	2	2					
46	1	26106-080182	BOLT, M8X 18 PLATED	1	1	1					

Fig.17. FUEL PIPING



(A)=4TNV98T-NSA
(B)=4TNV98T-NSA2
(C)=4TNV98T-GGE

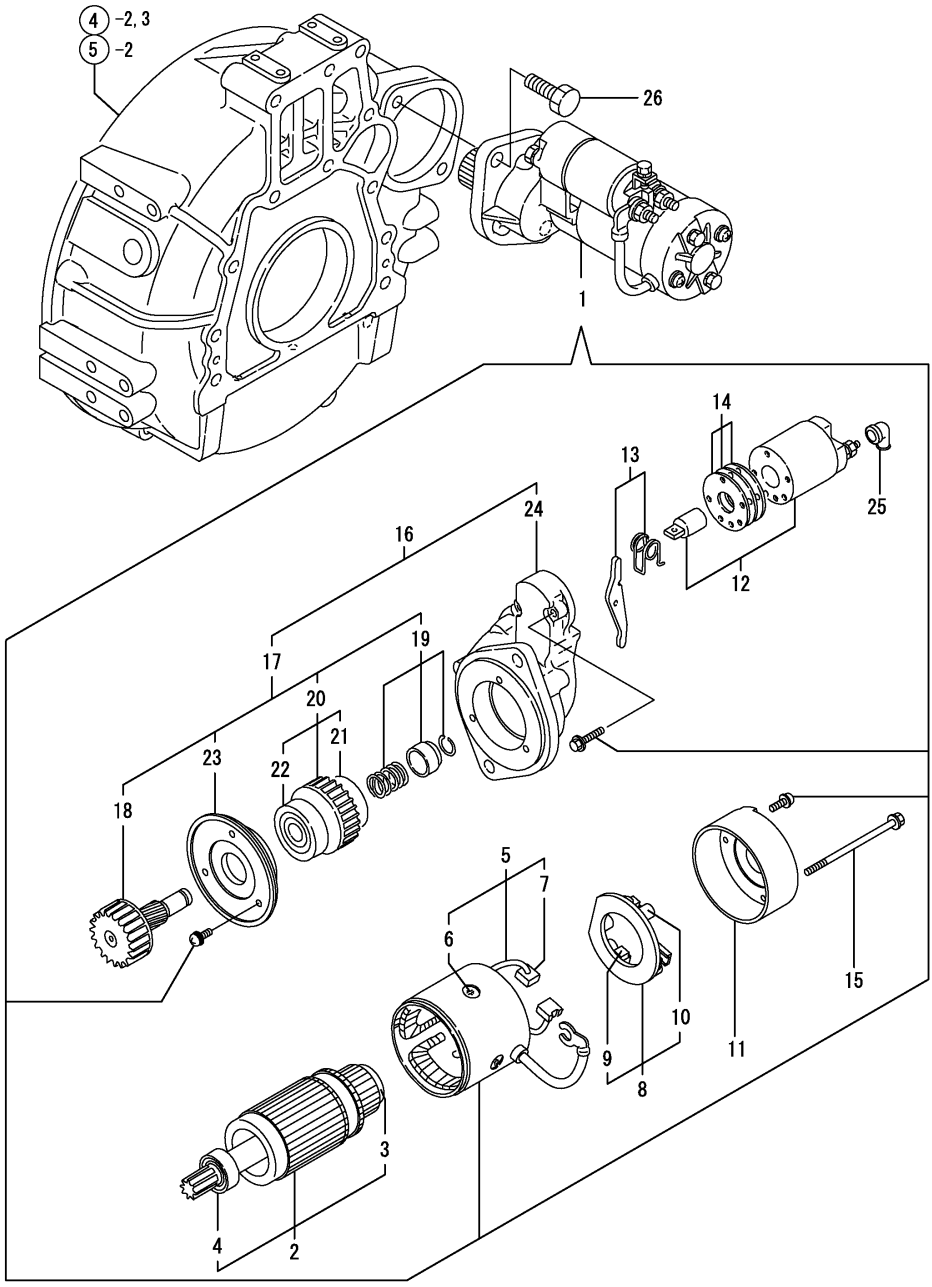
(D)=
(E)=
(F)=

No.	Lev.	Parts No.	Description	Q'ty						I	R
				(A)	(B)	(C)	(D)	(E)	(F)		
1	1	129004-55610	BRACKET, FILTER	1	1	1					
2	1	123907-55800	FILTER, FUEL	1	1	1					
3	1	26106-080302	BOLT, M8X 30 PLATED	2	2	2					
4	1	129457-59010	PIPE ASSY, FUEL	1	1	1					
5	2	124766-59050	CLIP, HOSE 12	2	2	2					
6	2	129957-59120	TUBE, CORRUGATED	1	1	1					
7	2	105025-59750	PIPE, FUEL	1	1	1					
8	1	129981-59010	PIPE ASSY, FUEL	1	1	1					
9	2	124766-59050	CLIP, HOSE 12	2	2	2					
10	2	129950-59221	TUBE, CORRUGATED	1	1	1					
11	2	129980-59510	PIPE, FUEL	1	1	1					
12	1	129907-59140	PIPE ASSY, RETURN	1	1	1					
13	1	123907-59540	BOLT, PIPE JOINT M6	5	5	5					
14	1	123907-59550	GASKET	5	5	5					
15	1	129486-59551	PIPE ASSY, RETURN	1	1	1					
16	2	124722-59050	CLIP, HOSE 9	2	2	2					
18	1	123907-59560	JOINT	1	1	1					
19	1	22190-080002	WASHER, SEAL 6	1	1	1					
20	1	119225-52102	PUMP ASSY, FUEL FEED	1	1	1					
21	1	119802-55700	SEPARATOR ASSY	1	1	1					
21-1	1	129242-55700	SEPARATOR ASSY	1	1	1					N
		(A=*2008.08.) (B=*2008.08.) (C=*2008.08.)									
22	2	119802-55710	ELEMENT	1	1	1					
22-1	2	129242-55730	ELEMENT	1	1	1					S
		(A=*2008.08.) (B=*2008.08.) (C=*2008.08.)									
23	2	129100-55690	RING, RETAINING	1	1	1					Z
		(A=*2008.08.) (B=*2008.08.) (C=*2008.08.)									
24	2	24321-000650	O-RING, 1AG65.0	1	1	1					
24-1	2	24321-000750	O-RING, 1AG75.0	1	1	1					S
		(A=*2008.08.) (B=*2008.08.) (C=*2008.08.)									
25	2	24311-000160	O-RING, 1AP16.0	1	1	1					
25A	2	119802-55730	CUP ASSY	1	1	1					W
		(A=FROM 1ST) (B=FROM 1ST) (C=FROM 1ST)									
25A-1	2	129242-55720	CUP	1	1	1					S
		(A=*2008.08.) (B=*2008.08.) (C=*2008.08.)									
25B	2	129242-55740	PLUG, DRAIN	1	1	1					W
		(A=*2008.08.) (B=*2008.08.) (C=*2008.08.)									
25C	2	129242-55750	VALVE, AIR VENT	1	1	1					W
		(A=*2008.08.) (B=*2008.08.) (C=*2008.08.)									
25D	2	129242-55760	GASKET	1	1	1					W
		(A=*2008.08.) (B=*2008.08.) (C=*2008.08.)									
25E	2	129242-55770	FLOAT	1	1	1					W
		(A=*2008.08.) (B=*2008.08.) (C=*2008.08.)									
26	1	121750-59890	BAND, 140	1	1	1					

Fig.18. STARTER MOTOR

(A)=4TNV98T-NSA
 (B)=4TNV98T-NSA2
 (C)=4TNV98T-GGE

(D)=
 (E)=
 (F)=

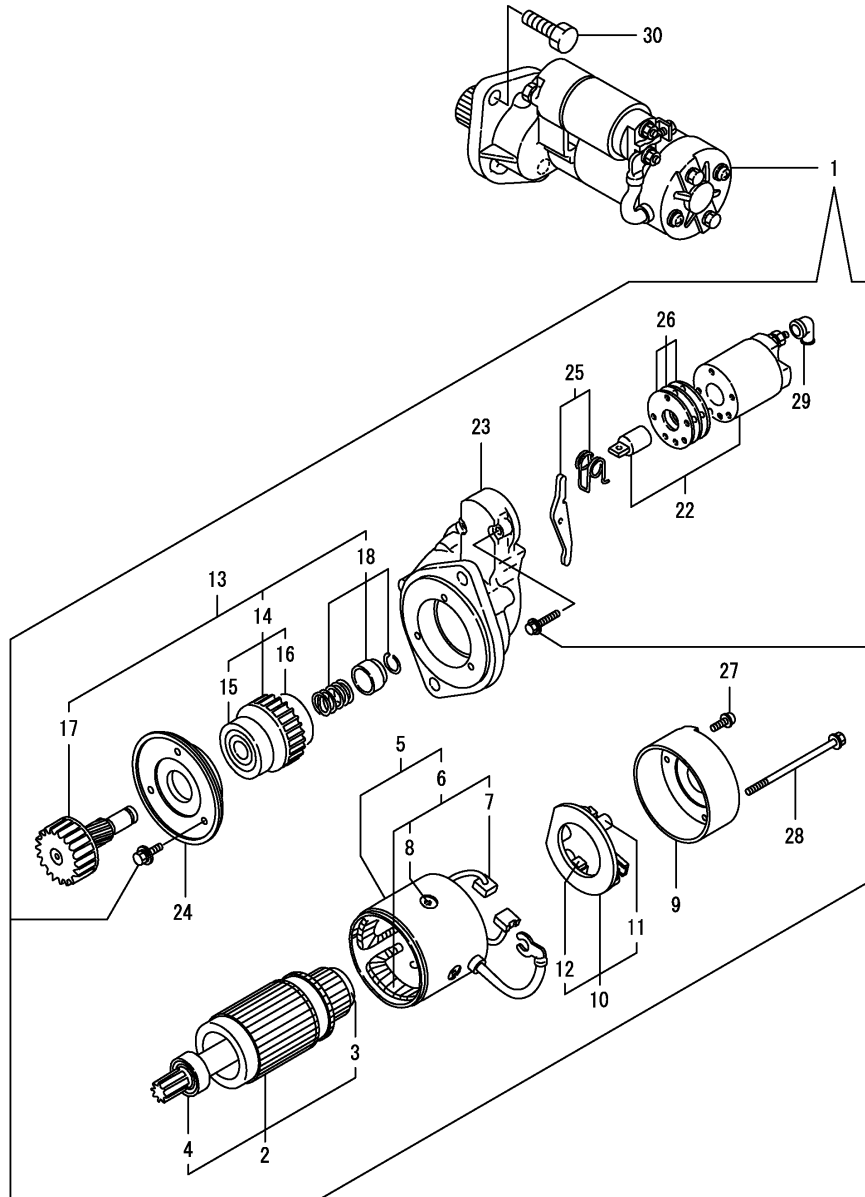


No.	Lev.	Parts No.	Description	Q'ty						I	R
				(A)	(B)	(C)	(D)	(E)	(F)		
1	1	129900-77010	STARTER	1	1	1					
2	2	129900-77400	ARMATURE ASSY	1	1	1					
3	3	X2114155110	BEARING, BALL	1	1	1					
4	3	X2114255110	BEARING, BALL	1	1	1					
5	2	129900-77440	COIL ASSY, FIELD	1	1	1					
6	3	171008-77450	SCREW	4	4	4					
7	3	129900-77450	BRUSH	2	2	2					
8	2	129900-77480	HOLDER ASSY, BRUSH	1	1	1					
9	3	129900-77450	BRUSH	2	2	2					
10	3	X2130631300	SPRING, BRUSH	4	4	4					
11	2	129900-77460	COVER	1	1	1					
12	2	129900-77591	SWITCH ASSY	1	1	1					
13	2	129900-77620	LEVER SET	1	1	1					
14	2	129900-77650	COVER ASSY, DUST	1	1	1					
15	2	129900-77640	BOLT, THROUGH	2	2	2					
16	2	129900-77700	CASE ASSY	1	1	1					
17	3	129900-77510	PINION ASSY	1	1	1					
18	4	129900-77540	SHAFT	1	1	1					
19	4	129900-77550	STOPPER SET	1	1	1					
20	4	129900-77520	CLUTCH ASSY	1	1	1					
21	4	171008-77730	BEARING, BALL	1	1	1					
22	4	171008-77740	BEARING	1	1	1					
23	4	129900-77610	RETAINER	1	1	1					
24	3	129900-77710	CASE, GEAR	1	1	1					
25	2	171008-77750	COVER	1	1	1					
26	1	26116-120302	BOLT, M12X 30 PLATED	2	2	2					

Fig.25. (18A)STARTER MOTOR

(A)=4TNV98T-NSA
 (B)=4TNV98T-NSA2
 (C)=4TNV98T-GGE

(D)=
 (E)=
 (F)=

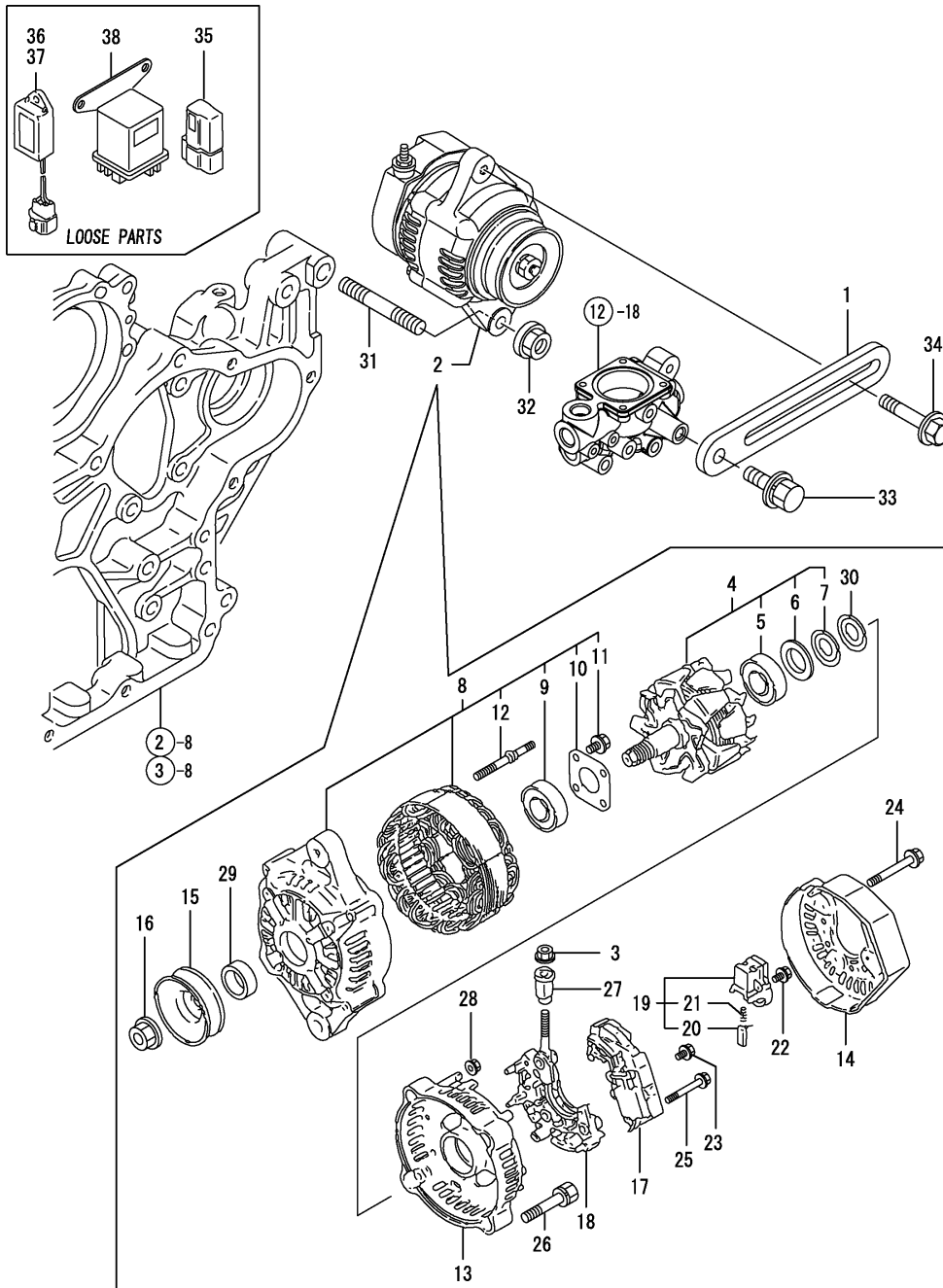


No.	Lev.	Parts No.	Description	Qty						I	R
				(A)	(B)	(C)	(D)	(E)	(F)		
1	1	129900-77040	STARTER	1	1	1					
2	2	129900-77120	ARMATURE ASSY	1	1	1					
3	3	171008-77410	BEARING	1	1	1					
4	3	171008-77420	BEARING	1	1	1					
5	2	129900-77130	YOKE ASSY	1	1	1					
6	3	129900-77140	COIL ASSY, FIELD	1	1	1					
7	4	129900-77450	BRUSH	2	2	2					
8	4	171008-77450	SCREW	4	4	4					
9	2	129900-77150	COVER	1	1	1					
10	2	129900-77160	HOLDER ASSY, BRUSH	1	1	1					
11	3	X2130631300	SPRING, BRUSH	4	4	4					
12	3	129900-77450	BRUSH	2	2	2					
13	2	129900-77170	CLUTCH	1	1	1					
14	3	129900-77180	CLUTCH ASSY	1	1	1					
15	4	X2114955020	BEARING, BALL	1	1	1					
16	4	129900-77190	BEARING, BALL	1	1	1					
17	3	129900-77270	SHAFT, PINION	1	1	1					
18	3	171008-77670	STOPPER SET	1	1	1					
22	2	129900-77280	SWITCH ASSY	1	1	1					
23	2	129900-77290	CASE, GEAR	1	1	1					
24	2	129900-77380	RETAINER, BEARING	1	1	1					
25	2	129900-77390	LEVER ASSY, SHIFT	1	1	1					
26	2	129900-77420	COVER KIT	1	1	1					
27	2	129900-77430	SCREW, M4X10	2	2	2					
28	2	129685-77640	BOLT, THROUGH	2	2	2					
29	2	171008-77750	COVER	1	1	1					
30	1	26116-120302	BOLT, M12X 30 PLATED	2	2	2					

Fig.19. GENERATOR

(A)=4TNV98T-NSA
(B)=4TNV98T-NSA2
(C)=4TNV98T-GGE

(D)=
(E)=
(F)=

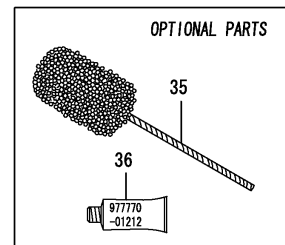
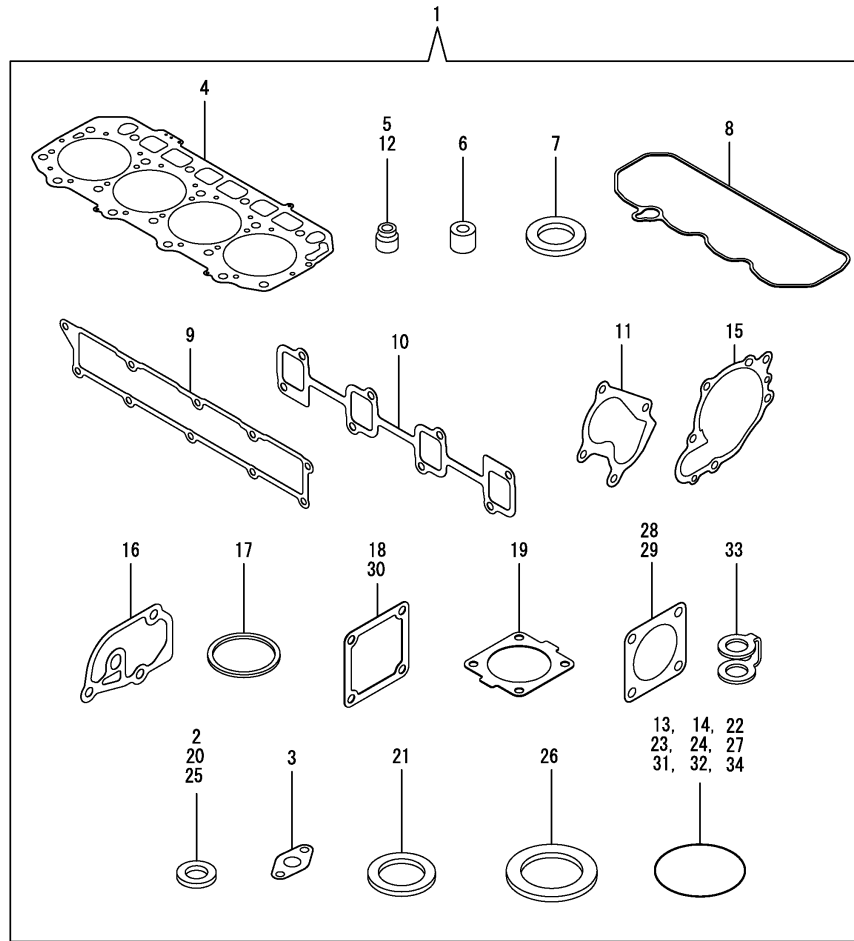


No.	Lev.	Parts No.	Description	Q'ty						I	R
				(A)	(B)	(C)	(D)	(E)	(F)		
1	1	129900-77330	ADJUSTER	1	1	1					
2	1	129423-77200	GENERATOR, 12V-40A	1	1	1					
3	2	X9490561001	NUT	1	1	1					
4	2	119620-77380	ROTOR ASSY	1	1	1					
5	3	119620-79240	BEARING, BALL	1	1	1					
6	3	119620-79250	COVER	1	1	1					
7	3	119620-79360	WASHER, THRUST	1	1	1					
8	2	119620-77421	FRAME ASSY, DRIVE	1	1	1					
9	3	119620-79200	BEARING, BALL	1	1	1					
10	3	119620-79210	PLATE, RETAINER	1	1	1					
11	3	119620-79220	SCREW	4	4	4					
12	3	119620-79230	STUD	2	2	2					
13	2	119620-77440	FRAME ASSY	1	1	1					
14	2	129240-79300	COVER	1	1	1					
15	2	119620-77461	PULLEY	1	1	1					
16	2	119620-77471	NUT	1	1	1					
17	2	129423-77710	REGULATOR ASSY	1	1	1					
18	2	119620-79260	HOLDER	1	1	1					
19	2	119620-79270	HOLDER, BRUSH	1	1	1					
20	3	119620-77480	BRUSH ASSY	2	2	2					
21	3	119620-79280	SPRING	2	2	2					
22	2	119620-79290	SCREW	1	1	1					
23	2	119620-79300	SCREW	1	1	1					
24	2	119620-79310	BOLT	3	3	3					
25	2	119620-79320	SCREW	2	2	2					
26	2	119620-79330	BOLT	2	2	2					
27	2	119620-79340	BUSH, INSULATION	1	1	1					
28	2	119620-79350	NUT	2	2	2					
29	2	119620-77490	COLLAR	1	1	1					
30	2	119620-79360	WASHER, THRUST	1	1	1					
31	1	129795-01900	STUD	1	1	1					
32	1	26306-100002	NUT, M10	1	1	1					
33	1	26014-080252	BOLT, M8X 25	1	1	1					
34	1	119810-77340	BOLT, ADJUSTER	1	1	1					
35	1	119643-66900	DIODE	1	1	1					
36	1	128300-77920	TIMER	1	1	1					
37	1	129211-77920	TIMER	1	1	1					
38	1	119650-77910	RELAY ASSY, GLOW	1	1	1					

Fig.20. GASKET SET

(A)=4TNV98T-NSA
 (B)=4TNV98T-NSA2
 (C)=4TNV98T-GGE

(D)=
 (E)=
 (F)=



No.	Lev.	Parts No.	Description	Q'ty						I	R
				(A)	(B)	(C)	(D)	(E)	(F)		
1	1	729907-92770	GASKET SET	1	1	1					1
2	2	23414-100000	GASKET, 10X1.0	2	2	2					
3	2	129908-39690	GASKET	1	1	1					
4	2	129907-01331	GASKET, HEAD	1	1	1					
5	2	124160-11340	SEAL, VALVE STEM	8	8	8					
6	2	119802-11870	PROTECTOR, NOZZLE	4	4	4					
7	2	119625-11880	SEAT, NOZZLE	4	4	4					
8	2	129907-11310	GASKET, BONNET	1	1	1					
9	2	129907-12110	GASKET, MANIFOLD	1	1	1					
10	2	129900-13251	GASKET	1	1	1					
11	2	123901-18080	GASKET	1	1	1					
12	2	124950-11340	SEAL, VALVE STEM	8	8	8					
13	2	129900-32030	O-RING, P20	2	2	2					
14	2	129900-32040	O-RING, P14	1	1	1					
15	2	129900-42020	GASKET, WATER PUMP	1	1	1					
16	2	129900-49870	GASKET	1	1	1					
17	2	121850-49550	GASKET, THERMOSTAT	1	1	1					
18	2	121850-77021	GASKET	1	1	1					
19	2	121850-49540	GASKET, THERMOSTAT	1	1	1					
20	2	23414-080000	GASKET, 8X1.0	3	3	3					
21	2	124465-44950	GASKET, 16	2	2	2					
22	2	24311-000070	O-RING, 1AP7.0	1	1	1					
23	2	24311-000120	O-RING, 1AP12.0	8	8	8					
24	2	24311-000320	O-RING, 1AP32.0	2	2	2					
25	2	22190-080002	WASHER, SEAL 6	11	11	11					
26	2	22190-220002	WASHER, SEAL 22	1	1	1					
27	2	24351-030750	O-RING, 1A3075	1	1	1					
28	2	129472-18090	GASKET	1	1	1					
29	2	124240-01883	GASKET	1	1	1					
30	2	119129-77020	GASKET	1	1	1					
31	2	24321-000600	O-RING, 1AG60.0	1	1	1					
32	2	24321-000850	O-RING, 1AG85.0	1	1	1					
33	2	123907-59550	GASKET	5	5	5					
34	2	24341-000240	O-RING, 1AS24.0	1	1	1					
35	1	129400-92450	HONE	1	1	1					1
36	1	977770-01212	GASKET, LIQUID	1	1	1					1

Remarks

(1)Optional parts.

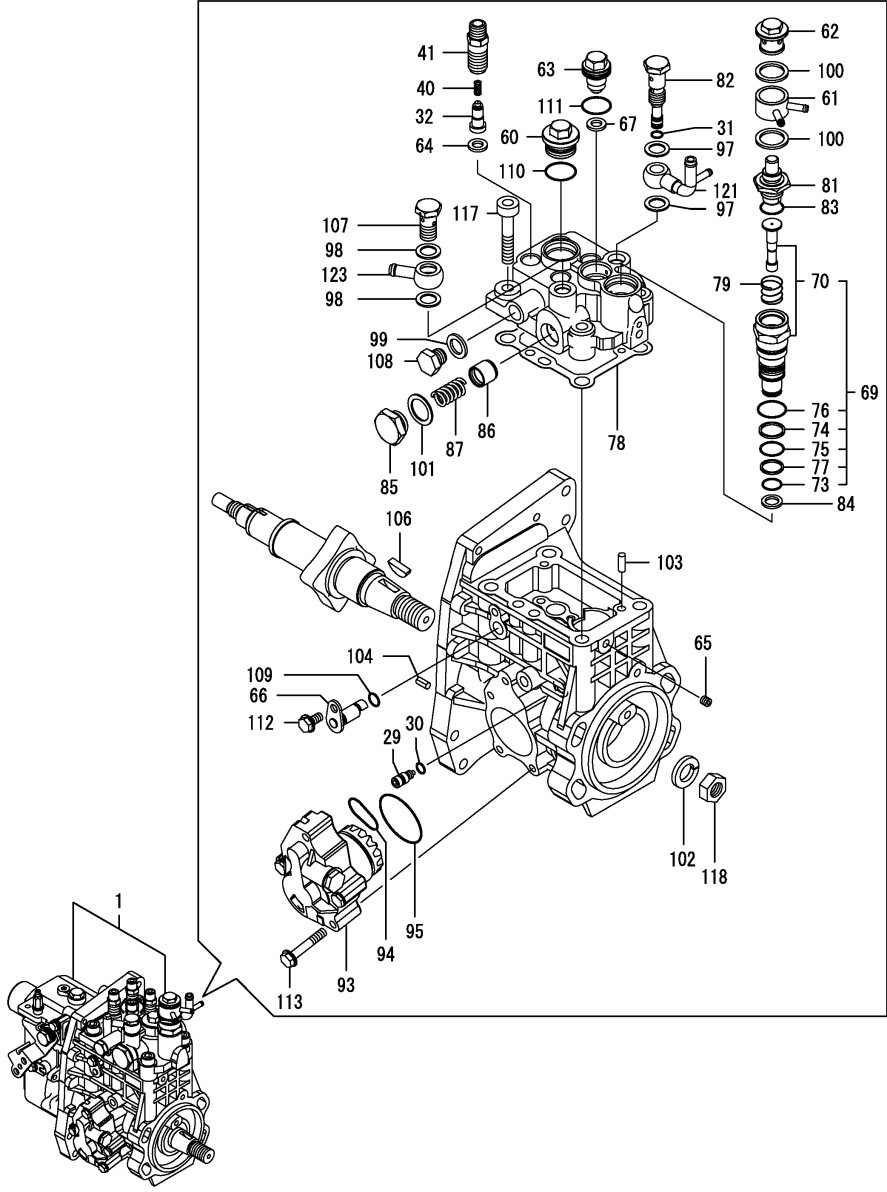
N:Old $\begin{matrix} \leftarrow \text{Yes} \\ \text{No} \end{matrix}$ New, Q:Old $\begin{matrix} \leftarrow \text{No} \\ \text{Yes} \end{matrix}$ New, R:Old $\begin{matrix} \leftarrow \text{Yes} \\ \text{Yes} \end{matrix}$ New, S:Old $\begin{matrix} \leftarrow \text{No} \\ \text{No} \end{matrix}$ New, W:Add, Z:Discontinued, F:Interchangeable by set, K:Q'ty Change

Fig.21. FUEL INJECTION PUMP(INNER PARTS)

(A)=4TNV98T-NSA
(B)=4TNV98T-NSA2
(C)=4TNV98T-GGE

(D)=
(E)=
(F)=

発行No. 000Y00R5680-1
更新年月: 2005.04
REVISED: April, 2005



No.	Lev.	Parts No.	Description	Q'ty						I	R
				(A)	(B)	(C)	(D)	(E)	(F)		
1	1	729908-51310	PUMP ASSY, INJECTION	1	1						1
29	2	158600-51270	STOPPER, TAPPET	1	1						
30	2	158563-51281	O-RING, 4D S6	1	1						
31	2	158563-51281	O-RING, 4D S6	1	1						
32	2	158560-51300	VALVE ASSY, DELIVERY	4	4						
40	2	158563-51330	SPRING, DELIVERY	4	4						
41	2	158560-51340	HOLDER, DELIVERY	4	4						
60	2	158601-51550	PLUG	1	1						
61	2	158553-51551	JOINT	1	1						
62	2	158601-51570	PLUG	1	1						
63	2	129906-51560	PLUG, BARREL	1	1						
64	2	158552-51570	GASKET	4	4						
65	2	158557-51570	PLUG	1	1						
66	2	158552-51580	LIFTER	1	1						
67	2	129906-51580	GASKET	1	1						
69	2	119802-51590	TIMER SET	1	1						
70	3	119802-51600	TIMER ASSY	1	1						
73	3	158553-51670	O-RING, 1011	1	1						
74	3	119802-51680	RING, BACK UP	1	1						
75	3	119802-51690	O-RING	1	1						
76	3	24356-010200	O-RING, 4D1020	1	1						
77	3	24372-000150	RING, BACK UP T2P15	1	1						
78	2	158560-51600	GASKET	1	1						
79	2	158553-51630	SPRING, TIMER	1	1						
81	2	158553-51640	ELEMENT	1	1						
82	2	158601-51650	JOINT, OVER FLOW	1	1						
83	2	158553-51660	O-RING, P14	1	1						
84	2	158553-51680	GASKET	1	1						
85	2	158601-51790	PLUG	1	1						
86	2	158601-51770	PISTON	1	1						
87	2	158552-51780	SPRING	1	1						
93	2	158552-52100	PUMP ASSY, FUEL FEED	1	1						
94	2	158552-52310	O-RING	1	1						
95	2	158552-52400	O-RING, 4E S42	1	1						
97	2	22190-120002	WASHER, SEAL 12	2	2						
98	2	22190-120002	WASHER, SEAL 12	2	2						
99	2	22190-120002	WASHER, SEAL 12	1	1						
100	2	22190-180002	WASHER, SEAL 18	2	2						
101	2	22190-180002	WASHER, SEAL 18	1	1						
102	2	22217-180000	WASHER, SPRING 18	1	1						
103	2	22312-050140	PIN, PARALLEL M5X14	2	2						
104	2	22351-050010	PIN, SPRING 5.0X10	2	2						
106	2	144626-51090	KEY, 5X19	1	1						
107	2	23857-060000	BOLT, JOINT 6	1	1						
108	2	23887-120002	PLUG, 12	1	1						
109	2	24311-000070	O-RING, 1AP7.0	1	1						
110	2	24356-010200	O-RING, 4D1020	1	1						
111	2	24356-020210	O-RING, 4D2021	1	1						
112	2	26106-060102	BOLT, M6X 10 PLATED	1	1						
113	2	26106-060352	BOLT, M6X 35 PLATED	4	4						
117	2	26450-100452	BOLT, M10X 45	4	4						

Remarks

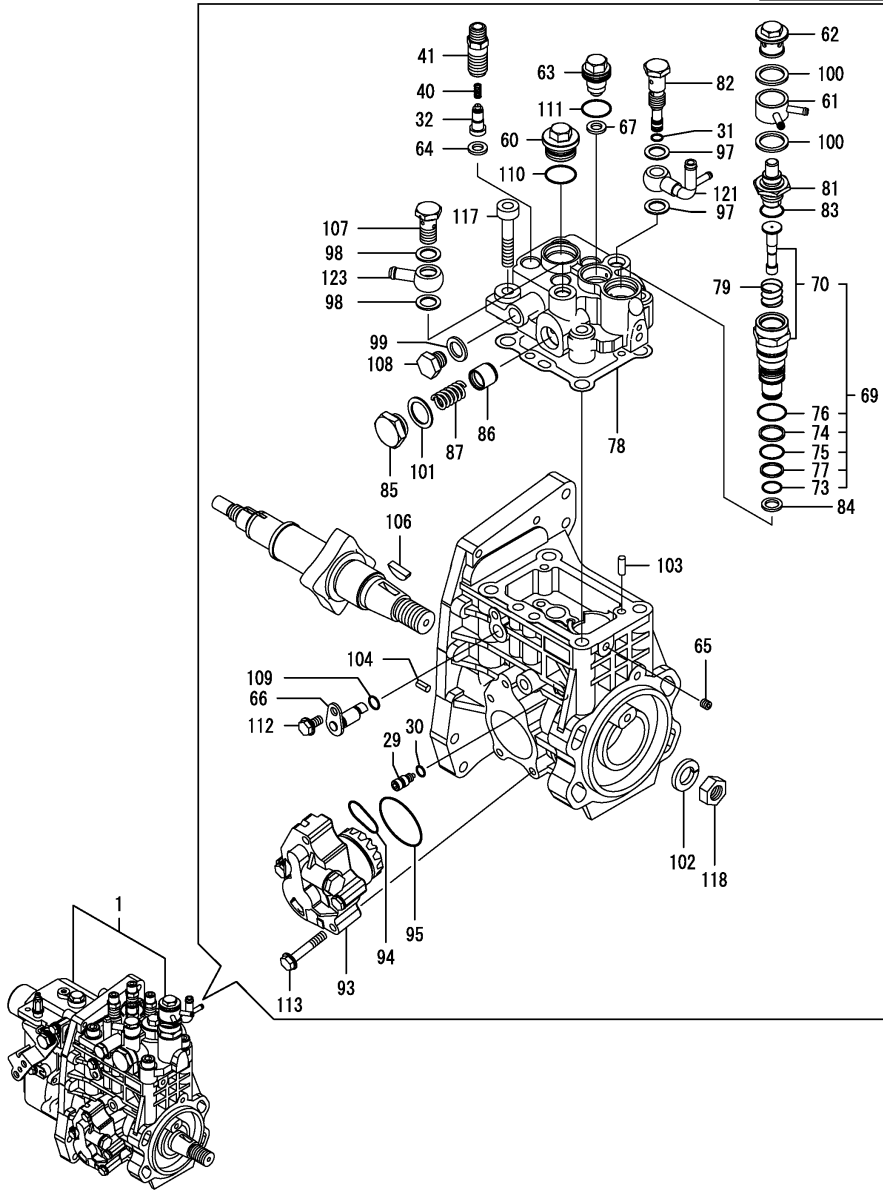
(1)Governor(Fig.22) is incorporated in this Fuel Injection Pump(No.1).

Fig.21. FUEL INJECTION PUMP(INNER PARTS)

(A)=4TNV98T-NSA
 (B)=4TNV98T-NSA2
 (C)=4TNV98T-GGE

(D)=
 (E)=
 (F)=

発行No. 000Y00R5680-1
 更新年月: 2005.04
 REVISED: April, 2005



No.	Lev.	Parts No.	Description	Q'ty						I	R
				(A)	(B)	(C)	(D)	(E)	(F)		
118	2	26776-180002	NUT, LOCK M18	1	1						
121	2	158552-51670	JOINT, OVER FLOW	1	1						
123	2	129916-59020	JOINT, PIPE 12	1	1						

Remarks

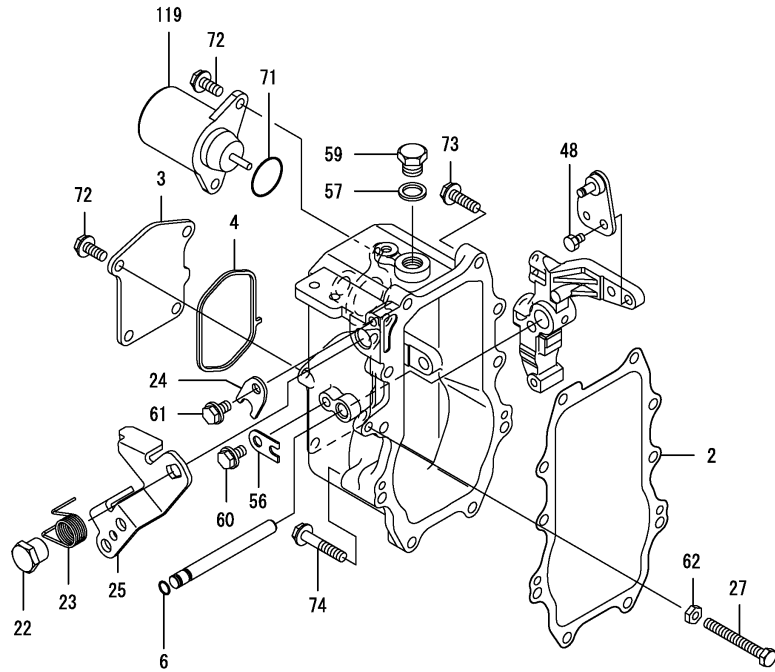
(1)Governor(Fig.22) is incorporated in this Fuel Injection Pump(No.1).

Fig.22. GOVERNOR(INNER PARTS)

(A)=4TNV98T-NSA
(B)=4TNV98T-NSA2
(C)=4TNV98T-GGE

(D)=
(E)=
(F)=

発行No. 000Y00R5680-1
更新年月: 2005.04
REVISED: April, 2005



No.	Lev.	Parts No.	Description	Q'ty						I	R
				(A)	(B)	(C)	(D)	(E)	(F)		
2	2	158560-61050	GASKET	1	1						
3	2	158560-61061	COVER, GOVERNOR CASE	1	1						
4	2	158560-61071	GASKET	1	1						
6	2	129155-51280	O-RING, S6	1	1						
22	2	129255-61410	NUT, LOCK	1	1						
23	2	119807-61420	SPRING, RETURN	1	1						
24	2	158560-61430	RETAINER, SHAFT	1	1						
25	2	158560-61441	LEVER, REGULATOR	1	1						
27	2	129155-61460	BOLT, IDLE	1	1						
48	2	26116-060102	BOLT, M6X 10 PLATED	1	1						
56	2	119660-61901	RETAINER, SHAFT	1	1						
57	2	22190-120002	WASHER, SEAL 12	1	1						
59	2	23887-120002	PLUG, 12	1	1						
60	2	26106-060102	BOLT, M6X 10 PLATED	1	1						
61	2	26106-060102	BOLT, M6X 10 PLATED	1	1						
62	2	26756-060002	NUT, LOCK M6	1	1						
71	2	24341-000280	O-RING, 1AS28.0	1	1						
72	2	26106-060142	BOLT, M6X 14 PLATED	6	6						
73	2	26106-060252	BOLT, M6X 25 PLATED	8	8						
74	2	26106-060402	BOLT, M6X 40 PLATED	2	2						
119	2	119653-77950	SOLENOID, STOP	1	1						

Remarks

* This figure(Governor) is incorporated in the Fuel Injection Pump(Fig.21).

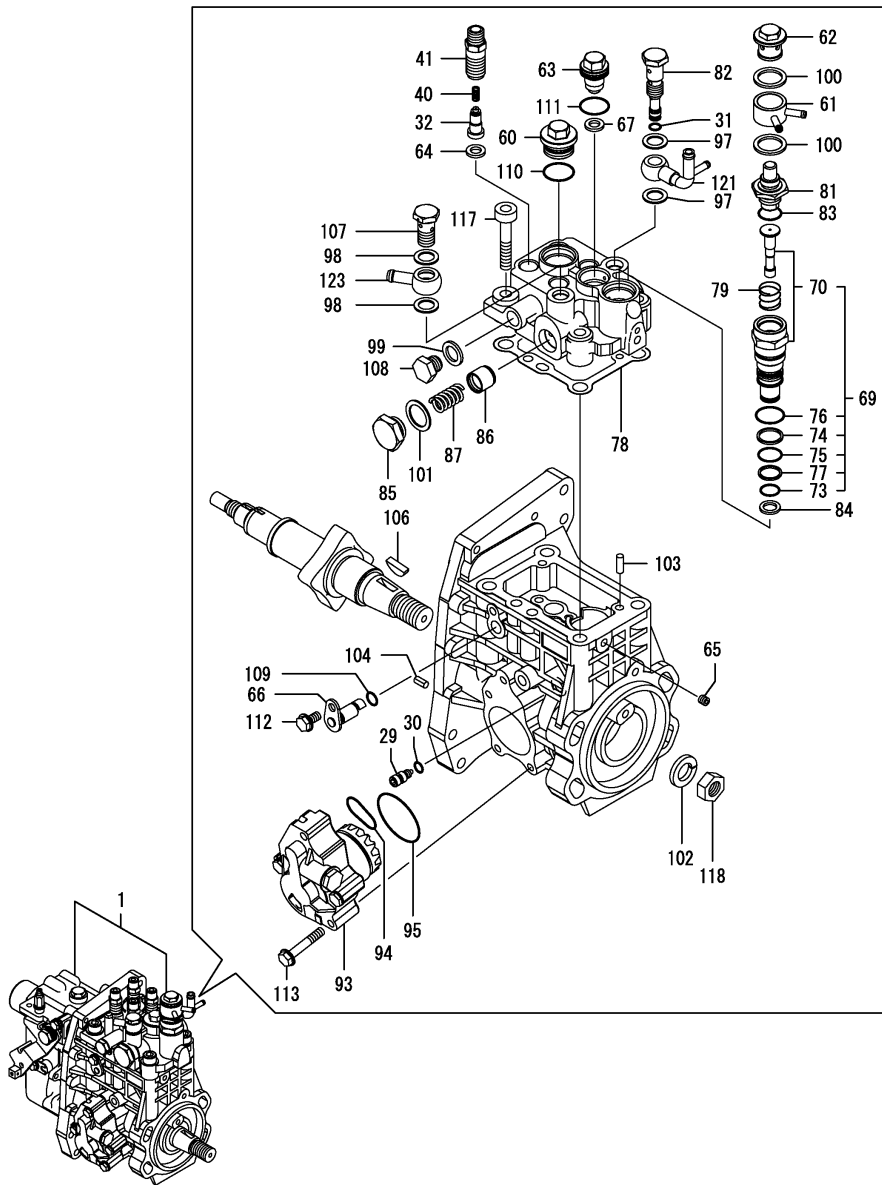
N:Old $\xrightarrow{\text{Yes}}$ New, Q:Old $\xrightarrow{\text{No}}$ New, R:Old $\xrightarrow{\text{Yes}}$ New, S:Old $\xrightarrow{\text{No}}$ New, W:Add, Z:Discontinued, F:Interchangeable by set, K:Q'ty Change

Fig.23. FUEL INJECTION PUMP(INNER PARTS)

(A)=4TNV98T-NSA
(B)=4TNV98T-NSA2
(C)=4TNV98T-GGE

(D)=
(E)=
(F)=

発行No. 000Y00R5680-1
更新年月: 2005.04
REVISED: April, 2005



No.	Lev.	Parts No.	Description	Q'ty						I	R
				(A)	(B)	(C)	(D)	(E)	(F)		
1	1	729937-51390	PUMP ASSY, INJECTION			1					1
29	2	158600-51270	STOPPER, TAPPET			1					
30	2	158563-51281	O-RING, 4D S6			1					
31	2	158563-51281	O-RING, 4D S6			1					
32	2	158560-51300	VALVE ASSY, DELIVERY			4					
40	2	158563-51330	SPRING, DELIVERY			4					
41	2	158560-51340	HOLDER, DELIVERY			4					
60	2	158601-51550	PLUG			1					
61	2	158553-51551	JOINT			1					
62	2	158601-51570	PLUG			1					
63	2	129907-51560	PLUG, BARREL			1					
64	2	158552-51570	GASKET			4					
65	2	158557-51570	PLUG			1					
66	2	158552-51580	LIFTER			1					
67	2	129906-51580	GASKET			1					
69	2	119802-51590	TIMER SET			1					
70	3	119802-51600	TIMER ASSY			1					
73	3	158553-51670	O-RING, 1011			1					
74	3	119802-51680	RING, BACK UP			1					
75	3	119802-51690	O-RING			1					
76	3	24356-010200	O-RING, 4D1020			1					
77	3	24372-000150	RING, BACK UP T2P15			1					
78	2	158560-51600	GASKET			1					
79	2	158553-51630	SPRING, TIMER			1					
81	2	158553-51640	ELEMENT			1					
82	2	158601-51650	JOINT, OVER FLOW			1					
83	2	158553-51660	O-RING, P14			1					
84	2	158553-51680	GASKET			1					
85	2	158601-51790	PLUG			1					
86	2	158601-51770	PISTON			1					
87	2	158552-51780	SPRING			1					
93	2	158552-52100	PUMP ASSY, FUEL FEED			1					
94	2	158552-52310	O-RING			1					
95	2	158552-52400	O-RING, 4E S42			1					
97	2	22190-120002	WASHER, SEAL 12			2					
98	2	22190-120002	WASHER, SEAL 12			2					
99	2	22190-120002	WASHER, SEAL 12			1					
100	2	22190-180002	WASHER, SEAL 18			2					
101	2	22190-180002	WASHER, SEAL 18			1					
102	2	22217-180000	WASHER, SPRING 18			1					
103	2	22312-050140	PIN, PARALLEL M5X14			2					
104	2	22351-050010	PIN, SPRING 5.0X10			2					
106	2	144626-51090	KEY, 5X19			1					
107	2	23857-060000	BOLT, JOINT 6			1					
108	2	23887-120002	PLUG, 12			1					
109	2	24311-000070	O-RING, 1AP7.0			1					
110	2	24356-010200	O-RING, 4D1020			1					
111	2	24356-020210	O-RING, 4D2021			1					
112	2	26106-060102	BOLT, M6X 10 PLATED			1					
113	2	26106-060352	BOLT, M6X 35 PLATED			4					
117	2	26450-100452	BOLT, M10X 45			4					

Remarks

(1)Governor(Fig.24) is incorporated in this Fuel Injection Pump(No.1).

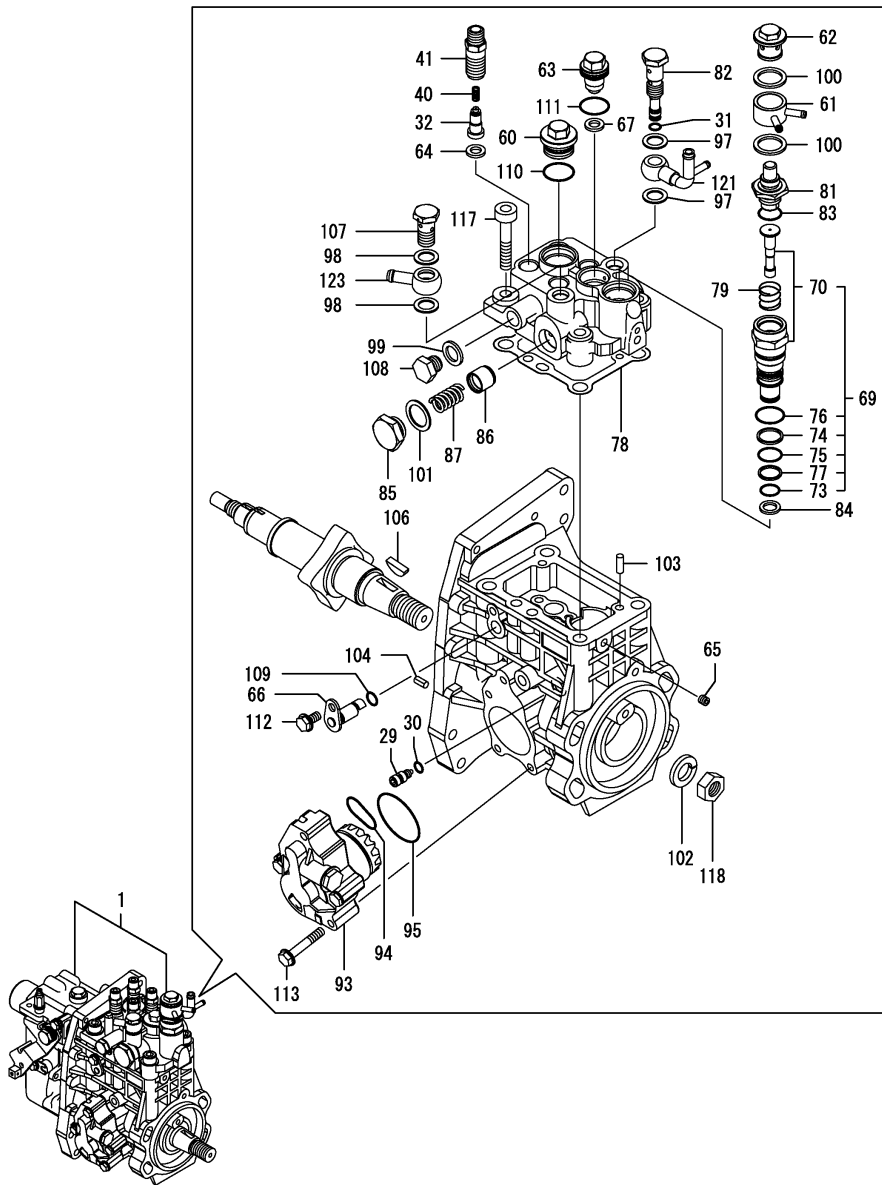
Fig.23. FUEL INJECTION PUMP(INNER PARTS)

(A)=4TNV98T-NSA
 (B)=4TNV98T-NSA2
 (C)=4TNV98T-GGE

(D)=
 (E)=
 (F)=

発行No. 000Y00R5680-1
 更新年月: 2005.04
 REVISED: April, 2005

No.	Lev.	Parts No.	Description	Q'ty						I	R
				(A)	(B)	(C)	(D)	(E)	(F)		
118	2	26776-180002	NUT, LOCK M18			1					
121	2	158552-51670	JOINT, OVER FLOW			1					
123	2	129916-59020	JOINT, PIPE 12			1					



Remarks

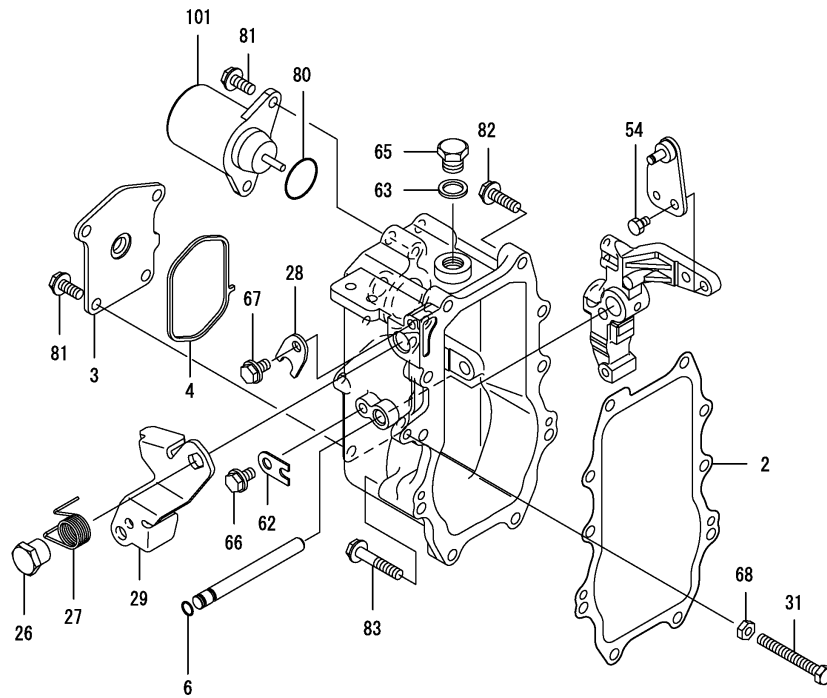
(1)Governor(Fig.24) is incorporated in this Fuel Injection Pump(No.1).

Fig.24. GOVERNOR(INNER PARTS)

(A)=4TNV98T-NSA
(B)=4TNV98T-NSA2
(C)=4TNV98T-GGE

(D)=
(E)=
(F)=

発行No. 000Y00R5680-1
更新年月: 2005.04
REVISED: April, 2005



No.	Lev.	Parts No.	Description	Qty						I	R	
				(A)	(B)	(C)	(D)	(E)	(F)			
2	2	158560-61050	GASKET			1						
3	2	129946-61061	COVER, GOVERNOR CASE			1						
4	2	158560-61071	GASKET			1						
6	2	129155-51280	O-RING, S6			1						
26	2	129255-61410	NUT, LOCK			1						
27	2	119807-61420	SPRING, RETURN			1						
28	2	158560-61430	RETAINER, SHAFT			1						
29	2	129937-61440	LEVER, REGULATOR			1						
31	2	129155-61460	BOLT, IDLE			1						
54	2	26116-060102	BOLT, M6X 10 PLATED			1						
62	2	119660-61901	RETAINER, SHAFT			1						
63	2	22190-160002	WASHER, SEAL 16			1						
65	2	23887-160002	PLUG, 16			1						
66	2	26106-060102	BOLT, M6X 10 PLATED			1						
67	2	26106-060102	BOLT, M6X 10 PLATED			1						
68	2	26756-060002	NUT, LOCK M6			1						
80	2	24341-000280	O-RING, 1AS28.0			1						
80-1	2	158552-61900	O-RING			1						N
(C=EXXXXX)												
81	2	26106-060142	BOLT, M6X 14 PLATED			6						
82	2	26106-060252	BOLT, M6X 25 PLATED			8						
83	2	26106-060402	BOLT, M6X 40 PLATED			2						
101	2	119653-77950	SOLENOID, STOP			1						

Remarks

* This figure(Governor) is incorporated in the Fuel Injection Pump(Fig.23).

Parts No. Index

Parts No.	Fig. No.	Ref. No.
105010-39140	13	42
105025-59750	17	7
105582-59150	14	26
106500-44810	13	43
114250-39450	13	6
114250-53080	16	9
114250-53120	16	13
114250-53130	16	14
114250-53140	16	15
114250-53210	16	16
114250-53400	16	17
119000-01840	5	3
119000-39650	13	37
119005-77050	7	7
119006-03090	6	75
119100-11330	6	58
119129-77020	7	5
	20	30
119130-44760	14	50
119131-18320	10	4
119141-44760	14	17
119225-52102	17	20
119305-59120	16	31
119593-11301	6	28
119620-01750	4	14
119620-11180	6	18
119620-77380	19	4
119620-77421	19	8
119620-77440	19	13
119620-77461	19	15
119620-77471	19	16
119620-77480	19	20
119620-77490	19	29
119620-79200	19	9
119620-79210	19	10
119620-79220	19	11
119620-79230	19	12
119620-79240	19	5
119620-79250	19	6
119620-79260	19	18
119620-79270	19	19
119620-79280	19	21
119620-79290	19	22
119620-79300	19	23
119620-79310	19	24
119620-79320	19	25
119620-79330	19	26
119620-79340	19	27
119620-79350	19	28
119620-79360	19	7

Parts No.	Fig. No.	Ref. No.
119620-79360	19	30
119625-11880	6	61
	20	7
119640-01640	4	9
	5	8
119643-66900	19	35
119650-77910	19	38
119653-77950	22	119
	24	101
119660-61901	22	56
	24	62
119802-11870	6	60
	20	6
119802-51590	21	69
	23	69
119802-51600	21	70
	23	70
119802-51680	21	74
	23	74
119802-51690	21	75
	23	75
119802-55700	17	21
119802-55710	17	22
119802-55730	17	25 A
119807-61420	22	23
	24	27
119810-77340	19	34
120130-22301	11	22
121023-26070	2	26
121250-44901	14	37
121252-39150	13	7
121450-42450	14	36
121520-34810	12	14
121750-59890	12	11
	17	26
121850-21130	11	11
121850-21290	11	5
121850-21680	11	10
121850-21920	11	6
121850-49540	14	21
	20	19
121850-49550	14	22
	20	17
121850-49810	14	24
121850-77021	7	6
	20	18
122780-59100	16	30
123900-13630	8	3
123900-25060	9	10
123901-03240	6	68

Parts No.	Fig. No.	Ref. No.
123901-03280	6	79
123901-18080	8	5
	20	11
123901-39820	13	40
123907-11280	6	33
123907-11550	6	3
123907-11601	16	29
123907-11820	6	12
123907-11830	6	24
123907-25909	9	17
123907-39500	13	16
123907-55800	17	2
123907-59540	17	13
123907-59550	17	14
	20	33
123907-59560	17	18
123910-39850	13	28
123910-49600	12	8
123910-49610	12	10
123912-33100	12	2
123951-18220	7	11
124070-13300	13	25
124160-01751	2	25
	3	25
	6	50
124160-11340	6	19
	20	5
124160-11360	6	62
124223-39900	13	3
124240-01871	3	26
124240-01883	3	27
	20	29
124411-01780	4	7
	5	6
124465-44950	14	38
	39	
	20	21
124722-59050	14	43
	46	
	17	16
124766-59050	17	5
	9	
124950-11340	6	20
	20	12
127410-21480	11	43
128300-77920	19	36
129001-91810	2	14
	15	
	3	14
	15	

Parts No.	Fig. No.	Ref. No.
129004-55610	17	1
129005-59830	13	10
		18
129006-44480	12	4
129052-42290	14	47
129100-01580	2	5
	3	5
	4	1
	5	1
129100-55690	17	23
129150-02450	9	4
129150-03100	6	80
129150-11230	6	36
		40
129150-11750	6	23
		37
		41
129150-14200	9	1
129150-25920	9	14
129150-35170	12	16
129150-59131	16	34
		38
129150-91400	3	31
129155-51280	22	6
	24	6
129155-61460	22	27
	24	31
129211-77920	19	37
129240-79300	19	14
129242-55700	17	21 -1
129242-55720	17	25 A-1
129242-55730	17	22 -1
129242-55740	17	25 B
129242-55750	17	25 C
129242-55760	17	25 D
129242-55770	17	25 E
129255-61410	22	22
	24	26
129400-92450	20	35
129410-03990	6	77
129418-18320	8	4
129423-77200	19	2
129423-77710	19	17
129457-59010	17	4
129466-49300	12	7
129472-18090	10	1
	20	28
129486-59551	17	15
129550-59120	16	35
129685-77640	25	28

Parts No. Index

Parts No.	Fig. No.	Ref. No.
129795-01900	19	31
129900-01200	1	31
129900-01250	1	5
129900-01620	4	3
129900-01740	2	6
	3	6
129900-01780	2	4
	3	4
129900-02020	1	7
129900-02340	1	34
129900-02410	1	10
129900-02930	1	28
129900-02940	1	37
129900-13251	8	2
	20	10
129900-14100	9	7
129900-14140	2	33
129900-21200	11	4
129900-21600	11	15
		46
129900-21640	11	8
129900-21660	11	9 -1
129900-23000	11	24
129900-23200	11	29
129900-23600	11	30
129900-23610	11	32
129900-23910	11	28
129900-25100	9	11
129900-26250	2	12
129900-32030	2	31
	3	12
	12	17
	20	13
129900-32040	2	13
	3	13
	20	14
129900-35000	12	18
129900-42020	14	11
	20	15
129900-42450	14	14
129900-42461	14	48
129900-49870	14	32
	20	16
129900-77010	18	1
129900-77040	25	1
129900-77120	25	2
129900-77130	25	5
129900-77140	25	6
129900-77150	25	9
129900-77160	25	10

Parts No.	Fig. No.	Ref. No.
129900-77170	25	13
129900-77180	25	14
129900-77190	25	16
129900-77270	25	17
129900-77280	25	22
129900-77290	25	23
129900-77330	19	1
129900-77380	25	24
129900-77390	25	25
129900-77400	18	2
129900-77420	25	26
129900-77430	25	27
129900-77440	18	5
129900-77450	18	7
		9
	25	7
		12
129900-77460	18	11
129900-77480	18	8
129900-77510	18	17
129900-77520	18	20
129900-77540	18	18
129900-77550	18	19
129900-77591	18	12
129900-77610	18	23
129900-77620	18	13
129900-77640	18	15
129900-77650	18	14
129900-77700	18	16
129900-77710	18	24
129906-51560	21	63
129906-51580	21	67
	23	67
129906-53000	16	4
129907-01190	1	33
129907-01331	1	32
	20	4
129907-01950	15	1
129907-01960	15	2
129907-03010	6	52
129907-03060	6	53
129907-03070	6	54
129907-07900	6	1
129907-11100	6	27
129907-11110	6	16
129907-11120	6	17
129907-11250	6	30
129907-11260	6	31
129907-11270	6	32
129907-11310	6	57

Parts No.	Fig. No.	Ref. No.
129907-11310	20	8
129907-11341	6	29
129907-11510	6	21
129907-11650	6	34
129907-11660	6	38
129907-11800	6	11
129907-11910	6	65
129907-11920	6	42
129907-11950	6	48
129907-12110	7	2
	20	9
129907-14400	9	2
129907-21660	11	9
129907-22050	11	18
129907-39061	13	14
129907-42000	14	1
129907-49610	14	40
129907-49620	14	44
129907-49710	14	41
129907-49720	14	45
129907-49730	14	23
129907-49750	14	42
129907-49800	14	19
129907-51560	23	63
129907-59140	17	12
129907-59710	16	39
129908-01500	3	8
129908-03099	6	66
129908-03209	6	67
129908-03219	6	69
129908-03229	6	70
129908-11320	6	51
129908-11700	6	4
129908-14581	9	3
129908-21000	11	1
129908-22080	11	16
129908-32060	2	11
	3	11
129908-33010	12	1
129908-33100	12	3
129908-39410	13	31
129908-39690	13	39
	20	3
129908-49060	12	6
129908-53000	16	3
129908-59810	16	41
129908-59820	16	42
129908-59830	16	43
129908-59840	16	44
129915-01610	5	2

Parts No.	Fig. No.	Ref. No.
129916-01710	4	8
129916-44740	14	49
129916-49530	14	20
129916-59020	21	123
	23	123
129920-21580	11	40
129920-44740	14	16
129930-39050	13	41
129933-01500	2	8
129935-03260	6	72
129935-03270	6	74
129935-13100	8	1
129935-18010	10	3
129935-18350	7	8
129935-39040	13	1
129935-39610	13	26
129937-61440	24	29
129944-12110	7	1
129946-61061	24	3
129950-59221	17	10
129953-21570	11	12
129953-25300	9	16
129953-34830	12	15
129955-01600	4	2
129955-21590	11	44
129957-59120	17	6
129960-03990	6	78
129980-26200	9	21
129980-59510	17	11
129981-59010	17	8
129982-01710	5	7
144626-51090	21	106
	23	106
158552-51570	21	64
	23	64
158552-51580	21	66
	23	66
158552-51670	21	121
	23	121
158552-51780	21	87
	23	87
158552-52100	21	93
	23	93
158552-52310	21	94
	23	94
158552-52400	21	95
	23	95
158552-61900	24	80 -1
158553-51551	21	61
	23	61

Parts No. Index

Parts No.	Fig. No.	Ref. No.
158553-51630	21	79
	23	79
158553-51640	21	81
	23	81
158553-51660	21	83
	23	83
158553-51670	21	73
	23	73
158553-51680	21	84
	23	84
158557-51570	21	65
	23	65
158560-51300	21	32
	23	32
158560-51340	21	41
	23	41
158560-51600	21	78
	23	78
158560-61050	22	2
	24	2
158560-61061	22	3
158560-61071	22	4
	24	4
158560-61430	22	24
	24	28
158560-61441	22	25
158563-51150	9	18
158563-51281	21	30
	23	30
		31
		31
158563-51330	21	40
	23	40
158600-51270	21	29
	23	29
158601-51550	21	60
	23	60
158601-51570	21	62
	23	62
158601-51650	21	82
	23	82
158601-51770	21	86
	23	86
158601-51790	21	85
	23	85
171008-77410	25	3
171008-77420	25	4
171008-77450	18	6
	25	8
171008-77670	25	18

Parts No.	Fig. No.	Ref. No.
171008-77730	18	21
171008-77740	18	22
171008-77750	18	25
	25	29
171051-01921	1	6
171056-49120	12	5
22190-080002	13	8
		11
		19
		21
		23
	17	19
	20	25
22190-120002	21	97
		98
		99
	22	57
	23	97
		98
		99
22190-160002	24	63
22190-180002	21	100
		101
	23	100
		101
22190-220002	4	11
	5	10
	20	26
22217-180000	9	19
	21	102
	23	102
22252-000300	11	23
22312-050140	21	103
	23	103
22351-030010	13	38
22351-050010	21	104
	23	104
22351-060012	1	11
22512-070140	9	8
	11	7
22857-500100	6	59
23000-022000	6	76
23000-025000	12	12
	13	29
23000-054000	7	12
23387-040800	14	27
23414-080000	14	28
		33
	20	20
23414-100000	13	9

Parts No.	Fig. No.	Ref. No.
23414-100000	20	2
23857-030000	13	12
		20
23857-060000	21	107
	23	107
23875-030000	14	29
23876-020000	6	13
23876-030000	1	12
		13
		14
	6	14
23887-120002	21	108
	22	59
	23	108
23887-160002	24	65
24311-000070	2	16
	3	16
	20	22
	21	109
	23	109
24311-000120	6	47
		63
	20	23
24311-000160	17	25
24311-000320	2	30
	3	30
	6	64
	20	24
24321-000600	12	13
	20	31
24321-000650	17	24
24321-000750	17	24 -1
24321-000850	2	27
	20	32
24341-000240	3	33
	20	34
24341-000280	22	71
	24	80
24351-030750	2	17
	3	17
	20	27
24356-010200	21	76
		110
	23	76
		110
24356-020210	21	111
	23	111
24372-000150	21	77
	23	77
25132-004150	14	15

Parts No.	Fig. No.	Ref. No.
26014-080252	19	33
26106-060102	21	112
	22	60
		61
	23	112
	24	66
		67
26106-060122	14	30
26106-060142	22	72
	24	81
26106-060162	3	34
	13	30
	16	45
26106-060202	14	31
26106-060252	22	73
	24	82
26106-060302	14	12
26106-060352	21	113
	23	113
26106-060402	22	74
	24	83
26106-080122	4	12
	5	11
	6	81
	12	23
	13	13
		22
		24
	14	34
26106-080162	2	18
		19
	3	18
		19
		28
	6	2
	9	9
	12	24
	15	5
26106-080182	16	46
26106-080202	2	20
	3	20
26106-080222	15	6
		7
26106-080302	14	51
	17	3
26106-080402	2	21
		22
	3	21
		22
	6	44

Parts No. Index

Parts No.	Fig. No.	Ref. No.
26106-080452	2	23
	3	23
	7	3
26106-080552	9	15
	14	13
		18
26106-080602	6	45
		46
	14	35
26106-080702	7	9
26106-080802	7	4
26106-080902	7	10
26106-100202	2	28
	15	8
26116-050102	6	71
26116-060102	22	48
	24	54
26116-120302	18	26
	25	30
26206-100352	4	15
	5	4
26206-100702	4	6
26216-100302	2	10
	3	10
26226-080222	6	43
26306-080002	6	49
	10	2
26306-100002	2	24
	3	24
26450-100452	19	32
	21	117
26756-060002	23	117
	22	62
26776-180002	24	68
	9	20
27241-300000	21	118
	23	118
27241-400000	1	15
27310-070001	6	15
729900-02800	6	25
729906-53100	1	25
729907-01540	16	2
729907-01580	2	1
729907-22950	3	1
729907-92770	11	36
729908-01560	20	1
729908-22900	1	1
729908-51310	11	34
	15	3
	21	1

Parts No.	Fig. No.	Ref. No.
729908-53100	16	1
729937-51390	15	4
	23	1
977770-01212	2	29
	3	29
	4	13
	5	5
	6	82
	20	36
X2114155110	18	3
X2114255110	18	4
X2114955020	25	15
X2130631300	18	10
	25	11
X9490561001	19	3

Parts No.	Fig. No.	Ref. No.
-----------	----------	----------

Parts No.	Fig. No.	Ref. No.
-----------	----------	----------