

0CV10-M89100EN

PREFACE

- 1.This Parts Catalog carries all parts incorporated in YANMAR Model 4TNV94L-XDB engine manufactured since September, 2003.
- 2.Each illustration corresponds to the parts list on the following page.
- 3.When ordering parts,clearly write down the engine model and serial number,as well as the name and number of each part in your order sheet. This will help insure reliable delivery of the parts you have ordered.

Directions for the Parts Catalog.

- The parts stipulated in this Parts Catalog are not necessarily standard equipped parts.
- Parts may change without prior notice.
- The following is an example of the Parts Catalog format.

REF.	LEV.	PARTS NO.	DESCRIPTION	Q'TY						I	R
				(A)	(B)	(C)	(D)	(E)	(F)		
1	1	729595-51390	FUEL INJECTION PUMP	1	1	1	1	1			1
1-1	1	729595-51391	FUEL INJECTION PUMP	1	1	1	1	1		N	1
		(A=E00185) (B=E00200)									
3	2	26022-060162	SCREW M 6X 16	9	9	9	9	9			
3-1	2	26022-060162	SCREW M 6X 16	4	4	4	4	4		K	
		(A=E00156) (B=E00156) (C=E00156) (D=E00156) (E=E00156)									
4	2	129470-51040	CAMSHAFT	1	1	1	1	1			
5	2	122710-51050	BEARING, ROLLER	2	2	2	2	2			
6	2	129470-51060	RETAINER	1	1	1	1	1			

Remarks
(1) BOOST COMPEMSATOR TYPE. OPTIONAL PART, TO E00155,(4JH-DT, 4JH-DTZ

① Ref. No.

The Ref. No. listed may not be in accordance with the illustration Ref. No.

(Ex.) Illustration No.

List Ref No.

1

1

(Before change) → 1-1 (After change)

For interchangeable symbols N, R and K, illustrations for new parts may be abbreviated.

② Lev. (Level)

Level indication

The numbers below indicate the level of relativity towards the main part.

1 ----- Main parts (Assembly parts)

2 ----- Sub component included in " 1 ".

3 ----- Sub component included in " 2 ".

Note) Parts that are not for sale are partially illustrated but not listed.

③ Interchangeability Mark

When a part change takes place, one of the following interchangeability symbols is indicated beside the part.

Symbol	Interchangeability	Contents note
N	Old $\begin{matrix} \leftarrow \text{Yes} \\ \text{No} \rightarrow \end{matrix}$ New	New Part is interchangeable for Old Part but Old Part is not interchangeable for New Part.
Q	Old $\begin{matrix} \leftarrow \text{No} \\ \text{Yes} \rightarrow \end{matrix}$ New	New Part is not interchangeable for Old Part but Old Part is interchangeable for New Part.
R	Old $\begin{matrix} \leftarrow \text{Yes} \\ \text{Yes} \rightarrow \end{matrix}$ New	New/ Old Parts are both interchangeable.
S	Old $\begin{matrix} \leftarrow \text{No} \\ \text{No} \rightarrow \end{matrix}$ New	New/ Old Parts are both not interchangeable.
W		Part newly added.
Z		Part discontinued.
F		Not interchangeable by a single part but interchangeable together with related parts.
K		Changes only for used parts quantities.

④ Effective Machine No.

When a part changes, the effective Machine No. will be indicated in the (A)-(F) column.

Product Symbol	Product No.	Product Symbol	Product No.
C	Clutch No. Compressor No.	F	Machine No. (Agricultural Equip.)
D	Drive No.	M	Machine No.
E	Engine No.		

Note 1) A date may follow the symbol. (Ex.) 1996.01

Note 2) "XXXXX" and "ZZZZZ" are for parts that could not be predicted or for engine models that could not be identified.

Note 3) (A=E00185) is the E (Engine Serial Number) for the column (A) model (in this case 4JH-DT) after the parts design change.

⑤ Remarks Mark

Figures or alphabets (symbols) are entered in the remarks column.

The comments (remarks) on parts that are indicated at the bottom of the illustration are the same symbols as those stated above.

Contents

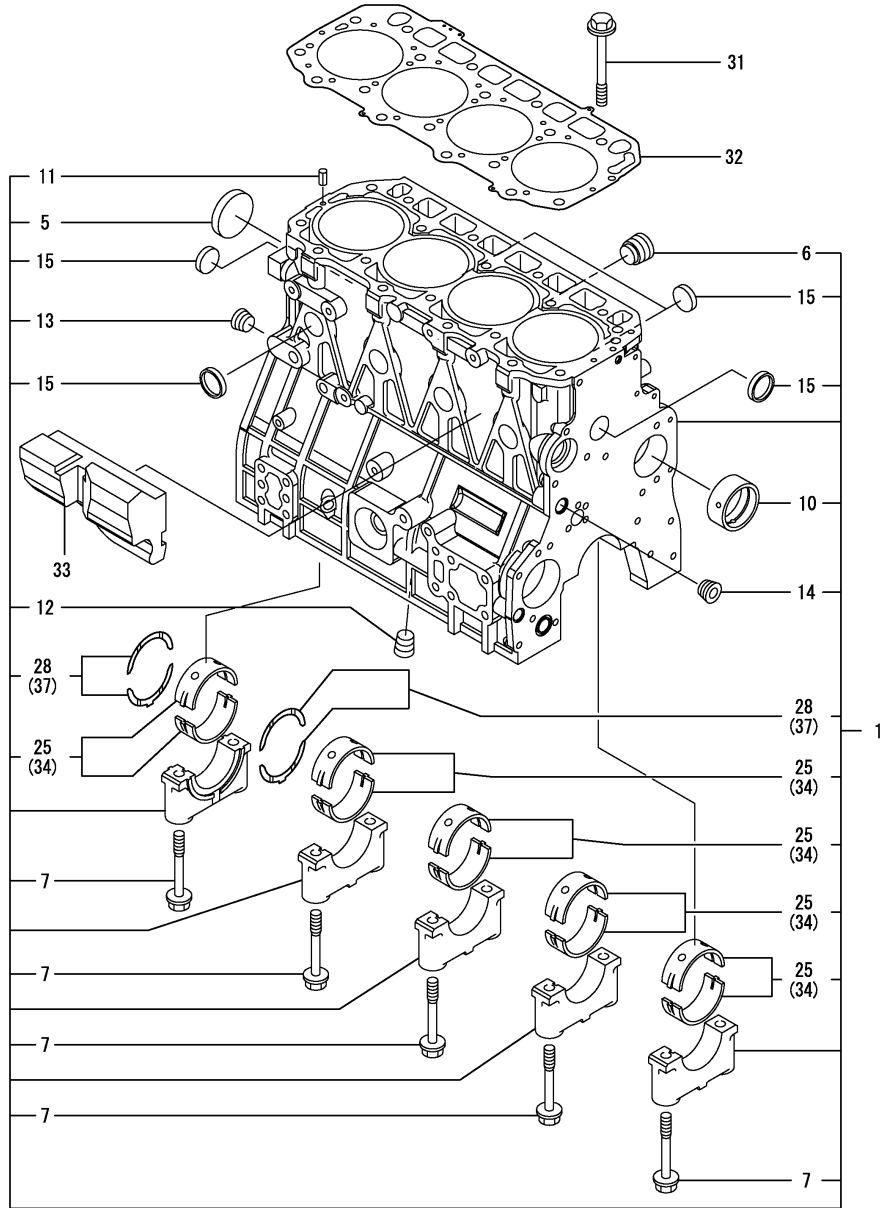
Fig. No. Fig. Name

4TNV94L-XDB

1. CYLINDER BLOCK
2. GEAR HOUSING
3. FLYWHEEL HOUSING & OIL SUMP
4. CYLINDER HEAD & BONNET
5. SUCTION MANIFOLD
6. EXHAUST MANIFOLD
7. CAMSHAFT & DRIVING GEAR
8. CRANKSHAFT & PISTON
9. LUB. OIL SYSTEM
10. COOLING WATER SYSTEM
11. FUEL INJECTION PUMP
12. FUEL INJECTION VALVE
13. FUEL LINE
14. STARTING MOTOR
15. GENERATOR
16. GASKET SET

Fig. No. Fig. Name

Fig.1. CYLINDER BLOCK



(A)=4TNV94L-XDB
(B)=
(C)=

(D)=
(E)=
(F)=

No.	Lev.	Parts No.	Description	Q'ty						I	R
				(A)	(B)	(C)	(D)	(E)	(F)		
1	1	729906-01560	BLOCK ASSY, CYLINDER	1							
5	2	129900-01250	PLUG, 55	1							
6	2	171051-01921	PLUG, NPTF1	1							
7	2	129900-02020	BOLT, METAL CAP	10							
10	2	129900-02410	BUSH, CAMSHAFT	1							
11	2	22351-060012	PIN, SPRING 6.0X12	2							
12	2	23876-030000	PLUG, R03	1							
13	2	23876-030000	PLUG, R03	1							
14	2	23876-030000	PLUG, R03	1							
15	2	27241-300000	PLUG 30	8							
25	2	729900-02800	BEARING, MAIN	5							3
28	2	129900-02930	BEARING, THRUST	2							
31	1	129900-01200	BOLT, HEAD	18							
32	1	129906-01340	GASKET, HEAD	1							
32-1	1	129907-01331	GASKET, HEAD	1							N
		(A=*2009.09)									
32-2	1	129906-01350	GASKET, HEAD	1							N
		(A=*2009.12)									
33	1	129907-01190	SPACER	1							
34	1	129900-02340	BEARING, 0.25 US	5							1
37	1	129900-02940	BEARING, THRUST 0.25	2							2

Remarks

- (1) UNDER-SIZED(U.S=0.25)PART.
- (2) OVER-SIZED(O.S=0.25)PART.
- (3) REPAIR PART.

Fig.2. GEAR HOUSING

(A)=4TNV94L-XDB

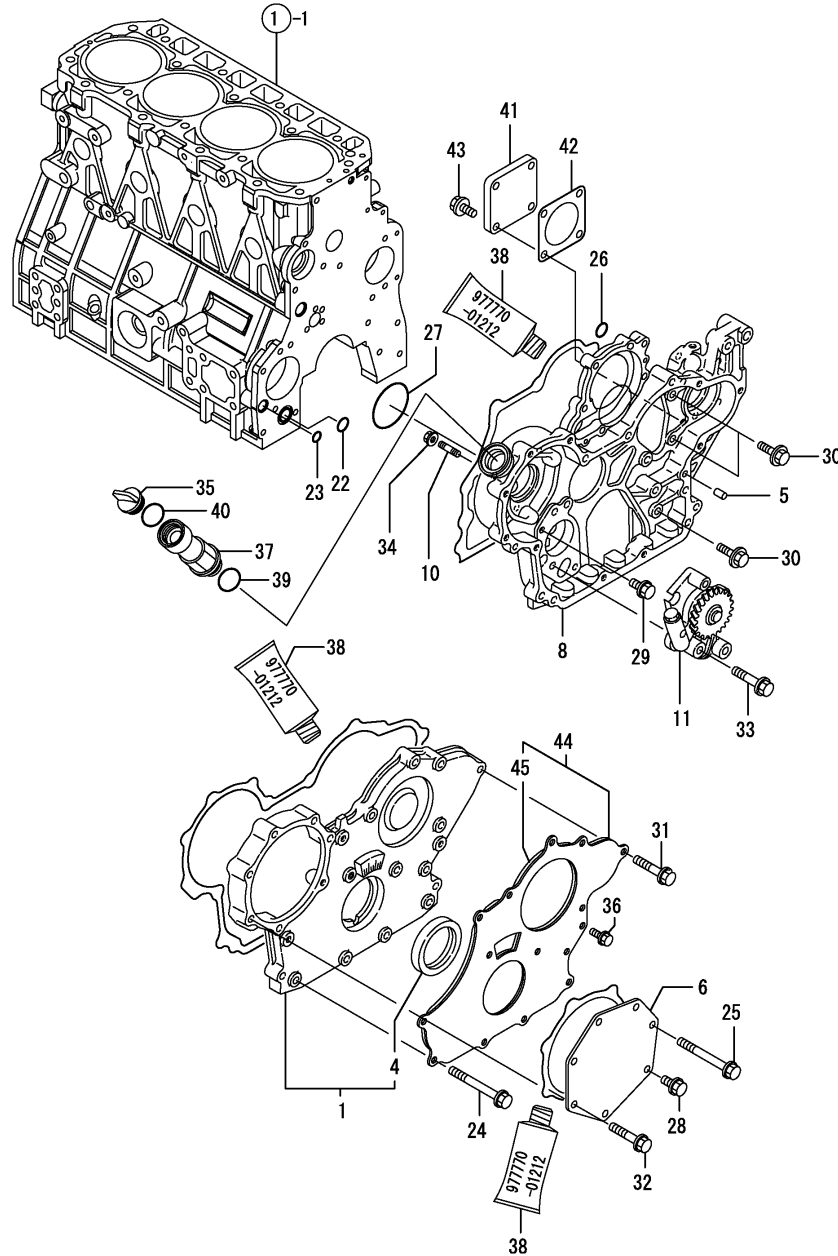
(B)=

(C)=

(D)=

(E)=

(F)=



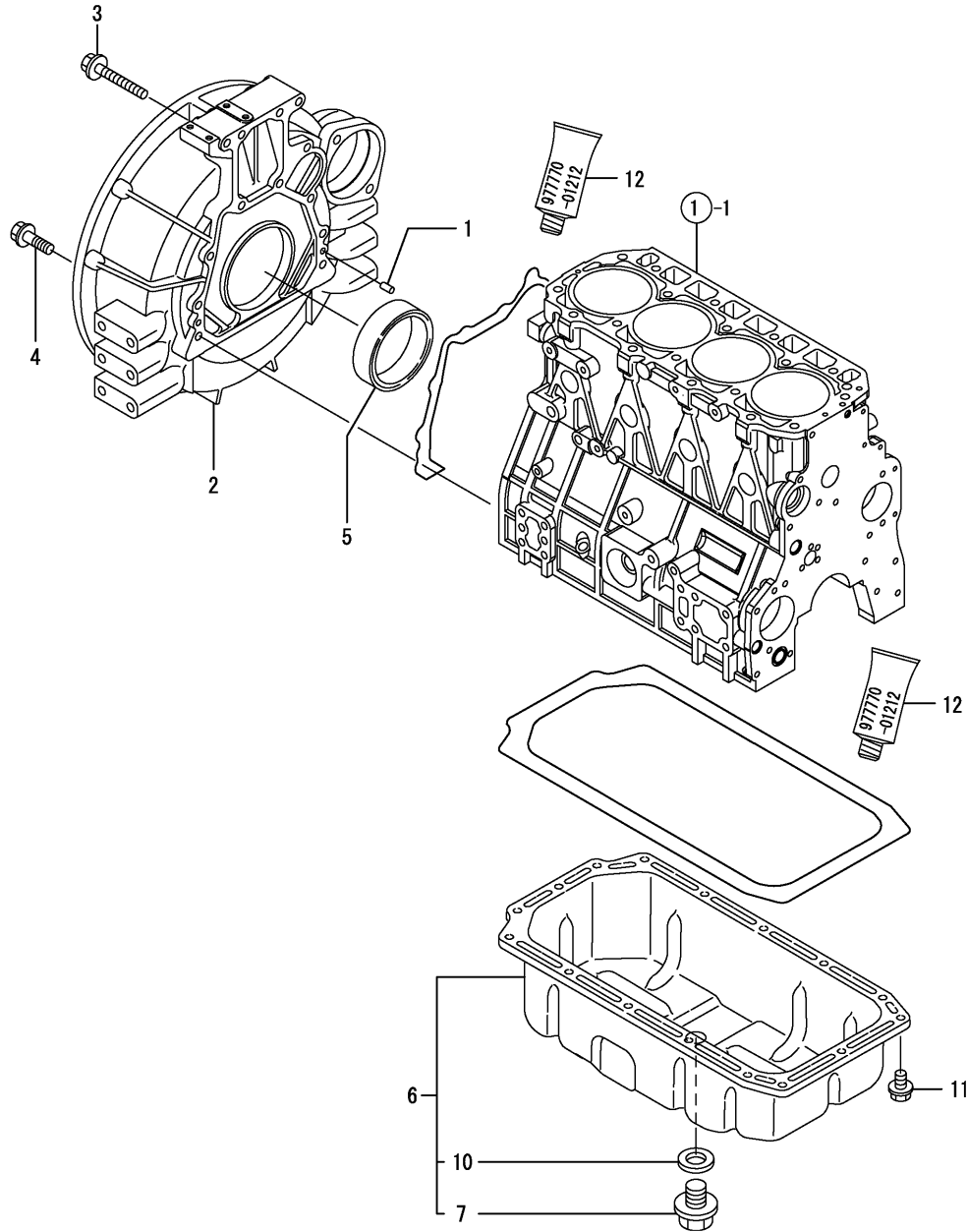
No.	Lev.	Parts No.	Description	Q'ty						I	R
				(A)	(B)	(C)	(D)	(E)	(F)		
1	1	729906-01550	COVER ASSY,GEAR CASE	1							
4	2	129916-01800	SEAL, OIL	1							
5	1	129100-01580	PIN, M8X16	4							
6	1	129951-01740	COVER	1							
8	1	129907-01500	CASE, GEAR	1							
10	1	26216-100302	STUD, M10X 30	4							
11	1	129900-32001	PUMP ASSY, OIL	1							
22	1	129900-32030	O-RING, P20	1							
23	1	129900-32040	O-RING, P14	1							
24	1	129001-91810	BOLT, M8X70	6							
25	1	129001-91810	BOLT, M8X70	1							
26	1	24311-000070	O-RING, 1AP7.0	1							
27	1	24351-030750	O-RING, 1A3075	1							
28	1	26106-080162	BOLT, M8X 16 PLATED	1							
29	1	26106-080162	BOLT, M8X 16 PLATED	1							
30	1	26106-080202	BOLT, M8X 20 PLATED	3							
31	1	26106-080402	BOLT, M8X 40 PLATED	5							
32	1	26106-080402	BOLT, M8X 40 PLATED	5							
33	1	26106-080452	BOLT, M8X 45 PLATED	3							
34	1	26306-100002	NUT, M10	4							
35	1	124160-01751	COVER, FILLER	1							
36	1	26106-080162	BOLT, M8X 16 PLATED	3							
37	1	171031-11741	PIPE	1							
38	1	977770-01212	GASKET, LIQUID	1							1
39	1	24311-000320	O-RING, 1AP32.0	1							
40	1	24311-000320	O-RING, 1AP32.0	1							
41	1	124240-01871	COVER	1							
42	1	124240-01883	GASKET	1							
43	1	26106-080162	BOLT, M8X 16 PLATED	4							
44	1	129900-01850	COVER ASSY,GEAR CASE	1							
45	2	129900-01870	SPONGE	1							

Remarks

(1) OPTIONAL PART.

N:Old $\begin{matrix} \leftarrow \text{Yes} \\ \text{No} \end{matrix}$ New, Q:Old $\begin{matrix} \leftarrow \text{No} \\ \text{Yes} \end{matrix}$ New, R:Old $\begin{matrix} \leftarrow \text{Yes} \\ \text{Yes} \end{matrix}$ New, S:Old $\begin{matrix} \leftarrow \text{No} \\ \text{No} \end{matrix}$ New, W:Add, Z:Discontinued, F:Interchangeable by set, K:Q'ty Change

Fig.3. FLYWHEEL HOUSING & OIL SUMP



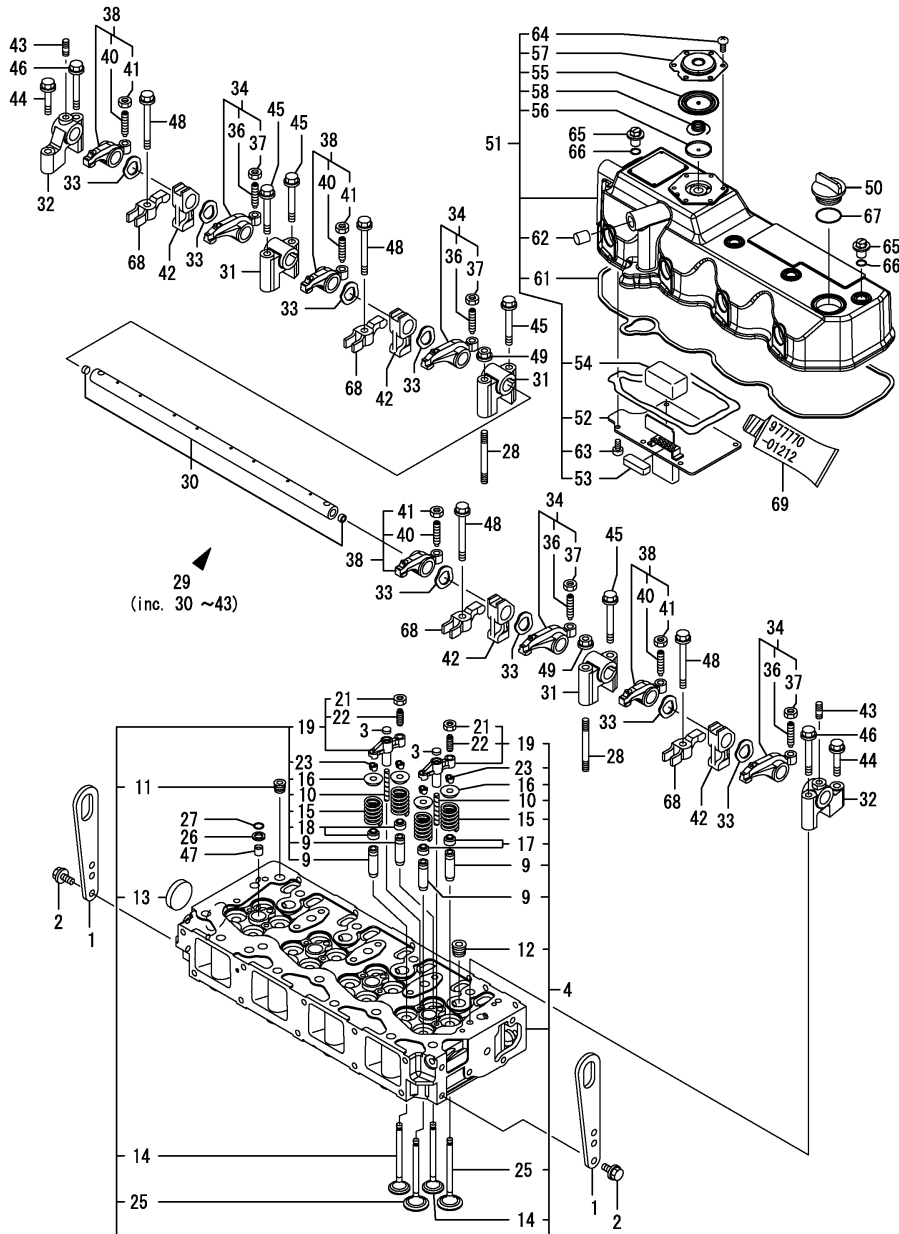
(A)=4TNV94L-XDB
(B)=
(C)=

(D)=
(E)=
(F)=

No.	Lev.	Parts No.	Description	Q'ty						I	R
				(A)	(B)	(C)	(D)	(E)	(F)		
1	1	129100-01580	PIN, M8X16	2							
2	1	129981-01600	HOUSING, FLYWHEEL	1							
3	1	26206-100702	BOLT, M10X 70 PLATED	4							
4	1	26206-100352	BOLT, M10X 35 PLATED	9							
5	1	129916-01790	SEAL, D115/95XT11	1							
6	1	129953-01710	SUMP ASSY, OIL	1							
7	2	119640-01640	PLUG, DRAIN M22	1							
10	2	22190-220002	WASHER, SEAL 22	1							
11	1	26106-080122	BOLT, M8X 12 PLATED	16							
12	1	977770-01212	GASKET, LIQUID	1							1

Remarks
(1) OPTIONAL PART.

Fig.4. CYLINDER HEAD & BONNET



(A)=4TNV94L-XDB

(B)=

(C)=

(D)=

(E)=

(F)=

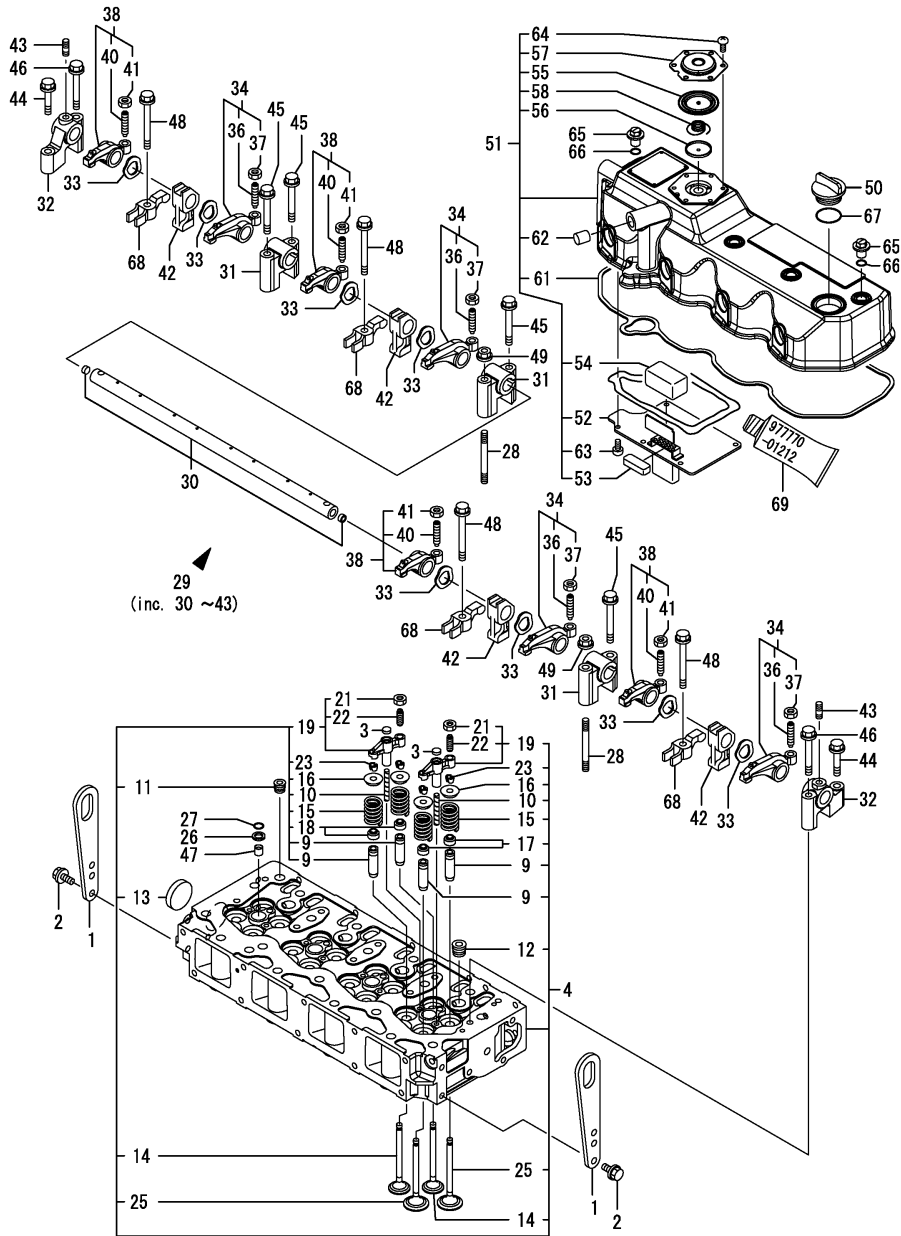
No.	Lev.	Parts No.	Description	Q'ty						I	R
				(A)	(B)	(C)	(D)	(E)	(F)		
1	1	129900-07900	LIFTER	2							
2	1	26106-080162	BOLT, M8X 16 PLATED	4							
3	1	123907-11550	SEAT, VALVE BRIDGE	8							
4	1	129907-11700	HEAD ASSY, CYLINDER	1							
9	2	129907-11800	GUIDE, VALVE	16							1
10	2	123907-11820	GUIDE	8							
11	2	23876-020000	PLUG, R02	1							
12	2	23876-030000	PLUG, R03	4							
13	2	27241-400000	PLUG, 40	1							
14	2	129907-11110	VALVE, EXHAUST	8							
15	2	129907-11120	SPRING, VALVE	16							
16	2	119620-11180	RETAINER, SPRING	16							
17	2	124160-11340	SEAL, VALVE STEM	8							
18	2	124950-11340	SEAL, VALVE STEM	8							
19	2	129907-11510	BRIDGE ASSY, VALVE	8							
21	3	129150-11750	NUT, M8	8							
22	3	123907-11830	ADJUSTER	8							
23	2	27310-070001	COTTER, 7	16							
25	2	129907-11100	VALVE, INTAKE	8							
26	1	119625-11880	SEAT, NOZZLE	4							
27	1	24311-000120	O-RING, 1AP12.0	4							
28	1	119593-11301	STUD, M8X80	2							
29	1	129907-11341	SHAFT ASSY, ROCKER	1							
30	2	129907-11250	SHAFT, ROCKER ARM	1							
31	2	129907-11260	SUPPORT, ROCKER ARM	3							
32	2	129907-11270	SUPPORT, ROCKER ARM	2							
33	2	123907-11280	WASHER	8							
34	2	129907-11650	ARM, ROCKER	4							
36	3	129150-11230	SCREW, VALVE ADJUST	4							
37	3	129150-11750	NUT, M8	4							
38	2	129907-11660	ARM, ROCKER	4							
40	3	129150-11230	SCREW, VALVE ADJUST	4							
41	3	129150-11750	NUT, M8	4							
42	2	129907-11920	RETAINER	4							
43	2	26226-080222	STUD, M8X 22	2							
44	1	26106-080402	BOLT, M8X 40 PLATED	2							
45	1	26106-080602	BOLT, M8X 60 PLATED	4							
46	1	26106-080602	BOLT, M8X 60 PLATED	2							
47	1	119802-11870	PROTECTOR, NOZZLE	4							
48	1	129907-11950	BOLT, M8X75	4							
49	1	26306-080002	NUT, M8	2							
50	1	124160-01751	COVER, FILLER	1							
51	1	129907-11320	BONNET ASSY, HEAD	1							
52	2	129907-03010	PLATE	1							
53	2	129907-03060	BAFFLE, BREATHER	1							
54	2	129907-03070	BAFFLE, BREATHER	1							
55	2	123907-03100	DIAPHRAGM	1							
56	2	123907-03110	PLATE	1							
57	2	123907-03120	PLATE, BREATHER	1							
58	2	123907-03140	SPRING, DIAPHRAGM	1							
61	2	129907-11310	GASKET, BONNET	1							

Remarks

(1) REPAIR PART.

(2) OPTIONAL PART.

Fig.4. CYLINDER HEAD & BONNET



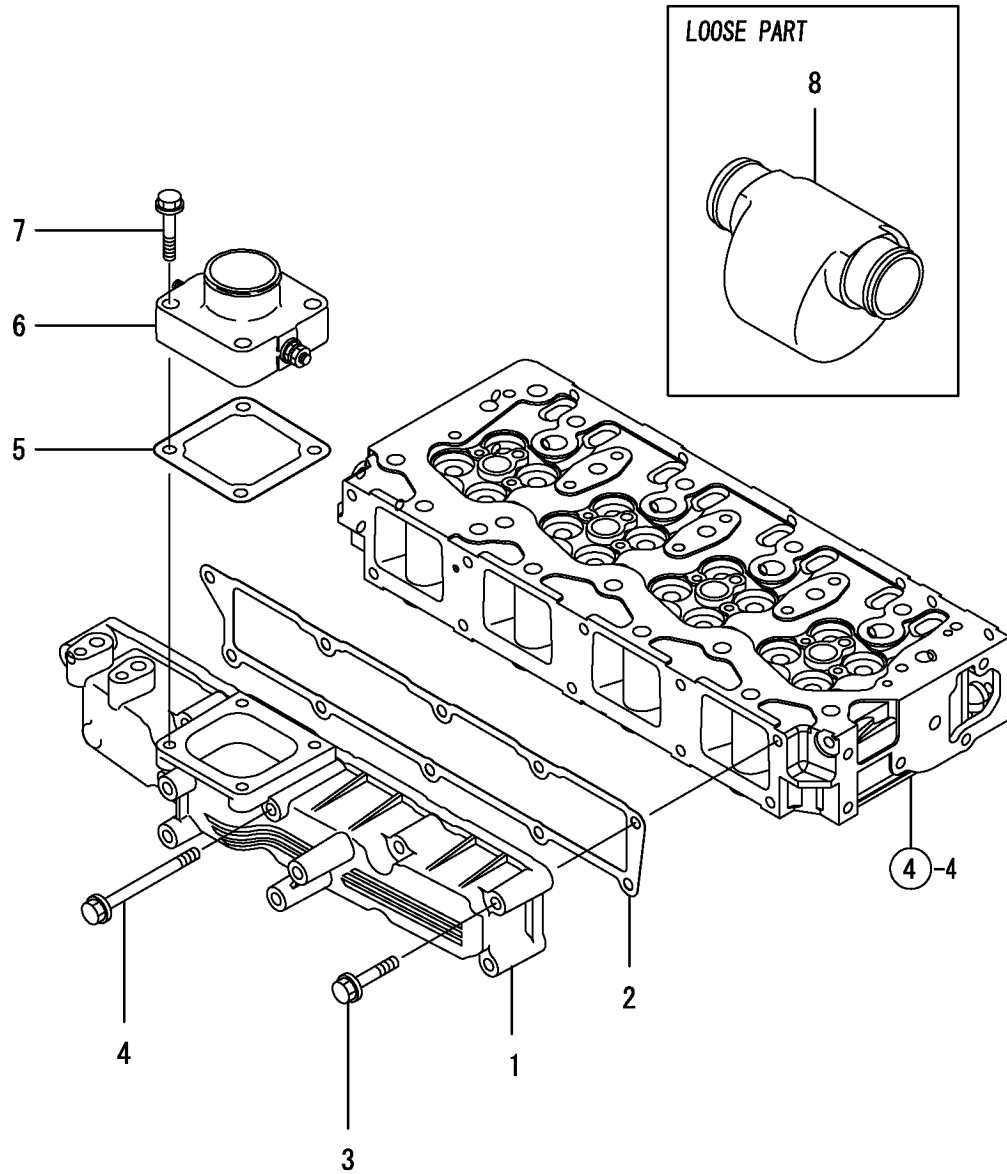
(A)=4TNV94L-XDB
(B)=
(C)=

(D)=
(E)=
(F)=

No.	Lev.	Parts No.	Description	Q'ty						I	R
				(A)	(B)	(C)	(D)	(E)	(F)		
62	2	119640-61400	PLUG	1							
63	2	22857-500100	SCREW, 5X10	6							
64	2	22857-500100	SCREW, 5X10	6							
65	1	124160-11360	KNOB	4							
66	1	24311-000120	O-RING, 1AP12.0	4							
67	1	24311-000320	O-RING, 1AP32.0	1							
68	1	129907-11910	RETAINER, NOZZLE	4							
69	1	977770-01212	GASKET, LIQUID	1							2

Remarks
(1) REPAIR PART.
(2) OPTIONAL PART.

Fig.5. SUCTION MANIFOLD

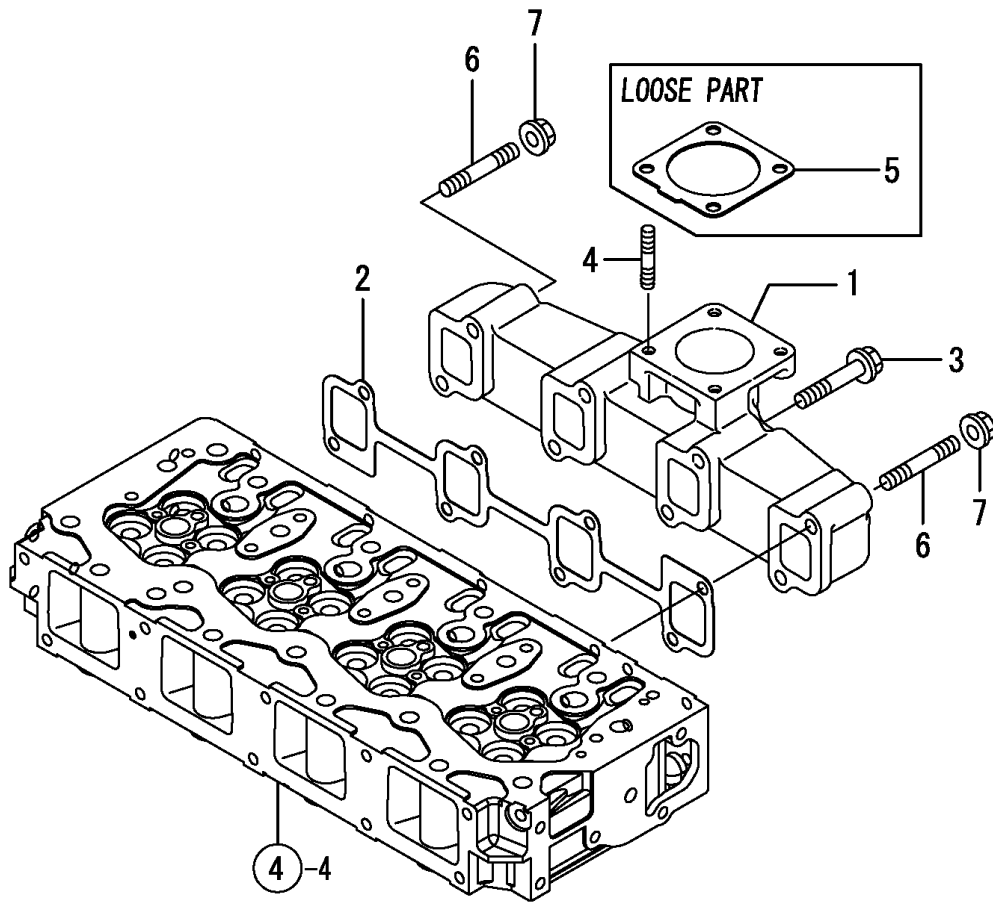


(A)=4TNV94L-XDB
(B)=
(C)=

(D)=
(E)=
(F)=

No.	Lev.	Parts No.	Description	Q'ty						I	R
				(A)	(B)	(C)	(D)	(E)	(F)		
1	1	129907-12100	MANIFOLD, AIR INTAKE	1							
2	1	129907-12110	GASKET, MANIFOLD	1							
3	1	26106-080552	BOLT, M8X 55 PLATED	9							
4	1	26106-080852	BOLT, M8X 85 PLATED	1							
5	1	121850-77021	GASKET	1							
6	1	129915-77050	HEATER	1							
7	1	26106-080352	BOLT, M8X 35 PLATED	4							
8	1	119005-12060	SILENCER ASSY	1							

Fig.6. EXHAUST MANIFOLD



(A)=4TNV94L-XDB
(B)=
(C)=

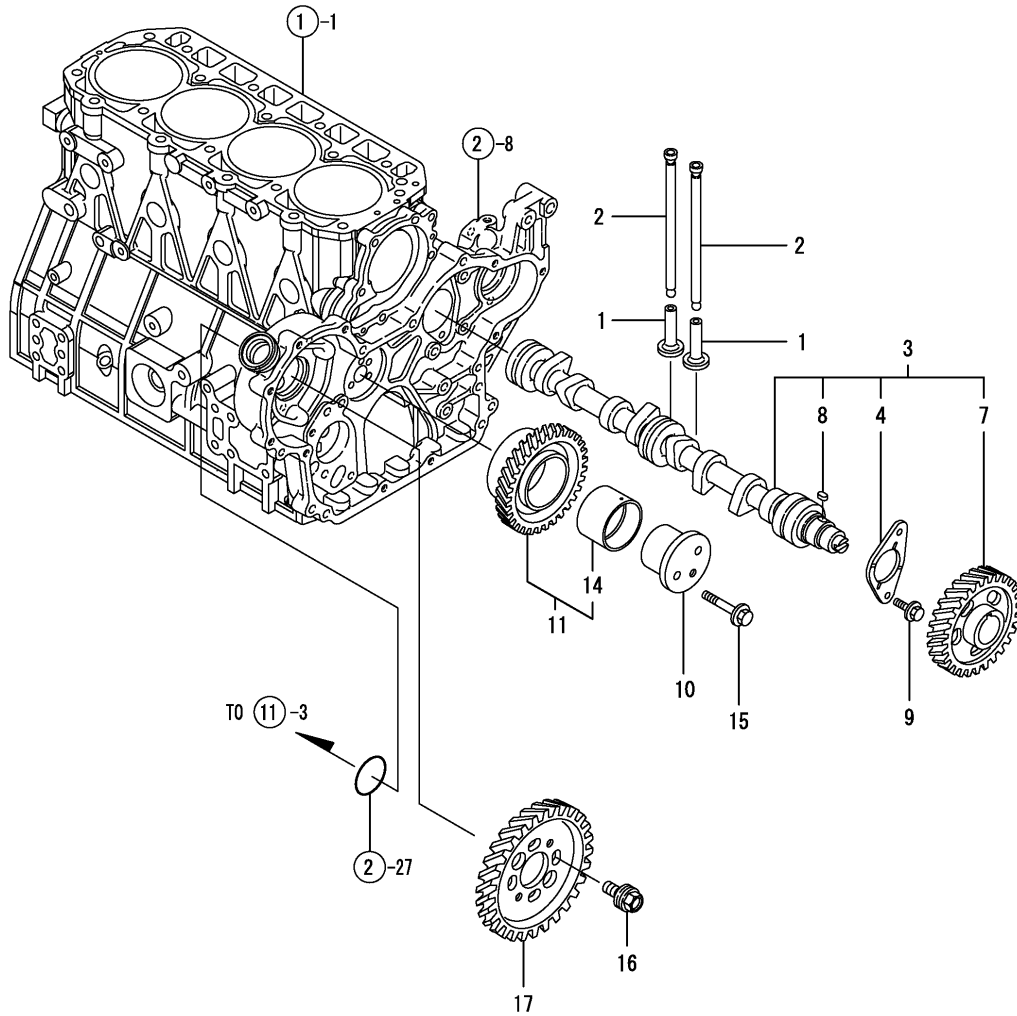
(D)=
(E)=
(F)=

No.	Lev.	Parts No.	Description	Q'ty						I	R
				(A)	(B)	(C)	(D)	(E)	(F)		
1	1	129900-13200	MANIFOLD, EXHAUST	1							
2	1	129900-13251	GASKET	1							
3	1	123900-13630	BOLT, M8X80	6							
4	1	119131-18320	STUD, M8X22	4							
5	1	129930-13201	GASKET, SILENCER	1							
6	1	123900-13610	STUD, M8X80	2							
7	1	26306-080002	NUT, M8	2							

Fig.7. CAMSHAFT & DRIVING GEAR

(A)=4TNV94L-XDB
(B)=
(C)=

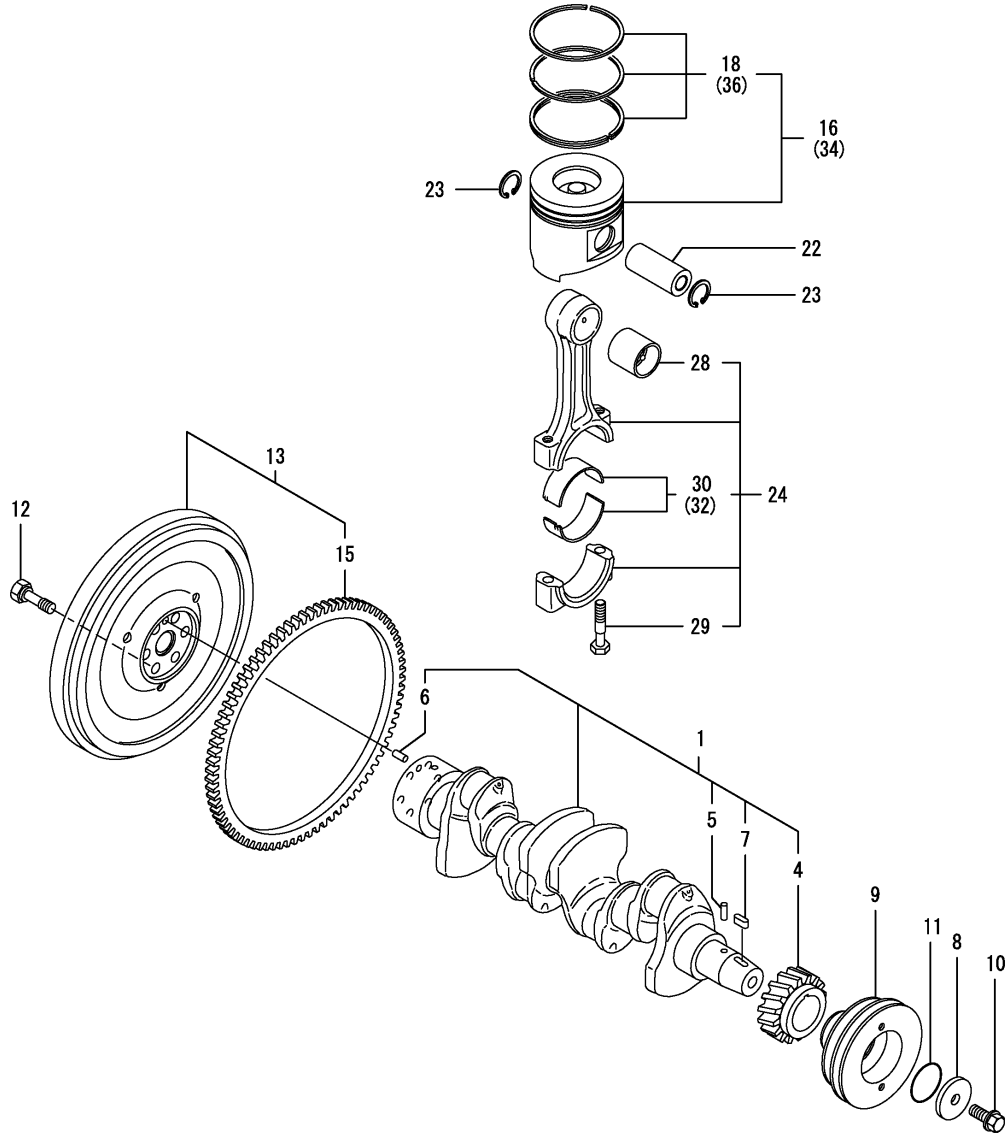
(D)=
(E)=
(F)=



No.	Lev.	Parts No.	Description	Q'ty						I	R
				(A)	(B)	(C)	(D)	(E)	(F)		
1	1	129150-14200	TAPPET	8							
2	1	129907-14400	ROD, PUSH	8							
3	1	129907-14581	CAMSHAFT ASSY	1							
3-1	1	129908-14581 (A=EZZZZZ)	CAMSHAFT ASSY	1							N
4	2	129150-02450	BEARING, THRUST	1							
7	2	129900-14100	GEAR, CAMSHAFT	1							
8	2	22512-070140	KEY, 7X 14	1							
9	1	26106-080162	BOLT, M8X 16 PLATED	2							
10	1	123900-25060	SHAFT, IDLE GEAR	1							
11	1	129900-25100	GEAR ASSY, IDLE	1							
14	2	129150-25920	BUSH, IDLE GEAR	1							1
15	1	26106-080552	BOLT, M8X 55 PLATED	3							
16	1	129953-25300	BOLT	4							
17	1	123907-25909	GEAR, PUMP	1							

Remarks
(1) REPAIR PART.

Fig.8. CRANKSHAFT & PISTON



(A)=4TNV94L-XDB

(B)=

(C)=

(D)=

(E)=

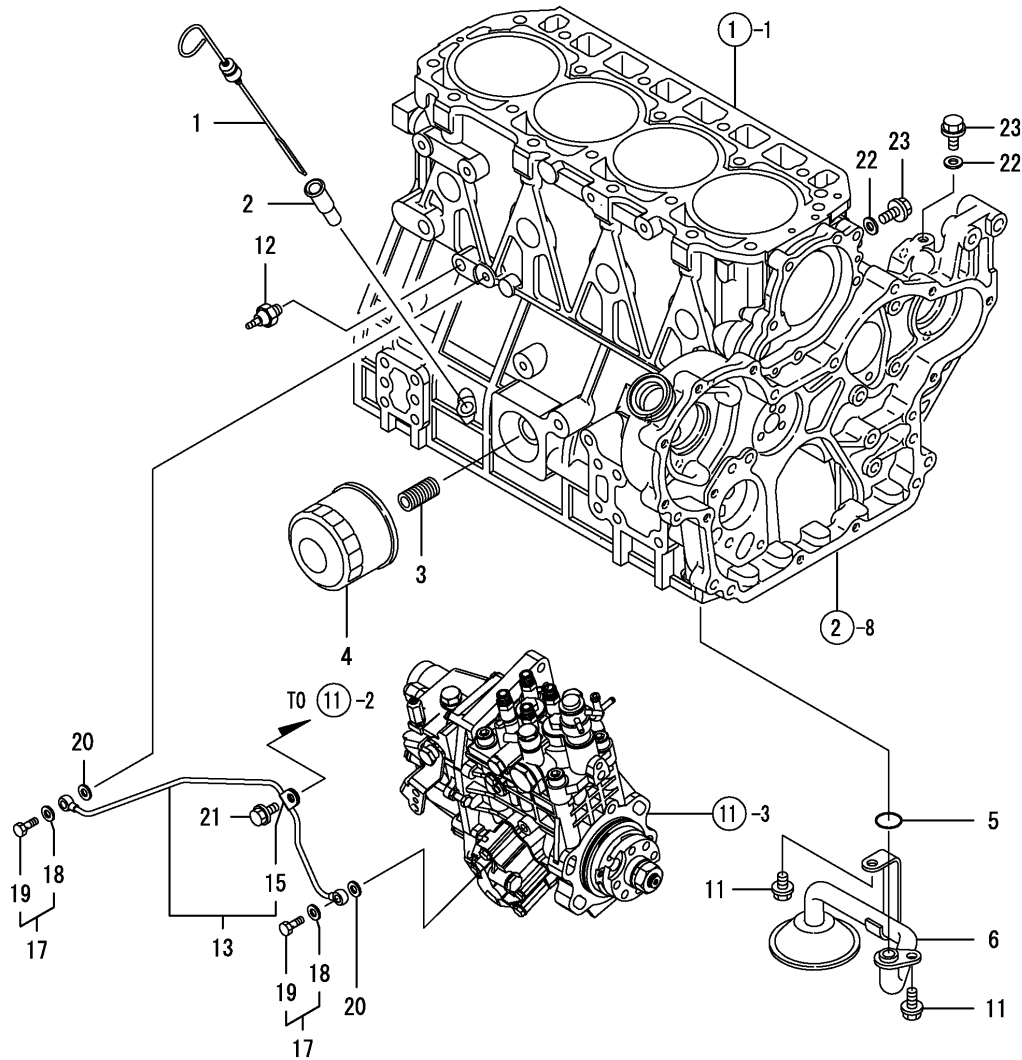
(F)=

No.	Lev.	Parts No.	Description	Q'ty						I	R
				(A)	(B)	(C)	(D)	(E)	(F)		
1	1	129902-21000	CRANKSHAFT ASSY	1							
4	2	129900-21200	GEAR, CRANKSHAFT	1							
5	2	121850-21290	PIN	1							
6	2	121850-21920	PIN, M10X22	1							
7	2	22512-070140	KEY, 7X 14	1							
8	1	129960-21640	WASHER	1							
9	1	129916-21620	V-PULLEY	1							
10	1	129916-21610	BOLT	1							
11	1	24341-000530	O-RING, 1AS53.0	1							
12	1	121850-21130	BOLT, FLYWHEEL	6							
13	1	129916-21590	FLYWHEEL ASSY	1							
15	2	129900-21600	GEAR, RING	1							
16	1	129906-22080	PISTON ASSY	4							
16-1	1	129906-22090	PISTON ASSY	4						F	4
(A=*2009.12)											
18	2	129906-22050	RING SET, PISTON	4							
22	1	120130-22301	PIN, PISTON	4							
23	1	22252-000300	RING, 30	8							
24	1	129900-23000	ROD ASSY, CONNECTING	4							
28	2	129900-23910	BEARING, PISTON PIN	4							1
29	2	129900-23200	BOLT, CONNECTING ROD	8							
30	2	129900-23600	BEARING, CRANK PIN	4							
32	1	129900-23610	BEARING, 0.25 US	4							2
34	1	729906-22900	PISTON ASSY, 0.25 OS	4							3
34-1	1	129906-22900	PISTON ASSY, 0.25 OS	4							R 3
(A=EXXXXX)											
34-2	1	129906-22910	PISTON ASSY, 0.25 OS	4							F 3
(A=*2009.12)											
36	2	729906-22950	RING SET, 0.25 OS	4							3
36-1	2	129916-22950	RING SET, 0.25 OS	4							R 3
(A=EXXXXX)											

Remarks

- (1) Repair part.
- (2) Under-sized (U.S.=0.25) part.
- (3) Over-sized (O.S.=0.25) part.
- (4) Ref. No.16 is interchangeable with a set of Ref. No.16-1 and Fig.1 Ref. No.32-2.

Fig.9. LUB. OIL SYSTEM



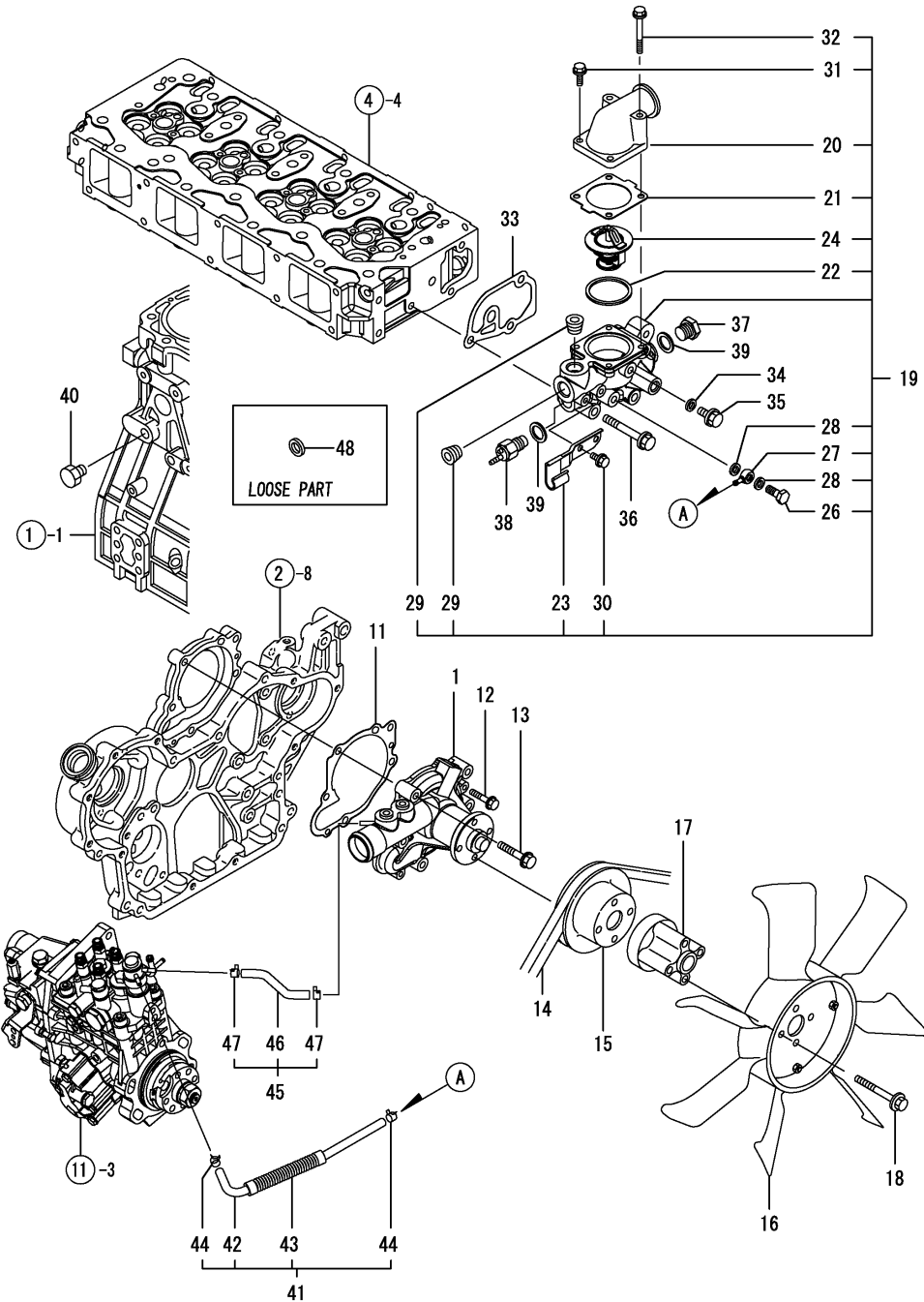
(A)=4TNV94L-XDB
(B)=
(C)=

(D)=
(E)=
(F)=

No.	Lev.	Parts No.	Description	Q'ty						I	R
				(A)	(B)	(C)	(D)	(E)	(F)		
1	1	129900-34800	DIPSTICK, OIL	1							
2	1	121520-34810	GUIDE, DIPSTICK	1							
3	1	119000-35140	BOLT, FILTER	1							
4	1	129150-35153	FILTER 80X80L	1							1
5	1	129900-32030	O-RING, P20	1							
6	1	129900-35000	PIPE ASSY, OIL INLET	1							
11	1	26106-080122	BOLT, M8X 12 PLATED	2							
12	1	114250-39450	SWITCH, 0.5KG	1							
13	1	129907-39060	PIPE ASSY, OIL	1							
15	2	123907-39500	RETAINER	1							
17	1	129005-59830	BOLT ASSY, JOINT M8	2							
18	2	22190-080002	WASHER, SEAL 6	2							
19	2	23857-030000	BOLT, JOINT 3	2							
20	1	22190-080002	WASHER, SEAL 6	2							
21	1	26106-080122	BOLT, M8X 12 PLATED	1							
22	1	22190-080002	WASHER, SEAL 6	2							
23	1	26106-080122	BOLT, M8X 12 PLATED	2							

Remarks
(1) REPAIR PART.

Fig.10. COOLING WATER SYSTEM



(A)=4TNV94L-XDB

(B)=

(C)=

(D)=

(E)=

(F)=

No.	Lev.	Parts No.	Description	Q'ty						I	R
				(A)	(B)	(C)	(D)	(E)	(F)		
1	1	129907-42000	PUMP ASSY, WATER	1							
11	1	129900-42020	GASKET, WATER PUMP	1							
12	1	26106-060302	BOLT, M6X 30 PLATED	2							
13	1	26106-080552	BOLT, M8X 55 PLATED	5							
14	1	25153-004500	V-BELT, B45	1							
15	1	129916-42410	V-PULLEY	1							
16	1	129981-44740	FAN, COOLING D=450	1							
17	1	119117-44760	SPACER, FAN	1							
18	1	129916-44770	BOLT, M8X78	4							
19	1	129906-49810	CASE ASSY,THERMOSTAT	1							
20	2	129980-49530	COVER, THERMOSTAT	1							
21	2	121850-49540	GASKET, THERMOSTAT	1							
22	2	121850-49550	GASKET, THERMOSTAT	1							
23	2	129907-49730	RETAINER, PIPE	1							
24	2	121850-49800	THERMOSTAT, 82	1							
26	2	105582-59150	BOLT, PIPE JOINT	1							
27	2	23387-040800	JOINT, HOSE 4-8	1							
28	2	23414-080000	GASKET, 8X1.0	2							
29	2	129916-49740	PLUG, R03	2							
30	2	26106-060122	BOLT, M6X 12 PLATED	2							
31	2	26106-060202	BOLT, M6X 20 PLATED	2							
32	2	26106-060552	BOLT, M6X 55 PLATED	2							
33	1	129900-49870	GASKET	1							
34	1	23414-080000	GASKET, 8X1.0	1							
35	1	26106-080122	BOLT, M8X 12 PLATED	1							
36	1	26106-080602	BOLT, M8X 60 PLATED	3							
37	1	121450-42450	PLUG, M16	1							
38	1	121250-44901	SWITCH, 110	1							
39	1	124465-44950	GASKET, 16	2							
40	1	171056-49120	PLUG, DRAIN	1							
41	1	129907-49610	HOSE ASSY, WATER	1							
42	2	129907-49710	PIPE ASSY, WATER	1							
43	2	129907-49750	TUBE, CORRUGATED	1							
44	2	124722-59050	CLIP, HOSE 9	2							
45	1	129907-49620	HOSE ASSY, WATER	1							
46	2	129907-49720	PIPE ASSY, WATER	1							
47	2	124722-59050	CLIP, HOSE 9	2							
48	1	129150-49360	GASKET	1							Z

(A)=FROM 1ST)

Fig.11. FUEL INJECTION PUMP

(A)=4TNV94L-XDB

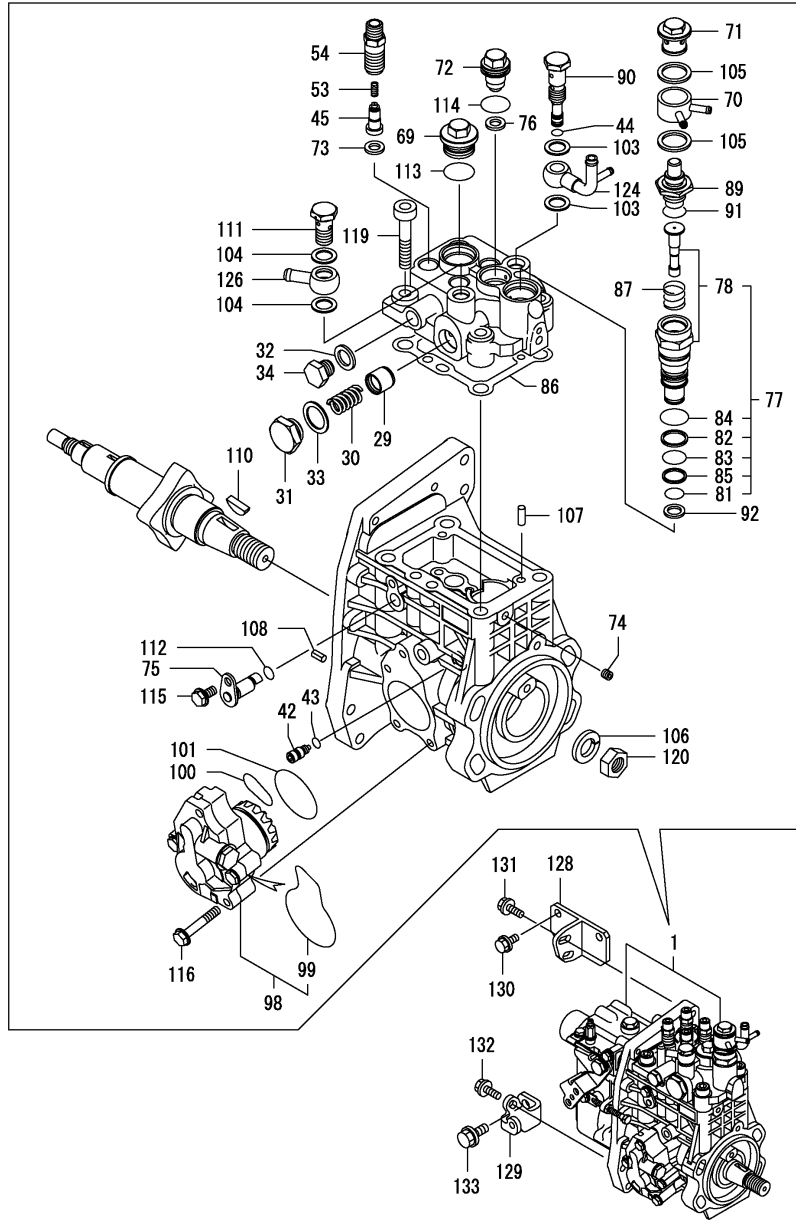
(B)=

(C)=

(D)=

(E)=

(F)=



No.	Lev.	Parts No.	Description	Qty						I	R
				(A)	(B)	(C)	(D)	(E)	(F)		
1	1	729906-51330	PUMP ASSY, INJECTION	1							1
29	2	158601-51770	PISTON	1							
30	2	158552-51780	SPRING	1							
30-1	2	158552-51781 (A=E/#*****)	SPRING	1							N
31	2	158601-51790	PLUG	1							
32	2	22190-120002	WASHER, SEAL 12	1							
33	2	22190-180002	WASHER, SEAL 18	1							
34	2	23887-120002	PLUG, 12	1							
42	2	158600-51270	STOPPER, TAPPET	1							
43	2	158563-51281	O-RING, 4D S6	1							
44	2	158563-51281	O-RING, 4D S6	1							
45	2	158560-51300	VALVE ASSY, DELIVERY	4							
53	2	158563-51330	SPRING, DELIVERY	4							
54	2	129907-51340	HOLDER, DELIVERY	4							
69	2	158601-51550	PLUG	1							
70	2	158553-51551	JOINT	1							
71	2	158601-51570	PLUG	1							
72	2	129907-51560	PLUG, BARREL	1							
73	2	158552-51570	GASKET	4							
74	2	158557-51570	PLUG	1							
75	2	158552-51580	LIFTER	1							
76	2	129906-51580	GASKET	1							
77	2	119802-51590	TIMER SET	1							
78	3	119802-51600	TIMER ASSY	1							
81	3	158553-51670	O-RING, 1011	1							
82	3	119802-51680	RING, BACK UP	1							
83	3	119802-51690	O-RING	1							
84	3	24356-010200	O-RING, 4D1020	1							
85	3	24372-000150	RING, BACK UP T2P15	1							
86	2	158560-51600	GASKET	1							
87	2	158553-51630	SPRING, TIMER	1							
89	2	158553-51640	ELEMENT	1							
90	2	158601-51650	JOINT, OVER FLOW	1							
91	2	158553-51660	O-RING, P14	1							
92	2	158553-51680	GASKET	1							
98	2	158552-52100	PUMP ASSY, FUEL FEED	1							
99	3	158552-52500	O-RING	1							
100	2	158552-52310	O-RING	1							
101	2	158552-52400	O-RING, 4E S42	1							
103	2	22190-120002	WASHER, SEAL 12	2							
104	2	22190-120002	WASHER, SEAL 12	2							
105	2	22190-180002	WASHER, SEAL 18	2							
106	2	22217-180000	WASHER, SPRING 18	1							
107	2	22312-050140	PIN, PARALLEL M5X14	2							
108	2	22351-050010	PIN, SPRING 5.0X10	2							
110	2	144626-51090	KEY, 5X19	1							
111	2	23857-060000	BOLT, JOINT 6	1							
112	2	24311-000070	O-RING, 1AP7.0	1							
113	2	24356-010200	O-RING, 4D1020	1							
114	2	24356-020210	O-RING, 4D2021	1							

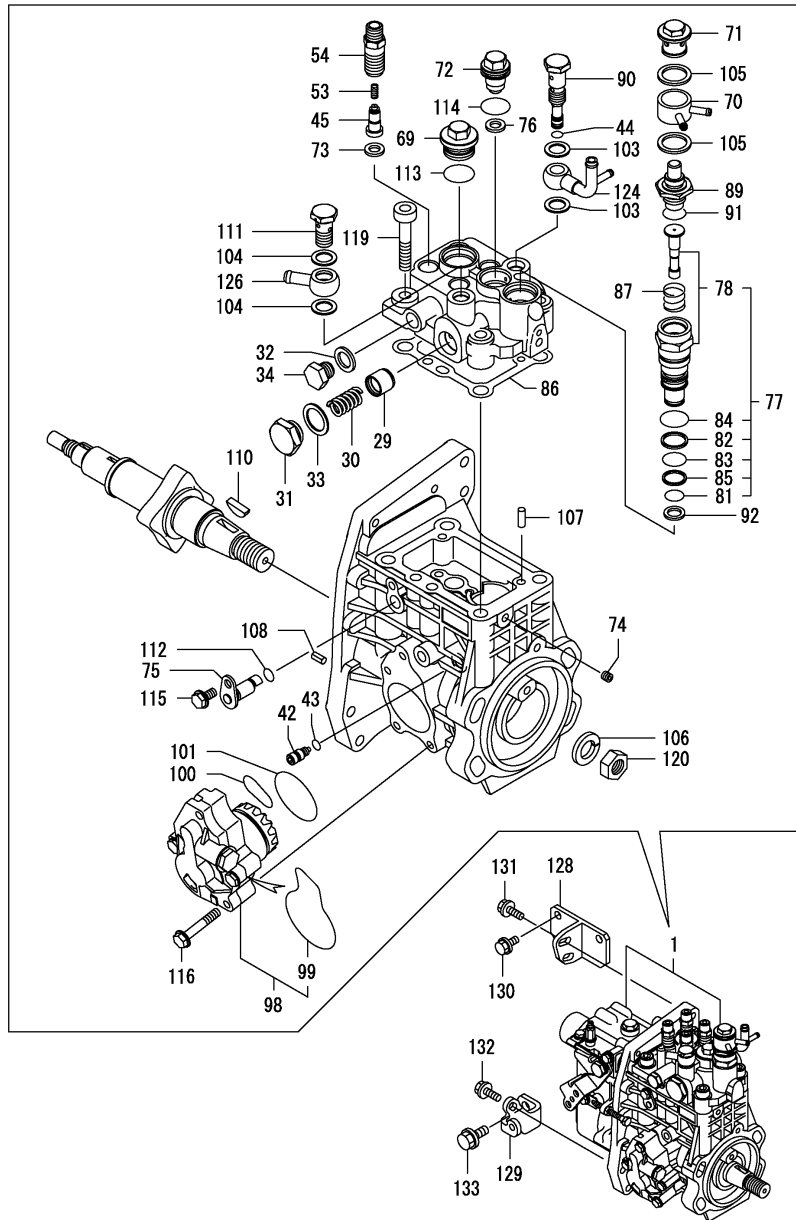
Remarks

(1) REPAIR PART.

Fig.11. FUEL INJECTION PUMP

(A)=4TNV94L-XDB
(B)=
(C)=

(D)=
(E)=
(F)=



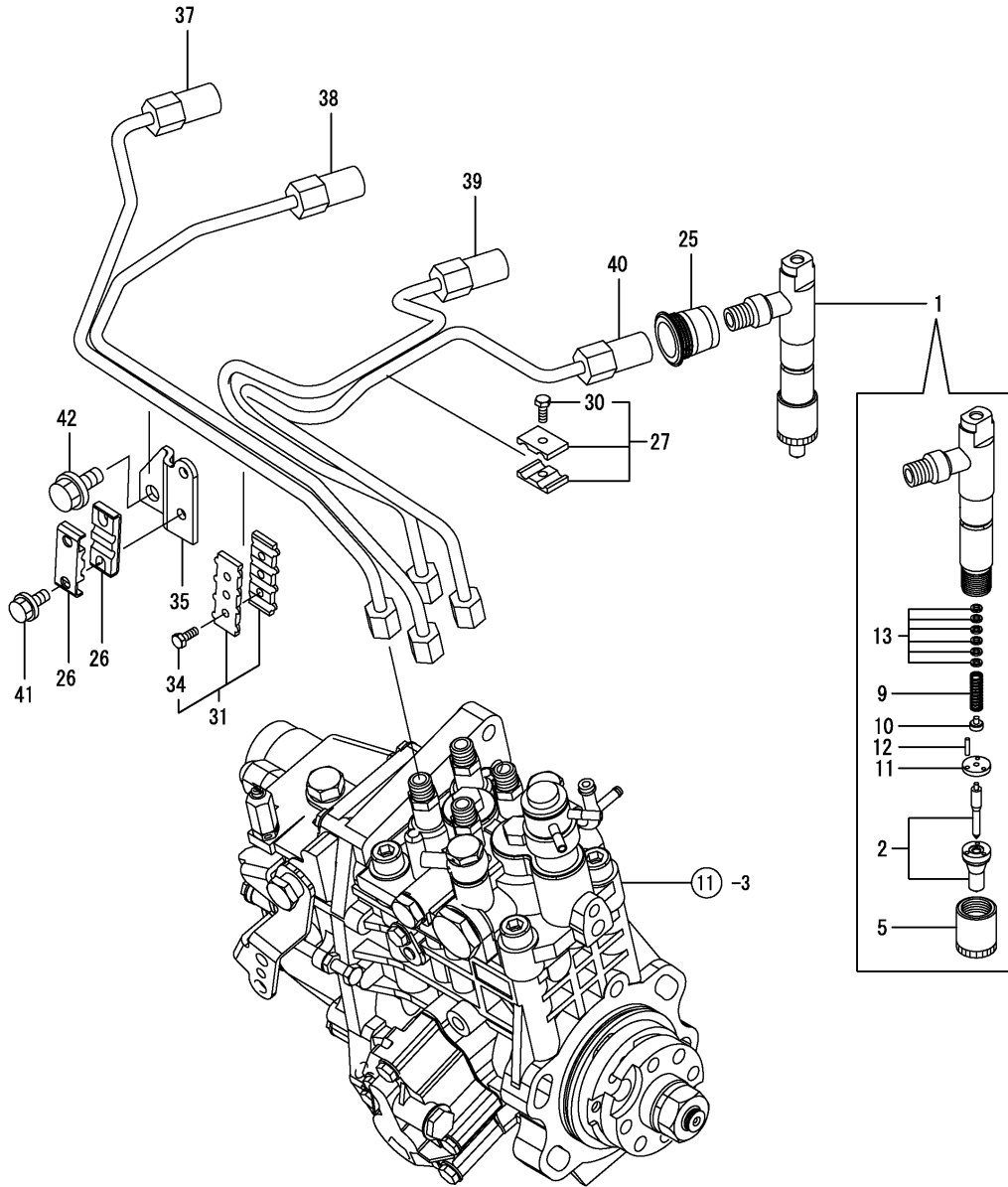
No.	Lev.	Parts No.	Description	Q'ty						I	R
				(A)	(B)	(C)	(D)	(E)	(F)		
115	2	26106-060102	BOLT, M6X 10 PLATED	1							
116	2	26106-060352	BOLT, M6X 35 PLATED	4							
119	2	26450-100452	BOLT, M10X 45	4							
120	2	26776-180002	NUT, LOCK M18	1							
124	2	158552-51670	JOINT, OVER FLOW	1							
126	2	129916-59020	JOINT, PIPE 12	1							
128	1	129907-01950	RETAINER	1							
129	1	129906-01960	RETAINER	1							
130	1	26106-080162	BOLT, M8X 16 PLATED	2							
131	1	26106-080222	BOLT, M8X 22 PLATED	2							
132	1	26106-080222	BOLT, M8X 22 PLATED	1							
133	1	26106-100202	BOLT, M10X 20 PLATED	1							

Remarks
(1) REPAIR PART.

Fig.12. FUEL INJECTION VALVE

(A)=4TNV94L-XDB
(B)=
(C)=

(D)=
(E)=
(F)=



No.	Lev.	Parts No.	Description	Q'ty						I	R
				(A)	(B)	(C)	(D)	(E)	(F)		
1	1	729906-53100	VALVE ASSY,INJECTION	4							
2	2	129906-53000	VALVE ASSY,INJECTION	4							
5	2	114250-53080	NUT, NOZZLE D16.95	4							
9	2	114250-53120	SPRING, NOZZLE	4							
10	2	114250-53130	SEAT, SPRING	4							
11	2	114250-53140	PLATE	4							
12	2	114250-53210	PIN	8							
13	2	114250-53400	SHIM SET	4							
25	1	123907-11601	SEAL	4							
26	1	122780-59100	RETAINER	2							
27	1	119305-59120	RETAINER, PIPE	1							
30	2	129150-59131	BOLT, M4X14	1							
31	1	129550-59120	RETAINER, PIPE	1							
34	2	129150-59131	BOLT, M4X14	2							
35	1	129907-59710	SUPPORT	1							
37	1	129907-59810	PIPE ASSY, INJECTION	1							
38	1	129907-59820	PIPE ASSY, INJECTION	1							
39	1	129907-59830	PIPE ASSY, INJECTION	1							
40	1	129907-59840	PIPE ASSY, INJECTION	1							
41	1	26106-060162	BOLT, M6X 16 PLATED	2							
42	1	26106-080182	BOLT, M8X 18 PLATED	1							

Fig.13. FUEL LINE

(A)=4TNV94L-XDB

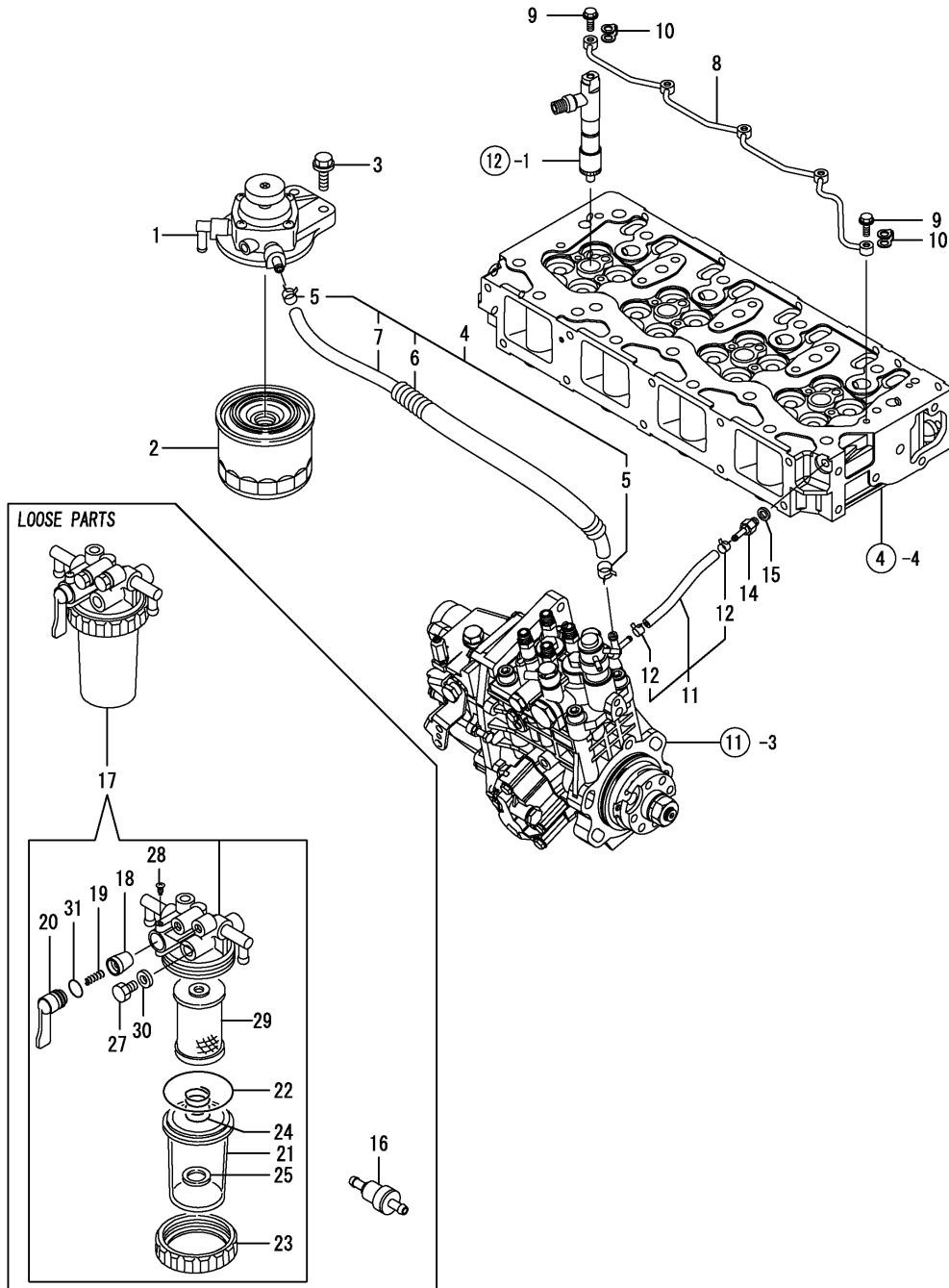
(B)=

(C)=

(D)=

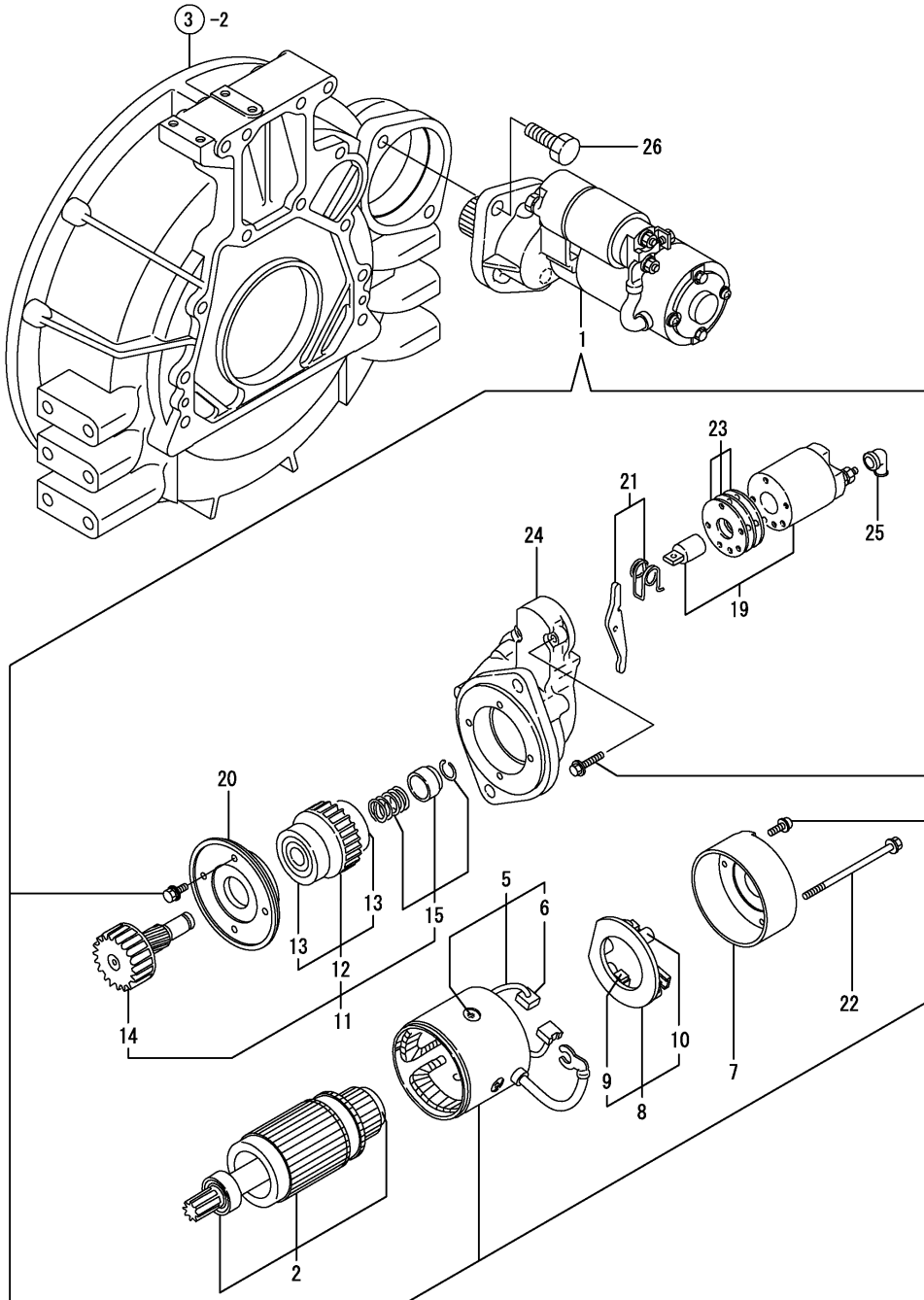
(E)=

(F)=



No.	Lev.	Parts No.	Description	Q'ty						I	R
				(A)	(B)	(C)	(D)	(E)	(F)		
1	1	119802-55610	BRACKET, FILTER	1							
2	1	119802-55800	FILTER, FUEL	1							
3	1	26106-080302	BOLT, M8X 30 PLATED	2							
4	1	129457-59010	PIPE ASSY, FUEL	1							
5	2	124766-59050	CLIP, HOSE 12	2							
6	2	129957-59120	TUBE, CORRUGATED	1							
7	2	105025-59750	PIPE, FUEL	1							
8	1	129907-59140	PIPE ASSY, RETURN	1							
9	1	123907-59540	BOLT, PIPE JOINT M6	5							
10	1	123907-59550	GASKET	5							
11	1	129486-59551	PIPE ASSY, RETURN	1							
12	2	124722-59050	CLIP, HOSE 9	2							
14	1	123907-59560	JOINT	1							
15	1	22190-080002	WASHER, SEAL 6	1							
16	1	119802-59950	VALVE, CHECK	1							
17	1	129335-55700	SEPARATOR ASSY,WATER	1							
18	2	104200-55321	VALVE, TAPER	1							
19	2	104200-55330	SPRING, VALVE	1							
20	2	104200-55341	HANDLE	1							
21	2	124064-55510	COVER	1							
22	2	102103-55520	O-RING	1							
23	2	110250-55610	RING, RETAINING	1							
24	2	121257-55720	SPRING	1							
25	2	121257-55731	FLOAT	1							
27	2	101720-55750	PLUG, 6	2							
28	2	104200-55750	SCREW, M4	1							
29	2	171081-55910	SCREEN	1							
30	2	23418-060000	GASKET, 6X1.0	2							
31	2	24311-240100	O-RING, 1AP10A	1							

Fig.14. STARTING MOTOR

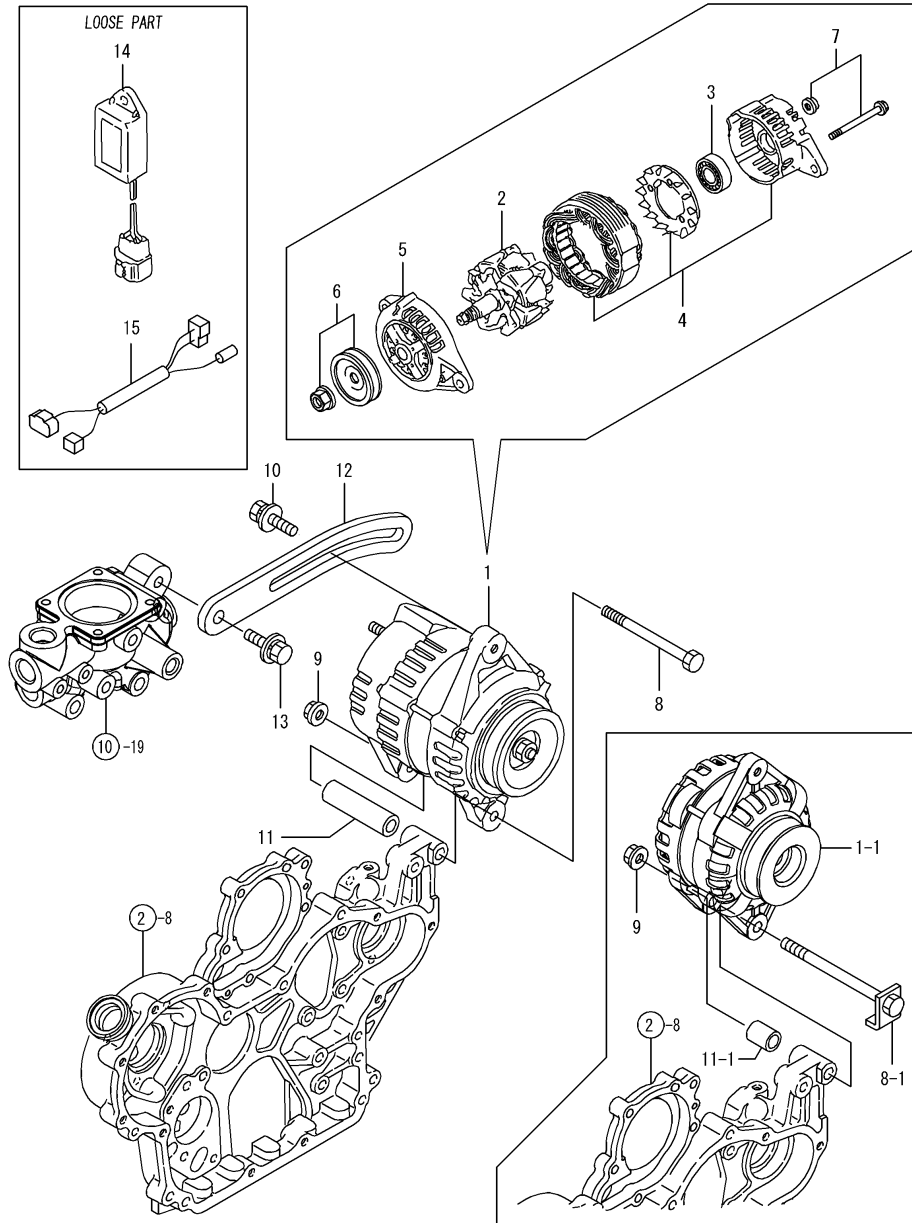


(A)=4TNV94L-XDB
(B)=
(C)=

(D)=
(E)=
(F)=

No.	Lev.	Parts No.	Description	Q'ty						I	R
				(A)	(B)	(C)	(D)	(E)	(F)		
1	1	123900-77010	STARTER	1							
2	2	123900-77400	ARMATURE ASSY	1							
5	2	123900-77440	COIL ASSY, FIELD	1							
6	3	123900-77450	BRUSH (+)	2							
7	2	123900-77460	COVER, REAR	1							
8	2	123900-77480	HOLDER, BRUSH	1							
9	3	123900-77450	BRUSH (+)	2							
10	3	121254-77590	SPRING, BRUSH	4							
11	2	123900-77510	PINION ASSY	1							
12	3	123900-77520	CLUTCH ASSY	1							
13	4	X2240610100	BALL BEARING (3	2							
14	3	123900-77540	SHAFT, PINION	1							
15	3	119131-77550	STOPPER KIT, PINION	1							
19	2	129900-77591	SWITCH ASSY,MAGNETIC	1							
20	2	123900-77610	RETAINER, BEARING	1							
21	2	129900-77620	SHIFT LEVER SET	1							
22	2	123900-77640	THROUGHT BOLT	2							
23	2	123900-77650	COVER ASSY, DUST	1							
24	2	123900-77710	HOUSING, GEARS	1							
25	2	171008-77750	COVER, M TERMINAL	1							
26	1	26116-120302	BOLT, M12X 30 PLATED	2							

Fig.15. GENERATOR



(A)=4TNV94L-XDB

(B)=

(C)=

(D)=

(E)=

(F)=

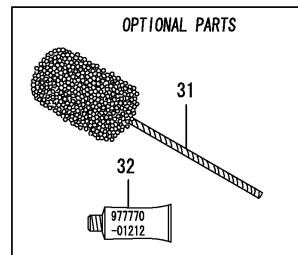
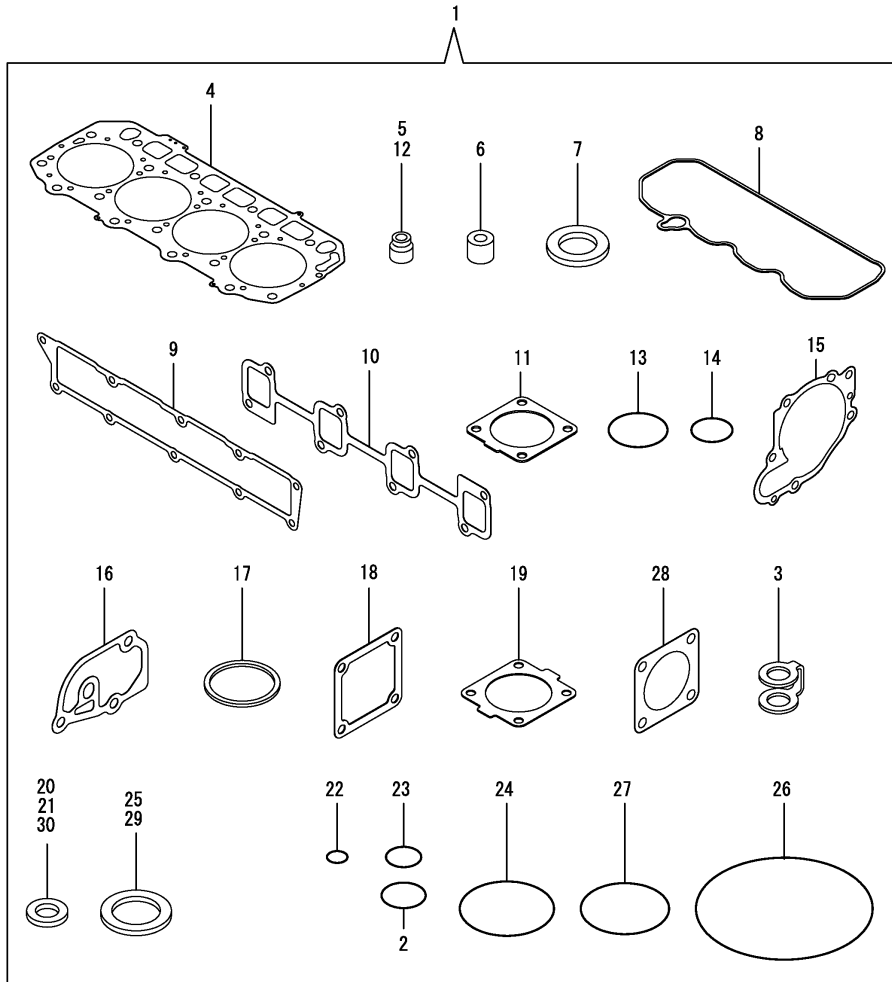
No.	Lev.	Parts No.	Description	Q'ty						I	R
				(A)	(B)	(C)	(D)	(E)	(F)		
1	1	123900-77210	ALTERNATOR	1							
1-1	1	129908-77210	ALTERNATOR	1						F	1
(A=EB1677)											
2	2	123900-77700	ROTOR ASSY	1							Z
(A=EB1677)											
3	2	129612-77710	BEARING, BALL	1							Z
(A=EB1677)											
4	2	123900-77720	BRACKET ASSY	1							Z
(A=EB1677)											
5	2	123900-77730	BRACKET ASSY	1							Z
(A=EB1677)											
6	2	123900-77740	PULLEY	1							Z
(A=EB1677)											
7	2	123900-77750	SCREW KIT	1							Z
(A=EB1677)											
8	1	26116-101202	BOLT, M10X120 PLATED	1							
8-1	1	129908-77220	BOLT, STOPPER M10	1						F	1
(A=EB1677)											
9	1	26306-100002	NUT, M10	1							
10	1	119810-77340	BOLT, ADJUSTER	1							
11	1	129470-77340	PIECE, DISTANCE	1							
11-1	1	129908-77360	PIECE, DISTANCE	1						F	1
(A=EB1677)											
12	1	129916-77300	ADJUSTER	1							
13	1	26014-080252	BOLT, M8X 25	1							
14	1	129211-77920	TIMER	1							
15	1	129908-77940	HARNESS	1						F	1
(A=EB1677)											

Remarks

(1)Interchangeable by simultaneous replacement with No.1-1, 8-1, 11-1, 15.

N:Old $\xrightarrow{\text{Yes}}$ New, Q:Old $\xrightarrow{\text{No}}$ New, R:Old $\xrightarrow{\text{Yes}}$ New, S:Old $\xrightarrow{\text{No}}$ New, W:Add, Z:Discontinued, F:Interchangeable by set, K:Q'ty Change

Fig.16. GASKET SET



(A)=4TNV94L-XDB
(B)=
(C)=

(D)=
(E)=
(F)=

No.	Lev.	Parts No.	Description	Q'ty						I	R
				(A)	(B)	(C)	(D)	(E)	(F)		
1	1	729906-92640	GASKET SET	1							1
1-1	1	129906-92610	GASKET SET	1							N 1
(A=*2009.12)											
2	2	24311-000150	O-RING, 1AP15.0	1							
3	2	123907-59550	GASKET	5							
4	2	129906-01340	GASKET, HEAD	1							
4-1	2	129906-01350	GASKET, HEAD	1							N
(A=*2009.12)											
5	2	124160-11340	SEAL, VALVE STEM	8							
6	2	119802-11870	PROTECTOR, NOZZLE	4							
7	2	119625-11880	SEAT, NOZZLE	4							
8	2	129907-11310	GASKET, BONNET	1							
9	2	129907-12110	GASKET, MANIFOLD	1							
10	2	129900-13251	GASKET	1							
11	2	129930-13201	GASKET, SILENCER	1							
12	2	124950-11340	SEAL, VALVE STEM	8							
13	2	129900-32030	O-RING, P20	2							
14	2	129900-32040	O-RING, P14	1							
15	2	129900-42020	GASKET, WATER PUMP	1							
16	2	129900-49870	GASKET	1							
17	2	121850-49550	GASKET, THERMOSTAT	1							
18	2	121850-77021	GASKET	1							
19	2	121850-49540	GASKET, THERMOSTAT	1							
20	2	23414-080000	GASKET, 8X1.0	3							
21	2	124465-44950	GASKET, 16	2							
22	2	24311-000070	O-RING, 1AP7.0	1							
23	2	24311-000120	O-RING, 1AP12.0	8							
24	2	24311-000320	O-RING, 1AP32.0	3							
25	2	22190-080002	WASHER, SEAL 6	7							
26	2	24341-000530	O-RING, 1AS53.0	1							
27	2	24351-030750	O-RING, 1A3075	1							
28	2	124240-01883	GASKET	1							
29	2	22190-220002	WASHER, SEAL 22	1							
30	2	129150-49360	GASKET	1							Z
(A=FROM 1ST)											
31	1	129400-92450	HONE	1							1
32	1	977770-01212	GASKET, LIQUID	1							1

Remarks
(1) OPTIONAL PART.

Parts No. Index

Parts No.	Fig. No.	Ref. No.
101720-55750	13	27
102103-55520	13	22
104200-55321	13	18
104200-55330	13	19
104200-55341	13	20
104200-55750	13	28
105025-59750	13	7
105582-59150	10	26
110250-55610	13	23
114250-39450	9	12
114250-53080	12	5
114250-53120	12	9
114250-53130	12	10
114250-53140	12	11
114250-53210	12	12
114250-53400	12	13
119000-35140	9	3
119005-12060	5	8
119117-44760	10	17
119131-18320	6	4
119131-77550	14	15
119305-59120	12	27
119593-11301	4	28
119620-11180	4	16
119625-11880	4	26
	16	7
119640-01640	3	7
119640-61400	4	62
119802-11870	4	47
	16	6
119802-51590	11	77
119802-51600	11	78
119802-51680	11	82
119802-51690	11	83
119802-55610	13	1
119802-55800	13	2
119802-59950	13	16
119810-77340	15	10
120130-22301	8	22
121250-44901	10	38
121254-77590	14	10
121257-55720	13	24
121257-55731	13	25
121450-42450	10	37
121520-34810	9	2
121850-21130	8	12
121850-21290	8	5
121850-21920	8	6
121850-49540	10	21
	16	19

Parts No.	Fig. No.	Ref. No.
121850-49550	10	22
	16	17
121850-49800	10	24
121850-77021	5	5
	16	18
122780-59100	12	26
123900-13610	6	6
123900-13630	6	3
123900-25060	7	10
123900-77010	14	1
123900-77210	15	1
123900-77400	14	2
123900-77440	14	5
123900-77450	14	6
		9
123900-77460	14	7
123900-77480	14	8
123900-77510	14	11
123900-77520	14	12
123900-77540	14	14
123900-77610	14	20
123900-77640	14	22
123900-77650	14	23
123900-77700	15	2
123900-77710	14	24
123900-77720	15	4
123900-77730	15	5
123900-77740	15	6
123900-77750	15	7
123907-03100	4	55
123907-03110	4	56
123907-03120	4	57
123907-03140	4	58
123907-11280	4	33
123907-11550	4	3
123907-11601	12	25
123907-11820	4	10
123907-11830	4	22
123907-25909	7	17
123907-39500	9	15
123907-59540	13	9
123907-59550	13	10
	16	3
123907-59560	13	14
124064-55510	13	21
124160-01751	2	35
	4	50
124160-11340	4	17
	16	5
124160-11360	4	65

Parts No.	Fig. No.	Ref. No.
124240-01871	2	41
124240-01883	2	42
	16	28
124465-44950	10	39
	16	21
124722-59050	10	44
		47
	13	12
124766-59050	13	5
124950-11340	4	18
	16	12
129001-91810	2	24
		25
129005-59830	9	17
129100-01580	2	5
	3	1
129150-02450	7	4
129150-11230	4	36
		40
129150-11750	4	21
		37
		41
129150-14200	7	1
129150-25920	7	14
129150-35153	9	4
129150-49360	10	48
	16	30
129150-59131	12	30
		34
129211-77920	15	14
129335-55700	13	17
129400-92450	16	31
129457-59010	13	4
129470-77340	15	11
129486-59551	13	11
129550-59120	12	31
129612-77710	15	3
129900-01200	1	31
129900-01250	1	5
129900-01850	2	44
129900-01870	2	45
129900-02020	1	7
129900-02340	1	34
129900-02410	1	10
129900-02930	1	28
129900-02940	1	37
129900-07900	4	1
129900-13200	6	1
129900-13251	6	2
	16	10

Parts No.	Fig. No.	Ref. No.
129900-14100	7	7
129900-21200	8	4
129900-21600	8	15
129900-23000	8	24
129900-23200	8	29
129900-23600	8	30
129900-23610	8	32
129900-23910	8	28
129900-25100	7	11
129900-32001	2	11
129900-32030	2	22
	9	5
	16	13
129900-32040	2	23
	16	14
129900-34800	9	1
129900-35000	9	6
129900-42020	10	11
	16	15
129900-49870	10	33
	16	16
129900-77591	14	19
129900-77620	14	21
129902-21000	8	1
129906-01340	1	32
	16	4
129906-01350	1	32 -2
	16	4 -1
129906-01960	11	129
129906-22050	8	18
129906-22080	8	16
129906-22090	8	16 -1
129906-22900	8	34 -1
129906-22910	8	34 -2
129906-49810	10	19
129906-51580	11	76
129906-53000	12	2
129906-92610	16	1 -1
129907-01190	1	33
129907-01331	1	32 -1
129907-01500	2	8
129907-01950	11	128
129907-03010	4	52
129907-03060	4	53
129907-03070	4	54
129907-11100	4	25
129907-11110	4	14
129907-11120	4	15
129907-11250	4	30
129907-11260	4	31

Parts No. Index

Parts No.	Fig. No.	Ref. No.
129907-11270	4	32
129907-11310	4	61
	16	8
129907-11320	4	51
129907-11341	4	29
129907-11510	4	19
129907-11650	4	34
129907-11660	4	38
129907-11700	4	4
129907-11800	4	9
129907-11910	4	68
129907-11920	4	42
129907-11950	4	48
129907-12100	5	1
129907-12110	5	2
	16	9
129907-14400	7	2
129907-14581	7	3
129907-39060	9	13
129907-42000	10	1
129907-49610	10	41
129907-49620	10	45
129907-49710	10	42
129907-49720	10	46
129907-49730	10	23
129907-49750	10	43
129907-51340	11	54
129907-51560	11	72
129907-59140	13	8
129907-59710	12	35
129907-59810	12	37
129907-59820	12	38
129907-59830	12	39
129907-59840	12	40
129908-14581	7	3 -1
129908-77210	15	1 -1
129908-77220	15	8 -1
129908-77360	15	11 -1
129908-77940	15	15
129915-77050	5	6
129916-01790	3	5
129916-01800	2	4
129916-21590	8	13
129916-21610	8	10
129916-21620	8	9
129916-22950	8	36 -1
129916-42410	10	15
129916-44770	10	18
129916-49740	10	29
129916-59020	11	126

Parts No.	Fig. No.	Ref. No.
129916-77300	15	12
129930-13201	6	5
	16	11
129951-01740	2	6
129953-01710	3	6
129953-25300	7	16
129957-59120	13	6
129960-21640	8	8
129980-49530	10	20
129981-01600	3	2
129981-44740	10	16
144626-51090	11	110
158552-51570	11	73
158552-51580	11	75
158552-51670	11	124
158552-51780	11	30
158552-51781	11	30 -1
158552-52100	11	98
158552-52310	11	100
158552-52400	11	101
158552-52500	11	99
158553-51551	11	70
158553-51630	11	87
158553-51640	11	89
158553-51660	11	91
158553-51670	11	81
158553-51680	11	92
158557-51570	11	74
158560-51300	11	45
158560-51600	11	86
158563-51281	11	43
		44
158563-51330	11	53
158600-51270	11	42
158601-51550	11	69
158601-51570	11	71
158601-51650	11	90
158601-51770	11	29
158601-51790	11	31
171008-77750	14	25
171031-11741	2	37
171051-01921	1	6
171056-49120	10	40
171081-55910	13	29
22190-080002	9	18
		20
		22
	13	15
	16	25
22190-120002	11	32

Parts No.	Fig. No.	Ref. No.
22190-120002	11	103
		104
22190-180002	11	33
		105
22190-220002	3	10
	16	29
22217-180000	11	106
22252-000300	8	23
22312-050140	11	107
22351-050010	11	108
22351-060012	1	11
22512-070140	7	8
	8	7
22857-500100	4	63
		64
23387-040800	10	27
23414-080000	10	28
		34
	16	20
23418-060000	13	30
23857-030000	9	19
23857-060000	11	111
23876-020000	4	11
23876-030000	1	12
		13
		14
	4	12
23887-120002	11	34
24311-000070	2	26
	11	112
	16	22
24311-000120	4	27
		66
	16	23
24311-000150	16	2
24311-000320	2	39
		40
	4	67
	16	24
24311-240100	13	31
24341-000530	8	11
	16	26
24351-030750	2	27
	16	27
24356-010200	11	84
		113
24356-020210	11	114
24372-000150	11	85
25153-004500	10	14
26014-080252	15	13

Parts No.	Fig. No.	Ref. No.
26106-060102	11	115
26106-060122	10	30
26106-060162	12	41
26106-060202	10	31
26106-060302	10	12
26106-060352	11	116
26106-060552	10	32
26106-080122	3	11
	9	11
		21
		23
	10	35
26106-080162	2	28
		29
		36
		43
	4	2
	7	9
	11	130
26106-080182	12	42
26106-080202	2	30
26106-080222	11	131
		132
26106-080302	13	3
26106-080352	5	7
26106-080402	2	31
		32
	4	44
26106-080452	2	33
26106-080552	5	3
	7	15
	10	13
26106-080602	4	45
		46
	10	36
26106-080852	5	4
26106-100202	11	133
26116-101202	15	8
26116-120302	14	26
26206-100352	3	4
26206-100702	3	3
26216-100302	2	10
26226-080222	4	43
26306-080002	4	49
	6	7
26306-100002	2	34
	15	9
26450-100452	11	119
26776-180002	11	120
27241-300000	1	15

Parts No. Index

Parts No.	Fig. No.	Ref. No.
27241-400000	4	13
27310-070001	4	23
729900-02800	1	25
729906-01550	2	1
729906-01560	1	1
729906-22900	8	34
729906-22950	8	36
729906-51330	11	1
729906-53100	12	1
729906-92640	16	1
977770-01212	2	38
	3	12
	4	69
	16	32
X2240610100	14	13

Parts No.	Fig. No.	Ref. No.
-----------	----------	----------

Parts No.	Fig. No.	Ref. No.
-----------	----------	----------

Parts No.	Fig. No.	Ref. No.
-----------	----------	----------