

0CW10-M39600EN

P R E F A C E

1. This Parts Catalog carries all parts incorporated in YANMAR Model 4TNV88-BDYE2, 4TNV88-BDYE2T engine manufactured since September, 2008.
2. Each illustration corresponds to the parts list on the following page.
3. When ordering parts, clearly write down the engine model and serial number, as well as the name and number of each part in your order sheet. This will help insure reliable delivery of the parts you have ordered.

Directions for the Parts Catalog.

1. This Parts Catalog shows both standard and optional parts.
2. Parts may change without prior notice.
3. The following is an example of the Parts Catalog format.

REF.	LEV.	PARTS NO.	DESCRIPTION	Q'TY						I	R
				(A)	(B)	(C)	(D)	(E)	(F)		
1	1	729595-51390	FUEL INJECTION PUMP	1	1	1	1	1			1
1-1	1	729595-51391	FUEL INJECTION PUMP	1	1	1	1	1		N	1
		(A=E00185) (B=E00200)									
3	2	26022-060162	SCREW M 6X 16	9	9	9	9	9			
3-1	2	26022-060162	SCREW M 6X 16	4	4	4	4	4		K	
		(A=E00156) (B=E00156) (C=E00156) (D=E00156) (E=E00156)									
4	2	129470-51040	CAMSHAFT	1	1	1	1	1			
5	2	122710-51050	BEARING, ROLLER	2	2	2	2	2			
6	2	129470-51060	RETAINER	1	1	1	1	1			

Remarks
(1) BOOST COMPEMSATOR TYPE. OPTIONAL PART, TO E00155,(4JH-DT, 4JH-DTZ

① Ref. No.

The Ref. No. listed may not be in accordance with the illustration Ref. No.

(Ex.) Illustration No.

List Ref No.

1

1

(Before change)

1-1

(After change)

For interchangeable symbols N, R and K, illustrations for new parts may be abbreviated.

② Lev. (Level)

Level indication

The numbers below indicate the level of relativity towards the main part.

1 ----- Main parts (Assembly parts)

2 ----- Sub component included in " 1 ".

3 ----- Sub component included in " 2 ".

Note) Parts that are not for sale are partially illustrated but not listed.

③ Interchangeability Symbol

When a part change takes place, one of the following interchangeability symbols is indicated beside the part.

Symbol	Interchangeability	Contents note
N	Old $\begin{matrix} \leftarrow \text{Yes} \\ \text{No} \rightarrow \end{matrix}$ New	New Part is interchangeable for Old Part but Old Part is not interchangeable for New Part.
Q	Old $\begin{matrix} \leftarrow \text{No} \\ \text{Yes} \rightarrow \end{matrix}$ New	New Part is not interchangeable for Old Part but Old Part is interchangeable for New Part.
R	Old $\begin{matrix} \leftarrow \text{Yes} \\ \text{Yes} \rightarrow \end{matrix}$ New	New/ Old Parts are both interchangeable.
S	Old $\begin{matrix} \leftarrow \text{No} \\ \text{No} \rightarrow \end{matrix}$ New	New/ Old Parts are both not interchangeable.
W		Part newly added.
Z		Part discontinued.
F		Not interchangeable by a single part but interchangeable together with related parts.
K		Changes only for used parts quantities.

④ Effective Machine No.

When a part changes, the effective Machine No. will be indicated in the (A)-(F) column.

Product Symbol	Product No.	Product Symbol	Product No.
C	Clutch No. Compressor No.	F	Machine No. (Agricultural Equip.)
D	Drive No.	M	Machine No.
E	Engine No.		

Note 1) A date may follow the symbol. (Ex.) 1996.01

Note 2) "XXXXX" and "ZZZZZ" are for parts that could not be predicted or for engine models that could not be identified.

Note 3) (A=E00185) is the E (Engine Serial Number) for the column (A) model (in this case 4JH-DT) after the parts design change.

⑤ Remarks

Figures or alphabets (symbols) are entered in the remarks column.

The comments (remarks) on parts that are indicated at the bottom of the illustration are the same symbols as those stated above.

Contents

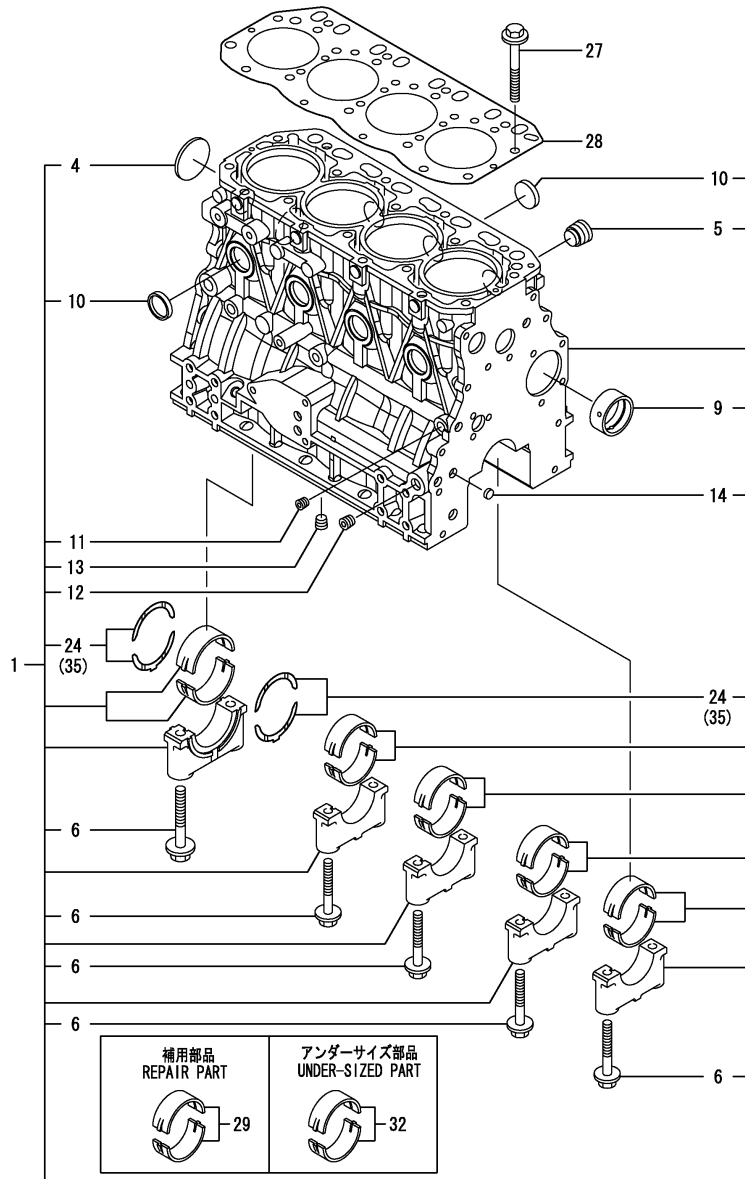
Fig. No. Fig. Name

4TNV88-BDYE

1. CYLINDER BLOCK
2. GEAR HOUSING
3. FLYWHEEL HOUSING & OIL SUMP
4. CYLINDER HEAD & BONNET
5. SUCTION MANIFOLD & AIR CLEANER
6. EXHAUST MANIFOLD & SILENCER
7. CAMSHAFT & DRIVING GEAR
8. CRANKSHAFT & PISTON
9. LUB. OIL SYSTEM
10. COOLING WATER SYSTEM
11. RADIATOR
12. FUEL INJECTION PUMP
13. GOVERNOR
14. FUEL INJECTION VALVE
15. FUEL LINE
16. STARTING MOTOR
17. GENERATOR
18. GENERATOR
19. GASKET SET

Fig. No. Fig. Name

Fig.1. CYLINDER BLOCK



(A)=4TNV88-BDYE
(B)=4TNV88-BDYE2
(C)=4TNV88-BDYE2T

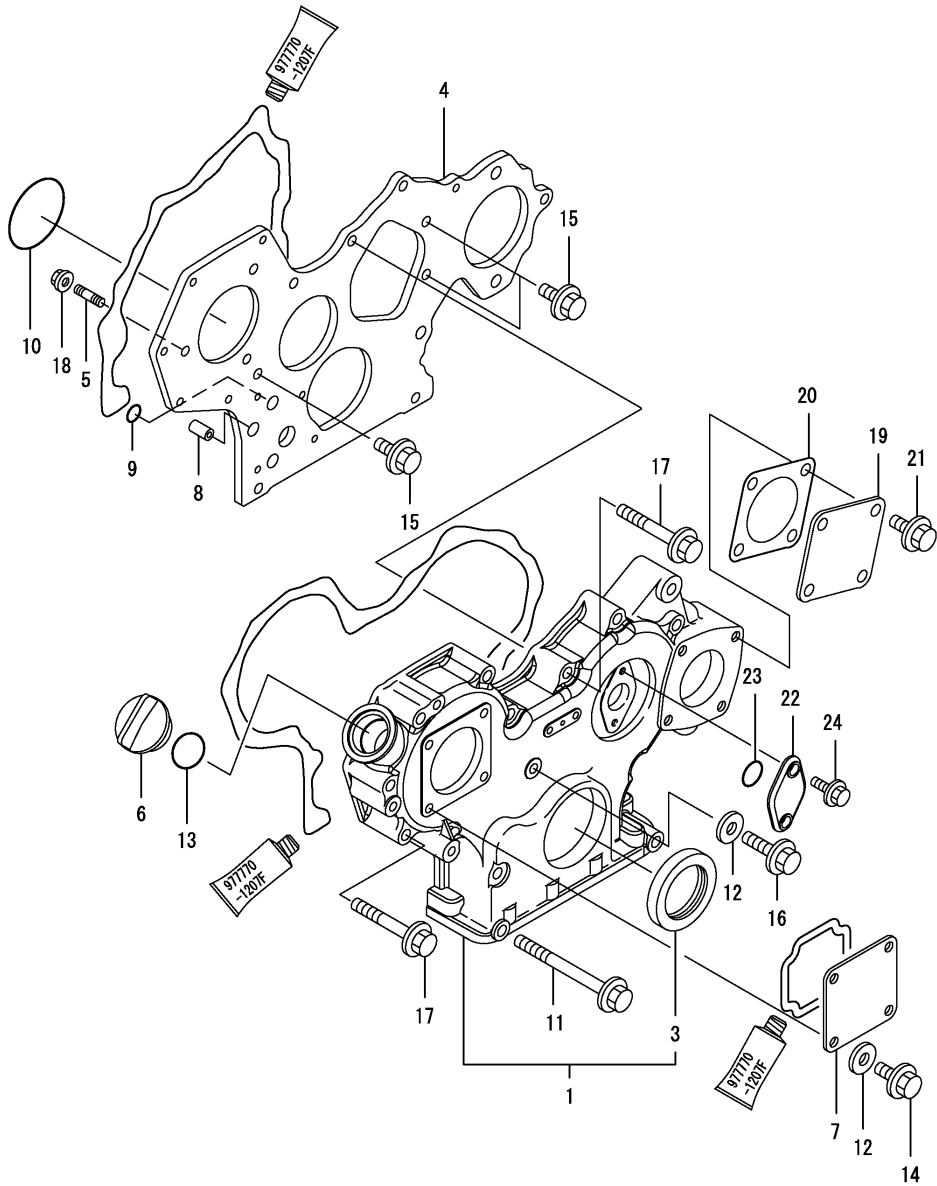
(D)=
(E)=
(F)=

No.	Lev.	Parts No.	Description	Q'ty						I	R
				(A)	(B)	(C)	(D)	(E)	(F)		
1	1	729602-01560	BLOCK ASSY, CYLINDER	1							
4	2	129001-01250	PLUG, 50	1							
5	2	171051-01921	PLUG, NPTF1	1							
6	2	129150-02020	BOLT, METAL CAP	10							
9	2	129795-02412	BUSH, CAMSHAFT	1							
10	2	27241-300000	PLUG 30	8							
11	2	124060-01050	PLUG, PT1/8	1							
12	2	124160-01910	PLUG, PT1/4	2							
13	2	124160-01910	PLUG, PT1/4	1							
14	2	27241-120000	PLUG, 12	2							
24	2	129150-02931	BEARING, THRUST	2							
27	1	129150-01200	BOLT, HEAD	18							
28	1	129407-01340	GASKET, HEAD	1							
29	1	129001-02931	BEARING, MAIN	5							1
32	1	129150-02871	BEARING, 0.25 US	5							2
35	1	129150-02941	BEARING, THRUST 0.25	1							3

Remarks

- (1) REPAIR PART.
- (2) UNDER-SIZED(U.S=0.25)PART.
- (3) OVER-SIZED(O.S=0.25)PART.

Fig.2. GEAR HOUSING

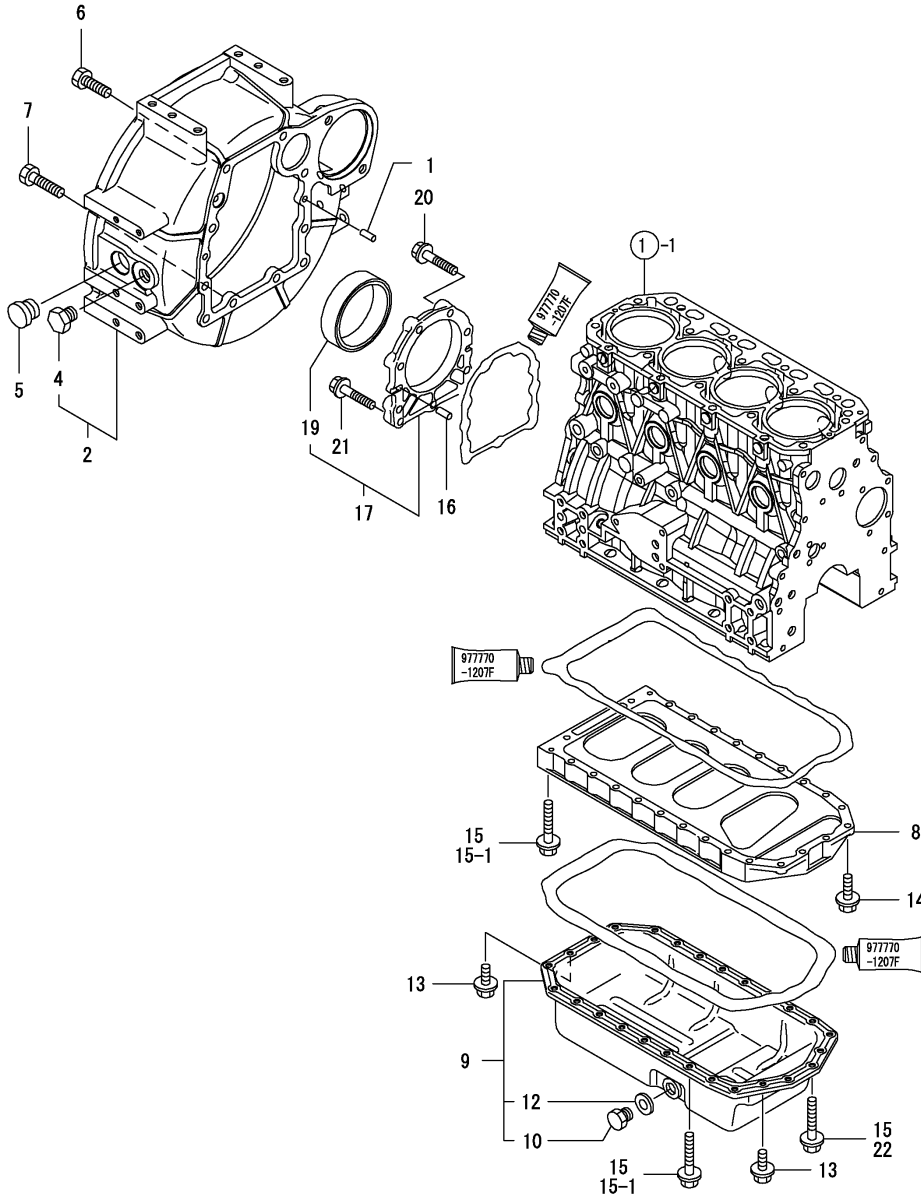


(A)=4TNV88-BDYE
 (B)=4TNV88-BDYE2
 (C)=4TNV88-BDYE2T

(D)=
 (E)=
 (F)=

No.	Lev.	Parts No.	Description	Q'ty						I	R
				(A)	(B)	(C)	(D)	(E)	(F)		
1	1	729652-01500	CASE ASSY, GEAR	1							
3	2	119934-01800	SEAL, OIL	1							
4	1	129604-01520	FLANGE, GEAR CASE	1							
5	1	119802-01561	STUD, M8X25	3							
6	1	124160-01751	COVER, FILLER	1							
7	1	124240-01871	COVER	1							
8	1	129795-01950	PIPE, KNOCK L=18	2							
9	1	119609-32040	O-RING, P16	2							
10	1	121850-51960	O-RING	1							
11	1	129001-91841	BOLT, M8X85	3							
12	1	22190-080002	WASHER, SEAL 6	5							
13	1	24311-000320	O-RING, 1AP32.0	1							
14	1	26106-080162	BOLT, M8X 16 PLATED	4							
15	1	26106-080162	BOLT, M8X 16 PLATED	3							
16	1	26106-080302	BOLT, M8X 30 PLATED	1							
17	1	26106-080552	BOLT, M8X 55 PLATED	10							
18	1	26306-080002	NUT, M8	3							
19	1	124240-01871	COVER	1							
20	1	124240-01883	GASKET	1							
21	1	26106-080162	BOLT, M8X 16 PLATED	4							
22	1	121023-01551	COVER	1							
23	1	24341-000240	O-RING, 1AS24.0	1							
24	1	26106-060162	BOLT, M6X 16 PLATED	2							

Fig.3. FLYWHEEL HOUSING & OIL SUMP

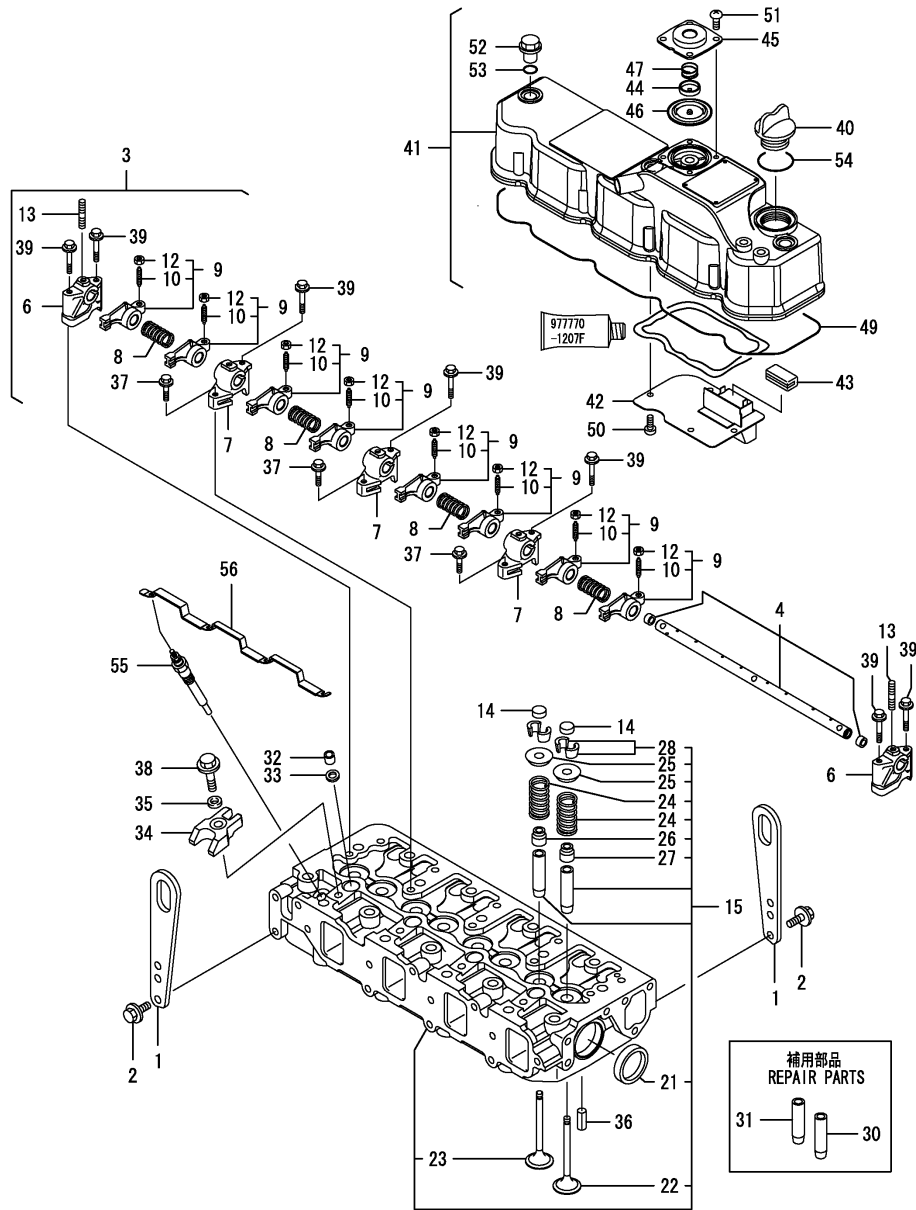


(A)=4TNV88-BDYE
(B)=4TNV88-BDYE2
(C)=4TNV88-BDYE2T

(D)=
(E)=
(F)=

No.	Lev.	Parts No.	Description	Q'ty						I	R
				(A)	(B)	(C)	(D)	(E)	(F)		
1	1	129100-01580	PIN, M8X16	2							
2	1	119888-01601	HOUSING, FLYWHEEL	1							
4	2	129486-35210	PLUG, 3/4-16UNF	1							
5	1	119620-01750	CAP	1							
6	1	26206-100252	BOLT, M10X 25 PLATED	6							
7	1	26206-100302	BOLT, M10X 30 PLATED	4							
8	1	129400-01730	SPACER, OIL SUMP	1							
9	1	129400-01770	SUMP ASSY, OIL	1							
9-1	1	129688-01780	OIL PAN ASSY, DEEP	1							N
(A=EN8470)											
10	2	119640-01640	PLUG, DRAIN M22	1							
12	2	22190-220002	WASHER, SEAL 22	1							
13	1	26106-080162	BOLT, M8X 16 PLATED	4							
14	1	26106-080252	BOLT, M8X 25 PLATED	2							
15	1	26106-080452	BOLT, M8X 45 PLATED	24							
15-1	1	26106-080452	BOLT, M8X 45 PLATED	20							K
(A=FROM 1ST) (C=FROM 1ST)											
16	1	129100-01580	PIN, M8X16	2							
17	1	129100-01640	CASE ASSY, OIL SEAL	1							
19	2	129795-01780	SEAL, OIL	1							
20	1	129486-01670	BOLT, M8X30	6							
21	1	26106-080352	BOLT, M8X 35 PLATED	3							
22	1	26106-080502	BOLT, M8X 50 PLATED	4							W
(A=FROM 1ST) (C=FROM 1ST)											

Fig.4. CYLINDER HEAD & BONNET



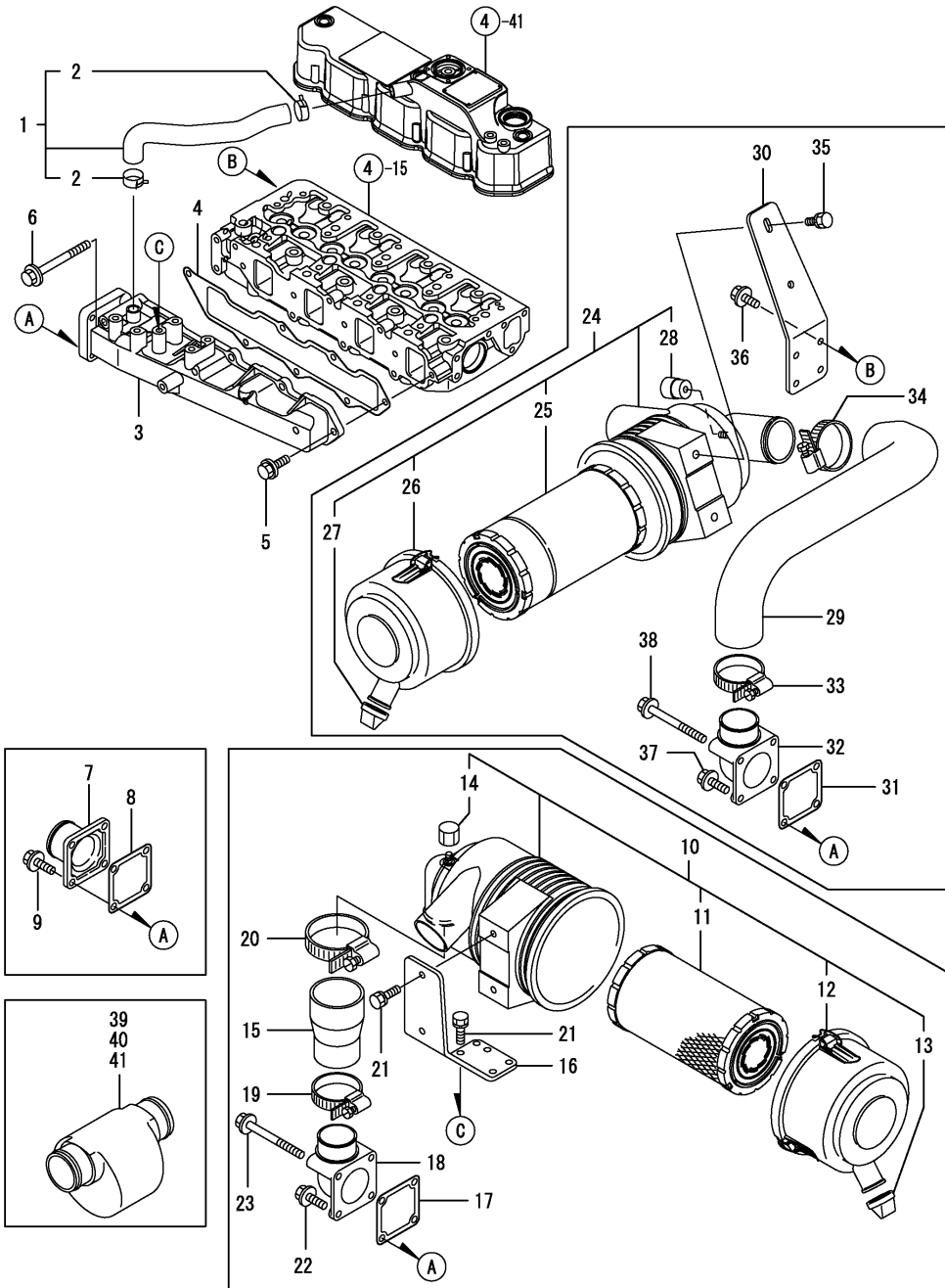
(A)=4TNV88-BDYE
(B)=4TNV88-BDYE2
(C)=4TNV88-BDYE2T

(D)=
(E)=
(F)=

No.	Lev.	Parts No.	Description	Q'ty						I	R
				(A)	(B)	(C)	(D)	(E)	(F)		
1	1	129900-07900	LIFTER	2							
2	1	26106-080162	BOLT, M8X 16 PLATED	4							
3	1	129601-11241	SHAFT ASSY, ROCKER	1							
4	2	129601-11251	SHAFT, ROCKER ARM	1							
6	2	119802-11260	SUPPORT, ROCKER ARM	2							
7	2	119802-11270	SUPPORT, ROCKER ARM	3							
8	2	129150-11280	SPRING	4							
9	2	129004-11650	ARM, ROCKER	8							
10	3	129150-11230	SCREW, VALVE ADJUST	8							
12	3	129150-11750	NUT, M8	8							
13	2	26226-080182	STUD, M8X 18	3							
14	1	129150-11370	CAP, VALVE	8							
15	1	129604-11710	HEAD ASSY, CYLINDER	1							
21	2	27241-400000	PLUG, 40	2							
22	2	129005-11100	VALVE, INTAKE	4							
23	2	129100-11112	VALVE, EXHAUST	4							
24	2	129795-11120	SPRING, VALVE	8							
25	2	129795-11180	RETAINER, SPRING	8							
26	2	121400-11340	SEAL, VALVE STEM	4							
27	2	124460-11340	SEAL, VALVE STEM	4							
28	2	27310-080001	COTTER, 8	8							
30	1	120130-11860	GUIDE, VALVE	4							1
31	1	129150-11810	GUIDE, VALVE	4							1
32	1	119802-11870	PROTECTOR, NOZZLE	4							
33	1	119625-11880	SEAT, NOZZLE	4							
34	1	129004-11900	RETAINER, NOZZLE	4							
35	1	120270-54410	WASHER, INJECTOR	4							
36	1	22351-060012	PIN, SPRING 6.0X12	2							
37	1	26106-080252	BOLT, M8X 25 PLATED	3							
38	1	26106-080352	BOLT, M8X 35 PLATED	4							
39	1	26106-080502	BOLT, M8X 50 PLATED	7							
40	1	124160-01751	COVER, FILLER	1							
41	1	129601-11350	BONNET ASSY, HEAD	1							
42	2	129004-03010	PLATE	1							
43	2	129150-03070	BAFFLE, BREATHER	1							
44	2	119802-03110	PLATE	1							
45	2	119802-03121	COVER, DIAPHRAGM	1							
46	2	119802-03130	DIAPHRAGM	1							
47	2	119802-03141	SPRING, DIAPHRAGM	1							
49	2	129601-11310	GASKET, BONNET	1							
50	2	22857-500100	SCREW, 5X10	4							
51	2	22857-500100	SCREW, 5X10	4							
52	1	124160-11360	KNOB	3							
53	1	24311-000120	O-RING, 1AP12.0	3							
54	1	24311-000320	O-RING, 1AP32.0	1							
55	1	129008-77800	PLUG, GLOW	4							
56	1	129604-77821	CONNECTOR, GLOW PLUG	1							

Remarks
(1) REPAIR PART.

Fig.5. SUCTION MANIFOLD & AIR CLEANER

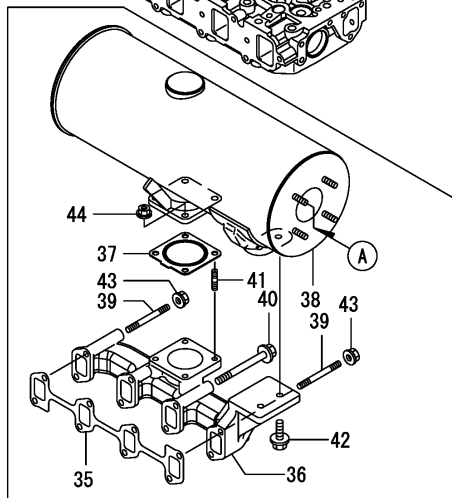
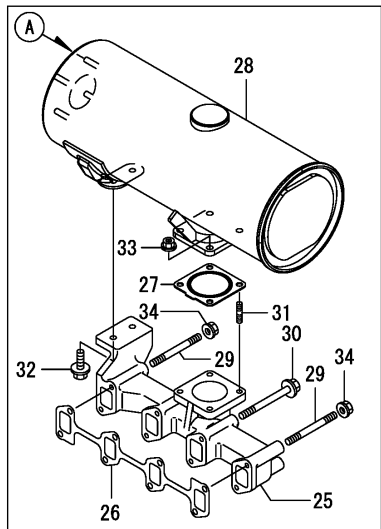
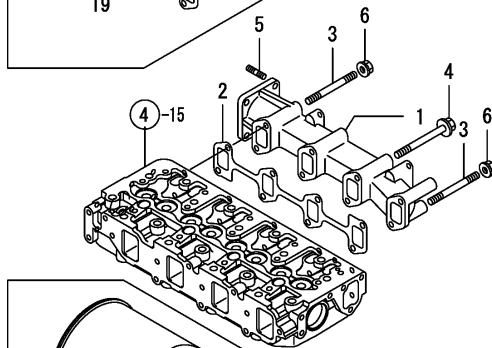
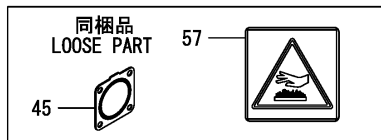
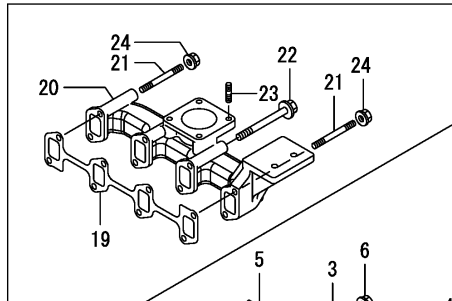
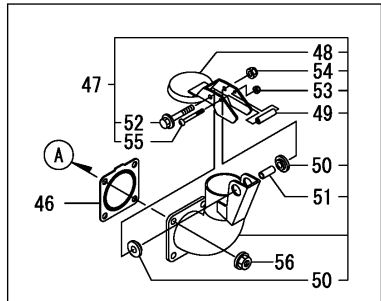
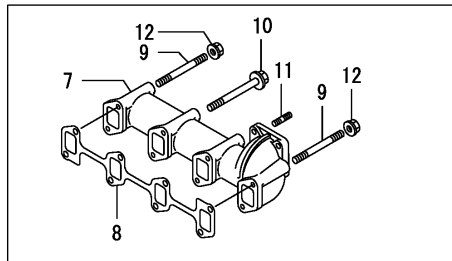
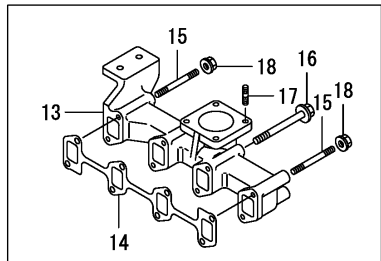


(A)=4TNV88-BDYE
(B)=4TNV88-BDYE2
(C)=4TNV88-BDYE2T

(D)=
(E)=
(F)=

No.	Lev.	Parts No.	Description	Qty						I	R
				(A)	(B)	(C)	(D)	(E)	(F)		
1	1	129601-03080	PIPE , BREATHER	1							
2	2	129410-03990	CLIP	2							
3	1	129601-12100	MANIFOLD, AIR INTAKE	1							
4	1	129407-12110	GASKET, MANIFOLD	1							
5	1	26106-080202	BOLT, M8X 20 PLATED	6							
6	1	26106-080802	BOLT, M8X 80 PLATED	1							
7	1	129486-12581	JOINT, MANIFOLD		1	1					
8	1	129150-77511	GASKET		1	1					
9	1	26106-080202	BOLT, M8X 20 PLATED		4	4					
10	1	129601-12500	CLEANER ASSY, AIR		1	1					
11	2	129906-12520	ELEMENT		1	1					
12	2	129457-12530	COVER		1	1					
13	2	119808-12540	VALVE, UNLOADER		1	1					
14	2	121820-12590	NIPPLE		1	1					
15	1	129642-12550	PIPE, AIR INTAKE		1	1					
16	1	129508-12560	BRACKET, AIR CLEANER		1	1					
17	1	129150-77511	GASKET		1	1					
18	1	119803-77520	BEND, AIR HEATER		1	1					
19	1	23000-060000	CLAMP, 60		1	1					
20	1	23000-080000	CLAMP, 80		1	1					
21	1	26013-080222	BOLT, M8X 22		6	6					
22	1	26106-080202	BOLT, M8X 20 PLATED		2	2					
23	1	26106-080802	BOLT, M8X 80 PLATED		2	2					
24	1	129647-12500	CLEANER ASSY, AIR		1	1					
25	2	129906-12520	ELEMENT		1	1					
26	2	129457-12530	COVER		1	1					
27	2	119808-12540	VALVE, UNLOADER		1	1					
28	2	126650-12680	INDICATOR		1	1					
29	1	129647-12550	PIPE, AIR INTAKE		1	1					
30	1	129647-12600	BRACKET, AIR CLEANER		1	1					
31	1	129150-77511	GASKET		1	1					
32	1	119803-77520	BEND, AIR HEATER		1	1					
33	1	23000-060000	CLAMP, 60		1	1					
34	1	23000-080000	CLAMP, 80		1	1					
35	1	26013-080222	BOLT, M8X 22		2	2					
36	1	26106-080162	BOLT, M8X 16 PLATED		4	4					
37	1	26106-080202	BOLT, M8X 20 PLATED		2	2					
38	1	26106-080802	BOLT, M8X 80 PLATED		2	2					
39	1	121855-12060	SILENCER ASSY		1	1					
40	1	119005-12060	SILENCER ASSY		1	1					
41	1	119160-12060	SILENCER ASSY		1	1					

Fig.6. EXHAUST MANIFOLD & SILENCER

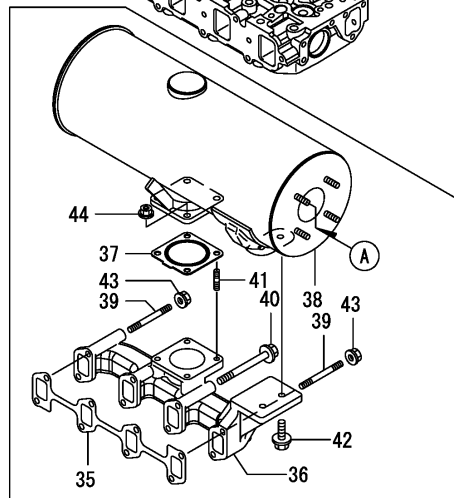
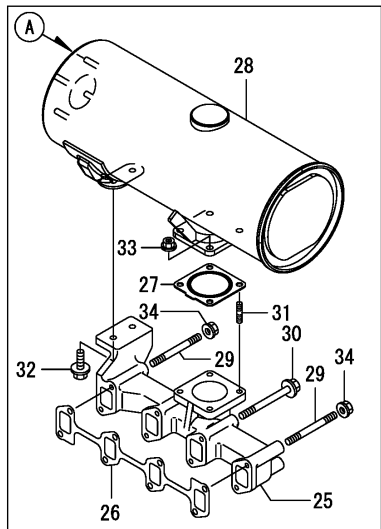
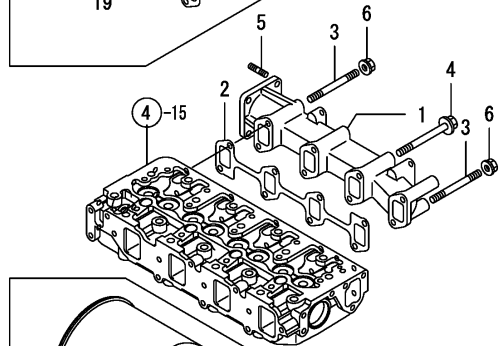
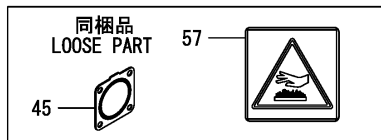
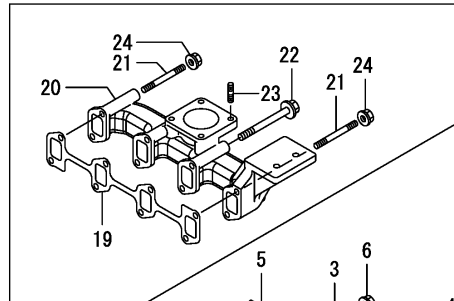
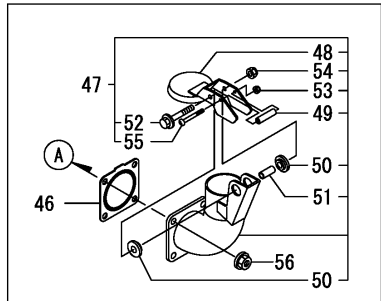
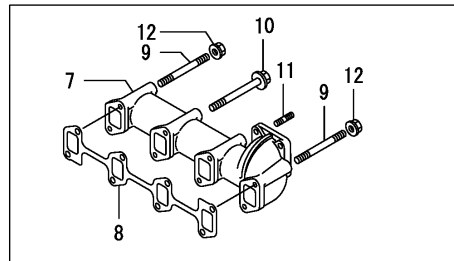
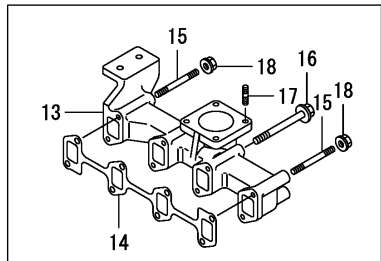


(A)=4TNV88-BDYE
(B)=4TNV88-BDYE2
(C)=4TNV88-BDYE2T

(D)=
(E)=
(F)=

No.	Lev.	Parts No.	Description	Q'ty						I	R
				(A)	(B)	(C)	(D)	(E)	(F)		
1	1	129640-13109	MANIFOLD, EXHAUST	1	1						
2	1	129550-13110	GASKET	1	1						
3	1	123900-13610	STUD, M8X80	2	2						
4	1	123900-13630	BOLT, M8X80	6	6						
5	1	119131-18320	STUD, M8X22	4	4						
6	1	26306-080002	NUT, M8	2	2						
7	1	129400-13101	MANIFOLD, EXHAUST	1	1						
8	1	129550-13110	GASKET	1	1						
9	1	123900-13610	STUD, M8X80	2	2						
10	1	123900-13630	BOLT, M8X80	6	6						
11	1	119131-18320	STUD, M8X22	4	4						
12	1	26306-080002	NUT, M8	2	2						
13	1	129601-13109	MANIFOLD, EXHAUST	1	1						
14	1	129550-13110	GASKET	1	1						
15	1	123900-13610	STUD, M8X80	2	2						
16	1	123900-13630	BOLT, M8X80	6	6						
17	1	119131-18320	STUD, M8X22	4	4						
18	1	26306-080002	NUT, M8	2	2						
19	1	129550-13110	GASKET	1	1						
20	1	129601-13110	MANIFOLD, EXHAUST	1	1						
21	1	123900-13610	STUD, M8X80	2	2						
22	1	123900-13630	BOLT, M8X80	6	6						
23	1	119131-18320	STUD, M8X22	4	4						
24	1	26306-080002	NUT, M8	2	2						
25	1	129601-13109	MANIFOLD, EXHAUST	1	1						
26	1	129550-13110	GASKET	1	1						
27	1	129930-13201	GASKET, SILENCER	1	1						
28	1	129601-13500	SILENCER	1	1						
29	1	123900-13610	STUD, M8X80	2	2						
30	1	123900-13630	BOLT, M8X80	6	6						
31	1	119131-18320	STUD, M8X22	4	4						
32	1	26106-080252	BOLT, M8X 25 PLATED	2	2						
33	1	26306-080002	NUT, M8	4	4						
34	1	26306-080002	NUT, M8	2	2						
35	1	129550-13110	GASKET	1	1						
36	1	129601-13110	MANIFOLD, EXHAUST	1	1						
37	1	129930-13201	GASKET, SILENCER	1	1						
38	1	129601-13500	SILENCER	1	1						
39	1	123900-13610	STUD, M8X80	2	2						
40	1	123900-13630	BOLT, M8X80	6	6						
41	1	119131-18320	STUD, M8X22	4	4						
42	1	26106-080252	BOLT, M8X 25 PLATED	2	2						
43	1	26306-080002	NUT, M8	2	2						
44	1	26306-080002	NUT, M8	4	4						
45	1	129930-13201	GASKET, SILENCER			1					
46	1	129930-13201	GASKET, SILENCER			1	1				W
				(B="2009.05.)							
47	1	123925-13600	PIPE ASSY, TAIL			1	1				W
				(B="2009.05.)							
48	2	128300-13640	CAP			1	1				W
				(B="2009.05.)							

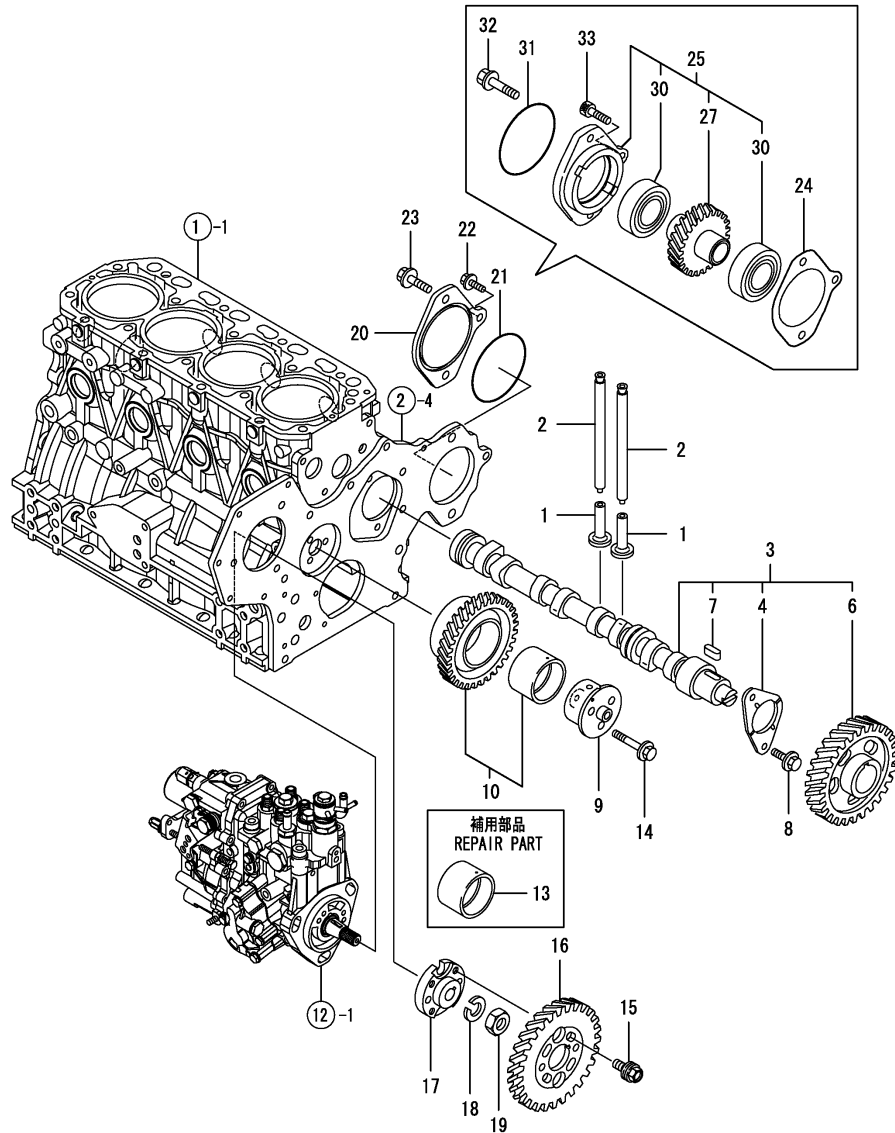
Fig.6. EXHAUST MANIFOLD & SILENCER



(A)=4TNV88-BDYE (D)=
 (B)=4TNV88-BDYE2 (E)=
 (C)=4TNV88-BDYE2T (F)=

No.	Lev.	Parts No.	Description	Qty						I	R
				(A)	(B)	(C)	(D)	(E)	(F)		
49	2	121855-13821 (B=*2009.05.)	SPACER, A	1	1						W
50	2	121855-13830 (B=*2009.05.)	SPACER, B	2	2						W
51	2	123500-13840 (B=*2009.05.)	SPACER, C	1	1						W
52	2	26106-060402 (B=*2009.05.)	BOLT, M6X 40 PLATED	1	1						W
53	2	26347-040002 (B=*2009.05.)	NUT, M4	1	1						W
54	2	26347-060002 (B=*2009.05.)	NUT, M6	1	1						W
55	2	26557-040352 (B=*2009.05.)	SCREW, M4X35	1	1						W
56	1	26306-080002 (B=*2009.05.)	NUT, M8	4	4						W
57	1	114220-07130 (B=EXXXXX)	LABEL, HOT SURFACE	1	1						W

Fig.7. CAMSHAFT & DRIVING GEAR



(A)=4TNV88-BDYE
 (B)=4TNV88-BDYE2
 (C)=4TNV88-BDYE2T

(D)=
 (E)=
 (F)=

No.	Lev.	Parts No.	Description	Q'ty						I	R
				(A)	(B)	(C)	(D)	(E)	(F)		
1	1	129150-14200	TAPPET	8							
2	1	129150-14400	ROD, PUSH L=178	8							
3	1	729402-14580	CAMSHAFT ASSY	1							
4	2	129150-02450	BEARING, THRUST	1							
6	2	129150-14101	GEAR, CAMSHAFT	1							
7	2	22512-070140	KEY, 7X 14	1							
8	1	26106-080142	BOLT, M8X 14 PLATED	2							
9	1	119803-25050	SHAFT, IDLE	1							
10	1	119802-25101	GEAR ASSY, IDLE	1							
13	1	119802-25071	BUSH, IDLE GEAR	1							1
14	1	26106-080402	BOLT, M8X 40 PLATED	3							
15	1	129150-25301	BOLT	4							
16	1	119802-25901	GEAR, PUMP	1							
17	1	158552-51151	FLANGE	1							
18	1	22217-140000	WASHER, SPRING 14	1							
19	1	26776-140002	NUT, LOCK M14	1							
20	1	129430-26070	COVER	1							
21	1	24321-000800	O-RING, 1AG80.0	1							
22	1	26106-080252	BOLT, M8X 25 PLATED	1							
23	1	26106-100302	BOLT, M10X 30 PLATED	2							
24	1	171353-26081	GASKET		1	1					
25	1	129484-26200	DRIVE ASSY, PUMP		1	1					
27	2	129484-26210	GEAR ASSY		1	1					
30	2	24105-060064	BEARING, BALL 6006Z		2	2					
31	1	24321-000850	O-RING, 1AG85.0		1	1					
32	1	26106-100452	BOLT, M10X 45 PLATED		2	2					
33	1	26450-080282	BOLT, M8X 28		1	1					W

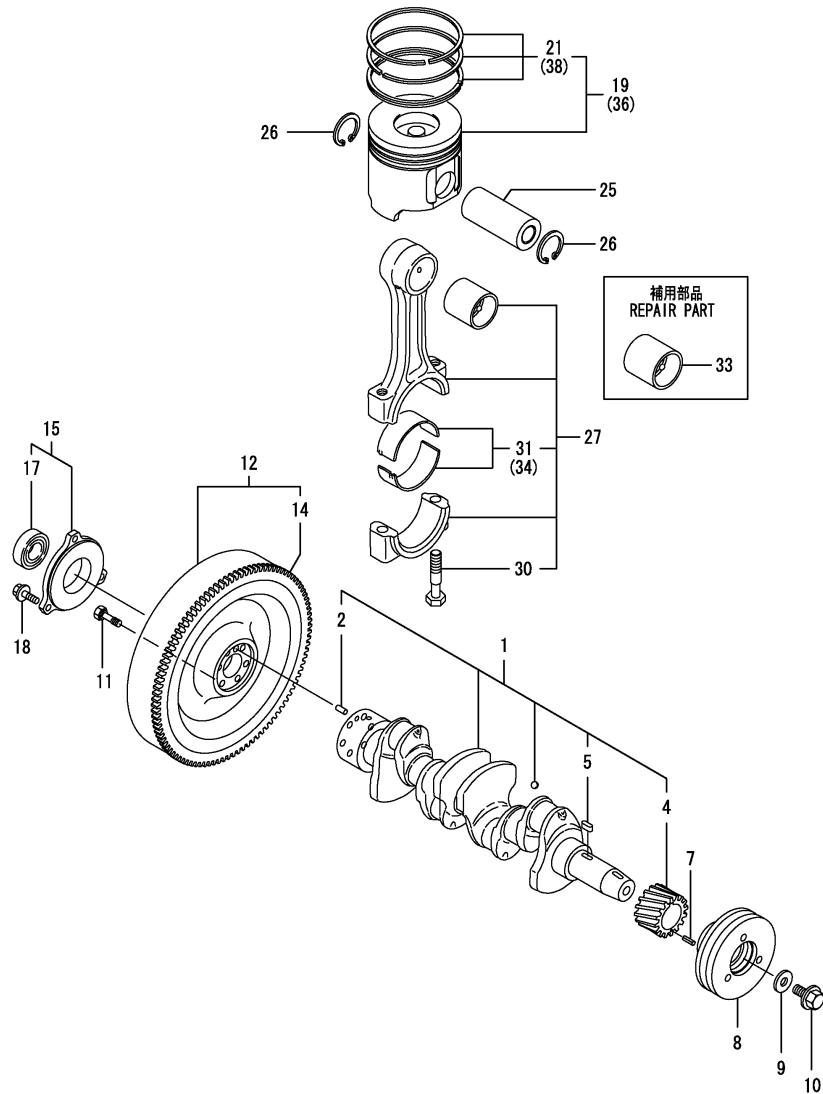
(B)=*2009.07.)

Remarks
 (1) REPAIR PART.

Fig.8. CRANKSHAFT & PISTON

(A)=4TNV88-BDYE
 (B)=4TNV88-BDYE2
 (C)=4TNV88-BDYE2T

(D)=
 (E)=
 (F)=

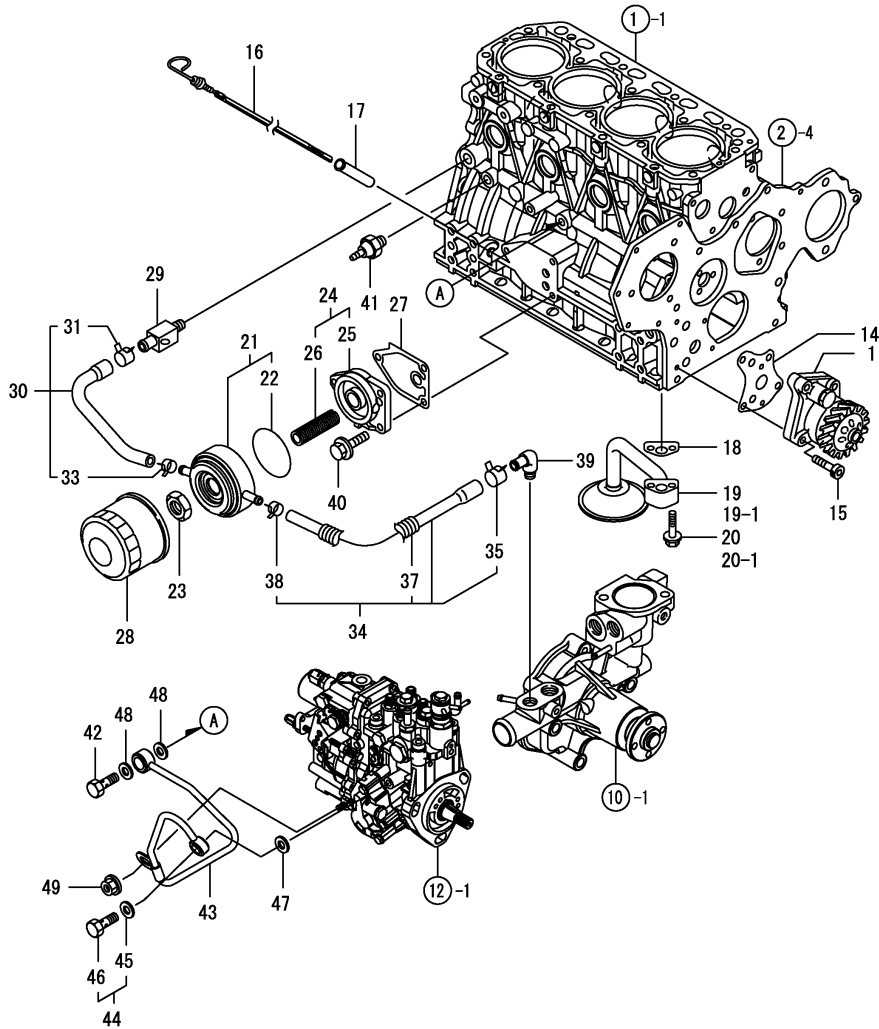


No.	Lev.	Parts No.	Description	Q'ty						I	R
				(A)	(B)	(C)	(D)	(E)	(F)		
1	1	129604-21000	CRANKSHAFT ASSY	1							
2	2	129100-01580	PIN, M8X16	1							
4	2	119803-21200	GEAR, CRANKSHAFT	1							
5	2	22512-070140	KEY, 7X 14	1							
7	1	22351-030010	PIN, SPRING 3.0X10	1							
8	1	119802-21650	V-PULLEY, 110	1							
9	1	129795-21661	WASHER	1							
10	1	121850-21680	BOLT	1							
11	1	121111-21501	BOLT, FLYWHEEL	6							
12	1	129488-21590	FLYWHEEL ASSY	1							
14	2	119865-21600	GEAR, RING	1							
15	1	119888-21450	RETAINER, BEARING	1							
17	2	24104-062054	BEARING, BALL 6205UU	1							
18	1	26106-080222	BOLT, M8X 22 PLATED	3							
19	1	129005-22080	PISTON ASSY	4							
21	2	129005-22500	RING SET, PISTON	4							
25	1	129202-22300	PIN, PISTON D26 L70	4							
26	1	22252-000260	RING, 26	8							
27	1	729402-23100	ROD ASSY, CONNECTING	4							
30	2	121550-23200	BOLT, CONNECTING ROD	8							
31	2	129150-23601	BEARING, CRANK PIN	4							
33	1	129100-23910	BEARING, PISTON PIN	4							1
34	1	129150-23611	BEARING, 0.25 US	4							2
36	1	129005-22900	PISTON ASSY, 0.25 OS	4							3
38	2	129005-22950	RING SET, 0.25 OS	4							3

Remarks

- (1) REPAIR PART.
- (2) UNDER-SIZED(U.S=0.25)PART.
- (3) OVER-SIZED(O.S=0.25)PART.

Fig.9. LUB. OIL SYSTEM



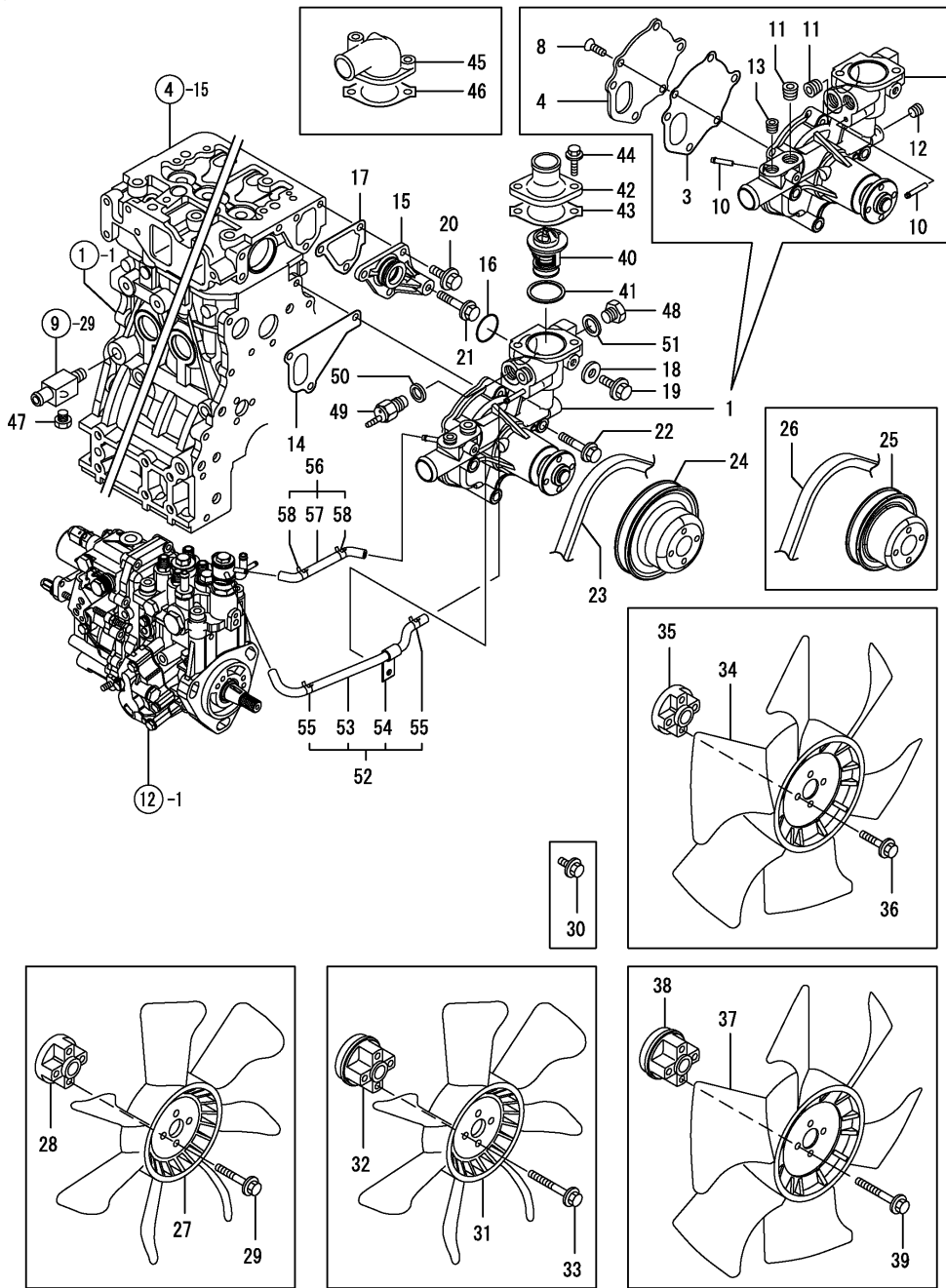
(A)=4TNV88-BDYE
 (B)=4TNV88-BDYE2
 (C)=4TNV88-BDYE2T

(D)=
 (E)=
 (F)=

No.	Lev.	Parts No.	Description	Q'ty						I	R
				(A)	(B)	(C)	(D)	(E)	(F)		
1	1	129407-32000	PUMP ASSY, OIL	1							
14	1	129150-32020	GASKET, PUMP	1							
15	1	26450-060252	BOLT, M6X 25	4							
16	1	129004-34802	DIPSTICK, OIL	1							
17	1	121520-34810	GUIDE, DIPSTICK	1							
18	1	129150-35042	GASKET	1							
19	1	129436-35091	PIPE ASSY, OIL INLET	1							
19-1	1	129436-35070	PIPE ASSY	1							S
		(A=EZZZZZ)	(C=EZZZZZ)								
20	1	26106-080352	BOLT, M8X 35 PLATED	2							
20-1	1	26106-080552	BOLT, M8X 55 PLATED	2							S
		(A=EZZZZZ)	(C=EZZZZZ)								
21	1	129508-33010	COOLER ASSY, OIL	1							
22	2	129508-33050	O-RING	1							
23	1	129417-33110	NUT	1							
24	1	129006-35100	BRACKET ASSY, FILTER	1							
25	2	119802-35110	BRACKET, FILTER	1							
26	2	129417-35150	STUD, L=67	1							
27	1	129150-35111	GASKET	1							
28	1	129150-35153	FILTER	1							1
29	1	129006-44480	JOINT	1							
30	1	129508-49030	PIPE ASSY, WATER	1							
31	2	171008-03990	CLIP, HOSE 18.5	1							
33	2	23080-015000	CLAMP, 15	1							
34	1	129508-49040	PIPE ASSY, WATER	1							
35	2	171008-03990	CLIP, HOSE 18.5	1							
37	2	119940-59130	TUBE, CORRUGATED	1							
38	2	23080-015000	CLAMP, 15	1							
39	1	129103-49301	ELBOW, PT1/4	1							
40	1	26106-080202	BOLT, M8X 20 PLATED	3							
41	1	114250-39450	SWITCH, 0.5KG	1							
42	1	124160-39140	BOLT, PIPE JOINT M10	1							
43	1	119802-39450	PIPE ASSY, OIL	1							
44	1	129005-59830	BOLT ASSY, JOINT M8	1							
45	2	22190-080002	WASHER, SEAL 6	1							
46	2	23857-030000	BOLT, JOINT 3	1							
47	1	22190-080002	WASHER, SEAL 6	1							
48	1	22190-100002	WASHER, SEAL 10	2							
49	1	26366-060002	NUT, M6	1							

Remarks
 (1) REPAIR PART.

Fig.10. COOLING WATER SYSTEM



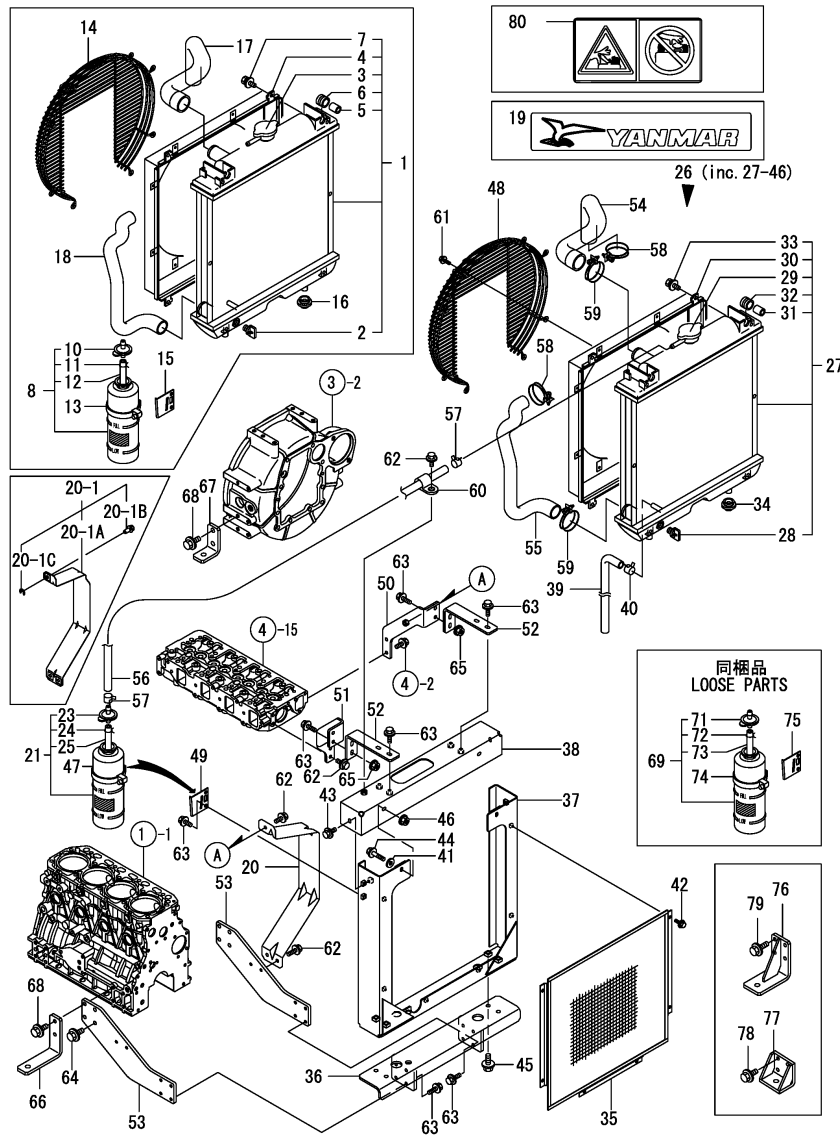
(A)=4TNV88-BDYE
(B)=4TNV88-BDYE2
(C)=4TNV88-BDYE2T

(D)=
(E)=
(F)=

No.	Lev.	Parts No.	Description	Q'ty						I	R
				(A)	(B)	(C)	(D)	(E)	(F)		
1	1	129004-42001	PUMP ASSY, WATER	1							
3	2	129100-42051	GASKET, WATER PUMP	1							
4	2	129100-42121	PLATE	1							
8	2	121850-42410	SCREW	3							
10	2	119802-49113	JOINT, PIPE	2							
11	2	129916-49740	PLUG, R03	2							
12	2	23876-010000	PLUG, R01	1							
13	2	23876-020000	PLUG, R02	1							
14	1	129486-42021	GASKET, WATER PUMP	1							
15	1	129004-42040	JOINT	1							
16	1	129486-42140	O-RING, G30	1							
17	1	124395-49840	GASKET	1							
18	1	23414-080000	GASKET, 8X1.0	1							
19	1	26106-080122	BOLT, M8X 12 PLATED	1							
20	1	26106-080162	BOLT, M8X 16 PLATED	3							
21	1	26106-080452	BOLT, M8X 45 PLATED	1							
22	1	26106-080602	BOLT, M8X 60 PLATED	3							
23	1	119865-42290	V-BELT, A36.5		1	1					
24	1	129403-42380	V-PULLEY, D=110		1	1					
25	1	129155-42350	V-PULLEY		1	1					
26	1	25132-003600	V-BELT, A36		1	1					
27	1	129655-44740	FAN, COOLING D380		1	1					
28	1	171353-44760	SPACER, FAN		1	1					
29	1	26106-060402	BOLT, M6X 40 PLATED		4	4					
30	1	26106-060122	BOLT, M6X 12 PLATED		4	4					
31	1	129655-44740	FAN, COOLING D380		1	1					
32	1	129030-44760	SPACER, FAN L38.5		1	1					
33	1	26106-060502	BOLT, M6X 50 PLATED		4	4					
34	1	129612-44700	FAN, COOLING		1	1					
35	1	121267-44760	SPACER		1	1					
36	1	26106-060302	BOLT, M6X 30 PLATED		4	4					
37	1	129612-44700	FAN, COOLING		1	1					
38	1	129030-44760	SPACER, FAN L38.5		1	1					
39	1	26106-060502	BOLT, M6X 50 PLATED		4	4					
40	1	129155-49801	THERMOSTAT, 71		1						
41	1	129150-49811	GASKET, THERMOSTAT		1						
42	1	129350-49530	COVER, THERMOSTAT		1						
43	1	129795-49551	GASKET		1						
44	1	26106-080222	BOLT, M8X 22 PLATED		2						
45	1	124101-49531	COVER, THERMOSTAT		1	1					
46	1	129795-49551	GASKET		1	1					
47	1	171056-49120	PLUG, DRAIN		1						
48	1	121450-42450	PLUG, M16		1						
49	1	121250-44901	SWITCH, 110		1						
50	1	124465-44950	GASKET, 16		1						
51	1	124465-44950	GASKET, 16		1						
52	1	129004-49610	PIPE ASSY, WATER		1						
53	2	129004-49711	PIPE ASSY, WATER		1						
54	2	119802-49730	RETAINER, PIPE		1						
55	2	124722-59050	CLIP, HOSE 9		2						
56	1	129004-49620	PIPE ASSY, WATER		1						

Fig.11. RADIATOR

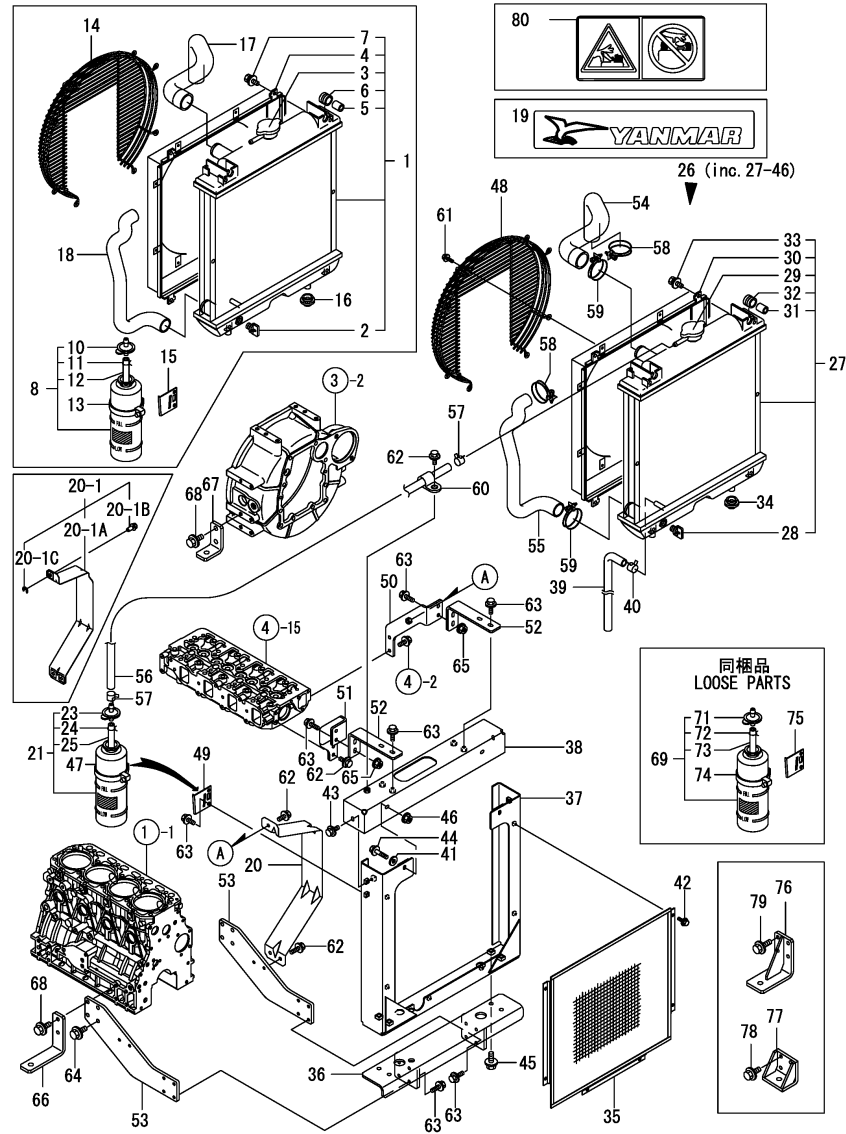
(A)=4TNV88-BDYE
 (B)=4TNV88-BDYE2
 (C)=4TNV88-BDYE2T
 (D)=
 (E)=
 (F)=



No.	Lev.	Parts No.	Description	Qty						I	R
				(A)	(B)	(C)	(D)	(E)	(F)		
1	1	129508-44501	RADIATOR ASSY	1	1						
2	2	129508-44550	COCK ASSY	1	1						
3	2	129107-44590	CAP, RADIATOR	1	1						
4	2	129601-44600	SHROUD	1	1						
5	2	118400-44670	COLLAR	2	2						
6	2	118400-44720	MOUNT, RUBBER	2	2						
7	2	26014-060122	BOLT, M6X 12	4	4						
8	1	124450-44510	TANK ASSY, SUB	1	1						
10	2	124450-44530	CAP	1	1						
11	2	124450-44560	RETAINER	1	1						
12	2	23061-070230	PIPE, 7X 230	1	1						
13	1	124450-44550	BAND	1	1						
14	1	129601-44560	GUARD	1	1						
15	1	121256-44600	BRACKET, SUB TANK	1	1						
16	1	119255-44660	ABSORBER	2	2						
17	1	129602-49010	PIPE, WATER	1	1						
18	1	129612-49040	PIPE, WATER	1	1						
19	1	129247-07001	LABEL, YANMAR	1	1						
20	1	129247-42800	COVER	1	1						
20-1	1	129247-42810	COVER CMP,V-BELT (B=EXXXXX)	1	1						N
20-1A	2	129247-42801	COVER,V-BELT (B=EXXXXX)	1	1						W
20-1B	2	119746-42820	SCREW,V-BELT COVER (B=EXXXXX)	3	3						W
20-1C	2	22276-000060	RING, E- 6 (B=EXXXXX)	3	3						W
21	1	124450-44510	TANK ASSY, SUB	1	1						
23	2	124450-44530	CAP	1	1						
24	2	124450-44560	RETAINER	1	1						
25	2	23061-070230	PIPE, 7X 230	1	1						
26	1	129602-44510	RADIATOR ASSY	1	1						
27	2	129508-44501	RADIATOR ASSY	1	1						
28	3	129508-44550	COCK ASSY	1	1						
29	3	129107-44590	CAP, RADIATOR	1	1						
30	3	129601-44600	SHROUD	1	1						
31	3	118400-44670	COLLAR	2	2						
32	3	118400-44720	MOUNT, RUBBER	2	2						
33	3	26014-060122	BOLT, M6X 12	4	4						
34	2	119255-44660	ABSORBER	2	2						
35	2	129247-44800	SCREEN, RADIATOR	1	1						
36	2	129247-44960	BRACKET, RADIATOR	1	1						
37	2	129247-44970	BRACKET, RADIATOR	1	1						
38	2	129247-44980	BRACKET, RADIATOR	1	1						
39	2	121520-49160	PIPE, WATER DRAIN	1	1						
40	2	124766-59050	CLIP, HOSE 12	1	1						
41	2	22117-080000	WASHER, 8	2	2						
42	2	26106-060162	BOLT, M6X 16 PLATED	6	6						
43	2	26106-080162	BOLT, M8X 16 PLATED	2	2						
44	2	26106-080352	BOLT, M8X 35 PLATED	2	2						
45	2	26106-100202	BOLT, M10X 20 PLATED	4	4						

Remarks
 (1)GOVERNOR ASSY(FIG.12) IS INCORPORATED IN THIS FOP CMP (REF NO.1).
 (2)NO.1-2 & FIG.13 NO.1-1 INTERCHANGEABLE BY SET.

Fig.11. RADIATOR

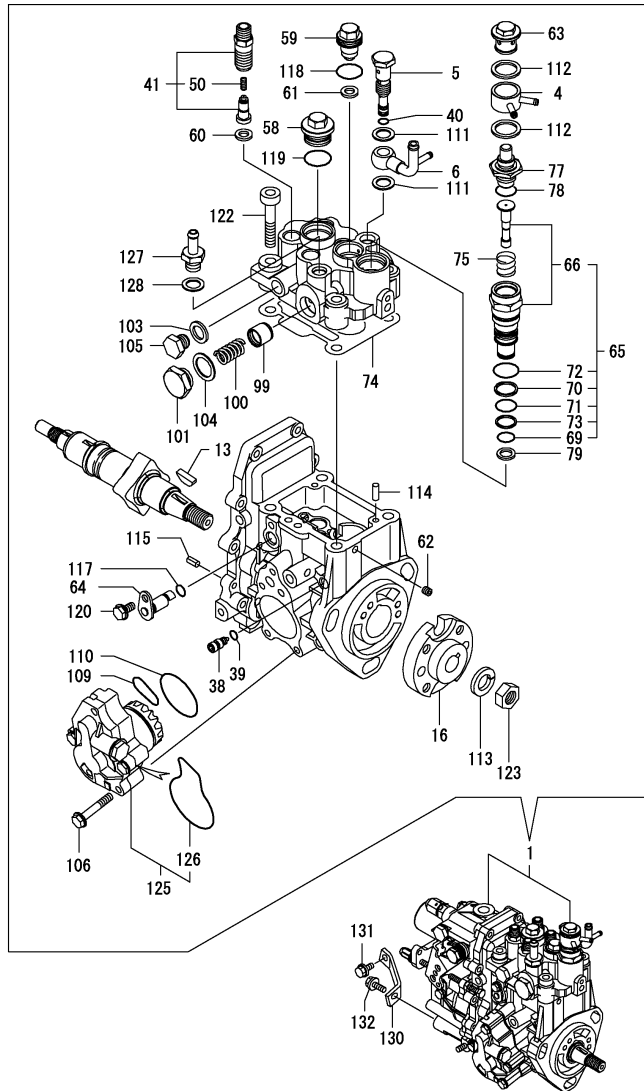


(A)=4TNV88-BDYE
(B)=4TNV88-BDYE2
(C)=4TNV88-BDYE2T
(D)=
(E)=
(F)=

No.	Lev.	Parts No.	Description	Qty						I	R
				(A)	(B)	(C)	(D)	(E)	(F)		
46	2	26366-080002	NUT, M8	2	2						
47	1	124450-44550	BAND	1	1						
48	1	129601-44560	GUARD	1	1						
49	1	121256-44600	BRACKET, SUB TANK	1	1						
50	1	129247-44910	STAY, MUFFLER	1	1						
51	1	129247-44920	STAY, MUFFLER	1	1						
52	1	129247-44930	STAY, MUFFLER	2	2						
53	1	129247-44950	BRACKET, RADIATOR	2	2						
54	1	129602-49010	PIPE, WATER	1	1						
55	1	129612-49040	PIPE, WATER	1	1						
56	1	170004-49160	PIPE ASSY, DRAIN	1	1						
57	1	124766-59050	CLIP, HOSE 12	2	2						
58	1	23010-038000	CLAMP, 38	2	2						
59	1	23010-044000	CLAMP, 44	2	2						
60	1	23297-120081	CLAMP, A12X 8	1	1						
61	1	26106-060162	BOLT, M6X 16 PLATED	8	8						
62	1	26106-080162	BOLT, M8X 16 PLATED	5	5						
62-1	1	26106-080162	BOLT, M8X 16 PLATED	9	9						K
(B=EZZZZZ)											
62-2	1	26106-080162	BOLT, M8X 16 PLATED	3	3						K
(B=EXXXXX)											
63	1	26106-080202	BOLT, M8X 20 PLATED	18	18						
63-1	1	26106-080202	BOLT, M8X 20 PLATED	14	14						K
(B=EZZZZZ)											
64	1	26106-100202	BOLT, M10X 20 PLATED	8	8						
65	1	26306-080002	NUT, M8	4	4						
66	1	119933-08100	FOOT	2	2						
67	1	119933-08110	FOOT	2	2						
68	1	26106-100202	BOLT, M10X 20 PLATED	8	8						
69	1	124450-44510	TANK ASSY, SUB	1	1						
71	2	124450-44530	CAP	1	1						
72	2	124450-44560	RETAINER	1	1						
73	2	23061-070230	PIPE, 7X 230	1	1						
74	1	124450-44550	BAND	1	1						
75	1	121256-44600	BRACKET, SUB TANK	1	1						
76	1	129188-08100	FOOT	2	2						W
(B=*2009.05.)											
77	1	119888-08110	FOOT	2	2						W
(B=*2009.05.)											
78	1	26106-100202	BOLT, M10X 20 PLATED	8	8						W
(B=*2009.05.)											
79	1	26106-100302	BOLT, M10X 30 PLATED	8	8						W
(B=*2009.05.)											
80	1	129946-07000	LABEL, NO OPEN	1	1						W
(B=EXXXXX)											

Remarks
(1)GOVERNOR ASSY(FIG.12) IS INCORPORATED IN THIS FOP CMP (REF NO.1).
(2)NO.1-2 & FIG.13 NO.1-1 INTERCHANGEABLE BY SET.

Fig.12. FUEL INJECTION PUMP



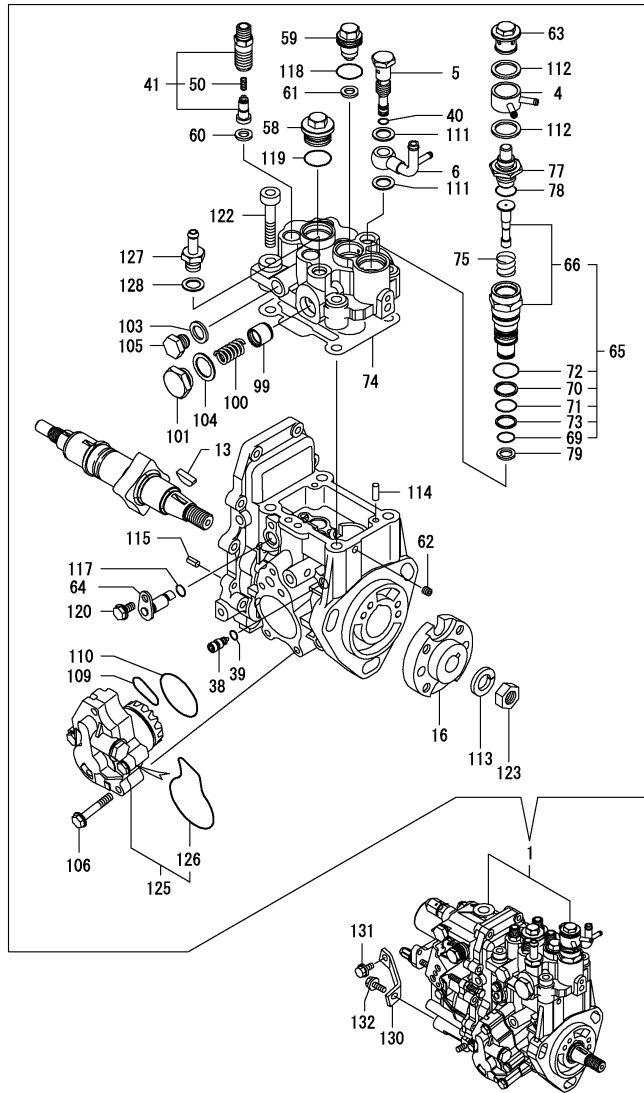
(A)=4TNV88-BDYE
(B)=4TNV88-BDYE2
(C)=4TNV88-BDYE2T

(D)=
(E)=
(F)=

No.	Lev.	Parts No.	Description	Qty						I	R
				(A)	(B)	(C)	(D)	(E)	(F)		
1	1	729688-51300	PUMP ASSY, INJECTION	1	1	1					1
1-1	1	729688-51301	PUMP ASSY, INJECTION	1	1	1					N 1
		(A=*2008.11) (B=*2008.11) (C=*2008.11)									
1-2	1	729688-51320	PUMP ASSY, INJECTION	1	1	1					S 2
		(A=E/#B4186) (B=E/#A3346) (C=E/#B4186)									
4	2	158553-51551	JOINT	1	1	1					
5	2	158601-51650	JOINT, OVER FLOW	1	1	1					
6	2	158552-51670	JOINT, OVER FLOW	1	1	1					
13	2	119802-51090	KEY, 4X16	1	1	1					
16	2	158552-51151	FLANGE	1	1	1					
38	2	158600-51270	STOPPER, TAPPET	1	1	1					
39	2	158563-51281	O-RING, 4D S6	1	1	1					
40	2	158563-51281	O-RING, 4D S6	1	1	1					
41	2	129008-51390	VALVE ASSY, DELIVERY	4	4	4					
50	3	158563-51330	SPRING, DELIVERY	4	4	4					
58	2	158601-51550	PLUG	1	1	1					
59	2	119802-51560	PLUG, BARREL	1	1	1					
60	2	158552-51571	GASKET	4	4	4					
61	2	158552-51571	GASKET	1	1	1					
62	2	158557-51570	PLUG	1	1	1					
63	2	158601-51570	PLUG	1	1	1					
64	2	158552-51580	LIFTER	1	1	1					
65	2	119802-51590	TIMER SET	1	1	1					
66	3	119802-51600	TIMER ASSY	1	1	1					
69	3	158553-51670	O-RING, 1011	1	1	1					
70	3	119802-51680	RING, BACK UP	1	1	1					
71	3	119802-51690	O-RING	1	1	1					
72	3	24356-010200	O-RING, 4D1020	1	1	1					
73	3	24372-000150	RING, BACK UP T2P15	1	1	1					
74	2	158552-51600	GASKET	1	1	1					
75	2	158553-51630	SPRING, TIMER	1	1	1					
77	2	158553-51640	ELEMENT	1	1	1					
77-1	2	158553-51650	ELEMENT	1	1	1					N
		(A=*2008.11) (B=*2008.11) (C=*2008.11)									
78	2	158553-51660	O-RING, P14	1	1	1					
79	2	158553-51680	GASKET	1	1	1					
99	2	158601-51770	PISTON	1	1	1					
100	2	158552-51781	SPRING	1	1	1					
101	2	158601-51790	PLUG	1	1	1					
103	2	22190-120002	WASHER, SEAL 12	1	1	1					
104	2	22190-180002	WASHER, SEAL 18	1	1	1					
105	2	23887-120002	PLUG, 12	1	1	1					
106	2	158553-51770	BOLT	4	4	4					
109	2	158552-52310	O-RING	1	1	1					
110	2	158552-52400	O-RING, 4E S42	1	1	1					
111	2	22190-120002	WASHER, SEAL 12	2	2	2					
112	2	22190-180002	WASHER, SEAL 18	2	2	2					
113	2	22217-140000	WASHER, SPRING 14	1	1	1					
114	2	22312-050140	PIN, PARALLEL M5X14	2	2	2					
115	2	22351-050010	PIN, SPRING 5.0X10	2	2	2					
117	2	24311-000070	O-RING, 1AP7.0	1	1	1					

Remarks
(1)GOVERNOR ASSY(FIG.13) IS INCORPORATED IN THIS FOP CMP (REF NO.1).
(2)NO.1-2 & FIG.14 NO.1-1 INTERCHANGEABLE BY SET.

Fig.12. FUEL INJECTION PUMP



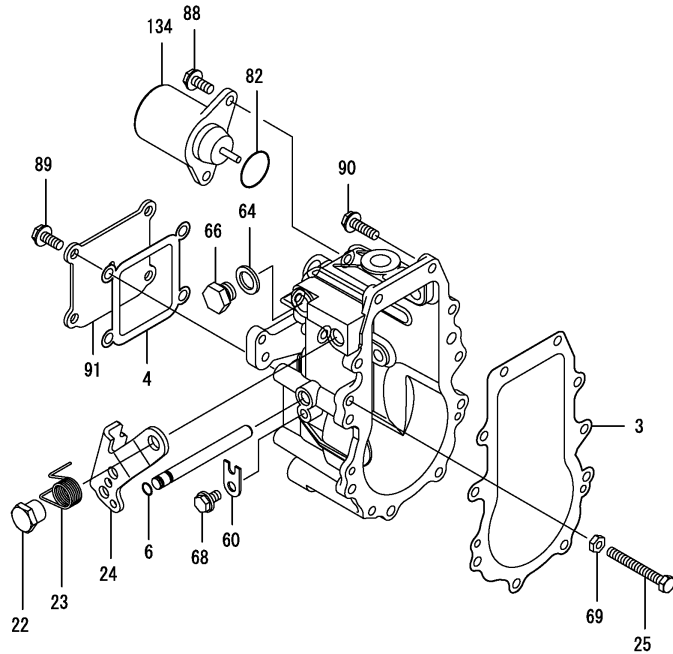
(A)=4TNV88-BDYE
 (B)=4TNV88-BDYE2
 (C)=4TNV88-BDYE2T

(D)=
 (E)=
 (F)=

No.	Lev.	Parts No.	Description	Qty						I	R
				(A)	(B)	(C)	(D)	(E)	(F)		
118	2	24356-010180	O-RING, 4D1018	1	1	1					
119	2	24356-010200	O-RING, 4D1020	1	1	1					
120	2	26106-060102	BOLT, M6X 10 PLATED	1	1	1					
122	2	26450-080452	BOLT, M8X 45	4	4	4					
123	2	26776-140002	NUT, LOCK M14	1	1	1					
125	2	158552-52100	PUMP ASSY, FUEL FEED	1	1	1					
126	3	158552-52500	O-RING	1	1	1					
127	2	119934-59910	JOINT, PIPE	1	1	1					
128	2	22190-120002	WASHER, SEAL 12	1	1	1					
130	1	129601-51250	RETAINER, PUMP	1	1	1					
131	1	26106-080162	BOLT, M8X 16 PLATED	1	1	1					
132	1	26106-080202	BOLT, M8X 20 PLATED	1	1	1					

Remarks
 (1)GOVERNOR ASSY(FIG.13) IS
 INCORPORATED IN THIS FOP CMP
 (REF NO.1).
 (2)NO.1-2 & FIG.14 NO.1-1
 INTERCHANGEABLE BY SET.

Fig.13. GOVERNOR

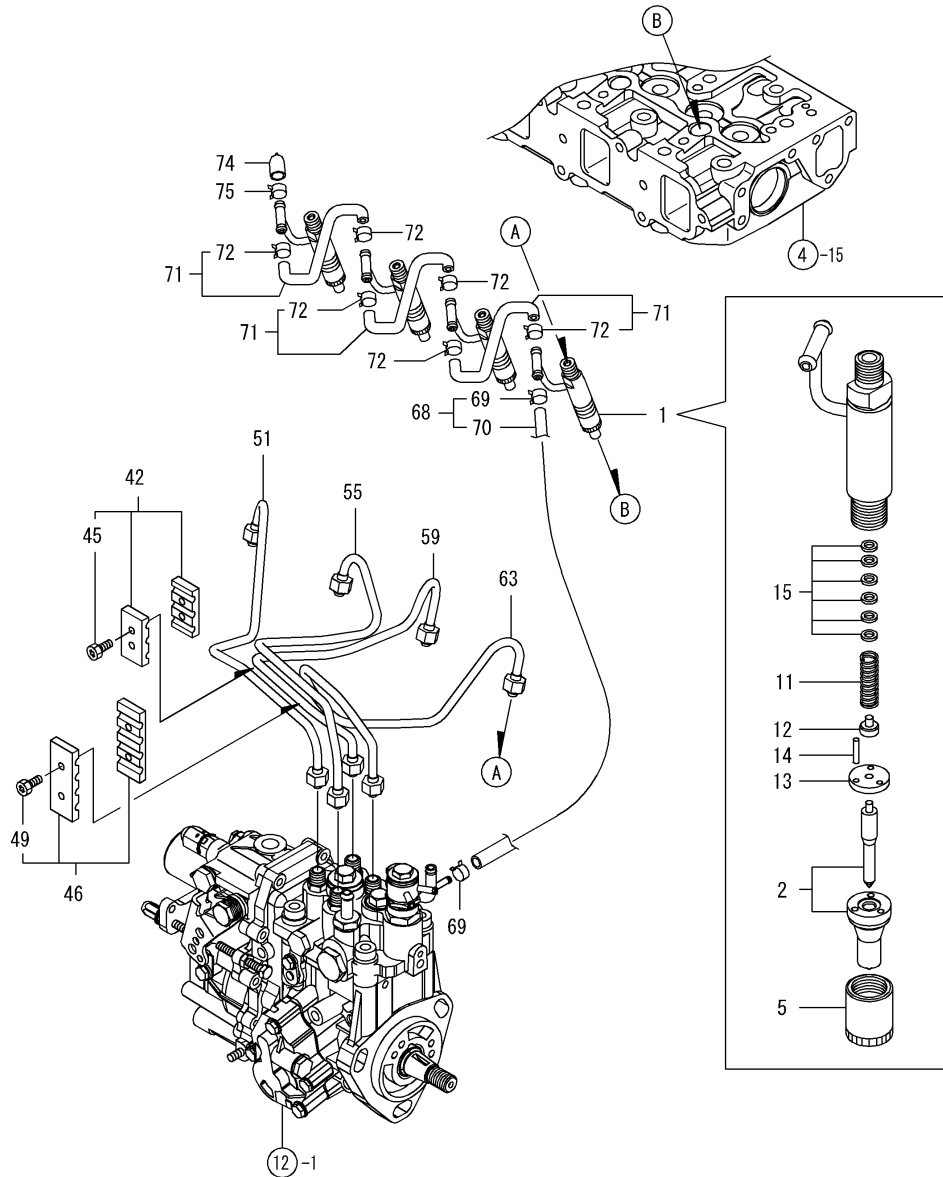


(A)=4TNV88-BDYE (D)=
 (B)=4TNV88-BDYE2 (E)=
 (C)=4TNV88-BDYE2T (F)=

No.	Lev.	Parts No.	Description	Q'ty						I	R
				(A)	(B)	(C)	(D)	(E)	(F)		
3	2	158553-61050	GASKET	1	4	4					
4	2	158553-61070	GASKET	1	4	4					
6	2	129155-51280	O-RING, S6	1	4	4					
22	2	129255-61410	NUT, LOCK	1	4	4					
23	2	119807-61420	SPRING, RETURN	1	4	4					
24	2	158552-61441	LEVER, REGULATOR	1	4	4					
25	2	129155-61460	BOLT, IDLE	1	4	4					
60	2	119660-61901	RETAINER, SHAFT	1	2	2					
64	2	22190-120000	WASHER, SEAL 12	1	2	2					
66	2	23887-120002	PLUG, 12	1	1	1					
68	2	26106-060102	BOLT, M6X 10 PLATED	1	2	2					
69	2	26756-060002	NUT, LOCK M6	1	1	1					
82	2	158552-61900	O-RING	1							
88	2	26106-060142	BOLT, M6X 14 PLATED	2							
89	2	26106-060142	BOLT, M6X 14 PLATED	4							
90	2	26106-060202	BOLT, M6X 20 PLATED	10							
91	2	129642-61060	COVER, GOVERNOR CASE	1							
134	2	119653-77950	SOLENOID, STOP	1							

Remarks
 (1)NO.1-1 & FIG.11 NO.1-2
 INTERCHANGEABLE BY SET.

Fig.14. FUEL INJECTION VALVE



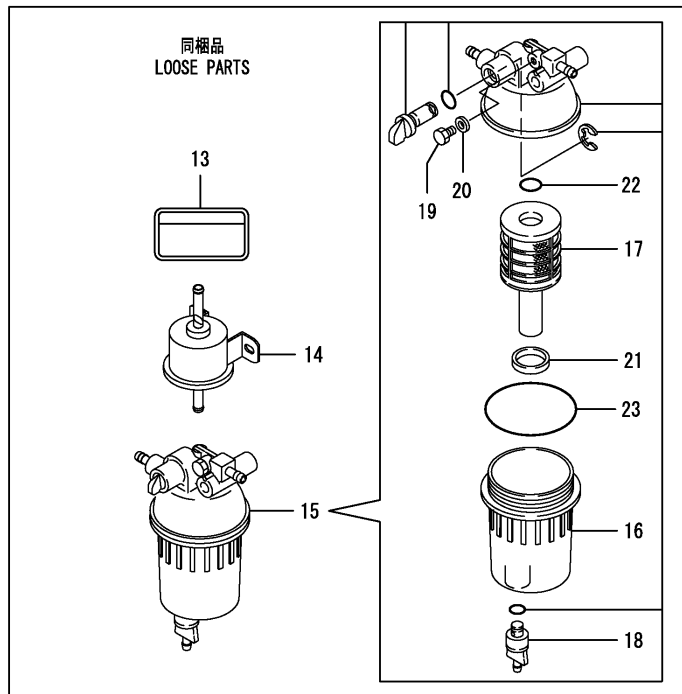
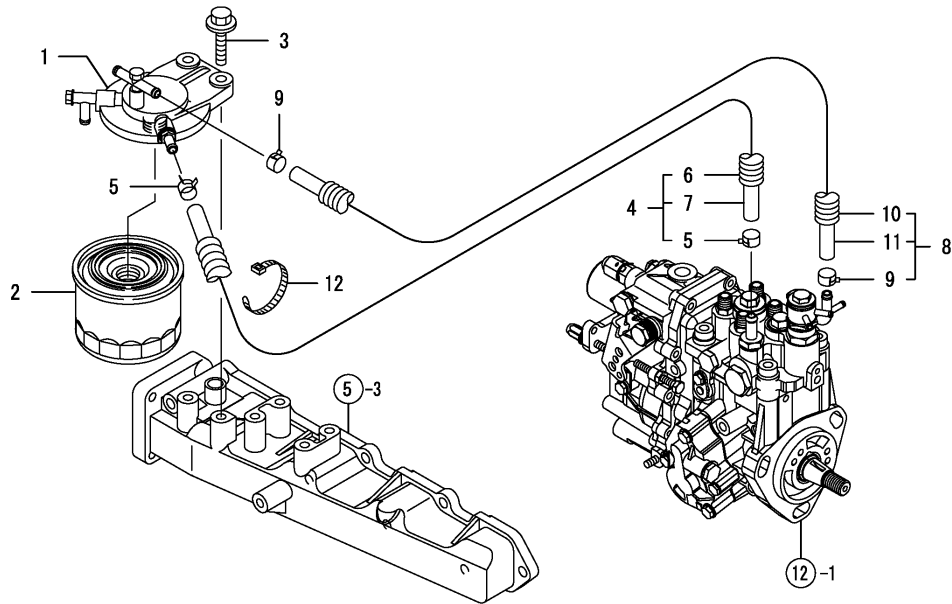
(A)=4TNV88-BDYE
(B)=4TNV88-BDYE2
(C)=4TNV88-BDYE2T

(D)=
(E)=
(F)=

No.	Lev.	Parts No.	Description	Qty						I	R
				(A)	(B)	(C)	(D)	(E)	(F)		
1	1	729604-53200	VALVE ASSY,INJECTION	4	4	4					
1-1	1	729604-53400	VALVE ASSY,INJECTION	4	4	4					S 1
(A=E/#B4186) (B=E/#A3346) (C=E/#B4186)											
2	2	129604-53000	VALVE ASSY,INJECTION	4	4	4					
2-1	2	129604-53300	VALVE ASSY,INJECTION	4	4	4					S
(A=E/#B4186) (B=E/#A3346) (C=E/#B4186)											
5	2	114250-53080	NUT, NOZZLE D16.95	4	4	4					
11	2	114250-53120	SPRING, NOZZLE	4	4	4					
12	2	114250-53130	SEAT, SPRING	4	4	4					
13	2	114250-53140	PLATE	4	4	4					
14	2	114250-53210	PIN	8	8	8					
15	2	119803-53400	SHIM SET	4	4	4					
42	1	129150-59120	RETAINER, PIPE	1	1	1					
45	2	129150-59131	BOLT, M4X14	2	2	2					
46	1	129550-59120	RETAINER, PIPE	1	1	1					
49	2	129150-59131	BOLT, M4X14	2	2	2					
51	1	129601-59810	PIPE ASSY, INJECTION	1	1	1					
55	1	129601-59820	PIPE ASSY, INJECTION	1	1	1					
59	1	129601-59830	PIPE ASSY, INJECTION	1	1	1					
63	1	129601-59840	PIPE ASSY, INJECTION	1	1	1					
68	1	119802-59550	PIPE ASSY, RETURN	1	1	1					
69	2	124722-59050	CLIP, HOSE 9	2	2	2					
70	2	119802-59560	PIPE, FUEL RETURN	1	1	1					
71	1	129486-59551	PIPE ASSY, RETURN	3	3	3					
72	2	124722-59050	CLIP, HOSE 9	6	6	6					
74	1	119593-59581	CAP	1	1	1					
75	1	124060-77680	CLIP, HOSE 10	1	1	1					

Remarks
(1)NO.1-1 & FIG.12 NO.1-2
INTERCHANGEABLE BY SET.

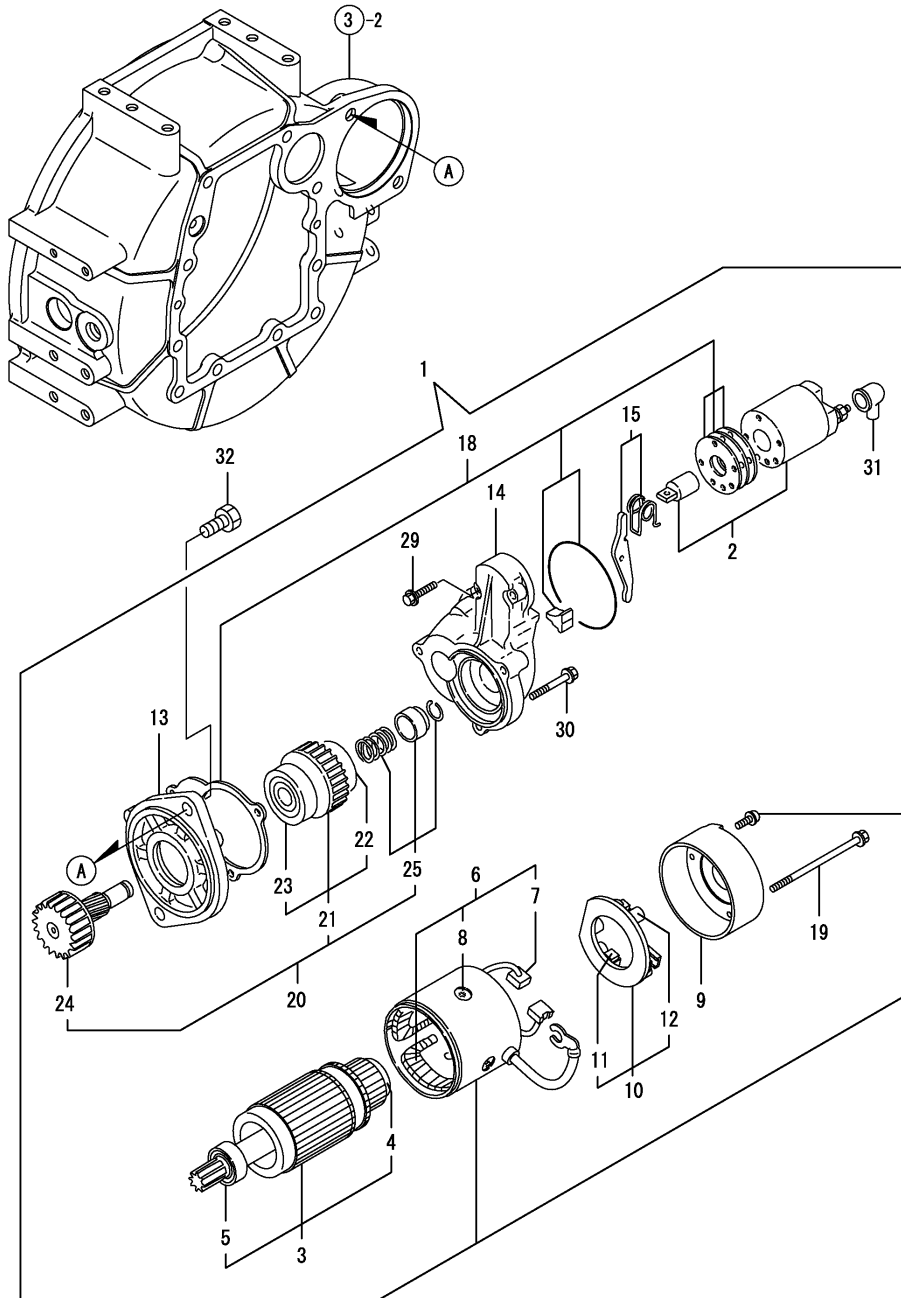
Fig.15. FUEL LINE



(A)=4TNV88-BDYE (D)=
(B)=4TNV88-BDYE2 (E)=
(C)=4TNV88-BDYE2T (F)=

No.	Lev.	Parts No.	Description	Qty						I	R
				(A)	(B)	(C)	(D)	(E)	(F)		
1	1	129004-55612	BRACKET, FILTER	1							
2	1	119802-55801	FILTER, FUEL	1							
3	1	26106-080302	BOLT, M8X 30 PLATED	2							
4	1	129630-59010	PIPE ASSY, FUEL	1							
5	2	124766-59050	CLIP, HOSE 12	2							
6	2	129961-59110	TUBE, CORRUGATED	1							
7	2	105025-59560	PIPE, FUEL	1							
8	1	129956-59010	PIPE ASSY, FUEL	1							
9	2	124766-59050	CLIP, HOSE 12	2							
10	2	129957-59101	TUBE, CORRUGATED	1							
11	2	105225-59511	PIPE, FUEL	1							
12	1	121750-59890	BAND, 140	1							
13	1	114110-07760	LABEL, FUEL CAUTION	1							
14	1	119225-52102	PUMP ASSY, FUEL FEED	1							
15	1	129242-55700	SEPARATOR ASSY	1							
16	2	129242-55720	CUP	1							
17	2	129242-55730	ELEMENT	1							
18	2	129242-55740	PLUG, DRAIN	1							
19	2	129242-55750	VALVE, AIR VENT	1							
20	2	129242-55760	GASKET	1							
21	2	129242-55770	FLOAT	1							
22	2	24311-000160	O-RING, 1AP16.0	1							
23	2	24321-000750	O-RING, 1AG75.0	1							

Fig.16. STARTING MOTOR

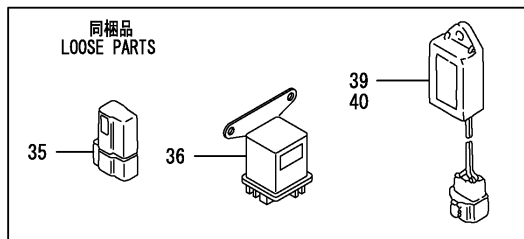
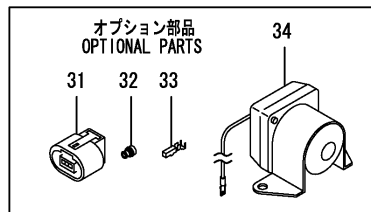
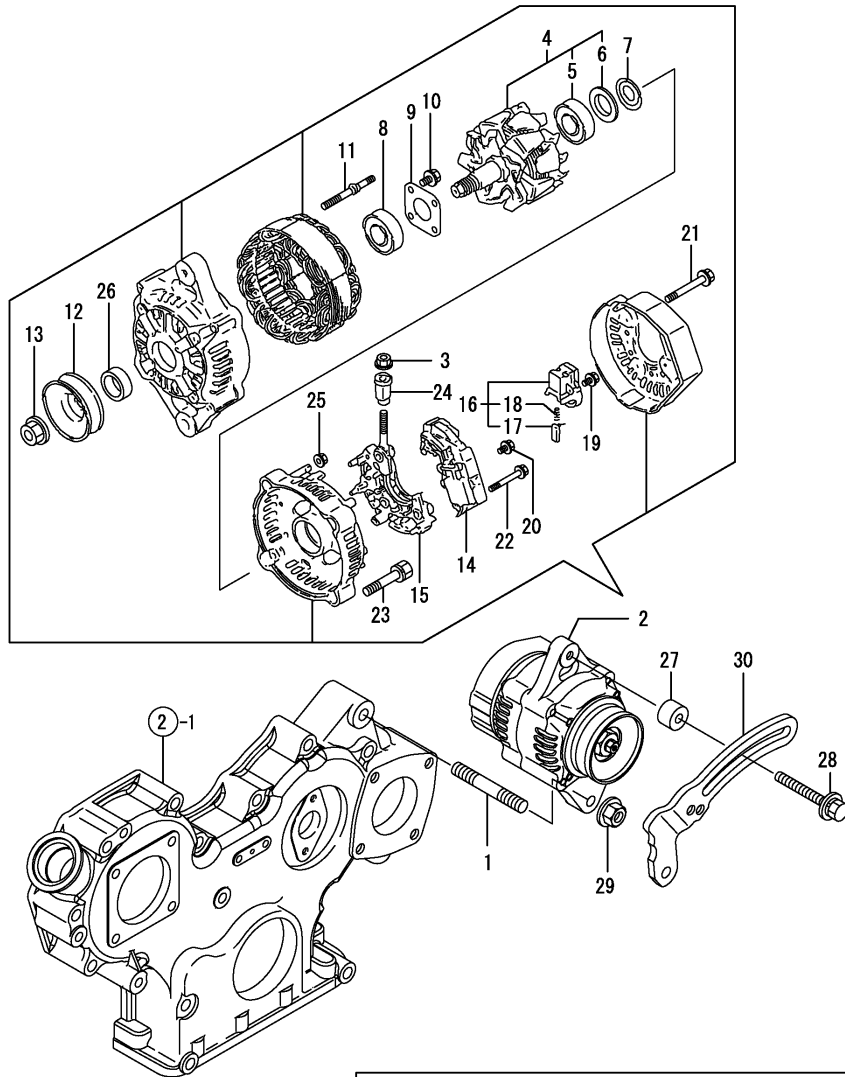


(A)=4TNV88-BDYE (D)=
 (B)=4TNV88-BDYE2 (E)=
 (C)=4TNV88-BDYE2T (F)=

No.	Lev.	Parts No.	Description	Qty						I	R
				(A)	(B)	(C)	(D)	(E)	(F)		
1	1	129136-77011	STARTER		1	1					
2	2	129136-77310	SWITCH ASSY		1	1					
3	2	129900-77400	ARMATURE ASSY		1	1					
4	3	X2130350900	BEARING, BALL		1	1					
5	3	X2114255110	BEARING, BALL		1	1					
6	2	129900-77440	COIL ASSY, FIELD		1	1					
7	3	129900-77450	BRUSH		2	2					
8	3	171008-77450	SCREW		4	4					
9	2	129900-77460	COVER		1	1					
10	2	129900-77480	HOLDER ASSY, BRUSH		1	1					
11	3	129900-77450	BRUSH		2	2					
12	3	129400-77490	SPRING		4	4					
13	2	171008-77510	CASE, GEAR		1	1					
14	2	129136-77520	HOUSING		1	1					
15	2	171008-77540	LEVER SET		1	1					
18	2	129400-77571	COVER ASSY, DUST		1	1					
19	2	129900-77640	BOLT, THROUGH		2	2					
20	2	171008-77650	PINION ASSY		1	1					
21	3	X2114555500	CLUTCH ASSY		1	1					
22	4	X2114955020	BEARING, BALL		1	1					
23	4	X2240410100	BEARING, BALL		1	1					
24	3	171008-77660	SHAFT		1	1					
25	3	171008-77670	STOPPER SET		1	1					
29	2	26106-060322	BOLT, M6X 32 PLATED		2	2					
30	2	26106-060402	BOLT, M6X 40 PLATED		3	3					
31	2	171008-77750	COVER		1	1					
32	1	26116-120252	BOLT, M12X 25 PLATED		2	2					

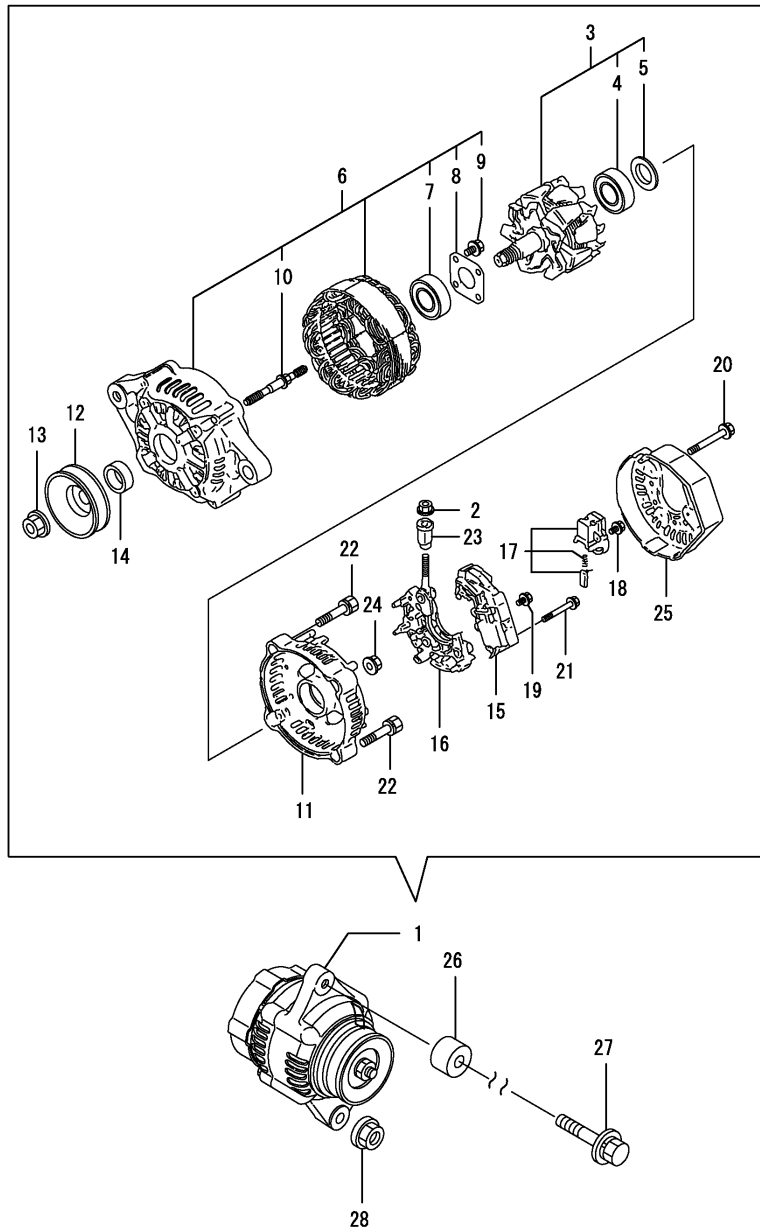
Fig.17. GENERATOR

(A)=4TNV88-BDYE (D)=
 (B)=4TNV88-BDYE2 (E)=
 (C)=4TNV88-BDYE2T (F)=



No.	Lev.	Parts No.	Description	Qty						I	R
				(A)	(B)	(C)	(D)	(E)	(F)		
1	1	129795-01900	STUD	1							
2	1	119751-77200	GENERATOR, 12V-40AP		1	1					
3	2	X9490561001	NUT		1	1					
4	2	119620-77380	ROTOR ASSY		1	1					
5	3	119620-79240	BEARING, BALL		1	1					
6	3	119620-79250	COVER		1	1					
7	2	119620-79360	WASHER, THRUST		1	1					
8	2	119620-79200	BEARING, BALL		1	1					
9	2	119620-79210	PLATE, RETAINER		1	1					
10	2	119620-79220	SCREW		4	4					
11	2	119620-79230	STUD		2	2					
12	2	119620-77461	PULLEY		1	1					
13	2	119620-77471	NUT		1	1					
14	2	129423-77710	REGULATOR ASSY		1	1					
15	2	119620-79260	HOLDER		1	1					
16	2	129052-79270	HOLDER, BRUSH		1	1					
17	3	119620-77480	BRUSH ASSY		2	2					
18	3	119620-79280	SPRING		2	2					
19	2	119620-79290	SCREW		6	6					
20	2	119620-79300	SCREW		1	1					
21	2	119620-79310	BOLT		3	3					
22	2	119620-79320	SCREW		2	2					
23	2	119620-79330	BOLT		2	2					
24	2	119620-79340	BUSH, INSULATION		1	1					
25	2	119620-79350	NUT		2	2					
26	2	119620-77490	COLLAR		1	1					
27	1	129067-77340	SPACER		1	1					
28	1	129972-77341	BOLT, ADJUSTER L=50		1	1					
29	1	26306-100002	NUT, M10		1	1					
30	1	129064-77330	ADJUSTER	1							
31	1	119515-77900	HOUSING		1	1					
32	1	119515-77910	SEAL		3	3					
33	1	119515-77920	TERMINAL		3	3					
34	1	129100-77910	RELAY, MAGNETIC		1	1					
35	1	119643-66900	DIODE		1						
36	1	119650-77910	RELAY ASSY, GLOW		1						
39	1	128300-77920	TIMER		1						
40	1	129211-77920	TIMER		1						

Fig.18. GENERATOR



(A)=4TNV88-BDYE
 (B)=4TNV88-BDYE2
 (C)=4TNV88-BDYE2T

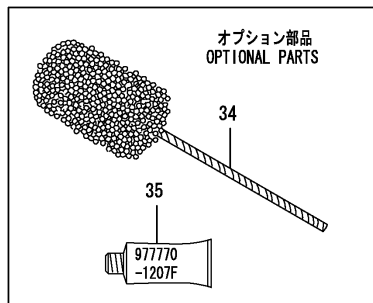
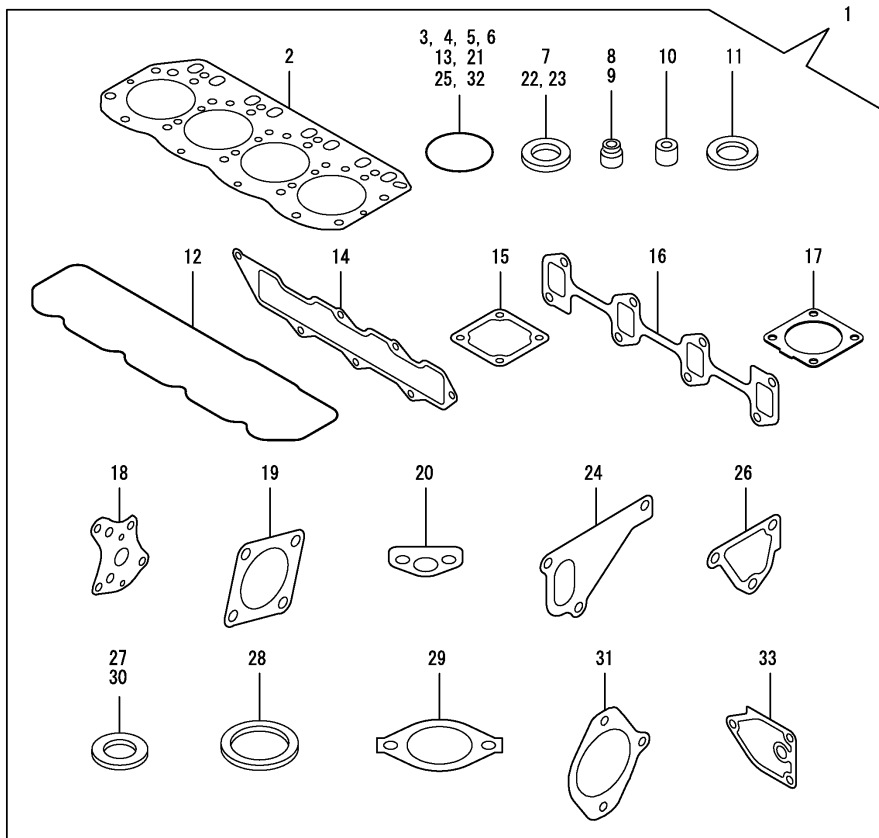
(D)=
 (E)=
 (F)=

No.	Lev.	Parts No.	Description	Qty						I	R
				(A)	(B)	(C)	(D)	(E)	(F)		
1	1	119626-77210	ALTERNATOR, 12V-55A		1	1					
2	2	X9490561001	NUT		1	1					
3	2	129052-77380	ROTOR ASSY		1	1					
4	3	123501-79240	BEARING, BALL		1	1					
5	3	119620-79250	COVER		1	1					
6	2	129052-77422	FRAME ASSY		1	1					
7	3	119620-79200	BEARING, BALL		1	1					
8	3	119620-79210	PLATE, RETAINER		1	1					
9	3	119620-79220	SCREW		4	4					
10	3	119620-79230	STUD		2	2					
11	2	128401-77440	FRAME		1	1					
12	2	119620-77461	PULLEY		1	1					
13	2	119620-77471	NUT		1	1					
14	2	119620-77490	COLLAR		1	1					
15	2	119626-77710	REGULATOR ASSY		1	1					
16	2	129052-79260	HOLDER		1	1					
17	2	129052-79270	HOLDER, BRUSH		1	1					
18	2	119620-79290	SCREW		6	6					
19	2	119620-79300	SCREW		1	1					
20	2	119620-79310	BOLT		3	3					
21	2	119620-79320	SCREW		2	2					
22	2	119620-79330	BOLT		2	2					
23	2	119620-79340	BUSH, INSULATION		1	1					
24	2	119620-79350	NUT		2	2					
25	2	119626-77450	COVER		1	1					
26	1	129067-77340	SPACER		1	1					
27	1	129972-77341	BOLT, ADJUSTER L=50		1	1					
28	1	26306-100002	NUT, M10		1	1					

Fig.19. GASKET SET

(A)=4TNV88-BDYE
 (B)=4TNV88-BDYE2
 (C)=4TNV88-BDYE2T

(D)=
 (E)=
 (F)=



No.	Lev.	Parts No.	Description	Q'ty						I	R
				(A)	(B)	(C)	(D)	(E)	(F)		
1	1	729602-92890	GASKET SET	1							1
2	2	129407-01340	GASKET, HEAD	1							
3	2	119609-32040	O-RING, P16	2							
4	2	121850-51960	O-RING	1							
5	2	24311-000320	O-RING, 1AP32.0	2							
6	2	24341-000240	O-RING, 1AS24.0	1							
7	2	22190-220002	WASHER, SEAL 22	1							
8	2	121400-11340	SEAL, VALVE STEM	4							
9	2	124460-11340	SEAL, VALVE STEM	4							
10	2	119802-11870	PROTECTOR, NOZZLE	4							
11	2	119625-11880	SEAT, NOZZLE	4							
12	2	129601-11310	GASKET, BONNET	1							
13	2	24311-000120	O-RING, 1AP12.0	3							
14	2	129407-12110	GASKET, MANIFOLD	1							
15	2	129150-77511	GASKET	1							
16	2	129550-13110	GASKET	1							
17	2	129930-13201	GASKET, SILENCER	2							
18	2	129150-32020	GASKET, PUMP	1							
19	2	124240-01883	GASKET	1							
20	2	129150-35042	GASKET	1							
21	2	24321-000800	O-RING, 1AG80.0	1							
22	2	22190-080002	WASHER, SEAL 6	7							
23	2	22190-100002	WASHER, SEAL 10	2							
24	2	129486-42021	GASKET, WATER PUMP	1							
25	2	129486-42140	O-RING, G30	1							
26	2	124395-49840	GASKET	1							
27	2	23414-080000	GASKET, 8X1.0	1							
28	2	129150-49811	GASKET, THERMOSTAT	1							
29	2	129795-49551	GASKET	1							
30	2	124465-44950	GASKET, 16	2							
31	2	171353-26081	GASKET	1							
32	2	24321-000850	O-RING, 1AG85.0	1							
33	2	129150-35111	GASKET	1							
34	1	129400-92430	HONE	1							1
35	1	977770-1207F	GASKET.LIQUID	1							1

Remarks
 (1) OPTIONAL PART.

Parts No. Index

Parts No.	Fig. No.	Ref. No.
105025-59560	15	7
105225-59511	15	11
114110-07760	15	13
114220-07130	6	57
114250-39450	9	41
114250-53080	14	5
114250-53120	14	11
114250-53130	14	12
114250-53140	14	13
114250-53210	14	14
118400-44670	11	5
		31
118400-44720	11	6
		32
119005-12060	5	40
119131-18320	6	5
		11
		17
		23
		31
		41
119160-12060	5	41
119225-52102	15	14
119255-44660	11	16
		34
119515-77900	17	31
119515-77910	17	32
119515-77920	17	33
119593-59581	14	74
119609-32040	2	9
	19	3
119620-01750	3	5
119620-77380	17	4
119620-77461	17	12
	18	12
119620-77471	17	13
	18	13
119620-77480	17	17
119620-77490	17	26
	18	14
119620-79200	17	8
	18	7
119620-79210	17	9
	18	8
119620-79220	17	10
	18	9
119620-79230	17	11
	18	10
119620-79240	17	5
119620-79250	17	6

Parts No.	Fig. No.	Ref. No.
119620-79250	18	5
119620-79260	17	15
119620-79280	17	18
119620-79290	17	19
	18	18
119620-79300	17	20
	18	19
119620-79310	17	21
	18	20
119620-79320	17	22
	18	21
119620-79330	17	23
	18	22
119620-79340	17	24
	18	23
119620-79350	17	25
	18	24
119620-79360	17	7
119625-11880	4	33
	19	11
119626-77210	18	1
119626-77450	18	25
119626-77710	18	15
119640-01640	3	10
119643-66900	17	35
119650-77910	17	36
119653-77950	13	134
119660-61901	13	60
119746-42820	11	20 -1B
119751-77200	17	2
119802-01561	2	5
119802-03110	4	44
119802-03121	4	45
119802-03130	4	46
119802-03141	4	47
119802-11260	4	6
119802-11270	4	7
119802-11870	4	32
	19	10
119802-21650	8	8
119802-25071	7	13
119802-25101	7	10
119802-25901	7	16
119802-35110	9	25
119802-39450	9	43
119802-49113	10	10
119802-49730	10	54
119802-51090	12	13
119802-51560	12	59
119802-51590	12	65

Parts No.	Fig. No.	Ref. No.
119802-51600	12	66
119802-51680	12	70
119802-51690	12	71
119802-55801	15	2
119802-59550	14	68
119802-59560	14	70
119803-21200	8	4
119803-25050	7	9
119803-53400	14	15
119803-77520	5	18
		32
119807-61420	13	23
119808-12540	5	13
		27
119865-21600	8	14
119865-42290	10	23
119888-01601	3	2
119888-08110	11	77
119888-21450	8	15
119933-08100	11	66
119933-08110	11	67
119934-01800	2	3
119934-59910	12	127
119940-59130	9	37
120130-11860	4	30
120270-54410	4	35
121023-01551	2	22
121111-21501	8	11
121250-44901	10	49
121256-44600	11	15
		49
		75
121267-44760	10	35
121400-11340	4	26
	19	8
121450-42450	10	48
121520-34810	9	17
121520-49160	11	39
121550-23200	8	30
121750-59890	15	12
121820-12590	5	14
121850-21680	8	10
121850-42410	10	8
121850-51960	2	10
	19	4
121855-12060	5	39
121855-13821	6	49
121855-13830	6	50
123500-13840	6	51
123501-79240	18	4

Parts No.	Fig. No.	Ref. No.
123900-13610	6	3
		9
		15
		21
		29
		39
123900-13630	6	4
		10
		16
		22
		30
		40
123925-13600	6	47
124060-01050	1	11
124060-77680	14	75
124101-49531	10	45
124160-01751	2	6
	4	40
124160-01910	1	12
		13
124160-11360	4	52
124160-39140	9	42
124240-01871	2	7
		19
124240-01883	2	20
	19	19
124395-49840	10	17
	19	26
124450-44510	11	8
		21
		69
124450-44530	11	10
		23
		71
124450-44550	11	13
		47
		74
124450-44560	11	11
		24
		72
124460-11340	4	27
	19	9
124465-44950	10	50
		51
	19	30
124722-59050	10	55
		58
	14	69
		72
124766-59050	11	40

Parts No. Index

Parts No.	Fig. No.	Ref. No.
124766-59050	11	57
	15	5
		9
126650-12680	5	28
128300-13640	6	48
128300-77920	17	39
128401-77440	18	11
129001-01250	1	4
129001-02931	1	29
129001-91841	2	11
129004-03010	4	42
129004-11650	4	9
129004-11900	4	34
129004-34802	9	16
129004-42001	10	1
129004-42040	10	15
129004-49610	10	52
129004-49620	10	56
129004-49711	10	53
129004-49721	10	57
129004-55612	15	1
129005-11100	4	22
129005-22080	8	19
129005-22500	8	21
129005-22900	8	36
129005-22950	8	38
129005-59830	9	44
129006-35100	9	24
129006-44480	9	29
129008-51390	12	41
129008-77800	4	55
129030-44760	10	32
		38
129052-77380	18	3
129052-77422	18	6
129052-79260	18	16
129052-79270	17	16
	18	17
129064-77330	17	30
129067-77340	17	27
	18	26
129100-01580	3	1
		16
	8	2
129100-01640	3	17
129100-11112	4	23
129100-23910	8	33
129100-42051	10	3
129100-42121	10	4
129100-77910	17	34

Parts No.	Fig. No.	Ref. No.
129103-49301	9	39
129107-44590	11	3
		29
129136-77011	16	1
129136-77310	16	2
129136-77520	16	14
129150-01200	1	27
129150-02020	1	6
129150-02450	7	4
129150-02871	1	32
129150-02931	1	24
129150-02941	1	35
129150-03070	4	43
129150-11230	4	10
129150-11280	4	8
129150-11370	4	14
129150-11750	4	12
129150-11810	4	31
129150-14101	7	6
129150-14200	7	1
129150-14400	7	2
129150-23601	8	31
129150-23611	8	34
129150-25301	7	15
129150-32020	9	14
	19	18
129150-35042	9	18
	19	20
129150-35111	9	27
	19	33
129150-35153	9	28
129150-49811	10	41
	19	28
129150-59120	14	42
129150-59131	14	45
		49
129150-77511	5	8
		17
		31
	19	15
129155-42350	10	25
129155-49801	10	40
129155-51280	13	6
129155-61460	13	25
129188-08100	11	76
129202-22300	8	25
129211-77920	17	40
129242-55700	15	15
129242-55720	15	16
129242-55730	15	17

Parts No.	Fig. No.	Ref. No.
129242-55740	15	18
129242-55750	15	19
129242-55760	15	20
129242-55770	15	21
129247-07001	11	19
129247-42800	11	20
129247-42801	11	20 -1A
129247-42810	11	20 -1
129247-44800	11	35
129247-44910	11	50
129247-44920	11	51
129247-44930	11	52
129247-44950	11	53
129247-44960	11	36
129247-44970	11	37
129247-44980	11	38
129255-61410	13	22
129350-49530	10	42
129400-01730	3	8
129400-01770	3	9
129400-13101	6	7
129400-77490	16	12
129400-77571	16	18
129400-92430	19	34
129403-42380	10	24
129407-01340	1	28
	19	2
129407-12110	5	4
	19	14
129407-32000	9	1
129410-03990	5	2
129417-33110	9	23
129417-35150	9	26
129423-77710	17	14
129430-26070	7	20
129436-35070	9	19 -1
129436-35091	9	19
129457-12530	5	12
		26
129484-26200	7	25
129484-26210	7	27
129486-01670	3	20
129486-12581	5	7
129486-35210	3	4
129486-42021	10	14
	19	24
129486-42140	10	16
	19	25
129486-59551	14	71
129488-21590	8	12

Parts No.	Fig. No.	Ref. No.
129508-12560	5	16
129508-33010	9	21
129508-33050	9	22
129508-44501	11	1
		27
129508-44550	11	2
		28
129508-49030	9	30
129508-49040	9	34
129550-13110	6	2
		8
		14
		19
		26
		35
	19	16
129550-59120	14	46
129601-03080	5	1
129601-11241	4	3
129601-11251	4	4
129601-11310	4	49
	19	12
129601-11350	4	41
129601-12100	5	3
129601-12500	5	10
129601-13109	6	13
		25
129601-13110	6	20
		36
129601-13500	6	28
		38
129601-44560	11	14
		48
129601-44600	11	4
		30
129601-51250	12	130
129601-59810	14	51
129601-59820	14	55
129601-59830	14	59
129601-59840	14	63
129602-44510	11	26
129602-49010	11	17
		54
129604-01520	2	4
129604-11710	4	15
129604-21000	8	1
129604-53000	14	2
129604-53300	14	2 -1
129604-77821	4	56
129612-44700	10	34

Parts No. Index

Parts No.	Fig. No.	Ref. No.
129612-44700	10	37
129612-49040	11	18
		55
129630-59010	15	4
129640-13109	6	1
129642-12550	5	15
129642-61060	13	91
129647-12500	5	24
129647-12550	5	29
129647-12600	5	30
129655-44740	10	27
		31
129688-01780	3	9 -1
129795-01780	3	19
129795-01900	17	1
129795-01950	2	8
129795-02412	1	9
129795-11120	4	24
129795-11180	4	25
129795-21661	8	9
129795-49551	10	43
		46
	19	29
129900-07900	4	1
129900-77400	16	3
129900-77440	16	6
129900-77450	16	7
		11
129900-77460	16	9
129900-77480	16	10
129900-77640	16	19
129906-12520	5	11
		25
129916-49740	10	11
129930-13201	6	27
		37
		45
		46
	19	17
129946-07000	11	80
129956-59010	15	8
129957-59101	15	10
129961-59110	15	6
129972-77341	17	28
	18	27
158552-51151	7	17
	12	16
158552-51571	12	60
		61
158552-51580	12	64

Parts No.	Fig. No.	Ref. No.
158552-51600	12	74
158552-51670	12	6
158552-51781	12	100
158552-52100	12	125
158552-52310	12	109
158552-52400	12	110
158552-52500	12	126
158552-61441	13	24
158552-61900	13	82
158553-51551	12	4
158553-51630	12	75
158553-51640	12	77
158553-51650	12	77 -1
158553-51660	12	78
158553-51670	12	69
158553-51680	12	79
158553-51770	12	106
158553-61050	13	3
158553-61070	13	4
158557-51570	12	62
158563-51281	12	39
		40
158563-51330	12	50
158600-51270	12	38
158601-51550	12	58
158601-51570	12	63
158601-51650	12	5
158601-51770	12	99
158601-51790	12	101
170004-49160	11	56
171008-03990	9	31
		35
171008-77450	16	8
171008-77510	16	13
171008-77540	16	15
171008-77650	16	20
171008-77660	16	24
171008-77670	16	25
171008-77750	16	31
171051-01921	1	5
171056-49120	10	47
171353-26081	7	24
	19	31
171353-44760	10	28
22117-080000	11	41
22190-080002	2	12
	9	45
		47
	19	22
22190-100002	9	48

Parts No.	Fig. No.	Ref. No.
22190-100002	19	23
22190-120000	13	64
22190-120002	12	103
		111
		128
22190-180002	12	104
		112
22190-220002	3	12
	19	7
22217-140000	7	18
	12	113
22252-000260	8	26
22276-000060	11	20 -1C
22312-050140	12	114
22351-030010	8	7
22351-050010	12	115
22351-060012	4	36
22512-070140	7	7
	8	5
22857-500100	4	50
		51
23000-060000	5	19
		33
23000-080000	5	20
		34
23010-038000	11	58
23010-044000	11	59
23061-070230	11	12
		25
		73
23080-015000	9	33
		38
23297-120081	11	60
23414-080000	10	18
	19	27
23857-030000	9	46
23876-010000	10	12
23876-020000	10	13
23887-120002	12	105
	13	66
24104-062054	8	17
24105-060064	7	30
24311-000070	12	117
24311-000120	4	53
	19	13
24311-000160	15	22
24311-000320	2	13
	4	54
	19	5
24321-000750	15	23

Parts No.	Fig. No.	Ref. No.
24321-000800	7	21
	19	21
24321-000850	7	31
	19	32
24341-000240	2	23
	19	6
24356-010180	12	118
24356-010200	12	72
		119
24372-000150	12	73
25132-003600	10	26
26013-080222	5	21
		35
26014-060122	11	7
		33
26106-060102	12	120
	13	68
26106-060122	10	30
26106-060142	13	88
		89
26106-060162	2	24
	11	42
		61
26106-060202	13	90
26106-060302	10	36
26106-060322	16	29
26106-060402	6	52
	10	29
	16	30
26106-060502	10	33
		39
26106-080122	10	19
26106-080142	7	8
26106-080162	2	14
		15
		21
	3	13
	4	2
	5	36
	10	20
	11	43
		62
		62 -1
		62 -2
	12	131
26106-080202	5	5
		9
		22
		37
	9	40

Parts No. Index

Parts No.	Fig. No.	Ref. No.
26106-080202	11	63
		63 -1
26106-080222	8	12 132
		10 44
		18
26106-080252	3	14
		4 37
		6 32
		42
		7 22
26106-080302	2	16
		15 3
		3 21
26106-080352	3	21
		4 38
		9 20
		11 44
26106-080402	7	14
		3 15
26106-080452	3	15 -1
		10 21
26106-080502	3	22
		4 39
		2 17
26106-080552	2	9 20 -1
		10 22
26106-080602	10	22
		26106-080802
26106-080802	5	6
		23
		38
		11 45
		64
26106-100202	11	68
		78
		7 23
		11 79
		7 32
26106-100302	7	32
		16 32
26116-120252	16	32
		26206-100252
26206-100252	3	6
		26206-100302
26226-080182	4	7
		13
26306-080002	2	18
		6
		6
		12
		18
		24
		33
		34
		43
		44
		56
		11 65

Parts No.	Fig. No.	Ref. No.
26306-100002	17	29
		18 28
26347-040002	6	53
		26347-060002
26366-060002	9	49
		26366-080002
26450-060252	11	46
		9 15
26450-080282	9	33
		7 33
26450-080452	12	122
		26557-040352
26756-060002	6	55
		13 69
26776-140002	7	19
		12 123
27241-120000	1	14
		27241-300000
27241-400000	1	10
		4 21
27310-080001	4	28
		7 3
729402-14580	7	3
		8 27
729402-23100	8	27
		729602-01560
729602-92890	1	1
		19 1
729604-53200	14	1
		729604-53400
729652-01500	14	1 -1
		2 1
729688-51300	2	1
		12 1
729688-51301	12	1 -1
		729688-51320
977770-1207F	12	1 -2
		19 35
X2114255110	16	5
		X2114555500
X2114955020	16	21
		22
X2130350900	16	4
		X2240410100
X9490561001	16	23
		17 3
	18	2

Parts No.	Fig. No.	Ref. No.
-----------	----------	----------

Parts No.	Fig. No.	Ref. No.
-----------	----------	----------