

0CW10-M44300EN

P R E F A C E

1. This Parts Catalog carries all parts incorporated in YANMAR Model 4TNV88-BDSA, 4TNV88-BDSAT, 4TNV88-BDSAC engine manufactured since September, 2008.
2. Each illustration corresponds to the parts list on the following page.
3. When ordering parts, clearly write down the engine model and serial number, as well as the name and number of each part in your order sheet. This will help insure reliable delivery of the parts you have ordered.

Directions for the Parts Catalog.

- The parts stipulated in this Parts Catalog are not necessarily standard equipped parts.
- Parts may change without prior notice.
- The following is an example of the Parts Catalog format.

REF.	LEV.	PARTS NO.	DESCRIPTION	Q'TY						I	R
				(A)	(B)	(C)	(D)	(E)	(F)		
1	1	729595-51390	FUEL INJECTION PUMP	1	1	1	1	1			1
1-1	1	729595-51391	FUEL INJECTION PUMP	1	1	1	1	1		N	1
		(A=E00185) (B=E00200)									
3	2	26022-060162	SCREW M 6X 16	9	9	9	9	9			
3-1	2	26022-060162	SCREW M 6X 16	4	4	4	4	4		K	
		(A=E00156) (B=E00156) (C=E00156) (D=E00156) (E=E00156)									
4	2	129470-51040	CAMSHAFT	1	1	1	1	1			
5	2	122710-51050	BEARING, ROLLER	2	2	2	2	2			
6	2	129470-51060	RETAINER	1	1	1	1	1			

Remarks
(1) BOOST COMPEMSATOR TYPE. OPTIONAL PART, TO E00155,(4JH-DT, 4JH-DTZ

① Ref. No.

The Ref. No. listed may not be in accordance with the illustration Ref. No.

(Ex.) Illustration No.

List Ref No.

1

1

(Before change)

1-1

(After change)

For interchangeable symbols N, R and K, illustrations for new parts may be abbreviated.

② Lev. (Level)

Level indication

The numbers below indicate the level of relativity towards the main part.

1 ----- Main parts (Assembly parts)

2 ----- Sub component included in " 1 ".

3 ----- Sub component included in " 2 ".

Note) Parts that are not for sale are partially illustrated but not listed.

③ Interchangeability Mark

When a part change takes place, one of the following interchangeability symbols is indicated beside the part.

Symbol	Interchangeability	Contents note
N	Old $\begin{matrix} \leftarrow \text{Yes} \\ \text{No} \rightarrow \end{matrix}$ New	New Part is interchangeable for Old Part but Old Part is not interchangeable for New Part.
Q	Old $\begin{matrix} \leftarrow \text{No} \\ \text{Yes} \rightarrow \end{matrix}$ New	New Part is not interchangeable for Old Part but Old Part is interchangeable for New Part.
R	Old $\begin{matrix} \leftarrow \text{Yes} \\ \text{Yes} \rightarrow \end{matrix}$ New	New/ Old Parts are both interchangeable.
S	Old $\begin{matrix} \leftarrow \text{No} \\ \text{No} \rightarrow \end{matrix}$ New	New/ Old Parts are both not interchangeable.
W		Part newly added.
Z		Part discontinued.
F		Not interchangeable by a single part but interchangeable together with related parts.
K		Changes only for used parts quantities.

④ Effective Machine No.

When a part changes, the effective Machine No. will be indicated in the (A)-(F) column.

Product Symbol	Product No.	Product Symbol	Product No.
C	Clutch No. Compressor No.	F	Machine No. (Agricultural Equip.)
D	Drive No.	M	Machine No.
E	Engine No.		

Note 1) A date may follow the symbol. (Ex.) 1996.01

Note 2) "XXXXX" and "ZZZZZ" are for parts that could not be predicted or for engine models that could not be identified.

Note 3) (A=E00185) is the E (Engine Serial Number) for the column (A) model (in this case 4JH-DT) after the parts design change.

⑤ Remarks Mark

Figures or alphabets (symbols) are entered in the remarks column.

The comments (remarks) on parts that are indicated at the bottom of the illustration are the same symbols as those stated above.

Contents

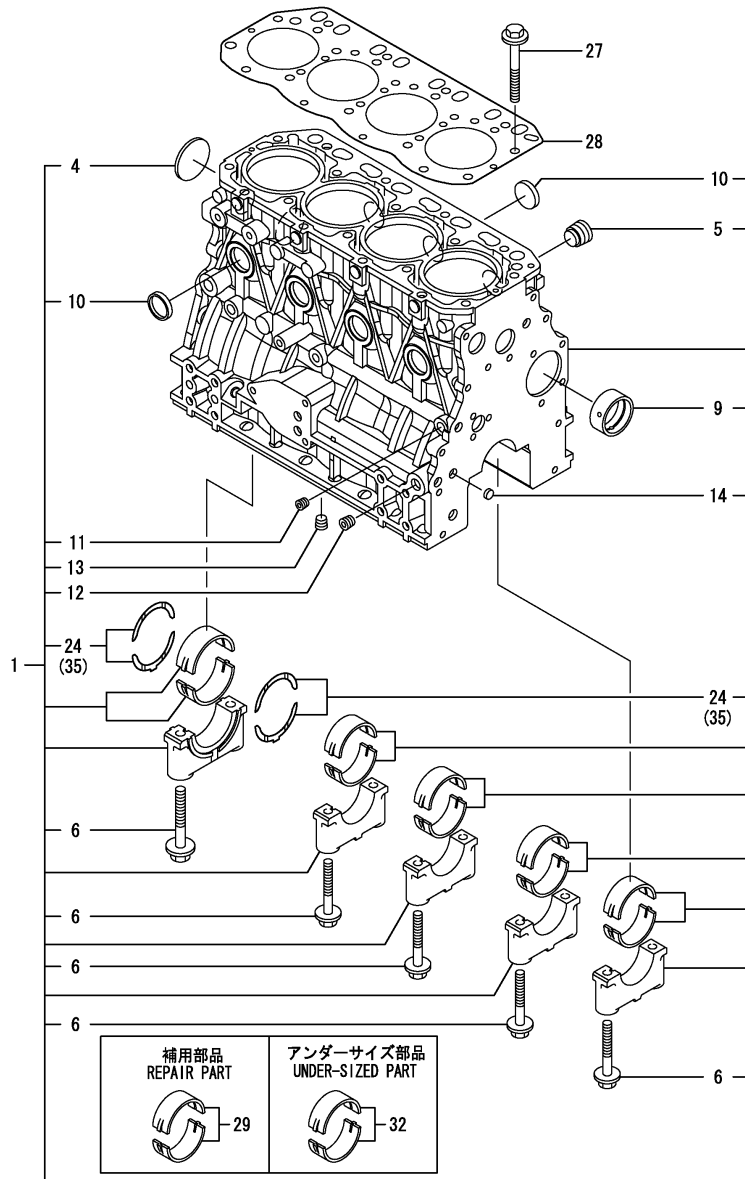
Fig. No. Fig. Name

4TNV88-BDSA

1. CYLINDER BLOCK
2. GEAR HOUSING
3. FLYWHEEL HOUSING & OIL SUMP
4. CYLINDER HEAD & BONNET
5. SUCTION MANIFOLD
6. EXHAUST MANIFOLD
7. CAMSHAFT & DRIVING GEAR
8. CRANKSHAFT & PISTON
9. LUB.OIL SYSTEM
10. COOLING WATER SYSTEM
11. FUEL INJECTION PUMP
12. GOVERNOR
13. FUEL INJECTION VALVE
14. FUEL LINE
15. STARTING MOTOR
16. GENERATOR
17. GASKET SET

Fig. No. Fig. Name

Fig.1. CYLINDER BLOCK



(A)=4TNV88-BDSA
 (B)=4TNV88-BDSAT
 (C)=4TNV88-BDSAC

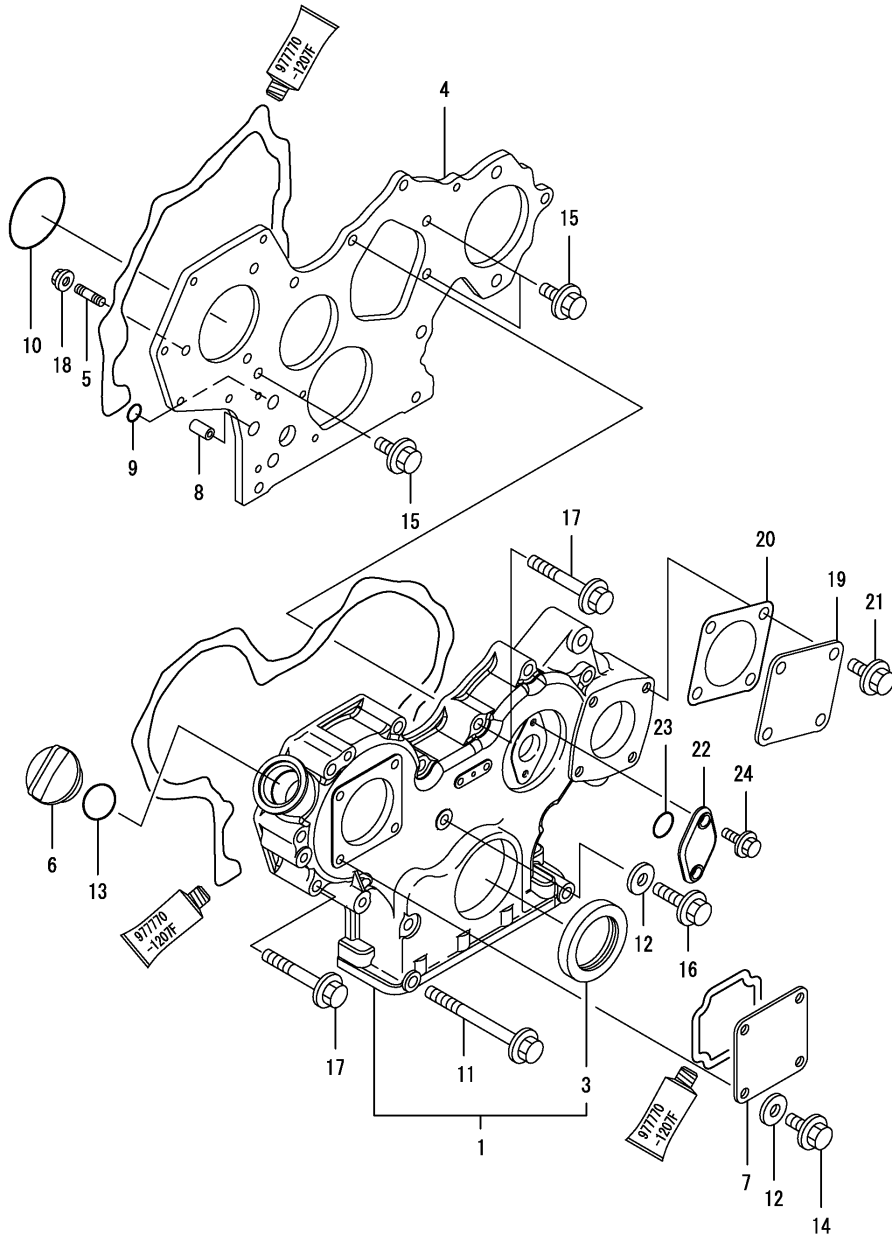
(D)=
 (E)=
 (F)=

No.	Lev.	Parts No.	Description	Qty						I	R
				(A)	(B)	(C)	(D)	(E)	(F)		
1	1	729602-01560	BLOCK ASSY, CYLINDER	1	1	1					
4	2	129001-01250	PLUG, 50	1	1	1					
5	2	171051-01921	PLUG, NPTF1	1	1	1					
6	2	129150-02020	BOLT, METAL CAP	10	10	10					
9	2	129795-02412	BUSH, CAMSHAFT	1	1	1					
10	2	27241-300000	PLUG 30	8	8	8					
11	2	124060-01050	PLUG, PT1/8	1	1	1					
12	2	124160-01910	PLUG, PT1/4	2	2	2					
13	2	124160-01910	PLUG, PT1/4	1	1	1					
14	2	27241-120000	PLUG, 12	2	2	2					
24	2	129150-02931	BEARING, THRUST	2	2	2					
27	1	129150-01200	BOLT, HEAD	18	18	18					
28	1	129407-01340	GASKET, HEAD	1	1	1					
29	1	129001-02931	BEARING, MAIN	5	5	5					1
32	1	129150-02871	BEARING, 0.25 US	5	5	5					2
35	1	129150-02941	BEARING, THRUST 0.25	1	1	1					3

Remarks

- (1) REPAIR PART.
- (2) UNDER-SIZED(U.S=0.25)PART.
- (3) OVER-SIZED(O.S=0.25)PART.

Fig.2. GEAR HOUSING

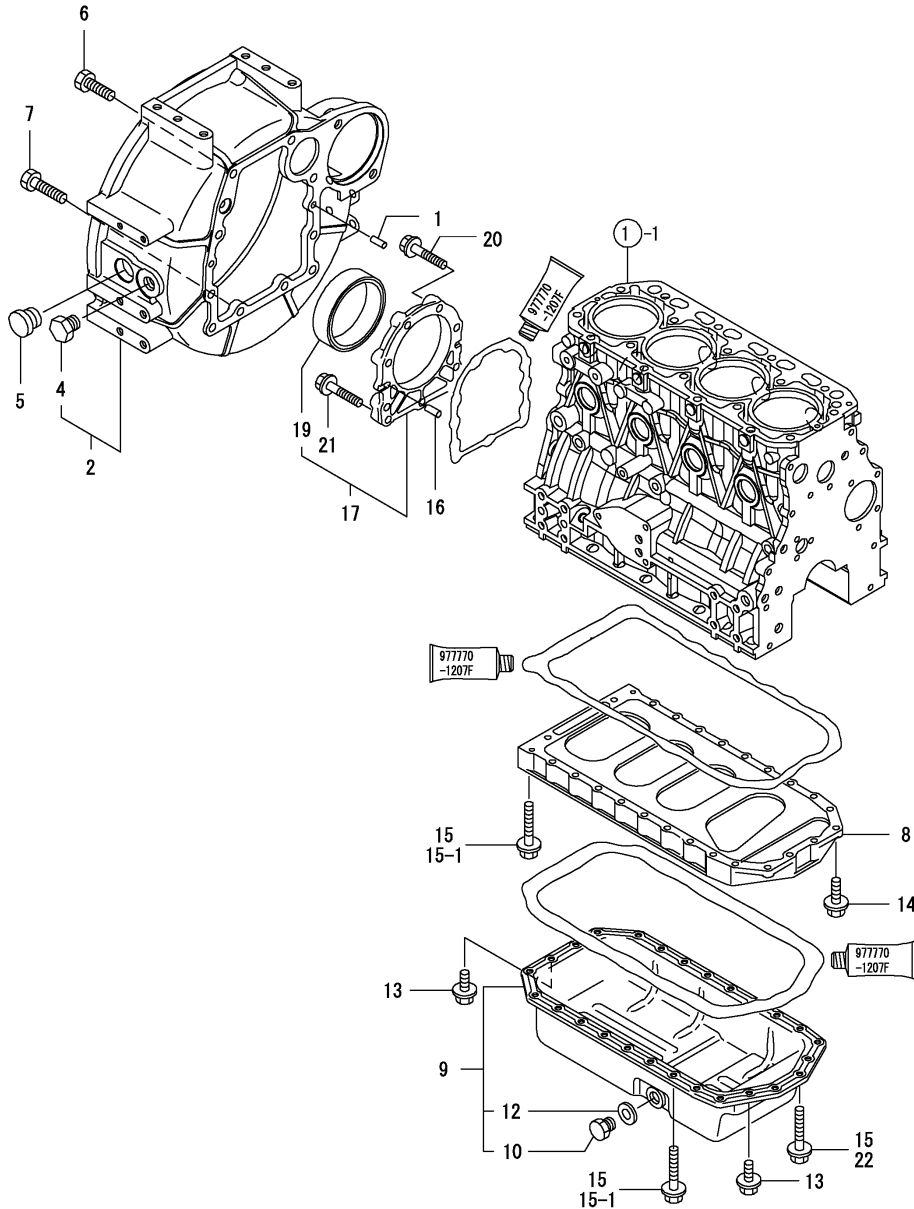


(A)=4TNV88-BDSA
 (B)=4TNV88-BDSAT
 (C)=4TNV88-BDSAC

(D)=
 (E)=
 (F)=

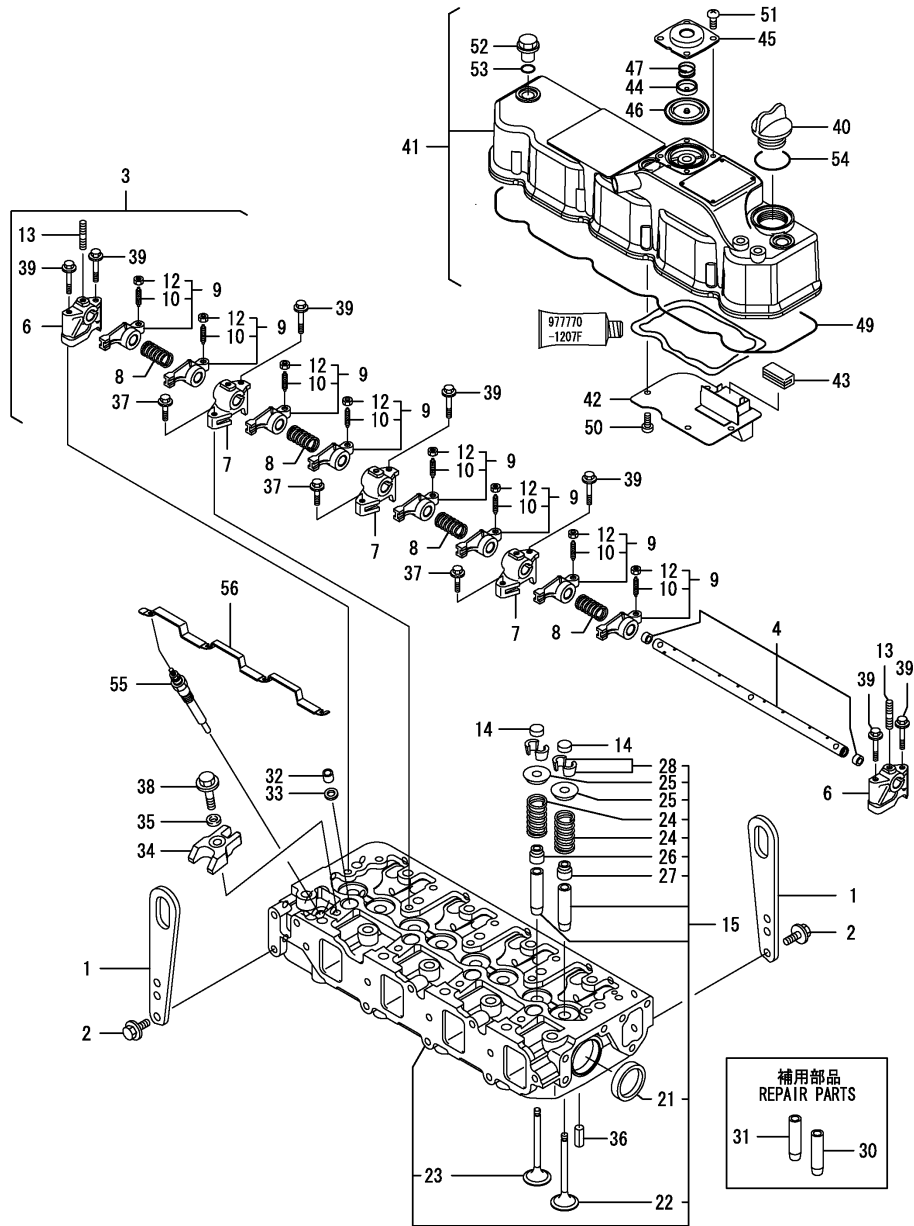
No.	Lev.	Parts No.	Description	Qty						I	R
				(A)	(B)	(C)	(D)	(E)	(F)		
1	1	729652-01500	CASE ASSY, GEAR	1	1	1					
3	2	119934-01800	SEAL, OIL	1	1	1					
4	1	129604-01520	FLANGE, GEAR CASE	1	1	1					
5	1	119802-01561	STUD, M8X25	3	3	3					
6	1	124160-01751	COVER, FILLER	1	1	1					
7	1	124240-01871	COVER	1	1	1					
8	1	129795-01950	PIPE, KNOCK L=18	2	2	2					
9	1	119609-32040	O-RING, P16	2	2	2					
10	1	121850-51960	O-RING	1	1	1					
11	1	129001-91841	BOLT, M8X85	3	3	3					
12	1	22190-080002	WASHER, SEAL 6	5	5	5					
13	1	24311-000320	O-RING, 1AP32.0	1	1	1					
14	1	26106-080162	BOLT, M8X 16 PLATED	4	4	4					
15	1	26106-080162	BOLT, M8X 16 PLATED	3	3	3					
16	1	26106-080302	BOLT, M8X 30 PLATED	1	1	1					
17	1	26106-080552	BOLT, M8X 55 PLATED	10	10	10					
18	1	26306-080002	NUT, M8	3	3	3					
19	1	124240-01871	COVER	1	1	1					
20	1	124240-01883	GASKET	1	1	1					
21	1	26106-080162	BOLT, M8X 16 PLATED	4	4	4					
22	1	121023-01551	COVER	1	1	1					
23	1	24341-000240	O-RING, 1AS24.0	1	1	1					
24	1	26106-060162	BOLT, M6X 16 PLATED	2	2	2					

Fig.3. FLYWHEEL HOUSING & OIL SUMP



No.	Lev.	Parts No.	Description	Qty						I	R
				(A)	(B)	(C)	(D)	(E)	(F)		
1	1	129100-01580	PIN, M8X16	2	2	2					
2	1	119888-01601	HOUSING, FLYWHEEL	1	1	1					
4	2	129486-35210	PLUG, 3/4-16UNF	1	1	1					
5	1	119620-01750	CAP	1	1	1					
6	1	26206-100252	BOLT, M10X 25 PLATED	6	6	6					
7	1	26206-100302	BOLT, M10X 30 PLATED	4	4	4					
8	1	129400-01730	SPACER, OIL SUMP	1	1	1					
9	1	129400-01770	SUMP ASSY, OIL	1	1	1					
9-1	1	129688-01780	OIL PAN ASSY, DEEP	1	1	1					N
		(A=EN8961) (B=EM9988) (C=FROM 1ST)									
10	2	119640-01640	PLUG, DRAIN M22	1	1	1					
12	2	22190-220002	WASHER, SEAL 22	1	1	1					
13	1	26106-080162	BOLT, M8X 16 PLATED	4	4	4					
14	1	26106-080252	BOLT, M8X 25 PLATED	2	2	2					
15	1	26106-080452	BOLT, M8X 45 PLATED	24	24	24					
15-1	1	26106-080452	BOLT, M8X 45 PLATED	20	20	20					K
		(A=FROM 1ST) (B=FROM 1ST) (C=FROM 1ST)									
16	1	129100-01580	PIN, M8X16	2	2	2					
17	1	129100-01640	CASE ASSY, OIL SEAL	1	1	1					
19	2	129795-01780	SEAL, OIL	1	1	1					
20	1	129486-01670	BOLT, M8X30	6	6	6					
21	1	26106-080352	BOLT, M8X 35 PLATED	3	3	3					
22	1	26106-080502	BOLT, M8X 50 PLATED	4	4	4					W
		(A=FROM 1ST) (B=FROM 1ST) (C=FROM 1ST)									

Fig.4. CYLINDER HEAD & BONNET



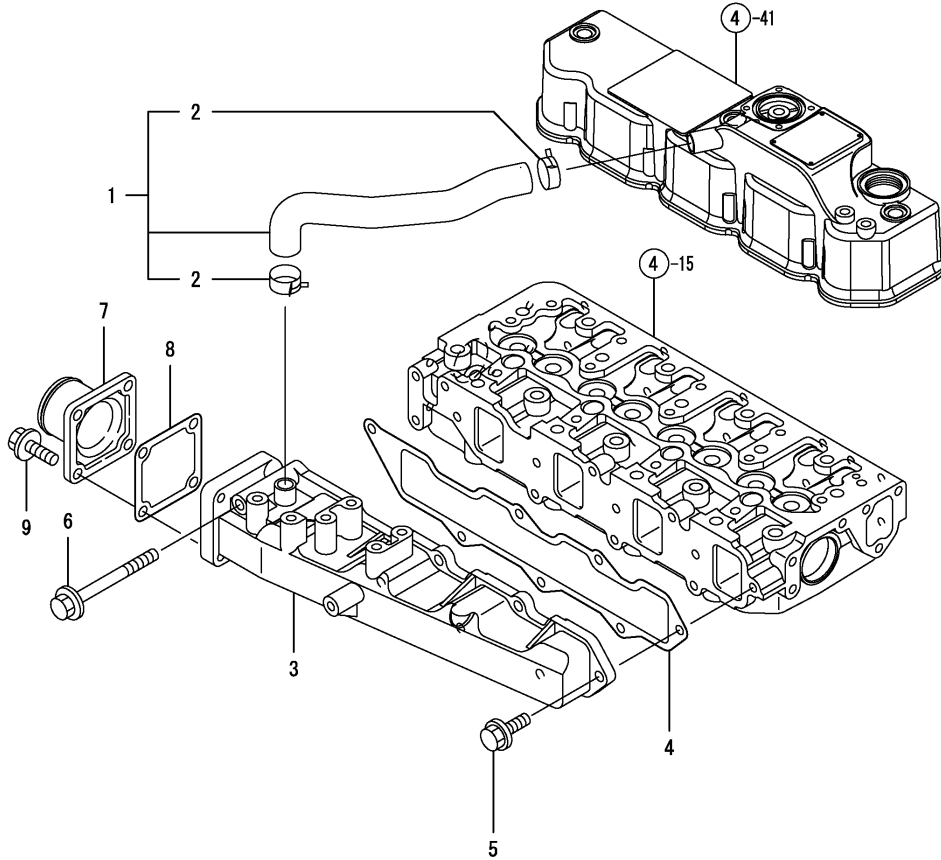
(A)=4TNV88-BDSA
(B)=4TNV88-BDSAT
(C)=4TNV88-BDSAC

(D)=
(E)=
(F)=

No.	Lev.	Parts No.	Description	Qty						I	R
				(A)	(B)	(C)	(D)	(E)	(F)		
1	1	129900-07900	LIFTER	2	2	2					
2	1	26106-080162	BOLT, M8X 16 PLATED	4	4	4					
3	1	129601-11241	SHAFT ASSY, ROCKER	1	1	1					
4	2	129601-11251	SHAFT, ROCKER ARM	1	1	1					
6	2	119802-11260	SUPPORT, ROCKER ARM	2	2	2					
7	2	119802-11270	SUPPORT, ROCKER ARM	3	3	3					
8	2	129150-11280	SPRING	4	4	4					
9	2	129004-11650	ARM, ROCKER	8	8	8					
10	3	129150-11230	SCREW, VALVE ADJUST	8	8	8					
12	3	129150-11750	NUT, M8	8	8	8					
13	2	26226-080182	STUD, M8X 18	3	3	3					
14	1	129150-11370	CAP, VALVE	8	8	8					
15	1	129604-11710	HEAD ASSY, CYLINDER	1	1	1					
21	2	27241-400000	PLUG, 40	2	2	2					
22	2	129005-11100	VALVE, INTAKE	4	4	4					
23	2	129100-11112	VALVE, EXHAUST	4	4	4					
24	2	129795-11120	SPRING, VALVE	8	8	8					
25	2	129795-11180	RETAINER, SPRING	8	8	8					
26	2	121400-11340	SEAL, VALVE STEM	4	4	4					
27	2	124460-11340	SEAL, VALVE STEM	4	4	4					
28	2	27310-080001	COTTER, 8	8	8	8					
30	1	120130-11860	GUIDE, VALVE	4	4	4					1
31	1	129150-11810	GUIDE, VALVE	4	4	4					1
32	1	119802-11870	PROTECTOR, NOZZLE	4	4	4					
33	1	119625-11880	SEAT, NOZZLE	4	4	4					
34	1	129004-11900	RETAINER, NOZZLE	4	4	4					
35	1	120270-54410	WASHER, INJECTOR	4	4	4					
36	1	22351-060012	PIN, SPRING 6.0X12	2	2	2					
37	1	26106-080252	BOLT, M8X 25 PLATED	3	3	3					
38	1	26106-080352	BOLT, M8X 35 PLATED	4	4	4					
39	1	26106-080502	BOLT, M8X 50 PLATED	7	7	7					
40	1	124160-01751	COVER, FILLER	1	1	1					
41	1	129601-11350	BONNET ASSY, HEAD	1	1	1					
42	2	129004-03010	PLATE	1	1	1					
43	2	129150-03070	BAFFLE, BREATHER	1	1	1					
44	2	119802-03110	PLATE	1	1	1					
45	2	119802-03121	COVER, DIAPHRAGM	1	1	1					
46	2	119802-03130	DIAPHRAGM	1	1	1					
47	2	119802-03141	SPRING, DIAPHRAGM	1	1	1					
49	2	129601-11310	GASKET, BONNET	1	1	1					
50	2	22857-500100	SCREW, 5X10	4	4	4					
51	2	22857-500100	SCREW, 5X10	4	4	4					
52	1	124160-11360	KNOB	3	3	3					
53	1	24311-000120	O-RING, 1AP12.0	3	3	3					
54	1	24311-000320	O-RING, 1AP32.0	1	1	1					
55	1	129008-77800	PLUG, GLOW	4	4	4					
56	1	129604-77821	CONNECTOR, GLOW PLUG	1	1	1					

Remarks
(1) REPAIR PART.

Fig.5. SUCTION MANIFOLD

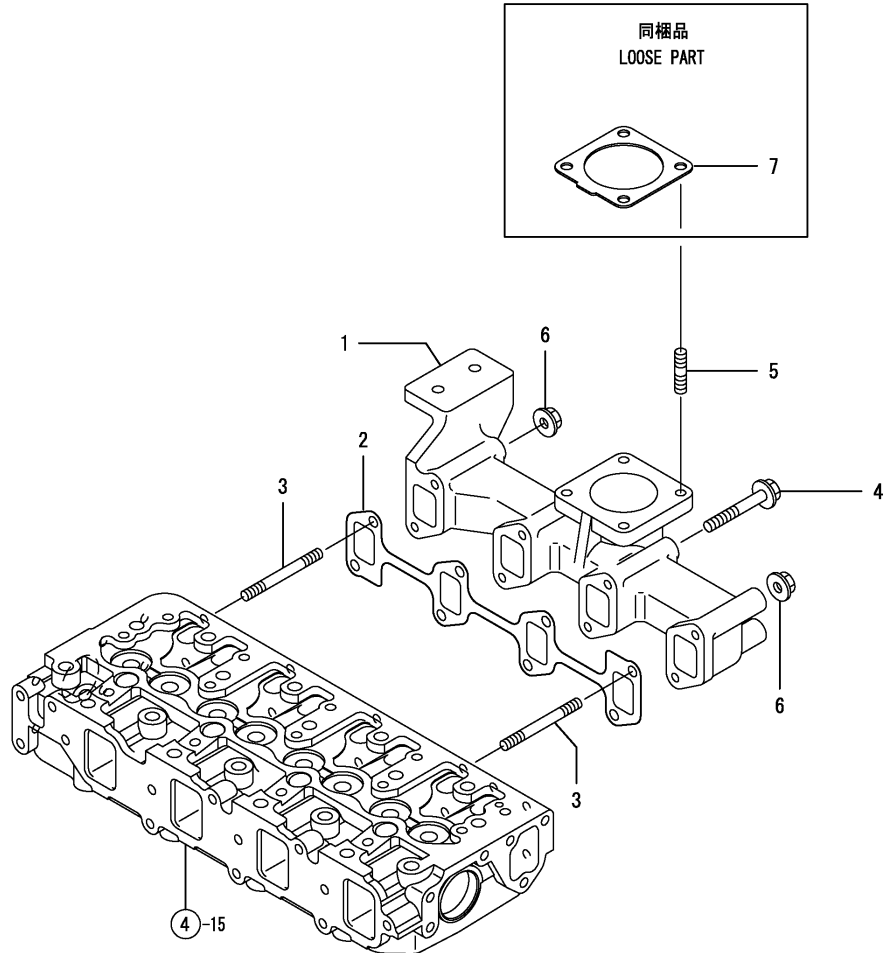


(A)=4TNV88-BDSA
 (B)=4TNV88-BDSAT
 (C)=4TNV88-BDSAC

(D)=
 (E)=
 (F)=

No.	Lev.	Parts No.	Description	Q'ty						I	R
				(A)	(B)	(C)	(D)	(E)	(F)		
1	1	129601-03080	PIPE , BREATHER	1	1	1					
2	2	129410-03990	CLIP	2	2	2					
3	1	129601-12100	MANIFOLD, AIR INTAKE	1	1	1					
4	1	129407-12110	GASKET, MANIFOLD	1	1	1					
5	1	26106-080202	BOLT, M8X 20 PLATED	6	6	6					
6	1	26106-080802	BOLT, M8X 80 PLATED	1	1	1					
7	1	129486-12581	JOINT, MANIFOLD	1	1	1					
8	1	129150-77511	GASKET	1	1	1					
9	1	26106-080202	BOLT, M8X 20 PLATED	4	4	4					

Fig.6. EXHAUST MANIFOLD

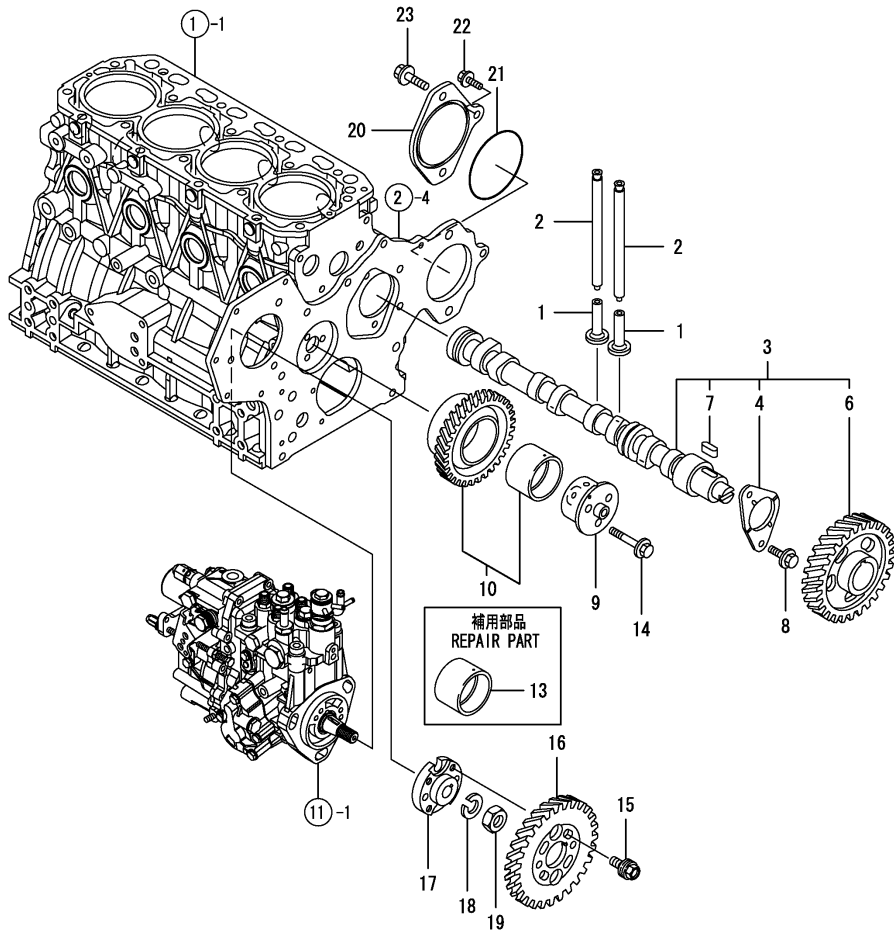


(A)=4TNV88-BDSA
 (B)=4TNV88-BDSAT
 (C)=4TNV88-BDSAC

(D)=
 (E)=
 (F)=

No.	Lev.	Parts No.	Description	Q'ty						I	R
				(A)	(B)	(C)	(D)	(E)	(F)		
1	1	129601-13109	MANIFOLD, EXHAUST	1	1	1					
2	1	129550-13110	GASKET	1	1	1					
3	1	123900-13610	STUD, M8X80	2	2	2					
4	1	123900-13630	BOLT, M8X80	6	6	6					
5	1	119131-18320	STUD, M8X22	4	4	4					
6	1	26306-080002	NUT, M8	2	2	2					
7	1	129930-13201	GASKET, SILENCER	1	1	1					

Fig.7. CAMSHAFT & DRIVING GEAR



(A)=4TNV88-BDSA
(B)=4TNV88-BDSAT
(C)=4TNV88-BDSAC

(D)=
(E)=
(F)=

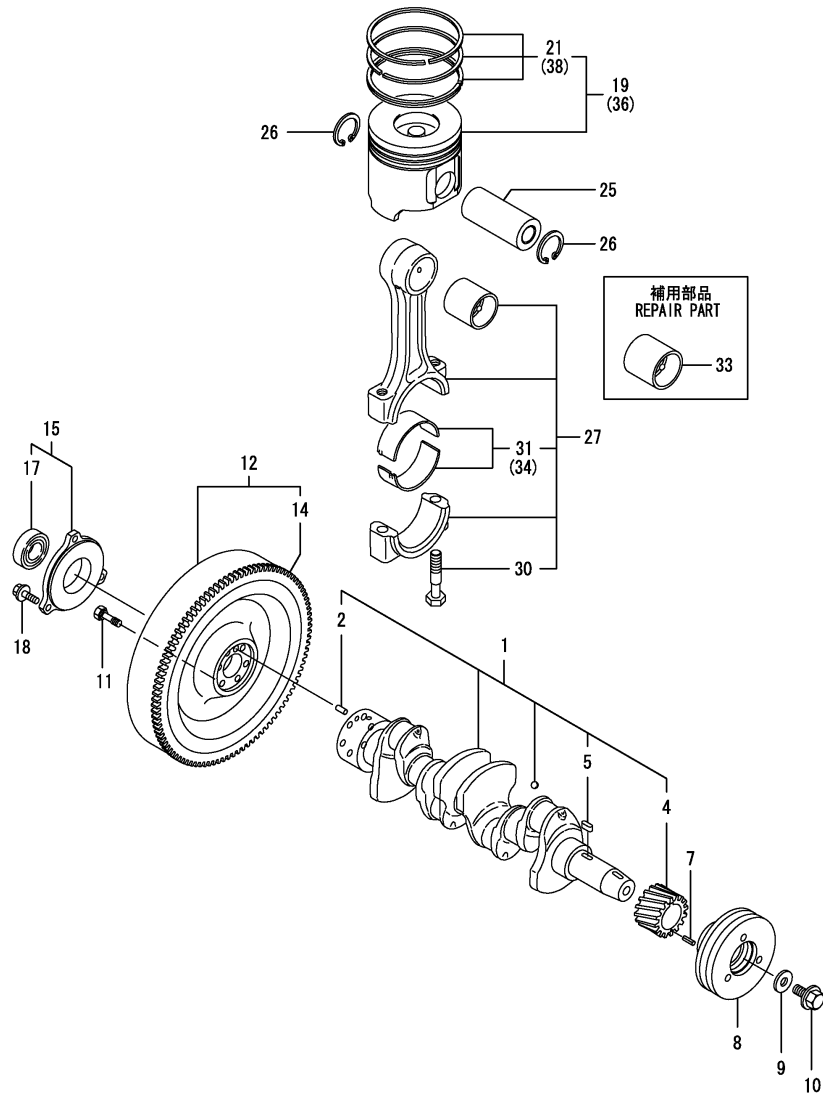
No.	Lev.	Parts No.	Description	Q'ty						I	R
				(A)	(B)	(C)	(D)	(E)	(F)		
1	1	129150-14200	TAPPET	8	8	8					
2	1	129150-14400	ROD, PUSH L=178	8	8	8					
3	1	729402-14580	CAMSHAFT ASSY	1	1	1					
4	2	129150-02450	BEARING, THRUST	1	1	1					
6	2	129150-14101	GEAR, CAMSHAFT	1	1	1					
7	2	22512-070140	KEY, 7X 14	1	1	1					
8	1	26106-080142	BOLT, M8X 14 PLATED	2	2	2					
9	1	119803-25050	SHAFT, IDLE	1	1	1					
10	1	119802-25101	GEAR ASSY, IDLE	1	1	1					
13	1	119802-25071	BUSH, IDLE GEAR	1	1	1					1
14	1	26106-080402	BOLT, M8X 40 PLATED	3	3	3					
15	1	129150-25301	BOLT	4	4	4					
16	1	119802-25901	GEAR, PUMP	1	1	1					
17	1	158552-51151	FLANGE	1	1	1					
18	1	22217-140000	WASHER, SPRING 14	1	1	1					
19	1	26776-140002	NUT, LOCK M14	1	1	1					
20	1	129430-26070	COVER	1	1	1					
21	1	24321-000800	O-RING, 1AG80.0	1	1	1					
22	1	26106-080252	BOLT, M8X 25 PLATED	1	1	1					
23	1	26106-100302	BOLT, M10X 30 PLATED	2	2	2					

Remarks
(1) REPAIR PART.

Fig.8. CRANKSHAFT & PISTON

(A)=4TNV88-BDSA
 (B)=4TNV88-BDSAT
 (C)=4TNV88-BDSAC

(D)=
 (E)=
 (F)=

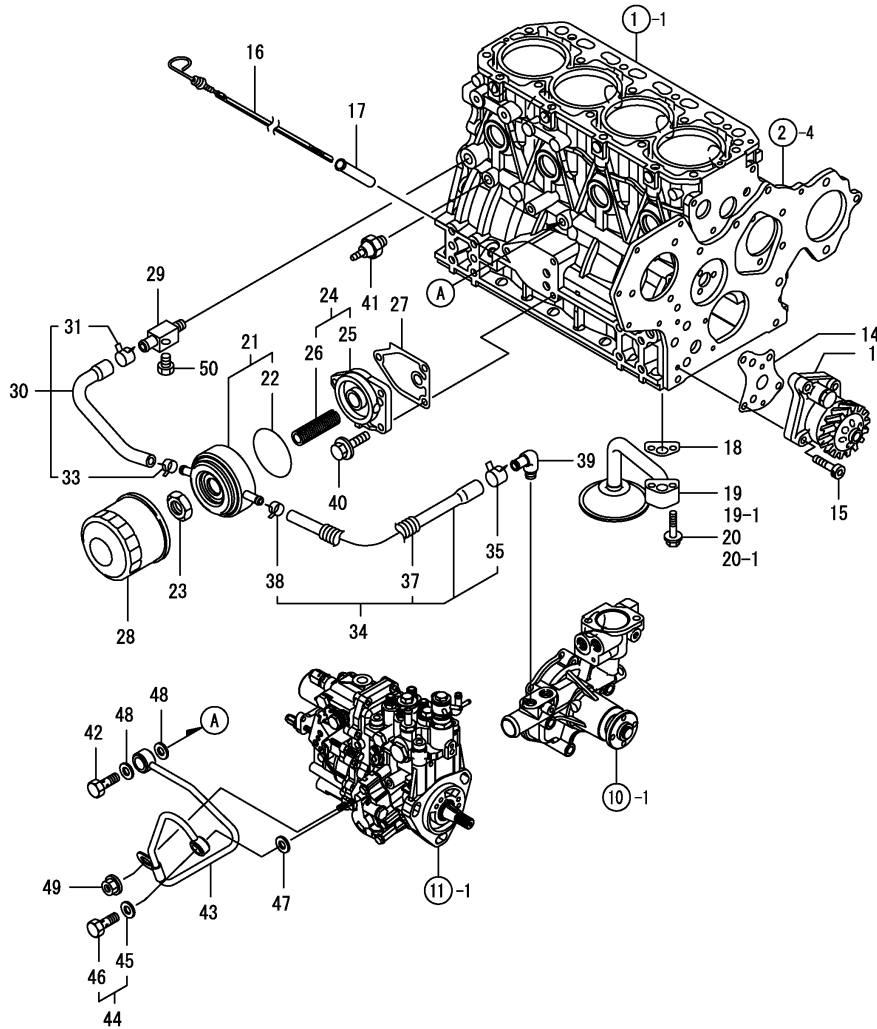


No.	Lev.	Parts No.	Description	Qty						I	R
				(A)	(B)	(C)	(D)	(E)	(F)		
1	1	129604-21000	CRANKSHAFT ASSY	1	1	1					
2	2	129100-01580	PIN, M8X16	1	1	1					
4	2	119803-21200	GEAR, CRANKSHAFT	1	1	1					
5	2	22512-070140	KEY, 7X 14	1	1	1					
7	1	22351-030010	PIN, SPRING 3.0X10	1	1	1					
8	1	119802-21650	V-PULLEY, 110	1	1	1					
9	1	129795-21661	WASHER	1	1	1					
10	1	121850-21680	BOLT	1	1	1					
11	1	121111-21501	BOLT, FLYWHEEL	6	6	6					
12	1	129488-21590	FLYWHEEL ASSY	1	1	1					
14	2	119865-21600	GEAR, RING	1	1	1					
15	1	119888-21450	RETAINER, BEARING	1	1	1					
17	2	24104-062054	BEARING, BALL 6205UU	1	1	1					
18	1	26106-080222	BOLT, M8X 22 PLATED	3	3	3					
19	1	129005-22080	PISTON ASSY	4	4	4					
21	2	129005-22500	RING SET, PISTON	4	4	4					
25	1	129202-22300	PIN, PISTON D26 L70	4	4	4					
26	1	22252-000260	RING, 26	8	8	8					
27	1	729402-23100	ROD ASSY, CONNECTING	4	4	4					
30	2	121550-23200	BOLT, CONNECTING ROD	8	8	8					
31	2	129150-23601	BEARING, CRANK PIN	4	4	4					
33	1	129100-23910	BEARING, PISTON PIN	4	4	4					1
34	1	129150-23611	BEARING, 0.25 US	4	4	4					2
36	1	129005-22900	PISTON ASSY, 0.25 OS	4	4	4					3
38	2	129005-22950	RING SET, 0.25 OS	4	4	4					3

Remarks

- (1) REPAIR PART.
- (2) UNDER-SIZED(U.S=0.25)PART.
- (3) OVER-SIZED(O.S=0.25)PART.

Fig.9. LUB.OIL SYSTEM



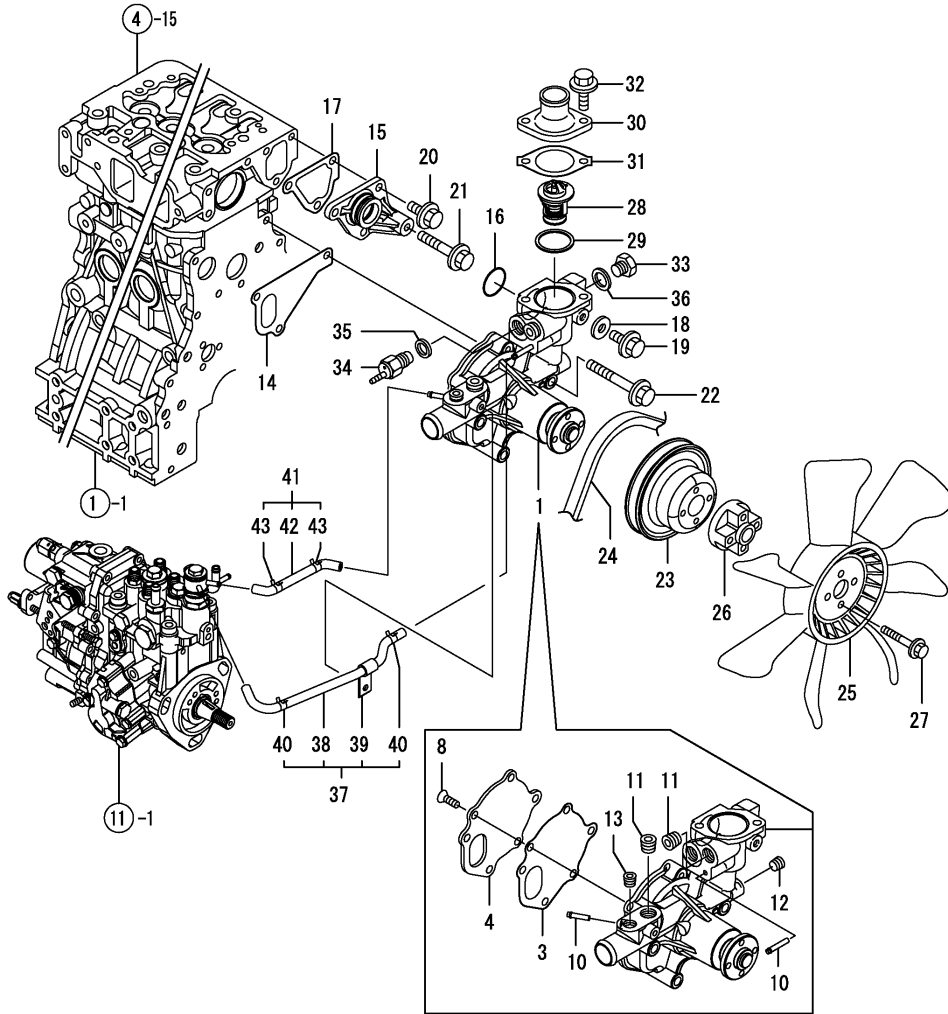
(A)=4TNV88-BDSA
(B)=4TNV88-BDSAT
(C)=4TNV88-BDSAC

(D)=
(E)=
(F)=

No.	Lev.	Parts No.	Description	Q'ty						I	R
				(A)	(B)	(C)	(D)	(E)	(F)		
1	1	129407-32000	PUMP ASSY, OIL	1	1	1					
14	1	129150-32020	GASKET, PUMP	1	1	1					
15	1	26450-060252	BOLT, M6X 25	4	4	4					
16	1	129004-34802	DIPSTICK, OIL	1	1	1					
17	1	121520-34810	GUIDE, DIPSTICK	1	1	1					
18	1	129150-35042	GASKET	1	1	1					
19	1	129436-35091	PIPE ASSY, OIL INLET	1	1	1					
19-1	1	129436-35070	PIPE ASSY	1	1	1					S
		(A=EZZZZZ) (B=EZZZZZ) (C=EZZZZZ)									
20	1	26106-080352	BOLT, M8X 35 PLATED	2	2	2					
20-1	1	26106-080552	BOLT, M8X 55 PLATED	2	2	2					S
		(A=EZZZZZ) (B=EZZZZZ) (C=EZZZZZ)									
21	1	129508-33010	COOLER ASSY, OIL	1	1	1					
22	2	129508-33050	O-RING	1	1	1					
23	1	129417-33110	NUT	1	1	1					
24	1	129006-35100	BRACKET ASSY, FILTER	1	1	1					
25	2	119802-35110	BRACKET, FILTER	1	1	1					
26	2	129417-35150	STUD, L=67	1	1	1					
27	1	129150-35111	GASKET	1	1	1					
28	1	129150-35153	FILTER	1	1	1					1
29	1	129006-44480	JOINT	1	1	1					
30	1	129508-49030	PIPE ASSY, WATER	1	1	1					
31	2	171008-03990	CLIP, HOSE 18.5	1	1	1					
33	2	23080-015000	CLAMP, 15	1	1	1					
34	1	129508-49040	PIPE ASSY, WATER	1	1	1					
35	2	171008-03990	CLIP, HOSE 18.5	1	1	1					
37	2	119940-59130	TUBE, CORRUGATED	1	1	1					
38	2	23080-015000	CLAMP, 15	1	1	1					
39	1	129103-49301	ELBOW, PT1/4	1	1	1					
40	1	26106-080202	BOLT, M8X 20 PLATED	3	3	3					
41	1	114250-39450	SWITCH, 0.5KG	1	1	1					
42	1	124160-39140	BOLT, PIPE JOINT M10	1	1	1					
43	1	119802-39450	PIPE ASSY, OIL	1	1	1					
44	1	129005-59830	BOLT ASSY, JOINT M8	1	1	1					
45	2	22190-080002	WASHER, SEAL 6	1	1	1					
46	2	23857-030000	BOLT, JOINT 3	1	1	1					
47	1	22190-080002	WASHER, SEAL 6	1	1	1					
48	1	22190-100002	WASHER, SEAL 10	2	2	2					
49	1	26366-060002	NUT, M6	1	1	1					
50	1	171056-49120	PLUG, DRAIN	1	1	1					

Remarks
(1) REPAIR PART.

Fig.10. COOLING WATER SYSTEM

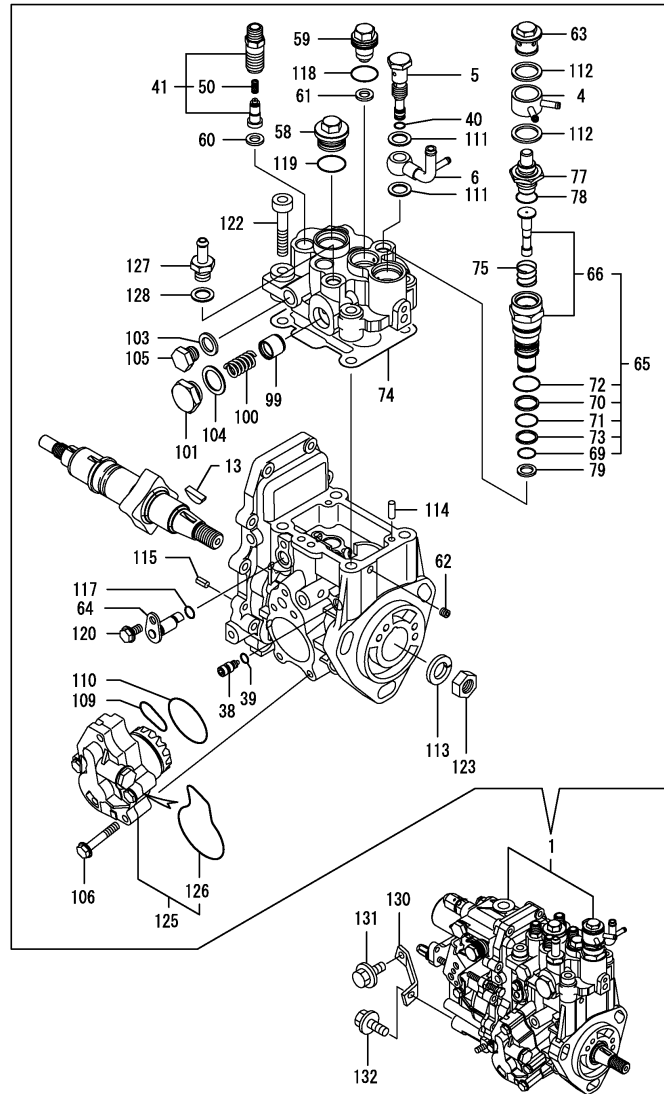


(A)=4TNV88-BDSA
(B)=4TNV88-BDSAT
(C)=4TNV88-BDSAC

(D)=
(E)=
(F)=

No.	Lev.	Parts No.	Description	Q'ty						I	R
				(A)	(B)	(C)	(D)	(E)	(F)		
1	1	129004-42001	PUMP ASSY, WATER	1	1	1					
3	2	129100-42051	GASKET, WATER PUMP	1	1	1					
4	2	129100-42121	PLATE	1	1	1					
8	2	121850-42410	SCREW	3	3	3					
10	2	119802-49113	JOINT, PIPE	2	2	2					
11	2	129916-49740	PLUG, R03	2	2	2					
12	2	23876-010000	PLUG, R01	1	1	1					
13	2	23876-020000	PLUG, R02	1	1	1					
14	1	129486-42021	GASKET, WATER PUMP	1	1	1					
15	1	129004-42040	JOINT	1	1	1					
16	1	129486-42140	O-RING, G30	1	1	1					
17	1	124395-49840	GASKET	1	1	1					
18	1	23414-080000	GASKET, 8X1.0	1	1	1					
19	1	26106-080122	BOLT, M8X 12 PLATED	1	1	1					
20	1	26106-080162	BOLT, M8X 16 PLATED	3	3	3					
21	1	26106-080452	BOLT, M8X 45 PLATED	1	1	1					
22	1	26106-080602	BOLT, M8X 60 PLATED	3	3	3					
23	1	129403-42380	V-PULLEY, D=110	1	1	1					
24	1	119865-42290	V-BELT, A36.5	1	1	1					
24-1	1	25152-003600	V-BELT, A36	1	1	1					N
		(A=EXXXXX) (B=EXXXXX) (C=EXXXXX)									
25	1	129655-44740	FAN, COOLING D380	1	1	1					
26	1	171353-44760	SPACER, FAN	1	1	1					
27	1	26106-060402	BOLT, M6X 40 PLATED	4	4	4					
28	1	129155-49801	THERMOSTAT, 71	1	1	1					
29	1	129150-49811	GASKET, THERMOSTAT	1	1	1					
30	1	129350-49530	COVER, THERMOSTAT	1	1	1					
31	1	129795-49551	GASKET	1	1	1					
32	1	26106-080222	BOLT, M8X 22 PLATED	2	2	2					
33	1	121450-42450	PLUG, M16	1	1	1					
34	1	121250-44901	SWITCH, 110	1	1	1					
35	1	124465-44950	GASKET, 16	1	1	1					
36	1	124465-44950	GASKET, 16	1	1	1					
37	1	129004-49610	PIPE ASSY, WATER	1	1	1					
38	2	129004-49711	PIPE ASSY, WATER	1	1	1					
39	2	119802-49730	RETAINER, PIPE	1	1	1					
40	2	124722-59050	CLIP, HOSE 9	2	2	2					
41	1	129004-49620	PIPE ASSY, WATER	1	1	1					
42	2	129004-49721	PIPE ASSY, WATER	1	1	1					
43	2	124722-59050	CLIP, HOSE 9	2	2	2					

Fig.11. FUEL INJECTION PUMP



(A)=4TNV88-BDSA
(B)=4TNV88-BDSAT
(C)=4TNV88-BDSAC

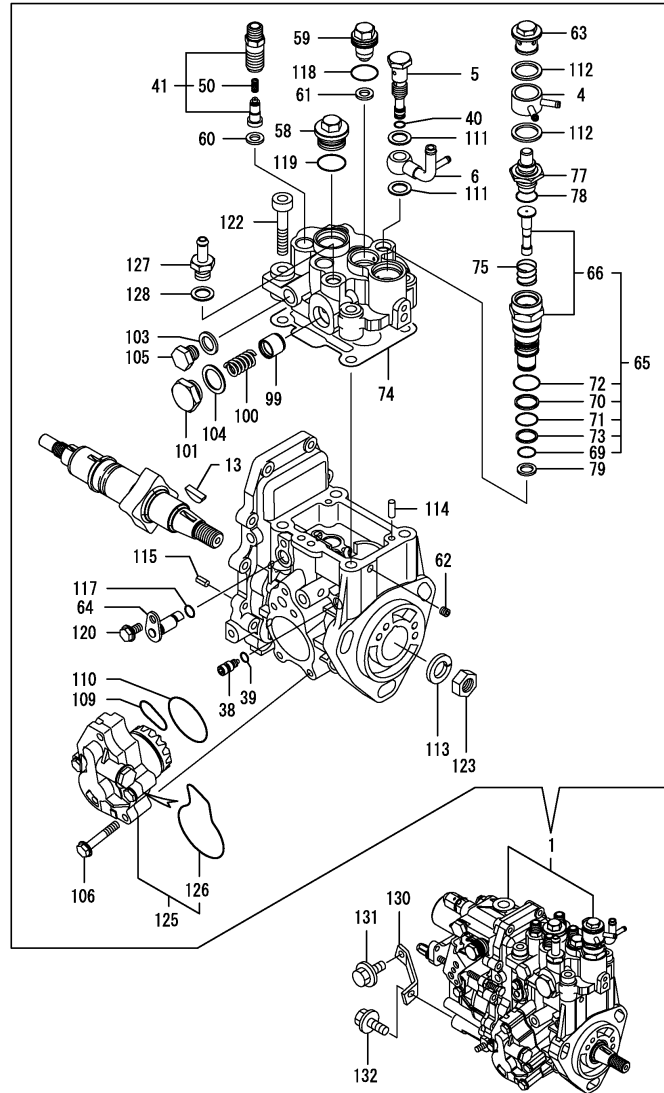
(D)=
(E)=
(F)=

No.	Lev.	Parts No.	Description	Qty						I	R
				(A)	(B)	(C)	(D)	(E)	(F)		
1	1	729688-51300	PUMP ASSY, INJECTION	1	1	1					1
1-1	1	729688-51301	PUMP ASSY, INJECTION	1	1	1					N 1
		(A=E-XXXX) (B=E-XXXX) (C=E-XXXX)									
1-2	1	729688-51320	PUMP ASSY, INJECTION	1	1	1					S 2
		(A=E_B8950) (B=E_B8950) (C=E_B8950)									
4	2	158553-51551	JOINT	1	1	1					
5	2	158601-51650	JOINT, OVER FLOW	1	1	1					
6	2	158552-51670	JOINT, OVER FLOW	1	1	1					
13	2	119802-51090	KEY, 4X16	1	1	1					
38	2	158600-51270	STOPPER, TAPPET	1	1	1					
39	2	158563-51281	O-RING, 4D S6	1	1	1					
40	2	158563-51281	O-RING, 4D S6	1	1	1					
41	2	129008-51390	VALVE ASSY, DELIVERY	4	4	4					
50	3	158563-51330	SPRING, DELIVERY	4	4	4					
58	2	158601-51550	PLUG	1	1	1					
59	2	119802-51560	PLUG, BARREL	1	1	1					
60	2	158552-51571	GASKET	4	4	4					
61	2	158552-51571	GASKET	1	1	1					
62	2	158557-51570	PLUG	1	1	1					
63	2	158601-51570	PLUG	1	1	1					
64	2	158552-51580	LIFTER	1	1	1					
65	2	119802-51590	TIMER SET	1	1	1					
66	3	119802-51600	TIMER ASSY	1	1	1					
69	3	158553-51670	O-RING, 1011	1	1	1					
70	3	119802-51680	RING, BACK UP	1	1	1					
71	3	119802-51690	O-RING	1	1	1					
72	3	24356-010200	O-RING, 4D1020	1	1	1					
73	3	24372-000150	RING, BACK UP T2P15	1	1	1					
74	2	158552-51600	GASKET	1	1	1					
75	2	158553-51630	SPRING, TIMER	1	1	1					
77	2	158553-51640	ELEMENT	1	1	1					
78	2	158553-51660	O-RING, P14	1	1	1					
79	2	158553-51680	GASKET	1	1	1					
99	2	158601-51770	PISTON	1	1	1					
100	2	158552-51781	SPRING	1	1	1					
101	2	158601-51790	PLUG	1	1	1					
103	2	22190-120002	WASHER, SEAL 12	1	1	1					
104	2	22190-180002	WASHER, SEAL 18	1	1	1					
105	2	23887-120002	PLUG, 12	1	1	1					
106	2	158553-51770	BOLT	4	4	4					
109	2	158552-52310	O-RING	1	1	1					
110	2	158552-52400	O-RING, 4E S42	1	1	1					
111	2	22190-120002	WASHER, SEAL 12	2	2	2					
112	2	22190-180002	WASHER, SEAL 18	2	2	2					
113	2	22217-140000	WASHER, SPRING 14	1	1	1					
114	2	22312-050140	PIN, PARALLEL M5X14	2	2	2					
115	2	22351-050010	PIN, SPRING 5.0X10	2	2	2					
117	2	24311-000070	O-RING, 1AP7.0	1	1	1					
118	2	24356-010180	O-RING, 4D1018	1	1	1					
119	2	24356-010200	O-RING, 4D1020	1	1	1					
120	2	26106-060102	BOLT, M6X 10 PLATED	1	1	1					

Remarks

(1) GOVERNOR ASSY(FIG.12) IS INCORPORATED IN THIS FOP.CMP (REF.NO.1).
(2) REF.NO.1-2 & FIG.NO.13 REF.NO.1-1 INTERCHANGEABLE BY SET.

Fig.11. FUEL INJECTION PUMP



(A)=4TNV88-BDSA
 (B)=4TNV88-BDSAT
 (C)=4TNV88-BDSAC

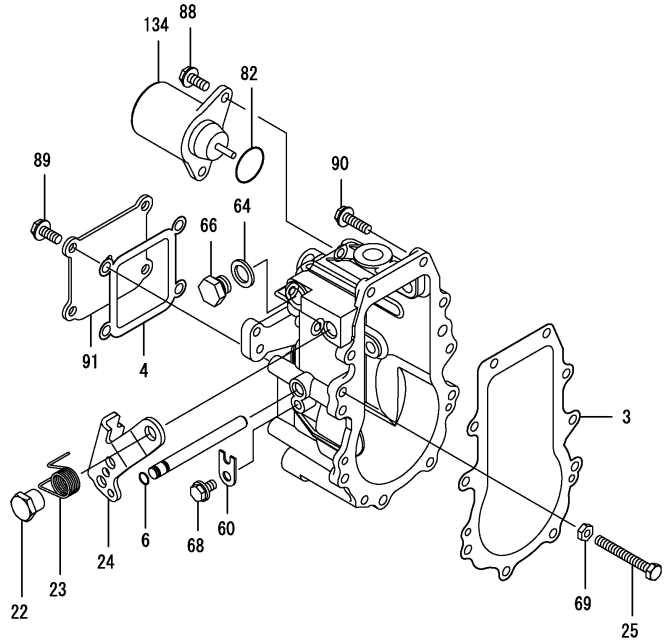
(D)=
 (E)=
 (F)=

No.	Lev.	Parts No.	Description	Q'ty						I	R
				(A)	(B)	(C)	(D)	(E)	(F)		
122	2	26450-080452	BOLT, M8X 45	4	4	4					
123	2	26776-140002	NUT, LOCK M14	1	1	1					
125	2	158552-52100	PUMP ASSY, FUEL FEED	1	1	1					
126	3	158552-52500	O-RING	1	1	1					
127	2	119934-59910	JOINT, PIPE	1	1	1					
128	2	22190-120002	WASHER, SEAL 12	1	1	1					
130	1	129601-51250	RETAINER, PUMP	1	1	1					
131	1	26106-080162	BOLT, M8X 16 PLATED	1	1	1					
132	1	26106-080202	BOLT, M8X 20 PLATED	1	1	1					

Remarks

- (1) GOVERNOR ASSY(FIG.12) IS INCORPORATED IN THIS FOP.CMP (REF.NO.1).
- (2) REF.NO.1-2 & FIG.NO.13 REF.NO.1-1 INTERCHANGEABLE BY SET.

Fig.12. GOVERNOR



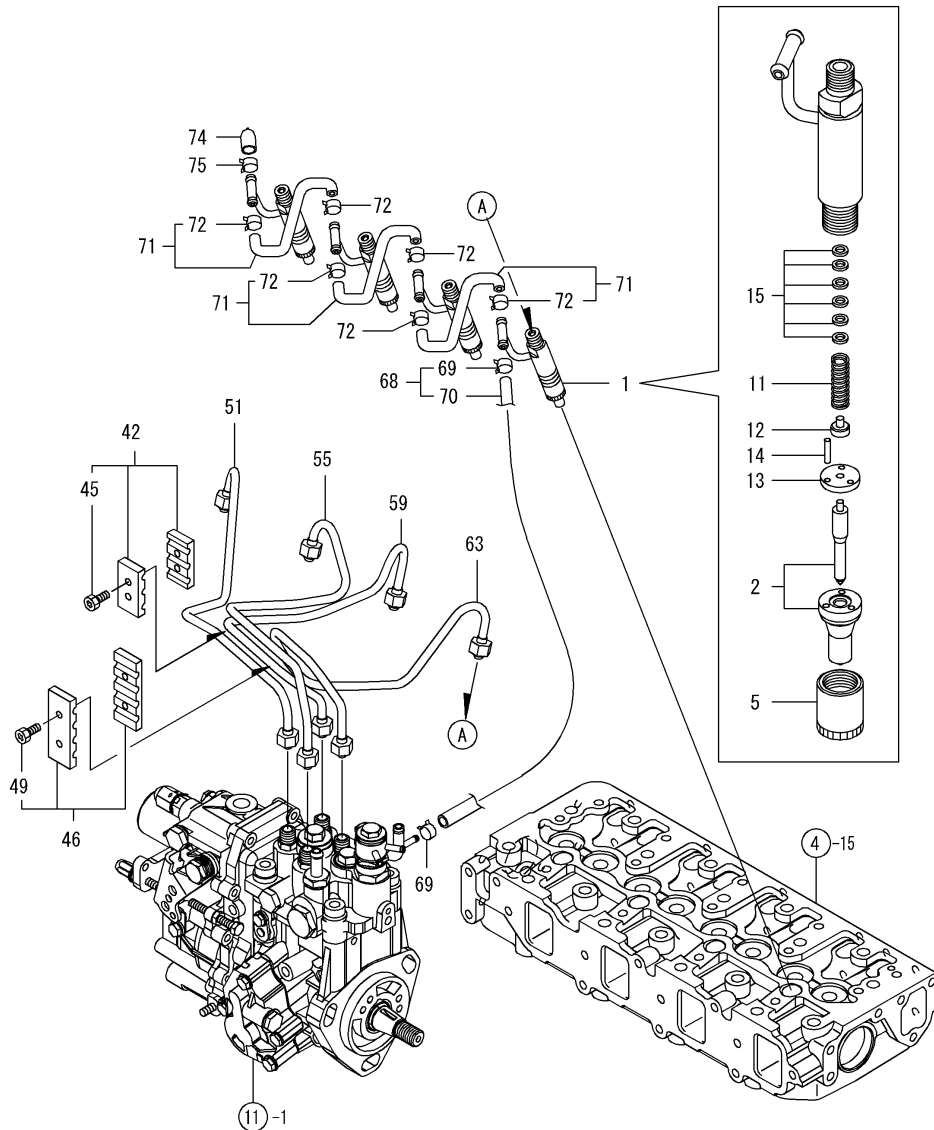
(A)=4TNV88-BDSA
 (B)=4TNV88-BDSAT
 (C)=4TNV88-BDSAC

(D)=
 (E)=
 (F)=

No.	Lev.	Parts No.	Description	Qty						I	R
				(A)	(B)	(C)	(D)	(E)	(F)		
3	2	158553-61050	GASKET	1	1	1					
4	2	158553-61070	GASKET	1	1	1					
6	2	129155-51280	O-RING, S6	1	1	1					
22	2	129255-61410	NUT, LOCK	1	1	1					
23	2	119807-61420	SPRING, RETURN	1	1	1					
24	2	158552-61441	LEVER, REGULATOR	1	1	1					
25	2	129155-61460	BOLT, IDLE	1	1	1					
60	2	119660-61901	RETAINER, SHAFT	1	1	1					
64	2	22190-120000	WASHER, SEAL 12	1	1	1					
66	2	23887-120002	PLUG, 12	1	1	1					
68	2	26106-060102	BOLT, M6X 10 PLATED	1	1	1					
69	2	26756-060002	NUT, LOCK M6	1	1	1					
82	2	158552-61900	O-RING	1	1	1					
88	2	26106-060142	BOLT, M6X 14 PLATED	2	2	2					
89	2	26106-060142	BOLT, M6X 14 PLATED	4	4	4					
90	2	26106-060202	BOLT, M6X 20 PLATED	10	10	10					
91	2	129642-61060	COVER, GOVERNOR CASE	1	1	1					
134	2	119653-77950	SOLENOID, STOP	1	1	1					

Remarks
 * THIS FIGURE(GOVERNOR ASSY)IS
 INCORPORATED IN THE FUEL INJECTION
 PUMP ASSY(FIG.11).

Fig.13. FUEL INJECTION VALVE



(A)=4TNV88-BDSA
(B)=4TNV88-BDSAT
(C)=4TNV88-BDSAC

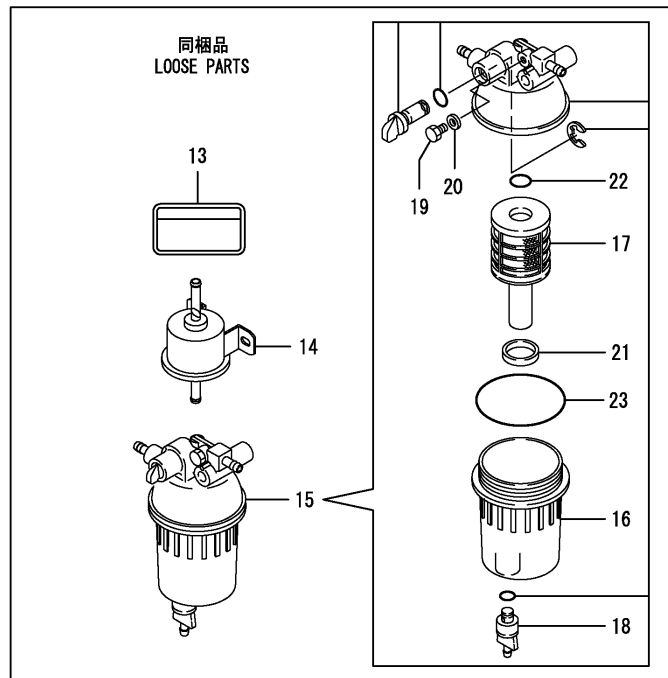
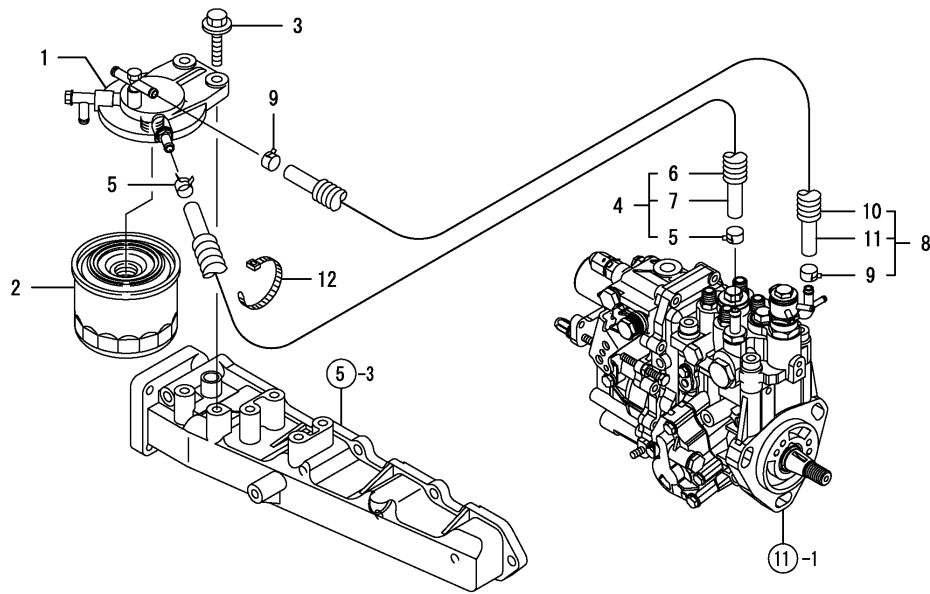
(D)=
(E)=
(F)=

No.	Lev.	Parts No.	Description	Qty						I	R
				(A)	(B)	(C)	(D)	(E)	(F)		
1	1	729604-53200	VALVE ASSY,INJECTION	4	4	4					
1-1	1	729604-53400	VALVE ASSY,INJECTION	4	4	4					S 1
		(A=E_B8950)	(B=E_B8950)	(C=E_B8950)							
2	2	129604-53000	VALVE ASSY,INJECTION	4	4	4					
2-1	2	129604-53300	VALVE ASSY,INJECTION	4	4	4					S
		(A=E_B8950)	(B=E_B8950)	(C=E_B8950)							
5	2	114250-53080	NUT, NOZZLE D16.95	4	4	4					
11	2	114250-53120	SPRING, NOZZLE	4	4	4					
12	2	114250-53130	SEAT, SPRING	4	4	4					
13	2	114250-53140	PLATE	4	4	4					
14	2	114250-53210	PIN	8	8	8					
15	2	119803-53400	SHIM SET	4	4	4					
42	1	129150-59120	RETAINER, PIPE	1	1	1					
45	2	129150-59131	BOLT, M4X14	2	2	2					
46	1	129550-59120	RETAINER, PIPE	1	1	1					
49	2	129150-59131	BOLT, M4X14	2	2	2					
51	1	129601-59810	PIPE ASSY, INJECTION	1	1	1					
55	1	129601-59820	PIPE ASSY, INJECTION	1	1	1					
59	1	129601-59830	PIPE ASSY, INJECTION	1	1	1					
63	1	129601-59840	PIPE ASSY, INJECTION	1	1	1					
68	1	119802-59550	PIPE ASSY, RETURN	1	1	1					
69	2	124722-59050	CLIP, HOSE 9	2	2	2					
70	2	119802-59560	PIPE, FUEL RETURN	1	1	1					
71	1	129486-59551	PIPE ASSY, RETURN	3	3	3					
72	2	124722-59050	CLIP, HOSE 9	6	6	6					
74	1	119593-59581	CAP	1	1	1					
75	1	124060-77680	CLIP, HOSE 10	1	1	1					

Remarks

(1) REF.NO.1-1 & FIG.NO.11 REF.NO.1-2
INTERCHANGEABLE BY SET.

Fig.14. FUEL LINE

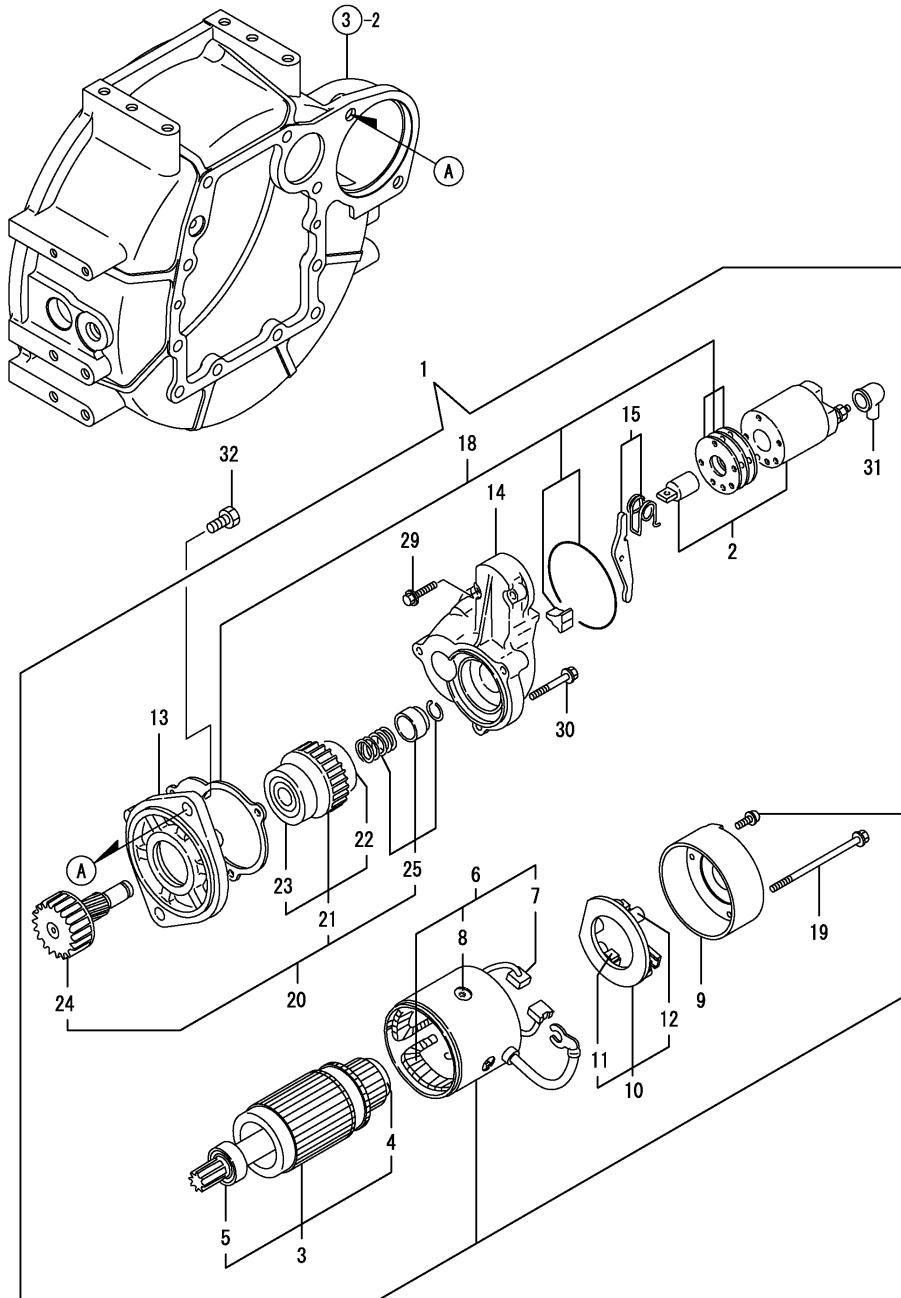


(A)=4TNV88-BDSA
(B)=4TNV88-BDSAT
(C)=4TNV88-BDSAC

(D)=
(E)=
(F)=

No.	Lev.	Parts No.	Description	Qty						I	R
				(A)	(B)	(C)	(D)	(E)	(F)		
1	1	129004-55612	BRACKET, FILTER	1	1	1					
2	1	119802-55801	FILTER, FUEL	1	1	1					
3	1	26106-080302	BOLT, M8X 30 PLATED	2	2	2					
4	1	129630-59010	PIPE ASSY, FUEL	1	1	1					
5	2	124766-59050	CLIP, HOSE 12	2	2	2					
6	2	129961-59110	TUBE, CORRUGATED	1	1	1					
7	2	105025-59560	PIPE, FUEL	1	1	1					
8	1	129956-59010	PIPE ASSY, FUEL	1	1	1					
9	2	124766-59050	CLIP, HOSE 12	2	2	2					
10	2	129957-59101	TUBE, CORRUGATED	1	1	1					
11	2	105225-59511	PIPE, FUEL	1	1	1					
12	1	121750-59890	BAND, 140	1	1	1					
13	1	114110-07760	LABEL, FUEL CAUTION	1	1	1					
14	1	119225-52102	PUMP ASSY, FUEL FEED	1	1	1					
15	1	129242-55700	SEPARATOR ASSY	1	1	1					
16	2	129242-55720	CUP	1	1	1					
17	2	129242-55730	ELEMENT	1	1	1					
18	2	129242-55740	PLUG, DRAIN	1	1	1					
19	2	129242-55750	VALVE, AIR VENT	1	1	1					
20	2	129242-55760	GASKET	1	1	1					
21	2	129242-55770	FLOAT	1	1	1					
22	2	24311-000160	O-RING, 1AP16.0	1	1	1					
23	2	24321-000750	O-RING, 1AG75.0	1	1	1					

Fig.15. STARTING MOTOR

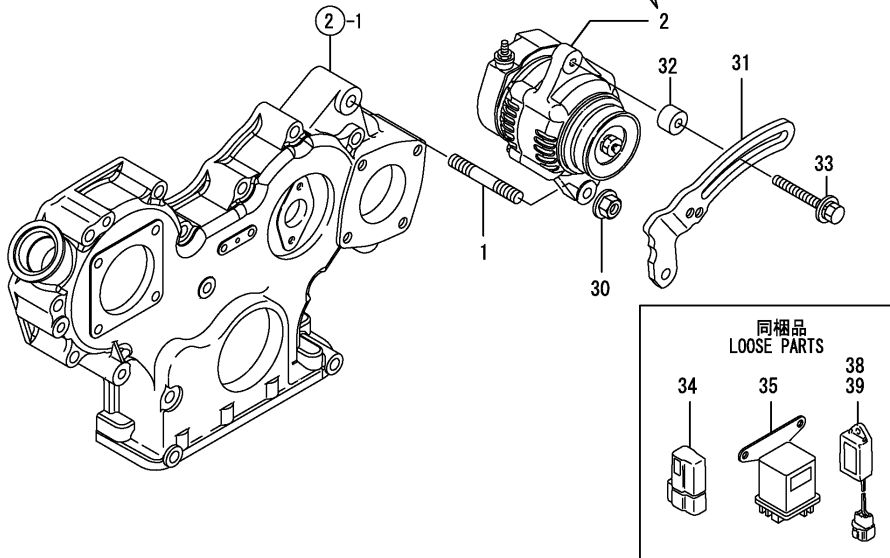
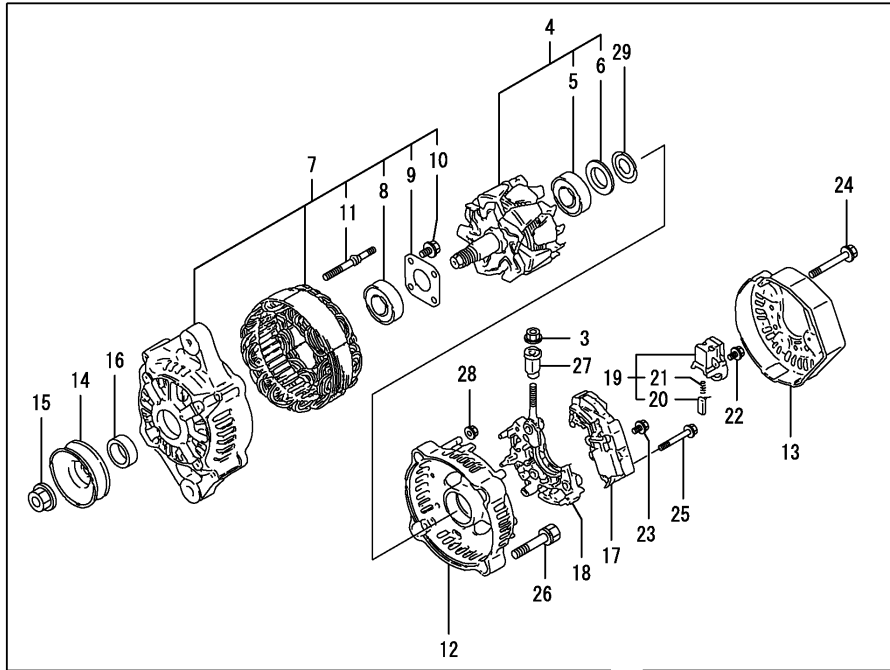


(A)=4TNV88-BDSA
(B)=4TNV88-BDSAT
(C)=4TNV88-BDSAC

(D)=
(E)=
(F)=

No.	Lev.	Parts No.	Description	Qty						I	R
				(A)	(B)	(C)	(D)	(E)	(F)		
1	1	129136-77011	STARTER	1	1	1					
2	2	129136-77310	SWITCH ASSY	1	1	1					
3	2	129900-77400	ARMATURE ASSY	1	1	1					
4	3	X2130350900	BEARING, BALL	1	1	1					
5	3	X2114255110	BEARING, BALL	1	1	1					
6	2	129900-77440	COIL ASSY, FIELD	1	1	1					
7	3	129900-77450	BRUSH	2	2	2					
8	3	171008-77450	SCREW	4	4	4					
9	2	129900-77460	COVER	1	1	1					
10	2	129900-77480	HOLDER ASSY, BRUSH	1	1	1					
11	3	129900-77450	BRUSH	2	2	2					
12	3	129400-77490	SPRING	4	4	4					
13	2	171008-77510	CASE, GEAR	1	1	1					
14	2	129136-77520	HOUSING	1	1	1					
15	2	171008-77540	LEVER SET	1	1	1					
18	2	129400-77571	COVER ASSY, DUST	1	1	1					
19	2	129900-77640	BOLT, THROUGH	2	2	2					
20	2	171008-77650	PINION ASSY	1	1	1					
21	3	X2114555500	CLUTCH ASSY	1	1	1					
22	4	X2114955020	BEARING, BALL	1	1	1					
23	4	X2240410100	BEARING, BALL	1	1	1					
24	3	171008-77660	SHAFT	1	1	1					
25	3	171008-77670	STOPPER SET	1	1	1					
29	2	26106-060322	BOLT, M6X 32 PLATED	2	2	2					
30	2	26106-060402	BOLT, M6X 40 PLATED	3	3	3					
31	2	171008-77750	COVER	1	1	1					
32	1	26116-120252	BOLT, M12X 25 PLATED	2	2	2					

Fig.16. GENERATOR



(A)=4TNV88-BDSA
(B)=4TNV88-BDSAT
(C)=4TNV88-BDSAC

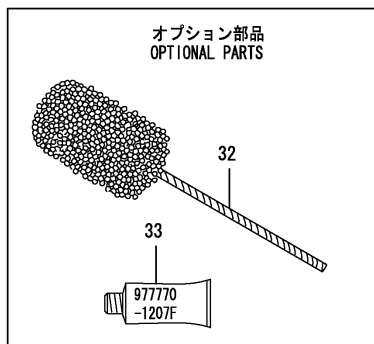
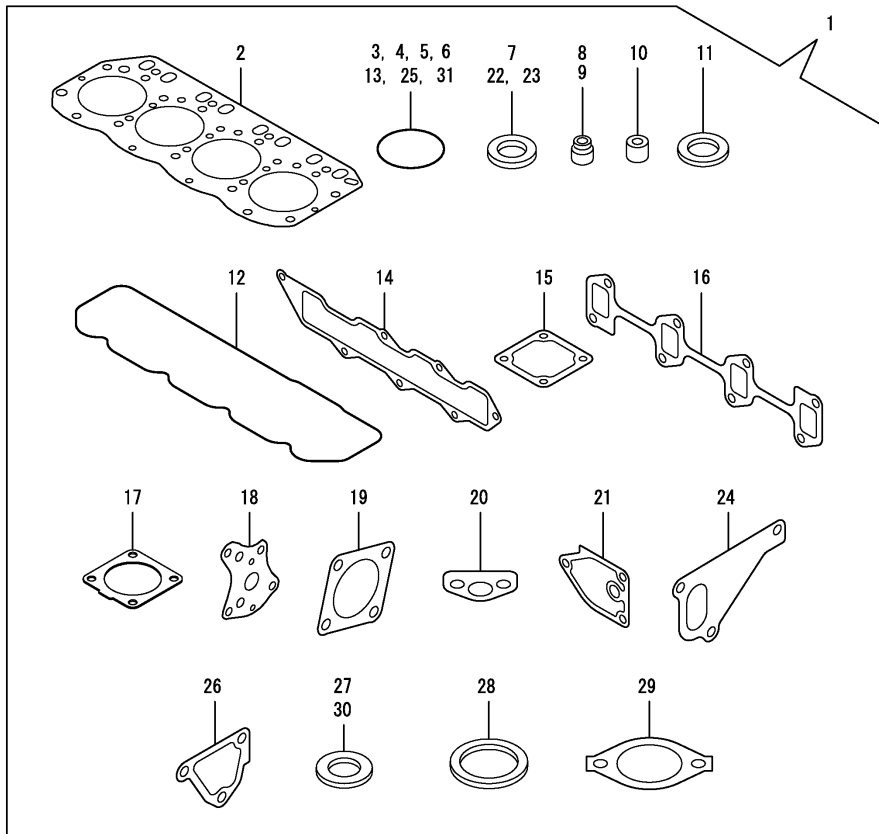
(D)=
(E)=
(F)=

No.	Lev.	Parts No.	Description	Q'ty						I	R
				(A)	(B)	(C)	(D)	(E)	(F)		
1	1	129795-01900	STUD	1	1	1					
2	1	129423-77200	GENERATOR, 12V-40A	1	1	1					
3	2	X9490561001	NUT	1	1	1					
4	2	119620-77380	ROTOR ASSY	1	1	1					
5	3	123501-79240	BEARING, BALL	1	1	1					
6	3	119620-79250	COVER	1	1	1					
7	2	119620-77421	FRAME ASSY, DRIVE	1	1	1					
8	3	119620-79200	BEARING, BALL	1	1	1					
9	3	119620-79210	PLATE, RETAINER	1	1	1					
10	3	119620-79220	SCREW	4	4	4					
11	3	119620-79230	STUD	2	2	2					
12	2	119620-77440	FRAME ASSY	1	1	1					
13	2	129240-79300	COVER	1	1	1					
14	2	119620-77461	PULLEY	1	1	1					
15	2	119620-77471	NUT	1	1	1					
16	2	119620-77490	COLLAR	1	1	1					
17	2	129423-77710	REGULATOR ASSY	1	1	1					
18	2	119620-79260	HOLDER	1	1	1					
19	2	129052-79270	HOLDER, BRUSH	1	1	1					
20	3	119620-77480	BRUSH ASSY	2	2	2					
21	3	119620-79280	SPRING	2	2	2					
22	2	119620-79290	SCREW	6	6	6					
23	2	119620-79300	SCREW	1	1	1					
24	2	119620-79310	BOLT	3	3	3					
25	2	119620-79320	SCREW	2	2	2					
26	2	119620-79330	BOLT	2	2	2					
27	2	119620-79340	BUSH, INSULATION	1	1	1					
28	2	119620-79350	NUT	2	2	2					
29	2	119620-79360	WASHER, THRUST	1	1	1					
30	1	26306-100002	NUT, M10	1	1	1					
31	1	129064-77330	ADJUSTER	1	1	1					
32	1	129067-77340	SPACER	1	1	1					
33	1	129972-77341	BOLT, ADJUSTER L=50	1	1	1					
34	1	119643-66900	DIODE	1	1	1					
35	1	119650-77910	RELAY ASSY, GLOW	1	1	1					
38	1	128300-77920	TIMER	1	1	1					
39	1	129211-77920	TIMER	1	1	1					

Fig.17. GASKET SET

(A)=4TNV88-BDSA
 (B)=4TNV88-BDSAT
 (C)=4TNV88-BDSAC

(D)=
 (E)=
 (F)=



No.	Lev.	Parts No.	Description	Qty						I	R
				(A)	(B)	(C)	(D)	(E)	(F)		
1	1	729602-92900	GASKET SET	1	1	1					1
2	2	129407-01340	GASKET, HEAD	1	1	1					
3	2	119609-32040	O-RING, P16	2	2	2					
4	2	121850-51960	O-RING	1	1	1					
5	2	24311-000320	O-RING, 1AP32.0	2	2	2					
6	2	24341-000240	O-RING, 1AS24.0	1	1	1					
7	2	22190-220002	WASHER, SEAL 22	1	1	1					
8	2	121400-11340	SEAL, VALVE STEM	4	4	4					
9	2	124460-11340	SEAL, VALVE STEM	4	4	4					
10	2	119802-11870	PROTECTOR, NOZZLE	4	4	4					
11	2	119625-11880	SEAT, NOZZLE	4	4	4					
12	2	129601-11310	GASKET, BONNET	1	1	1					
13	2	24311-000120	O-RING, 1AP12.0	3	3	3					
14	2	129407-12110	GASKET, MANIFOLD	1	1	1					
15	2	129150-77511	GASKET	1	1	1					
16	2	129550-13110	GASKET	1	1	1					
17	2	129930-13201	GASKET, SILENCER	1	1	1					
18	2	129150-32020	GASKET, PUMP	1	1	1					
19	2	124240-01883	GASKET	1	1	1					
20	2	129150-35042	GASKET	1	1	1					
21	2	129150-35111	GASKET	1	1	1					
22	2	22190-080002	WASHER, SEAL 6	7	7	7					
23	2	22190-100002	WASHER, SEAL 10	2	2	2					
24	2	129486-42021	GASKET, WATER PUMP	1	1	1					
25	2	129486-42140	O-RING, G30	1	1	1					
26	2	124395-49840	GASKET	1	1	1					
27	2	23414-080000	GASKET, 8X1.0	1	1	1					
28	2	129150-49811	GASKET, THERMOSTAT	1	1	1					
29	2	129795-49551	GASKET	1	1	1					
30	2	124465-44950	GASKET, 16	2	2	2					
31	2	24321-000800	O-RING, 1AG80.0	1	1	1					
32	1	129400-92430	HONE	1	1	1					1
33	1	977770-1207F	GASKET.LIQUID	1	1	1					1

Remarks
 (1) OPTIONAL PART.

Parts No. Index

Parts No.	Fig. No.	Ref. No.
105025-59560	14	7
105225-59511	14	11
114110-07760	14	13
114250-39450	9	41
114250-53080	13	5
114250-53120	13	11
114250-53130	13	12
114250-53140	13	13
114250-53210	13	14
119131-18320	6	5
119225-52102	14	14
119593-59581	13	74
119609-32040	2	9
	17	3
119620-01750	3	5
119620-77380	16	4
119620-77421	16	7
119620-77440	16	12
119620-77461	16	14
119620-77471	16	15
119620-77480	16	20
119620-77490	16	16
119620-79200	16	8
119620-79210	16	9
119620-79220	16	10
119620-79230	16	11
119620-79250	16	6
119620-79260	16	18
119620-79280	16	21
119620-79290	16	22
119620-79300	16	23
119620-79310	16	24
119620-79320	16	25
119620-79330	16	26
119620-79340	16	27
119620-79350	16	28
119620-79360	16	29
119625-11880	4	33
	17	11
119640-01640	3	10
119643-66900	16	34
119650-77910	16	35
119653-77950	12	134
119660-61901	12	60
119802-01561	2	5
119802-03110	4	44
119802-03121	4	45
119802-03130	4	46
119802-03141	4	47
119802-11260	4	6

Parts No.	Fig. No.	Ref. No.
119802-11270	4	7
119802-11870	4	32
	17	10
119802-21650	8	8
119802-25071	7	13
119802-25101	7	10
119802-25901	7	16
119802-35110	9	25
119802-39450	9	43
119802-49113	10	10
119802-49730	10	39
119802-51090	11	13
119802-51560	11	59
119802-51590	11	65
119802-51600	11	66
119802-51680	11	70
119802-51690	11	71
119802-55801	14	2
119802-59550	13	68
119802-59560	13	70
119803-21200	8	4
119803-25050	7	9
119803-53400	13	15
119807-61420	12	23
119865-21600	8	14
119865-42290	10	24
119888-01601	3	2
119888-21450	8	15
119934-01800	2	3
119934-59910	11	127
119940-59130	9	37
120130-11860	4	30
120270-54410	4	35
121023-01551	2	22
121111-21501	8	11
121250-44901	10	34
121400-11340	4	26
	17	8
121450-42450	10	33
121520-34810	9	17
121550-23200	8	30
121750-59890	14	12
121850-21680	8	10
121850-42410	10	8
121850-51960	2	10
	17	4
123501-79240	16	5
123900-13610	6	3
123900-13630	6	4
124060-01050	1	11

Parts No.	Fig. No.	Ref. No.
124060-77680	13	75
124160-01751	2	6
	4	40
124160-01910	1	12
		13
124160-11360	4	52
124160-39140	9	42
124240-01871	2	7
		19
124240-01883	2	20
	17	19
124395-49840	10	17
	17	26
124460-11340	4	27
	17	9
124465-44950	10	35
		36
	17	30
124722-59050	10	40
		43
	13	69
		72
124766-59050	14	5
		9
128300-77920	16	38
129001-01250	1	4
129001-02931	1	29
129001-91841	2	11
129004-03010	4	42
129004-11650	4	9
129004-11900	4	34
129004-34802	9	16
129004-42001	10	1
129004-42040	10	15
129004-49610	10	37
129004-49620	10	41
129004-49711	10	38
129004-49721	10	42
129004-55612	14	1
129005-11100	4	22
129005-23208	8	19
129005-22500	8	21
129005-22900	8	36
129005-22950	8	38
129005-59830	9	44
129006-35100	9	24
129006-44480	9	29
129008-51390	11	41
129008-77800	4	55
129052-79270	16	19

Parts No.	Fig. No.	Ref. No.
129064-77330	16	31
129067-77340	16	32
129100-01580	3	1
		16
	8	2
129100-01640	3	17
129100-11112	4	23
129100-23910	8	33
129100-42051	10	3
129100-42121	10	4
129103-49301	9	39
129136-77011	15	1
129136-77310	15	2
129136-77520	15	14
129150-01200	1	27
129150-02020	1	6
129150-02450	7	4
129150-02871	1	32
129150-02931	1	24
129150-02941	1	35
129150-03070	4	43
129150-11230	4	10
129150-11280	4	8
129150-11370	4	14
129150-11750	4	12
129150-11810	4	31
129150-14101	7	6
129150-14200	7	1
129150-14400	7	2
129150-23601	8	31
129150-23611	8	34
129150-25301	7	15
129150-32020	9	14
	17	18
129150-35042	9	18
	17	20
129150-35111	9	27
	17	21
129150-35153	9	28
129150-49811	10	29
	17	28
129150-59120	13	42
129150-59131	13	45
		49
129150-77511	5	8
	17	15
129155-49801	10	28
129155-51280	12	6
129155-61460	12	25
129202-22300	8	25

Parts No. Index

Parts No.	Fig. No.	Ref. No.
129211-77920	16	39
129240-79300	16	13
129242-55700	14	15
129242-55720	14	16
129242-55730	14	17
129242-55740	14	18
129242-55750	14	19
129242-55760	14	20
129242-55770	14	21
129255-61410	12	22
129350-49530	10	30
129400-01730	3	8
129400-01770	3	9
129400-77490	15	12
129400-77571	15	18
129400-92430	17	32
129403-42380	10	23
129407-01340	1	28
	17	2
129407-12110	5	4
	17	14
129407-32000	9	1
129410-03990	5	2
129417-33110	9	23
129417-35150	9	26
129423-77200	16	2
129423-77710	16	17
129430-26070	7	20
129436-35070	9	19 -1
129436-35091	9	19
129486-01670	3	20
129486-12581	5	7
129486-35210	3	4
129486-42021	10	14
	17	24
129486-42140	10	16
	17	25
129486-59551	13	71
129488-21590	8	12
129508-33010	9	21
129508-33050	9	22
129508-49030	9	30
129508-49040	9	34
129550-13110	6	2
	17	16
129550-59120	13	46
129601-03080	5	1
129601-11241	4	3
129601-11251	4	4
129601-11310	4	49

Parts No.	Fig. No.	Ref. No.
129601-11310	17	12
129601-11350	4	41
129601-12100	5	3
129601-13109	6	1
129601-51250	11	130
129601-59810	13	51
129601-59820	13	55
129601-59830	13	59
129601-59840	13	63
129604-01520	2	4
129604-11710	4	15
129604-21000	8	1
129604-53000	13	2
129604-53300	13	2 -1
129604-77821	4	56
129630-59010	14	4
129642-61060	12	91
129655-44740	10	25
129688-01780	3	9 -1
129795-01780	3	19
129795-01900	16	1
129795-01950	2	8
129795-02412	1	9
129795-11120	4	24
129795-11180	4	25
129795-21661	8	9
129795-49551	10	31
	17	29
129900-07900	4	1
129900-77400	15	3
129900-77440	15	6
129900-77450	15	7
		11
129900-77460	15	9
129900-77480	15	10
129900-77640	15	19
129916-49740	10	11
129930-13201	6	7
	17	17
129956-59010	14	8
129957-59101	14	10
129961-59110	14	6
129972-77341	16	33
158552-51151	7	17
158552-51571	11	60
		61
158552-51580	11	64
158552-51600	11	74
158552-51670	11	6
158552-51781	11	100

Parts No.	Fig. No.	Ref. No.
158552-52100	11	125
158552-52310	11	109
158552-52400	11	110
158552-52500	11	126
158552-61441	12	24
158552-61900	12	82
158553-51551	11	4
158553-51630	11	75
158553-51640	11	77
158553-51660	11	78
158553-51670	11	69
158553-51680	11	79
158553-51770	11	106
158553-61050	12	3
158553-61070	12	4
158557-51570	11	62
158563-51281	11	39
		40
158563-51330	11	50
158600-51270	11	38
158601-51550	11	58
158601-51570	11	63
158601-51650	11	5
158601-51770	11	99
158601-51790	11	101
171008-03990	9	31
		35
171008-77450	15	8
171008-77510	15	13
171008-77540	15	15
171008-77650	15	20
171008-77660	15	24
171008-77670	15	25
171008-77750	15	31
171051-01921	1	5
171056-49120	9	50
171353-44760	10	26
22190-080002	2	12
	9	45
		47
22190-100002	17	22
	9	48
	17	23
22190-120000	12	64
22190-120002	11	103
		111
		128
22190-180002	11	104
		112
22190-220002	3	12

Parts No.	Fig. No.	Ref. No.
22190-220002	17	7
22217-140000	7	18
	11	113
22252-000260	8	26
22312-050140	11	114
22351-030010	8	7
22351-050010	11	115
22351-060012	4	36
22512-070140	7	7
	8	5
22857-500100	4	50
		51
23080-015000	9	33
		38
23414-080000	10	18
	17	27
23857-030000	9	46
23876-010000	10	12
23876-020000	10	13
23887-120002	11	105
	12	66
24104-062054	8	17
24311-000070	11	117
24311-000120	4	53
	17	13
24311-000160	14	22
24311-000320	2	13
	4	54
	17	5
24321-000750	14	23
24321-000800	7	21
	17	31
24341-000240	2	23
	17	6
24356-010180	11	118
24356-010200	11	72
		119
24372-000150	11	73
25152-003600	10	24 -1
26106-060102	11	120
	12	68
26106-060142	12	88
		89
26106-060162	2	24
26106-060202	12	90
26106-060322	15	29
26106-060402	10	27
	15	30
26106-080122	10	19
26106-080142	7	8

Parts No. Index

Parts No.	Fig. No.	Ref. No.	
26106-080162	2	14	
		15	
		21	
	3	13	
		2	
	4	20	
		131	
	26106-080202	5	5
			9
		9	40
		11	132
8		18	
26106-080222	10	32	
	3	14	
26106-080252	4	37	
		22	
	7	22	
26106-080302	2	16	
	14	3	
26106-080352	3	21	
	4	38	
	9	20	
26106-080402	7	14	
26106-080452	3	15	
		15 -1	
	10	21	
26106-080502	3	22	
	4	39	
26106-080552	2	17	
	9	20 -1	
26106-080602	10	22	
26106-080802	5	6	
26106-100302	7	23	
26116-120252	15	32	
26206-100252	3	6	
26206-100302	3	7	
26226-080182	4	13	
26306-080002	2	18	
	6	6	
26306-100002	16	30	
26366-060002	9	49	
26450-060252	9	15	
26450-080452	11	122	
26756-060002	12	69	
26776-140002	7	19	
	11	123	
27241-120000	1	14	
27241-300000	1	10	
27241-400000	4	21	
27310-080001	4	28	
729402-14580	7	3	

Parts No.	Fig. No.	Ref. No.
729402-23100	8	27
729602-01560	1	1
729602-92900	17	1
729604-53200	13	1
729604-53400	13	1 -1
729652-01500	2	1
729688-51300	11	1
729688-51301	11	1 -1
729688-51320	11	1 -2
977770-1207F	17	33
X2114255110	15	5
X2114555500	15	21
X2114955020	15	22
X2130350900	15	4
X2240410100	15	23
X9490561001	16	3

Parts No.	Fig. No.	Ref. No.
-----------	----------	----------

Parts No.	Fig. No.	Ref. No.
-----------	----------	----------