

0CD50-M02220EN

P R E F A C E

This parts catalog is the 1st edition of 4TNE98-SNMU for Hyster-Yale Group.

Published : April, 2016

Contents

OCD50-M02220

Fig. No. Fig. Name

4TNE98-SNMU

1. CYLINDER BLOCK
2. GEAR HOUSING
3. FLYWHEEL HOUSING & OIL SUMP
4. CYLINDER HEAD & BONNET
5. SUCTION MANIFOLD
6. EXHAUST MANIFOLD
7. CAMSHAFT & DRIVING GEAR
8. CRANKSHAFT & PISTON
9. LUB. OIL SYSTEM
10. COOLING WATER SYSTEM
11. FUEL INJECTION PUMP
12. FUEL INJECTION VALVE
13. FUEL FILTER
14. STARTER MOTOR
15. GENERATOR
16. GASKET SET

Fig. No. Fig. Name

Fig.1. CYLINDER BLOCK

(A)=4TNE98-SNMU

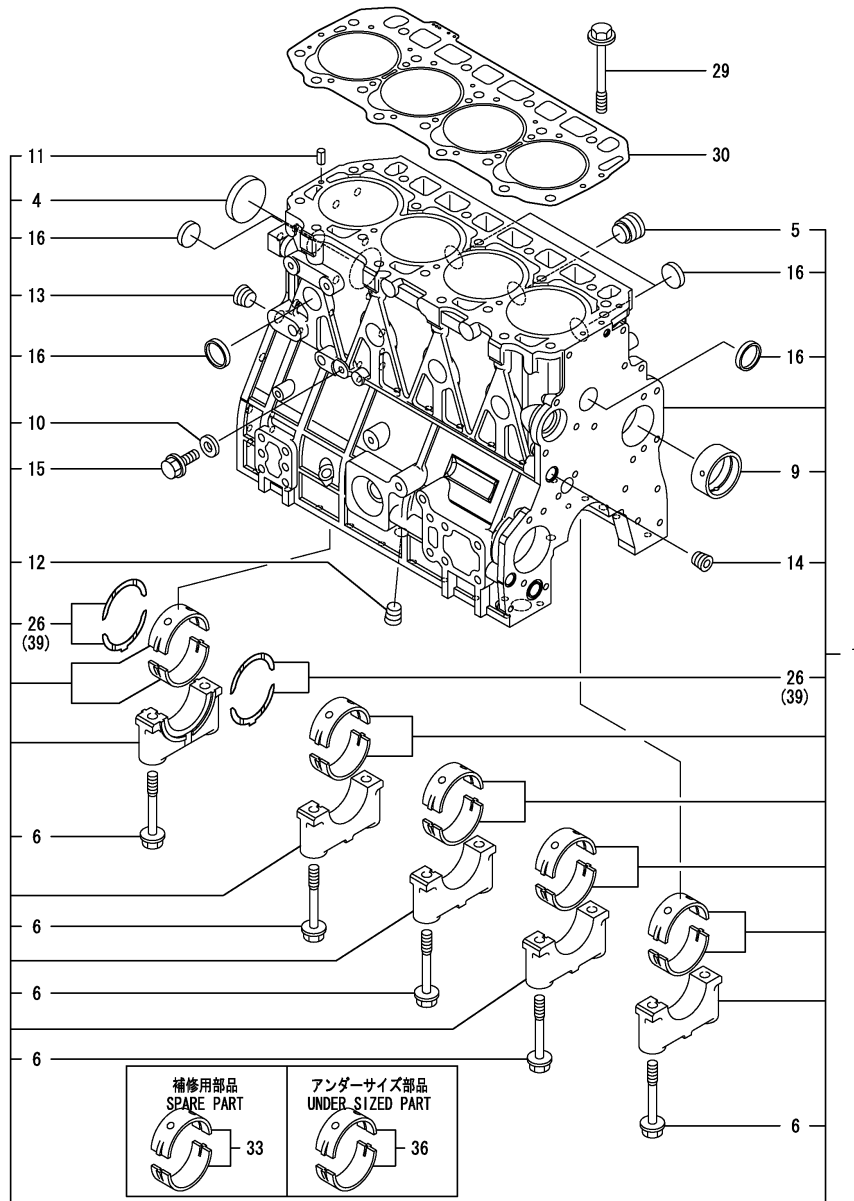
(B)=

(C)=

(D)=

(E)=

(F)=



No.	Lev.	Parts No.	Description	Q'ty						I	R
				(A)	(B)	(C)	(D)	(E)	(F)		
1	1	729903-01560	BLOCK ASSY, CYLINDER	1							
4	2	129900-01250	PLUG, DISH TYPE 55	1							
5	2	171051-01921	PLUG, NPTF1	1							
6	2	129900-02020	BOLT, METAL CAP	10							
9	2	129900-02410	BUSH, CAMSHAFT	1							
10	2	22190-080002	WASHER, SEAL 8	1							
11	2	22351-060012	PIN, SPRING 6.0X12	2							
12	2	23876-030000	PLUG, R03	1							
13	2	23876-030000	PLUG, R03	1							
14	2	23876-030000	PLUG, R03	1							
15	2	26106-080122	BOLT, M8X 12 PLATED	1							
16	2	27241-300000	PLUG 30	8							
26	2	129900-02931	BEARING ASSY, THRUST	2							
29	1	129900-01200	BOLT, CYLINDER HEAD	18							
30	1	729903-01350	GASKET ASSY, HEAD	1							1
33	1	729900-02801	BEARING, MAIN	5							1
36	1	129900-02341	BEARING ASSY, MAIN	5							2
39	1	129900-02941	BEARING, THRUST 0.25	2							3

Remarks

- (1) Spare parts.
- (2) Under-sized (U.S.=0.25) parts.
- (3) Over-sized (O.S.=0.25) parts.

Fig.2. GEAR HOUSING

(A)=4TNE98-SNMU
(B)=
(C)=

(D)=
(E)=
(F)=

No.	Lev.	Parts No.	Description	Q'ty						I	R
				(A)	(B)	(C)	(D)	(E)	(F)		
1	1	129917-01500	COVER ASSY,GEAR CASE	1							
3	2	129916-01800	SEAL, OIL	1							
4	1	129100-01580	PIN, PARALLEL 8X16	4							
5	1	129951-01740	COVER	1							
6	1	124160-01751	CAP, FILLER	1							
8	1	129901-01500	CASE, GEAR	1							
9	1	129900-26250	BEARING, BALL 6206C3	1							
10	1	129900-32001	PUMP ASSY, OIL	1							
21	1	26226-080302	STUD, M8X 30	3							
22	1	129930-01870	COVER	1							
23	1	129900-14140	BEARING, BALL 6205	1							
24	1	129900-26250	BEARING, BALL 6206C3	1							
25	1	129900-32030	O-RING, P20	1							
26	1	129900-32040	O-RING, P14	1							
27	1	24311-000320	O-RING, 1AP32.0	1							
28	1	24321-000850	O-RING, 1AG85.0	1							
29	1	24341-000500	O-RING, 1AS50.0	1							
30	1	26106-080162	BOLT, M8X 16 PLATED	1							
31	1	26106-080202	BOLT, M8X 20 PLATED	3							
32	1	26106-080302	BOLT, M8X 30 PLATED	1							
33	1	26106-080402	BOLT, M8X 40 PLATED	5							
34	1	26106-080402	BOLT, M8X 40 PLATED	5							
35	1	26106-080452	BOLT, M8X 45 PLATED	3							
36	1	26106-080702	BOLT, M8X 70 PLATED	6							
37	1	26106-080702	BOLT, M8X 70 PLATED	1							
38	1	26106-100202	BOLT, M10X 20 PLATED	2							
39	1	26306-080002	NUT, M8	3							

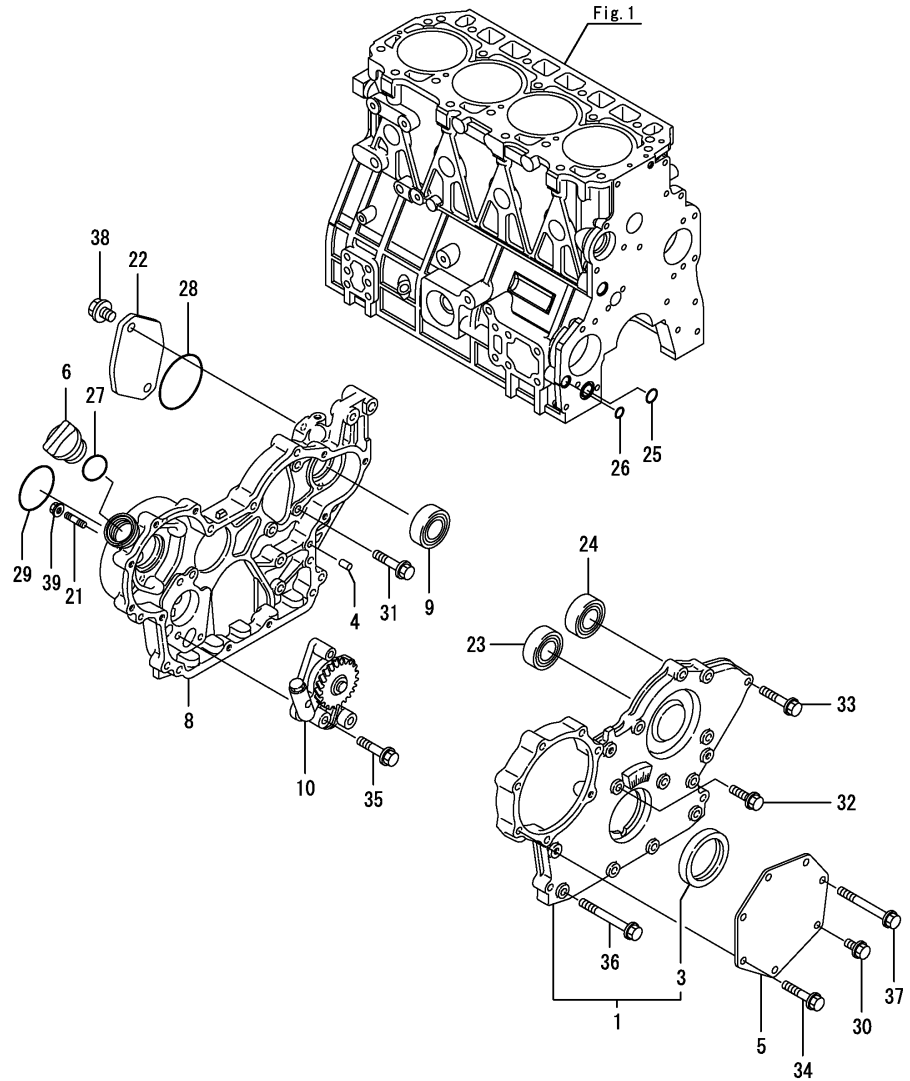
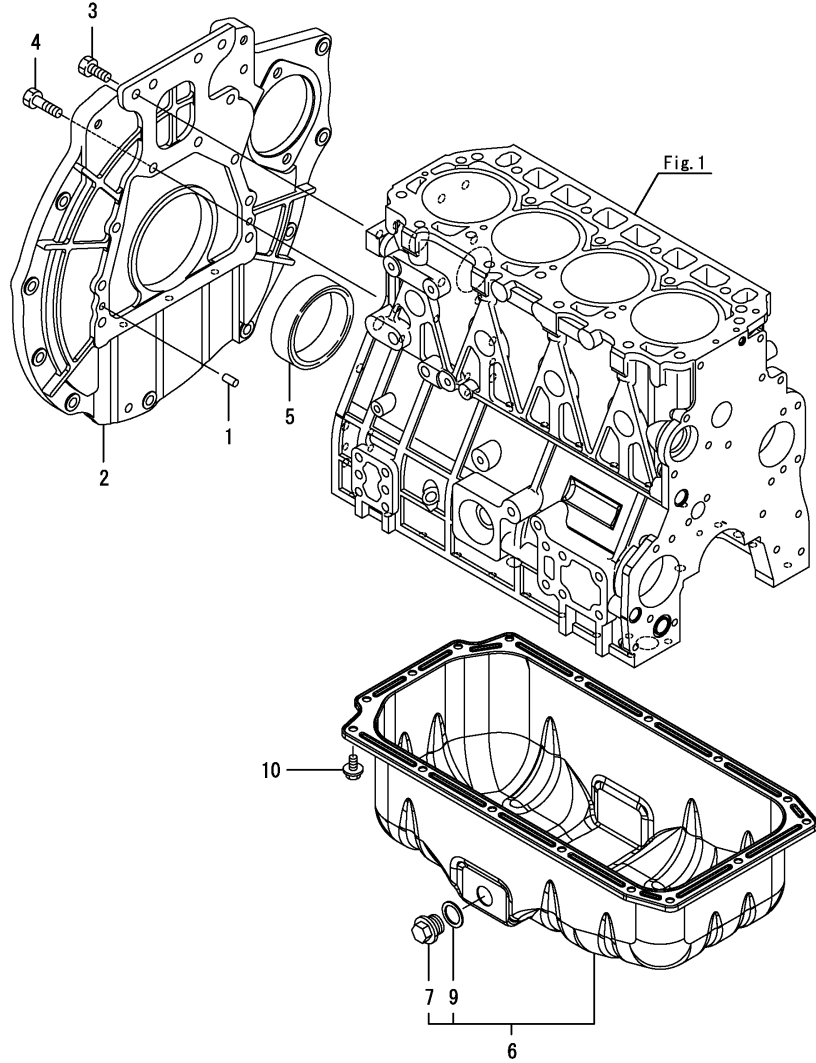


Fig.3. FLYWHEEL HOUSING & OIL SUMP

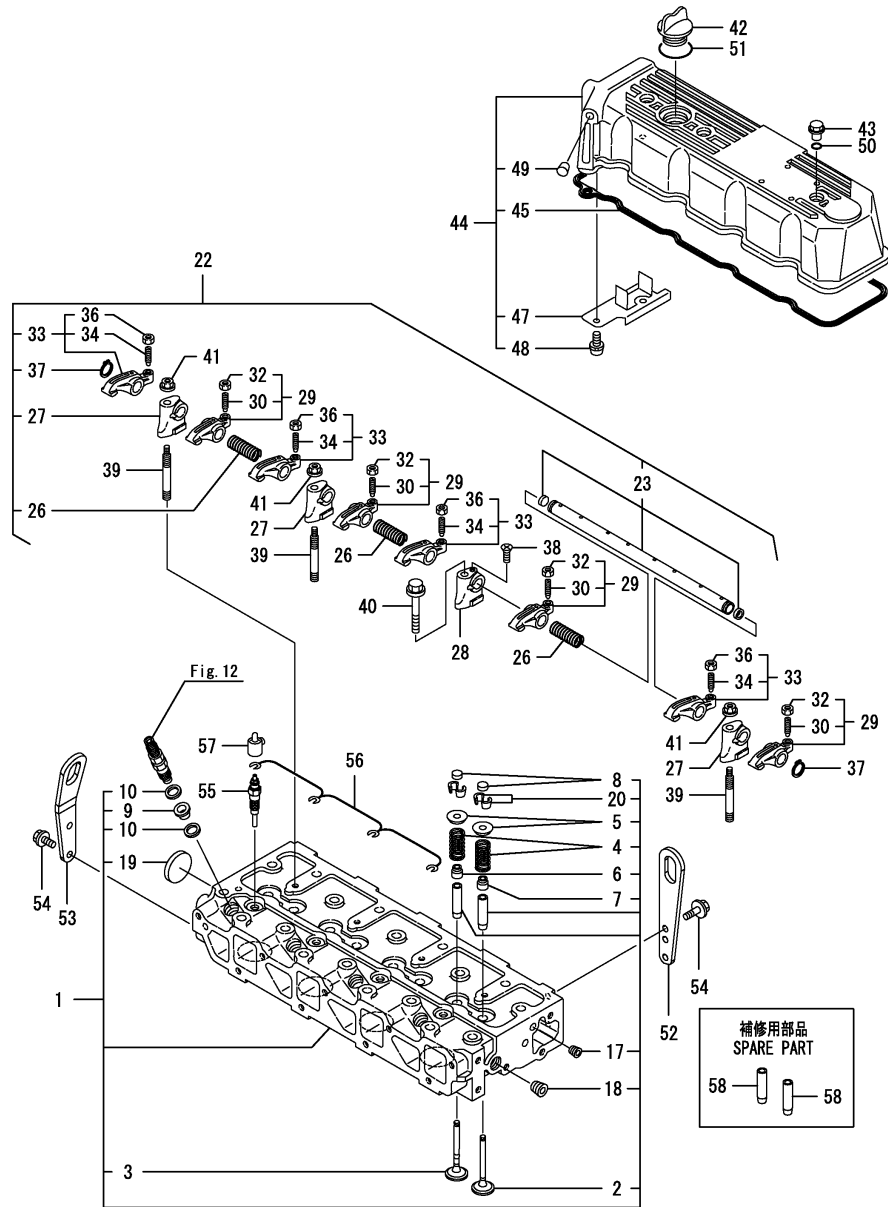
(A)=4TNE98-SNMU
(B)=
(C)=

(D)=
(E)=
(F)=



No.	Lev.	Parts No.	Description	Q'ty						I	R
				(A)	(B)	(C)	(D)	(E)	(F)		
1	1	129100-01580	PIN, PARALLEL 8X16	2							
2	1	129919-01600	HOUSING, FLYWHEEL	1							
3	1	26206-100252	BOLT, M10X 25 PLATED	4							
4	1	26206-100352	BOLT, M10X 35 PLATED	9							
5	1	129916-01790	SEAL, D115/95XT11	1							
6	1	129902-01710	OIL PAN ASSY	1							
7	2	119640-01640	PLUG, DRAIN M22	1							
9	2	22190-220002	WASHER, SEAL 22	1							
10	1	26106-080122	BOLT, M8X 12 PLATED	16							

Fig.4. CYLINDER HEAD & BONNET



(A)=4TNE98-SNMU

(B)=

(C)=

(D)=

(E)=

(F)=

No.	Lev.	Parts No.	Description	Q'ty						I	R
				(A)	(B)	(C)	(D)	(E)	(F)		
1	1	129903-11700	HEAD ASSY, CYLINDER	1							
2	2	129900-11100	VALVE, SUCTION	4							
3	2	129900-11110	VALVE, EXHAUST	4							
4	2	129900-11120	SPRING, VALVE	8							
5	2	129795-11180	RETAINER, SPRING	8							
6	2	121400-11340	SEAL, VALVE STEM	4							
7	2	124460-11340	SEAL, VALVE STEM	4							
8	2	129150-11370	CAP, VALVE	8							
9	2	129901-11450	PROTECTOR, NOZZLE	4							
10	2	119600-11460	GASKET, NOZZLE	8							
17	2	23871-005000	PLUG, R005	1							
18	2	23876-030000	PLUG, R03	1							
19	2	27241-400000	PLUG, 40	1							
20	2	27310-080001	COTTER, 8	8							
22	1	129900-11200	SUPPORT ASSY, ROCKER	1							
23	2	129900-11240	SHAFT ASSY, ROCKER	1							
26	2	129900-11280	SPRING, ROCKER	3							
27	2	129900-11510	SUPPORT, ROCKER ARM	3							
28	2	129900-11520	SUPPORT, ROCKER ARM	1							
29	2	129900-11650	ARM ASSY, ROCKER	4							
30	3	129150-11230	SCREW, VALVE ADJUST	4							
32	3	129150-11750	NUT, M8	4							
33	2	129900-11660	ARM ASSY, ROCKER	4							
34	3	129150-11230	SCREW, VALVE ADJUST	4							
36	3	129150-11750	NUT, M8	4							
37	2	22242-000180	RING, 18	2							
38	2	26577-040162	SCREW, M4X16	1							
39	1	129900-11530	BOLT, STUD	3							
40	1	26106-100652	BOLT, M10X 65 PLATED	1							
41	1	26306-100002	NUT, M10	3							
42	1	124160-01751	CAP, FILLER	1							
43	1	124160-11360	KNOB	3							
44	1	129900-11370	BONNET ASSY, HEAD	1							
45	2	129900-11310	GASKET, BONNET	1							
47	2	129900-11600	PLATE, BAFFLE	1							
48	2	22857-500100	SCREW, 5X10	2							
49	2	27225-080080	PLUG, 8X 8	1							
50	1	24311-000120	O-RING, 1AP12.0	3							
51	1	24311-000320	O-RING, 1AP32.0	1							
52	1	129900-07900	LIFTER, ENGINE	1							
53	1	129930-07910	LIFTER, ENGINE	1							
54	1	26106-080162	BOLT, M8X 16 PLATED	4							
55	1	119717-77801	PLUG, GLOW	4							
56	1	129901-77820	CONNECTOR, GLOW PLUG	1							
57	1	119326-77820	COVER	4							
58	1	129150-11810	GUIDE, VALVE	8							1

Remarks

(1) Spare parts.

N:Old $\xrightarrow{\text{Yes}}$ New, Q:Old $\xrightarrow{\text{No}}$ New, R:Old $\xrightarrow{\text{Yes}}$ New, S:Old $\xrightarrow{\text{No}}$ New, W:Add, Z:Discontinued, F:Interchangeable by set, K:Q'ty Change

Fig.5. SUCTION MANIFOLD

(A)=4TNE98-SNMU
(B)=
(C)=

(D)=
(E)=
(F)=

No.	Lev.	Parts No.	Description	Q'ty						I	R
				(A)	(B)	(C)	(D)	(E)	(F)		
1	1	129900-12050	GASKET, MANIFOLD	1							
2	1	129900-12100	MANIFOLD, AIR INTAKE	1							
3	1	26106-080452	BOLT, M8X 45 PLATED	9							
4	1	121850-77021	GASKET, AIR HEATER	1							
5	1	121850-77100	SLEEVE, PIPE	1							
6	1	26106-080142	BOLT, M8X 14 PLATED	4							

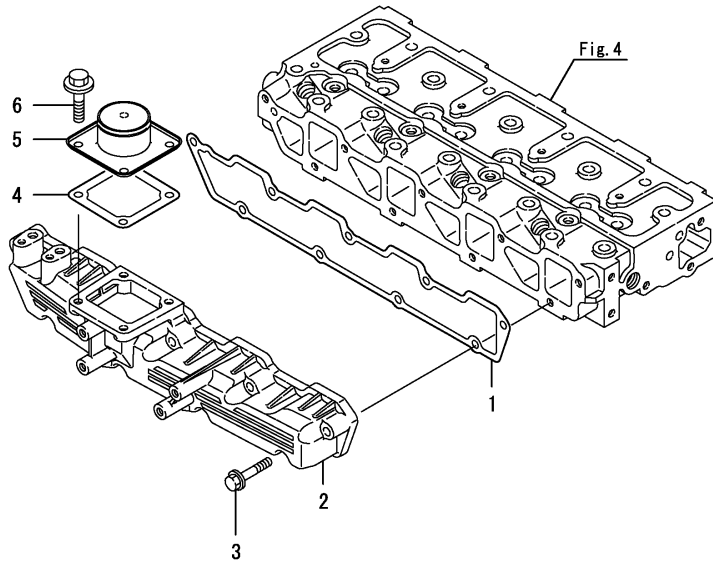


Fig.6. EXHAUST MANIFOLD

(A)=4TNE98-SNMU
(B)=
(C)=

(D)=
(E)=
(F)=

No.	Lev.	Parts No.	Description	Q'ty						I	R
				(A)	(B)	(C)	(D)	(E)	(F)		
1	1	129900-13200	MANIFOLD, EXHAUST	1							
2	1	129900-13251	GASKET, EXH.MANIFOLD	1							
3	1	123900-13610	BOLT, STUD M8X80	2							
4	1	129E00-13640	BOLT, M8X80 10.9T	6							
5	1	119131-18320	BOLT, STUD M8X22	4							
6	1	26306-080002	NUT, M8	2							
7	1	129930-13201	GASKET, SILENCER	1							

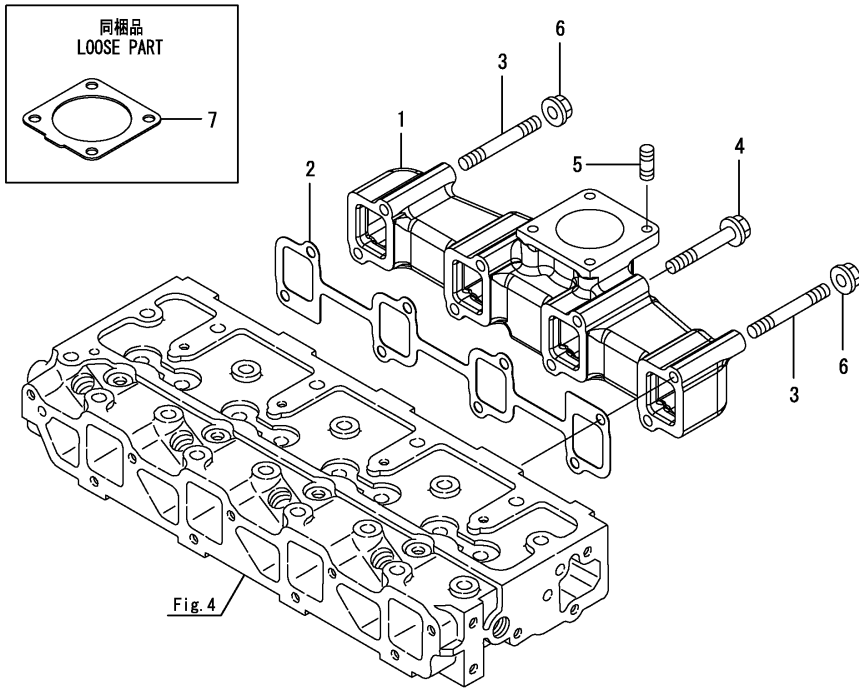
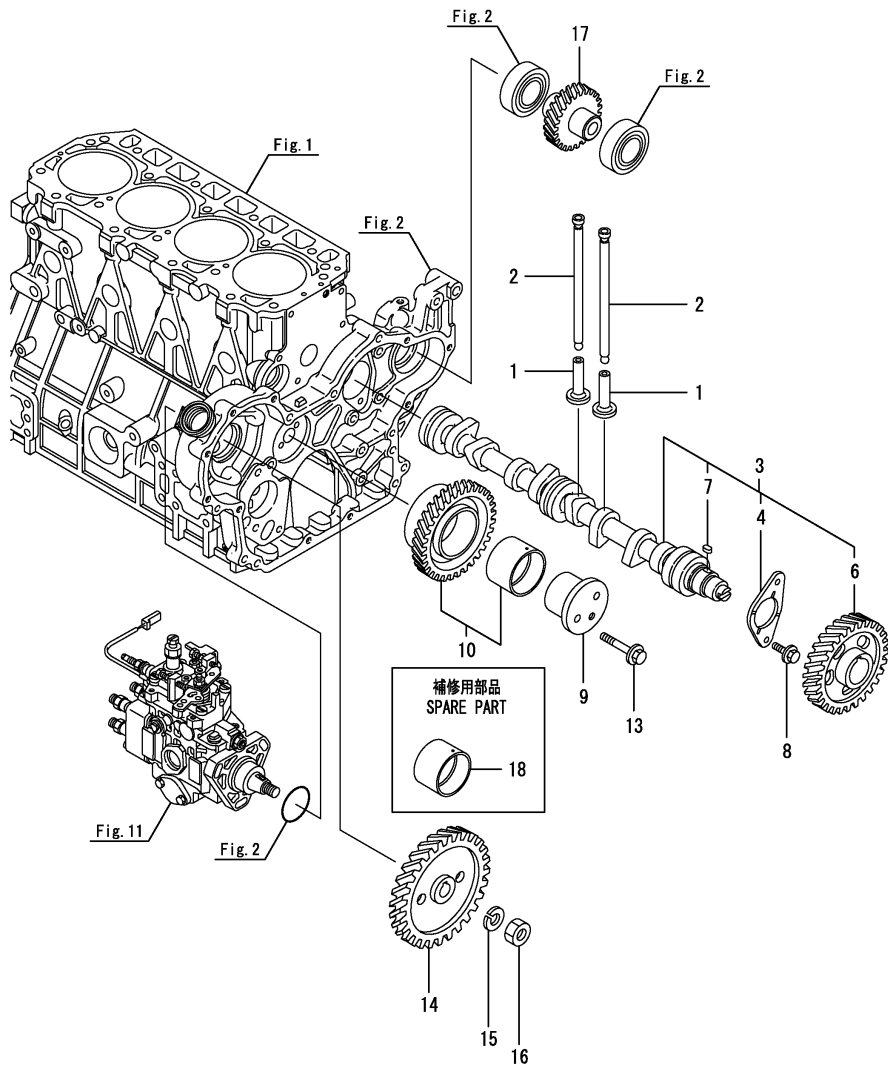


Fig.7. CAMSHAFT & DRIVING GEAR



(A)=4TNE98-SNMU
(B)=
(C)=

(D)=
(E)=
(F)=

No.	Lev.	Parts No.	Description	Q'ty						I	R
				(A)	(B)	(C)	(D)	(E)	(F)		
1	1	129150-14200	TAPPET	8							
2	1	129900-14400	PUSH-ROD	8							
3	1	129900-14590	CAMSHAFT ASSY	1							
4	2	129150-02450	BEARING, THRUST	1							
6	2	129900-14110	GEAR, CAMSHAFT	1							
7	2	22512-070140	KEY, 7X 14	1							
8	1	26106-080142	BOLT, M8X 14 PLATED	2							
9	1	129900-25060	SHAFT, IDLE	1							
10	1	129900-25110	GEAR ASSY, IDLE	1							
13	1	26106-080552	BOLT, M8X 55 PLATED	2							
14	1	129901-25900	GEAR, PUMP	1							
15	1	22217-140000	WASHER, SPRING 14	1							
16	1	26776-140002	NUT, LOCK M14	1							
17	1	129970-26200	GEAR, PUMP	1							
18	1	129150-25920	BUSH, IDLE GEAR	1							1

Remarks
(1)Spare parts.

Fig.8. CRANKSHAFT & PISTON

(A)=4TNE98-SNMU

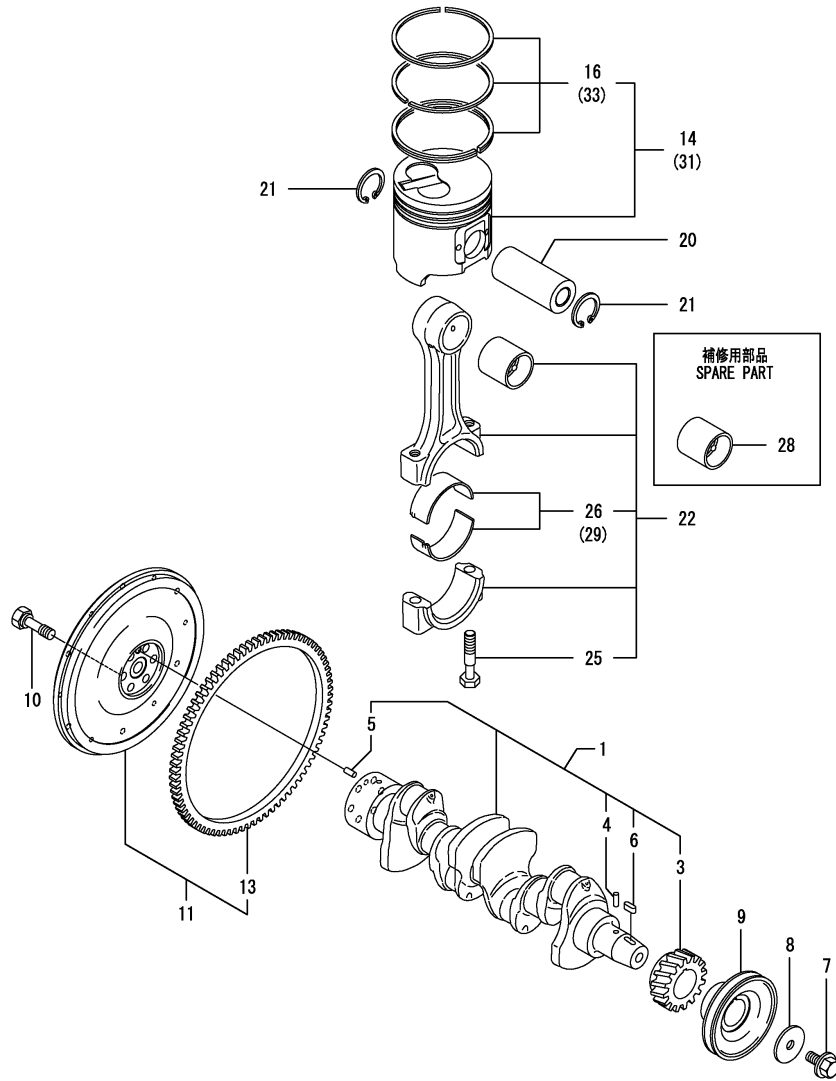
(B)=

(C)=

(D)=

(E)=

(F)=



No.	Lev.	Parts No.	Description	Q'ty						I	R
				(A)	(B)	(C)	(D)	(E)	(F)		
1	1	129902-21050	CRANKSHAFT ASSY	1							
3	2	129900-21220	GEAR, CRANKSHAFT	1							
4	2	121850-21290	PIN	1							
5	2	121850-21920	PIN, PARALLEL 10X22	1							
6	2	22512-070140	KEY, 7X 14	1							
7	1	129916-21610	BOLT	1							
8	1	129900-21640	WASHER	1							
9	1	129900-21660	V-PULLEY, CRANK 130	1							
10	1	121850-21130	BOLT, FLYWHEEL	6							
11	1	129919-21500	FLYWHEEL ASSY	1							
13	2	129900-21600	GEAR, RING	1							
14	1	129903-22120	PISTON ASSY, IDI	4							
16	2	129903-22050	RING SET, PISTON	4							
20	1	120130-22301	PIN, PISTON	4							
21	1	22252-000300	RING, 30	8							
22	1	129900-23001	ROD ASSY, CONNECTING	4							
25	2	129900-23200	BOLT, CONNECTING ROD	8							
26	2	129900-23601	BEARING, CRANK PIN	4							
28	1	129900-23911	BEARING, PISTON PIN	4							1
29	1	129900-23611	BEARING ASSY, 0.25US	4							2
31	1	129903-22940	PISTON ASSY, 0.25 OS	4							3
33	2	129903-22950	RING SET, 0.25 OS	4							3

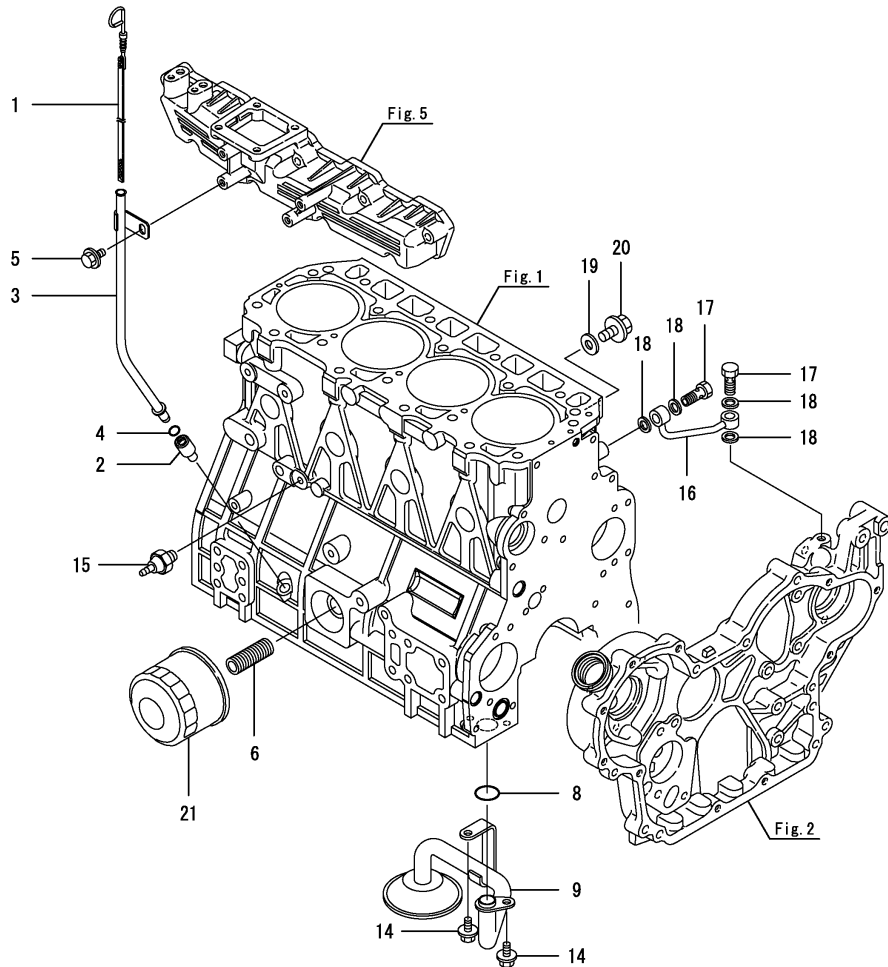
Remarks

- (1) Spare parts.
- (2) Under-sized (U.S.=0.25) parts.
- (3) Over-sized (O.S.=0.25) parts.

Fig.9. LUB. OIL SYSTEM

(A)=4TNE98-SNMU
(B)=
(C)=

(D)=
(E)=
(F)=



No.	Lev.	Parts No.	Description	Qty						I	R
				(A)	(B)	(C)	(D)	(E)	(F)		
1	1	129930-34800	DIPSTICK	1							
2	1	119260-34810	GUIDE, DIPSTICK	1							
3	1	129930-34810	GUIDE, DIPSTICK	1							
4	1	24316-240100	O-RING, 4DP10A	1							
5	1	26106-080162	BOLT, M8X 16 PLATED	1							
6	1	119000-35140	BOLT, STUD FILTER	1							
8	1	129900-32030	O-RING, P20	1							
9	1	129900-35000	PIPE ASSY, OIL INLET	1							
14	1	26106-080122	BOLT, M8X 12 PLATED	2							
15	1	114250-39450	SWITCH, HYDRAULIC	1							
16	1	129930-39050	PIPE, OIL	1							
17	1	105010-39140	BOLT, PIPE JOINT	2							
18	1	22190-080002	WASHER, SEAL 8	4							
19	1	22190-080002	WASHER, SEAL 8	1							
20	1	26106-080122	BOLT, M8X 12 PLATED	1							
21	1	129150-35153	FILTER ASSY, D80X80L	1							1

Remarks

(1) Spare parts.

N:Old $\xrightarrow{\text{Yes}}$ New, Q:Old $\xrightarrow{\text{No}}$ New, R:Old $\xrightarrow{\text{Yes}}$ New, S:Old $\xrightarrow{\text{No}}$ New, W:Add, Z:Discontinued, F:Interchangeable by set, K:Qty Change

Fig.10. COOLING WATER SYSTEM

(A)=4TNE98-SNMU
(B)=
(C)=

(D)=
(E)=
(F)=

No.	Lev.	Parts No.	Description	Q'ty						I	R
				(A)	(B)	(C)	(D)	(E)	(F)		
1	1	129917-42010	PUMP ASSY, WATER	1							
3	2	129900-42140	O-RING, P36	1							
4	2	129917-42160	COVER	1							
5	2	129917-42170	GASKET	1							
9	2	129917-42300	FLANGE	1							
10	2	129917-42310	GASKET	1							
12	2	129916-49740	PLUG, R3/8	1							
13	2	23875-010000	PLUG, R01	1							
15	2	26106-060202	BOLT, M6X 20 PLATED	2							
16	2	26577-060142	SCREW M 6X 14	6							
17	1	129900-42061	GASKET, WATER PUMP	1							
18	1	26106-080552	BOLT, M8X 55 PLATED	3							
19	1	129900-42462	V-PULLEY, PUMP	1							
20	1	25132-004200	V-BELT, A42	1							
21	1	129900-44700	FAN, COOLING D=410	1							
22	1	26018-080162	BOLT, M8X 16	4							
23	1	121850-49550	GASKET, THERMOSTAT	1							
24	1	129900-49551	COVER, THERMOSTAT	1							
25	1	129900-49560	GASKET	1							
26	1	121850-49811	THERMOSTAT, 71C	1							
27	1	26106-080252	BOLT, M8X 25 PLATED	2							
28	1	171056-49120	PLUG, DRAIN R1/4	1							
29	1	121450-42450	PLUG, M16	2							
30	1	124465-44950	GASKET, 16	2							

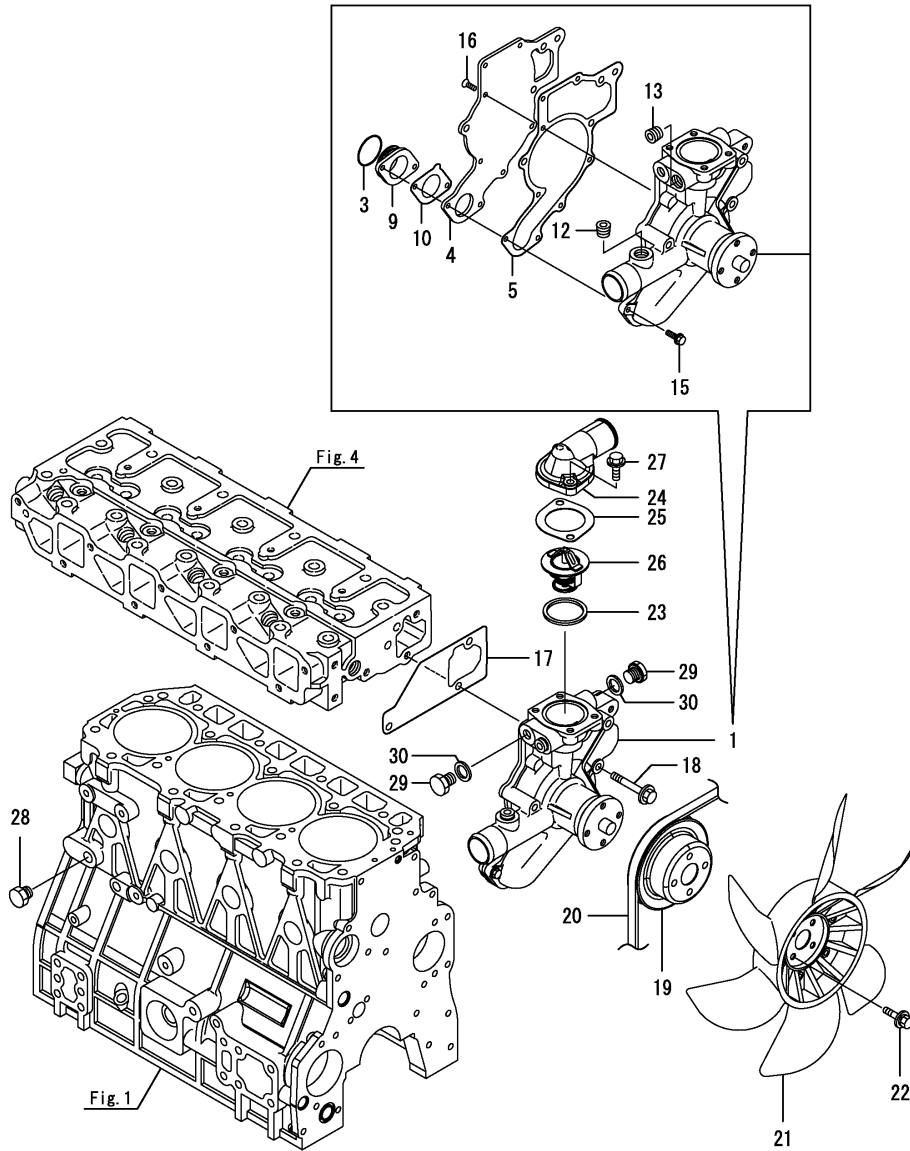
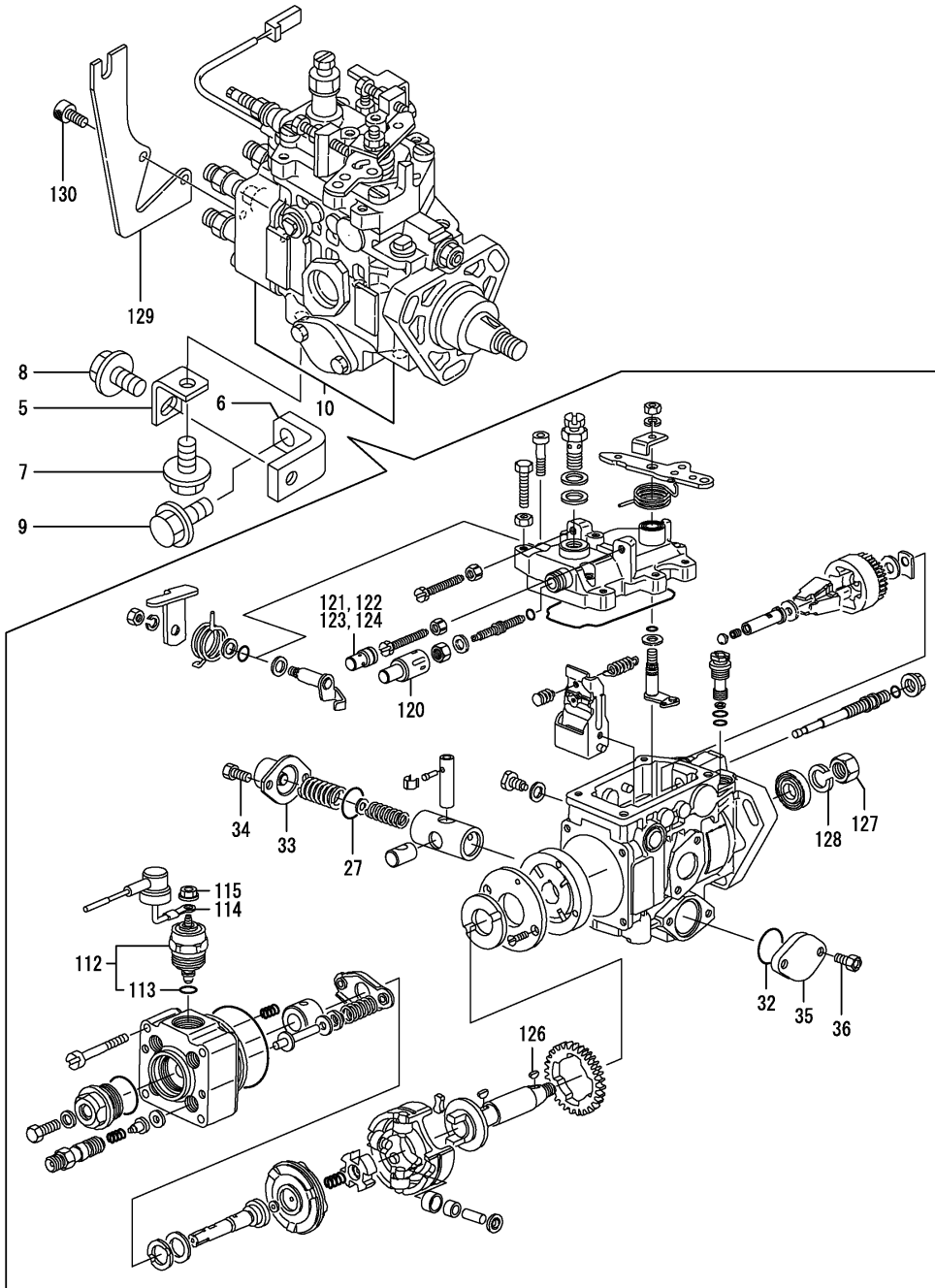


Fig.11. FUEL INJECTION PUMP



(A)=4TNE98-SNMU
(B)=
(C)=

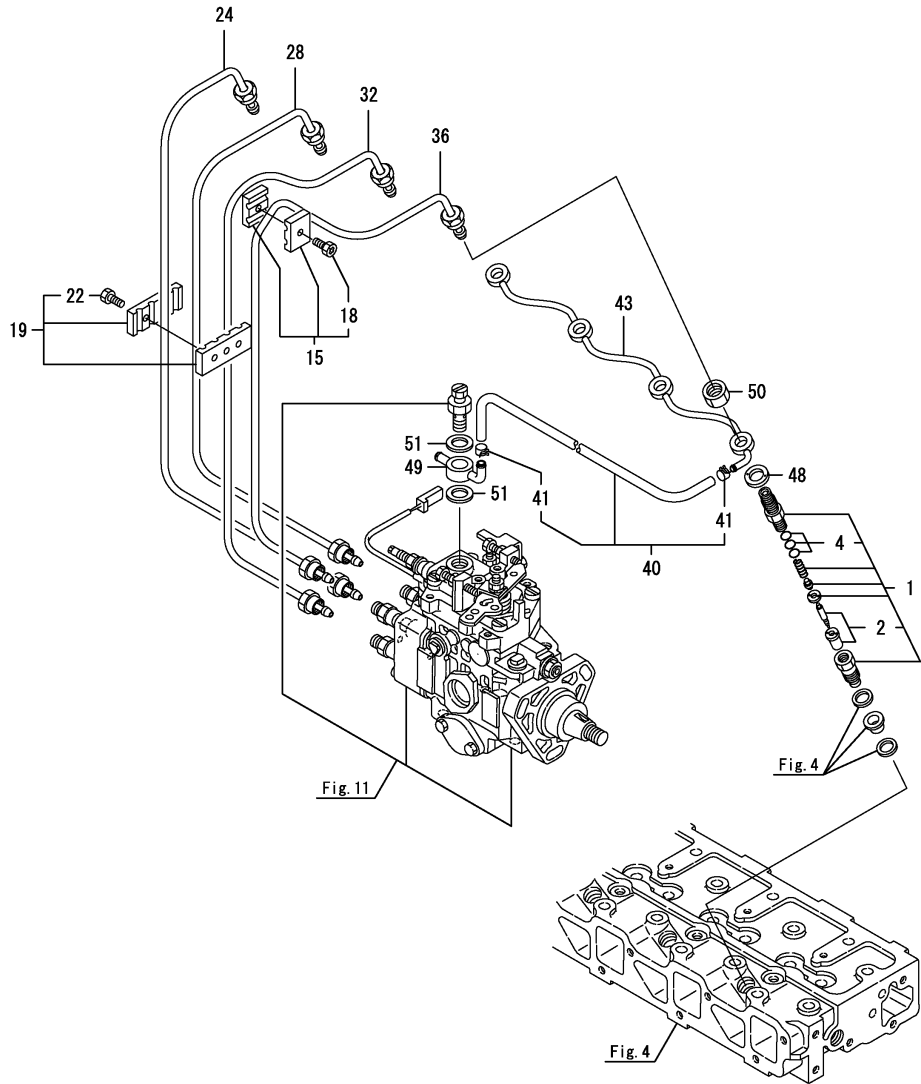
(D)=
(E)=
(F)=

No.	Lev.	Parts No.	Description	Q'ty						I	R
				(A)	(B)	(C)	(D)	(E)	(F)		
5	1	129904-01950	RETAINER, PUMP	1							
6	1	129901-01960	STAY	1							
7	1	26106-100142	BOLT, M10X 14 PLATED	1							
8	1	26106-100162	BOLT, M10X 16 PLATED	1							
9	1	26106-100202	BOLT, M10X 20 PLATED	1							
10	1	129919-51200	PUMP ASSY, INJECTION	1							
27	2	X1466000800	O-RING	1							
32	2	X1466000800	O-RING	1							
33	2	X1463104020	COVER	1							
34	2	X1466205000	BOLT	2							
35	2	X1463105100	COVER	1							
36	2	X1466205000	BOLT	2							
112	2	X1466501220	VALVE	1							
113	3	X1466001700	O-RING	1							
114	2	X1466584820	WIRE	1							
115	2	X1466214901	NUT	1							
120	2	X1465981000	CAP	1							
121	2	X1465980900	CAP	1							
122	2	X1465980800	CAP	1							
123	2	X1465980600	CAP	1							
124	2	X1465980700	CAP	1							
126	2	X0294704030	KEY	1							
127	2	X0131214140	NUT	1							
128	2	X0293214050	WASHER	1							
129	1	129930-67010	BRACKET, WIRE	1							
130	1	26450-060252	BOLT, M6X 25	2							

Fig.12. FUEL INJECTION VALVE

(A)=4TNE98-SNMU
(B)=
(C)=

(D)=
(E)=
(F)=



No.	Lev.	Parts No.	Description	Q'ty						I	R
				(A)	(B)	(C)	(D)	(E)	(F)		
1	1	129931-53000	VALVE ASSY,INJECTION	4							
2	2	119717-53010	NOZZLE ASSY, F.I.	4							
4	2	129901-53800	SHIM SET, ADJUSTING	4							1
15	1	119305-59120	RETAINER, PIPE	2							
18	2	129150-59131	BOLT, M4X14	2							
19	1	129550-59120	RETAINER, PIPE	1							
22	2	129150-59131	BOLT, M4X14	2							
24	1	129901-59810	PIPE ASSY, INJECTION	1							
28	1	129901-59820	PIPE ASSY, INJECTION	1							
32	1	129901-59830	PIPE ASSY, INJECTION	1							
36	1	129901-59840	PIPE ASSY, INJECTION	1							
40	1	105225-59500	HOSE ASSY, RETURN	1							
41	2	124066-59100	CLAMP, HOSE 8	2							
43	1	129901-59510	PIPE ASSY, RETURN	1							
48	1	129901-59560	GASKET	4							
49	1	129901-59580	JOINT, PIPE	1							
50	1	119620-59700	NUT, NOZZLE	4							
51	1	22190-120002	WASHER, SEAL 12	2							

Remarks
(1) Spare parts.

Fig.13. FUEL FILTER

(A)=4TNE98-SNMU
(B)=
(C)=

(D)=
(E)=
(F)=

No.	Lev.	Parts No.	Description	Q'ty						I	R
				(A)	(B)	(C)	(D)	(E)	(F)		
1	1	129917-55801	FILTER ASSY, FUEL	1							
2	2	129917-55810	BODY, FILLER	1							
3	2	129917-55821	SENSOR ASSY, LEVEL	1							
4	3	129917-55830	PLUG, DRAIN	1							
5	3	129917-55840	O-RING	1							
6	2	129917-55850	ELEMENT KIT, FUEL	1							
7	1	26106-080252	BOLT, M8X 25 PLATED	2							
8	1	129901-59500	HOSE, FUEL D13X655	1							
9	1	119171-59910	JOINT, PIPE	1							
10	1	105430-67110	CLAMP, CORD	2							
11	1	22190-120002	WASHER, SEAL 12	1							
12	1	23000-013000	CLAMP, 13	2							
13	1	198072-04320	CLAMP, FILTER	1							
14	1	129052-55630	FILTER, FUEL	1							

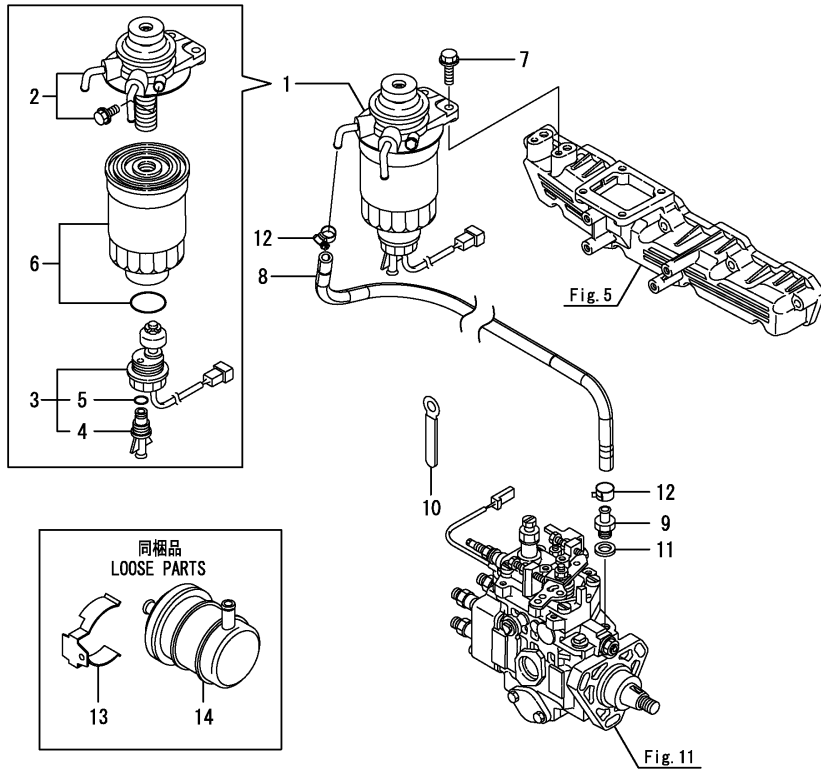
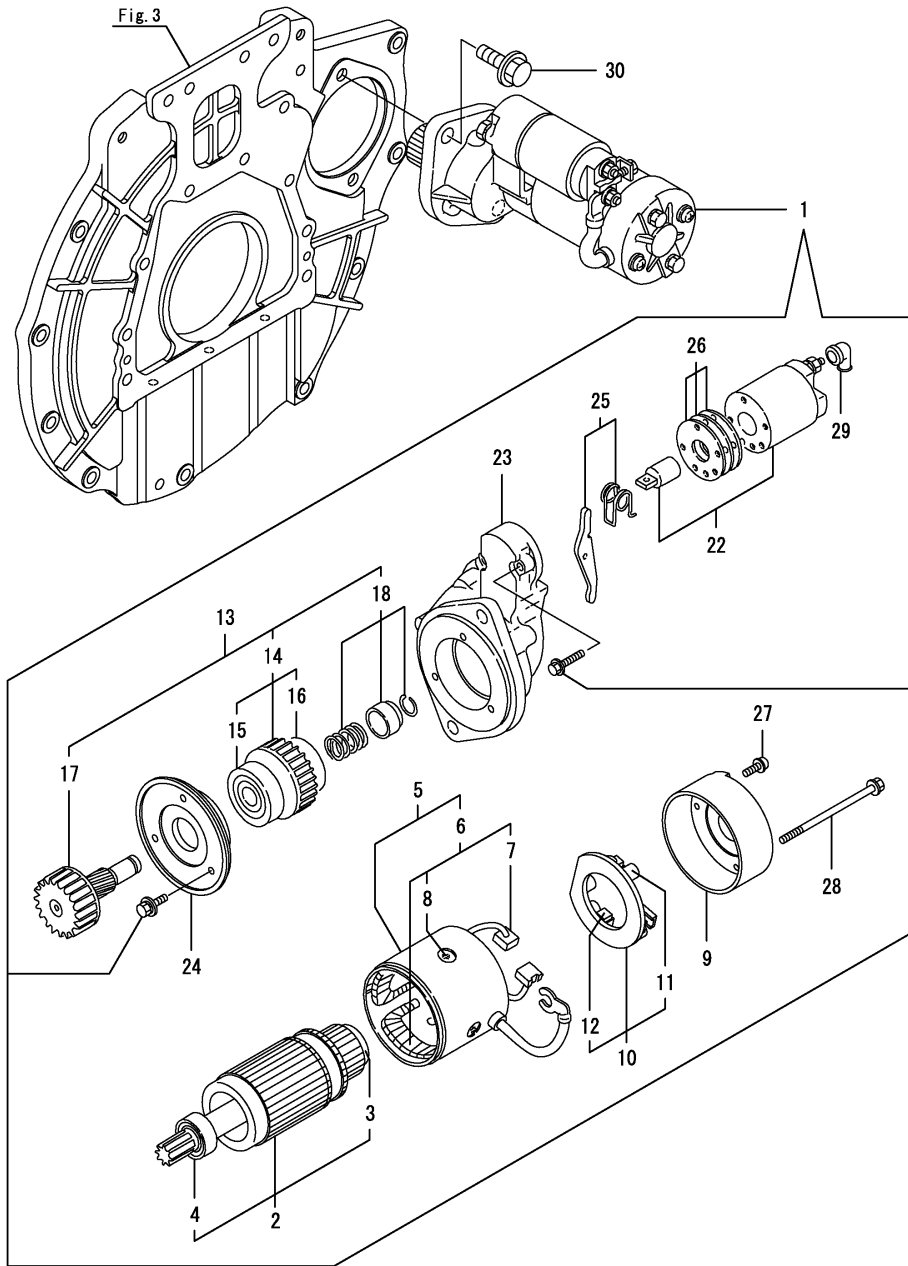


Fig.14. STARTER MOTOR



(A)=4TNE98-SNMU
(B)=
(C)=

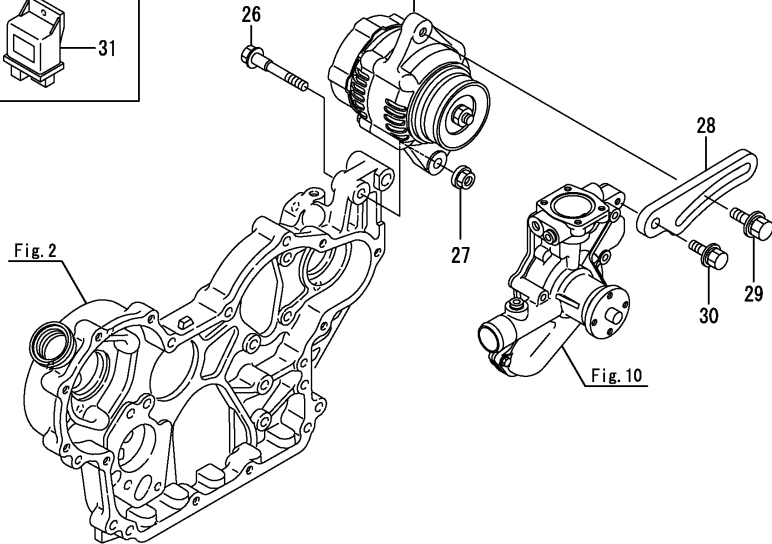
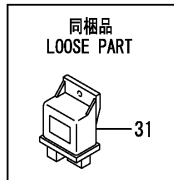
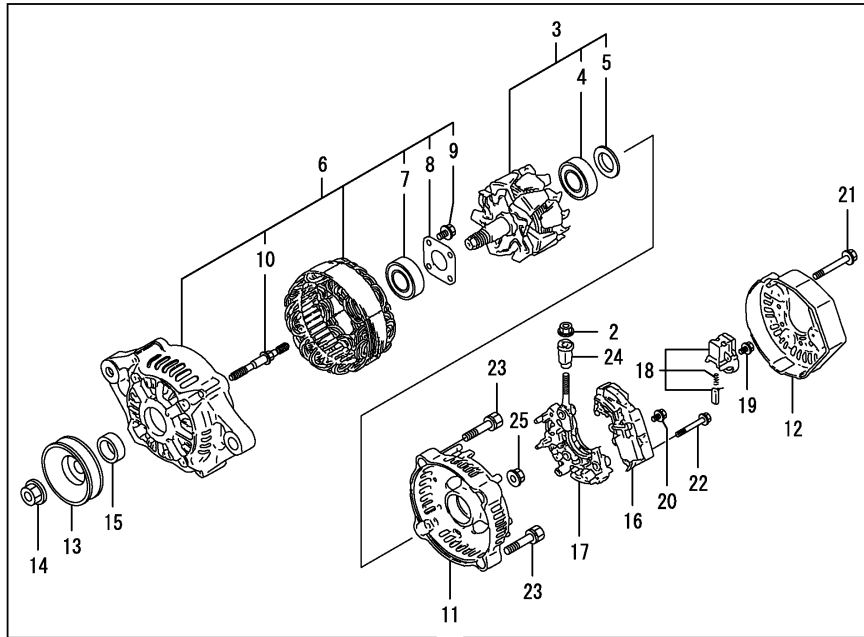
(D)=
(E)=
(F)=

No.	Lev.	Parts No.	Description	Qty						I	R
				(A)	(B)	(C)	(D)	(E)	(F)		
1	1	129900-77040	STARTER ASSY	1							
2	2	129900-77120	ARMATURE ASSY	1							
3	3	171008-77410	BEARING, BALL	1							
4	3	171008-77420	BEARING, BALL	1							
5	2	129900-77130	YOKE ASSY	1							
6	3	129900-77140	COIL ASSY, FIELD	1							
7	4	129900-77450	BRUSH	2							
8	4	171008-77450	SCREW, CORE SET	4							
9	2	129900-77150	COVER	1							
10	2	129900-77160	HOLDER ASSY, BRUSH	1							
11	3	X2130631300	SPRING, BRUSH	4							
12	3	129900-77450	BRUSH	2							
13	2	129900-77170	CLUTCH ASSY	1							
14	3	129900-77180	CLUTCH ASSY	1							
15	4	129900-77190	BEARING, BALL	1							
16	4	X2114955020	BEARING, BALL	1							
17	3	129900-77270	SHAFT, PINION	1							
18	3	171008-77670	STOPPER SET, PINION	1							
22	2	129900-77280	SWITCH ASSY, MAGNET	1							
23	2	129900-77290	CASE, GEAR	1							
24	2	129900-77380	RETAINER, BEARING	1							
25	2	129900-77390	LEVER ASSY, SHIFT	1							
26	2	129900-77420	COVER KIT, DUST	1							
27	2	129900-77430	SCREW, M4X10	2							
28	2	129685-77640	BOLT, THROUGH	2							
29	2	171008-77750	COVER, TERMINAL	1							
30	1	26106-120252	BOLT, M12X 25 PLATED	2							

Fig.15. GENERATOR

(A)=4TNE98-SNMU
(B)=
(C)=

(D)=
(E)=
(F)=

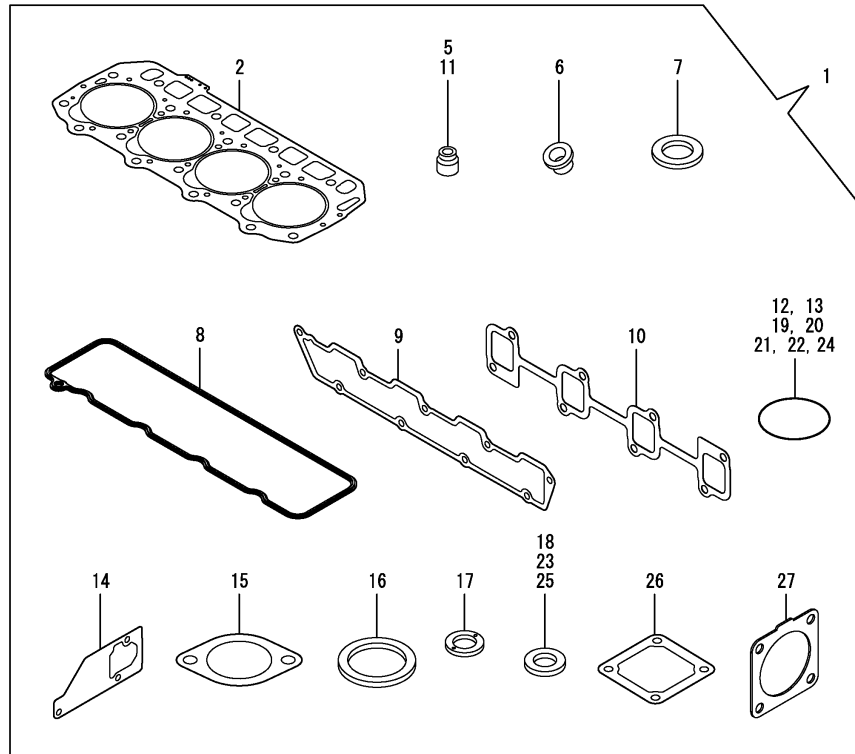


No.	Lev.	Parts No.	Description	Q'ty						I	R
				(A)	(B)	(C)	(D)	(E)	(F)		
1	1	129052-77220	GENERATOR ASSY, 55A	1							
2	2	X9490561001	NUT	1							
3	2	129052-77380	ROTOR ASSY	1							
4	3	123501-79240	BEARING, BALL	1							
5	3	119620-79250	COVER, BEARING	1							
6	2	129052-77422	FRAME ASSY	1							
7	3	119620-79200	BEARING, BALL	1							
8	3	119620-79210	RETAINER	1							
9	3	119620-79220	SCREW	4							
10	3	119620-79230	BOLT, STUD	2							
11	2	128401-77440	FRAME	1							
12	2	128401-77450	COVER, GENERATOR	1							
13	2	119620-77461	PULLEY, GENERATOR	1							
14	2	119620-77471	NUT	1							
15	2	119620-77490	COLLAR	1							
16	2	119620-77710	REGULATOR ASSY	1							
17	2	129052-79260	HOLDER	1							
18	2	129052-79270	HOLDER, BRUSH	1							
19	2	119620-79290	SCREW	6							
20	2	119620-79300	SCREW	1							
21	2	119620-79310	BOLT	3							
22	2	119620-79320	SCREW	2							
23	2	119620-79330	BOLT	2							
24	2	119620-79340	BUSH, INSULATION	1							
25	2	119620-79350	NUT	2							
26	1	129960-77250	BOLT, GENERATOR	1							
27	1	129612-77260	NUT, ALTERNATOR	1							
28	1	129904-77330	ADJUSTER, BELT	1							
29	1	119810-77340	BOLT, ADJUST L=30	1							
30	1	26014-080252	BOLT, M8X 25	1							
31	1	129930-77950	CONTROLLER	1							

Fig.16. GASKET SET

(A)=4TNE98-SNMU
(B)=
(C)=

(D)=
(E)=
(F)=



No.	Lev.	Parts No.	Description	Q'ty						I	R
				(A)	(B)	(C)	(D)	(E)	(F)		
1	1	729903-92701	GASKET SET	1							1
2	2	729903-01350	GASKET ASSY, HEAD	1							
5	2	124460-11340	SEAL, VALVE STEM	4							
6	2	129901-11450	PROTECTOR, NOZZLE	4							
7	2	119600-11460	GASKET, NOZZLE	8							
8	2	129900-11310	GASKET, BONNET	1							
9	2	129900-12050	GASKET, MANIFOLD	1							
10	2	129900-13251	GASKET, EXH.MANIFOLD	1							
11	2	121400-11340	SEAL, VALVE STEM	4							
12	2	129900-32030	O-RING, P20	2							
13	2	129900-32040	O-RING, P14	1							
14	2	129900-42061	GASKET, WATER PUMP	1							
15	2	129900-49560	GASKET	1							
16	2	121850-49550	GASKET, THERMOSTAT	1							
17	2	129901-59560	GASKET	4							
18	2	22190-120002	WASHER, SEAL 12	7							
19	2	24311-240100	O-RING, 1AP10A	1							
20	2	24311-000120	O-RING, 1AP12.0	3							
21	2	24311-000320	O-RING, 1AP32.0	2							
22	2	24341-000500	O-RING, 1AS50.0	1							
23	2	22190-080002	WASHER, SEAL 8	4							
24	2	24321-000850	O-RING, 1AG85.0	1							
25	2	22190-220002	WASHER, SEAL 22	1							
26	2	121850-77021	GASKET, AIR HEATER	1							
27	2	129930-13201	GASKET, SILENCER	1							

Remarks

(1)Optional parts.

N:Old $\xrightarrow{\text{Yes}}$ New, Q:Old $\xrightarrow{\text{No}}$ New, R:Old $\xrightarrow{\text{Yes}}$ New, S:Old $\xrightarrow{\text{No}}$ New, W:Add, Z:Discontinued, F:Interchangeable by set, K:Q'ty Change

Parts No. Index

Parts No.	Fig. No.	Ref. No.
105010-39140	9	17
105225-59500	12	40
105430-67110	13	10
114250-39450	9	15
119000-35140	9	6
119131-18320	6	5
119171-59910	13	9
119260-34810	9	2
119305-59120	12	15
119326-77820	4	57
119600-11460	4	10
	16	7
119620-59700	12	50
119620-77461	15	13
119620-77471	15	14
119620-77490	15	15
119620-77710	15	16
119620-79200	15	7
119620-79210	15	8
119620-79220	15	9
119620-79230	15	10
119620-79250	15	5
119620-79290	15	19
119620-79300	15	20
119620-79310	15	21
119620-79320	15	22
119620-79330	15	23
119620-79340	15	24
119620-79350	15	25
119640-01640	3	7
119717-53010	12	2
119717-77801	4	55
119810-77340	15	29
120130-22301	8	20
121400-11340	4	6
	16	11
121450-42450	10	29
121850-21130	8	10
121850-21290	8	4
121850-21920	8	5
121850-49550	10	23
	16	16
121850-49811	10	26
121850-77021	5	4
	16	26
121850-77100	5	5
123501-79240	15	4
123900-13610	6	3
124066-59100	12	41
124160-01751	2	6

Parts No.	Fig. No.	Ref. No.
124160-01751	4	42
124160-11360	4	43
124460-11340	4	7
	16	5
124465-44950	10	30
128401-77440	15	11
128401-77450	15	12
129052-55630	13	14
129052-77220	15	1
129052-77380	15	3
129052-77422	15	6
129052-79260	15	17
129052-79270	15	18
129100-01580	2	4
	3	1
129150-02450	7	4
129150-11230	4	30
		34
129150-11370	4	8
129150-11750	4	32
		36
129150-11810	4	58
129150-14200	7	1
129150-25920	7	18
129150-35153	9	21
129150-59131	12	18
		22
129550-59120	12	19
129612-77260	15	27
129685-77640	14	28
129795-11180	4	5
129900-01200	1	29
129900-01250	1	4
129900-02020	1	6
129900-02341	1	36
129900-02410	1	9
129900-02931	1	26
129900-02941	1	39
129900-07900	4	52
129900-11100	4	2
129900-11110	4	3
129900-11120	4	4
129900-11200	4	22
129900-11240	4	23
129900-11280	4	26
129900-11310	4	45
	16	8
129900-11370	4	44
129900-11510	4	27
129900-11520	4	28

Parts No.	Fig. No.	Ref. No.
129900-11530	4	39
129900-11600	4	47
129900-11650	4	29
129900-11660	4	33
129900-12050	5	1
	16	9
129900-12100	5	2
129900-13200	6	1
129900-13251	6	2
	16	10
129900-14110	7	6
129900-14140	2	23
129900-14400	7	2
129900-14590	7	3
129900-21220	8	3
129900-21600	8	13
129900-21640	8	8
129900-21660	8	9
129900-23001	8	22
129900-23200	8	25
129900-23601	8	26
129900-23611	8	29
129900-23911	8	28
129900-25060	7	9
129900-25110	7	10
129900-26250	2	9
		24
129900-32001	2	10
129900-32030	2	25
	9	8
	16	12
129900-32040	2	26
	16	13
129900-35000	9	9
129900-42061	10	17
	16	14
129900-42140	10	3
129900-42462	10	19
129900-44700	10	21
129900-49551	10	24
129900-49560	10	25
	16	15
129900-77040	14	1
129900-77120	14	2
129900-77130	14	5
129900-77140	14	6
129900-77150	14	9
129900-77160	14	10
129900-77170	14	13
129900-77180	14	14

Parts No.	Fig. No.	Ref. No.
129900-77190	14	15
129900-77270	14	17
129900-77280	14	22
129900-77290	14	23
129900-77380	14	24
129900-77390	14	25
129900-77420	14	26
129900-77430	14	27
129900-77450	14	7
		12
129901-01500	2	8
129901-01960	11	6
129901-11450	4	9
	16	6
129901-25900	7	14
129901-53800	12	4
129901-59500	13	8
129901-59510	12	43
129901-59560	12	48
	16	17
129901-59580	12	49
129901-59810	12	24
129901-59820	12	28
129901-59830	12	32
129901-59840	12	36
129901-77820	4	56
129902-01710	3	6
129902-21050	8	1
129903-11700	4	1
129903-22050	8	16
129903-22120	8	14
129903-22940	8	31
129903-22950	8	33
129904-01950	11	5
129904-77330	15	28
129916-01790	3	5
129916-01800	2	3
129916-21610	8	7
129916-49740	10	12
129917-01500	2	1
129917-42010	10	1
129917-42160	10	4
129917-42170	10	5
129917-42300	10	9
129917-42310	10	10
129917-55801	13	1
129917-55810	13	2
129917-55821	13	3
129917-55830	13	4
129917-55840	13	5

Parts No. Index

Parts No.	Fig. No.	Ref. No.
129917-55850	13	6
129919-01600	3	2
129919-21500	8	11
129919-51200	11	10
129930-01870	2	22
129930-07910	4	53
129930-13201	6	7
	16	27
129930-34800	9	1
129930-34810	9	3
129930-39050	9	16
129930-67010	11	129
129930-77950	15	31
129931-53000	12	1
129951-01740	2	5
129960-77250	15	26
129970-26200	7	17
129E00-13640	6	4
171008-77410	14	3
171008-77420	14	4
171008-77450	14	8
171008-77670	14	18
171008-77750	14	29
171051-01921	1	5
171056-49120	10	28
198072-04320	13	13
22190-080002	1	10
	9	18
		19
	16	23
22190-120002	12	51
	13	11
	16	18
22190-220002	3	9
	16	25
22217-140000	7	15
22242-000180	4	37
22252-000300	8	21
22351-060012	1	11
22512-070140	7	7
	8	6
22857-500100	4	48
23000-013000	13	12
23871-005000	4	17
23875-010000	10	13
23876-030000	1	12
		13
		14
	4	18
24311-000120	4	50

Parts No.	Fig. No.	Ref. No.
24311-000120	16	20
24311-000320	2	27
	4	51
	16	21
24311-240100	16	19
24316-240100	9	4
24321-000850	2	28
	16	24
24341-000500	2	29
	16	22
25132-004200	10	20
26014-080252	15	30
26018-080162	10	22
26106-060202	10	15
26106-080122	1	15
	3	10
	9	14
		20
26106-080142	5	6
	7	8
26106-080162	2	30
	4	54
	9	5
26106-080202	2	31
26106-080252	10	27
	13	7
26106-080302	2	32
26106-080402	2	33
		34
26106-080452	2	35
	5	3
26106-080552	7	13
	10	18
26106-080702	2	36
		37
26106-100142	11	7
26106-100162	11	8
26106-100202	2	38
	11	9
26106-100652	4	40
26106-120252	14	30
26206-100252	3	3
26206-100352	3	4
26226-080302	2	21
26306-080002	2	39
	6	6
26306-100002	4	41
26450-060252	11	130
26577-040162	4	38
26577-060142	10	16

Parts No.	Fig. No.	Ref. No.
26776-140002	7	16
27225-080080	4	49
27241-300000	1	16
27241-400000	4	19
27310-080001	4	20
729900-02801	1	33
729903-01350	1	30
	16	2
729903-01560	1	1
729903-92701	16	1
X0131214140	11	127
X0293214050	11	128
X0294704030	11	126
X1463104020	11	33
X1463105100	11	35
X1465980600	11	123
X1465980700	11	124
X1465980800	11	122
X1465980900	11	121
X1465981000	11	120
X1466000800	11	27
		32
X1466001700	11	113
X1466205000	11	34
		36
X1466214901	11	115
X1466501220	11	112
X1466584820	11	114
X2114955020	14	16
X2130631300	14	11
X9490561001	15	2

Parts No.	Fig. No.	Ref. No.
-----------	----------	----------