

OCR10-M45800EN

# PREFACE

1. This Parts Catalog carries all parts incorporated in YANMAR Model 4TNE98 - SA & 4TNE98 - G1A engines manufactured since June, 1996
2. Each illustration corresponds to the parts list on the following page.
3. When ordering parts, clearly write down the engine model and serial number, as well as the name and number of each part in your order sheet. This will help insure reliable delivery of the parts you have ordered.

# Contents

Fig. No.    Fig. Name

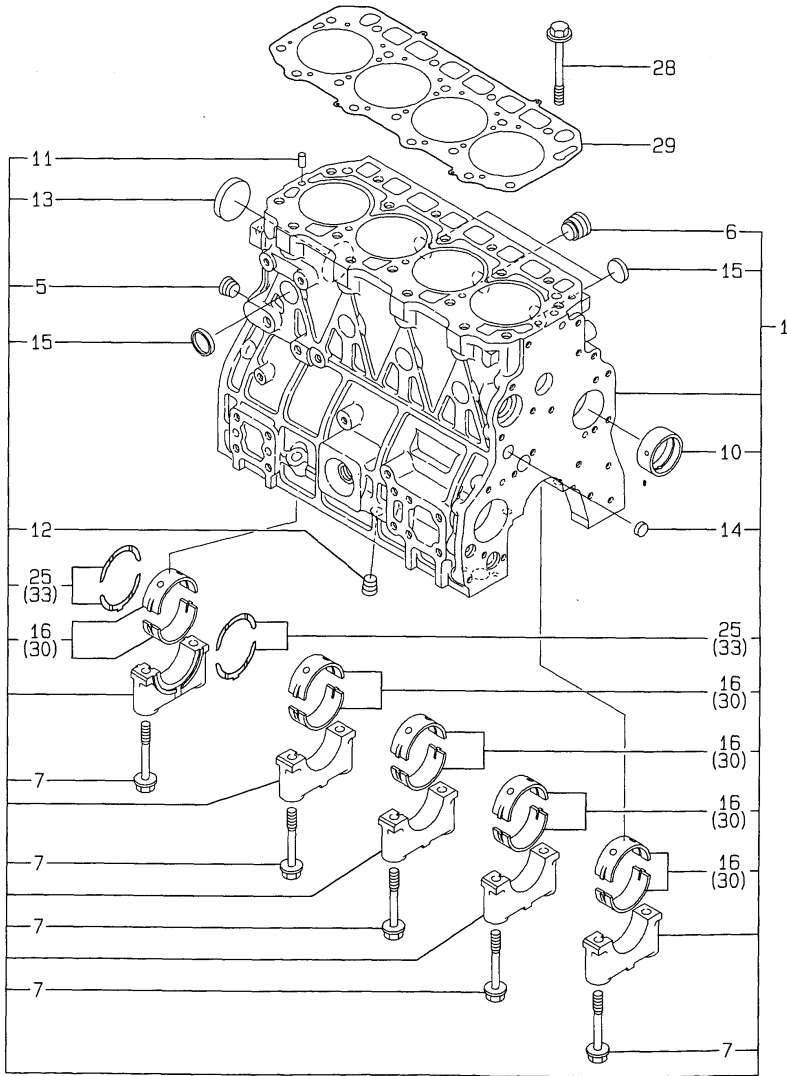
4TNE98-SA,G1A

1. CYLINDER BLOCK
2. GEAR HOUSING
3. FLYWHEEL HOUSING & OIL SUMP
4. CYLINDER HEAD & BONNET
5. SUCTION MANIFOLD
6. EXHAUST MANIFOLD
7. CAMSHAFT & DRIVING GEAR
8. CRANKSHAFT & PISTON
9. LUB.OIL SYSTEM
10. COOLING WATER SYSTEM
11. FUEL INJECTION PUMP
12. FUEL INJECTION VALVE
13. FUEL LINE
14. ENGINE STOP DEVICE
15. STARTING MOTOR
16. GENERATOR
17. GASKET SET
18. GOVERNOR
19. FEED PUMP

Fig. No.    Fig. Name

Fig.1. CYLINDER BLOCK

1, CYLINDER BLOCK



(A)=4TNE98-SA  
(B)=4TNE98-G1A  
(C)=

(D)=  
(E)=  
(F)=

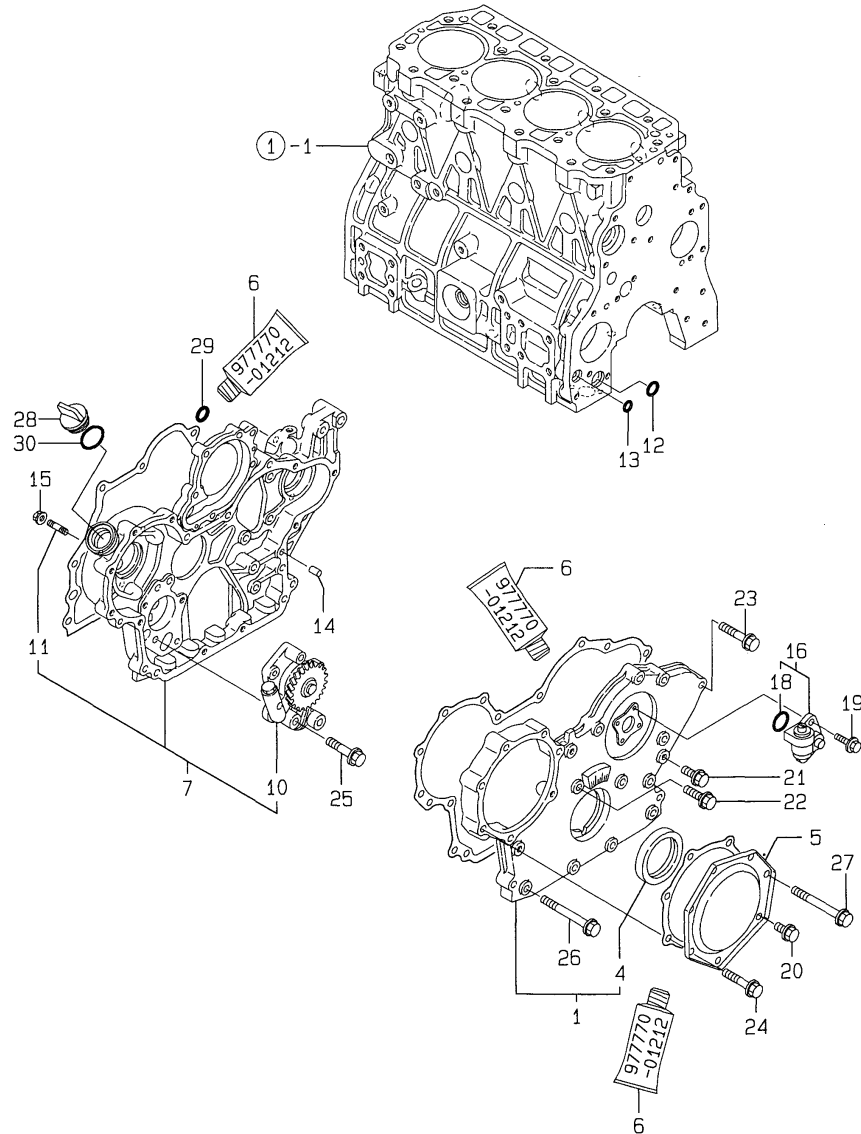
No.	Lev.	Parts No.	Description	Q'ty						I	R
				(A)	(B)	(C)	(D)	(E)	(F)		
1	1	729902-01560	BLOCK ASSY, CYLINDER	1	1						
5	2	23871-030000	PLUG, R03	1	1						
6	2	171051-01921	PLUG, NPTF1	1	1						
7	2	129900-02020	BOLT, METAL CAP	10	10						
10	2	129900-02410	BUSH, CAMSHAFT	1	1						
11	2	22351-060012	PIN, SPRING 6.0X12	2	2						
12	2	23871-030000	PLUG, R03	1	1						
13	2	27231-550000	PLUG 55	1	1						
14	2	27241-160000	PLUG, 16	1	1						
15	2	27241-300000	PLUG 30	8	8						
16	2	129900-02800	BEARING, MAIN	5	5						
25	2	129900-02930	BEARING, THRUST	2	2						
28	1	129900-01200	BOLT, HEAD	18	18						
29	1	129902-01330	GASKET, HEAD	1	1						
30	1	129900-02340	BEARING, 0.25 US	5	5						1
33	1	129900-02940	BEARING, THRUST 0.25	2	2						2

Remarks

- (1) UNDER-SIZED(U.S=0.25)PART.
- (2) OVER-SIZED(O.S=0.25)PART.

# Fig.2. GEAR HOUSING

## 2, GEAR HOUSING



(A)=4TNE98-SA  
(B)=4TNE98-G1A  
(C)=

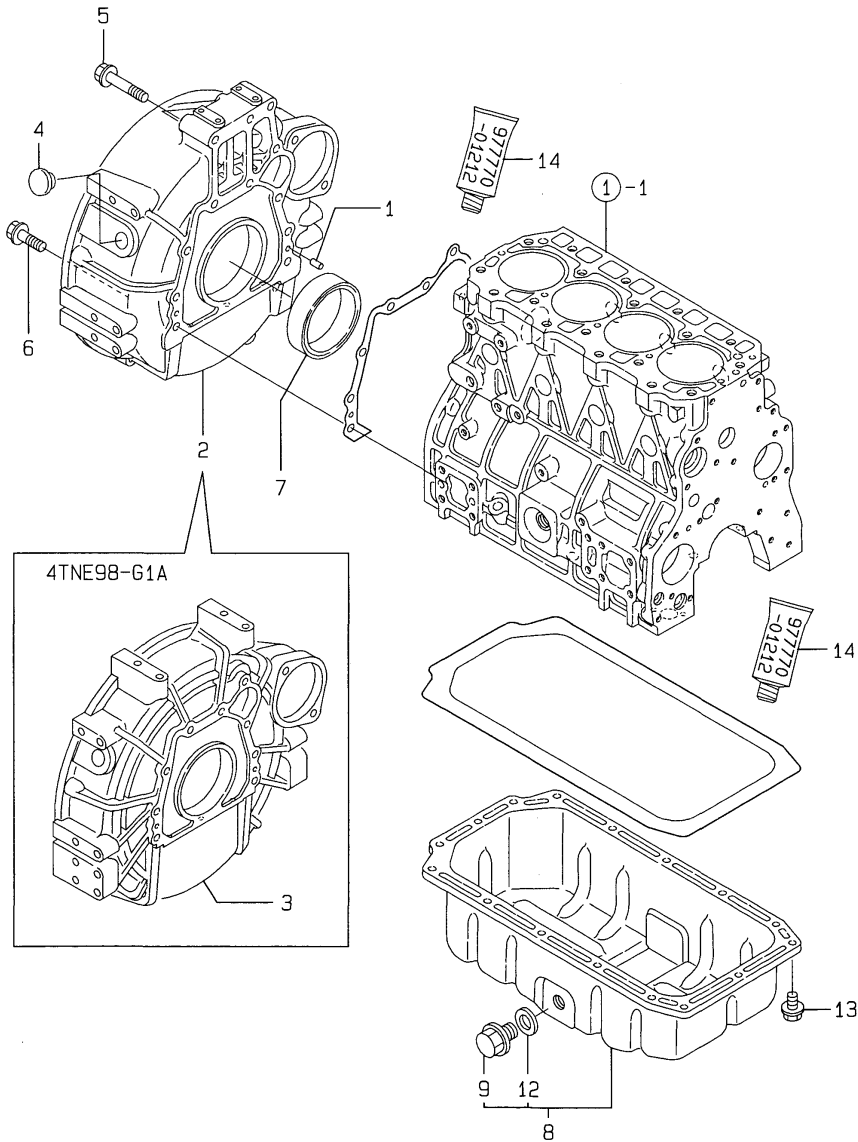
(D)=  
(E)=  
(F)=

No.	Lev.	Parts No.	Description	Q'ty						I	R
				(A)	(B)	(C)	(D)	(E)	(F)		
1	1	729900-01570	COVER ASSY,GEAR CASE	1	1						
4	2	129900-01780	SEAL, OIL	1	1						
5	1	129900-01740	COVER	1	1						
6	1	977770-01212	GASKET, LIQUID	1	1						1
7	1	129900-01820	CASE ASSY, GEAR	1	1						
10	2	129900-32000	PUMP ASSY, OIL	1	1						
11	2	26216-100302	STUD, M10X 30	4	4						
12	1	129900-32030	O-RING, P20	1	1						
13	1	129900-32040	O-RING, P14	1	1						
14	1	22312-080160	PIN, PARALLEL M8X16	4	4						
15	1	26366-100002	NUT, M10	4	4						
16	1	129150-91400	GEAR	1	1						
18	2	24341-000240	O-RING, 1AS24.0	1	1						
19	1	26106-060162	BOLT, M6X 16 PLATED	2	2						
20	1	26106-080162	BOLT, M8X 16 PLATED	1	1						
21	1	26106-080202	BOLT, M8X 20 PLATED	3	3						
22	1	26106-080302	BOLT, M8X 30 PLATED	1	1						
23	1	26106-080402	BOLT, M8X 40 PLATED	5	5						
24	1	26106-080402	BOLT, M8X 40 PLATED	5	5						
25	1	26106-080452	BOLT, M8X 45 PLATED	3	3						
26	1	26106-080702	BOLT, M8X 70 PLATED	6	6						
27	1	26106-080702	BOLT, M8X 70 PLATED	1	1						
28	1	124160-01751	COVER, FILLER	1	1						
29	1	24311-000070	O-RING, 1AP7.0	1	1						
30	1	24311-000320	O-RING, 1AP32.0	1	1						

Remarks  
(1) OPTIONAL PART.

Fig.3. FLYWHEEL HOUSING & OIL SUMP

3, FLYWHEEL HOUSING & OIL SUMP



(A)=4TNE98-SA  
(B)=4TNE98-G1A  
(C)=

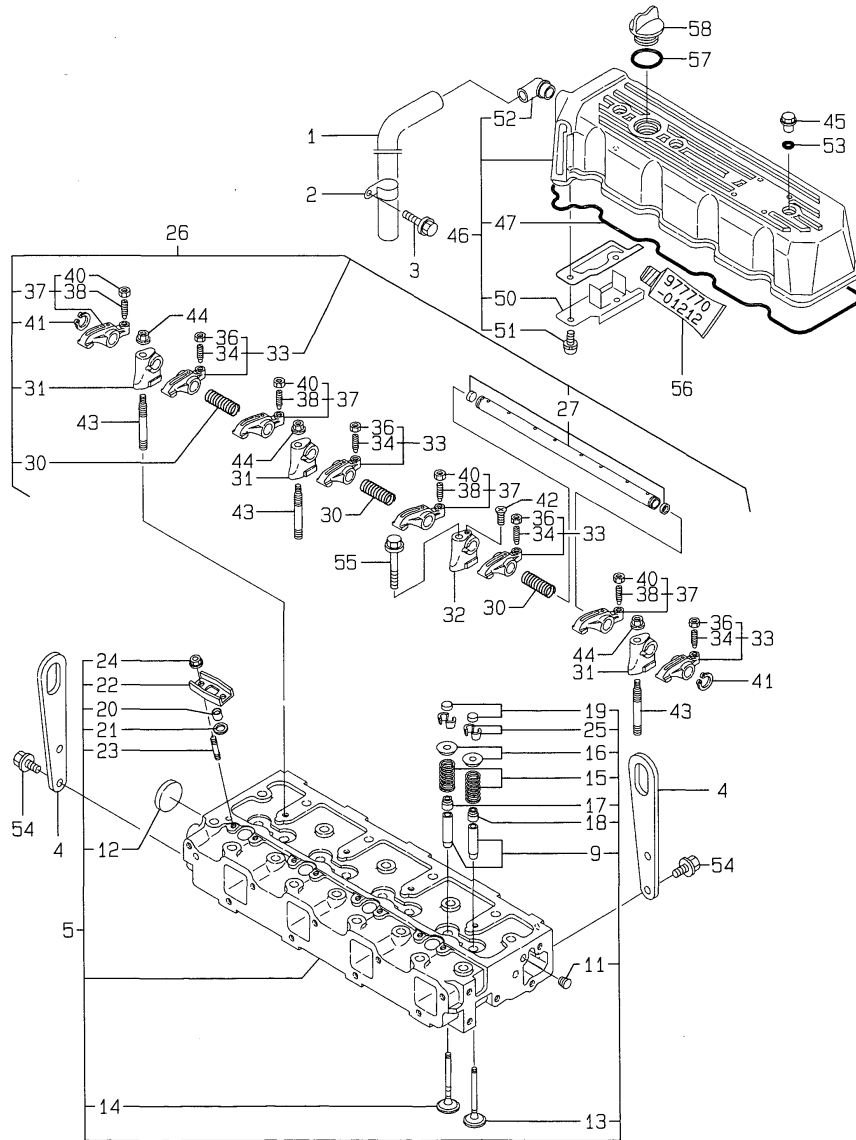
(D)=  
(E)=  
(F)=

No.	Lev.	Parts No.	Description	Qty						I	R
				(A)	(B)	(C)	(D)	(E)	(F)		
1	1	129100-01580	PIN, M8X16	2	2						
2	1	129955-01600	HOUSING, FLYWHEEL	1							
3	1	129915-01600	HOUSING, FLYWHEEL		1						
4	1	119620-01750	CAP	1	1						
5	1	26206-100702	BOLT, M10X 70 PLATED	3							
6	1	26206-100352	BOLT, M10X 35 PLATED	9	9						
7	1	124411-01780	SEAL, HTC95X115X12	1	1						
8	1	129902-01710	SUMP ASSY, OIL	1	1						
9	2	119640-01640	PLUG, DRAIN M22	1	1						
12	2	22190-220002	WASHER, SEAL 22	1	1						
13	1	26106-080122	BOLT, M8X 12 PLATED	21	21						
14	1	977770-01212	GASKET, LIQUID	1	1						1

Remarks  
(1) OPTIONAL PART.

Fig.4. CYLINDER HEAD & BONNET

4, CYLINDER HEAD & BONNET



(A)=4TNE98-SA  
(B)=4TNE98-G1A  
(C)=

(D)=  
(E)=  
(F)=

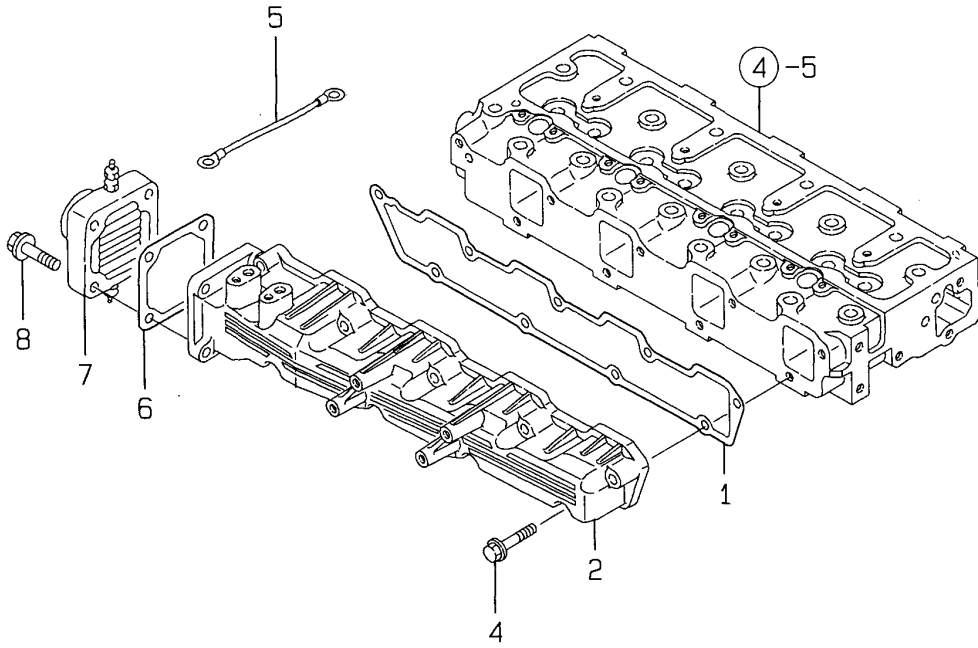
No.	Lev.	Parts No.	Description	Q'ty						I	R
				(A)	(B)	(C)	(D)	(E)	(F)		
1	1	119006-03090	HOSE, BREATHER	1	1						
2	1	129150-03100	RETAINER, PIPE	1	1						
3	1	26106-080122	BOLT, M8X 12 PLATED	1	1						
4	1	129900-07900	LIFTER	2	2						
5	1	729900-11100	HEAD ASSY, CYLINDER	1	1						
9	2	129150-11810	GUIDE, VALVE	8	8						1
11	2	23871-005000	PLUG, R005	1	1						
12	2	27241-400000	PLUG, 40	1	1						
13	2	129900-11100	VALVE, INTAKE	4	4						
14	2	129900-11110	VALVE, EXHAUST	4	4						
15	2	129900-11120	SPRING, VALVE	8	8						
16	2	129795-11180	RETAINER, SPRING	8	8						
17	2	121400-11340	SEAL, VALVE STEM	4	4						
18	2	124460-11340	SEAL, VALVE STEM	4	4						
19	2	129150-11370	CAP, VALVE	8	8						
20	2	119625-11870	PROTECTOR, NOZZLE	4	4						
21	2	119625-11880	SEAT, NOZZLE	4	4						
22	2	119625-11900	RETAINER, NOZZLE	4	4						
23	2	26216-060202	STUD, M6X 20	8	8						
24	2	26366-060002	NUT, M6	8	8						
25	2	27310-080000	COTTER 8	16	16						
26	1	129900-11200	SUPPORT ASSY, ARM	1	1						
27	2	129900-11240	SHAFT ASSY, ROCKER	1	1						
30	2	129900-11280	SPRING	3	3						
31	2	129900-11510	SUPPORT, ROCKER ARM	3	3						
32	2	129900-11520	SUPPORT, ROCKER ARM	1	1						
33	2	129900-11650	ARM, ROCKER	4	4						
34	3	129150-11230	SCREW, VALVE ADJUST	4	4						
36	3	129150-11750	NUT, M8	4	4						
37	2	129900-11660	ARM, ROCKER	4	4						
38	3	129150-11230	SCREW, VALVE ADJUST	4	4						
40	3	129150-11750	NUT, M8	4	4						
41	2	22242-000180	RING, 18	2	2						
42	2	26577-040122	SCREW, M4X12	1	1						
43	1	129900-11530	STUD	3	3						
44	1	26366-100002	NUT, M10	3	3						
45	1	124160-11360	KNOB	3	3						
46	1	129900-11350	BONNET ASSY, HEAD	1	1						
47	2	129900-11310	GASKET, BONNET	1	1						
50	2	129900-11600	PLATE, BAFFLE	1	1						
51	2	26022-050122	SCREW, M5X12	2	2						
52	2	119100-11330	ELBOW	1	1						
53	1	24311-000120	O-RING, 1AP12.0	3	3						
54	1	26106-080162	BOLT, M8X 16 PLATED	4	4						
55	1	26106-100652	BOLT, M10X 65 PLATED	1	1						
56	1	977770-01212	GASKET, LIQUID	1	1						2
57	1	24311-000320	O-RING, 1AP32.0	1	1						
58	1	124160-01751	COVER, FILLER	1	1						

Remarks

- (1) REPAIR PART.
- (2) OPTIONAL PART.

Fig.5. SUCTION MANIFOLD

5, SUCTION MANIFOLD



(A)=4TNE98-SA  
(B)=4TNE98-G1A  
(C)=

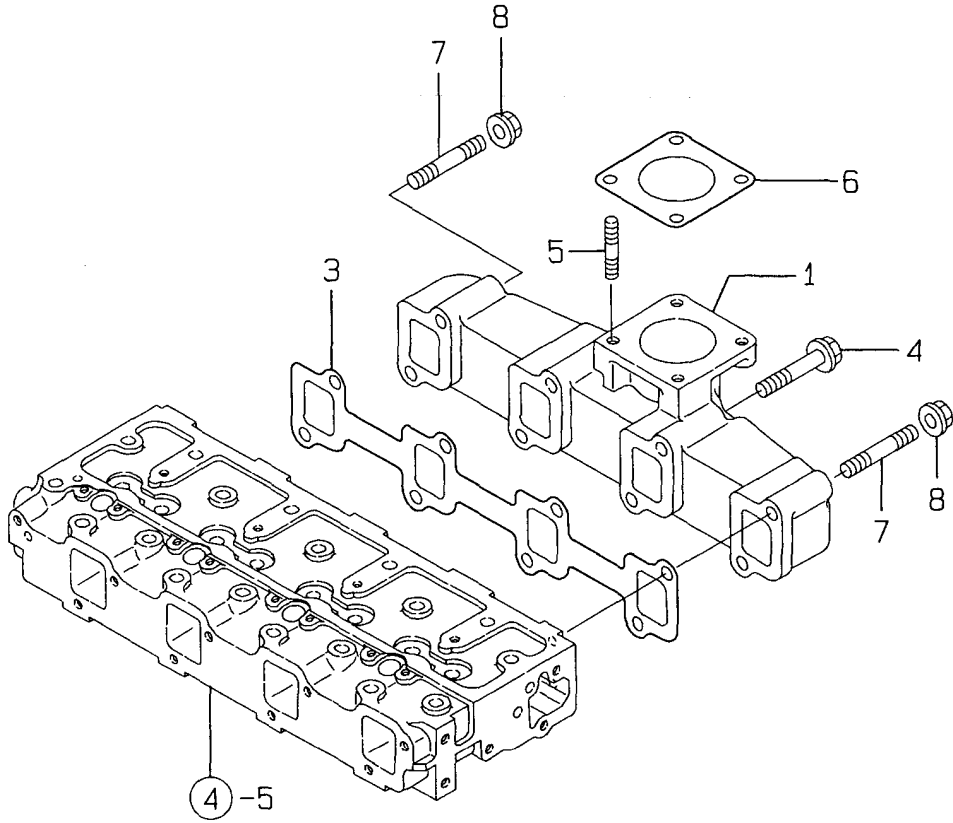
(D)=  
(E)=  
(F)=

No.	Lev.	Parts No.	Description	Q'ty						I	R
				(A)	(B)	(C)	(D)	(E)	(F)		
1	1	129900-12050	GASKET, MANIFOLD	1	1						
2	1	129900-12000	MANIFOLD, AIR INTAKE	1	1						
4	1	26106-080452	BOLT, M8X 45 PLATED	9	9						
5	1	129100-77820	WIRE	1	1						
6	1	121850-77021	GASKET	1	1						
7	1	121850-77050	HEATER	1	1						
8	1	26106-080352	BOLT, M8X 35 PLATED	4	4						



Fig.6. EXHAUST MANIFOLD

6, EXHAUST MANIFOLD



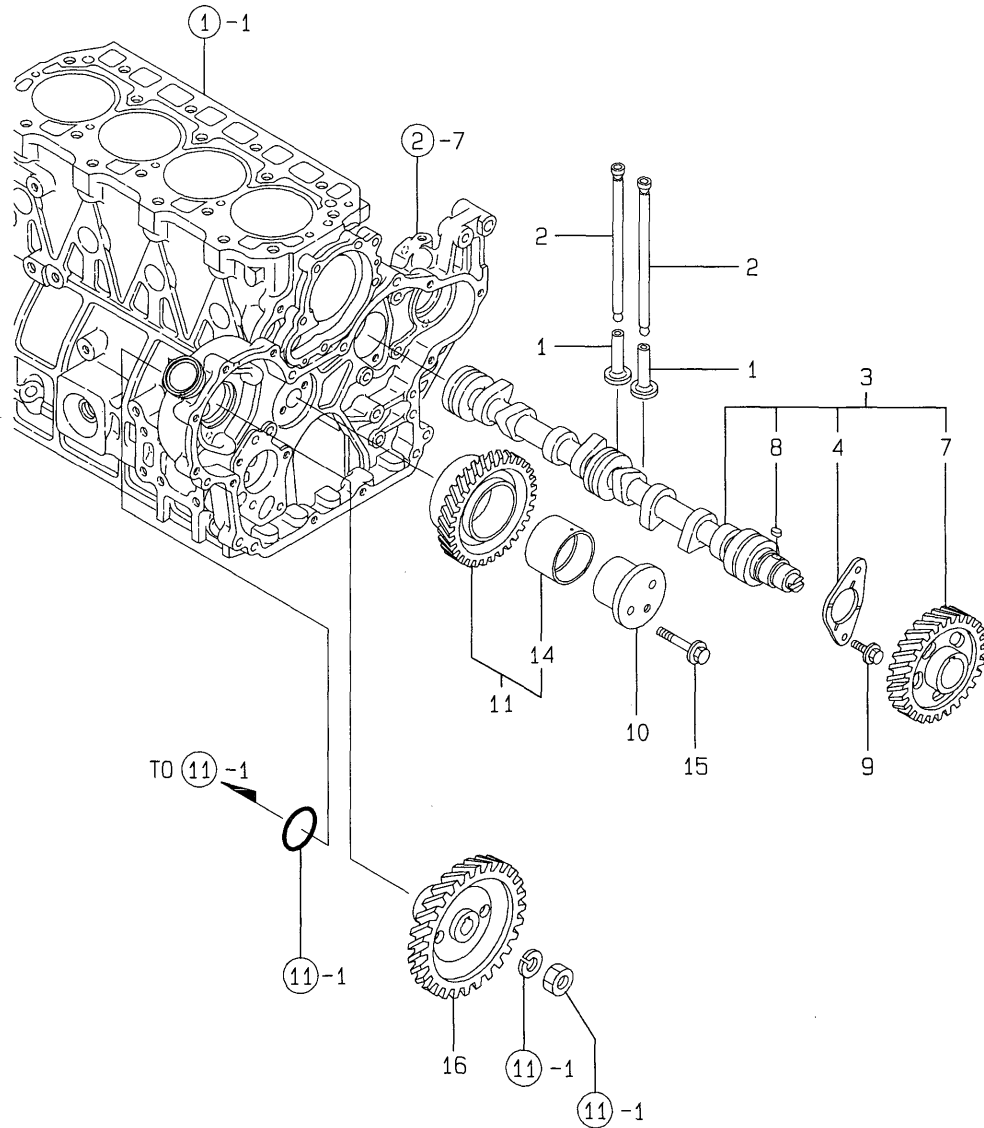
(A)=4TNE98-SA  
(B)=4TNE98-G1A  
(C)=

(D)=  
(E)=  
(F)=

No.	Lev.	Parts No.	Description	Q'ty						I	R
				(A)	(B)	(C)	(D)	(E)	(F)		
1	1	129900-13200	MANIFOLD, EXHAUST	1	1						
3	1	129900-13251	GASKET	1	1						
4	1	26106-080802	BOLT, M8X 80 PLATED	6	6						
5	1	26216-080222	STUD, M8X 22	4	4						
6	1	129400-13201	GASKET, SILENCER	1	1						
7	1	26216-080802	STUD, M8X 80	2	2						
8	1	26366-080002	NUT, M8	2	2						

Fig.7. CAMSHAFT & DRIVING GEAR

7, CAMSHAFT & DRIVING GEAR



(A)=4TNE98-SA  
(B)=4TNE98-G1A  
(C)=

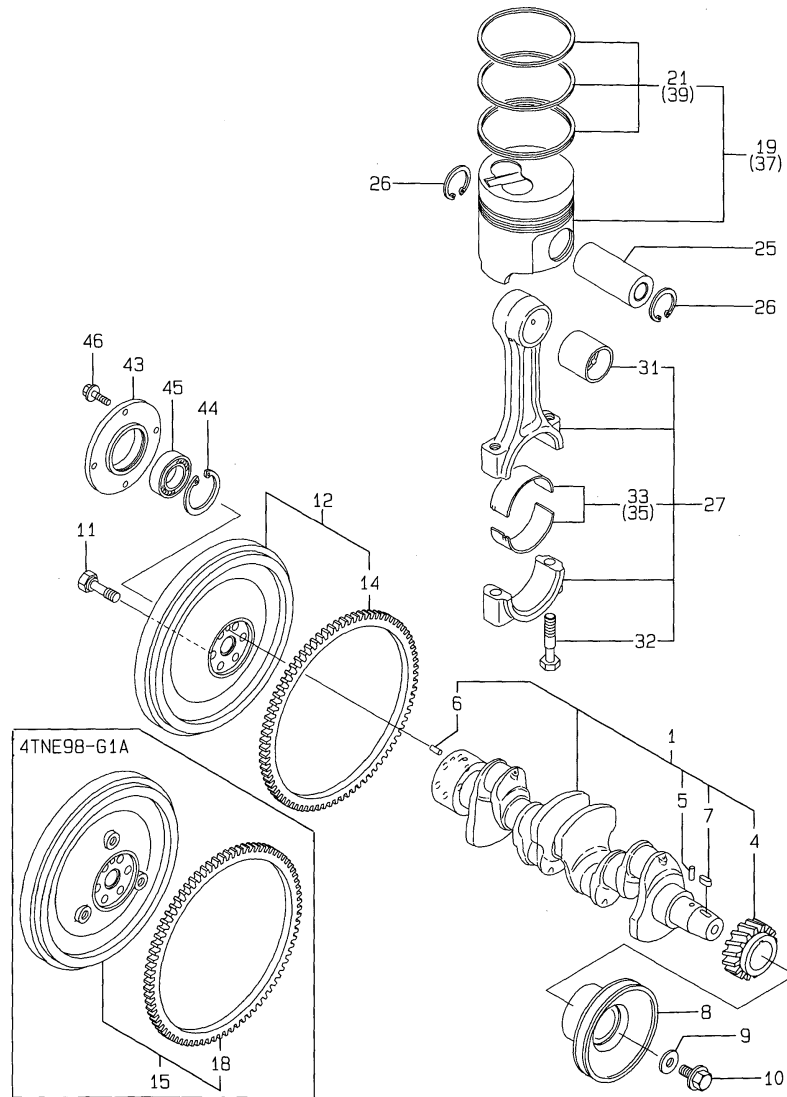
(D)=  
(E)=  
(F)=

No.	Lev.	Parts No.	Description	Q'ty						I	R
				(A)	(B)	(C)	(D)	(E)	(F)		
1	1	129150-14200	TAPPET	8	8						
2	1	129900-14400	ROD, PUSH	8	8						
3	1	129900-14580	CAMSHAFT ASSY	1	1						
4	2	129150-02450	BEARING, THRUST	1	1						
7	2	129900-14100	GEAR, CAMSHAFT	1	1						
8	2	22512-070140	KEY, 7X 14	1	1						
9	1	26106-080162	BOLT, M8X 16 PLATED	2	2						
10	1	129900-25060	SHAFT, IDLE	1	1						
11	1	129900-25100	GEAR ASSY, IDLE	1	1						
14	2	129150-25920	BUSH, IDLE GEAR	1	1						1
15	1	26106-080552	BOLT, M8X 55 PLATED	2	2						
16	1	129900-25900	GEAR, PUMP	1	1						

Remarks  
(1) REPAIR PART.

# Fig.8. CRANKSHAFT & PISTON

## 8, CRANKSHAFT & PISTON



(A)=4TNE98-SA  
(B)=4TNE98-G1A  
(C)=

(D)=  
(E)=  
(F)=

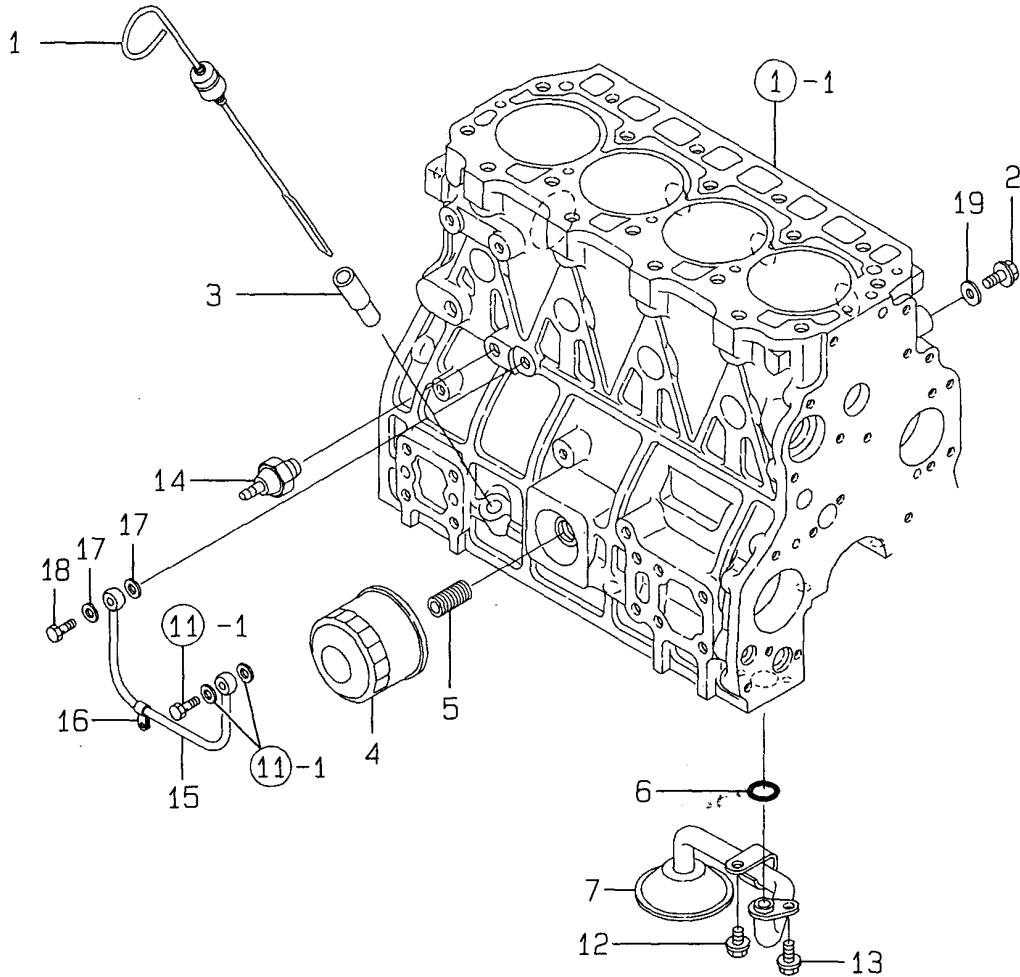
No.	Lev.	Parts No.	Description	Q'ty						I	R
				(A)	(B)	(C)	(D)	(E)	(F)		
1	1	129902-21000	CRANKSHAFT ASSY	1	1						
4	2	129900-21200	GEAR, CRANKSHAFT	1	1						
5	2	121850-21290	PIN	1	1						
6	2	121850-21920	PIN, M10X22	1	1						
7	2	22512-070140	KEY, 7X 14	1	1						
8	1	129900-21670	V-PULLEY, 130	1	1						
9	1	129900-21640	WASHER	1	1						
10	1	121850-21680	BOLT	1	1						
11	1	121850-21130	BOLT, FLYWHEEL	6	6						
12	1	129955-21590	FLYWHEEL ASSY	1							
14	2	129900-21600	GEAR, RING	1							
15	1	129902-21580	FLYWHEEL ASSY		1						
18	2	127410-21480	GEAR, RING Z=129		1						
19	1	129902-22080	PISTON ASSY, DI	4	4						
21	2	129903-22050	RING SET, PISTON	4	4						
25	1	120130-22301	PIN, PISTON	4	4						
26	1	22252-000300	RING, 30	8	8						
27	1	129900-23000	ROD ASSY, CONNECTING	4	4						
31	2	129900-23910	BEARING, PISTON PIN	4	4						1
32	2	129900-23200	BOLT, CONNECTING ROD	8	8						
33	2	129900-23600	BEARING, CRANK PIN	4	4						
35	1	129900-23610	BEARING, 0.25 US	4	4						2
37	1	129902-22900	PISTON ASSY, 0.25 OS	4	4						3
39	2	129903-22950	RING SET, 0.25 OS	4	4						3
43	1	171085-21451	HOUSING, BEARING	1							
44	1	22252-000721	CIRCLIP	1							
45	1	24105-063064	BEARING, BALL 6306Z	1							
46	1	26106-080222	BOLT, M8X 22 PLATED	4							

Remarks

- (1) REPAIR PART.
- (2) UNDER-SIZE(U.S=0.25)PART.
- (3) OVER-SIZE(O.S=0.25)PART.

Fig.9. LUB.OIL SYSTEM

9, LUB.OIL SYSTEM



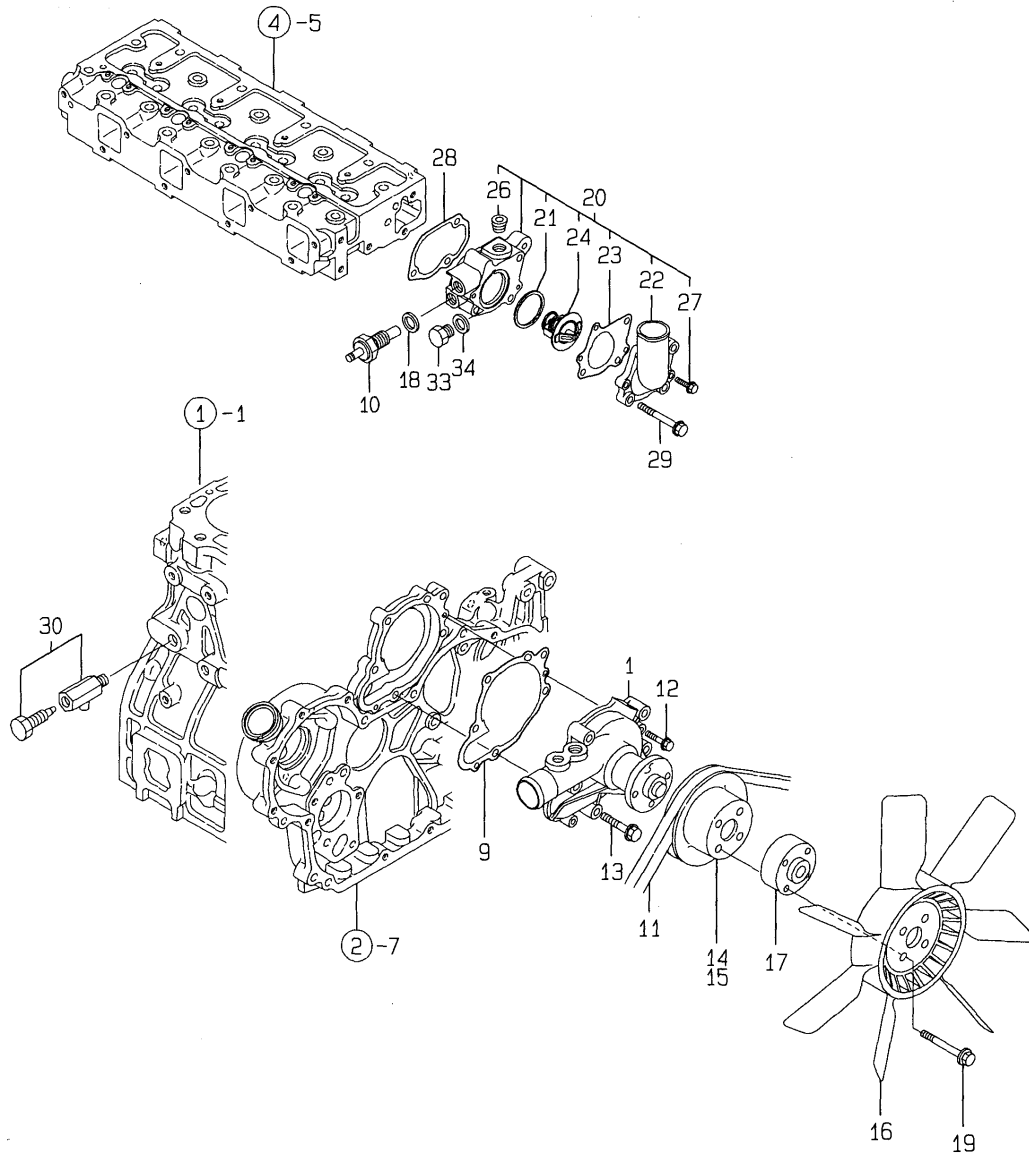
(A)=4TNE98-SA  
(B)=4TNE98-G1A  
(C)=

(D)=  
(E)=  
(F)=

No.	Lev.	Parts No.	Description	Q'ty						I	R
				(A)	(B)	(C)	(D)	(E)	(F)		
1	1	129900-34800	DIPSTICK, OIL	1	1						
2	1	26106-080122	BOLT, M8X 12 PLATED	1	1						
3	1	121520-34810	GUIDE, DIPSTICK	1	1						
4	1	129150-35151	FILTER, D80XL80	1	1						
5	1	119000-35140	BOLT, FILTER	1	1						
6	1	129900-32030	O-RING, P20	1	1						
7	1	129900-35000	PIPE ASSY, OIL INLET	1	1						
12	1	26106-080122	BOLT, M8X 12 PLATED	1	1						
13	1	26106-080162	BOLT, M8X 16 PLATED	1	1						
14	1	124160-39450	SWITCH, 0.5KG	1	1						
15	1	129900-39350	PIPE, OIL	1	1						
16	1	23297-060081	CLAMP, A6X 8	1	1						
17	1	23414-080000	GASKET, 8X1.0	2	2						
18	1	23857-030000	BOLT, JOINT 3	1	1						
19	1	22190-080002	WASHER, SEAL 6	1	1						

Fig.10. COOLING WATER SYSTEM

10, COOLING WATER SYSTEM



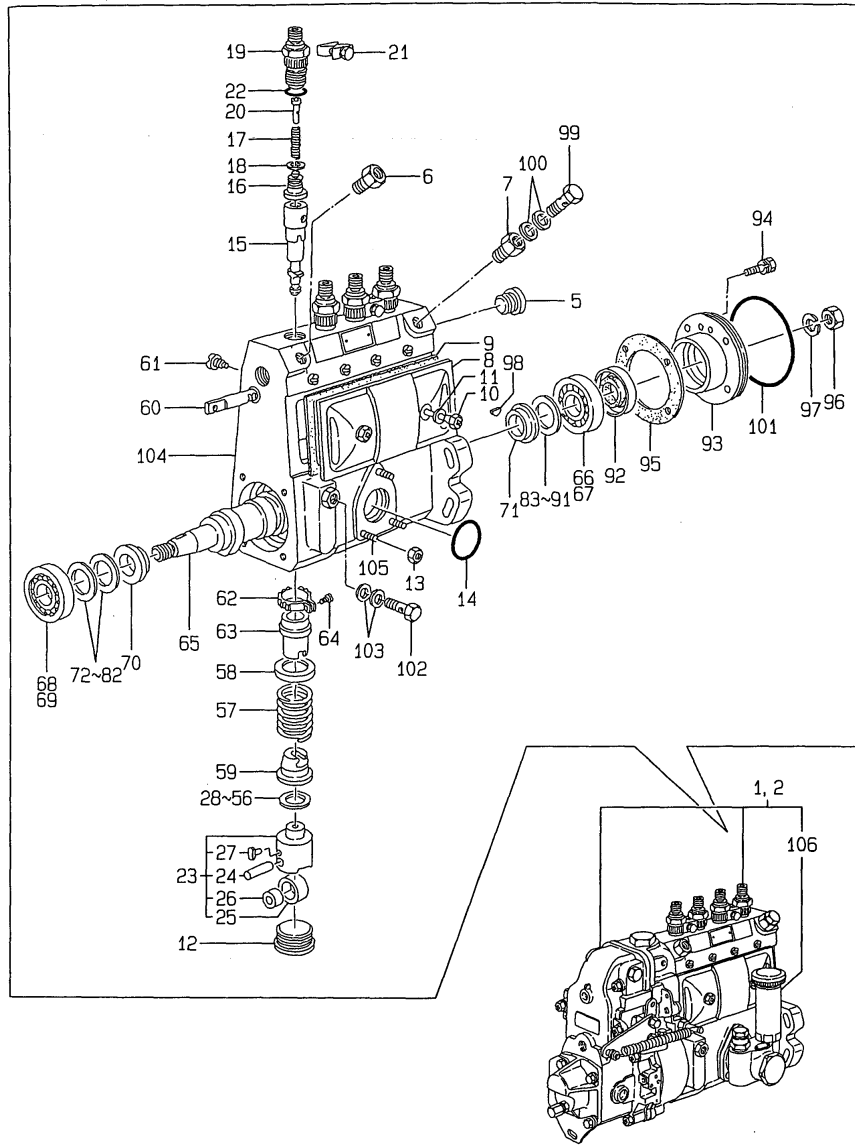
(A)=4TNE98-SA  
(B)=4TNE98-G1A  
(C)=

(D)=  
(E)=  
(F)=

No.	Lev.	Parts No.	Description	Q'ty						I	R
				(A)	(B)	(C)	(D)	(E)	(F)		
1	1	129900-42000	PUMP ASSY, WATER	1	1						
9	1	129900-42020	GASKET, WATER PUMP	1	1						
10	1	121250-44901	SWITCH, 110	1	1						
11	1	25132-004100	V-BELT, A41	1	1						
12	1	26106-060302	BOLT, M6X 30 PLATED	2	2						
13	1	26106-080552	BOLT, M8X 55 PLATED	5	5						
14	1	129900-42450	V-PULLEY	1							
15	1	129900-42461	V-PULLEY		1						
16	1	129900-44700	FAN, COOLING D=410	1	1						
17	1	119005-44761	SPACER, FAN	1	1						
18	1	124465-44950	GASKET, 16	1	1						
19	1	26014-080502	BOLT, M8X 50	4	4						
20	1	129951-49800	CASE ASSY, THERMOSTAT	1	1						
21	2	121850-49550	GASKET, THERMOSTAT	1	1						
22	2	129900-49530	COVER, THERMOSTAT	1	1						
23	2	129900-49540	GASKET	1	1						
24	2	121850-49810	THERMOSTAT, 71	1	1						
26	2	23871-030000	PLUG, R03	1	1						
27	2	26106-060252	BOLT, M6X 25 PLATED	2	2						
28	1	129900-49830	GASKET	1	1						
29	1	26106-080702	BOLT, M8X 70 PLATED	3	3						
30	1	119620-49290	COCK ASSY, 1/4	1	1						
33	1	121450-42450	PLUG, M16	1	1						
34	1	124465-44950	GASKET, 16	1	1						

Fig.11. FUEL INJECTION PUMP

11.FUEL INJECTION PUMP



Remarks  
 (1) GOVERNOR(FIG.NO.18) & FEED PUMP  
 (FIG.NO.19) IS INCORPORATED IN  
 THIS FUEL INJECTION PUMP  
 (REF.NO.1,2).

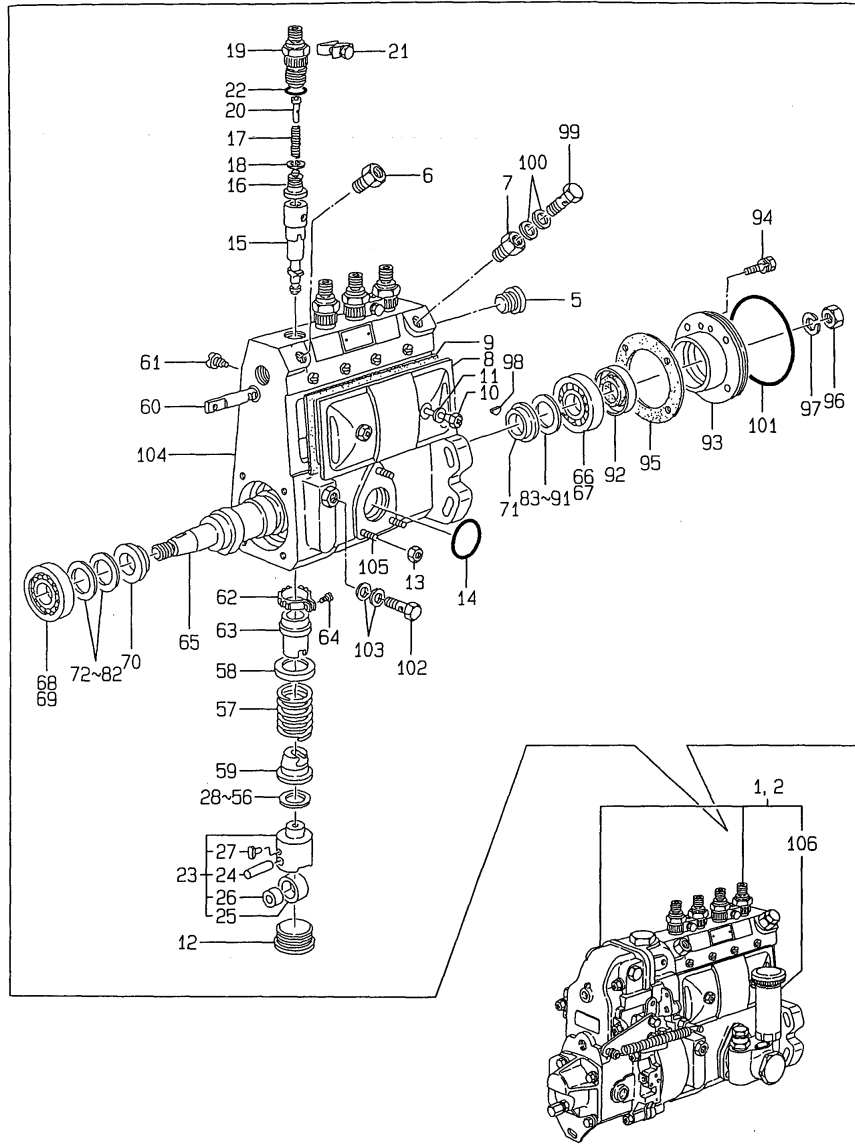
(A)=4TNE98-SA  
 (B)=4TNE98-G1A  
 (C)=

(D)=  
 (E)=  
 (F)=

No.	Lev.	Parts No.	Description	Q'ty						I	R
				(A)	(B)	(C)	(D)	(E)	(F)		
1	1	129955-51010	PUMP ASSY, INJECTION	1							1
2	1	129955-51000	PUMP ASSY, INJECTION		1						1
5	2	X1340260000	PLUG	1	1						
6	2	X1310022000	CAP	1	1						
7	2	X1310022000	CAP	1	1						
8	2	X1310286220	COVER	1	1						
9	2	X1310111900	GASKET	1	1						
10	2	X1310171000	SCREW	2	2						
11	2	X0293406020	GASKET	2	2						
12	2	X1310341401	PLUG	4	4						
13	2	X1392060400	NUT	3	3						
14	2	X0296331010	O-RING	1	1						
15	2	X1311523420	PLUNGER	4	4						
16	2	X1311607920	DELIVERY VALVE	4	4						
17	2	X1311123500	SPRING	4	4						
18	2	X1311151600	GASKET	4	4						
19	2	X1311167600	HOLDER	4	4						
20	2	X1311172300	STOPPER	4	4						
21	2	X1311220520	PLATE	2	2						
22	2	X0296320030	O-RING, 21X17X2	4	4						
23	2	X1312000220	TAPPET	4	4						
24	3	X1312030200	PIN	4	4						
25	3	X1312041000	ROLLER	4	4						
26	3	X1312050500	BUSH	4	4						
27	3	X1312060200	GUIDE	4	4						
28	2	X0293110020	SHIM	1	1						
29	2	X0293110030	SHIM	1	1						
30	2	X0293110040	SHIM	1	1						
31	2	X0293110050	SHIM	1	1						
32	2	X0293110060	SHIM	1	1						
33	2	X0293110070	SHIM	1	1						
34	2	X0293110080	SHIM	1	1						
35	2	X0293110090	SHIM	1	1						
36	2	X0293110110	SHIM	1	1						
37	2	X0293110120	SHIM	1	1						
38	2	X0293110130	SHIM	1	1						
39	2	X0293110140	SHIM	1	1						
40	2	X0293110270	SHIM	1	1						
41	2	X0293110280	SHIM	1	1						
42	2	X0293110290	SHIM	1	1						
43	2	X0293110310	SHIM	1	1						
44	2	X0293110320	SHIM	1	1						
45	2	X0293110330	SHIM	1	1						
46	2	X0293110340	SHIM	1	1						
47	2	X0293110350	SHIM	1	1						
48	2	X0293110490	SHIM	1	1						
49	2	X0293110500	SHIM	1	1						
50	2	X0293110580	SHIM	1	1						
51	2	X0293110590	SHIM	1	1						
52	2	X0293110600	SHIM	1	1						
53	2	X0293110610	SHIM	1	1						

Fig.11. FUEL INJECTION PUMP

11.FUEL INJECTION PUMP



Remarks  
 (1) GOVERNOR(FIG.NO.18) & FEED PUMP  
 (FIG.NO.19) IS INCORPORATED IN  
 THIS FUEL INJECTION PUMP  
 (REF.NO.1,2).

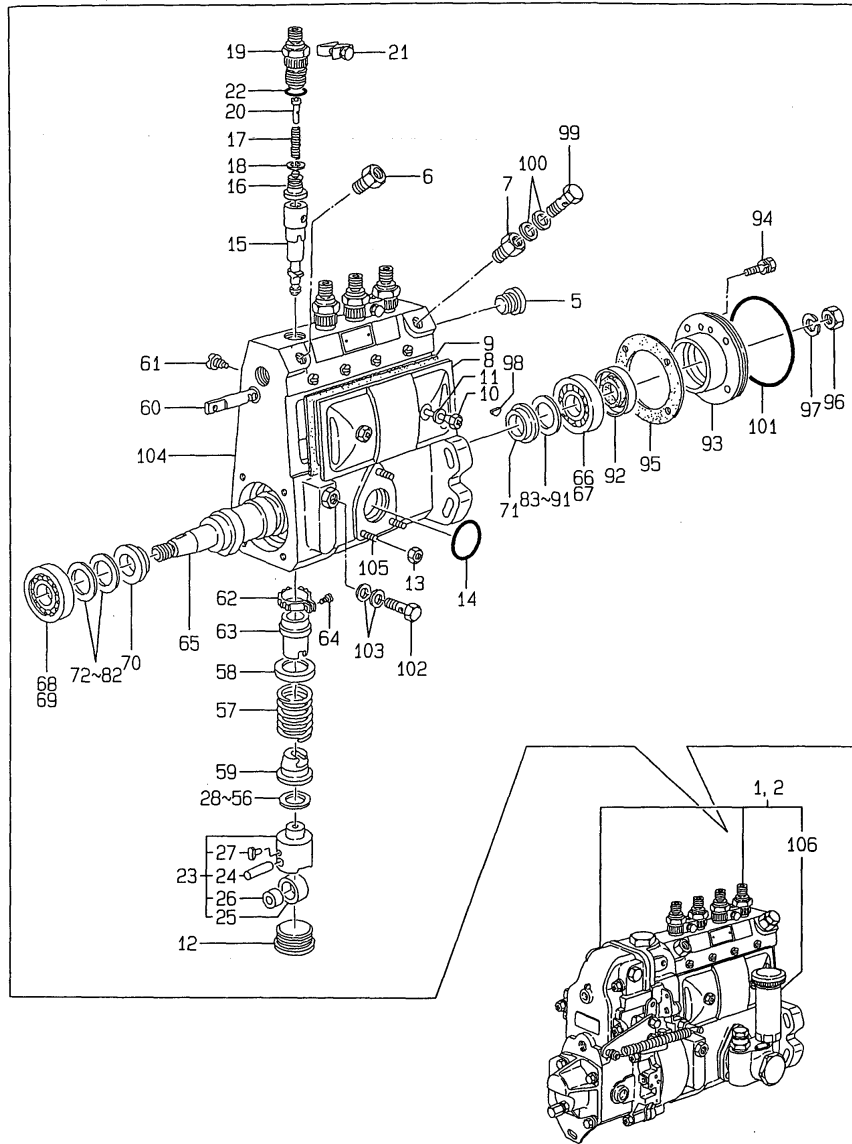
(A)=4TNE98-SA  
 (B)=4TNE98-G1A  
 (C)=

(D)=  
 (E)=  
 (F)=

No.	Lev.	Parts No.	Description	Qty						I	R
				(A)	(B)	(C)	(D)	(E)	(F)		
54	2	X0293110620	SHIM	1	1						
55	2	X0293110630	SHIM	1	1						
56	2	X0293110710	SHIM	1	1						
57	2	X1312152500	SPRING	4	4						
58	2	X1312160100	SEAT, SPRING	4	4						
59	2	X1312170200	SEAT,SPRING	4	4						
60	2	X1312540600	RACK, CONTROL	1	1						
61	2	X1312260300	SCREW	1	1						
62	2	X1312400100	PINION	4	4						
63	2	X1312410100	SLEEVE, CONTROL	4	4						
64	2	X1312420100	SCREW	4	4						
65	2	X1313612700	CAMSHAFT	1	1						
66	2	X0166402030	BEARING	1	1						
67	2	X0282020020	BEARING	1	1						
68	2	X0166302030	BEARING	1	1						
69	2	X0282017020	BEARING	1	1						
70	2	X1313020300	RING	1	1						
71	2	X1313021000	RING	1	1						
72	2	X0293117010	SHIM	1	1						
73	2	X0293117020	SHIM	1	1						
74	2	X0293117030	SHIM	1	1						
75	2	X0293117040	SHIM	1	1						
76	2	X0293117050	SHIM	1	1						
77	2	X0293117060	SHIM	1	1						
78	2	X0293117070	SHIM	1	1						
79	2	X0293117090	SHIM	1	1						
80	2	X0293117210	SHIM	1	1						
81	2	X0293117220	SHIM	1	1						
82	2	X1394170000	SHIM	1	1						
83	2	X0293120220	SHIM	1	1						
84	2	X0293120230	SHIM	1	1						
85	2	X0293120240	SHIM	1	1						
86	2	X0293120250	SHIM	1	1						
87	2	X0293120260	SHIM	1	1						
88	2	X0293120270	SHIM	1	1						
89	2	X0293120290	SHIM	1	1						
90	2	X0293120300	SHIM	1	1						
91	2	X1394200400	SHIM	1	1						
92	2	X0296220190	SEAL, D30/20 T=6	1	1						
93	2	X1313301800	COVER	1	1						
94	2	X0200062040	BOLT	4	4						
95	2	X1313211900	GASKET	1	1						
96	2	X0131214140	NUT	1	1						
97	2	X0293214010	SPRING WASHER	1	1						
98	2	X0294704030	WOODRUFF KEY	1	1						
99	2	X0297314680	EYE BOLT	1	1						
100	2	X0265141840	GASKET	2	2						
101	2	X0296375020	O-RING	1	1						
102	2	X0297310120	EYE BOLT	1	1						
103	2	X0265101340	GASKET	2	2						
104	2	X1310641621	FLANGED HOUSING	1	1						

Fig.11. FUEL INJECTION PUMP

11.FUEL INJECTION PUMP



(A)=4TNE98-SA  
(B)=4TNE98-G1A  
(C)=

(D)=  
(E)=  
(F)=

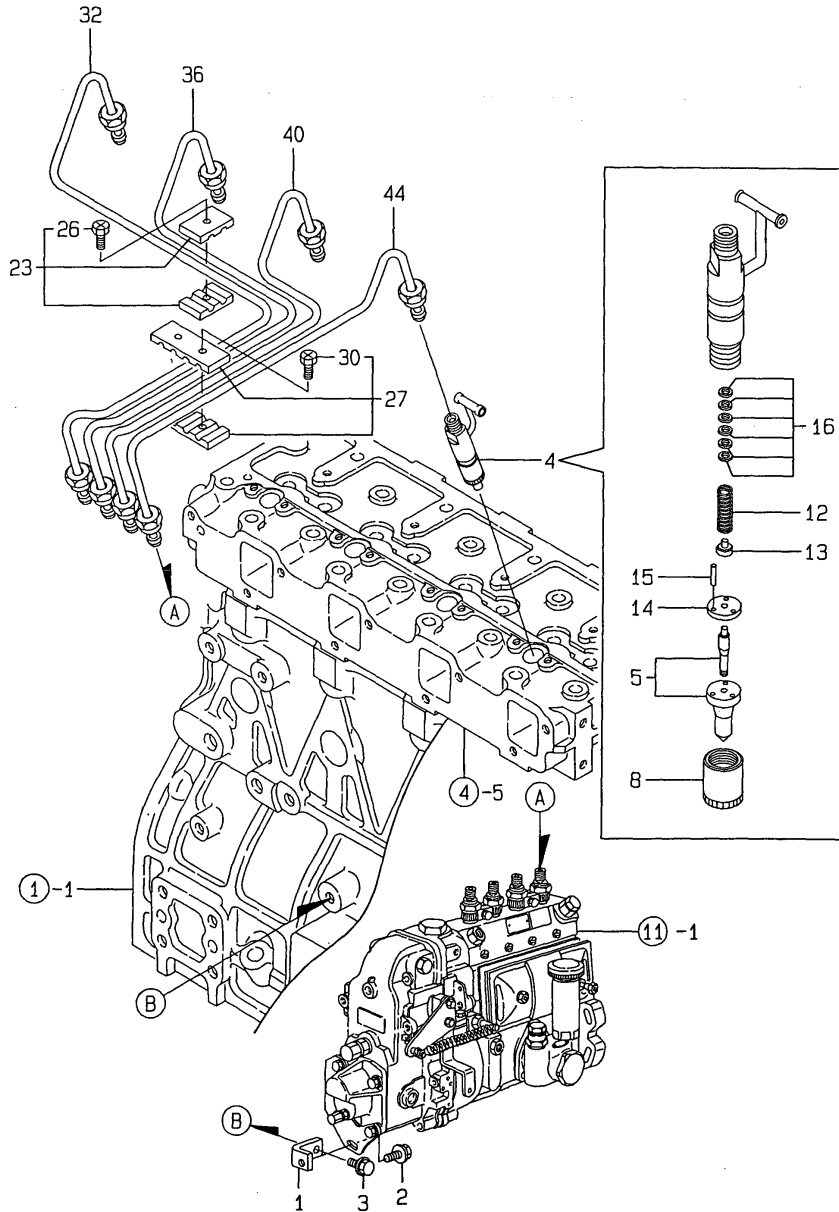
No.	Lev.	Parts No.	Description	Q'ty						I	R
				(A)	(B)	(C)	(D)	(E)	(F)		
105	2	X0290406020	STUD	3	3						
106	2	129900-52010	PUMP ASSY, FUEL FEED	1	1						

Remarks  
(1) GOVERNOR(FIG.NO.18) & FEED PUMP  
(FIG.NO.19) IS INCORPORATED IN  
THIS FUEL INJECTION PUMP  
(REF.NO.1,2).



Fig.12. FUEL INJECTION VALVE

12, FUEL INJECTION VALVE



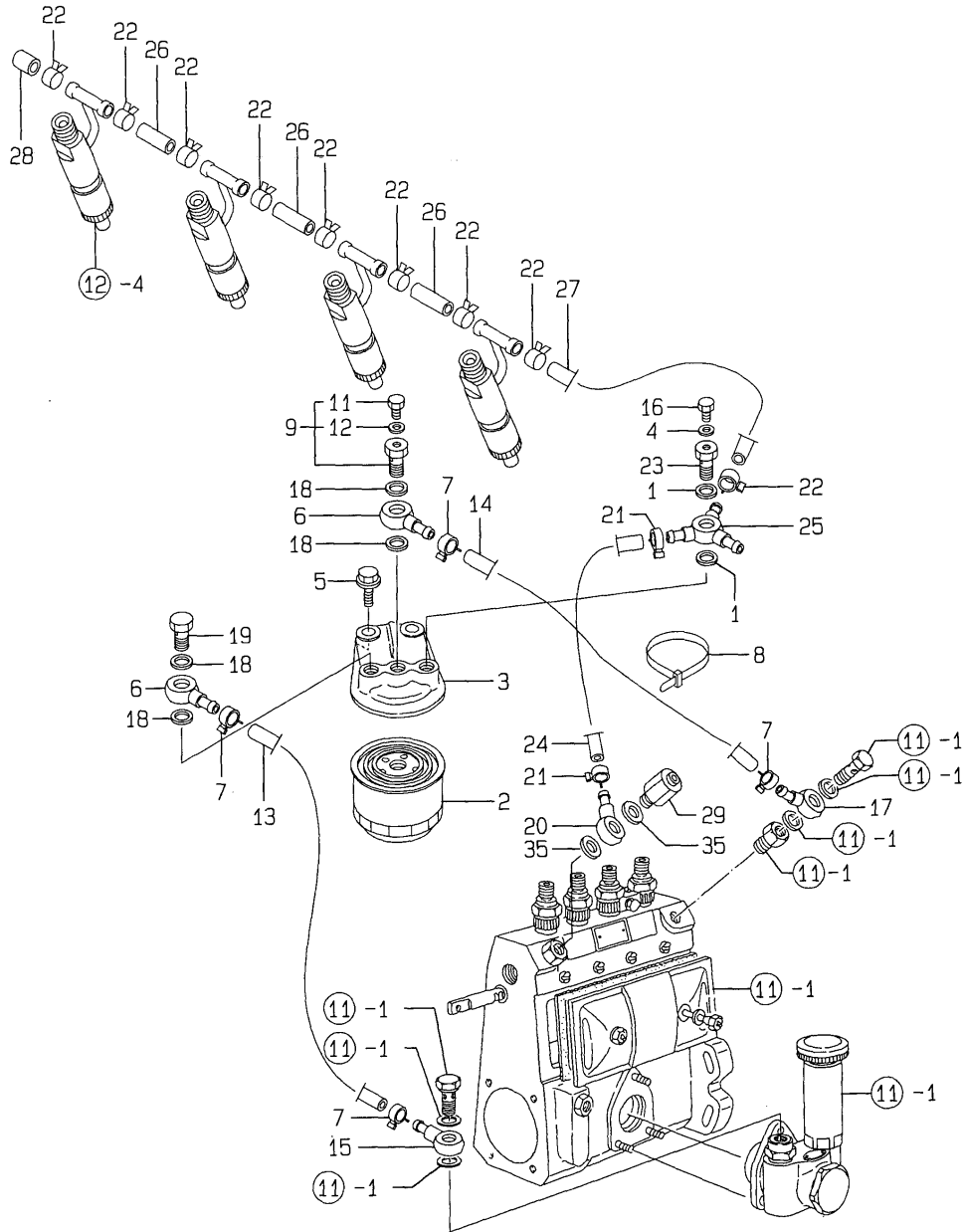
(A)=4TNE98-SA  
(B)=4TNE98-G1A  
(C)=

(D)=  
(E)=  
(F)=

No.	Lev.	Parts No.	Description	Q'ty						I	R
				(A)	(B)	(C)	(D)	(E)	(F)		
1	1	129900-01950	RETAINER	1	1						
2	1	26106-100142	BOLT, M10X 14 PLATED	1	1						
3	1	26106-080202	BOLT, M8X 20 PLATED	1	1						
4A	1	729902-53200	VALVE ASSY,INJECTION	4							
4B	1	729982-53100	VALVE ASSY,INJECTION		4						
5A	2	129902-53050	VALVE ASSY,INJECTION	4							
5B	2	129982-53000	VALVE ASSY,INJECTION		4						
8	2	114250-53080	NUT, NOZZLE D16.95	4	4						
12	2	114250-53120	SPRING, NOZZLE	4	4						
13	2	114250-53130	SEAT, SPRING	4	4						
14	2	114250-53140	PLATE	4	4						
15	2	114250-53210	PIN	8	8						
16	2	114250-53400	SHIM SET	4	4						
23	1	119305-59120	RETAINER, PIPE	2	2						
26	2	129150-59131	BOLT, M4X14	2	2						
27	1	129550-59120	RETAINER, PIPE	1	1						
30	2	129150-59131	BOLT, M4X14	2	2						
32	1	129902-59810	PIPE ASSY, INJECTION	1	1						
36	1	129902-59820	PIPE ASSY, INJECTION	1	1						
40	1	129902-59830	PIPE ASSY, INJECTION	1	1						
44	1	129902-59840	PIPE ASSY, INJECTION	1	1						

Fig.13. FUEL LINE

13, FUEL LINE



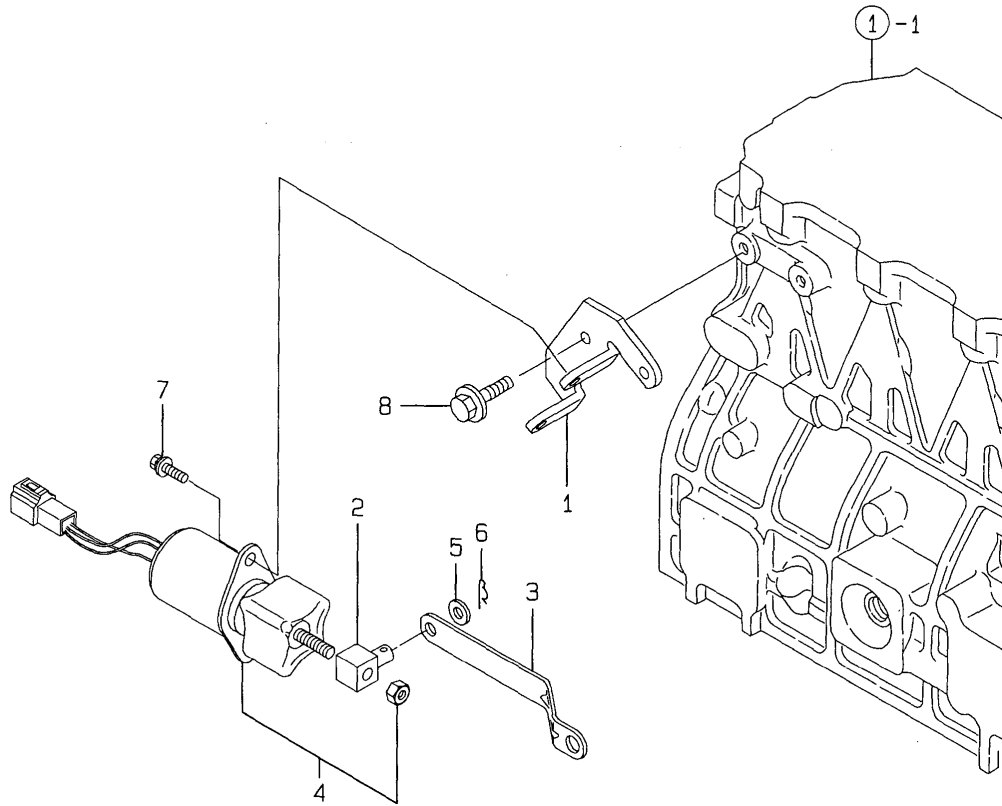
(A)=4TNE98-SA  
(B)=4TNE98-G1A  
(C)=

(D)=  
(E)=  
(F)=

No.	Lev.	Parts No.	Description	Q'ty						I	R
				(A)	(B)	(C)	(D)	(E)	(F)		
1	1	22190-140002	WASHER, SEAL 14	2	2						
2	1	119000-55600	FILTER, FUEL	1	1						
3	1	129470-55610	BODY, STRAINER	1	1						
4	1	23414-080000	GASKET, 8X1.0	1	1						
5	1	26106-100252	BOLT, M10X 25 PLATED	2	2						
6	1	101304-59020	JOINT, PIPE 12	2	2						
7	1	124766-59050	CLIP, HOSE 12	4	4						
8	1	121855-59111	CLAMP, PIPE 610	2	2						
9	1	103854-59191	BOLT ASSY, JOINT M12	1	1						
11	2	124060-59380	PLUG, 6	1	1						
12	2	22190-060002	WASHER, SEAL 6	1	1						
13	1	129900-59510	PIPE, FUEL	1	1						
14	1	129900-59510	PIPE, FUEL	1	1						
15	1	119006-59910	JOINT, PIPE	1	1						
16	1	26106-080102	BOLT, M8X 10 PLATED	1	1						
17	1	121855-59880	JOINT, PIPE	1	1						
18	1	22190-120002	WASHER, SEAL 12	4	4						
19	1	23857-060000	BOLT, JOINT 6	1	1						
20	1	121855-59880	JOINT, PIPE	1	1						
21	1	124766-59050	CLIP, HOSE 12	2	2						
22	1	124066-59100	CLIP, HOSE 8	9	9						
23	1	129495-59300	BOLT, PIPE JOINT	1	1						
24	1	105025-59580	PIPE, FUEL	1	1						
25	1	129470-59530	JOINT, PIPE	1	1						
26	1	121250-59550	PIPE, FUEL D8X120	3	3						
27	1	124950-59560	PIPE, RETURN L=280	1	1						
28	1	129150-59580	CAP	1	1						
29	1	128300-59910	VALVE ASSY, OVERFLOW	1	1						
35	1	22190-140002	WASHER, SEAL 14	2	2						

Fig.14. ENGINE STOP DEVICE

14, ENGINE STOP DEVICE



(A)=4TNE98-SA  
(B)=4TNE98-G1A  
(C)=

(D)=  
(E)=  
(F)=

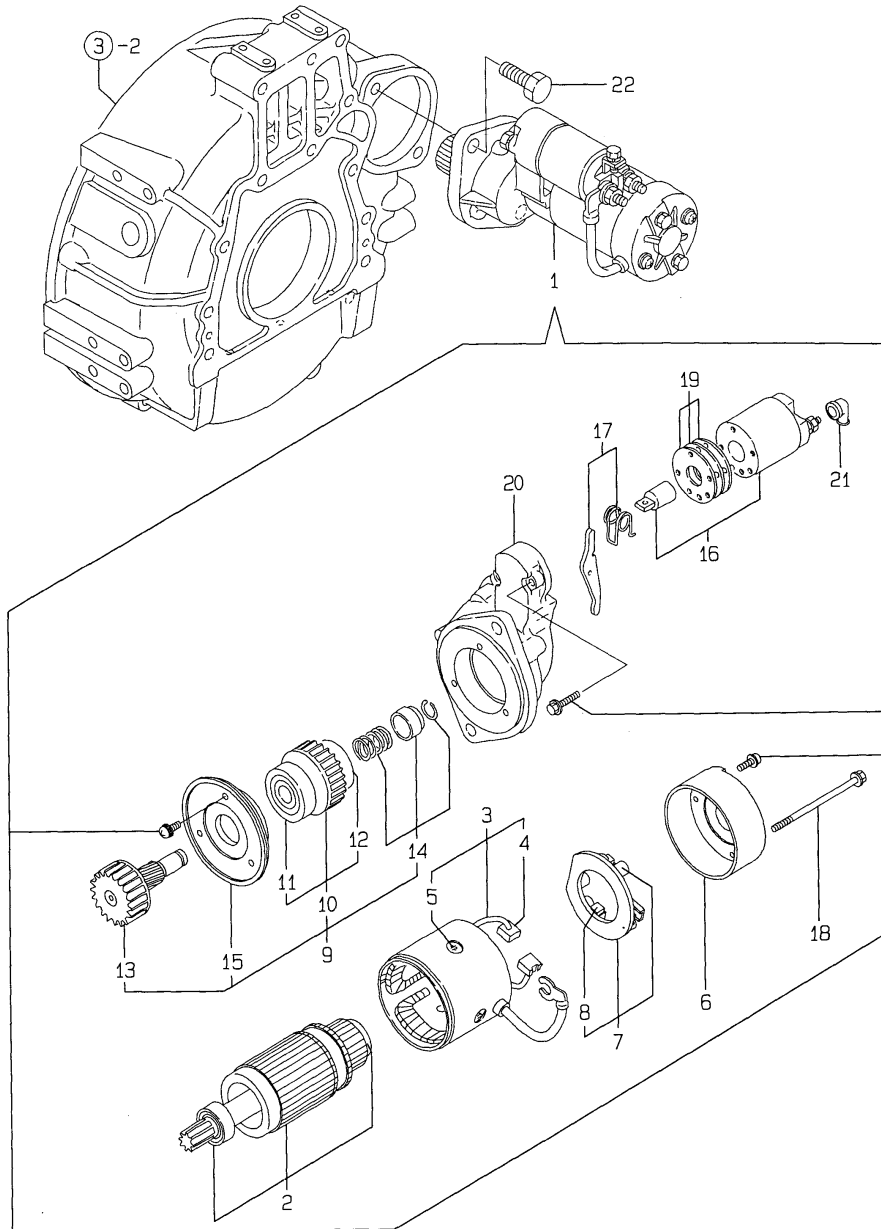
No.	Lev.	Parts No.	Description	Q'ty						I	R
				(A)	(B)	(C)	(D)	(E)	(F)		
1	1	129915-66810	BRACKET, SOLENOID	1	1						
2	1	119620-66820	JOINT	1	1						
3	1	129915-66820	LINK, SOLENOID	1	1						
4	1	119807-77800	SOLENOID, STOP	1	1						
5	1	22117-060000	WASHER, 6	2	2						
6	1	22360-060000	PIN, SNAP 6	2	2						
7	1	26106-060102	BOLT, M6X 10 PLATED	2	2						
8	1	26106-080162	BOLT, M8X 16 PLATED	2	2						

Fig.15. STARTING MOTOR

(A)=4TNE98-SA  
(B)=4TNE98-G1A  
(C)=

(D)=  
(E)=  
(F)=

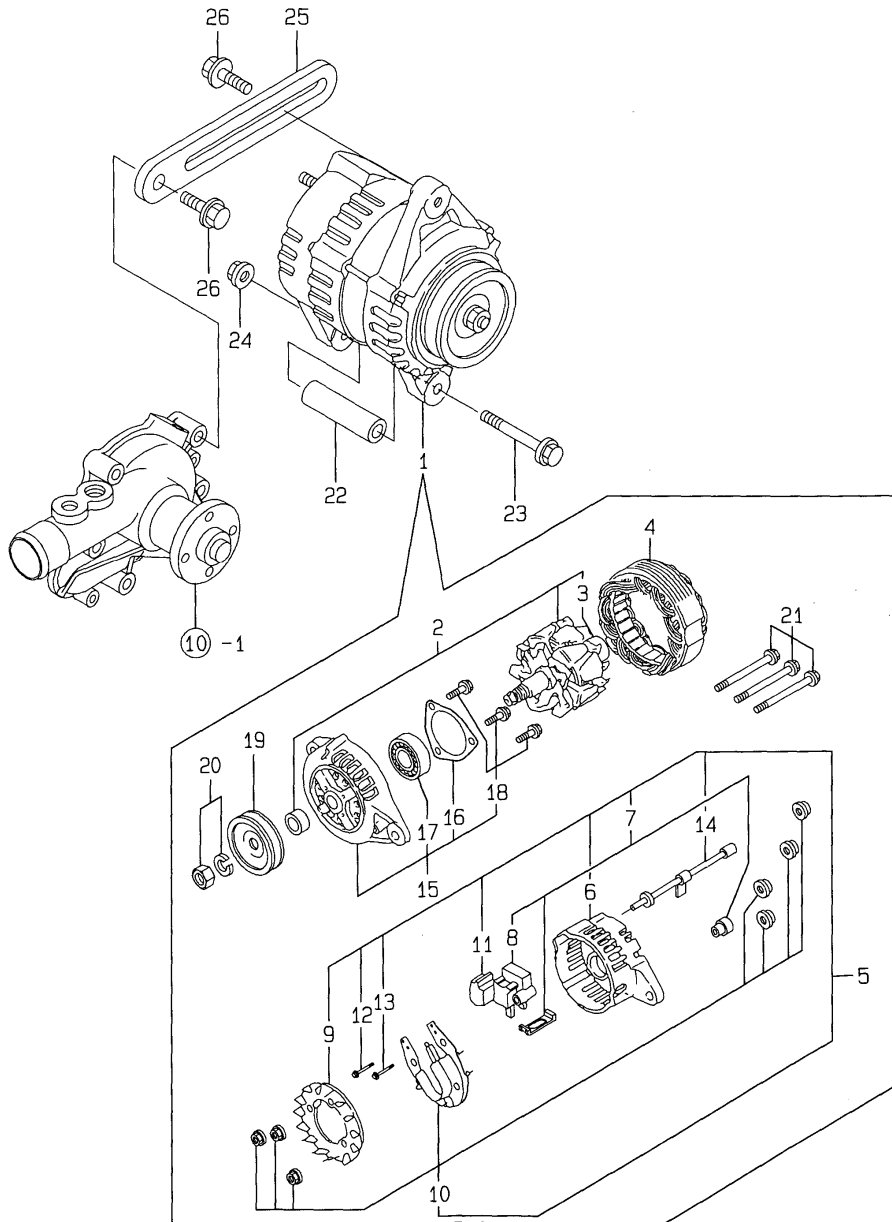
15. STARTING MOTOR



No.	Lev.	Parts No.	Description	Q'ty						I	R
				(A)	(B)	(C)	(D)	(E)	(F)		
1	1	129900-77010	STARTER(2.3KW	1	1						
2	2	129900-77400	ARMATURE ASSY	1	1						
3	2	129900-77440	COIL ASSY, FIELD	1	1						
4	3	129900-77450	BRUSH (+)	2	2						
5	3	171008-77450	SCREW	4	4						
6	2	129900-77460	COVER, REAR	1	1						
7	2	129900-77480	HOLDER ASSY, BRASH	1	1						
8	3	129900-77500	BRASH (-)	2	2						
9	2	129900-77510	PINION ASSY	1	1						
10	3	129900-77520	CLUTCH ASSY	1	1						
11	4	171008-77730	BALL BEARING (3)	1	1						
12	4	171008-77740	BALL BEARING (4)	1	1						
13	3	129900-77540	SHAFT, PINION	1	1						
14	3	129900-77550	STOPPER SET	1	1						
15	3	129900-77610	RETAINER, BEARING	1	1						
16	2	129900-77590	SWITCH ASSY,MAGNETIC	1	1						
17	2	129900-77620	SHIFT LEVER SET	1	1						
18	2	129900-77640	BOLT, THROUGH	2	2						
19	2	129900-77650	COVER ASSY, DUST	1	1						
20	2	129900-77710	HOUSING, GEARS	1	1						
21	2	171008-77750	COVER, M TERMINAL	1	1						
22	1	26116-120302	BOLT, M12X 30 PLATED	2	2						

Fig.16. GENERATOR

16, GENERATOR



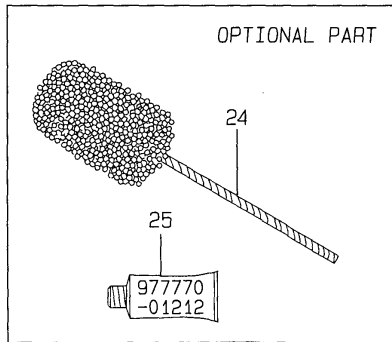
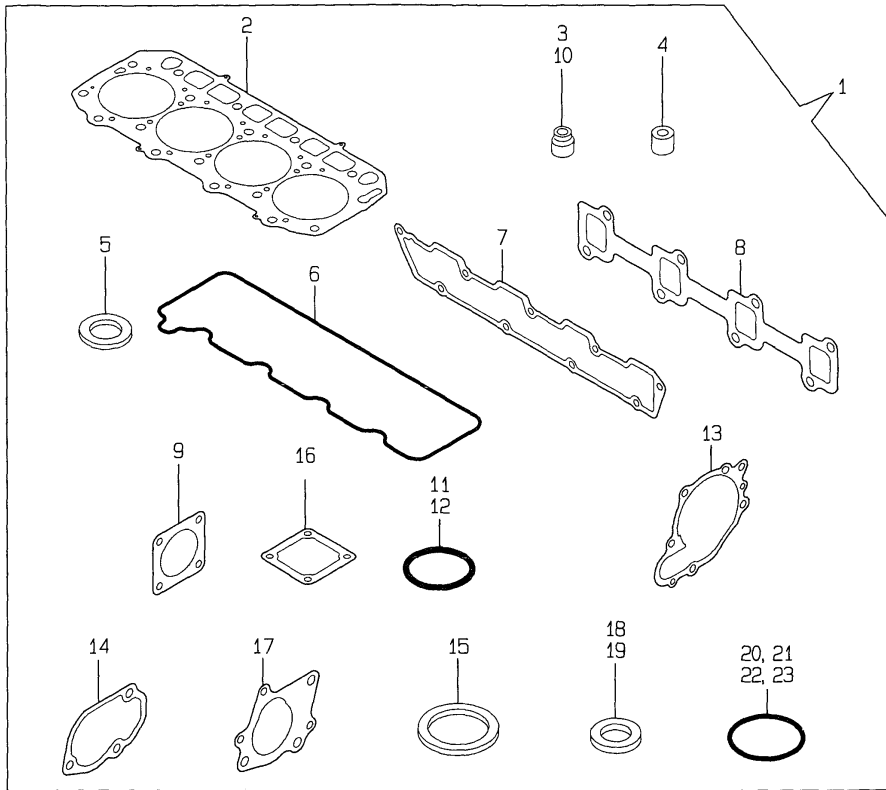
(A)=4TNE98-SA  
(B)=4TNE98-G1A  
(C)=

(D)=  
(E)=  
(F)=

No.	Lev.	Parts No.	Description	Q'ty						I	R
				(A)	(B)	(C)	(D)	(E)	(F)		
1	1	119836-77200	GENERATOR	1	1						
2	2	119836-77700	ROTOR ASSY	1	1						
3	3	119836-77850	BALL BEARING	1	1						
4	2	119836-77710	STATOR ASSY	1	1						
5	2	119836-77721	COVER ASSY, REAR	1	1						
6	3	119836-77730	COVER, REAR	1	1						
7	3	119836-77741	BRUSH ASSY,REGULATOR	1	1						
8	4	119836-77750	BRUSH ASSY	1	1						
9	3	119836-77760	GUIDE, FAN SIDE	1	1						
10	3	119836-77770	DIODE ASSY	1	1						
11	3	119836-77780	CONDENSER	1	1						
12	3	119836-77871	BOLT (1)	1	1						
13	3	119836-77880	BOLT (2)	1	1						
14	3	119836-77890	WIRE ASSY, LEAD	1	1						
15	2	119836-77790	COVER ASSY, FRONT	1	1						
16	3	119836-77800	RETAINER, BEARING	1	1						
17	3	119836-77840	BALL BEARING	1	1						
18	3	119836-77860	SCREW KID	1	1						
19	2	119836-77810	PULLEY	1	1						
20	2	119836-77820	NUT ASSY, PULLEY	1	1						
21	2	119836-77830	BOLT, THROUGH	1	1						
22	1	129150-77340	SPACER	1	1						
23	1	26106-081052	BOLT, M8X105 PLATED	1	1						
24	1	26366-080002	NUT, M8	1	1						
25	1	129900-77330	ADJUSTER	1	1						
26	1	26014-080252	BOLT, M8X 25	2	2						

# Fig.17. GASKET SET

## 17, GASKET SET



Remarks  
(1) OPTIONAL PART.

(A)=4TNE98-SA  
(B)=4TNE98-G1A  
(C)=

(D)=  
(E)=  
(F)=

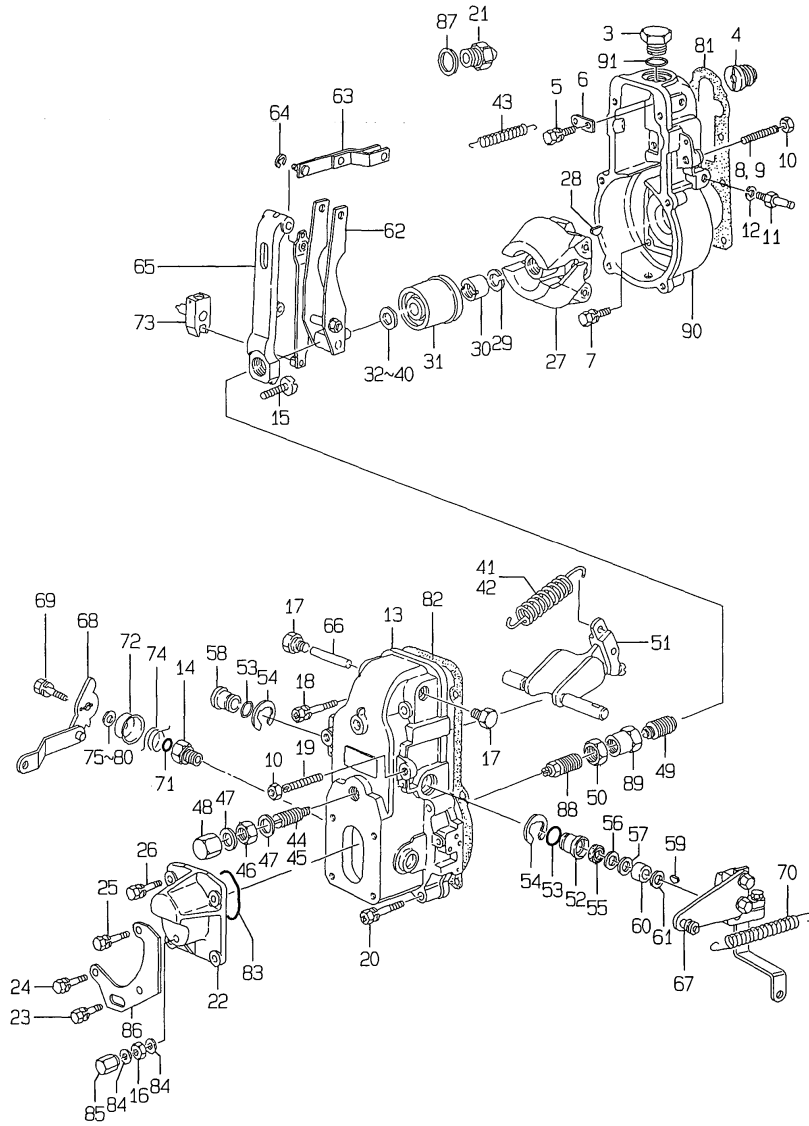
No.	Lev.	Parts No.	Description	Q'ty						I	R
				(A)	(B)	(C)	(D)	(E)	(F)		
1	1	729902-92610	GASKET SET	1	1						1
2	2	129902-01330	GASKET, HEAD	1	1						
3	2	124460-11340	SEAL, VALVE STEM	4	4						
4	2	119625-11870	PROTECTOR, NOZZLE	4	4						
5	2	119625-11880	SEAT, NOZZLE	4	4						
6	2	129900-11310	GASKET, BONNET	1	1						
7	2	129900-12050	GASKET, MANIFOLD	1	1						
8	2	129900-13251	GASKET	1	1						
9	2	129400-13201	GASKET, SILENCER	1	1						
10	2	121400-11340	SEAL, VALVE STEM	4	4						
11	2	129900-32030	O-RING, P20	2	2						
12	2	129900-32040	O-RING, P14	1	1						
13	2	129900-42020	GASKET, WATER PUMP	1	1						
14	2	129900-49830	GASKET	1	1						
15	2	121850-49550	GASKET, THERMOSTAT	1	1						
16	2	121850-77021	GASKET	1	1						
17	2	129900-49540	GASKET	1	1						
18	2	23414-080000	GASKET, 8X1.0	7	7						
19	2	124465-44950	GASKET, 16	2	2						
20	2	24311-000070	O-RING, 1AP7.0	1	1						
21	2	24311-000120	O-RING, 1AP12.0	3	3						
22	2	24341-000240	O-RING, 1AS24.0	1	1						
23	2	24311-000320	O-RING, 1AP32.0	3	3						
24	1	129400-92440	HONE	1	1						1
25	1	977770-01212	GASKET, LIQUID	1	1						1

Fig.18. GOVERNOR

(A)=4TNE98-SA  
(B)=4TNE98-G1A  
(C)=

(D)=  
(E)=  
(F)=

18. GOVERNOR



No.	Lev.	Parts No.	Description	Q'ty						I	R
				(A)	(B)	(C)	(D)	(E)	(F)		
3	2	X1540072900	PLUG	1	1						
4	2	X1540070200	ADAPTOR	1	1						
5	2	X0200181840	BOLT	1	1						
6	2	X1543501900	PLATE	1	1						
7	2	X0290106810	BOLT	6	6						
8	2	X1540100100	SCREW	1							
9	2	X1540101100	SCREW		1						
10	2	X1540110100	NUT	2	2						
11	2	X1540132320	BOLT	1	1						
12	2	X0141108440	SPRING WASHER	1	1						
13	2	X1545001020	COVER	1	1						
14	2	X1543210400	BUSH	1	1						
15	2	X1540313000	SCREW	1	1						
16	2	X1392060600	NUT	1	1						
17	2	X1540360300	PLUG	2	2						
18	2	X0201065040	BOLT	2	2						
19	2	X1540100200	SCREW	1	1						
20	2	X0201063840	BOLT	4	4						
21	2	X1530205220	LIMITER	1	1						
22	2	X1540635100	COVER	1	1						
23	2	X0290206260	BOLT	1	1						
24	2	X0290206260	BOLT	1	1						
25	2	X0200062040	BOLT	1	1						
26	2	X0200061640	BOLT	1	1						
27	2	X1541010020	FLYWAIGHT ASSY.	1	1						
28	2	X0258031610	WOODRUFF KEY	1	1						
29	2	X0293212020	SPRING WASHER	1	1						
30	2	X0292312030	NUT	1	1						
31	2	X1541230120	SLEEVE	1	1						
32	2	X0293110010	SHIM T0.2 D14/10.1	1	1						
33	2	X0293110180	SHIM T0.3 D14/10.1	1	1						
34	2	X0293110190	SHIM T0.4 D14/10.1	1	1						
35	2	X0293110210	SHIM T1.0 D14/10.1	1	1						
36	2	X1394100000	SHIM T0.5 D14/10.1	1	1						
37	2	X1394100100	SHIM T1.5 D14/10.1	1	1						
38	2	X1394103000	SHIM T2.0 D14/10.1	1	1						
39	2	X1394103100	SHIM T3.0 D14/10.1	1	1						
40	2	X1394103200	SHIM T4.0 D14/10.1	1	1						
41	2	X1541502900	SPRING	1							
42	2	X1541500100	SPRING		1						
43	2	X1541540701	SPRING	1	1						
44	2	X1541580920	CAPSULE, SPRING	1							
45	2	X1541581820	CAPSULE, SPRING		1						
46	2	X1540111700	NUT	1	1						
47	2	X0265121540	GASKET	2	2						
48	2	X1541591200	NUT, CAP	1	1						
49	2	X1541856120	SPRING	1							
50	2	X0292016080	NUT	1							
51	2	X1542006920	LEVER	1	1						
52	2	X1542043000	BUSH	1	1						
53	2	X0296318020	O-RING	2	2						

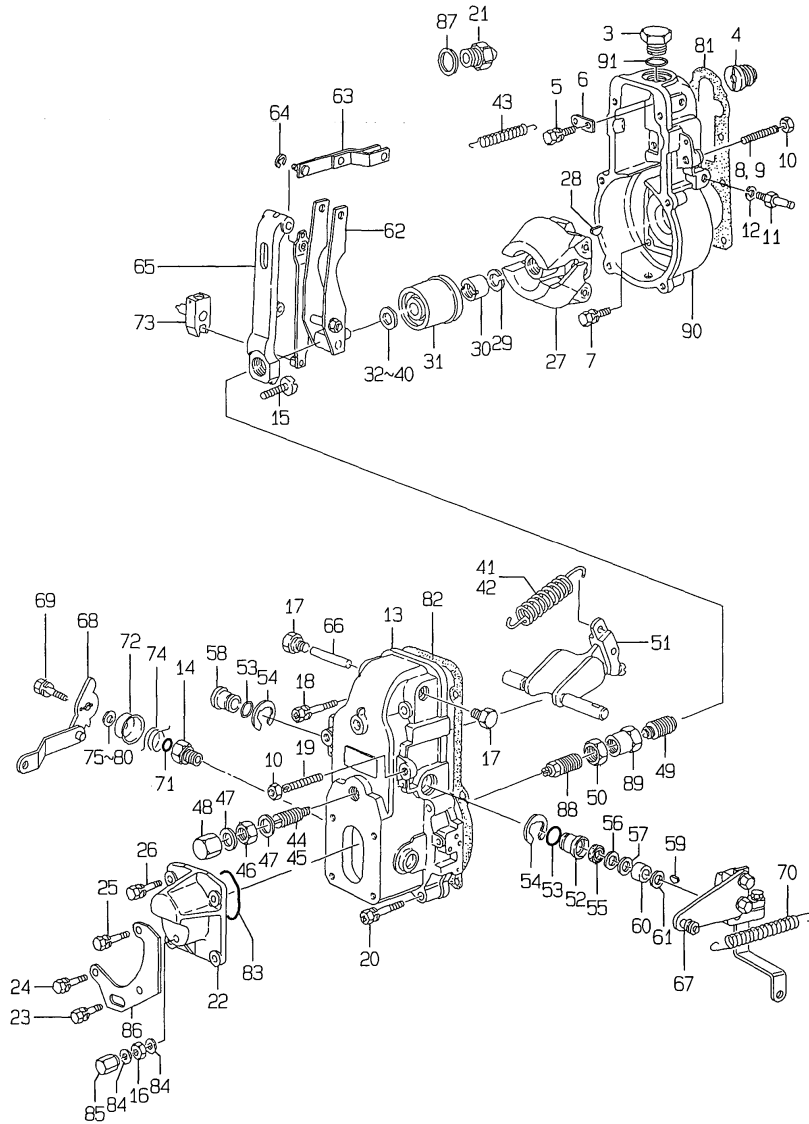
Remarks  
\* THIS FIGURE(GOVERNOR ASSY)IS  
INCORPORATED IN THE FUEL INJECTION  
PUMP ASSY(FIG.11).

# Fig.18. GOVERNOR

(A)=4TNE98-SA  
(B)=4TNE98-G1A  
(C)=

(D)=  
(E)=  
(F)=

## 18. GOVERNOR



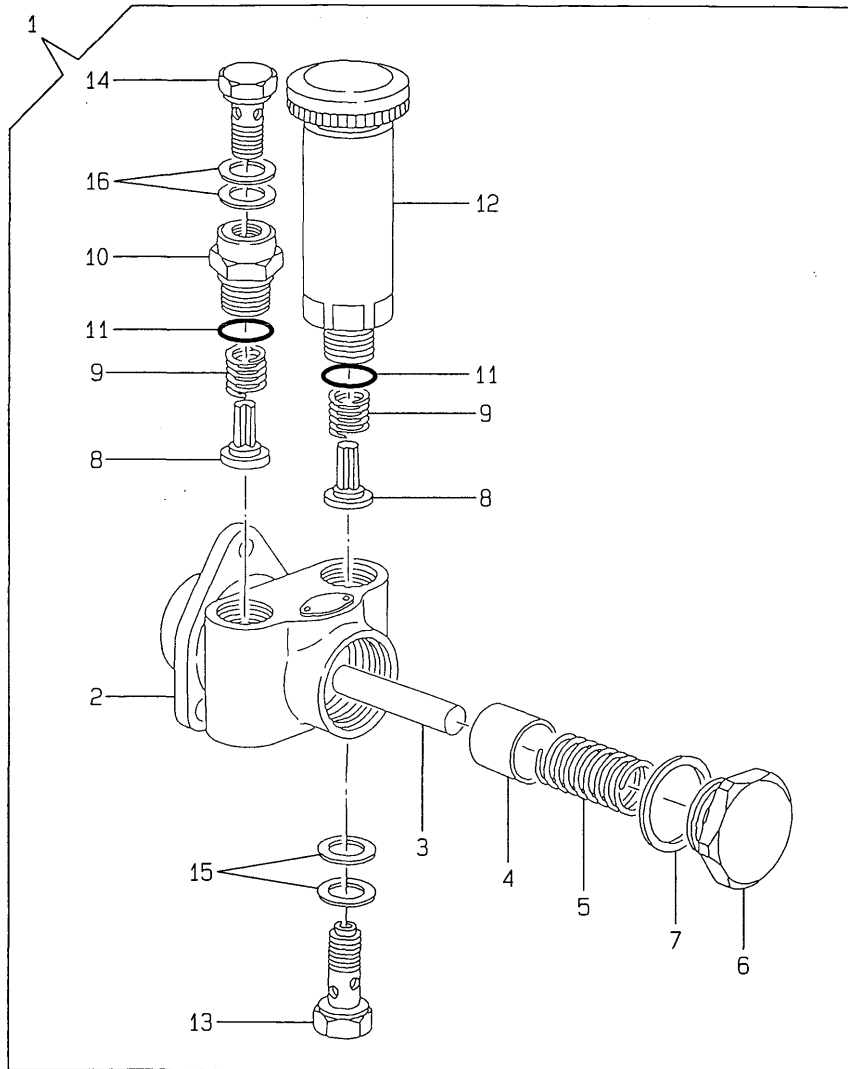
No.	Lev.	Parts No.	Description	Q'ty						I	R
				(A)	(B)	(C)	(D)	(E)	(F)		
54	2	X0160101640	RING, SNAP	2	2						
55	2	X1396110000	SEAL, OIL	1	1						
56	2	X1394110000	SHIM	1	1						
57	2	X0293111070	SHIM	1	1						
58	2	X1542043100	BUSH	1	1						
59	2	X0258031310	WOODRUFF KEY	1	1						
60	2	X1542062800	COLLAR	1	1						
61	2	X1542060200	WASHER	1	1						
62	2	X1542163820	LEVER ASSY, GUIDE	1	1						
63	2	X1542303920	LINK	1	1						
64	2	X0160100540	RING, SNAP	1	1						
65	2	X1542364100	LEVER, TENSION	1	1						
66	2	X1542370100	PIN	1	1						
67	2	X1543956420	LEVER	1	1						
68	2	X1543829320	LEVER	1	1						
69	2	X0200061640	BOLT	1	1						
70	2	X1543142600	SPRING	1	1						
71	2	X0296310030	O-RING	1	1						
72	2	X1543220100	CAP	1	1						
73	2	X1543265020	LEVER ASSY	1	1						
74	2	X1543277400	SPRING	1	1						
75	2	X0293110520	SHIM	1	1						
76	2	X0293110530	SHIM	1	1						
77	2	X0293110540	SHIM	1	1						
78	2	X0293110550	SHIM	1	1						
79	2	X0293110560	SHIM	1	1						
80	2	X0293110570	SHIM	1	1						
81	2	X1543507700	GASKET	1	1						
82	2	X1543507800	GASKET	1	1						
83	2	X0296352020	O-RING	1	1						
84	2	X0265061040	GASKET	2	2						
85	2	X1540351600	CAP NUT	1	1						
86	2	X1543587200	BRACKET	1	1						
87	2	X0265182240	GASKET	1	1						
88	2	X1541883320	SPRING	1							
89	2	X0292016010	NUT	1							
90	2	X1540006400	FLANGED HOUSING	1	1						
91	2	X0296325070	O-RING	1	1						

Remarks  
\* THIS FIGURE(GOVERNOR ASSY)IS  
INCORPORATED IN THE FUEL INJECTION  
PUMP ASSY(FIG.11).



Fig.19. FEED PUMP

19.FEED PUMP



(A)=4TNE98-SA  
(B)=4TNE98-G1A  
(C)=

(D)=  
(E)=  
(F)=

No.	Lev.	Parts No.	Description	Q'ty						I	R
				(A)	(B)	(C)	(D)	(E)	(F)		
1	2	129900-52010	PUMP ASSY, FUEL FEED	1	1						
2	3	X1520620020	HOUSING	1	1						
3	3	X1520300200	ROD, PUSH	1	1						
4	3	X1521002301	PISTON	1	1						
5	3	X1521020400	SPRING, PISTON	1	1						
6	3	X1521051500	PLUG	1	1						
7	3	X1395260000	GASKET	1	1						
8	3	X1521150500	VALVE	2	2						
9	3	X1521160200	SPRING	2	2						
10	3	X1521180900	ADAPTER	1	1						
11	3	X0296316060	O-RING	2	2						
12	3	X1522006720	PRIMING PUMP	1	1						
13	3	X1523005920	BOLT	1	1						
14	3	X0297314680	EYE BOLT	1	1						
15	3	X0265141840	GASKET	2	2						
16	3	X0265141840	GASKET	2	2						

Remarks

\* THIS FIGURE(FEED PUMP ASSY)IS INCORPORATED IN THE FUEL INJECTION PUMP ASSY(FIG.11).

## Parts No. Index

Parts No.	Fig. No.	Ref. No.
101304-59020	13	6
103854-59191	13	9
105025-59580	13	24
114250-53080	12	8
114250-53120	12	12
114250-53130	12	13
114250-53140	12	14
114250-53210	12	15
114250-53400	12	16
119000-35140	9	5
119000-55600	13	2
119005-44761	10	17
119006-03090	4	1
119006-59910	13	15
119100-11330	4	52
119305-59120	12	23
119620-01750	3	4
119620-49290	10	30
119620-66820	14	2
119625-11870	4	20
	17	4
119625-11880	4	21
	17	5
119625-11900	4	22
119640-01640	3	9
119807-77800	14	4
119836-77200	16	1
119836-77700	16	2
119836-77710	16	4
119836-77721	16	5
119836-77730	16	6
119836-77741	16	7
119836-77750	16	8
119836-77760	16	9
119836-77770	16	10
119836-77780	16	11
119836-77790	16	15
119836-77800	16	16
119836-77810	16	19
119836-77820	16	20
119836-77830	16	21
119836-77840	16	17
119836-77850	16	3
119836-77860	16	18
119836-77871	16	12
119836-77880	16	13
119836-77890	16	14
120130-22301	8	25
121250-44901	10	10
121250-59550	13	26

Parts No.	Fig. No.	Ref. No.
121400-11340	4	17
	17	10
121450-42450	10	33
121520-34810	9	3
121850-21130	8	11
121850-21290	8	5
121850-21680	8	10
121850-21920	8	6
121850-49550	10	21
	17	15
121850-49810	10	24
121850-77021	5	6
	17	16
121850-77050	5	7
121855-59111	13	8
121855-59880	13	17
	20	
124060-59380	13	11
124066-59100	13	22
124160-01751	2	28
	4	58
124160-11360	4	45
124160-39450	9	14
124411-01780	3	7
124460-11340	4	18
	17	3
124465-44950	10	18
	34	
	17	19
124766-59050	13	7
	21	
124950-59560	13	27
127410-21480	8	18
128300-59910	13	29
129100-01580	3	1
129100-77820	5	5
129150-02450	7	4
129150-03100	4	2
129150-11230	4	34
	38	
129150-11370	4	19
129150-11750	4	36
	40	
129150-11810	4	9
129150-14200	7	1
129150-25920	7	14
129150-35151	9	4
129150-59131	12	26
	30	
129150-59580	13	28

Parts No.	Fig. No.	Ref. No.
129150-77340	16	22
129150-91400	2	16
129400-13201	6	6
	17	9
129400-92440	17	24
129470-55610	13	3
129470-59530	13	25
129495-59300	13	23
129550-59120	12	27
129795-11180	4	16
129900-01200	1	28
129900-01740	2	5
129900-01780	2	4
129900-01820	2	7
129900-01950	12	1
129900-02020	1	7
129900-02340	1	30
129900-02410	1	10
129900-02800	1	16
129900-02930	1	25
129900-02940	1	33
129900-07900	4	4
129900-11100	4	13
129900-11110	4	14
129900-11120	4	15
129900-11200	4	26
129900-11240	4	27
129900-11280	4	30
129900-11310	4	47
	17	6
129900-11350	4	46
129900-11510	4	31
129900-11520	4	32
129900-11530	4	43
129900-11600	4	50
129900-11650	4	33
129900-11660	4	37
129900-12000	5	2
129900-12050	5	1
	17	7
129900-13200	6	1
129900-13251	6	3
	17	8
129900-14100	7	7
129900-14400	7	2
129900-14580	7	3
129900-21200	8	4
129900-21600	8	14
129900-21640	8	9
129900-21670	8	8

Parts No.	Fig. No.	Ref. No.
129900-23000	8	27
129900-23200	8	32
129900-23600	8	33
129900-23610	8	35
129900-23910	8	31
129900-25060	7	10
129900-25100	7	11
129900-25900	7	16
129900-32000	2	10
129900-32030	2	12
	9	6
	17	11
129900-32040	2	13
	17	12
129900-34800	9	1
129900-35000	9	7
129900-39350	9	15
129900-42000	10	1
129900-42020	10	9
	17	13
129900-42450	10	14
129900-42461	10	15
129900-44700	10	16
129900-49530	10	22
129900-49540	10	23
	17	17
129900-49830	10	28
	17	14
129900-52010	11	106
	19	1
129900-59510	13	13
	14	
129900-77010	15	1
129900-77330	16	25
129900-77400	15	2
129900-77440	15	3
129900-77450	15	4
129900-77460	15	6
129900-77480	15	7
129900-77500	15	8
129900-77510	15	9
129900-77520	15	10
129900-77540	15	13
129900-77550	15	14
129900-77590	15	16
129900-77610	15	15
129900-77620	15	17
129900-77640	15	18
129900-77650	15	19
129900-77710	15	20

# Parts No. Index

Parts No.	Fig. No.	Ref. No.
129902-01330	1	29
	17	2
129902-01710	3	8
129902-21000	8	1
129902-21580	8	15
129902-22080	8	19
129902-22900	8	37
129902-53050	12	5 A
129902-59810	12	32
129902-59820	12	36
129902-59830	12	40
129902-59840	12	44
129903-22050	8	21
129903-22950	8	39
129915-01600	3	3
129915-66810	14	1
129915-66820	14	3
129951-49800	10	20
129955-01600	3	2
129955-21590	8	12
129955-51000	11	2
129955-51010	11	1
129982-53000	12	5 B
171008-77450	15	5
171008-77730	15	11
171008-77740	15	12
171008-77750	15	21
171051-01921	1	6
171085-21451	8	43
22117-060000	14	5
22190-060002	13	12
22190-080002	9	19
22190-120002	13	18
22190-140002	13	1
		35
22190-220002	3	12
22242-000180	4	41
22252-000300	8	26
22252-000721	8	44
22312-080160	2	14
22351-060012	1	11
22360-060000	14	6
22512-070140	7	8
	8	7
23297-060081	9	16
23414-080000	9	17
	13	4
	17	18
23857-030000	9	18
23857-060000	13	19

Parts No.	Fig. No.	Ref. No.
23871-005000	4	11
23871-030000	1	5
		12
	10	26
24105-063064	8	45
24311-000070	2	29
	17	20
24311-000120	4	53
	17	21
24311-000320	2	30
	4	57
	17	23
24341-000240	2	18
	17	22
25132-004100	10	11
26014-080252	16	26
26014-080502	10	19
26022-050122	4	51
26106-060102	14	7
26106-060162	2	19
26106-060252	10	27
26106-060302	10	12
26106-080102	13	16
26106-080122	3	13
	4	3
	9	2
		12
26106-080162	2	20
	4	54
	7	9
	9	13
	14	8
26106-080202	2	21
	12	3
26106-080222	8	46
26106-080302	2	22
26106-080352	5	8
26106-080402	2	23
		24
26106-080452	2	25
	5	4
26106-080552	7	15
	10	13
26106-080702	2	26
		27
	10	29
26106-080802	6	4
26106-081052	16	23
26106-100142	12	2
26106-100252	13	5

Parts No.	Fig. No.	Ref. No.
26106-100652	4	55
26116-120302	15	22
26206-100352	3	6
26206-100702	3	5
26216-060202	4	23
26216-080222	6	5
26216-080802	6	7
26216-100302	2	11
26366-060002	4	24
26366-080002	6	8
	16	24
26366-100002	2	15
	4	44
26577-040122	4	42
27231-550000	1	13
27241-160000	1	14
27241-300000	1	15
27241-400000	4	12
27310-080000	4	25
729900-01570	2	1
729900-11100	4	5
729902-01560	1	1
729902-53200	12	4 A
729902-92610	17	1
729982-53100	12	4 B
977770-01212	2	6
	3	14
	4	56
	17	25
X0131214140	11	96
X0141108440	18	12
X0160100540	18	64
X0160101640	18	54
X0166302030	11	68
X0166402030	11	66
X0200061640	18	26
		69
X0200062040	11	94
	18	25
X0200181840	18	5
X0201063840	18	20
X0201065040	18	18
X0258031310	18	59
X0258031610	18	28
X0265061040	18	84
X0265101340	11	103
X0265121540	18	47
X0265141840	11	100
	19	15
		16

Parts No.	Fig. No.	Ref. No.
X0265182240	18	87
X0282017020	11	69
X0282020020	11	67
X0290106810	18	7
X0290206260	18	23
		24
X0290406020	11	105
X0292016010	18	89
X0292016080	18	50
X0292312030	18	30
X0293110010	18	32
X0293110020	11	28
X0293110030	11	29
X0293110040	11	30
X0293110050	11	31
X0293110060	11	32
X0293110070	11	33
X0293110080	11	34
X0293110090	11	35
X0293110110	11	36
X0293110120	11	37
X0293110130	11	38
X0293110140	11	39
X0293110180	18	33
X0293110190	18	34
X0293110210	18	35
X0293110270	11	40
X0293110280	11	41
X0293110290	11	42
X0293110310	11	43
X0293110320	11	44
X0293110330	11	45
X0293110340	11	46
X0293110350	11	47
X0293110490	11	48
X0293110500	11	49
X0293110520	18	75
X0293110530	18	76
X0293110540	18	77
X0293110550	18	78
X0293110560	18	79
X0293110570	18	80
X0293110580	11	50
X0293110590	11	51
X0293110600	11	52
X0293110610	11	53
X0293110620	11	54
X0293110630	11	55
X0293110710	11	56
X0293111070	18	57

## Parts No. Index

Parts No.	Fig. No.	Ref. No.
X0293117010	11	72
X0293117020	11	73
X0293117030	11	74
X0293117040	11	75
X0293117050	11	76
X0293117060	11	77
X0293117070	11	78
X0293117090	11	79
X0293117210	11	80
X0293117220	11	81
X0293120220	11	83
X0293120230	11	84
X0293120240	11	85
X0293120250	11	86
X0293120260	11	87
X0293120270	11	88
X0293120290	11	89
X0293120300	11	90
X0293212020	18	29
X0293214010	11	97
X0293406020	11	11
X0294704030	11	98
X0296220190	11	92
X0296310030	18	71
X0296316060	19	11
X0296318020	18	53
X0296320030	11	22
X0296325070	18	91
X0296331010	11	14
X0296352020	18	83
X0296375020	11	101
X0297310120	11	102
X0297314680	11	99
	19	14
X1310022000	11	6
		7
X1310111900	11	9
X1310171000	11	10
X1310286220	11	8
X1310341401	11	12
X1310641621	11	104
X1311123500	11	17
X1311151600	11	18
X1311167600	11	19
X1311172300	11	20
X1311220520	11	21
X1311523420	11	15
X1311607920	11	16
X1312000220	11	23
X1312030200	11	24

Parts No.	Fig. No.	Ref. No.
X1312041000	11	25
X1312050500	11	26
X1312060200	11	27
X1312152500	11	57
X1312160100	11	58
X1312170200	11	59
X1312260300	11	61
X1312400100	11	62
X1312410100	11	63
X1312420100	11	64
X1312540600	11	60
X1313020300	11	70
X1313021000	11	71
X1313211900	11	95
X1313301800	11	93
X1313612700	11	65
X1340260000	11	5
X1392060400	11	13
X1392060600	18	16
X1394100000	18	36
X1394100100	18	37
X1394103000	18	38
X1394103100	18	39
X1394103200	18	40
X1394110000	18	56
X1394170000	11	82
X1394200400	11	91
X1395260000	19	7
X1396110000	18	55
X1520300200	19	3
X1520620020	19	2
X1521002301	19	4
X1521020400	19	5
X1521051500	19	6
X1521150500	19	8
X1521160200	19	9
X1521180900	19	10
X1522006720	19	12
X1523005920	19	13
X1530205220	18	21
X1540006400	18	90
X1540070200	18	4
X1540072900	18	3
X1540100100	18	8
X1540100200	18	19
X1540101100	18	9
X1540110100	18	10
X1540111700	18	46
X1540132320	18	11
X1540313000	18	15

Parts No.	Fig. No.	Ref. No.
X1540351600	18	85
X1540360300	18	17
X1540635100	18	22
X1541010020	18	27
X1541230120	18	31
X1541500100	18	42
X1541502900	18	41
X1541540701	18	43
X1541580920	18	44
X1541581820	18	45
X1541591200	18	48
X1541856120	18	49
X1541883320	18	88
X1542006920	18	51
X1542043000	18	52
X1542043100	18	58
X1542060200	18	61
X1542062800	18	60
X1542163820	18	62
X1542303920	18	63
X1542364100	18	65
X1542370100	18	66
X1543142600	18	70
X1543210400	18	14
X1543220100	18	72
X1543265020	18	73
X1543277400	18	74
X1543501900	18	6
X1543507700	18	81
X1543507800	18	82
X1543587200	18	86
X1543829320	18	68
X1543956420	18	67
X1545001020	18	13

Parts No.	Fig. No.	Ref. No.
-----------	----------	----------