

OCR10-M45000EN

⊙ : STD ○ : Option × : Not applicable

Types of P.T.O			4TNE88	
			SA	G1A
Flywheel Housing	SAE # 5 Standard for Clutch No.7-1/2	A	⊙	×
	SAE # 5 Standard for SAE Generator	B	○	×
	Semi SAE # 4 (Width 105mm)	C	○	⊙
	Semi SAE # 5 (with 80mm)	D	○	×
Back Plate		E	○	×

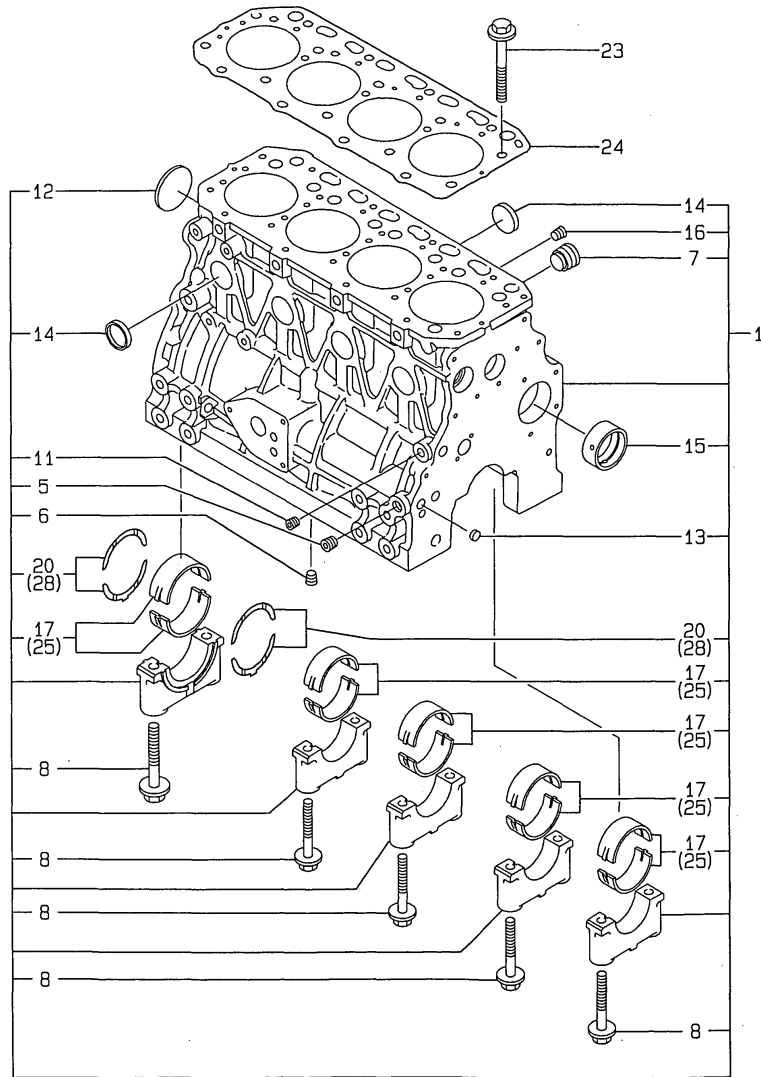
This parts catalogue covers all specification.

Contents

Fig. No.	Fig. Name	Fig. No.	Fig. Name
ENGINE 4TNE88-SA,G1A			
1.	CYLINDER BLOCK		
2.	GEAR HOUSING		
3.	FLYWHEEL HOUSING & OIL SUMP		
4.	CYLINDER HEAD & BONNET(1)		
5.	CYLINDER HEAD & BONNET(2)		
6.	SUCTION MANIFOLD & AIR CLEANER		
7.	EXHAUST MANIFOLD & SILENCER		
8.	CAMSHAFT & DRIVING GEAR		
9.	CRANKSHAFT & PISTON		
10.	LUB.OIL SYSTEM		
11.	COOLING WATER SYSTEM		
12.	RADIATOR		
13.	FUEL INJECTION PUMP		
14.	GOVERNOR		
15.	FUEL INJECTION VALVE		
16.	FUEL FILTER		
17.	ENGINE CONTROL DEVICE		
18.	STARTING MOTOR(STANDARD)		
19.	STARTING MOTOR(COLD DISTRICT)		
20.	GENERATOR		
21.	PANEL		
22.	GASKET SET & TOOL(OPTIONAL)		

Fig.1. CYLINDER BLOCK

1. CYLINDER BLOCK



(A)=4TNE88-SA
 (B)=4TNE88-G1A
 (C)=

(D)=
 (E)=
 (F)=

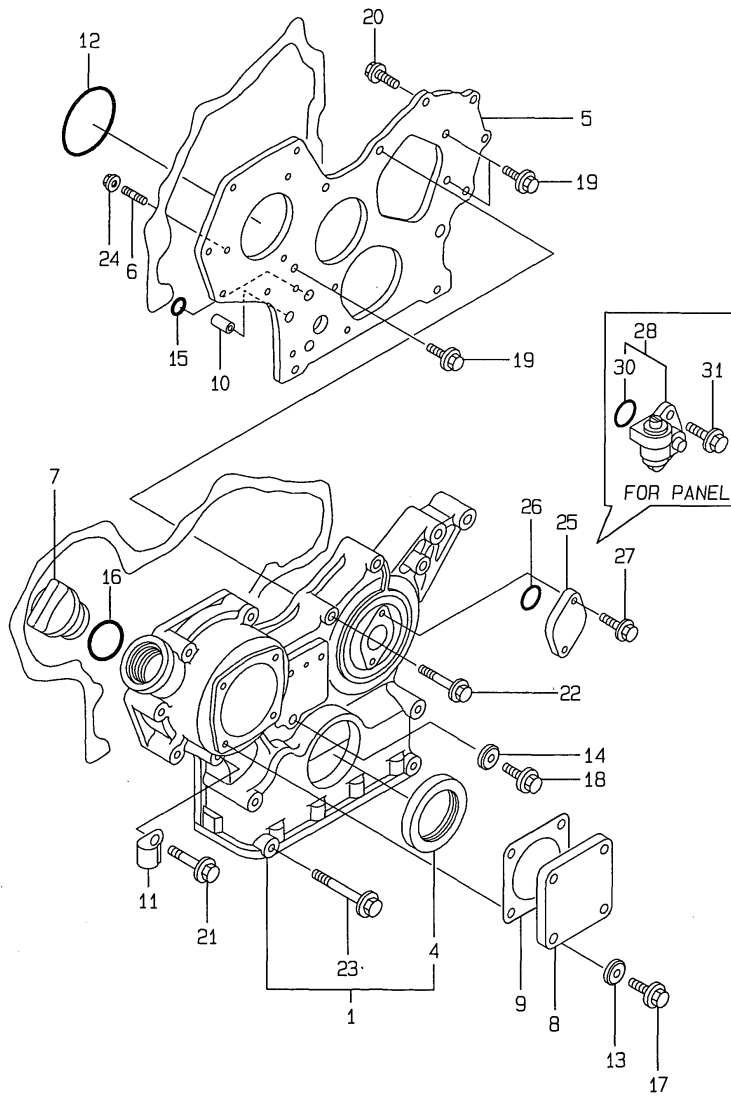
No.	Lev.	Parts No.	Description	Q'ty						I	R
				(A)	(B)	(C)	(D)	(E)	(F)		
1	1	729407-01560	BLOCK ASSY, CYLINDER	1	1						
5	2	124160-01910	PLUG, PT1/4	2	2						
6	2	124160-01910	PLUG, PT1/4	1	1						
7	2	171051-01921	PLUG, NPTF1	1	1						
8	2	129150-02020	BOLT, METAL CAP	10	10						
11	2	23871-010000	PLUG, R01	1	1						
12	2	27231-500000	PLUG 50	1	1						
13	2	27241-120000	PLUG, 12	2	2						
14	2	27241-300000	PLUG 30	8	8						
15	2	129795-02411	BUSH, CAMSHAFT	1	1						
16	2	23871-030000	PLUG, R03	1	1						
17	2	129001-02800	BEARING, MAIN	5	5						
20	2	129150-02930	BEARING, THRUST	2	2						
23	1	129150-01200	BOLT, HEAD	18	18						
24	1	129407-01340	GASKET, HEAD	1	1						G
25	1	129150-02870	BEARING, 0.25 US	5	5						1
28	1	129150-02940	BEARING, THRUST 0.25	2	2						2

Remarks

- (1) UNDER-SIZED(U.S=0.25)PART.
- (2) OVER-SIZED(O.S=0.25)PART.
- (G) THESE PARTS ARE SOLD BY FIG.22, REF.NO.1.

Fig.2. GEAR HOUSING

2.GEAR HOUSING



(A)=4TNE88-SA
(B)=4TNE88-G1A
(C)=

(D)=
(E)=
(F)=

No.	Lev.	Parts No.	Description	Q'ty						I	R
				(A)	(B)	(C)	(D)	(E)	(F)		
1	1	719810-01500	CASE ASSY, GEAR	1	1						
4	2	129795-01800	SEAL, OIL	1	1						
5	1	129400-01520	FLANGE, GEAR CASE	1	1						
6	1	121450-01560	STUD, M8X22	3	3						
7	1	124160-01751	COVER, FILLER	1	1						
8	1	124240-01871	COVER	1	1						
9	1	124240-01883	GASKET	1	1						G
10	1	129795-01950	PIPE, KNOCK L=18	2	2						
11	1	129150-03100	RETAINER, PIPE	1	1						
12	1	121850-51960	O-RING	1	1						G
13	1	22190-080002	WASHER, SEAL 6	4	4						
14	1	22190-080002	WASHER, SEAL 6	1	1						
15	1	24311-000160	O-RING, 1AP16.0	2	2						G
16	1	24311-000320	O-RING, 1AP32.0	1	1						G
17	1	26106-080122	BOLT, M8X 12 PLATED	4	4						
18	1	26106-080162	BOLT, M8X 16 PLATED	1	1						
19	1	26106-080162	BOLT, M8X 16 PLATED	3	3						
20	1	26106-080202	BOLT, M8X 20 PLATED	2	2						
21	1	26106-080452	BOLT, M8X 45 PLATED	6	6						
22	1	26106-080552	BOLT, M8X 55 PLATED	3	3						
23	1	26106-080852	BOLT, M8X 85 PLATED	4	4						
24	1	26366-080002	NUT, M8	3	3						
25	1	121023-01550	COVER	1	1						
26	1	24341-000240	O-RING, 1AS24.0	1	1						
27	1	26106-060122	BOLT, M6X 12 PLATED	2	2						
28	1	129150-91400	GEAR	1	1						1
30	2	24341-000240	O-RING, 1AS24.0	1	1						1
31	1	26106-060162	BOLT, M6X 16 PLATED	2	2						1

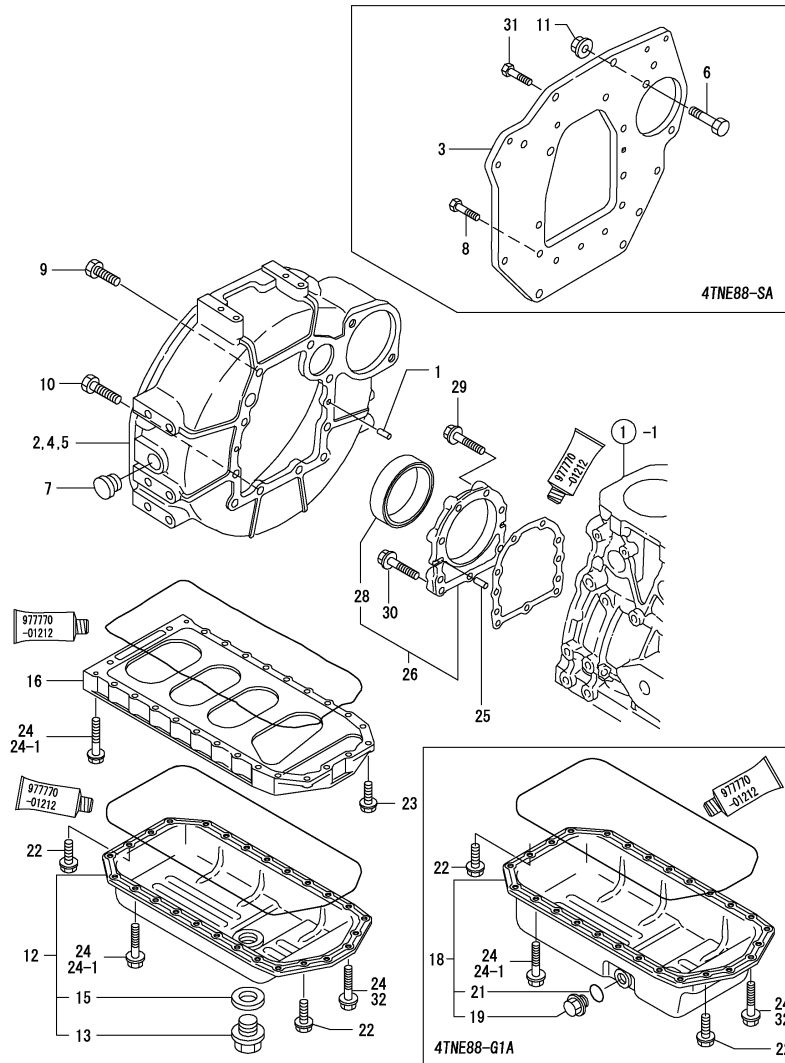
Remarks

(1) FOR PANEL.
(G) THESE PARTS ARE SOLD BY FIG.22,
REF.NO.1.

Fig.3. FLYWHEEL HOUSING & OIL SUMP

(A)=4TNE88-SA
(B)=4TNE88-G1A
(C)=

(D)=
(E)=
(F)=



No.	Lev.	Parts No.	Description	Q'ty						I	R
				(A)	(B)	(C)	(D)	(E)	(F)		
1	1	129100-01580	PIN, M8X16	2	2						1
2	1	119888-01600	HOUSING, FLYWHEEL	1							2
3	1	129129-01600	FLANGE, MOUNTING	1							3
4	1	171301-01600	HOUSING, FLYWHEEL	1							4
5	1	171420-01600	HOUSING, FLYWHEEL	1	1						5
6	1	121476-01620	BOLT	2							3
7	1	119620-01750	CAP	1	1						1
8	1	26206-100202	BOLT, M10X 20 PLATED	6							3
9	1	26206-100252	BOLT, M10X 25 PLATED	6	6						1
10	1	26206-100302	BOLT, M10X 30 PLATED	4	4						1
11	1	26367-120002	NUT, M12	2							3
12	1	729402-01540	SUMP ASSY, OIL	1							
13	2	119640-01640	PLUG, DRAIN M22	1							
15	2	22190-220002	WASHER, SEAL 22	1							
16	1	129400-01730	SPACER, OIL SUMP	1	1						
18	1	129400-01770	SUMP ASSY, OIL		1						
19	2	171301-01640	PLUG, 22		1						
21	2	24341-000250	O-RING, 1AS25.0		1						
22	1	26106-080162	BOLT, M8X 16 PLATED	4	4						
23	1	26106-080252	BOLT, M8X 25 PLATED	2	2						
24	1	26106-080452	BOLT, M8X 45 PLATED	24	24						
24-1	1	26106-080452	BOLT, M8X 45 PLATED	20	20						K
(A=FROM 1ST) (B=FROM 1ST)											
25	1	129100-01580	PIN, M8X16	2	2						
26	1	129100-01640	CASE ASSY, OIL SEAL	1	1						
28	2	129795-01780	SEAL, OIL	1	1						
29	1	26106-080302	BOLT, M8X 30 PLATED	6	6						
30	1	26106-080352	BOLT, M8X 35 PLATED	3	3						
31	1	26206-100252	BOLT, M10X 25 PLATED	4							3
32	1	26106-080502	BOLT, M8X 50 PLATED	4	4						W
(A=FROM 1ST) (B=FROM 1ST)											

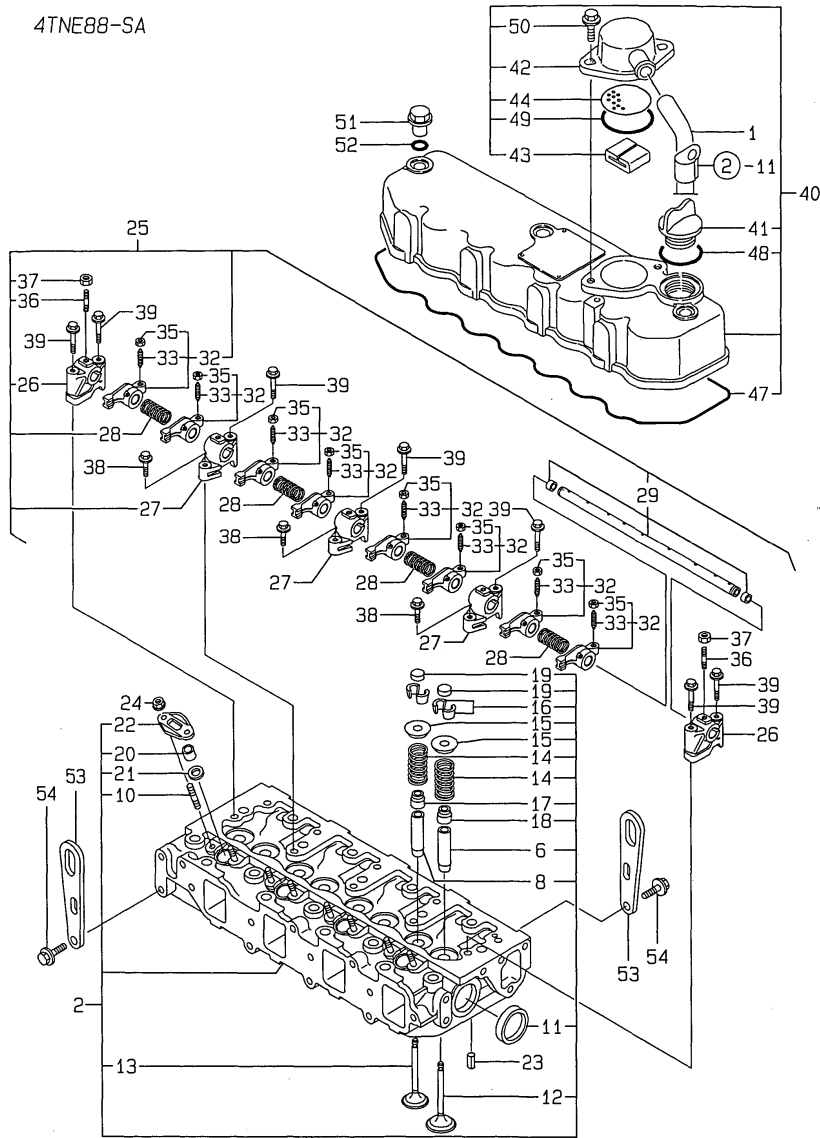
Remarks

- (1) SAE GENE/SAE CLUTCH(FOR STD)/ SEMI SAE #4/SEMI SAE#5 FOR -SA, SEMI SAE#4(FOR STD) FOR -G1A.
- (2) SAE GENE/SAE CLUTCH(FOR STD) FOR -SA.
- (3) FOR BACK PLATE.
- (4) FOR SEMI SAE#5.
- (5) FOR SEMI SAE#4(STD FOR -G1A).

Fig.4. CYLINDER HEAD & BONNET(1)

4.CYLINDER HEAD & BONNET (1)

4TNE88-SA



(A)=4TNE88-SA
(B)=4TNE88-G1A
(C)=

(D)=
(E)=
(F)=

No.	Lev.	Parts No.	Description	Q'ty						I	R
				(A)	(B)	(C)	(D)	(E)	(F)		
1	1	171350-03090	PIPE , BREATHER 900	1							
2	1	129407-11700	HEAD ASSY, CYLINDER	1							
6	2	120130-11860	GUIDE, VALVE	4							1
8	2	129150-11810	GUIDE, VALVE	4							1
10	2	26216-060202	STUD, M6X 20	8							
11	2	27241-400000	PLUG, 40	2							
12	2	129100-11100	VALVE, INTAKE	4							
13	2	129100-11110	VALVE, EXHAUST	4							
14	2	129795-11120	SPRING, VALVE	8							
15	2	129795-11180	RETAINER, SPRING	8							
16	2	27310-080000	COTTER 8	8							
17	2	121400-11340	SEAL, VALVE STEM	4							G
18	2	124460-11340	SEAL, VALVE STEM	4							G
19	2	129150-11370	CAP, VALVE	8							
20	2	119625-11871	PROTECTOR, NOZZLE	4							G
21	2	119625-11880	SEAT, NOZZLE	4							G
22	2	119625-11900	RETAINER, NOZZLE	4							
23	1	22351-060012	PIN, SPRING 6.0X12	2							
24	1	26366-060002	NUT, M6	8							
25	1	129555-11241	SHAFT ASSY, ROCKER	1							
26	2	129155-11260	SUPPORT, ROCKER ARM	2							
27	2	129155-11270	SUPPORT, ROCKER ARM	3							
28	2	129150-11280	SPRING	4							
29	2	129550-11290	SHAFT, ROCKER ARM	1							
32	2	729402-11650	ARM ASSY, ROCKER	8							
33	3	129150-11230	SCREW, VALVE ADJUST	8							
35	3	129150-11750	NUT, M8	8							
36	2	26226-080182	STUD, M8X 18	3							
37	2	26756-080002	NUT, LOCK M8	3							
38	1	26106-080252	BOLT, M8X 25 PLATED	3							
39	1	26106-080502	BOLT, M8X 50 PLATED	7							
40	1	129400-11350	BONNET ASSY, HEAD	1							
41	2	124160-01751	COVER, FILLER	1							
42	2	129150-03020	COVER, BREATHER	1							
43	2	129150-03070	BAFFLE, BREATHER	1							
44	2	129150-03080	PLATE, BAFFLE	1							
47	2	129550-11310	GASKET, BONNET	1							G
48	2	24311-000320	O-RING, 1AP32.0	1							G
49	2	24341-000500	O-RING, 1AS50.0	1							G
50	2	26106-080162	BOLT, M8X 16 PLATED	2							
51	1	124160-11360	KNOB	3							
52	1	24311-000120	O-RING, 1AP12.0	3							G
53	1	124736-07900	LIFTER	2							
54	1	26106-080142	BOLT, M8X 14 PLATED	4							

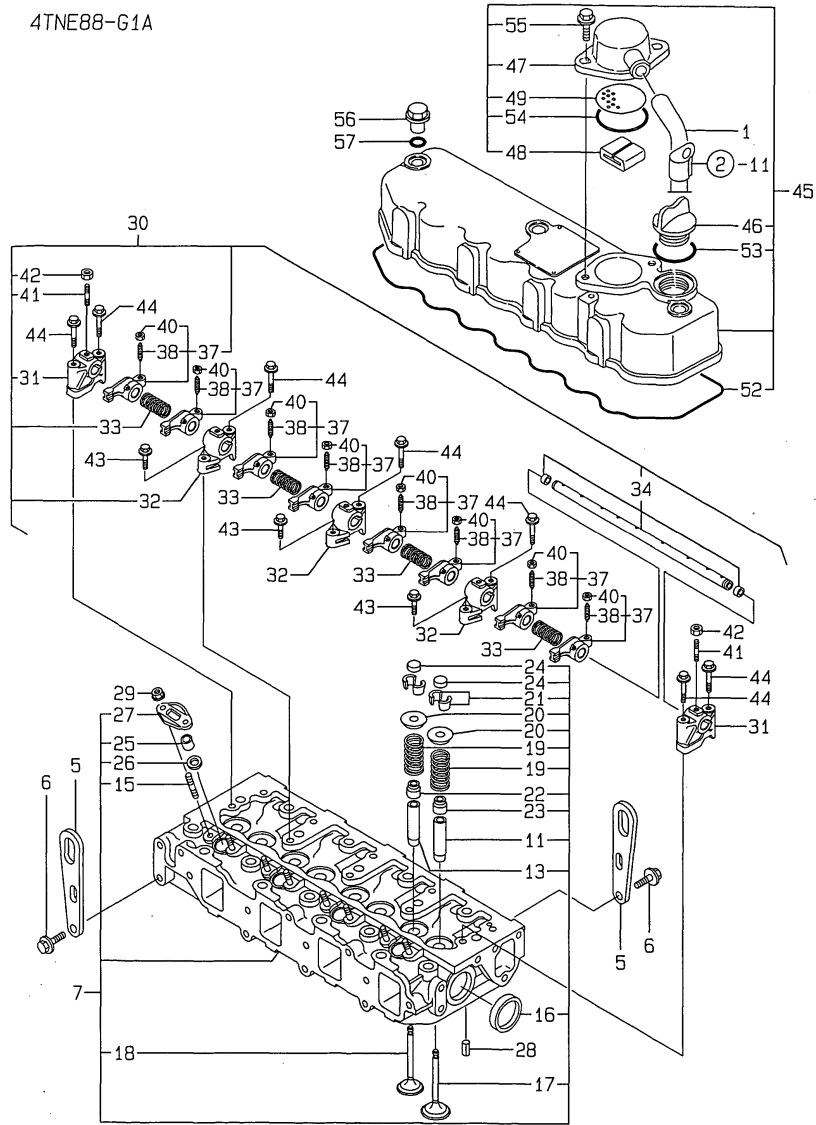
Remarks

(1) REPAIR PART.
(G) THESE PARTS ARE SOLD BY FIG.22,
REF.NO.1.

Fig.5. CYLINDER HEAD & BONNET(2)

5.CYLINDER HEAD & BONNET (2)

4TNE88-G1A



(A)=4TNE88-SA
(B)=4TNE88-G1A
(C)=

(D)=
(E)=
(F)=

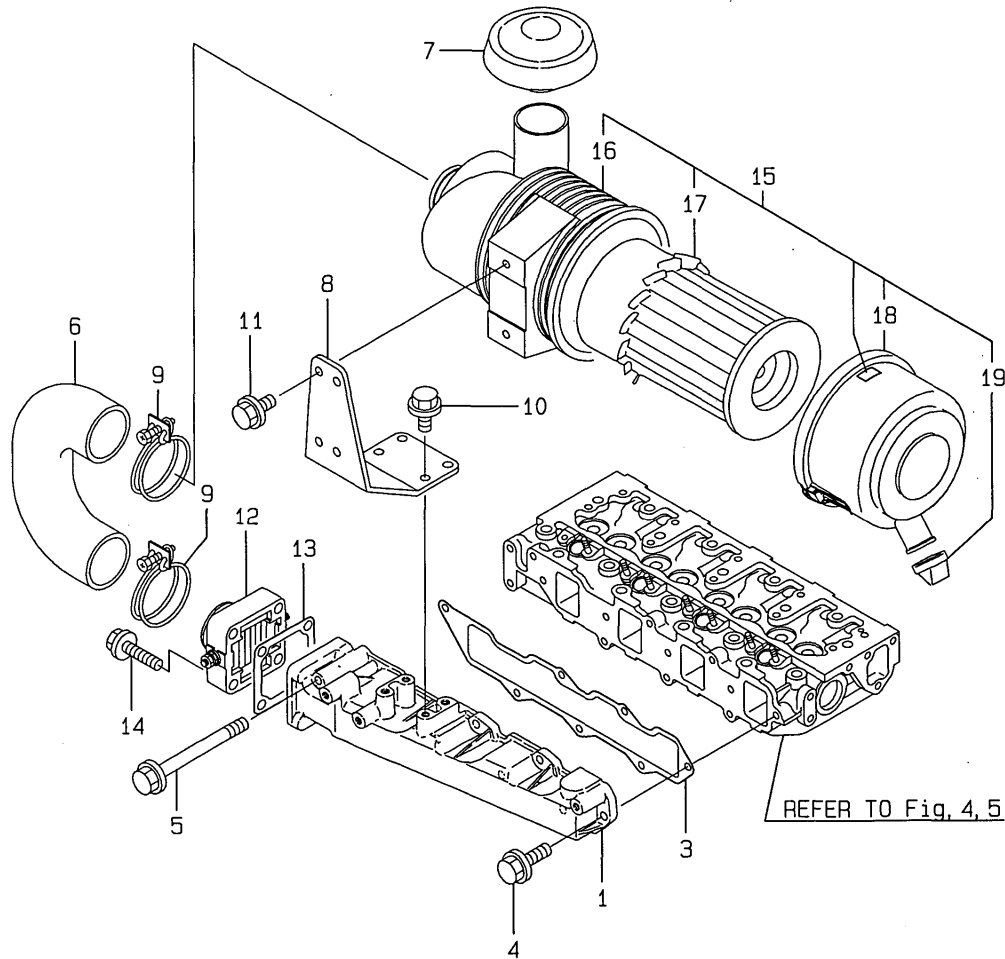
No.	Lev.	Parts No.	Description	Q'ty						I	R
				(A)	(B)	(C)	(D)	(E)	(F)		
1	1	171350-03090	PIPE , BREATHER 900		1						
5	1	124736-07900	LIFTER		2						
6	1	26106-080142	BOLT, M8X 14 PLATED		4						
7	1	129407-11700	HEAD ASSY, CYLINDER		1						
11	2	120130-11860	GUIDE, VALVE		4						1
13	2	129150-11810	GUIDE, VALVE		4						1
15	2	26216-060202	STUD, M6X 20		8						
16	2	27241-400000	PLUG, 40		2						
17	2	129100-11100	VALVE, INTAKE		4						
18	2	129100-11110	VALVE, EXHAUST		4						
19	2	129795-11120	SPRING, VALVE		8						
20	2	129795-11180	RETAINER, SPRING		8						
21	2	27310-080000	COTTER 8		8						
22	2	121400-11340	SEAL, VALVE STEM		4						G
23	2	124460-11340	SEAL, VALVE STEM		4						G
24	2	129150-11370	CAP, VALVE		8						
25	2	119625-11871	PROTECTOR, NOZZLE		4						G
26	2	119625-11880	SEAT, NOZZLE		4						G
27	2	119625-11900	RETAINER, NOZZLE		4						
28	1	22351-060012	PIN, SPRING 6.0X12		2						
29	1	26366-060002	NUT, M6		8						
30	1	129500-11240	SHAFT ASSY, ROCKER		1						
31	2	129155-11260	SUPPORT, ROCKER ARM		2						
32	2	129155-11270	SUPPORT, ROCKER ARM		3						
33	2	129150-11280	SPRING		4						
34	2	129550-11290	SHAFT, ROCKER ARM		1						
37	2	129100-11650	ARM, ROCKER		8						
38	3	129150-11230	SCREW, VALVE ADJUST		8						
40	3	129150-11750	NUT, M8		8						
41	2	26226-080182	STUD, M8X 18		3						
42	2	26756-080002	NUT, LOCK M8		3						
43	1	26106-080252	BOLT, M8X 25 PLATED		3						
44	1	26106-080502	BOLT, M8X 50 PLATED		7						
45	1	129400-11350	BONNET ASSY, HEAD		1						
46	2	124160-01751	COVER, FILLER		1						
47	2	129150-03020	COVER, BREATHER		1						
48	2	129150-03070	BAFFLE, BREATHER		1						
49	2	129150-03080	PLATE, BAFFLE		1						
52	2	129550-11310	GASKET, BONNET		1						G
53	2	24311-000320	O-RING, 1AP32.0		1						G
54	2	24341-000500	O-RING, 1AS50.0		1						G
55	2	26106-080162	BOLT, M8X 16 PLATED		2						
56	1	124160-11360	KNOB		3						
57	1	24311-000120	O-RING, 1AP12.0		3						G

Remarks

(1) REPAIR PART.
(G) THESE PARTS ARE SOLD BY FIG.22,
REF.NO.1.

Fig.6. SUCTION MANIFOLD & AIR CLEANER

6. SUCTION MANIFOLD & AIR CLEANER



(A)=4TNE88-SA
(B)=4TNE88-G1A
(C)=

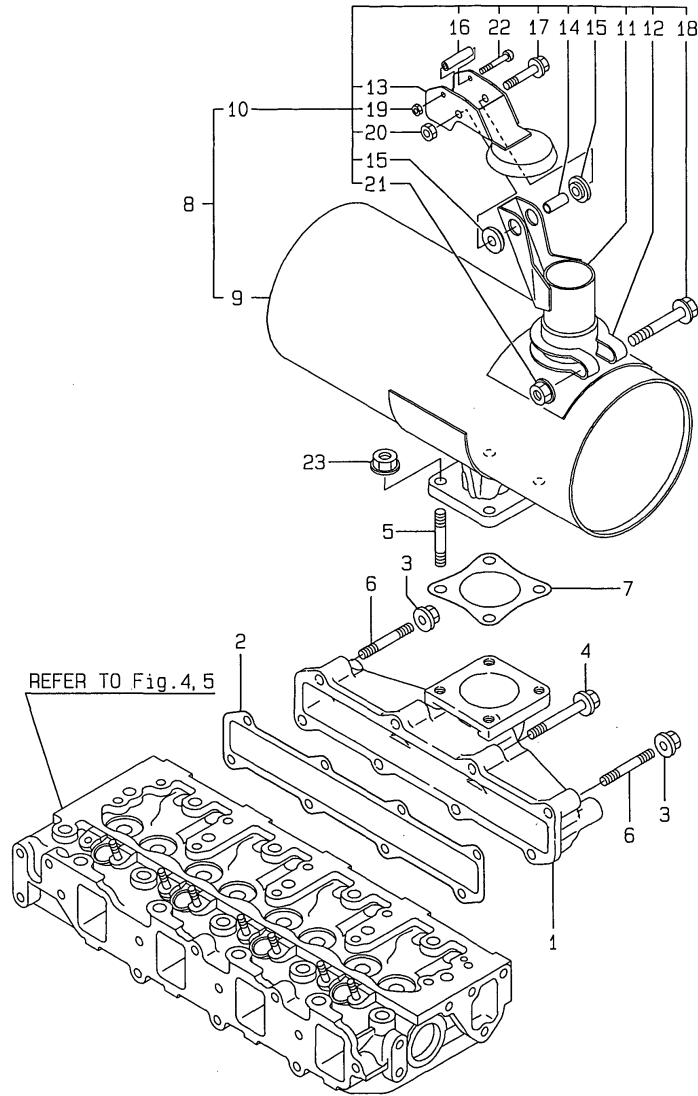
(D)=
(E)=
(F)=

No.	Lev.	Parts No.	Description	Q'ty						I	R
				(A)	(B)	(C)	(D)	(E)	(F)		
1	1	129407-12100	MANIFOLD, AIR INTAKE	1	1						
3	1	129407-12110	GASKET, MANIFOLD	1	1						G
4	1	26106-080202	BOLT, M8X 20 PLATED	6	6						
5	1	26106-080802	BOLT, M8X 80 PLATED	1	1						
6	1	129619-12210	PIPE, AIR INTAKE	1	1						
7	1	121521-12400	CAP, RAIN	1	1						
8	1	129619-12560	BRACKET, AIR CLEANER	1	1						
9	1	23000-060000	CLAMP, 60	2	2						
10	1	26106-080182	BOLT, M8X 18 PLATED	4	4						
11	1	26106-080182	BOLT, M8X 18 PLATED	2	2						
12	1	129120-77501	HEATER	1	1						
13	1	129150-77511	GASKET	1	1						G
14	1	26106-080352	BOLT, M8X 35 PLATED	4	4						
15	1	129608-12500	CLEANER ASSY, AIR	1	1						
16	2	129608-12510	BODY ASSY	1	1						
17	2	119808-12520	ELEMENT	1	1						
18	2	119808-12530	COVER	1	1						
19	2	119808-12540	VALVE, UNLOADER	1	1						

Remarks
(G) THESE PARTS ARE SOLD BY FIG.22,
REF.NO.1.

Fig.7. EXHAUST MANIFOLD & SILENCER

7.EXHAUST MANIFOLD & SILENCER



(A)=4TNE88-SA
(B)=4TNE88-G1A
(C)=

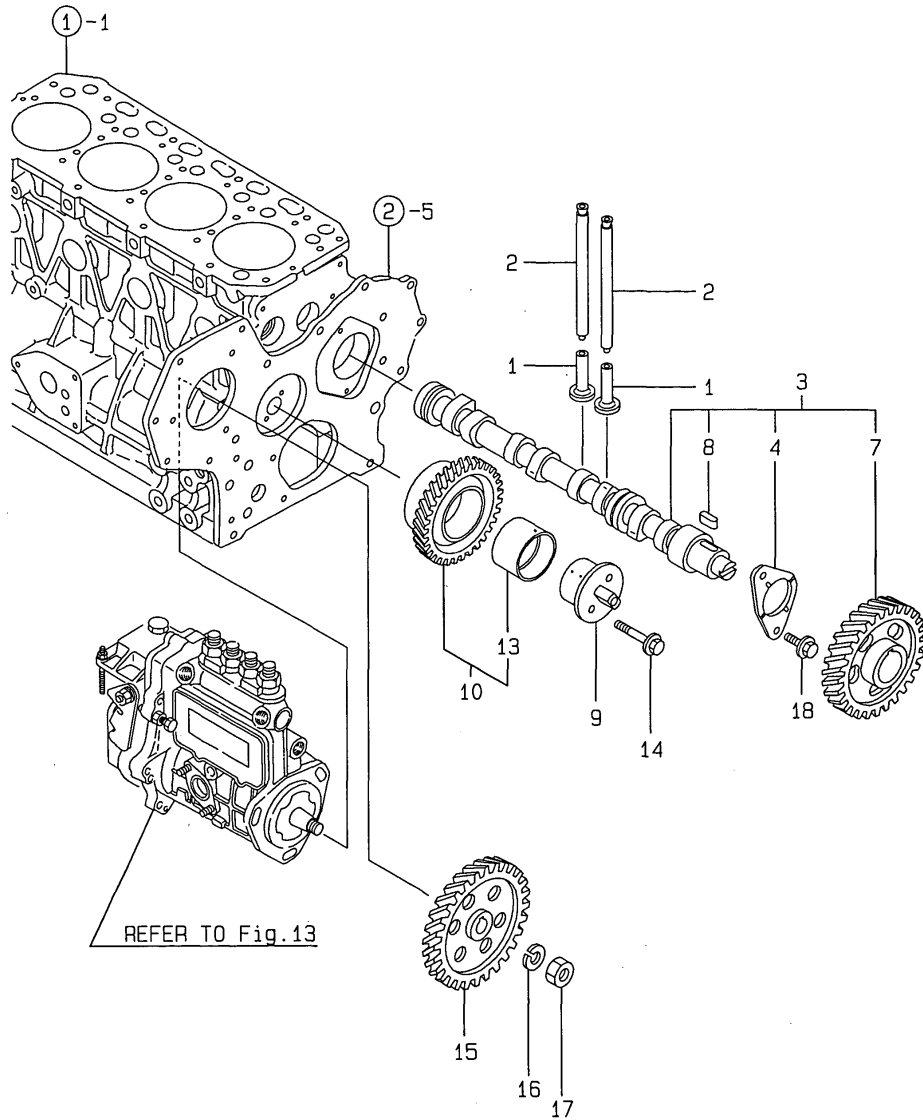
(D)=
(E)=
(F)=

No.	Lev.	Parts No.	Description	Q'ty						I	R
				(A)	(B)	(C)	(D)	(E)	(F)		
1	1	129407-13100	MANIFOLD, EXHAUST	1	1						
2	1	129407-13110	GASKET	1	1						G
3	1	194990-22050	NUT, M8	2	2						
4	1	26106-080402	BOLT, M8X 40 PLATED	6	6						
5	1	26216-080222	STUD, M8X 22	4	4						
6	1	26216-080402	STUD, M8X 40	2	2						
7	1	129400-13201	GASKET, SILENCER	1	1						G
8	1	129420-13501	SILENCER	1	1						
9	2	129420-13530	SILENCER ASSY	1	1						
10	2	129420-13540	PIPE ASSY, TAIL	1	1						
11	3	129420-13550	PIPE, TAIL	1	1						
12	3	121850-13580	CLAMP	1	1						
13	3	128300-13640	CAP	1	1						
14	3	121855-13821	SPACER, A	1	1						
15	3	121855-13830	SPACER, B	2	2						
16	3	123500-13840	SPACER, C	1	1						
17	3	26106-060402	BOLT, M6X 40 PLATED	1	1						
18	3	26106-100602	BOLT, M10X 60 PLATED	1	1						
19	3	26347-040002	NUT, M4	1	1						
20	3	26347-060002	NUT, M6	1	1						
21	3	26366-100002	NUT, M10	1	1						
22	3	26557-040352	SCREW, M4X35	1	1						
23	1	194990-22050	NUT, M8	4	4						

Remarks
(G) THESE PARTS ARE SOLD BY FIG.22,
REF.NO.1.

Fig.8. CAMSHAFT & DRIVING GEAR

8. CAMSHAFT & DRIVING GEAR



(A)=4TNE88-SA
(B)=4TNE88-G1A
(C)=

(D)=
(E)=
(F)=

No.	Lev.	Parts No.	Description	Q'ty						I	R
				(A)	(B)	(C)	(D)	(E)	(F)		
1	1	129150-14200	TAPPET	8	8						
2	1	129150-14400	ROD, PUSH L=178	8	8						
3	1	729402-14580	CAMSHAFT ASSY	1	1						
4	2	129150-02450	BEARING, THRUST	1	1						
7	2	129150-14101	GEAR, CAMSHAFT	1	1						
8	2	22512-070140	KEY, 7X 14	1	1						
9	1	129100-25061	SHAFT, IDLE	1	1						
10	1	129150-25101	GEAR ASSY, IDLE	1	1						
13	2	129150-25920	BUSH, IDLE GEAR	1	1						1
14	1	26106-080452	BOLT, M8X 45 PLATED	2	2						
15	1	129150-25900	GEAR, PUMP	1	1						
16	1	22217-120000	WASHER, SPRING 12	1	1						
17	1	26716-120002	NUT, M12	1	1						
18	1	26106-080162	BOLT, M8X 16 PLATED	2	2						

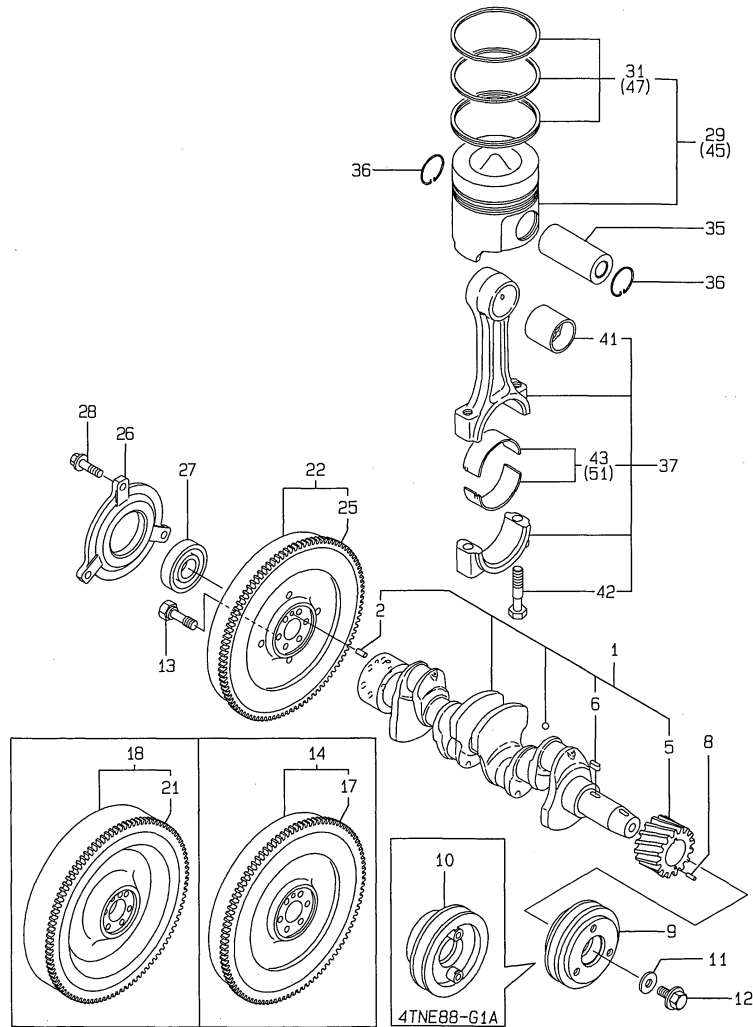
Remarks
(1) REPAIR PART.

Fig.9. CRANKSHAFT & PISTON

(A)=4TNE88-SA
(B)=4TNE88-G1A
(C)=

(D)=
(E)=
(F)=

9.CRANKSHAFT & PISTON



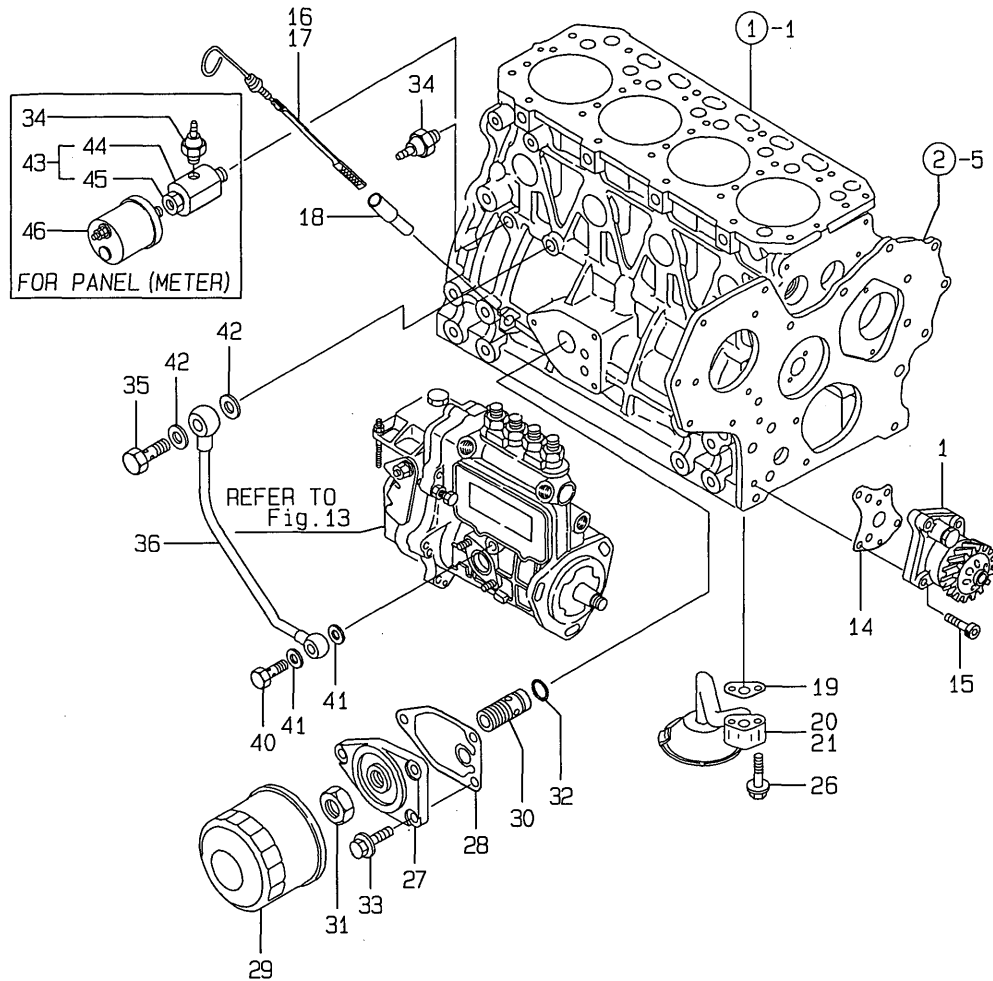
No.	Lev.	Parts No.	Description	Q'ty						I	R
				(A)	(B)	(C)	(D)	(E)	(F)		
1	1	129407-21000	CRANKSHAFT ASSY	1	1						
2	2	129100-01580	PIN, M8X16	1	1						
5	2	129150-21200	GEAR, CRANKSHAFT	1	1						
6	2	22512-070140	KEY, 7X 14	1	1						
8	1	22351-040010	PIN, SPRING 4.0X10	1	1						
9	1	171301-21650	V-PULLEY	1							
10	1	129550-21650	V-PULLEY		1						
11	1	129795-21661	WASHER	1	1						
12	1	121850-21680	BOLT	1	1						
13	1	121111-21501	BOLT, FLYWHEEL	6	6						
14	1	171420-21580	FLYWHEEL ASSY	1							1
17	2	119865-21600	GEAR, RING	1							
18	1	129488-21590	FLYWHEEL ASSY	1							2
21	2	119865-21600	GEAR, RING	1							
22	1	171420-21590	FLYWHEEL ASSY	1	1						3
25	2	124550-21600	GEAR, RING	1	1						
26	1	119888-21450	RETAINER, BEARING	1							4
27	1	24104-062054	BEARING, BALL 6205UU	1							4
28	1	26106-080222	BOLT, M8X 22 PLATED	3							4
29	1	129001-22081	PISTON ASSY	4	4						
31	2	129001-22500	RING SET, PISTON	4	4						
35	1	129202-22300	PIN, PISTON D26 L70	4	4						
36	1	22252-000260	RING, 26	8	8						
37	1	729402-23100	ROD ASSY, CONNECTING	4	4						
41	2	129100-23910	BEARING, PISTON PIN	4	4						5
42	2	121550-23200	BOLT, CONNECTING ROD	8	8						
43	2	129150-23600	BEARING, CRANK PIN	4	4						
45	1	129001-22900	PISTON ASSY, 0.25 OS	4	4						6
47	2	129001-22950	RING SET, 0.25 OS	4	4						6
51	1	129150-23610	BEARING, 0.25 US	4	4						7

Remarks

- (1) FOR BACK PLATE/ SEMI SAE#5.
- (2) FOR SAE GENE/ SAE CLUTCH(FOR STD)
- (3) FOR SEMI SAE#4(STD FOR -G1A).
- (4) FOR SAE CLUTCH(FOR STD).
- (5) REPAIR PART.
- (6) OVER-SIZED(O.S=0.25)PART.
- (7) UNDER-SIZED(U.S=0.25)PART.

Fig.10. LUB.OIL SYSTEM

10.LUB.OIL SYSTEM



(A)=4TNE88-SA
(B)=4TNE88-G1A
(C)=

(D)=
(E)=
(F)=

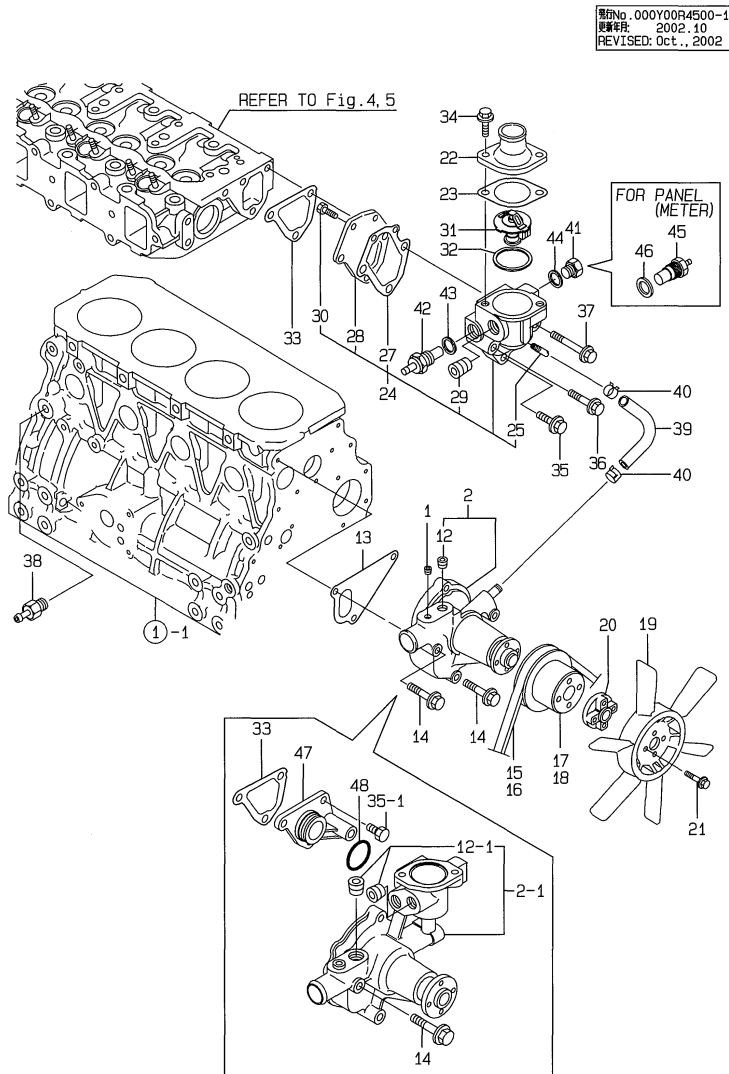
No.	Lev.	Parts No.	Description	Q'ty						I	R
				(A)	(B)	(C)	(D)	(E)	(F)		
1	1	129407-32000	PUMP ASSY, OIL	1	1						
14	1	129150-32020	GASKET, PUMP	1	1						G
15	1	26450-060252	BOLT, M6X 25	4	4						
16	1	171420-34800	DIPSTICK, OIL		1						
17	1	171420-34820	DIPSTICK, OIL			1					
18	1	121520-34810	GUIDE, DIPSTICK	1	1						
19	1	129150-35041	GASKET	1	1						G
20	1	129150-35091	PIPE ASSY, OIL INLET	1							
21	1	129436-35090	PIPE ASSY, OIL INLET		1						
26	1	26106-080352	BOLT, M8X 35 PLATED	2	2						
27	1	129150-35101	BRACKET, STRAINER	1	1						
28	1	129150-35111	GASKET	1	1						G
29	1	129150-35151	FILTER, D80XL80	1	1						
30	1	129001-35300	BOLT, FILTER	1	1						
31	1	129150-35350	NUT	1	1						
32	1	24311-000160	O-RING, 1AP16.0	1	1						G
33	1	26106-080202	BOLT, M8X 20 PLATED	3	3						
34	1	124160-39450	SWITCH, 0.5KG	1	1						
35	1	124160-39140	BOLT, PIPE JOINT M10	1	1						
36	1	129550-39450	PIPE ASSY, OIL	1	1						
40	1	124550-59820	BOLT, PIPE JOINT M8	1	1						
41	1	22190-080002	WASHER, SEAL 6	2	2						
42	1	23414-100000	GASKET, 10X1.0	2	2						G
43	1	171375-39600	DAMPER ASSY	1	1						1
44	2	129470-39610	DAMPER	1	1						1
45	2	23161-020100	BUSH, R1/4X1/8	1	1						1
46	1	144626-91560	SENSOR	1	1						1

Remarks
(1) FOR PANEL(METER).
(G) THESE PARTS ARE SOLD BY FIG.22,
REF.NO.1.

Fig.11. COOLING WATER SYSTEM

(A)=4TNE88-SA
(B)=4TNE88-G1A
(C)=

(D)=
(E)=
(F)=



原形No. 000Y00R4500-1
改訂年月: 2002.10
REVISID: Oct., 2002

No.	Lev.	Parts No.	Description	Qty						I	R
				(A)	(B)	(C)	(D)	(E)	(F)		
1	1	121850-11860 (A=E06934) (B=E06929)	PLUG, PT1/4	1	1						Z
2	1	129100-42002	PUMP ASSY, WATER	1	1						
2-1	1	129001-42001 (A=E06934) (B=E06929)	PUMP ASSY, WATER	1	1						F 2
2-2	1	129001-42002 (A=E08703) (B=E08629)	PUMP ASSY, WATER	1	1						N
12	2	23871-030000	PLUG, R03	1	1						
12-1	2	23871-030000 (A=E06934) (B=E06929)	PLUG, R03	2	2						K
12-2	2	23876-030000 (A=E06934) (B=E06929)	PLUG, R03	2	2						N
13	1	129100-42020	GASKET, WATER PUMP	1	1						G
14	1	26106-080602	BOLT, M8X 60 PLATED	3	3						
15	1	121492-42290	V-BELT, A38	1							
15-1	1	25132-003800 (A=E05664)	V-BELT, A38	1							R
16	1	25132-003800	V-BELT, A38		1						
17	1	129403-42380	V-PULLEY, D=110	1							
18	1	129155-42350	V-PULLEY		1						
19	1	129403-44740	FAN, COOLING 370	1	1						
20	1	121267-44760	SPACER	1	1						
21	1	26106-060302	BOLT, M6X 30 PLATED	4	4						
22	1	129350-49530	COVER, THERMOSTAT	1	1						
22-1	1	129350-49560 (A=E06934) (B=E06929)	COVER, THERMOSTAT	1	1						F 2
23	1	129795-49551	GASKET	1	1						
24	1	129100-49800 (A=E06934) (B=E06929)	CASE ASSY, THERMOSTAT	1	1						Z
25	2	124770-11770 (A=E06934) (B=E06929)	JOINT, PIPE PT1/8	1	1						Z
27	2	129100-49820 (A=E06934) (B=E06929)	GASKET	1	1						Z G
28	2	129100-49830 (A=E06934) (B=E06929)	COVER, THERMOSTAT	1	1						Z
29	2	23871-030000 (A=E06934) (B=E06929)	PLUG, R03	1	1						Z
30	2	26116-060162 (A=E06934) (B=E06929)	BOLT, M6X 16 PLATED	2	2						Z
31	1	129155-49800	THERMOSTAT, 71	1	1						
32	1	129150-49811	GASKET, THERMOSTAT	1	1						
33	1	129100-49840	GASKET	1	1						
34	1	26106-080202	BOLT, M8X 20 PLATED	2	2						
35	1	26106-080252	BOLT, M8X 25 PLATED	1	1						
35-1	1	26106-080182 (A=E06934) (B=E06929)	BOLT, M8X 18 PLATED	3	3						S
35-2	1	26106-080162 (A=E06934) (B=E06929)	BOLT, M8X 16 PLATED	3	3						N
36	1	26106-080502 (A=E06934) (B=E06929)	BOLT, M8X 50 PLATED	1	1						Z
37	1	26106-080602	BOLT, M8X 60 PLATED	1	1						Z

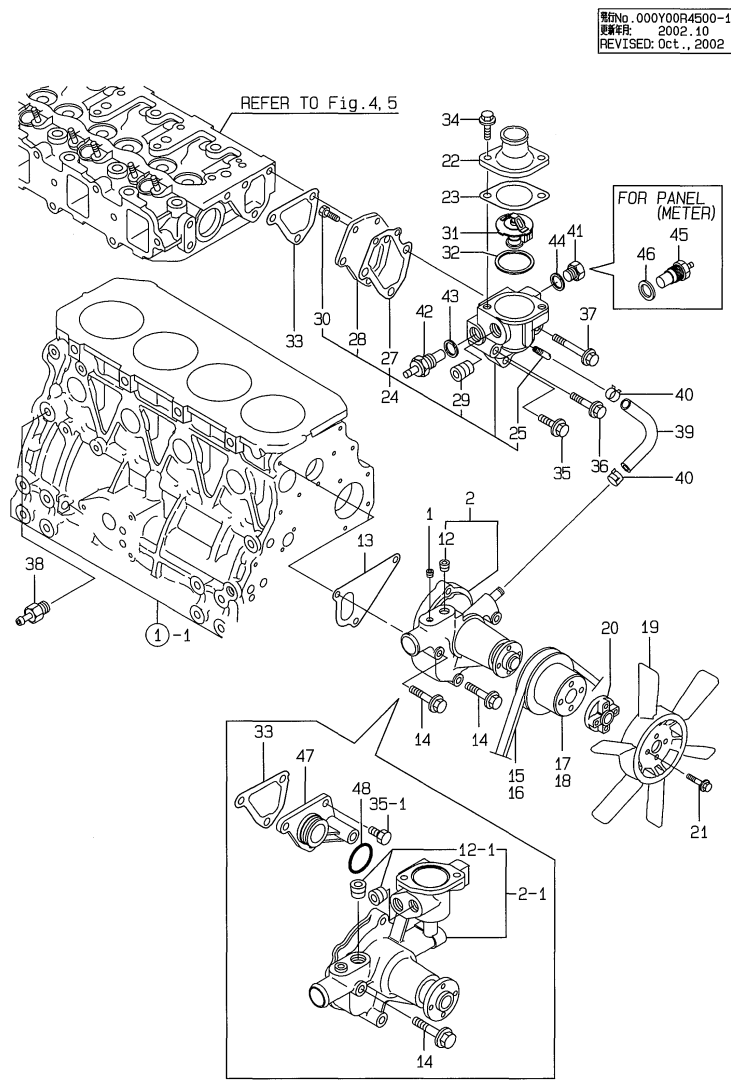
Remarks

- (1) FOR PANEL(METER).
- (2) REF.NO.2-1,22-1 & FIG.NO.12,REF. NO.33-1 INTERCHANGEABLE BY SET.
- (G) THESE PARTS ARE SOLD BY FIG.22, REF.NO.1.

Fig.11. COOLING WATER SYSTEM

(A)=4TNE88-SA
(B)=4TNE88-G1A
(C)=

(D)=
(E)=
(F)=



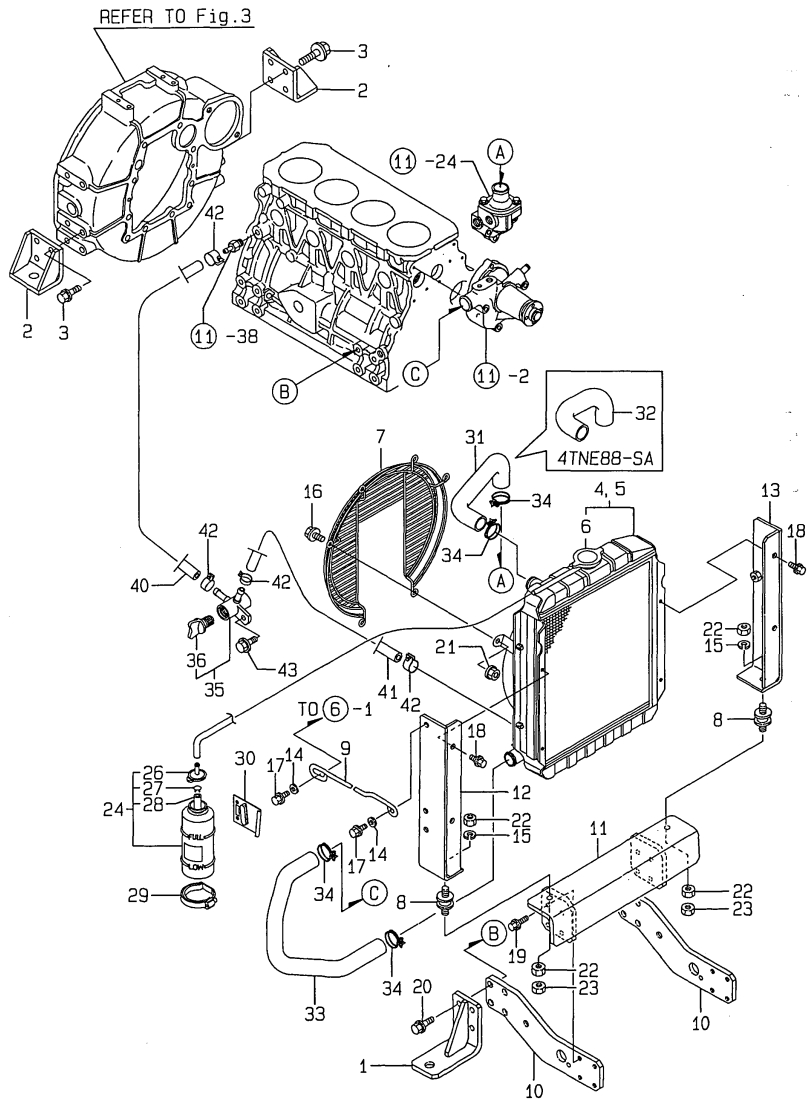
No.	Lev.	Parts No.	Description	Q'ty						I	R
				(A)	(B)	(C)	(D)	(E)	(F)		
		(A=E06934) (B=E06929)									
38	1	121550-49111	JOINT, PT1/4	1	1						
39	1	129132-49050	PIPE, WATER	1	1						Z
		(A=E06934) (B=E06929)									
40	1	23000-016000	CLAMP, 16	2	2						Z
		(A=E06934) (B=E06929)									
41	1	121450-42450	PLUG, M16	1	1						
42	1	121250-44901	SWITCH, 110	1	1						
43	1	124465-44950	GASKET, 16	1	1						G
44	1	124465-44950	GASKET, 16	1	1						G
45	1	124250-49351	SENSOR	1	1						1
46	1	129150-49360	GASKET	1	1						1
47	1	129001-42040	JOINT	1	1						W
		(A=E06934) (B=E06929)									
48	1	24321-000300	O-RING, 1AG30.0	1	1						W
		(A=E06934) (B=E06929)									

Remarks

- (1) FOR PANEL(METER).
- (2) REF.NO.2-1,22-1 & FIG.NO.12,REF. NO.33-1 INTERCHANGEABLE BY SET.
- (G) THESE PARTS ARE SOLD BY FIG.22, REF.NO.1.

Fig.12. RADIATOR

12. RADIATOR



(A)=4TNE88-SA
(B)=4TNE88-G1A
(C)=

(D)=
(E)=
(F)=

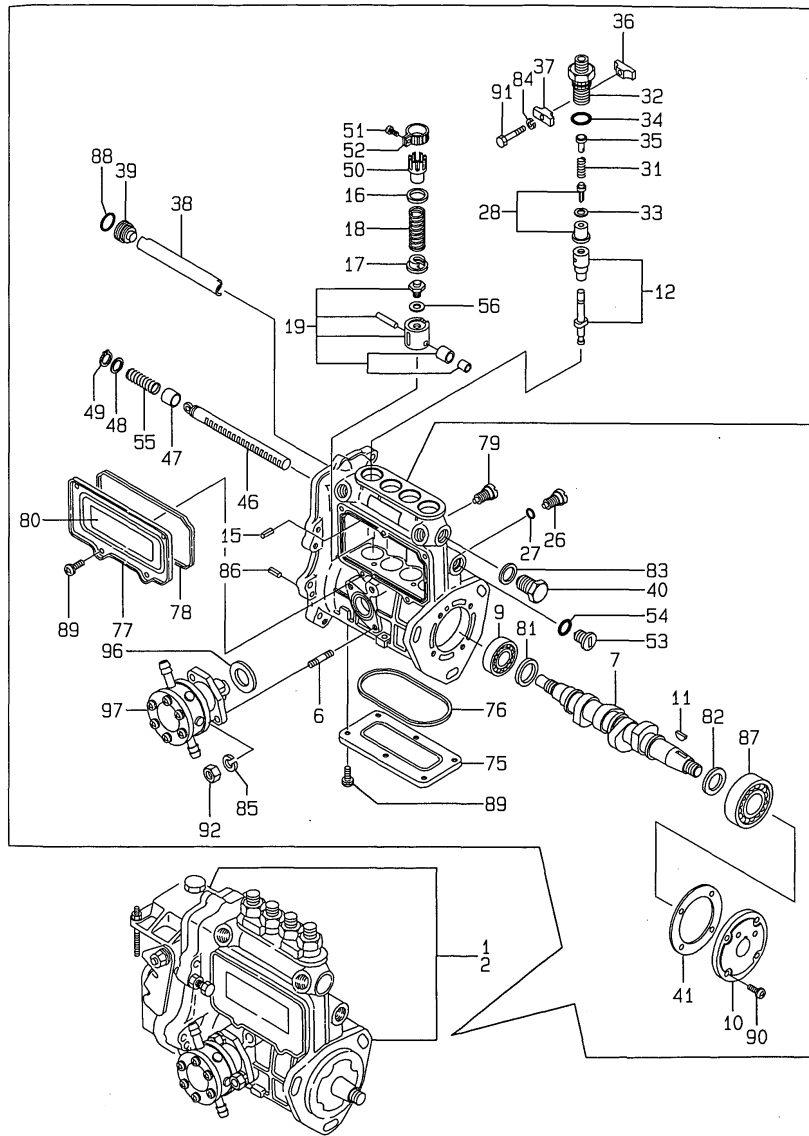
No.	Lev.	Parts No.	Description	Q'ty						I	R
				(A)	(B)	(C)	(D)	(E)	(F)		
1	1	129188-08100	FOOT	2	2						
2	1	119888-08110	FOOT	2	2						
3	1	26106-100202	BOLT, M10X 20 PLATED	8	8						
4	1	129422-44500	RADIATOR	1							
5	1	129420-44500	RADIATOR		1						
6	2	123682-44210	CAP, RADIATOR	1	1						
7	1	129420-44560	PROTECTOR, FAN	1	1						
8	1	121400-44650	ABSORBER	2	2						
9	1	129608-44940	RETAINER, RADIATOR	1	1						
10	1	129188-44950	BRACKET	2	2						
11	1	129488-44960	BRACKET, RADIATOR	1	1						
12	1	129488-44971	SUPPORT, A	1	1						
13	1	129488-44981	SUPPORT, B	1	1						
14	1	22137-080000	WASHER, 8	2	2						
15	1	22217-100000	WASHER, SPRING 10	2	2						
16	1	26106-080122	BOLT, M8X 12 PLATED	6	6						
17	1	26106-080162	BOLT, M8X 16 PLATED	2	2						
18	1	26106-080202	BOLT, M8X 20 PLATED	4	4						
19	1	26106-080252	BOLT, M8X 25 PLATED	8	8						
20	1	26106-100302	BOLT, M10X 30 PLATED	8	8						
21	1	26366-080002	NUT, M8	6	6						
22	1	26716-100002	NUT, M10	4	4						
23	1	26756-100002	NUT, LOCK M10	2	2						
24	1	124450-44510	TANK ASSY, SUB	1	1						
26	2	124450-44530	CAP	1	1						
27	2	124450-44560	RETAINER	1	1						
28	2	23061-070230	PIPE, 7X 230	1	1						
29	1	124450-44550	BAND	1	1						
30	1	121256-44600	BRACKET, SUB TANK	1	1						
31	1	171420-49010	PIPE, WATER		1						
32	1	171440-49010	PIPE, WATER	1							
33	1	171420-49020	PIPE, WATER	1	1						
33-1	1	129608-49020	PIPE, WATER	1	1						F 1
				(A=E06934)	(B=E06929)						
34	1	23010-038000	CLAMP, 38	4	4						
35	1	129150-49100	COCK ASSY, 3-WAY	1	1						
36	2	129150-49080	COCK, DRAIN	1	1						
40	1	121456-49160	PIPE, WATER DRAIN	1	1						
41	1	121520-49160	PIPE, WATER DRAIN	1	1						
42	1	124766-59050	CLIP, HOSE 12	4	4						
43	1	26106-080162	BOLT, M8X 16 PLATED	1	1						

Remarks

(1) REF.NO.33-1& FIG.NO.11,REF.NO.2-1
22-1 INTERCHANGEABLE BY SET.

Fig.13. FUEL INJECTION PUMP

13.FUEL INJECTION PUMP



(A)=4TNE88-SA
(B)=4TNE88-G1A
(C)=

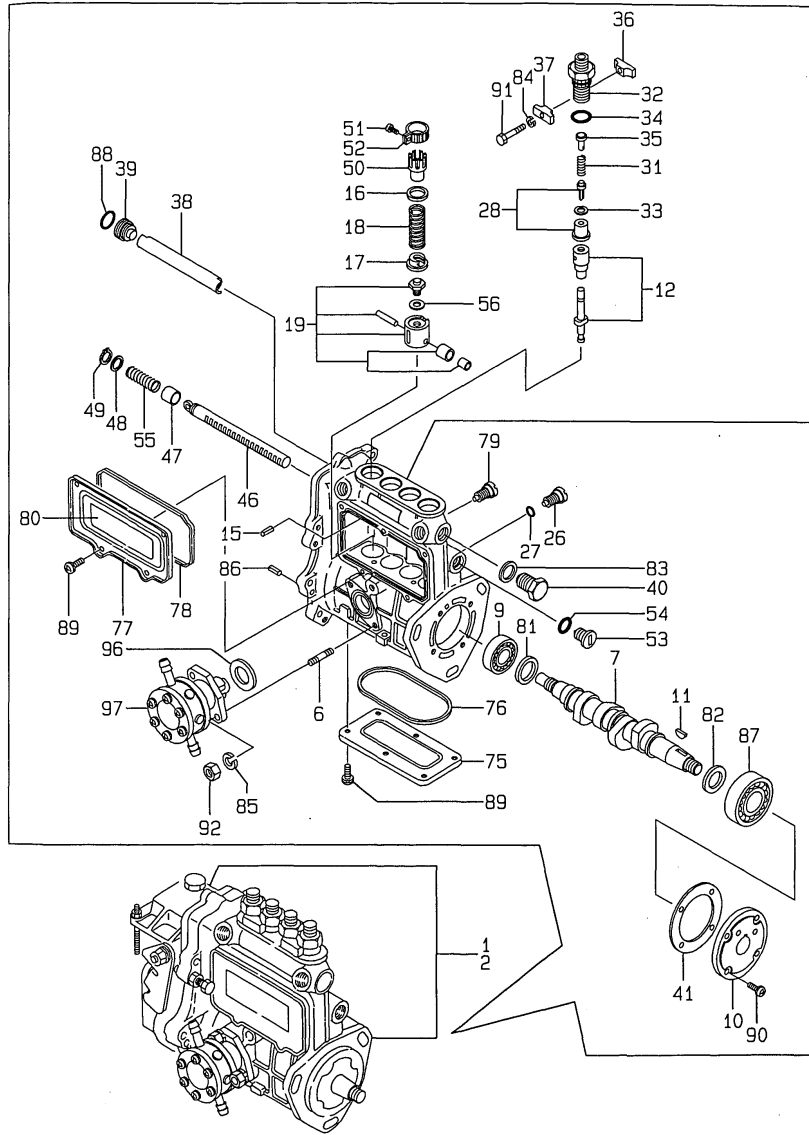
(D)=
(E)=
(F)=

No.	Lev.	Parts No.	Description	Q'ty						I	R
				(A)	(B)	(C)	(D)	(E)	(F)		
1	1	729609-51350	PUMP ASSY, INJECTION	1							1
2	1	729619-51310	PUMP ASSY, INJECTION		1						1
6	2	129155-51020	STUD	2	2						
7	2	129470-51040	CAMSHAFT	1	1						
9	2	129155-51050	BEARING, 17BM001D	1	1						
10	2	129155-51060	SUPPORT, CAMSHAFT	1	1						
11	2	122710-51090	KEY	1	1						
12	2	129506-51100	PLUNGER ASSY	4	4						
15	2	129155-51140	PIN	4	4						
16	2	174307-51170	RETAINER, SPRING A	4	4						
17	2	129155-51180	RETAINER, SPRING	4	4						
18	2	124950-51190	SPRING, PLUNGER	4	4						
19	2	129155-51200	TAPPET ASSY	4	4						
26	2	129155-51270	STOPPER, TAPPET	4	4						
27	2	129155-51280	O-RING, S6	4	4						
28	2	129100-51300	VALVE ASSY, DELIVERY	4	4						
31	2	129155-51320	SPRING, DELIVERY	4	4						
32	2	129155-51340	RETAINER	4	4						
33	2	124550-51350	GASKET, DELIVERY	4	4						
34	2	124550-51370	O-RING	4	4						
35	2	129155-51370	STOPPER, VALVE	4	4						
36	2	129155-51380	STOPPER	2	2						
37	2	129155-51390	STOPPER	2	2						
38	2	129555-51400	DEFLECTOR	1	1						
39	2	129155-51410	BOLT	1	1						
40	2	129155-51420	PLUG, M16	1	1						
41	2	129155-51450	SHIM SET, ADJUSTING	1	1						
46	2	129555-51500	RACK, CONTROL	1	1						
47	2	129155-51521	BUSH, RACK	1	1						
48	2	129155-51530	SPACER	1	1						
49	2	129155-51540	CIRCLIP	1	1						
50	2	129155-51550	PINION, CONTROL	4	4						
51	2	122117-51560	SCREW	4	4						
52	2	174307-51560	PINION	4	4						
53	2	129155-51570	PLUG, M12	1	1						
54	2	129155-51580	O-RING	1	1						
55	2	129155-51591	SPRING, RACK	1	1						
56	2	129155-51600	SHIM SET, ADJUSTING	4	4						
75	2	129555-51700	COVER	1	1						
76	2	129555-51710	GASKET	1	1						
77	2	129555-51750	COVER	1	1						
78	2	129555-51760	GASKET	1	1						
79	2	129155-51790	STOOPER, RACK	1	1						
80	2	129156-51910	LABEL, CAUTION	1	1						
81	2	129155-51930	SPACER, T=3.25	1	1						
82	2	129155-51940	SPACER, T=1.5	1	1						
83	2	22190-160002	WASHER, SEAL 16	1	1						
84	2	22217-050000	WASHER, SPRING 5	2	2						
85	2	22217-060000	WASHER, SPRING 6	2	2						
86	2	22351-050010	PIN, SPRING 5.0X10	2	2						
87	2	24101-063034	BEARING, BALL 6303	1	1						

Remarks
(1)GOVERNOR ASSY(FIG.14)IS
INCORPORATED IN THIS FUEL
INJECTION PUMP ASSY(REF.NO.1,2).

Fig.13. FUEL INJECTION PUMP

13.FUEL INJECTION PUMP



(A)=4TNE88-SA
(B)=4TNE88-G1A
(C)=

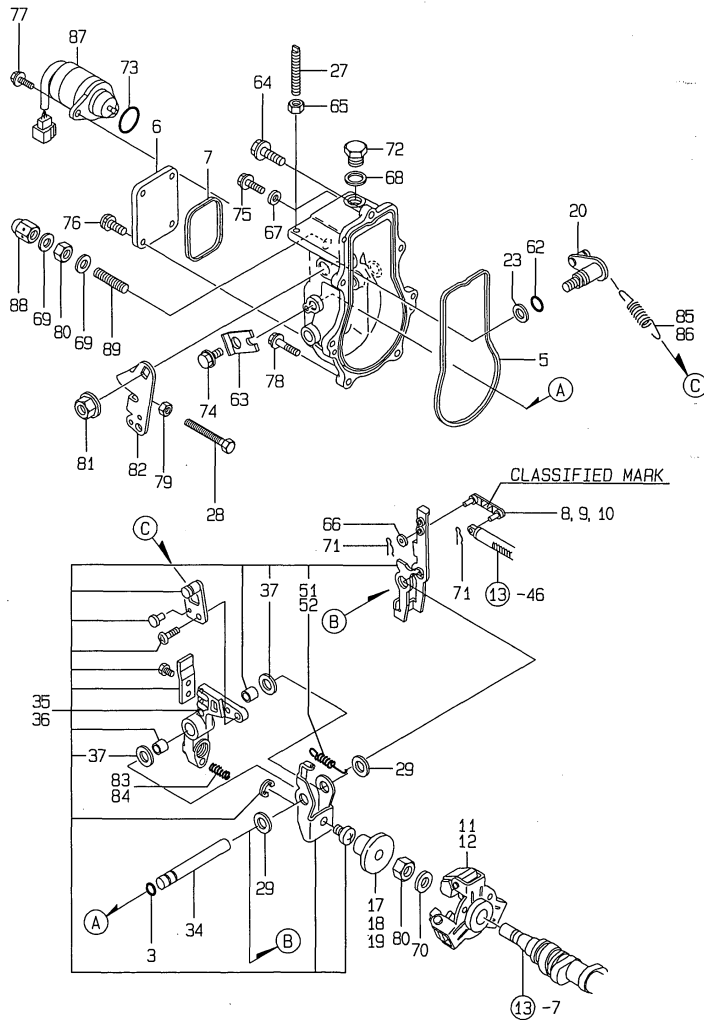
(D)=
(E)=
(F)=

No.	Lev.	Parts No.	Description	Q'ty						I	R
				(A)	(B)	(C)	(D)	(E)	(F)		
88	2	24341-000160	O-RING, 1AS16.0	1	1						
89	2	26022-050102	SCREW, M5X10	11	11						
90	2	26022-060162	SCREW, M6X16	4	4						
91	2	26116-050302	BOLT, M5X 30 PLATED	2	2						
92	2	26716-060002	NUT, M6	2	2						
96	2	129155-52050	GASKET	1	1						
97	2	129100-52100	PUMP ASSY, FUEL FEED	1	1						

Remarks
(1)GOVERNOR ASSY(FIG.14)IS
INCORPORATED IN THIS FUEL
INJECTION PUMP ASSY(REF.NO.1,2).

Fig.14. GOVERNOR

14. GOVERNOR



Remarks

(1) SELECTIVE PARTS: CERTAIN THE CLASSIFICATION MARK, THEN PLACE YOUR ORDER.(REFER TO ILLUSTRATION).

(2) SELECTIVE PARTS.

*THIS FIGURE(GOVERNOR ASSY) IS INCORPORATED IN THE FUEL INJECTION PUMP ASSY(FIG.13).

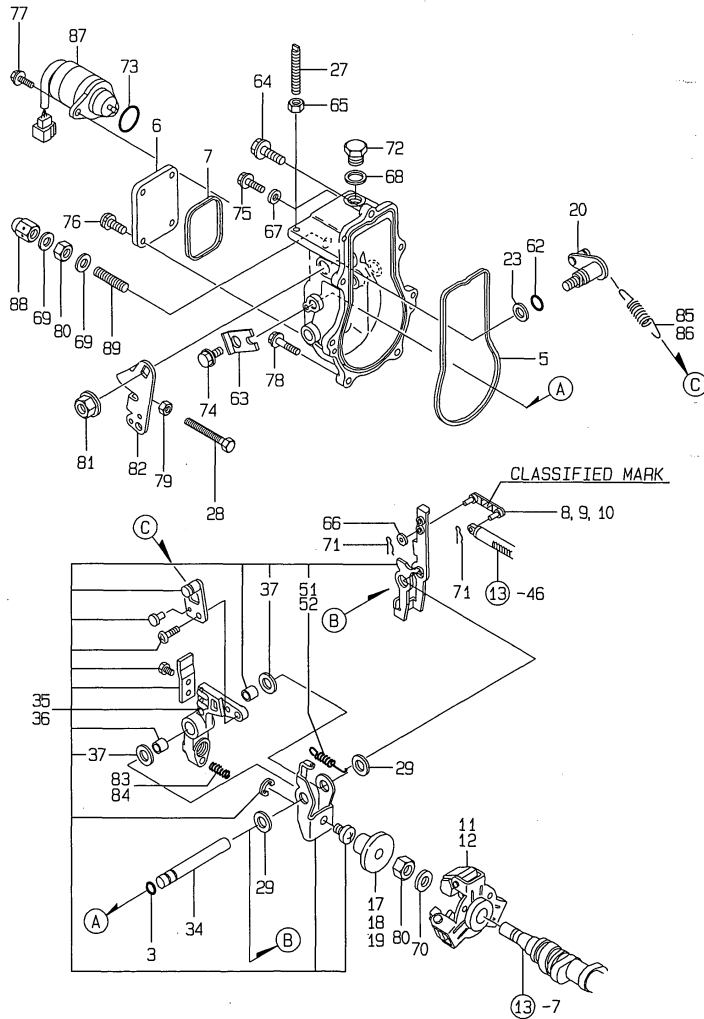
(A)=4TNE88-SA
(B)=4TNE88-G1A
(C)=

(D)=
(E)=
(F)=

No.	Lev.	Parts No.	Description	Q'ty						I	R
				(A)	(B)	(C)	(D)	(E)	(F)		
3	2	129155-51280	O-RING, S6	1	1						
5	2	129052-61050	GASKET	1	1						
6	2	129052-61060	COVER, GOVERNOR CASE	1	1						
7	2	129052-61070	GASKET	1	1						
8	2	129155-61120	LINK, L=30 MARK 0	1	1						1
9	2	129155-61130	LINK, L=31 MARK 1	1	1						1
10	2	129155-61140	LINK, L=30.5 MARK 05	1	1						1
11	2	129155-61201	WEIGHT ASSY,GOVERNOR	1							
12	2	171488-61200	WEIGHT ASSY,GOVERNOR		1						
17	2	129155-61341	SLEEVE	1	1						2
18	2	129155-61350	SLEEVE, L=24.9	1	1						2
19	2	129155-61360	SLEEVE, L=25.2	1	1						2
20	2	129100-61400	SHAFT ASSY	1	1						
23	2	129155-61430	SPACER	1	1						
27	2	129155-61450	BOLT, LIMITER	1	1						
28	2	129155-61460	BOLT, IDLE	1	1						
29	2	129155-61480	SPACER ASSY	2	2						
34	2	129052-61390	SHAFT	1	1						
35	2	129052-61500	LEVER ASSY, GOVERNOR	1							
36	2	129412-61500	LEVER ASSY, GOVERNOR		1						
37	3	174307-51700	SHIM SET	2	2						
51	3	129052-61540	SPRING, SET	1							
52	3	119843-61540	SPRING, SET		1						
62	2	129155-61830	O-RING, S10	1	1						
63	2	119660-61901	RETAINER, SHAFT	1	1						
64	2	129155-61950	BOLT	1	1						
65	2	124550-66370	NUT, M6	1	1						
66	2	22117-040000	WASHER, 4	1	1						
67	2	22190-060002	WASHER, SEAL 6	1	1						
68	2	22190-100002	WASHER, SEAL 10	1	1						
69	2	22190-120002	WASHER, SEAL 12	2	2						
70	2	22287-120000	WASHER, 12	1	1						
71	2	22372-040000	PIN, SNAP 4	2	2						
72	2	23887-100002	PLUG, 10	1	1						
73	2	24341-000280	O-RING, 1AS28.0	1	1						
73-1	2	158552-61900	O-RING	1	1						N
		(A=EXXXXX) (B=EXXXXX)									
74	2	26106-060102	BOLT, M6X 10 PLATED	1	1						
75	2	26106-060102	BOLT, M6X 10 PLATED	1	1						
76	2	26106-060102	BOLT, M6X 10 PLATED	4	4						
77	2	26106-060142	BOLT, M6X 14 PLATED	2	2						
78	2	26106-060202	BOLT, M6X 20 PLATED	6	6						
79	2	26756-060002	NUT, LOCK M6	1	1						
80	2	26776-120002	NUT, LOCK M12	2	2						
81	1	26366-080002	NUT, M8	1	1						
82	1	129100-61440	LEVER, CONTROL	1	1						
83	1	129100-61650	SPRING, CONTROLLER	1							
84	1	129500-61650	SPRING, FUEL CONTROL		1						
85	1	171353-61700	SPRING, GOVERNOR	1							
86	1	129477-61720	SPRING, GOVERNOR		1						
87	1	119653-77950	SOLENOID, STOP	1	1						

Fig.14. GOVERNOR

14. GOVERNOR



(A)=4TNE88-SA
(B)=4TNE88-G1A
(C)=

(D)=
(E)=
(F)=

No.	Lev.	Parts No.	Description	Q'ty						I	R
				(A)	(B)	(C)	(D)	(E)	(F)		
88	1	26687-120002	NUT, CAP M12	1	1						
89	1	129155-61470	BOLT, CONTROL	1	1						

Remarks

(1) SELECTIVE PARTS: CERTAIN THE CLASSIFICATION MARK, THEN PLACE YOUR ORDER.(REFER TO ILLUSTRATION).

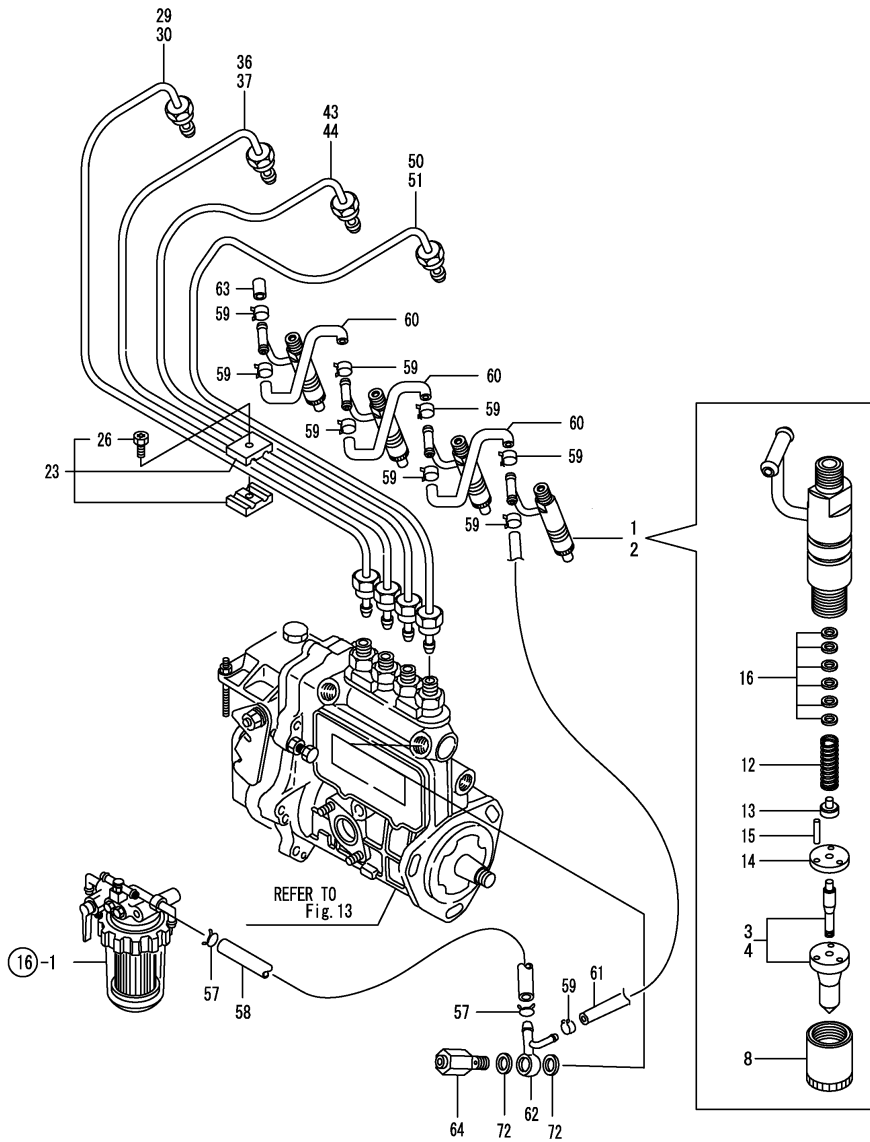
(2) SELECTIVE PARTS.

*THIS FIGURE(GOVERNOR ASSY) IS INCORPORATED IN THE FUEL INJECTION PUMP ASSY(FIG.13).

Fig.15. FUEL INJECTION VALVE

(A)=4TNE88-SA
(B)=4TNE88-G1A
(C)=

(D)=
(E)=
(F)=

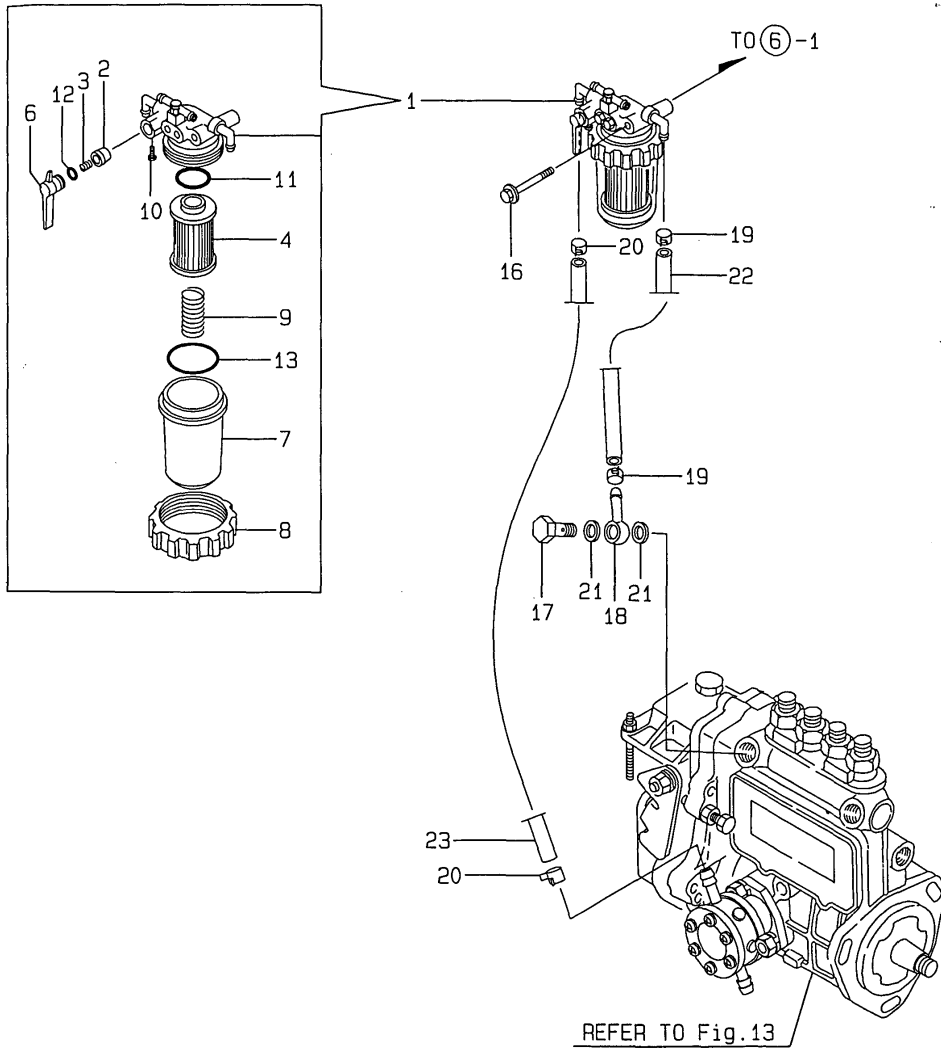


No.	Lev.	Parts No.	Description	Q'ty						I	R
				(A)	(B)	(C)	(D)	(E)	(F)		
1	1	729503-53100	VALVE ASSY,INJECTION	4							
2	1	719810-53100	VALVE ASSY,INJECTION		4						
3	2	129503-53000	VALVE ASSY,INJECTION	4							
4	2	119810-53000	VALVE ASSY,INJECTION		4						
8	2	114250-53080	NUT, NOZZLE D16.95	4	4						
12	2	114250-53120	SPRING, NOZZLE	4	4						
13	2	114250-53130	SEAT, SPRING	4	4						
14	2	114250-53140	PLATE	4	4						
15	2	114250-53210	PIN	8	8						
16	2	114250-53400	SHIM SET	4	4						
23	1	119305-59120	RETAINER, PIPE	2	2						
26	2	129150-59131	BOLT, M4X14	2	2						
29	1	129407-59811	PIPE ASSY, INJECTION	1							
30	1	129408-59810	PIPE ASSY, INJECTION		1						
36	1	129407-59822	PIPE ASSY, INJECTION	1							
37	1	129408-59820	PIPE ASSY, INJECTION		1						
43	1	129407-59832	PIPE ASSY, INJECTION	1							
44	1	129408-59830	PIPE ASSY, INJECTION		1						
50	1	129407-59841	PIPE ASSY, INJECTION	1							
51	1	129408-59840	PIPE ASSY, INJECTION		1						
57	1	124766-59050	CLIP, HOSE 12	2	2						
58	1	105025-59530	PIPE, FUEL D13X400	1	1						
59	1	124066-59100	CLIP, HOSE 8	9	9						
60	1	121250-59550	PIPE, FUEL D8X120	3	3						
61	1	119840-59560	PIPE, FUEL RETURN	1	1						
62	1	119840-59570	JOINT	1	1						
63	1	129150-59580	CAP	1	1						
64	1	129100-59951	VALVE ASSY, CHECK	1	1						
72	1	23414-120000	GASKET, 12X1.0	2	2						G

Remarks
(G) THESE PARTS ARE SOLD BY FIG.22,
REF.NO.1.

Fig.16. FUEL FILTER

16.FUEL FILTER



(A)=4TNE88-SA
(B)=4TNE88-G1A
(C)=

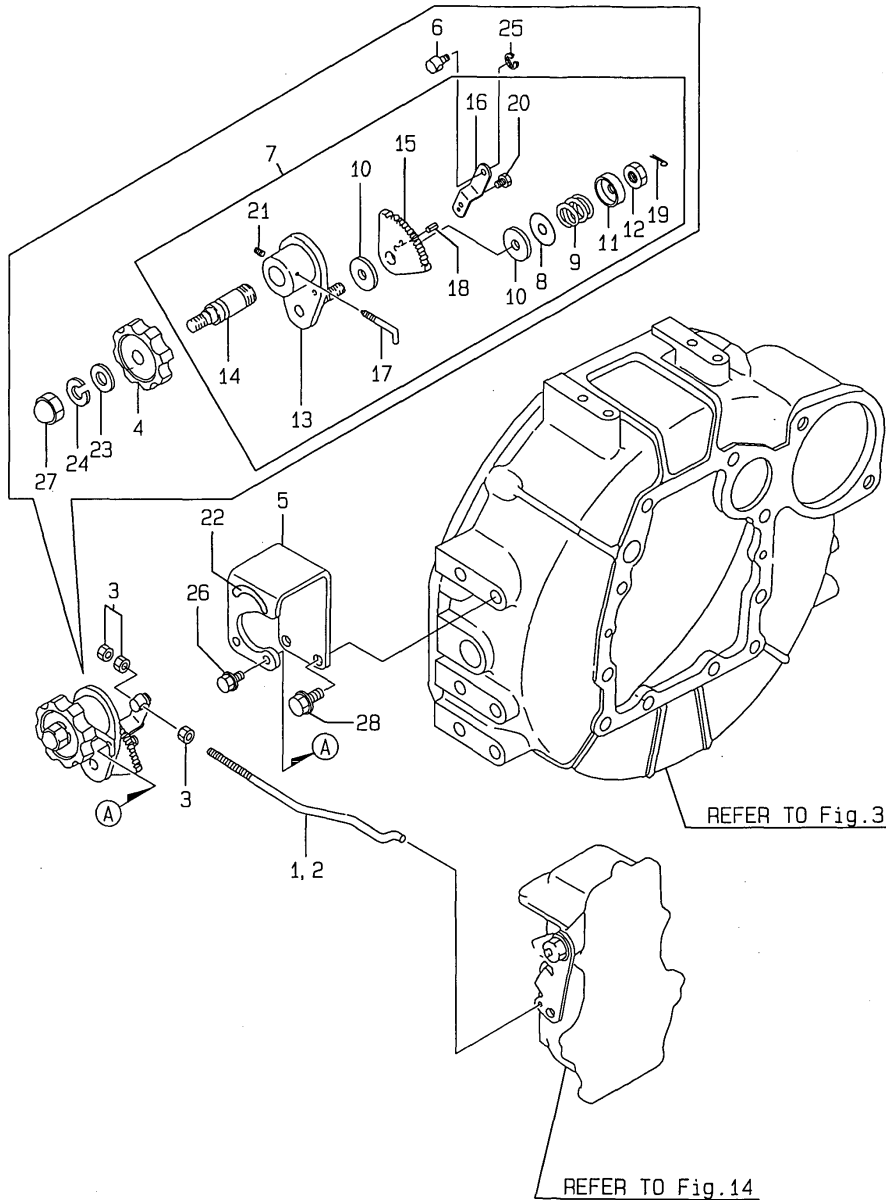
(D)=
(E)=
(F)=

No.	Lev.	Parts No.	Description	Q'ty						I	R
				(A)	(B)	(C)	(D)	(E)	(F)		
1	1	129052-55620	FILTER ASSY, FUEL	1	1						
2	2	104200-55321	VALVE, TAPER	1	1						
3	2	104200-55330	SPRING, VALVE	1	1						
4	2	129100-55650	ELEMENT	1	1						
6	2	129100-55670	LEVER	1	1						
7	2	129100-55680	CUP, STRAINER	1	1						
8	2	129100-55690	RING, RETAINING	1	1						
9	2	129100-55700	SPRING	1	1						
10	2	104200-55750	SCREW, M4	1	1						
11	2	24311-000160	O-RING, 1AP16.0	1	1						
12	2	24311-240100	O-RING, 1AP10A	1	1						
13	2	24321-000650	O-RING, 1AG65.0	1	1						
16	1	26014-080702	BOLT, M8X 70	1	1						
17	1	103854-39140	BOLT, PIPE JOINT	1	1						
18	1	101304-59020	JOINT, PIPE 12	1	1						
19	1	124766-59050	CLIP, HOSE 12	2	2						
20	1	124766-59050	CLIP, HOSE 12	2	2						
21	1	104200-59170	GASKET, 12	2	2						G
22	1	105312-59510	PIPE, FUEL	1	1						
23	1	105025-59530	PIPE, FUEL D13X400	1	1						

Remarks
(G) THESE PARTS ARE SOLD BY FIG.22,
REF.NO.1.

Fig.17. ENGINE CONTROL DEVICE

17.ENGINE CONTROL DEVICE



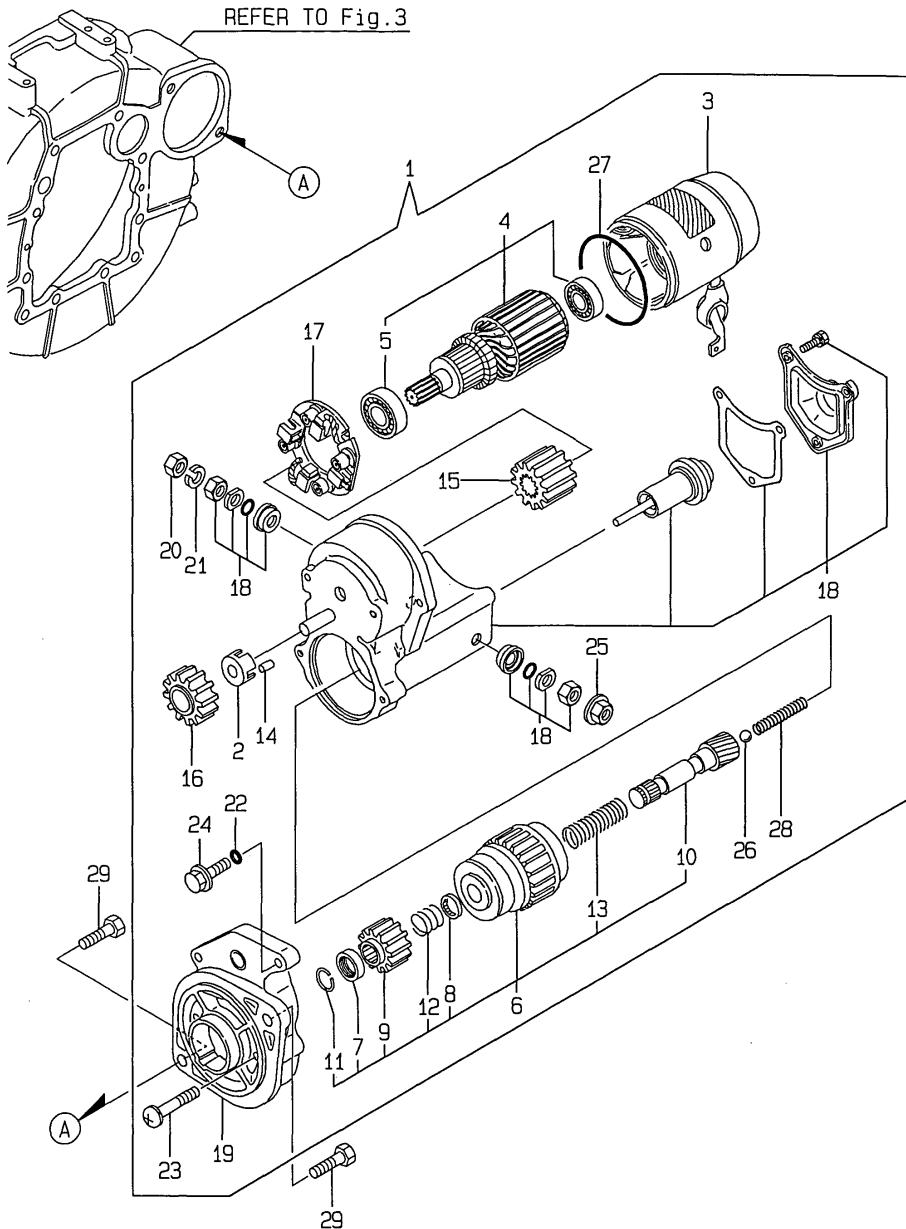
(A)=4TNE88-SA
(B)=4TNE88-G1A
(C)=

(D)=
(E)=
(F)=

No.	Lev.	Parts No.	Description	Q'ty						I	R
				(A)	(B)	(C)	(D)	(E)	(F)		
1	1	129488-66120	LINK, ENGINE CONTROL	1							
2	1	129488-66150	LINK, ENGINE CONTROL		1						
3	1	26756-050002	NUT, LOCK M5	3	3						
4	1	126650-66020	HANDLE, REGULATOR	1	1						
5	1	119888-66110	BRACKET	1	1						
6	1	119888-66130	PIVOT	1	1						
7	1	171048-67010	CONTROLLER ASSY	1	1						
8	2	171102-66080	WASHER	1	1						
9	2	104200-66820	SPRING	1	1						
10	2	104200-66830	PLATE, FRICTION	2	2						
11	2	104200-66850	WASHER	1	1						
12	2	104200-66860	NUT	1	1						
13	2	171085-67100	BRACKET	1	1						
14	2	171085-67110	SHAFT, DRIVE	1	1						
15	2	171085-67120	GEAR	1	1						
16	2	171048-67130	LEVER	1	1						
17	2	171048-67140	STOPPER	1	1						
18	2	22351-020006	PIN, SPRING 2.0X 6	1	1						
19	2	22411-200150	COTTER PIN	1	1						
20	2	26116-060082	BOLT, M6X 8 PLATED	1	1						
21	2	26921-050122	SCREW, M5X12	1	1						
22	1	170064-67210	LABEL, HANDLE	1	1						
23	1	22117-100000	WASHER, 10	1	1						
24	1	22217-100000	WASHER, SPRING 10	1	1						
25	1	22272-000050	RING, E- 5	1	1						
26	1	26106-060102	BOLT, M6X 10 PLATED	2	2						
27	1	26657-100002	NUT, CAP M10	1	1						
28	1	26106-080162	BOLT, M8X 16 PLATED	2	2						

Fig.18. STARTING MOTOR(STANDARD)

18. STARTING MOTOR (STANDARD)



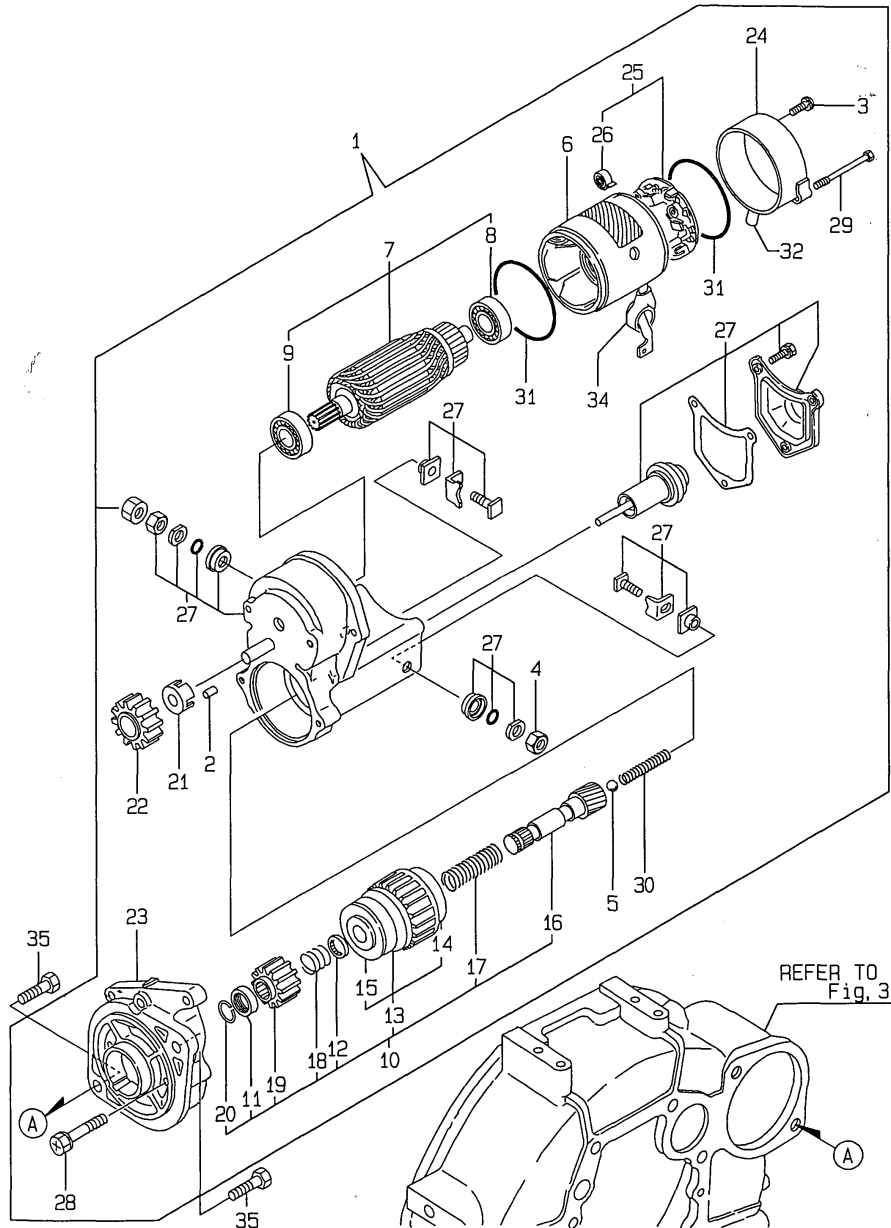
(A)=4TNE88-SA
(B)=4TNE88-G1A
(C)=

(D)=
(E)=
(F)=

No.	Lev.	Parts No.	Description	Q'ty						I	R
				(A)	(B)	(C)	(D)	(E)	(F)		
1	1	129429-77010	STARTER ASSY	1	1						
2	2	X0280630011	RETAINER	1	1						
3	2	X0281003760	YORK	1	1						
4	2	X0282002140	ARMATURE	1	1						
5	3	X9491002160	BEARING	1	1						
6	2	X0283002081	CLUTCH ASSY	1	1						
7	3	X0280210230	NUT	1	1						
8	3	X0283270140	RETAINER	1	1						
9	3	X0283711770	PINION	1	1						
10	3	X0283810040	SHAFT	1	1						
11	3	X9490721080	RING	1	1						
12	3	X9491703371	SPRING, COIL	1	1						
13	3	X9491704260	SPRING	1	1						
14	2	X0283060061	ROLLER	5	5						
15	2	X0283711410	PINION	1	1						
16	2	X0283711420	PINION	1	1						
17	2	X0285100640	HOLDER	1	1						
18	2	X0534009490	SWITCH ASSY,MAGNET	1	1						
19	2	X1284017300	HOUSING	1	1						
20	2	X9019008651	NUT	1	1						
21	2	X9025808001	WASHER	1	1						
22	2	X9080110060	O-RING	2	2						
23	2	X9490064720	SCREW	2	2						
24	2	X9490422860	THROUGH BOLT	2	2						
25	2	X9490561370	NUT	1	1						
26	2	X9491200240	BALL	1	1						
27	2	X9491403680	O-RING	1	1						
28	2	X9491703380	SPRING	1	1						
29	1	26116-120252	BOLT, M12X 25 PLATED	2	2						

Fig.19. STARTING MOTOR(COLD DISTRICT)

19. STARTING MOTOR (COLD DISTRICT)

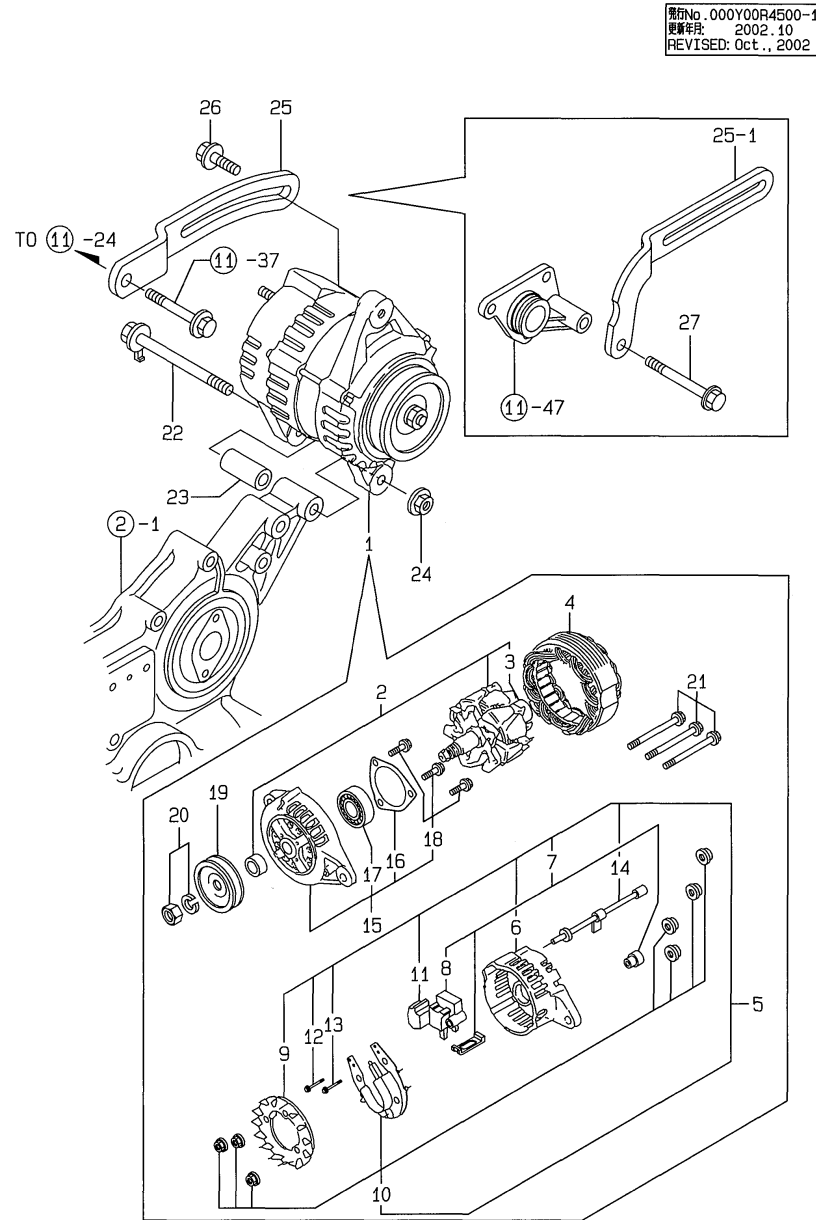


(A)=4TNE88-SA
(B)=4TNE88-G1A
(C)=

(D)=
(E)=
(F)=

No.	Lev.	Parts No.	Description	Qty						I	R
				(A)	(B)	(C)	(D)	(E)	(F)		
1	1	129407-77010	STARTER, RA1.4	1	1						
2	2	X0283060061	ROLLER	5	5						
3	2	X0289030010	SCREW	2	2						
4	2	X9490561370	NUT	1	1						
5	2	X9491200240	BALL	1	1						
6	2	129407-77210	YOKE ASSY	1	1						
7	2	129407-77220	ARMATURE ASSY	1	1						
8	3	129129-77230	BEARING	1	1						
9	3	129129-77240	BEARING	1	1						
10	2	129407-77250	STARTER	1	1						
11	3	X0280210230	NUT	1	1						
12	3	X0283270140	RETAINER	1	1						
13	3	129407-77390	CLUTCH ASSY	1	1						
14	4	129129-77440	BEARING	1	1						
15	4	129129-77450	BEARING	1	1						
16	3	129129-77400	SHAFT	1	1						
17	3	129129-77410	SPRING, COIL	1	1						
18	3	129407-77410	SPRING	1	1						
19	3	129129-77420	PINION	1	1						
20	3	129129-77430	RING	1	1						
21	2	129129-77260	RETAINER	1	1						
22	2	129129-77270	PINION	1	1						
23	2	129407-77280	HOUSING	1	1						
24	2	129129-77290	FRAME	1	1						
25	2	129407-77300	HOLDER ASSY	1	1						
26	3	X9491730461	SPRING	4	4						
27	2	129407-77310	SWITCH ASSY	1	1						
28	2	129129-77320	BOLT	2	2						
29	2	129407-77330	BOLT	2	2						
30	2	129129-77340	SPRING	1	1						
31	2	129129-77350	O-RING	2	2						
32	2	129129-77361	BUSH	1	1						
34	2	129129-77380	CAP	1	1						
35	1	26116-120252	BOLT, M12X 25 PLATED	2	2						

Fig.20. GENERATOR



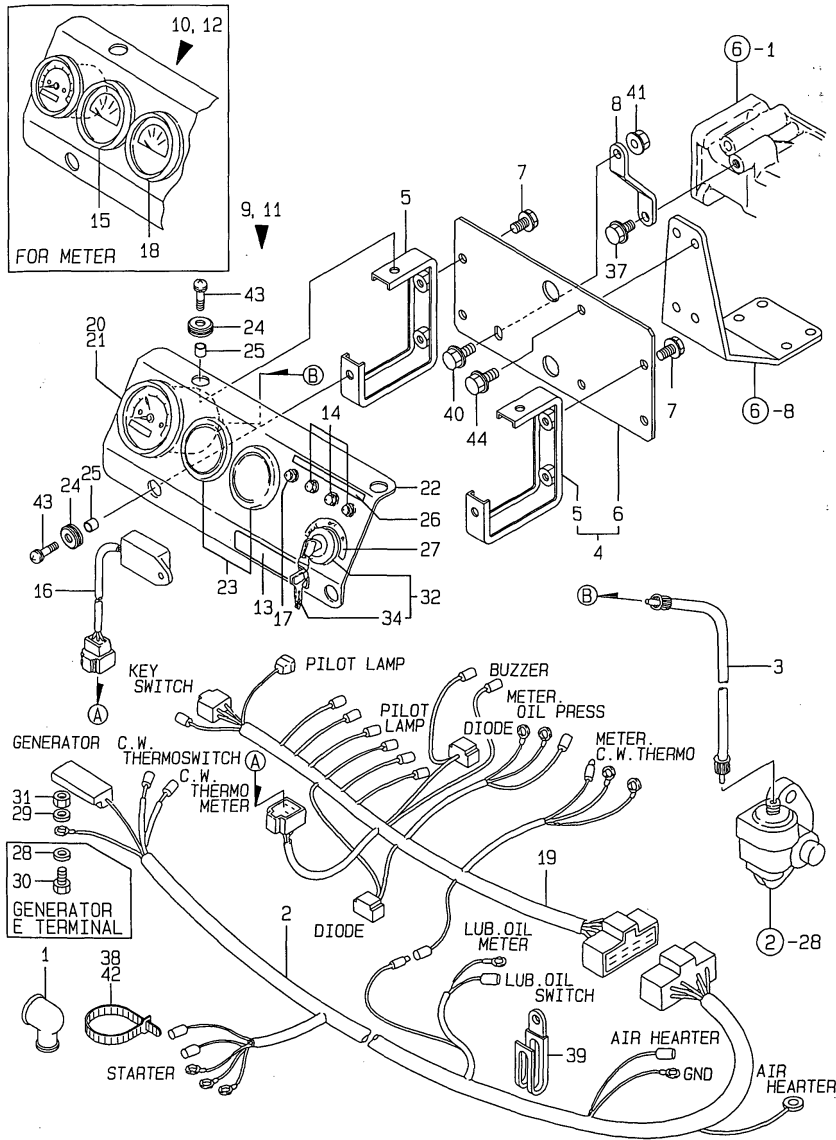
(A)=4TNE88-SA
(B)=4TNE88-G1A
(C)=

(D)=
(E)=
(F)=

No.	Lev.	Parts No.	Description	Q'ty						I	R
				(A)	(B)	(C)	(D)	(E)	(F)		
1	1	119836-77200	GENERATOR	1	1						
2	2	119836-77700	ROTOR ASSY	1	1						
3	3	119836-77850	BALL BEARING	1	1						
4	2	119836-77710	STATOR ASSY	1	1						
5	2	119836-77721	COVER ASSY, REAR	1	1						
6	3	119836-77730	COVER, REAR	1	1						
7	3	119836-77741	BRUSH ASSY,REGULATOR	1	1						
8	4	119836-77750	BRUSH ASSY	1	1						
9	3	119836-77760	GUIDE, FAN SIDE	1	1						
10	3	119836-77770	DIODE ASSY	1	1						
11	3	119836-77780	CONDENSER	1	1						
12	3	119836-77871	BOLT (1)	1	1						
13	3	119836-77880	BOLT (2)	1	1						
14	3	119836-77890	WIRE ASSY, LEAD	1	1						
15	2	119836-77790	COVER ASSY, FRONT	1	1						
16	3	119836-77800	RETAINER, BEARING	1	1						
17	3	119836-77840	BALL BEARING	1	1						
18	3	119836-77860	SCREW KID	1	1						
19	2	119836-77810	PULLEY	1	1						
20	2	119836-77820	NUT ASSY, PULLEY	1	1						
21	2	119836-77830	BOLT, THROUGH	1	1						
22	1	129136-77250	BOLT M 8X105	1	1						
23	1	119820-77340	PIECE, DISTANCE	1	1						
24	1	26366-080002	NUT, M8	1	1						
25	1	129410-77330	ADJUSTER	1	1						
25-1	1	129100-77330	ADJUSTER	1	1						N
		(A=E06934)	(B=E06929)								
26	1	26014-080252	BOLT, M8X 25	1	1						
27	1	26106-080502	BOLT, M8X 50 PLATED	1	1						W
		(A=E06934)	(B=E06929)								

Fig.21. PANEL

21. PANEL



(A)=4TNE88-SA
(B)=4TNE88-G1A
(C)=

(D)=
(E)=
(F)=

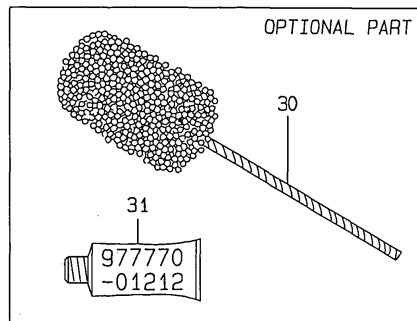
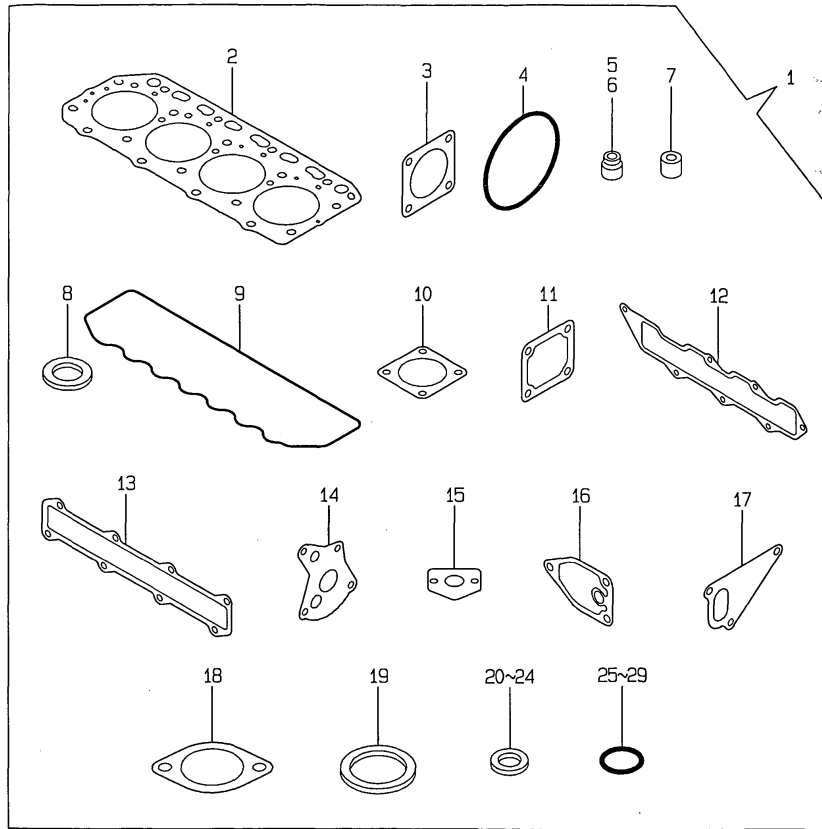
No.	Lev.	Parts No.	Description	Q'ty						I	R
				(A)	(B)	(C)	(D)	(E)	(F)		
1	1	124550-77030	COVER, TERMINAL	1	1						
2	1	119888-91021	HARNESS (A), WIRE	1	1						
3	1	121400-91140	SHAFT	1	1						
4	1	129608-91150	BRACKET ASSY	1	1						
5	2	119888-91120	SUPPORT	2	2						
6	2	129608-91130	BRACKET, PANEL	1	1						
7	1	26033-060202	SCREW M 6X 20	4	4						
8	1	129608-91140	RETAINER, PANEL	1	1						
9	1	119888-91101	PANEL ASSY	1							
10	1	119888-91201	PANEL ASSY	1							1
11	1	119888-91301	PANEL ASSY, INSTRUM		1						
12	1	119888-91311	PANEL ASSY		1						1
13	2	104507-07190	LABEL, YANMAR	1	1						
14	2	124732-77720	LAMP, CHARGING	3	3						
15	2	171010-77850	THERMOSTAT	1	1						
16	2	128300-77920	TIMER	1	1						
17	2	124559-77971	LAMP, PILOT	1	1						
18	2	171090-91010	GAUGE	1	1						
19	2	119888-91031	HARNESS, WIRE	1	1						
20	2	171080-91100	TACHOMETER	1							
21	2	171082-91100	TACHOMETER		1						
22	2	119888-91110	BODY, PANEL	1	1						
23	2	124770-91220	COVER	2	2						
24	2	121400-91520	ABSORBER	4	4						
25	2	121400-91530	SPACER	4	4						
26	2	119888-91610	LABEL, CW & OIL LAMP	1	1						
27	2	119888-91620	LABEL, KEY SWITCH	1	1						
28	2	22117-050000	WASHER, 5	1							
29	2	22117-050000	WASHER, 5	1							
30	2	26116-050102	BOLT, M5X 10 PLATED	1							
31	2	26716-050002	NUT, M5	1							
32	2	933110-00100	SWITCH ASSY, STARTER	1	1						
34	3	933110-00301	KEY ASSY	1	1						
37	1	26106-080162	BOLT, M8X 16 PLATED	1							
38	1	121750-59890	BAND, 140	1	1						
39	1	194180-51640	CLAMP, HARNESS	1	1						
40	1	26106-080162	BOLT, M8X 16 PLATED	1							
41	1	26366-080002	NUT, M8	1							
42	1	121750-59890	BAND, 140	1							
43	1	26033-060202	SCREW M 6X 20	4	4						
44	1	26106-080162	BOLT, M8X 16 PLATED	2	2						

Remarks

(1) WITH C.W.THERMOMETER(REF.NO.18,
P/# 171010-77850) & PRESSURE
GAUGE(REF.NO.21,P/# 171090-91010).

Fig.22. GASKET SET & TOOL(OPTIONAL)

22.GASKET SET & TOOL (OPTIONAL)



(A)=4TNE88-SA
(B)=4TNE88-G1A
(C)=

(D)=
(E)=
(F)=

No.	Lev.	Parts No.	Description	Q'ty						I	R
				(A)	(B)	(C)	(D)	(E)	(F)		
1	1	729609-92600	GASKET SET	1	1						1
2	2	129407-01340	GASKET, HEAD	1	1						
3	2	124240-01883	GASKET	1	1						
4	2	121850-51960	O-RING	1	1						
5	2	121400-11340	SEAL, VALVE STEM	4	4						
6	2	124460-11340	SEAL, VALVE STEM	4	4						
7	2	119625-11871	PROTECTOR, NOZZLE	4	4						
8	2	119625-11880	SEAT, NOZZLE	4	4						
9	2	129550-11310	GASKET, BONNET	1	1						
10	2	129400-13201	GASKET, SILENCER	1	1						
11	2	129150-77511	GASKET	1	1						
12	2	129407-12110	GASKET, MANIFOLD	1	1						
13	2	129407-13110	GASKET	1	1						
14	2	129150-32020	GASKET, PUMP	1	1						
15	2	129150-35041	GASKET	1	1						
16	2	129150-35111	GASKET	1	1						
17	2	129100-42020	GASKET, WATER PUMP	1	1						
18	2	129795-49551	GASKET	1	1						
19	2	129100-49820	GASKET	1	1						M
19-1	2	129150-49811	GASKET, THERMOSTAT	1	1						
20	2	124465-44950	GASKET, 16	2	2						
21	2	129150-49360	GASKET	1	1						
22	2	23414-100000	GASKET, 10X1.0	2	2						
23	2	23414-120000	GASKET, 12X1.0	2	2						
24	2	104200-59170	GASKET, 12	2	2						
25	2	24311-000320	O-RING, 1AP32.0	1	1						
26	2	24341-000500	O-RING, 1AS50.0	1	1						
27	2	24311-000320	O-RING, 1AP32.0	1	1						
28	2	24311-000120	O-RING, 1AP12.0	3	3						
29	2	24311-000160	O-RING, 1AP16.0	3	3						
30	1	129400-92420	FLEX HORN	1	1						1
31	1	977770-01212	GASKET, LIQUID	1	1						1

Remarks
(1) OPTIONAL PART.
(M) MISPRINT.

Parts No. Index

Parts No.	Fig. No.	Ref. No.
101304-59020	16	18
103854-39140	16	17
104200-55321	16	2
104200-55330	16	3
104200-55750	16	10
104200-59170	16	21
	22	24
104200-66820	17	9
104200-66830	17	10
104200-66850	17	11
104200-66860	17	12
104507-07190	21	13
105025-59530	15	58
	16	23
105312-59510	16	22
114250-53080	15	8
114250-53120	15	12
114250-53130	15	13
114250-53140	15	14
114250-53210	15	15
114250-53400	15	16
119305-59120	15	23
119620-01750	3	7
119625-11871	4	20
	5	25
	22	7
119625-11880	4	21
	5	26
	22	8
119625-11900	4	22
	5	27
119640-01640	3	13
119653-77950	14	87
119660-61901	14	63
119808-12520	6	17
119808-12530	6	18
119808-12540	6	19
119810-53000	15	4
119820-77340	20	23
119836-77200	20	1
119836-77700	20	2
119836-77710	20	4
119836-77721	20	5
119836-77730	20	6
119836-77741	20	7
119836-77750	20	8
119836-77760	20	9
119836-77770	20	10
119836-77780	20	11
119836-77790	20	15

Parts No.	Fig. No.	Ref. No.
119836-77800	20	16
119836-77810	20	19
119836-77820	20	20
119836-77830	20	21
119836-77840	20	17
119836-77850	20	3
119836-77860	20	18
119836-77871	20	12
119836-77880	20	13
119836-77890	20	14
119840-59560	15	61
119840-59570	15	62
119843-61540	14	52
119865-21600	9	17
		21
119888-01600	3	2
119888-08110	12	2
119888-21450	9	26
119888-66110	17	5
119888-66130	17	6
119888-91021	21	2
119888-91031	21	19
119888-91101	21	9
119888-91110	21	22
119888-91120	21	5
119888-91201	21	10
119888-91301	21	11
119888-91311	21	12
119888-91610	21	26
119888-91620	21	27
120130-11860	4	6
	5	11
121023-01550	2	25
121111-21501	9	13
121250-44901	11	42
121250-59550	15	60
121256-44600	12	30
121267-44760	11	20
121400-11340	4	17
	5	22
	22	5
121400-44650	12	8
121400-91140	21	3
121400-91520	21	24
121400-91530	21	25
121450-01560	2	6
121450-42450	11	41
121456-49160	12	40
121476-01620	3	6
121492-42290	11	15

Parts No.	Fig. No.	Ref. No.
121520-34810	10	18
121520-49160	12	41
121521-12400	6	7
121550-23200	9	42
121550-49111	11	38
121750-59890	21	38
		42
121850-11860	11	1
121850-13580	7	12
121850-21680	9	12
121850-51960	2	12
	22	4
121855-13821	7	14
121855-13830	7	15
122117-51560	13	51
122710-51090	13	11
123500-13840	7	16
123682-44210	12	6
124066-59100	15	59
124160-01751	2	7
	4	41
	5	46
124160-01910	1	5
		6
124160-11360	4	51
	5	56
124160-39140	10	35
124160-39450	10	34
124240-01871	2	8
124240-01883	2	9
	22	3
124250-49351	11	45
124450-44510	12	24
124450-44530	12	26
124450-44550	12	29
124450-44560	12	27
124460-11340	4	18
	5	23
	22	6
124465-44950	11	43
		44
	22	20
124550-21600	9	25
124550-51350	13	33
124550-51370	13	34
124550-59820	10	40
124550-66370	14	65
124550-77030	21	1
124559-77971	21	17
124732-77720	21	14

Parts No.	Fig. No.	Ref. No.
124736-07900	4	53
	5	5
124766-59050	12	42
	15	57
	16	19
		20
124770-11770	11	25
124770-91220	21	23
124950-51190	13	18
126650-66020	17	4
128300-13640	7	13
128300-77920	21	16
129001-02800	1	17
129001-22081	9	29
129001-22500	9	31
129001-22900	9	45
129001-22950	9	47
129001-35300	10	30
129001-42001	11	2 -1
129001-42002	11	2 -2
129001-42040	11	47
129052-55620	16	1
129052-61050	14	5
129052-61060	14	6
129052-61070	14	7
129052-61390	14	34
129052-61500	14	35
129052-61540	14	51
129100-01580	3	1
		25
	9	2
129100-01640	3	26
129100-11100	4	12
	5	17
129100-11110	4	13
	5	18
129100-11650	5	37
129100-23910	9	41
129100-25061	8	9
129100-42002	11	2
129100-42020	11	13
	22	17
129100-49800	11	24
129100-49820	11	27
	22	19
129100-49830	11	28
129100-49840	11	33
129100-51300	13	28
129100-52100	13	97
129100-55650	16	4

Parts No. Index

Parts No.	Fig. No.	Ref. No.
129100-55670	16	6
129100-55680	16	7
129100-55690	16	8
129100-55700	16	9
129100-59951	15	64
129100-61400	14	20
129100-61440	14	82
129100-61650	14	83
129100-77330	20	25 -1
129120-77501	6	12
129129-01600	3	3
129129-77230	19	8
129129-77240	19	9
129129-77260	19	21
129129-77270	19	22
129129-77290	19	24
129129-77320	19	28
129129-77340	19	30
129129-77350	19	31
129129-77361	19	32
129129-77380	19	34
129129-77400	19	16
129129-77410	19	17
129129-77420	19	19
129129-77430	19	20
129129-77440	19	14
129129-77450	19	15
129132-49050	11	39
129136-77250	20	22
129150-01200	1	23
129150-02020	1	8
129150-02450	8	4
129150-02870	1	25
129150-02930	1	20
129150-02940	1	28
129150-03020	4	42
	5	47
129150-03070	4	43
	5	48
129150-03080	4	44
	5	49
129150-03100	2	11
129150-11230	4	33
	5	38
129150-11280	4	28
	5	33
129150-11370	4	19
	5	24
129150-11750	4	35
	5	40

Parts No.	Fig. No.	Ref. No.
129150-11810	4	8
	5	13
129150-14101	8	7
129150-14200	8	1
129150-14400	8	2
129150-21200	9	5
129150-23600	9	43
129150-23610	9	51
129150-25101	8	10
129150-25900	8	15
129150-25920	8	13
129150-32020	10	14
	22	14
129150-35041	10	19
	22	15
129150-35091	10	20
129150-35101	10	27
129150-35111	10	28
	22	16
129150-35151	10	29
129150-35350	10	31
129150-49080	12	36
129150-49100	12	35
129150-49360	11	46
	22	21
129150-49811	11	32
	22	19 -1
129150-59131	15	26
129150-59580	15	63
129150-77511	6	13
	22	11
129150-91400	2	28
129155-11260	4	26
	5	31
129155-11270	4	27
	5	32
129155-42350	11	18
129155-49800	11	31
129155-51020	13	6
129155-51050	13	9
129155-51060	13	10
129155-51140	13	15
129155-51180	13	17
129155-51200	13	19
129155-51270	13	26
129155-51280	13	27
	14	3
129155-51320	13	31
129155-51340	13	32
129155-51370	13	35

Parts No.	Fig. No.	Ref. No.
129155-51380	13	36
129155-51390	13	37
129155-51410	13	39
129155-51420	13	40
129155-51450	13	41
129155-51521	13	47
129155-51530	13	48
129155-51540	13	49
129155-51550	13	50
129155-51570	13	53
129155-51580	13	54
129155-51591	13	55
129155-51600	13	56
129155-51790	13	79
129155-51930	13	81
129155-51940	13	82
129155-52050	13	96
129155-61120	14	8
129155-61130	14	9
129155-61140	14	10
129155-61201	14	11
129155-61341	14	17
129155-61350	14	18
129155-61360	14	19
129155-61430	14	23
129155-61450	14	27
129155-61460	14	28
129155-61470	14	89
129155-61480	14	29
129155-61830	14	62
129155-61950	14	64
129156-51910	13	80
129188-08100	12	1
129188-44950	12	10
129202-22300	9	35
129350-49530	11	22
129350-49560	11	22 -1
129400-01520	2	5
129400-01730	3	16
129400-01770	3	18
129400-11350	4	40
	5	45
129400-13201	7	7
	22	10
129400-92420	22	30
129403-42380	11	17
129403-44740	11	19
129407-01340	1	24
	22	2
129407-11700	4	2

Parts No.	Fig. No.	Ref. No.
129407-11700	5	7
129407-12100	6	1
129407-12110	6	3
	22	12
129407-13100	7	1
129407-13110	7	2
	22	13
129407-21000	9	1
129407-32000	10	1
129407-59811	15	29
129407-59822	15	36
129407-59832	15	43
129407-59841	15	50
129407-77010	19	1
129407-77210	19	6
129407-77220	19	7
129407-77250	19	10
129407-77280	19	23
129407-77300	19	25
129407-77310	19	27
129407-77330	19	29
129407-77390	19	13
129407-77410	19	18
129408-59810	15	30
129408-59820	15	37
129408-59830	15	44
129408-59840	15	51
129410-77330	20	25
129412-61500	14	36
129420-13501	7	8
129420-13530	7	9
129420-13540	7	10
129420-13550	7	11
129420-44500	12	5
129420-44560	12	7
129422-44500	12	4
129429-77010	18	1
129436-35090	10	21
129470-39610	10	44
129470-51040	13	7
129477-61720	14	86
129488-21590	9	18
129488-44960	12	11
129488-44971	12	12
129488-44981	12	13
129488-66120	17	1
129488-66150	17	2
129500-11240	5	30
129500-61650	14	84
129503-53000	15	3

Parts No. Index

Parts No.	Fig. No.	Ref. No.
129506-51100	13	12
129550-11290	4	29
	5	34
129550-11310	4	47
	5	52
	22	9
129550-21650	9	10
129550-39450	10	36
129555-11241	4	25
129555-51400	13	38
129555-51500	13	46
129555-51700	13	75
129555-51710	13	76
129555-51750	13	77
129555-51760	13	78
129608-12500	6	15
129608-12510	6	16
129608-44940	12	9
129608-49020	12	33 -1
129608-91130	21	6
129608-91140	21	8
129608-91150	21	4
129619-12210	6	6
129619-12560	6	8
129795-01780	3	28
129795-01800	2	4
129795-01950	2	10
129795-02411	1	15
129795-11120	4	14
	5	19
129795-11180	4	15
	5	20
129795-21661	9	11
129795-49551	11	23
	22	18
144626-91560	10	46
158552-61900	14	73 -1
170064-67210	17	22
171010-77850	21	15
171048-67010	17	7
171048-67130	17	16
171048-67140	17	17
171051-01921	1	7
171080-91100	21	20
171082-91100	21	21
171085-67100	17	13
171085-67110	17	14
171085-67120	17	15
171090-91010	21	18
171102-66080	17	8

Parts No.	Fig. No.	Ref. No.
171301-01600	3	4
171301-01640	3	19
171301-21650	9	9
171350-03090	4	1
	5	1
171353-61700	14	85
171375-39600	10	43
171420-01600	3	5
171420-21580	9	14
171420-21590	9	22
171420-34800	10	16
171420-34820	10	17
171420-49010	12	31
171420-49020	12	33
171440-49010	12	32
171488-61200	14	12
174307-51170	13	16
174307-51560	13	52
174307-51700	14	37
194180-51640	21	39
194990-22050	7	3
		23
22117-040000	14	66
22117-050000	21	28
		29
22117-100000	17	23
22137-080000	12	14
22190-060002	14	67
22190-080002	2	13
		14
	10	41
22190-100002	14	68
22190-120002	14	69
22190-160002	13	83
22190-220002	3	15
22217-050000	13	84
22217-060000	13	85
22217-100000	12	15
	17	24
22217-120000	8	16
22252-000260	9	36
22272-000050	17	25
22287-120000	14	70
22351-020006	17	18
22351-040010	9	8
22351-050010	13	86
22351-060012	4	23
	5	28
22372-040000	14	71
22411-200150	17	19

Parts No.	Fig. No.	Ref. No.
22512-070140	8	8
	9	6
23000-016000	11	40
23000-060000	6	9
23010-038000	12	34
23061-070230	12	28
23161-020100	10	45
23414-100000	10	42
	22	22
23414-120000	15	72
	22	23
23871-010000	1	11
23871-030000	1	16
	11	12
		12 -1
		29
23876-030000	11	12 -2
23887-100002	14	72
24101-063034	13	87
24104-062054	9	27
24311-000120	4	52
	5	57
	22	28
24311-000160	2	15
	10	32
	16	11
	22	29
24311-000320	2	16
	4	48
	5	53
	22	25
		27
24311-240100	16	12
24321-000300	11	48
24321-000650	16	13
24341-000160	13	88
24341-000240	2	26
		30
24341-000250	3	21
24341-000280	14	73
24341-000500	4	49
	5	54
	22	26
25132-003800	11	15 -1
		16
26014-080252	20	26
26014-080702	16	16
26022-050102	13	89
26022-060162	13	90
26033-060202	21	7

Parts No.	Fig. No.	Ref. No.
26033-060202	21	43
26106-060102	14	74
		75
		76
	17	26
26106-060122	2	27
26106-060142	14	77
26106-060162	2	31
26106-060202	14	78
26106-060302	11	21
26106-060402	7	17
26106-080122	2	17
	12	16
26106-080142	4	54
	5	6
26106-080162	2	18
		19
	3	22
	4	50
	5	55
	8	18
	11	35 -2
	12	17
		43
	17	28
	21	37
		40
		44
26106-080182	6	10
		11
	11	35 -1
26106-080202	2	20
	6	4
	10	33
	11	34
	12	18
26106-080222	9	28
26106-080252	3	23
	4	38
	5	43
	11	35
	12	19
26106-080302	3	29
26106-080352	3	30
	6	14
	10	26
26106-080402	7	4
26106-080452	2	21
	3	24
		24 -1

Parts No. Index

Parts No.	Fig. No.	Ref. No.
26106-080452	8	14
26106-080502	3	32
	4	39
	5	44
	11	36
	20	27
26106-080552	2	22
26106-080602	11	14
		37
26106-080802	6	5
26106-080852	2	23
26106-100202	12	3
26106-100302	12	20
26106-100602	7	18
26116-050102	21	30
26116-050302	13	91
26116-060082	17	20
26116-060162	11	30
26116-120252	18	29
	19	35
26206-100202	3	8
26206-100252	3	9
		31
26206-100302	3	10
26216-060202	4	10
	5	15
26216-080222	7	5
26216-080402	7	6
26226-080182	4	36
	5	41
26347-040002	7	19
26347-060002	7	20
26366-060002	4	24
	5	29
26366-080002	2	24
	12	21
	14	81
	20	24
	21	41
26366-100002	7	21
26367-120002	3	11
26450-060252	10	15
26557-040352	7	22
26657-100002	17	27
26687-120002	14	88
26716-050002	21	31
26716-060002	13	92
26716-100002	12	22
26716-120002	8	17
26756-050002	17	3

Parts No.	Fig. No.	Ref. No.
26756-060002	14	79
26756-080002	4	37
	5	42
26756-100002	12	23
26776-120002	14	80
26921-050122	17	21
27231-500000	1	12
27241-120000	1	13
27241-300000	1	14
27241-400000	4	11
	5	16
27310-080000	4	16
	5	21
719810-01500	2	1
719810-53100	15	2
729402-01540	3	12
729402-11650	4	32
729402-14580	8	3
729402-23100	9	37
729407-01560	1	1
729503-53100	15	1
729609-51350	13	1
729609-92600	22	1
729619-51310	13	2
933110-00100	21	32
933110-00301	21	34
977770-01212	22	31
X0280210230	18	7
	19	11
X0280630011	18	2
X0281003760	18	3
X0282002140	18	4
X0283002081	18	6
X0283060061	18	14
	19	2
X0283270140	18	8
	19	12
X0283711410	18	15
X0283711420	18	16
X0283711770	18	9
X0283810040	18	10
X0285100640	18	17
X0289030010	19	3
X0534009490	18	18
X1284017300	18	19
X9019008651	18	20
X9025808001	18	21
X9080110060	18	22
X9490064720	18	23
X9490422860	18	24

Parts No.	Fig. No.	Ref. No.
X9490561370	18	25
	19	4
X9490721080	18	11
X9491002160	18	5
X9491200240	18	26
	19	5
X9491403680	18	27
X9491703371	18	12
X9491703380	18	28
X9491704260	18	13
X9491730461	19	26

Parts No.	Fig. No.	Ref. No.
-----------	----------	----------