

OCR10-M52000EN

# PREFACE

1. This Parts Catalog carries all parts incorporated in YANMAR Model 4TNE88-SA01~SA04, 4TNE88-G1A01, 4TNE88-ESA01~ESA05 & 4TNE88-EG1A01~EG1A03 engines.

2. Model name

Column	Model name	Manufactured	E/#
(A)	4TNE88-SA01	1998/12~	38915~
	4TNE88-SA02		
	4TNE88-SA03		
	4TNE88-SA04		
(B)	4TNE88-G1A01	1998/12~	38875~
(C)	4TNE88-ESA01	1999/2~	39548~
	4TNE88-ESA02		
	4TNE88-ESA03		
	4TNE88-ESA04		
	4TNE88-ESA05		
(D)	4TNE88-EG1A01	1999/1~	39262~
	4TNE88-EG1A02		
	4TNE88-EG1A03		

3. Each illustration corresponds to the parts list on the following page.

4. When ordering parts, clearly write down the engine model and serial number, as well as the name and number of each part in your order sheet. This will help insure reliable delivery of the parts you have ordered.

## Directions for the Parts Catalog.

1. This Parts Catalog shows both standard and optional parts.
2. Parts may change without prior notice.
3. The following is an example of the Parts Catalog format.

REF.	LEV.	PARTS NO.	DESCRIPTION	Q'TY						I	R
				(A)	(B)	(C)	(D)	(E)	(F)		
1	1	729595-51390	FUEL INJECTION PUMP	1	1	1	1	1			1
1-1	1	729595-51391	FUEL INJECTION PUMP	1	1	1	1	1		N	1
		(A=E00185) (B=E00200)									
3	2	26022-060162	SCREW M 6X 16	9	9	9	9	9			
3-1	2	26022-060162	SCREW M 6X 16	4	4	4	4	4		K	
		(A=E00156) (B=E00156) (C=E00156) (D=E00156) (E=E00156)									
4	2	129470-51040	CAMSHAFT	1	1	1	1	1			
5	2	122710-51050	BEARING, ROLLER	2	2	2	2	2			
6	2	129470-51060	RETAINER	1	1	1	1	1			

Remarks
(1) BOOST COMPEMSATOR TYPE. OPTIONAL PART, TO E00155,(4JH-DT, 4JH-DTZ

### ① Ref. No.

The Ref. No. listed may not be in accordance with the illustration Ref. No.

(Ex.) Illustration No.

List Ref No.

1

1

(Before change)

1-1

(After change)

For interchangeable symbols N, R and K, illustrations for new parts may be abbreviated.

### ② Lev. (Level)

Level indication

The numbers below indicate the level of relativity towards the main part.

1 ----- Main parts (Assembly parts)

2 ----- Sub component included in " 1 ".

3 ----- Sub component included in " 2 ".

Note) Parts that are not for sale are partially illustrated but not listed.

### ③ Interchangeability Symbol

When a part change takes place, one of the following interchangeability symbols is indicated beside the part.

Symbol	Interchangeability	Contents note
N	Old $\begin{matrix} \leftarrow \text{Yes} \\ \text{No} \rightarrow \end{matrix}$ New	New Part is interchangeable for Old Part but Old Part is not interchangeable for New Part.
Q	Old $\begin{matrix} \leftarrow \text{No} \\ \text{Yes} \rightarrow \end{matrix}$ New	New Part is not interchangeable for Old Part but Old Part is interchangeable for New Part.
R	Old $\begin{matrix} \leftarrow \text{Yes} \\ \text{Yes} \rightarrow \end{matrix}$ New	New/ Old Parts are both interchangeable.
S	Old $\begin{matrix} \leftarrow \text{No} \\ \text{No} \rightarrow \end{matrix}$ New	New/ Old Parts are both not interchangeable.
W		Part newly added.
Z		Part discontinued.
F		Not interchangeable by a single part but interchangeable together with related parts.
K		Changes only for used parts quantities.

### ④ Effective Machine No.

When a part changes, the effective Machine No. will be indicated in the (A)-(F) column.

Product Symbol	Product No.	Product Symbol	Product No.
C	Clutch No. Compressor No.	F	Machine No. (Agricultural Equip.)
D	Drive No.	M	Machine No.
E	Engine No.		

Note 1) A date may follow the symbol. (Ex.) 1996.01

Note 2) "XXXXX" and "ZZZZZ" are for parts that could not be predicted or for engine models that could not be identified.

Note 3) (A=E00185) is the E (Engine Serial Number) for the column (A) model (in this case 4JH-DT) after the parts design change.

### ⑤ Remarks

Figures or alphabets (symbols) are entered in the remarks column.

The comments (remarks) on parts that are indicated at the bottom of the illustration are the same symbols as those stated above.

# Contents

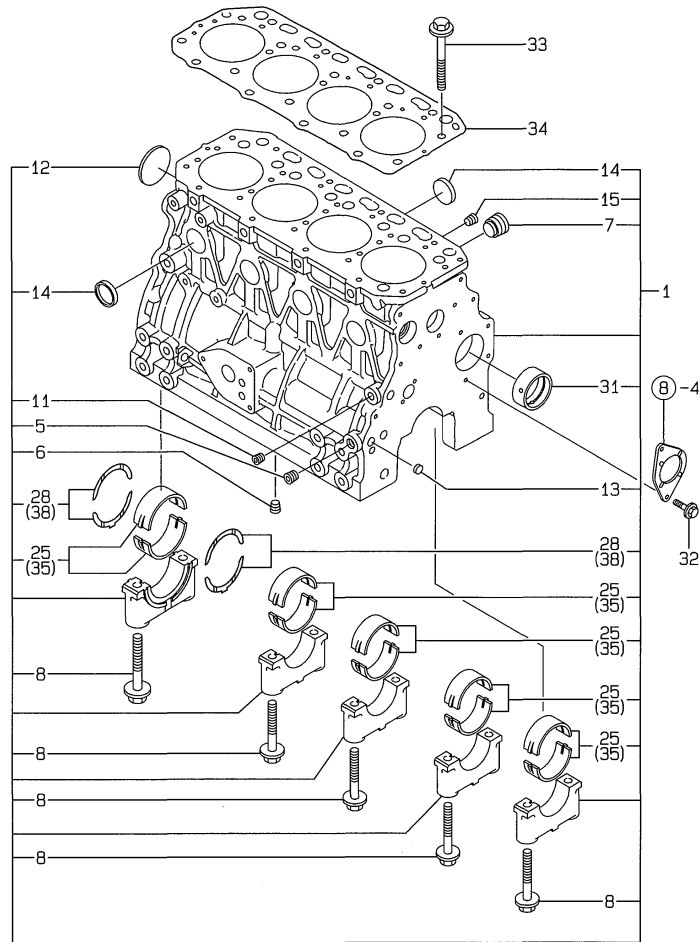
OCR10-M52000

Fig. No.	Fig. Name	Fig. No.	Fig. Name
4TNE88-(E)SA,G1A			
1.	CYLINDER BLOCK		
2.	GEAR HOUSING		
3.	FLYWHEEL HOUSING & OIL SUMP		
4.	CYLINDER HEAD & BONNET		
5.	CYLINDER HEAD & BONNET		
6.	SUCTION MANIFOLD & AIR CLEANER		
7.	EXHAUST MANIFOLD & SILENCER		
8.	CAMSHAFT & DRIVING GEAR		
9.	CRANKSHAFT & PISTON		
10.	LUB.OIL SYSTEM		
11.	COOLING WATER SYSTEM		
12.	RADIATOR		
13.	FUEL INJECTION PUMP		
14.	GOVERNOR		
15.	FUEL INJECTION VALVE		
16.	FUEL FILTER		
17.	ENGINE CONTROL DEVICE		
18.	STARTING MOTOR		
19.	STARTING MOTOR		
20.	STARTING MOTOR(COLD DISTRICT)		
21.	GENERATOR		
22.	OUTPUT SHAFT		
23.	PANEL		
24.	GASKET SET & TOOL(OPTIONAL)		

Fig.1. CYLINDER BLOCK

(A)=4TNE88-SA  
(B)=4TNE88-G1A01  
(C)=4TNE88-ESA

(D)=4TNE88-EG1A  
(E)=  
(F)=



No.	Lev.	Parts No.	Description	Q'ty						I	R
				(A)	(B)	(C)	(D)	(E)	(F)		
1	1	729407-01561	BLOCK ASSY, CYLINDER	1	1	1	1				
5	2	124160-01910	PLUG, PT1/4	2	2	2	2				
6	2	124160-01910	PLUG, PT1/4	1	1	1	1				
7	2	171051-01921	PLUG, NPTF1	1	1	1	1				
8	2	129150-02020	BOLT, METAL CAP	10	10	10	10				
11	2	23871-010000	PLUG, R01	1	1	1	1				
11-1	2	23876-010000	PLUG, R01	1	1	1	1				N
		(A=EXXX) (B=EXXX) (C=EXXX) (D=EXXX)									
12	2	27231-500000	PLUG 50	1	1	1	1				
12-1	2	129001-01250	PLUG, 50	1	1	1	1				N
		(A=EXXX) (B=EXXX) (C=EXXX) (D=EXXX)									
13	2	27241-120000	PLUG, 12	2	2	2	2				
14	2	27241-300000	PLUG 30	8	8	8	8				
15	2	23871-030000	PLUG, R03	1	1	1	1				
15-1	2	23876-030000	PLUG, R03	1	1	1	1				N
		(A=EXXX) (B=EXXX) (C=EXXX) (D=EXXX)									
25	2	129001-02930	BEARING, MAIN	5	5	5	5				3
28	2	129150-02930	BEARING, THRUST	2	2	2	2				
31	2	129795-02411	BUSH, CAMSHAFT	1	1	1	1				
32	1	26106-080162	BOLT, M8X 16 PLATED	2	2	2	2				
33	1	129150-01200	BOLT, HEAD	18	18	18	18				
34	1	129407-01340	GASKET, HEAD	1	1	1	1				
35	1	129150-02870	BEARING, 0.25 US	5	5	5	5				1
38	1	129150-02940	BEARING, THRUST 0.25	1	1	1	1				2

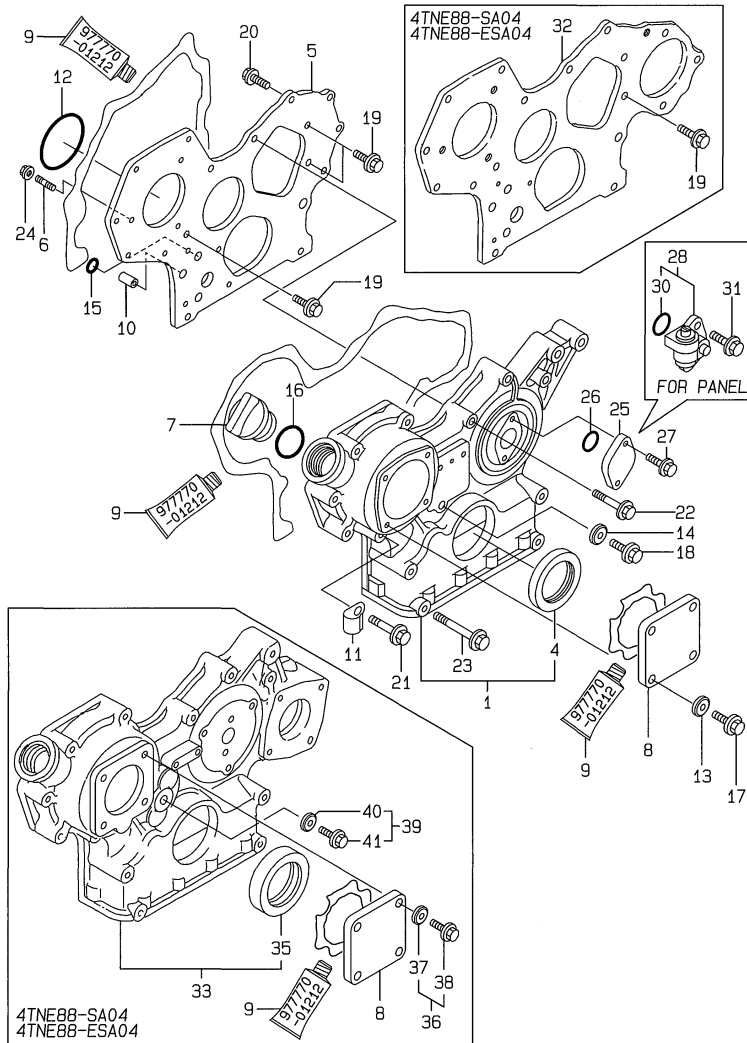
Remarks

- (1) UNDER-SIZED(U.S=0.25)PART.
- (2) OVER-SIZED(O.S=0.25)PART.
- (3) REPAIR PART.

Fig.2. GEAR HOUSING

(A)=4TNE88-SA  
(B)=4TNE88-G1A01  
(C)=4TNE88-ESA

(D)=4TNE88-EG1A  
(E)=  
(F)=



No.	Lev.	Parts No.	Description	Qty						I	R
				(A)	(B)	(C)	(D)	(E)	(F)		
1	1	719810-01500	CASE ASSY, GEAR	1	1	1	1				
4	2	129795-01800	SEAL, OIL	1	1	1	1				
5	1	129400-01520	FLANGE, GEAR CASE	1	1	1	1				
6	1	121450-01560	STUD, M8X22	3	3	3	3				
7	1	124160-01751	COVER, FILLER	1	1	1	1				
8	1	124240-01871	COVER	1	1	1	1				
9	1	977770-01212	GASKET, LIQUID	1	1	1	1				3
10	1	129795-01950	PIPE, KNOCK L=18	2	2	2	2				
11	1	129150-03100	RETAINER, PIPE	1	1	1	1				
12	1	121850-51960	O-RING	1	1	1	1				
13	1	22190-080002	WASHER, SEAL 6	4	4	4	4				
14	1	22190-080002	WASHER, SEAL 6	1	1	1	1				
15	1	24311-000160	O-RING, 1AP16.0	2	2	2	2				
16	1	24311-000320	O-RING, 1AP32.0	1	1	1	1				
17	1	26106-080122	BOLT, M8X 12 PLATED	4	4	4	4				
18	1	26106-080162	BOLT, M8X 16 PLATED	1	1	1	1				
19	1	26106-080162	BOLT, M8X 16 PLATED	3	3	3	3				
20	1	26106-080202	BOLT, M8X 20 PLATED	2	2	2	2				
21	1	26106-080452	BOLT, M8X 45 PLATED	6	6	6	6				
22	1	26106-080552	BOLT, M8X 55 PLATED	3	3	3	3				
23	1	129001-91841	BOLT, M8X85	4	4	4	4				
24	1	26366-080002	NUT, M8	3	3	3	3				
25	1	121023-01550	COVER	1	1	1	1				
26	1	24341-000240	O-RING, 1AS24.0	1	1	1	1				
27	1	26106-060162	BOLT, M6X 16 PLATED	2	2	2	2				
28	1	129150-91400	GEAR	1	1	1	1				1
30	2	24341-000240	O-RING, 1AS24.0	1	1	1	1				1
31	1	26106-060162	BOLT, M6X 16 PLATED	2	2	2	2				1
32	1	171353-01520	FLANGE, GEAR CASE	1	1	1	1				2
33	1	171353-01580	CASE ASSY, GEAR	1	1	1	1				2
35	2	129795-01800	SEAL, OIL	1	1	1	1				2
36	1	124550-01590	BOLT, M8X16	4	4	4	4				2
37	2	22190-080003	WASHER, SEAL 8	4	4	4	4				2
38	2	26106-080162	BOLT, M8X 16 PLATED	4	4	4	4				2
39	1	124550-01590	BOLT, M8X16	1	1	1	1				2
40	2	22190-080003	WASHER, SEAL 8	1	1	1	1				2
41	2	26106-080162	BOLT, M8X 16 PLATED	1	1	1	1				2

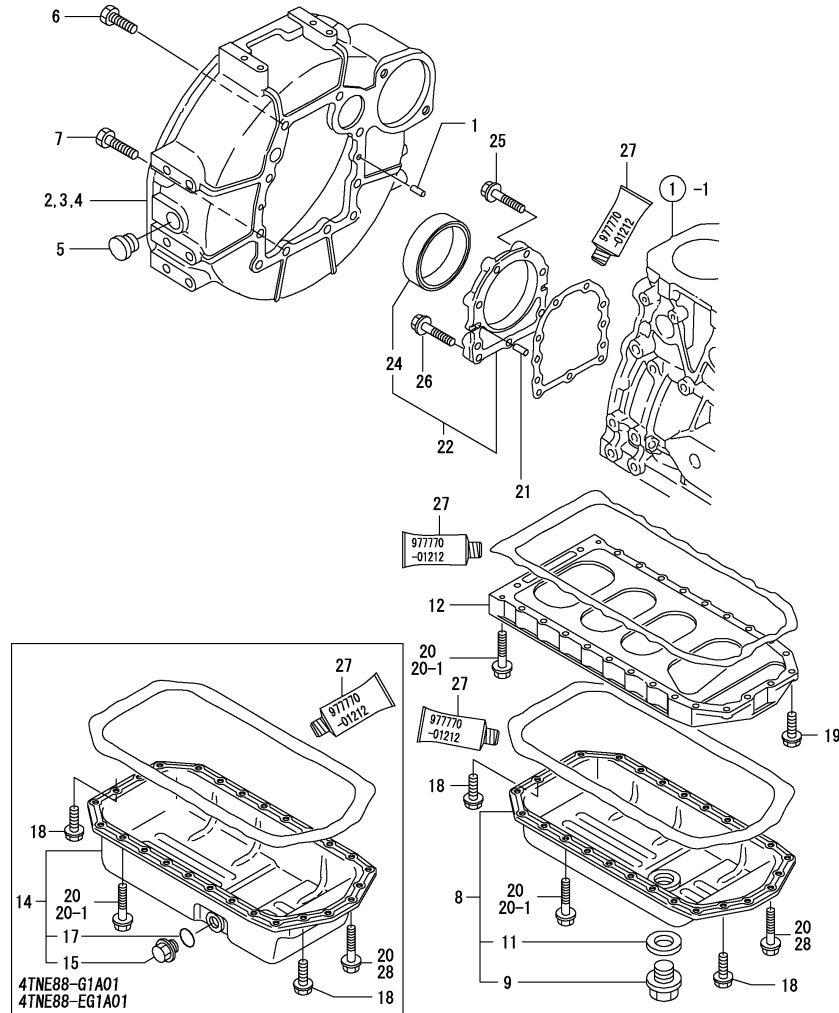
Remarks

- (1) FOR PANEL.
- (2) FOR(SA04)(ESA04).
- (3) OPTIONAL PART.

Fig.3. FLYWHEEL HOUSING & OIL SUMP

(A)=4TNE88-SA  
(B)=4TNE88-G1A01  
(C)=4TNE88-ESA

(D)=4TNE88-EG1A  
(E)=  
(F)=



No.	Lev.	Parts No.	Description	Q'ty						I	R
				(A)	(B)	(C)	(D)	(E)	(F)		
1	1	129100-01580	PIN, M8X16	2	2	2	2				
2	1	119888-01600	HOUSING, FLYWHEEL	1		1					1
3	1	129612-01600	HOUSING, FLYWHEEL	1		1					2
4	1	171420-01600	HOUSING, FLYWHEEL		1		1				
5	1	119620-01750	CAP	1	1	1	1				
6	1	26206-100252	BOLT, M10X 25 PLATED	6	6	6	6				
7	1	26206-100302	BOLT, M10X 30 PLATED	4	4	4	4				
8	1	729402-01540	SUMP ASSY, OIL	1		1	1				
9	2	119640-01640	PLUG, DRAIN M22	1		1	1				
11	2	22190-220002	WASHER, SEAL 22	1		1	1				
12	1	129400-01730	SPACER, OIL SUMP	1	1	1	1				
14	1	129400-01770	SUMP ASSY, OIL			1	1				3
14-1	1	129688-01780	OIL PAN ASSY, DEEP		1		1				N 5
		(B=REF. TO R)	(D=REF. TO R)								
15	2	171301-01640	PLUG, 22		1		1				3
17	2	24341-000250	O-RING, 1AS25.0		1		1				3
18	1	26106-080162	BOLT, M8X 16 PLATED	4	4	4	4				
19	1	26106-080252	BOLT, M8X 25 PLATED	2	2	2	2				
20	1	26106-080452	BOLT, M8X 45 PLATED	24	24	24	24				
20-1	1	26106-080452	BOLT, M8X 45 PLATED	20	20	20	20				K
		(A=FROM 1ST)	(B=FROM 1ST)	(C=FROM 1ST)	(D=FROM 1ST)						
21	1	129100-01580	PIN, M8X16	2	2	2	2				
22	1	129100-01640	CASE ASSY, OIL SEAL	1	1	1	1				
24	2	129795-01780	SEAL, OIL	1	1	1	1				
25	1	129486-01670	BOLT, M8X30	6	6	6	6				
26	1	26106-080352	BOLT, M8X 35 PLATED	3	3	3	3				
27	1	977770-01212	GASKET, LIQUID	1	1	1	1				4
28	1	26106-080502	BOLT, M8X 50 PLATED	4	4	4	4				W
		(A=FROM 1ST)	(B=FROM 1ST)	(C=FROM 1ST)	(D=FROM 1ST)						

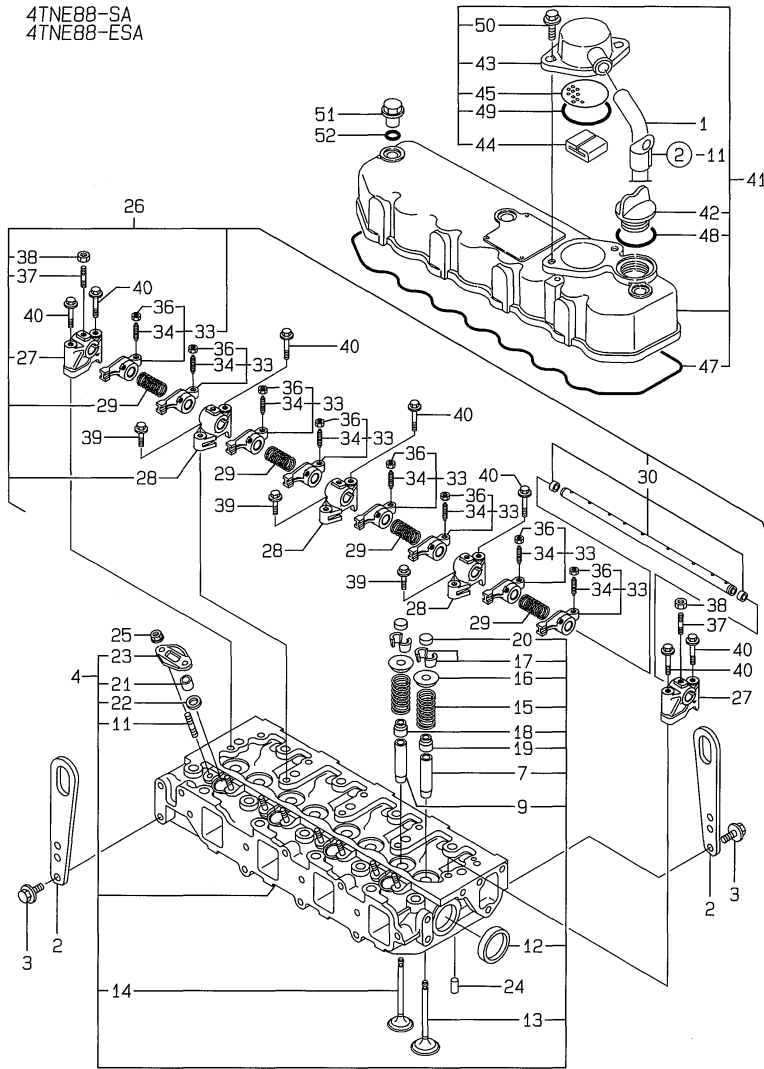
Remarks

- (1)For(SA01)(SA04)(ESA01)(ESA04)(ESA05).
- (2)For(SA02)(SA03)(ESA02)(ESA03).
- (3)For(EG1A01).
- (4)Optional parts.
- (5)For(EG1A01). For repair.

Fig.4. CYLINDER HEAD & BONNET

(A)=4TNE88-SA  
(B)=4TNE88-G1A01  
(C)=4TNE88-ESA

(D)=4TNE88-EG1A  
(E)=  
(F)=



No.	Lev.	Parts No.	Description	Q'ty						I	R
				(A)	(B)	(C)	(D)	(E)	(F)		
1	1	171350-03090	PIPE , BREATHER 900	1		1					
2	1	129900-07900	LIFTER	2		2					
3	1	26106-080162	BOLT, M8X 16 PLATED	4		4					
4	1	129457-11700	HEAD ASSY, CYLINDER	1		1					
7	2	120130-11860	GUIDE, VALVE	4		4					1
9	2	129150-11810	GUIDE, VALVE	4		4					1
11	2	26216-060202	STUD, M6X 20	8		8					
12	2	27241-400000	PLUG, 40	2		2					
13	2	129100-11100	VALVE, INTAKE	4		4					
14	2	129100-11110	VALVE, EXHAUST	4		4					
15	2	129795-11120	SPRING, VALVE	8		8					
16	2	129795-11180	RETAINER, SPRING	8		8					
17	2	27310-080001	COTTER, 8	8		8					
18	2	121400-11340	SEAL, VALVE STEM	4		4					
19	2	124460-11340	SEAL, VALVE STEM	4		4					
20	2	129150-11370	CAP, VALVE	8		8					
21	2	119625-11870	PROTECTOR, NOZZLE	4		4					
22	2	119625-11880	SEAT, NOZZLE	4		4					
23	2	119625-11900	RETAINER, NOZZLE	4		4					
24	1	22351-060012	PIN, SPRING 6.0X12	2		2					
25	1	26366-060002	NUT, M6	8		8					
26	1	129555-11241	SHAFT ASSY, ROCKER	1		1					
27	2	129155-11260	SUPPORT, ROCKER ARM	2		2					
28	2	129155-11270	SUPPORT, ROCKER ARM	3		3					
29	2	129150-11280	SPRING	4		4					
30	2	129550-11290	SHAFT, ROCKER ARM	1		1					
33	2	729402-11650	ARM ASSY, ROCKER	8		8					
34	3	129150-11230	SCREW, VALVE ADJUST	8		8					
36	3	129150-11750	NUT, M8	8		8					
37	2	26226-080182	STUD, M8X 18	3		3					
38	2	26756-080002	NUT, LOCK M8	3		3					
39	1	26106-080252	BOLT, M8X 25 PLATED	3		3					
40	1	26106-080502	BOLT, M8X 50 PLATED	7		7					
41	1	129400-11350	BONNET ASSY, HEAD	1		1					
42	2	124160-01751	COVER, FILLER	1		1					
43	2	129150-03020	COVER, BREATHER	1		1					
44	2	129150-03070	BAFFLE, BREATHER	1		1					
45	2	129150-03080	PLATE, BAFFLE	1		1					
47	2	129550-11310	GASKET, BONNET	1		1					
48	2	24311-000320	O-RING, 1AP32.0	1		1					
49	2	24341-000500	O-RING, 1AS50.0	1		1					
50	2	26106-080162	BOLT, M8X 16 PLATED	2		2					
51	1	124160-11360	KNOB	3		3					
52	1	24311-000120	O-RING, 1AP12.0	3		3					

Remarks  
(1) REPAIR PART.

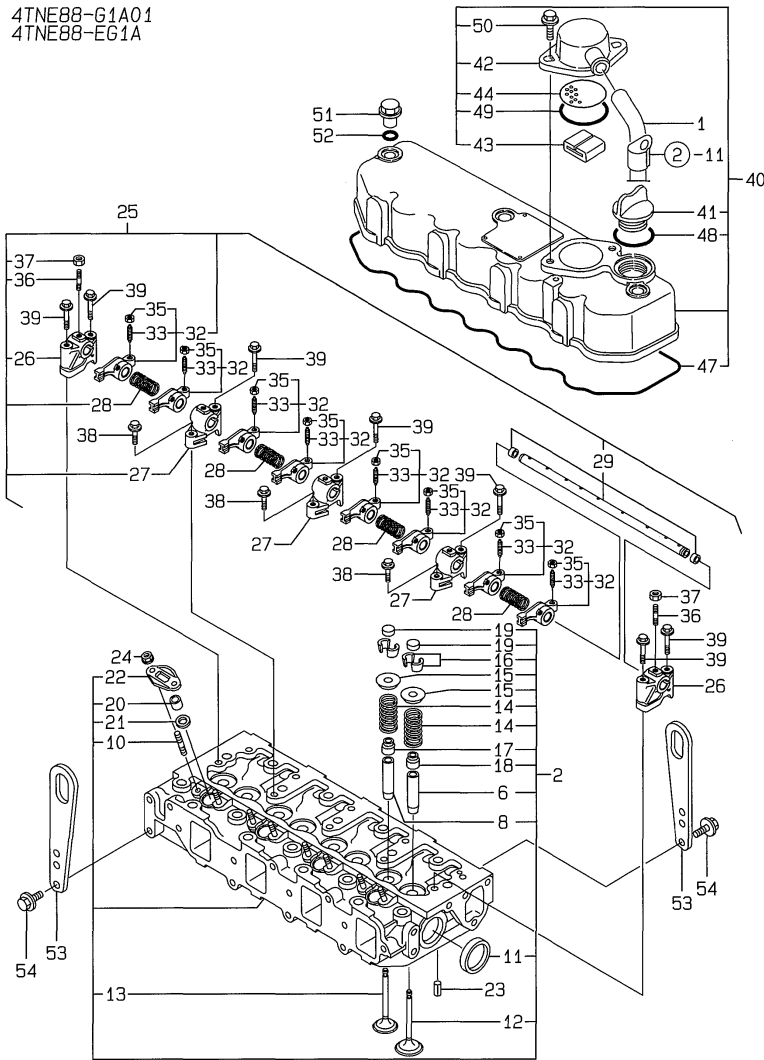


Fig.5. CYLINDER HEAD & BONNET

(A)=4TNE88-SA  
(B)=4TNE88-G1A01  
(C)=4TNE88-ESA

(D)=4TNE88-EG1A  
(E)=  
(F)=

4TNE88-G1A01  
4TNE88-EG1A



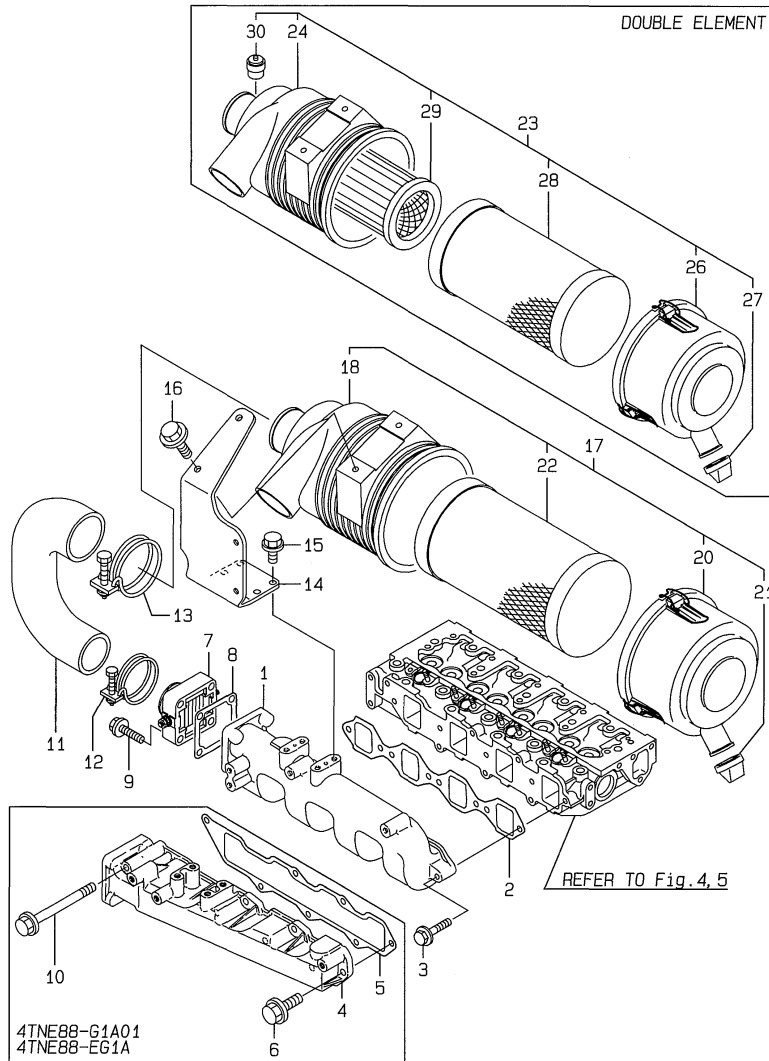
No.	Lev.	Parts No.	Description	Qty						I	R	
				(A)	(B)	(C)	(D)	(E)	(F)			
1	1	171350-03090	PIPE , BREATHER 900	1			1					
2	1	129407-11700	HEAD ASSY, CYLINDER	1			1					
6	2	120130-11860	GUIDE, VALVE		4		4					1
8	2	129150-11810	GUIDE, VALVE		4		4					1
10	2	26216-060202	STUD, M6X 20		8		8					
11	2	27241-400000	PLUG, 40		2		2					
12	2	129100-11100	VALVE, INTAKE		4		4					
13	2	129100-11110	VALVE, EXHAUST		4		4					
14	2	129795-11120	SPRING, VALVE		8		8					
15	2	129795-11180	RETAINER, SPRING		8		8					
16	2	27310-080001	COTTER, 8		8		8					
17	2	121400-11340	SEAL, VALVE STEM		4		4					
18	2	124460-11340	SEAL, VALVE STEM		4		4					
19	2	129150-11370	CAP, VALVE		8		8					
20	2	119625-11870	PROTECTOR, NOZZLE		4		4					
21	2	119625-11880	SEAT, NOZZLE		4		4					
22	2	119625-11900	RETAINER, NOZZLE		4		4					
23	1	22351-060012	PIN, SPRING 6.0X12		2		2					
24	1	26366-060002	NUT, M6		8		8					
25	1	129500-11240	SHAFT ASSY, ROCKER		1		1					
26	2	129155-11260	SUPPORT, ROCKER ARM		2		2					
27	2	129155-11270	SUPPORT, ROCKER ARM		3		3					
28	2	129150-11280	SPRING		4		4					
29	2	129550-11290	SHAFT, ROCKER ARM		1		1					
32	2	129100-11650	ARM, ROCKER		8		8					
33	3	129150-11230	SCREW, VALVE ADJUST		8		8					
35	3	129150-11750	NUT, M8		8		8					
36	2	26226-080182	STUD, M8X 18		3		3					
37	2	26756-080002	NUT, LOCK M8		3		3					
38	1	26106-080252	BOLT, M8X 25 PLATED		3		3					
39	1	26106-080502	BOLT, M8X 50 PLATED		7		7					
40	1	129400-11350	BONNET ASSY, HEAD		1		1					
41	2	124160-01751	COVER, FILLER		1		1					
42	2	129150-03020	COVER, BREATHER		1		1					
43	2	129150-03070	BAFFLE, BREATHER		1		1					
44	2	129150-03080	PLATE, BAFFLE		1		1					
47	2	129550-11310	GASKET, BONNET		1		1					
48	2	24311-000320	O-RING, 1AP32.0		1		1					
49	2	24341-000500	O-RING, 1AS50.0		1		1					
50	2	26106-080162	BOLT, M8X 16 PLATED		2		2					
51	1	124160-11360	KNOB		3		3					
52	1	24311-000120	O-RING, 1AP12.0		3		3					
53	1	129900-07900	LIFTER		2		2					
54	1	26106-080162	BOLT, M8X 16 PLATED		4		4					

Remarks  
(1) REPAIR PART.

Fig.6. SUCTION MANIFOLD & AIR CLEANER

(A)=4TNE88-SA  
(B)=4TNE88-G1A01  
(C)=4TNE88-ESA

(D)=4TNE88-EG1A  
(E)=  
(F)=



No.	Lev.	Parts No.	Description	Qty						I	R
				(A)	(B)	(C)	(D)	(E)	(F)		
1	1	129488-12100	MANIFOLD, AIR INTAKE	1		1					
2	1	129550-12111	GASKET, MANIFOLD	1		1					
3	1	26106-080352	BOLT, M8X 35 PLATED	5		5					
4	1	129407-12100	MANIFOLD, AIR INTAKE		1		1				
5	1	129407-12110	GASKET, MANIFOLD		1		1				
6	1	26106-080202	BOLT, M8X 20 PLATED		6		6				
7	1	129120-77501	HEATER	1	1	1	1				
8	1	129150-77511	GASKET	1	1	1	1				
9	1	26106-080352	BOLT, M8X 35 PLATED	4	4	4	4				
10	1	26106-080802	BOLT, M8X 80 PLATED		1		1				
11	1	129609-12210	HOSE ASSY, INTAKE	1	1	1	1				
12	1	23000-060000	CLAMP, 60	1	1	1	1				
13	1	23000-080000	CLAMP, 80	1	1	1	1				
14	1	129609-12550	BRACKET, AIR CLEANER	1	1	1	1				
15	1	26106-080182	BOLT, M8X 18 PLATED	4	4	4	4				
16	1	26106-080182	BOLT, M8X 18 PLATED	2	2	2	2				
17	1	129609-12500	CLEANER ASSY, AIR	1	1	1	1				1
18	2	129609-12530	BODY, AIR CLEANER	1	1	1	1				1
20	2	129900-12530	COVER ASSY	1	1	1	1				1
21	2	119808-12540	VALVE, UNLOADER	1	1	1	1				1
22	2	129062-12560	ELEMENT	1	1	1	1				1
23	1	129609-12510	CLEANER ASSY, AIR	1	1	1	1				2
24	2	129609-12520	BODY, AIR CLEANER	1	1	1	1				2
26	2	129900-12530	COVER ASSY	1	1	1	1				2
27	2	119808-12540	VALVE, UNLOADER	1	1	1	1				2
28	2	129062-12560	ELEMENT	1	1	1	1				2
29	2	119005-12571	ELEMENT	1	1	1	1				2
30	2	126650-12680	INDICATOR	1	1	1	1				2

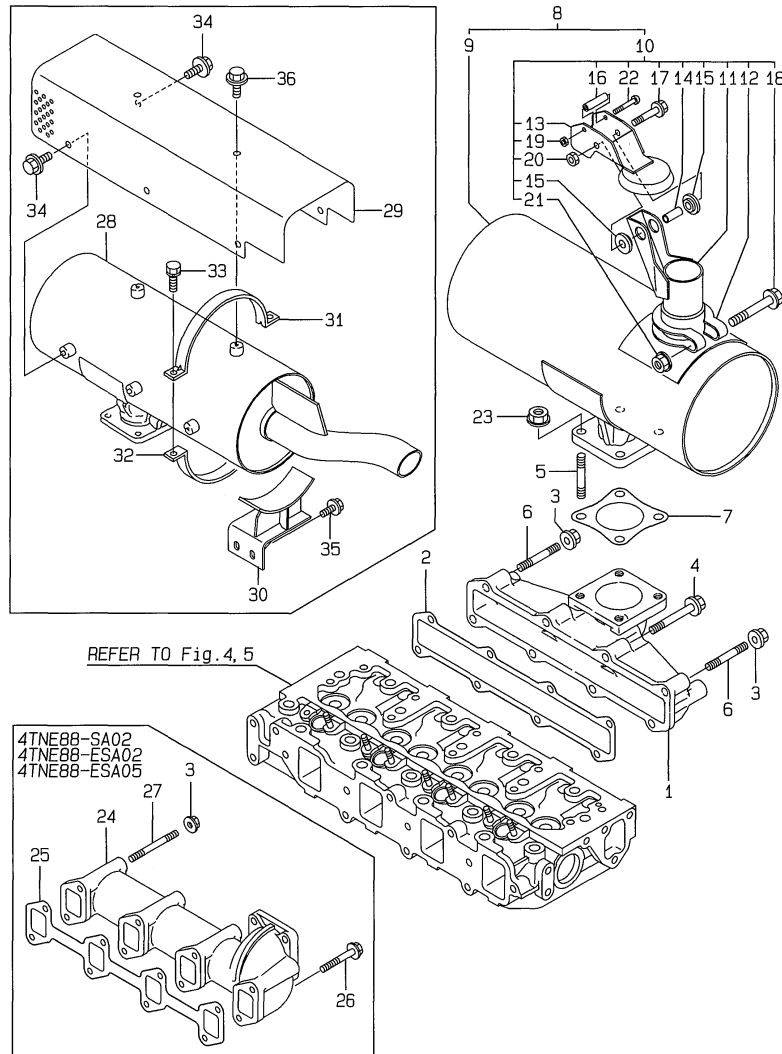
Remarks

- (1) FOR SINGLE ELEMENT.
- (2) FOR DOUBLE ELEMENT.

Fig.7. EXHAUST MANIFOLD & SILENCER

(A)=4TNE88-SA  
(B)=4TNE88-G1A01  
(C)=4TNE88-ESA

(D)=4TNE88-EG1A  
(E)=  
(F)=



No.	Lev.	Parts No.	Description	Qty						I	R
				(A)	(B)	(C)	(D)	(E)	(F)		
1	1	129407-13100	MANIFOLD, EXHAUST	1	1	1	1				
2	1	129407-13110	GASKET	1	1	1	1				
3	1	26366-080002	NUT, M8	2	2	2	2				
4	1	26106-080402	BOLT, M8X 40 PLATED	6	6	6	6				
5	1	119131-18320	STUD, M8X22	4	4	4	4				
6	1	26216-080402	STUD, M8X 40	2	2	2	2				
7	1	129400-13201	GASKET, SILENCER	2	2	2	2				
8	1	129420-13501	SILENCER	1	1	1	1				
9	2	129420-13530	SILENCER ASSY	1	1	1	1				
10	2	129420-13540	PIPE ASSY, TAIL	1	1	1	1				
11	3	129420-13550	PIPE, TAIL	1	1	1	1				
12	3	121850-13580	CLAMP	1	1	1	1				
13	3	128300-13640	CAP	1	1	1	1				
14	3	121855-13821	SPACER, A	1	1	1	1				
15	3	121855-13830	SPACER, B	2	2	2	2				
16	3	123500-13840	SPACER, C	1	1	1	1				
17	3	26106-060402	BOLT, M6X 40 PLATED	1	1	1	1				
18	3	26106-100602	BOLT, M10X 60 PLATED	1	1	1	1				
19	3	26347-040002	NUT, M4	1	1	1	1				
20	3	26347-060002	NUT, M6	1	1	1	1				
21	3	26366-100002	NUT, M10	1	1	1	1				
22	3	26557-040352	SCREW, M4X35	1	1	1	1				
23	1	26366-080002	NUT, M8	4	4	4	4				
24	1	129400-13101	MANIFOLD, EXHAUST	1							1
25	1	129550-13110	GASKET	1		1					1
26	1	26106-080802	BOLT, M8X 80 PLATED	6		6					1
27	1	26216-080802	STUD, M8X 80	2		2					1
28	1	129411-13500	SILENCER	1		1					2
29	1	129411-13600	COVER, SILENCER	1		1					2
30	1	129411-13650	STAY, SILENCER	1		1					2
31	1	129411-13670	BAND, SILENCER	1		1					2
32	1	129411-13680	BAND, SILENCER	1		1					2
33	1	26014-080302	BOLT, M8X 30	2		2					2
34	1	26106-080102	BOLT, M8X 10 PLATED	6		6					2
35	1	26106-080142	BOLT, M8X 14 PLATED	2		2					2
36	1	26106-080142	BOLT, M8X 14 PLATED	2		2					2

Remarks

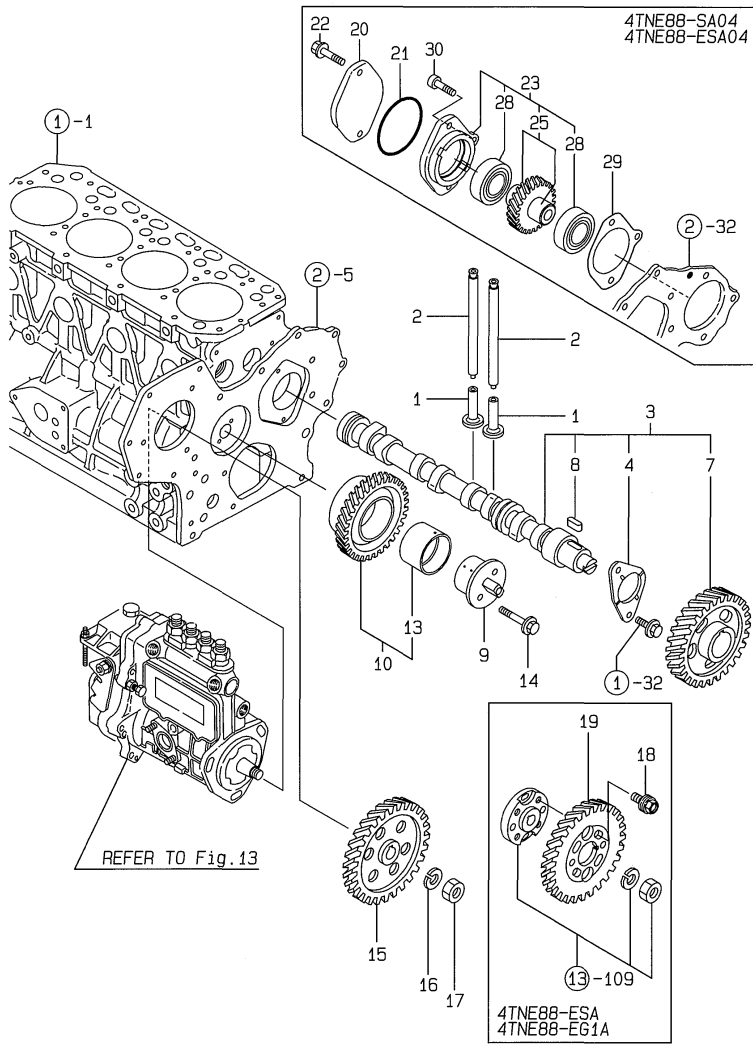
- (1) FOR(SA02)(ESA02)(ESA05)
- (2) FOR SIDE OUTLET.

Fig.8. CAMSHAFT & DRIVING GEAR

(A)=4TNE88-SA  
(B)=4TNE88-G1A01  
(C)=4TNE88-ESA

(D)=4TNE88-EG1A  
(E)=  
(F)=

No.	Lev.	Parts No.	Description	Q'ty						I	R
				(A)	(B)	(C)	(D)	(E)	(F)		
1	1	129150-14200	TAPPET	8	8	8	8				
2	1	129150-14400	ROD, PUSH L=178	8	8	8	8				
3	1	729402-14580	CAMSHAFT ASSY	1	1	1	1				
4	2	129150-02450	BEARING, THRUST	1	1	1	1				
7	2	129150-14101	GEAR, CAMSHAFT	1	1	1	1				
8	2	22512-070140	KEY, 7X 14	1	1	1	1				
9	1	129100-25061	SHAFT, IDLE	1	1	1	1				
10	1	129150-25101	GEAR ASSY, IDLE	1	1	1	1				
13	2	129150-25920	BUSH, IDLE GEAR	1	1	1	1				1
14	1	26106-080452	BOLT, M8X 45 PLATED	2	2	2	2				
15	1	129150-25900	GEAR, PUMP	1	1						
16	1	22217-120000	WASHER, SPRING 12	1	1						
17	1	26716-120002	NUT, M12	1	1						
18	1	129150-25301	BOLT			4	4				
19	1	129150-25931	GEAR, PUMP			1	1				
20	1	121023-26070	COVER	1	1						2
21	1	24321-000850	O-RING, 1AG85.0	1	1						2
22	1	26106-100452	BOLT, M10X 45 PLATED	2	2						2
23	1	171353-26000	PTO ASSY	1	1						2
25	2	171353-26200	GEAR ASSY	1	1						2
28	2	24105-060064	BEARING, BALL 6006Z	2	2						2
29	1	171353-26081	GASKET	1	1						2
30	1	26450-080282	BOLT, M8X 28	1	1						2

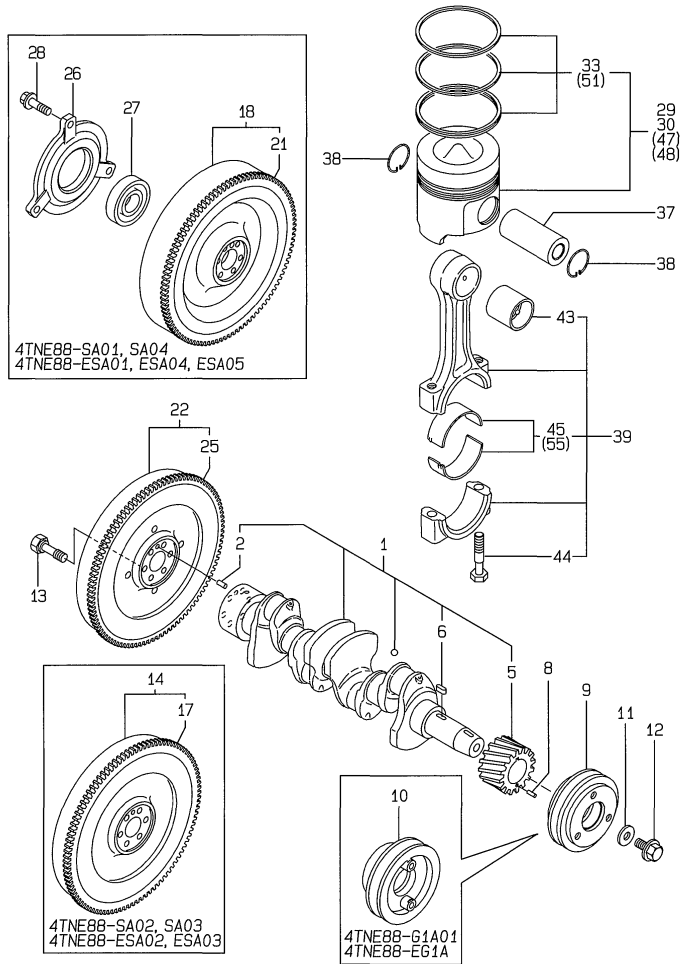


Remarks  
(1) REPAIR PART.  
(2) FOR(SA04)(ESA04).

Fig.9. CRANKSHAFT & PISTON

(A)=4TNE88-SA  
(B)=4TNE88-G1A01  
(C)=4TNE88-ESA

(D)=4TNE88-EG1A  
(E)=  
(F)=

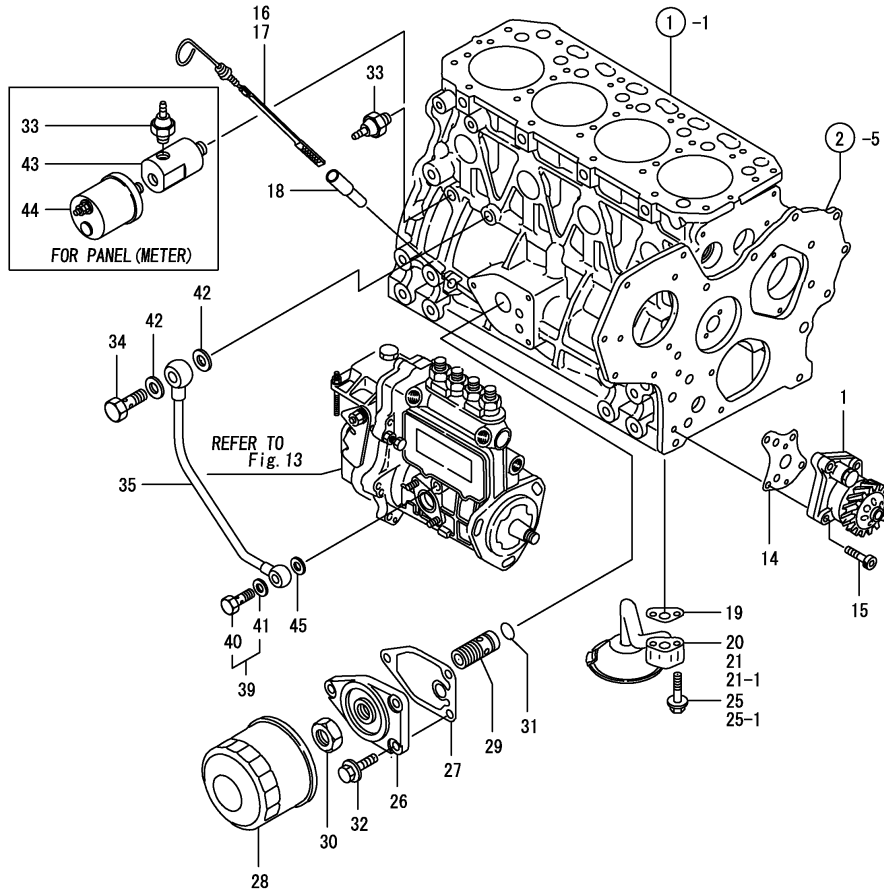


No.	Lev.	Parts No.	Description	Qty						I	R
				(A)	(B)	(C)	(D)	(E)	(F)		
1	1	129407-21000	CRANKSHAFT ASSY	1	1	1	1				
1-1	1	129407-21100	CRANKSHAFT ASSY	1	1	1	1				R
		(A=E54647) (B=E54464) (C=E54006) (D=E54012)									
2	2	129100-01580	PIN, M8X16	1	1	1	1				
5	2	129150-21200	GEAR, CRANKSHAFT	1	1	1	1				
6	2	22512-070140	KEY, 7X 14	1	1	1	1				
8	1	22351-040010	PIN, SPRING 4.0X10	1	1	1	1				
9	1	171301-21650	V-PULLEY	1		1					
10	1	129550-21650	V-PULLEY		1		1				
11	1	129795-21661	WASHER	1	1	1	1				
12	1	121850-21680	BOLT	1	1	1	1				
13	1	121111-21501	BOLT, FLYWHEEL	6	6	6	6				
14	1	171420-21580	FLYWHEEL ASSY	1		1					1
17	2	119865-21600	GEAR, RING	1		1					1
18	1	129488-21590	FLYWHEEL ASSY	1		1					2
21	2	119865-21600	GEAR, RING	1		1					2
22	1	171420-21590	FLYWHEEL ASSY		1		1				
25	2	124550-21600	GEAR, RING		1		1				
26	1	119888-21450	RETAINER, BEARING	1		1					2
27	1	24104-062054	BEARING, BALL 6205UU	1		1					2
28	1	26106-080222	BOLT, M8X 22 PLATED	3		3					2
29	1	129001-22081	PISTON ASSY	4	4		4				
30	1	129001-22070	PISTON ASSY				4				
33	2	129001-22500	RING SET, PISTON	4	4	4	4				
37	1	129202-22300	PIN, PISTON D26 L70	4	4	4	4				
38	1	22252-000260	RING, 26	8	8	8	8				
39	1	729402-23100	ROD ASSY, CONNECTING	4	4	4	4				
43	2	129100-23910	BEARING, PISTON PIN	4	4	4	4				3
44	2	121550-23200	BOLT, CONNECTING ROD	8	8	8	8				
45	2	129150-23600	BEARING, CRANK PIN	4	4	4	4				
47	1	129001-22900	PISTON ASSY, 0.25 OS	4	4		4				4
48	1	129001-22930	PISTON ASSY, 0.25 OS				4				4
51	2	129001-22950	RING SET, 0.25 OS	4	4	4	4				4
55	1	129150-23610	BEARING, 0.25 US	4	4	4	4				5

Remarks

- (1) FOR(SA02)(SA03)(ESA02)(ESA03).
- (2) FOR(SA01)(SA04)(ESA01)(ESA04)(ESA05).
- (3) REPAIR PART.
- (4) OVER-SIZED(O.S=0.25)PART.
- (5) UNDER-SIZED(U.S=0.25)PART.

Fig.10. LUB.OIL SYSTEM



(A)=4TNE88-SA  
(B)=4TNE88-G1A01  
(C)=4TNE88-ESA

(D)=4TNE88-EG1A  
(E)=  
(F)=

No.	Lev.	Parts No.	Description	Q'ty						I	R
				(A)	(B)	(C)	(D)	(E)	(F)		
1	1	129407-32000	PUMP ASSY, OIL	1	1	1	1				
14	1	129150-32020	GASKET, PUMP	1	1	1	1				
15	1	26450-060252	BOLT, M6X 25	4	4	4	4				
16	1	171420-34800	DIPSTICK, OIL	1		1	1				
17	1	129136-34800	DIPSTICK, OIL		1		1				1
18	1	121520-34810	GUIDE, DIPSTICK	1	1	1	1				
19	1	129150-35041	GASKET	1	1	1	1				
19-1	1	129150-35042 (B=EXXXXX)	GASKET (D=EXXXXX)		1		1				N
20	1	129150-35091	PIPE ASSY, OIL INLET	1		1	1				
21	1	129436-35091	PIPE ASSY, OIL INLET		1		1				1
21-1	1	129436-35070 (B=EZZZZZ)	PIPE ASSY (D=EZZZZZ)		1		1				S
25	1	26106-080352	BOLT, M8X 35 PLATED	2	2	2	2				
25-1	1	26106-080552 (B=EZZZZZ)	BOLT, M8X 55 PLATED (D=EZZZZZ)		2		2				S
26	1	129150-35101	BRACKET, STRAINER	1	1	1	1				
27	1	129150-35111	GASKET	1	1	1	1				
28	1	129150-35151	FILTER, D80XL80	1	1	1	1				
29	1	129001-35300	BOLT, FILTER	1	1	1	1				
30	1	129150-35350	NUT	1	1	1	1				
31	1	24311-000160	O-RING, 1AP16.0	1	1	1	1				
32	1	26106-080202	BOLT, M8X 20 PLATED	3	3	3	3				
33	1	124160-39450	SWITCH, 0.5KG	1	1	1	1				
33-1	1	114250-39450 (A=E47725)	SWITCH, 0.5KG (B=E48324)	1	1	1	1				N
34	1	124160-39140	BOLT, PIPE JOINT M10	1	1	1	1				
35	1	129550-39450	PIPE ASSY, OIL	1	1	1	1				
39	1	124550-59830	BOLT ASSY, JOINT M8	1	1	1	1				
40	2	124550-59820	BOLT, PIPE JOINT M8	1	1	1	1				
41	2	22190-080002	WASHER, SEAL 6	1	1	1	1				
42	1	22190-100002	WASHER, SEAL 10	2	2	2	2				
43	1	171375-39601	DAMPER, 1/8	1	1	1	1				2
44	1	144626-91560	SENSOR	1	1	1	1				2
45	1	22190-080002	WASHER, SEAL 6	1	1	1	1				

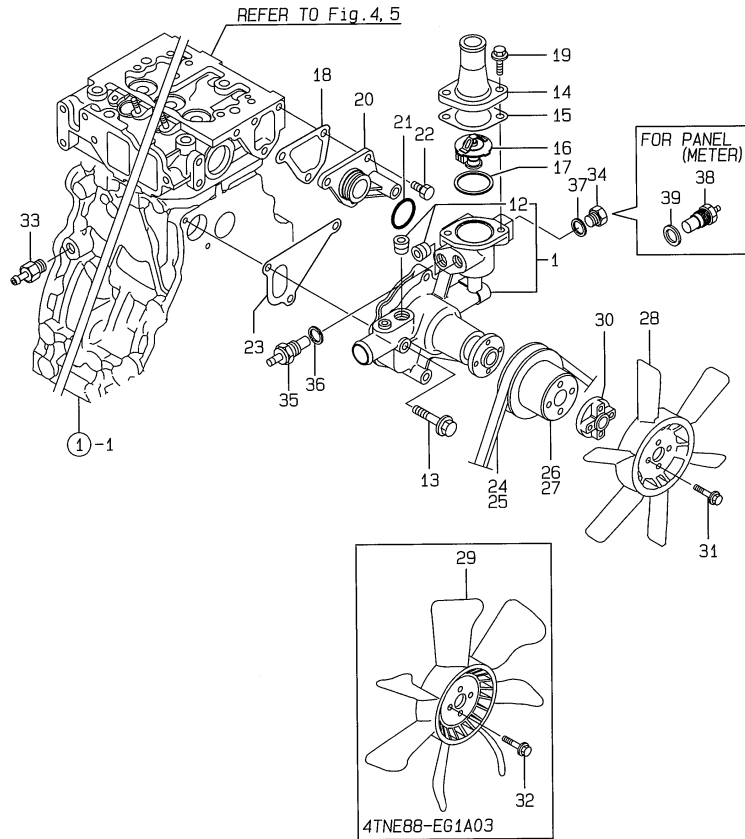
Remarks

- (1) FOR(EG1A01).
- (2) FOR PANEL(METER).

Fig.11. COOLING WATER SYSTEM

(A)=4TNE88-SA  
(B)=4TNE88-G1A01  
(C)=4TNE88-ESA

(D)=4TNE88-EG1A  
(E)=  
(F)=



No.	Lev.	Parts No.	Description	Q'ty						I	R
				(A)	(B)	(C)	(D)	(E)	(F)		
1	1	129001-42002	PUMP ASSY, WATER	1	1	1	1				
1-1	1	129001-42003	PUMP ASSY, WATER	1	1	1	1				N
		(A=E45065) (B=E45102) (C=E45857) (D=E44618)									
12	2	23871-030000	PLUG, R03	2	2	2	2				
12-1	2	23876-030000	PLUG, R03	2	2	2	2				N
		(A=E45065) (B=E45102) (C=E45857) (D=E44618)									
13	1	26106-080602	BOLT, M8X 60 PLATED	3	3	3	3				
14	1	129350-49560	COVER, THERMOSTAT	1	1	1	1				
15	1	129795-49551	GASKET	1	1	1	1				
16	1	129155-49800	THERMOSTAT, 71	1	1	1	1				
17	1	129150-49811	GASKET, THERMOSTAT	1	1	1	1				
18	1	129100-49840	GASKET	1	1	1	1				
18-1	1	124395-49840	GASKET	1	1	1	1				N
		(A=E51511) (B=E51776) (C=E51987) (D=E51102)									
19	1	26106-080202	BOLT, M8X 20 PLATED	2	2	2	2				
20	1	129001-42040	JOINT	1	1	1	1				
21	1	24321-000300	O-RING, 1AG30.0	1	1	1	1				
21-1	1	129486-42140	O-RING, G30	1	1	1	1				N
		(A=E43947) (B=E45102) (C=E44375) (D=E43758)									
22	1	26106-080162	BOLT, M8X 16 PLATED	3	3	3	3				
23	1	129100-42020	GASKET, WATER PUMP	1	1	1	1				
23-1	1	129486-42021	GASKET, WATER PUMP	1	1	1	1				N
		(A=E45065) (B=E45102) (C=E45857) (D=E44618)									
24	1	25132-003700	V-BELT, A37	1		1					1
25	1	25132-003800	V-BELT, A38	1	1	1	1				
26	1	129403-42380	V-PULLEY, D=110	1		1					
27	1	129155-42350	V-PULLEY		1		1				
28	1	129403-44740	FAN, COOLING 370	1	1	1	1				
29	1	121267-44741	FAN, COOLING D=360								2
30	1	121267-44760	SPACER	1	1	1	1				
31	1	26106-060302	BOLT, M6X 30 PLATED	4	4	4	4				
32	1	26014-060302	BOLT, M6X 30								2
33	1	121550-49111	JOINT, PT1/4	1	1	1	1				
34	1	121450-42450	PLUG, M16	1	1	1	1				
35	1	121250-44901	SWITCH, 110	1	1	1	1				
36	1	124465-44950	GASKET, 16	1	1	1	1				
37	1	124465-44950	GASKET, 16	1	1	1	1				
38	1	124250-49351	SENSOR	1	1	1	1				3
39	1	129150-49360	GASKET	1	1	1	1				3

Remarks

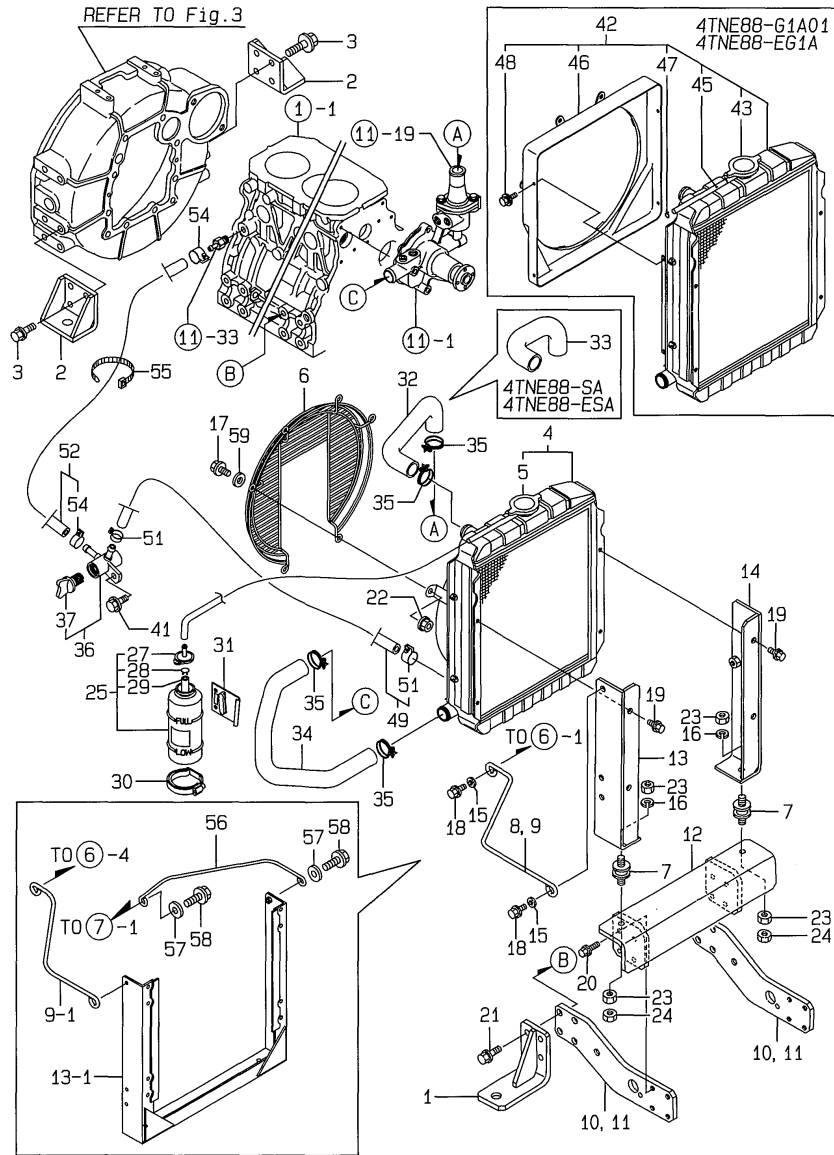
- (1) FOR(SA04)(ESA04).
- (2) FOR(EG1A03).
- (3) FOR PANEL(METER).

Fig.12. RADIATOR

(A)=4TNE88-SA  
(B)=4TNE88-G1A01  
(C)=4TNE88-ESA

(D)=4TNE88-EG1A  
(E)=  
(F)=

原形No. 000Y00R5200-1  
更新年月: 2002.09  
REVISED: Sep., 2002



No.	Lev.	Parts No.	Description	Q'ty						I	R
				(A)	(B)	(C)	(D)	(E)	(F)		
1	1	129188-08100	FOOT	2	2	2	2				
2	1	119888-08110	FOOT	2	2	2	2				
3	1	26106-100202	BOLT, M10X 20 PLATED	8	8	8	8				
4	1	129422-44500	RADIATOR	1		1					
5	2	123682-44210	CAP, RADIATOR	1		1					
6	1	129420-44560	PROTECTOR, FAN	1	1	1	1				
7	1	121400-44650	ABSORBER	2	2	2	2				
8	1	129488-44940	RETAINER, RADIATOR	1		1					
9	1	129608-44940	RETAINER, RADIATOR		1		1				
9-1	1	129619-44941	RETAINER, RADIATOR (B=E62051) (D=E62117)		1		1				N
10	1	129608-44950-1	BRACKET	2		2					
11	1	129188-44950	BRACKET		2		2				
12	1	129488-44960	BRACKET, RADIATOR	1	1	1	1				
13	1	129488-44971-2	SUPPORT, A	1	1	1	1				
13-1	1	129619-44971	SUPPORT, RADIATOR (A=E62378) (B=E62051) (C=E62681) (D=E62117)	1	1	1	1				N
13-2	1	129619-44972	SUPPORT, RADIATOR (A=E70916) (B=E71960) (C=E72008) (D=E71528)	1	1	1	1				N
14	1	129488-44981-2	SUPPORT, B (A=E62378) (B=E62051) (C=E62681) (D=E62117)	1	1	1	1				Z
15	1	22137-080000	WASHER, 8	2	2	2	2				
16	1	22217-100000	WASHER, SPRING 10	2	2	2	2				
17	1	26106-080122	BOLT, M8X 12 PLATED	6	6	6	6				
17-1	1	26106-080142	BOLT, M8X 14 PLATED (A=E62378) (B=E62051) (C=E62681) (D=E62117)	6	6	6	6				N
18	1	26106-080162	BOLT, M8X 16 PLATED	2	2	2	2				
19	1	26106-080202	BOLT, M8X 20 PLATED	4	4	4	4				
20	1	26106-080252	BOLT, M8X 25 PLATED	8	8	8	8				
21	1	26106-100302	BOLT, M10X 30 PLATED	8	8	8	8				
22	1	26366-080002	NUT, M8	6	6	6	6				
23	1	26716-100002	NUT, M10	4	4	4	4				
24	1	26756-100002	NUT, LOCK M10	2	2	2	2				
25	1	124450-44510	TANK ASSY, SUB	1	1	1	1				
27	2	124450-44530	CAP	1	1	1	1				
28	2	124450-44560	RETAINER	1	1	1	1				
29	2	23061-070230	PIPE, 7X 230	1	1	1	1				
30	1	124450-44550	BAND	1	1	1	1				
31	1	121256-44600	BRACKET, SUB TANK	1	1	1	1				
32	1	171420-49010	PIPE, WATER		1		1				
33	1	171440-49010	PIPE, WATER	1		1					
34	1	171420-49020	PIPE, WATER	1	1	1	1				
35	1	23010-038000	CLAMP, 38	4	4	4	4				
36	1	129150-49100	COCK ASSY, 3-WAY	1	1	1	1				
37	2	129150-49080	COCK, DRAIN	1	1	1	1				
41	1	26106-080162	BOLT, M8X 16 PLATED	1	1	1	1				
42	1	129420-44500	RADIATOR		1		1				
43	2	119259-44570	CAP, RADIATOR	1		1					
45	2	129132-44530	HOSE, RUBBER		1		1				
46	2	129420-44550	SHROUD ASSY		1		1				
47	2	121250-44590	CLAMP		2		2				

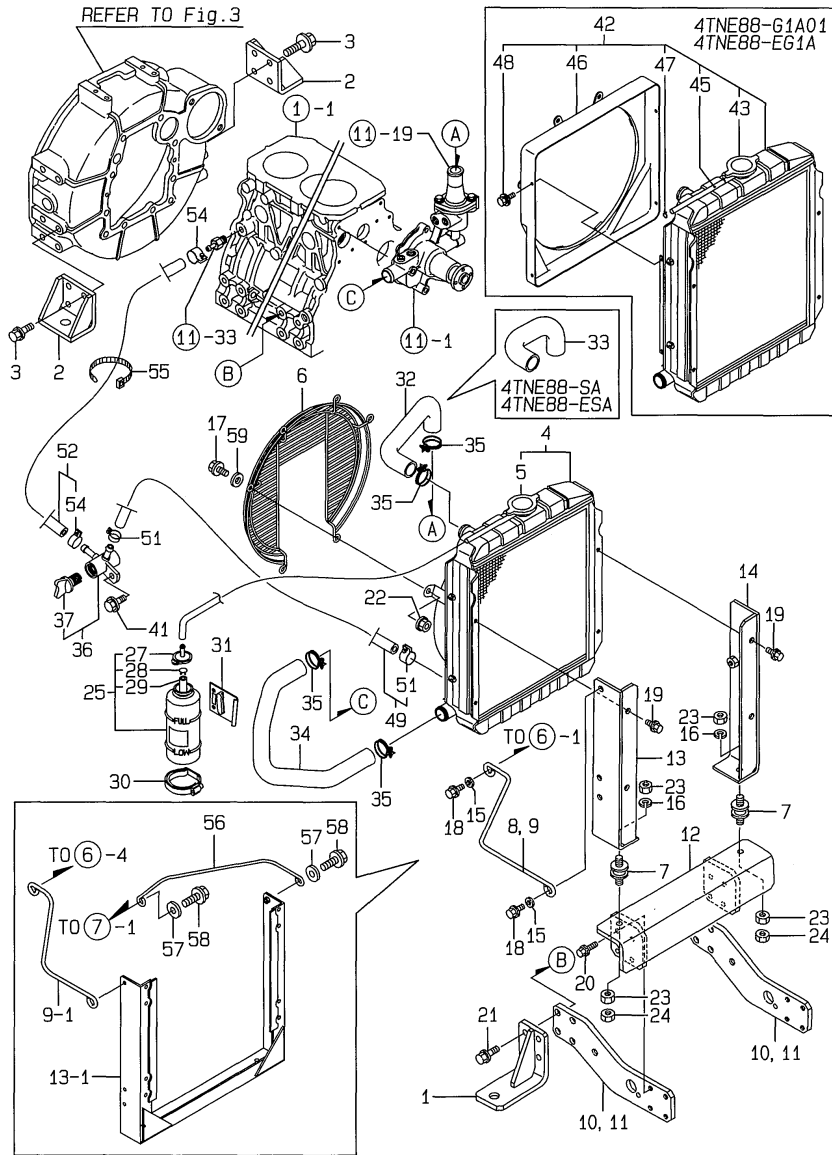


Fig.12. RADIATOR

(A)=4TNE88-SA  
(B)=4TNE88-G1A01  
(C)=4TNE88-ESA

(D)=4TNE88-EG1A  
(E)=  
(F)=

原形No. 000Y00R5200-1  
更新年月: 2002.09  
REVISED: Sep., 2002

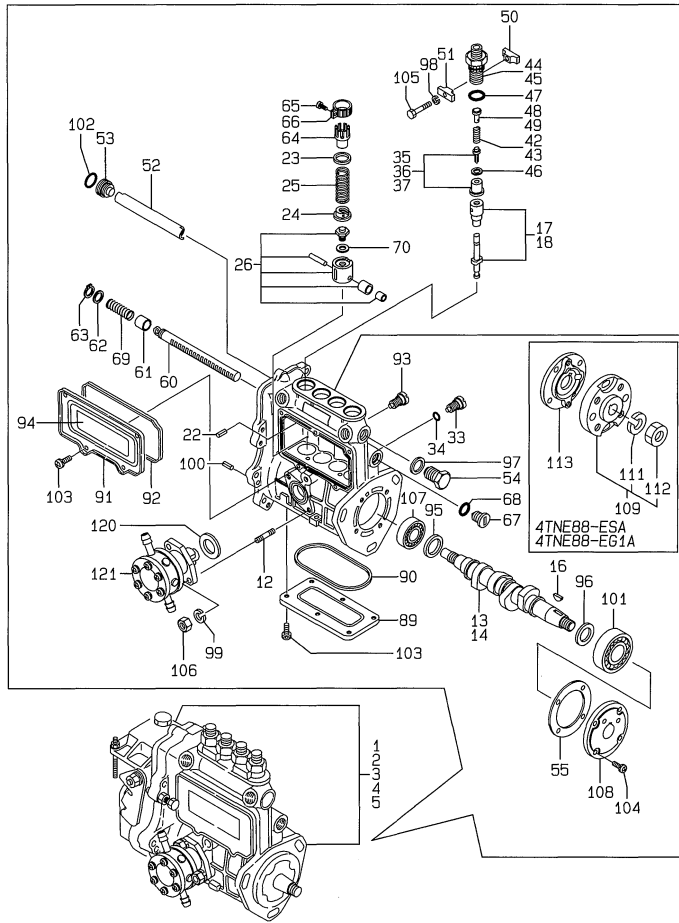


No.	Lev.	Parts No.	Description	Q'ty						I	R
				(A)	(B)	(C)	(D)	(E)	(F)		
48	2	26014-060122	BOLT, M6X 12		4		4				
49	1	119623-49100	PIPE, WATER	1	1	1	1				
51	2	124766-59050	CLIP, HOSE 12	2	2	2	2				
52	1	129609-49100	PIPE ASSY, WATER	1	1	1	1				
54	2	124766-59050	CLIP, HOSE 12	2	2	2	2				
55	1	121750-59890	BAND, 140	1	1	1	1				
56	1	129619-44951	RETAINER, RADIATOR	1	1	1	1				W
		(A=E62378) (B=E62051) (C=E62681) (D=E62117)									
57	1	22157-060000	WASHER, 6	2	2	2	2				W
		(A=E62378) (B=E62051) (C=E62681) (D=E62117)									
58	1	26106-060142	BOLT, M6X 14 PLATED	2	2	2	2				W
		(A=E62378) (B=E62051) (C=E62681) (D=E62117)									
59	1	22137-080000	WASHER, 8	6	6	6	6				W
		(A=E62378) (B=E62051) (C=E62681) (D=E62117)									

Fig.13. FUEL INJECTION PUMP

(A)=4TNE88-SA  
(B)=4TNE88-G1A01  
(C)=4TNE88-ESA

(D)=4TNE88-EG1A  
(E)=  
(F)=



No.	Lev.	Parts No.	Description	Q'ty						I	R
				(A)	(B)	(C)	(D)	(E)	(F)		
1	1	729609-51350	PUMP ASSY, INJECTION	1							1
2	1	729619-51310	PUMP ASSY, INJECTION		1						1
3	1	729609-51450	PUMP ASSY, INJECTION			1					1
4	1	729609-51459	PUMP ASSY, INJECTION				1				2
5	1	729609-51490	PUMP ASSY, INJECTION					1			1
12	2	129155-51020	STUD	2	2	2	2				
13	2	129470-51040	CAMSHAFT	1	1		1				
14	2	129506-51040	CAMSHAFT				1				
16	2	122710-51090	KEY	1	1	1	1				
17	2	129470-51101	PLUNGER ASSY	4		4					
18	2	129506-51100	PLUNGER ASSY		4		4				
22	2	129155-51140	PIN	4	4	4	4				
23	2	174307-51170	RETAINER, SPRING A	4	4	4	4				
24	2	129155-51180	RETAINER, SPRING	4	4	4	4				
25	2	124950-51190	SPRING, PLUNGER	4	4	4	4				
26	2	129155-51200	TAPPET ASSY	4	4	4	4				
33	2	129155-51270	STOPPER, TAPPET	4	4	4	4				
34	2	129155-51280	O-RING, S6	4	4	4	4				
35	2	129505-51300	VALVE ASSY, DELIVERY	4							
36	2	129100-51300	VALVE ASSY, DELIVERY		4		4				
37	2	129209-51300	VALVE ASSY, DELIVERY			4					
42	2	129155-51320	SPRING, DELIVERY	4	4		4				
43	2	129573-51330	SPRING, DELIVERY				4				
44	2	129155-51340	RETAINER	4	4		4				
45	2	129573-51340	RETAINER				4				
46	2	124550-51350	GASKET, DELIVERY	4	4	4	4				
47	2	124550-51370	O-RING	4	4	4	4				
48	2	129155-51370	STOPPER, VALVE	4	4		4				
49	2	129573-51370	STOPPER, VALVE				4				
50	2	129155-51380	STOPPER	2	2	2	2				
51	2	129155-51390	STOPPER	2	2	2	2				
52	2	129555-51400	DEFLECTOR	1	1	1	1				
53	2	129155-51410	BOLT	1	1	1	1				
54	2	129155-51420	PLUG, M16	1	1	1	1				
55	2	129155-51450	SHIM SET, ADJUSTING	1	1	1	1				
60	2	129555-51500	RACK, CONTROL	1	1	1	1				
61	2	129155-51521	BUSH, RACK	1	1	1	1				
62	2	129155-51530	SPACER	1	1	1	1				
63	2	129155-51540	CIRCLIP	1	1	1	1				
64	2	129155-51550	PINION, CONTROL	4	4	4	4				
65	2	122117-51560	SCREW	4	4	4	4				
66	2	174307-51560	PINION	4	4	4	4				
67	2	129155-51570	PLUG, M12	1	1	1	1				
68	2	129155-51580	O-RING	1	1	1	1				
69	2	129155-51591	SPRING, RACK	1	1	1	1				
70	2	129155-51600	SHIM SET, ADJUSTING	4	4	4	4				
89	2	129555-51700	COVER	1	1	1	1				
89-1	2	129555-51701	COVER	1	1	1	1				N
		(A=E49621)	(B=E51176)	(C=E49343)	(D=E48845)						
90	2	129555-51710	GASKET	1	1	1	1				
90-1	2	129555-51711	GASKET	1	1	1	1				N

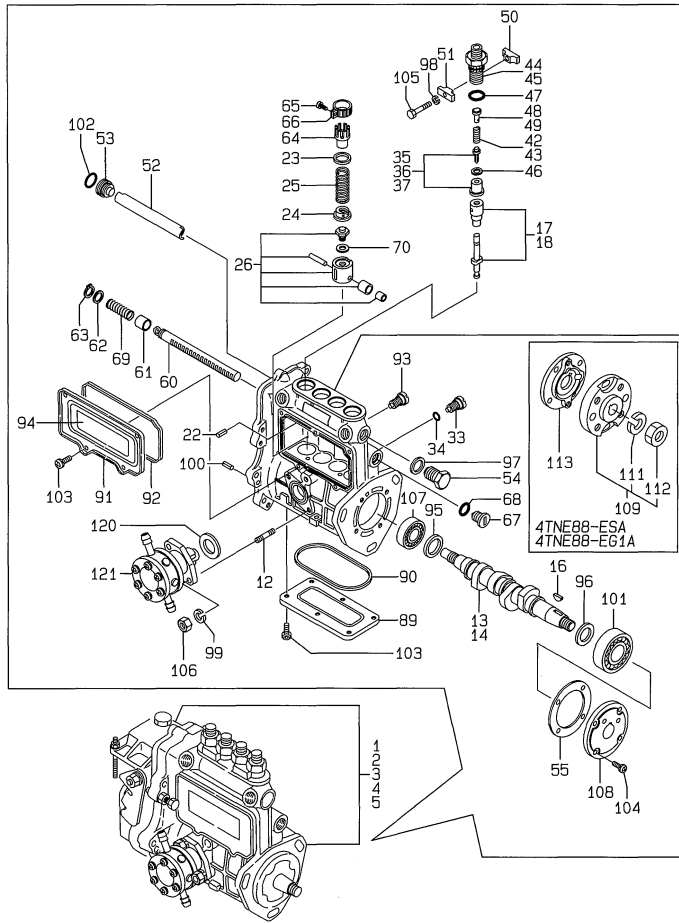
Remarks

- (1) GOVERNOR ASSY(FIG.NO.14) IS INCORPORATED IN THIS FUEL INJECTION PUMP ASSY(REF.NO.1,2,3,5).
- (2) GOVERNOR ASSY(FIG.NO.14) IS INCORPORATED IN THIS FUEL INJECTION PUMP ASSY(REF.NO.4). FOR(ESA02).

Fig.13. FUEL INJECTION PUMP

(A)=4TNE88-SA  
(B)=4TNE88-G1A01  
(C)=4TNE88-ESA

(D)=4TNE88-EG1A  
(E)=  
(F)=



No.	Lev.	Parts No.	Description	Q'ty						I	R
				(A)	(B)	(C)	(D)	(E)	(F)		
		(A=E55515) (B=E55792) (C=E56399) (D=E56489)									
91	2	129555-51750	COVER	1	1	1	1				
91-1	2	129555-51751	COVER	1	1	1	1				N
		(A=E49621) (B=E51176) (C=E49343) (D=E48845)									
92	2	129555-51760	GASKET	1	1	1	1				
93	2	129155-51790	STOOPER, RACK	1	1	1	1				
94	2	129156-51910	LABEL, CAUTION	1	1	1	1				
95	2	129155-51930	SPACER, T=3.25	1	1	1	1				
96	2	129155-51940	SPACER, T=1.5	1	1	1	1				
97	2	22190-160002	WASHER, SEAL 16	1	1	1	1				
98	2	22217-050000	WASHER, SPRING 5	2	2	2	2				
99	2	22217-060000	WASHER, SPRING 6	2	2	2	2				
100	2	22351-050010	PIN, SPRING 5.0X10	2	2	2	2				
101	2	24101-063034	BEARING, BALL 6303	1	1	1	1				
102	2	24341-000160	O-RING, 1AS16.0	1	1	1	1				
103	2	26022-050102	SCREW, M5X10	11	11	11	11				
103-1	2	26022-050122	SCREW, M5X12	11	11	11	11				N
		(A=E49621) (B=E51176) (C=E49343) (D=E48845)									
104	2	26022-060162	SCREW, M6X16	4	4	4	4				
105	2	26116-050302	BOLT, M5X 30 PLATED	2	2	2	2				
106	2	26716-060002	NUT, M6	2	2	2	2				
107	2	129155-51050	BEARING, 17BM001D	1	1	1	1				
108	2	129155-51060	SUPPORT, CAMSHAFT	1	1						
109	2	129208-54500	FLANGE ASSY					1	1		
111	3	22217-120000	WASHER, SPRING 12					1	1		
112	3	26716-120002	NUT, M12					1	1		
113	2	129208-51060	SUPPORT					1	1		
120	2	129155-52050	GASKET	1	1	1	1				
121	2	129100-52100	PUMP ASSY, FUEL FEED	1	1	1	1				

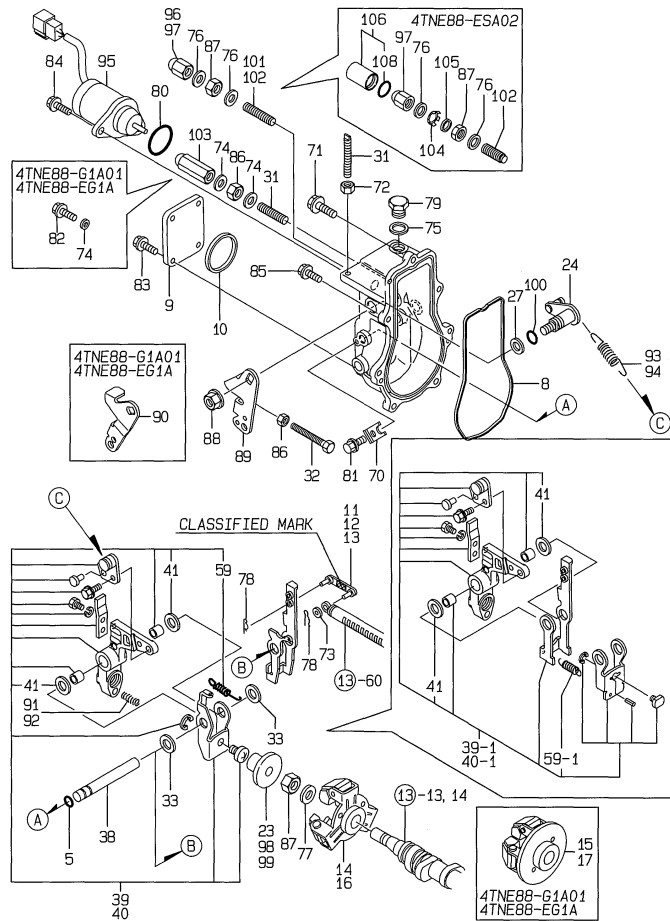
Remarks

- (1) GOVERNOR ASSY(FIG.NO.14) IS INCORPORATED IN THIS FUEL INJECTION PUMP ASSY(REF.NO.1,2,3,5).
- (2) GOVERNOR ASSY(FIG.NO.14) IS INCORPORATED IN THIS FUEL INJECTION PUMP ASSY(REF.NO.4). FOR(ESA02).

Fig.14. GOVERNOR

(A)=4TNE88-SA  
(B)=4TNE88-G1A01  
(C)=4TNE88-ESA

(D)=4TNE88-EG1A  
(E)=  
(F)=



No.	Lev.	Parts No.	Description	Q'ty						I	R
				(A)	(B)	(C)	(D)	(E)	(F)		
5	2	129155-51280	O-RING, S6	1	1	1	1				
8	2	129052-61050	GASKET	1	1	1	1				
9	2	129052-61060	COVER, GOVERNOR CASE	1	1	1	1				
10	2	129052-61070	GASKET	1	1	1	1				
11	2	129155-61120	LINK, L=30 MARK 0	1	1	1	1				1
12	2	129155-61130	LINK, L=31 MARK 1	1	1	1	1				1
13	2	129155-61140	LINK, L=30.5 MARK 05	1	1	1	1				1
14	2	129155-61202	WEIGHT ASSY,GOVERNOR	1							
15	2	171488-61200	WEIGHT ASSY,GOVERNOR		1						
16	2	129486-61201	WEIGHT ASSY,GOVERNOR			1					
17	2	129618-61200	WEIGHT ASSY,GOVERNOR					1			
23	2	129155-61341	SLEEVE	1	1	1	1				2
24	2	129100-61400	SHAFT ASSY	1	1	1	1				
27	2	129155-61430	SPACER	1	1	1	1				
31	2	129155-61450	BOLT, LIMITER	2	1	2	1				
32	2	129155-61460	BOLT, IDLE	1	1	1	1				
33	2	129155-61480	SPACER ASSY	2	2	2	2				
38	2	129052-61390	SHAFT	1	1	1	1				
39	2	129052-61500	LEVER ASSY, GOVERNOR	1		1					
39-1	2	119908-61501 (A=E55452)	LEVER ASSY, GOVERNOR (C=E55358)	1		1					S
40	2	129412-61500	LEVER ASSY, GOVERNOR		1		1				
40-1	2	129486-61501 (B=E54763)	LEVER ASSY, GOVERNOR (D=E54764)		1		1				S
41	3	174307-51700	SHIM SET	2	2	2	2				
59	3	129052-61540	SPRING, SET	1	1	1	1				
59-1	3	129486-61540	SPRING, SET	1	1	1	1				S
70	2	119660-61901 (A=E51511)	RETAINER, SHAFT (B=E51776)	1	1	1	1				
71	2	129155-61950	BOLT	1	1	1	1				
72	2	124550-66370	NUT, M6	1	1	1	1				
73	2	22117-040000	WASHER, 4	1	1	1	1				
74	2	22190-060003	SEAL WASER 6	2	1	2	1				
75	2	22190-100002	WASHER, SEAL 10	1	1	1	1				
76	2	22190-120002	WASHER, SEAL 12	2	2	2	2				
77	2	22287-120000	WASHER, 12	1	1	1	1				
78	2	22372-040000	PIN, SNAP 4	2	2	2	2				
79	2	23887-100002	PLUG, 10	1	1	1	1				
80	2	24341-000280	O-RING, 1AS28.0	1	1	1	1				
80-1	2	158552-61900 (A=EXXXXX)	O-RING (B=EXXXXX)	1	1	1	1				N
81	2	26106-060102	BOLT, M6X 10 PLATED	1	1	1	1				
82	2	26106-060102	BOLT, M6X 10 PLATED		1		1				
83	2	26106-060102	BOLT, M6X 10 PLATED	4	4	4	4				
84	2	26106-060142	BOLT, M6X 14 PLATED	2	2	2	2				
85	2	26106-060202	BOLT, M6X 20 PLATED	6	6	6	6				
86	2	26756-060002	NUT, LOCK M6	2	1	2	1				
87	2	26776-120002	NUT, LOCK M12	2	2	2	2				
88	2	26366-080002	NUT, M8	1	1	1	1				
89	2	129100-61440	LEVER, CONTROL	1		1					
90	2	171488-61440	LEVER, CONTROL		1		1				

Remarks

(1) SELECTIVE PARTS: CERTAIN THE CLASSIFICATION MARK, THEN PLACE YOUR ORDER.(REFER TO ILLUSTRATION ).

(2) SELECTIVE PARTS.

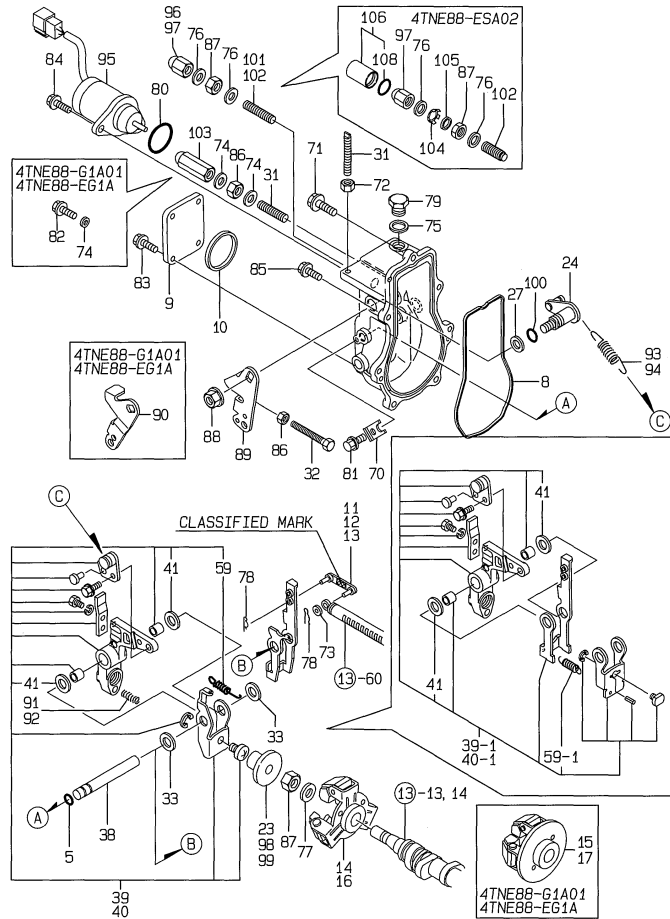
(3) FOR(ESA02).

\* THIS FIGURE(GOVERNOR ASSY)IS INCORPORATED IN THE FUEL INJECTION PUMP ASSY(FIG.13).

Fig.14. GOVERNOR

(A)=4TNE88-SA  
(B)=4TNE88-G1A01  
(C)=4TNE88-ESA

(D)=4TNE88-EG1A  
(E)=  
(F)=



No.	Lev.	Parts No.	Description	Q'ty						I	R
				(A)	(B)	(C)	(D)	(E)	(F)		
91	2	129100-61650	SPRING, CONTROLLER	1		1					
92	2	129500-61650	SPRING, FUEL CONTROL		1		1				
93	2	171353-61700	SPRING, GOVERNOR	1		1					
94	2	129477-61720	SPRING, GOVERNOR		1		1				
95	2	119653-77950	SOLENOID, STOP	1	1	1	1				
96	2	26687-120002	NUT, CAP M12			1					
97	2	129100-61930	NUT, CAP	1		1	1				
98	2	129155-61350	SLEEVE, L=24.9	1	1	1	1				2
99	2	129155-61360	SLEEVE, L=25.2	1	1	1	1				2
100	2	129155-61830	O-RING, S10	1	1	1	1				
101	2	129155-61470	BOLT, CONTROL	1	1						
102	2	120323-61470	BOLT, CONTROL						1		
103	2	119600-66840	NUT, CAP	1		1					
104	2	129209-61970	PLATE			1					3
105	2	23414-120016	GASKET, 12X1.0			1					3
106	1	129209-61940	CASE ASSY			1					3
108	2	24311-000150	O-RING, 1AP15.0			1					3

Remarks

(1) SELECTIVE PARTS: CERTAIN THE CLASSIFICATION MARK, THEN PLACE YOUR ORDER.(REFER TO ILLUSTRATION )

(2) SELECTIVE PARTS.

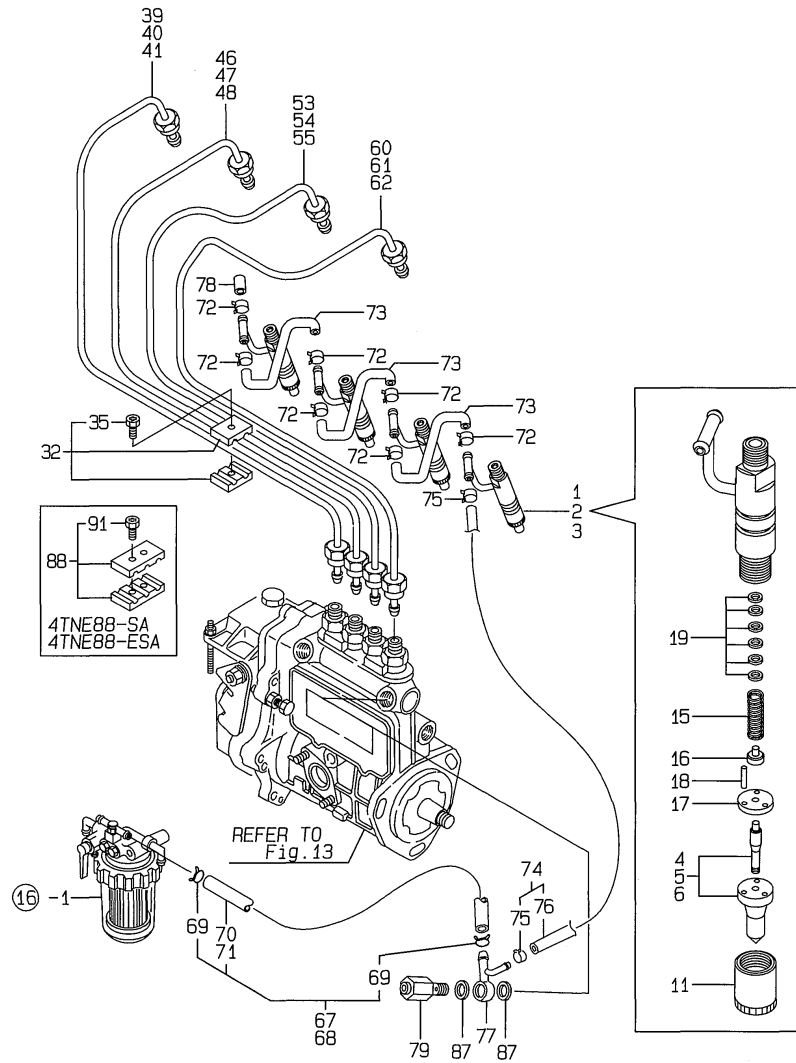
(3) FOR(ESA02).

\* THIS FIGURE(GOVERNOR ASSY)IS INCORPORATED IN THE FUEL INJECTION PUMP ASSY(FIG.13).

Fig.15. FUEL INJECTION VALVE

(A)=4TNE88-SA  
(B)=4TNE88-G1A01  
(C)=4TNE88-ESA

(D)=4TNE88-EG1A  
(E)=  
(F)=

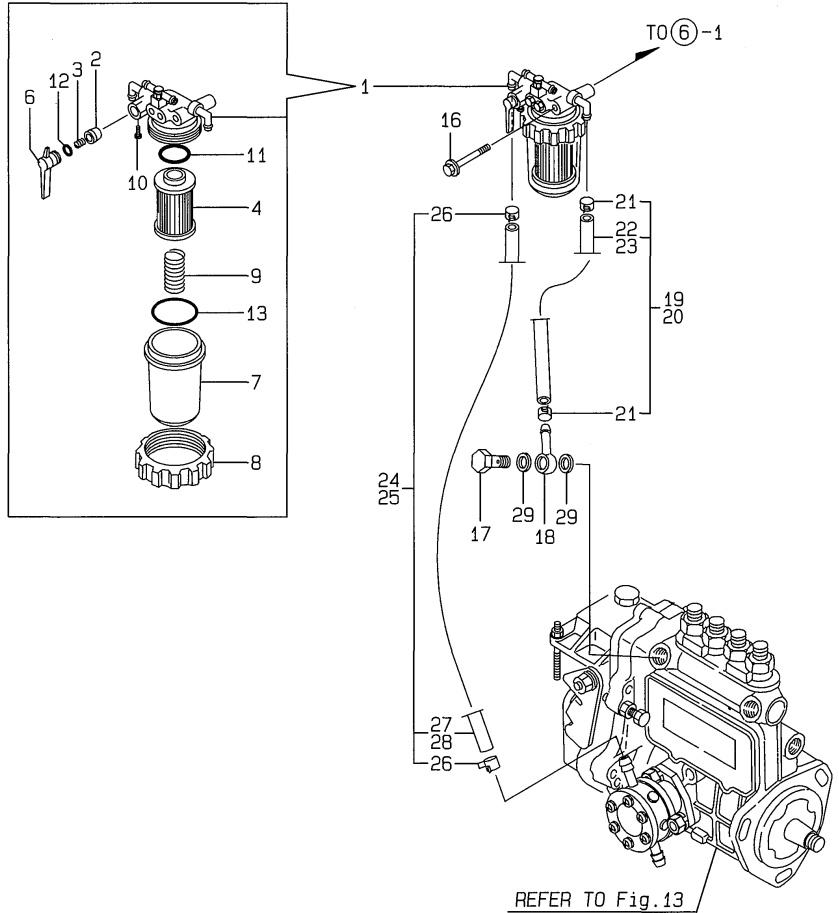


No.	Lev.	Parts No.	Description	Q'ty						I	R
				(A)	(B)	(C)	(D)	(E)	(F)		
1	1	729503-53100	VALVE ASSY,INJECTION	4							
2	1	719810-53100	VALVE ASSY,INJECTION		4		4				
3	1	729609-53100	VALVE ASSY,INJECTION			4					
4	2	129503-53000	VALVE ASSY,INJECTION	4							
5	2	119810-53000	VALVE ASSY,INJECTION		4		4				
6	2	129609-53000	VALVE ASSY,INJECTION			4					
11	2	114250-53080	NUT, NOZZLE D16.95	4	4	4	4				
15	2	114250-53120	SPRING, NOZZLE	4	4	4	4				
16	2	114250-53130	SEAT, SPRING	4	4	4	4				
17	2	114250-53140	PLATE	4	4	4	4				
18	2	114250-53210	PIN	8	8	8	8				
19	2	114250-53400	SHIM SET	4	4	4	4				
32	1	119305-59120	RETAINER, PIPE		2		2				
35	2	129150-59131	BOLT, M4X14		2		2				
39	1	129400-59910	PIPE ASSY, INJECTION	1		1					
40	1	129611-59911	PIPE ASSY, INJECTION		1						
41	1	129423-59810	PIPE ASSY, INJECTION				1				
46	1	129400-59920	PIPE ASSY, INJECTION	1		1					
47	1	129611-59921	PIPE ASSY, INJECTION		1						
48	1	129423-59820	PIPE ASSY, INJECTION				1				
53	1	129400-59930	PIPE ASSY, INJECTION	1		1					
54	1	129611-59930	PIPE ASSY, INJECTION		1						
55	1	129423-59830	PIPE ASSY, INJECTION				1				
60	1	129400-59940	PIPE ASSY, INJECTION	1		1					
61	1	129611-59940	PIPE ASSY, INJECTION		1						
62	1	129423-59840	PIPE ASSY, INJECTION				1				
67	1	129210-59170	PIPE ASSY, FUEL	1		1					
68	1	129210-59150	PIPE ASSY, FUEL		1		1				
69	2	124766-59050	CLIP, HOSE 12	2	2	2	2				
70	2	105225-59511	PIPE, FUEL	1		1					
71	2	105025-59530	PIPE, FUEL D13X400		1		1				
72	1	124066-59100	CLIP, HOSE 8	7	7	7	7				
73	1	121250-59550	PIPE, FUEL D8X120	3	3	3	3				
74	1	119840-59500	PIPE ASSY, RETURN	1	1	1	1				
75	2	124066-59100	CLIP, HOSE 8	2	2	2	2				
76	2	119840-59560	PIPE, FUEL RETURN	1	1	1	1				
77	1	119840-59570	JOINT	1	1	1	1				
78	1	129150-59580	CAP	1	1	1	1				
79	1	129100-59951	VALVE ASSY, CHECK	1	1	1	1				
87	1	22190-120002	WASHER, SEAL 12	2	2	2	2				
88	1	129150-59120	RETAINER, PIPE	2		2					
91	2	129150-59131	BOLT, M4X14	4		4					

Fig.16. FUEL FILTER

(A)=4TNE88-SA  
(B)=4TNE88-G1A01  
(C)=4TNE88-ESA

(D)=4TNE88-EG1A  
(E)=  
(F)=

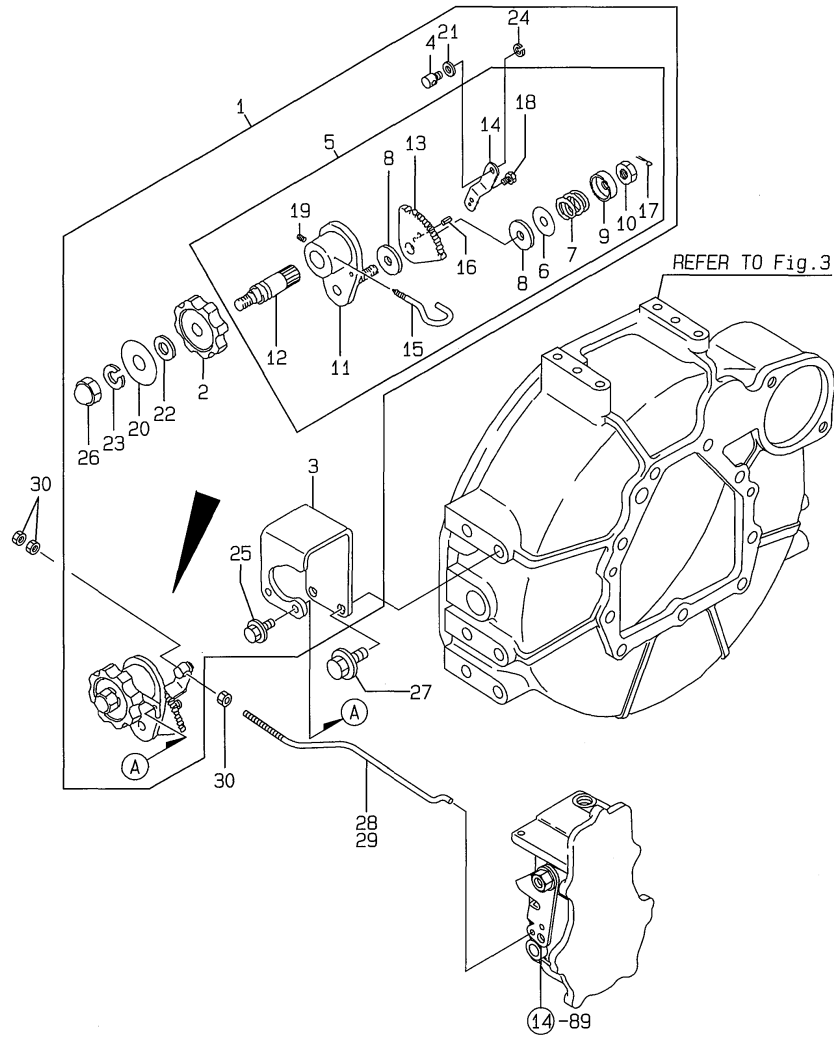


No.	Lev.	Parts No.	Description	Q'ty						I	R
				(A)	(B)	(C)	(D)	(E)	(F)		
1	1	129052-55620	FILTER ASSY, FUEL	1	1	1	1				
2	2	104200-55321	VALVE, TAPER	1	1	1	1				
3	2	104200-55330	SPRING, VALVE	1	1	1	1				
4	2	129100-55650	ELEMENT	1	1	1	1				
6	2	129100-55670	LEVER	1	1	1	1				
7	2	129100-55680	CUP, STRAINER	1	1	1	1				
8	2	129100-55690	RING, RETAINING	1	1	1	1				
9	2	129100-55700	SPRING	1	1	1	1				
10	2	104200-55750	SCREW, M4	1	1	1	1				
11	2	24311-000160	O-RING, 1AP16.0	1	1	1	1				
12	2	24311-240100	O-RING, 1AP10A	1	1	1	1				
13	2	24321-000650	O-RING, 1AG65.0	1	1	1	1				
16	1	26014-080702	BOLT, M8X 70	1	1	1	1				
17	1	103854-39140	BOLT, PIPE JOINT	1	1	1	1				
18	1	101304-59020	JOINT, PIPE 12	1	1	1	1				
19	1	129210-59050	PIPE ASSY, FUEL	1		1					
20	1	129210-59040	PIPE ASSY, FUEL		1		1				
21	2	124766-59050	CLIP, HOSE 12	2	2	2	2				
22	2	105312-59510	PIPE, FUEL	1		1					
23	2	129555-59510	PIPE, D13/7.5X180		1		1				
24	1	129210-59170	PIPE ASSY, FUEL	1		1					
25	1	129210-59150	PIPE ASSY, FUEL		1		1				
26	2	124766-59050	CLIP, HOSE 12	2	2	2	2				
27	2	105225-59511	PIPE, FUEL	1		1					
28	2	105025-59530	PIPE, FUEL D13X400		1		1				
29	1	22190-120002	WASHER, SEAL 12	2	2	2	2				

Fig.17. ENGINE CONTROL DEVICE

(A)=4TNE88-SA  
(B)=4TNE88-G1A01  
(C)=4TNE88-ESA

(D)=4TNE88-EG1A  
(E)=  
(F)=



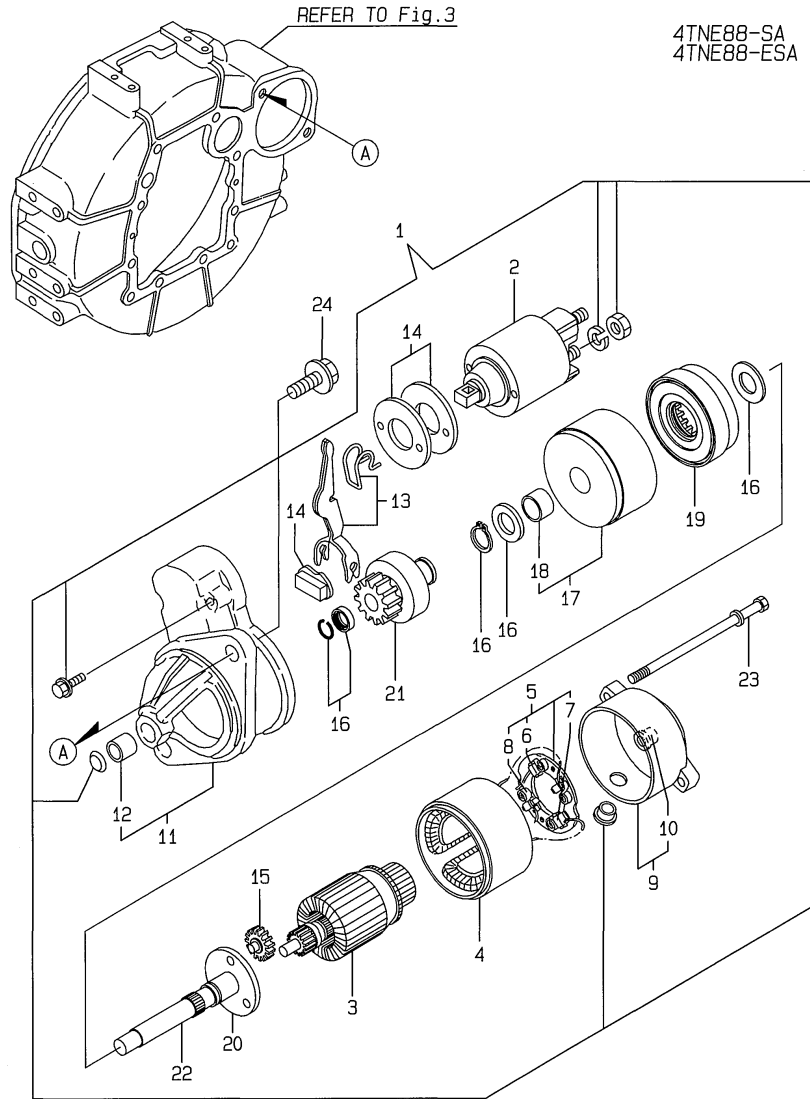
No.	Lev.	Parts No.	Description	Q'ty						I	R
				(A)	(B)	(C)	(D)	(E)	(F)		
1	1	119888-66160	CONTROLLER ASSY	1	1	1	1				
2	2	126650-66020	HANDLE, REGULATOR	1	1	1	1				
3	2	119888-66110	BRACKET	1	1	1	1				
4	2	119888-66130	PIVOT	1	1	1	1				
5	2	171048-67010	CONTROLLER ASSY	1	1	1	1				
6	3	171102-66080	WASHER	1	1	1	1				
7	3	104200-66820	SPRING	1	1	1	1				
8	3	104200-66830	PLATE, FRICTION	2	2	2	2				
9	3	104200-66850	WASHER	1	1	1	1				
10	3	104200-66860	NUT	1	1	1	1				
11	3	171085-67100	BRACKET	1	1	1	1				
12	3	171085-67110	SHAFT, DRIVE	1	1	1	1				
13	3	171085-67120	GEAR	1	1	1	1				
14	3	171048-67130	LEVER	1	1	1	1				
15	3	171048-67140	STOPPER	1	1	1	1				
16	3	22351-020006	PIN, SPRING 2.0X 6	1	1	1	1				
17	3	22411-200150	COTTER PIN	1	1	1	1				
18	3	26116-060082	BOLT, M6X 8 PLATED	1	1	1	1				
19	3	26921-050122	SCREW, M5X12	1	1	1	1				
20	2	170064-67210	LABEL, HANDLE	1	1	1	1				
21	2	22117-060000	WASHER, 6	1	1	1	1				
22	2	22137-100000	WASHER, 10	1	1	1	1				
23	2	22217-100000	WASHER, SPRING 10	1	1	1	1				
24	2	22272-000050	RING, E- 5	1	1	1	1				
25	2	26106-060102	BOLT, M6X 10 PLATED	2	2	2	2				
26	2	26657-100002	NUT, CAP M10	1	1	1	1				
27	1	26106-080162	BOLT, M8X 16 PLATED	2	2	2	2				
28	1	129488-66120	LINK, ENGINE CONTROL	1		1					
29	1	129488-66150	LINK, ENGINE CONTROL		1		1				
30	1	26756-050002	NUT, LOCK M5	3	3	3	3				



Fig.18. STARTING MOTOR

(A)=4TNE88-SA  
(B)=4TNE88-G1A01  
(C)=4TNE88-ESA

(D)=4TNE88-EG1A  
(E)=  
(F)=



4TNE88-SA  
4TNE88-ESA

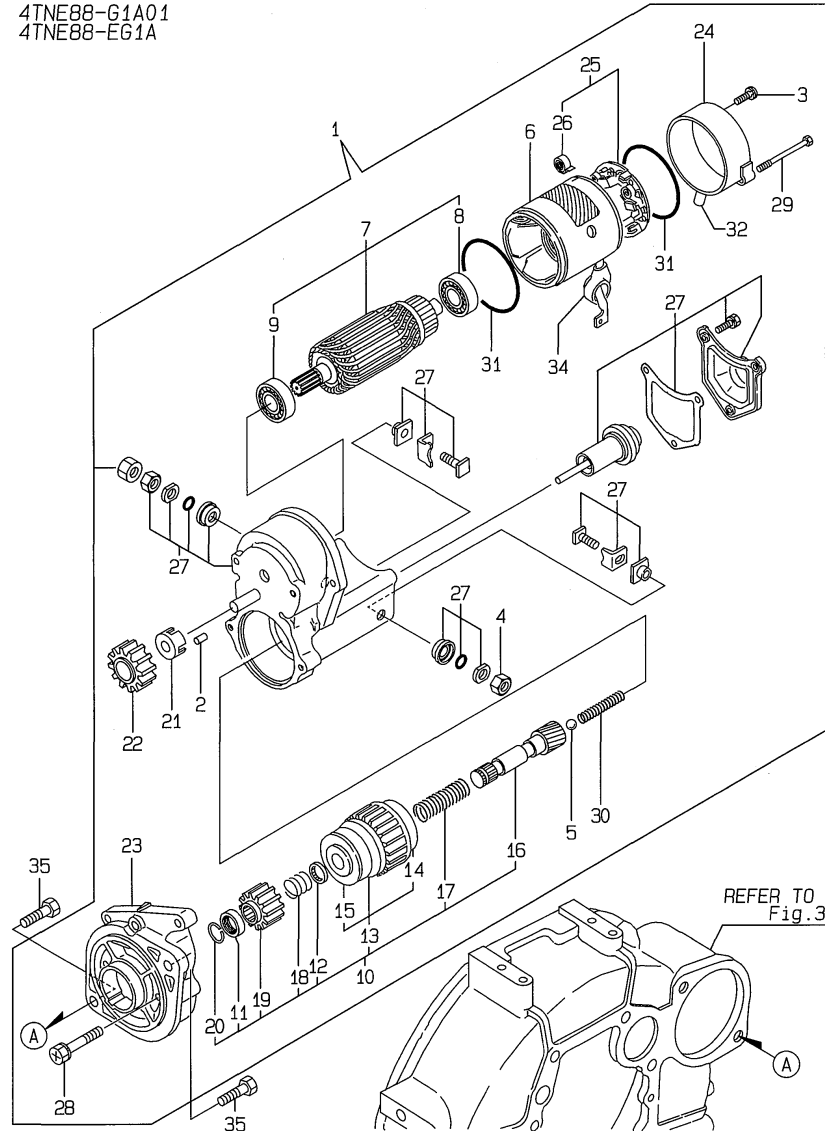
No.	Lev.	Parts No.	Description	Q'ty						I	R
				(A)	(B)	(C)	(D)	(E)	(F)		
1	1	129608-77010	STARTER, S114-817A	1	1						
2	2	129698-77020	SWITCH ASSY	1	1						
3	2	129698-77100	ARMATURE ASSY	1	1						
4	2	129608-77110	YOKE ASSY	1	1						
5	2	129698-77120	HOLDER ASSY, BRUSH	1	1						
6	3	129698-77140	BRUSH SET	1	1						
7	3	129698-77130	BRUSH	2	2						
8	3	129698-77150	SPRING, BRUSH	4	4						
9	2	129698-77160	COVER ASSY	1	1						
10	3	129698-77170	BEARING	1	1						
11	2	129698-77260	CASE ASSY	1	1						
12	3	X2114535200	METAL, STARTER	1	1						
13	2	129698-77270	LEVER SET, SHIFT	1	1						
14	2	129698-77280	COVER KIT	1	1						
15	2	129698-77240	GEAR	3	3						
16	2	129698-77250	WASHER SET	1	1						
17	2	129698-77180	BRACKET	1	1						
18	3	129698-77190	BRACKET	1	1						
19	2	129698-77200	GEAR, INTERNAL	1	1						
20	2	129698-77210	BRACKET	1	1						
21	2	129698-77220	PINION ASSY	1	1						
22	2	129698-77230	SHAFT	1	1						
23	2	124195-77770	BOLT, THROUGH	2	2						
24	1	26116-120252	BOLT, M12X 25 PLATED	2	2						

Fig.19. STARTING MOTOR

(A)=4TNE88-SA  
(B)=4TNE88-G1A01  
(C)=4TNE88-ESA

(D)=4TNE88-EG1A  
(E)=  
(F)=

4TNE88-G1A01  
4TNE88-EG1A

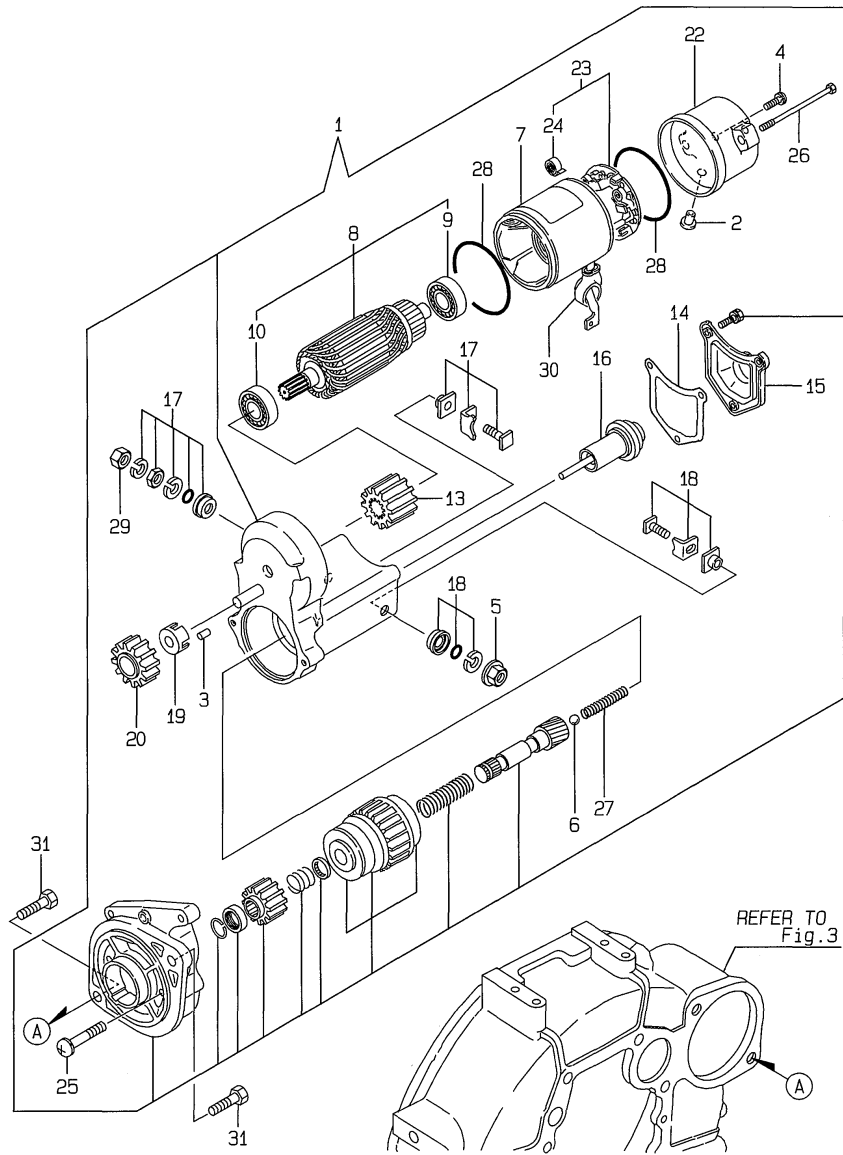


No.	Lev.	Parts No.	Description	Qty						I	R
				(A)	(B)	(C)	(D)	(E)	(F)		
1	1	129407-77010	STARTER, RA1.4		1		1				
2	2	X0283060061	ROLLER		5		5				
3	2	129129-77460	SCREW		2		2				
4	2	X9490561370	NUT		1		1				
5	2	X9491200240	BALL		1		1				
6	2	129407-77210	YOKE ASSY		1		1				
7	2	129407-77220	ARMATURE ASSY		1		1				
8	3	129129-77230	BEARING		1		1				
9	3	129129-77240	BEARING		1		1				
10	2	129407-77250	STARTER		1		1				
11	3	X0280210230	NUT		1		1				
12	3	X0283270140	RETAINER		1		1				
13	3	129407-77390	CLUTCH ASSY		1		1				
14	4	129129-77440	BEARING, BALL		1		1				
15	4	129129-77450	BEARING, BALL		1		1				
16	3	129129-77400	SHAFT		1		1				
17	3	129129-77410	SPRING, COIL		1		1				
18	3	129407-77410	SPRING		1		1				
19	3	129129-77420	PINION, STARTER		1		1				
20	3	129129-77430	RING		1		1				
21	2	129129-77260	RETAINER		1		1				
22	2	129129-77270	PINION		1		1				
23	2	129407-77280	HOUSING		1		1				
24	2	129129-77290	FRAME		1		1				
25	2	129407-77300	HOLDER ASSY		1		1				
26	3	X9491730461	SPRING		4		4				
27	2	129407-77310	SWITCH ASSY		1		1				
28	2	129129-77320	BOLT		2		2				
29	2	129407-77330	BOLT		2		2				
30	2	129129-77340	SPRING		1		1				
31	2	129129-77350	O-RING		2		2				
32	2	129129-77362	COVER		1		1				
34	2	129129-77380	CAP		1		1				
35	1	26116-120252	BOLT, M12X 25 PLATED		2		2				

Fig.20. STARTING MOTOR(COLD DISTRICT)

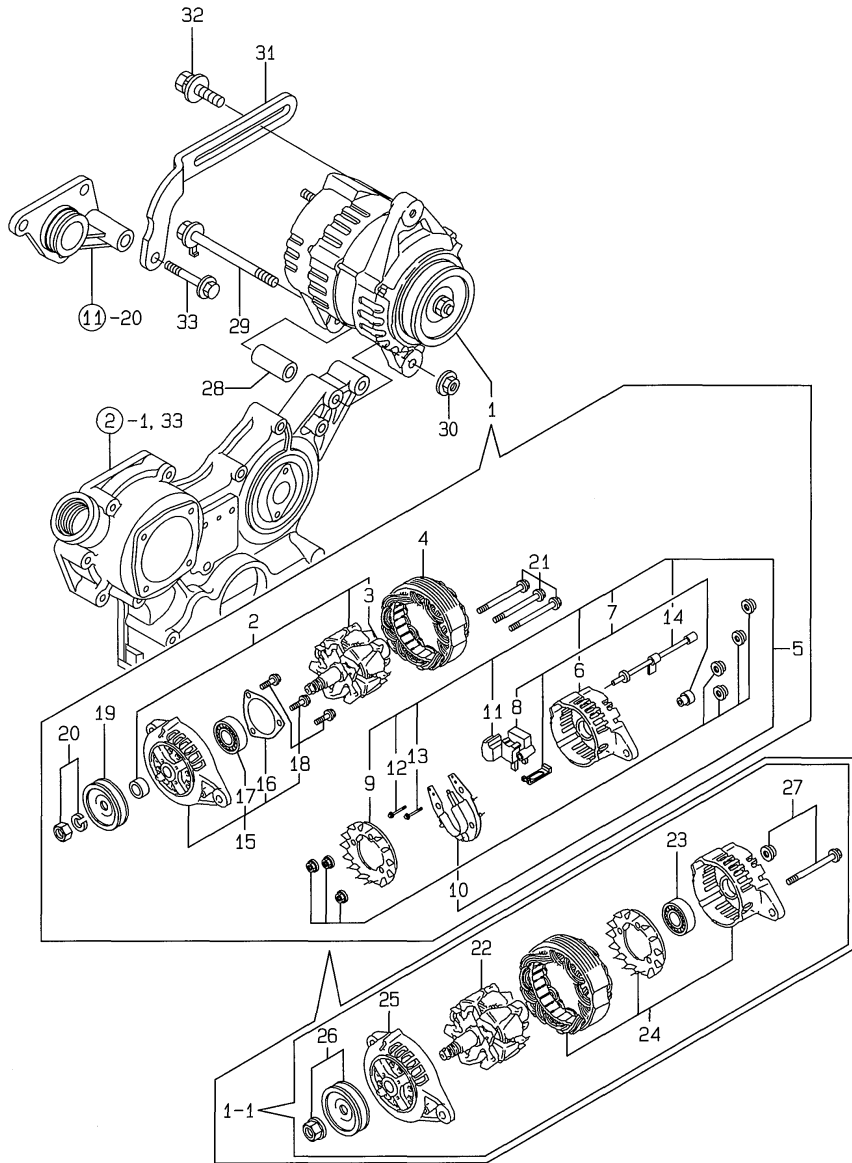
(A)=4TNE88-SA  
(B)=4TNE88-G1A01  
(C)=4TNE88-ESA

(D)=4TNE88-EG1A  
(E)=  
(F)=



No.	Lev.	Parts No.	Description	Qty						I	R
				(A)	(B)	(C)	(D)	(E)	(F)		
1	1	129429-77011	STARTER ASSY	1	1	1	1				
2	2	129129-77362	COVER	1	1	1	1				
3	2	X0283060061	ROLLER	5	5	5	5				
4	2	129429-77310	SCREW	2	2	2	2				
5	2	X9490561370	NUT	1	1	1	1				
6	2	X9491200240	BALL	1	1	1	1				
7	2	129429-77210	YOKE ASSY	1	1	1	1				
8	2	129429-77220	ARMATURE ASSY	1	1	1	1				
9	3	129429-77230	BEARING	1	1	1	1				
10	3	129129-77240	BEARING	1	1	1	1				
13	2	129429-77250	PINION ASSY	1	1	1	1				
14	2	129429-77350	GASKET	1	1	1	1				
15	2	129429-77360	COVER	1	1	1	1				
16	2	129429-77370	PLUNGER	1	1	1	1				
17	2	129429-77380	STARTER KIT	1	1	1	1				
18	2	129429-77390	STARTER KIT	1	1	1	1				
19	2	129129-77260	RETAINER	1	1	1	1				
20	2	129129-77270	PINION	1	1	1	1				
22	2	129429-77270	FRAME	1	1	1	1				
23	2	129429-77280	HOLDER ASSY	1	1	1	1				
24	3	129429-77290	SPRING	4	4	4	4				
25	2	129429-77320	SCREW	2	2	2	2				
26	2	129429-77330	BOLT	2	2	2	2				
27	2	129129-77340	SPRING	1	1	1	1				
28	2	129129-77350	O-RING	2	2	2	2				
29	2	129129-77370	NUT	1	1	1	1				
30	2	129429-77340	CAP	1	1	1	1				
31	1	26116-120252	BOLT, M12X 25 PLATED	2	2	2	2				

Fig.21. GENERATOR



(A)=4TNE88-SA  
(B)=4TNE88-G1A01  
(C)=4TNE88-ESA

(D)=4TNE88-EG1A  
(E)=  
(F)=

No.	Lev.	Parts No.	Description	Q'ty						I	R
				(A)	(B)	(C)	(D)	(E)	(F)		
1	1	119836-77200	GENERATOR	1	1	1	1				
1-1	1	119836-77201	GENERATOR	1	1	1	1				R
		(A=E42890) (B=E45102) (C=E43325) (D=E42891)									
2	2	119836-77700	ROTOR ASSY	1	1	1	1				Z
		(A=E42890) (B=E45102) (C=E43325) (D=E42891)									
3	3	119836-77850	BALL BEARING	1	1	1	1				Z
		(A=E42890) (B=E45102) (C=E43325) (D=E42891)									
4	2	119836-77710	STATOR ASSY	1	1	1	1				Z
		(A=E42890) (B=E45102) (C=E43325) (D=E42891)									
5	2	119836-77721	COVER ASSY, REAR	1	1	1	1				Z
		(A=E42890) (B=E45102) (C=E43325) (D=E42891)									
6	3	119836-77730	COVER, REAR	1	1	1	1				Z
		(A=E42890) (B=E45102) (C=E43325) (D=E42891)									
7	3	119836-77741	BRUSH ASSY,REGULATOR	1	1	1	1				Z
		(A=E42890) (B=E45102) (C=E43325) (D=E42891)									
8	4	119836-77750	BRUSH ASSY	1	1	1	1				Z
		(A=E42890) (B=E45102) (C=E43325) (D=E42891)									
9	3	119836-77760	GUIDE, FAN SIDE	1	1	1	1				Z
		(A=E42890) (B=E45102) (C=E43325) (D=E42891)									
10	3	119836-77770	DIODE ASSY	1	1	1	1				Z
		(A=E42890) (B=E45102) (C=E43325) (D=E42891)									
11	3	119836-77780	CONDENSER	1	1	1	1				Z
		(A=E42890) (B=E45102) (C=E43325) (D=E42891)									
12	3	119836-77871	BOLT (1)	1	1	1	1				Z
		(A=E42890) (B=E45102) (C=E43325) (D=E42891)									
13	3	119836-77880	BOLT (2)	1	1	1	1				Z
		(A=E42890) (B=E45102) (C=E43325) (D=E42891)									
14	3	119836-77890	WIRE ASSY, LEAD	1	1	1	1				Z
		(A=E42890) (B=E45102) (C=E43325) (D=E42891)									
15	2	119836-77790	COVER ASSY, FRONT	1	1	1	1				Z
		(A=E42890) (B=E45102) (C=E43325) (D=E42891)									
16	3	119836-77800	RETAINER, BEARING	1	1	1	1				Z
		(A=E42890) (B=E45102) (C=E43325) (D=E42891)									
17	3	119836-77840	BALL BEARING	1	1	1	1				Z
		(A=E42890) (B=E45102) (C=E43325) (D=E42891)									
18	3	119836-77860	SCREW KID	1	1	1	1				Z
		(A=E42890) (B=E45102) (C=E43325) (D=E42891)									
19	2	119836-77810	PULLEY	1	1	1	1				Z
		(A=E42890) (B=E45102) (C=E43325) (D=E42891)									
20	2	119836-77820	NUT ASSY, PULLEY	1	1	1	1				Z
		(A=E42890) (B=E45102) (C=E43325) (D=E42891)									
21	2	119836-77830	BOLT, THROUGH	1	1	1	1				Z
		(A=E42890) (B=E45102) (C=E43325) (D=E42891)									
22	2	129612-77700	ROTOR ASSY	1	1	1	1				W
		(A=E42890) (B=E45102) (C=E43325) (D=E42891)									
23	2	129612-77710	BEARING, BALL	1	1	1	1				W
		(A=E42890) (B=E45102) (C=E43325) (D=E42891)									
24	2	119836-77920	BRACKET ASSY	1	1	1	1				W
		(A=E42890) (B=E45102) (C=E43325) (D=E42891)									
25	2	129612-77730	BRACKET ASSY, FILTER	1	1	1	1				W
		(A=E42890) (B=E45102) (C=E43325) (D=E42891)									

Fig.21. GENERATOR

(A)=4TNE88-SA  
 (B)=4TNE88-G1A01  
 (C)=4TNE88-ESA

(D)=4TNE88-EG1A  
 (E)=  
 (F)=

No.	Lev.	Parts No.	Description	Q'ty						I	R
				(A)	(B)	(C)	(D)	(E)	(F)		
26	2	129612-77740	PULLEY	1	1	1	1			W	
		(A=E42890) (B=E45102) (C=E43325) (D=E42891)									
27	2	129612-77750	SCREW KIT	1	1	1	1			W	
		(A=E42890) (B=E45102) (C=E43325) (D=E42891)									
28	1	119820-77340	PIECE, DISTANCE	1	1	1	1				
29	1	129136-77251	BOLT, M8X110	1	1	1	1				
30	1	129612-77260	NUT, ALTERNATOR	1	1	1	1				
31	1	129100-77330	ADJUSTER	1	1	1	1				
32	1	119810-77340	BOLT, ADJUSTER	1	1	1	1				
33	1	26106-080502	BOLT, M8X 50 PLATED	1	1	1	1				

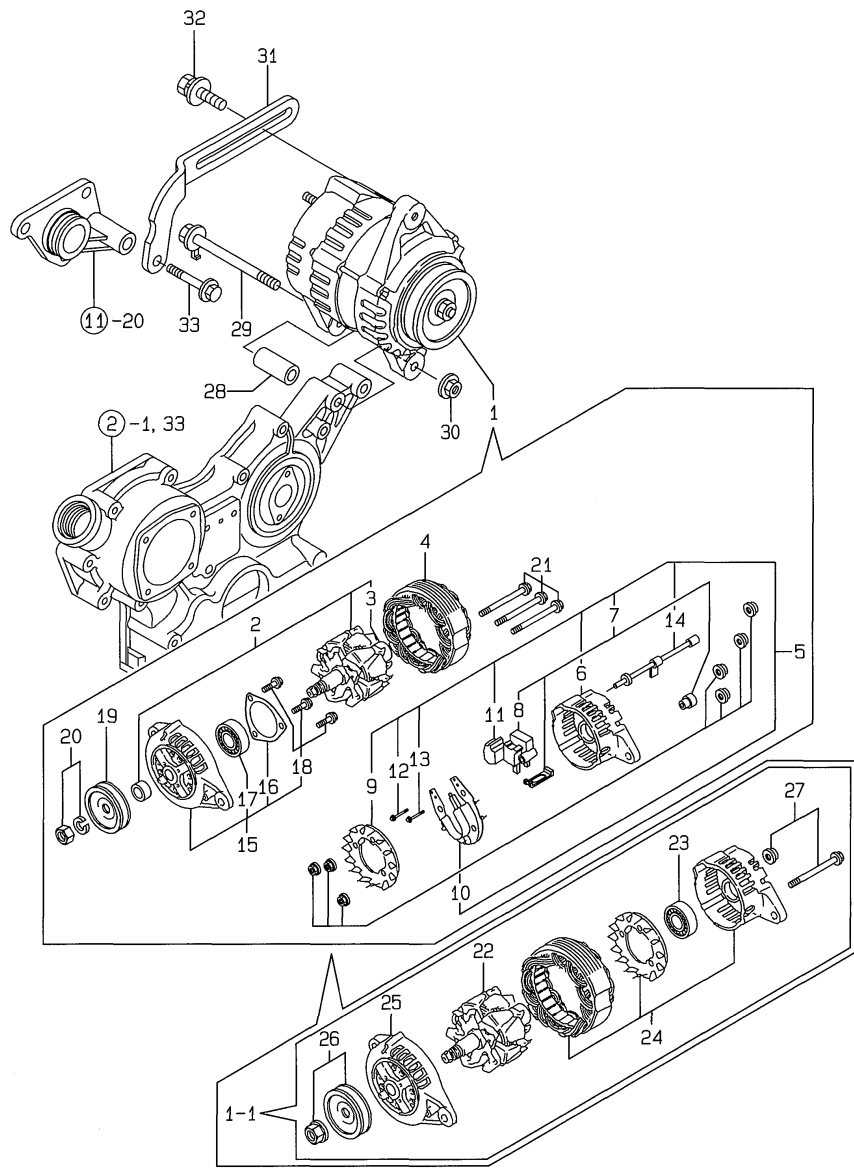
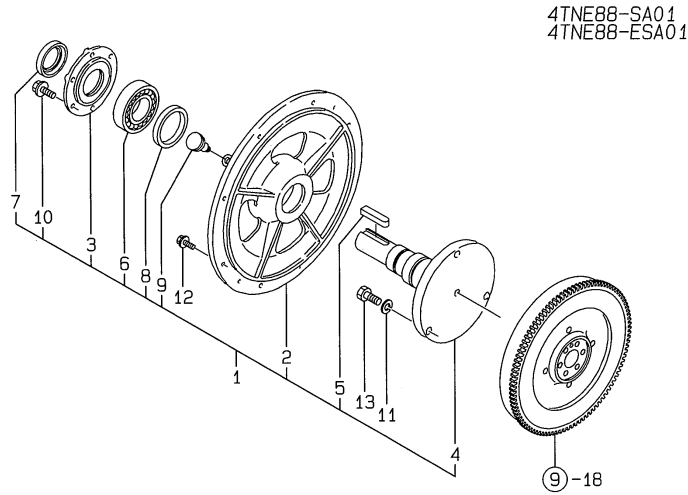


Fig.22. OUTPUT SHAFT

(A)=4TNE88-SA  
 (B)=4TNE88-G1A01  
 (C)=4TNE88-ESA

(D)=4TNE88-EG1A  
 (E)=  
 (F)=



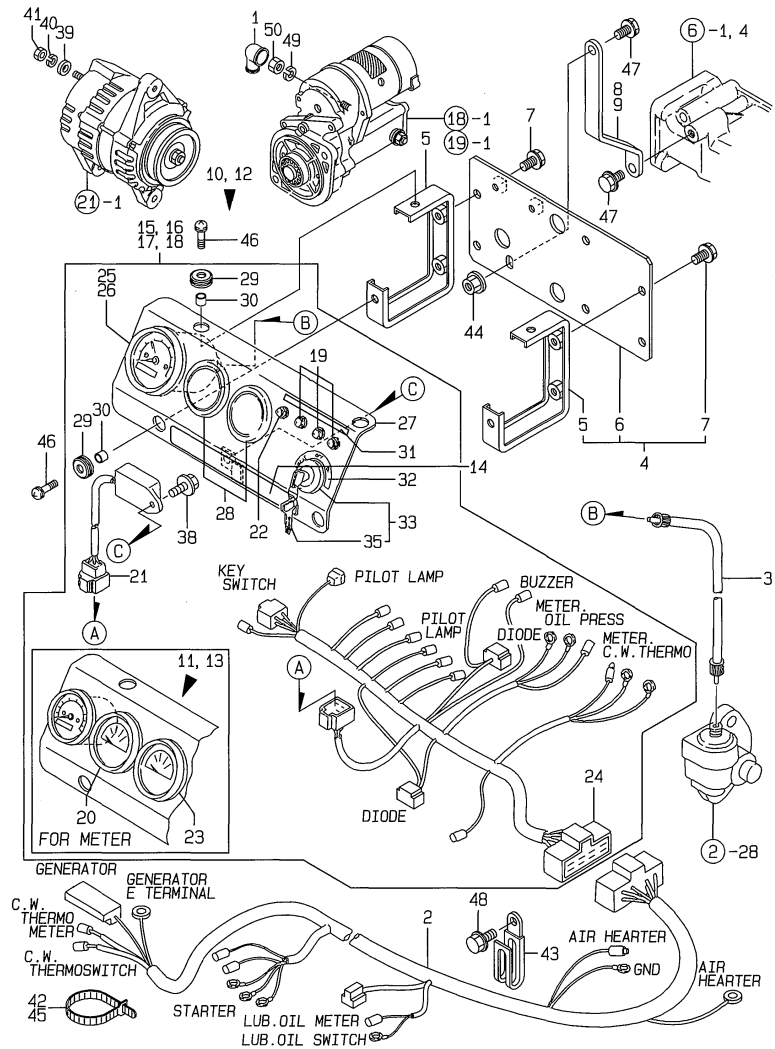
No.	Lev.	Parts No.	Description	Q'ty						I	R
				(A)	(B)	(C)	(D)	(E)	(F)		
1	1	119888-89100	SHAFT, STUB	1		1					
2	2	119888-89110	HOUSING, BEARING	1		1					
3	2	171048-89120	CASE, OIL SEAL	1		1					
4	2	119888-89210	SHAFT	1		1					
5	2	22512-100700	KEY, 10X 70	1		1					
6	2	24151-222090	BEARING, 22209	1		1					
7	2	24421-456209	SEAL, OIL TC456209	1		1					
8	2	24421-557209	SEAL, OIL TC557209	1		1					
9	2	24754-320020	CUP, GREASE 32X1/4	1		1					
10	2	26106-080202	BOLT, M8X 20 PLATED	6		6					
11	1	22217-120000	WASHER, SPRING 12	3		3					
12	1	26106-100222	BOLT, M10X 22 PLATED	8		8					
13	1	26206-120352	BOLT, M12X 35 PLATED	3		3					

Remarks  
 \* FOR(SA01)(ESA01).

Fig.23. PANEL

(A)=4TNE88-SA  
(B)=4TNE88-G1A01  
(C)=4TNE88-ESA

(D)=4TNE88-EG1A  
(E)=  
(F)=



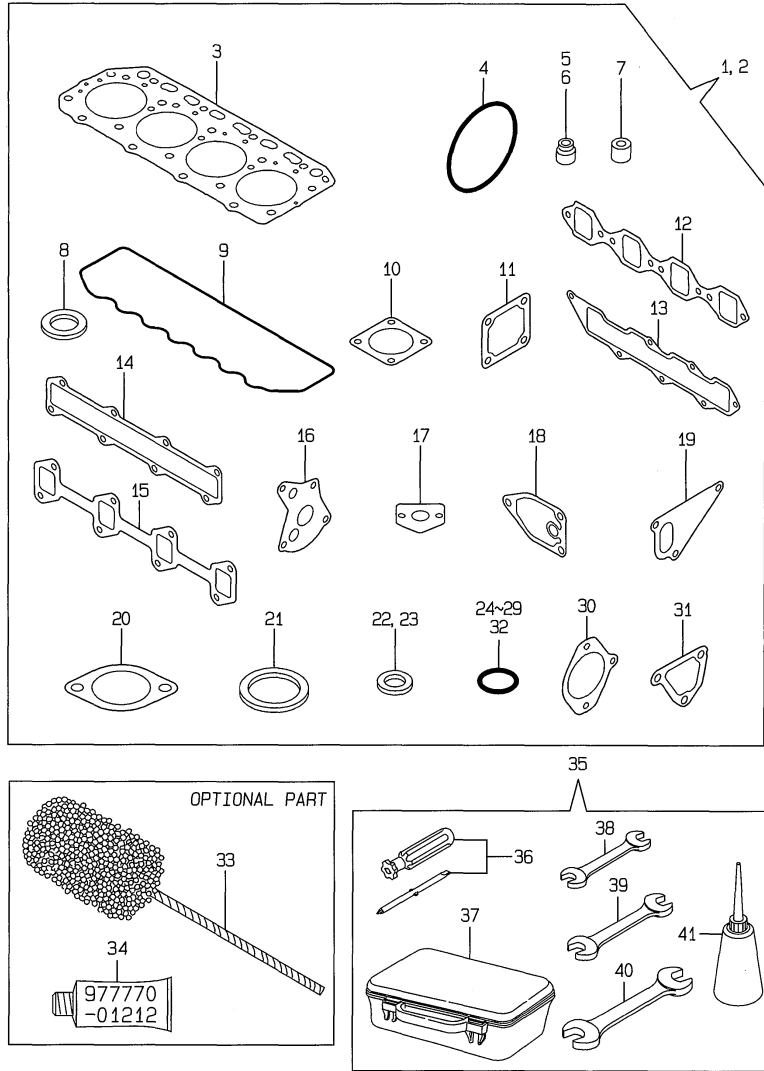
No.	Lev.	Parts No.	Description	Q'ty						I	R
				(A)	(B)	(C)	(D)	(E)	(F)		
1	1	124550-77030	COVER, TERMINAL	1	1	1	1				
2	1	119888-91022	HARNESS, WIRE	1	1	1	1				
3	1	121400-91140	SHAFT	1	1	1	1				
4	1	129608-91151	BRACKET ASSY	1	1	1	1				
5	2	119888-91120	SUPPORT	2	2	2	2				
6	2	129608-91132	BRACKET, PANEL	1	1	1	1				
7	2	26106-080122	BOLT, M8X 12 PLATED	4	4	4	4				
8	1	129609-91150	RETAINER, PANEL	1		1					
9	1	129609-91140	RETAINER, PANEL		1		1				
10	1	119888-91101	PANEL ASSY	1		1					
11	1	119888-91201	PANEL ASSY	1		1					1
12	1	119888-91301	PANEL ASSY, INSTRUM				1				
13	1	119888-91311	PANEL ASSY		1		1				1
14	2	104507-07190	LABEL, YANMAR	1	1	1	1				
15	2	170121-91100	PANEL ASSY	1		1					
16	2	119888-91220	PANEL ASSY	1		1					1
17	2	119888-91320	PANEL ASSY				1				
18	2	119888-91330	PANEL ASSY		1		1				1
19	3	124732-77720	LAMP, CHARGING	3	3	3	3				
20	3	171010-77850	THERMOSTAT	1	1	1	1				
21	3	128300-77920	TIMER	1	1	1	1				
22	3	124559-77971	LAMP, PILOT	1	1	1	1				
23	3	171090-91010	GAUGE	1	1	1	1				
24	3	119888-91031	HARNESS, WIRE	1	1	1	1				
25	3	171080-91100	TACHOMETER	1		1					
26	3	171082-91100	TACHOMETER		1		1				
27	3	119888-91110	BODY, PANEL	1	1	1	1				
28	3	124770-91220	COVER	2	2	2	2				
29	3	121400-91520	ABSORBER	4	4	4	4				
30	3	121400-91530	SPACER	4	4	4	4				
31	3	119888-91610	LABEL, CW & OIL LAMP	1	1	1	1				
32	3	119888-91620	LABEL, KEY SWITCH	1	1	1	1				
33	3	933110-00100	SWITCH ASSY, STARTER	1	1	1	1				
35	4	933110-00301	KEY ASSY	1	1	1	1				
38	3	26106-060102	BOLT, M6X 10 PLATED	1	1	1	1				
39	1	22117-050000	WASHER, 5	1	1	1	1				
40	1	22217-050000	WASHER, SPRING 5	1	1	1	1				
41	1	26716-050002	NUT, M5	1	1	1	1				
42	1	121750-59890	BAND, 140	1	1	1	1				
43	1	194180-51640	CLAMP, HARNESS	1	1	1	1				
44	1	26366-080002	NUT, M8	1	1	1	1				
45	1	121750-59890	BAND, 140	1	1	1	1				
46	1	26033-060202	SCREW M 6X 20	4	4	4	4				
47	1	26106-080162	BOLT, M8X 16 PLATED	2	2	2	2				
48	1	26106-100122	BOLT, M10X 12 PLATED	1	1	1	1				
49	1	22217-080000	WASHER, SPRING 8	1	1	1	1				
50	1	26756-080002	NUT, LOCK M8	1	1	1	1				

Remarks  
(1) WITH C.W.THERMOMETER(REF.NO.20,  
P/# 171010-77850) & PRESSURE  
GAUGE(REF.NO.23,P/# 171090-91010).

Fig.24. GASKET SET & TOOL(OPTIONAL)

(A)=4TNE88-SA  
(B)=4TNE88-G1A01  
(C)=4TNE88-ESA

(D)=4TNE88-EG1A  
(E)=  
(F)=



No.	Lev.	Parts No.	Description	Q'ty						I	R
				(A)	(B)	(C)	(D)	(E)	(F)		
1	1	719609-92610	GASKET SET	1		1					1
2	1	719609-92620	GASKET SET		1			1			1
3	2	129407-01340	GASKET, HEAD	1	1	1	1				
4	2	121850-51960	O-RING	1	1	1	1				
5	2	121400-11340	SEAL, VALVE STEM	4	4	4	4				
6	2	124460-11340	SEAL, VALVE STEM	4	4	4	4				
7	2	119625-11870	PROTECTOR, NOZZLE	4	4	4	4				
8	2	119625-11880	SEAT, NOZZLE	4	4	4	4				
9	2	129550-11310	GASKET, BONNET	1	1	1	1				
10	2	129400-13201	GASKET, SILENCER	2	2	2	2				
11	2	129150-77511	GASKET	1	1	1	1				
12	2	129550-12111	GASKET, MANIFOLD	1		1					
13	2	129407-12110	GASKET, MANIFOLD		1		1				
14	2	129407-13110	GASKET	1	1	1	1				
15	2	129550-13110	GASKET	1		1					
16	2	129150-32020	GASKET, PUMP	1	1	1	1				
17	2	129150-35041	GASKET	1	1	1	1				
18	2	129150-35111	GASKET	1	1	1	1				
19	2	129100-42020	GASKET, WATER PUMP	1	1	1	1				
19-1	2	129486-42021	GASKET, WATER PUMP	1	1	1	1				N
		(A=E45065) (B=E45102) (C=E45857) (D=E44618)									
20	2	129795-49551	GASKET	1	1	1	1				
21	2	129150-49811	GASKET, THERMOSTAT	1	1	1	1				
22	2	124465-44950	GASKET, 16	2	2	2	2				
23	2	129150-49360	GASKET	1	1	1	1				
24	2	24341-000500	O-RING, 1AS50.0	1	1	1	1				
25	2	24311-000320	O-RING, 1AP32.0	2	2	2	2				
26	2	24311-000120	O-RING, 1AP12.0	3	3	3	3				
27	2	24311-000160	O-RING, 1AP16.0	3	3	3	3				
28	2	24341-000240	O-RING, 1AS24.0	1	1	1	1				
29	2	24321-000850	O-RING, 1AG85.0	1		1					
30	2	171353-26081	GASKET	1		1					
31	2	129100-49840	GASKET	1	1	1	1				
31-1	2	124395-49840	GASKET	1	1	1	1				N
		(A=E51511) (B=E51776) (C=E51987) (D=E51102)									
32	2	24321-000300	O-RING, 1AG30.0	1	1	1	1				
32-1	2	129486-42140	O-RING, G30	1	1	1	1				N
		(A=E43947) (B=E45102) (C=E44375) (D=E43758)									
33	1	129400-92430	HONE	1	1	1	1				1
34	1	977770-01212	GASKET, LIQUID	1	1	1	1				1
35	1	721400-92102	BOX ASSY, TOOL	1	1	1	1				
36	2	104200-92350	DRIVER, SCREW	1	1	1	1				
37	2	104200-92600	BOX, TOOL	1	1	1	1				
38	2	28110-100120	SPANNER, 10X12	1	1	1	1				
39	2	28110-140170	SPANNER, 14X17	1	1	1	1				
40	2	28110-190220	SPANNER, 19X22	1	1	1	1				
41	2	28210-000140	OILER	1	1	1	1				

Remarks

(1) OPTIONAL PART.

N:Old  $\xrightarrow{\text{Yes}}$  New, Q:Old  $\xrightarrow{\text{No}}$  New, R:Old  $\xrightarrow{\text{Yes}}$  New, S:Old  $\xrightarrow{\text{No}}$  New, W:Add, Z:Discontinued, F:Interchangeable by set, K:Q'ty Change



## Parts No. Index

Parts No.	Fig. No.	Ref. No.
101304-59020	16	18
103854-39140	16	17
104200-55321	16	2
104200-55330	16	3
104200-55750	16	10
104200-66820	17	7
104200-66830	17	8
104200-66850	17	9
104200-66860	17	10
104200-92350	24	36
104200-92600	24	37
104507-07190	23	14
105025-59530	15	71
	16	28
105225-59511	15	70
	16	27
105312-59510	16	22
114250-39450	10	33 -1
114250-53080	15	11
114250-53120	15	15
114250-53130	15	16
114250-53140	15	17
114250-53210	15	18
114250-53400	15	19
119005-12571	6	29
119131-18320	7	5
119259-44570	12	43
119305-59120	15	32
119600-66840	14	103
119620-01750	3	5
119623-49100	12	49
119625-11870	4	21
	5	20
	24	7
119625-11880	4	22
	5	21
	24	8
119625-11900	4	23
	5	22
119640-01640	3	9
119653-77950	14	95
119660-61901	14	70
119808-12540	6	21
		27
119810-53000	15	5
119810-77340	21	32
119820-77340	21	28
119836-77200	21	1
119836-77201	21	1 -1
119836-77700	21	2

Parts No.	Fig. No.	Ref. No.
119836-77710	21	4
119836-77721	21	5
119836-77730	21	6
119836-77741	21	7
119836-77750	21	8
119836-77760	21	9
119836-77770	21	10
119836-77780	21	11
119836-77790	21	15
119836-77800	21	16
119836-77810	21	19
119836-77820	21	20
119836-77830	21	21
119836-77840	21	17
119836-77850	21	3
119836-77860	21	18
119836-77871	21	12
119836-77880	21	13
119836-77890	21	14
119836-77920	21	24
119840-59500	15	74
119840-59560	15	76
119840-59570	15	77
119865-21600	9	17
		21
119888-01600	3	2
119888-08110	12	2
119888-21450	9	26
119888-66110	17	3
119888-66130	17	4
119888-66160	17	1
119888-89100	22	1
119888-89110	22	2
119888-89210	22	4
119888-91022	23	2
119888-91031	23	24
119888-91101	23	10
119888-91110	23	27
119888-91120	23	5
119888-91201	23	11
119888-91220	23	16
119888-91301	23	12
119888-91311	23	13
119888-91320	23	17
119888-91330	23	18
119888-91610	23	31
119888-91620	23	32
119908-61501	14	39 -1
120130-11860	4	7
	5	6

Parts No.	Fig. No.	Ref. No.
120323-61470	14	102
121023-01550	2	25
121023-26070	8	20
121111-21501	9	13
121250-44590	12	47
121250-44901	11	35
121250-59550	15	73
121256-44600	12	31
121267-44741	11	29
121267-44760	11	30
121400-11340	4	18
	5	17
	24	5
121400-44650	12	7
121400-91140	23	3
121400-91520	23	29
121400-91530	23	30
121450-01560	2	6
121450-42450	11	34
121520-34810	10	18
121550-23200	9	44
121550-49111	11	33
121750-59890	12	55
	23	42
		45
121850-13580	7	12
121850-21680	9	12
121850-51960	2	12
	24	4
121855-13821	7	14
121855-13830	7	15
122117-51560	13	65
122710-51090	13	16
123500-13840	7	16
123682-44210	12	5
124066-59100	15	72
		75
124160-01751	2	7
	4	42
	5	41
124160-01910	1	5
		6
124160-11360	4	51
	5	51
124160-39140	10	34
124160-39450	10	33
124195-77770	18	23
124240-01871	2	8
124250-49351	11	38
124395-49840	11	18 -1

Parts No.	Fig. No.	Ref. No.
124395-49840	24	31 -1
124450-44510	12	25
124450-44530	12	27
124450-44550	12	30
124450-44560	12	28
124460-11340	4	19
	5	18
	24	6
124465-44950	11	36
		37
	24	22
124550-01590	2	36
		39
124550-21600	9	25
124550-51350	13	46
124550-51370	13	47
124550-59820	10	40
124550-59830	10	39
124550-66370	14	72
124550-77030	23	1
124559-77971	23	22
124732-77720	23	19
124766-59050	12	51
		54
	15	69
	16	21
		26
124770-91220	23	28
124950-51190	13	25
126650-12680	6	30
126650-66020	17	2
128300-13640	7	13
128300-77920	23	21
129001-01250	1	12 -1
129001-02930	1	25
129001-22070	9	30
129001-22081	9	29
129001-22500	9	33
129001-22900	9	47
129001-22930	9	48
129001-22950	9	51
129001-35300	10	29
129001-42002	11	1
129001-42003	11	1 -1
129001-42040	11	20
129001-91841	2	23
129052-55620	16	1
129052-61050	14	8
129052-61060	14	9
129052-61070	14	10

## Parts No. Index

Parts No.	Fig. No.	Ref. No.
129052-61390	14	38
129052-61500	14	39
129052-61540	14	59
129062-12560	6	22
		28
129100-01580	3	1
		21
	9	2
129100-01640	3	22
129100-11100	4	13
	5	12
129100-11110	4	14
	5	13
129100-11650	5	32
129100-23910	9	43
129100-25061	8	9
129100-42020	11	23
	24	19
129100-49840	11	18
	24	31
129100-51300	13	36
129100-52100	13	121
129100-55650	16	4
129100-55670	16	6
129100-55680	16	7
129100-55690	16	8
129100-55700	16	9
129100-59951	15	79
129100-61400	14	24
129100-61440	14	89
129100-61650	14	91
129100-61930	14	97
129100-77330	21	31
129120-77501	6	7
129129-77230	19	8
129129-77240	19	9
	20	10
129129-77260	19	21
	20	19
129129-77270	19	22
	20	20
129129-77290	19	24
129129-77320	19	28
129129-77340	19	30
	20	27
129129-77350	19	31
	20	28
129129-77362	19	32
	20	2
129129-77370	20	29

Parts No.	Fig. No.	Ref. No.
129129-77380	19	34
129129-77400	19	16
129129-77410	19	17
129129-77420	19	19
129129-77430	19	20
129129-77440	19	14
129129-77450	19	15
129129-77460	19	3
129132-44530	12	45
129136-34800	10	17
129136-77251	21	29
129150-01200	1	33
129150-02020	1	8
129150-02450	8	4
129150-02870	1	35
129150-02930	1	28
129150-02940	1	38
129150-03020	4	43
	5	42
129150-03070	4	44
	5	43
129150-03080	4	45
	5	44
129150-03100	2	11
129150-11230	4	34
	5	33
129150-11280	4	29
	5	28
129150-11370	4	20
	5	19
129150-11750	4	36
	5	35
129150-11810	4	9
	5	8
129150-14101	8	7
129150-14200	8	1
129150-14400	8	2
129150-21200	9	5
129150-23600	9	45
129150-23610	9	55
129150-25101	8	10
129150-25301	8	18
129150-25900	8	15
129150-25920	8	13
129150-25931	8	19
129150-32020	10	14
	24	16
129150-35041	10	19
	24	17
129150-35042	10	19 -1

Parts No.	Fig. No.	Ref. No.
129150-35091	10	20
129150-35101	10	26
129150-35111	10	27
	24	18
129150-35151	10	28
129150-35350	10	30
129150-49080	12	37
129150-49100	12	36
129150-49360	11	39
	24	23
129150-49811	11	17
	24	21
129150-59120	15	88
129150-59131	15	35
		91
129150-59580	15	78
129150-77511	6	8
	24	11
129150-91400	2	28
129155-11260	4	27
	5	26
129155-11270	4	28
	5	27
129155-42350	11	27
129155-49800	11	16
129155-51020	13	12
129155-51050	13	107
129155-51060	13	108
129155-51140	13	22
129155-51180	13	24
129155-51200	13	26
129155-51270	13	33
129155-51280	13	34
	14	5
129155-51320	13	42
129155-51340	13	44
129155-51370	13	48
129155-51380	13	50
129155-51390	13	51
129155-51410	13	53
129155-51420	13	54
129155-51450	13	55
129155-51521	13	61
129155-51530	13	62
129155-51540	13	63
129155-51550	13	64
129155-51570	13	67
129155-51580	13	68
129155-51591	13	69
129155-51600	13	70

Parts No.	Fig. No.	Ref. No.
129155-51790	13	93
129155-51930	13	95
129155-51940	13	96
129155-52050	13	120
129155-61120	14	11
129155-61130	14	12
129155-61140	14	13
129155-61202	14	14
129155-61341	14	23
129155-61350	14	98
129155-61360	14	99
129155-61430	14	27
129155-61450	14	31
129155-61460	14	32
129155-61470	14	101
129155-61480	14	33
129155-61830	14	100
129155-61950	14	71
129156-51910	13	94
129188-08100	12	1
129188-44950	12	11
129202-22300	9	37
129208-51060	13	113
129208-54500	13	109
129209-51300	13	37
129209-61940	14	106
129209-61970	14	104
129210-59040	16	20
129210-59050	16	19
129210-59150	15	68
	16	25
129210-59170	15	67
	16	24
129350-49560	11	14
129400-01520	2	5
129400-01730	3	12
129400-01770	3	14
129400-11350	4	41
	5	40
129400-13101	7	24
129400-13201	7	7
	24	10
129400-59910	15	39
129400-59920	15	46
129400-59930	15	53
129400-59940	15	60
129400-92430	24	33
129403-42380	11	26
129403-44740	11	28
129407-01340	1	34

## Parts No. Index

Parts No.	Fig. No.	Ref. No.
129407-01340	24	3
129407-11700	5	2
129407-12100	6	4
129407-12110	6	5
	24	13
129407-13100	7	1
129407-13110	7	2
	24	14
129407-21000	9	1
129407-21100	9	1 -1
129407-32000	10	1
129407-77010	19	1
129407-77210	19	6
129407-77220	19	7
129407-77250	19	10
129407-77280	19	23
129407-77300	19	25
129407-77310	19	27
129407-77330	19	29
129407-77390	19	13
129407-77410	19	18
129411-13500	7	28
129411-13600	7	29
129411-13650	7	30
129411-13670	7	31
129411-13680	7	32
129412-61500	14	40
129420-13501	7	8
129420-13530	7	9
129420-13540	7	10
129420-13550	7	11
129420-44500	12	42
129420-44550	12	46
129420-44560	12	6
129422-44500	12	4
129423-59810	15	41
129423-59820	15	48
129423-59830	15	55
129423-59840	15	62
129429-77011	20	1
129429-77210	20	7
129429-77220	20	8
129429-77230	20	9
129429-77250	20	13
129429-77270	20	22
129429-77280	20	23
129429-77290	20	24
129429-77310	20	4
129429-77320	20	25
129429-77330	20	26

Parts No.	Fig. No.	Ref. No.
129429-77340	20	30
129429-77350	20	14
129429-77360	20	15
129429-77370	20	16
129429-77380	20	17
129429-77390	20	18
129436-35070	10	21 -1
129436-35091	10	21
129457-11700	4	4
129470-51040	13	13
129470-51101	13	17
129477-61720	14	94
129486-01670	3	25
129486-42021	11	23 -1
	24	19 -1
129486-42140	11	21 -1
	24	32 -1
129486-61201	14	16
129486-61501	14	40 -1
129486-61540	14	59 -1
129488-12100	6	1
129488-21590	9	18
129488-44940	12	8
129488-44960	12	12
129488-44971-2	12	13
129488-44981-2	12	14
129488-66120	17	28
129488-66150	17	29
129500-11240	5	25
129500-61650	14	92
129503-53000	15	4
129505-51300	13	35
129506-51040	13	14
129506-51100	13	18
129550-11290	4	30
	5	29
129550-11310	4	47
	5	47
	24	9
129550-12111	6	2
	24	12
129550-13110	7	25
	24	15
129550-21650	9	10
129550-39450	10	35
129555-11241	4	26
129555-51400	13	52
129555-51500	13	60
129555-51700	13	89
129555-51701	13	89 -1

Parts No.	Fig. No.	Ref. No.
129555-51710	13	90
129555-51711	13	90 -1
129555-51750	13	91
129555-51751	13	91 -1
129555-51760	13	92
129555-59510	16	23
129573-51330	13	43
129573-51340	13	45
129573-51370	13	49
129608-44940	12	9
129608-44950-1	12	10
129608-77010	18	1
129608-77110	18	4
129608-91132	23	6
129608-91151	23	4
129609-12210	6	11
129609-12500	6	17
129609-12510	6	23
129609-12520	6	24
129609-12530	6	18
129609-12550	6	14
129609-49100	12	52
129609-53000	15	6
129609-91140	23	9
129609-91150	23	8
129611-59911	15	40
129611-59921	15	47
129611-59930	15	54
129611-59940	15	61
129612-01600	3	3
129612-77260	21	30
129612-77700	21	22
129612-77710	21	23
129612-77730	21	25
129612-77740	21	26
129612-77750	21	27
129618-61200	14	17
129619-44941	12	9 -1
129619-44951	12	56
129619-44971	12	13 -1
129619-44972	12	13 -2
129688-01780	3	14 -1
129698-77020	18	2
129698-77100	18	3
129698-77120	18	5
129698-77130	18	7
129698-77140	18	6
129698-77150	18	8
129698-77160	18	9
129698-77170	18	10

Parts No.	Fig. No.	Ref. No.
129698-77180	18	17
129698-77190	18	18
129698-77200	18	19
129698-77210	18	20
129698-77220	18	21
129698-77230	18	22
129698-77240	18	15
129698-77250	18	16
129698-77260	18	11
129698-77270	18	13
129698-77280	18	14
129795-01780	3	24
129795-01800	2	4
		35
129795-01950	2	10
129795-02411	1	31
129795-11120	4	15
	5	14
129795-11180	4	16
	5	15
129795-21661	9	11
129795-49551	11	15
	24	20
129900-07900	4	2
	5	53
129900-12530	6	20
		26
144626-91560	10	44
158552-61900	14	80 -1
170064-67210	17	20
170121-91100	23	15
171010-77850	23	20
171048-67010	17	5
171048-67130	17	14
171048-67140	17	15
171048-89120	22	3
171051-01921	1	7
171080-91100	23	25
171082-91100	23	26
171085-67100	17	11
171085-67110	17	12
171085-67120	17	13
171090-91010	23	23
171102-66080	17	6
171301-01640	3	15
171301-21650	9	9
171350-03090	4	1
	5	1
171353-01520	2	32
171353-01580	2	33

## Parts No. Index

Parts No.	Fig. No.	Ref. No.
171353-26000	8	23
171353-26081	8	29
	24	30
171353-26200	8	25
171353-61700	14	93
171375-39601	10	43
171420-01600	3	4
171420-21580	9	14
171420-21590	9	22
171420-34800	10	16
171420-49010	12	32
171420-49020	12	34
171440-49010	12	33
171488-61200	14	15
171488-61440	14	90
174307-51170	13	23
174307-51560	13	66
174307-51700	14	41
194180-51640	23	43
22117-040000	14	73
22117-050000	23	39
22117-060000	17	21
22137-080000	12	15
		59
22137-100000	17	22
22157-060000	12	57
22190-060003	14	74
22190-080002	2	13
		14
	10	41
		45
22190-080003	2	37
		40
22190-100002	10	42
	14	75
22190-120002	14	76
	15	87
	16	29
22190-160002	13	97
22190-220002	3	11
22217-050000	13	98
	23	40
22217-060000	13	99
22217-080000	23	49
22217-100000	12	16
	17	23
22217-120000	8	16
	13	111
	22	11
22252-000260	9	38

Parts No.	Fig. No.	Ref. No.
22272-000050	17	24
22287-120000	14	77
22351-020006	17	16
22351-040010	9	8
22351-050010	13	100
22351-060012	4	24
	5	23
22372-040000	14	78
22411-200150	17	17
22512-070140	8	8
	9	6
22512-100700	22	5
23000-060000	6	12
23000-080000	6	13
23010-038000	12	35
23061-070230	12	29
23414-120016	14	105
23871-010000	1	11
23871-030000	1	15
	11	12
23876-010000	1	11 -1
23876-030000	1	15 -1
	11	12 -1
23887-100002	14	79
24101-063034	13	101
24104-062054	9	27
24105-060064	8	28
24151-222090	22	6
24311-000120	4	52
	5	52
	24	26
24311-000150	14	108
24311-000160	2	15
	10	31
	16	11
	24	27
24311-000320	2	16
	4	48
	5	48
	24	25
24311-240100	16	12
24321-000300	11	21
	24	32
24321-000650	16	13
24321-000850	8	21
	24	29
24341-000160	13	102
24341-000240	2	26
		30
	24	28

Parts No.	Fig. No.	Ref. No.
24341-000250	3	17
24341-000280	14	80
24341-000500	4	49
	5	49
	24	24
24421-456209	22	7
24421-557209	22	8
24754-320020	22	9
25132-003700	11	24
25132-003800	11	25
26014-060122	12	48
26014-060302	11	32
26014-080302	7	33
26014-080702	16	16
26022-050102	13	103
26022-050122	13	103 -1
26022-060162	13	104
26033-060202	23	46
26106-060102	14	81
		82
		83
	17	25
	23	38
26106-060142	12	58
	14	84
26106-060162	2	27
		31
26106-060202	14	85
26106-060302	11	31
26106-060402	7	17
26106-080102	7	34
26106-080122	2	17
	12	17
	23	7
26106-080142	7	35
		36
	12	17 -1
26106-080162	1	32
	2	18
		19
		38
		41
	3	18
	4	3
		50
	5	50
		54
	11	22
	12	18
		41

Parts No.	Fig. No.	Ref. No.
26106-080162	17	27
	23	47
26106-080182	6	15
		16
26106-080202	2	20
	6	6
	10	32
	11	19
	12	19
	22	10
26106-080222	9	28
26106-080252	3	19
	4	39
	5	38
	12	20
26106-080352	3	26
	6	3
		9
	10	25
26106-080402	7	4
26106-080452	2	21
	3	20
		20 -1
	8	14
26106-080502	3	28
	4	40
	5	39
	21	33
26106-080552	2	22
	10	25 -1
26106-080602	11	13
26106-080802	6	10
	7	26
26106-100122	23	48
26106-100202	12	3
26106-100222	22	12
26106-100302	12	21
26106-100452	8	22
26106-100602	7	18
26116-050302	13	105
26116-060082	17	18
26116-120252	18	24
	19	35
	20	31
26206-100252	3	6
26206-100302	3	7
26206-120352	22	13
26216-060202	4	11
	5	10
26216-080402	7	6

## Parts No. Index

Parts No.	Fig. No.	Ref. No.
26216-080802	7	27
26226-080182	4	37
	5	36
26347-040002	7	19
26347-060002	7	20
26366-060002	4	25
	5	24
26366-080002	2	24
	7	3
		23
	12	22
	14	88
	23	44
26366-100002	7	21
26450-060252	10	15
26450-080282	8	30
26557-040352	7	22
26657-100002	17	26
26687-120002	14	96
26716-050002	23	41
26716-060002	13	106
26716-100002	12	23
26716-120002	8	17
	13	112
26756-050002	17	30
26756-060002	14	86
26756-080002	4	38
	5	37
	23	50
26756-100002	12	24
26776-120002	14	87
26921-050122	17	19
27231-500000	1	12
27241-120000	1	13
27241-300000	1	14
27241-400000	4	12
	5	11
27310-080001	4	17
	5	16
28110-100120	24	38
28110-140170	24	39
28110-190220	24	40
28210-000140	24	41
719609-92610	24	1
719609-92620	24	2
719810-01500	2	1
719810-53100	15	2
721400-92102	24	35
729402-01540	3	8
729402-11650	4	33

Parts No.	Fig. No.	Ref. No.
729402-14580	8	3
729402-23100	9	39
729407-01561	1	1
729503-53100	15	1
729609-51350	13	1
729609-51450	13	3
729609-51459	13	4
729609-51490	13	5
729609-53100	15	3
729619-51310	13	2
933110-00100	23	33
933110-00301	23	35
977770-01212	2	9
	3	27
	24	34
X0280210230	19	11
X0283060061	19	2
	20	3
X0283270140	19	12
X2114535200	18	12
X9490561370	19	4
	20	5
X9491200240	19	5
	20	6
X9491730461	19	26

Parts No.	Fig. No.	Ref. No.
-----------	----------	----------

Parts No.	Fig. No.	Ref. No.
-----------	----------	----------