

OCR10-M40900EN

P R E F A C E

1. This Parts Catalog carries all parts incorporated in YANMAR Model 4TN84TE-G1 engine manufactured since March 1991.
2. Each illustration corresponds to the parts list on the following page.
3. When ordering parts, clearly write down the engine model and serial number, as well as the name and number of each part in your order sheet. This will help insure reliable delivery of the parts you have ordered.

Directions for the Parts Catalog.

1. The parts stipulated in this Parts Catalog are not necessarily standard equipped parts.
2. Parts may change without prior notice.
3. The following is an example of the Parts Catalog format.

REF.	LEV.	PARTS NO.	DESCRIPTION	Q'TY						I	R
				(A)	(B)	(C)	(D)	(E)	(F)		
1	1	729595-51390	FUEL INJECTION PUMP	1	1	1	1	1			1
1-1	1	729595-51391	FUEL INJECTION PUMP	1	1	1	1	1		N	1
		(A=E00185) (B=E00200)									
3	2	26022-060162	SCREW M 6X 16	9	9	9	9	9			
3-1	2	26022-060162	SCREW M 6X 16	4	4	4	4	4		K	
		(A=E00156) (B=E00156) (C=E00156) (D=E00156) (E=E00156)									
4	2	129470-51040	CAMSHAFT	1	1	1	1	1			
5	2	122710-51050	BEARING, ROLLER	2	2	2	2	2			
6	2	129470-51060	RETAINER	1	1	1	1	1			

Remarks
(1) BOOST COMPEMSATOR TYPE. OPTIONAL PART, TO E00155,(4JH-DT, 4JH-DTZ

① Ref. No.

The Ref. No. listed may not be in accordance with the illustration Ref. No.

(Ex.) Illustration No.

List Ref No.

1

1

(Before change)

1-1

(After change)

For interchangeable symbols N, R and K, illustrations for new parts may be abbreviated.

② Lev. (Level)

Level indication

The numbers below indicate the level of relativity towards the main part.

1 ----- Main parts (Assembly parts)

2 ----- Sub component included in " 1 ".

3 ----- Sub component included in " 2 ".

Note) Parts that are not for sale are partially illustrated but not listed.

③ Interchangeability Mark

When a part change takes place, one of the following interchangeability symbols is indicated beside the part.

Symbol	Interchangeability	Contents note
N	Old $\begin{matrix} \leftarrow \text{Yes} \\ \text{No} \rightarrow \end{matrix}$ New	New Part is interchangeable for Old Part but Old Part is not interchangeable for New Part.
Q	Old $\begin{matrix} \leftarrow \text{No} \\ \text{Yes} \rightarrow \end{matrix}$ New	New Part is not interchangeable for Old Part but Old Part is interchangeable for New Part.
R	Old $\begin{matrix} \leftarrow \text{Yes} \\ \text{Yes} \rightarrow \end{matrix}$ New	New/ Old Parts are both interchangeable.
S	Old $\begin{matrix} \leftarrow \text{No} \\ \text{No} \rightarrow \end{matrix}$ New	New/ Old Parts are both not interchangeable.
W		Part newly added.
Z		Part discontinued.
F		Not interchangeable by a single part but interchangeable together with related parts.
K		Changes only for used parts quantities.

④ Effective Machine No.

When a part changes, the effective Machine No. will be indicated in the (A)-(F) column.

Product Symbol	Product No.	Product Symbol	Product No.
C	Clutch No. Compressor No.	F	Machine No. (Agricultural Equip.)
D	Drive No.	M	Machine No.
E	Engine No.		

Note 1) A date may follow the symbol. (Ex.) 1996.01

Note 2) "XXXXX" and "ZZZZZ" are for parts that could not be predicted or for engine models that could not be identified.

Note 3) (A=E00185) is the E (Engine Serial Number) for the column (A) model (in this case 4JH-DT) after the parts design change.

⑤ Remarks Mark

Figures or alphabets (symbols) are entered in the remarks column.

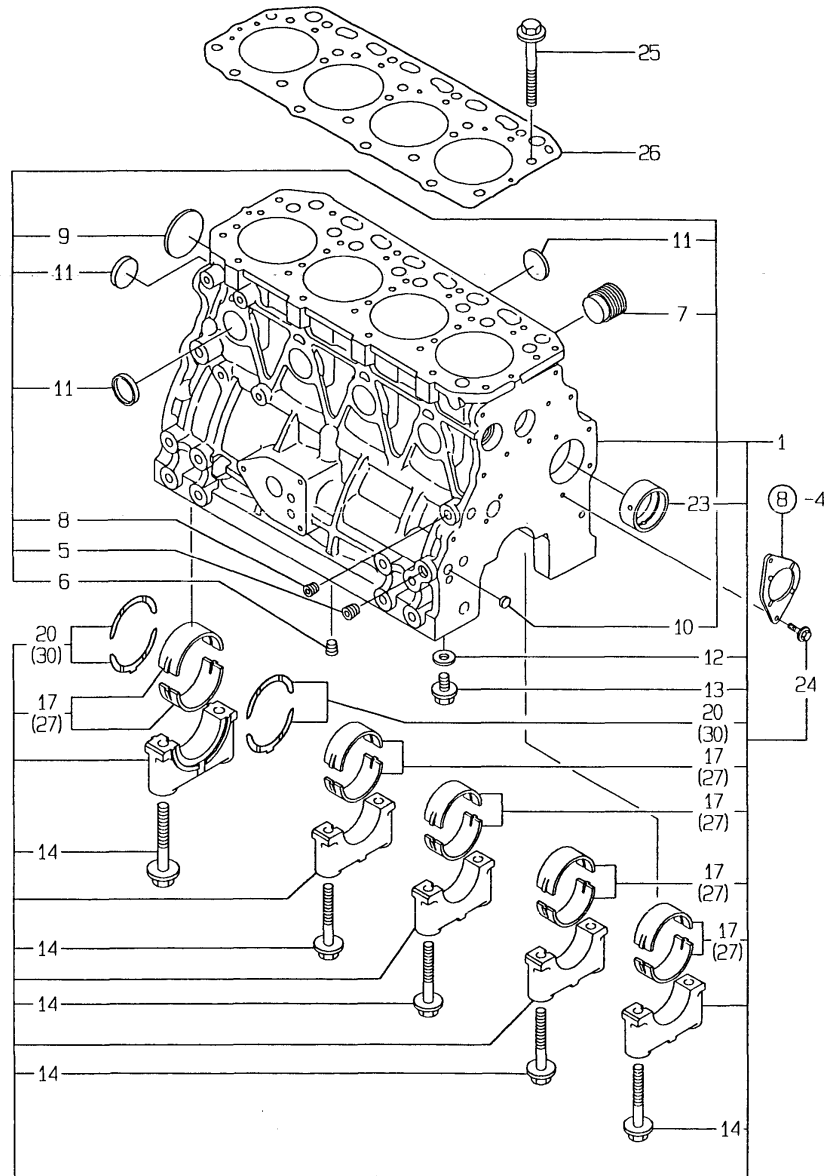
The comments (remarks) on parts that are indicated at the bottom of the illustration are the same symbols as those stated above.

Contents

Fig. No.	Fig. Name	Fig. No.	Fig. Name
ENGINE(4TN84TE-G1)			
1.	CYLINDER BLOCK		
2.	GEAR HOUSING		
3.	FLYWHEEL HOUSING & OIL SUMP		
4.	BONNET		
5.	CYLINDER HEAD		
6.	SUCTION MANIFOLD & AIR CLEANER		
7.	EXHAUST MANIFOLD & SILENCER		
8.	CAMSHAFT & DRIVING GEAR		
9.	TURBOCHARGER		
10.	CRANKSHAFT & PISTON		
11.	LUB. OIL SYSTEM		
12.	COOLING WATER SYSTEM		
13.	THERMOSTAT		
14.	FUEL INJECTION PUMP		
15.	GOVERNOR		
16.	FUEL INJECTION VALVE		
17.	FUEL LINE		
18.	ENGINE CONTROL DEVICE		
19.	STARTING MOTOR		
20.	GENERATOR		
21.	GASKET SET & TOOL		

Fig.1. CYLINDER BLOCK

1. CYLINDER BLOCK



(A)=4TN84TE-G1

(B)=

(C)=

(D)=

(E)=

(F)=

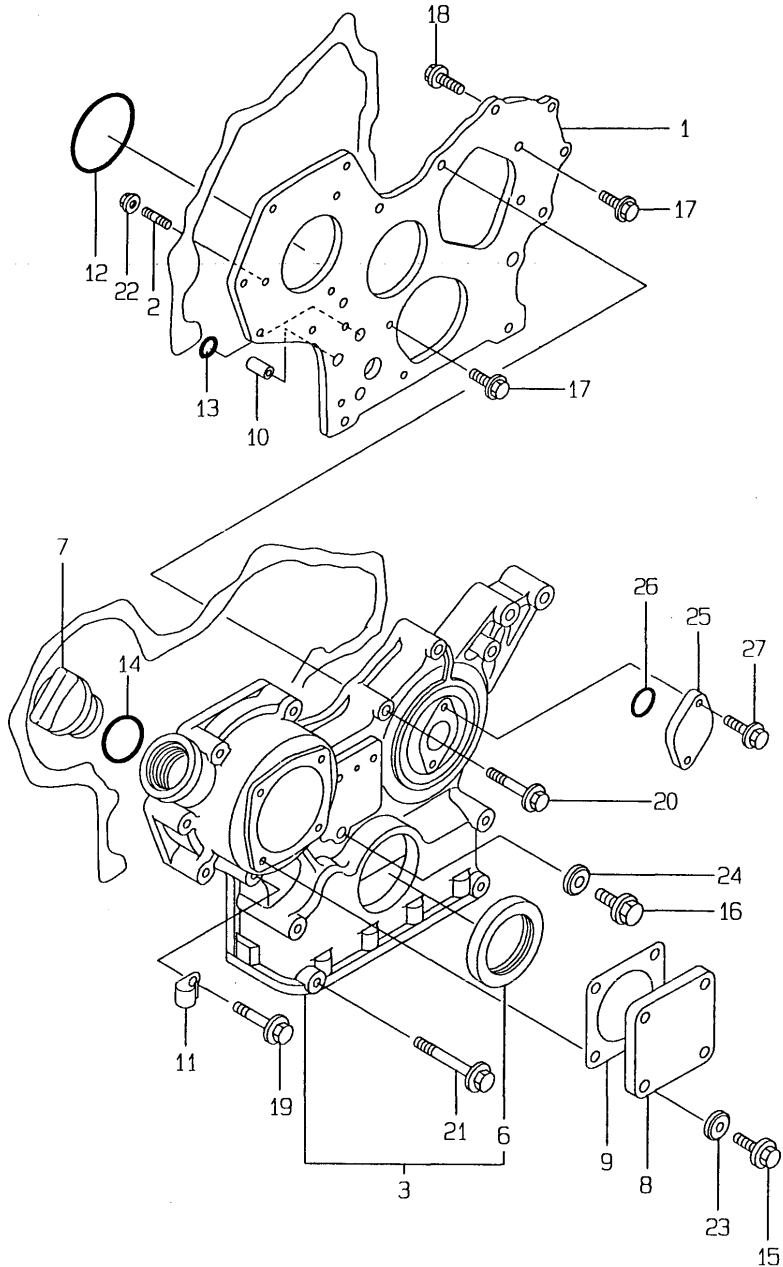
No.	Lev.	Parts No.	Description	Q'ty						I	R
				(A)	(B)	(C)	(D)	(E)	(F)		
1	1	729405-01560	BLOCK ASSY, CYLINDER	1							
5	3	124160-01910	PLUG, PT1/4	2							
6	3	124160-01910	PLUG, PT1/4	1							
7	3	171051-01921	PLUG, NPTF1	1							
8	3	23871-010000	PLUG, R01	1							
9	3	27231-500000	PLUG 50	1							
10	3	27241-120000	PLUG, 12	2							
11	3	27241-300000	PLUG 30	8							
12	2	23414-080000	GASKET, 8X1.0	4							
13	2	26106-080122	BOLT, M8X 12 PLATED	4							
14	2	129150-02020	BOLT, METAL CAP	10							
17	2	129150-02800	BEARING, MAIN	5							
20	2	129150-02930	BEARING, THRUST	2							
23	2	129795-02411	BUSH, CAMSHAFT	1							
24	2	26106-080162	BOLT, M8X 16 PLATED	2							
25	1	129150-01200	BOLT, HEAD	18							
26	1	129405-01330	GASKET, HEAD	1							
27	1	129150-02870	BEARING, 0.25 US	5							1
30	1	129150-02940	BEARING, THRUST 0.25	2							2

Remarks

- (1) UNDER-SIZE(U.S.=0.25)PART.
- (2) OVER-SIZE(O.S.=0.25)PART.

Fig.2. GEAR HOUSING

2. GEAR HOUSING



(A)=4TN84TE-G1

(B)=

(C)=

(D)=

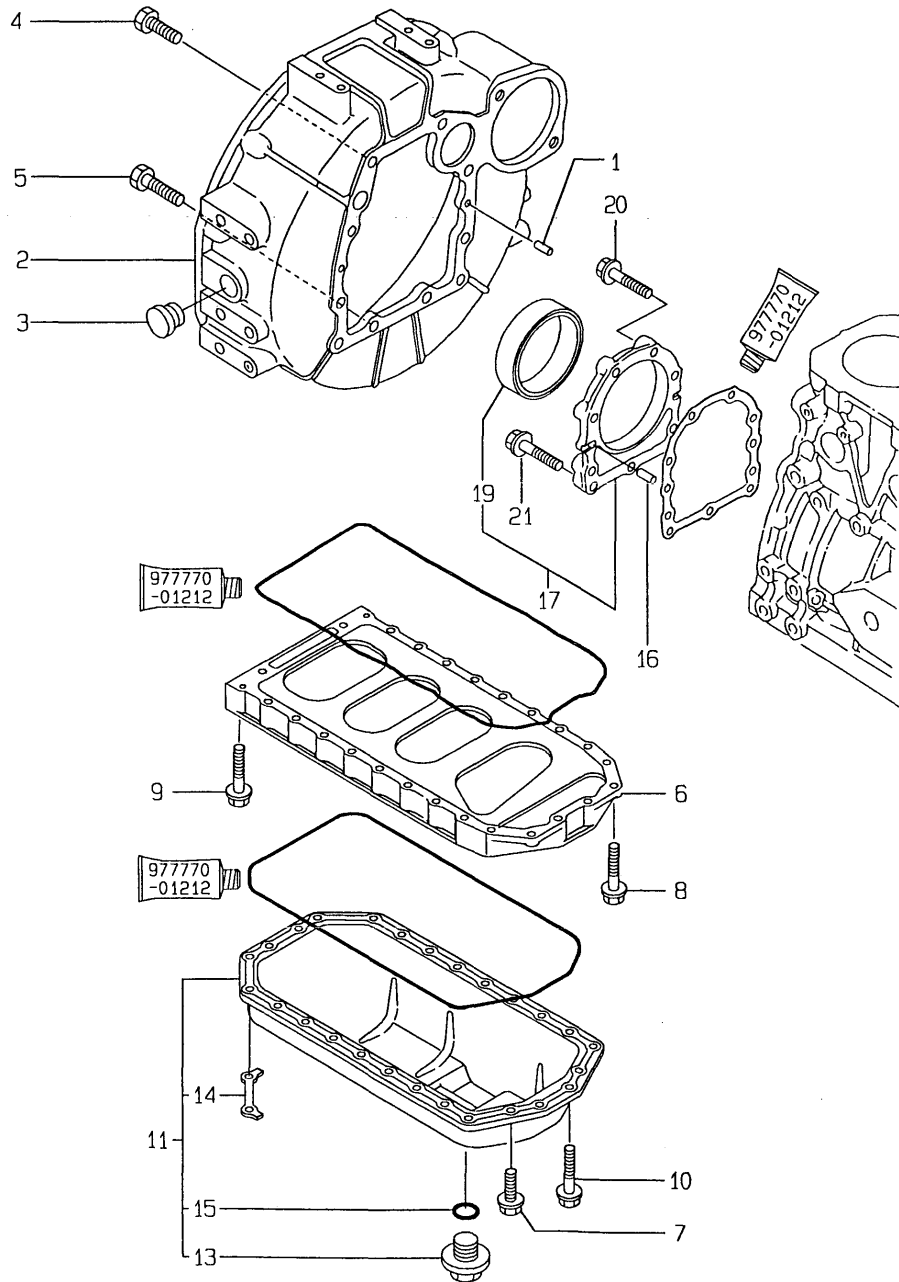
(E)=

(F)=

No.	Lev.	Parts No.	Description	Q'ty						I	R
				(A)	(B)	(C)	(D)	(E)	(F)		
1	1	129400-01520	FLANGE, GEAR CASE	1							
2	1	121450-01560	STUD, M8X22	3							
3	1	129400-01590	CASE ASSY, GEAR	1							
6	2	129795-01800	SEAL, OIL	1							
7	1	124160-01751	COVER, FILLER	1							
8	1	124240-01871	COVER	1							
9	1	124240-01883	GASKET	1							
10	1	129795-01950	PIPE, KNOCK L=18	2							
11	1	129150-03100	RETAINER, PIPE	1							
12	1	121850-51960	O-RING	1							
13	1	24311-000160	O-RING, 1AP16.0	2							
14	1	24311-000320	O-RING, 1AP32.0	1							
15	1	26106-080122	BOLT, M8X 12 PLATED	4							
16	1	26106-080162	BOLT, M8X 16 PLATED	1							
17	1	26106-080162	BOLT, M8X 16 PLATED	3							
18	1	26106-080202	BOLT, M8X 20 PLATED	2							
19	1	26106-080452	BOLT, M8X 45 PLATED	6							
20	1	26106-080552	BOLT, M8X 55 PLATED	3							
21	1	26106-080852	BOLT, M8X 85 PLATED	4							
22	1	26366-080002	NUT, M8	3							
23	1	43400-500410	SEAL WASHER 8	4							
24	1	43400-500410	SEAL WASHER 8	1							
25	1	121023-01550	COVER	1							
26	1	24341-000240	O-RING, 1AS24.0	1							
27	1	26106-060162	BOLT, M6X 16 PLATED	2							

Fig.3. FLYWHEEL HOUSING & OIL SUMP

3.FLYWHEEL HOUSING & OIL SUMP



(A)=4TN84TE-G1

(B)=

(C)=

(D)=

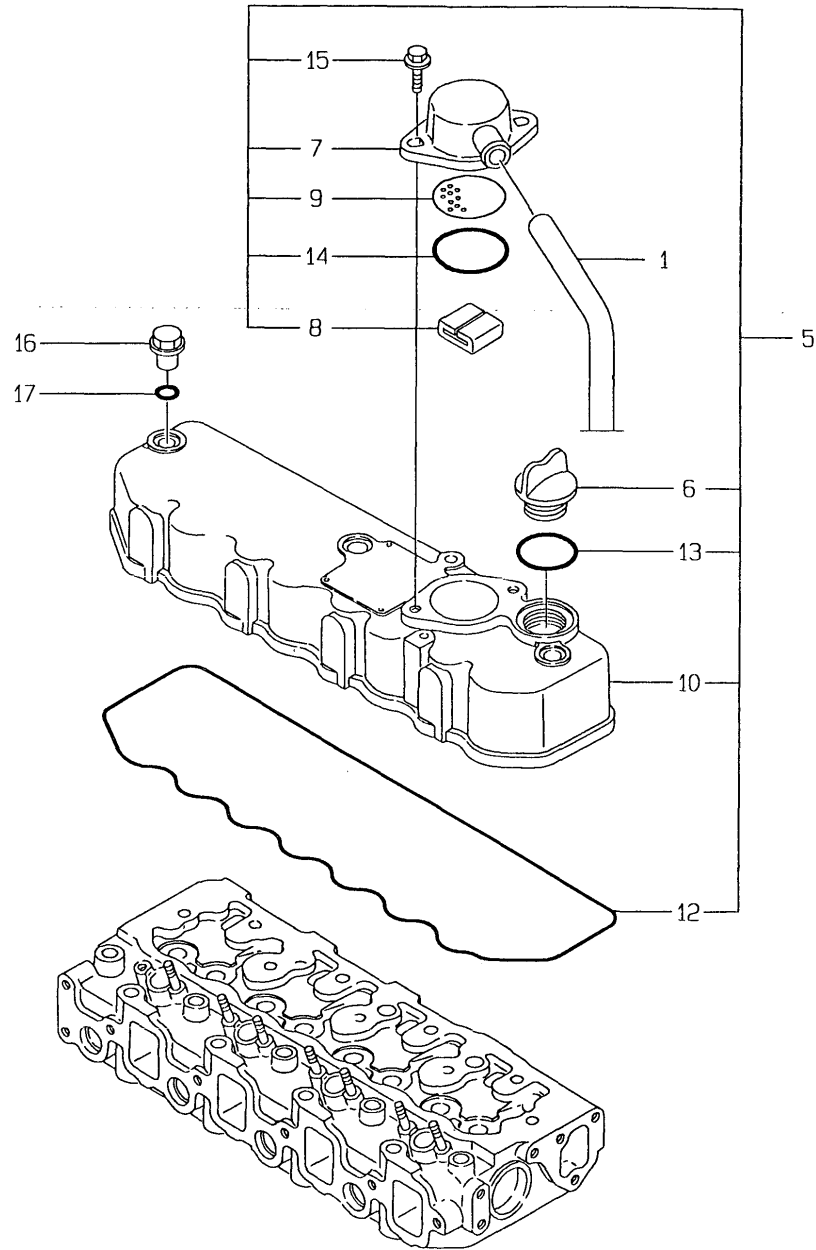
(E)=

(F)=

No.	Lev.	Parts No.	Description	Q'ty						I	R
				(A)	(B)	(C)	(D)	(E)	(F)		
1	1	129100-01580	PIN, M8X16	2							
2	1	171420-01600	HOUSING, FLYWHEEL	1							
3	1	119620-01750	CAP	1							
4	1	26206-100252	BOLT, M10X 25 PLATED	6							
5	1	26206-100302	BOLT, M10X 30 PLATED	4							
6	1	129400-01730	SPACER, OIL SUMP	1							
7	1	26106-080162	BOLT, M8X 16 PLATED	4							
8	1	26106-080252	BOLT, M8X 25 PLATED	2							
9	1	26106-080452	BOLT, M8X 45 PLATED	20							
10	1	26106-080502	BOLT, M8X 50 PLATED	4							
11	1	729402-01540	SUMP ASSY, OIL	1							
13	2	171301-01640	PLUG, 22	1							
14	2	129100-01790	RETAINER	2							
15	2	24341-000240	O-RING, 1AS24.0	1							
16	1	129100-01580	PIN, M8X16	2							
17	1	129100-01640	CASE ASSY, OIL SEAL	1							
19	2	129795-01780	SEAL, OIL	1							
20	1	26106-080302	BOLT, M8X 30 PLATED	6							
21	1	26106-080352	BOLT, M8X 35 PLATED	3							

Fig.4. BONNET

4. BONNET



(A)=4TN84TE-G1

(B)=

(C)=

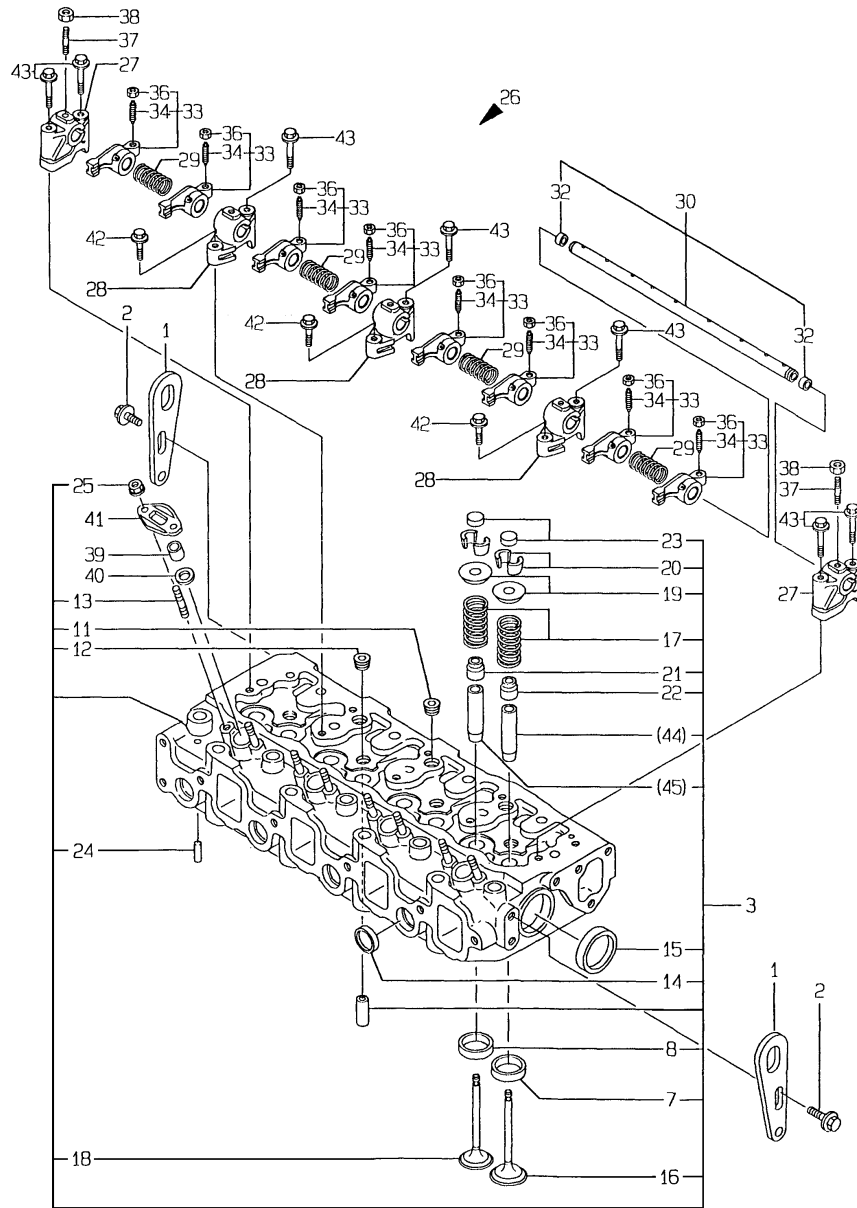
(D)=

(E)=

(F)=

No.	Lev.	Parts No.	Description	Q'ty						I	R
				(A)	(B)	(C)	(D)	(E)	(F)		
1	1	171350-03090	PIPE , BREATHER 900	1							
5	1	129400-11350	BONNET ASSY, HEAD	1							
6	2	124160-01751	COVER, FILLER	1							
7	2	129150-03020	COVER, BREATHER	1							
8	2	129150-03070	BAFFLE, BREATHER	1							
9	2	129150-03080	PLATE, BAFFLE	1							
10	2	129400-11300	BONNET	1							
12	2	129550-11310	GASKET, BONNET	1							
13	2	24311-000320	O-RING, 1AP32.0	1							
14	2	24341-000500	O-RING, 1AS50.0	1							
15	2	26106-080162	BOLT, M8X 16 PLATED	2							
16	1	124160-11360	KNOB	3							
17	1	24311-000120	O-RING, 1AP12.0	3							

Fig.5. CYLINDER HEAD



(A)=4TN84TE-G1

(B)=

(C)=

(D)=

(E)=

(F)=

No.	Lev.	Parts No.	Description	Qty						I	R
				(A)	(B)	(C)	(D)	(E)	(F)		
1	1	124736-07900	LIFTER	2							
2	1	26106-080142	BOLT, M8X 14 PLATED	4							
3	1	729406-11700	HEAD ASSY, CYLINDER	1							
7	2	129470-11080	SEAT, INTAKE VALVE	4							
8	2	129470-11090	SEAT, EXHAUST VALVE	4							
11	2	121850-11860	PLUG, PT1/4	3							
12	2	23871-030000	PLUG, R03	4							
13	2	26216-060202	STUD, M6X 20	8							
14	2	27241-220000	PLUG, 22	4							
15	2	27241-400000	PLUG, 40	2							
16	2	129100-11100	VALVE, INTAKE	4							
17	2	129795-11120	SPRING, VALVE	8							
18	2	129100-11130	VALVE, EXHAUST	4							
19	2	129795-11180	RETAINER, SPRING	8							
20	2	103338-11190	COTTER	8							
21	2	121400-11340	SEAL, VALVE STEM	4							
22	2	124460-11340	SEAL, VALVE STEM	4							
23	2	129150-11370	CAP, VALVE	8							
24	2	22351-060012	PIN, SPRING 6.0X12	2							
25	2	26366-060002	NUT, M6	8							
26	1	129500-11240	SHAFT ASSY, ROCKER	1							
27	2	129155-11260	SUPPORT, ROCKER ARM	2							
28	2	129155-11270	SUPPORT, ROCKER ARM	3							
29	2	129150-11280	SPRING	4							
30	2	129550-11290	SHAFT, ROCKER ARM	1							
32	3	27241-100000	PLUG, 10	2							
33	2	129100-11650	ARM, ROCKER	8							
34	3	129150-11230	SCREW, VALVE ADJUST	8							
36	3	129150-11750	NUT, M8	8							
37	2	26226-080182	STUD, M8X 18	3							
38	2	26756-080002	NUT, LOCK M8	3							
39	1	119625-11870	PROTECTOR, NOZZLE	4							
40	1	119625-11880	SEAT, NOZZLE	4							
41	1	119625-11900	RETAINER, NOZZLE	4							
42	1	26106-080252	BOLT, M8X 25 PLATED	3							
43	1	26106-080502	BOLT, M8X 50 PLATED	7							
44	1	120130-11860	GUIDE, VALVE	4							1
45	1	129150-11810	GUIDE, VALVE	4							1

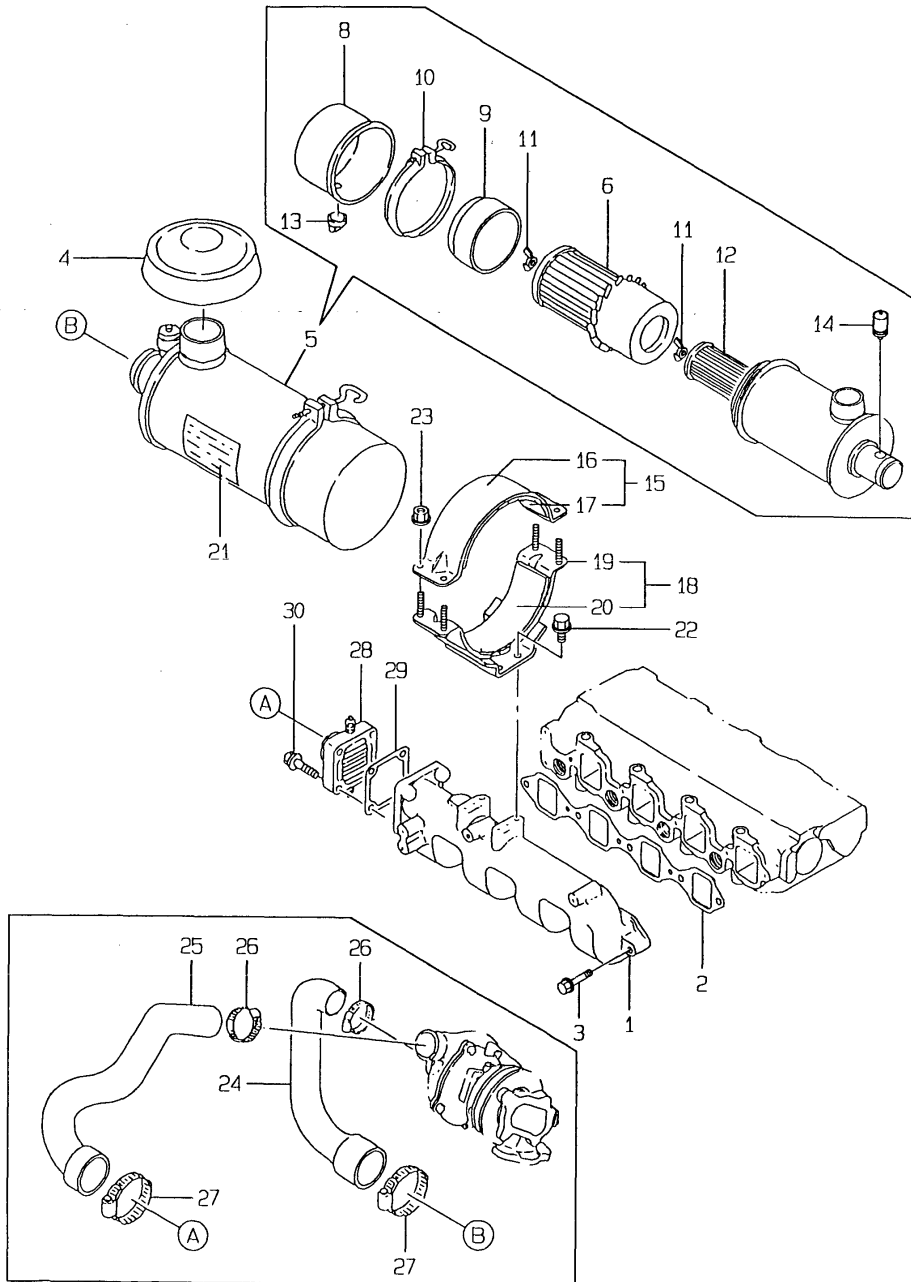
Remarks

(1) Spare parts.

N:Old $\xrightarrow{\text{Yes}}$ New, Q:Old $\xrightarrow{\text{No}}$ New, R:Old $\xrightarrow{\text{Yes}}$ New, S:Old $\xrightarrow{\text{No}}$ New, W:Add, Z:Discontinued, F:Interchangeable by set, K:Qty Change

Fig.6. SUCTION MANIFOLD & AIR CLEANER

6.SUC.MANIFOLD & AIR CLEANER



(A)=4TN84TE-G1

(B)=

(C)=

(D)=

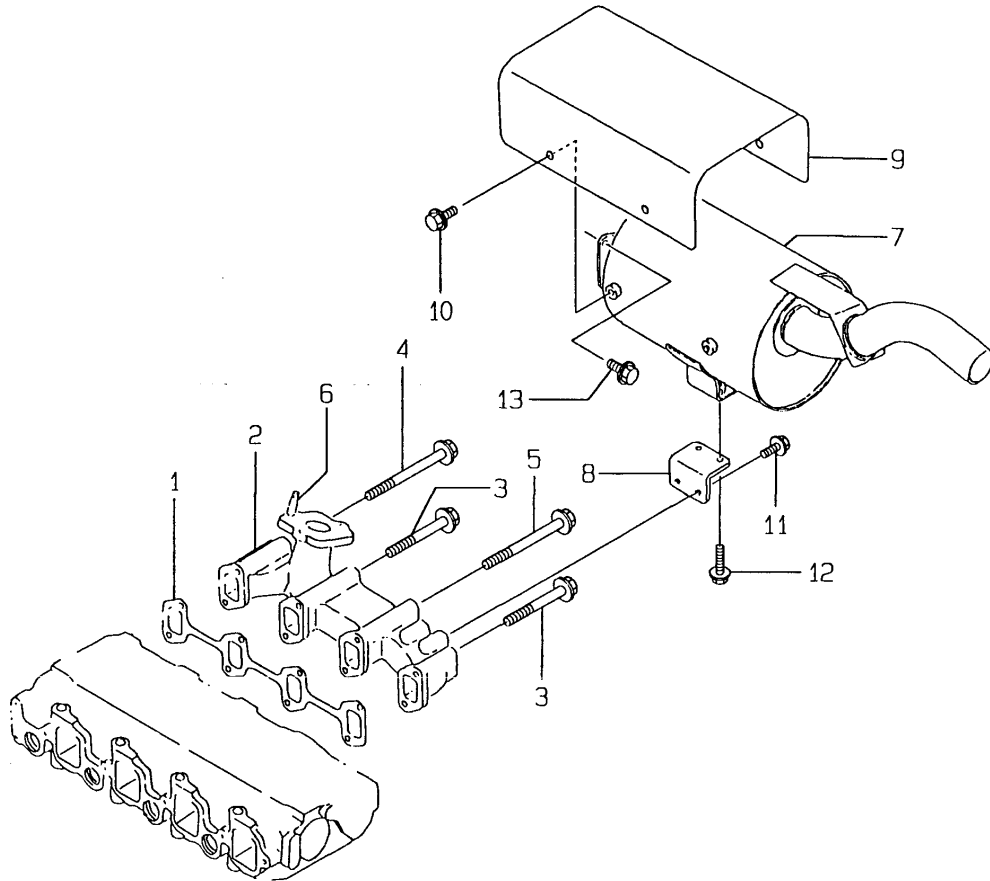
(E)=

(F)=

No.	Lev.	Parts No.	Description	Qty						I	R
				(A)	(B)	(C)	(D)	(E)	(F)		
1	1	129488-12100	MANIFOLD, AIR INTAKE	1							
2	1	129550-12111	GASKET, MANIFOLD	1							
3	1	26106-080352	BOLT, M8X 35 PLATED	5							
4	1	121521-12400	CAP, RAIN	1							
5	1	129411-12500	CLEANER ASSY, AIR	1							
6	2	121420-12511	ELEMENT	1							
8	2	121422-12530	CUP	1							
9	2	121420-12540	SCARF, BAFFLE	1							
10	2	121420-12550	CLAMP ASSY	1							
11	2	121420-12561	NUT, WING	2							
12	2	121422-12570	ELEMENT	1							
13	2	121422-12580	VALVE, UNLOADER	1							
14	2	126650-12680	INDICATOR	1							
15	1	121400-12540	BAND ASSY, CLEANER	1							
16	2	121400-12560	BAND, AIR CLEANER	1							
17	2	121400-12570	SEAT, RUBBER B	1							
18	1	171351-12580	SUPPORT ASSY,CLEANER	1							
19	2	171351-12560	SUPPORT, AIR CLEANER	1							
20	2	171351-12570	SEAT, RUBBER	1							
21	1	129136-12600	LABEL, AIR CLEANER	1							
22	1	26106-080142	BOLT, M8X 14 PLATED	4							
23	1	26366-060002	NUT, M6	4							
24	1	129488-12050	PIPE, AIR INTAKE	1							
25	1	129488-12060	PIPE, AIR INTAKE	1							
26	1	23000-050000	CLAMP 50	2							
27	1	23000-070000	CLAMP, 70	2							
28	1	129120-77501	HEATER	1							
29	1	129150-77511	GASKET	1							
30	1	26106-080352	BOLT, M8X 35 PLATED	4							

Fig.7. EXHAUST MANIFOLD & SILENCER

7.EXH.MANIFOLD & SILENCER



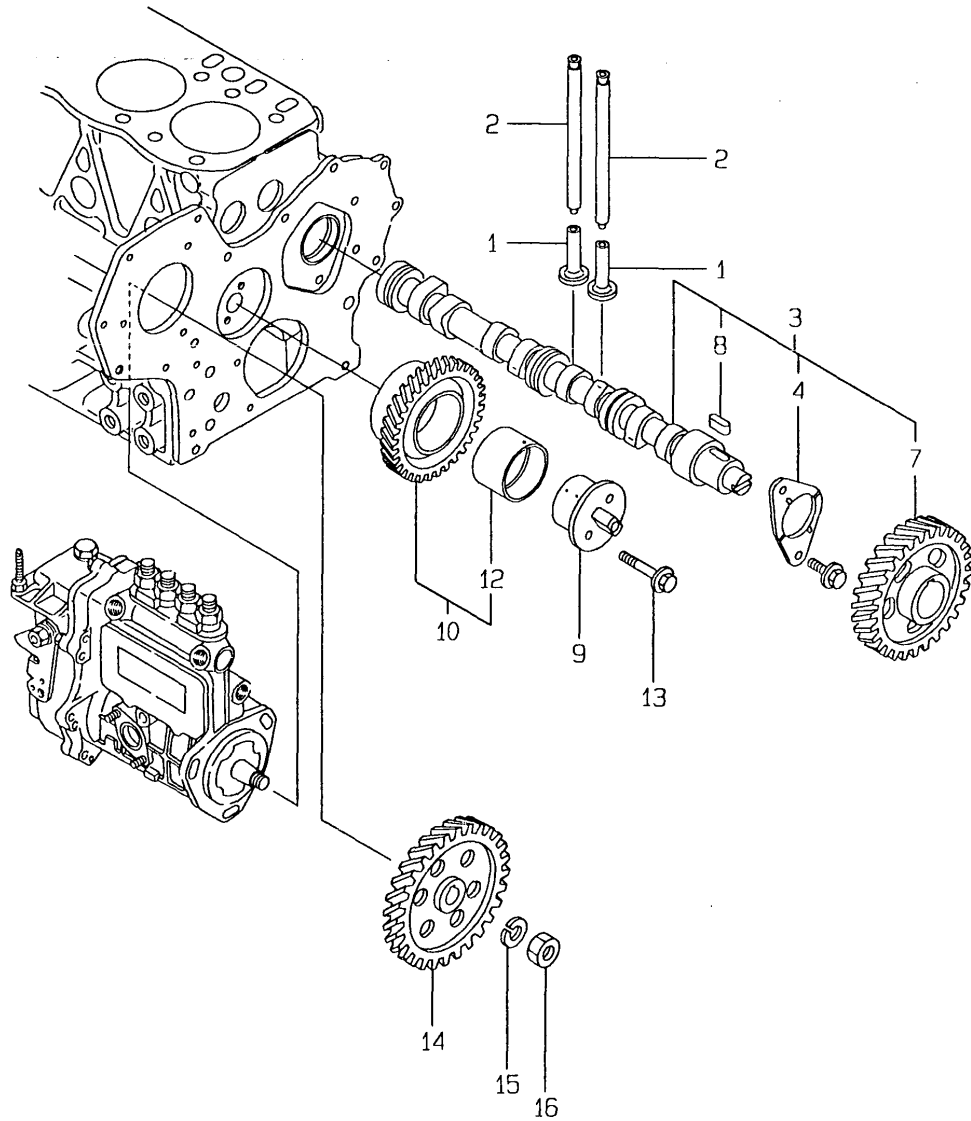
(A)=4TN84TE-G1
(B)=
(C)=

(D)=
(E)=
(F)=

No.	Lev.	Parts No.	Description	Q'ty						I	R
				(A)	(B)	(C)	(D)	(E)	(F)		
1	1	129550-13110	GASKET	1							
2	1	129403-13130	MANIFOLD, EXHAUST	1							
3	1	26106-080652	BOLT, M8X 65 PLATED	3							
4	1	26106-080852	BOLT, M8X 85 PLATED	1							
5	1	26106-081002	BOLT, M8X100 PLATED	4							
6	1	26216-080222	STUD, M8X 22	3							
7	1	129412-13500	SILENCER	1							
8	1	129403-13540	SUPPORT, SILENCER	1							
9	1	129412-13600	COVER, SILENCER	1							
10	1	26106-080122	BOLT, M8X 12 PLATED	4							
11	1	26106-080142	BOLT, M8X 14 PLATED	2							
12	1	26106-080202	BOLT, M8X 20 PLATED	2							
13	1	26106-080202	BOLT, M8X 20 PLATED	4							

Fig.8. CAMSHAFT & DRIVING GEAR

8. CAMSHAFT & DRIVING GEAR



(A)=4TN84TE-G1

(B)=

(C)=

(D)=

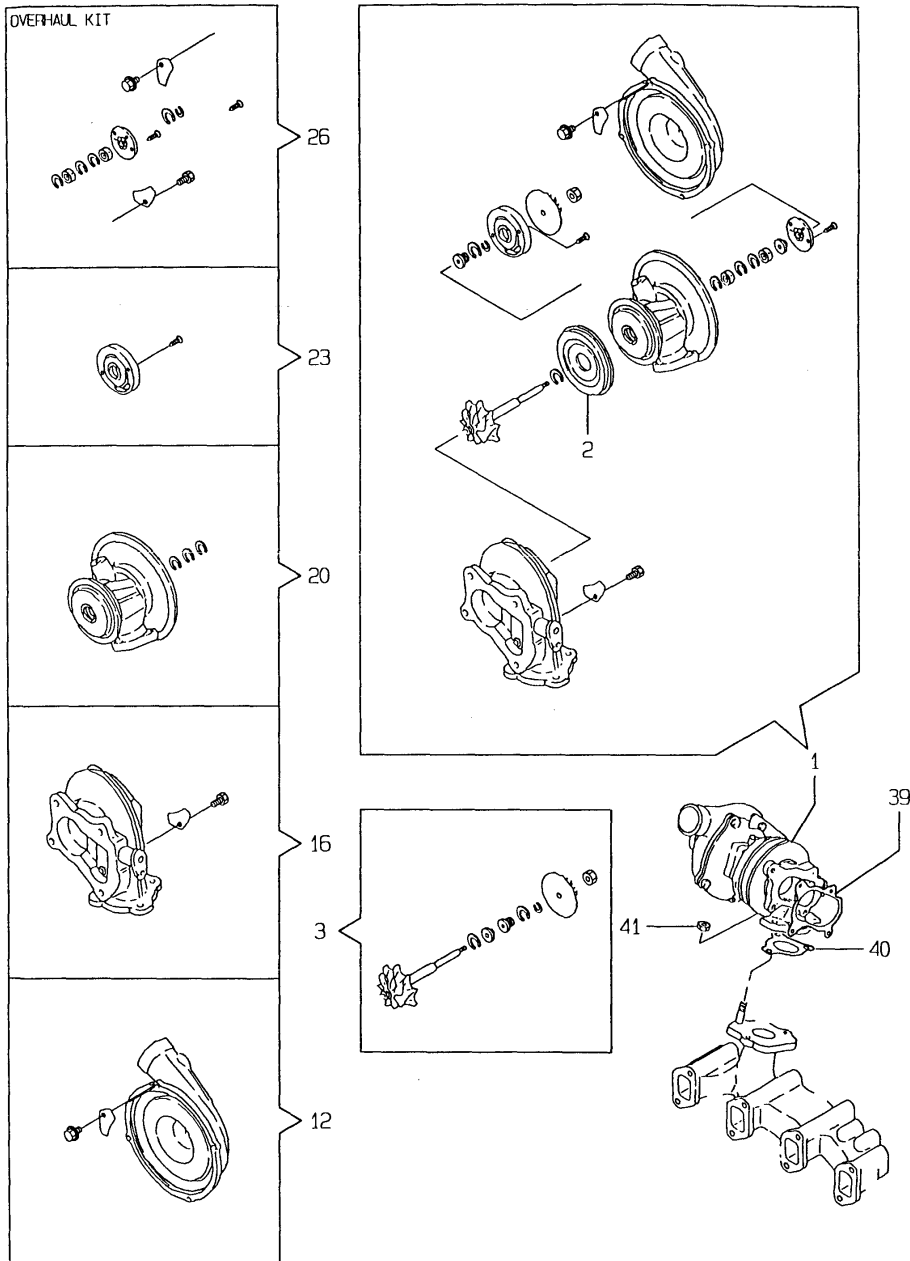
(E)=

(F)=

No.	Lev.	Parts No.	Description	Q'ty						I	R
				(A)	(B)	(C)	(D)	(E)	(F)		
1	1	129150-14200	TAPPET	8							
2	1	129150-14400	ROD, PUSH L=178	8							
3	1	729402-14580	CAMSHAFT ASSY	1							
4	2	129150-02450	BEARING, THRUST	1							
7	2	129150-14101	GEAR, CAMSHAFT	1							
8	2	22512-070140	KEY, 7X 14	1							
9	1	129100-25061	SHAFT, IDLE	1							
10	1	129150-25101	GEAR ASSY, IDLE	1							
12	2	129150-25061	BUSH, IDLE GEAR	1							
13	1	26106-080452	BOLT, M8X 45 PLATED	2							
14	1	129150-25900	GEAR, PUMP	1							
15	1	22217-120000	WASHER, SPRING 12	1							
16	1	26716-120002	NUT, M12	1							

Fig.9. TURBOCHARGER

9. TURBOCHARGER



(A)=4TN84TE-G1

(B)=

(C)=

(D)=

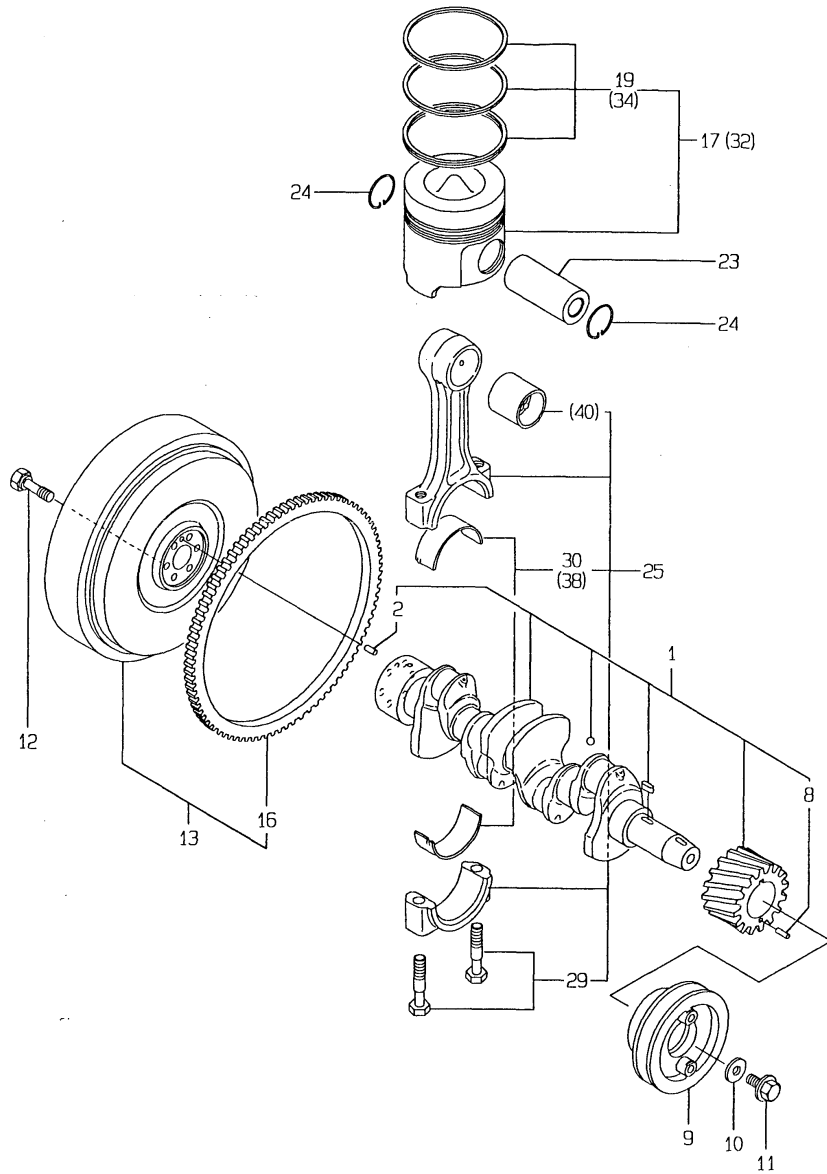
(E)=

(F)=

No.	Lev.	Parts No.	Description	Qty						I	R
				(A)	(B)	(C)	(D)	(E)	(F)		
1	1	129406-18010	TURBINE, RHB31	1							
2	2	129403-18720	PROTECTOR, HEAT	1							
3	2	129406-18770	ROTOR ASSY, TURBO	1							
12	2	129406-18780	HOUSING ASSY, BLOWER	1							
16	2	129406-18790	HOUSING ASSY, TURBO	1							
20	2	129403-18800	HOUSING ASSY	1							
23	2	129403-18820	SEAL PLATE ASSY	1							
26	2	129406-18830	OVERHALL KIT	1							
39	1	129403-18090	GASKET	1							
40	1	129477-18100	GASKET	1							
41	1	194990-22050	NUT, M8	3							

Fig.10. CRANKSHAFT & PISTON

10. CRANKSHAFT & PISTON



(A)=4TN84TE-G1

(B)=

(C)=

(D)=

(E)=

(F)=

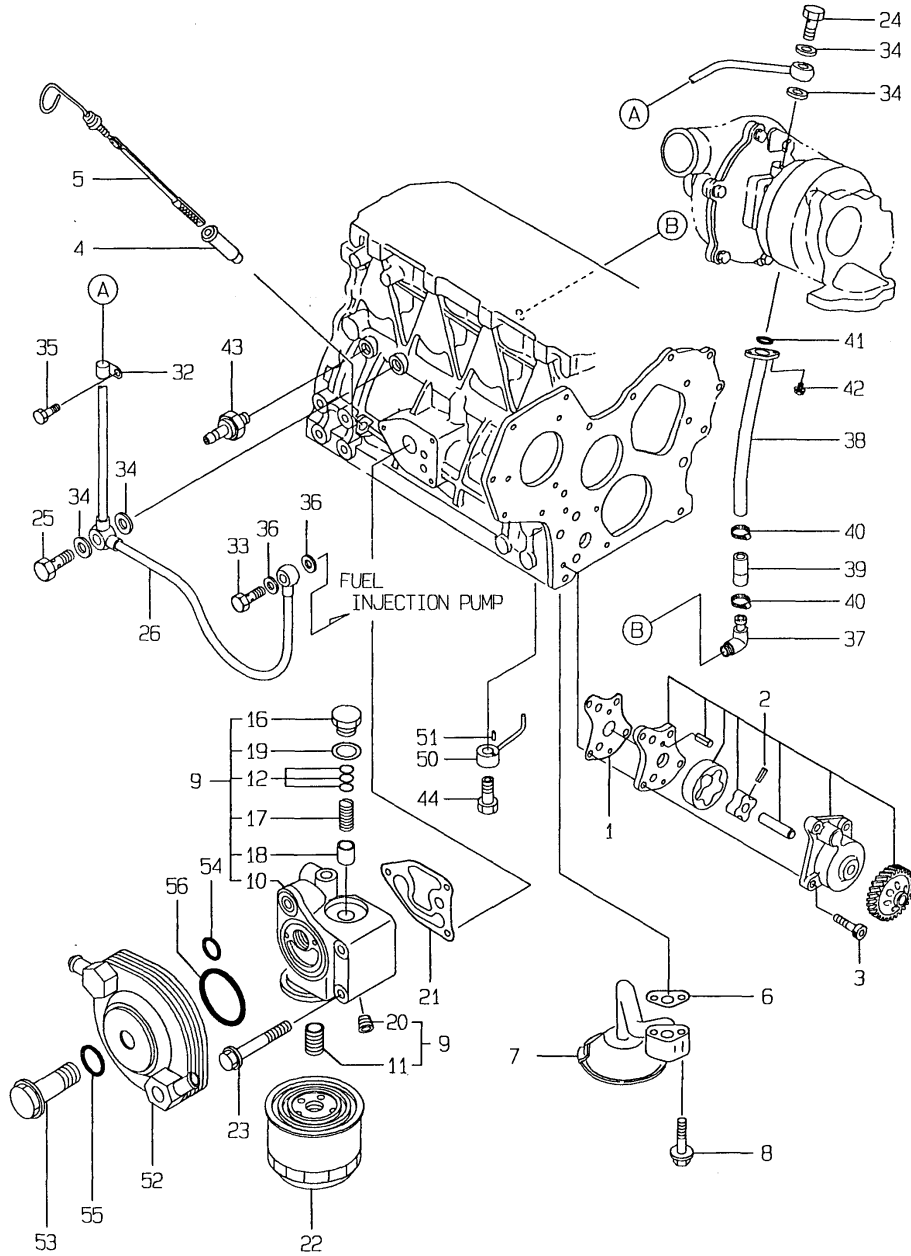
No.	Lev.	Parts No.	Description	Q'ty						I	R
				(A)	(B)	(C)	(D)	(E)	(F)		
1	1	729406-21700	CRANKSHAFT ASSY	1							
2	2	129100-01580	PIN, M8X16	1							
8	1	22351-040010	PIN, SPRING 4.0X10	1							
9	1	129550-21650	V-PULLEY	1							
10	1	129795-21661	WASHER	1							
11	1	121850-21680	BOLT	1							
12	1	121111-21501	BOLT, FLYWHEEL	6							
13	1	171420-21590	FLYWHEEL ASSY	1							
16	2	124550-21600	GEAR, RING	1							
17	1	129105-22090	PISTON ASSY	4							
19	2	729105-22500	RING SET, PISTON	4							
23	1	129150-22300	PIN, PISTON D26 L66	4							
24	1	121100-22400	CIRCLIP	8							
25	1	729402-23100	ROD ASSY, CONNECTING	4							
29	2	121550-23200	BOLT, CONNECTING ROD	8							
30	2	129150-23600	BEARING, CRANK PIN	4							
32	1	729105-22910	PISTON ASSY, 0.25 OS	4							1
34	2	729105-22951	RING SET, 0.25 OS	4							1
38	1	129150-23610	BEARING, 0.25 US	4							2
40	1	129100-23910	BEARING, PISTON PIN	4							3

Remarks

- (1)OVER-SIZE(O.S=0.25)PART.
- (2)UNDER-SIZE(U.S=0.25)PART.
- (3)REPAIR PART.

Fig.11. LUB. OIL SYSTEM

11.LUB.OIL SYSTEM



(A)=4TN84TE-G1

(B)=

(C)=

(D)=

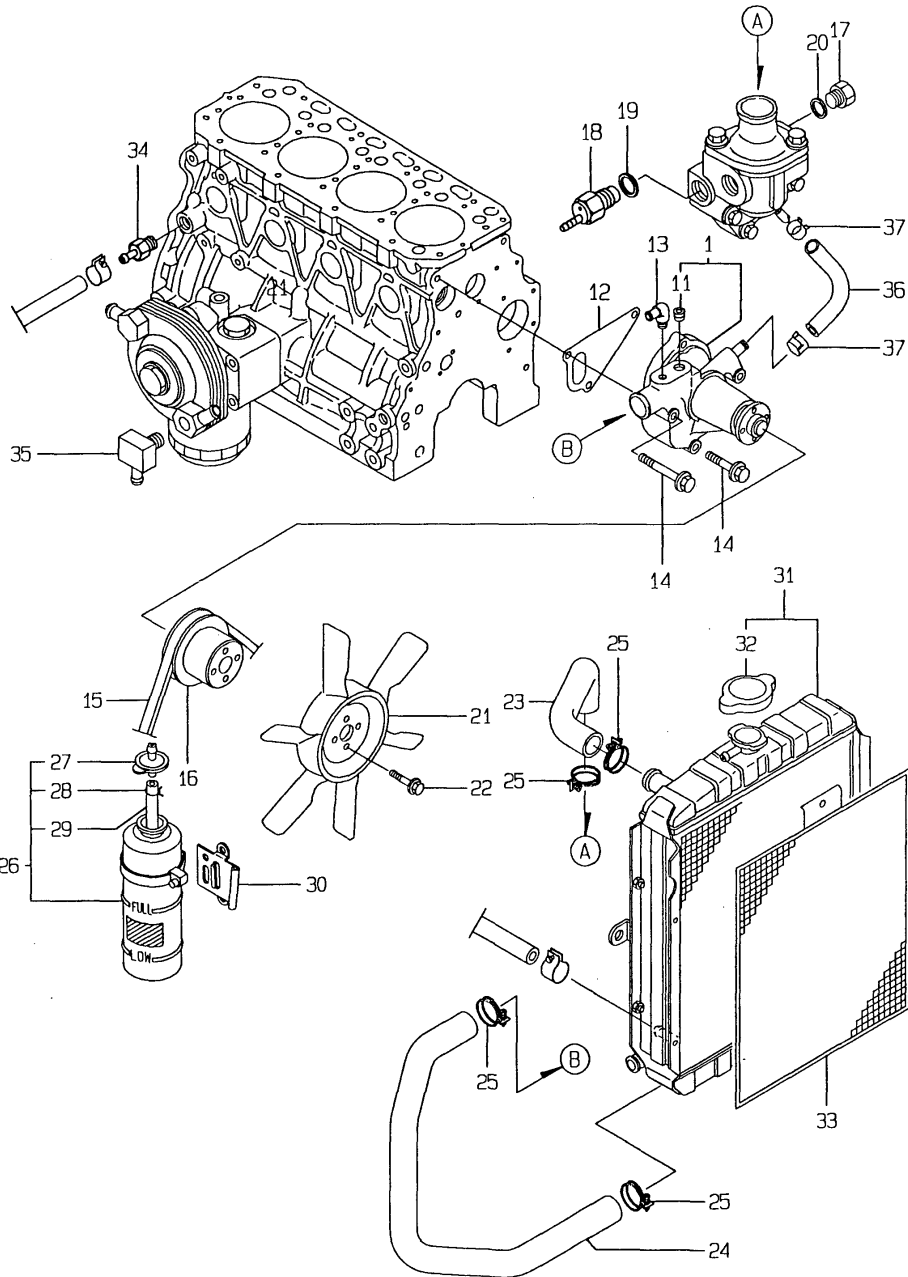
(E)=

(F)=

No.	Lev.	Parts No.	Description	Q'ty						I	R
				(A)	(B)	(C)	(D)	(E)	(F)		
1	1	129150-32020	GASKET, PUMP	1							
2	1	129553-32000	PUMP ASSY, OIL	1							
3	1	26450-060252	BOLT, M6X 25	4							
4	1	121520-34810	GUIDE, DIPSTICK	1							
5	1	171420-34800	DIPSTICK, OIL	1							
6	1	129150-35041	GASKET	1							
7	1	129150-35091	PIPE ASSY, OIL INLET	1							
8	1	26106-080352	BOLT, M8X 35 PLATED	2							
9	1	129103-35101	BRACKET ASSY, FILTER	1							
10	2	129103-35111	BRACKET	1							
11	2	129100-35140	STUD	1							
12	2	121850-35200	SHIM SET	1							
16	2	124223-35510	RETAINER, SPRING	1							
17	2	121850-35520	SPRING	1							
18	2	121850-35531	VALVE, CONTROL	1							
19	2	23414-180000	GASKET, 18X1.0	1							
20	2	23871-020000	PLUG, R02	1							
21	1	129103-35122	GASKET	1							
22	1	129150-35150	FILTER 90X80L	1							
23	1	26106-080752	BOLT, M8X 75 PLATED	3							
24	1	124160-39140	BOLT, PIPE JOINT M10	1							
25	1	121252-39150	BOLT, JOINT M10X1.5	1							
26	1	129403-39460	PIPE ASSY, OIL	1							
32	1	124223-39900	RETAINER	1							
33	1	124550-59820	BOLT, PIPE JOINT M8	1							
34	1	23414-100000	GASKET, 10X1.0	4							
35	1	26106-080102	BOLT, M8X 10 PLATED	1							
36	1	43400-500410	SEAL WASHER 8	2							
37	1	128270-13620	JOINT, PIPE PT3/8	1							
38	1	129403-39600	PIPE, OIL	1							
39	1	129403-39610	JOINT, RUBBER	1							
40	1	23000-022000	CLAMP, 22	2							
41	1	24314-000160	O-RING, 4CP16.0	1							
42	1	26106-060162	BOLT, M6X 16 PLATED	2							
43	1	124160-39450	SWITCH, 0.5KG	1							
44	1	129792-39410	VALVE ASSY, CHECK	4							
50	1	129553-39650	NOZZLE	4							
51	1	22351-030010	PIN, SPRING 3.0X10	4							
52	1	129103-33031	COOLER, OIL	4							
53	1	129103-33132	BOLT	4							
54	1	24311-000200	O-RING, 1AP20.0	4							
55	1	24311-000210	O-RING, 1AP21.0	4							
56	1	24321-000550	O-RING, 1AG55.0	4							

Fig.12. COOLING WATER SYSTEM

12.COOLING WATER SYSTEM



(A)=4TN84TE-G1

(B)=

(C)=

(D)=

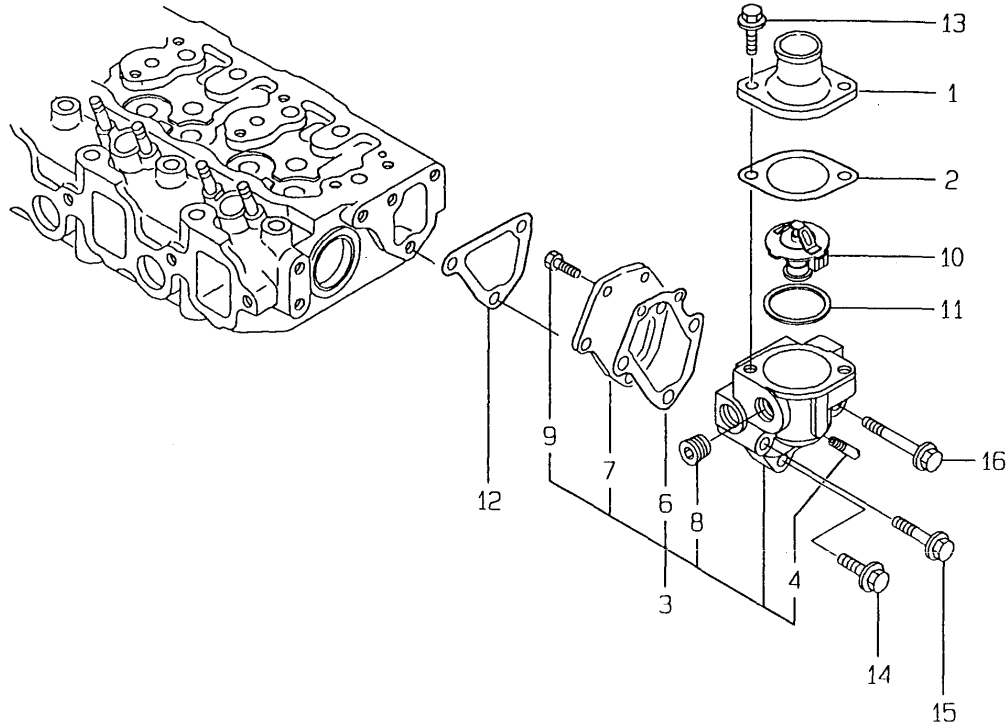
(E)=

(F)=

No.	Lev.	Parts No.	Description	Q'ty						I	R
				(A)	(B)	(C)	(D)	(E)	(F)		
1	1	129100-42002	PUMP ASSY, WATER	1							
11	2	23871-030000	PLUG, R03	1							
12	1	129100-42020	GASKET, WATER PUMP	1							
13	1	129103-49301	ELBOW, PT1/4	1							
14	1	26106-080602	BOLT, M8X 60 PLATED	3							
15	1	121492-42290	V-BELT, A38	1							
16	1	129155-42350	V-PULLEY	1							
17	1	121450-42450	PLUG, M16	1							
18	1	121250-44901	SWITCH, 110	1							
19	1	124465-44950	GASKET, 16	1							
20	1	124465-44950	GASKET, 16	1							
21	1	129403-44740	FAN, COOLING 370	1							
22	1	26014-060162	BOLT, M6X 16	4							
23	1	171420-49010	PIPE, WATER	1							
24	1	171420-49020	PIPE, WATER	1							
25	1	23010-038000	CLAMP, 38	4							
26	1	121252-44510	TANK ASSY, SUB	1							
27	2	121450-44530	CAP	1							
28	2	124450-44560	RETAINER	1							
29	2	23061-070230	PIPE, 7X 230	1							
30	1	121480-44600	BRACKET, TANK	1							
31	1	171460-44500	RADIATOR	1							
32	2	124450-44590	CAP, RADIATOR	1							
33	1	129488-44580	SCREEN, RADIATOR	1							
34	1	121550-49111	JOINT, PT1/4	1							
35	1	121750-49110	JOINT	1							
36	1	129100-49050	PIPE, WATER	1							
37	1	23000-016000	CLAMP, 16	2							

Fig.13. THERMOSTAT

13. THERMOSTAT



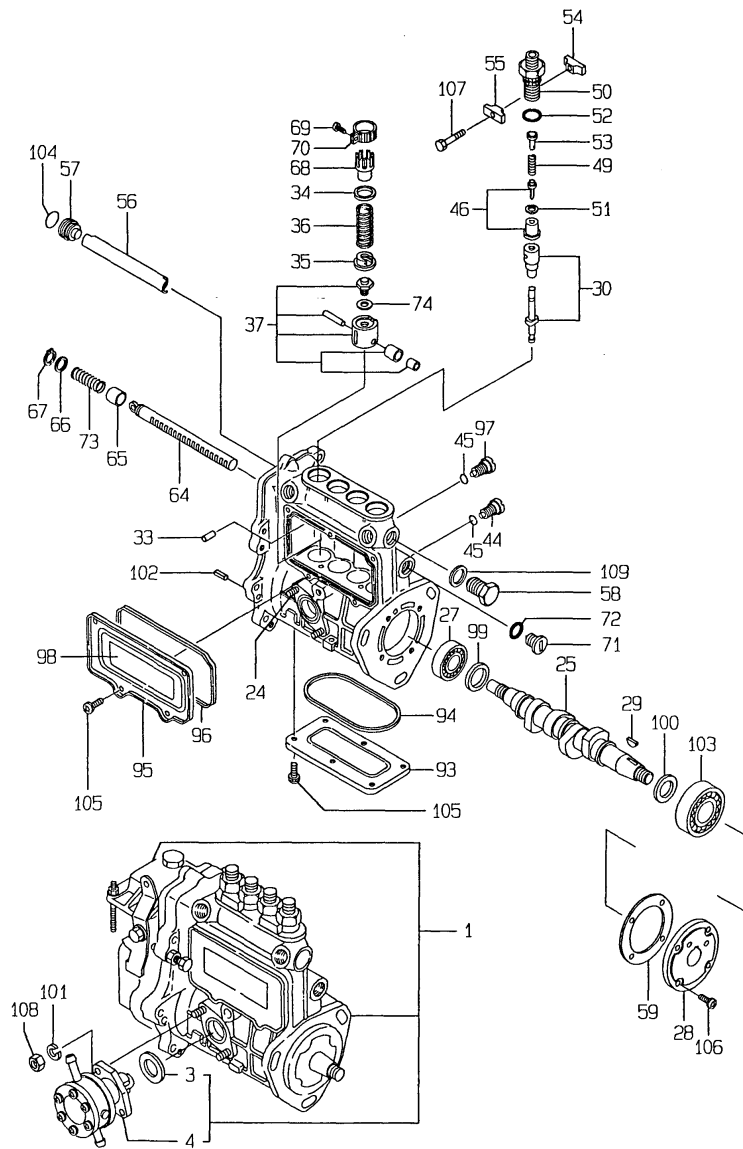
(A)=4TN84TE-G1
(B)=
(C)=

(D)=
(E)=
(F)=

No.	Lev.	Parts No.	Description	Q'ty						I	R
				(A)	(B)	(C)	(D)	(E)	(F)		
1	1	129350-49530	COVER, THERMOSTAT	1							
2	1	129795-49551	GASKET	1							
3	1	129100-49800	CASE ASSY,THERMOSTAT	1							
4	2	124770-11770	JOINT, PIPE PT1/8	1							
6	2	129100-49820	GASKET	1							
7	2	129100-49830	COVER, THERMOSTAT	1							
8	2	23871-030000	PLUG, R03	1							
9	2	26116-060162	BOLT, M6X 16 PLATED	2							
10	1	129155-49800	THERMOSTAT, 71	1							
11	1	129150-49811	GASKET, THERMOSTAT	1							
12	1	129100-49840	GASKET	1							
13	1	26106-080202	BOLT, M8X 20 PLATED	2							
14	1	26106-080252	BOLT, M8X 25 PLATED	1							
15	1	26106-080502	BOLT, M8X 50 PLATED	1							
16	1	26106-080602	BOLT, M8X 60 PLATED	1							

Fig.14. FUEL INJECTION PUMP

14.FUEL INJECTION PUMP

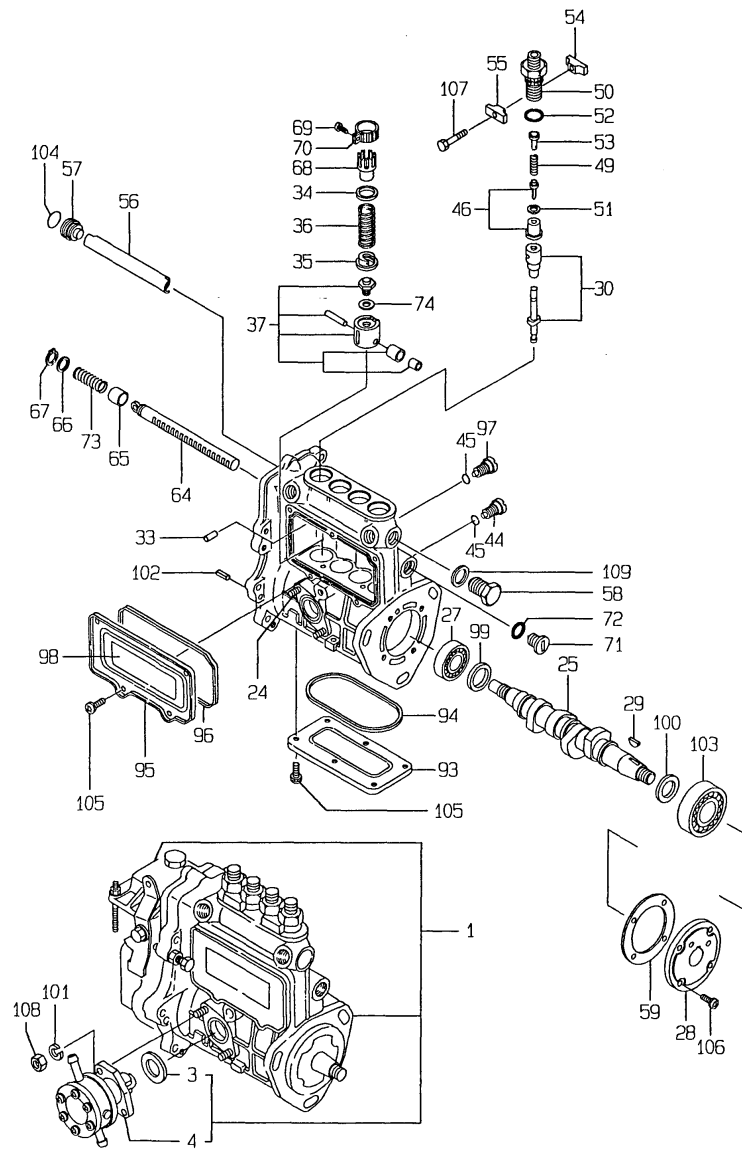


No.	Lev.	Parts No.	Description	Q'ty						I	R
				(A)	(B)	(C)	(D)	(E)	(F)		
1	1	729406-51300	PUMP ASSY, INJECTION	1							1
3	3	129155-52050	GASKET	1							
4	3	129100-52100	PUMP ASSY, FUEL FEED	1							
22	3	129555-51010	BODY, FUEL PUMP	1							
24	3	129155-51020	STUD	2							
25	3	129506-51040	CAMSHAFT	1							
27	3	129155-51050	BEARING, 17BM001D	1							
28	3	129155-51060	SUPPORT, CAMSHAFT	1							
29	3	122710-51090	KEY	1							
30	3	129470-51101	PLUNGER ASSY	4							
33	3	129155-51140	PIN	4							
34	3	174307-51170	RETAINER, SPRING A	4							
35	3	129155-51180	RETAINER, SPRING	4							
36	3	124950-51190	SPRING, PLUNGER	4							
37	3	129155-51200	TAPPET ASSY	4							
44	3	129155-51270	STOPPER, TAPPET	4							
45	3	129155-51280	O-RING, S6	4							
46	3	129100-51300	VALVE ASSY, DELIVERY	4							
49	3	129155-51320	SPRING, DELIVERY	4							
50	3	129155-51340	RETAINER	4							
51	3	124550-51350	GASKET, DELIVERY	4							
52	3	124550-51370	O-RING	4							
53	3	129155-51370	STOPPER, VALVE	4							
54	3	129155-51380	STOPPER	2							
55	3	129155-51390	STOPPER	2							
56	3	129555-51400	DEFLECTOR	1							
57	3	129155-51410	BOLT	1							
58	3	129155-51420	PLUG, M16	1							
59	3	129155-51450	SHIM SET, ADJUSTING	1							
64	3	129555-51500	RACK, CONTROL	1							
65	3	129155-51521	BUSH, RACK	1							
66	3	129155-51530	SPACER	1							
67	3	129155-51540	CIRCLIP	1							
68	3	129155-51550	PINION, CONTROL	4							
69	3	122117-51560	SCREW	4							
70	3	174307-51560	PINION	4							
71	3	129155-51570	PLUG, M12	1							
72	3	129155-51580	O-RING	1							
73	3	129155-51591	SPRING, RACK	1							
74	3	129155-51600	SHIM SET, ADJUSTING	4							
93	3	129555-51700	COVER	1							
94	3	129555-51710	GASKET	1							
95	3	129555-51750	COVER	1							
96	3	129555-51760	GASKET	1							
97	3	129155-51790	STOOPER, RACK	1							
98	3	129156-51910	LABEL, CAUTION	1							
99	3	129155-51930	SPACER, T=3.25	1							
100	3	129155-51940	SPACER, T=1.5	1							
101	3	22217-060000	WASHER, SPRING 6	2							
102	3	22351-050010	PIN, SPRING 5.0X10	2							
103	3	24101-063034	BEARING, BALL 6303	1							

Remarks
 (1) GOVERNOR(FIG.15) IS INCORPORATED
 IN THIS FUEL INJECTION PUMP ASSY.
 (REF.NO.1)

Fig.14. FUEL INJECTION PUMP

14.FUEL INJECTION PUMP



(A)=4TN84TE-G1

(B)=

(C)=

(D)=

(E)=

(F)=

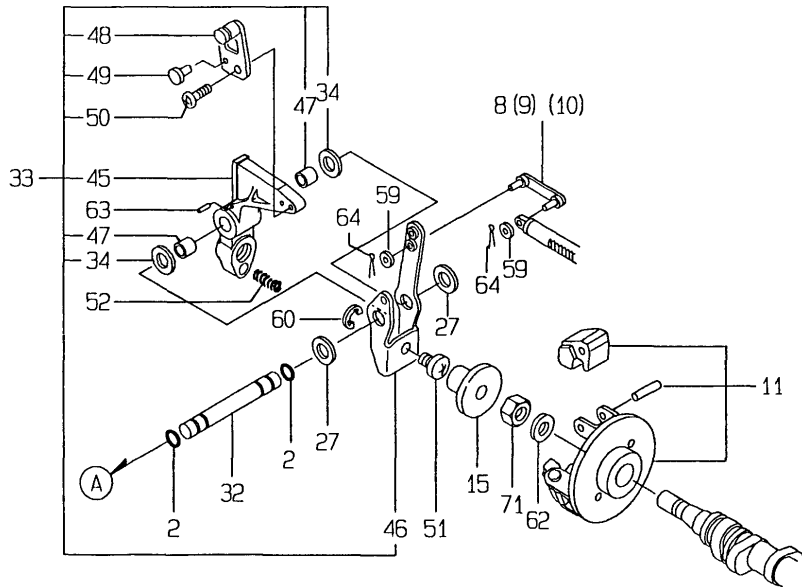
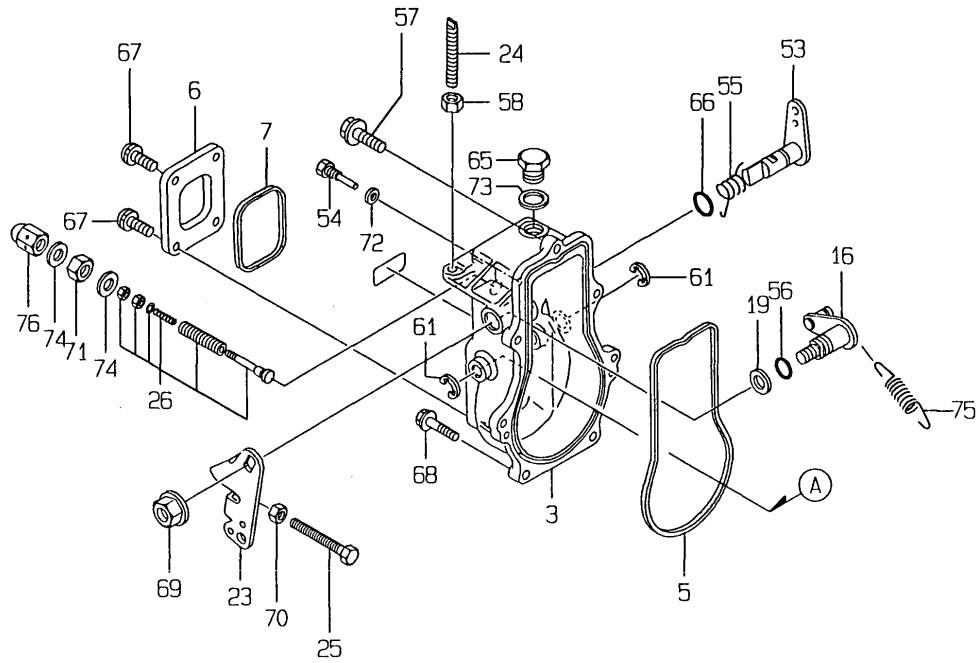
No.	Lev.	Parts No.	Description	Q'ty						I	R
				(A)	(B)	(C)	(D)	(E)	(F)		
104	3	24341-000160	O-RING, 1AS16.0	1							
105	3	26022-050102	SCREW, M5X10	11							
106	3	26022-060162	SCREW, M6X16	4							
107	3	26116-050302	BOLT, M5X 30 PLATED	2							
108	3	26716-060002	NUT, M6	2							
109	3	43400-500490	SEAL WASHER 16	1							

Remarks

(1) GOVERNOR(FIG.15) IS INCORPORATED
IN THIS FUEL INJECTION PUMP ASSY.
(REF.NO.1)

Fig.15. GOVERNOR

15. GOVERNOR



(A)=4TN84TE-G1

(B)=

(C)=

(D)=

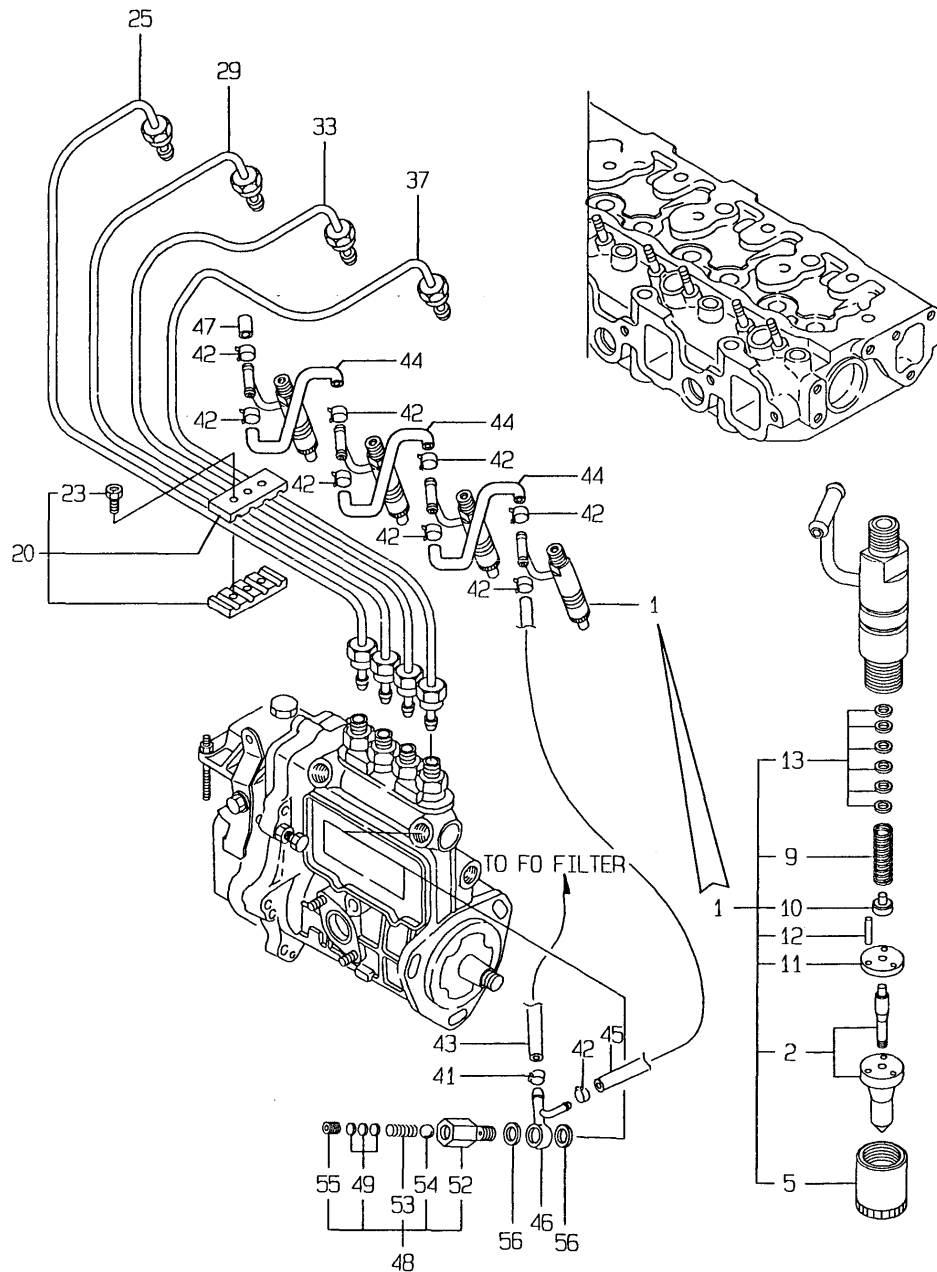
(E)=

(F)=

No.	Lev.	Parts No.	Description	Q'ty						I	R
				(A)	(B)	(C)	(D)	(E)	(F)		
2	2	129155-51280	O-RING, S6	2							
3	2	129155-61011	CASE, GOVERNOR	1							
5	2	129155-61050	GASKET	1							
6	2	129155-61060	COVER, GOVERNOR CASE	1							
7	2	129155-61070	GASKET	1							
8	2	129155-61120	LINK, L=30 MARK 0	1							
9	2	129155-61130	LINK, L=31 MARK 1	1							
10	2	129155-61140	LINK, L=30.5 MARK 05	1							
11	2	171488-61200	WEIGHT ASSY,GOVERNOR	1							
15	2	129155-61341	SLEEVE	1							
16	2	129100-61400	SHAFT ASSY	1							
19	2	129155-61430	SPACER	1							
23	2	129100-61440	LEVER, CONTROL	1							
24	2	129155-61450	BOLT, LIMITER	1							
25	2	129155-61460	BOLT, IDLE	1							
26	2	129155-61470	BOLT, CONTROL	1							
27	2	129155-61480	SPACER ASSY	2							
32	2	129155-61490	SHAFT	1							
33	2	129100-61500	LEVER ASSY, GOVERNOR	1							
34	3	174307-51700	SHIM SET	2							
45	3	129100-61510	LEVER, TENSION	1							
46	3	129155-61520	LEVER, GOVERNOR	1							
47	3	129155-61530	BUSH	2							
48	3	129100-61910	HOOK	1							
49	3	129100-61920	PIN	1							
50	3	26022-060122	SCREW, M6X12	1							
51	2	129155-61540	SHIFTER	1							
52	2	129500-61650	SPRING, FUEL CONTROL	1							
53	2	129400-61801	LEVER, STOP	1							
54	2	129155-61810	PIN	1							
55	2	129100-61821	SPRING, RETURN	1							
56	2	129155-61830	O-RING, S10	1							
57	2	129155-61950	BOLT	1							
58	2	124550-66370	NUT, M6	1							
59	2	22117-040000	WASHER, 4	1							
60	2	22272-000040	RING, E- 4	1							
61	2	22272-000060	RING, E- 6	2							
62	2	22287-120000	WASHER, 12	1							
63	2	22351-030016	PIN, SPRING 3.0X16	1							
64	2	22372-040000	PIN, SNAP 4	2							
65	2	23887-100002	PLUG, 10	1							
66	2	24311-240100	O-RING, 1AP10A	1							
67	2	26022-050102	SCREW, M5X10	4							
68	2	26106-060202	BOLT, M6X 20 PLATED	6							
69	2	26366-080002	NUT, M8	1							
70	2	26756-060002	NUT, LOCK M6	1							
71	2	26776-120002	NUT, LOCK M12	2							
72	2	43400-500390	SEAL WASHER 6	1							
73	2	43400-500430	SEAL WASHER 10	1							
74	2	43400-500450	SEAL WASHER 12	2							
75	1	129477-61720	SPRING, GOVERNOR	1							

Fig.16. FUEL INJECTION VALVE

16.FUEL INJECTION VALVE



(A)=4TN84TE-G1

(B)=

(C)=

(D)=

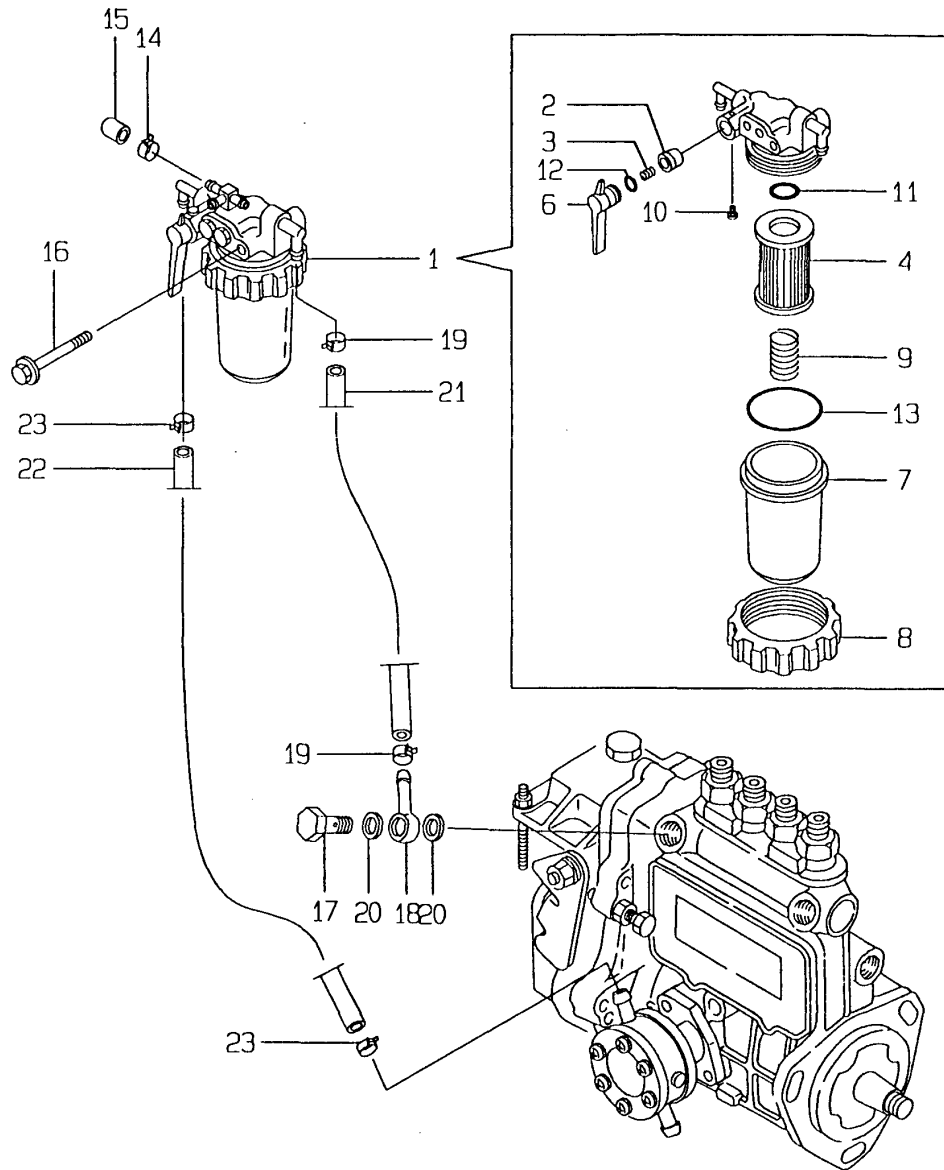
(E)=

(F)=

No.	Lev.	Parts No.	Description	Q'ty						I	R
				(A)	(B)	(C)	(D)	(E)	(F)		
1	1	729503-53100	VALVE ASSY,INJECTION	4							
2	2	129503-53000	VALVE ASSY,INJECTION	4							
5	2	114250-53080	NUT, NOZZLE D16.95	4							
9	2	114250-53120	SPRING, NOZZLE	4							
10	2	114250-53130	SEAT, SPRING	4							
11	2	114250-53140	PLATE	4							
12	2	114250-53210	PIN	8							
13	2	114250-53400	SHIM SET	4							
20	1	129550-59120	RETAINER, PIPE	1							
23	2	129150-59130	BOLT, M4X12	2							
25	1	129400-59910	PIPE ASSY, INJECTION	1							
29	1	129400-59920	PIPE ASSY, INJECTION	1							
33	1	129400-59930	PIPE ASSY, INJECTION	1							
37	1	129400-59940	PIPE ASSY, INJECTION	1							
41	1	124766-59050	CLIP, HOSE 12	2							
42	1	124066-59100	CLIP, HOSE 8	9							
43	1	105025-59530	PIPE, FUEL D13X400	1							
44	1	121250-59550	PIPE, FUEL D8X120	3							
45	1	119840-59560	PIPE, FUEL RETURN	1							
46	1	119840-59570	JOINT	1							
47	1	129150-59580	CAP	1							
48	1	129100-59951	VALVE ASSY, CHECK	1							
49	2	129100-59850	SHIM SET	1							
52	2	129100-59961	BODY, VALVE	1							
53	2	129100-59970	SPRING	1							
54	2	24190-080001	BALL, STEEL 1/4	1							
55	2	27241-100000	PLUG, 10	1							
56	1	23414-120000	GASKET, 12X1.0	2							

Fig.17. FUEL LINE

17.FUEL LINE



(A)=4TN84TE-G1

(B)=

(C)=

(D)=

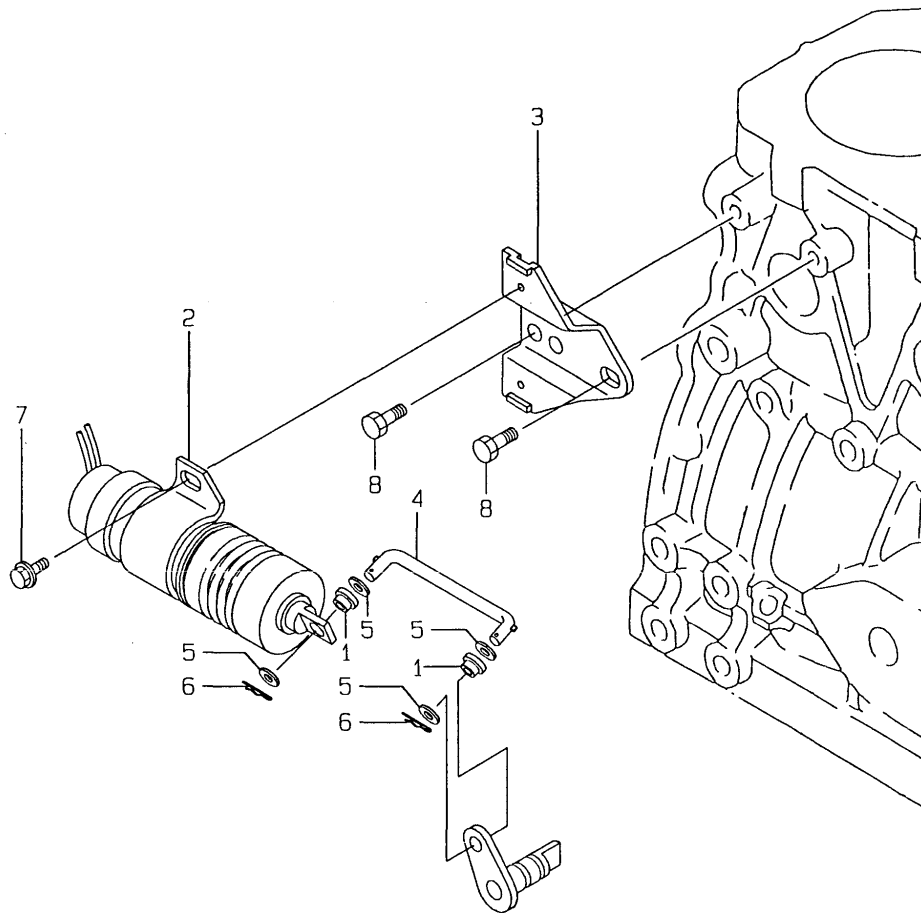
(E)=

(F)=

No.	Lev.	Parts No.	Description	Qty						I	R
				(A)	(B)	(C)	(D)	(E)	(F)		
1	1	129100-55621	FILTER ASSY, FUEL	1							
2	2	104200-55321	VALVE, TAPER	1							
3	2	104200-55330	SPRING, VALVE	1							
4	2	129100-55650	ELEMENT	1							
6	2	129100-55670	LEVER	1							
7	2	129100-55680	CUP, STRAINER	1							
8	2	129100-55690	RING, RETAINING	1							
9	2	129100-55700	SPRING	1							
10	2	104200-55750	SCREW, M4	1							
11	2	24311-000160	O-RING, 1AP16.0	1							
12	2	24311-240100	O-RING, 1AP10A	1							
13	2	24321-000650	O-RING, 1AG65.0	1							
14	1	124066-59100	CLIP, HOSE 8	1							
15	1	129150-59580	CAP	1							
16	1	26014-080702	BOLT, M8X 70	1							
17	1	103854-39140	BOLT, PIPE JOINT	1							
18	1	101304-59020	JOINT, PIPE 12	1							
19	1	124766-59050	CLIP, HOSE 12	2							
20	1	104200-59170	GASKET, 12	2							
21	1	129555-59510	PIPE, D13/7.5X180	1							
22	1	105025-59530	PIPE, FUEL D13X400	1							
23	1	23000-013000	CLAMP, 13	2							

Fig.18. ENGINE CONTROL DEVICE

18.ENGINE CONTROL DEVICE



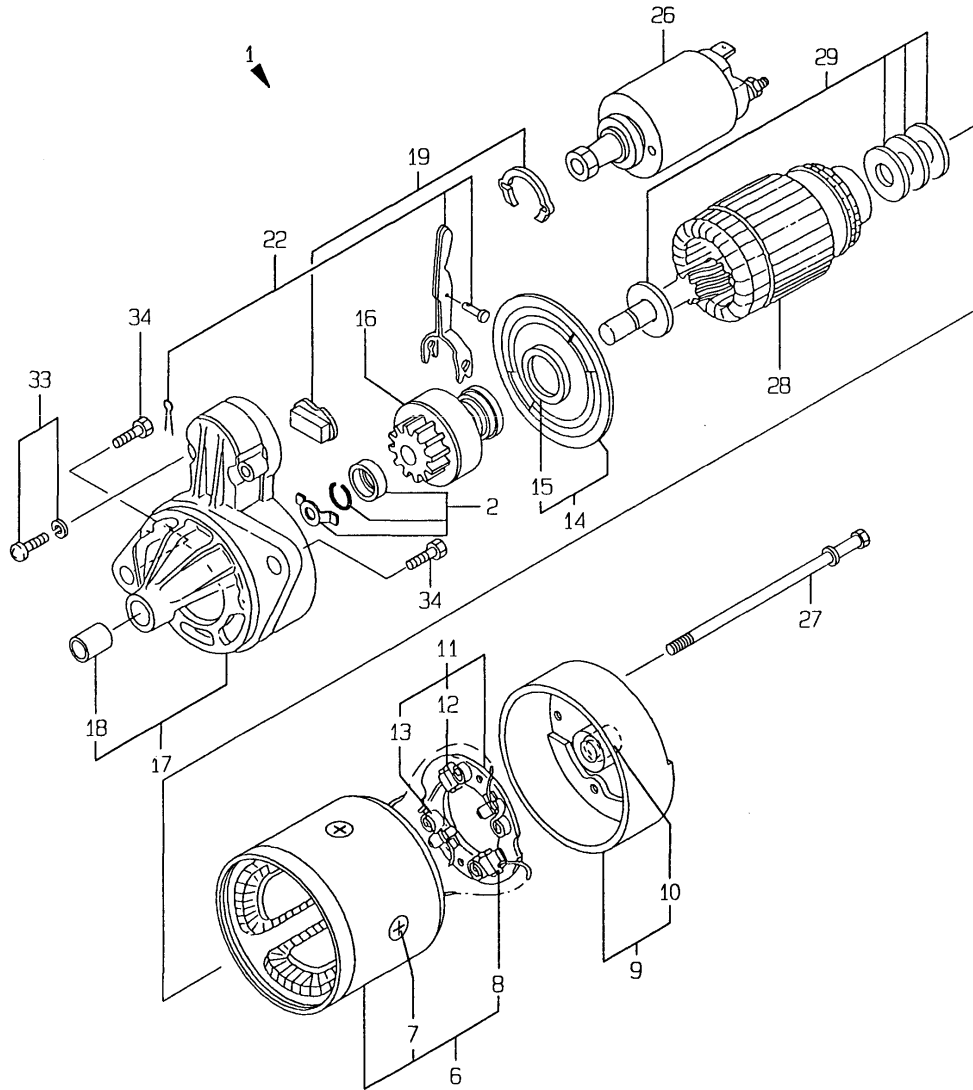
(A)=4TN84TE-G1
(B)=
(C)=

(D)=
(E)=
(F)=

No.	Lev.	Parts No.	Description	Q'ty						I	R
				(A)	(B)	(C)	(D)	(E)	(F)		
1	1	119245-66400	BUSH	2							
2	1	129155-66800	SOLENOID	1							
3	1	129155-66811	BRACKET, SOLENOID	1							
4	1	129555-66822	LINK	1							
5	1	22137-040000	WASHER, 4	4							
6	1	22360-040000	PIN, SNAP 4	2							
7	1	26106-060102	BOLT, M6X 10 PLATED	2							
8	1	26106-080122	BOLT, M8X 12 PLATED	2							

Fig.19. STARTING MOTOR

19.STARTING MOTOR



(A)=4TN84TE-G1

(B)=

(C)=

(D)=

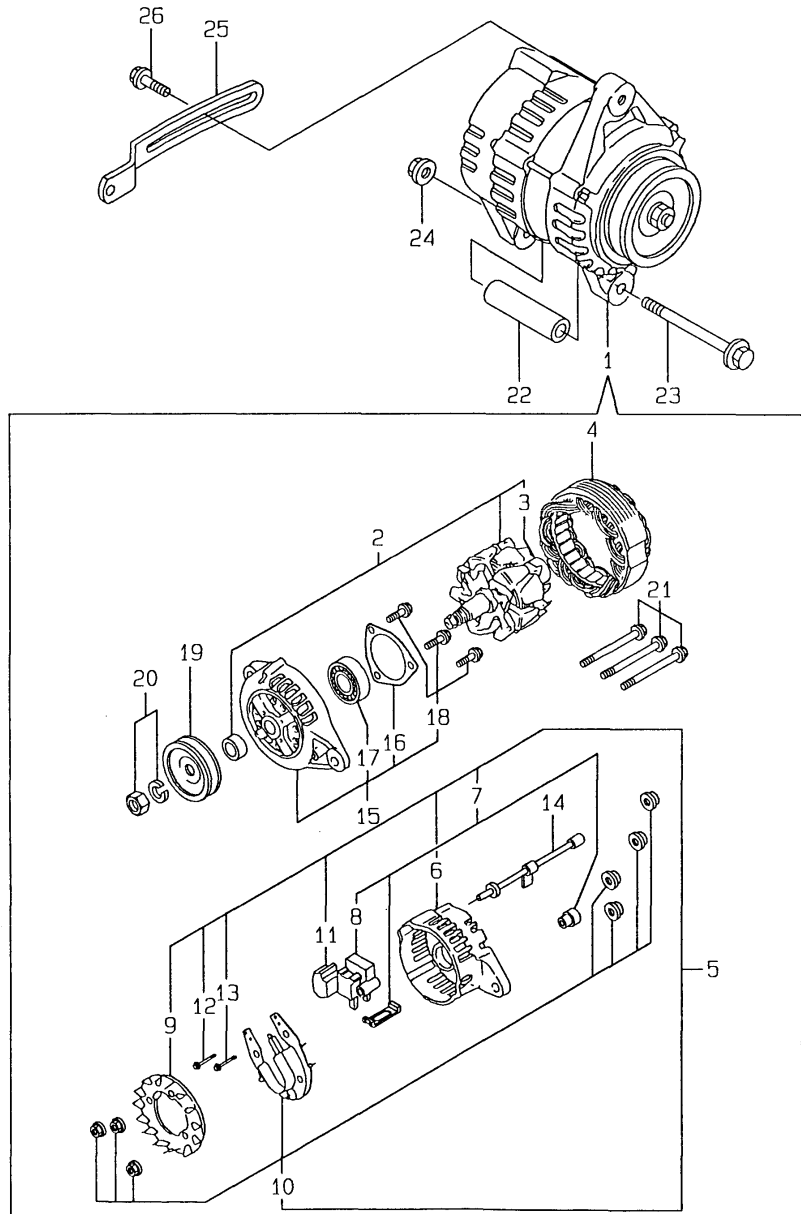
(E)=

(F)=

No.	Lev.	Parts No.	Description	Q'ty						I	R
				(A)	(B)	(C)	(D)	(E)	(F)		
1	1	124250-77012	STARTER, S12-77A	1							
2	2	124250-77070	STOPPER SET, PINION	1							
6	2	124250-77110	COIL ASSY, FIELD	1							
7	3	124250-77120	SCREW SET, PORE CORE	4							
8	3	124250-77130	BRUSH (+)	2							
9	2	124250-77140	COVER ASSY, REAR	1							
10	3	124250-77150	METAL, REAR COVER	1							
11	2	124250-77160	HOLDER ASSY, BRUSH	1							
12	3	124250-77170	BRUSH (-)	2							
13	3	124250-77180	SPRING, BRUSH	4							
14	2	124250-77190	BEARING ASSY, CENTER	1							
15	3	124250-77520	BEARING	1							
16	2	124250-77210	PINION ASSY	1							
17	2	124250-77220	CASE ASSY, GEAR	1							
18	3	124250-77230	METAL, GEAR CASE	1							
19	2	124250-77240	COVER SET, DUST	1							
22	2	124250-77270	LEVER SET, SHIFT	1							
26	2	124250-77310	SWITCH, MAGNETIC	1							
27	2	124250-77320	BOLT, THROUGH	2							
28	2	124250-77500	ARMATURE ASSY	1							
29	2	124250-77510	WASHER KIT	1							
33	2	26557-040122	SCREW, M4X12	2							
34	1	26116-120252	BOLT, M12X 25 PLATED	2							

Fig.20. GENERATOR

20. GENERATOR



(A)=4TN84TE-G1

(B)=

(C)=

(D)=

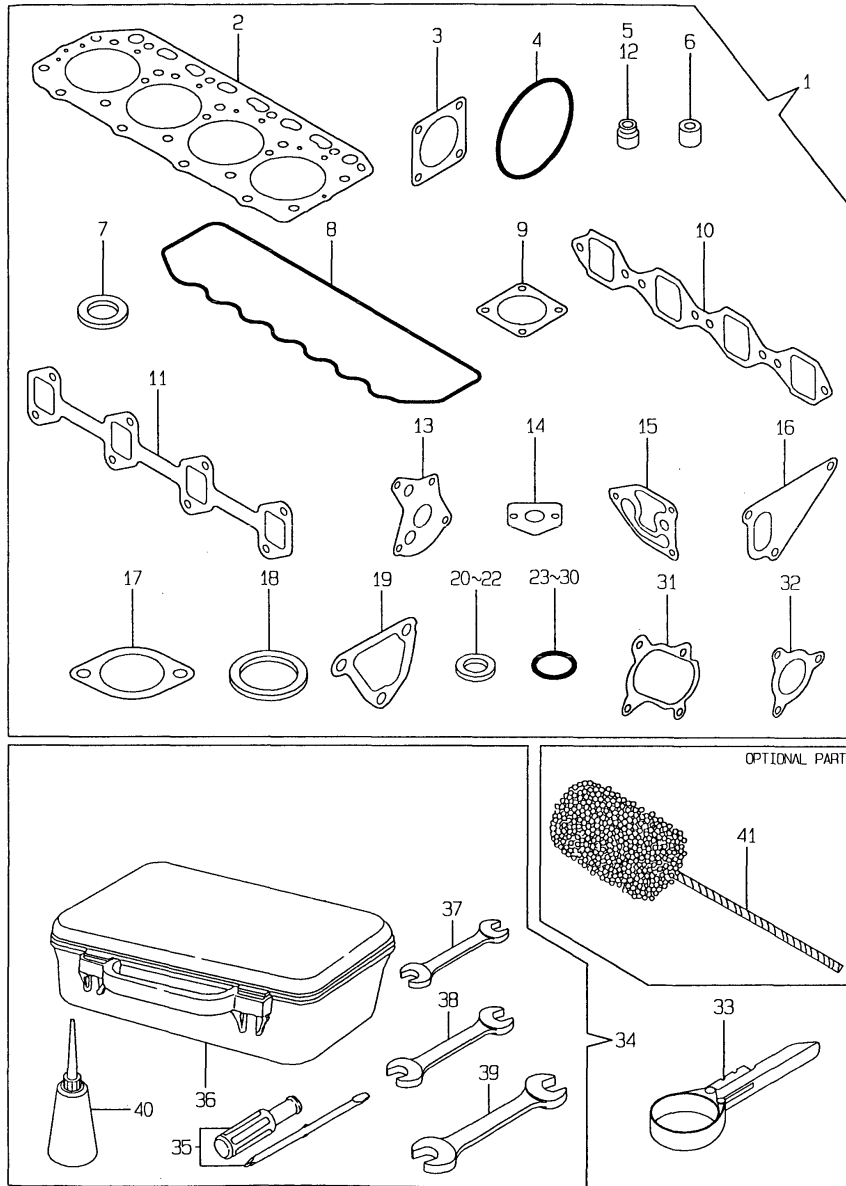
(E)=

(F)=

No.	Lev.	Parts No.	Description	Q'ty						I	R
				(A)	(B)	(C)	(D)	(E)	(F)		
1	1	119836-77200	GENERATOR	1							
2	2	119836-77700	ROTOR ASSY	1							
3	3	119836-77850	BALL BEARING	1							
4	2	119836-77710	STARTER ASSY	1							
5	2	119836-77721	COVER ASSY, REAR	1							
6	3	119836-77730	COVER, REAR	1							
7	3	119836-77741	BRUSH ASSY,REGULATOR	1							
8	4	119836-77750	BRUSH ASSY	1							
9	3	119836-77760	GUIDE, FAN SIDE	1							
10	3	119836-77770	DIODE ASSY	1							
11	3	119836-77780	CONDENSER	1							
12	3	119836-77871	BOLT (1)	1							
13	3	119836-77880	BOLT (2)	1							
14	3	119836-77890	WIRE ASSY, LEAD	1							
15	2	119836-77790	COVER ASSY, FRONT	1							
16	3	119836-77800	RETAINER, BEARING	1							
17	3	119836-77840	BALL BEARING	1							
18	3	119836-77860	SCREW KID	1							
19	2	119836-77810	PULLEY	1							
20	2	119836-77820	NUT ASSY, PULLEY	1							
21	2	119836-77830	BOLT, THROUGH	1							
22	1	119820-77340	PIECE, DISTANCE	1							
23	1	129136-77250	BOLT M 8X105	1							
24	1	26366-080002	NUT, M8	1							
25	1	129410-77330	ADJUSTER	1							
26	1	26014-080252	BOLT, M8X 25	1							

Fig.21. GASKET SET & TOOL

21.GASKET SET & TOOL



(A)=4TN84TE-G1

(B)=

(C)=

(D)=

(E)=

(F)=

No.	Lev.	Parts No.	Description	Q'ty						I	R
				(A)	(B)	(C)	(D)	(E)	(F)		
1	1	729406-92600	GASKET SET	1							1
2	2	129405-01330	GASKET, HEAD	1							
3	2	124240-01883	GASKET	1							
4	2	121850-51960	O-RING	1							
5	2	124460-11340	SEAL, VALVE STEM	4							
6	2	119625-11870	PROTECTOR, NOZZLE	4							
7	2	119625-11880	SEAT, NOZZLE	4							
8	2	129550-11310	GASKET, BONNET	1							
9	2	129150-77511	GASKET	1							
10	2	129550-12111	GASKET, MANIFOLD	1							
11	2	129550-13110	GASKET	1							
12	2	121400-11340	SEAL, VALVE STEM	4							
13	2	129150-32020	GASKET, PUMP	1							
14	2	129150-35041	GASKET	1							
15	2	129103-35122	GASKET	1							
16	2	129100-42020	GASKET, WATER PUMP	1							
17	2	129795-49551	GASKET	1							
18	2	129150-49811	GASKET, THERMOSTAT	1							
19	2	129100-49840	GASKET	1							
20	2	124465-44950	GASKET, 16	2							
21	2	104200-59170	GASKET, 12	2							
22	2	23414-120000	GASKET, 12X1.0	2							
23	2	24311-000120	O-RING, 1AP12.0	3							
24	2	24311-000160	O-RING, 1AP16.0	2							
25	2	24314-000160	O-RING, 4CP16.0	1							
26	2	24311-000320	O-RING, 1AP32.0	1							
27	2	24311-000200	O-RING, 1AP20.0	1							
28	2	24341-000240	O-RING, 1AS24.0	1							
29	2	24311-000210	O-RING, 1AP21.0	1							
30	2	24321-000550	O-RING, 1AG55.0	1							
31	2	129403-18090	GASKET	1							
32	2	129477-18100	GASKET	1							
33	1	127610-92750	WRENCH, FILTER	1							
34	1	171001-93100	BOX, TOOL	1							
35	2	104200-92350	DRIVER, SCREW	1							
36	2	104200-92600	BOX, TOOL	1							
37	2	28110-100120	SPANNER, 10X12	1							
38	2	28110-140170	SPANNER, 14X17	1							
39	2	28110-190220	SPANNER, 19X22	1							
40	2	28210-000140	OILER	1							
41	1	129400-92420	FLEX HORN	1							1

Remarks

(1)OPTIONAL PART.

Parts No. Index

Parts No.	Fig. No.	Ref. No.
101304-59020	17	18
103338-11190	5	20
103854-39140	17	17
104200-55321	17	2
104200-55330	17	3
104200-55750	17	10
104200-59170	17	20
	21	21
104200-92350	21	35
104200-92600	21	36
105025-59530	16	43
	17	22
114250-53080	16	5
114250-53120	16	9
114250-53130	16	10
114250-53140	16	11
114250-53210	16	12
114250-53400	16	13
119245-66400	18	1
119620-01750	3	3
119625-11870	5	39
	21	6
119625-11880	5	40
	21	7
119625-11900	5	41
119820-77340	20	22
119836-77200	20	1
119836-77700	20	2
119836-77710	20	4
119836-77721	20	5
119836-77730	20	6
119836-77741	20	7
119836-77750	20	8
119836-77760	20	9
119836-77770	20	10
119836-77780	20	11
119836-77790	20	15
119836-77800	20	16
119836-77810	20	19
119836-77820	20	20
119836-77830	20	21
119836-77840	20	17
119836-77850	20	3
119836-77860	20	18
119836-77871	20	12
119836-77880	20	13
119836-77890	20	14
119840-59560	16	45
119840-59570	16	46
120130-11860	5	44

Parts No.	Fig. No.	Ref. No.
121023-01550	2	25
121100-22400	10	24
121111-21501	10	12
121250-44901	12	18
121250-59550	16	44
121252-39150	11	25
121252-44510	12	26
121400-11340	5	21
	21	12
121400-12540	6	15
121400-12560	6	16
121400-12570	6	17
121420-12511	6	6
121420-12540	6	9
121420-12550	6	10
121420-12561	6	11
121422-12530	6	8
121422-12570	6	12
121422-12580	6	13
121450-01560	2	2
121450-42450	12	17
121450-44530	12	27
121480-44600	12	30
121492-42290	12	15
121520-34810	11	4
121521-12400	6	4
121550-23200	10	29
121550-49111	12	34
121750-49110	12	35
121850-11860	5	11
121850-21680	10	11
121850-35200	11	12
121850-35520	11	17
121850-35531	11	18
121850-51960	2	12
	21	4
122117-51560	14	69
122710-51090	14	29
124066-59100	16	42
	17	14
124160-01751	2	7
	4	6
124160-01910	1	5
		6
124160-11360	4	16
124160-39140	11	24
124160-39450	11	43
124223-35510	11	16
124223-39900	11	32
124240-01871	2	8

Parts No.	Fig. No.	Ref. No.
124240-01883	2	9
	21	3
124250-77012	19	1
124250-77070	19	2
124250-77110	19	6
124250-77120	19	7
124250-77130	19	8
124250-77140	19	9
124250-77150	19	10
124250-77160	19	11
124250-77170	19	12
124250-77180	19	13
124250-77190	19	14
124250-77210	19	16
124250-77220	19	17
124250-77230	19	18
124250-77240	19	19
124250-77270	19	22
124250-77310	19	26
124250-77320	19	27
124250-77500	19	28
124250-77510	19	29
124250-77520	19	15
124450-44560	12	28
124450-44590	12	32
124460-11340	5	22
	21	5
124465-44950	12	19
		20
	21	20
124550-21600	10	16
124550-51350	14	51
124550-51370	14	52
124550-59820	11	33
124550-66370	15	58
124736-07900	5	1
124766-59050	16	41
	17	19
124770-11770	13	4
124950-51190	14	36
126650-12680	6	14
127610-92750	21	33
128270-13620	11	37
129100-01580	3	1
		16
	10	2
129100-01640	3	17
129100-01790	3	14
129100-11100	5	16
129100-11130	5	18

Parts No.	Fig. No.	Ref. No.
129100-11650	5	33
129100-23910	10	40
129100-25061	8	9
129100-35140	11	11
129100-42002	12	1
129100-42020	12	12
	21	16
129100-49050	12	36
129100-49800	13	3
129100-49820	13	6
129100-49830	13	7
129100-49840	13	12
	21	19
129100-51300	14	46
129100-52100	14	4
129100-55621	17	1
129100-55650	17	4
129100-55670	17	6
129100-55680	17	7
129100-55690	17	8
129100-55700	17	9
129100-59850	16	49
129100-59951	16	48
129100-59961	16	52
129100-59970	16	53
129100-61400	15	16
129100-61440	15	23
129100-61500	15	33
129100-61510	15	45
129100-61821	15	55
129100-61910	15	48
129100-61920	15	49
129103-33031	11	52
129103-33132	11	53
129103-35101	11	9
129103-35111	11	10
129103-35122	11	21
	21	15
129103-49301	12	13
129105-22090	10	17
129120-77501	6	28
129136-12600	6	21
129136-77250	20	23
129150-01200	1	25
129150-02020	1	14
129150-02450	8	4
129150-02800	1	17
129150-02870	1	27
129150-02930	1	20
129150-02940	1	30

Parts No. Index

Parts No.	Fig. No.	Ref. No.
129150-03020	4	7
129150-03070	4	8
129150-03080	4	9
129150-03100	2	11
129150-11230	5	34
129150-11280	5	29
129150-11370	5	23
129150-11750	5	36
129150-11810	5	45
129150-14101	8	7
129150-14200	8	1
129150-14400	8	2
129150-22300	10	23
129150-23600	10	30
129150-23610	10	38
129150-25061	8	12
129150-25101	8	10
129150-25900	8	14
129150-32020	11	1
	21	13
129150-35041	11	6
	21	14
129150-35091	11	7
129150-35150	11	22
129150-49811	13	11
	21	18
129150-59130	16	23
129150-59580	16	47
	17	15
129150-77511	6	29
	21	9
129155-11260	5	27
129155-11270	5	28
129155-42350	12	16
129155-49800	13	10
129155-51020	14	24
129155-51050	14	27
129155-51060	14	28
129155-51140	14	33
129155-51180	14	35
129155-51200	14	37
129155-51270	14	44
129155-51280	14	45
	15	2
129155-51320	14	49
129155-51340	14	50
129155-51370	14	53
129155-51380	14	54
129155-51390	14	55
129155-51410	14	57

Parts No.	Fig. No.	Ref. No.
129155-51420	14	58
129155-51450	14	59
129155-51521	14	65
129155-51530	14	66
129155-51540	14	67
129155-51550	14	68
129155-51570	14	71
129155-51580	14	72
129155-51591	14	73
129155-51600	14	74
129155-51790	14	97
129155-51930	14	99
129155-51940	14	100
129155-52050	14	3
129155-61011	15	3
129155-61050	15	5
129155-61060	15	6
129155-61070	15	7
129155-61120	15	8
129155-61130	15	9
129155-61140	15	10
129155-61341	15	15
129155-61430	15	19
129155-61450	15	24
129155-61460	15	25
129155-61470	15	26
129155-61480	15	27
129155-61490	15	32
129155-61520	15	46
129155-61530	15	47
129155-61540	15	51
129155-61810	15	54
129155-61830	15	56
129155-61950	15	57
129155-66800	18	2
129155-66811	18	3
129156-51910	14	98
129350-49530	13	1
129400-01520	2	1
129400-01590	2	3
129400-01730	3	6
129400-11300	4	10
129400-11350	4	5
129400-59910	16	25
129400-59920	16	29
129400-59930	16	33
129400-59940	16	37
129400-61801	15	53
129400-92420	21	41
129403-13130	7	2

Parts No.	Fig. No.	Ref. No.
129403-13540	7	8
129403-18090	9	39
	21	31
129403-18720	9	2
129403-18800	9	20
129403-18820	9	23
129403-39460	11	26
129403-39600	11	38
129403-39610	11	39
129403-44740	12	21
129405-01330	1	26
	21	2
129406-18010	9	1
129406-18770	9	3
129406-18780	9	12
129406-18790	9	16
129406-18830	9	26
129410-77330	20	25
129411-12500	6	5
129412-13500	7	7
129412-13600	7	9
129470-11080	5	7
129470-11090	5	8
129470-51101	14	30
129477-18100	9	40
	21	32
129477-61720	15	75
129488-12050	6	24
129488-12060	6	25
129488-12100	6	1
129488-44580	12	33
129500-11240	5	26
129500-61650	15	52
129503-53000	16	2
129506-51040	14	25
129550-11290	5	30
129550-11310	4	12
	21	8
129550-12111	6	2
	21	10
129550-13110	7	1
	21	11
129550-21650	10	9
129550-59120	16	20
129553-32000	11	2
129553-39650	11	50
129555-51010	14	22
129555-51400	14	56
129555-51500	14	64
129555-51700	14	93

Parts No.	Fig. No.	Ref. No.
129555-51710	14	94
129555-51750	14	95
129555-51760	14	96
129555-59510	17	21
129555-66822	18	4
129792-39410	11	44
129795-01780	3	19
129795-01800	2	6
129795-01950	2	10
129795-02411	1	23
129795-11120	5	17
129795-11180	5	19
129795-21661	10	10
129795-49551	13	2
	21	17
171001-93100	21	34
171051-01921	1	7
171301-01640	3	13
171350-03090	4	1
171351-12560	6	19
171351-12570	6	20
171351-12580	6	18
171420-01600	3	2
171420-21590	10	13
171420-34800	11	5
171420-49010	12	23
171420-49020	12	24
171460-44500	12	31
171488-61200	15	11
174307-51170	14	34
174307-51560	14	70
174307-51700	15	34
194990-22050	9	41
22117-040000	15	59
22137-040000	18	5
22217-060000	14	101
22217-120000	8	15
22272-000040	15	60
22272-000060	15	61
22287-120000	15	62
22351-030010	11	51
22351-030016	15	63
22351-040010	10	8
22351-050010	14	102
22351-060012	5	24
22360-040000	18	6
22372-040000	15	64
22512-070140	8	8
23000-013000	17	23
23000-016000	12	37

Parts No. Index

Parts No.	Fig. No.	Ref. No.
23000-022000	11	40
23000-050000	6	26
23000-070000	6	27
23010-038000	12	25
23061-070230	12	29
23414-080000	1	12
23414-100000	11	34
23414-120000	16	56
	21	22
23414-180000	11	19
23871-010000	1	8
23871-020000	11	20
23871-030000	5	12
	12	11
	13	8
23887-100002	15	65
24101-063034	14	103
24190-080001	16	54
24311-000120	4	17
	21	23
24311-000160	2	13
	17	11
	21	24
24311-000200	11	54
	21	27
24311-000210	11	55
	21	29
24311-000320	2	14
	4	13
	21	26
24311-240100	15	66
	17	12
24314-000160	11	41
	21	25
24321-000550	11	56
	21	30
24321-000650	17	13
24341-000160	14	104
24341-000240	2	26
	3	15
	21	28
24341-000500	4	14
26014-060162	12	22
26014-080252	20	26
26014-080702	17	16
26022-050102	14	105
	15	67
26022-060122	15	50
26022-060162	14	106
26106-060102	18	7

Parts No.	Fig. No.	Ref. No.
26106-060162	2	27
	11	42
26106-060202	15	68
26106-080102	11	35
26106-080122	1	13
	2	15
	7	10
	18	8
26106-080142	5	2
	6	22
	7	11
26106-080162	1	24
	2	16
		17
	3	7
	4	15
26106-080202	2	18
	7	12
		13
	13	13
26106-080252	3	8
	5	42
	13	14
26106-080302	3	20
26106-080352	3	21
	6	3
		30
	11	8
26106-080452	2	19
	3	9
	8	13
26106-080502	3	10
	5	43
	13	15
26106-080552	2	20
26106-080602	12	14
	13	16
26106-080652	7	3
26106-080752	11	23
26106-080852	2	21
	7	4
26106-081002	7	5
26116-050302	14	107
26116-060162	13	9
26116-120252	19	34
26206-100252	3	4
26206-100302	3	5
26216-060202	5	13
26216-080222	7	6
26226-080182	5	37

Parts No.	Fig. No.	Ref. No.
26366-060002	5	25
	6	23
26366-080002	2	22
	15	69
	20	24
26450-060252	11	3
26557-040122	19	33
26687-120002	15	76
26716-060002	14	108
26716-120002	8	16
26756-060002	15	70
26756-080002	5	38
26776-120002	15	71
27231-500000	1	9
27241-100000	5	32
	16	55
27241-120000	1	10
27241-220000	5	14
27241-300000	1	11
27241-400000	5	15
28110-100120	21	37
28110-140170	21	38
28110-190220	21	39
28210-000140	21	40
43400-500390	15	72
43400-500410	2	23
		24
	11	36
43400-500430	15	73
43400-500450	15	74
43400-500490	14	109
729105-22500	10	19
729105-22910	10	32
729105-22951	10	34
729402-01540	3	11
729402-14580	8	3
729402-23100	10	25
729405-01560	1	1
729406-11700	5	3
729406-21700	10	1
729406-51300	14	1
729406-92600	21	1
729503-53100	16	1

Parts No.	Fig. No.	Ref. No.
-----------	----------	----------