

OCR10-M52100EN

P R E F A C E

1. This Parts Catalog carries all parts incorporated in YANMAR Model 4TNE84T-SA1, 4TNE84T-G1A01, 4TNE84T-G2A01, 4TNE84T-ESA01~ESA02 & 4TNE84T-EG1A01~EG1A03.

2. Model name

Column	Model name	Manufactured	E/#
(A)	4TNE84T-SA01	1999/1~	13662~
(B)	4TNE84T-G1A01	1999/1~	13457~
(C)	4TNE84T-G2A01	1999/5~	14923~
(D)	4TNE84T-ESA01	1999/2~	13721~
	4TNE84T-ESA02		
(E)	4TNE84T-EG1A01	1999/1~	13578~
	4TNE84T-EG1A02		
	4TNE84T-EG1A03		

3. Each illustration corresponds to the parts list on the following page.

4. When ordering parts, clearly write down the engine model and serial number, as well as the name and number of each part in your order sheet. This will help insure reliable delivery of the parts you have ordered.

Directions for the Parts Catalog.

1. This Parts Catalog shows both standard and optional parts.
2. Parts may change without prior notice.
3. The following is an example of the Parts Catalog format.

REF.	LEV.	PARTS NO.	DESCRIPTION	Q'TY						I	R
				(A)	(B)	(C)	(D)	(E)	(F)		
1	1	729595-51390	FUEL INJECTION PUMP	1	1	1	1	1			1
1-1	1	729595-51391	FUEL INJECTION PUMP	1	1	1	1	1		N	1
		(A=E00185) (B=E00200)									
3	2	26022-060162	SCREW M 6X 16	9	9	9	9	9			
3-1	2	26022-060162	SCREW M 6X 16	4	4	4	4	4		K	
		(A=E00156) (B=E00156) (C=E00156) (D=E00156) (E=E00156)									
4	2	129470-51040	CAMSHAFT	1	1	1	1	1			
5	2	122710-51050	BEARING, ROLLER	2	2	2	2	2			
6	2	129470-51060	RETAINER	1	1	1	1	1			

Remarks
(1) BOOST COMPEMSATOR TYPE. OPTIONAL PART, TO E00155,(4JH-DT, 4JH-DTZ

① Ref. No.

The Ref. No. listed may not be in accordance with the illustration Ref. No.

(Ex.) Illustration No.

List Ref No.

1

1

(Before change)

1-1

(After change)

For interchangeable symbols N, R and K, illustrations for new parts may be abbreviated.

② Lev. (Level)

Level indication

The numbers below indicate the level of relativity towards the main part.

1 ----- Main parts (Assembly parts)

2 ----- Sub component included in " 1 ".

3 ----- Sub component included in " 2 ".

Note) Parts that are not for sale are partially illustrated but not listed.

③ Interchangeability Symbol

When a part change takes place, one of the following interchangeability symbols is indicated beside the part.

Symbol	Interchangeability	Contents note
N	Old $\begin{matrix} \leftarrow \text{Yes} \\ \text{No} \rightarrow \end{matrix}$ New	New Part is interchangeable for Old Part but Old Part is not interchangeable for New Part.
Q	Old $\begin{matrix} \leftarrow \text{No} \\ \text{Yes} \rightarrow \end{matrix}$ New	New Part is not interchangeable for Old Part but Old Part is interchangeable for New Part.
R	Old $\begin{matrix} \leftarrow \text{Yes} \\ \text{Yes} \rightarrow \end{matrix}$ New	New/ Old Parts are both interchangeable.
S	Old $\begin{matrix} \leftarrow \text{No} \\ \text{No} \rightarrow \end{matrix}$ New	New/ Old Parts are both not interchangeable.
W		Part newly added.
Z		Part discontinued.
F		Not interchangeable by a single part but interchangeable together with related parts.
K		Changes only for used parts quantities.

④ Effective Machine No.

When a part changes, the effective Machine No. will be indicated in the (A)-(F) column.

Product Symbol	Product No.	Product Symbol	Product No.
C	Clutch No. Compressor No.	F	Machine No. (Agricultural Equip.)
D	Drive No.	M	Machine No.
E	Engine No.		

Note 1) A date may follow the symbol. (Ex.) 1996.01

Note 2) "XXXXX" and "ZZZZZ" are for parts that could not be predicted or for engine models that could not be identified.

Note 3) (A=E00185) is the E (Engine Serial Number) for the column (A) model (in this case 4JH-DT) after the parts design change.

⑤ Remarks

Figures or alphabets (symbols) are entered in the remarks column.

The comments (remarks) on parts that are indicated at the bottom of the illustration are the same symbols as those stated above.

Contents

OCR10-M52100

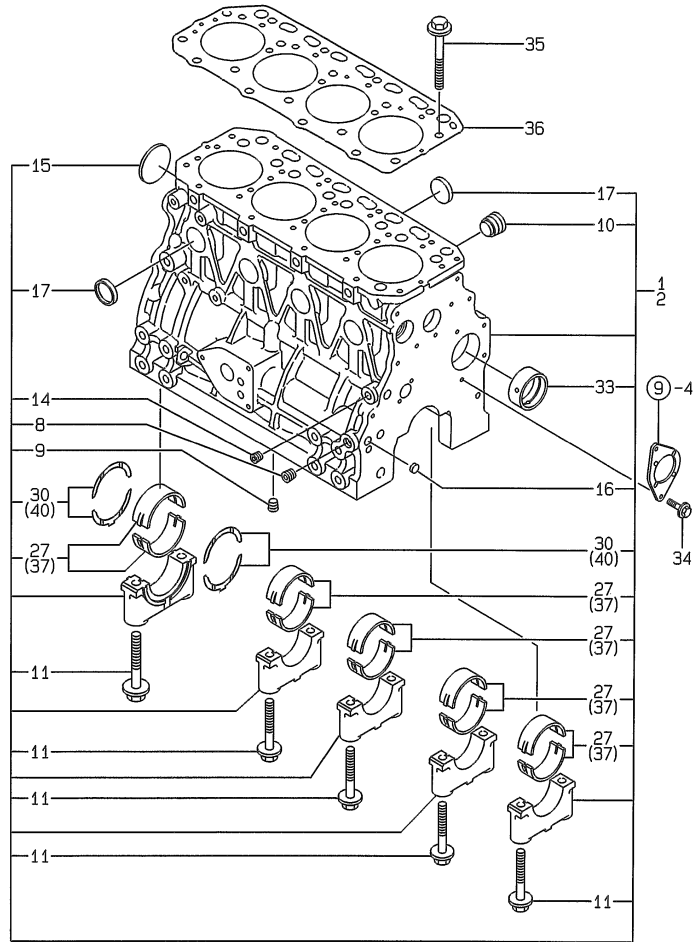
Fig. No.	Fig. Name
4TNE84T-(E)SA,G1A,2A	
1.	CYLINDER BLOCK
2.	GEAR HOUSING
3.	FLYWHEEL HOUSING & OIL SUMP
4.	CYLINDER HEAD & BONNET
5.	SUCTION MANIFOLD & AIR CLEANER
6.	EXHAUST MANIFOLD & SILENCER
7.	TURBOCHARGER
8.	TURBOCHARGER
9.	CAMSHAFT & DRIVING GEAR
10.	CRANKSHAFT & PISTON
11.	LUB.OIL SYSTEM
12.	LUB.OIL LINE
13.	COOLING WATER SYSTEM
14.	RADIATOR
15.	FUEL INJECTION PUMP
16.	GOVERNOR
17.	FUEL INJECTION VALVE
18.	FUEL FILTER
19.	ENGINE CONTROL DEVICE
20.	STARTING MOTOR
21.	STARTING MOTOR
22.	STARTING MOTOR(COLD DISTRICT)
23.	GENERATOR
24.	PANEL

Fig. No.	Fig. Name
25.	GASKET SET & TOOL(OPTIONAL)

Fig.1. CYLINDER BLOCK

(A)=4TNE84T-SA01
 (B)=4TNE84TG1A01
 (C)=4TNE84TG2A01

(D)=4TNE84T-ESA
 (E)=4TNE84T-EG1A
 (F)=



No.	Lev.	Parts No.	Description	Q'ty						I	R
				(A)	(B)	(C)	(D)	(E)	(F)		
1	1	729638-01560	BLOCK ASSY, CYLINDER	1		1	1				
2	1	729408-01560	BLOCK ASSY, CYLINDER		1				1		
8	2	124160-01910	PLUG, PT1/4	2	2	2	2	2	2		
9	2	124160-01910	PLUG, PT1/4	1	1	1	1	1	1		
10	2	171051-01921	PLUG, NPTF1	1	1	1	1	1	1		
11	2	129150-02020	BOLT, METAL CAP	10	10	10	10	10	10		
14	2	23871-010000	PLUG, R01	1	1	1	1	1	1		
14-1	2	23876-010000	PLUG, R01	1	1	1	1	1	1		N
		(A=EXXX) (B=EXXX) (C=EXXX) (D=EXXX) (E=EXXX)									
15	2	27231-500000	PLUG 50	1	1	1	1	1	1		
15-1	2	129001-01250	PLUG, 50	1	1	1	1	1	1		N
		(A=EXXX) (B=EXXX) (C=EXXX) (D=EXXX) (E=EXXX)									
16	2	27241-120000	PLUG, 12	2	2	2	2	2	2		
17	2	27241-300000	PLUG 30	8	8	8	8	8	8		
27	2	129001-02930	BEARING, MAIN	5	5	5	5	5	5		3
30	2	129150-02930	BEARING, THRUST	2	2	2	2	2	2		
33	2	129795-02411	BUSH, CAMSHAFT	1	1	1	1	1	1		
34	1	26106-080162	BOLT, M8X 16 PLATED	2	2	2	2	2	2		
35	1	129150-01200	BOLT, HEAD	18	18	18	18	18	18		
36	1	129408-01330	GASKET, HEAD	1	1	1	1	1	1		
37	1	129150-02870	BEARING, 0.25 US	5	5	5	5	5	5		1
40	1	129150-02940	BEARING, THRUST 0.25	1	1	1	1	1	1		2

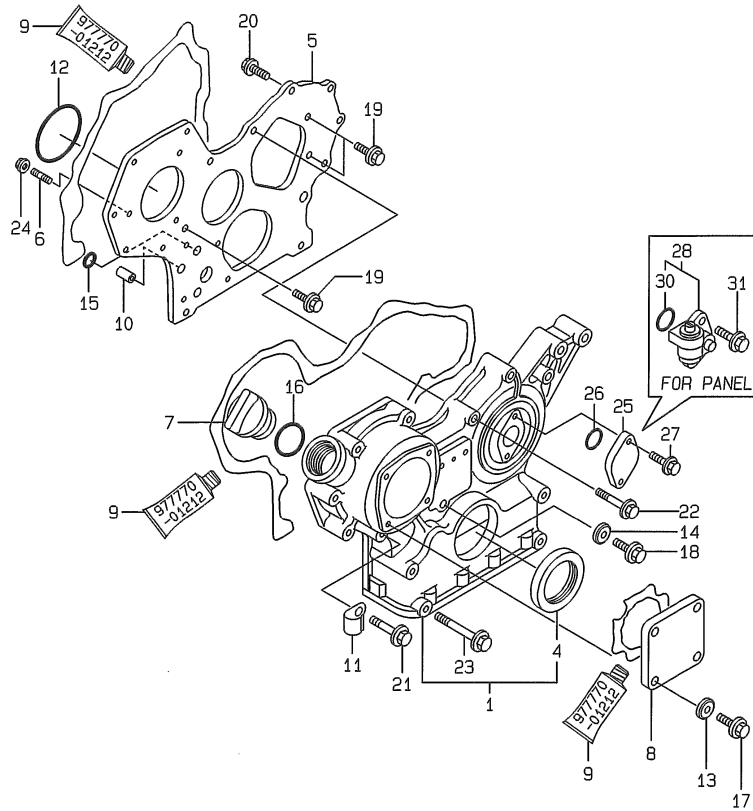
Remarks

- (1) UNDER-SIZED(U.S=0.25)PART.
- (2) OVER-SIZED(O.S=0.25)PART.
- (3) REPAIR PART.

Fig.2. GEAR HOUSING

(A)=4TNE84T-SA01
 (B)=4TNE84TG1A01
 (C)=4TNE84TG2A01

(D)=4TNE84T-ESA
 (E)=4TNE84T-EG1A
 (F)=



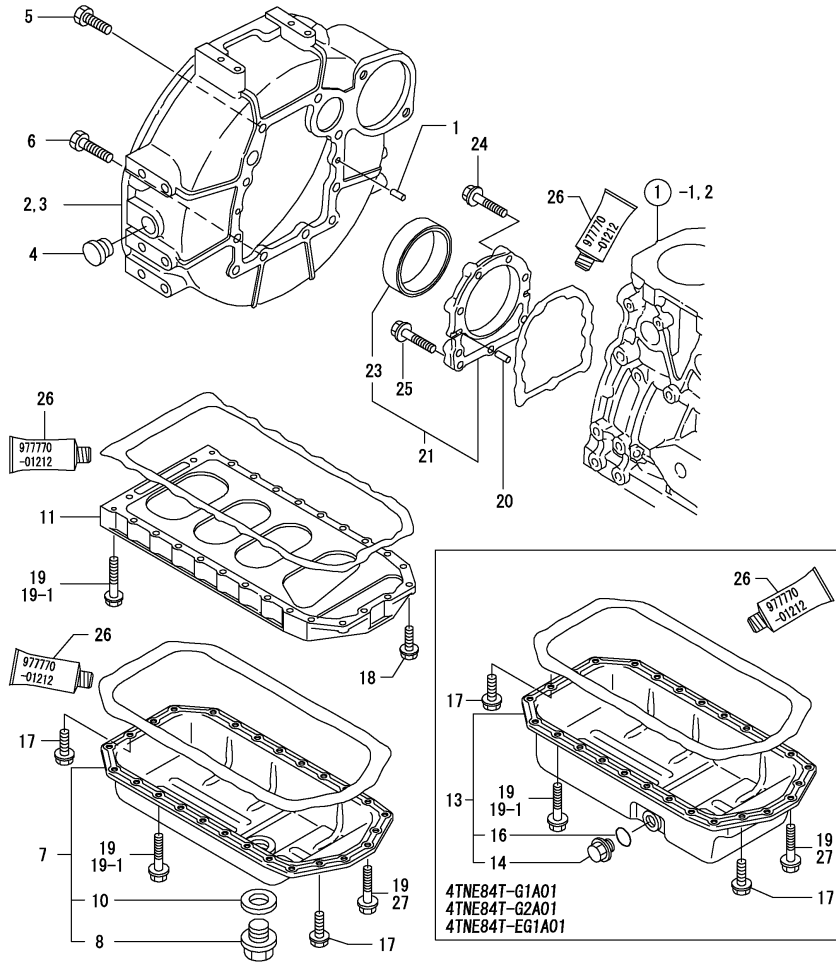
No.	Lev.	Parts No.	Description	Qty						I	R
				(A)	(B)	(C)	(D)	(E)	(F)		
1	1	719810-01500	CASE ASSY, GEAR	1	1	1	1	1			
4	2	129795-01800	SEAL, OIL	1	1	1	1	1			
5	1	129400-01520	FLANGE, GEAR CASE	1	1	1	1	1			
6	1	121450-01560	STUD, M8X22	3	3	3	3	3			
7	1	124160-01751	COVER, FILLER	1	1	1	1	1			
8	1	124240-01871	COVER	1	1	1	1	1			
9	1	977770-01212	GASKET, LIQUID	1	1	1	1	1		2	
10	1	129795-01950	PIPE, KNOCK L=18	2	2	2	2	2			
11	1	129150-03100	RETAINER, PIPE	1	1	1	1	1			
12	1	121850-51960	O-RING	1	1	1	1	1			
13	1	22190-080002	WASHER, SEAL 6	4	4	4	4	4			
14	1	22190-080002	WASHER, SEAL 6	1	1	1	1	1			
15	1	24311-000160	O-RING, 1AP16.0	2	2	2	2	2			
16	1	24311-000320	O-RING, 1AP32.0	1	1	1	1	1			
17	1	26106-080122	BOLT, M8X 12 PLATED	4	4	4	4	4			
18	1	26106-080162	BOLT, M8X 16 PLATED	1	1	1	1	1			
19	1	26106-080162	BOLT, M8X 16 PLATED	3	3	3	3	3			
20	1	26106-080202	BOLT, M8X 20 PLATED	2	2	2	2	2			
21	1	26106-080452	BOLT, M8X 45 PLATED	6	6	6	6	6			
22	1	26106-080552	BOLT, M8X 55 PLATED	3	3	3	3	3			
23	1	129001-91841	BOLT, M8X85	4	4	4	4	4			
24	1	26366-080002	NUT, M8	3	3	3	3	3			
25	1	121023-01550	COVER	1	1	1	1	1			
26	1	24341-000240	O-RING, 1AS24.0	1	1	1	1	1			
27	1	26106-060162	BOLT, M6X 16 PLATED	2	2	2	2	2			
28	1	129150-91400	GEAR	1	1	1	1	1		1	
30	2	24341-000240	O-RING, 1AS24.0	1	1	1	1	1		1	
31	1	26106-060162	BOLT, M6X 16 PLATED	2	2	2	2	2		1	

Remarks
 (1) FOR PANEL.
 (2) OPTIONAL PART.

Fig.3. FLYWHEEL HOUSING & OIL SUMP

(A)=4TNE84T-SA01
 (B)=4TNE84TG1A01
 (C)=4TNE84TG2A01

(D)=4TNE84T-ESA
 (E)=4TNE84T-EG1A
 (F)=



No.	Lev.	Parts No.	Description	Qty						I	R
				(A)	(B)	(C)	(D)	(E)	(F)		
1	1	129100-01580	PIN, M8X16	2	2	2	2	2			
2	1	119888-01600	HOUSING, FLYWHEEL	1		1	1				
3	1	171420-01600	HOUSING, FLYWHEEL		1			1			
4	1	119620-01750	CAP	1	1	1	1	1			
5	1	26206-100252	BOLT, M10X 25 PLATED	6	6	6	6	6			
6	1	26206-100302	BOLT, M10X 30 PLATED	4	4	4	4	4			
7	1	729402-01540	SUMP ASSY, OIL	1			1	1		1	
8	2	119640-01640	PLUG, DRAIN M22	1			1	1		1	
10	2	22190-220002	WASHER, SEAL 22	1			1	1		1	
11	1	129400-01730	SPACER, OIL SUMP	1	1	1	1	1			
13	1	129400-01770	SUMP ASSY, OIL		1	1		1		2	
13-1	1	129688-01780	OIL PAN ASSY, DEEP		1	1		1		N 4	
(B=REF. TO R) (C=REF. TO R) (E=REF. TO R)											
14	2	171301-01640	PLUG, 22		1	1		1		2	
16	2	24341-000250	O-RING, 1AS25.0		1	1		1		2	
17	1	26106-080162	BOLT, M8X 16 PLATED	4	4	4	4	4			
18	1	26106-080252	BOLT, M8X 25 PLATED	2	2	2	2	2			
19	1	26106-080452	BOLT, M8X 45 PLATED	24	24	24	24	24			
19-1	1	26106-080452	BOLT, M8X 45 PLATED	20	20	20	20	20		K	
(A=FROM 1ST) (B=FROM 1ST) (C=FROM 1ST) (D=FROM 1ST) (E=FROM 1ST)											
20	1	129100-01580	PIN, M8X16	2	2	2	2	2			
21	1	129100-01640	CASE ASSY, OIL SEAL	1	1	1	1	1			
23	2	129795-01780	SEAL, OIL	1	1	1	1	1			
24	1	129486-01670	BOLT, M8X30	6	6	6	6	6			
25	1	26106-080352	BOLT, M8X 35 PLATED	3	3	3	3	3			
26	1	977770-01212	GASKET, LIQUID	1	1	1	1	1		3	
27	1	26106-080502	BOLT, M8X 50 PLATED	4	4	4	4	4		W	
(A=FROM 1ST) (B=FROM 1ST) (C=FROM 1ST) (D=FROM 1ST) (E=FROM 1ST)											

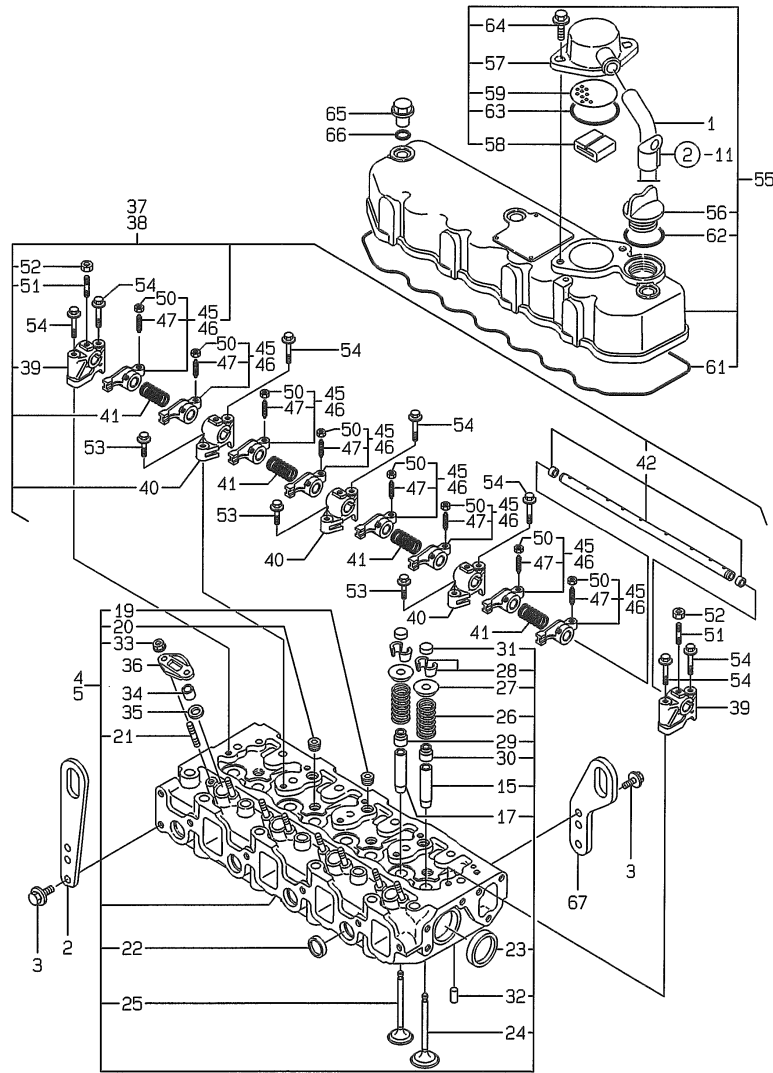
Remarks

- (1)For(EG1A02)(EG1A03).
- (2)For(EG1A01).
- (3)Optional parts.
- (4)For(EG1A01). For repair.

Fig.4. CYLINDER HEAD & BONNET

(A)=4TNE84T-SA01
(B)=4TNE84TG1A01
(C)=4TNE84TG2A01

(D)=4TNE84T-ESA
(E)=4TNE84T-EG1A
(F)=



No.	Lev.	Parts No.	Description	Q'ty						I	R
				(A)	(B)	(C)	(D)	(E)	(F)		
1	1	171350-03090	PIPE , BREATHER 900	1	1	1	1	1			
2	1	129900-07900	LIFTER	1	1	1	1	1			
3	1	26106-080162	BOLT, M8X 16 PLATED	4	4	4	4	4			
4	1	729418-11100	HEAD ASSY, CYLINDER	1		1	1				
5	1	729408-11701	HEAD ASSY, CYLINDER		1			1			
15	2	120130-11860	GUIDE, VALVE	4	4	4	4	4		1	
17	2	129150-11810	GUIDE, VALVE	4	4	4	4	4		1	
19	2	23871-020000	PLUG, R02	3	3	3	3	3			
20	2	23871-030000	PLUG, R03	4	4	4	4	4			
21	2	26216-060202	STUD, M6X 20	8	8	8	8	8			
22	2	27241-220000	PLUG, 22	4	4	4	4	4			
23	2	27241-400000	PLUG, 40	2	2	2	2	2			
24	2	129100-11100	VALVE, INTAKE	4	4	4	4	4			
25	2	129100-11130	VALVE, EXHAUST	4	4	4	4	4			
26	2	129795-11120	SPRING, VALVE	8	8	8	8	8			
27	2	129795-11180	RETAINER, SPRING	8	8	8	8	8			
28	2	27310-080001	COTTER, 8	8	8	8	8	8			
29	2	121400-11340	SEAL, VALVE STEM	4	4	4	4	4			
30	2	124460-11340	SEAL, VALVE STEM	4	4	4	4	4			
31	2	129150-11370	CAP, VALVE	8	8	8	8	8			
32	2	22351-060012	PIN, SPRING 6.0X12	2	2	2	2	2			
33	2	26366-060002	NUT, M6	8	8	8	8	8			
34	1	119625-11870	PROTECTOR, NOZZLE	4	4	4	4	4			
35	1	119625-11880	SEAT, NOZZLE	4	4	4	4	4			
36	1	119625-11900	RETAINER, NOZZLE	4	4	4	4	4			
37	1	129555-11241	SHAFT ASSY, ROCKER	1		1	1				
38	1	129500-11240	SHAFT ASSY, ROCKER		1			1			
39	2	129155-11260	SUPPORT, ROCKER ARM	2	2	2	2	2			
40	2	129155-11270	SUPPORT, ROCKER ARM	3	3	3	3	3			
41	2	129150-11280	SPRING	4	4	4	4	4			
42	2	129550-11290	SHAFT, ROCKER ARM	1	1	1	1	1			
45	2	729402-11650	ARM ASSY, ROCKER	8		8	8				
46	2	129100-11650	ARM, ROCKER		8			8			
47	3	129150-11230	SCREW, VALVE ADJUST	8	8	8	8	8			
50	3	129150-11750	NUT, M8	8	8	8	8	8			
51	2	26226-080182	STUD, M8X 18	3	3	3	3	3			
52	2	26756-080002	NUT, LOCK M8	3	3	3	3	3			
53	1	26106-080252	BOLT, M8X 25 PLATED	3	3	3	3	3			
54	1	26106-080502	BOLT, M8X 50 PLATED	7	7	7	7	7			
55	1	129400-11350	BONNET ASSY, HEAD	1	1	1	1	1			
56	2	124160-01751	COVER, FILLER	1	1	1	1	1			
57	2	129150-03020	COVER, BREATHER	1	1	1	1	1			
58	2	129150-03070	BAFFLE, BREATHER	1	1	1	1	1			
59	2	129150-03080	PLATE, BAFFLE	1	1	1	1	1			
61	2	129550-11310	GASKET, BONNET	1	1	1	1	1			
62	2	24311-000320	O-RING, 1AP32.0	1	1	1	1	1			
63	2	24341-000500	O-RING, 1AS50.0	1	1	1	1	1			
64	2	26106-080162	BOLT, M8X 16 PLATED	2	2	2	2	2			
65	1	124160-11360	KNOB	3	3	3	3	3			
66	1	24311-000120	O-RING, 1AP12.0	3	3	3	3	3			
67	1	129486-07901	LIFTER	1	1	1	1	1			

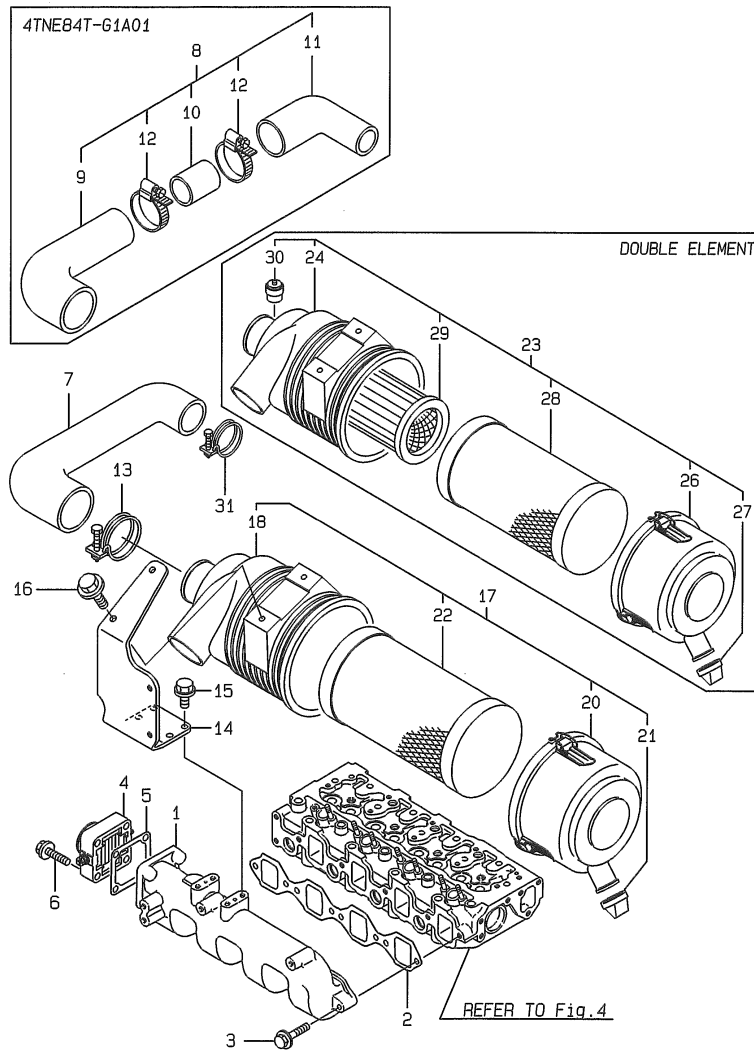
Remarks
(1) REPAIR PART.

N:Old $\frac{Yes}{No}$ New, Q:Old $\frac{No}{Yes}$ New, R:Old $\frac{Yes}{Yes}$ New, S:Old $\frac{No}{No}$ New, W:Add, Z:Discontinued, F:Interchangeable by set, K:Q'ty Change

Fig.5. SUCTION MANIFOLD & AIR CLEANER

(A)=4TNE84T-SA01
 (B)=4TNE84TG1A01
 (C)=4TNE84TG2A01

(D)=4TNE84T-ESA
 (E)=4TNE84T-EG1A
 (F)=



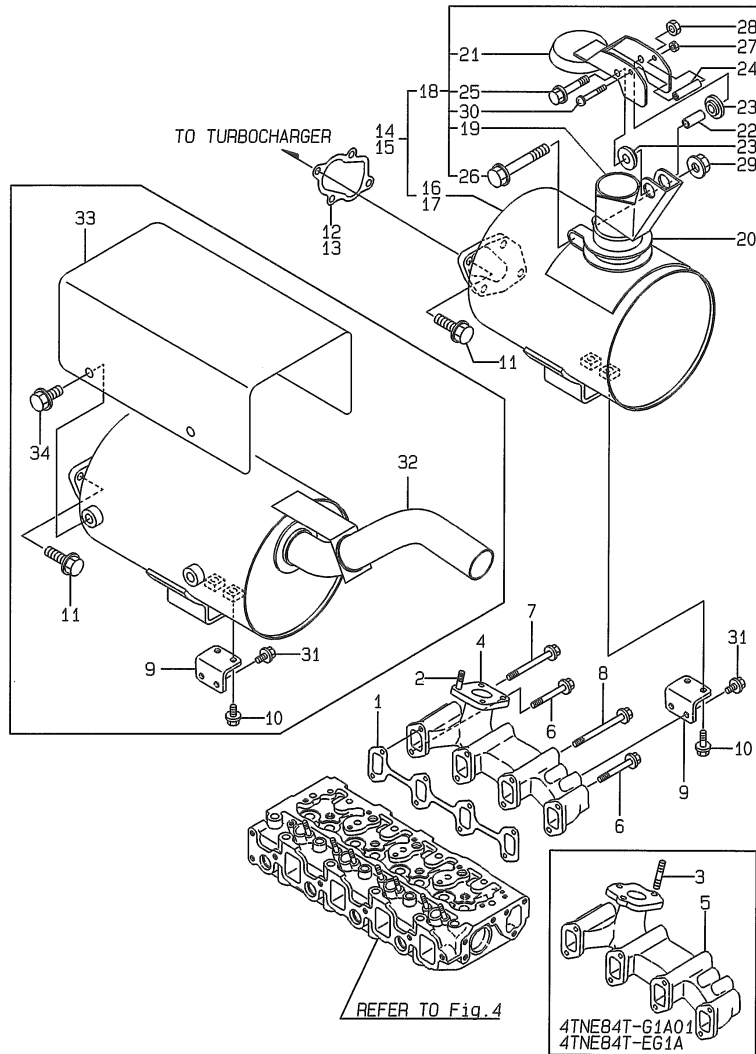
No.	Lev.	Parts No.	Description	Q'ty						I	R
				(A)	(B)	(C)	(D)	(E)	(F)		
1	1	129488-12100	MANIFOLD, AIR INTAKE	1	1	1	1	1			
2	1	129550-12111	GASKET, MANIFOLD	1	1	1	1	1			
3	1	26106-080352	BOLT, M8X 35 PLATED	5	5	5	5	5			
4	1	129120-77501	HEATER	1	1	1	1	1			
5	1	129150-77511	GASKET	1	1	1	1	1			
6	1	26106-080352	BOLT, M8X 35 PLATED	4	4	4	4	4			
7	1	129609-12230	PIPE, AIR INTAKE	1		1	1	1			
8	1	129609-12220	PIPE, AIR INTAKE		1						
9	2	129609-12240	PIPE, AIR INTAKE		1						
10	2	119131-12251	JOINT			1					
11	2	129609-12250	PIPE, AIR INTAKE			1					
12	2	23000-070000	CLAMP, 70			2					
13	1	23000-080000	CLAMP, 80	1	1	1	1	1			
14	1	129609-12550	BRACKET, AIR CLEANER	1	1	1	1	1			
15	1	26106-080182	BOLT, M8X 18 PLATED	4	4	4	4	4			
16	1	26106-080182	BOLT, M8X 18 PLATED	2	2	2	2	2			
17	1	129609-12500	CLEANER ASSY, AIR	1	1	1	1	1		1	
18	2	129609-12530	BODY, AIR CLEANER	1	1	1	1	1		1	
20	2	129900-12530	COVER ASSY	1	1	1	1	1		1	
21	2	119808-12540	VALVE, UNLOADER	1	1	1	1	1		1	
22	2	129062-12560	ELEMENT	1	1	1	1	1		1	
23	1	129609-12510	CLEANER ASSY, AIR	1	1	1	1	1		2	
24	2	129609-12520	BODY, AIR CLEANER	1	1	1	1	1		2	
26	2	129900-12530	COVER ASSY	1	1	1	1	1		2	
27	2	119808-12540	VALVE, UNLOADER	1	1	1	1	1		2	
28	2	129062-12560	ELEMENT	1	1	1	1	1		2	
29	2	119005-12571	ELEMENT	1	1	1	1	1		2	
30	2	126650-12680	INDICATOR	1	1	1	1	1		2	
31	1	23000-054000	CLAMP, 54	1	1	1	1	1			

Remarks
 (1) FOR SINGLE ELEMENT.
 (2) FOR DOUBLE ELEMENT.

Fig.6. EXHAUST MANIFOLD & SILENCER

(A)=4TNE84T-SA01
 (B)=4TNE84TG1A01
 (C)=4TNE84TG2A01

(D)=4TNE84T-ESA
 (E)=4TNE84T-EG1A
 (F)=



No.	Lev.	Parts No.	Description	Qty						I	R
				(A)	(B)	(C)	(D)	(E)	(F)		
1	1	129550-13110	GASKET	1	1	1	1	1			
2	1	119131-18320	STUD, M8X22	4		4	4				
3	1	129418-18320	STUD, M8X20		3			3			
4	1	129403-13120	MANIFOLD, EXHAUST	1		1	1				
5	1	129403-13130	MANIFOLD, EXHAUST		1			1			
6	1	26106-080652	BOLT, M8X 65 PLATED	3	3	3	3	3			
7	1	26106-080852	BOLT, M8X 85 PLATED	1	1	1	1	1			
8	1	26106-081002	BOLT, M8X100 PLATED	4	4	4	4	4			
9	1	129403-13540	SUPPORT, SILENCER	1	1	1	1	1			
10	1	26106-080202	BOLT, M8X 20 PLATED	2	2	2	2	2			
11	1	26106-080202	BOLT, M8X 20 PLATED	4	4	4	4	4			
12	1	129403-18081	GASKET	1		1	1				
13	1	129403-18091	GASKET		1			1			
14	1	129420-13521	SILENCER ASSY	1		1	1				
15	1	129420-13511	SILENCER ASSY		1			1			
16	2	129420-13570	SILENCER ASSY	1		1	1				
17	2	129420-13560	SILENCER ASSY		1			1			
18	2	129420-13540	PIPE ASSY, TAIL	1	1	1	1	1			
19	3	129420-13550	PIPE, TAIL	1	1	1	1	1			
20	3	121850-13580	CLAMP	1	1	1	1	1			
21	3	128300-13640	CAP	1	1	1	1	1			
22	3	121855-13821	SPACER, A	1	1	1	1	1			
23	3	121855-13830	SPACER, B	2	2	2	2	2			
24	3	123500-13840	SPACER, C	1	1	1	1	1			
25	3	26106-060402	BOLT, M6X 40 PLATED	1	1	1	1	1			
26	3	26106-100602	BOLT, M10X 60 PLATED	1	1	1	1	1			
27	3	26347-040002	NUT, M4	1	1	1	1	1			
28	3	26347-060002	NUT, M6	1	1	1	1	1			
29	3	26366-100002	NUT, M10	1	1	1	1	1			
30	3	26557-040352	SCREW, M4X35	1	1	1	1	1			
31	1	26106-080142	BOLT, M8X 14 PLATED	2	2	2	2	2			
32	1	129412-13500	SILENCER		1			1		1	
33	1	129412-13600	COVER, SILENCER		1			1		1	
34	1	26106-080122	BOLT, M8X 12 PLATED		4			4		1	

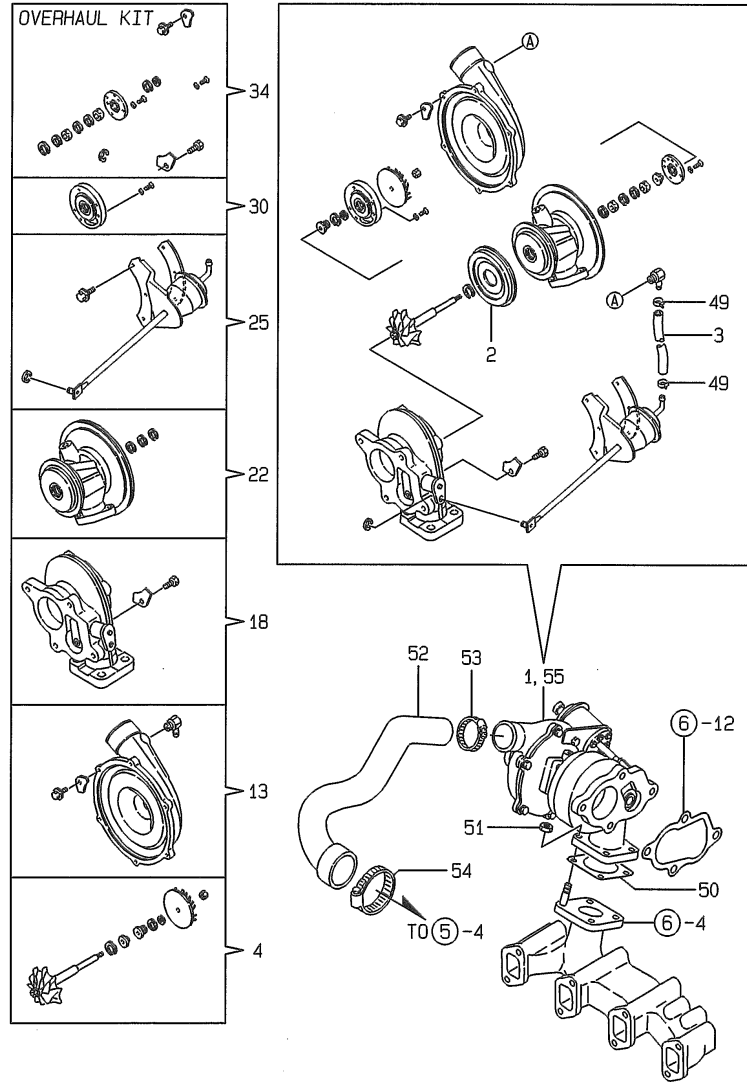
Remarks
 (1) FOR SIDE OUTLET.

Fig.7. TURBOCHARGER

(A)=4TNE84T-SA01
 (B)=4TNE84TG1A01
 (C)=4TNE84TG2A01

(D)=4TNE84T-ESA
 (E)=4TNE84T-EG1A
 (F)=

4TNE84T-SA01
 4TNE84T-G2A01
 4TNE84T-ESA



No.	Lev.	Parts No.	Description	Q'ty						I	R
				(A)	(B)	(C)	(D)	(E)	(F)		
1	1	129404-18020	TURBINE, RHB51	1	1						
2	2	129404-18720	PROTECTOR, HEAT	1	1						
3	2	129404-18750	HOSE	1	1						
4	2	129404-18770	ROTOR SET	1	1						
13	2	129404-18780	HOUSING SET	1	1						
18	2	129404-18790	HOUSING ASSY	1	1						
22	2	129404-18800	HOUSING SET	1	1						
25	2	129404-18811	CONTROLLER ASSY	1	1						
30	2	129404-18820	PLATE	1	1						
34	2	129404-18830	OVERHAUL KIT	1	1						
49	2	23080-012000	CLAMP, 12	2	2						
50	1	129322-18100	GASKET	1	1	1					
51	1	194990-22050	NUT, M8	4	4	4					
52	1	129488-12080	PIPE, AIR INTAKE	1	1	1					
53	1	23000-060000	CLAMP, 60	1	1	1					
54	1	23000-070000	CLAMP, 70	1	1	1					
55	1	129418-18010	TURBINE, RHB51				1				

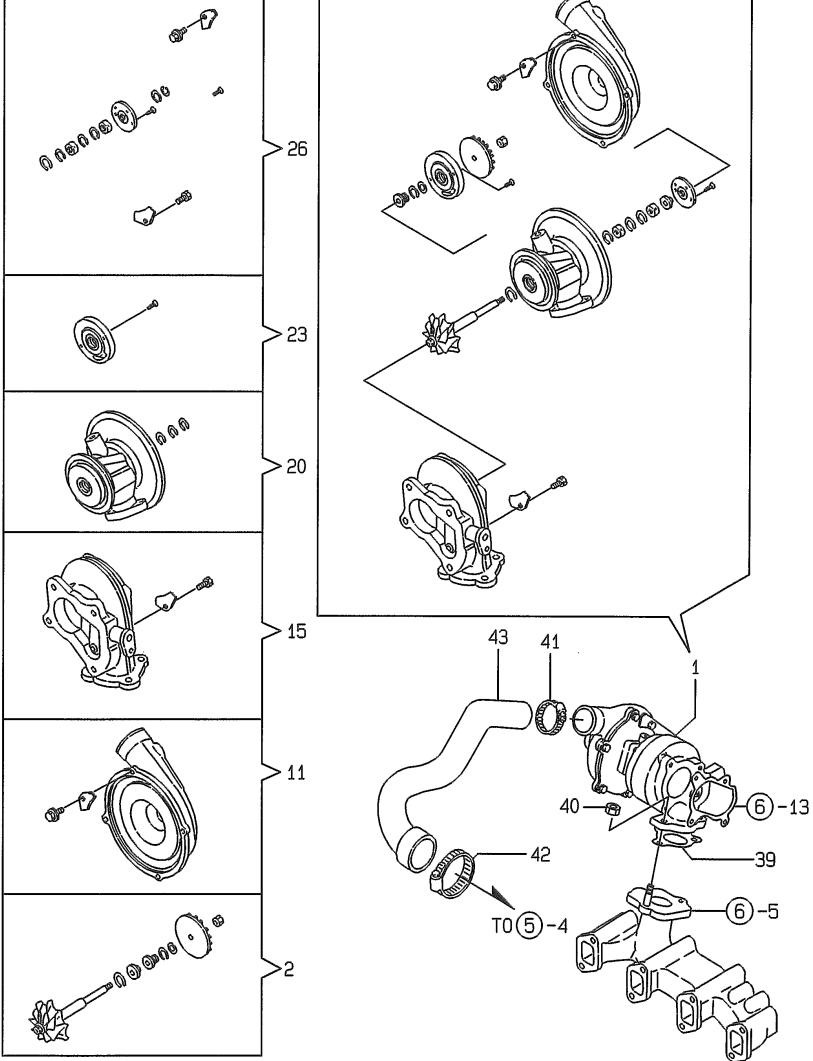
Fig.8. TURBOCHARGER

(A)=4TNE84T-SA01
 (B)=4TNE84TG1A01
 (C)=4TNE84TG2A01

(D)=4TNE84T-ESA
 (E)=4TNE84T-EG1A
 (F)=

4TNE84T-G1A01
 4TNE84T-EG1A

OVERHAUL KIT



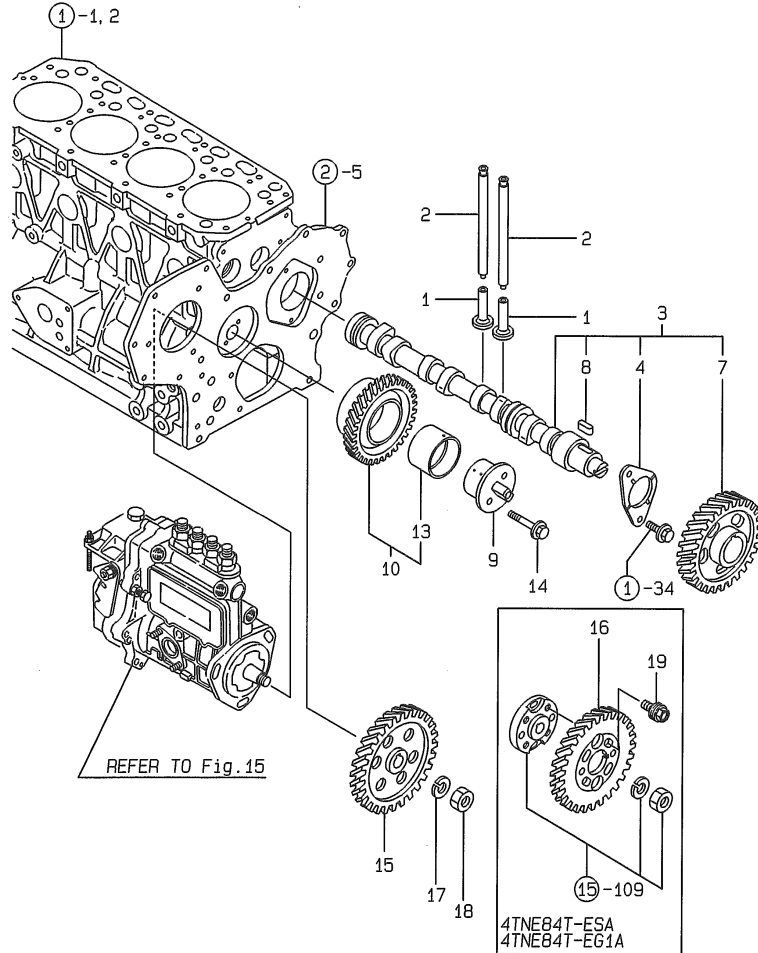
No.	Lev.	Parts No.	Description	Q'ty						I	R
				(A)	(B)	(C)	(D)	(E)	(F)		
1	1	129406-18010	TURBINE, RHB31		1				1		
2	2	129406-18770	ROTOR ASSY		1				1		
11	2	129406-18780	HOUSING ASSY		1				1		
15	2	129406-18790	HOUSING ASSY		1				1		
20	2	129403-18800	HOUSING ASSY		1				1		
23	2	129406-18820	PLATE ASSY, SEAL		1				1		
26	2	129406-18830	OVERHALL KIT		1				1		
39	1	129477-18101	GASKET		1				1		
40	1	194990-22050	NUT, M8		3				3		
41	1	23000-050000	CLAMP 50		1				1		
42	1	23000-070000	CLAMP, 70		1				1		
43	1	129488-12060	PIPE, AIR INTAKE		1				1		

Fig.9. CAMSHAFT & DRIVING GEAR

(A)=4TNE84T-SA01
 (B)=4TNE84TG1A01
 (C)=4TNE84TG2A01

(D)=4TNE84T-ESA
 (E)=4TNE84T-EG1A
 (F)=

No.	Lev.	Parts No.	Description	Q'ty						I	R
				(A)	(B)	(C)	(D)	(E)	(F)		
1	1	129150-14200	TAPPET	8	8	8	8	8			
2	1	129150-14400	ROD, PUSH L=178	8	8	8	8	8			
3	1	729402-14580	CAMSHAFT ASSY	1	1	1	1	1			
4	2	129150-02450	BEARING, THRUST	1	1	1	1	1			
7	2	129150-14101	GEAR, CAMSHAFT	1	1	1	1	1			
8	2	22512-070140	KEY, 7X 14	1	1	1	1	1			
9	1	129100-25061	SHAFT, IDLE	1	1	1	1	1			
10	1	129150-25101	GEAR ASSY, IDLE	1	1	1	1	1			
13	2	129150-25920	BUSH, IDLE GEAR	1	1	1	1	1		1	
14	1	26106-080452	BOLT, M8X 45 PLATED	2	2	2	2	2			
15	1	129150-25900	GEAR, PUMP	1	1	1					
16	1	129150-25931	GEAR, PUMP				1	1			
17	1	22217-120000	WASHER, SPRING 12	1	1	1					
18	1	26716-120002	NUT, M12	1	1	1					
19	1	129150-25301	BOLT				4	4			



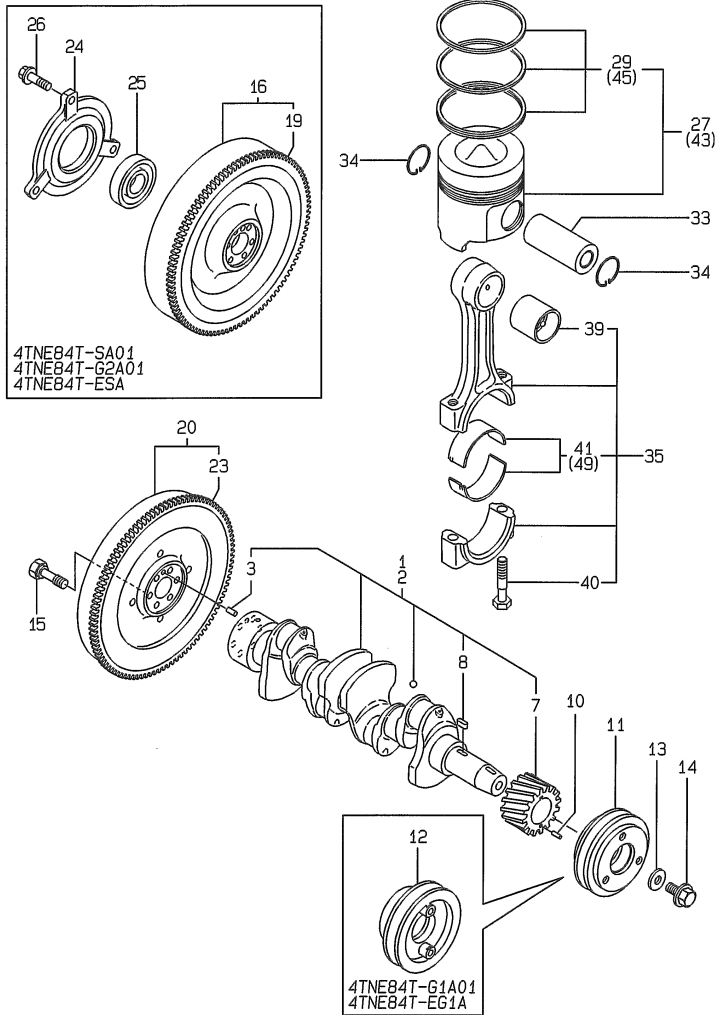
4TNE84T-ESA
 4TNE84T-EG1A

Remarks
 (1) REPAIR PART.

Fig.10. CRANKSHAFT & PISTON

(A)=4TNE84T-SA01
(B)=4TNE84TG1A01
(C)=4TNE84TG2A01

(D)=4TNE84T-ESA
(E)=4TNE84T-EG1A
(F)=



No.	Lev.	Parts No.	Description	Qty						I	R
				(A)	(B)	(C)	(D)	(E)	(F)		
1	1	129407-21000	CRANKSHAFT ASSY	1	1		1	1			
1-1	1	129407-21100	CRANKSHAFT ASSY	1	1		1	1			R
		(A=E31642) (B=E31564)	(D=E32824) (E=E31567)								
2	1	129418-21000	CRANKSHAFT ASSY					1			
3	2	129100-01580	PIN, M8X16	1	1	1	1	1			
7	2	129150-21200	GEAR, CRANKSHAFT	1	1	1	1	1			
8	2	22512-070140	KEY, 7X 14	1	1	1	1	1			
10	1	22351-040010	PIN, SPRING 4.0X10	1	1	1	1	1			
11	1	171301-21650	V-PULLEY	1			1	1			
12	1	129550-21650	V-PULLEY		1					1	
13	1	129795-21661	WASHER	1	1	1	1	1			
14	1	121850-21680	BOLT	1	1	1	1	1			
15	1	121111-21501	BOLT, FLYWHEEL	6	6	6	6	6			
16	1	129488-21590	FLYWHEEL ASSY	1			1	1			
19	2	119865-21600	GEAR, RING	1			1	1			
20	1	171420-21590	FLYWHEEL ASSY		1					1	
23	2	124550-21600	GEAR, RING		1					1	
24	1	119888-21450	RETAINER, BEARING	1				1			
25	1	24104-062054	BEARING, BALL 6205UU	1				1			
26	1	26106-080222	BOLT, M8X 22 PLATED	3				3			
27	1	129002-22090	PISTON ASSY	4	4	4	4	4			
29	2	129002-22510	RING SET, PISTON	4	4	4	4	4			
33	1	129202-22300	PIN, PISTON D26 L70	4	4	4	4	4			
34	1	22252-000260	RING, 26	8	8	8	8	8			
35	1	729402-23100	ROD ASSY, CONNECTING	4	4	4	4	4			
39	2	129100-23910	BEARING, PISTON PIN	4	4	4	4	4			1
40	2	121550-23200	BOLT, CONNECTING ROD	8	8	8	8	8			
41	2	129150-23600	BEARING, CRANK PIN	4	4	4	4	4			
43	1	129002-22910	PISTON ASSY, 0.25 OS	4	4	4	4	4			2
45	2	129002-22960	RING SET, 0.25 OS	4	4	4	4	4			2
49	1	129150-23610	BEARING, 0.25 US	4	4	4	4	4			3

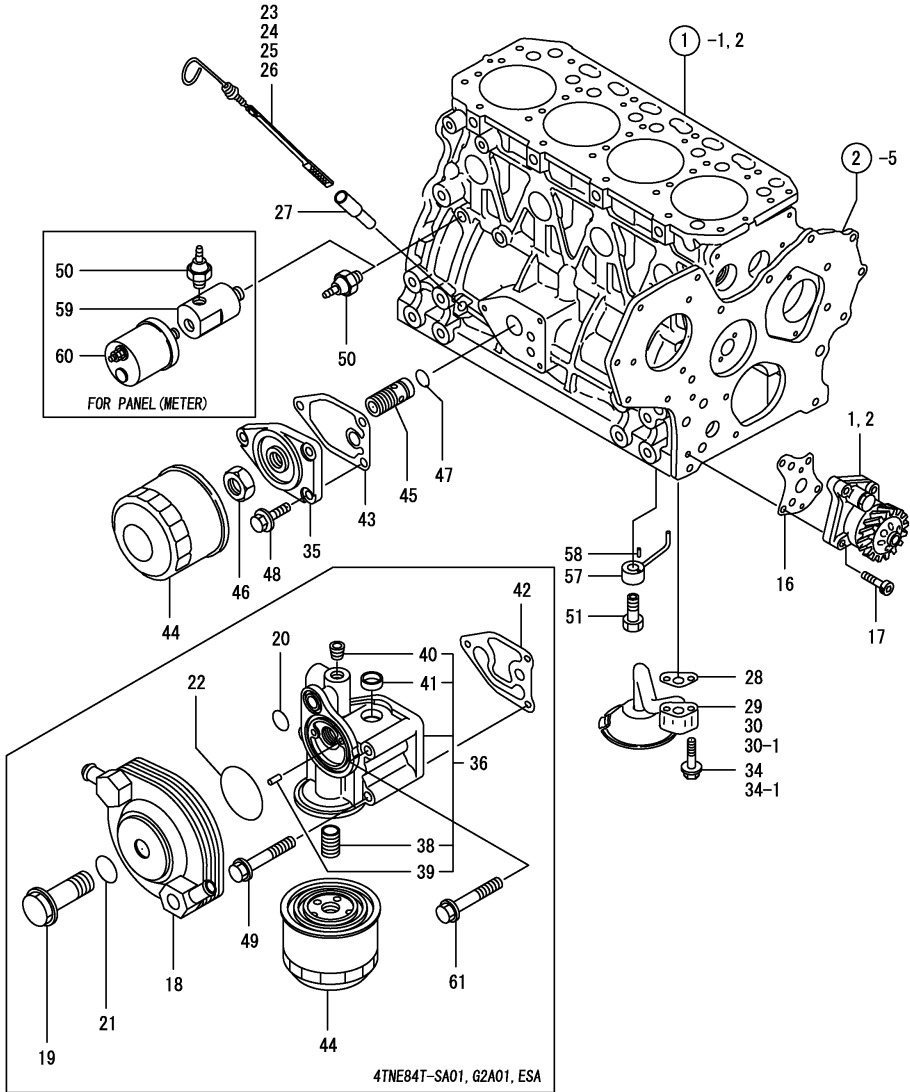
Remarks

- (1) REPAIR PART.
- (2) OVER-SIZED(O.S=0.25)PART.
- (3) UNDER-SIZED(U.S=0.25)PART.

Fig.11. LUB.OIL SYSTEM

(A)=4TNE84T-SA01
(B)=4TNE84TG1A01
(C)=4TNE84TG2A01

(D)=4TNE84T-ESA
(E)=4TNE84T-EG1A
(F)=



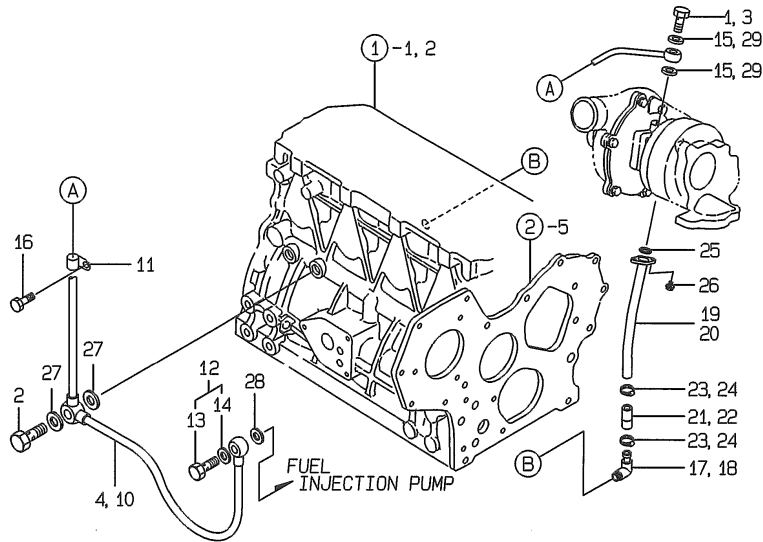
No.	Lev.	Parts No.	Description	Q'ty						I	R
				(A)	(B)	(C)	(D)	(E)	(F)		
1	1	129418-32000	PUMP ASSY, OIL	1		1	1				
2	1	129407-32000	PUMP ASSY, OIL		1				1		
16	1	129150-32020	GASKET, PUMP	1	1	1	1	1	1		
17	1	26450-060252	BOLT, M6X 25	4	4	4	4	4	4		
18	1	129103-33031	COOLER, OIL	1		1	1				
19	1	129103-33132	BOLT	1		1	1				
20	1	24311-000200	O-RING, 1AP20.0	1		1	1				
21	1	24311-000210	O-RING, 1AP21.0	1		1	1				
22	1	24321-000550	O-RING, 1AG55.0	1		1	1				
23	1	129403-34800	DIPSTICK, OIL	1			1				
24	1	129136-34800	DIPSTICK, OIL		1				1		1
25	1	129430-34800	DIPSTICK, OIL			1					
26	1	171420-34820	DIPSTICK, OIL						1		
27	1	121520-34810	GUIDE, DIPSTICK	1	1	1	1	1	1		
28	1	129150-35041	GASKET	1	1	1	1	1	1		
28-1	1	129150-35042	GASKET (B=EXXXXX) (C=EXXXXX)		1	1		1			N
29	1	129150-35091	PIPE ASSY, OIL INLET (E=EXXXXX)	1			1	1	1		
30	1	129436-35091	PIPE ASSY, OIL INLET		1	1		1	1		1
30-1	1	129436-35070	PIPE ASSY (B=EZZZZZ) (C=EZZZZZ)		1	1		1			S 1
34	1	26106-080352	BOLT, M8X 35 PLATED	2	2	2	2	2	2		
34-1	1	26106-080552	BOLT, M8X 55 PLATED (B=EZZZZZ) (C=EZZZZZ)		2	2		2			S
35	1	129150-35101	BRACKET, STRAINER		1				1		
36	1	129418-35100	BRACKET ASSY	1		1	1				
38	2	129100-35140	STUD	1		1	1				
39	2	22312-060080	PIN, PARALLEL M6X 8	2		2	2				
40	2	23871-020000	PLUG, R02	1		1	1	1			
40-1	2	23876-020000	PLUG, R02	1		1	1	1			N
			(A=E17700) (B=E18029) (C=E18402) (D=E18461) (E=E18099)								
41	2	27241-200000	PLUG, 20	1		1	1				
42	1	129103-35122	GASKET	1		1	1				
43	1	129150-35111	GASKET		1				1		
44	1	129150-35151	FILTER, D80XL80	1	1	1	1	1	1		
45	1	129001-35300	BOLT, FILTER		1				1		
46	1	129150-35350	NUT		1				1		
47	1	24311-000160	O-RING, 1AP16.0		1				1		
48	1	26106-080202	BOLT, M8X 20 PLATED		3				3		
49	1	26106-080752	BOLT, M8X 75 PLATED	2		2	2				
50	1	124160-39450	SWITCH, 0.5KG	1	1	1	1	1	1		
50-1	1	114250-39450	SWITCH, 0.5KG	1	1	1	1	1	1		N
51	1	129792-39410	VALVE ASSY, CHECK	4		4	4		4		
57	1	129553-39650	NOZZLE	4		4	4		4		
58	1	22351-030010	PIN, SPRING 3.0X10	4		4	4		4		
59	1	171375-39601	DAMPER, 1/8	1	1	1	1	1	1		
60	1	144626-91560	SENSOR	1	1	1	1	1	1		
61	1	26106-080702	BOLT, M8X 70 PLATED	1		1	1		1		

Remarks
(1) FOR(EG1A01).

Fig.12. LUB.OIL LINE

(A)=4TNE84T-SA01
 (B)=4TNE84TG1A01
 (C)=4TNE84TG2A01

(D)=4TNE84T-ESA
 (E)=4TNE84T-EG1A
 (F)=



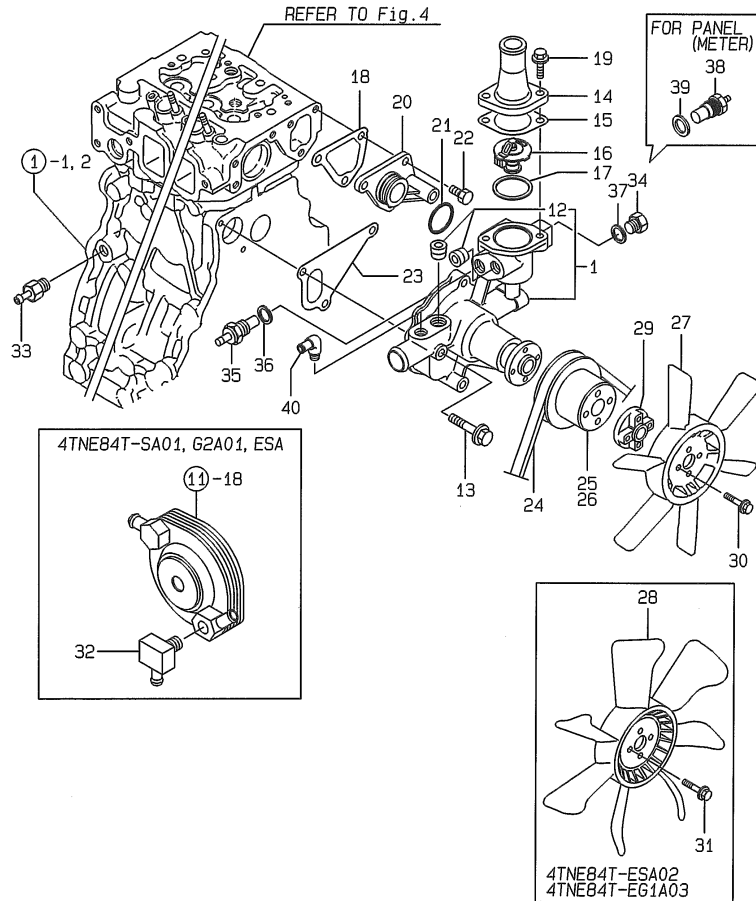
No.	Lev.	Parts No.	Description	Q'ty						I	R
				(A)	(B)	(C)	(D)	(E)	(F)		
1	1	105010-39140	BOLT, PIPE JOINT		1				1		
2	1	124160-39140	BOLT, PIPE JOINT M10	1	1	1	1	1			
3	1	121252-39150	BOLT, JOINT M10X1.5	1		1	1				
4	1	129403-39460	PIPE ASSY, OIL	1		1	1				
10	1	129403-39450	PIPE ASSY, OIL		1				1		
11	1	124223-39900	RETAINER	1	1	1	1	1	1		
12	1	124550-59830	BOLT ASSY, JOINT M8	1	1	1	1	1	1		
13	2	124550-59820	BOLT, PIPE JOINT M8	1	1	1	1	1	1		
14	2	22190-080002	WASHER, SEAL 6	1	1	1	1	1	1		
15	1	23414-100000	GASKET, 10X1.0	2		2	2				
16	1	26106-080102	BOLT, M8X 10 PLATED	1	1	1	1	1	1		
17	1	124070-13300	ELBOW, PT3/8	1		1	1				
18	1	128270-13620	JOINT, PIPE PT3/8		1				1		
19	1	129403-39600	PIPE, OIL		1				1		
20	1	129503-39600	PIPE, OIL	1		1	1				
21	1	129403-39610	JOINT, RUBBER		1				1		
22	1	129506-39610	JOINT, RUBBER	1		1	1				
23	1	23000-022000	CLAMP, 22		2				2		
24	1	23000-025000	CLAMP, 25	2		2	2				
25	1	24314-000160	O-RING, 4CP16.0	1	1	1	1	1	1		
26	1	26106-060162	BOLT, M6X 16 PLATED	2	2	2	2	2	2		
27	1	22190-100002	WASHER, SEAL 10	2	2	2	2	2	2		
28	1	22190-080002	WASHER, SEAL 6	1	1	1	1	1	1		
29	1	23414-080000	GASKET, 8X1.0		2				2		

Fig.13. COOLING WATER SYSTEM

(A)=4TNE84T-SA01
(B)=4TNE84TG1A01
(C)=4TNE84TG2A01

(D)=4TNE84T-ESA
(E)=4TNE84T-EG1A
(F)=

No.	Lev.	Parts No.	Description	Q'ty						I	R
				(A)	(B)	(C)	(D)	(E)	(F)		
1	1	129001-42002	PUMP ASSY, WATER	1	1	1	1	1			
1-1	1	129001-42003	PUMP ASSY, WATER	1	1	1	1	1		N	
		(A=E14855) (B=E15057) (C=E14923) (D=E16074) (E=E14968)									
12	2	23871-030000	PLUG, R03	2	2	2	2	2			
12-1	2	23876-030000	PLUG, R03	2	2	2	2	2		N	
		(A=E14855) (B=E15057) (C=E14923) (D=E16074) (E=E14968)									
13	1	26106-080602	BOLT, M8X 60 PLATED	3	3	3	3	3			
14	1	129350-49560	COVER, THERMOSTAT	1	1	1	1	1			
15	1	129795-49551	GASKET	1	1	1	1	1			
16	1	129155-49800	THERMOSTAT, 71	1	1	1	1	1			
17	1	129150-49811	GASKET, THERMOSTAT	1	1	1	1	1			
18	1	129100-49840	GASKET	1	1	1	1	1			
18-1	1	124395-49840	GASKET	1	1	1	1	1		N	
		(A=E30604) (B=E30145) (C=E30720) (D=E32824) (E=E30013)									
19	1	26106-080202	BOLT, M8X 20 PLATED	2	2	2	2	2			
20	1	129001-42040	JOINT	1	1	1	1	1			
21	1	24321-000300	O-RING, 1AG30.0	1	1	1	1	1			
21-1	1	129486-42140	O-RING, G30	1	1	1	1	1		N	
		(A=E16021) (B=E16485) (C=E18402) (D=E16074) (E=E15726)									
22	1	26106-080162	BOLT, M8X 16 PLATED	3	3	3	3	3			
23	1	129100-42020	GASKET, WATER PUMP	1	1	1	1	1			
23-1	1	129486-42021	GASKET, WATER PUMP	1	1	1	1	1		N	
		(A=E14855) (B=E15057) (C=E14923) (D=E16074) (E=E14968)									
24	1	25132-003800	V-BELT, A38	1	1	1	1	1			
25	1	129403-42380	V-PULLEY, D=110	1		1	1				
26	1	129155-42350	V-PULLEY		1			1			
27	1	129403-44740	FAN, COOLING 370	1	1	1	1	1			
28	1	121267-44741	FAN, COOLING D=360					1	1	1	
29	1	121267-44760	SPACER	1	1	1	1	1			
30	1	26106-060302	BOLT, M6X 30 PLATED	4	4	4	4	4			
31	1	26014-060302	BOLT, M6X 30					4	4	1	
32	1	121750-49110	JOINT	1		1	1				
33	1	121550-49111	JOINT, PT1/4		1			1			
34	1	121450-42450	PLUG, M16	1	1	1	1	1			
35	1	121250-44901	SWITCH, 110	1	1	1	1	1			
36	1	124465-44950	GASKET, 16	1	1	1	1	1			
37	1	124465-44950	GASKET, 16	1	1	1	1	1			
38	1	124250-49351	SENSOR	1	1	1	1	1		2	
39	1	129150-49360	GASKET	1	1	1	1	1		2	
40	1	129103-49301	ELBOW, PT1/4	1		1	1				



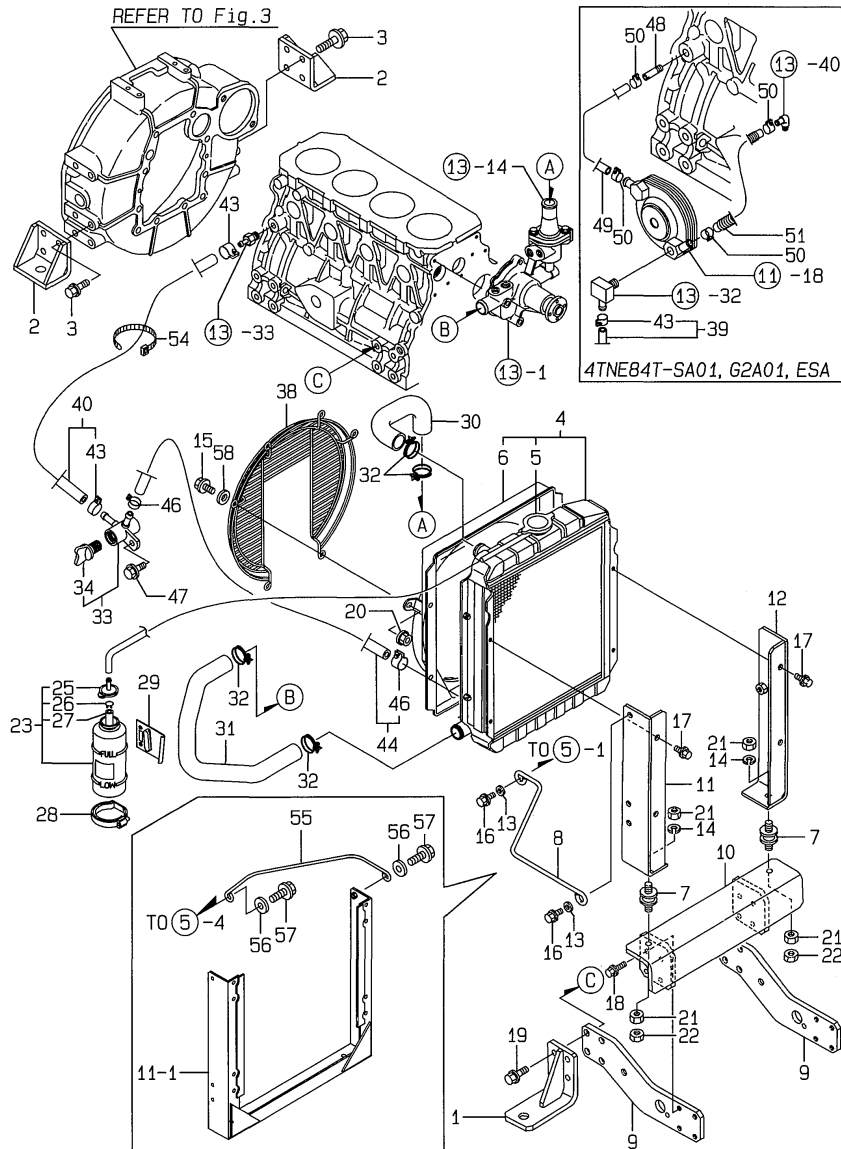
Remarks
(1) FOR(ESA02)(EG1A03).
(2) FOR PANEL(METER).

Fig.14. RADIATOR

(A)=4TNE84T-SA01
(B)=4TNE84TG1A01
(C)=4TNE84TG2A01

(D)=4TNE84T-ESA
(E)=4TNE84T-EG1A
(F)=

発行No. 000Y00R5210-1
改定年月: 2002.09
REVISED: Sep., 2002



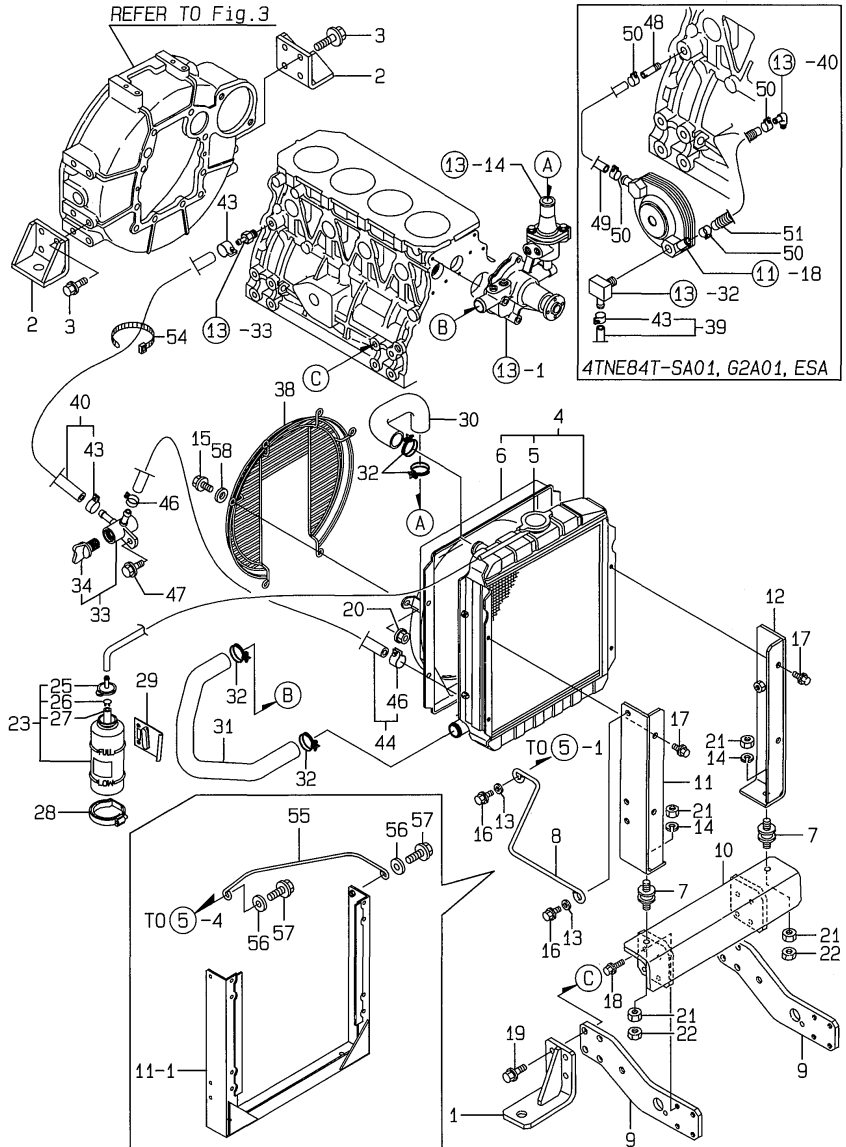
No.	Lev.	Parts No.	Description	Q'ty						I	R
				(A)	(B)	(C)	(D)	(E)	(F)		
1	1	129188-08100	FOOT	2	2		2	2			
2	1	119888-08110	FOOT	2	2		2	2			
3	1	26106-100202	BOLT, M10X 20 PLATED	8	8		8	8			
4	1	129422-44500	RADIATOR	1	1	1	1	1			
5	2	119259-44570	CAP, RADIATOR	1	1	1	1	1			
6	2	X2411263340	SHROUD	1	1	1	1	1			
7	1	121400-44650	ABSORBER	2	2		2	2			
8	1	129488-44940	RETAINER, RADIATOR	1	1	1	1	1			
9	1	129608-44950-1	BRACKET	2	2		2	2			
10	1	129488-44960	BRACKET, RADIATOR	1	1		1	1			
11	1	129488-44971-2	SUPPORT, A	1	1		1	1			
11-1	1	129619-44971	SUPPORT, RADIATOR	1	1		1	1		N	
11-2	1	129619-44972	SUPPORT, RADIATOR	1	1		1	1		N	
12	1	129488-44981-2	SUPPORT, B	1	1		1	1		Z	
13	1	22137-080000	WASHER, 8	2	2		2	2			
14	1	22217-100000	WASHER, SPRING 10	2	2		2	2			
15	1	26106-080122	BOLT, M8X 12 PLATED	6	6	6	6	6			
15-1	1	26106-080142	BOLT, M8X 14 PLATED	6	6		6	6		N	
16	1	26106-080162	BOLT, M8X 16 PLATED	2	2		2	2			
17	1	26106-080202	BOLT, M8X 20 PLATED	4	4		4	4			
18	1	26106-080252	BOLT, M8X 25 PLATED	8	8		8	8			
19	1	26106-100302	BOLT, M10X 30 PLATED	8	8		8	8			
20	1	26366-080002	NUT, M8	6	6	6	6	6			
21	1	26716-100002	NUT, M10	4	4		4	4			
22	1	26756-100002	NUT, LOCK M10	2	2		2	2			
23	1	124450-44510	TANK ASSY, SUB	1	1	1	1	1			
25	2	124450-44530	CAP	1	1	1	1	1			
26	2	124450-44560	RETAINER	1	1	1	1	1			
27	2	23061-070230	PIPE, 7X 230	1	1	1	1	1			
28	1	124450-44550	BAND	1	1	1	1	1			
29	1	121256-44600	BRACKET, SUB TANK	1	1	1	1	1			
30	1	171440-49010	PIPE, WATER	1	1	1	1	1			
31	1	171420-49020	PIPE, WATER	1	1	1	1	1			
32	1	23010-038000	CLAMP, 38	4	4	4	4	4			
33	1	129150-49100	COCK ASSY, 3-WAY	1	1	1	1	1			
34	2	129150-49080	COCK, DRAIN	1	1	1	1	1			
38	1	129420-44560	PROTECTOR, FAN	1	1	1	1	1			
39	1	119265-49100	PIPE ASSY, WATER	1			1				
40	1	129609-49100	PIPE ASSY, WATER		1			1			
43	2	124766-59050	CLIP, HOSE 12	2	2		2	2			
44	1	119623-49100	PIPE, WATER	1	1		1	1			
46	2	124766-59050	CLIP, HOSE 12	2	2		2	2			
47	1	26106-080162	BOLT, M8X 16 PLATED	1	1	1	1	1			
48	1	129122-44480	JOINT	1		1		1			
49	1	129403-49031	PIPE, WATER	1		1		1			
50	1	23000-022000	CLAMP, 22	4		4		4			
51	1	119265-49060	PIPE ASSY, WATER	1		1		1			

Fig.14. RADIATOR

(A)=4TNE84T-SA01
(B)=4TNE84TG1A01
(C)=4TNE84TG2A01

(D)=4TNE84T-ESA
(E)=4TNE84T-EG1A
(F)=

图行No. 000Y00R5210-1
图样年月: 2002.09
REVISED: Sep., 2002

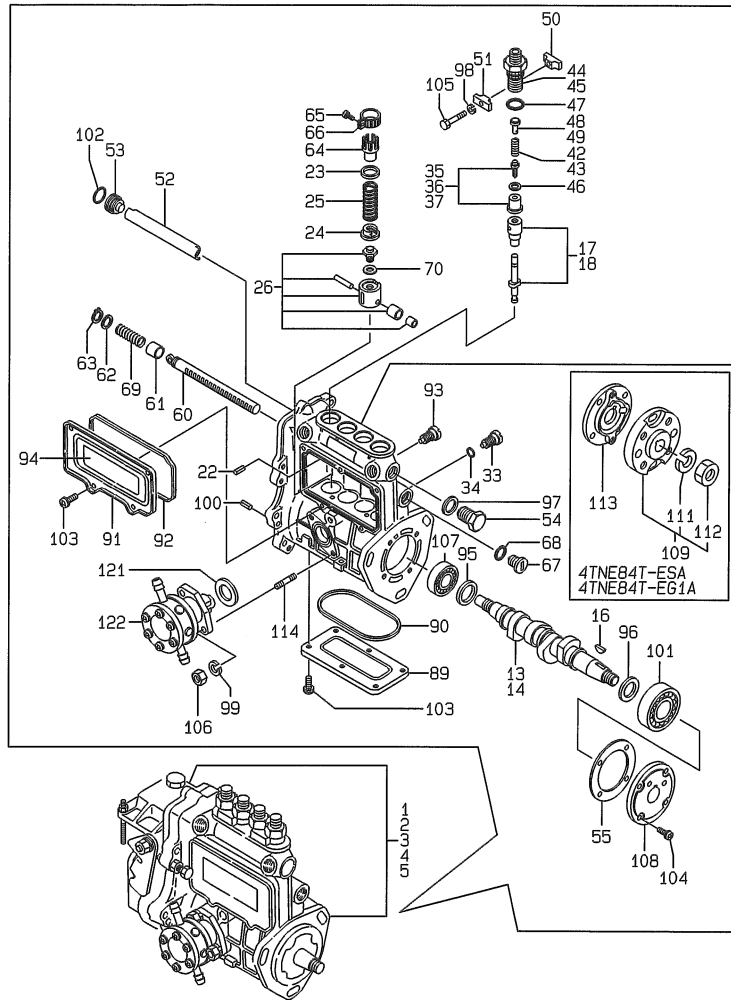


No.	Lev.	Parts No.	Description	Q'ty						I	R
				(A)	(B)	(C)	(D)	(E)	(F)		
54	1	121750-59890	BAND, 140	1	1		1	1			
55	1	129619-44951	RETAINER, RADIATOR	1	1		1	1			W
		(A=E35863) (B=E35861)	(D=E36208) (E=E36540)								
56	1	22157-060000	WASHER, 6	2	2		2	2			W
		(A=E35863) (B=E35861)	(D=E36208) (E=E36540)								
57	1	26106-060142	BOLT, M6X 14 PLATED	2	2		2	2			W
		(A=E35863) (B=E35861)	(D=E36208) (E=E36540)								
58	1	22137-080000	WASHER, 8	6	6		6	6			W
		(A=E35863) (B=E35861)	(D=E36208) (E=E36540)								

Fig.15. FUEL INJECTION PUMP

(A)=4TNE84T-SA01
(B)=4TNE84TG1A01
(C)=4TNE84TG2A01

(D)=4TNE84T-ESA
(E)=4TNE84T-EG1A
(F)=



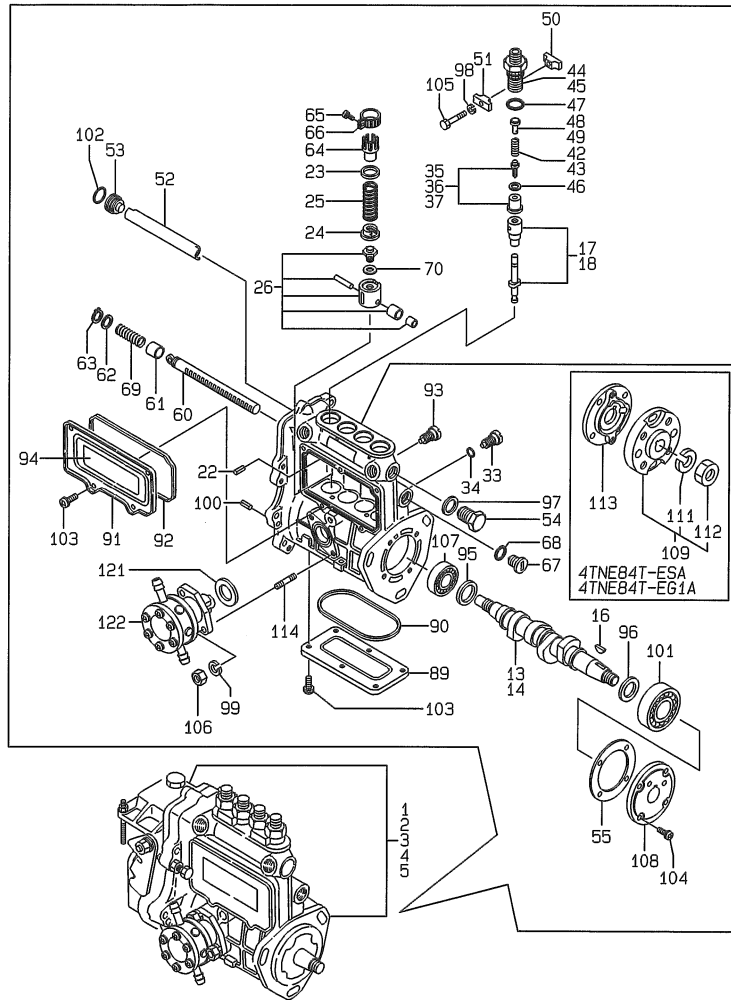
No.	Lev.	Parts No.	Description	Q'ty						I	R
				(A)	(B)	(C)	(D)	(E)	(F)		
1	1	729418-51350	PUMP ASSY, INJECTION	1							1
2	1	729613-51310	PUMP ASSY, INJECTION		1						1
3	1	729418-51410	PUMP ASSY, INJECTION			1					1
4	1	729418-51450	PUMP ASSY, INJECTION					1			1
5	1	729418-51490	PUMP ASSY, INJECTION						1		1
13	2	129470-51040	CAMSHAFT	1		1		1			
14	2	129506-51040	CAMSHAFT		1			1			
16	2	122710-51090	KEY	1	1	1	1	1	1		
17	2	129470-51101	PLUNGER ASSY	4	4		4	4			
18	2	129403-51200	PLUNGER ASSY			4					
22	2	129155-51140	PIN	4	4	4	4	4			
23	2	174307-51170	RETAINER, SPRING A	4	4	4	4	4			
24	2	129155-51180	RETAINER, SPRING	4	4	4	4	4			
25	2	124950-51190	SPRING, PLUNGER	4	4	4	4	4			
26	2	129155-51200	TAPPET ASSY	4	4	4	4	4			
33	2	129155-51270	STOPPER, TAPPET	4	4	4	4	4			
34	2	129155-51280	O-RING, S6	4	4	4	4	4			
35	2	129100-51300	VALVE ASSY, DELIVERY		4				4		
36	2	105300-51300	VALVE ASSY, DELIVERY	4		4					
37	2	129209-51300	VALVE ASSY, DELIVERY						4		
42	2	129155-51320	SPRING, DELIVERY	4	4	4			4		
43	2	129573-51330	SPRING, DELIVERY						4		
44	2	129155-51340	RETAINER	4	4	4			4		
45	2	129573-51340	RETAINER						4		
46	2	124550-51350	GASKET, DELIVERY	4	4	4	4	4	4		
47	2	124550-51370	O-RING	4	4	4	4	4	4		
48	2	129155-51370	STOPPER, VALVE	4	4	4			4		
49	2	129573-51370	STOPPER, VALVE						4		
50	2	129155-51380	STOPPER	2	2	2	2	2	2		
51	2	129155-51390	STOPPER	2	2	2	2	2	2		
52	2	129555-51400	DEFLECTOR	1	1	1	1	1	1		
53	2	129155-51410	BOLT	1	1	1	1	1	1		
54	2	129155-51420	PLUG, M16	1	1	1	1	1	1		
55	2	129155-51450	SHIM SET, ADJUSTING	1	1	1	1	1	1		
60	2	129555-51500	RACK, CONTROL	1	1	1	1	1	1		
61	2	129155-51521	BUSH, RACK	1	1	1	1	1	1		
62	2	129155-51530	SPACER	1	1	1	1	1	1		
63	2	129155-51540	CIRCLIP	1	1	1	1	1	1		
64	2	129155-51550	PINION, CONTROL	4	4	4	4	4	4		
65	2	122117-51560	SCREW	4	4	4	4	4	4		
66	2	174307-51560	PINION	4	4	4	4	4	4		
67	2	129155-51570	PLUG, M12	1	1	1	1	1	1		
68	2	129155-51580	O-RING	1	1	1	1	1	1		
69	2	129155-51591	SPRING, RACK	1	1	1	1	1	1		
70	2	129155-51600	SHIM SET, ADJUSTING	4	4	4	4	4	4		
89	2	129555-51700	COVER	1	1	1	1	1	1		
89-1	2	129555-51701	COVER	1	1	1	1	1	1		N
		(A=E18421)	(B=E18153)	(C=E18402)	(D=E18461)	(E=E18338)					
90	2	129555-51710	GASKET	1	1	1	1	1	1		
90-1	2	129555-51711	GASKET	1	1	1	1	1	1		N
		(A=E32987)	(B=E32761)	(C=E31262)	(D=E32824)	(E=E32764)					

Remarks
(1) GOVERNOR ASSY(FIG.NO.16) IS INCORPORATED IN THIS FUEL INJECTION PUMP ASSY(REF.NO.1,2,3,4,5).

Fig.15. FUEL INJECTION PUMP

(A)=4TNE84T-SA01
(B)=4TNE84TG1A01
(C)=4TNE84TG2A01

(D)=4TNE84T-ESA
(E)=4TNE84T-EG1A
(F)=



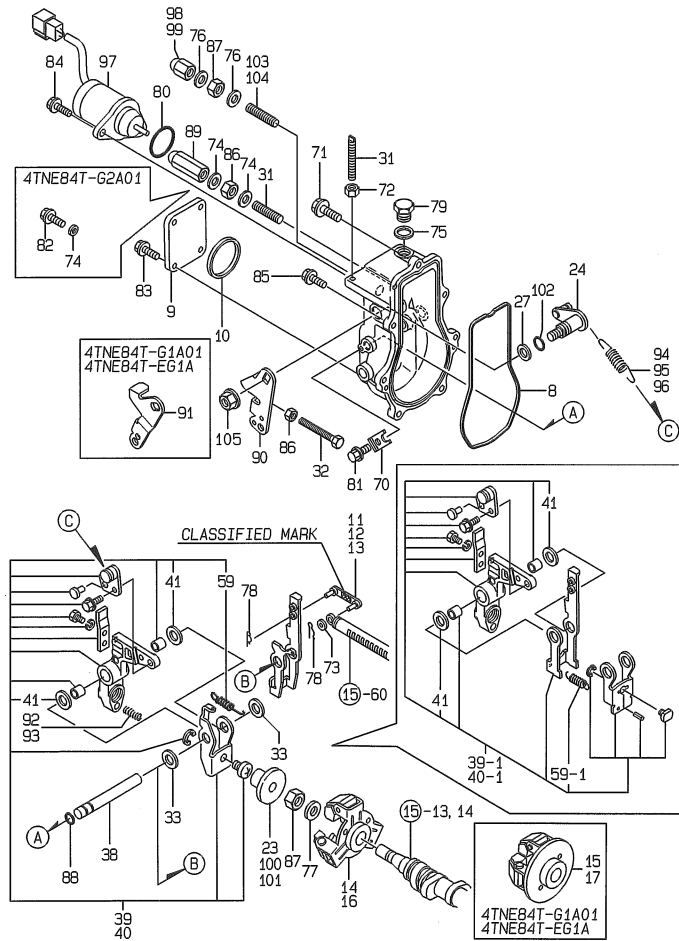
No.	Lev.	Parts No.	Description	Qty						I	R
				(A)	(B)	(C)	(D)	(E)	(F)		
91	2	129555-51750	COVER	1	1	1	1	1			
91-1	2	129555-51751	COVER	1	1	1	1	1			N
		(A=E18421) (B=E18153) (C=E18402) (D=E18461) (E=E18338)									
92	2	129555-51760	GASKET	1	1	1	1	1			
93	2	129155-51790	STOOPER, RACK	1	1	1	1	1			
94	2	129156-51910	LABEL, CAUTION	1	1	1	1	1			
95	2	129155-51930	SPACER, T=3.25	1	1	1	1	1			
96	2	129155-51940	SPACER, T=1.5	1	1	1	1	1			
97	2	22190-160002	WASHER, SEAL 16	1	1	1	1	1			
98	2	22217-050000	WASHER, SPRING 5	2	2	2	2	2			
99	2	22217-060000	WASHER, SPRING 6	2	2	2	2	2			
100	2	22351-050010	PIN, SPRING 5.0X10	2	2	2	2	2			
101	2	24101-063034	BEARING, BALL 6303	1	1	1	1	1			
102	2	24341-000160	O-RING, 1AS16.0	1	1	1	1	1			
103	2	26022-050102	SCREW, M5X10	11	11	11	11	11			
103-1	2	26022-050122	SCREW, M5X12	11	11	11	11	11			N
		(A=E18421) (B=E18153) (C=E18402) (D=E18461) (E=E18338)									
104	2	26022-060162	SCREW, M6X16	4	4	4	4	4			
105	2	26116-050302	BOLT, M5X 30 PLATED	2	2	2	2	2			
106	2	26716-060002	NUT, M6	2	2	2	2	2			
107	2	129155-51050	BEARING, 17BM001D	1	1	1	1	1			
108	2	129155-51060	SUPPORT, CAMSHAFT	1	1	1					
109	2	129208-54500	FLANGE ASSY				1	1			
111	3	22217-120000	WASHER, SPRING 12				1	1			
112	3	26716-120002	NUT, M12				1	1			
113	2	129208-51060	SUPPORT				1	1			
114	2	129155-51020	STUD	2	2	2	2	2			
121	2	129155-52050	GASKET	1	1	1	1	1			
122	2	129100-52100	PUMP ASSY, FUEL FEED	1	1	1	1	1			

Remarks
(1) GOVERNOR ASSY(FIG.NO.16) IS INCORPORATED IN THIS FUEL INJECTION PUMP ASSY(REF.NO.1,2,3,4,5).

Fig.16. GOVERNOR

(A)=4TNE84T-SA01
(B)=4TNE84TG1A01
(C)=4TNE84TG2A01

(D)=4TNE84T-ESA
(E)=4TNE84T-EG1A
(F)=



No.	Lev.	Parts No.	Description	Q'ty						I	R
				(A)	(B)	(C)	(D)	(E)	(F)		
8	2	129052-61050	GASKET	1	1	1	1	1			
9	2	129052-61060	COVER, GOVERNOR CASE	1	1	1	1	1			
10	2	129052-61070	GASKET	1	1	1	1	1			
11	2	129155-61120	LINK, L=30 MARK 0	1	1	1	1	1		1	
12	2	129155-61130	LINK, L=31 MARK 1	1	1	1	1	1		1	
13	2	129155-61140	LINK, L=30.5 MARK 05	1	1	1	1	1		1	
14	2	129155-61202	WEIGHT ASSY,GOVERNOR	1		1					
15	2	171488-61200	WEIGHT ASSY,GOVERNOR		1						
16	2	129486-61201	WEIGHT ASSY,GOVERNOR				1				
17	2	129618-61200	WEIGHT ASSY,GOVERNOR					1			
23	2	129155-61341	SLEEVE	1	1	1	1	1		2	
24	2	129100-61400	SHAFT ASSY	1	1	1	1	1			
27	2	129155-61430	SPACER	1	1	1	1	1			
31	2	129155-61450	BOLT, LIMITER	2	2	1	2	2			
32	2	129155-61460	BOLT, IDLE	1	1	1	1	1			
33	2	129155-61480	SPACER ASSY	2	2	2	2	2			
38	2	129052-61390	SHAFT	1	1	1	1	1			
39	2	129052-61500	LEVER ASSY, GOVERNOR	1			1				
39-1	2	119908-61501	LEVER ASSY, GOVERNOR	1			1			S	
		(A=E32297)					(D=E32824)				
40	2	129412-61500	LEVER ASSY, GOVERNOR		1	1		1			
40-1	2	129486-61501	LEVER ASSY, GOVERNOR		1	1		1		S	
		(B=E32253)					(C=E31262)				
41	3	174307-51700	SHIM SET	2	2	2	2	2			
		(E=E31973)									
59	3	129052-61540	SPRING, SET	1	1	1	1	1			
59-1	3	129486-61540	SPRING, SET	1	1	1	1	1		S	
		(A=E32297)					(B=E32253)				
		(C=E31262)					(D=E32824)				
		(E=E31973)									
70	2	119660-61901	RETAINER, SHAFT	1	1	1	1	1			
71	2	129155-61950	BOLT	1	1	1	1	1			
72	2	124550-66370	NUT, M6	1	1	1	1	1			
73	2	22117-04000	WASHER, 4	1	1	1	1	1			
74	2	22190-060003	SEAL WASER 6	2	2	1	2	2			
75	2	22190-100002	WASHER, SEAL 10	1	1	1	1	1			
76	2	22190-120002	WASHER, SEAL 12	2	2	2	2	2			
77	2	22287-120000	WASHER, 12	1	1	1	1	1			
78	2	22372-040000	PIN, SNAP 4	2	2	2	2	2			
79	2	23887-100002	PLUG, 10	1	1	1	1	1			
80	2	24341-000280	O-RING, 1AS28.0	1	1	1	1	1			
80-1	2	158552-61900	O-RING	1	1	1	1	1		N	
		(A=EXXXXX)					(B=EXXXXX)				
		(C=EXXXXX)					(D=EXXXXX)				
		(E=EXXXXX)									
81	2	26106-060102	BOLT, M6X 10 PLATED	1	1	1	1	1			
82	2	26106-060102	BOLT, M6X 10 PLATED			1					
83	2	26106-060102	BOLT, M6X 10 PLATED	4	4	4	4	4			
84	2	26106-060142	BOLT, M6X 14 PLATED	2	2	2	2	2			
85	2	26106-060202	BOLT, M6X 20 PLATED	6	6	6	6	6			
86	2	26756-060002	NUT, LOCK M6	2	2	1	2	2			
87	2	26776-120002	NUT, LOCK M12	2	2	2	2	2			
88	2	129155-51280	O-RING, S6	1	1	1	1	1			
89	2	119600-66840	NUT, CAP	1	1	1	1	1			
90	2	129100-61440	LEVER, CONTROL	1		1	1				
91	2	171488-61440	LEVER, CONTROL			1		1			

Remarks

(1) SELECTIVE PARTS: CERTAIN THE CLASSIFICATION MARK, THEN PLACE YOUR ORDER.(REFER TO ILLUSTRATION).

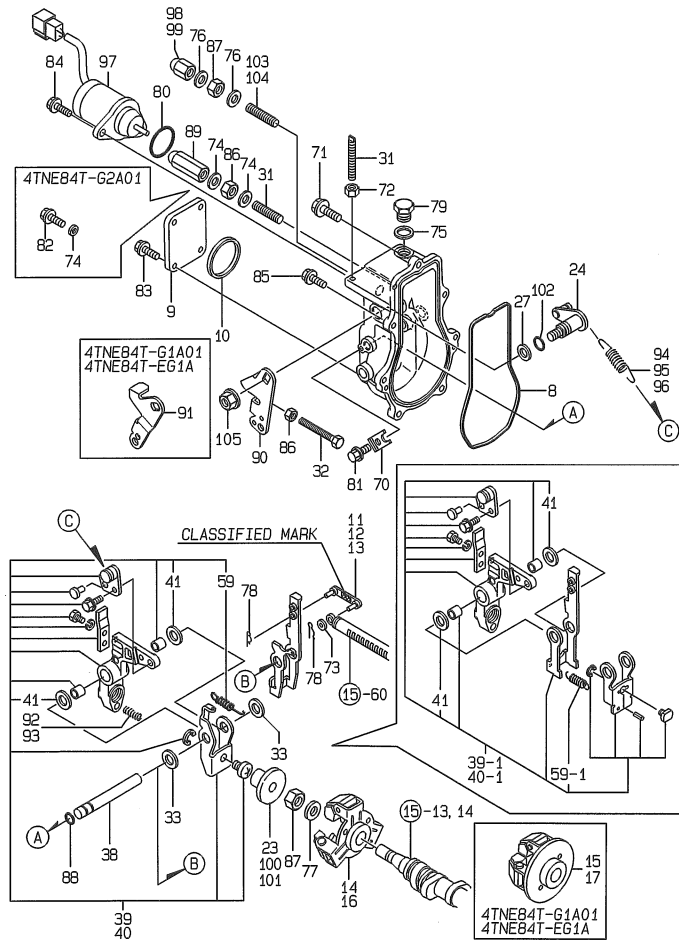
(2) SELECTIVE PARTS.

* THIS FIGURE(GOVERNOR ASSY)IS INCORPORATED IN THE FUEL INJECTION PUMP ASSY(FIG.15).

Fig.16. GOVERNOR

(A)=4TNE84T-SA01
 (B)=4TNE84TG1A01
 (C)=4TNE84TG2A01

(D)=4TNE84T-ESA
 (E)=4TNE84T-EG1A
 (F)=



No.	Lev.	Parts No.	Description	Q'ty						I	R
				(A)	(B)	(C)	(D)	(E)	(F)		
92	2	129100-61650	SPRING, CONTROLLER	1			1				
93	2	129500-61650	SPRING, FUEL CONTROL		1	1		1			
94	2	171353-61720	SPRING, GOVERNOR	1			1				
95	2	129477-61720	SPRING, GOVERNOR		1			1			
96	2	171335-61710	SPRING, GOVERNOR			1					
97	2	119653-77950	SOLENOID, STOP	1	1	1	1	1			
98	2	26687-120002	NUT, CAP M12		1						
99	2	129100-61930	NUT, CAP	1		1	1	1			
100	2	129155-61350	SLEEVE, L=24.9	1	1	1	1	1			2
101	2	129155-61360	SLEEVE, L=25.2	1	1	1	1	1			2
102	2	129155-61830	O-RING, S10	1	1	1	1	1			
103	2	129155-61470	BOLT, CONTROL	1	1	1					
104	2	120323-61470	BOLT, CONTROL				1	1			
105	2	26366-080002	NUT, M8	1	1	1	1	1			

Remarks

(1) SELECTIVE PARTS: CERTAIN THE CLASSIFICATION MARK, THEN PLACE YOUR ORDER.(REFER TO ILLUSTRATION).

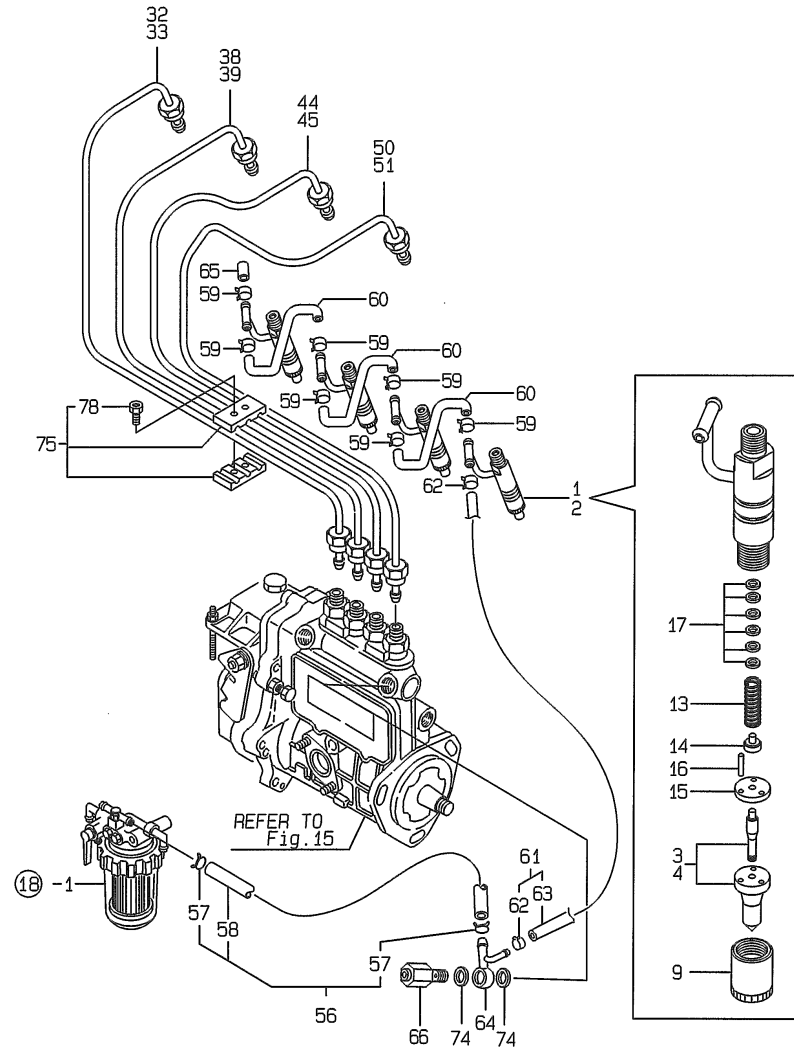
(2) SELECTIVE PARTS.

* THIS FIGURE(GOVERNOR ASSY)IS INCORPORATED IN THE FUEL INJECTION PUMP ASSY(FIG.15).

Fig.17. FUEL INJECTION VALVE

(A)=4TNE84T-SA01
 (B)=4TNE84TG1A01
 (C)=4TNE84TG2A01

(D)=4TNE84T-ESA
 (E)=4TNE84T-EG1A
 (F)=

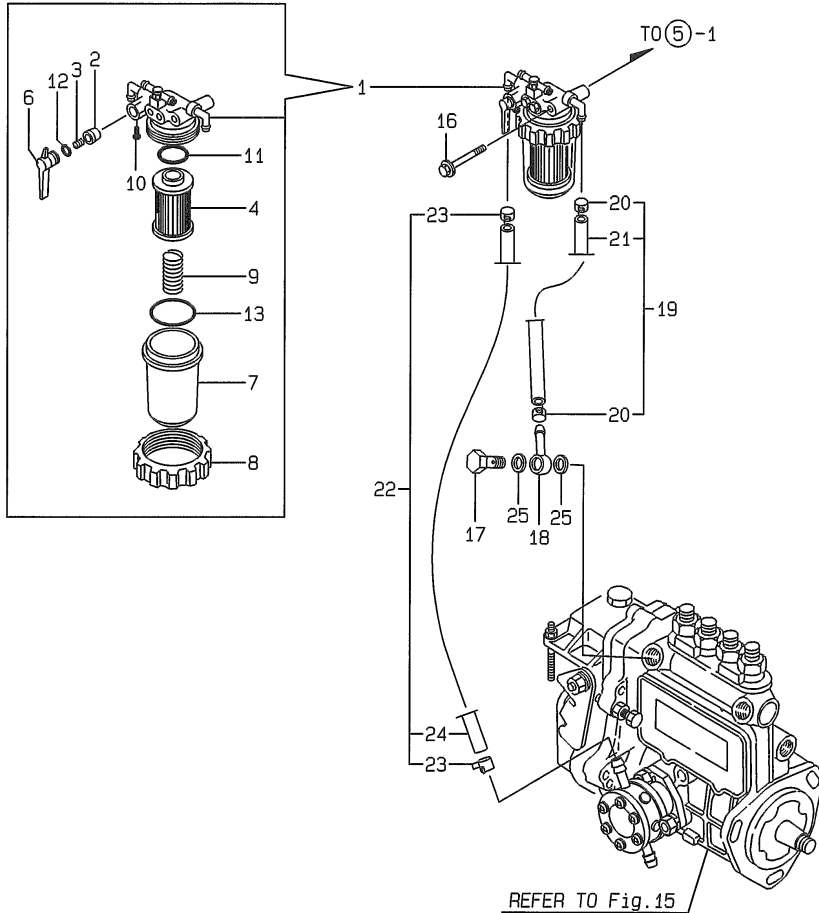


No.	Lev.	Parts No.	Description	Q'ty						I	R
				(A)	(B)	(C)	(D)	(E)	(F)		
1	1	729103-53100	VALVE ASSY,INJECTION	4		4	4				
2	1	729503-53100	VALVE ASSY,INJECTION		4				4		
3	2	129103-53000	VALVE ASSY,INJECTION	4		4	4				
4	2	129503-53000	VALVE ASSY,INJECTION		4				4		
9	2	114250-53080	NUT, NOZZLE D16.95	4	4	4	4	4	4		
13	2	114250-53120	SPRING, NOZZLE	4	4	4	4	4	4		
14	2	114250-53130	SEAT, SPRING	4	4	4	4	4	4		
15	2	114250-53140	PLATE	4	4	4	4	4	4		
16	2	114250-53210	PIN	8	8	8	8	8	8		
17	2	114250-53400	SHIM SET	4	4	4	4	4	4		
32	1	129400-59910	PIPE ASSY, INJECTION	1	1		1	1			
33	1	129400-59810	PIPE ASSY, INJECTION			1					
38	1	129400-59920	PIPE ASSY, INJECTION	1	1		1	1			
39	1	129400-59820	PIPE ASSY, INJECTION			1					
44	1	129400-59930	PIPE ASSY, INJECTION	1	1		1	1			
45	1	129400-59830	PIPE ASSY, INJECTION			1					
50	1	129400-59940	PIPE ASSY, INJECTION	1	1		1	1			
51	1	129400-59840	PIPE ASSY, INJECTION			1					
56	1	129210-59170	PIPE ASSY, FUEL	1	1	1	1	1	1		
57	2	124766-59050	CLIP, HOSE 12	2	2	2	2	2	2		
58	2	105225-59511	PIPE, FUEL	1	1	1	1	1	1		
59	1	124066-59100	CLIP, HOSE 8	7	7	7	7	7	7		
60	1	121250-59550	PIPE, FUEL D8X120	3	3	3	3	3	3		
61	1	119840-59500	PIPE ASSY, RETURN	1	1	1	1	1	1		
62	2	124066-59100	CLIP, HOSE 8	2	2	2	2	2	2		
63	2	119840-59560	PIPE, FUEL RETURN	1	1	1	1	1	1		
64	1	119840-59570	JOINT	1	1	1	1	1	1		
65	1	129150-59580	CAP	1	1	1	1	1	1		
66	1	129100-59951	VALVE ASSY, CHECK	1	1	1	1	1	1		
74	1	22190-120002	WASHER, SEAL 12	2	2	2	2	2	2		
75	1	129150-59120	RETAINER, PIPE	2	2	2	2	2	2		
78	2	129150-59131	BOLT, M4X14	4	4	4	4	4	4		

Fig.18. FUEL FILTER

(A)=4TNE84T-SA01
 (B)=4TNE84TG1A01
 (C)=4TNE84TG2A01

(D)=4TNE84T-ESA
 (E)=4TNE84T-EG1A
 (F)=

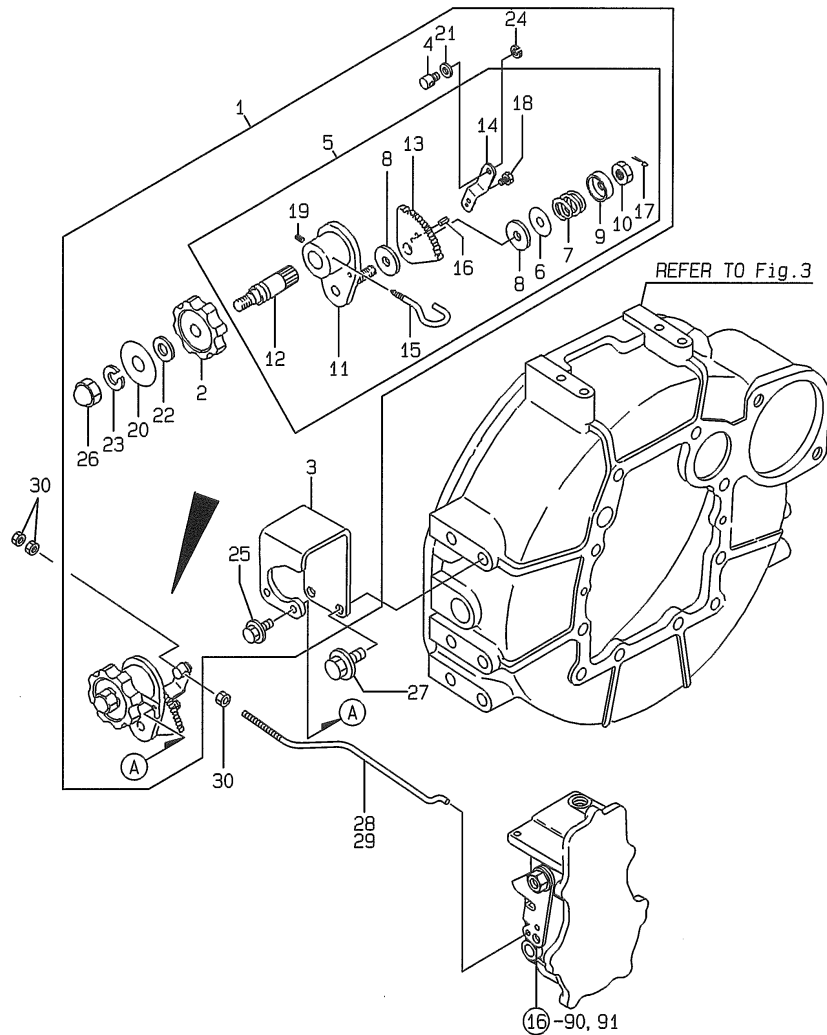


No.	Lev.	Parts No.	Description	Qty						I	R
				(A)	(B)	(C)	(D)	(E)	(F)		
1	1	129052-55620	FILTER ASSY, FUEL	1	1	1	1	1			
2	2	104200-55321	VALVE, TAPER	1	1	1	1	1			
3	2	104200-55330	SPRING, VALVE	1	1	1	1	1			
4	2	129100-55650	ELEMENT	1	1	1	1	1			
6	2	129100-55670	LEVER	1	1	1	1	1			
7	2	129100-55680	CUP, STRAINER	1	1	1	1	1			
8	2	129100-55690	RING, RETAINING	1	1	1	1	1			
9	2	129100-55700	SPRING	1	1	1	1	1			
10	2	104200-55750	SCREW, M4	1	1	1	1	1			
11	2	24311-000160	O-RING, 1AP16.0	1	1	1	1	1			
12	2	24311-240100	O-RING, 1AP10A	1	1	1	1	1			
13	2	24321-000650	O-RING, 1AG65.0	1	1	1	1	1			
16	1	26014-080702	BOLT, M8X 70	1	1	1	1	1			
17	1	103854-39140	BOLT, PIPE JOINT	1	1	1	1	1			
18	1	101304-59020	JOINT, PIPE 12	1	1	1	1	1			
19	1	129210-59050	PIPE ASSY, FUEL	1	1	1	1	1			
20	2	124766-59050	CLIP, HOSE 12	2	2	2	2	2			
21	2	105312-59510	PIPE, FUEL	1	1	1	1	1			
22	1	129210-59170	PIPE ASSY, FUEL	1	1	1	1	1			
23	2	124766-59050	CLIP, HOSE 12	2	2	2	2	2			
24	2	105225-59511	PIPE, FUEL	1	1	1	1	1			
25	1	22190-120002	WASHER, SEAL 12	2	2	2	2	2			

Fig.19. ENGINE CONTROL DEVICE

(A)=4TNE84T-SA01
 (B)=4TNE84TG1A01
 (C)=4TNE84TG2A01

(D)=4TNE84T-ESA
 (E)=4TNE84T-EG1A
 (F)=

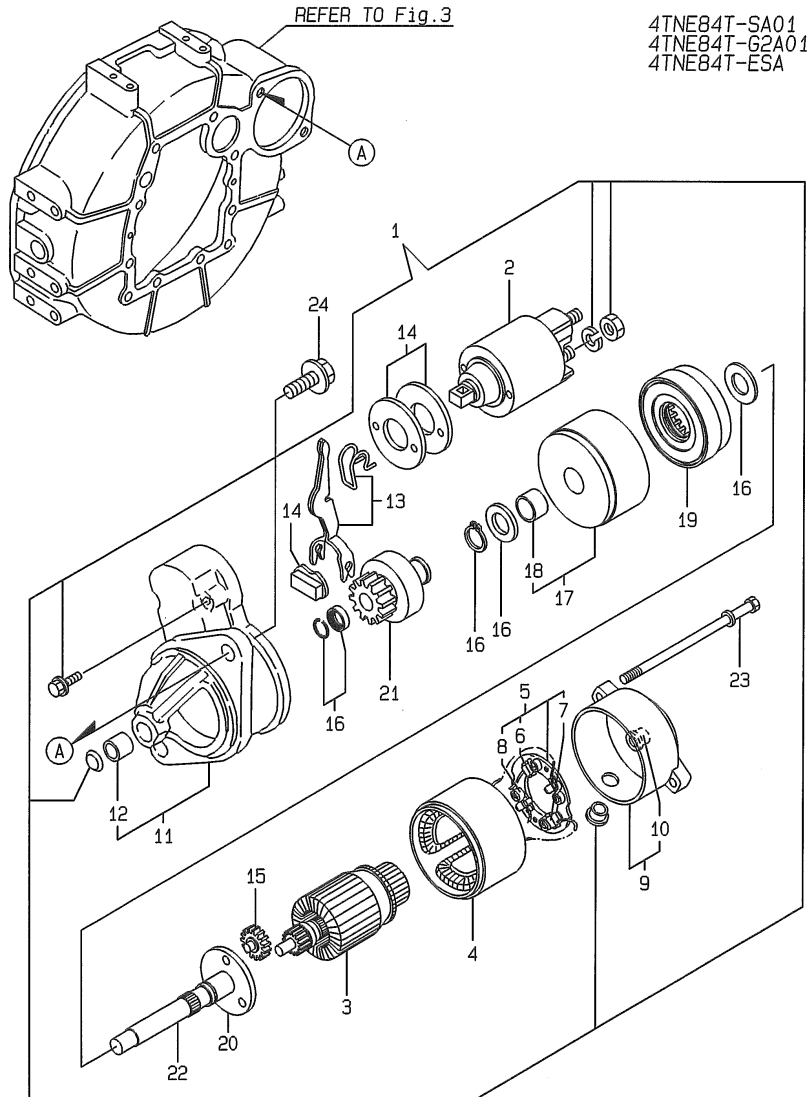


No.	Lev.	Parts No.	Description	Q'ty						I	R
				(A)	(B)	(C)	(D)	(E)	(F)		
1	1	119888-66160	CONTROLLER ASSY	1	1	1	1	1			
2	2	126650-66020	HANDLE, REGULATOR	1	1	1	1	1			
3	2	119888-66110	BRACKET	1	1	1	1	1			
4	2	119888-66130	PIVOT	1	1	1	1	1			
5	2	171048-67010	CONTROLLER ASSY	1	1	1	1	1			
6	3	171102-66080	WASHER	1	1	1	1	1			
7	3	104200-66820	SPRING	1	1	1	1	1			
8	3	104200-66830	PLATE, FRICTION	2	2	2	2	2			
9	3	104200-66850	WASHER	1	1	1	1	1			
10	3	104200-66860	NUT	1	1	1	1	1			
11	3	171085-67100	BRACKET	1	1	1	1	1			
12	3	171085-67110	SHAFT, DRIVE	1	1	1	1	1			
13	3	171085-67120	GEAR	1	1	1	1	1			
14	3	171048-67130	LEVER	1	1	1	1	1			
15	3	171048-67140	STOPPER	1	1	1	1	1			
16	3	22351-020006	PIN, SPRING 2.0X 6	1	1	1	1	1			
17	3	22411-200150	COTTER PIN	1	1	1	1	1			
18	3	26116-060082	BOLT, M6X 8 PLATED	1	1	1	1	1			
19	3	26921-050122	SCREW, M5X12	1	1	1	1	1			
20	2	170064-67210	LABEL, HANDLE	1	1	1	1	1			
21	2	22117-060000	WASHER, 6	1	1	1	1	1			
22	2	22137-100000	WASHER, 10	1	1	1	1	1			
23	2	22217-100000	WASHER, SPRING 10	1	1	1	1	1			
24	2	22272-000050	RING, E- 5	1	1	1	1	1			
25	2	26106-060102	BOLT, M6X 10 PLATED	2	2	2	2	2			
26	2	26657-100002	NUT, CAP M10	1	1	1	1	1			
27	1	26106-080162	BOLT, M8X 16 PLATED	2	2	2	2	2			
28	1	129488-66120	LINK, ENGINE CONTROL	1		1	1				
29	1	129488-66150	LINK, ENGINE CONTROL		1			1			
30	1	26756-050002	NUT, LOCK M5	3	3	3	3	3			

Fig.20. STARTING MOTOR

(A)=4TNE84T-SA01
 (B)=4TNE84TG1A01
 (C)=4TNE84TG2A01

(D)=4TNE84T-ESA
 (E)=4TNE84T-EG1A
 (F)=

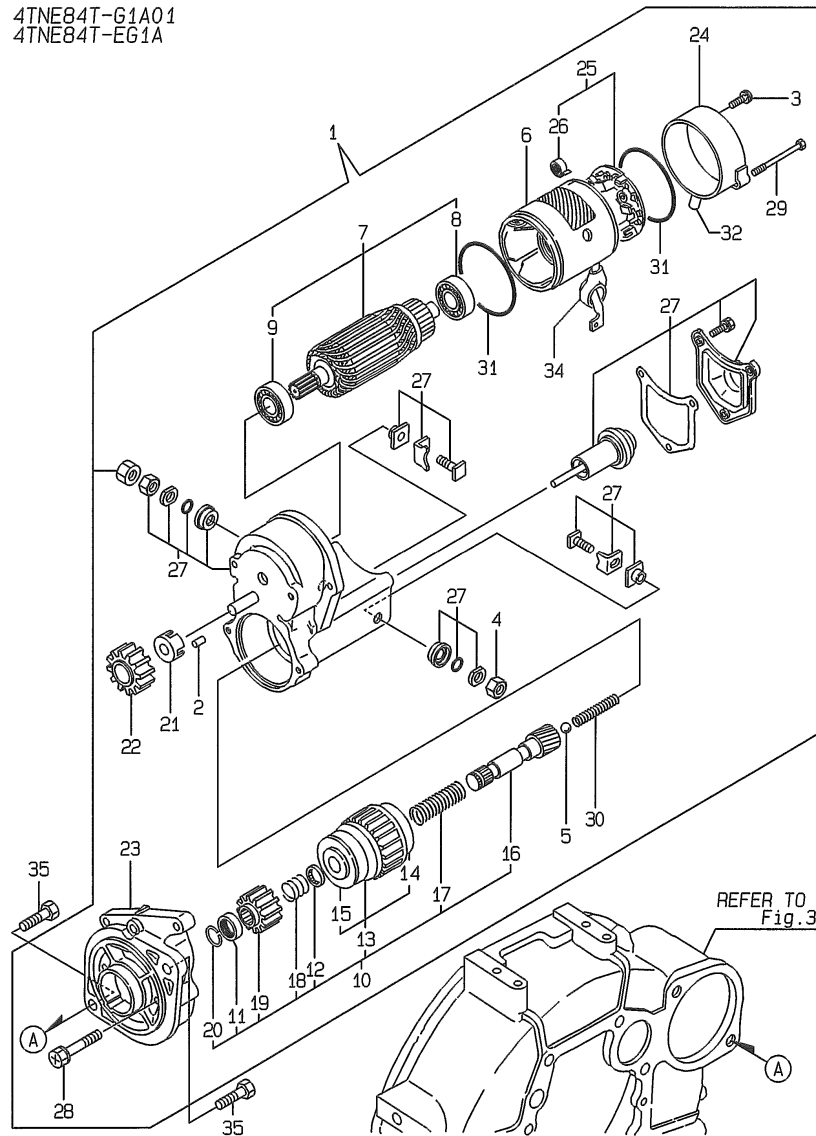


No.	Lev.	Parts No.	Description	Q'ty						I	R
				(A)	(B)	(C)	(D)	(E)	(F)		
1	1	129608-77010	STARTER, S114-817A	1	1	1					
2	2	129698-77020	SWITCH ASSY	1	1	1					
3	2	129698-77100	ARMATURE ASSY	1	1	1					
3-1	2	129698-77101 (A=E34568)	ARMATURE ASSY (C=E31262) (D=E34448)	1	1	1					N
4	2	129608-77110	YOKE ASSY	1	1	1					
5	2	129698-77120	HOLDER ASSY, BRUSH	1	1	1					
6	3	129698-77140	BRUSH SET	1	1	1					
7	3	129698-77130	BRUSH	2	2	2					
8	3	129698-77150	SPRING, BRUSH	4	4	4					
9	2	129698-77160	COVER ASSY	1	1	1					
9-1	2	129698-77161 (A=E32612)	COVER ASSY (C=E31262) (D=E32824)	1	1	1					R
10	3	129698-77170	BEARING	1	1	1					
11	2	129698-77260	CASE ASSY	1	1	1					
12	3	X2114535200	METAL, STARTER	1	1	1					
13	2	129698-77270	LEVER SET, SHIFT	1	1	1					
14	2	129698-77280	COVER KIT	1	1	1					
15	2	129698-77240	GEAR	3	3	3					
16	2	129698-77250	WASHER SET	1	1	1					
17	2	129698-77180	BRACKET	1	1	1					
18	3	129698-77190	BRACKET	1	1	1					
19	2	129698-77200	GEAR, INTERNAL	1	1	1					
20	2	129698-77210	BRACKET	1	1	1					
21	2	129698-77220	PINION ASSY	1	1	1					
22	2	129698-77230	SHAFT	1	1	1					
23	2	124195-77770	BOLT, THROUGH	2	2	2					
24	1	26116-120252	BOLT, M12X 25 PLATED	2	2	2					

Fig.21. STARTING MOTOR

(A)=4TNE84T-SA01
 (B)=4TNE84TG1A01
 (C)=4TNE84TG2A01

(D)=4TNE84T-ESA
 (E)=4TNE84T-EG1A
 (F)=

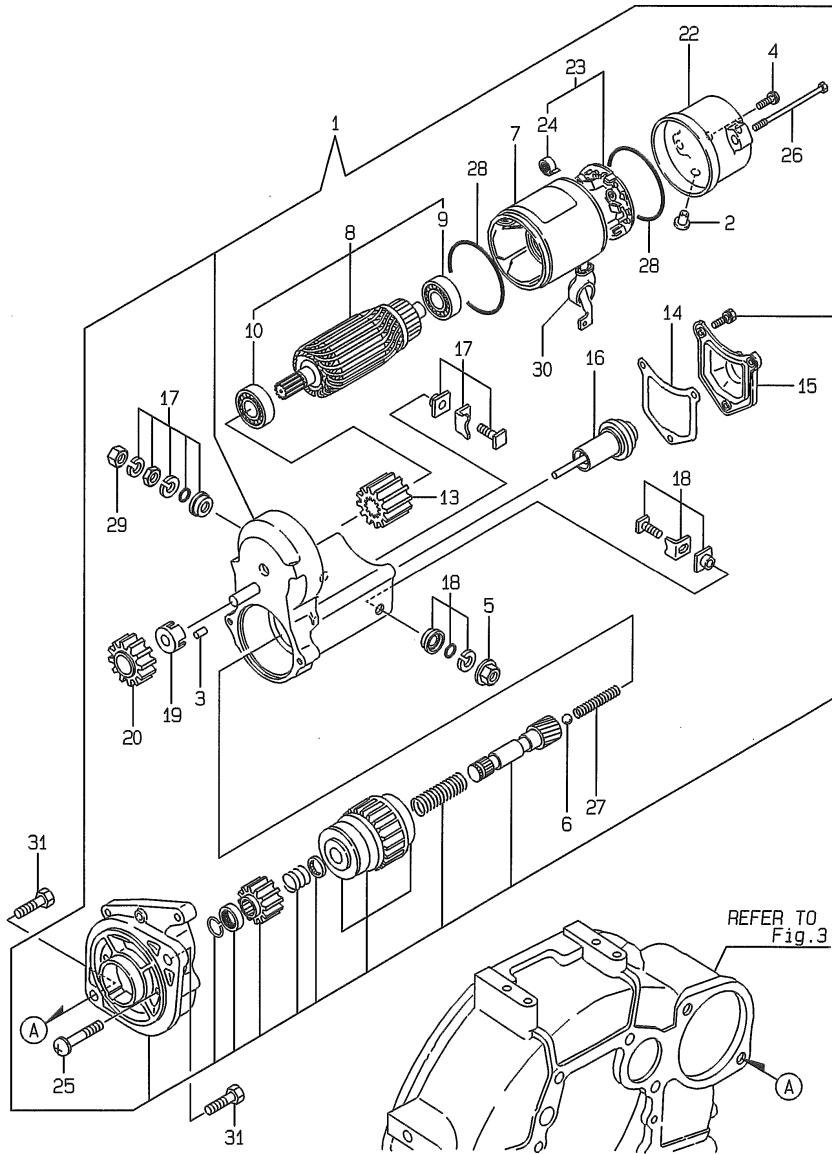


No.	Lev.	Parts No.	Description	Q'ty						I	R
				(A)	(B)	(C)	(D)	(E)	(F)		
1	1	129407-77010	STARTER, RA1.4	1				1			
2	2	X0283060061	ROLLER		5					5	
3	2	129129-77460	SCREW		2					2	
4	2	X9490561370	NUT		1					1	
5	2	X9491200240	BALL		1					1	
6	2	129407-77210	YOKE ASSY		1					1	
7	2	129407-77220	ARMATURE ASSY		1					1	
8	3	129129-77230	BEARING		1					1	
9	3	129129-77240	BEARING		1					1	
10	2	129407-77250	STARTER		1					1	
11	3	X0280210230	NUT		1					1	
12	3	X0283270140	RETAINER		1					1	
13	3	129407-77390	CLUTCH ASSY		1					1	
14	4	129129-77440	BEARING, BALL		1					1	
15	4	129129-77450	BEARING, BALL		1					1	
16	3	129129-77400	SHAFT		1					1	
17	3	129129-77410	SPRING, COIL		1					1	
18	3	129407-77410	SPRING		1					1	
19	3	129129-77420	PINION, STARTER		1					1	
20	3	129129-77430	RING		1					1	
21	2	129129-77260	RETAINER		1					1	
22	2	129129-77270	PINION		1					1	
23	2	129407-77280	HOUSING		1					1	
24	2	129129-77290	FRAME		1					1	
25	2	129407-77300	HOLDER ASSY		1					1	
26	3	X9491730461	SPRING		4					4	
27	2	129407-77310	SWITCH ASSY		1					1	
28	2	129129-77320	BOLT		2					2	
29	2	129407-77330	BOLT		2					2	
30	2	129129-77340	SPRING		1					1	
31	2	129129-77350	O-RING		2					2	
32	2	129129-77362	COVER		1					1	
34	2	129129-77380	CAP		1					1	
35	1	26116-120252	BOLT, M12X 25 PLATED		2					2	

Fig.22. STARTING MOTOR(COLD DISTRICT)

(A)=4TNE84T-SA01
 (B)=4TNE84TG1A01
 (C)=4TNE84TG2A01

(D)=4TNE84T-ESA
 (E)=4TNE84T-EG1A
 (F)=

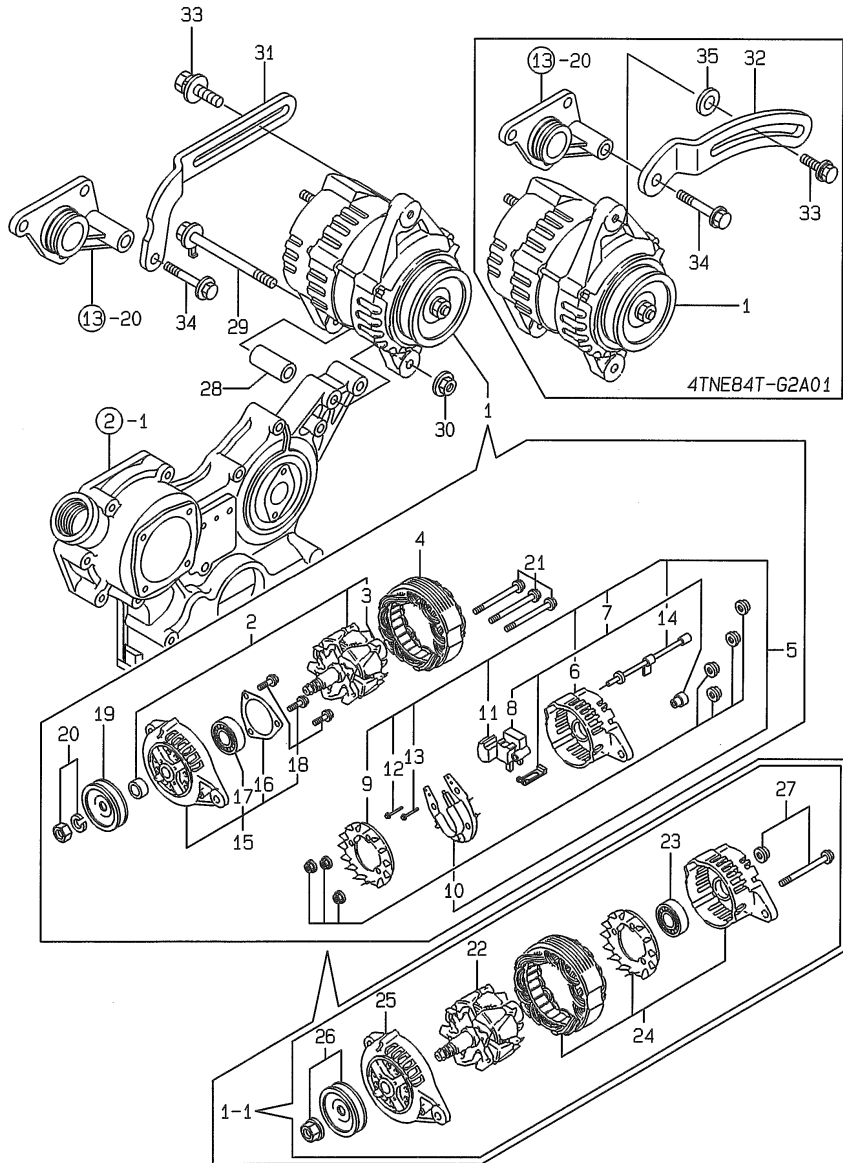


No.	Lev.	Parts No.	Description	Q'ty						I	R
				(A)	(B)	(C)	(D)	(E)	(F)		
1	1	129429-77011	STARTER ASSY	1	1	1	1	1			
2	2	129129-77362	COVER	1	1	1	1	1			
3	2	X0283060061	ROLLER	5	5	5	5	5			
4	2	129429-77310	SCREW	2	2	2	2	2			
5	2	X9490561370	NUT	1	1	1	1	1			
6	2	X9491200240	BALL	1	1	1	1	1			
7	2	129429-77210	YOKE ASSY	1	1	1	1	1			
8	2	129429-77220	ARMATURE ASSY	1	1	1	1	1			
9	3	129429-77230	BEARING	1	1	1	1	1			
10	3	129129-77240	BEARING	1	1	1	1	1			
13	2	129429-77250	PINION ASSY	1	1	1	1	1			
14	2	129429-77350	GASKET	1	1	1	1	1			
15	2	129429-77360	COVER	1	1	1	1	1			
16	2	129429-77370	PLUNGER	1	1	1	1	1			
17	2	129429-77380	STARTER KIT	1	1	1	1	1			
18	2	129429-77390	STARTER KIT	1	1	1	1	1			
19	2	129129-77260	RETAINER	1	1	1	1	1			
20	2	129129-77270	PINION	1	1	1	1	1			
22	2	129429-77270	FRAME	1	1	1	1	1			
23	2	129429-77280	HOLDER ASSY	1	1	1	1	1			
24	3	129429-77290	SPRING	4	4	4	4	4			
25	2	129429-77320	SCREW	2	2	2	2	2			
26	2	129429-77330	BOLT	2	2	2	2	2			
27	2	129129-77340	SPRING	1	1	1	1	1			
28	2	129129-77350	O-RING	2	2	2	2	2			
29	2	129129-77370	NUT	1	1	1	1	1			
30	2	129429-77340	CAP	1	1	1	1	1			
31	1	26116-120252	BOLT, M12X 25 PLATED	2	2	2	2	2			

Fig.23. GENERATOR

(A)=4TNE84T-SA01
(B)=4TNE84TG1A01
(C)=4TNE84TG2A01

(D)=4TNE84T-ESA
(E)=4TNE84T-EG1A
(F)=

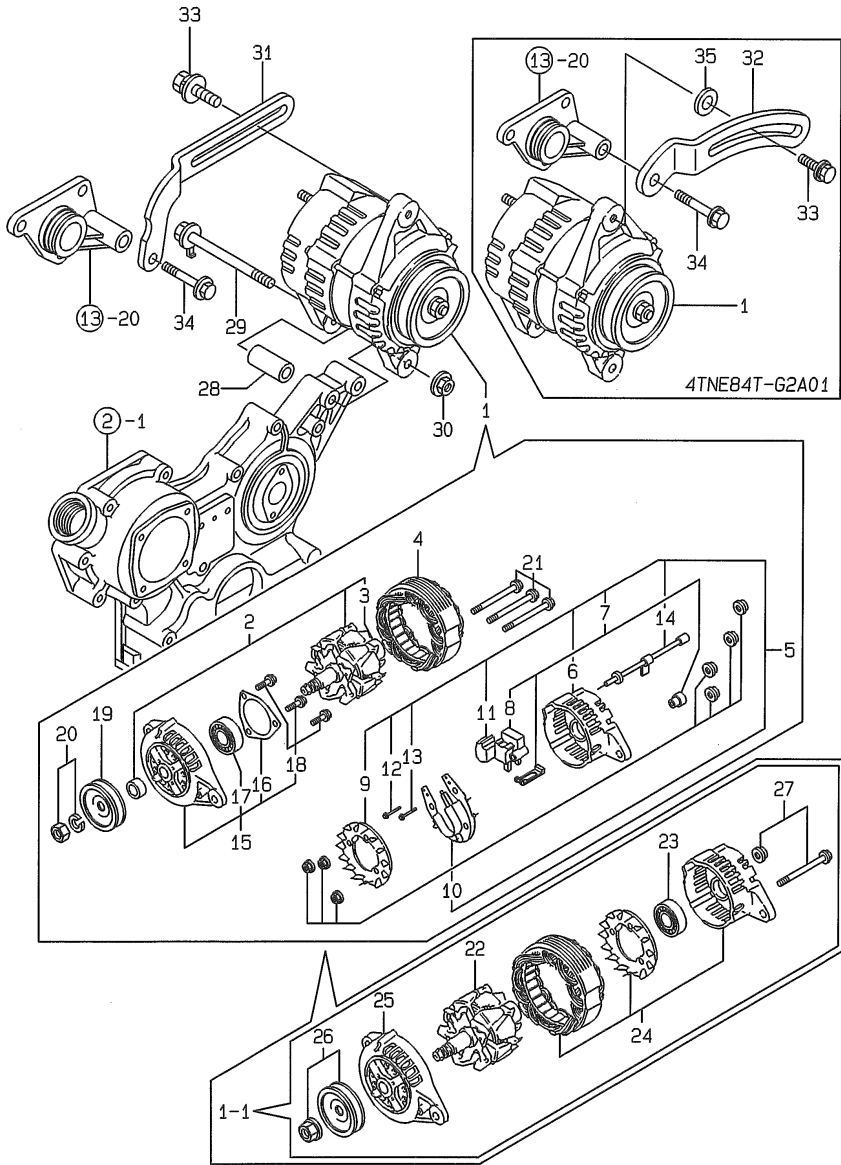


No.	Lev.	Parts No.	Description	Q'ty						I	R
				(A)	(B)	(C)	(D)	(E)	(F)		
1	1	119836-77200	GENERATOR	1	1	1	1	1			
1-1	1	119836-77201	GENERATOR	1	1	1	1	1		R	
		(A=E15375) (B=E15425) (C=E18402) (D=E16074) (E=E15241)									
2	2	119836-77700	ROTOR ASSY	1	1	1	1	1		Z	
		(A=E15375) (B=E15425) (C=E18402) (D=E16074) (E=E15241)									
3	3	119836-77850	BALL BEARING	1	1	1	1	1		Z	
		(A=E15375) (B=E15425) (C=E18402) (D=E16074) (E=E15241)									
4	2	119836-77710	STATOR ASSY	1	1	1	1	1		Z	
		(A=E15375) (B=E15425) (C=E18402) (D=E16074) (E=E15241)									
5	2	119836-77721	COVER ASSY, REAR	1	1	1	1	1		Z	
		(A=E15375) (B=E15425) (C=E18402) (D=E16074) (E=E15241)									
6	3	119836-77730	COVER, REAR	1	1	1	1	1		Z	
		(A=E15375) (B=E15425) (C=E18402) (D=E16074) (E=E15241)									
7	3	119836-77741	BRUSH ASSY,REGULATOR	1	1	1	1	1		Z	
		(A=E15375) (B=E15425) (C=E18402) (D=E16074) (E=E15241)									
8	4	119836-77750	BRUSH ASSY	1	1	1	1	1		Z	
		(A=E15375) (B=E15425) (C=E18402) (D=E16074) (E=E15241)									
9	3	119836-77760	GUIDE, FAN SIDE	1	1	1	1	1		Z	
		(A=E15375) (B=E15425) (C=E18402) (D=E16074) (E=E15241)									
10	3	119836-77770	DIODE ASSY	1	1	1	1	1		Z	
		(A=E15375) (B=E15425) (C=E18402) (D=E16074) (E=E15241)									
11	3	119836-77780	CONDENSER	1	1	1	1	1		Z	
		(A=E15375) (B=E15425) (C=E18402) (D=E16074) (E=E15241)									
12	3	119836-77871	BOLT (1)	1	1	1	1	1		Z	
		(A=E15375) (B=E15425) (C=E18402) (D=E16074) (E=E15241)									
13	3	119836-77880	BOLT (2)	1	1	1	1	1		Z	
		(A=E15375) (B=E15425) (C=E18402) (D=E16074) (E=E15241)									
14	3	119836-77890	WIRE ASSY, LEAD	1	1	1	1	1		Z	
		(A=E15375) (B=E15425) (C=E18402) (D=E16074) (E=E15241)									
15	2	119836-77790	COVER ASSY, FRONT	1	1	1	1	1		Z	
		(A=E15375) (B=E15425) (C=E18402) (D=E16074) (E=E15241)									
16	3	119836-77800	RETAINER, BEARING	1	1	1	1	1		Z	
		(A=E15375) (B=E15425) (C=E18402) (D=E16074) (E=E15241)									
17	3	119836-77840	BALL BEARING	1	1	1	1	1		Z	
		(A=E15375) (B=E15425) (C=E18402) (D=E16074) (E=E15241)									
18	3	119836-77860	SCREW KID	1	1	1	1	1		Z	
		(A=E15375) (B=E15425) (C=E18402) (D=E16074) (E=E15241)									
19	2	119836-77810	PULLEY	1	1	1	1	1		Z	
		(A=E15375) (B=E15425) (C=E18402) (D=E16074) (E=E15241)									
20	2	119836-77820	NUT ASSY, PULLEY	1	1	1	1	1		Z	
		(A=E15375) (B=E15425) (C=E18402) (D=E16074) (E=E15241)									
21	2	119836-77830	BOLT, THROUGH	1	1	1	1	1		Z	
		(A=E15375) (B=E15425) (C=E18402) (D=E16074) (E=E15241)									
22	2	129612-77700	ROTOR ASSY	1	1	1	1	1		W	
		(A=E15375) (B=E15425) (C=E18402) (D=E16074) (E=E15241)									
23	2	129612-77710	BEARING, BALL	1	1	1	1	1		W	
		(A=E15375) (B=E15425) (C=E18402) (D=E16074) (E=E15241)									
24	2	119836-77920	BRACKET ASSY	1	1	1	1	1		W	
		(A=E15375) (B=E15425) (C=E18402) (D=E16074) (E=E15241)									
25	2	129612-77730	BRACKET ASSY, FILTER	1	1	1	1	1		W	
		(A=E15375) (B=E15425) (C=E18402) (D=E16074) (E=E15241)									

Fig.23. GENERATOR

(A)=4TNE84T-SA01
 (B)=4TNE84TG1A01
 (C)=4TNE84TG2A01

(D)=4TNE84T-ESA
 (E)=4TNE84T-EG1A
 (F)=

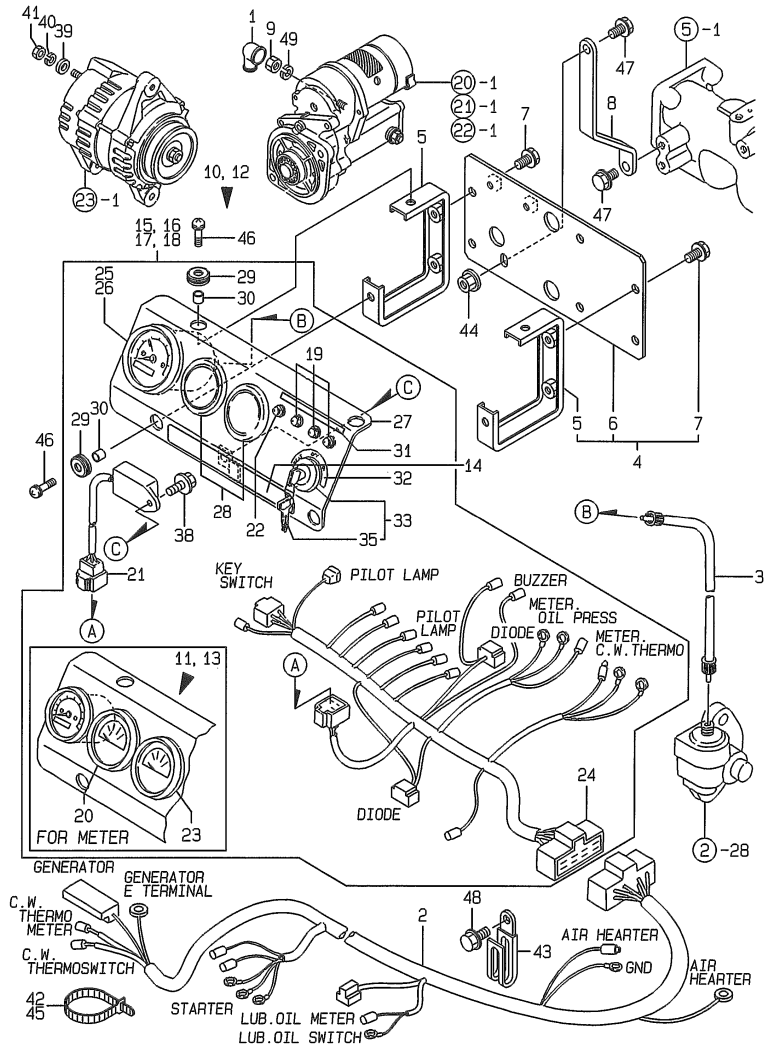


No.	Lev.	Parts No.	Description	Q'ty						I	R
				(A)	(B)	(C)	(D)	(E)	(F)		
26	2	129612-77740	PULLEY	1	1	1	1	1		W	
		(A=E15375) (B=E15425) (C=E18402) (D=E16074)		(E=E15241)							
27	2	129612-77750	SCREW KIT	1	1	1	1	1		W	
		(A=E15375) (B=E15425) (C=E18402) (D=E16074)		(E=E15241)							
28	1	119820-77340	PIECE, DISTANCE	1	1	1	1	1			
29	1	129136-77251	BOLT, M8X110	1	1	1	1	1			
30	1	129612-77260	NUT, ALTERNATOR	1	1	1	1	1			
31	1	129100-77330	ADJUSTER	1	1		1	1			
32	1	129211-77330	ADJUSTER			1					
33	1	119810-77340	BOLT, ADJUSTER	1	1	1	1	1			
34	1	26106-080502	BOLT, M8X 50 PLATED	1	1	1	1	1			
35	1	106500-44810	SPACER			1					

Fig.24. PANEL

(A)=4TNE84T-SA01
(B)=4TNE84TG1A01
(C)=4TNE84TG2A01

(D)=4TNE84T-ESA
(E)=4TNE84T-EG1A
(F)=



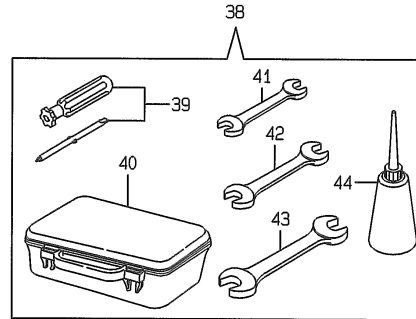
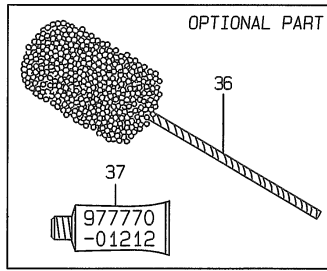
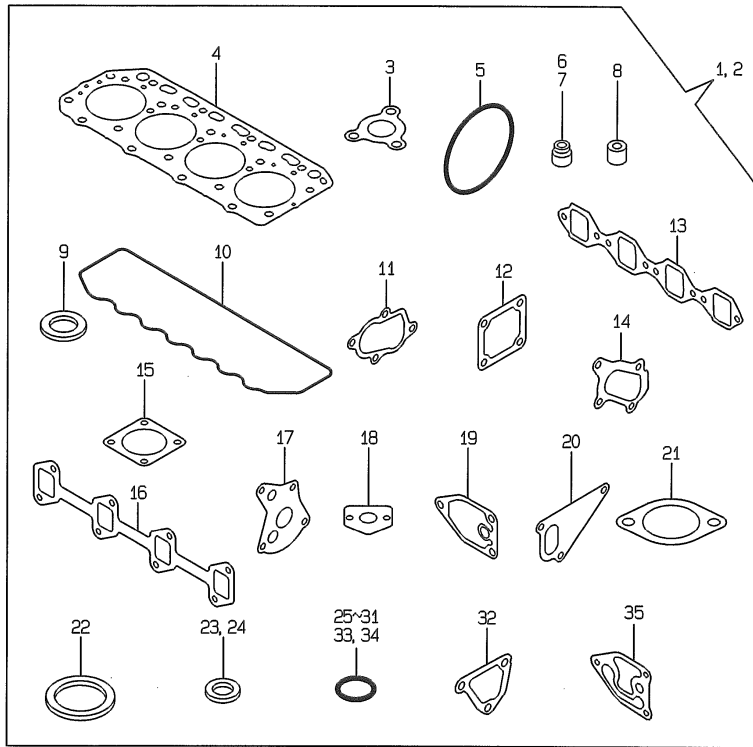
No.	Lev.	Parts No.	Description	Q'ty						I	R
				(A)	(B)	(C)	(D)	(E)	(F)		
1	1	124550-77030	COVER, TERMINAL	1	1	1	1	1			
2	1	119888-91022	HARNESS, WIRE	1	1	1	1	1			
3	1	121400-91140	SHAFT	1	1	1	1	1			
4	1	129608-91151	BRACKET ASSY	1	1	1	1	1			
5	2	119888-91120	SUPPORT	2	2	2	2	2			
6	2	129608-91132	BRACKET, PANEL	1	1	1	1	1			
7	2	26106-080122	BOLT, M8X 12 PLATED	4	4	4	4	4			
8	1	129609-91150	RETAINER, PANEL	1	1	1	1	1			
9	1	26756-080002	NUT, LOCK M8	1	1	1	1	1			
10	1	119888-91101	PANEL ASSY	1		1	1				
11	1	119888-91201	PANEL ASSY	1		1	1			1	
12	1	119888-91301	PANEL ASSY, INSTRUM		1			1			
13	1	119888-91311	PANEL ASSY		1			1		1	
14	2	104507-07190	LABEL, YANMAR	1	1	1	1	1			
15	2	170121-91100	PANEL ASSY	1		1	1				
16	2	119888-91220	PANEL ASSY	1		1	1			1	
17	2	119888-91320	PANEL ASSY		1			1			
18	2	119888-91330	PANEL ASSY		1			1		1	
19	3	124732-77720	LAMP, CHARGING	3	3	3	3	3			
20	3	171010-77850	THERMOSTAT	1	1	1	1	1			
21	3	128300-77920	TIMER	1	1	1	1	1			
22	3	124559-77971	LAMP, PILOT	1	1	1	1	1			
23	3	171090-91010	GAUGE	1	1	1	1	1			
24	3	119888-91031	HARNESS, WIRE	1	1	1	1	1			
25	3	171080-91100	TACHOMETER	1		1	1				
26	3	171082-91100	TACHOMETER		1			1			
27	3	119888-91110	BODY, PANEL	1	1	1	1	1			
28	3	124770-91220	COVER	2	2	2	2	2			
29	3	121400-91520	ABSORBER	4	4	4	4	4			
30	3	121400-91530	SPACER	4	4	4	4	4			
31	3	119888-91610	LABEL, CW & OIL LAMP	1	1	1	1	1			
32	3	119888-91620	LABEL, KEY SWITCH	1	1	1	1	1			
33	3	933110-00100	SWITCH ASSY, STARTER	1	1	1	1	1			
35	4	933110-00301	KEY ASSY	1	1	1	1	1			
38	3	26106-060102	BOLT, M6X 10 PLATED	1	1	1	1	1			
39	1	22117-050000	WASHER, 5	1	1	1	1	1			
40	1	22217-050000	WASHER, SPRING 5	1	1	1	1	1			
41	1	26716-050002	NUT, M5	1	1	1	1	1			
42	1	121750-59890	BAND, 140	1	1	1	1	1			
43	1	194180-51640	CLAMP, HARNESS	1	1	1	1	1			
44	1	26366-080002	NUT, M8	1	1	1	1	1			
45	1	121750-59890	BAND, 140	1	1	1	1	1			
46	1	26033-060202	SCREW M 6X 20	4	4	4	4	4			
47	1	26106-080162	BOLT, M8X 16 PLATED	2	2	2	2	2			
48	1	26106-100122	BOLT, M10X 12 PLATED	1	1	1	1	1			
49	1	22217-080000	WASHER, SPRING 8	1	1	1	1	1			

Remarks
(1) WITH C.W.THERMOMETER(REF.NO.20,
P/# 171010-77850) & PRESSURE
GAUGE(REF.NO.23,P/# 171090-91010).

Fig.25. GASKET SET & TOOL(OPTIONAL)

(A)=4TNE84T-SA01
 (B)=4TNE84TG1A01
 (C)=4TNE84TG2A01

(D)=4TNE84T-ESA
 (E)=4TNE84T-EG1A
 (F)=



No.	Lev.	Parts No.	Description	Q'ty						I	R
				(A)	(B)	(C)	(D)	(E)	(F)		
1	1	729408-92880	GASKET SET	1		1	1				1
2	1	729408-92890	GASKET SET		1				1		1
3	2	129477-18101	GASKET		1				1		
4	2	129408-01330	GASKET, HEAD	1	1	1	1	1			
5	2	121850-51960	O-RING	1	1	1	1	1			
6	2	121400-11340	SEAL, VALVE STEM	4	4	4	4	4			
7	2	124460-11340	SEAL, VALVE STEM	4	4	4	4	4			
8	2	119625-11870	PROTECTOR, NOZZLE	4	4	4	4	4			
9	2	119625-11880	SEAT, NOZZLE	4	4	4	4	4			
10	2	129550-11310	GASKET, BONNET	1	1	1	1	1			
11	2	129403-18081	GASKET	1		1	1				
12	2	129150-77511	GASKET	1	1	1	1	1			
13	2	129550-12111	GASKET, MANIFOLD	1	1	1	1	1			
14	2	129403-18091	GASKET		1				1		
15	2	129322-18100	GASKET	1		1	1				
16	2	129550-13110	GASKET	1	1	1	1	1	1		
17	2	129150-32020	GASKET, PUMP	1	1	1	1	1	1		
18	2	129150-35041	GASKET	1	1	1	1	1	1		
19	2	129150-35111	GASKET		1					1	
20	2	129100-42020	GASKET, WATER PUMP	1	1	1	1	1	1		
20-1	2	129486-42021	GASKET, WATER PUMP	1	1	1	1	1	1		N
		(A=E14855)	(B=E15057)	(C=E14923)	(D=E16074)	(E=E14968)					
21	2	129795-49551	GASKET	1	1	1	1	1	1		
22	2	129150-49811	GASKET, THERMOSTAT	1	1	1	1	1	1		
23	2	124465-44950	GASKET, 16	2	2	2	2	2	2		
24	2	129150-49360	GASKET	1	1	1	1	1	1		
25	2	24341-000500	O-RING, 1AS50.0	1	1	1	1	1	1		
26	2	24311-000320	O-RING, 1AP32.0	2	2	2	2	2	2		
27	2	24311-000120	O-RING, 1AP12.0	3	3	3	3	3	3		
28	2	24311-000160	O-RING, 1AP16.0	3	4	3	3	4			
29	2	24341-000240	O-RING, 1AS24.0	1	1	1	1	1	1		
30	2	24311-000200	O-RING, 1AP20.0	1		1	1				
31	2	24311-000210	O-RING, 1AP21.0	1		1	1				
32	2	129100-49840	GASKET	1	1	1	1	1	1		
32-1	2	124395-49840	GASKET	1	1	1	1	1	1		N
		(A=E30604)	(B=E30145)	(C=E30720)	(D=E32824)	(E=E30013)					
33	2	24321-000300	O-RING, 1AG30.0	1	1	1	1	1	1		
33-1	2	129486-42140	O-RING, G30	1	1	1	1	1	1		N
		(A=E16021)	(B=E16485)	(C=E18402)	(D=E16074)	(E=E15726)					
34	2	24321-000550	O-RING, 1AG55.0	1		1	1				
35	2	129103-35122	GASKET	1		1	1				
36	1	129400-92430	HONE	1	1	1	1	1	1		1
37	1	977770-01212	GASKET, LIQUID	1	1	1	1	1	1		1
38	1	721400-92102	BOX ASSY, TOOL	1	1	1	1	1	1		
39	2	104200-92350	DRIVER, SCREW	1	1	1	1	1	1		
40	2	104200-92600	BOX, TOOL	1	1	1	1	1	1		
41	2	28110-100120	SPANNER, 10X12	1	1	1	1	1	1		
42	2	28110-140170	SPANNER, 14X17	1	1	1	1	1	1		
43	2	28110-190220	SPANNER, 19X22	1	1	1	1	1	1		
44	2	28210-000140	OILER	1	1	1	1	1	1		

Remarks
 (1) OPTIONAL PART.

Parts No. Index

Parts No.	Fig. No.	Ref. No.
101304-59020	18	18
103854-39140	18	17
104200-55321	18	2
104200-55330	18	3
104200-55750	18	10
104200-66820	19	7
104200-66830	19	8
104200-66850	19	9
104200-66860	19	10
104200-92350	25	39
104200-92600	25	40
104507-07190	24	14
105010-39140	12	1
105225-59511	17	58
	18	24
105300-51300	15	36
105312-59510	18	21
106500-44810	23	35
114250-39450	11	50 -1
114250-53080	17	9
114250-53120	17	13
114250-53130	17	14
114250-53140	17	15
114250-53210	17	16
114250-53400	17	17
119005-12571	5	29
119131-12251	5	10
119131-18320	6	2
119259-44570	14	5
119265-49060	14	51
119265-49100	14	39
119600-66840	16	89
119620-01750	3	4
119623-49100	14	44
119625-11870	4	34
	25	8
119625-11880	4	35
	25	9
119625-11900	4	36
119640-01640	3	8
119653-77950	16	97
119660-61901	16	70
119808-12540	5	21
		27
119810-77340	23	33
119820-77340	23	28
119836-77200	23	1
119836-77201	23	1 -1
119836-77700	23	2
119836-77710	23	4

Parts No.	Fig. No.	Ref. No.
119836-77721	23	5
119836-77730	23	6
119836-77741	23	7
119836-77750	23	8
119836-77760	23	9
119836-77770	23	10
119836-77780	23	11
119836-77790	23	15
119836-77800	23	16
119836-77810	23	19
119836-77820	23	20
119836-77830	23	21
119836-77840	23	17
119836-77850	23	3
119836-77860	23	18
119836-77871	23	12
119836-77880	23	13
119836-77890	23	14
119836-77920	23	24
119840-59500	17	61
119840-59560	17	63
119840-59570	17	64
119865-21600	10	19
119888-01600	3	2
119888-08110	14	2
119888-21450	10	24
119888-66110	19	3
119888-66130	19	4
119888-66160	19	1
119888-91022	24	2
119888-91031	24	24
119888-91101	24	10
119888-91110	24	27
119888-91120	24	5
119888-91201	24	11
119888-91220	24	16
119888-91301	24	12
119888-91311	24	13
119888-91320	24	17
119888-91330	24	18
119888-91610	24	31
119888-91620	24	32
119908-61501	16	39 -1
120130-11860	4	15
120323-61470	16	104
121023-01550	2	25
121111-21501	10	15
121250-44901	13	35
121250-59550	17	60
121252-39150	12	3

Parts No.	Fig. No.	Ref. No.
121256-44600	14	29
121267-44741	13	28
121267-44760	13	29
121400-11340	4	29
	25	6
121400-44650	14	7
121400-91140	24	3
121400-91520	24	29
121400-91530	24	30
121450-01560	2	6
121450-42450	13	34
121520-34810	11	27
121550-23200	10	40
121550-49111	13	33
121750-49110	13	32
121750-59890	14	54
	24	42
		45
121850-13580	6	20
121850-21680	10	14
121850-51960	2	12
	25	5
121855-13821	6	22
121855-13830	6	23
122117-51560	15	65
122710-51090	15	16
123500-13840	6	24
124066-59100	17	59
		62
124070-13300	12	17
124160-01751	2	7
	4	56
124160-01910	1	8
		9
124160-11360	4	65
124160-39140	12	2
124160-39450	11	50
124195-77770	20	23
124223-39900	12	11
124240-01871	2	8
124250-49351	13	38
124395-49840	13	18 -1
	25	32 -1
124450-44510	14	23
124450-44530	14	25
124450-44550	14	28
124450-44560	14	26
124460-11340	4	30
	25	7
124465-44950	13	36

Parts No.	Fig. No.	Ref. No.
124465-44950	13	37
	25	23
124550-21600	10	23
124550-51350	15	46
124550-51370	15	47
124550-59820	12	13
124550-59830	12	12
124550-66370	16	72
124550-77030	24	1
124559-77971	24	22
124732-77720	24	19
124766-59050	14	43
		46
	17	57
	18	20
		23
124770-91220	24	28
124950-51190	15	25
126650-12680	5	30
126650-66020	19	2
128270-13620	12	18
128300-13640	6	21
128300-77920	24	21
129001-01250	1	15 -1
129001-02930	1	27
129001-35300	11	45
129001-42002	13	1
129001-42003	13	1 -1
129001-42040	13	20
129001-91841	2	23
129002-22090	10	27
129002-22510	10	29
129002-22910	10	43
129002-22960	10	45
129052-55620	18	1
129052-61050	16	8
129052-61060	16	9
129052-61070	16	10
129052-61390	16	38
129052-61500	16	39
129052-61540	16	59
129062-12560	5	22
		28
129100-01580	3	1
		20
	10	3
129100-01640	3	21
129100-11100	4	24
129100-11130	4	25
129100-11650	4	46

Parts No. Index

Parts No.	Fig. No.	Ref. No.
129100-23910	10	39
129100-25061	9	9
129100-35140	11	38
129100-42020	13	23
	25	20
129100-49840	13	18
	25	32
129100-51300	15	35
129100-52100	15	122
129100-55650	18	4
129100-55670	18	6
129100-55680	18	7
129100-55690	18	8
129100-55700	18	9
129100-59951	17	66
129100-61400	16	24
129100-61440	16	90
129100-61650	16	92
129100-61930	16	99
129100-77330	23	31
129103-33031	11	18
129103-33132	11	19
129103-35122	11	42
	25	35
129103-49301	13	40
129103-53000	17	3
129120-77501	5	4
129122-44480	14	48
129129-77230	21	8
129129-77240	21	9
	22	10
129129-77260	21	21
	22	19
129129-77270	21	22
	22	20
129129-77290	21	24
129129-77320	21	28
129129-77340	21	30
	22	27
129129-77350	21	31
	22	28
129129-77362	21	32
	22	2
129129-77370	22	29
129129-77380	21	34
129129-77400	21	16
129129-77410	21	17
129129-77420	21	19
129129-77430	21	20
129129-77440	21	14

Parts No.	Fig. No.	Ref. No.
129129-77450	21	15
129129-77460	21	3
129136-34800	11	24
129136-77251	23	29
129150-01200	1	35
129150-02020	1	11
129150-02450	9	4
129150-02870	1	37
129150-02930	1	30
129150-02940	1	40
129150-03020	4	57
129150-03070	4	58
129150-03080	4	59
129150-03100	2	11
129150-11230	4	47
129150-11280	4	41
129150-11370	4	31
129150-11750	4	50
129150-11810	4	17
129150-14101	9	7
129150-14200	9	1
129150-14400	9	2
129150-21200	10	7
129150-23600	10	41
129150-23610	10	49
129150-25101	9	10
129150-25301	9	19
129150-25900	9	15
129150-25920	9	13
129150-25931	9	16
129150-32020	11	16
	25	17
129150-35041	11	28
	25	18
129150-35042	11	28 -1
129150-35091	11	29
129150-35101	11	35
129150-35111	11	43
	25	19
129150-35151	11	44
129150-35350	11	46
129150-49080	14	34
129150-49100	14	33
129150-49360	13	39
	25	24
129150-49811	13	17
	25	22
129150-59120	17	75
129150-59131	17	78
129150-59580	17	65

Parts No.	Fig. No.	Ref. No.
129150-77511	5	5
	25	12
129150-91400	2	28
129155-11260	4	39
129155-11270	4	40
129155-42350	13	26
129155-49800	13	16
129155-51020	15	114
129155-51050	15	107
129155-51060	15	108
129155-51140	15	22
129155-51180	15	24
129155-51200	15	26
129155-51270	15	33
129155-51280	15	34
	16	88
129155-51320	15	42
129155-51340	15	44
129155-51370	15	48
129155-51380	15	50
129155-51390	15	51
129155-51410	15	53
129155-51420	15	54
129155-51450	15	55
129155-51521	15	61
129155-51530	15	62
129155-51540	15	63
129155-51550	15	64
129155-51570	15	67
129155-51580	15	68
129155-51591	15	69
129155-51600	15	70
129155-51790	15	93
129155-51930	15	95
129155-51940	15	96
129155-52050	15	121
129155-61120	16	11
129155-61130	16	12
129155-61140	16	13
129155-61202	16	14
129155-61341	16	23
129155-61350	16	100
129155-61360	16	101
129155-61430	16	27
129155-61450	16	31
129155-61460	16	32
129155-61470	16	103
129155-61480	16	33
129155-61830	16	102
129155-61950	16	71

Parts No.	Fig. No.	Ref. No.
129156-51910	15	94
129188-08100	14	1
129202-22300	10	33
129208-51060	15	113
129208-54500	15	109
129209-51300	15	37
129210-59050	18	19
129210-59170	17	56
	18	22
129211-77330	23	32
129322-18100	7	50
	25	15
129350-49560	13	14
129400-01520	2	5
129400-01730	3	11
129400-01770	3	13
129400-11350	4	55
129400-59810	17	33
129400-59820	17	39
129400-59830	17	45
129400-59840	17	51
129400-59910	17	32
129400-59920	17	38
129400-59930	17	44
129400-59940	17	50
129400-92430	25	36
129403-13120	6	4
129403-13130	6	5
129403-13540	6	9
129403-18081	6	12
	25	11
129403-18091	6	13
	25	14
129403-18800	8	20
129403-34800	11	23
129403-39450	12	10
129403-39460	12	4
129403-39600	12	19
129403-39610	12	21
129403-42380	13	25
129403-44740	13	27
129403-49031	14	49
129403-51200	15	18
129404-18020	7	1
129404-18720	7	2
129404-18750	7	3
129404-18770	7	4
129404-18780	7	13
129404-18790	7	18
129404-18800	7	22

Parts No. Index

Parts No.	Fig. No.	Ref. No.
129404-18811	7	25
129404-18820	7	30
129404-18830	7	34
129406-18010	8	1
129406-18770	8	2
129406-18780	8	11
129406-18790	8	15
129406-18820	8	23
129406-18830	8	26
129407-21000	10	1
129407-21100	10	1 -1
129407-32000	11	2
129407-77010	21	1
129407-77210	21	6
129407-77220	21	7
129407-77250	21	10
129407-77280	21	23
129407-77300	21	25
129407-77310	21	27
129407-77330	21	29
129407-77390	21	13
129407-77410	21	18
129408-01330	1	36
	25	4
129412-13500	6	32
129412-13600	6	33
129412-61500	16	40
129418-18010	7	55
129418-18320	6	3
129418-21000	10	2
129418-32000	11	1
129418-35100	11	36
129420-13511	6	15
129420-13521	6	14
129420-13540	6	18
129420-13550	6	19
129420-13560	6	17
129420-13570	6	16
129420-44560	14	38
129422-44500	14	4
129429-77011	22	1
129429-77210	22	7
129429-77220	22	8
129429-77230	22	9
129429-77250	22	13
129429-77270	22	22
129429-77280	22	23
129429-77290	22	24
129429-77310	22	4
129429-77320	22	25

Parts No.	Fig. No.	Ref. No.
129429-77330	22	26
129429-77340	22	30
129429-77350	22	14
129429-77360	22	15
129429-77370	22	16
129429-77380	22	17
129429-77390	22	18
129430-34800	11	25
129436-35070	11	30 -1
129436-35091	11	30
129470-51040	15	13
129470-51101	15	17
129477-18101	8	39
	25	3
129477-61720	16	95
129486-01670	3	24
129486-07901	4	67
129486-42021	13	23 -1
	25	20 -1
129486-42140	13	21 -1
	25	33 -1
129486-61201	16	16
129486-61501	16	40 -1
129486-61540	16	59 -1
129488-12060	8	43
129488-12080	7	52
129488-12100	5	1
129488-21590	10	16
129488-44940	14	8
129488-44960	14	10
129488-44971-2	14	11
129488-44981-2	14	12
129488-66120	19	28
129488-66150	19	29
129500-11240	4	38
129500-61650	16	93
129503-39600	12	20
129503-53000	17	4
129506-39610	12	22
129506-51040	15	14
129550-11290	4	42
129550-11310	4	61
	25	10
129550-12111	5	2
	25	13
129550-13110	6	1
	25	16
129550-21650	10	12
129553-39650	11	57
129555-11241	4	37

Parts No.	Fig. No.	Ref. No.
129555-51400	15	52
129555-51500	15	60
129555-51700	15	89
129555-51701	15	89 -1
129555-51710	15	90
129555-51711	15	90 -1
129555-51750	15	91
129555-51751	15	91 -1
129555-51760	15	92
129573-51330	15	43
129573-51340	15	45
129573-51370	15	49
129608-44950-1	14	9
129608-77010	20	1
129608-77110	20	4
129608-91132	24	6
129608-91151	24	4
129609-12220	5	8
129609-12230	5	7
129609-12240	5	9
129609-12250	5	11
129609-12500	5	17
129609-12510	5	23
129609-12520	5	24
129609-12530	5	18
129609-12550	5	14
129609-49100	14	40
129609-91150	24	8
129612-77260	23	30
129612-77700	23	22
129612-77710	23	23
129612-77730	23	25
129612-77740	23	26
129612-77750	23	27
129618-61200	16	17
129619-44951	14	55
129619-44971	14	11 -1
129619-44972	14	11 -2
129688-01780	3	13 -1
129698-77020	20	2
129698-77100	20	3
129698-77101	20	3 -1
129698-77120	20	5
129698-77130	20	7
129698-77140	20	6
129698-77150	20	8
129698-77160	20	9
129698-77161	20	9 -1
129698-77170	20	10
129698-77180	20	17

Parts No.	Fig. No.	Ref. No.
129698-77190	20	18
129698-77200	20	19
129698-77210	20	20
129698-77220	20	21
129698-77230	20	22
129698-77240	20	15
129698-77250	20	16
129698-77260	20	11
129698-77270	20	13
129698-77280	20	14
129792-39410	11	51
129795-01780	3	23
129795-01800	2	4
129795-01950	2	10
129795-02411	1	33
129795-11120	4	26
129795-11180	4	27
129795-21661	10	13
129795-49551	13	15
	25	21
129900-07900	4	2
129900-12530	5	20
		26
144626-91560	11	60
158552-61900	16	80 -1
170064-67210	19	20
170121-91100	24	15
171010-77850	24	20
171048-67010	19	5
171048-67130	19	14
171048-67140	19	15
171051-01921	1	10
171080-91100	24	25
171082-91100	24	26
171085-67100	19	11
171085-67110	19	12
171085-67120	19	13
171090-91010	24	23
171102-66080	19	6
171301-01640	3	14
171301-21650	10	11
171335-61710	16	96
171350-03090	4	1
171353-61720	16	94
171375-39601	11	59
171420-01600	3	3
171420-21590	10	20
171420-34820	11	26
171420-49020	14	31
171440-49010	14	30

Parts No. Index

Parts No.	Fig. No.	Ref. No.
171488-61200	16	15
171488-61440	16	91
174307-51170	15	23
174307-51560	15	66
174307-51700	16	41
194180-51640	24	43
194990-22050	7	51
	8	40
22117-040000	16	73
22117-050000	24	39
22117-060000	19	21
22137-080000	14	13
		58
22137-100000	19	22
22157-060000	14	56
22190-060003	16	74
22190-080002	2	13
		14
	12	14
		28
22190-100002	12	27
	16	75
22190-120002	16	76
	17	74
	18	25
22190-160002	15	97
22190-220002	3	10
22217-050000	15	98
	24	40
22217-060000	15	99
22217-080000	24	49
22217-100000	14	14
	19	23
22217-120000	9	17
	15	111
22252-000260	10	34
22272-000050	19	24
22287-120000	16	77
22312-060080	11	39
22351-020006	19	16
22351-030010	11	58
22351-040010	10	10
22351-050010	15	100
22351-060012	4	32
22372-040000	16	78
22411-200150	19	17
22512-070140	9	8
	10	8
23000-022000	12	23
	14	50

Parts No.	Fig. No.	Ref. No.
23000-025000	12	24
23000-050000	8	41
23000-054000	5	31
23000-060000	7	53
23000-070000	5	12
	7	54
	8	42
23000-080000	5	13
23010-038000	14	32
23061-070230	14	27
23080-012000	7	49
23414-080000	12	29
23414-100000	12	15
23871-010000	1	14
23871-020000	4	19
	11	40
23871-030000	4	20
	13	12
23876-010000	1	14 -1
23876-020000	11	40 -1
23876-030000	13	12 -1
23887-100002	16	79
24101-063034	15	101
24104-062054	10	25
24311-000120	4	66
	25	27
24311-000160	2	15
	11	47
	18	11
	25	28
24311-000200	11	20
	25	30
24311-000210	11	21
	25	31
24311-000320	2	16
	4	62
	25	26
24311-240100	18	12
24314-000160	12	25
24321-000300	13	21
	25	33
24321-000550	11	22
	25	34
24321-000650	18	13
24341-000160	15	102
24341-000240	2	26
		30
	25	29
24341-000250	3	16
24341-000280	16	80

Parts No.	Fig. No.	Ref. No.
24341-000500	4	63
	25	25
25132-003800	13	24
26014-060302	13	31
26014-080702	18	16
26022-050102	15	103
26022-050122	15	103 -1
26022-060162	15	104
26033-060202	24	46
26106-060102	16	81
		82
		83
	19	25
	24	38
26106-060142	14	57
	16	84
26106-060162	2	27
		31
	12	26
26106-060202	16	85
26106-060302	13	30
26106-060402	6	25
26106-080102	12	16
26106-080122	2	17
	6	34
	14	15
	24	7
26106-080142	6	31
	14	15 -1
26106-080162	1	34
	2	18
		19
	3	17
	4	3
		64
	13	22
	14	16
		47
	19	27
	24	47
26106-080182	5	15
		16
26106-080202	2	20
	6	10
		11
	11	48
	13	19
	14	17
26106-080222	10	26
26106-080252	3	18

Parts No.	Fig. No.	Ref. No.
26106-080252	4	53
	14	18
26106-080352	3	25
	5	3
		6
	11	34
26106-080452	2	21
	3	19
		19 -1
	9	14
26106-080502	3	27
	4	54
	23	34
26106-080552	2	22
	11	34 -1
26106-080602	13	13
26106-080652	6	6
26106-080702	11	61
26106-080752	11	49
26106-080852	6	7
26106-081002	6	8
26106-100122	24	48
26106-100202	14	3
26106-100302	14	19
26106-100602	6	26
26116-050302	15	105
26116-060082	19	18
26116-120252	20	24
	21	35
	22	31
26206-100252	3	5
26206-100302	3	6
26216-060202	4	21
26226-080182	4	51
26347-040002	6	27
26347-060002	6	28
26366-060002	4	33
26366-080002	2	24
	14	20
	16	105
	24	44
26366-100002	6	29
26450-060252	11	17
26557-040352	6	30
26657-100002	19	26
26687-120002	16	98
26716-050002	24	41
26716-060002	15	106
26716-100002	14	21
26716-120002	9	18

Parts No. Index

Parts No.	Fig. No.	Ref. No.
26716-120002	15	112
26756-050002	19	30
26756-060002	16	86
26756-080002	4	52
	24	9
26756-100002	14	22
26776-120002	16	87
26921-050122	19	19
27231-500000	1	15
27241-120000	1	16
27241-200000	11	41
27241-220000	4	22
27241-300000	1	17
27241-400000	4	23
27310-080001	4	28
28110-100120	25	41
28110-140170	25	42
28110-190220	25	43
28210-000140	25	44
719810-01500	2	1
721400-92102	25	38
729103-53100	17	1
729402-01540	3	7
729402-11650	4	45
729402-14580	9	3
729402-23100	10	35
729408-01560	1	2
729408-11701	4	5
729408-92880	25	1
729408-92890	25	2
729418-11100	4	4
729418-51350	15	1
729418-51410	15	3
729418-51450	15	4
729418-51490	15	5
729503-53100	17	2
729613-51310	15	2
729638-01560	1	1
933110-00100	24	33
933110-00301	24	35
977770-01212	2	9
	3	26
	25	37
X0280210230	21	11
X0283060061	21	2
	22	3
X0283270140	21	12
X2114535200	20	12
X2411263340	14	6
X9490561370	21	4

Parts No.	Fig. No.	Ref. No.
X9490561370	22	5
X9491200240	21	5
	22	6
X9491730461	21	26

Parts No.	Fig. No.	Ref. No.
-----------	----------	----------

Parts No.	Fig. No.	Ref. No.
-----------	----------	----------