

0CV10-M66800EN

PREFACE

1. This Parts Catalog carries all parts incorporated in YANMAR Model 4TNE84MT - EK engine manufactured since July, 1999.
2. Each illustration corresponds to the parts list on the following page.
3. When ordering parts, clearly write down the engine model and serial number, as well as the name and number of each part in your order sheet. This will help insure reliable delivery of the parts you have ordered.

Directions for the Parts Catalog.

1. This Parts Catalog shows both standard and optional parts.
2. Parts may change without prior notice.
3. The following is an example of the Parts Catalog format.

REF.	LEV.	PARTS NO.	DESCRIPTION	Q'TY						I	R
				(A)	(B)	(C)	(D)	(E)	(F)		
1	1	729595-51390	FUEL INJECTION PUMP	1	1	1	1	1			1
1-1	1	729595-51391	FUEL INJECTION PUMP	1	1	1	1	1		N	1
		(A=E00185) (B=E00200)									
3	2	26022-060162	SCREW M 6X 16	9	9	9	9	9			
3-1	2	26022-060162	SCREW M 6X 16	4	4	4	4	4		K	
		(A=E00156) (B=E00156) (C=E00156) (D=E00156) (E=E00156)									
4	2	129470-51040	CAMSHAFT	1	1	1	1	1			
5	2	122710-51050	BEARING, ROLLER	2	2	2	2	2			
6	2	129470-51060	RETAINER	1	1	1	1	1			

Remarks
(1) BOOST COMPEMSATOR TYPE. OPTIONAL PART, TO E00155,(4JH-DT, 4JH-DTZ

① Ref. No.

The Ref. No. listed may not be in accordance with the illustration Ref. No.

(Ex.) Illustration No.

List Ref No.

1

1

(Before change)

1-1

(After change)

For interchangeable symbols N, R and K, illustrations for new parts may be abbreviated.

② Lev. (Level)

Level indication

The numbers below indicate the level of relativity towards the main part.

1 ----- Main parts (Assembly parts)

2 ----- Sub component included in " 1 ".

3 ----- Sub component included in " 2 ".

Note) Parts that are not for sale are partially illustrated but not listed.

③ Interchangeability Symbol

When a part change takes place, one of the following interchangeability symbols is indicated beside the part.

Symbol	Interchangeability	Contents note
N	Old $\begin{matrix} \leftarrow \text{Yes} \\ \text{No} \rightarrow \end{matrix}$ New	New Part is interchangeable for Old Part but Old Part is not interchangeable for New Part.
Q	Old $\begin{matrix} \leftarrow \text{No} \\ \text{Yes} \rightarrow \end{matrix}$ New	New Part is not interchangeable for Old Part but Old Part is interchangeable for New Part.
R	Old $\begin{matrix} \leftarrow \text{Yes} \\ \text{Yes} \rightarrow \end{matrix}$ New	New/ Old Parts are both interchangeable.
S	Old $\begin{matrix} \leftarrow \text{No} \\ \text{No} \rightarrow \end{matrix}$ New	New/ Old Parts are both not interchangeable.
W		Part newly added.
Z		Part discontinued.
F		Not interchangeable by a single part but interchangeable together with related parts.
K		Changes only for used parts quantities.

④ Effective Machine No.

When a part changes, the effective Machine No. will be indicated in the (A)-(F) column.

Product Symbol	Product No.	Product Symbol	Product No.
C	Clutch No. Compressor No.	F	Machine No. (Agricultural Equip.)
D	Drive No.	M	Machine No.
E	Engine No.		

Note 1) A date may follow the symbol. (Ex.) 1996.01

Note 2) "XXXXX" and "ZZZZZ" are for parts that could not be predicted or for engine models that could not be identified.

Note 3) (A=E00185) is the E (Engine Serial Number) for the column (A) model (in this case 4JH-DT) after the parts design change.

⑤ Remarks

Figures or alphabets (symbols) are entered in the remarks column.

The comments (remarks) on parts that are indicated at the bottom of the illustration are the same symbols as those stated above.

Contents

Fig. No. Fig. Name

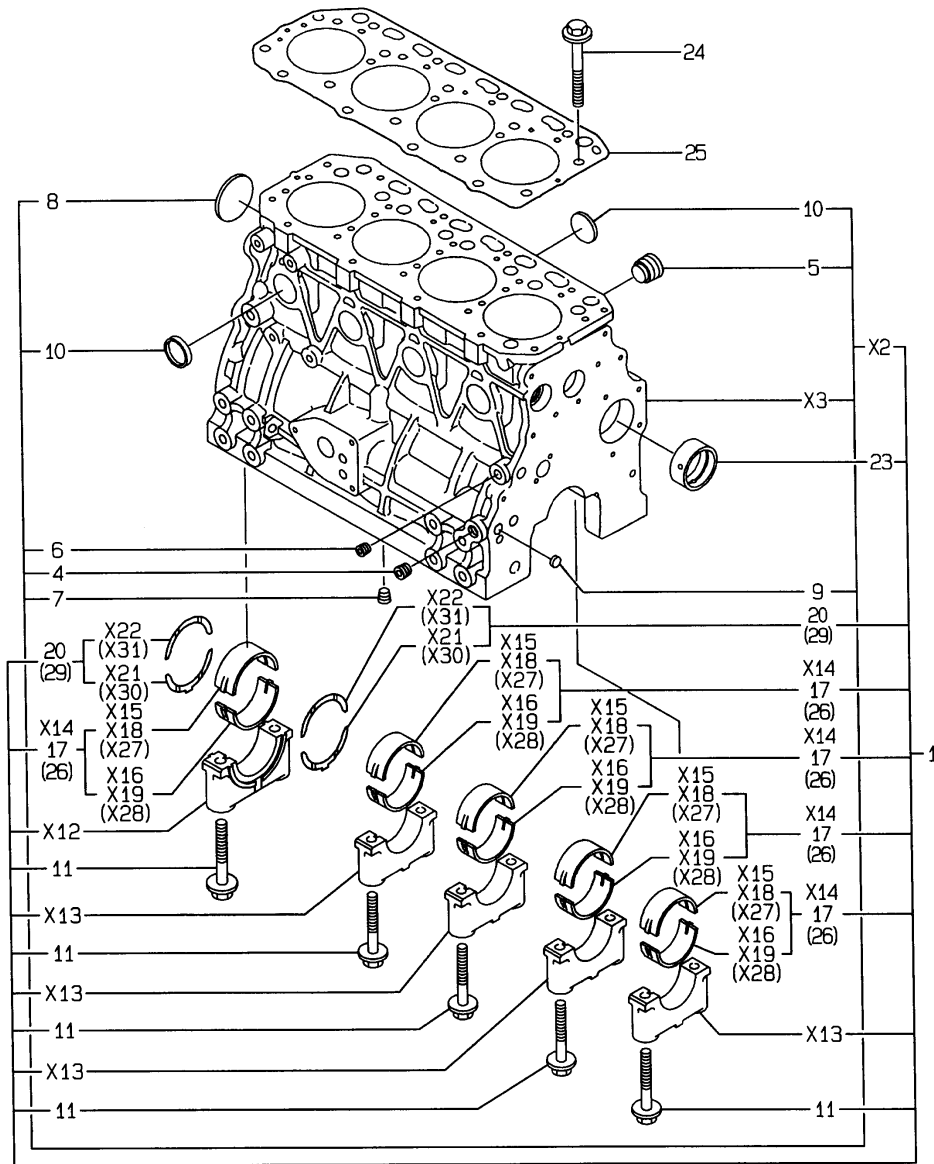
Fig. No. Fig. Name

4TNE84MT-EK

1. CYLINDER BLOCK
2. GEAR HOUSING
3. MOUNTING FLANGE & OIL SUMP
4. CYLINDER HEAD & BONNET
5. SUCTION MANIFOLD
6. CAMSHAFT & DRIVING GEAR
7. TURBOCHARGER
8. CRANKSHAFT & PISTON
9. LUB.OIL SYSTEM
10. LUB.OIL LINE
11. COOLING SEA WATER SYSTEM
12. COOLING FRESH WATER SYSTEM
13. COOLING FRESH WATER COOLER
14. COOLING SEA WATER LINE
15. COOLING FRESH WATER LINE
16. FUEL INJECTION PUMP
17. GOVERNOR
18. FUEL INJECTION VALVE
19. FUEL LINE
20. STARTING MOTOR
21. GASKET SET

Fig.1. CYLINDER BLOCK

1. CYLINDER BLOCK



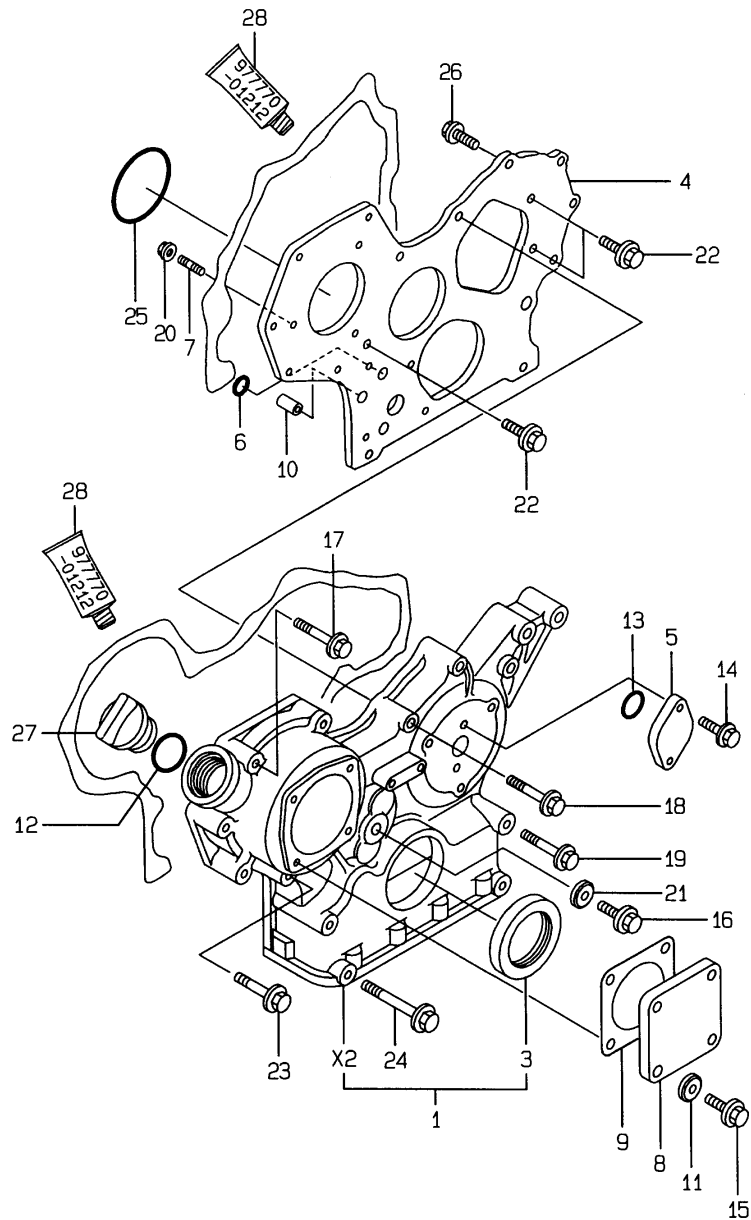
No.	Lev.	Parts No.	Description	Q'ty						I	R
				(A)	(B)	(C)	(D)	(E)	(F)		
1	1	729670-01560	BLOCK ASSY, CYLINDER	1							
4	3	124160-01910	PLUG, PT1/4	2							
5	3	171051-01921	PLUG, NPTF1	1							
6	3	23871-010000	PLUG, R01	1							
7	3	124160-01910	PLUG, PT1/4	1							
8	3	27231-500000	PLUG 50	1							
9	3	27241-120000	PLUG, 12	2							
10	3	27241-300000	PLUG 30	8							
11	2	129150-02020	BOLT, METAL CAP	10							
17	2	129001-02930	BEARING, MAIN	5							3
20	2	129150-02930	BEARING, THRUST	2							
23	2	129795-02411	BUSH, CAMSHAFT	1							
24	1	129150-01200	BOLT, HEAD	18							
25	1	129408-01330	GASKET, HEAD	1							
26	1	129150-02870	BEARING, 0.25 US	5							1
29	1	129150-02940	BEARING, THRUST 0.25	2							2

Remarks

- (1) UNDER-SIZED(U.S=0.25) PART.
- (2) OVER-SIZED(O.S=0.25) PART.
- (3) REPAIR PART.

Fig.2. GEAR HOUSING

2.GEAR HOUSING



(A)=4TNE84MT-EK

(B)=

(C)=

(D)=

(E)=

(F)=

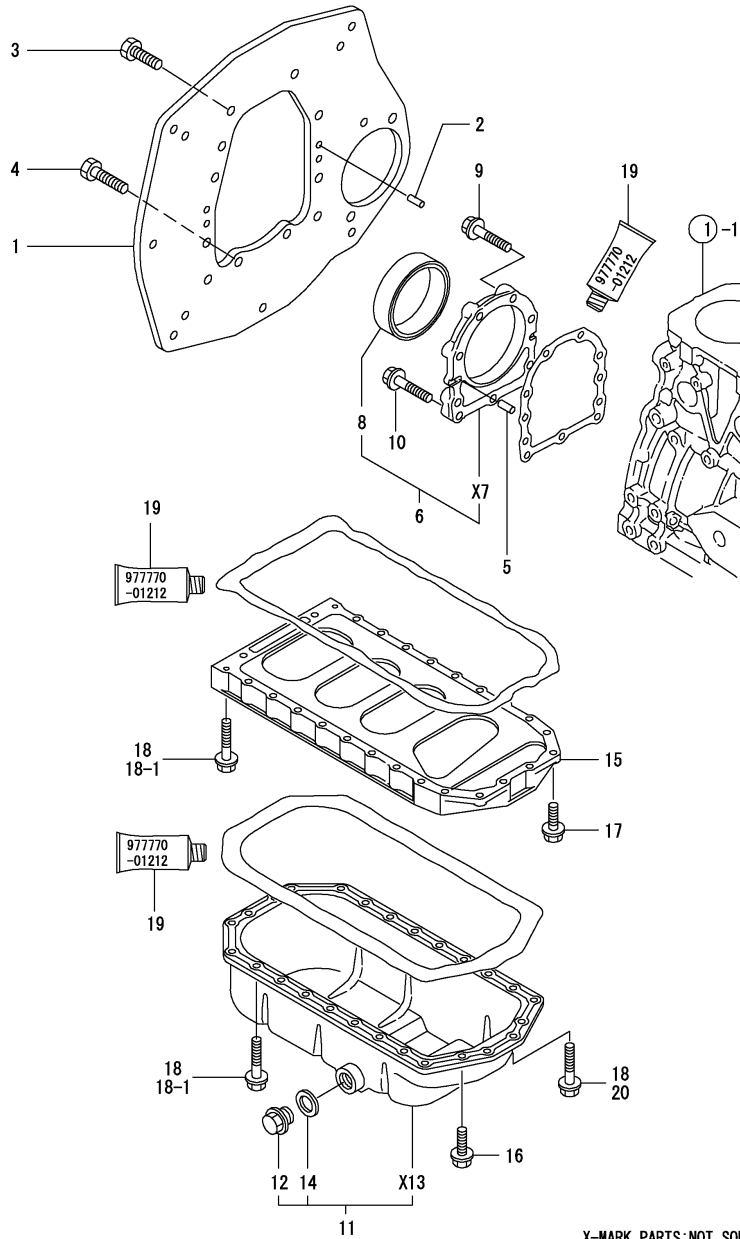
No.	Lev.	Parts No.	Description	Q'ty						I	R
				(A)	(B)	(C)	(D)	(E)	(F)		
1	1	719810-01500	CASE ASSY, GEAR	1							
3	2	129795-01800	SEAL, OIL	1							
4	1	129400-01520	FLANGE, GEAR CASE	1							
5	1	121023-01550	COVER	1							
6	1	24311-000160	O-RING, 1AP16.0	2							
7	1	121450-01560	STUD, M8X22	3							
8	1	124240-01871	COVER	1							
9	1	124240-01883	GASKET	1							
10	1	129795-01950	PIPE, KNOCK L=18	2							
11	1	22190-080002	WASHER, SEAL 6	4							
12	1	24311-000320	O-RING, 1AP32.0	1							
13	1	24341-000240	O-RING, 1AS24.0	1							
14	1	26106-060162	BOLT, M6X 16 PLATED	2							
15	1	26106-080122	BOLT, M8X 12 PLATED	4							
16	1	26106-080162	BOLT, M8X 16 PLATED	1							
17	1	26106-080452	BOLT, M8X 45 PLATED	4							
18	1	26106-080552	BOLT, M8X 55 PLATED	3							
19	1	26106-080852	BOLT, M8X 85 PLATED	2							
20	1	26366-080002	NUT, M8	3							
21	1	22190-080002	WASHER, SEAL 6	1							
22	1	26106-080162	BOLT, M8X 16 PLATED	3							
23	1	26106-080502	BOLT, M8X 50 PLATED	2							
24	1	26106-080902	BOLT, M8X 90 PLATED	2							
25	1	121850-51960	O-RING	1							
26	1	26106-080202	BOLT, M8X 20 PLATED	2							
27	1	124160-01751	COVER, FILLER	1							
28	1	977770-01212	GASKET, LIQUID	1							1

Remarks

(1) OPTIONAL PART.

N:Old $\begin{matrix} \leftarrow \text{Yes} \\ \text{No} \end{matrix}$ New, Q:Old $\begin{matrix} \leftarrow \text{No} \\ \text{Yes} \end{matrix}$ New, R:Old $\begin{matrix} \leftarrow \text{Yes} \\ \text{Yes} \end{matrix}$ New, S:Old $\begin{matrix} \leftarrow \text{No} \\ \text{No} \end{matrix}$ New, W:Add, Z:Discontinued, F:Interchangeable by set, K:Q'ty Change

Fig.3. MOUNTING FLANGE & OIL SUMP



(A)=4TNE84MT-EK

(B)=

(C)=

(D)=

(E)=

(F)=

No.	Lev.	Parts No.	Description	Q'ty						I	R
				(A)	(B)	(C)	(D)	(E)	(F)		
1	1	129176-01601	FLANGE, MOUNTING	1							
2	1	129100-01580	PIN, M8X16		2						
3	1	26206-100202	BOLT, M10X 20 PLATED		6						
4	1	26206-100252	BOLT, M10X 25 PLATED		4						
5	1	129100-01580	PIN, M8X16		2						
6	1	129100-01640	CASE ASSY, OIL SEAL		1						
8	2	129795-01780	SEAL, OIL		1						
9	1	129486-01670	BOLT, M8X30		6						
10	1	26106-080352	BOLT, M8X 35 PLATED		3						
11	1	729577-01720	SUMP ASSY, OIL		1						
12	2	119640-01640	PLUG, DRAIN M22		1						
14	2	22190-220002	WASHER, SEAL 22		1						
15	1	129400-01730	SPACER, OIL SUMP		1						
16	1	26106-080162	BOLT, M8X 16 PLATED		4						
17	1	26106-080252	BOLT, M8X 25 PLATED		2						
18	1	26106-080452	BOLT, M8X 45 PLATED		24						
18-1	1	26106-080452	BOLT, M8X 45 PLATED		20						K
(A=FROM 1ST)											
19	1	977770-01212	GASKET, LIQUID		1						1
20	1	26106-080502	BOLT, M8X 50 PLATED		4						W
(A=FROM 1ST)											

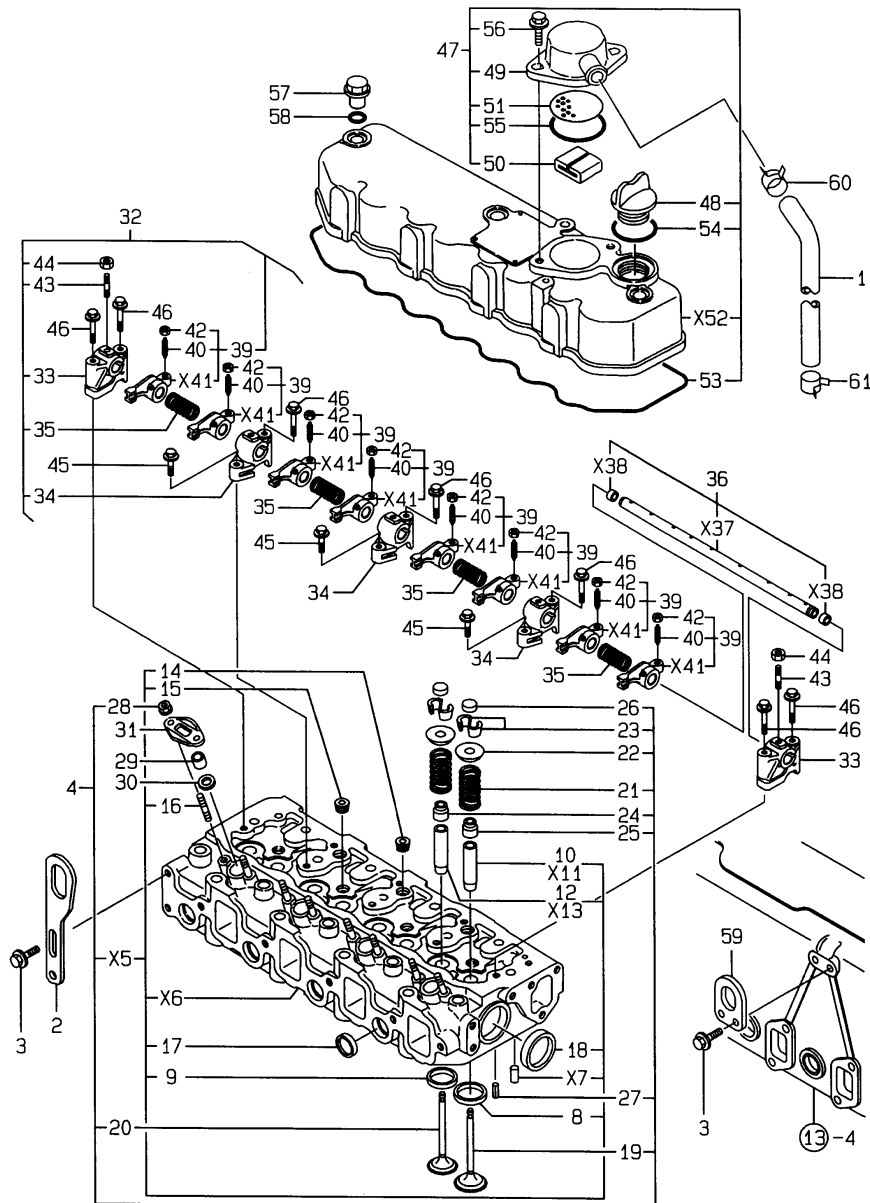
Remarks

(1) OPTIONAL PART.

N:Old $\begin{matrix} \leftarrow \text{Yes} \\ \text{No} \end{matrix}$ New, Q:Old $\begin{matrix} \leftarrow \text{No} \\ \text{Yes} \end{matrix}$ New, R:Old $\begin{matrix} \leftarrow \text{Yes} \\ \text{Yes} \end{matrix}$ New, S:Old $\begin{matrix} \leftarrow \text{No} \\ \text{No} \end{matrix}$ New, W:Add, Z:Discontinued, F:Interchangeable by set, K:Q'ty Change

Fig.4. CYLINDER HEAD & BONNET

4. CYLINDER HEAD & BONNET



x-MARK PARTS: NOT SOLD SEPARATELY.

Remarks
(1) REPAIR PART.

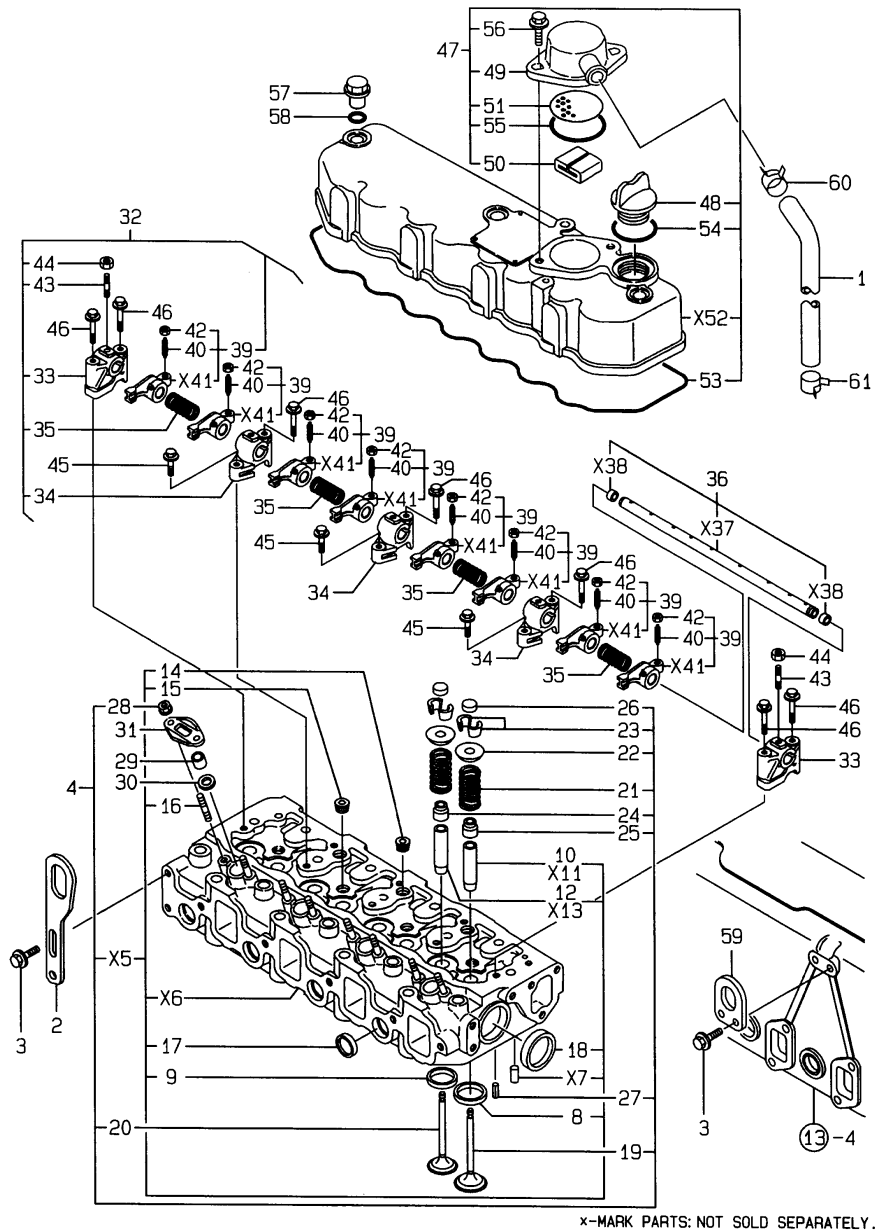
(A)=4TNE84MT-EK
(B)=
(C)=

(D)=
(E)=
(F)=

No.	Lev.	Parts No.	Description	Qty						I	R
				(A)	(B)	(C)	(D)	(E)	(F)		
1	1	129171-03090	PIPE , BREATHER	1							
2	1	129900-07900	LIFTER	1							
3	1	26106-080162	BOLT, M8X 16 PLATED	4							
4	1	729408-11700	HEAD ASSY, CYLINDER	1							
8	3	129470-11080	SEAT, INTAKE VALVE	4							
9	3	129470-11090	SEAT, EXHAUST VALVE	4							
10	3	120130-11860	GUIDE, VALVE	4							1
12	3	129150-11810	GUIDE, VALVE	4							1
14	3	23871-020000	PLUG, R02	3							
15	3	23871-030000	PLUG, R03	4							
16	3	26216-060202	STUD, M6X 20	8							
17	3	27241-220000	PLUG, 22	4							
18	3	27241-400000	PLUG, 40	2							
19	2	129100-11100	VALVE, INTAKE	4							
20	2	129100-11130	VALVE, EXHAUST	4							
21	2	129795-11120	SPRING, VALVE	8							
22	2	129795-11180	RETAINER, SPRING	8							
23	2	27310-080001	COTTER, 8	8							
24	2	121400-11340	SEAL, VALVE STEM	4							
25	2	124460-11340	SEAL, VALVE STEM	4							
26	2	129150-11370	CAP, VALVE	8							
27	2	22351-060012	PIN, SPRING 6.0X12	2							
28	2	26366-060002	NUT, M6	8							
29	1	119625-11870	PROTECTOR, NOZZLE	4							
30	1	119625-11880	SEAT, NOZZLE	4							
31	1	119625-11900	RETAINER, NOZZLE	4							
32	1	129500-11240	SHAFT ASSY, ROCKER	1							
33	2	129155-11260	SUPPORT, ROCKER ARM	2							
34	2	129155-11270	SUPPORT, ROCKER ARM	3							
35	2	129150-11280	SPRING	4							
36	2	129550-11290	SHAFT, ROCKER ARM	1							
39	2	129100-11650	ARM, ROCKER	8							
40	3	129150-11230	SCREW, VALVE ADJUST	8							
42	3	129150-11750	NUT, M8	8							
43	2	26226-080182	STUD, M8X 18	3							
44	2	26756-080002	NUT, LOCK M8	3							
45	1	26106-080252	BOLT, M8X 25 PLATED	3							
46	1	26106-080502	BOLT, M8X 50 PLATED	7							
47	1	129400-11350	BONNET ASSY, HEAD	1							
48	2	124160-01751	COVER, FILLER	1							
49	2	129150-03020	COVER, BREATHER	1							
50	2	129150-03070	BAFFLE, BREATHER	1							
51	2	129150-03080	PLATE, BAFFLE	1							
53	2	129550-11310	GASKET, BONNET	1							
54	2	24311-000320	O-RING, 1AP32.0	1							
55	2	24341-000500	O-RING, 1AS50.0	1							
56	2	26106-080162	BOLT, M8X 16 PLATED	2							
57	1	124160-11360	KNOB	3							
58	1	24311-000120	O-RING, 1AP12.0	3							
59	1	129470-07230	LIFTER	1							
60	1	129301-03660	CLAMP 16	1							

Fig.4. CYLINDER HEAD & BONNET

4. CYLINDER HEAD & BONNET



(A)=4TNE84MT-EK

(B)=

(C)=

(D)=

(E)=

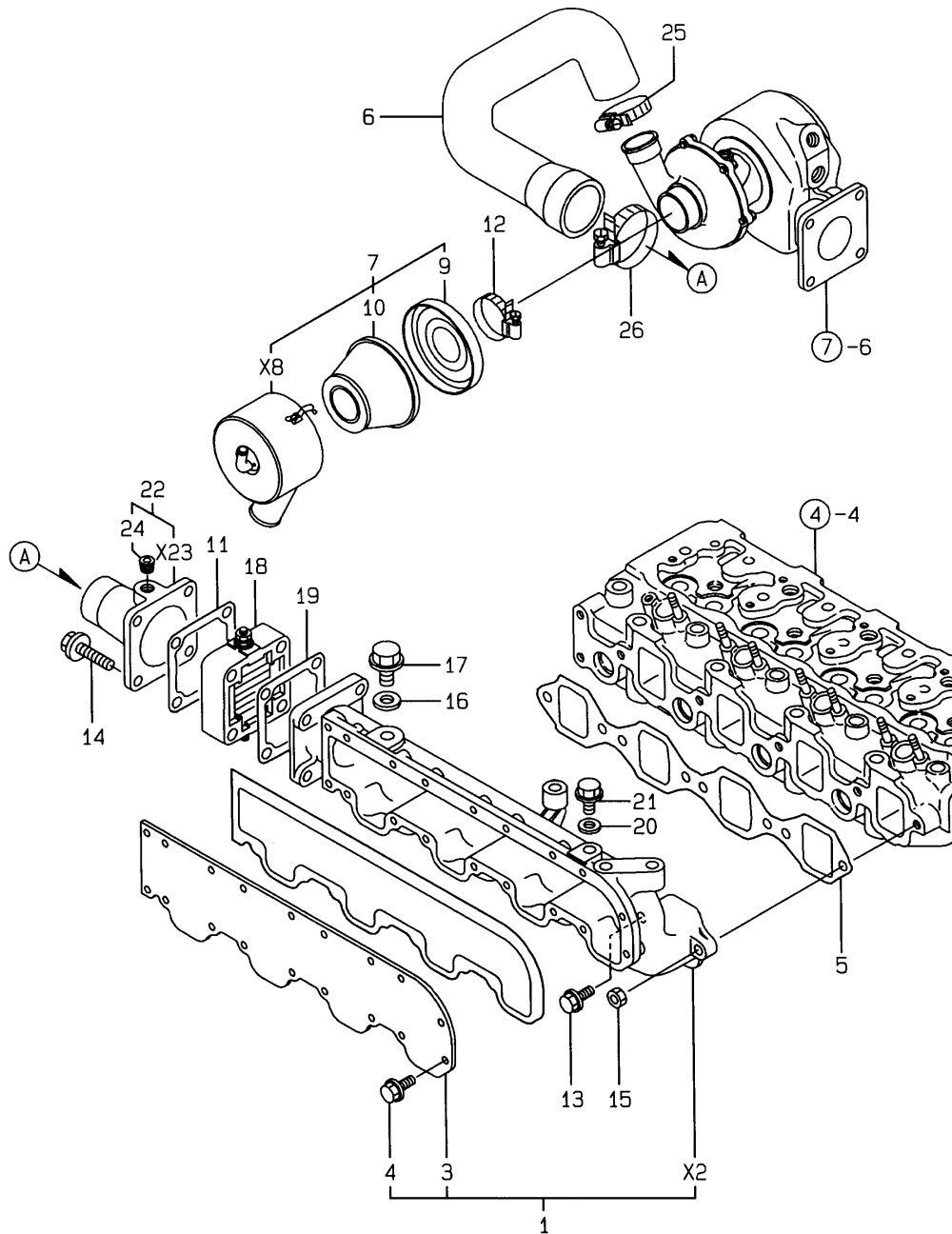
(F)=

No.	Lev.	Parts No.	Description	Qty						I	R
				(A)	(B)	(C)	(D)	(E)	(F)		
61	1	129410-03990	CLIP	1							

Remarks
(1) REPAIR PART.

Fig.5. SUCTION MANIFOLD

5. SUCTION MANIFOLD



(A)=4TNE84MT-EK

(B)=

(C)=

(D)=

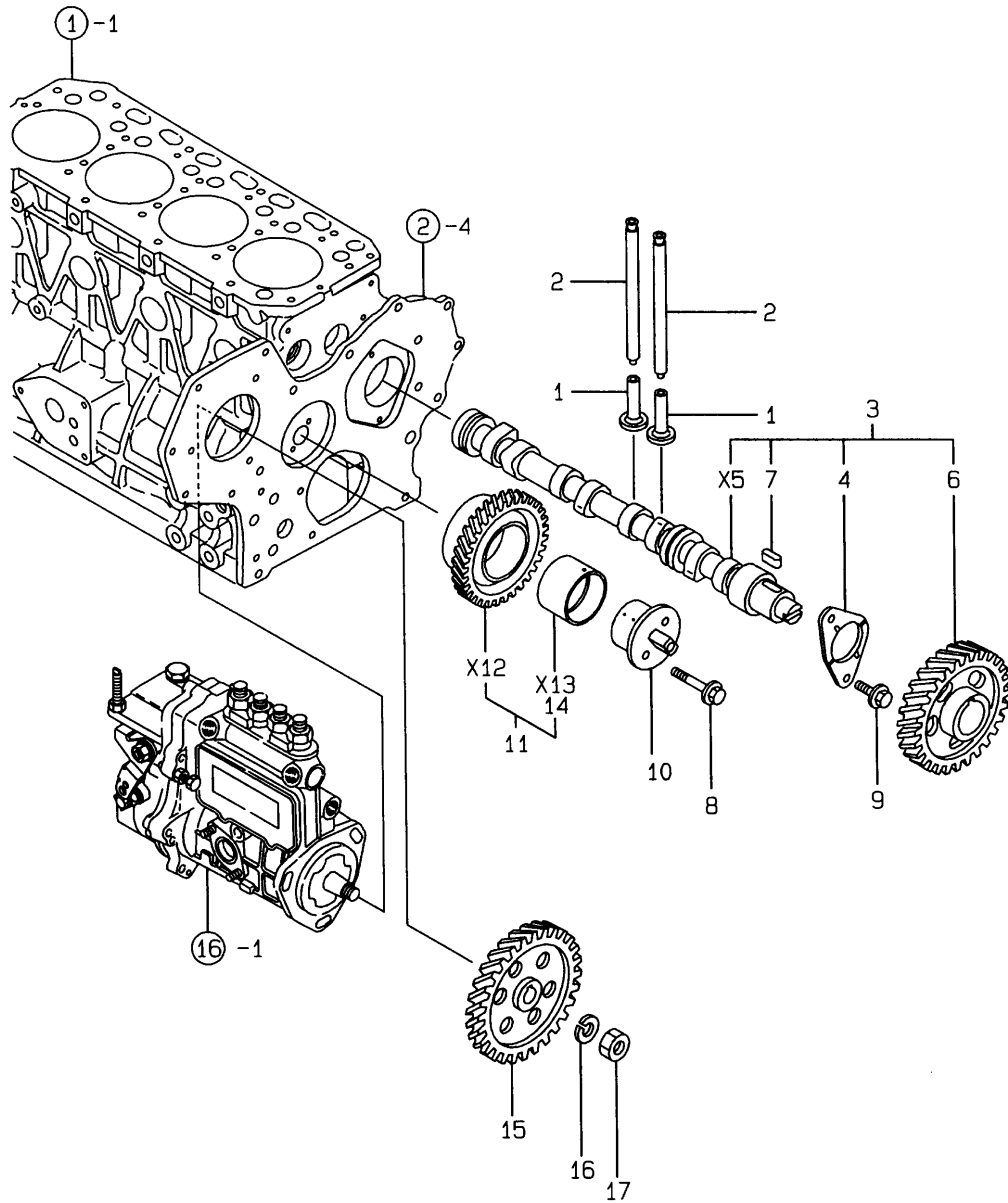
(E)=

(F)=

No.	Lev.	Parts No.	Description	Q'ty						I	R
				(A)	(B)	(C)	(D)	(E)	(F)		
1	1	129698-12100	MANIFOLD ASSY,INTAKE	1							
3	2	129470-12120	COVER, MANIFOLD	1							
4	2	26476-060142	SCREW, TAPPING M6X14	18							
5	1	129470-12130	GASKET, MANIFOLD	1							
6	1	129477-12850	HOSE, RUBBER	1							
7	1	129477-12500	SILENCER ASSY	1							
9	2	129477-12530	PLATE	1							
10	2	124770-12540	ELEMENT	1							
11	1	129470-77590	GASKET	1							
12	1	23000-048000	CLAMP, 48	1							
13	1	26106-080202	BOLT, M8X 20 PLATED	3							
14	1	26106-080402	BOLT, M8X 40 PLATED	4							
15	1	26366-080002	NUT, M8	2							
16	1	23414-100000	GASKET, 10X1.0	1							
17	1	26106-100122	BOLT, M10X 12 PLATED	1							
18	1	129100-77500	HEATER, AIR 12V	1							
19	1	129100-77510	GASKET	1							
20	1	22190-080002	WASHER, SEAL 6	1							
21	1	26106-080122	BOLT, M8X 12 PLATED	1							
22	1	129470-12210	JOINT ASSY	1							
24	2	23871-010000	PLUG, R01	1							
25	1	23000-048000	CLAMP, 48	1							
26	1	23000-060000	CLAMP, 60	1							

Fig.6. CAMSHAFT & DRIVING GEAR

6.CAMSHAFT & DRIVING GEAR



(A)=4TNE84MT-EK

(B)=

(C)=

(D)=

(E)=

(F)=

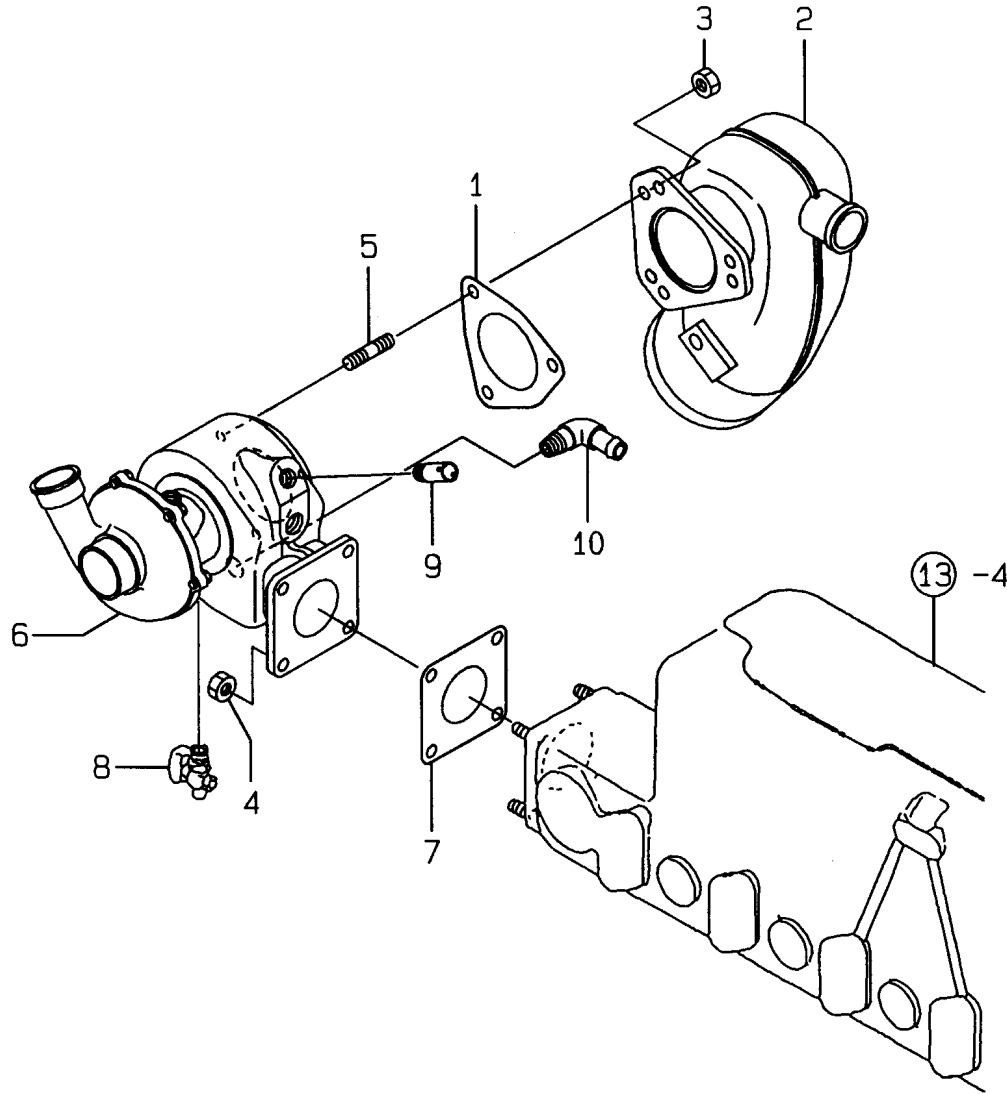
No.	Lev.	Parts No.	Description	Q'ty						I	R
				(A)	(B)	(C)	(D)	(E)	(F)		
1	1	129150-14200	TAPPET	8							
2	1	129150-14400	ROD, PUSH L=178	8							
3	1	729402-14580	CAMSHAFT ASSY	1							
4	2	129150-02450	BEARING, THRUST	1							
6	2	129150-14101	GEAR, CAMSHAFT	1							
7	2	22512-070140	KEY, 7X 14	1							
8	1	26106-080452	BOLT, M8X 45 PLATED	2							
9	1	26106-080162	BOLT, M8X 16 PLATED	2							
10	1	129100-25061	SHAFT, IDLE	1							
11	1	129150-25101	GEAR ASSY, IDLE	1							
14	2	129150-25920	BUSH, IDLE GEAR	1							1
15	1	129150-25900	GEAR, PUMP	1							
16	1	22217-120000	WASHER, SPRING 12	1							
17	1	26716-120002	NUT, M12	1							

Remarks

(1) REPAIR PART.

Fig.7. TURBOCHARGER

7. TURBINE



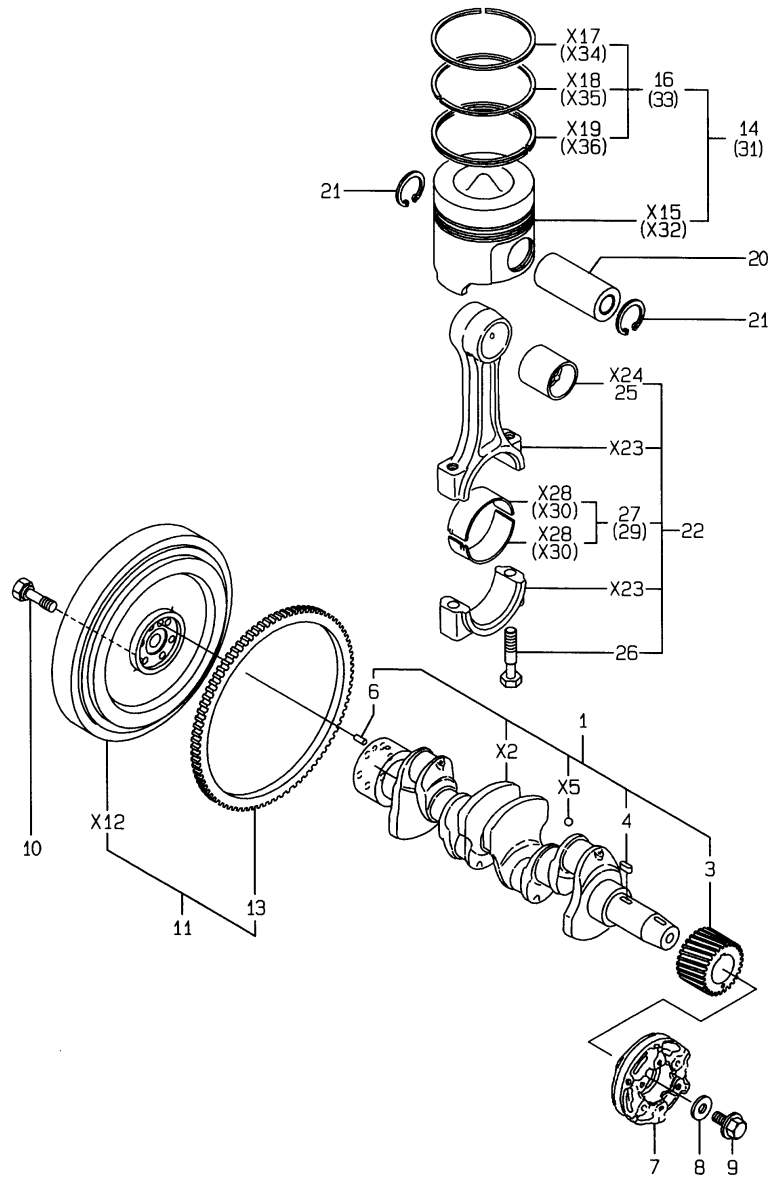
(A)=4TNE84MT-EK
 (B)=
 (C)=

(D)=
 (E)=
 (F)=

No.	Lev.	Parts No.	Description	Q'ty						I	R
				(A)	(B)	(C)	(D)	(E)	(F)		
1	1	129472-13520	GASKET	1							
2	1	129579-13551	ELBOW	1							
3	1	26703-080002	NUT, M8	3							
4	1	26703-080002	NUT, M8	4							
5	1	128170-13600	STUD, M8X31	3							
6	1	129611-18040	TURBINE, RHB31GW	1							
7	1	129792-18091	GASKET	1							
8	1	128695-44090	COCK	1							
9	1	104407-44480	JOINT	1							
10	1	171007-49400	JOINT	1							

Fig.8. CRANKSHAFT & PISTON

B. CRANKSHAFT & PISTON



(A)=4TNE84MT-EK

(B)=

(C)=

(D)=

(E)=

(F)=

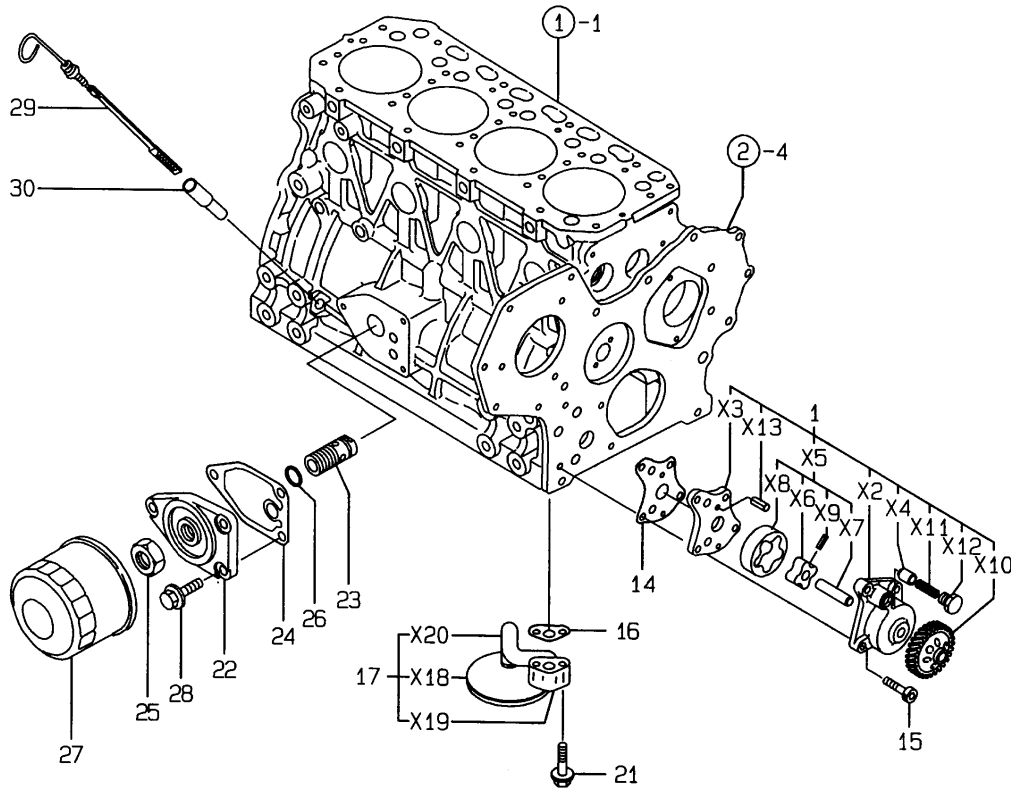
No.	Lev.	Parts No.	Description	Q'ty						I	R
				(A)	(B)	(C)	(D)	(E)	(F)		
1	1	129407-21000	CRANKSHAFT ASSY	1							
3	2	129150-21200	GEAR, CRANKSHAFT	1							
4	2	22512-070140	KEY, 7X 14	1							
6	2	129100-01580	PIN, M8X16	1							
7	1	129579-21651	V-PULLEY	1							
8	1	129795-21661	WASHER	1							
9	1	121850-21680	BOLT	1							
10	1	121111-21501	BOLT, FLYWHEEL	6							
11	1	129489-21570	FLYWHEEL ASSY	1							
13	2	124550-21600	GEAR, RING	1							
14	1	129002-22090	PISTON ASSY	4							
16	2	129002-22510	RING SET, PISTON	4							
20	1	129202-22300	PIN, PISTON D26 L70	4							
21	1	22252-000260	RING, 26	8							
22	1	729402-23100	ROD ASSY, CONNECTING	4							
25	2	129100-23910	BEARING, PISTON PIN	4							3
26	2	121550-23200	BOLT, CONNECTING ROD	8							
27	2	129150-23600	BEARING, CRANK PIN	4							
29	1	129150-23610	BEARING, 0.25 US	4							1
31	1	129002-22910	PISTON ASSY, 0.25 OS	4							2
33	2	129002-22960	RING SET, 0.25 OS	4							2

Remarks

- (1) UNDER-SIZED(U.S=0.25) PART.
- (2) OVER-SIZED(O.S=0.25) PART.
- (3) REPAIR PART.

Fig.9. LUB.OIL SYSTEM

9.LUB.OIL SYSTEM



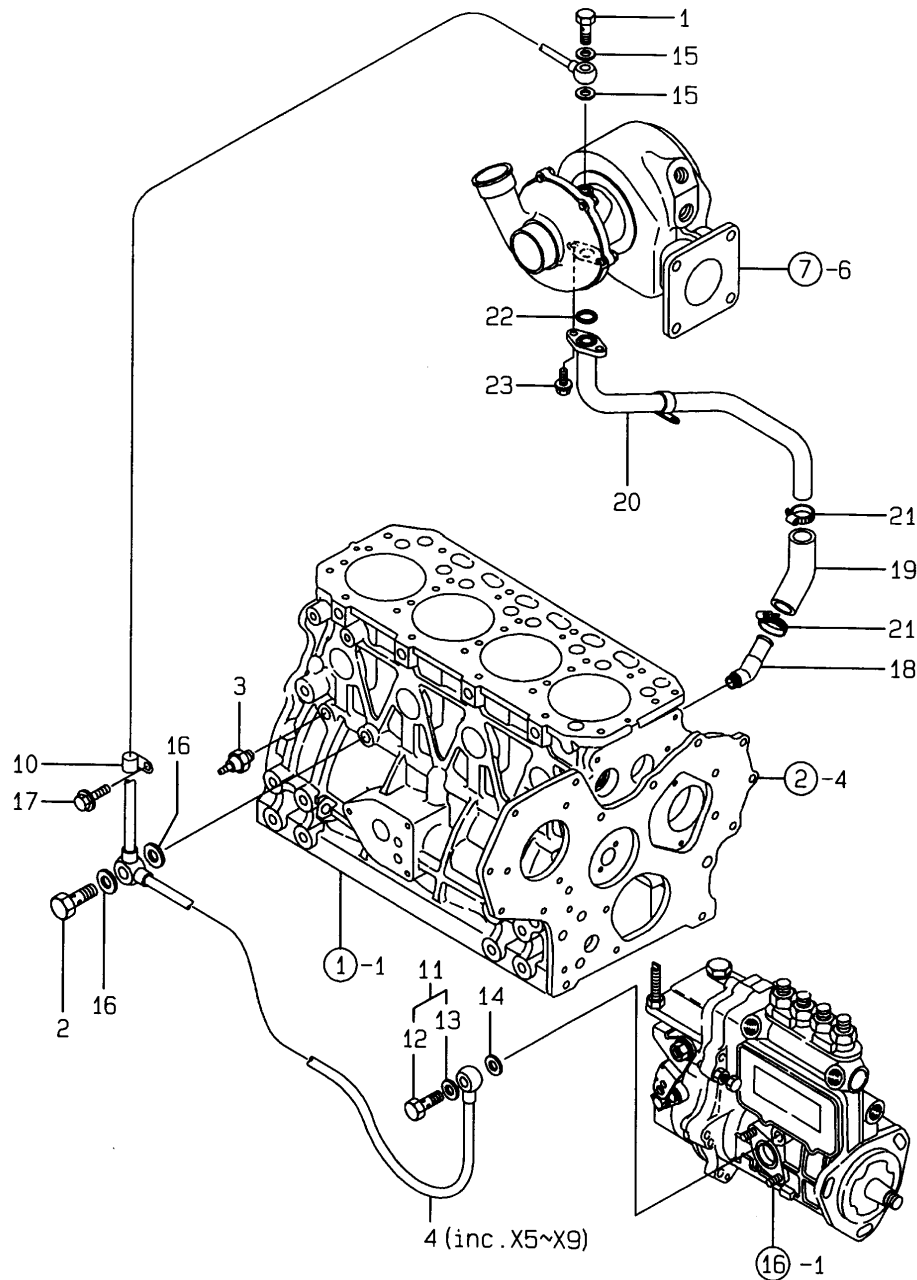
(A)=4TNE84MT-EK
(B)=
(C)=

(D)=
(E)=
(F)=

No.	Lev.	Parts No.	Description	Q'ty						I	R
				(A)	(B)	(C)	(D)	(E)	(F)		
1	1	129407-32000	PUMP ASSY, OIL	1							
14	1	129150-32020	GASKET, PUMP	1							
15	1	26450-060252	BOLT, M6X 25	4							
16	1	129150-35041	GASKET	1							
17	1	129150-35091	PIPE ASSY, OIL INLET	1							
21	1	26106-080352	BOLT, M8X 35 PLATED	2							
22	1	129150-35101	BRACKET, STRAINER	1							
23	1	129001-35300	BOLT, FILTER	1							
24	1	129150-35111	GASKET	1							
25	1	129150-35350	NUT	1							
26	1	24311-000160	O-RING, 1AP16.0	1							
27	1	129150-35151	FILTER, D80XL80	1							
28	1	26106-080202	BOLT, M8X 20 PLATED	3							
29	1	171420-34800	DIPSTICK, OIL	1							
30	1	121520-34810	GUIDE, DIPSTICK	1							

Fig.10. LUB.OIL LINE

10.LUB.OIL LINE



(A)=4TNE84MT-EK

(B)=

(C)=

(D)=

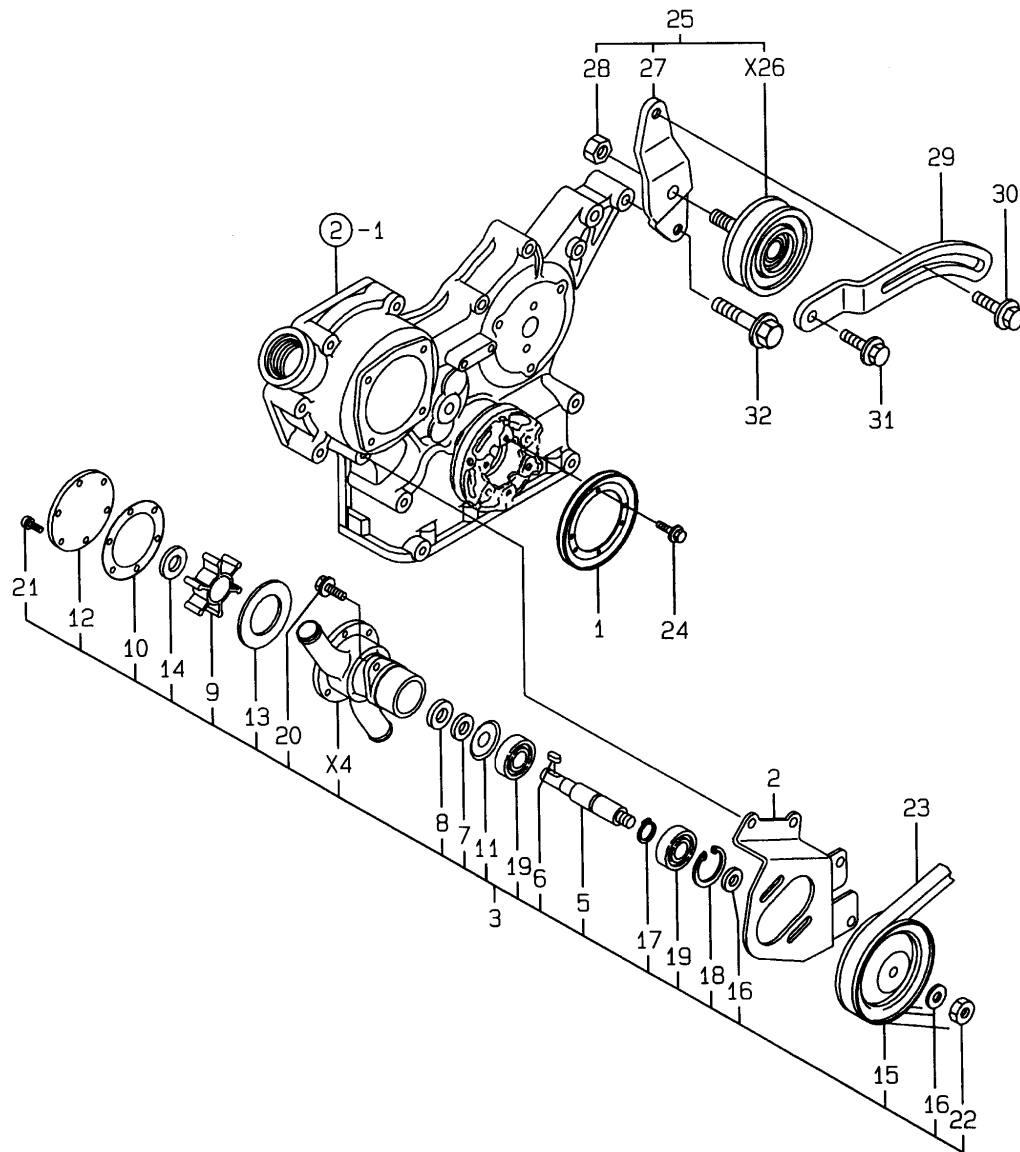
(E)=

(F)=

No.	Lev.	Parts No.	Description	Qty						I	R
				(A)	(B)	(C)	(D)	(E)	(F)		
1	1	105010-39140	BOLT, PIPE JOINT	1							
2	1	124160-39140	BOLT, PIPE JOINT M10	1							
3	1	124160-39450	SWITCH, 0.5KG	1							
4	1	129611-39460	PIPE ASSY, OIL	1							
10	1	124223-39900	RETAINER	1							
11	1	124550-59830	BOLT ASSY, JOINT M8	1							
12	2	124550-59820	BOLT, PIPE JOINT M8	1							
13	2	22190-080003	WASHER, SEAL 8	1							
14	1	22190-080003	WASHER, SEAL 8	1							
15	1	23414-080000	GASKET, 8X1.0	2							
16	1	23414-100000	GASKET, 10X1.0	2							
17	1	26106-080102	BOLT, M8X 10 PLATED	1							
18	1	128270-13620	JOINT, PIPE PT3/8	1							
19	1	129403-39610	JOINT, RUBBER	1							
20	1	129577-39611	PIPE, OIL	1							
21	1	23000-022000	CLAMP, 22	2							
22	1	24314-000160	O-RING, 4CP16.0	1							
23	1	26106-060162	BOLT, M6X 16 PLATED	2							

Fig.11. COOLING SEA WATER SYSTEM

11.COOLING SEA WATER SYSTEM



(A)=4TNE84MT-EK

(B)=

(C)=

(D)=

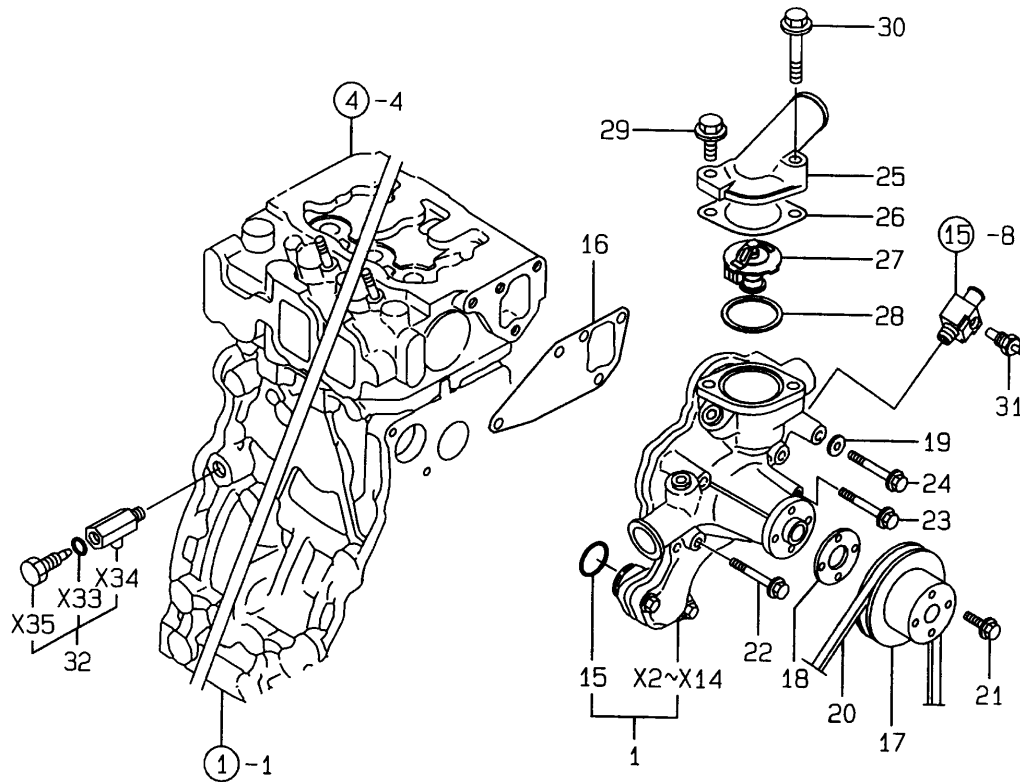
(E)=

(F)=

No.	Lev.	Parts No.	Description	Q'ty						I	R
				(A)	(B)	(C)	(D)	(E)	(F)		
1	1	104407-21600	V-PULLEY	1							
2	1	129579-42150	BRACKET, PUMP	1							
3	1	129579-42500	PUMP ASSY, WATER	1							
5	2	121575-42020	SHAFT	1							
6	2	124223-42040	KEY	1							
7	2	124223-42070	PIECE	1							
8	2	124223-42080	SEAL, TC13X28X7	1							
9	2	124223-42091	IMPELLER	1							
10	2	124223-42110	GASKET, WATER PUMP	1							
11	2	121575-42120	COVER, BEARING	1							
12	2	121575-42150	COVER	1							
13	2	129579-42160	PLATE	1							
14	2	129579-42190	COVER	1							
15	2	124070-42400	V-PULLEY	1							
16	2	124070-42420	WASHER	2							
17	2	22242-000150	RING, 15	1							
18	2	22252-000350	RING, 35	1							
19	2	24107-062024	BEARING, BALL 6202ZZ	2							
20	2	26014-080162	BOLT, M8X 16	2							
21	2	26113-040088	BOLT, M4X 8	6							
22	2	26347-080002	NUT, M8	1							
23	1	104214-42780	V-BELT, HM30	1							
24	1	26106-060082	BOLT, M6X 8 PLATED	4							
25	1	171375-44300	PULLEY ASSY, TENSION	1							
27	2	171375-44320	BRACKET, PULLEY	1							
28	2	26706-100002	NUT, M10	1							
29	1	129410-77330	ADJUSTER	1							
30	1	26014-080252	BOLT, M8X 25	1							
31	1	26106-080182	BOLT, M8X 18 PLATED	1							
32	1	26106-100352	BOLT, M10X 35 PLATED	1							

Fig.12. COOLING FRESH WATER SYSTEM

12.COOLING FRESH WATER PUMP

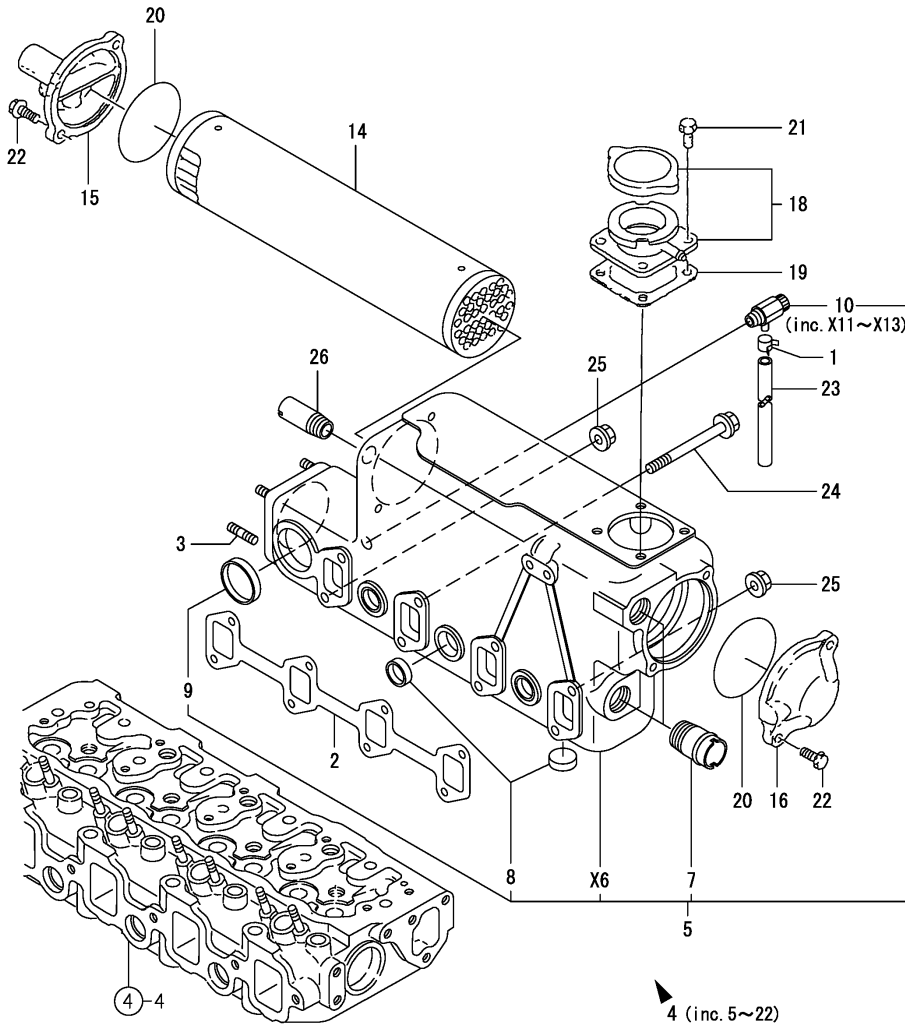


(A)=4TNE84MT-EK
(B)=
(C)=

(D)=
(E)=
(F)=

No.	Lev.	Parts No.	Description	Q'ty						I	R
				(A)	(B)	(C)	(D)	(E)	(F)		
1	1	129470-42001	PUMP ASSY, WATER	1							
15	2	129150-42320	O-RING	1							
16	1	129150-42020	GASKET, WATER PUMP	1							
17	1	129550-42350	V-PULLEY, D=120	1							
18	1	129156-44760	WASHER	1							
19	1	22217-080000	WASHER, SPRING 8	1							
20	1	25132-004400	V-BELT, A44	1							
21	1	26106-060102	BOLT, M6X 10 PLATED	4							
22	1	26106-080552	BOLT, M8X 55 PLATED	2							
23	1	26106-080552	BOLT, M8X 55 PLATED	1							
24	1	26106-080652	BOLT, M8X 65 PLATED	1							
25	1	129470-49540	COVER, THERMOSTAT	1							
26	1	129795-49551	GASKET	1							
27	1	129470-49801	THERMOSTAT, 76.5	1							
28	1	129470-49810	GASKET, THERMOSTAT	1							
29	1	26106-080252	BOLT, M8X 25 PLATED	1							
30	1	26106-080352	BOLT, M8X 35 PLATED	1							
31	1	127610-91350	SWITCH, 95	1							
32	1	120130-49350	COCK, 1/4	1							

Fig.13. COOLING FRESH WATER COOLER



(A)=4TNE84MT-EK
(B)=
(C)=

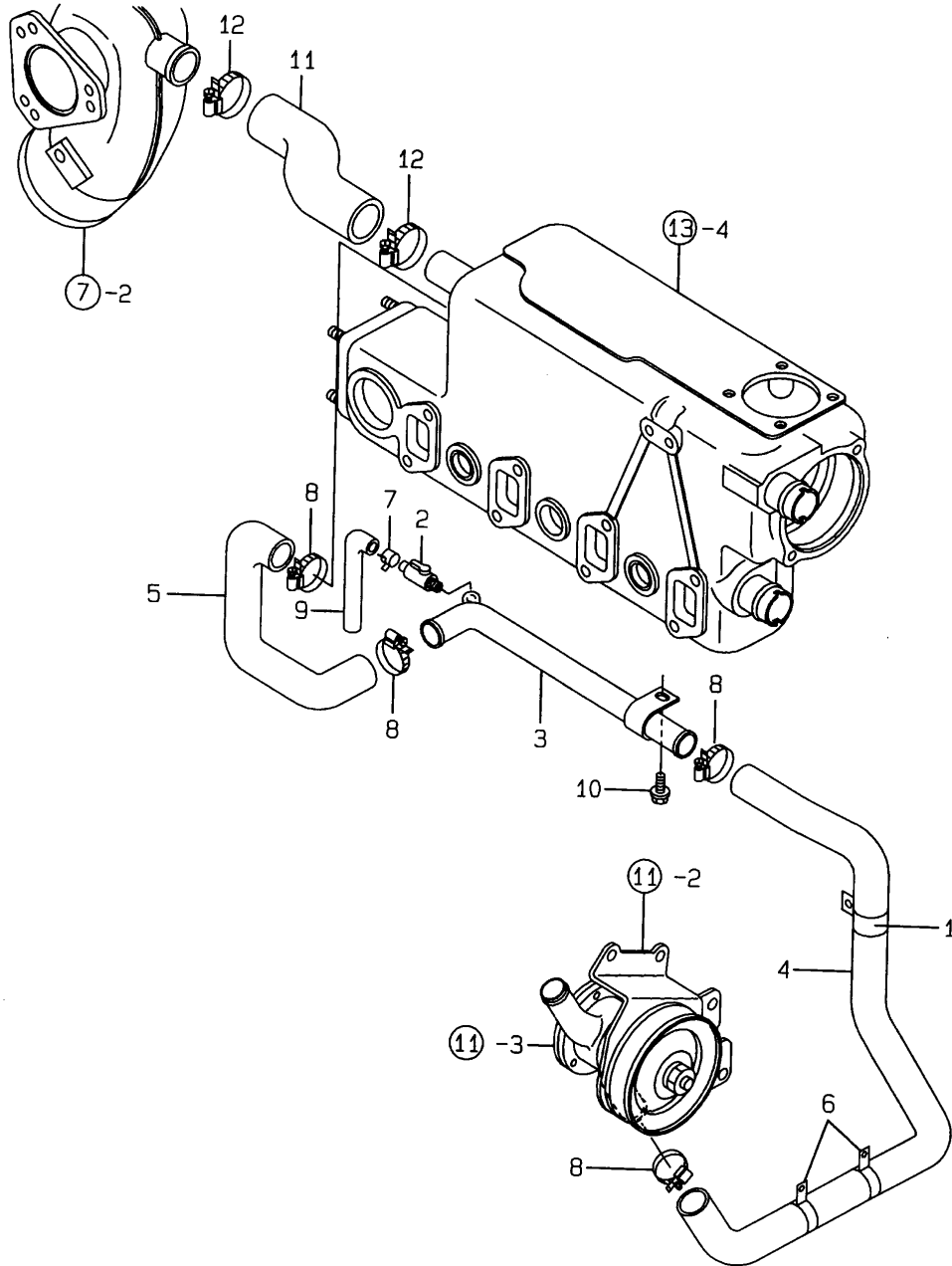
(D)=
(E)=
(F)=

No.	Lev.	Parts No.	Description	Q'ty						I	R
				(A)	(B)	(C)	(D)	(E)	(F)		
1	1	23080-013000	CLAMP, 13	1							
2	1	129550-13110	GASKET	1							
3	1	128170-13600	STUD, M8X31	4							
4	1	129577-44900	COOLER ASSY, WATER	1							
5	2	171487-44000	CORE ASSY, COOLER	1							
7	3	124160-49480	JOINT, PIPE	2							
8	3	27241-280000	PLUG, 28	7							
9	3	27241-400000	PLUG, 40	1							Z
(A=EXXX)											
10	3	43600-500310	COCK	1							
14	2	129473-44111	CORE ASSY, COOLER	1							
15	2	129470-44440	COVER, A	1							
16	2	129470-44450	COVER, B	1							
18	2	129171-44600	FILLER ASSY	1							
19	2	120445-44640	GASKET	1							
20	2	24321-000750	O-RING, 1AG75.0	2							
21	2	26106-080162	BOLT, M8X 16 PLATED	4							
22	2	26106-080252	BOLT, M8X 25 PLATED	4							
23	1	23061-120300	PIPE, 12X 300	1							
24	1	26106-081002	BOLT, M8X100 PLATED	6							
25	1	26366-080002	NUT, M8	2							
26	1	104407-44480	JOINT	1							

X-MARK PARTS: NOT SOLD SEPARATELY.

Fig.14. COOLING SEA WATER LINE

14.COOLING SEA WATER LINE



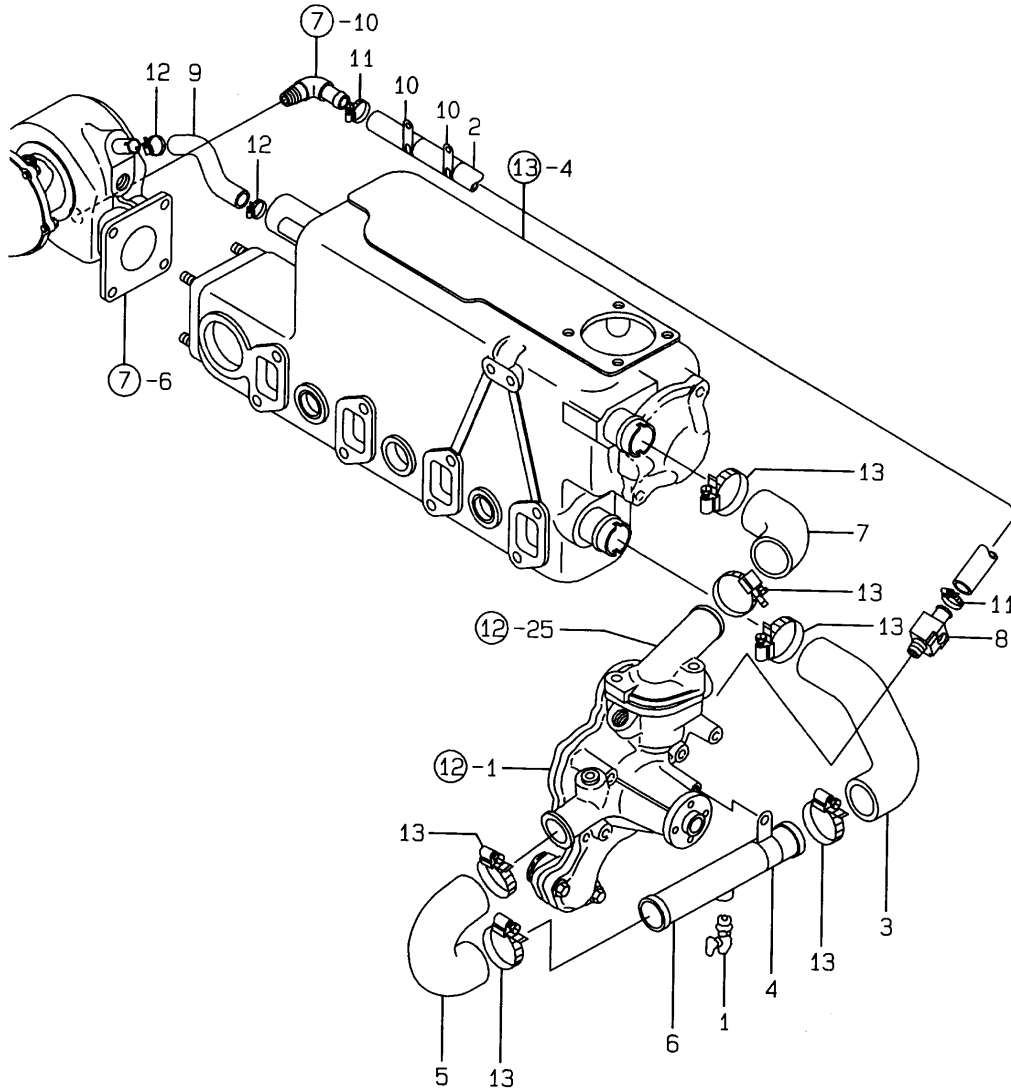
(A)=4TNE84MT-EK
(B)=
(C)=

(D)=
(E)=
(F)=

No.	Lev.	Parts No.	Description	Q'ty						I	R
				(A)	(B)	(C)	(D)	(E)	(F)		
1	1	127610-03270	RETAINER	1							
2	1	128695-44090	COCK	1							
3	1	129611-49010	PIPE, WATER	1							
4	1	171487-49010	PIPE, WATER	1							
5	1	129475-49020	PIPE, WATER	1							
6	1	129579-49460	RETAINER, D32	2							
7	1	124460-77680	RETAINER	1							
8	1	23000-035000	CLAMP, 35	4							
9	1	23061-070300	PIPE, 7X 300	1							
10	1	26106-080162	BOLT, M8X 16 PLATED	1							
11	1	129472-49040	PIPE, WATER	1							
12	1	23000-035000	CLAMP, 35	2							

Fig.15. COOLING FRESH WATER LINE

15.COOLING FRESH WATER LINE



(A)=4TNE84MT-EK

(B)=

(C)=

(D)=

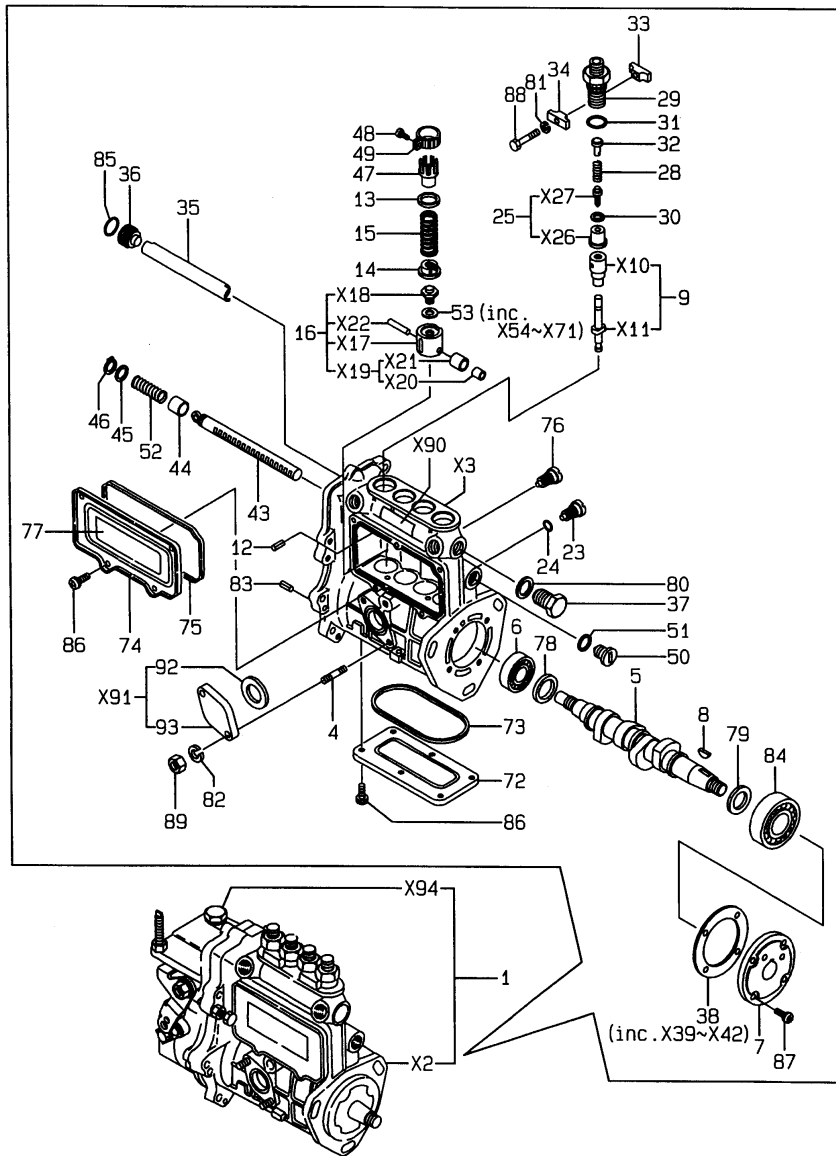
(E)=

(F)=

No.	Lev.	Parts No.	Description	Q'ty						I	R
				(A)	(B)	(C)	(D)	(E)	(F)		
1	1	128695-44090	COCK	1							
2	1	127420-44560	PIPE, OVERFLOW L=740	1							
3	1	129470-49200	JOINT, RUBBER	1							
4	1	129470-49220	RETAINER	1							
5	1	129470-49240	JOINT, RUBBER 28	1							
6	1	129470-49250	PIPE, WATER	1							
7	1	129470-49260	JOINT, RUBBER	1							
8	1	129473-49310	JOINT, PT3/8-8	1							
9	1	129579-49320	HOSE, RUBBER	1							
10	1	194440-51620	CLAMP	2							
11	1	23000-013000	CLAMP, 13	2							
12	1	23000-025000	CLAMP, 25	2							
13	1	23000-041000	CLAMP, 41	6							

Fig.16. FUEL INJECTION PUMP

16.FUEL INJECTION PUMP



x-MARK PARTS: NOT SOLD SEPARATELY.

Remarks
 (1) GOVERNOR ASSY(FIG.NO.17) IS
 INCORPORATED IN THIS FUEL
 INJECTION PUMP ASSY(REF.NO.1).

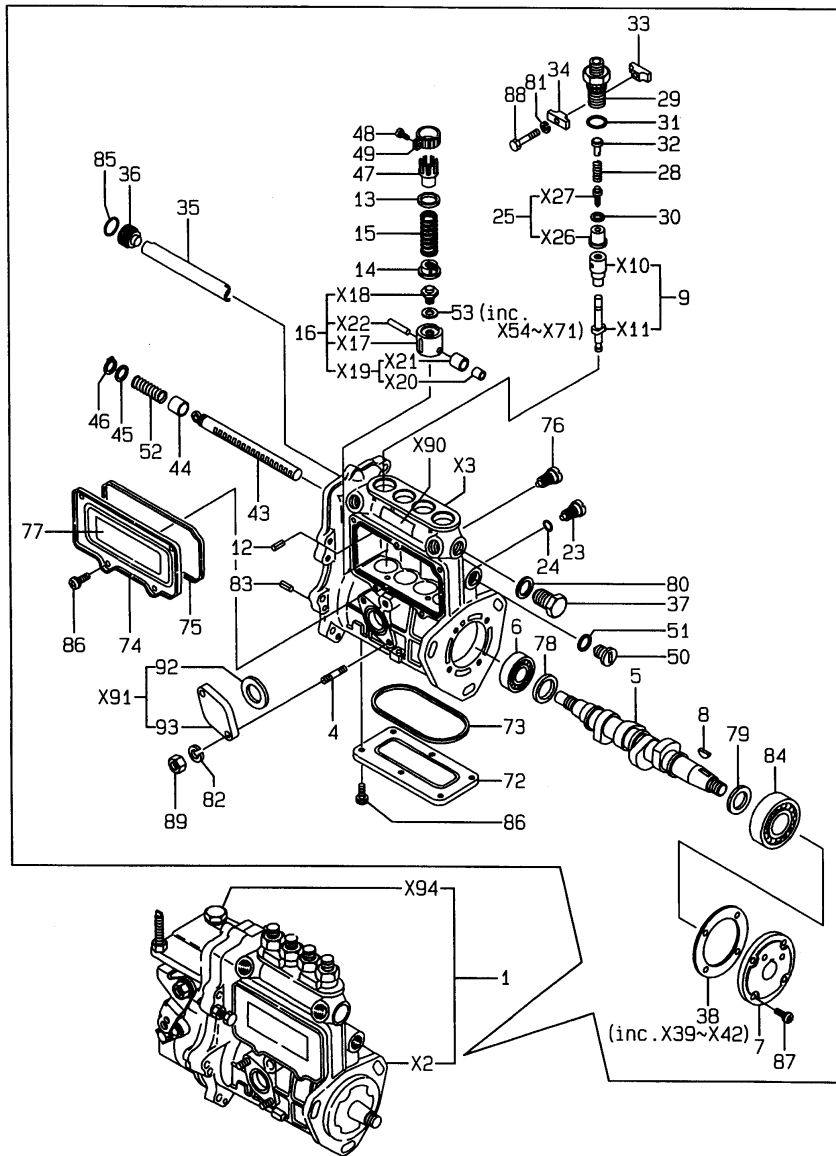
(A)=4TNE84MT-EK
 (B)=
 (C)=

(D)=
 (E)=
 (F)=

No.	Lev.	Parts No.	Description	Q'ty						I	R
				(A)	(B)	(C)	(D)	(E)	(F)		
1	1	729611-51460	PUMP ASSY, INJECTION	1							1
4	3	129155-51020	STUD		2						
5	3	129470-51040	CAMSHAFT		1						
6	3	129155-51050	BEARING, 17BM001D		1						
7	3	129155-51060	SUPPORT, CAMSHAFT		1						
8	3	122710-51090	KEY		1						
9	3	129470-51101	PLUNGER ASSY		4						
12	3	129155-51140	PIN		4						
13	3	174307-51170	RETAINER, SPRING A		4						
14	3	129155-51180	RETAINER, SPRING		4						
15	3	124950-51190	SPRING, PLUNGER		4						
16	3	129155-51200	TAPPET ASSY		4						
23	3	129155-51270	STOPPER, TAPPET		4						
24	3	129155-51280	O-RING, S6		4						
25	3	129100-51300	VALVE ASSY, DELIVERY		4						
28	3	129155-51320	SPRING, DELIVERY		4						
29	3	129155-51340	RETAINER		4						
30	3	124550-51350	GASKET, DELIVERY		4						
31	3	124550-51370	O-RING		4						
32	3	129155-51370	STOPPER, VALVE		4						
33	3	129155-51380	STOPPER		2						
34	3	129155-51390	STOPPER		2						
35	3	129555-51400	DEFLECTOR		1						
36	3	129155-51410	BOLT		1						
37	3	129155-51420	PLUG, M16		1						
38	3	129155-51450	SHIM SET, ADJUSTING		1						
43	3	129555-51500	RACK, CONTROL		1						
44	3	129155-51521	BUSH, RACK		1						
45	3	129155-51530	SPACER		1						
46	3	129155-51540	CIRCLIP		1						
47	3	129155-51550	PINION, CONTROL		4						
48	3	122117-51560	SCREW		4						
49	3	174307-51560	PINION		4						
50	3	129155-51570	PLUG, M12		1						
51	3	129155-51580	O-RING		1						
52	3	129155-51591	SPRING, RACK		1						
53	3	129155-51600	SHIM SET, ADJUSTING		4						
72	3	129555-51700	COVER		1						
73	3	129555-51710	GASKET		1						
74	3	129555-51750	COVER		1						
75	3	129555-51760	GASKET		1						
76	3	129155-51790	STOOPER, RACK		1						
77	3	129156-51910	LABEL, CAUTION		1						
78	3	129155-51930	SPACER, T=3.25		1						
79	3	129155-51940	SPACER, T=1.5		1						
80	3	22190-160002	WASHER, SEAL 16		1						
81	3	22217-050000	WASHER, SPRING 5		2						
82	3	22217-060000	WASHER, SPRING 6		2						
83	3	22351-050010	PIN, SPRING 5.0X10		2						
84	3	24101-063034	BEARING, BALL 6303		1						
85	3	24341-000160	O-RING, 1AS16.0		1						

Fig.16. FUEL INJECTION PUMP

16.FUEL INJECTION PUMP



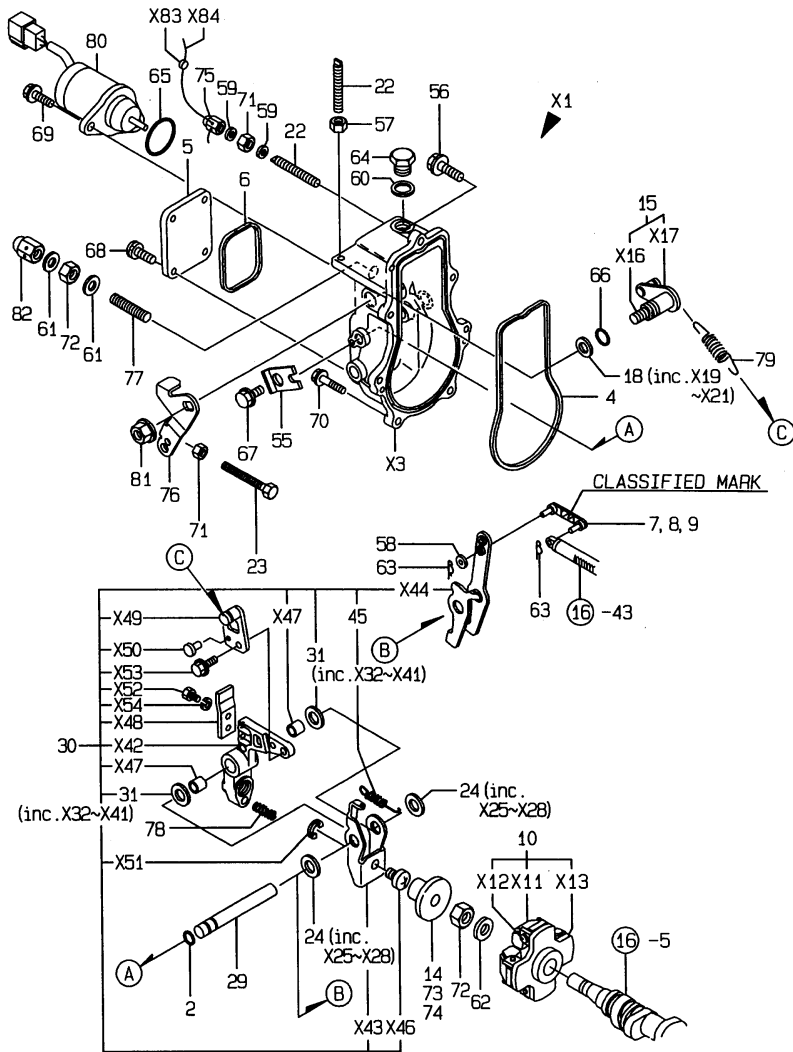
x-MARK PARTS: NOT SOLD SEPARATELY.

No.	Lev.	Parts No.	Description	Q'ty						I	R
				(A)	(B)	(C)	(D)	(E)	(F)		
86	3	26022-050102	SCREW, M5X10	11							
87	3	26022-060162	SCREW, M6X16	4							
88	3	26116-050302	BOLT, M5X 30 PLATED	2							
89	3	26716-060002	NUT, M6	2							
92	3	129155-52050	GASKET	1							
93	3	129100-52200	COVER	1							

Remarks
 (1) GOVERNOR ASSY(FIG.NO.17) IS INCORPORATED IN THIS FUEL INJECTION PUMP ASSY(REF.NO.1).

Fig.17. GOVERNOR

17. GOVERNOR

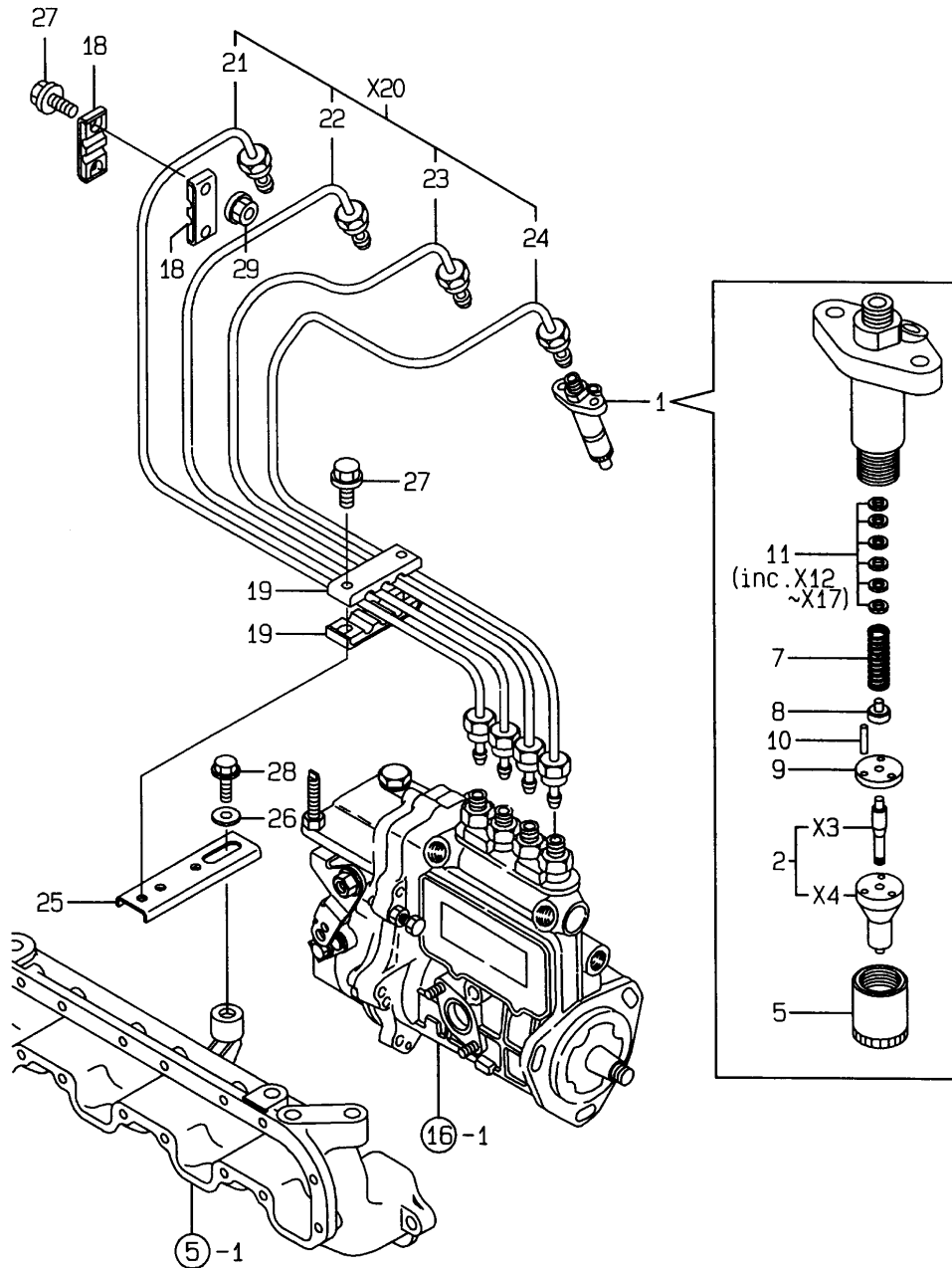


No.	Lev.	Parts No.	Description	Q'ty						I	R
				(A)	(B)	(C)	(D)	(E)	(F)		
2	3	129155-51280	O-RING, S6	1							
4	3	129052-61050	GASKET	1							
5	3	129052-61060	COVER, GOVERNOR CASE	1							
6	3	129052-61070	GASKET	1							
7	3	129155-61120	LINK, L=30 MARK 0	1							1
8	3	129155-61130	LINK, L=31 MARK 1	1							1
9	3	129155-61140	LINK, L=30.5 MARK 05	1							1
10	3	171488-61200	WEIGHT ASSY,GOVERNOR	1							
14	3	129155-61341	SLEEVE	1							2
15	3	129100-61400	SHAFT ASSY	1							
18	3	129155-61430	SPACER	1							
22	3	129155-61450	BOLT, LIMITER	2							
23	3	129155-61460	BOLT, IDLE	1							
24	3	129155-61480	SPACER ASSY	2							
29	3	129052-61390	SHAFT	1							
30	3	129412-61500	LEVER ASSY, GOVERNOR	1							
31	4	174307-51700	SHIM SET	2							
45	4	119843-61540	SPRING, SET	1							
55	3	119660-61901	RETAINER, SHAFT	1							
56	3	129155-61950	BOLT	1							
57	3	124550-66370	NUT, M6	1							
58	3	22117-040000	WASHER, 4	1							
59	3	22190-060003	SEAL WASER 6	2							
60	3	22190-100002	WASHER, SEAL 10	1							
61	3	22190-120002	WASHER, SEAL 12	2							
62	3	22287-120000	WASHER, 12	1							
63	3	22372-040000	PIN, SNAP 4	2							
64	3	23887-100002	PLUG, 10	1							
65	3	24341-000280	O-RING, 1AS28.0	1							
65-1	3	158552-61900	O-RING	1							N
(A=EXXXXX)											
66	3	129155-61830	O-RING, S10	1							
67	3	26106-060102	BOLT, M6X 10 PLATED	1							
68	3	26106-060102	BOLT, M6X 10 PLATED	4							
69	3	26106-060142	BOLT, M6X 14 PLATED	2							
70	3	26106-060202	BOLT, M6X 20 PLATED	6							
71	3	26756-060002	NUT, LOCK M6	2							
72	3	26776-120002	NUT, LOCK M12	2							
73	3	129155-61350	SLEEVE, L=24.9	1							2
74	3	129155-61360	SLEEVE, L=25.2	1							2
75	3	119600-66840	NUT, CAP	1							
76	2	171488-61440	LEVER, CONTROL	1							
77	2	129155-61470	BOLT, CONTROL	1							
78	2	129500-61650	SPRING, FUEL CONTROL	1							
79	2	129477-61720	SPRING, GOVERNOR	1							
80	2	119653-77950	SOLENOID, STOP	1							
81	2	26366-080002	NUT, M8	1							
82	2	129100-61930	NUT, CAP	1							

Remarks
 (1) SELECTIVE PARTS: CERTAIN THE CLASSIFICATION MARK, THEN PLACE YOUR ORDER.(REFER TO ILLUSTRATION).
 (2) SELECTIVE PARTS.
 * THIS FIGURE(GOVERNOR ASSY)IS INCORPORATED IN THE FUEL INJECTION PUMP ASSY(FIG.16).

Fig.18. FUEL INJECTION VALVE

18.FUEL INJECTION VALVE



(A)=4TNE84MT-EK

(B)=

(C)=

(D)=

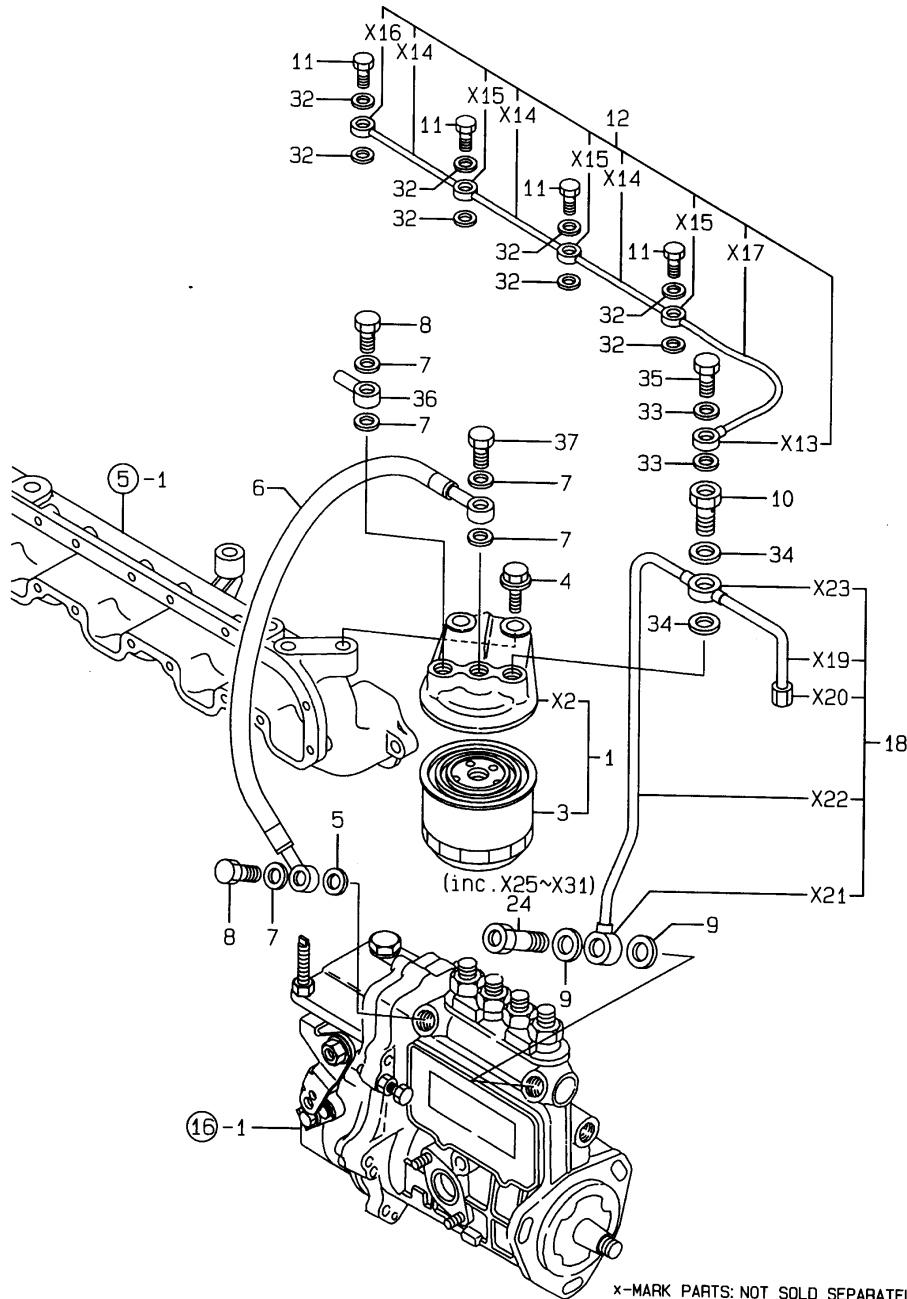
(E)=

(F)=

No.	Lev.	Parts No.	Description	Q'ty						I	R
				(A)	(B)	(C)	(D)	(E)	(F)		
1	1	729412-53300	VALVE ASSY,INJECTION	4							
2	2	129503-53000	VALVE ASSY,INJECTION	4							
5	2	114250-53080	NUT, NOZZLE D16.95	4							
7	2	114250-53120	SPRING, NOZZLE	4							
8	2	114250-53130	SEAT, SPRING	4							
9	2	114250-53140	PLATE	4							
10	2	114250-53210	PIN	8							
11	2	114250-53400	SHIM SET	4							
18	1	122780-59100	RETAINER	2							
19	1	123372-59100	RETAINER, PIPE	2							
21	2	129491-59810	PIPE ASSY, INJECTION	1							
22	2	129491-59820	PIPE ASSY, INJECTION	1							
23	2	129491-59830	PIPE ASSY, INJECTION	1							
24	2	129491-59840	PIPE ASSY, INJECTION	1							
25	1	121870-59930	STAY	1							
26	1	22217-080000	WASHER, SPRING 8	1							
27	1	26106-060202	BOLT, M6X 20 PLATED	4							
28	1	26106-080202	BOLT, M8X 20 PLATED	1							
29	1	26366-060002	NUT, M6	2							

Fig.19. FUEL LINE

19.FUEL LINE



x-MARK PARTS: NOT SOLD SEPARATELY.

(A)=4TNE84MT-EK

(B)=

(C)=

(D)=

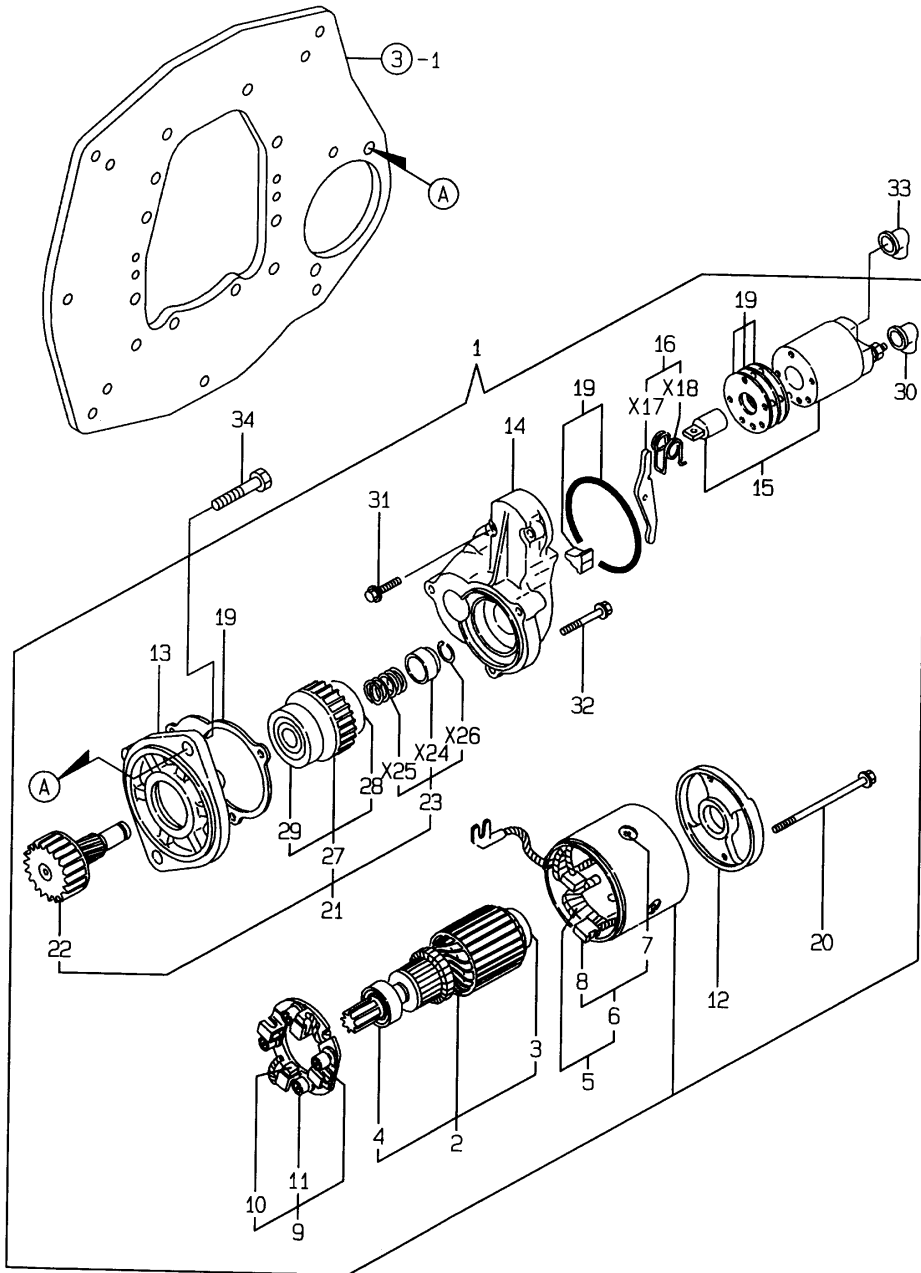
(E)=

(F)=

No.	Lev.	Parts No.	Description	Q'ty						I	R
				(A)	(B)	(C)	(D)	(E)	(F)		
1	1	129470-55601	FILTER ASSY, FUEL	1							
3	2	129470-55701	STRAINER ASSY, FUEL	1							
4	1	26106-100302	BOLT, M10X 30 PLATED	2							
5	1	22190-120002	WASHER, SEAL 12	1							
6	1	129176-59210	PIPE ASSY, FUEL	1							
7	1	23414-120000	GASKET, 12X1.0	5							
8	1	23857-060000	BOLT, JOINT 6	2							
9	1	104200-59170	GASKET, 12	2							
10	1	129495-59300	BOLT, PIPE JOINT	1							
11	1	129491-59540	BOLT, PIPE JOINT M6	4							
12	1	129577-59550	PIPE ASSY, RETURN	1							
18	1	129577-59600	PIPE ASSY, RETURN	1							
24	1	129100-59951	VALVE ASSY, CHECK	1							
32	1	23414-060000	GASKET, 6X1.0	8							
33	1	23414-080000	GASKET, 8X1.0	2							
34	1	23414-140000	GASKET, 14X1.0	2							
35	1	23857-030000	BOLT, JOINT 3	1							
36	1	101304-59020	JOINT, PIPE 12	1							
37	1	103854-39140	BOLT, PIPE JOINT	1							

Fig.20. STARTING MOTOR

20. STARTING MOTOR



(A)=4TNE84MT-EK

(B)=

(C)=

(D)=

(E)=

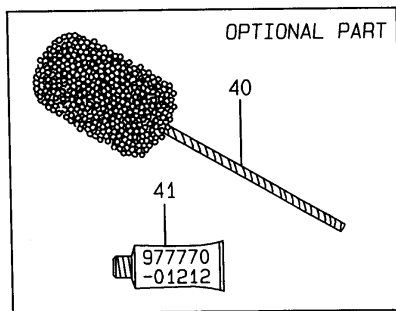
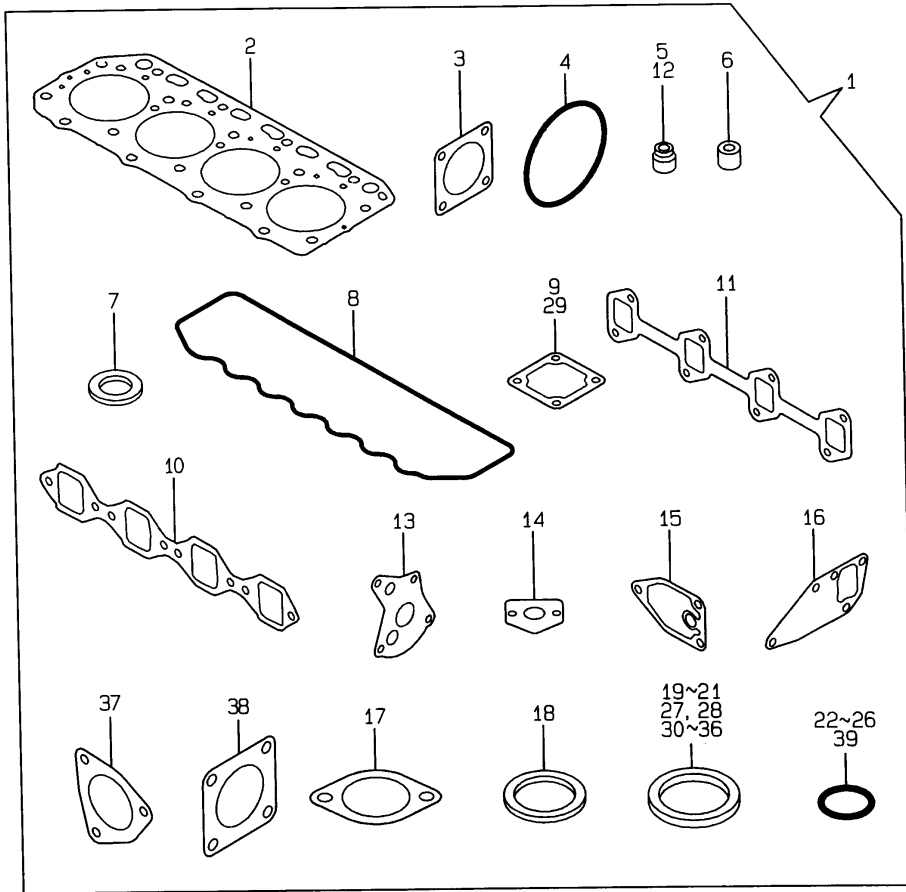
(F)=

No.	Lev.	Parts No.	Description	Qty						I	R
				(A)	(B)	(C)	(D)	(E)	(F)		
1	1	171008-77010	STARTER, S114-483	1							
2	2	171008-77400	ARMATURE ASSY	1							
3	3	X2130350900	BEARING, BALL	1							
4	3	X2114255110	BEARING, BALL	1							
5	2	171008-77430	YOKE ASSY	1							
6	3	171008-77440	COIL ASSY, FIELD	1							
7	4	171008-77450	SCREW	4							
8	4	171008-77460	BRUSH (+)	2							
9	2	171008-77470	HOLDER ASSY, BRUSH	1							
10	3	171008-77480	BRUSH (-)	2							
11	3	171008-77490	SPRING, BRUSH	4							
12	2	171008-77500	COVER, REAR	1							
13	2	171008-77510	CASE, GEAR	1							
14	2	171008-77520	HOUSING, CENTER	1							
15	2	171008-77531	MAGNETIC SWITCH ASSY	1							
16	2	171008-77540	LEVER SET	1							
19	2	171008-77571	COVER KIT, DUST	1							
20	2	171008-77640	BOLT, THROUGH	2							
21	2	171008-77650	PINION ASSY	1							
22	3	171008-77660	SHAFT	1							
23	3	171008-77670	STOPPER SET	1							
24	4	171008-77680	STOPPER	1							
25	4	171008-77690	SPRING, RETURN	1							
26	4	171008-77700	CLIP	1							
27	3	X2114555500	CLUTCH ASSY	1							
28	4	X2114955020	BEARING, BALL	1							
29	4	X2240410100	BEARING, BALL	1							
30	2	171008-77750	COVER	1							
31	2	26106-060322	BOLT, M6X 32 PLATED	2							
32	2	26106-060402	BOLT, M6X 40 PLATED	3							
33	1	124550-77030	COVER, TERMINAL	1							
34	1	26116-120302	BOLT, M12X 30 PLATED	2							

x-MARK PARTS: NOT SOLD SEPARATELY.

Fig.21. GASKET SET

21.GASKET SET



(A)=4TNE84MT-EK

(B)=

(C)=

(D)=

(E)=

(F)=

No.	Lev.	Parts No.	Description	Q'ty						I	R
				(A)	(B)	(C)	(D)	(E)	(F)		
1	1	729408-92730	GASKET SET	1							1
2	2	129408-01330	GASKET, HEAD	1							
3	2	124240-01883	GASKET	1							
4	2	121850-51960	O-RING	1							
5	2	124460-11340	SEAL, VALVE STEM	4							
6	2	119625-11870	PROTECTOR, NOZZLE	4							
7	2	119625-11880	SEAT, NOZZLE	4							
8	2	129550-11310	GASKET, BONNET	1							
9	2	129470-77590	GASKET	1							
10	2	129470-12130	GASKET, MANIFOLD	1							
11	2	129550-13110	GASKET	1							
12	2	121400-11340	SEAL, VALVE STEM	4							
13	2	129150-32020	GASKET, PUMP	1							
14	2	129150-35041	GASKET	1							
15	2	129150-35111	GASKET	1							
16	2	129150-42020	GASKET, WATER PUMP	1							
17	2	129795-49551	GASKET	1							
18	2	129470-49810	GASKET, THERMOSTAT	1							
19	2	23414-100000	GASKET, 10X1.0	2							
20	2	23414-120000	GASKET, 12X1.0	5							
21	2	22190-080002	WASHER, SEAL 6	5							
22	2	24311-000120	O-RING, 1AP12.0	3							
23	2	24311-000160	O-RING, 1AP16.0	2							
24	2	24311-000320	O-RING, 1AP32.0	2							
25	2	24341-000500	O-RING, 1AS50.0	1							
26	2	24341-000240	O-RING, 1AS24.0	1							
27	2	22190-220002	WASHER, SEAL 22	1							
28	2	23414-100000	GASKET, 10X1.0	1							
29	2	129100-77510	GASKET	1							
30	2	22190-080003	WASHER, SEAL 8	2							
31	2	129155-52050	GASKET	1							
32	2	22190-120002	WASHER, SEAL 12	1							
33	2	104200-59170	GASKET, 12	2							
34	2	23414-060000	GASKET, 6X1.0	8							
35	2	23414-080000	GASKET, 8X1.0	2							
36	2	23414-140000	GASKET, 14X1.0	2							
37	2	129472-13520	GASKET	1							
38	2	129792-18091	GASKET	1							
39	2	24314-000160	O-RING, 4CP16.0	1							
40	1	129400-92420	HONE	1							1
41	1	977770-01212	GASKET, LIQUID	1							1

Remarks
(1) OPTIONAL PART.

Parts No. Index

Parts No.	Fig. No.	Ref. No.
101304-59020	19	36
103854-39140	19	37
104200-59170	19	9
	21	33
104214-42780	11	23
104407-21600	11	1
104407-44480	7	9
	13	26
105010-39140	10	1
114250-53080	18	5
114250-53120	18	7
114250-53130	18	8
114250-53140	18	9
114250-53210	18	10
114250-53400	18	11
119600-66840	17	75
119625-11870	4	29
	21	6
119625-11880	4	30
	21	7
119625-11900	4	31
119640-01640	3	12
119653-77950	17	80
119660-61901	17	55
119843-61540	17	45
120130-11860	4	10
120130-49350	12	32
120445-44640	13	19
121023-01550	2	5
121111-21501	8	10
121400-11340	4	24
	21	12
121450-01560	2	7
121520-34810	9	30
121550-23200	8	26
121575-42020	11	5
121575-42120	11	11
121575-42150	11	12
121850-21680	8	9
121850-51960	2	25
	21	4
121870-59930	18	25
122117-51560	16	48
122710-51090	16	8
122780-59100	18	18
123372-59100	18	19
124070-42400	11	15
124070-42420	11	16
124160-01751	2	27
	4	48

Parts No.	Fig. No.	Ref. No.
124160-01910	1	4
		7
124160-11360	4	57
124160-39140	10	2
124160-39450	10	3
124160-49480	13	7
124223-39900	10	10
124223-42040	11	6
124223-42070	11	7
124223-42080	11	8
124223-42091	11	9
124223-42110	11	10
124240-01871	2	8
124240-01883	2	9
	21	3
124460-11340	4	25
	21	5
124460-77680	14	7
124550-21600	8	13
124550-51350	16	30
124550-51370	16	31
124550-59820	10	12
124550-59830	10	11
124550-66370	17	57
124550-77030	20	33
124770-12540	5	10
124950-51190	16	15
127420-44560	15	2
127610-03270	14	1
127610-91350	12	31
128170-13600	7	5
	13	3
128270-13620	10	18
128695-44090	7	8
	14	2
	15	1
129001-02930	1	17
129001-35300	9	23
129002-22090	8	14
129002-22510	8	16
129002-22910	8	31
129002-22960	8	33
129052-61050	17	4
129052-61060	17	5
129052-61070	17	6
129052-61390	17	29
129100-01580	3	2
		5
	8	6
129100-01640	3	6

Parts No.	Fig. No.	Ref. No.
129100-11100	4	19
129100-11130	4	20
129100-11650	4	39
129100-23910	8	25
129100-25061	6	10
129100-51300	16	25
129100-52200	16	93
129100-59951	19	24
129100-61400	17	15
129100-61930	17	82
129100-77500	5	18
129100-77510	5	19
	21	29
129150-01200	1	24
129150-02020	1	11
129150-02450	6	4
129150-02870	1	26
129150-02930	1	20
129150-02940	1	29
129150-03020	4	49
129150-03070	4	50
129150-03080	4	51
129150-11230	4	40
129150-11280	4	35
129150-11370	4	26
129150-11750	4	42
129150-11810	4	12
129150-14101	6	6
129150-14200	6	1
129150-14400	6	2
129150-21200	8	3
129150-23600	8	27
129150-23610	8	29
129150-25101	6	11
129150-25900	6	15
129150-25920	6	14
129150-32020	9	14
	21	13
129150-35041	9	16
	21	14
129150-35091	9	17
129150-35101	9	22
129150-35111	9	24
	21	15
129150-35151	9	27
129150-35350	9	25
129150-42020	12	16
	21	16
129150-42320	12	15
129155-11260	4	33

Parts No.	Fig. No.	Ref. No.
129155-11270	4	34
129155-51020	16	4
129155-51050	16	6
129155-51060	16	7
129155-51140	16	12
129155-51180	16	14
129155-51200	16	16
129155-51270	16	23
129155-51280	16	24
	17	2
129155-51320	16	28
129155-51340	16	29
129155-51370	16	32
129155-51380	16	33
129155-51390	16	34
129155-51410	16	36
129155-51420	16	37
129155-51450	16	38
129155-51521	16	44
129155-51530	16	45
129155-51540	16	46
129155-51550	16	47
129155-51570	16	50
129155-51580	16	51
129155-51591	16	52
129155-51600	16	53
129155-51790	16	76
129155-51930	16	78
129155-51940	16	79
129155-52050	16	92
	21	31
129155-61120	17	7
129155-61130	17	8
129155-61140	17	9
129155-61341	17	14
129155-61350	17	73
129155-61360	17	74
129155-61430	17	18
129155-61450	17	22
129155-61460	17	23
129155-61470	17	77
129155-61480	17	24
129155-61830	17	66
129155-61950	17	56
129156-44760	12	18
129156-51910	16	77
129171-03090	4	1
129171-44600	13	18
129176-01601	3	1
129176-59210	19	6

Parts No. Index

Parts No.	Fig. No.	Ref. No.
129202-22300	8	20
129301-03660	4	60
129400-01520	2	4
129400-01730	3	15
129400-11350	4	47
129400-92420	21	40
129403-39610	10	19
129407-21000	8	1
129407-32000	9	1
129408-01330	1	25
	21	2
129410-03990	4	61
129410-77330	11	29
129412-61500	17	30
129470-07230	4	59
129470-11080	4	8
129470-11090	4	9
129470-12120	5	3
129470-12130	5	5
	21	10
129470-12210	5	22
129470-42001	12	1
129470-44440	13	15
129470-44450	13	16
129470-49200	15	3
129470-49220	15	4
129470-49240	15	5
129470-49250	15	6
129470-49260	15	7
129470-49540	12	25
129470-49801	12	27
129470-49810	12	28
	21	18
129470-51040	16	5
129470-51101	16	9
129470-55601	19	1
129470-55701	19	3
129470-77590	5	11
	21	9
129472-13520	7	1
	21	37
129472-49040	14	11
129473-44111	13	14
129473-49310	15	8
129475-49020	14	5
129477-12500	5	7
129477-12530	5	9
129477-12850	5	6
129477-61720	17	79
129486-01670	3	9

Parts No.	Fig. No.	Ref. No.
129489-21570	8	11
129491-59540	19	11
129491-59810	18	21
129491-59820	18	22
129491-59830	18	23
129491-59840	18	24
129495-59300	19	10
129500-11240	4	32
129500-61650	17	78
129503-53000	18	2
129550-11290	4	36
129550-11310	4	53
	21	8
129550-13110	13	2
	21	11
129550-42350	12	17
129555-51400	16	35
129555-51500	16	43
129555-51700	16	72
129555-51710	16	73
129555-51750	16	74
129555-51760	16	75
129577-39611	10	20
129577-44900	13	4
129577-59550	19	12
129577-59600	19	18
129579-13551	7	2
129579-21651	8	7
129579-42150	11	2
129579-42160	11	13
129579-42190	11	14
129579-42500	11	3
129579-49320	15	9
129579-49460	14	6
129611-18040	7	6
129611-39460	10	4
129611-49010	14	3
129698-12100	5	1
129792-18091	7	7
	21	38
129795-01780	3	8
129795-01800	2	3
129795-01950	2	10
129795-02411	1	23
129795-11120	4	21
129795-11180	4	22
129795-21661	8	8
129795-49551	12	26
	21	17
129900-07900	4	2

Parts No.	Fig. No.	Ref. No.
158552-61900	17	65 -1
171007-49400	7	10
171008-77010	20	1
171008-77400	20	2
171008-77430	20	5
171008-77440	20	6
171008-77450	20	7
171008-77460	20	8
171008-77470	20	9
171008-77480	20	10
171008-77490	20	11
171008-77500	20	12
171008-77510	20	13
171008-77520	20	14
171008-77531	20	15
171008-77540	20	16
171008-77571	20	19
171008-77640	20	20
171008-77650	20	21
171008-77660	20	22
171008-77670	20	23
171008-77680	20	24
171008-77690	20	25
171008-77700	20	26
171008-77750	20	30
171051-01921	1	5
171375-44300	11	25
171375-44320	11	27
171420-34800	9	29
171487-44000	13	5
171487-49010	14	4
171488-61200	17	10
171488-61440	17	76
174307-51170	16	13
174307-51560	16	49
174307-51700	17	31
194440-51620	15	10
22117-040000	17	58
22190-060003	17	59
22190-080002	2	11
		21
	5	20
	21	21
22190-080003	10	13
		14
	21	30
22190-100002	17	60
22190-120002	17	61
	19	5
	21	32

Parts No.	Fig. No.	Ref. No.
22190-160002	16	80
22190-220002	3	14
	21	27
22217-050000	16	81
22217-060000	16	82
22217-080000	12	19
	18	26
22217-120000	6	16
22242-000150	11	17
22252-000260	8	21
22252-000350	11	18
22287-120000	17	62
22351-050010	16	83
22351-060012	4	27
22372-040000	17	63
22512-070140	6	7
	8	4
23000-013000	15	11
23000-022000	10	21
23000-025000	15	12
23000-035000	14	8
		12
23000-041000	15	13
23000-048000	5	12
		25
23000-060000	5	26
23061-070300	14	9
23061-120300	13	23
23080-013000	13	1
23414-060000	19	32
	21	34
23414-080000	10	15
	19	33
	21	35
23414-100000	5	16
	10	16
	21	19
		28
23414-120000	19	7
	21	20
23414-140000	19	34
	21	36
23857-030000	19	35
23857-060000	19	8
23871-010000	1	6
	5	24
23871-020000	4	14
23871-030000	4	15
23887-100002	17	64
24101-063034	16	84

Parts No. Index

Parts No.	Fig. No.	Ref. No.
24107-062024	11	19
24311-000120	4	58
	21	22
24311-000160	2	6
	9	26
	21	23
24311-000320	2	12
	4	54
	21	24
24314-000160	10	22
	21	39
24321-000750	13	20
24341-000160	16	85
24341-000240	2	13
	21	26
24341-000280	17	65
24341-000500	4	55
	21	25
25132-004400	12	20
26014-080162	11	20
26014-080252	11	30
26022-050102	16	86
26022-060162	16	87
26106-060082	11	24
26106-060102	12	21
	17	67
		68
26106-060142	17	69
26106-060162	2	14
	10	23
26106-060202	17	70
	18	27
26106-060322	20	31
26106-060402	20	32
26106-080102	10	17
26106-080122	2	15
	5	21
26106-080162	2	16
		22
	3	16
	4	3
		56
	6	9
	13	21
	14	10
26106-080182	11	31
26106-080202	2	26
	5	13
	9	28
	18	28

Parts No.	Fig. No.	Ref. No.
26106-080252	3	17
	4	45
	12	29
	13	22
26106-080352	3	10
	9	21
	12	30
26106-080402	5	14
26106-080452	2	17
	3	18
		18 -1
	6	8
26106-080502	2	23
	3	20
	4	46
26106-080552	2	18
	12	22
		23
26106-080652	12	24
26106-080852	2	19
26106-080902	2	24
26106-081002	13	24
26106-100122	5	17
26106-100302	19	4
26106-100352	11	32
26113-040088	11	21
26116-050302	16	88
26116-120302	20	34
26206-100202	3	3
26206-100252	3	4
26216-060202	4	16
26226-080182	4	43
26347-080002	11	22
26366-060002	4	28
	18	29
26366-080002	2	20
	5	15
	13	25
	17	81
26450-060252	9	15
26476-060142	5	4
26703-080002	7	3
		4
26706-100002	11	28
26716-060002	16	89
26716-120002	6	17
26756-060002	17	71
26756-080002	4	44
26776-120002	17	72
27231-500000	1	8

Parts No.	Fig. No.	Ref. No.
27241-120000	1	9
27241-220000	4	17
27241-280000	13	8
27241-300000	1	10
27241-400000	4	18
	13	9
27310-080001	4	23
43600-500310	13	10
719810-01500	2	1
729402-14580	6	3
729402-23100	8	22
729408-11700	4	4
729408-92730	21	1
729412-53300	18	1
729577-01720	3	11
729611-51460	16	1
729670-01560	1	1
977770-01212	2	28
	3	19
	21	41
X2114255110	20	4
X2114555500	20	27
X2114955020	20	28
X2130350900	20	3
X2240410100	20	29

Parts No.	Fig. No.	Ref. No.
-----------	----------	----------