

0CV10-M48601EN

P R E F A C E

1. This Parts Catalog carries all parts incorporated in YANMAR Model 4TNE84 - DS & 4TNE84 - EDS.

2. Parts catalog history

	Parts catalog No.	Published	Remarks
1st edition	000Y00V4860	1996/ 1	Disuse old edition
1st revised	000Y00V4861	1999/ 4	

3. Model name

Column	Model name	Manufactured	E/#
(A)	4TNE84 - DS	1996/ 1 ~	03237 ~
(B)	4TNE84 - EDS	1999/ 1 ~	13385 ~

4. Each illustration corresponds to the parts list on the following page.

5. When ordering parts, clearly write down the engine model and serial number, as well as the name and number of each part in your order sheet. This will help insure reliable delivery of the parts you have ordered.

Directions for the Parts Catalog.

1. This Parts Catalog shows both standard and optional parts.
2. Parts may change without prior notice.
3. The following is an example of the Parts Catalog format.

REF.	LEV.	PARTS NO.	DESCRIPTION	Q'TY						I	R
				(A)	(B)	(C)	(D)	(E)	(F)		
1	1	729595-51390	FUEL INJECTION PUMP	1	1	1	1	1			1
1-1	1	729595-51391	FUEL INJECTION PUMP	1	1	1	1	1		N	1
		(A=E00185) (B=E00200)									
3	2	26022-060162	SCREW M 6X 16	9	9	9	9	9			
3-1	2	26022-060162	SCREW M 6X 16	4	4	4	4	4		K	
		(A=E00156) (B=E00156) (C=E00156) (D=E00156) (E=E00156)									
4	2	129470-51040	CAMSHAFT	1	1	1	1	1			
5	2	122710-51050	BEARING, ROLLER	2	2	2	2	2			
6	2	129470-51060	RETAINER	1	1	1	1	1			

Remarks
(1) BOOST COMPEMSATOR TYPE. OPTIONAL PART, TO E00155,(4JH-DT, 4JH-DTZ

① Ref. No.

The Ref. No. listed may not be in accordance with the illustration Ref. No.

(Ex.) Illustration No.

List Ref No.

1

1

(Before change)

1-1

(After change)

For interchangeable symbols N, R and K, illustrations for new parts may be abbreviated.

② Lev. (Level)

Level indication

The numbers below indicate the level of relativity towards the main part.

1 ----- Main parts (Assembly parts)

2 ----- Sub component included in " 1 ".

3 ----- Sub component included in " 2 ".

Note) Parts that are not for sale are partially illustrated but not listed.

③ Interchangeability Symbol

When a part change takes place, one of the following interchangeability symbols is indicated beside the part.

Symbol	Interchangeability	Contents note
N	Old $\begin{matrix} \leftarrow \text{Yes} \\ \text{No} \rightarrow \end{matrix}$ New	New Part is interchangeable for Old Part but Old Part is not interchangeable for New Part.
Q	Old $\begin{matrix} \leftarrow \text{No} \\ \text{Yes} \rightarrow \end{matrix}$ New	New Part is not interchangeable for Old Part but Old Part is interchangeable for New Part.
R	Old $\begin{matrix} \leftarrow \text{Yes} \\ \text{Yes} \rightarrow \end{matrix}$ New	New/ Old Parts are both interchangeable.
S	Old $\begin{matrix} \leftarrow \text{No} \\ \text{No} \rightarrow \end{matrix}$ New	New/ Old Parts are both not interchangeable.
W		Part newly added.
Z		Part discontinued.
F		Not interchangeable by a single part but interchangeable together with related parts.
K		Changes only for used parts quantities.

④ Effective Machine No.

When a part changes, the effective Machine No. will be indicated in the (A)-(F) column.

Product Symbol	Product No.	Product Symbol	Product No.
C	Clutch No. Compressor No.	F	Machine No. (Agricultural Equip.)
D	Drive No.	M	Machine No.
E	Engine No.		

Note 1) A date may follow the symbol. (Ex.) 1996.01

Note 2) "XXXXX" and "ZZZZZ" are for parts that could not be predicted or for engine models that could not be identified.

Note 3) (A=E00185) is the E (Engine Serial Number) for the column (A) model (in this case 4JH-DT) after the parts design change.

⑤ Remarks

Figures or alphabets (symbols) are entered in the remarks column.

The comments (remarks) on parts that are indicated at the bottom of the illustration are the same symbols as those stated above.

Contents

Fig. No. Fig. Name

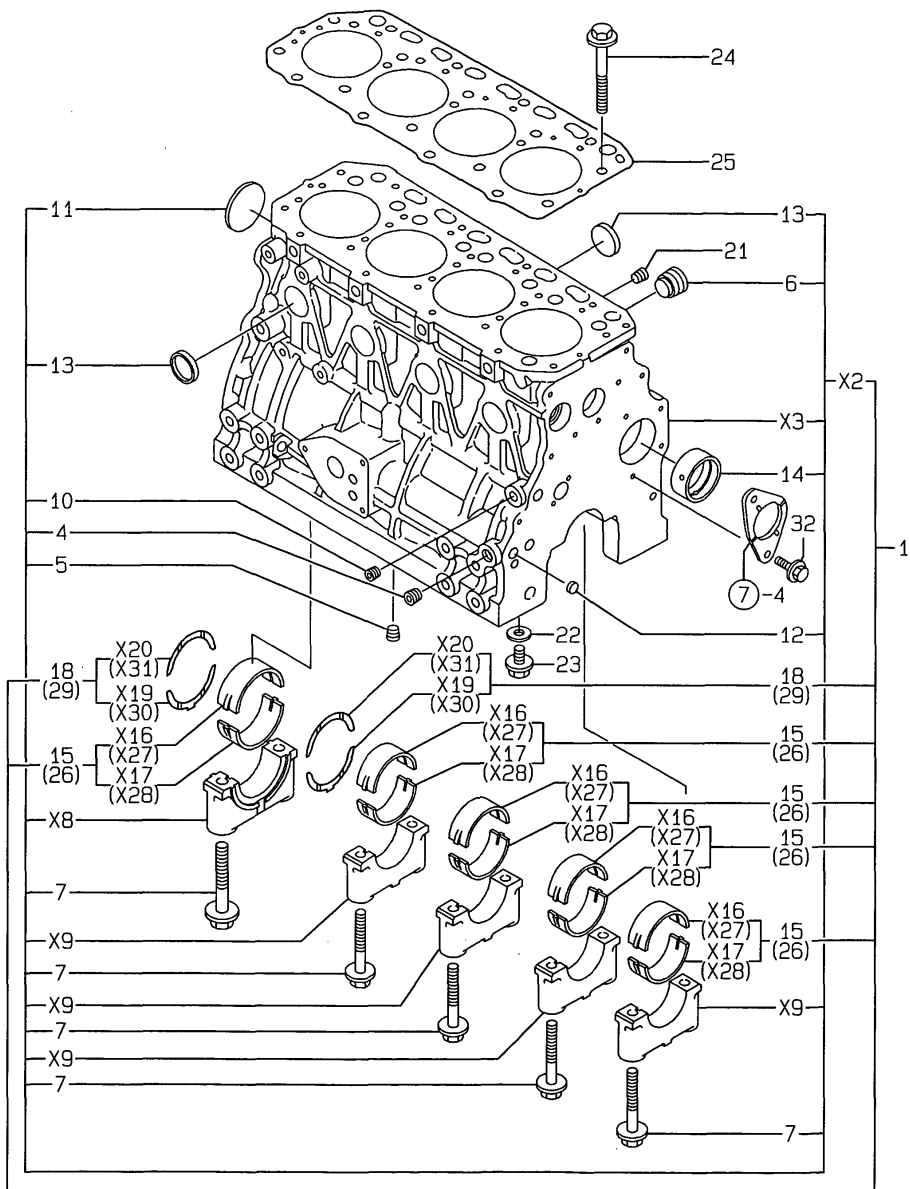
ENGINE (4TNE84-(E)DS)

1. CYLINDER BLOCK
2. GEAR HOUSING
3. MOUNTING FLANGE & OIL SUMP
4. CYLINDER HEAD & BONNET
5. SUCTION MANIFOLD
6. EXHAUST MANIFOLD
7. CAMSHAFT & DRIVING GEAR
8. CRANKSHAFT & PISTON
9. LUB.OIL SYSTEM
10. COOLING WATER SYSTEM
11. FUEL INJECTION PUMP
12. GOVERNOR
13. FUEL INJECTION VALVE
14. FUEL LINE
15. STARTING MOTOR
16. GENERATOR
17. GASKET SET

Fig. No. Fig. Name

Fig.1. CYLINDER BLOCK

1. CYLINDER BLOCK



(A)=4TNE84-DS
(B)=4TNE84-EDS
(C)=

(D)=
(E)=
(F)=

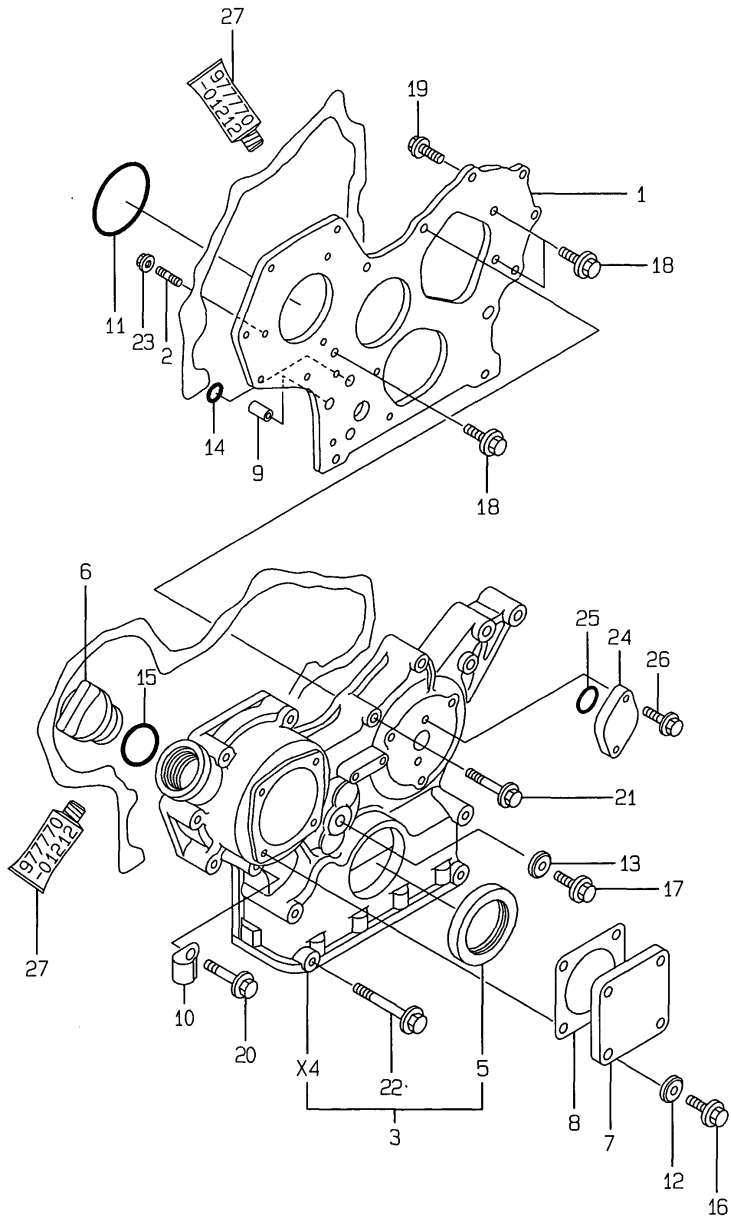
No.	Lev.	Parts No.	Description	Q'ty						I	R
				(A)	(B)	(C)	(D)	(E)	(F)		
1	1	729408-01560	BLOCK ASSY, CYLINDER	1	1						
4	3	124160-01910	PLUG, PT1/4	2	2						
5	3	124160-01910	PLUG, PT1/4	1	1						
6	3	171051-01921	PLUG, NPTF1	1	1						
7	3	129150-02020	BOLT, METAL CAP	10	10						
10	3	23871-010000	PLUG, R01	1	1						
11	3	27231-500000	PLUG 50	1	1						
12	3	27241-120000	PLUG, 12	2	2						
13	3	27241-300000	PLUG 30	8	8						
14	3	129795-02411	BUSH, CAMSHAFT	1	1						
15	2	129001-02800	BEARING, MAIN	5	5						
18	2	129150-02930	BEARING, THRUST	2	2						
21	1	23871-030000	PLUG, R03	1	1						
22	1	23414-080000	GASKET, 8X1.0	4	4						
23	1	26106-080122	BOLT, M8X 12 PLATED	4	4						
24	1	129150-01200	BOLT, HEAD	18	18						
25	1	129408-01330	GASKET, HEAD	1	1						
26	1	129150-02870	BEARING, 0.25 US	5	5						1
29	1	129150-02940	BEARING, THRUST 0.25	2	2						2
32	1	26106-080162	BOLT, M8X 16 PLATED	2	2						

Remarks

- (1) UNDER-SIZED(U.S=0.25)PART.
- (2) OVER-SIZED(O.S=0.25)PART.

Fig.2. GEAR HOUSING

2. GEAR HOUSING



(A)=4TNE84-DS
(B)=4TNE84-EDS
(C)=

(D)=
(E)=
(F)=

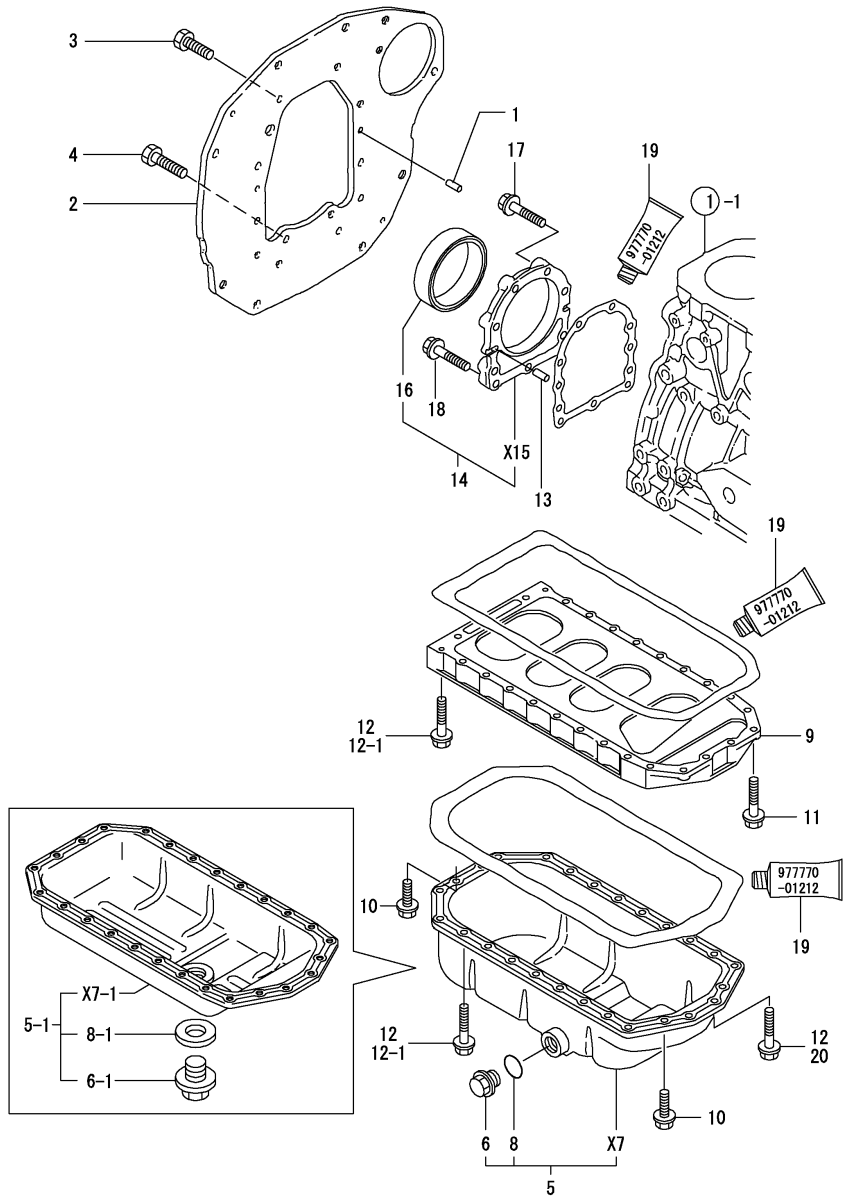
No.	Lev.	Parts No.	Description	Q'ty						I	R
				(A)	(B)	(C)	(D)	(E)	(F)		
1	1	129400-01520	FLANGE, GEAR CASE	1	1						
2	1	121450-01560	STUD, M8X22	3	3						
3	1	719810-01500	CASE ASSY, GEAR	1	1						
5	2	129795-01800	SEAL, OIL	1	1						
6	1	124160-01751	COVER, FILLER	1	1						
7	1	124240-01871	COVER	1	1						
8	1	124240-01883	GASKET	1	1						
9	1	129795-01950	PIPE, KNOCK L=18	2	2						
10	1	129150-03100	RETAINER, PIPE	1	1						
11	1	121850-51960	O-RING	1	1						
12	1	22190-080002	WASHER, SEAL 6	4	4						
13	1	22190-080002	WASHER, SEAL 6	1	1						
14	1	24311-000160	O-RING, 1AP16.0	2	2						
15	1	24311-000320	O-RING, 1AP32.0	1	1						
16	1	26106-080122	BOLT, M8X 12 PLATED	4	4						
17	1	26106-080162	BOLT, M8X 16 PLATED	1	1						
18	1	26106-080162	BOLT, M8X 16 PLATED	3	3						
19	1	26106-080202	BOLT, M8X 20 PLATED	2	2						
20	1	26106-080452	BOLT, M8X 45 PLATED	6	6						
21	1	26106-080552	BOLT, M8X 55 PLATED	3	3						
22	1	26106-080852	BOLT, M8X 85 PLATED	4							
22-1	1	129001-91840	BOLT, M8X85	4	4						R
(A=E10566)											
23	1	26366-080002	NUT, M8	3	3						
24	1	121023-01550	COVER	1	1						
25	1	24341-000240	O-RING, 1AS24.0	1	1						
26	1	26106-060122	BOLT, M6X 12 PLATED	2							
26-1	1	26106-060162	BOLT, M6X 16 PLATED	2	2						N
(A=EXXX)											
27	1	977770-01212	GASKET, LIQUID	1	1						1

Remarks
(1) OPTIONAL PART.

Fig.3. MOUNTING FLANGE & OIL SUMP

(A)=4TNE84-DS
(B)=4TNE84-EDS
(C)=

(D)=
(E)=
(F)=



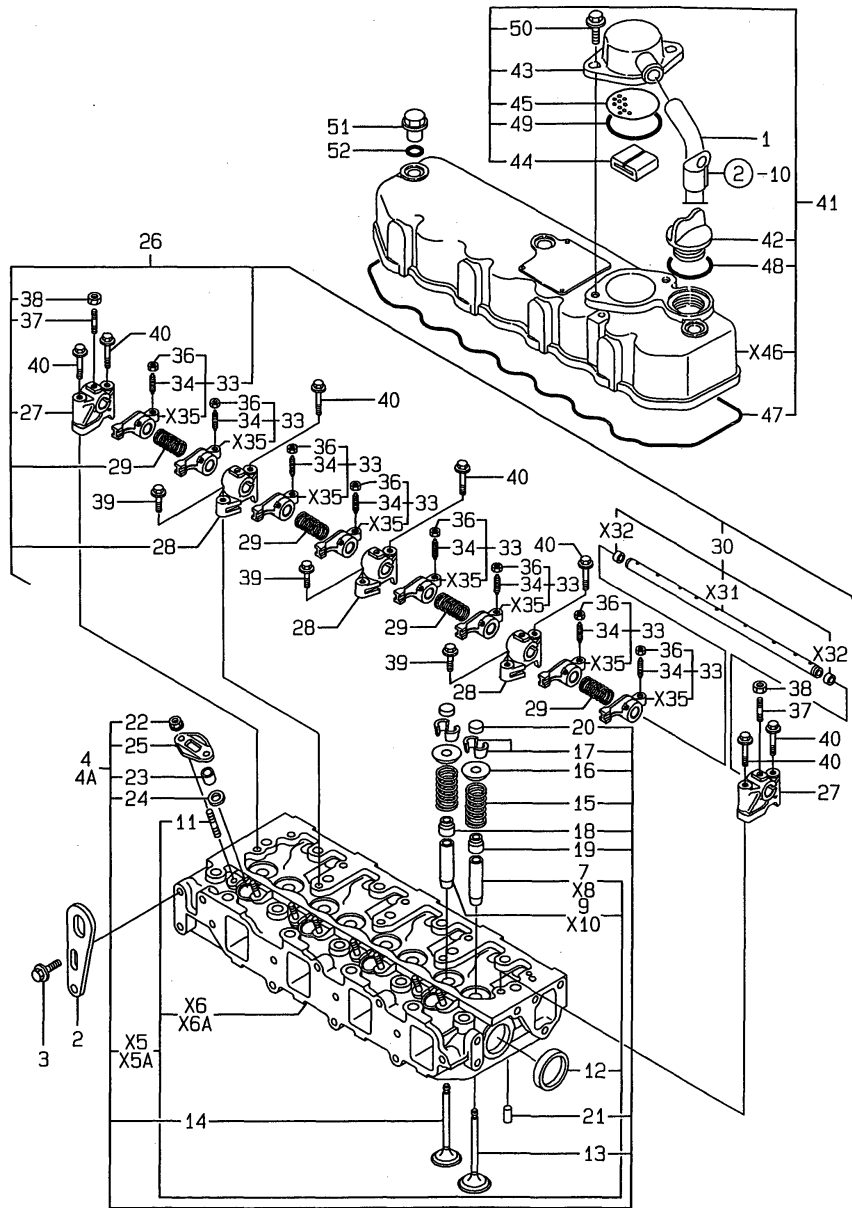
No.	Lev.	Parts No.	Description	Q'ty						I	R
				(A)	(B)	(C)	(D)	(E)	(F)		
1	1	129100-01580	PIN, M8X16	2	2						
2	1	129483-01600	FLANGE, MOUNTING	1	1						
3	1	26206-100202	BOLT, M10X 20 PLATED	6	6						
4	1	26206-100252	BOLT, M10X 25 PLATED	4	4						
5	1	129400-01770	SUMP ASSY, OIL	1							
5-1	1	729402-01540	SUMP ASSY, OIL	1	1						S
(A=FROM 1ST)											
6	2	171301-01640	PLUG, 22	1							
6-1	2	119640-01640	PLUG, DRAIN M22	1	1						S
(A=FROM 1ST)											
8	2	24341-000250	O-RING, 1AS25.0	1							
8-1	2	22190-220002	WASHER, SEAL 22	1	1						S
(A=FROM 1ST)											
9	1	129400-01730	SPACER, OIL SUMP	1	1						
10	1	26106-080162	BOLT, M8X 16 PLATED	4	4						
11	1	26106-080252	BOLT, M8X 25 PLATED	2	2						
12	1	26106-080452	BOLT, M8X 45 PLATED	24	24						
12-1	1	26106-080452	BOLT, M8X 45 PLATED	20	20						K
(A=FROM 1ST) (B=FROM 1ST)											
13	1	129100-01580	PIN, M8X16	2	2						
14	1	729402-01650	CASE ASSY, OIL SEAL	1	1						
16	2	129120-01780	SEAL, OIL	1	1						
17	1	26106-080302	BOLT, M8X 30 PLATED	6							
17-1	1	129486-01670	BOLT, M8X30	6	6						R
(A=E03807)											
18	1	26106-080352	BOLT, M8X 35 PLATED	3	3						
19	1	977770-01212	GASKET, LIQUID	1	1						
20	1	26106-080502	BOLT, M8X 50 PLATED	4	4						W
(A=FROM 1ST) (B=FROM 1ST)											

X-MARK PARTS: NOT SOLD SEPARATELY.

Remarks
(1) OPTIONAL PART.

Fig.4. CYLINDER HEAD & BONNET

4. CYLINDER HEAD & BONNET



x-MARK PARTS: NOT SOLD SEPARATELY.

(A)=4TNE84-DS
(B)=4TNE84-EDS
(C)=

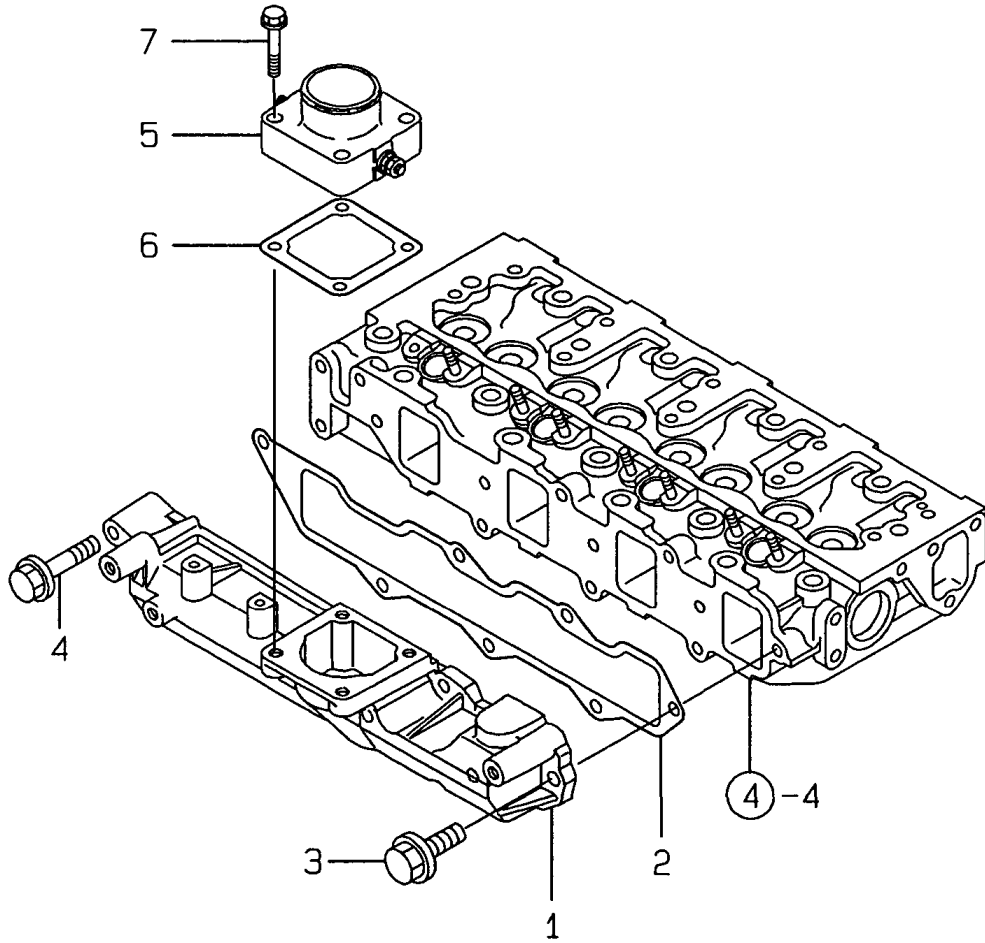
(D)=
(E)=
(F)=

No.	Lev.	Parts No.	Description	Q'ty						I	R
				(A)	(B)	(C)	(D)	(E)	(F)		
1	1	129150-03090	HOSE, ID16X2T	1	1						
2	1	124736-07900	LIFTER	2	2						
3	1	26106-080142	BOLT, M8X 14 PLATED	4	4						
4	1	129407-11700	HEAD ASSY, CYLINDER	1							
4A	1	129457-11700	HEAD ASSY, CYLINDER		1						
7	3	120130-11860	GUIDE, VALVE	4	4						1
9	3	129150-11810	GUIDE, VALVE	4	4						1
11	3	26216-060202	STUD, M6X 20	8	8						
12	3	27241-400000	PLUG, 40	2	2						
13	2	129100-11100	VALVE, INTAKE	4	4						
14	2	129100-11110	VALVE, EXHAUST	4	4						
15	2	129795-11120	SPRING, VALVE	8	8						
16	2	129795-11180	RETAINER, SPRING	8	8						
17	2	27310-080001	COTTER, 8	8	8						
18	2	121400-11340	SEAL, VALVE STEM	4	4						
19	2	124460-11340	SEAL, VALVE STEM	4	4						
20	2	129150-11370	CAP, VALVE	8	8						
21	2	22351-060012	PIN, SPRING 6.0X12	2	2						
22	2	26366-060002	NUT, M6	8	8						
23	2	119625-11871	PROTECTOR, NOZZLE	4							
23-1	2	119625-11870	PROTECTOR, NOZZLE	4	4						N
(A=E10566)											
24	2	119625-11880	SEAT, NOZZLE	4	4						
25	2	119625-11900	RETAINER, NOZZLE	4	4						
26	1	129555-11241	SHAFT ASSY, ROCKER	1	1						
27	2	129155-11260	SUPPORT, ROCKER ARM	2	2						
28	2	129155-11270	SUPPORT, ROCKER ARM	3	3						
29	2	129150-11280	SPRING	4	4						
30	2	129550-11290	SHAFT, ROCKER ARM	1	1						
33	2	729402-11650	ARM ASSY, ROCKER	8	8						
34	3	129150-11230	SCREW, VALVE ADJUST	8	8						
36	3	129150-11750	NUT, M8	8	8						
37	2	26226-080182	STUD, M8X 18	3	3						
38	2	26756-080002	NUT, LOCK M8	3	3						
39	1	26106-080252	BOLT, M8X 25 PLATED	3	3						
40	1	26106-080502	BOLT, M8X 50 PLATED	7	7						
41	1	129400-11350	BONNET ASSY, HEAD	1	1						
42	2	124160-01751	COVER, FILLER	1	1						
43	2	129150-03020	COVER, BREATHER	1	1						
44	2	129150-03070	BAFFLE, BREATHER	1	1						
45	2	129150-03080	PLATE, BAFFLE	1	1						
47	2	129550-11310	GASKET, BONNET	1	1						
48	2	24311-000320	O-RING, 1AP32.0	1	1						
49	2	24341-000500	O-RING, 1AS50.0	1	1						
50	2	26106-080162	BOLT, M8X 16 PLATED	2	2						
51	1	124160-11360	KNOB	3	3						
52	1	24311-000120	O-RING, 1AP12.0	3	3						

Remarks
(1) REPAIR PART.

Fig.5. SUCTION MANIFOLD

5. SUCTION MANIFOLD



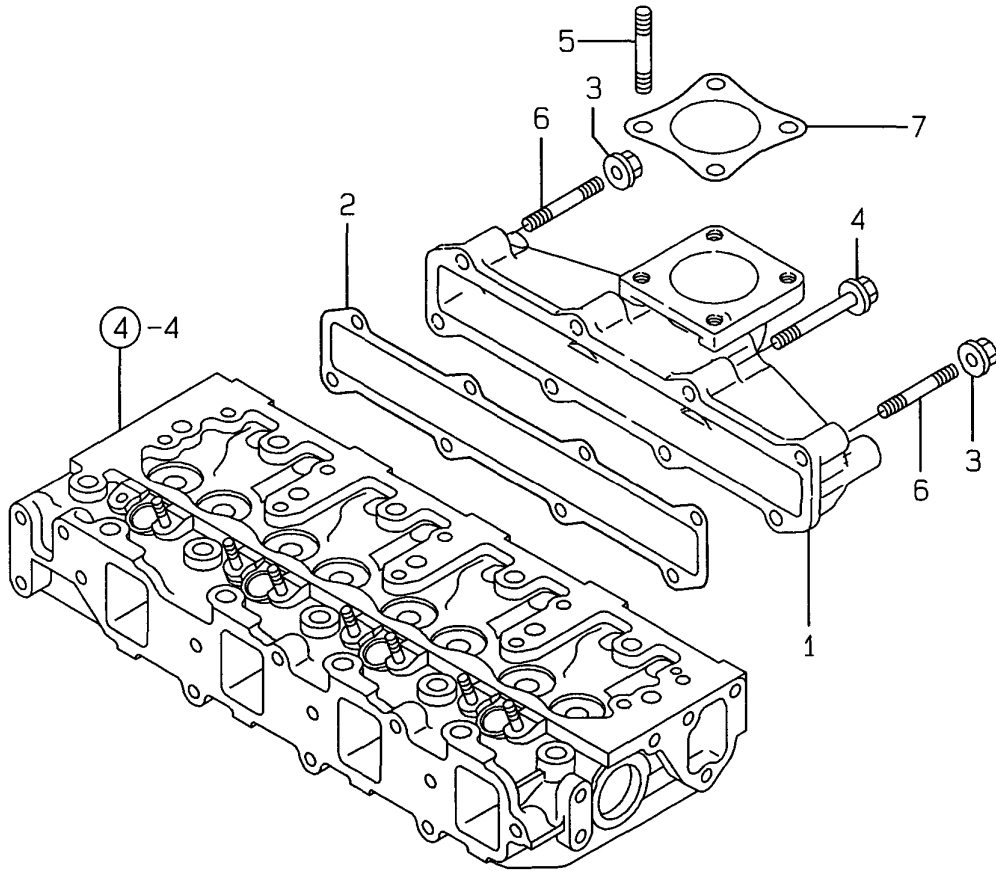
(A)=4TNE84-DS
(B)=4TNE84-EDS
(C)=

(D)=
(E)=
(F)=

No.	Lev.	Parts No.	Description	Q'ty						I	R
				(A)	(B)	(C)	(D)	(E)	(F)		
1	1	129407-12120	MANIFOLD, AIR INTAKE	1	1						
2	1	129407-12110	GASKET, MANIFOLD	1	1						
3	1	26106-080202	BOLT, M8X 20 PLATED	6	6						
4	1	26106-080502	BOLT, M8X 50 PLATED	1	1						
5	1	129120-77501	HEATER	1	1						
6	1	129150-77511	GASKET	1	1						
7	1	26106-080352	BOLT, M8X 35 PLATED	4	4						

Fig.6. EXHAUST MANIFOLD

6. EXHAUST MANIFOLD



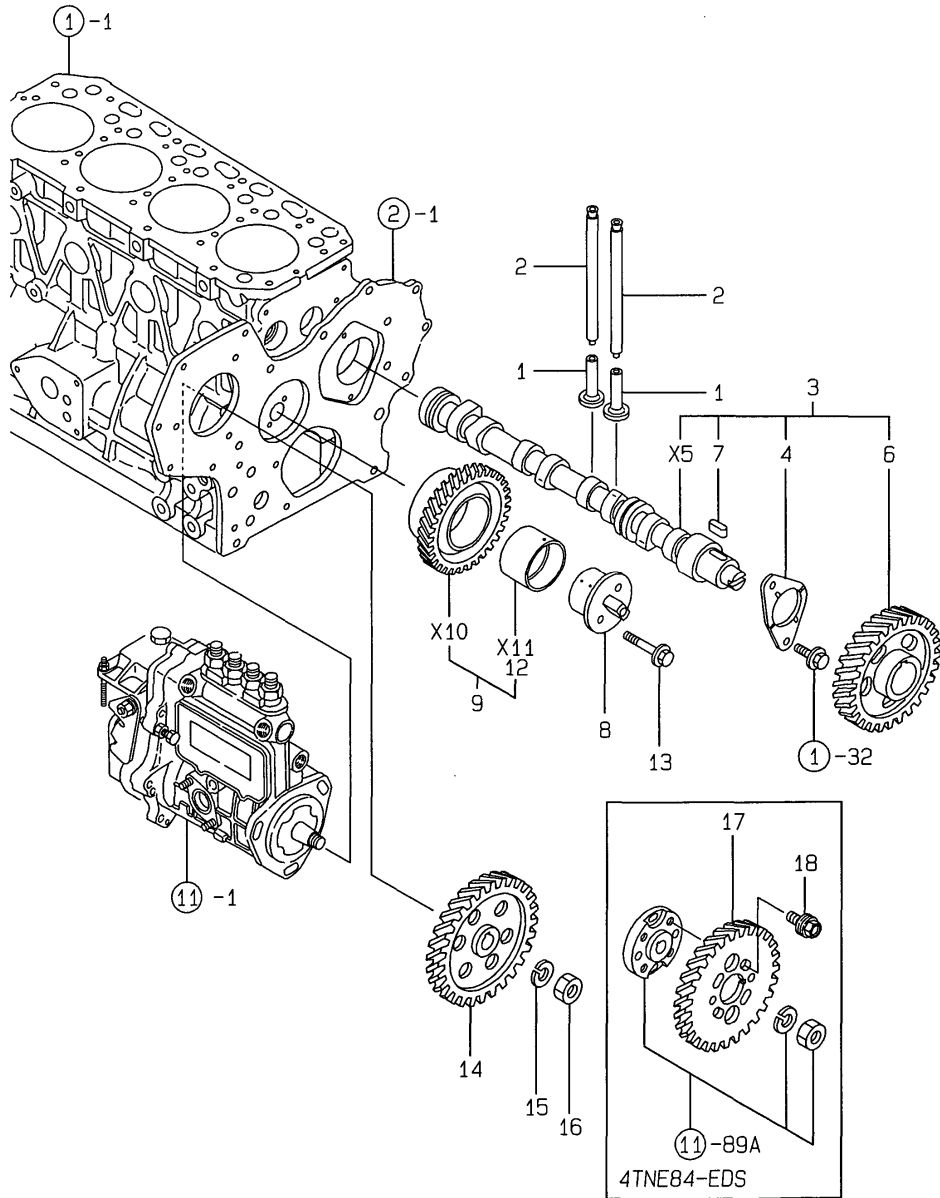
(A)=4TNE84-DS
(B)=4TNE84-EDS
(C)=

(D)=
(E)=
(F)=

No.	Lev.	Parts No.	Description	Q'ty						I	R
				(A)	(B)	(C)	(D)	(E)	(F)		
1	1	129407-13100	MANIFOLD, EXHAUST	1	1						
2	1	129407-13110	GASKET	1	1						
3	1	194990-22050	NUT, M8	2							
3-1	1	26366-080002 (A=E10702)	NUT, M8	2	2						R
4	1	26106-080402	BOLT, M8X 40 PLATED	6	6						
5	1	26216-080222	STUD, M8X 22	4							
5-1	1	119131-18320 (A=E10566)	STUD, M8X22	4	4						N
6	1	26216-080402	STUD, M8X 40	2	2						
7	1	129400-13201	GASKET, SILENCER	1	1						

Fig.7. CAMSHAFT & DRIVING GEAR

7.CAMSHAFT & DRIVING GEAR



(A)=4TNE84-DS
(B)=4TNE84-EDS
(C)=

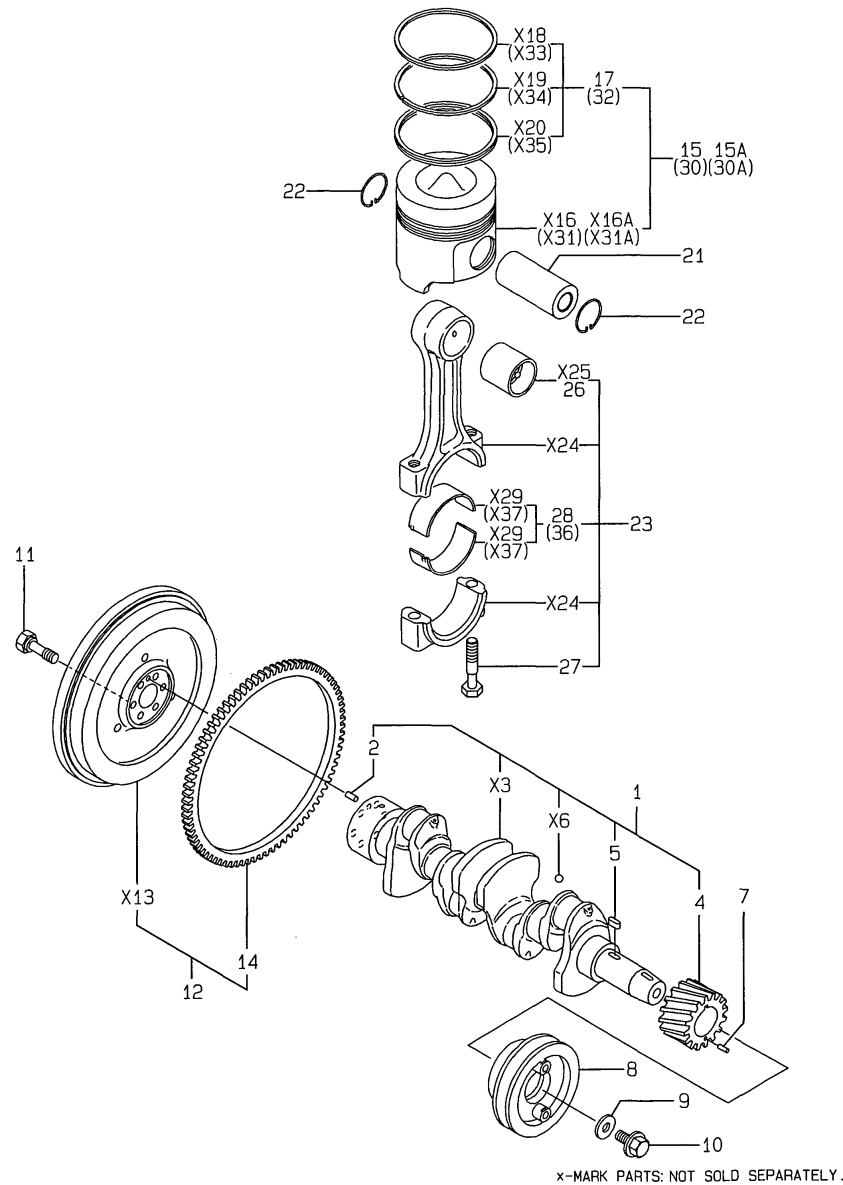
(D)=
(E)=
(F)=

No.	Lev.	Parts No.	Description	Q'ty						I	R
				(A)	(B)	(C)	(D)	(E)	(F)		
1	1	129150-14200	TAPPET	8	8						
2	1	129150-14400	ROD, PUSH L=178	8	8						
3	1	729402-14580	CAMSHAFT ASSY	1	1						
4	2	129150-02450	BEARING, THRUST	1	1						
6	2	129150-14101	GEAR, CAMSHAFT	1	1						
7	2	22512-070140	KEY, 7X 14	1	1						
8	1	129100-25061	SHAFT, IDLE	1	1						
9	1	129150-25101	GEAR ASSY, IDLE	1	1						
12	2	129150-25920	BUSH, IDLE GEAR	1	1						1
13	1	26106-080452	BOLT, M8X 45 PLATED	2	2						
14	1	129150-25900	GEAR, PUMP	1							
15	1	22217-120000	WASHER, SPRING 12	1							
16	1	26716-120002	NUT, M12	1							
17	1	129150-25301	BOLT		4						
18	1	129150-25930	GEAR, PUMP		1						

Remarks
(1) REPAIR PART.

Fig.8. CRANKSHAFT & PISTON

8.CRANKSHAFT & PISTON

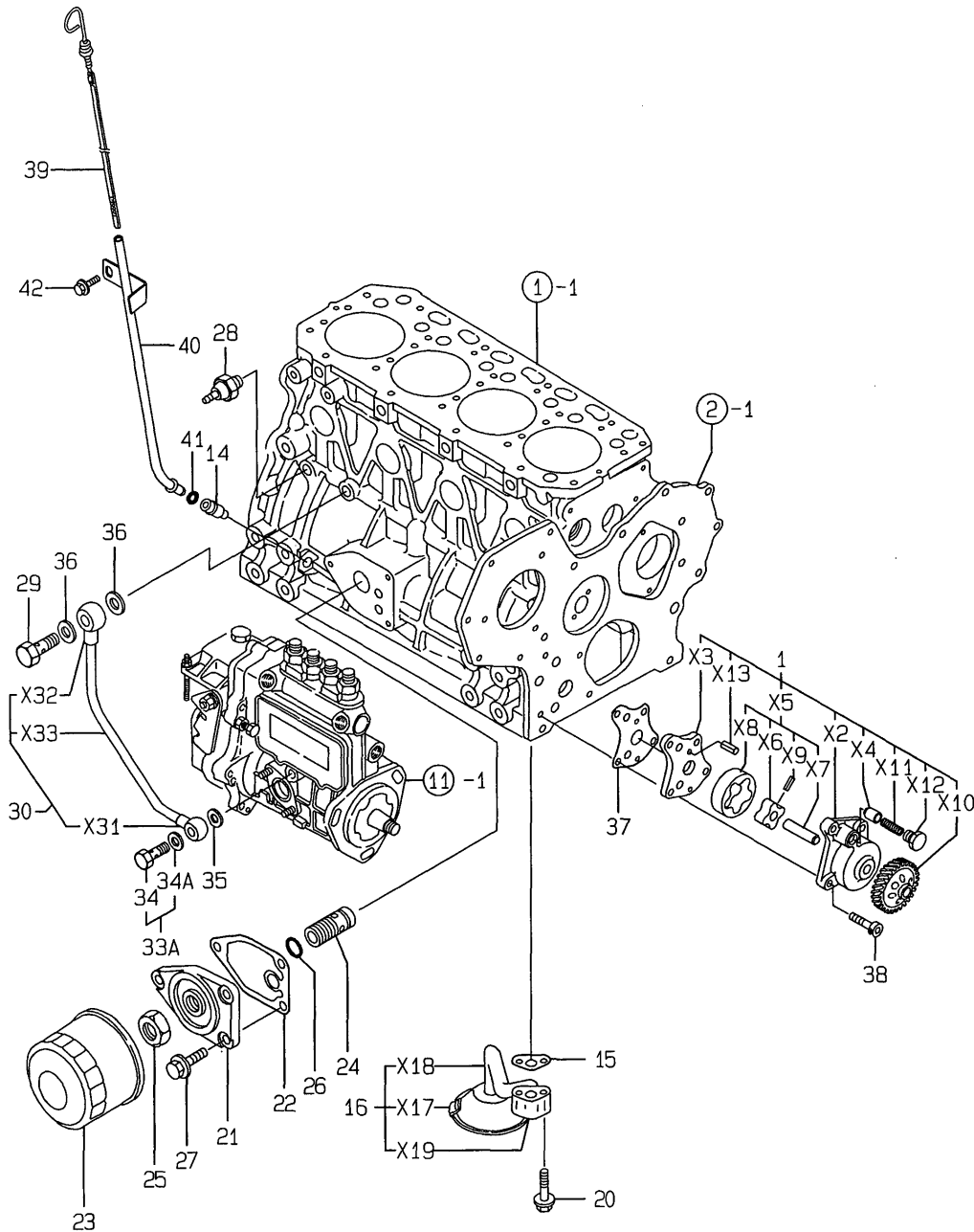


No.	Lev.	Parts No.	Description	Q'ty						I	R
				(A)	(B)	(C)	(D)	(E)	(F)		
1	1	129407-21000	CRANKSHAFT ASSY	1	1						
2	2	129100-01580	PIN, M8X16	1	1						
4	2	129150-21200	GEAR, CRANKSHAFT	1	1						
5	2	22512-070140	KEY, 7X 14	1	1						
7	1	22351-040010	PIN, SPRING 4.0X10	1	1						
8	1	129550-21650	V-PULLEY	1	1						
9	1	129795-21661	WASHER	1	1						
10	1	121850-21680	BOLT	1	1						
11	1	121111-21501	BOLT, FLYWHEEL	6	6						
12	1	129414-21580	FLYWHEEL ASSY	1	1						
14	2	124550-21600	GEAR, RING	1	1						
15	1	129002-22090	PISTON ASSY	4							
15A	1	129002-22060	PISTON ASSY		4						
17	2	129002-22510	RING SET, PISTON	4	4						
21	1	129202-22300	PIN, PISTON D26 L70	4	4						
22	1	22252-000260	RING, 26	8	8						
23	1	729402-23100	ROD ASSY, CONNECTING	4	4						
26	2	129100-23910	BEARING, PISTON PIN	4	4						1
27	2	121550-23200	BOLT, CONNECTING ROD	8	8						
28	2	129150-23600	BEARING, CRANK PIN	4	4						
30	1	129002-22910	PISTON ASSY, 0.25 OS	4							2
30A	1	129002-22930	PISTON ASSY, 0.25 OS		4						2
32	2	129002-22510	RING SET, PISTON	4							2
32-1	2	129002-22960	RING SET, 0.25 OS	4	4						S 2
(A=FROM 1ST)											
36	1	129150-23610	BEARING, 0.25 US	4	4						3

Remarks
 (1) REPAIR PART.
 (2) OVER-SIZE (O.S=0.25) PART.
 (3) UNDER-SIZE(U.S=0.25) PART.

Fig.9. LUB.OIL SYSTEM

9.LUB.OIL SYSTEM



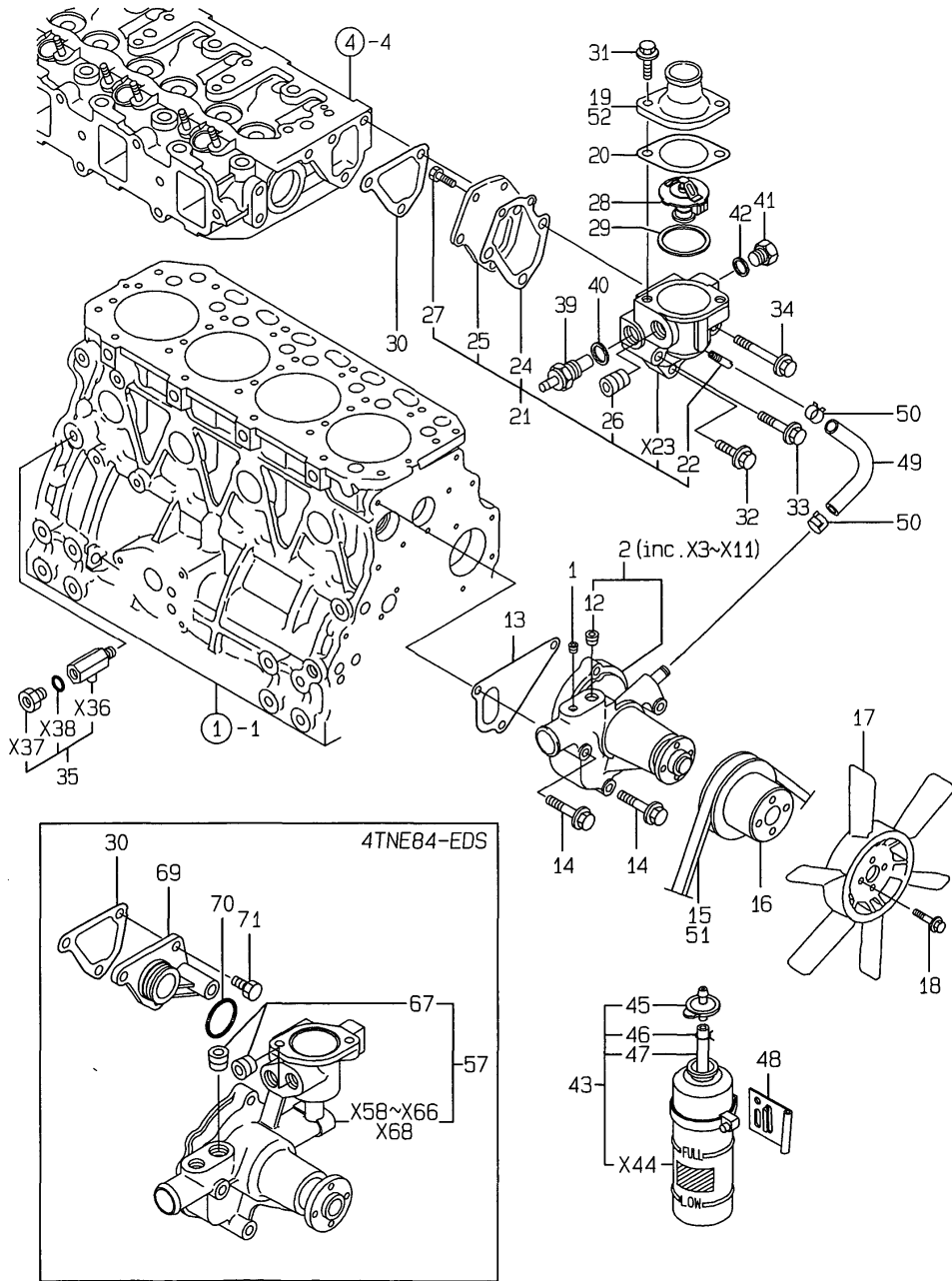
(A)=4TNE84-DS
(B)=4TNE84-EDS
(C)=

(D)=
(E)=
(F)=

No.	Lev.	Parts No.	Description	Qty						I	R
				(A)	(B)	(C)	(D)	(E)	(F)		
1	1	129407-32000	PUMP ASSY, OIL	1	1						
14	1	119260-34810	GUIDE, DIPSTICK	1	1						
15	1	129150-35041	GASKET	1	1						
16	1	129150-35091	PIPE ASSY, OIL INLET	1	1						
20	1	26106-080352	BOLT, M8X 35 PLATED	2	2						
21	1	129150-35101	BRACKET, STRAINER	1	1						
22	1	129150-35111	GASKET	1	1						
23	1	129150-35151	FILTER, D80XL80	1	1						
24	1	129001-35300	BOLT, FILTER	1	1						
25	1	129150-35350	NUT	1	1						
26	1	24311-000160	O-RING, 1AP16.0	1	1						
27	1	26106-080202	BOLT, M8X 20 PLATED	3	3						
28	1	124160-39450	SWITCH, 0.5KG	1	1						
29	1	124160-39140	BOLT, PIPE JOINT M10	1	1						
30	1	129550-39450	PIPE ASSY, OIL	1	1						
33A	1	124550-59830	BOLT ASSY, JOINT M8	1	1						W
		(A=E13451)									
34	2	124550-59820	BOLT, PIPE JOINT M8	1	1						
34A	2	22190-080002	WASHER, SEAL 6	1	1						W
		(A=E13451)									
35	1	23414-080000	GASKET, 8X1.0	2							
35-1	1	22190-080002	WASHER, SEAL 6	1	1						R
		(A=E13451)									
36	1	23414-100000	GASKET, 10X1.0	2	2						
37	1	129150-32020	GASKET, PUMP	1	1						
38	1	26450-060252	BOLT, M6X 25	4	4						
39	1	129428-34800	DIPSTICK, OIL	1	1						
40	1	129430-34820	GUIDE, DIPSTICK	1	1						
41	1	24311-240100	O-RING, 1AP10A	1	1						
42	1	26106-080162	BOLT, M8X 16 PLATED	1	1						

Fig.10. COOLING WATER SYSTEM

10.COOLING WATER SYSTEM



(A)=4TNE84-DS
(B)=4TNE84-EDS
(C)=

(D)=
(E)=
(F)=

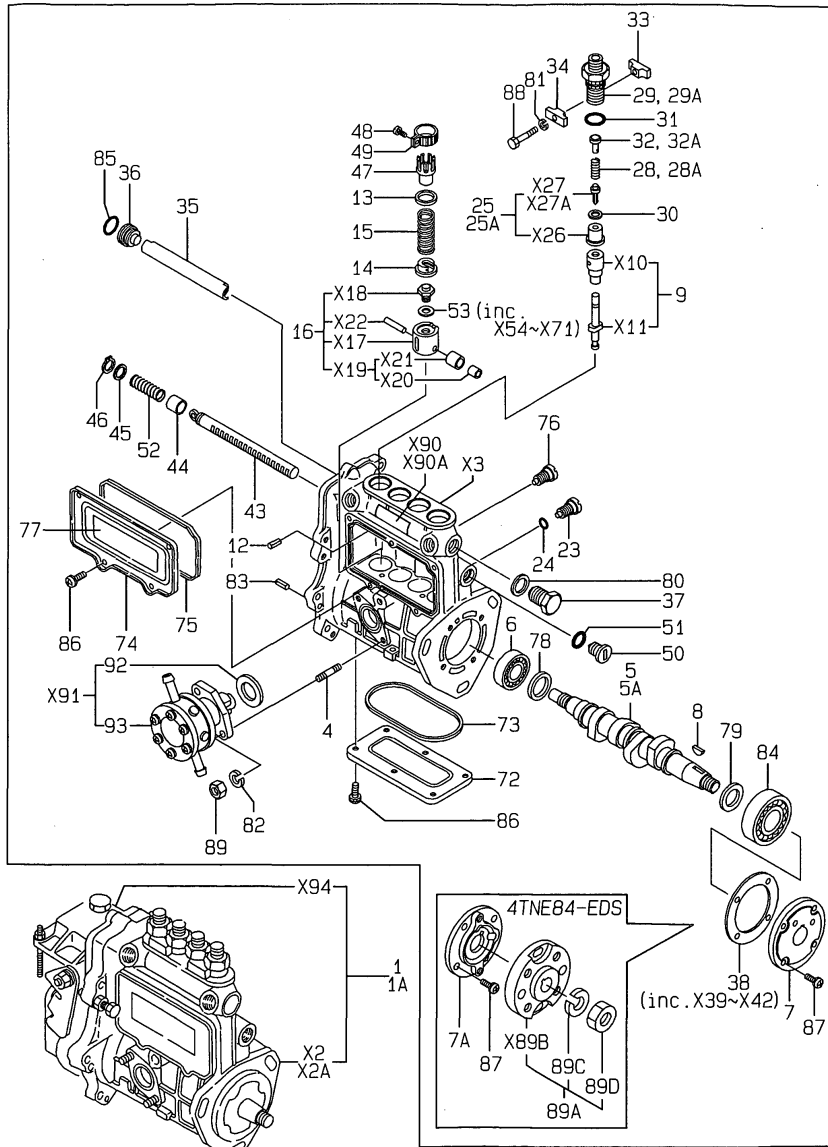
No.	Lev.	Parts No.	Description	Q'ty						I	R
				(A)	(B)	(C)	(D)	(E)	(F)		
1	1	121850-11860	PLUG, PT1/4	1							
2	1	129100-42002	PUMP ASSY, WATER	1							
2-1	1	129100-42003	PUMP ASSY, WATER	1							N
(A=E03807)											
12	2	23871-030000	PLUG, R03	1							
12-1	2	23871-030000	PLUG, R03	2							K
(A=E03807)											
13	1	129100-42020	GASKET, WATER PUMP	1	1						
14	1	26106-080602	BOLT, M8X 60 PLATED	3	3						
15	1	25132-003900	V-BELT, A39	1							
16	1	129403-42380	V-PULLEY, D=110	1	1						
17	1	129403-44740	FAN, COOLING 370	1	1						
18	1	26014-060162	BOLT, M6X 16	4	4						
19	1	129350-49530	COVER, THERMOSTAT	1							
20	1	129795-49551	GASKET	1	1						
21	1	129100-49800	CASE ASSY, THERMOSTAT	1							
22	2	124770-11770	JOINT, PIPE PT1/8	1							
24	2	129100-49820	GASKET	1							
25	2	129100-49830	COVER, THERMOSTAT	1							
26	2	23871-030000	PLUG, R03	1							
27	2	26116-060162	BOLT, M6X 16 PLATED	2							
28	1	129155-49800	THERMOSTAT, 71	1	1						
29	1	129150-49811	GASKET, THERMOSTAT	1	1						
30	1	129100-49840	GASKET	1	1						
31	1	26106-080202	BOLT, M8X 20 PLATED	2	2						
32	1	26106-080252	BOLT, M8X 25 PLATED	1							
33	1	26106-080502	BOLT, M8X 50 PLATED	1							
34	1	26106-080602	BOLT, M8X 60 PLATED	1							
35	1	120130-49350	COCK, 1/4	1							
39	1	121250-44901	SWITCH, 110	1	1						
40	1	124465-44950	GASKET, 16	1	1						
41	1	121450-42450	PLUG, M16	1	1						
42	1	124465-44950	GASKET, 16	1	1						
43	1	124450-44510	TANK ASSY, SUB	1	1						
45	2	124450-44530	CAP	1	1						
46	2	124450-44560	RETAINER	1	1						
47	2	23061-070230	PIPE, 7X 230	1	1						
48	1	121256-44600	BRACKET, SUB TANK	1	1						
49	1	129132-49050	PIPE, WATER	1							
50	1	23000-016000	CLAMP, 16	2							
51	1	25132-003800	V-BELT, A38		1						
52	1	129350-49560	COVER, THERMOSTAT		1						
53	1	119620-49290	COCK ASSY, 1/4		1						
56	1	124450-44550	BAND	1	1						W
(A=E05386)											
57	1	129001-42002	PUMP ASSY, WATER		1						
67	2	23871-030000	PLUG, R03		2						
69	1	129001-42040	JOINT		1						
70	1	24321-000300	O-RING, 1AG30.0		1						
71	1	26106-080162	BOLT, M8X 16 PLATED		3						

x-MARK PARTS: NOT SOLD SEPARATELY.

N:Old $\begin{matrix} \text{Yes} \\ \text{No} \end{matrix}$ New, Q:Old $\begin{matrix} \text{No} \\ \text{Yes} \end{matrix}$ New, R:Old $\begin{matrix} \text{Yes} \\ \text{No} \end{matrix}$ New, S:Old $\begin{matrix} \text{No} \\ \text{Yes} \end{matrix}$ New, W:Add, Z:Discontinued, F:Interchangeable by set, K:Q'ty Change
Copyright (C) YANMAR CO., LTD. All Rights Reserved.

Fig.11. FUEL INJECTION PUMP

11.FUEL INJECTION PUMP



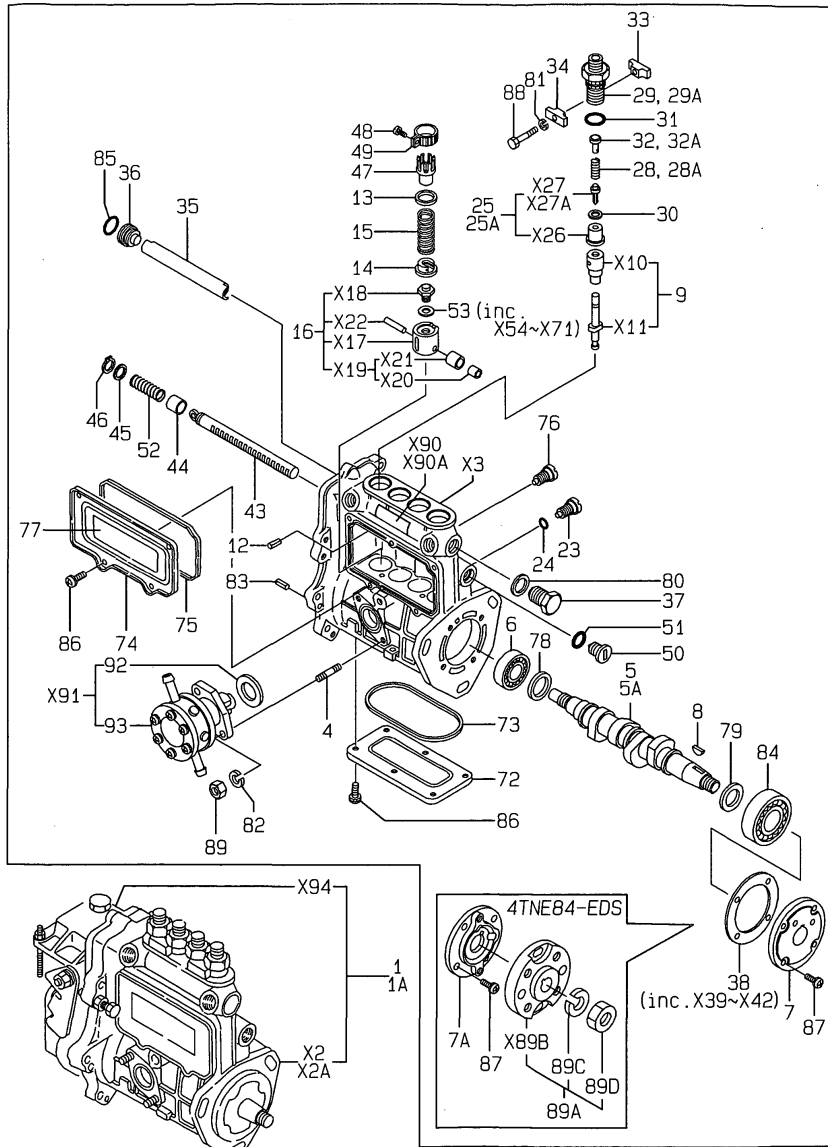
x-MARK PARTS: NOT SOLD SEPARATELY.

No.	Lev.	Parts No.	Description	Q'ty						I	R
				(A)	(B)	(C)	(D)	(E)	(F)		
1	1	729420-51370	PUMP ASSY, INJECTION	1							1
1A	1	729420-51450	PUMP ASSY, INJECTION		1						1
4	3	129155-51020	STUD	2	2						
5	3	129470-51040	CAMSHAFT	1							
5A	3	129506-51040	CAMSHAFT		1						
6	3	129155-51050	BEARING, 17BM001D	1	1						
7	3	129155-51060	SUPPORT, CAMSHAFT	1							
7A	3	129208-51060	SUPPORT		1						
8	3	122710-51090	KEY	1	1						
9	3	129506-51100	PLUNGER ASSY	4	4						
12	3	129155-51140	PIN	4	4						
13	3	174307-51170	RETAINER, SPRING A	4	4						
14	3	129155-51180	RETAINER, SPRING	4	4						
15	3	124950-51190	SPRING, PLUNGER	4	4						
16	3	129155-51200	TAPPET ASSY	4	4						
23	3	129155-51270	STOPPER, TAPPET	4	4						
24	3	129155-51280	O-RING, S6	4	4						
25	3	129505-51300	VALVE ASSY, DELIVERY	4							
25A	3	129208-51300	VALVE ASSY, DELIVERY		4						
28	3	129155-51320	SPRING, DELIVERY	4							
28A	3	129573-51330	SPRING, DELIVERY		4						
29	3	129155-51340	RETAINER	4							
29A	3	129573-51340	RETAINER		4						
30	3	124550-51350	GASKET, DELIVERY	4	4						
31	3	124550-51370	O-RING	4	4						
32	3	129155-51370	STOPPER, VALVE	4							
32A	3	129573-51370	STOPPER, VALVE		4						
33	3	129155-51380	STOPPER	2	2						
34	3	129155-51390	STOPPER	2	2						
35	3	129555-51400	DEFLECTOR	1	1						
36	3	129155-51410	BOLT	1	1						
37	3	129155-51420	PLUG, M16	1	1						
38	3	129155-51450	SHIM SET, ADJUSTING	1	1						
43	3	129555-51500	RACK, CONTROL	1	1						
44	3	129155-51521	BUSH, RACK	1	1						
45	3	129155-51530	SPACER	1	1						
46	3	129155-51540	CIRCLIP	1	1						
47	3	129155-51550	PINION, CONTROL	4	4						
48	3	122117-51560	SCREW	4	4						
49	3	174307-51560	PINION	4	4						
50	3	129155-51570	PLUG, M12	1	1						
51	3	129155-51580	O-RING	1	1						
52	3	129155-51591	SPRING, RACK	1	1						
53	3	129155-51600	SHIM SET, ADJUSTING	4	4						
72	3	129555-51700	COVER	1	1						
73	3	129555-51710	GASKET	1	1						
74	3	129555-51750	COVER	1	1						
75	3	129555-51760	GASKET	1	1						
76	3	129155-51790	STOOPER, RACK	1	1						
77	3	129156-51910	LABEL, CAUTION	1	1						
78	3	129155-51930	SPACER, T=3.25	1	1						

Remarks
 (1) GOVERNOR ASSY(FIG.NO.12) IS INCORPORATED IN THIS FUEL INJECTION PUMP ASSY(REF.NO.1).

Fig.11. FUEL INJECTION PUMP

11.FUEL INJECTION PUMP



x-MARK PARTS: NOT SOLD SEPARATELY.

(A)=4TNE84-DS
(B)=4TNE84-EDS
(C)=

(D)=
(E)=
(F)=

No.	Lev.	Parts No.	Description	Q'ty						I	R
				(A)	(B)	(C)	(D)	(E)	(F)		
79	3	129155-51940	SPACER, T=1.5	1	1						
80	3	22190-160002	WASHER, SEAL 16	1	1						
81	3	22217-050000	WASHER, SPRING 5	2	2						
82	3	22217-060000	WASHER, SPRING 6	2	2						
83	3	22351-050010	PIN, SPRING 5.0X10	2	2						
84	3	24101-063034	BEARING, BALL 6303	1	1						
85	3	24341-000160	O-RING, 1AS16.0	1	1						
86	3	26022-050102	SCREW, M5X10	11	11						
87	3	26022-060162	SCREW, M6X16	4	4						
88	3	26116-050302	BOLT, M5X 30 PLATED	2	2						
89	3	26716-060002	NUT, M6	2	2						
89A	3	129208-54500	FLANGE ASSY		1						
89C	4	22217-120000	WASHER, SPRING 12		1						
89D	4	26716-120002	NUT, M12		1						
92	3	129155-52050	GASKET	1	1						
93	3	129100-52100	PUMP ASSY, FUEL FEED	1	1						

Remarks

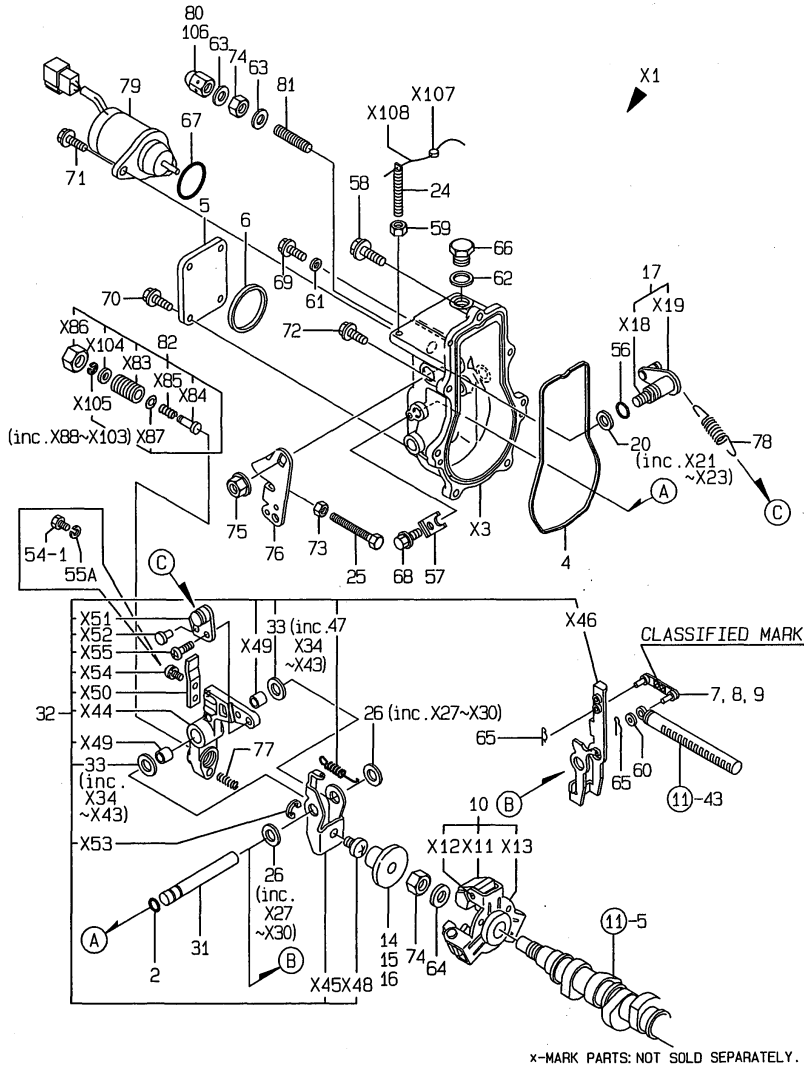
(1) GOVERNOR ASSY(FIG.NO.12) IS INCORPORATED IN THIS FUEL INJECTION PUMP ASSY(REF.NO.1).

Fig.12. GOVERNOR

(A)=4TNE84-DS
(B)=4TNE84-EDS
(C)=

(D)=
(E)=
(F)=

12. GOVERNOR

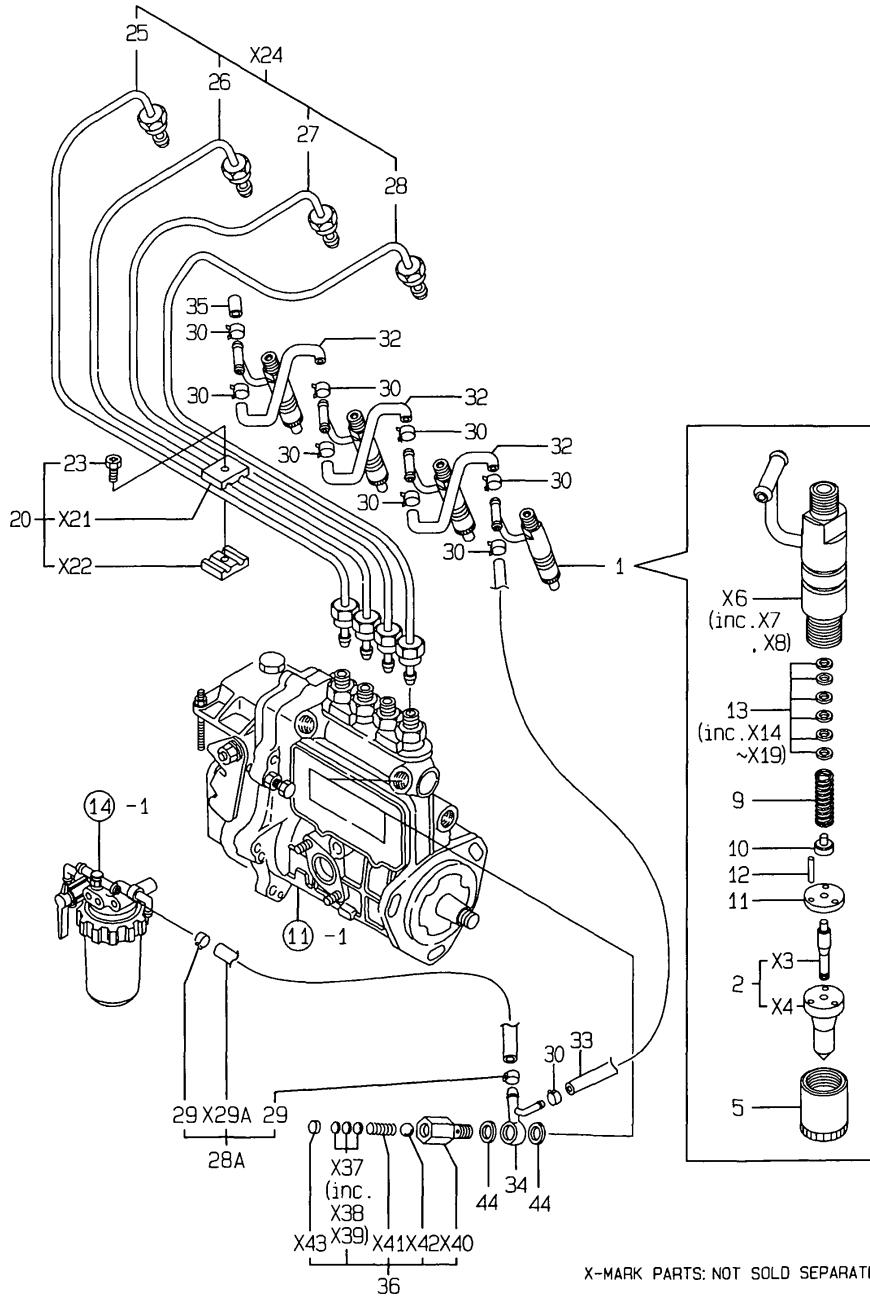


No.	Lev.	Parts No.	Description	Q'ty						I	R
				(A)	(B)	(C)	(D)	(E)	(F)		
2	3	129155-51280	O-RING, S6	1	1						
4	3	129052-61050	GASKET	1	1						
5	3	129052-61060	COVER, GOVERNOR CASE	1	1						
6	3	129052-61070	GASKET	1	1						
7	3	129155-61120	LINK, L=30 MARK 0	1	1						1
8	3	129155-61130	LINK, L=31 MARK 1	1	1						1
9	3	129155-61140	LINK, L=30.5 MARK 05	1	1						1
10	3	129155-61201	WEIGHT ASSY,GOVERNOR	1	1						
14	3	129155-61341	SLEEVE	1	1						2
15	3	129155-61350	SLEEVE, L=24.9	1	1						2
16	3	129155-61360	SLEEVE, L=25.2	1	1						2
17	3	129100-61400	SHAFT ASSY	1	1						
20	3	129155-61430	SPACER	1	1						
24	3	129155-61450	BOLT, LIMITER	1	1						
25	3	129155-61460	BOLT, IDLE	1	1						
26	3	129155-61480	SPACER ASSY	2	2						
31	3	129052-61390	SHAFT	1	1						
32	3	129052-61500	LEVER ASSY, GOVERNOR	1	1						
33	4	174307-51700	SHIM SET	2	2						
47	4	129052-61540	SPRING, SET	1	1						
56	3	129155-61830	O-RING, S10	1	1						
57	3	119660-61901	RETAINER, SHAFT	1	1						
58	3	129155-61950	BOLT	1	1						
59	3	124550-66370	NUT, M6	1	1						
60	3	22117-040000	WASHER, 4	1	1						
61	3	22190-060002	WASHER, SEAL 6	1							
61-1	3	22190-060003	SEAL WASER 6	1	1						S
(A=E12918)											
62	3	22190-100002	WASHER, SEAL 10	1	1						
63	3	22190-120002	WASHER, SEAL 12	2	2						
64	3	22287-120000	WASHER, 12	1	1						
65	3	22372-040000	PIN, SNAP 4	2	2						
66	3	23887-100002	PLUG, 10	1	1						
67	3	24341-000280	O-RING, 1AS28.0	1	1						
67-1	3	158552-61900	O-RING	1	1						N
(A=EXXXXX) (B=EXXXXX)											
68	3	26106-060102	BOLT, M6X 10 PLATED	1	1						
69	3	26106-060102	BOLT, M6X 10 PLATED	1	1						
70	3	26106-060102	BOLT, M6X 10 PLATED	4	4						
71	3	26106-060142	BOLT, M6X 14 PLATED	2	2						
72	3	26106-060202	BOLT, M6X 20 PLATED	6	6						
73	3	26756-060002	NUT, LOCK M6	1	1						
74	3	26776-120002	NUT, LOCK M12	2	2						
75	2	26366-080002	NUT, M8	1	1						
76	2	129100-61440	LEVER, CONTROL	1	1						
77	2	129100-61650	SPRING, CONTROLLER	1	1						
78	2	171353-61700	SPRING, GOVERNOR	1							
78-1	2	171353-61710	SPRING, GOVERNOR	1	1						S
(A=FROM 1ST)											
79	2	119653-77950	SOLENOID, STOP	1	1						
80	2	26687-120002	NUT, CAP M12	1	1						

Remarks
(1) SELECTIVE PARTS: CERTAIN THE CLASSIFICATION MARK, THEN PLACE YOUR ORDER.(REFER TO ILLUSTRATION).
(2) SELECTIVE PARTS.
* THIS FIGURE(GOVERNOR ASSY)IS INCORPORATED IN THE FUEL INJECTION PUMP ASSY(FIG.11).

Fig.13. FUEL INJECTION VALVE

13.FUEL INJECTION VALVE



X-MARK PARTS: NOT SOLD SEPARATELY.

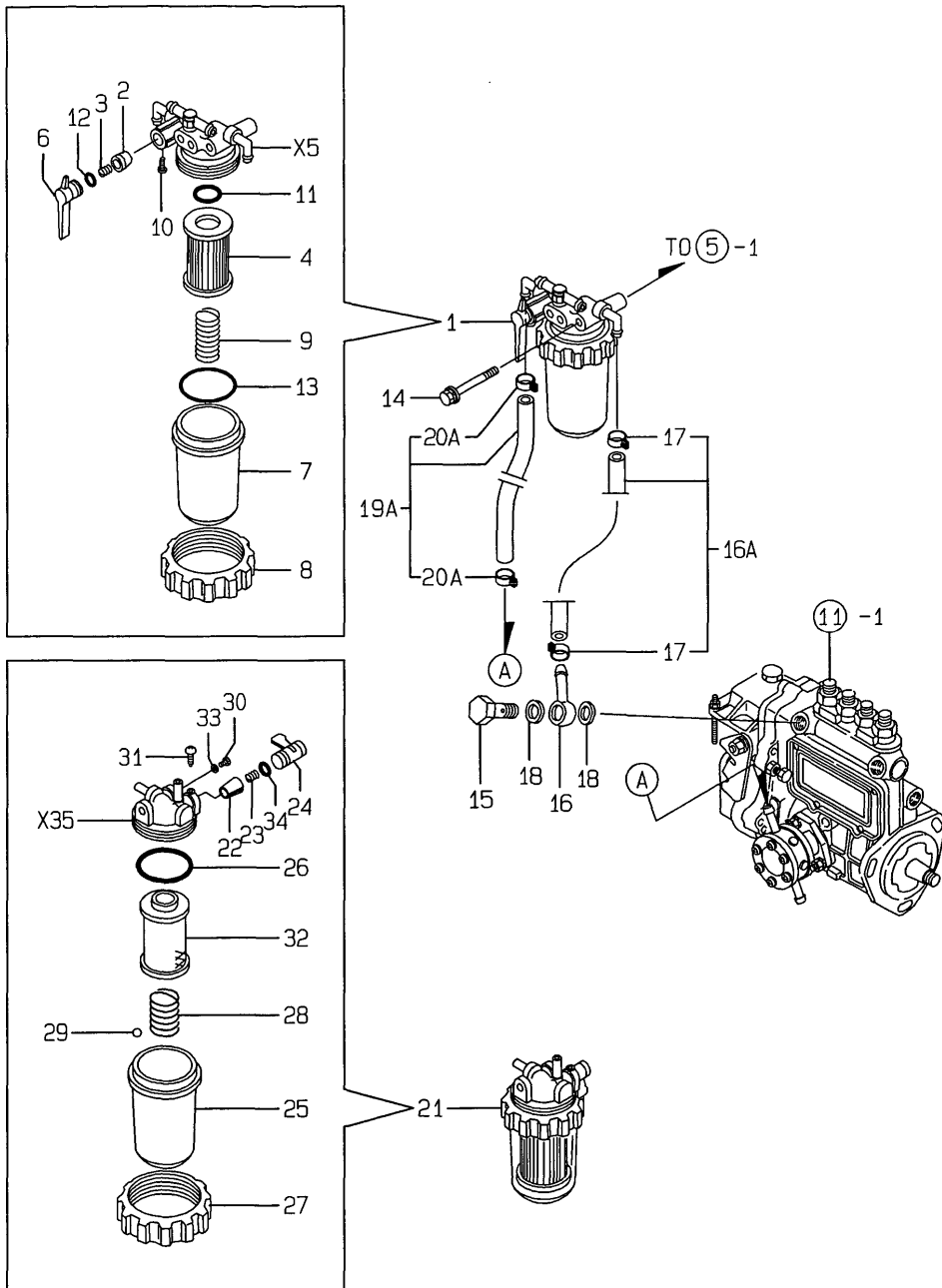
(A)=4TNE84-DS
(B)=4TNE84-EDS
(C)=

(D)=
(E)=
(F)=

No.	Lev.	Parts No.	Description	Q'ty						I	R
				(A)	(B)	(C)	(D)	(E)	(F)		
1	1	729503-53100	VALVE ASSY,INJECTION	4	4						
2	2	129503-53000	VALVE ASSY,INJECTION	4	4						
5	2	114250-53080	NUT, NOZZLE D16.95	4	4						
9	2	114250-53120	SPRING, NOZZLE	4	4						
10	2	114250-53130	SEAT, SPRING	4	4						
11	2	114250-53140	PLATE	4	4						
12	2	114250-53210	PIN	8	8						
13	2	114250-53400	SHIM SET	4	4						
20	1	119305-59120	RETAINER, PIPE	2	2						
23	2	129150-59131	BOLT, M4X14	2	2						
25	2	129407-59811	PIPE ASSY, INJECTION	1	1						
26	2	129407-59822	PIPE ASSY, INJECTION	1	1						
27	2	129407-59832	PIPE ASSY, INJECTION	1	1						
28	2	129407-59841	PIPE ASSY, INJECTION	1	1						
28A	1	129210-59150	PIPE ASSY, FUEL	1	1						W
(A=E11845)											
29	2	124766-59050	CLIP, HOSE 12	2	2						
30	1	124066-59100	CLIP, HOSE 8	9	9						
31	1	105025-59530	PIPE, FUEL D13X400	1							Z
(A=E11845)											
32	1	121250-59550	PIPE, FUEL D8X120	3	3						
33	1	119840-59560	PIPE, FUEL RETURN	1	1						
34	1	119840-59570	JOINT	1	1						
35	1	129150-59580	CAP	1	1						
36	1	129100-59951	VALVE ASSY, CHECK	1	1						
44	1	23414-120000	GASKET, 12X1.0	2	2						

Fig.14. FUEL LINE

14.FUEL LINE



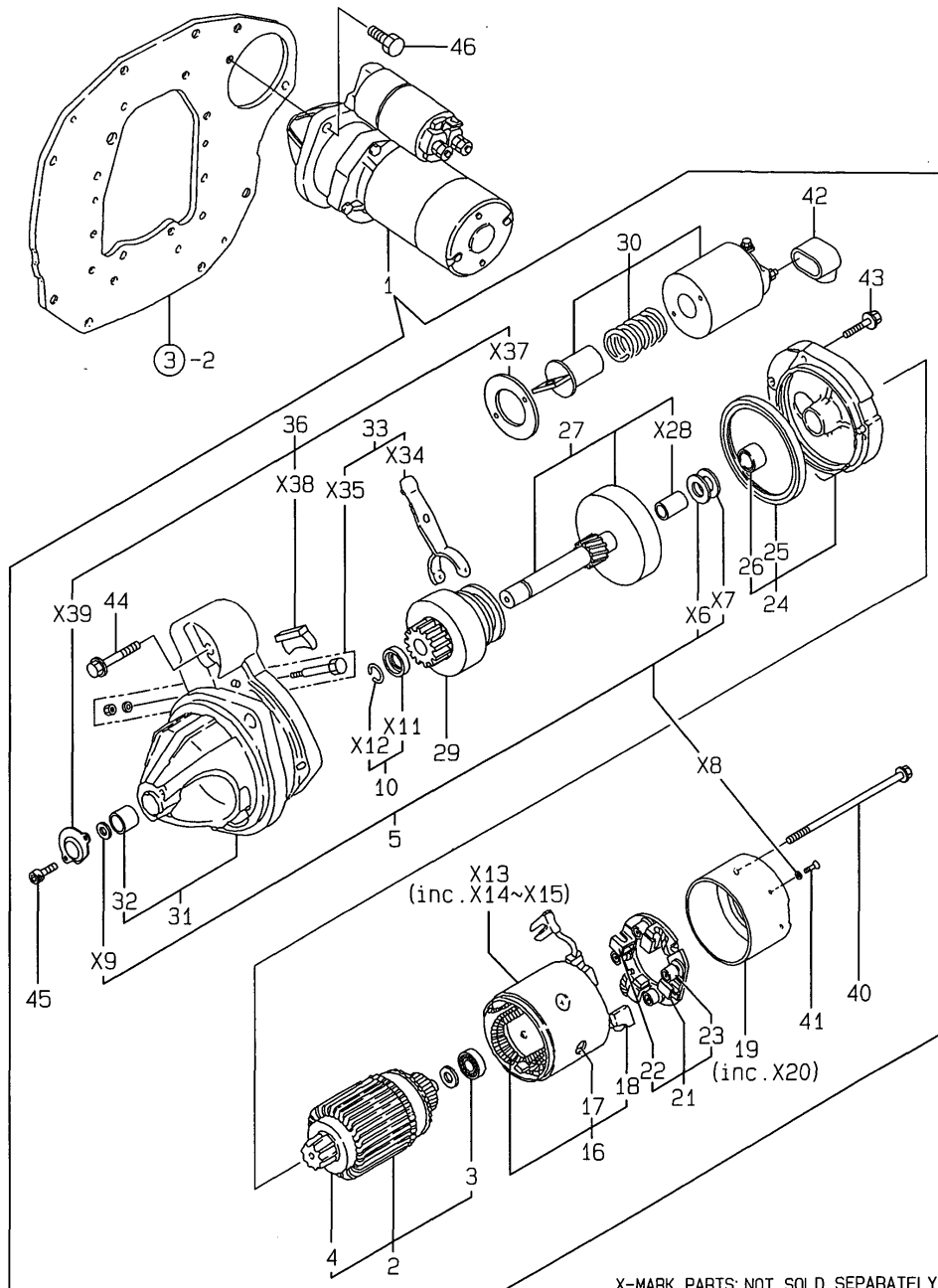
(A)=4TNE84-DS
(B)=4TNE84-EDS
(C)=

(D)=
(E)=
(F)=

No.	Lev.	Parts No.	Description	Q'ty						I	R
				(A)	(B)	(C)	(D)	(E)	(F)		
1	1	129052-55620	FILTER ASSY, FUEL	1	1						
2	2	104200-55321	VALVE, TAPER	1	1						
3	2	104200-55330	SPRING, VALVE	1	1						
4	2	129100-55650	ELEMENT	1	1						
7	2	129100-55680	CUP, STRAINER	1	1						
8	2	129100-55690	RING, RETAINING	1	1						
9	2	129100-55700	SPRING	1	1						
10	2	104200-55750	SCREW, M4	1	1						
11	2	24311-000160	O-RING, 1AP16.0	1	1						
12	2	24311-240100	O-RING, 1AP10A	1	1						
13	2	24321-000650	O-RING, 1AG65.0	1	1						
14	1	26014-080702	BOLT, M8X 70	1	1						
15	1	103854-39140	BOLT, PIPE JOINT	1	1						
16	1	101304-59020	JOINT, PIPE 12	1	1						
16A	1	129210-59040	PIPE ASSY, FUEL	1	1						W
		(A=E11845)									
17	2	124766-59050	CLIP, HOSE 12		4						
17-1	2	124766-59050	CLIP, HOSE 12		2	2					K
		(A=E11845)									
18	1	104200-59170	GASKET, 12		2						
18-1	1	22190-120002	WASHER, SEAL 12		2	2					R
		(A=E03294)									
19	1	129555-59510	PIPE, D13/7.5X180		1						Z
		(A=E11845)									
19A	1	129210-59150	PIPE ASSY, FUEL		1	1					W
		(A=E11845)									
20A	2	124766-59050	CLIP, HOSE 12		2	2					W
		(A=E11845)									
21	1	121257-55700	SEPARATOR, WATER	1	1						
22	2	104200-55321	VALVE, TAPER	1	1						
23	2	104200-55330	SPRING, VALVE	1	1						
24	2	104200-55341	HANDLE	1	1						
25	2	124064-55510	COVER	1	1						
26	2	102103-55520	O-RING	1	1						
27	2	110250-55610	RING, RETAINING	1	1						
28	2	121257-55720	SPRING	1	1						
29	2	121257-55731	FLOAT	1	1						
30	2	101720-55750	PLUG, 6	2	2						
31	2	104200-55750	SCREW, M4	1	1						
32	2	171081-55910	SCREEN	1	1						
33	2	23418-060000	GASKET, 6X1.0	2	2						
34	2	24311-240100	O-RING, 1AP10A	1	1						

Fig.15. STARTING MOTOR

15. STARTING MOTOR



(A)=4TNE84-DS
(B)=4TNE84-EDS
(C)=

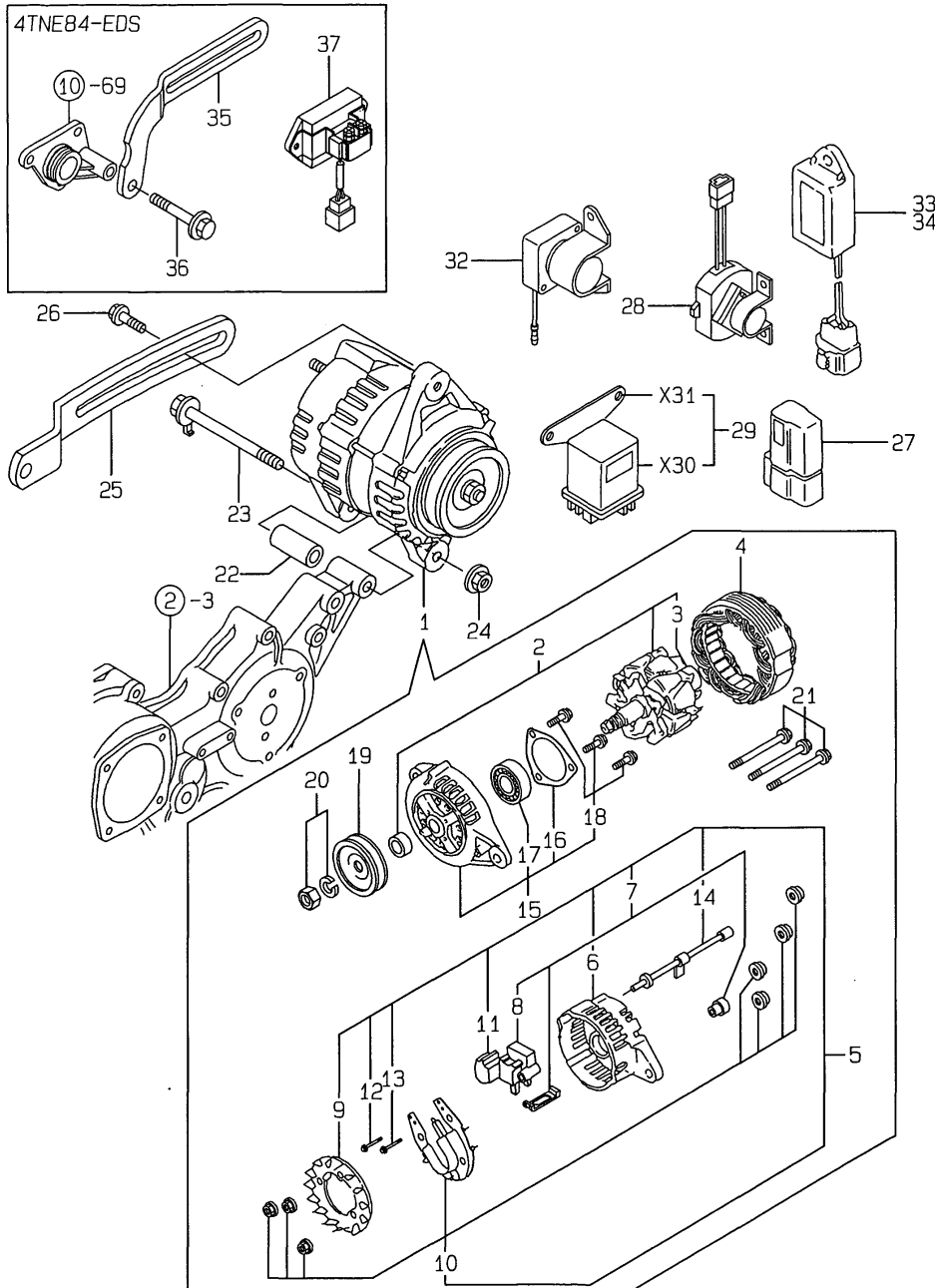
(D)=
(E)=
(F)=

No.	Lev.	Parts No.	Description	Q'ty						I	R
				(A)	(B)	(C)	(D)	(E)	(F)		
1	1	121254-77012	STARTING MOTOR(DC12V	1	1						
2	2	121254-77402	ARMATURE ASSY	1	1						
3	3	121254-77410	BALL BEARING	1	1						
4	3	121254-77420	BALL BEARING	1	1						
5	2	121254-77430	WASHER KIT, THRUST	1	1						
10	2	121254-77480	STOPPER KIT, PINION	1	1						
16	2	121254-77520	COIL ASSY, FIELD	1	1						
17	3	121254-77530	SCREW, POLE CORE	4	4						
18	3	121254-77540	BRUSH(+)	2	2						
19	2	121254-77550	COVER ASSY, REAR	1	1						
21	2	121254-77571	HOLDER ASSY	1	1						
22	3	121254-77581	BRUSH, -	2	2						
23	3	121254-77590	SPRING, BRUSH	4	4						
24	2	121254-77600	BEARING ASSY, CENTER	1	1						
25	3	119129-77210	SEAL, OIL	1	1						
26	3	119129-77220	BEARING, NEEDLE	1	1						
27	2	121254-77640	SHAFT ASSY, GEAR	1	1						
29	2	121254-77661	PINION ASSY	1	1						
30	2	121254-77670	SWITCH, MAGNETIC	1	1						
31	2	121254-77681	CASE ASSY, GEAR	1	1						
32	3	121254-77690	METAL, GEAR CASE	1	1						
33	2	121254-77700	LEVER SET, SHIFT	1	1						
36	2	121254-77730	DUST COVER SET	1	1						
40	2	121254-77770	BOLT, THROUGH	2	2						
41	2	121254-77790	SCREW 4	2	2						
42	2	121254-77810	COVER, TERMINAL	1	1						
43	2	26106-060302	BOLT, M6X 30 PLATED	3	3						
44	2	26106-060452	BOLT, M6X 45 PLATED	2	2						
45	2	26450-050122	BOLT, M5X 12	2	2						
46	1	26116-120252	BOLT, M12X 25 PLATED	2	2						

X-MARK PARTS: NOT SOLD SEPARATELY.

Fig.16. GENERATOR

16. GENERATOR



x-MARK PARTS: NOT SOLD SEPARATELY.

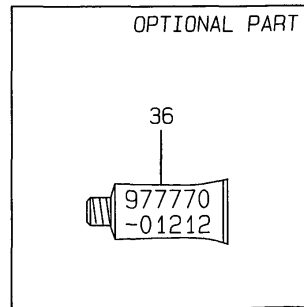
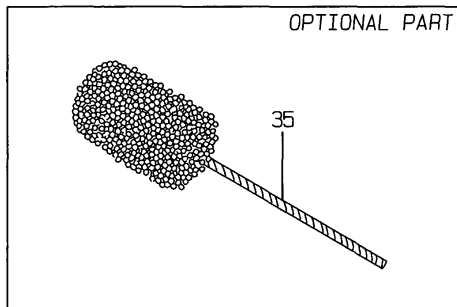
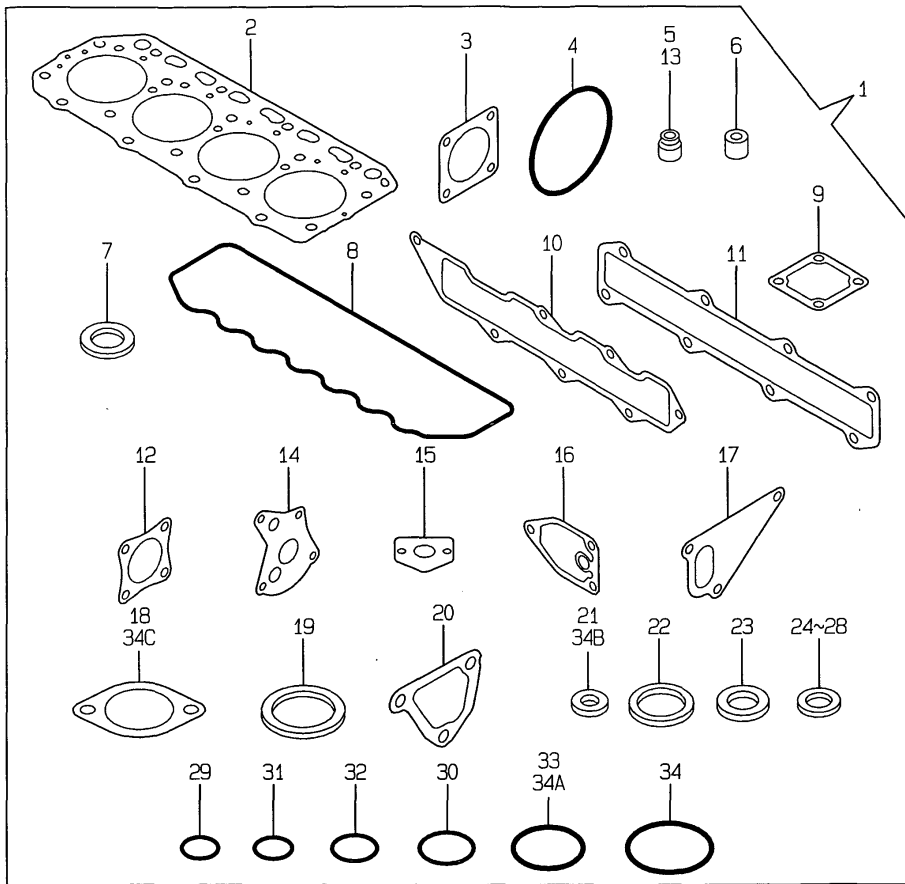
(A)=4TNE84-DS
(B)=4TNE84-EDS
(C)=

(D)=
(E)=
(F)=

No.	Lev.	Parts No.	Description	Q'ty						I	R
				(A)	(B)	(C)	(D)	(E)	(F)		
1	1	119836-77200	GENERATOR	1	1						
2	2	119836-77700	ROTOR ASSY	1	1						
3	3	119836-77850	BALL BEARING	1	1						
4	2	119836-77710	STATOR ASSY	1	1						
5	2	119836-77721	COVER ASSY, REAR	1	1						
6	3	119836-77730	COVER, REAR	1	1						
7	3	119836-77741	BRUSH ASSY,REGULATOR	1	1						
8	4	119836-77750	BRUSH ASSY	1	1						
9	3	119836-77760	GUIDE, FAN SIDE	1	1						
10	3	119836-77770	DIODE ASSY	1	1						
11	3	119836-77780	CONDENSER	1	1						
12	3	119836-77871	BOLT (1)	1	1						
13	3	119836-77880	BOLT (2)	1	1						
14	3	119836-77890	WIRE ASSY, LEAD	1	1						
15	2	119836-77790	COVER ASSY, FRONT	1	1						
16	3	119836-77800	RETAINER, BEARING	1	1						
17	3	119836-77840	BALL BEARING	1	1						
18	3	119836-77860	SCREW KID	1	1						
19	2	119836-77810	PULLEY	1	1						
20	2	119836-77820	NUT ASSY, PULLEY	1	1						
21	2	119836-77830	BOLT, THROUGH	1	1						
22	1	119820-77340	PIECE, DISTANCE	1	1						
23	1	129136-77250	BOLT M 8X105	1							
23-1	1	129136-77251	BOLT, M8X110	1	1						N
(A=E10566)											
24	1	26366-080002	NUT, M8	1							
24-1	1	129612-77260	NUT, ALTERNATOR	1	1						R
(A=E13451)											
25	1	129410-77330	ADJUSTER	1							
26	1	26014-080252	BOLT, M8X 25	1							
26-1	1	119810-77340	BOLT, ADJUSTER	1	1						S
(A=E10566)											
27	1	119643-66900	DIODE	1	1						
28	1	171051-77100	RELAY, SAFETY	1							
28-1	1	171051-77101	RELAY, SAFETY	1							N
(A=E03237)											
29	1	119650-77910	RELAY ASSY, GLOW	1	1						
32	1	129100-77910	RELAY, MAGNETIC	1							Z
(A=EXXX)											
33	1	119632-77920	TIMER	1	1						
34	1	123500-77920	TIMER	1	1						
35	1	129100-77320	ADJUSTER		1						
36	1	26106-080502	BOLT, M8X 50 PLATED		1						
37	1	129432-77101	RELAY, SAFETY		1						

Fig.17. GASKET SET

17. GASKET SET



(A)=4TNE84-DS
(B)=4TNE84-EDS
(C)=

(D)=
(E)=
(F)=

No.	Lev.	Parts No.	Description	Q'ty						I	R
				(A)	(B)	(C)	(D)	(E)	(F)		
1	1	729408-92620	GASKET SET	1	1						1
2	2	129408-01330	GASKET, HEAD	1	1						
3	2	124240-01883	GASKET	1	1						
4	2	121850-51960	O-RING	1	1						
5	2	124460-11340	SEAL, VALVE STEM	4	4						
6	2	119625-11871	PROTECTOR, NOZZLE	4							
6-1	2	119625-11870	PROTECTOR, NOZZLE	4	4						N
		(A=E10566)									
7	2	119625-11880	SEAT, NOZZLE	4	4						
8	2	129550-11310	GASKET, BONNET	1	1						
9	2	129150-77511	GASKET	1	1						
10	2	129407-12110	GASKET, MANIFOLD	1	1						
11	2	129407-13110	GASKET	1	1						
12	2	129400-13201	GASKET, SILENCER	1	1						
13	2	121400-11340	SEAL, VALVE STEM	4	4						
14	2	129150-32020	GASKET, PUMP	1	1						
15	2	129150-35041	GASKET	1	1						
16	2	129150-35111	GASKET	1	1						
17	2	129100-42020	GASKET, WATER PUMP	1	1						
18	2	129795-49551	GASKET	1	1						
19	2	129150-49811	GASKET, THERMOSTAT	1	1						
20	2	129100-49840	GASKET	1	1						
21	2	129155-52050	GASKET	1	1						
22	2	104200-59170	GASKET, 12	2	2						
23	2	22190-080002	WASHER, SEAL 6	5							
23-1	2	22190-080002	WASHER, SEAL 6	7	7						K
		(A=E13451)									
24	2	22190-220002	WASHER, SEAL 22	1	1						
25	2	23414-120000	GASKET, 12X1.0	2	2						
26	2	23414-100000	GASKET, 10X1.0	2	2						
27	2	23414-080000	GASKET, 8X1.0	6							
27-1	2	23414-080000	GASKET, 8X1.0	4	4						K
		(A=E13451)									
28	2	124465-44950	GASKET, 16	2	2						
29	2	24311-240100	O-RING, 1AP10A	1	1						
30	2	24311-000240	O-RING, 1AP24.0	1	1						
31	2	24311-000120	O-RING, 1AP12.0	3	3						
32	2	24311-000160	O-RING, 1AP16.0	3	3						
33	2	24311-000320	O-RING, 1AP32.0	2	2						
34	2	24341-000500	O-RING, 1AS50.0	1	1						
34A	2	24321-000300	O-RING, 1AG30.0		1						
34B	2	22190-120002	WASHER, SEAL 12	2	2						W
		(A=E03294)									
34C	2	129100-49820	GASKET	1							W
		(A=FROM 1ST)									
35	1	129400-92420	FLEX HORN	1	1						1
36	1	977770-01212	GASKET, LIQUID	1	1						1

Remarks
(1) OPTIONAL PART.

Parts No. Index

Parts No.	Fig. No.	Ref. No.
101304-59020	14	16
101720-55750	14	30
102103-55520	14	26
103854-39140	14	15
104200-55321	14	2
		22
104200-55330	14	3
		23
104200-55341	14	24
104200-55750	14	10
		31
104200-59170	14	18
	17	22
105025-59530	13	31
110250-55610	14	27
114250-53080	13	5
114250-53120	13	9
114250-53130	13	10
114250-53140	13	11
114250-53210	13	12
114250-53400	13	13
119129-77210	15	25
119129-77220	15	26
119131-18320	6	5 -1
119260-34810	9	14
119305-59120	13	20
119620-49290	10	53
119625-11870	4	23 -1
	17	6 -1
119625-11871	4	23
	17	6
119625-11880	4	24
	17	7
119625-11900	4	25
119632-77920	16	33
119640-01640	3	6 -1
119643-66900	16	27
119650-77910	16	29
119653-77950	12	79
119660-61901	12	57
119810-77340	16	26 -1
119820-77340	16	22
119836-77200	16	1
119836-77700	16	2
119836-77710	16	4
119836-77721	16	5
119836-77730	16	6
119836-77741	16	7
119836-77750	16	8
119836-77760	16	9

Parts No.	Fig. No.	Ref. No.
119836-77770	16	10
119836-77780	16	11
119836-77790	16	15
119836-77800	16	16
119836-77810	16	19
119836-77820	16	20
119836-77830	16	21
119836-77840	16	17
119836-77850	16	3
119836-77860	16	18
119836-77871	16	12
119836-77880	16	13
119836-77890	16	14
119840-59560	13	33
119840-59570	13	34
120130-11860	4	7
120130-49350	10	35
121023-01550	2	24
121111-21501	8	11
121250-44901	10	39
121250-59550	13	32
121254-77012	15	1
121254-77402	15	2
121254-77410	15	3
121254-77420	15	4
121254-77430	15	5
121254-77480	15	10
121254-77520	15	16
121254-77530	15	17
121254-77540	15	18
121254-77550	15	19
121254-77571	15	21
121254-77581	15	22
121254-77590	15	23
121254-77600	15	24
121254-77640	15	27
121254-77661	15	29
121254-77670	15	30
121254-77681	15	31
121254-77690	15	32
121254-77700	15	33
121254-77730	15	36
121254-77770	15	40
121254-77790	15	41
121254-77810	15	42
121256-44600	10	48
121257-55700	14	21
121257-55720	14	28
121257-55731	14	29
121400-11340	4	18

Parts No.	Fig. No.	Ref. No.
121400-11340	17	13
121450-01560	2	2
121450-42450	10	41
121550-23200	8	27
121850-11860	10	1
121850-21680	8	10
121850-51960	2	11
	17	4
122117-51560	11	48
122710-51090	11	8
123500-77920	16	34
124064-55510	14	25
124066-59100	13	30
124160-01751	2	6
	4	42
124160-01910	1	4
		5
124160-11360	4	51
124160-39140	9	29
124160-39450	9	28
124240-01871	2	7
124240-01883	2	8
	17	3
124450-44510	10	43
124450-44530	10	45
124450-44550	10	56
124450-44560	10	46
124460-11340	4	19
	17	5
124465-44950	10	40
		42
	17	28
124550-21600	8	14
124550-51350	11	30
124550-51370	11	31
124550-59820	9	34
124550-59830	9	33 A
124550-66370	12	59
124736-07900	4	2
124766-59050	13	29
	14	17
		17 -1
		20 A
124770-11770	10	22
124950-51190	11	15
129001-02800	1	15
129001-35300	9	24
129001-42002	10	57
129001-42040	10	69
129001-91840	2	22 -1

Parts No.	Fig. No.	Ref. No.
129002-22060	8	15 A
129002-22090	8	15
129002-22510	8	17
		32
129002-22910	8	30
129002-22930	8	30 A
129002-22960	8	32 -1
129052-55620	14	1
129052-61050	12	4
129052-61060	12	5
129052-61070	12	6
129052-61390	12	31
129052-61500	12	32
129052-61540	12	47
129100-01580	3	1
		13
	8	2
129100-11100	4	13
129100-11110	4	14
129100-23910	8	26
129100-25061	7	8
129100-42002	10	2
129100-42003	10	2 -1
129100-42020	10	13
	17	17
129100-49800	10	21
129100-49820	10	24
	17	34 C
129100-49830	10	25
129100-49840	10	30
	17	20
129100-52100	11	93
129100-55650	14	4
129100-55680	14	7
129100-55690	14	8
129100-55700	14	9
129100-59951	13	36
129100-61400	12	17
129100-61440	12	76
129100-61650	12	77
129100-61930	12	106
129100-77320	16	35
129100-77910	16	32
129120-01780	3	16
129120-77501	5	5
129132-49050	10	49
129132-61550	12	82
129136-77250	16	23
129136-77251	16	23 -1
129150-01200	1	24

Parts No. Index

Parts No.	Fig. No.	Ref. No.
129150-02020	1	7
129150-02450	7	4
129150-02870	1	26
129150-02930	1	18
129150-02940	1	29
129150-03020	4	43
129150-03070	4	44
129150-03080	4	45
129150-03090	4	1
129150-03100	2	10
129150-11230	4	34
129150-11280	4	29
129150-11370	4	20
129150-11750	4	36
129150-11810	4	9
129150-14101	7	6
129150-14200	7	1
129150-14400	7	2
129150-21200	8	4
129150-23600	8	28
129150-23610	8	36
129150-25101	7	9
129150-25301	7	17
129150-25900	7	14
129150-25920	7	12
129150-25930	7	18
129150-32020	9	37
	17	14
129150-35041	9	15
	17	15
129150-35091	9	16
129150-35101	9	21
129150-35111	9	22
	17	16
129150-35151	9	23
129150-35350	9	25
129150-49811	10	29
	17	19
129150-59131	13	23
129150-59580	13	35
129150-77511	5	6
	17	9
129155-11260	4	27
129155-11270	4	28
129155-49800	10	28
129155-51020	11	4
129155-51050	11	6
129155-51060	11	7
129155-51140	11	12
129155-51180	11	14

Parts No.	Fig. No.	Ref. No.
129155-51200	11	16
129155-51270	11	23
129155-51280	11	24
	12	2
129155-51320	11	28
129155-51340	11	29
129155-51370	11	32
129155-51380	11	33
129155-51390	11	34
129155-51410	11	36
129155-51420	11	37
129155-51450	11	38
129155-51521	11	44
129155-51530	11	45
129155-51540	11	46
129155-51550	11	47
129155-51570	11	50
129155-51580	11	51
129155-51591	11	52
129155-51600	11	53
129155-51790	11	76
129155-51930	11	78
129155-51940	11	79
129155-52050	11	92
	17	21
129155-61120	12	7
129155-61130	12	8
129155-61140	12	9
129155-61201	12	10
129155-61341	12	14
129155-61350	12	15
129155-61360	12	16
129155-61430	12	20
129155-61450	12	24
129155-61460	12	25
129155-61470	12	81
129155-61480	12	26
129155-61830	12	56
129155-61950	12	58
129156-51910	11	77
129202-22300	8	21
129208-51060	11	7 A
129208-51300	11	25 A
129208-54500	11	89 A
129210-59040	14	16 A
129210-59150	13	28 A
	14	19 A
129350-49530	10	19
129350-49560	10	52
129400-01520	2	1

Parts No.	Fig. No.	Ref. No.
129400-01730	3	9
129400-01770	3	5
129400-11350	4	41
129400-13201	6	7
	17	12
129400-92420	17	35
129403-42380	10	16
129403-44740	10	17
129407-11700	4	4
129407-12110	5	2
	17	10
129407-12120	5	1
129407-13100	6	1
129407-13110	6	2
	17	11
129407-21000	8	1
129407-32000	9	1
129407-59811	13	25
129407-59822	13	26
129407-59832	13	27
129407-59841	13	28
129408-01330	1	25
	17	2
129410-77330	16	25
129414-21580	8	12
129428-34800	9	39
129430-34820	9	40
129432-77101	16	37
129457-11700	4	4 A
129470-51040	11	5
129483-01600	3	2
129486-01670	3	17 -1
129503-53000	13	2
129505-51300	11	25
129506-51040	11	5 A
129506-51100	11	9
129550-11290	4	30
129550-11310	4	47
	17	8
129550-21650	8	8
129550-39450	9	30
129555-11241	4	26
129555-51400	11	35
129555-51500	11	43
129555-51700	11	72
129555-51710	11	73
129555-51750	11	74
129555-51760	11	75
129555-59510	14	19
129573-51330	11	28 A

Parts No.	Fig. No.	Ref. No.
129573-51340	11	29 A
129573-51370	11	32 A
129612-77260	16	24 -1
129795-01800	2	5
129795-01950	2	9
129795-02411	1	14
129795-11120	4	15
129795-11180	4	16
129795-21661	8	9
129795-49551	10	20
	17	18
158552-61900	12	67 -1
171051-01921	1	6
171051-77100	16	28
171051-77101	16	28 -1
171081-55910	14	32
171301-01640	3	6
171353-61700	12	78
171353-61710	12	78 -1
174307-51170	11	13
174307-51560	11	49
174307-51700	12	33
194990-22050	6	3
22117-040000	12	60
22190-060002	12	61
22190-060003	12	61 -1
22190-080002	2	12
		13
	9	34 A
		35 -1
	17	23
		23 -1
22190-100002	12	62
22190-120002	12	63
	14	18 -1
	17	34 B
22190-160002	11	80
22190-220002	3	8 -1
	17	24
22217-050000	11	81
22217-060000	11	82
22217-120000	7	15
	11	89 C
22252-000260	8	22
22287-120000	12	64
22351-040010	8	7
22351-050010	11	83
22351-060012	4	21
22372-040000	12	65
22512-070140	7	7

Parts No. Index

Parts No.	Fig. No.	Ref. No.
22512-070140	8	5
23000-016000	10	50
23061-070230	10	47
23414-080000	1	22
	9	35
	17	27
		27 -1
23414-100000	9	36
	17	26
23414-120000	13	44
	17	25
23418-060000	14	33
23871-010000	1	10
23871-030000	1	21
	10	12
		12 -1
		26
		67
23887-100002	12	66
24101-063034	11	84
24311-000120	4	52
	17	31
24311-000160	2	14
	9	26
	14	11
	17	32
24311-000240	17	30
24311-000320	2	15
	4	48
	17	33
24311-240100	9	41
	14	12
		34
	17	29
24321-000300	10	70
	17	34 A
24321-000650	14	13
24341-000160	11	85
24341-000240	2	25
24341-000250	3	8
24341-000280	12	67
24341-000500	4	49
	17	34
25132-003800	10	51
25132-003900	10	15
26014-060162	10	18
26014-080252	16	26
26014-080702	14	14
26022-050102	11	86
26022-060162	11	87

Parts No.	Fig. No.	Ref. No.
26106-060102	12	68
		69
		70
26106-060122	2	26
26106-060142	12	71
26106-060162	2	26 -1
26106-060202	12	72
26106-060302	15	43
26106-060452	15	44
26106-080122	1	23
	2	16
26106-080142	4	3
26106-080162	1	32
	2	17
		18
	3	10
	4	50
	9	42
	10	71
26106-080202	2	19
	5	3
	9	27
	10	31
26106-080252	3	11
	4	39
	10	32
26106-080302	3	17
26106-080352	3	18
	5	7
	9	20
26106-080402	6	4
26106-080452	2	20
	3	12
		12 -1
	7	13
26106-080502	3	20
	4	40
	5	4
	10	33
	16	36
26106-080552	2	21
26106-080602	10	14
		34
26106-080852	2	22
26116-050302	11	88
26116-060162	10	27
26116-120252	15	46
26206-100202	3	3
26206-100252	3	4
26216-060202	4	11

Parts No.	Fig. No.	Ref. No.
26216-080222	6	5
26216-080402	6	6
26226-080182	4	37
26366-060002	4	22
26366-080002	2	23
	6	3 -1
	12	75
	16	24
26450-050122	15	45
26450-060252	9	38
26687-120002	12	80
26716-060002	11	89
26716-120002	7	16
	11	89 D
26756-060002	12	73
26756-080002	4	38
26776-120002	12	74
27231-500000	1	11
27241-120000	1	12
27241-300000	1	13
27241-400000	4	12
27310-080001	4	17
719810-01500	2	3
729402-01540	3	5 -1
729402-01650	3	14
729402-11650	4	33
729402-14580	7	3
729402-23100	8	23
729408-01560	1	1
729408-92620	17	1
729420-51370	11	1
729420-51450	11	1 A
729503-53100	13	1
977770-01212	2	27
	3	19
	17	36

Parts No.	Fig. No.	Ref. No.
-----------	----------	----------