

0CV10-M86400EN



## Directions for the Parts Catalog.

1. This Parts Catalog shows both standard and optional parts.
2. Parts may change without prior notice.
3. The following is an example of the Parts Catalog format.

REF.	LEV.	PARTS NO.	DESCRIPTION	Q'TY						I	R
				(A)	(B)	(C)	(D)	(E)	(F)		
1	1	729595-51390	FUEL INJECTION PUMP	1	1	1	1	1			1
1-1	1	729595-51391	FUEL INJECTION PUMP	1	1	1	1	1		N	1
		(A=E00185) (B=E00200)									
3	2	26022-060162	SCREW M 6X 16	9	9	9	9	9			
3-1	2	26022-060162	SCREW M 6X 16	4	4	4	4	4		K	
		(A=E00156) (B=E00156) (C=E00156) (D=E00156) (E=E00156)									
4	2	129470-51040	CAMSHAFT	1	1	1	1	1			
5	2	122710-51050	BEARING, ROLLER	2	2	2	2	2			
6	2	129470-51060	RETAINER	1	1	1	1	1			

Remarks
(1) BOOST COMPENSATOR TYPE. OPTIONAL PART, TO E00155,(4JH-DT, 4JH-DTZ

### ① Ref. No.

The Ref. No. listed may not be in accordance with the illustration Ref. No.

(Ex.) Illustration No. List Ref No.  
 1 1 (Before change) → 1-1 (After change)

For interchangeable symbols N, R and K, illustrations for new parts may be abbreviated.

### ② Lev. (Level)

Level indication

The numbers below indicate the level of relativity towards the main part.

1 ----- Main parts (Assembly parts)

2 ----- Sub component included in " 1 ".

3 ----- Sub component included in " 2 ".

Note) Parts that are not for sale are partially illustrated but not listed.

### ③ Interchangeability Symbol

When a part change takes place, one of the following interchangeability symbols is indicated beside the part.

Symbol	Interchangeability	Contents note
N	Old $\xleftarrow{\text{Yes}} \xrightarrow{\text{No}}$ New	New Part is interchangeable for Old Part but Old Part is not interchangeable for New Part.
Q	Old $\xleftarrow{\text{No}} \xrightarrow{\text{Yes}}$ New	New Part is not interchangeable for Old Part but Old Part is interchangeable for New Part.
R	Old $\xleftarrow{\text{Yes}} \xrightarrow{\text{Yes}}$ New	New/ Old Parts are both interchangeable.
S	Old $\xleftarrow{\text{No}} \xrightarrow{\text{No}}$ New	New/ Old Parts are both not interchangeable.
W		Part newly added.
Z		Part discontinued.
F		Not interchangeable by a single part but interchangeable together with related parts.
K		Changes only for used parts quantities.

### ④ Effective Machine No.

When a part changes, the effective Machine No. will be indicated in the (A)-(F) column.

Product Symbol	Product No.	Product Symbol	Product No.
C	Clutch No. Compressor No.	F	Machine No. (Agricultural Equip.)
D	Drive No.	M	Machine No.
E	Engine No.		

Note 1) A date may follow the symbol. (Ex.) 1996.01

Note 2) "XXXXX" and "ZZZZZ" are for parts that could not be predicted or for engine models that could not be identified.

Note 3) (A=E00185) is the E (Engine Serial Number) for the column (A) model (in this case 4JH-DT) after the parts design change.

### ⑤ Remarks

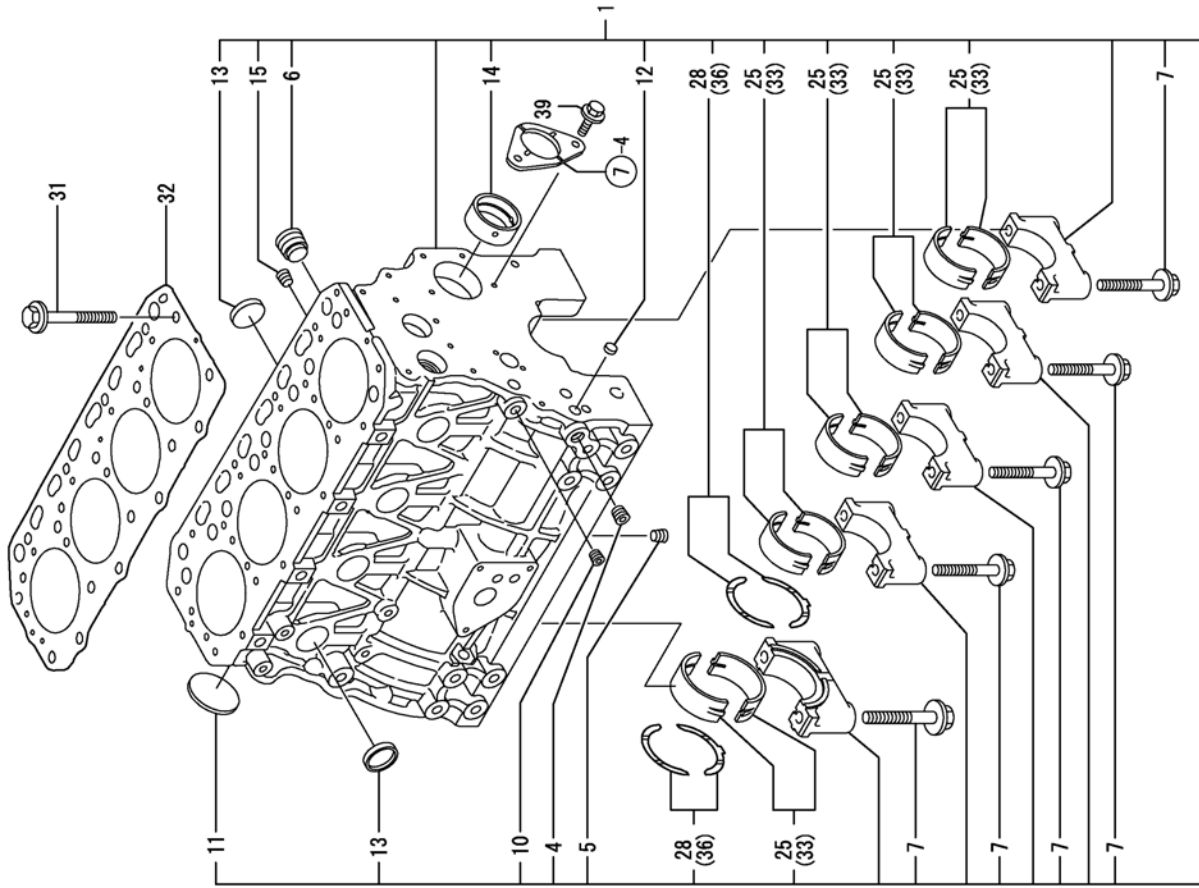
Figures or alphabets (symbols) are entered in the remarks column.

The comments (remarks) on parts that are indicated at the bottom of the illustration are the same symbols as

# Contents

Fig. No.	Fig. Name	Fig. No.	Fig. Name
4TNE84-BAG			
1.	CYLINDER BLOCK		
2.	GEAR HOUSING		
3.	FLYWHEEL HOUSING & OIL SUMP		
4.	CYLINDER HEAD & BONNET		
5.	SUCTION MANIFOLD & AIR CLEANER		
6.	EXHAUST MANIFOLD & SILENCER		
7.	CAMSHAFT & DRIVING GEAR		
8.	CRANKSHAFT & PISTON		
9.	LUB.OIL SYSTEM		
10.	COOLING WATER SYSTEM		
11.	FUEL INJECTION PUMP		
12.	GOVERNOR		
13.	FUEL FILTER		
14.	FUEL INJECTION VALVE		
15.	STARTING MOTOR		
16.	GENERATOR		
17.	GASKET SET		

Fig.1. CYLINDER BLOCK



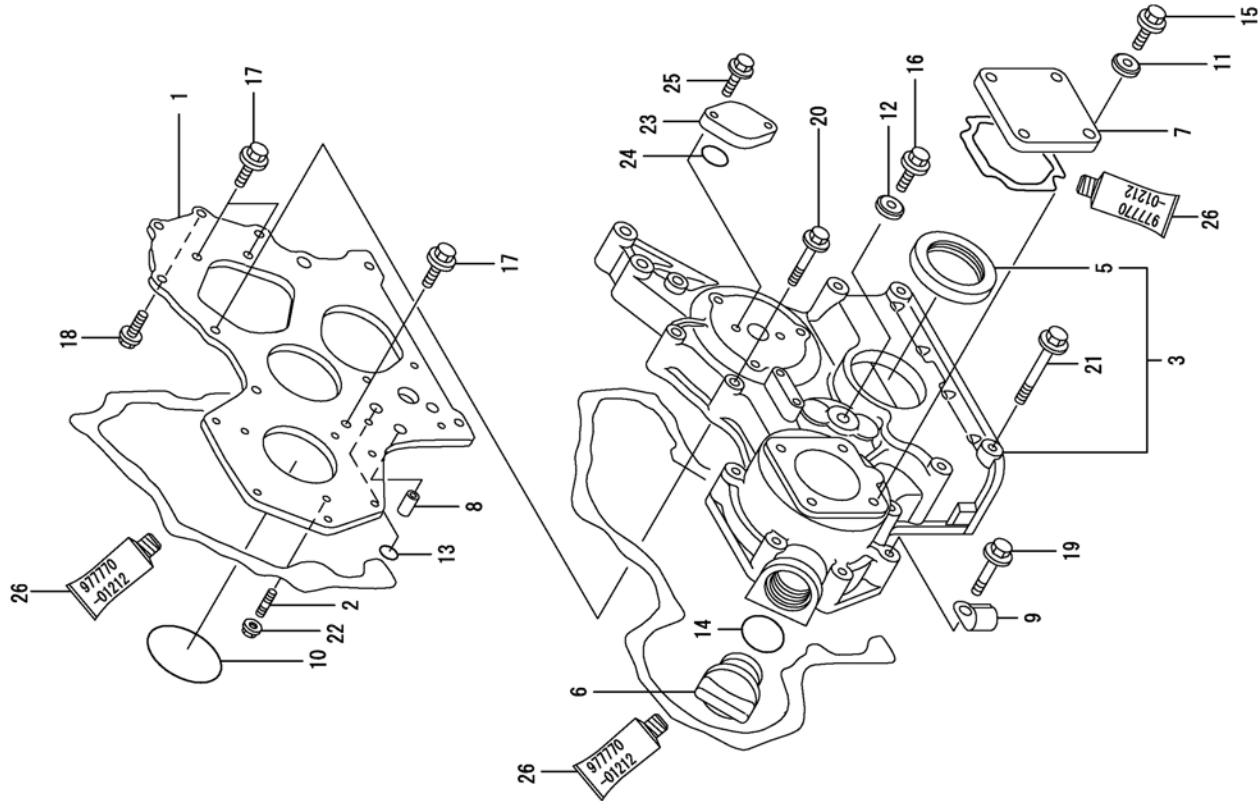
(A)=4TNE84-BAG  
 (B)=  
 (C)=

Q'ty  
 (A) (B) (C) (D) (E) (F)

No.	Lev.	Parts No.	Description	(A)	(B)	(C)	(D)	(E)	(F)
1		729408-01560	BLOCK ASSY, CYLINDER	1					
4		124160-01910	PLUG, PT1/4	2					
5		124160-01910	PLUG, PT1/4	1					
6		171051-01921	PLUG, NPTF1	1					
7		129150-02020	BOLT, METAL CAP	10					
10		23876-010000	PLUG, R01	1					
11		129001-01250	PLUG, 50	1					
12		27241-120000	PLUG, 12	2					
13		27241-300000	PLUG 30	8					
14		129795-02411	BUSH, CAMSHAFT	1					
15		23876-030000	PLUG, R03	1					
25		129001-02930	BEARING, MAIN	5					
28		129150-02930	BEARING, THRUST	2					
31		129150-01200	BOLT, HEAD	18					
32		129408-01330	GASKET, HEAD	1					
33		129150-02870	BEARING, 0.25 US	5					
36		129150-02940	BEARING, THRUST 0.25	1					
39		26106-080162	BOLT, M8X 16 PLATED	2					

Remarks  
 (1) UNDER-SIZED(U.S=0.25)PART.  
 (2) OVER-SIZED(O.S=0.25)PART.  
 (3) REPAIR PART.

Fig.2. GEAR HOUSING



(A)=4TNE84-BAG

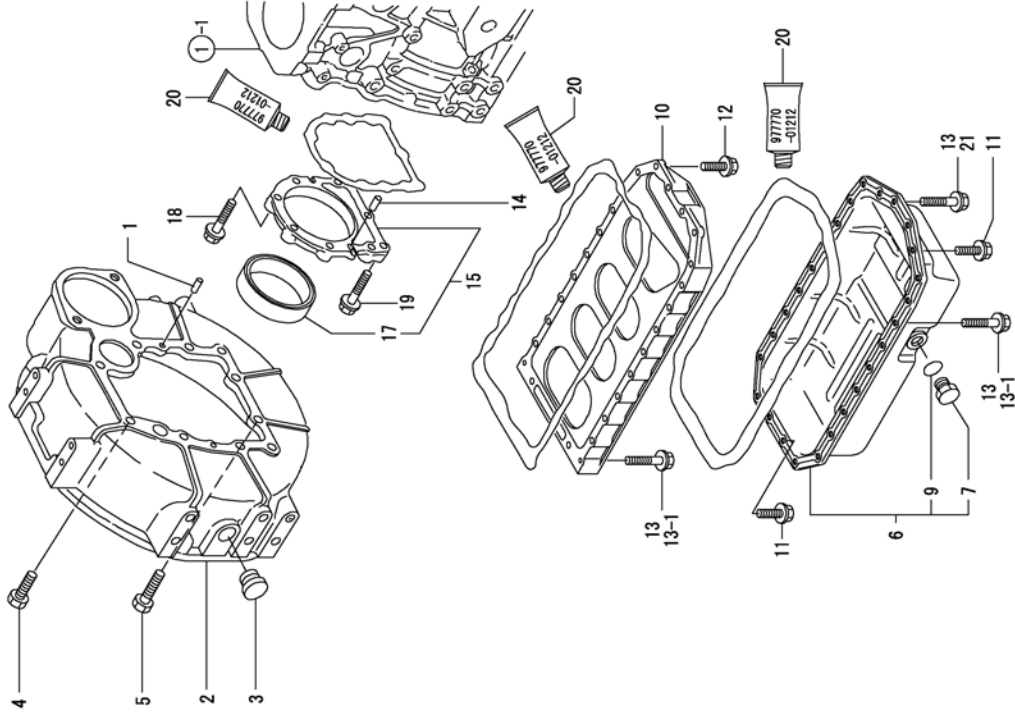
(B)=  
(C)=

(D)=  
(E)=  
(F)=

No.	Lev.	Parts No.	Description	(A)	(B)	(C)	(D)	(E)	(F)
1	1	129400-01520	FLANGE, GEAR CASE	1					
2	1	121450-01560	STUD, M8X22	3					
3	1	719810-01500	CASE ASSY, GEAR	1					
5	2	129795-01800	SEAL, OIL	1					
6	1	124160-01751	COVER, FILLER	1					
7	1	124240-01871	COVER	1					
8	1	129795-01950	PIPE, KNOCK L=18	2					
9	1	129150-03100	RETAINER, PIPE	1					
10	1	121850-51960	O-RING	1					
11	1	22190-080002	WASHER, SEAL 6	4					
12	1	22190-080002	WASHER, SEAL 6	1					
13	1	119609-32040	O-RING, P16	2					
14	1	24311-000320	O-RING, 1AP32.0	1					
15	1	26106-080122	BOLT, M8X 12 PLATED	4					
16	1	26106-080162	BOLT, M8X 16 PLATED	1					
17	1	26106-080162	BOLT, M8X 16 PLATED	3					
18	1	26106-080202	BOLT, M8X 20 PLATED	2					
19	1	26106-080452	BOLT, M8X 45 PLATED	6					
20	1	26106-080552	BOLT, M8X 55 PLATED	3					
21	1	129001-91841	BOLT, M8X85	4					
22	1	26306-080002	NUT, M8	3					
23	1	121023-01550	COVER	1					
24	1	24341-000240	O-RING, 1AS24.0	1					
25	1	26106-060162	BOLT, M6X 16 PLATED	2					
26	1	977770-01212	GASKET, LIQUID	1					

Remarks  
(1) OPTIONAL PART.

Fig.3. FLYWHEEL HOUSING & OIL SUMP



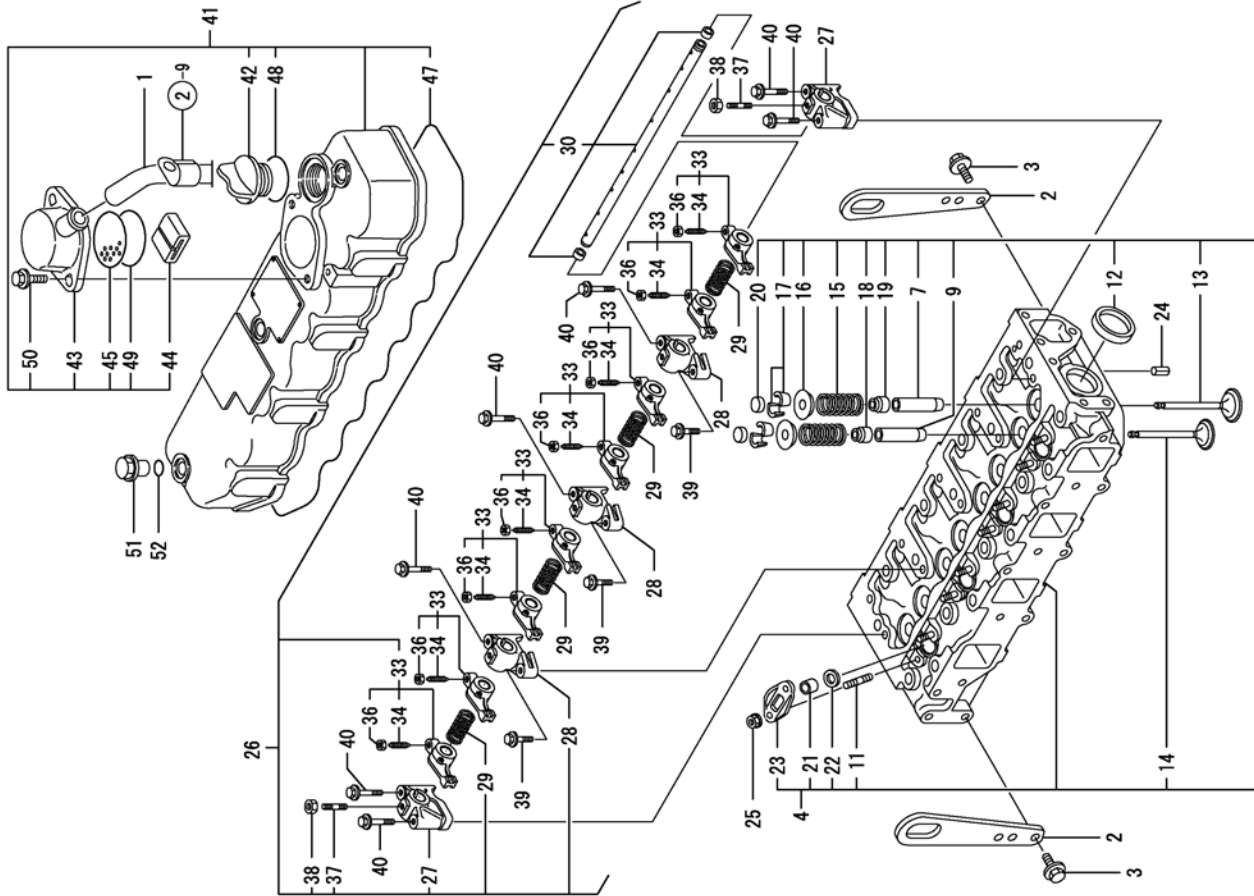
(A)=4TNE84-BAG  
(B)=  
(C)=

(D)=  
(E)=  
(F)=

No.	Lev.	Parts No.	Description	(A)	(B)	(C)	(D)	(E)	(F)
1	1	129100-01580	PIN, M8X16	2					
2	1	171420-01600	HOUSING, FLYWHEEL	1					
3	1	119620-01750	CAP	1					
4	1	26206-100252	BOLT, M10X 25 PLATED	6					
5	1	26206-100302	BOLT, M10X 30 PLATED	4					
6	1	129400-01770	SUMP ASSY, OIL	1					
7	2	171301-01640	PLUG, 22	1					
9	2	24341-000250	O-RING, 1AS25.0	1					
10	1	129400-01730	SPACER, OIL SUMP	1					
11	1	26106-080162	BOLT, M8X 16 PLATED	4					
12	1	26106-080252	BOLT, M8X 25 PLATED	2					
13	1	26106-080452	BOLT, M8X 45 PLATED	24					
13-1	1	26106-080452	BOLT, M8X 45 PLATED	20					
(A)=FROM 1ST									
14	1	129100-01580	PIN, M8X16	2					
15	1	129100-01640	CASE ASSY, OIL SEAL	1					
17	2	129795-01780	SEAL, OIL	1					
18	1	129486-01670	BOLT, M8X30	6					
19	1	26106-080352	BOLT, M8X 35 PLATED	3					
20	1	977770-01212	GASKET, LIQUID	1					
21	1	26106-080502	BOLT, M8X 50 PLATED	4					
(A)=FROM 1ST									

Remarks  
(1) OPTIONAL PART.

Fig.4. CYLINDER HEAD & BONNET



(A)=4TNE84-BAG

(B)=

(C)=

(D)=

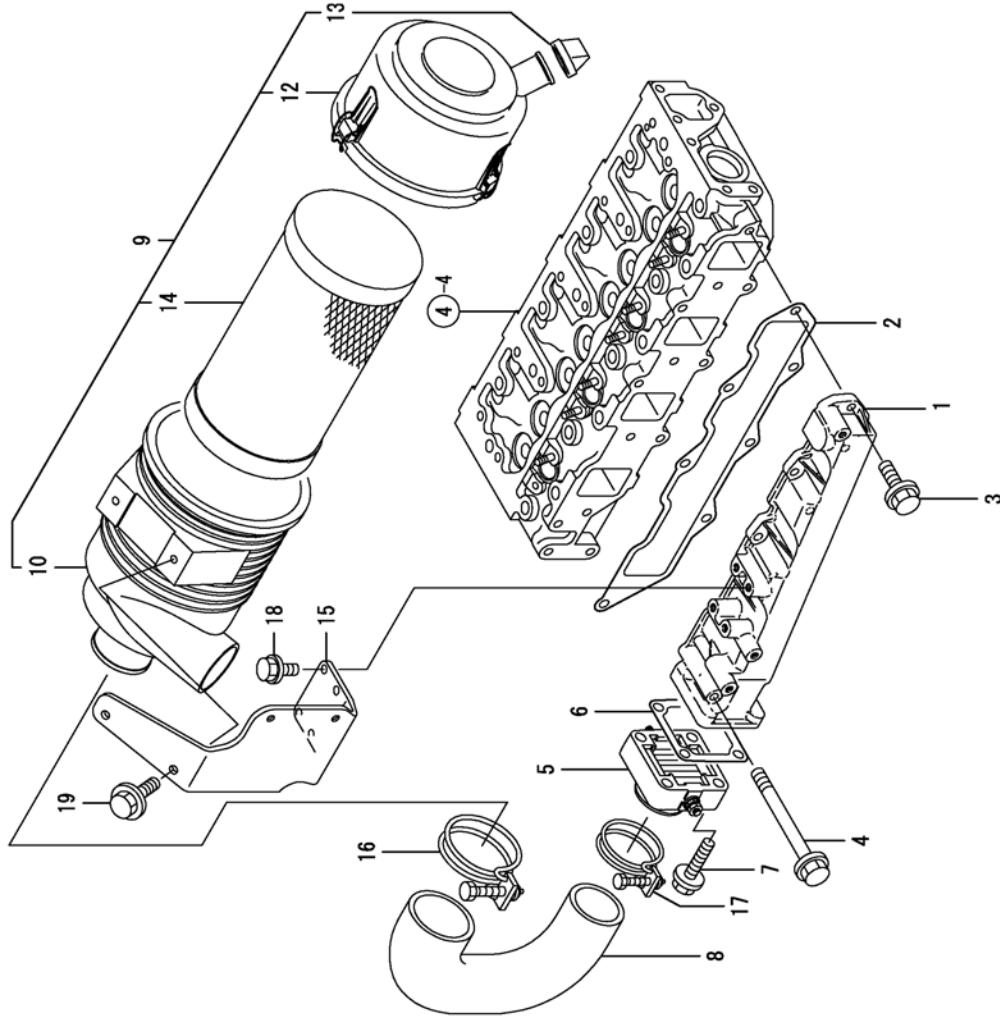
(E)=

(F)=

No.	Lev.	Parts No.	Description	(A)	(B)	(C)	(D)	(E)	(F)	Qty
1	1	171350-03090	PIPE ,BREATHER 900	1						
2	1	129900-07900	LIFTER	2						
3	1	26106-080162	BOLT, M8X 16 PLATED	4						
4	1	129407-11700	HEAD ASSY, CYLINDER	1						
7	2	120130-11860	GUIDE, VALVE	4						
9	2	129150-11810	GUIDE, VALVE	4						
11	2	26216-060202	STUD, M6X 20	8						
12	2	27241-400000	PLUG, 40	2						
13	2	129100-11100	VALVE, INTAKE	4						
14	2	129100-11110	VALVE, EXHAUST	4						
15	2	129795-11120	SPRING, VALVE	8						
16	2	129795-11180	RETAINER, SPRING	8						
17	2	27310-080001	COTTER, 8	8						
18	2	121400-11340	SEAL, VALVE STEM	4						
19	2	124460-11340	SEAL, VALVE STEM	4						
20	2	129150-11370	CAP VALVE	8						
21	2	119625-11870	PROTECTOR, NOZZLE	4						
22	2	119625-11880	SEAT, NOZZLE	4						
23	2	119625-11900	RETAINER, NOZZLE	4						
24	1	22351-060012	PIN, SPRING 6.0X12	2						
25	1	26366-060002	NUT, M6	8						
26	1	129500-11240	SHAFT ASSY, ROCKER	1						
27	2	129155-11260	SUPPORT, ROCKER ARM	2						
28	2	129155-11270	SUPPORT, ROCKER ARM	3						
29	2	129150-11280	SPRING	4						
30	2	129550-11290	SHAFT, ROCKER ARM	1						
33	2	129100-11650	ARM, ROCKER	8						
34	3	129150-11230	SCREW, VALVE ADJUST	8						
36	3	129150-11750	NUT, M8	8						
37	2	119802-11280	STUD	3						
38	2	26756-080002	NUT, LOCK M8	3						
39	1	26106-080252	BOLT, M8X 25 PLATED	3						
40	1	26106-080502	BOLT, M8X 50 PLATED	7						
41	1	129400-11350	BONNET ASSY, HEAD	1						
42	2	124160-01751	COVER, FILLER	1						
43	2	129150-03020	COVER, BREATHER	1						
44	2	129150-03070	BAFFLE, BREATHER	1						
45	2	129150-03080	PLATE, BAFFLE	1						
47	2	129550-11310	GASKET, BONNET	1						
48	2	24311-000320	O-RING, 1AP32.0	1						
49	2	24341-000500	O-RING, 1AS50.0	1						
50	2	26106-080162	BOLT, M8X 16 PLATED	2						
51	1	124160-11360	KNOB	3						
52	1	24311-000120	O-RING, 1AP12.0	3						

Remarks  
(1) REPAIR PART.

Fig.5. SUCTION MANIFOLD & AIR CLEANER



(A)=4TNE84-BAG

(B)=

(C)=

(D)=

(E)=

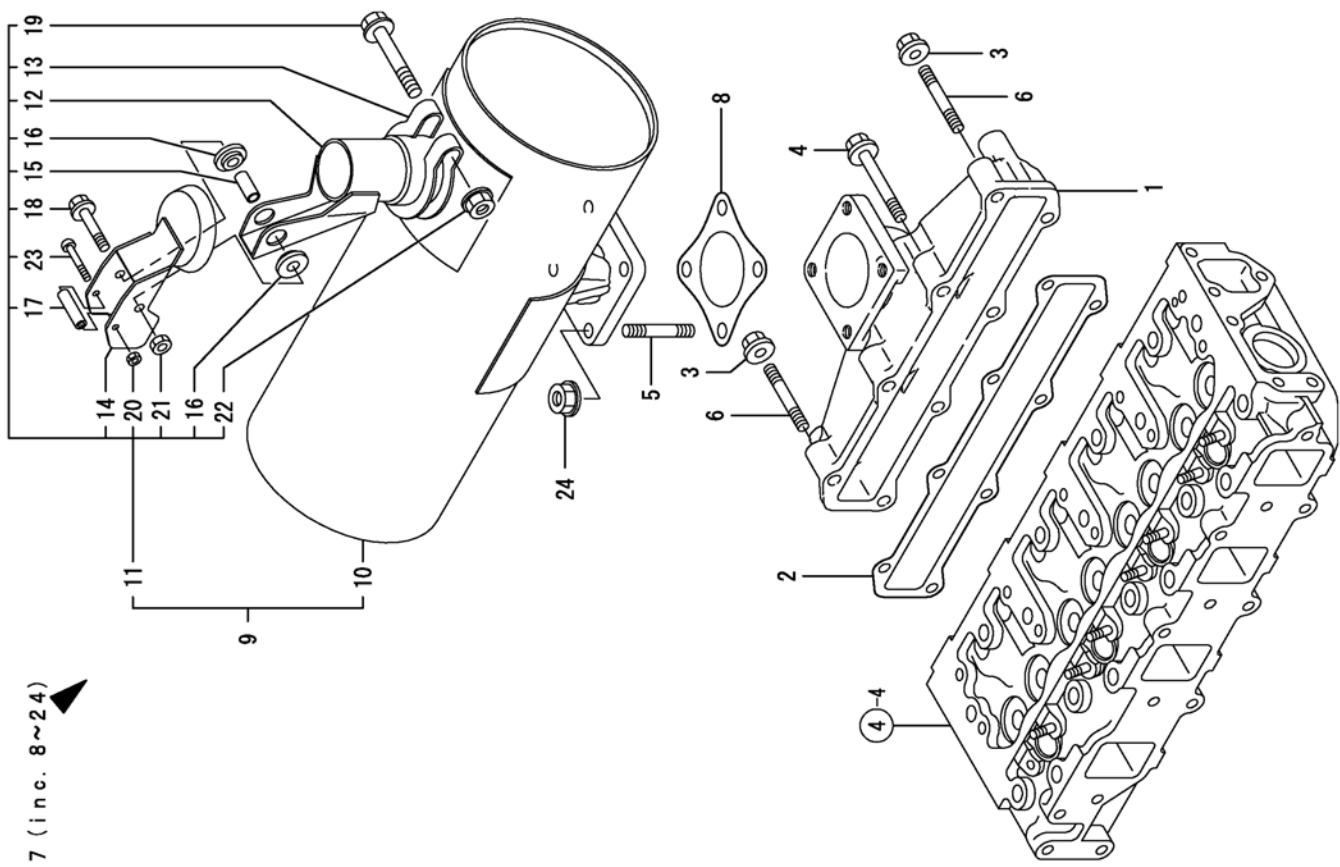
(F)=

No.	Lev.	Parts No.	Description	Qty				
				(A)	(B)	(C)	(D)	(E)
1	1	129407-12100	MANIFOLD, AIR INTAKE	1				
2	1	129407-12110	GASKET, MANIFOLD	1				
3	1	26106-080202	BOLT, M8X 20 PLATED	6				
4	1	26106-080802	BOLT, M8X 80 PLATED	1				
5	1	129120-77501	HEATER	1				
6	1	129150-77511	GASKET	1				
7	1	26106-080352	BOLT, M8X 35 PLATED	4				
8	1	129609-12210	HOSE ASSY, INTAKE	1				
9	1	129609-12500	CLEANER ASSY, AIR	1				
10	2	129609-12530	BODY, AIR CLEANER	1				
12	2	129900-12530	COVER ASSY	1				
13	2	119808-12540	VALVE, UNLOADER	1				
14	2	129062-12560	ELEMENT	1				
15	1	129609-12550	BRACKET, AIR CLEANER	1				
16	1	23000-080000	CLAMP, 80	1				
17	1	23000-060000	CLAMP, 60	1				
18	1	26106-080182	BOLT, M8X 18 PLATED	4				
19	1	26106-080182	BOLT, M8X 18 PLATED	2				



Fig.6. EXHAUST MANIFOLD & SILENCER

7 (inc. 8~24)



(A)=4TNE84-BAG

(B)=

(C)=

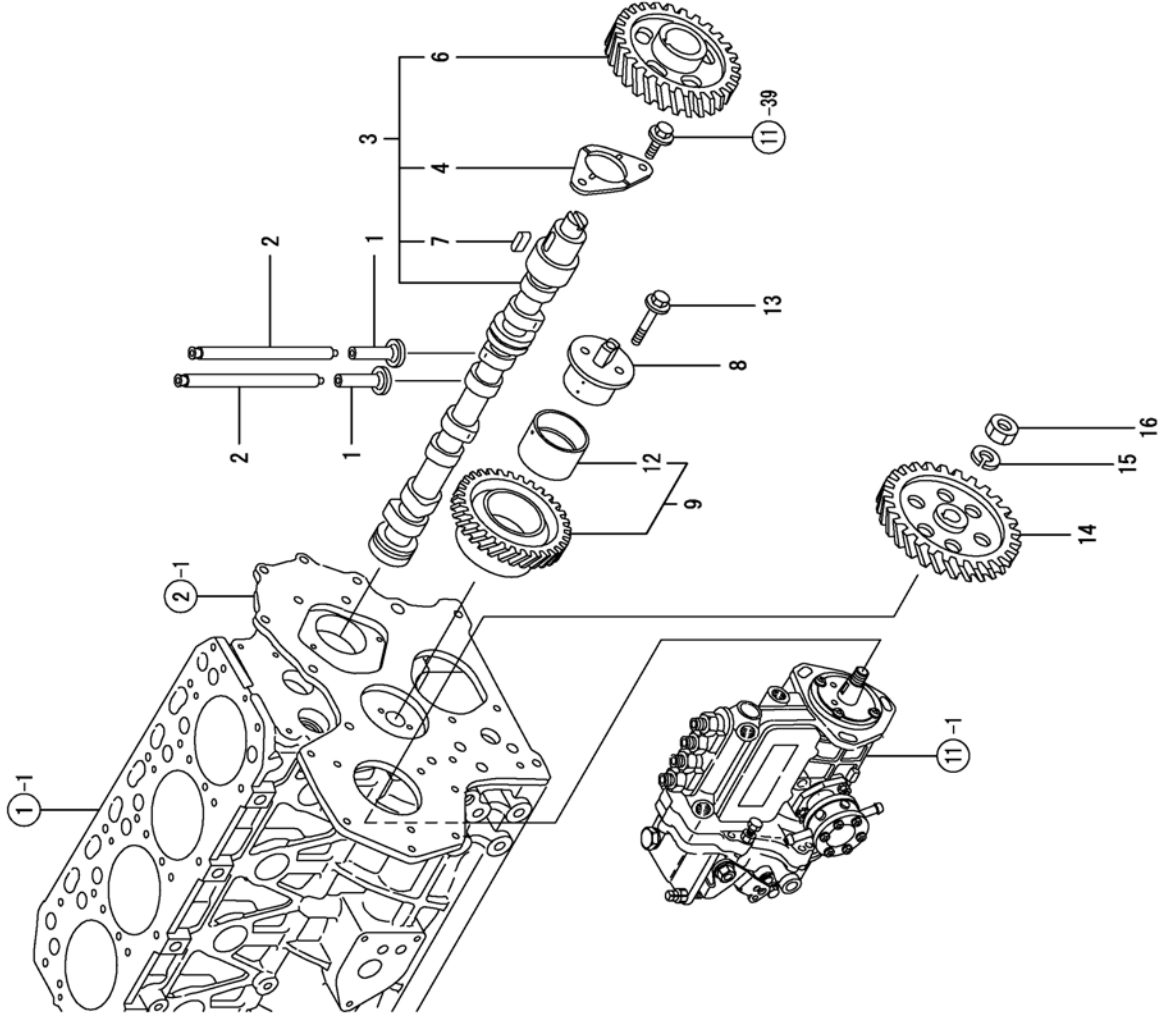
(D)=

(E)=

(F)=

No.	Lev.	Parts No.	Description	(A)	(B)	(C)	(D)	(E)	(F)
1	1	129407-13100	MANIFOLD, EXHAUST	1					
2	1	129407-13110	GASKET	1					
3	1	26306-080002	NUT, M8	2					
4	1	119802-13600	BOLT, M8X40	6					
5	1	119131-18320	STUD, M8X22	4					
6	1	119802-13710	STUD, M8X40	2					
7	1	129619-13550	SILENCER ASSY	1					
8	2	129400-13201	GASKET, SILENCER	1					
9	2	129420-13501	SILENCER	1					
10	3	129420-13530	SILENCER ASSY	1					
11	3	129420-13540	PIPE ASSY, TAIL	1					
12	4	129420-13550	PIPE, TAIL	1					
13	4	121850-13580	CLAMP	1					
14	4	128300-13640	CAP	1					
15	4	121855-13821	SPACER, A	1					
16	4	121855-13830	SPACER, B	2					
17	4	123500-13840	SPACER, C	1					
18	4	26106-060402	BOLT, M6X 40 PLATED	1					
19	4	26106-100602	BOLT, M10X 60 PLATED	1					
20	4	26347-040002	NUT, M4	1					
21	4	26347-060002	NUT, M6	1					
22	4	26306-100002	NUT, M10	1					
23	4	26557-040352	SCREW, M4X35	1					
24	2	26306-080002	NUT, M8	4					

Fig.7. CAMSHAFT & DRIVING GEAR



(A)=4TNE84-BAG

(B)=

(C)=

(D)=

(E)=

(F)=

Qty

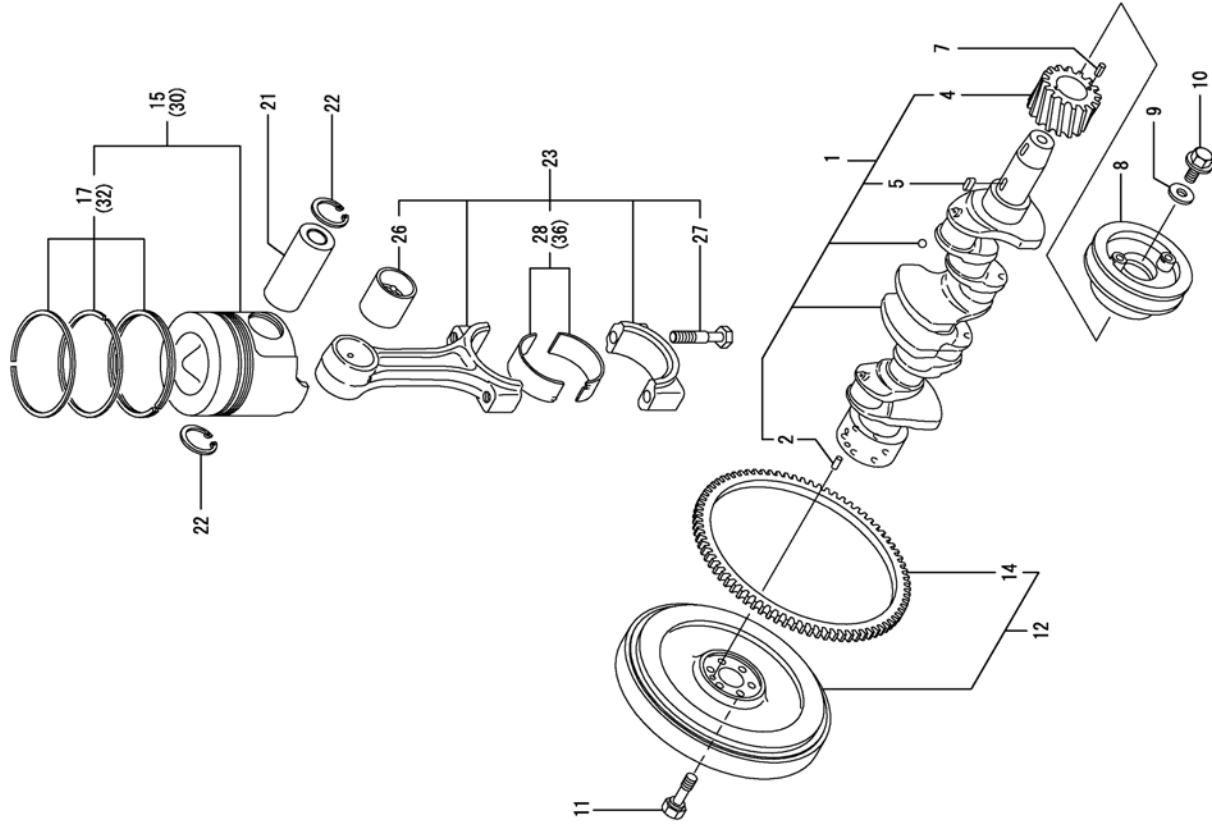
Description

No. Lev. Parts No.

No.	Lev.	Parts No.	Description	(A)	(B)	(C)	(D)	(E)	(F)
1	1	129150-14200	TAPPET	8					
2	1	129150-14400	ROD, PUSH L=178	8					
3	1	729402-14580	CAMSHAFT ASSY	1					
4	2	129150-02450	BEARING, THRUST	1					
6	2	129150-14101	GEAR, CAMSHAFT	1					
7	2	22512-070140	KEY, 7X 14	1					
8	1	129100-25061	SHAFT, IDLE	1					
9	1	129150-25101	GEAR ASSY, IDLE	1					
12	2	129150-25920	BUSH, IDLE GEAR	1					
13	1	26106-080452	BOLT, M8X 45 PLATED	2					
14	1	129150-25900	GEAR, PUMP	1					
15	1	22217-120000	WASHER, SPRING 12	1					
16	1	26716-120002	NUT, M12	1					

Remarks  
(1) REPAIR PART.

Fig.8. CRANKSHAFT & PISTON



(A)=4TNE84-BAG

(B)=

(C)=

(D)=

(E)=

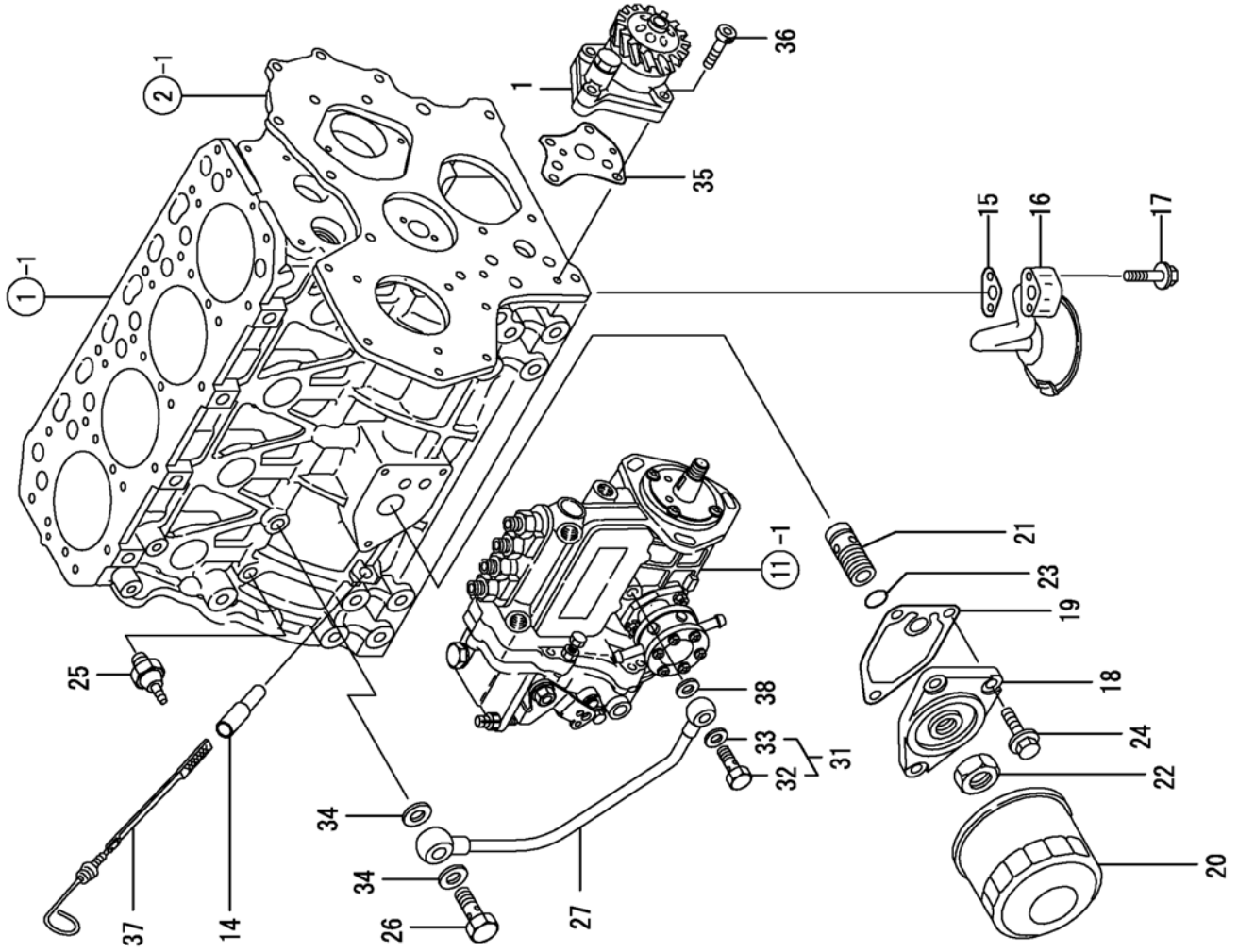
(F)=

No.	Lev.	Parts No.	Description	(A)	(B)	(C)	(D)	(E)	(F)
1	1	129407-21100	CRANKSHAFT ASSY	1					
2	2	129100-01580	PIN, M8X16	1					
4	2	129150-21200	GEAR, CRANKSHAFT	1					
5	2	22512-070140	KEY, 7X 14	1					
7	1	22351-040010	PIN, SPRING 4.0X10	1					
8	1	129550-21650	V-PULLEY	1					
9	1	129795-21661	WASHER	1					
10	1	121850-21680	BOLT	1					
11	1	121111-21501	BOLT, FLYWHEEL	6					
12	1	171420-21590	FLYWHEEL ASSY	1					
14	2	124550-21600	GEAR, RING	1					
15	1	129002-22081	PISTON ASSY	4					
17	2	129002-22500	RING SET, PISTON	4					
21	1	129202-22300	PIN, PISTON D26 L70	4					
22	1	22252-000260	RING, 26	8					
23	1	729402-23100	ROD ASSY, CONNECTING	4					
26	2	129100-23910	BEARING, PISTON PIN	4					
27	2	121550-23200	BOLT, CONNECTING ROD	8					
28	2	129150-23600	BEARING, CRANK PIN	4					
30	1	129002-22910	PISTON ASSY, 0.25 OS	4					
32	2	129002-22960	RING SET, 0.25 OS	4					
36	1	129150-23610	BEARING, 0.25 US	4					

Remarks

- (1) REPAIR PART.
- (2) OVER-SIZE (O.S=0.25) PART.
- (3) UNDER-SIZE(U.S=0.25) PART.

Fig.9. LUB.OIL SYSTEM



(A)=4TNE84-BAG

(B)=

(C)=

(D)=

(E)=

(F)=

No. Lev. Parts No. Description Q'ty

No.	Lev.	Parts No.	Description	Q'ty
1	1	129407-32000	PUMP ASSY, OIL	1
14	1	121520-34810	GUIDE, DIPSTICK	1
15	1	129150-35041	GASKET	1
16	1	129436-35091	PIPE ASSY, OIL INLET	1
17	1	26106-080352	BOLT, M8X 35 PLATED	2
18	1	129150-35101	BRACKET, STRAINER	1
19	1	129150-35111	GASKET	1
20	1	129150-35151	FILTER, D80XL80	1
21	1	129001-35300	BOLT, FILTER	1
22	1	129150-35350	NUT	1
23	1	24311-000160	O-RING, 1AP16.0	1
24	1	26106-080202	BOLT, M8X 20 PLATED	3
25	1	114250-39450	SWITCH, 0.5KG	1
26	1	124160-39140	BOLT, PIPE JOINT M10	1
27	1	129550-39450	PIPE ASSY, OIL	1
31	1	124550-59830	BOLT ASSY, JOINT M8	1
32	2	124550-59820	BOLT, PIPE JOINT M8	1
33	2	22190-080002	WASHER, SEAL 6	1
34	1	22190-100002	WASHER, SEAL 10	2
35	1	129150-32020	GASKET, PUMP	1
36	1	26450-060252	BOLT, M6X 25	4
37	1	129136-34800	DIPSTICK, OIL	1
38	1	22190-080002	WASHER, SEAL 6	1

Fig.10. COOLING WATER SYSTEM

(A)=4TNE84-BAG

(B)=

(C)=

(D)=

(E)=

(F)=

No.	Lev.	Parts No.	Description	(A)	(B)	(C)	(D)	(E)	(F)
1	1	129001-42003	PUMP ASSY, WATER	1					
12	2	23876-030000	PLUG, R03	2					
13	1	129486-42021	GASKET, WATER PUMP	1					
14	1	129001-42040	JOINT	1					
15	1	129486-42140	O-RING, G30	1					
16	1	124395-49840	GASKET	1					
17	1	26106-080162	BOLT, M8X 16 PLATED	3					
18	1	26106-080602	BOLT, M8X 60 PLATED	3					
19	1	129155-42350	V-PULLEY	1					
20	1	25132-003800	V-BELT, A38	1					
21	1	129403-44740	FAN, COOLING 370	1					
22	1	121267-44760	SPACER	1					
23	1	26106-060302	BOLT, M6X 30 PLATED	4					
24	1	129350-49560	COVER, THERMOSTAT	1					
25	1	129795-49551	GASKET	1					
26	1	129155-49800	THERMOSTAT, 71	1					
27	1	129150-49811	GASKET, THERMOSTAT	1					
28	1	26106-080202	BOLT, M8X 20 PLATED	2					
29	1	121550-49111	JOINT, PT1/4	1					
30	1	121450-42450	PLUG, M16	1					
31	1	121250-44901	SWITCH, 110	1					
32	1	124465-44950	GASKET, 16	1					
33	1	124465-44950	GASKET, 16	1					
34	1	129188-08100	FOOT	2					
35	1	119888-08110	FOOT	2					
36	1	129420-44500	RADIATOR	1					
38	2	129132-44530	HOSE, RUBBER	1					
39	2	129420-44550	SHROUD ASSY	1					
40	2	119259-44570	CAP, RADIATOR	1					
41	2	121250-44590	CLAMP	2					
42	2	26014-060122	BOLT, M6X 12	4					
43	1	129420-44560	PROTECTOR, FAN	1					
44	1	121400-44650	ABSORBER	2					
45	1	129619-44941	RETAINER, RADIATOR	1					
46	1	129188-44950	BRACKET	2					
47	1	129619-44951	RETAINER, RADIATOR	1					
48	1	129488-44960	BRACKET, RADIATOR	1					
49	1	129619-44972	SUPPORT, RADIATOR	1					
50	1	171420-49010	PIPE, WATER	1					
51	1	171420-49020	PIPE, WATER	1					
52	1	119623-49100	PIPE, WATER	1					
54	2	124766-59050	CLIP, HOSE 12	2					
55	1	129150-49100	COCK ASSY, 3-WAY	1					
56	2	129150-49080	COCK, DRAIN	1					
60	1	129609-49100	PIPE ASSY, WATER	1					
62	2	124766-59050	CLIP, HOSE 12	2					
63	1	121750-59890	BAND, 140	1					
64	1	22137-080000	WASHER, 8	2					
65	1	22137-080000	WASHER, 8	6					
66	1	22157-060000	WASHER, 6	2					
67	1	22217-100000	WASHER, SPRING 10	2					

N:Old <sup>465</sup>/<sub>NO</sub> New, O:Old <sup>465</sup>/<sub>YES</sub> New, R:Old <sup>465</sup>/<sub>YES</sub> New, S:Old <sup>465</sup>/<sub>NO</sub> New, W:Add, Z:Discontinued, F:Interchangeable by set, K:Qty  
 ++ CONTINUE ++  
 Copyright (C) YANMAR CO., LTD. All Rights Reserved

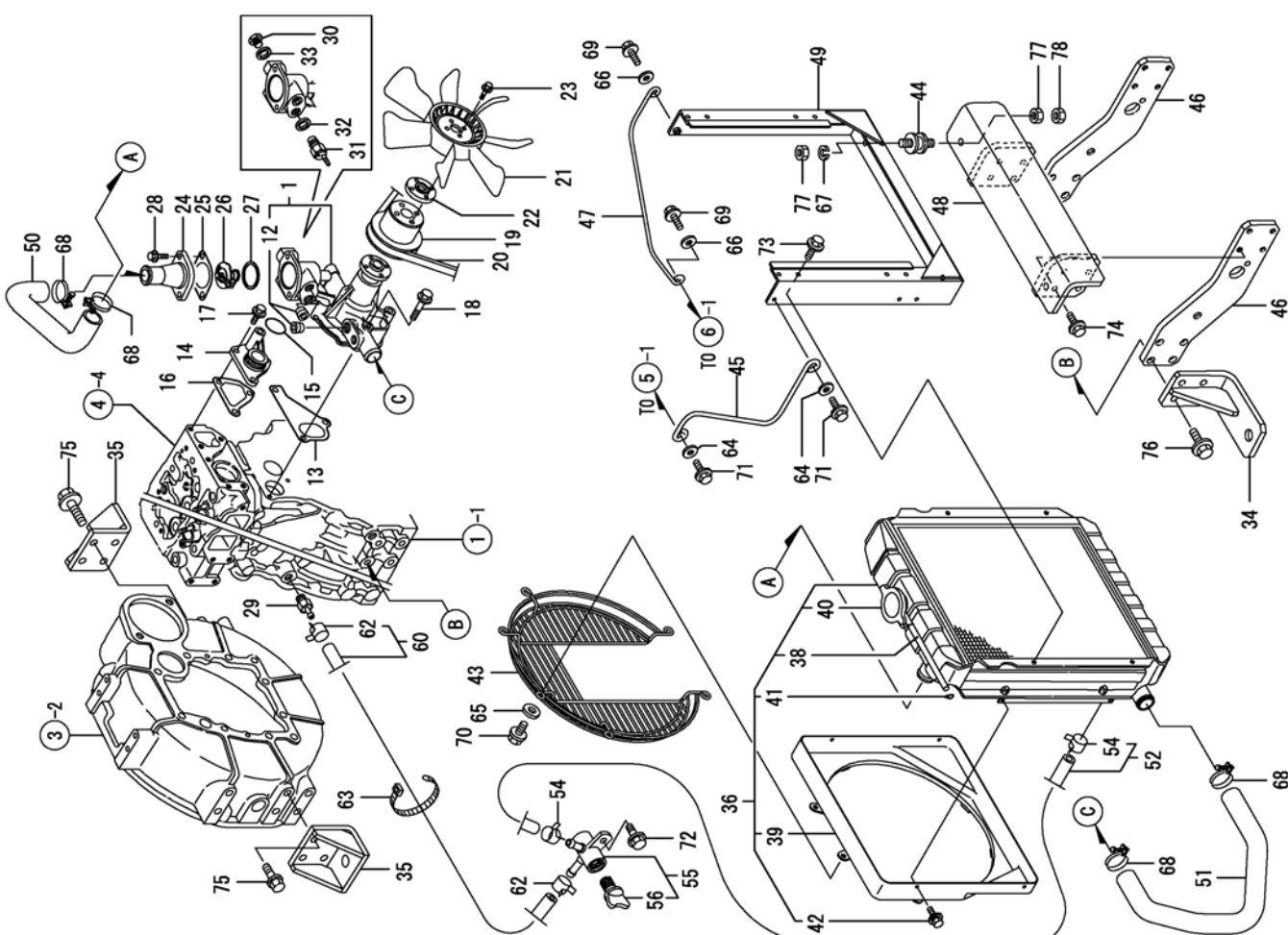
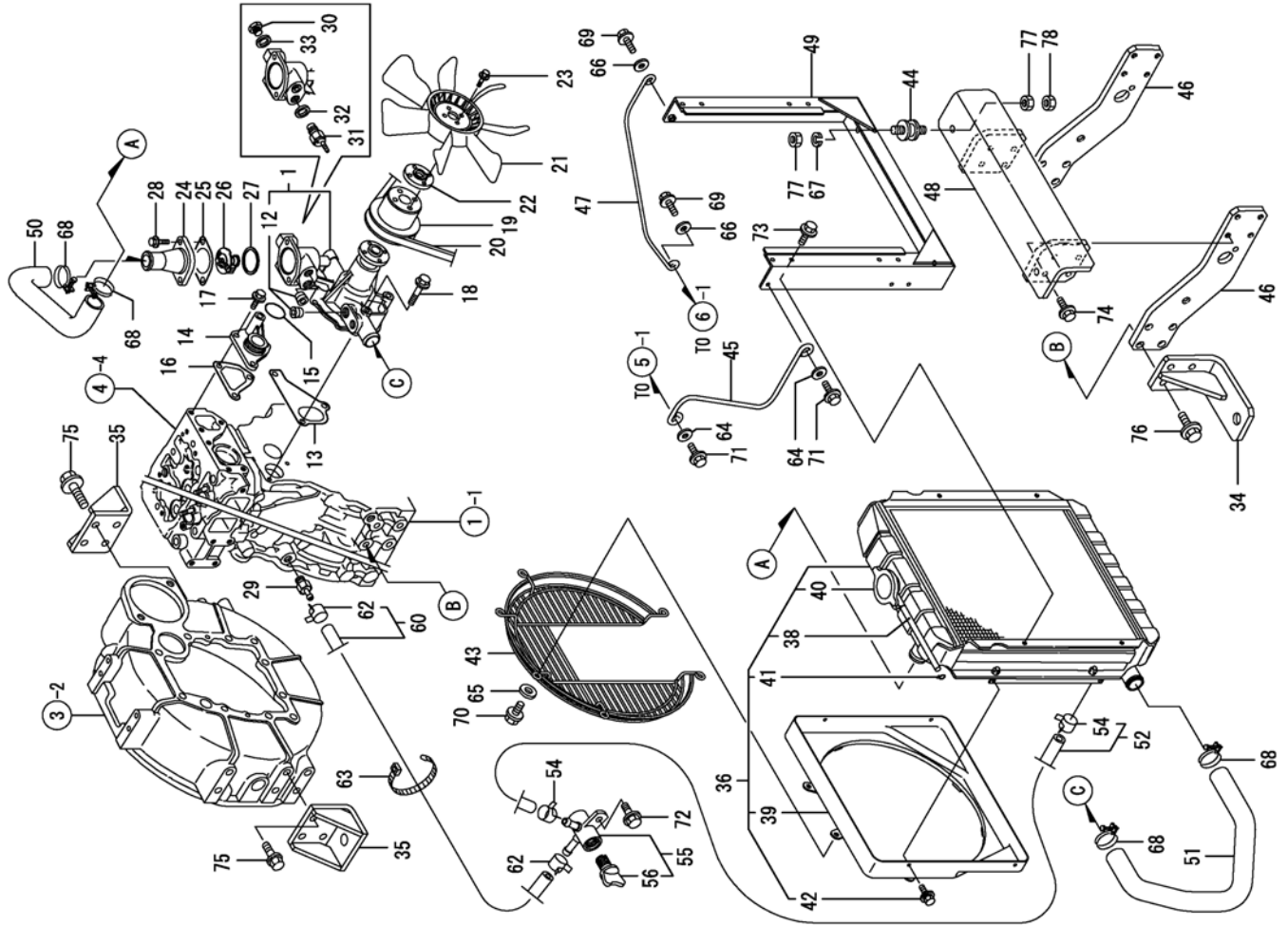


Fig.10. COOLING WATER SYSTEM



(A)=4TNE84-BAG

(B)=

(C)=

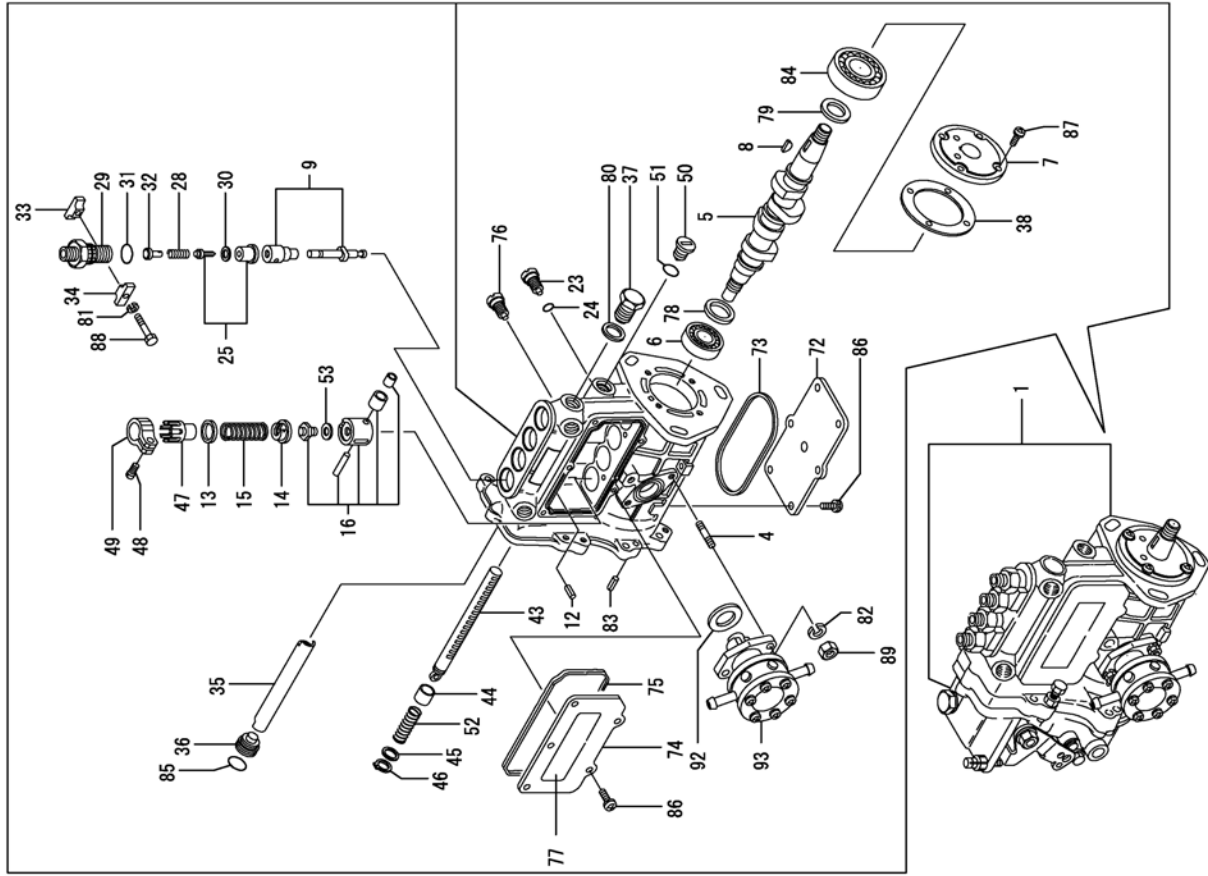
(D)=

(E)=

(F)=

No.	Lev.	Parts No.	Description	Qty						
				(A)	(B)	(C)	(D)	(E)	(F)	
68	1	23010-038000	CLAMP, 38	4						
69	1	26106-060142	BOLT, M6X 14 PLATED	2						
70	1	26106-080142	BOLT, M8X 14 PLATED	6						
71	1	26106-080162	BOLT, M8X 16 PLATED	2						
72	1	26106-080162	BOLT, M8X 16 PLATED	1						
73	1	26106-080202	BOLT, M8X 20 PLATED	4						
74	1	26106-080252	BOLT, M8X 25 PLATED	8						
75	1	26106-100202	BOLT, M10X 20 PLATED	8						
76	1	26106-100302	BOLT, M10X 30 PLATED	8						
77	1	26716-100002	NUT, M10	4						
78	1	26756-100002	NUT, LOCK M10	2						

Fig.11. FUEL INJECTION PUMP



Remarks  
 (1) GOVERNOR ASSY(FIG.NO.12) IS INCORPORATED IN THIS FUEL INJECTION PUMP ASSY(REF:NO.1).

(A)=4TNE84-BAG

(B)=

(C)=

(D)=

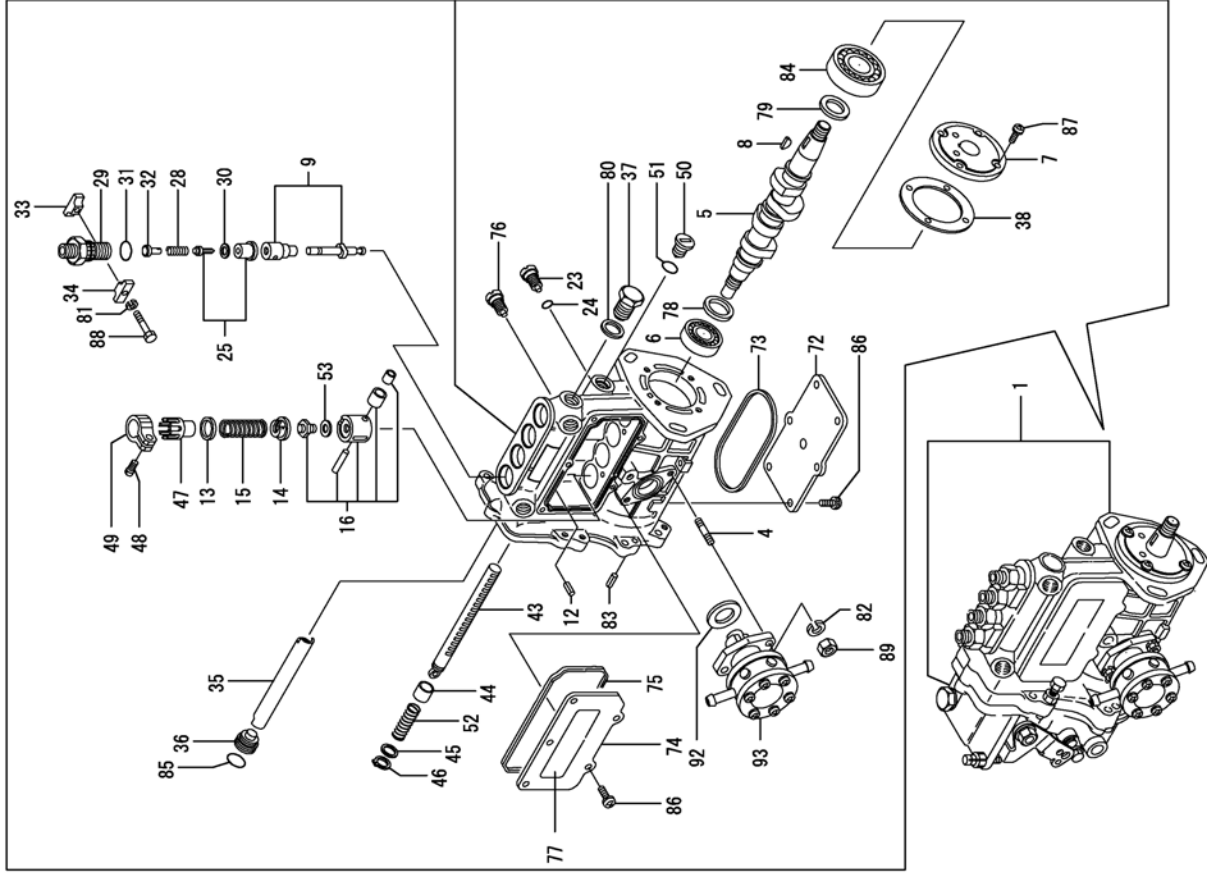
(E)=

(F)=

No.	Lev.	Parts No.	Description	(A)	(B)	(C)	(D)	(E)	(F)	Qty
1	1	729408-51310	PUMP ASSY, INJECTION	1						
4	2	129155-51020	STUD	2						
5	2	129470-51040	CAMSHAFT	1						
6	2	129155-51051	BEARING	1						
7	2	129155-51060	SUPPORT, CAMSHAFT	1						
8	2	122710-51090	KEY	1						
9	2	129506-51100	PLUNGER ASSY	4						
12	2	129155-51140	PIN	4						
13	2	174307-51170	RETAINER, SPRING A	4						
14	2	129155-51180	RETAINER, SPRING	4						
15	2	124950-51190	SPRING, PLUNGER	4						
16	2	129155-51200	TAPPET ASSY	4						
23	2	129155-51270	STOPPER, TAPPET	4						
24	2	129155-51280	O-RING, S6	4						
25	2	129100-51300	VALVE ASSY, DELIVERY	4						
28	2	129155-51320	SPRING, DELIVERY	4						
29	2	129155-51340	RETAINER	4						
30	2	124550-51350	GASKET, DELIVERY	4						
31	2	124550-51370	O-RING	4						
32	2	129155-51370	STOPPER, VALVE	4						
33	2	129155-51380	STOPPER	2						
34	2	129155-51390	STOPPER	2						
35	2	129555-51400	DEFLECTOR	1						
36	2	129155-51410	BOLT	1						
37	2	129155-51420	PLUG, M16	1						
38	2	129155-51450	SHIM SET, ADJUSTING	1						
43	2	129555-51500	RACK, CONTROL	1						
44	2	129155-51521	BUSH, RACK	1						
45	2	129155-51530	SPACER	1						
46	2	129155-51540	CIRCLIP	1						
47	2	129155-51550	PINION, CONTROL	4						
48	2	129100-51570	SCREW	4						
49	2	129100-51560	PINION	4						
50	2	129155-51570	PLUG, M12	1						
51	2	129155-51580	O-RING	1						
52	2	129155-51591	SPRING, RACK	1						
53	2	129155-51600	SHIM SET, ADJUSTING	4						
72	2	129555-51701	COVER	1						
73	2	129555-51711	GASKET	1						
74	2	129555-51751	COVER	1						
75	2	129555-51760	GASKET	1						
76	2	129155-51790	STOOPER, RACK	1						
77	2	129156-51910	LABEL, CAUTION	1						
78	2	129155-51930	SPACER, T=3.25	1						
79	2	129155-51940	SPACER, T=1.5	1						
80	2	22190-160002	WASHER, SEAL 16	1						
81	2	22217-050000	WASHER, SPRING 5	2						
82	2	22217-060000	WASHER, SPRING 6	2						
83	2	22351-050010	PIN, SPRING 5.0X10	2						
84	2	24101-063034	BEARING, BALL 6303	1						
85	2	24341-000160	O-RING, 1AS16.0	1						

N:Old <sup>46S</sup>/<sub>NO</sub> New, O:Old <sup>46S</sup>/<sub>YES</sub> New, R:Old <sup>46S</sup>/<sub>YES</sub> New, S:Old <sup>46S</sup>/<sub>NO</sub> New, W:Add, Z:Discontinued, F:Interchangeable by set, K:Qty  
 ++ CONTINUE ++

Fig.11. FUEL INJECTION PUMP



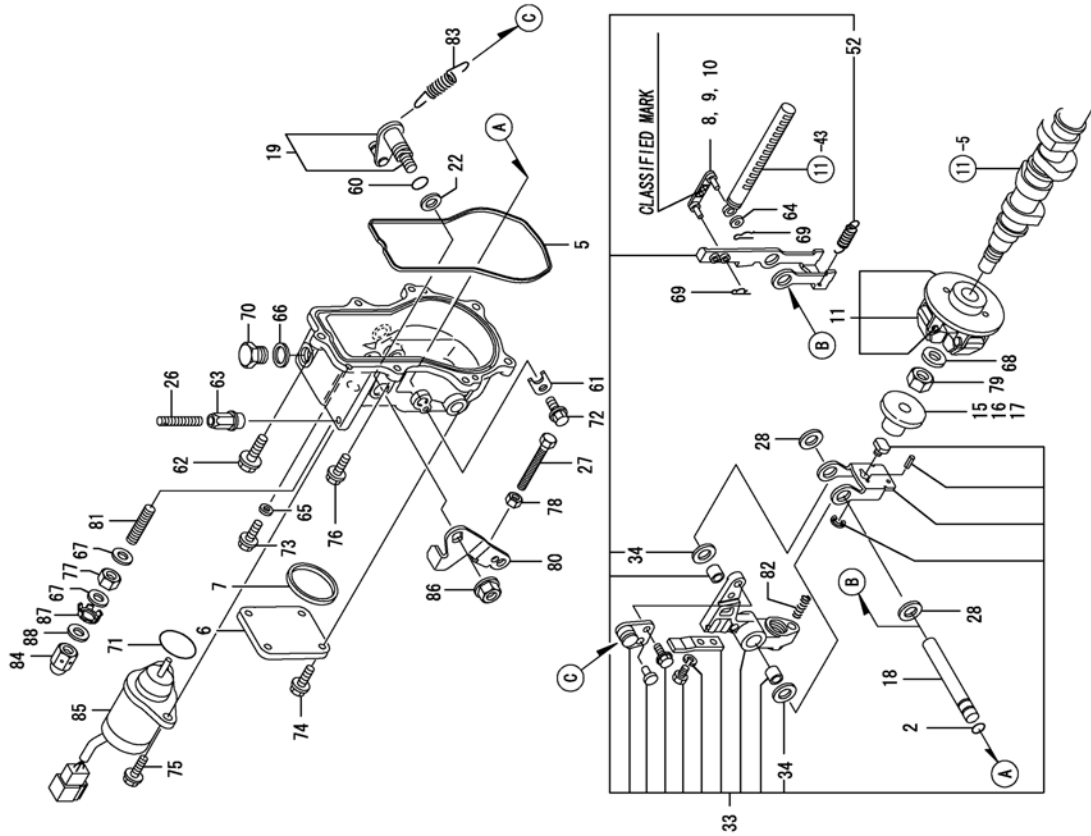
(A)=4TNE84-BAG  
 (B)=  
 (C)=

No.	Lev.	Parts No.	Description	(A)	(B)	(C)	(D)	(E)	(F)	Qty
86	2	26022-050122	SCREW, M5X12	11						
87	2	26022-060162	SCREW, M6X16	4						
88	2	26116-050302	BOLT, M5X 30 PLATED	2						
89	2	26716-060002	NUIT, M6	2						
92	2	129155-52050	GASKET	1						
93	2	129100-52100	PUMP ASSY, FUEL FEED	1						

Remarks  
 (1) GOVERNOR ASSY(FIG.NO.12) IS INCORPORATED IN THIS FUEL INJECTION PUMP ASSY(REF.NO.1).



Fig.12. GOVERNOR



Remarks  
 (1) SELECTIVE PARTS: CERTAIN THE CLASSIFICATION MARK, THEN PLACE YOUR ORDER.(REFER TO ILLUSTRATION )  
 (2) SELECTIVE PARTS:  
 \* THIS FIGURE(GOVERNOR ASSY)IS INCORPORATED IN THE FUEL INJECTION PUMP ASSY(FIG.11).

(A)=4TNE84-BAG

(B)=

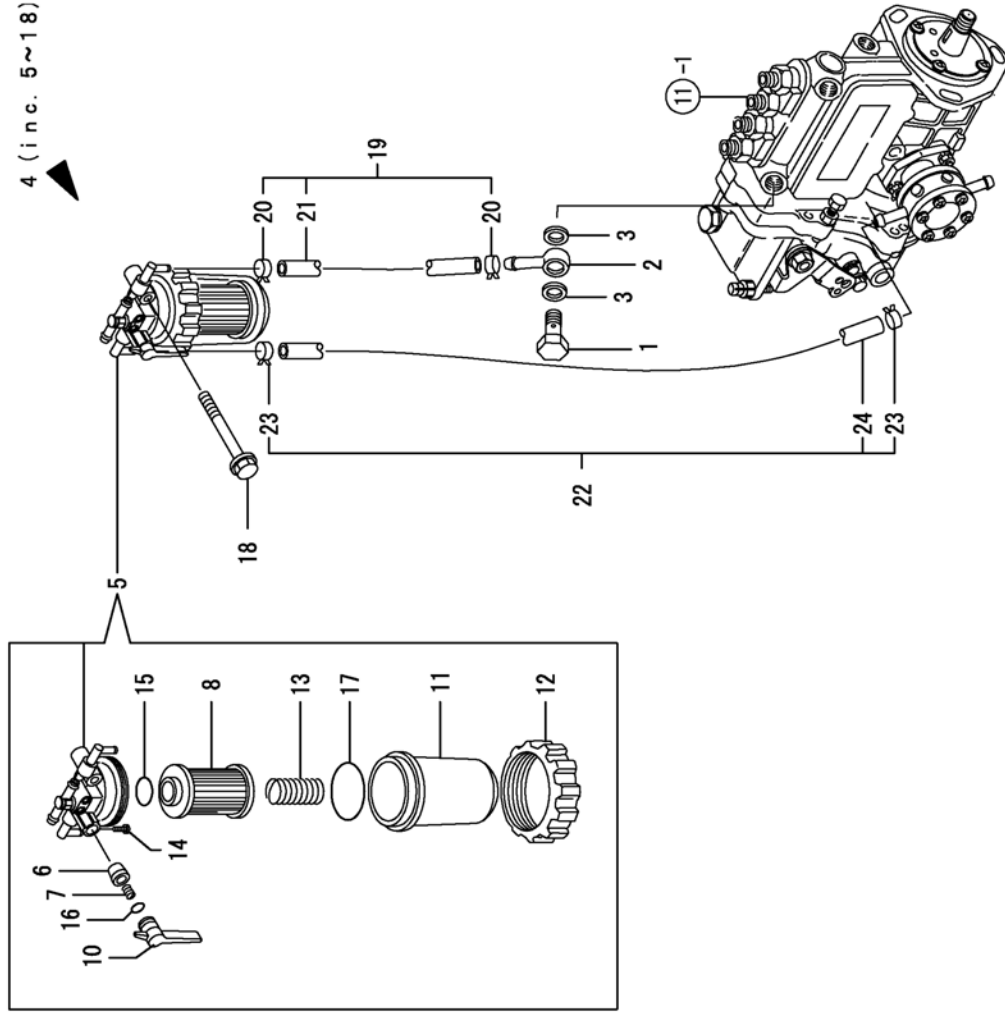
(C)=

Qty

No.	Lev.	Parts No.	Description	(A)	(B)	(C)	(D)	(E)	(F)
2	2	129155-51280	O-RING, S6	1					
5	2	129052-61050	GASKET	1					
6	2	129052-61060	COVER, GOVERNOR CASE	1					
7	2	129052-61070	GASKET	1					
8	2	129155-61120	LINK, L=30 MARK 0	1					
9	2	129155-61130	LINK, L=31 MARK 1	1					
10	2	129155-61140	LINK, L=30.5 MARK 05	1					
11	2	171488-61200	WEIGHT ASSY,GOVERNOR	1					
15	2	129155-61341	SLEEVE	1					
16	2	129155-61350	SLEEVE, L=24.9	1					
17	2	129155-61360	SLEEVE, L=25.2	1					
18	2	129052-61390	SHAFT	1					
19	2	129100-61400	SHAFT ASSY	1					
22	2	129155-61430	SPACER	1					
26	2	129155-61450	BOLT, LIMITER	1					
27	2	129155-61460	BOLT, IDLE	1					
28	2	129155-61480	SPACER ASSY	2					
33	2	129486-61501	LEVER ASSY, GOVERNOR	1					
34	3	174307-51700	SHIM SET	2					
52	3	129486-61540	SPRING, SET	1					
60	2	129155-61830	O-RING, S10	1					
61	2	119660-61901	RETAINER, SHAFT	1					
62	2	129155-61950	BOLT	1					
63	2	129209-61370	NUT, M6	1					
64	2	22117-040000	WASHER, 4	1					
65	2	22190-060003	SEAL WASER 6	1					
66	2	22190-100002	WASHER, SEAL 10	1					
67	2	22190-120002	WASHER, SEAL 12	2					
68	2	22287-120000	WASHER, 12	1					
69	2	22372-040000	PIN, SNAP 4	2					
70	2	23887-100002	PLUG, 10	1					
71	2	24341-000280	O-RING, 1AS28.0	1					
71-1	2	158552-61900	O-RING	1					
(A=EXXXXX)									
72	2	26106-060102	BOLT, M6X 10 PLATED	1					
73	2	26106-060102	BOLT, M6X 10 PLATED	1					
74	2	26106-060102	BOLT, M6X 10 PLATED	4					
75	2	26106-060142	BOLT, M6X 14 PLATED	2					
76	2	26106-060202	BOLT, M6X 20 PLATED	6					
77	2	26736-120002	NUT, M12	1					
78	2	26756-060002	NUT, LOCK M6	1					
79	2	26776-120002	NUT, LOCK M12	1					
80	2	171488-61440	LEVER, CONTROL	1					
81	2	120323-61470	BOLT, CONTROL	1					
82	2	129500-61650	SPRING, FUEL CONTROL	1					
83	2	129477-61720	SPRING, GOVERNOR	1					
84	2	129209-61930	NUT, CAP	1					
85	2	119653-77950	SOLENOID, STOP	1					
86	2	26366-080002	NUT, M8	1					
87	2	129209-61970	PLATE	1					
88	2	23414-120016	GASKET, 12X1.0	1					

N:Old <sup>65</sup>/<sub>10</sub> New, Q:Old <sup>NO</sup>/<sub>YES</sub> New, R:Old <sup>NO</sup>/<sub>YES</sub> New, S:Old <sup>NO</sup>/<sub>YES</sub> New, W:Add, Z:Discontinued, F:Interchangeable by set, K:Qty  
 Copyright (C) YANMAR CO., LTD. All Rights Reserved

Fig.13. FUEL FILTER



(A)=4TNE84-BAG

(B)=

(C)=

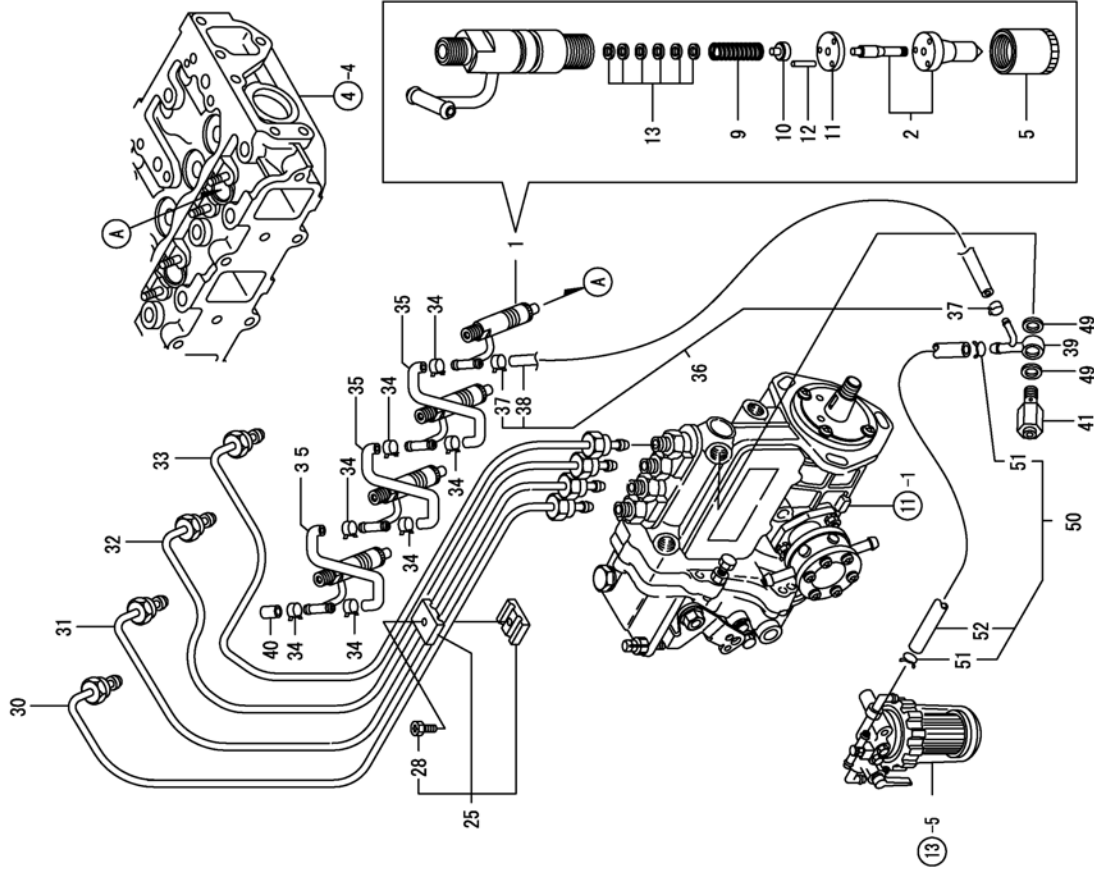
(D)=

(E)=

(F)=

No.	Lev.	Parts No.	Description	Q'ty	(A)	(B)	(C)	(D)	(E)	(F)
1	1	103854-39140	BOLT, PIPE JOINT	1						
2	1	101304-59020	JOINT, PIPE 12	1						
3	1	22190-120002	WASHER, SEAL 12	2						
4	1	129619-55150	FILTER ASSY, FUEL	1						
5	2	129052-55620	FILTER ASSY, FUEL	1						
6	3	104200-55321	VALVE, TAPER	1						
7	3	104200-55330	SPRING, VALVE	1						
8	3	129100-55650	ELEMENT	1						
10	3	129100-55670	LEVER	1						
11	3	129100-55680	CUP, STRAINER	1						
12	3	129100-55690	RING, RETAINING	1						
13	3	129100-55700	SPRING	1						
14	3	104200-55750	SCREW, M4	1						
15	3	24311-000160	O-RING, 1AP16.0	1						
16	3	24311-240100	O-RING, 1AP10A	1						
17	3	24321-000650	O-RING, 1AG65.0	1						
18	2	26014-080702	BOLT, M8X 70	1						
19	1	129210-59040	PIPE ASSY, FUEL	1						
20	2	124766-59050	CLIP, HOSE 12	2						
21	2	129555-59510	PIPE, D13/7.5X180	1						
22	1	129210-59150	PIPE ASSY, FUEL	1						
23	2	124766-59050	CLIP, HOSE 12	2						
24	2	105025-59530	PIPE, FUEL D13X400	1						

Fig.14. FUEL INJECTION VALVE



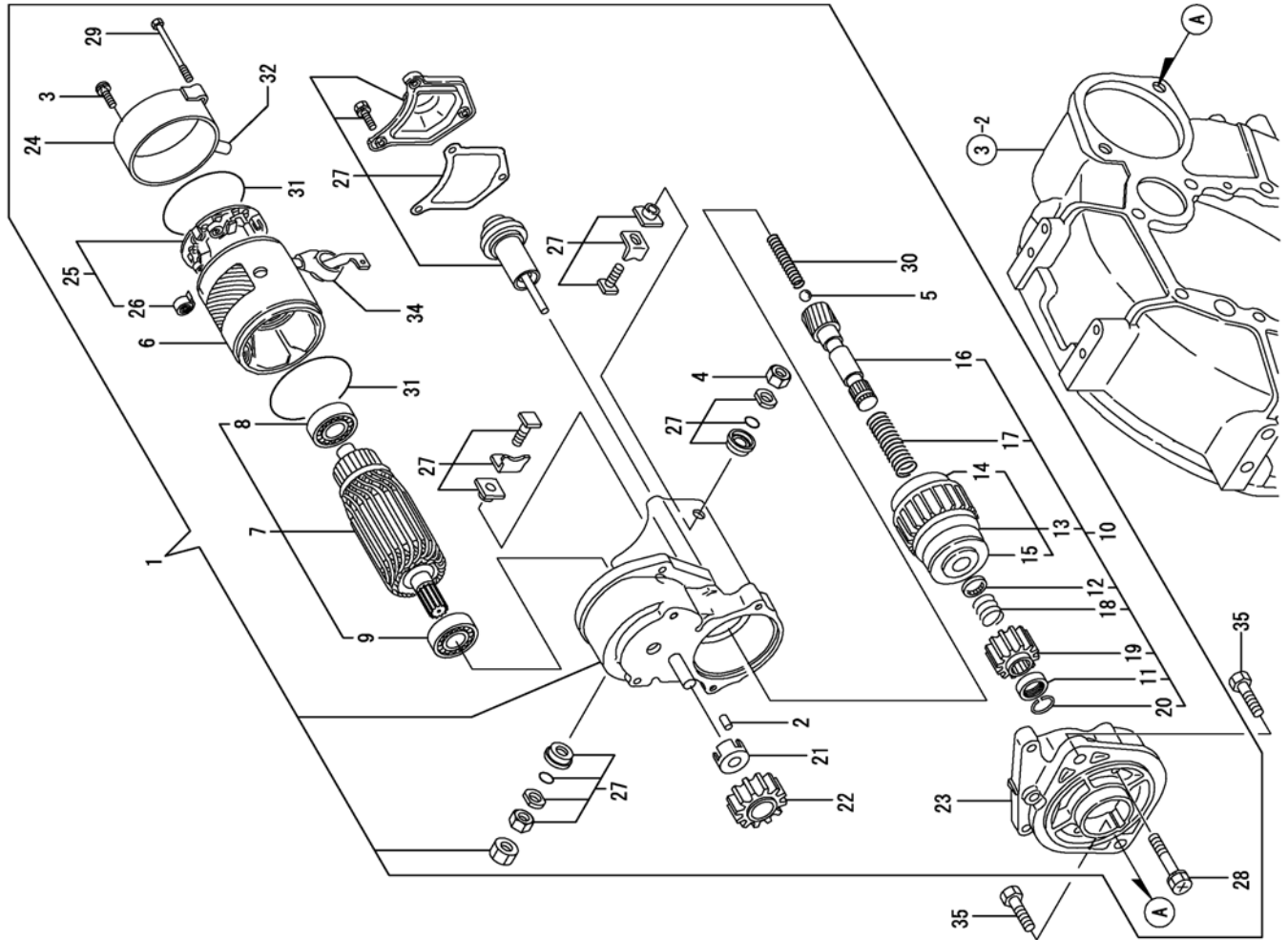
(A)=4TNE84-BAG

(B)=  
(C)=

(D)=  
(E)=  
(F)=

No.	Lev.	Parts No.	Description	(A)	(B)	(C)	(D)	(E)	(F)	Qty
1	1	719810-53100	VALVE ASSY,INJECTION	4						
2	2	119810-53000	VALVE ASSY,INJECTION	4						
5	2	114250-53080	NUT, NOZZLE D16.95	4						
9	2	114250-53120	SPRING, NOZZLE	4						
10	2	114250-53130	SEAT, SPRING	4						
11	2	114250-53140	PLATE	4						
12	2	114250-53210	PIN	8						
13	2	114250-53400	SHIM SET	4						
25	1	119305-59120	RETAINER, PIPE	2						
28	2	129150-59131	BOLT, M4X14	2						
30	1	129611-59911	PIPE ASSY, INJECTION	1						
31	1	129611-59921	PIPE ASSY, INJECTION	1						
32	1	129611-59930	PIPE ASSY, INJECTION	1						
33	1	129611-59940	PIPE ASSY, INJECTION	1						
34	1	124066-59100	CLIP, HOSE 8	7						
35	1	121250-59550	PIPE, FUEL D8X120	3						
36	1	119840-59500	PIPE ASSY, RETURN	1						
37	2	124066-59100	CLIP, HOSE 8	2						
38	2	119840-59560	PIPE, FUEL RETURN	1						
39	1	119840-59570	JOINT	1						
40	1	129150-59580	CAP	1						
41	1	129100-59951	VALVE ASSY, CHECK	1						
49	1	22190-120002	WASHER, SEAL 12	2						
50	1	129210-59150	PIPE ASSY, FUEL	1						
51	2	124766-59050	CLIP, HOSE 12	2						
52	2	105025-59530	PIPE, FUEL D13X400	1						

Fig.15. STARTING MOTOR

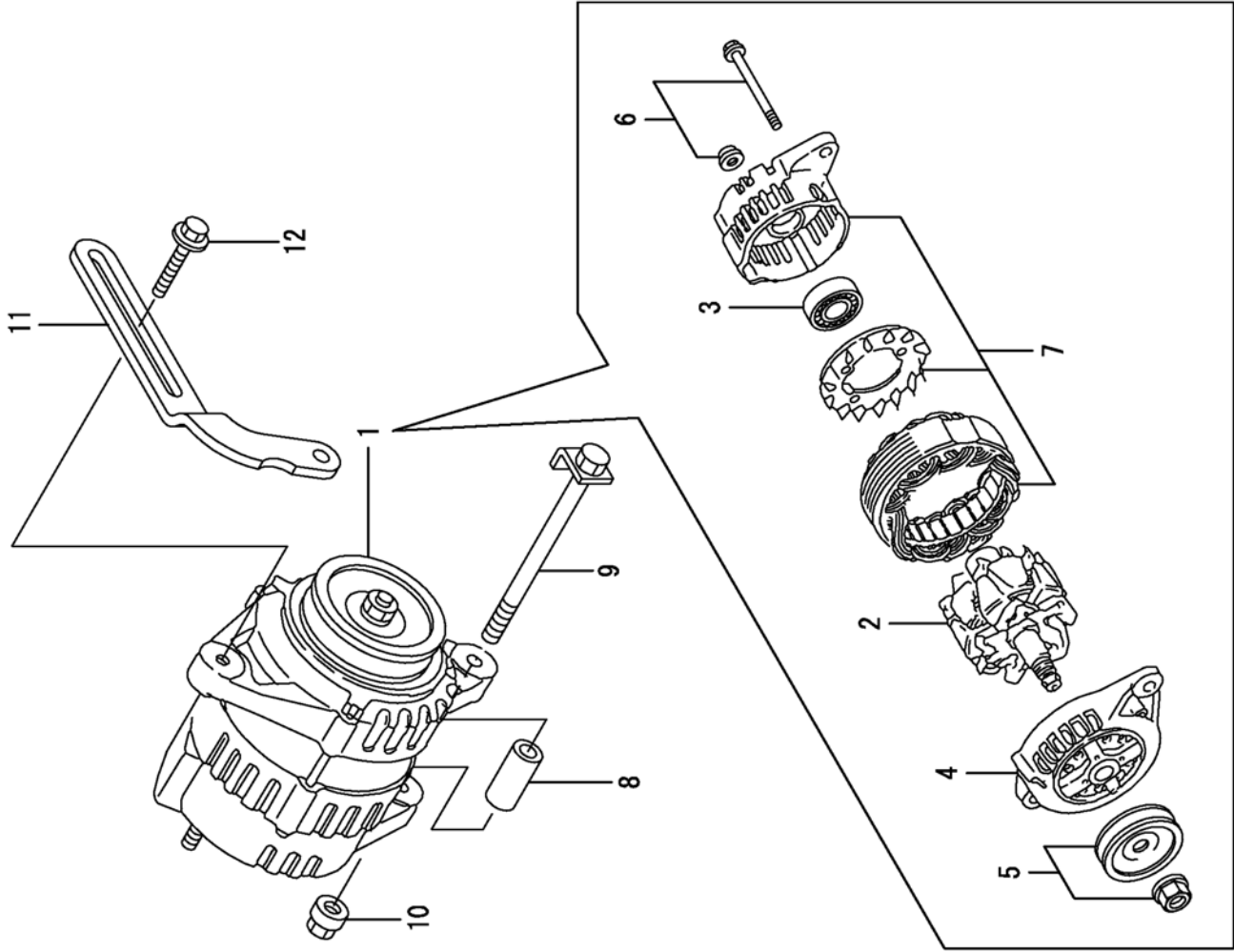


(A)=4TNE84-BAG  
(B)=  
(C)=

(D)=  
(E)=  
(F)=

No.	Lev.	Parts No.	Description	(A)	(B)	(C)	(D)	(E)	(F)
1	1	129407-77010	STARTER, RA1.4	1					
2	2	X0283060061	ROLLER	5					
3	2	129129-77460	SCREW	2					
4	2	X9490561370	NUT	1					
5	2	X9491200240	BALL	1					
6	2	129407-77210	YOKE ASSY	1					
7	2	129407-77220	ARMATURE ASSY	1					
8	3	129129-77230	BEARING	1					
9	3	129129-77240	BEARING	1					
10	2	129407-77250	STARTER	1					
11	3	X0280210230	NUT	1					
12	3	X0283270140	RETAINER	1					
13	3	129407-77390	CLUTCH ASSY	1					
14	4	129129-77440	BEARING, BALL	1					
15	4	129129-77450	BEARING, BALL	1					
16	3	129129-77400	SHAFT	1					
17	3	129129-77410	SPRING, COIL	1					
18	3	129407-77410	SPRING	1					
19	3	129129-77420	PINION, STARTER	1					
20	3	129129-77430	RING	1					
21	2	129129-77260	RETAINER	1					
22	2	129129-77270	PINION	1					
23	2	129407-77280	HOUSING	1					
24	2	129129-77290	FRAME	1					
25	2	129407-77300	HOLDER ASSY	1					
26	3	X9491730461	SPRING	4					
27	2	129407-77310	SWITCH ASSY	1					
28	2	129129-77320	BOLT	2					
29	2	129407-77330	BOLT	2					
30	2	129129-77340	SPRING	1					
31	2	129129-77350	O-RING	2					
32	2	129129-77362	COVER	1					
34	2	129129-77380	CAP	1					
35	1	26116-120252	BOLT, M12X 25 PLATED	2					

Fig.16. GENERATOR



(A)=4TNE84-BAG

(B)=

(C)=

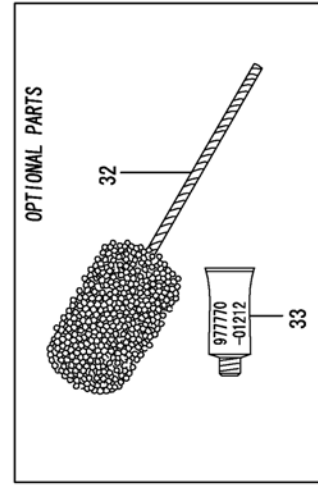
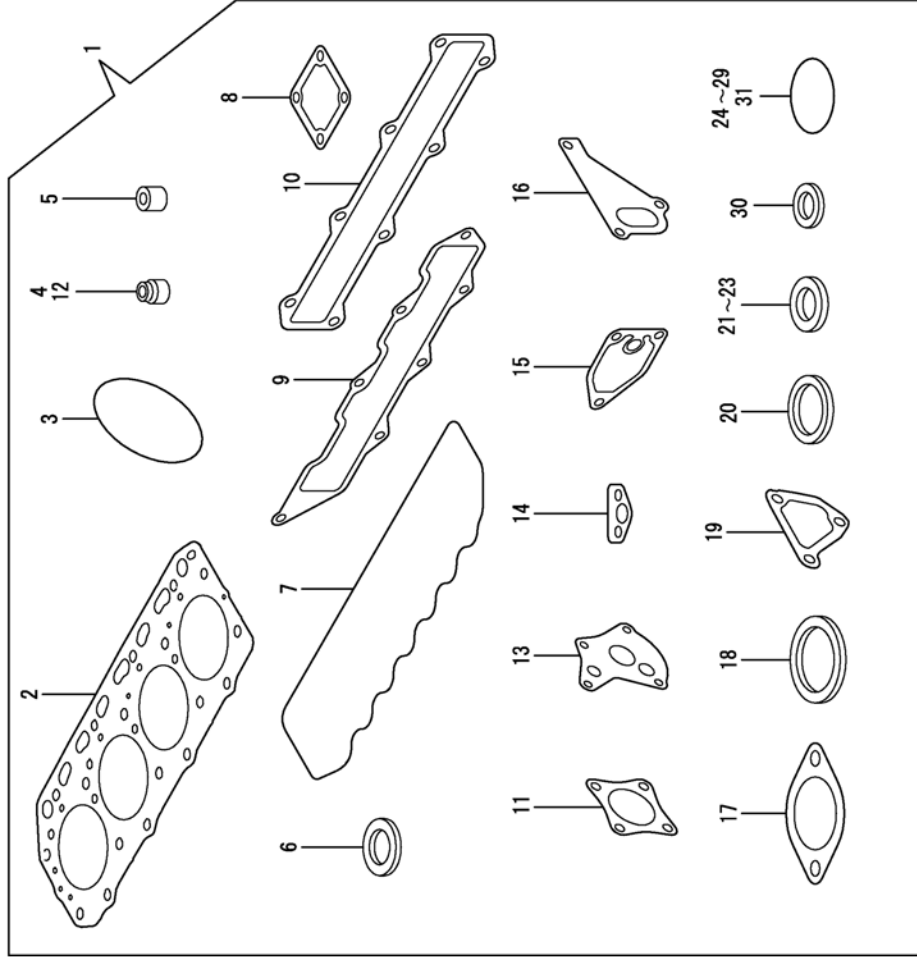
(D)=

(E)=

(F)=

No.	Lev.	Parts No.	Description	Qty				
				(A)	(B)	(C)	(D)	(E)
1	1	119836-77201	GENERATOR	1				
2	2	129612-77700	ROTOR ASSY	1				
3	2	129612-77710	BEARING, BALL	1				
4	2	129612-77730	BRACKET ASSY, FILTER	1				
5	2	129612-77740	PULLEY	1				
6	2	129612-77750	SCREW KIT	1				
7	2	119836-77920	BRACKET ASSY	1				
8	1	119820-77340	PIECE, DISTANCE	1				
9	1	129136-77251	BOLT, M8X110	1				
10	1	129612-77260	NUT, ALTERNATOR	1				
11	1	129100-77330	ADJUSTER	1				
12	1	119810-77340	BOLT, ADJUSTER	1				
13	1	26106-080502	BOLT, M8X 50 PLATED	1				

Fig.17. GASKET SET



(A)=4TNE84-BAG  
(B)=  
(C)=  
(D)=  
(E)=  
(F)=

No.	Lev.	Parts No.	Description	(A)	(B)	(C)	(D)	(E)	(F)
1	1	729618-92640	GASKET SET	1					
2	2	129408-01330	GASKET, HEAD	1					
3	2	121850-51960	O-RING	1					
4	2	124460-11340	SEAL, VALVE STEM	4					
5	2	119625-11870	PROTECTOR, NOZZLE	4					
6	2	119625-11880	SEAT, NOZZLE	4					
7	2	129550-11310	GASKET, BONNET	1					
8	2	129150-77511	GASKET	1					
9	2	129407-12110	GASKET, MANIFOLD	1					
10	2	129407-13110	GASKET	1					
11	2	129400-13201	GASKET, SILENCER	1					
12	2	121400-11340	SEAL, VALVE STEM	4					
13	2	129150-32020	GASKET, PUMP	1					
14	2	129150-35041	GASKET	1					
15	2	129150-35111	GASKET	1					
16	2	129486-42021	GASKET, WATER PUMP	1					
17	2	129795-49551	GASKET	1					
18	2	129150-49811	GASKET, THERMOSTAT	1					
19	2	124395-49840	GASKET	1					
20	2	129155-52050	GASKET	1					
21	2	22190-120002	WASHER, SEAL 12	4					
22	2	22190-080002	WASHER, SEAL 6	7					
23	2	22190-100002	WASHER, SEAL 10	2					
24	2	24311-000120	O-RING, 1AP12.0	3					
25	2	24311-000160	O-RING, 1AP16.0	1					
26	2	24311-000320	O-RING, 1AP32.0	2					
27	2	24341-000500	O-RING, 1AS50.0	1					
28	2	24341-000240	O-RING, 1AS24.0	1					
29	2	24341-000250	O-RING, 1AS25.0	1					
30	2	124465-44950	GASKET, 16	2					
31	2	119609-32040	O-RING, P16	2					
32	1	129400-92420	HONE	1					
33	1	977770-01212	GASKET, LIQUID	1					

Remarks  
(1) OPTIONAL PART.

# Parts No. Index

Parts No.	Fig. No.	Ref. No.
101304-59020	13	2
103854-39140	13	1
104200-55321	13	6
104200-55330	13	7
104200-55750	13	14
105025-59530	13	24
	14	52
114250-39450	9	25
114250-53080	14	5
114250-53120	14	9
114250-53130	14	10
114250-53140	14	11
114250-53210	14	12
114250-53400	14	13
119131-18320	6	5
119259-44570	10	40
119305-59120	14	25
119609-32040	2	13
	17	31
119620-01750	3	3
119623-49100	10	52
119625-11870	4	21
	17	5
119625-11880	4	22
	17	6
119625-11900	4	23
119653-77950	12	85
119660-61901	12	61
119802-11280	4	37
119802-13600	6	4
119802-13710	6	6
119808-12540	5	13
119810-53000	14	2
119810-77340	16	12
119820-77340	16	8
119836-77201	16	1
119836-77920	16	7
119840-59500	14	36
119840-59560	14	38
119840-59570	14	39
119888-08110	10	35
120130-11860	4	7
120323-61470	12	81
121023-01550	2	23
121111-21501	8	11
121250-44590	10	41
121250-44901	10	31
121250-59550	14	35
121267-44760	10	22
121400-11340	4	18

Parts No.	Fig. No.	Ref. No.
121400-11340	17	12
121400-44650	10	44
121450-01560	2	2
121450-42450	10	30
121520-34810	9	14
121550-23200	8	27
121550-49111	10	29
121750-59890	10	63
121850-13580	6	13
121850-21680	8	10
121850-51960	2	10
	17	3
	6	15
121855-13821	6	16
121855-13830	6	16
122710-51090	11	8
123500-13840	6	17
124066-59100	14	34
	37	37
124160-01751	2	6
	4	42
124160-01910	1	4
	5	5
124160-11360	4	51
124160-39140	9	26
124240-01871	2	7
124395-49840	10	16
	17	19
124460-11340	4	19
	17	4
124465-44950	10	32
	33	33
	30	30
124550-21600	8	14
124550-51350	11	30
124550-51370	11	31
124550-59820	9	32
124550-59830	9	31
124766-59050	10	54
	13	20
	23	23
	51	51
124950-51190	11	15
128300-13640	6	14
129001-01250	1	11
129001-02930	1	25
129001-35300	9	21
129001-42003	10	1
129001-42040	10	14
129001-91841	2	21

Parts No.	Fig. No.	Ref. No.
129002-22081	8	15
129002-22500	8	17
129002-22910	8	30
129002-22960	8	32
129052-55620	13	5
129052-61050	12	5
129052-61060	12	6
129052-61070	12	7
129052-61390	12	18
129062-12560	5	14
129100-01580	3	1
	8	2
129100-01640	3	15
129100-11100	4	13
129100-11110	4	14
129100-11650	4	33
129100-23910	8	26
129100-25061	7	8
129100-51300	11	25
129100-51560	11	49
129100-51570	11	48
129100-52100	11	93
129100-55650	13	8
129100-55670	13	10
129100-55680	13	11
129100-55690	13	12
129100-55700	13	13
129100-59951	14	41
129100-61400	12	19
129100-77330	16	11
129129-77501	5	5
129129-77230	15	8
129129-77240	15	9
129129-77260	15	21
129129-77270	15	22
129129-77290	15	24
129129-77320	15	28
129129-77340	15	30
129129-77350	15	31
129129-77362	15	32
129129-77380	15	34
129129-77400	15	16
129129-77410	15	17
129129-77420	15	19
129129-77430	15	20
129129-77440	15	14
129129-77450	15	15
129129-77460	15	3
129132-44530	10	38

Parts No.	Fig. No.	Ref. No.
129136-34800	9	37
129136-77251	16	9
129150-01200	1	31
129150-02020	1	7
129150-02450	7	4
129150-02870	1	33
129150-02930	1	28
129150-02940	1	36
129150-03020	4	43
129150-03070	4	44
129150-03080	4	45
129150-03100	2	9
129150-11230	4	34
129150-11280	4	29
129150-11370	4	20
129150-11750	4	36
129150-11810	4	9
129150-14101	7	6
129150-14200	7	1
129150-14400	7	2
129150-21200	8	4
129150-23600	8	28
129150-23610	8	36
129150-25101	7	9
129150-25900	7	14
129150-25920	7	12
129150-32020	9	35
	17	13
	9	15
129150-35041	17	14
	9	18
129150-35101	9	19
129150-35111	17	15
	9	20
129150-35151	9	22
129150-35350	10	56
129150-49080	10	55
129150-49100	10	27
129150-49811	10	18
	17	18
129150-59131	14	28
129150-59580	14	40
129150-77511	5	6
	17	8
129155-11260	4	27
129155-11270	4	28
129155-42350	10	19
129155-49800	10	26
129155-51020	11	4
129155-51051	11	6
129155-51060	11	7

# Parts No. Index

Parts No.	Fig. No.	Ref. No.
129155-51140	11	12
129155-51180	11	14
129155-51200	11	16
129155-51270	11	23
129155-51280	11	24
	12	2
129155-51320	11	28
129155-51340	11	29
129155-51370	11	32
129155-51380	11	33
129155-51390	11	34
129155-51410	11	36
129155-51420	11	37
129155-51450	11	38
129155-51521	11	44
129155-51530	11	45
129155-51540	11	46
129155-51550	11	47
129155-51570	11	50
129155-51580	11	51
129155-51591	11	52
129155-51600	11	53
129155-51790	11	76
129155-51930	11	78
129155-51940	11	79
129155-52050	11	92
	17	20
129155-61120	12	8
129155-61130	12	9
129155-61140	12	10
129155-61341	12	15
129155-61350	12	16
129155-61360	12	17
129155-61430	12	22
129155-61450	12	26
129155-61460	12	27
129155-61480	12	28
129155-61830	12	60
129155-61950	12	62
129156-51910	11	77
129188-08100	10	34
129188-44950	10	46
129202-22300	8	21
129209-61370	12	63
129209-61930	12	84
129209-61970	12	87
129210-59040	13	19
129210-59150	13	22
	14	50
129350-49560	10	24

Parts No.	Fig. No.	Ref. No.
129400-01520	2	1
129400-01730	3	10
129400-01770	3	6
129400-11350	4	41
129400-13201	6	8
	17	11
129400-92420	17	32
129403-44740	10	21
129407-11700	4	4
129407-12100	5	1
129407-12110	5	2
	17	9
129407-13100	6	1
129407-13110	6	2
	17	10
129407-21100	8	1
129407-32000	9	1
129407-77010	15	1
129407-77210	15	6
129407-77220	15	7
129407-77250	15	10
129407-77280	15	23
129407-77300	15	25
129407-77310	15	27
129407-77330	15	29
129407-77390	15	13
129407-77410	15	18
129408-01330	1	32
	17	2
129420-13501	6	9
129420-13530	6	10
129420-13540	6	11
129420-13550	6	12
129420-44500	10	36
129420-44550	10	39
129420-44560	10	43
129436-35091	9	16
129470-51040	11	5
129477-61720	12	83
129486-01670	3	18
129486-42021	10	13
	17	16
129486-42140	10	15
129486-61501	12	33
129486-61540	12	52
129488-44960	10	48
129500-11240	4	26
129500-61650	12	82
129506-51100	11	9
129550-11290	4	30

Parts No.	Fig. No.	Ref. No.
129550-11310	4	47
	17	7
129550-21650	8	8
129550-39450	9	27
129555-51400	11	35
129555-51500	11	43
129555-51701	11	72
129555-51711	11	73
129555-51751	11	74
129555-51760	11	75
129555-59510	13	21
129609-12210	5	8
129609-12500	5	9
129609-12530	5	10
129609-12550	5	15
129609-49100	10	60
129611-59911	14	30
129611-59921	14	31
129611-59930	14	32
129611-59940	14	33
129612-77260	16	10
129612-77700	16	2
129612-77710	16	3
129612-77730	16	4
129612-77740	16	5
129612-77750	16	6
129619-13550	6	7
129619-44941	10	45
129619-44951	10	47
129619-44972	10	49
129619-55150	13	4
129795-01780	3	17
129795-01800	2	5
129795-01950	2	8
129795-02411	1	14
129795-11120	4	15
129795-11180	4	16
129795-21661	8	9
129795-49551	10	25
	17	17
129900-07900	4	2
129900-12530	5	12
158552-61900	12	71 -1
171051-01921	1	6
171301-01640	3	7
171350-03090	4	1
171420-01600	3	2
171420-21590	8	12
171420-49010	10	50
171420-49020	10	51

Parts No.	Fig. No.	Ref. No.
171488-61200	12	11
171488-61440	12	80
174307-51170	11	13
174307-51700	12	34
22117-040000	12	64
22137-080000	10	64
		65
22157-060000	10	66
22190-060003	12	65
22190-080002	2	11
		12
	9	33
	17	22
22190-100002	9	34
	12	66
	17	23
22190-120002	12	67
	13	3
	14	49
	17	21
22190-160002	11	80
22217-050000	11	81
22217-060000	11	82
22217-100000	10	67
22217-120000	7	15
22252-000260	8	22
22287-120000	12	68
22351-040010	8	7
22351-050010	11	83
22351-060012	4	24
22372-040000	12	69
22512-070140	7	7
	8	5
23000-060000	5	17
23000-080000	5	16
23010-038000	10	68
23414-120016	12	88
23876-010000	1	10
23876-030000	1	15
	10	12
23887-100002	12	70
24101-063034	11	84
24311-000120	4	52
24311-000160	17	24
	9	23
	13	15
	17	25
24311-000320	2	14
	4	48



# Parts No. Index

Parts No.	Fig. No.	Ref. No.
24311-000320	17	26
24311-240100	13	16
24321-000650	13	17
24341-000160	11	85
24341-000240	2	24
	17	28
24341-000250	3	9
	17	29
24341-000280	12	71
24341-000500	4	49
	17	27
25132-003800	10	20
26014-060122	10	42
26014-080702	13	18
26022-050122	11	86
26022-060162	11	87
26106-060102	12	72
		73
		74
26106-060142	10	69
	12	75
26106-060162	2	25
26106-060202	12	76
26106-060302	10	23
26106-060402	6	18
26106-080122	2	15
26106-080142	10	70
26106-080162	1	39
	2	16
	17	17
	3	11
	4	3
	50	50
	10	17
26106-080182	5	18
26106-080202	2	19
	5	3
	9	24
	10	28
26106-080252	3	12
	4	39
	10	74
26106-080352	3	19
	5	7
	9	17
26106-080452	2	19

Parts No.	Fig. No.	Ref. No.
26106-080452	3	13
		13 -1
26106-080502	7	13
	3	21
	4	40
	16	13
26106-080552	2	20
26106-080602	10	18
26106-080802	5	4
26106-100202	10	75
26106-100302	10	76
26106-100602	6	19
26116-050302	11	88
26116-120252	15	35
26206-100252	3	4
26206-100302	3	5
26216-060202	4	11
26306-080002	2	22
	6	3
	24	24
26306-100002	6	22
26347-040002	6	20
26347-060002	6	21
26366-060002	4	25
26366-080002	12	86
26450-060252	9	36
26557-040352	6	23
26716-060002	11	89
26716-100002	10	77
26716-120002	7	16
26736-120002	12	77
26756-060002	12	78
26756-080002	4	38
26756-100002	10	78
26776-120002	12	79
27241-120000	1	12
27241-300000	1	13
27241-400000	4	12
27310-080001	4	17
719810-01500	2	3
719810-53100	14	1
729402-14580	7	3
729402-23100	8	23
729408-01560	1	1
729408-51310	11	1
729618-92640	17	1
977770-01212	2	26
	3	20
	17	33
X0280210230	15	11

Parts No.	Fig. No.	Ref. No.
X0283060061	15	2
X0283270140	15	12
X9490561370	15	4
X9491200240	15	5
X9491730461	15	26

Parts No.	Fig. No.	Ref. No.
-----------	----------	----------