

0CV10-M78900EN

P R E F A C E

1. This Parts Catalog carries all parts incorporated in YANMAR Model 4TNE106T-GE engine manufactured since March, 2001.
2. Each illustration corresponds to the parts list on the following page.
3. When ordering parts, clearly write down the engine model and serial number, as well as the name and number of each part in your order sheet. This will help insure reliable delivery of the parts you have ordered.

Directions for the Parts Catalog.

1. The parts stipulated in this Parts Catalog are not necessarily standard equipped parts.
2. Parts may change without prior notice.
3. The following is an example of the Parts Catalog format.

REF.	LEV.	PARTS NO.	DESCRIPTION	Q'TY						I	R
				(A)	(B)	(C)	(D)	(E)	(F)		
1	1	729595-51390	FUEL INJECTION PUMP	1	1	1	1	1			1
1-1	1	729595-51391	FUEL INJECTION PUMP	1	1	1	1	1		N	1
		(A=E00185) (B=E00200)									
3	2	26022-060162	SCREW M 6X 16	9	9	9	9	9			
3-1	2	26022-060162	SCREW M 6X 16	4	4	4	4	4		K	
		(A=E00156) (B=E00156) (C=E00156) (D=E00156) (E=E00156)									
4	2	129470-51040	CAMSHAFT	1	1	1	1	1			
5	2	122710-51050	BEARING, ROLLER	2	2	2	2	2			
6	2	129470-51060	RETAINER	1	1	1	1	1			

Remarks
(1) BOOST COMPEMSATOR TYPE. OPTIONAL PART, TO E00155,(4JH-DT, 4JH-DTZ

① Ref. No.

The Ref. No. listed may not be in accordance with the illustration Ref. No.

(Ex.) Illustration No.

List Ref No.

1

1

(Before change)

1-1

(After change)

For interchangeable symbols N, R and K, illustrations for new parts may be abbreviated.

② Lev. (Level)

Level indication

The numbers below indicate the level of relativity towards the main part.

1 ----- Main parts (Assembly parts)

2 ----- Sub component included in " 1 ".

3 ----- Sub component included in " 2 ".

Note) Parts that are not for sale are partially illustrated but not listed.

③ Interchangeability Mark

When a part change takes place, one of the following interchangeability symbols is indicated beside the part.

Symbol	Interchangeability	Contents note
N	Old $\begin{matrix} \leftarrow \text{Yes} \\ \text{No} \rightarrow \end{matrix}$ New	New Part is interchangeable for Old Part but Old Part is not interchangeable for New Part.
Q	Old $\begin{matrix} \leftarrow \text{No} \\ \text{Yes} \rightarrow \end{matrix}$ New	New Part is not interchangeable for Old Part but Old Part is interchangeable for New Part.
R	Old $\begin{matrix} \leftarrow \text{Yes} \\ \text{Yes} \rightarrow \end{matrix}$ New	New/ Old Parts are both interchangeable.
S	Old $\begin{matrix} \leftarrow \text{No} \\ \text{No} \rightarrow \end{matrix}$ New	New/ Old Parts are both not interchangeable.
W		Part newly added.
Z		Part discontinued.
F		Not interchangeable by a single part but interchangeable together with related parts.
K		Changes only for used parts quantities.

④ Effective Machine No.

When a part changes, the effective Machine No. will be indicated in the (A)-(F) column.

Product Symbol	Product No.	Product Symbol	Product No.
C	Clutch No. Compressor No.	F	Machine No. (Agricultural Equip.)
D	Drive No.	M	Machine No.
E	Engine No.		

Note 1) A date may follow the symbol. (Ex.) 1996.01

Note 2) "XXXXX" and "ZZZZZ" are for parts that could not be predicted or for engine models that could not be identified.

Note 3) (A=E00185) is the E (Engine Serial Number) for the column (A) model (in this case 4JH-DT) after the parts design change.

⑤ Remarks Mark

Figures or alphabets (symbols) are entered in the remarks column.

The comments (remarks) on parts that are indicated at the bottom of the illustration are the same symbols as those stated above.

Contents

Fig. No.	Fig. Name	Fig. No.	Fig. Name
ENGINE (4TNE106T-GE)			
1.	CYLINDER BLOCK		
2.	GEAR HOUSING		
3.	FLYWHEEL HOUSING & OIL SUMP		
4.	CYLINDER HEAD & BONNET		
5.	SUCTION MANIFOLD		
6.	EXHAUST MANIFOLD & SILENCER		
7.	CAMSHAFT & DRIVING GEAR		
8.	TURBOCHARGER		
9.	CRANKSHAFT & PISTON		
10.	LUB. OIL SYSTEM		
11.	LUB. OIL LINE		
12.	COOLING WATER SYSTEM		
13.	FUEL INJECTION PUMP		
14.	FUEL INJECTION VALVE		
15.	FUEL LINE		
16.	ENGINE STOP DEVICE		
17.	STARTING MOTOR		
18.	GENERATOR		
19.	GASKET SET		
20.	GOVERNOR		
21.	FEED PUMP		

Fig.1. CYLINDER BLOCK

(A)=4TNE106T-GE

(B)=

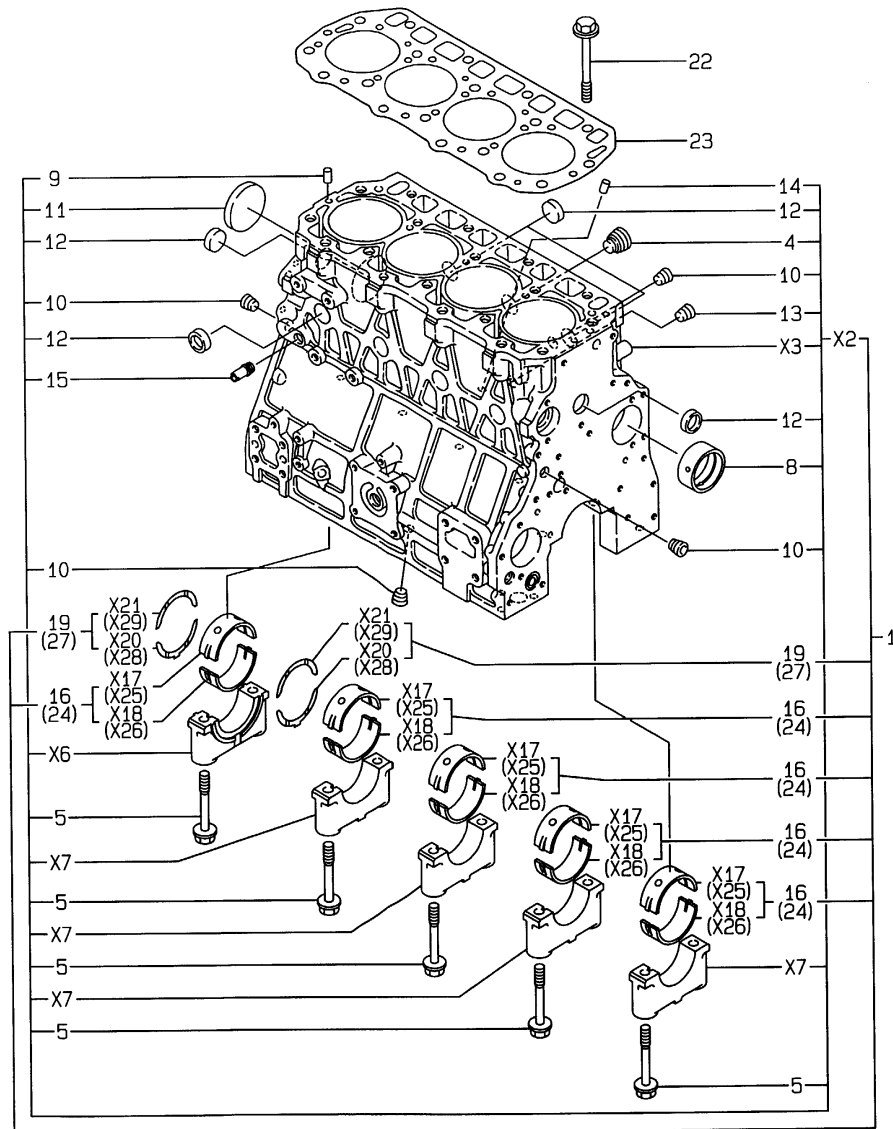
(C)=

(D)=

(E)=

(F)=

1. CYLINDER BLOCK



x-MARK PARTS: NOT SOLD SEPARATELY.

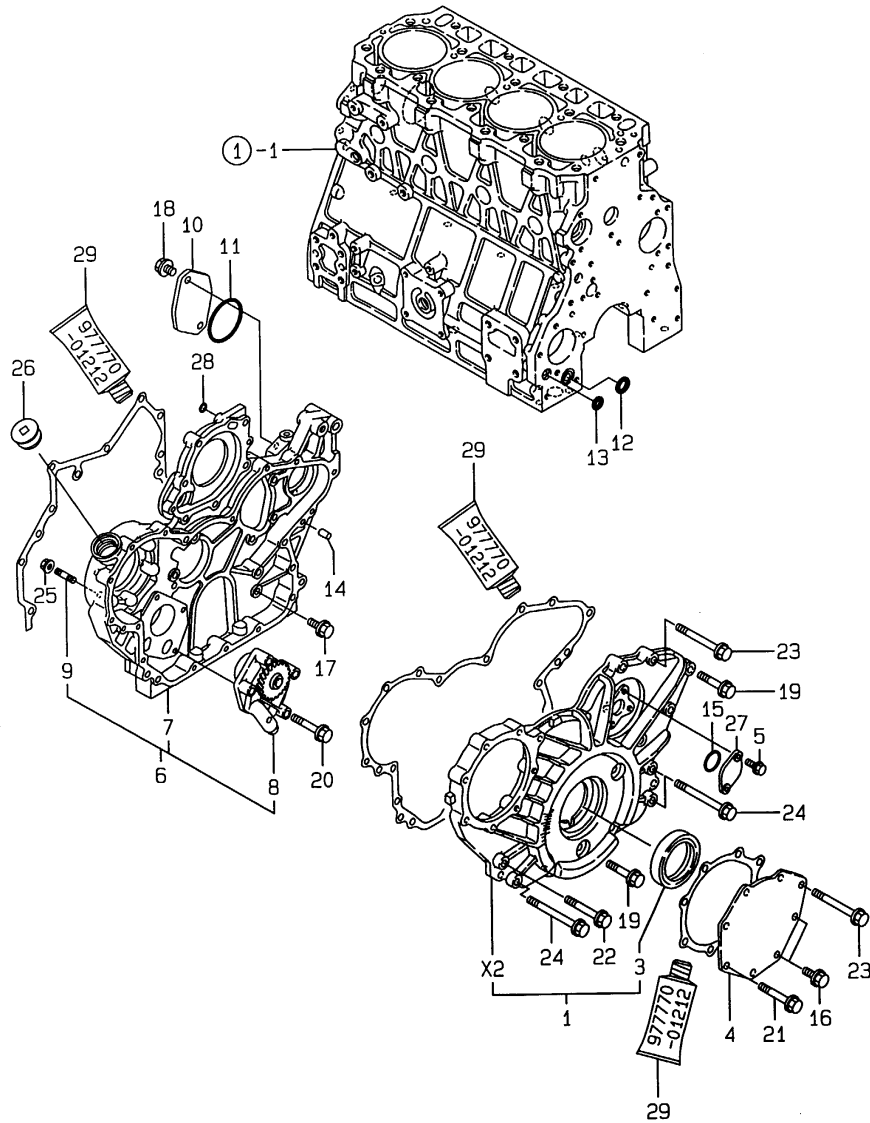
No.	Lev.	Parts No.	Description	Q'ty						I	R
				(A)	(B)	(C)	(D)	(E)	(F)		
1	1	723900-01560	BLOCK ASSY, CYLINDER	1							
4	3	171051-01921	PLUG, NPTF1	1							
5	3	123900-02020	BOLT, METAL CAP	10							
8	3	123900-02410	BUSH	1							
9	3	22351-060012	PIN, SPRING 6.0X12	2							
10	3	23875-030000	PLUG, R03	4							
11	3	27231-700000	PLUG, 70	1							
12	3	27241-300000	PLUG 30	8							
13	3	23875-030000	PLUG, R03	1							
14	3	27225-120160	PLUG, 12X16	1							
15	3	121851-11970	JOINT, PIPE	1							
16	2	123900-02800	BEARING, MAIN	5							
19	2	123900-02930	BEARING, THRUST	2							
22	1	119174-01200	BOLT, HEAD	18							
23	1	123900-01340	GASKET, HEAD	1							
24	1	123900-02340	BEARING, 0.25 US	5							1
27	1	123900-02940	BEARING, THRUST 0.25	2							2

Remarks

- (1) UNDER-SIZE(U.S=0.25)PART.
- (2) OVER-SIZE(O.S=0.25)PART.

Fig.2. GEAR HOUSING

2. GEAR HOUSING



(A)=4TNE106T-GE

(B)=

(C)=

(D)=

(E)=

(F)=

No.	Lev.	Parts No.	Description	Q'ty						I	R
				(A)	(B)	(C)	(D)	(E)	(F)		
1	1	723900-01570	COVER ASSY,GEAR CASE	1							
1-1	1	723900-01580	COVER ASSY,GEAR CASE	1						F	2
(A=*2008.01.)											
3	2	123900-01780	SEAL, OIL	1							
3-1	2	123946-01780	SEAL, OIL	1						F	2
(A=*2008.01.)											
4	1	123900-01740	COVER	1							
5	1	26106-060162	BOLT, M6X 16 PLATED	2							
6	1	123900-01810	CASE ASSY, GEAR	1							
7	2	123900-01500	CASE, GEAR	1							
8	2	123900-32001	PUMP ASSY, OIL	1							
9	2	26216-100302	STUD, M10X 30	4							
10	1	121023-26070	COVER	1							
11	1	24321-000850	O-RING, 1AG85.0	1							
12	1	129900-32030	O-RING, P20	1							
13	1	129900-32040	O-RING, P14	1							
14	1	22312-080160	PIN, PARALLEL M8X16	4							
15	1	24341-000240	O-RING, 1AS24.0	1							
16	1	26106-080202	BOLT, M8X 20 PLATED	2							
17	1	26106-080202	BOLT, M8X 20 PLATED	5							
18	1	26106-100222	BOLT, M10X 22 PLATED	2							
19	1	26106-080402	BOLT, M8X 40 PLATED	6							
20	1	26106-080452	BOLT, M8X 45 PLATED	4							
21	1	26106-080452	BOLT, M8X 45 PLATED	5							
22	1	26106-080502	BOLT, M8X 50 PLATED	1							
23	1	26106-080702	BOLT, M8X 70 PLATED	5							
24	1	26106-080802	BOLT, M8X 80 PLATED	3							
25	1	26306-100002	NUT, M10	4							
26	1	119807-11770	PLUG	1							
27	1	121023-01550	COVER	1							
28	1	24311-000110	O-RING, 1AP11.0	1							
29	1	977770-01212	GASKET, LIQUID	1							1

Remarks

(1) OPTIONAL PART.

(2) FIG.NO.9 REF.NO.7-1,8-1,9-1 & 39 INTERCHANGEABLE BY SET.

Fig.3. FLYWHEEL HOUSING & OIL SUMP

(A)=4TNE106T-GE

(B)=

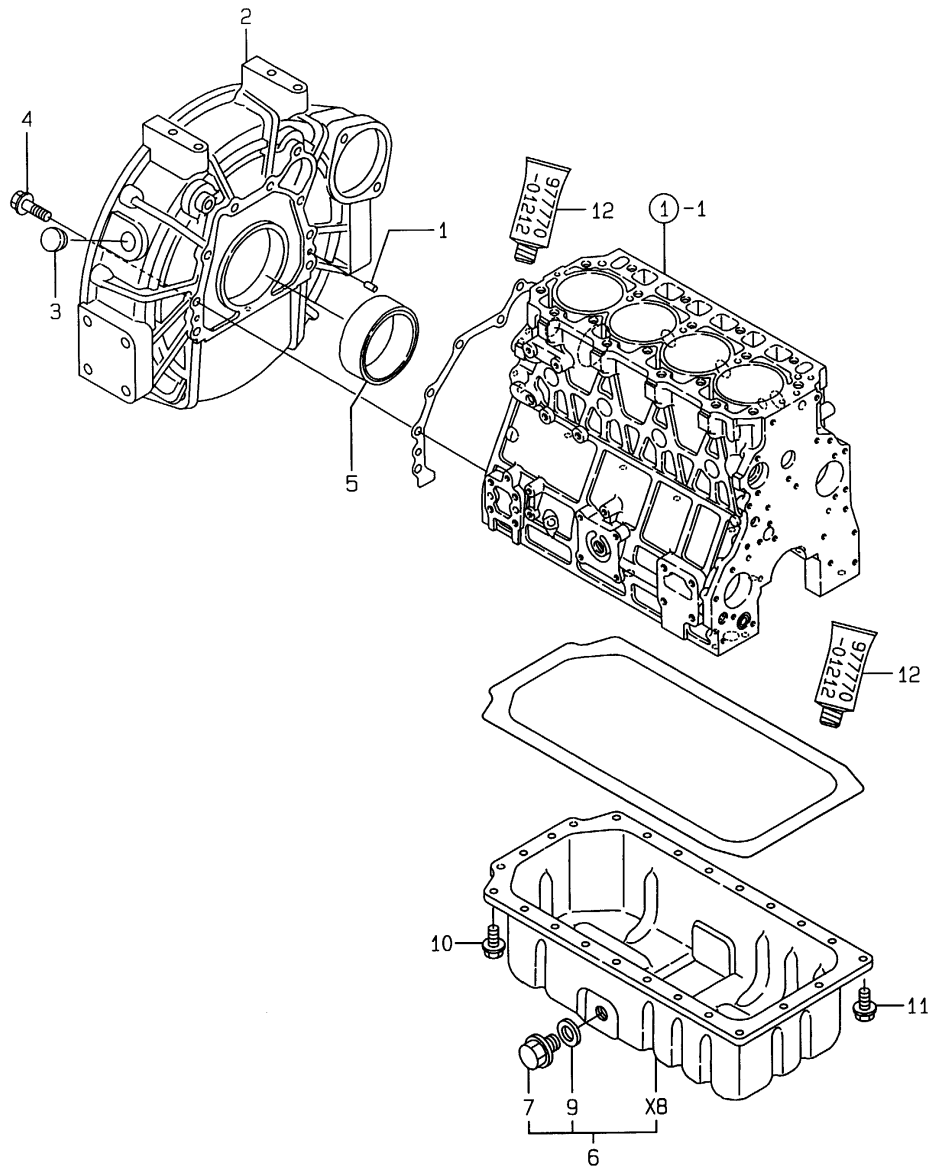
(C)=

(D)=

(E)=

(F)=

3.FLYWHEEL HOUSING & OIL SUMP

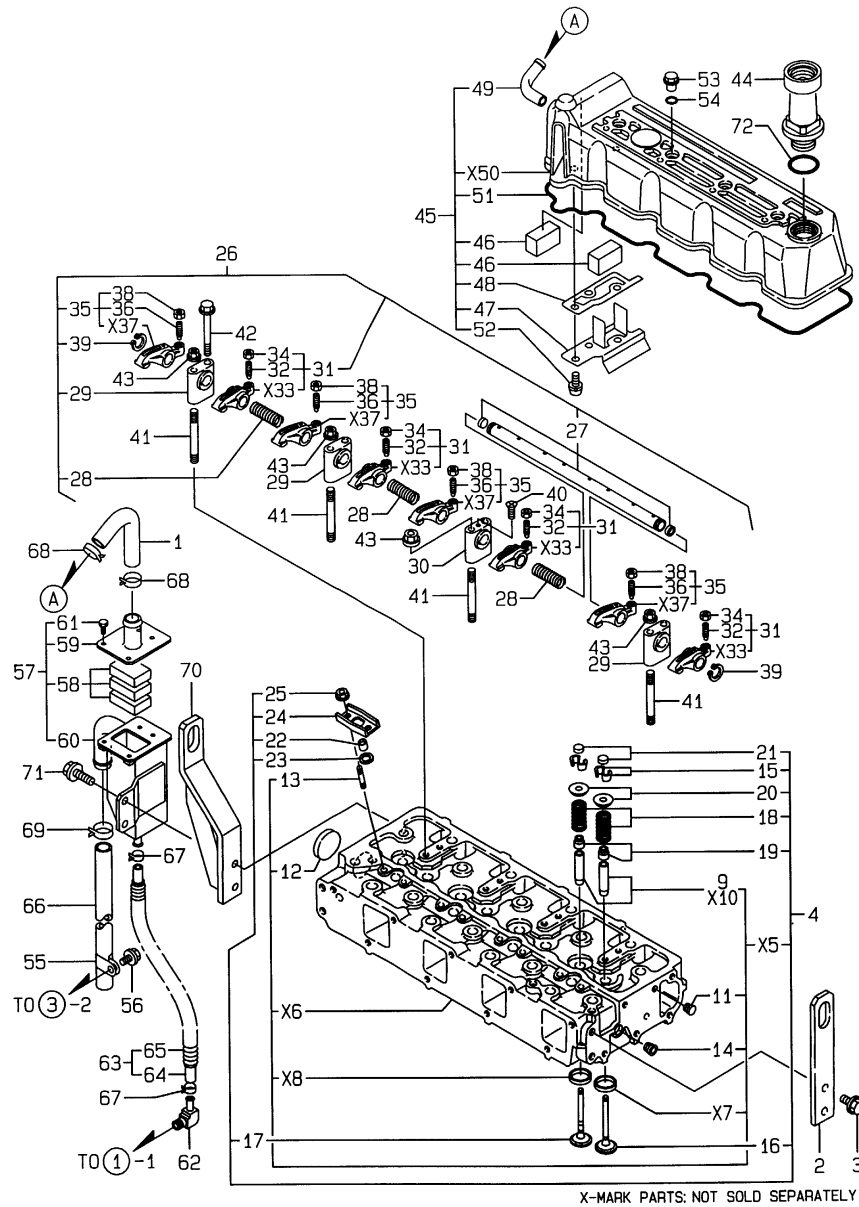


No.	Lev.	Parts No.	Description	Qty						I	R
				(A)	(B)	(C)	(D)	(E)	(F)		
1	1	129100-01580	PIN, M8X16	2							
2	1	123912-01600	HOUSING, FLYWHEEL	1							
3	1	119620-01750	CAP	1							
4	1	26106-100352	BOLT, M10X 35 PLATED	10							
5	1	123672-01782	SEAL, SD105X135X14L	1							
6	1	123900-01710	SUMP ASSY, OIL	1							
7	2	119640-01640	PLUG, DRAIN M22	1							
9	2	22190-220002	WASHER, SEAL 22	1							
10	1	26106-080122	BOLT, M8X 12 PLATED	22							
11	1	26106-080162	BOLT, M8X 16 PLATED	4							
12	1	977770-01212	GASKET, LIQUID	1							1

Remarks
(1) OPTIONAL PART.

Fig.4. CYLINDER HEAD & BONNET

4.CYLINDER HEAD & BONNET



(A)=4TNE106T-GE

(B)=

(C)=

(D)=

(E)=

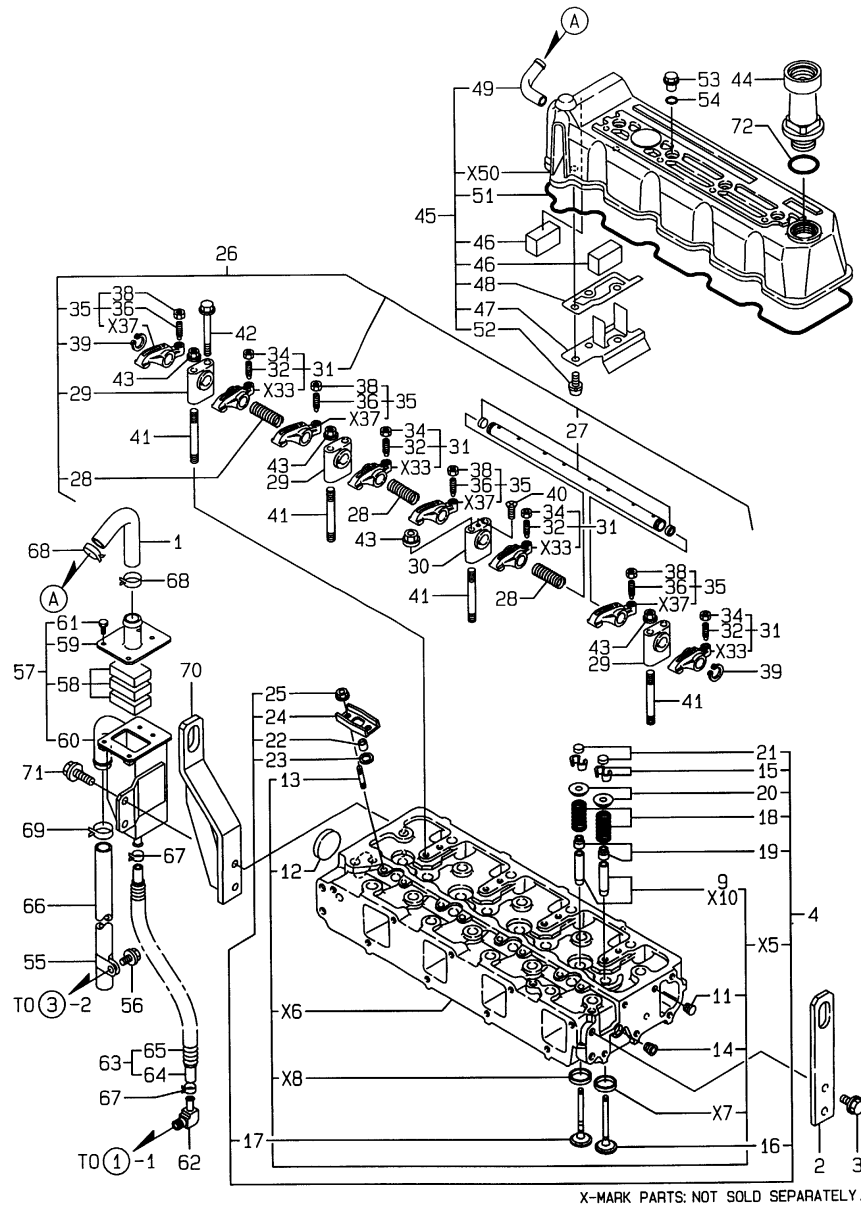
(F)=

No.	Lev.	Parts No.	Description	Q'ty						I	R
				(A)	(B)	(C)	(D)	(E)	(F)		
1	1	123901-03090	HOSE, BREATHER	1							
2	1	123900-07900	LIFTER	1							
3	1	26106-100202	BOLT, M10X 20 PLATED	2							
4	1	723900-11100	HEAD ASSY, CYLINDER	1							
9	3	119000-11810	GUIDE, VALVE	8							1
11	3	23876-005000	PLUG, R005	1							
12	3	27241-400000	PLUG, 40	1							
13	3	26216-060252	STUD, M6X 25	8							
14	3	23876-030000	PLUG, R03	1							
15	2	27310-090000	COTTER 9	16							
16	2	123900-11100	VALVE, INTAKE	4							
17	2	123900-11110	VALVE, EXHAUST	4							
18	2	123900-11120	SPRING, VALVE	8							
19	2	121850-11150	SEAL, VALVE STEM	8							
20	2	121850-11180	RETAINER, SPRING	8							
21	2	119171-11370	CAP, VALVE	8							
22	2	119625-11870	PROTECTOR, NOZZLE	4							
23	2	119625-11880	SEAT, NOZZLE	4							
24	2	119625-11900	RETAINER, NOZZLE	4							
25	2	26366-060002	NUT, M6	8							
26	1	123900-11200	SUPPORT ASSY, ARM	1							
27	2	123900-11240	SHAFT, ROCKER ARM	1							
28	2	119000-11280	SPRING	3							
29	2	123900-11510	SUPPORT, ROCKER ARM	3							
30	2	123900-11520	SUPPORT, ROCKER ARM	1							
31	2	123900-11650	ARM, ROCKER	4							
32	3	129150-11230	SCREW, VALVE ADJUST	4							
34	3	129150-11750	NUT, M8	4							
35	2	123900-11660	ARM, ROCKER	4							
36	3	129150-11230	SCREW, VALVE ADJUST	4							
38	3	129150-11750	NUT, M8	4							
39	2	22242-000180	RING, 18	2							
40	2	26577-040162	SCREW, M4X16	1							
41	1	119593-11300	STUD, M8X80	4							
42	1	26106-080702	BOLT, M8X 70 PLATED	4							
43	1	26306-080002	NUT, M8	4							
44	1	121027-11743	PIPE	1							
45	1	123901-11340	BONNET ASSY, HEAD	1							
46	2	129150-03070	BAFFLE, BREATHER	1							
47	2	123900-03202	PLATE, BAFFLE	1							
48	2	123900-03210	GASKET	1							
49	2	123900-03220	JOINT	1							
51	2	123900-11310	GASKET, BONNET	1							
52	2	26022-050122	SCREW, M5X12	3							
53	1	124160-11360	KNOB	4							
54	1	24311-000120	O-RING, 1AP12.0	4							
55	1	23297-350121	CLAMP, A35X12	1							
56	1	26106-120202	BOLT, M12X 20 PLATED	1							
57	1	123901-03270	BREATHER ASSY	1							
58	2	123901-03240	FILTER	3							
59	2	123901-03250	COVER, BREATHER	1							

Remarks
(1) REPAIR PART.

Fig.4. CYLINDER HEAD & BONNET

4.CYLINDER HEAD & BONNET



X-MARK PARTS: NOT SOLD SEPARATELY.

(A)=4TNE106T-GE

(B)=

(C)=

(D)=

(E)=

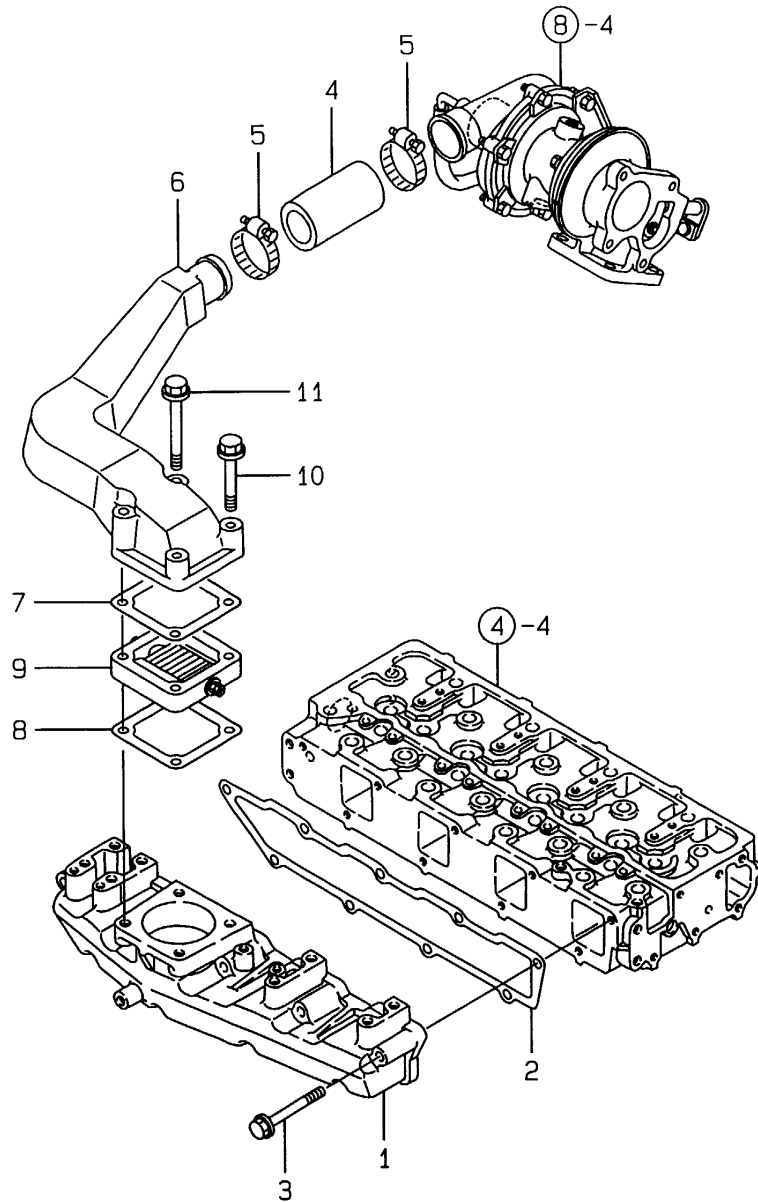
(F)=

No.	Lev.	Parts No.	Description	Q'ty						I	R
				(A)	(B)	(C)	(D)	(E)	(F)		
60	2	123901-03260	BREATHER	1							
61	2	26116-050102	BOLT, M5X 10 PLATED	4							
62	1	123901-03280	ELBOW, PT3/8-10	1							
63	1	123912-03300	HOSE ASSY, RETURN	1							
64	2	123912-03250	HOSE	1							
65	2	123912-03270	TUBE, CORRUGATED	1							
66	1	127605-03400	PIPE, BREATHER	1							
67	1	23000-016000	CLAMP, 16	2							
68	1	23000-041000	CLAMP, 41	2							
69	1	23000-041000	CLAMP, 41	1							
70	1	123912-07900	LIFTER	1							
71	1	26106-100252	BOLT, M10X 25 PLATED	2							
72	1	24311-000320	O-RING, 1AP32.0	1							

Remarks
(1) REPAIR PART.

Fig.5. SUCTION MANIFOLD

5. SUCTION MANIFOLD



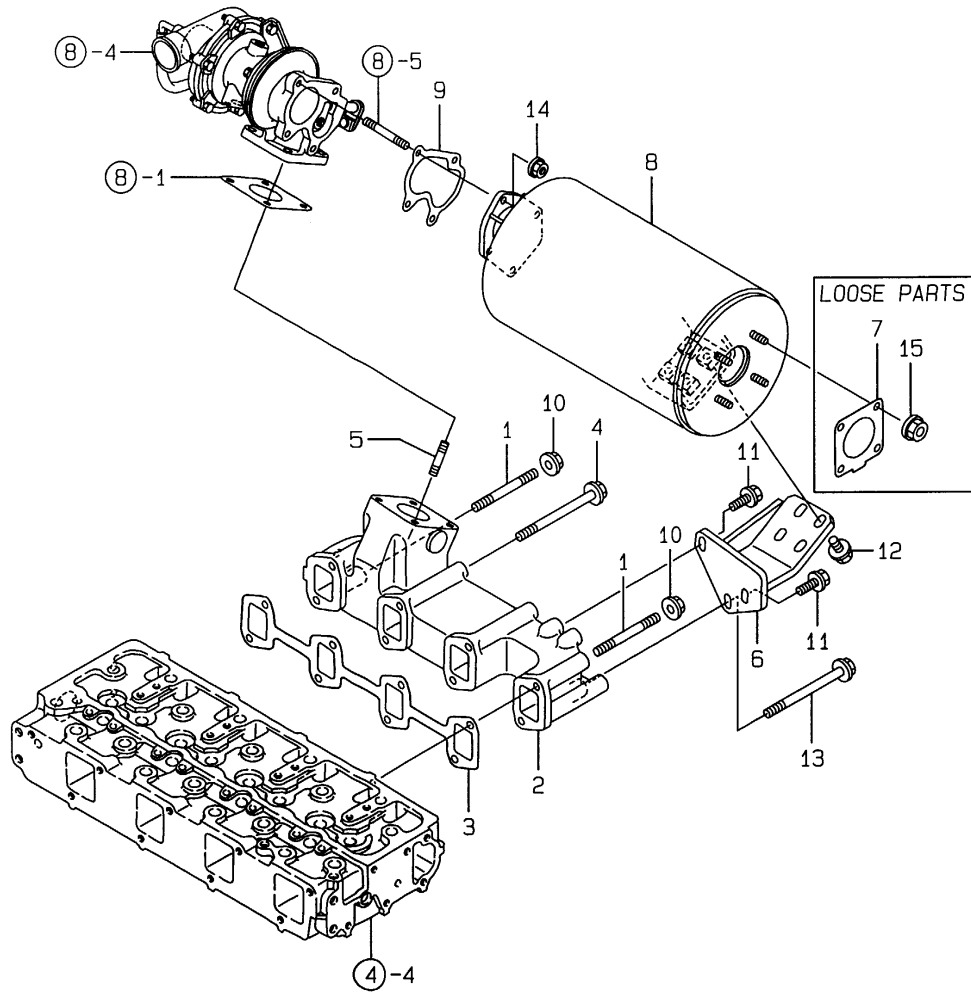
(A)=4TNE106T-GE
(B)=
(C)=

(D)=
(E)=
(F)=

No.	Lev.	Parts No.	Description	Q'ty						I	R
				(A)	(B)	(C)	(D)	(E)	(F)		
1	1	123900-12100	MANIFOLD, AIR INTAKE	1							
2	1	123900-12110	GASKET, MANIFOLD	1							
3	1	26106-080702	BOLT, M8X 70 PLATED	9							
4	1	129595-18141	JOINT, RUBBER	1							
5	1	23000-054000	CLAMP, 54	2							
6	1	123912-18350	BEND, INTAKE	1							
7	1	123900-77020	GASKET	1							
8	1	123900-77030	GASKET	1							
9	1	123900-77500	HEATER	1							
10	1	26106-100752	BOLT, M10X 75 PLATED	2							
11	1	26106-100952	BOLT, M10X 95 PLATED	2							

Fig.6. EXHAUST MANIFOLD & SILENCER

6. EXHAUST MANIFOLD & SILENCER



(A)=4TNE106T-GE

(B)=

(C)=

(D)=

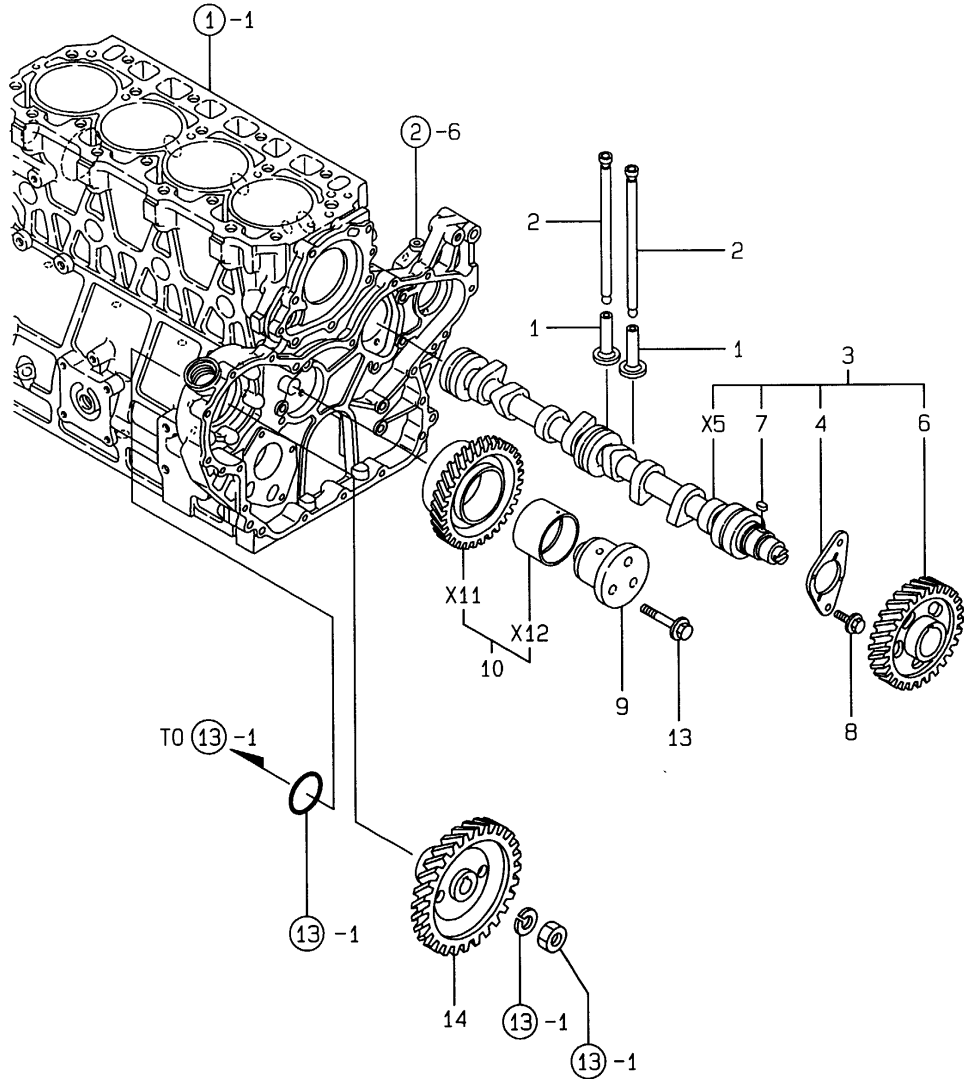
(E)=

(F)=

No.	Lev.	Parts No.	Description	Q'ty						I	R
				(A)	(B)	(C)	(D)	(E)	(F)		
1	1	123900-13610	STUD, M8X80	2							
2	1	123901-13200	MANIFOLD, EXHAUST	1							
3	1	123900-13110	GASKET	1							
4	1	129693-44310	BOLT	5							
4-1	1	119802-13820	BOLT, M8X100 9.8T	5							N
(A=*2009.12)											
5	1	129418-18320	STUD, M8X20	4							
6	1	123912-13650	STAY, SILENCER	1							
7	1	129930-13200	GASKET, SILENCER	1							
8	1	123901-13500	SILENCER	1							
9	1	123901-18080	GASKET	1							
10	1	26306-080002	NUT, M8	2							
11	1	26106-080222	BOLT, M8X 22 PLATED	2							
12	1	26106-080222	BOLT, M8X 22 PLATED	4							
13	1	123900-13650	BOLT, M8X110	1							
14	1	26306-080002	NUT, M8	4							
15	1	26306-080002	NUT, M8	4							

Fig.7. CAMSHAFT & DRIVING GEAR

7.CAMSHAFT & DRIVING GEAR



(A)=4TNE106T-GE
(B)=
(C)=

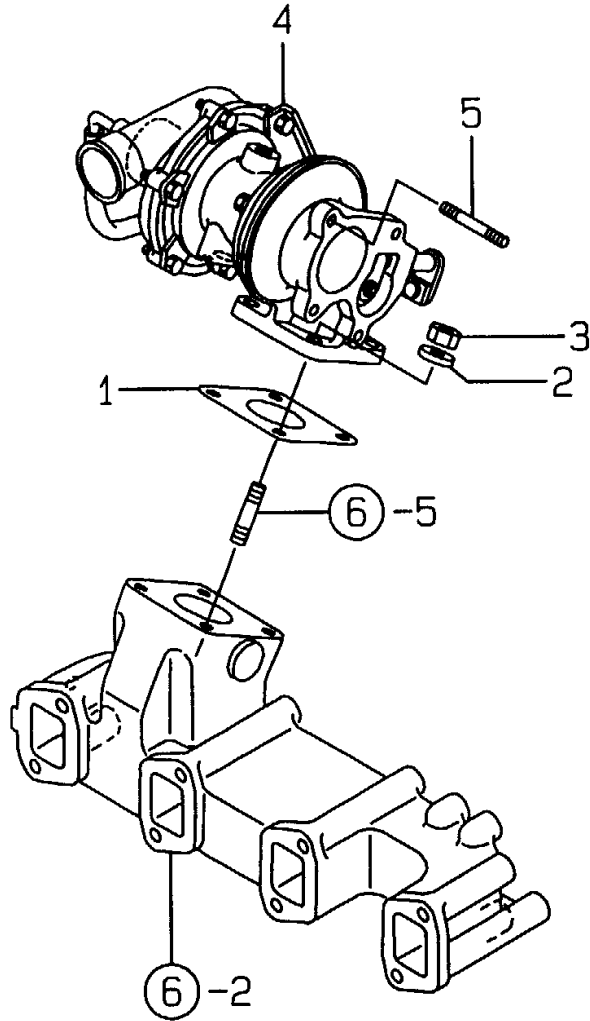
(D)=
(E)=
(F)=

No.	Lev.	Parts No.	Description	Q'ty						I	R
				(A)	(B)	(C)	(D)	(E)	(F)		
1	1	123900-14200	TAPPET	8							
2	1	123900-14400	ROD, PUSH	8							
3	1	123901-14580	CAMSHAFT ASSY	1							
4	2	129150-02450	BEARING, THRUST	1							
6	2	129900-14100	GEAR, CAMSHAFT	1							
7	2	22512-070140	KEY, 7X 14	1							
8	1	26106-080142	BOLT, M8X 14 PLATED	2							
9	1	123900-25060	SHAFT, IDLE GEAR	1							
10	1	123900-25120	GEAR ASSY, IDLE	1							
13	1	26106-080552	BOLT, M8X 55 PLATED	3							
14	1	129900-25900	GEAR, PUMP	1							

Remarks
(1) REPAIR PART.

Fig.8. TURBOCHARGER

8. TURBOCHARGER



(A)=4TNE106T-GE
(B)=
(C)=

(D)=
(E)=
(F)=

No.	Lev.	Parts No.	Description	Q'ty						I	R
				(A)	(B)	(C)	(D)	(E)	(F)		
1	1	123901-18090	GASKET	1							
2	1	22117-080000	WASHER, 8	4							
3	1	26703-080002	NUT, M8	4							
4	1	123912-18011	TURBINE, RHF5	1							
5	1	119131-18320	STUD, M8X22	4							

Fig.9. CRANKSHAFT & PISTON

(A)=4TNE106T-GE

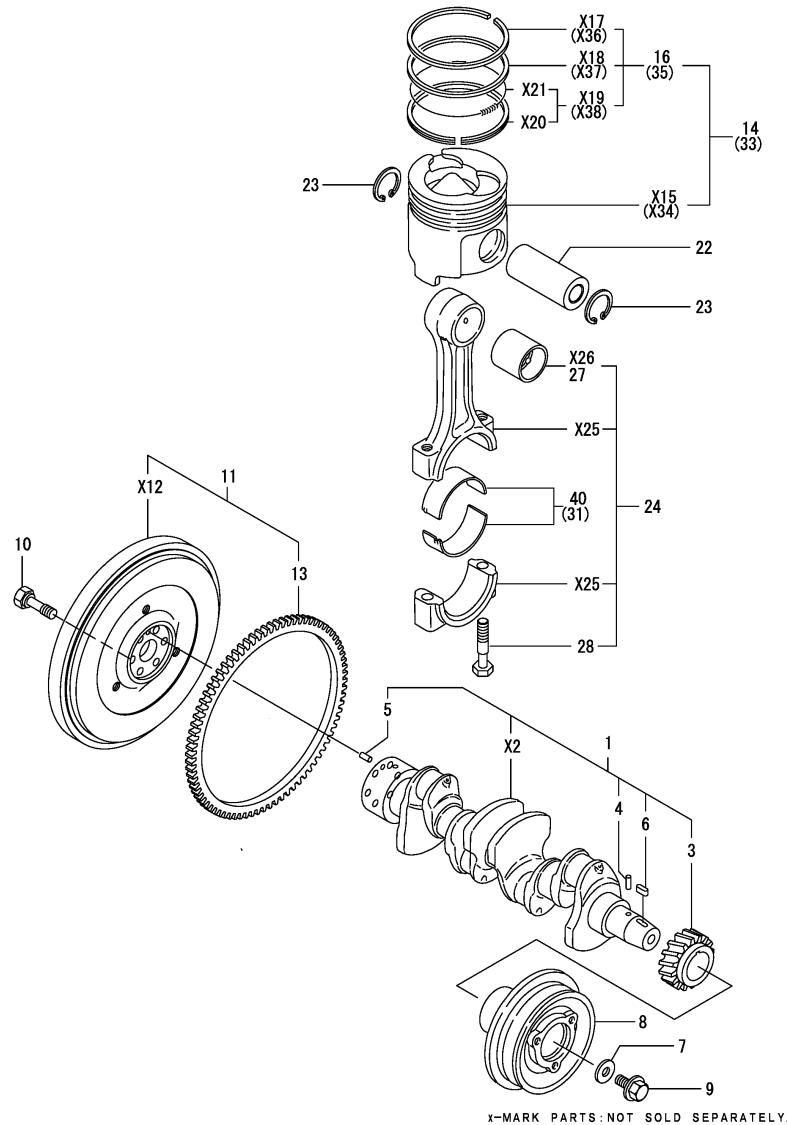
(B)=

(C)=

(D)=

(E)=

(F)=



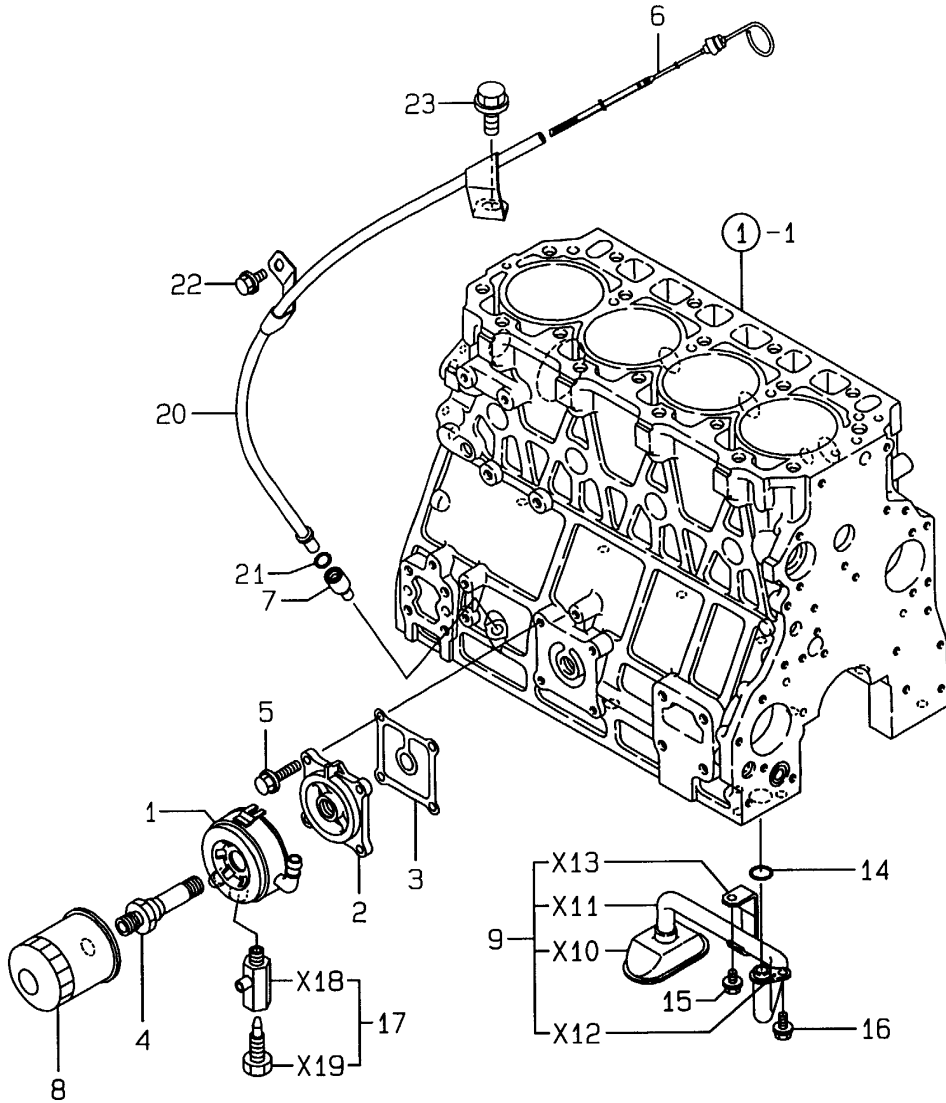
No.	Lev.	Parts No.	Description	Q'ty						I	R
				(A)	(B)	(C)	(D)	(E)	(F)		
1	1	123900-21000	CRANKSHAFT ASSY	1							
3	2	129900-21200	GEAR, CRANKSHAFT	1							
4	2	121850-21290	PIN	1							
5	2	121850-21920	PIN, M10X22	1							
6	2	22512-070140	KEY, 7X 14	1							
7	1	129900-21640	WASHER	1							
7-1	1	129960-21640	WASHER	1						F	4
		(A=*2008.01.)									
8	1	123900-21650	V-PULLEY	1							
8-1	1	123946-21660	V-PULLEY, 150	1						F	4
		(A=*2008.01.)									
9	1	121850-21680	BOLT	1							
9-1	1	129916-21610	BOLT	1						F	4
		(A=*2008.01.)									
10	1	121850-21130	BOLT, FLYWHEEL	6							
11	1	123900-21580	FLYWHEEL ASSY	1							
13	2	127410-21480	GEAR, RING Z=129	1							
14	1	123901-22080	PISTON ASSY	4							
16	2	123900-22050	RING SET, PISTON	4							
22	1	119173-22300	PIN, PISTON	4							
23	1	22252-000370	RING, 37	8							
24	1	123900-23000	ROD ASSY, CONNECTING	4							
27	2	123900-23910	BEARING, PISTON PIN	4							1
28	2	123900-23200	BOLT, CONNECTING ROD	8							
31	1	123900-23610	BEARING, 0.25 US	4							2
33	1	123901-22900	PISTON ASSY, 0.25 OS	4							3
35	2	123900-22950	RING SET, 0.25 OS	4							3
39	1	24341-000530	O-RING, 1AS53.0	1							W 4
		(A=*2008.01.)									
40	1	123900-23600	BEARING, CRANK PIN	4							

Remarks

- (1) REPAIR PART.
- (2) UNDER-SIZE (U.S=0.25) PART.
- (3) OVER-SIZE (O.S=0.25) PART.
- (4) REF.NO.7-1,8-1,9-1 & 39 FIG.NO.2
REF.NO.3-1 INTERCHANGEABLE BY SET

Fig.10. LUB. OIL SYSTEM

10.LUB.OIL SYSTEM



(A)=4TNE106T-GE

(B)=

(C)=

(D)=

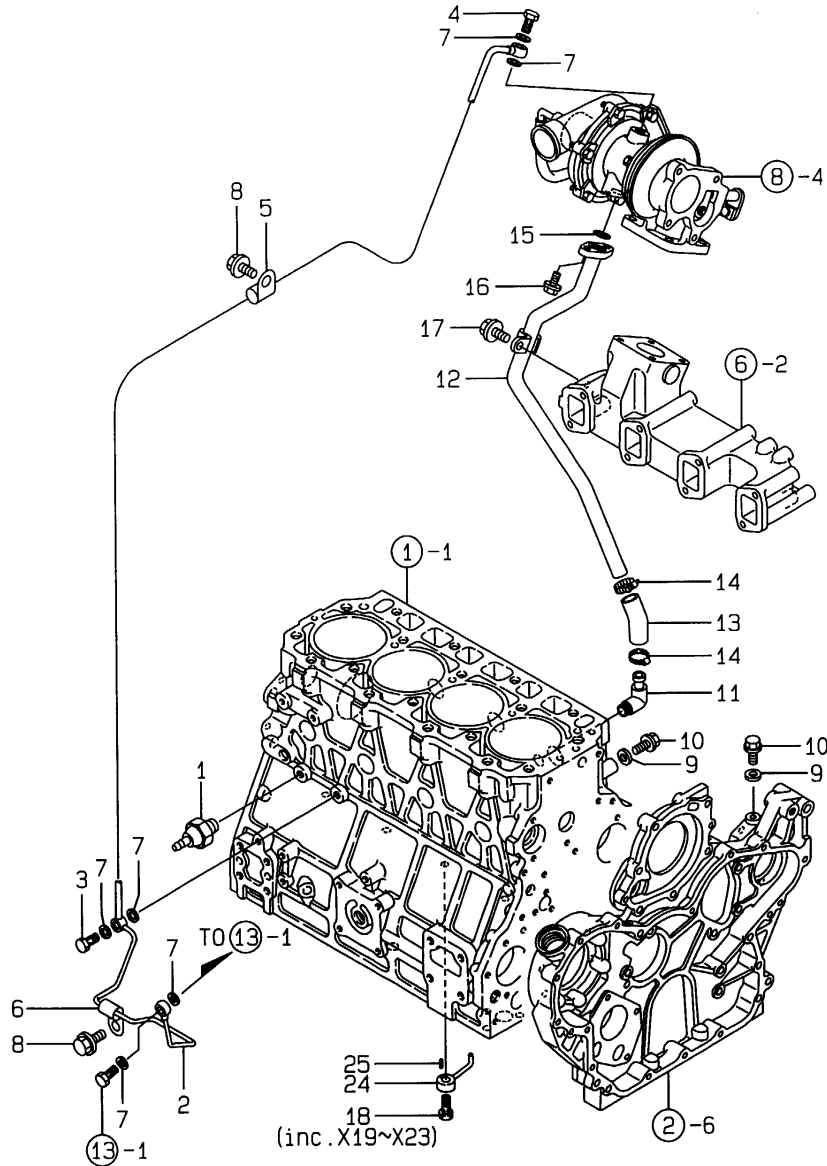
(E)=

(F)=

No.	Lev.	Parts No.	Description	Q'ty						I	R
				(A)	(B)	(C)	(D)	(E)	(F)		
1	1	123912-33011	COOLER ASSY, OIL	1							
2	1	123912-33040	BRACKET ASSY, COOLER	1							
3	1	123900-33060	GASKET	1							
4	1	123912-33100	BOLT, COOLER	1							
5	1	26106-080202	BOLT, M8X 20 PLATED	4							
6	1	123900-34810	DIPSTICK, OIL	1							
7	1	119260-34810	GUIDE, DIPSTICK	1							
8	1	119005-35100	FILTER, D80X100L	1							
9	1	123900-35003	PIPE ASSY, OIL INLET	1							
14	1	24314-000180	O-RING, 4CP18.0	1							
15	1	26106-080122	BOLT, M8X 12 PLATED	1							
16	1	26106-080162	BOLT, M8X 16 PLATED	1							
17	1	119620-49290	COCK ASSY, 1/4	1							
20	1	123900-34820	GUIDE, DIPSTICK	1							
21	1	24311-240100	O-RING, 1AP10A	1							
22	1	26106-080182	BOLT, M8X 18 PLATED	1							
23	1	26106-100182	BOLT, M10X 18 PLATED	1							

Fig.11. LUB. OIL LINE

11.LUB.OIL LINE



(A)=4TNE106T-GE

(B)=

(C)=

(D)=

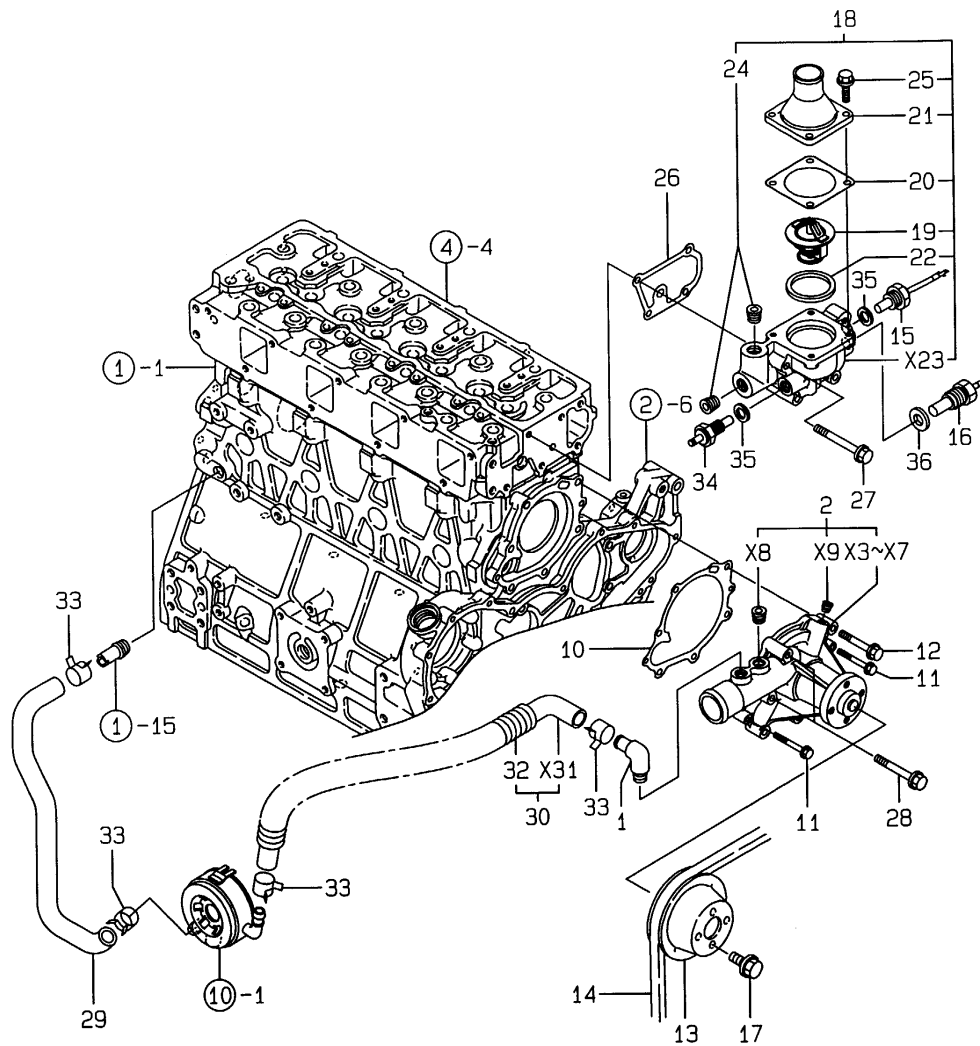
(E)=

(F)=

No.	Lev.	Parts No.	Description	Qty						I	R
				(A)	(B)	(C)	(D)	(E)	(F)		
1	1	114250-39450	SWITCH, 0.5KG	1							
2	1	123912-39060	PIPE, OIL	1							
3	1	124160-39140	BOLT, PIPE JOINT M10	1							
4	1	121252-39150	BOLT, JOINT M10X1.5	1							
5	1	124223-39900	RETAINER	1							
6	1	23297-060081	CLAMP, A6X 8	1							
7	1	23414-100000	GASKET, 10X1.0	6							
8	1	26106-080122	BOLT, M8X 12 PLATED	2							
9	1	22190-080002	WASHER, SEAL 6	2							
10	1	26106-080122	BOLT, M8X 12 PLATED	2							
11	1	124070-13300	ELBOW, PT3/8	1							
12	1	123912-39600	PIPE, OIL	1							
13	1	123901-39820	HOSE	1							
14	1	23000-025000	CLAMP, 25	2							
15	1	24314-000180	O-RING, 4CP18.0	1							
16	1	26106-060162	BOLT, M6X 16 PLATED	2							
17	1	26106-080142	BOLT, M8X 14 PLATED	1							
18	1	129792-39410	VALVE ASSY, CHECK	4							
24	1	123900-39650	NOZZLE	4							
25	1	22351-030010	PIN, SPRING 3.0X10	4							

Fig.12. COOLING WATER SYSTEM

12.COOLING WATER SYSTEM



(A)=4TNE106T-GE

(B)=

(C)=

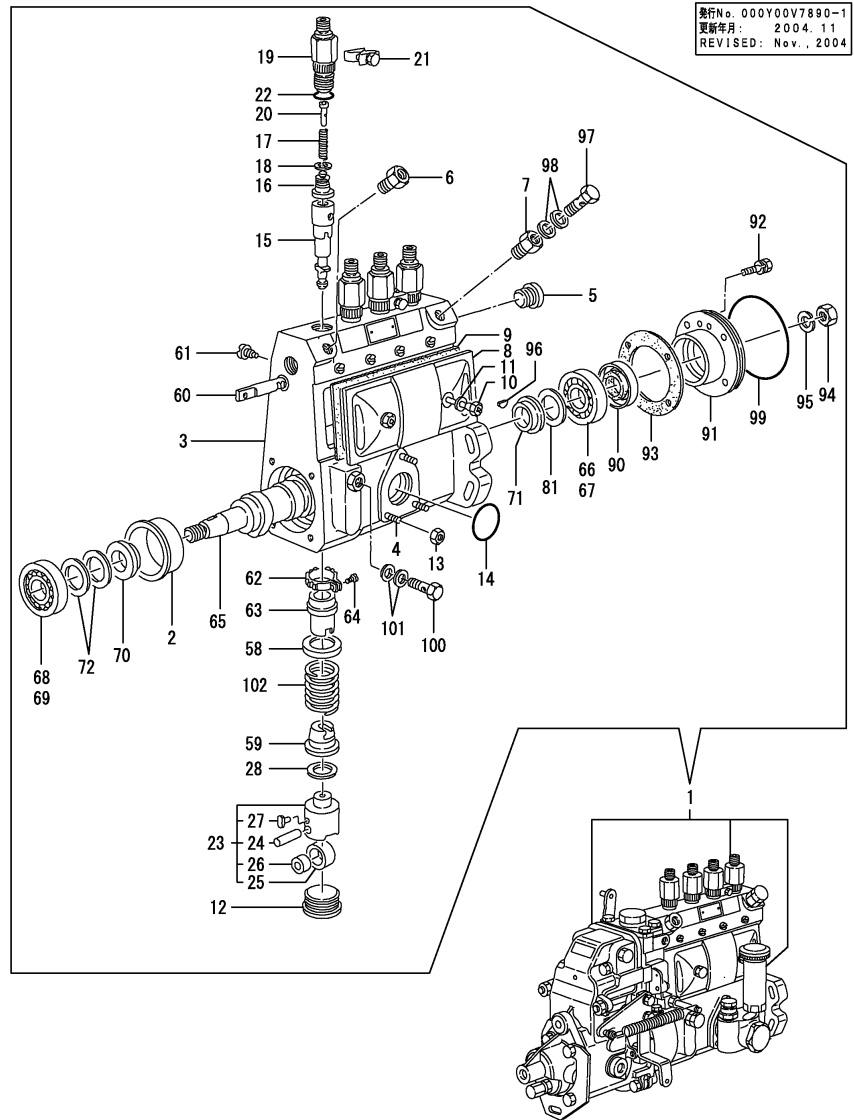
(D)=

(E)=

(F)=

No.	Lev.	Parts No.	Description	Q'ty						I	R
				(A)	(B)	(C)	(D)	(E)	(F)		
1	1	129466-49300	ELBOW, PT3/8	1							
2	1	123900-42000	PUMP ASSY, WATER	1							
10	1	123900-42050	GASKET, WATER PUMP	1							
11	1	26106-060502	BOLT, M6X 50 PLATED	2							
12	1	26106-080552	BOLT, M8X 55 PLATED	4							
13	1	123900-42450	V-PULLEY	1							
14	1	123900-42480	V-BELT, B49	1							
15	1	129107-44901	SENSOR	1							
16	1	124250-49351	SENSOR	1							
17	1	26106-100202	BOLT, M10X 20 PLATED	4							
18	1	123900-49840	CASE ASSY,THERMOSTAT	1							
19	2	124610-48620	THERMOSTAT, 82	1							
20	2	124610-49291	GASKET	1							
21	2	123962-49500	COVER, THERMOSTAT	1							
22	2	123500-49550	GASKET	1							
24	2	23876-030000	PLUG, R03	2							
25	2	26106-080252	BOLT, M8X 25 PLATED	4							
26	1	123900-49820	GASKET	1							
27	1	26106-080602	BOLT, M8X 60 PLATED	4							
28	1	26106-080702	BOLT, M8X 70 PLATED	2							
29	1	123912-49031	PIPE, WATER	1							
30	1	119642-49050	PIPE, WATER	1							
32	2	119642-49090	TUBE, CORRUGATED	1							
33	1	23000-025000	CLAMP, 25	4							
34	1	121250-44901	SWITCH, 110	1							
35	1	124465-44950	GASKET, 16	2							
36	1	129150-49360	GASKET	1							

Fig.13. FUEL INJECTION PUMP



(A)=4TNE106T-GE

(B)=

(C)=

(D)=

(E)=

(F)=

No.	Lev.	Parts No.	Description	Q'ty						I	R
				(A)	(B)	(C)	(D)	(E)	(F)		
1	1	123901-51020	PUMP ASSY, INJECTION	1							
2	2	X1313110000	RING	1							
3	2	X1310661820	HOUSING	1							
4	2	X0290406020	STUD	3							
5	2	X1340260000	PLUG	1							
6	2	X1310024700	ADAPTER	1							
7	2	X1310024700	ADAPTER	1							
8	2	X1310286220	COVER	1							
9	2	X1310111900	GASKET	1							
10	2	X1310171000	SCREW	2							
11	2	X0293406020	GASKET	2							
12	2	X1310341501	PLUG	4							
13	2	X1392060400	NUT	3							
14	2	X0296331010	O-RING	1							
15	2	X1311502920	PLUNGER ASSY	4							
16	2	X1311608520	VALVE, DELIVERY	4							
17	2	X1311122900	DELIVERY SPRING	4							
18	2	X1311151200	GASKET	4							
19	2	X1311168220	HOLDER, DELIVERY VIV	4							
20	2	X1311173100	STOPPER	4							
21	2	X1311220520	PLATE	2							
22	2	X0296320070	O-RING	4							
23	2	X1312002720	TAPPET	4							
24	3	X1312030500	PIN	4							
25	3	X1312041100	ROLLER	4							
26	3	X1312050600	BUSH	4							
27	3	X1312060700	GUIDE	4							
28	2	X0299981020	SHIM	1							
58	2	X1312160400	SEAT, SPRING	4							
59	2	X1312170600	SEAT, SPRING	4							
60	2	X1312540600	RACK, CONTROL	1							
61	2	X1312260300	SCREW	1							
62	2	X1312400100	PINION	4							
63	2	X1312410500	SLEEVE, CONTROL	4							
64	2	X1312420100	SCREW	4							
65	2	X1313661600	CAMSHAFT	1							
66	2	X0166402030	BEARING	1							
67	2	X0282020020	BEARING	1							
68	2	X0166402030	BEARING	1							
69	2	X0282020020	BEARING	1							
70	2	X1313021000	RING	1							
71	2	X1313021000	RING	1							
72	2	X0299982020	SHIM	1							
81	2	X0299982020	SHIM	1							
90	2	X0296220190	SEAL, D30/20 T=6	1							
91	2	X1313301800	COVER	1							
92	2	X0200062040	BOLT	4							
93	2	X1313211900	GASKET	1							
94	2	X0131214140	NUT	1							
95	2	X0293214010	SPRING WASHER	1							
96	2	X0294704030	WOODRUFF KEY	1							

Remarks

(1) GOVERNOR(FIG.NO.20) & FEED PUMP (FIG.NO.21) IS INCORPORATED IN THIS FUEL INJECTION PUMP (REF.NO.1).

Fig.13. FUEL INJECTION PUMP

(A)=4TNE106T-GE

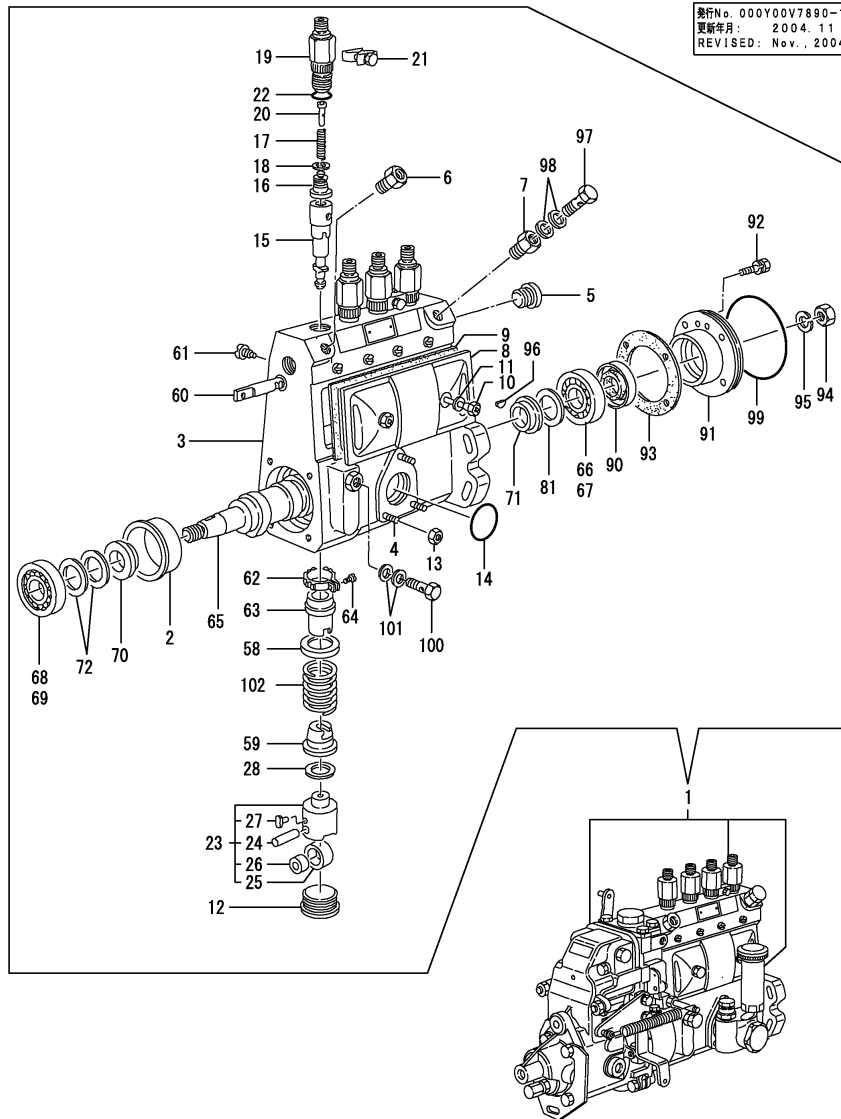
(B)=

(C)=

(D)=

(E)=

(F)=



No.	Lev.	Parts No.	Description	Q'ty						I	R
				(A)	(B)	(C)	(D)	(E)	(F)		
97	2	X0297314680	EYE BOLT	1							
98	2	X0265141840	GASKET	2							
99	2	X0296375020	O-RING	1							
100	2	X0297310120	EYE BOLT	1							
101	2	X0265101340	GASKET	2							
102	2	X1312152100	SPRING, PLUNGER	4							

Remarks

(1) GOVERNOR(FIG.NO.20) & FEED PUMP (FIG.NO.21) IS INCORPORATED IN THIS FUEL INJECTION PUMP (REF.NO.1).

Fig.14. FUEL INJECTION VALVE

(A)=4TNE106T-GE

(B)=

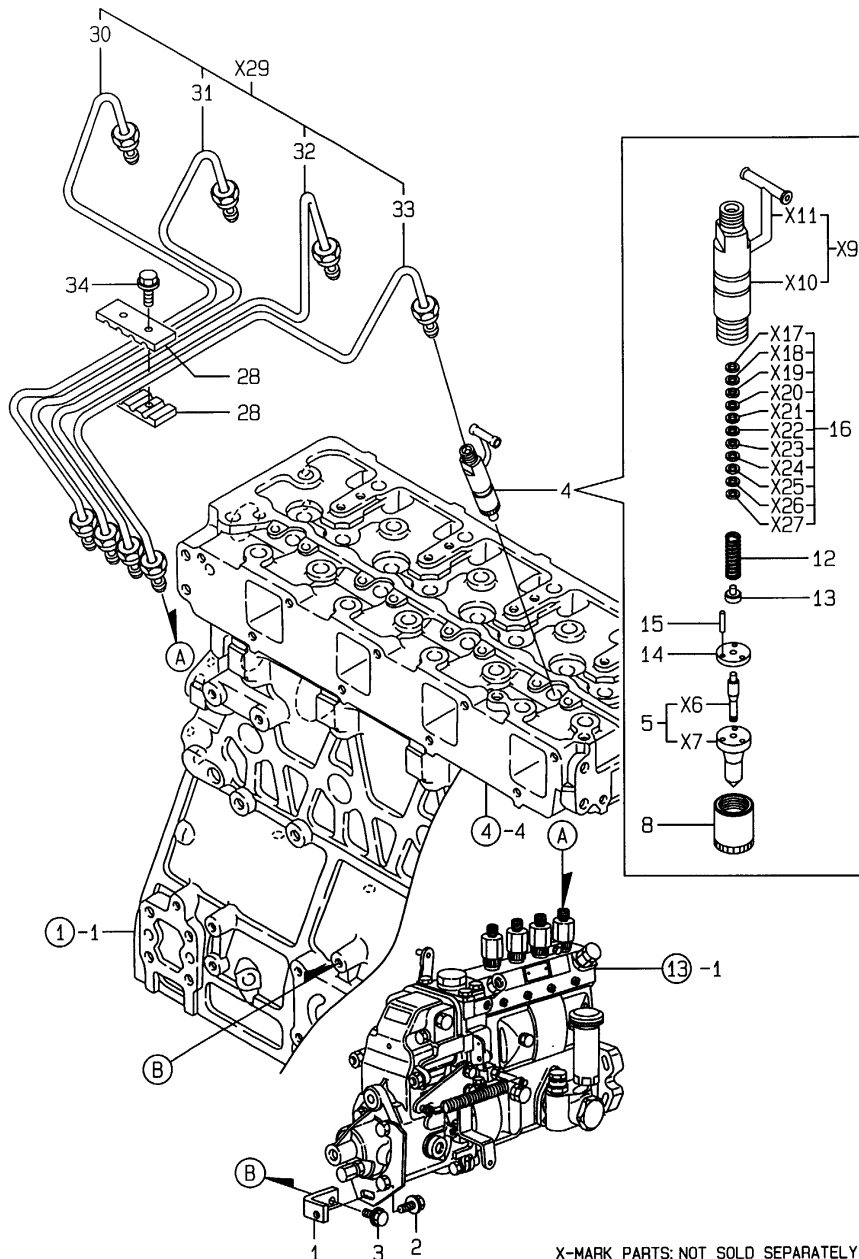
(C)=

(D)=

(E)=

(F)=

14.FUEL INJECTION VALVE

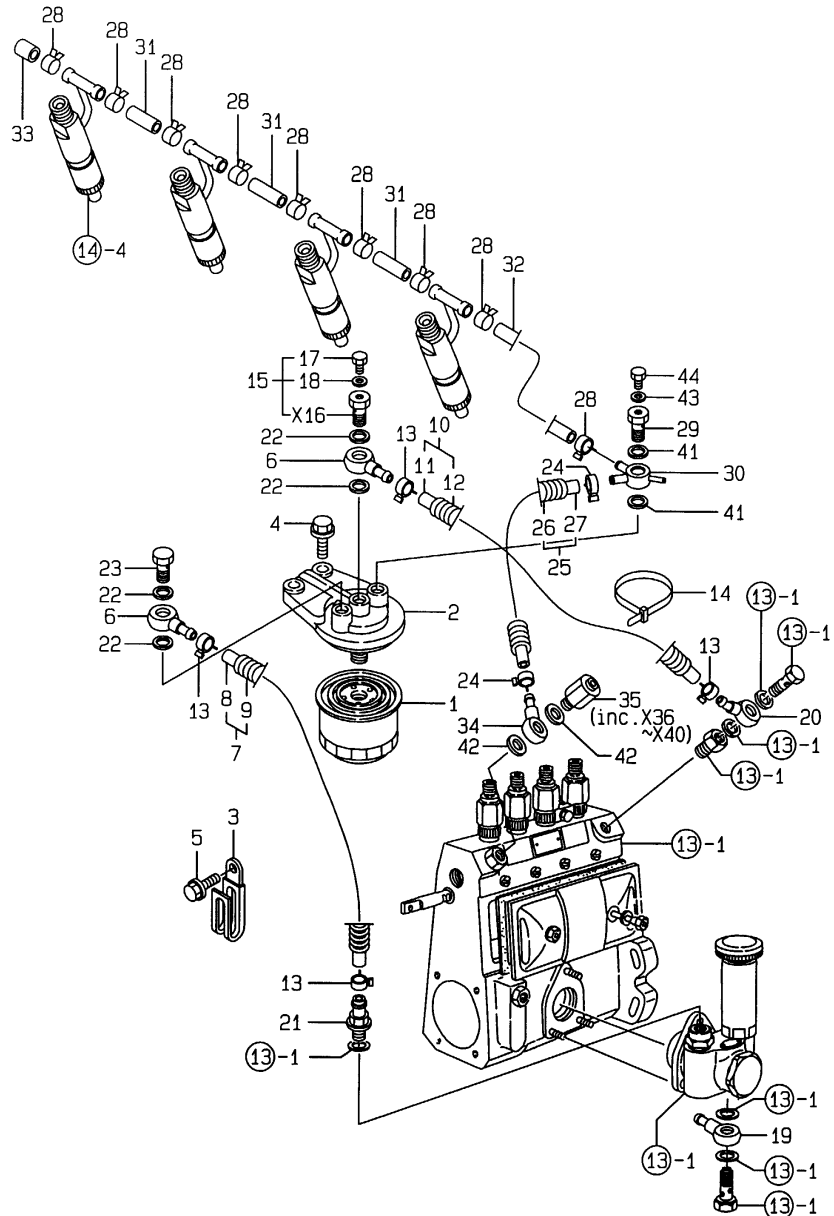


No.	Lev.	Parts No.	Description	Q'ty						I	R
				(A)	(B)	(C)	(D)	(E)	(F)		
1	1	123901-01950	STAY	1							
2	1	26106-100142	BOLT, M10X 14 PLATED	1							
3	1	26106-080202	BOLT, M8X 20 PLATED	1							
4	1	723900-53200	VALVE ASSY,INJECTION	4							
5	2	123900-53050	VALVE ASSY,INJECTION	4							
8	2	114250-53080	NUT, NOZZLE D16.95	4							
12	2	114250-53120	SPRING, NOZZLE	4							
13	2	114250-53130	SEAT, SPRING	4							
14	2	114250-53140	PLATE	4							
15	2	114250-53210	PIN	8							
16	2	114250-53400	SHIM SET	4							
28	1	123472-59120	RETAINER, PIPE	2							
30	2	123901-59811	PIPE ASSY, INJECTION	1							
31	2	123901-59821	PIPE ASSY, INJECTION	1							
32	2	123901-59830	PIPE ASSY, INJECTION	1							
33	2	123901-59840	PIPE ASSY, INJECTION	1							
34	1	26106-060202	BOLT, M6X 20 PLATED	2							

X-MARK PARTS: NOT SOLD SEPARATELY.

Fig.15. FUEL LINE

15.FUEL LINE



X-MARK PARTS: NOT SOLD SEPARATELY.

(A)=4TNE106T-GE

(B)=

(C)=

(D)=

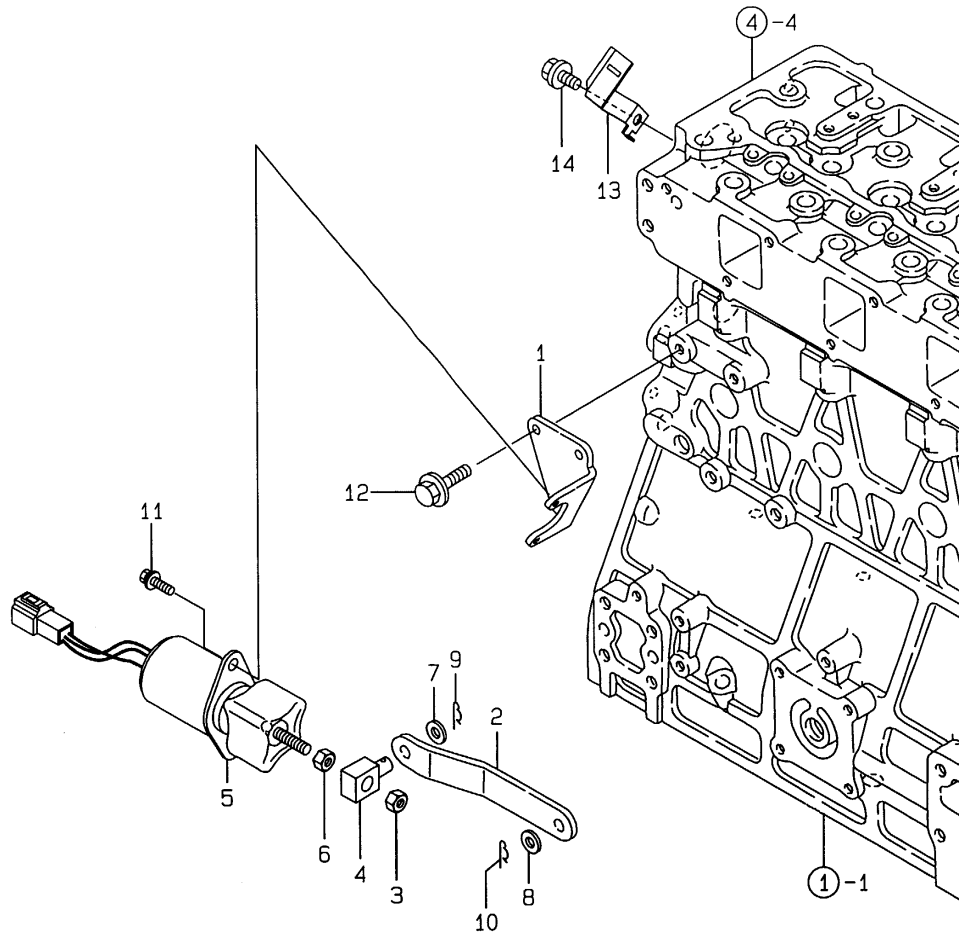
(E)=

(F)=

No.	Lev.	Parts No.	Description	Qty						I	R
				(A)	(B)	(C)	(D)	(E)	(F)		
1	1	119000-55600	FILTER, FUEL	1							
2	1	129470-55610	BODY, STRAINER	1							
3	1	194180-51640	CLAMP, HARNESS	1							
4	1	26106-100252	BOLT, M10X 25 PLATED	2							
5	1	26106-100142	BOLT, M10X 14 PLATED	1							
6	1	101304-59020	JOINT, PIPE 12	2							
7	1	129957-59040	PIPE, FUEL	1							
8	2	129335-59090	PIPE, FUEL D13X500	1							
9	2	119560-59110	TUBE, CORRUGATED	1							
10	1	119560-59051	PIPE ASSY, FUEL	1							
11	2	129129-59510	PIPE ASSY, RETURN	1							
12	2	119560-59110	TUBE, CORRUGATED	1							
13	1	124766-59050	CLIP, HOSE 12	4							
14	1	121750-59890	BAND, 140	1							
15	1	103854-59191	BOLT ASSY, JOINT M12	1							
17	2	124060-59380	PLUG, 6	1							
18	2	22190-060002	WASHER, SEAL 6	1							
19	1	121855-59880	JOINT, PIPE	1							
20	1	121855-59880	JOINT, PIPE	1							
21	1	121250-49110	JOINT, PIPE	1							
22	1	22190-120002	WASHER, SEAL 12	4							
23	1	23857-060000	BOLT, JOINT 6	1							
24	1	124766-59050	CLIP, HOSE 12	2							
25	1	129957-59050	PIPE ASSY, FUEL	1							
26	2	129957-59120	TUBE, CORRUGATED	1							
27	2	105025-59750	PIPE, FUEL	1							
28	1	124066-59100	CLIP, HOSE 8	9							
29	1	129495-59300	BOLT, PIPE JOINT	1							
30	1	129980-59530	JOINT	1							
31	1	121250-59550	PIPE, FUEL D8X120	3							
32	1	124732-59562	PIPE, FUEL D8X230	1							
33	1	129150-59580	CAP	1							
34	1	121855-59880	JOINT, PIPE	1							
35	1	128300-59910	VALVE ASSY, OVERFLOW	1							
41	1	22190-140002	WASHER, SEAL 14	2							
42	1	22190-140002	WASHER, SEAL 14	2							
43	1	22190-080002	WASHER, SEAL 6	1							
44	1	26106-080102	BOLT, M8X 10 PLATED	1							

Fig.16. ENGINE STOP DEVICE

16.ENGINE STOP DEVICE



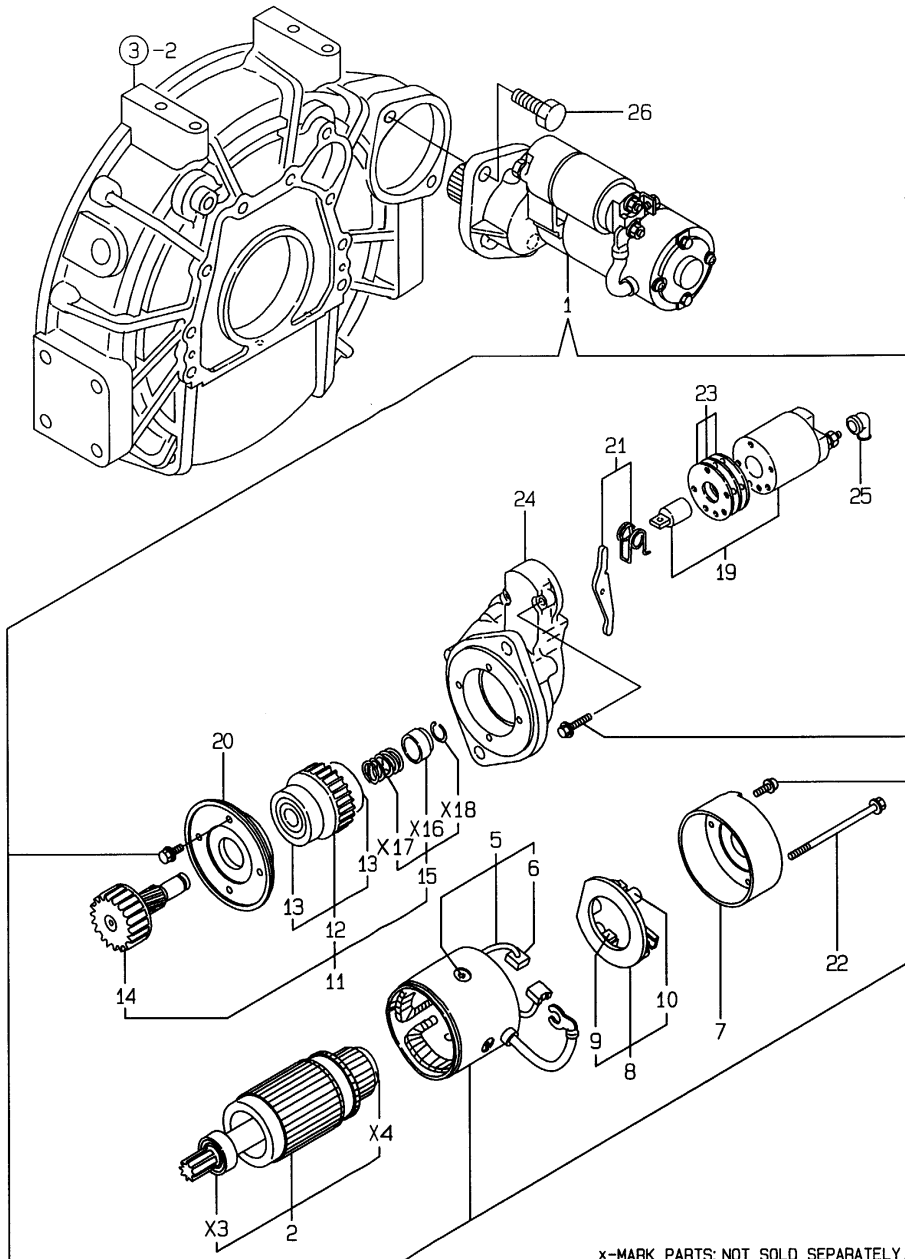
(A)=4TNE106T-GE
(B)=
(C)=

(D)=
(E)=
(F)=

No.	Lev.	Parts No.	Description	Q'ty						I	R
				(A)	(B)	(C)	(D)	(E)	(F)		
1	1	123901-66820	BRACKET, SOLENOID	1							
2	1	123901-66840	LINK, SOLENOID	1							
3	1	26346-060002	NUT, M6	1							
4	1	123900-66820	JOINT	1							
5	1	129953-77803	SOLENOID, STOP	1							
6	1	26716-060002	NUT, M6	1							
7	1	22117-060000	WASHER, 6	1							
8	1	22117-060000	WASHER, 6	1							
9	1	22360-060000	PIN, SNAP 6	1							
10	1	22360-060000	PIN, SNAP 6	1							
11	1	26106-060102	BOLT, M6X 10 PLATED	2							
12	1	26106-080162	BOLT, M8X 16 PLATED	2							
13	1	129136-66852	SUPPORT	1							
14	1	26106-080122	BOLT, M8X 12 PLATED	1							

Fig.17. STARTING MOTOR

17.STARTING MOTOR



x-MARK PARTS: NOT SOLD SEPARATELY.

(A)=4TNE106T-GE

(B)=

(C)=

(D)=

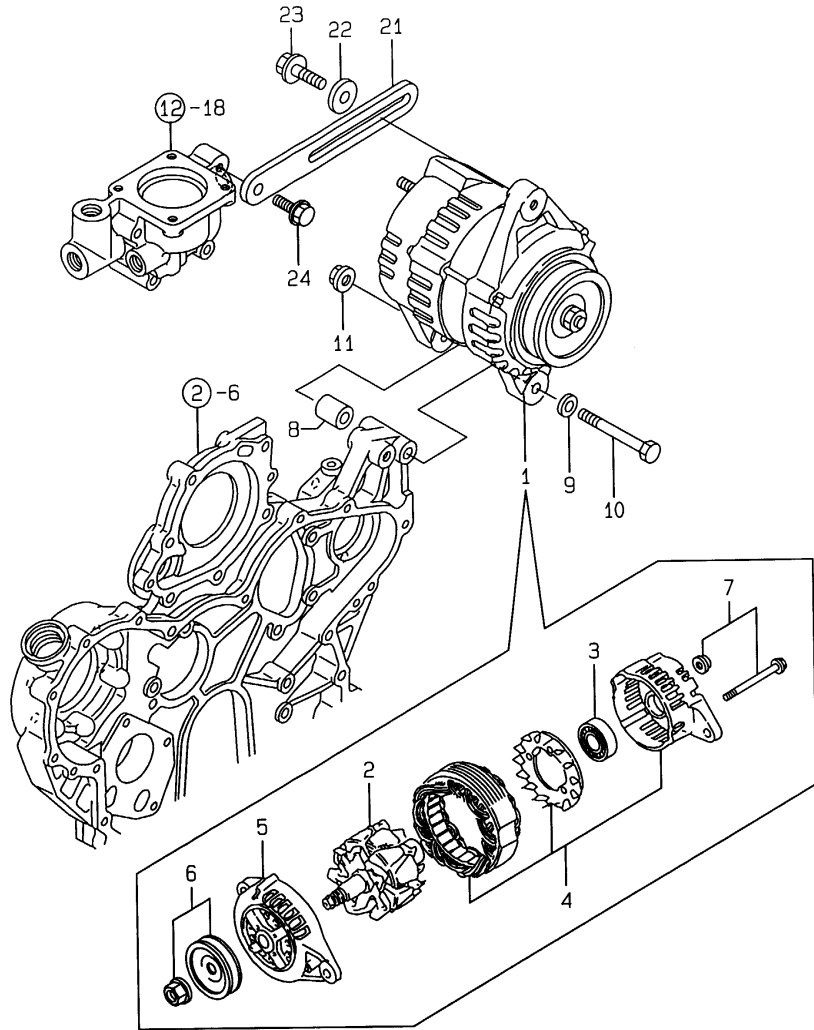
(E)=

(F)=

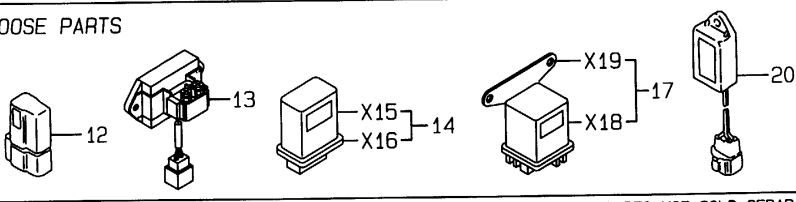
No.	Lev.	Parts No.	Description	Q'ty						I	R
				(A)	(B)	(C)	(D)	(E)	(F)		
1	1	123900-77010	STARTER	1							
2	2	123900-77400	ARMATURE ASSY	1							
5	2	123900-77440	COIL ASSY, FIELD	1							
6	3	123900-77450	BRUSH (+)	2							
7	2	123900-77460	COVER, REAR	1							
8	2	123900-77480	HOLDER, BRUSH	1							
9	3	123900-77450	BRUSH (+)	2							
10	3	121254-77590	SPRING, BRUSH	4							
11	2	123900-77510	PINION ASSY	1							
12	3	123900-77520	CLUTCH ASSY	1							
13	4	X2240610100	BALL BEARING (3	2							
14	3	123900-77540	SHAFT, PINION	1							
15	3	119131-77550	STOPPER KIT, PINION	1							
19	2	129900-77591	SWITCH ASSY,MAGNETIC	1							
20	2	123900-77610	RETAINER, BEARING	1							
21	2	129900-77620	SHIFT LEVER SET	1							
22	2	123900-77640	THROUGHT BOLT	2							
23	2	123900-77650	COVER ASSY, DUST	1							
24	2	123900-77710	HOUSING, GEARS	1							
25	2	171008-77750	COVER, M TERMINAL	1							
26	1	26116-120302	BOLT, M12X 30 PLATED	2							

Fig.18. GENERATOR

18. GENERATOR



LOOSE PARTS



x-MARK PARTS: NOT SOLD SEPARATELY.

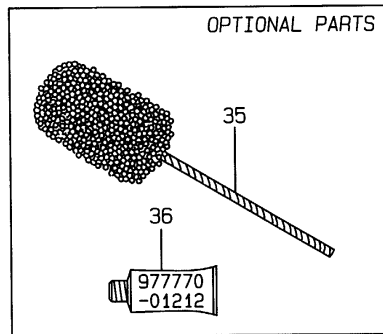
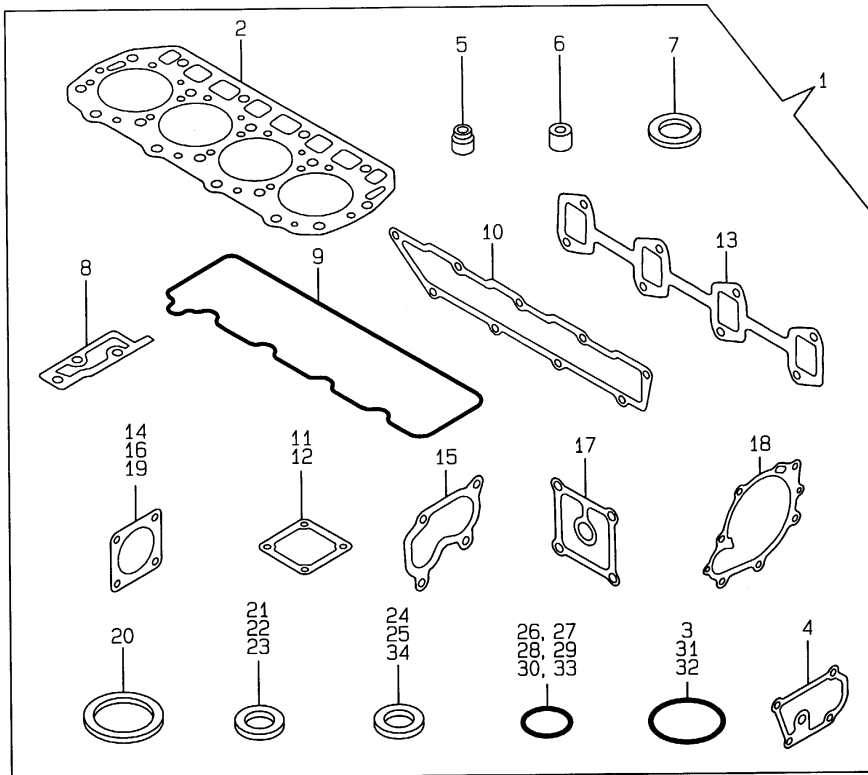
(A)=4TNE106T-GE
(B)=
(C)=

(D)=
(E)=
(F)=

No.	Lev.	Parts No.	Description	Q'ty						I	R
				(A)	(B)	(C)	(D)	(E)	(F)		
1	1	123900-77210	GENERATOR(12V-60A	1							
2	2	123900-77700	ROTOR ASSY	1							
3	2	129612-77710	BEARING, BALL	1							
4	2	123900-77720	REAR BRACKET ASSY	1							
5	2	123900-77730	FRONT BRACKET ASSY	1							
6	2	123900-77740	PULLEY	1							
7	2	123900-77750	SCREW KIT	1							
8	1	123900-77340	PIECE, DISTANCE	1							
9	1	22137-100000	WASHER, 10	1							
10	1	26116-101202	BOLT, M10X120 PLATED	1							
11	1	26306-100002	NUT, M10	1							
12	1	119643-66900	DIODE	1							
13	1	129136-77200	RELAY, SAFETY	1							
14	1	129457-77900	CONTROLLER	1							
17	1	119650-77910	RELAY ASSY, GLOW	2							
20	1	129211-77920	TIMER	1							
21	1	123900-77330	ADJUSTER	1							
22	1	121236-77340	SPACER	1							
23	1	119005-77350	BOLT, M8X25	1							
24	1	26014-080252	BOLT, M8X 25	1							

Fig.19. GASKET SET

19. GASKET SET



(A)=4TNE106T-GE

(B)=

(C)=

(D)=

(E)=

(F)=

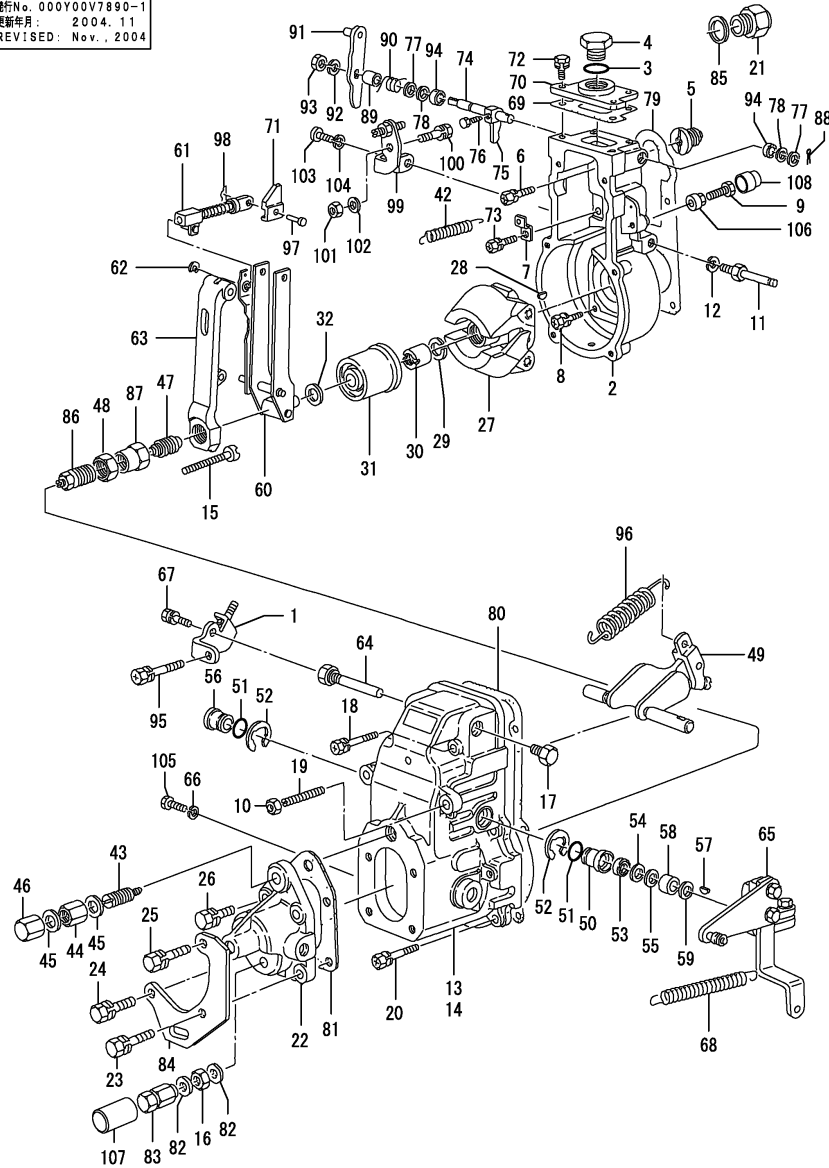
No.	Lev.	Parts No.	Description	Q'ty						I	R
				(A)	(B)	(C)	(D)	(E)	(F)		
1	1	723900-92690	GASKET SET	1							1
2	2	123900-01340	GASKET, HEAD	1							
3	2	24311-000320	O-RING, 1AP32.0	1							
4	2	123900-49820	GASKET	1							
5	2	121850-11150	SEAL, VALVE STEM	8							
6	2	119625-11870	PROTECTOR, NOZZLE	4							
7	2	119625-11880	SEAT, NOZZLE	4							
8	2	123900-03210	GASKET	1							
9	2	123900-11310	GASKET, BONNET	1							
10	2	123900-12110	GASKET, MANIFOLD	1							
11	2	123900-77020	GASKET	1							
12	2	123900-77030	GASKET	1							
13	2	123900-13110	GASKET	1							
14	2	129930-13200	GASKET, SILENCER	1							
15	2	123901-18080	GASKET	1							
16	2	123901-18090	GASKET	1							
17	2	123900-33060	GASKET	1							
18	2	123900-42050	GASKET, WATER PUMP	1							
19	2	124610-49291	GASKET	1							
20	2	123500-49550	GASKET	1							
21	2	22190-080002	WASHER, SEAL 6	3							
22	2	22190-120002	WASHER, SEAL 12	4							
23	2	22190-140002	WASHER, SEAL 14	4							
24	2	23414-100000	GASKET, 10X1.0	6							
25	2	124465-44950	GASKET, 16	2							
26	2	129900-32030	O-RING, P20	1							
27	2	129900-32040	O-RING, P14	1							
28	2	24311-000110	O-RING, 1AP11.0	1							
29	2	24311-000120	O-RING, 1AP12.0	4							
30	2	24314-000180	O-RING, 4CP18.0	2							
31	2	24341-000240	O-RING, 1AS24.0	1							
32	2	24321-000850	O-RING, 1AG85.0	1							
33	2	24311-240100	O-RING, 1AP10A	1							
34	2	129150-49360	GASKET	1							
35	1	129400-92450	HONE	1							1
36	1	977770-01212	GASKET, LIQUID	1							1

Remarks

(1) OPTIONAL PART.

Fig.20. GOVERNOR

発行No. 000Y00V7890-1
更新年月: 2004. 11
REVISED: Nov., 2004



(A)=4TNE106T-GE

(B)=

(C)=

(D)=

(E)=

(F)=

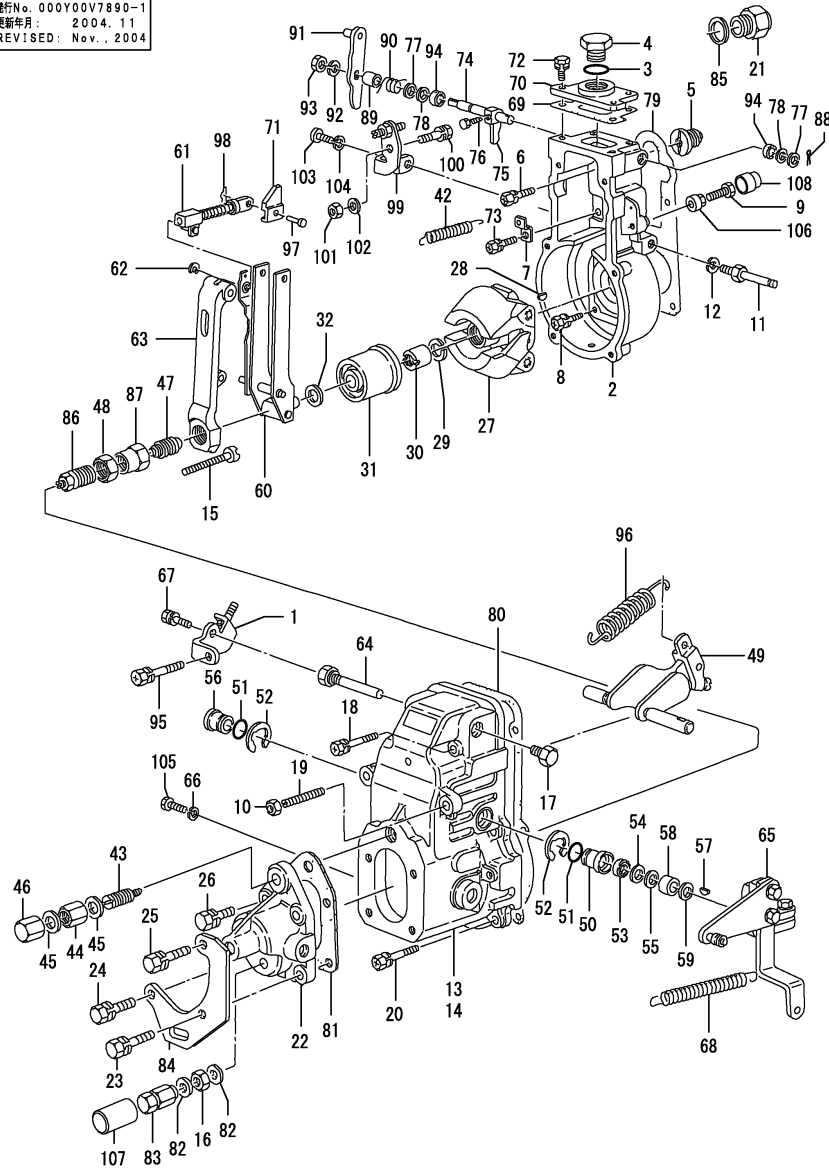
No.	Lev.	Parts No.	Description	Q'ty						I	R
				(A)	(B)	(C)	(D)	(E)	(F)		
1	2	X1543763120	BRACKET	1							
2	2	X1540045620	HOUSING	1							
3	2	X0296325070	O-RING	1							
4	2	X1540072900	PLUG	1							
5	2	X1540070200	ADAPTOR	1							
6	2	X0200181840	BOLT	1							
7	2	X1543501800	PLATE	1							
8	2	X0290106810	BOLT	5							
9	2	X1540107300	BOLT	1							
10	2	X1540110100	NUT	1							
11	2	X1540132320	BOLT	1							
12	2	X0141108440	SPRING WASHER	1							
13	2	X1545011120	COVER	1							
14	2	X1545011100	COVER	1							
15	2	X1540314700	SCREW	1							
16	2	X1392080400	NUT	1							
17	2	X1540361200	PLUG	1							
18	2	X1390067100	BOLT	1							
19	2	X1540100100	SCREW	1							
20	2	X0201063840	BOLT	4							
21	2	X1530205220	LIMITER	1							
22	2	X1540644200	COVER	1							
23	2	X0290206260	BOLT	1							
24	2	X0290206260	BOLT	1							
25	2	X0200062040	BOLT	1							
26	2	X0200061640	BOLT	1							
27	2	X1541010020	FLYWAIGHT ASSY.	1							
28	2	X0258031610	WOODRUFF KEY	1							
29	2	X0293212020	SPRING WASHER	1							
30	2	X0292312030	NUT	1							
31	2	X1541232320	SLEEVE	1							
32	2	X0299981000	SHIM	1							
42	2	X1541540701	SPRING	1							
43	2	X1541581320	CAPSULE, SPRING	1							
44	2	X0292012140	NUT	1							
45	2	X0265121540	GASKET	2							
46	2	X1541591200	NUT, CAP	1							
47	2	X1541854520	CAPSULE, SPRING	1							
48	2	X0292016080	NUT	1							
49	2	X1542006920	LEVER	1							
50	2	X1542044300	BUSH	1							
51	2	X0296318020	O-RING	2							
52	2	X0160101640	RING, SNAP	2							
53	2	X1396110000	SEAL, OIL	1							
54	2	X1394110000	SHIM	1							
55	2	X0293111070	SHIM	1							
56	2	X1542044400	BUSH	1							
57	2	X0258031310	WOODRUFF KEY	1							
58	2	X1542062800	COLLAR	1							
59	2	X1542060200	WASHER	1							
60	2	X1542186720	LEVER ASSY, GUIDE	1							

Remarks

* THIS FIGURE(GOVERNOR ASSY)IS
INCORPORATED IN THE FUEL INJECTION
PUMP ASSY(FIG.13).

Fig.20. GOVERNOR

発行No. 000Y00V7890-1
更新年月: 2004. 11
REVISED: Nov., 2004



(A)=4TNE106T-GE

(B)=

(C)=

(D)=

(E)=

(F)=

No.	Lev.	Parts No.	Description	Q'ty						I	R
				(A)	(B)	(C)	(D)	(E)	(F)		
61	2	X1542344020	LINK	1							
62	2	X0160100540	RING, SNAP	1							
63	2	X1542395120	LEVER, TENSION	1							
64	2	X1542371100	PIN	1							
65	2	X1543963120	LEVER	1							
66	2	X0141103440	WASHER, SPRING	1							
67	2	X0200061240	BOLT	1							
68	2	X1543142600	SPRING	1							
69	2	X1543902000	GASKET	1							
70	2	X1540644500	COVER	1							
71	2	X1542323000	CONNECTOR	1							
72	2	X0200061640	BOLT	4							
73	2	X0201061640	BOLT	1							
74	2	X1550043301	SHAFT	1							
75	2	X1550032520	LEVER	1							
76	2	X1550060700	BOLT	1							
77	2	X1393080900	WASHER	2							
78	2	X1393081000	WASHER	2							
79	2	X1543901300	GASKET	1							
80	2	X1543900300	GASKET	1							
81	2	X1543905000	GASKET	1							
82	2	X0265081140	GASKET	2							
83	2	X1540352400	CAP NUT	1							
84	2	X1543763000	BRACKET	1							
85	2	X0265182240	GASKET	1							
86	2	X1541728520	CAPSULE, SPRING	1							
87	2	X0292016010	NUT	1							
88	2	X0255201210	SPLIT PIN	1							
89	2	X1542065200	COLLAR	1							
90	2	X1543281400	SPRING	1							
91	2	X1543832420	LEVER	1							
92	2	X0141108440	SPRING WASHER	1							
93	2	X0130208040	NUT	1							
94	2	X0296208050	OIL SEAL	2							
95	2	X0201065040	BOLT	1							
96	2	X1541508800	SPRING	1							
97	2	X1542225800	PIN	1							
98	2	X1554023800	PIN	1							
99	2	X1543591320	BRACKET	1							
100	2	X0201181640	BOLT	1							
101	2	X1540111100	NUT	1							
102	2	X0293008320	SHIM	1							
103	2	X1540106100	SCREW	1							
104	2	X0141108440	SPRING WASHER	1							
105	2	X1542222700	SCREW	1							
106	2	X1540112300	NUT	1							
107	2	X1540622000	CAP	1							
108	2	X1540621700	CAP	1							

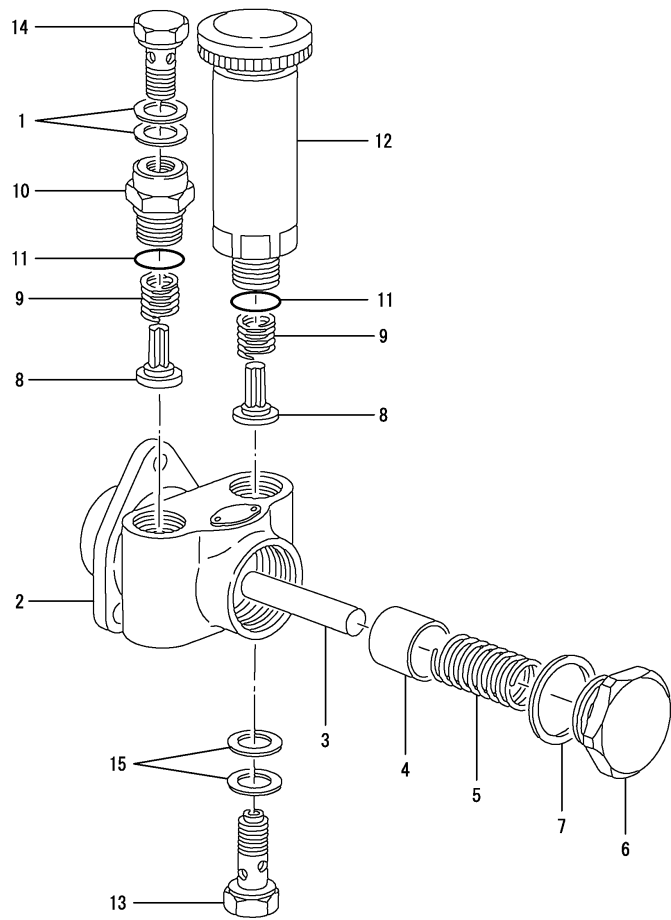
Remarks

* THIS FIGURE(GOVERNOR ASSY)IS
INCORPORATED IN THE FUEL INJECTION
PUMP ASSY(FIG.13).

N:Old $\begin{matrix} \leftarrow \text{Yes} \\ \text{No} \end{matrix}$ New, Q:Old $\begin{matrix} \leftarrow \text{No} \\ \text{Yes} \end{matrix}$ New, R:Old $\begin{matrix} \leftarrow \text{Yes} \\ \text{Yes} \end{matrix}$ New, S:Old $\begin{matrix} \leftarrow \text{No} \\ \text{No} \end{matrix}$ New, W:Add, Z:Discontinued, F:Interchangeable by set, K:Q'ty Change

Fig.21. FEED PUMP

発行No. 000Y00V7890-1
更新年月: 2004. 11
REVISED: Nov. 2004



(A)=4TNE106T-GE
(B)=
(C)=

(D)=
(E)=
(F)=

No.	Lev.	Parts No.	Description	Q'ty						I	R
				(A)	(B)	(C)	(D)	(E)	(F)		
1	2	X0265141840	GASKET	2							
2	2	X1520620020	HOUSING	1							
3	2	X1520300300	ROD, PUSH	1							
4	2	X1521002301	PISTON	1							
5	2	X1521020400	SPRING, PISTON	1							
6	2	X1521051500	PLUG	1							
7	2	X1395260000	GASKET	1							
8	2	X1521150500	VALVE	2							
9	2	X1521160200	SPRING	2							
10	2	X1521180900	ADAPTER	1							
11	2	X0296316060	O-RING	2							
12	2	X1522006720	PRIMING PUMP	1							
13	2	X1523005920	BOLT	1							
14	2	X0297314680	EYE BOLT	1							
15	2	X0265141840	GASKET	2							

Remarks

* THIS FIGURE(FEED PUMP ASSY)IS
INCORPORATED IN THE FUEL INJECTION
PUMP ASSY(FIG.13).

Parts No. Index

Parts No.	Fig. No.	Ref. No.
101304-59020	15	6
103854-59191	15	15
105025-59750	15	27
114250-39450	11	1
114250-53080	14	8
114250-53120	14	12
114250-53130	14	13
114250-53140	14	14
114250-53210	14	15
114250-53400	14	16
119000-11280	4	28
119000-11810	4	9
119000-55600	15	1
119005-35100	10	8
119005-77350	18	23
119131-18320	8	5
119131-77550	17	15
119171-11370	4	21
119173-22300	9	22
119174-01200	1	22
119260-34810	10	7
119560-59051	15	10
119560-59110	15	9
		12
119593-11300	4	41
119620-01750	3	3
119620-49290	10	17
119625-11870	4	22
	19	6
119625-11880	4	23
	19	7
119625-11900	4	24
119640-01640	3	7
119642-49050	12	30
119642-49090	12	32
119643-66900	18	12
119650-77910	18	17
119802-13820	6	4 -1
119807-11770	2	26
121023-01550	2	27
121023-26070	2	10
121027-11743	4	44
121236-77340	18	22
121250-44901	12	34
121250-49110	15	21
121250-59550	15	31
121252-39150	11	4
121254-77590	17	10
121750-59890	15	14
121850-11150	4	19

Parts No.	Fig. No.	Ref. No.
121850-11150	19	5
121850-11180	4	20
121850-21130	9	10
121850-21290	9	4
121850-21680	9	9
121850-21920	9	5
121851-11970	1	15
121855-59880	15	19
		20
		34
123472-59120	14	28
123500-49550	12	22
	19	20
123672-01782	3	5
123900-01340	1	23
	19	2
123900-01500	2	7
123900-01710	3	6
123900-01740	2	4
123900-01780	2	3
123900-01810	2	6
123900-02020	1	5
123900-02340	1	24
123900-02410	1	8
123900-02800	1	16
123900-02930	1	19
123900-02940	1	27
123900-03202	4	47
123900-03210	4	48
	19	8
123900-03220	4	49
123900-07900	4	2
123900-11100	4	16
123900-11110	4	17
123900-11120	4	18
123900-11200	4	26
123900-11240	4	27
123900-11310	4	51
	19	9
123900-11510	4	29
123900-11520	4	30
123900-11650	4	31
123900-11660	4	35
123900-12100	5	1
123900-12110	5	2
	19	10
123900-13110	6	3
	19	13
123900-13610	6	1
123900-13650	6	13

Parts No.	Fig. No.	Ref. No.
123900-14200	7	1
123900-14400	7	2
123900-21000	9	1
123900-21580	9	11
123900-21650	9	8
123900-22050	9	16
123900-22950	9	35
123900-23000	9	24
123900-23200	9	28
123900-23600	9	40
123900-23610	9	31
123900-23910	9	27
123900-25060	7	9
123900-25120	7	10
123900-32001	2	8
123900-33060	10	3
	19	17
123900-34810	10	6
123900-34820	10	20
123900-35003	10	9
123900-39650	11	24
123900-42000	12	2
123900-42050	12	10
	19	18
123900-42450	12	13
123900-42480	12	14
123900-49820	12	26
	19	4
123900-49840	12	18
123900-53050	14	5
123900-66820	16	4
123900-77010	17	1
123900-77020	5	7
	19	11
123900-77030	5	8
	19	12
123900-77210	18	1
123900-77330	18	21
123900-77340	18	8
123900-77400	17	2
123900-77440	17	5
123900-77450	17	6
		9
123900-77460	17	7
123900-77480	17	8
123900-77500	5	9
123900-77510	17	11
123900-77520	17	12
123900-77540	17	14
123900-77610	17	20

Parts No.	Fig. No.	Ref. No.
123900-77640	17	22
123900-77650	17	23
123900-77700	18	2
123900-77710	17	24
123900-77720	18	4
123900-77730	18	5
123900-77740	18	6
123900-77750	18	7
123901-01950	14	1
123901-03090	4	1
123901-03240	4	58
123901-03250	4	59
123901-03260	4	60
123901-03270	4	57
123901-03280	4	62
123901-11340	4	45
123901-13200	6	2
123901-13500	6	8
123901-14580	7	3
123901-18080	6	9
	19	15
123901-18090	8	1
	19	16
123901-22080	9	14
123901-22900	9	33
123901-39820	11	13
123901-51020	13	1
123901-59811	14	30
123901-59821	14	31
123901-59830	14	32
123901-59840	14	33
123901-66820	16	1
123901-66840	16	2
123912-01600	3	2
123912-03250	4	64
123912-03270	4	65
123912-03300	4	63
123912-07900	4	70
123912-13650	6	6
123912-18011	8	4
123912-18350	5	6
123912-33011	10	1
123912-33040	10	2
123912-33100	10	4
123912-39060	11	2
123912-39600	11	12
123912-49031	12	29
123946-01780	2	3 -1
123946-21660	9	8 -1
123962-49500	12	21

Parts No. Index

Parts No.	Fig. No.	Ref. No.
124060-59380	15	17
124066-59100	15	28
124070-13300	11	11
124160-11360	4	53
124160-39140	11	3
124223-39900	11	5
124250-49351	12	16
124465-44950	12	35
	19	25
124610-48620	12	19
124610-49291	12	20
	19	19
124732-59562	15	32
124766-59050	15	13
		24
127410-21480	9	13
127605-03400	4	66
128300-59910	15	35
129100-01580	3	1
129107-44901	12	15
129129-59510	15	11
129136-66852	16	13
129136-77200	18	13
129150-02450	7	4
129150-03070	4	46
129150-11230	4	32
		36
129150-11750	4	34
		38
129150-49360	12	36
	19	34
129150-59580	15	33
129211-77920	18	20
129335-59090	15	8
129400-92450	19	35
129418-18320	6	5
129457-77900	18	14
129466-49300	12	1
129470-55610	15	2
129495-59300	15	29
129595-18141	5	4
129612-77710	18	3
129693-44310	6	4
129792-39410	11	18
129900-14100	7	6
129900-21200	9	3
129900-21640	9	7
129900-25900	7	14
129900-32030	2	12
	19	26

Parts No.	Fig. No.	Ref. No.
129900-32040	2	13
	19	27
129900-77591	17	19
129900-77620	17	21
129916-21610	9	9 -1
129930-13200	6	7
	19	14
129953-77803	16	5
129957-59040	15	7
129957-59050	15	25
129957-59120	15	26
129960-21640	9	7 -1
129980-59530	15	30
171008-77750	17	25
171051-01921	1	4
194180-51640	15	3
22117-060000	16	7
		8
22117-080000	8	2
22137-100000	18	9
22190-060002	15	18
22190-080002	11	9
	15	43
	19	21
22190-120002	15	22
	19	22
22190-140002	15	41
		42
	19	23
22190-220002	3	9
22242-000180	4	39
22252-000370	9	23
22312-080160	2	14
22351-030010	11	25
22351-060012	1	9
22360-060000	16	9
		10
22512-070140	7	7
	9	6
23000-016000	4	67
23000-025000	11	14
	12	33
23000-041000	4	68
		69
23000-054000	5	5
23297-060081	11	6
23297-350121	4	55
23414-100000	11	7
	19	24
23857-060000	15	23

Parts No.	Fig. No.	Ref. No.
23875-030000	1	10
		13
23876-005000	4	11
23876-030000	4	14
	12	24
24311-000110	2	28
	19	28
24311-000120	4	54
	19	29
24311-000320	4	72
	19	3
24311-240100	10	21
	19	33
24314-000180	10	14
	11	15
	19	30
24321-000850	2	11
	19	32
24341-000240	2	15
	19	31
24341-000530	9	39
26014-080252	18	24
26022-050122	4	52
26106-060102	16	11
26106-060162	2	5
	11	16
26106-060202	14	34
26106-060502	12	11
26106-080102	15	44
26106-080122	3	10
	10	15
	11	8
		10
	16	14
26106-080142	7	8
	11	17
26106-080162	3	11
	10	16
	16	12
26106-080182	10	22
26106-080202	2	16
		17
	10	5
	14	3
26106-080222	6	11
		12
26106-080252	12	25
26106-080402	2	19
26106-080452	2	20
		21

Parts No.	Fig. No.	Ref. No.
26106-080502	2	22
26106-080552	7	13
	12	12
26106-080602	12	27
26106-080702	2	23
	4	42
	5	3
	12	28
26106-080802	2	24
26106-100142	14	2
	15	5
26106-100182	10	23
26106-100202	4	3
	12	17
26106-100222	2	18
26106-100252	4	71
	15	4
26106-100352	3	4
26106-100752	5	10
26106-100952	5	11
26106-120202	4	56
26116-050102	4	61
26116-101202	18	10
26116-120302	17	26
26216-060252	4	13
26216-100302	2	9
26306-080002	4	43
	6	10
		14
		15
26306-100002	2	25
	18	11
26346-060002	16	3
26366-060002	4	25
26577-040162	4	40
26703-080002	8	3
26716-060002	16	6
27225-120160	1	14
27231-700000	1	11
27241-300000	1	12
27241-400000	4	12
27310-090000	4	15
723900-01560	1	1
723900-01570	2	1
723900-01580	2	1 -1
723900-11100	4	4
723900-53200	14	4
723900-92690	19	1
977770-01212	2	29
	3	12

Parts No. Index

Parts No.	Fig. No.	Ref. No.
977770-01212	19	36
X0130208040	20	93
X0131214140	13	94
X0141103440	20	66
X0141108440	20	12
		92
		104
X0160100540	20	62
X0160101640	20	52
X0166402030	13	66
		68
X0200061240	20	67
X0200061640	20	26
		72
X0200062040	13	92
	20	25
X0200181840	20	6
X0201061640	20	73
X0201063840	20	20
X0201065040	20	95
X0201181640	20	100
X0255201210	20	88
X0258031310	20	57
X0258031610	20	28
X0265081140	20	82
X0265101340	13	101
X0265121540	20	45
X0265141840	13	98
	21	1
		15
X0265182240	20	85
X0282020020	13	67
		69
X0290106810	20	8
X0290206260	20	23
		24
X0290406020	13	4
X0292012140	20	44
X0292016010	20	87
X0292016080	20	48
X0292312030	20	30
X0293008320	20	102
X0293111070	20	55
X0293212020	20	29
X0293214010	13	95
X0293406020	13	11
X0294704030	13	96
X0296208050	20	94
X0296220190	13	90
X0296316060	21	11

Parts No.	Fig. No.	Ref. No.
X0296318020	20	51
X0296320070	13	22
X0296325070	20	3
X0296331010	13	14
X0296375020	13	99
X0297310120	13	100
X0297314680	13	97
	21	14
X0299981000	20	32
X0299981020	13	28
X0299982020	13	72
		81
X1310024700	13	6
		7
X1310111900	13	9
X1310171000	13	10
X1310286220	13	8
X1310341501	13	12
X1310661820	13	3
X1311122900	13	17
X1311151200	13	18
X1311168220	13	19
X1311173100	13	20
X1311220520	13	21
X1311502920	13	15
X1311608520	13	16
X1312002720	13	23
X1312030500	13	24
X1312041100	13	25
X1312050600	13	26
X1312060700	13	27
X1312152100	13	102
X1312160400	13	58
X1312170600	13	59
X1312260300	13	61
X1312400100	13	62
X1312410500	13	63
X1312420100	13	64
X1312540600	13	60
X1313021000	13	70
		71
X1313110000	13	2
X1313211900	13	93
X1313301800	13	91
X1313661600	13	65
X1340260000	13	5
X1390067100	20	18
X1392060400	13	13
X1392080400	20	16
X1393080900	20	77

Parts No.	Fig. No.	Ref. No.
X1393081000	20	78
X1394110000	20	54
X1395260000	21	7
X1396110000	20	53
X1520300300	21	3
X1520620020	21	2
X1521002301	21	4
X1521020400	21	5
X1521051500	21	6
X1521150500	21	8
X1521160200	21	9
X1521180900	21	10
X1522006720	21	12
X1523005920	21	13
X1530205220	20	21
X1540045620	20	2
X1540070200	20	5
X1540072900	20	4
X1540100100	20	19
X1540106100	20	103
X1540107300	20	9
X1540110100	20	10
X1540111100	20	101
X1540112300	20	106
X1540132320	20	11
X1540314700	20	15
X1540352400	20	83
X1540361200	20	17
X1540621700	20	108
X1540622000	20	107
X1540644200	20	22
X1540644500	20	70
X1541010020	20	27
X1541232320	20	31
X1541508800	20	96
X1541540701	20	42
X1541581320	20	43
X1541591200	20	46
X1541728520	20	86
X1541854520	20	47
X1542006920	20	49
X1542044300	20	50
X1542044400	20	56
X1542060200	20	59
X1542062800	20	58
X1542065200	20	89
X1542186720	20	60
X1542222700	20	105
X1542225800	20	97
X1542323000	20	71

Parts No.	Fig. No.	Ref. No.
X1542344020	20	61
X1542371100	20	64
X1542395120	20	63
X1543142600	20	68
X1543281400	20	90
X1543501800	20	7
X1543591320	20	99
X1543763000	20	84
X1543763120	20	1
X1543832420	20	91
X1543900300	20	80
X1543901300	20	79
X1543902000	20	69
X1543905000	20	81
X1543963120	20	65
X1545011100	20	14
X1545011120	20	13
X1550032520	20	75
X1550043301	20	74
X1550060700	20	76
X1554023800	20	98
X2240610100	17	13