

OCR10-M41000EN

P R E F A C E

1. This Parts Catalog carries all parts incorporated in YANMAR Model 3TNC78E-S, 3TN84E-S, 3TN84E-G1, 3TN84E-G2, 4TN84E-S, 4TN84E-G1, 4TN84E-G2, 4TN84TE-S, 4TN84TE-G1 & 4TN84TE-G2 engines manufactured since July 1991.
2. Each illustration corresponds to the parts list on the following page.
3. When ordering parts, clearly write down the engine model and serial number, as well as the name and number of each part in your order sheet. This will help insure reliable delivery of the parts you have ordered.

4.

MODEL	FIG. No.
3TNC78E-S 3TN84E-S 3TN84E-G1 3TN84E-G2	1~22
4TN84E-S 4TN84E-G1 4TN84E-G2 4TN84TE-S 4TN84TE-G1 4TN84TE-G2	23~47

Directions for the Parts Catalog.

1. This Parts Catalog shows both standard and optional parts.
2. Parts may change without prior notice.
3. The following is an example of the Parts Catalog format.

REF.	LEV.	PARTS NO.	DESCRIPTION	Q'TY						I	R
				(A)	(B)	(C)	(D)	(E)	(F)		
1	1	729595-51390	FUEL INJECTION PUMP	1	1	1	1	1			1
1-1	1	729595-51391	FUEL INJECTION PUMP	1	1	1	1	1		N	1
		(A=E00185) (B=E00200)									
3	2	26022-060162	SCREW M 6X 16	9	9	9	9	9			
3-1	2	26022-060162	SCREW M 6X 16	4	4	4	4	4		K	
		(A=E00156) (B=E00156) (C=E00156) (D=E00156) (E=E00156)									
4	2	129470-51040	CAMSHAFT	1	1	1	1	1			
5	2	122710-51050	BEARING, ROLLER	2	2	2	2	2			
6	2	129470-51060	RETAINER	1	1	1	1	1			

Remarks
(1) BOOST COMPEMSATOR TYPE. OPTIONAL PART, TO E00155,(4JH-DT, 4JH-DTZ

① Ref. No.

The Ref. No. listed may not be in accordance with the illustration Ref. No.

(Ex.) Illustration No.

List Ref No.

1

1

(Before change)

1-1

(After change)

For interchangeable symbols N, R and K, illustrations for new parts may be abbreviated.

② Lev. (Level)

Level indication

The numbers below indicate the level of relativity towards the main part.

1 ----- Main parts (Assembly parts)

2 ----- Sub component included in " 1 ".

3 ----- Sub component included in " 2 ".

Note) Parts that are not for sale are partially illustrated but not listed.

③ Interchangeability Symbol

When a part change takes place, one of the following interchangeability symbols is indicated beside the part.

Symbol	Interchangeability	Contents note
N	Old $\begin{matrix} \leftarrow \text{Yes} \\ \text{No} \rightarrow \end{matrix}$ New	New Part is interchangeable for Old Part but Old Part is not interchangeable for New Part.
Q	Old $\begin{matrix} \leftarrow \text{No} \\ \text{Yes} \rightarrow \end{matrix}$ New	New Part is not interchangeable for Old Part but Old Part is interchangeable for New Part.
R	Old $\begin{matrix} \leftarrow \text{Yes} \\ \text{Yes} \rightarrow \end{matrix}$ New	New/ Old Parts are both interchangeable.
S	Old $\begin{matrix} \leftarrow \text{No} \\ \text{No} \rightarrow \end{matrix}$ New	New/ Old Parts are both not interchangeable.
W		Part newly added.
Z		Part discontinued.
F		Not interchangeable by a single part but interchangeable together with related parts.
K		Changes only for used parts quantities.

④ Effective Machine No.

When a part changes, the effective Machine No. will be indicated in the (A)-(F) column.

Product Symbol	Product No.	Product Symbol	Product No.
C	Clutch No. Compressor No.	F	Machine No. (Agricultural Equip.)
D	Drive No.	M	Machine No.
E	Engine No.		

Note 1) A date may follow the symbol. (Ex.) 1996.01

Note 2) "XXXXX" and "ZZZZZ" are for parts that could not be predicted or for engine models that could not be identified.

Note 3) (A=E00185) is the E (Engine Serial Number) for the column (A) model (in this case 4JH-DT) after the parts design change.

⑤ Remarks

Figures or alphabets (symbols) are entered in the remarks column.

The comments (remarks) on parts that are indicated at the bottom of the illustration are the same symbols as those stated above.

Contents

Fig. No.	Fig. Name
3TNC78E-S, 3TN84E-S, G1, G2	
1.	CYLINDER BLOCK
2.	GEAR HOUSING
3.	FLYWHEEL HOUSING & OIL SUMP
4.	CYLINDER HEAD & BONNET
5.	SUCTION MANIFOLD & AIR CLEANER
6.	EXHAUST MANIFOLD & SILENCER
7.	CAMSHAFT & DRIVING GEAR
8.	CRANKSHAFT & PISTON
9.	LUB. OIL SYSTEM
10.	COOLING WATER PUMP(3TNC78E-S)
11.	COOLING WATER PUMP(3TN84E)
12.	RADIATOR
13.	FUEL INJECTION PUMP
14.	GOVERNOR
15.	FUEL INJECTION VALVE
16.	FUEL FILTER & FUEL PIPE
17.	ENGINE CONTROL DEVICE
18.	STARTING MOTOR
19.	STARTING MOTOR(3TN84E-G1)
20.	GENERATOR
21.	PANEL
22.	GASKET SET & TOOL(OPTIONAL)

Fig. No.	Fig. Name
4TN84(T)E-S, G1, G2	
23.	CYLINDER BLOCK
24.	GEAR HOUSING
25.	FLYWHEEL HOUSING & OIL SUMP
26.	CYLINDER HEAD & BONNET
27.	SUCTION MANIFOLD & AIR CLEANER
28.	EXHAUST MANIFOLD & SILENCER
29.	TURBOCHARGER(4TN84TE-S)
30.	TURBOCHARGER(4TN84TE-G1,G2)
31.	CAMSHAFT & DRIVING GEAR
32.	CRANKSHAFT & PISTON
33.	LUB. OIL SYSTEM
34.	LUB. OIL LINE
35.	COOLING WATER PUMP
36.	RADIATOR
37.	COOLING WATER SYSTEM
38.	FUEL INJECTION PUMP
39.	GOVERNOR
40.	FUEL INJECTION VALVE
41.	FUEL FILTER & FUEL PIPE
42.	ENGINE CONTROL DEVICE
43.	STARTING MOTOR(4TN84(T)E-S,G2)
44.	STARTING MOTOR(4TN84(T)E-G1)
45.	GENERATOR
46.	PANEL

Contents

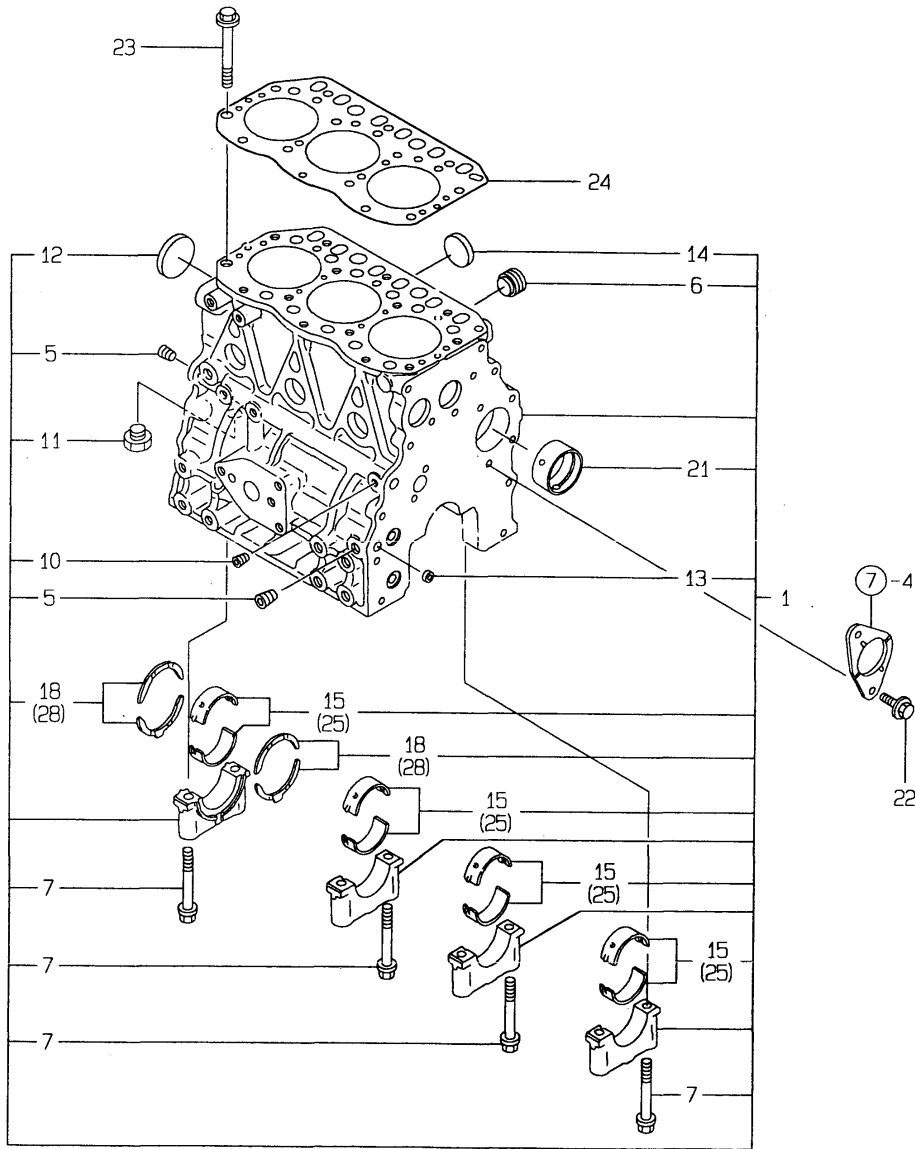
Fig. No. Fig. Name

47. GASKET SET & TOOL (OPTIONAL)

Fig. No. Fig. Name

Fig.1. CYLINDER BLOCK

1. CYLINDER BLOCK



(A)=3TNC78E-S
(B)=3TN84E-S
(C)=3TN84E-G1

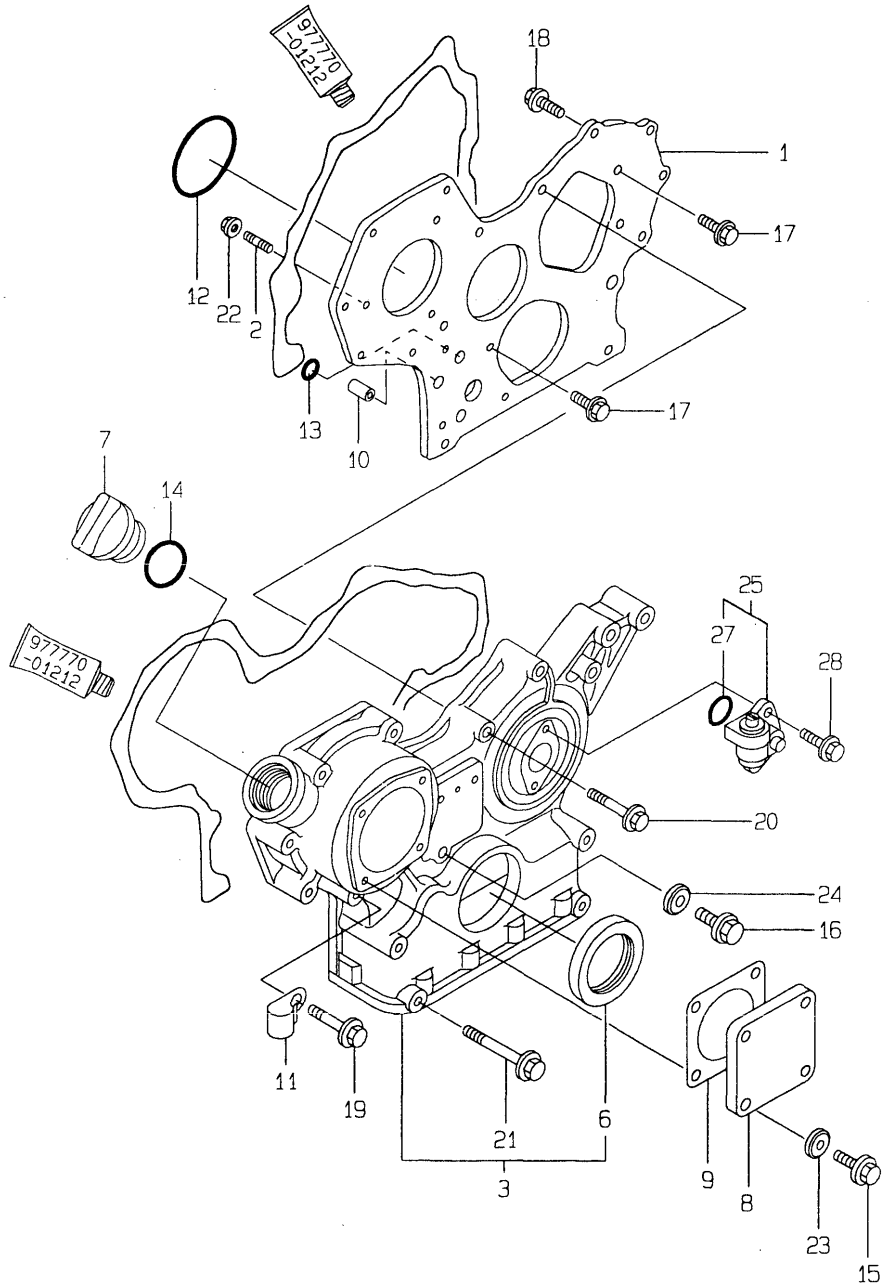
(D)=3TN84E-G2
(E)=
(F)=

No.	Lev.	Parts No.	Description	Q'ty						I	R
				(A)	(B)	(C)	(D)	(E)	(F)		
1A	1	719811-01560	BLOCK ASSY, CYLINDER	1							
1B	1	729157-01560	BLOCK ASSY, CYLINDER		1	1	1				
5	2	124160-01910	PLUG, PT1/4	2	3	3	3				
6	2	171051-01921	PLUG, NPTF1	1	1	1	1				
7A	2	119620-02020	BOLT, METAL CAP	8							
7B	2	129150-02020	BOLT, METAL CAP		8	8	8				
10	2	23871-010000	PLUG, R01	1	1	1	1				
11	2	23887-120002	PLUG, 12	1							
12	2	27231-500000	PLUG 50	1	1	1	1				
13	2	27241-120000	PLUG, 12	2	2	2	2				
14	2	27241-300000	PLUG 30	6	6	6	6				
15A	2	719810-02800	BEARING, MAIN	4							
15B	2	129150-02800	BEARING, MAIN		4	4	4				
18A	2	719810-02930	BEARING, THRUST	2							
18B	2	129150-02930	BEARING, THRUST		2	2	2				
21	2	129795-02411	BUSH, CAMSHAFT	1	1	1	1				
22	1	26106-080162	BOLT, M8X 16 PLATED	2	2	2	2				
23A	1	119810-01200	BOLT, HEAD	14							
23B	1	129150-01200	BOLT, HEAD		14	14	14				
24A	1	119811-01330	GASKET, HEAD T=1.4	1							
24B	1	129157-01332	GASKET, HEAD		1	1	1				
25A	1	119810-02870	BEARING, 0.25 US	4							1
25B	1	129150-02870	BEARING, 0.25 US		4	4	4				1
28A	1	119810-02940	BEARING, THRUST 0.25	2							2
28B	1	129150-02940	BEARING, THRUST 0.25		2	2	2				2

Remarks
(1)UNDER-SIZE(U.S=0.25)PART.
(2)OVER-SIZE(O.S=0.25)PART.

Fig.2. GEAR HOUSING

2. GEAR HOUSING

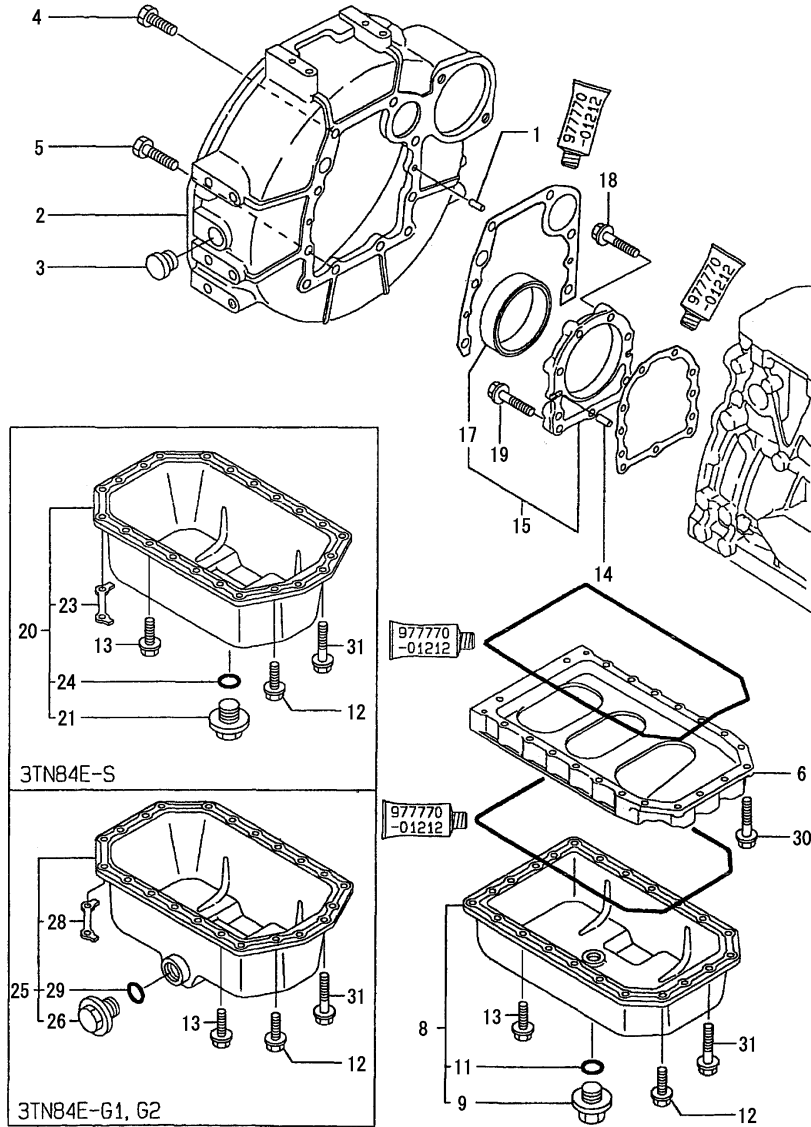


(A)=3TNC78E-S
(B)=3TN84E-S
(C)=3TN84E-G1

(D)=3TN84E-G2
(E)=
(F)=

No.	Lev.	Parts No.	Description	Qty						I	R
				(A)	(B)	(C)	(D)	(E)	(F)		
1	1	129400-01520	FLANGE, GEAR CASE	1	1	1	1				
2	1	121450-01560	STUD, M8X22	3	3	3	3				
3	1	129400-01590	CASE ASSY, GEAR	1	1	1	1				
6	2	129795-01800	SEAL, OIL	1	1	1	1				
7	1	124160-01751	COVER, FILLER	1	1	1	1				
8	1	124240-01871	COVER	1	1	1	1				
9	1	124240-01883	GASKET	1	1	1	1				
10	1	129795-01950	PIPE, KNOCK L=18	2	2	2	2				
11	1	129150-03100	RETAINER, PIPE	1	1	1	1				
12	1	121850-51960	O-RING	1	1	1	1				
13	1	24311-000160	O-RING, 1AP16.0	2	2	2	2				
14	1	24311-000320	O-RING, 1AP32.0	1	1	1	1				
15	1	26106-080122	BOLT, M8X 12 PLATED	4	4	4	4				
16	1	26106-080162	BOLT, M8X 16 PLATED	1	1	1	1				
17	1	26106-080162	BOLT, M8X 16 PLATED	3	3	3	3				
18	1	26106-080202	BOLT, M8X 20 PLATED	2	2	2	2				
19	1	26106-080452	BOLT, M8X 45 PLATED	6	6	6	6				
20	1	26106-080552	BOLT, M8X 55 PLATED	3	3	3	3				
21	1	26106-080852	BOLT, M8X 85 PLATED	4	4	4	4				
22	1	26366-080002	NUT, M8	3	3	3	3				
23	1	43400-500410	SEAL WASHER 8S	4	4	4	4				
24	1	43400-500410	SEAL WASHER 8S	1	1	1	1				
25	1	129150-91400	GEAR	1	1	1	1				
27	2	24341-000240	O-RING, 1AS24.0	1	1	1	1				
28	1	26106-060162	BOLT, M6X 16 PLATED	2	2	2	2				

Fig.3. FLYWHEEL HOUSING & OIL SUMP



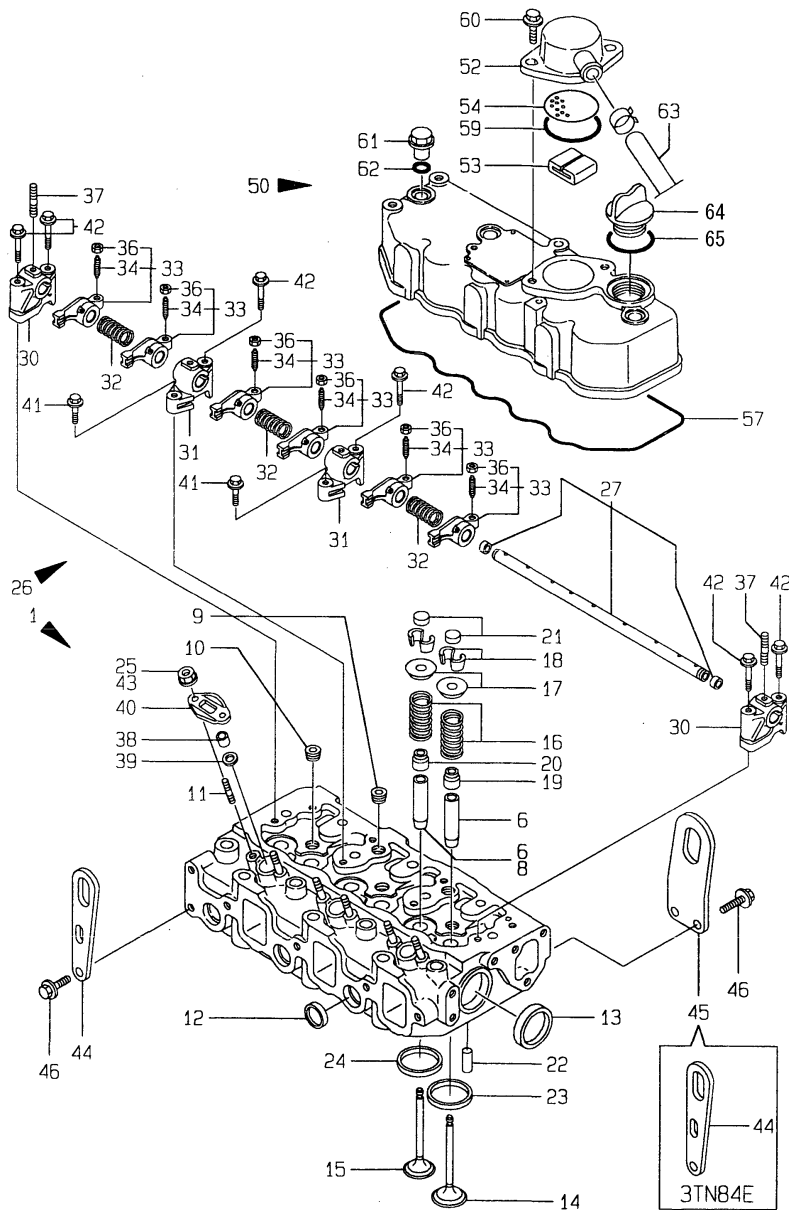
(A)=3TNC78E-S
(B)=3TN84E-S
(C)=3TN84E-G1

(D)=3TN84E-G2
(E)=
(F)=

No.	Lev.	Parts No.	Description	Q'ty						I	R
				(A)	(B)	(C)	(D)	(E)	(F)		
1	1	129100-01580	PIN, M8X16	2	2	2	2				
2A	1	119888-01600	HOUSING, FLYWHEEL	1	1						
2B	1	171301-01600	HOUSING, FLYWHEEL				1				
2C	1	171420-01600	HOUSING, FLYWHEEL				1				
3	1	119620-01750	CAP	1	1	1	1				
4	1	26206-100252	BOLT, M10X 25 PLATED	6	6	6	6				
5	1	26206-100302	BOLT, M10X 30 PLATED	4	4	4	4				
6A	1	119810-01730	SPACER, OIL SUMP	1							
6B	1	129100-01730	SPACER, OIL SUMP		1	1	1				
8	1	119810-01790	SUMP ASSY, OIL	1							
9	2	171301-01640	PLUG, 22	1							
11	2	24341-000240	O-RING, 1AS24.0	1							
12	1	26106-080162	BOLT, M8X 16 PLATED	4	4	4	4				
13	1	26106-080452	BOLT, M8X 45 PLATED	16	16	16	16				
14	1	129100-01580	PIN, M8X16	2	2	2	2				
15A	1	119860-01640	CASE ASSY, OIL SEAL	1							
15B	1	129100-01640	CASE ASSY, OIL SEAL		1	1	1				
17A	2	119810-01780	SEAL, 769310	1							
17B	2	129795-01780	SEAL, OIL		1	1	1				
18	1	26106-080302	BOLT, M8X 30 PLATED	6	6	6	6				
19	1	26106-080352	BOLT, M8X 35 PLATED	3	3	3	3				
20	1	729102-01540	SUMP ASSY, OIL			1					
21	2	171301-01640	PLUG, 22			1					
23	2	129100-01790	RETAINER			2					
24	2	24341-000240	O-RING, 1AS24.0			1					
25	1	129100-01770	SUMP ASSY, OIL				1	1			
26	2	171301-01640	PLUG, 22			1	1				
28	2	129100-01790	RETAINER			2	2				
29	2	24341-000240	O-RING, 1AS24.0				1	1			
30	1	26106-080252	BOLT, M8X 25 PLATED			2	2	2			
31	1	26106-080502	BOLT, M8X 50 PLATED	4	4	4	4				

Fig.4. CYLINDER HEAD & BONNET

4. CYLINDER HEAD & BONNET



(A)=3TNC78E-S
(B)=3TN84E-S
(C)=3TN84E-G1

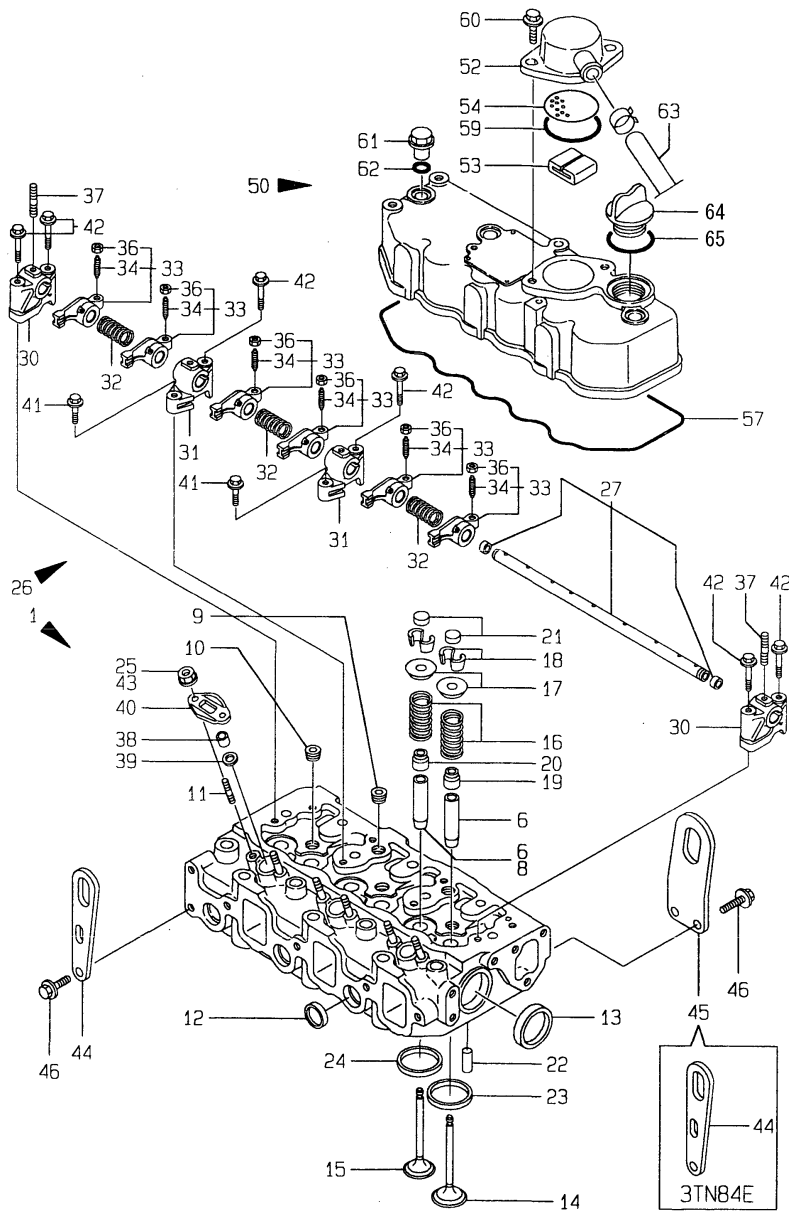
(D)=3TN84E-G2
(E)=
(F)=

No.	Lev.	Parts No.	Description	Q'ty						I	R
				(A)	(B)	(C)	(D)	(E)	(F)		
1A	1	719811-11700	HEAD ASSY, CYLINDER	1							
1B	1	771364-11701	HEAD ASSY, CYLINDER				1				
1C	1	729102-11700	HEAD ASSY, CYLINDER		1	1					
6A	2	120130-11860	GUIDE, VALVE		3	3	3				1
6B	2	124060-11800	GUIDE, VALVE	6							1
8	2	129150-11810	GUIDE, VALVE		3	3	3				1
9	2	121850-11860	PLUG, PT1/4	2	2	2	2				
10	2	23871-030000	PLUG, R03	3	3	3	3				
11A	2	26216-060302	STUD, M6X 30	6							
11B	2	26216-060202	STUD, M6X 20		6	6	6				
12	2	27241-220000	PLUG, 22	3	3	3	3				
13	2	27241-400000	PLUG, 40	2	2	2	2				
14A	2	119810-11100	VALVE, INTAKE	3							
14B	2	129100-11100	VALVE, INTAKE		3	3	3				
15A	2	119810-11110	VALVE, EXHAUST	3							
15B	2	129100-11130	VALVE, EXHAUST							3	
15C	2	129100-11110	VALVE, EXHAUST		3	3					
16A	2	119810-11120	SPRING, VALVE	6							
16B	2	129795-11120	SPRING, VALVE		6	6	6				
17A	2	104211-11180	RETAINER, SPRING	6							
17B	2	129795-11180	RETAINER, SPRING		6	6	6				
18A	2	101158-11190	COTTER	6							
18B	2	103338-11190	COTTER		6	6	6				
19A	2	124160-11340	SEAL, VALVE STEM	3							
19B	2	124460-11340	SEAL, VALVE STEM		3	3	3				
20A	2	124950-11340	SEAL, VALVE STEM	3							
20B	2	121400-11340	SEAL, VALVE STEM		3	3	3				
21A	2	104211-11370	CAP, VALVE	6							
21B	2	129150-11370	CAP, VALVE		6	6	6				
22	2	22351-060012	PIN, SPRING 6.0X12	2	2	2	2				
23	2	129470-11080	SEAT, INTAKE VALVE							3	
24	2	129470-11090	SEAT, EXHAUST VALVE							3	
25	2	26366-060002	NUT, M6		6	6	6				
26A	1	119865-11200	SUPPORT ASSY, ARM	1							
26B	1	129100-11240	SHAFT ASSY, ROCKER			1					
26C	1	129155-11241	SHAFT ASSY, ROCKER		1		1				
27A	2	119810-11240	SHAFT ASSY, ROCKER	1							
27B	2	129150-11290	SHAFT, ROCKER ARM		1	1	1				
30	2	129155-11260	SUPPORT, ROCKER ARM	2	2	2	2				
31	2	129155-11270	SUPPORT, ROCKER ARM	2	2	2	2				
32	2	129150-11280	SPRING	3	3	3	3				
33A	2	719810-11650	ARM ASSY, ROCKER	6							
33B	2	129100-11650	ARM, ROCKER				6				
33C	2	729402-11650	ARM ASSY, ROCKER		6		6				
34	3	129150-11230	SCREW, VALVE ADJUST	6	6	6	6				
36	3	129150-11750	NUT, M8	6	6	6	6				
37	2	26226-080182	STUD, M8X 18	3	3	3	3				
38	1	119625-11870	PROTECTOR, NOZZLE	3	3	3	3				
39	1	119625-11880	SEAT, NOZZLE	3	3	3	3				
40	1	119625-11900	RETAINER, NOZZLE	3	3	3	3				
41	1	26106-080252	BOLT, M8X 25 PLATED	2	2	2	2				

Remarks
(1)REPAIR PARTS.

Fig.4. CYLINDER HEAD & BONNET

4. CYLINDER HEAD & BONNET



(A)=3TNC78E-S
(B)=3TN84E-S
(C)=3TN84E-G1

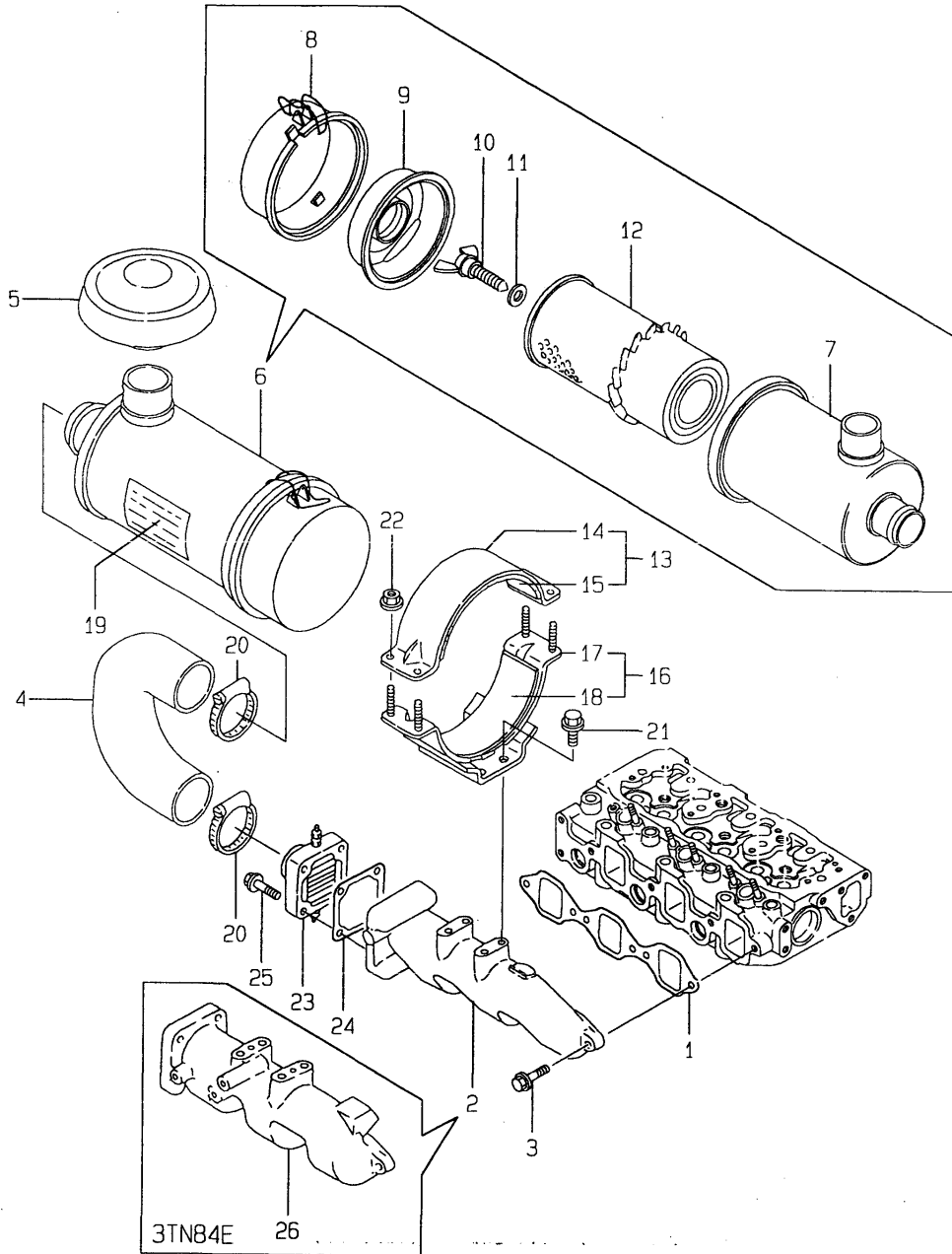
(D)=3TN84E-G2
(E)=
(F)=

No.	Lev.	Parts No.	Description	Q'ty						I	R
				(A)	(B)	(C)	(D)	(E)	(F)		
42	1	26106-080502	BOLT, M8X 50 PLATED	6	6	6	6				
43	1	26366-060002	NUT, M6	6							
44	1	124736-07900	LIFTER	1	2	2	2				
45	1	129403-07900	LIFTER	1							
46	1	26106-080142	BOLT, M8X 14 PLATED	3	4	4	4				
50A	1	119810-11350	BONNET ASSY, HEAD	1							
50B	1	129100-11350	BONNET ASSY, HEAD		1	1	1				
52	2	129150-03020	COVER, BREATHER	1	1	1	1				
53	2	129150-03070	BAFFLE, BREATHER	1	1	1	1				
54	2	129150-03080	PLATE, BAFFLE	1	1	1	1				
57A	2	119865-11310	GASKET, BONNET	1							
57B	2	129150-11310	GASKET, BONNET		1	1	1				
59	2	24341-000500	O-RING, 1AS50.0	1	1	1	1				
60	2	26106-080162	BOLT, M8X 16 PLATED	2	2	2	2				
61	1	124160-11360	KNOB	3	3	3	3				
62	1	24311-000120	O-RING, 1AP12.0	3	3	3	3				
63	1	171350-03090	PIPE, BREATHER 900	1	1	1	1				
64	1	124160-01751	COVER, FILLER	1	1	1	1				
65	1	24311-000320	O-RING, 1AP32.0	1	1	1	1				

Remarks
(1)REPAIR PARTS.

Fig.5. SUCTION MANIFOLD & AIR CLEANER

5.SUC.MANIFOLD & AIR CLEANER



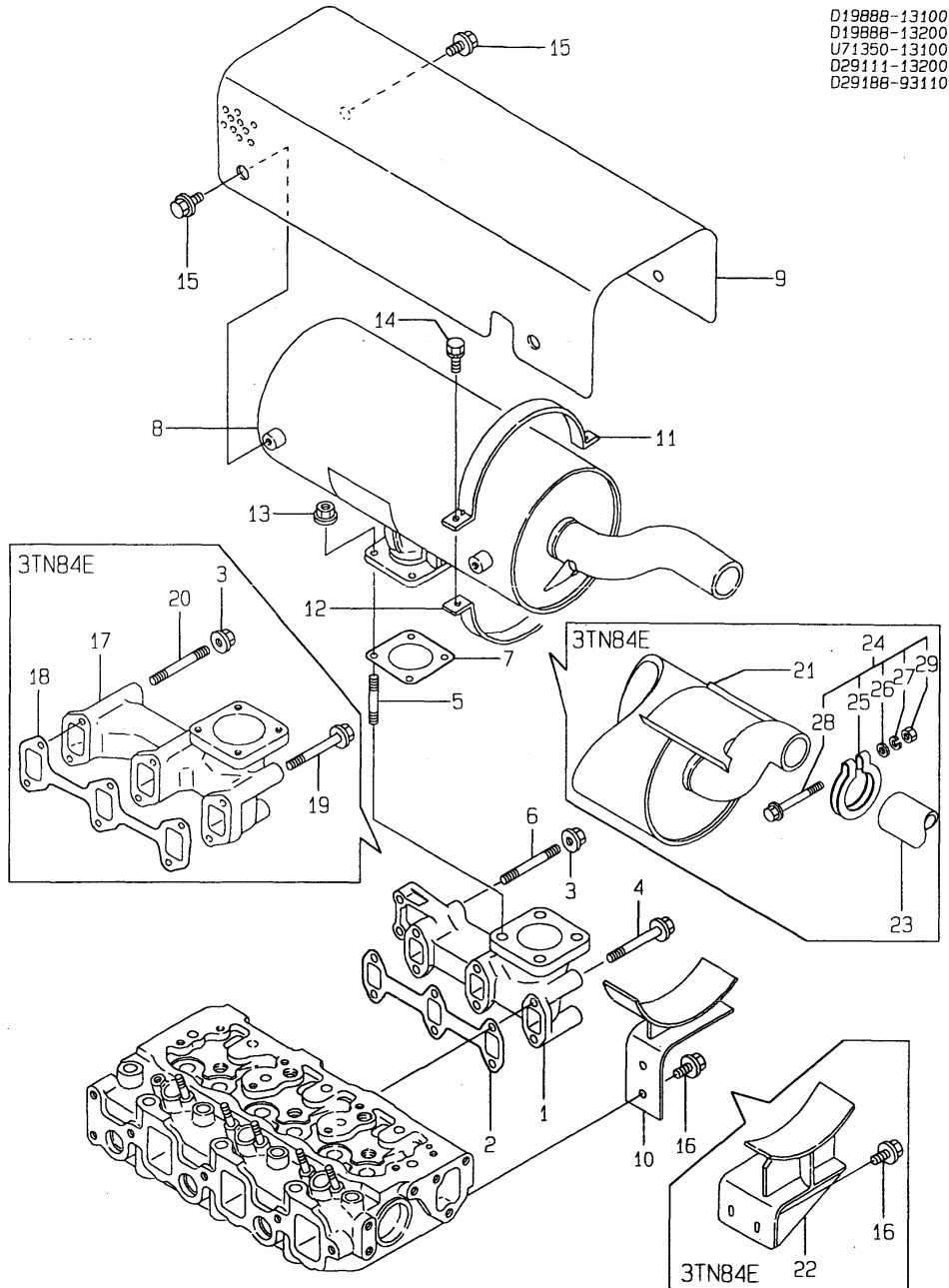
(A)=3TNC78E-S
(B)=3TN84E-S
(C)=3TN84E-G1

(D)=3TN84E-G2
(E)=
(F)=

No.	Lev.	Parts No.	Description	Q'ty						I	R
				(A)	(B)	(C)	(D)	(E)	(F)		
1A	1	119810-12111	GASKET, MANIFOLD	1							
1B	1	129150-12111	GASKET, MANIFOLD		1	1	1				
2	1	171301-12701	MANIFOLD, AIR INTAKE	1							
3	1	26106-080252	BOLT, M8X 25 PLATED	4	4	4	4				
4	1	171351-12210	PIPE, AIR INTAKE	1	1	1	1				
5	1	121521-12400	CAP, RAIN	1	1	1	1				
6	1	129411-12500	CLEANER ASSY, AIR	1	1	1	1				
7	2	121252-12520	BODY, AIR CLEANER	1	1	1	1				
8	2	121137-12530	PAN ASSY, DUST	1	1	1	1				
9	2	121120-12540	RETAINER, ELEMENT	1	1	1	1				
10	2	121120-12560	BOLT	1	1	1	1				
11	2	121120-12570	WASHER, SEAL	1	1	1	1				
12	2	121120-12900	ELEMENT	1	1	1	1				
13	1	121400-12540	BAND ASSY, CLEANER	1	1	1	1				
14	2	121400-12560	BAND, AIR CLEANER	1	1	1	1				
15	2	121400-12570	SEAT, RUBBER B	1	1	1	1				
16	1	171351-12580	SUPPORT ASSY,CLEANER	1	1	1	1				
17	2	171351-12560	SUPPORT, AIR CLEANER	1	1	1	1				
18	2	171351-12570	SEAT, RUBBER	1	1	1	1				
19	1	129136-12600	LABEL, AIR CLEANER	1	1	1	1				
20	1	23000-060000	CLAMP, 60	2	2	2	2				
21	1	26106-080142	BOLT, M8X 14 PLATED	4	4	4	4				
22	1	26366-060002	NUT, M6	4	4	4	4				
23	1	129120-77501	HEATER	1	1	1	1				
24	1	129150-77511	GASKET	1	1	1	1				
25	1	26106-080352	BOLT, M8X 35 PLATED	4	4	4	4				
26	1	129122-12100	MANIFOLD, AIR INTAKE		1	1	1				

Fig.6. EXHAUST MANIFOLD & SILENCER

6.EXH.MANIFOLD & SILENCER



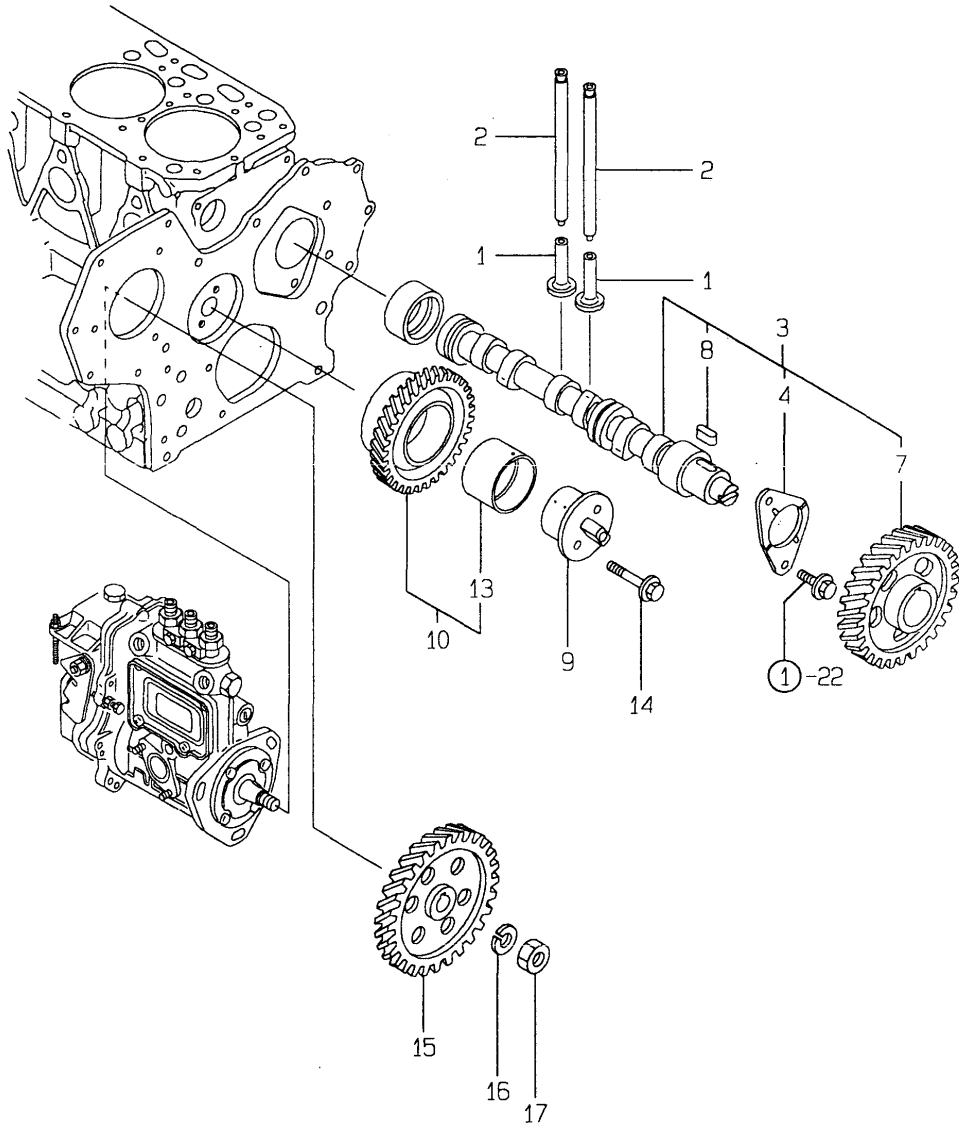
(A)=3TNC78E-S
(B)=3TN84E-S
(C)=3TN84E-G1

(D)=3TN84E-G2
(E)=
(F)=

No.	Lev.	Parts No.	Description	Q'ty						I	R
				(A)	(B)	(C)	(D)	(E)	(F)		
1	1	119888-13101	MANIFOLD, EXHAUST	1							
2	1	119810-13110	GASKET	1							
3	1	194990-22050	NUT, M8	2	2	2	2				
4	1	26106-080602	BOLT, M8X 60 PLATED	4							
5	1	26216-080222	STUD, M8X 22	4	4	4	4				
6	1	26226-080602	STUD, M8X 60	2							
7A	1	121000-13200	GASKET, SILENCER	1							
7B	1	124701-11911	GASKET, SILENCER		1	1	1				
8	1	119888-13500	SILENCER	1							
9A	1	119888-13600	COVER, SILENCER	1							
9B	1	129111-13600	COVER, SILENCER		1	1	1				
10	1	119888-13651	STAY, SILENCER	1							
11A	1	119888-13670	BAND, SILENCER	1							
11B	1	129111-13670	BAND, SILENCER		1	1	1				
12A	1	119888-13680	BAND, SILENCER	1							
12B	1	129111-13680	BAND, SILENCER		1	1	1				
13	1	194990-22050	NUT, M8	4	4	4	4				
14	1	26014-080302	BOLT, M8X 30	2	2	2	2				
15	1	26106-080122	BOLT, M8X 12 PLATED	4	4	4	4				
16	1	26106-080142	BOLT, M8X 14 PLATED	2	2	2	2				
17	1	171350-13100	MANIFOLD, EXHAUST	1	1	1					
18	1	129150-13110	GASKET		1	1	1				
19	1	26106-080802	BOLT, M8X 80 PLATED	4	4	4					
20	1	26216-080802	STUD, M8X 80	2	2	2					
21	1	129111-13500	SILENCER		1	1	1				
22	1	129111-13650	STAY, SILENCER		1	1	1				
23	1	129188-13570	PIPE, TAIL				1				
24	1	121120-13590	CLAMP						1		
25	2	121120-13580	CLAMP						1		
26	2	22137-100000	WASHER, 10						1		
27	2	22217-100000	WASHER, SPRING 10						1		
28	2	26106-100652	BOLT, M10X 65 PLATED						1		
29	2	26706-100002	NUT, M10						1		

Fig.7. CAMSHAFT & DRIVING GEAR

7. CAMSHAFT & DRIVING GEAR



(A)=3TNC78E-S
(B)=3TN84E-S
(C)=3TN84E-G1

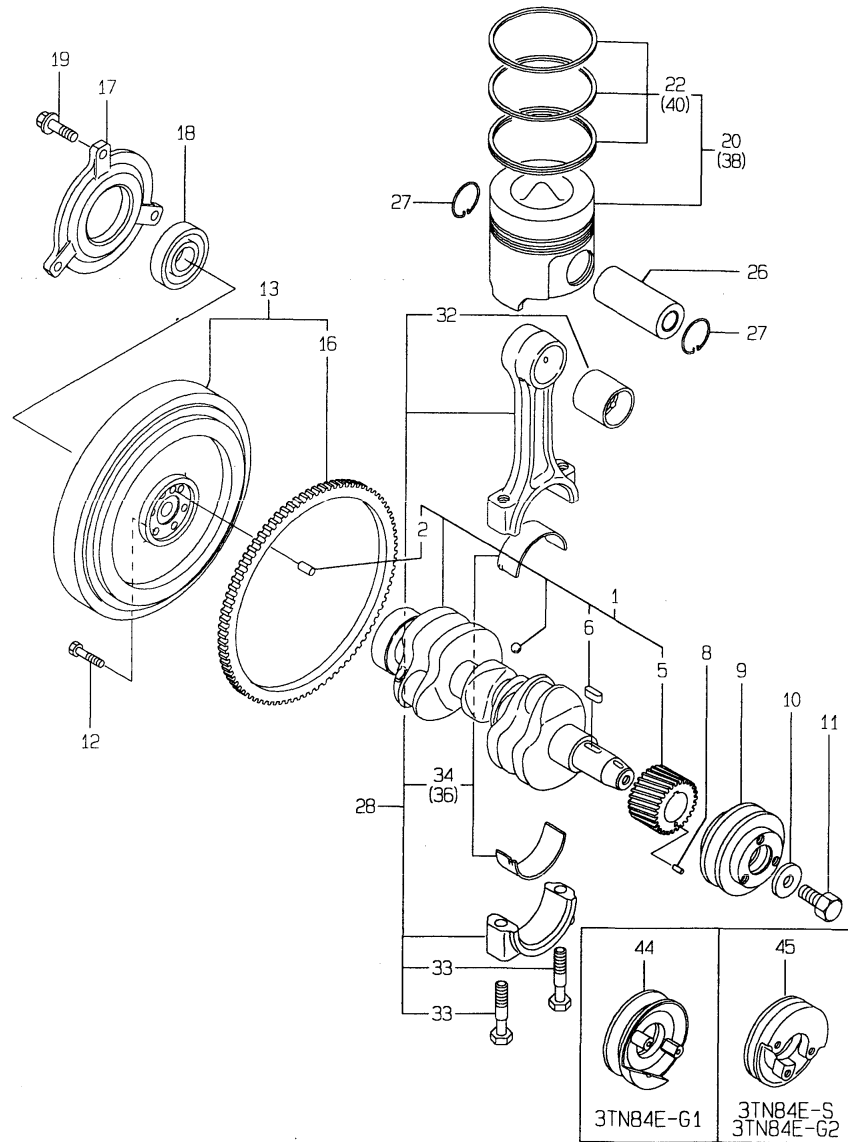
(D)=3TN84E-G2
(E)=
(F)=

No.	Lev.	Parts No.	Description	Q'ty						I	R
				(A)	(B)	(C)	(D)	(E)	(F)		
1	1	129150-14200	TAPPET	6	6	6	6				
2A	1	119810-14400	ROD, PUSH	6							
2B	1	129150-14400	ROD, PUSH L=178		6	6	6				
3A	1	119810-14580	CAMSHAFT ASSY	1							
3B	1	129129-14580	CAMSHAFT ASSY		1	1	1				
4	2	129150-02450	BEARING, THRUST	1	1	1	1				
7	2	129150-14101	GEAR, CAMSHAFT	1	1	1	1				
8	2	22512-070140	KEY, 7X 14	1	1	1	1				
9	1	129100-25061	SHAFT, IDLE	1	1	1	1				
10	1	129150-25101	GEAR ASSY, IDLE	1	1	1	1				
13	2	129150-25920	BUSH, IDLE GEAR	1	1	1	1				1
14	1	26106-080452	BOLT, M8X 45 PLATED	2	2	2	2				
15A	1	129150-25900	GEAR, PUMP	1	1	1					
15B	1	129100-25900	GEAR, PUMP								1
16	1	22217-120000	WASHER, SPRING 12	1	1	1	1				
17	1	26716-120002	NUT, M12	1	1	1	1				

Remarks
(1)REPAIR PARTS.

Fig.8. CRANKSHAFT & PISTON

8. CRANKSHAFT & PISTON



(A)=3TNC78E-S
(B)=3TN84E-S
(C)=3TN84E-G1

(D)=3TN84E-G2
(E)=
(F)=

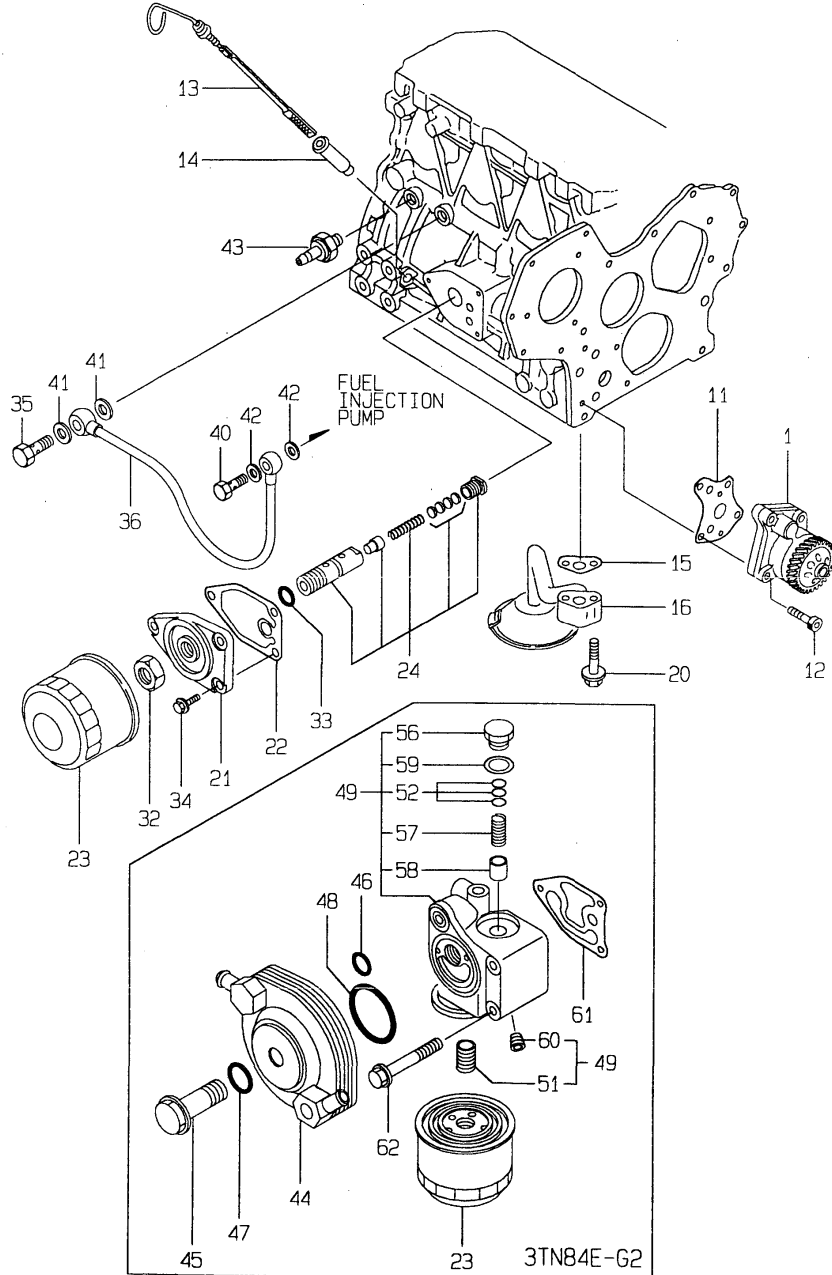
No.	Lev.	Parts No.	Description	Q'ty						I	R
				(A)	(B)	(C)	(D)	(E)	(F)		
1A	1	719811-21700	CRANKSHAFT ASSY	1							
1B	1	729102-21700	CRANKSHAFT ASSY		1						
2	2	129100-01580	PIN, M8X16	1	1	1	1				
5	2	129150-21200	GEAR, CRANKSHAFT	1	1	1	1				
6	2	22512-070140	KEY, 7X 14	1	1	1	1				
8	1	22351-040010	PIN, SPRING 4.0X10	1	1	1	1				
9	1	171301-21650	V-PULLEY	1							
10	1	129795-21661	WASHER	1	1	1	1				
11	1	121850-21680	BOLT	1	1	1	1				
12	1	121111-21501	BOLT, FLYWHEEL	6	6	6	6				
13A	1	119888-21590	FLYWHEEL ASSY	1							
13B	1	171340-21580	FLYWHEEL ASSY						1		
13C	1	129188-21590	FLYWHEEL ASSY		1						
13D	1	171340-21590	FLYWHEEL ASSY			1					
16A	2	119865-21600	GEAR, RING	1	1		1				
16B	2	124550-21600	GEAR, RING				1				
17	1	119888-21450	RETAINER, BEARING	1	1						
18	1	24104-062054	BEARING, BALL 6205UU	1	1						
19	1	26106-080222	BOLT, M8X 22 PLATED	3	3						
20A	1	119811-22080	PISTON ASSY	3							
20B	1	129105-22080	PISTON ASSY		3	3					
20C	1	129105-22090	PISTON ASSY						3		
22A	2	729100-22500	RING SET, PISTON	3							
22B	2	129105-22500	RING SET, PISTON		3	3					
22C	2	729105-22500	RING SET, PISTON						3		
26A	1	104200-22300	PIN, PISTON	3							
26B	1	129150-22300	PIN, PISTON D26 L66		3	3	3				
27A	1	129792-22400	CIRCLIP, 23	6							
27B	1	121100-22400	CIRCLIP		6	6	6				
28A	1	719810-23100	ROD ASSY, CONNECTING	3							
28B	1	729402-23100	ROD ASSY, CONNECTING		3	3	3				
32A	2	119810-23910	BEARING, PISTON PIN	3							1
32B	2	129100-23910	BEARING, PISTON PIN		3	3	3				1
33A	2	119810-23200	BOLT, CONNECTING ROD	6							
33B	2	121550-23200	BOLT, CONNECTING ROD		6	6	6				
34A	2	119810-23600	BEARING, CRANK PIN	3							
34B	2	129150-23600	BEARING, CRANK PIN		3	3	3				
36A	1	119810-23610	BEARING, 0.25 US	3							2
36B	1	129150-23610	BEARING, 0.25 US		3	3	3				2
38A	1	719811-22900	PISTON ASSY, 0.25 OS	3							3
38B	1	729105-22900	PISTON ASSY, 0.25 OS		3	3					3
38C	1	729105-22910	PISTON ASSY, 0.25 OS						3		3
40A	2	729555-22950	RING SET, 0.25 OS	3							3
40B	2	729157-22951	RING SET, 0.25 OS		3	3					3
40C	2	729105-22950	RING SET, 0.25 OS						3		3
44	1	129150-21650	V-PULLEY			1					
45	1	171340-21650	V-PULLEY		1		1				

Remarks

- (1)REPAIR PART.
- (2)UNDER-SIZE(U.S=0.25)PART.
- (3)OVER-SIZE(O.S=0.25)PART.

Fig.9. LUB. OIL SYSTEM

9.LUB.OIL SYSTEM



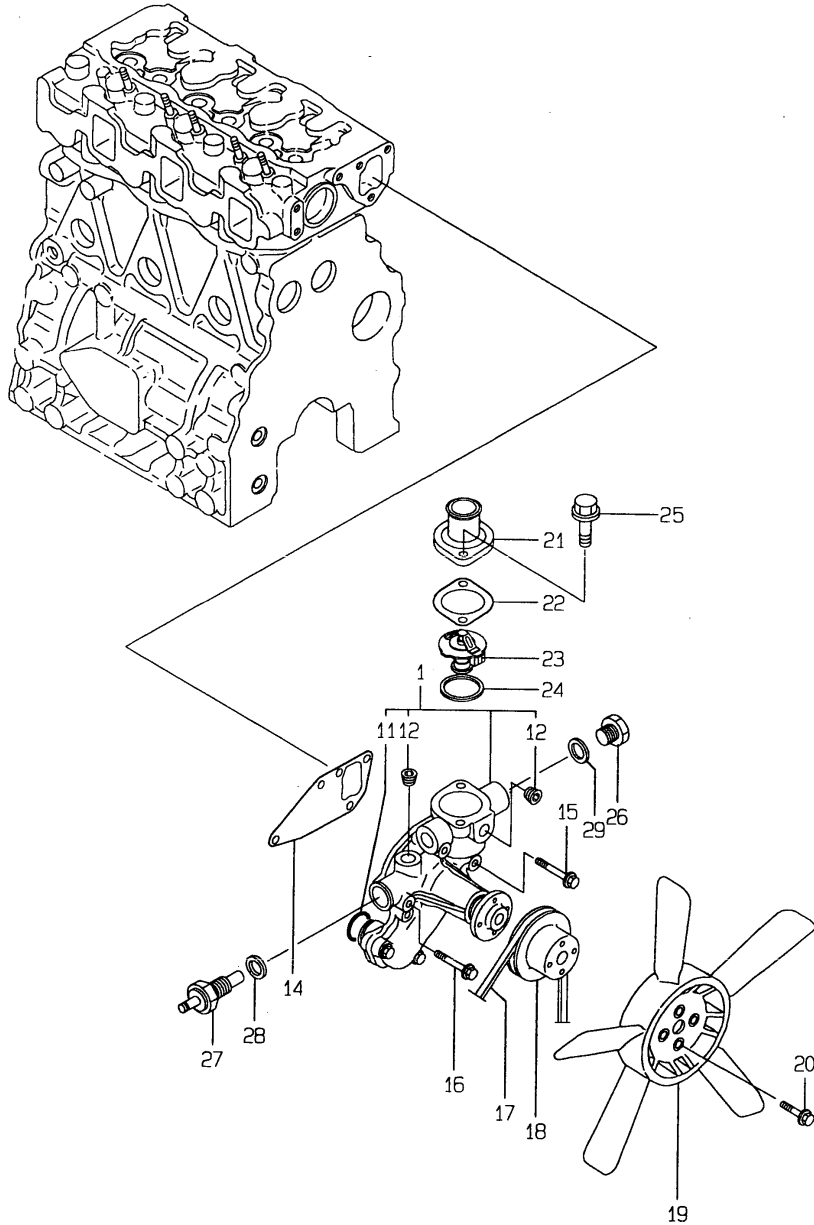
(A)=3TNC78E-S
(B)=3TN84E-S
(C)=3TN84E-G1

(D)=3TN84E-G2
(E)=
(F)=

No.	Lev.	Parts No.	Description	Qty						I	R
				(A)	(B)	(C)	(D)	(E)	(F)		
1A	1	119810-32000	PUMP ASSY, OIL	1							
1B	1	129150-32000	PUMP ASSY, OIL		1	1					
1C	1	129553-32000	PUMP ASSY, OIL				1				
11	1	129150-32020	GASKET, PUMP	1	1	1	1				
12	1	26450-060252	BOLT, M6X 25	4	4	4	4				
13A	1	119600-34800	DIPSTICK, OIL	1							
13B	1	171420-34800	DIPSTICK, OIL		1						
13C	1	171420-34820	DIPSTICK, OIL			1					
13D	1	129403-34800	DIPSTICK, OIL						1		
14	1	121520-34810	GUIDE, DIPSTICK	1	1	1	1				
15	1	129150-35041	GASKET	1	1	1	1				
16A	1	119810-35400	PIPE ASSY, OIL INLET	1							
16B	1	129150-35091	PIPE ASSY, OIL INLET		1						
16C	1	129100-35301	PIPE ASSY, OIL INLET			1	1				
20	1	26106-080352	BOLT, M8X 35 PLATED	2	2	2	2				
21	1	129150-35101	BRACKET, STRAINER	1	1	1					
22	1	129150-35111	GASKET	1	1	1					
23	1	129150-35150	FILTER 90X80L	1	1	1	1				
24	1	119865-35300	VALVE ASSY, CONTROL	1	1	1					
32	1	129150-35350	NUT	1	1	1					
33	1	24311-000160	O-RING, 1AP16.0	1	1	1					
34	1	26106-080202	BOLT, M8X 20 PLATED	3	3	3					
35	1	124160-39140	BOLT, PIPE JOINT M10	1	1	1	1				
36A	1	119810-39200	PIPE ASSY, OIL	1							
36B	1	129150-39450	PIPE ASSY, OIL		1	1	1				
40	1	124550-59820	BOLT, PIPE JOINT M8	1	1	1	1				
41	1	23414-100000	GASKET, 10X1.0	2	2	2	2				
42A	1	43400-500410	SEAL WASHER 8S	2							
42B	1	23414-100000	GASKET, 10X1.0		2	2	2				
43	1	124160-39450	SWITCH, 0.5KG	1	1	1	1				
44	1	129103-33031	COOLER, OIL							1	
45	1	129103-33132	BOLT								1
46	1	24311-000200	O-RING, 1AP20.0								1
47	1	24311-000210	O-RING, 1AP21.0								1
48	1	24321-000550	O-RING, 1AG55.0								1
49	1	129103-35101	BRACKET ASSY, FILTER								1
51	2	129100-35140	STUD								1
52	2	121850-35200	SHIM SET								1
56	2	124223-35510	RETAINER, SPRING								1
57	2	121850-35520	SPRING								1
58	2	121850-35531	VALVE, CONTROL								1
59	2	23414-180000	GASKET, 18X1.0								1
60	2	23871-020000	PLUG, R02								1
61	1	129103-35122	GASKET								1
62	1	26106-080752	BOLT, M8X 75 PLATED								3

Fig.10. COOLING WATER PUMP(3TNC78E-S)

10. COOLING WATER PUMP
(3TNC78E-S)



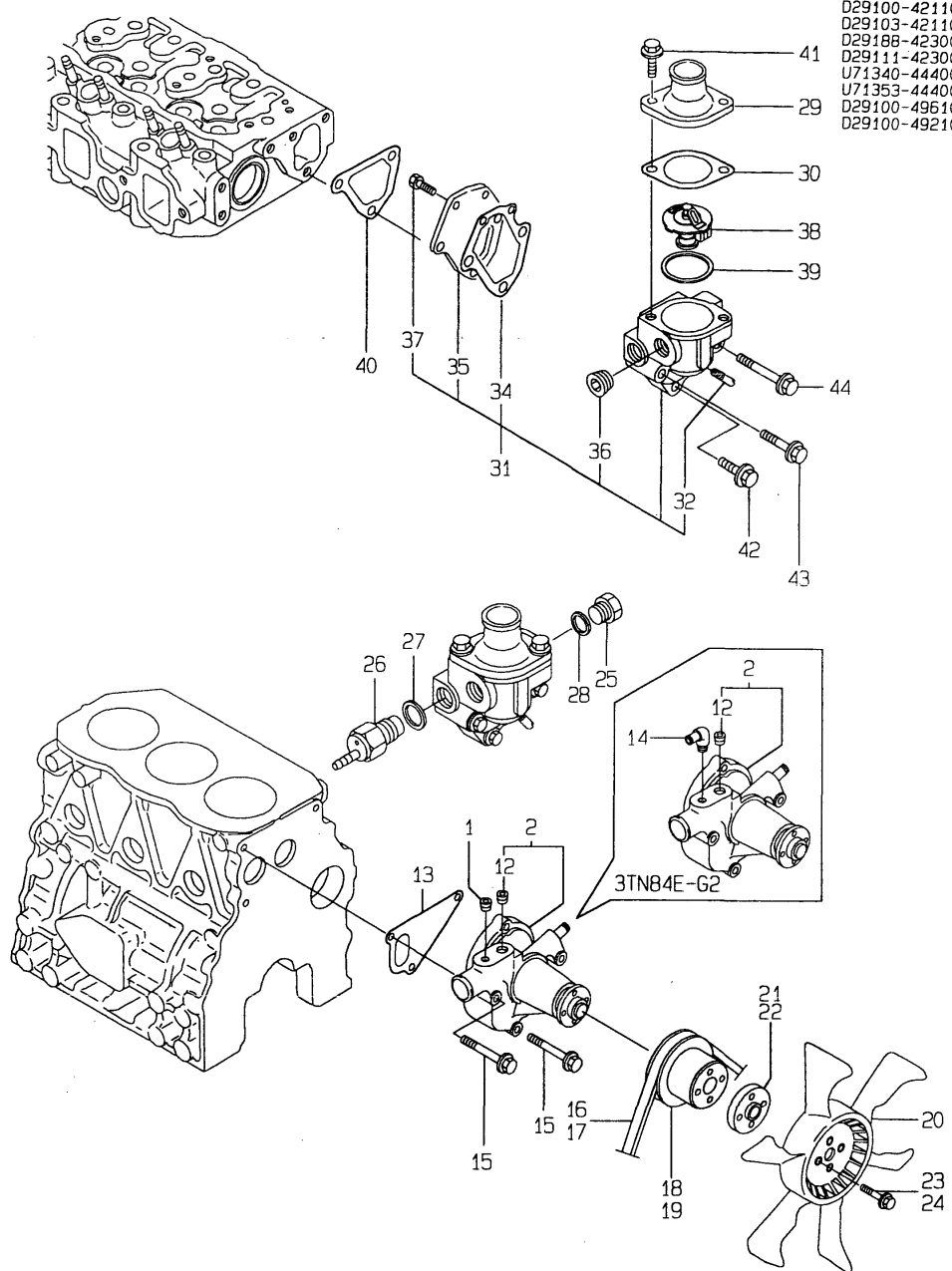
(A)=3TNC78E-S
(B)=3TN84E-S
(C)=3TN84E-G1

(D)=3TN84E-G2
(E)=
(F)=

No.	Lev.	Parts No.	Description	Q'ty						I	R
				(A)	(B)	(C)	(D)	(E)	(F)		
1	1	119810-42001	PUMP ASSY, WATER	1							
11	2	129150-42320	O-RING	1							
12	2	23871-030000	PLUG, R03	2							
14	1	129150-42020	GASKET, WATER PUMP	1							
15	1	26106-080352	BOLT, M8X 35 PLATED	1							
16	1	26106-080552	BOLT, M8X 55 PLATED	3							
17	1	124001-42290	V-BELT, 36	1							
18	1	129403-42380	V-PULLEY, D=110	1							
19	1	124700-44740	FAN, COOLING 5X310	1							
20	1	26014-060162	BOLT, M6X 16	4							
21	1	129350-49530	COVER, THERMOSTAT	1							
22	1	129795-49551	GASKET	1							
23	1	129155-49800	THERMOSTAT, 71	1							
24	1	129150-49811	GASKET, THERMOSTAT	1							
25	1	26106-080202	BOLT, M8X 20 PLATED	2							
26	1	121450-42450	PLUG, M16	1							
27	1	121250-44901	SWITCH, 110	1							
28	1	124465-44950	GASKET, 16	1							
29	1	124465-44950	GASKET, 16	1							

Fig.11. COOLING WATER PUMP(3TN84E)

11. COOLING WATER PUMP
(3TN84E)



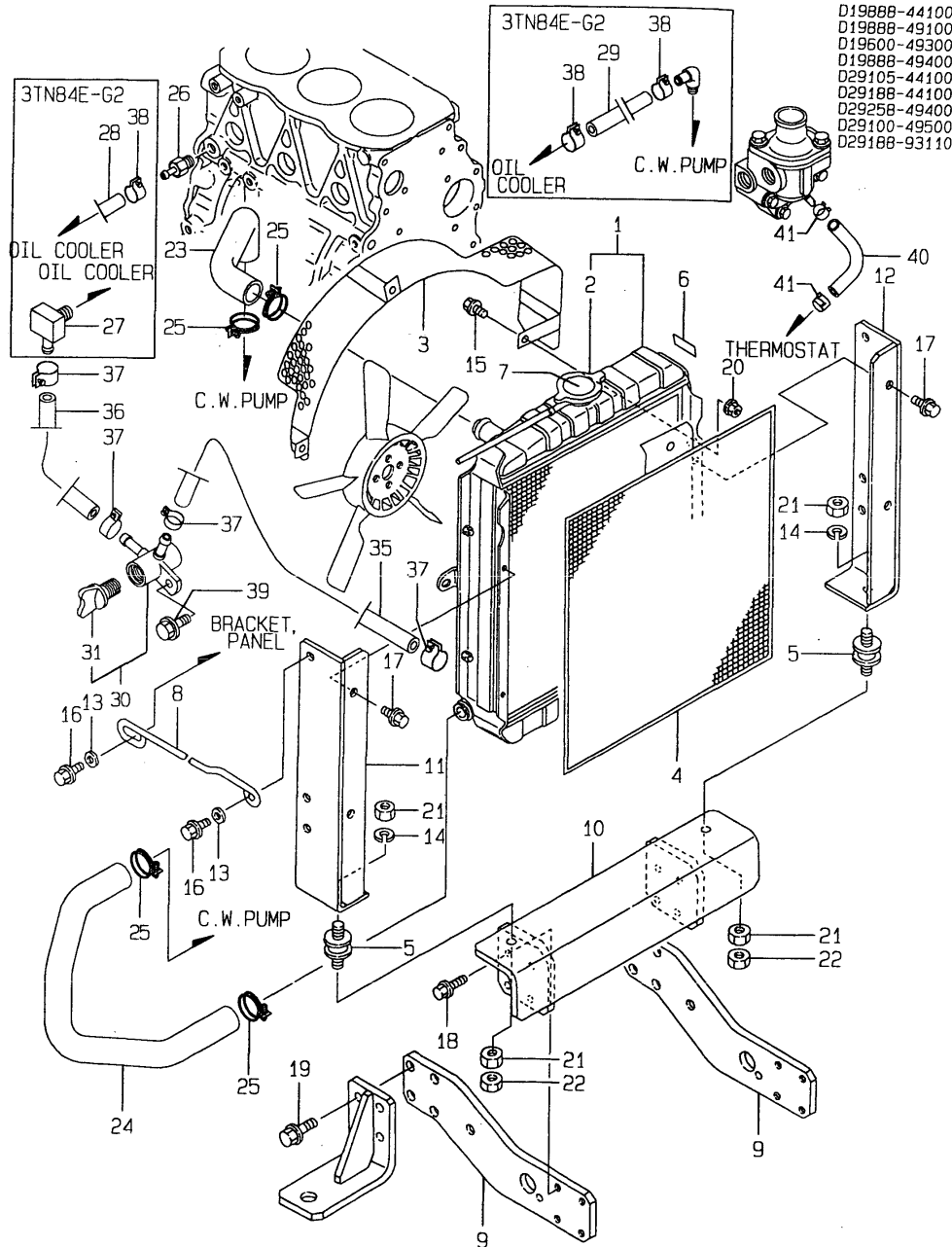
(A)=3TNC78E-S
(B)=3TN84E-S
(C)=3TN84E-G1

(D)=3TN84E-G2
(E)=
(F)=

No.	Lev.	Parts No.	Description	Qty						I	R
				(A)	(B)	(C)	(D)	(E)	(F)		
1	1	121850-11860	PLUG, PT1/4		1	1					
2	1	129100-42002	PUMP ASSY, WATER		1	1	1				
12	2	23871-030000	PLUG, R03		1	1	1				
13	1	129100-42020	GASKET, WATER PUMP		1	1	1				
14	1	129103-49301	ELBOW, PT1/4						1		
15	1	26106-080602	BOLT, M8X 60 PLATED		3	3	3				
16	1	121492-42290	V-BELT, A38		1		1				
17	1	124732-42290	V-BELT, AX37				1				
18	1	129155-42350	V-PULLEY				1				
19	1	129403-42380	V-PULLEY, D=110		1		1				
20	1	171340-44740	FAN, COOLING D335XNF		1	1	1				
21	1	124574-44761	SPACER, FAN		1		1				
22	1	171353-44760	SPACER, FAN				1				
23	1	26014-060252	BOLT, M6X 25		4		4				
24	1	26106-060352	BOLT, M6X 35 PLATED				4				
25	1	121450-42450	PLUG, M16		1	1	1				
26	1	121250-44901	SWITCH, 110		1	1	1				
27	1	124465-44950	GASKET, 16		1	1	1				
28	1	124465-44950	GASKET, 16		1	1	1				
29	1	129350-49530	COVER, THERMOSTAT		1	1	1				
30	1	129795-49551	GASKET		1	1	1				
31	1	129100-49800	CASE ASSY, THERMOSTAT		1	1	1				
32	2	124770-11770	JOINT, PIPE PT1/8		1	1	1				
34	2	129100-49820	GASKET		1	1	1				
35	2	129100-49830	COVER, THERMOSTAT		1	1	1				
36	2	23871-030000	PLUG, R03		1	1	1				
37	2	26116-060162	BOLT, M6X 16 PLATED		2	2	2				
38	1	129155-49800	THERMOSTAT, 71		1	1	1				
39	1	129150-49811	GASKET, THERMOSTAT		1	1	1				
40	1	129100-49840	GASKET		1	1	1				
41	1	26106-080202	BOLT, M8X 20 PLATED		2	2	2				
42	1	26106-080252	BOLT, M8X 25 PLATED		1	1	1				
43	1	26106-080502	BOLT, M8X 50 PLATED		1	1	1				
44	1	26106-080602	BOLT, M8X 60 PLATED		1	1	1				

Fig.12. RADIATOR

12. RADIATOR



(A)=3TNC78E-S
(B)=3TN84E-S
(C)=3TN84E-G1

(D)=3TN84E-G2
(E)=
(F)=

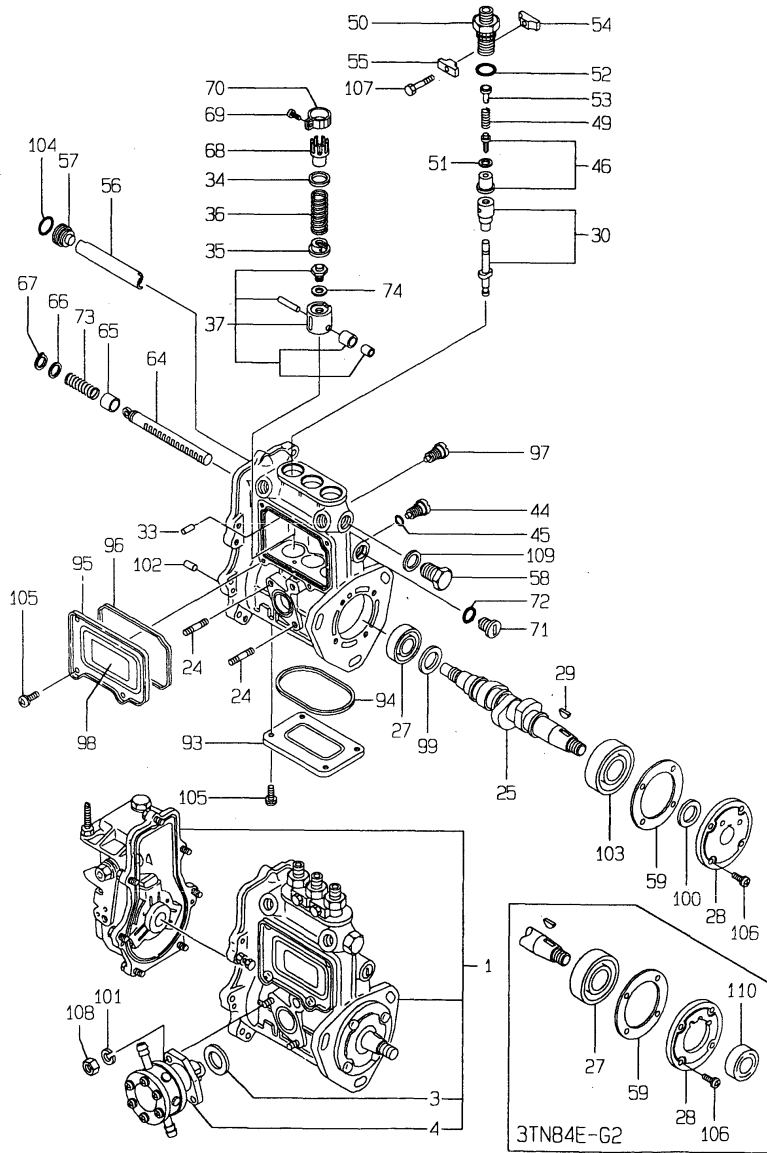
No.	Lev.	Parts No.	Description	Q'ty						I	R
				(A)	(B)	(C)	(D)	(E)	(F)		
1A	1	171301-44500	RADIATOR	1							
1B	1	171420-44500	RADIATOR			1					
1C	1	171440-44500	RADIATOR		1		1				
2	2	123682-44210	CAP, RADIATOR	1	1	1	1				
3A	1	119888-44560	PROTECTOR, FAN	1							
3B	1	129188-44560	PROTECTOR, FAN		1	1					
4A	1	121150-44580	SCREEN, 345X345	1							
4B	1	121250-44581	SCREEN, RADIATOR		1						
5	1	121400-44650	ABSORBER	2	2	2					
6	1	124764-44800	LABEL, RADIATOR	1	1	1	1				
7	1	124764-44920	LABEL, ANTI-FREEZING	1	1	1	1				
8A	1	119888-44940	RETAINER, RADIATOR	1							
8B	1	129188-44940	RETAINER, RADIATOR		1	1					
9A	1	119888-44950	BRACKET	2							
9B	1	129188-44950	BRACKET		2	2					
10A	1	119888-44960	BRACKET	1							
10B	1	129188-44960	BRACKET, RADIATOR		1	1					
11A	1	119888-44970	SUPPORT, A	1							
11B	1	129188-44970	SUPPORT, A		1	1					
12A	1	119888-44980	SUPPORT, B	1							
12B	1	129188-44980	SUPPORT, B		1	1					
13	1	22137-080000	WASHER, 8	2	2	2					
14	1	22217-100000	WASHER, SPRING 10	2	2	2					
15	1	26106-080122	BOLT, M8X 12 PLATED	3	3	3					
16	1	26106-080162	BOLT, M8X 16 PLATED	2	2	2					
17	1	26106-080202	BOLT, M8X 20 PLATED	4	4	4					
18	1	26106-080252	BOLT, M8X 25 PLATED	8	8	8					
19A	1	26206-120302	BOLT, M12X 30 PLATED	8							
19B	1	26106-100302	BOLT, M10X 30 PLATED		8	8					
20	1	26366-080002	NUT, M8	2	3	3					
21	1	26716-100002	NUT, M10	4	4	4					
22	1	26756-100002	NUT, LOCK M10	2	2	2					
23	1	171301-49010	PIPE, WATER	1	1	1	1				
24	1	171301-49020	PIPE, WATER	1	1	1	1				
25	1	23010-038000	CLAMP, 38	4	4	4	4				
26	1	121550-49111	JOINT, PT1/4	1	1	1	1				
27	1	129122-44480	JOINT							1	
28	1	129403-49031	PIPE, WATER							1	
29	1	129258-49040	PIPE, WATER							1	
30	1	129150-49100	COCK ASSY, 3-WAY	1	1	1	1				
31	2	129150-49080	COCK, DRAIN	1	1	1	1				
35	1	121520-49160	PIPE, WATER DRAIN	1	1	1					
36	1	121737-49160	PIPE, WATER DRAIN	1	1	1					
37	1	124766-59050	CLIP, HOSE 12	4	4	4					
38	1	23000-022000	CLAMP, 22							4	
39	1	26106-080162	BOLT, M8X 16 PLATED	1	1	1					
40	1	129100-49050	PIPE, WATER		1	1	1				
41	1	23000-016000	CLAMP, 16		2	2	2				

Fig.13. FUEL INJECTION PUMP

(A)=3TNC78E-S
(B)=3TN84E-S
(C)=3TN84E-G1

(D)=3TN84E-G2
(E)=
(F)=

13.FUEL INJECTION PUMP



No.	Lev.	Parts No.	Description	Q'ty						I	R
				(A)	(B)	(C)	(D)	(E)	(F)		
1A	1	719811-51350	PUMP ASSY, INJECTION	1							1
1B	1	729105-51350	PUMP ASSY, INJECTION		1						1
1C	1	729105-51300	PUMP ASSY, INJECTION			1					1
1D	1	729105-51400	PUMP ASSY, INJECTION						1		1
3	2	129155-52050	GASKET	1	1	1	1				
4	2	129100-52100	PUMP ASSY, FUEL FEED	1	1	1	1				
24	2	129155-51020	STUD	2	2	2	2				
25	2	119810-51040	CAMSHAFT	1	1	1	1				
27A	2	129155-51050	BEARING, 17BM001D	1	1	1					
27B	2	122710-51050	BEARING, HR30203J						2		
28A	2	129155-51060	SUPPORT, CAMSHAFT	1	1	1					
28B	2	129470-51060	RETAINER, BEARING						1		
29	2	122710-51090	KEY	1	1	1	1				
30A	2	129400-51100	PLUNGER ASSY	3	3	3					
30B	2	129400-51200	PLUNGER ASSY						3		
33	2	129155-51140	PIN	3	3	3	3				
34	2	174307-51170	RETAINER, SPRING A	3	3	3	3				
35	2	129155-51180	RETAINER, SPRING	3	3	3	3				
36	2	124950-51190	SPRING, PLUNGER	3	3	3	3				
37	2	129155-51200	TAPPET ASSY	3	3	3	3				
44	2	129155-51270	STOPPER, TAPPET	3	3	3	3				
45	2	129155-51280	O-RING, S6	3	3	3	3				
46	2	128170-51300	VALVE ASSY, DELIVERY	3	3	3	3				
49	2	129155-51320	SPRING, DELIVERY	3	3	3	3				
50	2	129155-51340	RETAINER	3	3	3	3				
51	2	124550-51350	GASKET, DELIVERY	3	3	3	3				
52	2	124550-51370	O-RING	3	3	3	3				
53	2	129155-51370	STOPPER, VALVE	3	3	3	3				
54	2	129155-51380	STOPPER	2	2	2	2				
55	2	129155-51390	STOPPER	2	2	2	2				
56	2	129155-51400	DEFLECTOR	1	1	1	1				
57	2	129155-51410	BOLT	1	1	1	1				
58	2	129155-51420	PLUG, M16	1	1	1	1				
59	2	129155-51450	SHIM SET, ADJUSTING	1	1	1	1				
64	2	129155-51500	RACK, CONTROL	1	1	1	1				
65	2	129155-51521	BUSH, RACK	1	1	1	1				
66	2	129155-51530	SPACER	1	1	1	1				
67	2	129155-51540	CIRCLIP	1	1	1	1				
68	2	129155-51550	PINION, CONTROL	3	3	3	3				
69	2	122117-51560	SCREW	3	3	3	3				
70	2	174307-51560	PINION	3	3	3	3				
71	2	129155-51570	PLUG, M12	1	1	1	1				
72	2	129155-51580	O-RING	1	1	1	1				
73	2	129155-51591	SPRING, RACK	1	1	1	1				
74	2	129155-51600	SHIM SET, ADJUSTING	3	3	3	3				
93	2	129155-51700	COVER	1	1	1	1				
94	2	129155-51710	GASKET	1	1	1	1				
95	2	129155-51750	COVER	1	1	1	1				
96	2	129155-51760	GASKET	1	1	1	1				
97	2	129155-51790	STOOPER, RACK	1	1	1	1				
98	2	129156-51910	LABEL, CAUTION	1	1	1	1				

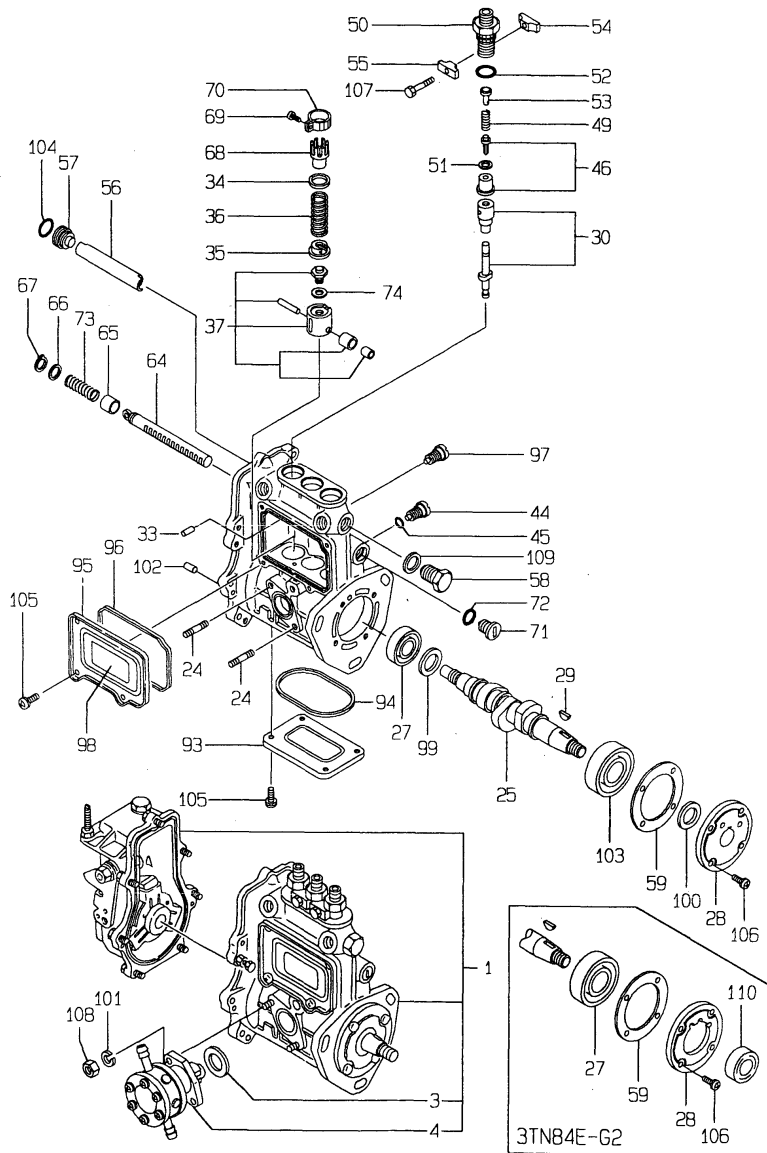
Remarks
(1)GOVERNOR ASSY (FIG NO.14) IS
INCORPORATED IN THIS FUEL OIL
INJECTION PUMP ASSY(REF NO.1).

Fig.13. FUEL INJECTION PUMP

(A)=3TNC78E-S
 (B)=3TN84E-S
 (C)=3TN84E-G1

(D)=3TN84E-G2
 (E)=
 (F)=

13.FUEL INJECTION PUMP



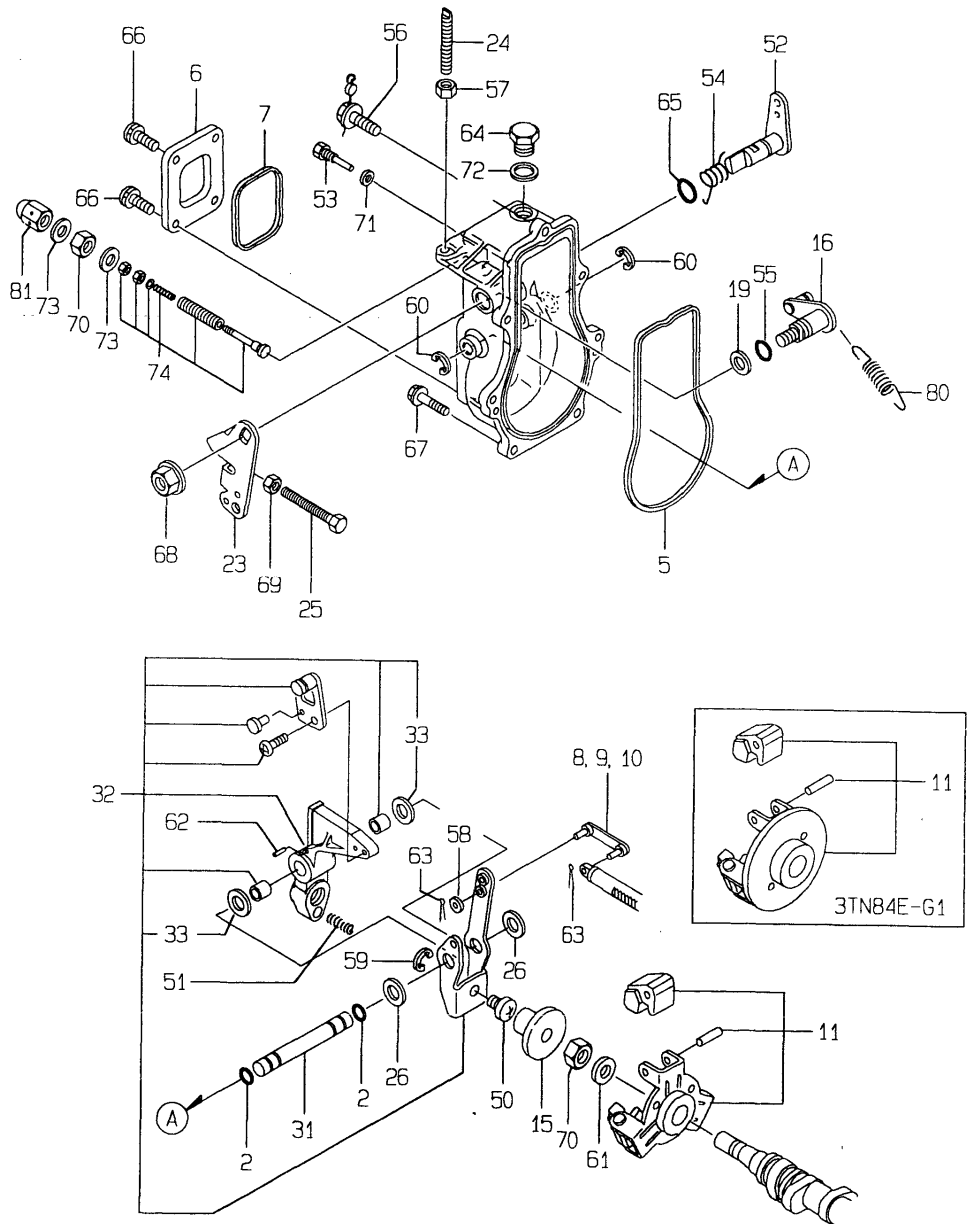
No.	Lev.	Parts No.	Description	Q'ty						I	R
				(A)	(B)	(C)	(D)	(E)	(F)		
99	2	129155-51930	SPACER, T=3.25	1	1	1					
100	2	129155-51940	SPACER, T=1.5	1	1	1					
101	2	22217-060000	WASHER, SPRING 6	2	2	2	2				
102	2	22351-050010	PIN, SPRING 5.0X10	2	2	2	2				
103	2	24101-063034	BEARING, BALL 6303	1	1	1					
104	2	24341-000160	O-RING, 1AS16.0	1	1	1	1				
105	2	26022-050102	SCREW, M5X10	8	8	8	8				
106	2	26022-060162	SCREW, M6X16	4	4	4	4				
107	2	26116-050302	BOLT, M5X 30 PLATED	2	2	2	2				
108	2	26716-060002	NUT, M6	2	2	2	2				
109	2	43400-500490	SEAL WASHER 16S	1	1	1	1				
110	2	129470-51080	SEAL, AF0741F0							1	

Remarks

(1)GOVERNOR ASSY (FIG NO.14) IS INCORPORATED IN THIS FUEL OIL INJECTION PUMP ASSY(REF NO.1).

Fig.14. GOVERNOR

14. GOVERNOR



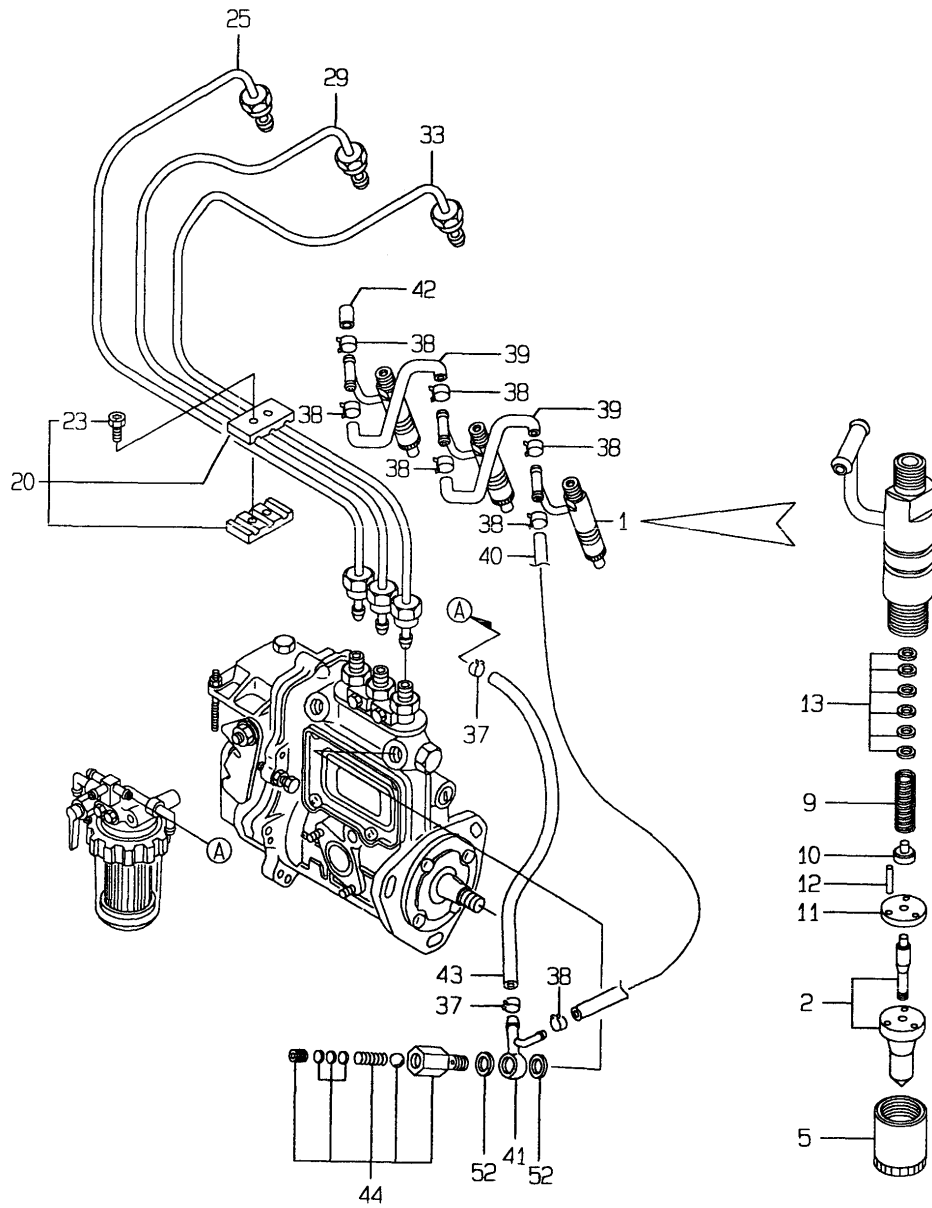
(A)=3TNC78E-S
(B)=3TN84E-S
(C)=3TN84E-G1

(D)=3TN84E-G2
(E)=
(F)=

No.	Lev.	Parts No.	Description	Q'ty						I	R
				(A)	(B)	(C)	(D)	(E)	(F)		
2	2	129155-51280	O-RING, S6	2	2	2	2				
5	2	129155-61050	GASKET	1	1	1	1				
6	2	129155-61060	COVER, GOVERNOR CASE	1	1	1	1				
7	2	129155-61070	GASKET	1	1	1	1				
8	2	129155-61120	LINK, L=30 MARK 0	1	1	1	1				
9	2	129155-61130	LINK, L=31 MARK 1	1	1	1	1				
10	2	129155-61140	LINK, L=30.5 MARK 05	1	1	1	1				
11A	2	129155-61201	WEIGHT ASSY,GOVERNOR	1	1		1				
11B	2	171488-61200	WEIGHT ASSY,GOVERNOR			1					
15	2	129155-61341	SLEEVE	1	1	1	1				
16	2	129100-61400	SHAFT ASSY	1	1	1	1				
19	2	129155-61430	SPACER	1	1	1	1				
23	2	129100-61440	LEVER, CONTROL	1	1	1	1				
24	2	129155-61450	BOLT, LIMITER	1	1	1	1				
25	2	129155-61460	BOLT, IDLE	1	1	1	1				
26	2	129155-61480	SPACER ASSY	2	2	2	2				
31	2	129155-61490	SHAFT	1	1	1	1				
32A	2	129500-61500	LEVER ASSY, GOVERNOR	1	1						
32B	2	129100-61500	LEVER ASSY, GOVERNOR			1	1				
33	3	174307-51700	SHIM SET	2	2	2	2				
50	2	129155-61540	SHIFTER	1	1	1	1				
51A	2	129100-61650	SPRING, CONTROLLER	1	1						
51B	2	129500-61650	SPRING, FUEL CONTROL			1	1				
52A	2	129155-61802	LEVER, STOP	1	1		1				
52B	2	129400-61801	LEVER, STOP			1					
53	2	129155-61810	PIN	1	1	1	1				
54	2	129100-61821	SPRING, RETURN	1	1	1	1				
55	2	129155-61830	O-RING, S10	1	1	1	1				
56	2	129155-61950	BOLT	1	1	1	1				
57	2	124550-66370	NUT, M6	1	1	1	1				
58	2	22117-040000	WASHER, 4	1	1	1	1				
59	2	22272-000040	RING, E- 4	1	1	1	1				
60	2	22272-000060	RING, E- 6	2	2	2	2				
61	2	22287-120000	WASHER, 12	1	1	1	1				
62	2	22351-030016	PIN, SPRING 3.0X16	1	1	1	1				
63	2	22372-040000	PIN, SNAP 4	2	2	2	2				
64	2	23887-100002	PLUG, 10	1	1	1	1				
65	2	24311-240100	O-RING, 1AP10A	1	1	1	1				
66	2	26022-050102	SCREW, M5X10	4	4	4	4				
67	2	26106-060202	BOLT, M6X 20 PLATED	6	6	6	6				
68	2	26366-080002	NUT, M8	1	1	1	1				
69	2	26756-060002	NUT, LOCK M6	1	1	1	1				
70	2	26776-120002	NUT, LOCK M12	2	2	2	2				
71	2	43400-500390	SEAL WASHER 6S	1	1	1	1				
72	2	43400-500430	SEAL WASHER 10S	1	1	1	1				
73	2	43400-500450	SEAL WASHER 12S	2	2	2	2				
74A	2	129100-61450	LIMITER ASSY, FUEL	1	1						
74B	2	129155-61470	BOLT, CONTROL			1	1				
80A	2	171353-61700	SPRING, GOVERNOR	1							
80B	2	171353-61710	SPRING, GOVERNOR		1						
80C	2	129477-61720	SPRING, GOVERNOR			1					

Fig.15. FUEL INJECTION VALVE

15.FUEL INJECTION VALVE



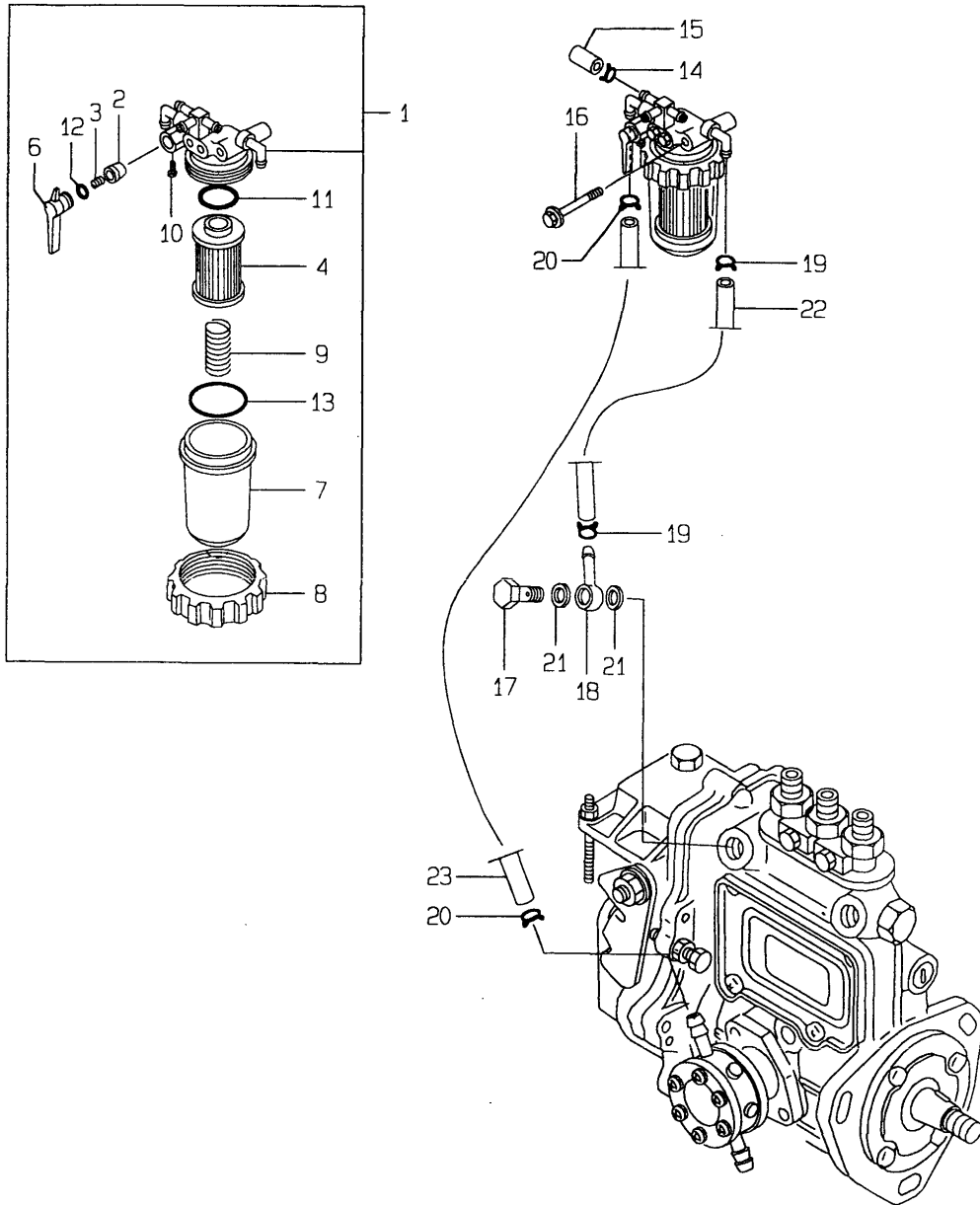
(A)=3TNC78E-S
(B)=3TN84E-S
(C)=3TN84E-G1

(D)=3TN84E-G2
(E)=
(F)=

No.	Lev.	Parts No.	Description	Q'ty						I	R
				(A)	(B)	(C)	(D)	(E)	(F)		
1A	1	729500-53200	VALVE ASSY,INJECTION	3							
1B	1	719800-53100	VALVE ASSY,INJECTION			3					
1C	1	729100-53100	VALVE ASSY,INJECTION				3				
1D	1	729503-53100	VALVE ASSY,INJECTION		3						
2A	2	129500-53050	VALVE ASSY,INJECTION	3							
2B	2	119800-53000	VALVE ASSY,INJECTION			3					
2C	2	129100-53000	VALVE ASSY,INJECTION				3				
2D	2	129503-53000	VALVE ASSY,INJECTION		3						
5	2	114250-53080	NUT, NOZZLE D16.95	3	3	3	3				
9	2	114250-53120	SPRING, NOZZLE	3	3	3	3				
10	2	114250-53130	SEAT, SPRING	3	3	3	3				
11	2	114250-53140	PLATE	3	3	3	3				
12	2	114250-53210	PIN	6	6	6	6				
13	2	114250-53400	SHIM SET	3	3	3	3				
20	1	129150-59120	RETAINER, PIPE	1	1	1	1				
23	2	129150-59130	BOLT, M4X12	2	2	2	2				
25A	1	119810-59810	PIPE ASSY, INJECTION	1							
25B	1	129100-59810	PIPE ASSY, INJECTION				1				
25C	1	129100-59910	PIPE ASSY, INJECTION		1	1					
29A	1	119810-59820	PIPE ASSY, INJECTION	1							
29B	1	129100-59820	PIPE ASSY, INJECTION				1				
29C	1	129100-59920	PIPE ASSY, INJECTION		1	1					
33A	1	119810-59830	PIPE ASSY, INJECTION	1							
33B	1	129100-59830	PIPE ASSY, INJECTION				1				
33C	1	129100-59930	PIPE ASSY, INJECTION		1	1					
37	1	124766-59050	CLIP, HOSE 12	2	2	2	2				
38	1	124066-59100	CLIP, HOSE 8	7	7	7	7				
39	1	121250-59550	PIPE, FUEL D8X120	2	2	2	2				
40	1	119840-59560	PIPE, FUEL RETURN	1	1	1	1				
41	1	119840-59570	JOINT	1	1	1	1				
42	1	129150-59580	CAP	1	1	1	1				
43	1	105025-59750	PIPE, FUEL	1	1	1	1				
44	1	129100-59951	VALVE ASSY, CHECK	1	1	1	1				
52	1	23414-120000	GASKET, 12X1.0	2	2	2	2				

Fig.16. FUEL FILTER & FUEL PIPE

16.FUEL FILTER & FUEL LINE



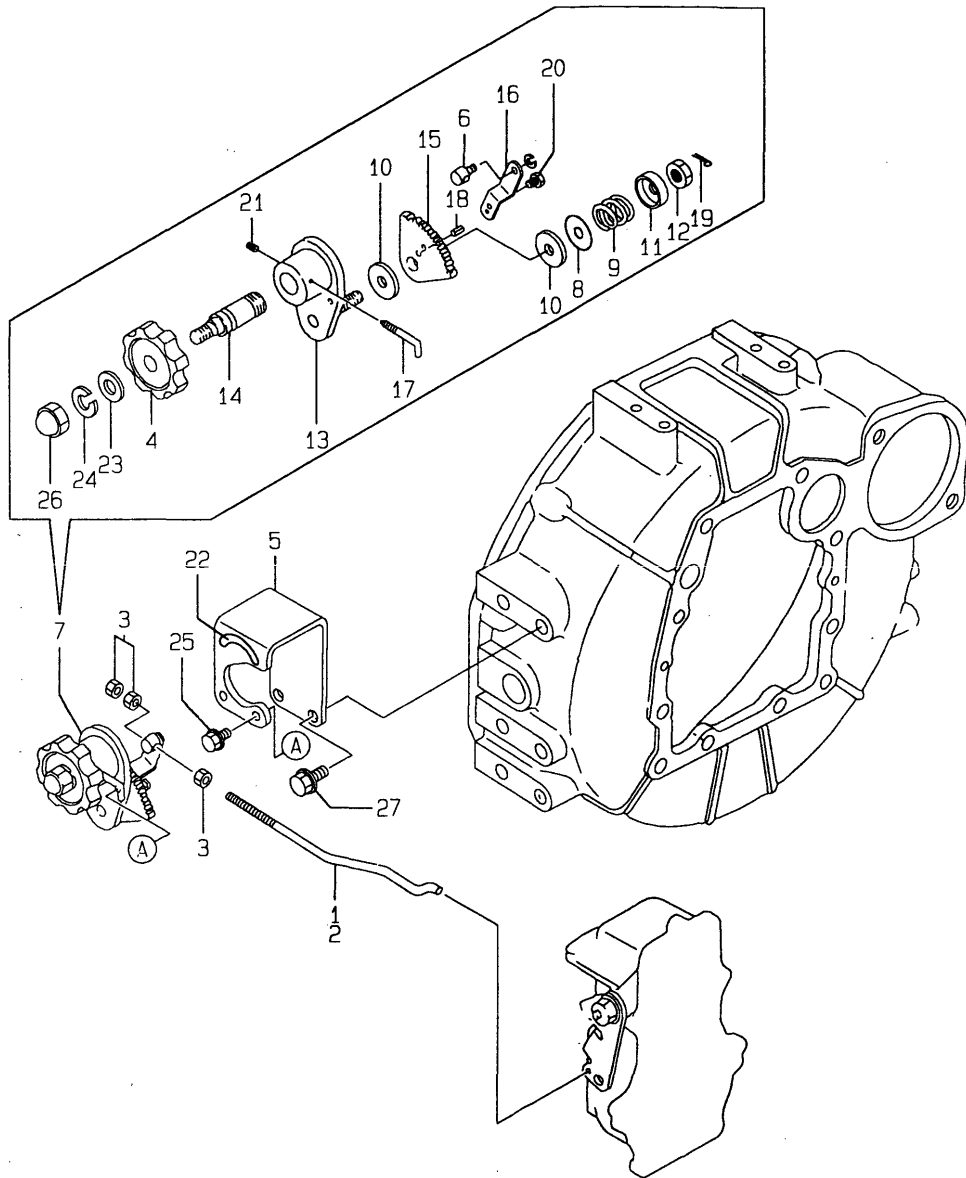
(A)=3TNC78E-S
(B)=3TN84E-S
(C)=3TN84E-G1

(D)=3TN84E-G2
(E)=
(F)=

No.	Lev.	Parts No.	Description	Q'ty						I	R
				(A)	(B)	(C)	(D)	(E)	(F)		
1A	1	119810-55621	FILTER ASSY, FUEL	1							
1B	1	129100-55621	FILTER ASSY, FUEL		1	1	1				
2	2	104200-55321	VALVE, TAPER	1	1	1	1				
3	2	104200-55330	SPRING, VALVE	1	1	1	1				
4A	2	119810-55650	ELEMENT	1							
4B	2	129100-55650	ELEMENT		1	1	1				
6A	2	119810-55340	LEVER	1							
6B	2	129100-55670	LEVER		1	1	1				
7A	2	121254-55510	COVER	1							
7B	2	129100-55680	CUP, STRAINER		1	1	1				
8A	2	110250-55610	RING, RETAINING	1							
8B	2	129100-55690	RING, RETAINING		1	1	1				
9A	2	121250-55620	SPRING	1							
9B	2	129100-55700	SPRING		1	1	1				
10	2	104200-55750	SCREW, M4	1	1	1	1				
11	2	24311-000160	O-RING, 1AP16.0		1	1	1				
12	2	24311-240100	O-RING, 1AP10A	1	1	1	1				
13A	2	102103-55520	O-RING	1							
13B	2	24321-000650	O-RING, 1AG65.0		1	1	1				
14	1	124066-59100	CLIP, HOSE 8		1	1	1				
15	1	129150-59580	CAP		1	1	1				
16	1	26014-080702	BOLT, M8X 70	1	1	1	1				
17	1	103854-39140	BOLT, PIPE JOINT	1	1	1	1				
18	1	101304-59020	JOINT, PIPE 12	1	1	1	1				
19	1	124766-59050	CLIP, HOSE 12	2	2	2	2				
20	1	124766-59050	CLIP, HOSE 12	2	2	2	2				
21	1	104200-59170	GASKET, 12	2	2	2	2				
22A	1	129555-59510	PIPE, D13/7.5X180	1							
22B	1	129115-59510	PIPE, FUEL		1	1	1				
23A	1	105025-59530	PIPE, FUEL D13X400	1							
23B	1	105025-59750	PIPE, FUEL		1	1	1				

Fig.17. ENGINE CONTROL DEVICE

17.ENGINE CONTROL DEVICE



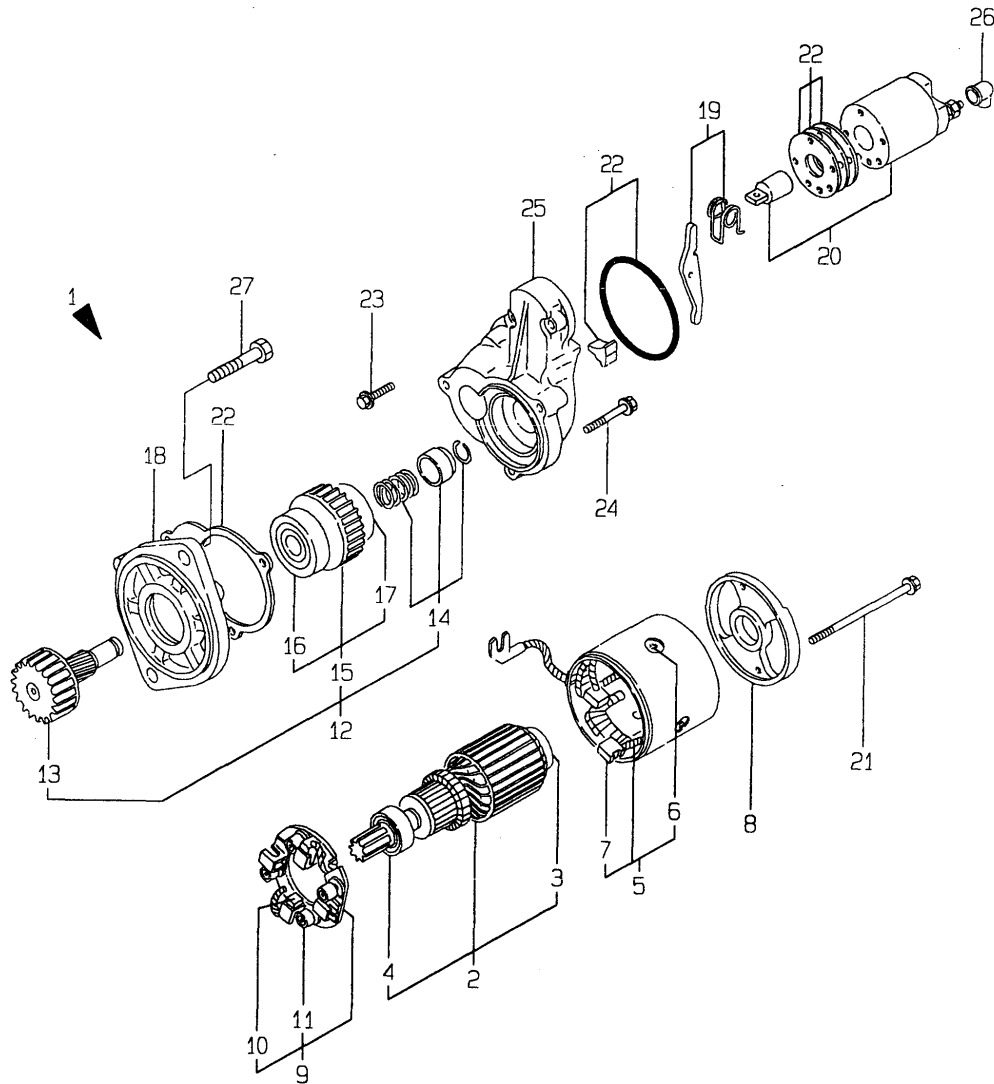
(A)=3TNC78E-S
(B)=3TN84E-S
(C)=3TN84E-G1

(D)=3TN84E-G2
(E)=
(F)=

No.	Lev.	Parts No.	Description	Q'ty						I	R
				(A)	(B)	(C)	(D)	(E)	(F)		
1	1	119888-66120	LINK, ENGINE CONTROL	1	1		1				
2	1	119888-66150	LINK				1				
3	1	26756-050002	NUT, LOCK M5	3	3		3				
4	1	126650-66020	HANDLE, REGULATOR	1	1		1				
5	1	119888-66110	BRACKET	1	1		1				
6	1	119888-66130	PIVOT	1	1		1				
7	1	171048-67010	CONTROLLER ASSY	1	1		1				
8	2	171102-66080	WASHER	1	1		1				
9	2	104200-66820	SPRING	1	1		1				
10	2	104200-66830	PLATE, FRICTION	2	2		2				
11	2	104200-66850	WASHER	1	1		1				
12	2	104200-66860	NUT	1	1		1				
13	2	171085-67100	BRACKET	1	1		1				
14	2	171085-67110	SHAFT, DRIVE	1	1		1				
15	2	171085-67120	GEAR	1	1		1				
16	2	171048-67130	LEVER	1	1		1				
17	2	171048-67140	STOPPER	1	1		1				
18	2	22351-020006	PIN, SPRING 2.0X 6	1	1		1				
19	2	22411-200150	COTTER PIN	1	1		1				
20	2	26116-060082	BOLT, M6X 8 PLATED	1	1		1				
21	2	26921-050122	SCREW, M5X12	1	1		1				
22	1	170064-67210	LABEL, HANDLE	1	1		1				
23	1	22117-100000	WASHER, 10	1	1		1				
24	1	22217-100000	WASHER, SPRING 10	1	1		1				
25	1	26106-060102	BOLT, M6X 10 PLATED	2	2		2				
26	1	26657-100002	NUT, CAP M10	1	1		1				
27	1	26106-080162	BOLT, M8X 16 PLATED	2	2		2				

Fig.18. STARTING MOTOR

18. STARTING MOTOR



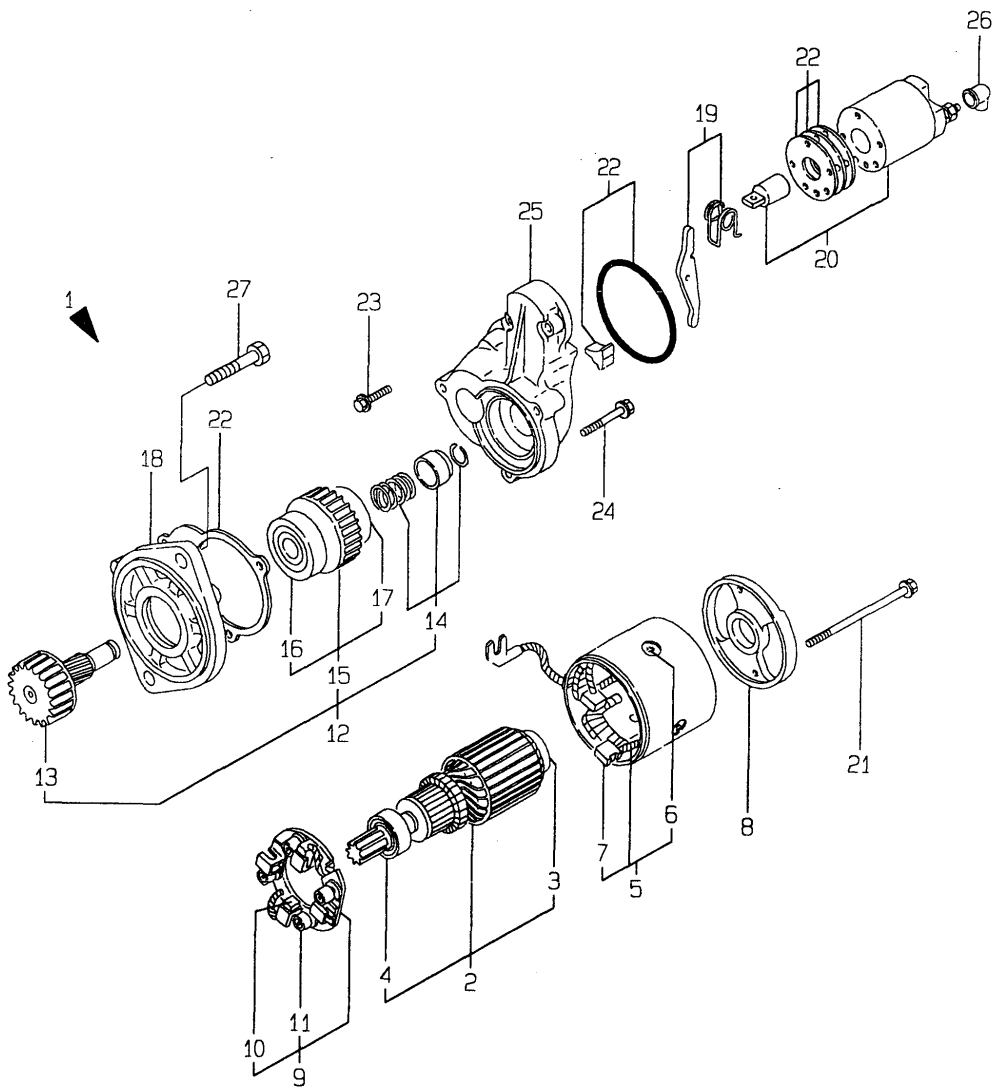
(A)=3TNC78E-S
(B)=3TN84E-S
(C)=3TN84E-G1

(D)=3TN84E-G2
(E)=
(F)=

No.	Lev.	Parts No.	Description	Q'ty						I	R
				(A)	(B)	(C)	(D)	(E)	(F)		
1A	1	124976-77011	STARTER, S114-349A	1							
1B	1	171008-77010	STARTER, S114-483		1		1				
2A	2	X211451007	ARMATURE ASSY	1							
2B	2	171008-77400	ARMATURE ASSY		1		1				
3A	3	X211415502	BEARING, BALL	1							
3B	3	171008-77410	BEARING(1)		1		1				
4A	3	X211425502	BEARING, BALL	1							
4B	3	171008-77420	BEARING(2)		1		1				
5A	2	X211472106	COIL ASSY, FIELD	1							
5B	2	171008-77440	COIL ASSY, FIELD		1		1				
6A	3	X21148215	SCREW, POLE CORE	4							
6B	3	171008-77450	SCREW		4		4				
7A	3	X21143315	BRUSH (+)	2							
7B	3	171008-77460	BRUSH (+)		2		2				
8A	2	X211483003	COVER	1							
8B	2	171008-77500	COVER, REAR		1		1				
9A	2	X211429007	HOLDER ASSY, BRUSH	1							
9B	2	171008-77470	HOLDER ASSY, BRUSH		1		1				
10A	3	X211459002	BRUSH (-)	2							
10B	3	171008-77480	BRUSH (-)		2		2				
11A	3	X21148314	SPRING, BRUSH	4							
11B	3	171008-77490	SPRING, BRUSH		4		4				
12A	2	X211415505	CLUTCH ASSY	1							
12B	2	171008-77650	PINION ASSY		1		1				
13A	3	X211495009	SHAFT	1							
13B	3	171008-77660	SHAFT, PINION		1		1				
14A	3	X211429006	STOPPER SET	1							
14B	3	171008-77670	STOPPER SET, PINION		1		1				
15A	3	X211425505	CLUTCH ASSY	1							
15B	3	171008-77720	CLUTCH ASSY		1		1				
16A	4	X211435502	BALL BEARING	1							
16B	4	171008-77730	BALL BEARING (3)		1		1				
17A	4	X211445502	BALL BEARING	1							
17B	4	171008-77740	BALL BEARING (4)		1		1				
18A	2	X211476504	HOUSING ASSY, GEAR	1							
18B	2	171008-77510	HOUSING ASSY, GEAR		1		1				
19A	2	X21146012	LEVER, SHIFT	1							
19B	2	171008-77540	LEVER SET, SHIFT		1		1				
20A	2	X211447007	SWITCH, MAGNETIC	1							
20B	2	171008-77530	SWITCH, MAGNETIC		1		1				
21A	2	X211468005	BOLT, THROUGH	2							
21B	2	171008-77640	BOLT, THROUGH		2		2				
22A	2	X211448004	COVER KIT	1							
22B	2	171008-77571	DUST COVER,(NON-ASB.		1		1				
23A	2	X21145866	BOLT	2							
23B	2	26106-060322	BOLT, M6X 32 PLATED		2		2				
24A	2	X21142867	BOLT		3						
24B	2	26106-060402	BOLT, M6X 40 PLATED		3		3				
25A	2	X211414501	HOUSING, CENTER	1							
25B	2	171008-77520	HOUSING, CENTER		1		1				
26	2	171008-77750	COVER, M TERMINAL		1		1				

Fig.18. STARTING MOTOR

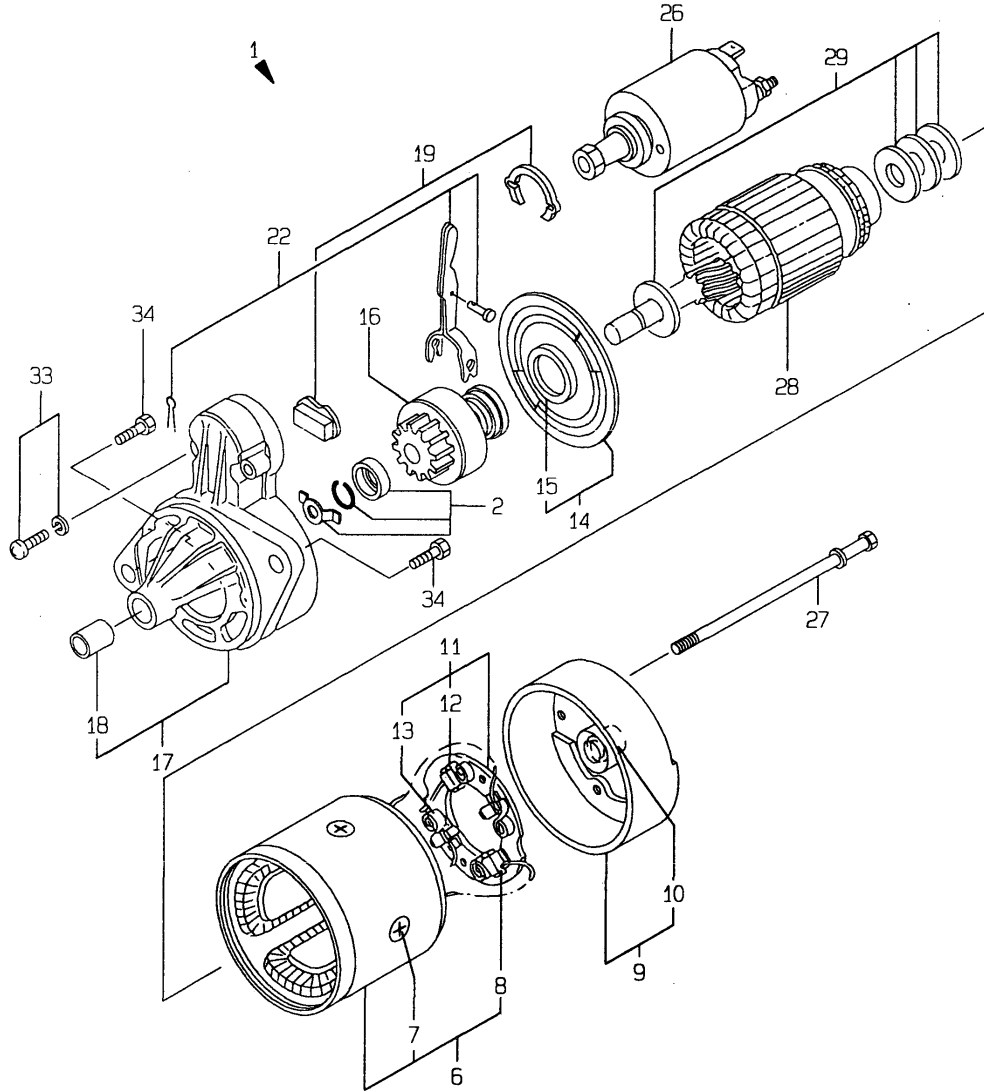
18. STARTING MOTOR



No.	Lev.	Parts No.	Description	Q'ty						I	R
				(A)	(B)	(C)	(D)	(E)	(F)		
27	1	26116-120252	BOLT, M12X 25 PLATED	2	2		2				

Fig.19. STARTING MOTOR(3TN84E-G1)

19.STARTING MOTOR
(3TN84E-G1)



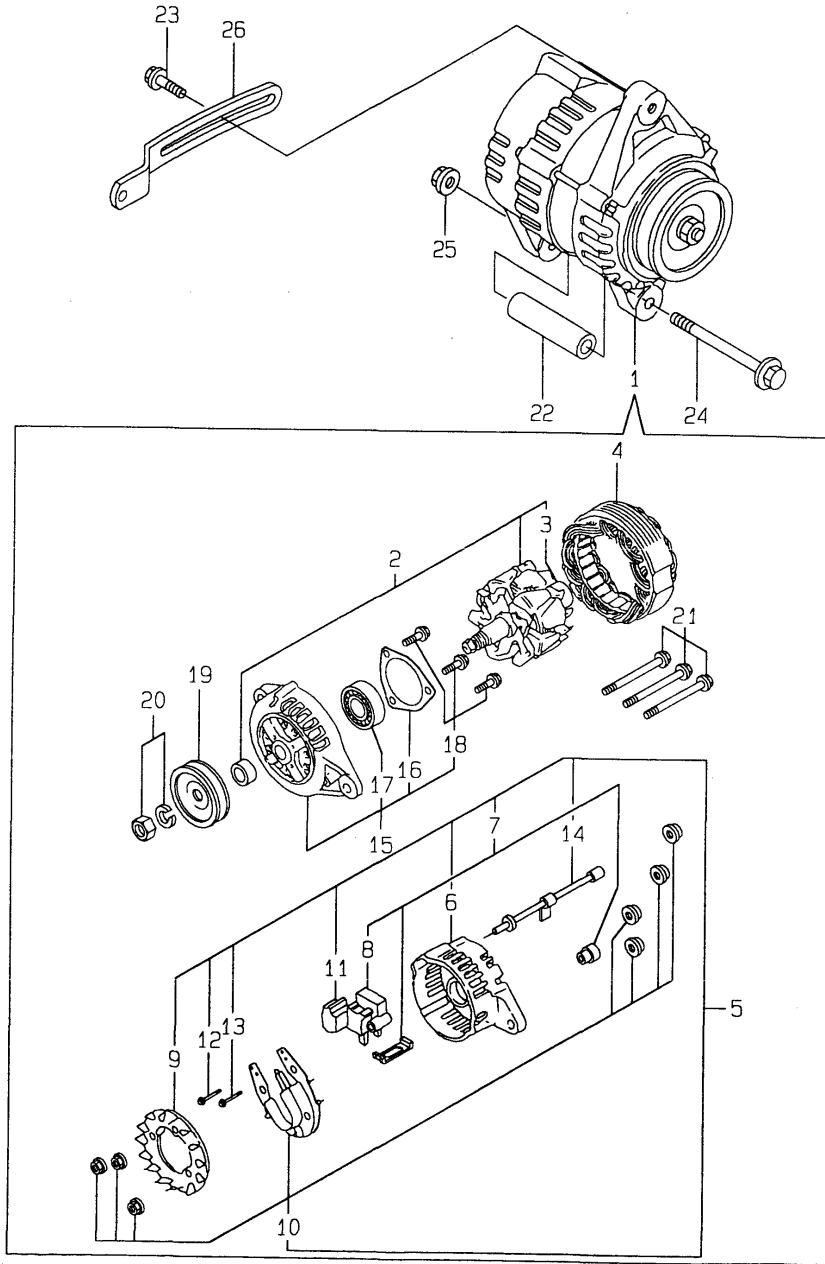
(A)=3TNC78E-S
(B)=3TN84E-S
(C)=3TN84E-G1

(D)=3TN84E-G2
(E)=
(F)=

No.	Lev.	Parts No.	Description	Qty						I	R
				(A)	(B)	(C)	(D)	(E)	(F)		
1	1	124250-77012	STARTER, S12-77A			1					
2	2	124250-77070	STOPPER SET, PINION			1					
6	2	124250-77110	COIL ASSY, FIELD			1					
7	3	124250-77120	SCREW SET, PORE CORE			4					
8	3	124250-77130	BRUSH (+)			2					
9	2	124250-77140	COVER ASSY, REAR			1					
10	3	124250-77150	METAL, REAR COVER			1					
11	2	124250-77160	HOLDER ASSY, BRUSH			1					
12	3	124250-77170	BRUSH (-)			2					
13	3	124250-77180	SPRING, BRUSH			4					
14	2	124250-77190	BEARING ASSY, CENTER			1					
15	3	124250-77520	BEARING			1					
16	2	124250-77210	PINION ASSY			1					
17	2	124250-77220	CASE ASSY, GEAR			1					
18	3	124250-77230	METAL, GEAR CASE			1					
19	2	124250-77240	COVER SET, DUST			1					
22	2	124250-77270	LEVER SET, SHIFT			1					
26	2	124250-77310	SWITCH, MAGNETIC			1					
27	2	124250-77320	BOLT, THROUGH			2					
28	2	124250-77500	ARMATURE ASSY			1					
29	2	124250-77510	WASHER KIT			1					
33	2	26557-040122	SCREW, M4X12			2					
34	1	26116-120252	BOLT, M12X 25 PLATED			2					

Fig.20. GENERATOR

20. GENERATOR



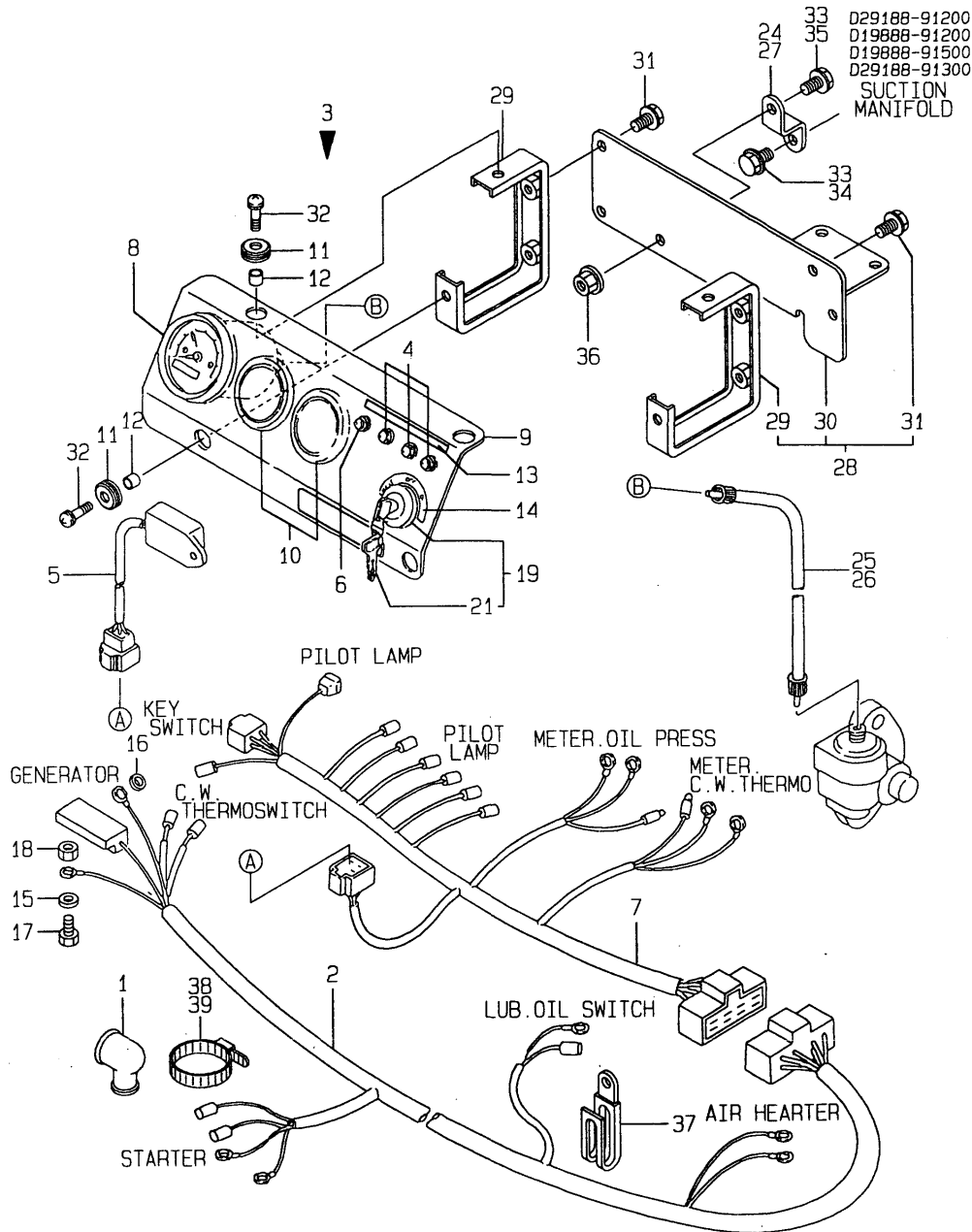
(A)=3TNC78E-S
(B)=3TN84E-S
(C)=3TN84E-G1

(D)=3TN84E-G2
(E)=
(F)=

No.	Lev.	Parts No.	Description	Qty						I	R
				(A)	(B)	(C)	(D)	(E)	(F)		
1	1	119836-77200	GENERATOR	1	1	1	1				
2	2	119836-77700	ROTOR ASSY	1	1	1	1				
3	3	119836-77850	BALL BEARING	1	1	1	1				
4	2	119836-77710	STATOR ASSY	1	1	1	1				
5	2	119836-77721	COVER ASSY, REAR	1	1	1	1				
6	3	119836-77730	COVER, REAR	1	1	1	1				
7	3	119836-77741	BRUSH ASSY,REGULATOR	1	1	1	1				
8	4	119836-77750	BRUSH ASSY	1	1	1	1				
9	3	119836-77760	GUIDE, FAN SIDE	1	1	1	1				
10	3	119836-77770	DIODE ASSY	1	1	1	1				
11	3	119836-77780	CONDENSER	1	1	1	1				
12	3	119836-77871	BOLT (1)	1	1	1	1				
13	3	119836-77880	BOLT (2)	1	1	1	1				
14	3	119836-77890	WIRE ASSY, LEAD	1	1	1	1				
15	2	119836-77790	COVER ASSY, FRONT	1	1	1	1				
16	3	119836-77800	RETAINER, BEARING	1	1	1	1				
17	3	119836-77840	BALL BEARING	1	1	1	1				
18	3	119836-77860	SCREW KID	1	1	1	1				
19	2	119836-77810	PULLEY	1	1	1	1				
20	2	119836-77820	NUT ASSY, PULLEY	1	1	1	1				
21	2	119836-77830	BOLT, THROUGH	3	1	1	1				
22	1	119820-77340	PIECE, DISTANCE	1	1	1	1				
23	1	26014-080252	BOLT, M8X 25	1	1	1	1				
24	1	129136-77250	BOLT M 8X105	1	1	1	1				
25	1	26366-080002	NUT, M8	1	1	1	1				
26	1	129410-77330	ADJUSTER	1	1	1	1				

Fig.21. PANEL

21. PANEL



(A)=3TNC78E-S
(B)=3TN84E-S
(C)=3TN84E-G1

(D)=3TN84E-G2
(E)=
(F)=

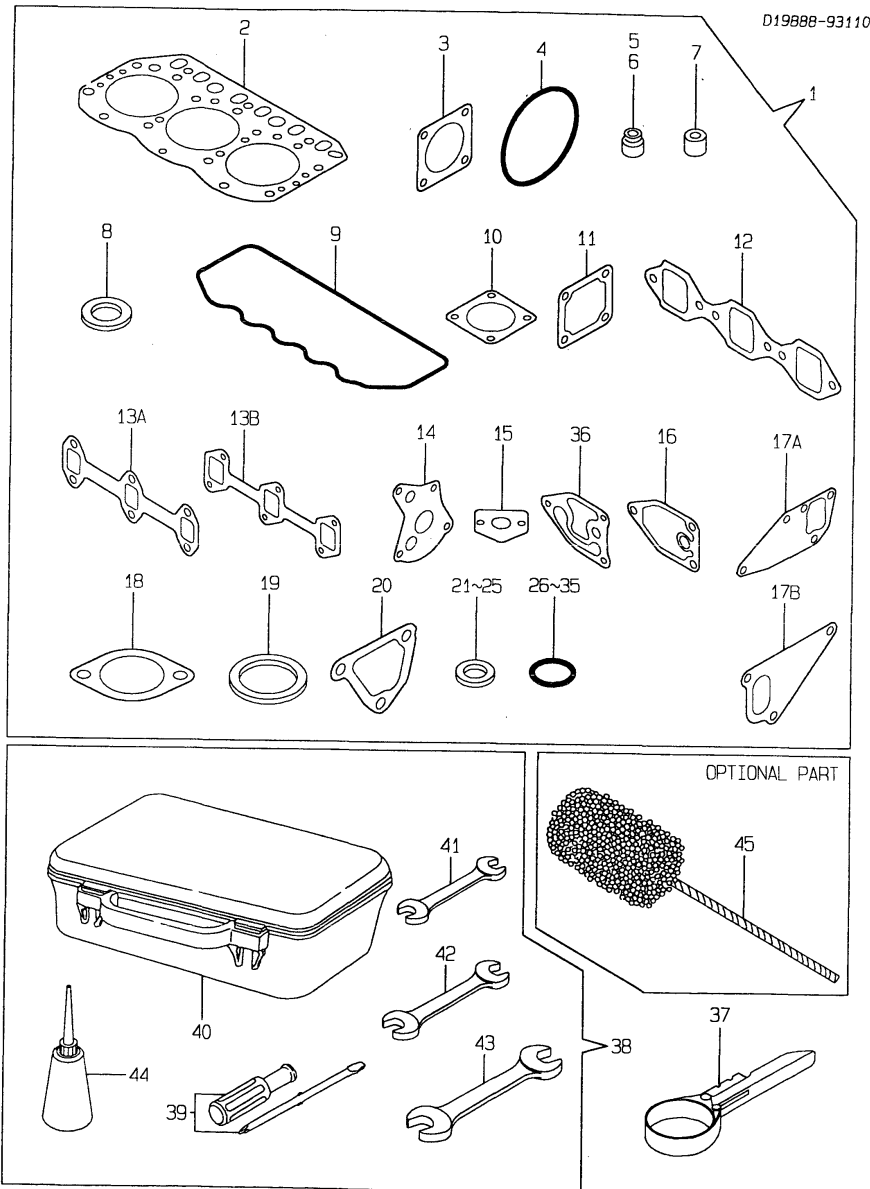
No.	Lev.	Parts No.	Description	Qty						I	R
				(A)	(B)	(C)	(D)	(E)	(F)		
1	1	124550-77030	COVER, TERMINAL	1	1	1	1				
2	1	119888-91020	HARNESS, WIRE	1	1	1	1				
3A	1	119888-91100	PANEL ASSY	1	1		1				
3B	1	119888-91300	PANEL ASSY				1				
4	2	124732-77720	LAMP, CHARGING	3	3	3	3				
5	2	128300-77920	TIMER	1	1	1	1				
6	2	124559-77971	LAMP, PILOT	1	1	1	1				
7	2	119888-91030	HARNESS, WIRE	1	1	1	1				
8A	2	171080-91100	TACHOMETER	1	1		1				
8B	2	171082-91100	TACHOMETER				1				
9	2	119888-91110	BODY, PANEL	1	1	1	1				
10	2	124770-91220	COVER	2	2	2	2				
11	2	121400-91520	ABSORBER	4	4	4	4				
12	2	121400-91530	SPACER	4	4	4	4				
13	2	119888-91610	LABEL, CW & OIL LAMP	1	1	1	1				
14	2	119888-91620	LABEL, KEY SWITCH	1	1	1	1				
15	2	22117-050000	WASHER, 5	1	1		1				
16	2	22117-050000	WASHER, 5	1	1		1				
17	2	26116-050102	BOLT, M5X 10 PLATED	1	1		1				
18	2	26716-050002	NUT, M5	1	1		1				
19	2	933110-00100	SWITCH ASSY, STARTER	1	1	1	1				
21	3	933110-00301	KEY ASSY	1	1	1	1				
24	1	119888-91141	RETAINER, PANEL	1							
25	1	121400-91140	SHAFT		1	1	1				
26	1	124701-91140	CABLE, L=985	1							
27	1	129188-91140	BRACKET		1	1	1				
28	1	119888-91150	BRACKET ASSY	1	1	1	1				
29	2	119888-91120	SUPPORT	2	2	2	2				
30	2	119888-91130	BRACKET, PANEL	1	1	1	1				
31	2	26106-080122	BOLT, M8X 12 PLATED	4	4	4	4				
32	1	26033-060202	SCREW M 6X 20	4	4	4	4				
33	1	26106-080122	BOLT, M8X 12 PLATED	1		2					
34	1	26106-080162	BOLT, M8X 16 PLATED		1		1				
35	1	26106-080162	BOLT, M8X 16 PLATED		1		1				
36	1	26366-080002	NUT, M8		1	1	1				
37	1	194180-51640	CLAMP, HARNESS	1	1	1	1				
38	1	121750-59890	BAND, 140	1	1	1	1				
39	1	121750-59890	BAND, 140	1	1						

Fig.22. GASKET SET & TOOL(OPTIONAL)

(A)=3TNC78E-S
(B)=3TN84E-S
(C)=3TN84E-G1

(D)=3TN84E-G2
(E)=
(F)=

22.GASKET SET & TOOL (OPTIONAL)

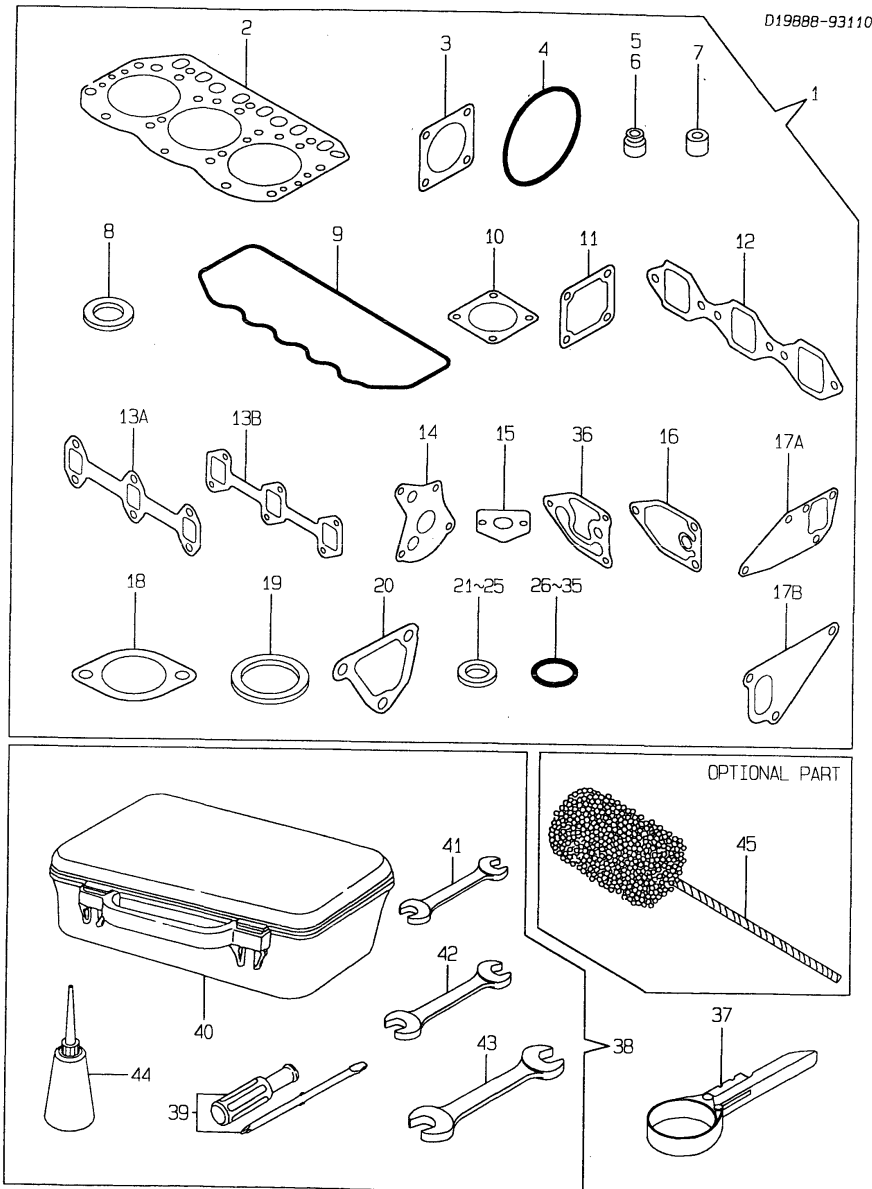


No.	Lev.	Parts No.	Description	Q'ty						I	R
				(A)	(B)	(C)	(D)	(E)	(F)		
1A	1	719811-92610	GASKET SET	1							1
1B	1	729105-92600	GASKET SET		1						1
1C	1	729111-92630	GASKET SET			1					1
1D	1	729115-92610	GASKET SET				1				1
2A	2	119811-01330	GASKET, HEAD T=1.4	1							
2B	2	129157-01332	GASKET, HEAD		1	1	1				
3	2	124240-01883	GASKET	1	1	1	1				
4	2	121850-51960	O-RING	1	1	1	1				
5A	2	124160-11340	SEAL, VALVE STEM	3							
5B	2	124460-11340	SEAL, VALVE STEM		3	3	3				
6A	2	124950-11340	SEAL, VALVE STEM	3							
6B	2	121400-11340	SEAL, VALVE STEM		3	3	3				
7	2	119625-11870	PROTECTOR, NOZZLE	3	3	3	3				
8	2	119625-11880	SEAT, NOZZLE	3	3	3	3				
9A	2	119865-11310	GASKET, BONNET	1							
9B	2	129150-11310	GASKET, BONNET		1	1	1				
10A	2	121000-13200	GASKET, SILENCER	1							
10B	2	124701-11911	GASKET, SILENCER		1	1	1				
11	2	129150-77511	GASKET	1	1	1	1				
12A	2	119810-12111	GASKET, MANIFOLD	1							
(A=FROM 1ST)											
12B	2	129150-12111	GASKET, MANIFOLD		1	1	1				
13A	2	129810-13110	GASKET, MANIFOLD EXH	1							M
13A-1	2	119810-13110	GASKET	1							
13B	2	129150-13110	GASKET		1	1	1				
14	2	129150-32020	GASKET, PUMP	1	1	1	1				
15	2	129150-35041	GASKET	1	1	1	1				
16	2	129150-35111	GASKET	1	1	1					
17A	2	129150-42020	GASKET, WATER PUMP	1							
17B	2	129100-42020	GASKET, WATER PUMP		1	1	1				
18	2	129795-49551	GASKET	1	1	1	1				
19	2	129150-49811	GASKET, THERMOSTAT	1	1	1	1				
20	2	129100-49840	GASKET		1	1	1				
21	2	124465-44950	GASKET, 16	2	2	2	2				
22	2	23414-080000	GASKET, 8X1.0		2	2	2				
23	2	23414-100000	GASKET, 10X1.0	2	2	2	2				
24	2	23414-120000	GASKET, 12X1.0	2	2	2	2				
25	2	104200-59170	GASKET, 12	2	2	2	2				
26	2	24311-000320	O-RING, 1AP32.0	1	1	1	1				
27	2	24341-000500	O-RING, 1AS50.0		1	1	1				
28	2	24311-000320	O-RING, 1AP32.0		1	1	1				
29	2	24311-000120	O-RING, 1AP12.0	3	3	3	3				
30	2	24321-000650	O-RING, 1AG65.0		1	1	1				
31	2	24311-000160	O-RING, 1AP16.0	3	2	2	2				
32	2	24311-000200	O-RING, 1AP20.0								1
33	2	24311-000210	O-RING, 1AP21.0								1
34	2	24321-000550	O-RING, 1AG55.0								1
35	2	24311-000160	O-RING, 1AP16.0			1	1				1
36	2	129103-35122	GASKET								1
37	1	127610-92750	WRENCH, FILTER	1	1	1					
38	1	171001-93100	BOX, TOOL	1	1	1					

Remarks
(1)OPTIONAL PART.
(M)MISPRINT.

Fig.22. GASKET SET & TOOL(OPTIONAL)

22.GASKET SET & TOOL (OPTIONAL)



(A)=3TNC78E-S
(B)=3TN84E-S
(C)=3TN84E-G1

(D)=3TN84E-G2
(E)=
(F)=

No.	Lev.	Parts No.	Description	Qty						I	R
				(A)	(B)	(C)	(D)	(E)	(F)		
39	2	104200-92350	DRIVER, SCREW	1	1	1					
40	2	104200-92600	BOX, TOOL	1	1	1					
41	2	28110-100120	SPANNER, 10X12	1	1	1					
42	2	28110-140170	SPANNER, 14X17	1	1	1					
43	2	28110-190220	SPANNER, 19X22	1	1	1					
44	2	28210-000140	OILER	1	1	1					
45	1	129400-92420	FLEX HORN	1	1	1	1				1

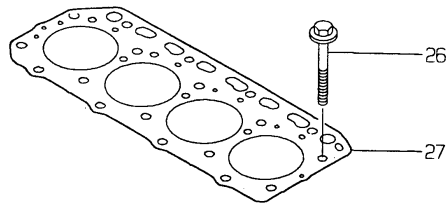
Remarks
(1)OPTIONAL PART.
(M)MISPRINT.

Fig.23. CYLINDER BLOCK

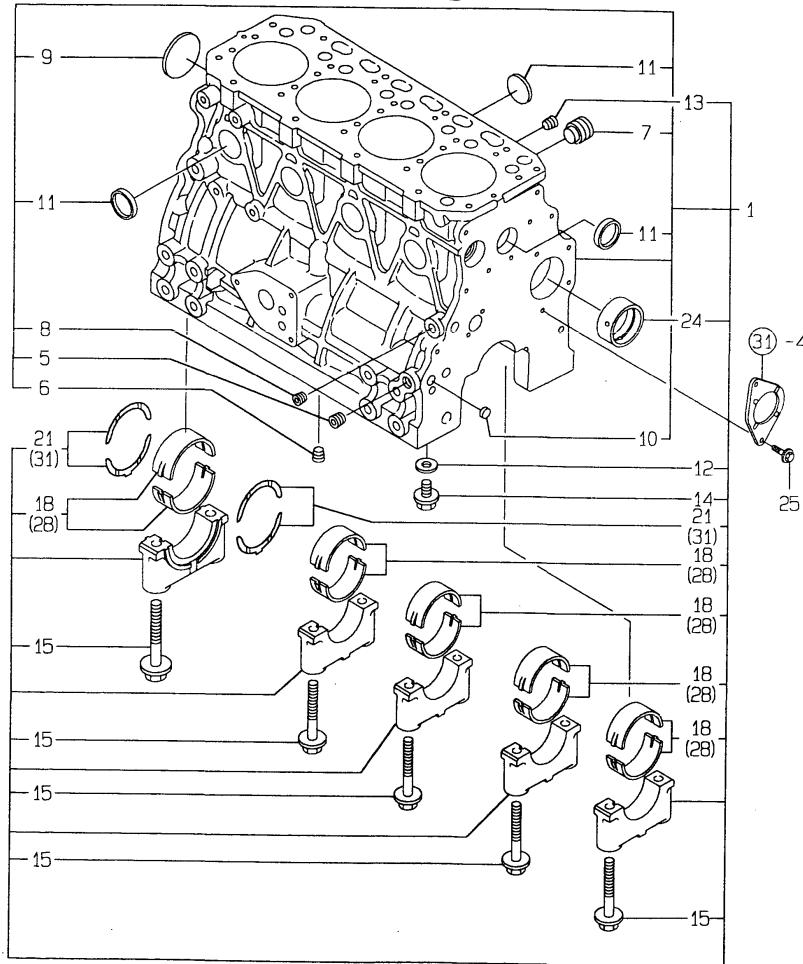
(A)=4TN84E-S
(B)=4TN84E-G1
(C)=4TN84E-G2

(D)=4TN84TE-S
(E)=4TN84TE-G1
(F)=4TN84TE-G2

23. CYLINDER BLOCK



029405-01100
029400-01820
029550-02100
029129-02200

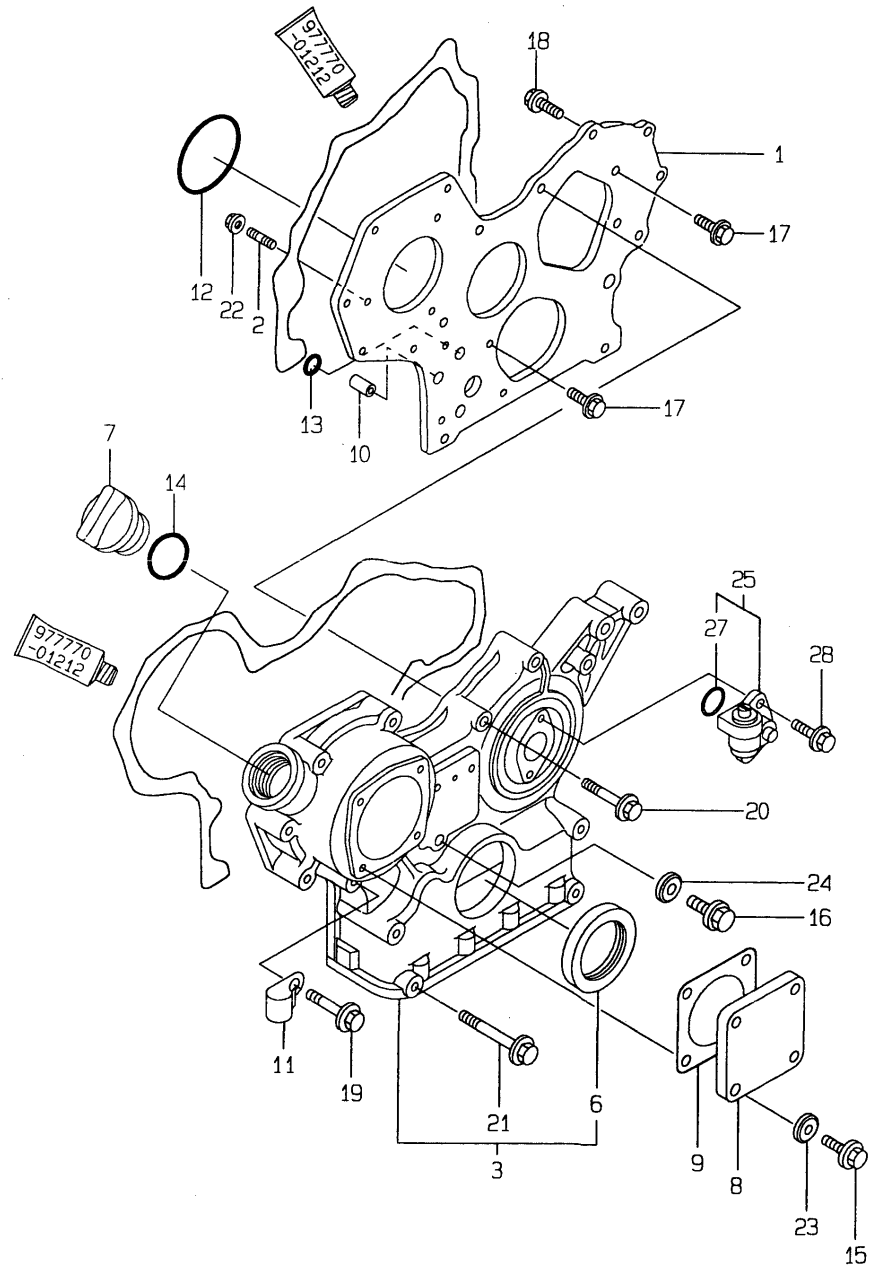


No.	Lev.	Parts No.	Description	Q'ty						I	R
				(A)	(B)	(C)	(D)	(E)	(F)		
1	1	729405-01560	BLOCK ASSY, CYLINDER	1	1	1	1	1	1		
5	3	124160-01910	PLUG, PT1/4	2	2	2	2	2	2		
6	3	124160-01910	PLUG, PT1/4	1	1	1	1	1	1		
7	3	171051-01921	PLUG, NPTF1	1	1	1	1	1	1		
8	3	23871-010000	PLUG, R01	1	1	1	1	1	1		
9	3	27231-500000	PLUG 50	1	1	1	1	1	1		
10	3	27241-120000	PLUG, 12	2	2	2	2	2	2		
11	3	27241-300000	PLUG 30	8	8	8	8	8	8		
12	2	23414-080000	GASKET, 8X1.0	4	4			4			
13	2	23871-030000	PLUG, R03	1	1	1					
14	2	26106-080122	BOLT, M8X 12 PLATED	4	4			4			
15	2	129150-02020	BOLT, METAL CAP	10	10	10	10	10	10		
18	2	129150-02800	BEARING, MAIN	5	5	5	5	5	5		
21	2	129150-02930	BEARING, THRUST	2	2	2	2	2	2		
24	2	129795-02411	BUSH, CAMSHAFT	1	1	1	1	1	1		
25	1	26106-080162	BOLT, M8X 16 PLATED	2	2	2	2	2	2		
26	1	129150-01200	BOLT, HEAD	18	18	18	18	18	18		
27	1	129405-01330	GASKET, HEAD	1	1	1	1	1	1		
28	1	129150-02870	BEARING, 0.25 US	5	5	5	5	5	5		1
31	1	129150-02940	BEARING, THRUST 0.25	2	2	2	2	2	2		2

Remarks
(1) UNDER-SIZE (U.S=0.25) PART.
(2) OVER-SIZE (O.S=0.25) PART.

Fig.24. GEAR HOUSING

24.GEAR HOUSING



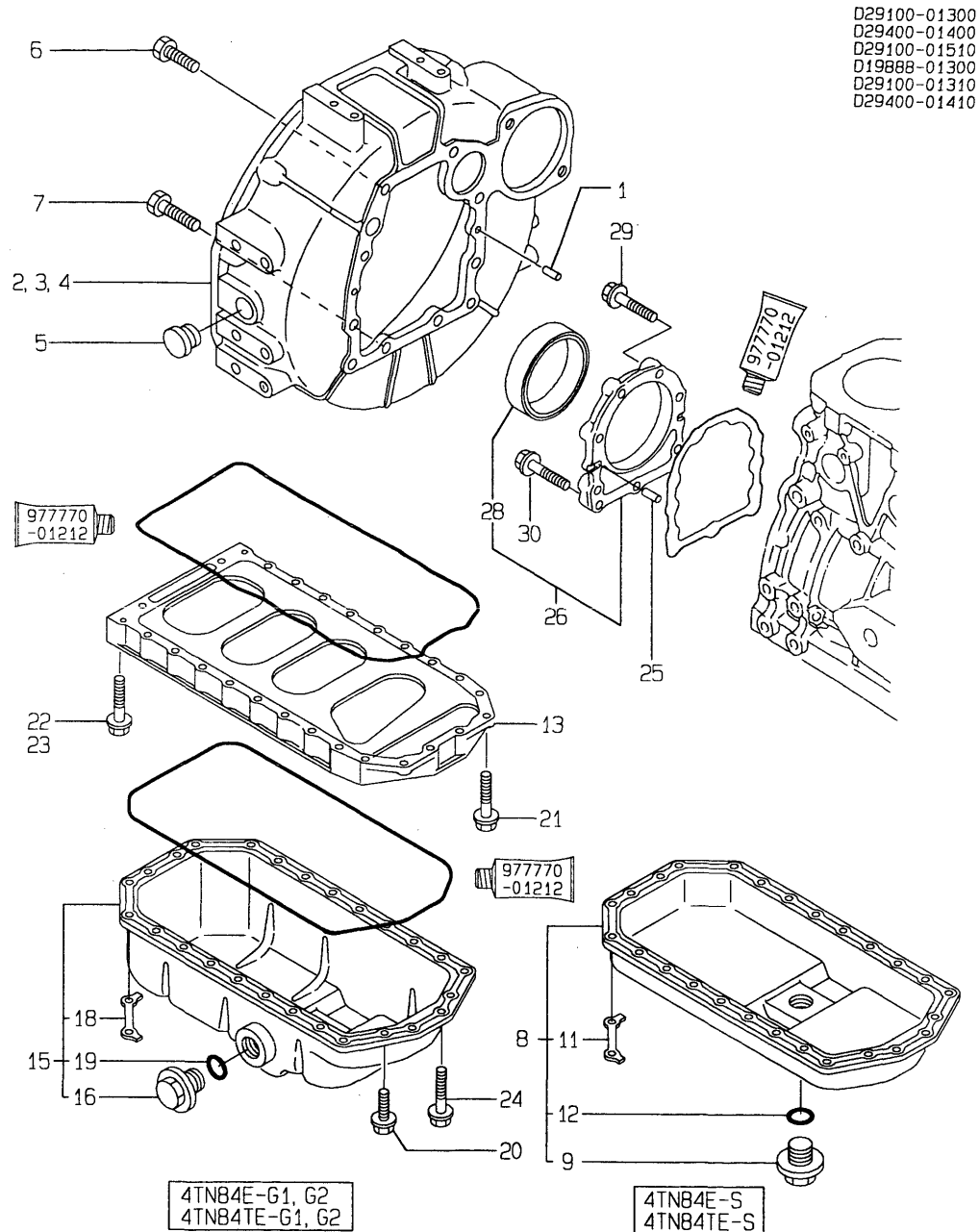
(A)=4TN84E-S
(B)=4TN84E-G1
(C)=4TN84E-G2

(D)=4TN84TE-S
(E)=4TN84TE-G1
(F)=4TN84TE-G2

No.	Lev.	Parts No.	Description	Q'ty						I	R
				(A)	(B)	(C)	(D)	(E)	(F)		
1	1	129400-01520	FLANGE, GEAR CASE	1	1	1	1	1	1		
2	1	121450-01560	STUD, M8X22	3	3	3	3	3	3		
3	1	129400-01590	CASE ASSY, GEAR	1	1	1	1	1	1		
6	2	129795-01800	SEAL, OIL	1	1	1	1	1	1		
7	1	124160-01751	COVER, FILLER	1	1	1	1	1	1		
8	1	124240-01871	COVER	1	1	1	1	1	1		
9	1	124240-01883	GASKET	1	1	1	1	1	1		
10	1	129795-01950	PIPE, KNOCK L=18	2	2	2	2	2	2		
11	1	129150-03100	RETAINER, PIPE	1	1	1	1	1	1		
12	1	121850-51960	O-RING	1	1	1	1	1	1		
13	1	24311-000160	O-RING, 1AP16.0	2	2	2	2	2	2		
14	1	24311-000320	O-RING, 1AP32.0	1	1	1	1	1	1		
15	1	26106-080122	BOLT, M8X 12 PLATED	4	4	4	4	4	4		
16	1	26106-080162	BOLT, M8X 16 PLATED	1	1	1	1	1	1		
17	1	26106-080162	BOLT, M8X 16 PLATED	3	3	3	3	3	3		
18	1	26106-080202	BOLT, M8X 20 PLATED	2	2	2	2	2	2		
19	1	26106-080452	BOLT, M8X 45 PLATED	6	6	6	6	6	6		
20	1	26106-080552	BOLT, M8X 55 PLATED	3	3	3	3	3	3		
21	1	26106-080852	BOLT, M8X 85 PLATED	4	4	4	4	4	4		
22	1	26366-080002	NUT, M8	3	3	3	3	3	3		
23	1	43400-500410	SEAL WASHER 8S	4	4	4	4	4	4		
24	1	43400-500410	SEAL WASHER 8S	1	1	1	1	1	1		
25	1	129150-91400	GEAR	1	1	1	1	1	1		
27	2	24341-000240	O-RING, 1AS24.0	1	1	1	1	1	1		
28	1	26106-060162	BOLT, M6X 16 PLATED	2	2	2	2	2	2		

Fig.25. FLYWHEEL HOUSING & OIL SUMP

25.FLYWHEEL HOUSING & OIL SUMP



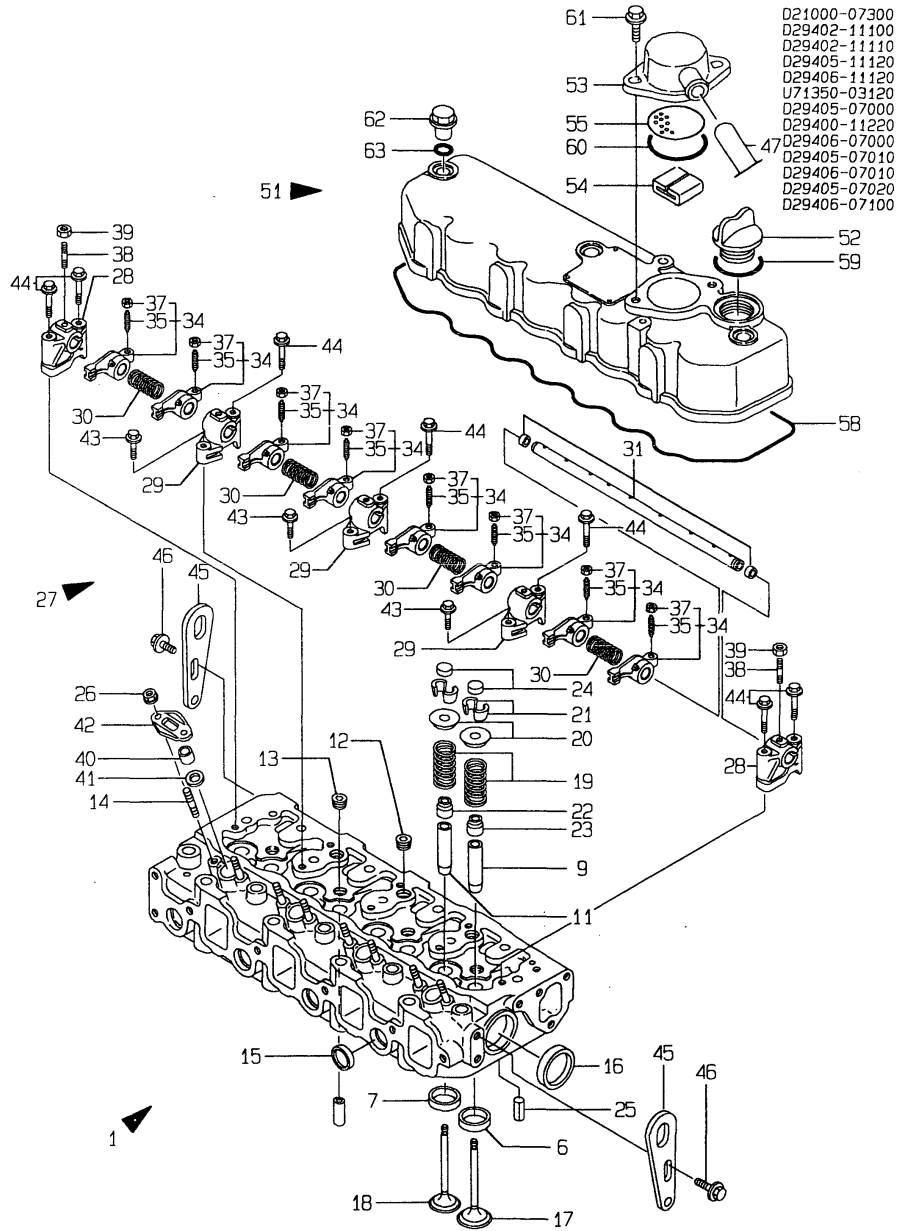
(A)=4TN84E-S
 (B)=4TN84E-G1
 (C)=4TN84E-G2

(D)=4TN84TE-S
 (E)=4TN84TE-G1
 (F)=4TN84TE-G2

No.	Lev.	Parts No.	Description	Q'ty						I	R
				(A)	(B)	(C)	(D)	(E)	(F)		
1	1	129100-01580	PIN, M8X16	2	2	2	2	2	2		
2	1	119888-01600	HOUSING, FLYWHEEL	1			1				
3	1	171301-01600	HOUSING, FLYWHEEL			1				1	
4	1	171420-01600	HOUSING, FLYWHEEL		1			1			
5	1	119620-01750	CAP	1	1	1	1	1	1		
6	1	26206-100252	BOLT, M10X 25 PLATED	6	6	6	6	6	6		
7	1	26206-100302	BOLT, M10X 30 PLATED	4	4	4	4	4	4		
8	1	729402-01540	SUMP ASSY, OIL	1				1			
9	2	171301-01640	PLUG, 22	1			1				
11	2	129100-01790	RETAINER	2			2				
12	2	24341-000240	O-RING, 1AS24.0	1			1				
13	1	129400-01730	SPACER, OIL SUMP	1	1	1	1	1	1		
15	1	129400-01770	SUMP ASSY, OIL		1	1		1	1		
16	2	171301-01640	PLUG, 22		1	1		1	1		
18	2	129100-01790	RETAINER		2	2		2	2		
19	2	24341-000240	O-RING, 1AS24.0		1	1		1	1		
20	1	26106-080162	BOLT, M8X 16 PLATED	4	4	4	4	4	4		
21	1	26106-080252	BOLT, M8X 25 PLATED	2	2	2	2	2	2		
22	1	26106-080452	BOLT, M8X 45 PLATED	20			20				
23	1	26106-080452	BOLT, M8X 45 PLATED		20	20		20	20		
24	1	26106-080502	BOLT, M8X 50 PLATED	4	4	4	4	4	4		
25	1	129100-01580	PIN, M8X16	2	2	2	2	2	2		
26	1	129100-01640	CASE ASSY, OIL SEAL	1	1	1	1	1	1		
28	2	129795-01780	SEAL, OIL	1	1	1	1	1	1		
29	1	26106-080302	BOLT, M8X 30 PLATED	6	6	6	6	6	6		
30	1	26106-080352	BOLT, M8X 35 PLATED	3	3	3	3	3	3		

Fig.26. CYLINDER HEAD & BONNET

26.CYLINDER HEAD & BONNET



(A)=4TN84E-S
 (B)=4TN84E-G1
 (C)=4TN84E-G2

(D)=4TN84TE-S
 (E)=4TN84TE-G1
 (F)=4TN84TE-G2

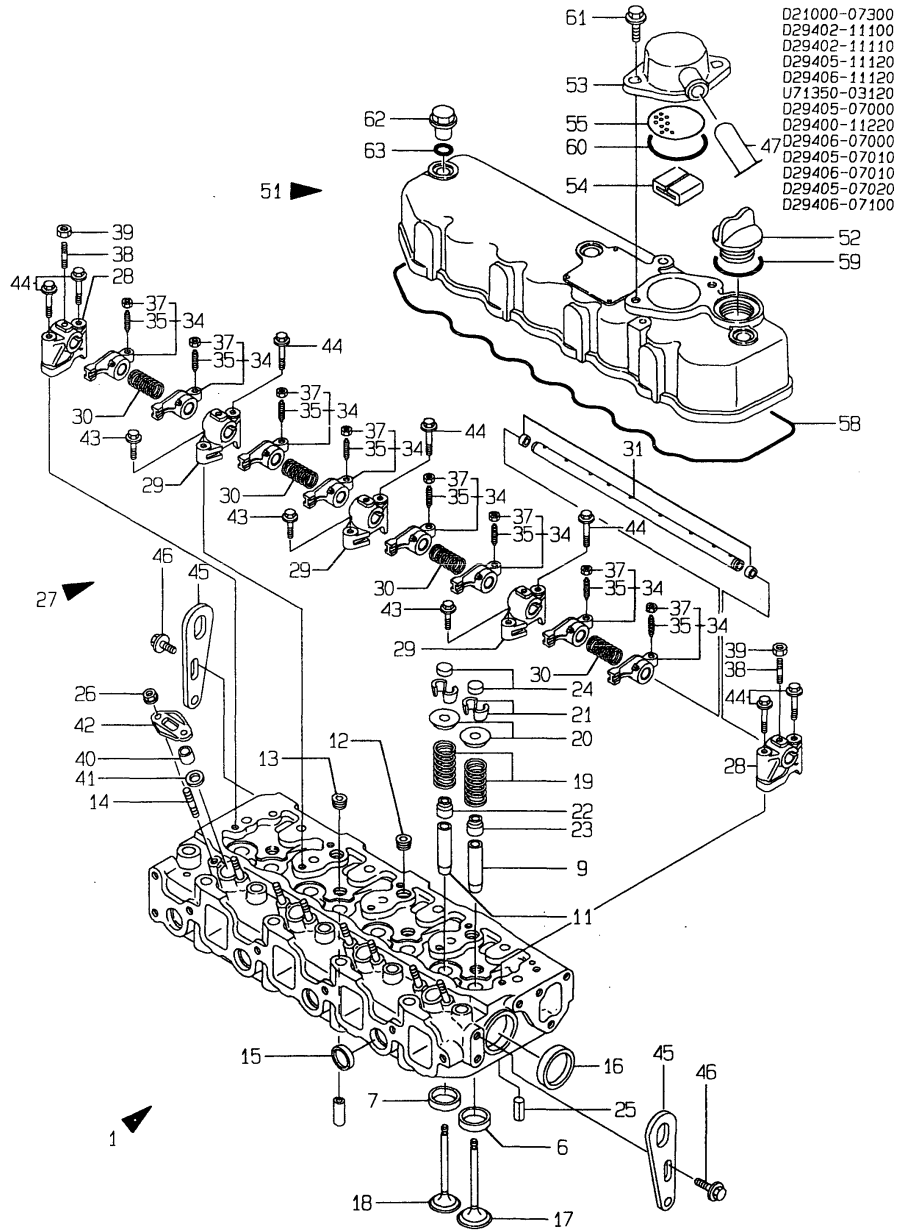
No.	Lev.	Parts No.	Description	Q'ty						I	R
				(A)	(B)	(C)	(D)	(E)	(F)		
1A	1	729411-11700	HEAD ASSY, CYLINDER			1	1			1	
1B	1	729402-11700	HEAD ASSY, CYLINDER	1							
1C	1	729405-11700	HEAD ASSY, CYLINDER		1						
1D	1	729406-11700	HEAD ASSY, CYLINDER							1	
6	2	129470-11080	SEAT, INTAKE VALVE			4	4	4	4	4	
7	2	129470-11090	SEAT, EXHAUST VALVE			4	4	4	4	4	
9	2	120130-11860	GUIDE, VALVE	4	4	4	4	4	4	4	1
11	2	129150-11810	GUIDE, VALVE	4	4	4	4	4	4	4	1
12	2	121850-11860	PLUG, PT1/4	3	3	3	3	3	3	3	
13	2	23871-030000	PLUG, R03	4	4	4	4	4	4	4	
14	2	26216-060202	STUD, M6X 20	8	8	8	8	8	8	8	
15	2	27241-220000	PLUG, 22	4	4	4	4	4	4	4	
16	2	27241-400000	PLUG, 40	2	2	2	2	2	2	2	
17	2	129100-11100	VALVE, INTAKE	4	4	4	4	4	4	4	
18A	2	129100-11110	VALVE, EXHAUST	4	4						
18B	2	129100-11130	VALVE, EXHAUST			4	4	4	4	4	
19	2	129795-11120	SPRING, VALVE	8	8	8	8	8	8	8	
20	2	129795-11180	RETAINER, SPRING	8	8	8	8	8	8	8	
21	2	103338-11190	COTTER	8	8	8	8	8	8	8	
22	2	121400-11340	SEAL, VALVE STEM	4	4	4	4	4	4	4	
23	2	124460-11340	SEAL, VALVE STEM	4	4	4	4	4	4	4	
24	2	129150-11370	CAP, VALVE	8	8	8	8	8	8	8	
25	2	22351-060012	PIN, SPRING 6.0X12	2	2	2	2	2	2	2	
26	2	26366-060002	NUT, M6	8	8	8	8	8	8	8	
27A	1	129555-11241	SHAFT ASSY, ROCKER	1		1	1			1	
27B	1	129500-11240	SHAFT ASSY, ROCKER		1					1	
28	2	129155-11260	SUPPORT, ROCKER ARM	2	2	2	2	2	2	2	
29	2	129155-11270	SUPPORT, ROCKER ARM	3	3	3	3	3	3	3	
30	2	129150-11280	SPRING	4	4	4	4	4	4	4	
31	2	129550-11290	SHAFT, ROCKER ARM	1	1	1	1	1	1	1	
34A	2	729402-11650	ARM ASSY, ROCKER	8		8	8			8	
34B	2	129100-11650	ARM, ROCKER		8					8	
35	3	129150-11230	SCREW, VALVE ADJUST	8	8	8	8	8	8	8	
37	3	129150-11750	NUT, M8	8	8	8	8	8	8	8	
38	2	26226-080182	STUD, M8X 18	3	3	3	3	3	3	3	
39	2	26756-080002	NUT, LOCK M8	3	3	3	3	3	3	3	
40	1	119625-11870	PROTECTOR, NOZZLE	4	4	4	4	4	4	4	
41	1	119625-11880	SEAT, NOZZLE	4	4	4	4	4	4	4	
42	1	119625-11900	RETAINER, NOZZLE	4	4	4	4	4	4	4	
43	1	26106-080252	BOLT, M8X 25 PLATED	3	3	3	3	3	3	3	
44	1	26106-080502	BOLT, M8X 50 PLATED	7	7	7	7	7	7	7	
45	1	124736-07900	LIFTER	2	2	2	2	2	2	2	
46	1	26106-080142	BOLT, M8X 14 PLATED	4	4	4	4	4	4	4	
47	1	171350-03090	PIPE, BREATHER 900	1	1	1	1	1	1	1	
51	1	129400-11350	BONNET ASSY, HEAD	1	1	1	1	1	1	1	
52	2	124160-01751	COVER, FILLER	1	1	1	1	1	1	1	
53	2	129150-03020	COVER, BREATHER	1	1	1	1	1	1	1	
54	2	129150-03070	BAFFLE, BREATHER	1	1	1	1	1	1	1	
55	2	129150-03080	PLATE, BAFFLE	1	1	1	1	1	1	1	
58	2	129550-11310	GASKET, BONNET	1	1	1	1	1	1	1	
59	2	24311-000320	O-RING, 1AP32.0	1	1	1	1	1	1	1	

Remarks

(1)REPAIR PART.

Fig.26. CYLINDER HEAD & BONNET

26.CYLINDER HEAD & BONNET



(A)=4TN84E-S
(B)=4TN84E-G1
(C)=4TN84E-G2

(D)=4TN84TE-S
(E)=4TN84TE-G1
(F)=4TN84TE-G2

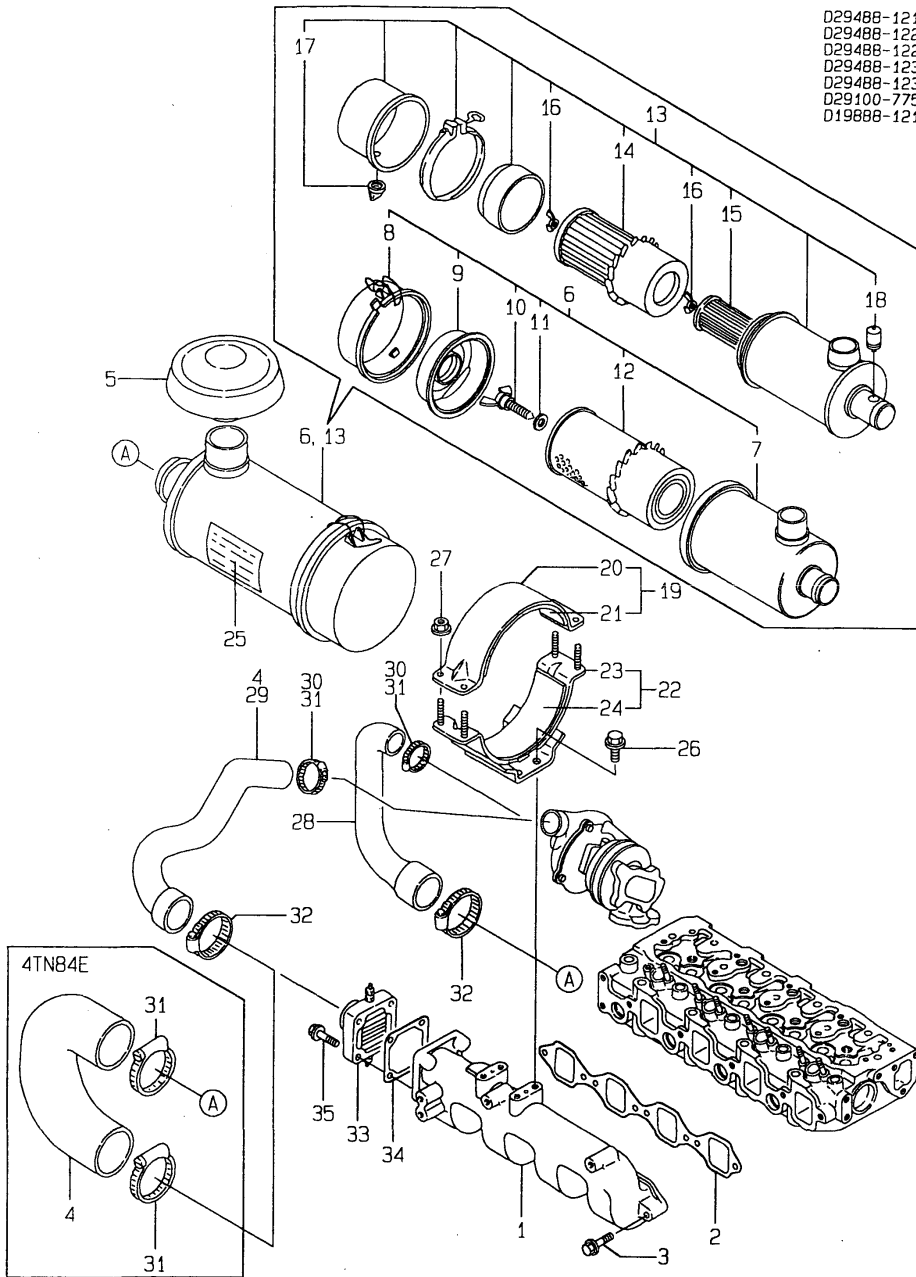
No.	Lev.	Parts No.	Description	Q'ty						I	R
				(A)	(B)	(C)	(D)	(E)	(F)		
60	2	24341-000500	O-RING, 1AS50.0	1	1	1	1	1	1		
61	2	26106-080162	BOLT, M8X 16 PLATED	2	2	2	2	2	2		
62	1	124160-11360	KNOB	3	3	3	3	3	3		
63	1	24311-000120	O-RING, 1AP12.0	3	3	3	3	3	3		

Remarks
(1)REPAIR PART.

Fig.27. SUCTION MANIFOLD & AIR CLEANER

27.SUC.MANIFOLD & AIR CLEANER

D29488-12100
 D29488-12210
 D29488-12200
 D29488-12310
 D29488-12300
 D29100-77501
 D19888-12100



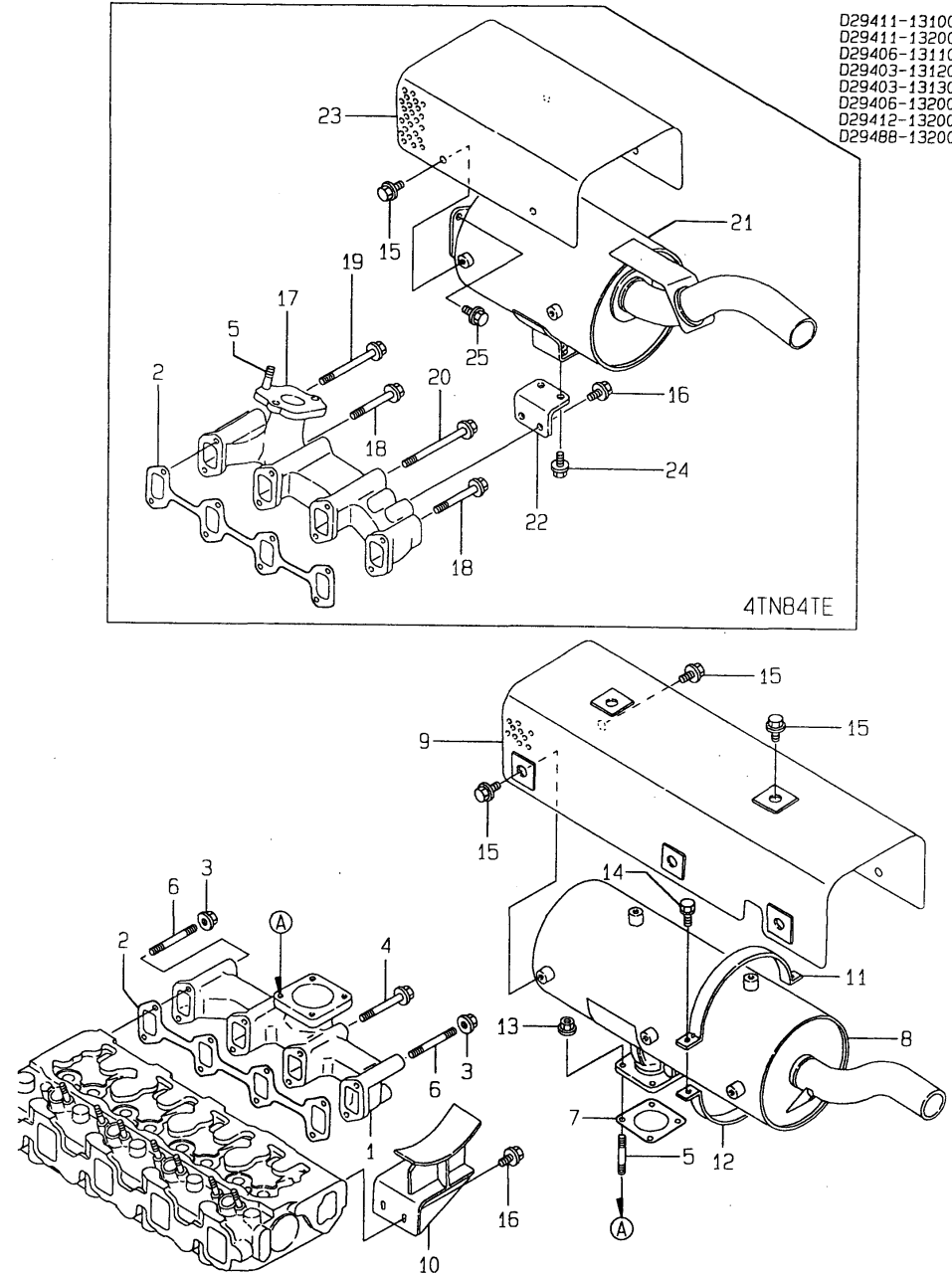
(A)=4TN84E-S
 (B)=4TN84E-G1
 (C)=4TN84E-G2

(D)=4TN84TE-S
 (E)=4TN84TE-G1
 (F)=4TN84TE-G2

No.	Lev.	Parts No.	Description	Q'ty						I	R
				(A)	(B)	(C)	(D)	(E)	(F)		
1	1	129488-12100	MANIFOLD, AIR INTAKE	1	1	1	1	1	1		
2	1	129550-12111	GASKET, MANIFOLD	1	1	1	1	1	1		
3	1	26106-080352	BOLT, M8X 35 PLATED	5	5	5	5	5	5		
4A	1	171351-12210	PIPE, AIR INTAKE	1	1	1					
4B	1	129488-12210	PIPE, AIR INTAKE								1
5A	1	121521-12400	CAP, RAIN	1	1	1	1	1	1		
5B	1	171064-12400	CAP, RAIN								1
6	1	129411-12500	CLEANER ASSY, AIR	1	1	1	1	1	1		
7	2	121252-12520	BODY, AIR CLEANER	1	1	1	1	1	1		
8	2	121137-12530	PAN ASSY, DUST	1	1	1	1	1	1		
9	2	121120-12540	RETAINER, ELEMENT	1	1	1	1	1	1		
10	2	121120-12560	BOLT	1	1	1	1	1	1		
11	2	121120-12570	WASHER, SEAL	1	1	1	1	1	1		
12	2	121120-12900	ELEMENT	1	1	1	1	1	1		
13	1	171064-12509	CLEANER ASSY, AIR								1
14	2	171064-12540	ELEMENT								1
15	2	171064-12550	ELEMENT								1
16	2	121420-12561	NUT, WING								2
17	2	121422-12580	VALVE, UNLOADER								1
18	2	126650-12680	INDICATOR								1
19A	1	121400-12540	BAND ASSY, CLEANER	1	1	1	1	1	1		
19B	1	129488-12580	BAND ASSY, CLEANER								1
20A	2	121400-12560	BAND, AIR CLEANER	1	1	1	1	1	1		
20B	2	129488-12590	BAND								1
21A	2	121400-12570	SEAT, RUBBER B	1	1	1	1	1	1		
21B	2	129488-12570	SEAT, RUBBER								1
22A	1	129488-12550	SUPPORT ASSY,CLEANER								1
22B	1	171351-12580	SUPPORT ASSY,CLEANER	1	1	1	1	1	1		
23A	2	129488-12560	SUPPORT, AIR CLEANER								1
23B	2	171351-12560	SUPPORT, AIR CLEANER	1	1	1	1	1	1		
24A	2	129488-12570	SEAT, RUBBER								1
24B	2	171351-12570	SEAT, RUBBER	1	1	1	1	1	1		
25	1	129136-12600	LABEL, AIR CLEANER	1	1	1	1	1	1		
26	1	26106-080142	BOLT, M8X 14 PLATED	4	4	4	4	4	4		
27	1	26366-060002	NUT, M6	4	4	4	4	4	4		
28A	1	129488-12050	PIPE, AIR INTAKE								1
28B	1	129488-12070	PIPE, AIR INTAKE								1
29A	1	129488-12060	PIPE, AIR INTAKE								1
29B	1	129488-12080	PIPE, AIR INTAKE								1
30	1	23000-050000	CLAMP 50								2
31	1	23000-060000	CLAMP, 60	2	2	2	2	2	2		
32	1	23000-070000	CLAMP, 70								2
33	1	129120-77501	HEATER	1	1	1	1	1	1	1	
34	1	129150-77511	GASKET	1	1	1	1	1	1	1	
35	1	26106-080352	BOLT, M8X 35 PLATED	4	4	4	4	4	4	4	

Fig.28. EXHAUST MANIFOLD & SILENCER

28.EXH.MANIFOLD & SILENCER



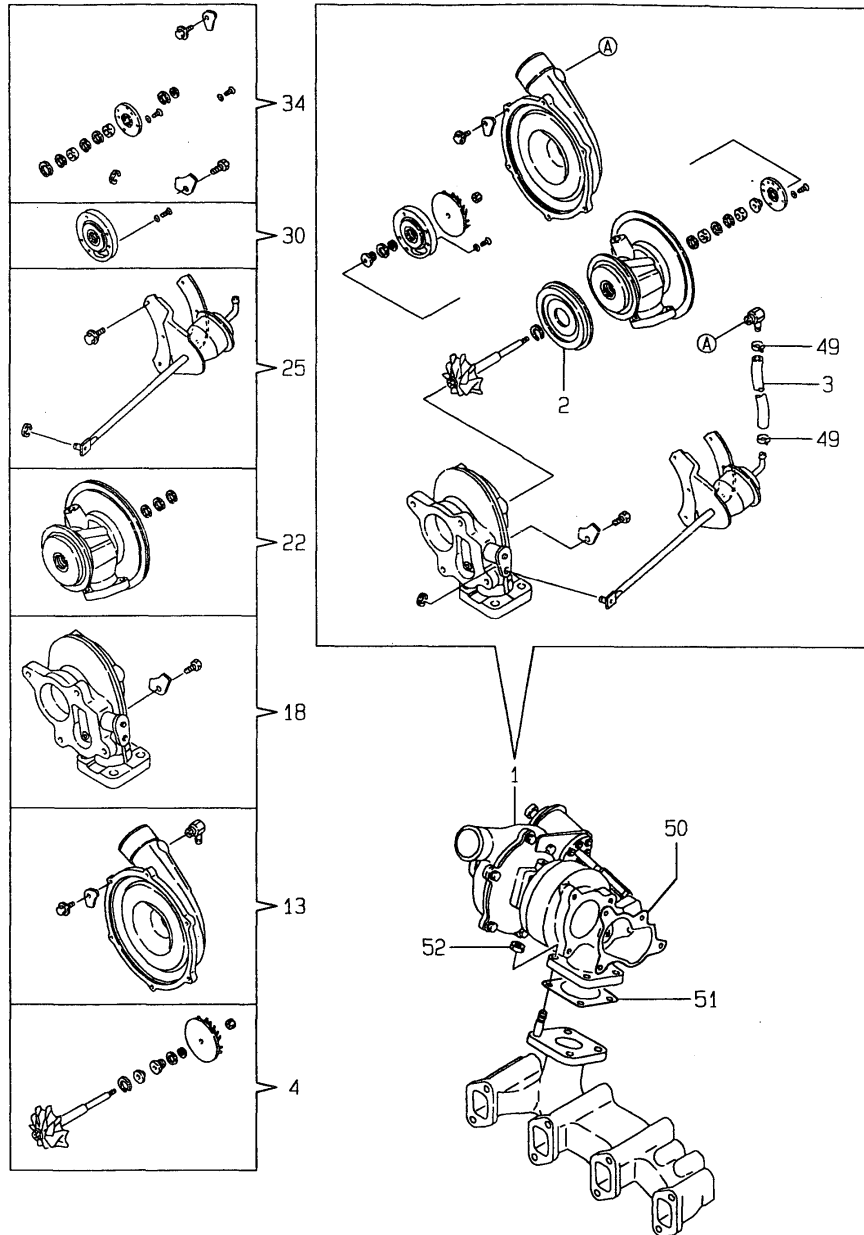
(A)=4TN84E-S
(B)=4TN84E-G1
(C)=4TN84E-G2

(D)=4TN84TE-S
(E)=4TN84TE-G1
(F)=4TN84TE-G2

No.	Lev.	Parts No.	Description	Q'ty						I	R
				(A)	(B)	(C)	(D)	(E)	(F)		
1	1	129411-13100	MANIFOLD, EXHAUST	1	1	1					
2	1	129550-13110	GASKET	1	1	1	1	1	1		
3	1	194990-22050	NUT, M8	2	2	2					
4	1	26106-080802	BOLT, M8X 80 PLATED	6	6	6					
5	1	26216-080222	STUD, M8X 22	4	4	4	4	3	4		
5-1	1	119131-18320	STUD, M8X22					4	3	4	N
5-2	1	129418-18320	STUD, M8X20						3		N
			(D=*1998.01)								
			(E=*1998.01)								
			(F=*1998.01)								
			(E=*1998.04)								
6	1	26216-080802	STUD, M8X 80	2	2	2					
7	1	129400-13201	GASKET, SILENCER	1	1	1					
8	1	129411-13500	SILENCER	1	1	1					
9	1	129411-13600	COVER, SILENCER	1	1	1					
10	1	129411-13650	STAY, SILENCER	1	1	1					
11	1	129411-13670	BAND, SILENCER	1	1	1					
12	1	129411-13680	BAND, SILENCER	1	1	1					
13	1	194990-22050	NUT, M8	4	4	4					
14	1	26014-080302	BOLT, M8X 30	2	2	2					
15	1	26106-080122	BOLT, M8X 12 PLATED	8	8	8	4	4	4		
16	1	26106-080142	BOLT, M8X 14 PLATED	2	2	2	2	2	2		
17A	1	129406-13100	MANIFOLD, EXHAUST								1
17B	1	129403-13120	MANIFOLD, EXHAUST							1	
17C	1	129403-13130	MANIFOLD, EXHAUST							1	
18	1	26106-080652	BOLT, M8X 65 PLATED					3	3	3	
18-1	1	119802-13650	BOLT, M8X65					3	3	3	N
			(D=*2002.09)								
			(E=*2002.09)								
			(F=*2002.09)								
19	1	26106-080852	BOLT, M8X 85 PLATED					1	1	1	
19-1	1	119802-13670	BOLT, M8X85					1	1	1	N
			(D=*2002.09)								
			(E=*2002.09)								
			(F=*2002.09)								
20	1	26106-081002	BOLT, M8X100 PLATED					4	4	4	
20-1	1	129693-44310	BOLT					4	4	4	N
			(D=*2002.09)								
			(E=*2002.09)								
			(F=*2002.09)								
20-2	1	119802-13820	BOLT, M8X100 9.8T					4	4	4	N
			(D=*2009.12)								
			(E=*2009.12)								
			(F=*2009.12)								
21A	1	129406-13500	SILENCER								1
21B	1	129412-13500	SILENCER								1
21C	1	129488-13500	SILENCER								1
22	1	129403-13540	SUPPORT, SILENCER					1	1	1	
23	1	129412-13600	COVER, SILENCER					1	1	1	
24	1	26106-080202	BOLT, M8X 20 PLATED					2	2	2	
25	1	26106-080202	BOLT, M8X 20 PLATED					4	4	4	

Fig.29. TURBOCHARGER(4TN84TE-S)

29. TURBOCHARGER
(4TN84TE-S)



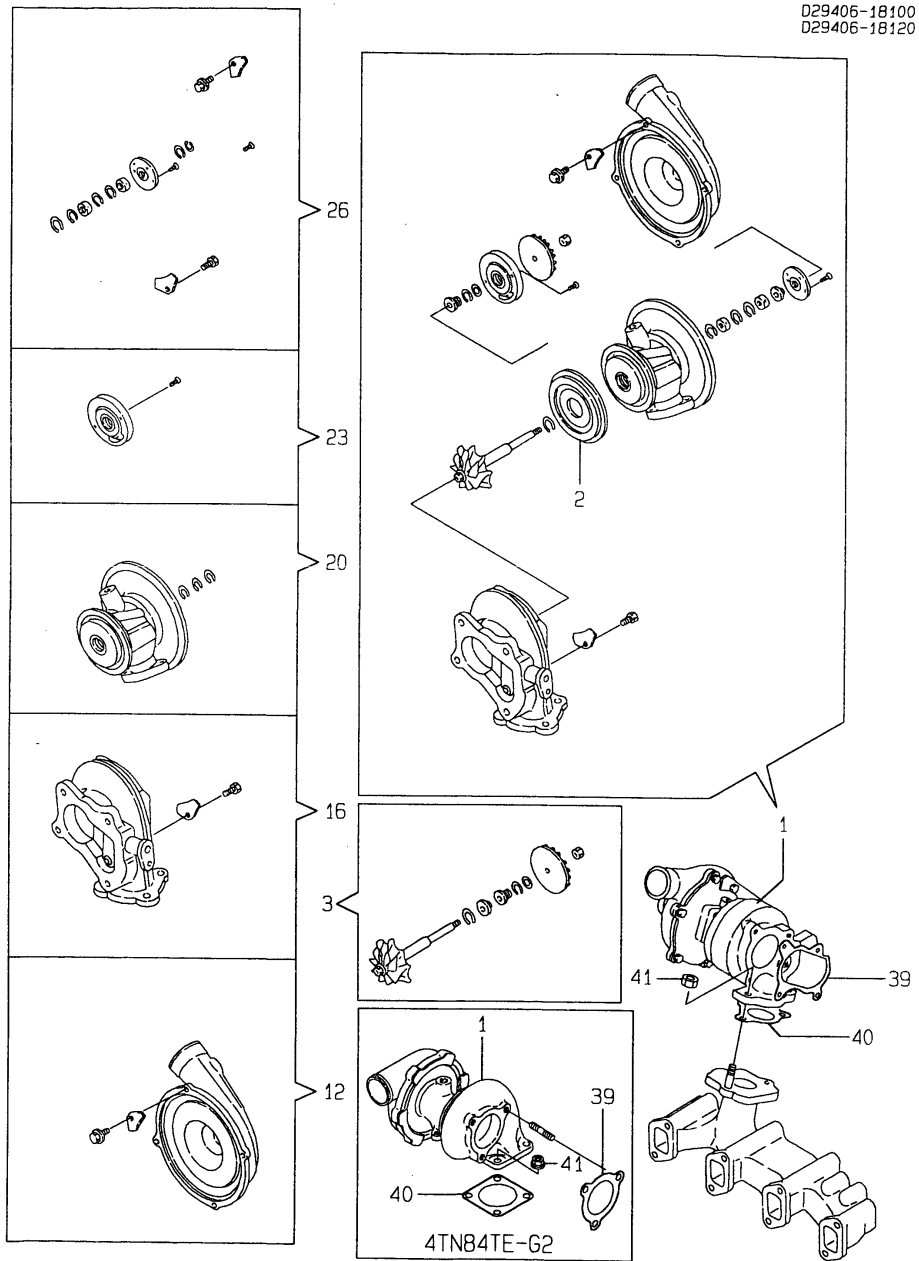
(A)=4TN84E-S
(B)=4TN84E-G1
(C)=4TN84E-G2

(D)=4TN84TE-S
(E)=4TN84TE-G1
(F)=4TN84TE-G2

No.	Lev.	Parts No.	Description	Q'ty						I	R	
				(A)	(B)	(C)	(D)	(E)	(F)			
1	1	129404-18020	TURBINE, RHB51				1					
2	2	129404-18720	PROTECTOR, HEAT				1					
3	2	129404-18750	HOSE				1					
4	2	129404-18770	ROTOR SET				1					
13	2	129404-18780	HOUSING SET, BLOWER				1					
18	2	129404-18790	HOUSING ASSY				1					
22	2	129404-18800	HOUSING SET				1					
25	2	129404-18811	CONTROLLER ASSY				1					
30	2	129404-18820	PLATE				1					
34	2	129404-18830	OVERHAUL KIT				1					
49	2	23080-012000	CLAMP, 12				2					
50	1	129403-18080	GASKET				1					
51	1	129322-18100	GASKET				1					
52	1	194990-22050	NUT, M8				4					

Fig.30. TURBOCHARGER(4TN84TE-G1,G2)

30. TURBOCHARGER
(4TN84TE-G1, G2)



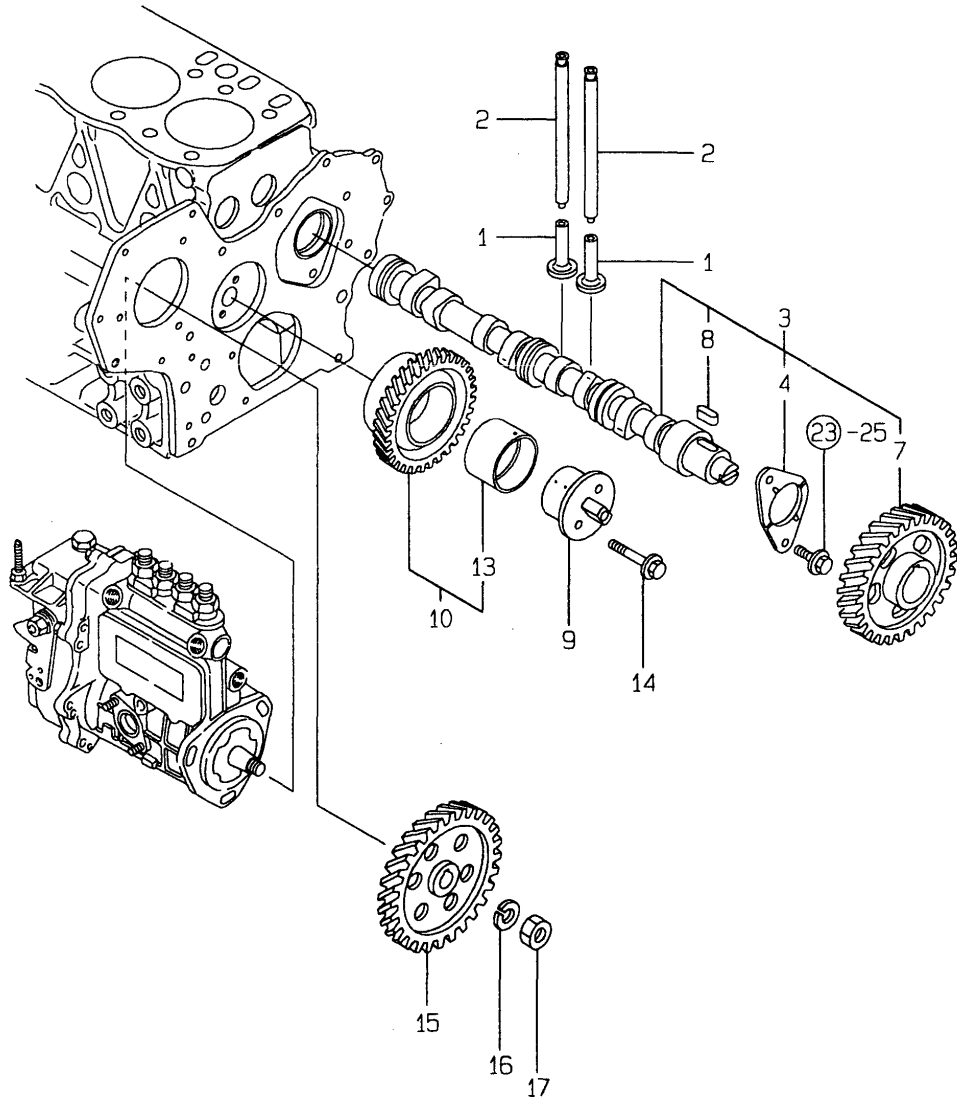
(A)=4TN84E-S
(B)=4TN84E-G1
(C)=4TN84E-G2

(D)=4TN84TE-S
(E)=4TN84TE-G1
(F)=4TN84TE-G2

No.	Lev.	Parts No.	Description	Q'ty						I	R
				(A)	(B)	(C)	(D)	(E)	(F)		
1A	1	129406-18010	TURBINE, RHB31						1		
1B	1	129406-18030	TURBINE, RHB52							1	
2	2	129403-18720	PROTECTOR, HEAT						1		
3	2	129406-18770	ROTOR ASSY, TURBO						1		
12	2	129406-18780	HOUSING ASSY, BLOWER						1		
16	2	129406-18790	HOUSING ASSY, TURBO						1		
20	2	129403-18800	HOUSING ASSY, BEARING						1		
23	2	129403-18820	PLATE ASSY, SEAL						1		
26	2	129406-18830	OVERHALL KIT						1		
26A	2	XNN139813	REPAIR SET								1
39A	1	129403-18090	GASKET						1		
39B	1	129792-13520	GASKET								1
40A	1	129477-18100	GASKET						1		
40B	1	129792-18090	GASKET								1
41	1	194990-22050	NUT, M8						3		4

Fig.31. CAMSHAFT & DRIVING GEAR

31.CAMSHAFT & DRIVING GEAR



(A)=4TN84E-S
(B)=4TN84E-G1
(C)=4TN84E-G2

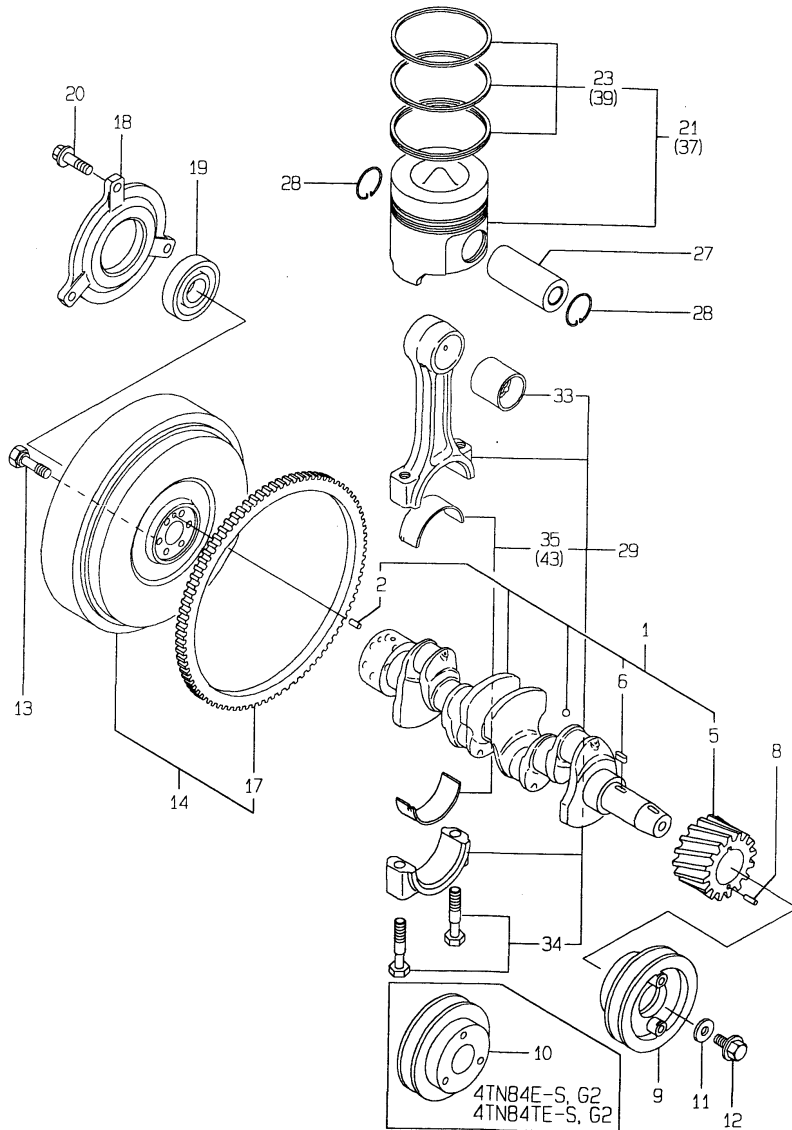
(D)=4TN84TE-S
(E)=4TN84TE-G1
(F)=4TN84TE-G2

No.	Lev.	Parts No.	Description	Q'ty						I	R
				(A)	(B)	(C)	(D)	(E)	(F)		
1	1	129150-14200	TAPPET	8	8	8	8	8	8		
2	1	129150-14400	ROD, PUSH L=178	8	8	8	8	8	8		
3	1	729402-14580	CAMSHAFT ASSY	1	1	1	1	1	1		
4	2	129150-02450	BEARING, THRUST	1	1	1	1	1	1		
7	2	129150-14101	GEAR, CAMSHAFT	1	1	1	1	1	1		
8	2	22512-070140	KEY, 7X 14	1	1	1	1	1	1		
9	1	129100-25061	SHAFT, IDLE	1	1	1	1	1	1		
10	1	129150-25101	GEAR ASSY, IDLE	1	1	1	1	1	1		
13	2	129150-25920	BUSH, IDLE GEAR	1	1	1	1	1	1		1
14	1	26106-080452	BOLT, M8X 45 PLATED	2	2	2	2	2	2		
15A	1	129100-25900	GEAR, PUMP			1					
15B	1	129150-25900	GEAR, PUMP	1	1		1	1	1		
16	1	22217-120000	WASHER, SPRING 12	1	1	1	1	1	1		
17	1	26716-120002	NUT, M12	1	1	1	1	1	1		

Remarks
(1)REPAIR PART.

Fig.32. CRANKSHAFT & PISTON

32. CRANKSHAFT & PISTON



(A)=4TN84E-S
(B)=4TN84E-G1
(C)=4TN84E-G2

(D)=4TN84TE-S
(E)=4TN84TE-G1
(F)=4TN84TE-G2

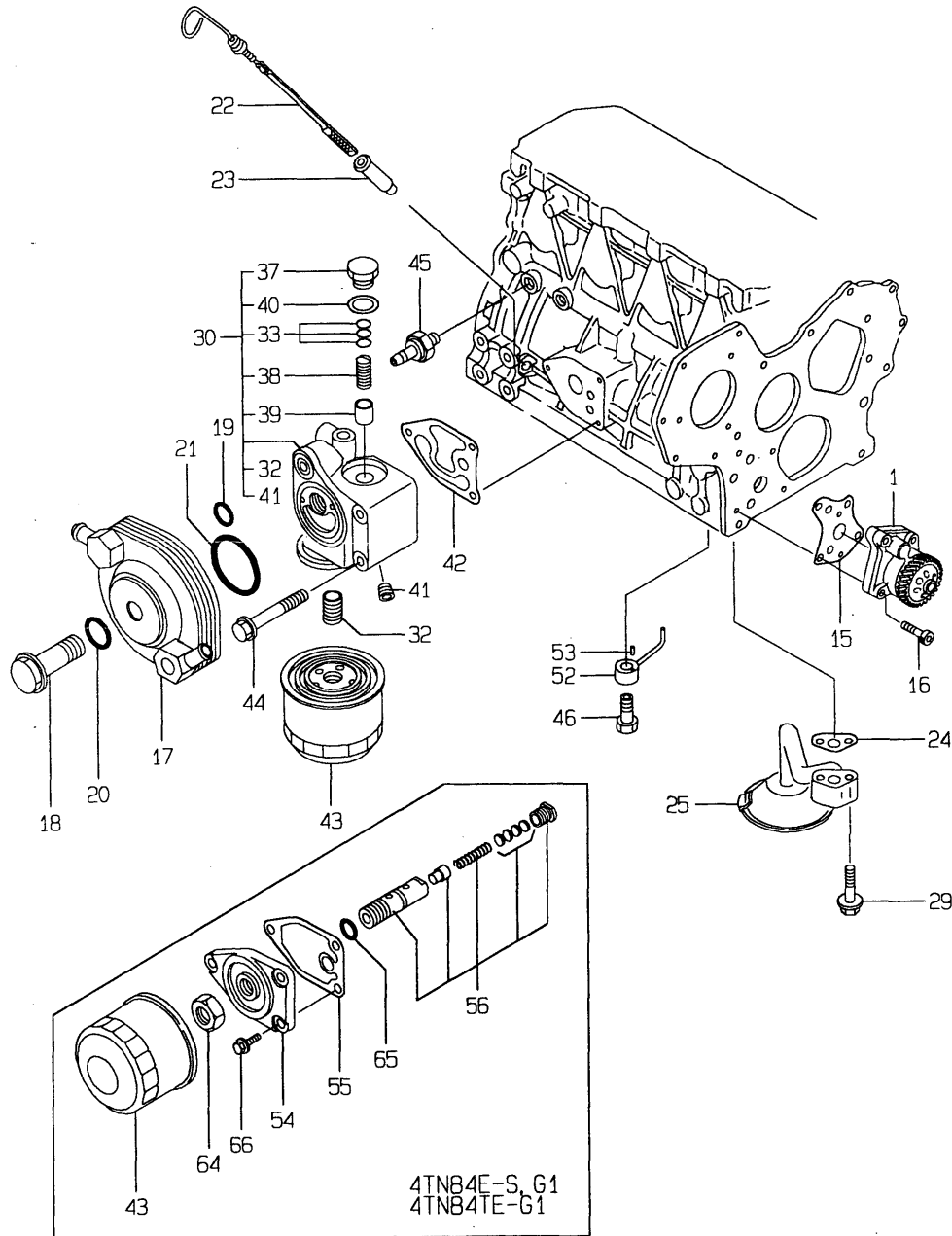
No.	Lev.	Parts No.	Description	Q'ty						I	R
				(A)	(B)	(C)	(D)	(E)	(F)		
1A	1	729400-21700	CRANKSHAFT ASSY	1	1	1					
1B	1	729406-21700	CRANKSHAFT ASSY					1	1	1	
2	2	129100-01580	PIN, M8X16	1	1	1	1	1	1	1	
5	2	129150-21200	GEAR, CRANKSHAFT	1	1	1	1	1	1	1	
6	2	22512-070140	KEY, 7X 14	1	1	1	1	1	1	1	
8	1	22351-040010	PIN, SPRING 4.0X10	1	1	1	1	1	1	1	
9	1	129550-21650	V-PULLEY		1				1		
10	1	171301-21650	V-PULLEY	1		1	1	1		1	
11	1	129795-21661	WASHER	1	1	1	1	1	1	1	
12	1	121850-21680	BOLT	1	1	1	1	1	1	1	
13	1	121111-21501	BOLT, FLYWHEEL	6	6	6	6	6	6	6	
14A	1	171420-21580	FLYWHEEL ASSY			1				1	
14B	1	129488-21590	FLYWHEEL ASSY	1			1				
14C	1	171420-21590	FLYWHEEL ASSY		1			1			
17A	2	119865-21600	GEAR, RING	1		1	1	1		1	
17B	2	124550-21600	GEAR, RING		1			1			
18	1	119888-21450	RETAINER, BEARING	1			1				
19	1	24104-062054	BEARING, BALL 6205UU	1			1				
20	1	26106-080222	BOLT, M8X 22 PLATED	3			3				
21A	1	129105-22080	PISTON ASSY	4	4						
21B	1	129105-22090	PISTON ASSY			4	4	4	4	4	
23A	2	129105-22500	RING SET, PISTON	4	4						
23B	2	729105-22500	RING SET, PISTON			4	4	4	4	4	
27	1	129150-22300	PIN, PISTON D26 L66	4	4	4	4	4	4	4	
28	1	121100-22400	CIRCLIP	8	8	8	8	8	8	8	
29	1	729402-23100	ROD ASSY, CONNECTING	4	4	4	4	4	4	4	
33	2	129100-23910	BEARING, PISTON PIN	4	4	4	4	4	4	4	1
34	2	121550-23200	BOLT, CONNECTING ROD	8	8	8	8	8	8	8	
35	2	129150-23600	BEARING, CRANK PIN	4	4	4	4	4	4	4	
37A	1	729105-22910	PISTON ASSY, 0.25 OS			4	4	4	4	4	2
37B	1	729105-22900	PISTON ASSY, 0.25 OS	4	4						2
39A	2	729105-22951	RING SET, 0.25 OS			4	4	4	4	4	2
39B	2	729157-22951	RING SET, 0.25 OS	4	4						2
43	1	129150-23610	BEARING, 0.25 US	4	4	4	4	4	4	4	3

Remarks

- (1)REPAIR PART.
- (2)OVER-SIZE(O.S=0.25)PART.
- (3)UNDER-SIZE(U.S=0.25)PART.

Fig.33. LUB. OIL SYSTEM

33.LUB.OIL SYSTEM



(A)=4TN84E-S
(B)=4TN84E-G1
(C)=4TN84E-G2

(D)=4TN84TE-S
(E)=4TN84TE-G1
(F)=4TN84TE-G2

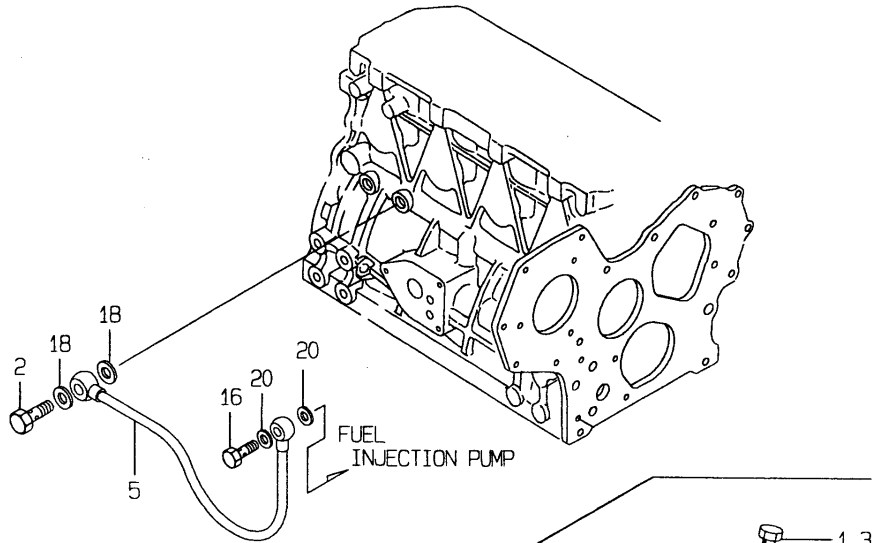
No.	Lev.	Parts No.	Description	Q'ty						I	R
				(A)	(B)	(C)	(D)	(E)	(F)		
1A	1	129150-32000	PUMP ASSY, OIL	1	1			1			
1B	1	129553-32000	PUMP ASSY, OIL								1
15	1	129150-32020	GASKET, PUMP	1	1	1	1	1	1	1	
16	1	26450-060252	BOLT, M6X 25	4	4	4	4	4	4	4	
17	1	129103-33031	COOLER, OIL			1	1			1	
18	1	129103-33132	BOLT			1	1			1	
19	1	24311-000200	O-RING, 1AP20.0			1	1			1	
20	1	24311-000210	O-RING, 1AP21.0			1	1			1	
21	1	24321-000550	O-RING, 1AG55.0			1	1			1	
22A	1	171420-34800	DIPSTICK, OIL	1							
22B	1	129403-34800	DIPSTICK, OIL			1	1			1	
22C	1	171420-34820	DIPSTICK, OIL		1				1		
23	1	121520-34810	GUIDE, DIPSTICK	1	1	1	1	1	1	1	
24	1	129150-35041	GASKET	1	1	1	1	1	1	1	
25A	1	129150-35091	PIPE ASSY, OIL INLET	1			1				
25B	1	129436-35090	PIPE ASSY, OIL INLET		1	1			1	1	
29	1	26106-080352	BOLT, M8X 35 PLATED	2	2	2	2	2	2	2	
30	1	129103-35101	BRACKET ASSY, FILTER				1	1		1	
32	2	129100-35140	STUD			1	1		1	1	
33	2	121850-35200	SHIM SET			1	1			1	
37	2	124223-35510	RETAINER, SPRING			1	1			1	
38	2	121850-35520	SPRING			1	1			1	
39	2	121850-35531	VALVE, CONTROL			1	1			1	
40	2	23414-180000	GASKET, 18X1.0			1	1			1	
41	2	23871-020000	PLUG, R02			1	1			1	
42	1	129103-35122	GASKET			1	1			1	
43	1	129150-35150	FILTER 90X80L	1	1	1	1	1	1	1	
44	1	26106-080752	BOLT, M8X 75 PLATED			3	3			3	
45	1	124160-39450	SWITCH, 0.5KG	1	1	1	1	1	1	1	
46	1	129792-39410	VALVE ASSY, CHECK			4	4			4	
52	1	129553-39650	NOZZLE			4	4			4	
53	1	22351-030010	PIN, SPRING 3.0X10			4	4			4	
54	1	129150-35101	BRACKET, STRAINER	1	1					1	
55	1	129150-35111	GASKET	1	1					1	
56	1	119865-35300	VALVE ASSY, CONTROL	1	1					1	
64	1	129150-35350	NUT	1	1					1	
65	1	24311-000160	O-RING, 1AP16.0	1	1					1	
66	1	26106-080202	BOLT, M8X 20 PLATED	3	3					3	

Fig.34. LUB. OIL LINE

34.LUB.OIL LINE

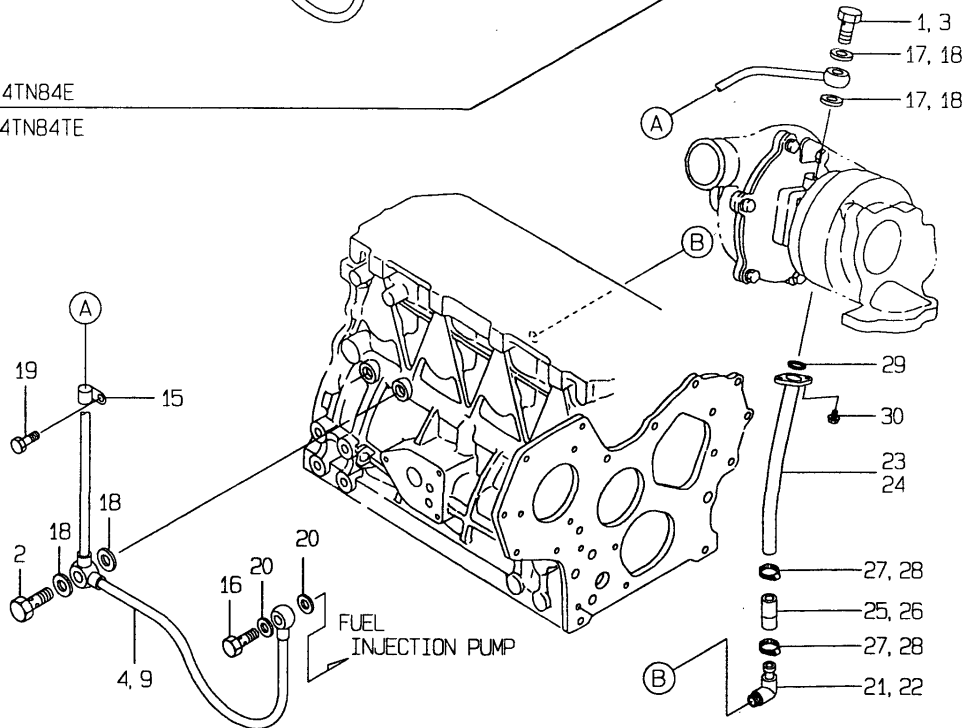
(A)=4TN84E-S
(B)=4TN84E-G1
(C)=4TN84E-G2

(D)=4TN84TE-S
(E)=4TN84TE-G1
(F)=4TN84TE-G2



4TN84E

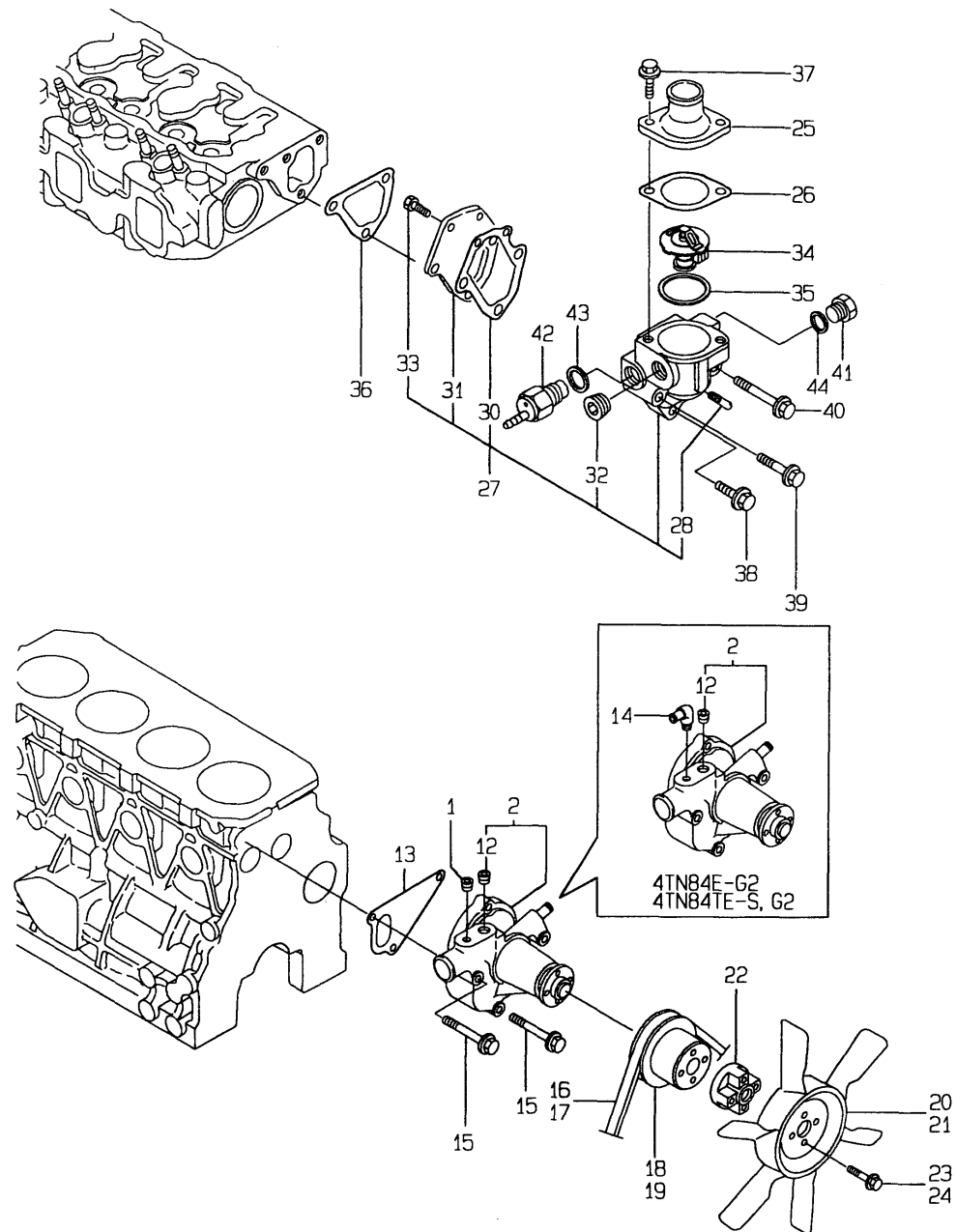
4TN84TE



No.	Lev.	Parts No.	Description	Q'ty						I	R
				(A)	(B)	(C)	(D)	(E)	(F)		
1	1	105010-39140	BOLT, PIPE JOINT						1		
2	1	124160-39140	BOLT, PIPE JOINT M10	1	1	1	1	1	1		
3	1	121252-39150	BOLT, JOINT M10X1.5				1		1		
4	1	129403-39450	PIPE ASSY, OIL						1		
5	1	129550-39450	PIPE ASSY, OIL	1	1	1					
9	1	129403-39460	PIPE ASSY, OIL				1			1	
15	1	124223-39900	RETAINER					1	1	1	
16	1	124550-59820	BOLT, PIPE JOINT M8	1	1	1	1	1	1	1	
17	1	23414-080000	GASKET, 8X1.0							2	
18	1	23414-100000	GASKET, 10X1.0	2	2	2	4	2	4		
19	1	26106-080102	BOLT, M8X 10 PLATED					1	1	1	
20	1	43400-500410	SEAL WASHER 8S	2	2	2	2	2	2	2	
21	1	124070-13300	ELBOW, PT3/8				1			1	
22	1	128270-13620	JOINT, PIPE PT3/8						1		
23	1	129403-39600	PIPE, OIL						1		
24	1	129503-39600	PIPE, OIL				1			1	
25	1	129403-39610	JOINT, RUBBER						1		
26	1	129506-39610	JOINT, RUBBER					1		1	
27	1	23000-022000	CLAMP, 22							2	
28	1	23000-025000	CLAMP, 25					2		2	
29	1	24314-000160	O-RING, 4CP16.0					1	1	1	
30	1	26106-060162	BOLT, M6X 16 PLATED						2	2	2

Fig.35. COOLING WATER PUMP

35.COOLING WATER PUMP



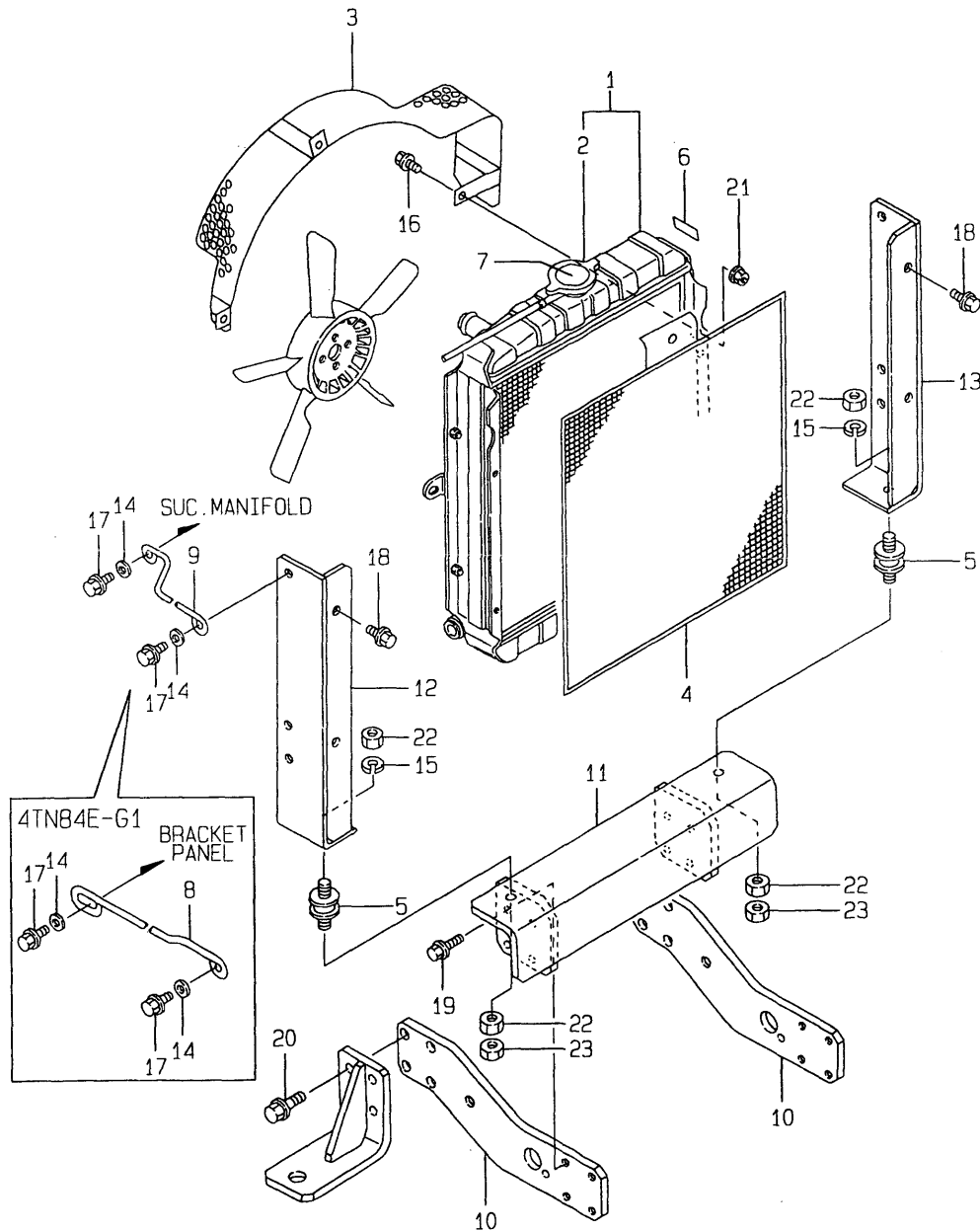
(A)=4TN84E-S
(B)=4TN84E-G1
(C)=4TN84E-G2

(D)=4TN84TE-S
(E)=4TN84TE-G1
(F)=4TN84TE-G2

No.	Lev.	Parts No.	Description	Q'ty						I	R
				(A)	(B)	(C)	(D)	(E)	(F)		
1	1	121850-11860	PLUG, PT1/4	1	1			1			
2	1	129100-42002	PUMP ASSY, WATER	1	1	1	1	1	1	1	
12	2	23871-030000	PLUG, R03	1	1	1	1	1	1	1	
13	1	129100-42020	GASKET, WATER PUMP	1	1	1	1	1	1	1	
14	1	129103-49301	ELBOW, PT1/4			1	1			1	
15	1	26106-080602	BOLT, M8X 60 PLATED	3	3	3	3	3	3	3	
16	1	121492-42290	V-BELT, A38	1			1	1	1	1	
17	1	124732-42290	V-BELT, AX37		1						
18	1	129155-42350	V-PULLEY		1				1		
19	1	129403-42380	V-PULLEY, D=110	1		1	1			1	
20	1	129403-44740	FAN, COOLING 370	1		1	1	1	1	1	
21	1	171340-44740	FAN, COOLING D335XNF		1						
22	1	171353-44760	SPACER, FAN		1						
23	1	26014-060162	BOLT, M6X 16	4		4	4	4	4	4	
24	1	26106-060352	BOLT, M6X 35 PLATED		4						
25	1	129350-49530	COVER, THERMOSTAT	1	1	1	1	1	1	1	
26	1	129795-49551	GASKET	1	1	1	1	1	1	1	
27	1	129100-49800	CASE ASSY,THERMOSTAT	1	1	1	1	1	1	1	
28	2	124770-11770	JOINT, PIPE PT1/8	1	1	1	1	1	1	1	
30	2	129100-49820	GASKET	1	1	1	1	1	1	1	
31	2	129100-49830	COVER, THERMOSTAT	1	1	1	1	1	1	1	
32	2	23871-030000	PLUG, R03	1	1	1	1	1	1	1	
33	2	26116-060162	BOLT, M6X 16 PLATED	2	2	2	2	2	2	2	
34	1	129155-49800	THERMOSTAT, 71	1	1	1	1	1	1	1	
35	1	129150-49811	GASKET, THERMOSTAT	1	1	1	1	1	1	1	
36	1	129100-49840	GASKET	1	1	1	1	1	1	1	
37	1	26106-080202	BOLT, M8X 20 PLATED	2	2	2	2	2	2	2	
38	1	26106-080252	BOLT, M8X 25 PLATED	1	1	1	1	1	1	1	
39	1	26106-080502	BOLT, M8X 50 PLATED	1	1	1	1	1	1	1	
40	1	26106-080602	BOLT, M8X 60 PLATED	1	1	1	1	1	1	1	
41	1	121450-42450	PLUG, M16	1	1	1	1	1	1	1	
42	1	121250-44901	SWITCH, 110	1	1	1	1	1	1	1	
43	1	124465-44950	GASKET, 16	1	1	1	1	1	1	1	
44	1	124465-44950	GASKET, 16	1	1	1	1	1	1	1	

Fig.36. RADIATOR

36. RADIATOR



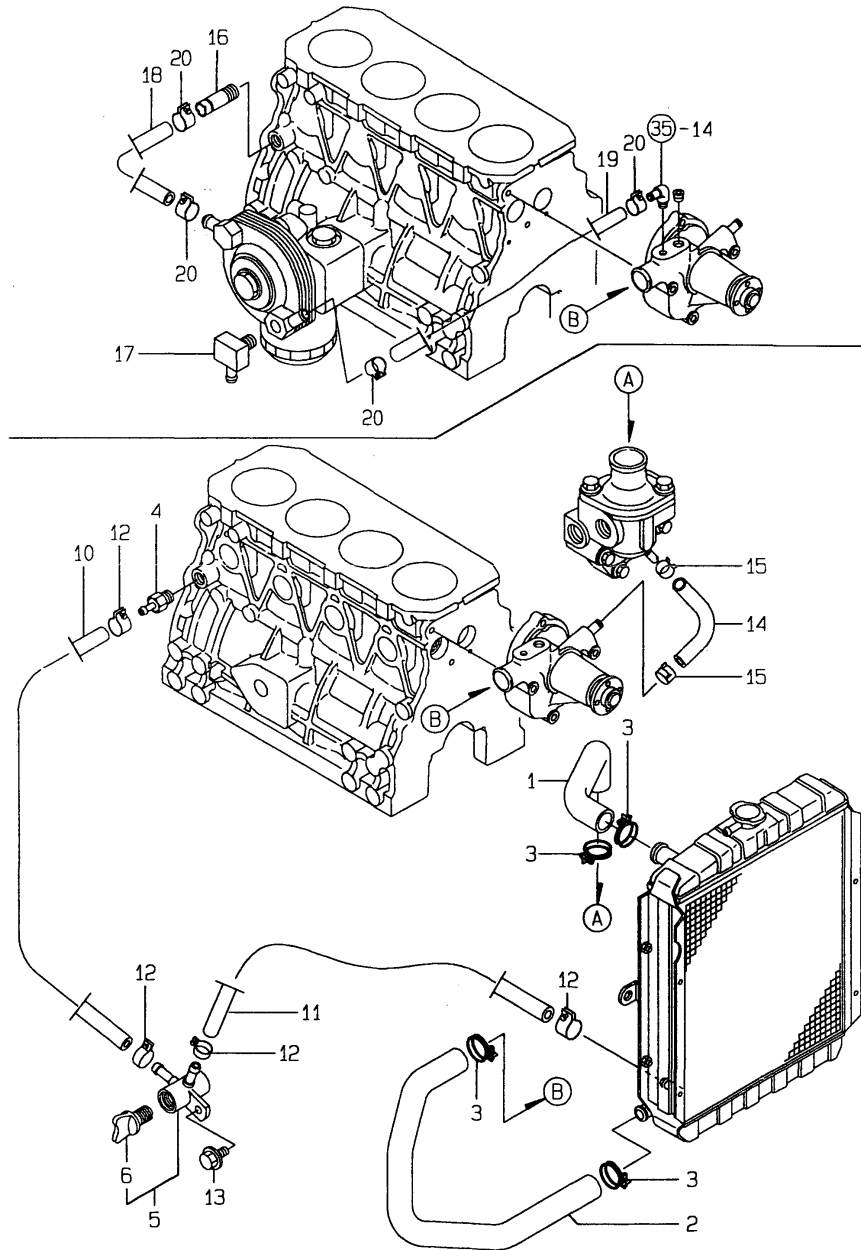
(A)=4TN84E-S
(B)=4TN84E-G1
(C)=4TN84E-G2

(D)=4TN84TE-S
(E)=4TN84TE-G1
(F)=4TN84TE-G2

No.	Lev.	Parts No.	Description	Q'ty						I	R
				(A)	(B)	(C)	(D)	(E)	(F)		
1A	1	171420-44500	RADIATOR		1						
1B	1	171460-44500	RADIATOR	1		1	1	1			
1C	1	171430-44500	RADIATOR							1	
2	2	123682-44210	CAP, RADIATOR	1	1	1	1	1	1		
3A	1	129188-44560	PROTECTOR, FAN		1						
3B	1	129411-44560	PROTECTOR, FAN	1			1	1	1		
4	1	129488-44580	SCREEN, RADIATOR	1			1	1			
5	1	121400-44650	ABSORBER	2	2		2	2			
6	1	124764-44800	LABEL, RADIATOR	1	1	1	1	1	1		
7	1	124764-44920	LABEL, ANTI-FREEZING	1	1	1	1	1	1		
8	1	129405-44940	RETAINER, RADIATOR		1						
9	1	129488-44940	RETAINER, RADIATOR	1			1	1			
10	1	129188-44950	BRACKET	2	2		2	2			
11A	1	129188-44960	BRACKET, RADIATOR		1						
11B	1	129488-44960	BRACKET, RADIATOR	1			1	1			
12A	1	129188-44970	SUPPORT, A		1						
12B	1	129488-44970	SUPPORT, A	1			1	1			
13A	1	129188-44980	SUPPORT, B		1						
13B	1	129488-44980	SUPPORT, B	1			1	1			
14	1	22137-080000	WASHER, 8	2	2		2	2			
15	1	22217-100000	WASHER, SPRING 10	2	2		2	2			
16	1	26106-080122	BOLT, M8X 12 PLATED	3	3		3	3			
17	1	26106-080162	BOLT, M8X 16 PLATED	2	2		2	2			
18	1	26106-080202	BOLT, M8X 20 PLATED	4	4		4	4			
19	1	26106-080252	BOLT, M8X 25 PLATED	8	8		8	8			
20	1	26106-100302	BOLT, M10X 30 PLATED	8	8		8	8			
21	1	26366-080002	NUT, M8	3	3		3	3			
22	1	26716-100002	NUT, M10	4	4		4	4			
23	1	26756-100002	NUT, LOCK M10	2	2		2	2			

Fig.37. COOLING WATER SYSTEM

37. COOLING WATER SYSTEM



(A)=4TN84E-S
(B)=4TN84E-G1
(C)=4TN84E-G2

(D)=4TN84TE-S
(E)=4TN84TE-G1
(F)=4TN84TE-G2

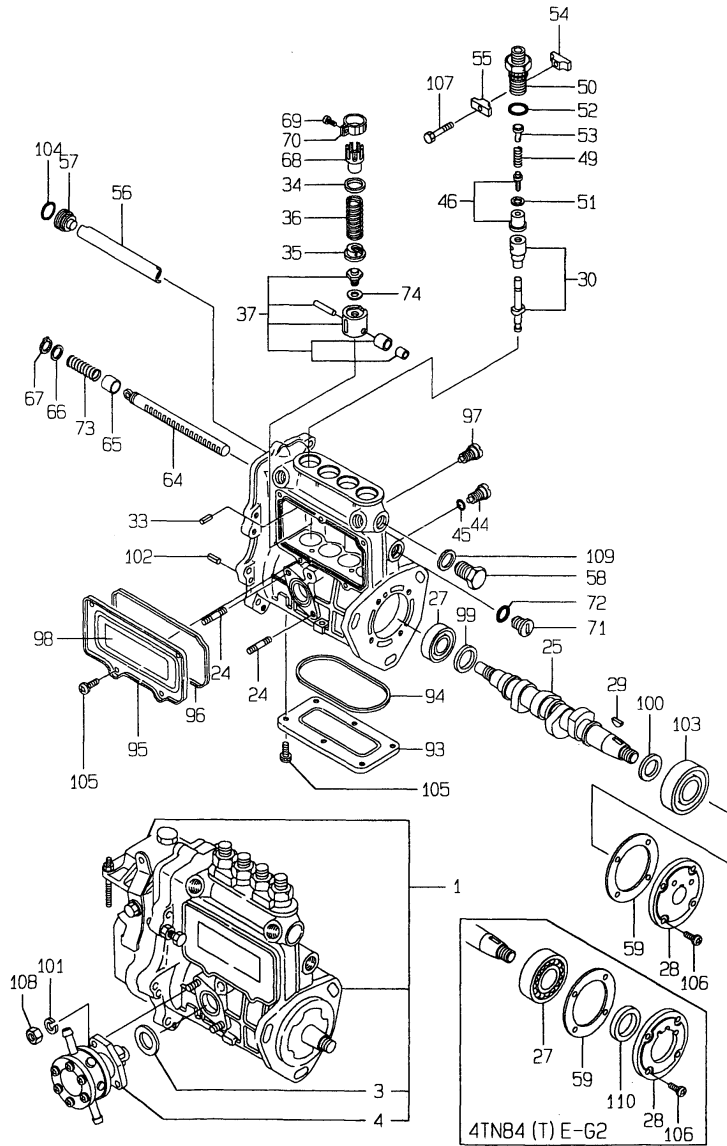
No.	Lev.	Parts No.	Description	Q'ty						I	R
				(A)	(B)	(C)	(D)	(E)	(F)		
1A	1	171301-49010	PIPE, WATER		1						
1B	1	171420-49010	PIPE, WATER	1		1	1	1			
1C	1	171440-49010	PIPE, WATER							1	
2A	1	171301-49020	PIPE, WATER		1						
2B	1	171420-49020	PIPE, WATER	1		1	1	1	1		
3	1	23010-038000	CLAMP, 38	4	4	4	4	4	4		
4	1	121550-49111	JOINT, PT1/4	1	1	1			1	1	
5	1	129150-49100	COCK ASSY, 3-WAY	1	1	1				1	
6	2	129150-49080	COCK, DRAIN	1	1	1					1
10	1	121456-49160	PIPE, WATER DRAIN	1	1						
11	1	121520-49160	PIPE, WATER DRAIN	1	1						
12	1	124766-59050	CLIP, HOSE 12	4	4						
13	1	26106-080162	BOLT, M8X 16 PLATED	1	1						
14	1	129100-49050	PIPE, WATER	1	1	1	1	1	1		
15	1	23000-016000	CLAMP, 16	2	2	2	2	2	2	2	
16	1	121750-49110	JOINT					1	1		
17	1	129122-44480	JOINT			1	1			1	
18	1	129403-49031	PIPE, WATER			1	1	1		1	
19	1	129403-49050	PIPE, WATER			1	1			1	
20	1	23000-022000	CLAMP, 22			4	4			4	

Fig.38. FUEL INJECTION PUMP

(A)=4TN84E-S
(B)=4TN84E-G1
(C)=4TN84E-G2

(D)=4TN84TE-S
(E)=4TN84TE-G1
(F)=4TN84TE-G2

38.FUEL INJECTION PUMP

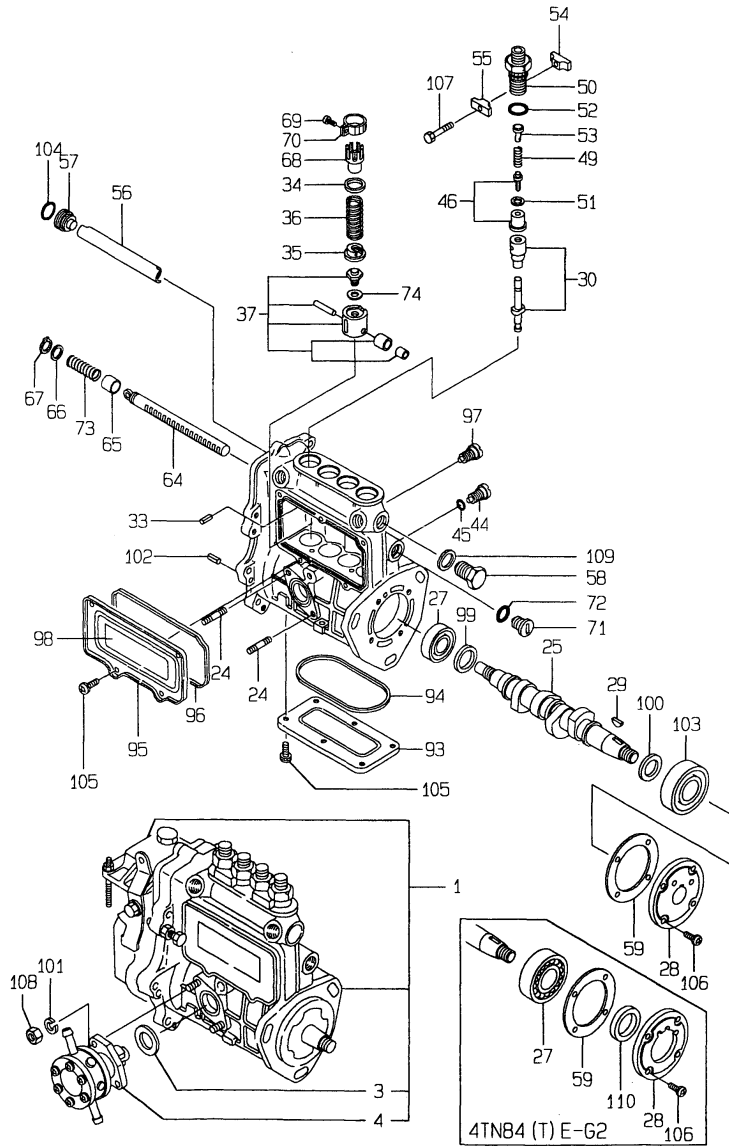


No.	Lev.	Parts No.	Description	Q'ty						I	R
				(A)	(B)	(C)	(D)	(E)	(F)		
1A	1	729405-51350	PUMP ASSY, INJECTION	1							1
1B	1	729405-51300	PUMP ASSY, INJECTION		1						1
1C	1	729405-51400	PUMP ASSY, INJECTION			1					1
1D	1	729406-51350	PUMP ASSY, INJECTION				1				1
1E	1	729406-51300	PUMP ASSY, INJECTION					1			1
1F	1	729406-51400	PUMP ASSY, INJECTION							1	1
3	2	129155-52050	GASKET	1	1	1	1	1	1	1	
4	2	129100-52100	PUMP ASSY, FUEL FEED	1	1	1	1	1	1	1	
24	2	129155-51020	STUD	2	2	2	2	2	2	2	
25A	2	129470-51040	CAMSHAFT	1		1	1				1
25B	2	129506-51040	CAMSHAFT		1				1		
27A	2	129155-51050	BEARING, 17BM001D	1	1			1	1		
27B	2	122710-51050	BEARING, HR30203J			2					2
28A	2	129155-51060	SUPPORT, CAMSHAFT	1	1			1	1		
28B	2	129470-51060	RETAINER, BEARING			1					1
29	2	122710-51090	KEY	1	1	1	1	1	1	1	
30A	2	129400-51100	PLUNGER ASSY	4	4						
30B	2	129400-51200	PLUNGER ASSY			4					
30C	2	129470-51101	PLUNGER ASSY				4	4			
30D	2	129403-51200	PLUNGER ASSY							4	
33	2	129155-51140	PIN	4	4	4	4	4	4	4	
34	2	174307-51170	RETAINER, SPRING A	4	4	4	4	4	4	4	
35	2	129155-51180	RETAINER, SPRING	4	4	4	4	4	4	4	
36	2	124950-51190	SPRING, PLUNGER	4	4	4	4	4	4	4	
37	2	129155-51200	TAPPET ASSY	4	4	4	4	4	4	4	
44	2	129155-51270	STOPPER, TAPPET	4	4	4	4	4	4	4	
45	2	129155-51280	O-RING, S6	4	4	4	4	4	4	4	
46A	2	128170-51300	VALVE ASSY, DELIVERY	4	4	4					
46B	2	129100-51300	VALVE ASSY, DELIVERY				4	4	4		
49	2	129155-51320	SPRING, DELIVERY	4	4	4	4	4	4	4	
50	2	129155-51340	RETAINER	4	4	4	4	4	4	4	
51	2	124550-51350	GASKET, DELIVERY	4	4	4	4	4	4	4	
52	2	124550-51370	O-RING	4	4	4	4	4	4	4	
53	2	129155-51370	STOPPER, VALVE	4	4	4	4	4	4	4	
54	2	129155-51380	STOPPER	2	2	2	2	2	2	2	
55	2	129155-51390	STOPPER	2	2	2	2	2	2	2	
56	2	129555-51400	DEFLECTOR	1	1	1	1	1	1	1	
57	2	129155-51410	BOLT	1	1	1	1	1	1	1	
58	2	129155-51420	PLUG, M16	1	1	1	1	1	1	1	
59	2	129155-51450	SHIM SET, ADJUSTING	1	1	1	1	1	1	1	
64	2	129555-51500	RACK, CONTROL	1	1	1	1	1	1	1	
65	2	129155-51521	BUSH, RACK	1	1	1	1	1	1	1	
66	2	129155-51530	SPACER	1	1	1	1	1	1	1	
67	2	129155-51540	CIRCLIP	1	1	1	1	1	1	1	
68	2	129155-51550	PINION, CONTROL	4	4	4	4	4	4	4	
69	2	122117-51560	SCREW	4	4	4	4	4	4	4	
70	2	174307-51560	PINION	4	4	4	4	4	4	4	
71	2	129155-51570	PLUG, M12	1	1	1	1	1	1	1	
72	2	129155-51580	O-RING	1	1	1	1	1	1	1	
73	2	129155-51591	SPRING, RACK	1	1	1	1	1	1	1	
74	2	129155-51600	SHIM SET, ADJUSTING	4	4	4	4	4	4	4	

Remarks
(1)GOVERNOR ASSY (FIG NO.39) IS
INCORPORATED IN THIS FUEL OIL
INJECTION PUMP ASSY (REF NO.1).

Fig.38. FUEL INJECTION PUMP

38.FUEL INJECTION PUMP



(A)=4TN84E-S
(B)=4TN84E-G1
(C)=4TN84E-G2

(D)=4TN84TE-S
(E)=4TN84TE-G1
(F)=4TN84TE-G2

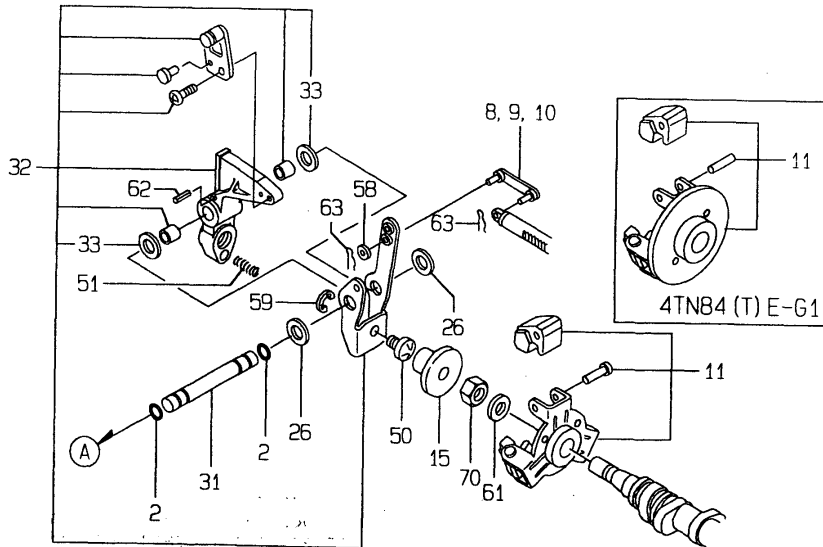
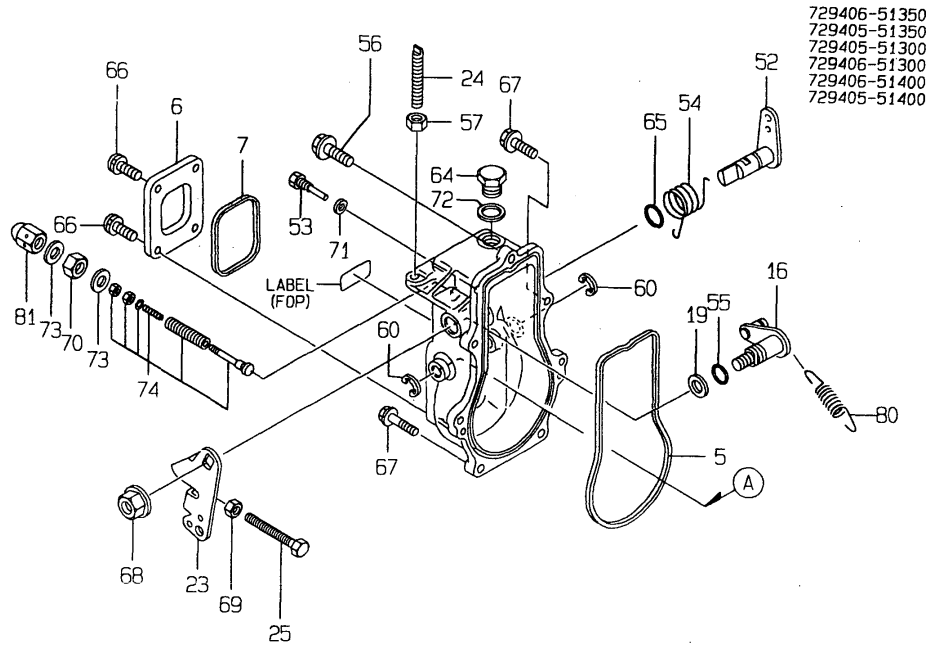
No.	Lev.	Parts No.	Description	Q'ty						I	R
				(A)	(B)	(C)	(D)	(E)	(F)		
93	2	129555-51700	COVER	1	1	1	1	1	1		
94	2	129555-51710	GASKET	1	1	1	1	1	1		
95	2	129555-51750	COVER	1	1	1	1	1	1		
96	2	129555-51760	GASKET	1	1	1	1	1	1		
97	2	129155-51790	STOOPER, RACK	1	1	1	1	1	1		
98	2	129156-51910	LABEL, CAUTION	1	1	1	1	1	1		
99	2	129155-51930	SPACER, T=3.25	1	1		1	1			
100	2	129155-51940	SPACER, T=1.5	1	1		1	1			
101	2	22217-060000	WASHER, SPRING 6	2	2	2	2	2	2		
102	2	22351-050010	PIN, SPRING 5.0X10	2	2	2	2	2	2		
103	2	24101-063034	BEARING, BALL 6303	1	1		1	1			
104	2	24341-000160	O-RING, 1AS16.0	1	1	1	1	1	1		
105	2	26022-050102	SCREW, M5X10	11	11	11	11	11	11		
106	2	26022-060162	SCREW, M6X16	4	4	4	4	4	4		
107	2	26116-050302	BOLT, M5X 30 PLATED	2	2	2	2	2	2		
108	2	26716-060002	NUT, M6	2	2	2	2	2	2		
109	2	43400-500490	SEAL WASHER 16S	1	1	1	1	1	1		
110	2	129470-51080	SEAL, AF0741F0			1					1

Remarks

(1)GOVERNOR ASSY (FIG NO.39) IS INCORPORATED IN THIS FUEL OIL INJECTION PUMP ASSY (REF NO.1).

Fig.39. GOVERNOR

39. GOVERNOR



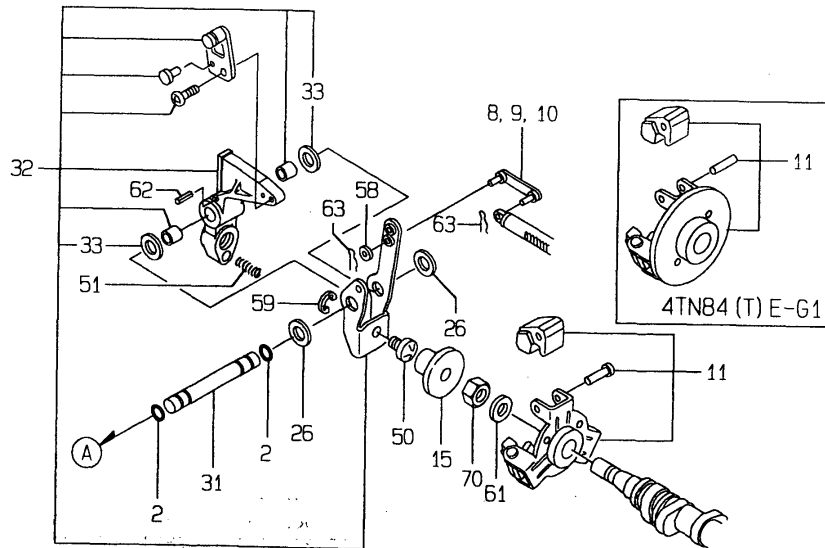
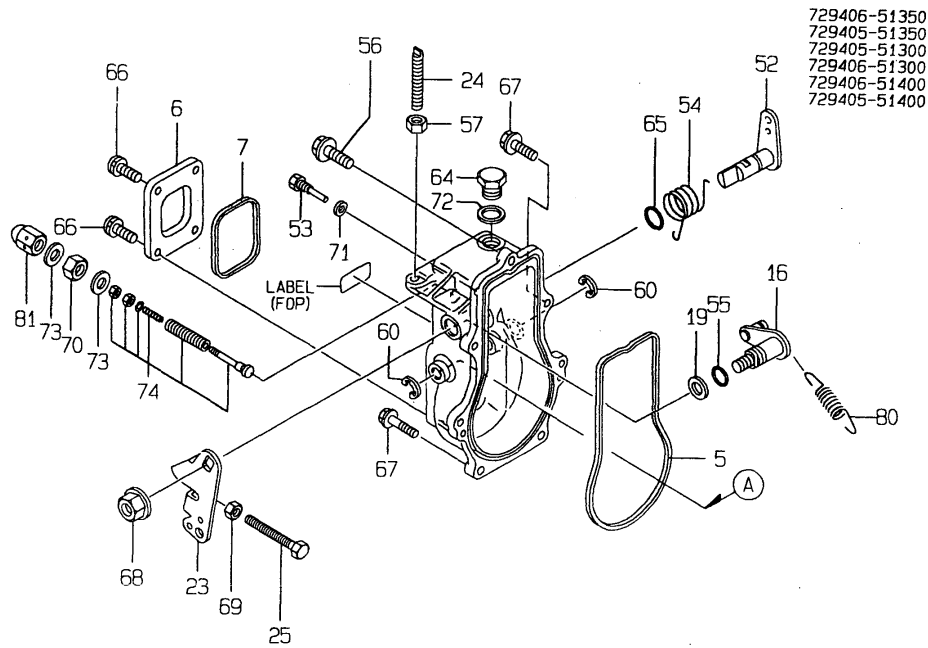
(A)=4TN84E-S
(B)=4TN84E-G1
(C)=4TN84E-G2

(D)=4TN84TE-S
(E)=4TN84TE-G1
(F)=4TN84TE-G2

No.	Lev.	Parts No.	Description	Q'ty						I	R
				(A)	(B)	(C)	(D)	(E)	(F)		
2	2	129155-51280	O-RING, S6	2	2	2	2	2	2		
5	2	129155-61050	GASKET	1	1	1	1	1	1		
6	2	129155-61060	COVER, GOVERNOR CASE	1	1	1	1	1	1		
7	2	129155-61070	GASKET	1	1	1	1	1	1		
8	2	129155-61120	LINK, L=30 MARK 0	1	1	1	1	1	1		
9	2	129155-61130	LINK, L=31 MARK 1	1	1	1	1	1	1		
10	2	129155-61140	LINK, L=30.5 MARK 05	1	1	1	1	1	1		
11A	2	129155-61201	WEIGHT ASSY,GOVERNOR	1		1		1			
11B	2	171488-61200	WEIGHT ASSY,GOVERNOR		1			1			
15	2	129155-61341	SLEEVE	1	1	1	1	1	1		
16	2	129100-61400	SHAFT ASSY	1	1	1	1	1	1		
19	2	129155-61430	SPACER	1	1	1	1	1	1		
23	2	129100-61440	LEVER, CONTROL	1	1	1	1	1	1		
24	2	129155-61450	BOLT, LIMITER	1	1	1	1	1	1		
25	2	129155-61460	BOLT, IDLE	1	1	1	1	1	1		
26	2	129155-61480	SPACER ASSY	2	2	2	2	2	2		
31	2	129155-61490	SHAFT	1	1	1	1	1	1		
32A	2	129500-61500	LEVER ASSY, GOVERNOR	1				1			
32B	2	129100-61500	LEVER ASSY, GOVERNOR		1	1		1	1		
33	3	174307-51700	SHIM SET	2	2	2	2	2	2		
50	2	129155-61540	SHIFTER	1	1	1	1	1	1		
51A	2	129100-61650	SPRING, CONTROLLER	1				1			
51B	2	129500-61650	SPRING, FUEL CONTROL		1	1		1	1		
52A	2	129155-61802	LEVER, STOP	1		1	1	1			
52B	2	129400-61801	LEVER, STOP		1			1			
53	2	129155-61810	PIN	1	1	1	1	1	1		
54	2	129100-61821	SPRING, RETURN	1	1	1	1	1	1		
55	2	129155-61830	O-RING, S10	1	1	1	1	1	1		
56	2	129155-61950	BOLT	1	1	1	1	1	1		
57	2	124550-66370	NUT, M6	1	1	1	1	1	1		
58	2	22117-040000	WASHER, 4	1	1	1	1	1	1		
59	2	22272-000040	RING, E- 4	1	1	1	1	1	1		
60	2	22272-000060	RING, E- 6	2	2	2	2	2	2		
61	2	22287-120000	WASHER, 12	1	1	1	1	1	1		
62	2	22351-030016	PIN, SPRING 3.0X16	1	1	1	1	1	1		
63	2	22372-040000	PIN, SNAP 4	2	2	2	2	2	2		
64	2	23887-100002	PLUG, 10	1	1	1	1	1	1		
65	2	24311-240100	O-RING, 1AP10A	1	1	1	1	1	1		
66	2	26022-050102	SCREW, M5X10	4	4	4	4	4	4		
67	2	26106-060202	BOLT, M6X 20 PLATED	6	6	6	6	6	6		
68	2	26366-080002	NUT, M8	1	1	1	1	1	1		
69	2	26756-060002	NUT, LOCK M6	1	1	1	1	1	1		
70	2	26776-120002	NUT, LOCK M12	2	2	2	2	2	2		
71	2	43400-500390	SEAL WASHER 6S	1	1	1	1	1	1		
72	2	43400-500430	SEAL WASHER 10S	1	1	1	1	1	1		
73	2	43400-500450	SEAL WASHER 12S	2	2	2	2	2	2		
74A	2	129100-61450	LIMITER ASSY, FUEL	1			1				
74B	2	129155-61470	BOLT, CONTROL		1	1		1	1		
80A	2	171353-61710	SPRING, GOVERNOR	1			1				
80B	2	129477-61720	SPRING, GOVERNOR		1			1			
80C	2	129500-61700	SPRING, GOVERNOR			1			1		

Fig.39. GOVERNOR

39. GOVERNOR



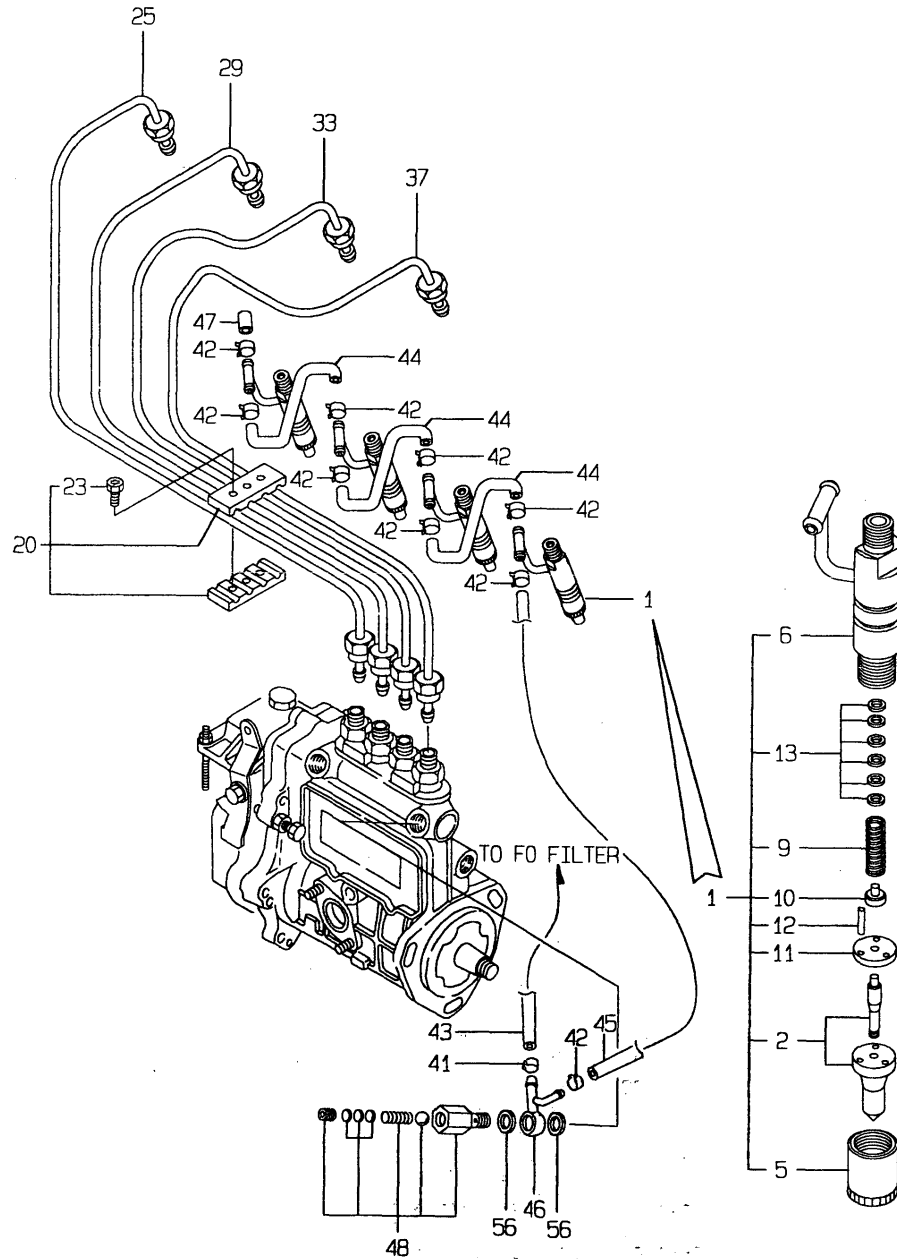
(A)=4TN84E-S
(B)=4TN84E-G1
(C)=4TN84E-G2

(D)=4TN84TE-S
(E)=4TN84TE-G1
(F)=4TN84TE-G2

No.	Lev.	Parts No.	Description	Q'ty						I	R
				(A)	(B)	(C)	(D)	(E)	(F)		
81	2	26687-120002	NUT, CAP M12	1	1	1	1	1	1		

Fig.40. FUEL INJECTION VALVE

40.FUEL INJECTION VALVE



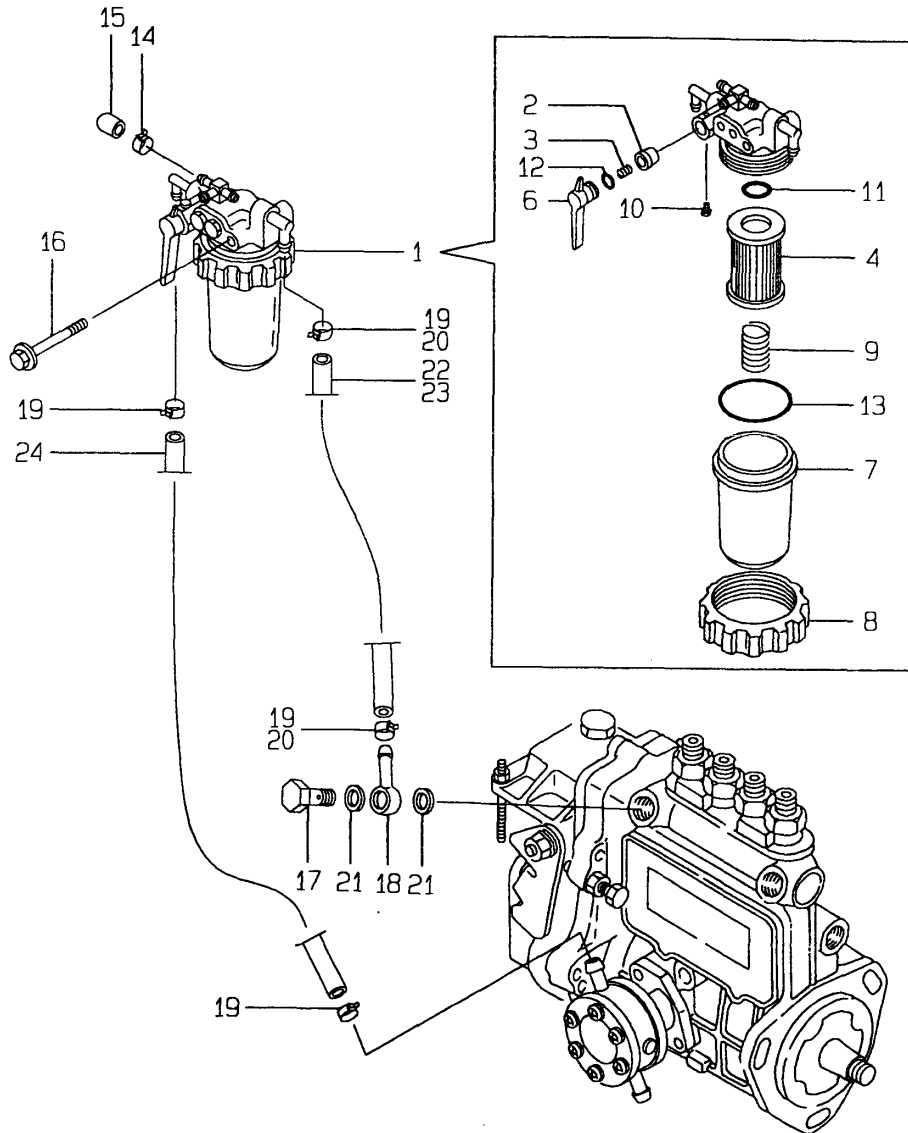
(A)=4TN84E-S
(B)=4TN84E-G1
(C)=4TN84E-G2

(D)=4TN84TE-S
(E)=4TN84TE-G1
(F)=4TN84TE-G2

No.	Lev.	Parts No.	Description	Q'ty						I	R
				(A)	(B)	(C)	(D)	(E)	(F)		
1A	1	719810-53100	VALVE ASSY,INJECTION		4						
1B	1	729503-53100	VALVE ASSY,INJECTION	4				4			
1C	1	729503-53200	VALVE ASSY,INJECTION			4	4				
1D	1	729103-53200	VALVE ASSY,INJECTION							4	
2A	2	119810-53000	VALVE ASSY,INJECTION		4						
2B	2	129503-53000	VALVE ASSY,INJECTION	4					4		
2C	2	129103-53050	VALVE ASSY,INJECTION							4	
2D	2	129503-53050	VALVE ASSY,INJECTION			4	4				
5	2	114250-53080	NUT, NOZZLE D16.95	4	4	4	4	4	4	4	
6	2	129100-53100	HOLDER ASSY, NOZZLE	4	4	4	4	4	4	4	
9	2	114250-53120	SPRING, NOZZLE	4	4	4	4	4	4	4	
10	2	114250-53130	SEAT, SPRING	4	4	4	4	4	4	4	
11	2	114250-53140	PLATE	4	4	4	4	4	4	4	
12	2	114250-53210	PIN	8	8	8	8	8	8	8	
13	2	114250-53400	SHIM SET	4	4	4	4	4	4	4	
20	1	129550-59120	RETAINER, PIPE	1	1	1	1	1	1	1	
23	2	129150-59130	BOLT, M4X12	2	2	2	2	2	2	2	
25A	1	129400-59810	PIPE ASSY, INJECTION			1				1	
25B	1	129400-59910	PIPE ASSY, INJECTION	1	1		1	1			
29A	1	129400-59820	PIPE ASSY, INJECTION			1				1	
29B	1	129400-59920	PIPE ASSY, INJECTION	1	1		1	1			
33A	1	129400-59830	PIPE ASSY, INJECTION			1				1	
33B	1	129400-59930	PIPE ASSY, INJECTION	1	1		1	1			
37A	1	129400-59840	PIPE ASSY, INJECTION			1				1	
37B	1	129400-59940	PIPE ASSY, INJECTION	1	1		1	1			
41	1	124766-59050	CLIP, HOSE 12	2	2	2	2	2	2	2	
42	1	124066-59100	CLIP, HOSE 8	9	9	9	9	9	9	9	
43	1	105025-59530	PIPE, FUEL D13X400	1	1	1	1	1	1	1	
44	1	121250-59550	PIPE, FUEL D8X120	3	3	3	3	3	3	3	
45	1	119840-59560	PIPE, FUEL RETURN	1	1	1	1	1	1	1	
46	1	119840-59570	JOINT	1	1	1	1	1	1	1	
47	1	129150-59580	CAP	1	1	1	1	1	1	1	
48	1	129100-59951	VALVE ASSY, CHECK	1	1	1	1	1	1	1	
56	1	23414-120000	GASKET, 12X1.0	2	2	2	2	2	2	2	

Fig.41. FUEL FILTER & FUEL PIPE

41.FUEL FILTER & FUEL LINE



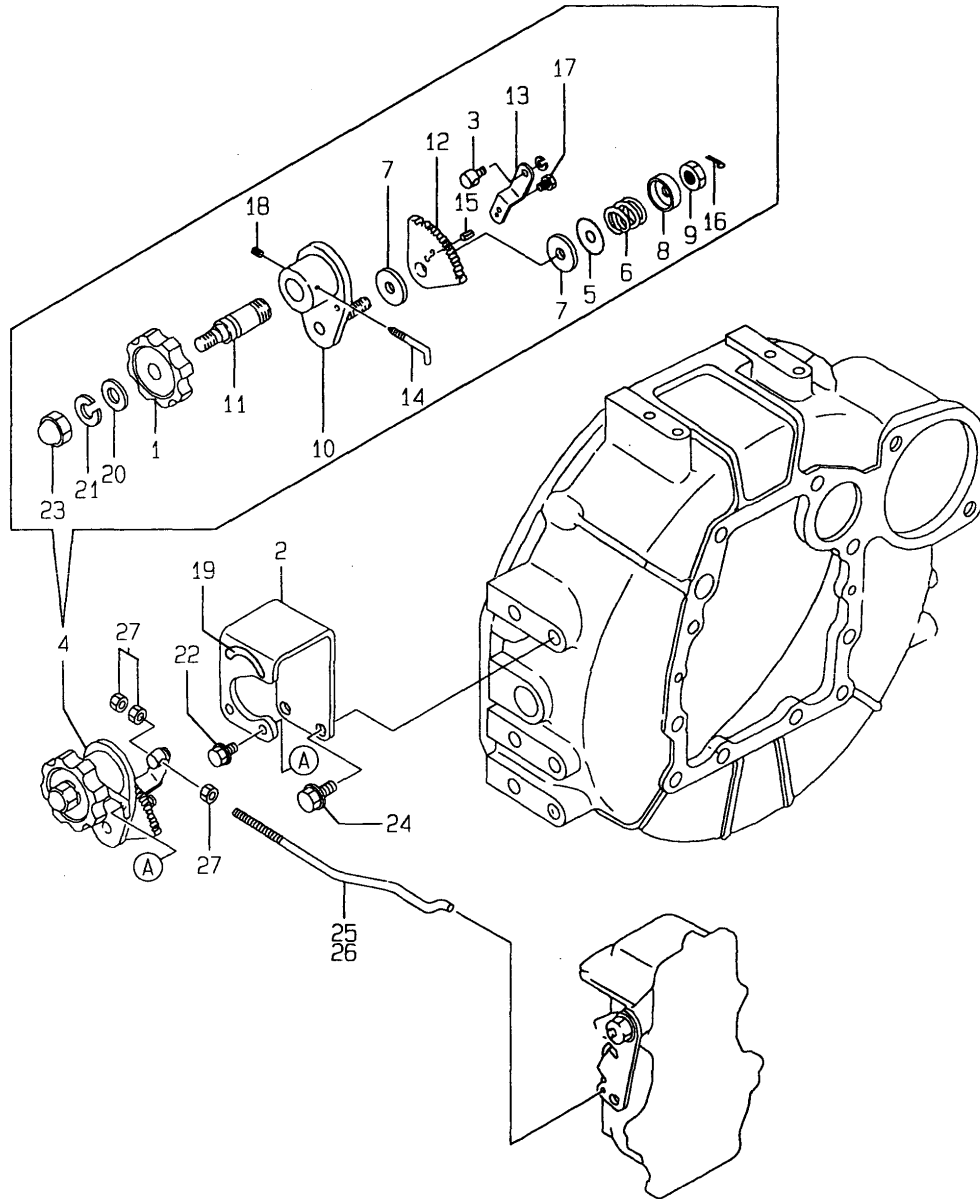
(A)=4TN84E-S
(B)=4TN84E-G1
(C)=4TN84E-G2

(D)=4TN84TE-S
(E)=4TN84TE-G1
(F)=4TN84TE-G2

No.	Lev.	Parts No.	Description	Q'ty						I	R
				(A)	(B)	(C)	(D)	(E)	(F)		
1	1	129100-55621	FILTER ASSY, FUEL	1	1	1	1	1	1		
2	2	104200-55321	VALVE, TAPER	1	1	1	1	1	1		
3	2	104200-55330	SPRING, VALVE	1	1	1	1	1	1		
4	2	129100-55650	ELEMENT	1	1	1	1	1	1		
6	2	129100-55670	LEVER	1	1	1	1	1	1		
7	2	129100-55680	CUP, STRAINER	1	1	1	1	1	1		
8	2	129100-55690	RING, RETAINING	1	1	1	1	1	1		
9	2	129100-55700	SPRING	1	1	1	1	1	1		
10	2	104200-55750	SCREW, M4	1	1	1	1	1	1		
11	2	24311-000160	O-RING, 1AP16.0	1	1	1	1	1	1		
12	2	24311-240100	O-RING, 1AP10A	1	1	1	1	1	1		
13	2	24321-000650	O-RING, 1AG65.0	1	1	1	1	1	1		
14	1	124066-59100	CLIP, HOSE 8	1	1	1	1	1	1		
15	1	129150-59580	CAP	1	1	1	1	1	1		
16	1	26014-080702	BOLT, M8X 70	1	1	1	1	1	1		
17	1	103854-39140	BOLT, PIPE JOINT	1	1	1	1	1	1		
18	1	101304-59020	JOINT, PIPE 12	1	1	1	1	1	1		
19	1	124766-59050	CLIP, HOSE 12	2	2	2	4	4	4		
20	1	124766-59050	CLIP, HOSE 12	2	2	2					
21	1	104200-59170	GASKET, 12	2	2	2	2	2	2		
22	1	105312-59510	PIPE, FUEL	1	1	1					
23	1	129555-59510	PIPE, D13/7.5X180				1	1	1		
24	1	105025-59530	PIPE, FUEL D13X400	1	1	1	1	1	1		

Fig.42. ENGINE CONTROL DEVICE

42.ENGINE CONTROL DEVICE



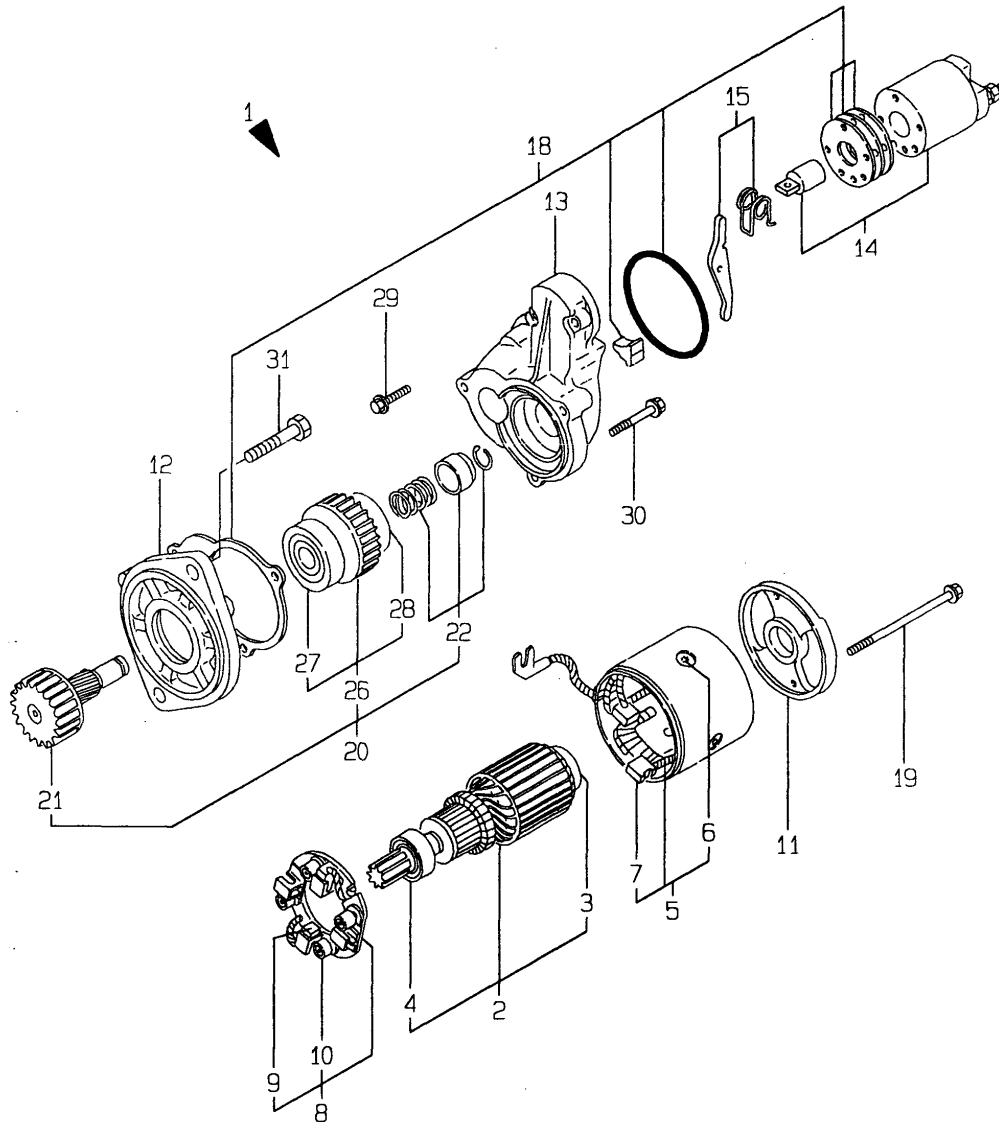
(A)=4TN84E-S
(B)=4TN84E-G1
(C)=4TN84E-G2

(D)=4TN84TE-S
(E)=4TN84TE-G1
(F)=4TN84TE-G2

No.	Lev.	Parts No.	Description	Q'ty						I	R
				(A)	(B)	(C)	(D)	(E)	(F)		
1	1	126650-66020	HANDLE, REGULATOR	1	1	1	1	1	1		
2	1	119888-66110	BRACKET	1	1	1	1	1	1		
3	1	119888-66130	PIVOT	1	1	1	1	1	1		
4	1	171048-67010	CONTROLLER ASSY	1	1	1	1	1	1		
5	2	171102-66080	WASHER	1	1	1	1	1	1		
6	2	104200-66820	SPRING	1	1	1	1	1	1		
7	2	104200-66830	PLATE, FRICTION	2	2	2	2	2	2		
8	2	104200-66850	WASHER	1	1	1	1	1	1		
9	2	104200-66860	NUT	1	1	1	1	1	1		
10	2	171085-67100	BRACKET	1	1	1	1	1	1		
11	2	171085-67110	SHAFT, DRIVE	1	1	1	1	1	1		
12	2	171085-67120	GEAR	1	1	1	1	1	1		
13	2	171048-67130	LEVER	1	1	1	1	1	1		
14	2	171048-67140	STOPPER	1	1	1	1	1	1		
15	2	22351-020006	PIN, SPRING 2.0X 6	1	1	1	1	1	1		
16	2	22411-200150	COTTER PIN	1	1	1	1	1	1		
17	2	26116-060082	BOLT, M6X 8 PLATED	1	1	1	1	1	1		
18	2	26921-050122	SCREW, M5X12	1	1	1	1	1	1		
19	1	170064-67210	LABEL, HANDLE	1	1	1	1	1	1		
20	1	22117-100000	WASHER, 10	1	1	1	1	1	1		
21	1	22217-100000	WASHER, SPRING 10	1	1	1	1	1	1		
22	1	26106-060102	BOLT, M6X 10 PLATED	2	2	2	2	2	2		
23	1	26657-100002	NUT, CAP M10	1	1	1	1	1	1		
24	1	26106-080162	BOLT, M8X 16 PLATED	2	2	2	2	2	2		
25	1	129488-66120	LINK, ENGINE CONTROL	1		1	1		1		
26	1	129488-66150	LINK, ENGINE CONTROL		1			1			
27	1	26756-050002	NUT, LOCK M5	3	3	3	3	3	3		

Fig.43. STARTING MOTOR(4TN84(T)E-S,G2)

43. STARTING MOTOR
(4TN84 (T) E-S, G2)



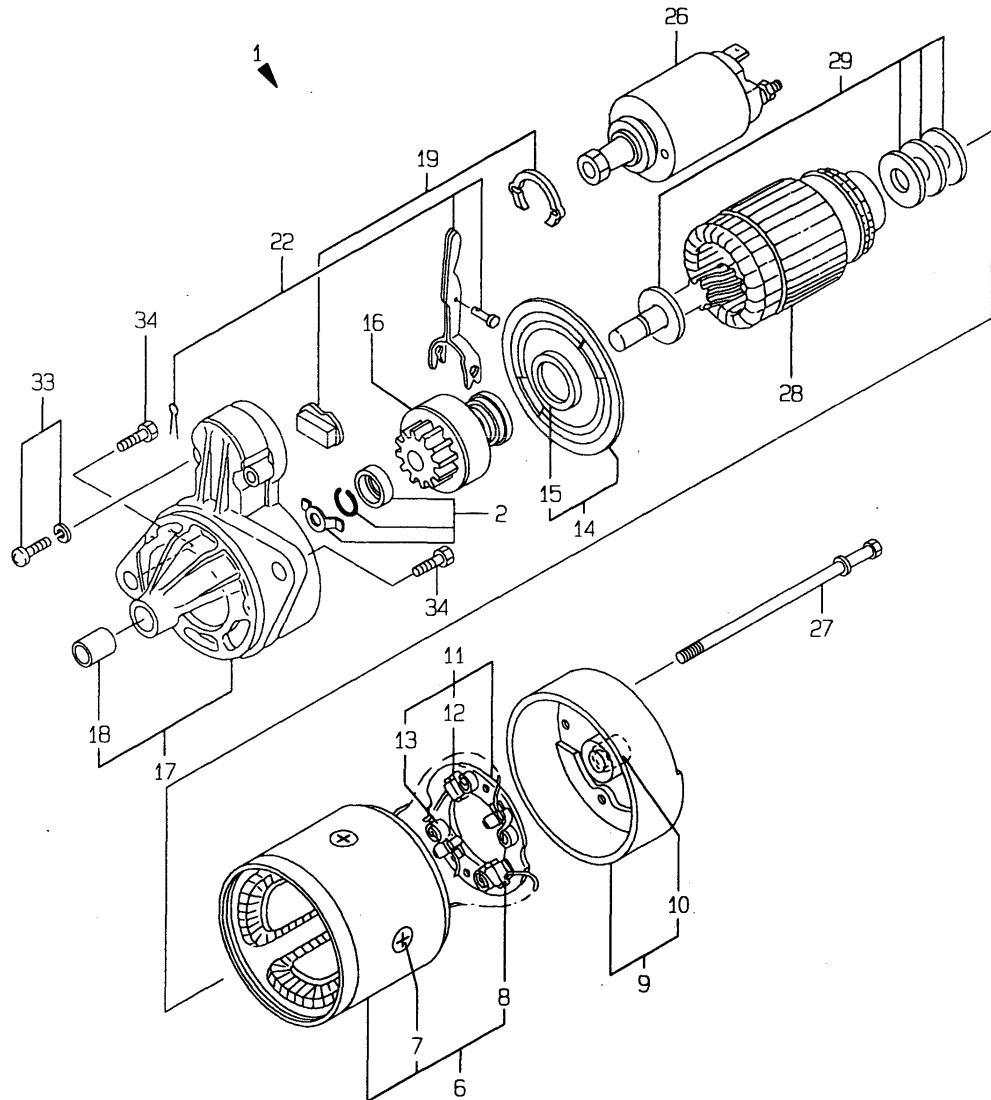
(A)=4TN84E-S
(B)=4TN84E-G1
(C)=4TN84E-G2

(D)=4TN84TE-S
(E)=4TN84TE-G1
(F)=4TN84TE-G2

No.	Lev.	Parts No.	Description	Q'ty						I	R
				(A)	(B)	(C)	(D)	(E)	(F)		
1	1	129400-77011	STARTER, S13-94A	1	1	1	1	1	1		
2	2	129400-77400	ARMATURE ASSY	1	1	1	1	1	1		
3	3	171008-77410	BEARING(1)	1	1	1	1	1	1		
4	3	171008-77420	BEARING(2)	1	1	1	1	1	1		
5	2	129400-77440	COIL ASSY, FIELD	1	1	1	1	1	1		
6	3	171008-77450	SCREW	4	4	4	4	4	4		
7	3	129400-77460	BRUSH (+)	2	2	2	2	2	2		
8	2	129400-77470	HOLDER ASSY, BRUSH	1	1	1	1	1	1		
9	3	129400-77480	BRUSH (-)	2	2	2	2	2	2		
10	3	129400-77490	SPRING, BRUSH	4	4	4	4	4	4		
11	2	129400-77510	COVER, REAR	1	1	1	1	1	1		
12	2	171008-77510	HOUSING ASSY, GEAR	1	1	1	1	1	1		
13	2	129400-77520	HOUSING, CENTER	1	1	1	1	1	1		
14	2	129400-77530	SWITCH ASSY,MAGNETIC	1	1	1	1	1	1		
15	2	171008-77540	LEVER SET, SHIFT	1	1	1	1	1	1		
18	2	129400-77570	COVER KIT, DUST	1	1	1	1	1	1		
19	2	129400-77640	BOLT, THROUGH	2	2	2	2	2	2		
20	2	171008-77650	PINION ASSY	1	1	1	1	1	1		
21	3	171008-77660	SHAFT, PINION	1	1	1	1	1	1		
22	3	171008-77670	STOPPER SET, PINION	1	1	1	1	1	1		
26	3	171008-77720	CLUTCH ASSY	1	1	1	1	1	1		
27	4	171008-77730	BALL BEARING (3)	1	1	1	1	1	1		
28	4	171008-77740	BALL BEARING (4)	1	1	1	1	1	1		
29	2	26106-060322	BOLT, M6X 32 PLATED	2	2	2	2	2	2		
30	2	26106-060402	BOLT, M6X 40 PLATED	3	3	3	3	3	3		
31	1	26116-120252	BOLT, M12X 25 PLATED	2	2	2	2	2	2		

Fig.44. STARTING MOTOR(4TN84(T)E-G1)

44. STARTING MOTOR
(4TN84 (T) E-G1)



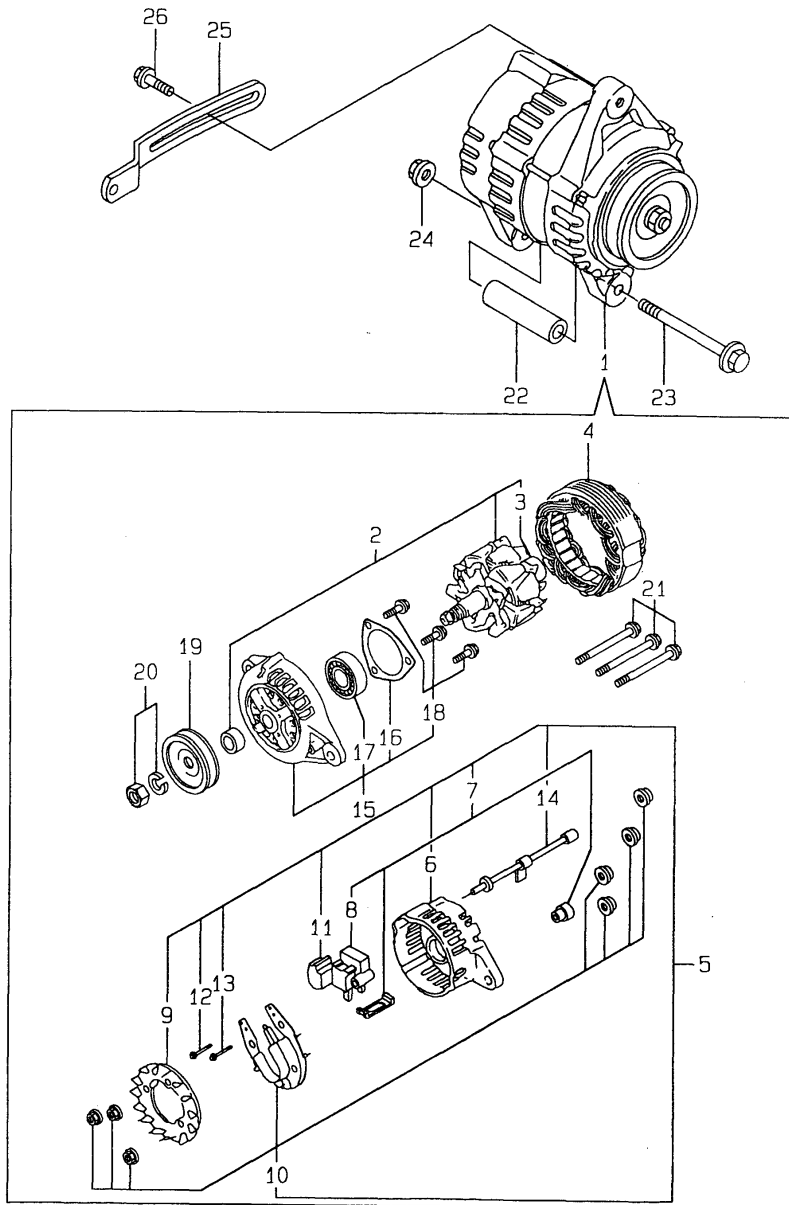
(A)=4TN84E-S
(B)=4TN84E-G1
(C)=4TN84E-G2

(D)=4TN84TE-S
(E)=4TN84TE-G1
(F)=4TN84TE-G2

No.	Lev.	Parts No.	Description	Q'ty						I	R
				(A)	(B)	(C)	(D)	(E)	(F)		
1	1	124250-77012	STARTER, S12-77A		1				1		
2	2	124250-77070	STOPPER SET, PINION		1				1		
6	2	124250-77110	COIL ASSY, FIELD		1				1		
7	3	124250-77120	SCREW SET, PORE CORE		4				4		
8	3	124250-77130	BRUSH (+)		2				2		
9	2	124250-77140	COVER ASSY, REAR		1				1		
10	3	124250-77150	METAL, REAR COVER		1				1		
11	2	124250-77160	HOLDER ASSY, BRUSH		1				1		
12	3	124250-77170	BRUSH (-)		2				2		
13	3	124250-77180	SPRING, BRUSH		4				4		
14	2	124250-77190	BEARING ASSY, CENTER		1				1		
15	3	124250-77520	BEARING		1				1		
16	2	124250-77210	PINION ASSY		1				1		
17	2	124250-77220	CASE ASSY, GEAR		1				1		
18	3	124250-77230	METAL, GEAR CASE		1				1		
19	2	124250-77240	COVER SET, DUST		1				1		
22	2	124250-77270	LEVER SET, SHIFT		1				1		
26	2	124250-77310	SWITCH, MAGNETIC		1				1		
27	2	124250-77320	BOLT, THROUGH		2				2		
28	2	124250-77500	ARMATURE ASSY		1				1		
29	2	124250-77510	WASHER KIT		1				1		
33	2	26557-040122	SCREW, M4X12		2				2		
34	1	26116-120252	BOLT, M12X 25 PLATED		2				2		

Fig.45. GENERATOR

45. GENERATOR



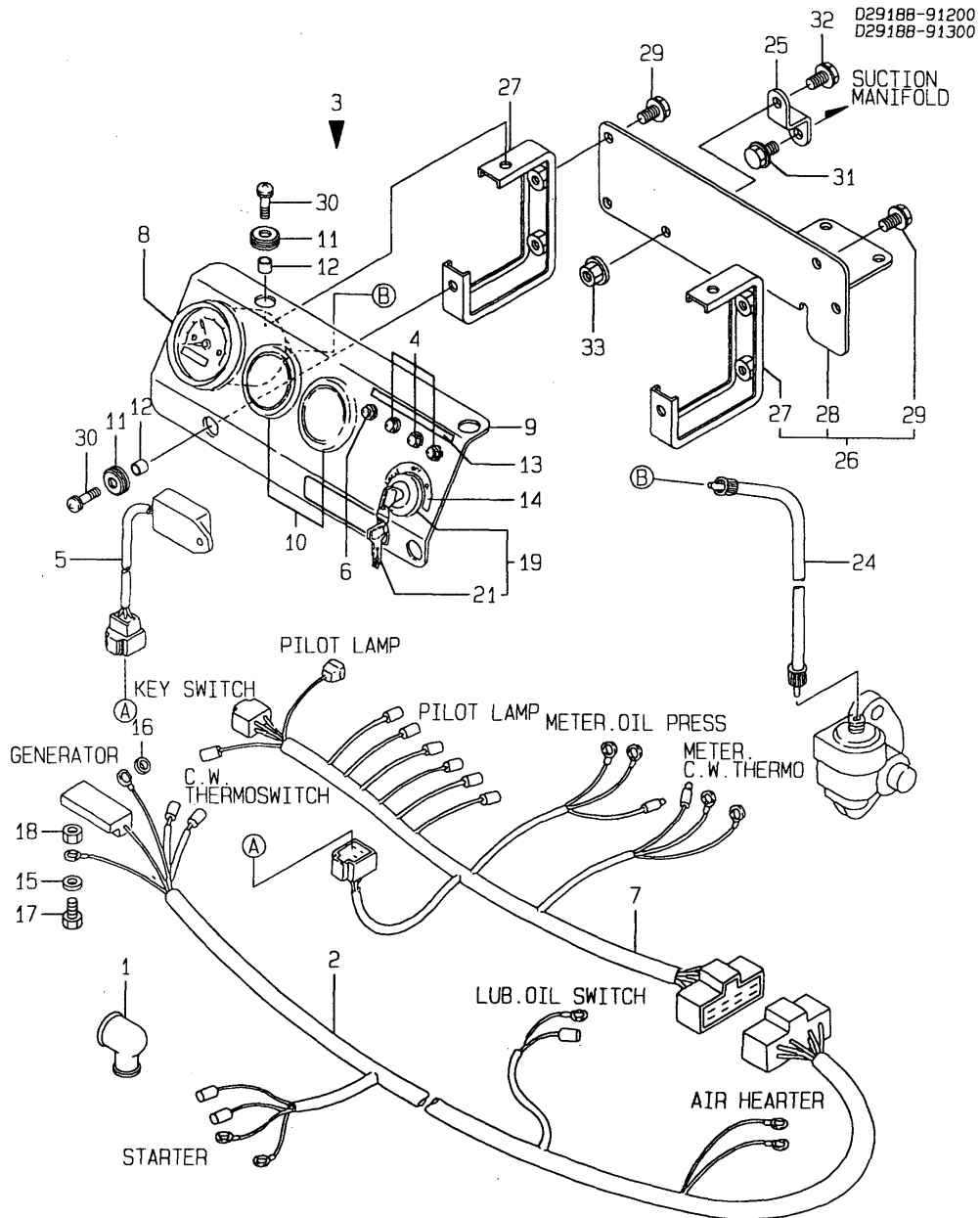
(A)=4TN84E-S
(B)=4TN84E-G1
(C)=4TN84E-G2

(D)=4TN84TE-S
(E)=4TN84TE-G1
(F)=4TN84TE-G2

No.	Lev.	Parts No.	Description	Q'ty						I	R
				(A)	(B)	(C)	(D)	(E)	(F)		
1	1	119836-77200	GENERATOR	1	1	1	1	1	1		
2	2	119836-77700	ROTOR ASSY	1	1	1	1	1	1		
3	3	119836-77850	BALL BEARING	1	1	1	1	1	1		
4	2	119836-77710	STATOR ASSY	1	1	1	1	1	1		
5	2	119836-77721	COVER ASSY, REAR	1	1	1	1	1	1		
6	3	119836-77730	COVER, REAR	1	1	1	1	1	1		
7	3	119836-77741	BRUSH ASSY,REGULATOR	1	1	1	1	1	1		
8	4	119836-77750	BRUSH ASSY	1	1	1	1	1	1		
9	3	119836-77760	GUIDE, FAN SIDE	1	1	1	1	1	1		
10	3	119836-77770	DIODE ASSY	1	1	1	1	1	1		
11	3	119836-77780	CONDENSER	1	1	1	1	1	1		
12	3	119836-77871	BOLT (1)	1	1	1	1	1	1		
13	3	119836-77880	BOLT (2)	1	1	1	1	1	1		
14	3	119836-77890	WIRE ASSY, LEAD	1	1	1	1	1	1		
15	2	119836-77790	COVER ASSY, FRONT	1	1	1	1	1	1		
16	3	119836-77800	RETAINER, BEARING	1	1	1	1	1	1		
17	3	119836-77840	BALL BEARING	1	1	1	1	1	1		
18	3	119836-77860	SCREW KID	1	1	1	1	1	1		
19	2	119836-77810	PULLEY	1	1	1	1	1	1		
20	2	119836-77820	NUT ASSY, PULLEY	1	1	1	1	1	1		
21	2	119836-77830	BOLT, THROUGH	1	1	1	1	1	1		
22	1	119820-77340	PIECE, DISTANCE	1	1	1	1	1	1		
23	1	129136-77250	BOLT M 8X105	1	1	1	1	1	1		
24	1	26366-080002	NUT, M8	1	1	1	1	1	1		
25	1	129410-77330	ADJUSTER	1	1	1	1	1	1		
26	1	26014-080252	BOLT, M8X 25	1	1	1	1	1	1		

Fig.46. PANEL

46. PANEL



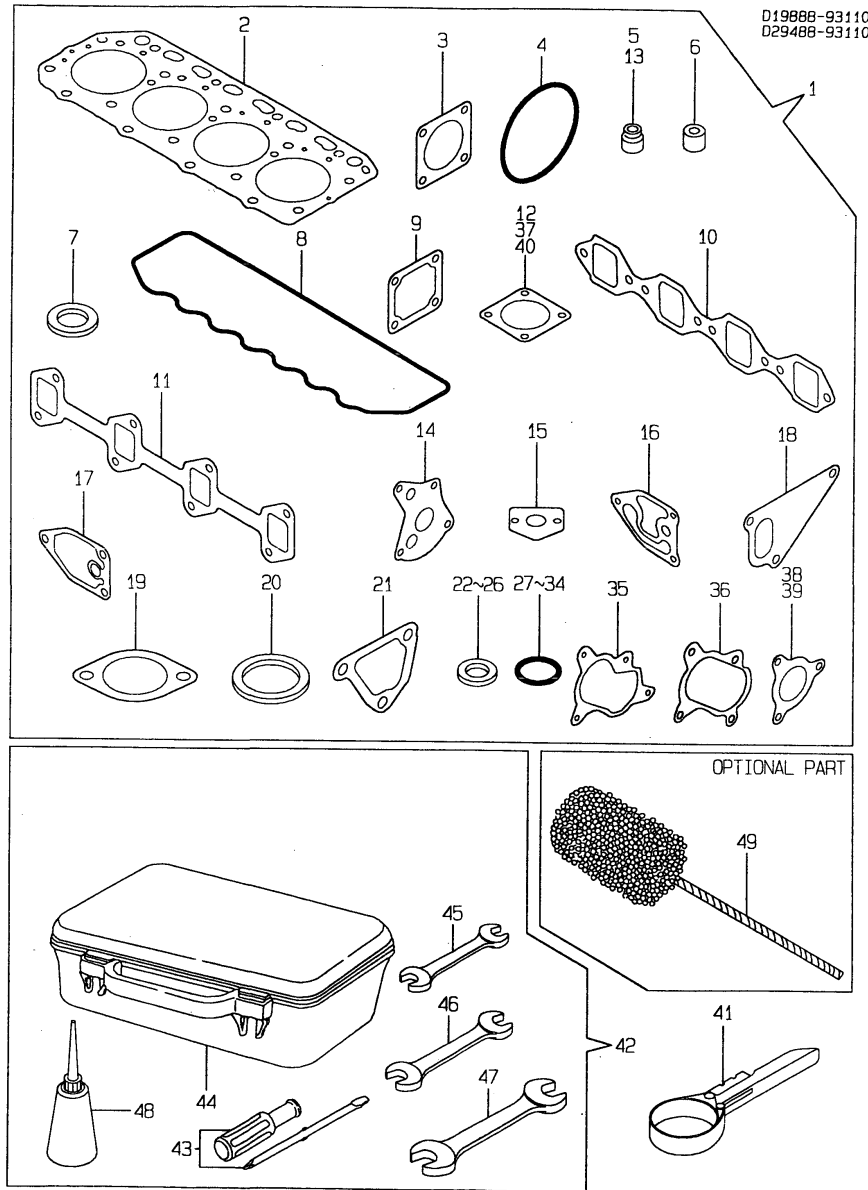
(A)=4TN84E-S
(B)=4TN84E-G1
(C)=4TN84E-G2

(D)=4TN84TE-S
(E)=4TN84TE-G1
(F)=4TN84TE-G2

No.	Lev.	Parts No.	Description	Q'ty						I	R
				(A)	(B)	(C)	(D)	(E)	(F)		
1	1	124550-77030	COVER, TERMINAL	1	1	1	1	1	1		
2	1	119888-91020	HARNESS, WIRE	1	1	1	1	1	1		
3A	1	119888-91100	PANEL ASSY	1		1	1		1		
3B	1	119888-91300	PANEL ASSY		1				1		
4	2	124732-77720	LAMP, CHARGING	3	3	3	3	3	3		
5	2	128300-77920	TIMER	1	1	1	1	1	1		
6	2	124559-77971	LAMP, PILOT	1	1	1	1	1	1		
7	2	119888-91030	HARNESS, WIRE	1	1	1	1	1	1		
8A	2	171080-91100	TACHOMETER	1		1	1		1		
8B	2	171082-91100	TACHOMETER		1				1		
9	2	119888-91110	BODY, PANEL	1	1	1	1	1	1		
10	2	124770-91220	COVER	2	2	2	2	2	2		
11	2	121400-91520	ABSORBER	4	4	4	4	4	4		
12	2	121400-91530	SPACER	4	4	4	4	4	4		
13	2	119888-91610	LABEL, CW & OIL LAMP	1	1	1	1	1	1		
14	2	119888-91620	LABEL, KEY SWITCH	1	1	1	1	1	1		
15	2	22117-050000	WASHER, 5	1		1	1		1		
16	2	22117-050000	WASHER, 5	1		1	1		1		
17	2	26116-050102	BOLT, M5X 10 PLATED	1		1	1		1		
18	2	26716-050002	NUT, M5	1		1	1		1		
19	2	933110-00100	SWITCH ASSY, STARTER	1	1	1	1	1	1		
21	3	933110-00301	KEY ASSY	1	1	1	1	1	1		
24	1	121400-91140	SHAFT	1	1	1	1	1	1		
25	1	129188-91140	BRACKET	1	1	1	1	1	1		
26	1	119888-91150	BRACKET ASSY	1	1	1	1	1	1		
27	2	119888-91120	SUPPORT	2	2	2	2	2	2		
28	2	119888-91130	BRACKET, PANEL	1	1	1	1	1	1		
29	2	26106-080122	BOLT, M8X 12 PLATED	4	4	4	4	4	4		
30	1	26033-060202	SCREW M 6X 20	4	4	4	4	4	4		
31	1	26106-080162	BOLT, M8X 16 PLATED	1		1	1		1		
32	1	26106-080162	BOLT, M8X 16 PLATED	1		1	1		1		
33	1	26366-080002	NUT, M8	1		1	1		1		

Fig.47. GASKET SET & TOOL (OPTIONAL)

47. GASKET SET & TOOL (OPTIONAL)

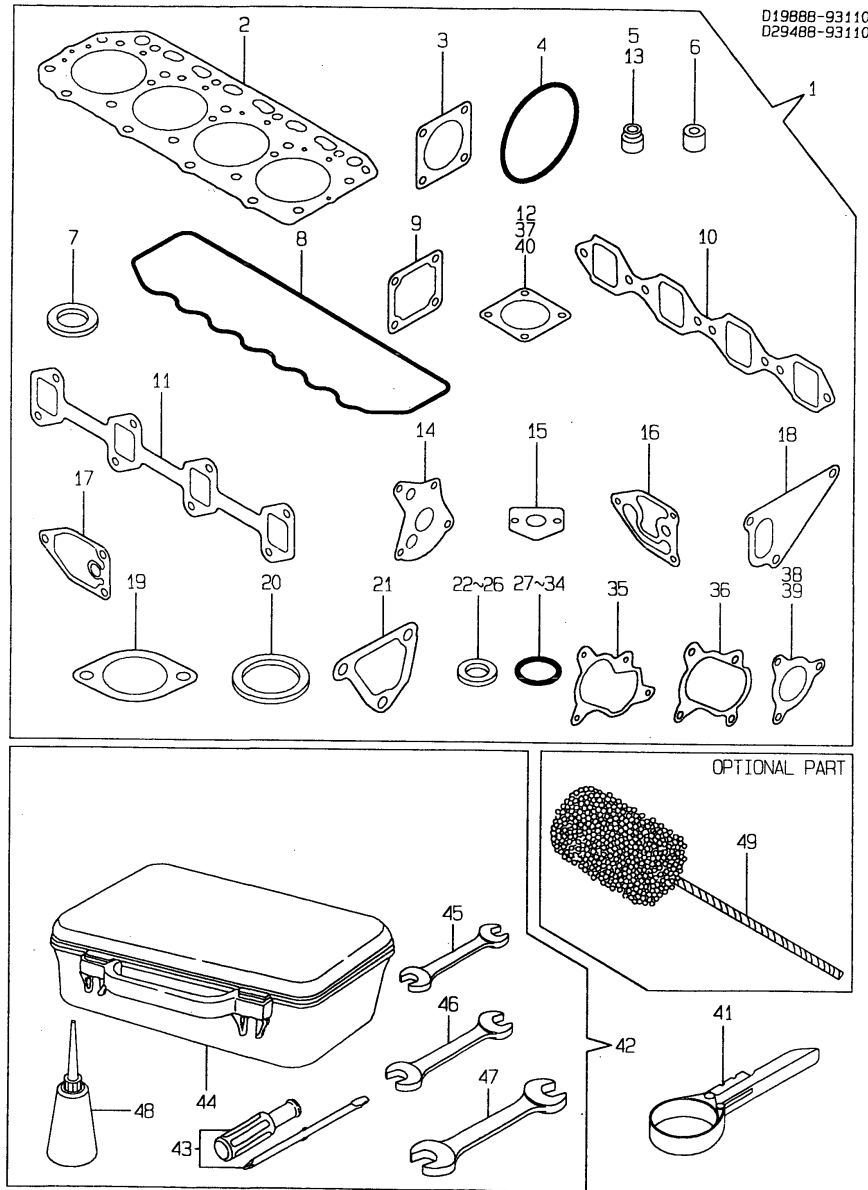


No.	Lev.	Parts No.	Description	Q'ty						I	R
				(A)	(B)	(C)	(D)	(E)	(F)		
1A	1	729405-92630	GASKET SET	1	1						1
1B	1	729411-92650	GASKET SET			1					1
1C	1	729406-92610	GASKET SET				1				1
1D	1	729412-92610	GASKET SET					1			1
1E	1	729406-92610	GASKET SET						1		1
2	2	129405-01330	GASKET, HEAD	1	1	1	1	1	1	1	
3	2	124240-01883	GASKET	1	1	1	1	1	1	1	
4	2	121850-51960	O-RING	1	1	1	1	1	1	1	
5	2	124460-11340	SEAL, VALVE STEM	4	4	4	4	4	4	4	
6	2	119625-11870	PROTECTOR, NOZZLE	4	4	4	4	4	4	4	
7	2	119625-11880	SEAT, NOZZLE	4	4	4	4	4	4	4	
8	2	129550-11310	GASKET, BONNET	1	1	1	1	1	1	1	
9	2	129150-77511	GASKET	1	1	1	1	1	1	1	
10	2	129550-12111	GASKET, MANIFOLD	1	1	1	1	1	1	1	
11	2	129550-13110	GASKET	1	1	1	1	1	1	1	
12	2	129400-13201	GASKET, SILENCER	1	1	1					
13	2	121400-11340	SEAL, VALVE STEM	4	4	4	4	4	4	4	
14	2	129150-32020	GASKET, PUMP	1	1	1	1	1	1	1	
15	2	129150-35041	GASKET	1	1	1	1	1	1	1	
16	2	129103-35122	GASKET			1	1				1
17	2	129150-35111	GASKET	1	1					1	
18	2	129100-42020	GASKET, WATER PUMP	1	1	1	1	1	1	1	
19	2	129795-49551	GASKET	1	1	1	1	1	1	1	
20	2	129150-49811	GASKET, THERMOSTAT	1	1	1	1	1	1	1	
21	2	129100-49840	GASKET	1	1	1	1	1	1	1	
22	2	124465-44950	GASKET, 16	2	2	2	2	2	2	2	
23	2	104200-59170	GASKET, 12	2	2	2	2	2	2	2	
24	2	23414-120000	GASKET, 12X1.0	2	2	2	2	2	2	2	
25	2	23414-080000	GASKET, 8X1.0							2	
26	2	23414-100000	GASKET, 10X1.0	2	2	2	4	2	4	4	
27	2	24311-000120	O-RING, 1AP12.0	3	3	3	3	3	3	3	
28	2	24311-000160	O-RING, 1AP16.0	2	2	2	2	2	2	2	
29	2	24314-000160	O-RING, 4CP16.0					1	1	1	
30	2	24311-000320	O-RING, 1AP32.0	1	1	1	1	1	1	1	
31	2	24311-000200	O-RING, 1AP20.0			1	1			1	
32	2	24341-000240	O-RING, 1AS24.0	1	1	1	1	1	1	1	
33	2	24311-000210	O-RING, 1AP21.0			1	1			1	
34	2	24321-000550	O-RING, 1AG55.0	1	1	1	1	1	1	1	
35	2	129403-18080	GASKET					1			
36	2	129403-18090	GASKET							1	
37	2	129322-18100	GASKET					1			
38	2	129477-18100	GASKET							1	
39	2	129792-13520	GASKET								1
40	2	129792-18090	GASKET								1
41	1	127610-92750	WRENCH, FILTER	1	1		1	1			
42	1	171001-93100	BOX, TOOL	1	1	1	1	1	1	1	
43	2	104200-92350	DRIVER, SCREW	1	1	1	1	1	1	1	
44	2	104200-92600	BOX, TOOL	1	1	1	1	1	1	1	
45	2	28110-100120	SPANNER, 10X12	1	1	1	1	1	1	1	
46	2	28110-140170	SPANNER, 14X17	1	1	1	1	1	1	1	
47	2	28110-190220	SPANNER, 19X22	1	1	1	1	1	1	1	

Remarks
(1)OPTIONAL PART.

Fig.47. GASKET SET & TOOL (OPTIONAL)

47.GASKET SET & TOOL (OPTIONAL)



(A)=4TN84E-S
(B)=4TN84E-G1
(C)=4TN84E-G2

(D)=4TN84TE-S
(E)=4TN84TE-G1
(F)=4TN84TE-G2

No.	Lev.	Parts No.	Description	Q'ty						I	R
				(A)	(B)	(C)	(D)	(E)	(F)		
48	2	28210-000140	OILER	1	1	1	1	1	1		
49	1	129400-92420	FLEX HORN	1	1	1	1	1	1		1

Remarks
(1)OPTIONAL PART.

Parts No. Index

Parts No.	Fig. No.	Ref. No.
101158-11190	4	18 A
101304-59020	16	18
	41	18
102103-55520	16	13 A
103338-11190	4	18 B
	26	21
103854-39140	16	17
	41	17
104200-22300	8	26 A
104200-55321	16	2
	41	2
104200-55330	16	3
	41	3
104200-55750	16	10
	41	10
104200-59170	16	21
	22	25
	41	21
	47	23
104200-66820	17	9
	42	6
104200-66830	17	10
	42	7
104200-66850	17	11
	42	8
104200-66860	17	12
	42	9
104200-92350	22	39
	47	43
104200-92600	22	40
	47	44
104211-11180	4	17 A
104211-11370	4	21 A
105010-39140	34	1
105025-59530	16	23 A
	40	43
	41	24
105025-59750	15	43
	16	23 B
105312-59510	41	22
110250-55610	16	8 A
114250-53080	15	5
	40	5
114250-53120	15	9
	40	9
114250-53130	15	10
	40	10
114250-53140	15	11
	40	11
114250-53210	15	12

Parts No.	Fig. No.	Ref. No.
114250-53210	40	12
114250-53400	15	13
	40	13
119131-18320	28	5 -1
119600-34800	9	13 A
119620-01750	3	3
	25	5
119620-02020	1	7 A
119625-11870	4	38
	22	7
	26	40
	47	6
119625-11880	4	39
	22	8
	26	41
	47	7
119625-11900	4	40
	26	42
119800-53000	15	2 B
119802-13650	28	18 -1
119802-13670	28	19 -1
119802-13820	28	20 -2
119810-01200	1	23 A
119810-01730	3	6 A
119810-01780	3	17 A
119810-01790	3	8
119810-02870	1	25 A
119810-02940	1	28 A
119810-11100	4	14 A
119810-11110	4	15 A
119810-11120	4	16 A
119810-11240	4	27 A
119810-11350	4	50 A
119810-12111	5	1 A
	22	12 A
119810-13110	6	2
	22	13 A-1
119810-14400	7	2 A
119810-14580	7	3 A
119810-23200	8	33 A
119810-23600	8	34 A
119810-23610	8	36 A
119810-23910	8	32 A
119810-32000	9	1 A
119810-35400	9	16 A
119810-39200	9	36 A
119810-42001	10	1
119810-51040	13	25
119810-53000	40	2 A
119810-55340	16	6 A

Parts No.	Fig. No.	Ref. No.
119810-55621	16	1 A
119810-55650	16	4 A
119810-59810	15	25 A
119810-59820	15	29 A
119810-59830	15	33 A
119811-01330	1	24 A
	22	2 A
119811-22080	8	20 A
119820-77340	20	22
	45	22
119836-77200	20	1
	45	1
119836-77700	20	2
	45	2
119836-77710	20	4
	45	4
119836-77721	20	5
	45	5
119836-77730	20	6
	45	6
119836-77741	20	7
	45	7
119836-77750	20	8
	45	8
119836-77760	20	9
	45	9
119836-77770	20	10
	45	10
119836-77780	20	11
	45	11
119836-77790	20	15
	45	15
119836-77800	20	16
	45	16
119836-77810	20	19
	45	19
119836-77820	20	20
	45	20
119836-77830	20	21
	45	21
119836-77840	20	17
	45	17
119836-77850	20	3
	45	3
119836-77860	20	18
	45	18
119836-77871	20	12
	45	12
119836-77880	20	13
	45	13

Parts No.	Fig. No.	Ref. No.
119836-77890	20	14
	45	14
119840-59560	15	40
	40	45
119840-59570	15	41
	40	46
119860-01640	3	15 A
119865-11200	4	26 A
119865-11310	4	57 A
	22	9 A
119865-21600	8	16 A
	32	17 A
119865-35300	9	24
	33	56
119888-01600	3	2 A
	25	2
119888-13101	6	1
119888-13500	6	8
119888-13600	6	9 A
119888-13651	6	10
119888-13670	6	11 A
119888-13680	6	12 A
119888-21450	8	17
	32	18
119888-21590	8	13 A
119888-44560	12	3 A
119888-44940	12	8 A
119888-44950	12	9 A
119888-44960	12	10 A
119888-44970	12	11 A
119888-44980	12	12 A
119888-66110	17	5
	42	2
119888-66120	17	1
119888-66130	17	6
	42	3
119888-66150	17	2
119888-91020	21	2
	46	2
119888-91030	21	7
	46	7
119888-91100	21	3 A
	46	3 A
119888-91110	21	9
	46	9
119888-91120	21	29
	46	27
119888-91130	21	30
	46	28
119888-91141	21	24

Parts No. Index

Parts No.	Fig. No.	Ref. No.
119888-91150	21	28
	46	26
119888-91300	21	3 B
	46	3 B
119888-91610	21	13
	46	13
119888-91620	21	14
	46	14
120130-11860	4	6 A
	26	9
121000-13200	6	7 A
	22	10 A
121100-22400	8	27 B
	32	28
121111-21501	8	12
	32	13
121120-12540	5	9
	27	9
121120-12560	5	10
	27	10
121120-12570	5	11
	27	11
121120-12900	5	12
	27	12
121120-13580	6	25
121120-13590	6	24
121137-12530	5	8
	27	8
121150-44580	12	4 A
121250-44581	12	4 B
121250-44901	10	27
	11	26
	35	42
121250-55620	16	9 A
121250-59550	15	39
	40	44
121252-12520	5	7
	27	7
121252-39150	34	3
121254-55510	16	7 A
121400-11340	4	20 B
	22	6 B
	26	22
	47	13
121400-12540	5	13
	27	19 A
121400-12560	5	14
	27	20 A
121400-12570	5	15
	27	21 A

Parts No.	Fig. No.	Ref. No.
121400-44650	12	5
	36	5
121400-91140	21	25
	46	24
121400-91520	21	11
	46	11
121400-91530	21	12
	46	12
121420-12561	27	16
121422-12580	27	17
121450-01560	2	2
	24	2
121450-42450	10	26
	11	25
	35	41
121456-49160	37	10
121492-42290	11	16
	35	16
121520-34810	9	14
	33	23
121520-49160	12	35
	37	11
121521-12400	5	5
	27	5 A
121550-23200	8	33 B
	32	34
121550-49111	12	26
	37	4
121737-49160	12	36
121750-49110	37	16
121750-59890	21	38
		39
121850-11860	4	9
	11	1
	26	12
	35	1
121850-21680	8	11
	32	12
121850-35200	9	52
	33	33
121850-35520	9	57
	33	38
121850-35531	9	58
	33	39
121850-51960	2	12
	22	4
	24	12
	47	4
122117-51560	13	69
	38	69

Parts No.	Fig. No.	Ref. No.
122710-51050	13	27 B
	38	27 B
122710-51090	13	29
	38	29
123682-44210	12	2
	36	2
124001-42290	10	17
124060-11800	4	6 B
124066-59100	15	38
	16	14
	40	42
	41	14
124070-13300	34	21
124160-01751	2	7
	4	64
	24	7
	26	52
124160-01910	1	5
	23	5
		6
124160-11340	4	19 A
	22	5 A
124160-11360	4	61
	26	62
124160-39140	9	35
	34	2
124160-39450	9	43
	33	45
124223-35510	9	56
	33	37
124223-39900	34	15
124240-01871	2	8
	24	8
124240-01883	2	9
	22	3
	24	9
	47	3
124250-77012	19	1
	44	1
124250-77070	19	2
	44	2
124250-77110	19	6
	44	6
124250-77120	19	7
	44	7
124250-77130	19	8
	44	8
124250-77140	19	9
	44	9
124250-77150	19	10

Parts No.	Fig. No.	Ref. No.
124250-77150	44	10
124250-77160	19	11
	44	11
124250-77170	19	12
	44	12
124250-77180	19	13
	44	13
124250-77190	19	14
	44	14
124250-77210	19	16
	44	16
124250-77220	19	17
	44	17
124250-77230	19	18
	44	18
124250-77240	19	19
	44	19
124250-77270	19	22
	44	22
124250-77310	19	26
	44	26
124250-77320	19	27
	44	27
124250-77500	19	28
	44	28
124250-77510	19	29
	44	29
124250-77520	19	15
	44	15
124460-11340	4	19 B
	22	5 B
	26	23
	47	5
124465-44950	10	28
		29
	11	27
		28
	22	21
	35	43
	47	44
	47	22
124550-21600	8	16 B
	32	17 B
124550-51350	13	51
	38	51
124550-51370	13	52
	38	52
124550-59820	9	40
	34	16
124550-66370	14	57

Parts No. Index

Parts No.	Fig. No.	Ref. No.
124550-66370	39	57
124550-77030	21	1
	46	1
124559-77971	21	6
	46	6
124574-44761	11	21
124700-44740	10	19
124701-11911	6	7 B
	22	10 B
124701-91140	21	26
124732-42290	11	17
	35	17
124732-77720	21	4
	46	4
124736-07900	4	44
	26	45
124764-44800	12	6
	36	6
124764-44920	12	7
	36	7
124766-59050	12	37
	15	37
	16	19
		20
	37	12
	40	41
	41	19
		20
124770-11770	11	32
	35	28
124770-91220	21	10
	46	10
124950-11340	4	20 A
	22	6 A
124950-51190	13	36
	38	36
124976-77011	18	1 A
126650-12680	27	18
126650-66020	17	4
	42	1
127610-92750	22	37
	47	41
128170-51300	13	46
	38	46 A
128270-13620	34	22
128300-77920	21	5
	46	5
129100-01580	3	1
		14
	8	2

Parts No.	Fig. No.	Ref. No.
129100-01580	25	1
		25
	32	2
129100-01640	3	15 B
	25	26
129100-01730	3	6 B
129100-01770	3	25
129100-01790	3	23
		28
	25	11
		18
129100-11100	4	14 B
	26	17
129100-11110	4	15 C
	26	18 A
129100-11130	4	15 B
	26	18 B
129100-11240	4	26 B
129100-11350	4	50 B
129100-11650	4	33 B
	26	34 B
129100-23910	8	32 B
	32	33
129100-25061	7	9
	31	9
129100-25900	7	15 B
	31	15 A
129100-35140	9	51
	33	32
129100-35301	9	16 C
129100-42002	11	2
	35	2
129100-42020	11	13
	22	17 B
	35	13
	47	18
129100-49050	12	40
	37	14
129100-49800	11	31
	35	27
129100-49820	11	34
	35	30
129100-49830	11	35
	35	31
129100-49840	11	40
	22	20
	35	36
	47	21
129100-51300	38	46 B
129100-52100	13	4

Parts No.	Fig. No.	Ref. No.
129100-52100	38	4
129100-53000	15	2 C
129100-53100	40	6
129100-55621	16	1 B
	41	1
129100-55650	16	4 B
	41	4
129100-55670	16	6 B
	41	6
129100-55680	16	7 B
	41	7
129100-55690	16	8 B
	41	8
129100-55700	16	9 B
	41	9
129100-59810	15	25 B
129100-59820	15	29 B
129100-59830	15	33 B
129100-59910	15	25 C
129100-59920	15	29 C
129100-59930	15	33 C
129100-59951	15	44
	40	48
129100-61400	14	16
	39	16
129100-61440	14	23
	39	23
129100-61450	14	74 A
	39	74 A
129100-61500	14	32 B
	39	32 B
129100-61650	14	51 A
	39	51 A
129100-61821	14	54
	39	54
129103-33031	9	44
	33	17
129103-33132	9	45
	33	18
129103-35101	9	49
	33	30
129103-35122	9	61
	22	36
	33	42
	47	16
129103-49301	11	14
	35	14
129103-53050	40	2 C
129105-22080	8	20 B
	32	21 A

Parts No.	Fig. No.	Ref. No.
129105-22090	8	20 C
	32	21 B
129105-22500	8	22 B
	32	23 A
129111-13500	6	21
129111-13600	6	9 B
129111-13650	6	22
129111-13670	6	11 B
129111-13680	6	12 B
129115-59510	16	22 B
129120-77501	5	23
	27	33
129122-12100	5	26
129122-44480	12	27
	37	17
129129-14580	7	3 B
129136-12600	5	19
	27	25
129136-77250	20	24
	45	23
129150-01200	1	23 B
	23	26
129150-02020	1	7 B
	23	15
129150-02450	7	4
	31	4
129150-02800	1	15 B
	23	18
129150-02870	1	25 B
	23	28
129150-02930	1	18 B
	23	21
129150-02940	1	28 B
	23	31
129150-03020	4	52
	26	53
129150-03070	4	53
	26	54
129150-03080	4	54
	26	55
129150-03100	2	11
	24	11
129150-11230	4	34
	26	35
129150-11280	4	32
	26	30
129150-11290	4	27 B
129150-11310	4	57 B
	22	9 B
129150-11370	4	21 B

Parts No. Index

Parts No.	Fig. No.	Ref. No.
129150-11370	26	24
129150-11750	4	36
	26	37
129150-11810	4	8
	26	11
129150-12111	5	1 B
	22	12 B
129150-13110	6	18
	22	13 B
129150-14101	7	7
	31	7
129150-14200	7	1
	31	1
129150-14400	7	2 B
	31	2
129150-21200	8	5
	32	5
129150-21650	8	44
129150-22300	8	26 B
	32	27
129150-23600	8	34 B
	32	35
129150-23610	8	36 B
	32	43
129150-25101	7	10
	31	10
129150-25900	7	15 A
	31	15 B
129150-25920	7	13
	31	13
129150-32000	9	1 B
	33	1 A
129150-32020	9	11
	22	14
	33	15
	47	14
129150-35041	9	15
	22	15
	33	24
	47	15
129150-35091	9	16 B
	33	25 A
129150-35101	9	21
	33	54
129150-35111	9	22
	22	16
	33	55
	47	17
129150-35150	9	23
	33	43

Parts No.	Fig. No.	Ref. No.
129150-35350	9	32
	33	64
129150-39450	9	36 B
129150-42020	10	14
	22	17 A
129150-42320	10	11
129150-49080	12	31
	37	6
129150-49100	12	30
	37	5
129150-49811	10	24
	11	39
	22	19
	35	35
	47	20
129150-59120	15	20
129150-59130	15	23
	40	23
129150-59580	15	42
	16	15
	40	47
	41	15
129150-77511	5	24
	22	11
	27	34
	47	9
129150-91400	2	25
	24	25
129155-11241	4	26 C
129155-11260	4	30
	26	28
129155-11270	4	31
	26	29
129155-42350	11	18
	35	18
129155-49800	10	23
	11	38
	35	34
129155-51020	13	24
	38	24
129155-51050	13	27 A
	38	27 A
129155-51060	13	28 A
	38	28 A
129155-51140	13	33
	38	33
129155-51180	13	35
	38	35
129155-51200	13	37
	38	37

Parts No.	Fig. No.	Ref. No.
129155-51270	13	44
	38	44
129155-51280	13	45
	14	2
	38	45
	39	2
129155-51320	13	49
	38	49
129155-51340	13	50
	38	50
129155-51370	13	53
	38	53
129155-51380	13	54
	38	54
129155-51390	13	55
	38	55
129155-51400	13	56
129155-51410	13	57
	38	57
129155-51420	13	58
	38	58
129155-51450	13	59
	38	59
129155-51500	13	64
129155-51521	13	65
	38	65
129155-51530	13	66
	38	66
129155-51540	13	67
	38	67
129155-51550	13	68
	38	68
129155-51570	13	71
	38	71
129155-51580	13	72
	38	72
129155-51591	13	73
	38	73
129155-51600	13	74
	38	74
129155-51700	13	93
129155-51710	13	94
129155-51750	13	95
129155-51760	13	96
129155-51790	13	97
	38	97
129155-51930	13	99
	38	99
129155-51940	13	100
	38	100

Parts No.	Fig. No.	Ref. No.
129155-52050	13	3
	38	3
129155-61050	14	5
	39	5
129155-61060	14	6
	39	6
129155-61070	14	7
	39	7
129155-61120	14	8
	39	8
129155-61130	14	9
	39	9
129155-61140	14	10
	39	10
129155-61201	14	11 A
	39	11 A
129155-61341	14	15
	39	15
129155-61430	14	19
	39	19
129155-61450	14	24
	39	24
129155-61460	14	25
	39	25
129155-61470	14	74 B
	39	74 B
129155-61480	14	26
	39	26
129155-61490	14	31
	39	31
129155-61540	14	50
	39	50
129155-61802	14	52 A
	39	52 A
129155-61810	14	53
	39	53
129155-61830	14	55
	39	55
129155-61950	14	56
	39	56
129156-51910	13	98
	38	98
129157-01332	1	24 B
	22	2 B
129188-13570	6	23
129188-21590	8	13 C
129188-44560	12	3 B
	36	3 A
129188-44940	12	8 B
129188-44950	12	9 B

Parts No. Index

Parts No.	Fig. No.	Ref. No.
129188-44950	36	10
129188-44960	12	10 B
	36	11 A
129188-44970	12	11 B
	36	12 A
129188-44980	12	12 B
	36	13 A
129188-91140	21	27
	46	25
129258-49040	12	29
129322-18100	29	51
	47	37
129350-49530	10	21
	11	29
	35	25
129400-01520	2	1
	24	1
129400-01590	2	3
	24	3
129400-01730	25	13
129400-01770	25	15
129400-11350	26	51
129400-13201	28	7
	47	12
129400-51100	13	30 A
	38	30 A
129400-51200	13	30 B
	38	30 B
129400-59810	40	25 A
129400-59820	40	29 A
129400-59830	40	33 A
129400-59840	40	37 A
129400-59910	40	25 B
129400-59920	40	29 B
129400-59930	40	33 B
129400-59940	40	37 B
129400-61801	14	52 B
	39	52 B
129400-77011	43	1
129400-77400	43	2
129400-77440	43	5
129400-77460	43	7
129400-77470	43	8
129400-77480	43	9
129400-77490	43	10
129400-77510	43	11
129400-77520	43	13
129400-77530	43	14
129400-77570	43	18
129400-77640	43	19

Parts No.	Fig. No.	Ref. No.
129400-92420	22	45
	47	49
129403-07900	4	45
129403-13120	28	17 B
129403-13130	28	17 C
129403-13540	28	22
129403-18080	29	50
	47	35
129403-18090	30	39 A
	47	36
129403-18720	30	2
129403-18800	30	20
129403-18820	30	23
129403-34800	9	13 D
	33	22 B
129403-39450	34	4
129403-39460	34	9
129403-39600	34	23
129403-39610	34	25
129403-42380	10	18
	11	19
	35	19
129403-44740	35	20
129403-49031	12	28
	37	18
129403-49050	37	19
129403-51200	38	30 D
129404-18020	29	1
129404-18720	29	2
129404-18750	29	3
129404-18770	29	4
129404-18780	29	13
129404-18790	29	18
129404-18800	29	22
129404-18811	29	25
129404-18820	29	30
129404-18830	29	34
129405-01330	23	27
	47	2
129405-44940	36	8
129406-13100	28	17 A
129406-13500	28	21 A
129406-18010	30	1 A
129406-18030	30	1 B
129406-18770	30	3
129406-18780	30	12
129406-18790	30	16
129406-18830	30	26
129410-77330	20	26
	45	25

Parts No.	Fig. No.	Ref. No.
129411-12500	5	6
	27	6
129411-13100	28	1
129411-13500	28	8
129411-13600	28	9
129411-13650	28	10
129411-13670	28	11
129411-13680	28	12
129411-44560	36	3 B
129412-13500	28	21 B
129412-13600	28	23
129418-18320	28	5 -2
129436-35090	33	25 B
129470-11080	4	23
	26	6
129470-11090	4	24
	26	7
129470-51040	38	25 A
129470-51060	13	28 B
	38	28 B
129470-51080	13	110
	38	110
129470-51101	38	30 C
129477-18100	30	40 A
	47	38
129477-61720	14	80 C
	39	80 B
129488-12050	27	28 A
129488-12060	27	29 A
129488-12070	27	28 B
129488-12080	27	29 B
129488-12100	27	1
129488-12210	27	4 B
129488-12550	27	22 A
129488-12560	27	23 A
129488-12570	27	21 B
		24 A
129488-12580	27	19 B
129488-12590	27	20 B
129488-13500	28	21 C
129488-21590	32	14 B
129488-44580	36	4
129488-44940	36	9
129488-44960	36	11 B
129488-44970	36	12 B
129488-44980	36	13 B
129488-66120	42	25
129488-66150	42	26
129500-11240	26	27 B
129500-53050	15	2 A

Parts No.	Fig. No.	Ref. No.
129500-61500	14	32 A
	39	32 A
129500-61650	14	51 B
	39	51 B
129500-61700	14	80 D
	39	80 C
129503-39600	34	24
129503-53000	15	2 D
	40	2 B
129503-53050	40	2 D
129506-39610	34	26
129506-51040	38	25 B
129550-11290	26	31
129550-11310	26	58
	47	8
129550-12111	27	2
	47	10
129550-13110	28	2
	47	11
129550-21650	32	9
129550-39450	34	5
129550-59120	40	20
129553-32000	9	1 C
	33	1 B
129553-39650	33	52
129555-11241	26	27 A
129555-51400	38	56
129555-51500	38	64
129555-51700	38	93
129555-51710	38	94
129555-51750	38	95
129555-51760	38	96
129555-59510	16	22 A
	41	23
129693-44310	28	20 -1
129792-13520	30	39 B
	47	39
129792-18090	30	40 B
	47	40
129792-22400	8	27 A
129792-39410	33	46
129795-01780	3	17 B
	25	28
129795-01800	2	6
	24	6
129795-01950	2	10
	24	10
129795-02411	1	21
	23	24
129795-11120	4	16 B

Parts No. Index

Parts No.	Fig. No.	Ref. No.
129795-11120	26	19
129795-11180	4	17 B
	26	20
129795-21661	8	10
	32	11
129795-49551	10	22
	11	30
	22	18
	35	26
	47	19
129810-13110	22	13 A
170064-67210	17	22
	42	19
171001-93100	22	38
	47	42
171008-77010	18	1 B
171008-77400	18	2 B
171008-77410	18	3 B
	43	3
171008-77420	18	4 B
	43	4
171008-77440	18	5 B
171008-77450	18	6 B
	43	6
171008-77460	18	7 B
171008-77470	18	9 B
171008-77480	18	10 B
171008-77490	18	11 B
171008-77500	18	8 B
171008-77510	18	18 B
	43	12
171008-77520	18	25 B
171008-77530	18	20 B
171008-77540	18	19 B
	43	15
171008-77571	18	22 B
171008-77640	18	21 B
171008-77650	18	12 B
	43	20
171008-77660	18	13 B
	43	21
171008-77670	18	14 B
	43	22
171008-77720	18	15 B
	43	26
171008-77730	18	16 B
	43	27
171008-77740	18	17 B
	43	28
171008-77750	18	26

Parts No.	Fig. No.	Ref. No.
171048-67010	17	7
	42	4
171048-67130	17	16
	42	13
171048-67140	17	17
	42	14
171051-01921	1	6
	23	7
171064-12400	27	5 B
171064-12509	27	13
171064-12540	27	14
171064-12550	27	15
171080-91100	21	8 A
	46	8 A
171082-91100	21	8 B
	46	8 B
171085-67100	17	13
	42	10
171085-67110	17	14
	42	11
171085-67120	17	15
	42	12
171102-66080	17	8
	42	5
171301-01600	3	2 B
	25	3
171301-01640	3	9
		21
		26
	25	9
		16
171301-12701	5	2
171301-21650	8	9
	32	10
171301-44500	12	1 A
171301-49010	12	23
	37	1 A
171301-49020	12	24
	37	2 A
171340-21580	8	13 B
171340-21590	8	13 D
171340-21650	8	45
171340-44740	11	20
	35	21
171350-03090	4	63
	26	47
171350-13100	6	17
171351-12210	5	4
	27	4 A
171351-12560	5	17

Parts No.	Fig. No.	Ref. No.
171351-12560	27	23 B
171351-12570	5	18
	27	24 B
171351-12580	5	16
	27	22 B
171353-44760	11	22
	35	22
171353-61700	14	80 A
171353-61710	14	80 B
	39	80 A
171420-01600	3	2 C
	25	4
171420-21580	32	14 A
171420-21590	32	14 C
171420-34800	9	13 B
	33	22 A
171420-34820	9	13 C
	33	22 C
171420-44500	12	1 B
	36	1 A
171420-49010	37	1 B
171420-49020	37	2 B
171430-44500	36	1 C
171440-44500	12	1 C
171440-49010	37	1 C
171460-44500	36	1 B
171488-61200	14	11 B
	39	11 B
174307-51170	13	34
	38	34
174307-51560	13	70
	38	70
174307-51700	14	33
	39	33
194180-51640	21	37
194990-22050	6	3
		13
	28	3
		13
	29	52
	30	41
22117-040000	14	58
	39	58
22117-050000	21	15
		16
	46	15
		16
22117-100000	17	23
	42	20
22137-080000	12	13

Parts No.	Fig. No.	Ref. No.
22137-080000	36	14
22137-100000	6	26
22217-060000	13	101
	38	101
22217-100000	6	27
	12	14
	17	24
	36	15
	42	21
22217-120000	7	16
	31	16
22272-000040	14	59
	39	59
22272-000060	14	60
	39	60
22287-120000	14	61
	39	61
22351-020006	17	18
	42	15
22351-030010	33	53
22351-030016	14	62
	39	62
22351-040010	8	8
	32	8
22351-050010	13	102
	38	102
22351-060012	4	22
	26	25
22372-040000	14	63
	39	63
22411-200150	17	19
	42	16
22512-070140	7	8
	8	6
	31	8
	32	6
23000-016000	12	41
	37	15
23000-022000	12	38
	34	27
	37	20
23000-025000	34	28
23000-050000	27	30
23000-060000	5	20
	27	31
23000-070000	27	32
23010-038000	12	25
	37	3
23080-012000	29	49
23414-080000	22	22

Parts No. Index

Parts No.	Fig. No.	Ref. No.
23414-080000	23	12
	34	17
	47	25
23414-100000	9	41
		42 B
	22	23
	34	18
23414-120000	47	26
	15	52
	22	24
	40	56
23414-180000	47	24
	9	59
23871-010000	33	40
	1	10
23871-020000	23	8
	9	60
23871-030000	33	41
	4	10
	10	12
	11	12
		36
	23	13
	26	13
	35	12
		32
	23887-100002	14
23887-120002	39	64
	1	11
24101-063034	13	103
	38	103
24104-062054	8	18
	32	19
24311-000120	4	62
	22	29
	26	63
	47	27
24311-000160	2	13
	9	33
	16	11
	22	31
		35
	24	13
	33	65
	41	11
47	28	
24311-000200	9	46
	22	32
	33	19
47	31	

Parts No.	Fig. No.	Ref. No.
24311-000210	9	47
	22	33
	33	20
	47	33
24311-000320	2	14
	4	65
	22	26
		28
24311-240100	24	14
	26	59
	47	30
	14	65
	16	12
	39	65
24314-000160	41	12
	34	29
	47	29
24321-000550	9	48
	22	34
	33	21
	47	34
24321-000650	16	13 B
	22	30
	41	13
24341-000160	13	104
	38	104
24341-000240	2	27
	3	11
		24
24341-000500	29	
	24	27
	25	12
		19
	47	32
	4	59
	22	27
	26	60
	10	20
	35	23
26014-060162	11	23
26014-060252	20	23
	45	26
26014-080252	6	14
	28	14
26014-080302	16	16
	41	16
26014-080702	13	105
	14	66
	38	105
26014-080302	39	66
	13	105
	14	66

Parts No.	Fig. No.	Ref. No.
26022-060162	13	106
	38	106
26033-060202	21	32
	46	30
	17	25
26106-060102	42	22
	2	28
26106-060162	24	28
	34	30
	14	67
26106-060202	39	67
	18	23 B
26106-060322	43	29
	11	24
26106-060352	35	24
	18	24 B
26106-060402	43	30
	34	19
26106-080102	2	15
	6	15
26106-080122	12	15
	21	31
26106-080142		33
	23	14
	24	15
	28	15
	36	16
	46	29
	4	46
	5	21
	6	16
	26	46
26106-080162	27	26
	28	16
	1	22
	2	16
		17
	3	12
	4	60
	12	16
		39
	17	27
21	34	
26106-080162		35
	23	25
	24	16
		17
	25	20
	26	61
	36	17
		35
		19
		17

Parts No.	Fig. No.	Ref. No.
26106-080162	37	13
	42	24
	46	31
26106-080202		32
	2	18
	9	34
	10	25
	11	41
	12	17
	24	18
	28	24
		25
		33
26106-080222	35	37
	36	18
	8	19
26106-080252	32	20
	3	30
	4	41
	5	3
	11	42
	12	18
	25	21
	26	43
	35	38
	36	19
26106-080302	3	18
	25	29
26106-080352	3	19
	5	25
	9	20
	10	15
	25	30
	27	3
		35
	33	29
	2	19
	3	13
26106-080452	7	14
	24	19
	25	22
		23
	31	14
	3	31
	4	42
	11	43
	25	24
	26	44
26106-080502	35	39
	2	20
		20

Parts No. Index

Parts No.	Fig. No.	Ref. No.
26106-080552	10	16
	24	20
	6	4
26106-080602	11	15
		44
	35	15
		40
26106-080652	28	18
26106-080752	9	62
	33	44
26106-080802	6	19
	28	4
26106-080852	2	21
	24	21
	28	19
26106-081002	28	20
26106-100302	12	19 B
	36	20
26106-100652	6	28
26116-050102	21	17
	46	17
26116-050302	13	107
	38	107
26116-060082	17	20
	42	17
26116-060162	11	37
	35	33
26116-120252	18	27
	19	34
	43	31
	44	34
26206-100252	3	4
	25	6
26206-100302	3	5
	25	7
26206-120302	12	19 A
26216-060202	4	11 B
	26	14
26216-060302	4	11 A
26216-080222	6	5
	28	5
26216-080802	6	20
	28	6
26226-080182	4	37
	26	38
26226-080602	6	6
26366-060002	4	25
		43
	5	22
	26	26

Parts No.	Fig. No.	Ref. No.
26366-060002	27	27
26366-080002	2	22
	12	20
	14	68
	20	25
	21	36
	24	22
	36	21
	39	68
	45	24
	46	33
26450-060252	9	12
	33	16
26557-040122	19	33
	44	33
26657-100002	17	26
	42	23
26687-120002	14	81
	39	81
26706-100002	6	29
26716-050002	21	18
	46	18
26716-060002	13	108
	38	108
26716-100002	12	21
	36	22
26716-120002	7	17
	31	17
26756-050002	17	3
	42	27
26756-060002	14	69
	39	69
26756-080002	26	39
26756-100002	12	22
	36	23
26776-120002	14	70
	39	70
26921-050122	17	21
	42	18
27231-500000	1	12
	23	9
27241-120000	1	13
	23	10
27241-220000	4	12
	26	15
27241-300000	1	14
	23	11
27241-400000	4	13
	26	16
28110-100120	22	41

Parts No.	Fig. No.	Ref. No.
28110-100120	47	45
28110-140170	22	42
	47	46
	28110-190220	22
	47	47
28210-000140	22	44
	47	48
43400-500390	14	71
	39	71
43400-500410	2	23
		24
	9	42 A
	24	23
		24
	34	20
43400-500430	14	72
	39	72
43400-500450	14	73
	39	73
43400-500490	13	109
	38	109
719800-53100	15	1 B
719810-02800	1	15 A
719810-02930	1	18 A
719810-11650	4	33 A
719810-23100	8	28 A
719810-53100	40	1 A
719811-01560	1	1 A
719811-11700	4	1 A
719811-21700	8	1 A
719811-22900	8	38 A
719811-51350	13	1 A
719811-92610	22	1 A
729100-22500	8	22 A
729100-53100	15	1 C
729102-01540	3	20
729102-11700	4	1 C
729102-21700	8	1 B
729103-53200	40	1 D
729105-22500	8	22 C
	32	23 B
729105-22900	8	38 B
	32	37 B
729105-22910	8	38 C
	32	37 A
729105-22950	8	40 C
729105-22951	32	39 A
729105-51300	13	1 C
729105-51350	13	1 B
729105-51400	13	1 D

Parts No.	Fig. No.	Ref. No.
729105-92600	22	1 B
729111-92630	22	1 C
729115-92610	22	1 D
729157-01560	1	1 B
729157-22951	8	40 B
	32	39 B
	729400-21700	32
729402-01540	25	8
729402-11650	4	33 C
	26	34 A
729402-11700	26	1 B
729402-14580	31	3
729402-23100	8	28 B
	32	29
729405-01560	23	1
729405-11700	26	1 C
729405-51300	38	1 B
729405-51350	38	1 A
729405-51400	38	1 C
729405-92630	47	1 A
729406-11700	26	1 D
729406-21700	32	1 B
729406-51300	38	1 E
729406-51350	38	1 D
729406-51400	38	1 F
729406-92610	47	1 C
		1 E
729411-11700	26	1 A
729411-92650	47	1 B
729412-92610	47	1 D
729500-53200	15	1 A
729503-53100	15	1 D
	40	1 B
729503-53200	40	1 C
729555-22950	8	40 A
771364-11701	4	1 B
933110-00100	21	19
	46	19
933110-00301	21	21
	46	21
X211414501	18	25 A
X211415502	18	3 A
X211415505	18	12 A
X211425502	18	4 A
X211425505	18	15 A
X21142867	18	24 A
X211429006	18	14 A
X211429007	18	9 A
X21143315	18	7 A
X211435502	18	16 A

Parts No. Index

Parts No.	Fig. No.	Ref. No.
X211445502	18	17 A
X211447007	18	20 A
X211448004	18	22 A
X211451007	18	2 A
X21145866	18	23 A
X211459002	18	10 A
X21146012	18	19 A
X211468005	18	21 A
X211472106	18	5 A
X211476504	18	18 A
X21148215	18	6 A
X211483003	18	8 A
X21148314	18	11 A
X211495009	18	13 A
XNN139813	30	26 A

Parts No.	Fig. No.	Ref. No.
-----------	----------	----------

Parts No.	Fig. No.	Ref. No.
-----------	----------	----------

Parts No.	Fig. No.	Ref. No.
-----------	----------	----------