

OCR10-M23800EN

P R E F A C E

1. This Parts Catalog carries all parts incorporated in YANMAR Model 3T95LE-S.SH, 4T95LE-S.SH and 4T95LTE-S.SH engines.
2. Each illustration corresponds to the parts list on the following page.
3. When ordering parts, clearly write down the engine model and serial number, as well as the name and number of each part in your order sheet. This will help insure reliable delivery of the parts you have ordered.

Contents

OCR10-M23800

Fig. No.	Fig. Name
ENGINE 3,4T95L(T)E-SH	
1.	CYLINDER BLOCK
2.	GEAR HOUSING
3.	LUBRICATING OIL SUMP
4.	MOUNTING FLANGE
5.	AIR BREATHER
6.	BONNET
7.	CYLINDER HEAD
8.	AIR CLEANER
9.	AIR INTAKE MANIFOLD
10.	CAMSHAFT
11.	EXHAUST MANIFOLD
12.	TURBOCHARGER
13.	CRANKSHAFT
14.	PISTON & CONNECTING ROD
15.	BALANCER DEVICE
16.	IDLE SHAFT & GEAR
17.	PISTON JET
18.	LUBRICATING OIL PUMP
19.	LUBRICATING OIL COOLER
20.	LUBRICATING OIL STRAINER
21.	LUBRICATING OIL LINE
22.	COOLING WATER PUMP
23.	RADIATOR , FAN & PULLEY
24.	THERMOSTAT & COOLING W. LINE

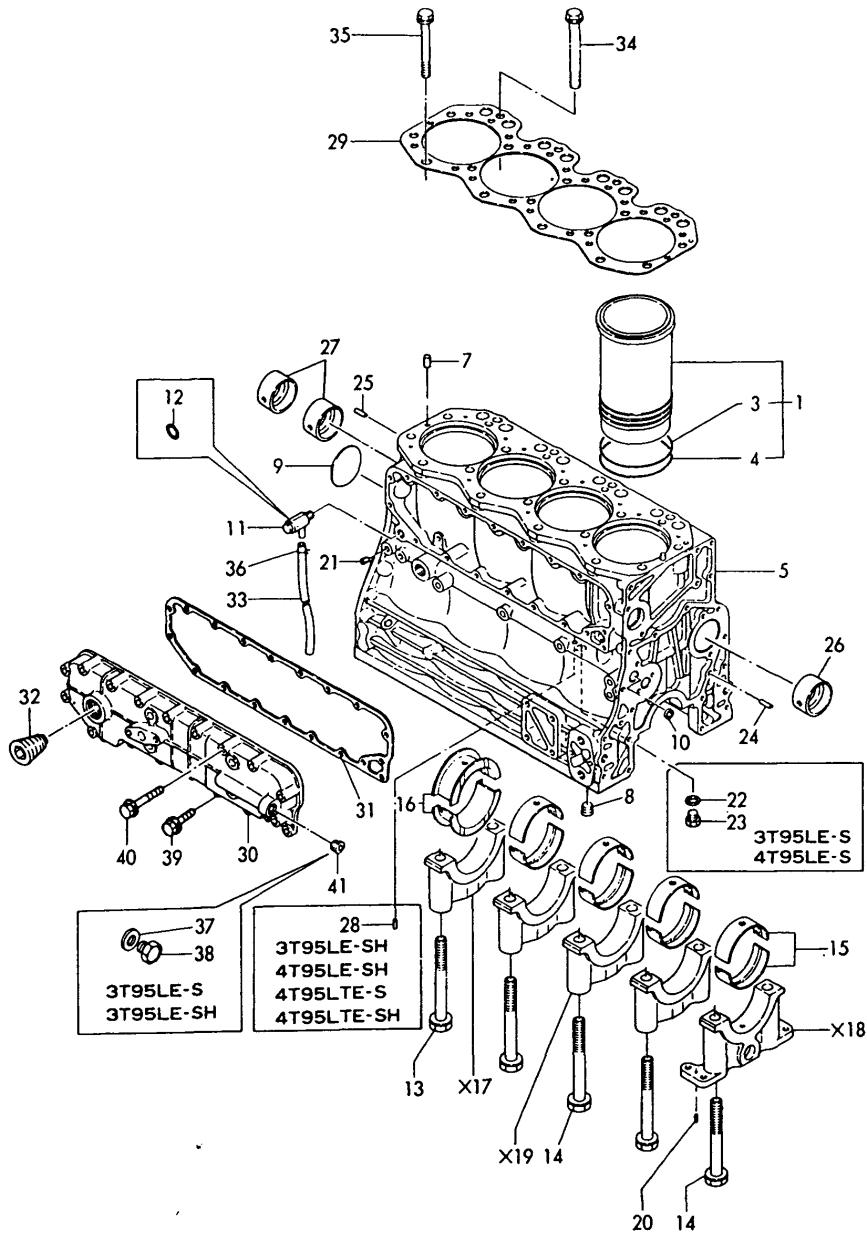
Fig. No.	Fig. Name
25.	FUEL INJECTION PUMP
26.	FUEL FEED PUMP
27.	FUEL INJECTION VALVE
28.	TIMER
29.	FUEL STRAINER
30.	FUEL INJECTION & RETURN PIPES
31.	FUEL LINE
32.	GOVERNOR
33.	REGULATOR
34.	ENGINE STOP DEVICE
35.	ELECTRIC DEVICE
36.	GENERATOR COMPONENT PARTS
37.	STARTING MOTOR COMPONENT PARTS
38.	INSTRUMENT PANEL
39.	TACHOMETER GEAR UNIT
40.	TOOLS
41.	GASKET SET

Fig.1. CYLINDER BLOCK

(A)=3T95LE-S
(B)=4T95LE-S
(C)=4T95LTE-S

(D)=3T95LE-SH
(E)=4T95LE-SH
(F)=4T95LTE-SH

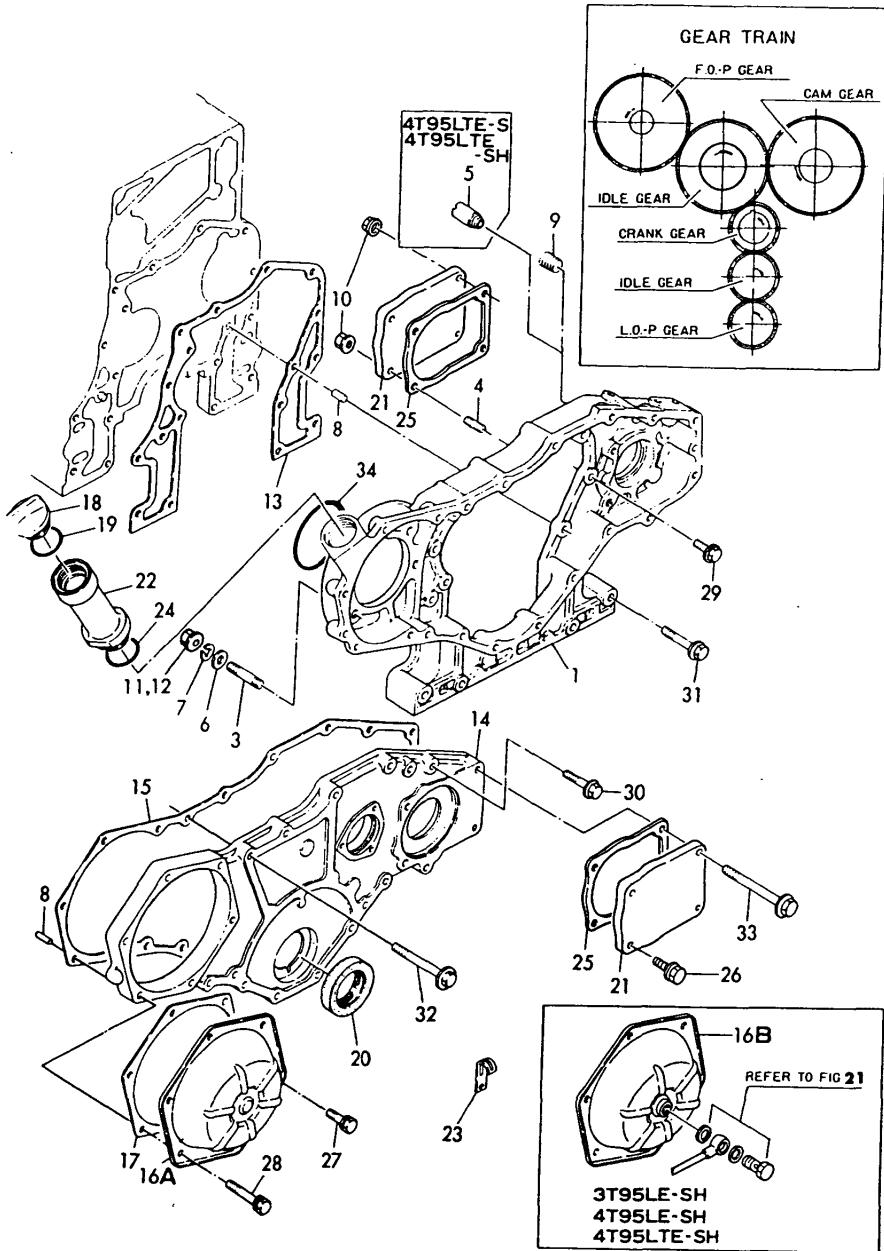
Fig. 1 CYLINDER BLOCK



No.	Lev.	Parts No.	Description	Q'ty						I	R
				(A)	(B)	(C)	(D)	(E)	(F)		
1A	1	721850-01900	LINER ASSY, CYLINDER	3	4	4					
1B	1	721870-01900	LINER ASSY, CYLINDER				3	4	4		
3	2	120445-01300	GASKET, LINER	3	4	4	3	4	4		
4	2	121850-01300	GASKET, LINER	3	4	4	3	4	4		
5A	1	721870-01561	BLOCK ASSY, CYLINDER	1			1				
5B	1	721952-01562	BLOCK ASSY, CYLINDER		1	1		1	1		
7	2	22312-080160	PIN, PARALLEL M8X16	2	2	2	2	2	2		
8	2	23871-030000	PLUG, R03	2	2	2	2	2	2		
9	2	27231-600000	PLUG, 60	1	1	1	1	1	1		
10	2	27241-160000	PLUG, 16	1	1	1	1	1	1		
11	2	120130-49350	COCK, 1/4	1	1	1	1	1	1		
12	3	24311-000050	O-RING, 1AP5.0	1	1	1	1	1	1		
13	2	121850-02070	BOLT, METAL CAP	6	8	8	6	8	8		
14	2	121850-02080	BOLT, METAL CAP	2	2	2	2	2	2		
15	2	124610-02150	BEARING, MAIN	3	4	4	3	4	4		
16	2	124610-02160	BEARING, MAIN	1	1	1	1	1	1		
20	2	22351-040010	PIN, SPRING 4.0X10	2	2	2	2	2	2		
21	2	23871-010000	PLUG, R01	4	5	5	5	6	6		
22	2	23414-100000	GASKET, 10X1.0	3	4						
23	2	23887-100002	PLUG, 10	3	4						
24	2	22312-080160	PIN, PARALLEL M8X16	2	2	2	2	2	2		
25	2	22312-100220	PIN, PARALLEL M10X22	2	2	2	2	2	2		
26	2	121850-02410	BUSH, CAMSHAFT	1	1	1	1	1	1		
27	2	121850-02420	BUSH, CAMSHAFT	2	2	2	2	2	2		
28	2	22312-030080	PIN, PARALLEL M3X 8			4	3	4	4		
29A	1	121850-01320	GASKET, HEAD	1			1				
29B	1	121950-01320	GASKET, HEAD T=1.4		1	1		1	1		
30A	1	124310-01400	COVER	1			1				
30B	1	121952-01401	COVER		1	1		1	1		
31A	1	121850-01410	GASKET	1			1				
31B	1	121950-01410	GASKET		1	1		1	1		
32	1	171051-01921	PLUG, NPTF1	1	1	1	1	1	1		
33	1	124738-49150	PIPE, DRAIN L=300	1	1	1	1	1	1		
34	1	121850-01200	BOLT, HEAD	11	14	14	11	14	14		
35	1	121850-01210	BOLT, HEAD	3	4	4	3	4	4		
36	1	124766-59050	CLIP, HOSE 12	1	1	1	1	1	1		
37	1	23414-160000	GASKET, 16X1.0	1			1				
38	1	23887-160002	PLUG, 16	1			1				
39A	1	26106-080202	BOLT, M8X 20 PLATED	5			5				
39B	1	26106-080252	BOLT, M8X 25 PLATED		7	7		7	7		
39C	1	26106-080282	BOLT, M8X 28 PLATED	1			1				
40	1	26106-080452	BOLT, M8X 45 PLATED	9	12	12	9	12	12		
41	1	23871-030000	PLUG, R03		1	1		1	1		

Fig.2. GEAR HOUSING

Fig.2 GEAR HOUSING



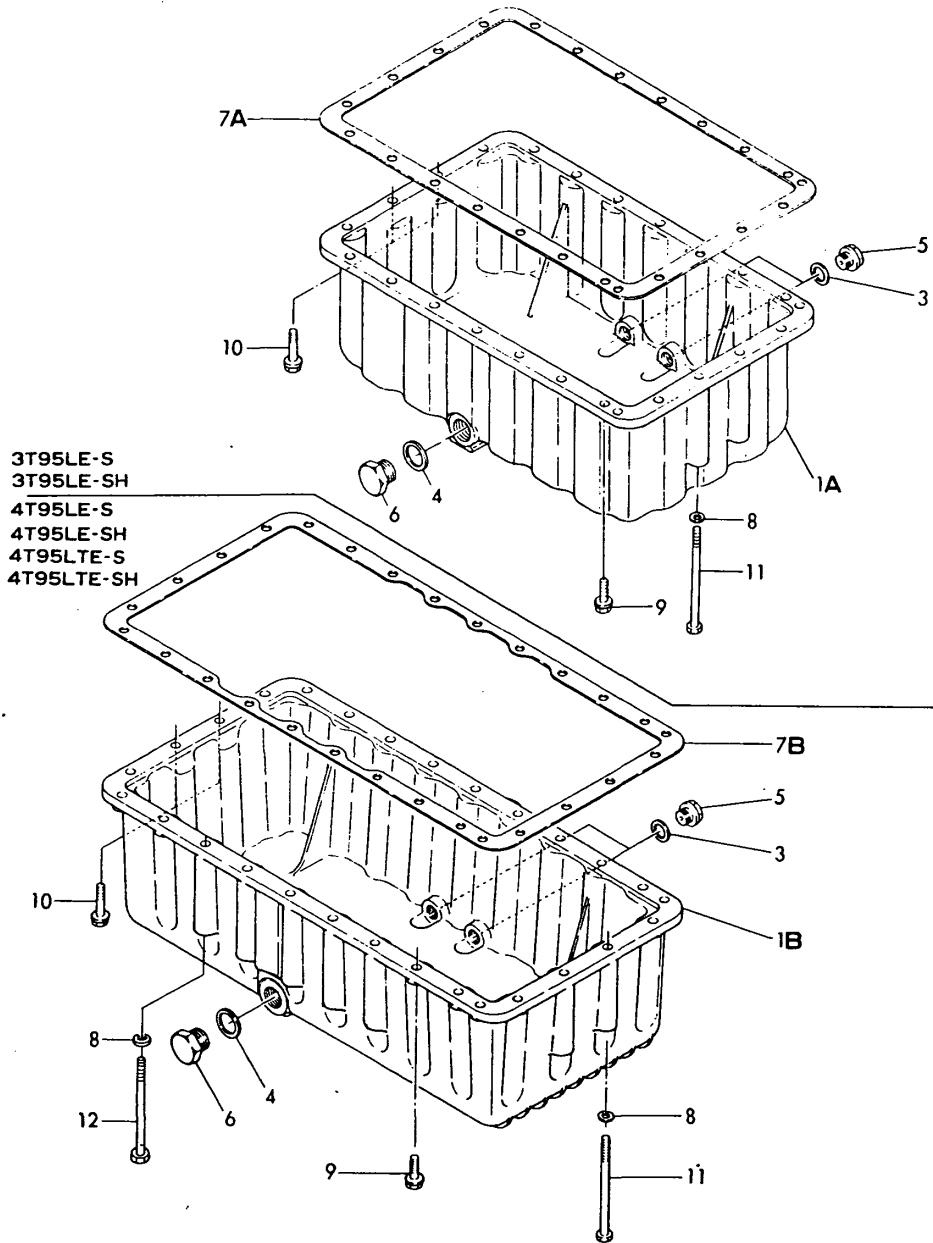
(A)=3T95LE-S
(B)=4T95LE-S
(C)=4T95LTE-S

(D)=3T95LE-SH
(E)=4T95LE-SH
(F)=4T95LTE-SH

No.	Lev.	Parts No.	Description	Qty						I	R
				(A)	(B)	(C)	(D)	(E)	(F)		
1	1	721850-01610	CASE ASSY, GEAR	1	1	1	1	1	1		
3	2	121850-01900	STUD, SB10X32	4	4	4	4	4	4		
4	2	121850-01920	STUD, 2D8X22	2	2	2	2	2	2		
5	2	104407-44480	JOINT			1					1
6	2	22137-100000	WASHER, 10	4	4	4	4	4	4		
7	2	22217-100000	WASHER, SPRING 10	4	4	4	4	4	4		
8	2	22312-080160	PIN, PARALLEL M8X16	4	4	4	4	4	4		
9	2	23871-030000	PLUG, R03	1	1		1	1			
10	2	26366-080002	NUT, M8	4	4	4	4	4	4		
11	2	26366-100002	NUT, M10	4	4						
12	2	26706-100002	NUT, M10			4	4	4	4		
13	1	121850-01510	GASKET, GEAR CASE	1	1	1	1	1	1		
14	1	121850-01520	COVER, GEAR CASE	1	1	1	1	1	1		
15	1	121850-01530	GASKET, GEAR CASE	1	1	1	1	1	1		
16A	1	121850-01550	COVER	1	1	1					
16B	1	121875-01550	COVER				1	1	1		
17	1	121850-01560	GASKET	1	1	1	1	1	1		
18	1	124160-01751	COVER, FILLER	1	1	1	1	1	1		
19	1	24311-000320	O-RING, 1AP32.0	1	1	1	1	1	1		
20	1	121850-01800	SEAL, OIL	1	1	1	1	1	1		
21	1	124610-01850	COVER	2	2	2	2	2	2		
22	1	121027-11742	PIPE	1	1	1	1	1	1		
23	1	194440-51620	CLAMP	1	1	1	1	1	1		
24	1	24321-000350	O-RING, 1AG35.0	1	1	1	1	1	1		
25	1	124610-01860	GASKET	2	2	2	2	2	2		
26	1	26106-080162	BOLT, M8X 16 PLATED	2	2	2	2	2	2		
27	1	26014-080162	BOLT, M8X 16	1	1	1	1	1	1		
28	1	26014-080402	BOLT, M8X 40	5	5	5	5	5	5		
29	1	26106-080222	BOLT, M8X 22 PLATED	5	5	5	5	5	5		
30	1	26106-080382	BOLT, M8X 38 PLATED	5	5	5	5	5	5		
31	1	26106-080552	BOLT, M8X 55 PLATED	4	4	4	4	4	4		
32	1	26106-080752	BOLT, M8X 75 PLATED	7	7	7	7	7	7		
33	1	26106-080902	BOLT, M8X 90 PLATED	2	2	2	2	2	2		
34	1	121850-51960	O-RING	1	1	1	1	1	1		

Fig.3. LUBRICATING OIL SUMP

Fig.3 LUBRICATING OIL SUMP



(A)=3T95LE-S
(B)=4T95LE-S
(C)=4T95LTE-S

(D)=3T95LE-SH
(E)=4T95LE-SH
(F)=4T95LTE-SH

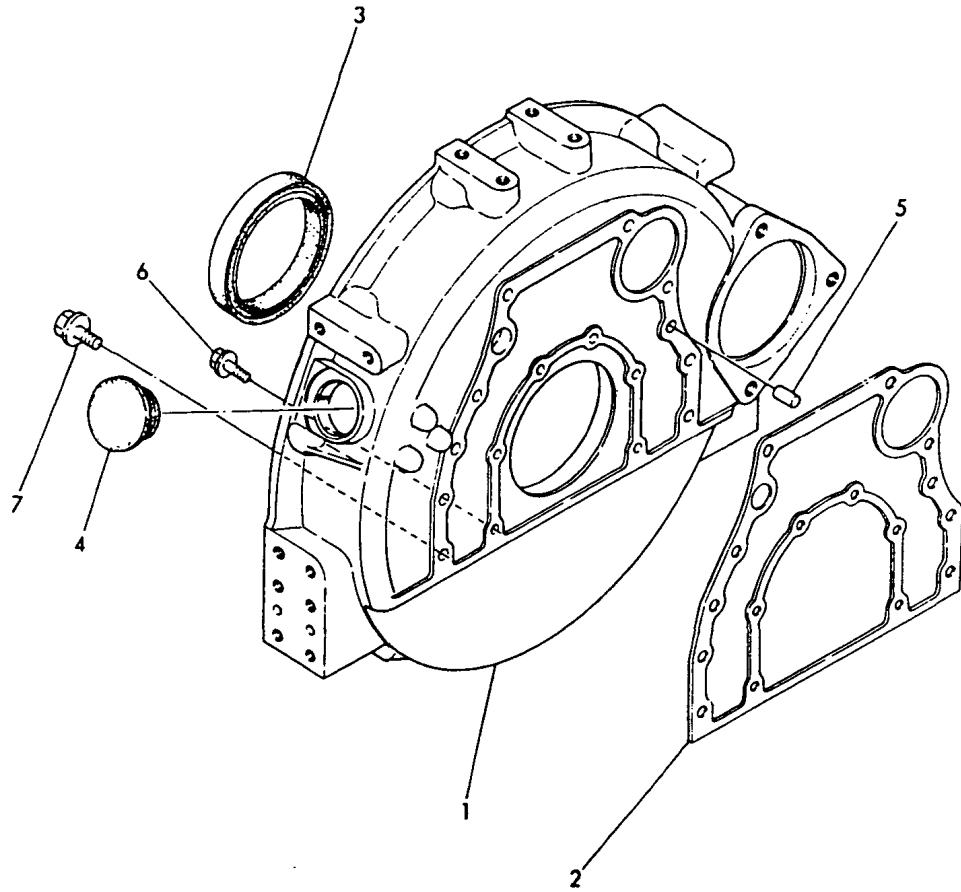
No.	Lev.	Parts No.	Description	Q'ty						I	R
				(A)	(B)	(C)	(D)	(E)	(F)		
1A	1	721872-01540	SUMP ASSY, OIL	1			1				
1B	1	721975-01540	SUMP ASSY, OIL		1	1		1	1		
3	2	23414-160000	GASKET, 16X1.0	2	2	2	2	2	2		
4	2	23414-240000	GASKET, 24X1.0	1	1	1	1	1	1		
5	2	105425-01690	PLUG, 16	2	2	2	2	2	2		
6	2	23887-240002	PLUG, 24	1	1	1	1	1	1		
7A	1	121872-01710	GASKET, OIL SUMP	1			1				
7B	1	121970-01710	GASKET, OIL SUMP		1	1		1	1		
8	1	22117-080000	WASHER, 8	2	12	12	2	12	12		
9	1	26106-080252	BOLT, M8X 25 PLATED	20	14	14	20	14	14		
10	1	26106-080382	BOLT, M8X 38 PLATED	2	2	2	2	2	2		
11	1	26116-081202	BOLT, M8X120 PLATED	2	2	2	2	2	2		
12	1	26116-081452	BOLT, M8X145 PLATED		10	10		10	10		

Fig.4. MOUNTING FLANGE

(A)=3T95LE-S
(B)=4T95LE-S
(C)=4T95LTE-S

(D)=3T95LE-SH
(E)=4T95LE-SH
(F)=4T95LTE-SH

Fig.4 MOUNTING FLANGE



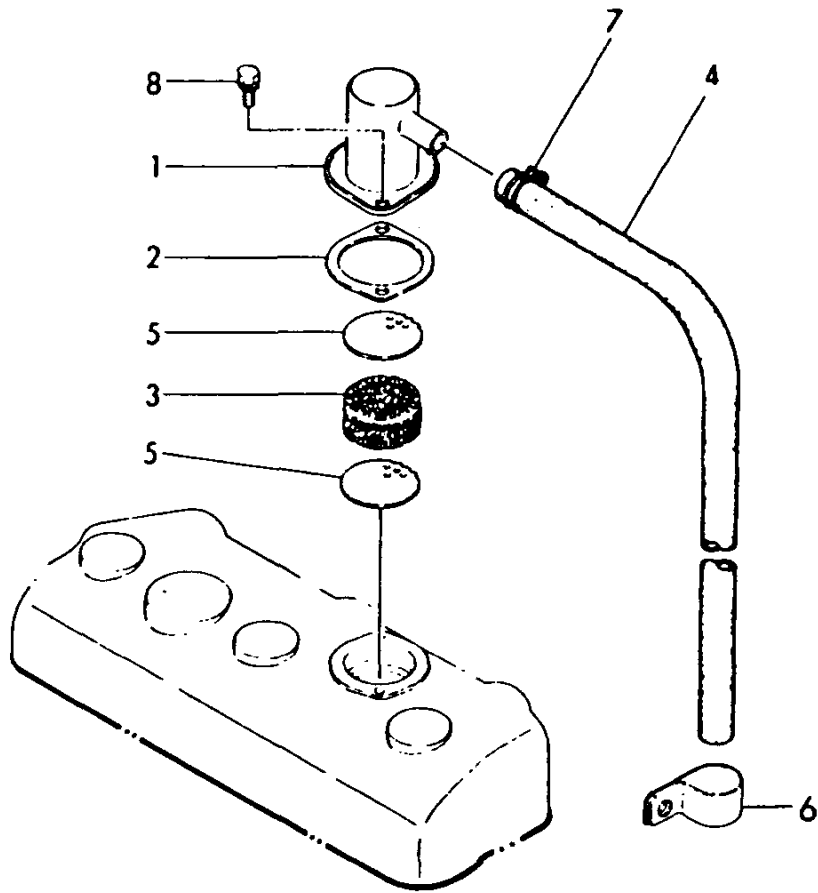
No.	Lev.	Parts No.	Description	Qty						I	R
				(A)	(B)	(C)	(D)	(E)	(F)		
1	1	171085-01600	HOUSING, FLYWHEEL	1	1	1	1	1	1		
2	1	121970-01610	GASKET	1	1	1	1	1	1		
3	1	124227-01780	SEAL, OIL	1	1	1	1	1	1		
4	1	129795-11750	CAP	1	1	1	1	1	1		
5	1	121850-21920	PIN, M10X22	2	2	2	2	2	2		
6	1	26106-080282	BOLT, M8X 28 PLATED	6	6	6	6	6	6		
7	1	26106-100302	BOLT, M10X 30 PLATED	8	8	8	8	8	8		

Fig.5. AIR BREATHER

(A)=3T95LE-S
(B)=4T95LE-S
(C)=4T95LTE-S

(D)=3T95LE-SH
(E)=4T95LE-SH
(F)=4T95LTE-SH

Fig. 5 AIR BREATHER



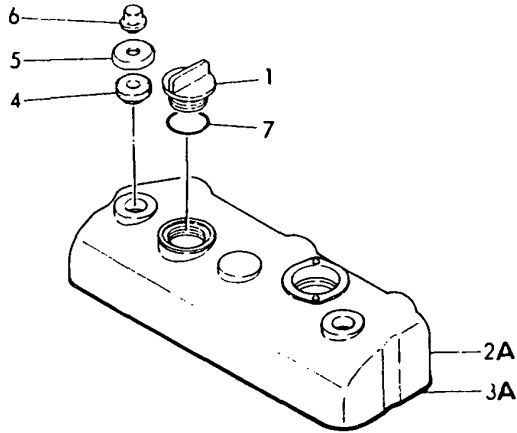
No.	Lev.	Parts No.	Description	Q'ty						I	R
				(A)	(B)	(C)	(D)	(E)	(F)		
1	1	121850-03020	COVER, BREATHER	1	1	1	1	1	1		
2	1	124411-03050	GASKET	1	1	1	1	1	1		
3	1	121850-03050	FILTER, BREATHER	1	1	1	1	1	1		
4	1	121970-03060	PIPE , BREATHER	1	1	1	1	1	1		
5	1	121750-03080	PLATE, BAFFLE	2	2	2	2	2	2		
6	1	121575-49310	RETAINER, PIPE	1	1	1	1	1	1		
7	1	23010-023000	CLAMP, 23	1	1	1	1	1	1		
8	1	26014-060142	BOLT, M6X 14	2	2	2	2	2	2		

Fig.6. BONNET

(A)=3T95LE-S
(B)=4T95LE-S
(C)=4T95LTE-S

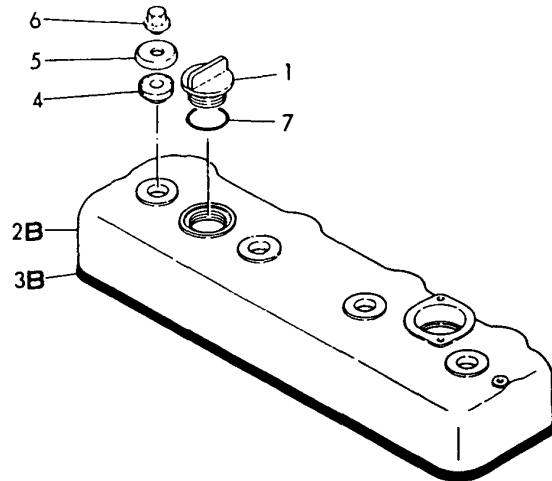
(D)=3T95LE-SH
(E)=4T95LE-SH
(F)=4T95LTE-SH

Fig.6 BONNET



3T95LE-S
3T95LE-SH

4T95LE-S
4T95LE-SH
4T95LTE-S
4T95LTE-SH



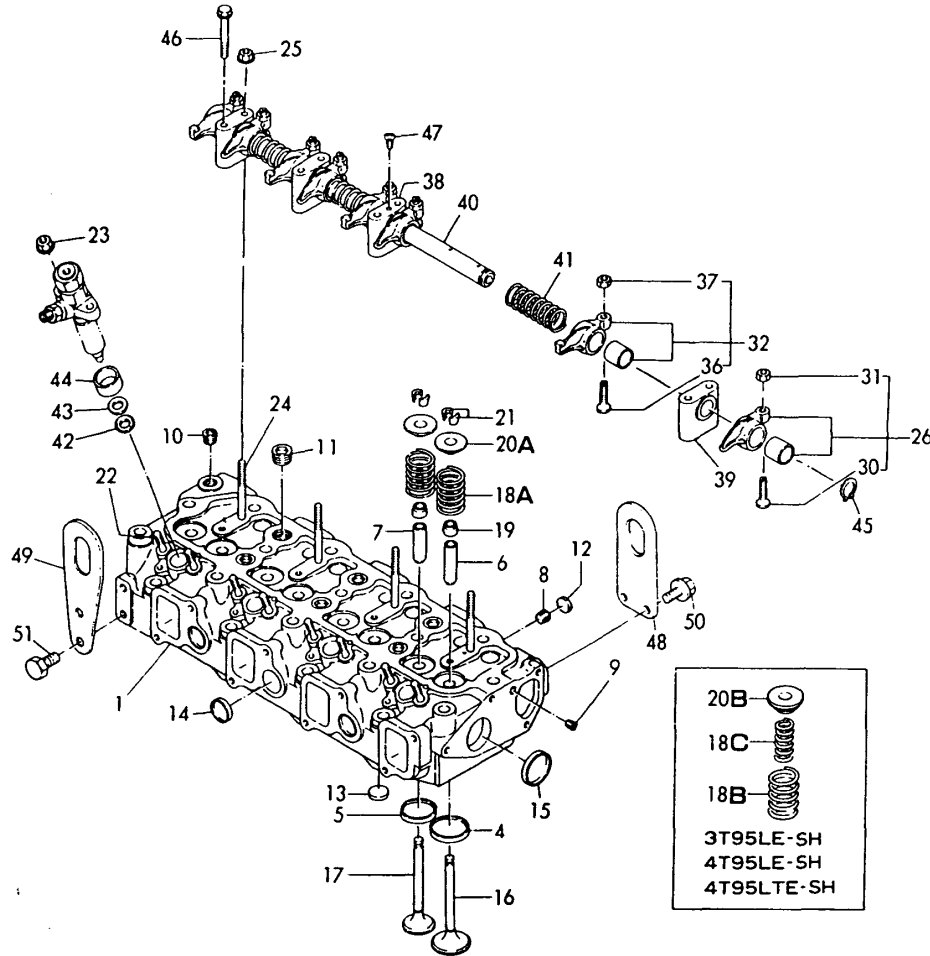
No.	Lev.	Parts No.	Description	Q'ty						I	R
				(A)	(B)	(C)	(D)	(E)	(F)		
1	1	124160-01751	COVER, FILLER	1	1	1	1	1	1		
2A	1	124311-11300	BONNET	1			1				
2B	1	124411-11300	COVER, BONNET		1	1		1	1		
3A	1	124311-11310	GASKET	1			1				
3B	1	124411-11310	GASKET		1	1		1	1		
4	1	124411-11320	RUBBER	2	4	4	2	4	4		
5	1	124411-11330	WASHER	2	4	4	2	4	4		
6	1	124160-11360	KNOB	2	4	4	2	4	4		
7	1	24311-000320	O-RING, 1AP32.0	1	1	1	1	1	1		

Fig.7. CYLINDER HEAD

(A)=3T95LE-S
(B)=4T95LE-S
(C)=4T95LTE-S

(D)=3T95LE-SH
(E)=4T95LE-SH
(F)=4T95LTE-SH

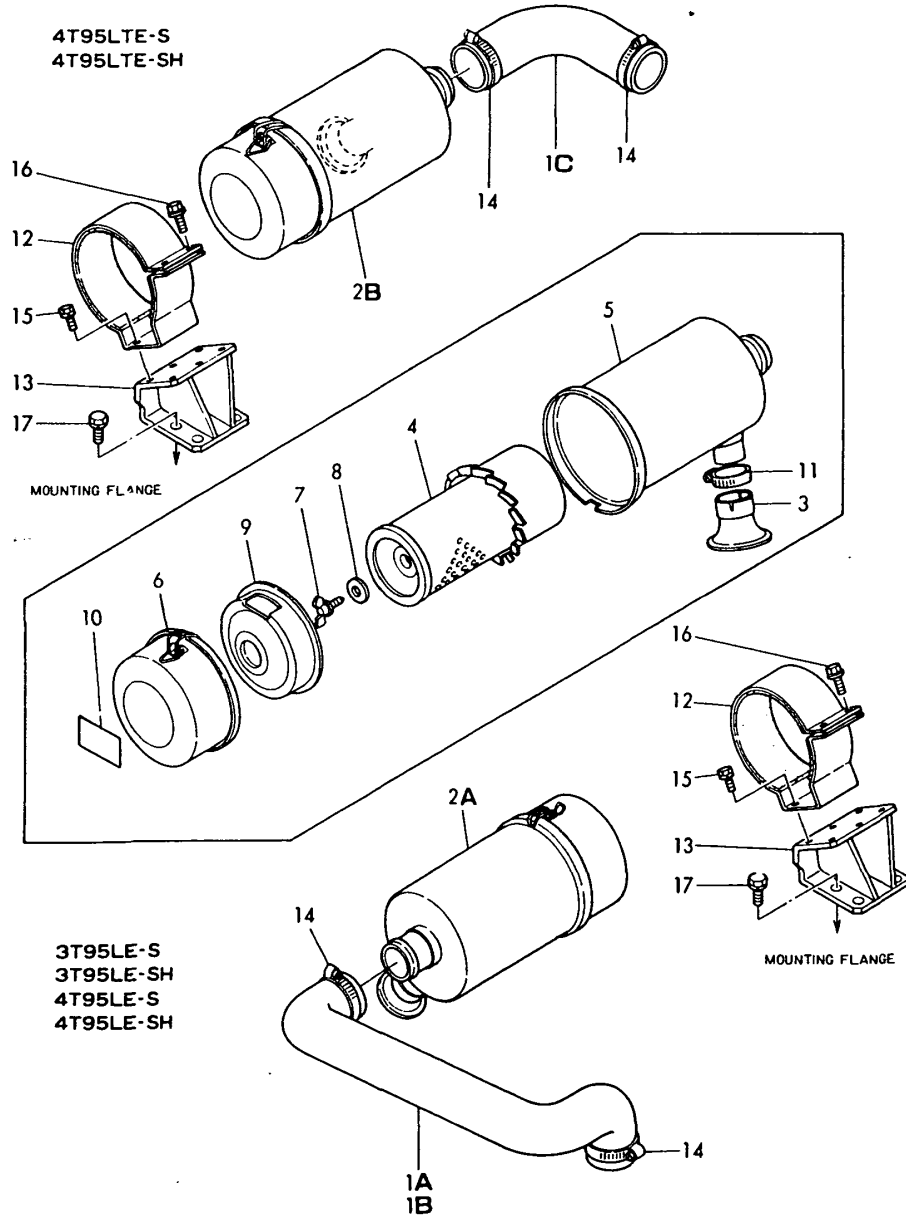
Fig.7 CYLINDER HEAD



No.	Lev.	Parts No.	Description	Q'ty						I	R
				(A)	(B)	(C)	(D)	(E)	(F)		
1A	1	721870-11700	HEAD ASSY, CYLINDER	1							
1B	1	771085-11700	HEAD ASSY, CYLINDER				1				
1C	1	721952-11700	HEAD ASSY, CYLINDER		1	1					
1D	1	771086-11700	HEAD ASSY, CYLINDER					1	1		
4	3	121952-11080	SEAT, INTAKE VALVE	3	4	4	3	4	4		
5	3	121850-11090	SEAT, EXHAUST VALVE	3	4	4	3	4	4		
6	3	121850-11160	GUIDE, VALVE	3	4	4	3	4	4		
7	3	120320-11171	GUIDE, VALVE	3	4	4	3	4	4		
8	3	121850-11860	PLUG, PT1/4	3	4	4	3	4	4		
9	3	23871-010000	PLUG, R01	1	1	1	1	1	1		
10	3	23871-030000	PLUG, R03	1	1	1	1	1	1		
11	3	23871-040000	PLUG, R04	4	6	6	4	6	6		
12	3	27241-180000	PLUG, 18	3	4	4	3	4	4		
13	3	27241-220000	PLUG, 22	3	4	4	3	4	4		
14	3	27241-280000	PLUG, 28	2	3	3	2	3	3		
15	3	27241-400000	PLUG, 40	2	2	2	2	2	2		
16	2	121850-11100	VALVE, INTAKE	3	4	4	3	4	4		
17	2	121952-11110	VALVE, EXHAUST	3	4	4	3	4	4		
18A	2	121850-11120	SPRING, VALVE	6	8	8					
18B	2	124617-11120	SPRING, VALVE OUTER				6	8	8		
18C	2	124617-11130	SPRING, VALVE INNER				6	8	8		
19	2	121850-11150	SEAL, VALVE STEM	6	8	8	6	8	8		
20A	2	121850-11180	RETAINER, SPRING	6	8	8					
20B	2	124411-11180	RETAINER, SPRING				6	8	8		
21	2	27310-090001	COTTER, 9	6	8	8	6	8	8		
22	2	26216-080352	STUD, M8X 35	6	8	8	6	8	8		
23	2	26366-080002	NUT, M8	6	8	8	6	8	8		
24	2	127610-11350	STUD	2	4	4	2	4	4		
25	2	26366-080002	NUT, M8	2	4	4	2	4	4		
26	1	721850-11650	ARM ASSY, ROCKER	3	4	4	3	4	4		
30	2	120220-11230	SCREW, VALVE ADJUST	3	4	4	3	4	4		
31	2	26756-080002	NUT, LOCK M8	3	4	4	3	4	4		
32	1	721850-11660	ARM ASSY, ROCKER	3	4	4	3	4	4		
36	2	120220-11230	SCREW, VALVE ADJUST	3	4	4	3	4	4		
37	2	26756-080002	NUT, LOCK M8	3	4	4	3	4	4		
38	1	121850-11250	SUPPORT, ROCKER ARM	1	1	1	1	1	1		
39	1	121850-11260	SUPPORT, ROCKER ARM	2	3	3	2	3	3		
40A	1	121850-11270	SHAFT, ROCKER ARM	1			1				
40B	1	121950-11270	SHAFT, ROCKER ARM		1	1		1	1		
41	1	121850-11390	SPRING	2	3	3	2	3	3		
42	1	128610-11900	INSULATOR	3	4	4	3	4	4		
43	1	128610-11910	GASKET, NOZZLE	3	4	4	3	4	4		
44	1	121850-11920	COVER	3	4	4	3	4	4		
45	1	22242-000200	RING, 20	2	2	2	2	2	2		
46	1	26106-080602	BOLT, M8X 60 PLATED	4	4	4	4	4	4		
47	1	26557-060152	SCREW, M6X15	1	1	1	1	1	1		
48	1	124411-07210	LIFTER	1	1	1	1	1	1		
49	1	124411-07220	LIFTER	1	1	1	1	1	1		
50	1	26106-100182	BOLT, M10X 18 PLATED	2	2	2	2	2	2		
51	1	26116-120222	BOLT, M12X 22 PLATED	2	2	2	2	2	2		

Fig.8. AIR CLEANER

Fig.8 AIR CLEANER



(A)=3T95LE-S
(B)=4T95LE-SS
(C)=4T95LTE-S

(D)=3T95LE-SH
(E)=4T95LE-SH
(F)=4T95LTE-SH

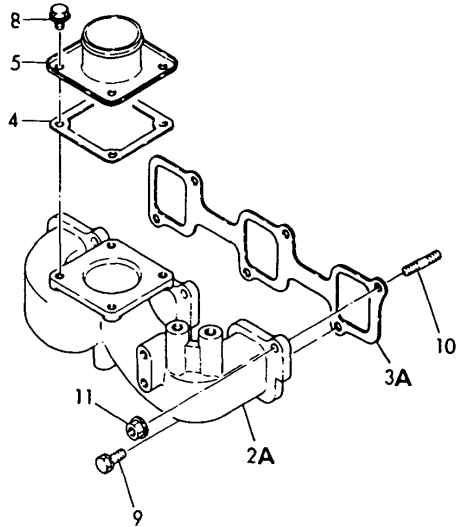
No.	Lev.	Parts No.	Description	Q'ty						I	R
				(A)	(B)	(C)	(D)	(E)	(F)		
1A	1	121872-12040	PIPE, AIR INTAKE	1			1				
1B	1	121970-12040	PIPE, AIR INTAKE		1			1			
1C	1	121972-12040	PIPE, AIR INTAKE			1				1	
2A	1	121950-12500	CLEANER ASSY, AIR	1	1		1	1			
2B	1	121850-12500	CLEANER ASSY, AIR			1				1	
3	2	121750-12510	ELEMENT	1	1	1	1	1	1	1	
4	2	121850-12510	ELEMENT	1	1	1	1	1	1	1	
5A	2	121950-12520	BODY, AIR CLEANER	1	1		1	1			
5B	2	121850-12520	BODY, AIR CLEANER			1				1	
6	2	121720-12530	PAN ASSY, DUST	1	1	1	1	1	1	1	
7	2	121120-12560	BOLT	1	1	1	1	1	1	1	
8	2	121120-12570	WASHER, SEAL	1	1	1	1	1	1	1	
9	2	121720-12570	SCARF, BAFFLE	1	1	1	1	1	1	1	
10	2	121258-12600	LABEL	1	1	1	1	1	1	1	
11	2	23000-070000	CLAMP, 70	1	1	1	1	1	1	1	
12	1	121872-12700	SUPPORT	1	1	1	1	1	1	1	
13	1	171085-12800	BRACKET, AIR CLEANER	1	1	1	1	1	1	1	
14	1	23000-070000	CLAMP, 70	2	2	2	2	2	2	2	
15	1	26013-080142	BOLT, M8X 14	4	4	4	4	4	4	4	
16	1	26106-080252	BOLT, M8X 25 PLATED	2	2	2	2	2	2	2	
17	1	26013-100222	BOLT, M10X 22	4	4	4	4	4	4	4	

Fig.9. AIR INTAKE MANIFOLD

(A)=3T95LE-S
(B)=4T95LE-S
(C)=4T95LTE-S

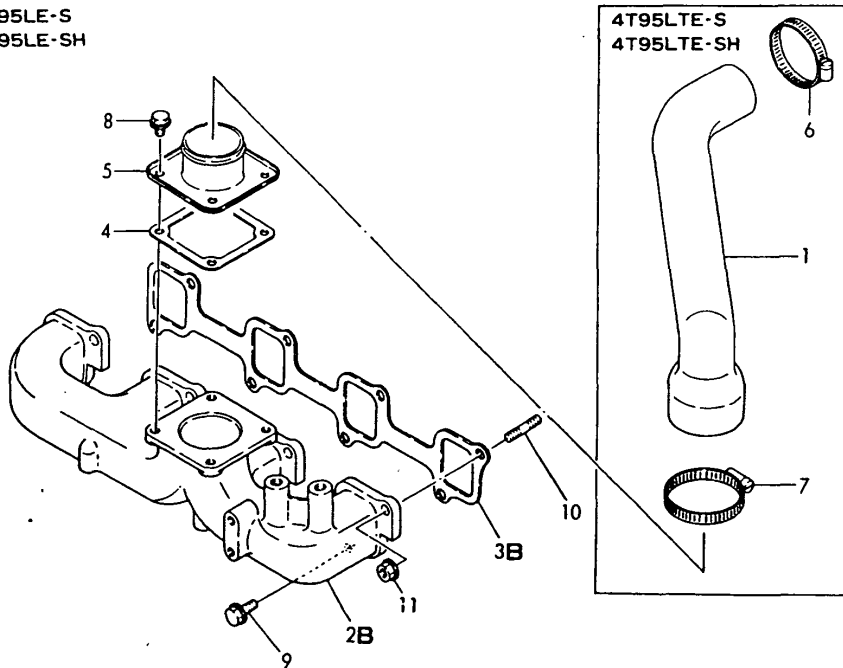
(D)=3T95LE-SH
(E)=4T95LE-SH
(F)=4T95LTE-SH

Fig.9 AIR INTAKE MANIFOLD



3T95LE-S
3T95LE-SH

4T95LE-S
4T95LE-SH



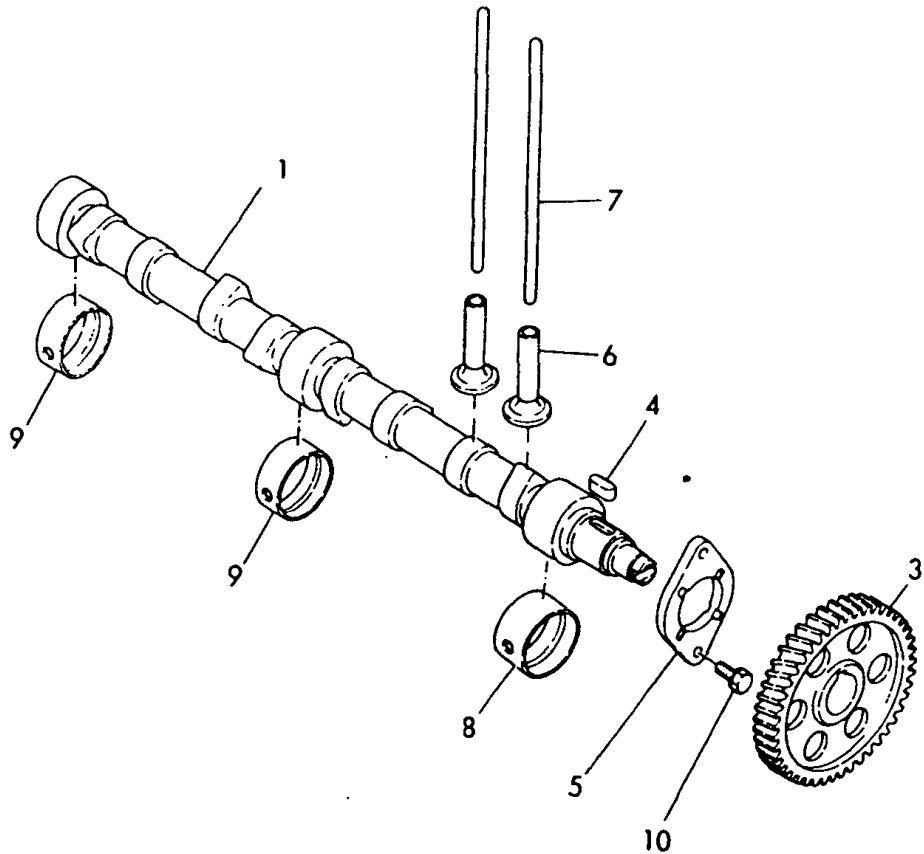
No.	Lev.	Parts No.	Description	Q'ty						I	R
				(A)	(B)	(C)	(D)	(E)	(F)		
1A	1	121972-12050	PIPE, AIR INTAKE			1					
1B	1	121977-12050	HOSE, RUBBER							1	
2A	1	121850-12100	MANIFOLD, AIR INTAKE	1			1				
2B	1	121950-12100	MANIFOLD, AIR INTAKE		1	1		1	1		
3A	1	121850-12110	GASKET, MANIFOLD	1			1				
3B	1	121950-12110	GASKET, MANIFOLD		1	1		1	1		
4	1	121850-77020	GASKET	1	1	1	1	1	1	1	
5	1	121850-77100	CAPSULE	1	1	1	1	1	1	1	
6	1	23000-060000	CLAMP, 60			1				1	
7	1	23000-070000	CLAMP, 70				1			1	
8	1	26106-080142	BOLT, M8X 14 PLATED	4	4	4	4	4	4	4	
9	1	26106-080222	BOLT, M8X 22 PLATED	3	4	4	3	4	4	4	
10	1	26216-080202	STUD, M8X 20	3	4	4	3	4	4	4	
11	1	26366-080002	NUT, M8	3	4	4	3	4	4	4	

Fig.10. CAMSHAFT

(A)=3T95LE-S
(B)=4T95LE-S
(C)=4T95LTE-S

(D)=3T95LE-SH
(E)=4T95LE-SH
(F)=4T95LTE-SH

Fig. 10 CAMSHAFT



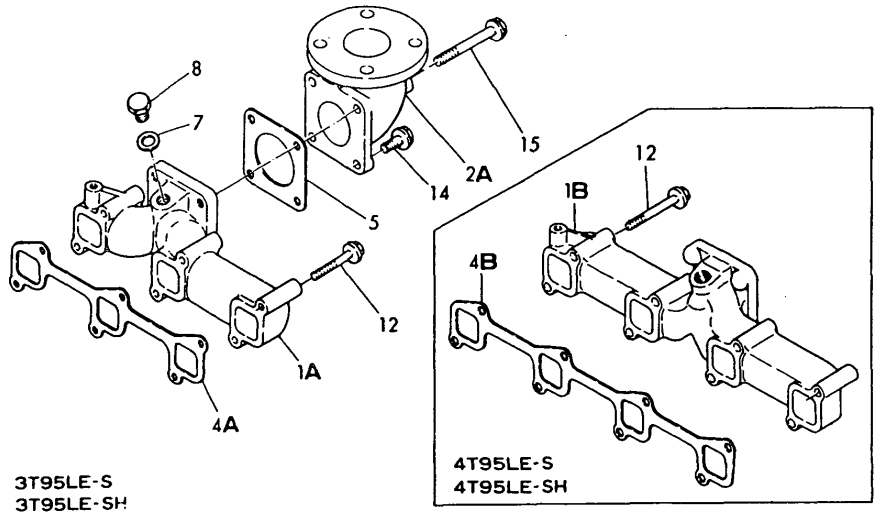
No.	Lev.	Parts No.	Description	Q'ty						I	R
				(A)	(B)	(C)	(D)	(E)	(F)		
1A	1	721850-14580	CAMSHAFT ASSY	1			1				
1B	1	721950-14580	CAMSHAFT ASSY		1				1		
1C	1	721952-14580	CAMSHAFT ASSY			1				1	
3	2	121850-14100	GEAR, CAMSHAFT	1	1	1	1	1	1	1	
4	2	22512-070220	KEY, 7X 22	1	1	1	1	1	1	1	
5	2	121850-02450	BEARING, THRUST	1	1	1	1	1	1	1	
6	1	121875-14200	TAPPET	6	8	8	6	8	8	8	
7	1	121850-14400	ROD, PUSH	6	8	8	6	8	8	8	
8	1	121850-02410	BUSH, CAMSHAFT	1	1	1	1	1	1	1	
9	1	121850-02420	BUSH, CAMSHAFT	2	2	2	2	2	2	2	
10	1	26013-080202	BOLT, M8X 20	2	2	2	2	2	2	2	

Fig.11. EXHAUST MANIFOLD

(A)=3T95LE-S
(B)=4T95LE-S
(C)=4T95LTE-S

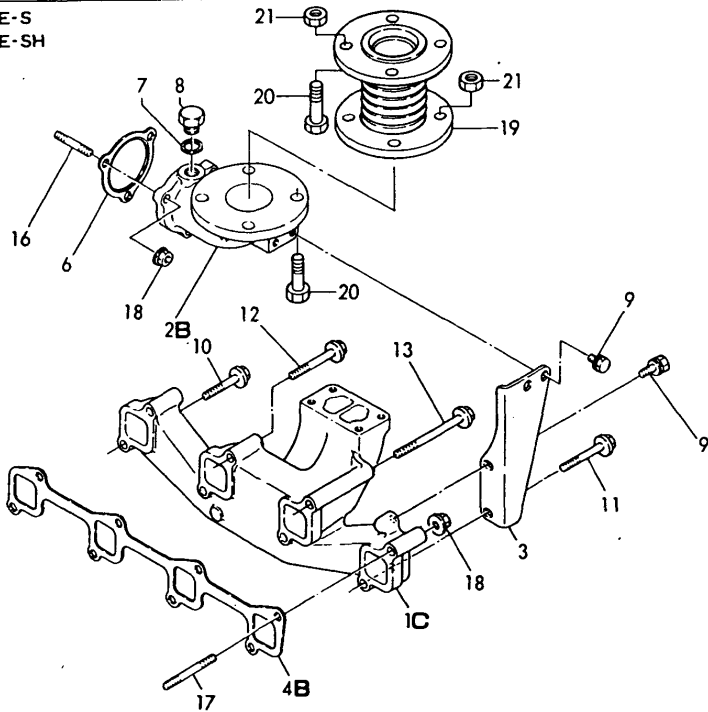
(D)=3T95LE-SH
(E)=4T95LE-SH
(F)=4T95LTE-SH

Fig. 11 EXHAUST MANIFOLD



3T95LE-S
3T95LE-SH

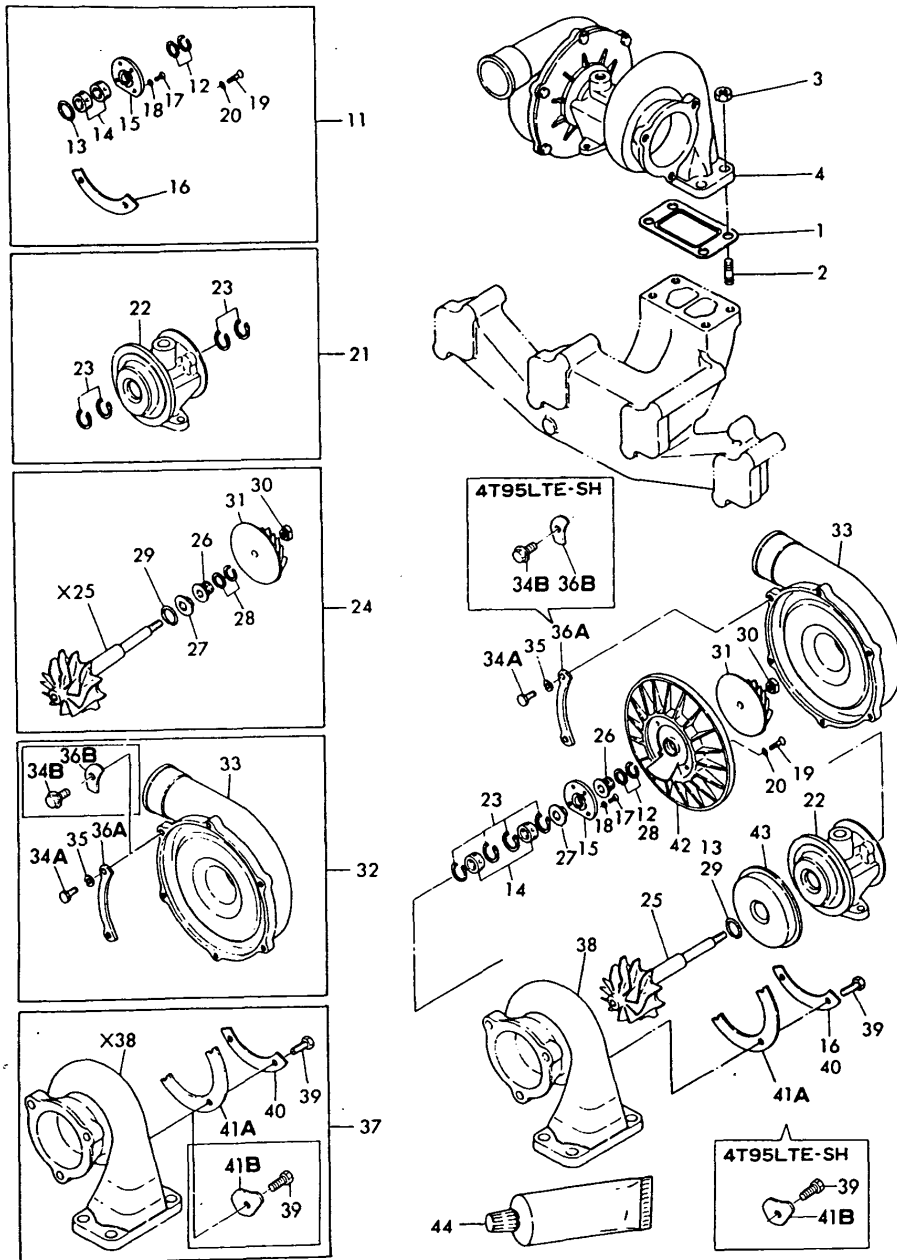
4T95LTE-S
4T95LTE-SH



No.	Lev.	Parts No.	Description	Q'ty						I	R
				(A)	(B)	(C)	(D)	(E)	(F)		
1A	1	121872-13100	MANIFOLD, EXHAUST	1			1				
1B	1	121970-13100	MANIFOLD, EXHAUST		1			1			
1C	1	121972-13100	MANIFOLD, EXHAUST			1				1	
2A	1	121872-13110	ELBOW	1	1		1	1			
2B	1	121972-13110	ELBOW			1				1	
3	1	121972-13130	SUPPORT			1				1	
4A	1	121850-13200	GASKET	1			1				
4B	1	121950-13200	GASKET, SILENCER		1	1		1	1	1	
5	1	121970-13210	GASKET	1	1		1	1			
6	1	121252-18190	GASKET				1				1
7	1	23414-170000	GASKET, 17X1.0	1	1	1	1	1	1	1	
8	1	23897-030002	PLUG PF3/8	1	1	1	1	1	1	1	
9	1	26014-080182	BOLT, M8X 18				3				3
10	1	26106-080552	BOLT, M8X 55 PLATED				2				2
11	1	26106-080602	BOLT, M8X 60 PLATED				1				1
12	1	26106-080652	BOLT, M8X 65 PLATED	6	8	1	6	8		1	
13	1	26106-081002	BOLT, M8X100 PLATED			2					2
14	1	26106-100282	BOLT, M10X 28 PLATED	2	2		2	2			
15	1	26106-100852	BOLT, M10X 85 PLATED	2	2		2	2			
16	1	26216-080252	STUD, M8X 25				3				3
17	1	26216-080502	STUD, M8X 50				2				2
18	1	26366-080002	NUT, M8				5				5
19	1	43100-500550	JOINT, EXPANSION				1				1
20	1	26116-120352	BOLT, M12X 35 PLATED				8				8
21	1	26716-120002	NUT, M12				8				8

Fig.12. TURBOCHARGER

Fig.12 TURBOCHARGER



(A)=3T95LE-S
(B)=4T95LE-S
(C)=4T95LTE-SH

(D)=3T95LE-SH
(E)=4T95LE-SH
(F)=4T95LTE-SH

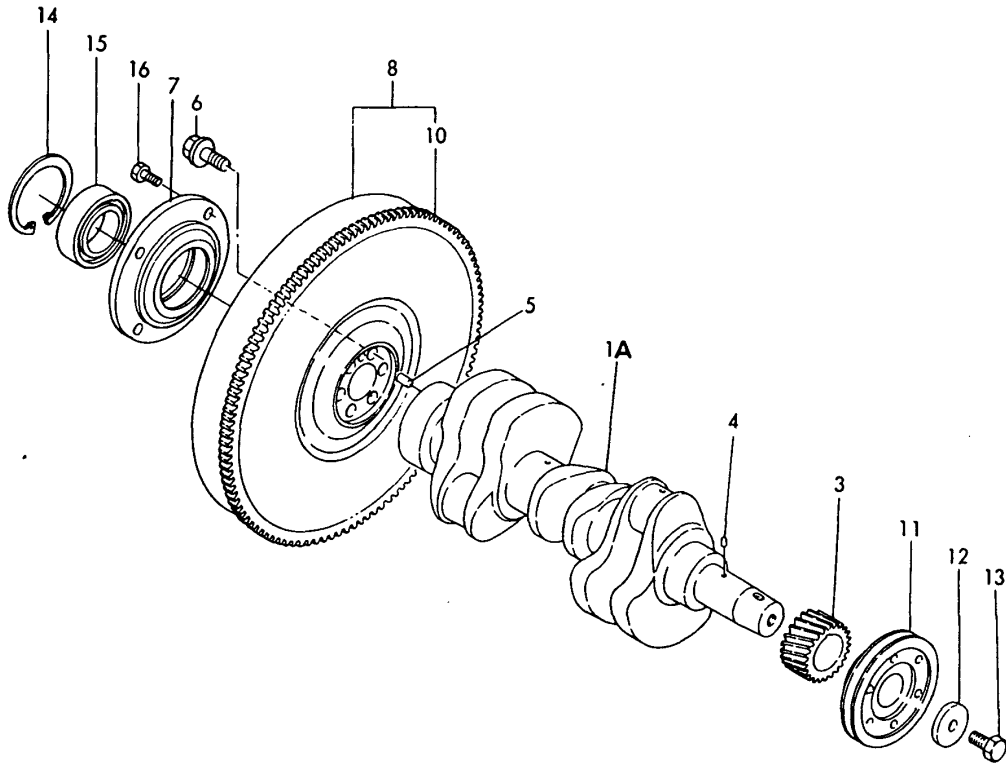
No.	Lev.	Parts No.	Description	Q'ty						I	R
				(A)	(B)	(C)	(D)	(E)	(F)		
1	1	121252-18090	GASKET		1					1	
2	1	26216-080222	STUD, M8X 22		4					4	
3	1	26366-080002	NUT, M8		4					4	
4A	1	121977-18010	TURBINE, RHB6			1					
4B	1	121977-18020	TURBINE							1	
11	1	XN199800	OVERHAUL KIT			1				1	
12A	2	XN971008	RING, SEAL (C-SIDE)			2					
12B	2	XNN131008	SEAL RING,BLOW.SIDE							2	
13	2	XN971007	RING, SEAL (T-SIDE)			1				1	
14	2	XN973503	BEARING, JOURNAL			2				2	
15	2	XN973502	BEARING, THRUST			1				1	
16	2	XN193206	PLATE, LOCKING			2					
17A	2	XN977006	SCREW 3			4					
17B	2	XNB133206	SCREW							4	
18	2	XN977007	WASHER M 3			4					
19A	2	XN977008	SCREW 4			4					
19B	2	XNH163006	SCREW(M4)							4	
20	2	XN947206	WASHER M 4			4					
21	1	XN199801	HOUSING SET, BEARING			1				1	
22	2	XN193207	HOUSING, BEARING			1				1	
23	2	XN977003	RING, RETAINING			4				4	
24A	1	XN199806	ROTOR PARTS SET			1					
24B	1	XN191300	KIT, TURBINE SHAFT							1	
26	2	XN191103	THROWER, OIL			1				1	
27	2	XN971005	BUSH, THRUST			2				2	
28	2	XN971008	RING, SEAL (C-SIDE)			1				1	
29	2	XN971007	RING, SEAL (T-SIDE)			1				1	
30	2	XN191109	NUT 6			1				1	
31A	2	XN195102	INPELLER, BLOWER			1					
31B	2	XN192702	IMPELLER							1	
32A	1	XN194100	HOUSING SET			1					
32B	1	XN192200	HOUSING SET, BLOWER							1	
33A	2	XN194102	HOUSING			1					
33B	2	XN192202	HOUSING(BRL406B)							1	
34A	2	XN194003	BOLT M 5			6					
34B	2	XNB134007	BOLT M 5							6	
35	2	XN817511	WASHER			6					
36A	2	XN974003	PLATE, LOCKING			3					
36B	2	XNN134035	RETAINER							6	
37A	1	XN196700	CASING SET, TURBINE			1					
37B	1	XN197400	SET, TURBINE							1	
39	2	XN196103	BOLT M 6			4				4	
40	2	XN193206	PLATE, LOCKING			2					
41A	2	XN193205	PLATE, LOCKING			2					
41B	2	XN197404	ROCK PLATE							4	
42A	1	XN973002	PLATE, SEAL			1					
42B	1	XN193602	PLATE B, SEAL							1	
43	1	XN193204	PROTECTOR, HEAT			1				1	
44	1	XN193653	GASKET, LIGUID			1				1	

Fig.13. CRANKSHAFT

(A)=3T95LE-S
(B)=4T95LE-S
(C)=4T95LTE-S

(D)=3T95LE-SH
(E)=4T95LE-SH
(F)=4T95LTE-SH

Fig. 13 CRANKSHAFT



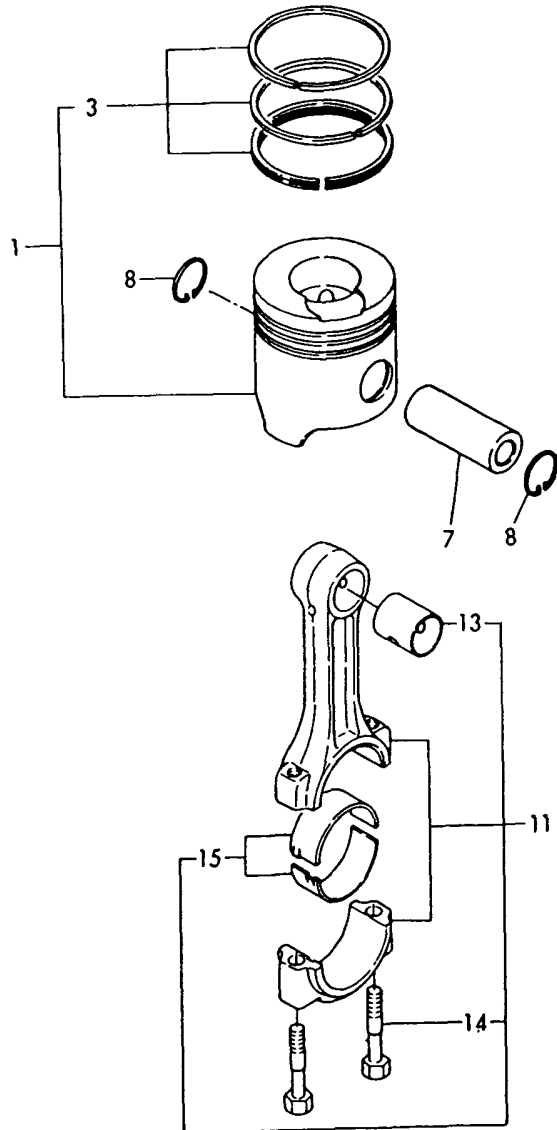
No.	Lev.	Parts No.	Description	Qty						I	R
				(A)	(B)	(C)	(D)	(E)	(F)		
1A	1	721820-21700	CRANKSHAFT ASSY	1			1				
1B	1	721920-21700	CRANKSHAFT ASSY		1	1		1	1		
3	2	121850-21200	GEAR, CRANKSHAFT	1	1	1	1	1	1		
4	2	121850-21290	PIN	1	1	1	1	1	1		
5	2	121850-21920	PIN, M10X22	1	1	1	1	1	1		
6	1	121950-21130	BOLT	6	6	6	6	6	6		
7	1	171085-21451	HOUSING, BEARING	1	1	1	1	1	1		
8	1	171085-21591	FLYWHEEL ASSY	1	1	1	1	1	1		
10	2	127410-21480	GEAR, RING Z=129	1	1	1	1	1	1		
11A	1	121850-21650	V-PULLEY	1	1		1	1			
11B	1	171087-21650	V-PULLEY			1				1	
12	1	121850-21660	WASHER	1	1	1	1	1	1		
13	1	121850-21680	BOLT	1	1	1	1	1	1		
14	1	22252-000721	CIRCLIP	1	1	1	1	1	1		
15	1	24105-063064	BEARING, BALL 6306Z	1	1	1	1	1	1		
16	1	26116-080222	BOLT, M8X 22 PLATED	4	4	4	4	4	4		

Fig.14. PISTON & CONNECTING ROD

(A)=3T95LE-S
(B)=4T95LE-S
(C)=4T95LTE-S

(D)=3T95LE-SH
(E)=4T95LE-SH
(F)=4T95LTE-SH

Fig. 14 PISTON & CONNECTING ROD



No.	Lev.	Parts No.	Description	Q'ty						I	R
				(A)	(B)	(C)	(D)	(E)	(F)		
1A	1	121820-22090	PISTON ASSY	3	4						
1B	1	121922-22090	PISTON ASSY			4					
1C	1	121970-22090	PISTON ASSY				3	4			
1D	1	124612-22090	PISTON ASSY							4	
3A	2	721850-22500	RING SET, PISTON	3	4						
3B	2	721952-22500	RING SET, PISTON			4	3	4	4		
7	1	121850-22300	PIN, PISTON	3	4	4	3	4	4		
8A	1	101400-22400	CIRCLIP	6	8	8					
8B	1	22252-000320	RING, 32				6	8	8		
11	1	721850-23100	ROD ASSY, CONNECTING	3	4	4	3	4	4		
13	2	121850-23110	BEARING, PISTON PIN	3	4	4	3	4	4		
14	2	121850-23200	BOLT, CONNECTING ROD	6	8	8	6	8	8		
15	2	724610-23600	BEARING, CRANK PIN	3	4	4	3	4	4		

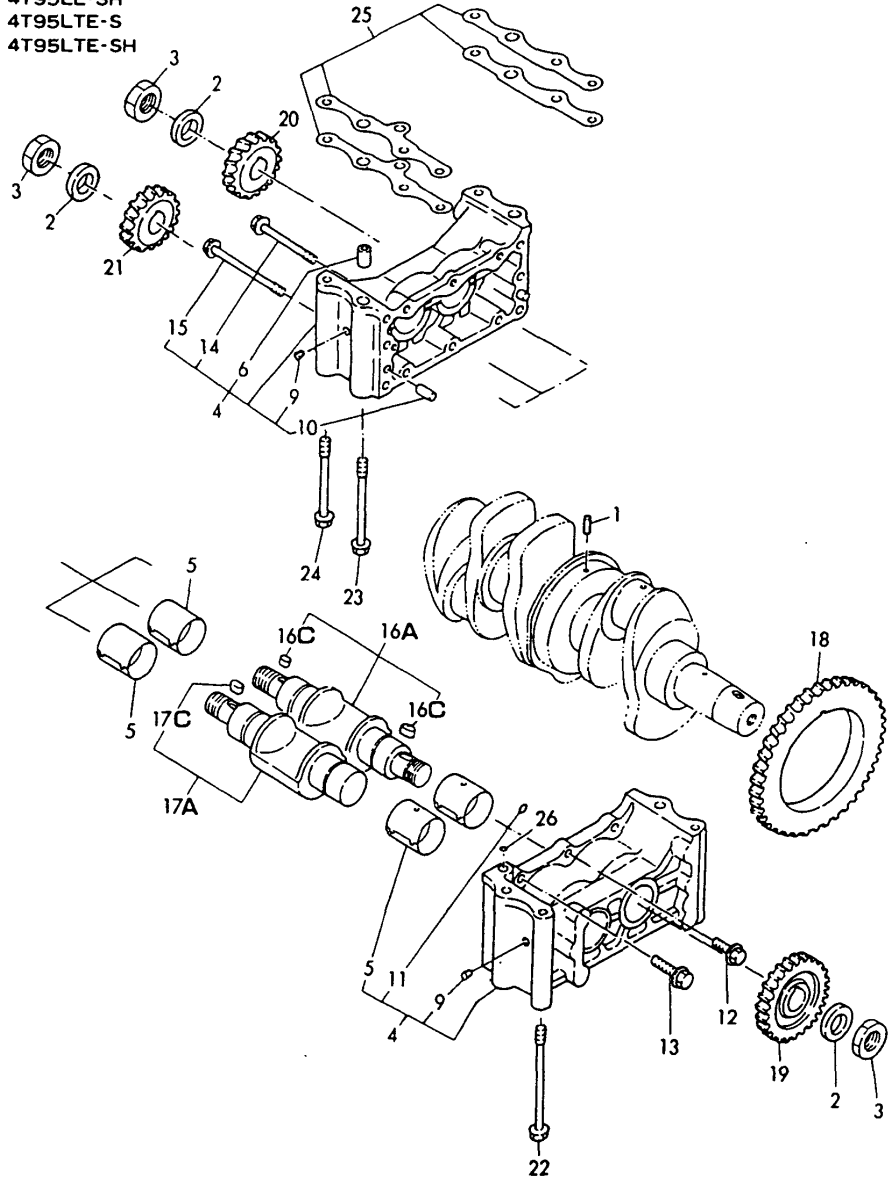
Fig.15. BALANCER DEVICE

(A)=3T95LE-S
(B)=4T95LE-S
(C)=4T95LTE-S

(D)=3T95LE-SH
(E)=4T95LE-SH
(F)=4T95LTE-SH

Fig.15 BALANCER DEVICE

4T95LE-S
4T95LE-SH
4T95LTE-S
4T95LTE-SH



No.	Lev.	Parts No.	Description	Q'ty						I	R
				(A)	(B)	(C)	(D)	(E)	(F)		
1	1	121850-21290	PIN		1	1		1	1		
2	1	124411-28360	WASHER		3	3		3	3		
3	1	124411-28370	NUT, M26		3	3		3	3		
4	1	121950-28501	BALANCER ASSY		1	1		1	1		
5	2	121950-28160	BUSH		4	4		4	4		
6	2	121950-28401	PIN		2	2		2	2		
9	2	123385-82200	PLUG, 1/16		3	3		3	3		
10	2	22312-100300	PIN, PARALLEL M10X30		2	2		2	2		
11	2	24311-000080	O-RING, 1AP8.0		1	1		1	1		
12	2	26106-080252	BOLT, M8X 25 PLATED		1	1		1	1		
13	2	26106-100302	BOLT, M10X 30 PLATED		2	2		2	2		
14	2	26106-100802	BOLT, M10X 80 PLATED		3	3		3	3		
15	2	26116-101102	BOLT, M10X110 PLATED		6	6		6	6		
16A	1	721950-28512	SHAFT ASSY, BALANCER		1	1		1	1		
16C	2	22512-050140	KEY, 5X 14		2	2		2	2		
17A	1	721950-28532	SHAFT ASSY, BALANCER		1	1		1	1		
17C	2	22512-050140	KEY, 5X 14		1	1		1	1		
18	1	121920-28700	GEAR, BALANCER		1	1		1	1		
19	1	121950-28712	GEAR, BALANCER		1	1		1	1		
20	1	121950-28722	GEAR, BALANCER		1	1		1	1		
21	1	121950-28732	GEAR, BALANCER		1	1		1	1		
22	1	121950-28810	BOLT, M12X146		2	2		2	2		
23	1	121950-28820	BOLT, M12X136		2	2		2	2		
24	1	121950-28830	BOLT, M10X134		4	4		4	4		
25	1	121950-28900	SHIM SET		1	1		1	1		
26	1	24311-000080	O-RING, 1AP8.0		1	1		1	1		

Fig.16. IDLE SHAFT & GEAR

Fig.16 IDLE SHAFT & GEAR

(A)=3T95LE-S
(B)=4T95LE-S
(C)=4T95LTE-S

(D)=3T95LE-SH
(E)=4T95LE-SH
(F)=4T95LTE-SH

No.	Lev.	Parts No.	Description	Qty						I	R
				(A)	(B)	(C)	(D)	(E)	(F)		
1	1	121850-25050	SHAFT, IDLE	1	1	1	1	1	1		
2	1	121850-25100	GEAR ASSY, IDLE	1	1	1	1	1	1		
4	2	121850-25060	BUSH	1	1	1	1	1	1		
5	1	26013-080452	BOLT, M8X 45	2	2	2	2	2	2		

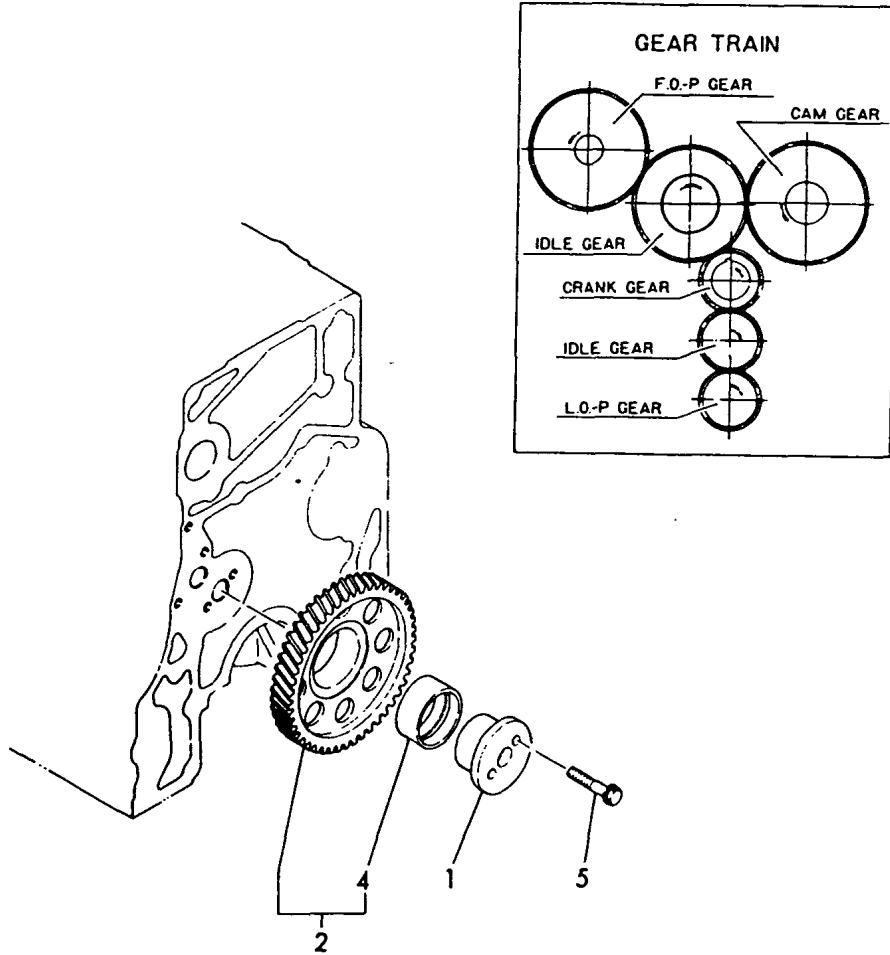
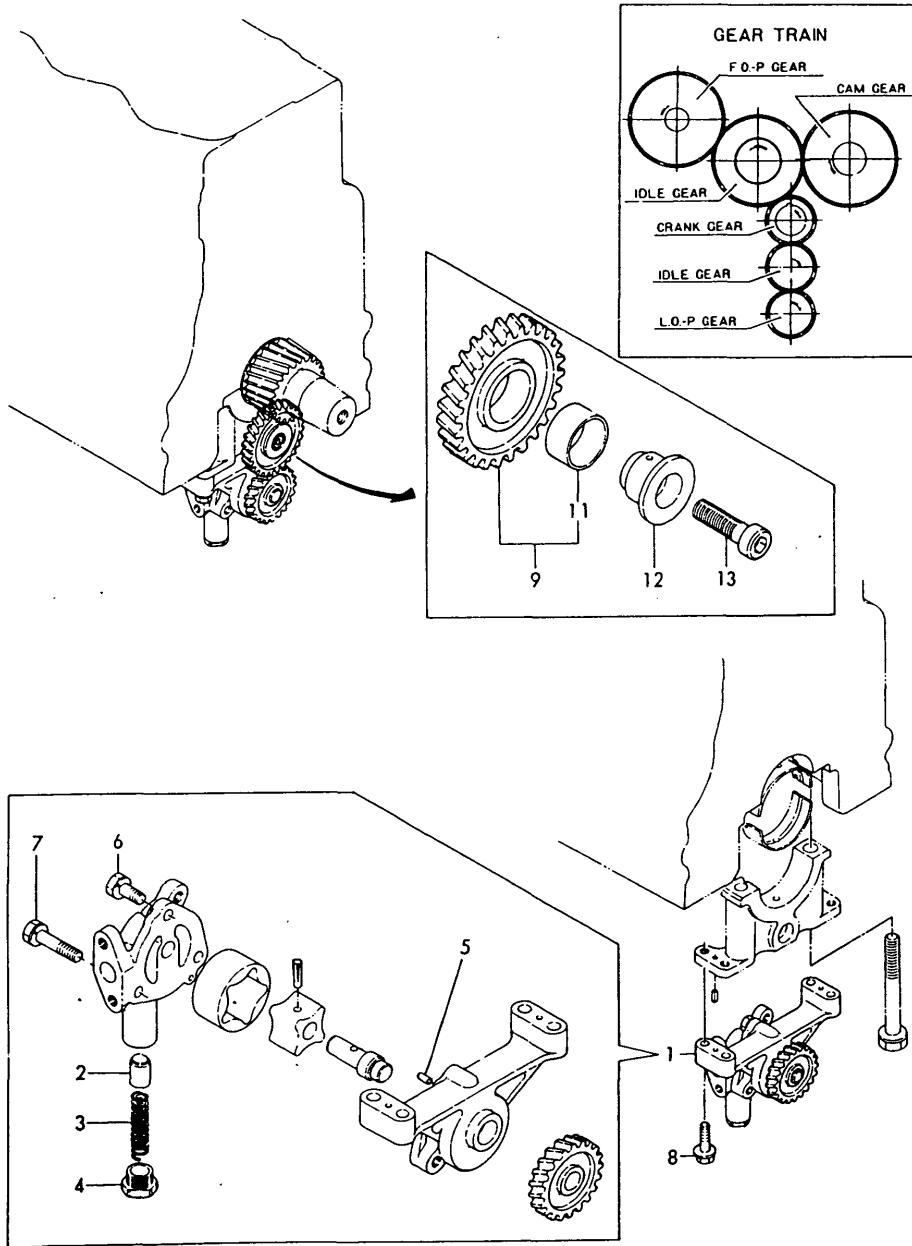


Fig.18. LUBRICATING OIL PUMP

(A)=3T95LE-S
(B)=4T95LE-S
(C)=4T95LTE-S

(D)=3T95LE-SH
(E)=4T95LE-SH
(F)=4T95LTE-SH

Fig. 18 LUBRICATING OIL PUMP



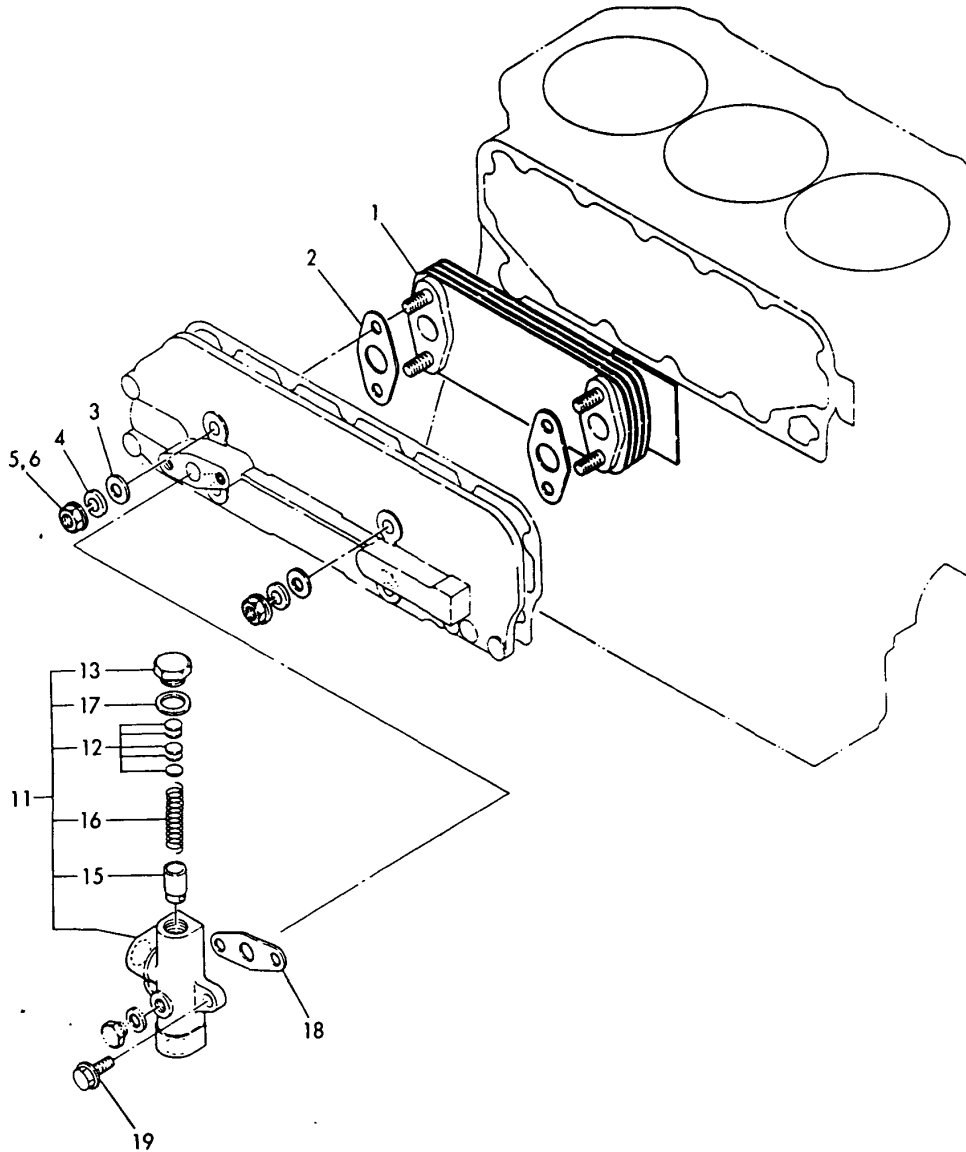
No.	Lev.	Parts No.	Description	Q'ty						I	R
				(A)	(B)	(C)	(D)	(E)	(F)		
1	1	121850-32000	PUMP ASSY, OIL	1	1	1	1	1	1		
2	2	121850-32310	VALVE, RELIEF	1	1	1	1	1	1		
3	2	121850-32321	SPRING	1	1	1	1	1	1		
4	2	121850-32330	PLUG	1	1	1	1	1	1		
5	2	22312-040080	PIN, PARALLEL M4X 8	2	2	2	2	2	2		
6	2	26013-080202	BOLT, M8X 20	2	2	2	2	2	2		
7	2	26013-080402	BOLT, M8X 40	1	1	1	1	1	1		
8	1	26016-080302	BOLT, M8X 30	4	4	4	4	4	4		
9	1	121850-32500	GEAR ASSY, IDLE	1	1	1	1	1	1		
11	2	121850-32520	BUSH	1	1	1	1	1	1		
12	1	121850-32530	SHAFT, IDLE	1	1	1	1	1	1		
13	1	26450-100352	BOLT, M10X 35	1	1	1	1	1	1		

Fig.19. LUBRICATING OIL COOLER

(A)=3T95LE-S
(B)=4T95LE-S
(C)=4T95LTE-S

(D)=3T95LE-SH
(E)=4T95LE-SH
(F)=4T95LTE-SH

Fig.19 LUBRICATING OIL COOLER



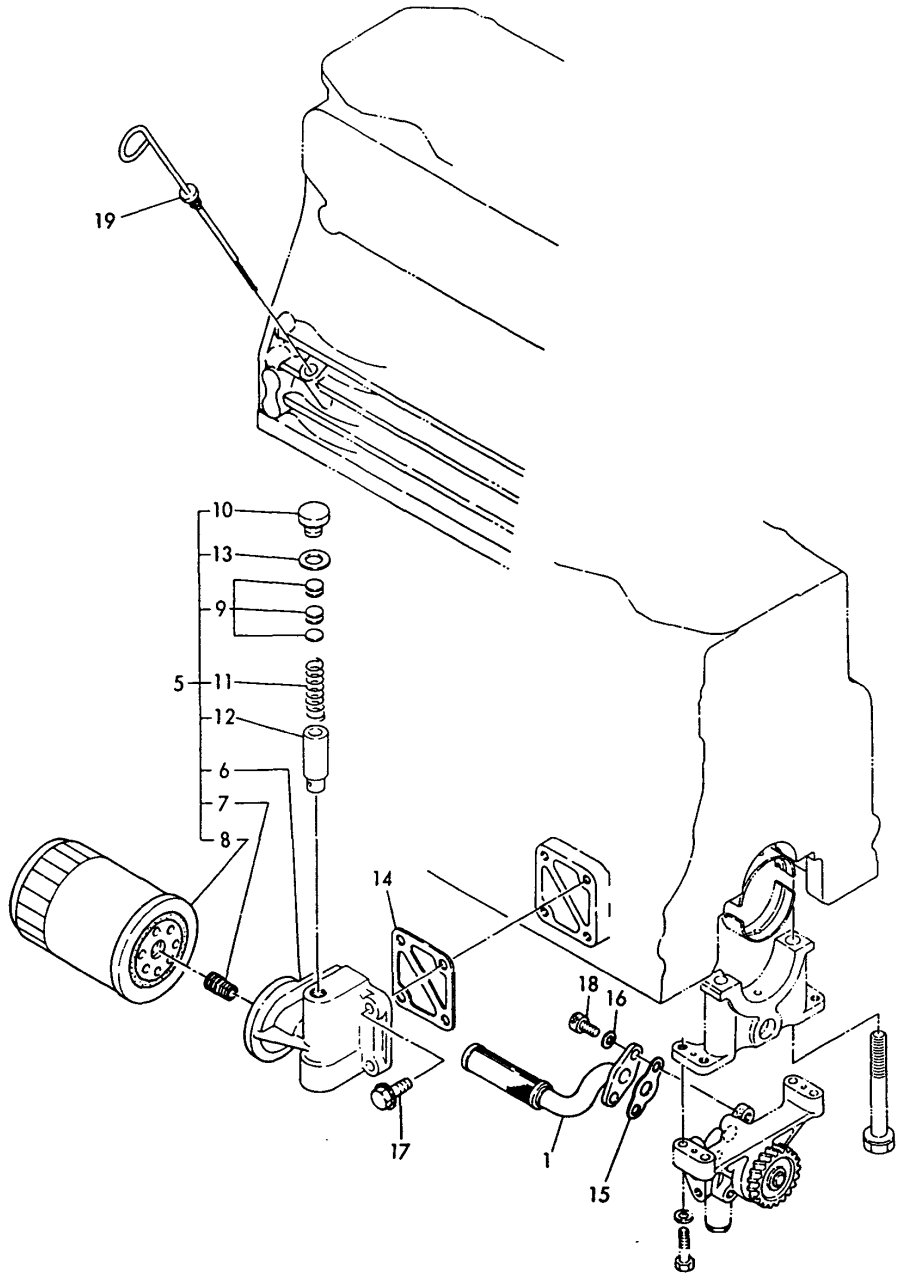
No.	Lev.	Parts No.	Description	Q'ty						I	R
				(A)	(B)	(C)	(D)	(E)	(F)		
1A	1	124310-33030	CORE, COOLER	1			1				
1B	1	121952-33031	COOLER, OIL		1	1		1	1		
2	1	121952-33070	GASKET, COOLER	2	2	2	2	2	2		
3	1	22117-100000	WASHER, 10	4	4	4	4	4	4		
4	1	22217-100000	WASHER, SPRING 10	4	4	4	4	4	4		
5	1	26376-100002	NUT, M10	4			4				
6	1	26602-100002	NUT M10		4	4		4	4		
11	1	121952-39800	VALVE ASSY, BYPASS	1	1	1	1	1	1		
12	2	121850-35200	SHIM SET	2	2	2	2	2	2		
13	2	124223-35510	RETAINER, SPRING	1	1	1	1	1	1		
15	2	121952-39820	VALVE	1	1	1	1	1	1		
16	2	121952-39830	SPRING	1	1	1	1	1	1		
17	2	23414-180000	GASKET, 18X1.0	1	1	1	1	1	1		
18	1	121952-39850	GASKET	1	1	1	1	1	1		
19	1	26106-080252	BOLT, M8X 25 PLATED	2	2	2	2	2	2		

Fig.20. LUBRICATING OIL STRAINER

(A)=3T95LE-S
(B)=4T95LE-S
(C)=4T95LTE-S

(D)=3T95LE-SH
(E)=4T95LE-SH
(F)=4T95LTE-SH

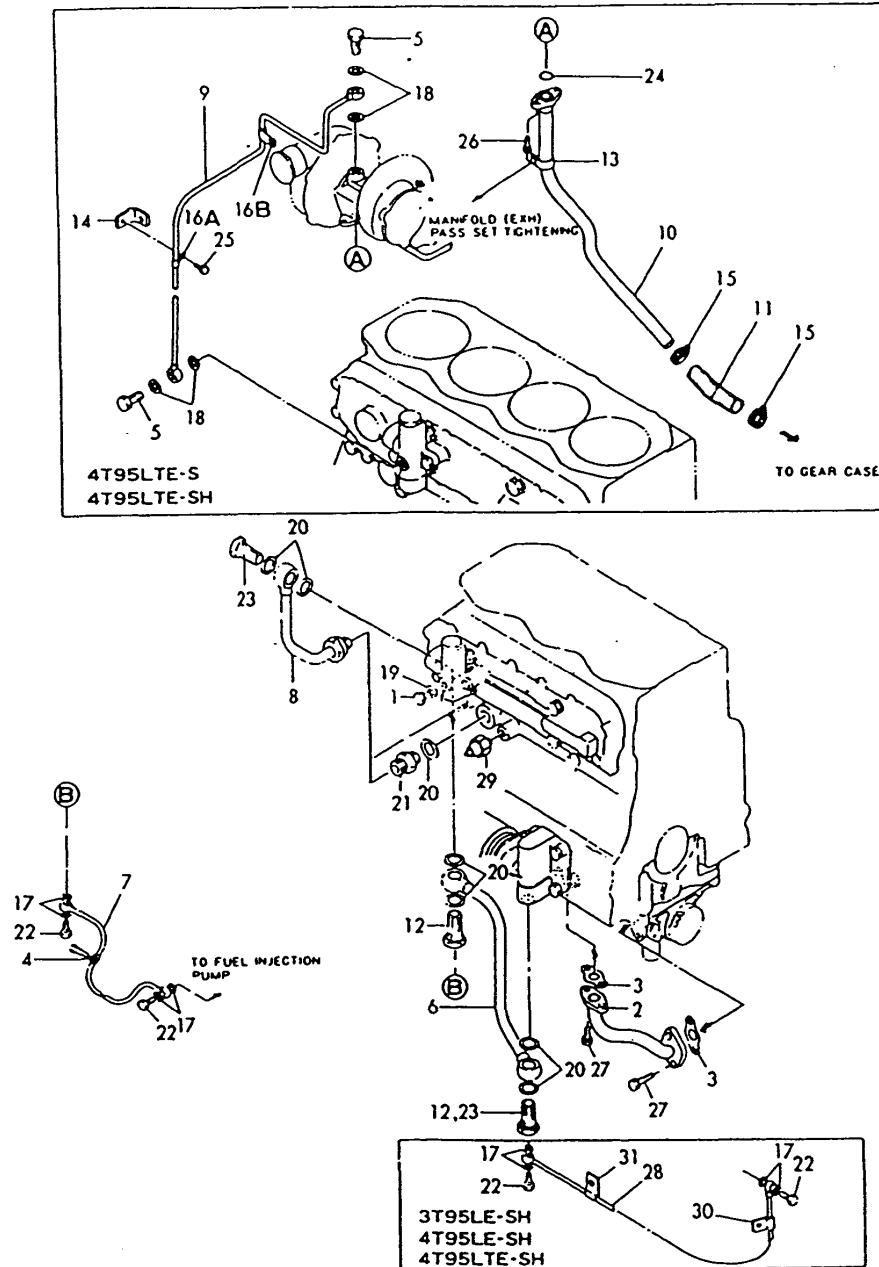
Fig.20 LUBRICATING OIL STRAINER



No.	Lev.	Parts No.	Description	Q'ty						I	R
				(A)	(B)	(C)	(D)	(E)	(F)		
1A	1	121850-35010	PIPE ASSY, OIL INLET	1	1	1	1				
1B	1	121975-35010	PIPE, OIL INLET						1	1	
5	1	121850-35101	FILTER ASSY, OIL	1	1	1	1	1	1	1	
6	2	121850-35111	BRACKET, FILTER	1	1	1	1	1	1	1	
7	2	121850-35140	BRACKET	1	1	1	1	1	1	1	
8	2	121850-35150	FILTER, D95X140	1	1	1	1	1	1	1	
9	2	121850-35200	SHIM SET	1	1	1	1	1	1	1	
10	2	124223-35510	RETAINER, SPRING	1	1	1	1	1	1	1	
11	2	121850-35520	SPRING	1	1	1	1	1	1	1	
12	2	121850-35531	VALVE, CONTROL	1	1	1	1	1	1	1	
13	2	23414-180000	GASKET, 18X1.0	1	1	1	1	1	1	1	
14	1	121850-35120	GASKET	1	1	1	1	1	1	1	
15	1	121850-39120	GASKET	1	1	1	1	1	1	1	
16	1	22217-080000	WASHER, SPRING 8	2	2	2	2	2	2	2	
17	1	26106-100282	BOLT, M10X 28 PLATED	4	4	4	4	4	4	4	
18	1	26450-080182	BOLT, M8X 18	2	2	2	2	2	2	2	
19A	1	121850-34800	DIPSTICK, OIL	1			1				
19B	1	121975-34800	DIPSTICK, OIL		1	1		1	1		

Fig.21. LUBRICATING OIL LINE

Fig.21 LUBRICATING OIL LINE



(A)=3T95LE-S
(B)=4T95LE-S
(C)=4T95LTE-S

(D)=3T95LE-SH
(E)=4T95LE-SH
(F)=4T95LTE-SH

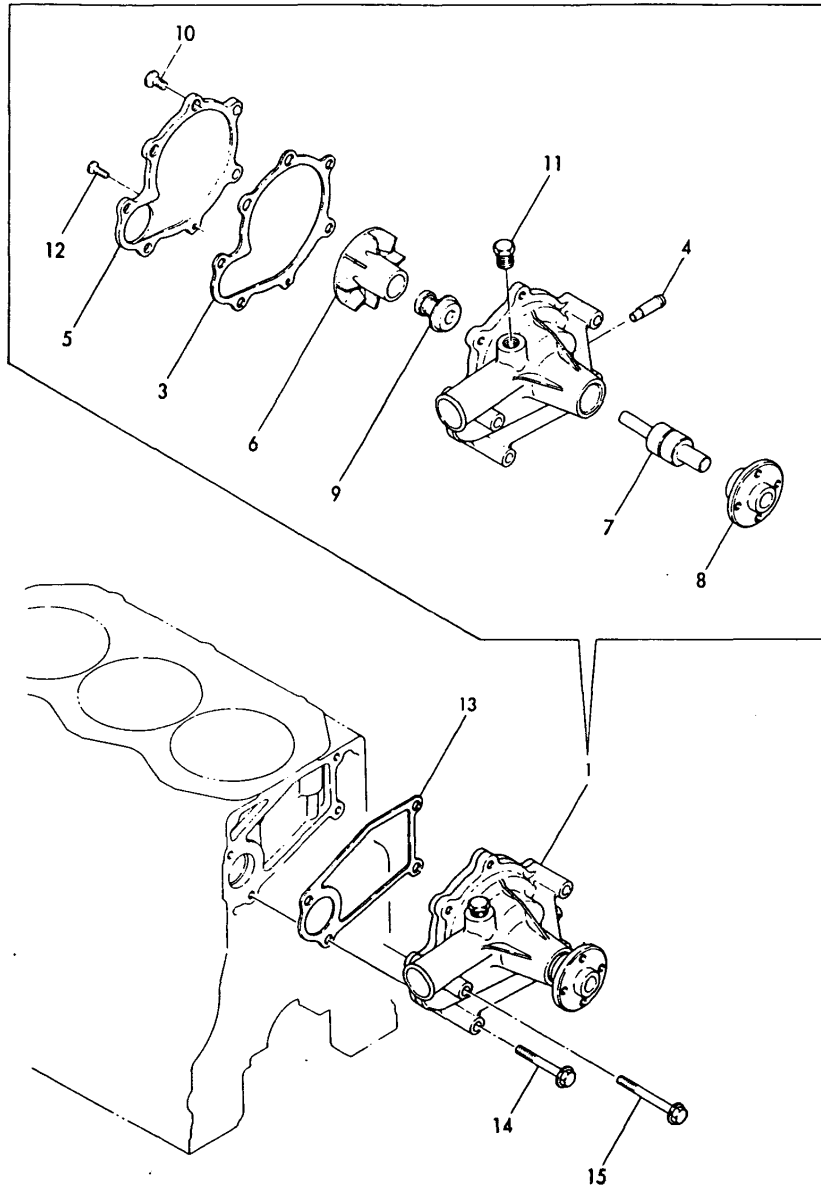
No.	Lev.	Parts No.	Description	Q'ty						I	R
				(A)	(B)	(C)	(D)	(E)	(F)		
1	1	135400-01790	PLUG	1	1		1	1			
2	1	121850-39101	PIPE ASSY, OIL	1	1	1	1	1	1		
3	1	121850-39120	GASKET	2	2	2	2	2	2		
4	1	105582-39150	RETAINER	1	1	1	1	1	1		
5	1	121252-39150	BOLT, JOINT M10X1.5			2				2	
6A	1	121870-39200	PIPE ASSY, OIL	1			1				
6B	1	121952-39200	PIPE ASSY, OIL		1	1		1	1		
7A	1	121870-39300	PIPE ASSY, OIL	1			1				
7B	1	121952-39300	PIPE ASSY, OIL		1	1		1	1		
8A	1	121870-39400	PIPE ASSY, OIL	1			1				
8B	1	121952-39400	PIPE ASSY, OIL		1	1		1	1		
9	1	121972-39500	PIPE ASSY, OIL			1			1		
10	1	121972-39550	PIPE, OIL			1			1		
11	1	129792-39610	JOINT, RUBBER			1			1		
12	1	121850-39900	BOLT, M15	1	1	1	2	2	2		
13	1	120142-39720	RETAINER			1			1		
14	1	121972-39910	SUPPORT			1			1		
15	1	23000-025000	CLAMP, 25			2			2		
16A	1	23297-080061	CLAMP, A8X 6			1			1		
16B	1	23297-080081	CLAMP, A8X 8			1			1		
17	1	23414-080000	GASKET, 8X1.0	4	4	4	8	8	8		
18	1	23414-100000	GASKET, 10X1.0			4			4		
19	1	23414-100014	GASKET, 10X1.0	1	1		1	1			
20	1	23414-200000	GASKET, 20X1.0	7	7	7	7	7	7		
21	1	23831-150000	UNION, 15	1	1	1	1	1	1		
22	1	23857-030000	BOLT, JOINT 3	2	2	2	4	4	4		
23	1	23857-150000	BOLT, JOINT 15	2	2	2	1	1	1		
24	1	24311-000200	O-RING, 1AP20.0			1			1		
25	1	26013-060122	BOLT, M6X 12			1			1		
26	1	26013-060202	BOLT, M6X 20			2			2		
27	1	26013-080182	BOLT, M8X 18	4	4	4	4	4	4		
28	1	121875-39601	PIPE ASSY, OIL				1	1	1		
29	1	121252-39450	SWITCH, 0.5KG	1	1	1	1	1	1		
30	1	124450-39240	RETAINER, PIPE				1	1	1		
31	1	121875-39630	RETAINER, PIPE				1	1	1		

Fig.22. COOLING WATER PUMP

(A)=3T95LE-S
(B)=4T95LE-S
(C)=4T95LTE-S

(D)=3T95LE-SH
(E)=4T95LE-SH
(F)=4T95LTE-SH

Fig.22 COOLING WATER PUMP



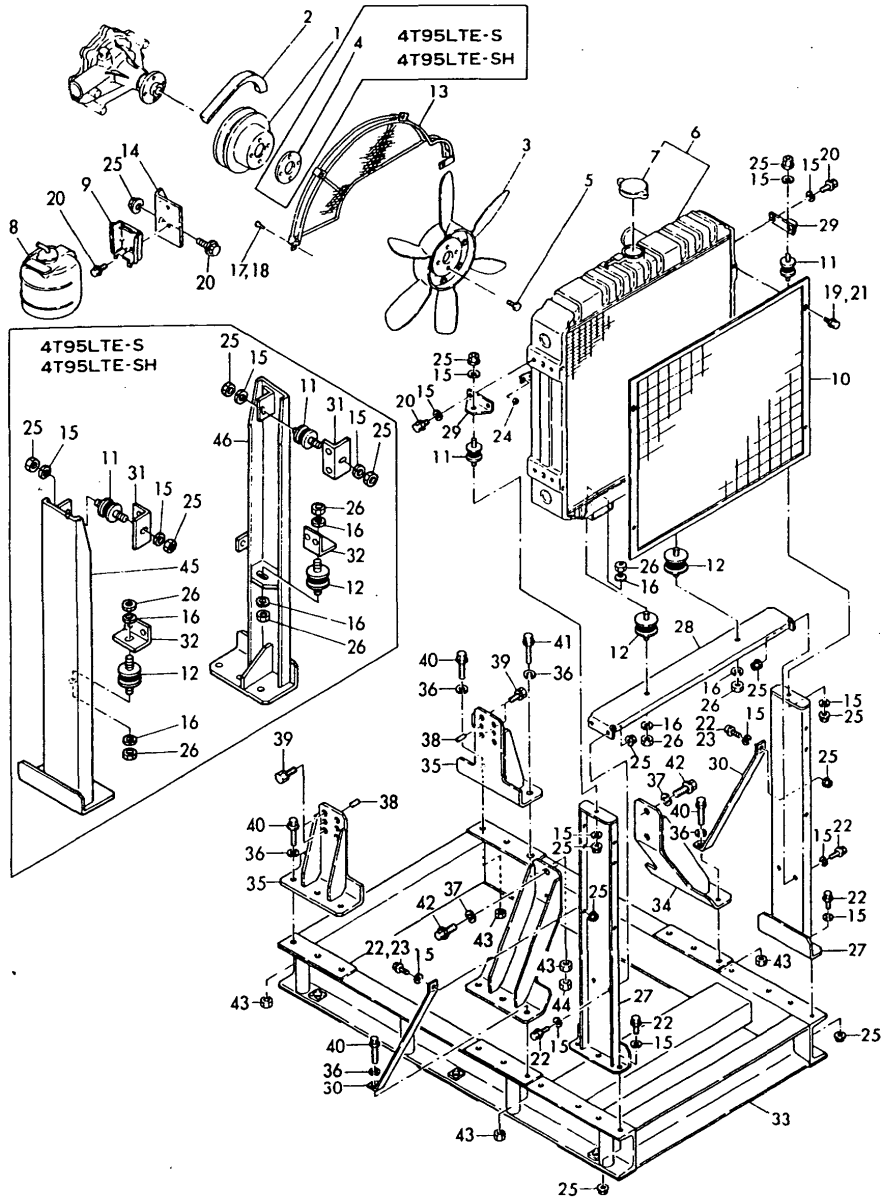
No.	Lev.	Parts No.	Description	Q'ty						I	R
				(A)	(B)	(C)	(D)	(E)	(F)		
1	1	121970-42000	PUMP ASSY, WATER	1	1	1	1	1	1		
3	2	121970-42050	GASKET	1	1	1	1	1	1		
4	2	129795-42100	JOINT	1	1	1	1	1	1		
5	2	121970-42120	PLATE	1	1	1	1	1	1		
6	2	121970-42200	IMPELLER	1	1	1	1	1	1		
7	2	121850-42240	BEARING, SHAFT	1	1	1	1	1	1		
8	2	121850-42260	FLANGE, V-PULLEY	1	1	1	1	1	1		
9	2	121450-42310	SEAL, MECHANICAL	1	1	1	1	1	1		
10	2	121850-42410	SCREW	2	2	2	2	2	2		
11	2	121850-42430	PLUG	1	1	1	1	1	1		
12	2	121970-42440	SCREW	1	1	1	1	1	1		
13	1	121970-42020	GASKET, WATER PUMP	1	1	1	1	1	1		
14	1	26106-080652	BOLT, M8X 65 PLATED	3	3	3	3	3	3		
15	1	26106-080752	BOLT, M8X 75 PLATED	1	1	1	1	1	1		

Fig.23. RADIATOR , FAN & PULLEY

(A)=3T95LE-S
(B)=4T95LE-S
(C)=4T95LTE-S

(D)=3T95LE-SH
(E)=4T95LE-SH
(F)=4T95LTE-SH

Fig. 23 RADIATOR, FAN & PULLEY



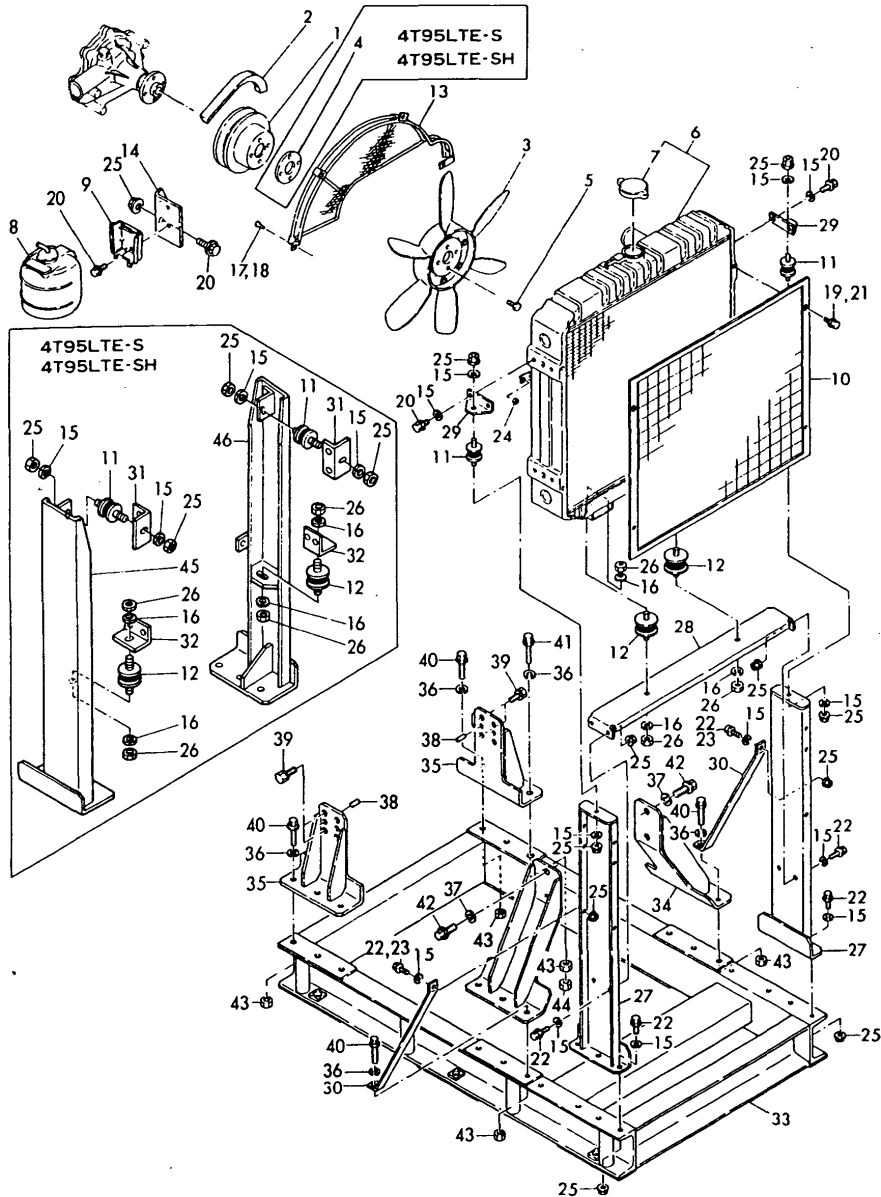
No.	Lev.	Parts No.	Description	Q'ty						I	R
				(A)	(B)	(C)	(D)	(E)	(F)		
1	1	121850-42250	V-PULLEY	1	1	1	1	1	1		
2A	1	121970-42280	V-BELT, A43	1	1		1	1			
2B	1	171087-42280	V-BELT, A44			1				1	
3A	1	121872-44740	FAN, COOLING	1			1				
3B	1	121970-44740	FAN, COOLING		1			1			
3C	1	121972-44740	FAN, COOLING			1				1	
4	1	121972-44750	SPACER, FAN			1				1	
5A	1	26013-080202	BOLT, M8X 20	4	4		4	4			
5B	1	26013-080252	BOLT, M8X 25			4				4	
6A	1	171090-44501	RADIATOR	1			1				
6B	1	171092-44501	RADIATOR		1			1			
6C	1	171093-44500	RADIATOR			1				1	
7A	1	121850-44660	CAP	1	1		1	1			
7B	2	124450-44590	CAP, RADIATOR			1				1	
8	1	120445-44530	TANK, SUB	1	1	1	1	1	1	1	
9	1	120445-44540	SUPPORT	1	1	1	1	1	1	1	
10A	1	171090-44590	PROTECTOR	1	1		1	1			
10B	1	171093-44590	PROTECTOR			1				1	
11	1	121400-44640	ABSORBER	2	2	2	2	2	2	2	
12	1	121400-44650	ABSORBER	2	2	2	2	2	2	2	
13A	1	171090-44760	PROTECTOR, FAN	1			1				
13B	1	171092-44760	PROTECTOR, FAN		1			1			
14A	1	171085-44850	SUPPORT	1	1		1	1			
14B	1	171087-44850	SUPPORT			1				1	
15	1	22217-080000	WASHER, SPRING 8	16	16	16	16	16	16	16	
16	1	22217-100000	WASHER, SPRING 10	4	4	4	4	4	4	4	
17	1	26106-060122	BOLT, M6X 12 PLATED		4			4			
18	1	26106-060142	BOLT, M6X 14 PLATED	4			4				
19	1	26106-060162	BOLT, M6X 16 PLATED	4	1		4	1			
20	1	26106-080142	BOLT, M8X 14 PLATED	8	8	6	8	8	6		
21	1	26106-080162	BOLT, M8X 16 PLATED				4			4	
22	1	26106-080202	BOLT, M8X 20 PLATED	12	12	12	12	12	12	12	
23	1	26106-080352	BOLT, M8X 35 PLATED			2				2	
24	1	26366-060002	NUT, M6	4	4		4	4			
25	1	26366-080002	NUT, M8	6	6	6	6	6	6	6	
26	1	26706-100002	NUT, M10	4	4	4	4	4	4	4	
27	1	42215-504200	BRACKET, RADIATOR	2	2		2	2			
28	1	42215-504210	BRACKET	1	1		1	1			
29	1	42215-504220	BRACKET	2	2		2	2			
30	1	42215-504230	BRACKET	2	2	2	2	2	2	2	
31	1	42215-504260	SUPPORT, RADIATOR			2				2	
32	1	42215-504270	SUPPORT, RADIATOR			2				2	
33A	1	171090-08101	ENGINE BED	1			1				
33B	1	41608-500370	ENGINE BED		1	1		1	1	1	
34	1	171090-08020	FOOT	2	2	2	2	2	2	2	
35	1	171090-08030	FOOT	2	2	2	2	2	2	2	
36	1	22217-100000	WASHER, SPRING 10	12			12				
37	1	22217-140000	WASHER, SPRING 14	4	4	4	4	4	4	4	
38	1	22312-080200	PIN, PARALLEL M8X20	4	4	4	4	4	4	4	
39	1	26013-100252	BOLT, M10X 25	8	8	8	8	8	8	8	
40A	1	26106-100452	BOLT, M10X 45 PLATED	11			11				

Fig.23. RADIATOR , FAN & PULLEY

(A)=3T95LE-S
(B)=4T95LE-S
(C)=4T95LTE-S

(D)=3T95LE-SH
(E)=4T95LE-SH
(F)=4T95LTE-SH

Fig. 23 RADIATOR, FAN & PULLEY



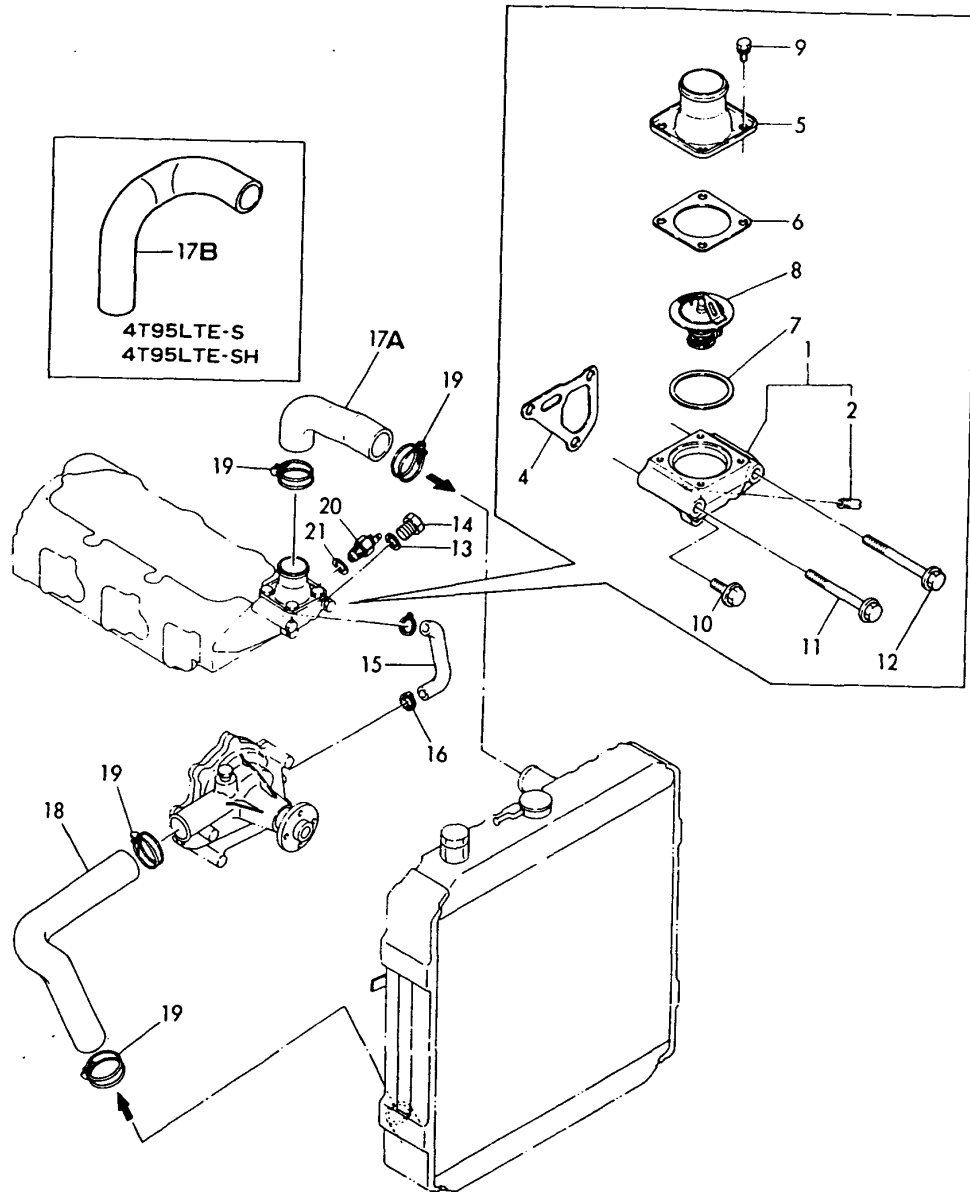
No.	Lev.	Parts No.	Description	Q'ty						I	R
				(A)	(B)	(C)	(D)	(E)	(F)		
40B	1	26013-100452	BOLT, M10X 45		11	11		11	11		
41A	1	26106-100502	BOLT, M10X 50 PLATED	1			1				
41B	1	26014-100502	BOLT, M10X 50		1	1		1	1		
42	1	26116-140302	BOLT, M14X 30 PLATED	4	4	4	4	4	4		
43A	1	26366-100002	NUT, M10	12			12				
43B	1	26706-100002	NUT, M10		12	12		12	12		
44	1	26796-100002	NUT, LOCK M10				1	1	1		
45	1	42215-504450	SUPPORT, RADIATOR			1			1		
46	1	42215-504460	SUPPORT, RADIATOR			1			1		

Fig.24. THERMOSTAT & COOLING W. LINE

(A)=3T95LE-S
(B)=4T95LE-S
(C)=4T95LTE-S

(D)=3T95LE-SH
(E)=4T95LE-SH
(F)=4T95LTE-SH

Fig.24 THERMOSTAT & COOLING W. LINE



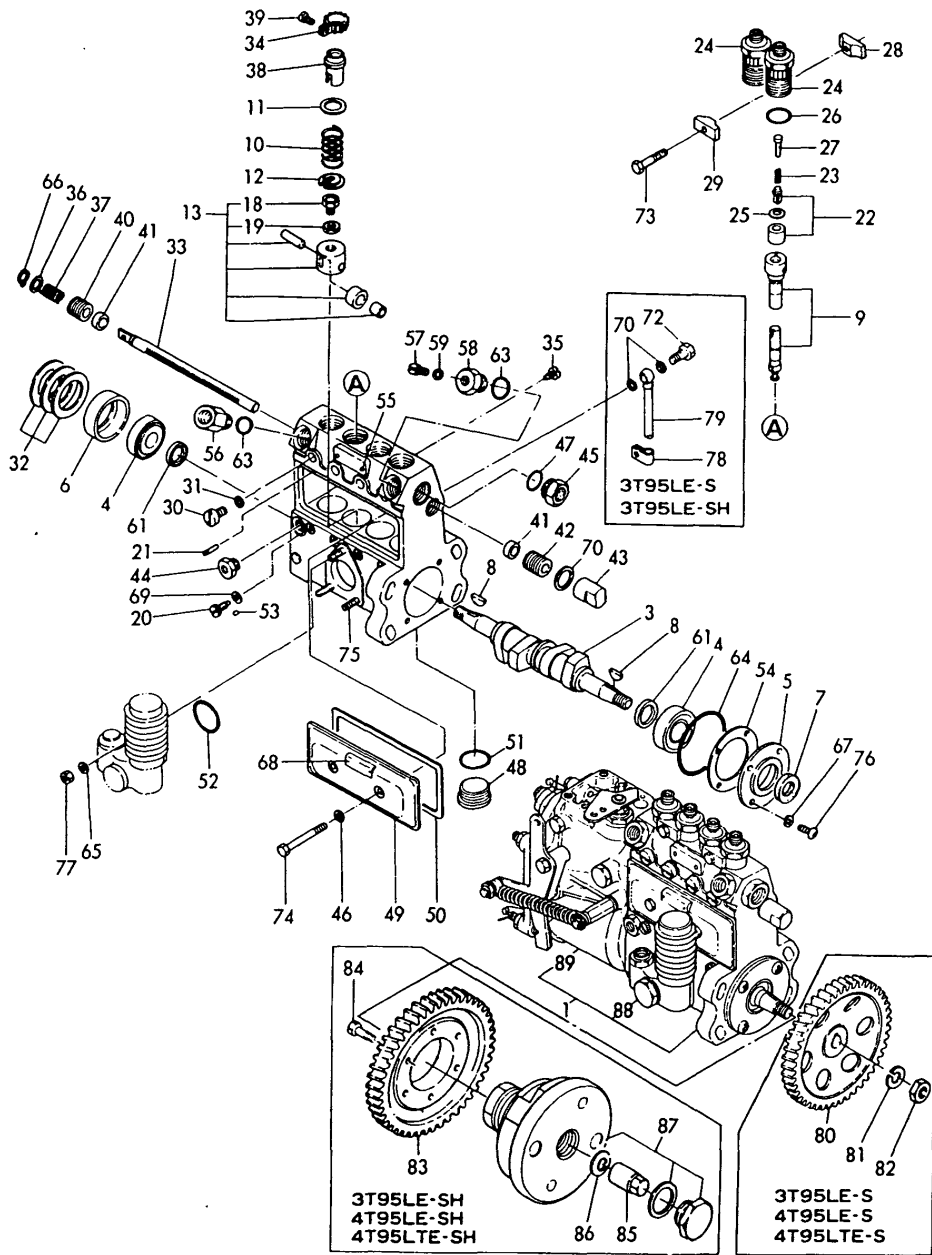
No.	Lev.	Parts No.	Description	Q'ty						I	R
				(A)	(B)	(C)	(D)	(E)	(F)		
1	1	121970-49501	CASE ASSY,THERMOSTAT	1	1	1	1	1	1		
2	2	121970-49530	JOINT	1	1	1	1	1	1		
4	1	121970-49520	GASKET	1	1	1	1	1	1		
5	1	121850-49530	COVER, THERMOSTAT	1	1	1	1	1	1		
6	1	121850-49540	GASKET, THERMOSTAT	1	1	1	1	1	1		
7	1	121850-49550	GASKET, THERMOSTAT	1	1	1	1	1	1		
8	1	121850-49800	THERMOSTAT, 82	1	1	1	1	1	1		
9	1	26014-060142	BOLT, M6X 14	4	4	4	4	4	4		
10	1	26106-080222	BOLT, M8X 22 PLATED	1	1	1	1	1	1		
11	1	26106-080802	BOLT, M8X 80 PLATED	1	1	1	1	1	1		
12	1	26106-080852	BOLT, M8X 85 PLATED	1	1	1	1	1	1		
13	1	23414-160000	GASKET, 16X1.0					1	1	1	
14	1	23887-160002	PLUG, 16					1	1	1	
15	1	121970-49030	PIPE, WATER	1	1	1	1	1	1		
16	1	23000-022000	CLAMP, 22	2	2	2	2	2	2		
17A	1	121970-49010	PIPE, WATER	1	1		1	1			
17B	1	121972-49010	PIPE, WATER								1
18A	1	121970-49020	PIPE, WATER	1	1		1	1			
18B	1	121972-49020	PIPE, WATER			1					1
19	1	23010-050000	CLAMP, 50	4	4	4	4	4	4		
20	1	121250-44901	SWITCH, 110	1	1	1	1	1	1		
21	1	124465-44950	GASKET, 16	1	1	1					

Fig.25. FUEL INJECTION PUMP

(A)=3T95LE-S
(B)=4T95LE-S
(C)=4T95LTE-SH

(D)=3T95LE-SH
(E)=4T95LE-SH
(F)=4T95LTE-SH

Fig. 25 FUEL INJECTION PUMP



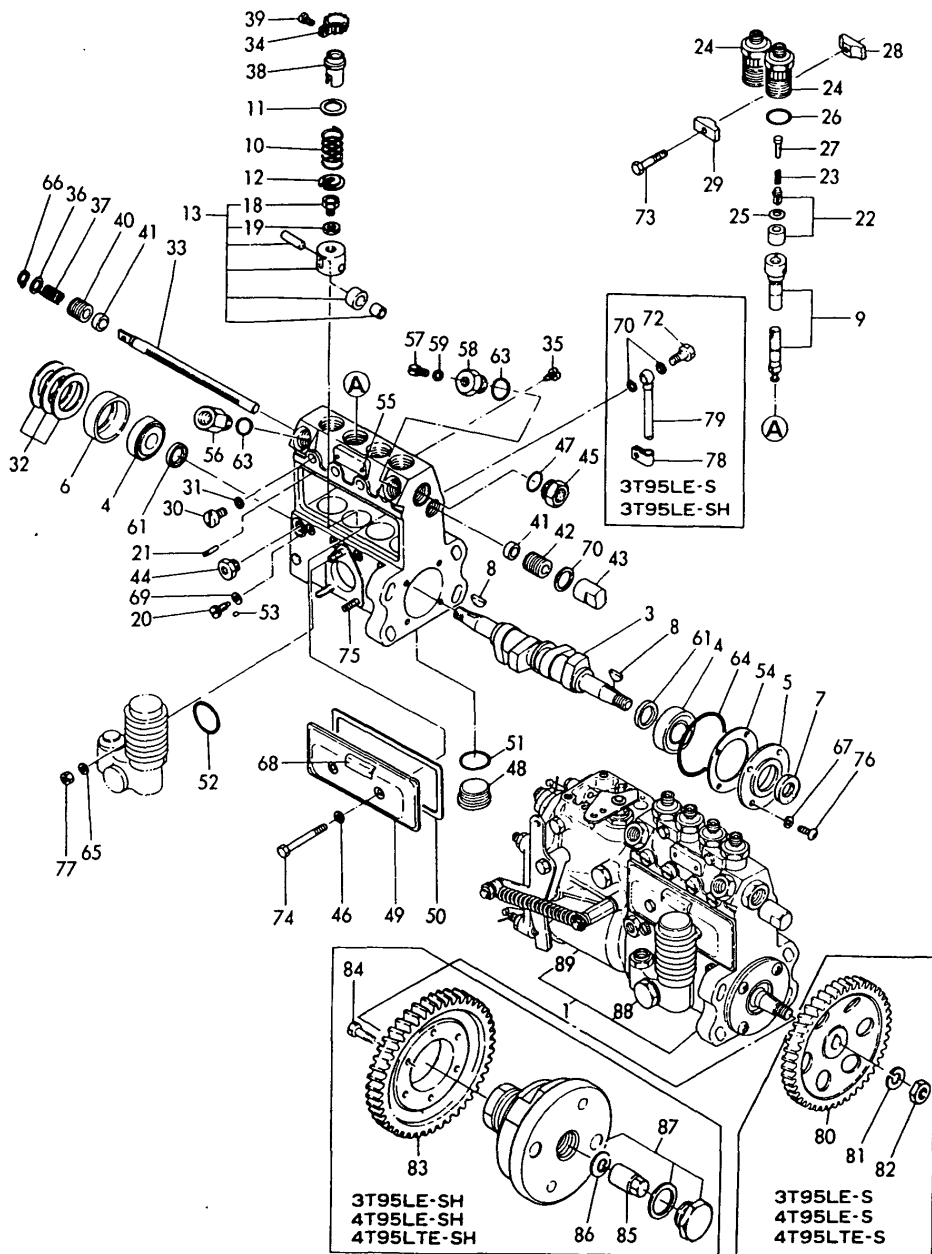
No.	Lev.	Parts No.	Description	Qty						I	R
				(A)	(B)	(C)	(D)	(E)	(F)		
1A	1	721875-51301	PUMP ASSY, INJECTION	1							
1B	1	721975-51301	PUMP ASSY, INJECTION		1						
1C	1	721977-51301	PUMP ASSY, INJECTION			1					
1D	1	721875-51311	PUMP ASSY, INJECTION				1				
1E	1	721975-51311	PUMP ASSY, INJECTION					1			
1F	1	721977-51311	PUMP ASSY, INJECTION							1	
3A	2	121850-51030	CAMSHAFT	1			1				
3B	2	121950-51030	CAMSHAFT		1	1		1	1		
4	2	122710-51050	BEARING, HR30203J	2	2	2	2	2	2	2	
5	2	121850-51060	RETAINER, BEARING A	1	1	1	1	1	1	1	
6	2	121850-51070	RETAINER, SPRING B	1	1	1	1	1	1	1	
7	2	122710-51080	SEAL, AC0735-E00X9	1	1	1	1	1	1	1	
8	2	122710-51090	KEY	2	2	2	2	2	2	2	
9	2	121970-51100	PLUNGER ASSY	3	4	4	3	4	4	4	
10	2	122710-51160	SPRING, PLUNGER	3	4	4	3	4	4	4	
11	2	122710-51170	RETAINER, SPRING	3	4	4	3	4	4	4	
12	2	122710-51180	RETAINER, SPRING	3	4	4	3	4	4	4	
13	2	122710-51200	TAPPET ASSY	3	4	4	3	4	4	4	
18	3	122710-51250	BOLT, ADJUSTING	3	4	4	3	4	4	4	
19	3	122710-51260	NUT, LOCK	3	4	4	3	4	4	4	
20	2	122710-51270	STOPPER	3	4	4	3	4	4	4	
21	2	122710-51280	PIN	3	4	4	3	4	4	4	
22A	2	121952-51300	VALVE ASSY, DELIVERY	3	4	4					
22B	2	124412-51300	VALVE ASSY, DELIVERY				3	4	4	4	
23	2	121952-51330	SPRING, DELIVERY	3	4	4	3	4	4	4	
24	2	121952-51340	RETAINER	3	4	4	3	4	4	4	
25	2	122710-51350	GASKET	3	4	4	3	4	4	4	
26	2	122710-51360	O-RING	3	4	4	3	4	4	4	
27	2	121952-51370	STOPPER, VALVE	3	4	4	3	4	4	4	
28	2	121850-51380	STOPPER	2	2	2	2	2	2	2	
29	2	121850-51390	STOPPER	2	2	2	2	2	2	2	
30	2	122710-51400	SCREW	3	4	4	3	4	4	4	
31	2	122710-51410	GASKET	3	4	4	3	4	4	4	
32	2	121850-51450	SHIM SET, ADJUSTING	1	1	1	1	1	1	1	
33A	2	121850-51500	RACK, CONTROL	1			1				
33B	2	121950-51500	RACK, CONTROL		1	1		1	1		
34	2	122710-51510	PINION, CONTROL	3	4	4	3	4	4	4	
35	2	122710-51520	STOOPER, RACK	1	1	1	1	1	1	1	
36	2	121850-51530	SPACER	1	1	1	1	1	1	1	
37	2	122710-51540	SPRING, RACK	1	1	1	1	1	1	1	
38	2	122710-51550	SLEEVE, PINION	3	4	4	3	4	4	4	
39	2	122117-51560	SCREW	3	4	4	3	4	4	4	
40	2	122710-51571	SCREW	1	1	1	1	1	1	1	
41	2	122710-51580	BUSH, RACK	2	2	2	2	2	2	2	
42	2	122710-51590	SCREW	1	1	1	1	1	1	1	
43	2	121850-51600	NUT, CAP	1	1	1	1	1	1	1	
44	2	121850-51700	BUSH	1	1	1	1	1	1	1	
45	2	122710-51701	PLUG	1	1	1	1	1	1	1	
46	2	144626-51700	WASHER, SEAL	2	2	2	2	2	2	2	
47	2	122710-51721	O-RING, 2017	1	1	1	1	1	1	1	
48	2	124410-51730	PLUG	3	4	4	3	4	4	4	

Fig.25. FUEL INJECTION PUMP

(A)=3T95LE-S
(B)=4T95LE-S
(C)=4T95LTE-S

(D)=3T95LE-SH
(E)=4T95LE-SH
(F)=4T95LTE-SH

Fig. 25 FUEL INJECTION PUMP



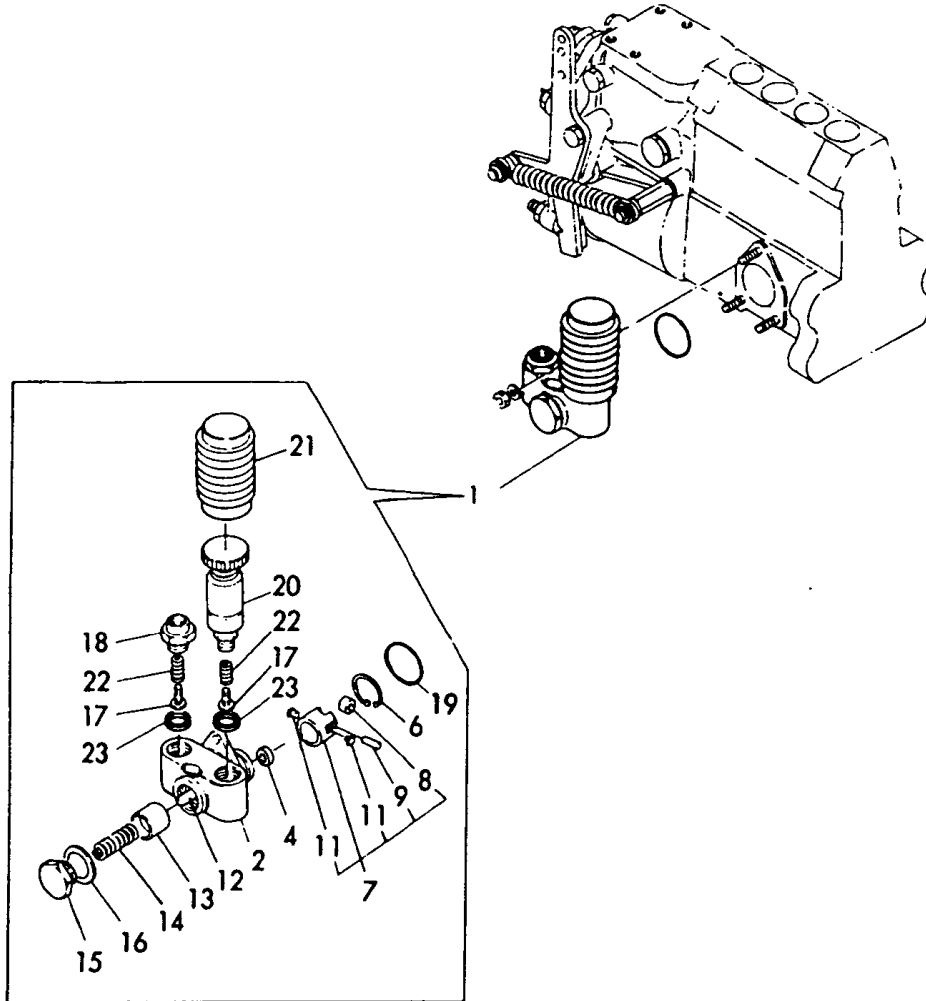
No.	Lev.	Parts No.	Description	Qty						I	R
				(A)	(B)	(C)	(D)	(E)	(F)		
49A	2	121850-51751	COVER	1			1				
49B	2	121950-51751	COVER		1	1		1	1		
50A	2	121850-51761	GASKET	1			1				
50B	2	121950-51761	GASKET		1	1		1	1		
51	2	122710-51790	O-RING	3	4	4	3	4	4		
52	2	122710-51870	O-RING, S32	1	1	1	1	1	1		
53	2	122710-51880	STOPPER	3	4	4	3	4	4		
54	2	122710-51890	GASKET	1	1	1	1	1	1		
55	2	124220-51890	RIVET	2	2	2	2	2	2		
56	2	121850-51900	JOINT, OVER FLOW	1	1	1	1	1	1		
57	2	122780-51900	BOLT	1	1	1	1	1	1		
58	2	121950-51910	PLUG	1	1	1	1	1	1		
59	2	180110-51910	PACKING, PLUG	1	1	1	1	1	1		
61	2	122710-51920	SPACER	2	2	2	2	2	2		
63	2	144626-51950	O-RING, 1016	2	2	2	2	2	2		
64	2	121850-51960	O-RING	1	1	1	1	1	1		
65	2	22217-060000	WASHER, SPRING 6	3	3	3	3	3	3		
66	2	22242-000110	RING, 11	1	1	1	1	1	1		
67	2	22287-060000	WASHER 6	4	4	4	4	4	4		
68	2	22621-230030	RIVET, 2.3X 3	2			2				
69	2	23414-060000	GASKET, 6X1.0	3	4	4	3	4	4		
70	2	23414-080000	GASKET, 8X1.0	2			2				
71	2	23414-180023	GASKET, 18X1.0	1	1	1	1	1	1		
72	2	23857-030000	BOLT, JOINT 3	1			1				
73	2	26106-060352	BOLT, M6X 35 PLATED	2	2	2	2	2	2		
74	2	26116-060559	BOLT, M6X 55 PLATED	2	2	2	2	2	2		
75	2	26216-060142	STUD, M6X 14	3	3	3	3	3	3		
76	2	26557-060152	SCREW, M6X15	4	4	4	4	4	4		
77	2	26716-060002	NUT, M6	3	3	3	3	3	3		
78	2	105582-39150	RETAINER	1			1				
79	2	121850-39300	PIPE ASSY, OIL	1			1				
80	2	121952-25900	GEAR, PUMP	1	1	1					
81	2	22217-120000	WASHER, SPRING 12	1	1	1					
82	2	26716-120002	NUT, M12	1	1	1					
83	2	121850-25900	GEAR, PUMP				1	1	1		
84	2	123672-54540	BOLT, M6X22				6	6	6		
85	2	121850-54780	NUT, CAP				1	1	1		
86	2	22287-120000	WASHER, 12				1	1	1		
87A	2	721875-54800	TIMER ASSY				1	1			
87B	2	721977-54800	TIMER ASSY							1	
88	2	123325-52010	PUMP ASSY, FUEL FEED	1	1	1	1	1	1		
89A	2	*REF.32	GOVERNOR ASSY	1	1	1					
89B	2	*REF.32	GOVERNOR ASSY				1	1	1		

Fig.26. FUEL FEED PUMP

Fig.26 FUEL FEED PUMP

(A)=3T95LE-S
(B)=4T95LE-S
(C)=4T95LTE-S

(D)=3T95LE-SH
(E)=4T95LE-SH
(F)=4T95LTE-SH



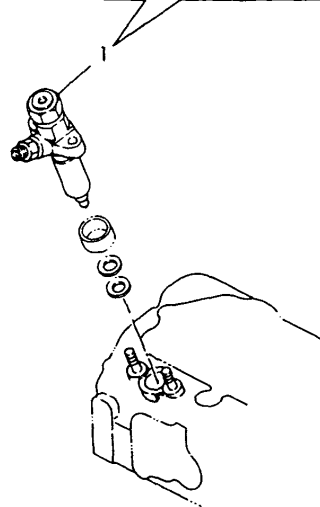
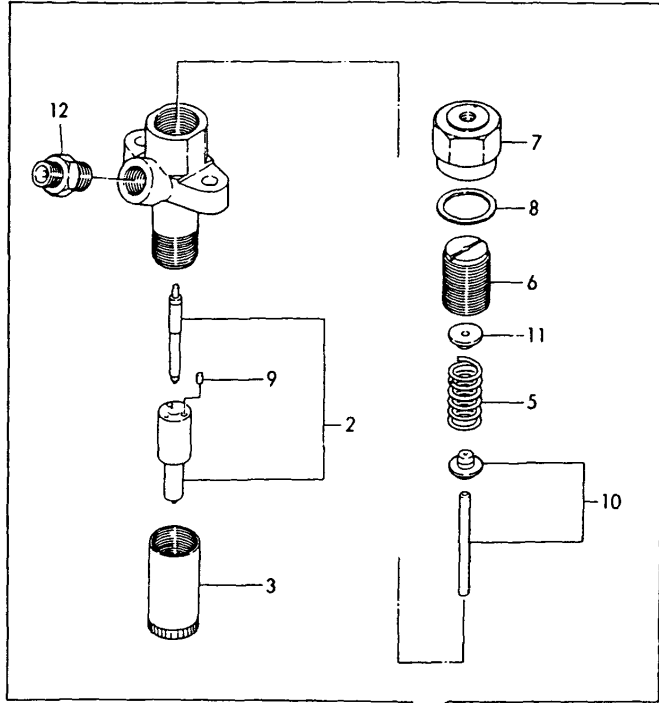
No.	Lev.	Parts No.	Description	Qty						I	R
				(A)	(B)	(C)	(D)	(E)	(F)		
1	2	123325-52010	PUMP ASSY, FUEL FEED	1	1	1	1	1	1		
2	3	121820-52020	BODY ASSY, PUMP	1	1	1	1	1	1		
4	4	121820-52040	SEAL, OIL	1	1	1	1	1	1		
6	3	121820-52070	PIN	1	1	1	1	1	1		
7	3	121820-52100	GUIDE ASSY, ROLLER	1	1	1	1	1	1		
8	4	121820-52110	ROLLER	1	1	1	1	1	1		
9	4	121820-52120	PIN, ROLLER	1	1	1	1	1	1		
11	4	121820-52140	RETAINER	2	2	2	2	2	2		
12	3	121820-52160	SPINDLE, INTER	1	1	1	1	1	1		
13	3	121820-52170	PISTON	1	1	1	1	1	1		
14	3	121820-52180	SPRING, VALVE	1	1	1	1	1	1		
15	3	121820-52190	RETAINER, SPRING	1	1	1	1	1	1		
16	3	121820-52200	GASKET, 25	1	1	1	1	1	1		
17	3	121820-52210	VALVE	2	2	2	2	2	2		
18	3	121820-52230	RETAINER, SPRING	1	1	1	1	1	1		
19	3	122710-51870	O-RING, S32	1	1	1	1	1	1		
20	3	121820-52300	PUMP, PRIMING	1	1	1	1	1	1		
21	3	121820-52400	COVER	1	1	1	1	1	1		
22	3	121820-52510	SPRING, VALVE	2	2	2	2	2	2		
23	3	X0293316030	GASKET	2	2	2	2	2	2		

Fig.27. FUEL INJECTION VALVE

(A)=3T95LE-S
(B)=4T95LE-S
(C)=4T95LTE-S

(D)=3T95LE-SH
(E)=4T95LE-SH
(F)=4T95LTE-SH

Fig. **27** FUEL INJECTION VALVE



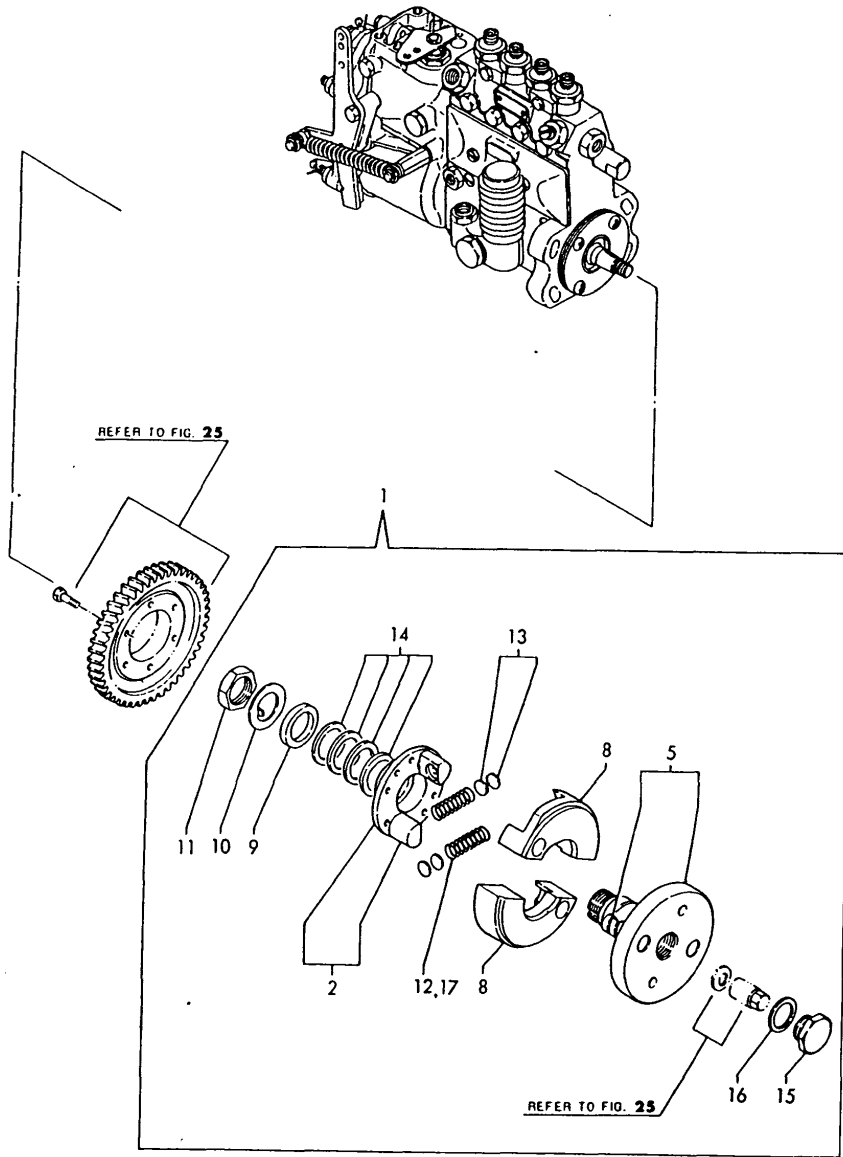
No.	Lev.	Parts No.	Description	Q'ty						I	R
				(A)	(B)	(C)	(D)	(E)	(F)		
1A	1	721850-53100	VALVE ASSY,INJECTION	3	4						
1B	1	721875-53100	VALVE ASSY,INJECTION				3	4			
1C	1	721952-53100	VALVE ASSY,INJECTION			4					
1D	1	724412-53100	VALVE ASSY,INJECTION							4	
2A	2	121850-53000	VALVE ASSY,INJECTION	3	4						
2B	2	121875-53000	VALVE ASSY,INJECTION				3	4			
2C	2	121952-53000	VALVE ASSY,INJECTION			4					
2D	2	124412-53000	VALVE ASSY,INJECTION							4	
3	2	126630-53080	NUT, NOZZLE L=48	3	4	4	3	4	4	4	
5	2	144626-53120	SPRING, NOZZLE	3	4	4	3	4	4	4	
6	2	144626-53180	HOLDER	3	4	4	3	4	4	4	
7	2	126630-53190	CAP, SPRING	3	4	4	3	4	4	4	
8	2	144626-53200	GASKET	3	4	4	3	4	4	4	
9	2	103200-53210	KNOCK, VALVE	6	8	8	6	8	8	8	
10	2	121850-53250	SPINDLE ASSY	3	4	4	3	4	4	4	
11	2	144626-53300	RETAINER, SPRING	3	4	4	3	4	4	4	
12	2	127610-53330	JOINT	3	4	4	3	4	4	4	

Fig.28. TIMER

(A)=3T95LE-S
(B)=4T95LE-S
(C)=4T95LTE-S

(D)=3T95LE-SH
(E)=4T95LE-SH
(F)=4T95LTE-SH

Fig.28 TIMER

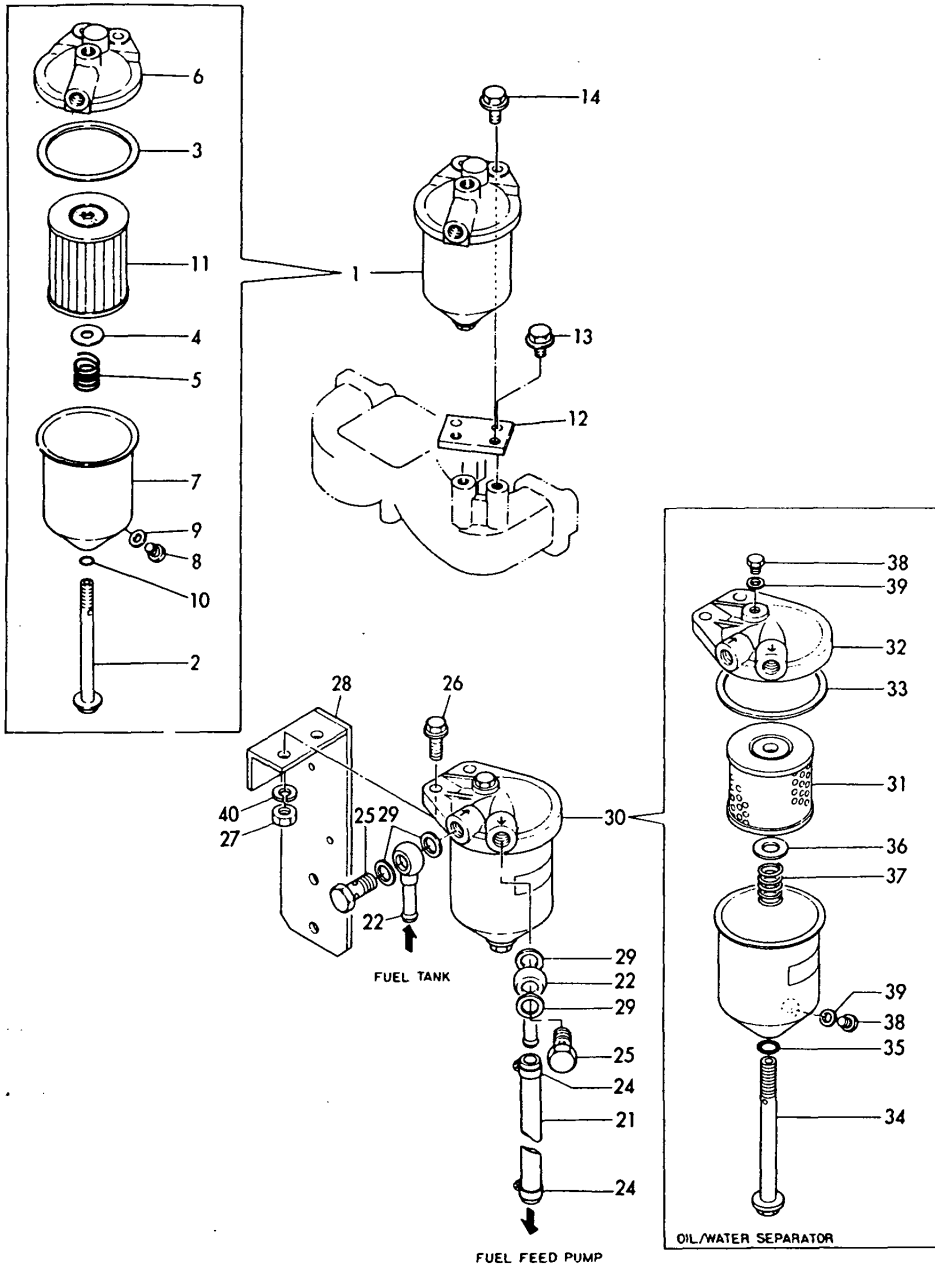


No.	Lev.	Parts No.	Description	Q'ty						I	R
				(A)	(B)	(C)	(D)	(E)	(F)		
1A	2	721875-54800	TIMER ASSY				1	1			
1B	2	721977-54800	TIMER ASSY							1	
2	3	121850-54510	PIN ASSY, DRIVE				1	1	1		
5A	3	121875-54550	HUB ASSY, TIMER				1	1			
5B	3	121977-54550	HUB ASSY, TIMER							1	
8	3	121850-54650	WEIGHT, TIMER				2	2	2		
9	3	121850-54710	SPACER				1	1	1		
10	3	121850-54730	WASHER				1	1	1		
11	3	121850-54740	NUT				1	1	1		
12A	3	124310-54800	SPRING, TIMER				2	2			
12B	3	124412-54800	SPRING, TIMER							2	
13	3	121850-54900	SHIM SET, SPRING				2	2	2		
14	3	124410-54950	WASHER				1	1	1		
15	3	124410-54940	PLUG				1	1	1		
16	3	23414-240031	GASKET, 24X1.0				1	1	1		
17A	2	129795-54800	SPRING, TIMER				2	2	2		A
17B	2	121875-54810	SPRING, TIMER				2	2	2		A

Remarks
A) REPAIR PART

Fig.29. FUEL STRAINER

Fig.29 FUEL STRAINER



(A)=3T95LE-S
(B)=4T95LE-S
(C)=4T95LTE-S

(D)=3T95LE-SH
(E)=4T95LE-SH
(F)=4T95LTE-SH

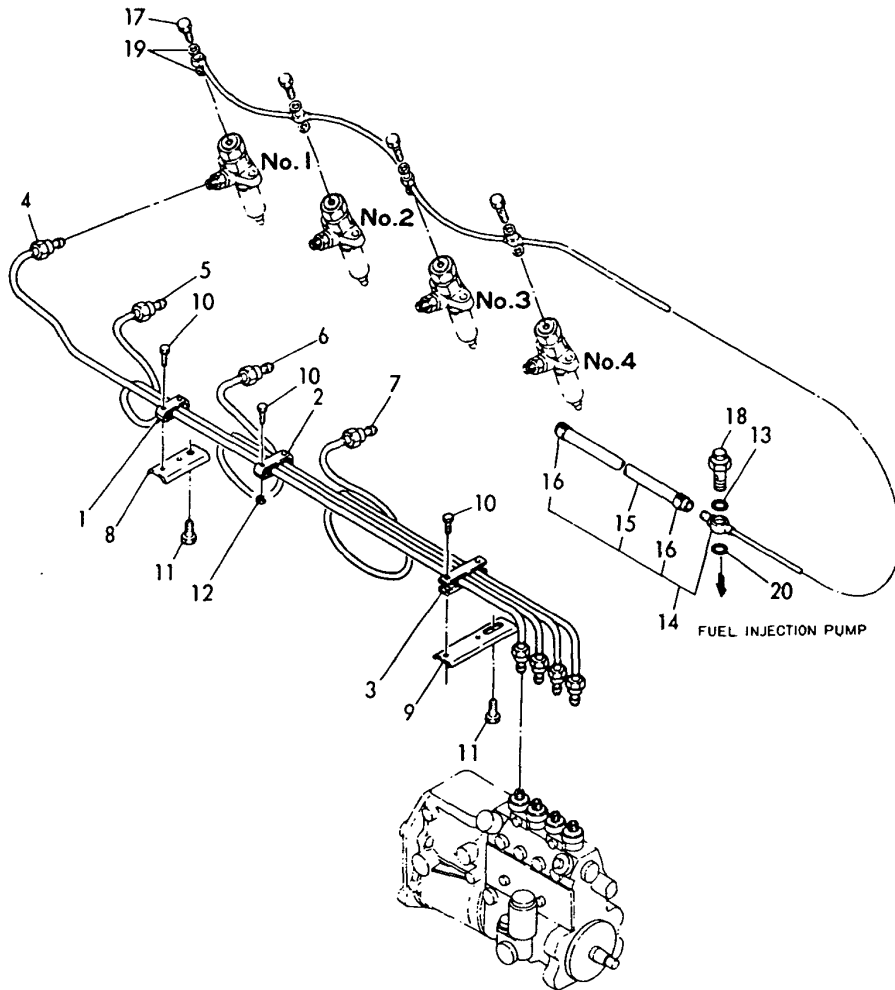
No.	Lev.	Parts No.	Description	Q'ty						I	R
				(A)	(B)	(C)	(D)	(E)	(F)		
1	1	41650-550300	STRAINER, FUEL	1	1	1	1	1	1		
2	2	123325-35110	BOLT	1	1	1	1	1	1		
3	2	123325-35140	GASKET	1	1	1	1	1	1		
4	2	123325-35160	WASHER	1	1	1	1	1	1		
5	2	123325-35170	SPRING	1	1	1	1	1	1		
6	2	123672-55700	COVER	1	1	1	1	1	1		
7	2	123672-55720	CASE	1	1	1	1	1	1		
8	2	123672-55750	PLUG, DRAIN M8	1	1	1	1	1	1		
9	2	123672-55760	GASKET	1	1	1	1	1	1		
10	2	24311-000120	O-RING, 1AP12.0	1	1	1	1	1	1		
11	2	41650-550800	ELEMENT, FUEL OIL	1	1	1	1	1	1		
12	1	171091-55690	SUPPORT	1	1	1	1	1	1		
13	1	26106-100202	BOLT, M10X 20 PLATED	2	2	2	2	2	2		
14	1	26106-100252	BOLT, M10X 25 PLATED	2	2	2	2	2	2		
21A	1	171085-55500	HOSE, RUBBER	1			1				
21B	1	171086-55500	HOSE, RUBBER		1	1		1	1		
22	1	171090-59420	PIPE	2	2	2	2	2	2		
24	1	23000-016000	CLAMP, 16	2	2	2	2	2	2		
25	1	23857-080000	BOLT, JOINT 8	2	2	2	2	2	2		
26	1	26106-100252	BOLT, M10X 25 PLATED	2	2	2	2	2	2		
27	1	26706-100002	NUT, M10	2	2	2	2	2	2		
28	1	42215-504520	BRACKET	1	1	1	1	1	1		
29	1	43400-500470	SEAL WASHER 14	4	4	4	4	4	4		
30	1	43623-500030	SEPARATOR	1	1	1	1	1	1		
31	2	42430-550060	ELEMENT, FUEL OIL	1	1	1	1	1	1		
32	2	123672-55700	COVER	1	1	1	1	1	1		
33	2	123325-35140	GASKET	1	1	1	1	1	1		
34	2	123325-35110	BOLT	1	1	1	1	1	1		
35	2	24311-000120	O-RING, 1AP12.0	1	1	1	1	1	1		
36	2	123678-55860	SEAT, SPRING D30/16	1	1	1	1	1	1		
37	2	123678-55790	SPRING, SET	1	1	1	1	1	1		
38	2	23887-080002	PLUG 8	2	2	2	2	2	2		
39	2	23414-080000	GASKET, 8X1.0	2	2	2	2	2	2		
40	1	22217-100000	WASHER, SPRING 10	2	2	2	2	2	2		

Fig.30. FUEL INJECTION & RETURN PIPES

(A)=3T95LE-S
(B)=4T95LE-S
(C)=4T95LTE-S

(D)=3T95LE-SH
(E)=4T95LE-SH
(F)=4T95LTE-SH

Fig.30 FUEL INJECTION & RETURN PIPES



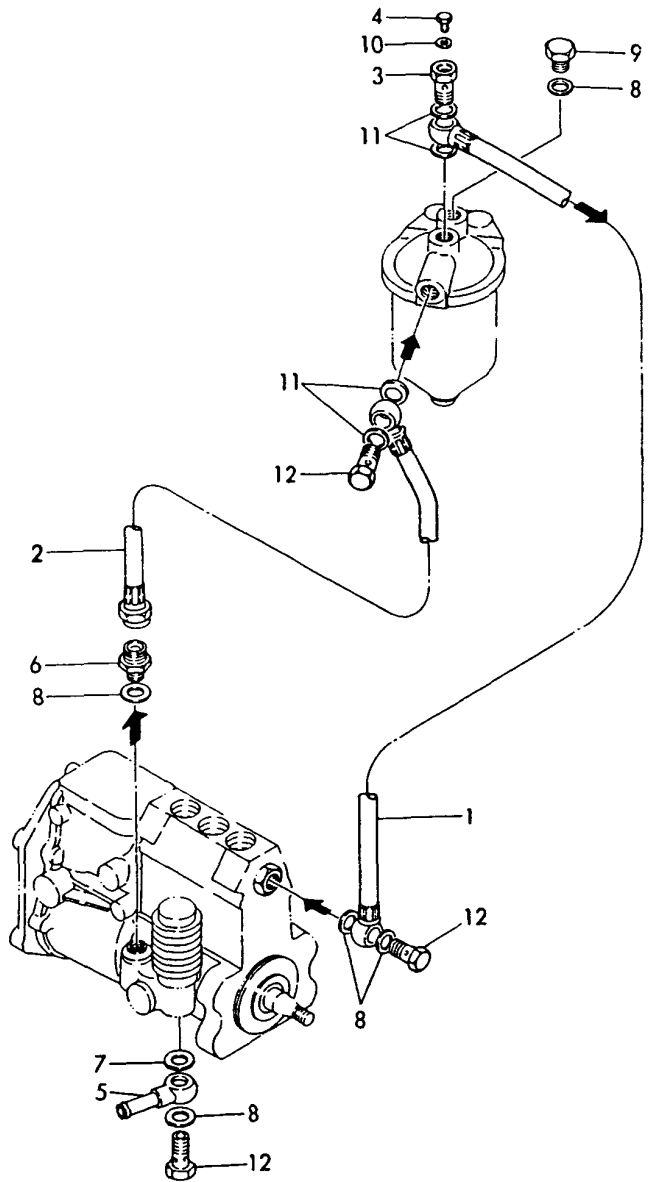
No.	Lev.	Parts No.	Description	Qty						I	R
				(A)	(B)	(C)	(D)	(E)	(F)		
1	1	122780-59100	RETAINER	2	1	1	2	1	1		
2	1	123372-59100	RETAINER, PIPE	1	2	2	1	2	2		
3	1	123472-59120	RETAINER, PIPE		1	1		1	1		
4A	1	121972-59800	PIPE ASSY, INJECTION		1	1					
4B	1	121970-59800	PIPE ASSY, INJECTION					1	1		
5A	1	121972-59810	PIPE ASSY, INJECTION	1	1	1					
5B	1	121970-59810	PIPE ASSY, INJECTION				1	1	1		
6A	1	121972-59820	PIPE ASSY, INJECTION	1	1	1					
6B	1	121970-59820	PIPE ASSY, INJECTION				1	1	1		
7A	1	121972-59830	PIPE ASSY, INJECTION	1	1	1					
7B	1	121970-59830	PIPE ASSY, INJECTION				1	1	1		
8	1	121870-59930	STAY	1	2	2	1	1	1		
9	1	121970-59940	STAY		1	1	1	1	1		
10	1	26106-060162	BOLT, M6X 16 PLATED	4	6	6	4	6	6		
11	1	26106-080162	BOLT, M8X 16 PLATED	1	2	2	1	2	2		
12	1	26366-060002	NUT, M6	2	2	2	2	2	2		
13	1	124450-01980	GASKET	1	1	1	1	1	1		
14A	1	121850-59550	PIPE ASSY, RETURN	1			1				
14B	1	121952-59550	PIPE ASSY, RETURN		1	1		1	1		
15	2	121850-59580	PIPE, FUEL RETURN	1	1	1	1	1	1		
16	2	124060-77680	CLIP, HOSE 10	2	2	2	2	2	2		
17	1	101147-59810	BOLT, PIPE JOINT M8	3	4	4	3	4	4		
18	1	135310-59910	VALVE	1	1	1	1	1	1		
19	1	23414-080000	GASKET, 8X1.0	6	8	8	6	8	8		
20	1	23414-140000	GASKET, 14X1.0	1	1	1	1	1	1		

Fig.31. FUEL LINE

(A)=3T95LE-S
(B)=4T95LE-S
(C)=4T95LTE-S

(D)=3T95LE-SH
(E)=4T95LE-SH
(F)=4T95LTE-SH

Fig. **31** FUEL LINE



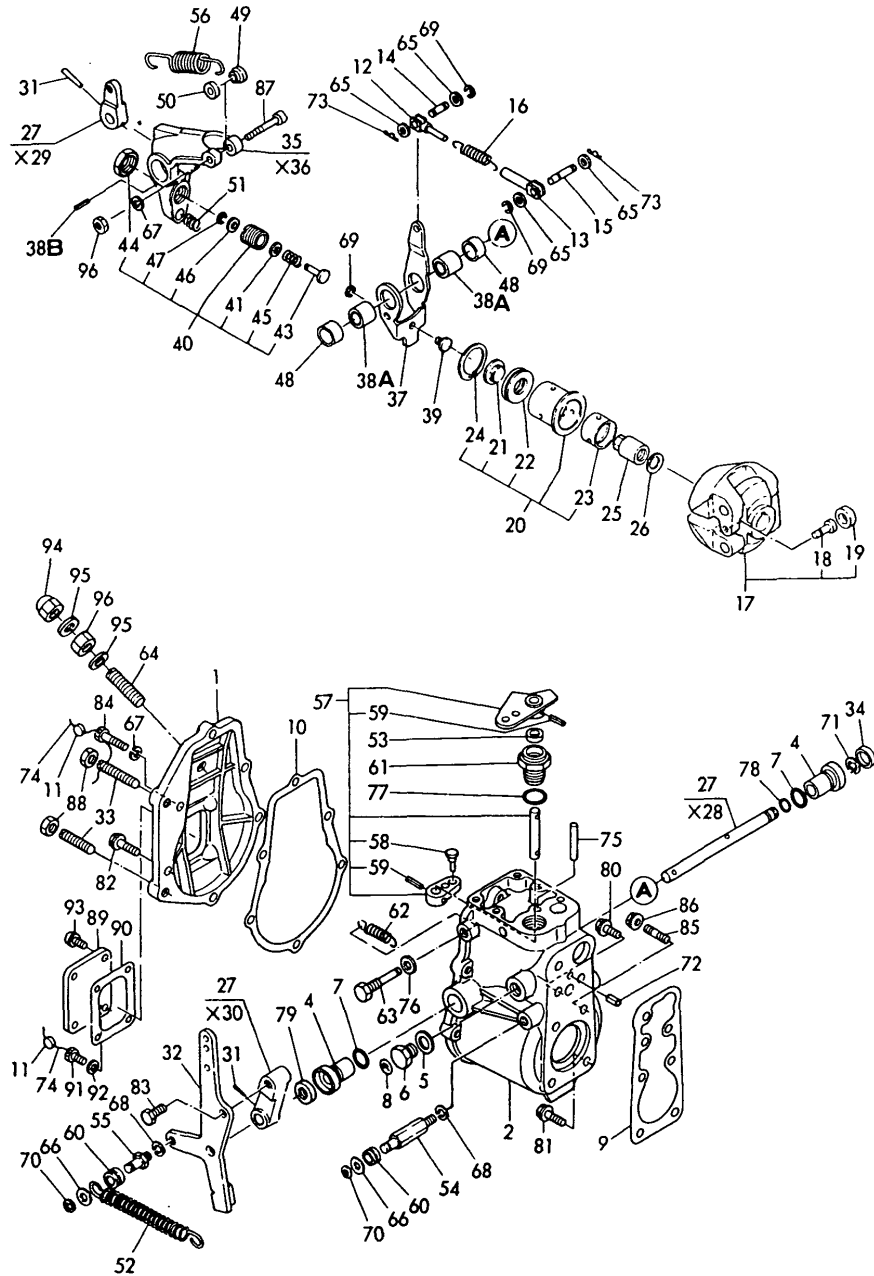
No.	Lev.	Parts No.	Description	Q'ty						I	R
				(A)	(B)	(C)	(D)	(E)	(F)		
1	1	121872-59010	PIPE, FUEL	1	1	1	1	1	1		
2	1	121872-59020	PIPE, FUEL	1	1	1	1	1	1		
3	1	123672-59170	BOLT	1	1	1	1	1	1		
4	1	124060-59380	PLUG, 6	1	1	1	1	1	1		
5	1	171090-59420	PIPE	1	1	1	1	1	1		
6	1	121850-59910	JOINT, PIPE	1	1	1	1	1	1		
7	1	135310-59930	GASKET	1	1	1	1	1	1		
8	1	23414-140000	GASKET, 14X1.0	5	5	5	5	5	5		
9	1	23883-140002	PLUG, 14	1	1	1	1	1	1		
10	1	43400-500390	SEAL WASHER 6	1	1	1	1	1	1		
11	1	43400-500470	SEAL WASHER 14	4	4	4	4	4	4		
12	1	23857-080000	BOLT, JOINT 8	3	3	3	3	3	3		

Fig.32. GOVERNOR

(A)=3T95LE-S
(B)=4T95LE-S
(C)=4T95LTE-S

(D)=3T95LE-SH
(E)=4T95LE-SH
(F)=4T95LTE-SH

Fig.32 GOVERNOR



No.	Lev.	Parts No.	Description	Q'ty						I	R
				(A)	(B)	(C)	(D)	(E)	(F)		
1	2	128300-61060	COVER, GOVERNOR CASE	1	1	1	1	1	1		
2	2	721850-61531	CASE ASSY, GOVERNOR	1	1	1	1	1	1		
4	3	129795-61430	BUSH	2	2	2	2	2	2		
5	3	43400-500450	PACKING	1	1	1	1	1	1		
6	3	23887-120002	PLUG, 12	1	1	1	1	1	1		
7	3	24341-000140	O-RING, 1AS14.0	2	2	2	2	2	2		
8	3	124610-51970	LABEL	1	1	1	1	1	1		
9	2	121850-61050	GASKET	1	1	1	1	1	1		
10	2	121850-61071	GASKET	1	1	1	1	1	1		
11	2	135210-61090	LEAD	2	2	2	2	2	2		
12A	2	121850-61140	LINK, A MARK -2	1	1	1	1	1	1		
12B	2	121850-61150	LINK, A MARK -1	1	1	1	1	1	1		
13	2	121850-61160	LINK	1	1	1	1	1	1		
14	2	121850-61170	PIN, LINK	1	1	1	1	1	1		
15	2	121850-61180	PIN, LINK	1	1	1	1	1	1		
16	2	121850-61190	SPRING	1	1	1	1	1	1		
17	2	129795-61200	WEIGHT ASSY,GOVERNOR	1	1	1	1	1	1		
18	3	121850-61240	PIN, ROLLER	2	2	2	2	2	2		
19	3	121850-61250	ROLLER, WEIGHT	2	2	2	2	2	2		
20	2	121850-61300	SLEEVE ASSY	1	1	1	1	1	1		
21	3	121850-61310	SHIFTER	1	1	1	1	1	1		
22	3	121850-61320	BEARING, THRUST	1	1	1	1	1	1		
24	3	121850-61350	CIRCLIP	1	1	1	1	1	1		
25	2	121850-61380	NUT	1	1	1	1	1	1		
26	2	121850-61390	SPRING	1	1	1	1	1	1		
27	2	120130-61400	SHAFT ASSY	1	1	1	1	1	1		
31	3	22322-030250	PIN, TAPER 3X25	2	2	2	2	2	2		
32	2	121850-61441	LEVER, CONTROL	1	1	1	1	1	1		
33	2	121850-61470	BOLT, LIMITER	2	2	2	2	2	2		
34	2	129795-61470	PLUG, 20	1	1	1	1	1	1		
35	2	128300-61500	LEVER ASSY, GOVERNOR	1	1	1	1	1	1		
37	3	128300-61520	LEVER, GOVERNOR	1	1	1	1	1	1		
38A	3	128300-61530	BEARING	2	2	2	2	2	2		
38B	3	22351-020016	PIN, SPRING 2.0X16	1	1	1	1	1	1		
39	2	121850-61540	SHIFTER	1	1	1	1	1	1		
40A	2	121875-61551	ANGLEIGH ASSY	1	1	1					
40B	2	124616-61550	ANGLEIGH ASSY				1	1	1		
41	3	112100-51620	SHIM	1	1	1	1	1	1		
43	3	124616-61570	SHIFTER	1	1	1	1	1	1		
44	3	124616-61580	NUT, LOCK	1	1	1	1	1	1		
45A	3	124616-61600	SPRING, ANGLEIGH	1	1	1					
45B	3	124616-61590	SPRING, ANGLEIGH				1	1	1		
46	3	22117-050000	WASHER, 5	1	1	1	1	1	1		
47	3	22272-000040	RING, E- 4	1	1	1	1	1	1		
48	2	121850-61560	COLLAR	2	2	2	2	2	2		
49	2	121850-61580	PIECE	1	1	1	1	1	1		
50	2	121850-61590	PIECE	1	1	1	1	1	1		
51	2	128300-61600	SPRING, FUEL CONTROL	1	1	1	1	1	1		
52	2	121850-61650	SPRING	1	1	1	1	1	1		
53	2	148616-61650	SEAL, VC081404	1	1	1	1	1	1		
54	2	121850-61660	BOLT	1	1	1	1	1	1		

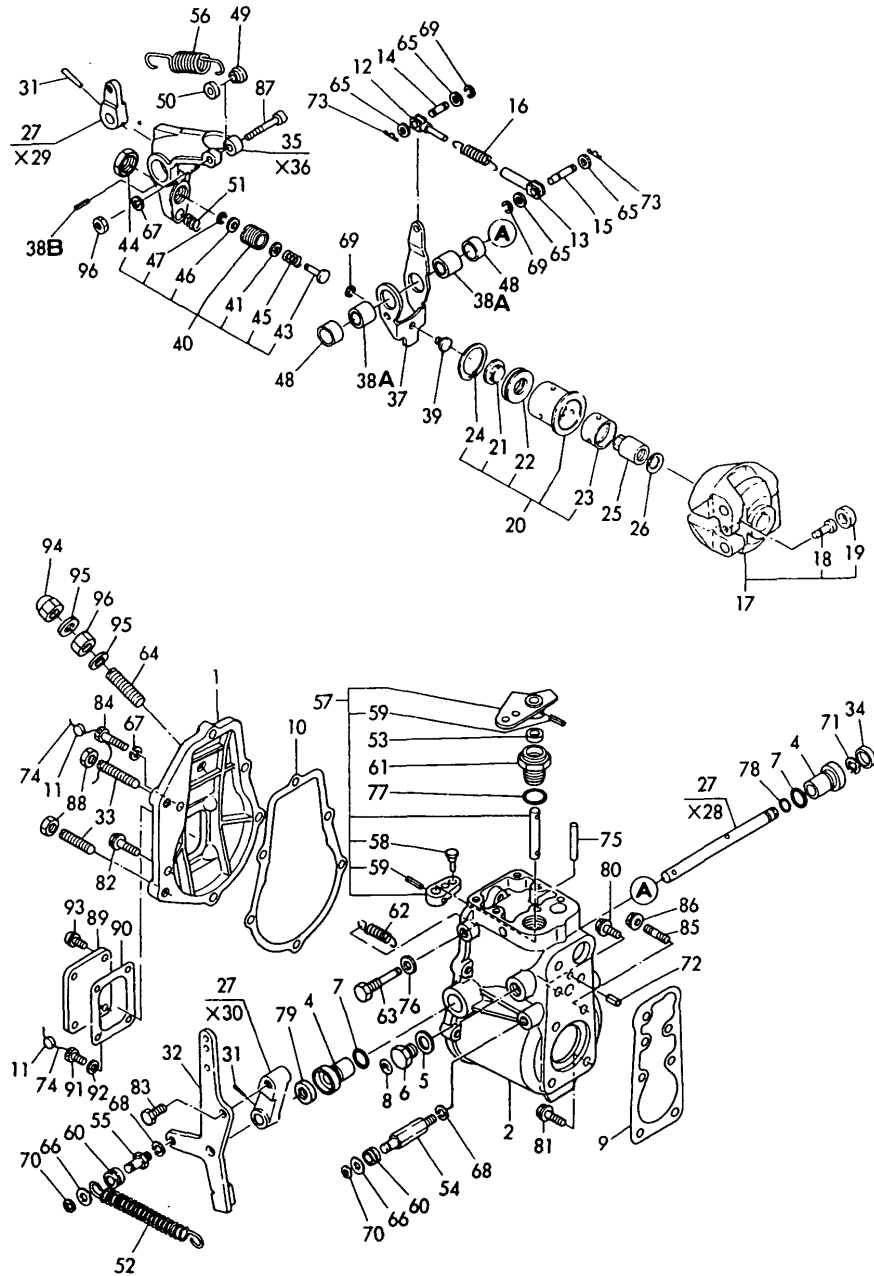
N:Old \xrightarrow{Yes} New, Q:Old \xrightarrow{No} New, R:Old \xrightarrow{Yes} New, S:Old \xrightarrow{No} New, W:Add, Z:Discontinued, F:Interchangeable by set, K:Q'ty Change
 ++ CONTINUE ++
 Copyright (C) YANMAR CO., LTD. All Rights Reserved.

Fig.32. GOVERNOR

(A)=3T95LE-S
(B)=4T95LE-S
(C)=4T95LTE-S

(D)=3T95LE-SH
(E)=4T95LE-SH
(F)=4T95LTE-SH

Fig.32 GOVERNOR



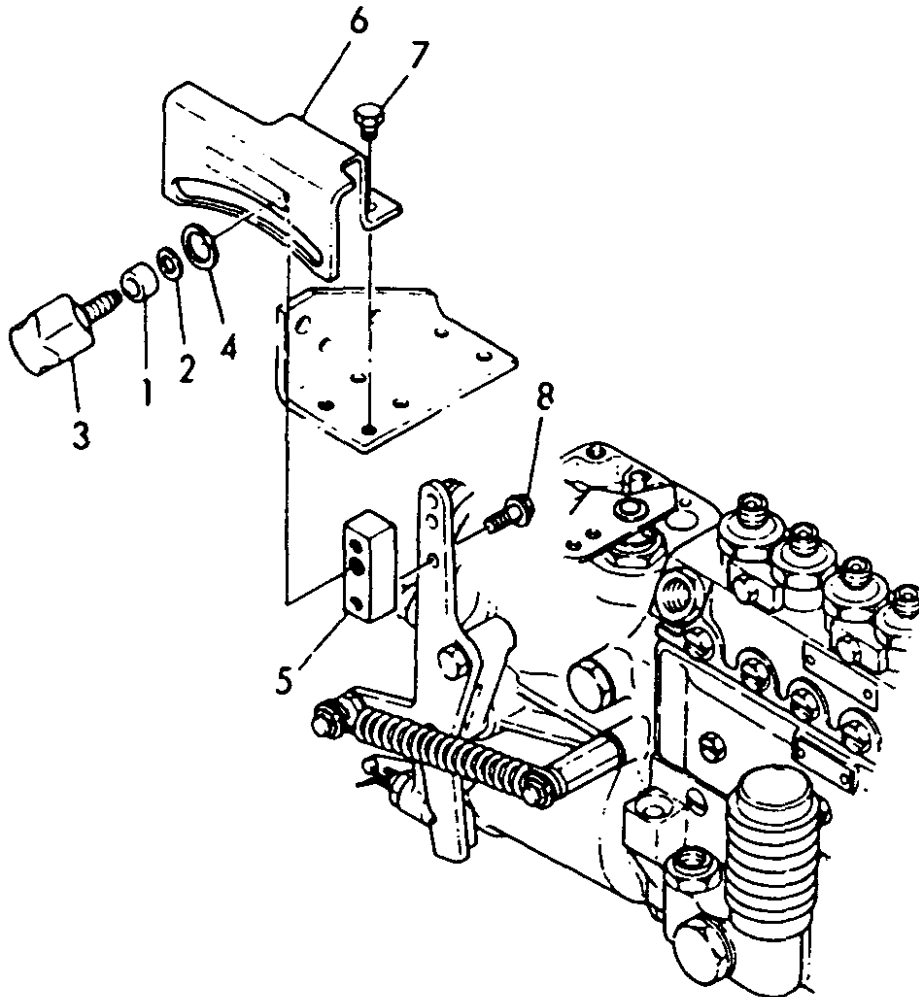
No.	Lev.	Parts No.	Description	Q'ty						I	R
				(A)	(B)	(C)	(D)	(E)	(F)		
55	2	121850-61670	BOLT	1	1	1	1	1	1		
56A	2	121850-61700	SPRING, GOVERNOR	1	1	1					
56B	2	121875-61700	SPRING, GOVERNOR				1	1	1		
57	2	124410-61770	SHAFT ASSY	1	1	1	1	1	1		
58	3	121850-61820	PIN	1	1	1	1	1	1		
59	3	22351-030016	PIN, SPRING 3.0X16	2	2	2	2	2	2		
60	2	144626-61781	PIECE	2	2	2	2	2	2		
61	2	121850-61840	BUSH	1	1	1	1	1	1		
62	2	124410-61860	SPRING	1	1	1	1	1	1		
63	2	124410-61870	BOLT	1	1	1	1	1	1		
64	2	128300-61940	BOLT, CONTROL	1	1	1	1	1	1		
65	2	22117-050000	WASHER, 5	4	4	4	4	4	4		
66	2	22117-080000	WASHER, 8	2	2	2	2	2	2		
67	2	22217-060000	WASHER, SPRING 6	3	3	3	3	3	3		
68	2	22217-080000	WASHER, SPRING 8	2	2	2	2	2	2		
69	2	22272-000040	RING, E- 4	3	3	3	3	3	3		
70	2	22272-000060	RING, E- 6	2	2	2	2	2	2		
71	2	22272-000070	RING, E- 7	1	1	1	1	1	1		
72	2	22351-050012	PIN, SPRING 5.0X12	1	1	1	1	1	1		
73	2	22360-050000	SNAP PIN 5	2	2	2	2	2	2		
74	2	22451-100000	WIRE, 1.0	2	2	2	2	2	2		
75	2	22492-060362	PIN, B6X36	1	1	1	1	1	1		
76	2	23414-080012	GASKET, 8X1.0	1	1	1	1	1	1		
77	2	24311-000160	O-RING, 1AP16.0	1	1	1	1	1	1		
78	2	24341-000080	O-RING, 1AS8.0	1	1	1	1	1	1		
79	2	120320-61540	SEAL, SC102004	1	1	1	1	1	1		
80	2	26106-060142	BOLT, M6X 14 PLATED	3	3	3	3	3	3		
81	2	26106-060182	BOLT, M6X 18 PLATED	3	3	3	3	3	3		
82	2	26106-060222	BOLT, M6X 22 PLATED	4	4	4	4	4	4		
83	2	26106-080162	BOLT, M8X 16 PLATED	1	1	1	1	1	1		
84	2	26116-060256	BOLT, M6X 25 PLATED	2	2	2	2	2	2		
85	2	26216-060122	STUD, M6X 12	1	1	1	1	1	1		
86	1	26366-060002	NUT, M6	2	2	2	2	2	2		
87	1	26450-060452	BOLT, M6X 45	1	1	1	1	1	1		
88	1	26756-080002	NUT, LOCK M8	2	2	2	2	2	2		
89	1	124616-61070	COVER, GOVERNOR CASE	1	1	1	1	1	1		
90	1	124616-61080	GASKET	1	1	1	1	1	1		
91	1	129155-61090	BOLT	2	2	2	2	2	2		
92	1	22217-050000	WASHER, SPRING 5	2	2	2	2	2	2		
93	1	26022-050122	SCREW, M5X12	2	2	2	2	2	2		
94	1	129155-61930	NUT, CAP	1	1	1	1	1	1		
95	1	23414-100014	GASKET, 10X1.0	2	2	2	2	2	2		
96	1	26696-100002	NUT, LOCK M10	1	1	1	1	1	1		

Fig.33. REGULATOR

(A)=3T95LE-S
(B)=4T95LE-S
(C)=4T95LTE-S

(D)=3T95LE-SH
(E)=4T95LE-SH
(F)=4T95LTE-SH

Fig.33 REGULATOR



No.	Lev.	Parts No.	Description	Q'ty						I	R
				(A)	(B)	(C)	(D)	(E)	(F)		
1	1	105430-55290	COLLAR	1	1	1	1	1	1		
2	1	124060-61130	WASHER, 8	1	1	1	1	1	1		
3	1	101204-66211	KNOB	1	1	1	1	1	1		
4	1	106150-66220	GASKET	1	1	1	1	1	1		
5	1	124610-67400	LEVER, REGULATOR	1	1	1	1	1	1		
6	1	124610-67410	PLATE	1	1	1	1	1	1		
7	1	26106-060102	BOLT, M6X 10 PLATED	2	2	2	2	2	2		
8	1	26106-060162	BOLT, M6X 16 PLATED	2	2	2	2	2	2		

Fig.34. ENGINE STOP DEVICE

(A)=3T95LE-S
(B)=4T95LE-S
(C)=4T95LTE-S

(D)=3T95LE-SH
(E)=4T95LE-SH
(F)=4T95LTE-SH

Fig.34 ENGINE STOP DEVICE

No.	Lev.	Parts No.	Description	Q'ty						I	R
				(A)	(B)	(C)	(D)	(E)	(F)		
1	1	124610-66501	BRACKET	1	1	1	1	1	1		
2	1	124610-66510	LEVER	1	1	1	1	1	1		
3	1	26013-060122	BOLT, M6X 12	2	2	2	2	2	2		
4	1	26106-060142	BOLT, M6X 14 PLATED	4	4	4	4	4	4		
5	1	26366-060002	NUT, M6	2	2	2	2	2	2		

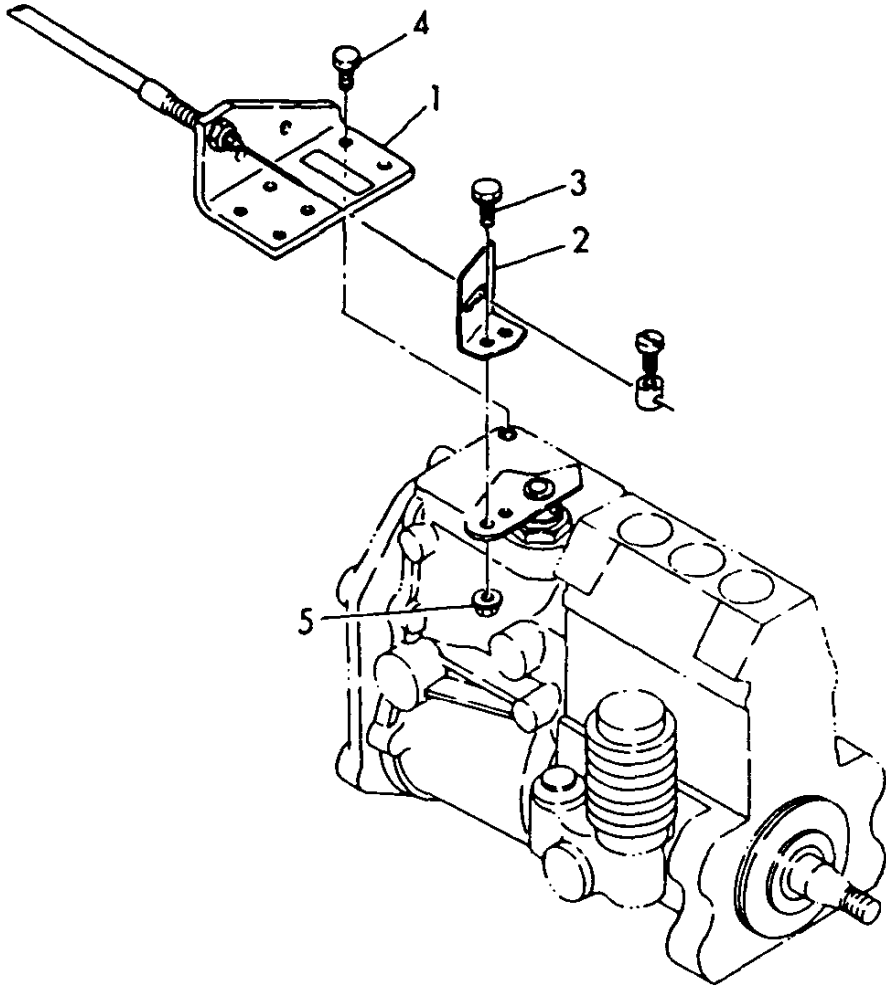
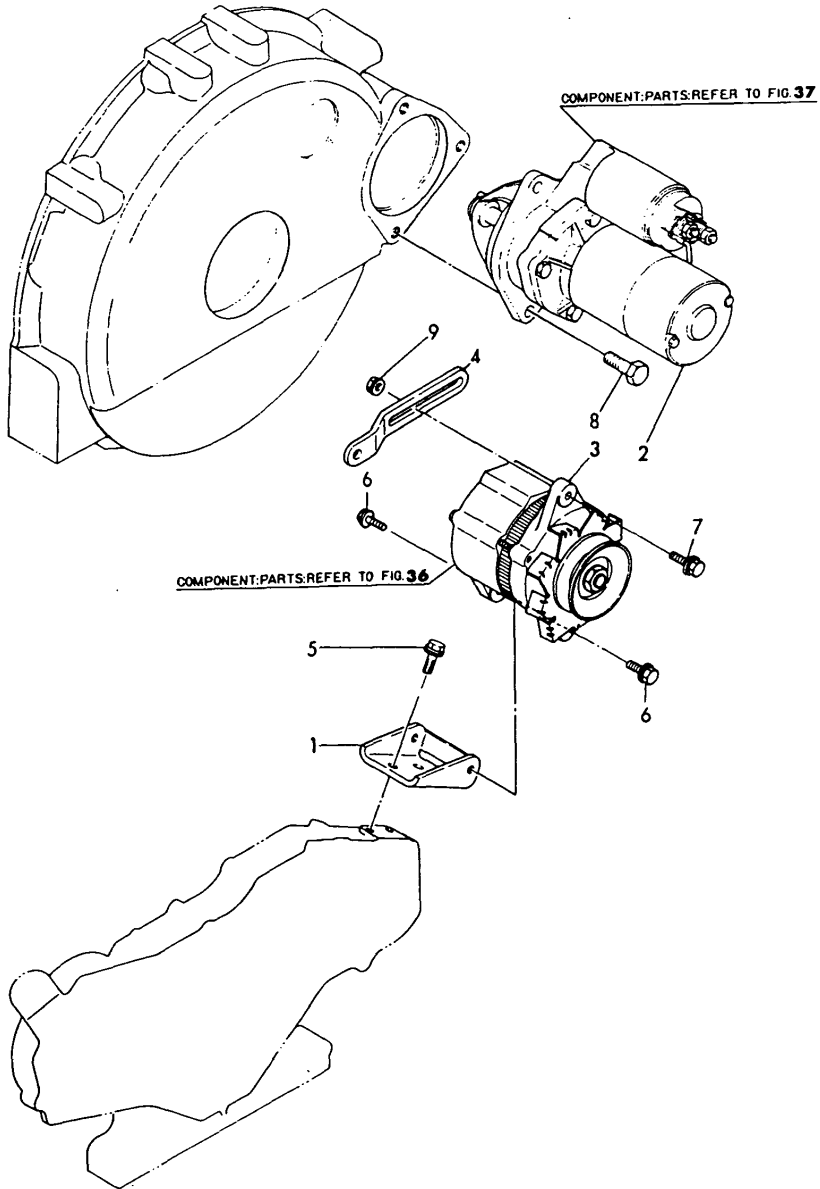


Fig.35. ELECTRIC DEVICE

(A)=3T95LE-S
(B)=4T95LE-S
(C)=4T95LTE-S

(D)=3T95LE-SH
(E)=4T95LE-SH
(F)=4T95LTE-SH

Fig.35 ELECTRIC DEVICE



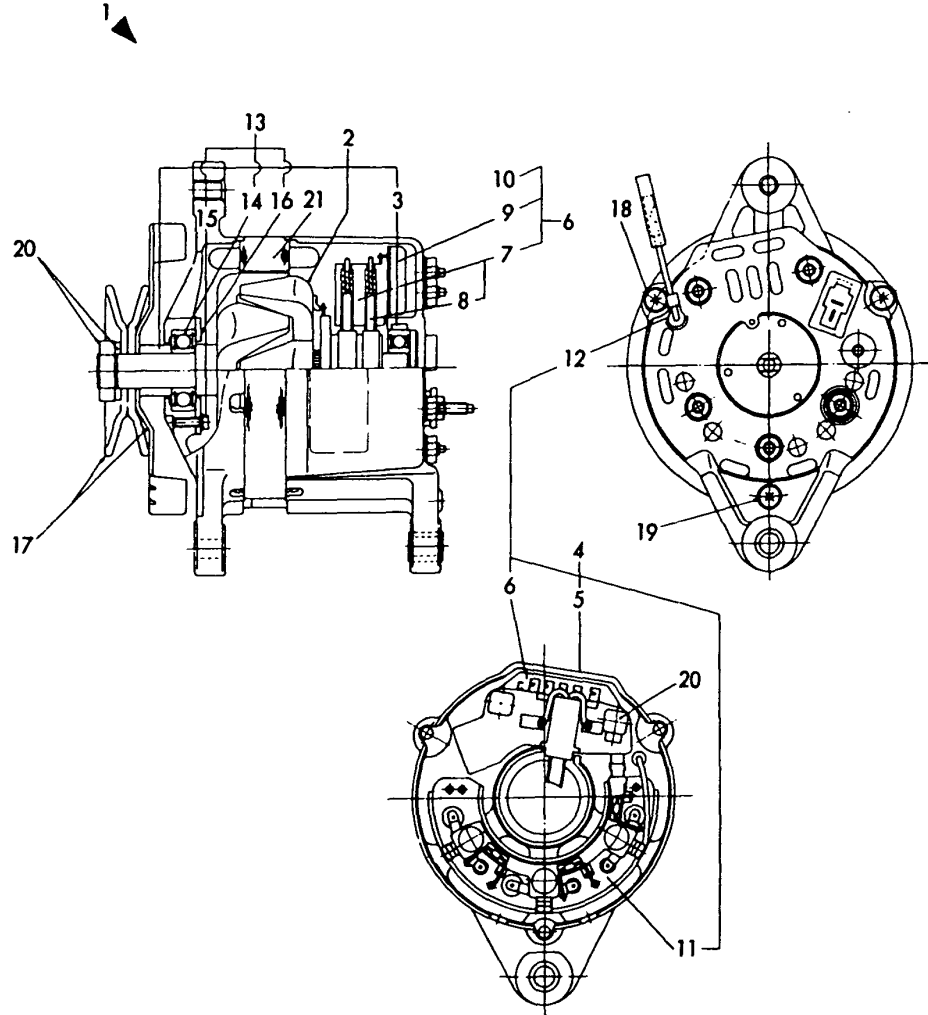
No.	Lev.	Parts No.	Description	Q'ty						I	R
				(A)	(B)	(C)	(D)	(E)	(F)		
1	1	121970-42900	BRACKET	1	1	1	1	1	1		
2	1	124610-77010	STARTER, S13-68A	1	1	1	1	1	1		
3	1	121400-77201	GENERATOR, LR120-15C	1	1	1	1	1	1		
4	1	121872-77330	ADJUSTER	1	1	1	1	1	1		
5	1	26106-080202	BOLT, M8X 20 PLATED	2	2	2	2	2	2		
6	1	26106-080222	BOLT, M8X 22 PLATED	2	2	2	2	2	2		
7	1	26106-080322	BOLT, M8X 32 PLATED	1	1	1	1	1	1		
8	1	26116-120302	BOLT, M12X 30 PLATED	3	3	3	3	3	3		
9	1	26366-080002	NUT, M8	1	1	1	1	1	1		

Fig.36. GENERATOR COMPONENT PARTS

(A)=3T95LE-S
(B)=4T95LE-S
(C)=4T95LTE-S

(D)=3T95LE-SH
(E)=4T95LE-SH
(F)=4T95LTE-SH

Fig.36 GENERATOR COMPONENT PARTS



No.	Lev.	Parts No.	Description	Q'ty						I	R
				(A)	(B)	(C)	(D)	(E)	(F)		
1	1	121400-77201	GENERATOR, LR120-15C	1	1	1	1	1	1		
2	2	XLR12031001	ROTOR ASSY	1	1	1	1	1	1		
3	3	X6201SD	BALL BEARING #6201SD	1	1	1	1	1	1		
4	2	XL12053002	COVER ASSY, REAR	1	1	1	1	1	1		
5	3	XL12033011	COVER, REAR	1	1	1	1	1	1		
6	3	XL13513152	REGULATOR	1	1	1	1	1	1		
7	4	XL1354326	BRUSH, CARBON	1	1	1	1	1	1		A
8	4	XL12013262	BRUSH	2	2	2	2	2	2		
9	4	XTR1Z63	REGULATOR	1	1	1	1	1	1		
10	4	XL13513134	BOLT M5	2	2	2	2	2	2		
11	3	XL13513203	DIODE ASSY	1	1	1	1	1	1		
12	3	XL1356360	WIRE ASSY	1	1	1	1	1	1		
13	2	XL1202401	COVER ASSY, FRONT	1	1	1	1	1	1		
14	3	X6202BM	BALL BEARING 6202B	1	1	1	1	1	1		
15	3	XL12010001	SCREW KIT	1	1	1	1	1	1		
16	3	XL13514041	RETAINER	1	1	1	1	1	1		
17	2	XL1201510	PULLEY ASSY	1	1	1	1	1	1		
18	2	XL1254801	BOLT, THROUGH	2	2	2	2	2	2		
19	2	XL1255801	BOLT, THROUGH	1	1	1	1	1	1		
20	2	XB495469B	NUT ASSY, PULLEY	1	1	1	1	1	1		
21	2	XL1209200	STATOR ASSY	1	1	1	1	1	1		

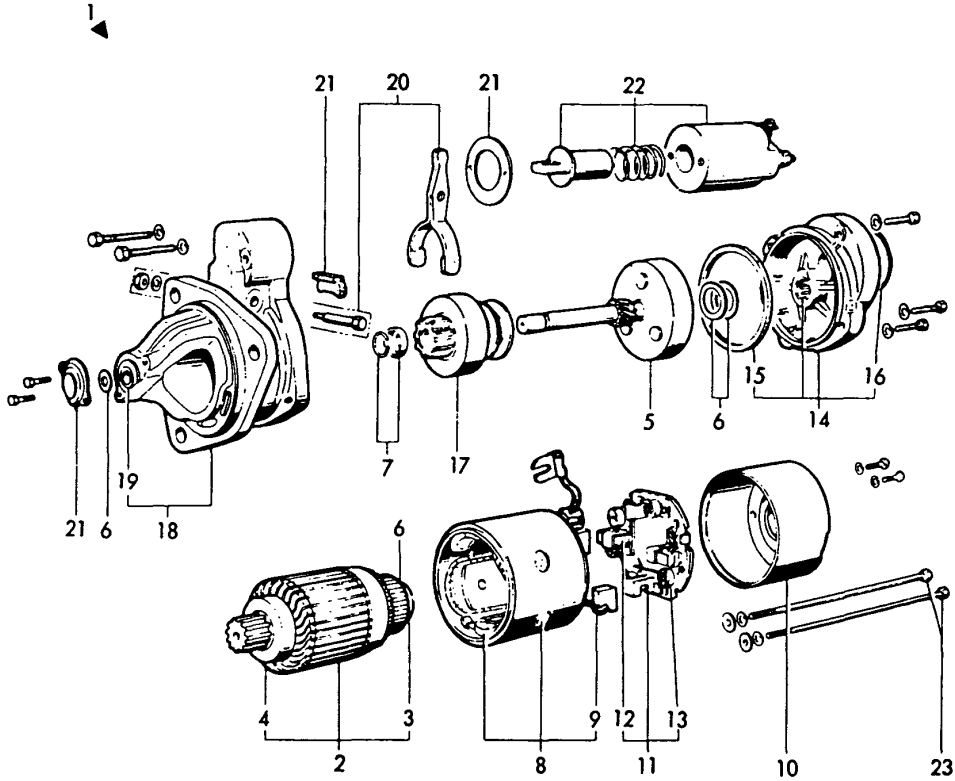
Remarks
(A) INCLUDING REF. NO. 8.

Fig.37. STARTING MOTOR COMPONENT PARTS

(A)=3T95LE-S
(B)=4T95LE-S
(C)=4T95LTE-S

(D)=3T95LE-SH
(E)=4T95LE-SH
(F)=4T95LTE-SH

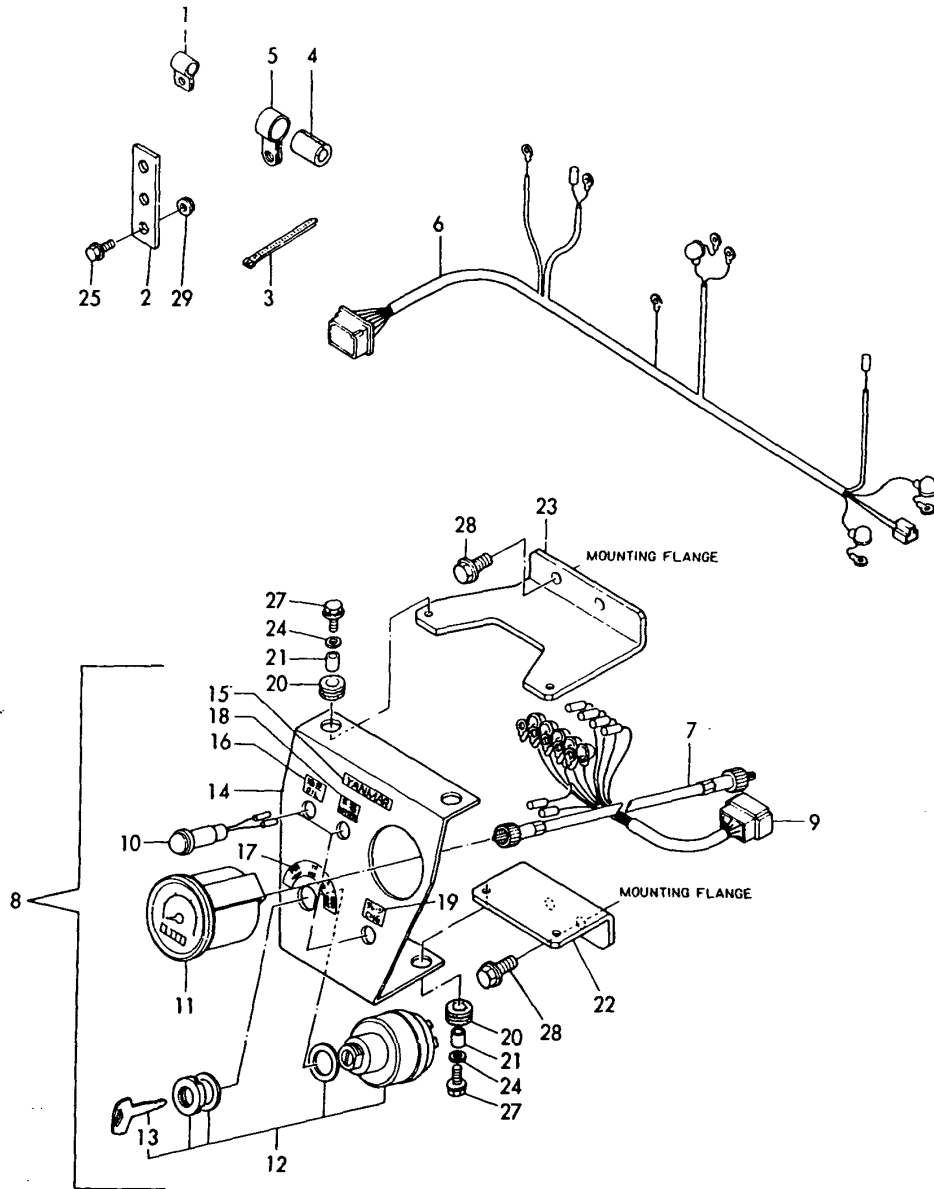
Fig.37 STARTING MOTOR COMPONENT PARTS



No.	Lev.	Parts No.	Description	Q'ty						I	R
				(A)	(B)	(C)	(D)	(E)	(F)		
1	1	124610-77010	STARTER, S13-68A	1	1	1	1	1	1		
2	2	X213011001	ARMATURE ASSY	1	1	1	1	1	1		
3	3	X21302302	BALL BEARING	1	1	1	1	1	1		
4	3	X21303302	BALL BEARING	1	1	1	1	1	1		
5	2	X22501113	SHAFT ASSY,GEAR	1	1	1	1	1	1		
6	2	X21302115	WASHER KIT, THRUST	1	1	1	1	1	1		
7	2	X21303119	STOPPER SET, PINION	1	1	1	1	1	1		
8	2	X21308220	COIL ASSY, FIELD	1	1	1	1	1	1		
9	3	X21308311	BRUSH (+)	2	2	2	2	2	2		
10	2	X225013012	COVER, REAR	1	1	1	1	1	1		
11	2	X21307305	HOLDER ASSY, BRUSH	1	1	1	1	1	1		
12	3	X21305312	BRUSH (-)	2	2	2	2	2	2		
13	3	X21305313	SPRING, BRUSH	4	4	4	4	4	4		
14	2	X21304400	BEARING ASSY	1	1	1	1	1	1		
15	3	X21301402	SEAL, OIL	1	1	1	1	1	1		
16	3	X21302402	O-RING	1	1	1	1	1	1		
17	2	X213035002	PINION	1	1	1	1	1	1		
18	2	X213046003	HOUSING ASSY, GEAR	1	1	1	1	1	1		
19	3	X22503601	BEARING	1	1	1	1	1	1		
20	2	X21302605	LEVER SET	1	1	1	1	1	1		
21	2	X21403610	DUST COVER	1	1	1	1	1	1		
22	2	X213017002	SWITCH ASSY, MAGNET.	1	1	1	1	1	1		
23	2	X21305820	BOLT, THROUGH	1	1	1	1	1	1		

Fig.38. INSTRUMENT PANEL

Fig.38 INSTRUMENT PANEL



(A)=3T95LE-S
(B)=4T95LE-S
(C)=4T95LTE-S

(D)=3T95LE-SH
(E)=4T95LE-SH
(F)=4T95LTE-SH

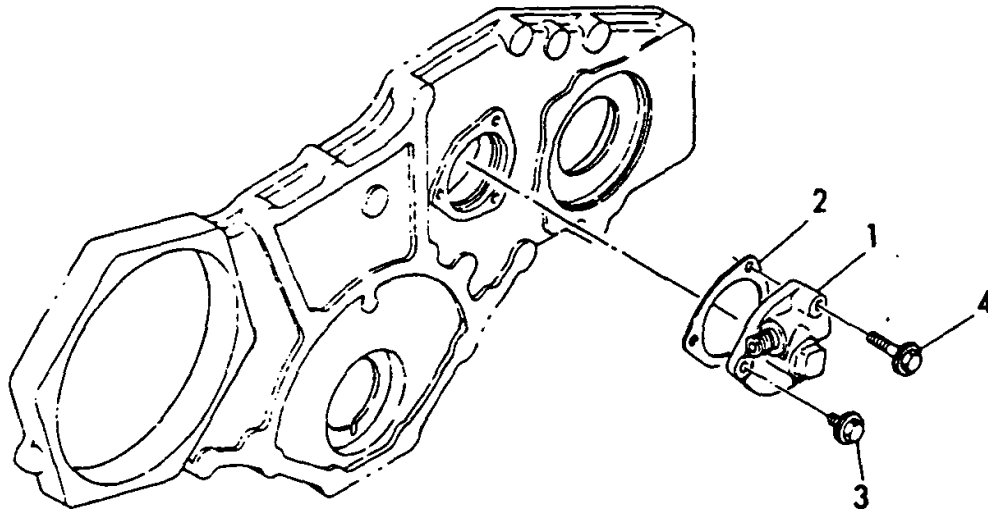
No.	Lev.	Parts No.	Description	Q'ty						I	R
				(A)	(B)	(C)	(D)	(E)	(F)		
1	1	194180-51640	CLAMP, HARNESS	1	1	1	1	1	1		
2	1	120146-59750	RETAINER	2	2	2	2	2	2		
3	1	121750-59890	BAND, 140	1	1	1	1	1	1		
4	1	124770-77940	PROTECTOR	2	2	2	2	2	2		
5	1	124070-77950	CLAMP	2	2	2	2	2	2		
6	1	171085-91910	HARNESS, WIRE	1	1	1	1	1	1		
7	1	124701-91140	CABLE, L=985	1	1	1	1	1	1		
8	1	171090-91500	PANEL ASSY	1	1	1	1	1	1		
9	2	171085-91050	HARNESS, WIRE	1	1	1	1	1	1		
10	2	124770-91040	LAMP, PILOT 12V 3.4W	3	3	3	3	3	3		
11	2	171080-91100	TACHOMETER	1	1	1	1	1	1		
12	2	121400-91251	SWITCH, STARTER	1	1	1	1	1	1		
13	3	121400-91271	KEY, SWITCH	1	1	1	1	1	1		
14	2	171090-91550	PANEL ASSY	1	1	1	1	1	1		
15	3	121400-91600	LABEL	1	1	1	1	1	1		
16	3	171085-91600	LABEL	1	1	1	1	1	1		
17	3	171085-91610	LABEL	1	1	1	1	1	1		
18	3	171085-91630	LABEL	1	1	1	1	1	1		
19	3	171085-91640	LABEL	1	1	1	1	1	1		
20	1	121400-91520	ABSORBER	4	4	4	4	4	4		
21	1	121400-91530	SPACER	4	4	4	4	4	4		
22	1	171090-91570	BRACKET	1	1	1	1	1	1		
23	1	171090-91580	BRACKET	1	1	1	1	1	1		
24	1	22217-060000	WASHER, SPRING 6	6	6	6	6	6	6		
25	1	26013-060162	BOLT, M6X 16	2	2	2	2	2	2		
26	1	26013-100142	BOLT, M10X 14	1	1	1	1	1	1		
27	1	26106-060202	BOLT, M6X 20 PLATED	4	4	4	4	4	4		
28	1	26106-100202	BOLT, M10X 20 PLATED	4	4	4	4	4	4		
29	1	26366-060002	NUT, M6	2	2	2	2	2	2		

Fig.39. TACHOMETER GEAR UNIT

(A)=3T95LE-S
(B)=4T95LE-S
(C)=4T95LTE-S

(D)=3T95LE-SH
(E)=4T95LE-SH
(F)=4T95LTE-SH

Fig.39 TACHOMETER GEAR UNIT



No.	Lev.	Parts No.	Description	Qty						I	R
				(A)	(B)	(C)	(D)	(E)	(F)		
1	1	121750-91400	GEAR	1	1	1	1	1	1		
2	1	124250-91412	GASKET	1	1	1	1	1	1		
3	1	26106-060142	BOLT, M6X 14 PLATED	2	2	2	2	2	2		
4	1	26106-060302	BOLT, M6X 30 PLATED	1	1	1	1	1	1		

Fig.40. TOOLS

Fig.40 TOOLS

(A)=3T95LE-S
(B)=4T95LE-S
(C)=4T95LTE-S

(D)=3T95LE-SH
(E)=4T95LE-SH
(F)=4T95LTE-SH

No.	Lev.	Parts No.	Description	Qty						I	R
				(A)	(B)	(C)	(D)	(E)	(F)		
1	1	104200-92350	DRIVER, SCREW	1	1	1	1	1	1		
2	1	104200-92600	BOX, TOOL	1	1	1	1	1	1		
3	1	127610-92750	WRENCH, FILTER	1	1	1	1	1	1		
4	1	28110-100120	SPANNER, 10X12	1	1	1	1	1	1		
5	1	28110-140170	SPANNER, 14X17	1	1	1	1	1	1		
6	1	28110-190220	SPANNER, 19X22	1	1	1	1	1	1		
7	1	28210-000140	OILER	1	1	1	1	1	1		

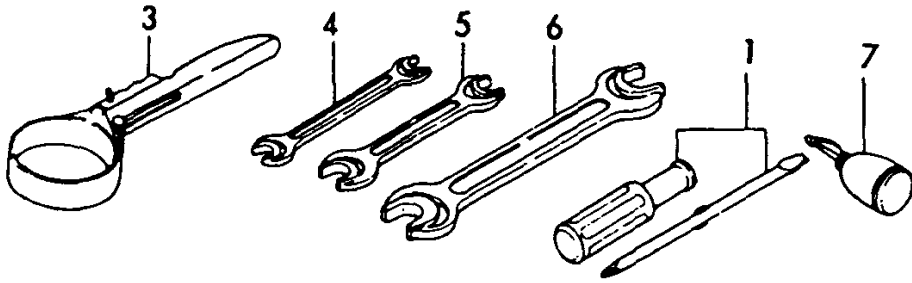
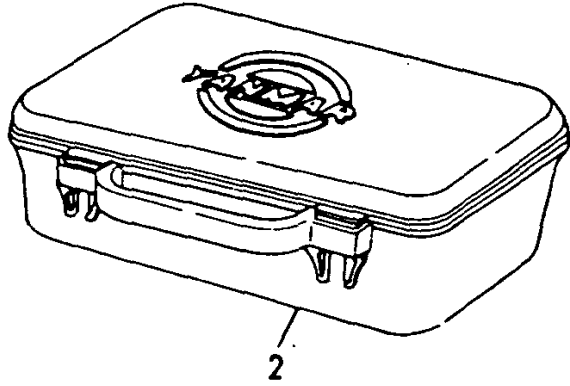
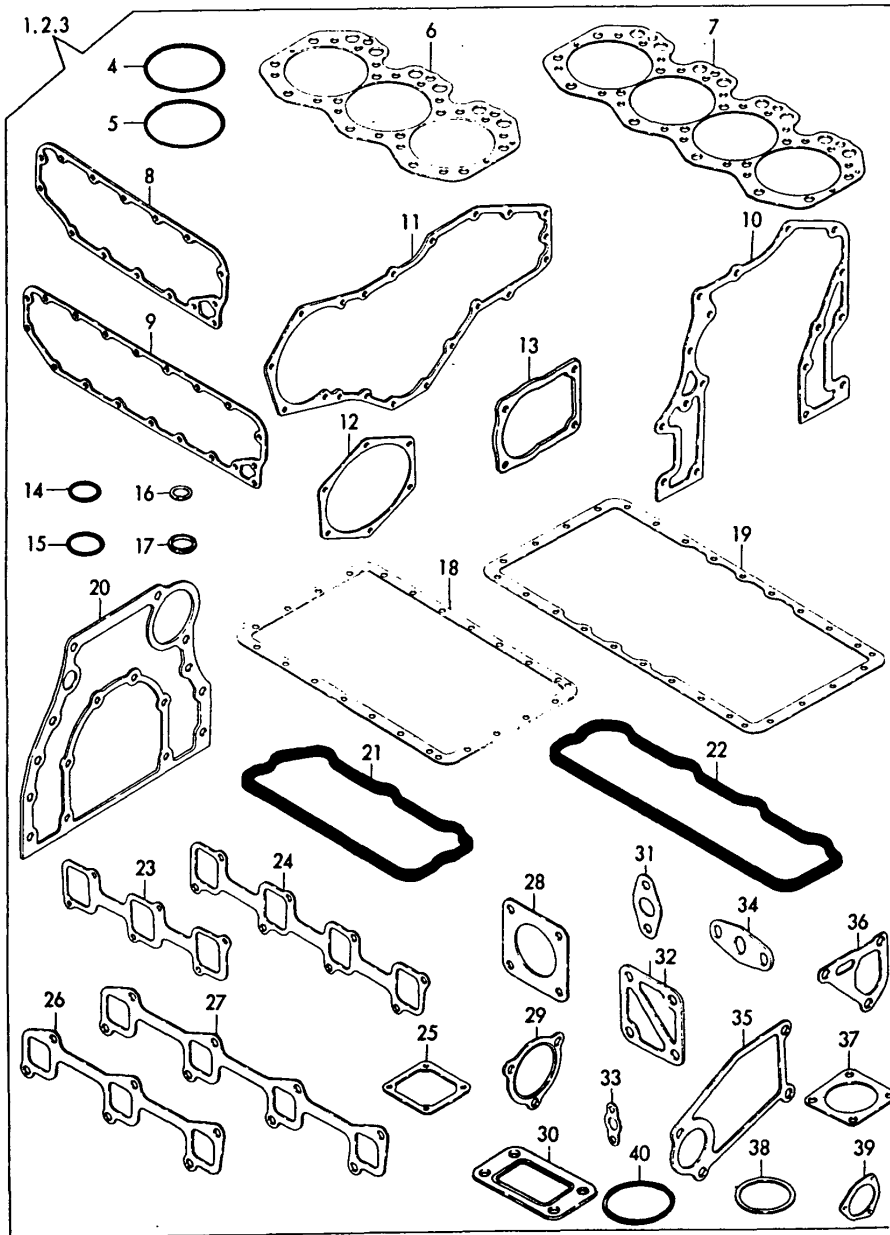


Fig.41. GASKET SET

(A)=3T95LE-S
(B)=4T95LE-S
(C)=4T95LTE-S

(D)=3T95LE-SH
(E)=4T95LE-SH
(F)=4T95LTE-SH

Fig.41 GASKET SET



No.	Lev.	Parts No.	Description	Qty						I	R
				(A)	(B)	(C)	(D)	(E)	(F)		
1	1	721872-92600	GASKET SET	1			1				
2	1	721952-92600	GASKET SET		1			1			
3	1	721087-92600	GASKET SET			1				1	
4	2	120445-01300	GASKET, LINER	3	4	4	3	4	4		
5	2	121850-01300	GASKET, LINER	3	4	4	3	4	4		
6	2	121850-01320	GASKET, HEAD	1			1				
7	2	121950-01320	GASKET, HEAD T=1.4		1	1		1	1		
8	2	121850-01410	GASKET	1			1				
9	2	121950-01410	GASKET		1	1		1	1		
10	2	121850-01510	GASKET, GEAR CASE	1	1	1	1	1	1		
11	2	121850-01530	GASKET, GEAR CASE	1	1	1	1	1	1		
12	2	121850-01560	GASKET	1	1	1	1	1	1		
13	2	124610-01860	GASKET	2	2	2	2	2	2		
14	2	24311-000320	O-RING, 1AP32.0	2	2	2	2	2	2		
15	2	24321-000350	O-RING, 1AG35.0	1	1	1	1	1	1		
16	2	23414-160000	GASKET, 16X1.0	2	2	2	2	2	2		
17	2	23414-240000	GASKET, 24X1.0	1	1	1	1	1	1		
18	2	121872-01710	GASKET, OIL SUMP	1			1				
19	2	121970-01710	GASKET, OIL SUMP		1	1		1	1		
20	2	121970-01610	GASKET	1	1	1	1	1	1		
21	2	124311-11310	GASKET	1			1				
22	2	124411-11310	GASKET		1	1		1	1		
23	2	121850-12110	GASKET, MANIFOLD	1			1				
24	2	121950-12110	GASKET, MANIFOLD		1	1		1	1		
25	2	121850-77020	GASKET	1	1	1	1	1	1		
26	2	121850-13200	GASKET	1			1				
27	2	121950-13200	GASKET, SILENCER		1	1		1	1		
28	2	121970-13210	GASKET	1	1		1	1			
29	2	121252-18190	GASKET			1				1	
30	2	121252-18090	GASKET			1				1	
31	2	121952-33070	GASKET, COOLER	2	2	2	2	2	2		
32	2	121850-35120	GASKET	1	1	1					
33	2	121850-39120	GASKET	3	3	3	3	3	3		
34	2	121952-39850	GASKET	1	1	1	1	1	1		
35	2	121970-42020	GASKET, WATER PUMP	1	1	1	1	1	1		
36	2	121970-49520	GASKET	1	1	1	1	1	1		
37	2	121850-49540	GASKET, THERMOSTAT	1	1	1	1	1	1		
38	2	121850-49550	GASKET, THERMOSTAT	1	1	1	1	1	1		
39	2	124250-91412	GASKET	1	1	1	1	1	1		
40	2	121850-51960	O-RING	1	1	1	1	1	1		

Parts No. Index

Parts No.	Fig. No.	Ref. No.
*REF.32	25	89 A 89 B
101147-59810	30	17
101204-66211	33	3
101400-22400	14	8 A
103200-53210	27	9
104200-92350	40	1
104200-92600	40	2
104407-44480	2	5
105425-01690	3	5
105430-55290	33	1
105582-39150	21	4
	25	78
106150-66220	33	4
112100-51620	32	41
120130-49350	1	11
120130-61400	32	27
120142-39720	21	13
120146-59750	38	2
120220-11230	7	30
		36
120320-11171	7	7
120320-61540	32	79
120445-01300	1	3
	41	4
120445-44530	23	8
120445-44540	23	9
121027-11742	2	22
121120-12560	8	7
121120-12570	8	8
121250-44901	24	20
121252-18090	12	1
	41	30
121252-18190	11	6
	41	29
121252-39150	21	5
121252-39450	21	29
121258-12600	8	10
121400-44640	23	11
121400-44650	23	12
121400-77201	35	3
	36	1
121400-91251	38	12
121400-91271	38	13
121400-91520	38	20
121400-91530	38	21
121400-91600	38	15
121450-42310	22	9
121575-49310	5	6
121720-12530	8	6

Parts No.	Fig. No.	Ref. No.
121720-12570	8	9
121750-03080	5	5
121750-12510	8	3
121750-59890	38	3
121750-91400	39	1
121820-22090	14	1 A
121820-52020	26	2
121820-52040	26	4
121820-52070	26	6
121820-52100	26	7
121820-52110	26	8
121820-52120	26	9
121820-52140	26	11
121820-52160	26	12
121820-52170	26	13
121820-52180	26	14
121820-52190	26	15
121820-52200	26	16
121820-52210	26	17
121820-52230	26	18
121820-52300	26	20
121820-52400	26	21
121820-52510	26	22
121850-01200	1	34
121850-01210	1	35
121850-01300	1	4
	41	5
121850-01320	1	29 A
	41	6
121850-01410	1	31 A
	41	8
121850-01510	2	13
	41	10
121850-01520	2	14
121850-01530	2	15
	41	11
121850-01550	2	16 A
121850-01560	2	17
	41	12
121850-01800	2	20
121850-01900	2	3
121850-01920	2	4
121850-02070	1	13
121850-02080	1	14
121850-02410	1	26
	10	8
121850-02420	1	27
	10	9
121850-02450	10	5
121850-03020	5	1

Parts No.	Fig. No.	Ref. No.
121850-03050	5	3
121850-11090	7	5
121850-11100	7	16
121850-11120	7	18 A
121850-11150	7	19
121850-11160	7	6
121850-11180	7	20 A
121850-11250	7	38
121850-11260	7	39
121850-11270	7	40 A
121850-11390	7	41
121850-11860	7	8
121850-11920	7	44
121850-12100	9	2 A
121850-12110	9	3 A
	41	23
121850-12500	8	2 B
121850-12510	8	4
121850-12520	8	5 B
121850-13200	11	4 A
	41	26
121850-14100	10	3
121850-14400	10	7
121850-21200	13	3
121850-21290	13	4
	15	1
121850-21650	13	11 A
121850-21660	13	12
121850-21680	13	13
121850-21920	4	5
	13	5
121850-22300	14	7
121850-23110	14	13
121850-23200	14	14
121850-25050	16	1
121850-25060	16	4
121850-25100	16	2
121850-25900	25	83
121850-32000	18	1
121850-32310	18	2
121850-32321	18	3
121850-32330	18	4
121850-32500	18	9
121850-32520	18	11
121850-32530	18	12
121850-34800	20	19 A
121850-35010	20	1 A
121850-35101	20	5
121850-35111	20	6
121850-35120	20	14

Parts No.	Fig. No.	Ref. No.
121850-35120	41	32
121850-35140	20	7
121850-35150	20	8
121850-35200	19	12
	20	9
121850-35520	20	11
121850-35531	20	12
121850-39101	21	2
121850-39120	20	15
	21	3
	41	33
121850-39300	25	79
121850-39900	21	12
121850-42240	22	7
121850-42250	23	1
121850-42260	22	8
121850-42410	22	10
121850-42430	22	11
121850-44660	23	7 A
121850-49530	24	5
121850-49540	24	6
	41	37
121850-49550	24	7
	41	38
121850-49800	24	8
121850-51030	25	3 A
121850-51060	25	5
121850-51070	25	6
121850-51380	25	28
121850-51390	25	29
121850-51450	25	32
121850-51500	25	33 A
121850-51530	25	36
121850-51600	25	43
121850-51700	25	44
121850-51751	25	49 A
121850-51761	25	50 A
121850-51900	25	56
121850-51960	2	34
	25	64
	41	40
121850-53000	27	2 A
121850-53250	27	10
121850-54510	28	2
121850-54650	28	8
121850-54710	28	9
121850-54730	28	10
121850-54740	28	11
121850-54780	25	85
121850-54900	28	13

Parts No. Index

Parts No.	Fig. No.	Ref. No.
121850-59550	30	14 A
121850-59580	30	15
121850-59910	31	6
121850-61050	32	9
121850-61071	32	10
121850-61140	32	12 A
121850-61150	32	12 B
121850-61160	32	13
121850-61170	32	14
121850-61180	32	15
121850-61190	32	16
121850-61240	32	18
121850-61250	32	19
121850-61300	32	20
121850-61310	32	21
121850-61320	32	22
121850-61350	32	24
121850-61380	32	25
121850-61390	32	26
121850-61441	32	32
121850-61470	32	33
121850-61540	32	39
121850-61560	32	48
121850-61580	32	49
121850-61590	32	50
121850-61650	32	52
121850-61660	32	54
121850-61670	32	55
121850-61700	32	56 A
121850-61820	32	58
121850-61840	32	61
121850-77020	9	4
	41	25
121850-77100	9	5
121870-39200	21	6 A
121870-39300	21	7 A
121870-39400	21	8 A
121870-59930	30	8
121872-01710	3	7 A
	41	18
121872-12040	8	1 A
121872-12700	8	12
121872-13100	11	1 A
121872-13110	11	2 A
121872-44740	23	3 A
121872-59010	31	1
121872-59020	31	2
121872-77330	35	4
121875-01550	2	16 B
121875-14200	10	6

Parts No.	Fig. No.	Ref. No.
121875-39601	21	28
121875-39630	21	31
121875-53000	27	2 B
121875-54550	28	5 A
121875-54810	28	17 B
121875-61551	32	40 A
121875-61700	32	56 B
121920-28700	15	18
121922-22090	14	1 B
121950-01320	1	29 B
	41	7
121950-01410	1	31 B
	41	9
121950-11270	7	40 B
121950-12100	9	2 B
121950-12110	9	3 B
	41	24
121950-12500	8	2 A
121950-12520	8	5 A
121950-13200	11	4 B
	41	27
121950-21130	13	6
121950-28160	15	5
121950-28401	15	6
121950-28501	15	4
121950-28712	15	19
121950-28722	15	20
121950-28732	15	21
121950-28810	15	22
121950-28820	15	23
121950-28830	15	24
121950-28900	15	25
121950-51030	25	3 B
121950-51500	25	33 B
121950-51751	25	49 B
121950-51761	25	50 B
121950-51910	25	58
121952-01401	1	30 B
121952-11080	7	4
121952-11110	7	17
121952-25900	25	80
121952-33031	19	1 B
121952-33070	19	2
	41	31
121952-39200	21	6 B
121952-39300	21	7 B
121952-39350	17	1
121952-39400	21	8 B
121952-39651	17	6
121952-39800	19	11

Parts No.	Fig. No.	Ref. No.
121952-39820	19	15
121952-39830	19	16
121952-39850	19	18
	41	34
121952-51300	25	22 A
121952-51330	25	23
121952-51340	25	24
121952-51370	25	27
121952-53000	27	2 C
121952-59550	30	14 B
121970-01610	4	2
	41	20
121970-01710	3	7 B
	41	19
121970-03060	5	4
121970-12040	8	1 B
121970-13100	11	1 B
121970-13210	11	5
	41	28
121970-22090	14	1 C
121970-42000	22	1
121970-42020	22	13
	41	35
121970-42050	22	3
121970-42120	22	5
121970-42200	22	6
121970-42280	23	2 A
121970-42440	22	12
121970-42900	35	1
121970-44740	23	3 B
121970-49010	24	17 A
121970-49020	24	18 A
121970-49030	24	15
121970-49501	24	1
121970-49520	24	4
	41	36
121970-49530	24	2
121970-51100	25	9
121970-59800	30	4 B
121970-59810	30	5 B
121970-59820	30	6 B
121970-59830	30	7 B
121970-59940	30	9
121972-12040	8	1 C
121972-12050	9	1 A
121972-13100	11	1 C
121972-13110	11	2 B
121972-13130	11	3
121972-39500	21	9
121972-39550	21	10

Parts No.	Fig. No.	Ref. No.
121972-39910	21	14
121972-44740	23	3 C
121972-44750	23	4
121972-49010	24	17 B
121972-49020	24	18 B
121972-59800	30	4 A
121972-59810	30	5 A
121972-59820	30	6 A
121972-59830	30	7 A
121975-34800	20	19 B
121975-35010	20	1 B
121977-12050	9	1 B
121977-18010	12	4 A
121977-18020	12	4 B
121977-54550	28	5 B
122117-51560	25	39
122710-51050	25	4
122710-51080	25	7
122710-51090	25	8
122710-51160	25	10
122710-51170	25	11
122710-51180	25	12
122710-51200	25	13
122710-51250	25	18
122710-51260	25	19
122710-51270	25	20
122710-51280	25	21
122710-51350	25	25
122710-51360	25	26
122710-51400	25	30
122710-51410	25	31
122710-51510	25	34
122710-51520	25	35
122710-51540	25	37
122710-51550	25	38
122710-51571	25	40
122710-51580	25	41
122710-51590	25	42
122710-51701	25	45
122710-51721	25	47
122710-51790	25	51
122710-51870	25	52
	26	19
122710-51880	25	53
122710-51890	25	54
122710-51920	25	61
122780-51900	25	57
122780-59100	30	1
123325-35110	29	2
		34

Parts No. Index

Parts No.	Fig. No.	Ref. No.
123325-35140	29	3
		33
123325-35160	29	4
123325-35170	29	5
123325-52010	25	88
	26	1
123372-59100	30	2
123385-82200	15	9
123472-59120	30	3
123672-54540	25	84
123672-55700	29	6
		32
123672-55720	29	7
123672-55750	29	8
123672-55760	29	9
123672-59170	31	3
123678-55790	29	37
123678-55860	29	36
124060-59380	31	4
124060-61130	33	2
124060-77680	30	16
124070-77950	38	5
124160-01751	2	18
	6	1
124160-11360	6	6
124220-51890	25	55
124223-35510	19	13
	20	10
124227-01780	4	3
124250-91412	39	2
	41	39
124310-01400	1	30 A
124310-33030	19	1 A
124310-54800	28	12 A
124311-11300	6	2 A
124311-11310	6	3 A
	41	21
124410-51730	25	48
124410-54940	28	15
124410-54950	28	14
124410-61770	32	57
124410-61860	32	62
124410-61870	32	63
124411-03050	5	2
124411-07210	7	48
124411-07220	7	49
124411-11180	7	20 B
124411-11300	6	2 B
124411-11310	6	3 B
	41	22

Parts No.	Fig. No.	Ref. No.
124411-11320	6	4
124411-11330	6	5
124411-28360	15	2
124411-28370	15	3
124412-51300	25	22 B
124412-53000	27	2 D
124412-54800	28	12 B
124450-01980	30	13
124450-39240	21	30
124450-44590	23	7 B
124465-44950	24	21
124610-01850	2	21
124610-01860	2	25
	41	13
124610-02150	1	15
124610-02160	1	16
124610-51970	32	8
124610-66501	34	1
124610-66510	34	2
124610-67400	33	5
124610-67410	33	6
124610-77010	35	2
	37	1
124612-22090	14	1 D
124616-61070	32	89
124616-61080	32	90
124616-61550	32	40 B
124616-61570	32	43
124616-61580	32	44
124616-61590	32	45 B
124616-61600	32	45 A
124617-11120	7	18 B
124617-11130	7	18 C
124701-91140	38	7
124738-49150	1	33
124766-59050	1	36
124770-77940	38	4
124770-91040	38	10
126630-53080	27	3
126630-53190	27	7
127410-21480	13	10
127610-11350	7	24
127610-39360	17	3
127610-53330	27	12
127610-92750	40	3
128300-61060	32	1
128300-61500	32	35
128300-61520	32	37
128300-61530	32	38 A
128300-61600	32	51

Parts No.	Fig. No.	Ref. No.
128300-61940	32	64
128610-11900	7	42
128610-11910	7	43
129155-61090	32	91
129155-61930	32	94
129792-39610	21	11
129795-11750	4	4
129795-42100	22	4
129795-54800	28	17 A
129795-61200	32	17
129795-61430	32	4
129795-61470	32	34
135210-61090	32	11
135310-59910	30	18
135310-59930	31	7
135400-01790	21	1
144626-51700	25	46
144626-51950	25	63
144626-53120	27	5
144626-53180	27	6
144626-53200	27	8
144626-53300	27	11
144626-61781	32	60
148616-61650	32	53
171051-01921	1	32
171080-91100	38	11
171085-01600	4	1
171085-12800	8	13
171085-21451	13	7
171085-21591	13	8
171085-44850	23	14 A
171085-55500	29	21 A
171085-91050	38	9
171085-91600	38	16
171085-91610	38	17
171085-91630	38	18
171085-91640	38	19
171085-91910	38	6
171086-55500	29	21 B
171087-21650	13	11 B
171087-42280	23	2 B
171087-44850	23	14 B
171090-08020	23	34
171090-08030	23	35
171090-08101	23	33 A
171090-44501	23	6 A
171090-44590	23	10 A
171090-44760	23	13 A
171090-59420	29	22
	31	5

Parts No.	Fig. No.	Ref. No.
171090-91500	38	8
171090-91550	38	14
171090-91570	38	22
171090-91580	38	23
171091-55690	29	12
171092-44501	23	6 B
171092-44760	23	13 B
171093-44500	23	6 C
171093-44590	23	10 B
180110-51910	25	59
194180-51640	38	1
194440-51620	2	23
22117-050000	32	46
		65
22117-080000	3	8
	32	66
22117-100000	19	3
22137-100000	2	6
22217-050000	32	92
22217-060000	25	65
	32	67
	38	24
22217-080000	20	16
	23	15
	32	68
22217-100000	2	7
	19	4
	23	16
		36
	29	40
22217-120000	25	81
22217-140000	23	37
22242-000110	25	66
22242-000200	7	45
22252-000320	14	8 B
22252-000721	13	14
22272-000040	32	47
		69
22272-000060	32	70
22272-000070	32	71
22287-060000	25	67
22287-120000	25	86
22312-030080	1	28
	17	7
22312-040080	18	5
22312-080160	1	7
		24
	2	8
22312-080200	23	38
22312-100220	1	25

Parts No. Index

Parts No.	Fig. No.	Ref. No.
22312-100300	15	10
22322-030250	32	31
22351-020016	32	38 B
22351-030016	32	59
22351-040010	1	20
22351-050012	32	72
22360-050000	32	73
22451-100000	32	74
22492-060362	32	75
22512-050140	15	16 C
		17 C
22512-070220	10	4
22621-230030	25	68
23000-016000	29	24
23000-022000	24	16
23000-025000	21	15
23000-060000	9	6
23000-070000	8	11
		14
	9	7
23010-023000	5	7
23010-050000	24	19
23297-080061	21	16 A
23297-080081	21	16 B
23414-060000	25	69
23414-080000	21	17
	25	70
	29	39
	30	19
23414-080012	32	76
23414-100000	1	22
	21	18
23414-100014	21	19
	32	95
23414-140000	30	20
	31	8
23414-160000	1	37
	3	3
	24	13
	41	16
23414-170000	11	7
23414-180000	19	17
	20	13
23414-180023	25	71
23414-200000	21	20
23414-240000	3	4
	41	17
23414-240031	28	16
23831-150000	21	21
23857-030000	21	22

Parts No.	Fig. No.	Ref. No.
23857-030000	25	72
23857-080000	29	25
	31	12
23857-150000	21	23
23871-010000	1	21
	7	9
23871-030000	1	8
		41
	2	9
	7	10
23871-040000	7	11
23883-140002	31	9
23887-080002	29	38
23887-100002	1	23
23887-120002	32	6
23887-160002	1	38
	24	14
23887-240002	3	6
23897-030002	11	8
24105-063064	13	15
24190-070001	17	5
24311-000050	1	12
24311-000080	15	11
		26
24311-000120	29	10
		35
24311-000160	32	77
24311-000200	21	24
24311-000320	2	19
	6	7
	41	14
24321-000350	2	24
	41	15
24341-000080	32	78
24341-000140	32	7
26013-060122	21	25
	34	3
26013-060162	38	25
26013-060202	21	26
26013-080142	8	15
26013-080182	21	27
26013-080202	10	10
	18	6
	23	5 A
26013-080252	23	5 B
26013-080402	18	7
26013-080452	16	5
26013-100142	38	26
26013-100222	8	17
26013-100252	23	39

Parts No.	Fig. No.	Ref. No.
26013-100452	23	40 B
26014-060142	5	8
	24	9
26014-080162	2	27
26014-080182	11	9
26014-080402	2	28
26014-100502	23	41 B
26016-080302	18	8
26022-050122	32	93
26106-060102	33	7
26106-060122	23	17
26106-060142	23	18
	32	80
	34	4
	39	3
26106-060162	23	19
	30	10
	33	8
26106-060182	32	81
26106-060202	38	27
26106-060222	32	82
26106-060302	39	4
26106-060352	25	73
26106-080142	9	8
	23	20
26106-080162	2	26
	23	21
	30	11
	32	83
26106-080202	1	39 A
	23	22
	35	5
26106-080222	2	29
	9	9
	24	10
	35	6
26106-080252	1	39 B
	3	9
	8	16
	15	12
	19	19
26106-080282	1	39 C
	4	6
26106-080322	35	7
26106-080352	23	23
26106-080382	2	30
	3	10
26106-080452	1	40
26106-080552	2	31
	11	10

Parts No.	Fig. No.	Ref. No.
26106-080602	7	46
	11	11
26106-080652	11	12
	22	14
26106-080752	2	32
	22	15
26106-080802	24	11
26106-080852	24	12
26106-080902	2	33
26106-081002	11	13
26106-100182	7	50
26106-100202	29	13
	38	28
26106-100252	29	14
		26
26106-100282	11	14
	20	17
26106-100302	4	7
	15	13
26106-100452	23	40 A
26106-100502	23	41 A
26106-100802	15	14
26106-100852	11	15
26116-060256	32	84
26116-060559	25	74
26116-080222	13	16
26116-081202	3	11
26116-081452	3	12
26116-101102	15	15
26116-120222	7	51
26116-120302	35	8
26116-120352	11	20
26116-140302	23	42
26216-060122	32	85
26216-060142	25	75
26216-080202	9	10
26216-080222	12	2
26216-080252	11	16
26216-080352	7	22
26216-080502	11	17
26366-060002	23	24
	30	12
	32	86
	34	5
	38	29
26366-080002	2	10
	7	23
		25
	9	11
	11	18

Parts No. Index

Parts No.	Fig. No.	Ref. No.
26366-080002	12	3
	23	25
	35	9
26366-100002	2	11
	23	43 A
26376-100002	19	5
26450-060452	32	87
26450-080182	20	18
26450-100352	18	13
26557-060152	7	47
	25	76
26602-100002	19	6
26696-100002	32	96
26706-100002	2	12
	23	26
		43 B
	29	27
26716-060002	25	77
26716-120002	11	21
	25	82
26756-080002	7	31
		37
	32	88
26796-100002	23	44
27231-600000	1	9
27241-100000	17	2
27241-160000	1	10
27241-180000	7	12
27241-220000	7	13
27241-280000	7	14
27241-400000	7	15
27310-090001	7	21
28110-100120	40	4
28110-140170	40	5
28110-190220	40	6
28210-000140	40	7
41608-500370	23	33 B
41650-550300	29	1
41650-550800	29	11
42215-504200	23	27
42215-504210	23	28
42215-504220	23	29
42215-504230	23	30
42215-504260	23	31
42215-504270	23	32
42215-504450	23	45
42215-504460	23	46
42215-504520	29	28
42430-550060	29	31
43100-500550	11	19

Parts No.	Fig. No.	Ref. No.
43400-500390	31	10
43400-500450	32	5
43400-500470	29	29
	31	11
43623-500030	29	30
721087-92600	41	3
721820-21700	13	1 A
721850-01610	2	1
721850-01900	1	1 A
721850-11650	7	26
721850-11660	7	32
721850-14580	10	1 A
721850-22500	14	3 A
721850-23100	14	11
721850-53100	27	1 A
721850-61531	32	2
721870-01561	1	5 A
721870-01900	1	1 B
721870-11700	7	1 A
721872-01540	3	1 A
721872-92600	41	1
721875-51301	25	1 A
721875-51311	25	1 D
721875-53100	27	1 B
721875-54800	25	87 A
	28	1 A
721920-21700	13	1 B
721950-14580	10	1 B
721950-28512	15	16 A
721950-28532	15	17 A
721952-01562	1	5 B
721952-11700	7	1 C
721952-14580	10	1 C
721952-22500	14	3 B
721952-53100	27	1 C
721952-92600	41	2
721975-01540	3	1 B
721975-51301	25	1 B
721975-51311	25	1 E
721977-51301	25	1 C
721977-51311	25	1 F
721977-54800	25	87 B
	28	1 B
724412-53100	27	1 D
724610-23600	14	15
771085-11700	7	1 B
771086-11700	7	1 D
X0293316030	26	23
X213011001	37	2
X21301402	37	15

Parts No.	Fig. No.	Ref. No.
X213017002	37	22
X21302115	37	6
X21302302	37	3
X21302402	37	16
X21302605	37	20
X21303119	37	7
X21303302	37	4
X213035002	37	17
X21304400	37	14
X213046003	37	18
X21305312	37	12
X21305313	37	13
X21305820	37	23
X21307305	37	11
X21308220	37	8
X21308311	37	9
X21403610	37	21
X22501113	37	5
X225013012	37	10
X22503601	37	19
X6201SD	36	3
X6202BM	36	14
XB495469B	36	20
XL12010001	36	15
XL12013262	36	8
XL1201510	36	17
XL1202401	36	13
XL12033011	36	5
XL12053002	36	4
XL1209200	36	21
XL1254801	36	18
XL1255801	36	19
XL13513134	36	10
XL13513152	36	6
XL13513203	36	11
XL13514041	36	16
XL1354326	36	7
XL1356360	36	12
XLR12031001	36	2
XN191103	12	26
XN191109	12	30
XN191300	12	24 B
XN192200	12	32 B
XN192202	12	33 B
XN192702	12	31 B
XN193204	12	43
XN193205	12	41 A
XN193206	12	16
		40
XN193207	12	22

Parts No.	Fig. No.	Ref. No.
XN193602	12	42 B
XN193653	12	44
XN194003	12	34 A
XN194100	12	32 A
XN194102	12	33 A
XN195102	12	31 A
XN196103	12	39
XN196700	12	37 A
XN197400	12	37 B
XN197404	12	41 B
XN199800	12	11
XN199801	12	21
XN199806	12	24 A
XN817511	12	35
XN947206	12	20
XN971005	12	27
XN971007	12	13
		29
XN971008	12	12 A
		28
XN973002	12	42 A
XN973502	12	15
XN973503	12	14
XN974003	12	36 A
XN977003	12	23
XN977006	12	17 A
XN977007	12	18
XN977008	12	19 A
XNB133206	12	17 B
XNB134007	12	34 B
XNH163006	12	19 B
XNN131008	12	12 B
XNN134035	12	36 B
XTR1Z63	36	9