

0CV10-M12401EN

# P R E F A C E

1. This Parts Catalog carries all parts incorporated in YANMAR Model 4JH2LTE - K & 4JH2LHTE - K engines manufactured since May, 1992.
2. Each illustration corresponds to the parts list on the following page.
3. When ordering parts, clearly write down the engine model and serial number, as well as the name and number of each part in your order sheet. This will help insure reliable delivery of the parts you have ordered.
4. Pub. No. 000Y00V1240      First Published : May, 1992.  
    Pub. No. 000Y00V1241      First Revised    : July, 1993.

# Contents

0CV10-M12401

Fig. No. Fig. Name

4JH2L(H)TE-K

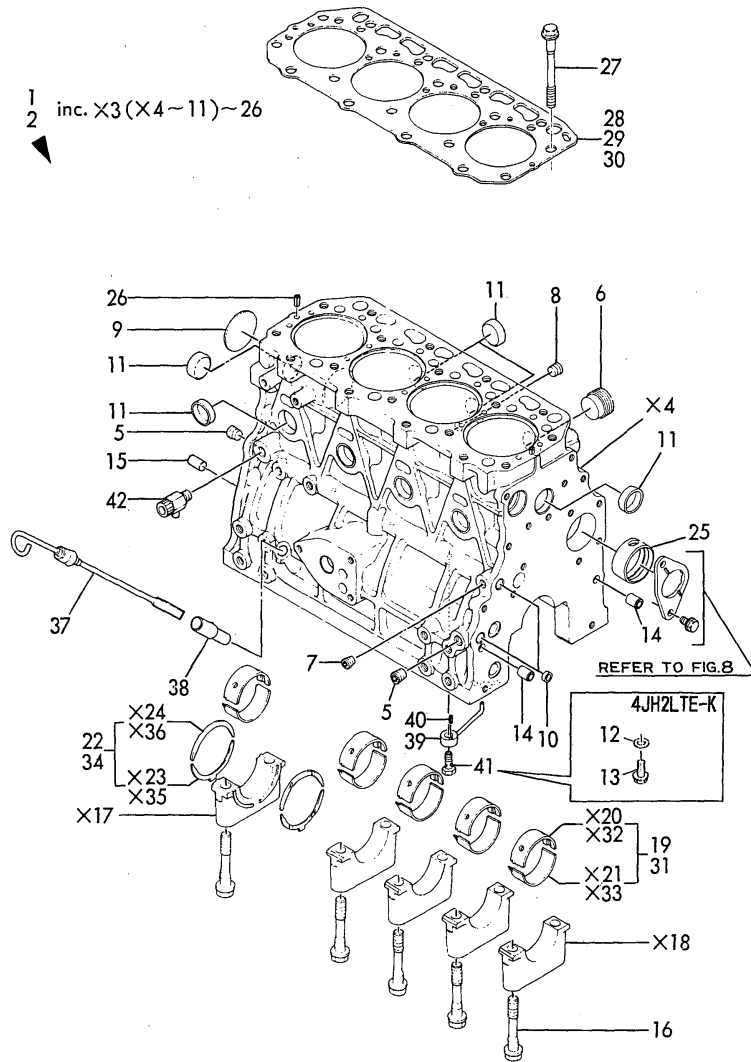
1. CYLINDER BLOCK
2. GEAR HOUSING
3. LUB. OIL SUMP & OIL SEAL CASE
4. CYLINDER HEAD & BONNET
5. LABEL
6. SUCTION MANIFOLD
7. TURBOCHARGER
8. CAMSHAFT & IDLE GEAR
9. INTER COOLER
10. CRANKSHAFT & FLYWHEEL
11. PISTON & CONNECTING ROD
12. LUB. OIL COOLER
13. LUB. OIL SYSTEM
14. LUB. OIL PIPE
15. COOLING SEA WATER PUMP
16. COOLING FRESH WATER PUMP
17. COOLING FRESH WATER COOLER
18. COOLING SEA WATER PIPE
19. COOLING FRESH WATER PIPE
20. FUEL INJECTION PUMP
21. FUEL INJECTION PIPE & FUEL INJECTION VALVE
22. FUEL PIPE & FUEL STRAINER
23. GOVERNOR
24. STARTING MOTER

Fig. No. Fig. Name

25. GASKET SET(OPTIONAL)

Fig.1. CYLINDER BLOCK

Fig. 1 CYLINDER BLOCK



(A)=4JH2L TE-K  
(B)=4JH2LH TE-K  
(C)=

(D)=  
(E)=  
(F)=

No.	Lev.	Parts No.	Description	Qty						I	R
				(A)	(B)	(C)	(D)	(E)	(F)		
1	1	729428-01560	BLOCK ASSY, CYLINDER	1							
2	1	729428-01560	BLOCK ASSY, CYLINDER		1						
5	3	124160-01910	PLUG, PT1/4	2	2						
6	3	171051-01921	PLUG, NPTF1	1	1						
7	3	23871-010000	PLUG, R01	1	1						
8	3	124160-01910	PLUG, PT1/4	1	1						
9	3	27231-500000	PLUG 50	1	1						
10	3	27241-120000	PLUG, 12	2	2						
11	3	27241-300000	PLUG 30	8	8						
12	2	23414-080000	GASKET, 8X1.0	4							
13	2	26106-080122	BOLT, M8X 12 PLATED	4							
14	2	129795-01950	PIPE, KNOCK L=18	2	2						
15	2	22312-080200	PIN, PARALLEL M8X20	2	2						
15-1	2	129100-01580	PIN, M8X16	2	2						N
(A=E/# 10135) (B=E/# 20149)											
16	2	129150-02020	BOLT, METAL CAP	10	10						
19	2	129150-02800	BEARING, MAIN	5	5						
22	2	129150-02930	BEARING, THRUST	2	2						
25	2	129795-02411	BUSH, CAMSHAFT	1	1						
26	2	22351-060012	PIN, SPRING 6.0X12	2	2						
27	1	129150-01200	BOLT, HEAD	18	18						
28	1	129573-01341	GASKET, HEAD T=1.3	1	1						1
29	1	129573-01351	GASKET, HEAD	1	1						2
30	1	129573-01361	GASKET, HEAD T=1.5	1	1						1
31	1	129150-02870	BEARING, 0.25 US	5	5						3
34	1	129150-02940	BEARING, THRUST 0.25	2	2						4
37	1	171420-34800	DIPSTICK, OIL	1	1						
38	1	121520-34810	GUIDE, DIPSTICK	1	1						
39	1	129553-39650	NOZZLE		4						
40	1	22351-030010	PIN, SPRING 3.0X10		4						
41	1	23857-030000	BOLT, JOINT 3		4						
42	1	120130-49350	COCK, 1/4	1	1						

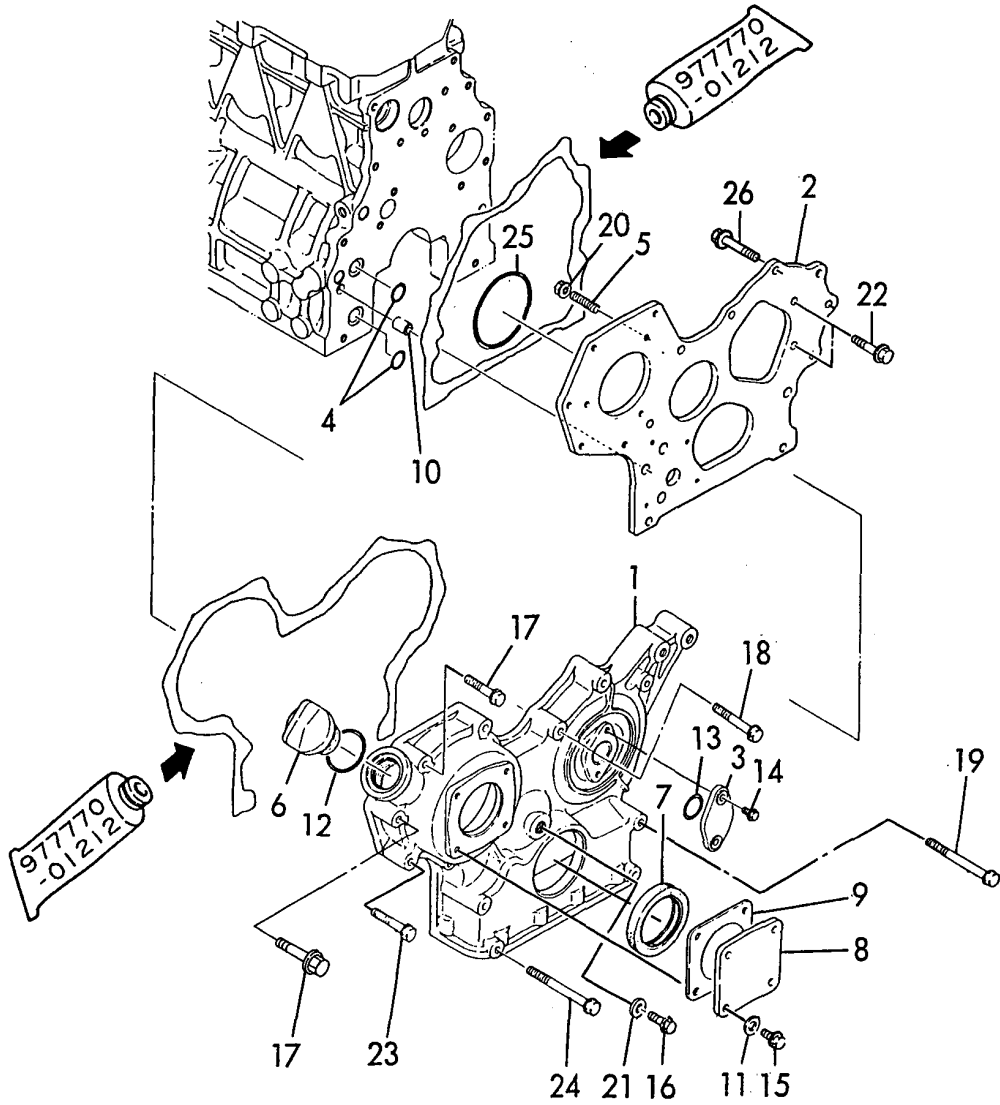
Remarks  
 (1) FOR ADJUSTMENT USE.  
 (2) FOR STANDARD USE.  
 THIS PART IS ALSO SOLD BY GASKET SET (FIG.25.REF.NO.1, P/# 729577-92600).  
 (3) UNDER-SIZED (U.S=0.25) PART.  
 (4) OVER-SIZED (O.S=0.25) PART.

Fig.2. GEAR HOUSING

(A)=4JH2LTE-K  
(B)=4JH2LHTE-K  
(C)=

(D)=  
(E)=  
(F)=

Fig.2 GEAR HOUSING



No.	Lev.	Parts No.	Description	Q'ty						I	R
				(A)	(B)	(C)	(D)	(E)	(F)		
1	1	129400-01500	CASE, GEAR	1	1						
2	1	129400-01520	FLANGE, GEAR CASE	1	1						
3	1	121023-01550	COVER	1	1						
4	1	24311-000160	O-RING, 1AP16.0	2	2						
5	1	121450-01560	STUD, M8X22	3	3						A
6	1	124160-01751	COVER, FILLER	1	1						
7	1	129795-01800	SEAL, OIL	1	1						
8	1	124240-01871	COVER	1	1						
9	1	124240-01883	GASKET	1	1						
10	1	129795-01950	PIPE, KNOCK L=18	2	2						
11	1	43400-500410	SEAL WASHER 8S	4	4						
12	1	24311-000320	O-RING, 1AP32.0	1	1						
13	1	24341-000240	O-RING, 1AS24.0	1	1						
14	1	26106-060122	BOLT, M6X 12 PLATED	2	2						
15	1	26106-080122	BOLT, M8X 12 PLATED	4	4						
16	1	26106-080162	BOLT, M8X 16 PLATED	1	1						
17	1	26106-080452	BOLT, M8X 45 PLATED	4	4						
18	1	26106-080552	BOLT, M8X 55 PLATED	3	3						
19	1	26106-080852	BOLT, M8X 85 PLATED	2	2						
20	1	26366-080002	NUT, M8	3	3						
21	1	43400-500410	SEAL WASHER 8S	1	1						
22	1	26106-080162	BOLT, M8X 16 PLATED	3	3						
23	1	26106-080502	BOLT, M8X 50 PLATED	2	2						
24	1	26106-080902	BOLT, M8X 90 PLATED	2	2						
25	1	121850-51960	O-RING	1	1						
26	1	26106-080202	BOLT, M8X 20 PLATED	2	2						

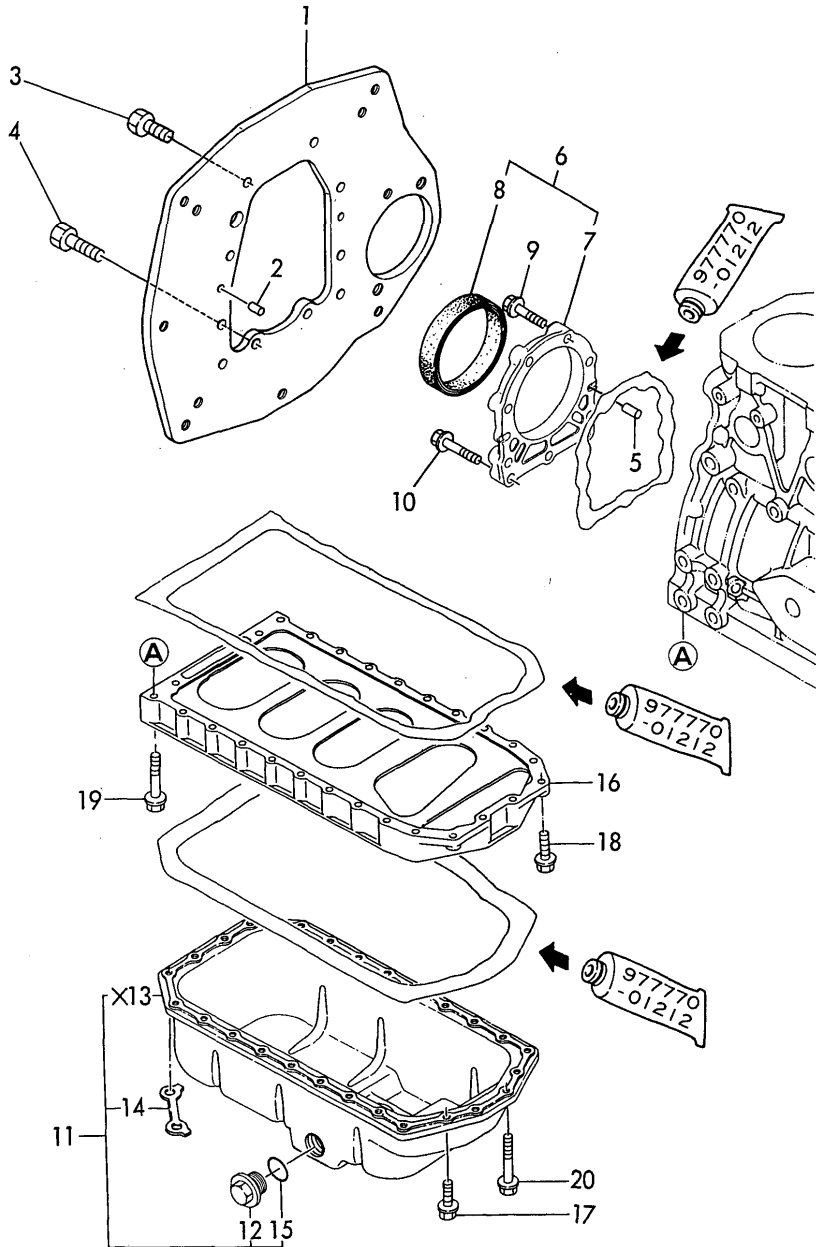
Remarks  
(A) THIS PART IS ALSO SOLD BY GASKET SET (FIG.25. REF.NO.1, P/# 729577-92600).

Fig.3. LUB. OIL SUMP & OIL SEAL CASE

(A)=4JH2LTE-K  
(B)=4JH2LHTE-K  
(C)=

(D)=  
(E)=  
(F)=

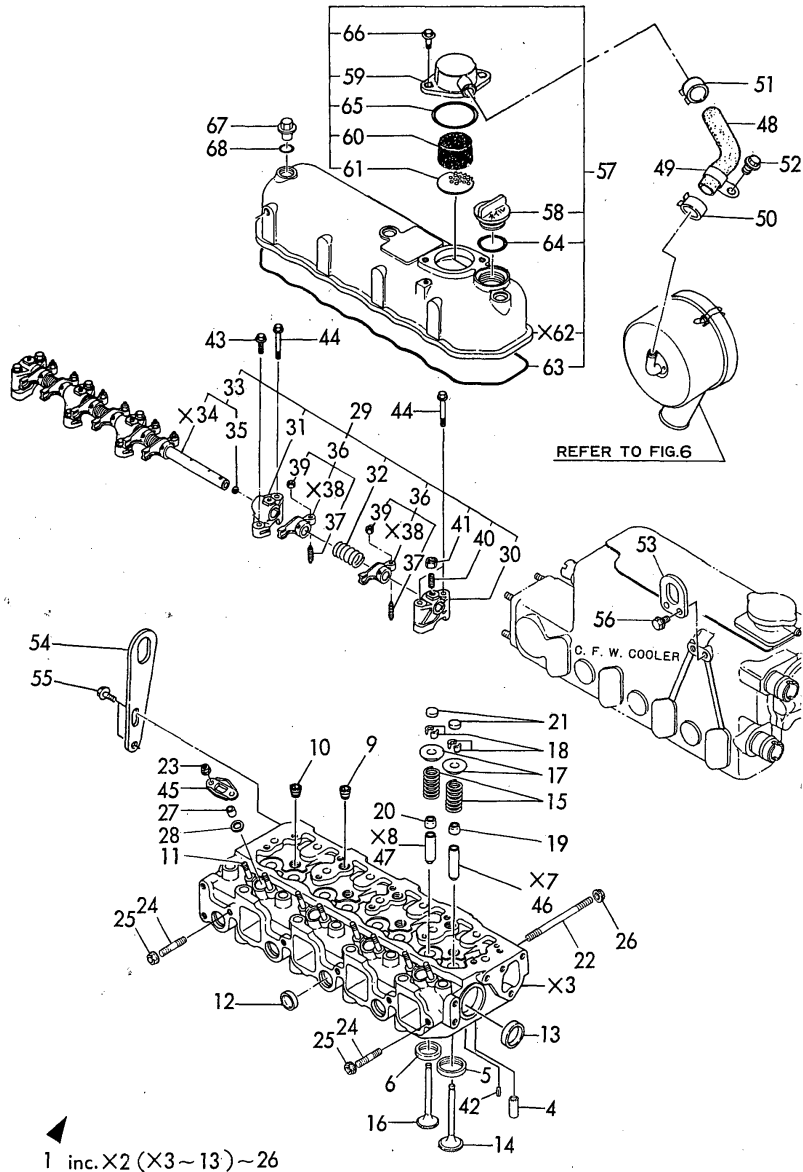
Fig.3 LUB. OIL SUMP & OIL SEAL HOUSING



No.	Lev.	Parts No.	Description	Q'ty						I	R
				(A)	(B)	(C)	(D)	(E)	(F)		
1	1	129176-01601	FLANGE, MOUNTING	1	1						
2	1	22312-080200	PIN, PARALLEL M8X20	2	2						
2-1	1	129100-01580	PIN, M8X16	2	2						N
(A)=E/# 10135) (B)=E/# 20149)											
3	1	26206-100202	BOLT, M10X 20 PLATED	6	6						
4	1	26206-100252	BOLT, M10X 25 PLATED	4	4						
5	1	129100-01580	PIN, M8X16	2	2						
6	1	129100-01640	CASE ASSY, OIL SEAL	1	1						
7	2	129150-01650	CASE, OIL SEAL	1	1						
8	2	129795-01780	SEAL, OIL	1	1						
9	1	26106-080302	BOLT, M8X 30 PLATED	6	6						
10	1	26106-080352	BOLT, M8X 35 PLATED	3	3						
11	1	729577-01720	SUMP ASSY, OIL	1	1						
12	2	171301-01640	PLUG, 22	1	1						
14	2	129100-01790	RETAINER	2	2						
15	2	24341-000240	O-RING, 1AS24.0	1	1						
16	1	129400-01730	SPACER, OIL SUMP	1	1						
17	1	26106-080162	BOLT, M8X 16 PLATED	4	4						
18	1	26106-080252	BOLT, M8X 25 PLATED	2	2						
19	1	26106-080452	BOLT, M8X 45 PLATED	20	20						
20	1	26106-080502	BOLT, M8X 50 PLATED	4	4						

Fig.4. CYLINDER HEAD & BONNET

Fig.4 CYLINDER HEAD & BONNET



(A)=4JH2LTE-K  
(B)=4JH2LHTE-K  
(C)=

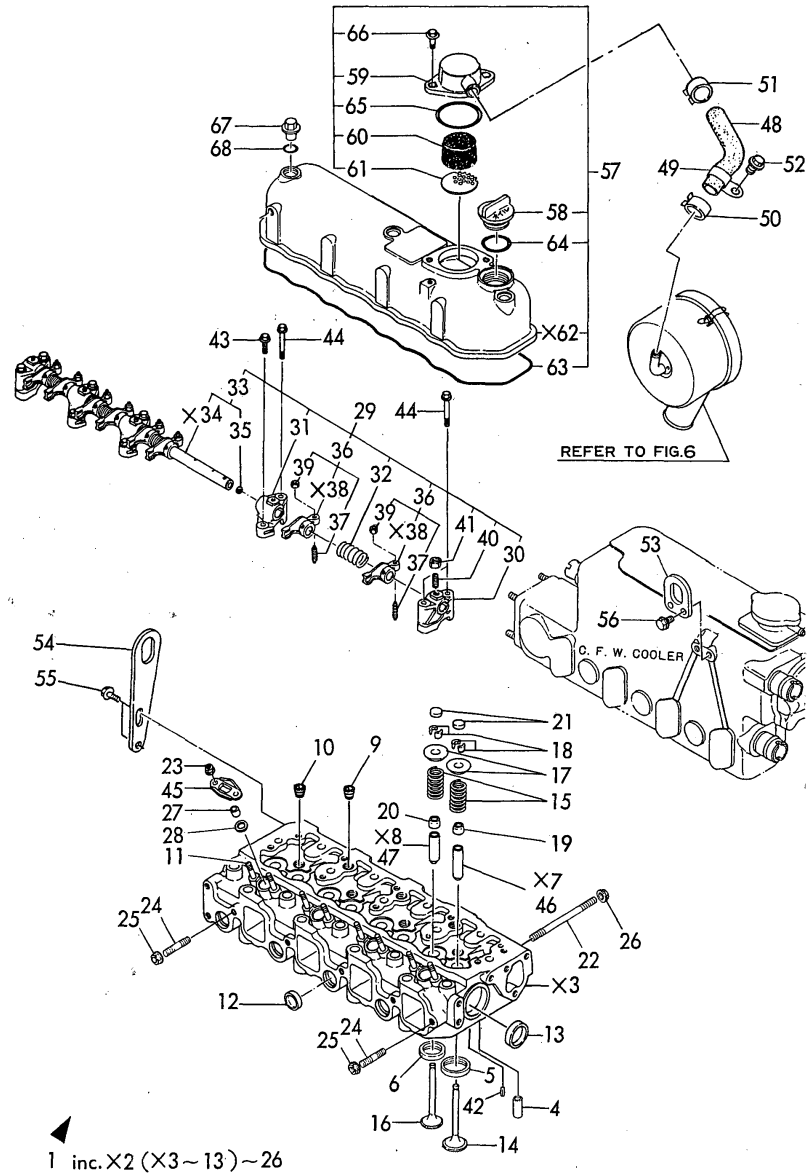
(D)=  
(E)=  
(F)=

No.	Lev.	Parts No.	Description	Qty						I	R
				(A)	(B)	(C)	(D)	(E)	(F)		
1	1	729491-11701	HEAD ASSY, CYLINDER	1	1						M
1-1	1	729473-11700	HEAD ASSY, CYLINDER	1	1						
1-2	1	729473-11701	HEAD ASSY, CYLINDER	1	1						N
		(A=E/# 10157) (B=E/# 20189)									
4	3	129150-11050	PIECE	4	4						
5	3	129470-11850	SEAT, EXHAUST VALVE	4	4						
6	3	129470-11090	SEAT, EXHAUST VALVE	4	4						
9	3	121850-11860	PLUG, PT1/4	3	3						
10	3	23871-030000	PLUG, R03	4	4						
11	3	26216-060202	STUD, M6X 20	8	8						
12	3	27241-220000	PLUG, 22	4	4						
13	3	27241-400000	PLUG, 40	2	2						
14	2	129100-11100	VALVE, INTAKE	4	4						
15	2	129795-11120	SPRING, VALVE	8	8						
16	2	129100-11130	VALVE, EXHAUST	4	4						
17	2	129795-11180	RETAINER, SPRING	8	8						
18	2	103338-11190	COTTER	16	16						
18-1	2	27310-080001	COTTER, 8	8	8						N
		(A=EXXXXX) (B=EXXXXX)									
19	2	121400-11340	SEAL, VALVE STEM	4	4						
20	2	124460-11340	SEAL, VALVE STEM	4	4						
21	2	104511-11370	CAP, VALVE	8	8						
21-1	2	129150-11370	CAP, VALVE	8	8						N
		(A=E/# 10157) (B=E/# 20189)									
22	2	26216-081002	STUD, M8X100	2	2						
23	2	26367-060002	NUT, M6	8	8						
24	2	26216-080222	STUD, M8X 22	2	2						
25	2	26366-080002	NUT, M8	2	2						
26	2	26366-080002	NUT, M8	2	2						
27	1	119625-11870	PROTECTOR, NOZZLE	4	4						
28	1	119625-11880	SEAT, NOZZLE	4	4						
29	1	129500-11240	SHAFT ASSY, ROCKER	1	1						
30	2	129155-11260	SUPPORT, ROCKER ARM	2	2						
31	2	129155-11270	SUPPORT, ROCKER ARM	3	3						
32	2	129150-11280	SPRING	4	4						
33	2	129550-11290	SHAFT, ROCKER ARM	1	1						
35	3	27241-100000	PLUG, 10	2	2						
36	2	129100-11650	ARM, ROCKER	8	8						
37	3	129150-11230	SCREW, VALVE ADJUST	8	8						
39	3	129150-11750	NUT, M8	8	8						
40	2	26226-080182	STUD, M8X 18	3	3						
41	2	26756-080002	NUT, LOCK M8	3	3						
42	1	22351-060012	PIN, SPRING 6.0X12	2	2						
43	1	26106-080252	BOLT, M8X 25 PLATED	3	3						
44	1	26106-080502	BOLT, M8X 50 PLATED	7	7						
45	1	119625-11900	RETAINER, NOZZLE	4	4						
46	1	120130-11860	GUIDE, VALVE	4	4						1
47	1	129150-11810	GUIDE, VALVE	4	4						1
48	1	129171-03090	PIPE, BREATHER	1	1						
49	1	129475-03250	RETAINER	1	1						
50	1	129301-03660	CLAMP 16	1	1						

Remarks  
(1) REPAIR PART.  
(M) MISPRINT.

Fig.4. CYLINDER HEAD & BONNET

Fig.4 CYLINDER HEAD & BONNET



(A)=4JH2LTE-K  
(B)=4JH2LHTE-K  
(C)=

(D)=  
(E)=  
(F)=

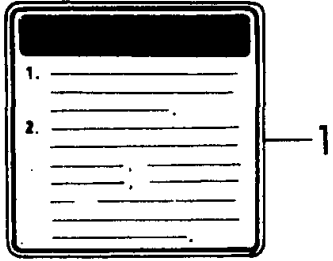
No.	Lev.	Parts No.	Description	Q'ty						I	R
				(A)	(B)	(C)	(D)	(E)	(F)		
51	1	129410-03990	CLIP	1	1						
52	1	26106-080102	BOLT, M8X 10 PLATED	1	1						
53	1	129470-07230	LIFTER	1	1						
54	1	124736-07900	LIFTER	1	1						
55	1	26106-080142	BOLT, M8X 14 PLATED	2	2						
56	1	26106-080162	BOLT, M8X 16 PLATED	2	2						
57	1	129577-11350	BONNET ASSY, HEAD	1	1						
58	2	124160-01751	COVER, FILLER	1	1						
59	2	129150-03020	COVER, BREATHER	1	1						
60	2	129150-03070	BAFFLE, BREATHER	1	1						
61	2	129150-03080	PLATE, BAFFLE	1	1						
63	2	129550-11310	GASKET, BONNET	1	1						
64	2	24311-000320	O-RING, 1AP32.0	1	1						
65	2	24341-000500	O-RING, 1AS50.0	1	1						
66	2	26106-080162	BOLT, M8X 16 PLATED	2	2						
67	1	124160-11360	KNOB	3	3						
68	1	24311-000120	O-RING, 1AP12.0	3	3						

Remarks  
(1) REPAIR PART.  
(M) MISPRINT.

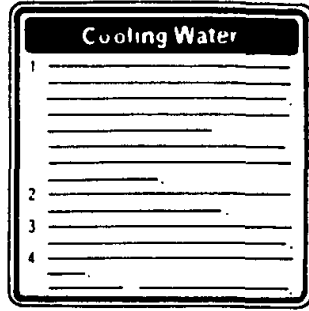


Fig.5. LABEL

Fig. **5** LABEL



1



2

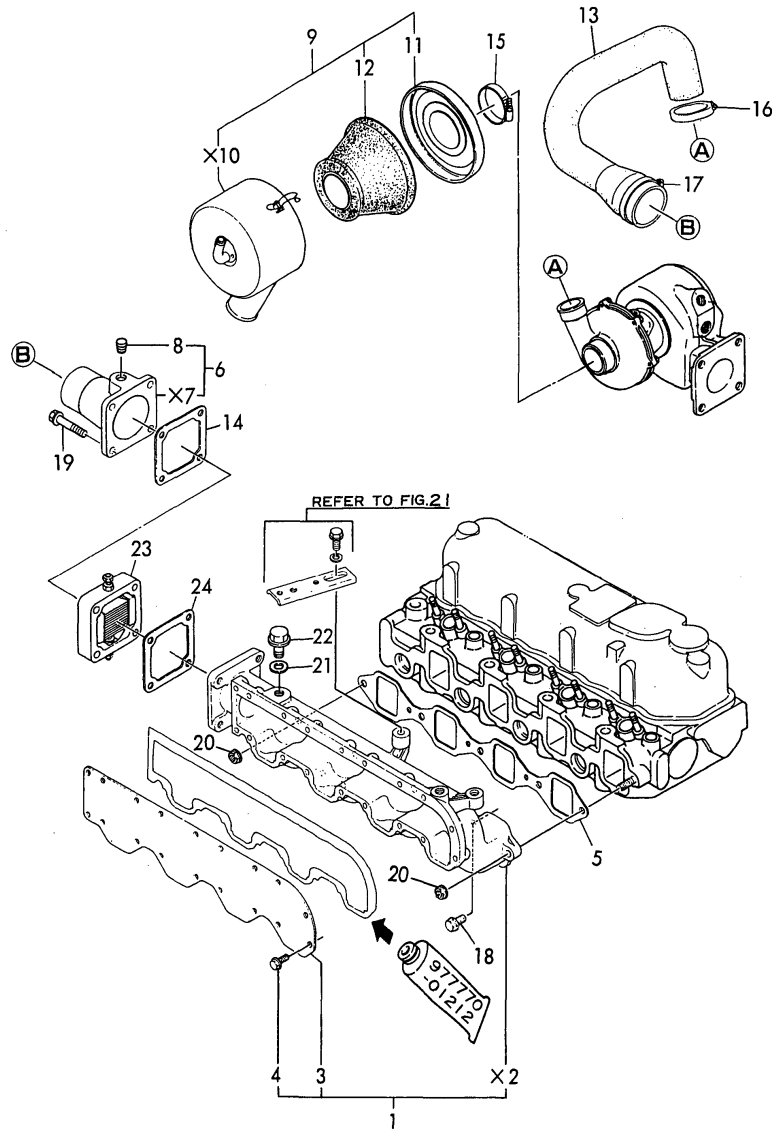
(A)=4JH2LTE-K  
(B)=4JH2LHTE-K  
(C)=

(D)=  
(E)=  
(F)=

No.	Lev.	Parts No.	Description	Q'ty						I	R
				(A)	(B)	(C)	(D)	(E)	(F)		
1	1	135665-07210	LABEL, WATER PUMP	1	1						
2	1	129198-07350	LABEL	1	1						

Fig.6. SUCTION MANIFOLD

Fig.6 SUCTION MANIFOLD



(A)=4JH2LTE-K  
(B)=4JH2LHTE-K  
(C)=

(D)=  
(E)=  
(F)=

No.	Lev.	Parts No.	Description	Q'ty						I	R
				(A)	(B)	(C)	(D)	(E)	(F)		
1	1	129470-12100	MANIFOLD ASSY,INTAKE	1	1						
3	2	129470-12120	COVER, MANIFOLD	1	1						
4	2	26476-060142	SCREW, TAPPING M6X14	18	18						
5	1	129470-12130	GASKET, MANIFOLD	1	1						A
6	1	129470-12210	JOINT ASSY	1							
8	2	23871-010000	PLUG, R01	1							
9	1	129477-12500	SILENCER ASSY	1	1						
11	2	129477-12530	PLATE	1	1						
12	2	124770-12540	ELEMENT	1	1						
13	1	129477-12850	HOSE, RUBBER	1							
14	1	129470-77590	GASKET	1							
15	1	23000-048000	CLAMP, 48	1	1						
16	1	23000-048000	CLAMP, 48	1							
17	1	23000-060000	CLAMP, 60	1							
18	1	26106-080202	BOLT, M8X 20 PLATED	3	3						
19	1	26106-080202	BOLT, M8X 20 PLATED	4							
19-1	2	26106-080402	BOLT, M8X 40 PLATED	4							S 1
(A=E/# 10135)											
20	1	26366-080002	NUT, M8	2	2						
21	1	23414-100000	GASKET, 10X1.0	1	1						
22	1	26106-100122	BOLT, M10X 12 PLATED	1	1						
23	1	129100-77500	HEATER, AIR 12V	1							W
(A=E/# 10135)											
24	1	129100-77510	GASKET, AIR HEATER	1							W
(A=E/# 10135)											

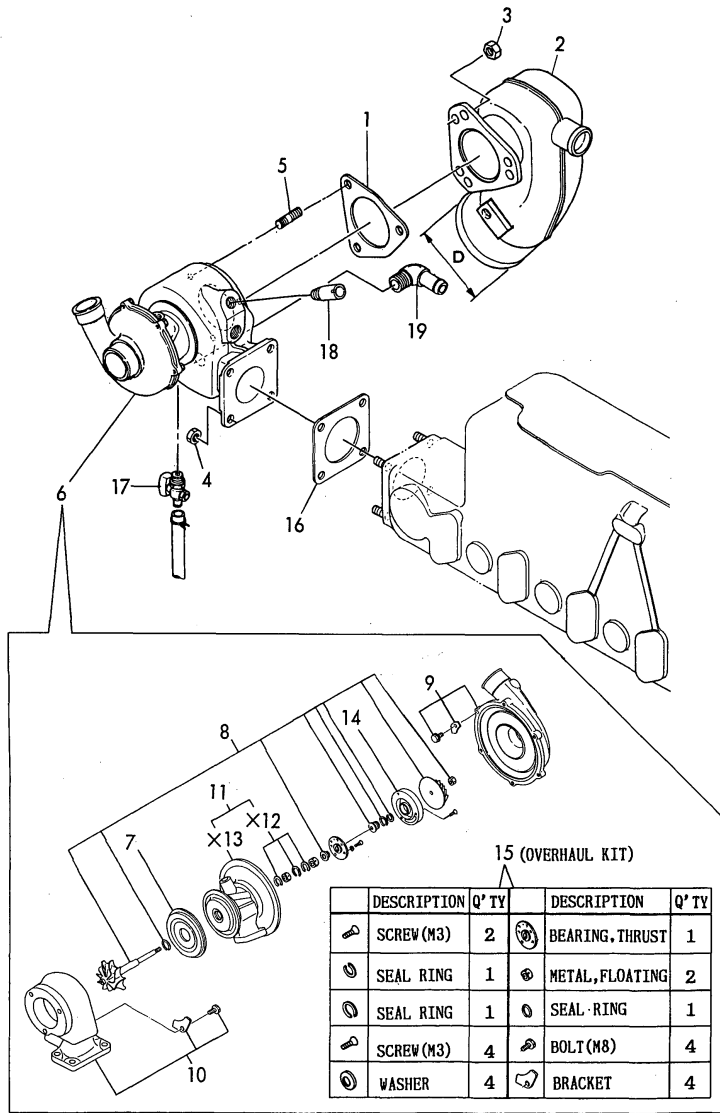
Remarks

(A) THIS PART IS ALSO SOLD BY GASKET SET (FIG.25.REF.NO.1, P/# 729577-92600).

(1) SIZE CHANGED FROM M8X20 TO M8X40.

Fig.7. TURBOCHARGER

Fig.7 TURBOCHARGER



(A)=4JH2LTE-K  
(B)=4JH2LHTE-K  
(C)=

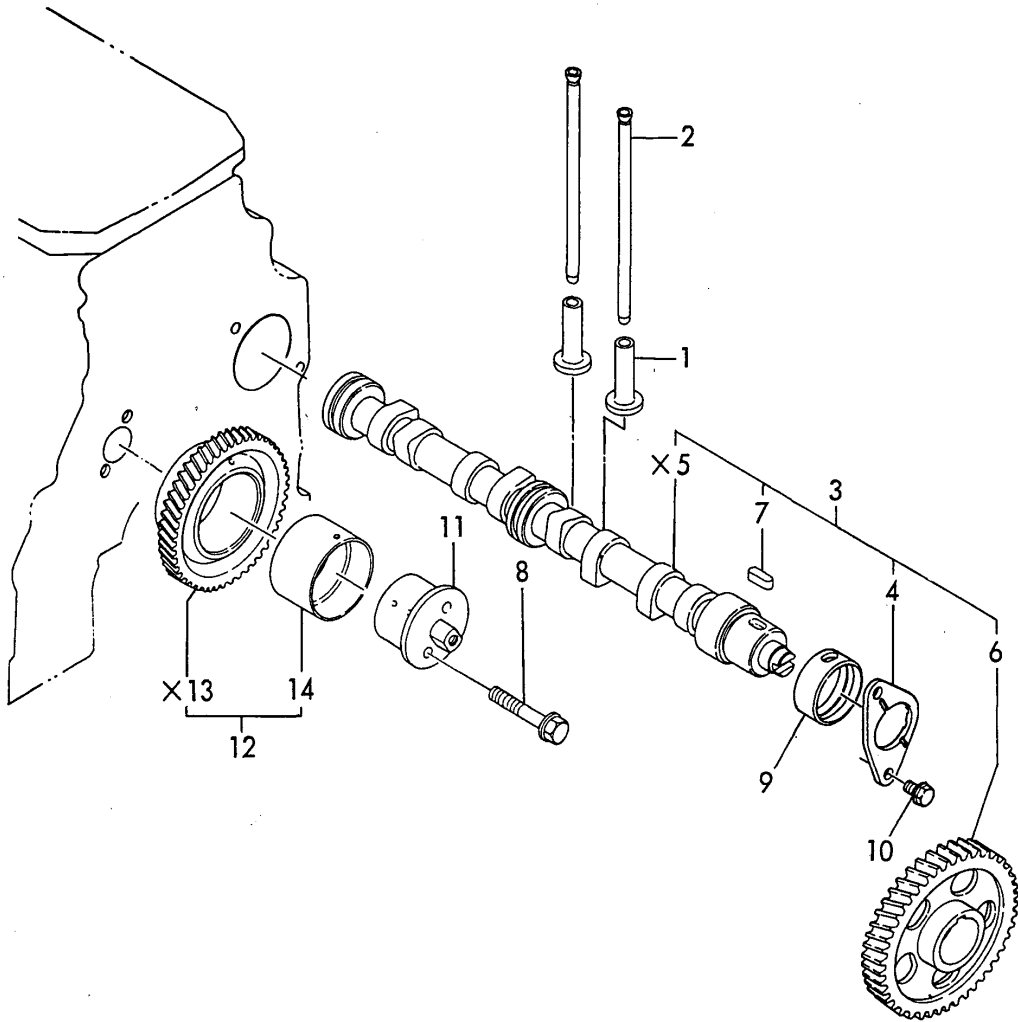
(D)=  
(E)=  
(F)=

No.	Lev.	Parts No.	Description	Q'ty						I	R
				(A)	(B)	(C)	(D)	(E)	(F)		
1	1	129472-13520	GASKET	1	1						
2	1	129579-13551	ELBOW	1	1						
3	1	26703-080002	NUT, M8	3	3						
4	1	26703-080002	NUT, M8	4	4						
5	1	128170-13600	STUD, M8X31	3	3						
6	1	129579-18000	TURBINE, RHB31GW	1	1						
7	2	129403-18720	PROTECTOR, HEAT	1	1						Z
		(A=EXXX) (B=EXXX)									
8	2	129579-18770	ROTOR ASSY, TURBO	1	1						Z
		(A=EXXX) (B=EXXX)									
9	2	129579-18780	HOUSING ASSY	1	1						Z
		(A=EXXX) (B=EXXX)									
10	2	129579-18790	HOUSING ASSY	1	1						Z
		(A=EXXX) (B=EXXX)									
11	2	129403-18800	HOUSING ASSY, BEARING	1	1						Z
		(A=EXXX) (B=EXXX)									
14	2	129579-18820	PLATE ASSY, SEAL	1	1						Z
		(A=EXXX) (B=EXXX)									
15	2	129579-18830	OVERHAUL KIT	1	1						Z
		(A=EXXX) (B=EXXX)									
16	2	XNB131027	SHAFT	1	1						1
17	3	XNB131005	OIL DRIP	1	1						1
18	3	XNB131006	THRUST BUSH	1	1						1
19	3	XNB131008	SEAL RING, BLOW. SIDE	1	1						1
20	3	XNB131009	SEAL RING, BLOW. SIDE	1	1						1
21	3	XNB131010	NUT	1	1						1
22	3	XNB131007	SEAL RING	1	1						1
23	2	XNB133001	SEAL PLATE	1	1						1
24	2	XNB133210	HOUSING, BEARING	1	1						1
25	3	XNB133204	CIRCLIP	3	3						1
26	2	XNN977006	SCREW	2	2						1
27	2	XNN133207	SCREW	2	2						1
28	2	XNB133503	FLOATING BEARING	2	2						1
29	2	XNB133502	THRUST METAL	1	1						1
30	2	XNE914110	HOUSING, BLOWER	1	1						1
31	3	XNN134035	RETAINER	4	4						1
32	3	XNB134007	BOLT M 5	4	4						1
33	2	XNB135102	WHEEL	1	1						1
34	2	XNB137143	HEAT PROTECTOR	1	1						1
35	2	XNE917300	HOUSING, TURBINE	1	1						1
36	3	XNN196103	BOLT	4	4						1
37	3	XNB137194	RETAINER	4	4						1
38	2	XNB139813	OVERHAUL KIT	1	1						1
39	1	129792-18090	GASKET	1	1						A
40	1	128695-44090	COCK	1	1						
41	1	104407-44480	JOINT	1	1						
42	1	171007-49400	JOINT	1	1						

Remarks  
(A) THIS PART IS ALSO SOLD BY GASKET SET (FIG.25. REF.NO.1, P/# 729577-92600).  
(1) NEW CODE NUMBERS FOR INTERNAL PARTS.

Fig.8. CAMSHAFT & IDLE GEAR

Fig. 8 CAMSHAFT & IDLE GEAR

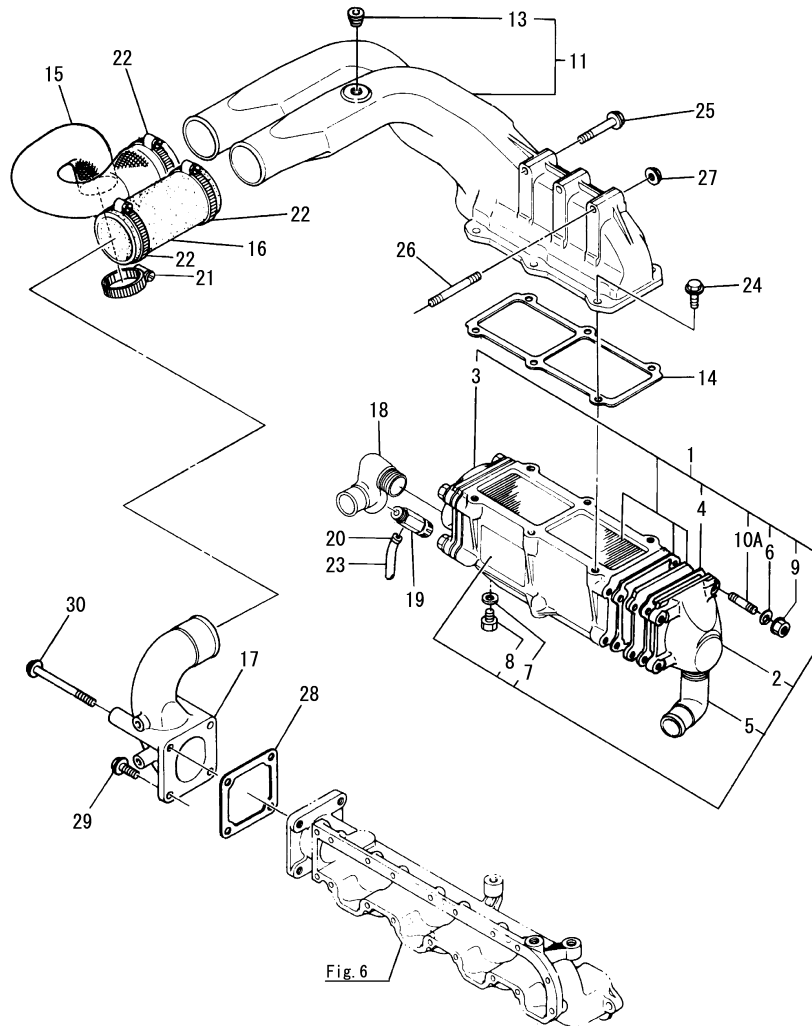


(A)=4JH2LTE-K  
(B)=4JH2LHTE-K  
(C)=

(D)=  
(E)=  
(F)=

No.	Lev.	Parts No.	Description	Q'ty						I	R
				(A)	(B)	(C)	(D)	(E)	(F)		
1	1	129150-14200	TAPPET	8	8						
2	1	119171-14400	ROD, PUSH L=178	8	8						
3	1	729402-14580	CAMSHAFT ASSY	1	1						
4	2	129150-02450	BEARING, THRUST	1	1						
6	2	129150-14101	GEAR, CAMSHAFT	1	1						
7	2	22512-070140	KEY, 7X 14	1	1						
8	1	26106-080452	BOLT, M8X 45 PLATED	2	2						
9	1	129795-02411	BUSH, CAMSHAFT	1	1						
10	1	26106-080162	BOLT, M8X 16 PLATED	2	2						
11	1	129100-25061	SHAFT, IDLE	1	1						
12	1	129573-25100	GEAR ASSY, IDLE	1	1						
14	2	129573-25060	BUSH, IDLE GEAR	1	1						

Fig.9. INTER COOLER



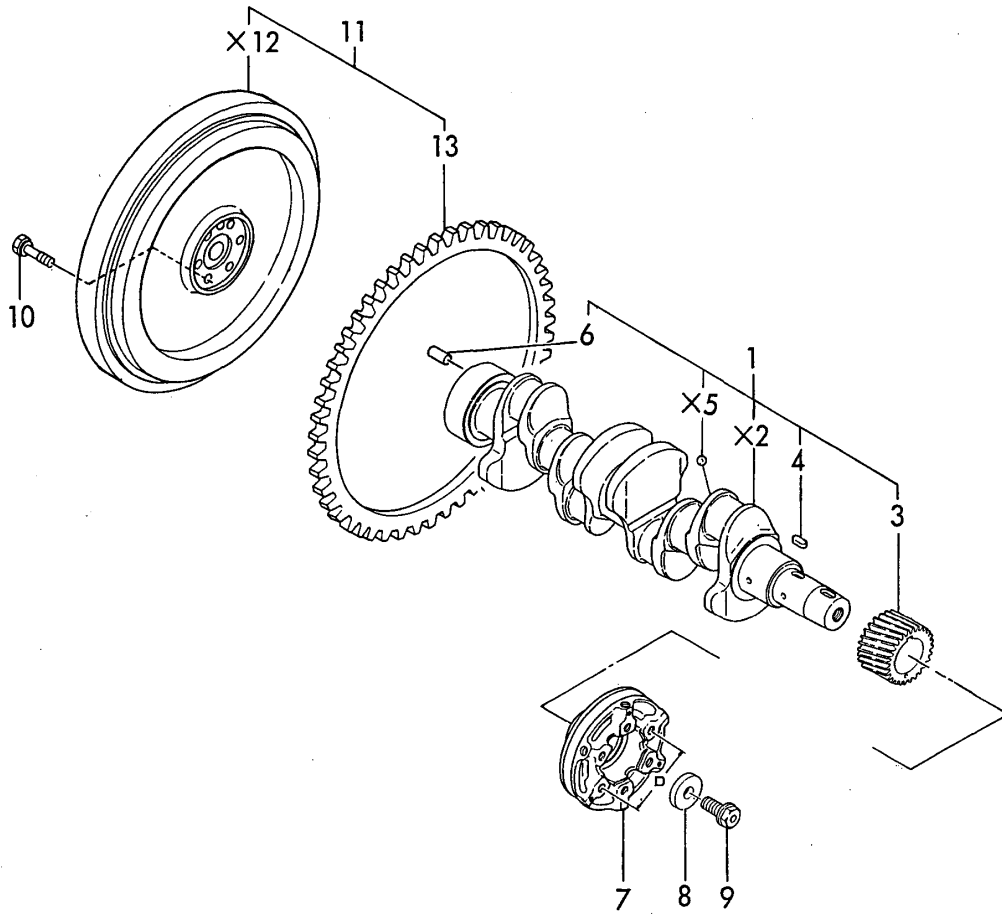
(A)=4JH2LTE-K  
(B)=4JH2LHTE-K  
(C)=

(D)=  
(E)=  
(F)=

No.	Lev.	Parts No.	Description	Q'ty						I	R
				(A)	(B)	(C)	(D)	(E)	(F)		
1	1	129474-18100	COOLER ASSY, INTER		1						
2	2	129474-18220	TANK		1						
3	2	129474-18230	TANK		1						
4	2	129474-18240	GASKET		2						
4-1	2	129474-18241	GASKET (B=*1984.05.)		2						Q
5	2	123325-49490	ELBOW		1						
6	2	22217-080000	WASHER, SPRING 8		8						
7	2	23414-130000	GASKET, 13X1.0		1						
8	2	23894-020002	PLUG, G1/4		1						
9	2	26366-080002	NUT, M8		8						
10A	2	X3916003482	STUD M6		8						
11	1	129474-18180	DUCT, AIR		1						
13	2	23871-010000	PLUG, R01		1						
14	1	129573-18120	GASKET		1						
15	1	129479-18130	HOSE, RUBBER		1						
16	1	129474-18140	HOSE, RUBBER		1						
17	1	129474-18150	BEND		1						
18	1	129496-49050	BEND		1						
19	1	120130-49350	COCK, 1/4		1						
20	1	124460-77680	RETAINER		1						
21	1	23000-060000	CLAMP, 60		1						
22	1	23000-070000	CLAMP, 70		3						
23	1	23061-070300	PIPE, 7X 300		1						
24	1	26106-080202	BOLT, M8X 20 PLATED		6						
25	1	26106-080502	BOLT, M8X 50 PLATED		1						
26	1	26226-080502	STUD, M8X 50		2						
27	1	26366-080002	NUT, M8		2						
28	1	129470-77590	GASKET		1						
29	1	26106-080202	BOLT, M8X 20 PLATED		2						
30	1	26106-080952	BOLT, M8X 95 PLATED		2						

Fig.10. CRANKSHAFT & FLYWHEEL

Fig. **10** CRANKSHAFT & FLYWHEEL



(A)=4JH2LTE-K  
(B)=4JH2LHTE-K  
(C)=

(D)=  
(E)=  
(F)=

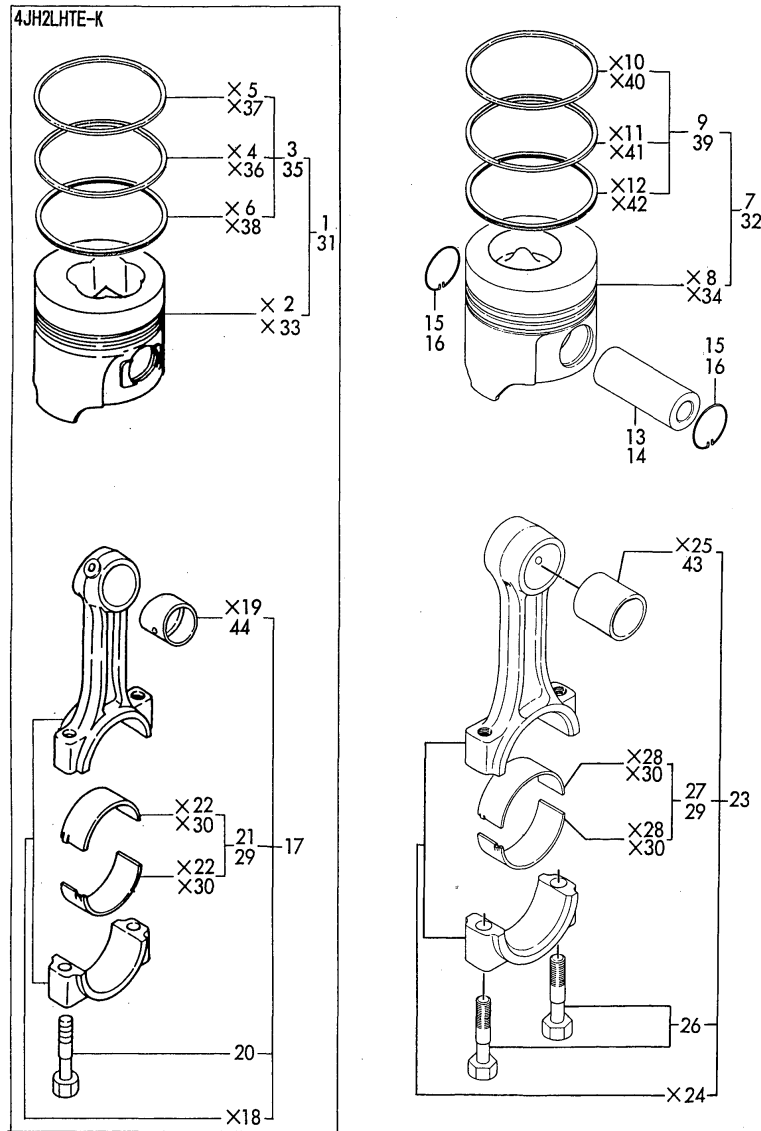
No.	Lev.	Parts No.	Description	Q'ty						I	R
				(A)	(B)	(C)	(D)	(E)	(F)		
1	1	129573-21001	CRANKSHAFT ASSY	1	1						
3	2	129150-21200	GEAR, CRANKSHAFT	1	1						
4	2	22512-070140	KEY, 7X 14	1	1						
6	2	22312-080160	PIN, PARALLEL M8X16	1	1						
7	1	129579-21650	V-PULLEY	1	1						
8	1	129795-21661	WASHER	1	1						
9	1	121850-21680	BOLT	1	1						
10	1	121111-21501	BOLT, FLYWHEEL	6	6						
11	1	129489-21570	FLYWHEEL ASSY	1	1						
13	2	124550-21600	GEAR, RING	1	1						

Fig.11. PISTON & CONNECTING ROD

(A)=4JH2LTE-K  
(B)=4JH2LHTE-K  
(C)=

(D)=  
(E)=  
(F)=

Fig. 11 PISTON & CONNECTING ROD



No.	Lev.	Parts No.	Description	Q'ty						I	R
				(A)	(B)	(C)	(D)	(E)	(F)		
1	1	129570-22000	PISTON ASSY		4						
3	2	729573-22500	RING SET, PISTON		4						
7	1	129402-22090	PISTON ASSY		4						
9	2	729120-22500	RING SET, PISTON		4						
13	1	129150-22300	PIN, PISTON D26 L66		4						
14	1	129573-22300	PIN, PISTON D28 L69		4						
15	1	121100-22400	CIRCLIP		8						
16	1	22252-000280	RING, 28		8						
17	1	729573-23700	ROD ASSY, CONNECTING		4						
20	2	121550-23200	BOLT, CONNECTING ROD		8						
21	2	129150-23600	BEARING, CRANK PIN		4						
23	1	729402-23100	ROD ASSY, CONNECTING		4						
26	2	121550-23200	BOLT, CONNECTING ROD		8						
27	2	129150-23600	BEARING, CRANK PIN		4						
29	1	129150-23610	BEARING, 0.25 US		4	4					1
31	1	129570-22500	PISTON ASSY, 0.25 OS		4						2
32	1	729402-22910	PISTON ASSY, 0.25 OS		4						2
35	2	729573-22540	RING SET, 0.25 OS		4	4					2
39	2	729120-22950	RING SET, 0.25 OS		4						2
43	1	129100-23910	BEARING, PISTON PIN		4						3
44	1	129573-23190	BEARING, PISTON PIN		4						3

Remarks

- (1) UNDER-SIZED(U.S=0.25) PART.
- (2) OVER-SIZED(O.S=0.25) PART.
- (3) REPAIR PART.
- (M) MISPRINT.

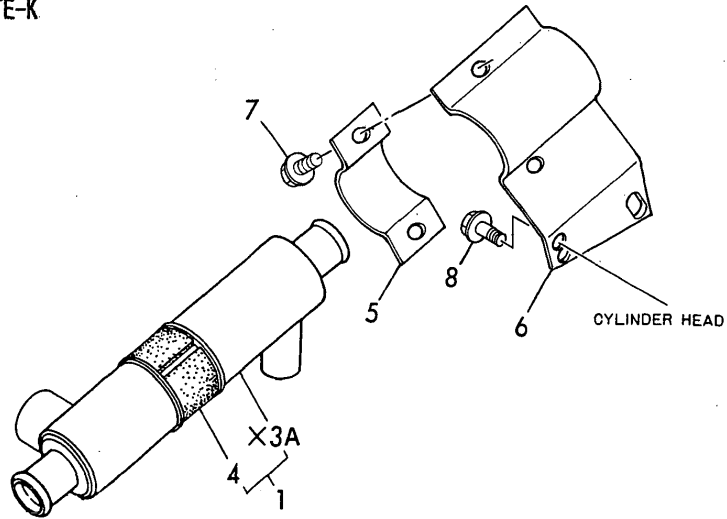
Fig.12. LUB. OIL COOLER

(A)=4JH2LTE-K  
(B)=4JH2LHTE-K  
(C)=

(D)=  
(E)=  
(F)=

Fig. **12** LUB. OIL COOLER

4JH2LTE-K



No.	Lev.	Parts No.	Description	Q'ty						I	R
				(A)	(B)	(C)	(D)	(E)	(F)		
1	1	129170-33000	COOLER ASSY, OIL	1							
2	1	129470-33000	COOLER ASSY, OIL		1						
4	2	129470-33550	SEAT, RUBBER	1	1						
5	1	129470-33510	RETAINER	1	1						
6	1	129578-33510	SUPPORT	1	1						
7	1	26106-080102	BOLT, M8X 10 PLATED	2	2						
8	1	26106-080142	BOLT, M8X 14 PLATED	2	2						

4JH2LHTE-K

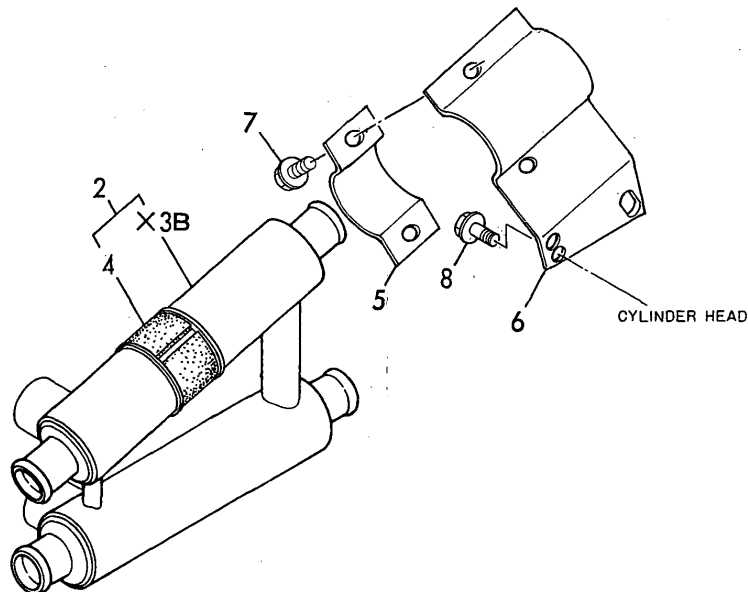
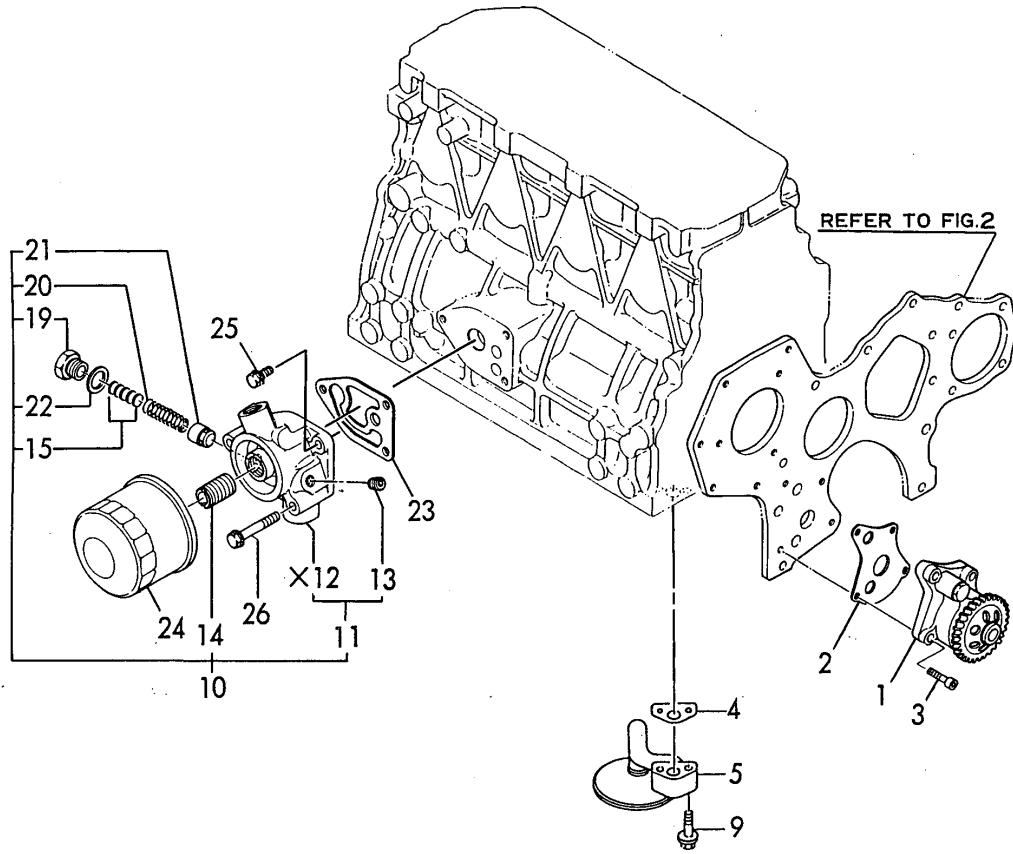




Fig.13. LUB. OIL SYSTEM

Fig. **13** LUB. OIL SYSTEM



(A)=4JH2LTE-K  
(B)=4JH2LHTE-K  
(C)=

(D)=  
(E)=  
(F)=

No.	Lev.	Parts No.	Description	Q'ty						I	R
				(A)	(B)	(C)	(D)	(E)	(F)		
1	1	129470-32000	PUMP ASSY, OIL	1	1						
2	1	129150-32020	GASKET, PUMP	1	1						A
3	1	26450-060252	BOLT, M6X 25	4	4						
4	1	129150-35041	GASKET	1	1						A
5	1	129150-35091	PIPE ASSY, OIL INLET	1	1						
9	1	26106-080352	BOLT, M8X 35 PLATED	2	2						
10	1	129470-35101	BRACKET ASSY, FILTER	1	1						
11	2	129470-35131	BRACKET ASSY	1	1						
13	3	23871-020000	PLUG, R02	1	1						
14	2	129100-35140	STUD	1	1						
15	2	121850-35200	SHIM SET	1	1						
19	2	124223-35510	RETAINER, SPRING	1	1						
20	2	121850-35520	SPRING	1	1						
21	2	121850-35531	VALVE, CONTROL	1	1						
22	2	23414-180000	GASKET, 18X1.0	1	1						
23	1	129470-35121	GASKET	1	1						A
24	1	129150-35150	FILTER 90X80L	1	1						
24-1	1	129150-35151	FILTER, D80XL80	1	1						N
(A=E/# 10135) (B=E/# 20149)											
25	1	26106-080202	BOLT, M8X 20 PLATED	1	1						
26	1	26106-080552	BOLT, M8X 55 PLATED	2	2						

Remarks

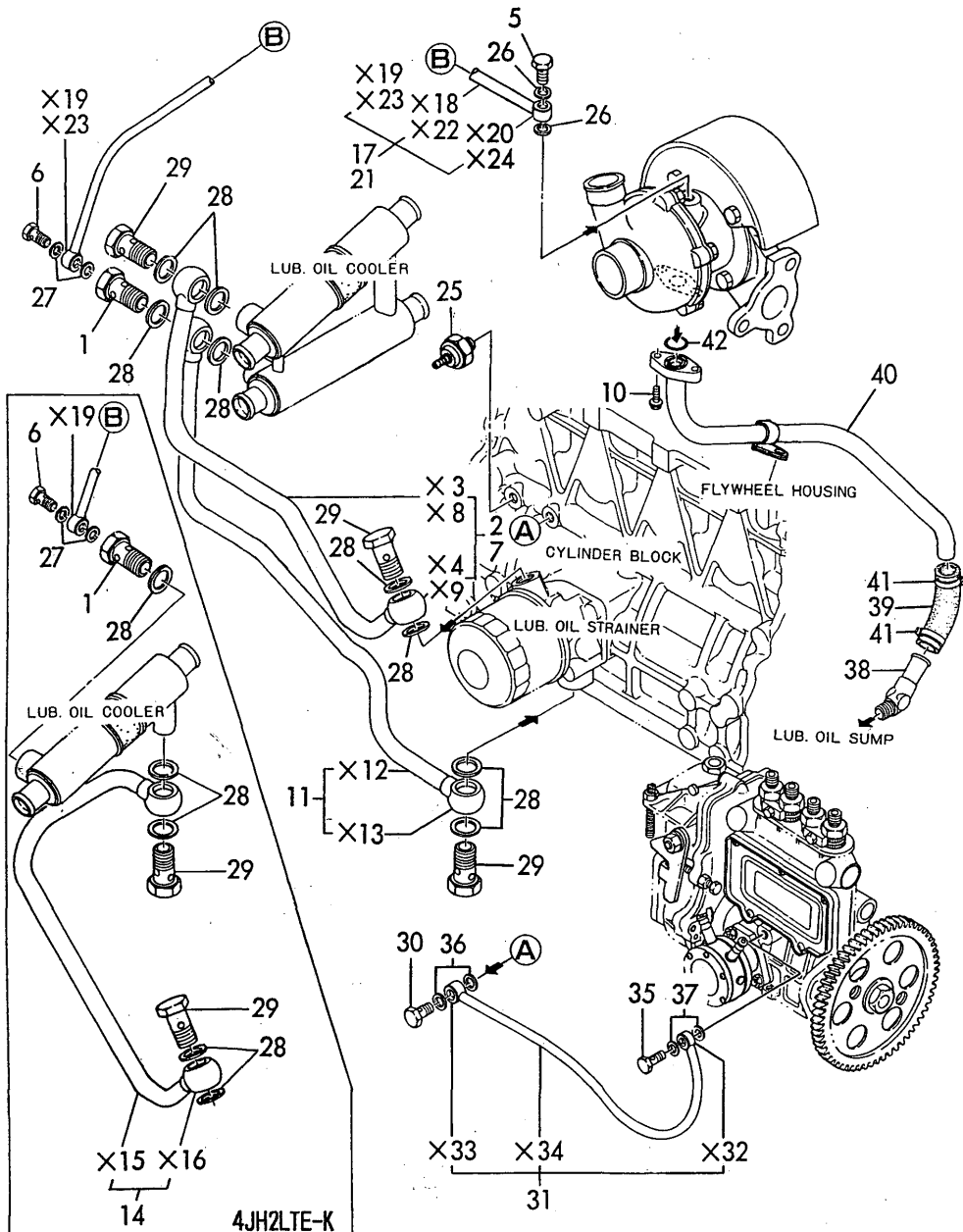
(A) THIS PART IS ALSO SOLD BY GASKET SET (FIG.25.REF.NO.1, P/# 729577-92600).

Fig.14. LUB. OIL PIPE

(A)=4JH2LTE-K  
(B)=4JH2LHTE-K  
(C)=

(D)=  
(E)=  
(F)=

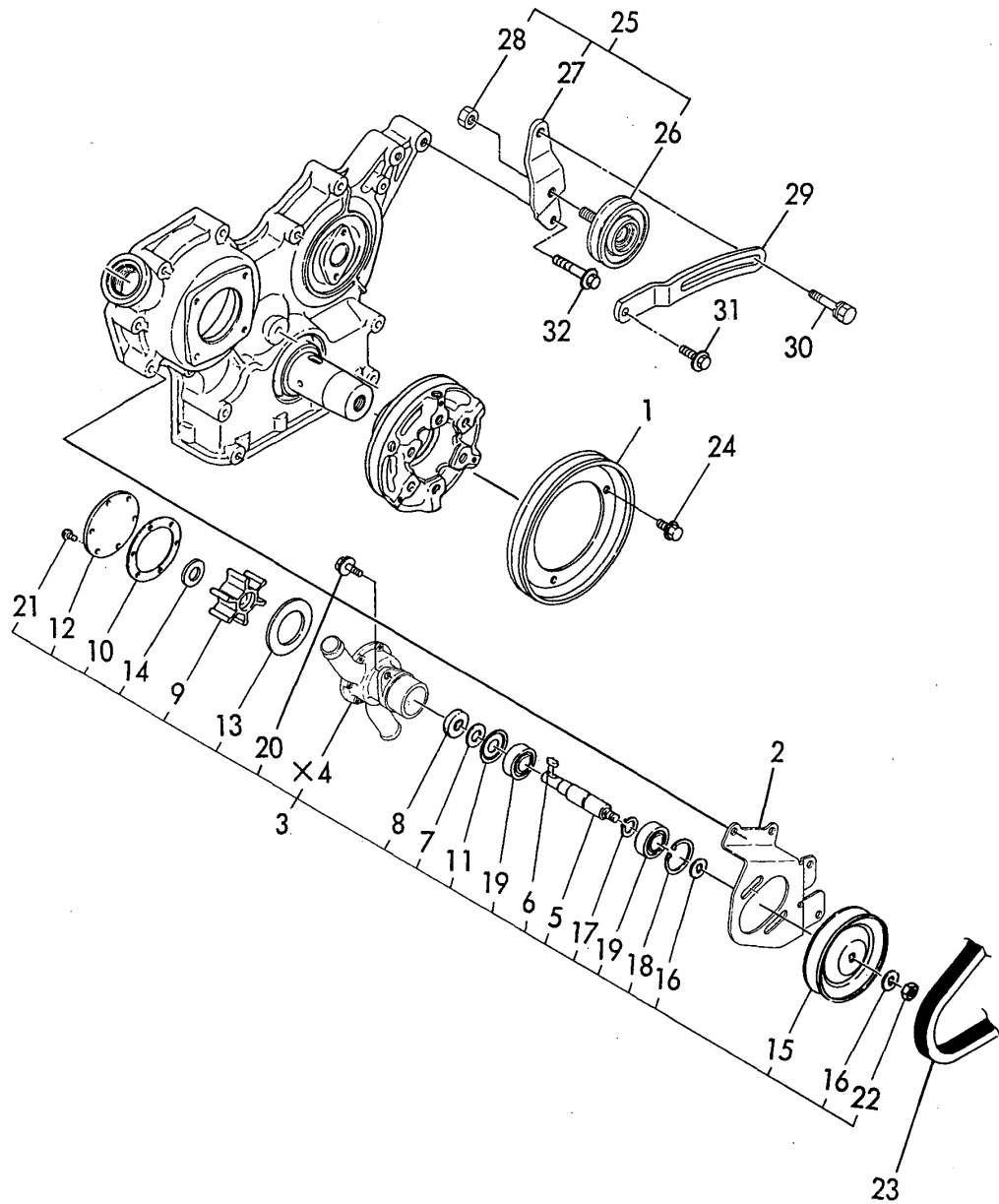
Fig. 14 LUB. OIL LINE



No.	Lev.	Parts No.	Description	Qty						I	R
				(A)	(B)	(C)	(D)	(E)	(F)		
1	1	129472-39020	BOLT, M20XM10	1	1						
2	1	129578-39100	PIPE ASSY, OIL		1						
5	1	105010-39140	BOLT, PIPE JOINT	1	1						
6	1	121252-39150	BOLT, JOINT M10X1.5	1	1						
7	1	129176-39150	PIPE ASSY, OIL	1							
7-1	1	129176-39151	PIPE ASSY, OIL	1							N
(A=E/# 10157)											
10	1	26106-060162	BOLT, M6X 16 PLATED	2	2						
11	1	129578-39200	PIPE ASSY, OIL		1						
14	1	129176-39250	PIPE ASSY, OIL	1							
14-1	1	129176-39251	PIPE ASSY, OIL	1							N
(A=E/# 10157)											
17	1	129176-39300	PIPE ASSY, OIL	1							
21	1	129578-39350	PIPE ASSY, OIL		1						
21-1	1	129176-39300	PIPE ASSY, OIL		1						N
(B=E/# 20220)											
25	1	124160-39450	SWITCH, 0.5KG	1	1						
26	1	23414-080000	GASKET, 8X1.0	2	2						
27	1	23414-100000	GASKET, 10X1.0	2	2						
28	1	23414-200000	GASKET, 20X1.0	8	8						
29	1	23857-150000	BOLT, JOINT 15	3	3						
30	1	124160-39140	BOLT, PIPE JOINT M10	1	1						
31	1	129550-39450	PIPE ASSY, OIL	1	1						
35	1	124550-59820	BOLT, PIPE JOINT M8	1	1						
36	1	23414-100000	GASKET, 10X1.0	2	2						
37	1	43400-500410	SEAL WASHER 8S	2	2						
38	1	128270-13620	JOINT, PIPE PT3/8	1	1						
39	1	129403-39610	JOINT, RUBBER	1	1						
40	1	129577-39610	PIPE, OIL	1	1						
40-1	1	129577-39611	PIPE, OIL	1	1						N
(A=E/# 10157) (B=E/# 20189)											
41	1	23000-022000	CLAMP, 22	2	2						
42	1	24314-000160	O-RING, 4CP16.0	1	1						

Fig.15. COOLING SEA WATER PUMP

Fig. **15** COOLING SEA WATER PUMP



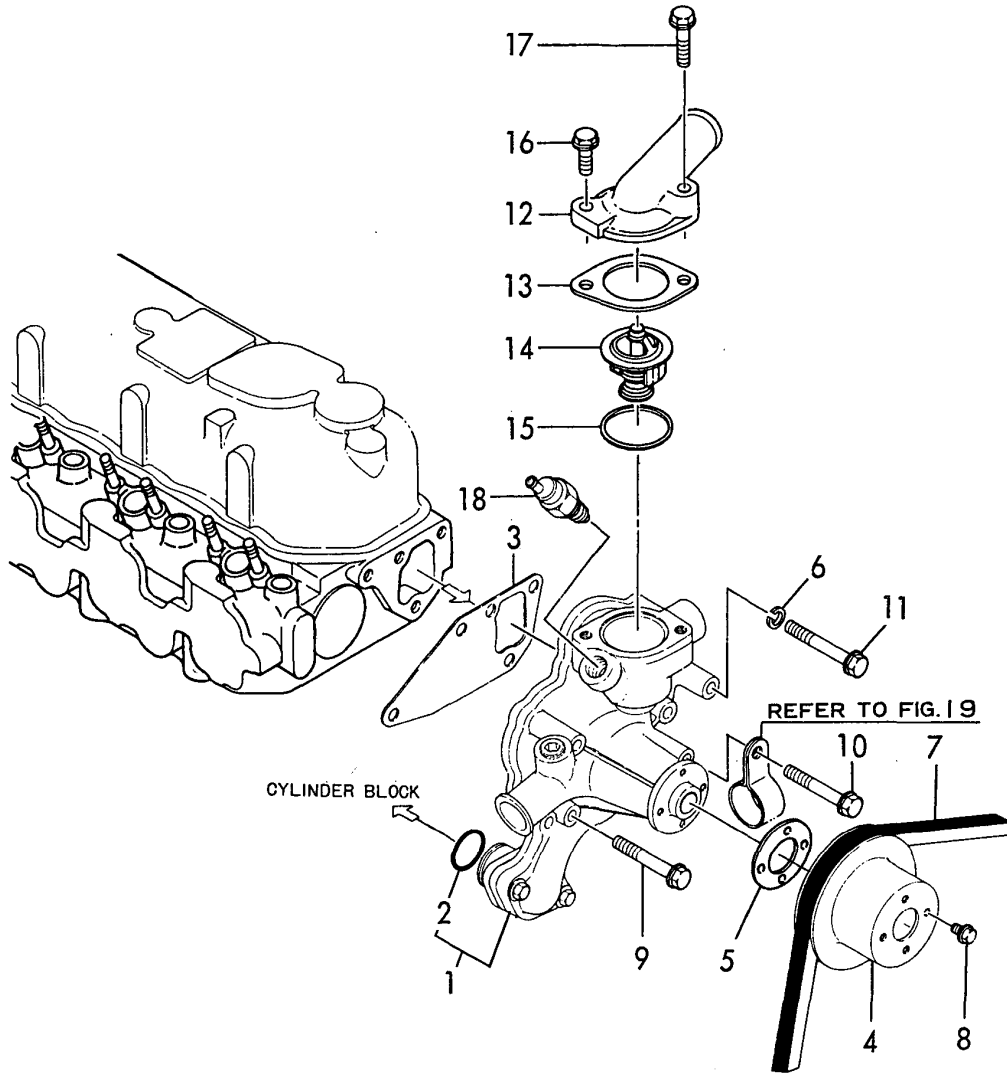
(A)=4JH2LTE-K  
(B)=4JH2LHTE-K  
(C)=

(D)=  
(E)=  
(F)=

No.	Lev.	Parts No.	Description	Q'ty						I	R
				(A)	(B)	(C)	(D)	(E)	(F)		
1	1	104407-21600	V-PULLEY	1	1						
2	1	129579-42150	BRACKET, PUMP	1	1						
3	1	129579-42500	PUMP ASSY, WATER	1	1						
5	2	121575-42020	SHAFT	1	1						
6	2	124223-42040	KEY	1	1						
7	2	124223-42070	PIECE	1	1						
8	2	124223-42080	SEAL, TC13X28X7	1	1						
9	2	124223-42091	IMPELLER	1	1						
10	2	124223-42110	GASKET, WATER PUMP	1	1						
11	2	121575-42120	COVER, BEARING	1	1						
12	2	121575-42150	COVER	1	1						
13	2	129579-42160	PLATE	1	1						
14	2	129579-42190	COVER	1	1						
15	2	124070-42400	V-PULLEY	1	1						
16	2	124070-42420	WASHER	2	2						
17	2	22242-000150	RING, 15	1	1						
18	2	22252-000350	RING, 35	1	1						
19	2	24107-062024	BEARING, BALL 6202ZZ	2	2						
20	2	26014-080162	BOLT, M8X 16	2	2						
21	2	26113-040088	BOLT, M4X 8	6	6						
22	2	26347-080002	NUT, M8	1	1						
23	1	104214-42780	V-BELT, HM30	1	1						
24	1	26106-060082	BOLT, M6X 8 PLATED	3	3						
25	1	171375-44300	PULLEY ASSY, TENSION	1	1						
26	2	171011-44301	PULLEY, TENSION	1	1						
27	2	171375-44320	BRACKET, PULLEY	1	1						
28	2	26706-100002	NUT, M10	1	1						
29	1	129410-77330	ADJUSTER	1	1						
30	1	26014-080252	BOLT, M8X 25	1	1						
31	1	26106-080182	BOLT, M8X 18 PLATED	1	1						
32	1	26106-100352	BOLT, M10X 35 PLATED	1	1						

Fig.16. COOLING FRESH WATER PUMP

Fig. **16** COOLING FRESH WATER PUMP



(A)=4JH2LTE-K  
(B)=4JH2LHTE-K  
(C)=

(D)=  
(E)=  
(F)=

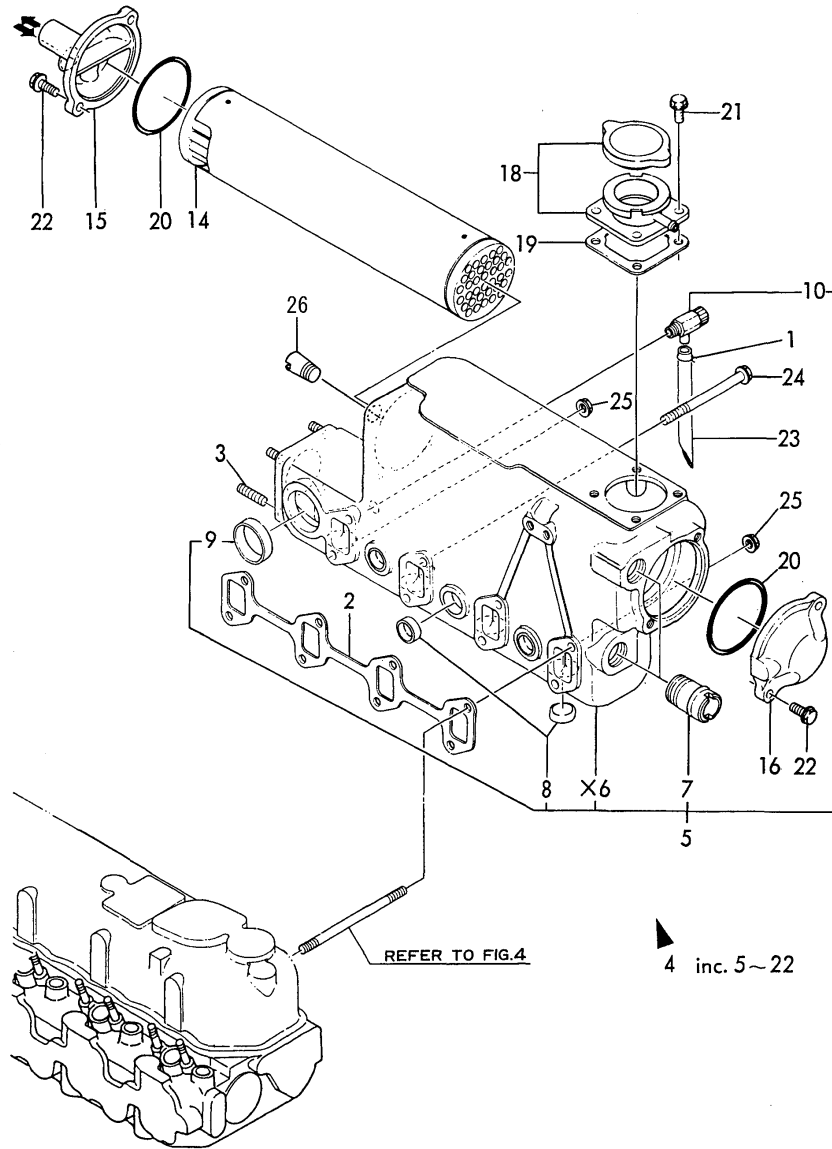
No.	Lev.	Parts No.	Description	Q'ty						I	R
				(A)	(B)	(C)	(D)	(E)	(F)		
1	1	129470-42001	PUMP ASSY, WATER	1	1						
2	2	129150-42320	O-RING	1	1						
3	1	129150-42020	GASKET, WATER PUMP	1	1						A
4	1	129550-42350	V-PULLEY, D=120	1	1						
5	1	129156-44760	WASHER	1	1						
6	1	22217-080000	WASHER, SPRING 8	1	1						
7	1	25132-004500	V-BELT, A45	1	1						
8	1	26106-060102	BOLT, M6X 10 PLATED	4	4						
9	1	26106-080552	BOLT, M8X 55 PLATED	2	2						
10	1	26106-080552	BOLT, M8X 55 PLATED	1	1						
11	1	26106-080652	BOLT, M8X 65 PLATED	1	1						
12	1	129470-49540	COVER, THERMOSTAT	1	1						
13	1	129470-49550	GASKET	1	1						
13-1	1	129795-49551	GASKET	1	1						N
(A=E/# 10290) (B=E/# 20343)											
14	1	129470-49801	THERMOSTAT, 76.5	1	1						
15	1	129470-49810	GASKET, THERMOSTAT	1	1						
16	1	26106-080252	BOLT, M8X 25 PLATED	1	1						
17	1	26106-080352	BOLT, M8X 35 PLATED	1	1						
18	1	127610-91350	SWITCH, 95	1	1						

Remarks

(A) THIS PART IS ALSO SOLD BY GASKET SET (FIG.25.REF.NO.1, P/# 729577-92600).

Fig.17. COOLING FRESH WATER COOLER

Fig. 17 COOLING FRESH WATER COOLER



(A)=4JH2LTE-K  
(B)=4JH2LHTE-K  
(C)=

(D)=  
(E)=  
(F)=

No.	Lev.	Parts No.	Description	Q'ty						I	R
				(A)	(B)	(C)	(D)	(E)	(F)		
1	1	124000-03300	CLIP, HOSE 13	1	1						
2	1	129550-13110	GASKET	1	1						A
3	1	128170-13600	STUD, M8X31	4	4						
4	1	129577-44900	COOLER ASSY, WATER	1	1						
5	2	171487-44000	CORE ASSY, COOLER	1	1						
7	3	124160-49480	JOINT, PIPE	2	2						
8	3	27241-280000	PLUG, 28	7	7						
9	3	27241-400000	PLUG, 40	1	1						
10	3	43600-500310	COCK	1	1						
14	2	129473-44111	CORE ASSY, COOLER	1	1						
15	2	129470-44440	COVER, A	1	1						
16	2	129470-44450	COVER, B	1	1						
18	2	129171-44600	FILLER ASSY	1	1						
19	2	120445-44640	GASKET	1	1						
20	2	24321-000750	O-RING, 1AG75.0	2	2						
21	2	26106-080162	BOLT, M8X 16 PLATED	4	4						
22	2	26106-080252	BOLT, M8X 25 PLATED	4	4						
23	1	23061-120300	PIPE, 12X 300	1	1						
24	1	26106-081002	BOLT, M8X100 PLATED	6	6						
25	1	26366-080002	NUT, M8	2	2						
26	1	104407-44480	JOINT	1	1						

Remarks

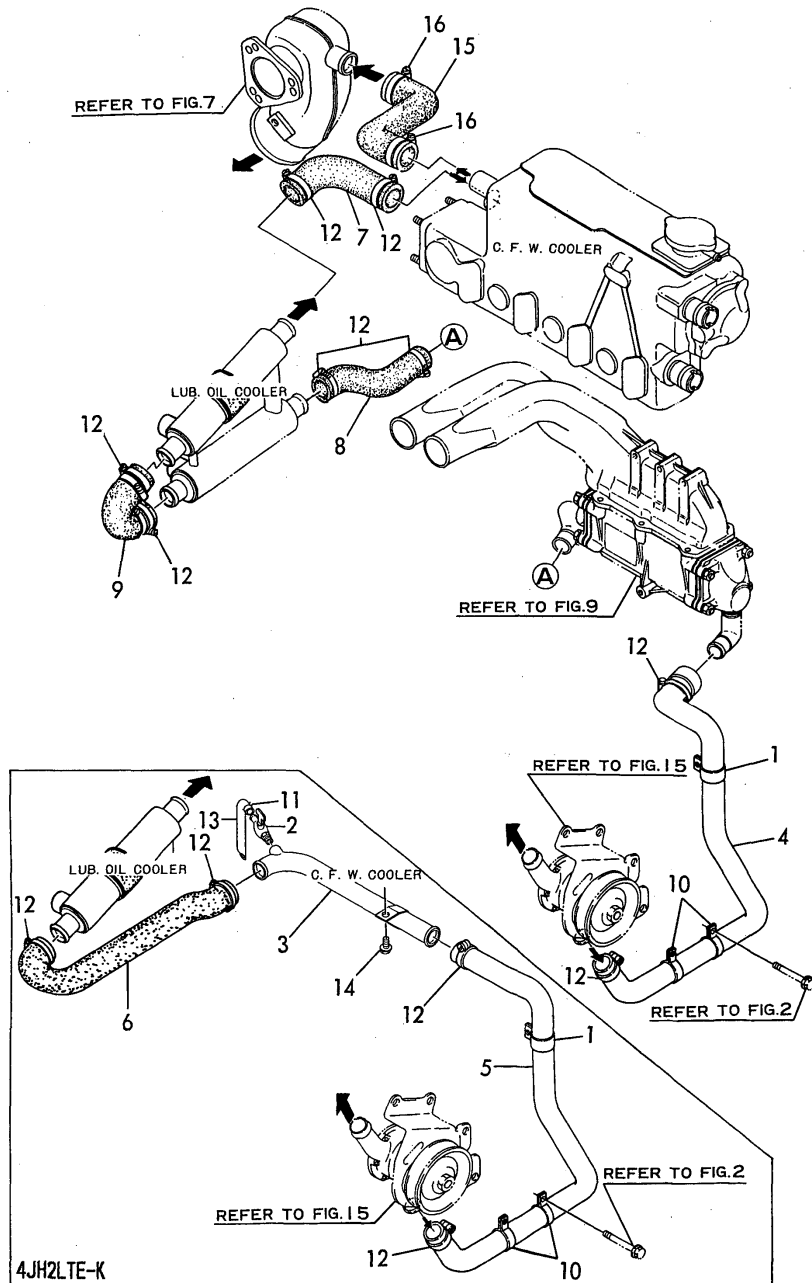
(A) THIS PART IS ALSO SOLD BY GASKET SET (FIG.25.REF.NO.1, P/# 729577-92600).

Fig.18. COOLING SEA WATER PIPE

(A)=4JH2LTE-K  
(B)=4JH2LHTE-K  
(C)=

(D)=  
(E)=  
(F)=

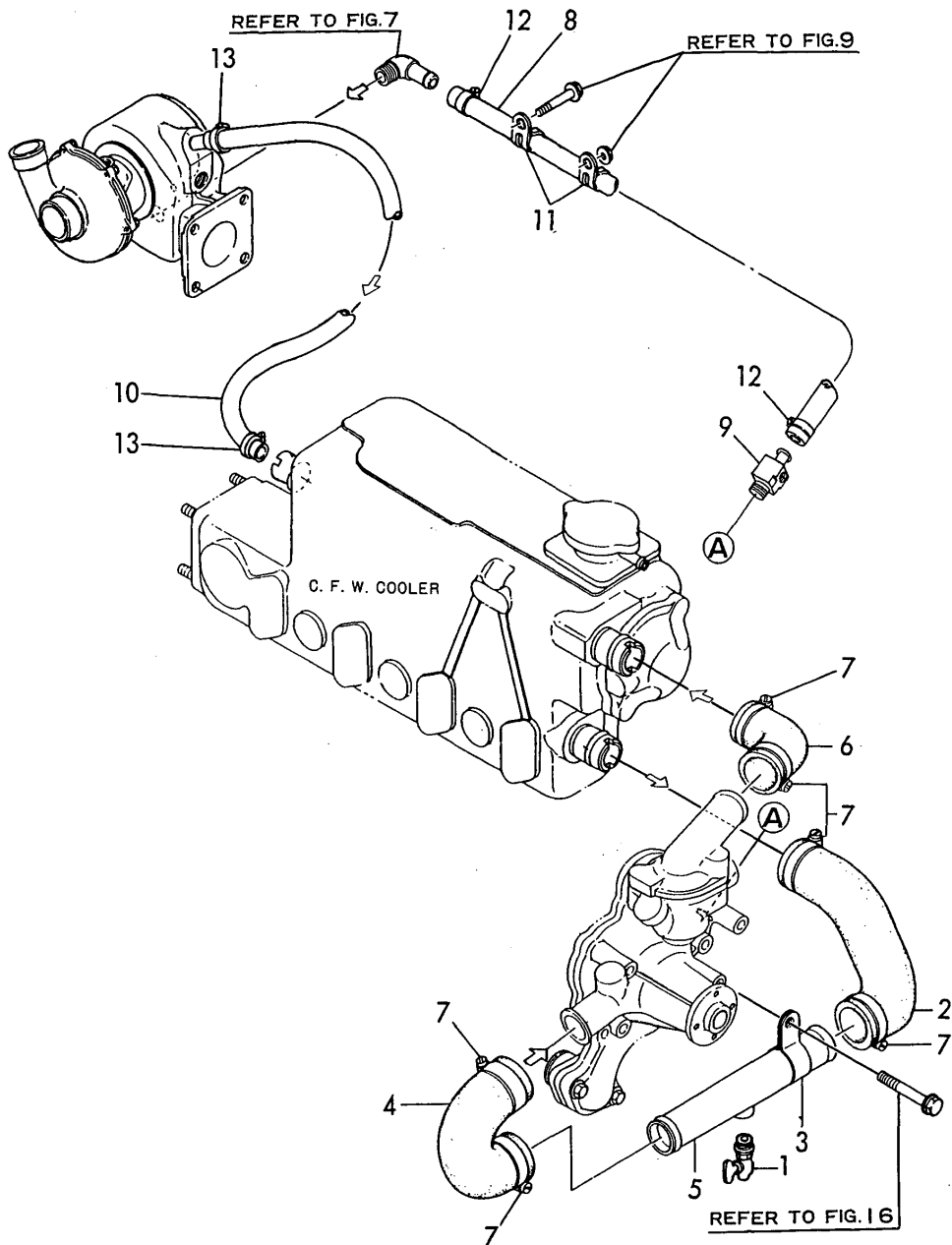
Fig. 18 COOLING SEA WATER LINE



No.	Lev.	Parts No.	Description	Q'ty						I	R
				(A)	(B)	(C)	(D)	(E)	(F)		
1	1	127610-03270	RETAINER	1	1						
2	1	128695-44090	COCK	1							
3	1	129470-49010	PIPE, WATER	1							
4	1	129579-49010	PIPE, WATER		1						
5	1	171487-49010	PIPE, WATER	1							
6	1	129176-49020	PIPE, WATER	1							
7	1	129470-49030	PIPE, C. SEA WATER	1	1						
8	1	129479-49110	PIPE, WATER		1						
9	1	129470-49240	JOINT, RUBBER 28		1						
10	1	129579-49460	RETAINER, D32	2	2						
11	1	124722-59050	CLIP, HOSE 9	1							
11-1	1	124460-77680	RETAINER	1							N
(A=E/# 10157)											
12	1	23000-035000	CLAMP, 35	6	8						
13	1	23061-070300	PIPE, 7X 300	1							
14	1	26106-080162	BOLT, M8X 16 PLATED	1							
15	1	129472-49040	PIPE, WATER	1	1						
16	1	23000-035000	CLAMP, 35	2	2						

Fig.19. COOLING FRESH WATER PIPE

Fig. 19 COOLING FRESH WATER LINE



(A)=4JH2LTE-K  
(B)=4JH2LHTE-K  
(C)=

(D)=  
(E)=  
(F)=

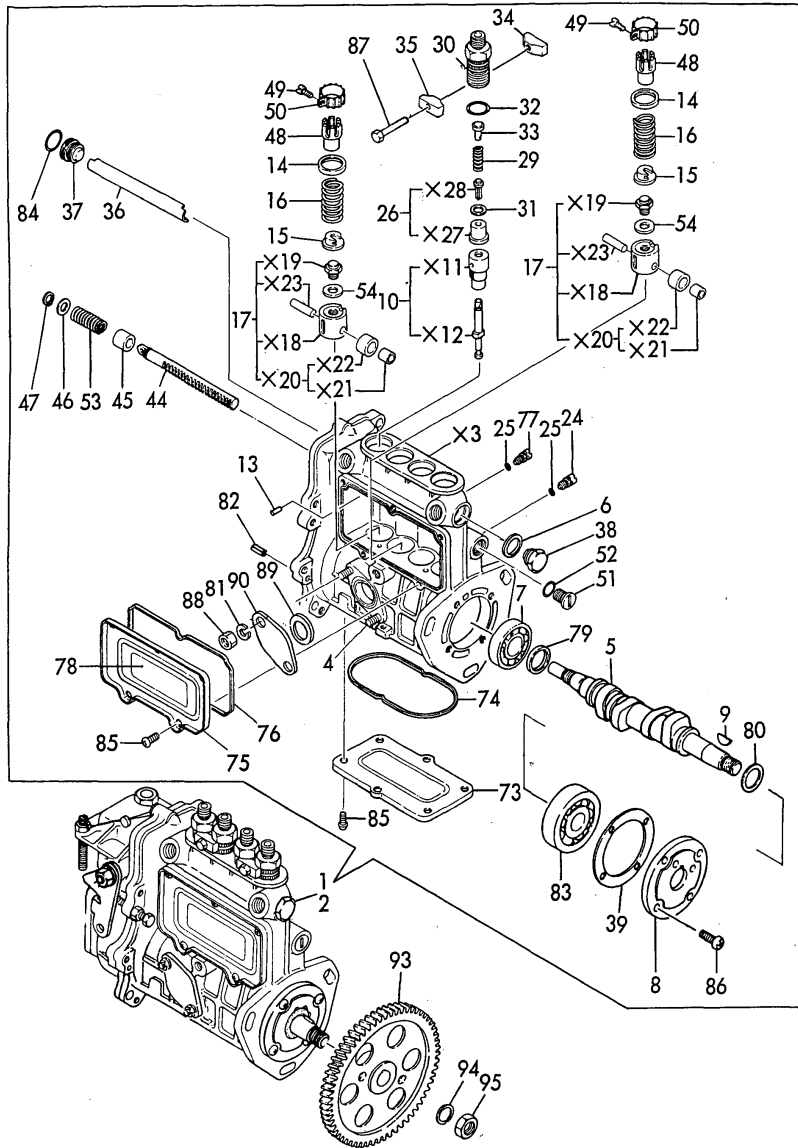
No.	Lev.	Parts No.	Description	Q'ty						I	R
				(A)	(B)	(C)	(D)	(E)	(F)		
1	1	128695-44090	COCK	1	1						
2	1	129470-49200	JOINT, RUBBER	1	1						
3	1	129470-49220	RETAINER	1	1						
4	1	129470-49240	JOINT, RUBBER 28	1	1						
5	1	129470-49250	PIPE, WATER	1	1						
6	1	129470-49260	JOINT, RUBBER	1	1						
7	1	23000-041000	CLAMP, 41	6	6						
8	1	127420-44560	PIPE, OVERFLOW L=740	1	1						
9	1	129473-49310	JOINT, PT3/8-8	1	1						
10	1	129579-49320	HOSE, RUBBER	1	1						
11	1	194440-51620	CLAMP	2	2						
12	1	23000-013000	CLAMP, 13	2	2						
13	1	23000-025000	CLAMP, 25	2	2						

Fig.20. FUEL INJECTION PUMP

(A)=4JH2LTE-K  
(B)=4JH2LHTE-K  
(C)=

(D)=  
(E)=  
(F)=

Fig. **20** FUEL INJECTION PUMP



No.	Lev.	Parts No.	Description	Q'ty						I	R
				(A)	(B)	(C)	(D)	(E)	(F)		
1	1	729577-51310	PUMP ASSY, INJECTION	1							1
2	1	729578-51310	PUMP ASSY, INJECTION		1						1
4	2	129155-51020	STUD	2	2						
5	2	129506-51040	CAMSHAFT	1	1						
6	2	43400-500490	SEAL WASHER 16S	1	1						
7	2	129155-51050	BEARING, 17BM001D	1	1						
8	2	129155-51060	SUPPORT, CAMSHAFT	1	1						
9	2	122710-51090	KEY	1	1						
10	2	129470-51101	PLUNGER ASSY	4	4						
13	2	129155-51140	PIN	4	4						
14	2	174307-51170	RETAINER, SPRING A	4	4						
15	2	129155-51180	RETAINER, SPRING	4	4						
16	2	124950-51190	SPRING, PLUNGER	4	4						
17	2	129155-51200	TAPPET ASSY	4	4						
24	2	129155-51270	STOPPER, TAPPET	4	4						
25	2	129155-51280	O-RING, S6	4	4						
26	2	129573-51300	VALVE ASSY, DELIVERY	4	4						
29	2	129573-51330	SPRING, DELIVERY	4	4						
30	2	129573-51340	RETAINER	4	4						
31	2	124550-51350	GASKET, DELIVERY	4	4						
32	2	124550-51370	O-RING	4	4						
33	2	129573-51370	STOPPER, VALVE	4	4						
34	2	129155-51380	STOPPER	2	2						
35	2	129155-51390	STOPPER	2	2						
36	2	129555-51400	DEFLECTOR	1	1						
37	2	129155-51410	BOLT	1	1						
38	2	129155-51420	PLUG, M16	1	1						
39	2	129155-51450	SHIM SET, ADJUSTING	1	1						
44	2	129555-51500	RACK, CONTROL	1	1						
45	2	129155-51521	BUSH, RACK	1	1						
46	2	129155-51530	SPACER	1	1						
47	2	129155-51540	CIRCLIP	1	1						
48	2	129155-51550	PINION, CONTROL	4	4						
49	2	122117-51560	SCREW	4	4						
50	2	174307-51560	PINION	4	4						
51	2	129155-51570	PLUG, M12	1	1						
52	2	129155-51580	O-RING	1	1						
53	2	129155-51591	SPRING, RACK	1	1						
54	2	129155-51600	SHIM SET, ADJUSTING	4	4						
73	2	129555-51700	COVER	1	1						
74	2	129555-51710	GASKET	1	1						
75	2	129555-51750	COVER	1	1						
76	2	129555-51760	GASKET	1	1						
77	2	129155-51790	STOOPER, RACK	1	1						
78	2	129156-51910	LABEL, CAUTION	1	1						
79	2	129155-51930	SPACER, T=3.25	1	1						
80	2	129155-51940	SPACER, T=1.5	1	1						
81	2	22217-060000	WASHER, SPRING 6	2	2						
82	2	22351-050010	PIN, SPRING 5.0X10	2	2						
83	2	24101-063034	BEARING, BALL 6303	1	1						
84	2	24341-000160	O-RING, 1AS16.0	1	1						

Remarks  
(1) GOVERNOR ASSY (FIG.23) IS  
INCORPORATED IN THIS FUEL  
INJECTION PUMP ASSY (REF NO.1,2).

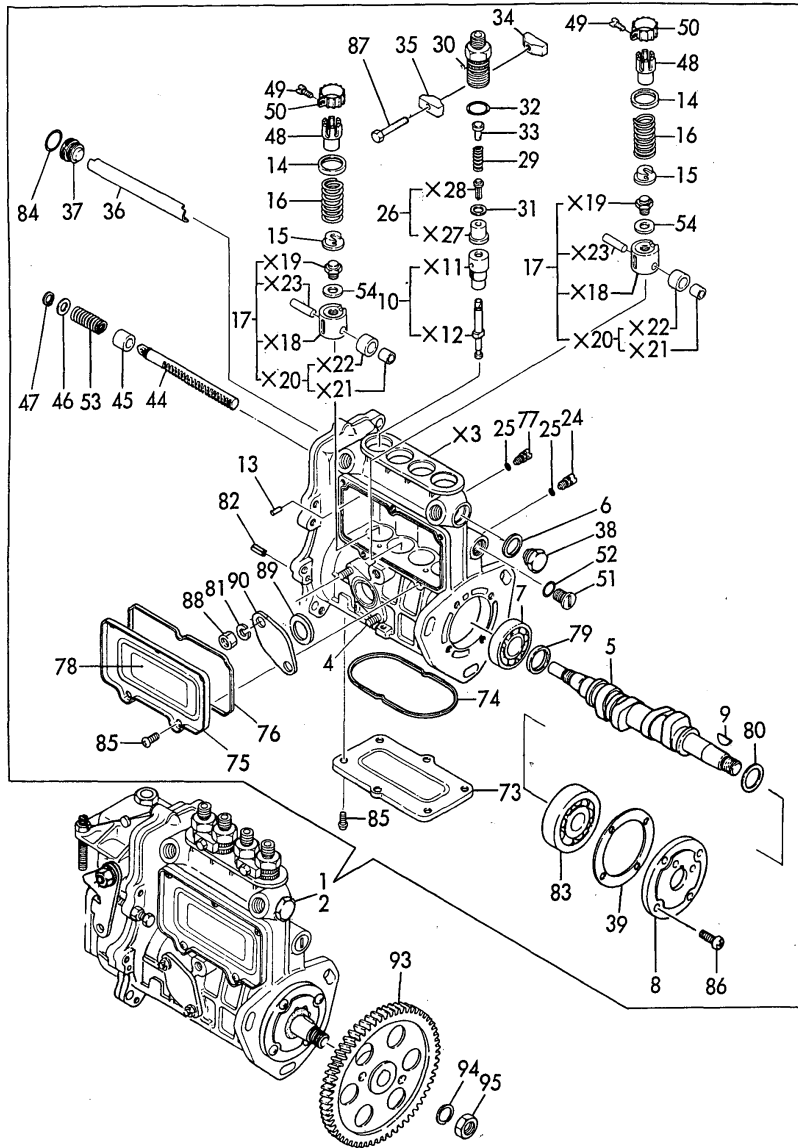


Fig.20. FUEL INJECTION PUMP

(A)=4JH2LTE-K  
(B)=4JH2LHTE-K  
(C)=

(D)=  
(E)=  
(F)=

Fig. **20** FUEL INJECTION PUMP



No.	Lev.	Parts No.	Description	Q'ty						I	R
				(A)	(B)	(C)	(D)	(E)	(F)		
85	2	26022-050102	SCREW, M5X10	11	11						
86	2	26022-060162	SCREW, M6X16	4	4						
87	2	26116-050302	BOLT, M5X 30 PLATED	2	2						
88	2	26716-060002	NUT, M6	2	2						
89	2	129155-52050	GASKET	1	1						
90	2	129100-52200	COVER	1	1						
93	1	129573-25900	GEAR, PUMP	1	1						
94	1	22217-120000	WASHER, SPRING 12	1	1						
95	1	26716-120002	NUT, M12	1	1						

Remarks

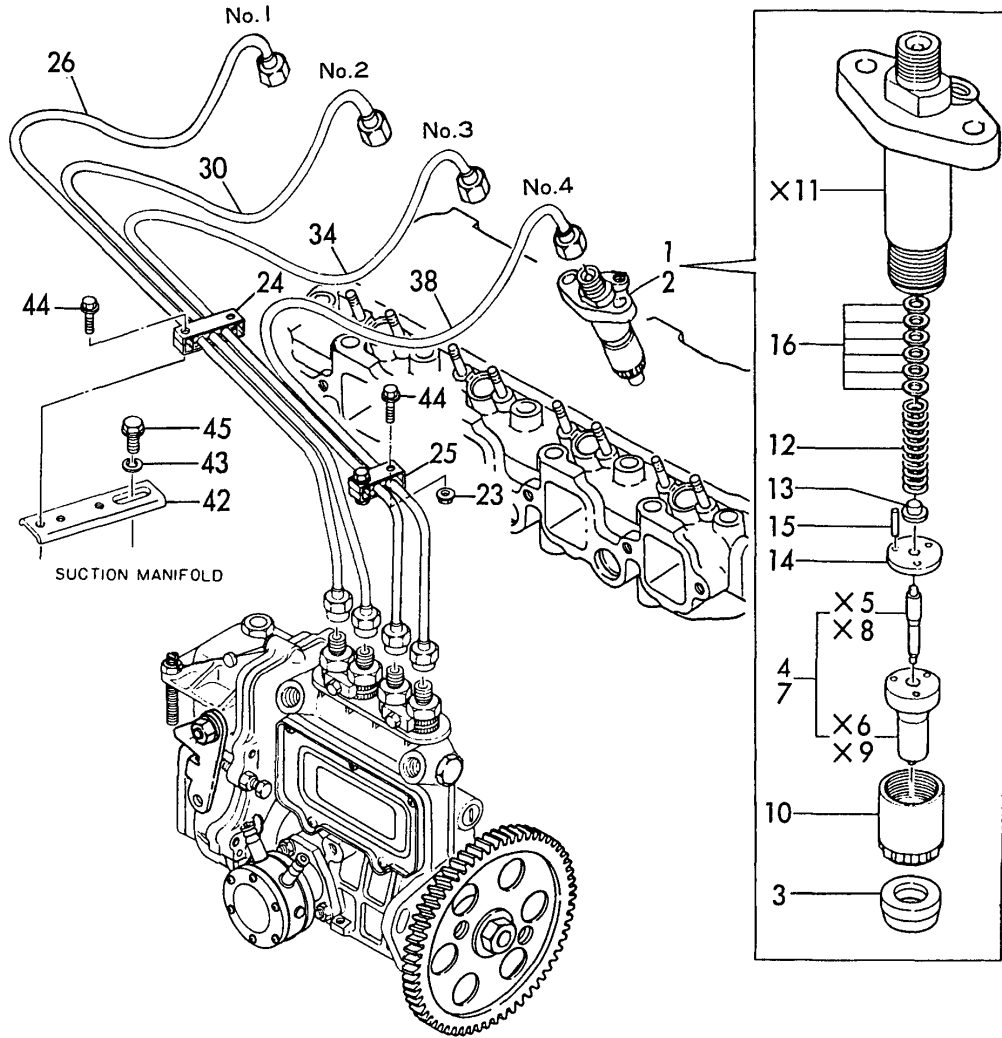
(1) GOVERNOR ASSY (FIG.23) IS INCORPORATED IN THIS FUEL INJECTION PUMP ASSY (REF NO.1,2).

Fig.21. FUEL INJECTION PIPE & FUEL INJECTION VALVE

(A)=4JH2LTE-K  
(B)=4JH2LHTE-K  
(C)=

(D)=  
(E)=  
(F)=

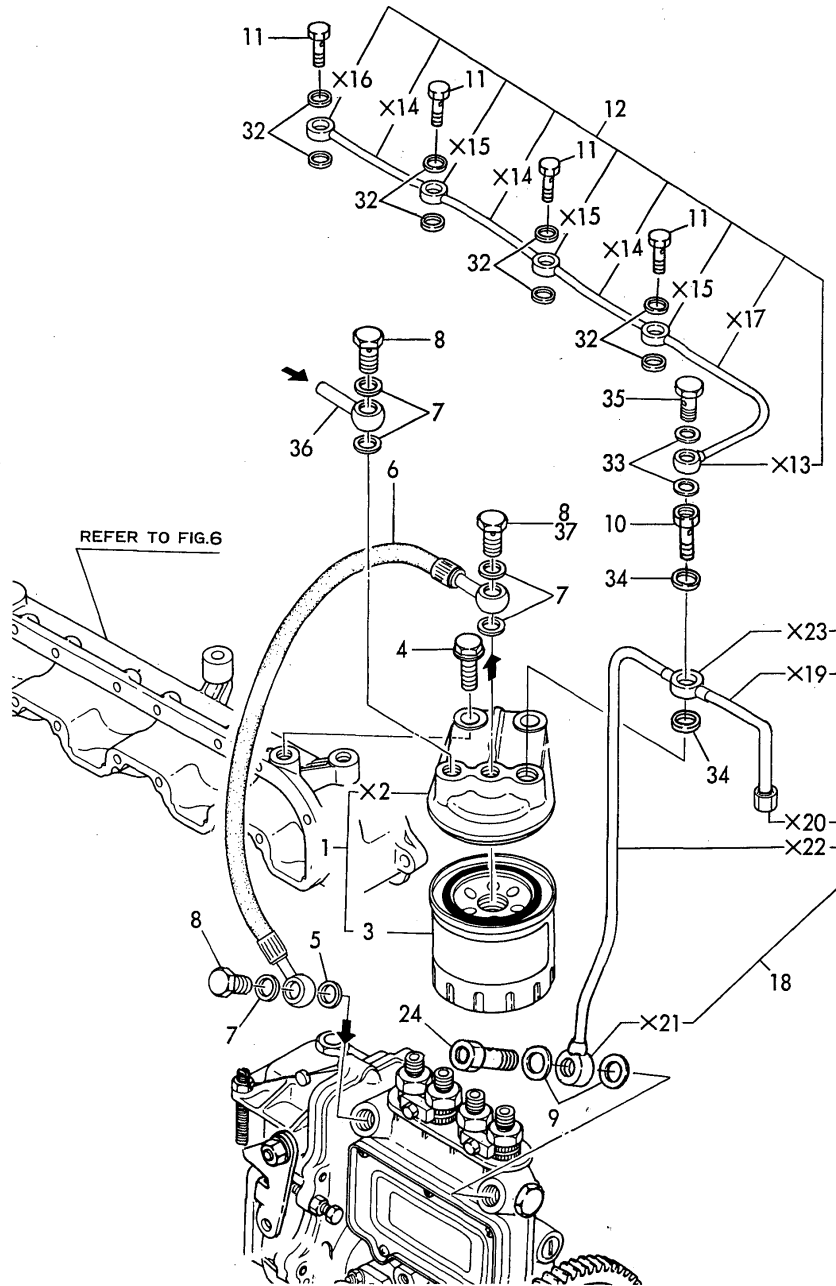
**Fig.21 FUEL INJECTION LINE & INJECTION VALVE**



No.	Lev.	Parts No.	Description	Q'ty						I	R
				(A)	(B)	(C)	(D)	(E)	(F)		
1	1	729577-53300	VALVE ASSY,INJECTION	1							
2	1	729578-53300	VALVE ASSY,INJECTION		1						
3	2	129470-11920	GASKET	4	4						
4	2	119807-53000	VALVE ASSY,INJECTION	4							
7	2	129578-53000	VALVE ASSY,INJECTION		4						
10	2	114250-53080	NUT, NOZZLE D16.95	4	4						
12	2	114250-53120	SPRING, NOZZLE	4	4						
13	2	114250-53130	SEAT, SPRING	4	4						
14	2	114250-53140	PLATE	4	4						
15	2	114250-53210	PIN	8	8						
16	2	114250-53400	SHIM SET	4	4						
23	1	26366-060002	NUT, M6	2	2						
24	1	122780-59100	RETAINER	2	2						
25	1	123372-59100	RETAINER, PIPE	2	2						
26	1	129491-59810	PIPE ASSY, INJECTION	1	1						
30	1	129491-59820	PIPE ASSY, INJECTION	1	1						
34	1	129491-59830	PIPE ASSY, INJECTION	1	1						
38	1	129491-59840	PIPE ASSY, INJECTION	1	1						
42	1	121870-59930	STAY	1	1						
43	1	22217-080000	WASHER, SPRING 8	1	1						
44	1	26106-060202	BOLT, M6X 20 PLATED	4	4						
45	1	26106-080202	BOLT, M8X 20 PLATED	1	1						

Fig.22. FUEL PIPE & FUEL STRAINER

Fig.22 FUEL LINE & FUEL STRAINER



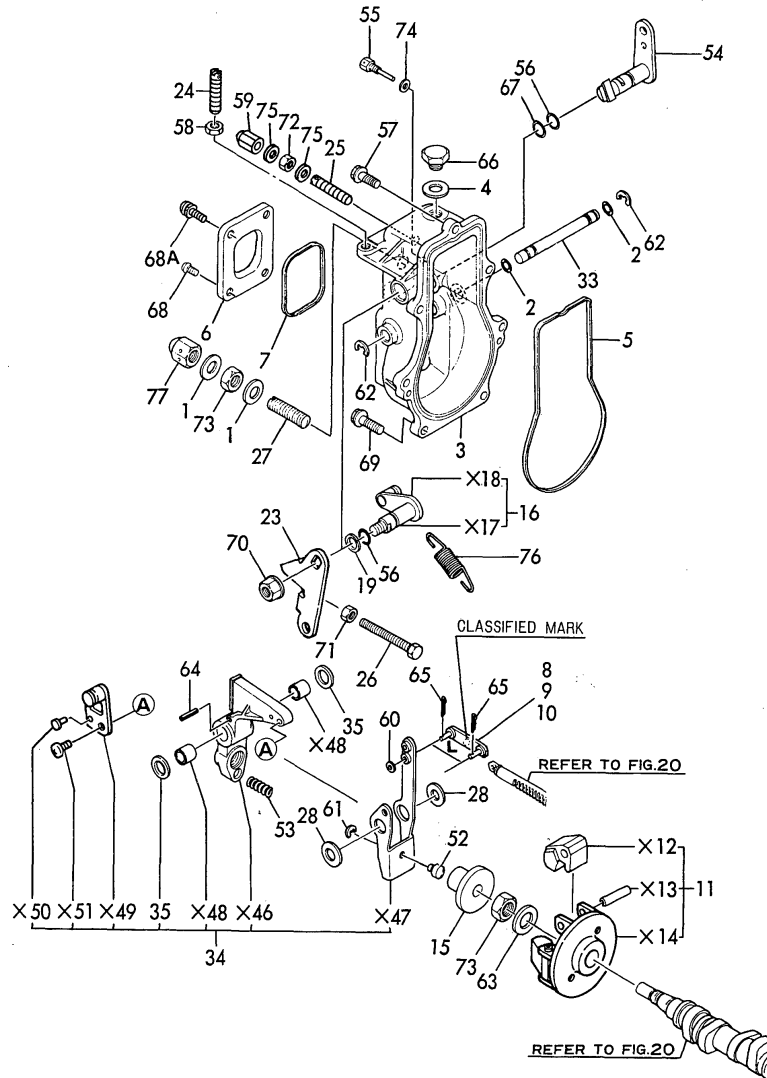
(A)=4JH2LTE-K  
(B)=4JH2LHTE-K  
(C)=

(D)=  
(E)=  
(F)=

No.	Lev.	Parts No.	Description	Q'ty						I	R
				(A)	(B)	(C)	(D)	(E)	(F)		
1	1	129470-55601	FILTER ASSY, FUEL	1	1						
3	2	129470-55701	STRAINER ASSY, FUEL	1	1						
4	1	26106-100302	BOLT, M10X 30 PLATED	2	2						
5	1	104200-59170	GASKET, 12	1	1						
6	1	129176-59210	PIPE ASSY, FUEL	1	1						
7	1	23414-120000	GASKET, 12X1.0	5	5						
8	1	23857-060000	BOLT, JOINT 6	3	3						
8-1	1	23857-060000	BOLT, JOINT 6	2	2						K
		(A=E/# 10108) (B=E/# 20108)									
9	1	104200-59170	GASKET, 12	2	2						
10	1	129495-59300	BOLT, PIPE JOINT	1	1						
11	1	129491-59540	BOLT, PIPE JOINT M6	4	4						
12	1	129577-59550	PIPE ASSY, RETURN	1	1						
18	1	129577-59600	PIPE ASSY, RETURN	1	1						
24	1	129100-59951	VALVE ASSY, CHECK	1	1						
32	1	23414-060000	GASKET, 6X1.0	8	8						
33	1	23414-080000	GASKET, 8X1.0	2	2						
34	1	23414-140000	GASKET, 14X1.0	2	2						
35	1	23851-030000	JOINT BOLT 3	1	1						
36	1	101304-59020	JOINT, PIPE 12	1	1						
37	1	103854-39140	BOLT, PIPE JOINT	1	1						W
		(A=E/# 10108) (B=E/# 20108)									

Fig.23. GOVERNOR

Fig. **23** GOVERNOR



(A)=4JH2LTE-K  
(B)=4JH2LHTE-K  
(C)=

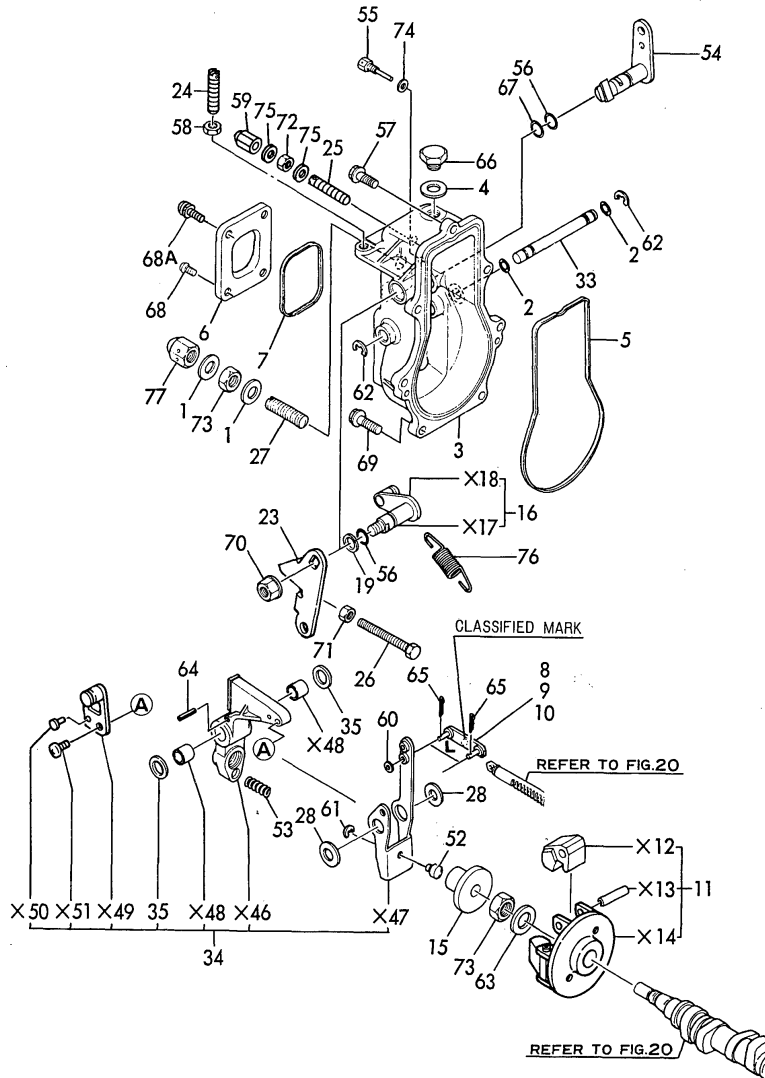
(D)=  
(E)=  
(F)=

No.	Lev.	Parts No.	Description	(A)	(B)	Q'ty						I	R
				(C)	(D)	(E)	(F)	(G)	(H)	(I)	(J)	(K)	(L)
1	2	43400-500450	SEAL WASHER 12S	2	2								
2	2	129155-51280	O-RING, S6	2	2								
3	2	171487-61010	CASE, GOVERNOR	1	1								
3-1	2	171487-61011	CASE, GOVERNOR	1	1							F	2
				(A=E/# 10135)	(B=E/# 20149)								
4	2	43400-500430	SEAL WASHER 10S	1	1								
5	2	129155-61050	GASKET	1	1								
6	2	129155-61060	COVER, GOVERNOR CASE	1	1								
7	2	129155-61070	GASKET	1	1								
8	2	129155-61120	LINK, L=30 MARK 0	1	1								1
9	2	129155-61130	LINK, L=31 MARK 1	1	1								1
10	2	129155-61140	LINK, L=30.5 MARK 05	1	1								1
11	2	171488-61200	WEIGHT ASSY, GOVERNOR	1	1								
15	2	129155-61341	SLEEVE	1	1								
16	2	129100-61400	SHAFT ASSY	1	1								
19	2	129155-61430	SPACER	1	1								
23	2	171488-61440	LEVER, CONTROL	1	1								
24	2	129155-61450	BOLT, LIMITER	1	1								
25	2	129155-61450	BOLT, LIMITER	1	1								
26	2	129155-61460	BOLT, IDLE	1	1								
27	2	129155-61470	BOLT, CONTROL	1	1								
28	2	129155-61480	SPACER ASSY	2	2								
33	2	129155-61490	SHAFT	1	1								
34	2	129100-61500	LEVER ASSY, GOVERNOR	1	1								
34-1	2	129100-61501	LEVER ASSY, GOVERNOR	1	1							F	2
				(A=E/# 10135)	(B=E/# 20149)								
35	3	174307-51700	SHIM SET	2	2								
52	2	129155-61540	SHIFTER	1	1								
53	2	129100-61650	SPRING, CONTROLLER	1	1								
54	2	171488-61802	LEVER, STOP	1	1								
55	2	129155-61810	PIN	1	1								
56	2	129155-61830	O-RING, S10	1	1								
57	2	129155-61950	BOLT	1	1								
58	2	124550-66370	NUT, M6	1	1								
59	2	119600-66840	NUT, CAP	1	1								
60	2	22117-040000	WASHER, 4	1	1								
61	2	22272-000040	RING, E- 4	1	1								
62	2	22272-000060	RING, E- 6	2	2								
63	2	22287-120000	WASHER, 12	1	1								
64	2	22351-030016	PIN, SPRING 3.0X16	1	1								
65	2	22372-040000	PIN, SNAP 4	2	2								
66	2	23887-100002	PLUG, 10	1	1								
67	2	24311-240100	O-RING, 1AP10A	1	1								
68	2	26022-050102	SCREW, M5X10	4	4								
68-1	2	26022-050102	SCREW, M5X10	2	2								K
				(A=E/# 10135)	(B=E/# 20149)								
68A	2	26023-050102	SCREW, M5X10	2	2								W
				(A=E/# 10135)	(B=E/# 20149)								
69	2	26106-060202	BOLT, M6X 20 PLATED	6	6								
70	2	26366-080002	NUT, M8	1	1								
71	2	26756-060002	NUT, LOCK M6	1	1								

Remarks  
(1) SELECTIVE PARTS:  
CERTAIN THE CLASSIFICATION MARK.  
THEN PLACE YOUR ORDER.  
(REFER TO ILLUSTRATION)  
(2) INTERCHANGEABLE BY SIMULTANEOUS  
REPLACEMENT WITH NO.3-1 AND 34-1.

Fig.23. GOVERNOR

Fig. **23** GOVERNOR



(A)=4JH2LTE-K  
(B)=4JH2LHTE-K  
(C)=

(D)=  
(E)=  
(F)=

No.	Lev.	Parts No.	Description	Q'ty						I	R
				(A)	(B)	(C)	(D)	(E)	(F)		
72	2	26756-060002	NUT, LOCK M6	1	1						
73	2	26776-120002	NUT, LOCK M12	2	2						
74	2	43400-500390	SEAL WASHER 6S	1	1						
75	2	43400-500400	SEAL WASHER 6	2	2						
76	1	129477-61720	SPRING, GOVERNOR	1	1						
77	1	129100-61930	NUT, CAP	1	1						

Remarks

(1) SELECTIVE PARTS:  
CERTAIN THE CLASSIFICATION MARK.  
THEN PLACE YOUR ORDER.  
(REFER TO ILLUSTRATION)

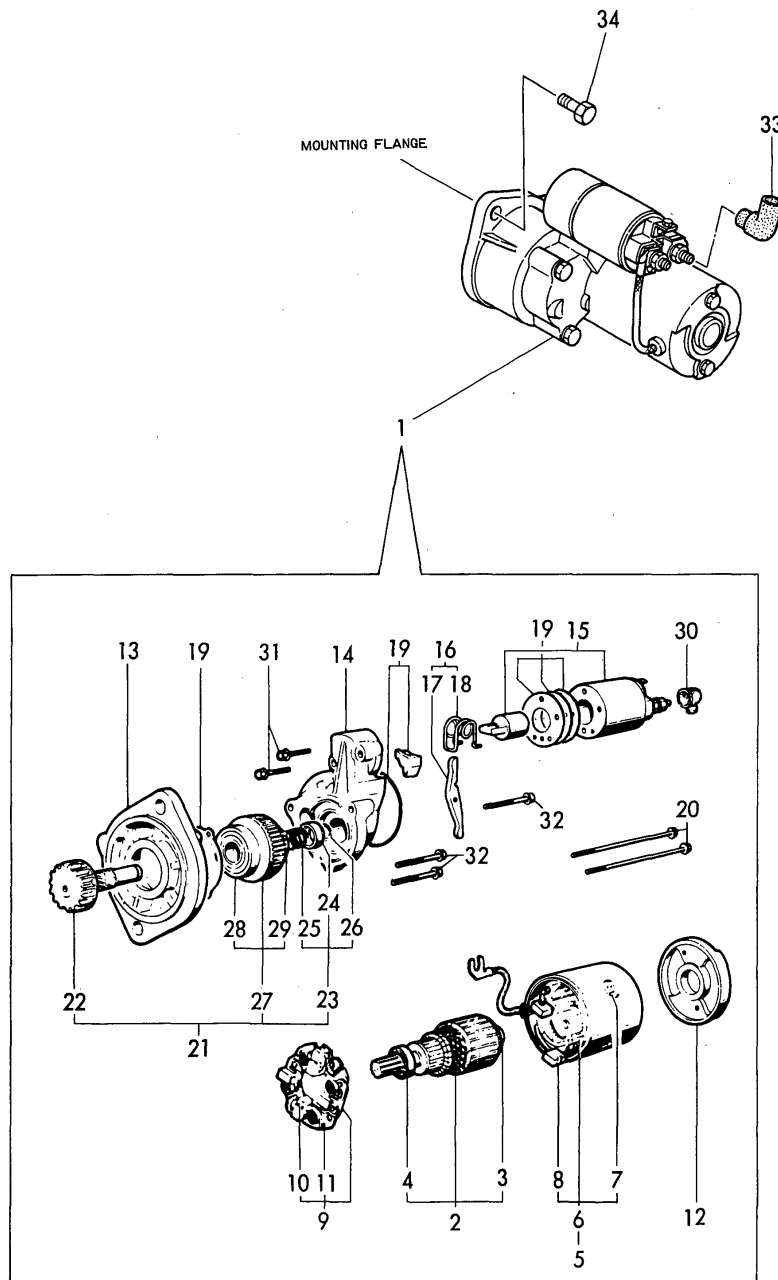
(2) INTERCHANGEABLE BY SIMULTANEOUS  
REPLACEMENT WITH NO.3-1 AND 34-1.

Fig.24. STARTING MOTER

(A)=4JH2LTE-K  
(B)=4JH2LHTE-K  
(C)=

(D)=  
(E)=  
(F)=

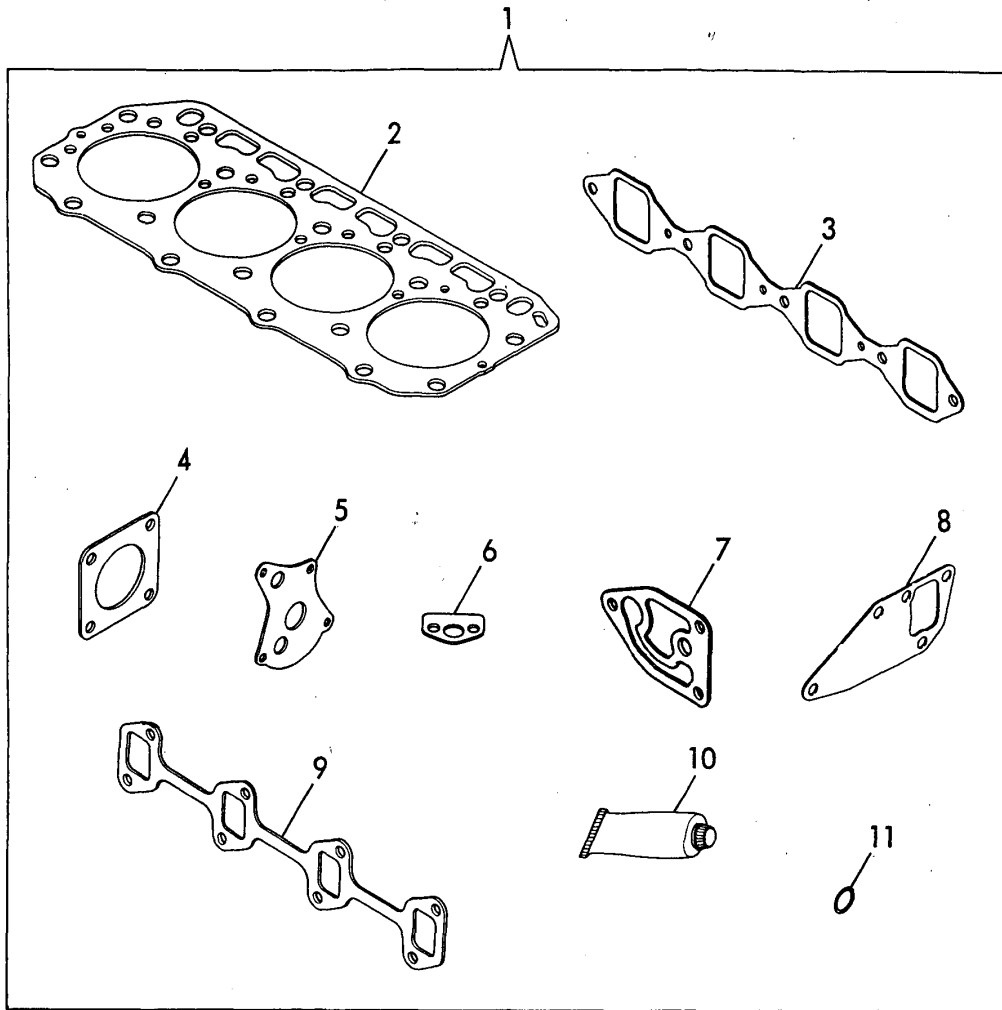
Fig. **24** STARTING MOTOR



No.	Lev.	Parts No.	Description	Q'ty						I	R
				(A)	(B)	(C)	(D)	(E)	(F)		
1	1	171008-77010	STARTER, S114-483	1	1						
2	2	171008-77400	ARMATURE ASSY	1	1						
3	3	171008-77410	BEARING(1)	1	1						
4	3	171008-77420	BEARING(2)	1	1						
5	2	171008-77430	YOKE ASSY	1	1						
6	3	171008-77440	COIL ASSY, FIELD	1	1						
7	4	171008-77450	SCREW	4	4						
8	4	171008-77460	BRUSH (+)	2	2						
9	2	171008-77470	HOLDER ASSY, BRUSH	1	1						
10	3	171008-77480	BRUSH (-)	2	2						
11	3	171008-77490	SPRING, BRUSH	4	4						
12	2	171008-77500	COVER, REAR	1	1						
13	2	171008-77510	HOUSING ASSY, GEAR	1	1						
14	2	171008-77520	HOUSING, CENTER	1	1						
15	2	171008-77530	SWITCH, MAGNETIC	1	1						
16	2	171008-77540	LEVER SET, SHIFT	1	1						
17	3	171008-77550	LEVER, SHIFT	1	1						
18	3	171008-77560	SPRING	1	1						
19	2	171008-77571	DUST COVER,(NON-ASB.	1	1						
20	2	171008-77640	BOLT, THROUGH	2	2						
21	2	171008-77650	PINION ASSY	1	1						
22	3	171008-77660	SHAFT, PINION	1	1						
23	3	171008-77670	STOPPER SET, PINION	1	1						
24	4	171008-77680	STOPPER	1	1						
25	4	171008-77690	SPRING, RETURN	1	1						
26	4	171008-77700	CLIP	1	1						
27	3	171008-77720	CLUTCH ASSY	1	1						
28	4	171008-77730	BALL BEARING (3)	1	1						
29	4	171008-77740	BALL BEARING (4)	1	1						
30	2	171008-77750	COVER, M TERMINAL	1	1						
31	2	26106-060322	BOLT, M6X 32 PLATED	2	2						
32	2	26106-060402	BOLT, M6X 40 PLATED	3	3						
33	1	124550-77030	COVER, TERMINAL	1	1						
34	1	26116-120302	BOLT, M12X 30 PLATED	2	2						

Fig.25. GASKET SET(OPTIONAL)

Fig. **25** GASKET SET (OPTIONAL)



(A)=4JH2LTE-K  
(B)=4JH2LHTE-K  
(C)=

(D)=  
(E)=  
(F)=

No.	Lev.	Parts No.	Description	Q'ty						I	R
				(A)	(B)	(C)	(D)	(E)	(F)		
1	1	729577-92600	GASKET SET	1	1						1
2	2	129573-01351	GASKET, HEAD	1	1						
3	2	129470-12130	GASKET, MANIFOLD	1	1						
4	2	129792-18090	GASKET	1	1						
5	2	129150-32020	GASKET, PUMP	1	1						
6	2	129150-35041	GASKET	1	1						
7	2	129470-35121	GASKET	1	1						
8	2	129150-42020	GASKET, WATER PUMP	1	1						
9	2	129550-13110	GASKET	1	1						
10	2	977770-01212	GASKET, LIQUID	1	1						
11	2	24311-000160	O-RING, 1AP16.0	2	2						

Remarks  
(1) OPTIONAL PART.

## Parts No. Index

Parts No.	Fig. No.	Ref. No.
101304-59020	22	36
103338-11190	4	18
103854-39140	22	37
104200-59170	22	5
		9
104214-42780	15	23
104407-21600	15	1
104407-44480	7	41
	17	26
104511-11370	4	21
105010-39140	14	5
114250-53080	21	10
114250-53120	21	12
114250-53130	21	13
114250-53140	21	14
114250-53210	21	15
114250-53400	21	16
119171-14400	8	2
119600-66840	23	59
119625-11870	4	27
119625-11880	4	28
119625-11900	4	45
119807-53000	21	4
120130-11860	4	46
120130-49350	1	42
	9	19
120445-44640	17	19
121023-01550	2	3
121100-22400	11	15
121111-21501	10	10
121252-39150	14	6
121400-11340	4	19
121450-01560	2	5
121520-34810	1	38
121550-23200	11	20
		26
121575-42020	15	5
121575-42120	15	11
121575-42150	15	12
121850-11860	4	9
121850-21680	10	9
121850-35200	13	15
121850-35520	13	20
121850-35531	13	21
121850-51960	2	25
121870-59930	21	42
122117-51560	20	49
122710-51090	20	9
122780-59100	21	24
123325-49490	9	5

Parts No.	Fig. No.	Ref. No.
123372-59100	21	25
124000-03300	17	1
124070-42400	15	15
124070-42420	15	16
124160-01751	2	6
	4	58
124160-01910	1	5
		8
124160-11360	4	67
124160-39140	14	30
124160-39450	14	25
124160-49480	17	7
124223-35510	13	19
124223-42040	15	6
124223-42070	15	7
124223-42080	15	8
124223-42091	15	9
124223-42110	15	10
124240-01871	2	8
124240-01883	2	9
124460-11340	4	20
124460-77680	9	20
	18	11 -1
124550-21600	10	13
124550-51350	20	31
124550-51370	20	32
124550-59820	14	35
124550-66370	23	58
124550-77030	24	33
124722-59050	18	11
124736-07900	4	54
124770-12540	6	12
124950-51190	20	16
127420-44560	19	8
127610-03270	18	1
127610-91350	16	18
128170-13600	7	5
	17	3
128270-13620	14	38
128695-44090	7	40
	18	2
	19	1
129100-01580	1	15 -1
	3	2 -1
		5
129100-01640	3	6
129100-01790	3	14
129100-11100	4	14
129100-11130	4	16
129100-11650	4	36

Parts No.	Fig. No.	Ref. No.
129100-23910	11	43
129100-25061	8	11
129100-35140	13	14
129100-52200	20	90
129100-59951	22	24
129100-61400	23	16
129100-61500	23	34
129100-61501	23	34 -1
129100-61650	23	53
129100-61930	23	77
129100-77500	6	23
129100-77510	6	24
129150-01200	1	27
129150-01650	3	7
129150-02020	1	16
129150-02450	8	4
129150-02800	1	19
129150-02870	1	31
129150-02930	1	22
129150-02940	1	34
129150-03020	4	59
129150-03070	4	60
129150-03080	4	61
129150-11050	4	4
129150-11230	4	37
129150-11280	4	32
129150-11370	4	21 -1
129150-11750	4	39
129150-11810	4	47
129150-14101	8	6
129150-14200	8	1
129150-21200	10	3
129150-22300	11	13
129150-23600	11	21
		27
129150-23610	11	29
129150-32020	13	2
	25	5
129150-35041	13	4
	25	6
129150-35091	13	5
129150-35150	13	24
129150-35151	13	24 -1
129150-42020	16	3
	25	8
129150-42320	16	2
129155-11260	4	30
129155-11270	4	31
129155-51020	20	4
129155-51050	20	7

Parts No.	Fig. No.	Ref. No.
129155-51060	20	8
129155-51140	20	13
129155-51180	20	15
129155-51200	20	17
129155-51270	20	24
129155-51280	20	25
	23	2
129155-51380	20	34
129155-51390	20	35
129155-51410	20	37
129155-51420	20	38
129155-51450	20	39
129155-51521	20	45
129155-51530	20	46
129155-51540	20	47
129155-51550	20	48
129155-51570	20	51
129155-51580	20	52
129155-51591	20	53
129155-51600	20	54
129155-51790	20	77
129155-51930	20	79
129155-51940	20	80
129155-52050	20	89
129155-61050	23	5
129155-61060	23	6
129155-61070	23	7
129155-61120	23	8
129155-61130	23	9
129155-61140	23	10
129155-61341	23	15
129155-61430	23	19
129155-61450	23	24
		25
129155-61460	23	26
129155-61470	23	27
129155-61480	23	28
129155-61490	23	33
129155-61540	23	52
129155-61810	23	55
129155-61830	23	56
129155-61950	23	57
129156-44760	16	5
129156-51910	20	78
129170-33000	12	1
129171-03090	4	48
129171-44600	17	18
129176-01601	3	1
129176-39150	14	7
129176-39151	14	7 -1



## Parts No. Index

Parts No.	Fig. No.	Ref. No.
129176-39250	14	14
129176-39251	14	14 -1
129176-39300	14	17
		21 -1
129176-49020	18	6
129176-59210	22	6
129198-07350	5	2
129301-03660	4	50
129400-01500	2	1
129400-01520	2	2
129400-01730	3	16
129402-22090	11	7
129403-18720	7	7
129403-18800	7	11
129403-39610	14	39
129410-03990	4	51
129410-77330	15	29
129470-07230	4	53
129470-11090	4	6
129470-11850	4	5
129470-11920	21	3
129470-12100	6	1
129470-12120	6	3
129470-12130	6	5
	25	3
129470-12210	6	6
129470-32000	13	1
129470-33000	12	2
129470-33510	12	5
129470-33550	12	4
129470-35101	13	10
129470-35121	13	23
	25	7
129470-35131	13	11
129470-42001	16	1
129470-44440	17	15
129470-44450	17	16
129470-49010	18	3
129470-49030	18	7
129470-49200	19	2
129470-49220	19	3
129470-49240	18	9
	19	4
129470-49250	19	5
129470-49260	19	6
129470-49540	16	12
129470-49550	16	13
129470-49801	16	14
129470-49810	16	15
129470-51101	20	10

Parts No.	Fig. No.	Ref. No.
129470-55601	22	1
129470-55701	22	3
129470-77590	6	14
	9	28
129472-13520	7	1
129472-39020	14	1
129472-49040	18	15
129473-44111	17	14
129473-49310	19	9
129474-18100	9	1
129474-18140	9	16
129474-18150	9	17
129474-18180	9	11
129474-18220	9	2
129474-18230	9	3
129474-18240	9	4
129474-18241	9	4 -1
129475-03250	4	49
129477-12500	6	9
129477-12530	6	11
129477-12850	6	13
129477-61720	23	76
129479-18130	9	15
129479-49110	18	8
129489-21570	10	11
129491-59540	22	11
129491-59810	21	26
129491-59820	21	30
129491-59830	21	34
129491-59840	21	38
129495-59300	22	10
129496-49050	9	18
129500-11240	4	29
129506-51040	20	5
129550-11290	4	33
129550-11310	4	63
129550-13110	17	2
	25	9
129550-39450	14	31
129550-42350	16	4
129553-39650	1	39
129555-51400	20	36
129555-51500	20	44
129555-51700	20	73
129555-51710	20	74
129555-51750	20	75
129555-51760	20	76
129570-22000	11	1
129570-22500	11	31
129573-01341	1	28

Parts No.	Fig. No.	Ref. No.
129573-01351	1	29
	25	2
129573-01361	1	30
129573-18120	9	14
129573-21001	10	1
129573-22300	11	14
129573-23190	11	44
129573-25060	8	14
129573-25100	8	12
129573-25900	20	93
129573-51300	20	26
129573-51330	20	29
129573-51340	20	30
129573-51370	20	33
129577-11350	4	57
129577-39610	14	40
129577-39611	14	40 -1
129577-44900	17	4
129577-59550	22	12
129577-59600	22	18
129578-33510	12	6
129578-39100	14	2
129578-39200	14	11
129578-39350	14	21
129578-53000	21	7
129579-13551	7	2
129579-18000	7	6
129579-18770	7	8
129579-18780	7	9
129579-18790	7	10
129579-18820	7	14
129579-18830	7	15
129579-21650	10	7
129579-42150	15	2
129579-42160	15	13
129579-42190	15	14
129579-42500	15	3
129579-49010	18	4
129579-49320	19	10
129579-49460	18	10
129792-18090	7	39
	25	4
129795-01780	3	8
129795-01800	2	7
129795-01950	1	14
	2	10
129795-02411	1	25
	8	9
129795-11120	4	15
129795-11180	4	17

Parts No.	Fig. No.	Ref. No.
129795-21661	10	8
129795-49551	16	13 -1
135665-07210	5	1
171007-49400	7	42
171008-77010	24	1
171008-77400	24	2
171008-77410	24	3
171008-77420	24	4
171008-77430	24	5
171008-77440	24	6
171008-77450	24	7
171008-77460	24	8
171008-77470	24	9
171008-77480	24	10
171008-77490	24	11
171008-77500	24	12
171008-77510	24	13
171008-77520	24	14
171008-77530	24	15
171008-77540	24	16
171008-77550	24	17
171008-77560	24	18
171008-77571	24	19
171008-77640	24	20
171008-77650	24	21
171008-77660	24	22
171008-77670	24	23
171008-77680	24	24
171008-77690	24	25
171008-77700	24	26
171008-77720	24	27
171008-77730	24	28
171008-77740	24	29
171008-77750	24	30
171011-44301	15	26
171051-01921	1	6
171301-01640	3	12
171375-44300	15	25
171375-44320	15	27
171420-34800	1	37
171487-44000	17	5
171487-49010	18	5
171487-61010	23	3
171487-61011	23	3 -1
171488-61200	23	11
171488-61440	23	23
171488-61802	23	54
174307-51170	20	14
174307-51560	20	50
174307-51700	23	35

## Parts No. Index

Parts No.	Fig. No.	Ref. No.
194440-51620	19	11
22117-040000	23	60
22217-060000	20	81
22217-080000	9	6
	16	6
	21	43
22217-120000	20	94
22242-000150	15	17
22252-000280	11	16
22252-000350	15	18
22272-000040	23	61
22272-000060	23	62
22287-120000	23	63
22312-080160	10	6
22312-080200	1	15
	3	2
22351-030010	1	40
22351-030016	23	64
22351-050010	20	82
22351-060012	1	26
	4	42
22372-040000	23	65
22512-070140	8	7
	10	4
23000-013000	19	12
23000-022000	14	41
23000-025000	19	13
23000-035000	18	12
		16
23000-041000	19	7
23000-048000	6	15
		16
23000-060000	6	17
	9	21
23000-070000	9	22
23061-070300	9	23
	18	13
23061-120300	17	23
23414-060000	22	32
23414-080000	1	12
	14	26
	22	33
23414-100000	6	21
	14	27
		36
23414-120000	22	7
23414-130000	9	7
23414-140000	22	34
23414-180000	13	22
23414-200000	14	28

Parts No.	Fig. No.	Ref. No.
23851-030000	22	35
23857-030000	1	41
23857-060000	22	8
		8 -1
23857-150000	14	29
23871-010000	1	7
	6	8
	9	13
23871-020000	13	13
23871-030000	4	10
23887-100002	23	66
23894-020002	9	8
24101-063034	20	83
24107-062024	15	19
24311-000120	4	68
24311-000160	2	4
	25	11
24311-000320	2	12
	4	64
24311-240100	23	67
24314-000160	14	42
24321-000750	17	20
24341-000160	20	84
24341-000240	2	13
	3	15
24341-000500	4	65
25132-004500	16	7
26014-080162	15	20
26014-080252	15	30
26022-050102	20	85
	23	68
		68 -1
26022-060162	20	86
26023-050102	23	68 A
26106-060082	15	24
26106-060102	16	8
26106-060122	2	14
26106-060162	14	10
26106-060202	21	44
	23	69
26106-060322	24	31
26106-060402	24	32
26106-080102	4	52
	12	7
26106-080122	1	13
	2	15
26106-080142	4	55
	12	8
26106-080162	2	16
		22

Parts No.	Fig. No.	Ref. No.
26106-080162	3	17
	4	56
		66
	8	10
	17	21
	18	14
26106-080182	15	31
26106-080202	2	26
	6	18
		19
	9	24
		29
	13	25
	21	45
26106-080252	3	18
	4	43
	16	16
	17	22
26106-080302	3	9
26106-080352	3	10
	13	9
	16	17
26106-080402	6	19 -1
26106-080452	2	17
	3	19
	8	8
26106-080502	2	23
	3	20
	4	44
	9	25
26106-080552	2	18
	13	26
	16	9
		10
26106-080652	16	11
26106-080852	2	19
26106-080902	2	24
26106-080952	9	30
26106-081002	17	24
26106-100122	6	22
26106-100302	22	4
26106-100352	15	32
26113-040088	15	21
26116-050302	20	87
26116-120302	24	34
26206-100202	3	3
26206-100252	3	4
26216-060202	4	11
26216-080222	4	24
26216-081002	4	22

Parts No.	Fig. No.	Ref. No.
26226-080182	4	40
26226-080502	9	26
26347-080002	15	22
26366-060002	21	23
26366-080002	2	20
	4	25
		26
	6	20
	9	9
		27
	17	25
	23	70
26367-060002	4	23
26450-060252	13	3
26476-060142	6	4
26703-080002	7	3
		4
26706-100002	15	28
26716-060002	20	88
26716-120002	20	95
26756-060002	23	71
		72
26756-080002	4	41
26776-120002	23	73
27231-500000	1	9
27241-100000	4	35
27241-120000	1	10
27241-220000	4	12
27241-280000	17	8
27241-300000	1	11
27241-400000	4	13
	17	9
27310-080001	4	18 -1
43400-500390	23	74
43400-500400	23	75
43400-500410	2	11
		21
	14	37
43400-500430	23	4
43400-500450	23	1
43400-500490	20	6
43600-500310	17	10
729120-22500	11	9
729120-22950	11	39
729402-14580	8	3
729402-22910	11	32
729402-23100	11	23
729428-01560	1	1
		2
729473-11700	4	1 -1

# Parts No. Index

Parts No.	Fig. No.	Ref. No.
729473-11701	4	1 -2
729491-11701	4	1
729573-22500	11	3
729573-22540	11	35
729573-23700	11	17
729577-01720	3	11
729577-51310	20	1
729577-53300	21	1
729577-92600	25	1
729578-51310	20	2
729578-53300	21	2
977770-01212	25	10
X3916003482	9	10 A
XNB131005	7	17
XNB131006	7	18
XNB131007	7	22
XNB131008	7	19
XNB131009	7	20
XNB131010	7	21
XNB131027	7	16
XNB133001	7	23
XNB133204	7	25
XNB133210	7	24
XNB133502	7	29
XNB133503	7	28
XNB134007	7	32
XNB135102	7	33
XNB137143	7	34
XNB137194	7	37
XNB139813	7	38
XNE914110	7	30
XNE917300	7	35
XNN133207	7	27
XNN134035	7	31
XNN196103	7	36
XNN977006	7	26

Parts No.	Fig. No.	Ref. No.
-----------	----------	----------

Parts No.	Fig. No.	Ref. No.
-----------	----------	----------

Parts No.	Fig. No.	Ref. No.
-----------	----------	----------