

0CI00-M25800EN

Contents

Fig. No. Fig. Name

729571-51300

729572-51300

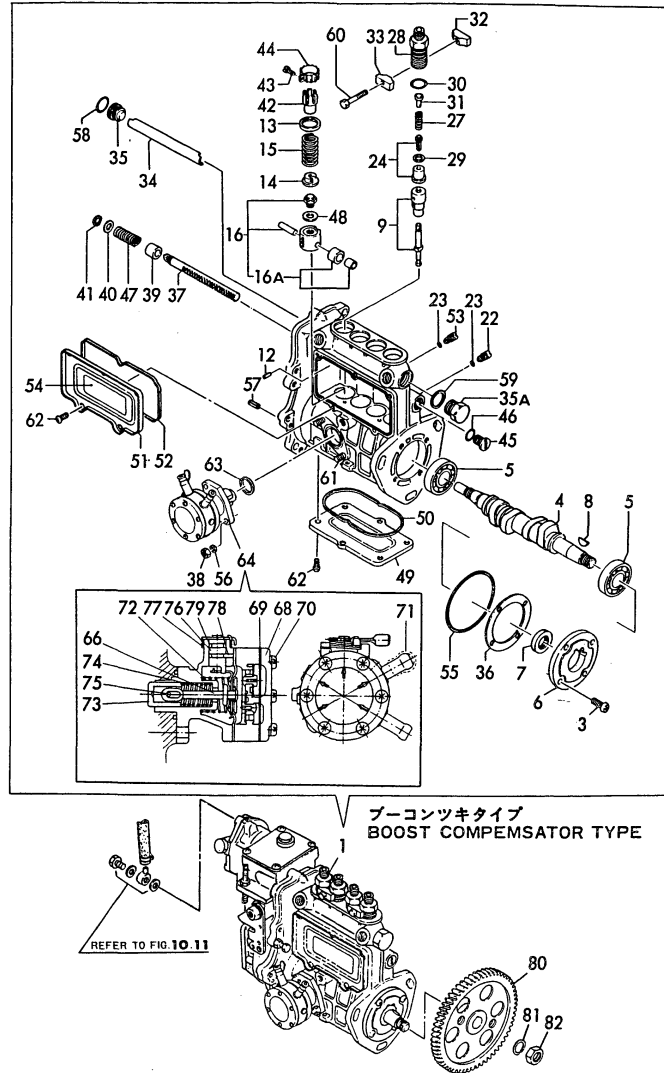
729573-51300

729570-51350

1. F.I.PUMP(4JH2-TE,HTE,DTE)
2. GOVERNOR(4JH2-TE,HTE,DTE)
3. FUEL INJECTION PUMP(4JH2E)
4. GOVERNOR(4JH2E)

Fig. No. Fig. Name

Fig.1. F.I.PUMP(4JH2-TE,HTE,DTE)



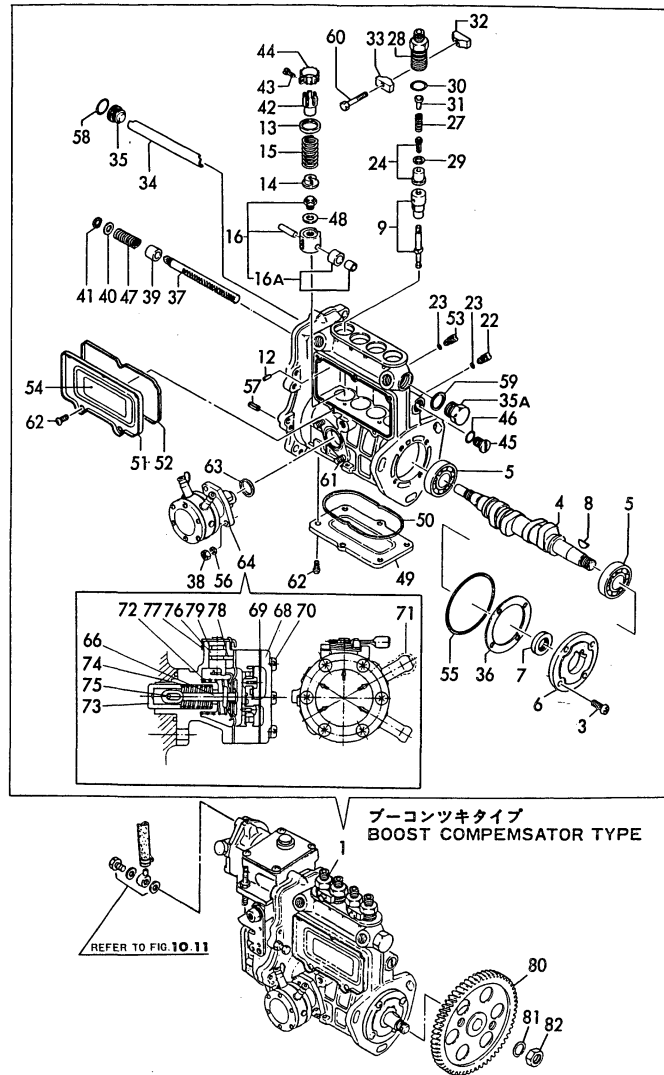
Remarks
 (1) GOVERNOR ASSY (FIG2) IS INCORPORATED IN THESE FUEL INJECTION PUMP ASSY (REF.NO.1A,1B,1C)
 (A)=4JH2-TE.
 (B)=4JH2-HTE.
 (C)=4JH2-DTE.

(A)=729571-51300
 (B)=729572-51300
 (C)=729573-51300

(D)=
 (E)=
 (F)=

No.	Lev.	Parts No.	Description	Qty						I	R
				(A)	(B)	(C)	(D)	(E)	(F)		
1A	1	729571-51300	PUMP ASSY, INJECTION	1							1
1B	1	729572-51300	PUMP ASSY, INJECTION		1						1
1C	1	729573-51300	PUMP ASSY, INJECTION			1					1
3	2	26022-060162	SCREW, M6X16	4	4	4					
4	2	129506-51040	CAMSHAFT	1	1	1					
5	2	122710-51050	BEARING, HR30203J	2	2	2					
6	2	129470-51060	RETAINER, BEARING	1	1	1					
7	2	129470-51080	SEAL, AF0741F0	1	1	1					
8	2	122710-51090	KEY	1	1	1					
9	2	129470-51101	PLUNGER ASSY	4	4	4					
12	2	129155-51140	PIN	4	4	4					
13	2	174307-51170	RETAINER, SPRING A	4	4	4					
14	2	129155-51180	RETAINER, SPRING	4	4	4					
15	2	124950-51190	SPRING, PLUNGER	4	4	4					
16	2	129155-51200	TAPPET ASSY	4	4	4					
16A	3	711100-51540	ROLLER ASSY	4	4	4					
22	2	129155-51270	STOPPER, TAPPET	4	4	4					
23	2	129155-51280	O-RING, S6	5	5	5					
24	2	129573-51300	VALVE ASSY, DELIVERY	4	4	4					
27	2	129573-51330	SPRING, DELIVERY	4	4	4					
28	2	129573-51340	RETAINER	4	4	4					
29	2	124550-51350	GASKET, DELIVERY	4	4	4					
30	2	124550-51370	O-RING	4	4	4					
31	2	129573-51370	STOPPER, VALVE	4	4	4					
32	2	129155-51380	STOPPER	2	2	2					
33	2	129155-51390	STOPPER	2	2	2					
34	2	129555-51400	DEFLECTOR	1	1	1					
35	2	129155-51410	BOLT	1	1	1					
35A	2	129155-51420	PLUG, M16	1	1	1					
36	2	129155-51450	SHIM SET, ADJUSTING	1	1	1					
37	2	129555-51500	RACK, CONTROL	1	1	1					
38	2	26716-060002	NUT, M6	2	2	2					
39	2	129155-51521	BUSH, RACK	1	1	1					
40	2	129155-51530	SPACER	1	1	1					
41	2	129155-51540	CIRCLIP	1	1	1					
42	2	129155-51550	PINION, CONTROL	4	4	4					
43	2	122117-51560	SCREW	4	4	4					
44	2	174307-51560	PINION	4	4	4					
45	2	129155-51570	PLUG, M12	1	1	1					
46	2	129155-51580	O-RING	1	1	1					
47	2	129155-51591	SPRING, RACK	1	1	1					
48	2	129155-51600	SHIM SET, ADJUSTING	4	4	4					
49	2	129555-51700	COVER	1	1	1					
50	2	129555-51710	GASKET	1	1	1					
51	2	129555-51750	COVER	1	1	1					
52	2	129555-51760	GASKET	1	1	1					
53	2	129155-51790	STOPPER, RACK	1	1	1					
54	2	129156-51910	LABEL, CAUTION	1	1	1					
55	2	121850-51960	O-RING	1	1	1					
56	2	22217-060000	WASHER, SPRING 6	2	2	2					
57	2	22351-050010	PIN, SPRING 5.0X10	2	2	2					

Fig.1. F.I.PUMP(4JH2-TE,HTE,DTE)



(A)=729571-51300
(B)=729572-51300
(C)=729573-51300

(D)=
(E)=
(F)=

No.	Lev.	Parts No.	Description	Qty						I	R
				(A)	(B)	(C)	(D)	(E)	(F)		
58	2	24341-000160	O-RING, 1AS16.0	1	1	1					
59	2	43400-500490	SEAL WASHER 16S	1	1	1					
60	2	26116-050302	BOLT, M5X 30 PLATED	2	2	2					
61	2	129155-51020	STUD	2	2	2					
62	2	26022-050102	SCREW, M5X10	11	11	11					
63	2	129155-52050	GASKET	1	1	1					
64	2	129158-52100	PUMP ASSY, FUEL FEED	1	1	1					
66	3	129158-52020	DIAPHRAGM	1	1	1					
68	3	129158-52060	COVER	1	1	1					
69	3	129158-52070	GASKET	1	1	1					
70	3	129158-52080	SCREW	6	6	6					
71	3	129158-52090	CAP	2	2	2					
72	3	129158-52160	SPRING	1	1	1					
73	3	129158-52250	TAPPET	1	1	1					
74	3	129158-52260	SPRING	1	1	1					
75	3	129158-52270	PIN	1	1	1					
76	3	129158-52350	LEVER	1	1	1					
77	3	129158-52360	SPRING, RETURN	1	1	1					
78	3	129158-52370	PIN	1	1	1					
79	3	129158-52380	O-RING	1	1	1					
80	1	129150-25900	GEAR, PUMP								
80-1	1	129573-25900	GEAR, PUMP	1	1	1					N
			(D=E31796)								
80-2	1	129573-25900	GEAR, PUMP			1					Z
			(D=E35370)								
81	1	22217-120000	WASHER, SPRING 12	1	1	1					
81-1	1	22217-120000	WASHER, SPRING 12			1					Z
			(D=E35370)								
82	1	26716-120002	NUT, M12	1	1	1					
82-1	1	26716-120002	NUT, M12			1					Z
			(D=E35370)								

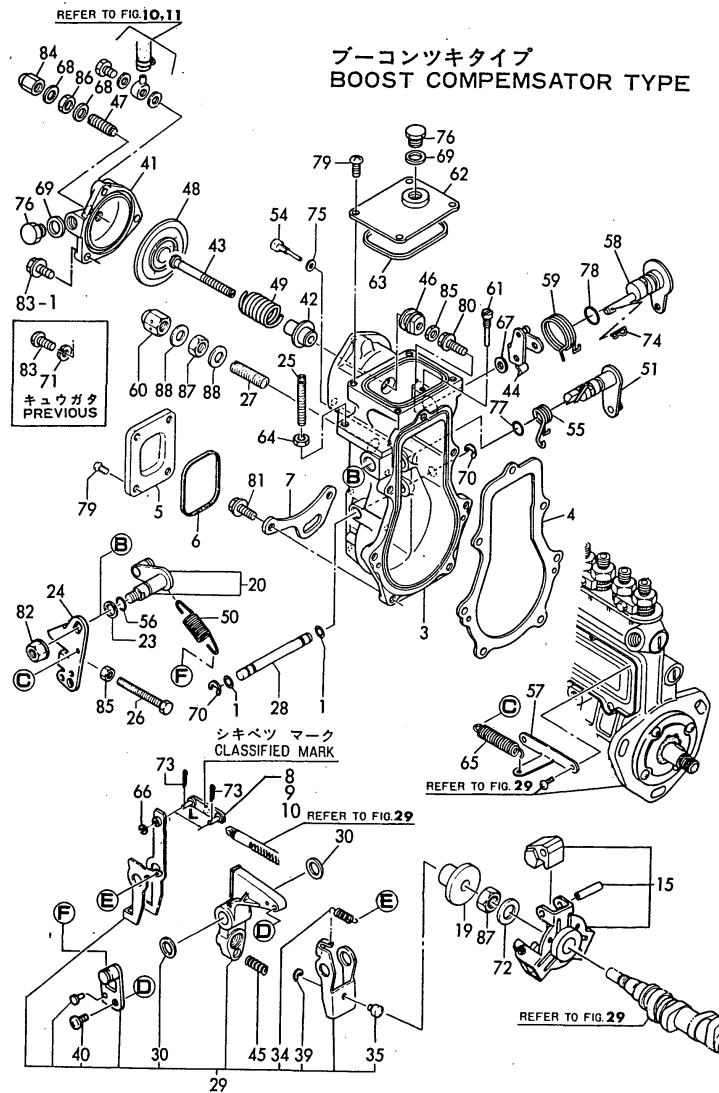
Remarks

(1) GOVERNOR ASSY (FIG2) IS INCORPORATED IN THESE FUEL INJECTION PUMP ASSY (REF.NO.1A,1B,1C)

(A)=4JH2-TE.
(B)=4JH2-HTE.
(C)=4JH2-DTE.

Fig.2. GOVERNOR(4JH2-TE,HTE,DTE)

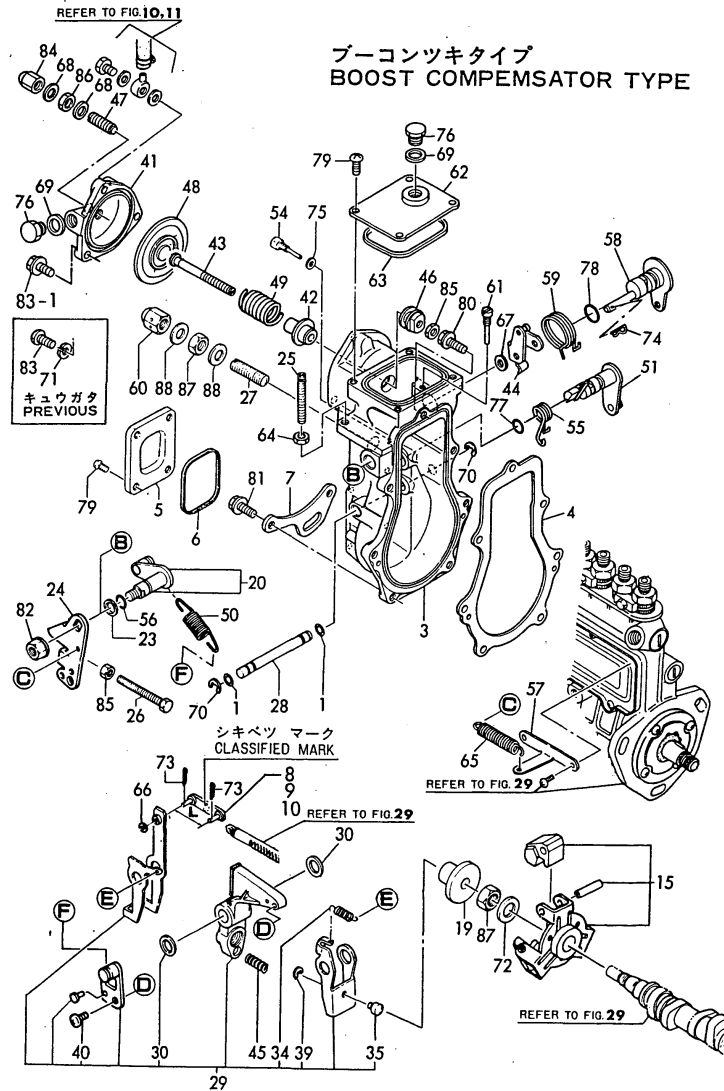
(A)=4JH2E (D)=4JH2-DTE
 (B)=4JH2-TE (E)=4JH2-UTE(B)
 (C)=4JH2-HTE (F)=



No.	Lev.	Parts No.	Description	Qty						I	R	
				(A)	(B)	(C)	(D)	(E)	(F)			
1	1	129155-51280	O-RING, S6		2	2	2					
3	1	129595-61011	CASE, GOVERNOR							1		
3-1	1	129595-61012	HOUSING, GOVERNOR		1	1	1				F 2	
				(D=E31796)								
4	1	129595-61050	GASKET		1	1	1					
5	1	129155-61060	COVER, GOVERNOR CASE		1	1	1					
6	1	129155-61070	GASKET		1	1	1					
7	1	129595-61080	SUPPORT		1	1	1					
8	1	129155-61120	LINK, L=30 MARK 0		1	1	1				1	
9	1	129155-61130	LINK, L=31 MARK 1		1	1	1				1	
10	1	129155-61140	LINK, L=30.5 MARK 05		1	1	1				1	
15	1	129595-61200	WEIGHT ASSY, GOVERNOR		1	1	1					
19	1	129155-61341	SLEEVE		1	1	1					
20	1	129100-61400	SHAFT ASSY		1	1	1					
23	1	129155-61430	SPACER		1	1	1					
24	1	129499-61440	LEVER, CONTROL		1	1	1					
25	1	129155-61450	BOLT, LIMITER		1	1	1					
26	1	129155-61460	BOLT, IDLE		1	1	1					
27	1	129155-61470	BOLT, CONTROL		1	1	1					
28	1	129155-61490	SHAFT		1	1	1					
29	1	129595-61500	LEVER ASSY, GOVERNOR		1	1	1					
30	2	174307-51700	SHIM SET		2	2	2					
34	2	119843-61540	SPRING, SET		1	1	1					
35	2	129155-61540	SHIFTER		1	1	1					
39	2	22272-000040	RING, E- 4		1	1	1					
40	2	26022-060122	SCREW, M6X12		1	1	1					
41	1	129595-61600	CASE		1	1	1					
42	1	129595-61610	BUSH		1	1	1					
43	1	129595-61620	ROD, SLIDER		1	1	1					
44	1	129595-61631	LEVER, SETTING		1	1	1					
45	1	129499-61650	SPRING, FUEL CONTROL		1	1	1					
46	1	129595-61660	RING		1	1	1					
47	1	129595-61670	BOLT, ADJUSTER		1	1	1					
48	1	129595-61680	DIAPHRAGM		1	1	1					
49	1	129595-61691	SPRING, DIAPHRAGM		1	1	1					
50	1	129100-61730	SPRING, GOVERNOR		1	1	1					
50-1	1	129573-61700	SPRING, GOVERNOR							1	N	
				(D=E32327)								
51	1	129595-61801	LEVER, STOP							1		
51-1	1	129595-61802	SHAFT, STOP LEVER		1	1	1				S	
				(D=E31796)								
54	1	129155-61810	PIN		1	1	1					
55	1	129595-61820	SPRING, RETURN							1		
55-1	1	129595-61821	SPRING, RETURN		1	1	1				S	
				(D=E31796)								
56	1	129155-61830	O-RING, S10		1	1	1					
57	1	129499-61890	HOOK		1	1	1					
58	1	129595-61901	LEVER		1	1	1					
59	1	129595-61911	SPRING, SET		1	1	1					
60	1	129100-61930	NUT, CAP		1	1	1					
61	1	129595-61931	PIN		1	1	1					

Remarks
 BOOST COMPENSATOR TYPE.
 1) SELECTIVE PART; CERTAIN THE CLASSIFICATION MARK WHEN PLACE YOUR ORDER. (REFER TO THE ILLUSTRATION)
 2) INTERCHANGEABLE BY SIMULTANEOUS REPLACEMENT WITH REF.51-1, & 77-1.

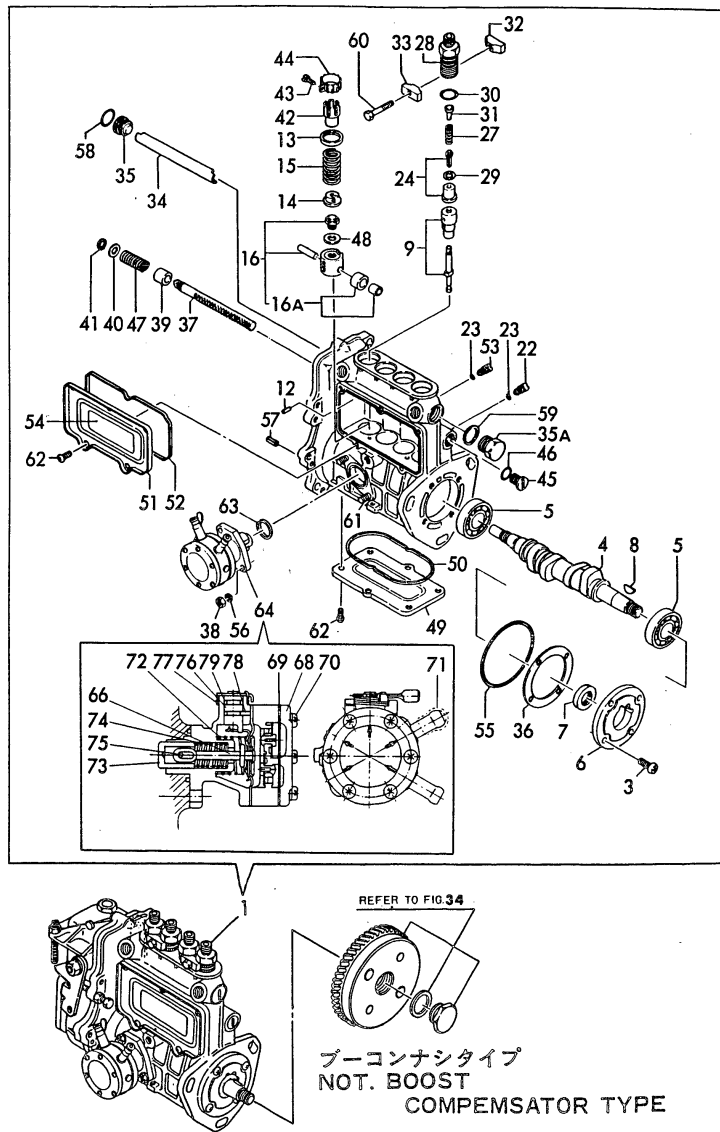
Fig.2. GOVERNOR(4JH2-TE,HTE,DTE)



No.	Lev.	Parts No.	Description	Q'ty						I	R
				(A)	(B)	(C)	(D)	(E)	(F)		
62	1	129595-61951	COVER	1	1	1					
63	1	129595-61961	GASKET	1	1	1					
64	1	124550-66370	NUT, M6	1	1	1					
65	1	104104-67300	SPRING, RETURN	1	1	1					
66	1	22117-040000	WASHER, 4	1	1	1					
67	1	22117-060000	WASHER, 6	1	1	1					
68	1	22190-080000	WASHER, SEAL 8	2	2	2					
69	1	22190-100000	WASHER, SEAL 10	2	2	2					
69-1	1	43400-500430	SEAL WASHER 10S	2	2	2					N
			(B=EXXX) (C=EXXX) (D=EXXX)								
70	1	22272-000060	RING, E-6	2	2	2					
71	1	22287-060000	WASHER 6	3	3	3					Z
			(B=*1990.07) (C=*1990.07) (D=*1990.07)								
72	1	22287-120000	WASHER, 12	1	1	1					
73	1	22360-040000	PIN, SNAP 4	2	2	2					
73-1	1	22372-040000	PIN, SNAP 4	2	2	2					N
			(B=EXXX) (C=EXXX) (D=EXXX)								
74	1	22372-060000	PIN, SNAP 6	1	1	1					
75	1	23414-050000	GASKET, 5X1.0	1	1	1					
75-1	1	43400-500390	SEAL WASHER 6S	1	1	1					N
			(B=EXXX) (C=EXXX) (D=EXXX)								
76	1	23887-100002	PLUG, 10	2	2	2					
77	1	24311-000080	O-RING, 1AP8.0								
77-1	1	24311-240100	O-RING, 1AP10A	1	1	1					S
			(D=E31796)								
78	1	24311-000110	O-RING, 1AP11.0	1	1	1					
79	1	26022-050102	SCREW, M5X10	8	8	8					
80	1	26106-060182	BOLT, M6X 18 PLATED	1	1	1					
81	1	26106-060202	BOLT, M6X 20 PLATED	6	6	6					
82	1	26366-080002	NUT, M8	1	1	1					
83	1	26557-060162	SCREW M 6X 16	3	3	3					
83-1	1	26106-060162	BOLT, M6X 16 PLATED	3	3	3					N
			(B=*1990.07) (C=*1990.07) (D=*1990.07)								
84	1	26667-080002	NUT, CAP M8	1	1	1					
85	1	26756-060002	NUT, LOCK M6	2	2	2					
86	1	26756-080002	NUT, LOCK M8	1	1	1					
87	1	26776-120002	NUT, LOCK M12	2	2	2					
88	1	43400-500450	SEAL WASHER 12S	2	2	2					

Remarks
 BOOST COMPENSATOR TYPE.
 1) SELECTIVE PART; CERTAIN THE CLASSIFICATION MARK WHEN PLACE YOUR ORDER. (REFER TO THE ILLUSTRATION)
 2) INTERCHANGEABLE BY SIMULTANEOUS REPLACEMENT WITH REF.51-1, & 77-1.

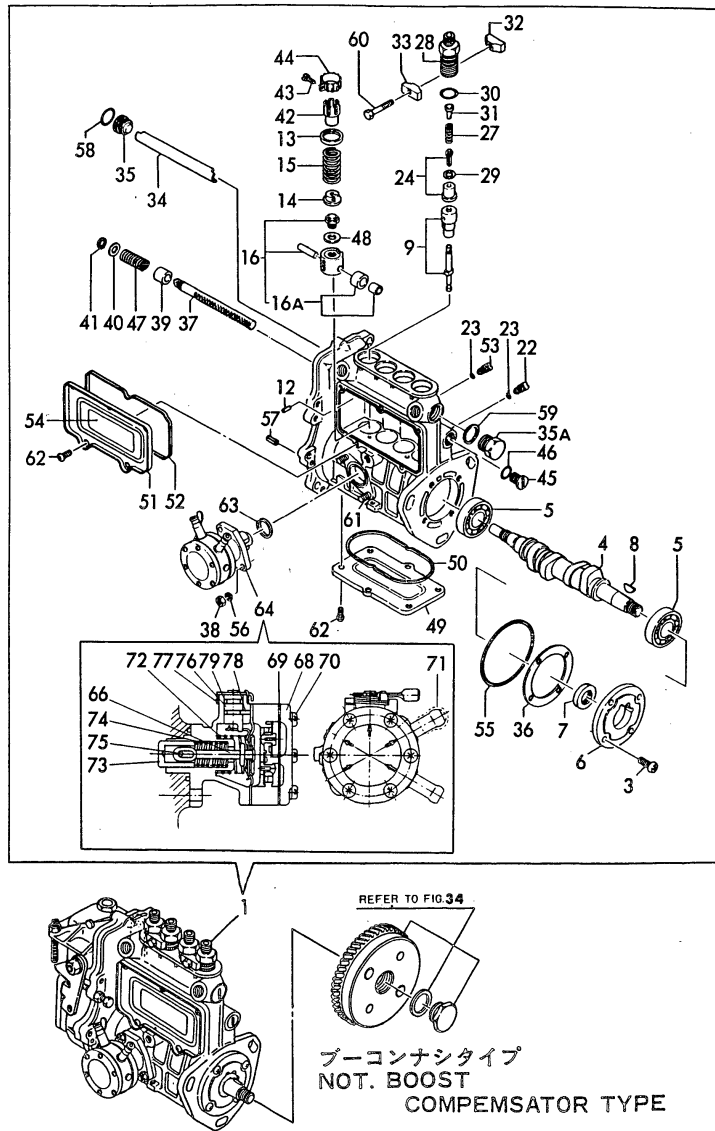
Fig.3. FUEL INJECTION PUMP(4JH2E)



No.	Lev.	Parts No.	Description	Q'ty						I	R
				(A)	(B)	(C)	(D)	(E)	(F)		
1	1	729570-51350	PUMP ASSY, INJECTION	1							1
3	2	26022-060162	SCREW, M6X16	4							
4	2	129506-51040	CAMSHAFT	1							
5	2	122710-51050	BEARING, HR30203J	2							
6	2	129470-51060	RETAINER, BEARING	1							
7	2	129470-51080	SEAL, AF0741F0	1							
8	2	122710-51090	KEY	1							
9	2	129470-51101	PLUNGER ASSY	4							
12	2	129155-51140	PIN	4							
13	2	174307-51170	RETAINER, SPRING A	4							
14	2	129155-51180	RETAINER, SPRING	4							
15	2	124950-51190	SPRING, PLUNGER	4							
16	2	129155-51200	TAPPET ASSY	4							
16A	3	711100-51540	ROLLER ASSY	4							
22	2	129155-51270	STOPPER, TAPPET	4							
23	2	129155-51280	O-RING, S6	5							
24	2	129573-51300	VALVE ASSY, DELIVERY	4							
27	2	129573-51330	SPRING, DELIVERY	4							
28	2	129573-51340	RETAINER	4							
29	2	124550-51350	GASKET, DELIVERY	4							
30	2	124550-51370	O-RING	4							
31	2	129573-51370	STOPPER, VALVE	4							
32	2	129155-51380	STOPPER	2							
33	2	129155-51390	STOPPER	2							
34	2	129555-51400	DEFLECTOR	1							
35	2	129155-51410	BOLT	1							
35A	2	129155-51420	PLUG, M16	1							
36	2	129155-51450	SHIM SET, ADJUSTING	1							
37	2	129555-51500	RACK, CONTROL	1							
38	2	26716-060002	NUT, M6	2							
39	2	129155-51521	BUSH, RACK	1							
40	2	129155-51530	SPACER	1							
41	2	129155-51540	CIRCLIP	1							
42	2	129155-51550	PINION, CONTROL	4							
43	2	122117-51560	SCREW	4							
44	2	174307-51560	PINION	4							
45	2	129155-51570	PLUG, M12	1							
46	2	129155-51580	O-RING	1							
47	2	129155-51591	SPRING, RACK	1							
48	2	129155-51600	SHIM SET, ADJUSTING	4							
49	2	129555-51700	COVER	1							
50	2	129555-51710	GASKET	1							
51	2	129555-51750	COVER	1							
52	2	129555-51760	GASKET	1							
53	2	129155-51790	STOPPER, RACK	1							
54	2	129156-51910	LABEL, CAUTION	1							
55	2	121850-51960	O-RING	1							
56	2	22217-060000	WASHER, SPRING 6	2							
57	2	22351-050010	PIN, SPRING 5.0X10	2							
58	2	24341-000160	O-RING, 1AS16.0	1							
59	2	43400-500490	SEAL WASHER 16S	1							

Remarks
 1)GOVERNOR ASSY (FIG4) IS
 INCORPORATED IN THIS FUEL INJECTION
 PUMP ASSY(REF NO1)
 (A)=4JH2E.

Fig.3. FUEL INJECTION PUMP(4JH2E)



(A)=729570-51350

(B)=

(C)=

(D)=

(E)=

(F)=

No.	Lev.	Parts No.	Description	Qty						I	R
				(A)	(B)	(C)	(D)	(E)	(F)		
60	2	26116-050302	BOLT, M5X 30 PLATED	2							
61	2	129155-51020	STUD	2							
62	2	26022-050102	SCREW, M5X10	11							
63	2	129155-52050	GASKET	1							
64	2	129158-52100	PUMP ASSY, FUEL FEED	1							
66	3	129158-52020	DIAPHRAGM	1							
68	3	129158-52060	COVER	1							
69	3	129158-52070	GASKET	1							
70	3	129158-52080	SCREW	6							
71	3	129158-52090	CAP	2							
72	3	129158-52160	SPRING	1							
73	3	129158-52250	TAPPET	1							
74	3	129158-52260	SPRING	1							
75	3	129158-52270	PIN	1							
76	3	129158-52350	LEVER	1							
77	3	129158-52360	SPRING, RETURN	1							
78	3	129158-52370	PIN	1							
79	3	129158-52380	O-RING	1							

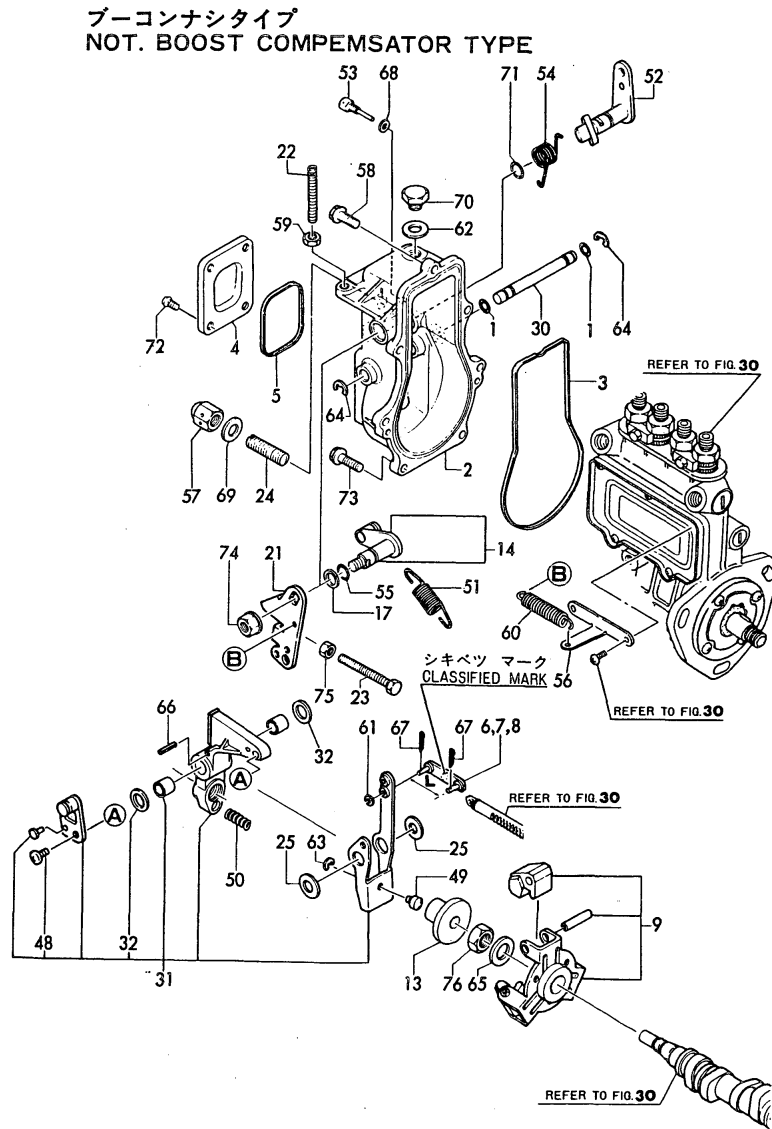
Remarks

1)GOVERNOR ASSY (FIG4) IS INCORPORATED IN THIS FUEL INJECTION PUMP ASSY(REF NO1)

(A)=4JH2E.

Fig.4. GOVERNOR(4JH2E)

(A)=4JH2E
 (B)=4JH2-TE
 (C)=4JH2-HTE
 (D)=4JH2-DTE
 (E)=4JH2-UTE(B)
 (F)=



No.	Lev.	Parts No.	Description	Q'ty						I	R
				(A)	(B)	(C)	(D)	(E)	(F)		
1	1	129155-51280	O-RING, S6	2							
2	1	129155-61011	CASE, GOVERNOR	1							
3	1	129155-61050	GASKET	1							
4	1	129155-61060	COVER, GOVERNOR CASE	1							
5	1	129155-61070	GASKET	1							
6	1	129155-61120	LINK, L=30 MARK 0	1							1
7	1	129155-61130	LINK, L=31 MARK 1	1							1
8	1	129155-61140	LINK, L=30.5 MARK 05	1							1
9	1	129595-61200	WEIGHT ASSY,GOVERNOR	1							
13	1	129155-61341	SLEEVE	1							
14	1	129100-61400	SHAFT ASSY	1							
17	1	129155-61430	SPACER	1							
21	1	129499-61440	LEVER, CONTROL	1							
22	1	129155-61450	BOLT, LIMITER	1							
23	1	129155-61460	BOLT, IDLE	1							
24	1	129155-61470	BOLT, CONTROL	1							
25	1	129155-61480	SPACER ASSY	2							
30	1	129155-61490	SHAFT	1							
31	1	129500-61500	LEVER ASSY, GOVERNOR	1							
32	2	174307-51700	SHIM SET	2							
48	2	26022-060122	SCREW, M6X12	1							
49	1	129155-61540	SHIFTER	1							
50	1	129470-61650	SPRING, FUEL CONTROL	1							
51	1	129100-61730	SPRING, GOVERNOR	1							
52	1	129473-61801	LEVER, STOP	1							
53	1	129155-61810	PIN	1							
54	1	129100-61821	SPRING, RETURN	1							
55	1	129155-61830	O-RING, S10	1							
56	1	129499-61890	HOOK	1							
57	1	129100-61930	NUT, CAP	1							
58	1	129155-61950	BOLT	1							
59	1	124550-66370	NUT, M6	1							
60	1	104104-67300	SPRING, RETURN	1							
61	1	22117-040000	WASHER, 4	1							
62	1	22190-100000	WASHER, SEAL 10	1							
62-1	1	43400-500430	SEAL WASHER 10S	1							N
(A=EXXX)											
63	1	22272-000040	RING, E- 4	1							
64	1	22272-000060	RING, E- 6	2							
65	1	22287-120000	WASHER, 12	1							
66	1	22351-030016	PIN, SPRING 3.0X16	1							
67	1	22360-050000	SNAP PIN 5	2							
67-1	1	22372-040000	PIN, SNAP 4	2							N
(A=EXXX)											
68	1	23414-050000	GASKET, 5X1.0	1							
68-1	1	43400-500390	SEAL WASHER 6S	1							N
(A=EXXX)											
69	1	23414-100014	GASKET, 10X1.0	1							
70	1	23887-100002	PLUG, 10	1							
71	1	24311-240100	O-RING, 1AP10A	1							
72	1	26022-050102	SCREW, M5X10	4							

Remarks
 NOT BOOST COMPENSATOR TYPE.
 1) SELECTIVE PART; CERTAIN THE CLASSIFICATION MARK WHEN PLACE YOUR ORDER. (REFER TO THE ILLUSTRATION)

Parts No. Index

Parts No.	Fig. No.	Ref. No.
104104-67300	2	65
	4	60
119843-61540	2	34
121850-51960	1	55
	3	55
122117-51560	1	43
	3	43
122710-51050	1	5
	3	5
122710-51090	1	8
	3	8
124550-51350	1	29
	3	29
124550-51370	1	30
	3	30
124550-66370	2	64
	4	59
124950-51190	1	15
	3	15
129100-61400	2	20
	4	14
129100-61730	2	50
	4	51
129100-61821	4	54
129100-61930	2	60
	4	57
129150-25900	1	80
129155-51020	1	61
	3	61
129155-51140	1	12
	3	12
129155-51180	1	14
	3	14
129155-51200	1	16
	3	16
129155-51270	1	22
	3	22
129155-51280	1	23
	2	1
	3	23
	4	1
129155-51380	1	32
	3	32
129155-51390	1	33
	3	33
129155-51410	1	35
	3	35
129155-51420	1	35 A
	3	35 A
129155-51450	1	36

Parts No.	Fig. No.	Ref. No.
129155-51450	3	36
129155-51521	1	39
	3	39
129155-51530	1	40
	3	40
129155-51540	1	41
	3	41
129155-51550	1	42
	3	42
129155-51570	1	45
	3	45
129155-51580	1	46
	3	46
129155-51591	1	47
	3	47
129155-51600	1	48
	3	48
129155-51790	1	53
	3	53
129155-52050	1	63
	3	63
129155-61011	4	2
129155-61050	4	3
129155-61060	2	5
	4	4
129155-61070	2	6
	4	5
129155-61120	2	8
	4	6
129155-61130	2	9
	4	7
129155-61140	2	10
	4	8
129155-61341	2	19
	4	13
129155-61430	2	23
	4	17
129155-61450	2	25
	4	22
129155-61460	2	26
	4	23
129155-61470	2	27
	4	24
129155-61480	4	25
129155-61490	2	28
	4	30
129155-61540	2	35
	4	49
129155-61810	2	54
	4	53

Parts No.	Fig. No.	Ref. No.
129155-61830	2	56
	4	55
129155-61950	4	58
129156-51910	1	54
	3	54
129158-52020	1	66
	3	66
129158-52060	1	68
	3	68
129158-52070	1	69
	3	69
129158-52080	1	70
	3	70
129158-52090	1	71
	3	71
129158-52100	1	64
	3	64
129158-52160	1	72
	3	72
129158-52250	1	73
	3	73
129158-52260	1	74
	3	74
129158-52270	1	75
	3	75
129158-52350	1	76
	3	76
129158-52360	1	77
	3	77
129158-52370	1	78
	3	78
129158-52380	1	79
	3	79
129470-51060	1	6
	3	6
129470-51080	1	7
	3	7
129470-51101	1	9
	3	9
129470-61650	4	50
129473-61801	4	52
129499-61440	2	24
	4	21
129499-61650	2	45
129499-61890	2	57
	4	56
129500-61500	4	31
129506-51040	1	4
	3	4
129555-51400	1	34

Parts No.	Fig. No.	Ref. No.
129555-51400	3	34
129555-51500	1	37
	3	37
129555-51700	1	49
	3	49
129555-51710	1	50
	3	50
129555-51750	1	51
	3	51
129555-51760	1	52
	3	52
129573-25900	1	80 -1
		80 -2
129573-51300	1	24
	3	24
129573-51330	1	27
	3	27
129573-51340	1	28
	3	28
129573-51370	1	31
	3	31
129573-61700	2	50 -1
129595-61011	2	3
129595-61012	2	3 -1
129595-61050	2	4
129595-61080	2	7
129595-61200	2	15
	4	9
129595-61500	2	29
129595-61600	2	41
129595-61610	2	42
129595-61620	2	43
129595-61631	2	44
129595-61660	2	46
129595-61670	2	47
129595-61680	2	48
129595-61691	2	49
129595-61801	2	51
129595-61802	2	51 -1
129595-61820	2	55
129595-61821	2	55 -1
129595-61901	2	58
129595-61911	2	59
129595-61931	2	61
129595-61951	2	62
129595-61961	2	63
174307-51170	1	13
	3	13
174307-51560	1	44
	3	44

Parts No. Index

Parts No.	Fig. No.	Ref. No.
174307-51700	2	30
	4	32
22117-040000	2	66
	4	61
22117-060000	2	67
22190-080000	2	68
22190-100000	2	69
	4	62
22217-060000	1	56
	3	56
22217-120000	1	81
		81 -1
22272-000040	2	39
	4	63
22272-000060	2	70
	4	64
22287-060000	2	71
22287-120000	2	72
	4	65
22351-030016	4	66
22351-050010	1	57
	3	57
22360-040000	2	73
22360-050000	4	67
22372-040000	2	73 -1
	4	67 -1
22372-060000	2	74
23414-050000	2	75
	4	68
23414-100014	4	69
23887-100002	2	76
	4	70
24311-000080	2	77
24311-000110	2	78
24311-240100	2	77 -1
	4	71
24341-000160	1	58
	3	58
26022-050102	1	62
	2	79
	3	62
	4	72
26022-060122	2	40
	4	48
26022-060162	1	3
	3	3
26106-060162	2	83 -1
26106-060182	2	80
26106-060202	2	81
	4	73

Parts No.	Fig. No.	Ref. No.
26116-050302	1	60
	3	60
26366-080002	2	82
	4	74
26557-060162	2	83
26667-080002	2	84
26716-060002	1	38
	3	38
26716-120002	1	82
		82 -1
26756-060002	2	85
	4	75
26756-080002	2	86
26776-120002	2	87
	4	76
43400-500390	2	75 -1
	4	68 -1
43400-500430	2	69 -1
	4	62 -1
43400-500450	2	88
43400-500490	1	59
	3	59
711100-51540	1	16 A
	3	16 A
729570-51350	3	1
729571-51300	1	1 A
729572-51300	1	1 B
729573-51300	1	1 C

Parts No.	Fig. No.	Ref. No.
-----------	----------	----------

Parts No.	Fig. No.	Ref. No.
-----------	----------	----------