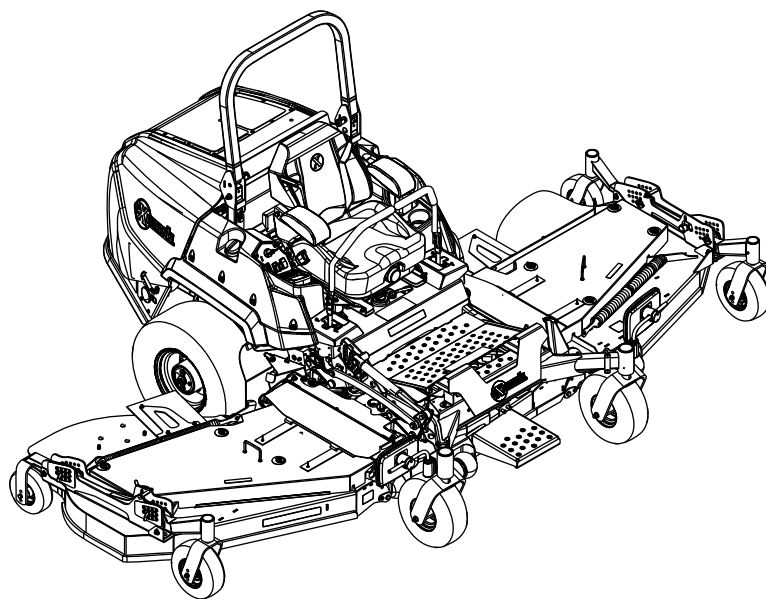




LAZER Z[®] DIESEL

Model No. LZS86TDYM12RW0—Serial No. 411294212 and Up

Picture below may not reflect actual product.



Parts Manual

Ordering Replacement Parts

To order replacement parts, please supply the part number, the quantity, and the description of each part desired.

Understanding Reference Numbers

Each identified part in an illustration has a reference number. The reference number for a part also appears in the parts list, along with other information about the part.

This catalog uses two special reference number formats, one to indicate parts in a service assembly and another to indicate the quantity of a given part in an illustration.

Service Assembly Reference Numbers

Parts in service assemblies have reference numbers in the form a:b. The a represents the reference number of the entire service assembly and the b represents a sequential number unique to each part within the service assembly.

For example, a wheel assembly might be identified by reference number 6, the tire by 6:1, the valve by 6:2, and the wheel by 6:3. When you order the assembly identified by reference number 6, you receive all parts identified by reference numbers 6:1, 6:2, and 6:3. However, you may also order any part individually. Reference numbers of this type appear in illustration and in parts lists.

Reference Numbers Indicating Quantity

In an illustration, if a reference number indicates more than one part, the reference number has the form nX y. The n represents the quantity of the part, the X is the multiplication symbol, and the y represents the reference number.

For example, in an illustration, the reference number 2X 37 means that two of the parts identified by reference number 37 are indicated.

Touch Up Paint

Exmark black touch up spray paint – gloss black.

Exmark red touch up paint (spray paint – P/N 1-850337 - .6 oz liquid bottle – P/N 103-9140).

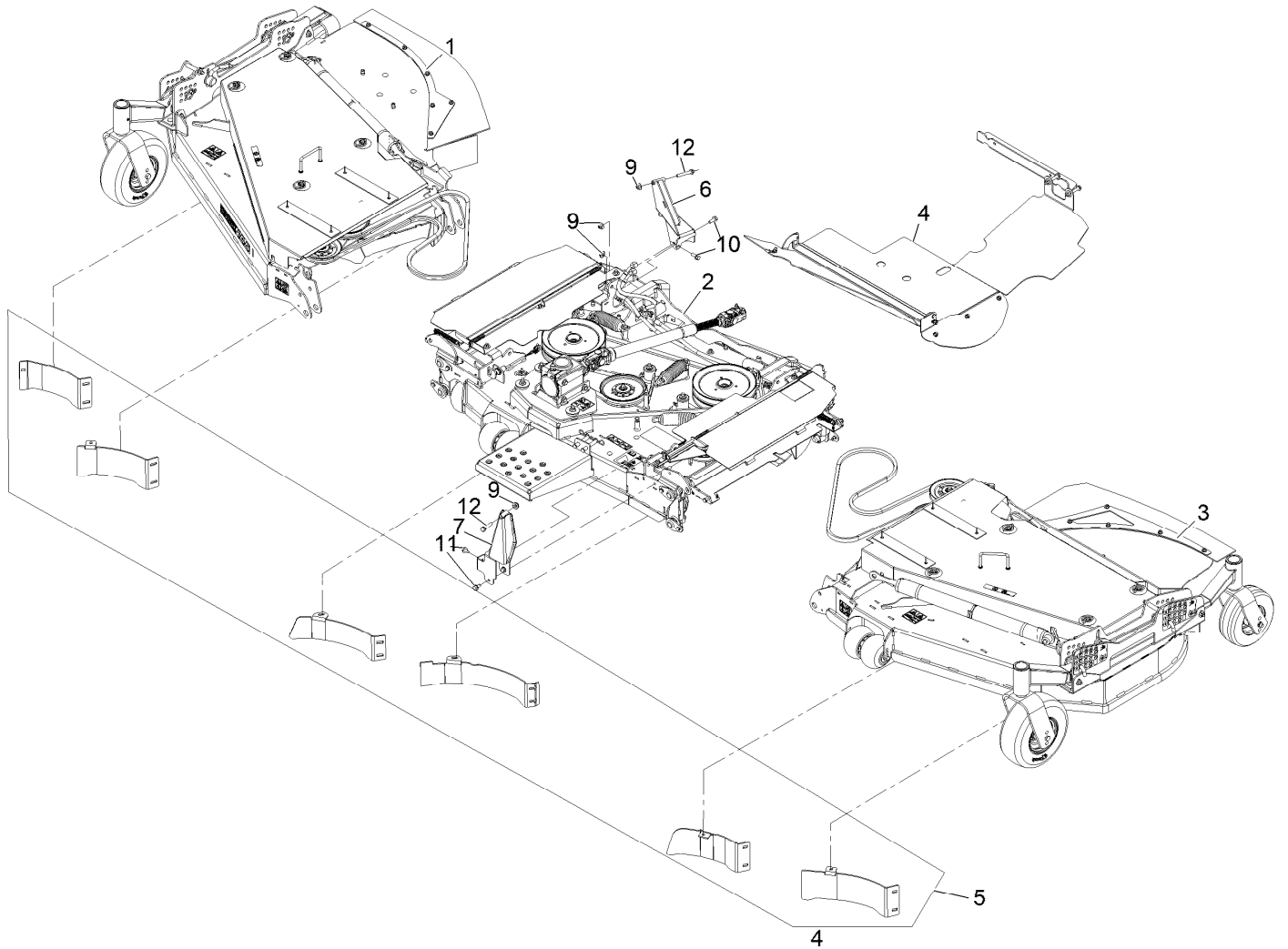
Contents

Complete Deck Assembly (Gearbox Asm Not Included)	6
Deck Assembly W/Gearbox	8
Gearbox and Mount Assembly	10
Gearbox Assembly	12
Driveshaft Assembly	14
Center Deck Idler Assembly	16
Center Deck Assembly	18
Idler Arm Assembly No. 126-2585	20
Idler Assembly No. 126-9435	22
Idler Assembly No. 126-9438	24
Center Folding Deck Hydraulic Assembly	26
Center Deck Guard Assembly	28
Center Deck Assembly	30
RH Wing Deck Assembly	32
RH Wing Deck W/Decals Assembly	34
Caster Tire Assembly	36
Weight Transfer Spring Assembly No 142-6483	38
RH Belt Shield Assembly No. 142-6633	40
RH Wing Deck W/Baffles Assembly	42
LH Wing Deck Assembly	44
LH Wing Deck W/Decals Assembly	46
LH Deck Rear Caster Wheel and Fork Assembly	48
Caster Tire Assembly	50
Weight Transfer Spring Assembly	52
LH Belt Shield Assembly No. 142-6623	54
LH Deck W/Baffles Assembly	56
Discharge Tunnel Assembly	58
Deck Lift Assembly	60
Mulch Kit Assembly	62
Main Frame Assembly	64
Roll-Over Protection System Assembly	66
Front Caster and Fork Assembly	68
Front Left and Right Caster Wheel and Fork Assembly	70
Power Frame Assembly	72
LH Mud Flap Assembly No. 135-4934	74
RH Mud Flap Assembly No. 135-4933	76
Motion Control Assembly	78
Front Linkage Rod Assembly	80
Rear Wheel Assembly	82
Hood and Console Assembly	84
Hood Assembly	86
Seat Assembly	88
Suspension Seat Assembly	90
Fuel Assembly	92
LH Fuel Tank Assembly	94
RH Fuel Tank Assembly	96
Transmission Assembly	98
Transmission Assembly No. 142-8084	100
Cooling Assembly	102
Cooling Assembly No. 121-3330	104
Engine Assembly	106
Air Cleaner Assembly No. 142-7201	108
Cylinder Block Assembly	110
Gear Housing Assembly	112

Contents (continued)

Flywheel Housing and Oil Sump Assembly	114
Cylinder Head and Cover Assembly	116
Suction Manifold Assembly	118
Gasket Manifold Assembly	120
Diesel Particulate Filter (DPF) Assembly	122
Camshaft and Driving Gear Assembly	124
Turbine Assembly	126
Crankshaft and Piston Assembly	128
Oil Pump Assembly	130
Lubrication and Oil System Assembly	132
Cooling Water System Assembly	134
Fuel Supply Pump Assembly	136
Fuel Injection Valve Assembly	138
Fuel Line Assembly	140
Starting Motor Assembly	142
Electric Parts Assembly	144
Accessory Parts	146
Gasket Set	148
Hydraulic Drive Assembly	150
Hydraulic Reservoir Assembly No. 142-5034	152
Lift and Fold Valve Assembly	154
Hydraulic Motor Assembly No. 142-5691	156
Hydraulic Valve Assembly	158
Planetary Assembly	160
Electrical Assembly	162
Main Wire Harness Assembly	164
Engine Wire Harness No. 122-2378	166

Complete Deck Assembly (Gearbox Asm Not Included)

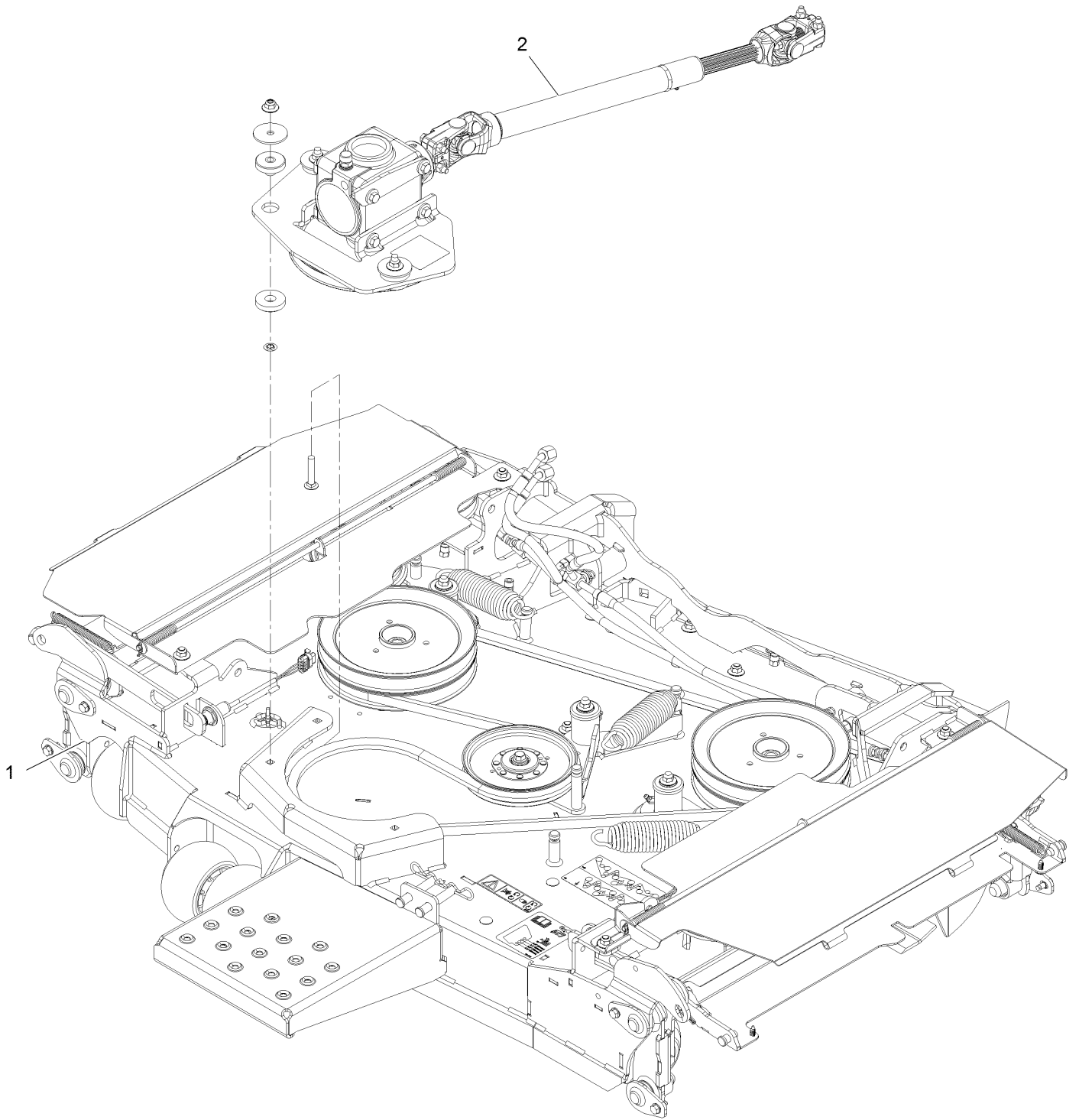


Complete Deck Assembly (Gearbox Asm Not Included) (continued)

<i>Ref.</i>	<i>Part Number</i>	<i>Qty.</i>	<i>Description</i>	<i>Ref.</i>	<i>Part Number</i>	<i>Qty.</i>	<i>Description</i>
1		1	ASM-RH Deck Wing 144 ●	5	142-2744	1	Kit-Finish Cut Baffle 144
1	142-8507	1	ASM-Deck Wing RH 144 Exmark	6	142-8451-03	1	Weld-RH Spring Mount-Upstop
2		1	ASM-Deck-Center, ASM ●	7	142-4221-03	1	Bracket, LH
2	142-8506	1	ASM-Deck Ctr 144 Exmark				Centerdeck-Spring [bl
3		1	ASM-LH Deck Wing 144 ●	9	109-6658	5	Nut-Nyloc 3/8-16 Flg
3	142-8508	1	ASM-Deck Wing LH 144 Exmark	10	3234-42	3	Screw HHF 3/8-16 X 1
4		1	Discharge-Tunnel ASM, 144 ●	11	110-9380	3	Screw-HWH 3/8-16 X 3/4 Tf
				12	3234-39	2	Screw-Hfh 3/8-16 X 2 1/2

● Not serviced separately

Deck Assembly W/Gearbox

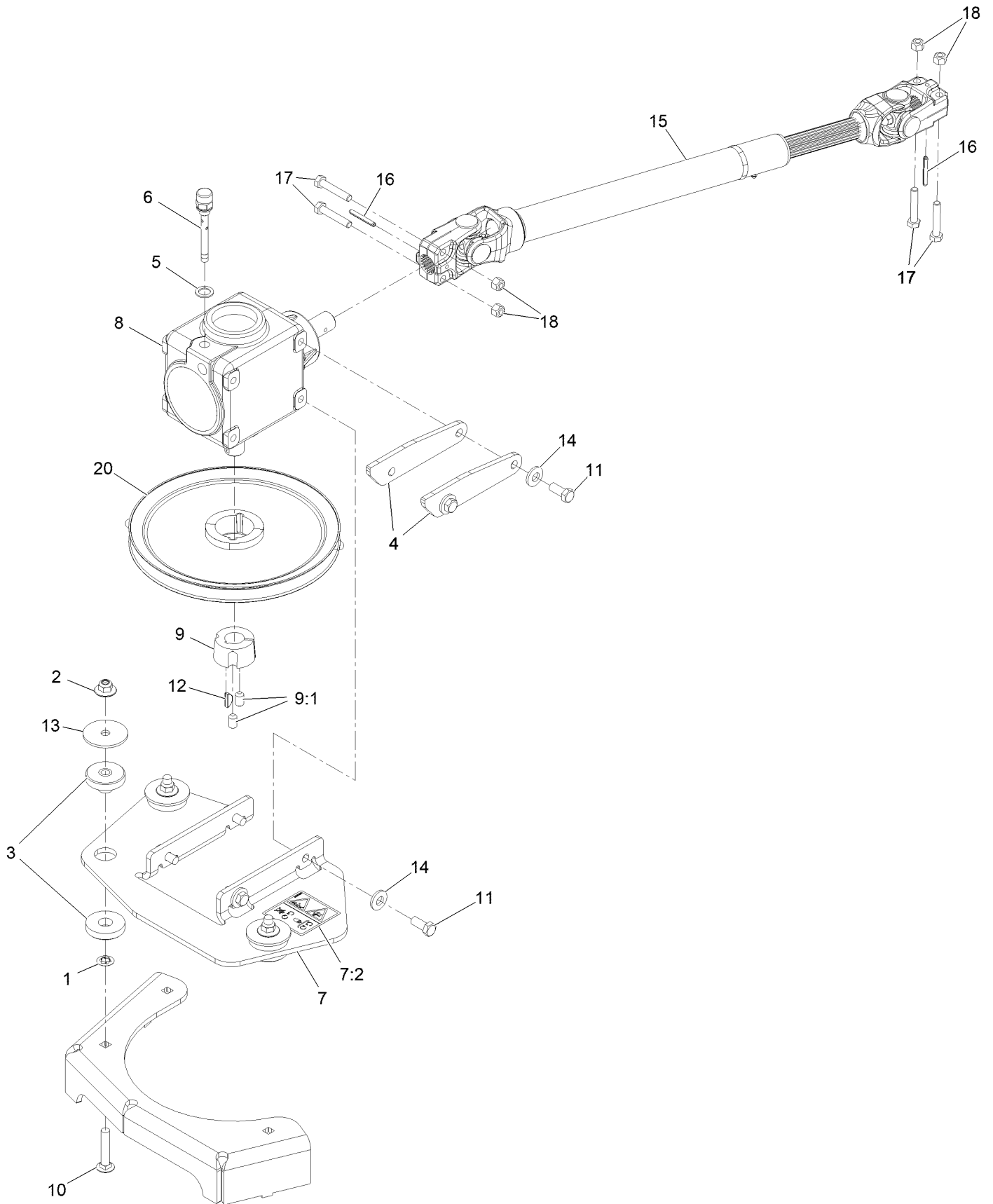


Deck Assembly W/Gearbox (continued)

<i>Ref.</i>	<i>Part Number</i>	<i>Qty.</i>	<i>Description</i>
1		1	ASM-Deck, Ctr Wing ●
2		1	Gear Box-ASM ●

● Not serviced separately

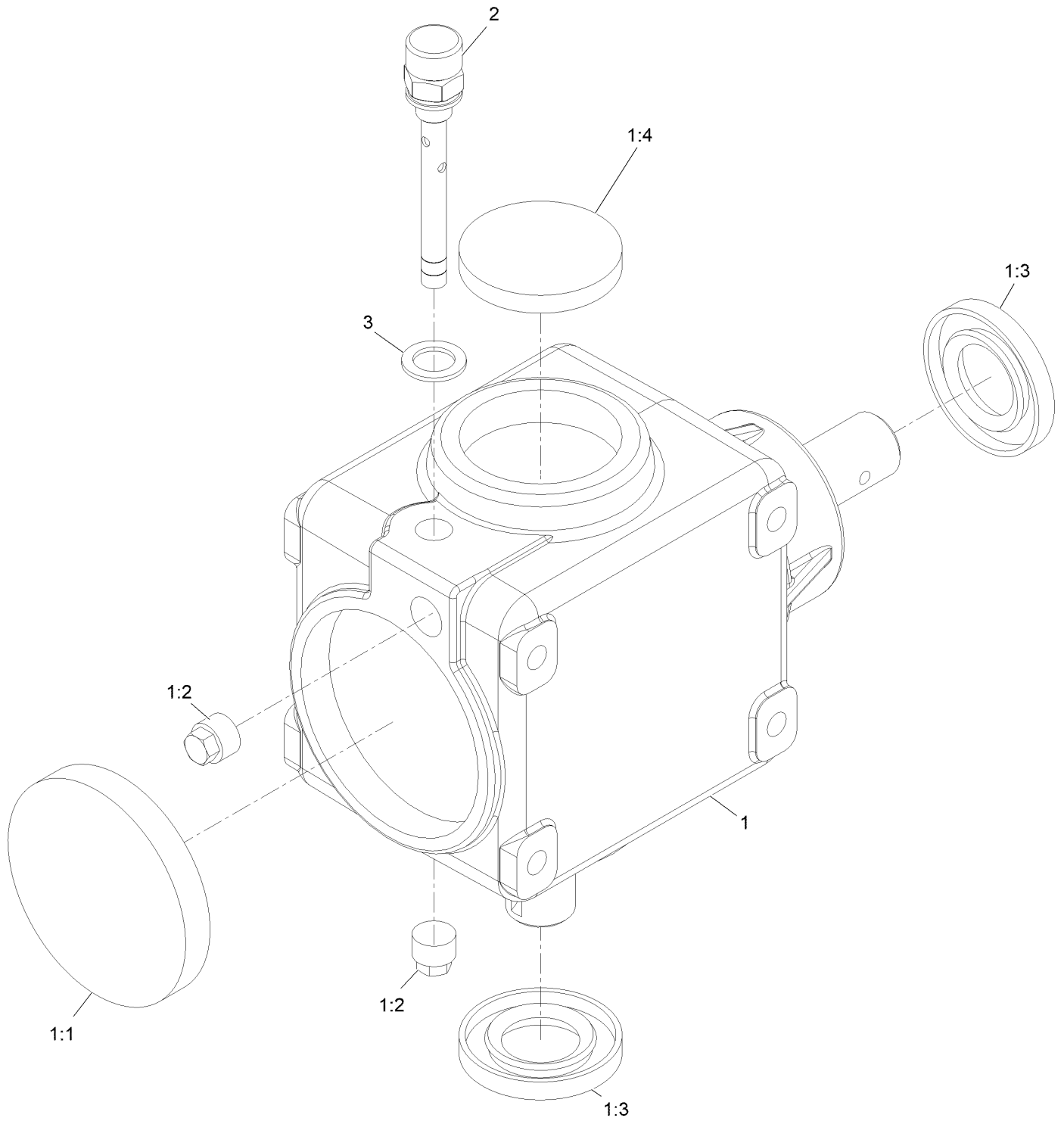
Gearbox and Mount Assembly



Gearbox and Mount Assembly (continued)

<i>Ref.</i>	<i>Part Number</i>	<i>Qty.</i>	<i>Description</i>	<i>Ref.</i>	<i>Part Number</i>	<i>Qty.</i>	<i>Description</i>
1	107-3154	3	Nut-Push 3/8-16	9:1	3247-4	2	Setscrew-HSH 3/8-16 X 5/8
2	109-6658	3	Nut-Nyloc 3/8-16 Flg	10	3231-6	3	Bolt-Carriage 3/8-16 X 2
3	126-3074	3	Mount-ISO	11	323-6	6	Screw-HH 3/8-16 X 1
4	126-3544	2	Stop-Gearbox	12	3257-5	1	Key-Woodruff #9 3/4 X 3/16
5	130-4899	1	Washer	13	83-1040	3	Washer
6	130-8661	1	Plug-Breather	14	98-5975	6	Washer-Spring Disc 3/8
7	135-0874	1	Mount-Gearbox	15	110-3575	1	Driveshaft ASM
7:2	135-0679	1	Decal-Hazard, Entanglement	16	32121-34	2	Pin-Roll
8	142-8061	1	Gearbox ASM	17	322-9	4	Screw-HH 5/16-18 X 1 3/4
9	23-1640	1	Bushing-Taperlock	18	3296-29	4	Nut-Nyloc 5/16-18
				20	126-2822	1	Pulley

Gearbox Assembly

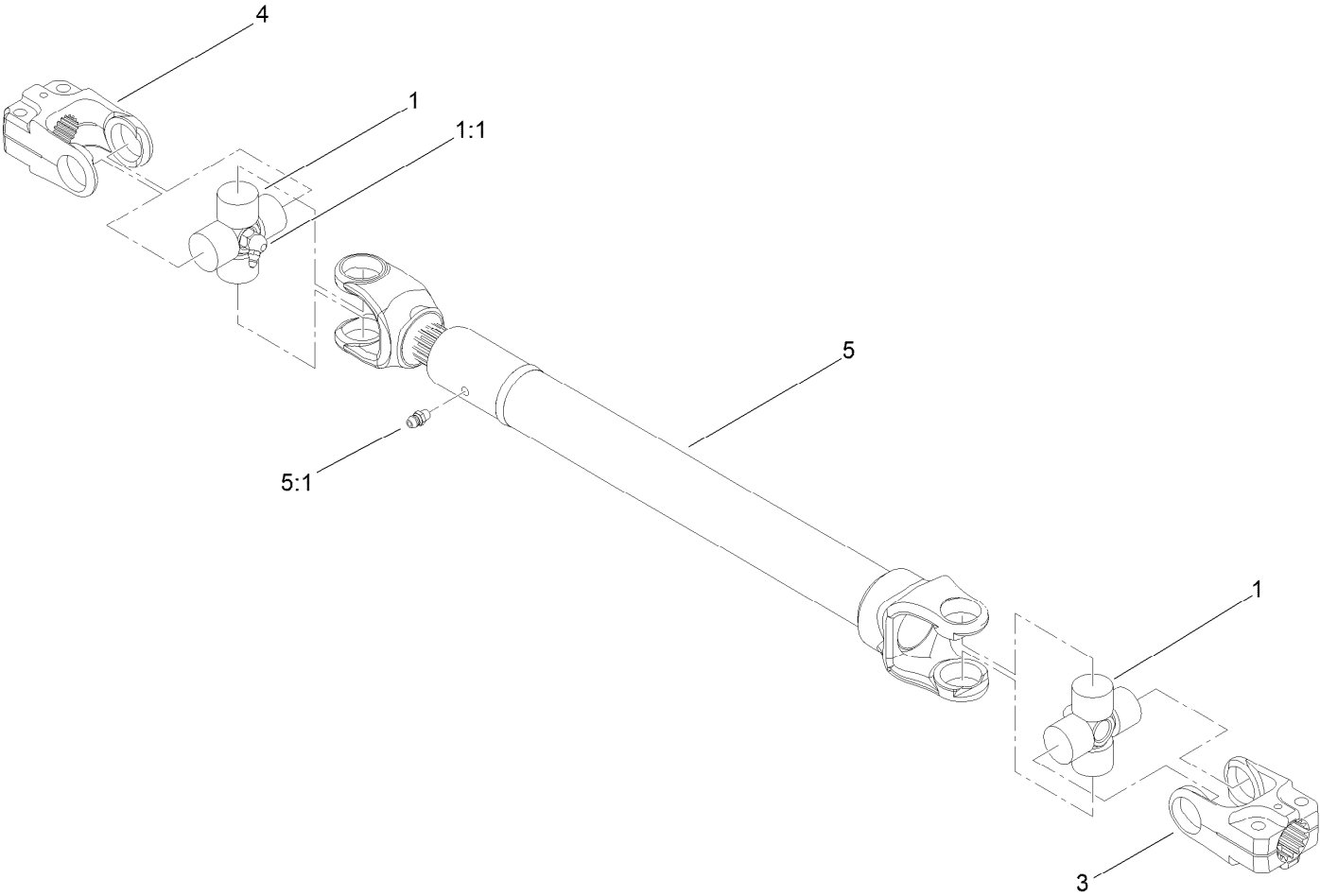


Gearbox Assembly (continued)

<i>Ref.</i>	<i>Part Number</i>	<i>Qty.</i>	<i>Description</i>	<i>Ref.</i>	<i>Part Number</i>	<i>Qty.</i>	<i>Description</i>
1		1	Gearbox ASM-90 DEG ●	1:4	107-2935	1	Cap-Oil
1:1	107-2932	1	Cap-Oil	2	130-8661	1	Plug-Breather
1:2	107-2933	2	Plug	3	130-4899	1	Washer
1:3	117-9247	2	Seal				

● Not serviced separately

Driveshaft Assembly

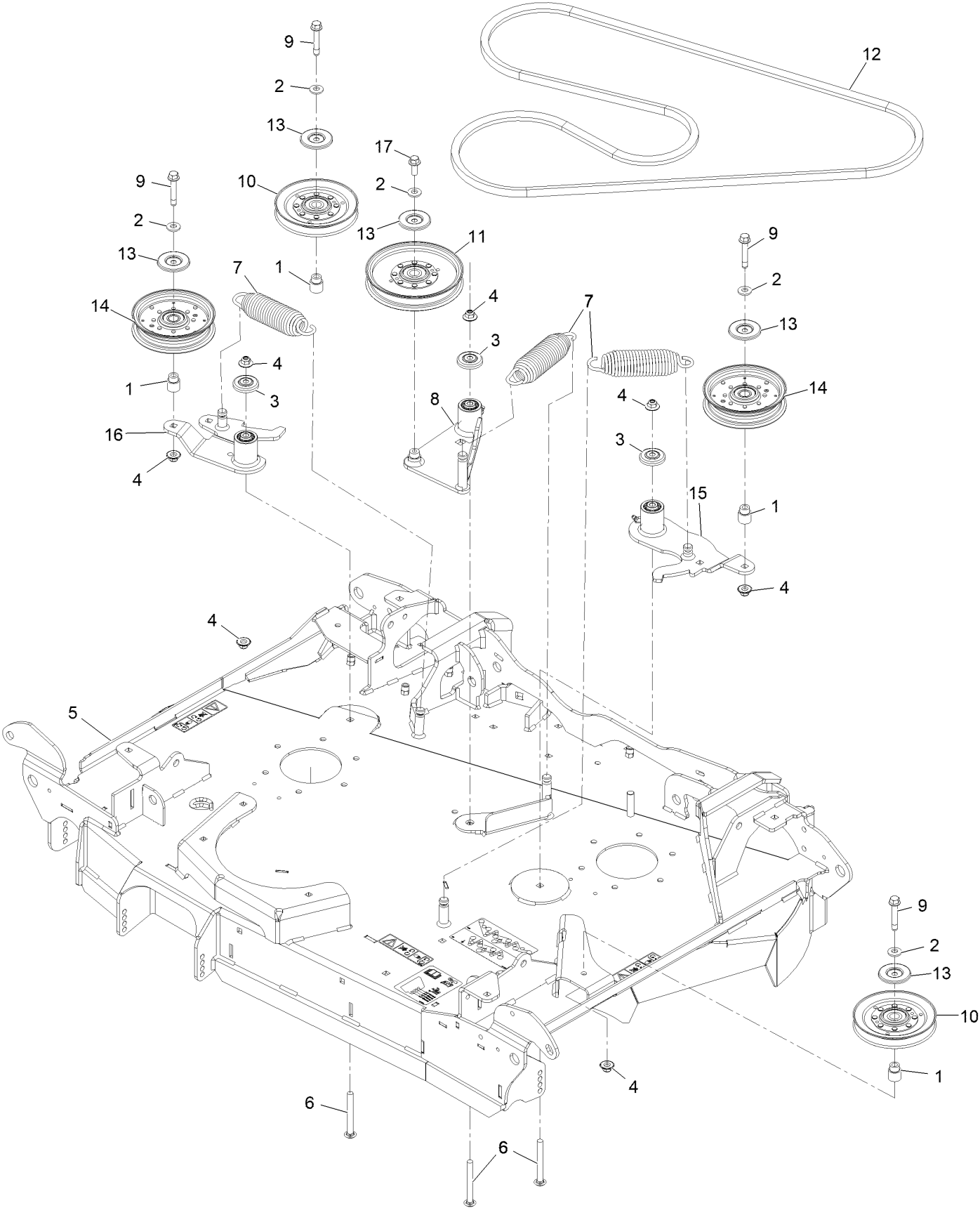


Driveshaft Assembly (continued)

<i>Ref.</i>	<i>Part Number</i>	<i>Qty.</i>	<i>Description</i>	<i>Ref.</i>	<i>Part Number</i>	<i>Qty.</i>	<i>Description</i>
1	112-1687	2	Cross And Bearing Kit	4	54-9090	1	Yoke-End
1:1	62-3820	1	Fitting-Grease	5		1	Tube-Yoke, Slip ●
3	54-9040	1	Yoke-End	5:1	302-22	1	Fitting-Grease

● Not serviced separately

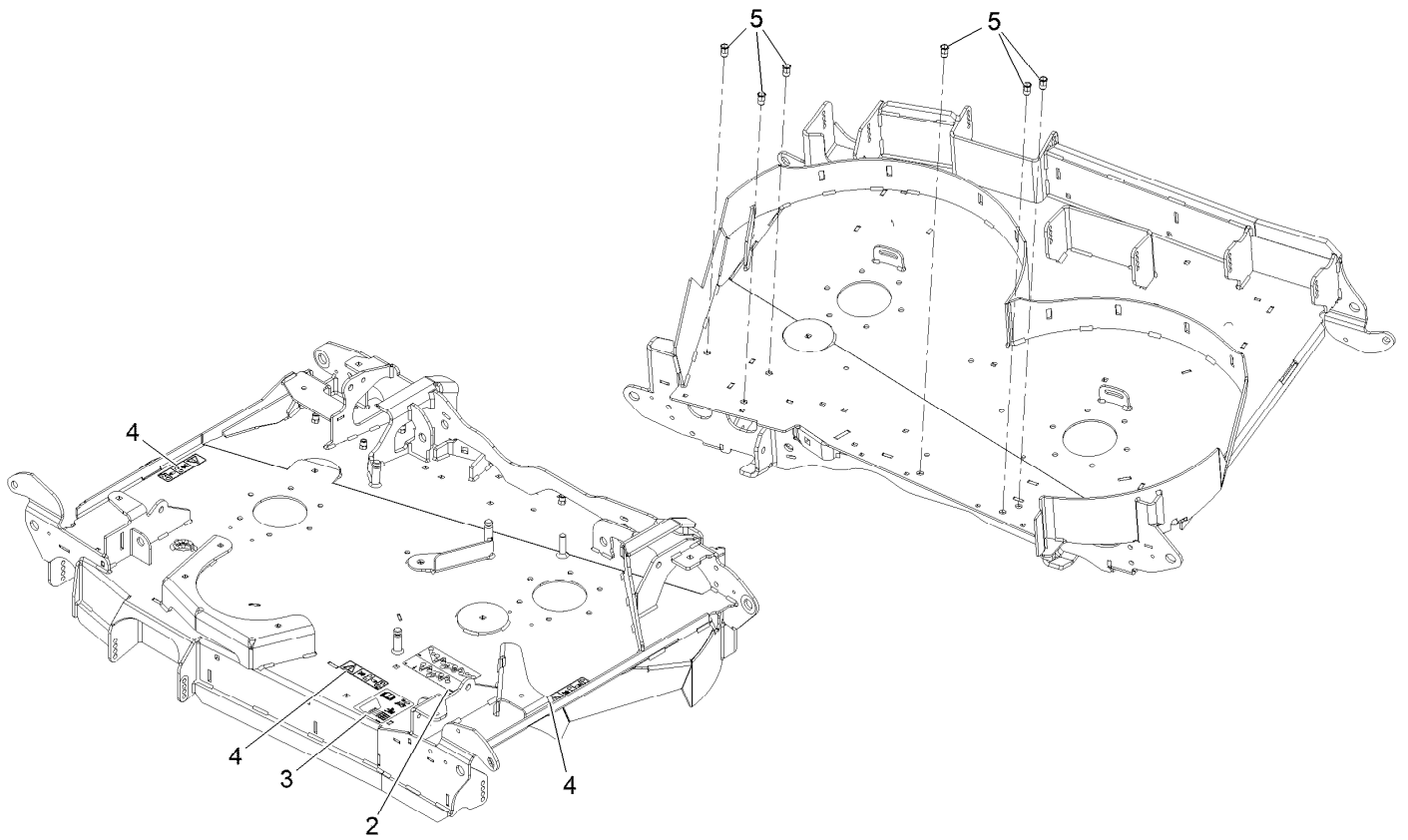
Center Deck Idler Assembly



Center Deck Idler Assembly (continued)

<i>Ref.</i>	<i>Part Number</i>	<i>Qty.</i>	<i>Description</i>	<i>Ref.</i>	<i>Part Number</i>	<i>Qty.</i>	<i>Description</i>
1	1-633456	4	Bushing, Idler	9	126-2956	4	Screw-HHF 3/8-16 X 2 1/4
2	98-5975	5	Washer-Spring Disc 3/8	10	126-2960	2	Idler-V
3	103-2916	3	Guard-Top	11	126-7685	1	Idler-Pulley
4	109-6658	7	Nut-Nyloc 3/8-16 Flg	12	126-7924	1	V-Belt
5	142-5190	1	ASM-Deck, Ctr 96/144	13	126-8043	5	Shield-Dust
6	116-1502	3	Bolt-Carriage Shoulder 3/8-16 X 3 1/2	14	126-9187	2	Pulley-Idler, Flat
7	116-6317	3	Spring-Extension	15	126-9435	1	Idler ASM
8	126-2585	1	Idler Arm ASM	16	126-9438	1	Idler ASM
				17	3234-42	1	Screw HHF 3/8-16 X 1

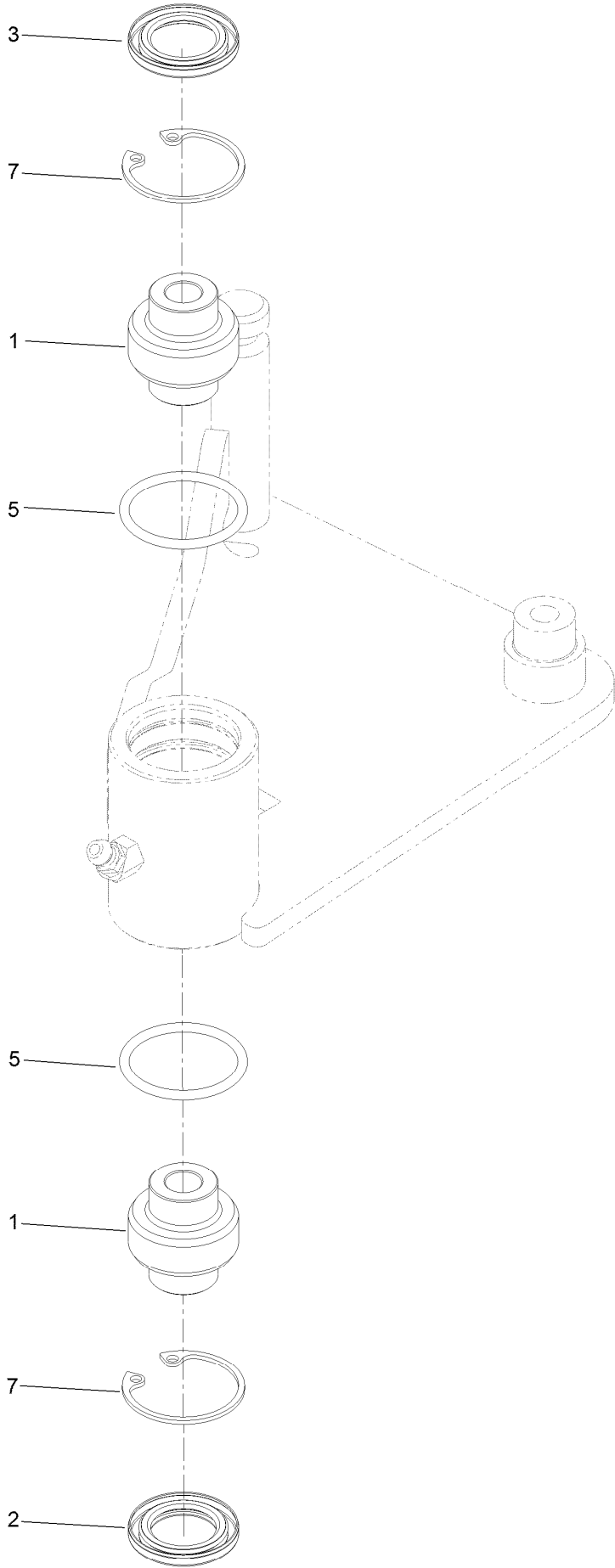
Center Deck Assembly



Center Deck Assembly (continued)

<i>Ref.</i>	<i>Part Number</i>	<i>Qty.</i>	<i>Description</i>	<i>Ref.</i>	<i>Part Number</i>	<i>Qty.</i>	<i>Description</i>
2	142-3903	1	Decal-Deck Belt Routing	4	112-9028	3	Decal-Cover, Missing
3	109-6036	1	Decal-Roller, Anti-Scalp	5	135-7200	6	Nut-Clinch,Hex

Idler Arm Assembly No. 126-2585

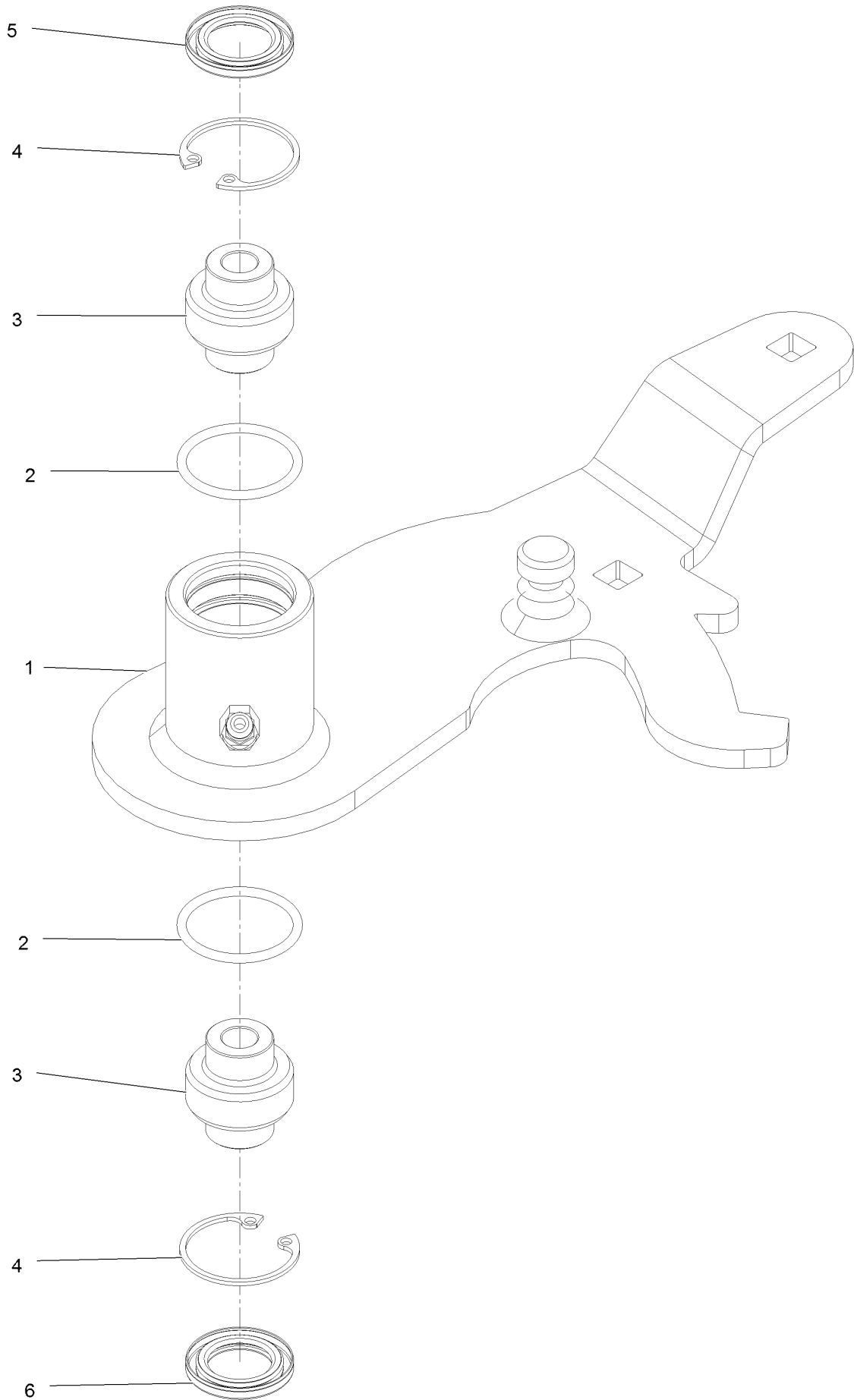


Idler Arm Assembly No. 126-2585 (continued)

<i>Ref.</i>	<i>Part Number</i>	<i>Qty.</i>	<i>Description</i>
1	103-3504	2	Bearing-Spherical
2	103-3505	1	Seal-Lip, Double
3	103-3506	1	Seal-Lip, Single

<i>Ref.</i>	<i>Part Number</i>	<i>Qty.</i>	<i>Description</i>
5	106-7159	2	O-Ring
7	32120-10	2	Ring-Snap

Idler Assembly No. 126-9435



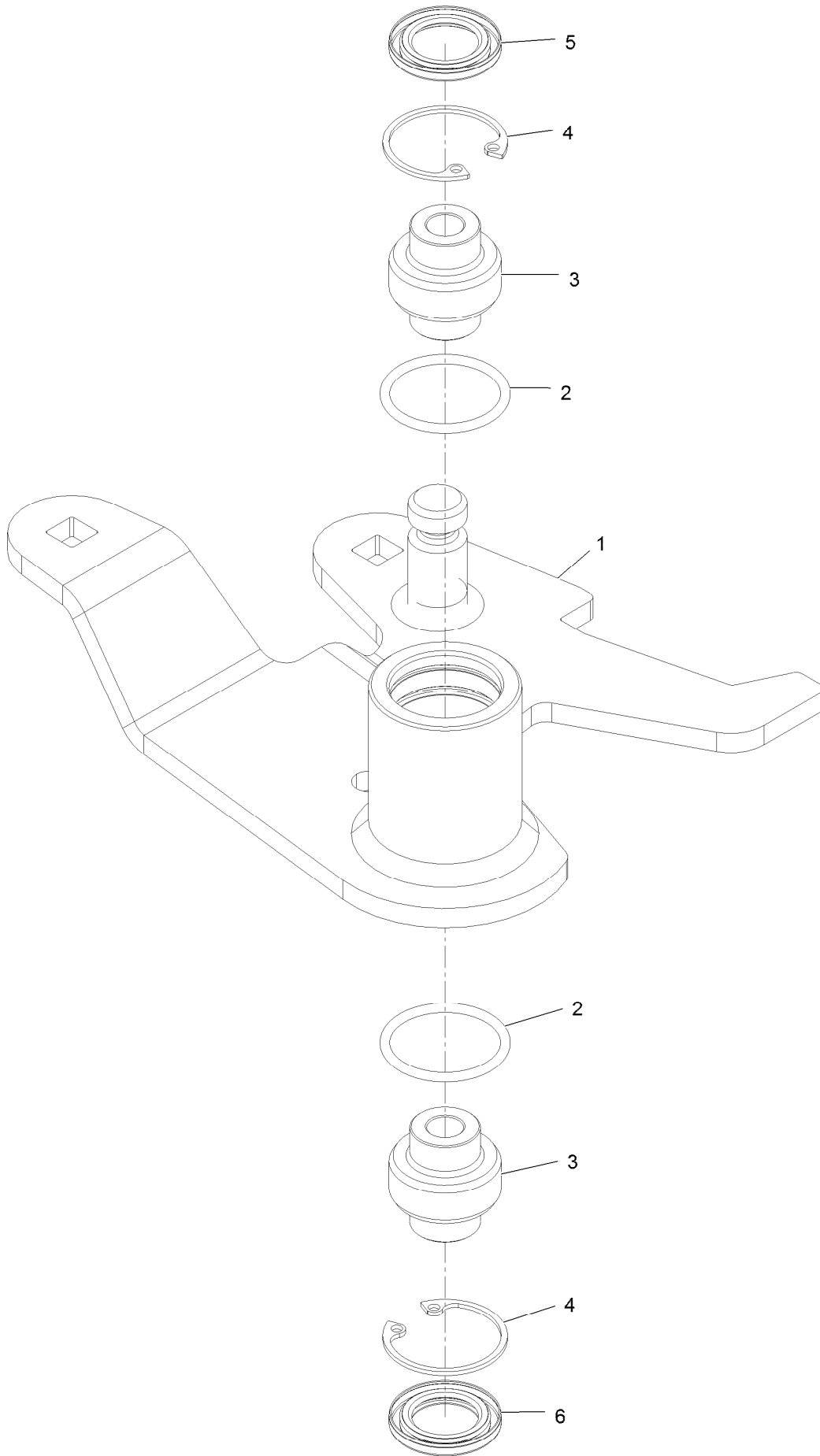
Idler Assembly No. 126-9435 (continued)

<i>Ref.</i>	<i>Part Number</i>	<i>Qty.</i>	<i>Description</i>
1		1	ASM-Idler Arm 96Rd LH [red] ●
2	106-7159	2	O-Ring
3	103-3504	2	Bearing-Spherical

<i>Ref.</i>	<i>Part Number</i>	<i>Qty.</i>	<i>Description</i>
4	32120-10	2	Ring-Snap
5	103-3506	1	Seal-Lip, Single
6	103-3505	1	Seal-Lip, Double

● Not serviced separately

Idler Assembly No. 126-9438

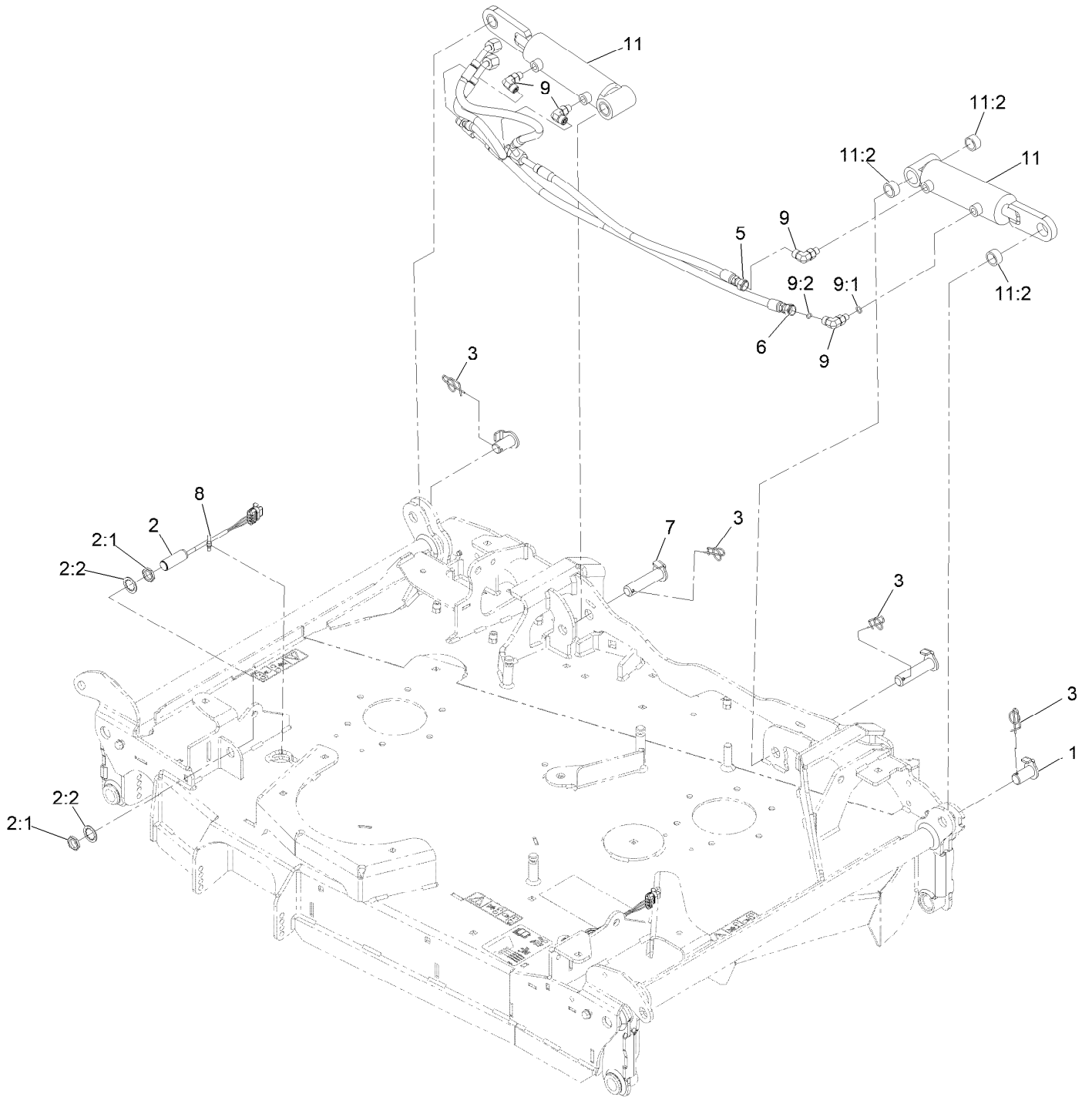


Idler Assembly No. 126-9438 (continued)

<i>Ref.</i>	<i>Part Number</i>	<i>Qty.</i>	<i>Description</i>	<i>Ref.</i>	<i>Part Number</i>	<i>Qty.</i>	<i>Description</i>
1		1	ASM-Idler Arm, 96Rd [red] ●	4	32120-10	2	Ring-Snap
2	106-7159	2	O-Ring	5	103-3506	1	Seal-Lip, Single
3	103-3504	2	Bearing-Spherical	6	103-3505	1	Seal-Lip, Double

● Not serviced separately

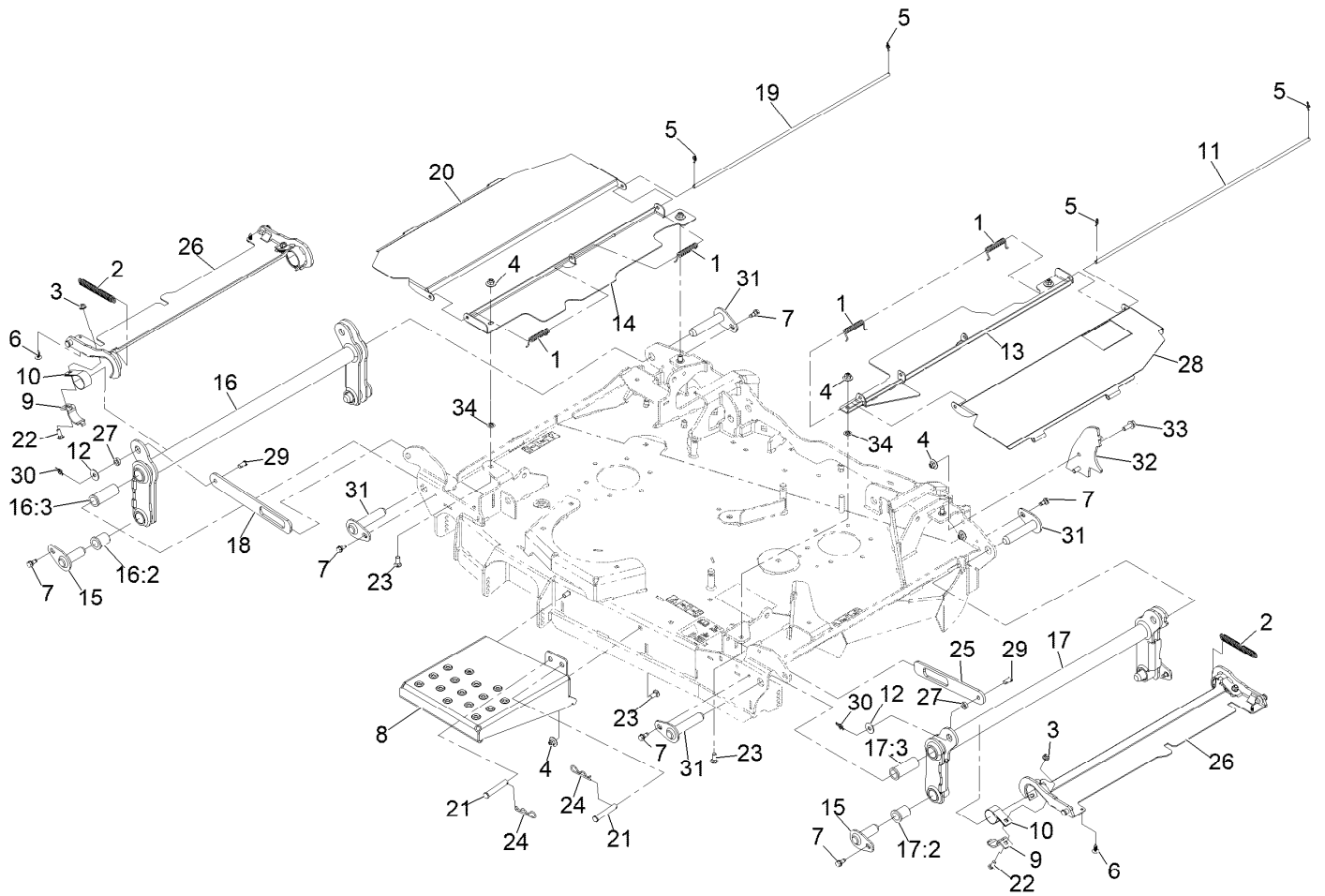
Center Folding Deck Hydraulic Assembly



Center Folding Deck Hydraulic Assembly (continued)

<i>Ref.</i>	<i>Part Number</i>	<i>Qty.</i>	<i>Description</i>	<i>Ref.</i>	<i>Part Number</i>	<i>Qty.</i>	<i>Description</i>
1	142-3999	2	Pin-Cylinder	8	3290-378	2	Tie-Cable
2	115-5300	2	Proximity Switch ASM	9	340-132	4	Fitting-Elbow, 90 DEG
2:1	117-3207	2	Nut-Hex	9:1	237-78	1	O-Ring
2:2	117-3208	2	Washer-Lock, Internal Tooth	9:2	237-21	1	O-Ring
3	142-4002	4	Pin-Locking Cotter	11	142-6609	2	CYL-Deck Fold
5	135-1760	1	Hose ASM	11:2	142-5808	3	Bushing-0.75X1.00X0.50 Long
6	135-1761	1	Hose ASM				
7	142-5437	2	ASM-CYL Pin Base				

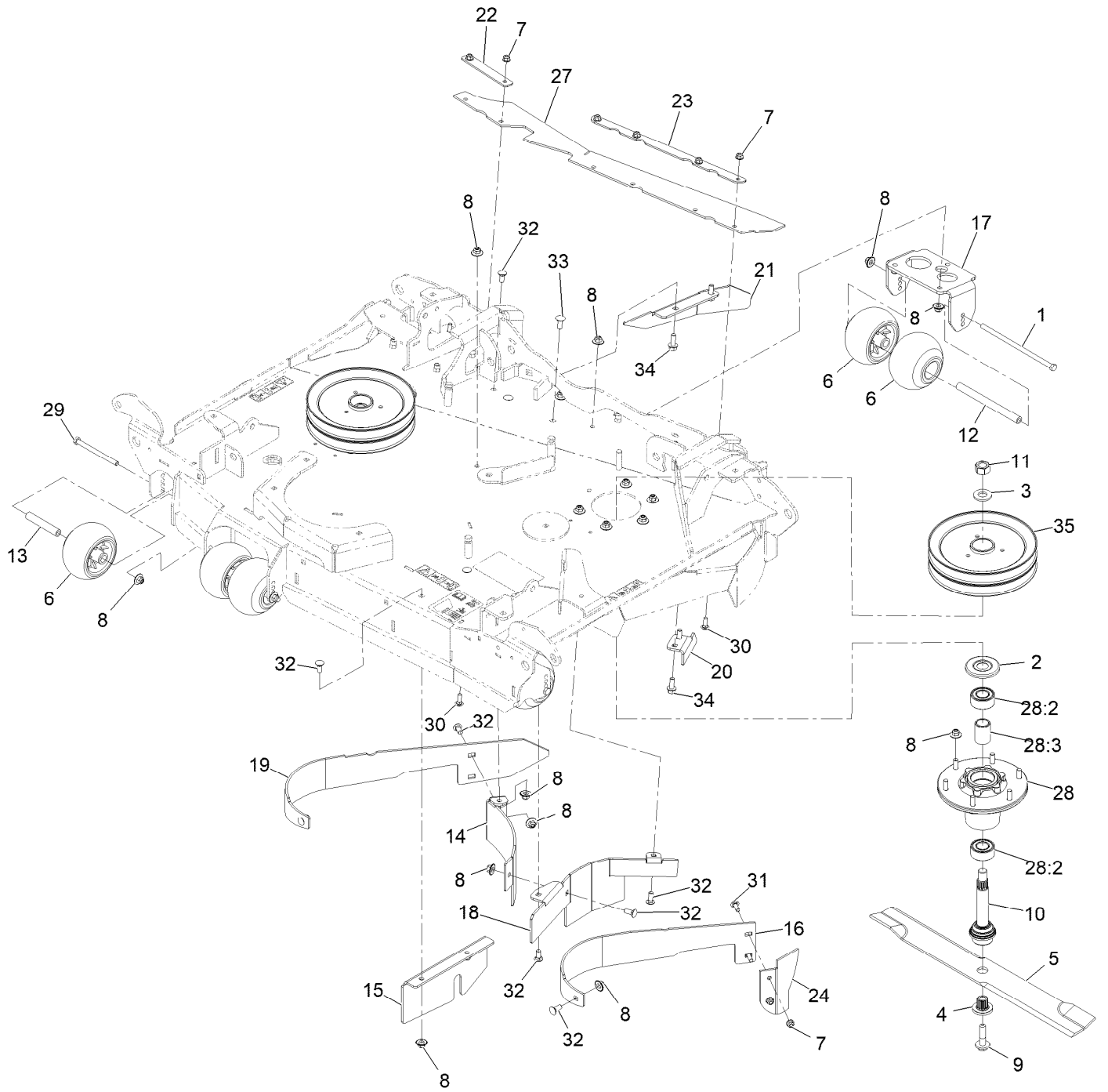
Center Deck Guard Assembly



Center Deck Guard Assembly (continued)

<i>Ref.</i>	<i>Part Number</i>	<i>Qty.</i>	<i>Description</i>	<i>Ref.</i>	<i>Part Number</i>	<i>Qty.</i>	<i>Description</i>
1	99-5293	4	Spring-Torsion	17:2	142-4794	2	Bushing-Flanged
2	103-4813	2	Spring	17:3	142-8114	2	Bushing-Flange
3	104-8300	4	Nut-HF, NI	18	142-6466	1	Strap-RH Flag
4	109-6658	8	Nut-Flange, NI	19	142-2704	1	Rod-Center Cover
5	116-6639	4	Pin-Cotter, Locking	20	142-2706-03	1	Plate-Hinged Cover
6	117-2382	4	Plug-Plastic	21	283-55	2	Pin-Clevis
7	126-4424	8	Screw-Shoulder	22	3230-16	4	Screw-CARR
8	142-7961-03	1	Panel-Step	23	3231-12	6	Bolt-CARR
9	126-9764	4	Plate-Retainer, Bearing	24	3290-355	2	Pin-Hair
10	135-0584	4	Strap-Bearing, Nylon	25	142-6467	1	Strap-LH Flag
11	135-1023	1	Cover-Rod, Pivot	26	142-6649-01	2	ASM-Wing Cover, [red]
12	52-2860	2	Washer	27	142-6724	2	Bushing
13	142-8103-01	1	Shield-LH Center [red]	28	142-8106-03	1	Cover-Hinged, LH [black]
14	135-6566-01	1	Shield-Center, RH	29	283-85	2	Pin-Clevis
15	142-4813	4	ASM-Deck Pin	30	140-9312	2	Pin-Cotter, Locking
16	142-6419	1	ASM-RH Fold Arm	31	142-8450	4	ASM-Deck Pin
16:2	142-4794	2	Bushing-Flanged	32	142-3841-01	1	Bracket-Deck Stop LH
16:3	142-8114	2	Bushing-Flange	33	131-2220	2	Screw-HHF
17	142-6428	1	ASM-LH Fold Arm	34	107-3154	4	Nut-Push

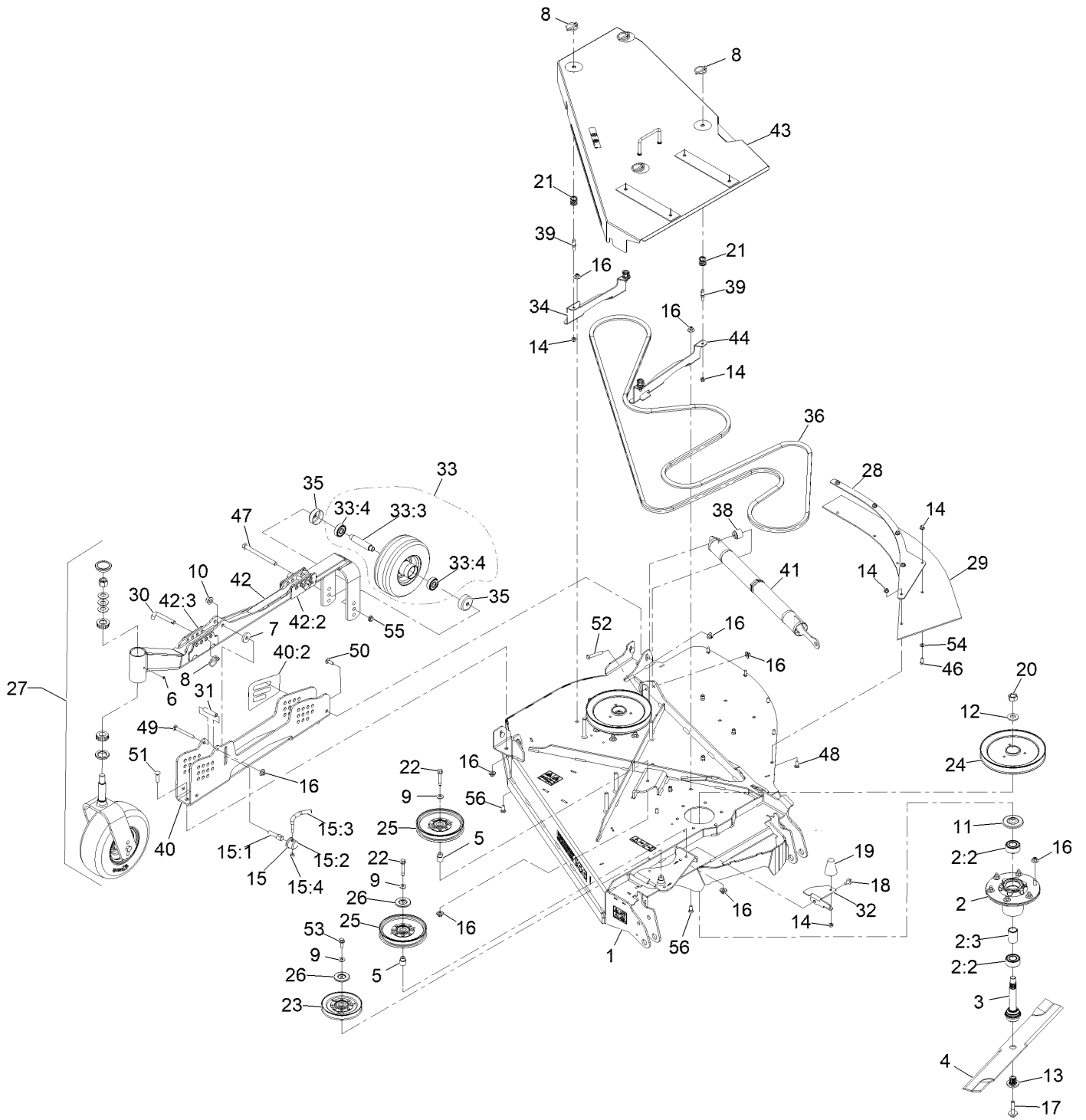
Center Deck Assembly



Center Deck Assembly (continued)

<i>Ref.</i>	<i>Part Number</i>	<i>Qty.</i>	<i>Description</i>	<i>Ref.</i>	<i>Part Number</i>	<i>Qty.</i>	<i>Description</i>
1	99-7203	4	Screw-HH	19	135-2451-01	1	Baffle-Dogleg, Center (RH)
2	103-1330	2	Guard-Bearing Top	20	135-2452-01	1	Baffle-Breaker
3	103-2802	2	Washer-Spring Disc 3/4	21	135-2453-01	1	Plate-Fin, Discharge
4	103-3037	2	Bushing, Splined	22	135-2455-03	1	Support-Flap, LH
5	103-6389	2	Blade, Low Lift	23	135-2457-03	1	Support-Flap, LH
6	103-8415	9	Roller-Anti-Scalp	24	135-2458	1	Guard-Discharge
7	104-8300	8	Nut-Nyloc 5/16-18 Flg	27	135-2618	1	Flap-Discharge
8	109-6658	30	Nut-Nyloc 3/8-16 Flg	28	135-3437	2	ASM-Cutter Hsg
9	109-9220	2	Screw-Sems 1/2-20 X 2.19	28:2	134-6634	2	Bearing-3205 Trashguard
10	116-3341	2	ASM-Spindle And Seal	28:3	135-3440	1	Spacer-Bearing
11	116-7306	2	Nut-Hex 3/4-16 W/Patch	29	323-38	1	Screw-HH 3/8-16 X 4 3/4
12	126-6115	4	Spacer-Wheel	30	3230-16	6	Bolt-Carriage 5/16-18 X 7/8
13	126-7140	1	Spacer-Wheel, Short	31	3230-22	2	Bolt-Carriage 5/16-18 X 1 Sp
14	135-0601-01	1	Baffle-Center, Rear (RH)	32	3231-12	10	Bolt-Carriage 3/8-16 X 7/8
15	135-0603-01	1	Plate-Block, Front	33	3231-2	2	Bolt-Carriage 3/8-16 X 1
16	135-0792-01	1	Baffle-Dogleg, Center (LH)	34	3234-11	7	Screw-HH Flg 3/8-16 X 1
17	135-1036-01	1	Bracket-Antiscalp, Rear	35	126-6634	2	Sheave-Double
18	135-1827-01	1	Baffle-Center				

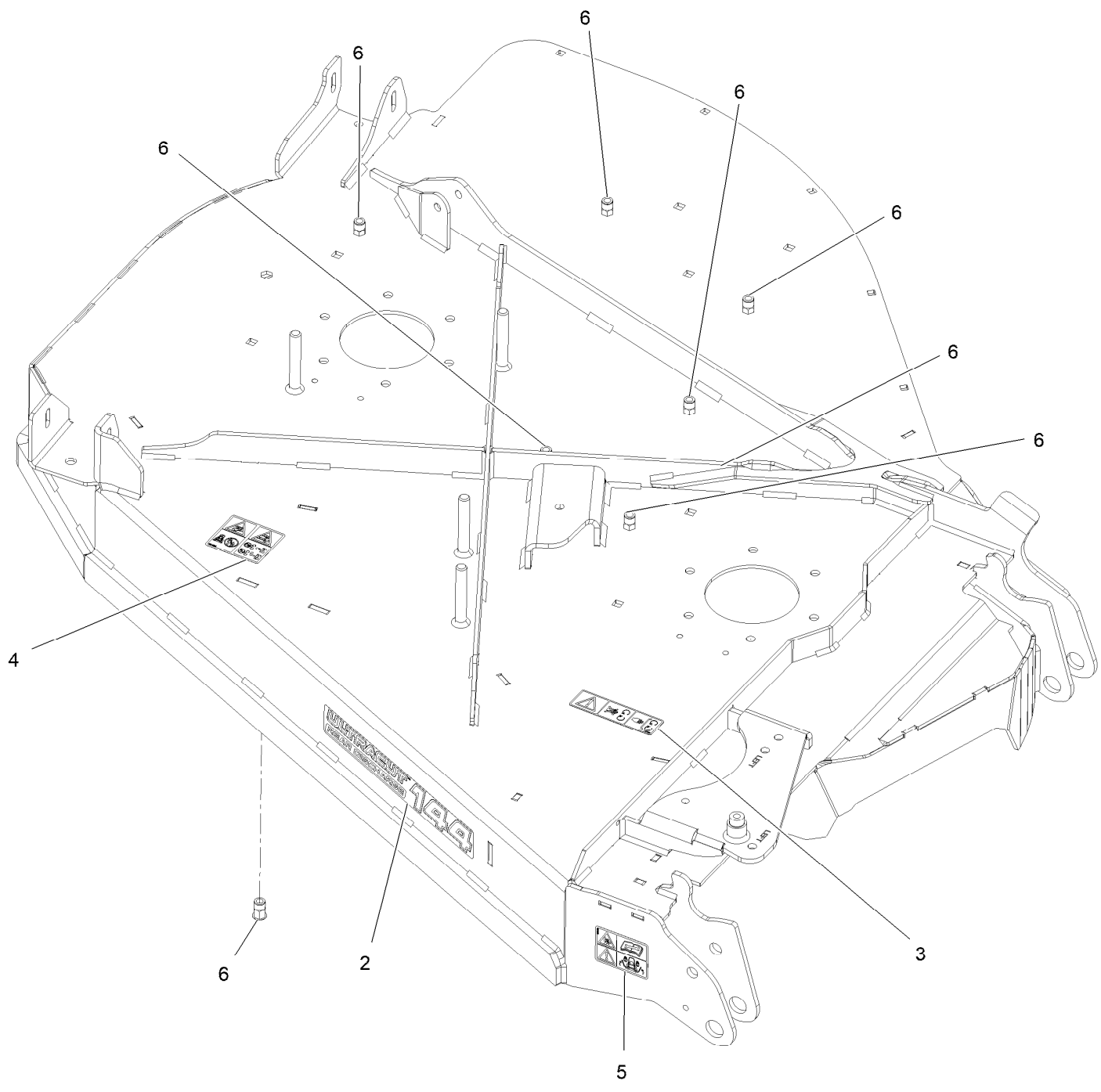
RH Wing Deck Assembly



RH Wing Deck Assembly (continued)

<i>Ref.</i>	<i>Part Number</i>	<i>Qty.</i>	<i>Description</i>	<i>Ref.</i>	<i>Part Number</i>	<i>Qty.</i>	<i>Description</i>
1	142-5416	1	ASM-RH Wing Deck 144	29	142-8323	1	Guard-RH Rear Wing
2	135-3437	2	ASM-Cutter Hsg	30	135-2073	2	Pin-HOC
2:2	134-6634	2	Bearing-3205 Trashguard	31	135-2424	1	Spacer
2:3	135-3440	1	Spacer-Bearing	32	135-2611-01	1	Bracket-Retainer, Cover
3	116-3341	2	ASM-Spindle And Seal	33	135-2642	1	Wheel And Tire ASM
4	103-6389	2	Blade, Low Lift	33:3	126-7904	1	Axle-Caster
5	1-633456	2	Bushing, Idler	33:4	116-4004	2	Bearing
6	1-811010	1	Plug	34	135-2653-03	1	Bracket-Shield Mount, Outer
7	30-8770	1	Washer	35	135-3218	2	Guard, Seal
8	92-1298	6	Pin-Lynch	36	135-5774	1	Belt,V-5V-198.75
9	98-5975	3	Washer-Spring Disc 3/8	38	135-7307	1	Bushing-Lift Spring
10	99-5107	1	Nut-Lock 1/2-13	39	135-7455	4	Pin, Spring
11	103-1330	2	Guard-Bearing Top	40	142-4470	1	ASM-Channel, HOC RH W/Decals
12	103-2802	2	Washer-Spring Disc 3/4	40:2	126-8760	2	Decal-HOC, RH
13	103-3037	2	Bushing, Splined	41	142-6483	1	ASM-Weight-Transfer-Spring
14	104-8300	11	Nut-Nyloc 5/16-18 Flg	42	142-6581	1	ASM-RH Gauge Wheel Arm
15	107-1664	1	Lever ASM	42:2	142-3501	2	Plate-Guide, Rear
15:1	106-3239	1	Screw-Lock	42:3	142-3592	2	Plate-Guide, Front
15:2	107-1644	1	Cap-Lock	43	142-6633	1	ASM-Belt Shield RH
15:3	106-3241	1	Lever-Lock	44	142-6636-03	1	Bracket-Shield Mount, Right Long
15:4	3296-29	1	Nut-Nyloc 5/16-18	46	322-3	1	Screw-HH 5/16-18 X 3/4
16	109-6658	26	Nut-Nyloc 3/8-16 Flg	47	325-20	1	Screw-HH 1/2-13 X 6
17	109-9220	2	Screw-Sems 1/2-20 X 2.19	48	3230-16	5	Screw-CARR
18	110-9380	1	Screw-HWH 3/8-16 X 3/4 Tf	49	3231-11	1	Bolt-Carriage 3/8-16 X 3 1/2
19	114-1925	1	Bumper-Rubber	50	3231-2	4	Bolt-Carriage 3/8-16 X 1
20	116-7306	2	Nut-Hex 3/4-16 W/Patch	51	3231-4	2	Bolt-Carriage 3/8-16 X 1 1/2
21	126-1503	4	Spring	52	323-11	1	Screw-HH 3/8-16 X 2 1/4
22	126-2956	2	Screw-HHF 3/8-16 X 2 1/4	53	3234-42	1	Screw HHF 3/8-16 X 1
23	126-2960	1	Idler-V	54	3256-23	1	Washer-5/16 SAE
24	126-6635	2	Sheave-Single 96Rd	55	3296-45	1	Nut-Nyloc 1/2-13 Thin
25	126-7685	2	Idler-Pulley	56	3231-12	4	Bolt-Carriage 3/8-16 X 7/8
26	126-8043	3	Shield-Dust				
27	126-9405	1	ASM-Caster,11"tire				
28	142-8360-03	1	Support-RH Rear Guard				

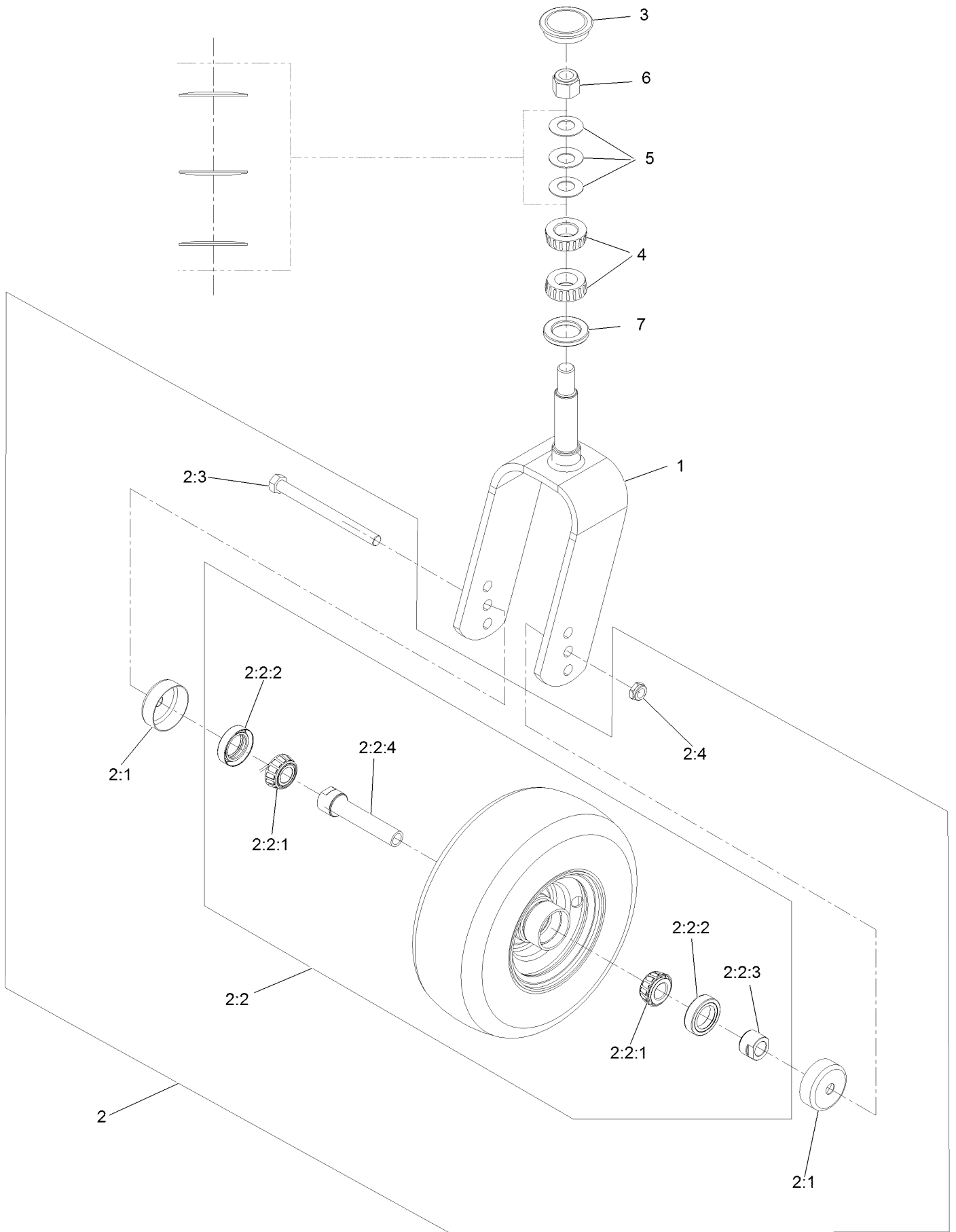
RH Wing Deck W/Decals Assembly



RH Wing Deck W/Decals Assembly (continued)

<i>Ref.</i>	<i>Part Number</i>	<i>Qty.</i>	<i>Description</i>	<i>Ref.</i>	<i>Part Number</i>	<i>Qty.</i>	<i>Description</i>
2	142-4348	1	Decal-Ultracut 144	5	135-0670	1	Decal-Warning, Pinch Point
3	112-9028	1	Decal-Cover, Missing	6	135-7200	8	Nut-Clinch,Hex
4	135-0664	1	Decal-Danger, Thrown Object				

Caster Tire Assembly

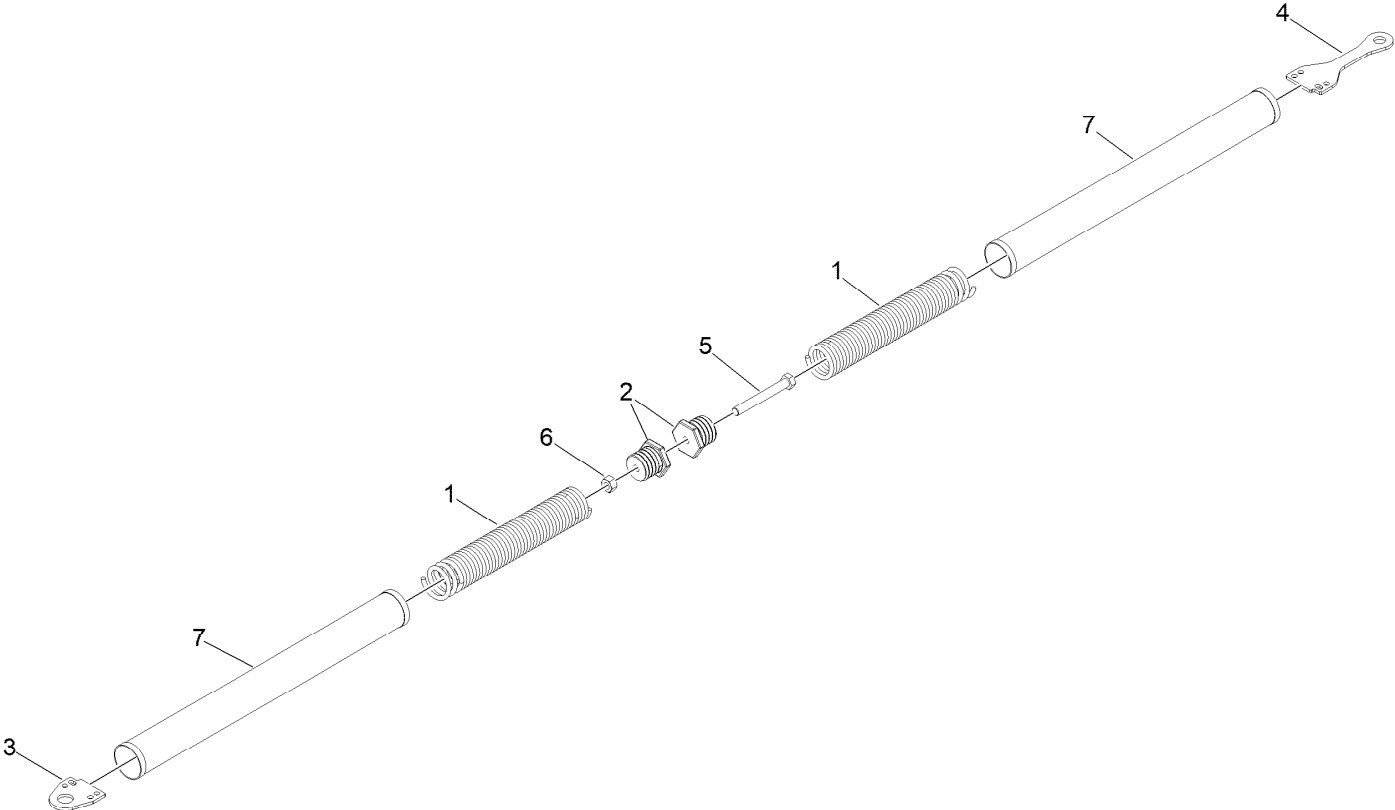


Caster Tire Assembly (continued)

<i>Ref.</i>	<i>Part Number</i>	<i>Qty.</i>	<i>Description</i>	<i>Ref.</i>	<i>Part Number</i>	<i>Qty.</i>	<i>Description</i>
1	135-3794-01	1	Fork-Caster	2:3	325-20	1	Screw-HH
2	109-3524	1	Asm, Wheel And Bearings	2:4	3296-45	1	Nut-Hex
2:1	103-2768	2	Guard-Seal	3	103-4882	1	Cap-Grease
2:2		1	Wheel And Bearing ASM ●	4	1-543509	2	Bearing-Roller, Tapered
2:2:1	1-633585	2	Bearing-Cone, Taper	5	1-633508	3	Washer-Bellville
2:2:2	103-0063	2	Seal-Caster	6	3296-51	1	Nut-Lock, NI
2:2:3	103-3051	1	Spacer-Nut	7	1-543511	1	Seal-Grease
2:2:4	126-5359	1	Caster Axle ASM				

● Not serviced separately

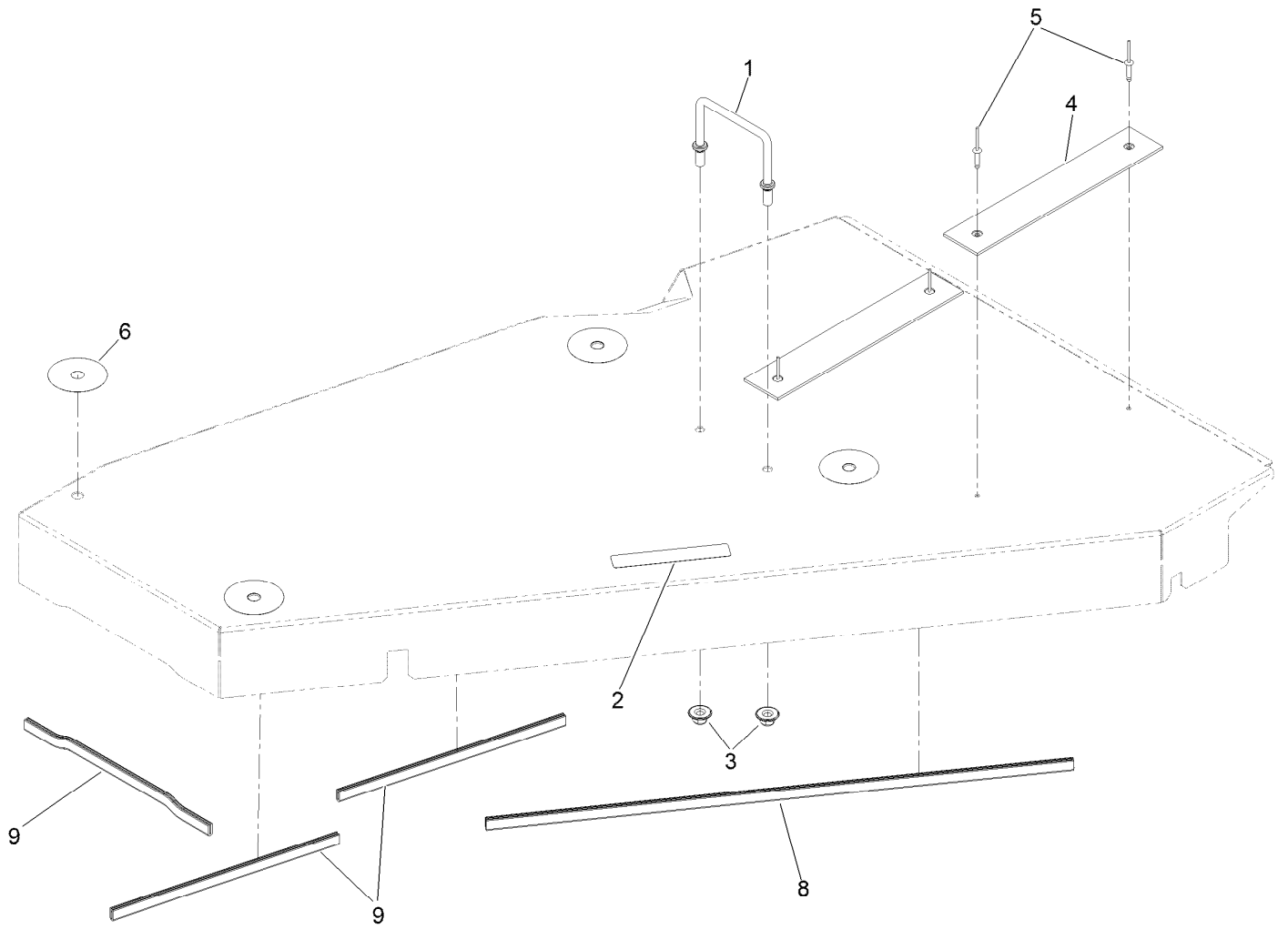
Weight Transfer Spring Assembly No 142-6483



Weight Transfer Spring Assembly No 142-6483 (continued)

<i>Ref.</i>	<i>Part Number</i>	<i>Qty.</i>	<i>Description</i>	<i>Ref.</i>	<i>Part Number</i>	<i>Qty.</i>	<i>Description</i>
1	103-4281	2	Spring-Extension	5	116-3114	1	Bolt-TAP
2	103-3772	2	Plug-Adjuster, Spring	6	3217-9	1	Nut-Hex 1/2-13
3	126-7579	1	Plate-Spring Eye	7	103-7971	2	Cover-Spring, Deck
4	142-6482	1	Spring-Tab				

RH Belt Shield Assembly No. 142-6633

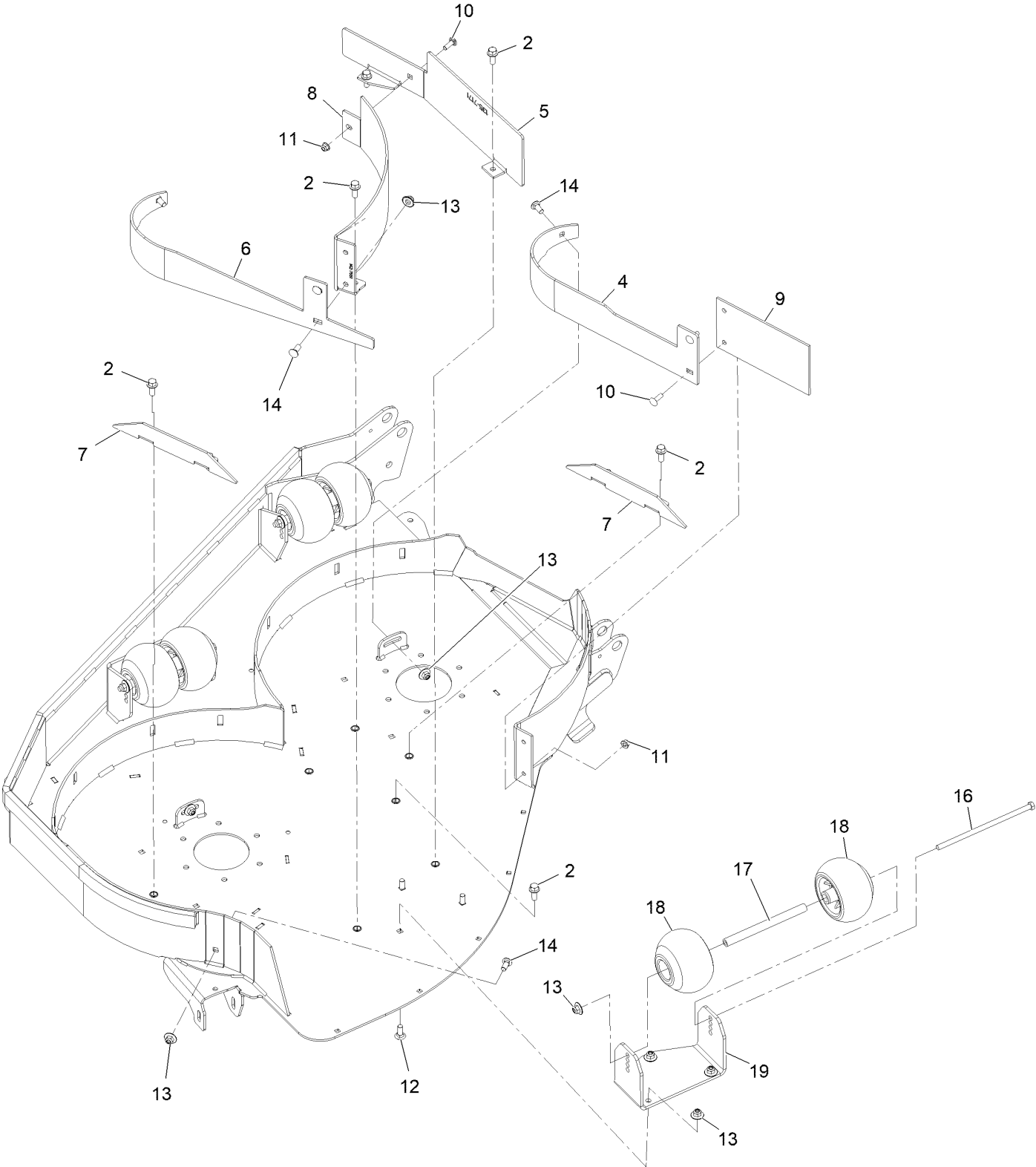


RH Belt Shield Assembly No. 142-6633 (continued)

<i>Ref.</i>	<i>Part Number</i>	<i>Qty.</i>	<i>Description</i>
1	109-6982	1	Wireform-Cover
2	93-6687	1	Decal-No Step
3	109-6658	2	Nut-Nyloc 3/8-16 Flg
4	135-6706	2	Plate

<i>Ref.</i>	<i>Part Number</i>	<i>Qty.</i>	<i>Description</i>
5	133-7130	4	Rivet-Pop
6	135-3165	4	Decal-Cover, Scratch
8	142-6628	1	Guard Edge
9	142-6629	2	Guard-Edge

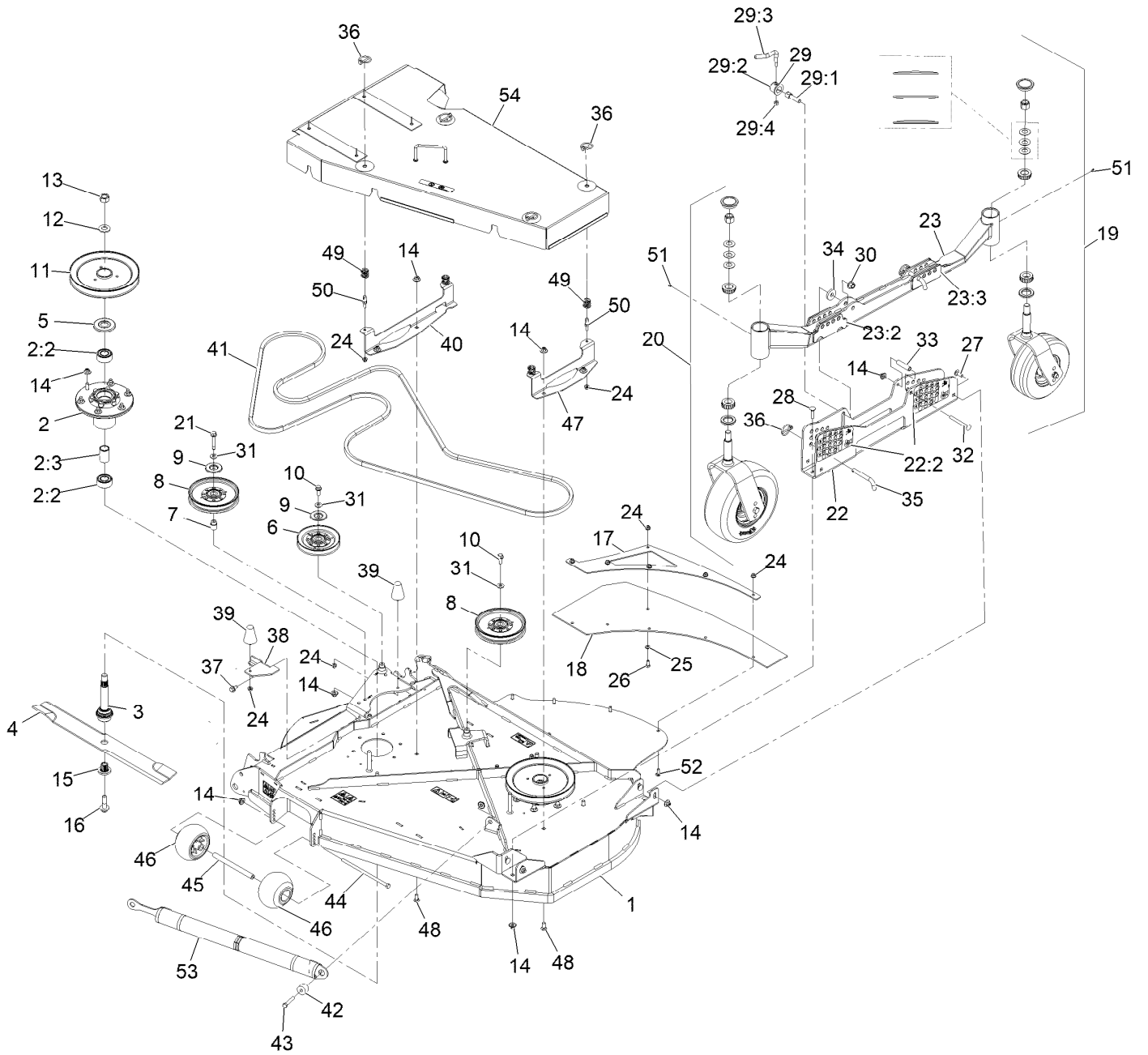
RH Wing Deck W/Baffles Assembly



RH Wing Deck W/Baffles Assembly (continued)

<i>Ref.</i>	<i>Part Number</i>	<i>Qty.</i>	<i>Description</i>	<i>Ref.</i>	<i>Part Number</i>	<i>Qty.</i>	<i>Description</i>
2	3234-11	8	Screw-HH Flg 3/8-16 X 1	11	104-8300	2	Nut-Nyloc 5/16-18 Flg
4	135-0795-01	1	Baffle-Dogleg, RH	12	3231-2	3	Bolt-Carriage 3/8-16 X 1
5	135-7171-01	1	Baffle-Ctr	13	109-6658	12	Nut-Nyloc 3/8-16 Flg
6	135-7274-01	1	Baffle-Dogleg, Outside	14	3231-12	6	Bolt-CARR
7	142-2405-01	2	Plate-Baffle Straight RH	16	99-7203	3	Screw-HH
8	142-7551-01	1	Baffle-Wing Rear Center	17	126-6115	3	Spacer-Wheel
9	135-0091	1	Flap-Rubber	18	103-8415	6	Roller-Anti-Scalp
10	3230-22	2	Bolt-Carriage 5/16-18 X 1 Sp	19	142-7550-01	1	Plate-Rear As Bracket

LH Wing Deck Assembly

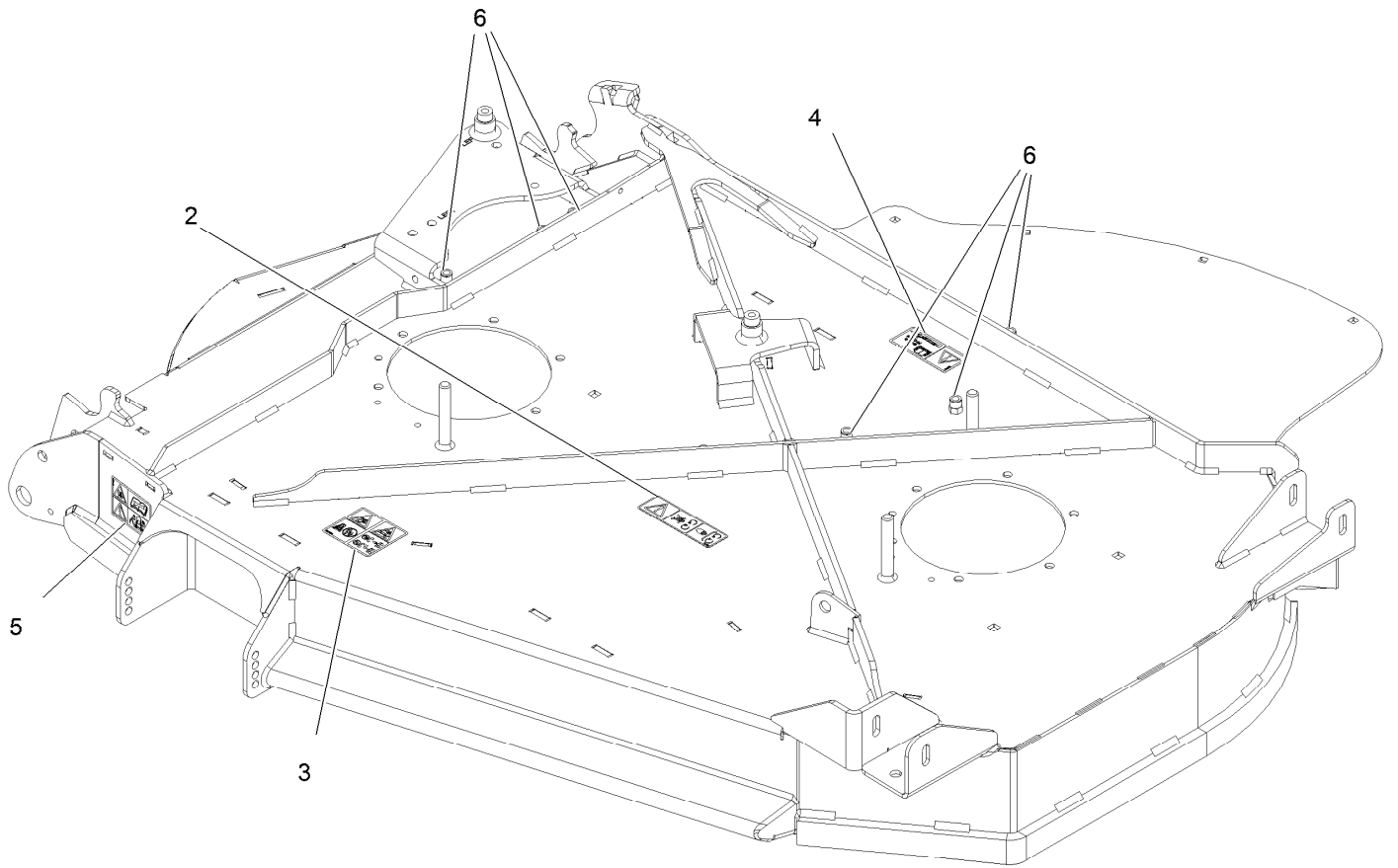


LH Wing Deck Assembly (continued)

<i>Ref.</i>	<i>Part Number</i>	<i>Qty.</i>	<i>Description</i>	<i>Ref.</i>	<i>Part Number</i>	<i>Qty.</i>	<i>Description</i>
1	142-5412	1	ASM-LH Wing Deck 144	28	3231-4	2	Bolt-Carriage 3/8-16 X 1 1/2
2	135-3437	2	ASM-Cutter Hsg	29	107-1664	1	Lever ASM
2:2	134-6634	2	Bearing-3205 Trashguard	29:1	106-3239	1	Screw-Lock
2:3	135-3440	1	Spacer-Bearing	29:2	107-1644	1	Cap-Lock
3	116-3341	2	ASM-Spindle And Seal	29:3	106-3241	1	Lever-Lock
4	103-6389	2	Blade, Low Lift	29:4	3296-29	1	Nut-Nyloc 5/16-18
5	103-1330	2	Guard-Bearing Top	30	99-5107	1	Nut-Lock 1/2-13
6	126-2960	1	Idler-V	31	98-5975	3	Washer-Spring Disc 3/8
7	1-633456	1	Bushing, Idler	32	3231-11	1	Bolt-Carriage 3/8-16 X 3 1/2
8	126-7685	2	Idler-Pulley	33	135-2424	1	Spacer
9	126-8043	3	Shield-Dust	34	30-8770	1	Washer
10	3234-42	2	Screw HHF 3/8-16 X 1	35	135-2073	2	Pin-HOC
11	126-6635	2	Sheave-Single 96Rd	36	92-1298	6	Pin-Lynch
12	103-2802	2	Washer-Spring Disc 3/4	37	110-9380	1	Screw-HWH 3/8-16 X 3/4 Tf
13	116-7306	2	Nut-Hex 3/4-16 W/Patch	38	135-2611-01	1	Bracket-Retainer, Cover
14	109-6658	26	Nut-Nyloc 3/8-16 Flg	39	114-1925	2	Bumper-Rubber
15	103-3037	2	Bushing, Splined	40	142-6627-03	1	Bracket-Shield Mount, Outer Long
16	109-9220	2	Screw-Sems 1/2-20 X 2.19	41	135-5775	1	Belt
17	142-8359-03	1	Support-LH Rear Guard	42	135-7307	1	Bushing-Lift Spring
18	142-8358	1	Guard-LH Rear Wing	43	323-11	1	Screw-HH 3/8-16 X 2 1/4
19		1	Caster/Wheel ASM ●	44	99-7203	1	Screw-HH
20		1	ASM-Caster, 11"tire ●	45	126-6115	1	Spacer-Wheel
21	126-2956	1	Screw-HHF 3/8-16 X 2 1/4	46	103-8415	2	Roller-Anti-Scalp
22	142-4241	1	ASM-Channel, HOC LH	47	135-2653-03	1	Bracket-Shield Mount, Outer
22:2	126-8597	2	Decal-HOC, LH	48	3231-12	4	Bolt-Carriage 3/8-16 X 7/8
23	142-6582	1	ASM-LH Gauge Wheel Arm	49	126-1503	4	Spring
23:2	142-3592	2	Plate-Guide, Front	50	135-7455	4	Pin, Spring
23:3	142-3501	2	Plate-Guide, Rear	51	1-811010	2	Plug
24	104-8300	12	Nut-Nyloc 5/16-18 Flg	52	3230-16	5	Screw-CARR
25	3256-23	1	Washer-5/16 SAE	53	142-6483	1	ASM-Weight-Transfer-Spring
26	322-3	1	Screw-HH 5/16-18 X 3/4	54	142-6623	1	ASM-Belt Shield
27	3231-2	4	Bolt-Carriage 3/8-16 X 1				

● Not serviced separately

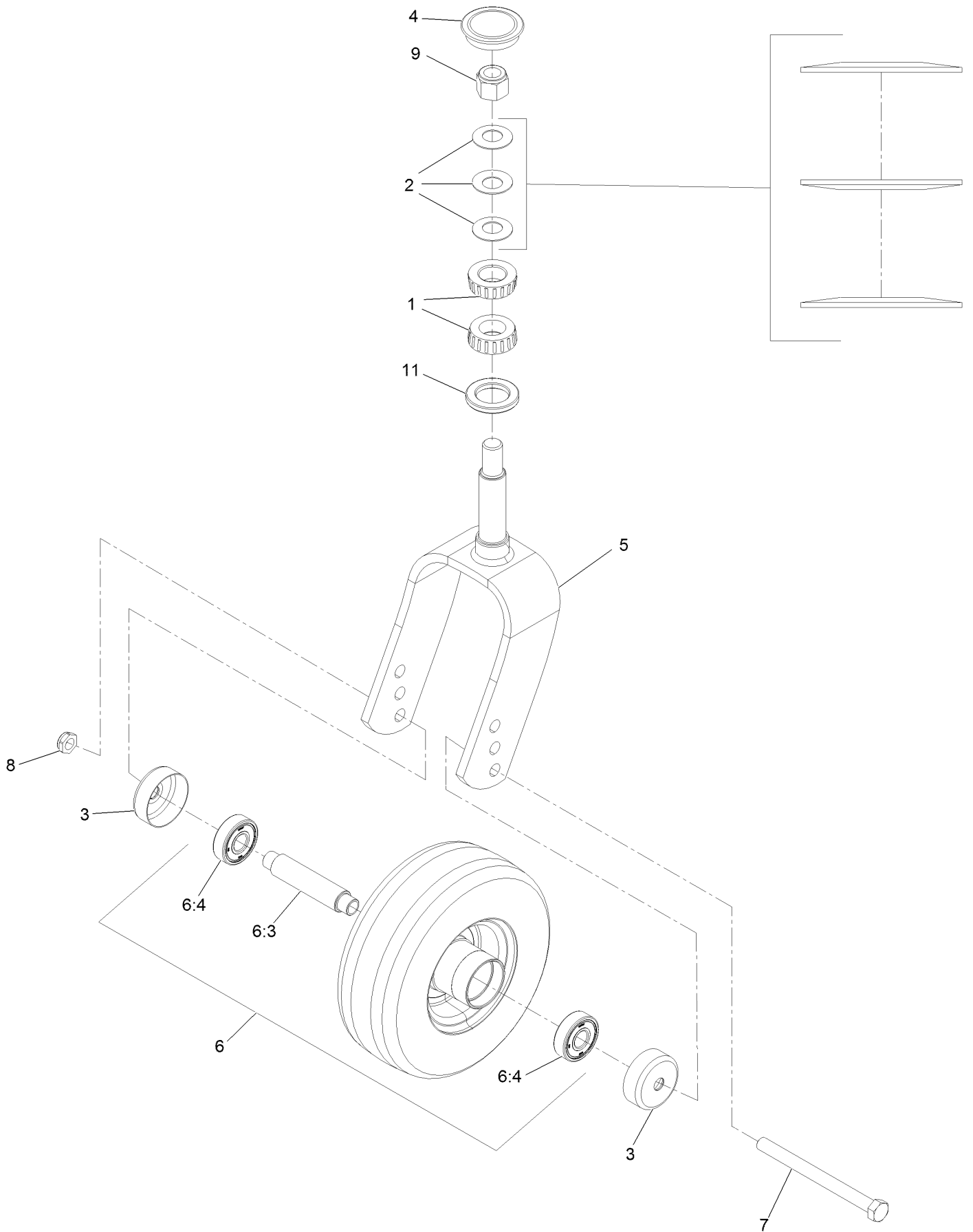
LH Wing Deck W/Decals Assembly



LH Wing Deck W/Decals Assembly (continued)

<i>Ref.</i>	<i>Part Number</i>	<i>Qty.</i>	<i>Description</i>	<i>Ref.</i>	<i>Part Number</i>	<i>Qty.</i>	<i>Description</i>
2	112-9028	1	Decal-Cover, Missing	4	116-8283	1	Decal-Torque, Bolt
3	135-0664	1	Decal-Danger, Thrown Object	5	135-0670	1	Decal-Warning, Pinch Point
				6	135-7200	6	Nut-Clinch,Hex

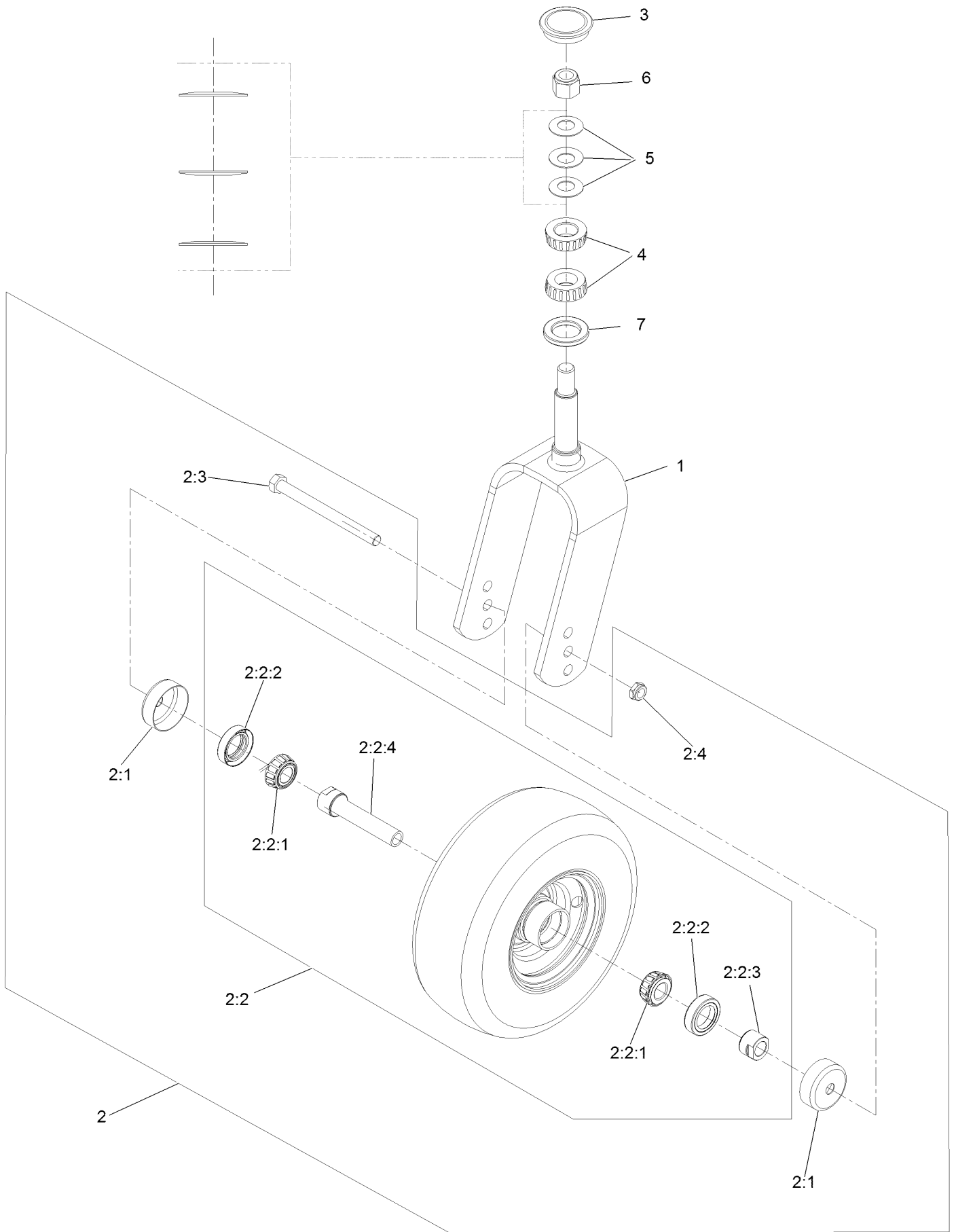
LH Deck Rear Caster Wheel and Fork Assembly



LH Deck Rear Caster Wheel and Fork Assembly (continued)

<i>Ref.</i>	<i>Part Number</i>	<i>Qty.</i>	<i>Description</i>	<i>Ref.</i>	<i>Part Number</i>	<i>Qty.</i>	<i>Description</i>
1	1-543509	2	Cone-Bearing Tapered Roller	6:3	126-7904	1	Axle-Caster
2	1-633508	3	Washer-Spring Disc	6:4	116-4004	2	Bearing
3	135-3218	2	Guard, Seal	7	325-20	1	Screw-HH 1/2-13 X 6
4	103-4882	1	Cap-Grease	8	3296-45	1	Nut-Nyloc 1/2-13 Thin
5	135-3793-01	1	Fork-Caster	9	3296-51	1	Nut-Nyloc 3/4-10
6	135-2642	1	Wheel And Tire ASM	11	1-543511	1	Seal-Grease

Caster Tire Assembly

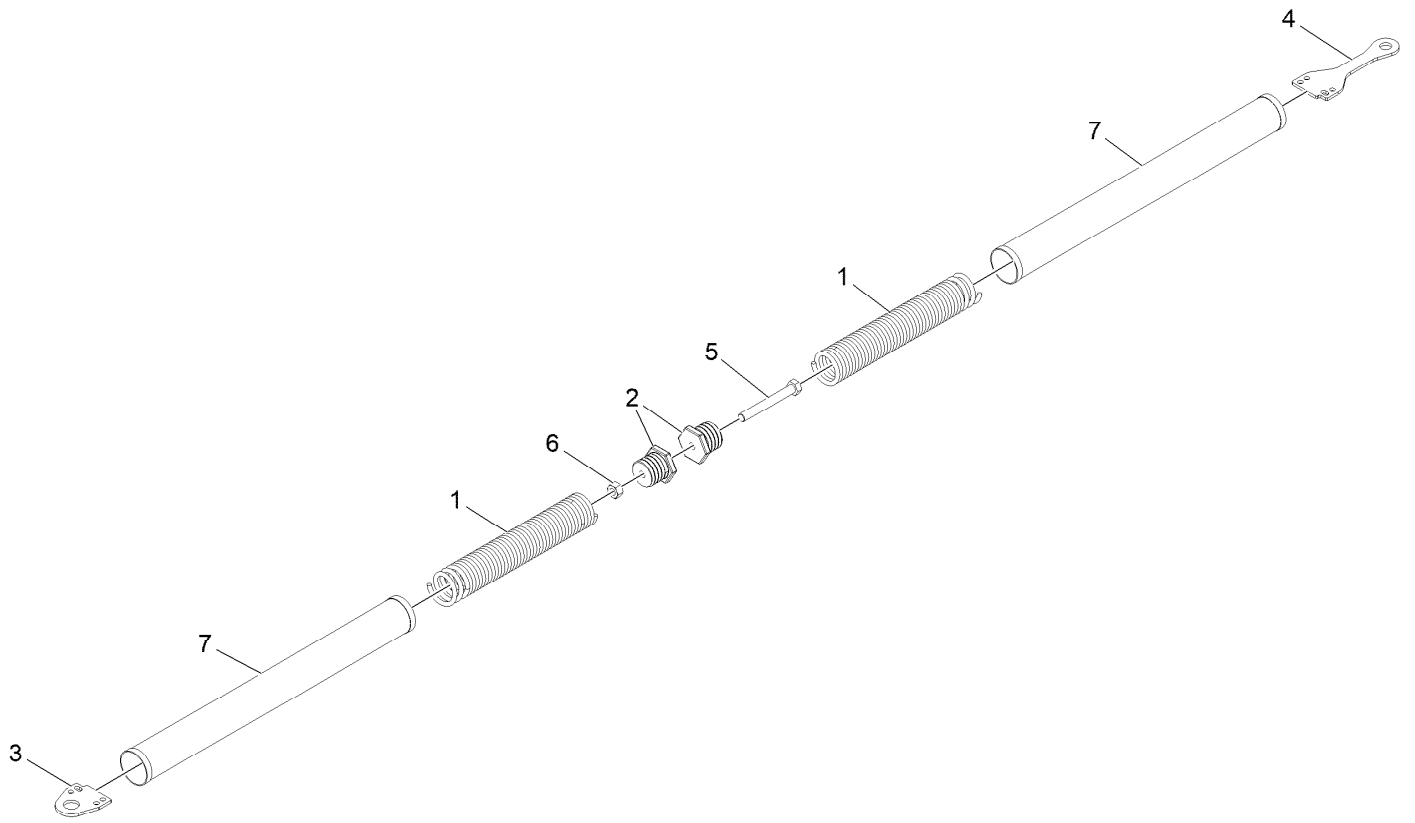


Caster Tire Assembly (continued)

<i>Ref.</i>	<i>Part Number</i>	<i>Qty.</i>	<i>Description</i>	<i>Ref.</i>	<i>Part Number</i>	<i>Qty.</i>	<i>Description</i>
1	135-3794-01	1	Fork-Caster	2:3	325-20	1	Screw-HH
2	109-3524	1	Asm, Wheel And Bearings	2:4	3296-45	1	Nut-Hex
2:1	103-2768	2	Guard-Seal	3	103-4882	1	Cap-Grease
2:2		1	Wheel And Bearing ASM ●	4	1-543509	2	Bearing-Roller, Tapered
2:2:1	1-633585	2	Bearing-Cone, Taper	5	1-633508	3	Washer-Bellville
2:2:2	103-0063	2	Seal-Caster	6	3296-51	1	Nut-Lock, NI
2:2:3	103-3051	1	Spacer-Nut	7	1-543511	1	Seal-Grease
2:2:4	126-5359	1	Caster Axle ASM				

● Not serviced separately

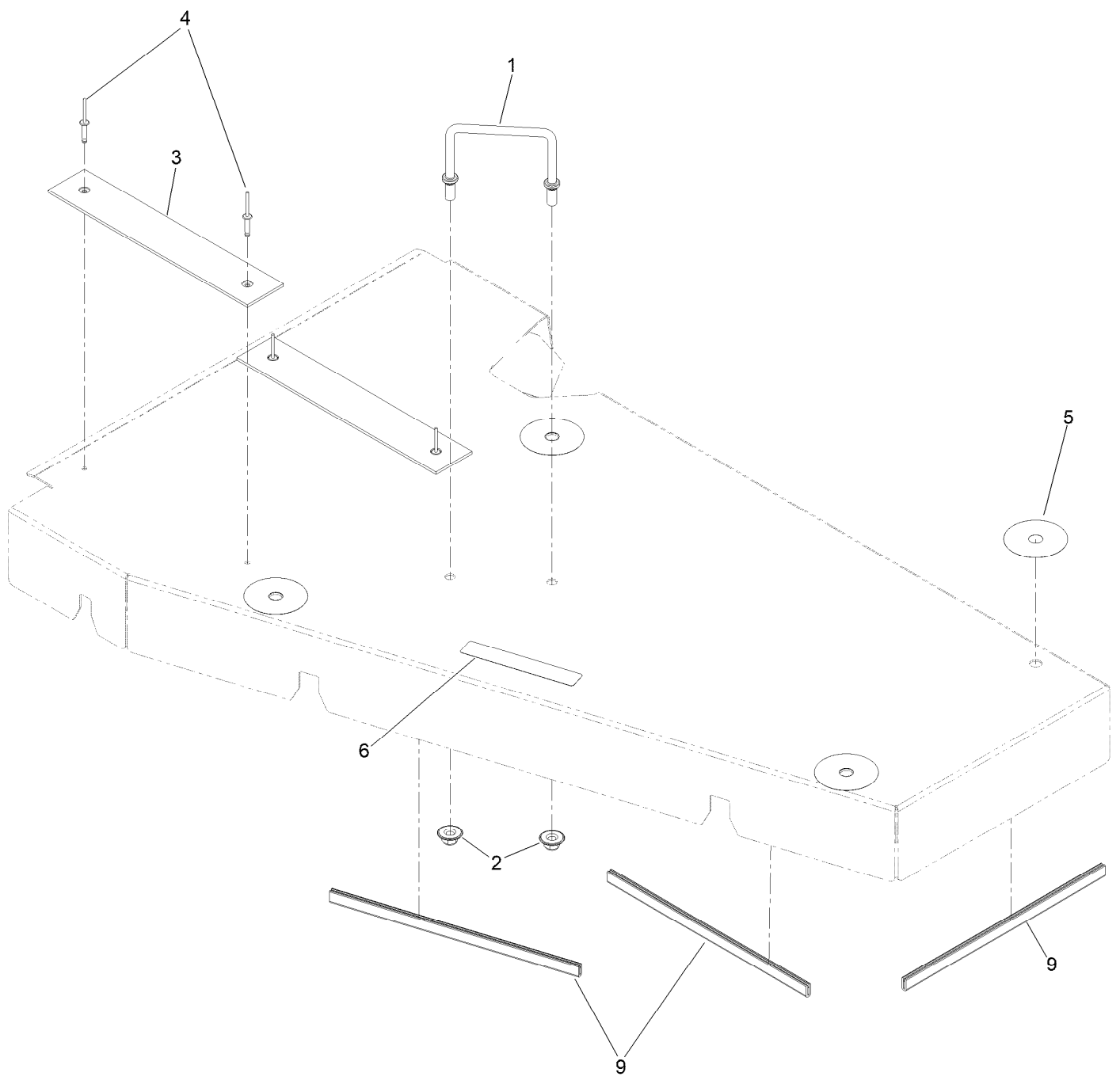
Weight Transfer Spring Assembly



Weight Transfer Spring Assembly (continued)

<i>Ref.</i>	<i>Part Number</i>	<i>Qty.</i>	<i>Description</i>	<i>Ref.</i>	<i>Part Number</i>	<i>Qty.</i>	<i>Description</i>
1	103-4281	2	Spring-Extension	5	116-3114	1	Bolt-TAP
2	103-3772	2	Plug-Adjuster, Spring	6	3217-9	1	Nut-Hex 1/2-13
3	126-7579	1	Plate-Spring Eye	7	103-7971	2	Cover-Spring, Deck
4	142-6482	1	Spring-Tab				

LH Belt Shield Assembly No. 142-6623

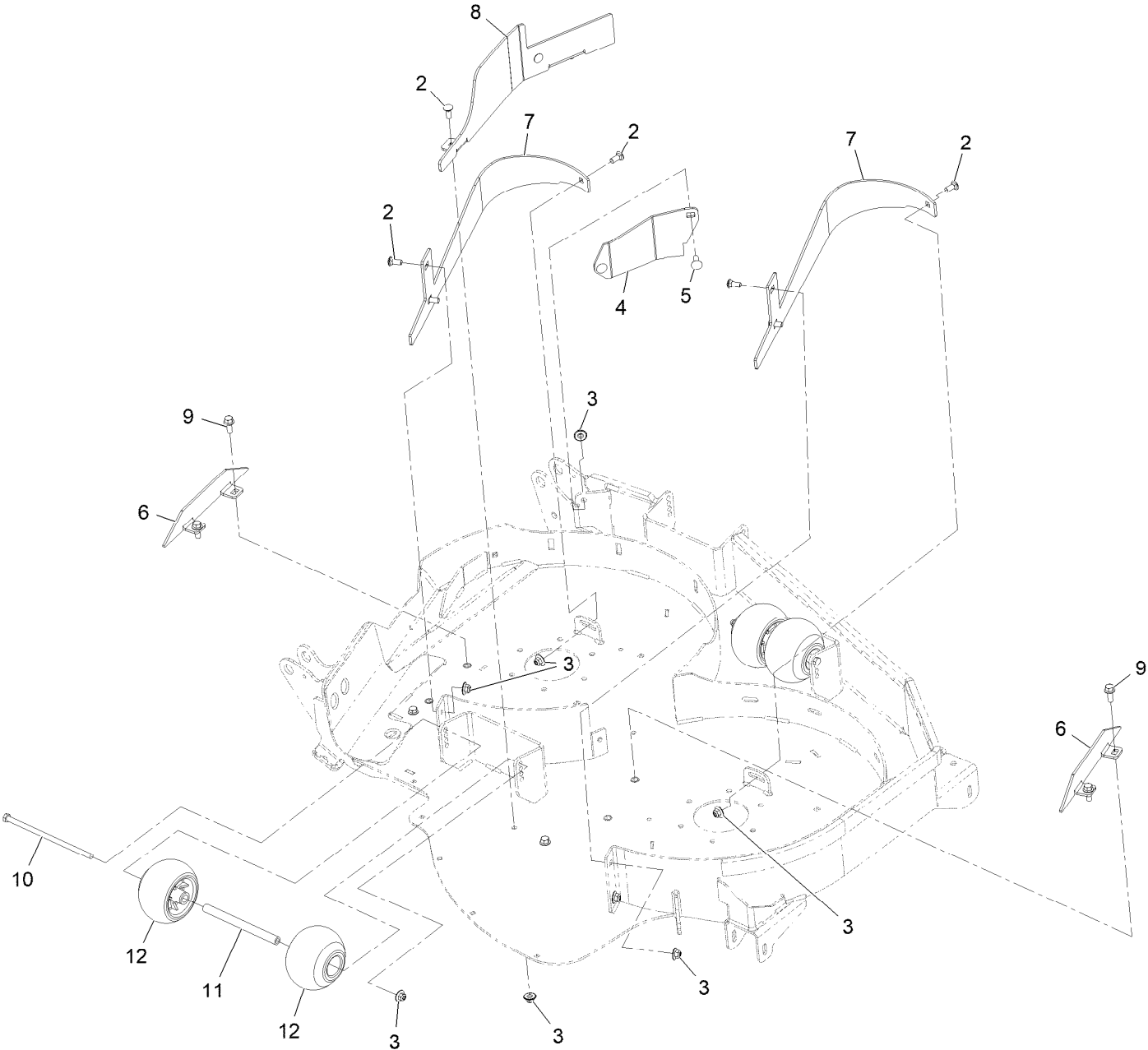


LH Belt Shield Assembly No. 142-6623 (continued)

<i>Ref.</i>	<i>Part Number</i>	<i>Qty.</i>	<i>Description</i>
1	109-6982	1	Wireform-Cover
2	109-6658	2	Nut-Nyloc 3/8-16 Flg
3	135-6706	2	Plate
4	133-7130	4	Rivet-Pop

<i>Ref.</i>	<i>Part Number</i>	<i>Qty.</i>	<i>Description</i>
5	135-3165	4	Decal-Cover, Scratch
6	93-6687	1	Decal-No Step
9	142-6629	3	Guard-Edge

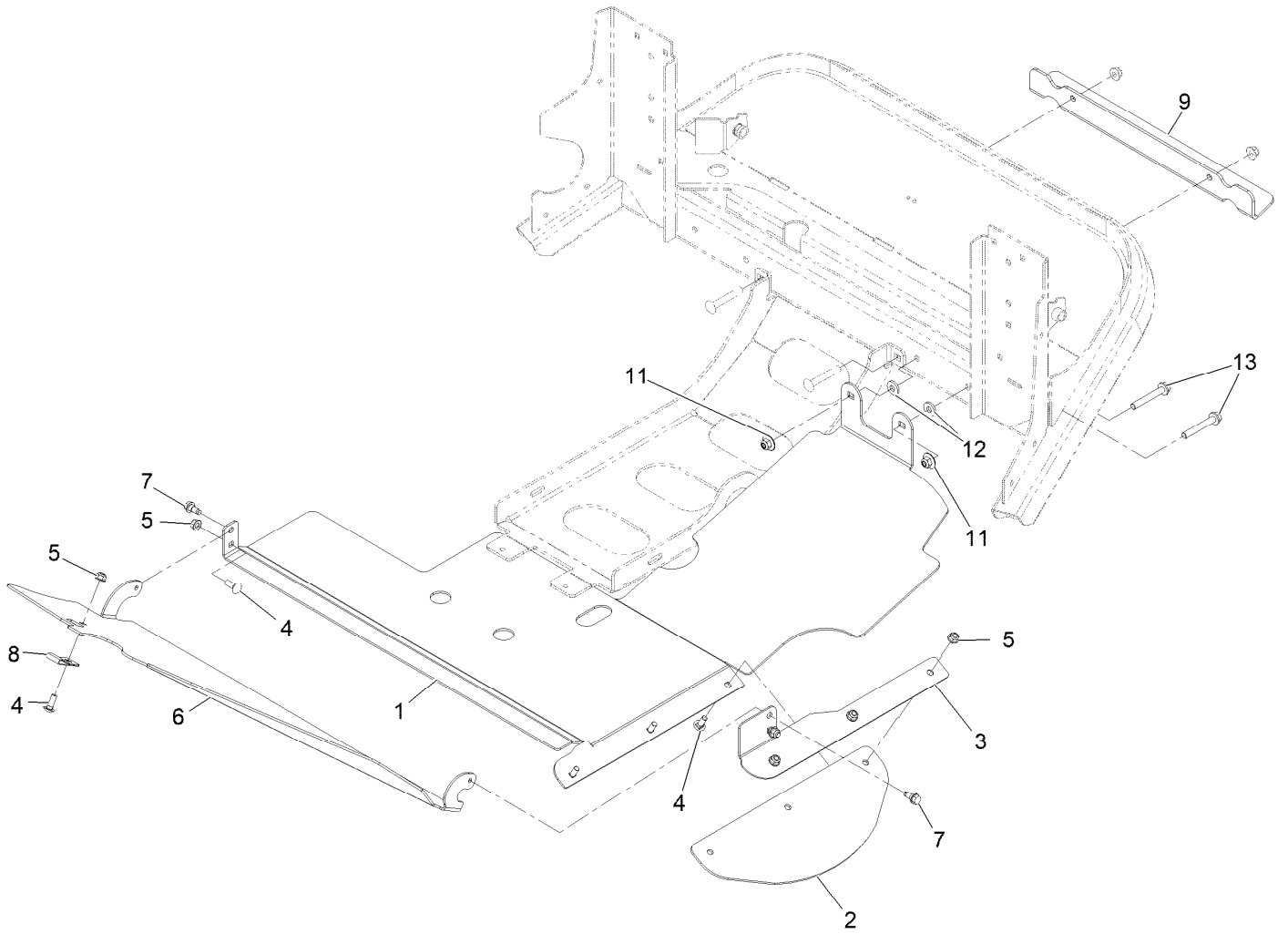
LH Deck W/Baffles Assembly



LH Deck W/Baffles Assembly (continued)

<i>Ref.</i>	<i>Part Number</i>	<i>Qty.</i>	<i>Description</i>	<i>Ref.</i>	<i>Part Number</i>	<i>Qty.</i>	<i>Description</i>
2	3231-12	9	Bolt-Carriage 3/8-16 X 7/8	8	135-7653-01	1	Baffle-Center, LH
3	109-6658	13	Nut-Nyloc 3/8-16 Flg	9	3234-11	6	Screw-HH Flg 3/8-16 X 1
4	126-9757-01	1	Plate-Fill	10	99-7203	2	Screw-HH
5	3231-2	2	Bolt-Carriage 3/8-16 X 1	11	126-6115	2	Spacer-Wheel
6	142-2405-01	2	Plate-Baffle Straight RH	12	103-8415	4	Roller-Anti-Scalp
7	135-7274-01	2	Baffle-Dogleg, Outside				

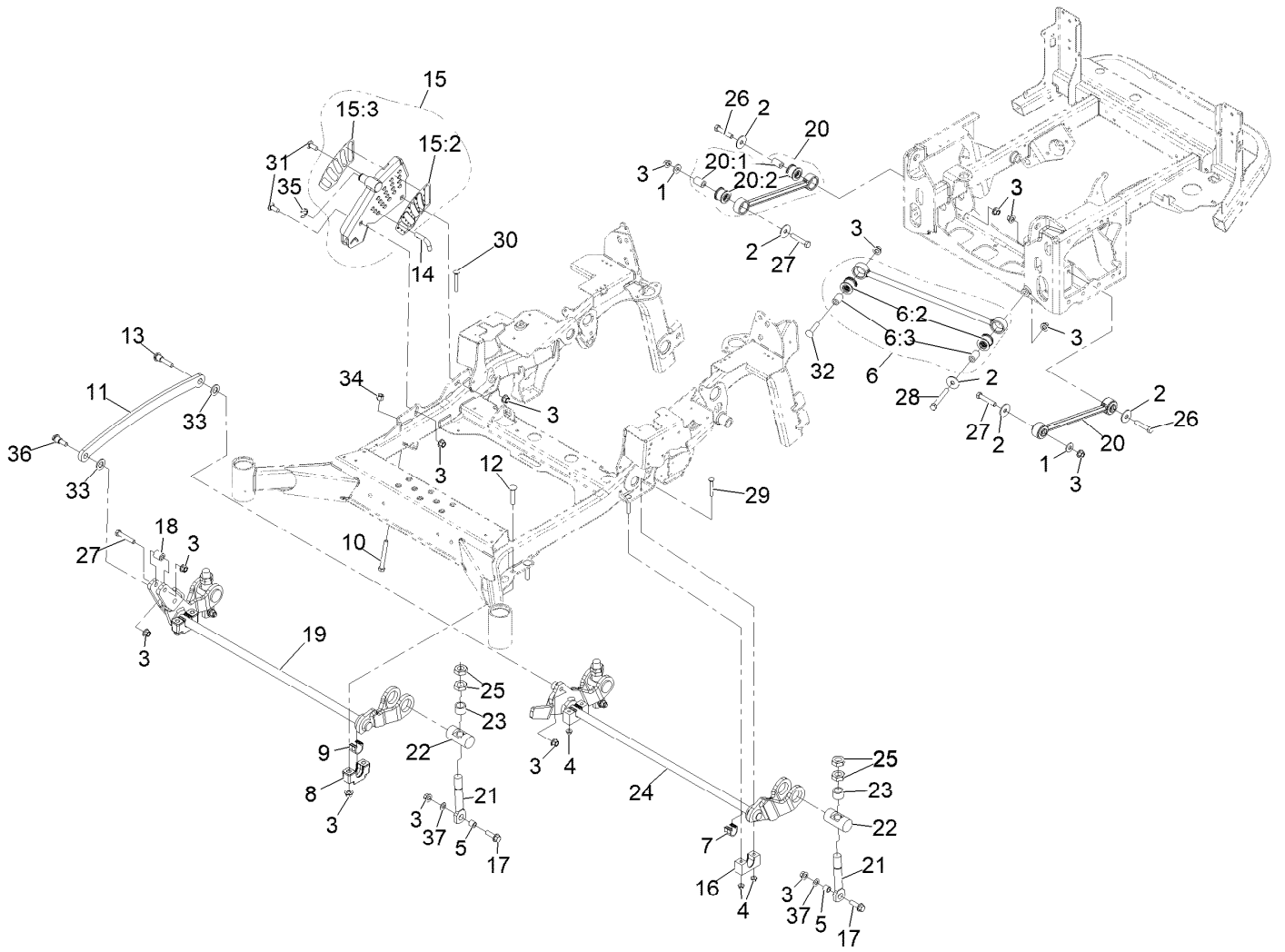
Discharge Tunnel Assembly



Discharge Tunnel Assembly (continued)

<i>Ref.</i>	<i>Part Number</i>	<i>Qty.</i>	<i>Description</i>	<i>Ref.</i>	<i>Part Number</i>	<i>Qty.</i>	<i>Description</i>
1	135-2089-03	1	Plate-Discharge	8	135-0608	1	Bearing-Strap, Nylon
2	135-0050	1	Flap-Rubber	9	135-2092-03	1	Bracket-Tie Down
3	135-2090-03	1	Bracket-Flap, LH	11	109-6658	2	Nut-Nyloc 3/8-16 Flg
4	3230-16	6	Bolt-Carriage 5/16-18 X 7/8	12	43-0940	2	Spacer
5	104-8300	6	Nut-Nyloc 5/16-18 Flg	13	3234-39	2	Screw-Hfh 3/8-16 X 2 1/2
6	135-2617-03	1	Panel-Discharge				
7	126-4424	2	Screw-HHF Shoulder 3/8-16 X 3/4 Tf				

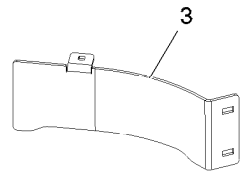
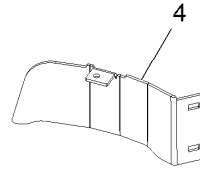
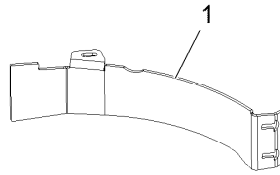
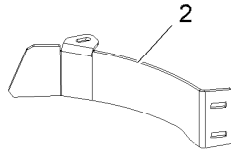
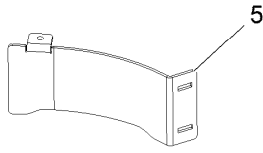
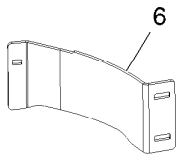
Deck Lift Assembly



Deck Lift Assembly (continued)

<i>Ref.</i>	<i>Part Number</i>	<i>Qty.</i>	<i>Description</i>	<i>Ref.</i>	<i>Part Number</i>	<i>Qty.</i>	<i>Description</i>
1	1-513435	2	Washer-Spring Disc 1/2	17	130-6481	4	Screw-HHF
2	86-1990	6	Washer	18	135-1215	1	Spacer-Pivot
3	99-5107	19	Nut-Lock 1/2-13	19	142-8093-03	1	Decklift-Front, 144 [black]
4	104-8301	4	Nut-Nyloc 3/8-16 Fig	20	142-4003	2	Deck Strut ASM 85A
5	108-8483	4	Spacer-Plain	20:1	109-5010	2	Spacer
6	109-5013	1	Panhard Rod ASM	20:2	135-2466	2	Bushing-Rubber
6:2	109-5009	2	Bushing-Suspension, Rubber	21	142-7187	4	Link, Deck Lift Adjuster
6:3	109-5010	2	Spacer	22	142-7188	4	Trunnion, Deck Lift
7	109-7173	2	Bearing-Cross Shaft, Rear	23	142-7192	4	Spacer, Deck Link
8	109-9409	2	Support-Bearing, Cross Shaft (Front)	24	142-7197-03	1	Wld, Deck Lift-Rear
9	109-9410	2	Bearing-Cross Shaft, Front	25	142-7212	8	Nut-Hex
10	116-0559	1	Bolt-HH 1/2-13 X 4 Tap	26	325-10	2	Screw-HH 1/2-13 X 2 1/2
11	116-0797-03	1	Link-Lift, Deck	27	325-11	3	Screw-HH 1/2-13 X 2 3/4
12	116-1700	4	Bolt-Carriage 1/2-13 X 2 1/2 Spl Neck	28	325-17	1	Screw-HH 1/2-13 X 4
13	116-2022	1	Screw-Hex Flange 1/2-13 X 1.90	29	3231-31	3	Bolt-Carriage 3/8-16 X 2 1/2
14	116-5584	1	Pin-HOC	30	3231-10	1	Bolt-Carriage 3/8-16 X 3
15	126-7866	1	HOC ASM	31	3233-26	2	Screw-CARR,Shortneck
15:2	126-9275	1	Decal-HOC	32	3233-34	1	Bolt-Carriage 1/2-13 X 2 1/2
15:3	135-1432	1	Decal-HOC, Outer	33	3256-28	2	Washer-3/4 SAE
16	142-8321	2	Support-Cross Shaft	34	3296-23	1	Nut-Nyloc 1/2-13
				35	32151-91	1	Ring-Retaining
				36	116-0780	1	Screw-Shoulder HHF 1/2-13 X 1.12
				37	3-6803	4	Washer-Adjusting

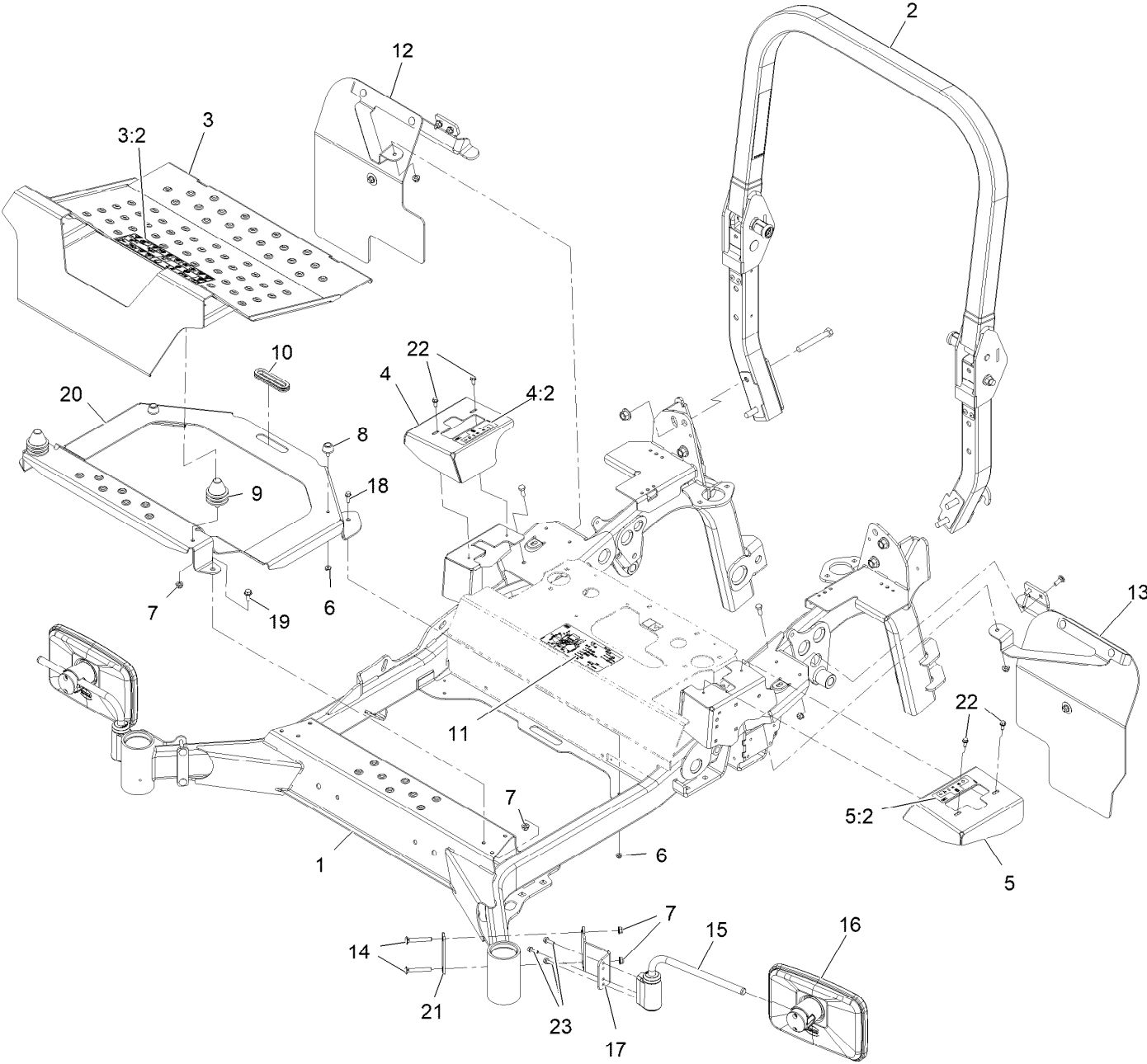
Mulch Kit Assembly



Mulch Kit Assembly (continued)

<i>Ref.</i>	<i>Part Number</i>	<i>Qty.</i>	<i>Description</i>	<i>Ref.</i>	<i>Part Number</i>	<i>Qty.</i>	<i>Description</i>
1	135-3462-01	1	Baffle-Block, LH Ctr	4	142-4739-01	1	Baffle-Mulch, LH Inside
2	135-3463-01	1	Baffle-Block, RH Ctr	5	135-7204-01	1	Plate-Mulch
3	142-4302-01	1	Baffle-LH Wing Block	6	142-6039-01	1	Baffle-Wide Outside Mulch

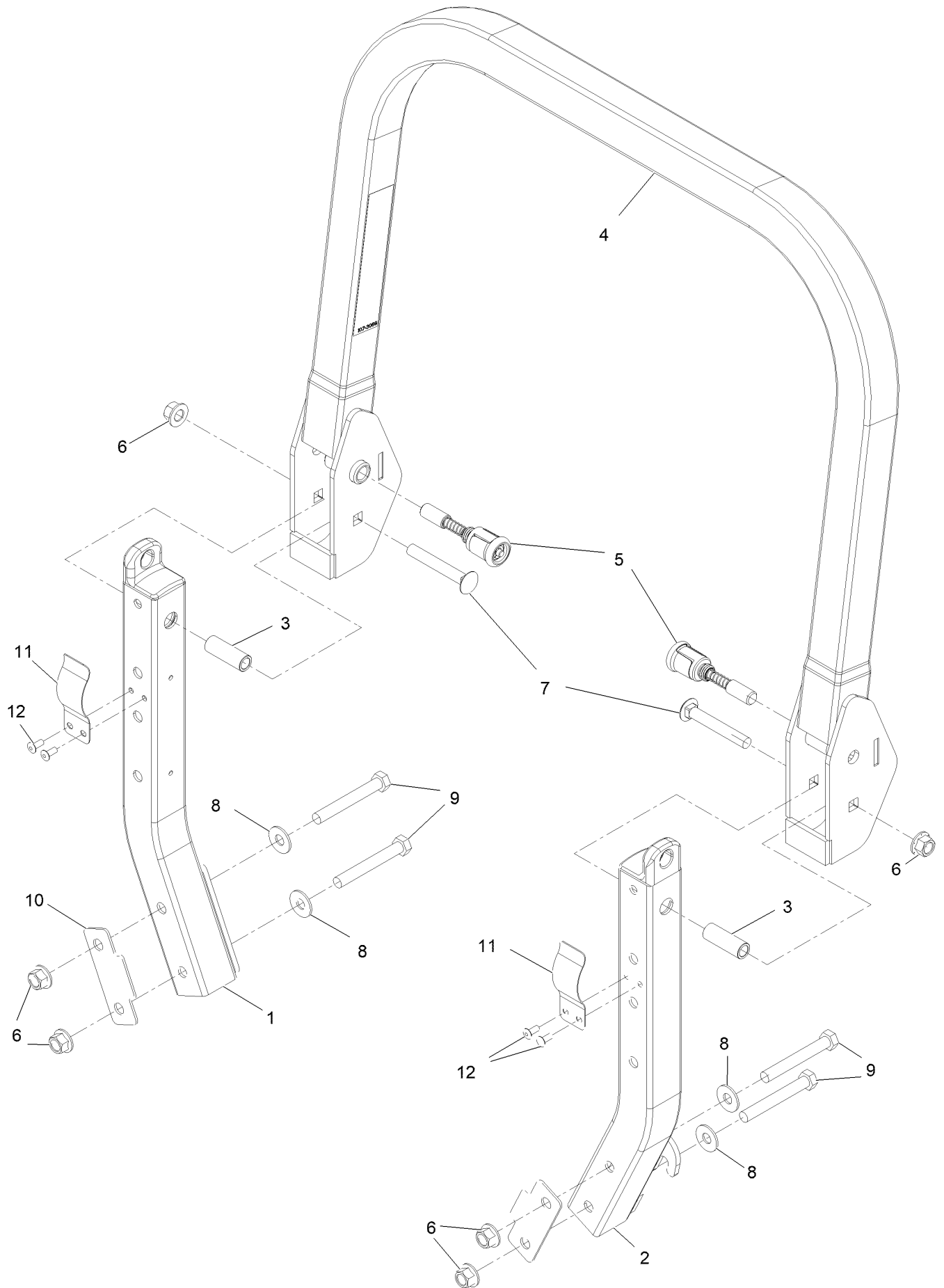
Main Frame Assembly



Main Frame Assembly (continued)

<i>Ref.</i>	<i>Part Number</i>	<i>Qty.</i>	<i>Description</i>	<i>Ref.</i>	<i>Part Number</i>	<i>Qty.</i>	<i>Description</i>
1	142-7219	1	Mainframe ASM, Wd	11	142-7835	1	Decal-Service Aid
2	142-7220	1	ROPS ASM	12	135-4933	1	ASM, RH Mud Flap
3	126-9066	1	Pan-Floor	13	135-4943	1	ASM, LH Mud Flap
3:2	126-8383	1	Decal-Danger	14	3230-7	4	Bolt-Carriage 5/16-18 X 2 1/4
4	142-2392	1	ASM,Motion Control Cover W/Decal RH	15	142-4120	2	Mirror Arm
4:2	142-3952	1	Decal-RH Motion Control	16	142-4121	2	Mirror
5	142-2393	1	ASM,Motion Control Cover W/Decal LH	17	142-6584-01	2	Plate-Mirror Mount
5:2	142-3953	1	Decal-LH Motion Control	18	3234-4	2	Screw-HH Flg 1/4-20 X 3/4
6	104-7201	4	Nut-Nyloc 1/4-20 Flg	19	3234-47	2	Screw-HH Flg 5/16-18 X 3/4
7	104-8300	8	Nut-Nyloc 5/16-18 Flg	20	142-7203-01	1	Bracket, Floor Pan Riser
8	109-2365	2	Bumper-Rubber	21	142-6583-01	2	Bracket-Mirror
9	126-5491	2	Isolator	22	32144-10	4	Screw-HWH 1/4-20 X .62
10	126-7065	1	Grommet-Rubber	23	33103-020	6	Screw-HHF M6-1 X 20Mm

Roll-Over Protection System Assembly

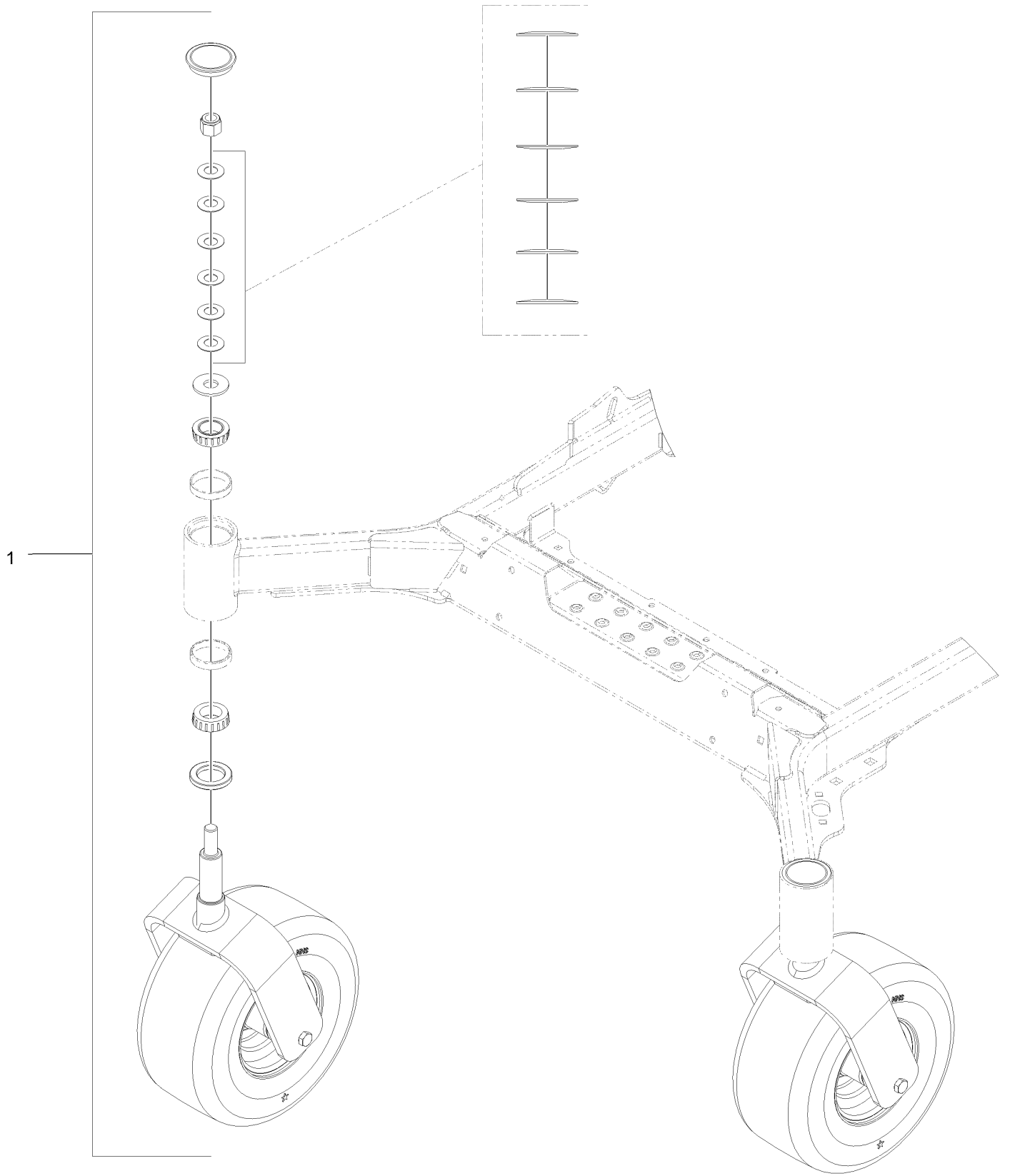


Roll-Over Protection System Assembly (continued)

<i>Ref.</i>	<i>Part Number</i>	<i>Qty.</i>	<i>Description</i>	<i>Ref.</i>	<i>Part Number</i>	<i>Qty.</i>	<i>Description</i>
1		1	Lower-ROPS, RH ●	7	3233-10	2	Screw-CARR
2		1	Lower-ROPS, LH ●	8	109-9505	4	Washer-Spring
3	109-6653	2	Spacer	9	325-35	4	Screw-HH
4	142-2385	1	ASM,ROPS Upper W/Decal	10	116-0960	2	Spacer
5	116-0104	2	Pin-Spring	11	110-5696	2	Spring-Leaf
6	99-5107	6	Nut-Lock	12	3290-412	4	Rivet-Blind

● Not serviced separately

Front Caster and Fork Assembly

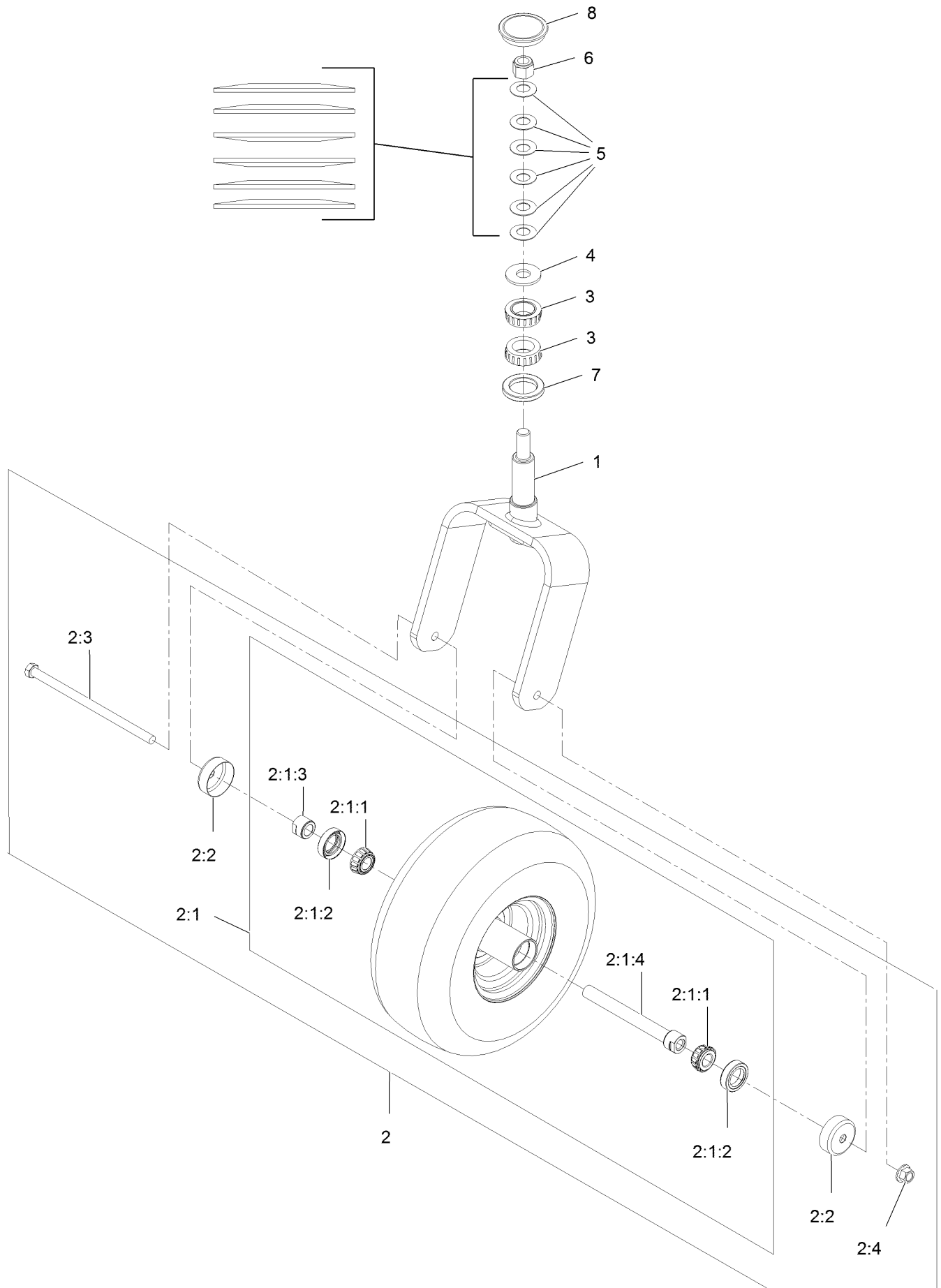


Front Caster and Fork Assembly (continued)

<i>Ref.</i>	<i>Part Number</i>	<i>Qty.</i>	<i>Description</i>
1		2	ASM, Wheel Caster ●

● Not serviced separately

Front Left and Right Caster Wheel and Fork Assembly



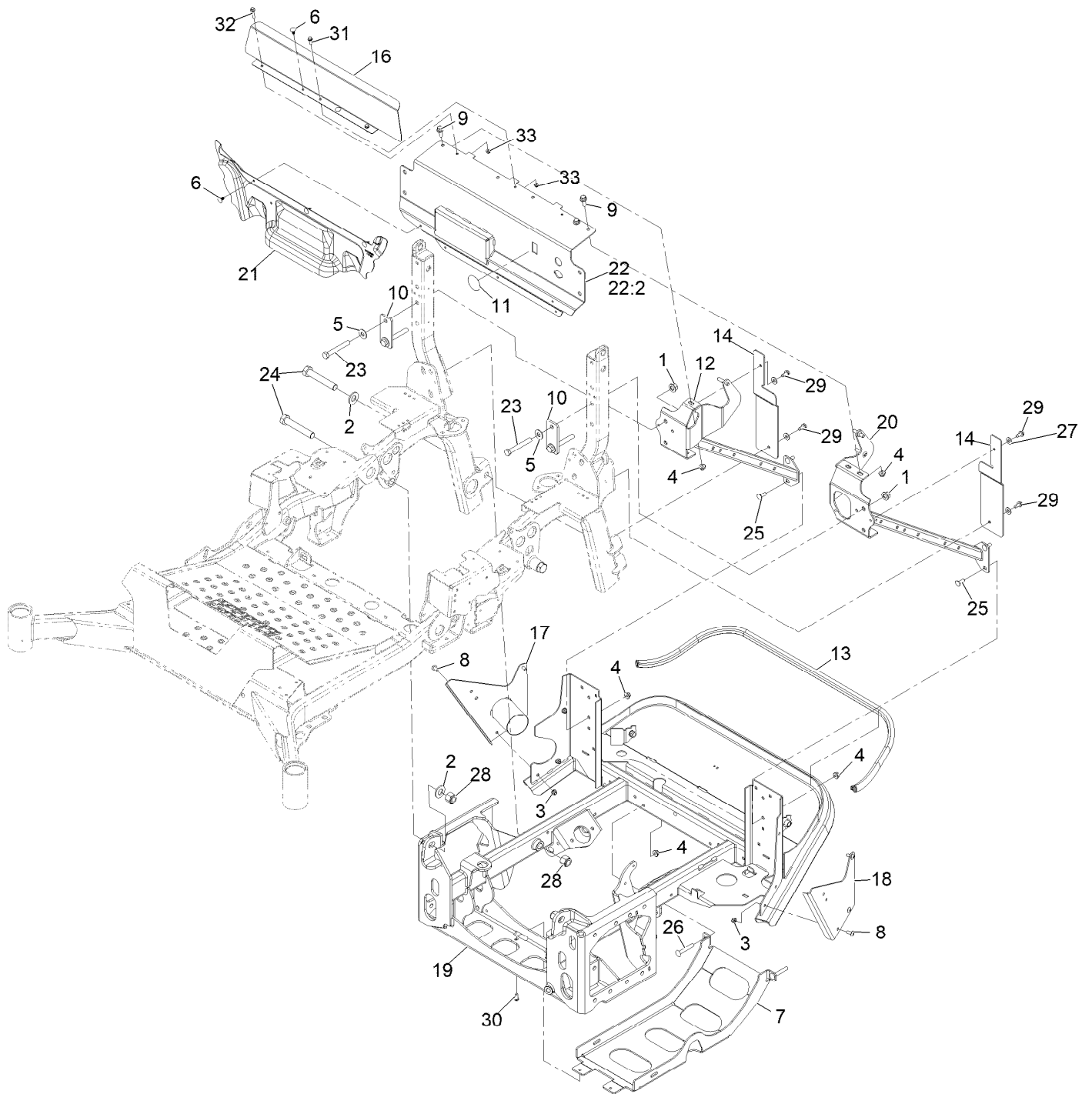
Front Left and Right Caster Wheel and Fork Assembly (continued)

<i>Ref.</i>	<i>Part Number</i>	<i>Qty.</i>	<i>Description</i>	<i>Ref.</i>	<i>Part Number</i>	<i>Qty.</i>	<i>Description</i>
1	126-8601-01	1	Fork-Caster	2:3	325-39	1	Screw-HH
2	126-8157	1	ASM-Whl And Tire	2:4	99-5107	1	Nut-Lock
2:1		1	ASM-Whl And Tire ●	3	103-9028	2	Bearing-Roller, Cone Taper
2:1:1	1-633585	2	Bearing-Cone, Taper	4	3256-8	1	Washer-Flat
2:1:2	103-0063	2	Seal-Caster	5	1-633508	6	Washer-Bellville
2:1:3	103-3051	1	Spacer-Nut ■	6	3296-51	1	Nut-Lock, NI
2:1:4	126-5361	1	Axle Caster ASM	7	135-0355	1	Seal-Grease
2:2	103-2768	2	Guard-Seal	8	126-9369	1	Cap-Grease

● Not serviced separately

■ Use Pro-Lock, Nut Type (P/N 1-840022, .5ml tube) on threads.

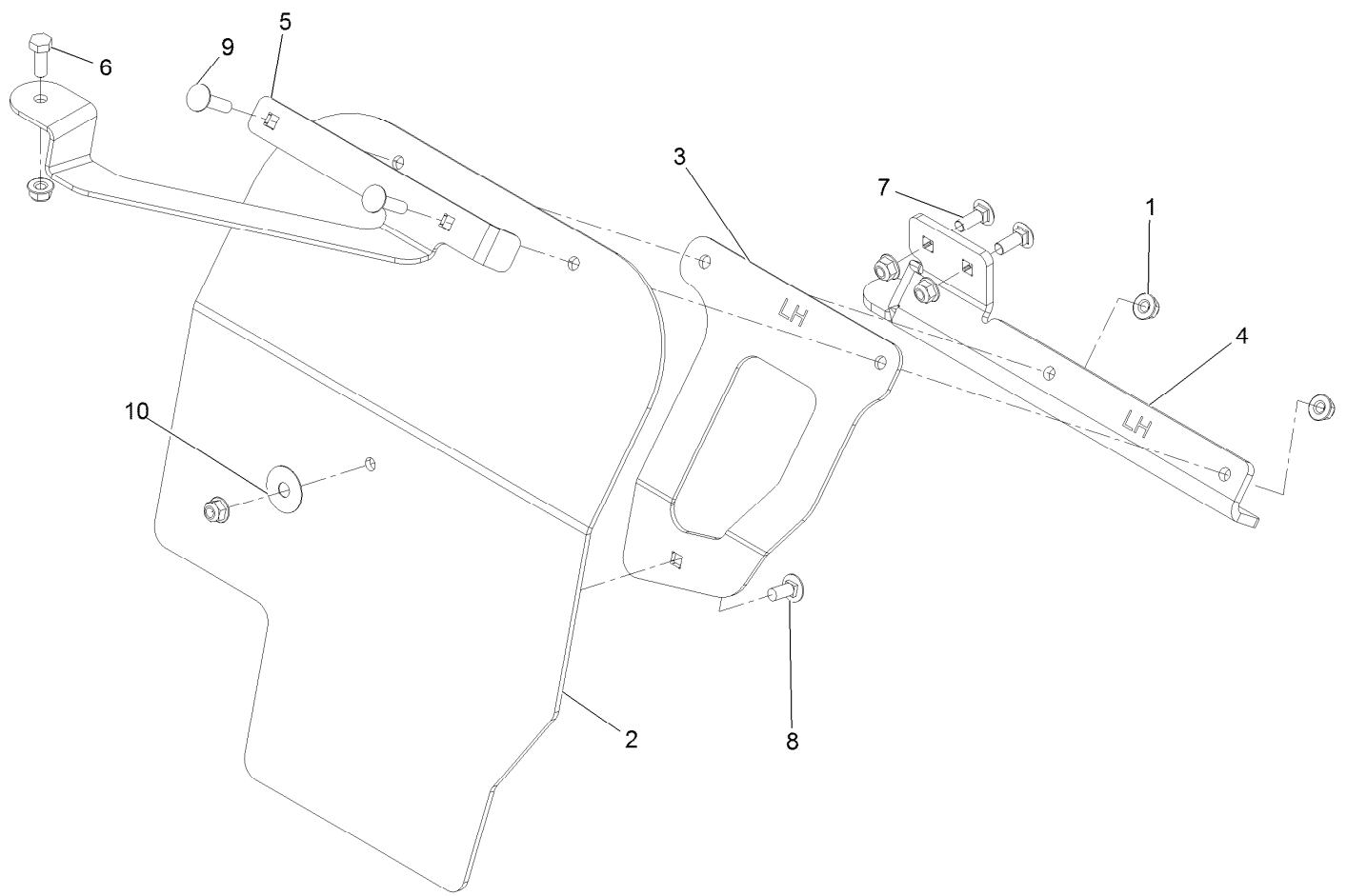
Power Frame Assembly



Power Frame Assembly (continued)

<i>Ref.</i>	<i>Part Number</i>	<i>Qty.</i>	<i>Description</i>	<i>Ref.</i>	<i>Part Number</i>	<i>Qty.</i>	<i>Description</i>
1	99-5107	4	Nut-Lock 1/2-13	20	142-5163-03	1	Wldmt-ROPS LH Brace
2	103-2802	4	Washer-Spring Disc 3/4	21	142-5165	1	Panel-Heat Deflector
3	104-8300	6	Nut-Nyloc 5/16-18 Flg	22	142-8745	1	Channel-Cross, ASM
4	104-8301	9	Nut-Nyloc 3/8-16 Flg	22:2	142-5782	1	Barrier-Heat
5	109-9505	4	Washer, Spring Disc 1/2	23	325-35	4	Screw-HH 1/2-13 X 3 3/4 Gr 8
6	117-2382	5	Plug-Plastic	24	328-8	4	Screw-HH
7	126-5922-03	1	Plate-Skid	25	3231-22	4	Bolt-Carriage 3/8-16 X 1
8	126-6268	6	Screw-Truss HD 5/16-18 X 3/4 Torx Plus	26	3231-44	2	Bolt-Carriage 3/8-16 X 2 1/2
9	131-2220	3	Screw-HHF	27	3256-3	4	Washer-5/16 Std
10	135-0412-03	2	Plate-Spacer	28	3296-51	4	Nut-Nyloc 3/4-10
11	135-3728	1	Decal-Cover	29	32144-70	4	Screw-HWH 5/16-18 X 3/4 Tf
12	142-2353-03	1	Wldmt-ROPS RH Brace	30	613381	2	Screw-Button Head 5/16-18 X .725 Tf
13	142-3172	1	Seal-Bulb	31	115-5103	2	Screw-HHF
14	142-3197	2	Sheet-ROPS Airdam	32	127-8639	1	Screw-HHF
16	142-7218-03	1	Shield-Air	33	104-7201	3	Nut-Nyloc 1/4-20 Flg
17	142-5785	1	Plate-Exhaust				
18	142-5788-03	1	Plate-Battery Cover				
19	142-5154-03	1	Frame, Power [black]				

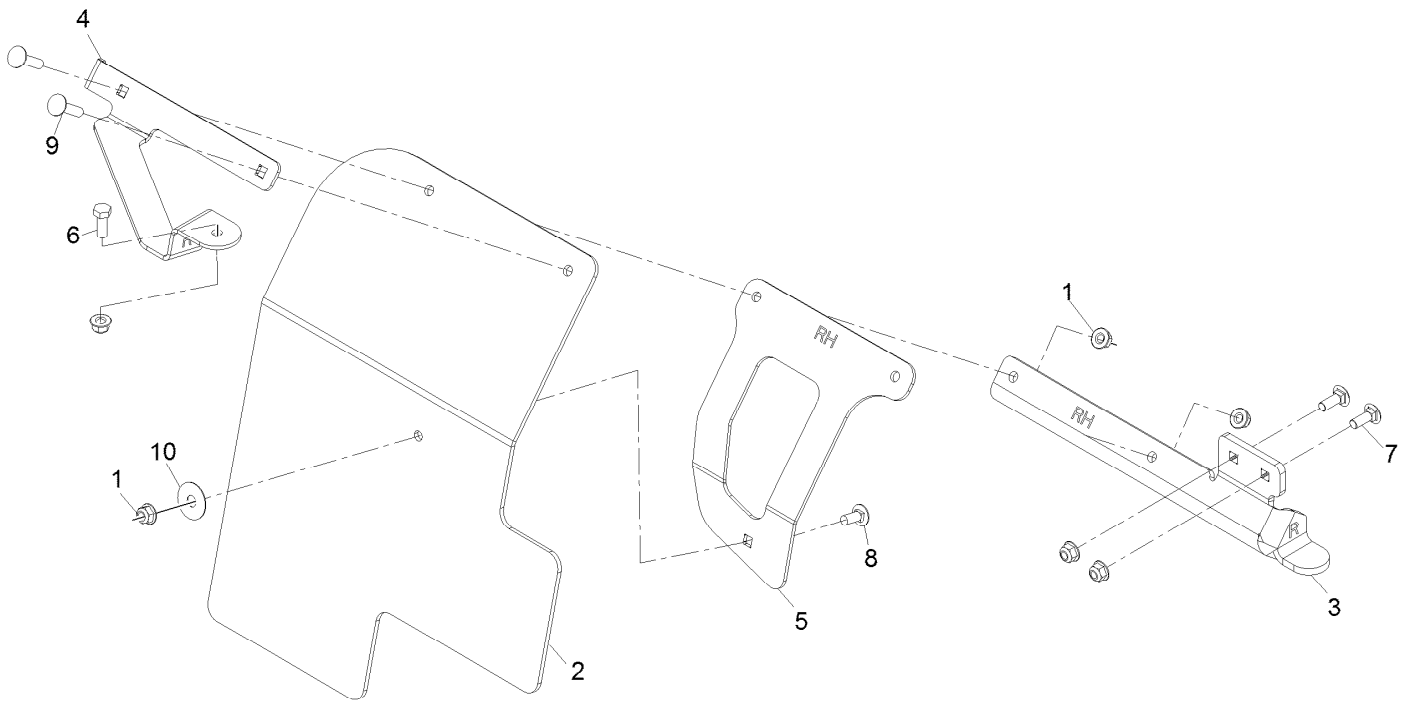
LH Mud Flap Assembly No. 135-4934



LH Mud Flap Assembly No. 135-4934 (continued)

<i>Ref.</i>	<i>Part Number</i>	<i>Qty.</i>	<i>Description</i>	<i>Ref.</i>	<i>Part Number</i>	<i>Qty.</i>	<i>Description</i>
1	104-8300	6	Nut-Nyloc 5/16-18 Flg	7	3230-16	2	Bolt-Carriage 5/16-18 X 7/8
2	135-4912	1	LH Mud Flap	8	3230-23	1	Bolt-Carriage 5/16-18 X 3/4 Short Neck
3	135-4938-03	1	Support, LH Mud Flap	9	3230-3	2	Bolt-Carriage 5/16-18 X 1 1/4
4	135-6916-03	1	Bracket, LH Mud Flap	10	105-6814	1	Washer-Plain
5	135-6918-03	1	Forward Support, LH Mud Flap				
6	322-4	1	Screw-HH 5/16-18 X 7/8				

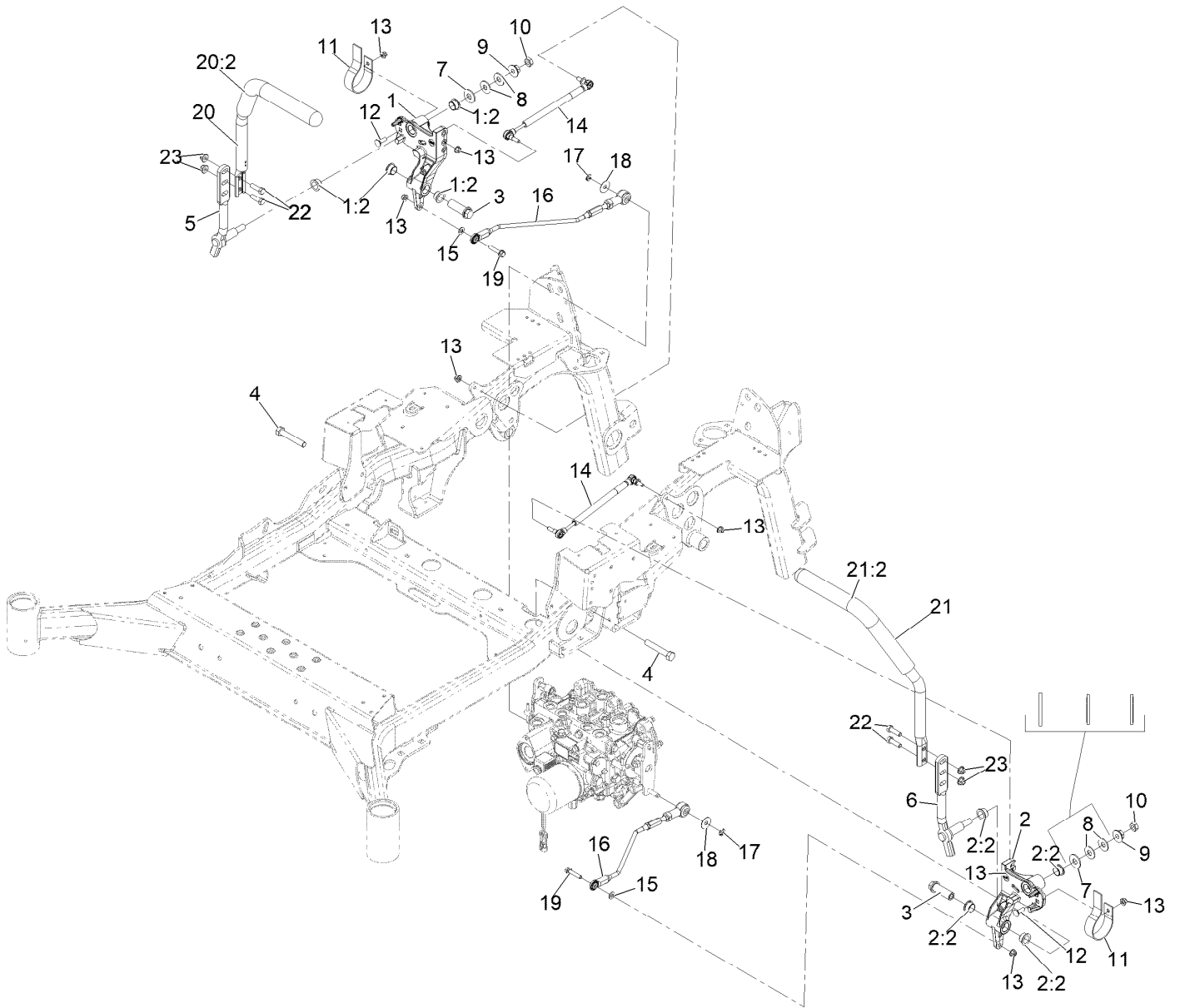
RH Mud Flap Assembly No. 135-4933



RH Mud Flap Assembly No. 135-4933 (continued)

<i>Ref.</i>	<i>Part Number</i>	<i>Qty.</i>	<i>Description</i>	<i>Ref.</i>	<i>Part Number</i>	<i>Qty.</i>	<i>Description</i>
1	104-8300	6	Nut-Nyloc 5/16-18 Flg	7	3230-16	2	Bolt-Carriage 5/16-18 X 7/8
2	135-4909	1	RH Mud Flap	8	3230-23	1	Bolt-Carriage 5/16-18 X 3/4 Short Neck
3	135-6917-03	1	Bracket, RH Mud Flap	9	3230-3	2	Bolt-Carriage 5/16-18 X 1 1/4
4	135-6919-03	1	Forward Support, RH Mud Flap	10	105-6814	1	Washer-Plain
5	135-4942-03	1	Support, RH Mud Flap				
6	322-4	1	Screw-HH 5/16-18 X 7/8				

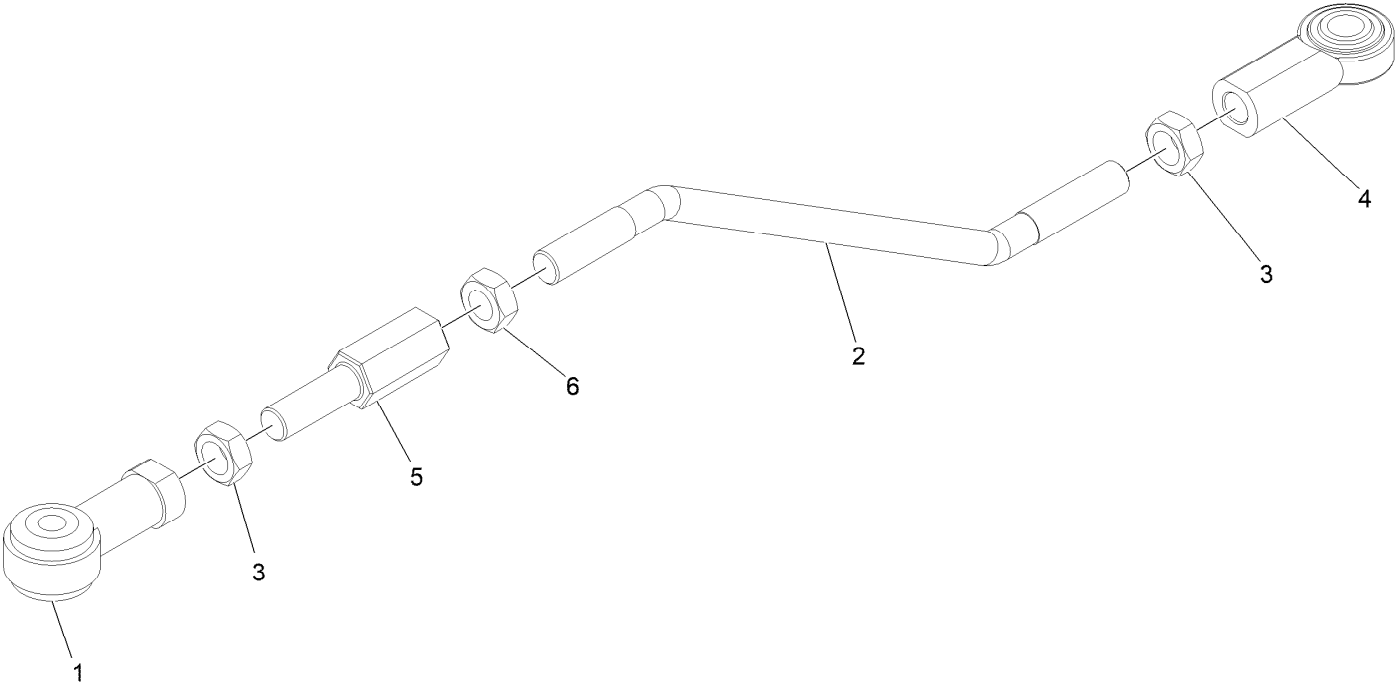
Motion Control Assembly



Motion Control Assembly (continued)

<i>Ref.</i>	<i>Part Number</i>	<i>Qty.</i>	<i>Description</i>	<i>Ref.</i>	<i>Part Number</i>	<i>Qty.</i>	<i>Description</i>
1	116-0880	1	RH Motion Control And Bushing ASM	12	3230-2	2	Bolt-Carriage 5/16-18 X 1
1:2	109-8054	4	Bushing-Flanged	13	104-8300	8	Nut-Nyloc 5/16-18 Flg
2	116-0881	1	LH Motion Control And Bushing ASM	14	116-0027	2	Damper-Control, Motion
2:2	109-8054	4	Bushing-Flanged	15	3256-23	2	Washer-5/16 SAE
3	109-5891	2	Hub-Threaded	16	142-8447	2	ASM, Front Linkage Rod
4	325-12	2	Screw-HH 1/2-13 X 3	17	32151-47	2	Ring-Retaining
5	116-0039	1	Lever-Control Motion, RH	18	130-8094	2	Washer-Plain
6	116-0040	1	Lever-Control Motion, LH	19	142-8518	2	Bolt-Shoulder,HHF
7	3256-6	2	Washer	20	142-2391	1	ASM,Steering Handle RH
8	109-9505	4	Washer, Spring Disc 1/2	20:2	109-5668	1	Grip-Lever, Control
9	32128-56	2	Nut-Hex 1/2-13 Flange	21	142-2390	1	ASM,Steering Handle LH
10	3218-5	2	Nut-Jam 1/2-13	21:2	109-5668	1	Grip-Lever, Control
11	109-5575	2	Spring-Leaf	22	323-7	4	Screw-HH 3/8-16 X 1 1/4
				23	104-8301	4	Nut-Nyloc 3/8-16 Flg

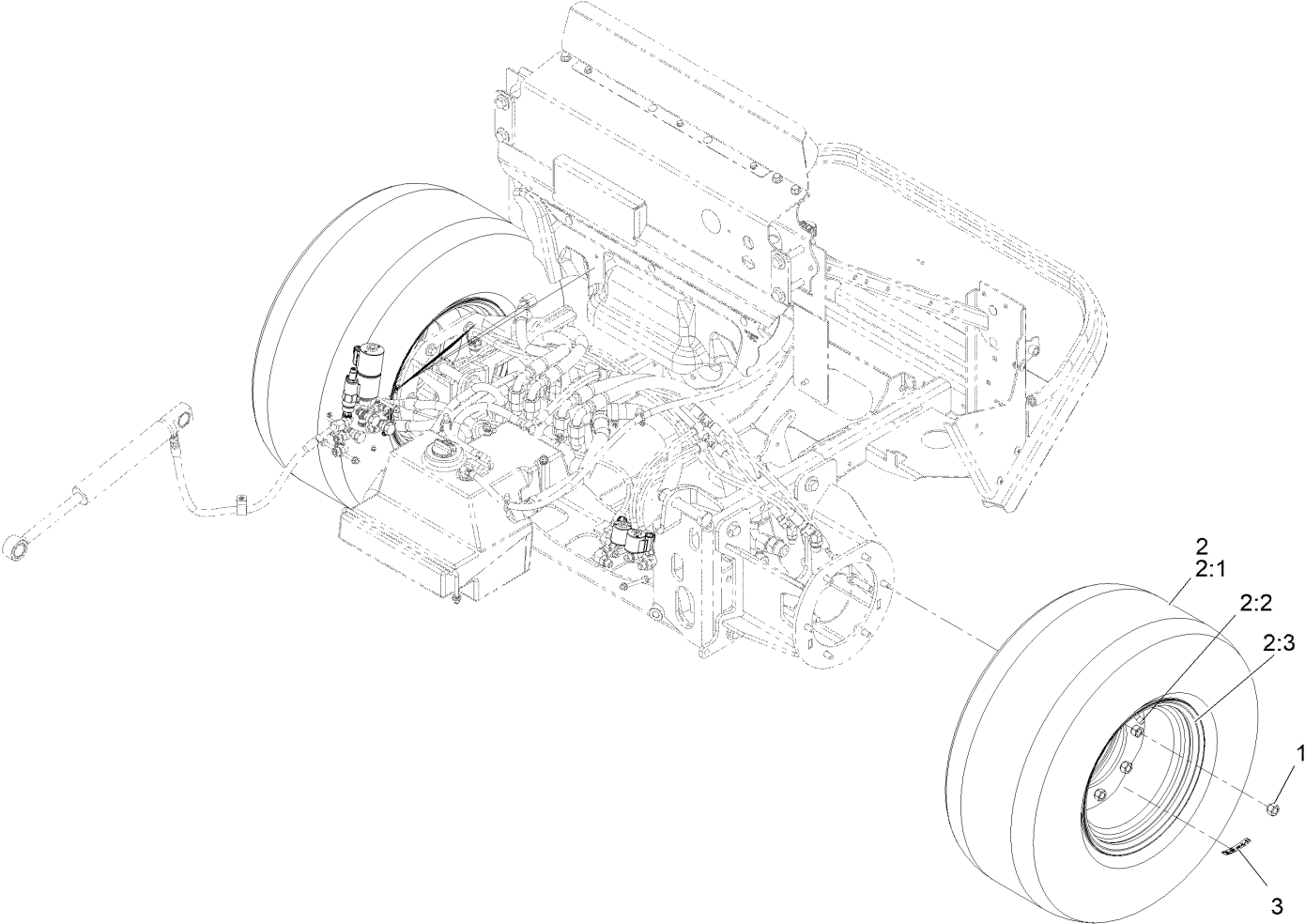
Front Linkage Rod Assembly



Front Linkage Rod Assembly (continued)

<i>Ref.</i>	<i>Part Number</i>	<i>Qty.</i>	<i>Description</i>	<i>Ref.</i>	<i>Part Number</i>	<i>Qty.</i>	<i>Description</i>
1	142-8415	1	Rod End - Isolated 1/2-20	4	142-8416	1	Rod End - 1/2-20
2	142-8412	1	Rod - Linkage	5	142-8413	1	Rod - Adjustment
3	3220-5	2	Nut-Jam 1/2-20	6	3220-12	1	Nut-Hex Jam LH

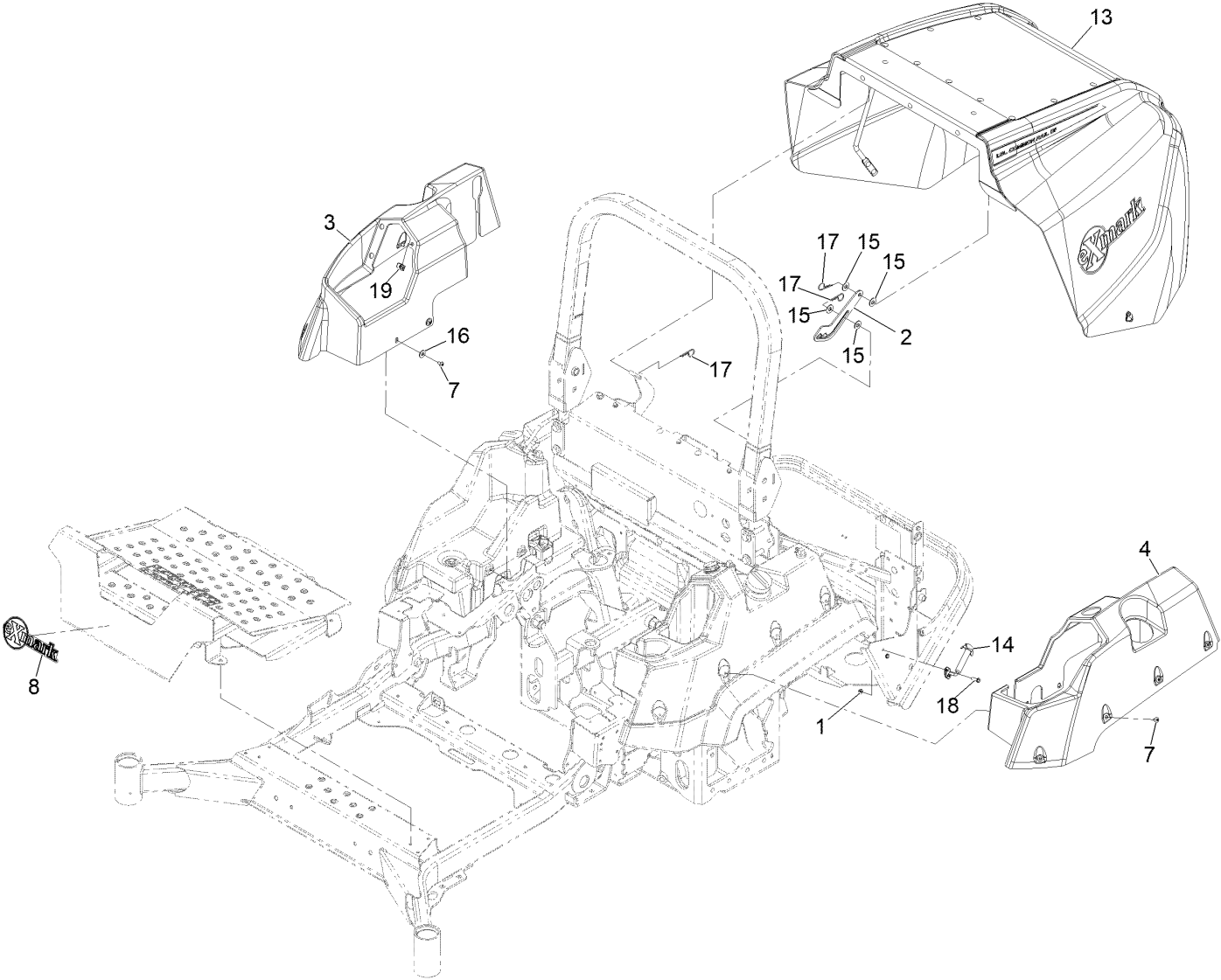
Rear Wheel Assembly



Rear Wheel Assembly (continued)

<i>Ref.</i>	<i>Part Number</i>	<i>Qty.</i>	<i>Description</i>	<i>Ref.</i>	<i>Part Number</i>	<i>Qty.</i>	<i>Description</i>
1	242-50	16	Nut-Lug 1/2-20	2:3	142-6797	1	Wheel-12.0X8.5, 8/8.0, White
2	142-6781	2	ASM-Tire 26X12-12	3	142-7838	2	Decal-Wheel Hub
2:1	126-8033	1	Tire				
2:2	232-27	1	Stem-Valve				

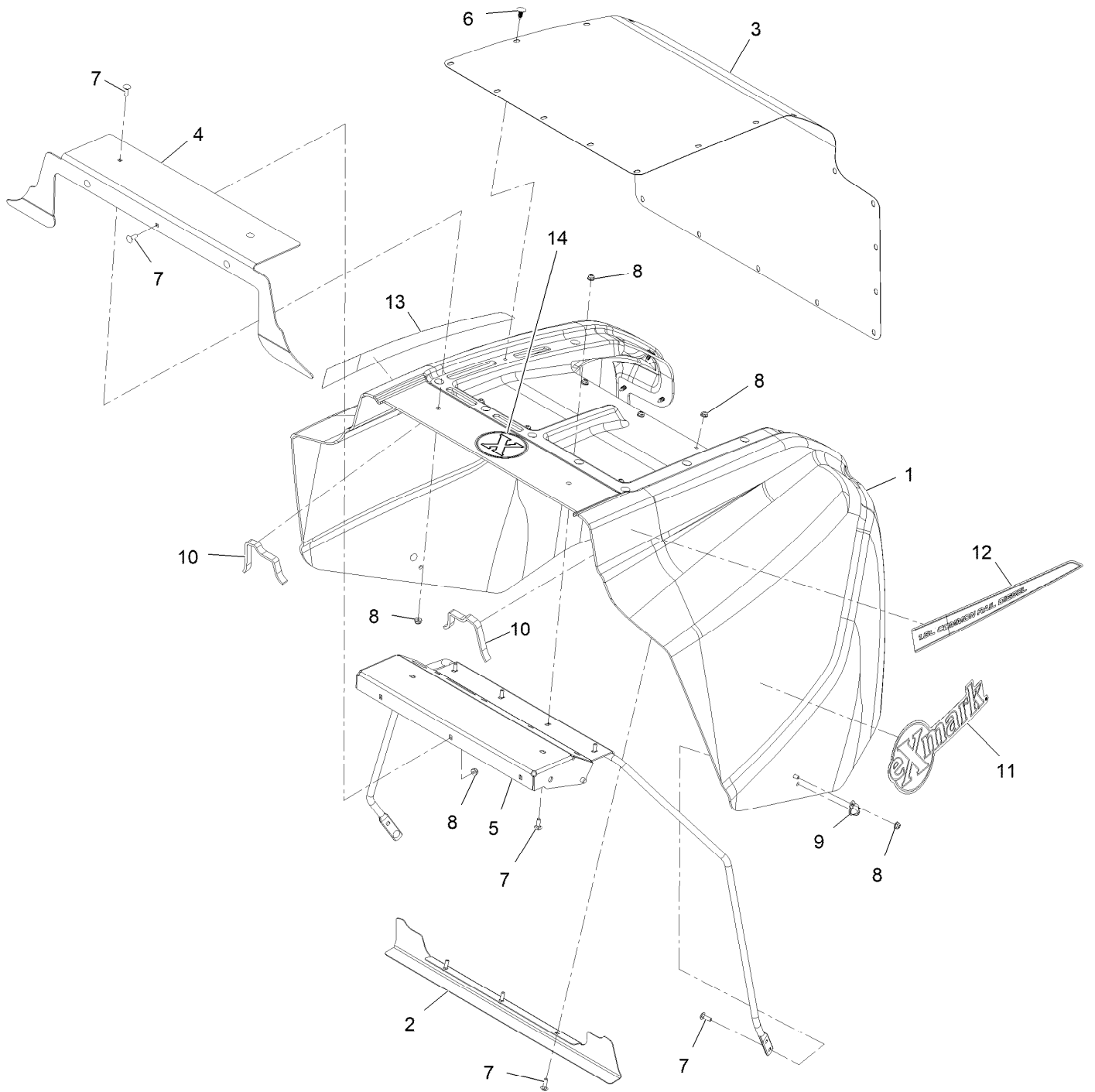
Hood and Console Assembly



Hood and Console Assembly (continued)

<i>Ref.</i>	<i>Part Number</i>	<i>Qty.</i>	<i>Description</i>	<i>Ref.</i>	<i>Part Number</i>	<i>Qty.</i>	<i>Description</i>
1	104-7201	4	Nut-Nyloc 1/4-20 Flg	14	142-5169	2	Latch-Hook
2	142-6010	1	Prop-Hood	15	3256-4	4	Washer-3/8 Std
3	126-6787	1	Cover-Tank, RH	16	3256-71	4	Washer
4	126-6790	1	Cover-Tank, LH	17	3290-255	3	Pin-Cotter, Hair
7	126-8216	12	Screw-Torx	18	32105-15	4	Screw-Machine 1/4-20 X 3/4
8	135-2274	1	Decal-Exmark	19	107069	1	Nut-Retainer-Panel 1/4-20
13	142-4138	1	ASM, Hood Lzsd				

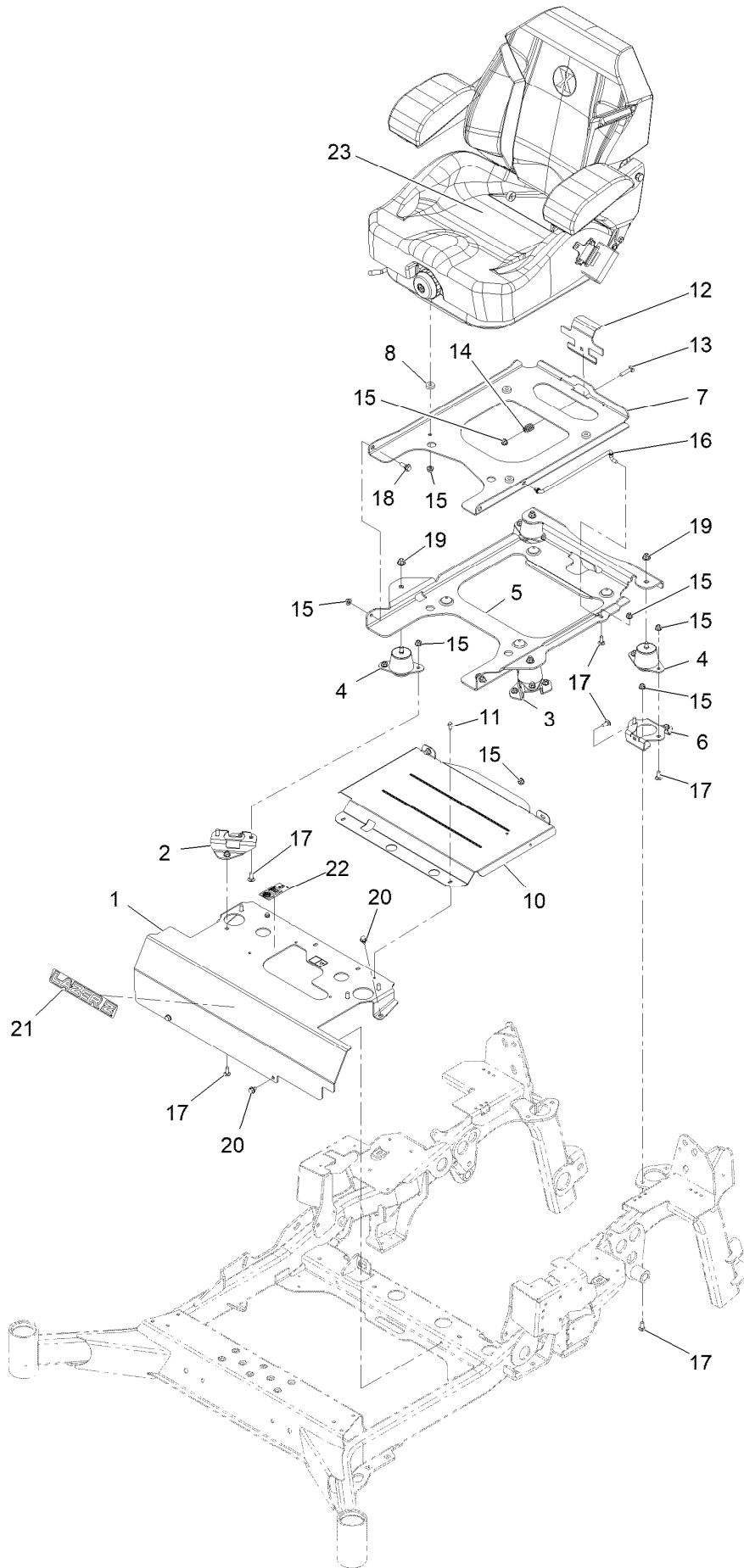
Hood Assembly



Hood Assembly (continued)

<i>Ref.</i>	<i>Part Number</i>	<i>Qty.</i>	<i>Description</i>	<i>Ref.</i>	<i>Part Number</i>	<i>Qty.</i>	<i>Description</i>
1	142-4137	1	Hood	9	142-5170	2	Latch, Keeper
2	142-3217-03	1	Plate-Seal	10	142-3219	2	Seal-Foam
3	142-4141-03	1	Screen	11	126-6992	2	Decal-Exmark
4	142-6641-03	1	Bracket-Hood Block Off	12	135-3166	1	Decal-Common Rail Diesel-LH
5	142-5133-03	1	Hood Support ASM [black]	13	135-3167	1	Decal-Common Rail Diesel-RH
6	117-2382	26	Plug-Plastic	14	126-7457	1	Decal-X-Logo
7	3229-1	16	Bolt-Carriage 1/4-20 X 3/4				
8	104-7201	16	Nut-Nyloc 1/4-20 Flg				

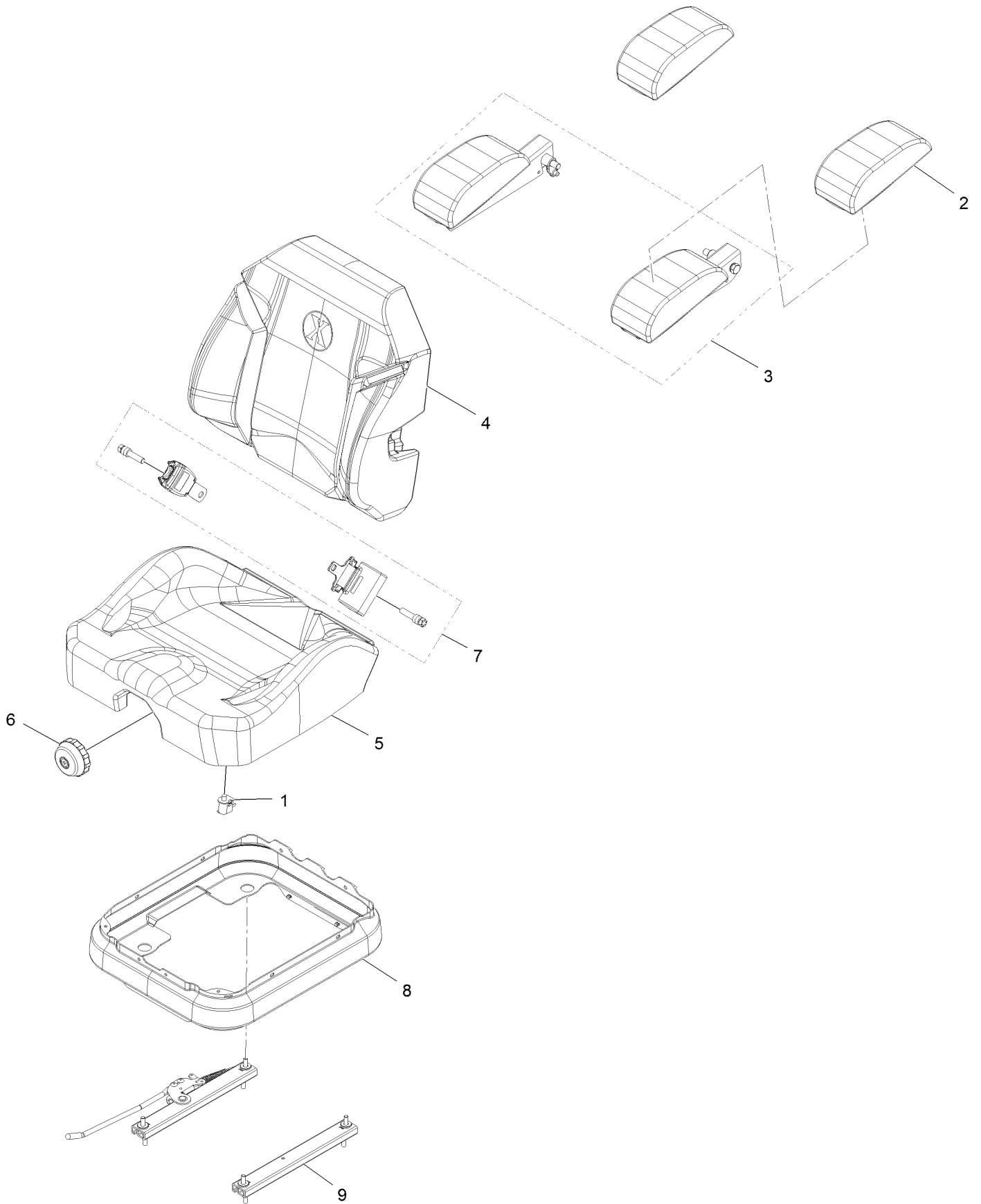
Seat Assembly



Seat Assembly (continued)

<i>Ref.</i>	<i>Part Number</i>	<i>Qty.</i>	<i>Description</i>	<i>Ref.</i>	<i>Part Number</i>	<i>Qty.</i>	<i>Description</i>
1	142-6618	1	Mount-Seat W/Decals	14	107-3017	1	Spring-Compression
2	142-6658-03	1	Riser-Seat Mount, R	15	104-8300	26	Nut-Nyloc 5/16-18 Flg
3	142-6659-03	1	Riser-Seat Mount, L	16	116-0070	1	Rod-Prop
4	109-9034	4	Isolator-Seat	17	3230-23	19	Bolt-Carriage 5/16-18 X 3/4 Short Neck
5	142-4142-03	1	Plate,Tilt Seat Support	18	116-1297	2	Screw-Shoulder
6	142-6651-03	2	Riser-Seat Mount, Rear	19	104-8301	4	Nut-Nyloc 3/8-16 Flg
7	126-2700-03	1	Plate-Frame, Seat	20	9266934	4	Screw-HWH 5/16 X 1/2 Tf
8	26-4840	4	Spacer-Pin, Mounting	21	126-6574	1	Decal, Lazer Model
10	142-7215-03	1	Heat Shield - Seat	22	135-2838	1	Decal-Trans Fluid
11	32144-10	2	Screw-HWH 1/4-20 X .62	23	142-7643	1	ASM-Suspension Seat, Exmark
12	126-1855	1	Plate-Latch, Seat				
13	3230-4	1	Bolt-Carriage 5/16-18 X 1 1/2				

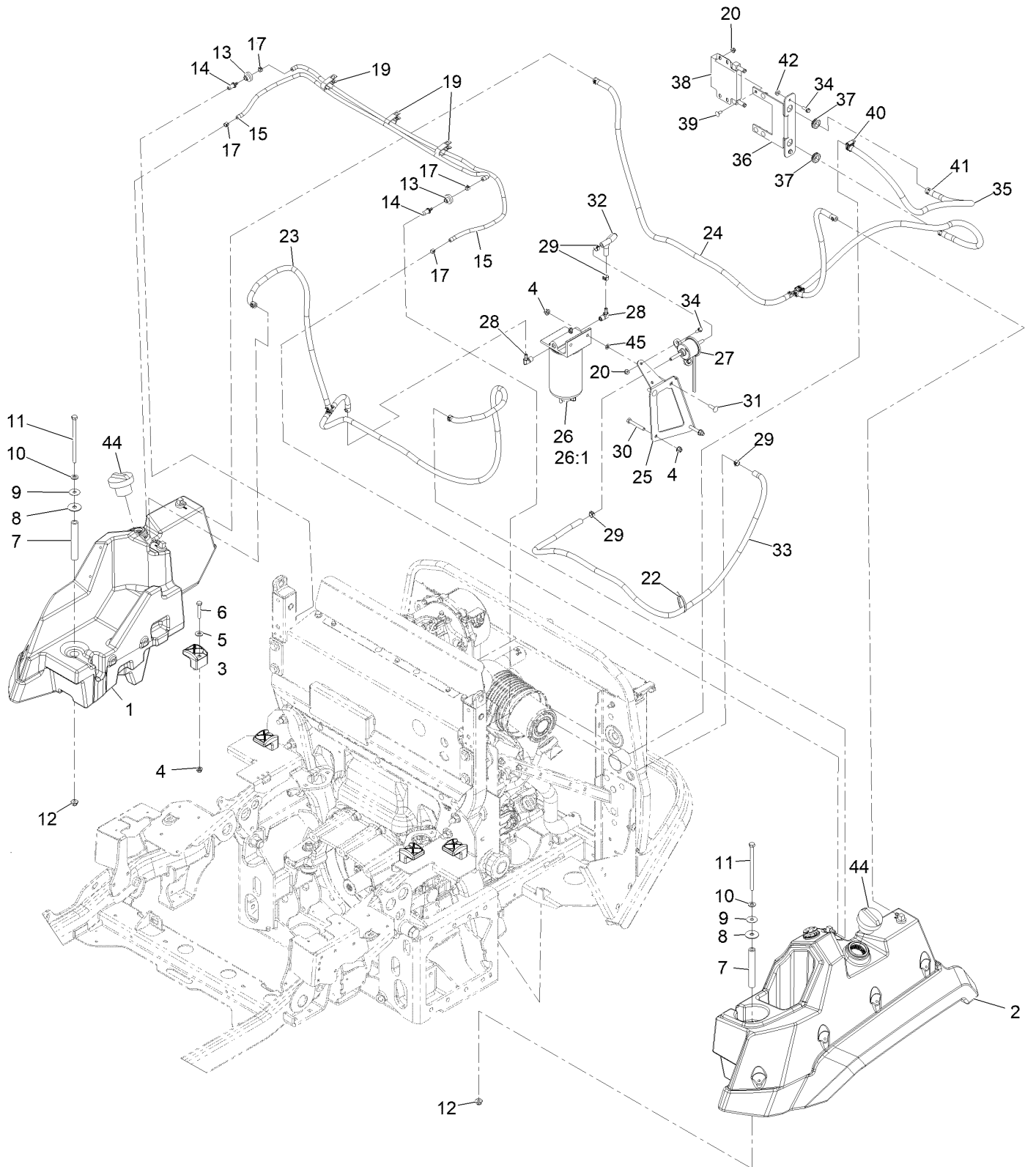
Suspension Seat Assembly



Suspension Seat Assembly (continued)

<i>Ref.</i>	<i>Part Number</i>	<i>Qty.</i>	<i>Description</i>	<i>Ref.</i>	<i>Part Number</i>	<i>Qty.</i>	<i>Description</i>
1	82-2190	1	Switch-Bail	6	116-8911	1	Knob-Adjuster
2	116-8905	1	Kit-Arm Rest Pads	7	126-2061	1	Seat Belt Service Kit
3	116-8906	1	Kit-Arm Rest Set	8	142-7840	1	Cover-Suspension Bellows
4	116-8908	1	Cover-Back 311463Vn500	9	142-7841	1	Set-Seat Track
5	116-8909	1	Cover-Cushion 311464Vn500				

Fuel Assembly



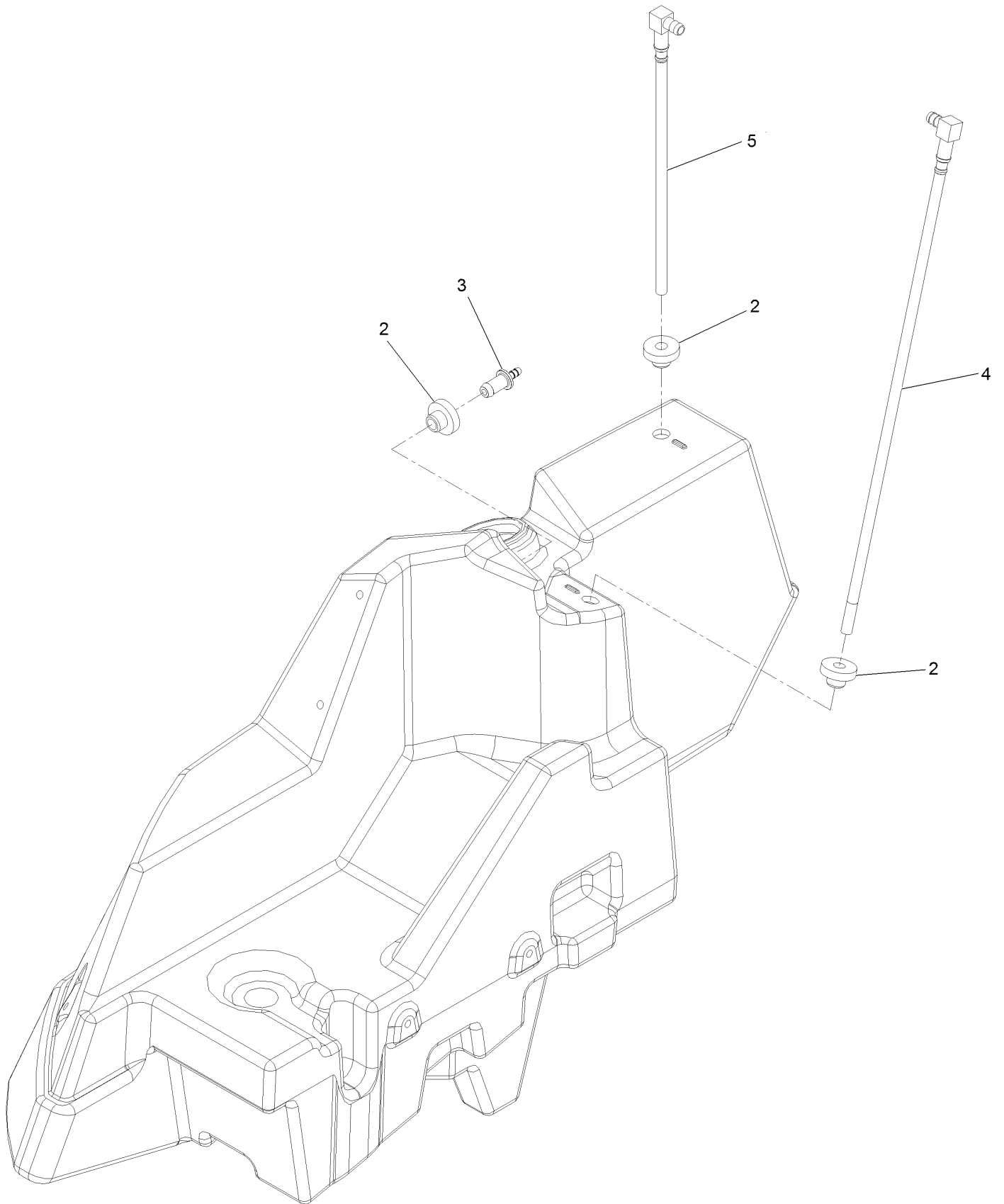
Fuel Assembly (continued)

<i>Ref.</i>	<i>Part Number</i>	<i>Qty.</i>	<i>Description</i>	<i>Ref.</i>	<i>Part Number</i>	<i>Qty.</i>	<i>Description</i>
1	142-8638	1	RH Fuel Tank ASM	26	126-8294	1	Filter-Water/Fuel Separator
2	142-8637	1	LH Fuel Tank ASM	26:1	126-8295	1	Filter-Fuel/Water Sep
3	107-4543	4	Clamp	27	121-5613	1	Pump-Fuel, Electric
4	104-8300	8	Nut-Nyloc 5/16-18 Flg	28	353-781	2	Fitting-HYD, 90
5	3256-3	4	Washer-5/16 Std	29	92-2379	4	Clamp-Hose
6	322-21	4	Screw-HH	30	322-11	2	Screw-HH 5/16-18 X 2 1/4
7	126-8335	2	Tube-Spacer	31	3230-22	2	Bolt-Carriage 5/16-18 X 1 Sp
8	95-1905	2	Washer-Rubber	32	108-3280	1	Hose-Fuel
9	105-6814	2	Washer-Plain	33	110-7503	1	Hose-Fuel
10	3256-24	2	Washer-3/8 SAE	34	32105-15	4	Screw-Machine 1/4-20 X 3/4
11	323-22	2	Screw-HH	35	142-3195	1	Hose-Fuel
12	104-8301	2	Nut-Nyloc 3/8-16 Flg	36	142-5173-03	1	Mount-Cooler, Fuel
13	46-6560	2	Bushing	37	237-124	2	Grommet
14	116-4630	2	Fitting-Orifice, Straight	38	116-7205	1	Cooler
15	117-6395	2	Hose-Vent, Tank	39	3229-11	4	Bolt-Carriage 1/4-20 X 5/8
17	2412-80	4	Clamp-Hose	40	135-7984	1	Clamp-Hose
19	92-5753	3	Clamp-Hose	41	103-1988	1	Clamp-Hose 11/16
20	104-7201	6	Nut-Nyloc 1/4-20 Flg	42	32128-33	2	Nut-Whizlock 1/4-20
22	3290-378	1	Tie-Cable	44	125-9170	2	Cap-Fuel, Diesel (Ultra Low Sulfur)
23	135-0512	1	Fuel Suction Line ASM	45	109-5667	2	Nut-Push
24	142-3194	1	Hose ASM-Fuel, Tee				
25	142-7204-03	1	Brkt-Fuel Filter				

LH Fuel Tank Assembly (continued)

<i>Ref.</i>	<i>Part Number</i>	<i>Qty.</i>	<i>Description</i>	<i>Ref.</i>	<i>Part Number</i>	<i>Qty.</i>	<i>Description</i>
2	46-6560	3	Bushing	6	126-8647	1	Pick-Up-Fuel
4	126-8660	1	Gauge-Fuel	7	126-8649	1	Return-Fuel
5	116-4630	1	Fitting-Orifice, Straight				

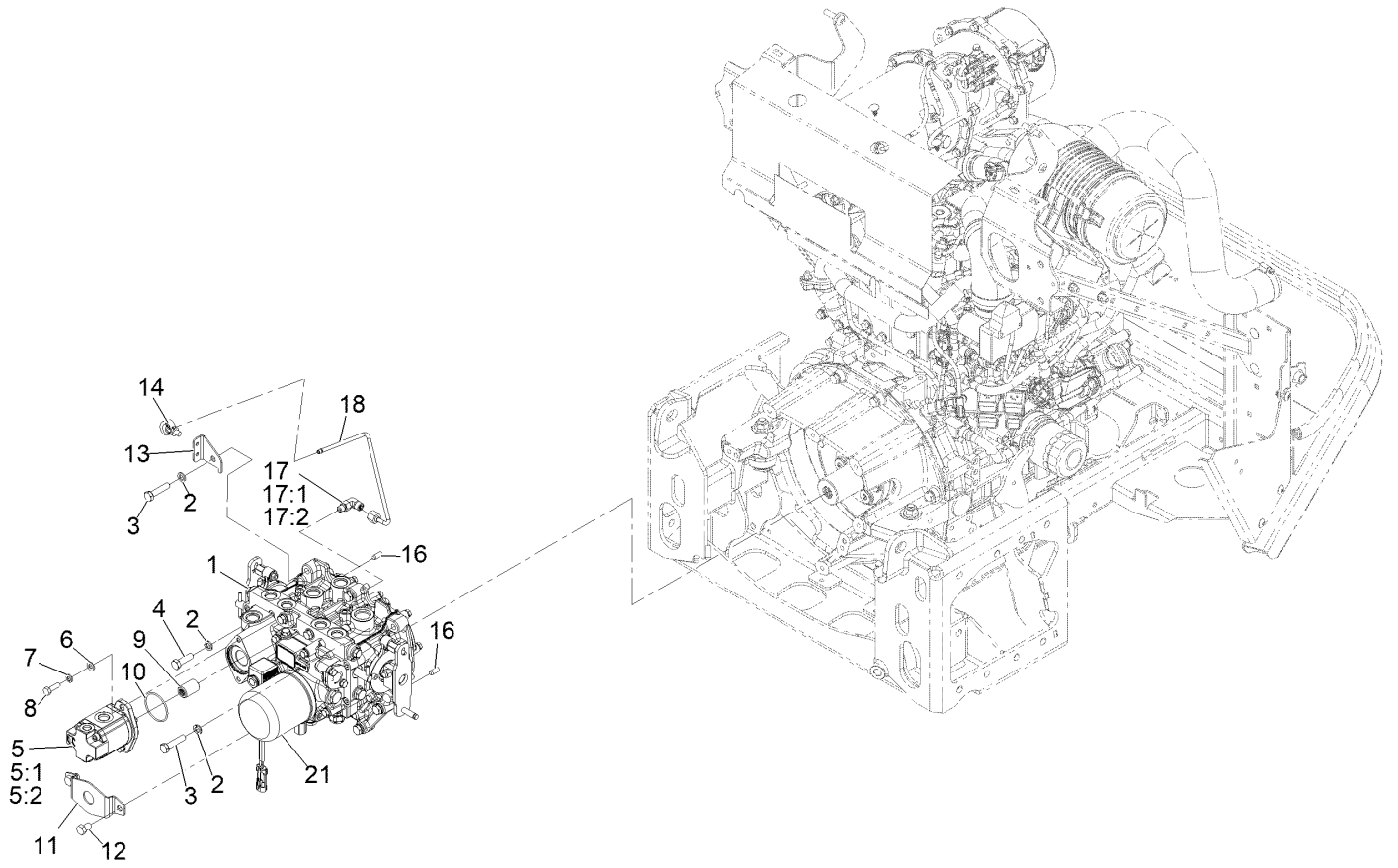
RH Fuel Tank Assembly



RH Fuel Tank Assembly (continued)

<i>Ref.</i>	<i>Part Number</i>	<i>Qty.</i>	<i>Description</i>	<i>Ref.</i>	<i>Part Number</i>	<i>Qty.</i>	<i>Description</i>
2	46-6560	3	Bushing	4	126-8647	1	Pick-Up-Fuel
3	116-4630	1	Fitting-Orifice, Straight	5	126-8649	1	Return-Fuel

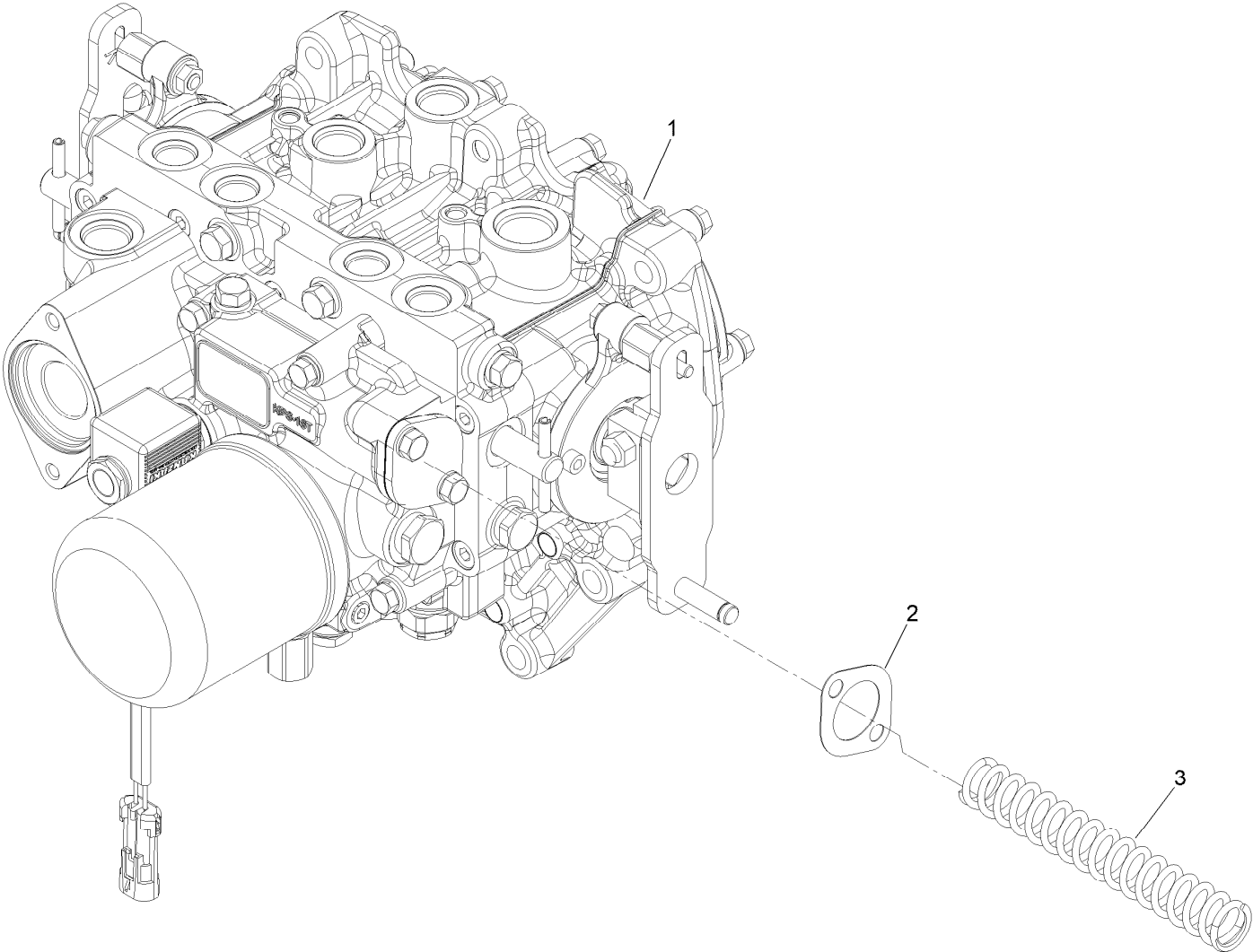
Transmission Assembly



Transmission Assembly (continued)

<i>Ref.</i>	<i>Part Number</i>	<i>Qty.</i>	<i>Description</i>	<i>Ref.</i>	<i>Part Number</i>	<i>Qty.</i>	<i>Description</i>
1	142-8084	1	Kit-Transmission ASM	10	108-9919	1	O-Ring
2	48-9590	7	Washer-Lock	11	114-4088	1	Shield-Seal
3	33115-045	6	Screw-HH	12	33115-016	2	Screw-HH M10-1.5 X 16Mm
4	33115-035	1	Screw-HH M10-1.5 X 25Mm	13	126-6806	1	Support-Tube
5	112-9542	1	HYD Gear Pump ASM	14	32180-030	1	Clip-Tie
5:1	112-0198	1	Valve	16	87-1910	2	Pin-Dowel
5:2	112-0199	1	Seal Kit	17	340-132	1	Fitting-Elbow, 90 DEG
6	3256-23	2	Washer-5/16 SAE	17:1	237-78	1	O-Ring
7	3253-4	2	Washer-Lock 5/16	17:2	237-21	1	O-Ring
8	33114-025	2	Screw-HH M8-1.25 X 25Mm	18	126-8689	1	Tube ASM
9	108-9920	1	Coupler-Spline	21	135-2252	1	Filter-Oil, HYD

Transmission Assembly No. 142-8084

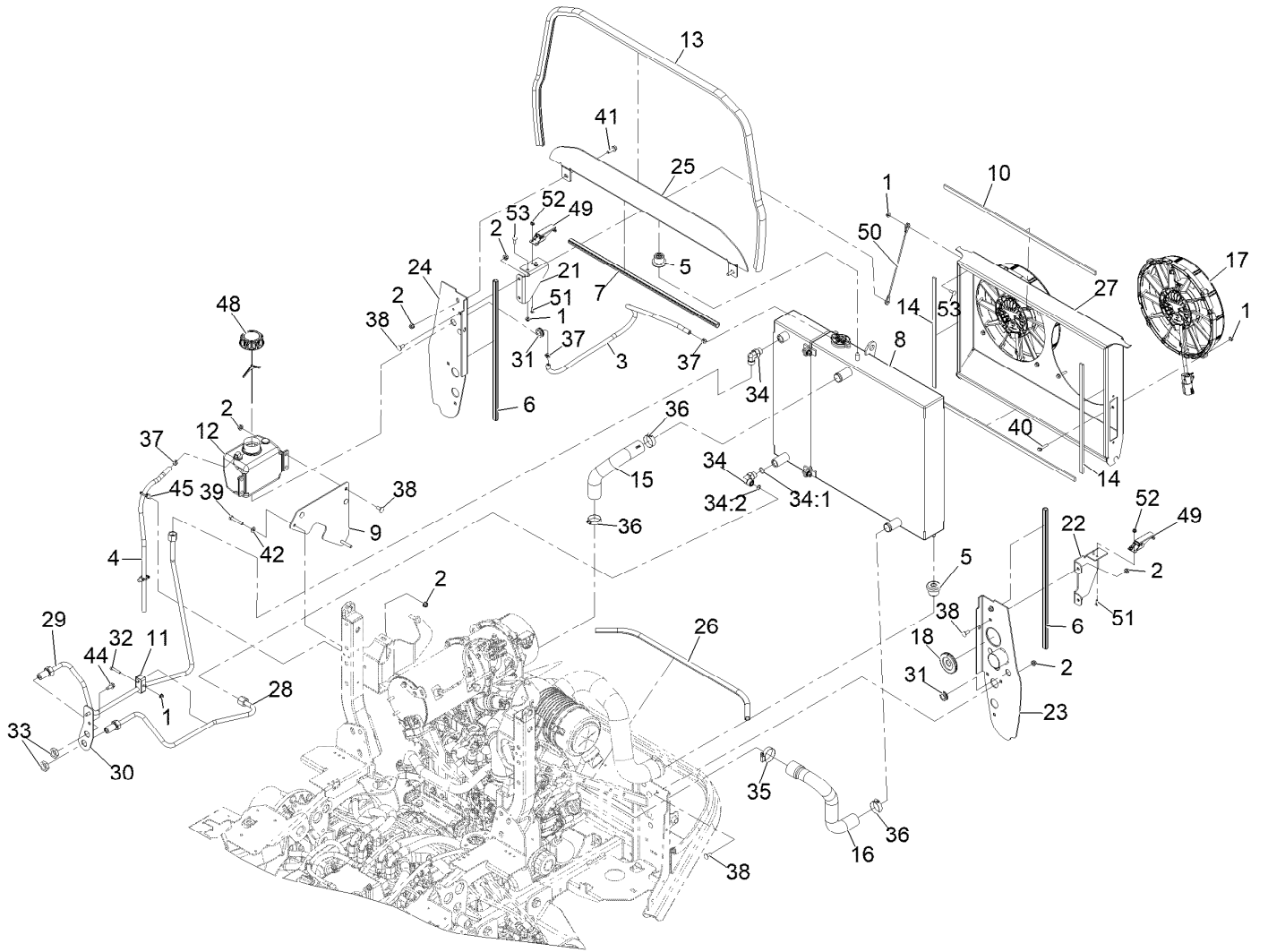


Transmission Assembly No. 142-8084 (continued)

<i>Ref.</i>	<i>Part Number</i>	<i>Qty.</i>	<i>Description</i>
1		1	Transmisson ASM ●
2	107-0847	1	Gasket
3	142-5957	1	Spring-Compression

● Not serviced separately

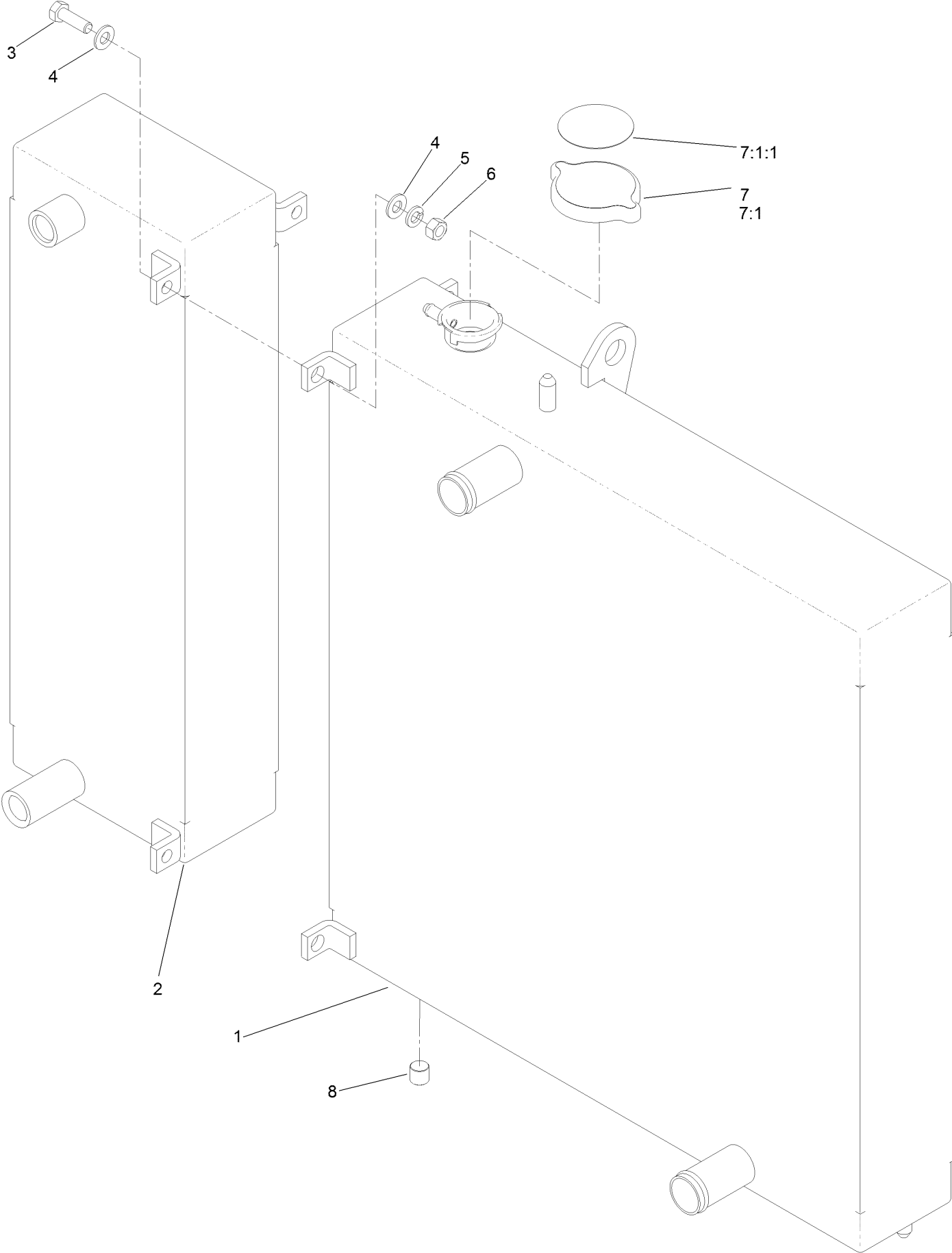
Cooling Assembly



Cooling Assembly (continued)

<i>Ref.</i>	<i>Part Number</i>	<i>Qty.</i>	<i>Description</i>	<i>Ref.</i>	<i>Part Number</i>	<i>Qty.</i>	<i>Description</i>
1	104-7201	11	Nut-Nyloc 1/4-20 Flg	28	142-5174	1	Hydraulic Tube ASM
2	104-8300	17	Nut-Nyloc 5/16-18 Flg	29	142-5175	1	Hydraulic Tube ASM
3	109-0284	1	Hose-Fuel Line 29"	30	142-5181-03	1	Bracket-Bulkhead
4	110-4103	1	Hose-Fuel	31	237-124	3	Grommet
5	119-1422	3	Mount-Isolator	32	321-13	1	Screw-HH 1/4-20 X 1 3/8
6	119-1426	2	Seal-Bulb	33	340-127	2	Nut-Bulkhead
7	119-1427	1	Seal-Bulb	34	340-98	2	Fitting-Elbow, 90 DEG
8	121-3330	1	Cooling ASM	34:1	237-79	1	O-Ring
9	126-9178-03	1	Bracket-Bottle	34:2	237-30	1	O-Ring
10	142-8747	2	Foam-Adhesive Backed	35	2412-130	1	Clamp-Hose
11	135-0641	1	Clamp-Twin	36	2412-34	3	Clamp-Hose
12	135-4692	1	Tank-Overflow, W/Cap	37	2412-98	3	Clamp-Hose
13	142-4136	1	Seal-Bulb	38	3230-23	13	Bolt-Carriage 5/16-18 X 3/4 Short Neck
14	142-8746	2	Foam-Adhesive Backed	39	322-21	2	Screw-HH
15	142-3192	1	Hose-Radiator, Upper	40	127-8639	8	Screw-HHF
16	142-3193	1	Hose-Radiator, Lower	41	3234-29	2	Screw-HH Flg 5/16-18 X 1
17	142-3375	2	Fan-12", 12V, Electric, Reversing	42	3256-23	2	Washer-5/16 SAE
18	142-6616	1	Grommet-Split, 2.38 Gd X 0.14 Gw X 0.82	44	32144-70	2	Screw-HWH 5/16-18 X 3/4 Tf
21	142-8454-03	1	Bracket-Shroud Latch Right	45	32180-030	2	Clip-Tie
22	142-8455-03	1	Bracket-Shroud Latch Left	48	135-4693	1	Cap-W/Tether
23	142-5136-03	1	Support-Radiator, LH [black]	49	105-9296	2	Latch-Draw
24	142-5138-03	1	Bracket-Cooling, RH	50	109-2628	1	Cable-Stop, Seat
25	142-5139-03	1	Bracket-Cooling, Top	51	1-807533	4	Bolt-Carriage #10-24 X 5/8
26	142-5156	1	Seal-Bulb	52	120-4578	4	Nut-HF
27	142-8458-03	1	Fan Shroud	53	3229-1	2	Bolt-Carriage 1/4-20 X 3/4

Cooling Assembly No. 121-3330

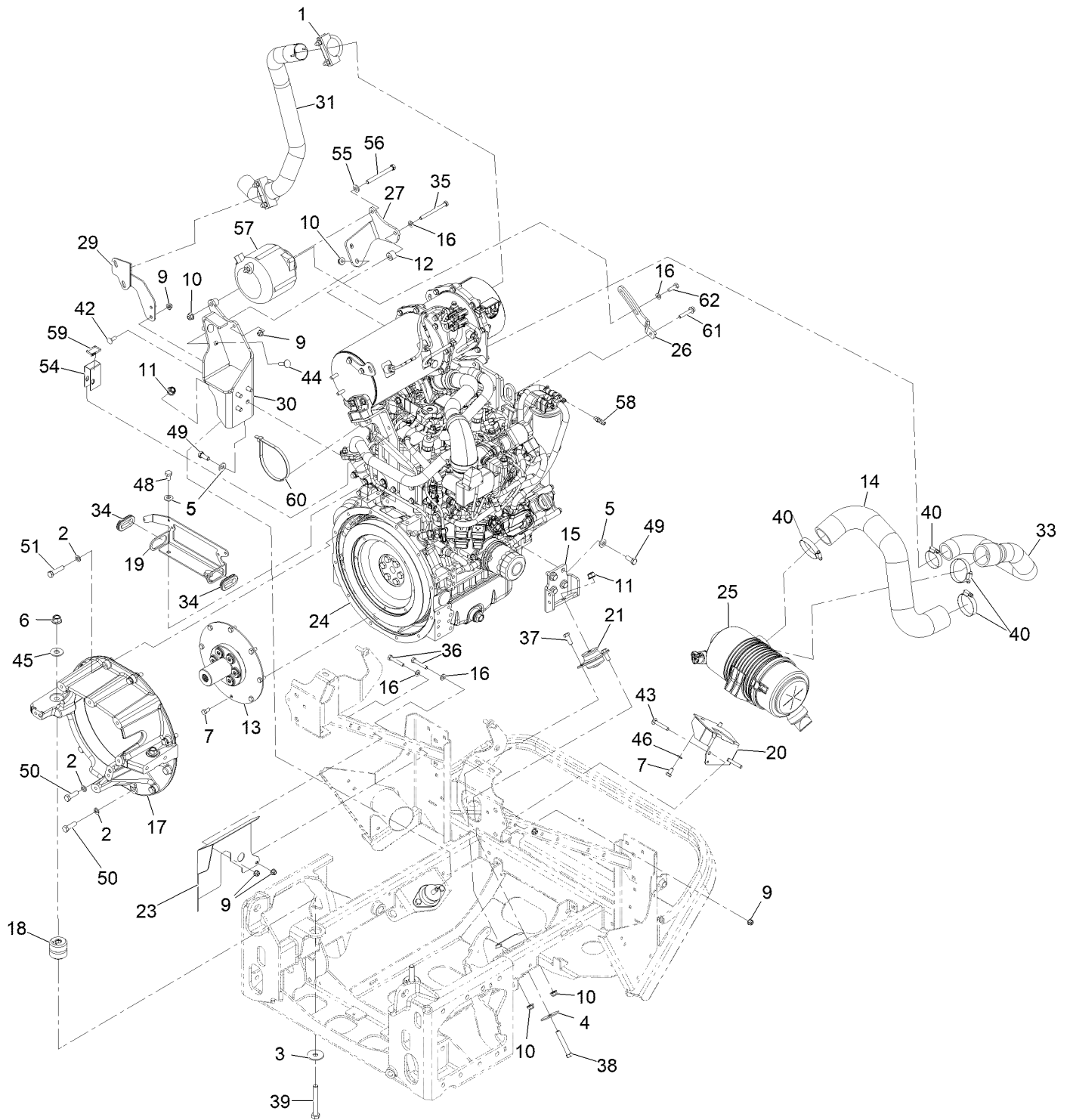


Cooling Assembly No. 121-3330 (continued)

<i>Ref.</i>	<i>Part Number</i>	<i>Qty.</i>	<i>Description</i>	<i>Ref.</i>	<i>Part Number</i>	<i>Qty.</i>	<i>Description</i>
1	121-3328	1	Radiator	6	3217-6	3	Nut-Hex
2	121-3329	1	Oil Cooler	7	119-1430	1	Radiator Cap ASM
3	322-5	3	Screw-HH	7:1		1	Cap-Radiator ●
4	3256-23	6	Washer-Plain	7:1:1	117-3276	1	Decal-Danger
5	3253-4	3	Washer-Lock	8	99-8551	1	Plug-Pipe

● Not serviced separately

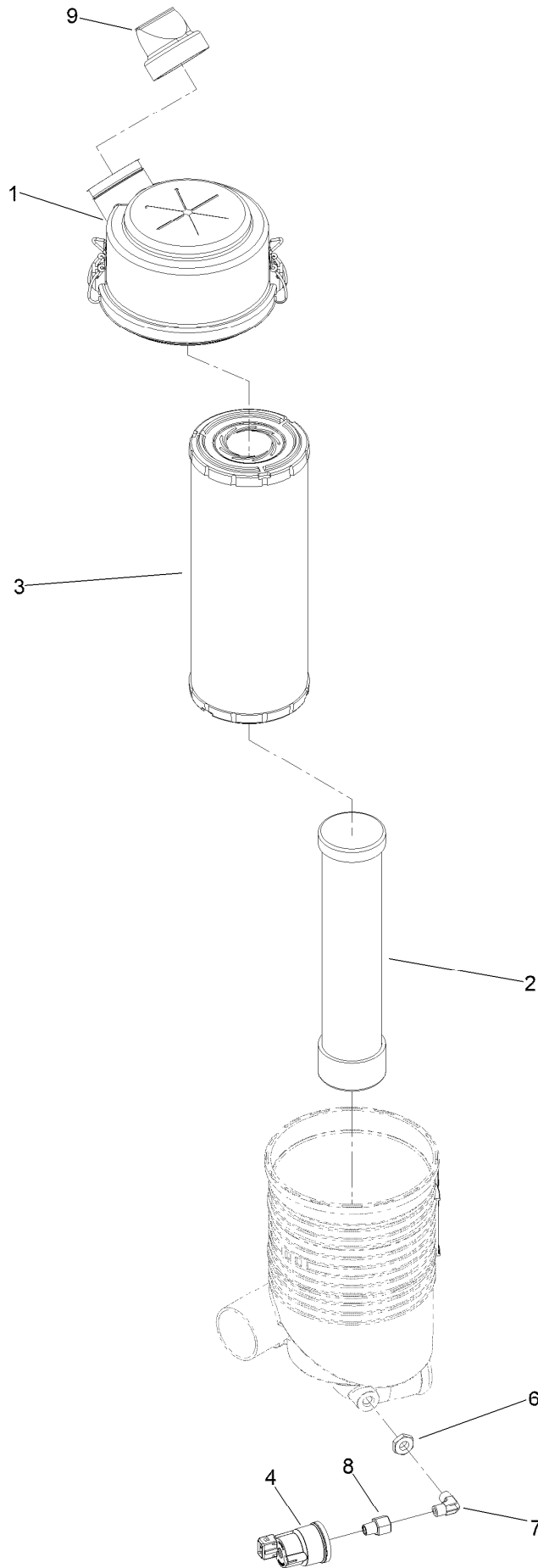
Engine Assembly



Engine Assembly (continued)

<i>Ref.</i>	<i>Part Number</i>	<i>Qty.</i>	<i>Description</i>	<i>Ref.</i>	<i>Part Number</i>	<i>Qty.</i>	<i>Description</i>
1	18-2130	2	Clamp	31	142-4158	1	Tube-Exhaust
2	48-9590	9	Washer-Lock	33	142-5171	1	Hose-Air
3	86-1990	2	Washer	34	240-7	2	Grommet-Rubber
4	87-5100	2	Washer-Snubbing	35	322-23	1	Screw-HH 5/16-18 X 3 3/4
5	98-5975	10	Washer-Spring Disc 3/8	36	322-21	2	Screw-HH
6	99-5107	2	Nut-Lock 1/2-13	37	323-6	4	Screw-HH 3/8-16 X 1
7	99-5132	10	Bolt	38	324-11	2	Screw-HH
9	104-8300	7	Nut-Nyloc 5/16-18 Flg	39	325-15	2	Screw-HH
10	104-8301	7	Nut-Nyloc 3/8-16 Flg	40	2412-130	4	Clamp-Hose
11	114-8417	2	Nut-HF, NI	42	3230-16	2	Bolt-Carriage 5/16-18 X 7/8
12	116-9329	1	Spacer	43	3230-6	2	Bolt-Carriage 3/16-18 X 2
13	120-9131	1	Coupling-Flywheel	44	3231-25	2	Bolt-Carriage 3/8-16 X 1 1/4
14	120-9177	1	Hose-Air	45	3256-6	2	Washer
15	120-9180-03	1	Mount-Motor, Upper	46	3290-475	2	Washer-Belleville
16	3256-23	4	Washer-5/16 SAE	48	33115-016	2	Screw-HH M10-1.5 X 16Mm
17	125-2836	1	Housing-Flywheel	49	33115-025	8	Screw-HH M10-1.5 X 35Mm
18	126-6095	2	Mount-Isolator	50	33115-035	2	Screw-HH M10-1.5 X 25Mm
19	142-6061-03	1	Plate_guide Bracket	51	33115-045	7	Screw-HH
20	126-8730-03	1	Bracket-Cleaner, Air	54	142-6642	1	Insulation-Heat
21	130-2486	2	Mount	55	100-4852	1	Washer-Hardened
23	142-9188-03	1	Sheet-Air Deflector	56	116-9362	1	Screw-HH 3/8-16 X 3 3/4 GR 8
24	142-7566	1	Engine-Yanmar, 3Tnv86Ct-Dtr2	57	142-7226	1	Alternator-12V 175A
25	142-7201	1	ASM, Hdac	58	142-7698	1	Fitting-Straight
26	142-5783-03	1	Tension Arm-Alternator	59	142-8170	1	Tie-Cable, SS
27	142-4117-03	1	Bracket, Alternator	60	103-2446	1	Tie-Cable
29	142-4151-03	1	Exhaust Bracket	61	33104-045	1	Screw-HHF
30	142-4152-03	1	Mount ASM-Upper [black]	62	33114-025	1	Screw-HH M8-1.25 X 25Mm

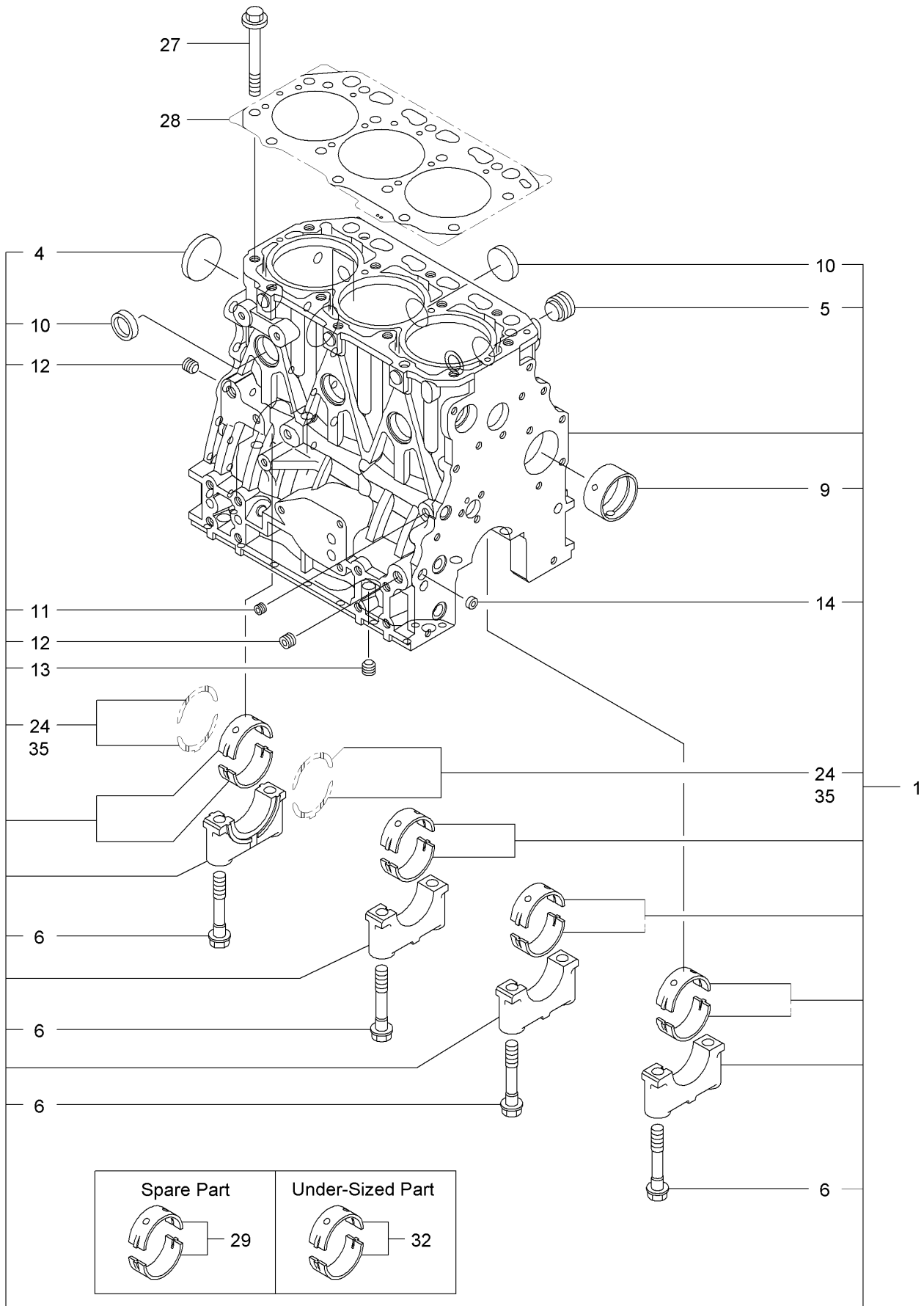
Air Cleaner Assembly No. 142-7201



Air Cleaner Assembly No. 142-7201 (continued)

<i>Ref.</i>	<i>Part Number</i>	<i>Qty.</i>	<i>Description</i>	<i>Ref.</i>	<i>Part Number</i>	<i>Qty.</i>	<i>Description</i>
1	98-9771	1	Cover ASM	6	142-7209	1	Nut-Hex
2	103-1326	1	Filter, Safety Air	7	142-7210	1	Fitting-Elbow-90
3	108-3810	1	Filter-Air	8	142-7211	1	Insert-Restriction Adapter
4	126-7651	1	Indicator-Mini	9	AUA189052	1	Valve-Dust-Air Cleaner

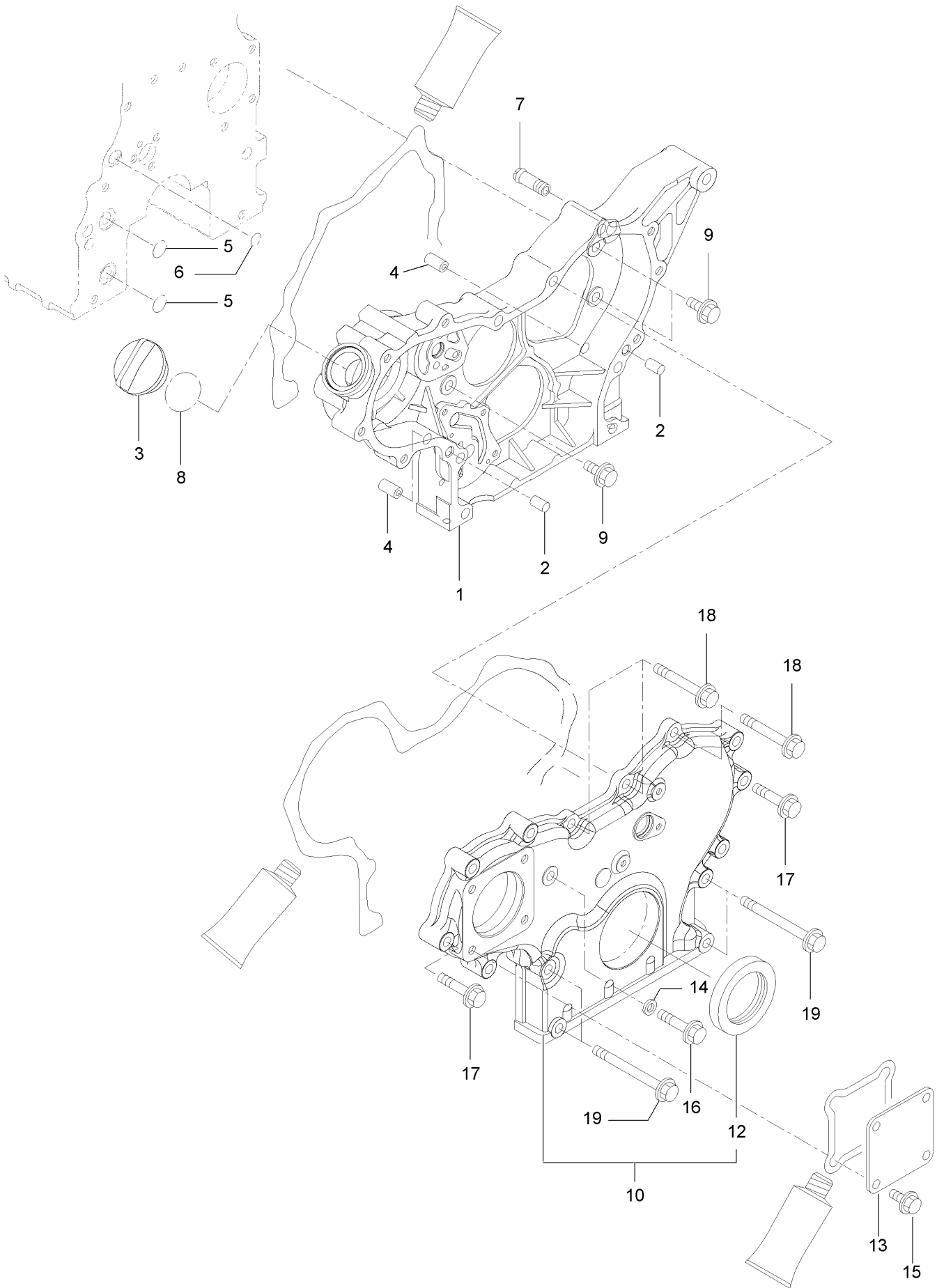
Cylinder Block Assembly



Cylinder Block Assembly (continued)

<i>Ref.</i>	<i>Part Number</i>	<i>Qty.</i>	<i>Description</i>	<i>Ref.</i>	<i>Part Number</i>	<i>Qty.</i>	<i>Description</i>
1	127-3750	1	Cylinder Block ASM	13	125-6973	1	Plug
4	125-6980	1	Plug	14	125-7237	1	Plug
5	125-7170	1	Plug	24	125-7010	2	Metal-Thrust
6	125-7007	8	Bolt	27	125-7006	14	Bolt
9	125-7108	1	Bushing	28	127-3751	1	Head Gasket ASM
10	140-7182	6	Plug 30	29	125-6981	4	Metal-Main
11	125-6969	1	Plug	32	125-7009	4	Metal-Main (0.25)
12	125-6973	2	Plug	35	125-7011	1	Metal-Thrust (0.25)

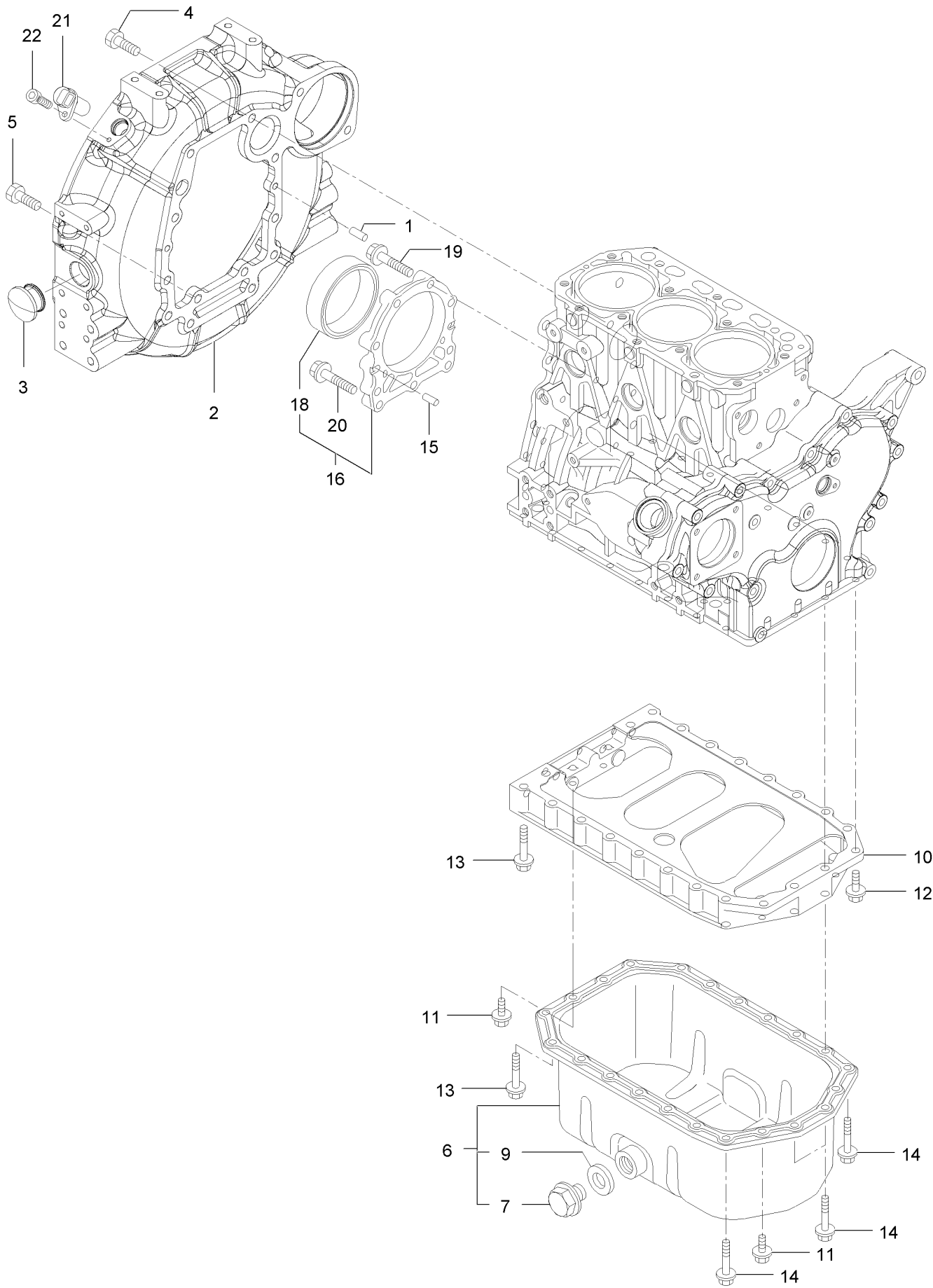
Gear Housing Assembly



Gear Housing Assembly (continued)

<i>Ref.</i>	<i>Part Number</i>	<i>Qty.</i>	<i>Description</i>	<i>Ref.</i>	<i>Part Number</i>	<i>Qty.</i>	<i>Description</i>
1	142-8721	1	Case-Gear	10	127-3024	1	Gearcase Cover ASM
2	125-6995	2	Pin	12	125-6944	1	Seal-Oil
3	125-6972	1	Cover-Filler	13	125-6977	1	Cover
4	125-7107	2	Pipe	14	125-7174	1	Washer-Seal
5	125-6909	2	O-Ring	15	125-7214	4	Bolt
6	127-2973	1	O-Ring	16	125-7217	1	Bolt
7	127-3753	1	Joint	17	125-7218	7	Bolt
8	125-7197	1	O-Ring	18	125-7222	3	Bolt
9	125-7214	3	Bolt	19	125-7224	4	Bolt

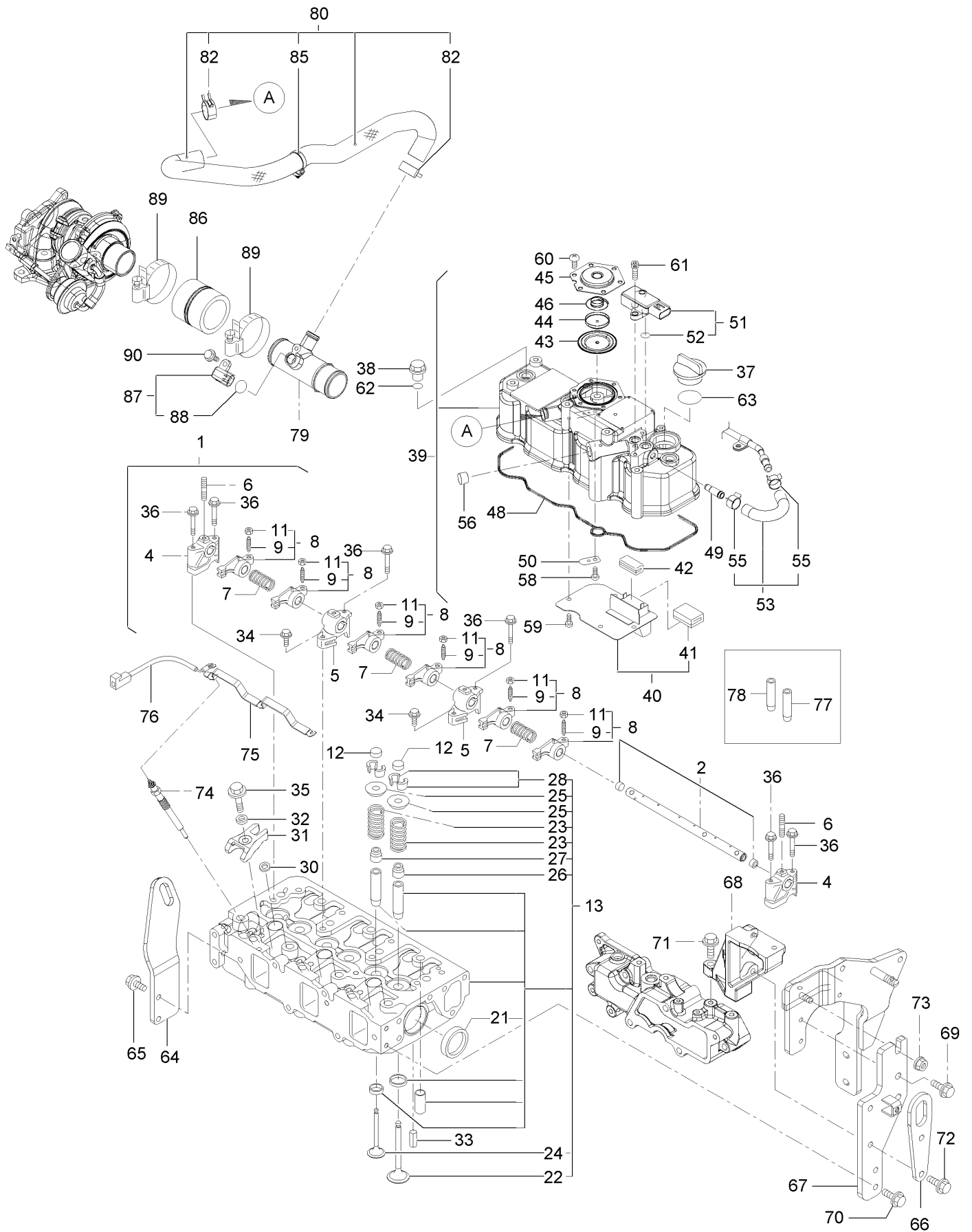
Flywheel Housing and Oil Sump Assembly



Flywheel Housing and Oil Sump Assembly (continued)

<i>Ref.</i>	<i>Part Number</i>	<i>Qty.</i>	<i>Description</i>	<i>Ref.</i>	<i>Part Number</i>	<i>Qty.</i>	<i>Description</i>
1	125-6995	2	Pin	12	125-7215	2	Bolt
2	127-4758	1	Housing-Flywheel	13	125-7219	16	Bolt
3	125-6910	1	Cap	14	125-7220	4	Bolt
4	125-7226	6	Bolt	15	125-6995	2	Pin
5	125-7227	4	Bolt	16	140-7173	1	Oil Seal Case ASM
6	135-4010	1	Oil Pan ASM	18	140-7174	1	Seal-Oil
7	125-6912	1	Plug-Drain	19	125-7045	6	Bolt
9	125-7177	1	Washer-Seal	20	125-7217	3	Bolt
10	131-3863	1	Spacer, Oil Pan	21	127-3062	1	Sensor-Rev, Flywheel
11	125-7214	4	Bolt	22	127-3184	1	Bolt

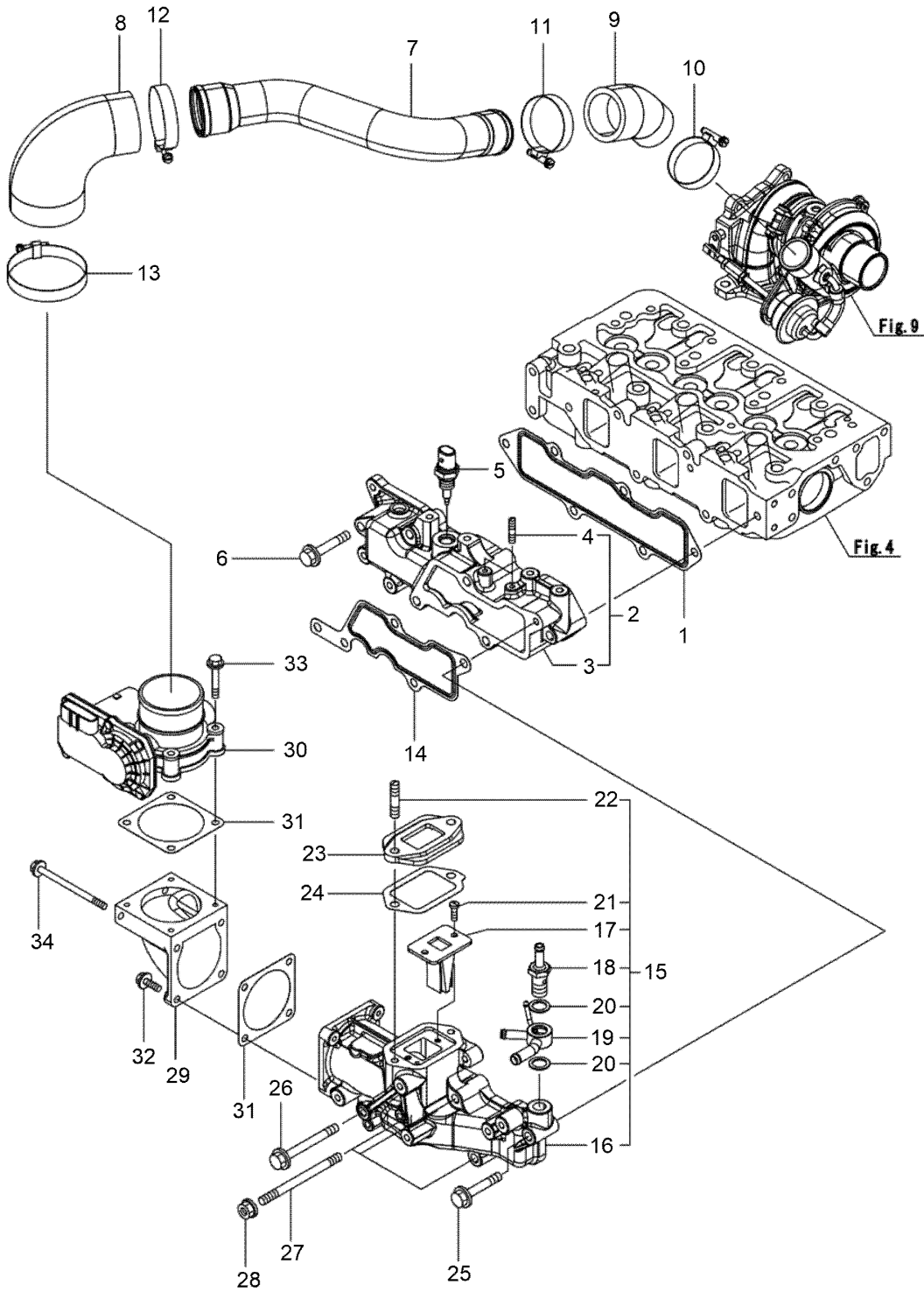
Cylinder Head and Cover Assembly



Cylinder Head and Cover Assembly (continued)

<i>Ref.</i>	<i>Part Number</i>	<i>Qty.</i>	<i>Description</i>	<i>Ref.</i>	<i>Part Number</i>	<i>Qty.</i>	<i>Description</i>
1	127-3757	1	Shaft ASM	49	127-3026	1	Joint
2	127-3758	1	Shaft	50	125-6994	1	Spring
4	127-2974	2	Support	51	127-3029	1	Sensor-Pressure
5	127-2975	2	Support	52	127-3032	2	O Ring-Sensor, Pressure
6	135-4012	3	Bolt,Stud	53	127-3040	1	Hose ASM
7	127-2995	3	Spring	55	127-3041	2	Clip-Hose
8	127-2989	6	Arm-Rocker	56	125-6913	1	Plug
9	125-7013	6	Screw-Adjust, Valve	58	125-7186	1	Screw
11	125-7014	6	Nut	59	125-7186	4	Screw
12	127-2996	6	Cap-Valve	60	125-7186	6	Screw
13	127-3760	1	Cylinder Head ASM	61	127-3184	2	Bolt
21	125-7240	2	Plug	62	138-7829	3	O-Ring
22	127-2990	3	Valve	63	125-7197	1	O-Ring
23	127-3012	6	Spring	64	127-4718	1	Lifter-Engine
24	127-2994	3	Valve	65	125-7595	2	Bolt
25	127-3013	6	Retainer-Spring	66	127-3091	1	Lifter-Engine
26	127-2986	3	Seal-Stem, Valve	67	127-3095	1	Stay-D P F
27	127-3027	3	Seal-Stem, Valve	68	127-3105	1	Stay-Bracket, Filter
28	127-3186	6	Pin-Cotter	69	125-7595	2	Bolt
30	127-3021	3	Gasket-Injector	70	125-7595	2	Bolt
31	127-3028	3	Retainer-Injector	71	125-7215	1	Bolt
32	127-2980	3	Washer-Injector	72	125-7216	2	Bolt
33	125-7184	2	Pin-Spring	73	125-7229	1	Nut
34	125-7215	2	Bolt	74	127-2991	3	Plug-Glow
35	125-7217	3	Bolt	75	127-3768	1	Connector-Plug, Glow
36	125-7220	6	Bolt	76	131-2704	1	Harness-Wire
37	125-6972	1	Cover-Filler	77	127-2979	3	Guide
38	125-6974	3	Knob	78	127-2997	3	Guide-Valve
39	139-6019	1	Cylinder Head ASM	79	131-3864	1	Joint, Breather
40	127-2988	1	Plate	80	131-3865	1	Hose Assy, Breather
41	125-6920	1	Baffle	82	125-7040	2	Clip-Hose
42	125-7012	1	Baffle	85	127-3087	1	Band-Clip
43	125-6959	1	Diaphragm	86	142-8736	1	Hose-Air
44	125-6960	1	Plate	87	127-3030	1	Sensor-Temp, Air
45	125-6961	1	Plate-Breather	88	127-3033	1	O-Ring
46	125-6962	1	Spring-Diaphragm	89	127-3170	2	Clamp-Hose
48	127-3762	1	Gasket-Cover, Cylinder Head	90	125-7208	1	Bolt

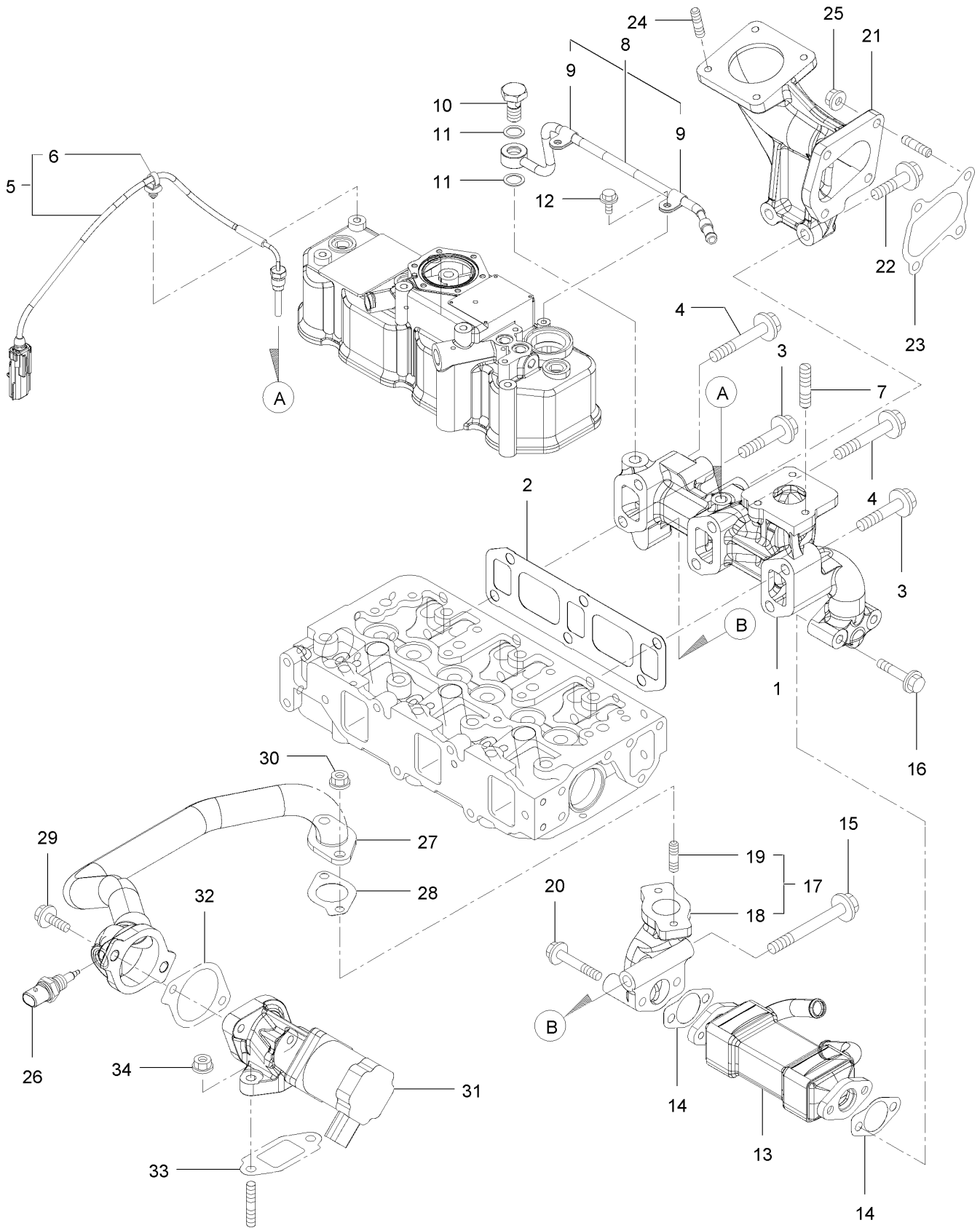
Suction Manifold Assembly



Suction Manifold Assembly (continued)

<i>Ref.</i>	<i>Part Number</i>	<i>Qty.</i>	<i>Description</i>	<i>Ref.</i>	<i>Part Number</i>	<i>Qty.</i>	<i>Description</i>
1	127-3769	1	Gasket-Manifold, Intake	18	127-3080	1	Joint-Hose
2	127-3770	1	Intake Manifold ASM	19	127-3081	1	Joint-Hose
3	127-3771	1	Manifold-Intake, Air	20	127-3166	2	Washer-Seal
4	127-3180	2	Stud	21	127-3168	2	Screw
5	137-5167	1	Sensor-Temperature, Air	22	138-7831	2	Stud, M8X 35
6	125-7220	3	Bolt	23	127-3045	1	Spacer-Valve, E G R
7	127-3772	1	Duct Suction	24	127-3046	1	Gasket-E G R
8	127-3096	1	Joint-Rubber	25	125-7220	1	Bolt
9	127-3773	1	Joint, Rubber	26	127-3178	1	Bolt
10	125-7189	1	Clamp-Hose	27	127-3182	3	Stud
11	127-3170	1	Clamp-Hose	28	125-7229	3	Nut
12	125-7190	1	Clamp-Hose	29	127-3035	1	Bend-Inlet
13	127-3171	1	Clamp-Hose	30	127-3036	1	Body-Throttle
14	127-3034	1	Gasket-Collector	31	127-3037	2	Gasket-Throttle
15	127-3093	1	Intake Collector ASM	32	125-7209	2	Bolt
16	127-3092	1	Collector-Intake	33	125-7211	4	Bolt
17	127-3139	1	Valve-Reed	34	127-3177	2	Bolt

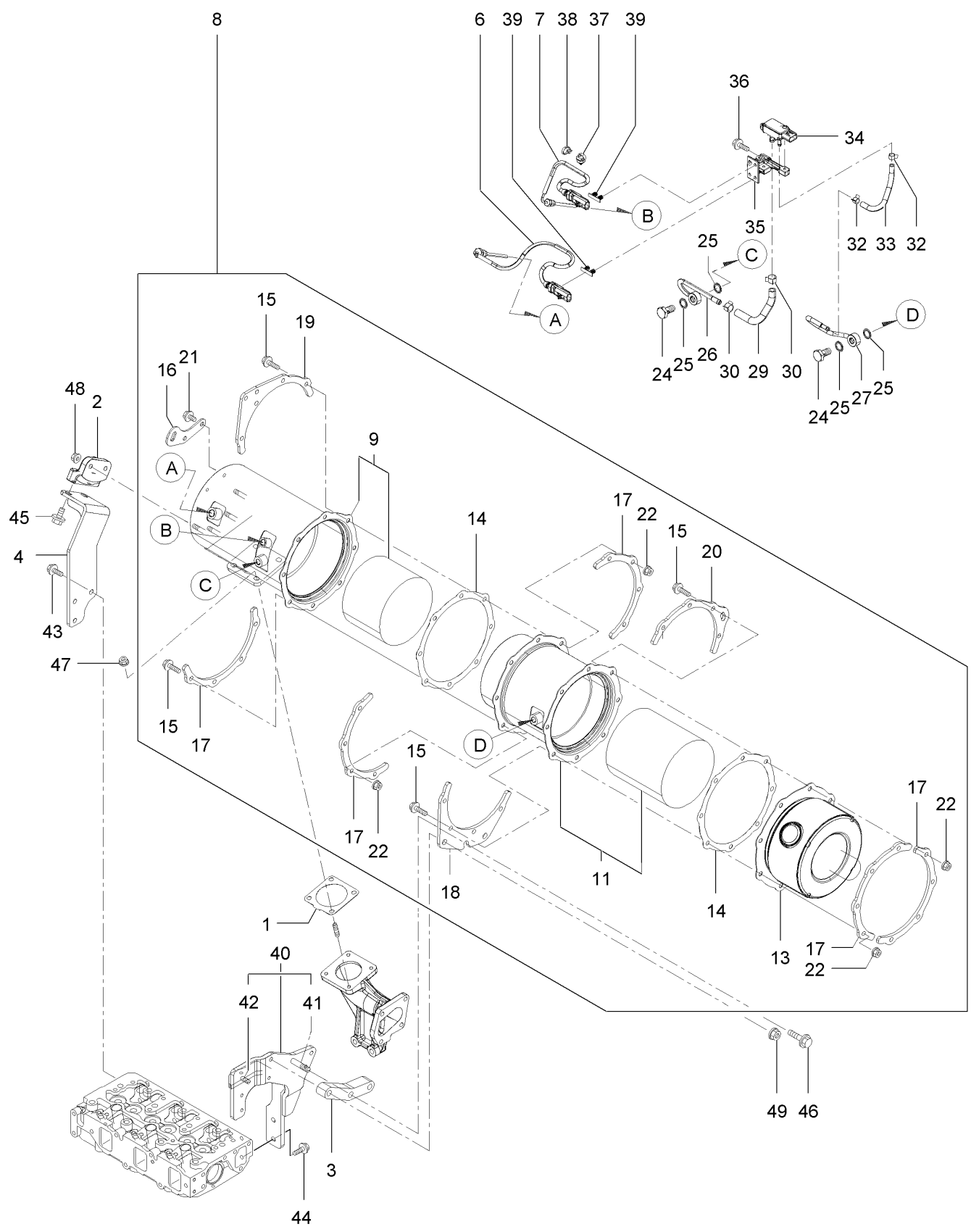
Gasket Manifold Assembly



Gasket Manifold Assembly (continued)

<i>Ref.</i>	<i>Part Number</i>	<i>Qty.</i>	<i>Description</i>	<i>Ref.</i>	<i>Part Number</i>	<i>Qty.</i>	<i>Description</i>
1	127-3774	1	Manifold-Exhaust	18	127-3049	1	Pipe-Out, E G R
2	127-3775	1	Gasket-Manifold, Exhaust	19	125-7043	2	Stud
3	135-4013	2	Bolt	20	125-7220	2	Bolt
4	131-3866	4	Bolt, M10X65 10.9T	21	131-3867	1	Pipe, Exhaust
5	127-3777	1	Sensor-Temp, Exhaust	22	133-6792	2	Bolt
6	127-3087	1	Band-Clip	23	127-3779	1	Gasket-Out, T C
7	125-7043	3	Stud	24	125-6906	4	Stud
8	127-3038	1	Exhaust Pipe ASM	25	125-7229	4	Nut
9	127-3173	2	Clamp	26	137-5168	1	Sensor-Gas Temp, E G R
10	127-3039	1	Bolt-Joint, Pipe	27	127-3780	1	E G R Pipe ASM
11	127-3174	2	Gasket	28	127-3016	1	Gasket
12	125-7206	2	Bolt	29	125-7215	2	Bolt
13	127-3042	1	Cooler-E G R	30	125-7229	2	Nut
14	127-3043	2	Gasket-Cooler, E G R	31	127-3781	1	Valve-E G R
15	135-4016	1	Bolt	32	127-3050	1	Gasket-Intake Valve, E G R
16	135-4015	2	Bolt	33	127-3051	1	Gasket-Out Valve, E G R
17	127-3048	1	E G R Pipe ASM	34	125-7229	2	Nut

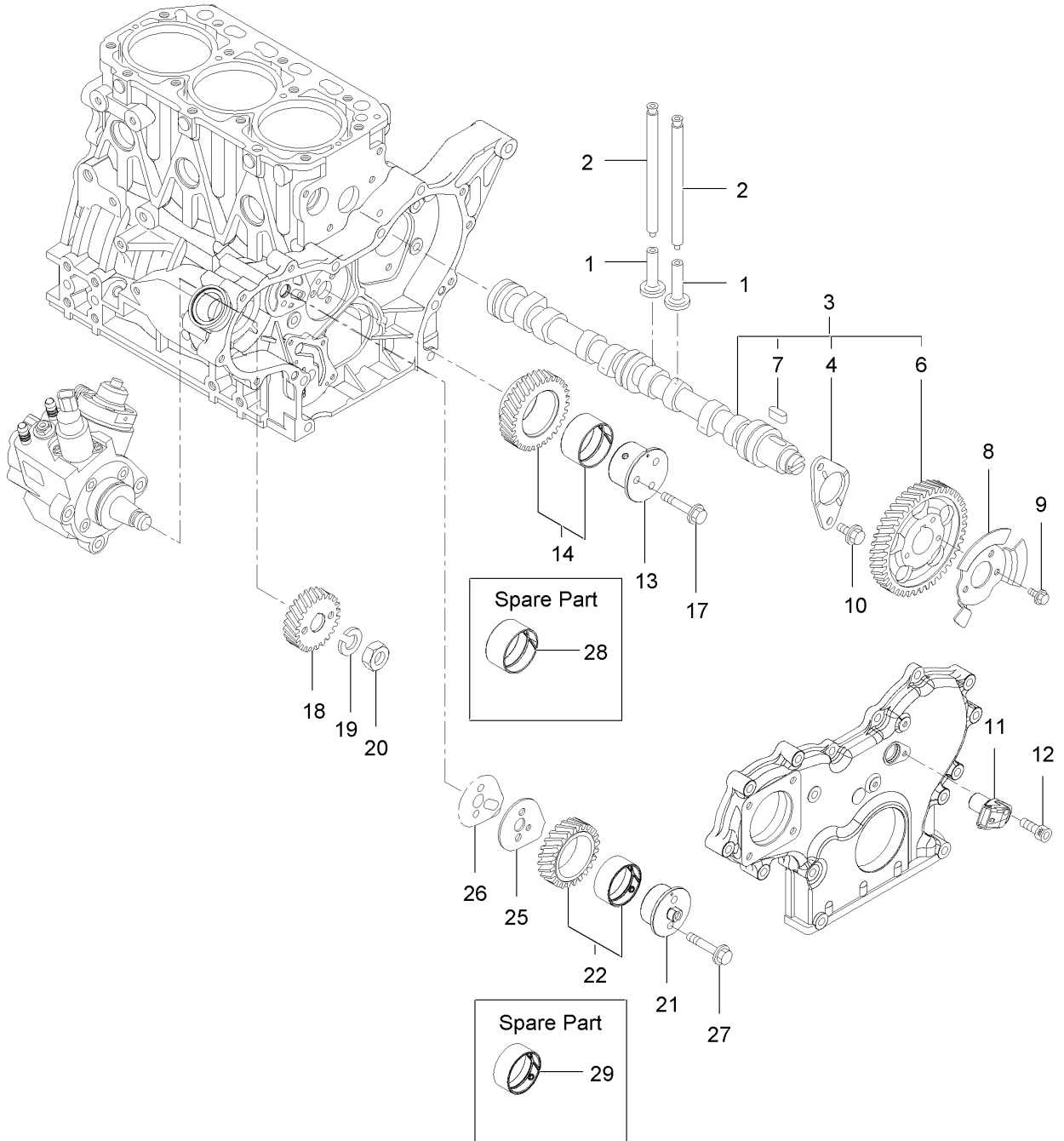
Diesel Particulate Filter (DPF) Assembly



Diesel Particulate Filter (DPF) Assembly (continued)

<i>Ref.</i>	<i>Part Number</i>	<i>Qty.</i>	<i>Description</i>	<i>Ref.</i>	<i>Part Number</i>	<i>Qty.</i>	<i>Description</i>
1	127-3019	1	Gasket	27	127-4745	1	Sensor Pipe ASM
2	127-4739	1	Stay-D P F	29	140-7175	1	Hose-Pressure
3	131-3868	1	Stay, Dpf	30	127-3057	2	Clip-Hose
4	131-3869	1	Stay, Dpf	32	127-3058	2	Clip-Hose
6	142-8722	1	Sensor-Temp, Exhaust	33	142-8726	1	Hose, Exhaust Pressure
7	142-8723	1	Sensor-Temp, Exhaust	34	127-3060	1	Sensor-Pressure
8	142-8724	1	D P F ASM	35	127-4750	1	Bracket-Sensor
9	142-8725	1	Case, Doc	36	125-7595	2	Bolt
11	131-3872	1	Case, Soot Filter	37	127-3087	1	Band-Clip
13	127-3786	1	Silencer-D P F	38	127-3124	1	Band
14	127-3787	2	Gasket-D P F	39	127-3088	2	Clip-Connector
15	127-3055	16	Bolt	40	131-3878	1	Stay, Dpf
16	127-3788	1	Lifter-D P F	41	142-8727	1	Bolt-Stud
17	127-3789	5	Stiffener-D P F, A	42	142-8728	1	Bolt-Stud
18	131-3874	1	Stiffener, Dpf B	43	125-7214	3	Bolt
19	131-3875	1	Stiffener, Dpf C	44	125-7595	2	Bolt
20	127-3792	1	Stiffener-D P F, C	45	130-7444	2	Bolt
21	93-0362	2	Bolt	46	131-3879	2	Bolt, M10X 40 Plated
22	125-7229	16	Nut	47	125-7229	4	Nut
24	127-3039	2	Bolt-Joint, Pipe	48	125-7229	2	Nut
25	127-3056	4	Gasket-Sensor	49	125-7230	1	Nut
26	127-4744	1	Sensor Pipe ASM				

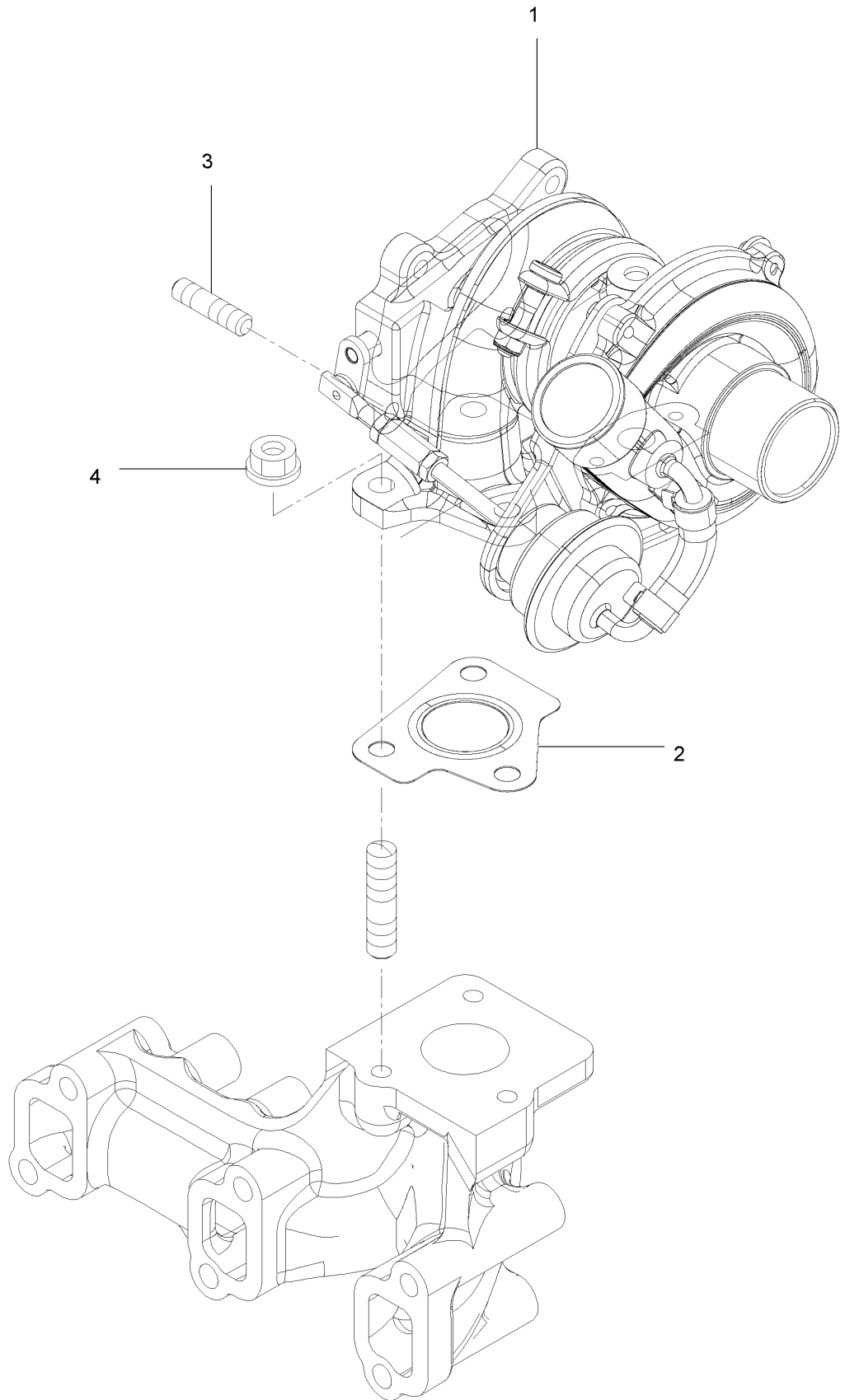
Camshaft and Driving Gear Assembly



Camshaft and Driving Gear Assembly (continued)

<i>Ref.</i>	<i>Part Number</i>	<i>Qty.</i>	<i>Description</i>	<i>Ref.</i>	<i>Part Number</i>	<i>Qty.</i>	<i>Description</i>
1	125-7016	6	Tappet	14	127-3066	1	Idle Gear A ASM
2	125-7017	6	Rod-Push	17	125-7219	3	Bolt
3	127-3797	1	Camshaft ASM	18	127-3070	1	Gear-Pump, Supply
4	125-7008	1	Metal-Thrust	19	127-3167	1	Washer-Spring
6	127-3052	1	Gear-Camshaft	20	127-3185	1	Nut-Lock
7	125-7185	1	Key	21	127-3064	1	Shaft-Idle, Gear B
8	131-3880	1	Pulser, Camshaft	22	127-3067	1	Idle Gear B ASM
9	125-7205	3	Bolt	25	127-3068	1	Plate-Idle, Shaft
10	125-7213	2	Bolt	26	127-3069	1	Gasket-Idle, Shaft B
11	127-3054	1	Sensor-Rev, Gear	27	125-7218	2	Bolt
12	127-3184	1	Bolt	28	125-6927	1	Bushing
13	127-3063	1	Shaft-Idle, Gear A	29	127-3065	1	Bushing

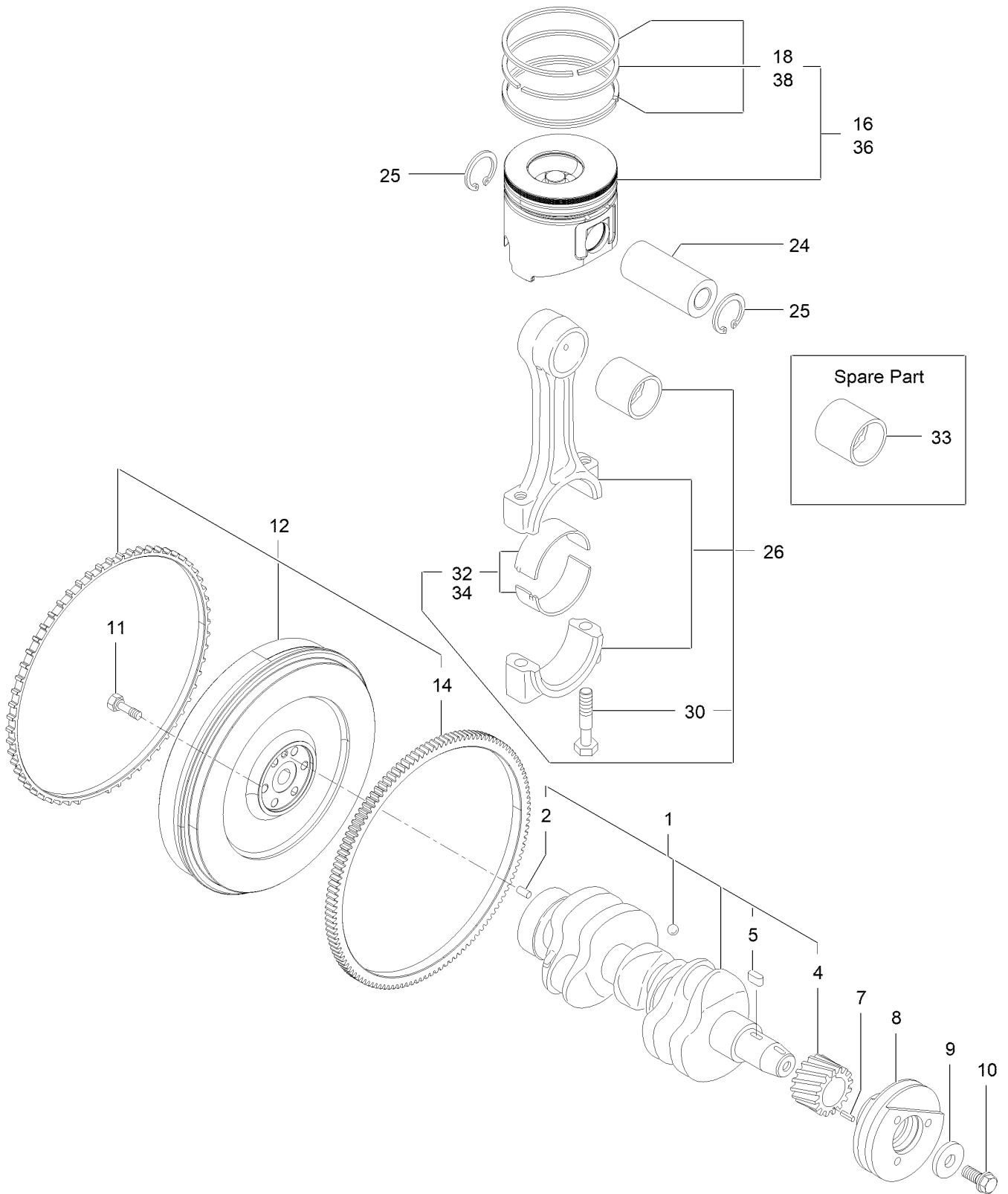
Turbine Assembly



Turbine Assembly (continued)

<i>Ref.</i>	<i>Part Number</i>	<i>Qty.</i>	<i>Description</i>	<i>Ref.</i>	<i>Part Number</i>	<i>Qty.</i>	<i>Description</i>
1	135-4151	1	Turbocharger	3	125-6906	4	Stud
2	127-3799	1	Gasket-In, T C	4	125-7229	3	Nut

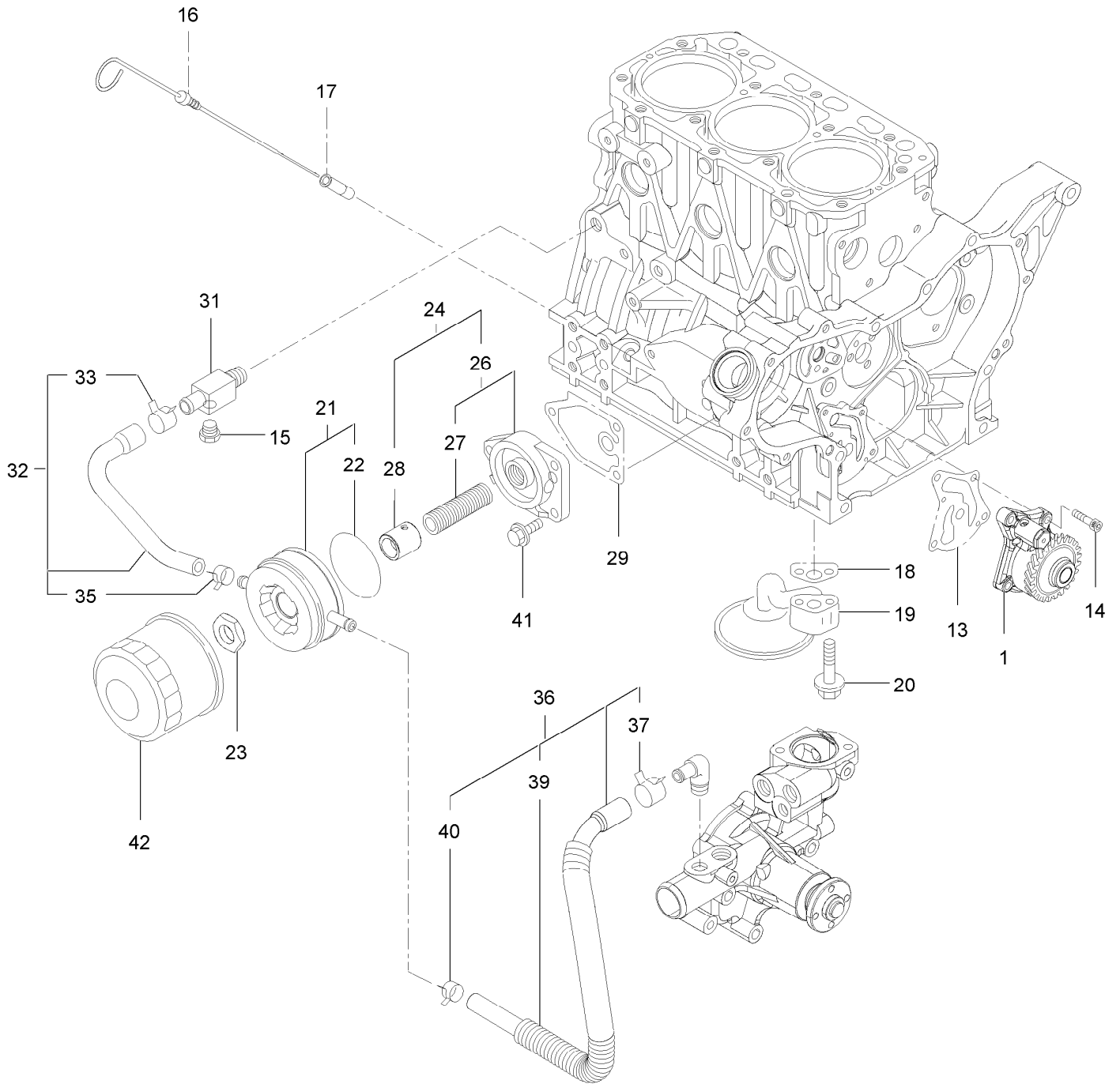
Crankshaft and Piston Assembly



Crankshaft and Piston Assembly (continued)

<i>Ref.</i>	<i>Part Number</i>	<i>Qty.</i>	<i>Description</i>	<i>Ref.</i>	<i>Part Number</i>	<i>Qty.</i>	<i>Description</i>
1	127-3800	1	Crankshaft ASM	16	127-3097	3	Piston ASM
2	125-6995	1	Pin	18	127-3098	3	Piston Ring ASM
4	125-6937	1	Gear	24	125-7030	3	Pin
5	125-7185	1	Key	25	125-7180	6	Ring
7	125-7182	1	Pin-Spring	26	125-7242	3	Connecting Rod ASM
8	142-8729	1	Pulley-V, Crankshaft	30	125-6955	6	Bolt
9	125-7109	1	Washer	32	125-7018	3	Pin-Crank
10	125-6956	1	Bolt	33	125-6997	3	Pin-Piston
11	125-6951	6	Bolt	34	125-7019	3	Pin-Crank (.25)
12	127-4761	1	Flywheel ASM	36	127-3099	3	Piston ASM (0.25 O.S.)
14	127-4703	1	Gear	38	127-3100	3	Piston Ring ASM (0.25 O.S.)

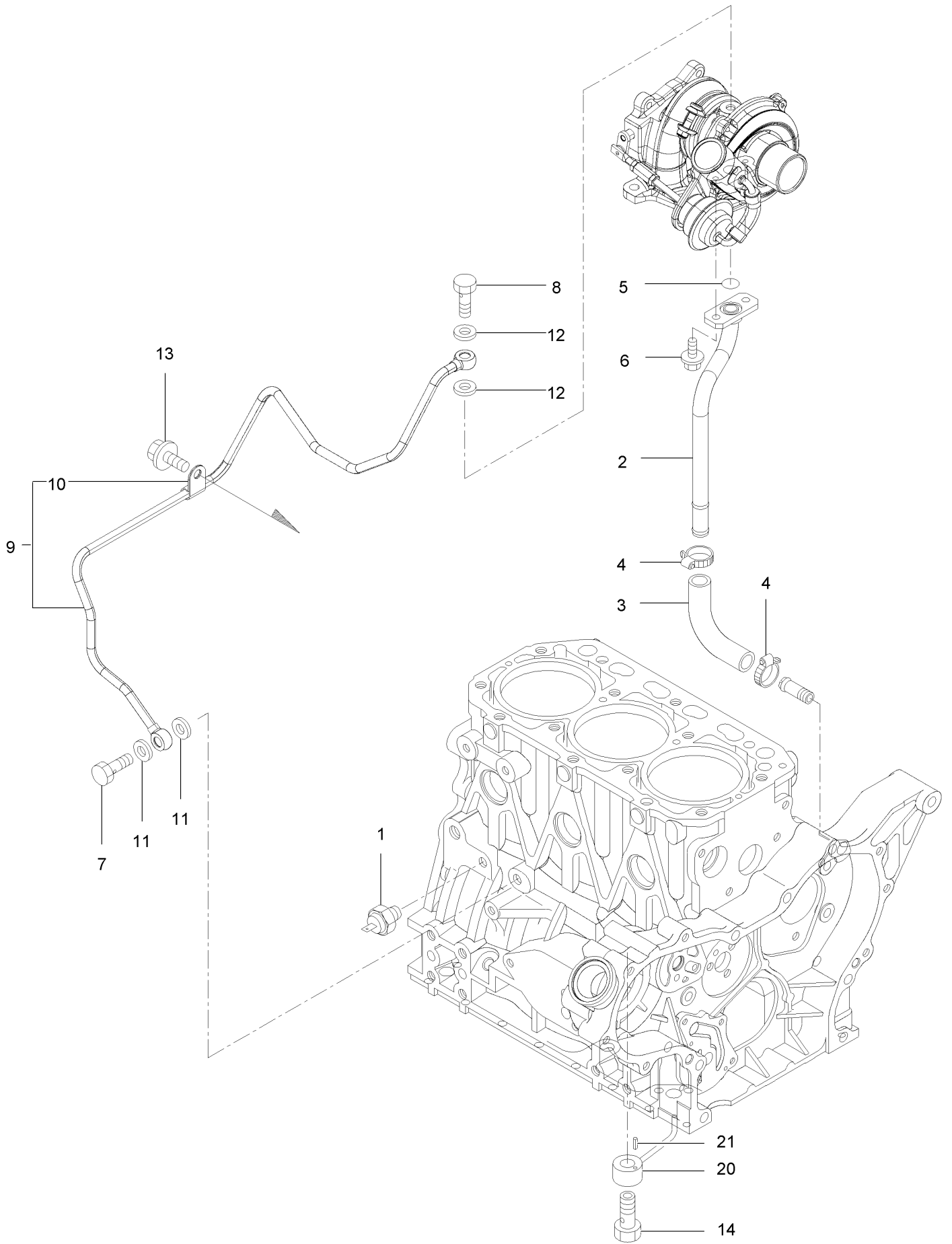
Oil Pump Assembly



Oil Pump Assembly (continued)

<i>Ref.</i>	<i>Part Number</i>	<i>Qty.</i>	<i>Description</i>	<i>Ref.</i>	<i>Part Number</i>	<i>Qty.</i>	<i>Description</i>
1	127-3101	1	Oil Lube Pump ASM	27	125-7042	1	Stud
13	127-3004	1	Gasket	28	135-4022	1	Collar-Cooler, Oil
14	125-7232	4	Bolt	29	125-7024	1	Gasket
15	125-7171	1	Plug-Drain	31	125-6990	1	Joint
16	140-7168	1	Dipstick-Oil	32	125-7078	1	Pipe ASM
17	125-6954	1	Guide-Dipstick	33	125-7162	1	Clip
18	125-7022	1	Gasket	35	125-7191	1	Clamp-Hose
19	135-4017	1	Oil Inlet Pipe ASM	36	127-3804	1	Pipe ASM
20	125-7217	2	Bolt	37	125-7162	1	Clip
21	135-4018	1	Oil Cooler ASM	39	127-3805	1	Tube
22	135-4019	1	Packing-Oil Cooler	40	125-7191	3	Clamp-Hose
23	135-4020	1	Nut	41	125-7595	1	Bolt
24	135-4021	1	Lo Filter Bracket ASM	42	125-7025	1	Filter-Engine, Oil
26	140-7169	1	Filter Bracket ASM				

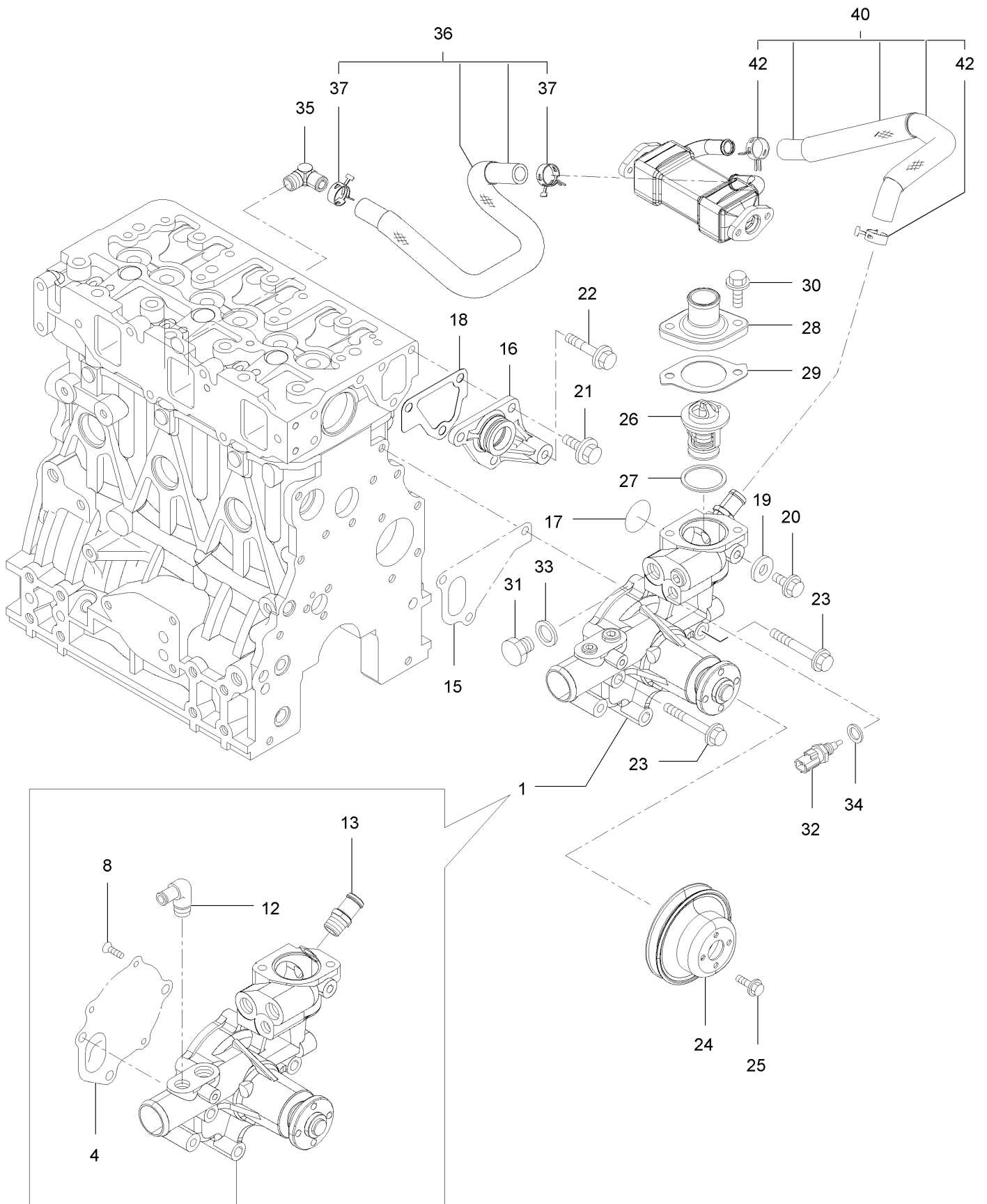
Lubrication and Oil System Assembly



Lubrication and Oil System Assembly (continued)

<i>Ref.</i>	<i>Part Number</i>	<i>Qty.</i>	<i>Description</i>	<i>Ref.</i>	<i>Part Number</i>	<i>Qty.</i>	<i>Description</i>
1	125-6918	1	Switch-Oil	9	139-6021	1	Lube Oil Pipe ASM
2	142-8730	1	Pipe, Oil Return	10	125-6976	1	Retainer
3	127-3808	1	Joint	11	125-7175	2	Washer-Seal
4	127-3169	2	Clamp-Hose	12	125-7193	2	Gasket
5	125-7198	1	O-Ring	13	93-0362	1	Bolt
6	125-7208	2	Bolt	14	125-7105	3	Check Valve ASM
7	125-6975	1	Bolt-Joint, Pipe	20	125-7098	3	Nozzle
8	125-6952	1	Bolt-Joint, Pipe	21	125-7182	3	Pin-Spring

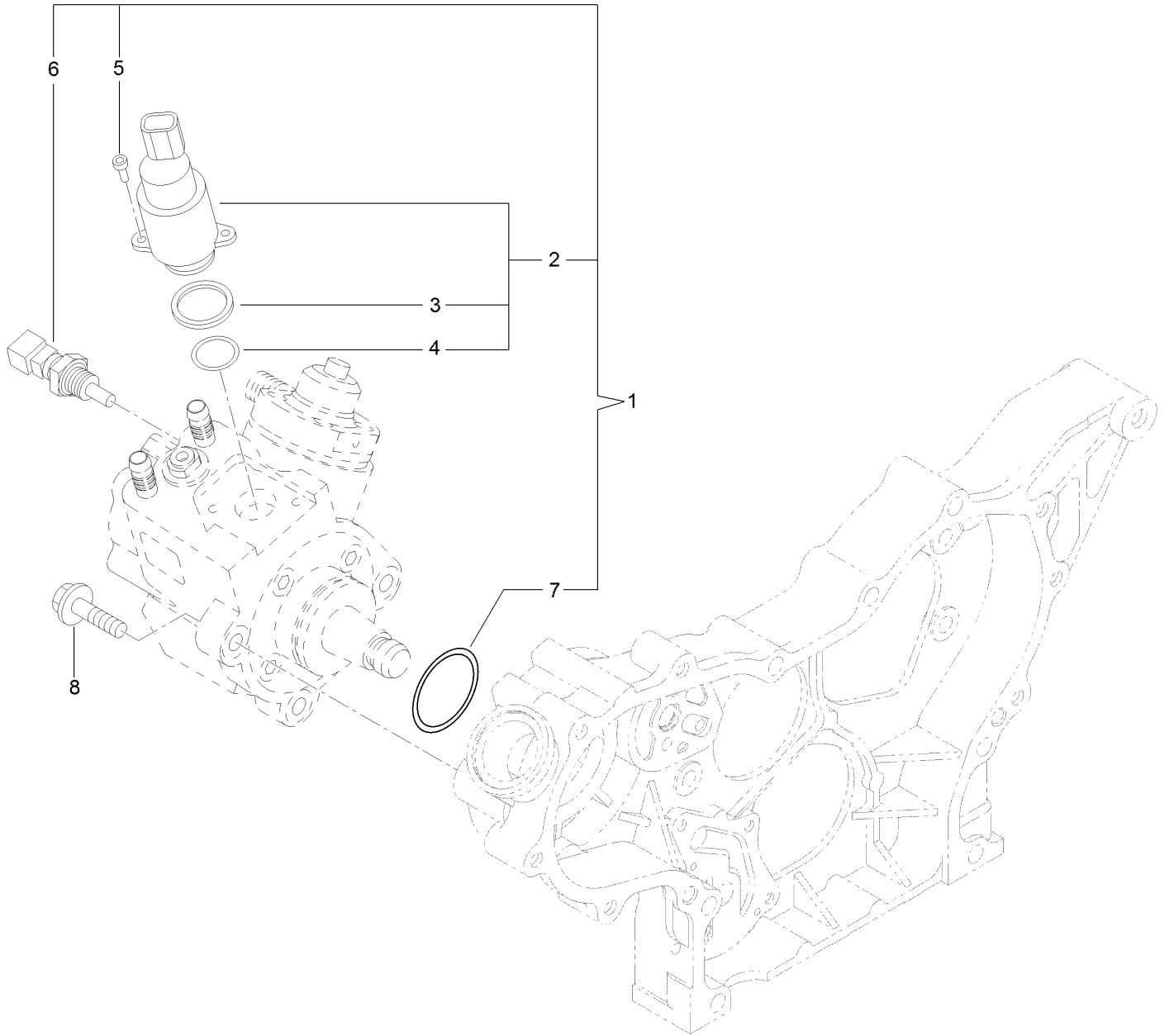
Cooling Water System Assembly



Cooling Water System Assembly (continued)

<i>Ref.</i>	<i>Part Number</i>	<i>Qty.</i>	<i>Description</i>	<i>Ref.</i>	<i>Part Number</i>	<i>Qty.</i>	<i>Description</i>
1	142-8731	1	Water Pump ASM	25	125-7206	4	Bolt
4	125-6998	1	Gasket	26	125-7029	1	Thermostat
8	140-7170	3	Screw-Flat	27	125-7026	1	Gasket
12	125-7001	1	Elbow	28	140-7171	1	Cover-Thermostat
13	142-8732	1	Elbow	29	125-7110	1	Gasket
15	125-7047	1	Gasket	30	125-7594	2	Bolt
16	125-6986	1	Joint	31	125-6953	1	Plug
17	125-7048	1	O-Ring	32	125-7124	1	Sensor-Thermostat, CW
18	125-6978	1	Gasket	33	125-6979	1	Gasket
19	125-7192	1	Gasket	34	125-7176	1	Washer-Seal
20	93-0362	1	Bolt	35	127-4705	1	Elbow
21	125-7214	3	Bolt	36	127-4757	1	E G R-C Pipe ASM
22	125-7219	1	Bolt	37	127-3020	2	Clip-Hose
23	125-7222	3	Bolt	40	142-8734	1	Pipe ASM, CW
24	142-8733	1	Pulley-V, Pump	42	127-3020	2	Clip-Hose

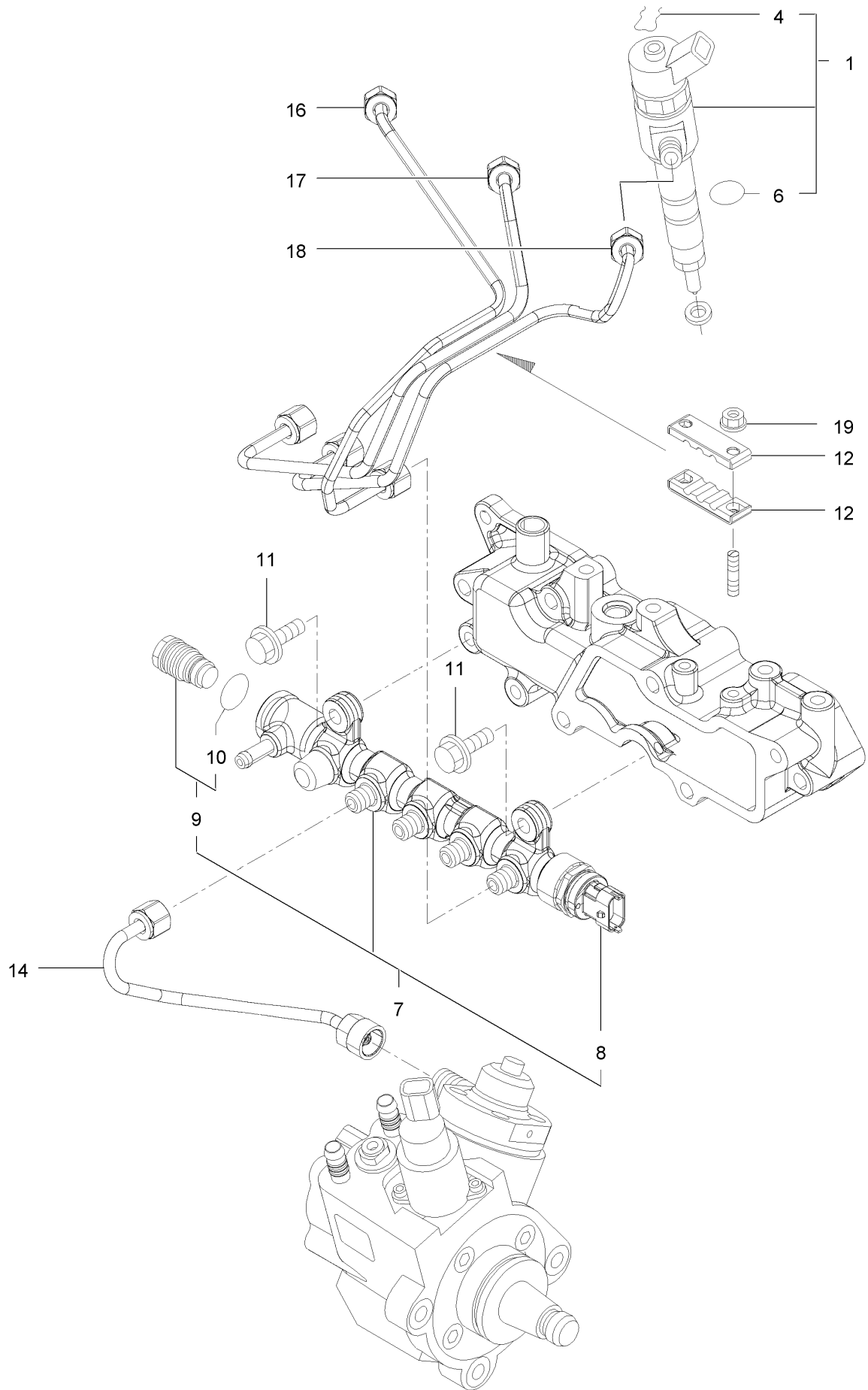
Fuel Supply Pump Assembly



Fuel Supply Pump Assembly (continued)

<i>Ref.</i>	<i>Part Number</i>	<i>Qty.</i>	<i>Description</i>	<i>Ref.</i>	<i>Part Number</i>	<i>Qty.</i>	<i>Description</i>
1	140-7178	1	Fuel Pump ASM	5	131-2107	2	Bolt
2	131-2103	1	Valve ASM	6	131-2108	1	Sensor-Temperature
3	131-2105	1	Ring-Sealing	7	127-3074	1	O-Ring
4	131-2106	1	O-Ring	8	125-7216	3	Bolt

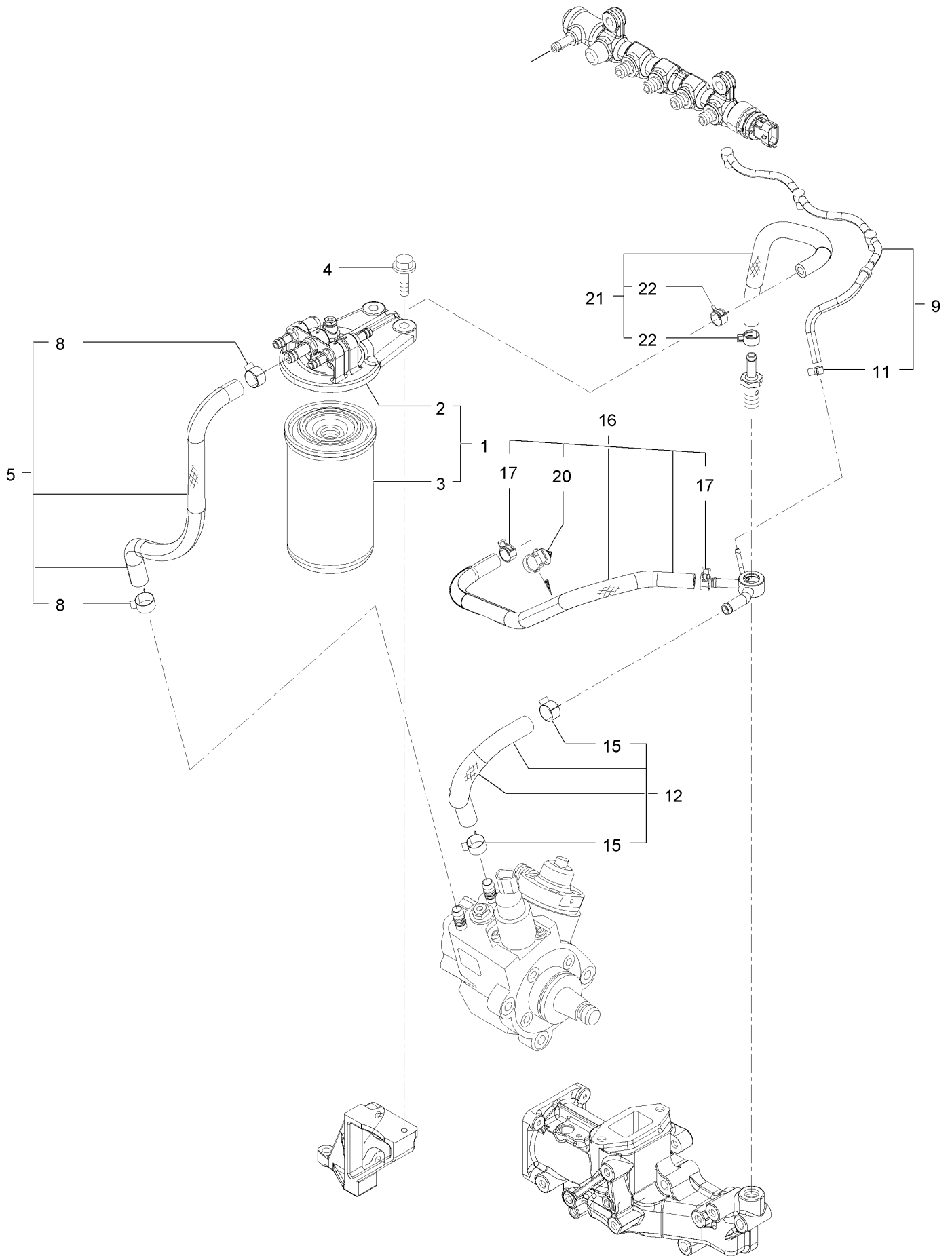
Fuel Injection Valve Assembly



Fuel Injection Valve Assembly (continued)

<i>Ref.</i>	<i>Part Number</i>	<i>Qty.</i>	<i>Description</i>	<i>Ref.</i>	<i>Part Number</i>	<i>Qty.</i>	<i>Description</i>
1	127-3104	3	Injector ASM	11	125-7215	2	Bolt
4	138-7843	3	Ring, Retaining	12	127-3813	2	Retainer
6	137-5173	3	O-Ring	14	127-3082	1	Rail In Pipe ASM
7	127-3812	1	Rail ASM	16	127-3814	1	Injection Pipe ASM
8	131-2709	1	Sensor-Pressure, Rail	17	127-3083	1	Injection Pipe ASM
9	131-2710	1	Valve ASM	18	127-3084	1	Injection Pipe ASM
10	138-7844	1	O-Ring, Plv4	19	125-7231	2	Nut

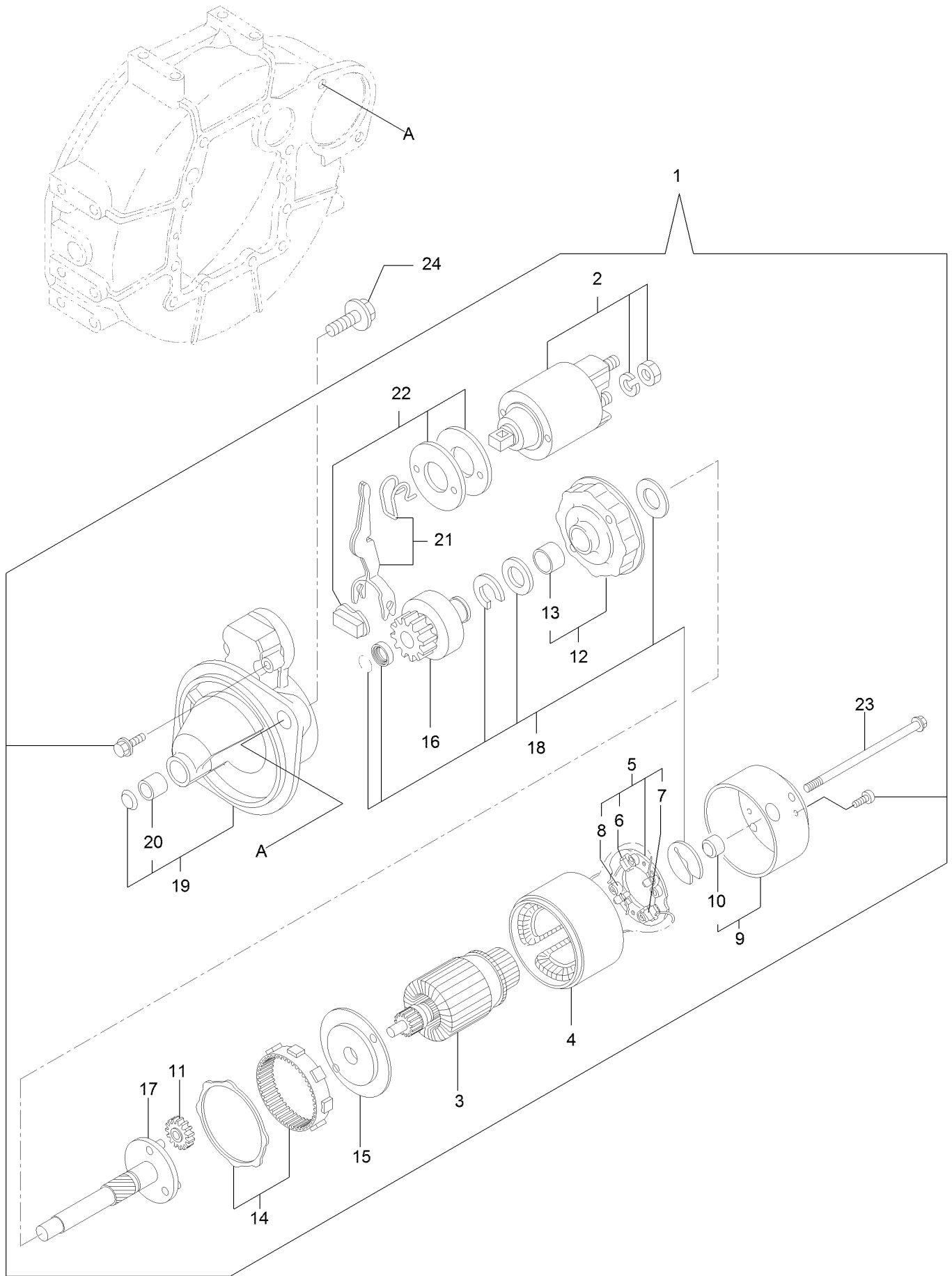
Fuel Line Assembly



Fuel Line Assembly (continued)

<i>Ref.</i>	<i>Part Number</i>	<i>Qty.</i>	<i>Description</i>	<i>Ref.</i>	<i>Part Number</i>	<i>Qty.</i>	<i>Description</i>
1	139-6016	1	Fuel/Oil Filter ASM	12	127-3078	1	Fuel Pipe ASM
2	127-3076	1	Fuel/Oil Filter Bracket ASM	15	125-7191	2	Clamp-Hose
3	139-6017	1	Filter-Fuel	16	127-3817	1	Fuel Pipe ASM
4	125-7216	2	Bolt	17	127-2950	2	Clip-Hose
5	127-3077	1	Fuel Pipe ASM	20	127-3087	1	Band-Clip
8	125-7191	2	Clamp-Hose	21	127-3079	1	Fuel Pipe ASM
9	135-4023	1	Fuel/Oil Return Pipe ASM	22	127-2950	2	Clip-Hose
11	127-3172	1	Clamp-Hose				

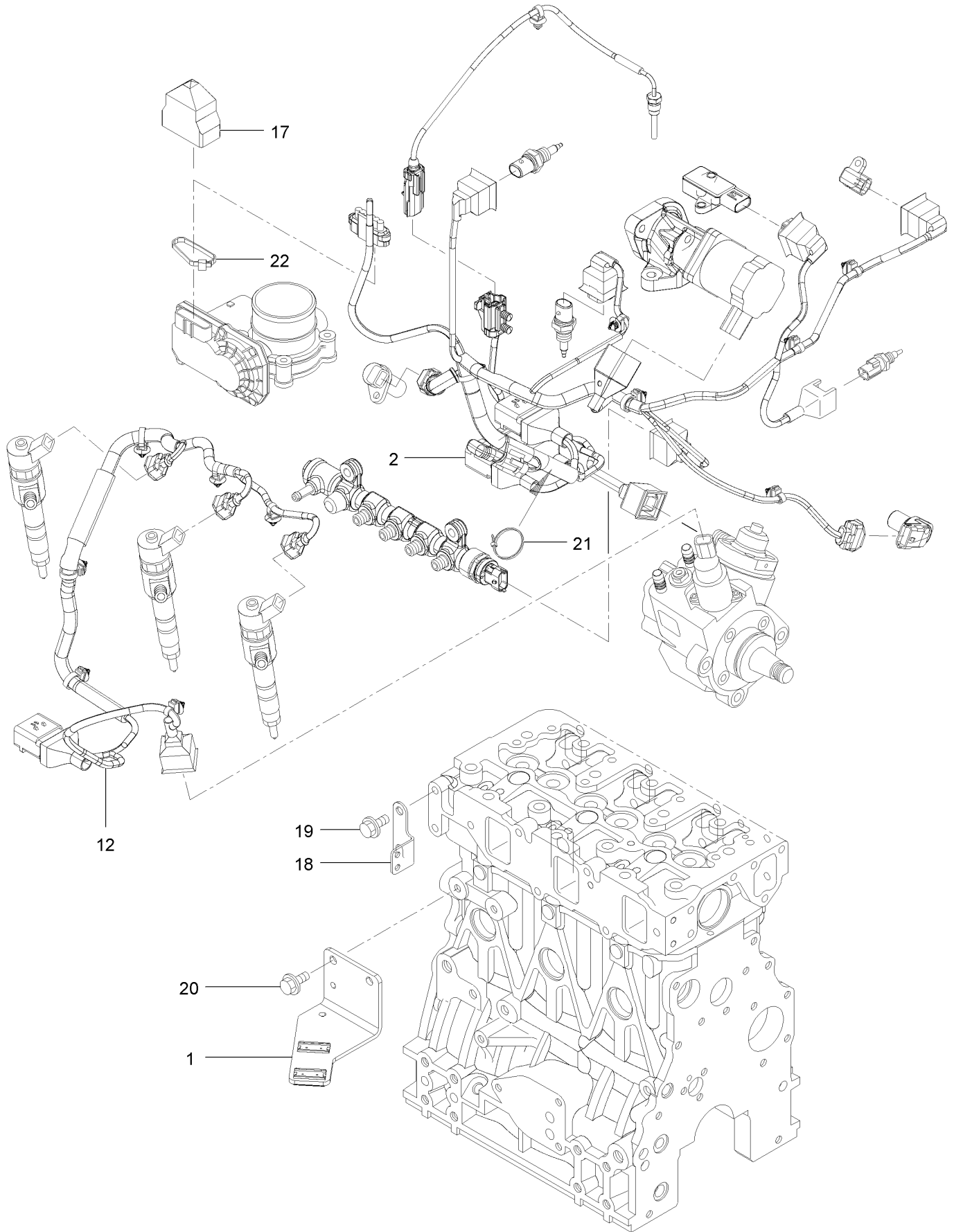
Starting Motor Assembly



Starting Motor Assembly (continued)

<i>Ref.</i>	<i>Part Number</i>	<i>Qty.</i>	<i>Description</i>	<i>Ref.</i>	<i>Part Number</i>	<i>Qty.</i>	<i>Description</i>
1	127-3818	1	Starter ASM	13	127-3830	1	Bracket
2	127-3819	1	Switch ASM	14	127-3831	1	Gear
3	127-3820	1	Armature ASM	15	127-3832	1	Bracket
4	127-3821	1	Yoke ASM	16	127-3833	1	Pinion ASM
5	127-3822	1	Brush Holder ASM	17	127-3834	1	Shaft
6	127-3823	2	Brush	18	127-3835	1	Washer Set
7	127-3824	1	Brush Set	19	127-3836	1	Case ASM
8	127-3825	4	Spring	20	127-3837	1	Metal-Starter
9	127-3826	1	Cover ASM	21	127-3838	1	Lever Set
10	127-3827	1	Metal	22	127-3839	1	Dust Cover ASM
11	127-3828	3	Gear	23	135-4024	2	Bolt-Through
12	127-3829	1	Bracket	24	125-7225	2	Bolt

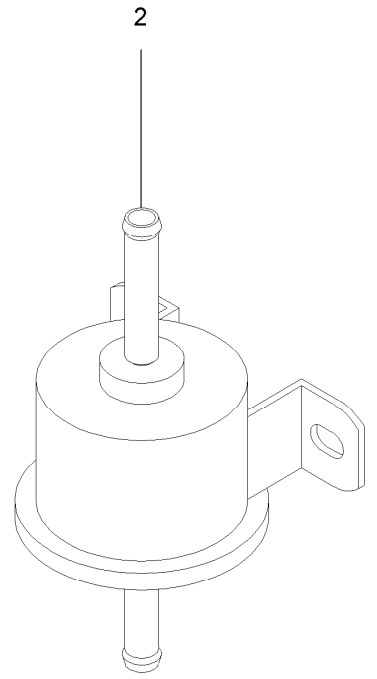
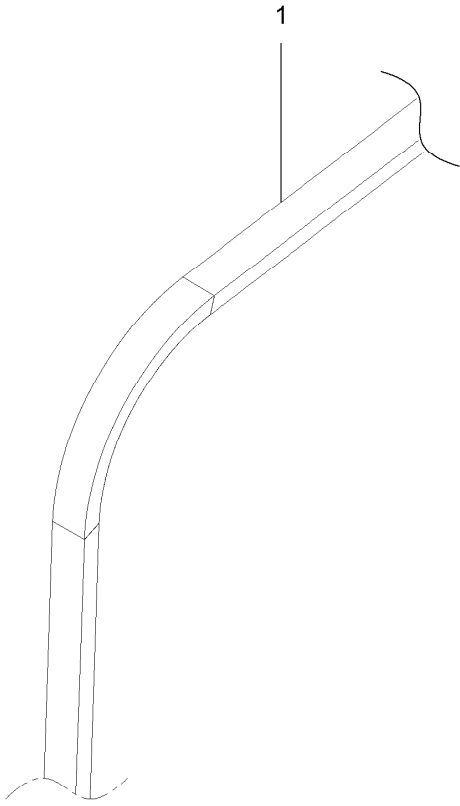
Electric Parts Assembly



Electric Parts Assembly (continued)

<i>Ref.</i>	<i>Part Number</i>	<i>Qty.</i>	<i>Description</i>	<i>Ref.</i>	<i>Part Number</i>	<i>Qty.</i>	<i>Description</i>
1	131-2735	1	Bracket-Connector	19	93-0362	1	Bolt
2	127-3850	1	Harness B-Engine, E C O	20	125-7213	1	Bolt
12	131-2712	1	Harness	21	127-3187	2	Band
17	131-2713	1	Boot-Cap	22	127-3188	2	Band
18	127-3090	1	Bracket-Harness				

Accessory Parts

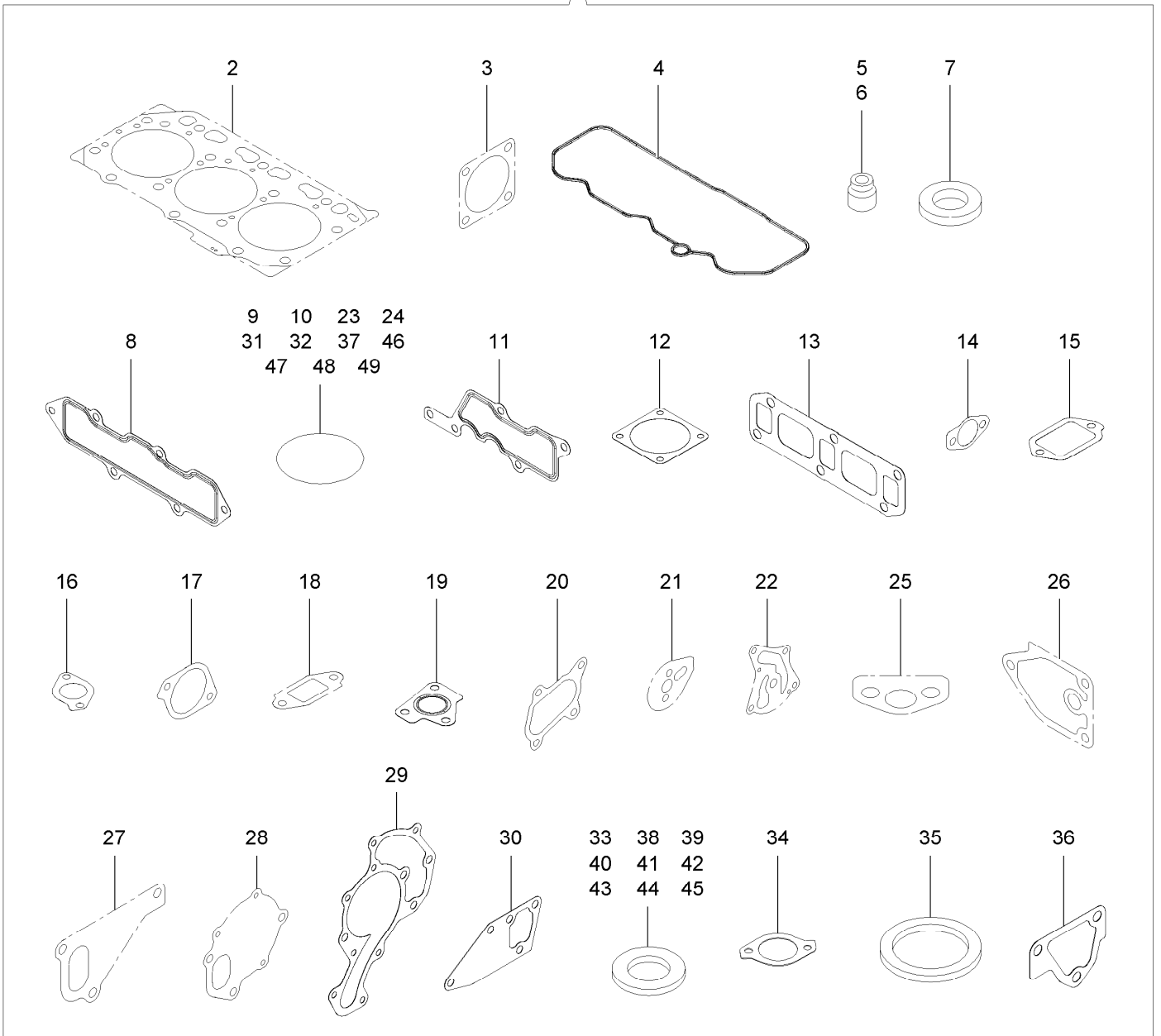


Accessory Parts (continued)

<i>Ref.</i>	<i>Part Number</i>	<i>Qty.</i>	<i>Description</i>
1	142-6650	1	Belt-V, Cogged
2	121-5613	1	Pump-Fuel, Electric

Gasket Set

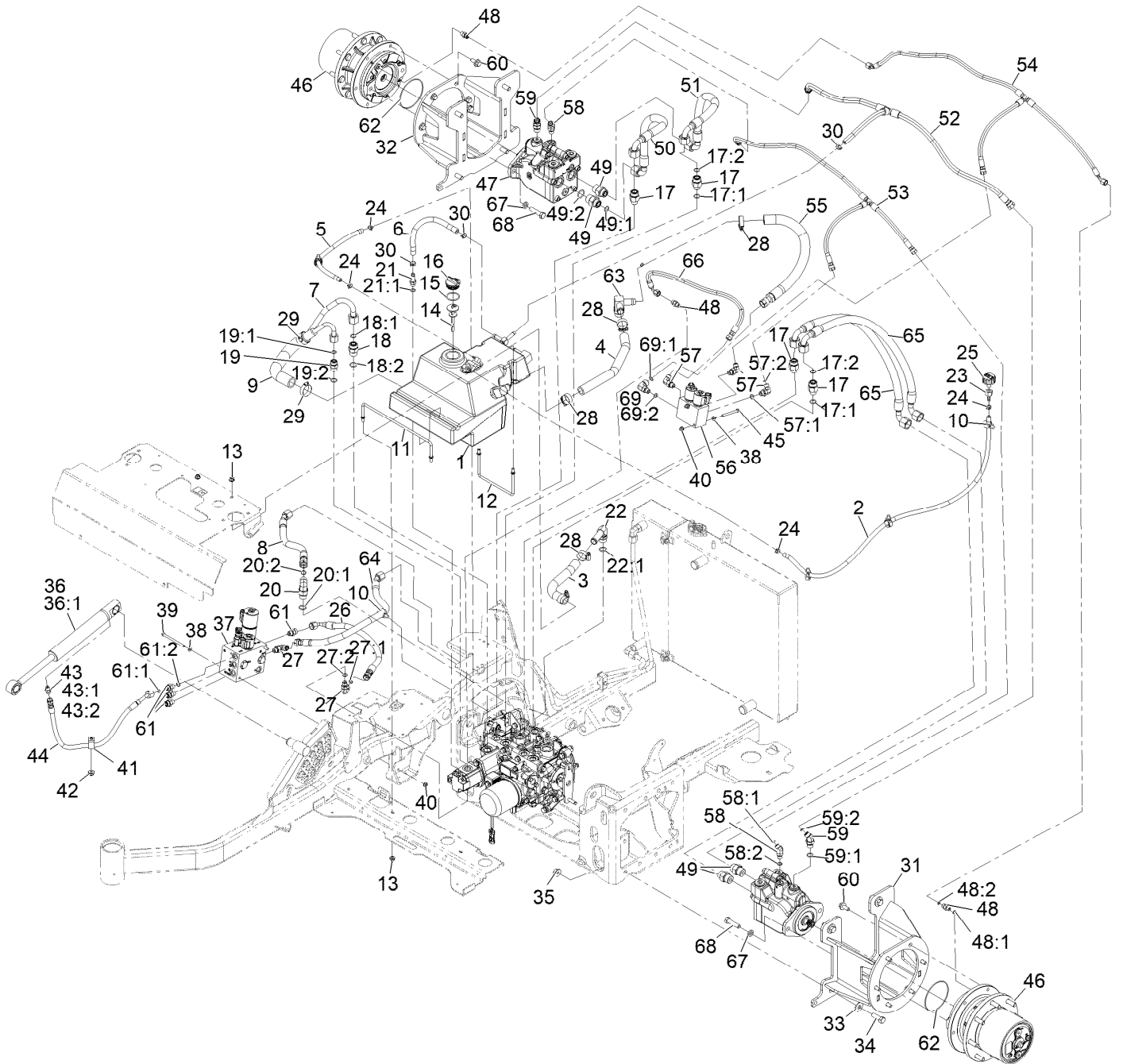
1



Gasket Set (continued)

<i>Ref.</i>	<i>Part Number</i>	<i>Qty.</i>	<i>Description</i>	<i>Ref.</i>	<i>Part Number</i>	<i>Qty.</i>	<i>Description</i>
1	127-3854	1	Gasket Kit	25	125-7022	1	Gasket
2	127-3751	1	Head Gasket ASM	26	125-7024	1	Gasket
3	131-3886	2	Gasket, Pump	27	125-7047	1	Gasket
4	127-3762	1	Gasket-Cover, Cylinder Head	28	125-6998	1	Gasket
5	127-2986	3	Seal-Stem, Valve	29	131-3887	1	Gasket
6	127-3027	3	Seal-Stem, Valve	30	131-3888	1	Gasket, Water Pump
7	127-3021	3	Gasket-Injector	31	125-7048	1	O-Ring
8	127-3769	1	Gasket-Manifold, Intake	32	131-3889	1	O-Ring
9	127-3032	2	O Ring-Sensor, Pressure	33	125-6979	1	Gasket
10	127-3033	1	O-Ring	34	125-7110	1	Gasket
11	127-3034	1	Gasket-Collector	35	125-7026	1	Gasket
12	127-3037	2	Gasket-Throttle	36	125-6978	1	Gasket
13	127-3775	1	Gasket-Manifold, Exhaust	37	127-3074	1	O-Ring
14	127-3043	2	Gasket-Cooler, E G R	38	125-7174	3	Washer-Seal
15	127-3046	1	Gasket-E G R	39	125-7175	2	Washer-Seal
16	127-3016	1	Gasket	40	125-7176	1	Washer-Seal
17	127-3050	1	Gasket-Intake Valve, E G R	41	127-3166	2	Washer-Seal
18	127-3051	1	Gasket-Out Valve, E G R	42	136-8236	1	Washer-Seal
19	127-3799	1	Gasket-In, T C	43	125-7192	1	Gasket
20	127-3779	1	Gasket-Out, T C	44	125-7193	2	Gasket
21	127-3069	1	Gasket-Idle, Shaft B	45	127-3174	2	Gasket
22	127-3004	1	Gasket	46	138-7829	3	O-Ring
23	125-6909	2	O-Ring	47	125-7197	2	O-Ring
24	127-2973	1	O-Ring	48	125-7198	1	O-Ring
				49	131-3890	1	O-Ring, 524031

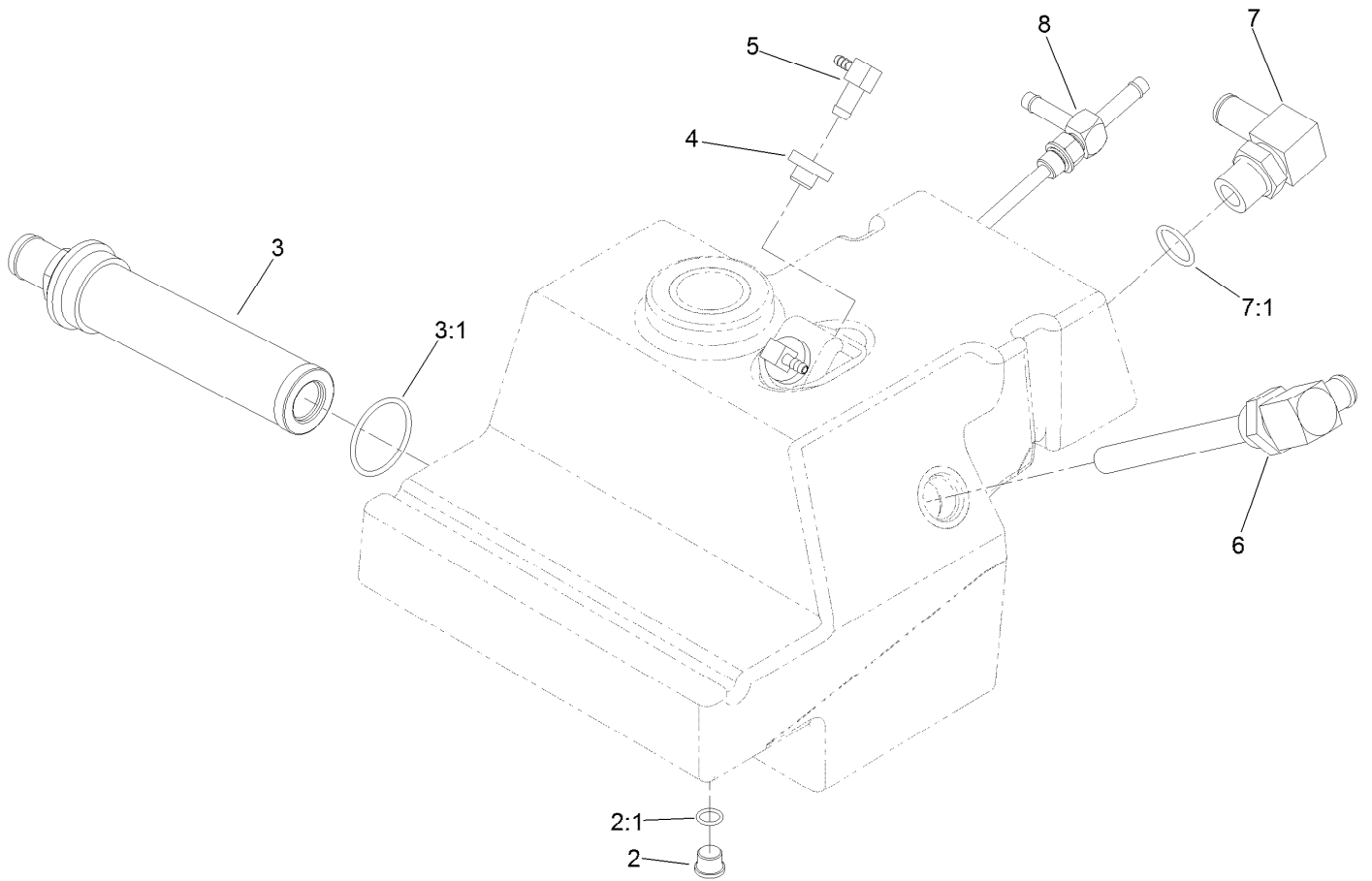
Hydraulic Drive Assembly



Hydraulic Drive Assembly (continued)

<i>Ref.</i>	<i>Part Number</i>	<i>Qty.</i>	<i>Description</i>	<i>Ref.</i>	<i>Part Number</i>	<i>Qty.</i>	<i>Description</i>
1	142-5034	1	HYD Reservoir ASM	37	142-8862	1	Valve ASM-Lift And Fold
2	126-6776	1	Hose	38	3256-16	4	Washer-#12 Std
3	126-6767	1	Hose-Return	39	321-28	2	Screw-HH
4	126-6768	1	Hose-Return	40	32128-33	4	Nut-Whizlock 1/4-20
5	126-6778	1	Hose	41	1-633396	1	Clip-Loom 5/8
6	126-6766	1	Hose	42	104-8301	1	Nut-Nyloc 3/8-16 Flg
7	126-8688	1	Tube ASM	43	126-8692	1	Fitting-HYD, Straight
8	142-5180	1	Hose ASM-HYD HP	43:1	237-78	1	O-Ring
9	126-6774	1	Hose-Suction	43:2	237-21	1	O-Ring
10	32180-030	5	Clip-Tie	44	126-8683	1	Hose ASM
11	126-7547	1	Rod-Support, HYD Tank	45	321-14	2	Screw-HH 1/4-20 X 2 3/4
12	126-7546	1	Rod-Support, HYD Tank	46	142-5548	2	Planetary ASM-11.96:1
13	104-8300	4	Nut-Nyloc 5/16-18 Flg	47	142-5691	2	Motor-HYD, Piston, 30Cc
14	112-6365	1	Dipstick	48	340-92	3	Fitting-Straight
15	94-8166	1	O-Ring	48:1	237-78	1	O-Ring
16	93-7498	1	Plug-Plastic	48:2	237-21	1	O-Ring
17	340-155	4	Fitting-Straight	49	340-8	4	Fitting-Straight
17:1	237-79	1	O-Ring	49:1	237-65	1	O-Ring
17:2	237-151	1	O-Ring	49:2	237-81	1	O-Ring
18	340-7	1	Fitting-Straight	50	142-5611	1	Hose-HP
18:1	237-65	1	O-Ring	51	142-5612	1	Hose-HP
18:2	237-80	1	O-Ring	52	142-6631	1	Hose ASM-Hydlptee
19	340-4	1	Fitting-Straight	53	142-6640	1	Hose ASM-HYD HP Tee
19:1	237-30	1	O-Ring	54	142-6639	1	Hose ASM-HYD HP Tee
19:2	237-79	1	O-Ring	55	142-5768	1	Hose ASM-Hydlp
20	340-105	1	Fitting-Elbow, 90 DEG	56	142-3892	1	Valve-HYD, Brk-2Spd
20:1	237-80	1	O-Ring	57	340-82	3	Fitting-Elbow, 90 DEG
20:2	237-30	1	O-Ring	57:1	237-42	1	O-Ring
21	103-1912	1	Adapter-Straight	57:2	237-21	1	O-Ring
21:1	237-42	1	O-Ring	58	340-137	2	Fitting
22	87-8170	1	Fitting-90	58:1	237-21	1	O-Ring
22:1	237-80	1	O-Ring	58:2	237-42	1	O-Ring
23	354-95	1	Fitting-Straight	59	340-138	2	Fitting-HYD, 45 DEG
24	2412-98	4	Clamp-Hose	59:1	237-79	1	O-Ring
25	68-6150	1	Breather	59:2	237-22	1	O-Ring
26	126-8684	1	Hose ASM	60	33106-025	12	Screw-HHF
27	340-77	2	Fitting-Elbow, 90 DEG	61	340-2	4	Fitting-Straight
27:1	237-22	1	O-Ring	61:1	237-22	1	O-Ring
27:2	237-42	1	O-Ring	61:2	237-42	1	O-Ring
28	2412-129	5	Clamp-Hose	62	237-166	2	O-Ring
29	2412-34	2	Clamp-Hose	63	AUH339762	1	Tee
30	103-1988	3	Clamp-Hose 11/16	64	142-5778	1	Hose ASM-HYD HP
31	142-5791-03	1	Motor Mount, L [black]	65	142-6632	2	Hose-HP
32	142-5790-03	1	Motor Mount, R [black]	66	142-5789	1	Hose ASM-HYD HP
33	1-513435	8	Washer-Spring Disc 1/2	67	9202424	4	Spacer
34	325-6	8	Screw-HH 1/2-13 X 1 1/2	68	94-2702	4	Screw-HH
35	32128-49	8	Nut-Whizlock 1/2-13	69	340-99	1	Fitting-HYD, 90 DEG
36	126-7841	1	Lift Cylinder ASM	69:1	237-30	1	O-Ring
36:1	142-2767	1	Kit, CYL Repair	69:2	237-42	1	O-Ring

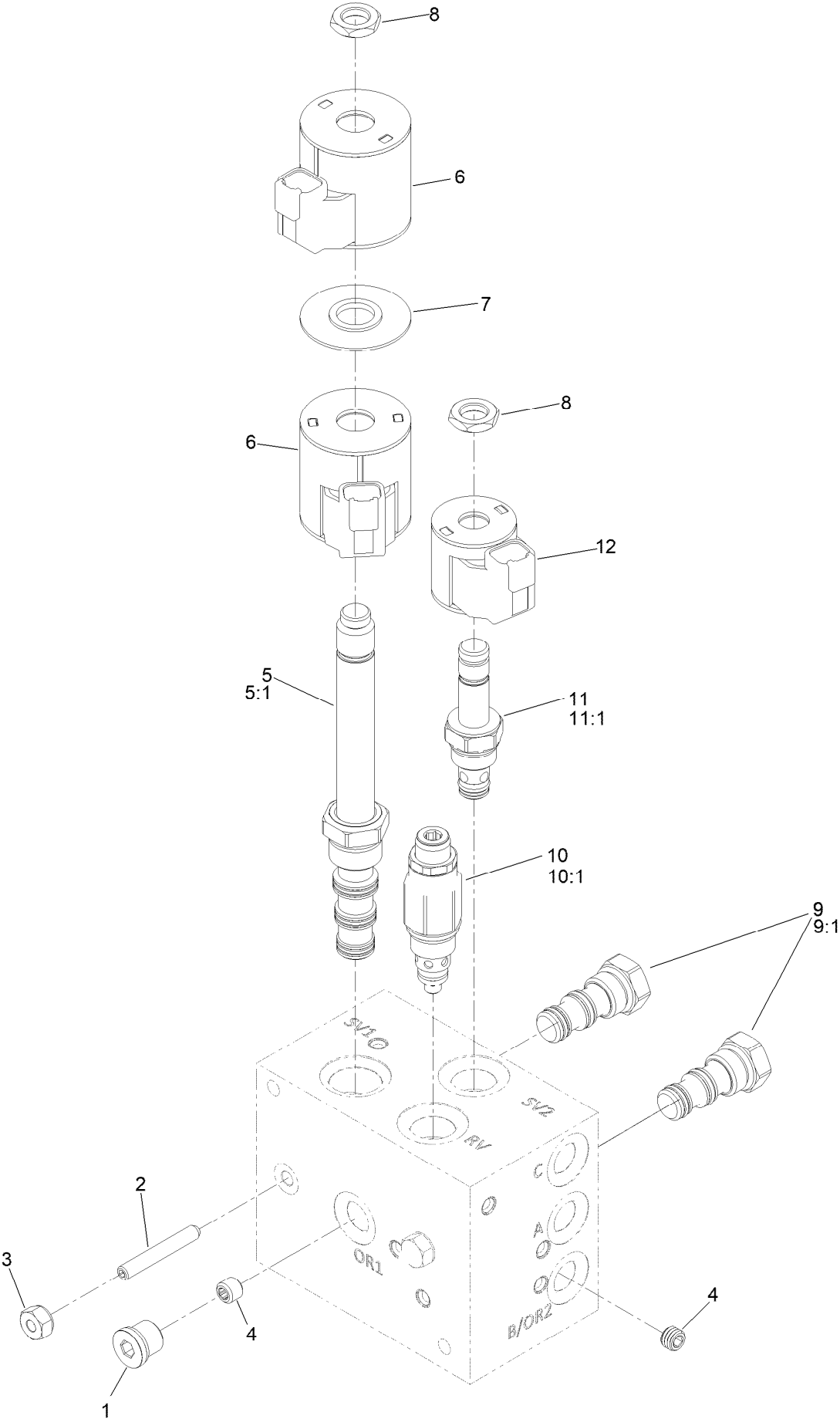
Hydraulic Reservoir Assembly No. 142-5034



Hydraulic Reservoir Assembly No. 142-5034 (continued)

<i>Ref.</i>	<i>Part Number</i>	<i>Qty.</i>	<i>Description</i>	<i>Ref.</i>	<i>Part Number</i>	<i>Qty.</i>	<i>Description</i>
2	353-989	1	Plug-Hex, Hollow	5	104-5228	2	Fitting-Elbow, 90 DEG
2:1	237-42	1	O-Ring	6	126-6782	1	Fitting-Standpipe
3	104-7546	1	Tank Strainer ASM	7	353-987	1	Fitting-Elbow, 90
3:1	340-136	1	O-Ring	7:1	237-81	1	O-Ring
4	46-6560	2	Bushing	8	135-3740	1	Fitting-Tee, Drop Tube

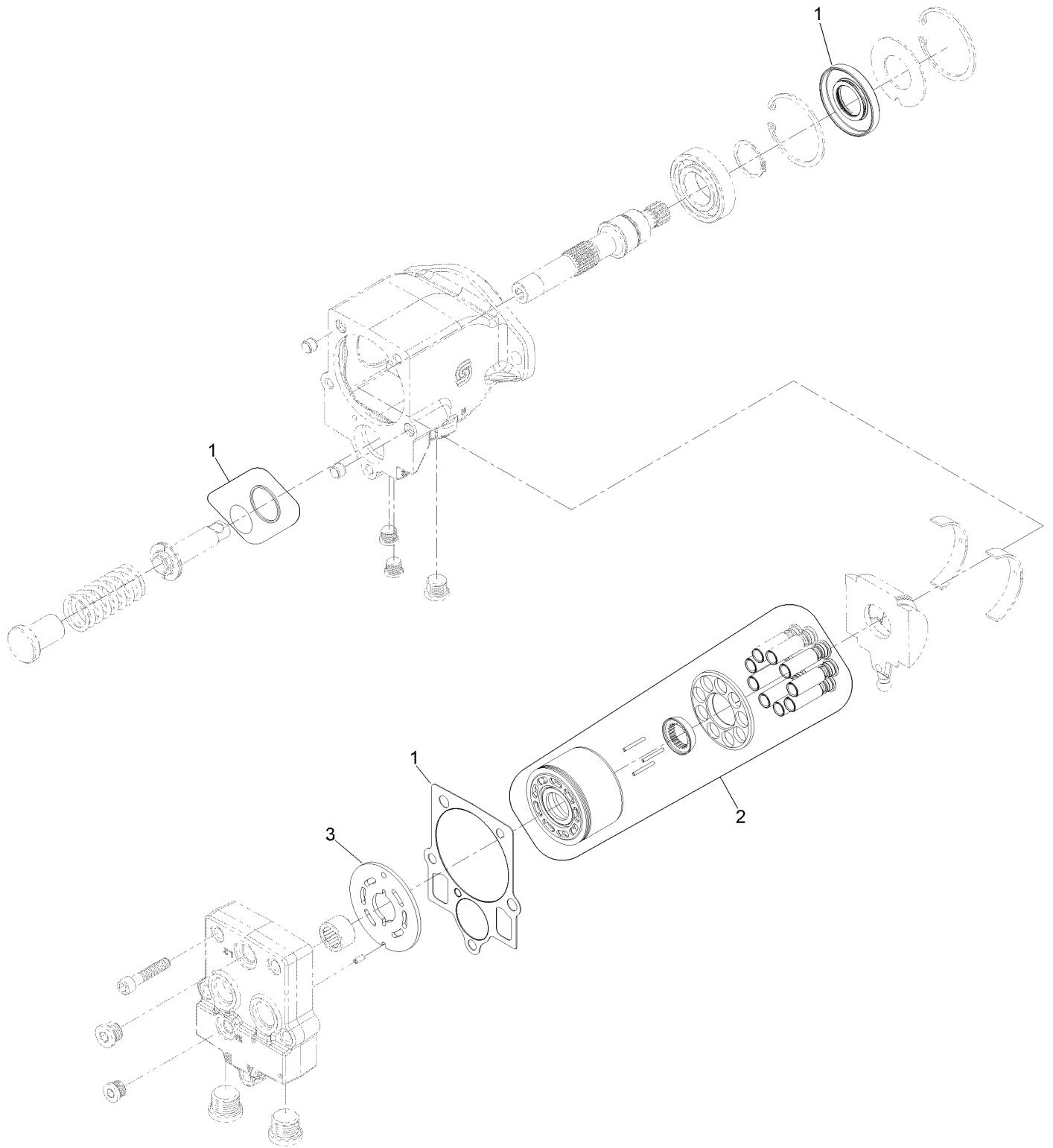
Lift and Fold Valve Assembly



Lift and Fold Valve Assembly (continued)

<i>Ref.</i>	<i>Part Number</i>	<i>Qty.</i>	<i>Description</i>	<i>Ref.</i>	<i>Part Number</i>	<i>Qty.</i>	<i>Description</i>
1	111-5512	1	Plug-HYD, SAE	8	110-2634	2	Nut-Coil
2	135-4544	2	Screw-Set	9	142-4923	2	Po Check Valve
3	135-4545	2	Nut-Sealing, Hex	9:1	142-7526	1	Seal Kit
4	142-8912	2	Plug-Orifice	10	142-8872	1	Valve-HYD, Pressure Relief
5	135-4546	1	Solenoid Valve ASM	10:1	142-8965	1	Seal Kit
5:1	110-8908	1	Spool Valve Seal Kit	11	142-8873	1	Valve-HYD, Solenoid, NC
6	115-3021	2	Coil-12V	11:1	119-7716	1	Seal Kit
7	117-8316	1	Spacer-E Coil	12	119-8036	1	Coil

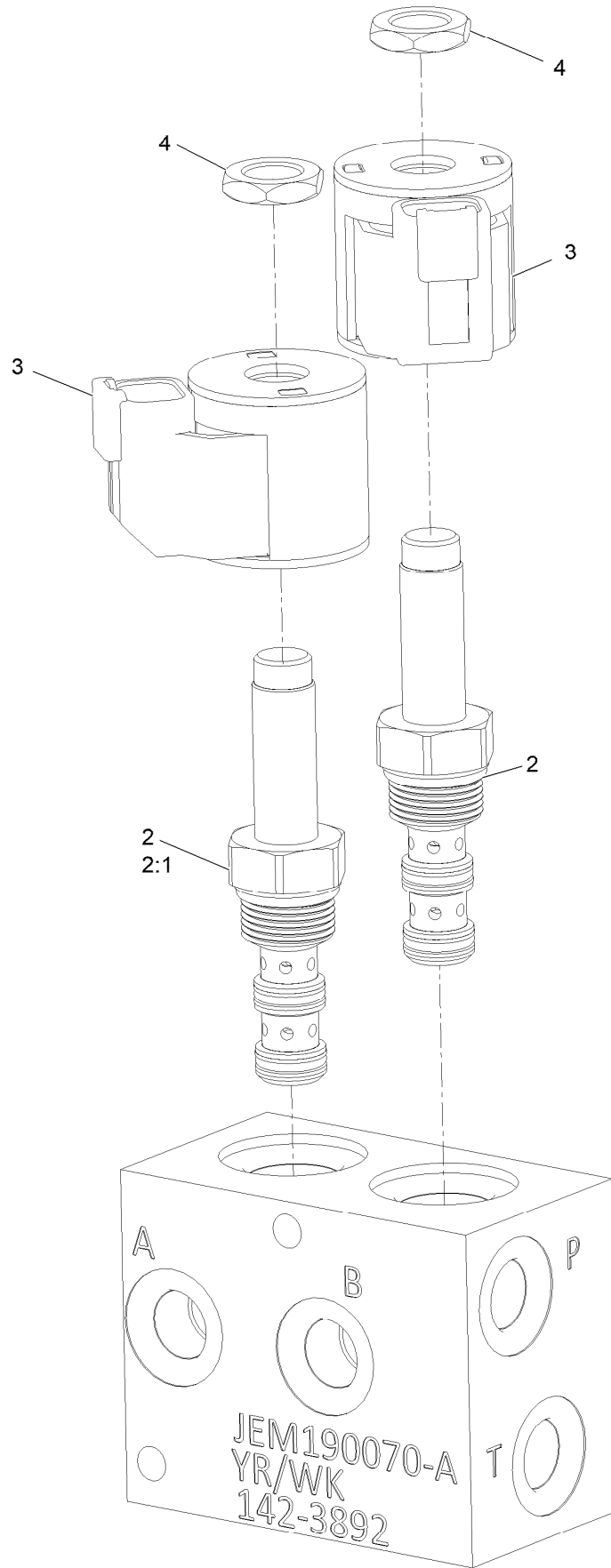
Hydraulic Motor Assembly No. 142-5691



Hydraulic Motor Assembly No. 142-5691 (continued)

<i>Ref.</i>	<i>Part Number</i>	<i>Qty.</i>	<i>Description</i>
1	142-9120	1	Seal Kit-HYD Motor
2	142-9121	1	Rotating Group
3	142-9122	1	Valve Plate

Hydraulic Valve Assembly

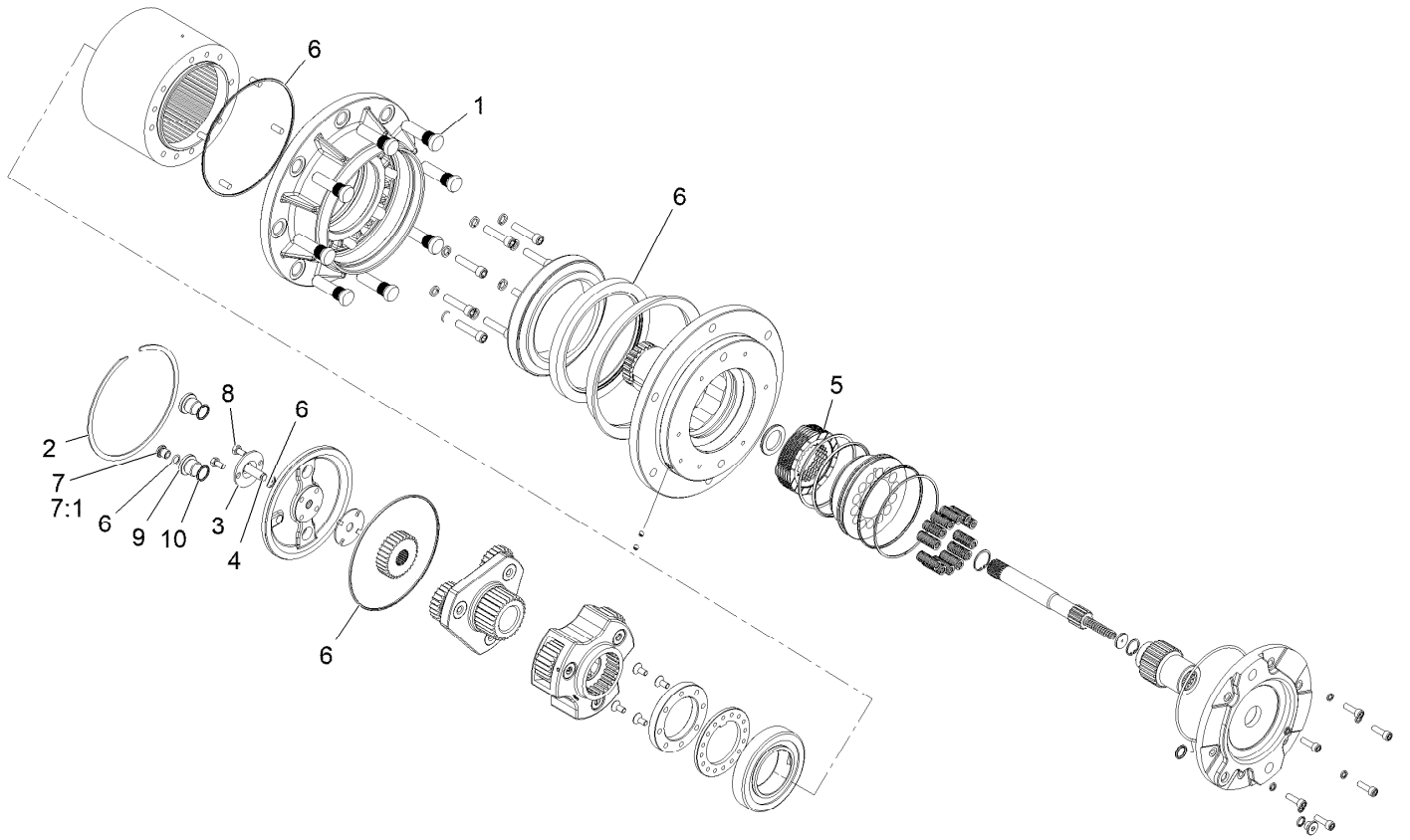


Hydraulic Valve Assembly (continued)

<i>Ref.</i>	<i>Part Number</i>	<i>Qty.</i>	<i>Description</i>
2	106-1995	2	Valve-3 Way
2:1	110-8773	1	Seal Kit

<i>Ref.</i>	<i>Part Number</i>	<i>Qty.</i>	<i>Description</i>
3	119-8036	2	Coil
4	110-2634	2	Nut-Coil

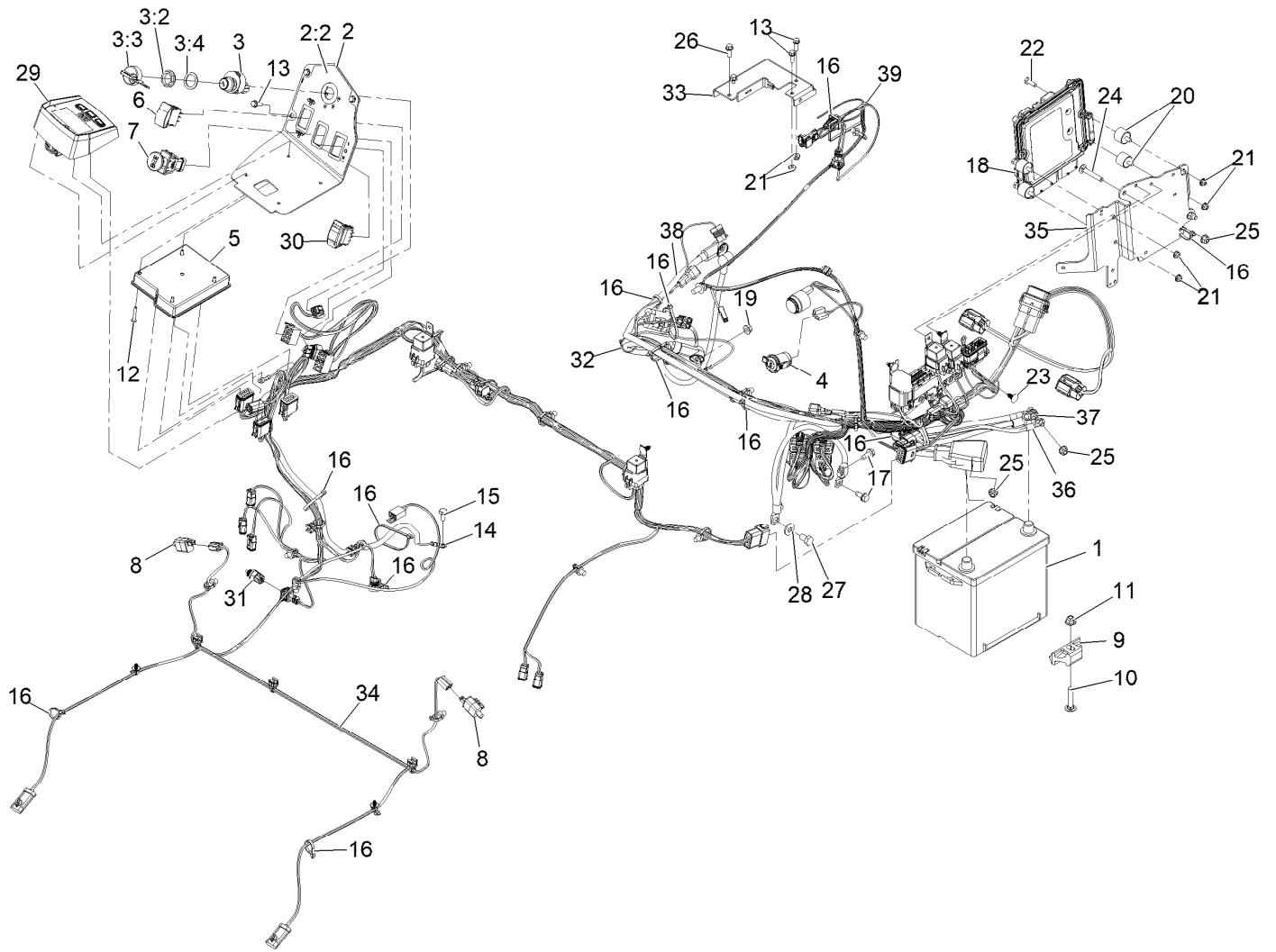
Planetary Assembly



Planetary Assembly (continued)

<i>Ref.</i>	<i>Part Number</i>	<i>Qty.</i>	<i>Description</i>	<i>Ref.</i>	<i>Part Number</i>	<i>Qty.</i>	<i>Description</i>
1	105-8124	8	Stud-Wheel	7	353-990	1	Plug ASM
2	138-1210	1	Ring-Snap	7:1	237-78	1	O-Ring
3	142-9125	1	Cap-Lockout	8	33113-012	2	Screw-HH M6-1 X 12Mm
4	142-9126	1	Plunger	9	138-1211	2	Plug-Flange, Magnetic
5	142-9127	1	Brake	10	138-6248	2	O-Ring M18
6	142-9128	1	Seal Kit-Gearbox				

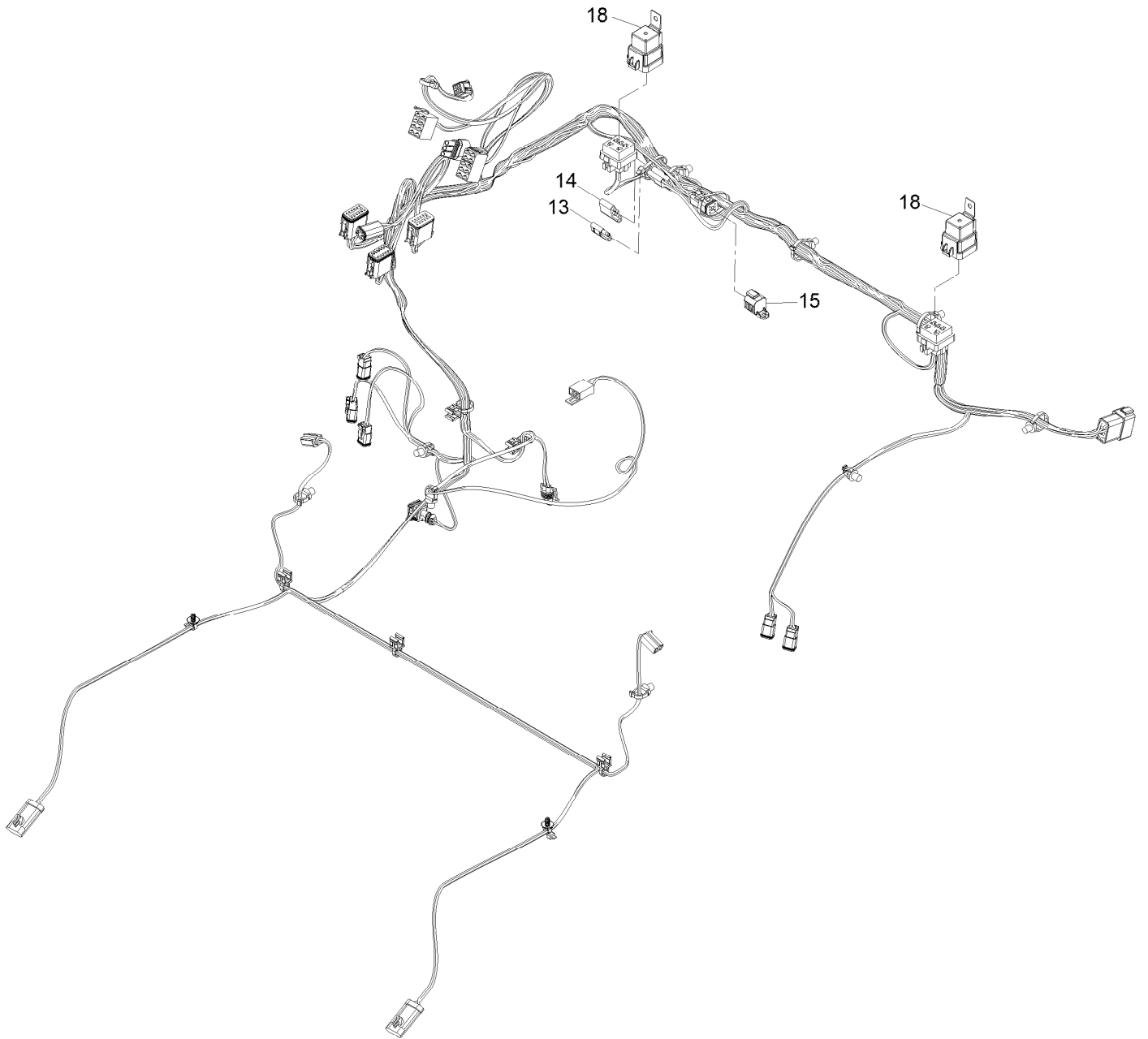
Electrical Assembly



Electrical Assembly (continued)

<i>Ref.</i>	<i>Part Number</i>	<i>Qty.</i>	<i>Description</i>	<i>Ref.</i>	<i>Part Number</i>	<i>Qty.</i>	<i>Description</i>
1	106-5187	1	Battery, 525 CCA W/O Electrolyte	18	121-5592	1	Electronic Control Unit
2	142-6613	1	ASM, Console W/ Decal 144	19	127-2371	1	Nut-HF
2:2	142-3956	1	Decal-Control Panel	20	125-2674	4	Mount-Cylindrical
3	126-6285	1	Ignition Switch ASM	21	104-7201	6	Nut-Nyloc 1/4-20 Flg
3:2	108-8660	1	Nut-Mounting	22	321-4	4	Screw-HH 1/4-20 X 3/4
3:3	106-5270	1	Ignition Key Set	23	117-2382	5	Plug-Plastic
3:4	108-8659	1	Washer-Backup	24	3230-6	2	Bolt-Carriage 3/16-18 X 2
4	126-6499	1	Port-Power, 12V	25	104-8300	4	Nut-Nyloc 5/16-18 Flg
5	135-3427	1	Module-Mcu	26	33103-020	2	Screw-HHF M6-1 X 20Mm
6	100-1535	1	Switch-Rocker, (On)-Off-(On)	27	33115-016	1	Screw-HH M10-1.5 X 16Mm
7	126-6187	1	Switch-PTO, Sealed	28	98-5975	1	Washer-Spring Disc 3/8
8	110-6765	2	Switch	29	126-4232	1	Module, Ldu
9	138-6335	1	Retainer-Battery	30	122-0249	1	Switch-Rocker, On-None-On
10	3231-5	1	Bolt-Carriage 3/8-16 X 1 3/4	31	126-7698	1	Sensor-Temperature
11	104-8301	1	Nut-Nyloc 3/8-16 Flg	32	32180-030	1	Clip-Tie
12	126-5092	4	Screw-PPH	33	142-7565	1	Bracket-Sensor, Dpf
13	32105-15	5	Screw-Machine 1/4-20 X 3/4	34	122-2377	1	Harness-Wire, Main
14	135-3998	1	Harness-Wire, Jumper	35	142-7685-03	1	Plate-Ecu Mount
15	99-5132	1	Bolt	36	122-2378	1	Harness-Wire, Engine
16	3290-378	12	Tie-Cable	37	122-2379	1	Cable-Battery, Rd And Bk ASM
17	32144-70	2	Screw-HWH 5/16-18 X 3/4 Tf	38	122-2380	1	Cable-Battery, Bk ASM
				39	3290-379	1	Tie-Cable

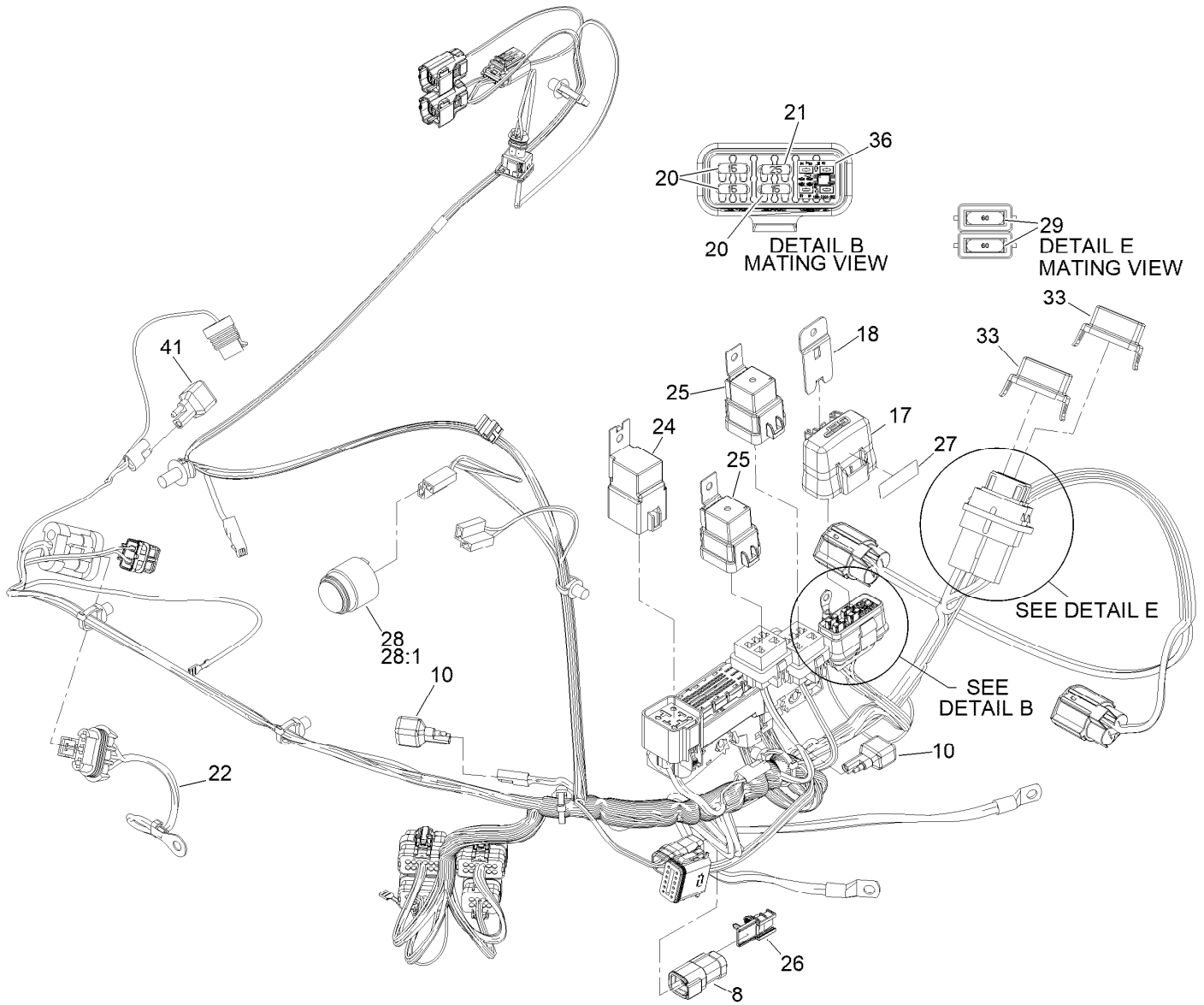
Main Wire Harness Assembly



Main Wire Harness Assembly (continued)

<i>Ref.</i>	<i>Part Number</i>	<i>Qty.</i>	<i>Description</i>	<i>Ref.</i>	<i>Part Number</i>	<i>Qty.</i>	<i>Description</i>
13	116-0053	1	Cap-Plug	15	32180-156	1	Cap-Plug, 6 Way
14	32180-197	1	Cap-Plug	18	99-7430	2	Relay-Mini

Engine Wire Harness No. 122-2378



Engine Wire Harness No. 122-2378 (continued)

<i>Ref.</i>	<i>Part Number</i>	<i>Qty.</i>	<i>Description</i>	<i>Ref.</i>	<i>Part Number</i>	<i>Qty.</i>	<i>Description</i>
8	32160-359	1	Connector (6M)	27	142-6728	1	Decal-Fuse
10	100-4918	2	Diode	28	80-9330	1	Audio Alarm ASM
17	32180-176	1	Cover-Block, Fuse	28:1	104-5107	1	Nut-Plastic, Knurled
18	32180-177	1	Clip-Mounting	29	114-3342	2	Fuse-Maxi, 60 Amp
20	121-8867	3	Fuse-Mini Blade, 15 Amp	33	32181-014	2	Cover-Fuse Holder, Maxi
21	121-8869	1	Fuse-Mini Blade, 25 Amp	36	142-3979	1	Relay-Solid State, Mp280, Assembly
22	99-3441	1	Harness-Wire, Fusible Link	41	142-3904	1	Resistor-220 Ohms,2W,5%,Overmolded
24	127-7514	1	Relay-70A				
25	99-7430	2	Relay-Mini				
26	32180-103	1	Clip-Connector				

Notes:

Notes:

Notes:



MAXIMIZE THE PERFORMANCE OF YOUR EXMARK MACHINE.



EXMARK® PREMIUM ENGINE OIL

Exmark now offers a family of engine oil viscosities to perform well in any environment. Each viscosity has the same synthetic formulation to give you what you need in punishing conditions. We designed each grade to the highest quality, making it ideal even for diesel applications. Coupled with Exmark Premium Fuel Treatment, we have the performance products to make your machine hum.

EXMARK PREMIUM ENGINE OIL SAE 30/10W-30

- Meets zero shear requirements of a straight grade SAE 30 as well as the cold temp properties of a 10W-30.
- Most versatile oil in the industry.
- Superior corrosion protection over conventional oil - even in corrosive, humid environments.

EXMARK PREMIUM ENGINE OIL SAE 20W-50

- Perfect for your big block engine, or any application in severe service.
- Same full synthetic formulation as all other Exmark Premium viscosities.
- Also effective for use in severe service small block engines.

EXMARK PREMIUM ENGINE OIL SAE 10W-50

- Full synthetic formulation gives you peak performance. Don't settle for less.
- Wide span multi-grade combines easy starting in cold weather with maximum protection in high temperature operation.
- Reduce friction & wear over standard mineral formulations.

EXMARK PREMIUM ENGINE OIL SAE 0W-40

- The perfect choice for when the weather turns cold or unpredictable, and your Exmark UTV has to perform.
- Commercial quality for severe service.
- Advanced additive package helps prevent corrosion from long-term storage.

EXMARK PREMIUM ENGINE OIL UTV FORMULATION

- 4-cycle high-temp formulation.
- Heavier viscosity, full synthetic, perfect for your UTV.

EXMARK PREMIUM UTV EXTREME CONDITIONS GEAR OIL

- SAE 80W-90, designed to keep your UTV performing at its peak.
- Shear stable, hypoid gear lube.
- Includes a premium additive system to combat wear, oxidation, rust & corrosion.

Available from your local Exmark dealer. Find your closest dealer at exmark.com

EXMARK ACCESSORIES AND OPTIONS*

MID-MOUNT RIDING ACCESSORIES AND OPTIONS

CUSTOM RIDE SEAT SUSPENSION SYSTEM	OPERATOR CONTROLLED DISCHARGE
FULL SUSPENSION SEAT	SUN SHADE
DECK LIFT ASSIST KIT	TRASH CONTAINER
HITCH KIT	TURF STRIPER
LIGHT KIT	ULTRA VAC COLLECTION SYSTEM
12V POWER PORT	ULTRA VAC QUICK DISPOSAL SYSTEM
MICRO-MULCH SYSTEM	

OUT-FRONT RIDING ACCESSORIES AND OPTIONS

CUSTOM RIDE SEAT SUSPENSION SYSTEM	SNOW BLADE
DUAL-TAIL WHEEL	SNOWBLOWER
FLOOR PAN EXTENDER	SUN SHADE
HITCH KIT	TRASH CONTAINER
LIGHT KIT	ULTRA VAC COLLECTION SYSTEM
MICRO-MULCH SYSTEM	ULTRA VAC QUICK DISPOSAL SYSTEM
ROLL OVER PROTECTION SYSTEM (ROPS)	WEATHER CAB

WALK-BEHIND ACCESSORIES AND OPTIONS

GRASS CATCHER	TURF STRIPER
MICRO-MULCH SYSTEM	STANDON

*Some accessories and options not available for some models.

Place Model No. and Serial No.
Label Here (Included in the Literature
Pack) or Fill in Below

Model No. _____

Serial No. _____

Date Purchased _____

Engine Model No. and Spec. No. _____

Engine Serial No. (E/No) _____

© 2022 Exmark Mfg. Co., Inc.
415 Industrial Row
Beatrice, NE 68310
All Rights Reserved

Part No. 4505-780 Rev. A
(402) 223-6375
Fax (402) 223-5489
Printed in the USA.

