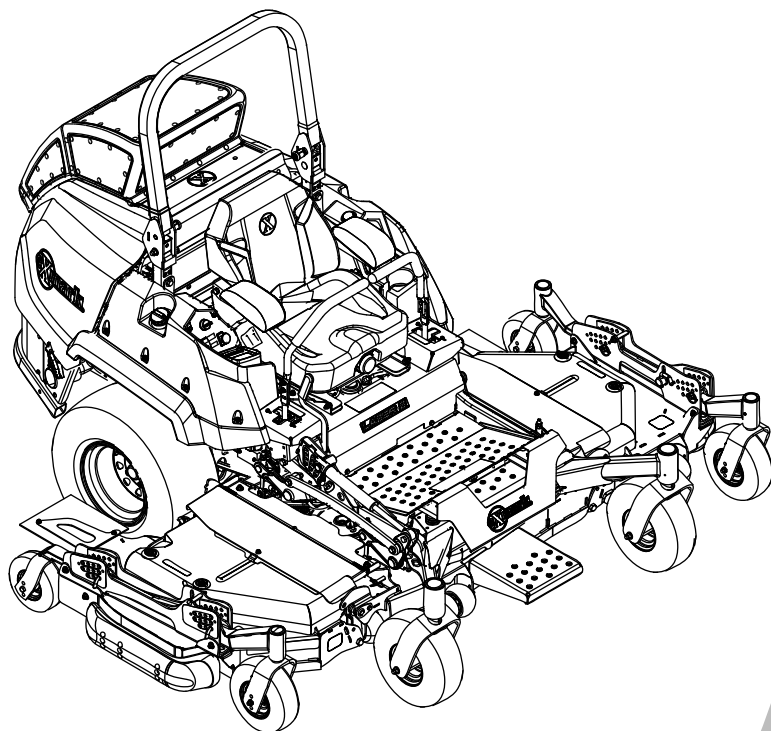




LAZER Z[®] DIESEL

Model No. LZS88CDYM96RW0—Serial No. 411294212 and Up

Picture below may not reflect actual product.



Parts Manual

Ordering Replacement Parts

To order replacement parts, please supply the part number, the quantity, and the description of each part desired.

Understanding Reference Numbers

Each identified part in an illustration has a reference number. The reference number for a part also appears in the parts list, along with other information about the part.

This catalog uses two special reference number formats, one to indicate parts in a service assembly and another to indicate the quantity of a given part in an illustration.

Service Assembly Reference Numbers

Parts in service assemblies have reference numbers in the form a:b. The a represents the reference number of the entire service assembly and the b represents a sequential number unique to each part within the service assembly.

For example, a wheel assembly might be identified by reference number 6, the tire by 6:1, the valve by 6:2, and the wheel by 6:3. When you order the assembly identified by reference number 6, you receive all parts identified by reference numbers 6:1, 6:2, and 6:3. However, you may also order any part individually. Reference numbers of this type appear in illustration and in parts lists.

Reference Numbers Indicating Quantity

In an illustration, if a reference number indicates more than one part, the reference number has the form nX y. The n represents the quantity of the part, the X is the multiplication symbol, and the y represents the reference number.

For example, in an illustration, the reference number 2X 37 means that two of the parts identified by reference number 37 are indicated.

Touch Up Paint

Exmark black touch up spray paint – gloss black.

Exmark red touch up paint (spray paint – P/N 1-850337 - .6 oz liquid bottle – P/N 103-9140).

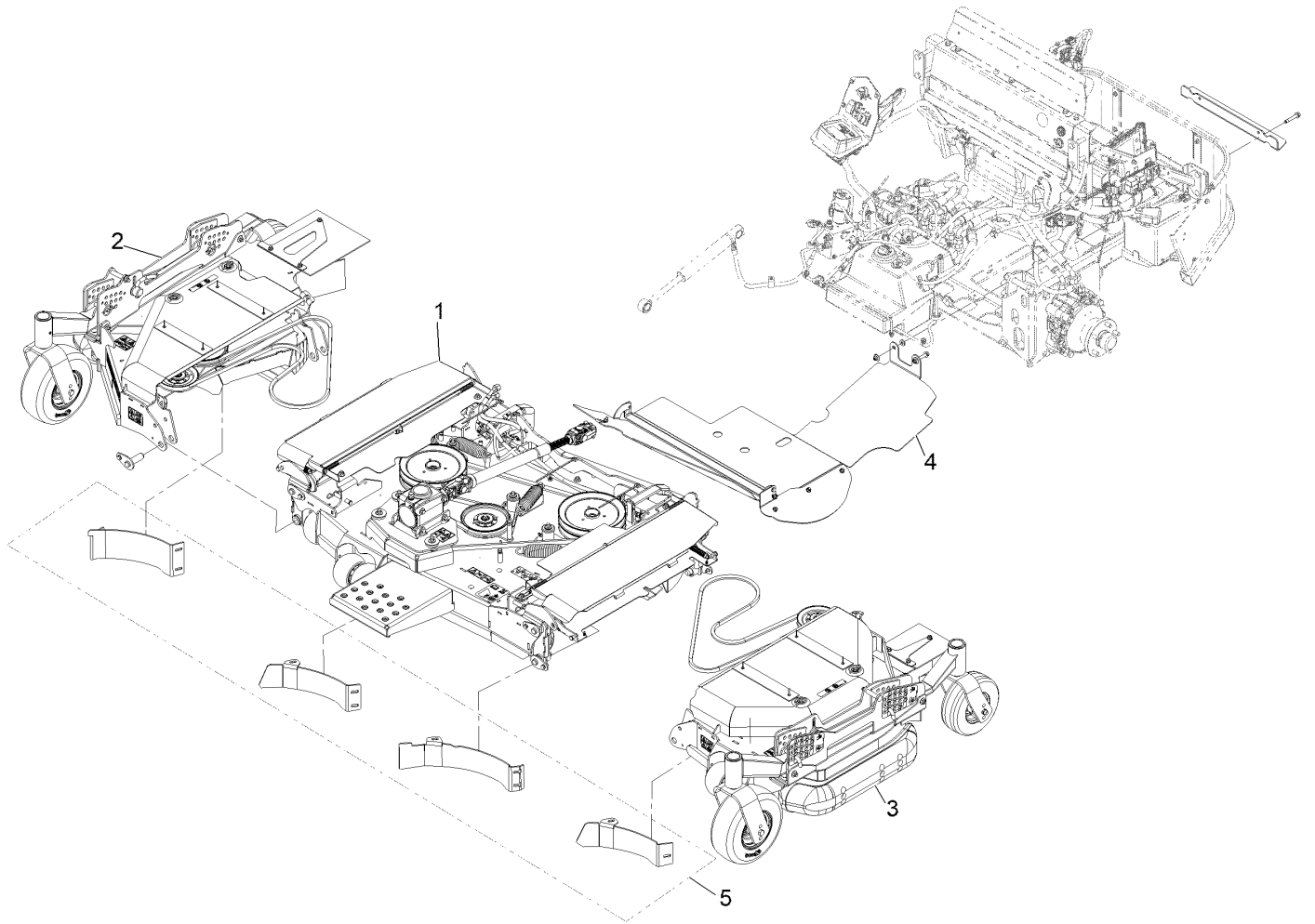
Contents

Complete Deck Assembly (Gearbox Asm Not Included)	6
Deck Assembly W/Gearbox	8
Driveshaft Assembly	10
Gearbox and Mount Assembly	12
Gearbox Assembly (cont.)	14
Center Deck Idler Assembly	16
Idler Arm Assembly No. 126-2585	18
Idler Assembly No. 126-9435	20
Idler Assembly No. 126-9438	22
Center Deck W/Decals Assembly	24
Center Deck Hose and Switch Assembly	26
Center Deck Guard Assembly	28
Center Deck Spindle, Blade, and Baffle Assembly	30
RH Wing Deck	32
RH Wing Deck W/Decals Assembly	34
Caster Tire Assembly	36
LH Wing Deck Assembly	38
LH Wing Deck W/Decals Assembly	40
LH Deck Rear Caster Wheel and Fork Assembly	42
Discharge Tunnel Assembly	44
Deck Lift Assembly	46
Mulch Kit Assembly	48
Main Frame Assembly	50
Roll-Over Protection System Assembly	52
Front Caster and Fork Assembly	54
Front Left and Right Caster Wheel and Fork Assembly	56
Power Frame Assembly	58
LH Mud Flap Assembly	60
RH Mud Flap Assembly	62
Motion Control Assembly	64
Front Linkage Rod Assembly	66
Rear Wheel Assembly	68
Parking Brake Assembly	70
Hood and Console Assembly	72
Hood Assembly	74
Hood Intake Assembly	76
Seat Assembly	78
Seat Assembly (cont.)	80
Fuel Assembly	82
LH Fuel Tank Assembly	84
RH Fuel Tank Assembly	86
Engine Assembly	88
HDAC Assembly	90
Transmission Assembly	92
Hydraulic Gear Pump Assembly	94
Transmission Assembly (cont.) Charge Pump Housing Assembly	96
Transmission Assembly (cont.) Center Section Assembly	98
Transmission Assembly (cont.) Gear Case and Clutch Assembly	100
Cooling Assembly	102
Cooling Assembly No. 121-3330	104
Cylinder Block Assembly	106
Gear Housing Assembly	108
Flywheel Housing and Oil Sump Assembly	110
Cylinder Head and Cover Assembly	112

Contents (continued)

Suction Manifold Assembly	114
Exhaust Manifold Assembly	116
Diesel Particulate Filter Assembly	118
Camshaft and Driving Gear Assembly	120
Crankshaft and Piston Assembly	122
Oil Pump Assembly	124
Cooling Water System Assembly	126
Fuel Supply Pump Assembly	128
Fuel Injection Valve Assembly	130
Fuel Line Assembly	132
Starting Motor Assembly	134
Generator Assembly	136
Electronic Control Unit Assembly	138
Electric Parts Assembly	140
Fuel Pump Assembly	142
Gasket Set	144
Hydraulic Drive Assembly	146
Hydraulic Reservoir Assembly	148
Electrical Assembly	150
Wire Harness Assembly	152

Complete Deck Assembly (Gearbox Asm Not Included)

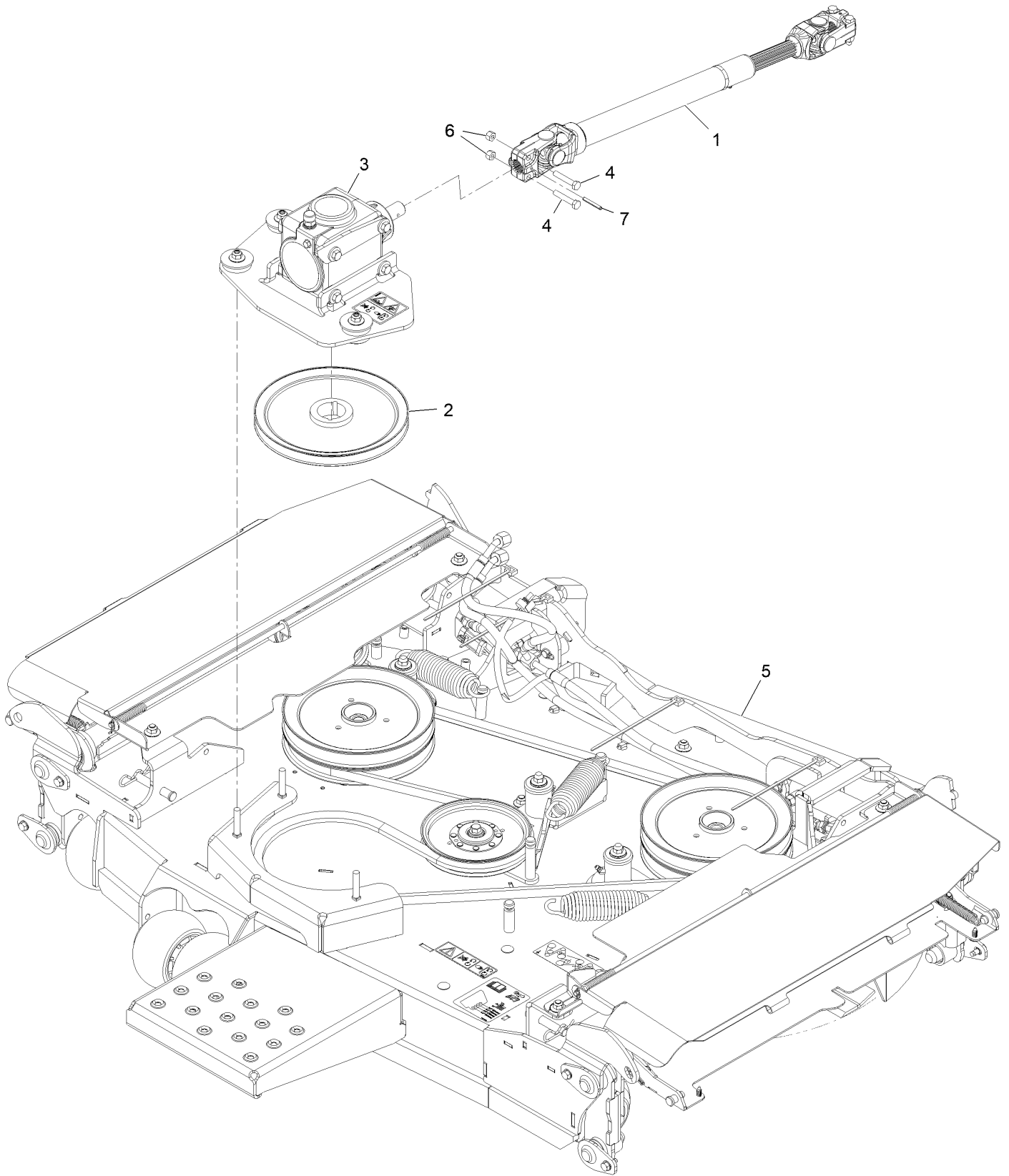


Complete Deck Assembly (Gearbox Asm Not Included) (continued)

<i>Ref.</i>	<i>Part Number</i>	<i>Qty.</i>	<i>Description</i>	<i>Ref.</i>	<i>Part Number</i>	<i>Qty.</i>	<i>Description</i>
1		1	ASM-Deck, Ctr 96 ●	3		1	ASM-Deck, LH Wing 96 ●
1	142-5543	1	ASM-Deck, Ctr 96	3	142-5546	1	ASM-Deck, LH Wing 96
2		1	ASM-Deck, RH Wing 96 ●	4		1	Discharge Tunnel ASM ●
2	142-5545	1	ASM-Deck, RH Wing 96	5	135-2449	1	Mulch Kit

● Not serviced separately

Deck Assembly W/Gearbox

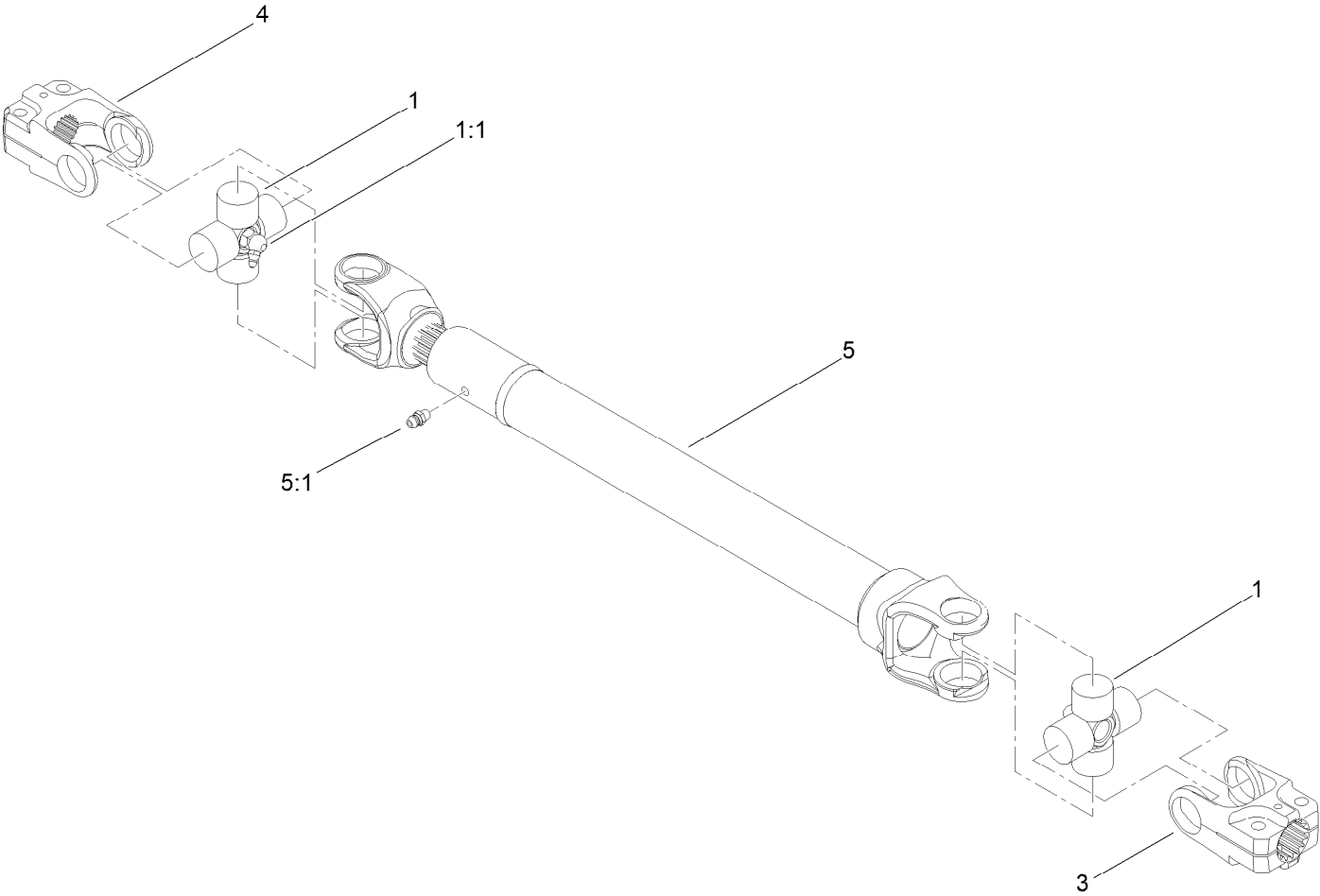


Deck Assembly W/Gearbox (continued)

<i>Ref.</i>	<i>Part Number</i>	<i>Qty.</i>	<i>Description</i>	<i>Ref.</i>	<i>Part Number</i>	<i>Qty.</i>	<i>Description</i>
1	110-3575	1	Driveshaft ASM	5		1	ASM-Deck, Ctr 96 ●
2	126-2822	1	Pulley	6	3296-29	4	Nut-Lock, NI
3		1	Gearbox ASM ●	7	32121-34	2	Pin-Roll
4	322-9	4	Screw-HH				

● Not serviced separately

Driveshaft Assembly

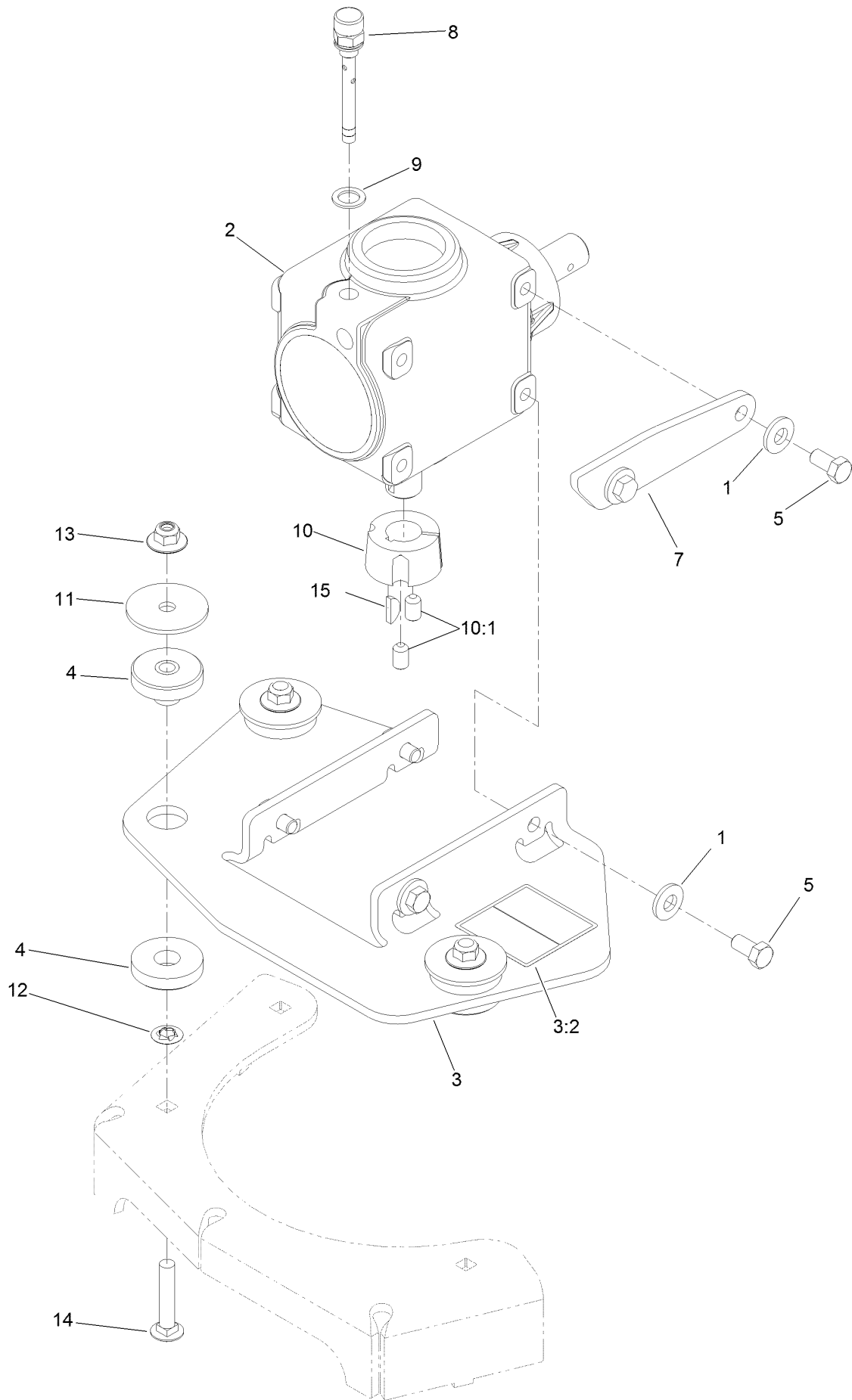


Driveshaft Assembly (continued)

<i>Ref.</i>	<i>Part Number</i>	<i>Qty.</i>	<i>Description</i>	<i>Ref.</i>	<i>Part Number</i>	<i>Qty.</i>	<i>Description</i>
1	112-1687	2	Cross And Bearing Kit	4	54-9090	1	Yoke-End
1:1	62-3820	1	Fitting-Grease	5		1	Tube-Yoke, Slip ●
3	54-9040	1	Yoke-End	5:1	302-22	1	Fitting-Grease

● Not serviced separately

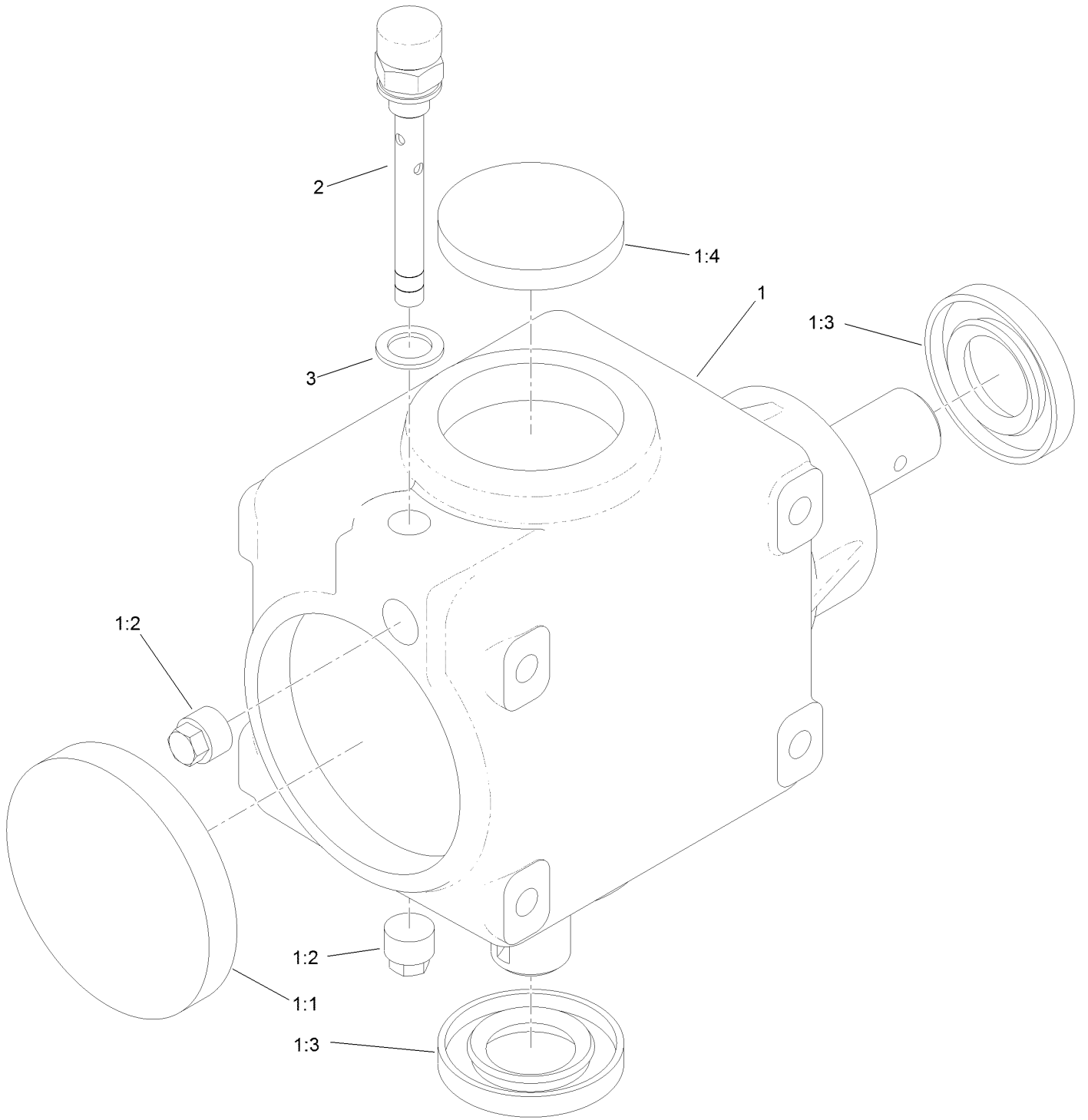
Gearbox and Mount Assembly



Gearbox and Mount Assembly (continued)

<i>Ref.</i>	<i>Part Number</i>	<i>Qty.</i>	<i>Description</i>	<i>Ref.</i>	<i>Part Number</i>	<i>Qty.</i>	<i>Description</i>
1	98-5975	6	Washer-Belleville	9	130-4899	1	Washer
2	130-8659	1	Gearbox ASM	10	23-1640	1	Bushing-Taperlock
3	135-0874	1	Mount-Gearbox	10:1	3247-4	2	Screw-Set
3:2	135-0679	1	Decal-Hazard, Entanglement	11	83-1040	3	Washer-Flat
4	126-3074	3	Mount-ISO	12	107-3154	3	Nut-Push
5	323-4	6	Screw-HH	13	109-6658	3	Nut-Flange, NI
7	126-3544	1	Stop-Gearbox	14	3231-6	3	Screw-CARR
8	130-8661	1	Plug-Breather	15	3257-5	1	Key-Woodruff

Gearbox Assembly (cont.)

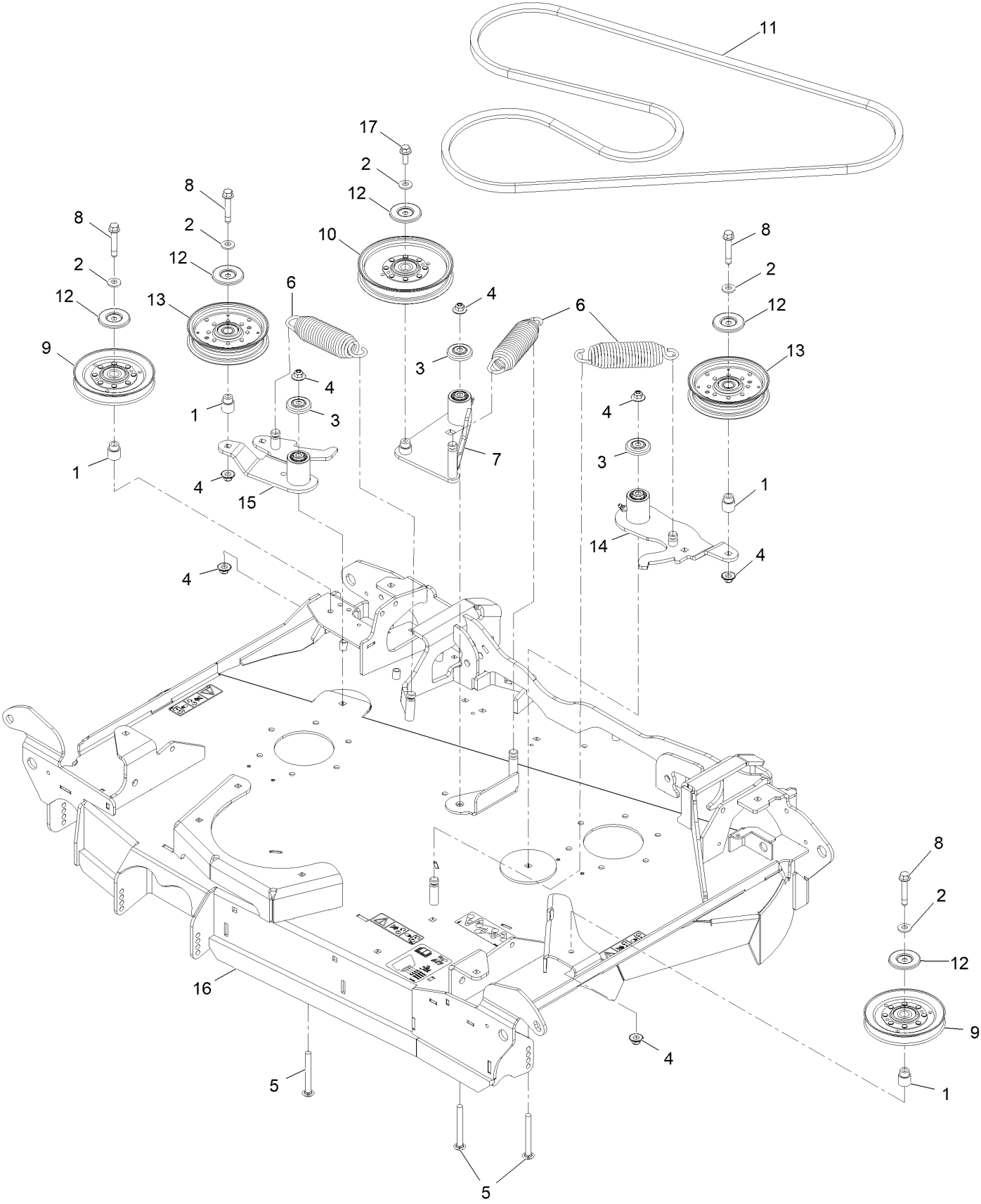


Gearbox Assembly (cont.) (continued)

<i>Ref.</i>	<i>Part Number</i>	<i>Qty.</i>	<i>Description</i>	<i>Ref.</i>	<i>Part Number</i>	<i>Qty.</i>	<i>Description</i>
1		1	Gearbox ASM ●	1:4	107-2935	1	Cap-Oil
1:1	107-2932	1	Cap-Oil	2	130-8661	1	Plug-Breather
1:2	107-2933	2	Plug	3	130-4899	1	Washer
1:3	117-9247	2	Seal				

● Not serviced separately

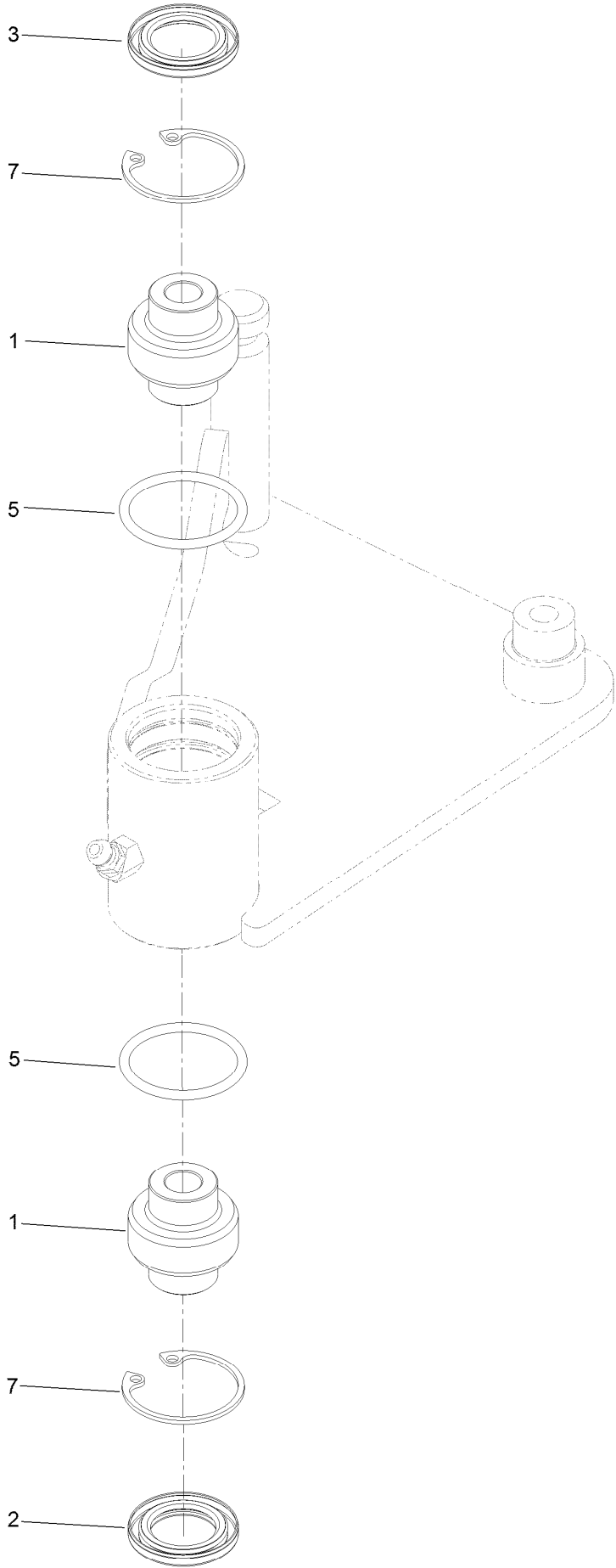
Center Deck Idler Assembly



Center Deck Idler Assembly (continued)

<i>Ref.</i>	<i>Part Number</i>	<i>Qty.</i>	<i>Description</i>	<i>Ref.</i>	<i>Part Number</i>	<i>Qty.</i>	<i>Description</i>
1	1-633456	4	Bushing, Idler	9	126-2960	2	Idler-V
2	98-5975	5	Washer-Spring Disc 3/8	10	126-7685	1	Idler-Pulley
3	103-2916	3	Guard-Top	11	126-7924	1	V-Belt
4	109-6658	7	Nut-Nyloc 3/8-16 Flg	12	126-8043	5	Shield-Dust
5	116-1502	3	Bolt-Carriage Shoulder 3/8-16 X 3 1/2	13	126-9187	2	Pulley-Idler, Flat
6	116-6317	3	Spring-Extension	14	126-9435	1	Idler ASM
7	126-2585	1	Idler Arm ASM	15	126-9438	1	Idler ASM
8	126-2956	4	Screw-HHF 3/8-16 X 2 1/4	16	135-1042	1	ASM-Deck, Ctr 96/120
				17	3234-42	1	Screw HHF 3/8-16 X 1

Idler Arm Assembly No. 126-2585

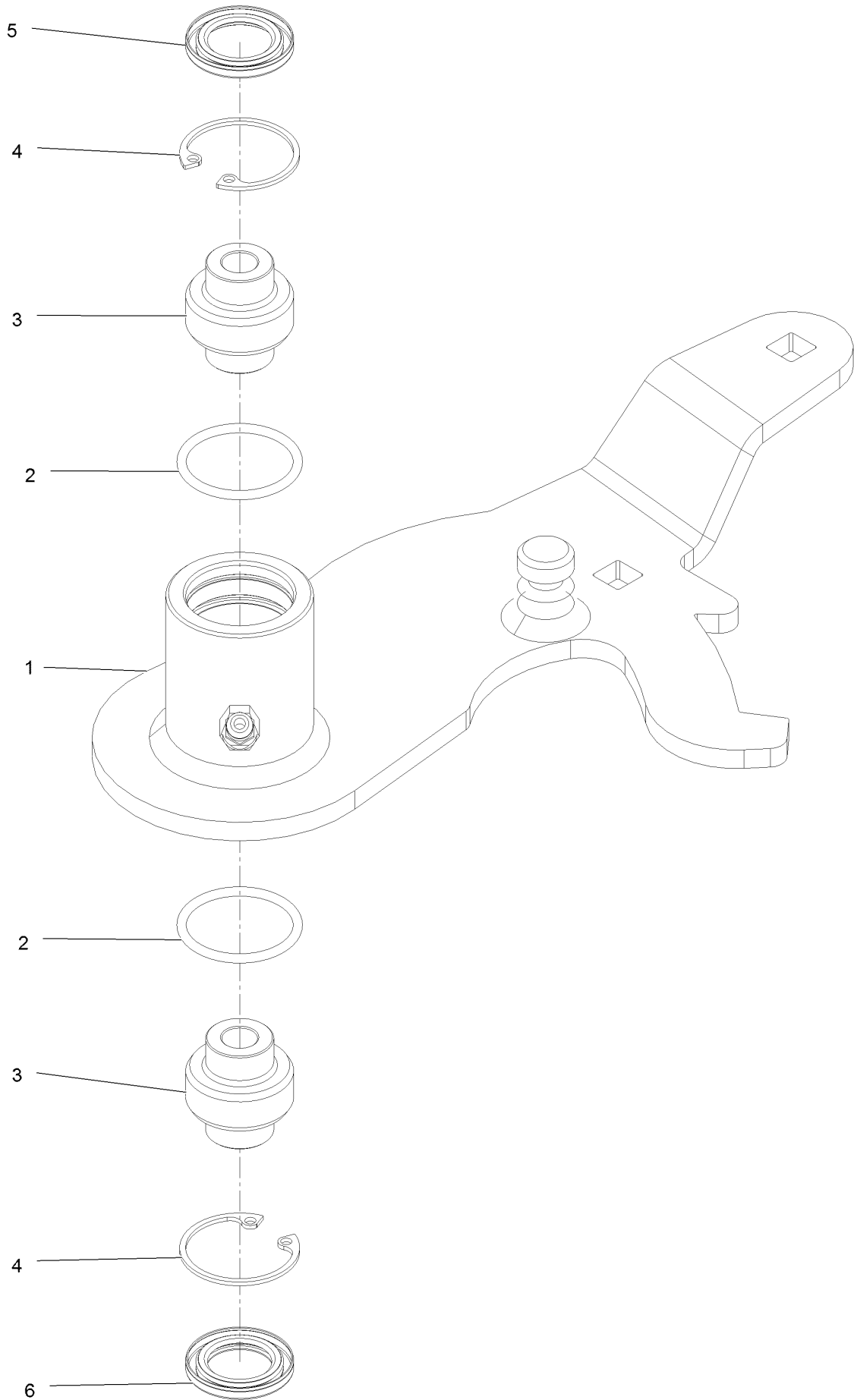


Idler Arm Assembly No. 126-2585 (continued)

<i>Ref.</i>	<i>Part Number</i>	<i>Qty.</i>	<i>Description</i>
1	103-3504	2	Bearing-Spherical
2	103-3505	1	Seal-Lip, Double
3	103-3506	1	Seal-Lip, Single

<i>Ref.</i>	<i>Part Number</i>	<i>Qty.</i>	<i>Description</i>
5	106-7159	2	O-Ring
7	32120-10	2	Ring-Snap

Idler Assembly No. 126-9435



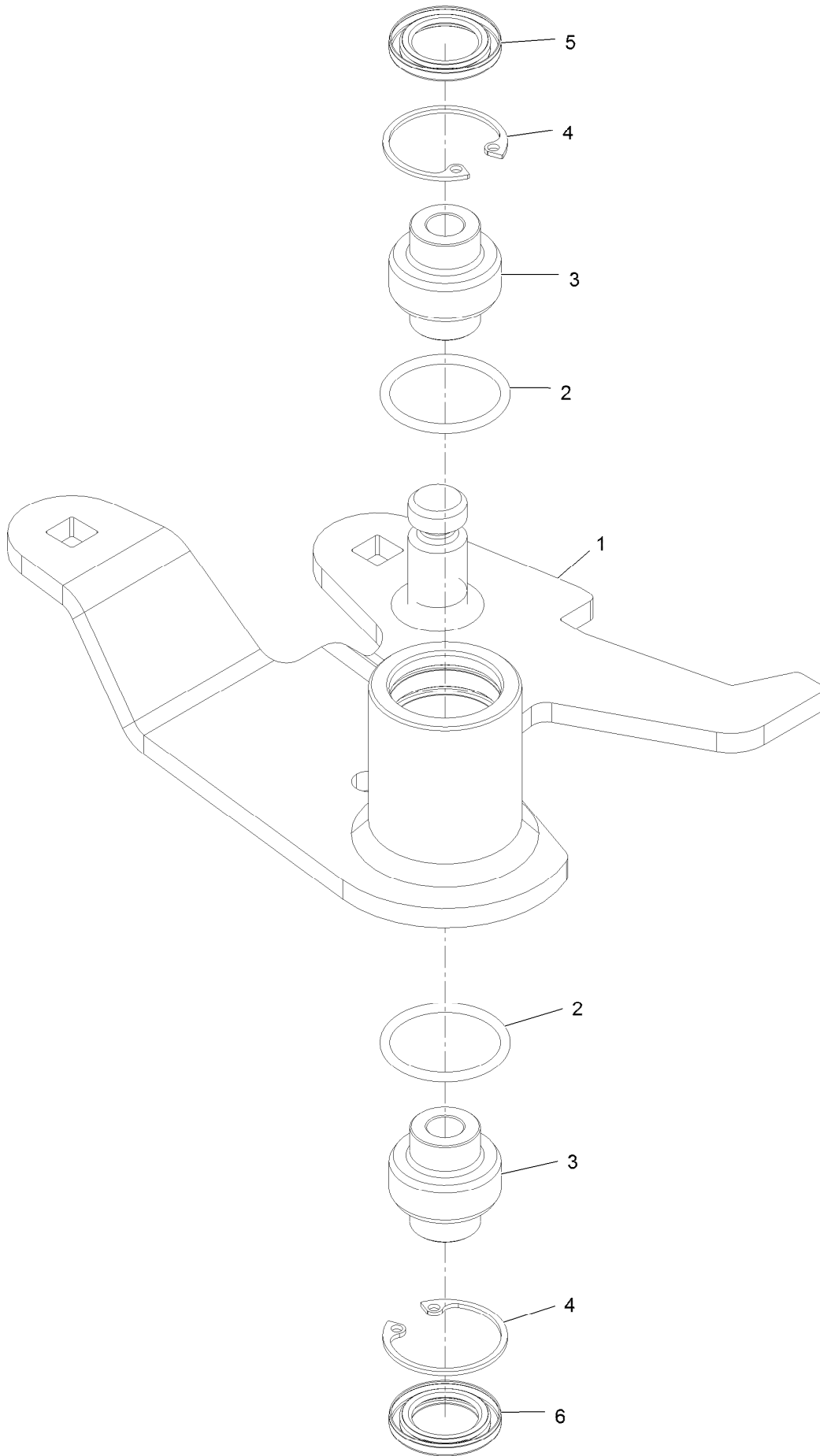
Idler Assembly No. 126-9435 (continued)

<i>Ref.</i>	<i>Part Number</i>	<i>Qty.</i>	<i>Description</i>
1		1	ASM-Idler Arm 96Rd LH [red] ●
2	106-7159	2	O-Ring
3	103-3504	2	Bearing-Spherical

<i>Ref.</i>	<i>Part Number</i>	<i>Qty.</i>	<i>Description</i>
4	32120-10	2	Ring-Snap
5	103-3506	1	Seal-Lip, Single
6	103-3505	1	Seal-Lip, Double

● Not serviced separately

Idler Assembly No. 126-9438



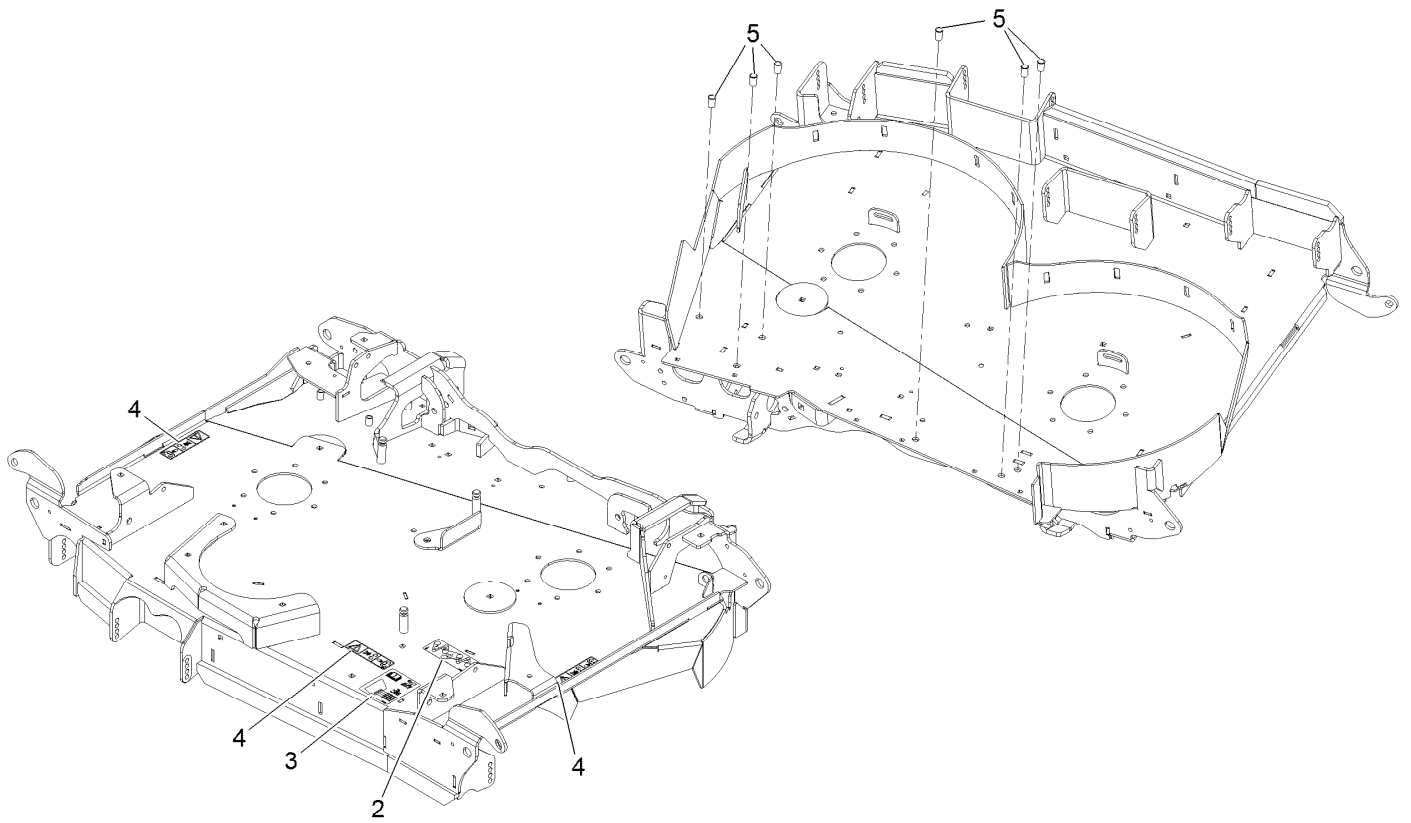
Idler Assembly No. 126-9438 (continued)

<i>Ref.</i>	<i>Part Number</i>	<i>Qty.</i>	<i>Description</i>
1		1	ASM-Idler Arm, 96Rd [red] ●
2	106-7159	2	O-Ring
3	103-3504	2	Bearing-Spherical

<i>Ref.</i>	<i>Part Number</i>	<i>Qty.</i>	<i>Description</i>
4	32120-10	2	Ring-Snap
5	103-3506	1	Seal-Lip, Single
6	103-3505	1	Seal-Lip, Double

● Not serviced separately

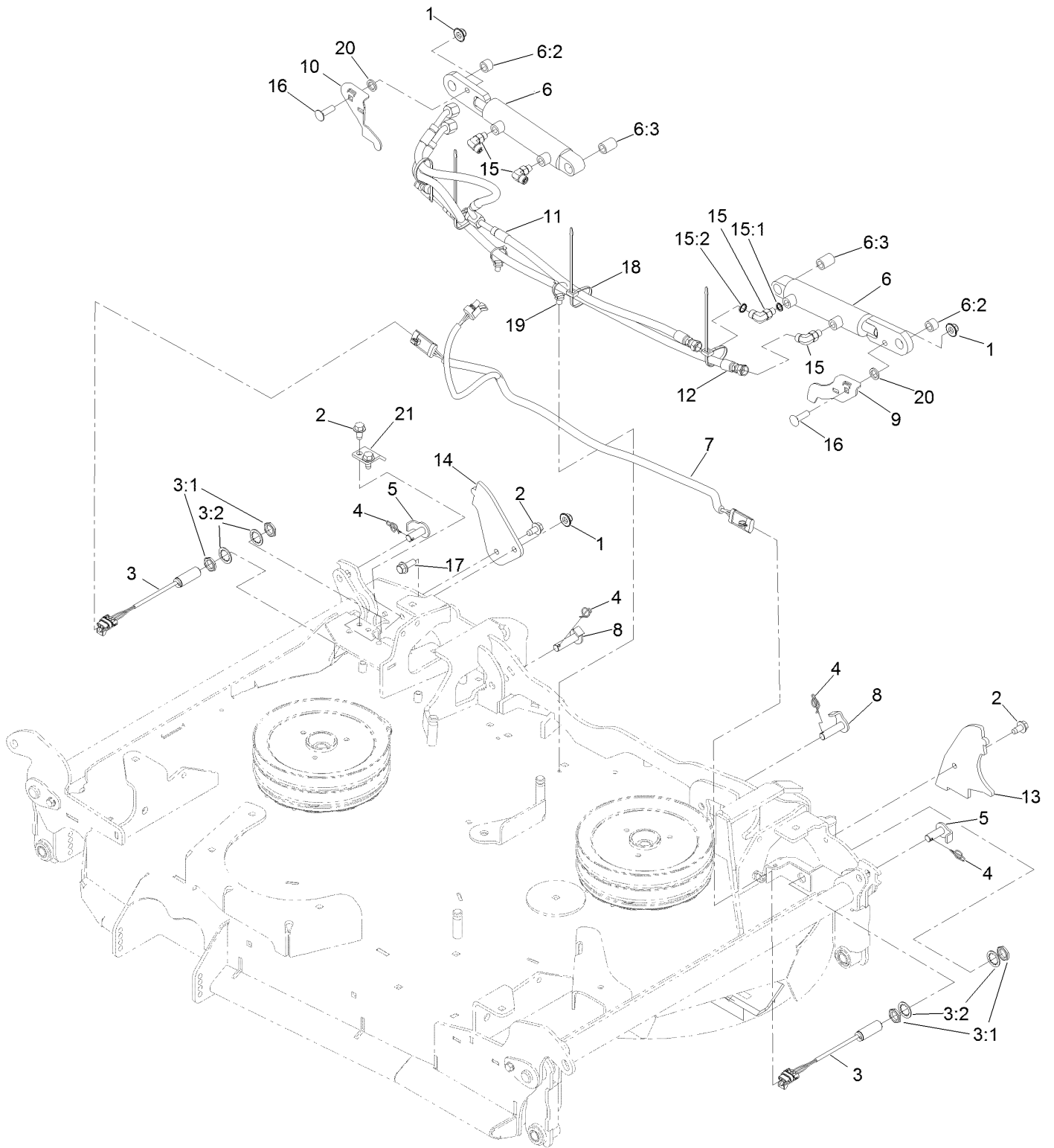
Center Deck W/Decals Assembly



Center Deck W/Decals Assembly (continued)

<i>Ref.</i>	<i>Part Number</i>	<i>Qty.</i>	<i>Description</i>	<i>Ref.</i>	<i>Part Number</i>	<i>Qty.</i>	<i>Description</i>
2	126-9127	1	Decal-Routing, Belt	4	112-9028	3	Decal-Cover, Missing
3	109-6036	1	Decal-Roller, Anti-Scalp	5	32148-10	6	Nut-Clinch

Center Deck Hose and Switch Assembly

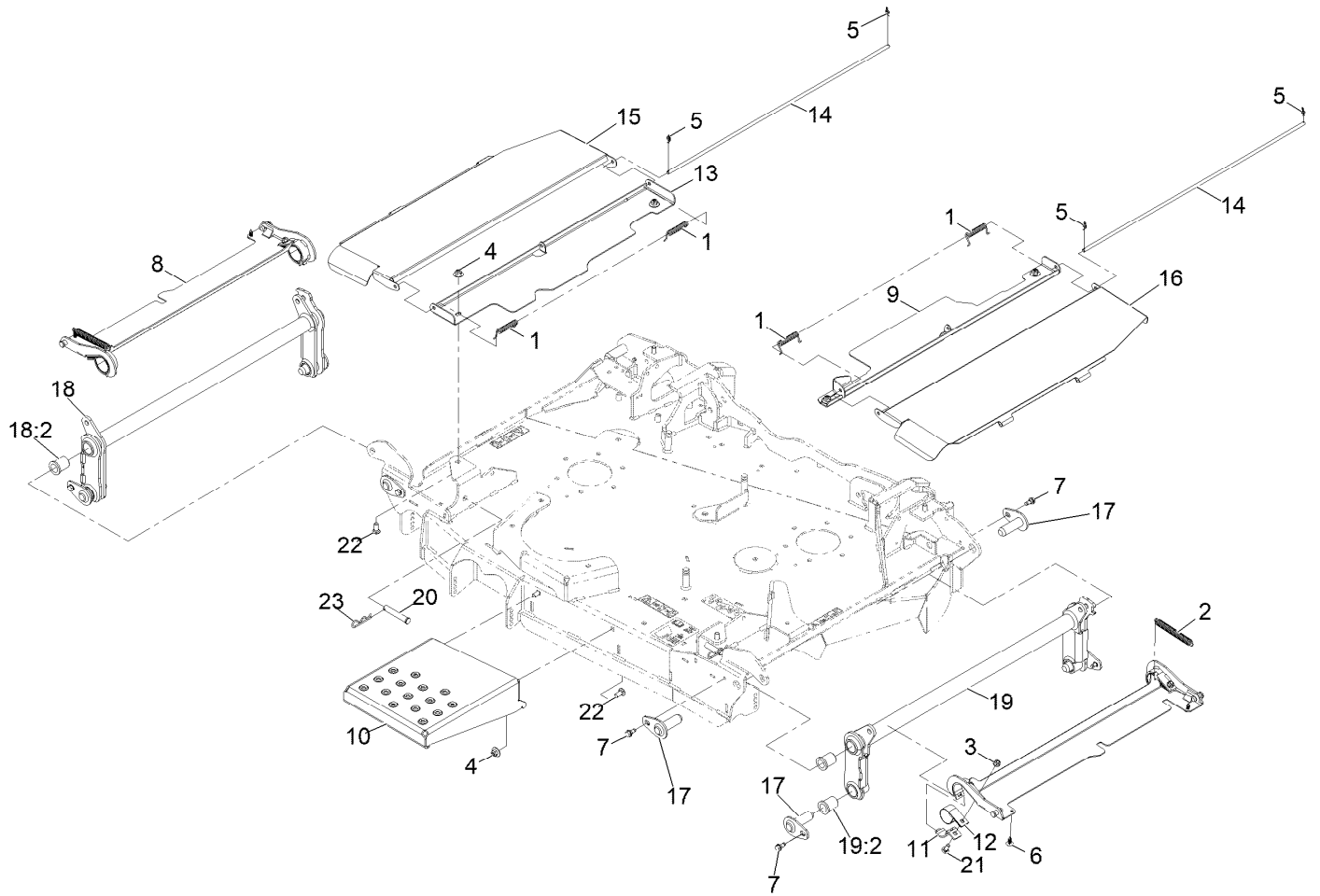


Center Deck Hose and Switch Assembly (continued)

<i>Ref.</i>	<i>Part Number</i>	<i>Qty.</i>	<i>Description</i>	<i>Ref.</i>	<i>Part Number</i>	<i>Qty.</i>	<i>Description</i>
1	109-6658	3	Nut-Flange, NI	10	135-5923	1	Plate-Proximity, RH
2	110-9380	4	Screw-HWH	11	135-1760	1	Hose ASM
3	115-5300	2	Proximity Switch ASM	12	135-1761	1	Hose ASM
3:1	117-3207	2	Nut-Hex	13	135-2628-01	1	Bracket-Deck Stop, LH
3:2	117-3208	2	Washer-Lock, Internal Tooth	14	135-2629-01	1	Bracket-Deck Stop, RH
4	126-8417	4	Pin-Cotter, Locking	15	340-132	4	Fitting-Elbow, 90 DEG
5	126-8448	2	Pin-Cylinder	15:1	237-78	1	O-Ring
6	126-9000	2	Deck Fold Cylinder ASM	15:2	237-21	1	O-Ring
6:1:1	142-2768	1	Kit, CYL Repair ●	16	3231-28	2	Screw-CARR
6:2	126-8439	1	Bushing	17	3234-42	1	Screw-HHF
6:3	126-8440	1	Bushing	18	3290-378	4	Tie-Cable
7	126-9372	1	Harness-Wire	19	32180-030	4	Clip-Tie
8	142-3762	2	Pin-Cylinder	20	62-7120	2	Washer
9	135-5922	1	Plate-Proximity, LH	21	135-6586	1	Bracket-Guard, Switch (RH)

● Not illustrated

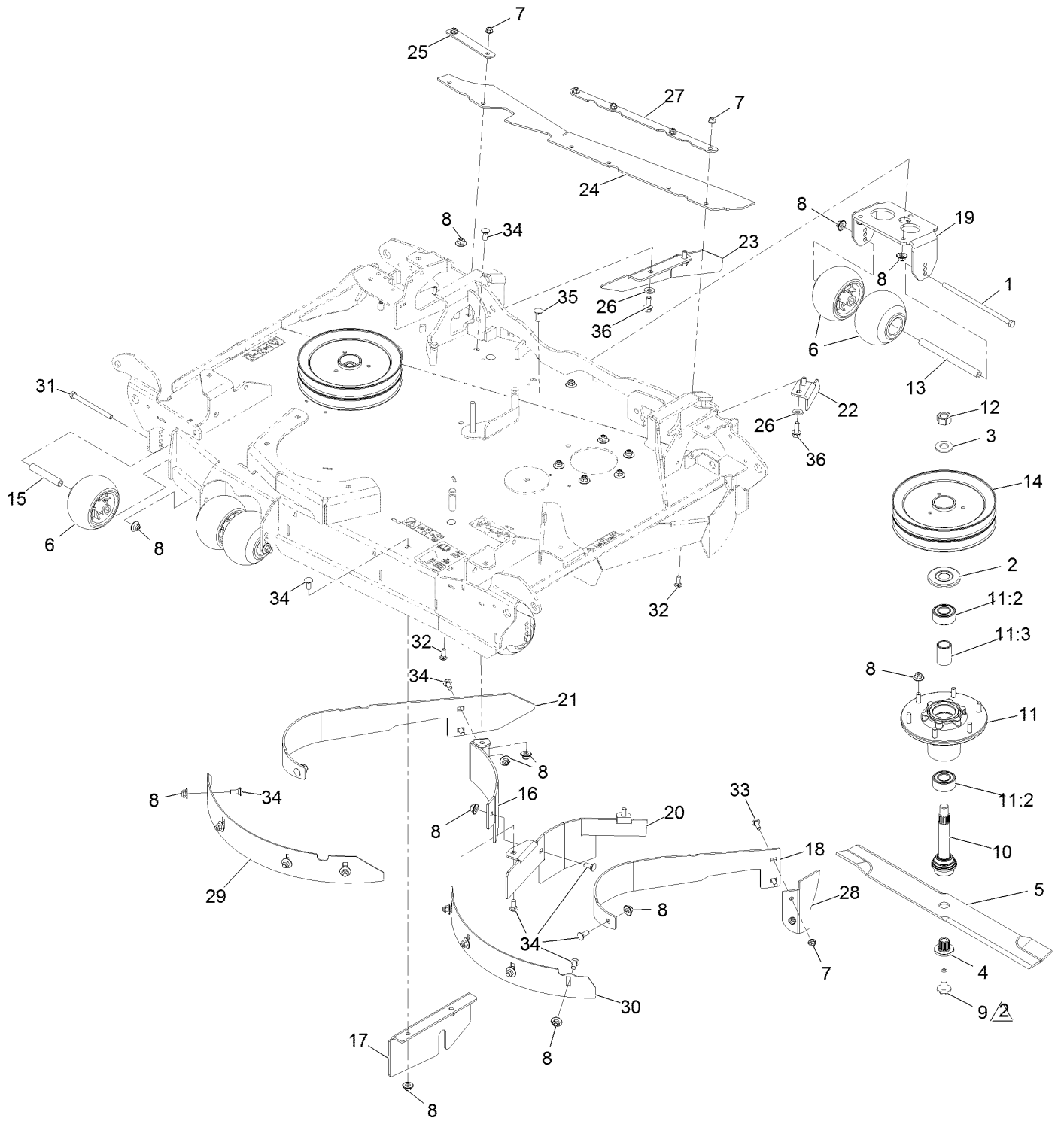
Center Deck Guard Assembly



Center Deck Guard Assembly (continued)

<i>Ref.</i>	<i>Part Number</i>	<i>Qty.</i>	<i>Description</i>	<i>Ref.</i>	<i>Part Number</i>	<i>Qty.</i>	<i>Description</i>
1	99-5293	4	Spring	13	135-2652-01	1	Shield-Center, RH
2	103-4813	2	Spring	14	135-1023	2	Cover-Rod, Pivot
3	104-8300	4	Nut-Nyloc 5/16-18 Flg	15	135-6174-03	1	Panel-Shield Hinge, RH
4	109-6658	6	Nut-Nyloc 3/8-16 Flg	16	135-6178-03	1	Panel-Shield Hinge, LH
5	116-6639	4	Pin-Cotter, Locking	17	142-4813	8	ASM-Deck Pin
6	117-2382	4	Plug-Plastic	18	142-5423	1	ASM-Fols Arm, RH
7	126-4424	8	Screw-HHF Shoulder 3/8-16 X 3/4 Tf	18:2	142-4794	4	Bushing-Flanged
8	135-2630-01	2	Cover-Wing	19	142-5424	1	ASM-Fold Arm, LH
9	135-2651-01	1	Shield-Center, LH	19:2	142-4794	4	Bushing-Flanged
10	126-9745-03	1	Panel-Step	20	283-55	2	Pin-Clevis
11	126-9764	4	Plate-Retainer, Bearing	21	3230-16	4	Bolt-Carriage 5/16-18 X 7/8
12	135-0584	4	Strap-Bearing, Nylon	22	3231-12	6	Bolt-Carriage 3/8-16 X 7/8
				23	3290-355	2	Pin-Hair

Center Deck Spindle, Blade, and Baffle Assembly



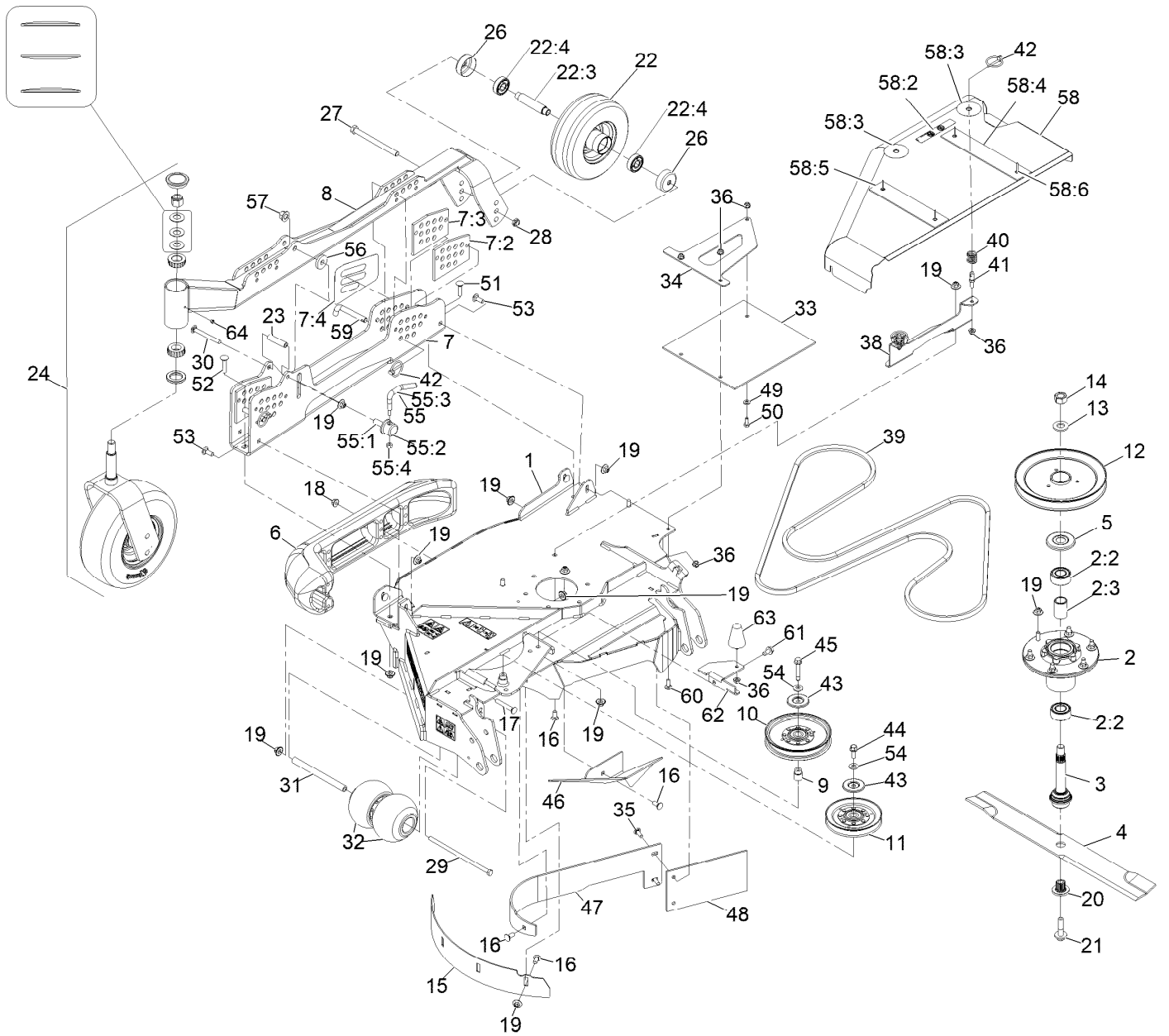
Center Deck Spindle, Blade, and Baffle Assembly (continued)

<i>Ref.</i>	<i>Part Number</i>	<i>Qty.</i>	<i>Description</i>	<i>Ref.</i>	<i>Part Number</i>	<i>Qty.</i>	<i>Description</i>
1	99-7203	4	Screw-HH	19	135-1036-01	1	Bracket-Antiscalp, Rear
2	103-1330	2	Guard-Bearing Top	20	135-1827-01	1	Baffle-Center
3	103-2802	2	Washer-Spring Disc 3/4	21	135-2451-01	1	Baffle-Dogleg, Center (RH)
4	103-3037	2	Bushing, Splined	22	135-2452-01	1	Baffle-Breaker
5	103-6389	2	Blade, Low Lift (72")	23	135-2453-01	1	Plate-Fin, Discharge
6	103-8415	9	Roller-Anti-Scalp	24	135-2618	1	Flap-Discharge
7	104-8300	8	Nut-Nyloc 5/16-18 Flg	25	135-2455-03	1	Support-Flap, LH
8	109-6658	38	Nut-Nyloc 3/8-16 Flg	26	98-5975	6	Washer-Spring Disc 3/8
9	109-9220	2	Screw-Sems 1/2-20 X 2.19●	27	135-2457-03	1	Support-Flap, LH
10	116-3341	2	ASM-Spindle And Seal	28	135-2458	1	Guard-Discharge
11	135-3437	2	ASM-Cutter Hsg	29	135-2459-01	1	Baffle-Depth, LH
11:2	135-3144	2	Bearing-3205 Trashguard	30	135-2460-01	1	Baffle-Depth, RH
11:3	135-3440	1	Spacer-Bearing	31	323-38	1	Screw-HH 3/8-16 X 4 3/4
12	116-7306	2	Nut-Hex ■	32	3230-16	6	Bolt-Carriage 5/16-18 X 7/8
13	126-6115	4	Spacer-Wheel	33	3230-22	2	Bolt-Carriage 5/16-18 X 1 Sp
14	126-6634	2	Sheave-Double 96Rd	34	3231-12	18	Bolt-CARR
15	126-7140	1	Spacer-Wheel, Short	35	3231-2	3	Bolt-Carriage 3/8-16 X 1
16	135-0601-01	1	Baffle-Center, Rear (RH)	36	3234-11	6	Screw-HH Flg 3/8-16 X 1
17	135-0603-01	1	Plate-Block, Front				
18	135-0792-01	1	Baffle-Dogleg, Center (LH)				

● Torque to 50-60 ft-lb

■ Torque to 130-160 ft-lb

RH Wing Deck



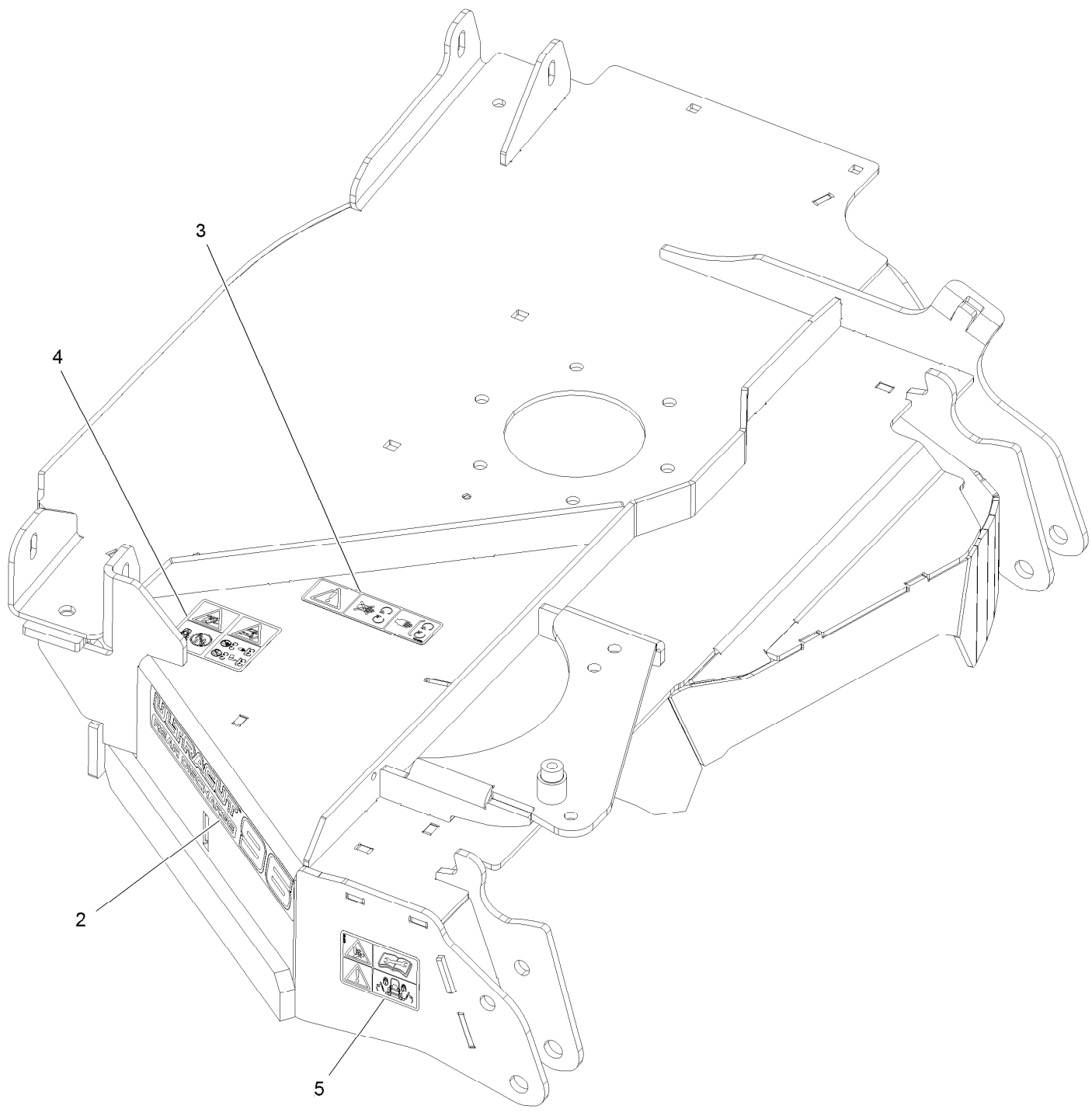
RH Wing Deck (continued)

<i>Ref.</i>	<i>Part Number</i>	<i>Qty.</i>	<i>Description</i>	<i>Ref.</i>	<i>Part Number</i>	<i>Qty.</i>	<i>Description</i>
1	142-5471	1	ASM-Deck, RH Wing 96	35	3230-22	2	Bolt-Carriage 5/16-18 X 1 Sp
2	135-3437	1	ASM-Cutter Hsg	36	104-8300	8	Nut-Nyloc 5/16-18 Flg
2:2	135-3144	2	Bearing-3205 Trashguard	38	135-2653-03	1	Bracket-Shield Mount, Outer
2:3	135-3440	1	Spacer-Bearing	39	126-6447	1	Belt-V
3	116-3341	1	ASM-Spindle And Seal	40	126-1503	2	Spring
4	103-6389	1	Blade, Low Lift (72")	41	135-7455	2	Pin, Spring
5	103-1330	1	Guard-Bearing Top	42	92-1298	4	Pin-Lynch
6	112-1479	1	Skid-Bumper, Deck	43	126-8043	2	Shield-Dust
7	135-5595	1	RH HOC Channel ASM	44	3234-42	1	Screw HHF 3/8-16 X 1
7:2	135-2422	2	Plate-Guide, HOC (LH)	45	126-2956	1	Screw-HHF
7:3	135-2423	2	Plate-Guide, HOC (RH)	46	135-2448-01	1	Baffle-Deflect, RH
7:4	126-8760	2	Decal-HOC, RH	47	135-0795-01	1	Baffle-Dogleg, RH
8	135-3788-01	1	Tube-HOC, RH	48	135-0091	1	Flap-Rubber
9	1-633456	1	Bushing, Idler	49	3256-23	1	Washer-5/16 SAE
10	126-7685	1	Idler-Pulley	50	322-3	1	Screw-HH 5/16-18 X 3/4
11	126-2960	1	Idler-V	51	3231-4	1	Bolt-Carriage 3/8-16 X 1 1/2
12	126-6635	1	Sheave-Single 96Rd	52	3231-5	1	Bolt-Carriage 3/8-16 X 1 3/4
13	103-2802	1	Washer-Spring Disc 3/4	53	3231-2	4	Bolt-Carriage 3/8-16 X 1
14	116-7306	1	Nut-Hex ▲	54	98-5975	2	Washer-Spring Disc 3/8
15	135-2460-01	1	Baffle-Depth, RH	55	107-1664	1	Lever ASM
16	3231-12	8	Bolt-CARR	55:1	106-3239	1	Screw-Lock
17	3231-31	2	Bolt-Carriage 3/8-16 X 2 1/2	55:2	107-1644	1	Cap-Lock
18	104-8301	2	Nut-Nyloc 3/8-16 Flg	55:3	106-3241	1	Lever-Lock
19	109-6658	24	Nut-Nyloc 3/8-16 Flg	55:4	3296-29	1	Nut-Nyloc 5/16-18
20	103-3037	1	Bushing, Splined	56	30-8770	1	Washer
21	109-9220	1	Screw-Sems 1/2-20 X 2.19 ●	57	99-5107	1	Nut-Lock 1/2-13
22	135-2642	1	Wheel And Tire ASM	58	135-6171	1	RH Wing Shield ASM
22:3	126-7904	1	Axle-Caster	58:2	93-6687	1	Decal-No Step
22:4	116-4004	2	Bearing	58:3	135-3165	2	Decal-Cover, Scratch
23	135-2424	1	Spacer	58:4	135-6706	1	Plate
24		1	ASM-Caster, 11"tire ■	58:5	135-6707	1	Plate-Front
26	135-3218	2	Guard, Seal	58:6	133-7130	4	Rivet-Pop
27	325-20	1	Screw-HH 1/2-13 X 6	59	135-2073	2	Pin-HOC
28	3296-45	1	Nut-Nyloc 1/2-13 Thin	60	3230-10	2	Bolt-Carriage 5/16-18 X 7/8
29	99-7203	1	Screw-HH	61	110-9380	1	Screw-HWH
30	3231-11	1	Bolt-Carriage 3/8-16 X 3 1/2	62	135-2611-01	1	Bracket-Retainer, Cover
31	126-6115	1	Spacer-Wheel	63	114-1925	1	Bumper-Rubber
32	103-8415	2	Roller-Anti-Scalp	64	1-811010	1	Plug
33	135-2068	1	Guard-Tire				
34	135-2067-03	1	Support-Flap, RH				

● Torque to 50-60 ft-lb
▲ Torque to 130-160 ft-lb

■ Not serviced separately

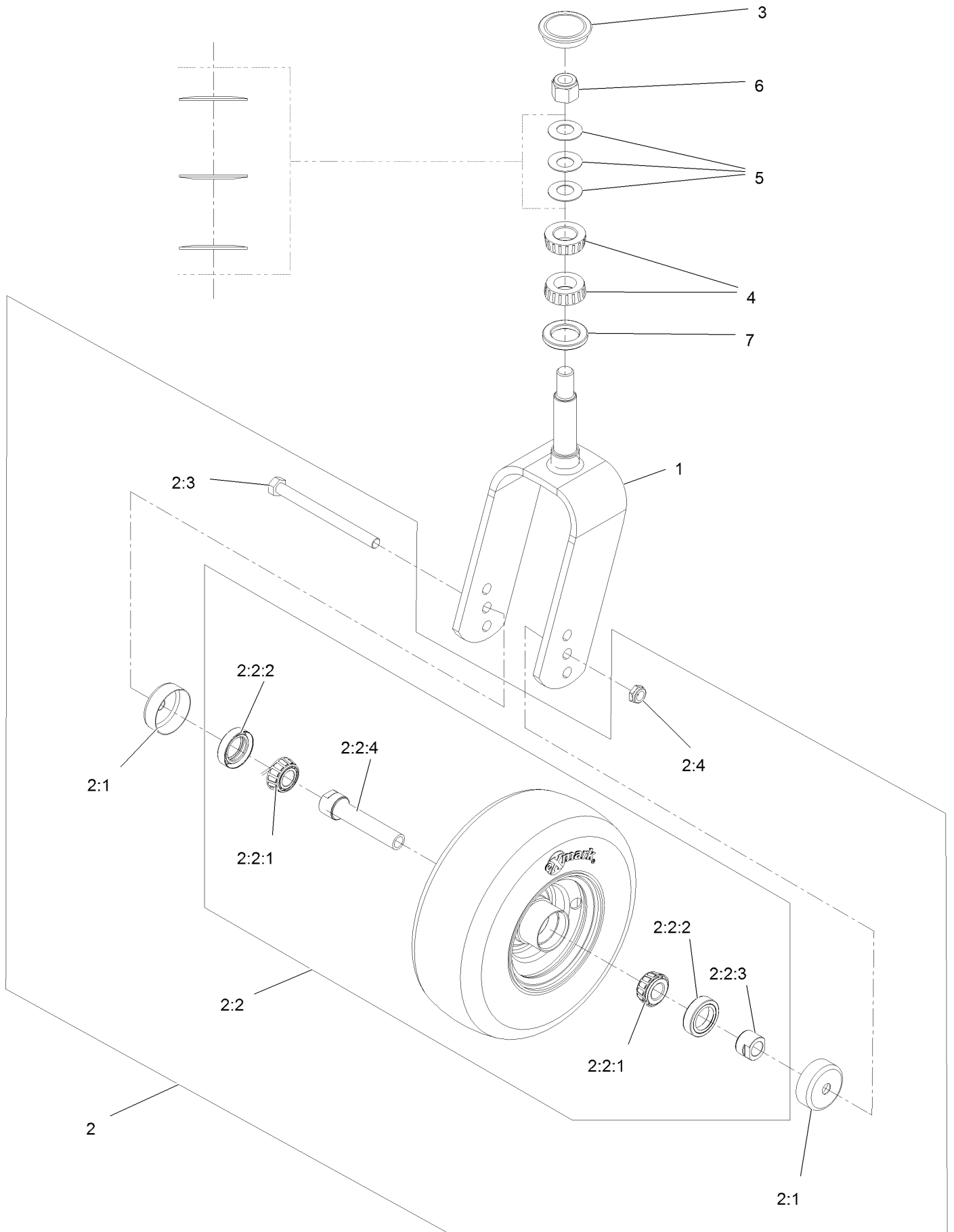
RH Wing Deck W/Decals Assembly



RH Wing Deck W/Decals Assembly (continued)

<i>Ref.</i>	<i>Part Number</i>	<i>Qty.</i>	<i>Description</i>	<i>Ref.</i>	<i>Part Number</i>	<i>Qty.</i>	<i>Description</i>
2	126-9154	1	Decal-Ultracut 96-Rd	4	135-0664	1	Decal-Danger, Thrown Object
3	112-9028	1	Decal-Cover, Missing	5	135-0670	1	Decal-Warning, Pinch Point

Caster Tire Assembly

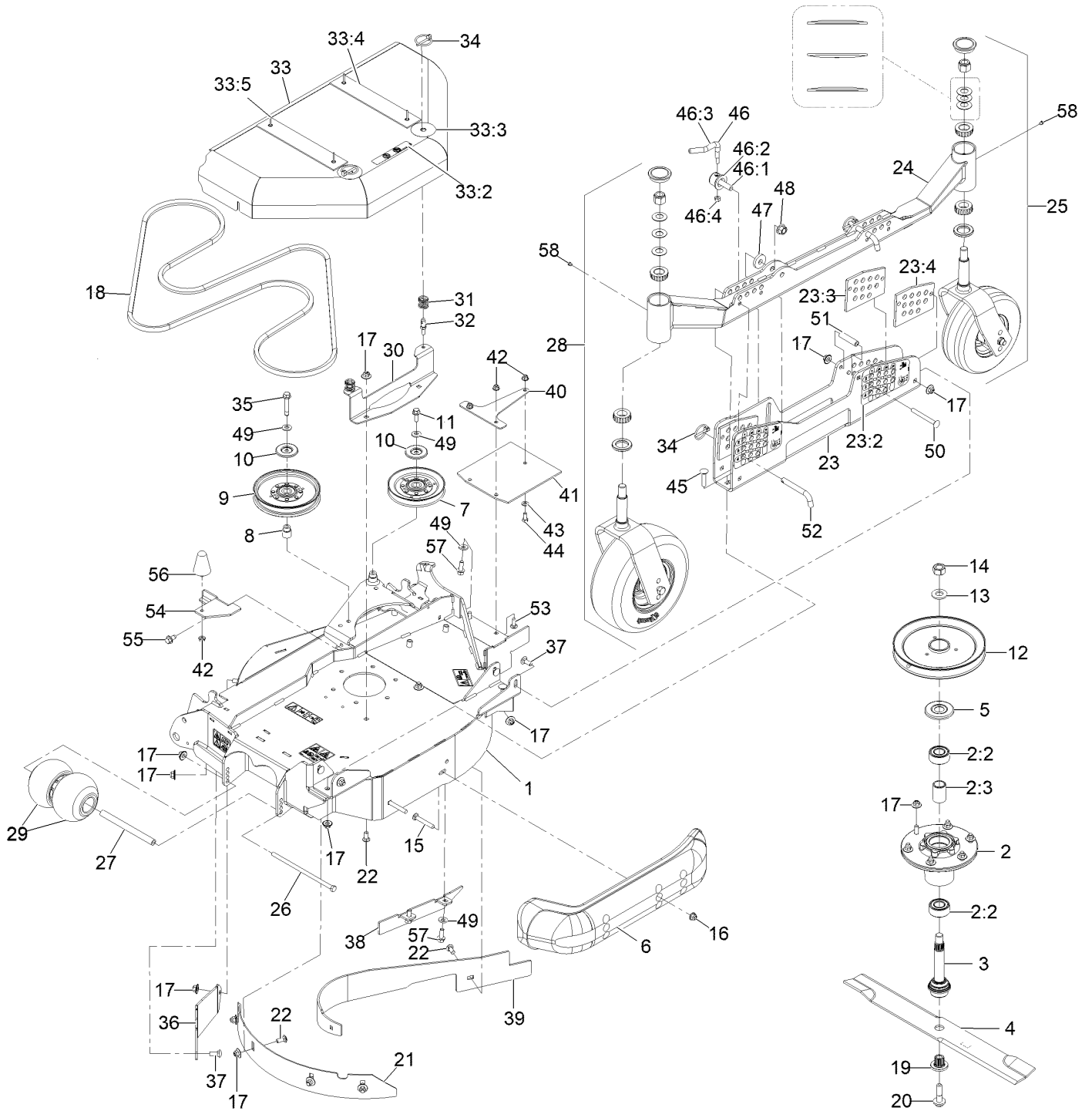


Caster Tire Assembly (continued)

<i>Ref.</i>	<i>Part Number</i>	<i>Qty.</i>	<i>Description</i>	<i>Ref.</i>	<i>Part Number</i>	<i>Qty.</i>	<i>Description</i>
1	135-3794-01	1	Fork-Caster	2:3	325-20	1	Screw-HH
2	109-3524	1	Asm, Wheel And Bearings	2:4	3296-45	1	Nut-Hex
2:1	103-2768	2	Guard-Seal	3	103-4882	1	Cap-Grease
2:2		1	Wheel And Bearing ASM ●	4	1-543509	2	Bearing-Roller, Tapered
2:2:1	1-633585	2	Bearing-Cone, Taper	5	1-633508	3	Washer-Bellville
2:2:2	103-0063	2	Seal-Caster	6	3296-51	1	Nut-Lock, NI
2:2:3	103-3051	1	Spacer-Nut	7	1-543511	1	Seal-Grease
2:2:4	126-5359	1	Caster Axle ASM				

● Not serviced separately

LH Wing Deck Assembly



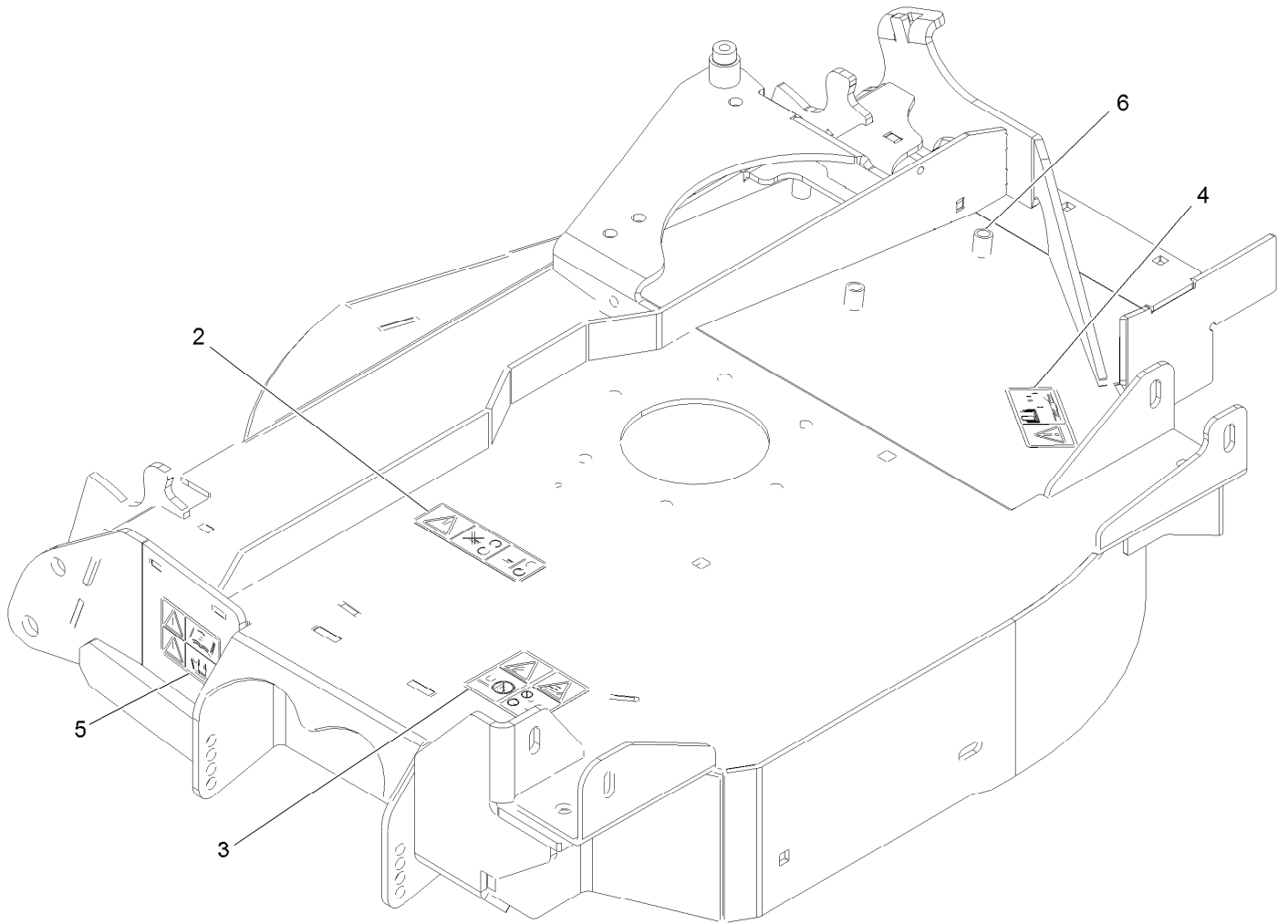
LH Wing Deck Assembly (continued)

<i>Ref.</i>	<i>Part Number</i>	<i>Qty.</i>	<i>Description</i>	<i>Ref.</i>	<i>Part Number</i>	<i>Qty.</i>	<i>Description</i>
1	142-5473	1	ASM-Deck, LH Wing 96	32	135-7455	2	Pin, Spring
2	135-3437	1	ASM-Cutter Hsg	33	135-6170	1	LH Wing Shield ASM
2:2	135-3144	2	Bearing-3205 Trashguard	33:2	93-6687	1	Decal-No Step
2:3	135-3440	1	Spacer-Bearing	33:3	135-3165	2	Decal-Cover, Scratch
3	116-3341	1	ASM-Spindle And Seal	33:4	135-6706	2	Plate
4	103-6389	1	Blade, Low Lift (72")	33:5	133-7130	4	Rivet-Pop
5	103-1330	1	Guard-Bearing Top	34	92-1298	4	Pin-Lynch
6	112-1479	1	Skid-Bumper, Deck	35	126-2956	1	Screw-HHF
7	126-2960	1	Idler-V	36	126-9757-01	1	Plate-Fill
8	1-633456	1	Bushing, Idler	37	3231-2	6	Bolt-Carriage 3/8-16 X 1
9	126-7685	1	Idler-Pulley	38	135-1824-01	1	Fin-Baffle, Discharge Wing (LH)
10	126-8043	2	Shield-Dust	39	135-0794-01	1	Baffle-Dogleg, Center (RH)
11	3234-42	1	Screw HHF 3/8-16 X 1	40	135-0618-03	1	Support-Flap, LH
12	126-6635	1	Sheave-Single 96Rd	41	135-1849	1	Guard-Tire, LH
13	103-2802	1	Washer-Spring Disc 3/4	42	104-8300	4	Nut-Nyloc 5/16-18 Flg
14	116-7306	1	Nut-Hex ▲	43	3256-23	1	Washer-5/16 SAE
15	3231-31	2	Bolt-Carriage 3/8-16 X 2 1/2	44	322-3	1	Screw-HH 5/16-18 X 3/4
16	104-8301	2	Nut-Nyloc 3/8-16 Flg	45	3231-5	2	Bolt-Carriage 3/8-16 X 1 3/4
17	109-6658	25	Nut-Nyloc 3/8-16 Flg	46	107-1664	1	Lever ASM
18	126-6442	1	Belt-V	46:1	106-3239	1	Screw-Lock
19	103-3037	1	Bushing, Splined	46:2	107-1644	1	Cap-Lock
20	109-9220	1	Screw-Sems 1/2-20 X 2.19 ●	46:3	106-3241	1	Lever-Lock
21	135-2459-01	1	Baffle-Depth, LH	46:4	3296-29	1	Nut-Nyloc 5/16-18
22	3231-12	8	Bolt-CARR	47	30-8770	1	Washer
23	135-2433	1	LH HOC Channel ASM	48	99-5107	1	Nut-Lock 1/2-13
23:2	126-8597	2	Decal-HOC, LH	49	98-5975	5	Washer-Spring Disc 3/8
23:3	135-2422	2	Plate-Guide, HOC (LH)	50	3231-11	1	Bolt-Carriage 3/8-16 X 3 1/2
23:4	135-2423	2	Plate-Guide, HOC (RH)	51	135-2424	1	Spacer
24	135-2436-01	1	Tube-HOC, LH	52	135-2073	2	Pin-HOC
25		1	Caster/Wheel ASM ■	53	3230-10	2	Bolt-Carriage 5/16-18 X 7/8
26	99-7203	1	Screw-HH	54	135-2611-01	1	Bracket-Retainer, Cover
27	126-6115	1	Spacer-Wheel	55	110-9380	1	Screw-HWH
28		1	ASM-Caster, 11"tire ■	56	114-1925	1	Bumper-Rubber
29	103-8415	2	Roller-Anti-Scalp	57	3234-11	3	Screw-HH Flg 3/8-16 X 1
30	135-2653-03	1	Bracket-Shield Mount, Outer	58	1-811010	2	Plug
31	126-1503	2	Spring				

● Torque to 50-60 ft-lb
▲ Torque to 130-160 ft-lb

■ Not serviced separately

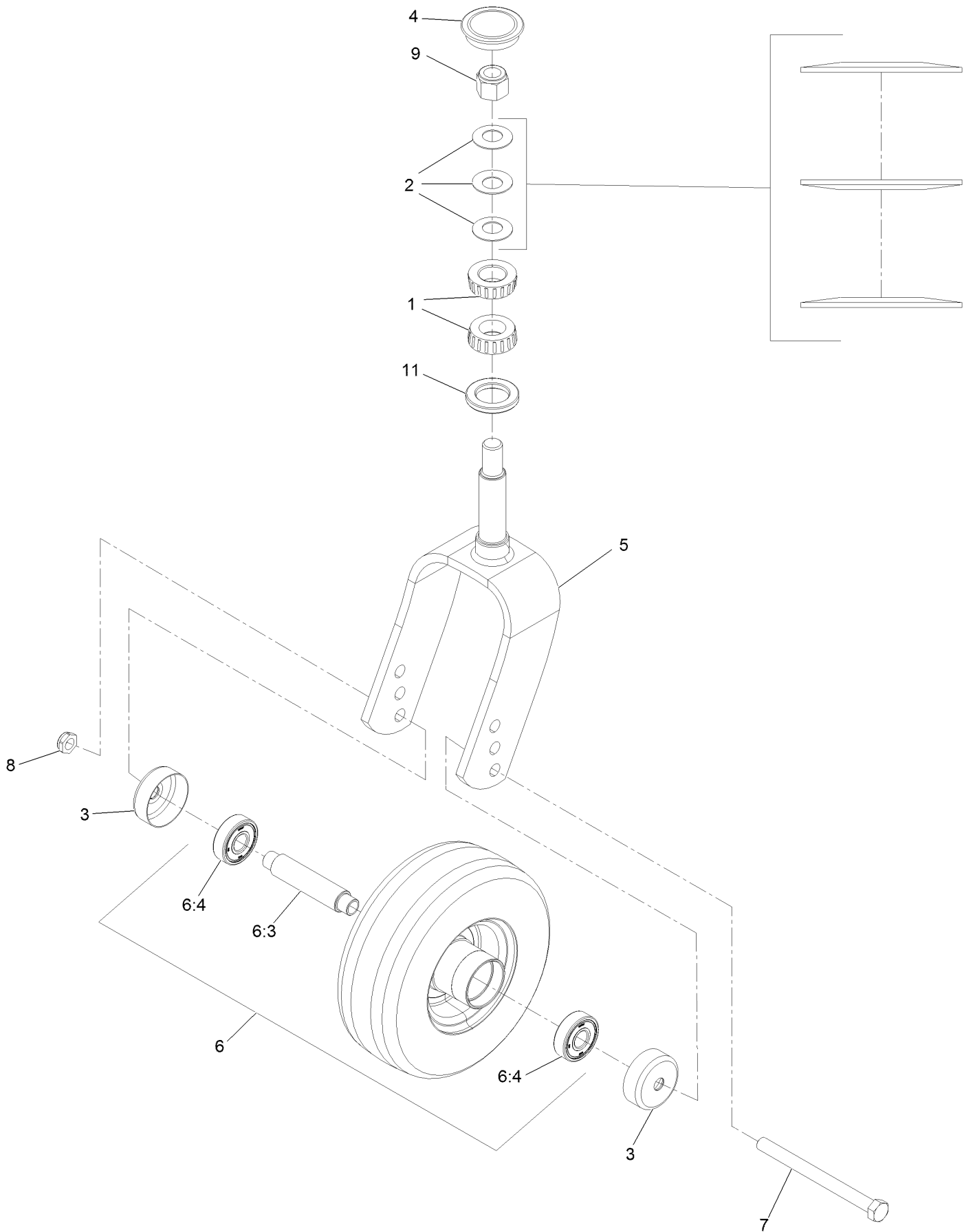
LH Wing Deck W/Decals Assembly



LH Wing Deck W/Decals Assembly (continued)

<i>Ref.</i>	<i>Part Number</i>	<i>Qty.</i>	<i>Description</i>	<i>Ref.</i>	<i>Part Number</i>	<i>Qty.</i>	<i>Description</i>
2	112-9028	1	Decal-Cover, Missing	4	116-8283	1	Decal-Torque, Bolt
3	135-0664	1	Decal-Danger, Thrown Object	5	135-0670	1	Decal-Warning, Pinch Point
				6	32148-10	3	Nut-Clinch

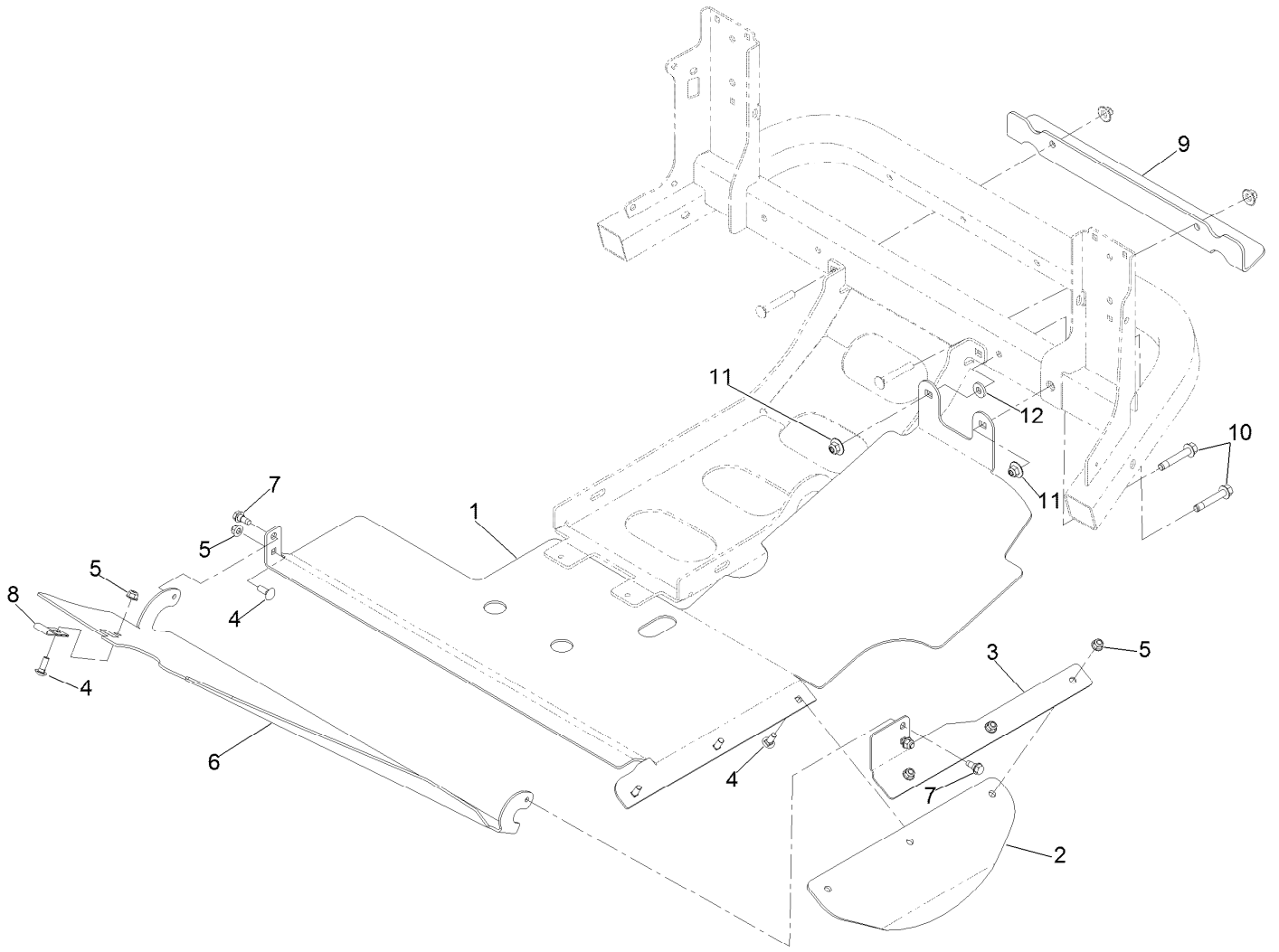
LH Deck Rear Caster Wheel and Fork Assembly



LH Deck Rear Caster Wheel and Fork Assembly (continued)

<i>Ref.</i>	<i>Part Number</i>	<i>Qty.</i>	<i>Description</i>	<i>Ref.</i>	<i>Part Number</i>	<i>Qty.</i>	<i>Description</i>
1	1-543509	2	Cone-Bearing Tapered Roller	6:3	126-7904	1	Axle-Caster
2	1-633508	3	Washer-Spring Disc	6:4	116-4004	2	Bearing
3	135-3218	2	Guard, Seal	7	325-20	1	Screw-HH 1/2-13 X 6
4	103-4882	1	Cap-Grease	8	3296-45	1	Nut-Nyloc 1/2-13 Thin
5	135-3793-01	1	Fork-Caster	9	3296-51	1	Nut-Nyloc 3/4-10
6	135-2642	1	Wheel And Tire ASM	11	1-543511	1	Seal-Grease

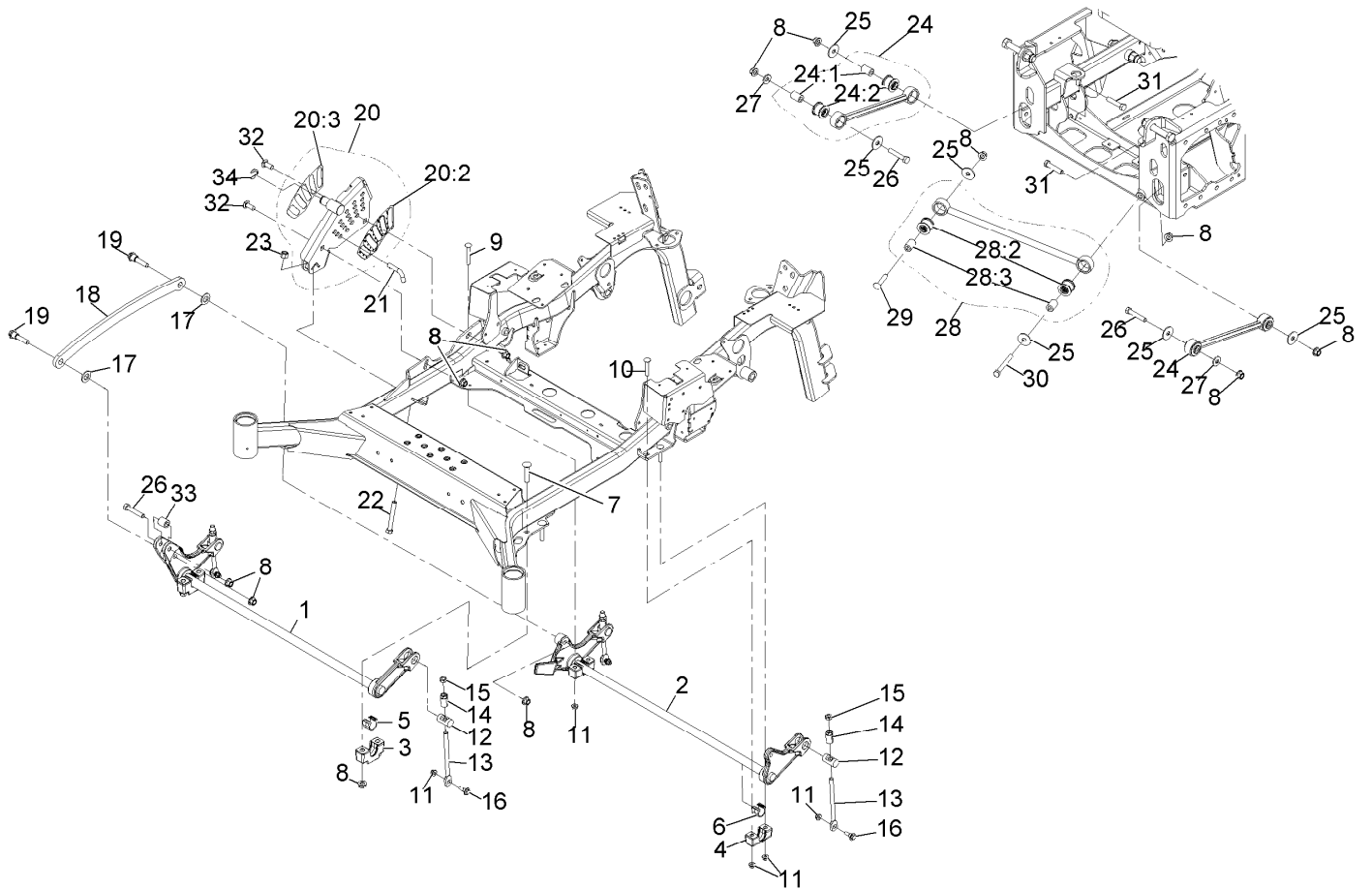
Discharge Tunnel Assembly



Discharge Tunnel Assembly (continued)

<i>Ref.</i>	<i>Part Number</i>	<i>Qty.</i>	<i>Description</i>	<i>Ref.</i>	<i>Part Number</i>	<i>Qty.</i>	<i>Description</i>
1	135-2089-03	1	Plate-Discharge	7	126-4424	2	Screw-Shoulder
2	135-0050	1	Flap-Rubber	8	135-0608	1	Bearing-Strap, Nylon
3	135-2090-03	1	Bracket-Flap, LH	9	135-2092-03	1	Bracket-Tie Down
4	3230-16	6	Bolt-Carriage 5/16-18 X 7/8	10	126-2956	2	Screw-HHF
5	104-8300	6	Nut-Nyloc 5/16-18 Flg	11	109-6658	2	Nut-Nyloc 3/8-16 Flg
6	135-2617-03	1	Panel-Discharge	12	43-0940	1	Spacer

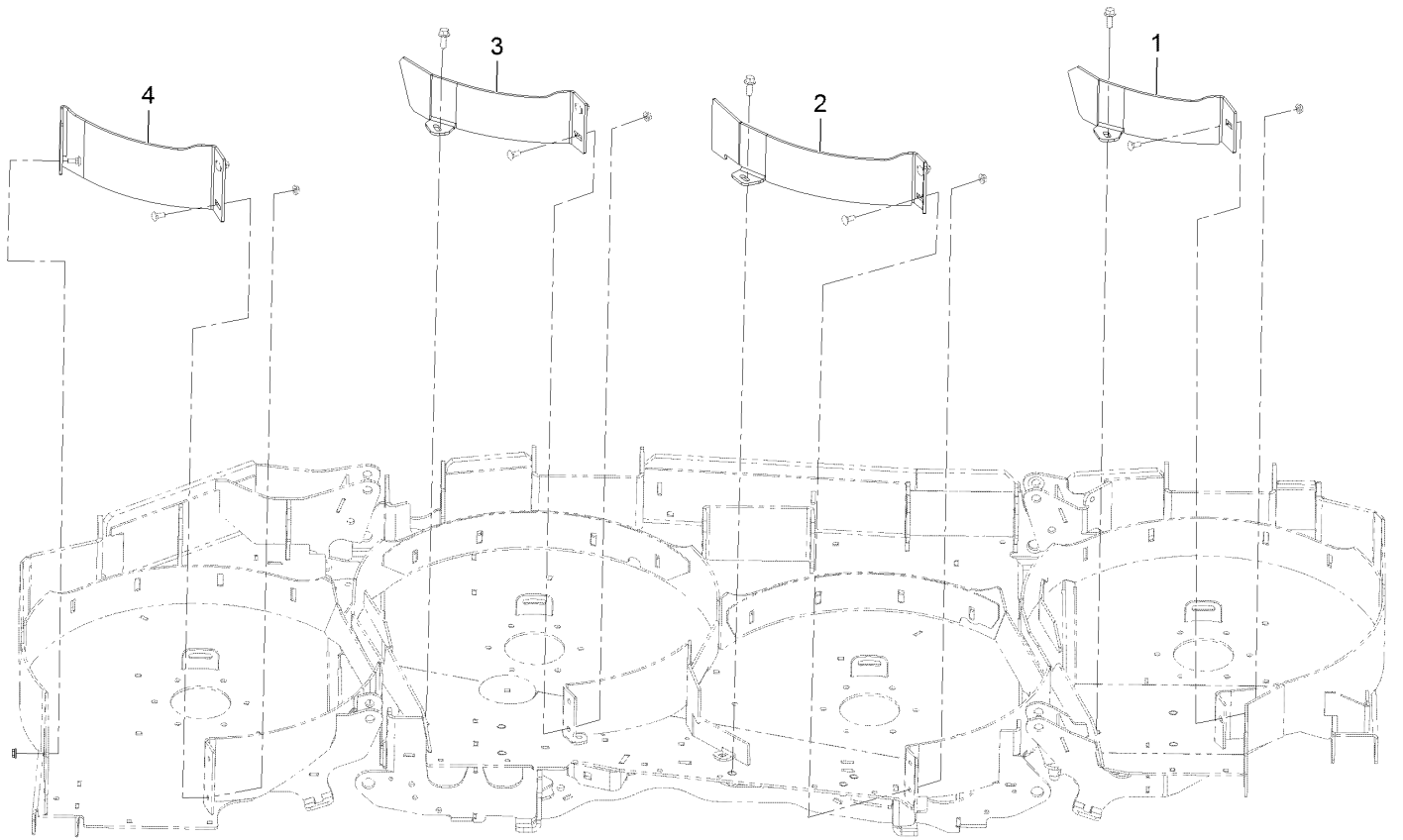
Deck Lift Assembly



Deck Lift Assembly (continued)

<i>Ref.</i>	<i>Part Number</i>	<i>Qty.</i>	<i>Description</i>	<i>Ref.</i>	<i>Part Number</i>	<i>Qty.</i>	<i>Description</i>
1	135-1216-03	1	Lift-Deck, Front	20	126-7866	1	HOC ASM
2	116-2645-03	1	Lift-Deck, Rear	20:2	126-9275	1	Decal-HOC
3	109-9409	2	Support-Bearing, Cross Shaft (Front)	20:3	135-1432	1	Decal-HOC, Outer
4	127-0553	2	Support-Bearing, Cross Shaft (Rear)	21	116-5584	1	Pin-HOC
5	109-9410	2	Bearing-Cross Shaft, Front	22	116-0559	1	Bolt-HH 1/2-13 X 4 Tap
6	109-7173	2	Bearing-Cross Shaft, Rear	23	3296-23	1	Nut-Nyloc 1/2-13
7	116-1700	4	Bolt-Carriage 1/2-13 X 2 1/2 Spl Neck	24	142-4003	1	Deck Strut ASM 85A
8	99-5107	15	Nut-Lock 1/2-13	24:1	109-5010	2	Spacer
9	3231-9	1	Bolt-Carriage 3/8-16 X 2 3/4	24:2	135-2466	2	Bushing-Rubber
10	3231-7	3	Bolt-Carriage 3/8-16 X 2 1/4	25	86-1990	6	Washer
11	104-8301	8	Nut-Nyloc 3/8-16 Flg	26	325-11	3	Screw-HH 1/2-13 X 2 3/4
12	109-8353	4	Trunnion	27	1-513435	2	Washer-Spring Disc 1/2
13	109-8007	4	Link-Adjuster, Deck Lift	28	109-5013	1	Panhard Rod ASM
14	109-7840	4	Adjuster-Lift, Deck	28:2	109-5009	2	Bushing-Suspension, Rubber
15	3218-5	4	Nut-Jam 1/2-13	28:3	109-5010	2	Spacer
16	109-9840	4	Screw-Hex Flange 3/8-16 X .80	29	3233-34	1	Bolt-Carriage 1/2-13 X 2 1/2
17	3256-28	2	Washer-3/4 SAE	30	325-17	1	Screw-HH 1/2-13 X 4
18	116-0797-03	1	Link-Lift, Deck	31	325-10	2	Screw-HH 1/2-13 X 2 1/2
19	116-2022	2	Screw-Hex Flange 1/2-13 X 1.90	32	3233-26	2	Screw-CARR,Shortneck
				33	135-1215	1	Spacer-Pivot
				34	32151-91	1	Ring-Retaining

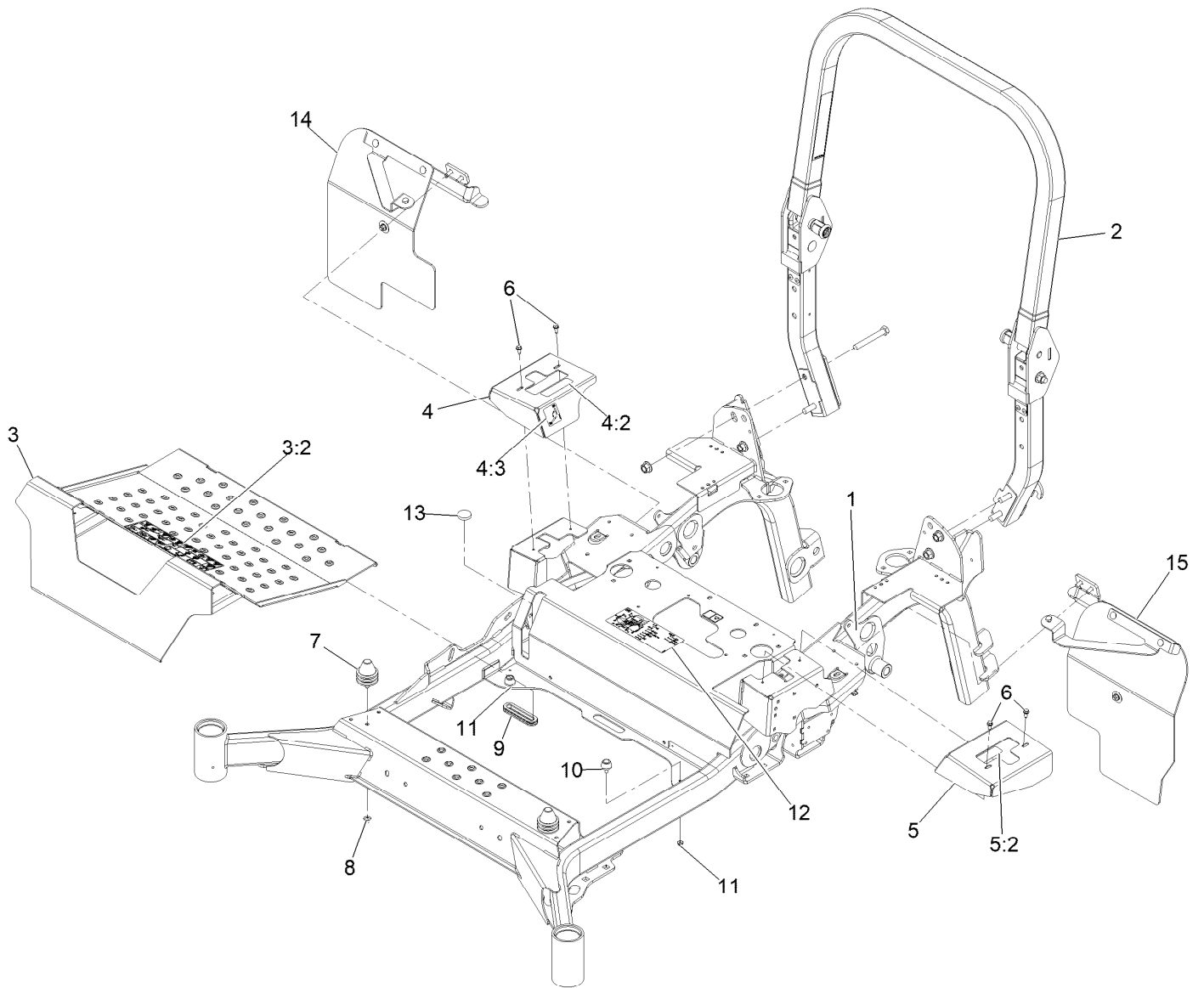
Mulch Kit Assembly



Mulch Kit Assembly (continued)

<i>Ref.</i>	<i>Part Number</i>	<i>Qty.</i>	<i>Description</i>	<i>Ref.</i>	<i>Part Number</i>	<i>Qty.</i>	<i>Description</i>
1	135-3461-01	1	Baffle-Block	3	135-3463-01	1	Baffle-Block, RH Ctr
2	135-3462-01	1	Baffle-Block, LH Ctr	4	135-3540-01	1	Baffle-Block, RH Wing

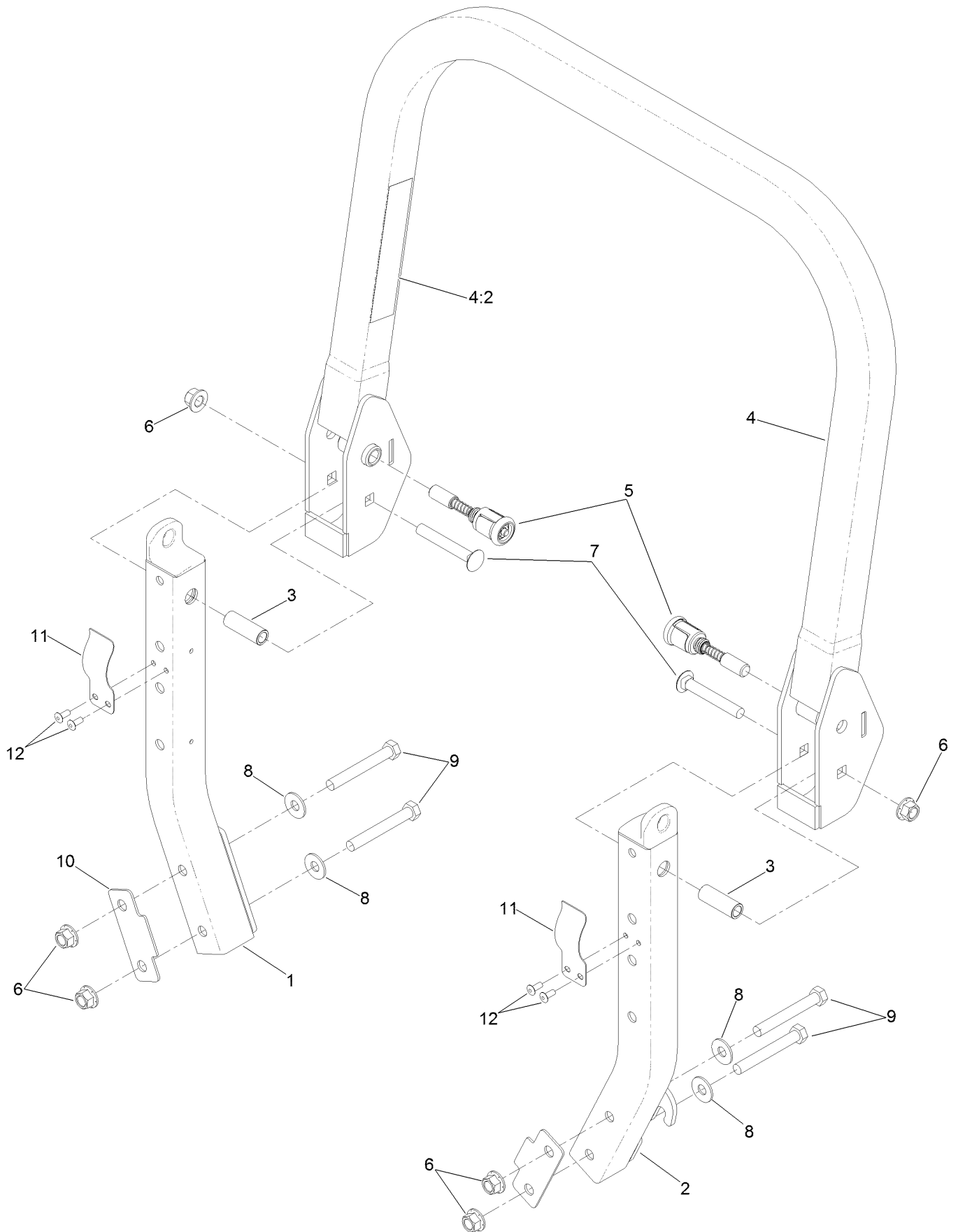
Main Frame Assembly



Main Frame Assembly (continued)

<i>Ref.</i>	<i>Part Number</i>	<i>Qty.</i>	<i>Description</i>	<i>Ref.</i>	<i>Part Number</i>	<i>Qty.</i>	<i>Description</i>
1	142-6829	1	Mainframe ASM, Wd	7	126-5491	2	Isolator
2	135-5786	1	ROPS ASM	8	104-8300	2	Nut-Nyloc 5/16-18 Flg
3	126-9066	1	Pan-Floor	9	126-7065	1	Grommet-Rubber
3:2	126-8383	1	Decal-Danger	10	109-2365	2	Bumper-Rubber
4	126-1831	1	Cover-Motion Control, RH	11	104-7201	2	Nut-Nyloc 1/4-20 Flg
4:2	99-8936	1	Decal-Control, Motion	12	126-9947	1	Decal-Service Aid
4:3	116-5988	1	Decal-Park Brake, CE	13	109-9233	1	Bumper-Push-In, Rubber
5	126-1821	1	Cover-Motion Control, LH	14	135-4933	1	ASM, RH Mud Flap
5:2	99-8936	1	Decal-Control, Motion	15	135-4943	1	ASM, LH Mud Flap
6	32144-10	4	Screw-HWH 1/4-20 X .62				

Roll-Over Protection System Assembly



Roll-Over Protection System Assembly (continued)

<i>Ref.</i>	<i>Part Number</i>	<i>Qty.</i>	<i>Description</i>	<i>Ref.</i>	<i>Part Number</i>	<i>Qty.</i>	<i>Description</i>
1		1	Lower-ROPS, RH ●	7	3233-10	2	Bolt-Carriage 1/2-13 X 3 1/2
2		1	Lower-ROPS, LH ●	8	109-9505	4	Washer, Spring Disc 1/2
3	109-6653	2	Spacer	9	325-35	4	Screw-HH
4	126-7085	1	ROPS Upper ASM	10	116-0960	2	Spacer
4:2	107-3069	1	Decal-Warning	11	110-5696	2	Spring-Leaf
5	116-0104	2	Pin-Spring	12	3290-412	4	Rivet-Blind
6	99-5107	6	Nut-Lock 1/2-13				

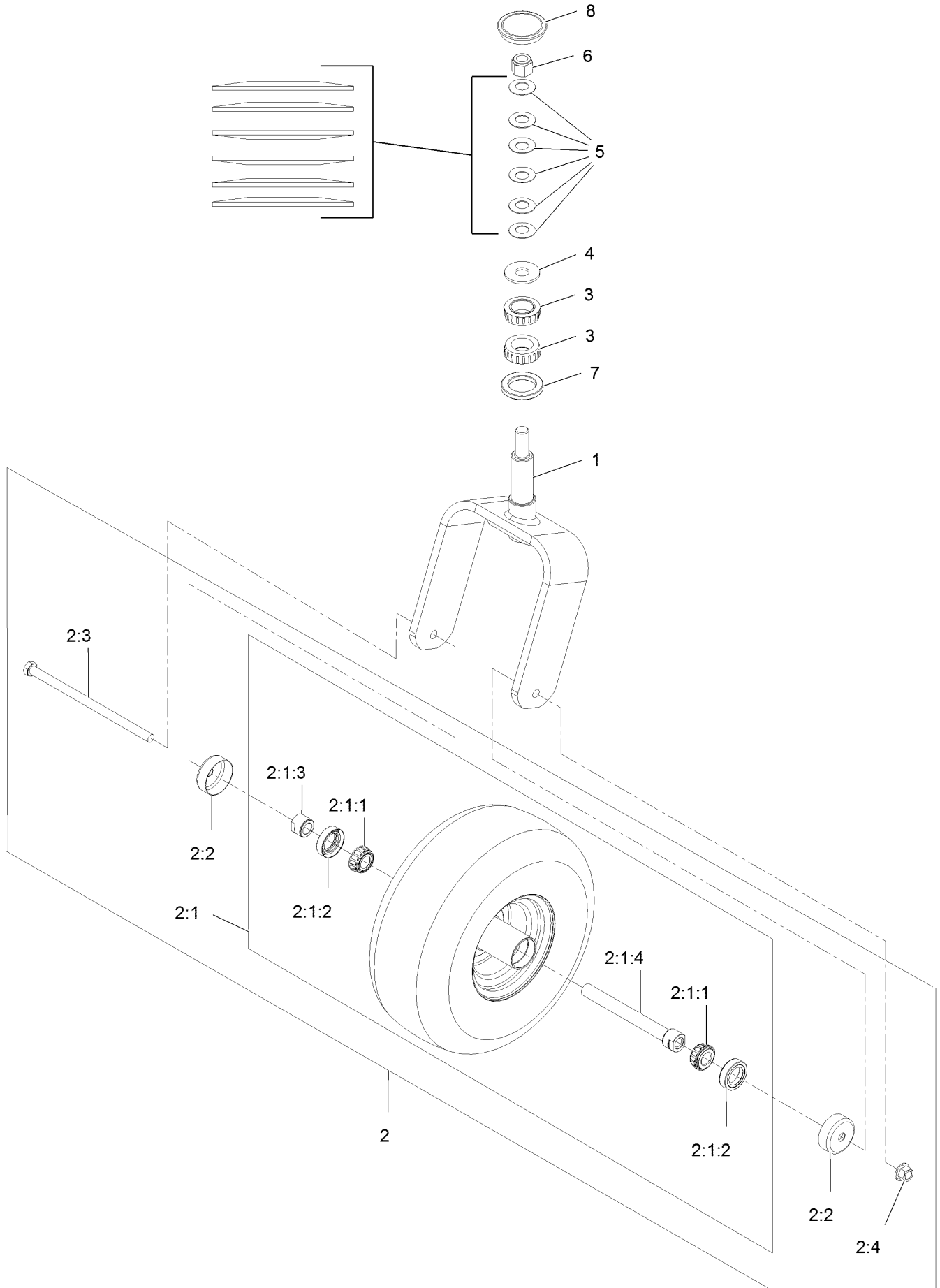
● Not serviced separately

Front Caster and Fork Assembly (continued)

<i>Ref.</i>	<i>Part Number</i>	<i>Qty.</i>	<i>Description</i>
1		2	ASM, Wheel Caster ●

● Not serviced separately

Front Left and Right Caster Wheel and Fork Assembly



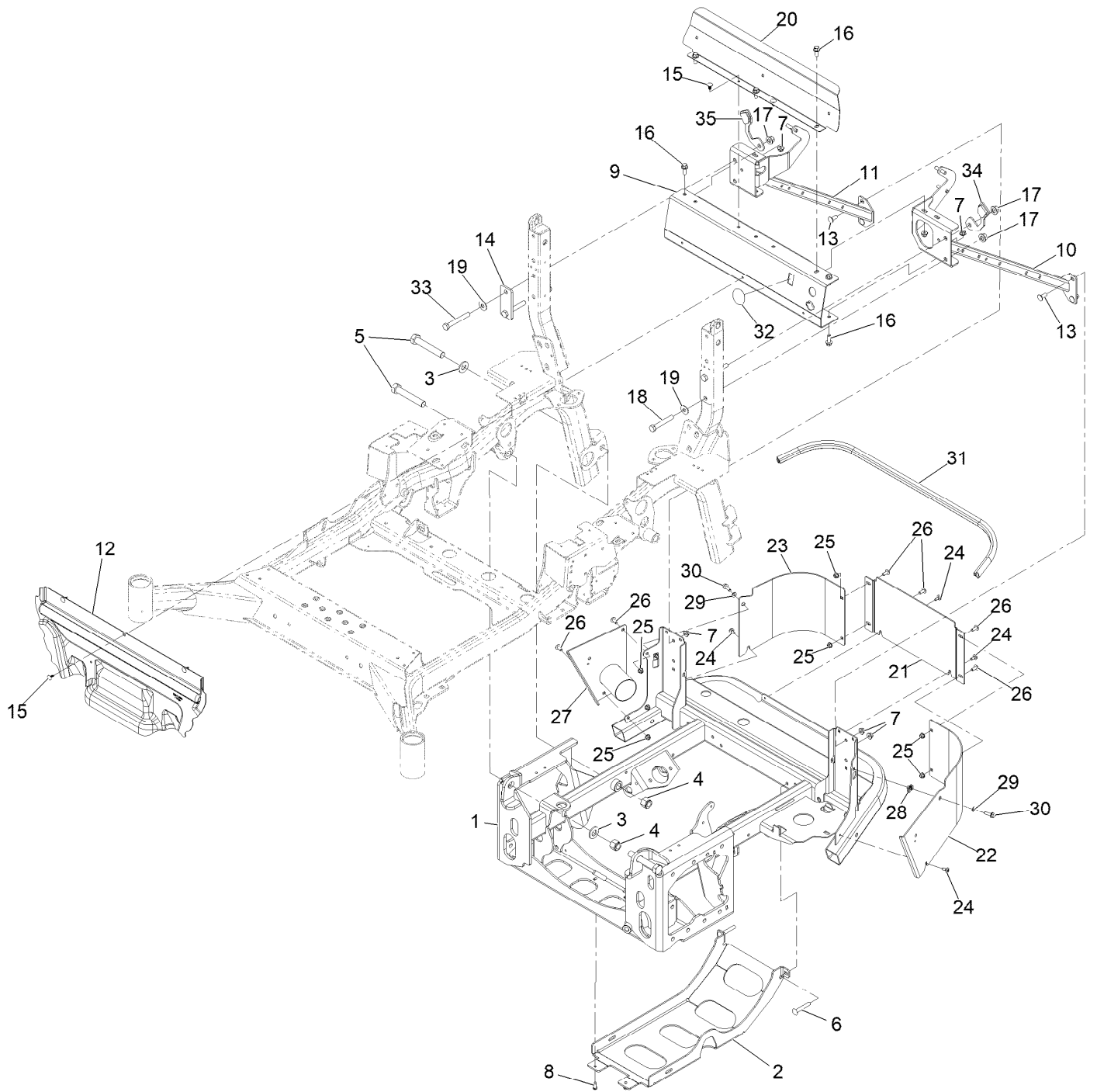
Front Left and Right Caster Wheel and Fork Assembly (continued)

<i>Ref.</i>	<i>Part Number</i>	<i>Qty.</i>	<i>Description</i>	<i>Ref.</i>	<i>Part Number</i>	<i>Qty.</i>	<i>Description</i>
1	126-8601-01	1	Fork-Caster	2:3	325-39	1	Screw-HH
2	126-8157	1	ASM-Whl And Tire	2:4	99-5107	1	Nut-Lock
2:1		1	ASM-Whl And Tire ●	3	103-9028	2	Bearing-Roller, Cone Taper
2:1:1	1-633585	2	Bearing-Cone, Taper	4	3256-8	1	Washer-Flat
2:1:2	103-0063	2	Seal-Caster	5	1-633508	6	Washer-Bellville
2:1:3	103-3051	1	Spacer-Nut ■	6	3296-51	1	Nut-Lock, NI
2:1:4	126-5361	1	Axle Caster ASM	7	135-0355	1	Seal-Grease
2:2	103-2768	2	Guard-Seal	8	126-9369	1	Cap-Grease

● Not serviced separately

■ Use Pro-Lock, Nut Type (P/N 1-840022, .5ml tube) on threads.

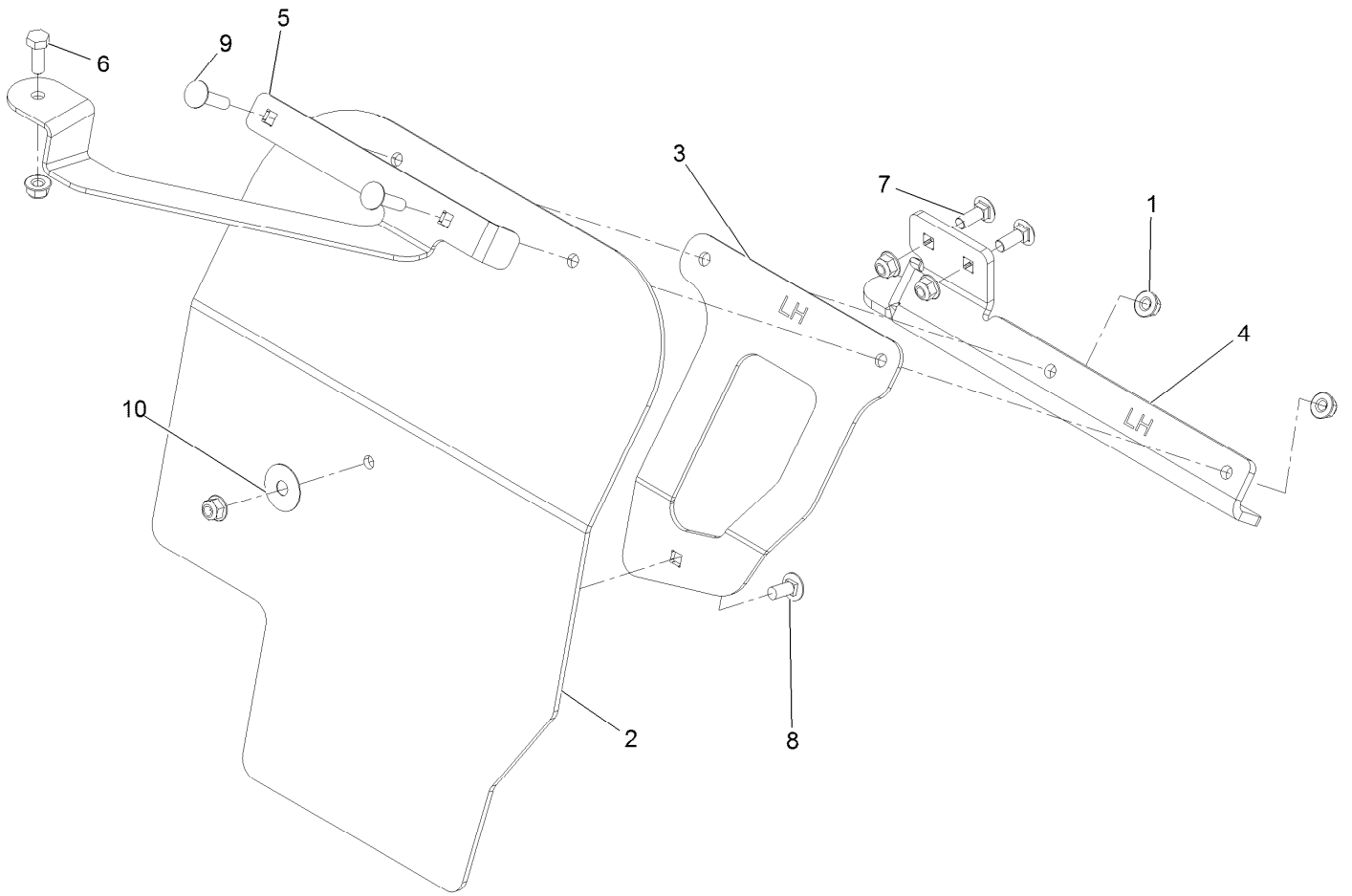
Power Frame Assembly



Power Frame Assembly (continued)

<i>Ref.</i>	<i>Part Number</i>	<i>Qty.</i>	<i>Description</i>	<i>Ref.</i>	<i>Part Number</i>	<i>Qty.</i>	<i>Description</i>
1	126-5929-03	1	Frame-Power	19	109-9505	4	Washer, Spring Disc 1/2
2	126-5922-03	1	Plate-Skid	20	126-6557-03	1	Shield-Air
3	103-2802	4	Washer-Spring Disc 3/4	21	126-8954-03	1	Plate-Bumper, Center
4	3296-51	4	Nut-Nyloc 3/4-10	22	126-8952-03	1	Plate-Bumper, LH
5	328-8	4	Screw-HH	23	126-8953-03	1	Plate-Bumper, RH
6	3231-44	2	Bolt-Carriage 3/8-16 X 2 1/2	24	120-7950	4	Screw-1/4-20 X 1/2 Tf Torx Plus
7	104-8301	13	Nut-Nyloc 3/8-16 Flg	25	104-8300	7	Nut-Nyloc 5/16-18 Flg
8	613381	2	Screw-Button Head 5/16-18 X .725 Tf	26	126-6268	7	Screw-Truss HD 5/16-18 X 3/4 Torx Plus
9	126-8567-03	1	Channel-Cross	27	135-0880	1	Plate-Exhaust
10	126-8563-03	1	Brace-ROPS, LH	28	112-3306	2	Nut
11	126-8565-03	1	Brace-ROPS, RH	29	3290-475	2	Washer-Belleville
12	126-7458	1	Panel-Deflector, Heat	30	3234-29	2	Screw-HH Flg 5/16-18 X 1
13	3231-22	4	Bolt-Carriage 3/8-16 X 1	31	126-6845	1	Seal-Bulb
14	135-0412-03	2	Plate-Spacer	32	135-3728	1	Decal-Cover
15	117-2382	5	Plug-Plastic	33	325-35	2	Screw-HH
16	131-2220	7	Screw-HHF	34	142-6024-03	1	Stop-ROPS [black]
17	99-5107	4	Nut-Lock 1/2-13	35	142-6025-03	1	Stop-ROPS [black]
18	112-7264	2	Screw-HH				

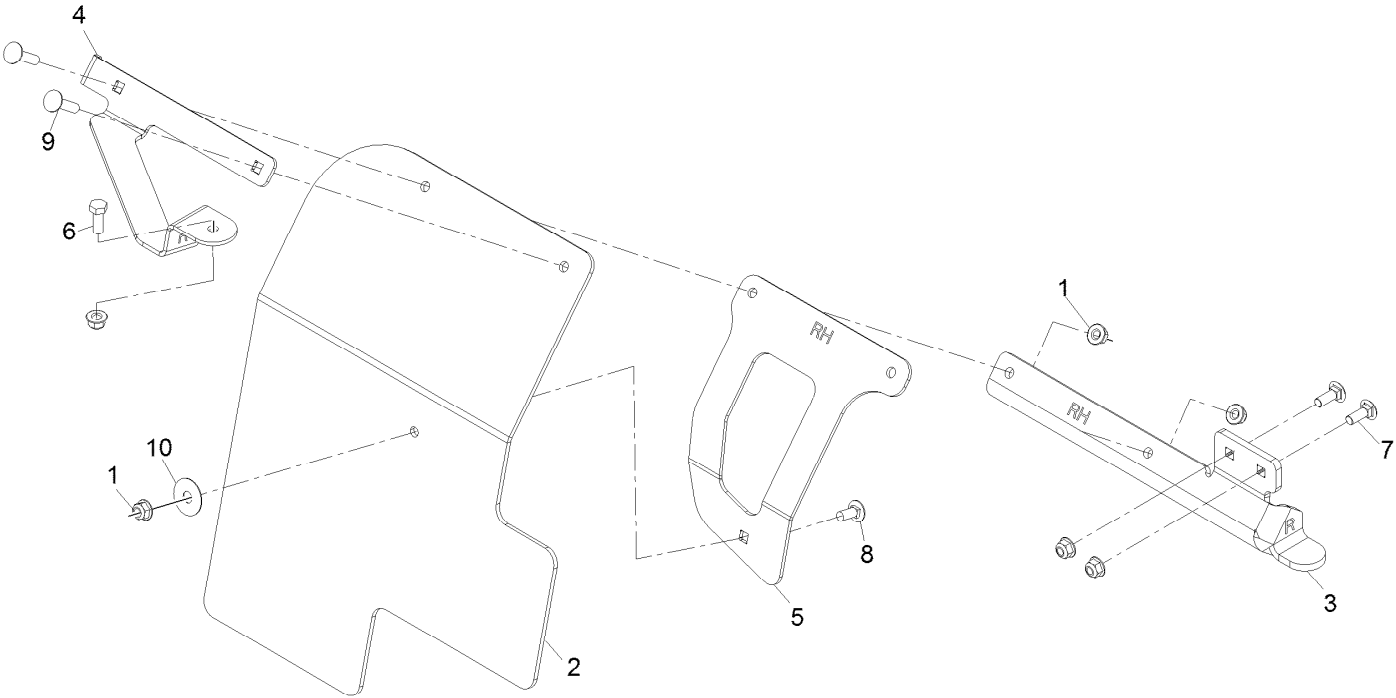
LH Mud Flap Assembly



LH Mud Flap Assembly (continued)

<i>Ref.</i>	<i>Part Number</i>	<i>Qty.</i>	<i>Description</i>	<i>Ref.</i>	<i>Part Number</i>	<i>Qty.</i>	<i>Description</i>
1	104-8300	6	Nut-Nyloc 5/16-18 Flg	7	3230-16	2	Bolt-Carriage 5/16-18 X 7/8
2	135-4912	1	LH Mud Flap	8	3230-23	1	Bolt-Carriage 5/16-18 X 3/4 Short Neck
3	135-4938-03	1	Support, LH Mud Flap	9	3230-3	2	Bolt-Carriage 5/16-18 X 1 1/4
4	135-6916-03	1	Bracket, LH Mud Flap	10	105-6814	1	Washer-Plain
5	135-6918-03	1	Forward Support, LH Mud Flap				
6	322-4	1	Screw-HH 5/16-18 X 7/8				

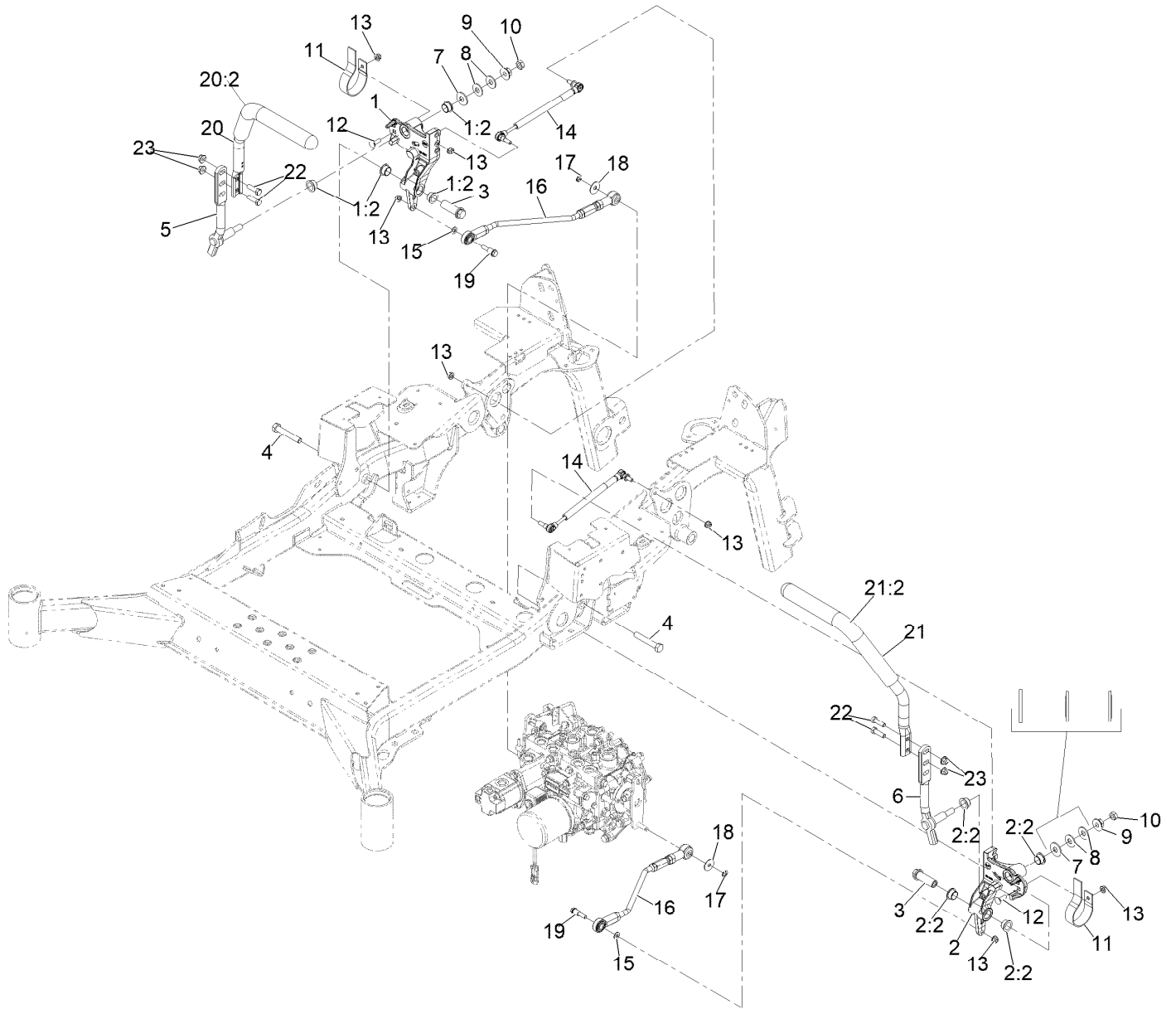
RH Mud Flap Assembly



RH Mud Flap Assembly (continued)

<i>Ref.</i>	<i>Part Number</i>	<i>Qty.</i>	<i>Description</i>	<i>Ref.</i>	<i>Part Number</i>	<i>Qty.</i>	<i>Description</i>
1	104-8300	6	Nut-Nyloc 5/16-18 Flg	7	3230-16	2	Bolt-Carriage 5/16-18 X 7/8
2	135-4909	1	RH Mud Flap	8	3230-23	1	Bolt-Carriage 5/16-18 X 3/4 Short Neck
3	135-6917-03	1	Bracket, RH Mud Flap	9	3230-3	2	Bolt-Carriage 5/16-18 X 1 1/4
4	135-6919-03	1	Forward Support, RH Mud Flap	10	105-6814	1	Washer-Plain
5	135-4942-03	1	Support, RH Mud Flap				
6	322-4	1	Screw-HH 5/16-18 X 7/8				

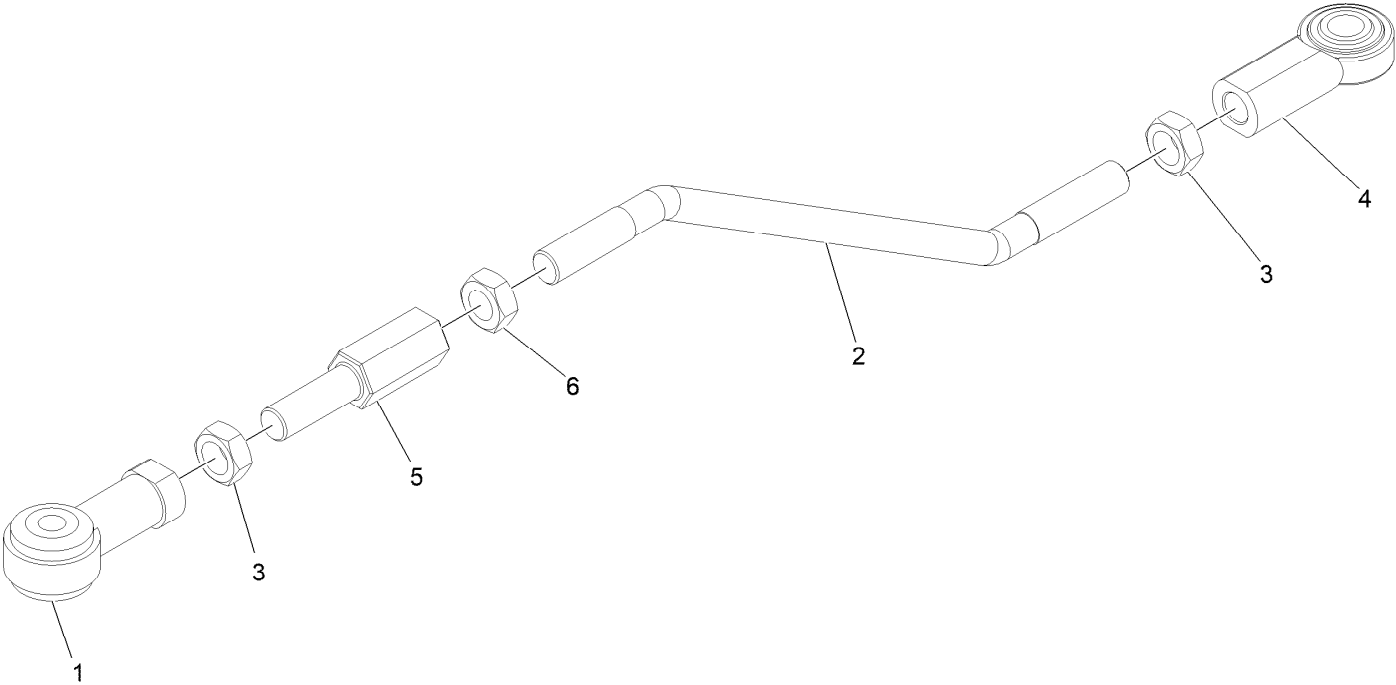
Motion Control Assembly



Motion Control Assembly (continued)

<i>Ref.</i>	<i>Part Number</i>	<i>Qty.</i>	<i>Description</i>	<i>Ref.</i>	<i>Part Number</i>	<i>Qty.</i>	<i>Description</i>
1	116-0880	1	RH Motion Control And Bushing ASM	12	3230-2	2	Bolt-Carriage 5/16-18 X 1
1:2	109-8054	4	Bushing-Flanged	13	104-8300	8	Nut-Nyloc 5/16-18 Flg
2	116-0881	1	LH Motion Control And Bushing ASM	14	116-0027	2	Damper-Control, Motion
2:2	109-8054	4	Bushing-Flanged	15	3256-23	2	Washer-5/16 SAE
3	109-5891	2	Hub-Threaded	16	142-8447	2	ASM, Front Linkage Rod
4	325-12	2	Screw-HH 1/2-13 X 3	17	32151-47	2	Ring-Retaining
5	116-0039	1	Lever-Control Motion, RH	18	130-8094	2	Washer-Plain
6	116-0040	1	Lever-Control Motion, LH	19	142-8518	2	Bolt-Shoulder,HHF
7	3256-6	2	Washer	20	126-7700	1	RH Steering Handle ASM
8	109-9505	4	Washer, Spring Disc 1/2	20:2	109-5668	1	Grip-Lever, Control
9	32128-56	2	Nut-Hex 1/2-13 Flange	21	126-7699	1	LH Steering Handle ASM
10	3218-5	2	Nut-Jam 1/2-13	21:2	109-5668	1	Grip-Lever, Control
11	109-5575	2	Spring-Leaf	22	323-7	4	Screw-HH 3/8-16 X 1 1/4
				23	104-8301	4	Nut-Nyloc 3/8-16 Flg

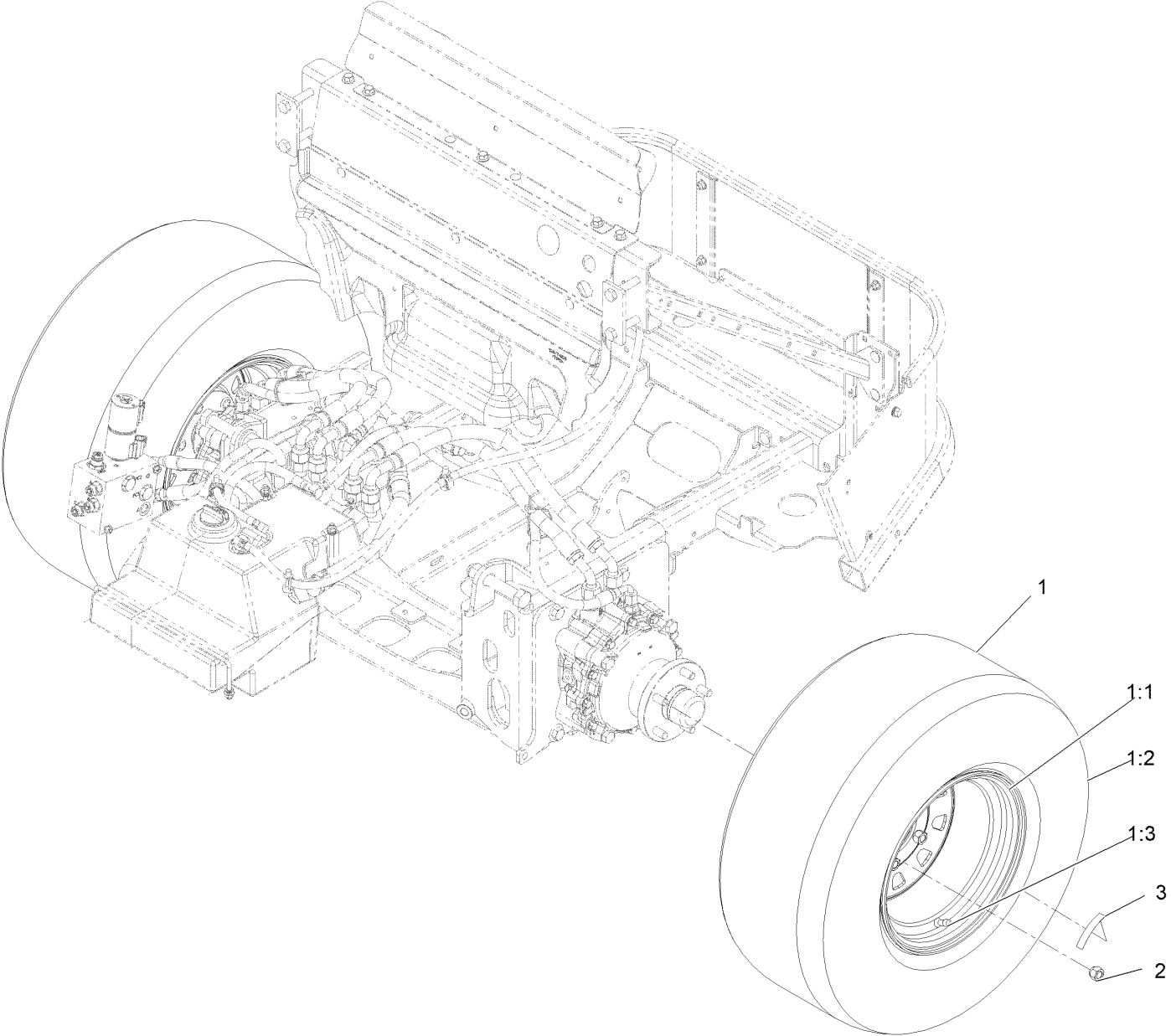
Front Linkage Rod Assembly



Front Linkage Rod Assembly (continued)

<i>Ref.</i>	<i>Part Number</i>	<i>Qty.</i>	<i>Description</i>	<i>Ref.</i>	<i>Part Number</i>	<i>Qty.</i>	<i>Description</i>
1	142-8415	1	Rod End - Isolated 1/2-20	4	142-8416	1	Rod End - 1/2-20
2	142-8412	1	Rod - Linkage	5	142-8413	1	Rod - Adjustment
3	3220-5	2	Nut-Jam 1/2-20	6	3220-12	1	Nut-Hex Jam LH

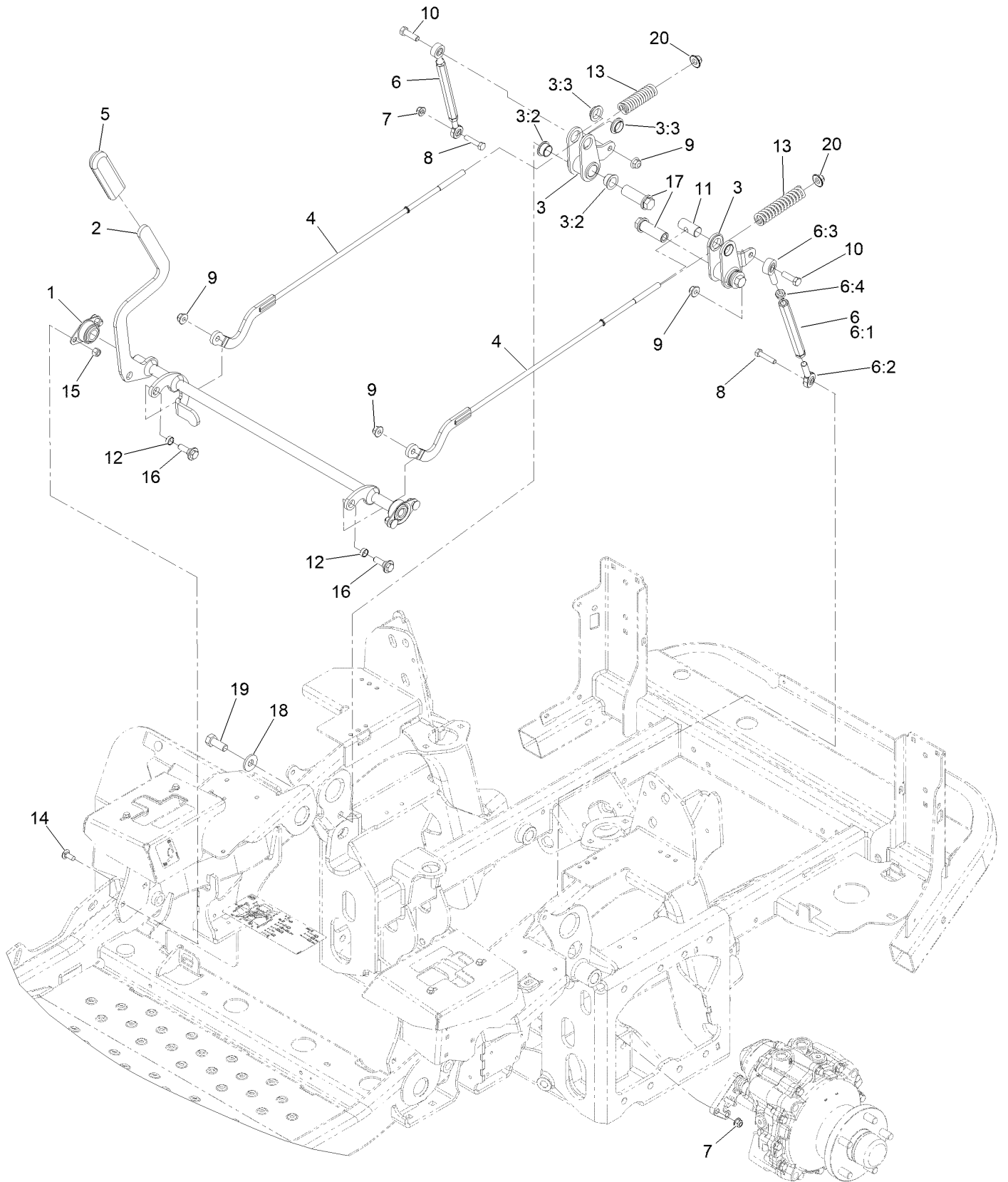
Rear Wheel Assembly



Rear Wheel Assembly (continued)

<i>Ref.</i>	<i>Part Number</i>	<i>Qty.</i>	<i>Description</i>	<i>Ref.</i>	<i>Part Number</i>	<i>Qty.</i>	<i>Description</i>
1	126-7750	2	ASM-Tire 26X12-12, 1.0 Offset	1:3	232-27	1	Stem-Valve
1:1	126-8031	1	Rim ASM, 1.0 Offset	2	242-50	10	Nut-Lug
1:2	126-8033	1	Tire	3	135-0328	2	Decal-Torque, Wheel Nut

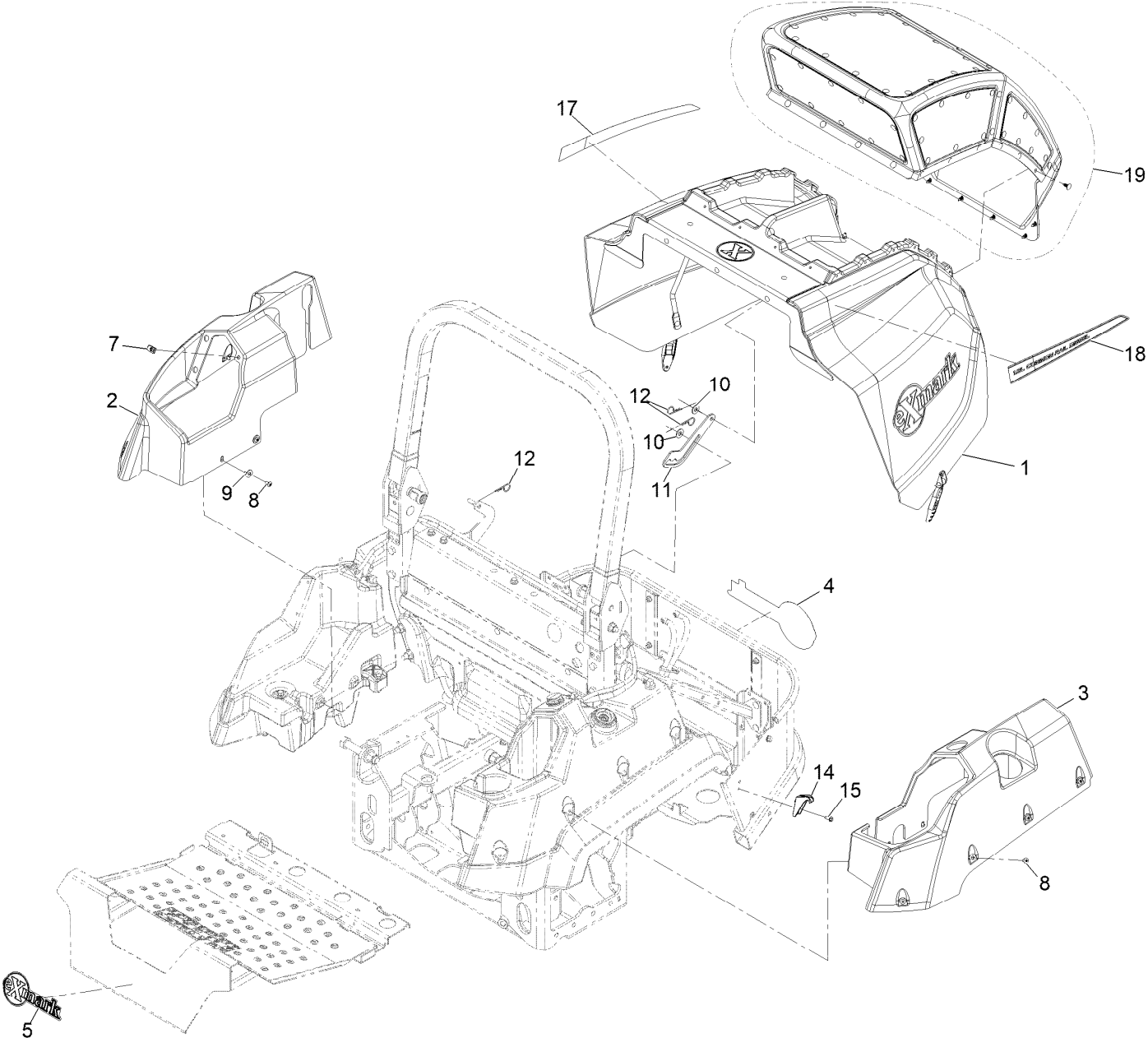
Parking Brake Assembly



Parking Brake Assembly (continued)

<i>Ref.</i>	<i>Part Number</i>	<i>Qty.</i>	<i>Description</i>	<i>Ref.</i>	<i>Part Number</i>	<i>Qty.</i>	<i>Description</i>
1	1-633102	2	Bearing-Flange, Side	8	322-7	2	Screw-HH
2	142-4901	1	Shaft-Brake	9	104-8301	4	Nut-HF, NI
3	126-3010	2	Brake Bellcrank ASM	10	323-7	2	Screw-HH
3:2	109-8054	2	Bushing-Flange	11	1-633144	2	Pin-Trunion
3:3	135-2840	2	Bushing-Flange	12	133-5109	2	Bearing-Sleeve
4	142-4897	2	Link-Brake, Upper	13	109-2230	2	Spring-Compression
5	1-633268	1	Grip-Lever	14	3230-23	4	Bolt-CARR
6	126-9171	2	Turnbuckle ASM	15	3296-29	4	Nut-Lock, NI
6:1	126-9172	1	Turnbuckle	16	614672	2	Screw-Shoulder, HWH
6:2	126-9302	1	Bearing-End, LH Rod	17	109-5891	2	Hub-Threaded
6:3	1-613204	1	Balljoint	18	1-513435	2	Washer-Spring
6:4	3220-3	1	Nut-HJ	19	325-5	2	Screw-HH
7	104-8300	2	Nut-HF, NI	20	109-6658	2	Nut-Flange, NI

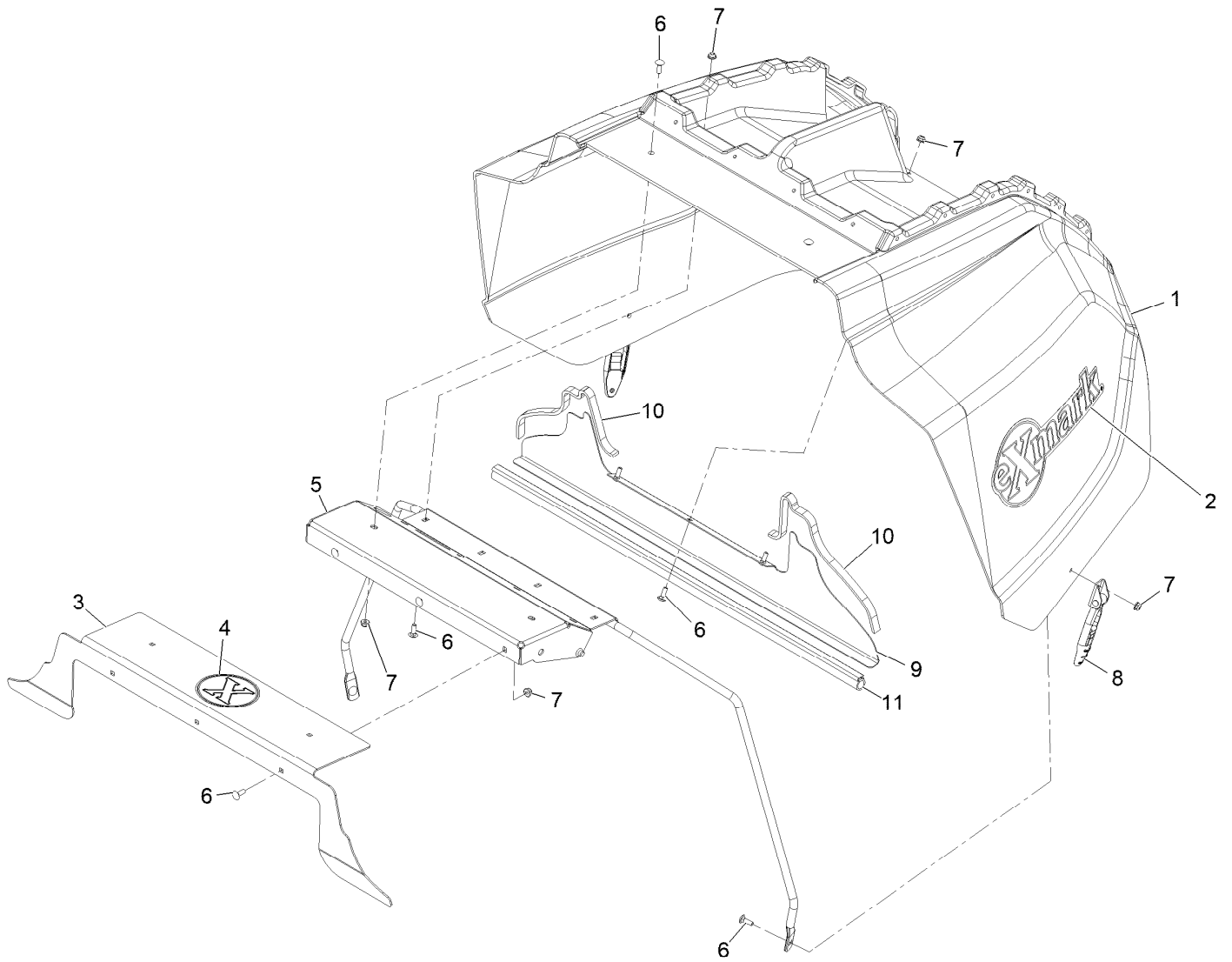
Hood and Console Assembly



Hood and Console Assembly (continued)

<i>Ref.</i>	<i>Part Number</i>	<i>Qty.</i>	<i>Description</i>	<i>Ref.</i>	<i>Part Number</i>	<i>Qty.</i>	<i>Description</i>
1	142-6062	1	ASM, Hood Lzsd	11	142-6010	1	Prop-Hood
2	126-6787	1	Cover-Tank, RH	12	3290-255	3	Pin-Cotter, Hair
3	126-6790	1	Cover-Tank, LH	14	126-8672	2	Latch-Catch
4	126-6992	1	Decal-Exmark	15	32144-10	2	Screw-HWH 1/4-20 X .62
5	135-2274	1	Decal-Exmark	17	135-3167	1	Decal-Common Rail Diesel-RH
7	107069	1	Nut-Retainer-Panel 1/4-20	18	135-3166	1	Decal-Common Rail Diesel-LH
8	126-8216	12	Screw-Torx	19	142-4741	1	ASM, Hood-Intake
9	3256-71	4	Washer				
10	3256-4	2	Washer-3/8 Std				

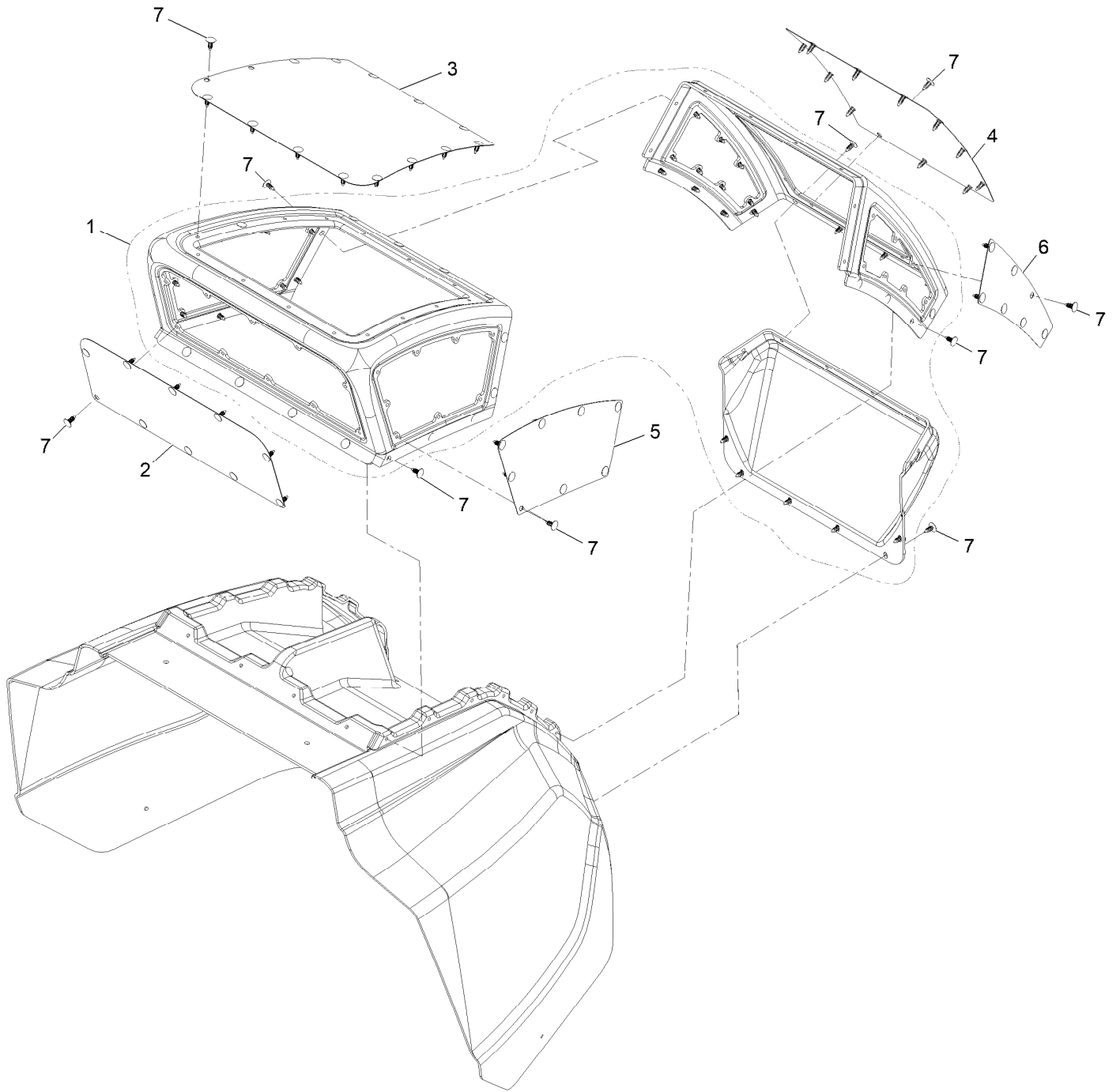
Hood Assembly



Hood Assembly (continued)

<i>Ref.</i>	<i>Part Number</i>	<i>Qty.</i>	<i>Description</i>	<i>Ref.</i>	<i>Part Number</i>	<i>Qty.</i>	<i>Description</i>
1	135-6745	1	Hood,Lzsd	7	104-7201	14	Nut-Nyloc 1/4-20 Flg
2	126-6992	2	Decal-Exmark	8	103-2898	2	Latch-Rubber
3	135-6750-03	1	Block Off-Hood	9	135-7572-03	1	Plate-Seal
4	126-7457	1	Decal-X-Logo	10	135-7573	2	Seal-Foam
5	126-6524-03	1	Support-Hood	11	126-6846	1	Seal-Bulb
6	3229-1	14	Bolt-Carriage 1/4-20 X 3/4				

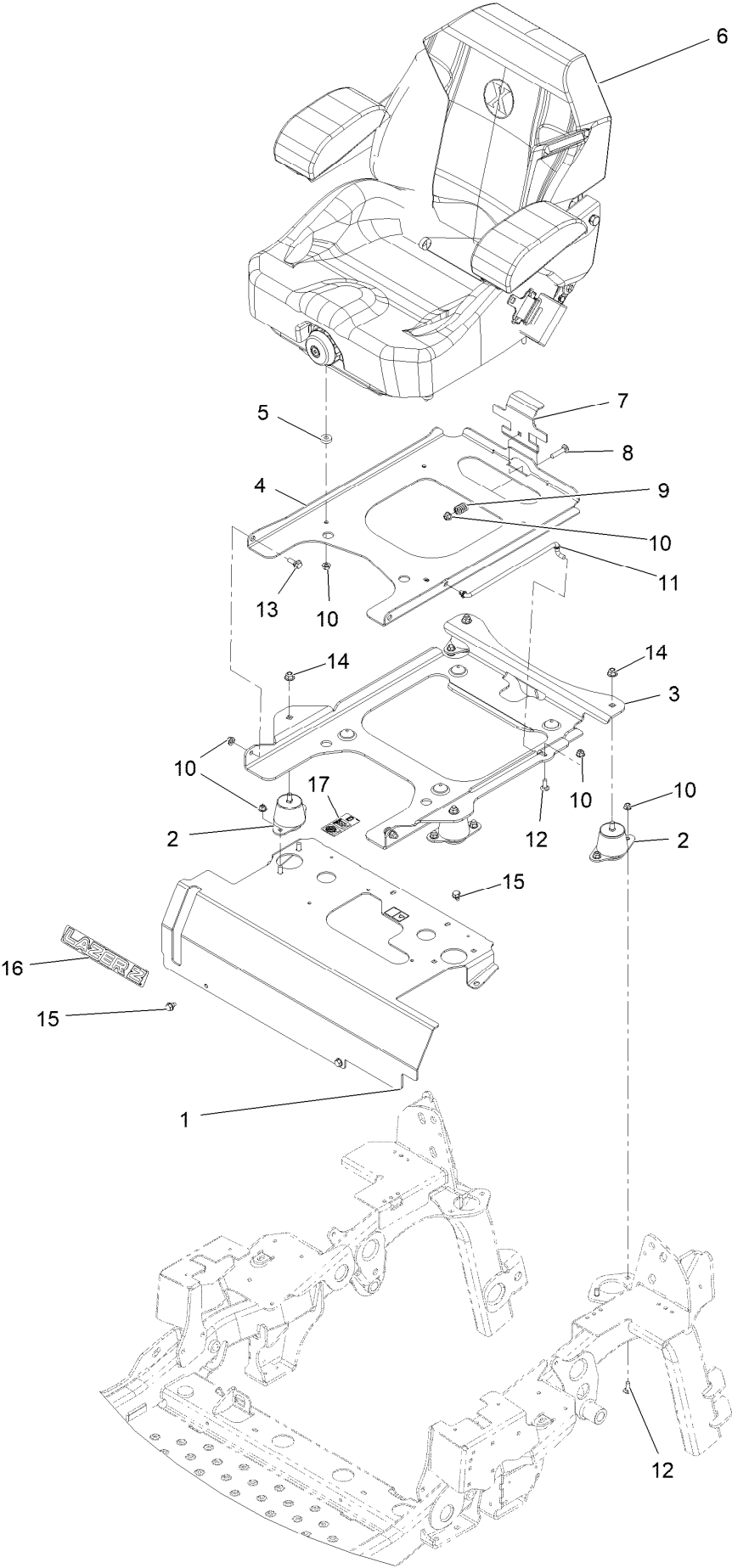
Hood Intake Assembly



Hood Intake Assembly (continued)

<i>Ref.</i>	<i>Part Number</i>	<i>Qty.</i>	<i>Description</i>	<i>Ref.</i>	<i>Part Number</i>	<i>Qty.</i>	<i>Description</i>
1	142-4487	1	Hood-Intake	5	142-4092-03	2	Screen-Intake [black]
2	142-3516-03	1	Screen-Intake [black]	6	142-4093-03	2	Screen-Intake [black]
3	142-4090-03	1	Screen-Intake [black]	7	117-2382	120	Plug-Plastic
4	142-4091-03	1	Screen-Intake [black]				

Seat Assembly



Seat Assembly (continued)

<i>Ref.</i>	<i>Part Number</i>	<i>Qty.</i>	<i>Description</i>	<i>Ref.</i>	<i>Part Number</i>	<i>Qty.</i>	<i>Description</i>
1	142-6637	1	Mount-Seat W/Decals	10	104-8300	16	Nut-Nyloc 5/16-18 Flg
2	109-9034	4	Isolator-Seat	11	116-0070	1	Rod-Prop
3	126-2701-03	1	Plate-Support, Tilt Seat	12	3230-23	9	Bolt-Carriage 5/16-18 X 3/4 Short Neck
4	126-2700-03	1	Plate-Frame, Seat	13	116-1297	2	Screw-Shoulder
5	26-4840	4	Spacer-Pin, Mounting	14	104-8301	4	Nut-Nyloc 3/8-16 Flg
6	116-8912	1	Kit-Suspension Seat	15	9266934	4	Screw-HWH 5/16 X 1/2 Tf
7	126-1855	1	Plate-Latch, Seat	16	126-6574	1	Decal, Lazer Model
8	3230-4	1	Bolt-Carriage 5/16-18 X 1 1/2	17	135-2838	1	Decal-Trans Fluid
9	107-3017	1	Spring-Compression				

Seat Assembly (cont.)

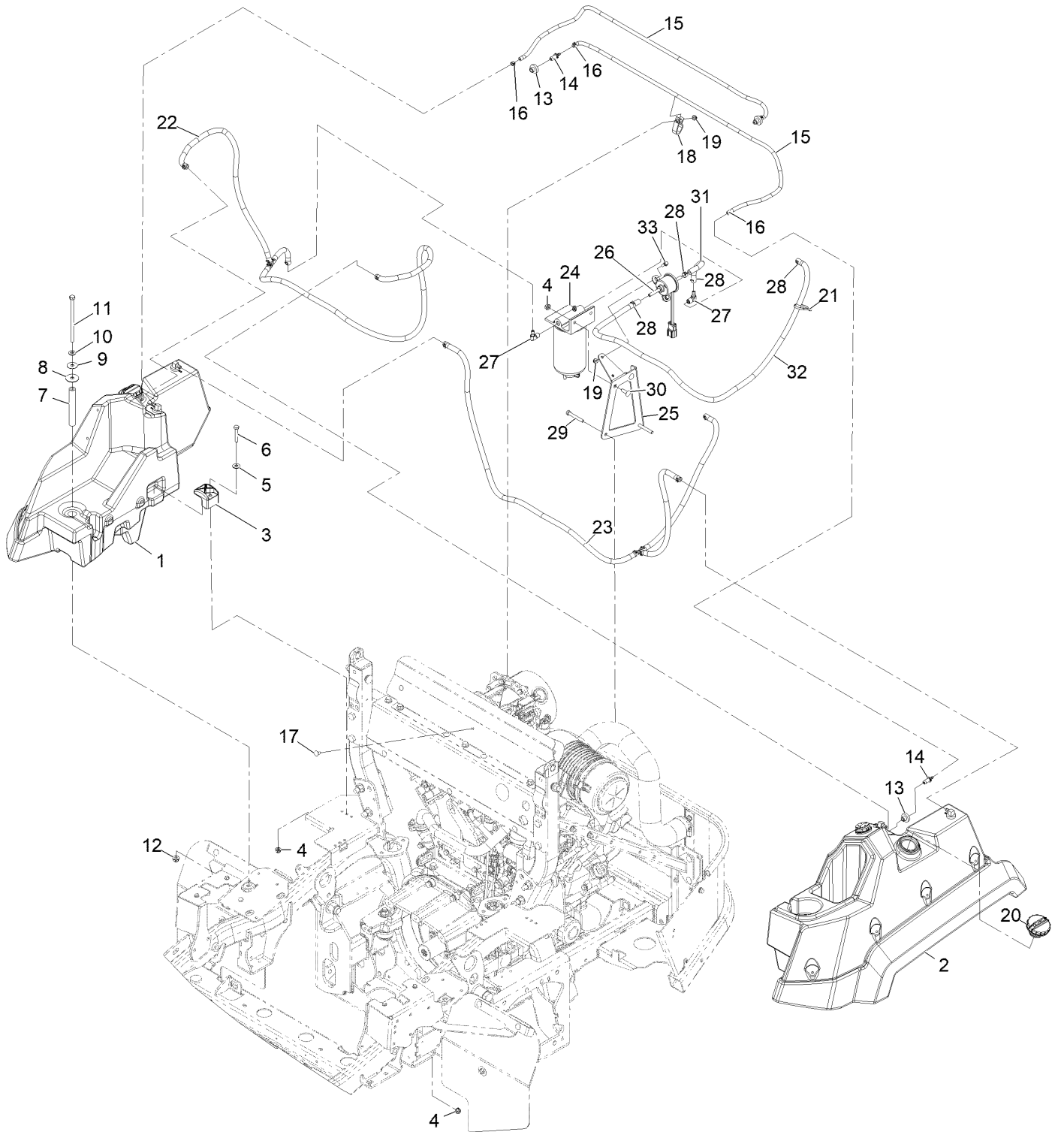


Seat Assembly (cont.) (continued)

<i>Ref.</i>	<i>Part Number</i>	<i>Qty.</i>	<i>Description</i>	<i>Ref.</i>	<i>Part Number</i>	<i>Qty.</i>	<i>Description</i>
2	116-8910	1	Seat Track Set	7	126-2061	1	Seat Belt Service Kit
3	116-8908	1	Cover-Back 311463Vn500	8	116-8906	1	Kit-Arm Rest Set
4	116-8909	1	Cover-Cushion 311464Vn500	9	116-8905	1	Kit-Arm Rest Pads
5	116-8911	1	Knob-Adjuster	10	82-2190	1	Switch
6	116-5659	1	Cover-Suspension Bellows	11	116-9329	4	Spacer
				12	126-9918-03	2	Stop, Seat ●

● Used on Diesel models only

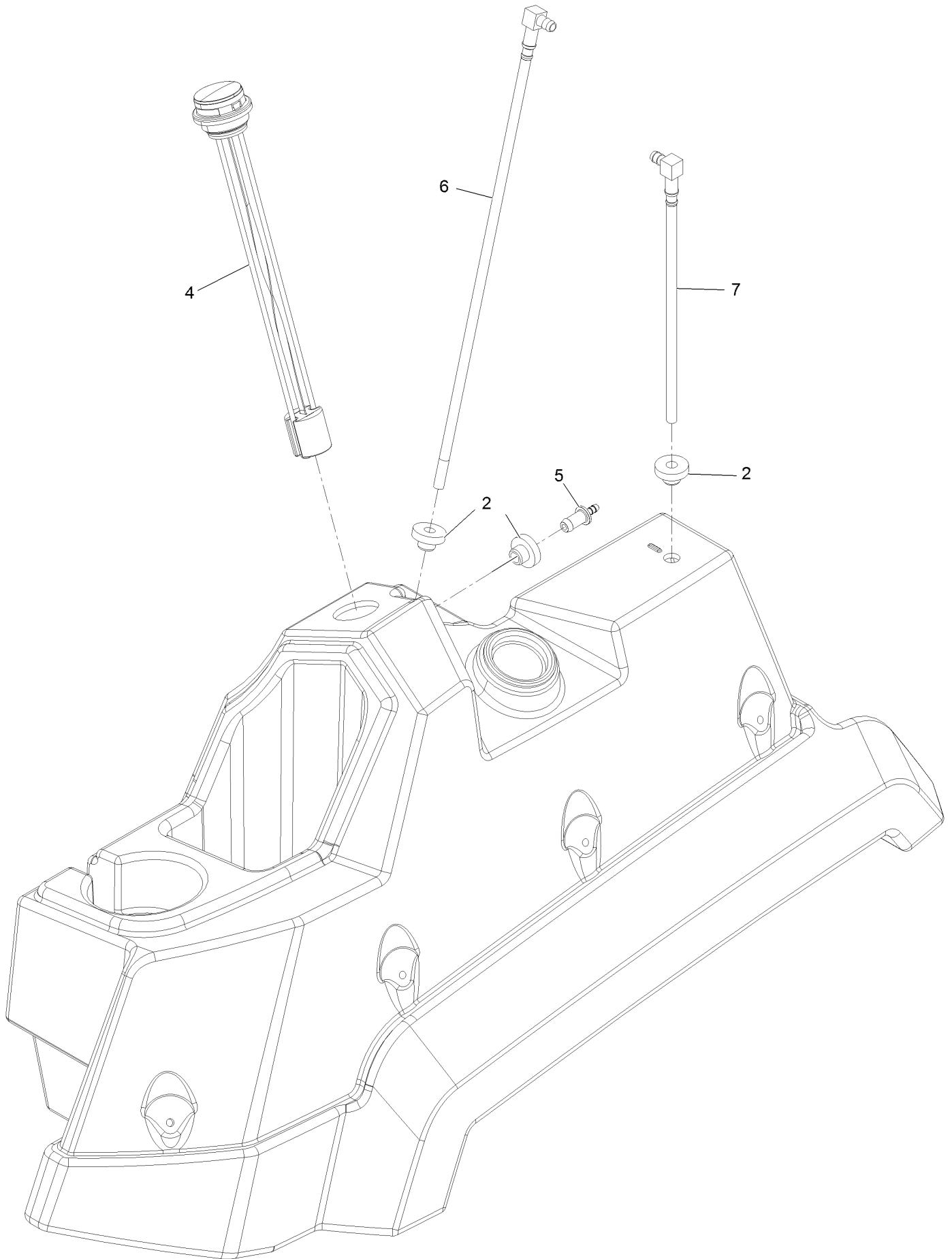
Fuel Assembly



Fuel Assembly (continued)

<i>Ref.</i>	<i>Part Number</i>	<i>Qty.</i>	<i>Description</i>	<i>Ref.</i>	<i>Part Number</i>	<i>Qty.</i>	<i>Description</i>
1	126-8651	1	RH Fuel Tank ASM	18	92-5753	3	Clamp-Hose
2	126-8652	1	LH Fuel Tank ASM	19	104-7201	5	Nut-HF, NI
3	107-4543	4	Clamp	20	135-2715	2	Cap-Fuel, Diesel
4	104-8300	8	Nut-HF, NI	21	3290-378	1	Tie-Cable
5	3256-3	4	Washer-Flat	22	135-0512	1	Fuel Suction Line ASM
6	322-21	4	Screw-HH	23	135-0513	1	Fuel Return Line ASM
7	126-8335	2	Tube-Spacer	24	126-8294	1	Filter-Water/Fuel Seperator
8	95-1905	2	Washer-Rubber	25	126-8795-03	1	Bracket-Filter, Fuel
9	105-6814	2	Washer-Plain	26	121-5613	1	Pump-Fuel, Electric
10	3256-24	2	Washer-Flat	27	353-781	2	Fitting-HYD, 90
11	323-22	2	Screw-HH	28	92-2379	4	Clamp-Hose
12	104-8301	2	Nut-HF, NI	29	322-11	2	Screw-HH
13	46-6560	2	Bushing	30	3230-22	2	Screw-CARR
14	116-4630	2	Fitting-Orifice, Straight	31	108-3280	1	Hose-Fuel
15	117-6395	2	Hose-Vent, Tank	32	110-7503	1	Hose-Fuel
16	2412-80	4	Clamp-Hose	33	32105-15	2	Screw-HWH
17	3229-11	3	Screw-CARR				

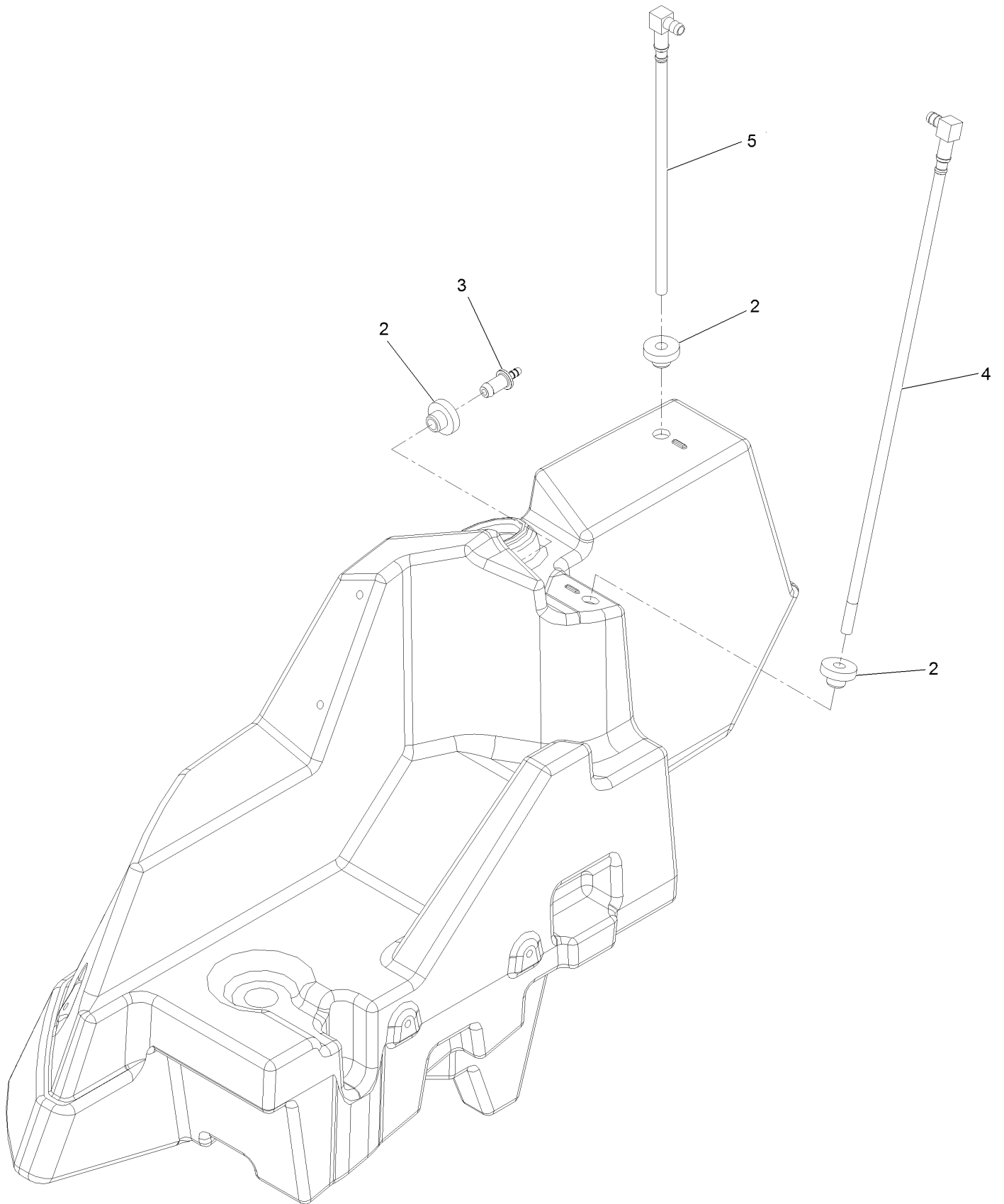
LH Fuel Tank Assembly



LH Fuel Tank Assembly (continued)

<i>Ref.</i>	<i>Part Number</i>	<i>Qty.</i>	<i>Description</i>	<i>Ref.</i>	<i>Part Number</i>	<i>Qty.</i>	<i>Description</i>
2	46-6560	3	Bushing	6	126-8647	1	Pick-Up-Fuel
4	126-8660	1	Gauge-Fuel	7	126-8649	1	Return-Fuel
5	116-4630	1	Fitting-Orifice, Straight				

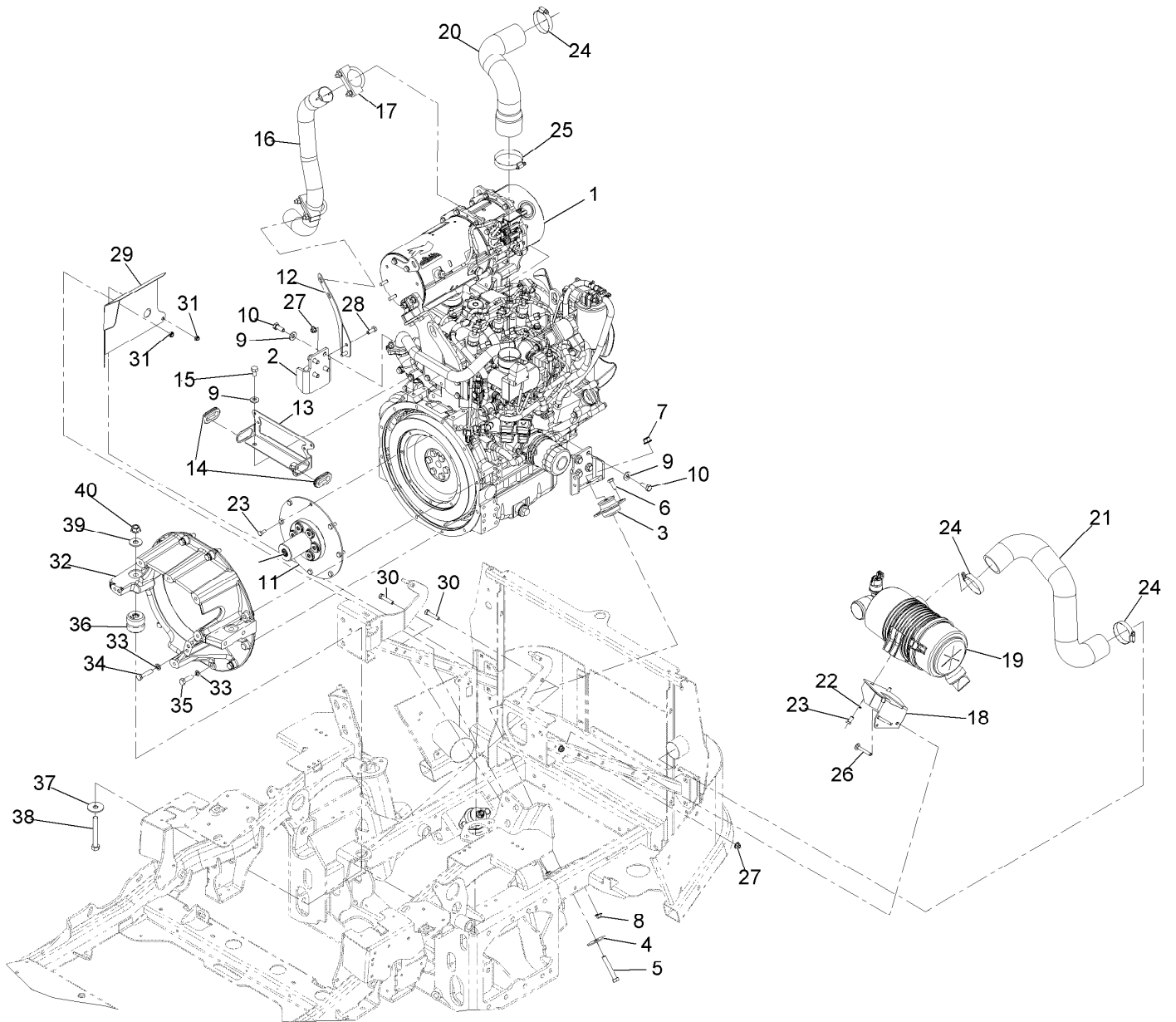
RH Fuel Tank Assembly



RH Fuel Tank Assembly (continued)

<i>Ref.</i>	<i>Part Number</i>	<i>Qty.</i>	<i>Description</i>	<i>Ref.</i>	<i>Part Number</i>	<i>Qty.</i>	<i>Description</i>
2	46-6560	3	Bushing	4	126-8647	1	Pick-Up-Fuel
3	116-4630	1	Fitting-Orifice, Straight	5	126-8649	1	Return-Fuel

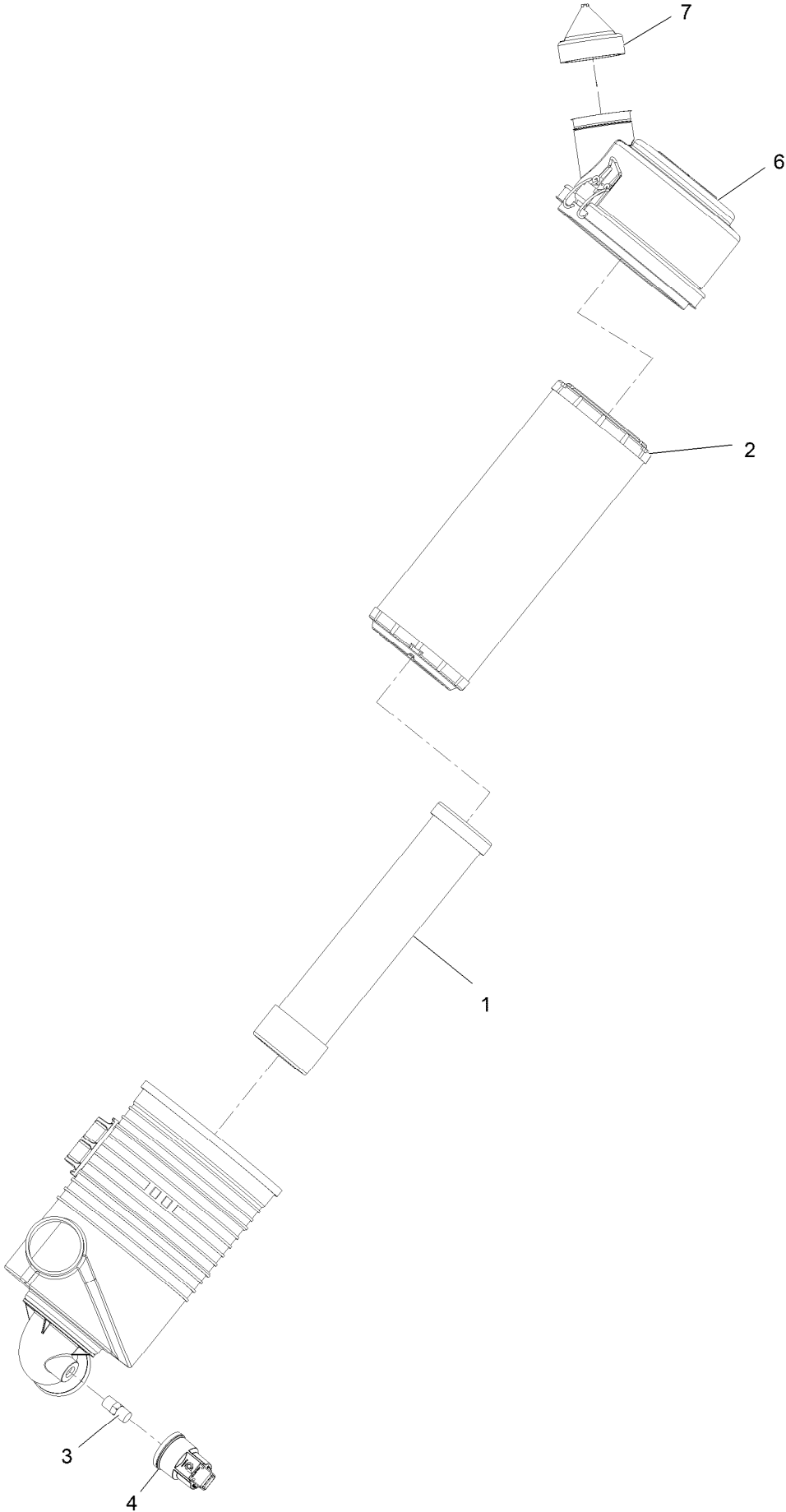
Engine Assembly



Engine Assembly (continued)

<i>Ref.</i>	<i>Part Number</i>	<i>Qty.</i>	<i>Description</i>	<i>Ref.</i>	<i>Part Number</i>	<i>Qty.</i>	<i>Description</i>
1	138-6927	1	Engine-Yanmar, 3Tnv88C-Dtr5	21	120-9177	1	Hose-Air
2	120-9180-03	2	Mount-Motor, Upper	22	3290-475	2	Washer-Belleville
3	130-2486	2	Mount	23	99-5132	10	Bolt
4	87-5100	2	Washer-Snubbing	24	2412-130	3	Clamp-Hose
5	324-11	2	Screw-HH	25	2412-125	1	Clamp-Hose
6	323-6	4	Screw-HH 3/8-16 X 1	26	3230-6	2	Bolt-Carriage 3/16-18 X 2
7	114-8417	2	Nut-HF, NI	27	104-8300	4	Nut-Nyloc 5/16-18 Flg
8	104-8301	4	Nut-Nyloc 3/8-16 Flg	28	322-4	2	Screw-HH 5/16-18 X 7/8
9	98-5975	10	Washer-Spring Disc 3/8	29	135-3946-03	1	Deflector-Air
10	33115-025	8	Screw-HH M10-1.5 X 35Mm	30	322-8	2	Screw-HH
11	120-9131	1	Coupling-Flywheel	31	3296-47	2	Nut-Nyloc 5/16-18 Thin
12	126-8587-03	1	Bracket-Mount	32	125-2836	1	Housing-Flywheel
13	126-7602-03	1	Bracket-Guide	33	48-9590	9	Washer-Lock
14	240-7	2	Grommet-Rubber	34	33115-045	7	Screw-HH
15	33115-016	2	Screw-HH	35	33115-035	2	Screw-HH M10-1.5 X 25Mm
16	126-7652	1	Tube-Exhaust	36	126-6095	2	Mount-Isolator
17	18-2130	2	Clamp	37	86-1990	2	Washer
18	126-8730-03	1	Bracket-Cleaner, Air	38	325-15	2	Screw-HH
19	142-3554	1	ASM, Hdac	39	3256-6	2	Washer
20	120-9199	1	Hose-Air	40	99-5107	2	Nut-Lock 1/2-13

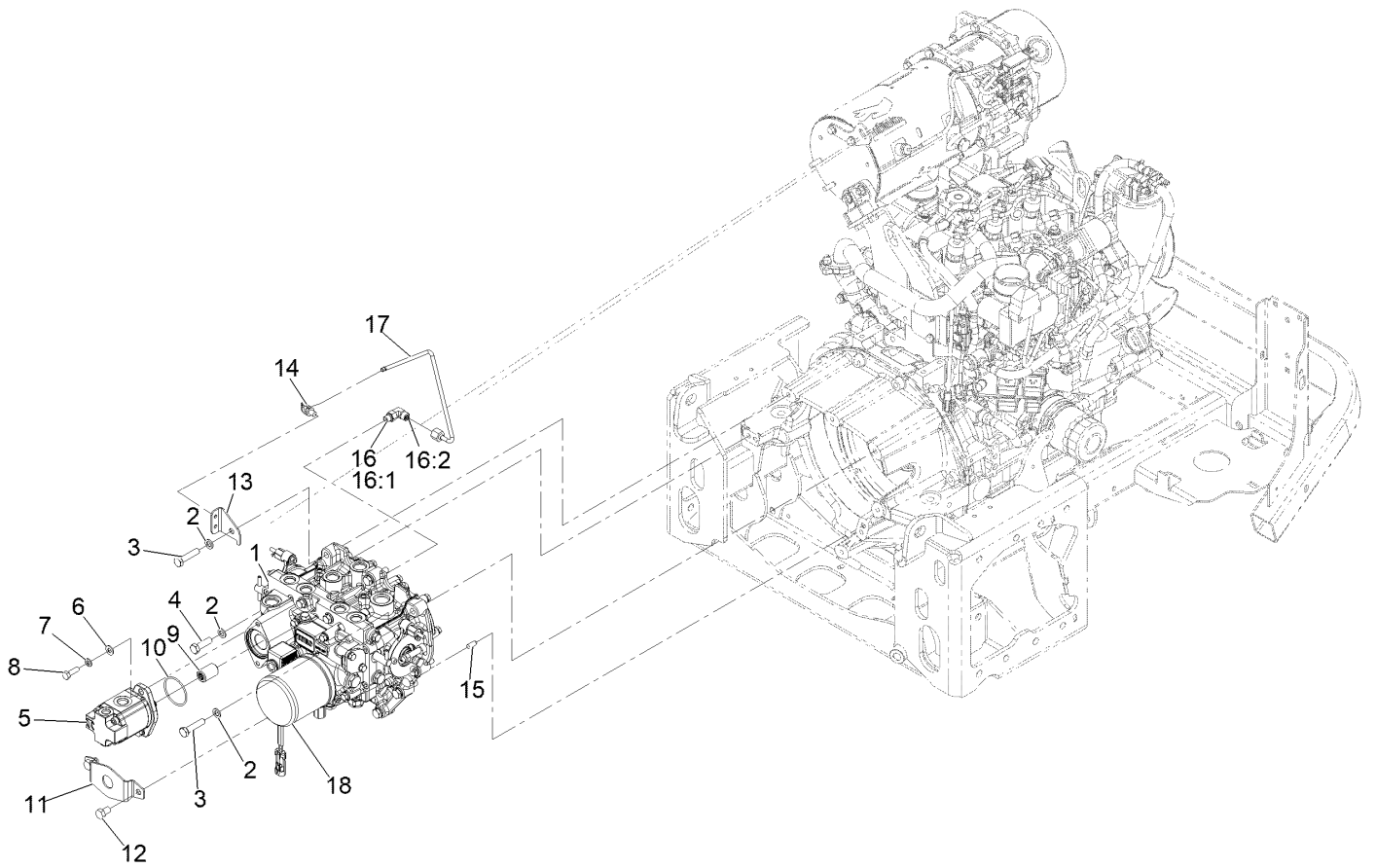
HDAC Assembly



HDAC Assembly (continued)

<i>Ref.</i>	<i>Part Number</i>	<i>Qty.</i>	<i>Description</i>	<i>Ref.</i>	<i>Part Number</i>	<i>Qty.</i>	<i>Description</i>
1	103-1326	1	Filter, Safety Air	4	126-7651	1	Indicator-Mini
2	108-3810	1	Filter-Air	6	98-9771	1	Cover ASM
3	94-1416	1	Adapter-Indicator	7	AUA189052	1	Valve-Dust-Air Cleaner

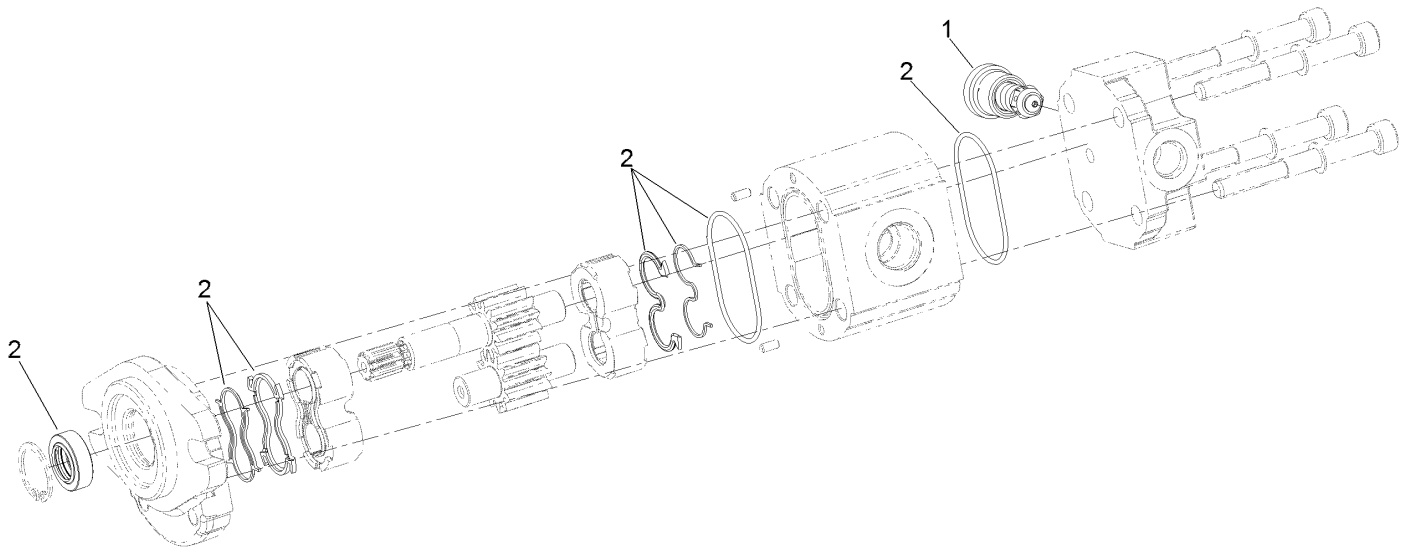
Transmission Assembly



Transmission Assembly (continued)

<i>Ref.</i>	<i>Part Number</i>	<i>Qty.</i>	<i>Description</i>	<i>Ref.</i>	<i>Part Number</i>	<i>Qty.</i>	<i>Description</i>
1	131-5510	1	Transmisson ASM	11	114-4088	1	Shield-Seal
2	48-9590	7	Washer-Lock	12	33115-016	2	Screw-HH
3	33115-045	6	Screw-HH	13	126-6806	1	Support-Tube
4	33115-035	1	Screw-HH M10-1.5 X 25Mm	14	32180-030	1	Clip-Tie
5	112-9542	1	HYD Gear Pump ASM	15	87-1910	2	Pin-Dowel
6	3256-23	2	Washer-5/16 SAE	16	340-132	1	Fitting-Elbow, 90 DEG
7	3253-4	2	Washer-Lock 5/16	16:1	237-78	1	O-Ring
8	33114-025	2	Screw-HH M8-1.25 X 25Mm	16:2	237-21	1	O-Ring
9	108-9920	1	Coupler-Spline	17	126-8689	1	Tube ASM
10	108-9919	1	O-Ring	18	135-2252	1	Filter-Oil, HYD

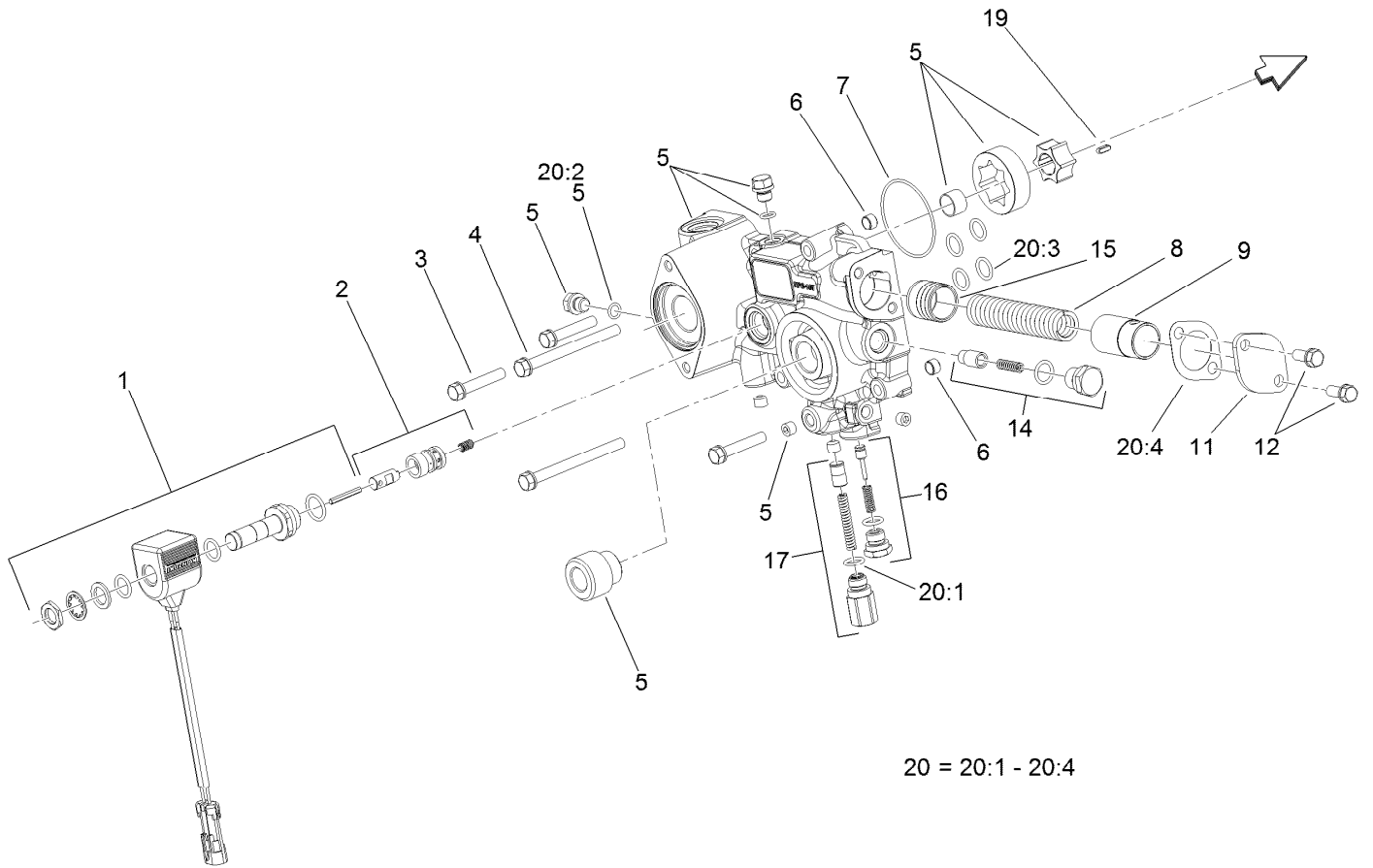
Hydraulic Gear Pump Assembly



Hydraulic Gear Pump Assembly (continued)

<i>Ref.</i>	<i>Part Number</i>	<i>Qty.</i>	<i>Description</i>
1	112-0198	1	Valve
2	112-0199	1	Seal Kit

Transmission Assembly (cont.) Charge Pump Housing Assembly



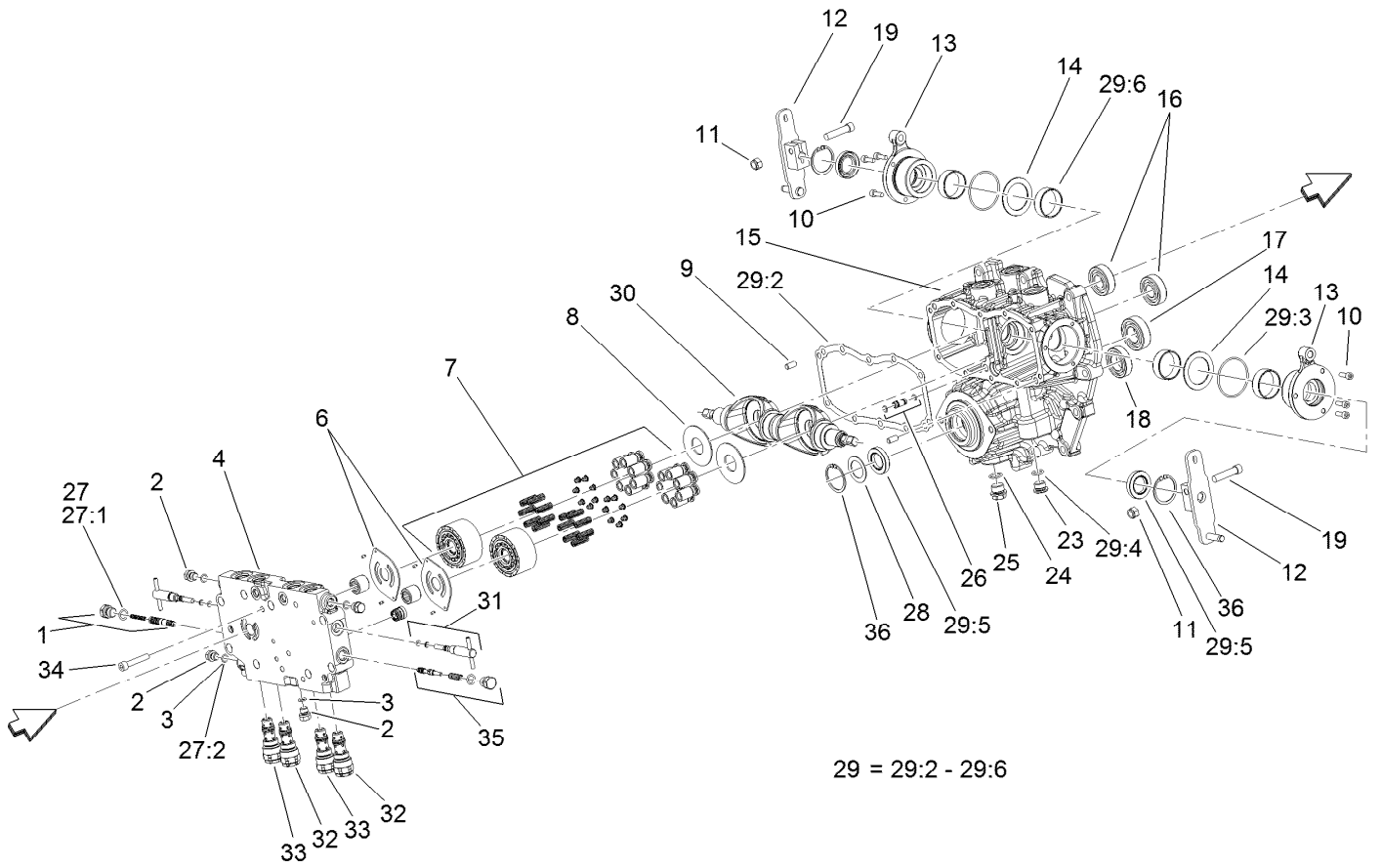
20 = 20:1 - 20:4

Transmission Assembly (cont.) Charge Pump Housing Assembly (continued)

<i>Ref.</i>	<i>Part Number</i>	<i>Qty.</i>	<i>Description</i>	<i>Ref.</i>	<i>Part Number</i>	<i>Qty.</i>	<i>Description</i>
1	107-0851	1	Solenoid ASM	14	107-0843	1	Filter Bypass Valve ASM
2	107-0850	1	Solenoid Valve ASM	15	107-0818	1	Piston
3	107-0863	3	Bolt	16	107-0842	1	Charge Relief Valve ASM
4	107-0864	2	Bolt	17	107-0841	1	Pressure Valve ASM
5	107-0840	1	Pump Body ASM	19	107-0865	1	Key
6	107-0848	2	Pin	20	107-0855	1	Charge Pump Seal Kit
7	107-0856	1	O-Ring	20:1	93-0418	2	O-Ring
8	107-0845	1	Spring	20:2	107-0817	2	O Ring-Plug
9	107-0844	1	Collar	20:3	104-3298	6	Packing
11	107-0846	1	Cover	20:4	107-0847	1	Gasket
12	93-0457	2	Bolt And Washer ASM				

Transmission Assembly (cont.)

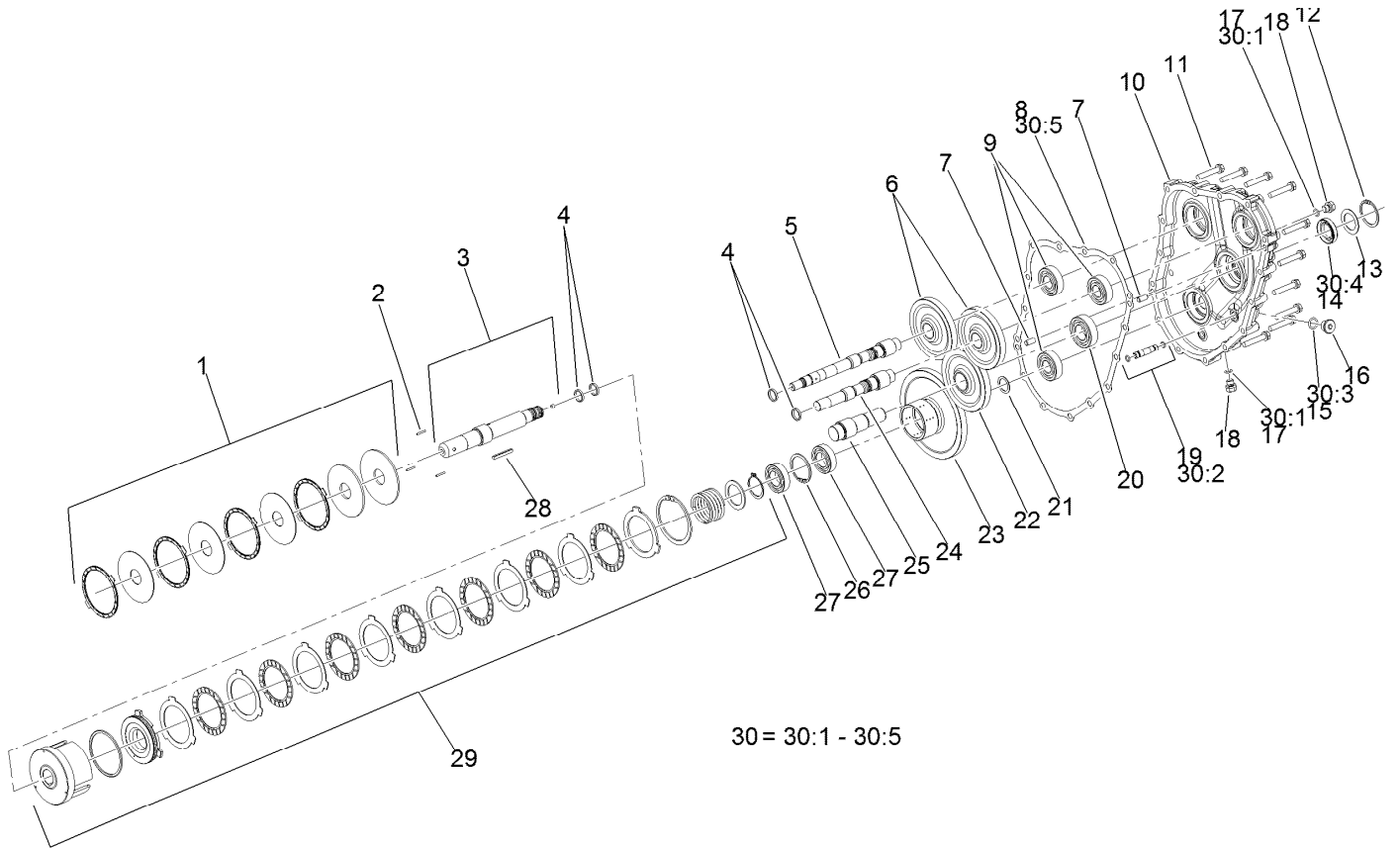
Center Section Assembly



Transmission Assembly (cont.) Center Section Assembly (continued)

<i>Ref.</i>	<i>Part Number</i>	<i>Qty.</i>	<i>Description</i>	<i>Ref.</i>	<i>Part Number</i>	<i>Qty.</i>	<i>Description</i>
1	107-0807	1	Valve-Flushing, RH	25	107-0867	1	Plug
2	107-0857	6	Plug	26	107-0812	1	Pipe
3	107-0817	6	O Ring-Plug	27	107-0852	1	Center Case Seal Kit
4	121-3377	1	Center Case, Complete	27:1	93-0418	2	O-Ring
6	107-0805	2	Plate-Valve	27:2	107-0817	6	O Ring-Plug
7	107-0824	2	Cylinder Block ASM	28	107-0813	1	Spacer
8	107-0830	2	Plate-Thrust	29	107-0853	1	Pump Housing Seal Kit
9	92-0765	4	Pin-Parallel	29:2	107-0810	1	Gasket-Case, Center
10	107-0859	6	Bolt	29:3	107-0817	2	O Ring-Plug
11	120-6681	2	U-Nut	29:4	104-3298	1	Packing
12	120-6680	2	Arm-Control	29:5	107-0814	3	Seal
13	107-0832	2	Side Cover ASM	29:6	107-0825	4	Ring-Seal
14	107-0829	2	Washer	30	120-6679	2	Plate-Swash
15	120-5151	1	Pump Housing ASM	31	107-0808	2	Valve-Bypass
16	107-0826	2	Bearing	32	107-0804	2	Valve-Rear
17	107-0821	1	Bearing	33	107-0803	2	Valve-Front
18	107-0838	1	Bearing	34	107-0863	8	Bolt
19	120-6682	2	Bolt	35	107-0806	1	Valve-Flushing, LH
23	107-0861	1	Plug-NPTF	36	92-0757	2	Ring-Snap
24	237-79	1	O-Ring				

Transmission Assembly (cont.) Gear Case and Clutch Assembly

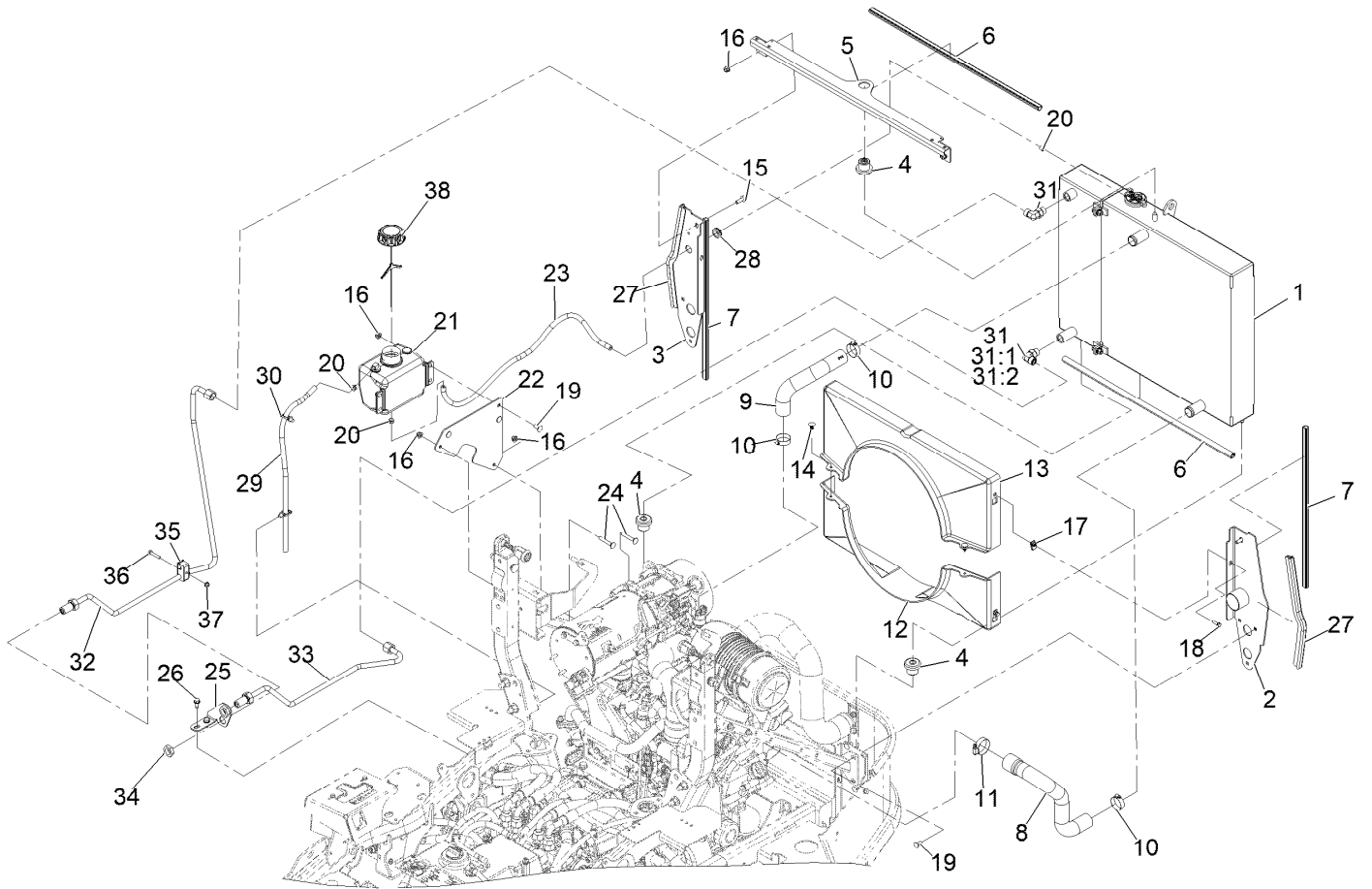


Transmission Assembly (cont.) Gear Case and Clutch Assembly (continued)

<i>Ref.</i>	<i>Part Number</i>	<i>Qty.</i>	<i>Description</i>	<i>Ref.</i>	<i>Part Number</i>	<i>Qty.</i>	<i>Description</i>
1	107-0839	1	PTO Brake ASM	19	107-0811	1	Pipe
2	107-0837	3	Rod-Push	20	107-0821	2	Bearing
3	107-0833	1	PTO Shaft ASM	21	107-0836	1	Spacer
4	107-0825	2	Ring-Seal	22	107-0820	1	Gear-Input
5	107-0827	1	Shaft-Pump	23	107-0834	1	Gear-PTO
6	107-0823	2	Gear-Pump	24	107-0822	1	Shaft-Pump
7	92-0765	4	Pin-Parallel	25	107-0819	1	Shaft-Input
8	107-0816	1	Gasket-Housing, Gear	26	92-0758	1	Ring-Snap
9	107-0826	4	Bearing	27	107-0838	3	Bearing
10	120-5152	1	Housing-Case, Gear	28	107-0866	1	Key
11	107-0863	13	Bolt	29	107-0835	1	Clutch Cylinder ASM
12	92-0757	1	Ring-Snap	30	107-0854	1	Gear Housing Seal Kit
13	107-0813	1	Spacer	30:1	107-0817	2	O Ring-Plug
14	107-0814	1	Seal	30:2		2	O-Ring ●
15	104-3298	1	Packing	30:3	104-3298	1	Packing
16	107-0861	1	Plug-NPTF	30:4	107-0814	1	Seal
17	107-0817	6	O Ring-Plug	30:5	107-0816	1	Gasket-Housing, Gear
18	107-0857	6	Plug				

● Not serviced separately

Cooling Assembly



Cooling Assembly (continued)

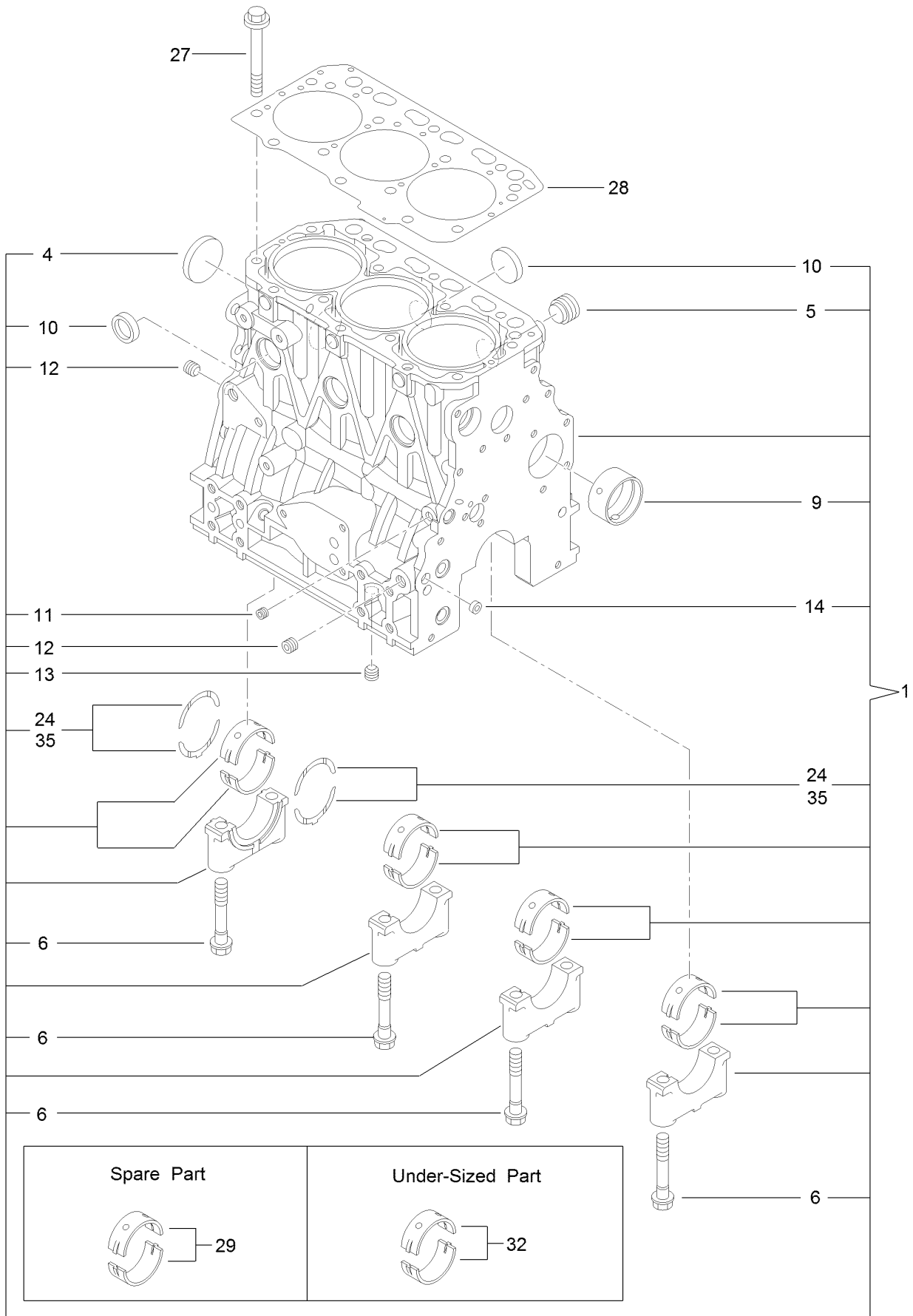
<i>Ref.</i>	<i>Part Number</i>	<i>Qty.</i>	<i>Description</i>	<i>Ref.</i>	<i>Part Number</i>	<i>Qty.</i>	<i>Description</i>
1	121-3330	1	Cooling ASM	21	135-4692	1	Tank-Overflow, W/Cap
2	126-9026-03	1	Support-Radiator, LH	22	126-9178-03	1	Bracket-Bottle
3	126-9028-03	1	Support-Radiator, RH	23	109-0284	1	Hose-Fuel Line 29"
4	119-1422	3	Mount-Isolator	24	3230-6	2	Bolt-Carriage 3/16-18 X 2
5	120-0068-03	1	Bracket-Cooling, Top	25	126-6781-03	1	Bracket-Bulkhead
6	119-1427	2	Seal-Bulb	26	32144-70	2	Screw-HWH 5/16-18 X 3/4 Tf
7	119-1426	2	Seal-Bulb	27	126-6847	2	Seal-Bulb
8	121-3322	1	Hose-Radiator, Lower	28	237-124	1	Grommet
9	121-3321	1	Hose-Radiator, Upper	29	110-4103	1	Hose-Fuel
10	2412-34	3	Clamp-Hose	30	32180-030	2	Clip-Tie
11	2412-130	1	Clamp-Hose	31	340-98	2	Fitting-Elbow, 90 DEG
12	121-3311	1	Shroud-Bottom	31:1	237-79	1	O-Ring
13	121-3312	1	Shroud-Top	31:2	237-30	1	O-Ring
14	117-2382	2	Plug-Plastic	32	126-8690	1	Hydraulic Tube ASM
15	3234-29	2	Screw-HH Flg 5/16-18 X 1	33	126-8691	1	Hydraulic Tube ASM
16	104-8300	13	Nut-Nyloc 5/16-18 Flg	34	340-127	2	Nut-Bulkhead
17	107069	4	Nut-Retainer-Panel 1/4-20	35	135-0641	1	Clamp-Twin
18	32105-15	4	Screw-Machine 1/4-20 X 3/4	36	321-13	1	Screw-HH 1/4-20 X 1 3/8
19	3230-23	9	Bolt-Carriage 5/16-18 X 3/4 Short Neck	37	104-7201	1	Nut-Nyloc 1/4-20 Flg
20	2412-98	3	Clamp-Hose	38	135-4693	1	Cap-W/Tether

Cooling Assembly No. 121-3330 (continued)

<i>Ref.</i>	<i>Part Number</i>	<i>Qty.</i>	<i>Description</i>	<i>Ref.</i>	<i>Part Number</i>	<i>Qty.</i>	<i>Description</i>
1	121-3328	1	Radiator	6	3217-6	3	Nut-Hex
2	121-3329	1	Oil Cooler	7	119-1430	1	Radiator Cap ASM
3	322-5	3	Screw-HH	7:1		1	Cap-Radiator ●
4	3256-23	6	Washer-Plain	7:1:1	117-3276	1	Decal-Danger
5	3253-4	3	Washer-Lock	8	99-8551	1	Plug-Pipe

● Not serviced separately

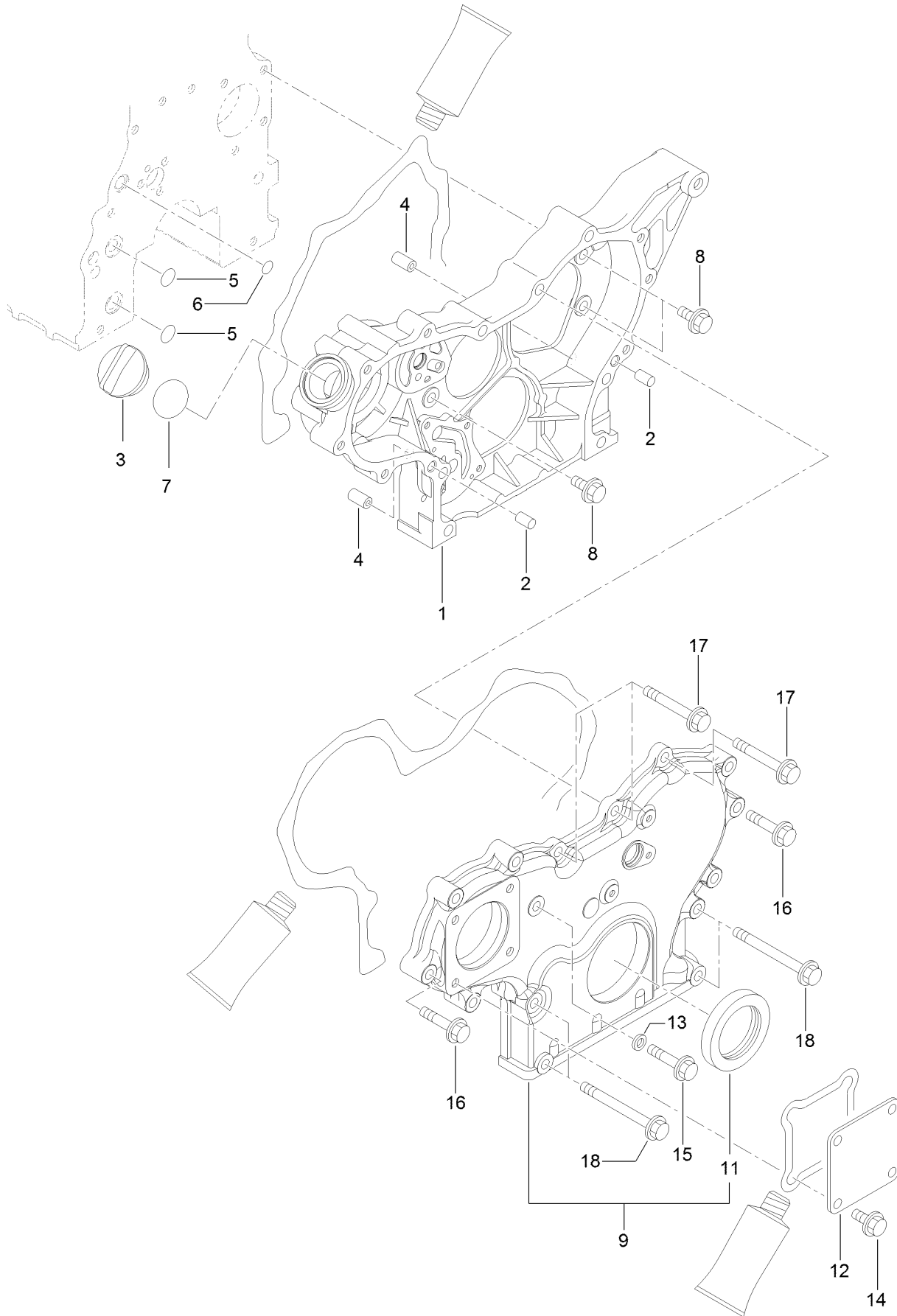
Cylinder Block Assembly



Cylinder Block Assembly (continued)

<i>Ref.</i>	<i>Part Number</i>	<i>Qty.</i>	<i>Description</i>	<i>Ref.</i>	<i>Part Number</i>	<i>Qty.</i>	<i>Description</i>
1	127-4717	1	Cylinder Block ASM	13	125-6973	1	Plug
4	125-6980	1	Plug	14	125-7237	1	Plug
5	125-7170	1	Plug	24	125-7010	2	Metal-Thrust
6	125-7007	8	Bolt	27	125-7006	14	Bolt
9	125-7108	1	Bushing	28	127-4716	1	Head Gasket ASM
10	125-7239	6	Plug	29	125-6981	4	Metal-Main
11	125-6969	1	Plug	32	125-7009	4	Metal-Main (0.25)
12	125-6973	2	Plug	35	125-7011	1	Metal-Thrust (0.25)

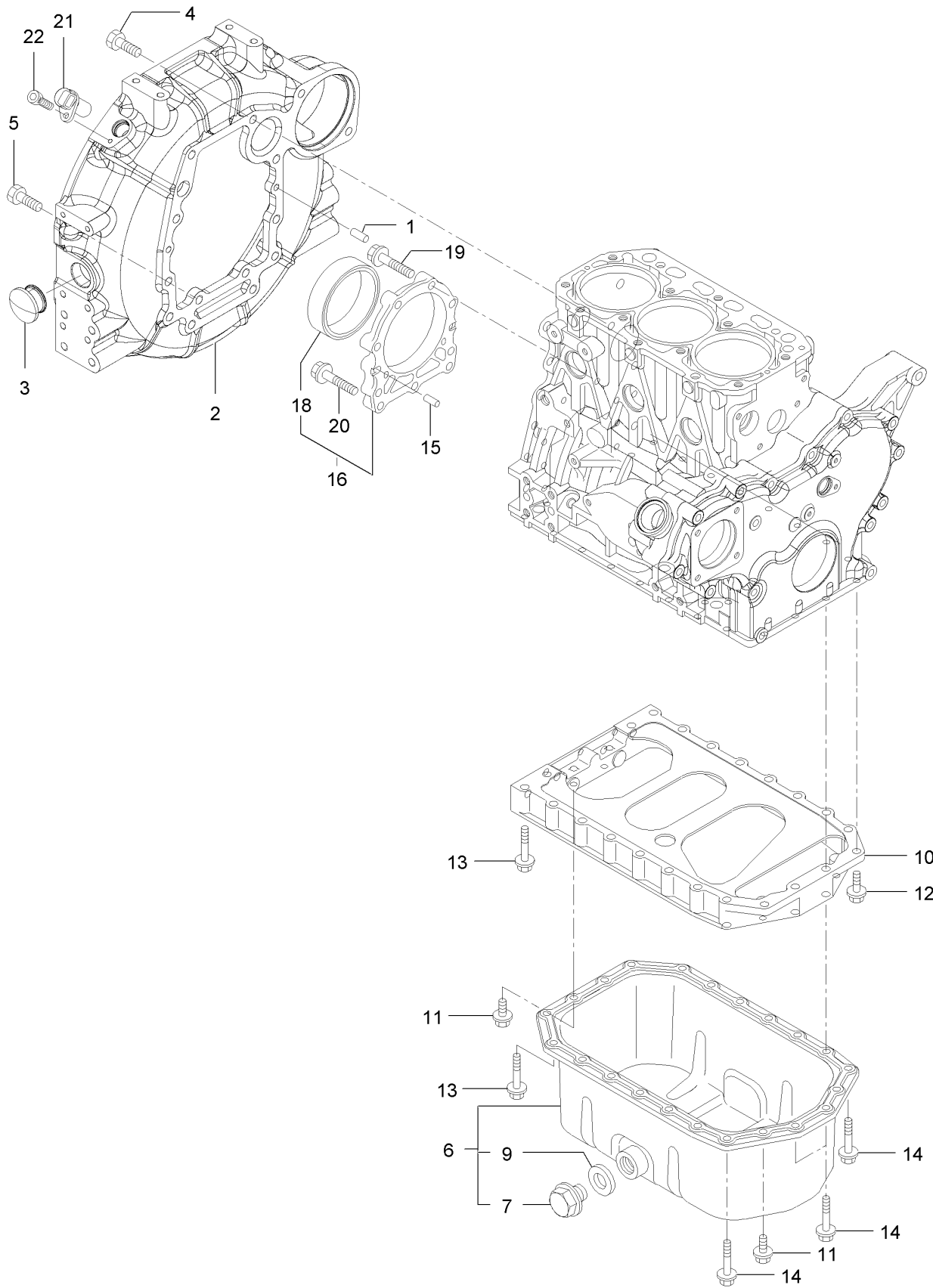
Gear Housing Assembly



Gear Housing Assembly (continued)

<i>Ref.</i>	<i>Part Number</i>	<i>Qty.</i>	<i>Description</i>	<i>Ref.</i>	<i>Part Number</i>	<i>Qty.</i>	<i>Description</i>
1	127-3023	1	Case-Gear	11	125-6944	1	Seal-Oil
2	125-6995	2	Pin	12	125-6977	1	Cover
3	125-6972	1	Cover-Filler	13	125-7174	1	Washer-Seal
4	125-7107	2	Pipe	14	100-6928	4	Bolt
5	125-6909	2	O-Ring	15	125-7217	1	Bolt
6	127-2973	1	O-Ring	16	125-7218	7	Bolt
7	125-7197	1	O-Ring	17	125-7222	3	Bolt
8	100-6928	3	Bolt	18	125-7224	4	Bolt
9	127-3024	1	Gearcase Cover ASM				

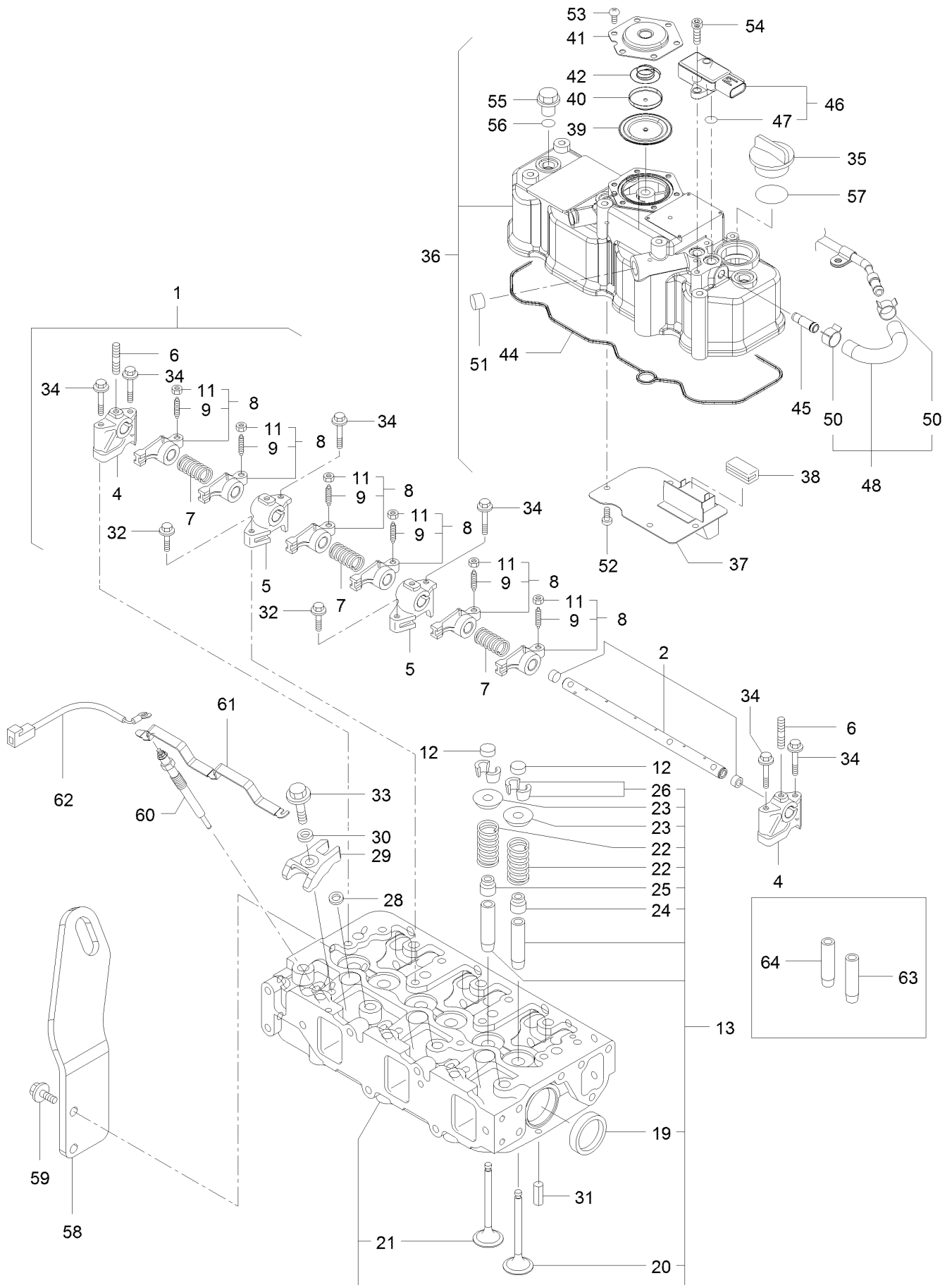
Flywheel Housing and Oil Sump Assembly



Flywheel Housing and Oil Sump Assembly (continued)

<i>Ref.</i>	<i>Part Number</i>	<i>Qty.</i>	<i>Description</i>	<i>Ref.</i>	<i>Part Number</i>	<i>Qty.</i>	<i>Description</i>
1	125-6995	2	Pin	12	125-7215	2	Bolt
2	127-4758	1	Housing-Flywheel	13	125-7219	16	Bolt
3	125-6910	1	Cap	14	125-7220	4	Bolt
4	125-7226	6	Bolt	15	125-6995	2	Pin
5	125-7227	4	Bolt	16	135-4011	1	Case ASM
6	135-4010	1	Oil Pan ASM	18	125-7106	1	Seal-Oil
7	125-6912	1	Plug-Drain	19	125-7045	6	Bolt
9	125-7177	1	Washer-Seal	20	125-7217	3	Bolt
10	127-3756	1	Spacer	21	127-3062	1	Sensor-Rev, Flywheel
11	100-6928	4	Bolt	22	127-3184	1	Bolt

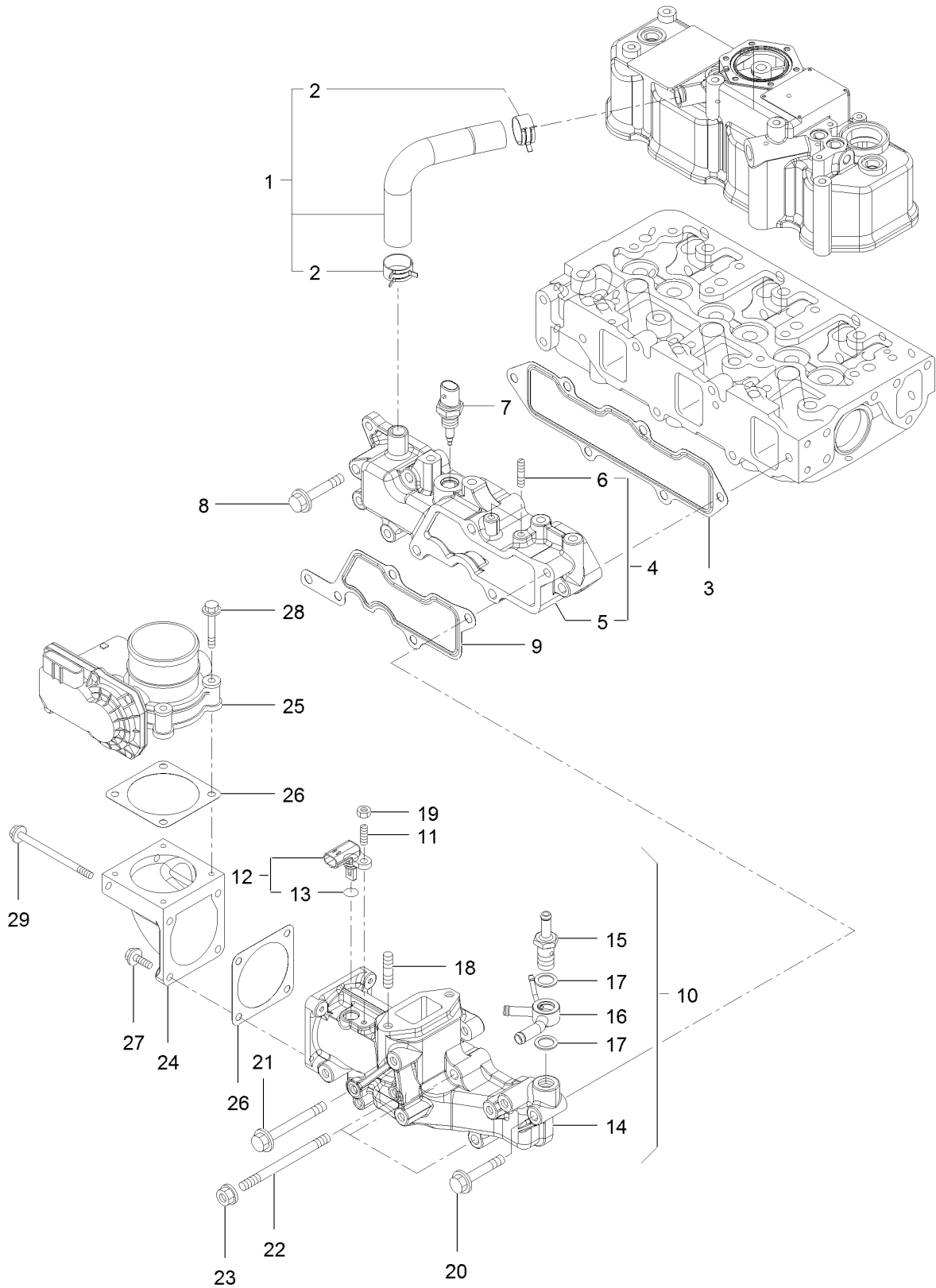
Cylinder Head and Cover Assembly



Cylinder Head and Cover Assembly (continued)

<i>Ref.</i>	<i>Part Number</i>	<i>Qty.</i>	<i>Description</i>	<i>Ref.</i>	<i>Part Number</i>	<i>Qty.</i>	<i>Description</i>
1	127-3757	1	Shaft ASM	36	127-4719	1	Cylinder Head Cover ASM
2	127-3758	1	Shaft	37	127-2988	1	Plate
4	127-2974	2	Support	38	125-7012	1	Baffle
5	127-2975	2	Support	39	125-6959	1	Diaphragm
6	135-4012	3	Bolt,Stud	40	125-6960	1	Plate
7	127-2995	3	Spring	41	125-6961	1	Plate-Breather
8	127-2989	6	Arm-Rocker	42	125-6962	1	Spring-Diaphragm
9	125-7013	6	Screw-Adjust, Valve	44	127-3856	1	Gasket-Valve Cover
11	125-7014	6	Nut	45	127-3026	1	Joint
12	127-2996	6	Cap-Valve	46	127-3029	1	Sensor-Pressure
13	127-4720	1	Cylinder Head ASM	47	127-3032	2	O Ring-Sensor, Pressure
19	125-7240	2	Plug	48	127-3040	1	Hose ASM
20	127-2990	3	Valve	50	127-3041	2	Clip-Hose
21	127-4710	3	Valve	51	125-6913	1	Plug
22	127-3012	6	Spring	52	125-7186	4	Screw
23	127-3013	6	Retainer-Spring	53	125-7186	6	Screw
24	127-2986	3	Seal-Stem, Valve	54	127-3184	2	Bolt
25	127-3027	3	Seal-Stem, Valve	55	125-6974	3	Knob
26	127-3186	6	Pin-Cotter	56	93-0418	3	O-Ring
28	127-3021	3	Gasket-Injector	57	125-7197	1	O-Ring
29	127-3028	3	Retainer-Injector	58	127-4718	1	Lifter-Engine
30	127-2980	3	Washer-Injector	59	100-6928	2	Bolt
31	125-7184	2	Pin-Spring	60	127-2991	3	Plug-Glow
32	125-7215	2	Bolt	61	127-3768	1	Connector-Plug, Glow
33	125-7217	3	Bolt	62	131-2704	1	Harness-Wire
34	125-7220	6	Bolt	63	127-2979	3	Guide
35	125-6972	1	Cover-Filler	64	127-2997	3	Guide-Valve

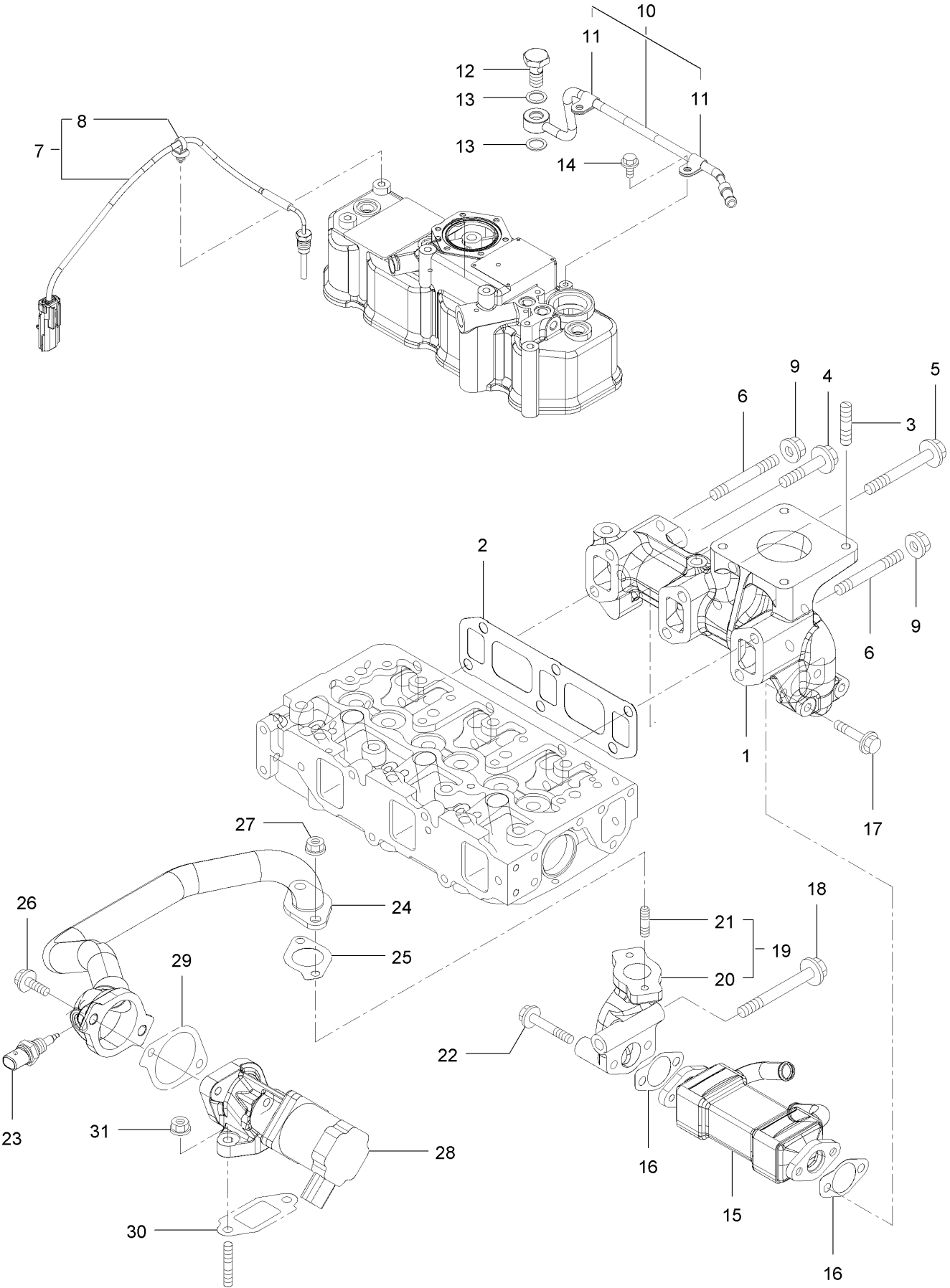
Suction Manifold Assembly



Suction Manifold Assembly (continued)

<i>Ref.</i>	<i>Part Number</i>	<i>Qty.</i>	<i>Description</i>	<i>Ref.</i>	<i>Part Number</i>	<i>Qty.</i>	<i>Description</i>
1	127-4704	1	Pipe	16	127-3081	1	Joint-Hose
2	125-7040	2	Clip-Hose	17	127-3166	2	Washer-Seal
3	127-3857	1	Gasket-Manifold, Intake	18	127-3181	2	Stud
4	127-4722	1	Intake Manifold ASM	19	127-4775	1	Nut
5	127-4721	1	Manifold-Intake	20	125-7220	1	Bolt
6	127-3180	2	Stud	21	127-3178	1	Bolt
7	127-3031	1	Sensor-Temp, Air	22	127-3182	3	Stud
8	125-7220	3	Bolt	23	125-7229	3	Nut
9	127-3034	1	Gasket-Collector	24	127-3035	1	Bend-Inlet
10	127-4725	1	Intake Collector ASM	25	127-3036	1	Body-Throttle
11	127-4701	1	Stud	26	127-3037	2	Gasket-Throttle
12	127-3030	1	Sensor-Temp, Air	27	125-7209	2	Bolt
13	127-3033	1	O-Ring	28	125-7211	4	Bolt
14	127-4724	1	Collector-Intake	29	127-3177	2	Bolt
15	127-3080	1	Joint-Hose				

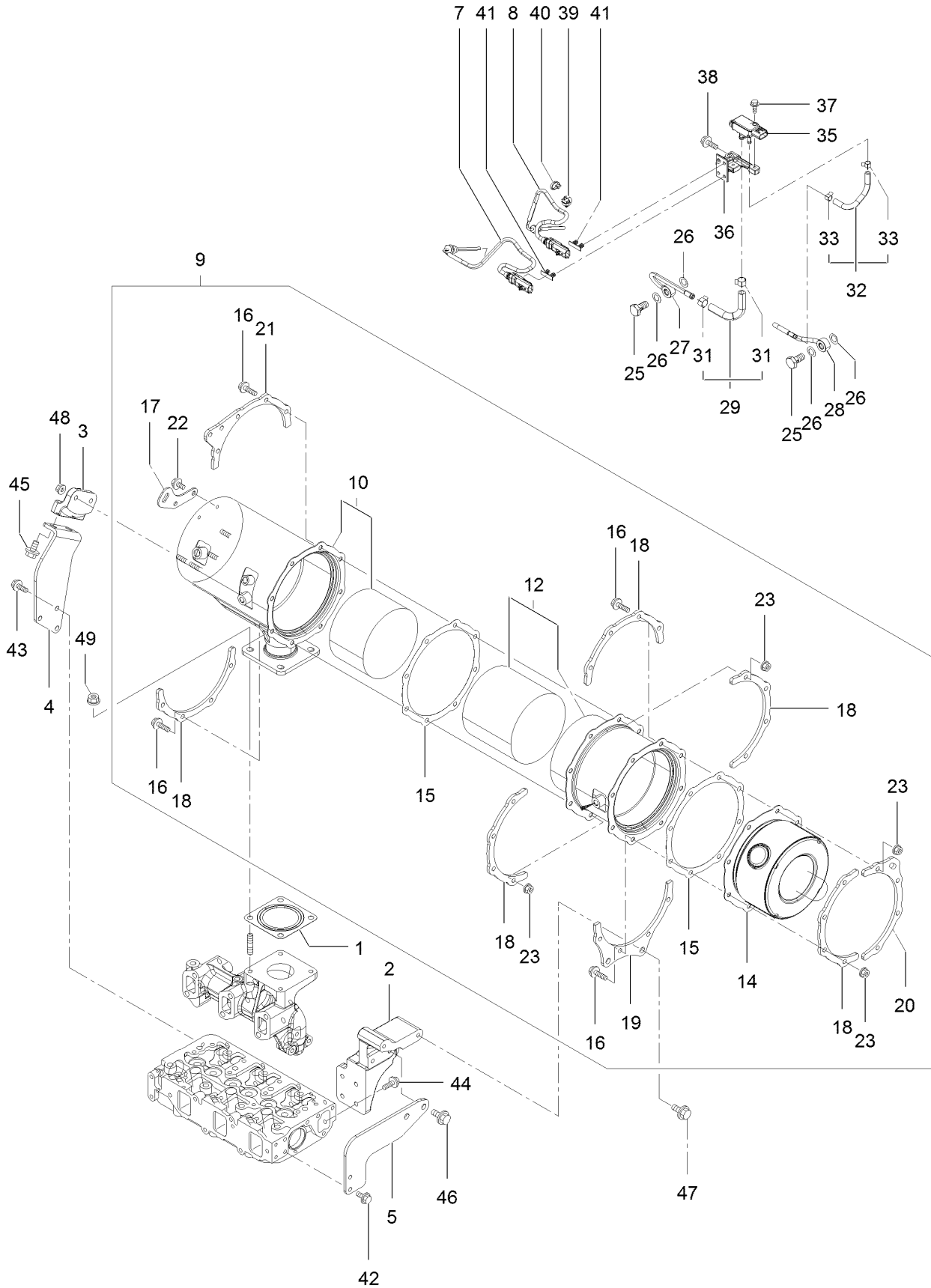
Exhaust Manifold Assembly



Exhaust Manifold Assembly (continued)

<i>Ref.</i>	<i>Part Number</i>	<i>Qty.</i>	<i>Description</i>	<i>Ref.</i>	<i>Part Number</i>	<i>Qty.</i>	<i>Description</i>
1	127-4726	1	Manifold-Exhaust	17	135-4015	2	Bolt
2	127-3775	1	Gasket-Manifold, Exhaust	18	135-4016	1	Bolt
3	127-2984	4	Stud	19	127-3048	1	E G R Pipe ASM
4	135-4013	1	Bolt	20	127-3049	1	Pipe-Out, E G R
5	135-4014	3	Bolt	21	125-7043	2	Stud
6	127-4756	2	Stud	22	125-7220	2	Bolt
7	127-4729	1	Sensor-Temp, Exhaust	23	137-5168	1	Sensor-Gas Temp, E G R
8	127-3087	1	Band-Clip	24	127-3780	1	E G R Pipe ASM
9	125-7230	2	Nut	25	127-3016	1	Gasket
10	127-3038	1	Exhaust Pipe ASM	26	125-7215	2	Bolt
11	127-3173	2	Clamp	27	125-7229	2	Nut
12	127-3039	1	Bolt-Joint, Pipe	28	127-3781	1	Valve-E G R
13	127-3174	2	Gasket	29	127-3050	1	Gasket-Intake Valve, E G R
14	125-7206	2	Bolt	30	127-3051	1	Gasket-Out Valve, E G R
15	127-3042	1	Cooler-E G R	31	125-7229	2	Nut
16	127-3043	2	Gasket-Cooler, E G R				

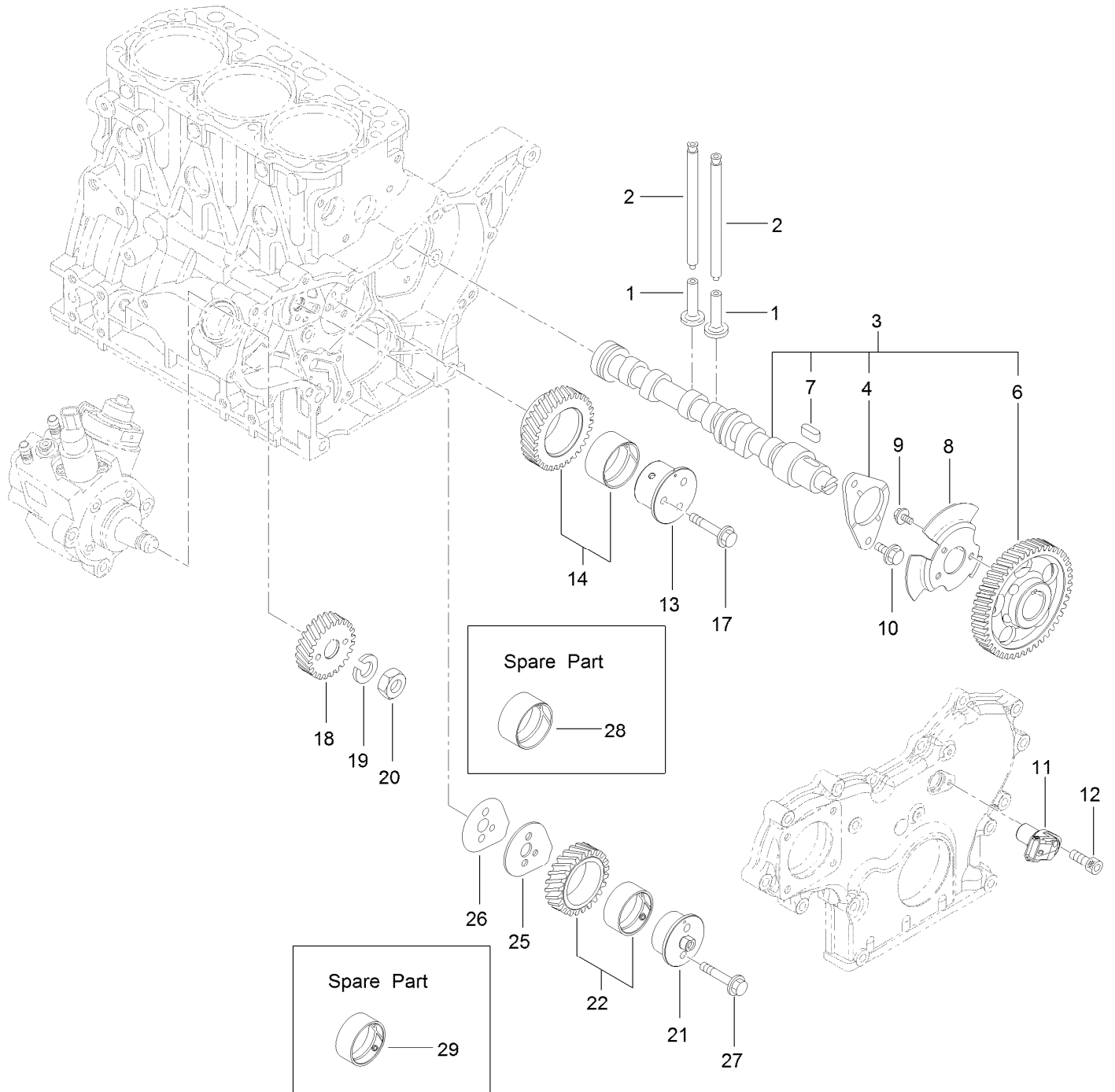
Diesel Particulate Filter Assembly



Diesel Particulate Filter Assembly (continued)

<i>Ref.</i>	<i>Part Number</i>	<i>Qty.</i>	<i>Description</i>	<i>Ref.</i>	<i>Part Number</i>	<i>Qty.</i>	<i>Description</i>
1	127-2987	1	Gasket-Silencer	27	127-4744	1	Sensor Pipe ASM
2	127-4738	1	Stay-D P F	28	127-4745	1	Sensor Pipe ASM
3	127-4739	1	Stay-D P F	29	127-4747	1	Exhaust Hose ASM
4	127-4740	1	Stay-D P F	31	127-3057	2	Clip-Hose
5	127-4741	1	Stay-D P F	32	127-4748	1	Exhaust Hose ASM
7	127-4764	1	Sensor-Temp, Exhaust	33	127-3058	2	Clip-Hose
8	127-4765	1	Sensor-Temp, Exhaust	35	127-3060	1	Sensor-Pressure
9	127-4759	1	D P F ASM	36	127-4750	1	Bracket-Sensor
10	127-4732	1	Case-D O C	37	125-7208	2	Bolt
12	127-4734	1	Case-Filter, Soot	38	125-7595	2	Bolt
14	127-3786	1	Silencer-D P F	39	127-3087	1	Band-Clip
15	127-3859	2	Gasket-D P F	40	127-3124	1	Band
16	127-3055	16	Bolt	41	127-3088	2	Clip-Connector
17	127-3788	1	Lifter-D P F	42	100-6928	2	Bolt
18	127-3789	5	Stiffener-D P F, A	43	100-6928	3	Bolt
19	127-4735	1	Stiffener-D P F, B	44	125-7594	4	Bolt
20	127-3792	1	Stiffener-D P F, C	45	127-4773	2	Bolt
21	127-4736	1	Stiffener-D P F, C	46	127-3179	2	Bolt
22	125-7213	2	Bolt	47	127-3179	2	Bolt
23	125-7229	16	Nut	48	127-3179	2	Bolt
25	127-3039	2	Bolt-Joint, Pipe	49	125-7230	4	Nut
26	127-3056	4	Gasket-Sensor				

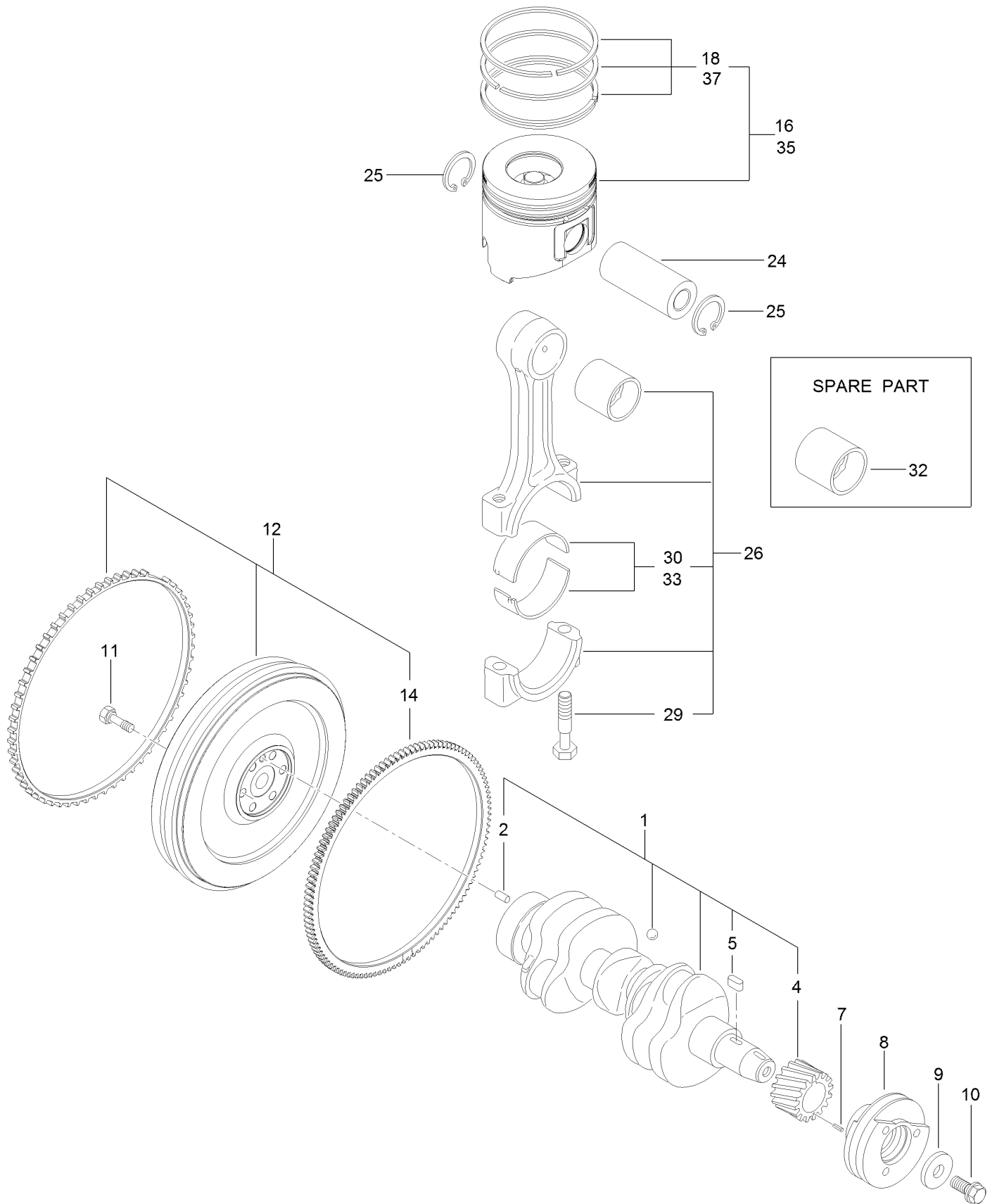
Camshaft and Driving Gear Assembly



Camshaft and Driving Gear Assembly (continued)

<i>Ref.</i>	<i>Part Number</i>	<i>Qty.</i>	<i>Description</i>	<i>Ref.</i>	<i>Part Number</i>	<i>Qty.</i>	<i>Description</i>
1	125-7016	6	Tappet	14	127-3066	1	Idle Gear A ASM
2	125-7017	6	Rod-Push	17	125-7219	3	Bolt
3	127-3797	1	Camshaft ASM	18	127-3070	1	Gear-Pump, Supply
4	125-7008	1	Metal-Thrust	19	127-3167	1	Washer-Spring
6	127-3052	1	Gear-Camshaft	20	127-3185	1	Nut-Lock
7	125-7185	1	Key	21	127-3064	1	Shaft-Idle, Gear B
8	127-3053	1	Pulser-Camshaft	22	127-3067	1	Idle Gear B ASM
9	125-7205	3	Bolt	25	127-3068	1	Plate-Idle, Shaft
10	125-7213	2	Bolt	26	127-3069	1	Gasket-Idle, Shaft B
11	127-3054	1	Sensor-Rev, Gear	27	125-7218	2	Bolt
12	127-3184	1	Bolt	28	125-6927	1	Bushing
13	127-3063	1	Shaft-Idle, Gear A	29	127-3065	1	Bushing

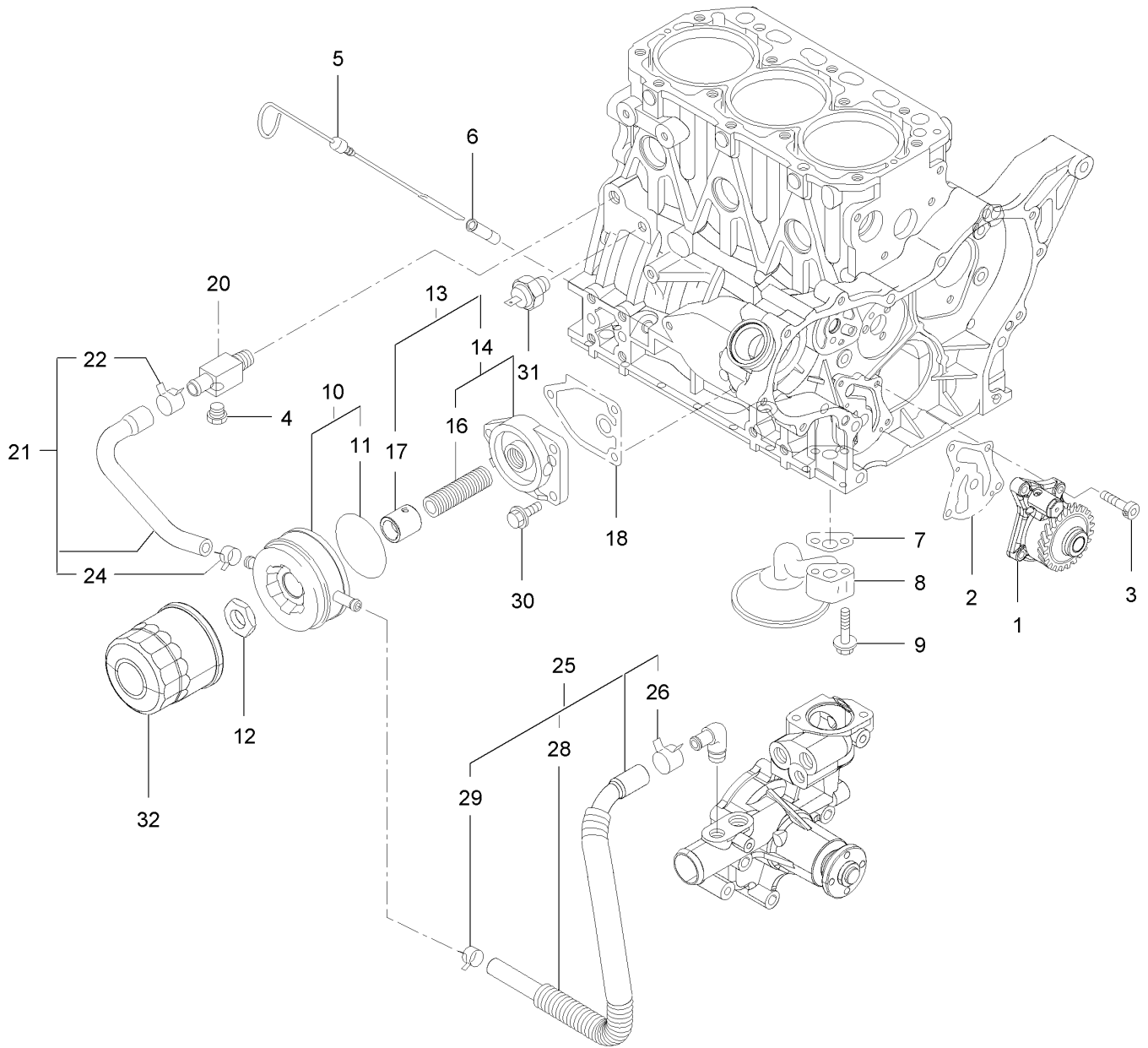
Crankshaft and Piston Assembly



Crankshaft and Piston Assembly (continued)

<i>Ref.</i>	<i>Part Number</i>	<i>Qty.</i>	<i>Description</i>	<i>Ref.</i>	<i>Part Number</i>	<i>Qty.</i>	<i>Description</i>
1	127-3800	1	Crankshaft ASM	16	127-4766	3	Piston ASM
2	125-6995	1	Pin	18	127-4751	3	Piston Ring ASM
4	125-6937	1	Gear	24	125-7030	3	Pin
5	125-7185	1	Key	25	125-7180	6	Ring
7	125-7182	1	Pin-Spring	26	125-7242	3	Connecting Rod ASM
8	127-3801	1	Pulley-V	29	125-6955	6	Bolt
9	125-7109	1	Washer	30	125-7018	3	Pin-Crank
10	125-6956	1	Bolt	32	125-6997	3	Pin-Piston
11	125-6951	6	Bolt	33	125-7019	3	Pin-Crank (.25)
12	127-4761	1	Flywheel ASM	35	127-4767	3	Piston ASM (0.25 O S)
14	127-4703	1	Gear	37	127-4752	3	Ring Set (0.25 O S)

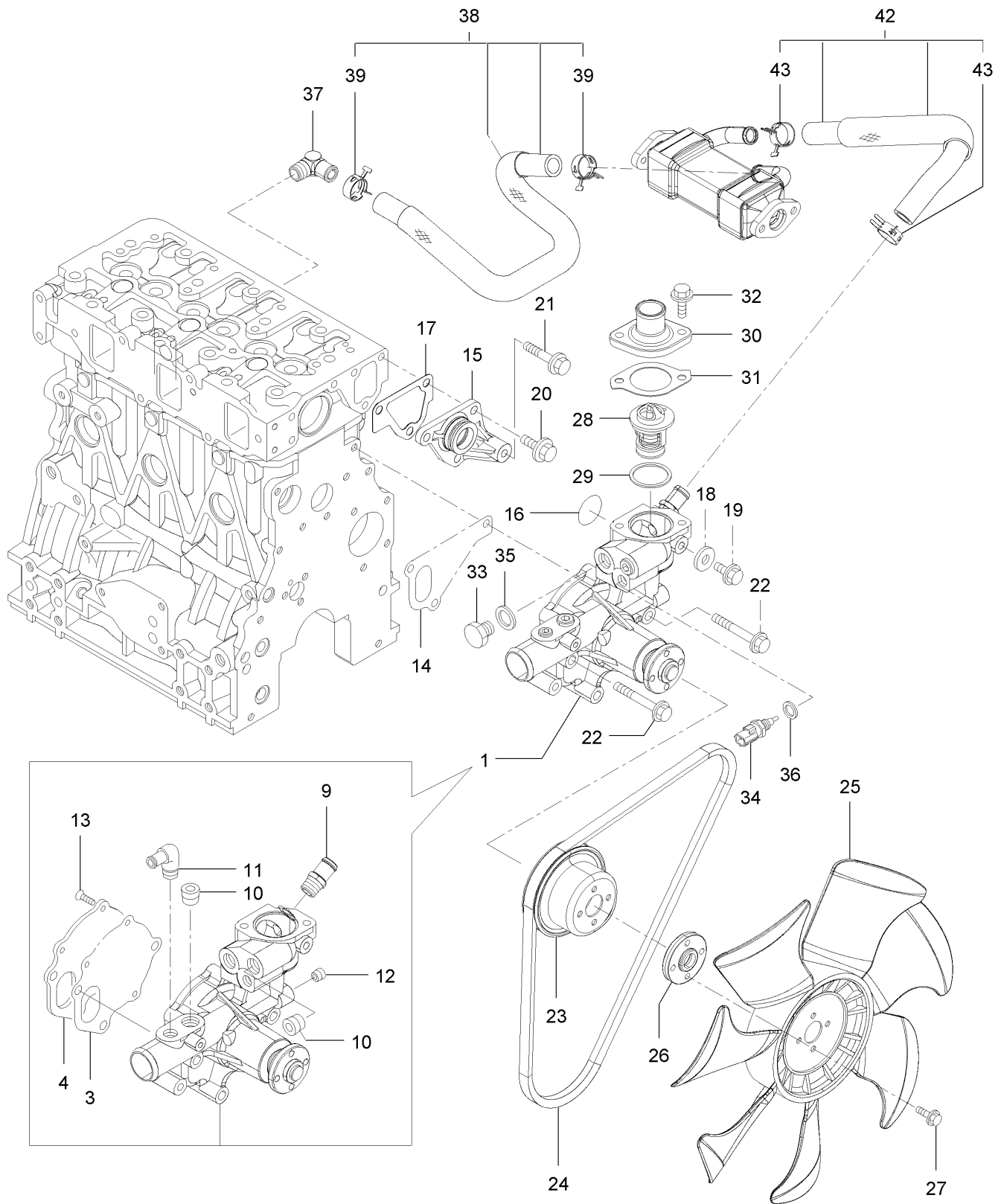
Oil Pump Assembly



Oil Pump Assembly (continued)

<i>Ref.</i>	<i>Part Number</i>	<i>Qty.</i>	<i>Description</i>	<i>Ref.</i>	<i>Part Number</i>	<i>Qty.</i>	<i>Description</i>
1	127-4753	1	Oil Pump ASM	16	125-7042	1	Stud
2	127-3004	1	Gasket	17	135-4022	1	Collar-Cooler, Oil
3	125-7232	4	Bolt	18	125-7024	1	Gasket
4	125-7171	1	Plug-Drain	20	125-6990	1	Joint
5	125-6987	1	Dipstick	21	125-7078	1	Pipe ASM
6	125-6954	1	Guide-Dipstick	22	125-7162	1	Clip
7	125-7022	1	Gasket	24	125-7191	1	Clamp-Hose
8	135-4017	1	Oil Inlet Pipe ASM	25	127-3804	1	Pipe ASM
9	125-7217	2	Bolt	26	125-7162	1	Clip
10	135-4018	1	Oil Cooler ASM	28	127-3805	1	Tube
11	135-4019	1	Packing-Oil Cooler	29	125-7191	1	Clamp-Hose
12	135-4020	1	Nut	30	125-7595	3	Bolt
13	135-4021	1	Lo Filter Bracket ASM	31	125-6918	1	Switch-Oil
14	125-6989	1	Bracket ASM	32	125-7025	1	Filter-Engine, Oil

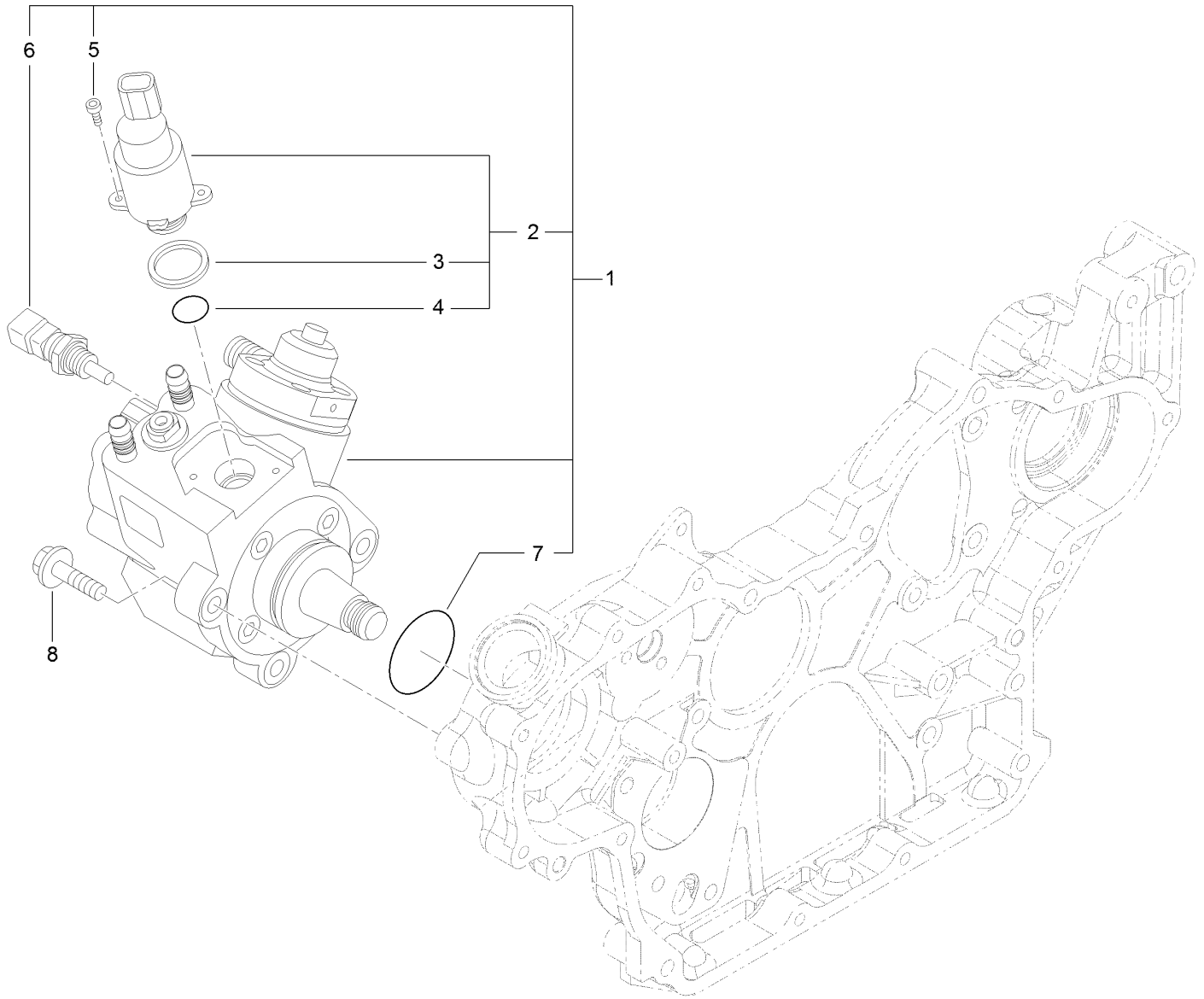
Cooling Water System Assembly



Cooling Water System Assembly (continued)

<i>Ref.</i>	<i>Part Number</i>	<i>Qty.</i>	<i>Description</i>	<i>Ref.</i>	<i>Part Number</i>	<i>Qty.</i>	<i>Description</i>
1	127-3071	1	Water Pump ASM	24	127-4771	1	V-Belt
3	125-6998	1	Gasket	25	127-4702	1	Fan
4	125-6999	1	Plate	26	127-3810	1	Spacer
9	127-3017	1	Joint	27	125-7209	4	Bolt
10	125-7123	2	Plug	28	125-7029	1	Thermostat
11	125-7001	1	Elbow	29	125-7026	1	Gasket
12	125-7195	1	Plug	30	125-7034	1	Cover
13	125-7234	3	Screw	31	125-7110	1	Gasket
14	125-7047	1	Gasket	32	125-7594	2	Bolt
15	125-6986	1	Joint	33	125-6953	1	Plug
16	125-7048	1	O-Ring	34	125-7124	1	Sensor-Thermostat, CW
17	125-6978	1	Gasket	35	125-6979	1	Gasket
18	125-7192	1	Gasket	36	125-7176	1	Washer-Seal
19	93-0362	1	Bolt	37	127-4705	1	Elbow
20	100-6928	3	Bolt	38	127-4757	1	E G R-C Pipe ASM
21	125-7219	1	Bolt	39	127-3020	2	Clip-Hose
22	125-7222	3	Bolt	42	127-3811	1	CW Pipe ASM
23	127-4712	1	V-Pulley	43	127-3020	2	Clip-Hose

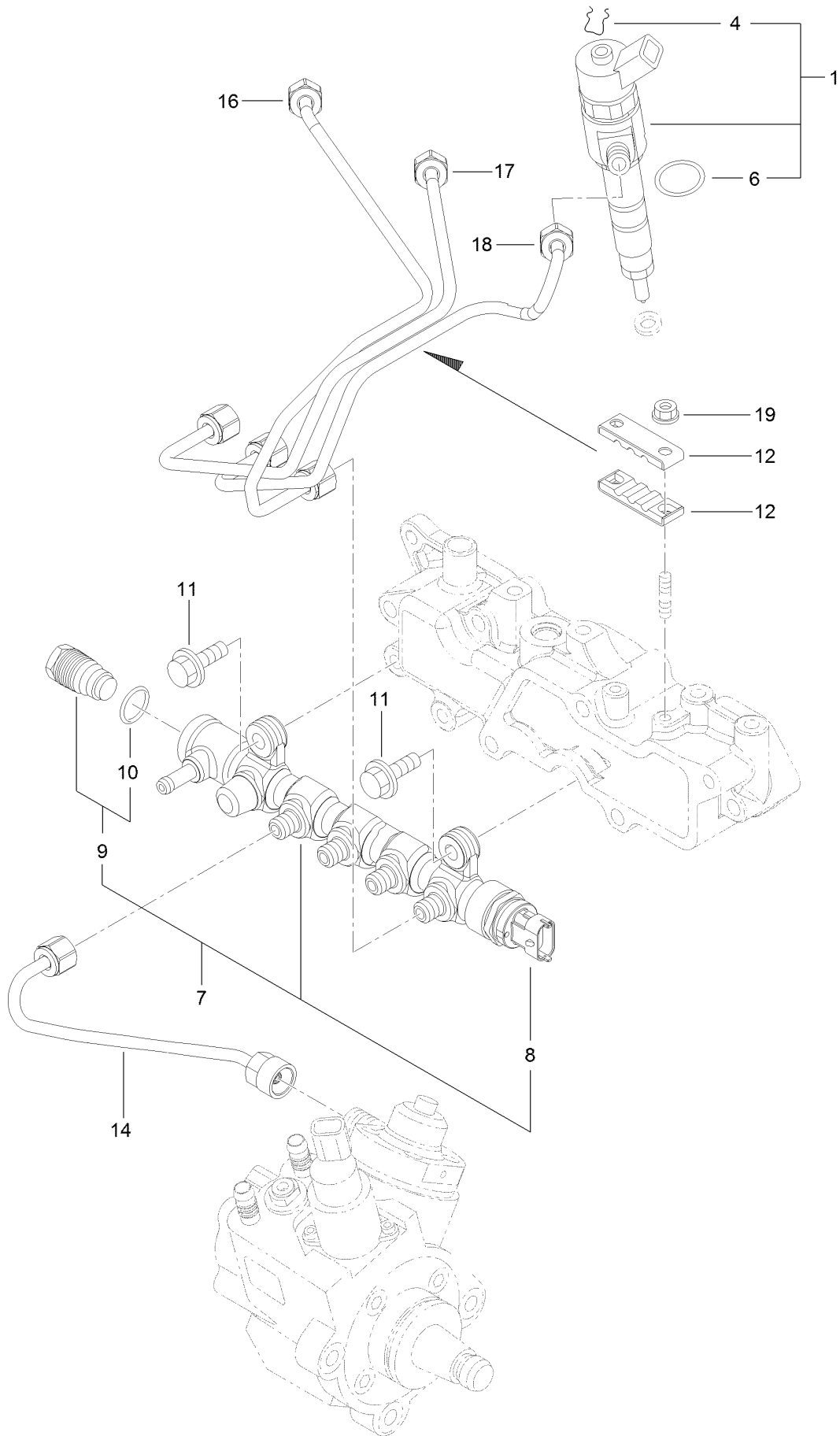
Fuel Supply Pump Assembly



Fuel Supply Pump Assembly (continued)

<i>Ref.</i>	<i>Part Number</i>	<i>Qty.</i>	<i>Description</i>	<i>Ref.</i>	<i>Part Number</i>	<i>Qty.</i>	<i>Description</i>
1	127-3073	1	Fuel Pump ASM	5	131-2107	2	Bolt
2	131-2103	1	Valve ASM	6	131-2108	1	Sensor-Temperature
3	131-2105	1	Ring-Sealing	7	127-3074	1	O-Ring
4	131-2106	1	O-Ring	8	125-7216	3	Bolt

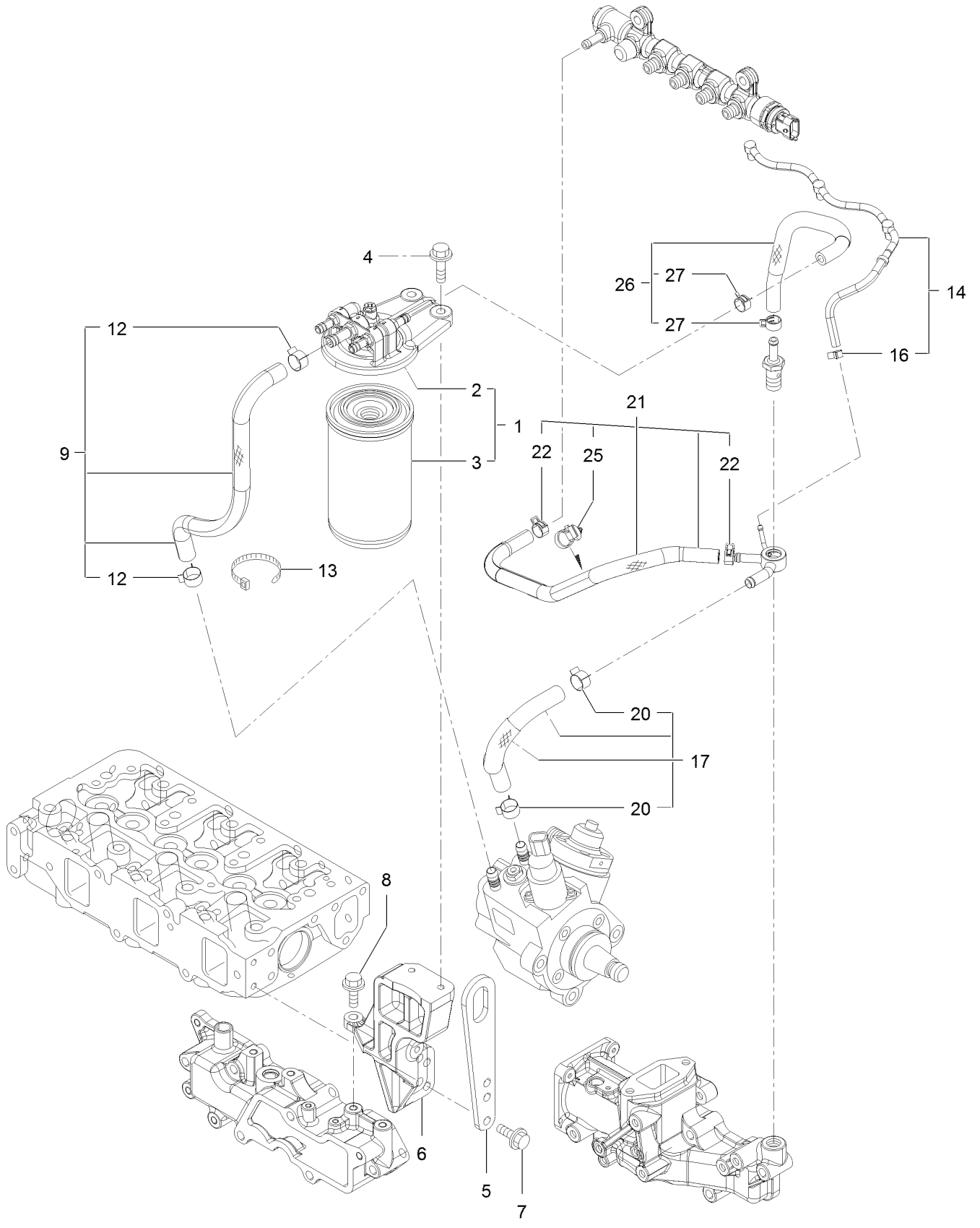
Fuel Injection Valve Assembly



Fuel Injection Valve Assembly (continued)

<i>Ref.</i>	<i>Part Number</i>	<i>Qty.</i>	<i>Description</i>	<i>Ref.</i>	<i>Part Number</i>	<i>Qty.</i>	<i>Description</i>
1	127-4754	3	Injector ASM	11	125-7215	2	Bolt
4	130-7430	3	Ring-Retaining	12	127-3813	2	Retainer
6	137-5173	3	O-Ring	14	127-3082	1	Rail In Pipe ASM
7	127-3812	1	Rail ASM	16	127-3814	1	Injection Pipe ASM
8	131-2709	1	Sensor-Pressure, Rail	17	127-3083	1	Injection Pipe ASM
9	131-2710	1	Valve ASM	18	127-3084	1	Injection Pipe ASM
10	130-7433	1	O-Ring	19	125-7231	2	Nut

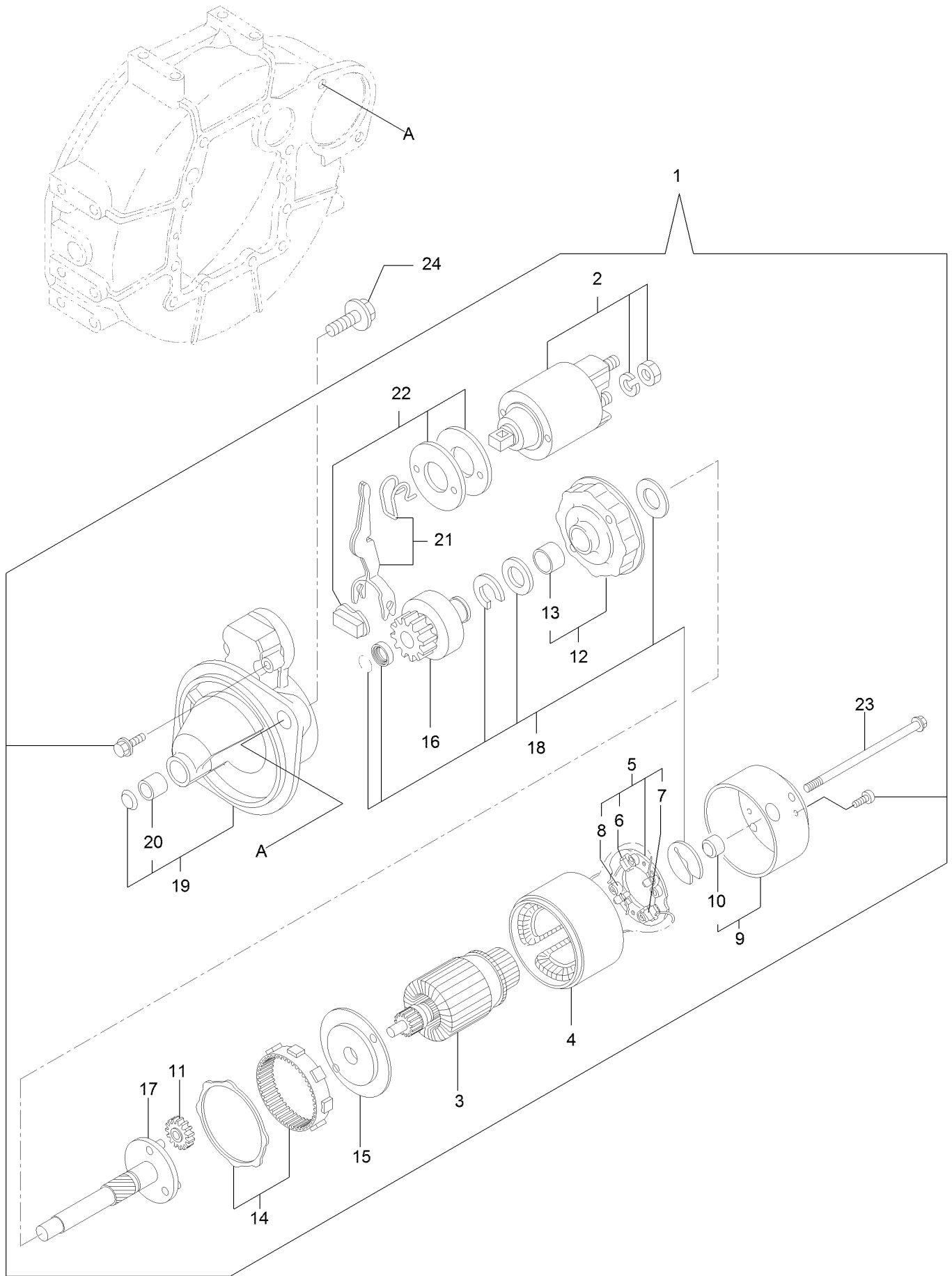
Fuel Line Assembly



Fuel Line Assembly (continued)

<i>Ref.</i>	<i>Part Number</i>	<i>Qty.</i>	<i>Description</i>	<i>Ref.</i>	<i>Part Number</i>	<i>Qty.</i>	<i>Description</i>
1	127-3075	1	Fuel/Oil Filter ASM	13	127-2981	1	Band
2	127-3076	1	Fuel/Oil Filter Bracket ASM	14	135-4023	1	Fuel/Oil Return Pipe ASM
3	125-8752	1	Filter-Fuel/Oil	16	127-3172	1	Clamp-Hose
4	125-7216	2	Bolt	17	127-3078	1	Fuel Pipe ASM
5	125-7111	1	Lifter	20	125-7191	2	Clamp-Hose
6	127-3815	1	Filter Bracket ASM	21	127-3817	1	Fuel Pipe ASM
7	125-7215	2	Bolt	22	127-2950	2	Clip-Hose
8	125-7215	1	Bolt	25	127-3087	1	Band-Clip
9	127-3077	1	Fuel Pipe ASM	26	127-3079	1	Fuel Pipe ASM
12	125-7191	2	Clamp-Hose	27	127-2950	2	Clip-Hose

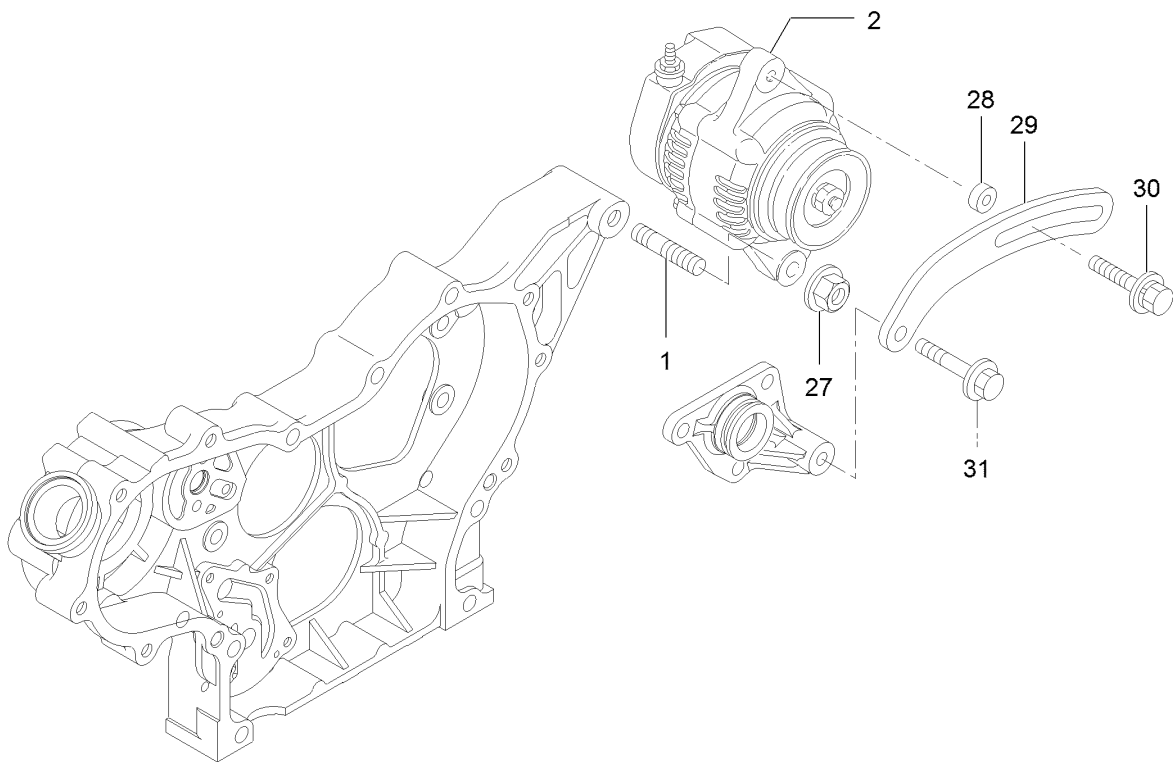
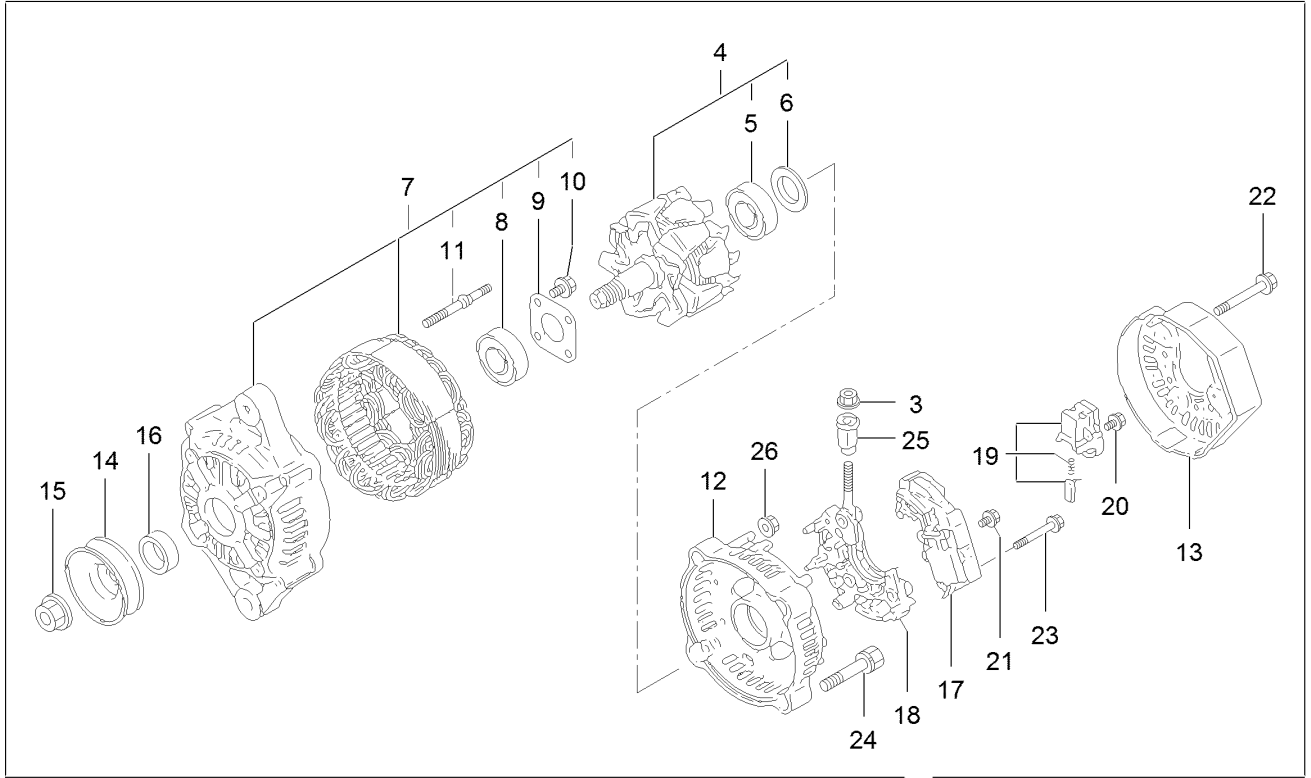
Starting Motor Assembly



Starting Motor Assembly (continued)

<i>Ref.</i>	<i>Part Number</i>	<i>Qty.</i>	<i>Description</i>	<i>Ref.</i>	<i>Part Number</i>	<i>Qty.</i>	<i>Description</i>
1	127-3818	1	Starter ASM	13	127-3830	1	Bracket
2	127-3819	1	Switch ASM	14	127-3831	1	Gear
3	127-3820	1	Armature ASM	15	127-3832	1	Bracket
4	127-3821	1	Yoke ASM	16	127-3833	1	Pinion ASM
5	127-3822	1	Brush Holder ASM	17	127-3834	1	Shaft
6	127-3823	2	Brush	18	127-3835	1	Washer Set
7	127-3824	1	Brush Set	19	127-3836	1	Case ASM
8	127-3825	4	Spring	20	127-3837	1	Metal-Starter
9	127-3826	1	Cover ASM	21	127-3838	1	Lever Set
10	127-3827	1	Metal	22	127-3839	1	Dust Cover ASM
11	127-3828	3	Gear	23	135-4024	2	Bolt-Through
12	127-3829	1	Bracket	24	125-7225	2	Bolt

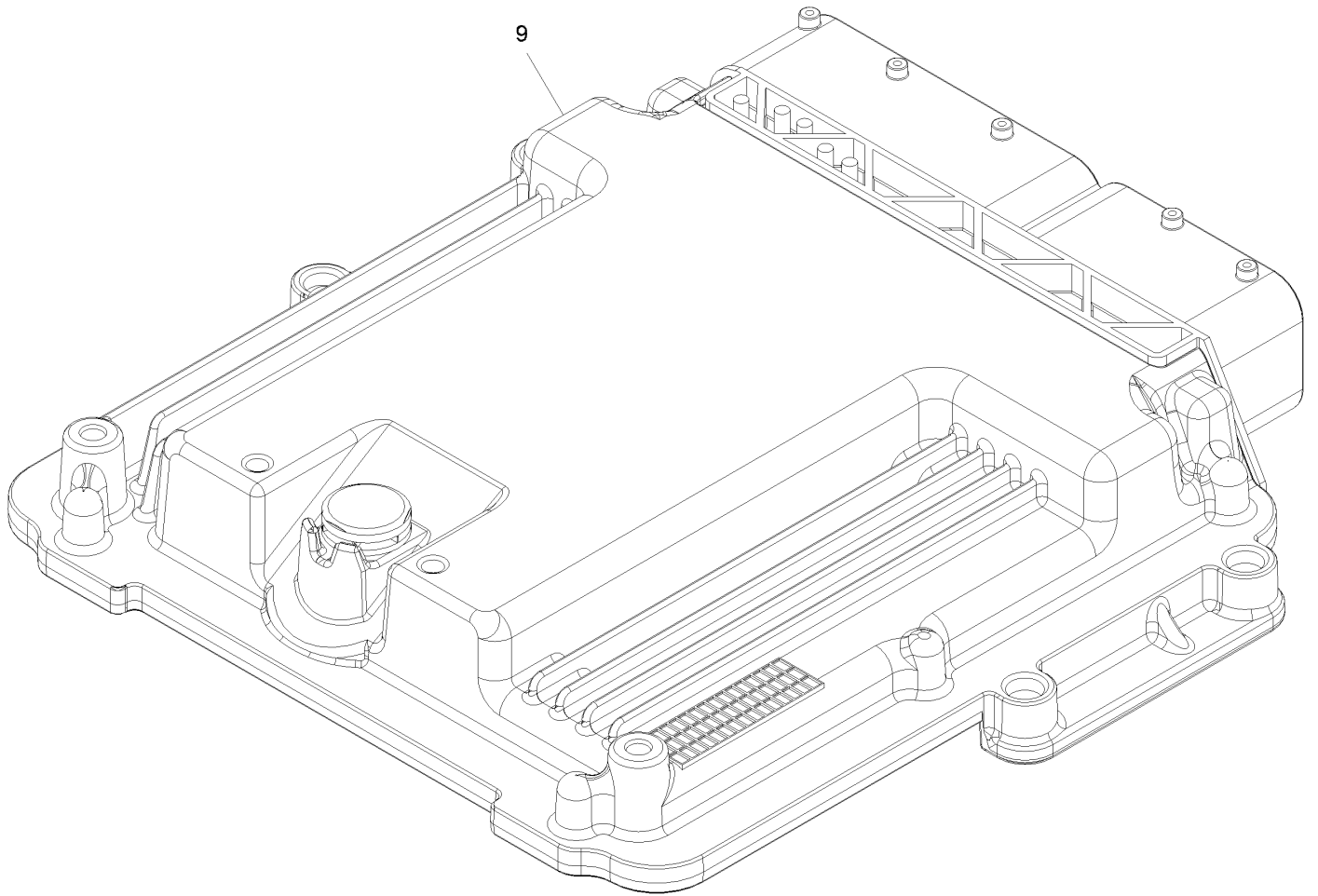
Generator Assembly



Generator Assembly (continued)

<i>Ref.</i>	<i>Part Number</i>	<i>Qty.</i>	<i>Description</i>	<i>Ref.</i>	<i>Part Number</i>	<i>Qty.</i>	<i>Description</i>
1	127-3011	1	Stud	17	135-4026	1	Regulator ASM
2	135-4278	1	Alternator	18	127-3848	1	Holder
3	127-3190	1	Nut	19	127-2993	1	Holder
4	127-3843	1	Rotor ASM	20	127-2965	6	Screw
5	127-2983	1	Bearing-Ball	21	127-2966	1	Screw
6	127-2962	1	Cover	22	127-2967	3	Bolt
7	135-4025	1	Frame ASM	23	127-2968	2	Screw
8	127-2958	1	Bearing-Ball	24	127-2969	2	Bolt
9	127-2959	1	Plate-Retainer	25	127-2970	1	Bushing-Insulation
10	127-2960	4	Screw	26	127-2971	2	Nut
11	127-2961	2	Stud	27	125-7230	1	Nut
12	127-3845	1	Frame	28	125-6947	1	Spacer
13	127-3846	1	Cover	29	127-2977	1	Adjuster
14	127-2954	1	Pulley	30	135-4027	1	Bolt-Adjust
15	127-2955	1	Nut	31	125-7219	1	Bolt
16	127-2957	1	Collar				

Electronic Control Unit Assembly

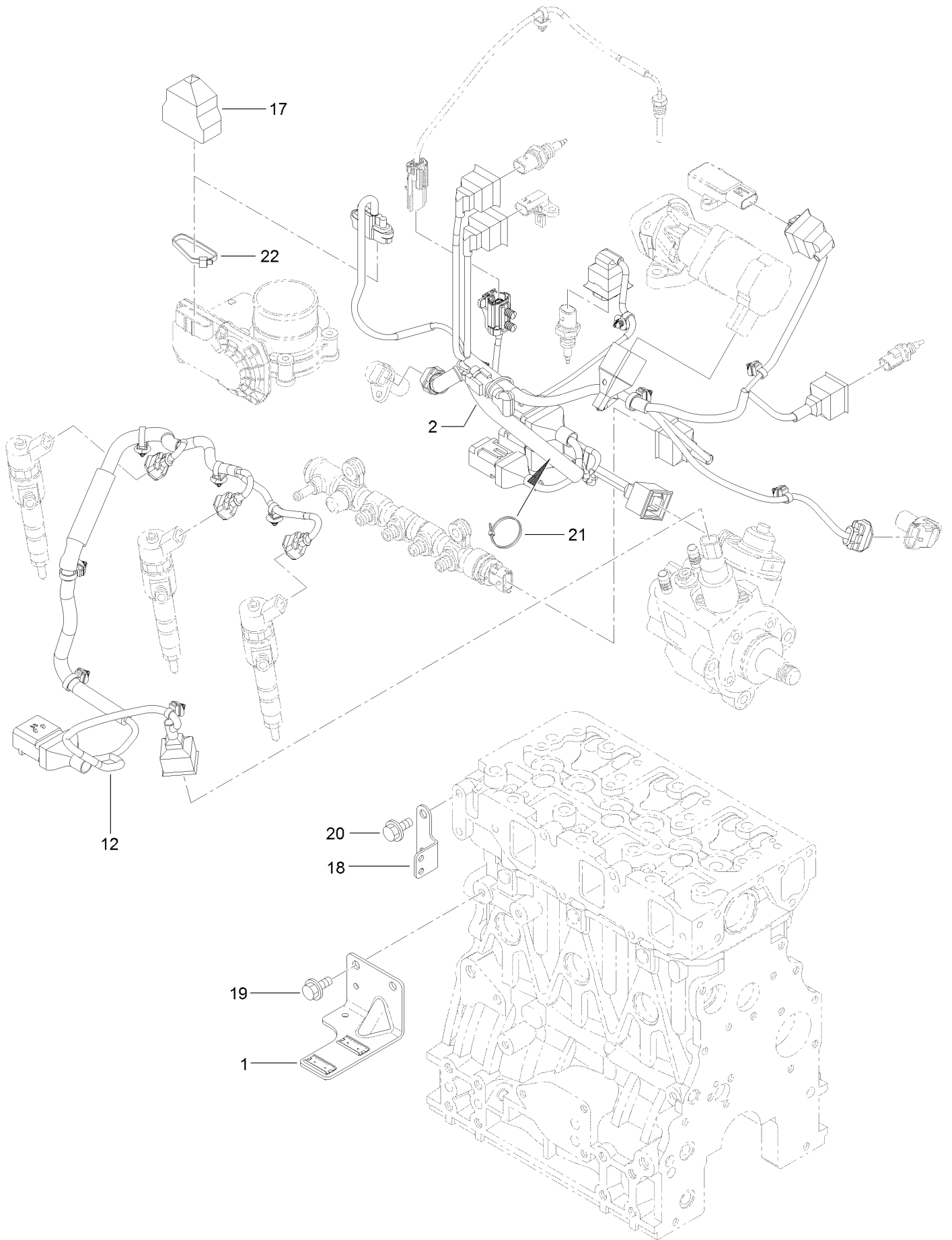


Electronic Control Unit Assembly (continued)

<i>Ref.</i>	<i>Part Number</i>	<i>Qty.</i>	<i>Description</i>
9	121-5592	1	Electronic Control Unit ●

● Contact an Authorized Service Dealer

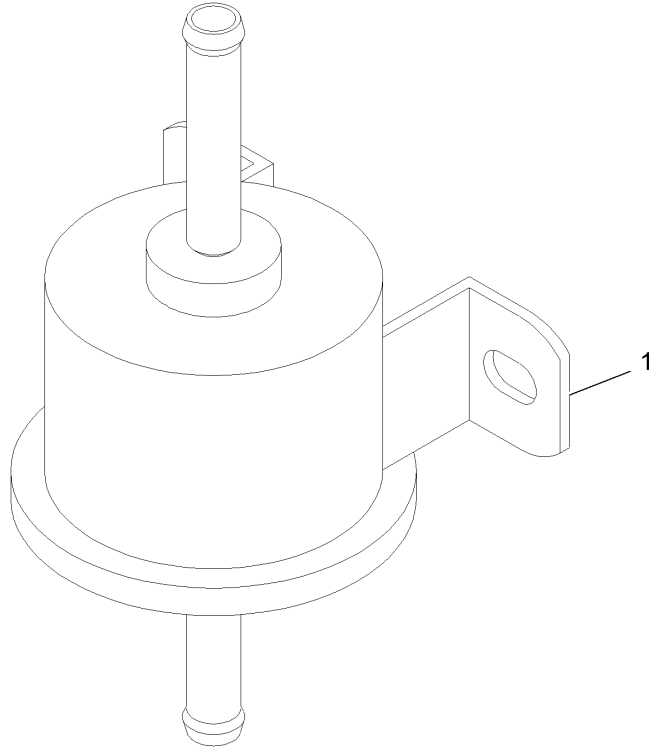
Electric Parts Assembly



Electric Parts Assembly (continued)

<i>Ref.</i>	<i>Part Number</i>	<i>Qty.</i>	<i>Description</i>	<i>Ref.</i>	<i>Part Number</i>	<i>Qty.</i>	<i>Description</i>
1	130-7436	1	Bracket-Connector	19	125-7213	2	Bolt
2	135-4029	1	Harness	20	125-7212	2	Bolt
12	130-7438	1	Harness	21	127-3187	1	Band
17	131-2713	1	Boot-Cap	22	127-3188	1	Band
18	127-3090	1	Bracket-Harness				

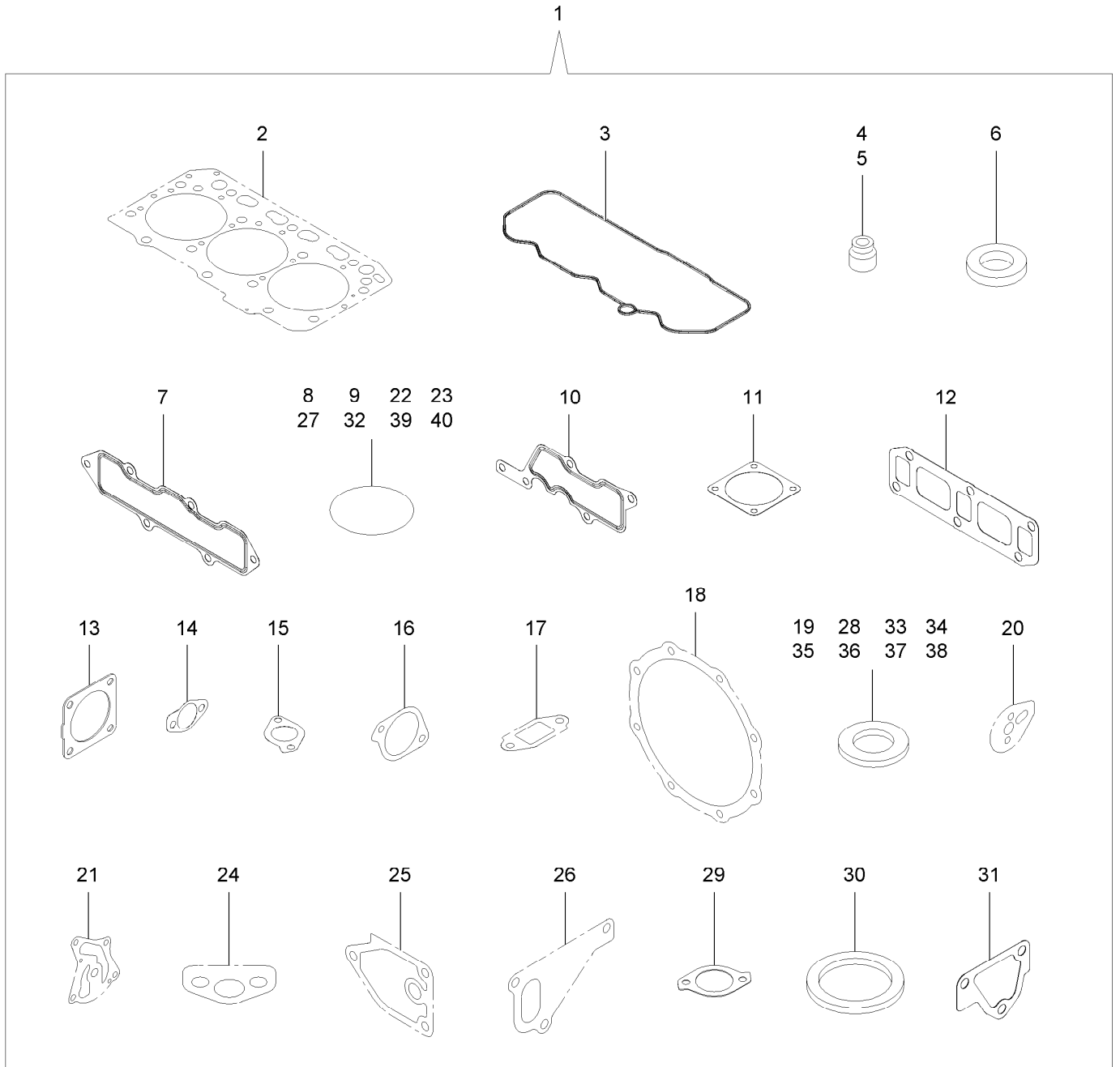
Fuel Pump Assembly



Fuel Pump Assembly (continued)

<i>Ref.</i>	<i>Part Number</i>	<i>Qty.</i>	<i>Description</i>
1	121-5613	1	Pump-Fuel, Electric

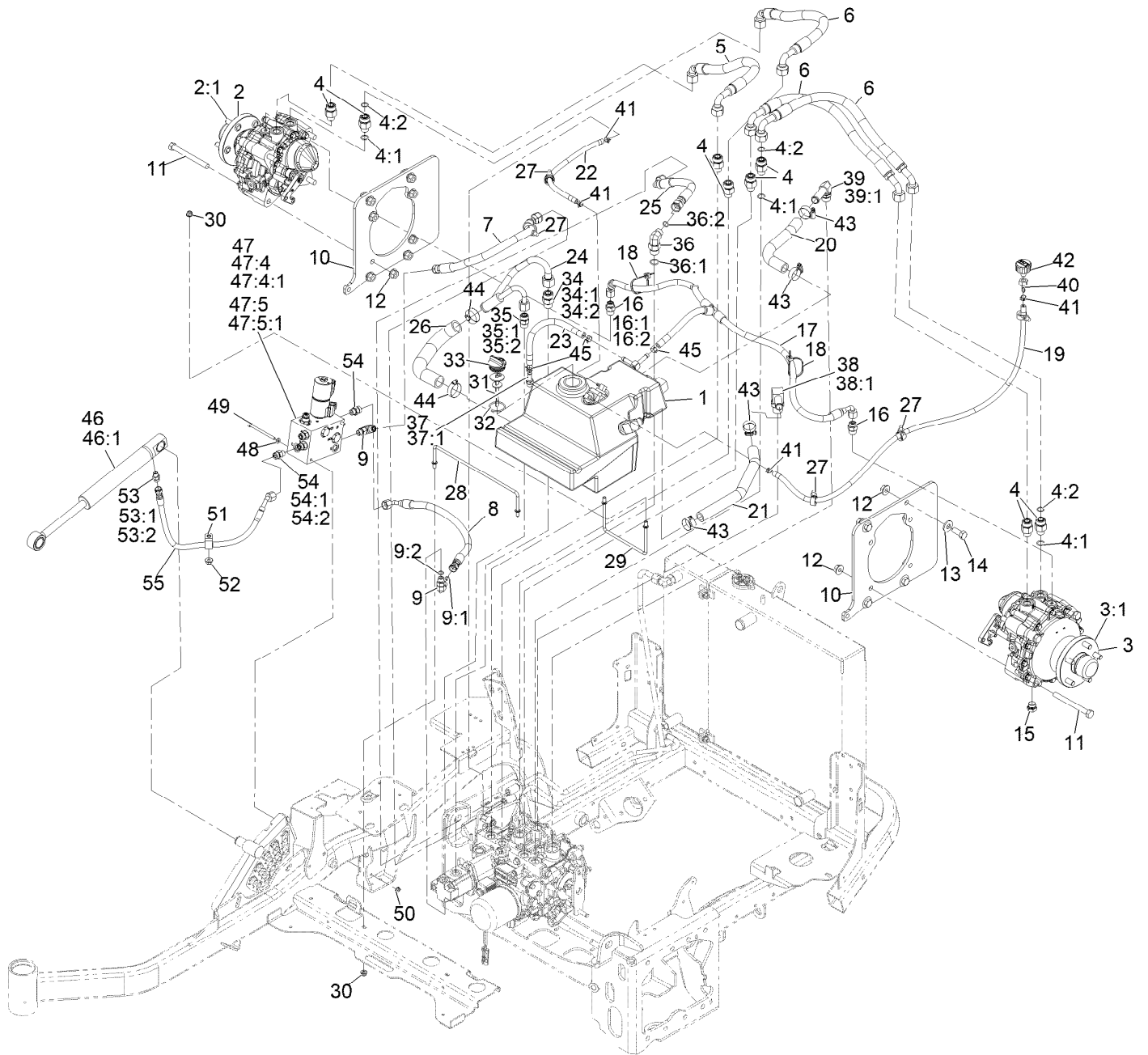
Gasket Set



Gasket Set (continued)

<i>Ref.</i>	<i>Part Number</i>	<i>Qty.</i>	<i>Description</i>	<i>Ref.</i>	<i>Part Number</i>	<i>Qty.</i>	<i>Description</i>
1	130-7440	1	Packing (Gasket Set)	21	127-3004	1	Gasket
2	127-4716	1	Head Gasket ASM	22	125-6909	2	O-Ring
3	127-3856	1	Gasket-Valve Cover	23	127-2973	1	O-Ring
4	127-2986	3	Seal-Stem, Valve	24	125-7022	1	Gasket
5	127-3027	3	Seal-Stem, Valve	25	125-7024	1	Gasket
6	127-3021	3	Gasket-Injector	26	125-7047	1	Gasket
7	127-3857	1	Gasket-Manifold, Intake	27	125-7048	1	O-Ring
8	127-3032	2	O Ring-Sensor, Pressure	28	125-6979	1	Gasket
9	127-3033	1	O-Ring	29	125-7110	1	Gasket
10	127-3034	1	Gasket-Collector	30	125-7026	1	Gasket
11	127-3037	2	Gasket-Throttle	31	125-6978	1	Gasket
12	127-3775	1	Gasket-Manifold, Exhaust	32	127-3074	1	O-Ring
13	127-2987	1	Gasket-Silencer	33	125-7174	1	Washer-Seal
14	127-3043	2	Gasket-Cooler, E G R	34	125-7176	1	Washer-Seal
15	127-3016	1	Gasket	35	127-3166	2	Washer-Seal
16	127-3050	1	Gasket-Intake Valve, E G R	36	125-7177	1	Washer-Seal
17	127-3051	1	Gasket-Out Valve, E G R	37	125-7192	1	Gasket
18	127-3859	2	Gasket-D P F	38	127-3174	2	Gasket
19	127-3056	4	Gasket-Sensor	39	93-0418	3	O-Ring
20	127-3069	1	Gasket-Idle, Shaft B	40	125-7197	2	O-Ring

Hydraulic Drive Assembly



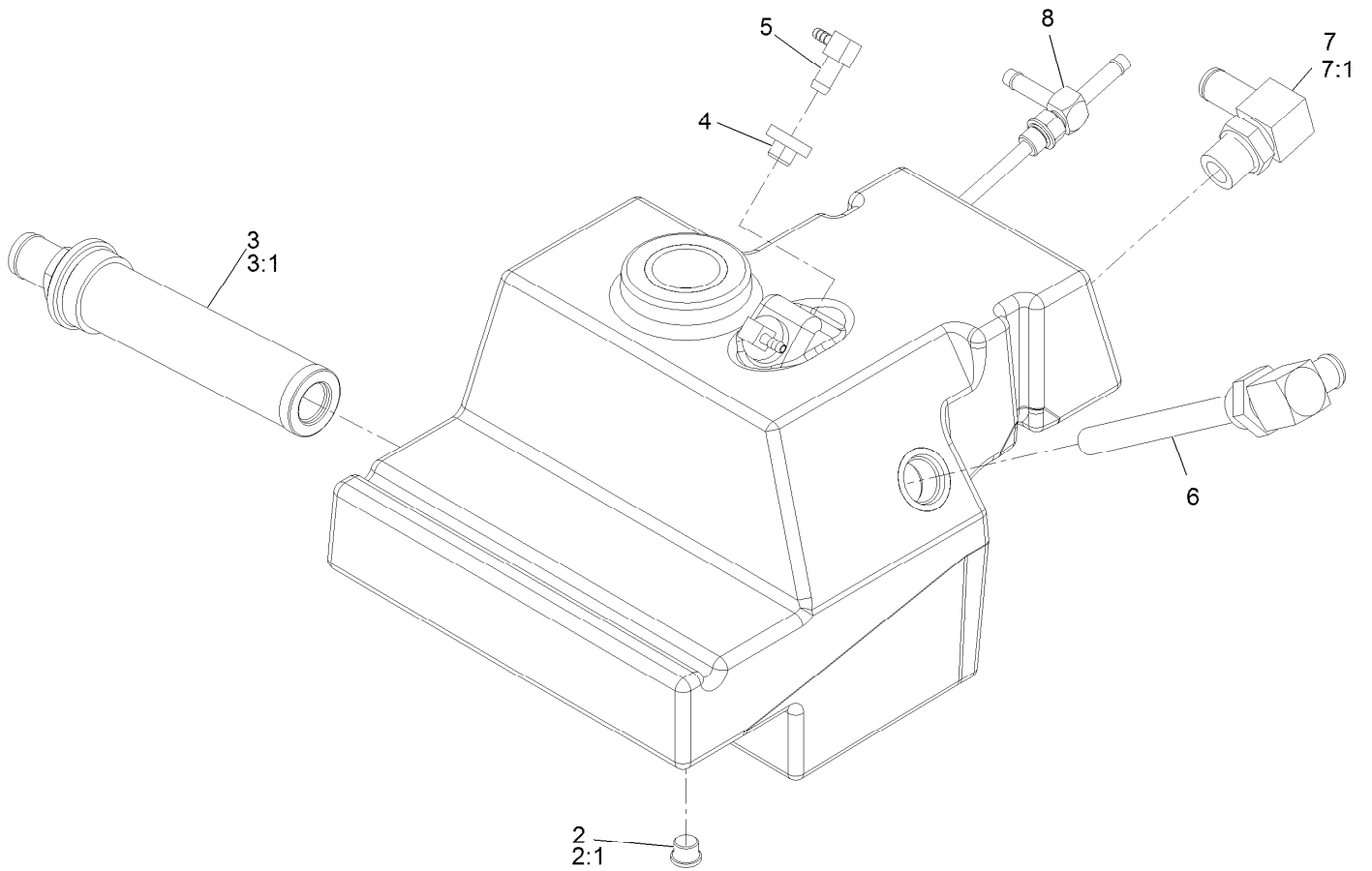
Hydraulic Drive Assembly (continued)

<i>Ref.</i>	<i>Part Number</i>	<i>Qty.</i>	<i>Description</i>	<i>Ref.</i>	<i>Part Number</i>	<i>Qty.</i>	<i>Description</i>
1	142-5034	1	HYD Reservoir ASM	34	340-7	1	Fitting-Straight
2	126-8133	1	Motor-HYD, RH	34:1	237-65	1	O-Ring
2:1	135-5333	1	5 Stud Wheel Hub Kit	34:2	237-80	1	O-Ring
3	126-8134	1	Motor-HYD, LH	35	340-4	1	Fitting-Straight
3:1	135-5333	1	5 Stud Wheel Hub Kit	35:1	237-30	1	O-Ring
4	340-155	8	Fitting-Straight	35:2	237-79	1	O-Ring
4:1	237-79	1	O-Ring	36	340-105	1	Fitting-Elbow, 90 DEG
4:2	237-151	1	O-Ring	36:1	237-80	1	O-Ring
5	126-8686	1	Hose ASM	36:2	237-30	1	O-Ring
6	126-8687	3	Hose ASM	37	103-1912	1	Adapter-Straight
7	126-8685	1	Hose ASM	37:1	237-42	1	O-Ring
8	126-8684	1	Hose ASM	38	353-987	1	Fitting-Elbow, 90
9	340-77	2	Fitting-Elbow, 90 DEG	38:1	237-81	1	O-Ring
9:1	237-22	1	O-Ring	39	87-8170	1	Fitting-90
9:2	237-42	1	O-Ring	39:1	237-80	1	O-Ring
10	135-1202-03	2	Plate-Motor	40	354-95	1	Fitting-Straight
11	325-19	8	Screw-HH 1/2-13 X 5	41	2412-98	4	Clamp-Hose
12	32128-49	16	Nut-Whizlock 1/2-13	42	68-6150	1	Breather
13	1-513435	8	Washer-Spring Disc 1/2	43	2412-129	4	Clamp-Hose
14	325-5	8	Screw-HH 1/2-13 X 1 1/4	44	2412-34	2	Clamp-Hose
15	142-2435	2	Plug-Magnetic	45	103-1988	3	Clamp-Hose 11/16
16	340-3	2	Fitting-Straight	46	126-7841	1	Lift Cylinder ASM
16:1	237-22	1	O-Ring	46:1	142-2767	1	Kit, CYL Repair ●
16:2	237-79	1	O-Ring	47	142-4922	1	Valve-Lift And Hold
17	135-3731	1	Tee Hose ASM	47:4		1	Solenoid Valve ASM ■
18	3290-378	2	Tie-Cable	47:4:1	110-8908	1	Spool Valve Seal Kit
19	126-6776	1	Hose	47:5		1	Valve-Counterbalance ■
20	126-6767	1	Hose-Return	47:5:1	114-5083	1	Seal Kit
21	126-6768	1	Hose-Return	48	3256-16	2	Washer-#12 Std
22	126-6778	1	Hose	49	321-19	2	Screw-HH
23	126-6766	1	Hose	50	32128-33	2	Nut-Whizlock 1/4-20
24	126-8688	1	Tube ASM	51	1-633396	1	Clip-Loom 5/8
25	126-8682	1	Hose ASM	52	104-8301	1	Nut-Nyloc 3/8-16 Flg
26	126-6774	1	Hose-Suction	53	126-8692	1	Fitting-HYD, Straight
27	32180-030	5	Clip-Tie	53:1	237-78	1	O-Ring
28	126-7547	1	Rod-Support, HYD Tank	53:2	237-21	1	O-Ring
29	126-7546	1	Rod-Support, HYD Tank	54	340-2	4	Fitting-Straight
30	104-8300	4	Nut-Nyloc 5/16-18 Flg	54:1	237-22	1	O-Ring
31	112-6365	1	Dipstick	54:2	237-42	1	O-Ring
32	94-8166	1	O-Ring	55	126-8683	1	Hose ASM
33	93-7498	1	Plug-Plastic				

● Not illustrated

■ Not serviced separately

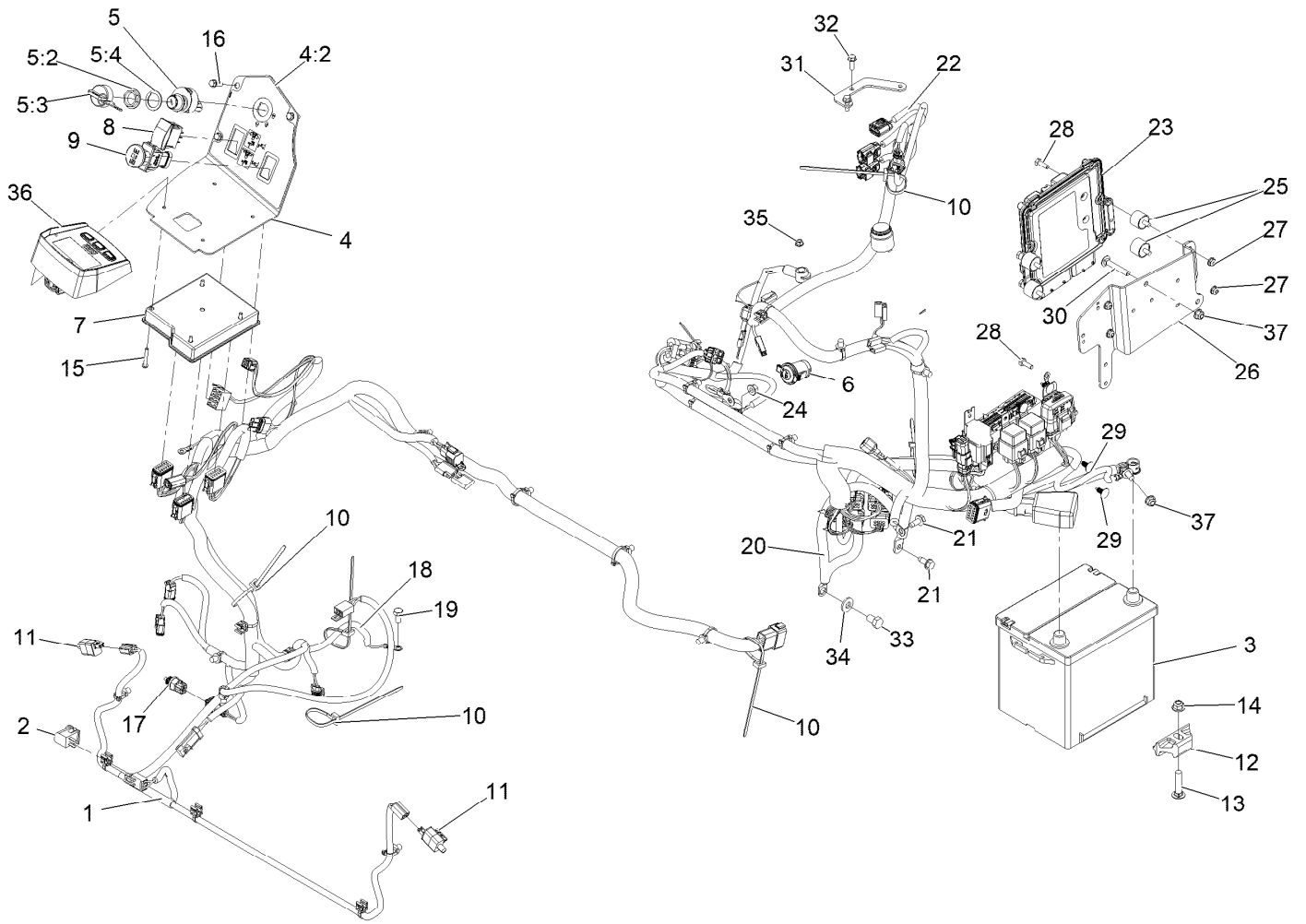
Hydraulic Reservoir Assembly



Hydraulic Reservoir Assembly (continued)

<i>Ref.</i>	<i>Part Number</i>	<i>Qty.</i>	<i>Description</i>	<i>Ref.</i>	<i>Part Number</i>	<i>Qty.</i>	<i>Description</i>
2	353-989	1	Plug-Hex, Hollow	5	104-5228	2	Fitting-Elbow, 90 DEG
2:1	237-42	1	O-Ring	6	126-6782	1	Fitting-Standpipe
3	104-7546	1	Tank Strainer ASM	7	353-987	1	Fitting-Elbow, 90
3:1	340-136	1	O-Ring	7:1	237-81	1	O-Ring
4	46-6560	2	Bushing	8	135-3740	1	Fitting-Tee, Drop Tube

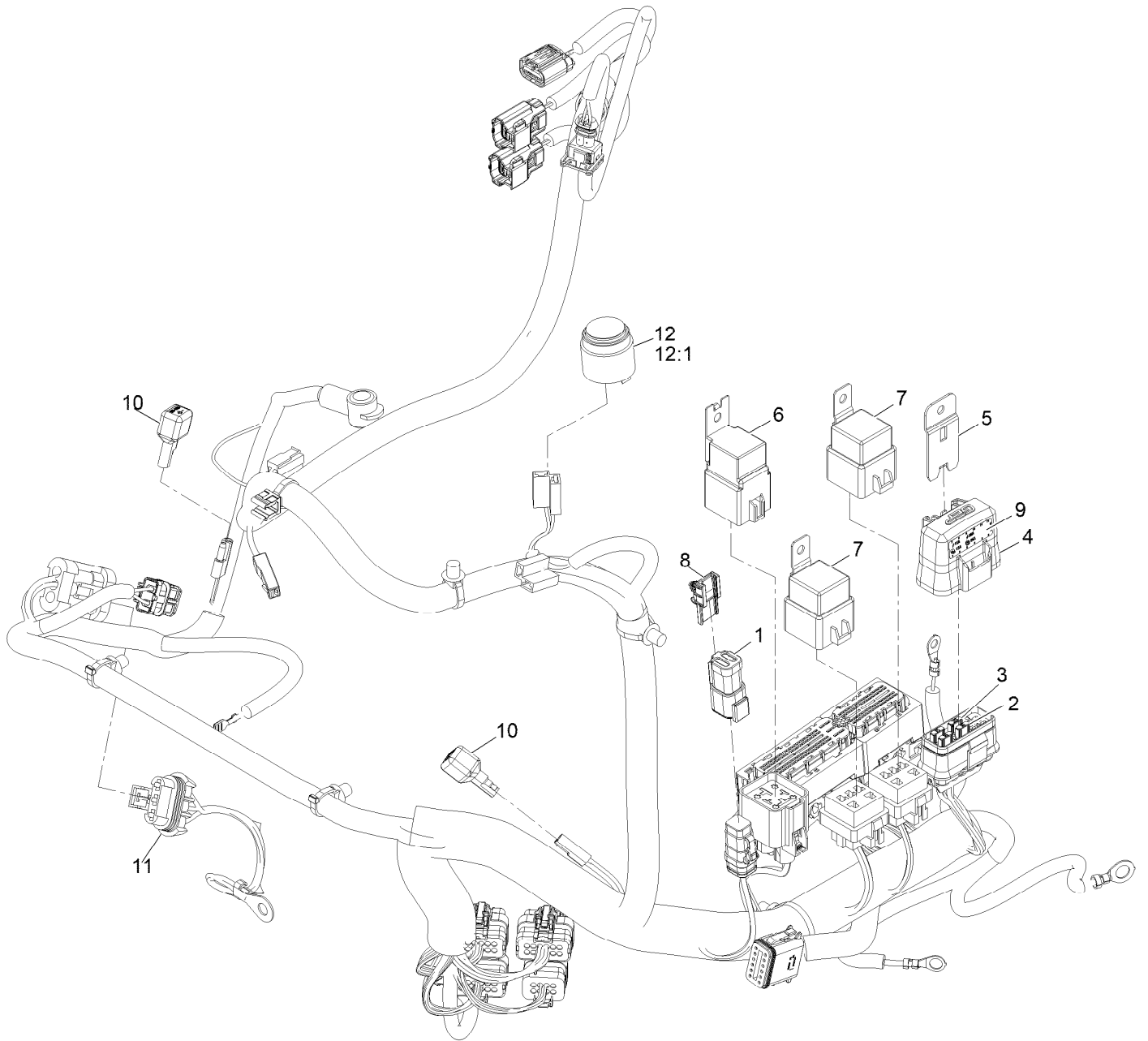
Electrical Assembly



Electrical Assembly (continued)

<i>Ref.</i>	<i>Part Number</i>	<i>Qty.</i>	<i>Description</i>	<i>Ref.</i>	<i>Part Number</i>	<i>Qty.</i>	<i>Description</i>
1	126-8269	1	Harness-Wire	17	126-7698	1	Sensor-Temperature
2	82-2190	1	Switch	18	135-3998	1	Harness-Wire, Jumper
3	106-5187	1	Battery, 525 CCA W/O Electrolyte	19	99-5132	1	Bolt
4	135-6161	1	Console ASM	20	126-7406	1	Cable-Battery
4:2	135-0398	1	Decal-Console	21	32144-70	2	Screw-HWH 5/16-18 X 3/4 Tf
5	126-6285	1	Ignition Switch ASM	22	142-7958	1	Harness-Wire, Yanmar
5:2	108-8660	1	Nut-Mounting	23	121-5592	1	Electronic Control Unit
5:3	106-5270	1	Ignition Key Set	24	127-2371	1	Nut-HF
5:4	108-8659	1	Washer-Backup	25	125-2674	4	Mount-Cylindrical
6	126-6499	1	Port-Power, 12V	26	126-8706-03	1	Mount-Control Unit, Engine
7	135-3427	1	Module-Mcu	27	104-7201	4	Nut-Nyloc 1/4-20 Flg
8	100-1535	1	Switch-Rocker, (On)-Off-(On)	28	321-4	4	Screw-HH 1/4-20 X 3/4
9	126-6187	1	Switch-PTO, Sealed	29	117-2382	4	Plug-Plastic
10	3290-378	6	Tie-Cable	30	3230-6	2	Bolt-Carriage 3/16-18 X 2
11	110-6765	2	Switch	31	135-0071	1	Bracket-Wiring, Engine
12	138-6335	1	Retainer-Battery	32	33103-020	2	Screw-HHF M6-1 X 20Mm
13	3231-5	1	Bolt-Carriage 3/8-16 X 1 3/4	33	33115-016	1	Screw-HH M10-1.5 X 16Mm
14	104-8301	1	Nut-Nyloc 3/8-16 Flg	34	98-5975	1	Washer-Spring Disc 3/8
15	126-5092	4	Screw-PPH	35	33003-00	1	Nut-Hex M6-1 Flg
16	32105-15	3	Screw-Machine 1/4-20 X 3/4	36	126-4232	1	Module, Ldu
				37	104-8300	4	Nut-Nyloc 5/16-18 Flg

Wire Harness Assembly



Wire Harness Assembly (continued)

<i>Ref.</i>	<i>Part Number</i>	<i>Qty.</i>	<i>Description</i>	<i>Ref.</i>	<i>Part Number</i>	<i>Qty.</i>	<i>Description</i>
1	32160-359	1	Connector (6M)	8	32180-103	1	Clip-Connector
2	121-8867	3	Fuse-Mini Blade, 15 Amp	9	126-9351	1	Decal-Fuse
3	121-8869	1	Fuse-Mini Blade, 25 Amp	10	100-4918	2	Diode
4	32180-176	1	Cover-Block, Fuse	11	99-3441	1	Harness-Wire, Fusible Link
5	32180-177	1	Clip-Mounting	12	80-9330	1	Audio Alarm ASM
6	127-7514	1	Relay-70A	12:1	104-5107	1	Nut-Plastic, Knurled
7	99-7430	2	Relay-Mini				

Notes:



MAXIMIZE THE PERFORMANCE OF YOUR EXMARK MACHINE.



EXMARK® PREMIUM ENGINE OIL

Exmark now offers a family of engine oil viscosities to perform well in any environment. Each viscosity has the same synthetic formulation to give you what you need in punishing conditions. We designed each grade to the highest quality, making it ideal even for diesel applications. Coupled with Exmark Premium Fuel Treatment, we have the performance products to make your machine hum.

EXMARK PREMIUM ENGINE OIL SAE 30/10W-30

- Meets zero shear requirements of a straight grade SAE 30 as well as the cold temp properties of a 10W-30.
- Most versatile oil in the industry.
- Superior corrosion protection over conventional oil - even in corrosive, humid environments.

EXMARK PREMIUM ENGINE OIL SAE 20W-50

- Perfect for your big block engine, or any application in severe service.
- Same full synthetic formulation as all other Exmark Premium viscosities.
- Also effective for use in severe service small block engines.

EXMARK PREMIUM ENGINE OIL SAE 10W-50

- Full synthetic formulation gives you peak performance. Don't settle for less.
- Wide span multi-grade combines easy starting in cold weather with maximum protection in high temperature operation.
- Reduce friction & wear over standard mineral formulations.

EXMARK PREMIUM ENGINE OIL SAE 0W-40

- The perfect choice for when the weather turns cold or unpredictable, and your Exmark UTV has to perform.
- Commercial quality for severe service.
- Advanced additive package helps prevent corrosion from long-term storage.

EXMARK PREMIUM ENGINE OIL UTV FORMULATION

- 4-cycle high-temp formulation.
- Heavier viscosity, full synthetic, perfect for your UTV.

EXMARK PREMIUM UTV EXTREME CONDITIONS GEAR OIL

- SAE 80W-90, designed to keep your UTV performing at its peak.
- Shear stable, hypoid gear lube.
- Includes a premium additive system to combat wear, oxidation, rust & corrosion.

Available from your local Exmark dealer. Find your closest dealer at exmark.com

EXMARK ACCESSORIES AND OPTIONS*

MID-MOUNT RIDING ACCESSORIES AND OPTIONS

CUSTOM RIDE SEAT SUSPENSION SYSTEM	OPERATOR CONTROLLED DISCHARGE
FULL SUSPENSION SEAT	SUN SHADE
DECK LIFT ASSIST KIT	TRASH CONTAINER
HITCH KIT	TURF STRIPER
LIGHT KIT	ULTRA VAC COLLECTION SYSTEM
12V POWER PORT	ULTRA VAC QUICK DISPOSAL SYSTEM
MICRO-MULCH SYSTEM	

OUT-FRONT RIDING ACCESSORIES AND OPTIONS

CUSTOM RIDE SEAT SUSPENSION SYSTEM	SNOW BLADE
DUAL-TAIL WHEEL	SNOWBLOWER
FLOOR PAN EXTENDER	SUN SHADE
HITCH KIT	TRASH CONTAINER
LIGHT KIT	ULTRA VAC COLLECTION SYSTEM
MICRO-MULCH SYSTEM	ULTRA VAC QUICK DISPOSAL SYSTEM
ROLL OVER PROTECTION SYSTEM (ROPS)	WEATHER CAB

WALK-BEHIND ACCESSORIES AND OPTIONS

GRASS CATCHER	TURF STRIPER
MICRO-MULCH SYSTEM	STANDON

*Some accessories and options not available for some models.

Place Model No. and Serial No.
Label Here (Included in the Literature
Pack) or Fill in Below

Model No. _____

Serial No. _____

Date Purchased _____

Engine Model No. and Spec. No. _____

Engine Serial No. (E/No) _____

© 2022 Exmark Mfg. Co., Inc.
415 Industrial Row
Beatrice, NE 68310
All Rights Reserved

Part No. 4505-779 Rev. B
(402) 223-6375
Fax (402) 223-5489
Printed in the USA.

