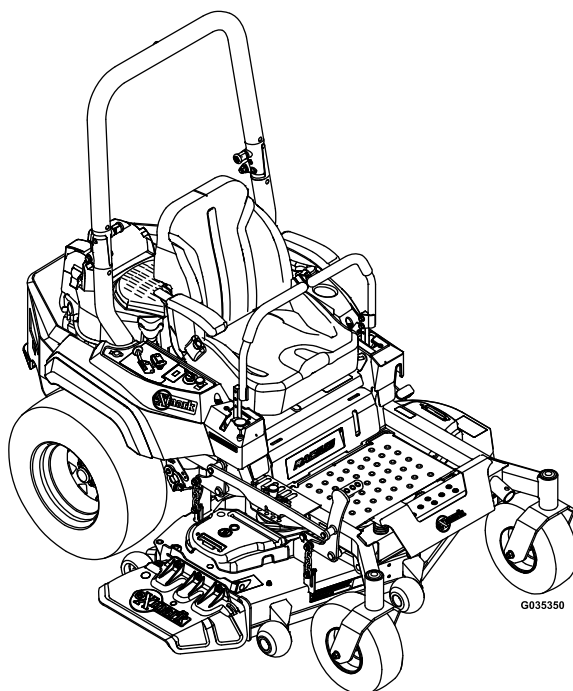




RADIUS® E-SERIES

Model No. RAE708GEM44300—Serial No. 411294212 and Up

Picture below may not reflect actual product.



Parts Manual

Ordering Replacement Parts

To order replacement parts, please supply the part number, the quantity, and the description of each part desired.

Understanding Reference Numbers

Each identified part in an illustration has a reference number. The reference number for a part also appears in the parts list, along with other information about the part.

This catalog uses two special reference number formats, one to indicate parts in a service assembly and another to indicate the quantity of a given part in an illustration.

Service Assembly Reference Numbers

Parts in service assemblies have reference numbers in the form a:b. The a represents the reference number of the entire service assembly and the b represents a sequential number unique to each part within the service assembly.

For example, a wheel assembly might be identified by reference number 6, the tire by 6:1, the valve by 6:2, and the wheel by 6:3. When you order the assembly identified by reference number 6, you receive all parts identified by reference numbers 6:1, 6:2, and 6:3. However, you may also order any part individually. Reference numbers of this type appear in illustration and in parts lists.

Reference Numbers Indicating Quantity

In an illustration, if a reference number indicates more than one part, the reference number has the form nX y. The n represents the quantity of the part, the X is the multiplication symbol, and the y represents the reference number.

For example, in an illustration, the reference number 2X 37 means that two of the parts identified by reference number 37 are indicated.

Touch Up Paint

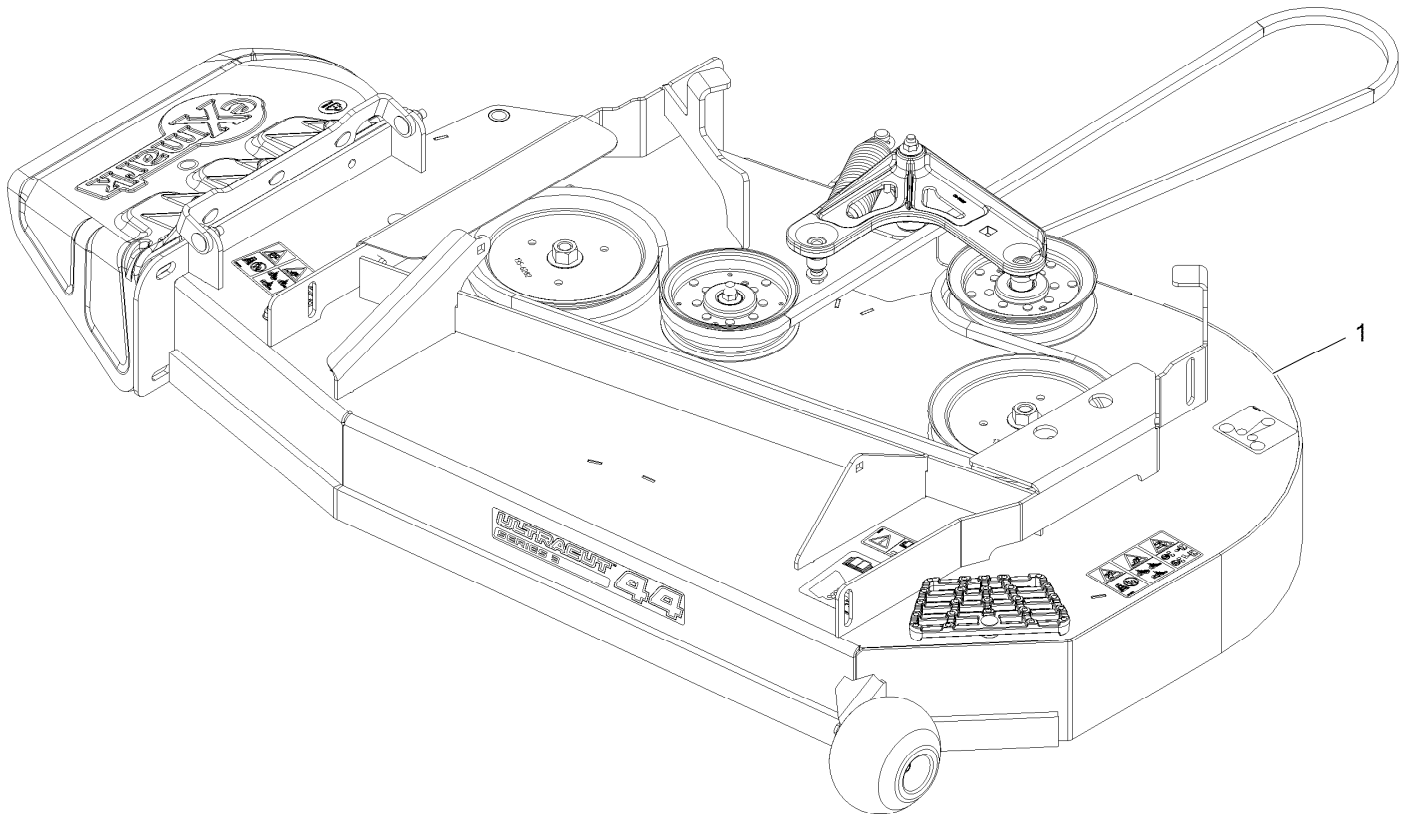
Exmark black touch up spray paint – gloss black.

Exmark red touch up paint (spray paint – P/N 1-850337 - .6 oz liquid bottle – P/N 103-9140).

Contents

Complete Deck Assembly	4
Deck Assembly	6
Deck W/Decals Assembly	8
Idler Arm Assembly No. 126-0976	10
Main Frame Assembly	12
Roll-Over Protection System Assembly	14
Caster Tire Assembly	16
Caster Fork Assembly	18
Caster Wheel Assembly No. 120-2251	20
Deck Lift Assembly	22
Deck Strut Assembly	24
Control Panel Assembly	26
Motion Control Assembly	28
LH and RH Motion Control Assembly	30
Rear Wheel Assembly	32
Seat Assembly	34
Seat Assembly (Continued)	36
Fuel Assembly	38
Fuel Tank Assembly	40
Engine Assembly	42
Fuel System Assembly	44
Carburetor Assembly	46
Air Intake and Filtration Assembly	48
Ignition and Cooling Fan Assembly	50
Crankcase and Crankshaft Assembly	52
Governor Control Assembly	54
Piston and Cylinder Head Assembly	56
Blower Housing Assembly	58
Gasket and Seal Kit	60
Transaxle Assembly	62
Left Transaxle Assembly	64
Right Transaxle Assembly	66
Electrical Assembly	68
Harness Assembly No. 126-5803	70

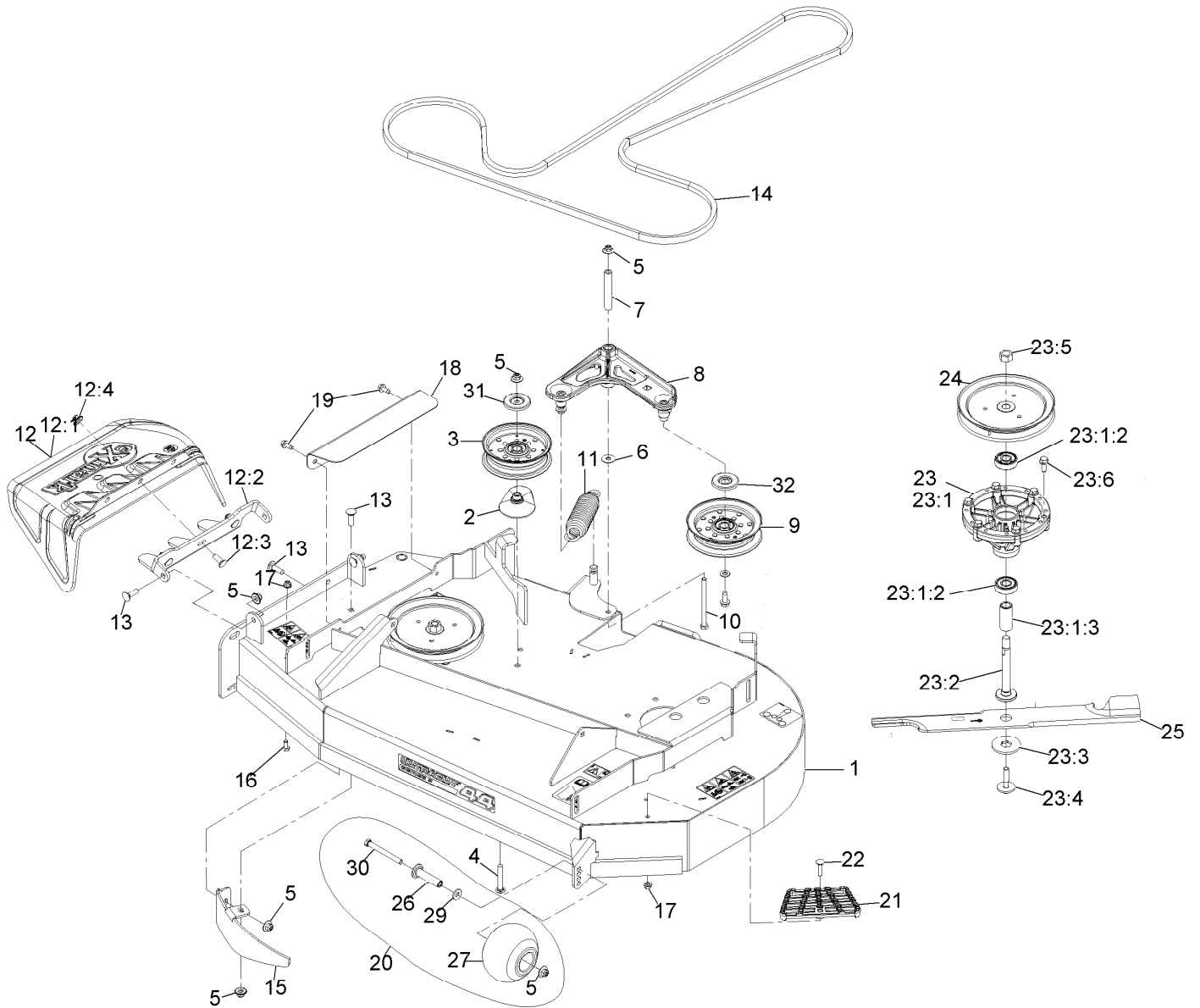
Complete Deck Assembly



Complete Deck Assembly (continued)

<i>Ref.</i>	<i>Part Number</i>	<i>Qty.</i>	<i>Description</i>
1	135-5603	1	Deck ASM

Deck Assembly



Deck Assembly (continued)

<i>Ref.</i>	<i>Part Number</i>	<i>Qty.</i>	<i>Description</i>	<i>Ref.</i>	<i>Part Number</i>	<i>Qty.</i>	<i>Description</i>
1	135-5605	1	Deck ASM	21	126-4781-03	1	Step-Deck
2	109-2872	1	Spacer-Pulley	22	3230-3	1	Bolt-Carriage 5/16-18 X 1 1/4
3	126-9197	1	Idler-Pulley, Flat 5.00X1.31	23	126-4630	2	ASM, Cutter Housing Complete
4	3231-44	1	Bolt-Carriage 3/8-16 X 2 1/2	23:1	126-4627	1	ASM-Cutter Housing
5	109-6658	7	Nut-Nyloc 3/8-16 Flg	23:1:2	116-4004	2	Bearing
6	52-2860	1	Washer	23:1:3	116-4876	1	Spacer-Bearing
7	116-5111	1	Bushing	23:2	109-7431	1	Spindle-Hex Pilot □
8	126-0976	1	Idler Arm ASM	23:3	126-4530	1	Washer-Hex Blade Drive
9	126-9196	1	Idler-Pulley, Flat	23:4	116-0005	1	Bolt-Blade, Sem ■ ○
10	323-38	1	Screw-HH 3/8-16 X 4 3/4	23:5	3219-6	1	Nut-Hex 5/8-18 ▲
11	116-6317	1	Spring-Extension	23:6	126-1696	6	Screw-HWHTF
12	109-7188	1	ASM,Discharge Chute	24	135-6282	2	Sheave- Blade Drive
12:1	109-2738	1	Chute, Discharge	25	116-1037	2	Blade-Notched, 22.25
12:2	109-8675-01	1	Bracket,Discharge Chute	25	116-1047	2	Blade-Mulch, 22.25 ◆
12:3	3231-22	3	Bolt-Carriage 3/8-16 X 1	25	116-5606	2	Blade-Extreme 2, 22.25" ●
12:4	109-6658	3	Nut-Nyloc 3/8-16 Flg	25	135-7023	2	Blade-Solid ●
13	3231-25	4	Bolt-Carriage 3/8-16 X 1 1/4	26	116-8131	1	Axle, Roller
14	1-413093	1	Belt, Deck Drive	27	103-8415	1	Roller-Anti-Scalp
15	135-5615-01	1	Dogleg [red]	29	98-5975	1	Washer-Spring Disc 3/8
16	322-2	1	Screw-HH 5/16-18 X 5/8	30	116-9362	1	Screw-HH 3/8-16 X 3 3/4 GR 8
17	104-8300	2	Nut-Nyloc 5/16-18 Flg	31	126-8043	1	Shield-Dust
18	116-2828-01	1	Cover,Belt	32	126-9195	1	Shield-Guard, Dust
19	32144-70	2	Screw-HWH 5/16-18 X 3/4 Tf				
20	116-9981	1	Kit, Anti-Scalp Roller				

● Optional Equipment

▲ Torque to 75-85 ft-lb

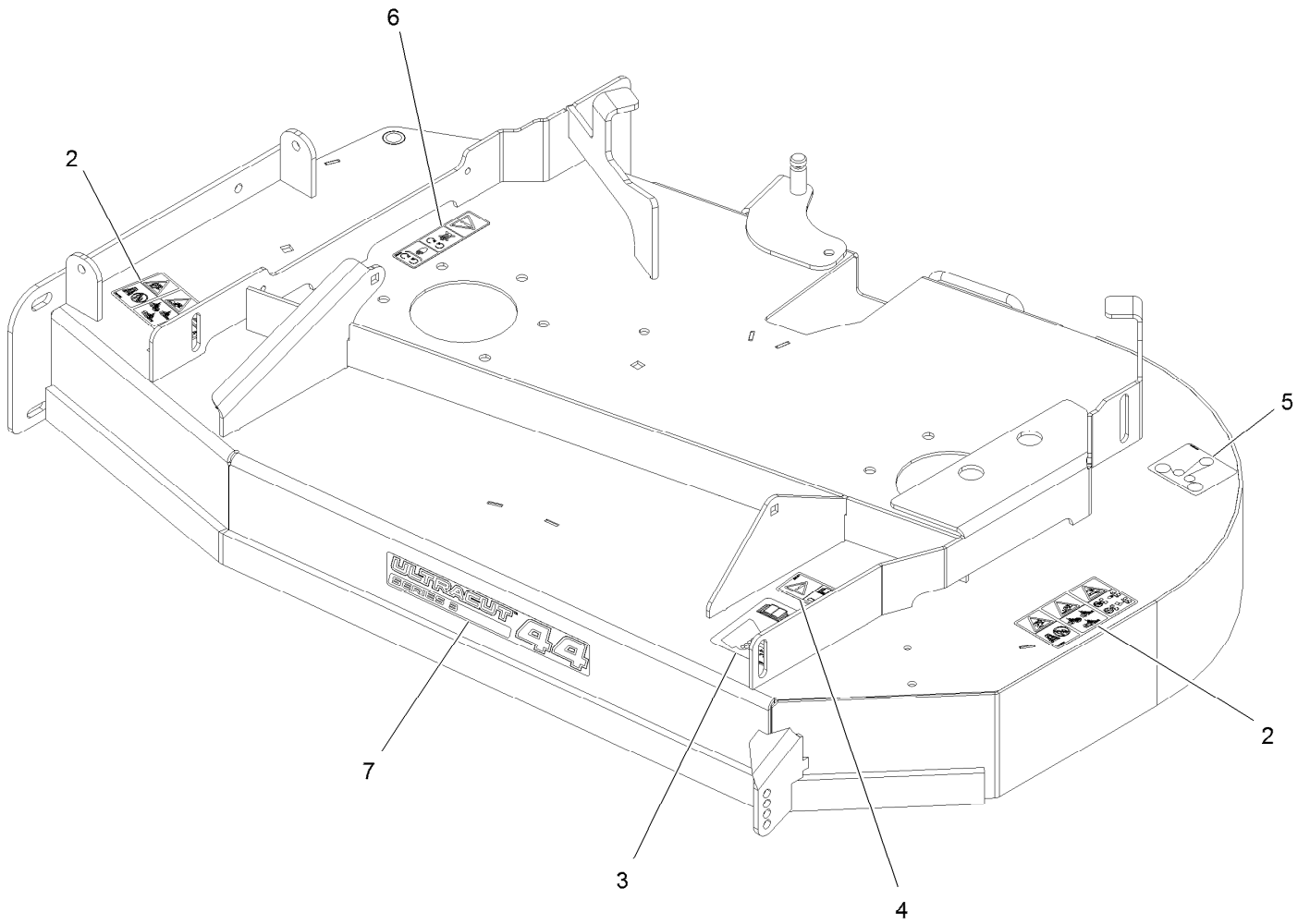
◆ Requires installation of mulch kit for proper mulching. See your Exmark dealer for details.

□ Apply Mobil HTS grease (P/N 103-5217 1.5 oz packet) (or a food-grade anti-seize) to spindle shaft

○ Apply lubricant to threads as needed to prevent seizing. Copper based anti-seize preferable. Grease is an acceptable substitute.

■ Torque to 50-60 ft-lb

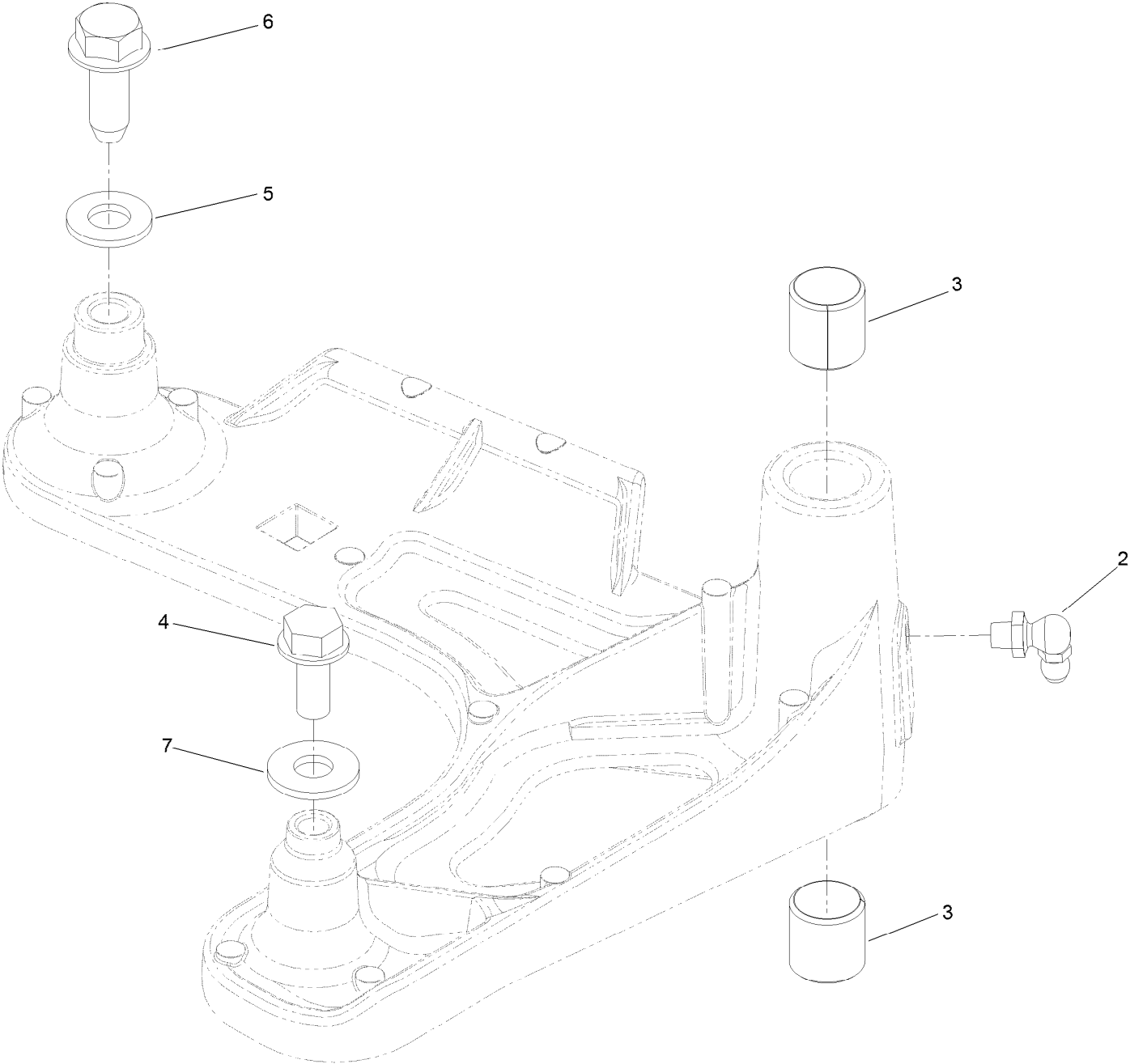
Deck W/Decals Assembly



Deck W/Decals Assembly (continued)

<i>Ref.</i>	<i>Part Number</i>	<i>Qty.</i>	<i>Description</i>	<i>Ref.</i>	<i>Part Number</i>	<i>Qty.</i>	<i>Description</i>
2	126-6464	2	Decal-Danger Thrown Objects	5	109-6014	1	Decal-Routing, Belt
3	109-6036	1	Decal-Roller, Anti-Scalp	6	112-9028	1	Decal-Cover, Missing
4	116-8283	1	Decal-Torque, Bolt	7	135-3311	1	Decal-Ultracut 44 Series 3

Idler Arm Assembly No. 126-0976

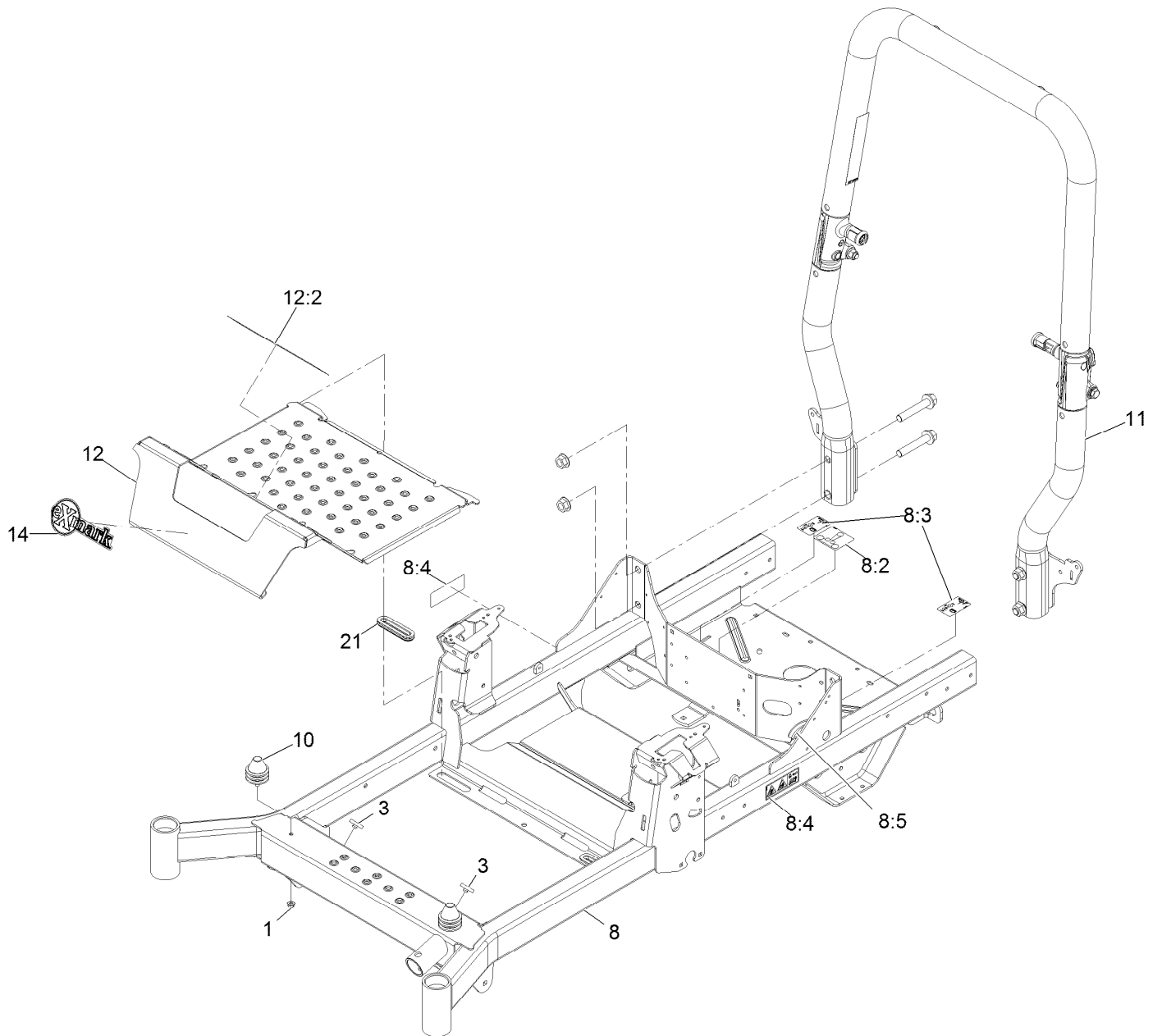


Idler Arm Assembly No. 126-0976 (continued)

<i>Ref.</i>	<i>Part Number</i>	<i>Qty.</i>	<i>Description</i>
2	302-40	1	Fitting-Grease, 90 DEG
3	1-513034	2	Sleeve-Bearing
4	32144-11	1	Screw-HWH

<i>Ref.</i>	<i>Part Number</i>	<i>Qty.</i>	<i>Description</i>
5	3256-24	1	Washer-Flat
6	126-1696	1	Screw-HWHTF
7	3256-3	1	Washer-Flat

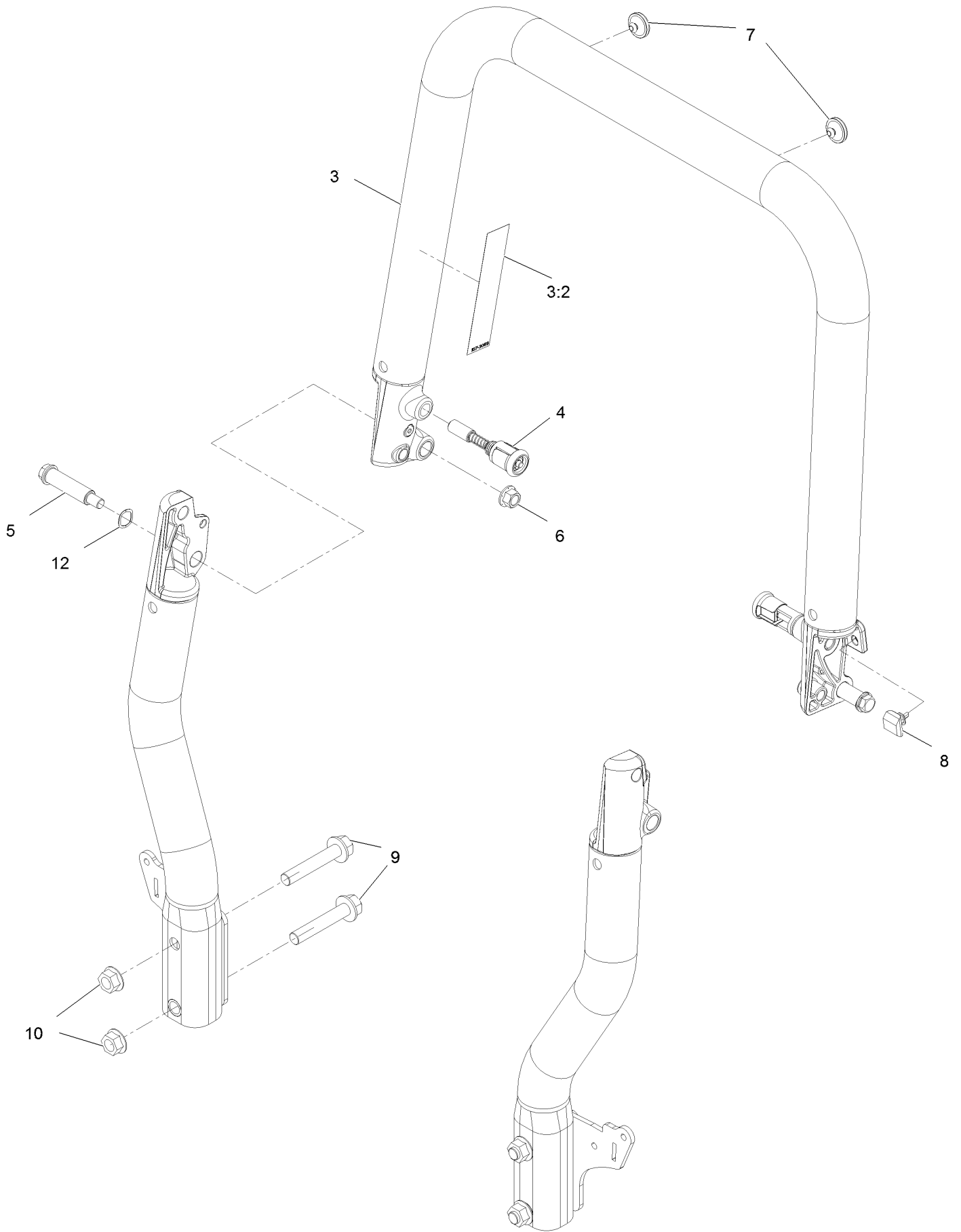
Main Frame Assembly



Main Frame Assembly (continued)

<i>Ref.</i>	<i>Part Number</i>	<i>Qty.</i>	<i>Description</i>	<i>Ref.</i>	<i>Part Number</i>	<i>Qty.</i>	<i>Description</i>
1	104-8300	2	Nut-Nyloc 5/16-18 Flg	10	126-5491	2	Isolator
3	109-9233	2	Bumper-Push-In, Rubber	11	126-9525	1	ASM-ROPS Tapered
8	126-4699	1	Frame ASM	12	126-5872	1	Pan-Floor
8:2	109-6014	1	Decal-Routing, Belt	12:2	126-8383	1	Decal-Danger
8:3	116-8588	2	Decal-Release, Drive	14	126-8819	1	Decal-Exmark Logo
8:4	126-4363	2	Decal-Warning	21	126-7065	2	Grommet-Rubber
8:5	127-6618	1	Strip-Seal				

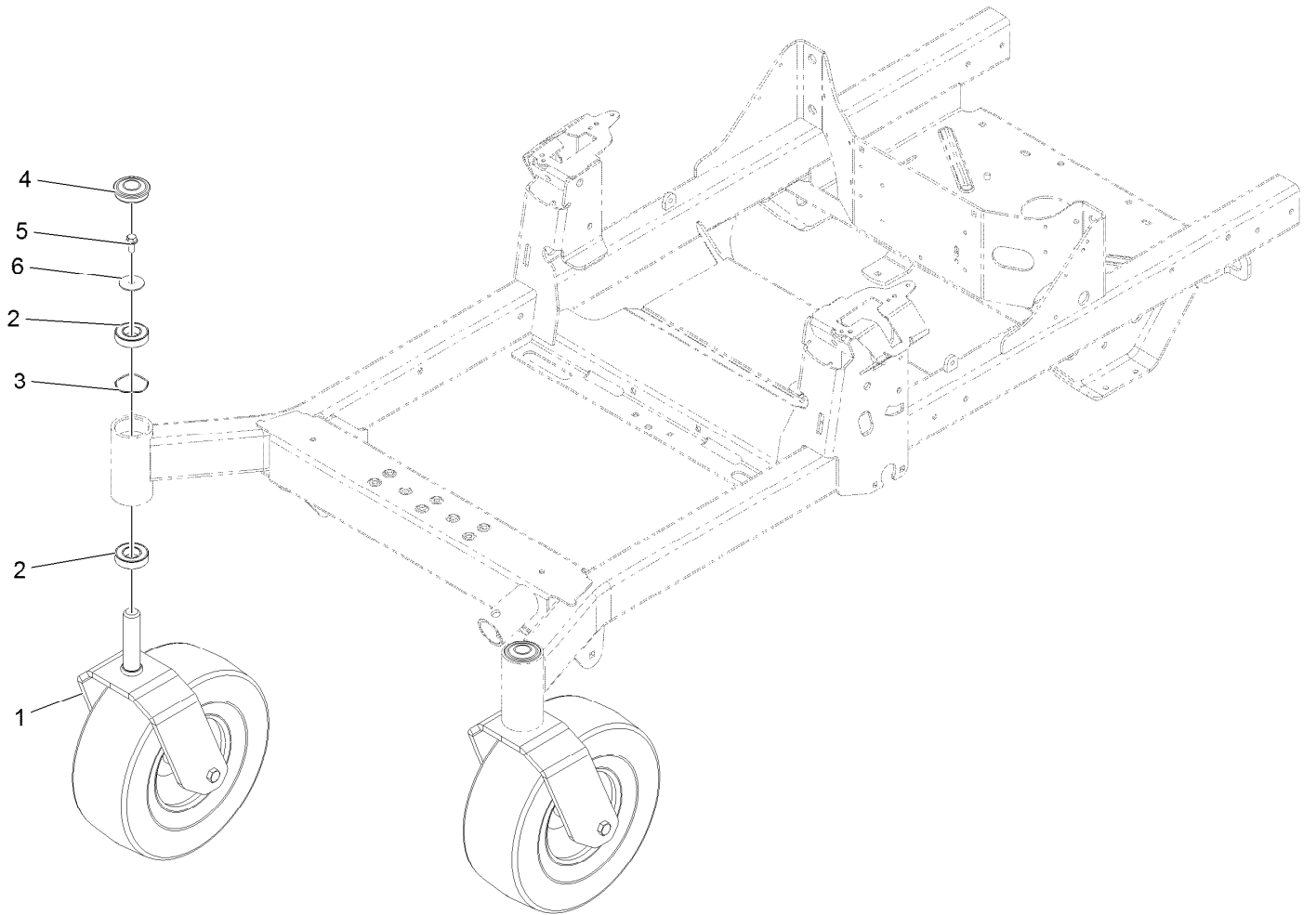
Roll-Over Protection System Assembly



Roll-Over Protection System Assembly (continued)

<i>Ref.</i>	<i>Part Number</i>	<i>Qty.</i>	<i>Description</i>	<i>Ref.</i>	<i>Part Number</i>	<i>Qty.</i>	<i>Description</i>
3	126-7838	1	Top Tube ASM	7	135-0504	2	Bumper-ROPS
3:2	107-3069	1	Decal-Warning	8	126-9966	2	Bumper-ROPS
4	116-0104	2	Pin-Spring	9	126-9488	4	Screw-HHF
5	126-9209	2	Bolt-Shoulder	10	32128-50	4	Nut-Flange
6	99-5107	2	Nut-Lock	12	119-4164	2	Washer-Wave

Caster Tire Assembly

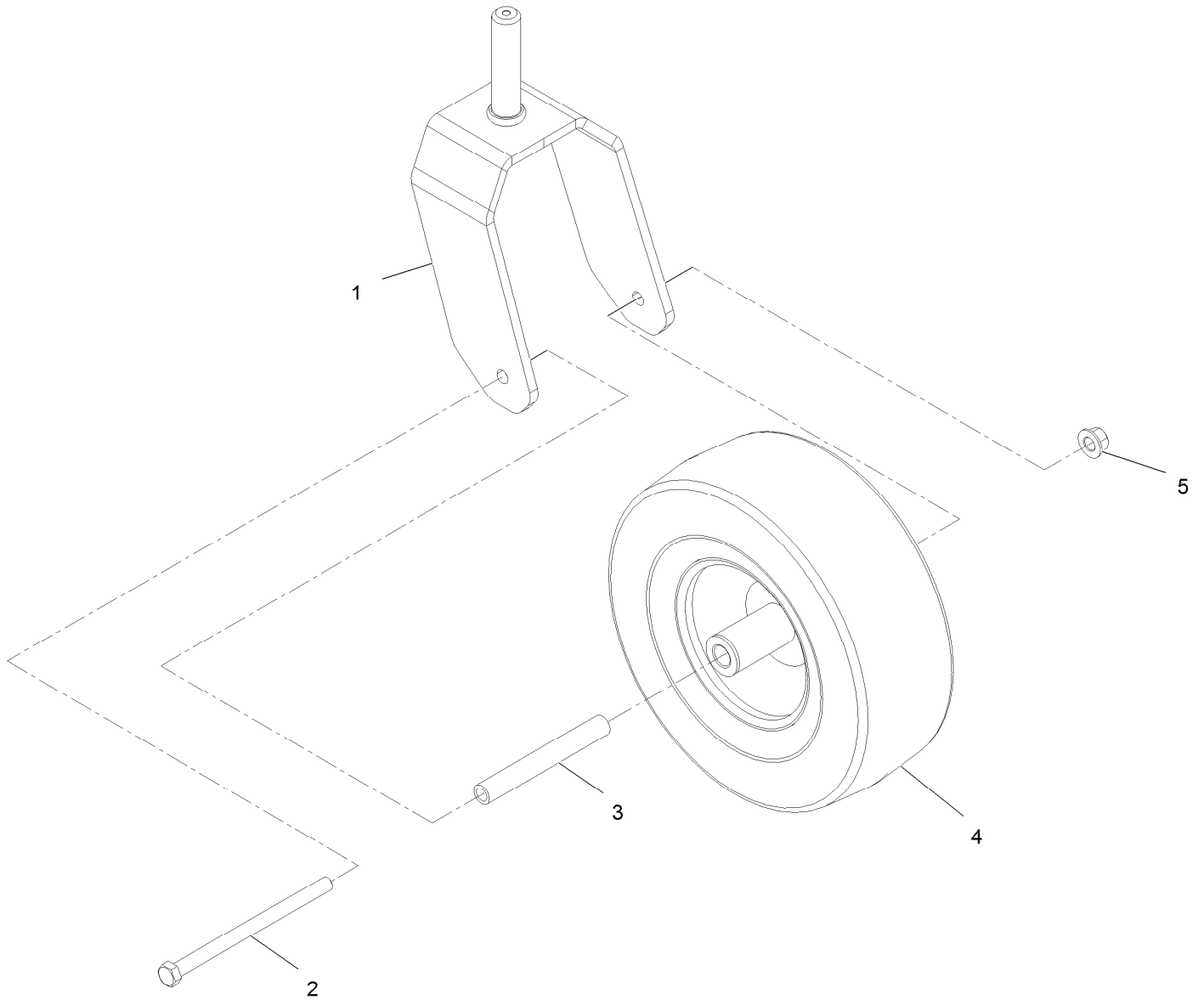


Caster Tire Assembly (continued)

<i>Ref.</i>	<i>Part Number</i>	<i>Qty.</i>	<i>Description</i>	<i>Ref.</i>	<i>Part Number</i>	<i>Qty.</i>	<i>Description</i>
1		2	ASM-Front Caster W/ Fork ●	4	116-4348	2	Cap-Grease
2	109-3678	4	Bearing-Ball	5	3234-5	2	Screw-HH Flg 5/16-18 X 3/4
3	126-5897	2	Spring	6	3256-68	2	Washer-Flat

● Not serviced separately

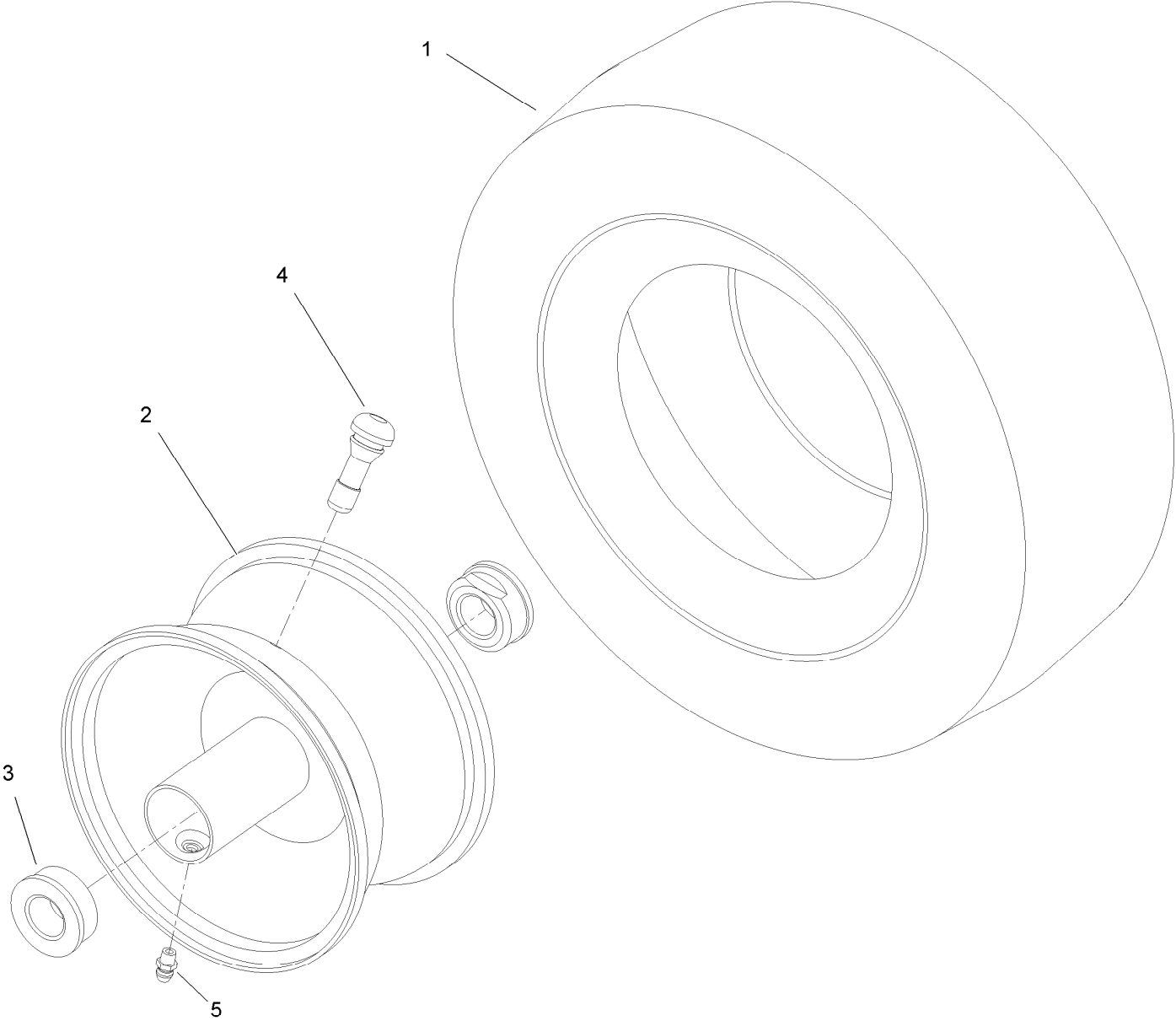
Caster Fork Assembly



Caster Fork Assembly (continued)

<i>Ref.</i>	<i>Part Number</i>	<i>Qty.</i>	<i>Description</i>	<i>Ref.</i>	<i>Part Number</i>	<i>Qty.</i>	<i>Description</i>
1	135-5112-01	1	Caster-Fork	4	120-2251	1	Tire And Wheel ASM
2	325-36	1	Screw-HH	5	99-5107	1	Nut-Lock
3	119-3475	1	Spanner				

Caster Wheel Assembly No. 120-2251

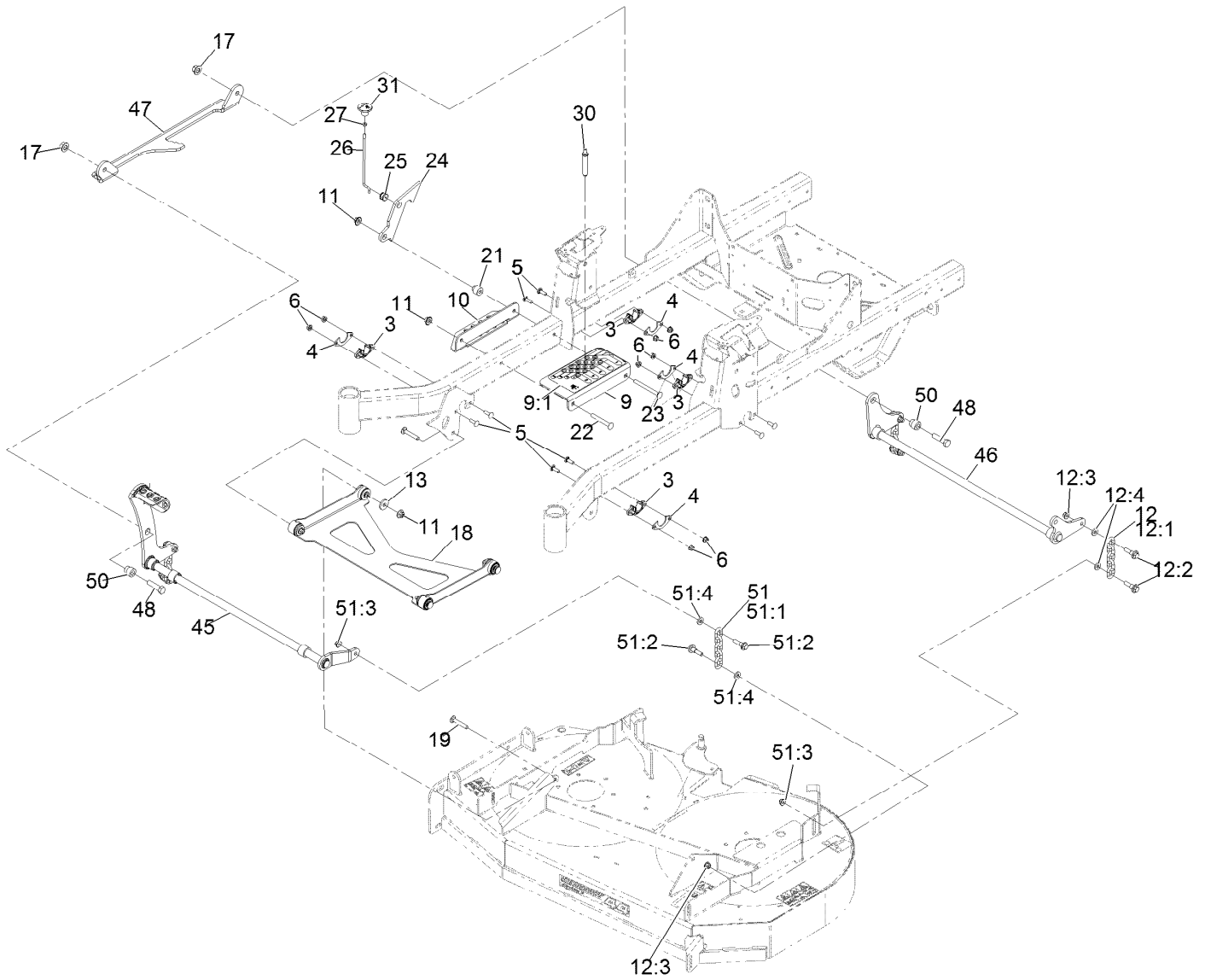


Caster Wheel Asembly No. 120-2251 (continued)

<i>Ref.</i>	<i>Part Number</i>	<i>Qty.</i>	<i>Description</i>	<i>Ref.</i>	<i>Part Number</i>	<i>Qty.</i>	<i>Description</i>
1	120-2252	1	Tire-13 Inch Smooth	4	232-27	1	Stem-Valve
2		1	Rim-6 Inch ●	5	302-5	1	Fitting-Grease
3	114-1640	2	Bushing-Flange				

● Not serviced separately

Deck Lift Assembly



Deck Lift Assembly (continued)

<i>Ref.</i>	<i>Part Number</i>	<i>Qty.</i>	<i>Description</i>	<i>Ref.</i>	<i>Part Number</i>	<i>Qty.</i>	<i>Description</i>
3	115-5065	4	Bushing-Flange	22	3231-42	1	Bolt-Carriage 3/8-16 X 3
4	116-2887	4	Gusset-Lift, Deck	23	135-0313	1	Screw-CARR
5	3230-22	8	Bolt-Carriage 5/16-18 X 1 Sp	24	126-5222	1	Plate-Lock, Transport
6	104-8300	8	Nut-Nyloc 5/16-18 Flg	25	126-5593	1	Grommet
9	126-4535	1	Bracket ASM	26	126-5223	1	Rod-Lock, Transport
9:1	126-4784	1	Decal-HOC	27	3218-1	1	Nut-Jam 1/4-20
10	126-4640-03	1	Angle-HOC, Lower	30	126-5401	1	Pin-HOC
11	109-6658	4	Nut-Nyloc 3/8-16 Flg	31	126-7019	1	Knob
12	126-8877	2	Deck Chain ASM	45	135-5083-03	1	Shaft-Decklift Front
12:1	1-633447	1	Chain-Lift, Deck	46	135-5081-03	1	Shaft-Decklift Rear
12:2	130-0742	2	Bolt-Shoulder	47	135-5079-03	1	Link-Decklift
12:3	104-8301	2	Nut-Nyloc 3/8-16 Flg	48	325-8	2	Screw-HH 1/2-13 X 1 1/4
12:4	43-0940	2	Spacer	50	135-5617	2	Spacer-Stepped
13	1-373034	2	Washer	51	135-7215	2	Deck Chain ASM
17	99-5107	2	Nut-Lock 1/2-13	51:1	1-633447	1	Chain-Lift, Deck
18	126-8365	1	Deck Strut ASM	51:2	130-0742	2	Bolt-Shoulder
19	3231-7	2	Bolt-Carriage 3/8-16 X 2 1/4	51:3	104-8301	2	Nut-Nyloc 3/8-16 Flg
21	126-5221	1	Spacer-Stepped	51:4	43-0940	2	Spacer

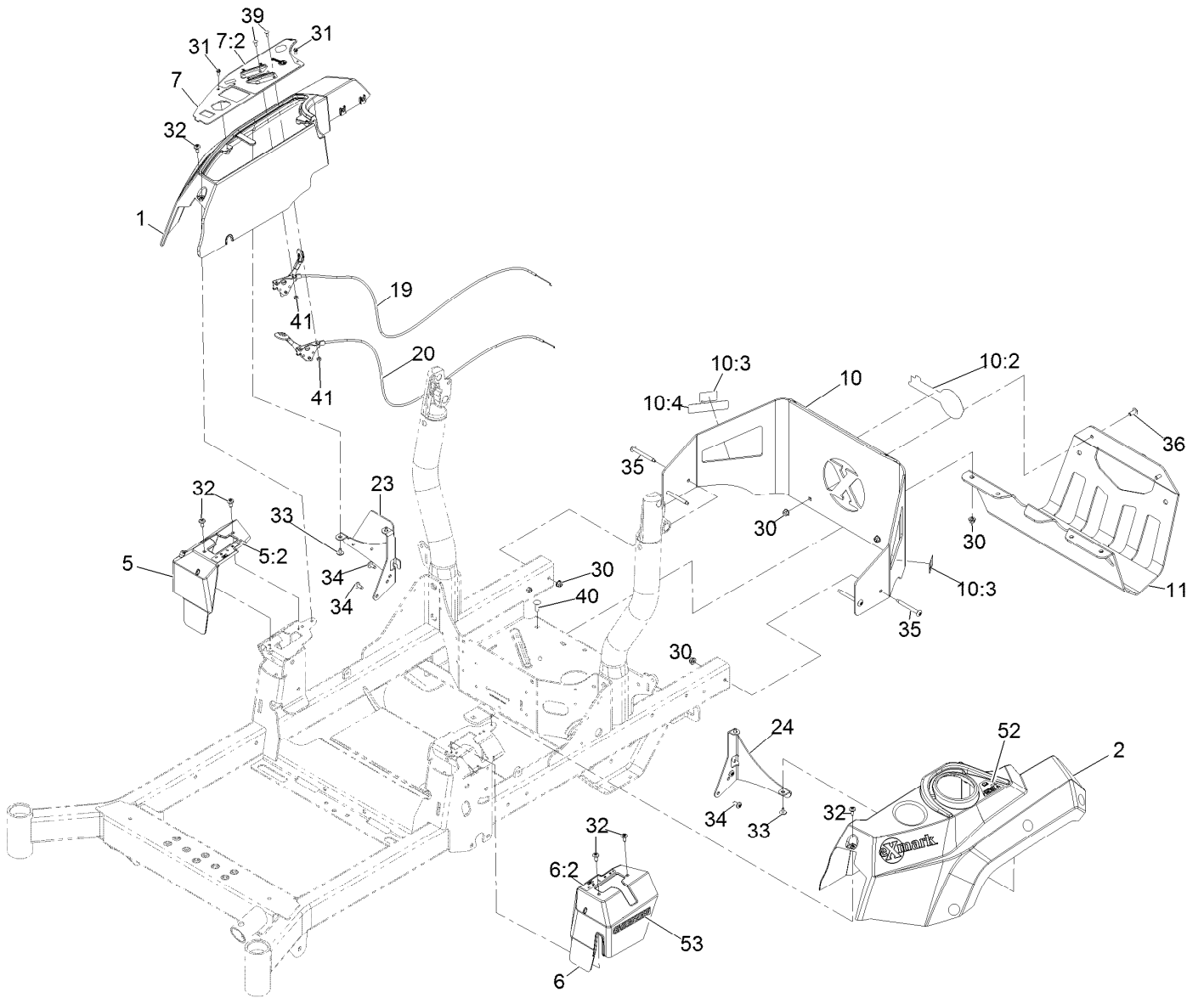
Deck Strut Assembly



Deck Strut Assembly (continued)

<i>Ref.</i>	<i>Part Number</i>	<i>Qty.</i>	<i>Description</i>	<i>Ref.</i>	<i>Part Number</i>	<i>Qty.</i>	<i>Description</i>
2	126-8360	4	Bushing-Rubber, Suspension	4	3231-7	2	Screw-CARR
3	108-6544	4	Spacer	5	2844	2	Washer
				6	104-8301	2	Nut-HF, NI

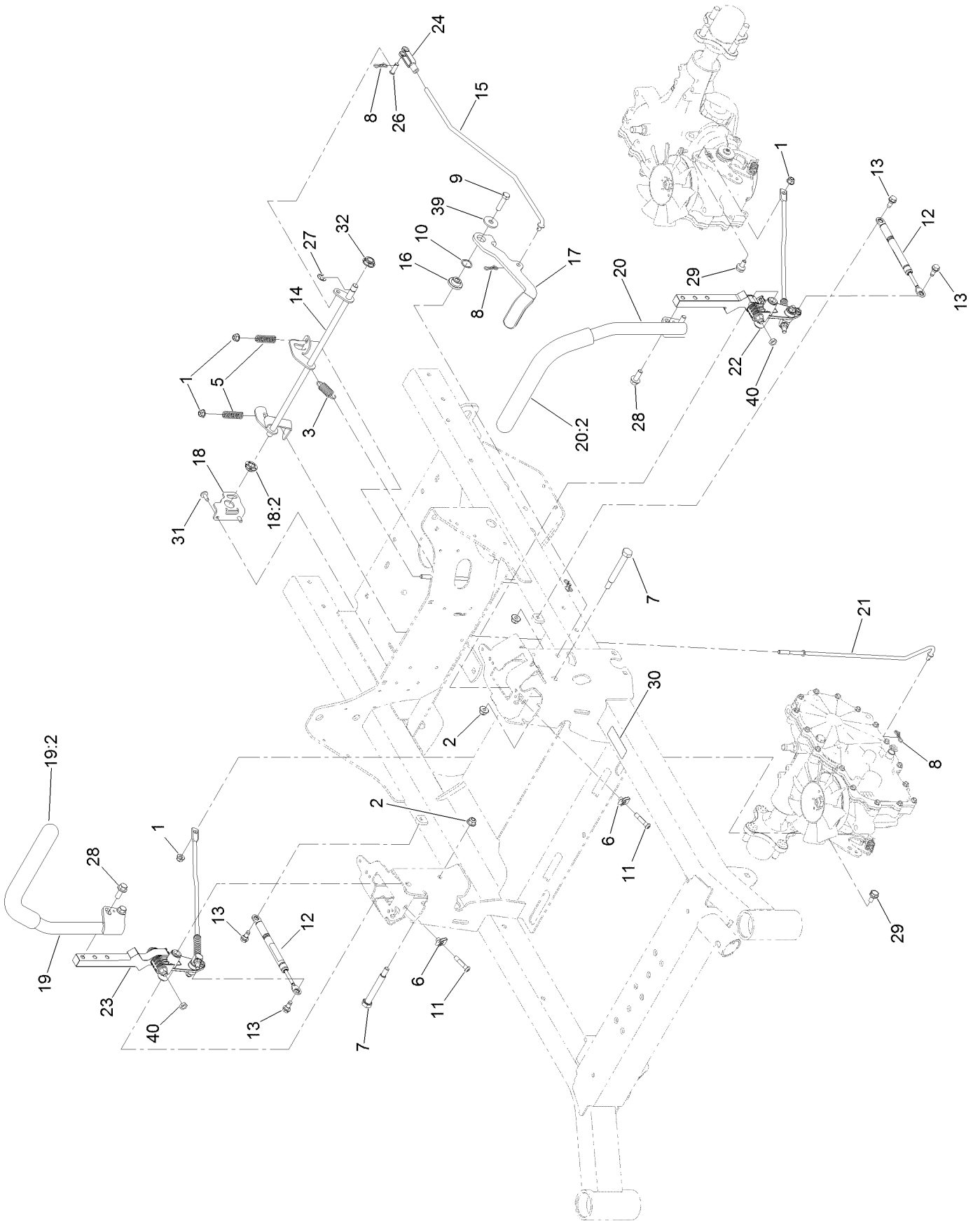
Control Panel Assembly



Control Panel Assembly (continued)

<i>Ref.</i>	<i>Part Number</i>	<i>Qty.</i>	<i>Description</i>	<i>Ref.</i>	<i>Part Number</i>	<i>Qty.</i>	<i>Description</i>
1	126-6025	1	Console, RH	30	104-8300	8	Nut-Nyloc 5/16-18 Flg
2	126-6026	1	Console, LH	31	117-5036	2	Screw-HWH #10-14 X 1/2
5	126-7371	1	Cover-Control, Motion (RH)	32	120-7950	6	Screw-1/4-20 X 1/2 Tf Torx Plus
5:2	126-6183	1	Decal-Control, Motion (RH)	33	126-5544	4	Screw-HWH #10-14 X 1/2 Torx
6	126-7372	1	Cover-Control, Motion (LH)	34	126-6266	4	Screw-1/4-20 X .65 Torx Plus
6:2	126-6194	1	Decal-Control, Motion (LH)	35	126-6267	4	Screw-Truss HD 5/16-18 X 2 3/4 Torx Plus
7	135-7845	1	ASM-Control Panel W/Exmark Decal	36	126-6268	2	Screw-Truss HD 5/16-18 X 3/4 Torx Plus
7:2	135-7816	1	Decal-Control Panel	39	1-807513	4	Bolt-Carriage #10-24 X 1/2
10	126-7802	1	Rear Guard ASM	40	3230-22	2	Bolt-Carriage 5/16-18 X 1 Sp
10:2	126-6877	1	Decal, Exmark Logo	41	3296-2	4	Nut-Nyloc #10-24
10:3	106-5517	2	Decal-Warning	52	126-9939	1	Decal-Fill, Fuel
10:4	133-8062	1	Decal-Arrestor, Spark	53	126-9295	2	Decal-E-Series
11	135-5084-03	1	Guard-Muffler [black]				
19	126-6945	1	Cable-Control, Choke				
20	126-6944	1	Cable-Control, Throttle				
23	126-9945	1	Support-Console, RH				
24	126-5532-03	1	Bracket-Console, LH				

Motion Control Assembly

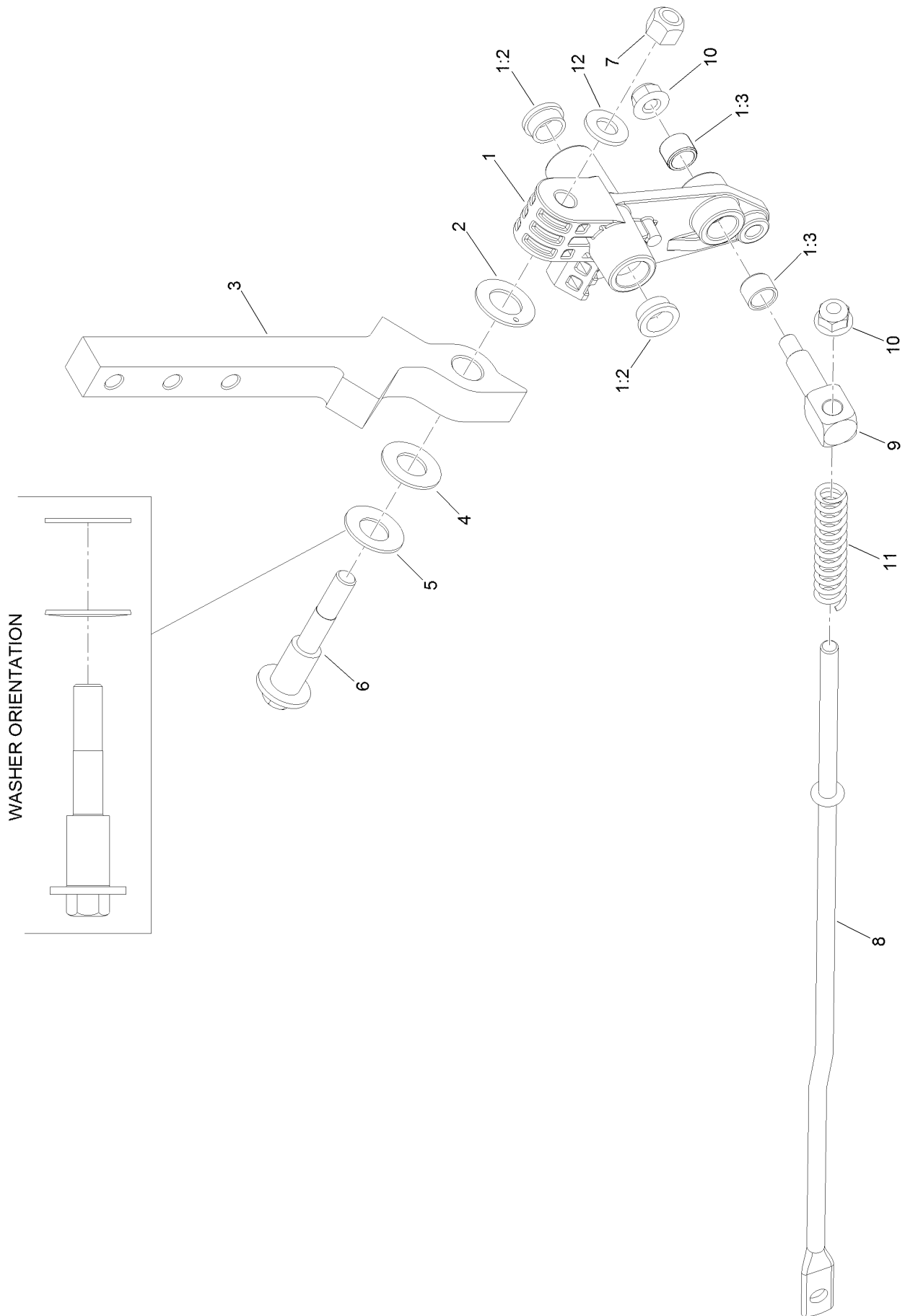


Motion Control Assembly (continued)

<i>Ref.</i>	<i>Part Number</i>	<i>Qty.</i>	<i>Description</i>	<i>Ref.</i>	<i>Part Number</i>	<i>Qty.</i>	<i>Description</i>
1	104-8300	4	Nut-HF, NI	19	126-9191	1	RH Control Handle ASM
2	104-8301	3	Nut-HF, NI	19:2	126-7359	1	Grip
3	107-1045	1	Spring-Extension	20	126-9192	1	LH Control Handle ASM
5	109-7694	2	Spring-Compression	20:2	126-7359	1	Grip
6	112-3306	2	Nut	21	126-7217	2	Linkage-Brake, Lower
7	115-5099	2	Bolt-Pivot	22		1	LH Motion Control ASM ●
8	119-1415	4	Pin-Cotter, Locking	23		1	RH Motion Control ASM ●
9	323-8	1	Screw-HH	24	1-303105	1	Yoke-Adjustable
10	119-4164	1	Washer-Wave	26	1-808280	1	Pin-Clevis
11	126-4299	2	Screw-HSBH	27	32120-47	1	Ring-Retaining, External
12	126-4322	2	Damper	28	3234-42	4	Screw-HHF
13	126-4424	4	Screw-Shoulder	29	37-8771	2	Bolt-Shoulder, HF
14	126-5813	1	Shaft-Brake	30	115-9625	1	Decal-Brake, Parking
15	126-5819	1	Linkage-Brake, Upper	31	126-6266	2	Screw-Tph
16	126-5989	1	Pivot-Flange	32	126-5820	1	Bearing-Spherical
17	126-9490	1	Lever-Brake (With Grip)	39	2844	1	Washer
18	126-6456	1	Bracket-Brake	40	3218-3	2	Nut-Jam
18:2	126-5820	1	Bearing-Spherical				

● Not serviced separately

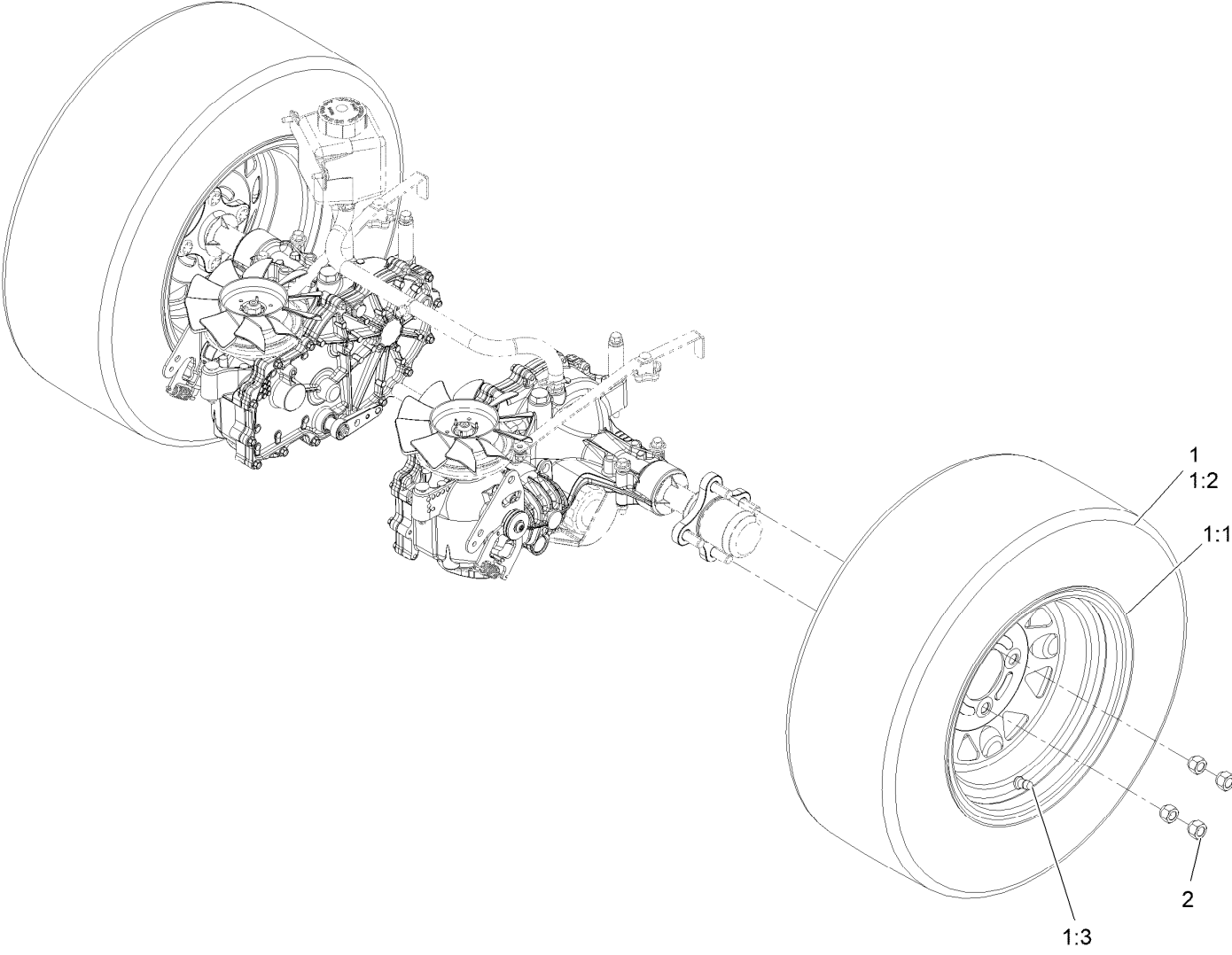
LH and RH Motion Control Assembly



LH and RH Motion Control Assembly (continued)

<i>Ref.</i>	<i>Part Number</i>	<i>Qty.</i>	<i>Description</i>	<i>Ref.</i>	<i>Part Number</i>	<i>Qty.</i>	<i>Description</i>
1	126-3773	1	Control Arm ASM	6	117-1198	1	Bolt-Pivot
1:2	126-8909	2	Bushing	7	32152-2	1	Nut-Lock, Cone
1:3	1-413152	2	Bushing-Sleeve	8	126-5435	1	Link-Control
2	126-7296	1	Washer-Friction	9	126-5434	1	Swivel
3	126-8182	1	Arm-Control	10	104-8300	2	Nut-HF, NI
4	117-1240	1	Washer	11	126-8195	1	Spring-Return, Neutral
5	119-8925	1	Washer-Belleville	12	3256-24	1	Washer-Flat

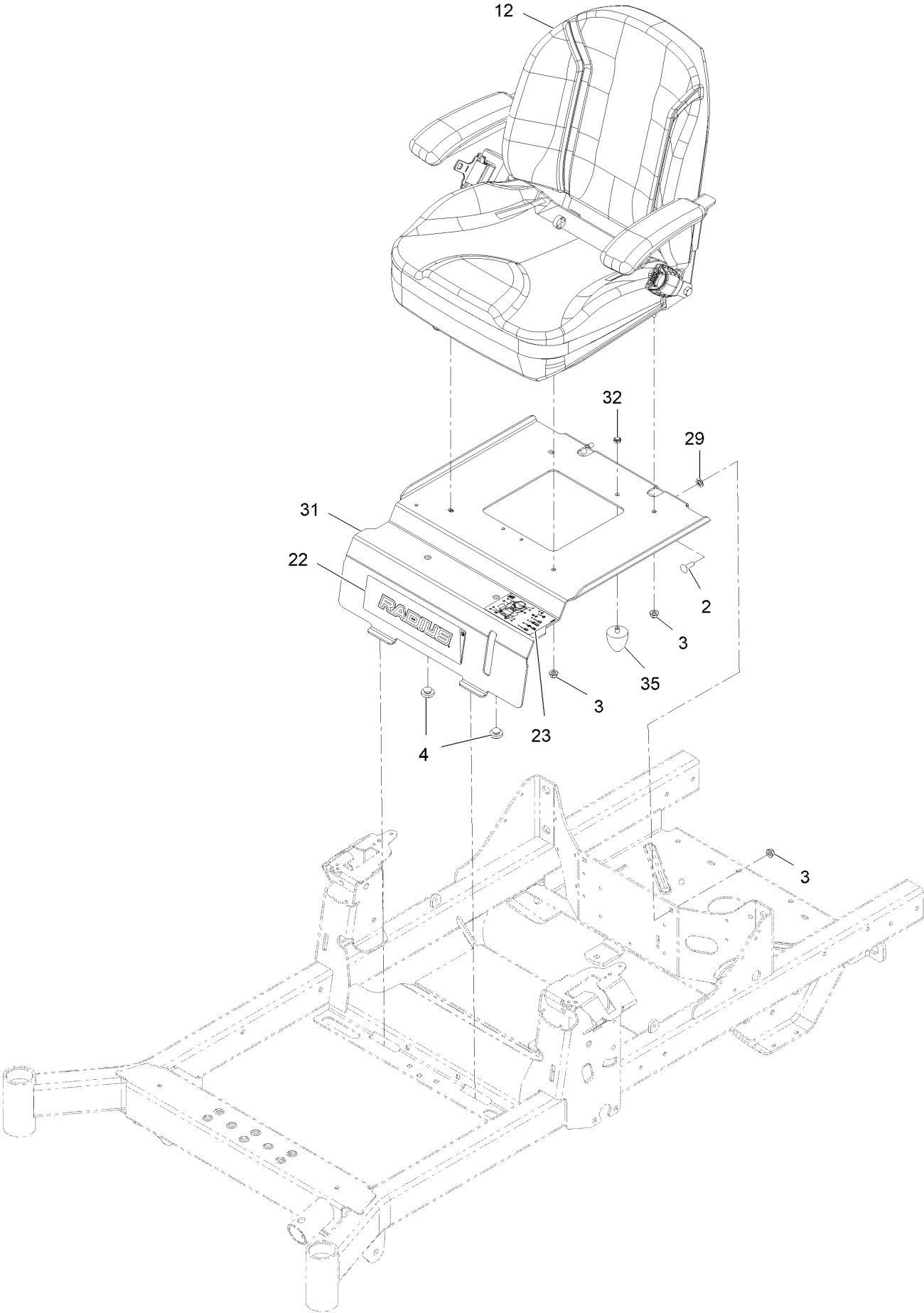
Rear Wheel Assembly



Rear Wheel Assembly (continued)

<i>Ref.</i>	<i>Part Number</i>	<i>Qty.</i>	<i>Description</i>	<i>Ref.</i>	<i>Part Number</i>	<i>Qty.</i>	<i>Description</i>
1	142-4260	2	Wheel And Tire ASM	1:3	5108	1	Valve
1:1	142-4256	1	Wheel	2	242-50	8	Nut-Lug 1/2-20
1:2	142-4281	1	Tire				

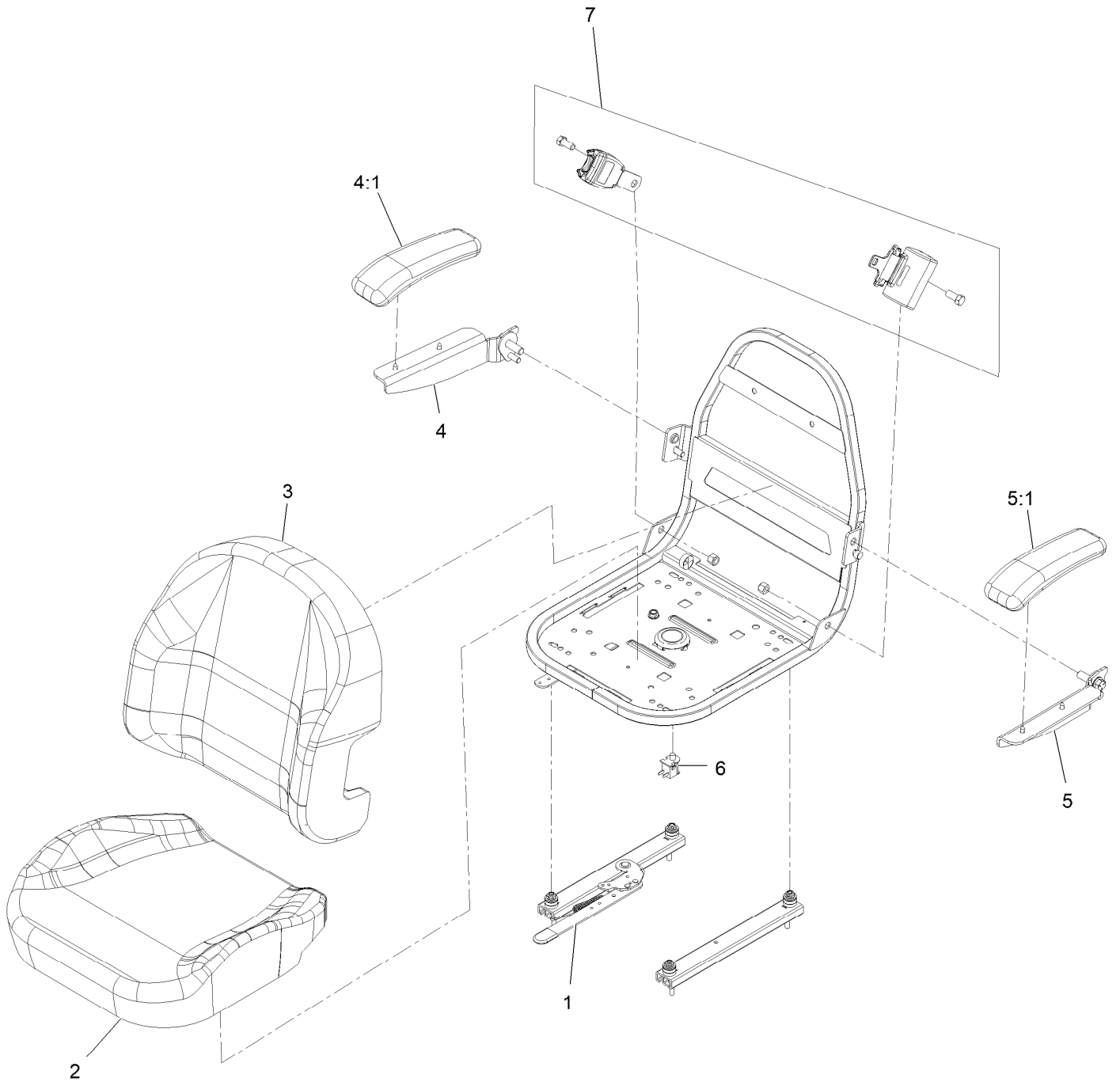
Seat Assembly



Seat Assembly (continued)

<i>Ref.</i>	<i>Part Number</i>	<i>Qty.</i>	<i>Description</i>	<i>Ref.</i>	<i>Part Number</i>	<i>Qty.</i>	<i>Description</i>
2	3230-22	2	Bolt-Carriage 5/16-18 X 1 Sp	23	126-8151	1	Decal-Aid, Service
3	104-8300	6	Nut-Nyloc 5/16-18 Flg	29	135-7125	2	Washer-Retaining
4	135-0505	2	Bumper-Seat	31	135-6017-03	1	Plate-Fixed Seat [black]
12	142-8123	1	ASM-Seat Exmark	32	3296-47	1	Nut-Nyloc 5/16-18 Thin
22	126-9082	1	Decal-Radius Logo	35	135-7047	1	Bumper-Rubber

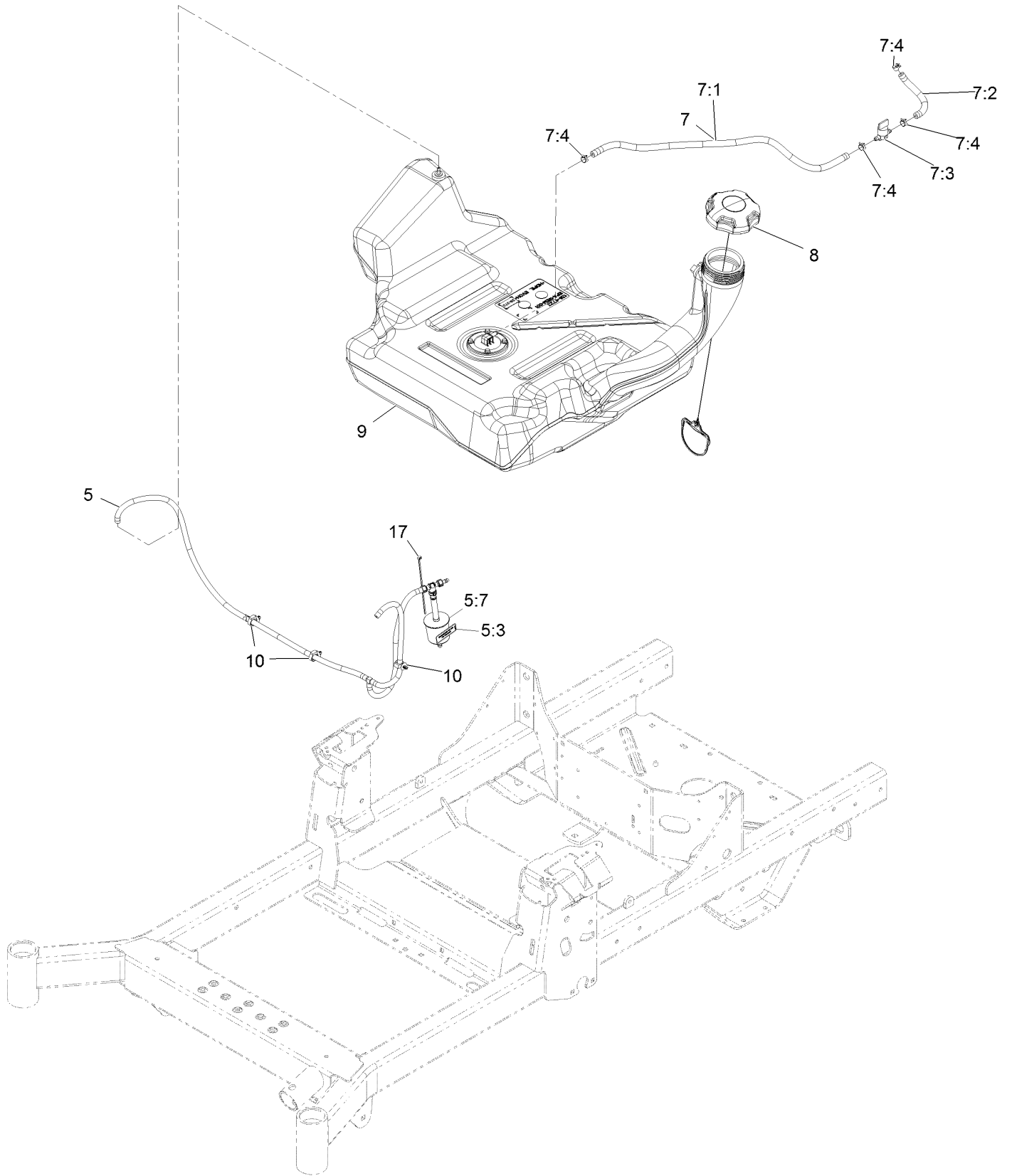
Seat Assembly (Continued)



Seat Assembly (Continued) (continued)

<i>Ref.</i>	<i>Part Number</i>	<i>Qty.</i>	<i>Description</i>	<i>Ref.</i>	<i>Part Number</i>	<i>Qty.</i>	<i>Description</i>
1	142-8312	1	ASM-Track	5	121-3660	1	LH Arm Rest Kit
2	142-8311	1	Cushion-Seat Bottom	5:1	110-4163	1	Cushion-Rest, Arm
3	142-8310	1	Cushion-Seat Back Exmark	6	82-2190	1	Switch
4	121-3658	1	RH Arm Rest Kit	7	126-7355	1	Kit-Seat Belt
4:1	110-4163	1	Cushion-Rest, Arm				

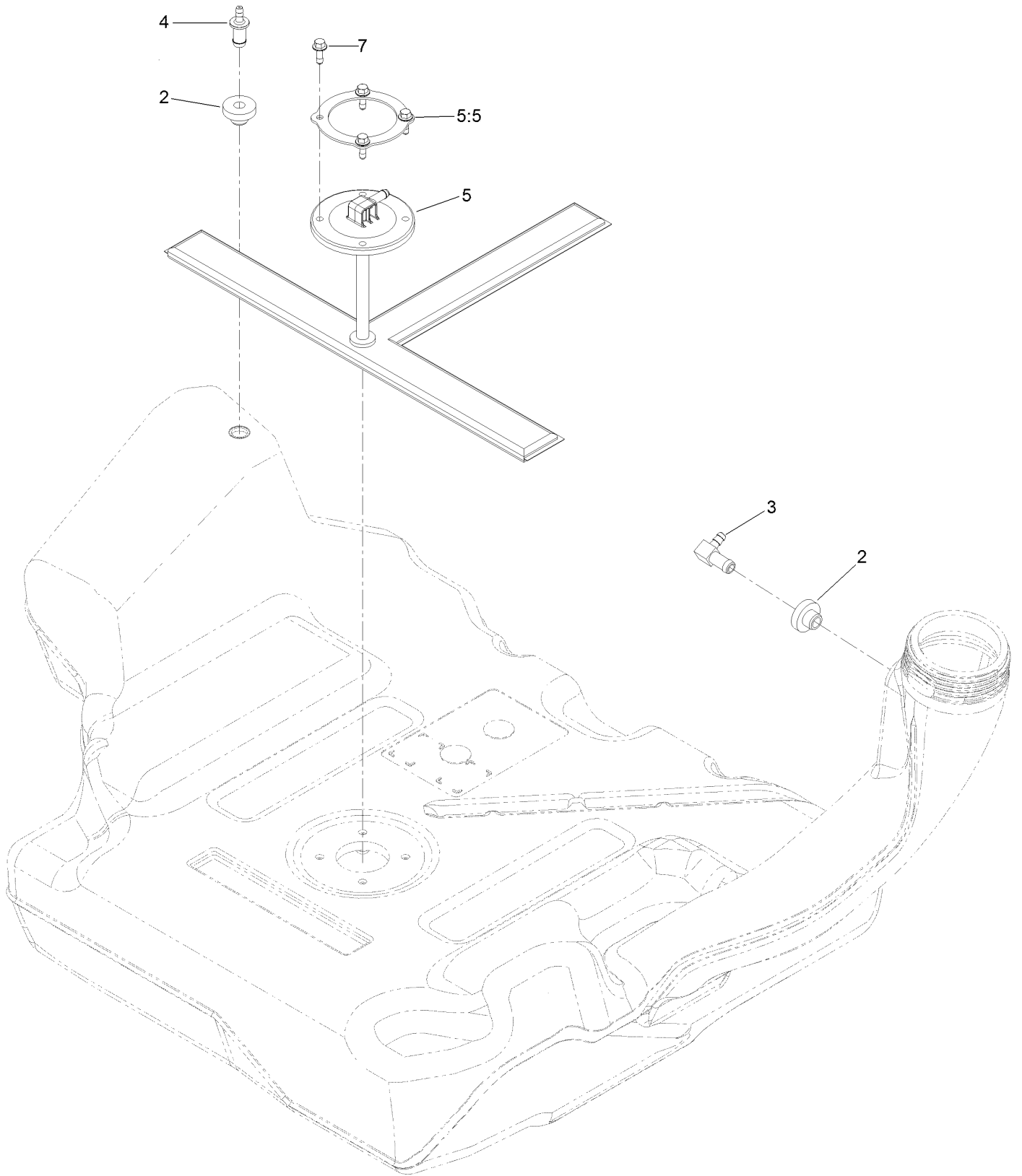
Fuel Assembly



Fuel Assembly (continued)

<i>Ref.</i>	<i>Part Number</i>	<i>Qty.</i>	<i>Description</i>	<i>Ref.</i>	<i>Part Number</i>	<i>Qty.</i>	<i>Description</i>
5	126-8738	1	Vent Hose ASM	7:3	1-603770	1	Valve-Fuel
5:3	116-4769	1	Decal-Filter, Emissions	7:4	2412-98	4	Clamp-Hose
5:7	120-2235	1	Filter-Fuel	8	135-4801	1	Cap-Fuel, Ratcheting
7	126-8740	1	Fuel Hose ASM	9	126-4724	1	Tank-Fuel
7:1	109-0302	1	Hose-Fuel Line 24"	10	126-5523	3	Clip
7:2	109-0678	1	Hose-Fuel	17	1-303287	1	Tie-Cable 5 1/2 (Small)

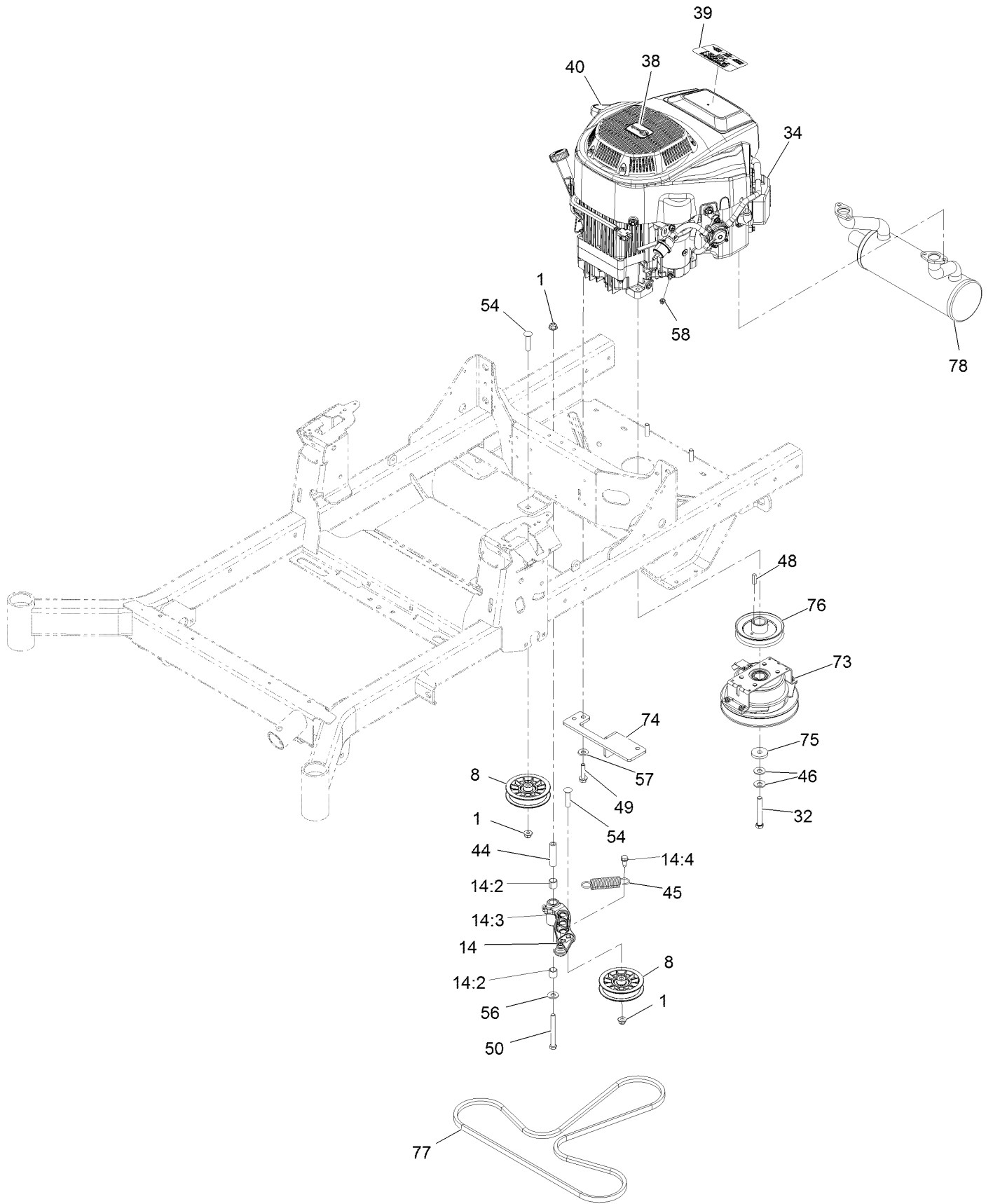
Fuel Tank Assembly



Fuel Tank Assembly (continued)

<i>Ref.</i>	<i>Part Number</i>	<i>Qty.</i>	<i>Description</i>	<i>Ref.</i>	<i>Part Number</i>	<i>Qty.</i>	<i>Description</i>
2	46-6560	2	Bushing	5	126-5528	1	Pickup-Fuel
3	126-9057	1	Fitting-90 DEG	5:5	126-5527	1	Ring-Retainer
4	116-4630	1	Fitting-Orifice, Straight	7	126-5525	4	Bolt

Engine Assembly

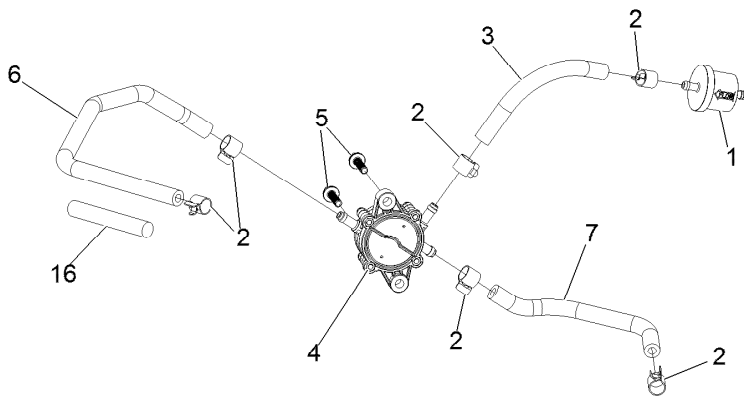


Engine Assembly (continued)

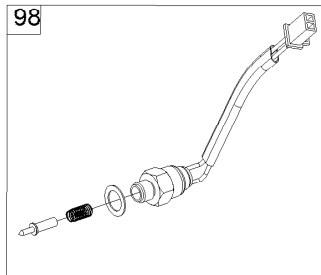
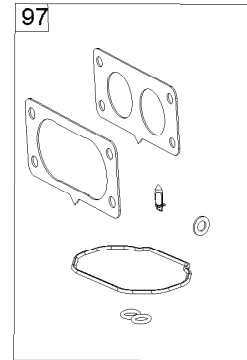
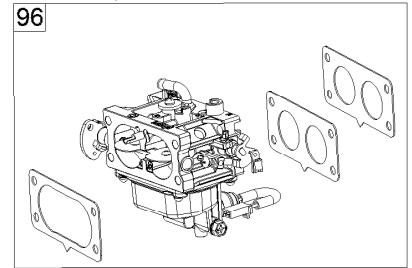
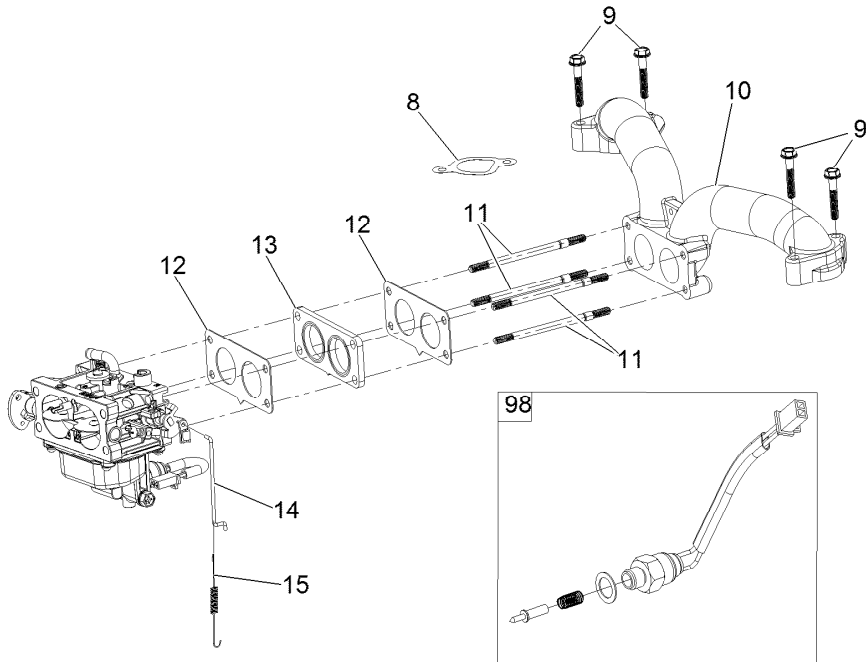
<i>Ref.</i>	<i>Part Number</i>	<i>Qty.</i>	<i>Description</i>	<i>Ref.</i>	<i>Part Number</i>	<i>Qty.</i>	<i>Description</i>
1	104-8301	3	Nut-Nyloc 3/8-16 Flg	46	1-603610	2	Washer-Spring Disc 7/16
8	116-2456	2	Pulley-Flat Idler	48	1-807259	1	Key-Machine 1/4 X 1/4 X 1
14	126-0973	1	Idler Arm ASM	49	32144-102	4	Screw-HWH 3/8-16 X 1 1/2 Taptite
14:2	1-513034	2	Sleeve-Bearing	50	323-15	1	Screw-HH 3/8-16 X 3 1/2
14:3	302-40	1	Zerk-90° 1/4-28	54	3231-29	2	Bolt-Carriage 3/8-16 X 1 3/4
14:4	32144-11	1	Screw-HWH 5/16-18 X 3/4 Tf	56	3256-4	1	Washer-3/8 Std
32	126-7198	1	Screw-HH 7/16-20 X 3 W/Loctite ●	57	98-5975	4	Washer-Spring Disc 3/8
34	136-7818	1	Engine-2P77F	58	33003-00	1	Nut-Hex M6-1 Flg
38	131-1078	1	Decal	73	135-5590	1	Clutch 1.00
39	142-2629	1	Decal-Engine 708 V-Twin Exmark	74	135-5618-03	1	Anchor Clutch [black]
40	131-1097	1	Decal-Drain, Oil	75	1-543610	1	Washer
44	1-603384	1	Bushing-Pivot, Idler	76	135-6571	1	Sheave-Engine
45	1-603402	1	Spring-Extension	77	115-9613	1	V-Belt
				78	126-5864	1	Muffler

● Use Pro-Lock, Nut Type (P/N 1-840022, .5ml tube) on threads.

Fuel System Assembly



IF EQUIPPED WITH CANISTER TYPE AIR FILTER REFER TO KIT MODEL 136-7860 FOR CARBURETOR ASSEMBLY AND INTERNAL CARBURETOR PARTS

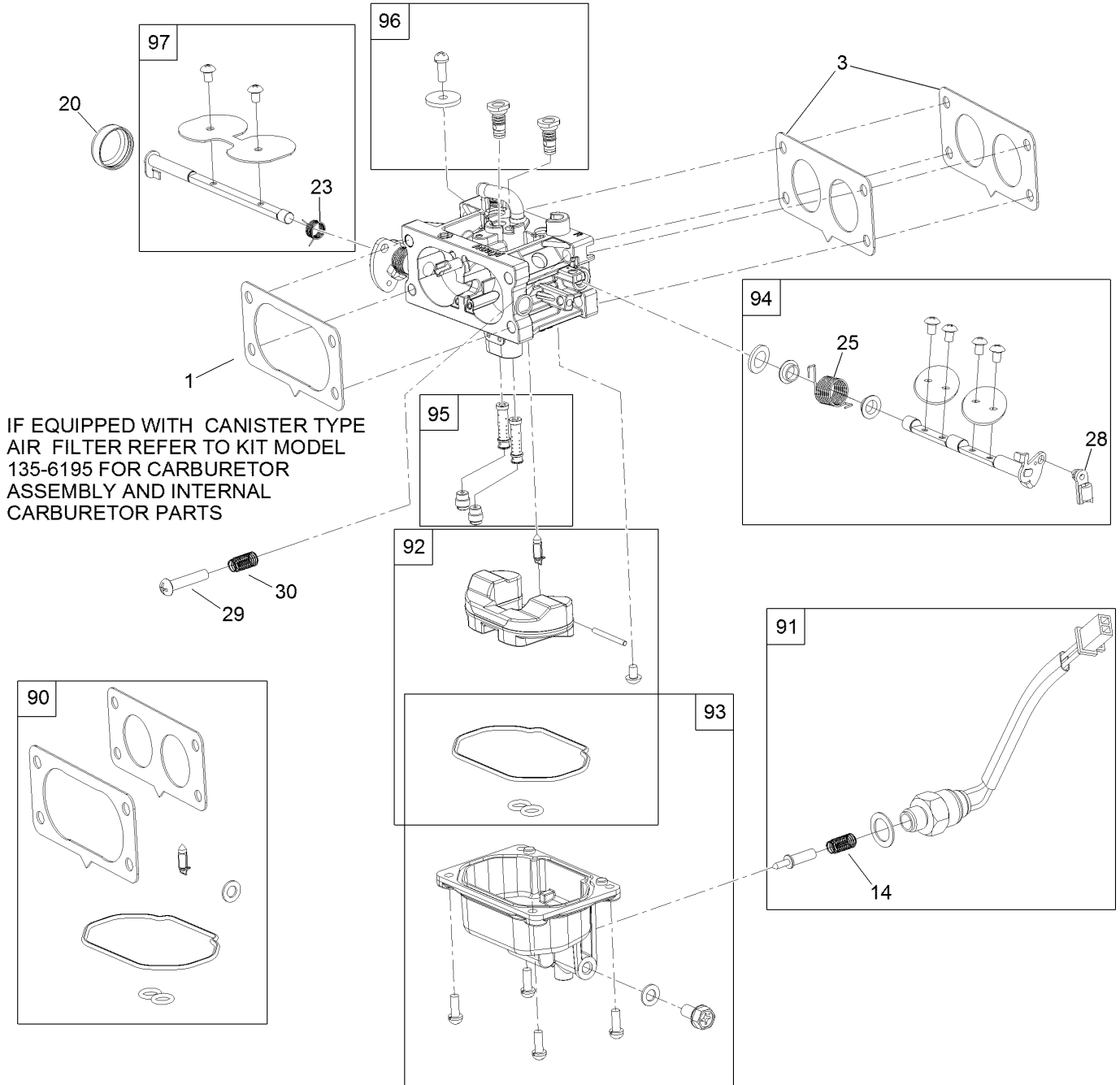


Fuel System Assembly (continued)

<i>Ref.</i>	<i>Part Number</i>	<i>Qty.</i>	<i>Description</i>	<i>Ref.</i>	<i>Part Number</i>	<i>Qty.</i>	<i>Description</i>
1	139-0717	1	Filter-Fuel	11	127-9245	4	Stud
2	139-0719	6	Clamp-Fuel Hose	12	127-9246	2	Gasket-Carburetor
3	120-4371	1	Line-Fuel	13	127-9247	1	Insulator-Carburetor
4	139-0684	1	Pump-Fuel	14	133-9963	1	Linkage-Throttle
5	120-4225	2	Screw-HHF	15	133-9964	1	Spring-Return, Throttle
6	127-9205	1	Hose-Fuel	16	127-9355	1	Sleeve-Fuel Line Protector
7	127-9207	1	Hose-Fuel	96	136-7840	1	Carburetor Replacement Kit
8	127-9230	2	Gasket-Intake	97	127-9290	1	Carburetor Repair Kit
9	120-4284	4	Screw-HHF	98	127-9292	1	Solenoid Kit
10	127-9244	1	Manifold-Intake	99	136-7837	1	High Altitude Kit ●

● Not illustrated

Carburetor Assembly

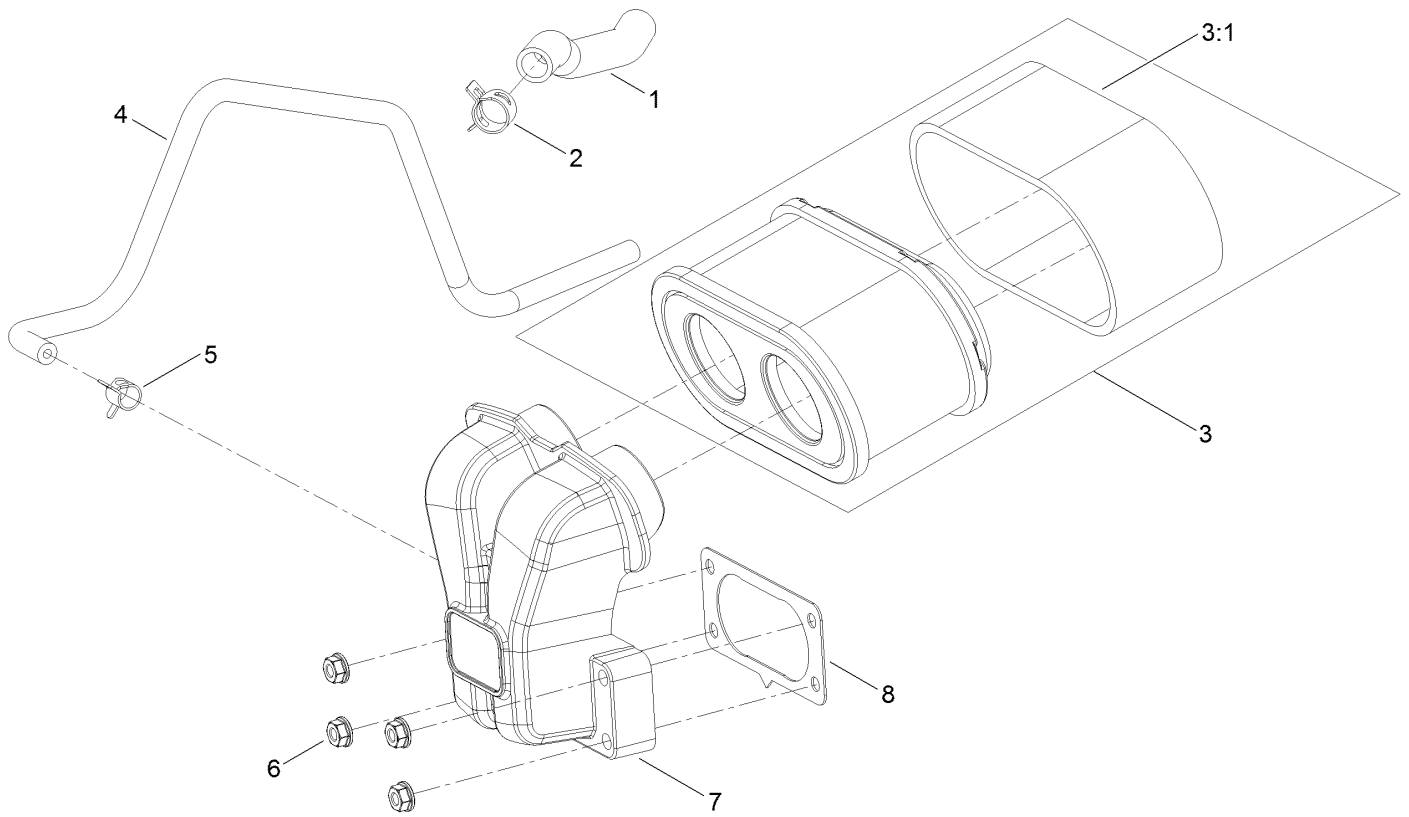


Carburetor Assembly (continued)

<i>Ref.</i>	<i>Part Number</i>	<i>Qty.</i>	<i>Description</i>	<i>Ref.</i>	<i>Part Number</i>	<i>Qty.</i>	<i>Description</i>
1	127-9251	1	Gasket-Carburetor	90	127-9290	1	Carburetor Repair Kit
3	127-9246	2	Gasket-Carburetor	91	127-9292	1	Solenoid Kit
14	127-9319	1	Spring	92	127-9340	1	Float Kit
20	127-9325	1	Cover-Shaft, Choke	93	127-9341	1	Bowl Kit
23	127-9328	1	Spring	94	133-9817	1	Throttle Shaft Kit
25	127-9330	1	Spring	95	136-7844	1	Nozzle And Jet Kit
28	127-9333	1	Clamp-Lock	96	136-7899	1	Idle Jet Kit
29	127-9334	1	Screw-PPH	97	127-9345	1	Choke Shaft Kit
30	127-9335	1	Spring				

Air Intake and Filtration Assembly

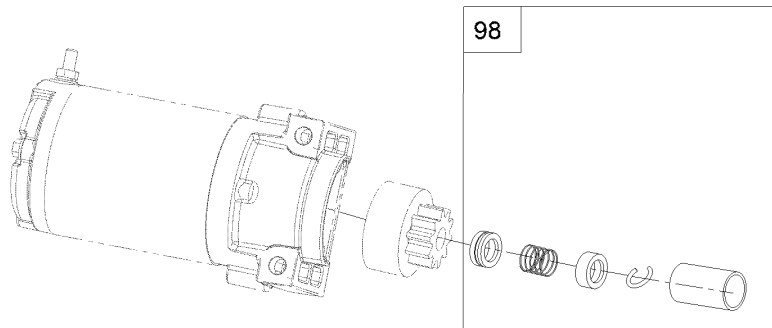
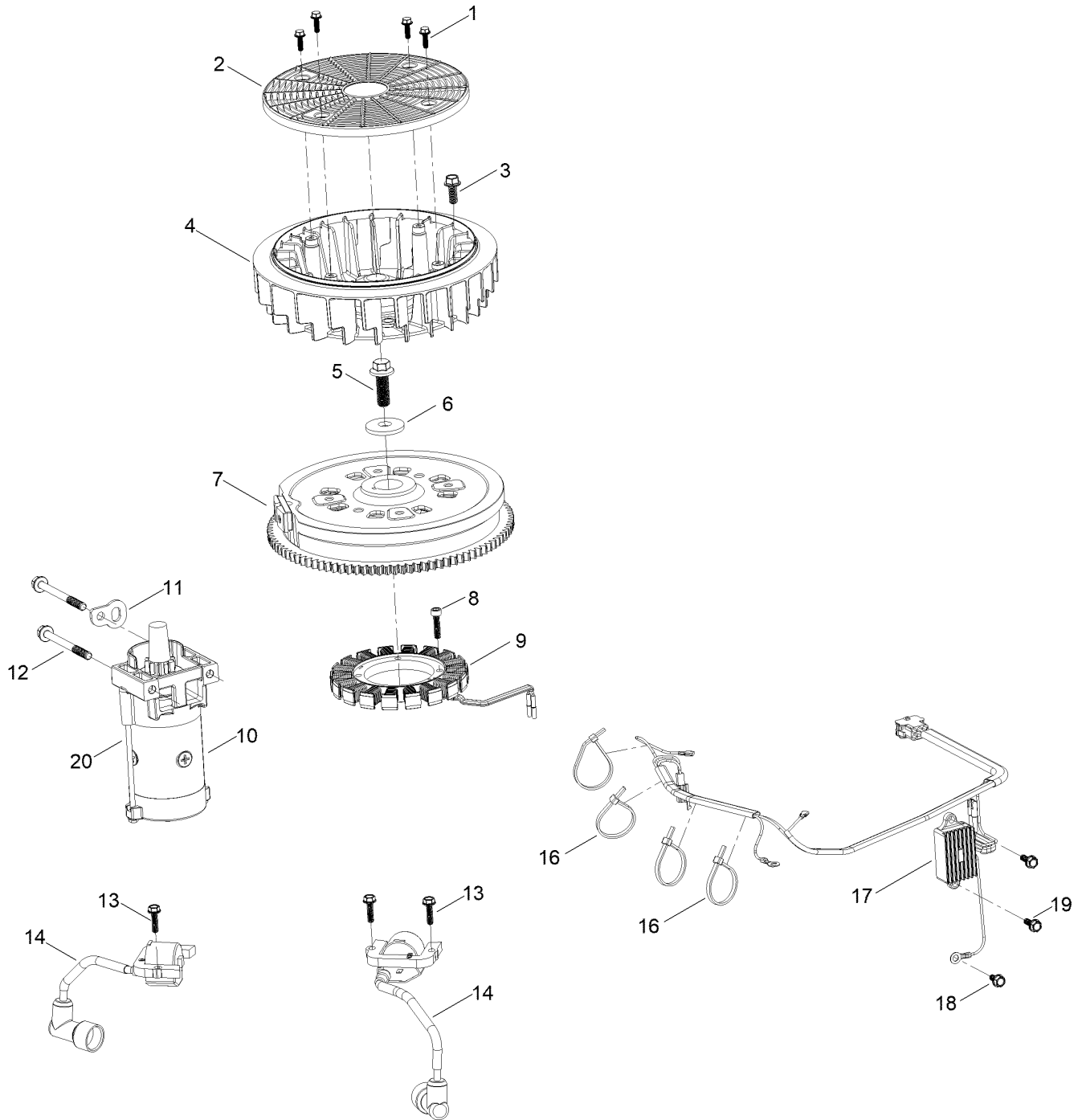
IF EQUIPPED WITH CANISTER TYPE AIR FILTER
REFER TO KIT MODEL 135-6195 TO LOOK UP PARTS



Air Intake and Filtration Assembly (continued)

<i>Ref.</i>	<i>Part Number</i>	<i>Qty.</i>	<i>Description</i>	<i>Ref.</i>	<i>Part Number</i>	<i>Qty.</i>	<i>Description</i>
1	127-9235	1	Tube-Breather	5	127-9187	1	Clamp-Hose
2	127-9234	2	Clamp-Hose	6	120-4236	4	Nut-Flange
3	136-7806	1	Air Filter Kit	7	127-9047	1	Manifold-Filter, Air
3:1	136-7804	1	Prefilter	8	127-9251	1	Gasket-Carburetor
4	127-9253	1	Hose-Fuel				

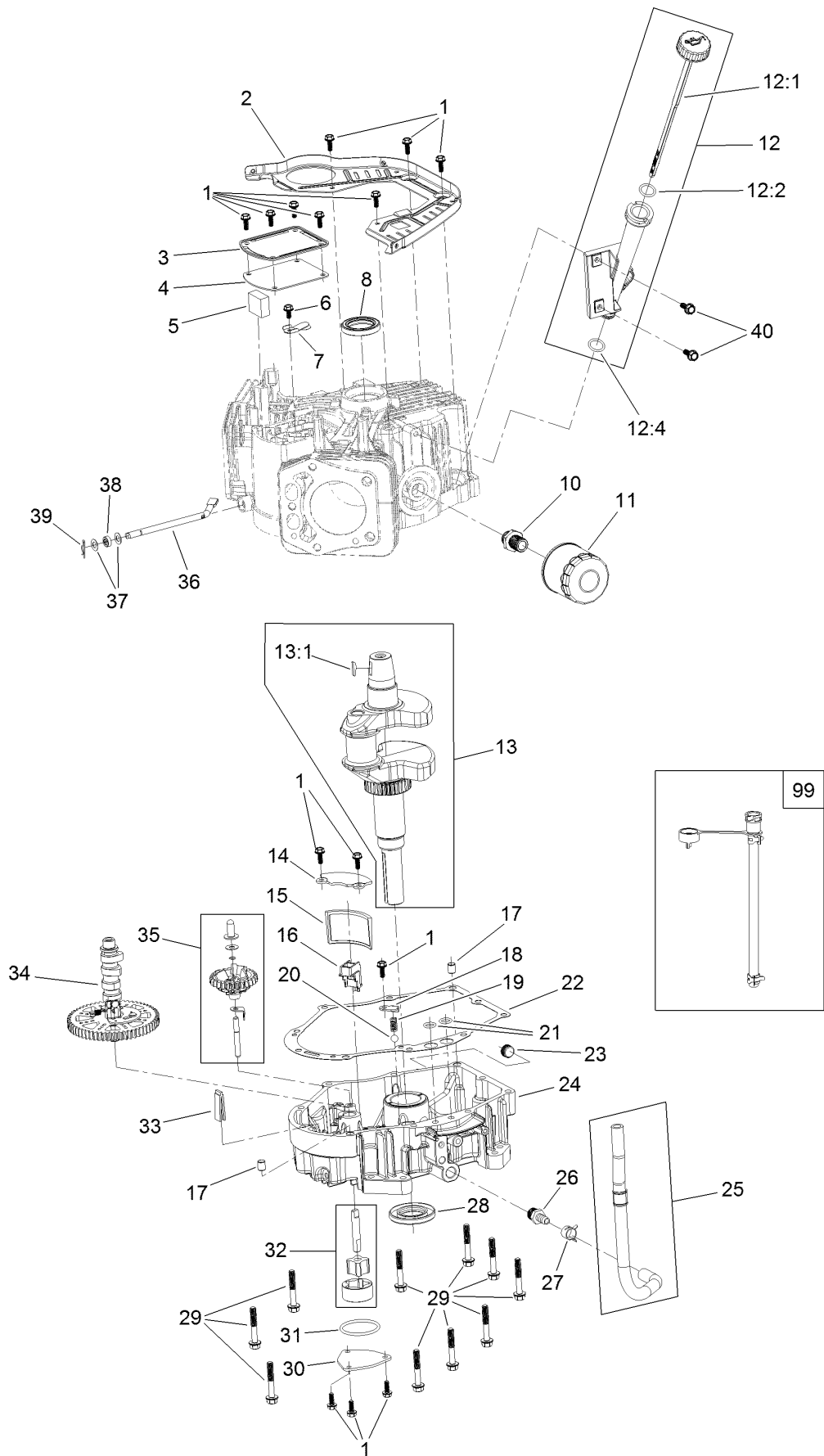
Ignition and Cooling Fan Assembly



Ignition and Cooling Fan Assembly (continued)

<i>Ref.</i>	<i>Part Number</i>	<i>Qty.</i>	<i>Description</i>	<i>Ref.</i>	<i>Part Number</i>	<i>Qty.</i>	<i>Description</i>
1	127-9197	4	Screw-HWH	12	120-4231	2	Screw-HHF
2	127-9198	1	Screen-Rotating	13	121-0007	4	Bolt-Flange
3	127-9199	4	Screw-HWH	14	139-0720	2	Ignition Coil ASM
4	127-9200	1	Fan-Cooling	16	127-9220	4	Tie-Zip
5	127-9201	1	Screw-HWH	17	136-7879	1	Regulator-Voltage, W/Harness
6	127-9202	1	Washer-Spring	18	120-4216	1	Screw-HHF
7	127-9306	1	Flywheel	19	120-4232	2	Screw-HHF
8	127-9210	4	Screw-HSH	20	133-1562	1	Pinion-Starter
9	136-7876	1	Alternator	98	133-1566	1	Starter Repair Kit
10	136-7880	1	Motor-Starter				
11	127-9208	1	Bracket-Lift				

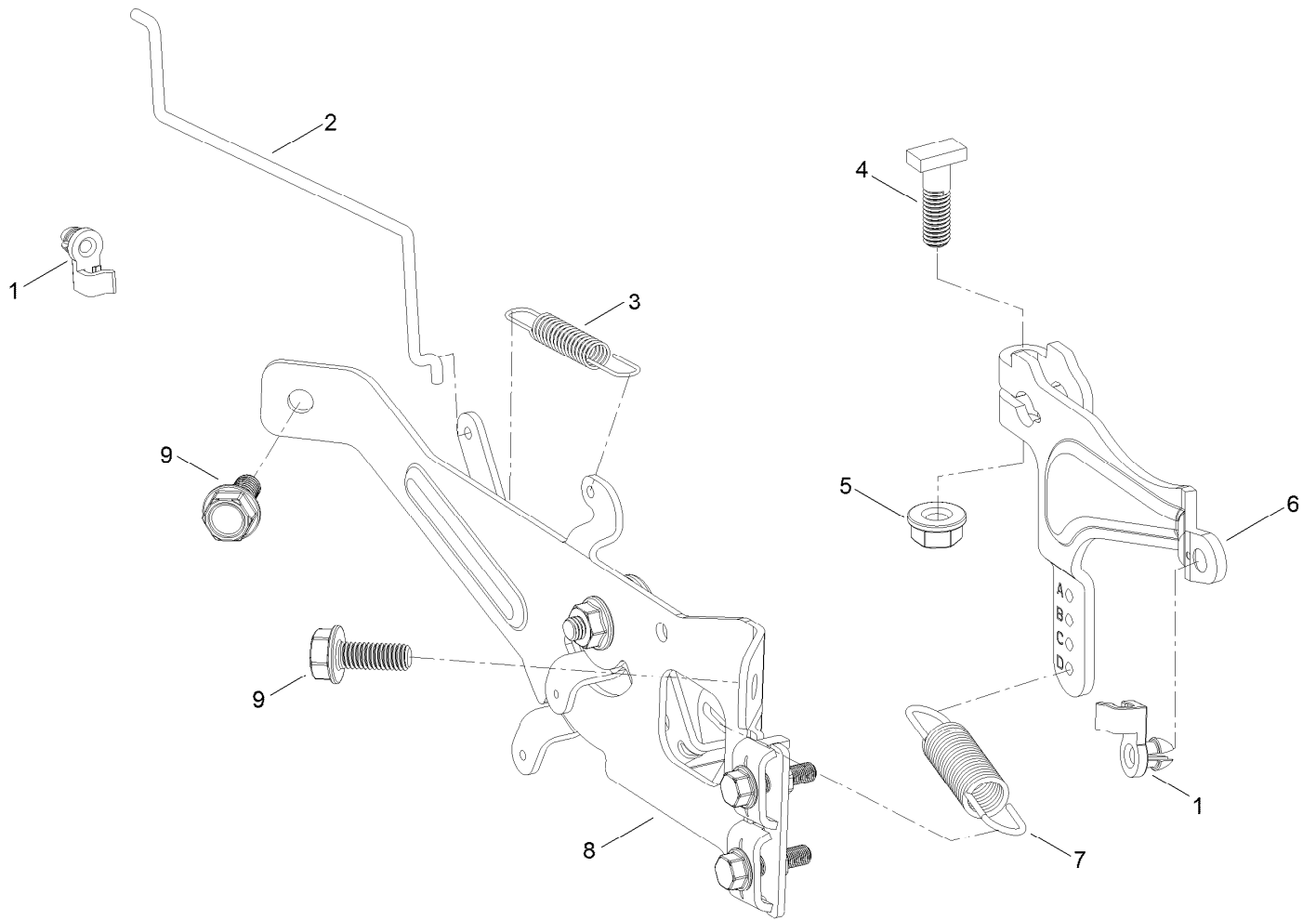
Crankcase and Crankshaft Assembly



Crankcase and Crankshaft Assembly (continued)

<i>Ref.</i>	<i>Part Number</i>	<i>Qty.</i>	<i>Description</i>	<i>Ref.</i>	<i>Part Number</i>	<i>Qty.</i>	<i>Description</i>
1	120-4232	14	Screw-HHF	20	127-9266	1	Valve-Ball
2	127-9212	1	Baffle	21	120-4262	2	O-Ring
3	127-9213	1	Cover-Breather	22	127-9267	1	Gasket-Cover, Crankcase
4	127-9214	1	Gasket-Breather	23	133-9805	1	Plug-Drain
5	127-9215	1	Filter-Breather	24	133-9806	1	Cover-Crankcase
6	120-4216	1	Screw-HHF	25	127-9293	1	Oil Drain Hose ASM
7	127-9217	1	Valve-Breather	26	127-9275	1	Fitting-Hose
8	120-4267	1	Seal-Oil	27	127-9276	1	Clamp-Hose
10	136-7884	1	Adaptor-Filter, Oil	28	127-9271	1	Seal
11	136-7848	1	Filter-Oil	29	121-0473	10	Screw-HHF
12	127-9218	1	Oil Tube ASM	30	127-9274	1	Cover-Oil Pump
12:1	127-9283	1	Dipstick	31	127-9273	1	O-Ring
12:2	127-9284	1	O-Ring	32	127-9272	1	Oil Pump ASM
12:4	127-9286	1	O-Ring	33	120-4275	1	Deflector-Oil, Rubber
13	127-9255	1	Crankshaft	34	133-1568	1	Camshaft
13:1	120-4320	1	Key-Woodruff	35	136-7882	1	Governor ASM
14	127-9261	1	Cover-Screen, Oil	36	127-9238	1	Shaft-Governor
15	127-9262	1	Screen-Oil	37	120-4258	2	Washer-Plain
16	127-9263	1	Retainer-Screen	38	120-4257	1	Seal-Oil
17	120-4274	2	Pin-Dowel	39	120-4256	1	Pin-Hair
18	127-9264	1	Plate-Retainer	40	120-4232	2	Screw-HHF
19	127-9265	1	Spring	99	144-0976	1	Oil Drain Service Kit

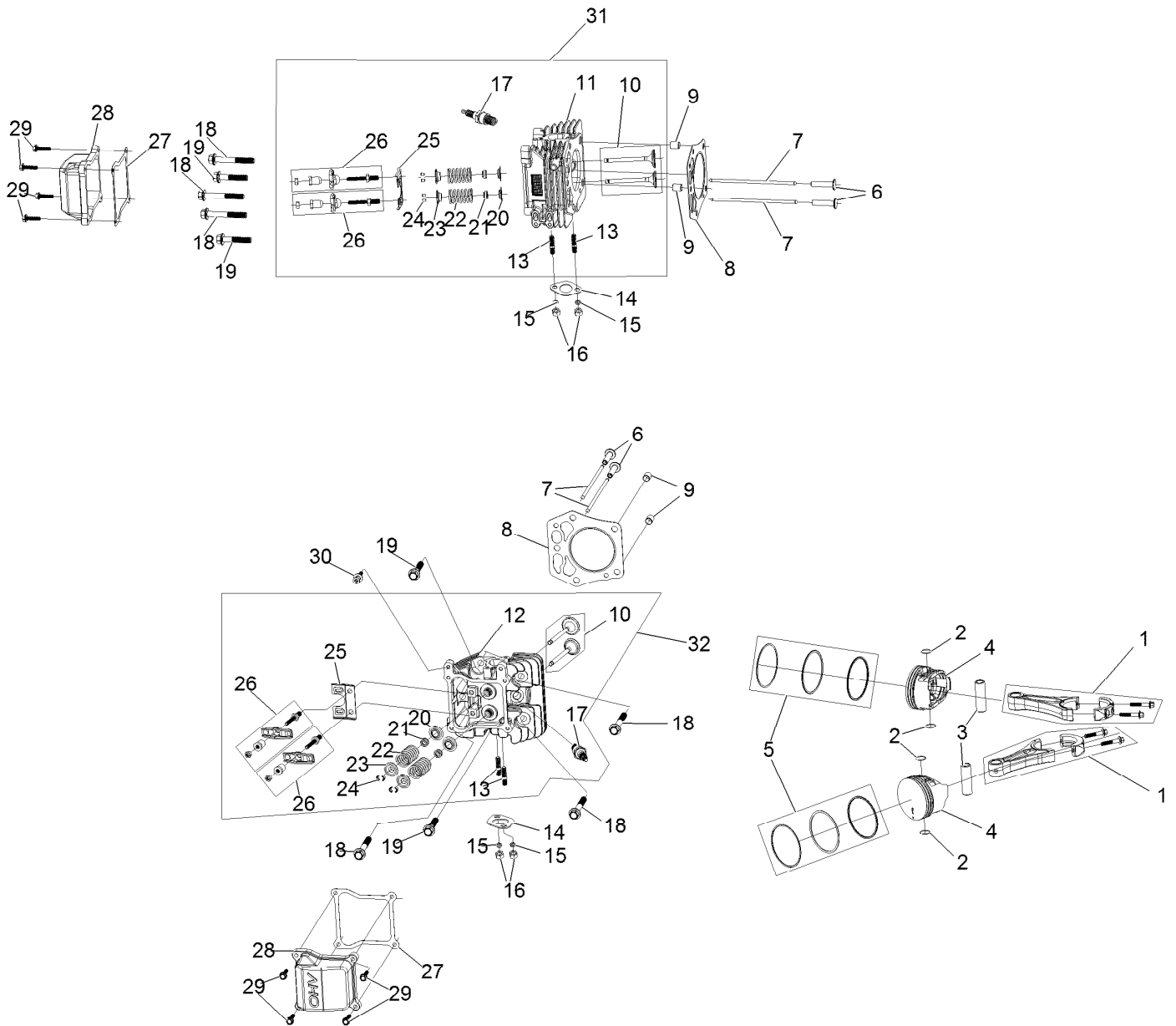
Governor Control Assembly



Governor Control Assembly (continued)

<i>Ref.</i>	<i>Part Number</i>	<i>Qty.</i>	<i>Description</i>	<i>Ref.</i>	<i>Part Number</i>	<i>Qty.</i>	<i>Description</i>
1	127-9250	2	Clip-Linkage	6	133-9961	1	Arm-Governor
2	127-9242	1	Linkage-Choke	7	133-9962	1	Spring-Governor
3	127-9241	1	Spring-Governor	8	133-1570	1	Control Plate ASM
4	120-4238	1	Bolt-Arm, Governor	9	120-4232	2	Screw-HHF
5	120-4236	1	Nut-Flange				

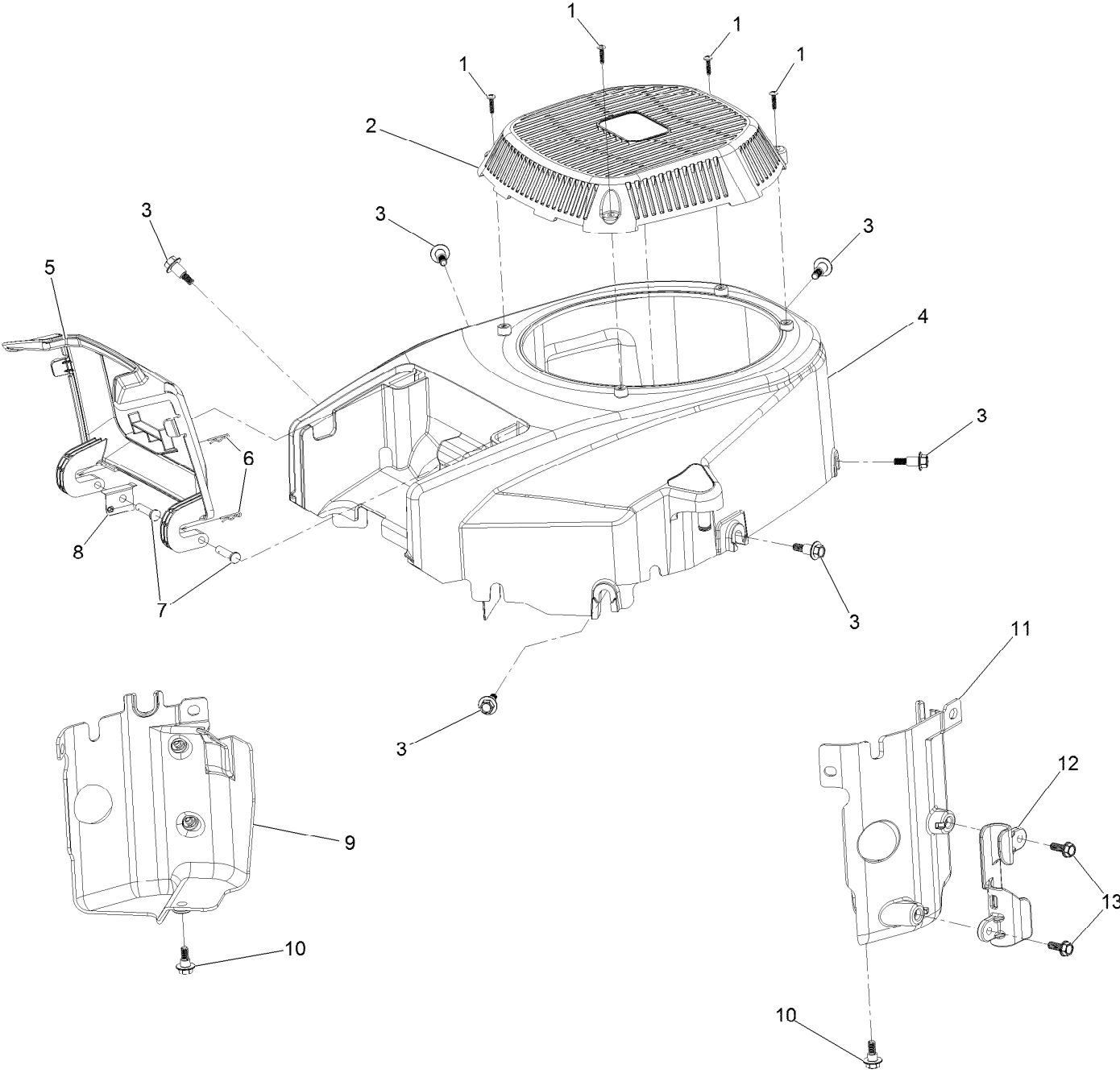
Piston and Cylinder Head Assembly



Piston and Cylinder Head Assembly (continued)

<i>Ref.</i>	<i>Part Number</i>	<i>Qty.</i>	<i>Description</i>	<i>Ref.</i>	<i>Part Number</i>	<i>Qty.</i>	<i>Description</i>
1	127-9256	2	Connecting Rod ASM	17	81-3250	2	Spark Plug
2	127-9258	4	Clip-Pin, Piston	18	127-9231	6	Screw-HWH
3	127-9257	2	Pin-Piston	19	127-9232	4	Screw-HWH
4	127-9259	2	Piston	20	120-4303	4	Seat-Spring, Valve
5	127-9260	2	Piston Ring Set	21	120-4304	4	Seal-Stem, Valve
6	127-9224	4	Lifter-Valve	22	120-4305	4	Spring-Valve
7	127-9225	4	Rod-Push	23	120-4306	4	Retainer-Spring, Valve
8	127-9226	2	Gasket-Head, Cylinder	24	120-4307	8	Keeper-Valve
9	127-9227	4	Pin-Dowel	25	127-9233	2	Plate-Guide, Push Rod
10	127-9228	2	Valve Set	26	136-7881	4	Rocker Arm ASM
11	133-9802	1	Head-Cylinder, Right	27	127-9295	2	Gasket-Valve Cover
12	133-9804	1	Head-Cylinder, Left	28	127-9050	2	Cover-Valve
13	121-0464	4	Stud-Exhaust	29	120-4225	8	Screw-HHF
14	120-4317	2	Gasket-Exhaust	30	120-4214	1	Screw-Shoulder, HH
15	127-9279	4	Washer-Lock, Split	31	136-7891	1	Complete Right Head ASM
16	121-0199	4	Nut-HH	32	136-7892	1	Complete Left Head ASM

Blower Housing Assembly

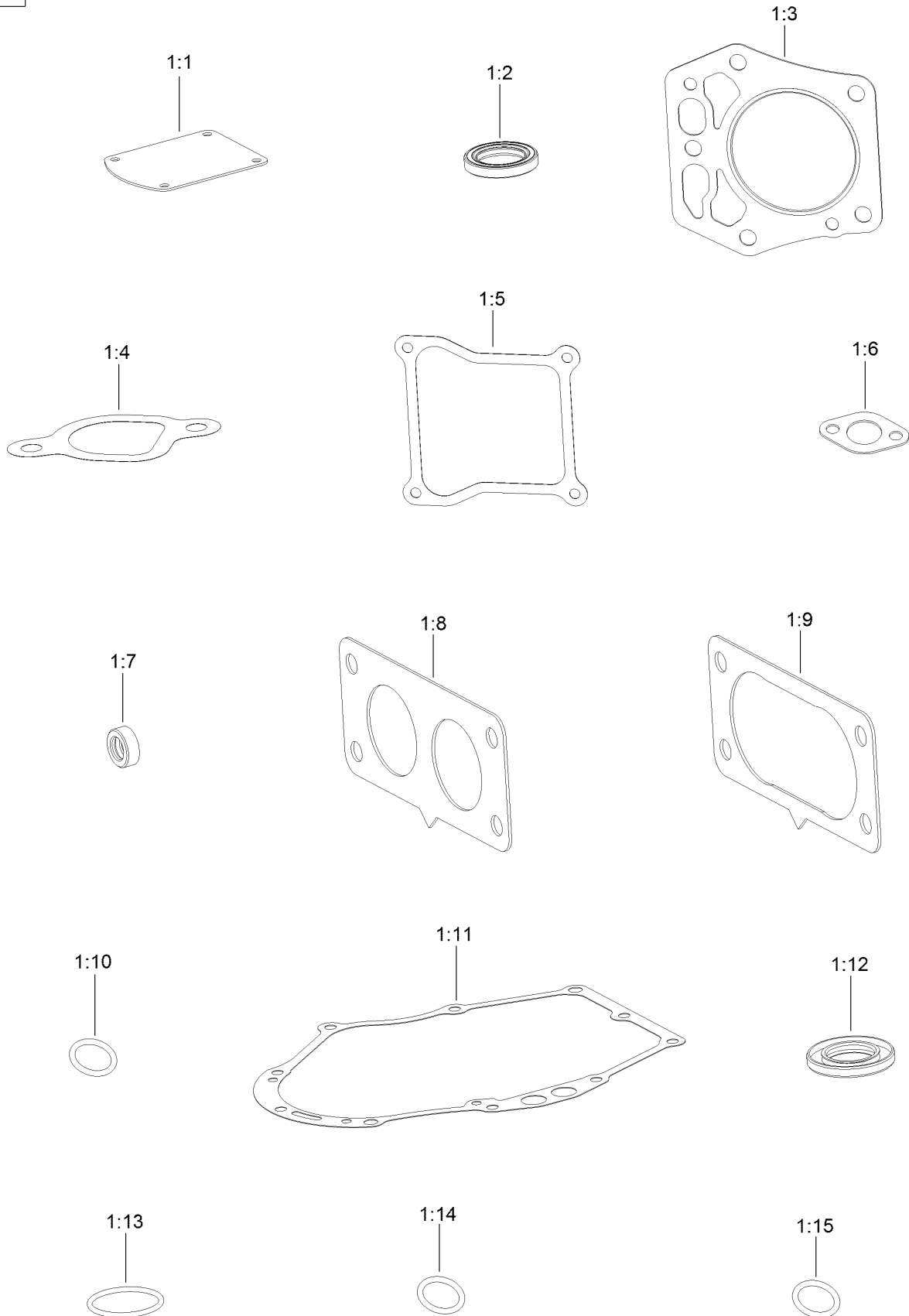


Blower Housing Assembly (continued)

<i>Ref.</i>	<i>Part Number</i>	<i>Qty.</i>	<i>Description</i>	<i>Ref.</i>	<i>Part Number</i>	<i>Qty.</i>	<i>Description</i>
1	133-1571	4	Screw-PPH, Plastic	8	127-9281	1	Plate-Spring
2	127-9045	1	Cover-Fan	9	136-7877	1	Baffle-Air, Left
3	127-9196	6	Screw-Shoulder, HWH	10	120-4210	2	Screw-Shoulder, HHF
4	133-1572	1	Shroud-Engine	11	136-7878	1	Baffle-Air, Right
5	127-9046	1	Door-Filter, Air	12	127-9287	1	Cleat-Hose
6	127-9280	2	Pin-Hair	13	120-4232	2	Screw-HHF
7	127-9282	2	Pin				

Gasket and Seal Kit

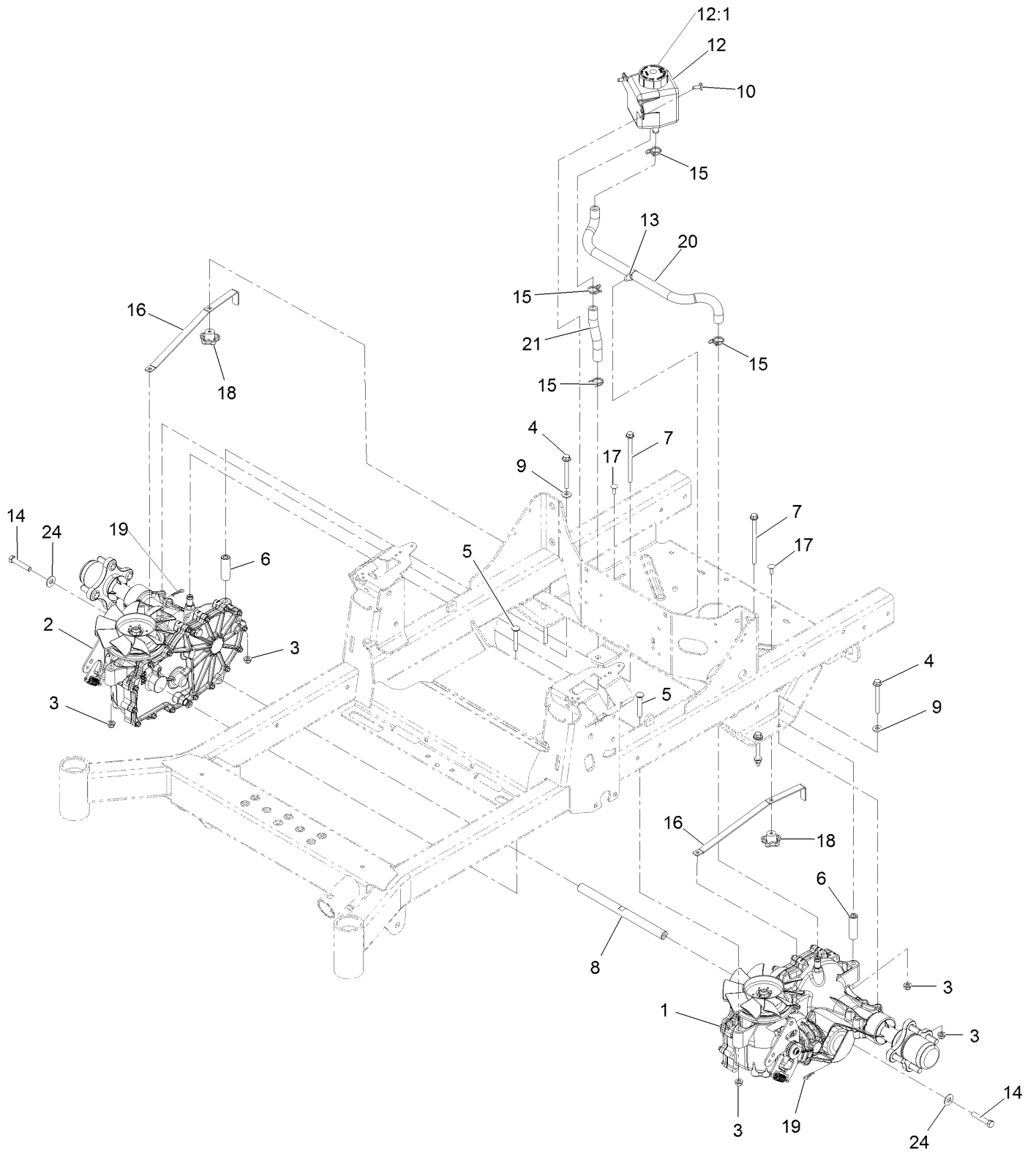
1



Gasket and Seal Kit (continued)

<i>Ref.</i>	<i>Part Number</i>	<i>Qty.</i>	<i>Description</i>	<i>Ref.</i>	<i>Part Number</i>	<i>Qty.</i>	<i>Description</i>
1	127-9296	1	Gasket And Seal Kit	1:8	127-9246	2	Gasket-Carburetor
1:1	127-9214	1	Gasket-Breather	1:9	127-9251	1	Gasket-Carburetor
1:2	120-4267	1	Seal-Oil	1:10	120-4262	2	O-Ring
1:3	127-9226	2	Gasket-Head, Cylinder	1:11	127-9267	1	Gasket-Cover, Crankcase
1:4	127-9230	2	Gasket-Intake	1:12	127-9271	1	Seal
1:5	127-9295	2	Gasket-Valve Cover	1:13	127-9273	1	O-Ring
1:6	120-4317	2	Gasket-Exhaust	1:14	127-9284	1	O-Ring
1:7	120-4257	1	Seal-Oil	1:15	127-9286	1	O-Ring

Transaxle Assembly

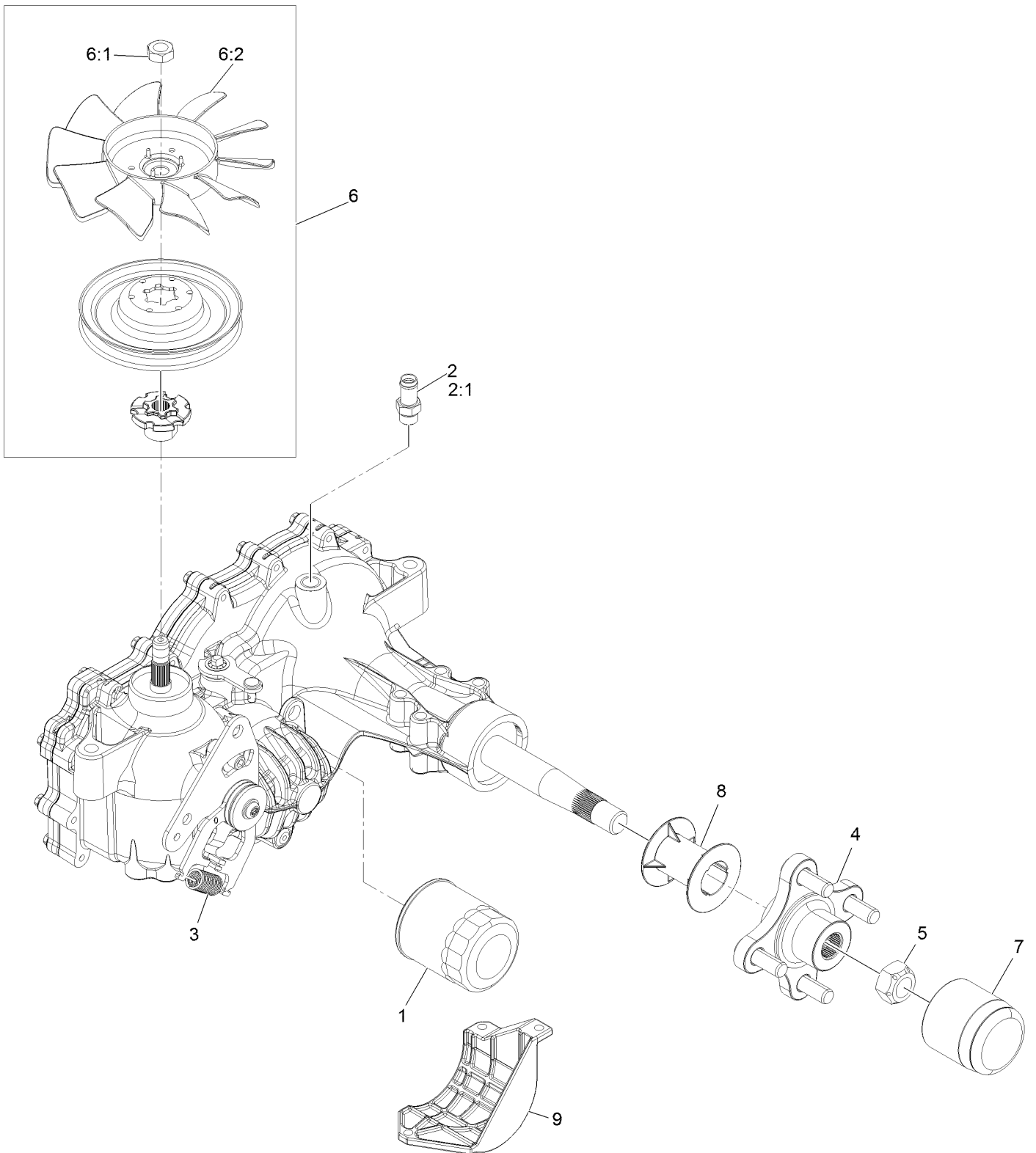


Transaxle Assembly (continued)

<i>Ref.</i>	<i>Part Number</i>	<i>Qty.</i>	<i>Description</i>	<i>Ref.</i>	<i>Part Number</i>	<i>Qty.</i>	<i>Description</i>
1	135-5591	1	Transaxle ASM	12	109-2250	1	Tank-HYD
2	135-5592	1	Transaxle ASM	12:1	109-3320	1	Cap-Reservoir, HYD
3	104-8300	8	Nut-Nyloc 5/16-18 Flg	13	32180-118	1	Clip-Tie
4	126-4687	4	Screw-HHF	14	94-7972	2	Screw-HH W/Loctite ●
5	3230-7	2	Bolt-Carriage 5/16-18 X 2 1/4	15	126-0327	4	Clamp-Hose
6	116-5809	2	Spacer-Hydro	16	109-5395	2	Arm-Bypass, Hydro
7	126-5896	2	Screw HHF	17	3229-1	2	Bolt-Carriage 1/4-20 X 3/4
8	116-6833	1	Shaft-Spacer	18	108-6402	2	Knob-Handle
9	1-303334	4	Washer-Spring Disc 5/16	19	1-806003	2	Hairpin-Cotter
10	126-6266	2	Screw-1/4-20 X .65 Torx Plus	20	126-5668	1	Hose-Hydraulic
				21	126-5669	1	Hose-Hydraulic
				24	3256-4	2	Washer-3/8 Std

● Use Pro-Lock, Nut Type (P/N 1-840022, .5ml tube) on threads.

Left Transaxle Assembly

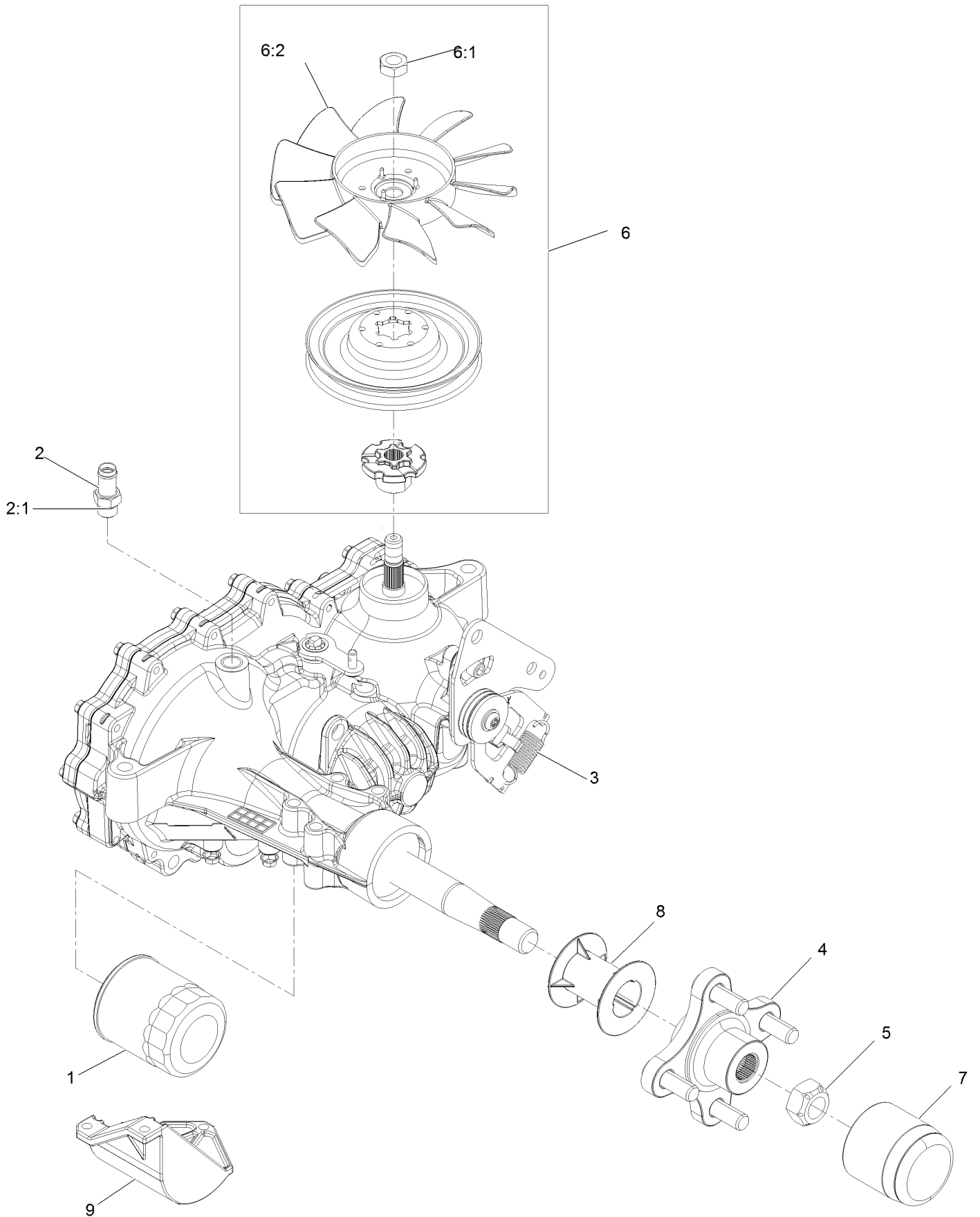


Left Transaxle Assembly (continued)

<i>Ref.</i>	<i>Part Number</i>	<i>Qty.</i>	<i>Description</i>	<i>Ref.</i>	<i>Part Number</i>	<i>Qty.</i>	<i>Description</i>
1	109-3321	1	Element-Oil Filter, HYD	6:1	116-9714	1	Nut-HJ
2	109-3278	1	Adapter-Straight	6:2	126-0226	1	Fan
2:1	237-42	1	O-Ring	7	116-6214	1	Cap-Axle, Long
3	109-5592	1	Spring-Extension	8	116-6213	1	Tube-Axle
4	116-3872	1	Hub-Offset	9	120-7979	1	Guard-Filter, LH
5	109-3536	1	Nut-Hub	99	135-3604	1	Brake Shaft Seal Kit ●
6	135-7347	1	Fan And Pulley Kit	99	109-3537	1	Seal Kit ●

● Not illustrated

Right Transaxle Assembly

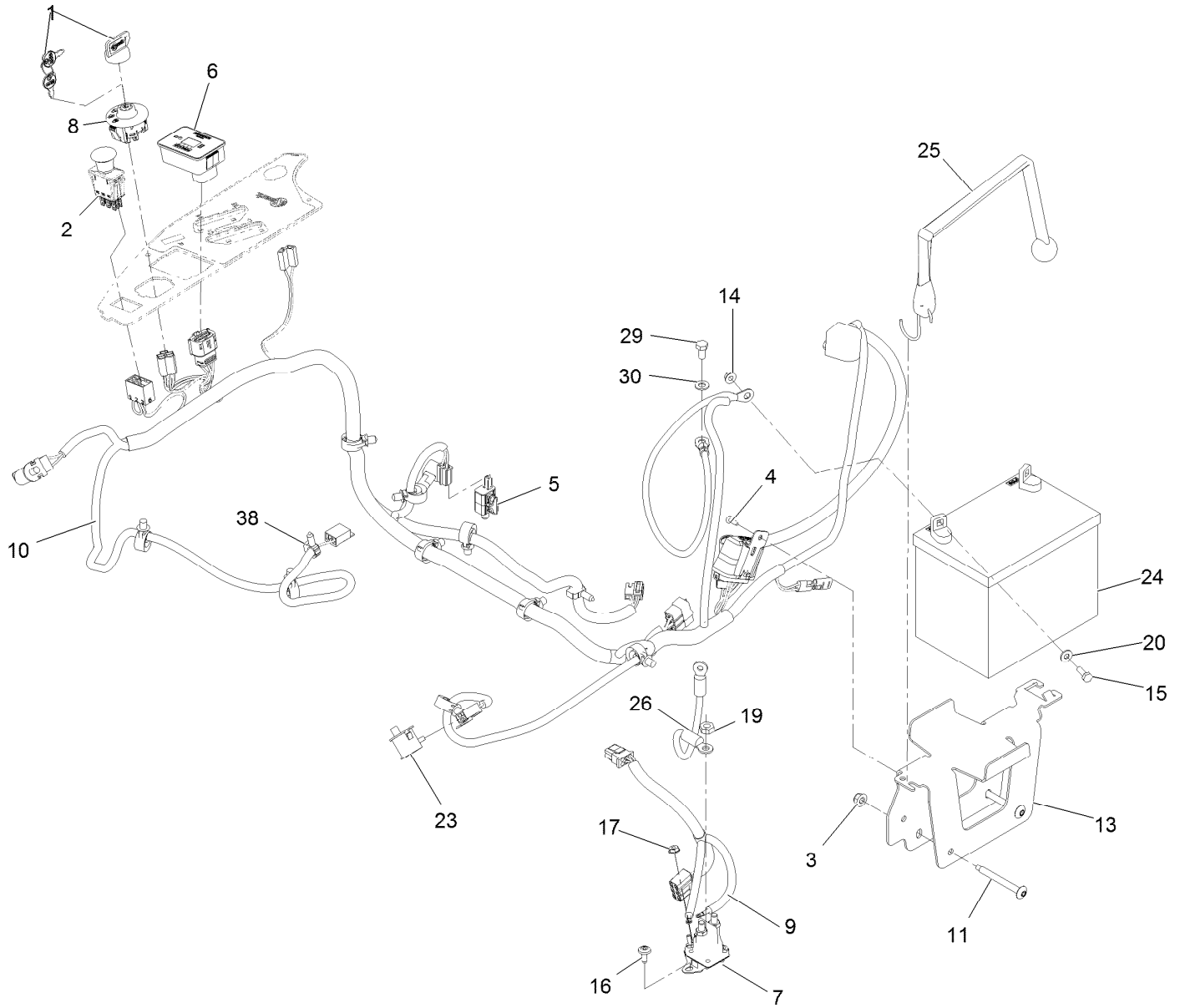


Right Transaxle Assembly (continued)

<i>Ref.</i>	<i>Part Number</i>	<i>Qty.</i>	<i>Description</i>	<i>Ref.</i>	<i>Part Number</i>	<i>Qty.</i>	<i>Description</i>
1	109-3321	1	Filter-Hydraulic	6:1	116-9714	1	Nut-HJ
2	109-3278	1	Adapter-Straight	6:2	126-0226	1	Fan
2:1	237-42	1	O-Ring	7	116-6214	1	Cap-Axle, Long
3	109-5592	1	Spring	8	116-6213	1	Tube-Axle
4	116-3872	1	Hub-Offset	9	120-7981	1	Guard-Filter, RH
5	109-3536	1	Nut-Hub	99	109-3537	1	Seal Kit ●
6	135-7347	1	Fan And Pulley Kit	99	135-3604	1	Brake Shaft Seal Kit ●

● Not illustrated

Electrical Assembly

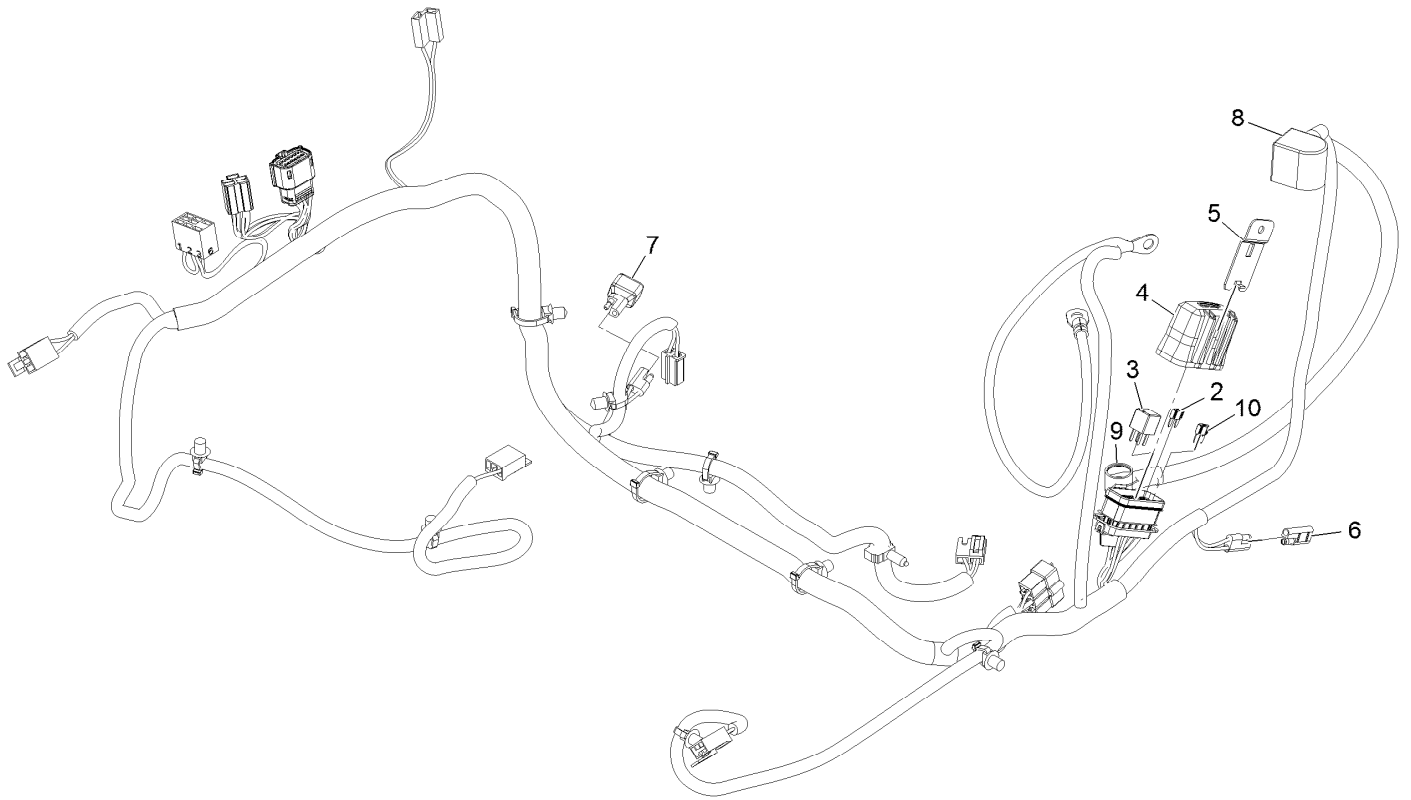


Electrical Assembly (continued)

<i>Ref.</i>	<i>Part Number</i>	<i>Qty.</i>	<i>Description</i>	<i>Ref.</i>	<i>Part Number</i>	<i>Qty.</i>	<i>Description</i>
1	1-603511	1	Key-Ignition	14	32128-33	2	Nut-Whizlock 1/4-20
1	103-2106	1	Key-Exmark Logo	15	321-4	2	Screw-HH 1/4-20 X 3/4
2	103-5221	1	Switch-PTO	16	126-6266	2	Screw-1/4-20 X .65 Torx Plus
3	104-8300	2	Nut-Nyloc 5/16-18 Flg	17	32149-8	2	Nut-Keps 10-32 Unf Yz
4	105-6849	1	Screw-Tph #10-24 X 1/2 Tf	19	3220-2	1	Nut-Jam 5/16-24
5	110-6765	1	Switch	20	3256-22	2	Washer-1/4 SAE
6	116-5609	1	Module ASM	23	82-2190	2	Switch
7	117-1197	1	Solenoid	24	110-6657	1	Battery-195 CCA, Wet
8	137-4100	1	Switch-Ignition	25	126-7627	1	Strap-Bungee
9	126-5036	1	Adapter-Harness, Wire	26	100-3540	1	Cable-Battery, Positive
10	126-5803	1	Harness-Wire ●	29	135-2868	1	Screw-HH
11	126-6267	2	Screw-Truss HD 5/16-18 X 2 3/4 Torx Plus	30	3256-23	1	Washer-5/16 SAE
13	126-6725-03	1	Tray-Battery	38	32180-037	1	Clip-Harness

● Use dielectric grease on all unsealed connectors and terminals only. Do not apply in sealed connectors.

Harness Assembly No. 126-5803



Harness Assembly No. 126-5803 (continued)

<i>Ref.</i>	<i>Part Number</i>	<i>Qty.</i>	<i>Description</i>	<i>Ref.</i>	<i>Part Number</i>	<i>Qty.</i>	<i>Description</i>
2	121-8868	1	Fuse-Mini Blade, 20 Amp	7	103-3895	1	Diode
3	126-3991	1	Relay-Micro	8	126-8876	1	Insulator-Battery
4	32180-176	1	Cover-Block, Fuse	9	1-543393	1	Insulator-Solenoid
5	32180-177	1	Clip-Mounting	10	121-8867	1	Fuse-Mini Blade, 15 Amp
6	116-0053	1	Cap-Plug				

Notes:

Notes:

Notes:



MAXIMIZE THE PERFORMANCE OF YOUR EXMARK MACHINE.



EXMARK® PREMIUM ENGINE OIL

Exmark now offers a family of engine oil viscosities to perform well in any environment. Each viscosity has the same synthetic formulation to give you what you need in punishing conditions. We designed each grade to the highest quality, making it ideal even for diesel applications. Coupled with Exmark Premium Fuel Treatment, we have the performance products to make your machine hum.

EXMARK PREMIUM ENGINE OIL SAE 30/10W-30

- Meets zero shear requirements of a straight grade SAE 30 as well as the cold temp properties of a 10W-30.
- Most versatile oil in the industry.
- Superior corrosion protection over conventional oil - even in corrosive, humid environments.

EXMARK PREMIUM ENGINE OIL SAE 20W-50

- Perfect for your big block engine, or any application in severe service.
- Same full synthetic formulation as all other Exmark Premium viscosities.
- Also effective for use in severe service small block engines.

EXMARK PREMIUM ENGINE OIL SAE 10W-50

- Full synthetic formulation gives you peak performance. Don't settle for less.
- Wide span multi-grade combines easy starting in cold weather with maximum protection in high temperature operation.
- Reduce friction & wear over standard mineral formulations.

EXMARK PREMIUM ENGINE OIL SAE 0W-40

- The perfect choice for when the weather turns cold or unpredictable, and your Exmark UTV has to perform.
- Commercial quality for severe service.
- Advanced additive package helps prevent corrosion from long-term storage.

EXMARK PREMIUM ENGINE OIL UTV FORMULATION

- 4-cycle high-temp formulation.
- Heavier viscosity, full synthetic, perfect for your UTV.

EXMARK PREMIUM UTV EXTREME CONDITIONS GEAR OIL

- SAE 80W-90, designed to keep your UTV performing at its peak.
- Shear stable, hypoid gear lube.
- Includes a premium additive system to combat wear, oxidation, rust & corrosion.

Available from your local Exmark dealer. Find your closest dealer at exmark.com

EXMARK ACCESSORIES AND OPTIONS*

MID-MOUNT RIDING ACCESSORIES AND OPTIONS

CUSTOM RIDE SEAT SUSPENSION SYSTEM	OPERATOR CONTROLLED DISCHARGE
FULL SUSPENSION SEAT	SUN SHADE
DECK LIFT ASSIST KIT	TRASH CONTAINER
HITCH KIT	TURF STRIPER
LIGHT KIT	ULTRA VAC COLLECTION SYSTEM
12V POWER PORT	ULTRA VAC QUICK DISPOSAL SYSTEM
MICRO-MULCH SYSTEM	

OUT-FRONT RIDING ACCESSORIES AND OPTIONS

CUSTOM RIDE SEAT SUSPENSION SYSTEM	SNOW BLADE
DUAL-TAIL WHEEL	SNOWBLOWER
FLOOR PAN EXTENDER	SUN SHADE
HITCH KIT	TRASH CONTAINER
LIGHT KIT	ULTRA VAC COLLECTION SYSTEM
MICRO-MULCH SYSTEM	ULTRA VAC QUICK DISPOSAL SYSTEM
ROLL OVER PROTECTION SYSTEM (ROPS)	WEATHER CAB

WALK-BEHIND ACCESSORIES AND OPTIONS

GRASS CATCHER	TURF STRIPER
MICRO-MULCH SYSTEM	STANDON

*Some accessories and options not available for some models.

Place Model No. and Serial No.
Label Here (Included in the Literature
Pack) or Fill in Below

Model No. _____

Serial No. _____

Date Purchased _____

Engine Model No. and Spec. No. _____

Engine Serial No. (E/No) _____

© 2021 Exmark Mfg. Co., Inc.
415 Industrial Row
Beatrice, NE 68310
All Rights Reserved

Part No. 4505-737 Rev. B
(402) 223-6375
Fax (402) 223-5489
Printed in the USA.

